

Panasonic

Parts List

File No.

Air Conditioner

U-8LE1E8

U-10LE1E8

Destination

Europe

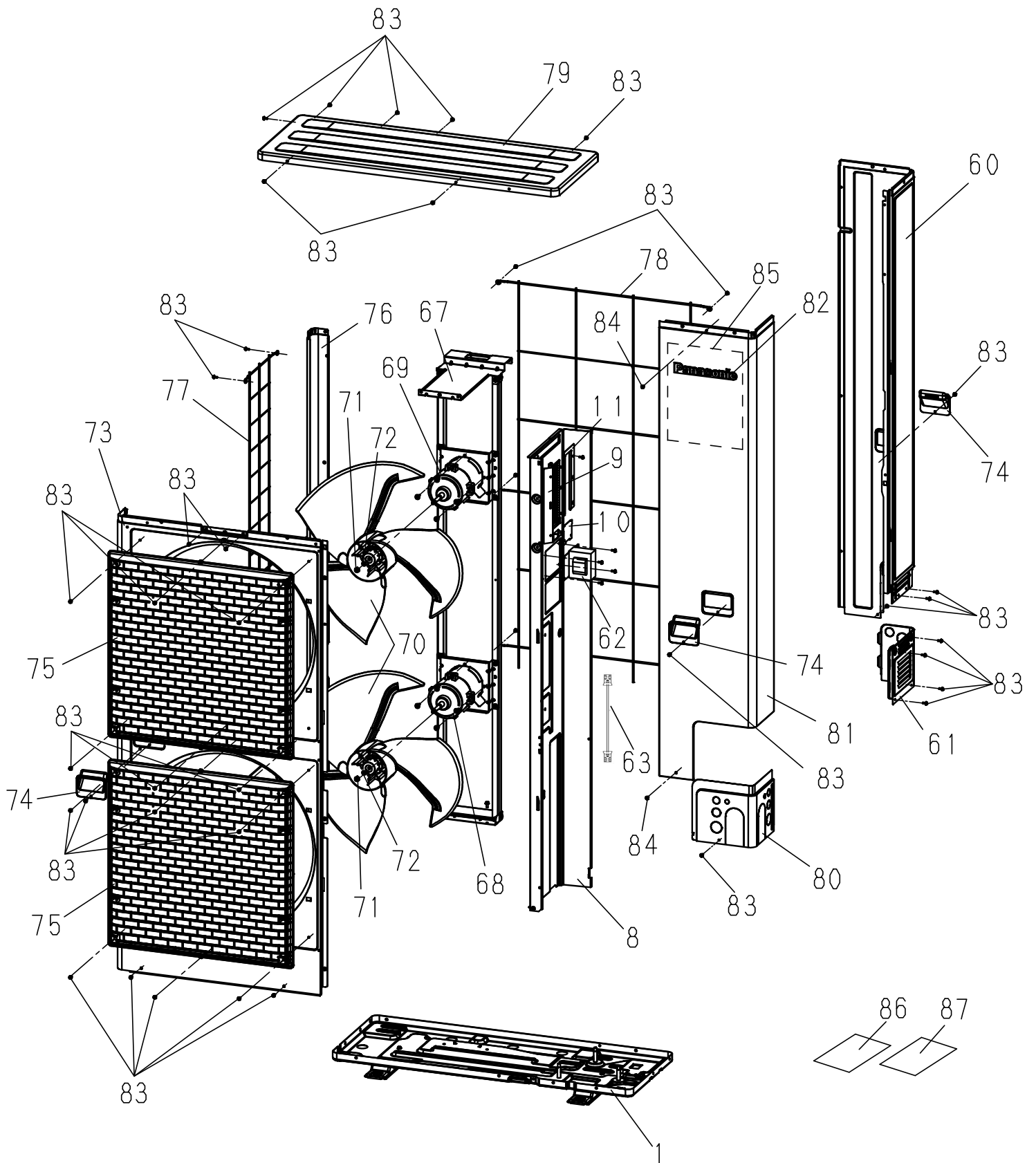
RoHS

• This product does not contain any hazardous substances prohibited by the **RoHS** Directive.

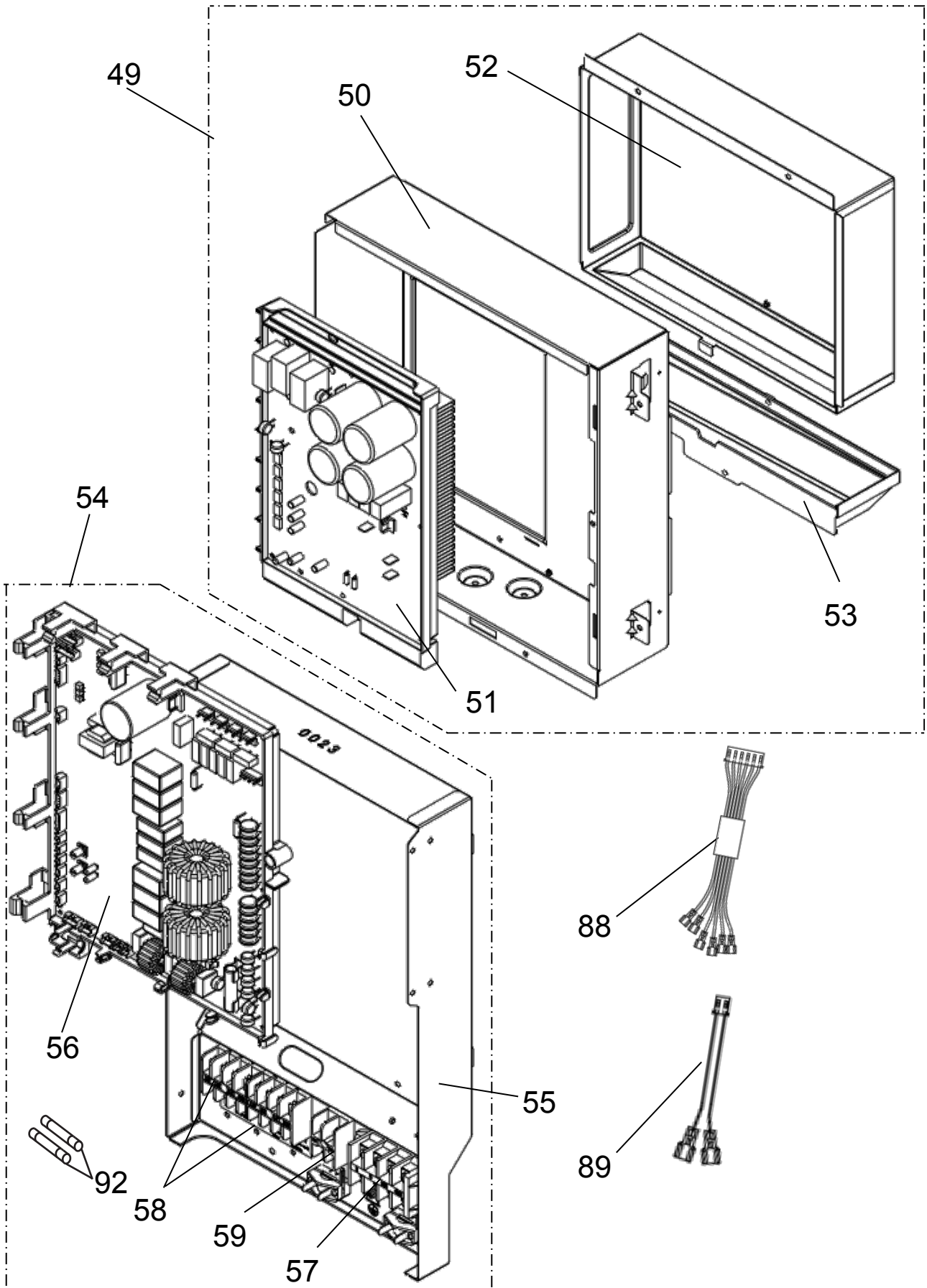
WARNING

- You are requested to use **RoHS** compliant parts for maintenance or repair.
- You are requested to use lead-free solder.

REFERENCE No. PH0616-0



U-8LE1E8
U-10LE1E8



ATTENTION!

To ensure correct parts supply ,please let us know the following,

Part No. when you make service parts order:

1.Part No. 2.Description 3.Q'ty 4.Volts-Hz-Ph 5.Product Model No.

Europe
U-8,10LE1E8
OUTDOOR UNIT

KeyNo.	Description	8Q'ty	10Q'ty	Reference No.	Available in EyesG21
1	BASE PAN ASSY	1	1	CWD52K1396A	O
*	2 COMPRESSOR	1	1	ACXB09-00470	O
3	ANTI-VIBRATION BUSHING	3	3	CWH50055	O
4	NUT	3	3	CWH561049	O
*	5 HEATER	1	1	ACXA34-00060	O
6	CONDENSER COMPLETE	1	1	ACXB32C01080	O
7	MANIFOLD TUBE ASSY	1	1	ACXT07K00460	O
8	SOUND-PROOF BOARD	1	1	CWH151426	O
9	PARTICULAR PIECE	1	1	CWD934083	
10	PARTICULAR PIECE	1	1	CWD934094	
11	PARTICULAR PLATE	1	1	ACXD90-00620	
12	ACCUMULATOR	1	1	ACXB13-00040	O
13	OIL SEPARATER	1	1	ACXB16-00010	O
14	TUBE ASSY-COMplete	1	1	ACXT00C02530	
*	15 PRESSURE SENSING DEVICE	1	1	CWA501463	O
16	CAPILLARY TUBE	1	1	ACXB15-00770	O
17	CAPILLARY TUBE ASSY	1	1	ACXB15K00450	O
18	CAPILLARY TUBE	1	1	ACXB15-00800	
*	19 STRAINER	1	1	CWB111070	O
20	SOUND PROOF MATERIAL	1	1	ACXG30-00490	O
21	TUBE ASSY	1	1	ACXT00-05060	
22	TUBE ASSY-COMplete	1	1	ACXT00C02540	
*	23 4-WAYS VALVE	1	1	CWB001112	O
*	24 3-WAYS VALVE	1	1	CWB011859	O
*	25 STRAINER	1	1	ACXB11-00050	O
*	26 CHECK VALVE	1	1	CWB031110	O
*	27 PRESSURE SWITCH	1	1	CWA101033	O
*	28 PRESSURE SENSING DEVICE	1	1	CWA501463	O
*	29 3-WAYS VALVE	1	1	CWB011858	O
*	30 STRAINER	2	2	ACXB11-00040	O
*	31 EXPANSION VALVE	2	2	CWB051064	O
32	PARTICULAR PLATE	1	1	CWD912678	
33	TUBE ASSY-COMplete	1	1	ACXT00C02580	
34	PARTICULAR PLATE	1	1	CWD912682	
*	35 2-WAYS VALVE	1	1	CWB021604	O
36	STRAINER	1	1	CWB111058	O
*	37 V-COIL COMPLETE (20S)	1	1	ACXA43C00520	O
*	38 V-COIL COMPLETE (MOV1/MOV2)	2	2	ACXA43C00140	O
*	39 V-COIL COMPLETE (ORVR)	1	1	ACXA43C00390	O
40	PLATE SPRING	3	3	CWH711010	
41	PLATE SPRING	2	2	CWH711013	
*	42 THERMISTOR (EXL)	1	1	ACXA50C00370	O
*	43 THERMISTOR (EXG)	1	1	ACXA50C00520	O
*	44 THERMISTOR (SCT)	1	1	CWA50C2842	O
*	45 THERMISTOR (TO)	1	1	ACXA50C00710	O
*	46 THERMISTOR (OIL)	1	1	ACXA50C00540	O
47	LEAD WIRE-COMplete (HPS)	1	1	ACXA60C03070	O
48	LEAD WIRE-COMplete (LPS)	1	1	ACXA60C03080	O
49	CONTROL BOARD-COMplete	1	1	ACXH10C04370	
50	CONTROL BOARD	1	1	CWH102625	O

NOTE: Metal and plastic parts will be supplied basically with necessary heat insulation pads or packing. Each key number with an asterisk (*) means the recommended service parts.

ATTENTION!

To ensure correct parts supply ,please let us know the following,

Part No. when you make service parts order:

1.Part No. 2.Description 3.Q'ty 4.Volts-Hz-Ph 5.Product Model No.

Europe
U-8,10LE1E8
OUTDOOR UNIT

KeyNo.	Description	8Q'ty	10Q'ty	Reference No.	Available in EyesG21
* 51	ELECTRONIC CONTROLLER-COMPLETE (HIC)	1	1	ACXA73C00720	O
52	PARTICULAR PLATE-ASSY	1	1	ACXD90K00010	
53	DRAIN PAN	1	1	CWH401093	O
54	CONTROL BOARD-COMPLETE	1	1	ACXH10C05700	
55	CONTROL BOARD ASSY	1	1	ACXH10K00140	O
* 56	PC BOARD W/COMPONENT	1	1	ACXA73C03490	O
* 57	TERMINAL BOARD ASSY	1	1	CWA28K1109	O
* 58	TERMINAL BOARD ASSY	-	-	-	
* 59	TERMINAL BOARD ASSY	1	1	CWA28K1080J	O
60	CABINET REAR PLATE-COMPLETE	1	1	CWE02C1086	O
61	L-SHAPED PLATE	1	1	CWD601317A	
62	FIXED INDUCTORS	1	1	G0C392J00015	O
63	LEAD WIRE-COMPLETE (RE1/RE2)	2	2	ACXA60C03360	
64	LEAD WIRE-COMPLETE (COMPRESSOR)	1	1	ACXA60C03060	
* 65	THERMISTOR (DISCH)	1	1	ACXA50C00530	O
66	SOUND PROOF MATERIAL	1	1	CWG302993	O
67	FAN MOTOR BRACKET ASSY	1	1	CWD54K1093	O
* 68	DC MOTORS (BRUSHLESS GENERAL USE)	1	1	L6CBYYL0148	O
* 69	DC MOTORS (BRUSHLESS GENERAL USE)	1	1	L6CBYYL0149	O
70	FAN ASSY	2	2	CWH03K1103	O
71	NUT	2	2	CWH561092	O
72	WASHER	-	-	-	
73	CABINET FRONT PLATE	1	1	CWE061394A	O
74	HANDLE	3	3	CWE161024	O
75	DISCHARGE GRILLE	2	2	CWE201236	O
76	CABINET SIDE PLATE	1	1	CWE041848A	O
77	WIRE NET.RESIN NET	1	1	CWD041210A	O
78	WIRE NET.RESIN NET	1	1	CWD041211A	O
79	CABINET TOP PLATE-COMPLETE	1	1	ACXE03C00030	O
80	L-SHAPED PLATE	1	1	CWD601316A	
81	CABINET FRONT PLATE-COMPLETE	1	1	CWE06C1560	O
82	PANASONIC BADGE	1	1	CWE373439	
83	SCREW	47	47	CWH551398	
84	SCREW	2	2	CWH551391	
85	WIRING DIAGRAM (CU)	1	1	ACXF22-01130	
86	INSTALLATION INSTRUCTION	1	1	ACXF60-02760	
87	OPERATING INSTRUCTION	1	1	ACXF55-01950	
88	LEAD WIRE-COMPLETE (OPT1)	-	-	-	
89	LEAD WIRE-COMPLETE (OPT2)	-	-	-	
90	CHECK VALVE	2	2	CWB031094	O
91	LUBRICATING OIL	1	1	Z86FV68S	O
* 92	FUSE 30A 500V	2	2	K5D303YYA059	O

NOTE: Metal and plastic parts will be supplied basically with necessary heat insulation pads or packing. Each key number with an asterisk (*) means the recommended service parts.