

APC Open Frame Rack Networking Solutions

NetShelter® 2- and 4 Post Open Frame Racks

The NetShelter® 2 and 4 Post Open Frame Racks offer a quality solution for the economical installation of rack-mountable equipment, where security at the individual rack level is not required. Open frame racks provide unobstructed airflow and fast, easy access to installed equipment, and can be paired with high density vertical cable managers for maximum cable volume.

The 2 Post Rack offers cost conscious customers a simple solution for supporting networking equipment and patching applications.

The 4 post offers more strength and features, for supporting servers and networking equipment. Recent improvements to the 4 post racks increase cable management options and flexibility.



AR201 – 2 Post Rack

- Self squaring design
- 45U mounting spaces (84 in tall)
- Black Finish
- 6061-T6 Structural grade aluminum
- Weight Capacity (static load) 750.00 lbs (340.19 kg)

AR203A/AR204A – 4 Post Rack

- Threaded #12-24 holes (AR204A)
- Square holes for cage nuts and server mounts (AR203A)
- **New design for easier assembly**
- Steel Construction
- 44U mounting spaces (84 in tall)
- Black Finish
- Multiple toolless mounting points for hook and loop fasteners
- Multi-position PDU mounting bracket
- Reversible stabilization plates
- Grounding inserts
- Weight Capacity (static load) 2000.00 lbs (909 kg)

Redesigned AR203A & AR204A 4 Post Rack

New 44U height

- Designed to fit with high capacity vertical cable managers
- Matches industry standard for open racks

Improved Design for Easy Assembly

- Self aligning hole joints
- Similar components...less left, right, top, bottom pieces

Wider vertical rails for more accessories options

- Inserts along rail for PDU mounting brackets
- Additional vertical holes for cable ring attachments or toolless hook & loop fasteners

U spaces are numbered on all 4 rails

Grounding inserts provided on frame

2000 lb (909 kg) Static Load Capacity

Reversible mounting base

- Base angles can be assembled facing in or out for better clearance or stability
- Bolt holes on angles for anchoring to floor



Open Frame Racks

Vertical Cable Management

High Capacity, Finger-Type Vertical Cable Managers

AR8650 – 6" Wide, Black

AR8651 – 12" Wide, Black

- Fits two and four post open frame racks
- Double-sided cable channels
- Dual hinge, snap on covers
- Smooth radius fingers at 1U increments for superior cable protection
- Toolless mounting provided on back panel for new fiber spools and hook and loop fasteners
- Cable Capacity: AR8650 (front) - 370 Cat6, 270 Cat6A
AR8650 (rear) - 510 Cat6, 380 Cat6A
AR8651 (front) - 740 Cat6, 550 Cat6A
AR8651 (rear) - 1030 Cat6, 760 Cat6A

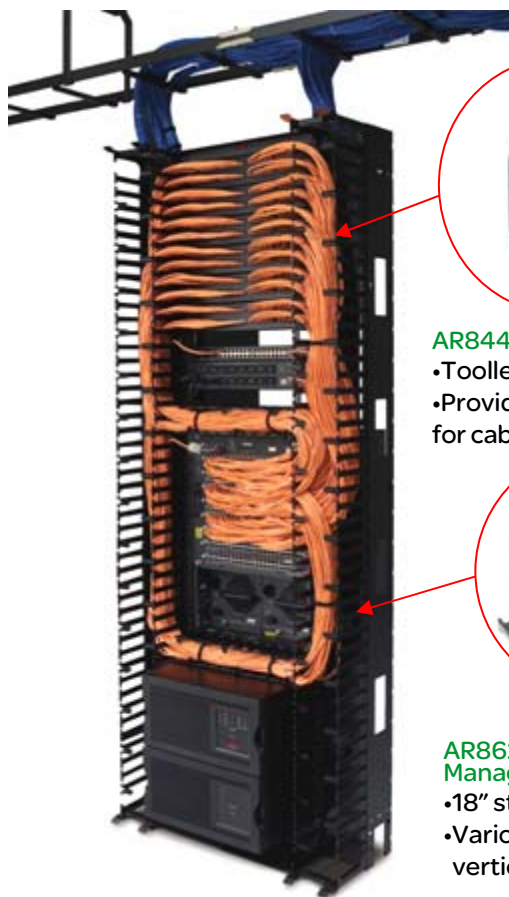
Channel Type Vertical Cable Managers

AR8440A – 3" Wide, Black

AR8441A – 6" Wide, Black



AR8650/AR8651



AR8444 – Cable Slack Spools

- Toollessly mounts on back panel
- Provides smooth radius support for cable slack



AR8621 – Toolless Hook and Loop Cable Managers

- 18" straps for large data cable bundles
- Various mounting positions on back panel of vertical cable managers



AR8440A/AR8441A

APC

by Schneider Electric

Horizontal Cable Management

AR8602 – 1U Cable Manager for Patching

- 4 in deep fingers
- Includes covers with snap hinges for trouble-free access to cables



AR8600/AR8601 – 2U Cable Managers for Patching

- Single-Sided and Double-Sided versions
- 4 in deep fingers
- Includes covers with snap hinges for trouble-free access to cables.



AR8603 – 2U Cable Manager, Extra Deep for Cable Cross-Over

- 6 in deep for cable cross-over and pass-through
- Includes covers with snap hinges for trouble-free access to cables
- Cable tie slots on bottom face
- Back openings for cable pass-through



APC[®]

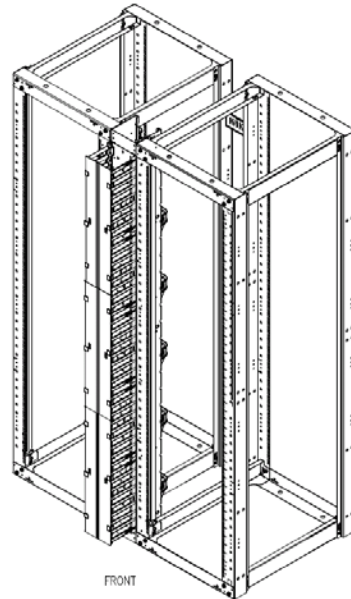
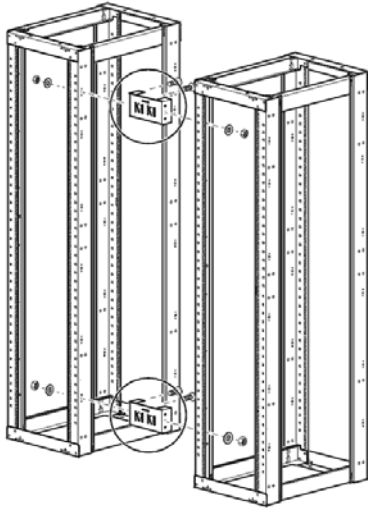
by Schneider Electric

Open Frame Racks

4 Post Accessories

AR8652 – Rack PDU Mounting Bracket

- Mounts on sides as a spacer when using vertical cable managers between to racks
- Mounts on face of vertical rails, perpendicular, for single rack applications.
- Designed to toollessly mount APC Rack PDUs



AR8450A – Trough and Partition Adapter

- Provides mounting locations for APC overhead trough and partition cable management system

