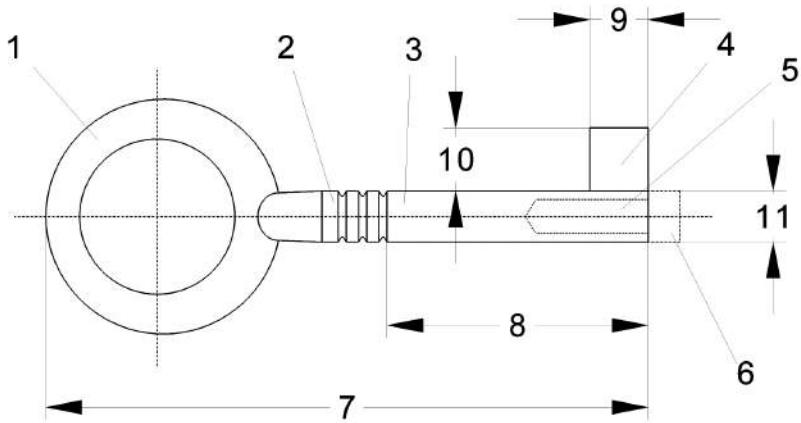


Chapter 15



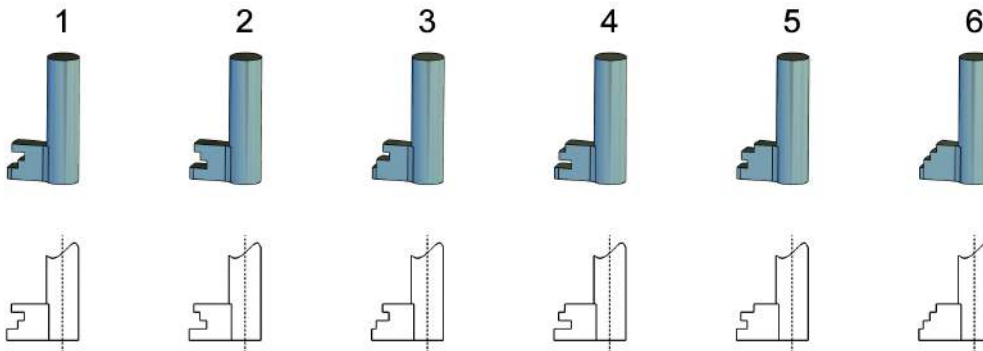
- 01
- 02
- 03
- 04
- 05
- 06
- 07
- 08
- 09
- 10
- 11
- 12
- 13
- 14
- 15**
- 16
- 17
- 18

- 1) key bow / key head
- 2) key neck
- 3) key shank
- 4) key bit
- 5) pipe
- 6) pin length
- 7) key length
- 8) length of key shank
- 9) bit length
- 10) bit height
- 11) shank diameter



grooved key bits for 6x6, 8x6, 8x8				single lever
groove 1	groove 2	groove 3	groove 4	IC

tumbler keys (3 levers)



key bits straight / single lever

8x8 \rightarrow $\varnothing 6$ $\varnothing 4.1$	8x6 \rightarrow $\varnothing 6$ $\varnothing 4.1$	8x5 \rightarrow $\varnothing 6$ $\varnothing 4.1$	6x6 \rightarrow $\varnothing 5$ $\varnothing 3.4$
--	--	--	--

Key head types

Art. 0301	Art. 0305	Art. 0320
Art. 0328	Art. 0338 double bitted key	Art. 0339
Art. 0383	Art. 0388	Art. 0417
Art. 0472	Art. 0478	Art. 0479
Art. 0483	Art. 0500	Art. 0501

- 01
- 02
- 03
- 04
- 05
- 06
- 07
- 08
- 09
- 10
- 11
- 12
- 13
- 14
- 15
- 16
- 17
- 18

01

Keys

02


*Bestklassene
Sache!*

Key 0301 and 0305

03



key bit		key bit	
4 lever		straight	
		6x6,5	9x9,5

article-no.	length of key shank	surface	coding		coding		packing unit
			YZ 1-24	A 1-450			
0301.32002	32	nickel plated	A		A		25 pcs
0301.48002	48	nickel plated		A		A	25 pcs
0301.58002	58	nickel plated		A		A	25 pcs

06

07



key bit									
straight				3 lever			groove		

article-no.	length of key shank	surface	coding									packing unit	
			IC	IC	IC	IC	1 - 6	1 - 6	1 - 6	1 - 4	1 - 4		1 - 4
0305.32002	32	nickel plated	✓				✓			✓			10 pcs
0305.42002	42	nickel plated			✓	✓		✓	✓		✓	✓	10 pcs
0305.47002	47	nickel plated			A	A		A	A		A	A	10 pcs
0305.58002	58	nickel plated			A	A		A	A		A	A	10 pcs
0305.68002	68	nickel plated			A	A		A	A		A	A	10 pcs
0305.35010	35	polished brass	A				A			A			10 pcs
0305.40010	40	polished brass			A	A		A	A		A	A	10 pcs
0305.50010	50	polished brass			A	A		A	A		A	A	10 pcs

11

on stock	✓
not on stock	A

12

Please indicate bit length and key system along with article number.

13

14

15

16

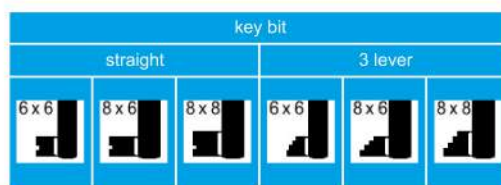
17

18

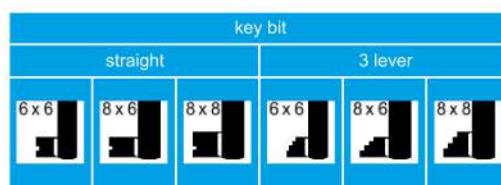
Keys



Key 0320 and 0483



article-no.	length of key shank	surface	coding						packing unit
			IC	IC	IC	1 - 6	1 - 6	1 - 6	
0320.30002	30	polished nickel pl.				A			10 pcs
0320.30023	30	brass	A	A	A	A	A	A	10 pcs
0320.30004	30	bronze	A	A	A	A	A	A	10 pcs
0320.30010	30	polished brass	A	A	A	A	A	A	10 pcs
0320.30026	30	tin coloured	A	A	A	A	A	A	10 pcs
0320.30019	30	bronzed brass		A	A		A	A	10 pcs
0320.40023	40	brass		A	A		A	A	10 pcs
0320.40004	40	bronze		A	A		A	A	10 pcs
0320.40010	40	polished brass		A	A		A	A	10 pcs
0320.40026	40	tin coloured		A	A		A	A	10 pcs
0320.40019	40	bronzed brass		A	A		A	A	10 pcs



article-no.	length of key shank	surface	coding						packing unit
			IC	IC	IC	1 - 6	1 - 6	1 - 6	
0483.30002	30	nickel plated				A			10 pcs
0483.30023	30	brass		A	A		A	A	10 pcs
0483.30010	30	polished brass	A	A	A	A	A	A	10 pcs
0483.30043	30	matt nickel plated				A			10 pcs
0483.40023	40	brass		A	A		A	A	10 pcs
0483.40004	40	bronze		A	A		A	A	10 pcs
0483.40010	40	polished brass		A	A		A	A	10 pcs

on stock	✓
not on stock	A

Please indicate bit length and key system along with article number.

- 01
- 02
- 03
- 04
- 05
- 06
- 07
- 08
- 09
- 10
- 11
- 12
- 13
- 14
- 15
- 16
- 17
- 18

01

Keys

02

Key 0338 and 0339



*Bestimmte
Sache!*

03



key bit
straight
double
bitted key
6x6

04

article-no.	length of key shank	surface	coding	packing unit
			straight	
0338.30023	30	brass	A	25 pcs

05

06



key bit					
straight			3 lever		
6 x 6	8 x 6	8 x 8	6 x 6	8 x 6	8 x 8

07

article-no.	length of key shank	surface	coding						packing unit
			IC	IC	IC	1 - 6	1 - 6	1 - 6	
0339.30023	30	brass		A	A		A	A	10 pcs
0339.30004	30	bronze		A	A		A	A	10 pcs
0339.30010	30	polished brass	A	A	A	A	A	A	10 pcs
0339.30005	30	black		A	A		A	A	10 pcs
0339.30019	30	bronzed brass	A	A	A	A	A	A	10 pcs
0339.30026	30	tin coloured		A	A		A	A	10 pcs
0339.40023	40	brass		A	A		A	A	10 pcs
0339.40004	40	bronze		A	A		A	A	10 pcs
0339.40010	40	polished brass		A	A		A	A	10 pcs
0339.40019	40	bronzed brass		A	A		A	A	10 pcs
0339.40026	40	tin coloured		A	A		A	A	10 pcs
0339.40005	40	black		A	A		A	A	10 pcs

08

09

10

11

on stock	✓
not on stock	A

12

Please indicate bit length and key system along with article number.

13

14

15

16

17

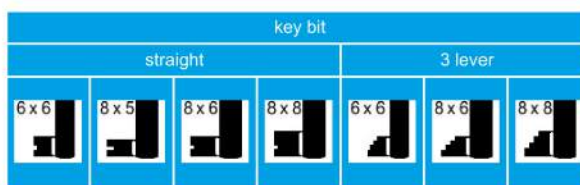
18

Keys

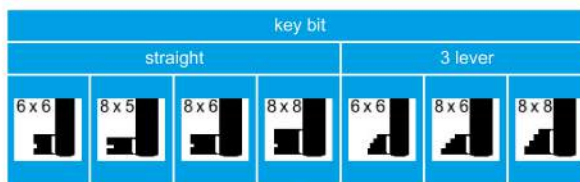


*Bestklassene
Sache!*

Key 0383 and 0472



article-no.	length of key shank	surface	coding							packing unit
			IC	IC	IC	IC	1 - 6	1 - 6	1 - 6	
0383.30023	30	brass	A		A	A	A	A	A	10 pcs
0383.30004	30	bronze	A	A	A	A	A	A	A	10 pcs
0383.30010	30	polished brass			A	A		A	A	10 pcs
0383.30019	30	bronzed brass			A	A		A	A	10 pcs
0383.40023	40	brass			A	A		A	A	10 pcs
0383.40004	40	bronze			A	A		A	A	10 pcs
0383.40010	40	polished brass			A	A		A	A	10 pcs
0383.40019	40	bronzed brass			A	A		A	A	10 pcs



article-no.	length of key shank	surface	coding							packing unit
			IC	IC	IC	IC	1 - 6	1 - 6	1 - 6	
0472.30002	30	nickel plated		A		A				10 pcs
0472.30023	30	brass	A	✓ *	A	A	A	A		10 pcs
0472.30010	30	polished brass	A		A	A	A	A	A	10 pcs
0472.30005	30	black		A	A	A				10 pcs
0472.40002	40	nickel plated		A	A	A		A	A	10 pcs
0472.40023	40	brass		A	A	A		A	A	10 pcs
0472.40004	40	bronze				A				10 pcs
0472.40010	40	polished brass			A	A		A	A	10 pcs
0472.40005	40	black			A	A		A	A	10 pcs
0472.50023	50	brass			A	A		A	A	10 pcs
0472.50005	50	black			A	A		A	A	10 pcs

on stock a
 not on stock A
 * packing unit = 25 pcs

Please indicate bit length and key system along with article number.

- 01
- 02
- 03
- 04
- 05
- 06
- 07
- 08
- 09
- 10
- 11
- 12
- 13
- 14
- 15
- 16
- 17
- 18

01

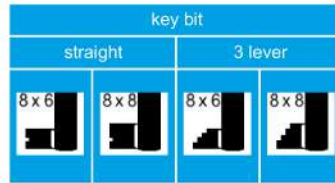
Keys

02



Key 0478 and 0479

03

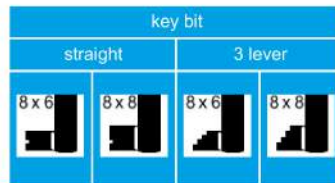


04

article-no.	length of key shank	surface	coding				packing unit
			IC	IC	1 - 6	1 - 6	
0478.40002	40	nickel plated	A	A	A	A	10 pcs
0478.40023	40	brass	A	A	A	A	10 pcs

05

06



07

article-no.	length of key shank	surface	coding				packing unit
			IC	IC	1 - 6	1 - 6	
0479.30002	30	nickel plated	A	A	A	A	10 pcs
0479.30023	30	brass	A	A	A	A	10 pcs
0479.30005	30	black	A	A	A	A	10 pcs
0479.40002	40	nickel plated	A	A	A	A	10 pcs
0479.40023	40	brass	A	A	A	A	10 pcs
0479.40004	40	bronzed		A			10 pcs
0479.40005	40	black	A	A	A	A	10 pcs

08

09

10

on stock	✓
not on stock	A

11

Please indicate bit length and key system along with article number.

12

13

14

15

16

17

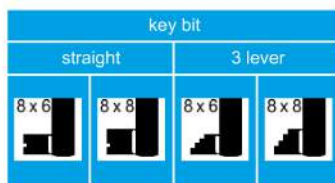
18

Keys

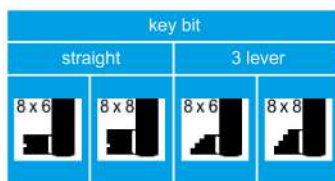


*Bestklassene
Sache!*

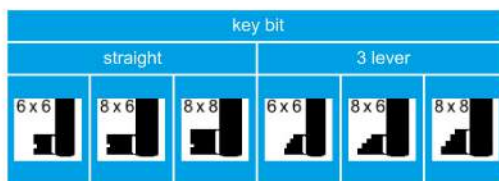
Key 0328, 0388 and 0417



Article no.	length of key shank	surface	coding				packing unit
			IC	IC	1 - 6	1 - 6	
0328.40005	40	black	A	A	A	A	10 pcs



Article no.	length of key shank	surface	coding				packing unit
			IC	IC	1 - 6	1 - 6	
0388.35010	35	polished brass	A	A	A	A	10 pcs
0388.45010	45	polished brass	A	A	A	A	10 pcs



Article no.	length of key shank	surface	coding						packing unit
			IC	IC	IC	1 - 6	1 - 6	1 - 6	
0417.30002	30	nickel plated	A			A			25 pcs
0417.43002	43	nickel plated		A	A		A	A	25 pcs

on stock	✓
not on stock	A

Please indicate bit length and key system along with article number.

- 01
- 02
- 03
- 04
- 05
- 06
- 07
- 08
- 09
- 10
- 11
- 12
- 13
- 14
- 15
- 16
- 17
- 18

01

Keys

02



*Bestimmte
Sache!*

Key 0500 and 0502

03



article-no.	length of key shank	surface	coding	packing unit
			1-650	
0500.45002	45	nickel plated	A	10 pcs

05

06



article-no.	length of key shank	surface	for backset	please indicate backset	packing unit
0502.25008	48	blank stee	25	A	10 pcs
0502.30008	48	blank stee	30	A	10 pcs
0502.40008	50	blank stee	40	A	10 pcs
0502.50008	55	blank stee	50,60,80,100	A	10 pcs

08

09

on stock	✓
not on stock	A

10

Please indicate bit length and key system along with article number.

11

12

13

14

15

16

17

18