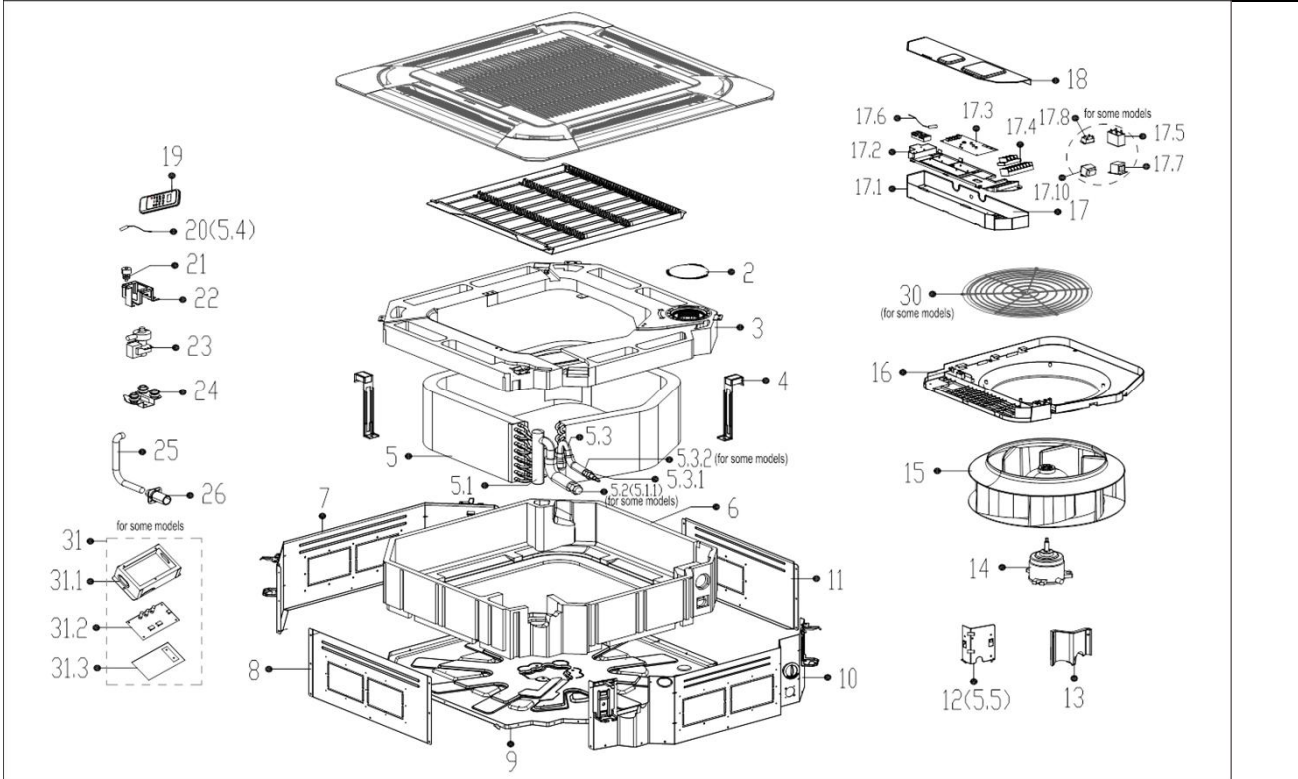


Exploded View



| | | | | |
|-----------------------|-------------------------------|---------------------|---------------------|--|
| JCI Model: | YKJE48BXJ6AM-RX | | | |
| Factory Model: | 22022511001716 | | | |
| Power Supply: | 208And230V_1Ph,FREQUENCY_60HZ | Export Time: | 2016-06-02 15:39:44 | |



| No. | Part Name | Quantity | BOM Code | Price | Remark |
|-------|---|----------|-----------------|-------|--------|
| 2 | Water Tightness Testing Cover Subassembly | 1.0 | 121M2250000025 | | |
| 3 | Water receiver foam subassembly | 1.0 | 128M2250000059 | | |
| 4 | Evaporator Fixing hanger | 2.0 | 122M2250000090 | | |
| 5 | Evaporator assembly Gas valve assembly | 1.0 | 158M2250000065 | | |
| 5.1 | Outlet Pipes of Evaporator | 1.0 | 151M22500000647 | | |
| 5.2 | Copper net | 1.0 | 155M00406000003 | | |
| 5.3 | Input pipes of Evaporator assemblyJoint board of Evaporator | 1.0 | 151M22500000646 | | |
| 5.3.1 | Copper nut | 1.0 | 155M00406000010 | | |
| 6 | Chassis Foam Subassembly | 1.0 | 128M2250000009 | | |
| 7 | Boarding Subassembly | 1.0 | 122M22500000133 | | |
| 8 | Boarding | 1.0 | 122M22500000240 | | |
| 9 | Chassis Welding Parts | 1.0 | 122M22500000122 | | |
| 10 | Boarding Subassembly | 1.0 | 122M22500000157 | | |
| 11 | Boarding | 1.0 | 122M22500000233 | | |
| 13 | Sealing board for Pipe Tie-in Subassembly | 1.0 | 121M22500000331 | | |
| 14 | Brushless DC Motor | 1.0 | 110M02015000187 | | |
| 15 | Centrifugal fan | 1.0 | 121M00103000142 | | |
| 16 | Air Guide Coil | 1.0 | 121M22500000422 | | |
| 17 | E-Parts Box assembly | 1.0 | 172M22500002100 | | |
| 17.1 | Electrical Control Box | 1.0 | 122M22500000119 | | |
| 17.2 | Wiring baseplate | 1.0 | 121M22500000029 | | |
| 17.3 | Indoor Main Control Board Subassembly | 1.0 | 171M22500002471 | | |
| 17.4 | Wire holder | 1.0 | 174M00401000075 | | |
| 17.6 | Room Temperature Sensor | 1.0 | 112M01007000283 | | |
| 17.7 | Reactance | 1.0 | 174M00306000070 | | |

| | | | | |
|------|--|-----|-----------------|--|
| 18 | Electrical Control Box Cover Subassembly | 1.0 | 122M22500000162 | |
| 19 | Remote Controller | 1.0 | 173M17000001394 | |
| 19.1 | Holder for remote controller | 1.0 | 121M17000000104 | |
| 20 | Temperature Sensor | 1.0 | 112M01007000266 | |
| 20 | Temperature Sensor | 1.0 | 112M01007000006 | |
| 21 | Water Level Sensor | 1.0 | 112M01005000006 | |
| 22 | Water Pump installation bracket assembly | 1.0 | 122M22500001012 | |
| 23 | Water Pump Subassembly | 1.0 | 174M00802000012 | |
| 24 | Pump rubber washer | 3.0 | 126M22500000006 | |
| 25 | Drain pipeExtended water pipe | 1.0 | 126M22500000013 | |
| 26 | Drainpipe connector pipe | 1.0 | 121M00509000068 | |
| 31 | E-Parts Box assembly | 1.0 | 172M22500000195 | |
| 31.1 | Electrical Control Box | 1.0 | 122M23000000052 | |
| 31.2 | Outdoor Inverter Module Subassembly | 1.0 | 171M22500000770 | |
| 31.3 | Radiator | 1.0 | 112M03803000154 | |