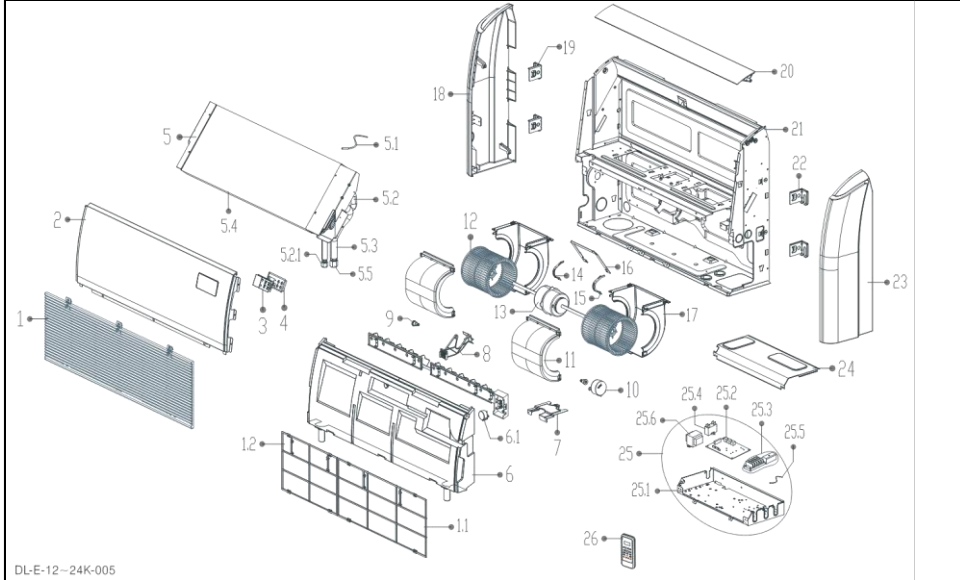


Exploded View



JCI Model:	YFFE24BXE--M-RX			
Factory Model:	22022711001116			
Power Supply:	220_240V_1Ph,FREQUENCY_50HZ	Export Time:	2015-12-17 17:28:30	



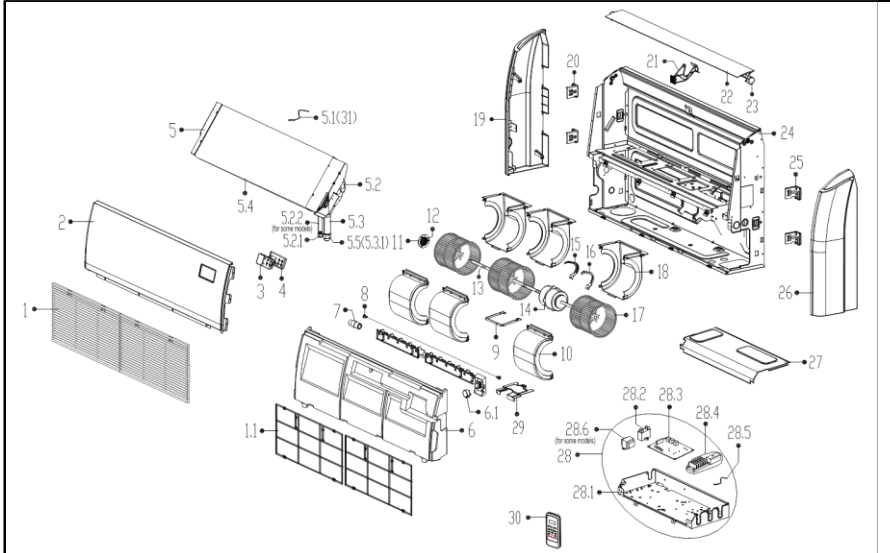
DL-E-12-24K-005

No.	Part Name	Quantity	BOM Code	Price	Remark
1	Air Returning Grille Subassembly	1.0	121M22700A00328		
1.1	Air Filter	1.0	121M00204000718		
1.2	Air Filter	1.0	121M00204000719		
2	Top cover	1.0	122M22700000096		
3	VLED Display Module	1.0	171M22700A00005		
4	Display panel box	1.0	121M22700000044		
5	Evaporator assembly	1.0	158M22700000657		
5.1	Temperature Sensor	1.0	112M01007000006		
5.2	Input pipes of Evaporator assemblyJoint board of Evaporator	1.0	151M22700000265		
5.2.1	Brass Nut	1.0	155M00406000010		
5.3	Outlet Pipes of Evaporator	1.0	151M22700000203		
5.4	Evaporator	1.0	158M22700000598		
5.5	Brass Nut	1.0	155M00406000003		
6	Water receiver subassembly	1.0	128M22700000010		
6.1	stepper motor	1.0	110M02010000034		
7	Connecting pipe clamp	1.0	122M22700000054		
8	Guide holder	1.0	121M22700000150		
9	Anti-power Shaft	2.0	121M22000000344		
10	stepper motor	1.0	110M02010000057		
11	Upper Volute	2.0	121M22700000047		
12	Centrifugal Fan	2.0	121M00103000002		
13	Single-phase Asynchronous Motor	1.0	110M02012004368		
14	Right Gland of Motor Bush	1.0	122M22500000255		
15	Left Gland of Motor Bush	1.0	122M22500000253		
16	Motor Boarding	1.0	122M22700000079		
17	Lower Scroll	2.0	121M22700000111		
18	Cover plate (right)	1.0	121M22700000087		
19	Installation Right Hanger	2.0	122M22700000018		
20	Subassembly of Air Guide Strip	1.0	121M22700000061		
21	Chassis Assembly	1.0	122M22700000062		
22	Installation Left Hanger	2.0	122M22700000016		
23	Cover plate (left)	1.0	121M22700000093		
24	E-Part Box Cover Subassembly	1.0	122M22700000058		
25	Electronic control box assembly	1.0	172M22700000596		
25.1	Welding Parts of Electrical Control Box	1.0	122M22700000083		
25.2	Indoor Main Control Board Subassembly	1.0	171M22700000081		
25.3	Wire holder	1.0	174M00401000140		
25.4	Capacitor	1.0	174M00101000083		
25.5	Room Temperature Sensor	1.0	112M01007000073		
25.6	Power Transformer	1.0	112M03103000065		
26	Remote Controller	1.0	173M17000001394		
26.1	Holder for remote controller	1.0	121M17000000104		

Exploded View



JCI Model:	YFFE36BXO--M-RX			
Factory Model:	22022711001038			
Power Supply:	380_415V_3Ph,FREQUENCY_50HZ	Export Time:	2015-12-17 17:55:30	

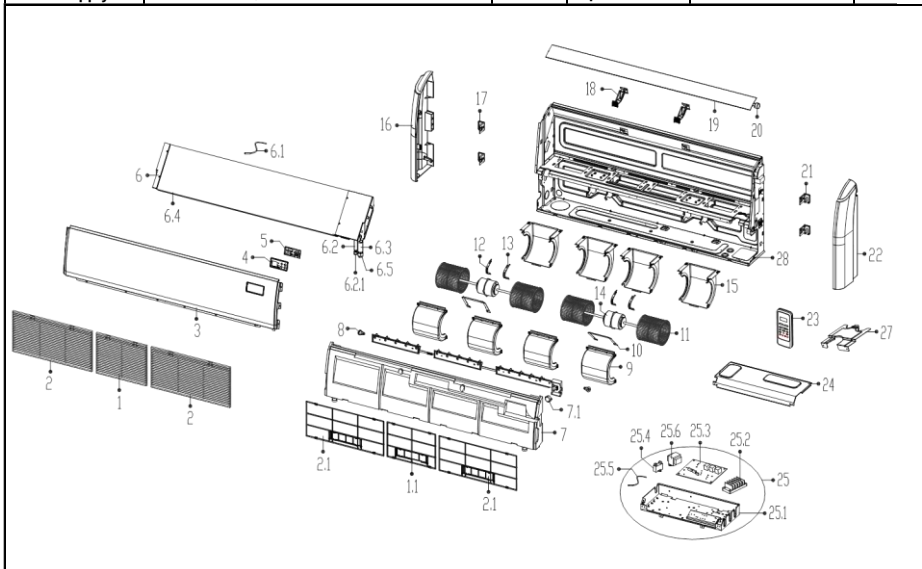


No.	Part Name	Quantity	BOM Code	Price	Remark
1	Air Returning Grille Subassembly	1.0	121M22700A00310		
1.1	Air Filter	1.0	121M00204000718		
1	Air Returning Grille Subassembly	1.0	121M22700A00313		
1.1	Air Filter	1.0	121M00204000718		
2	Top cover	1.0	122M22700000094		
3	VLED Display Module	1.0	171M22700A00005		
4	Display panel box	1.0	121M22700000044		
5	Evaporator assembly	1.0	158M22700000579		
5.1	Temperature Sensor	1.0	112M01007000006		
5.2	Input pipes of Evaporator assemblyJoint board of Evaporat	1.0	151M22700000312		
5.2.1	Brass Nut	1.0	155M00406000010		
5.3	Outlet Pipes of Evaporator	1.0	151M22700000205		
5.4	Evaporator	1.0	158M22700000580		
5.5	Brass Nut	1.0	155M00406000008		
6	Water receiver subassembly	1.0	128M22700000011		
6.1	stepper motor	1.0	110M02010000034		
7	Coupling	1.0	129M23000000004		
8	Anti-power Shaft	2.0	121M22000000344		
9	Motor Boarding	1.0	122M22700000079		
10	Upper Volute	3.0	121M22700000049		
11	Fixed plate of bearing	1.0	122M22000003769		
12	Bearing pedestal	1.0	126M22000000013		
13	Intermediate Shaft	1.0	129M22700000004		
14	Single-phase Asynchronous Motor	1.0	110M02012001969		
15	Right Gland of Motor Bush	1.0	122M22500000255		
16	Left Gland of Motor Bush	1.0	122M22500000253		
17	Plastic Fan Wheel	3.0	121M00103000165		
18	Lower Scroll	3.0	121M22700000113		
19	Cover plate (right)	1.0	121M22700000087		
20	Installation Right Hanger	2.0	122M22700000018		
21	Guide holder	1.0	121M22700000150		
22	Subassembly of Air Guide Strip	1.0	121M22700000058		
23	stepper motor	1.0	110M02010000057		
24	Chassis Assembly	1.0	122M22700000185		
25	Installation Left Hanger	2.0	122M22700000016		
26	Cover plate (left)	1.0	121M22700000093		
27	E-Part Box Cover Subassembly	1.0	122M22700000058		
28	Electronic control box assembly	1.0	172M22700000557		
28.1	Welding Parts of Electrical Control Box	1.0	122M22700000083		
28.2	Capacitor	1.0	174M00101000086		
28.3	Indoor Main Control Board Subassembly	1.0	171M22700000081		
28.4	Wire holder	1.0	174M00401000058		
28.5	Room Temperature Sensor	1.0	112M01007000073		
28.6	Power Transformer	1.0	112M03103000065		
29	Connecting pipe clamp	1.0	122M22700000054		
30	Remote Controller	1.0	173M17000001394		
30.1	Holder for remote controller	1.0	121M17000000104		

Exploded View



JCI Model:	YFFE48BXO--M-RX			
Factory Model:	22022711001096			
Power Supply:	380_415V_3Ph,FREQUENCY_50HZ	Export Time:	2015-12-17 18:00:06	

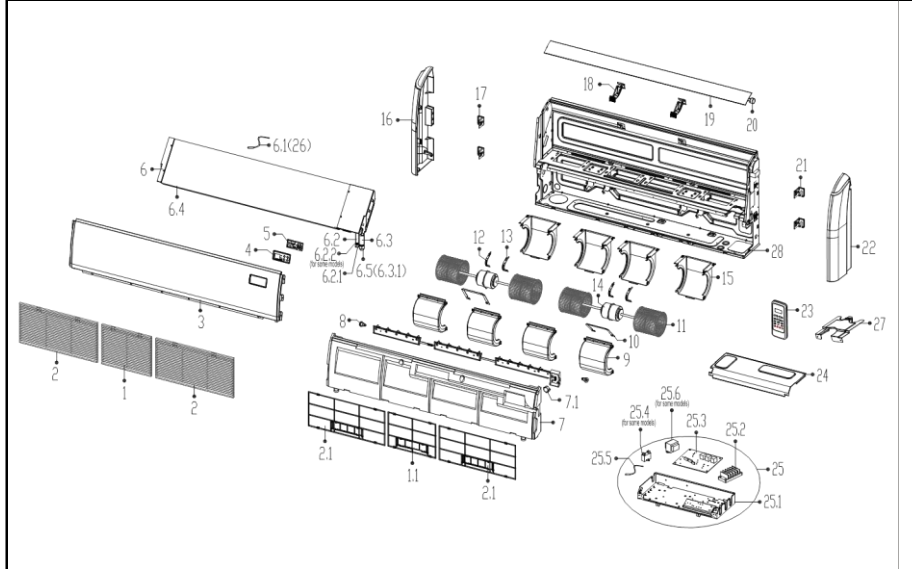


No.	Part Name	Quantity	BOM Code	Price	Remark
1	Air Returning Grille Subassembly	1.0	121M22700A00308		
1.1	Air Filter	1.0	121M00204000719		
2	Air Returning Grille Subassembly	1.0	121M22700A00310		
2.1	Air Filter	1.0	121M00204000718		
2	Air Returning Grille Subassembly	1.0	121M22700A00313		
2.1	Air Filter	1.0	121M00204000718		
3	Top cover	1.0	122M22700000093		
4	Display panel box	1.0	121M22700000044		
5	VLED Display Module	1.0	171M22700A00005		
6	Evaporator assembly	1.0	158M22700000619		
6.1	Temperature Sensor	1.0	112M01007000006		
6.2	Input pipes of Evaporator assemblyJoint board of Evaporator	1.0	151M22700000414		
6.2.1	Brass Nut	1.0	155M00406000010		
6.3	Outlet Pipes of Evaporator	1.0	151M22700000204		
6.4	Evaporator	1.0	158M22700000620		
6.5	Brass Nut	1.0	155M00406000008		
7	Water receiver subassembly	1.0	128M22700000009		
7.1	stepper motor	1.0	110M02010000034		
8	Anti-power Shaft	2.0	121M22000000344		
9	Upper Volute	4.0	121M22700000047		
10	Motor Boarding	2.0	122M22700000079		
11	Centrifugal Fan	4.0	121M00103000002		
12	Right Gland of Motor Bush	2.0	122M22500000255		
13	Left Gland of Motor Bush	2.0	122M22500000253		
14	Single-phase Asynchronous Motor	2.0	110M02012003422		
15	Lower Scroll	4.0	121M22700000111		
16	Cover plate (right)	1.0	121M22700000087		
17	Installation Right Hanger	2.0	122M22700000018		
18	Guide holder	2.0	121M22700000150		
19	Subassembly of Air Guide Strip	1.0	121M22700000059		
20	stepper motor	1.0	110M02010000057		
21	Installation Left Hanger	2.0	122M22700000016		
22	Cover plate (left)	1.0	121M22700000093		
23	Remote Controller	1.0	173M17000001394		
23.1	Holder for remote controller	1.0	121M17000000104		
24	E-Part Box Cover Subassembly	1.0	122M22700000058		
25	Electrical Control Box Subassembly	1.0	172M22700000002		
25.1	Welding Parts of Electrical Control Box	1.0	122M22700000083		
25.2	Wire holder	1.0	174M00401000058		
25.3	Indoor Main Control Board Subassembly	1.0	171M22700000081		
25.4	Fan motor capacitor	2.0	174M00101000019		
25.5	Room Temperature Sensor	1.0	112M01007000073		
25.6	Power Transformer	1.0	112M03103000065		
27	Connecting pipe clamp	1.0	122M22700000054		
28	Chassis Assembly	1.0	122M22700000061		

Exploded View



JCI Model:	YFFE60BXO--M-RX			
Factory Model:	22022711001036			
Power Supply:	380_415V_3Ph,FREQUENCY_50HZ	Export Time:	2015-12-17 18:04:22	

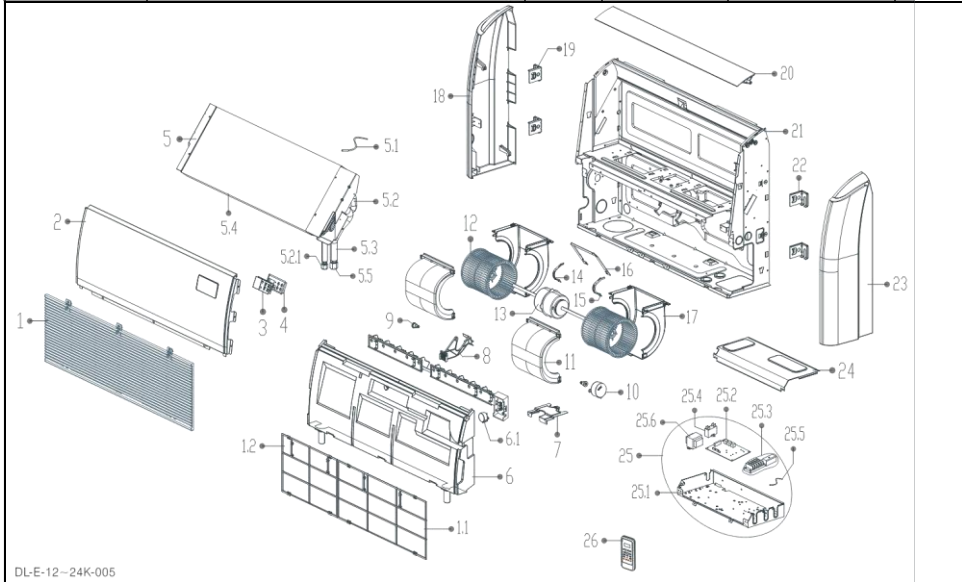


No.	Part Name	Quantity	BOM Code	Price	Remark
1	Air Returning Grille Subassembly	1.0	121M22700A00308		
1.1	Air Filter	1.0	121M00204000719		
2	Air Returning Grille Subassembly	1.0	121M22700A00310		
2.1	Air Filter	1.0	121M00204000718		
2	Air Returning Grille Subassembly	1.0	121M22700A00313		
2.1	Air Filter	1.0	121M00204000718		
3	Top cover	1.0	122M22700000093		
4	Display panel box	1.0	121M22700000044		
5	VLED Display Module	1.0	171M22700A00005		
6	Evaporator assembly	1.0	158M22700000577		
6.1	Temperature Sensor	1.0	112M01007000006		
6.2	Input pipes of Evaporator assemblyJoint board of Evaporato	1.0	151M22700000396		
6.2.1	Brass Nut	1.0	155M00406000010		
6.3	Outlet Pipes of Evaporator	1.0	151M22700000213		
6.4	Evaporator	1.0	158M22700000578		
6.5	Brass Nut	1.0	155M00406000008		
7	Water receiver subassembly	1.0	128M22700000009		
7.1	stepper motor	1.0	110M02010000034		
8	Anti-power Shaft	2.0	121M22000000344		
9	Upper Volute	4.0	121M22700000047		
10	Motor Boarding	2.0	122M22700000079		
11	Centrifugal Fan	4.0	121M00103000002		
12	Right Gland of Motor Bush	2.0	122M22500000255		
13	Left Gland of Motor Bush	2.0	122M22500000253		
14	Single-phase Asynchronous Motor	2.0	110M02012003422		
15	Lower Scroll	4.0	121M22700000111		
16	Cover plate (right)	1.0	121M22700000087		
17	Installation Right Hanger	2.0	122M22700000018		
18	Guide holder	2.0	121M22700000150		
19	Subassembly of Air Guide Strip	1.0	121M22700000059		
20	stepper motor	1.0	110M02010000057		
21	Installation Left Hanger	2.0	122M22700000016		
22	Cover plate (left)	1.0	121M22700000093		
23	Remote Controller	1.0	173M17000001394		
23.1	Holder for remote controller	1.0	121M17000000104		
24	E-Part Box Cover Subassembly	1.0	122M22700000058		
25	Electronic control box assembly	1.0	172M22700000556		
25.1	Welding Parts of Electrical Control Box	1.0	122M22700000083		
25.2	Wire holder	1.0	174M00401000058		
25.3	Indoor Main Control Board Subassembly	1.0	171M22700000081		
25.4	Capacitor	2.0	174M00101000083		
25.5	Room Temperature Sensor	1.0	112M01007000073		
25.6	Power Transformer	1.0	112M03103000065		
27	Connecting pipe clamp	1.0	122M22700000054		
28	Chassis Assembly	1.0	122M22700000061		

Exploded View



JCI Model:	YFGE12BXE--M-RX			
Factory Model:	22022711001236			
Power Supply:	220_240V_1Ph,FREQUENCY_50HZ	Export Time:	2015-12-17 10:48:43	

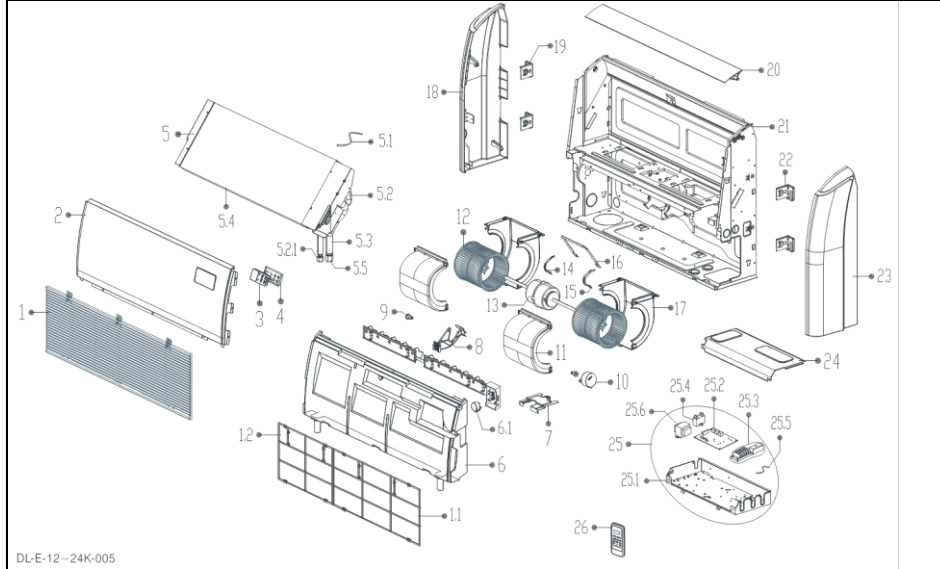


No.	Part Name	Quantity	BOM Code	Price	Remark
1	Air Returning Grille Subassembly	1.0	121M22700A00328		
1.1	Air Filter	1.0	121M00204000718		
1.2	Air Filter	1.0	121M00204000719		
2	Top cover	1.0	122M22700000096		
3	VLED Display Module	1.0	171M22700A00005		
4	Display panel box	1.0	121M22700000044		
5	Evaporator assembly	1.0	158M22700000677		
5.1	Temperature Sensor	1.0	112M01007000006		
5.2	Input pipes of Evaporator assemblyJoint board of Evaporator	1.0	151M22700000241		
5.2.1	Brass Nut	1.0	155M00406000016		
5.3	Outlet Pipes of Evaporator	1.0	151M22700000208		
5.4	Evaporator	1.0	158M22700000678		
5.5	Brass Nut	1.0	155M00406000012		
6	Water receiver subassembly	1.0	128M22700000010		
6.1	stepper motor	1.0	110M02010000034		
7	Connecting pipe clamp	1.0	122M22700000054		
8	Guide holder	1.0	121M22700000150		
9	Anti-power Shaft	2.0	121M22000000344		
10	stepper motor	1.0	110M02010000057		
11	Upper Volute	2.0	121M22700000049		
12	Plastic Fan Wheel	2.0	121M00103000165		
13	Single-phase Asynchronous Motor	1.0	110M02012000678		
14	Right Gland of Motor Bush	1.0	122M22500000255		
15	Left Gland of Motor Bush	1.0	122M22500000253		
16	Motor Boarding	1.0	122M22700000079		
17	Lower Scroll	2.0	121M22700000113		
18	Cover plate (right)	1.0	121M22700000087		
19	Installation Right Hanger	2.0	122M22700000018		
20	Subassembly of Air Guide Strip	1.0	121M22700000061		
21	Chassis assembly	1.0	122M22700000227		
22	Installation Left Hanger	2.0	122M22700000016		
23	Cover plate (left)	1.0	121M22700000093		
24	E-Part Box Cover Subassembly	1.0	122M22700000058		
25	Electrical Control Box Subassembly	1.0	172M22700000042		
25.1	Welding Parts of Electrical Control Box	1.0	122M22700000083		
25.2	Indoor Main Control Board Subassembly	1.0	171M22700000107		
25.3	Wire holder	1.0	174M00401000042		
25.3	Wire holder	1.0	174M00401000058		
25.4	Capacitor	1.0	174M00101000049		
25.5	Room Temperature Sensor	1.0	112M01007000073		
25.6	Power Transformer	1.0	112M03103000065		
26	Remote Controller	1.0	173M17000001394		
26.1	Holder for remote controller	1.0	121M17000000104		

Exploded View



JCI Model:	YFGE18BXE--M-RX			
Factory Model:	22022711001238			
Power Supply:	220_240V_1Ph,FREQUENCY_50HZ	Export Time:	2015-12-17 11:00:43	

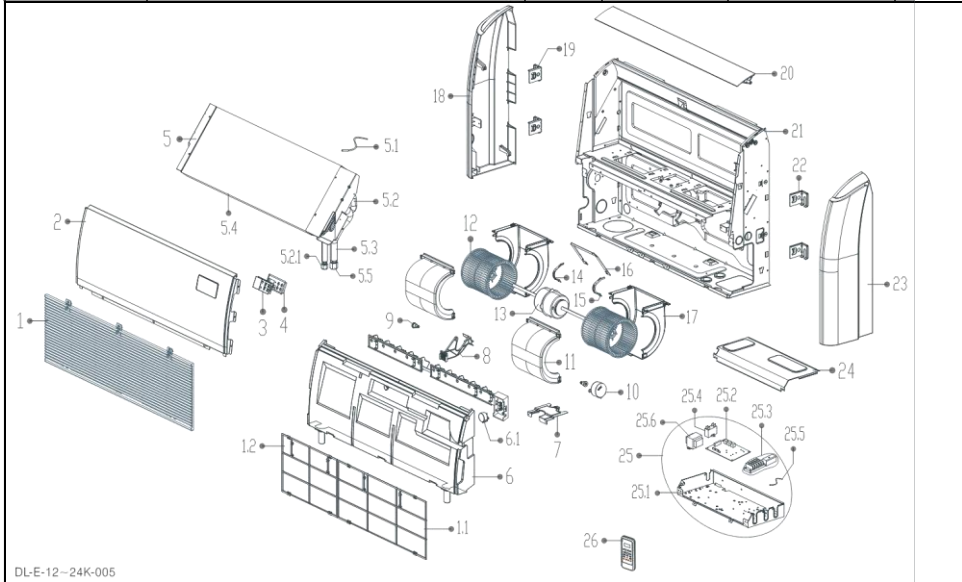


No.	Part Name	Quantity	BOM Code	Price	Remark
1	Air Returning Grille Subassembly	1.0	121M22700A00328		
1.1	Air Filter	1.0	121M00204000718		
1.2	Air Filter	1.0	121M00204000719		
2	Top cover	1.0	122M22700000096		
3	VLED Display Module	1.0	171M22700A00005		
4	Display panel box	1.0	121M22700000044		
5	Evaporator assembly	1.0	158M22700000597		
5.1	Temperature Sensor	1.0	112M01007000266		
5.1	Temperature Sensor	1.0	112M01007000006		
5.2	Input pipes of Evaporator assemblyJoint board of Evaporator	1.0	151M22700000236		
5.2.1	Brass Nut	1.0	155M00406000016		
5.3	Outlet Pipes of Evaporator	1.0	151M22700000202		
5.4	Evaporator	1.0	158M22700000598		
5.5	Brass Nut	1.0	155M00406000012		
6	Water receiver subassembly	1.0	128M22700000010		
6.1	stepper motor	1.0	110M02010000034		
7	Connecting pipe clamp	1.0	122M22700000054		
8	Guide holder	1.0	121M22700000150		
9	Anti-power Shaft	2.0	121M22000000344		
10	stepper motor	1.0	110M02010000057		
11	Upper Volute	2.0	121M22700000049		
12	Plastic Fan Wheel	2.0	121M00103000165		
13	Single-phase Asynchronous Motor	1.0	110M02012004368		
14	Right Gland of Motor Bush	1.0	122M22500000255		
15	Left Gland of Motor Bush	1.0	122M22500000253		
16	Motor Boarding	1.0	122M22700000079		
17	Lower Scroll	2.0	121M22700000113		
18	Cover plate (right)	1.0	121M22700000087		
19	Installation Right Hanger	2.0	122M22700000018		
20	Subassembly of Air Guide Strip	1.0	121M22700000061		
21	Chassis assembly	1.0	122M22700000227		
22	Installation Left Hanger	2.0	122M22700000016		
23	Cover plate (left)	1.0	121M22700000093		
24	E-Part Box Cover Subassembly	1.0	122M22700000058		
25	Electrical Control Box Subassembly	1.0	172M22700000038		
25.1	Welding Parts of Electrical Control Box	1.0	122M22700000083		
25.2	Indoor Main Control Board Subassembly	1.0	171M22700000107		
25.3	Wire holder	1.0	174M00401000058		
25.3	Wire holder	1.0	174M00401000042		
25.4	Capacitor	1.0	174M00101000082		
25.5	Room Temperature Sensor	1.0	112M01007000073		
25.6	Power Transformer	1.0	112M03103000065		
26	Remote Controller	1.0	173M17000001394		
26.1	Holder for remote controller	1.0	121M17000000104		

Exploded View



JCI Model:	YFGE24BXE--M-RX			
Factory Model:	22022711001237			
Power Supply:	220_240V_1Ph,FREQUENCY_50HZ	Export Time:	2015-12-17 11:05:37	



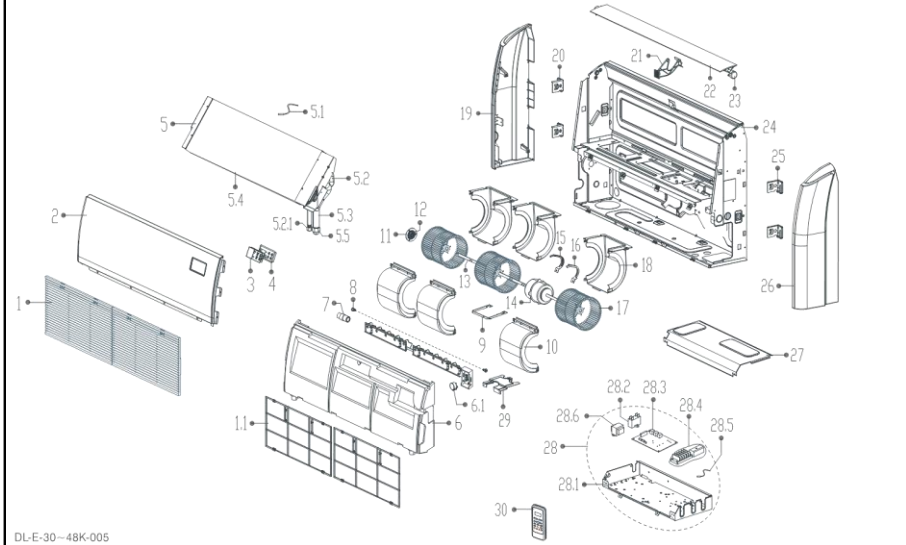
DL-E-12-24K-005

No.	Part Name	Quantity	BOM Code	Price	Remark
1	Air Returning Grille Subassembly	1.0	121M22700A00328		
1.1	Air Filter	1.0	121M00204000718		
1.2	Air Filter	1.0	121M00204000719		
2	Top cover	1.0	122M22700000096		
3	VLED Display Module	1.0	171M22700A00005		
4	Display panel box	1.0	121M22700000044		
5	Evaporator assembly	1.0	158M22700000657		
5.1	Temperature Sensor	1.0	112M01007000006		
5.2	Input pipes of Evaporator assemblyJoint board of Evaporator	1.0	151M22700000265		
5.2.1	Brass Nut	1.0	155M00406000010		
5.3	Outlet Pipes of Evaporator	1.0	151M22700000203		
5.4	Evaporator	1.0	158M22700000598		
5.5	Brass Nut	1.0	155M00406000003		
6	Water receiver subassembly	1.0	128M22700000010		
6.1	stepper motor	1.0	110M02010000034		
7	Connecting pipe clamp	1.0	122M22700000054		
8	Guide holder	1.0	121M22700000150		
9	Anti-power Shaft	2.0	121M22000000344		
10	stepper motor	1.0	110M02010000057		
11	Upper Volute	2.0	121M22700000049		
12	Plastic Fan Wheel	2.0	121M00103000165		
13	Single-phase Asynchronous Motor	1.0	110M02012004368		
14	Right Gland of Motor Bush	1.0	122M22500000255		
15	Left Gland of Motor Bush	1.0	122M22500000253		
16	Motor Boarding	1.0	122M22700000079		
17	Lower Scroll	2.0	121M22700000113		
18	Cover plate (right)	1.0	121M22700000087		
19	Installation Right Hanger	2.0	122M22700000018		
20	Subassembly of Air Guide Strip	1.0	121M22700000061		
21	Chassis assembly	1.0	122M22700000227		
22	Installation Left Hanger	2.0	122M22700000016		
23	Cover plate (left)	1.0	121M22700000093		
24	E-Part Box Cover Subassembly	1.0	122M22700000058		
25	Electrical Control Box Subassembly	1.0	172M22700000090		
25.1	Welding Parts of Electrical Control Box	1.0	122M22700000083		
25.2	Indoor Main Control Board Subassembly	1.0	171M22700000117		
25.3	Wire holder	1.0	174M00401000020		
25.3	Wire holder	1.0	174M00401000058		
25.4	Capacitor	1.0	174M00101000083		
25.5	Room Temperature Sensor	1.0	112M01007000073		
25.6	Power Transformer	1.0	112M03103000065		
26	Remote Controller	1.0	173M17000001394		
26.1	Holder for remote controller	1.0	121M17000000104		

Exploded View



JCI Model:	YFGE36BXO--M-RX			
Factory Model:	EXP_22022711000550(CE-KFR105DL/SN1Y-E)			
Power Supply:	220-240V~ 50Hz 1Phase	Export Time:	2015-12-17 11:12:43	

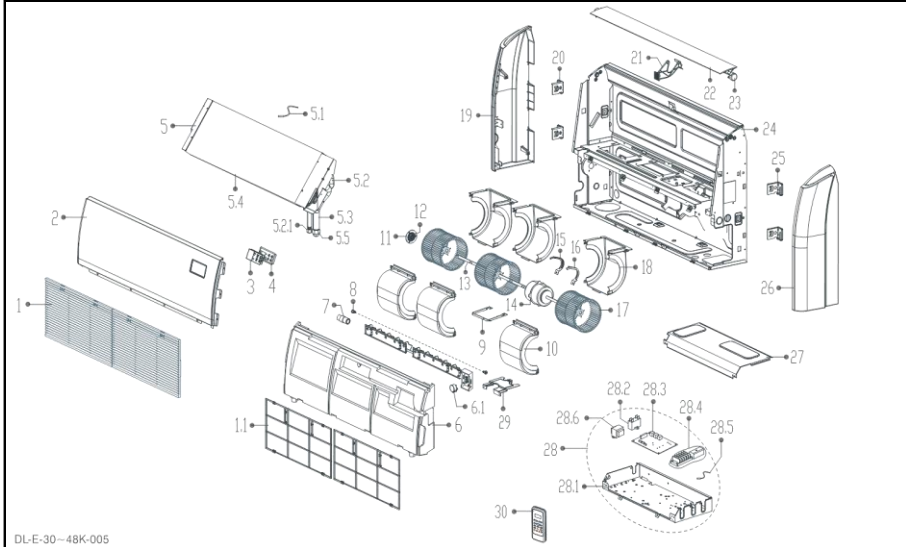


No.	Part Name	Quantity	BOM Code	Price	Remark
1	Air Returning Grille Subassembly	1.0	121M22700A00310		
1.1	Air Filter	1.0	121M00204000718		
1	Air Returning Grille Subassembly	1.0	121M22700A00313		
1.1	Air Filter	1.0	121M00204000718		
2	Top cover	1.0	122M22700000094		
3	VLED Display Module	1.0	171M22700A00005		
4	Display panel box	1.0	121M22700000044		
5	Evaporator assembly	1.0	158M22700000579		
5.1	Temperature Sensor	1.0	112M01007000006		
5.2	Input pipes of Evaporator assemblyJoint board of Evaporator	1.0	151M22700000312		
5.2.1	Brass Nut	1.0	155M00406000010		
5.3	Outlet Pipes of Evaporator	1.0	151M22700000205		
5.4	Evaporator	1.0	158M22700000580		
5.5	Brass Nut	1.0	155M00406000008		
6	Water receiver subassembly	1.0	128M22700000011		
6.1	stepper motor	1.0	110M02010000034		
7	Coupling	1.0	129M23000000004		
8	Anti-power Shaft	2.0	121M22000000344		
9	Motor Boarding	1.0	122M22700000079		
10	Upper Volute	3.0	121M22700000049		
11	Fixed plate of bearing	1.0	122M220000003769		
12	Bearing pedestal	1.0	126M22000000013		
13	Intermediate Shaft	1.0	129M22700000004		
14	Single-phase Asynchronous Motor	1.0	110M02012001969		
15	Right Gland of Motor Bush	1.0	122M22500000255		
16	Left Gland of Motor Bush	1.0	122M22500000253		
17	Plastic Fan Wheel	3.0	121M00103000165		
18	Lower Scroll	3.0	121M22700000113		
19	Cover plate (right)	1.0	121M22700000087		
20	Installation Right Hanger	2.0	122M22700000018		
21	Guide holder	1.0	121M22700000150		
22	Subassembly of Air Guide Strip	1.0	121M22700000058		
23	stepper motor	1.0	110M02010000057		
24	Chassis Assembly	1.0	122M22700000185		
25	Installation Left Hanger	2.0	122M22700000016		
26	Cover plate (left)	1.0	121M22700000093		
27	E-Part Box Cover Subassembly	1.0	122M22700000058		
28	Electrical Control Box Subassembly	1.0	172M22700000052		
28.1	Welding Parts of Electrical Control Box	1.0	122M22700000083		
28.2	Capacitor	1.0	174M00101000086		
28.3	Indoor Main Control Board Subassembly	1.0	171M22700000078		
28.4	Wire holder	1.0	174M00401000020		
28.4	Wire holder	1.0	174M00401000058		
28.5	Room Temperature Sensor	1.0	112M01007000073		
28.6	Power Transformer	1.0	112M03103000065		
29	Connecting pipe clamp	1.0	122M22700000054		
30	Remote Controller	1.0	173M17000001394		
30.1	Holder for remote controller	1.0	121M17000000104		

Exploded View



JCI Model:	YFGE48BXO--M-RX			
Factory Model:	EXP_22022711000384(CE-KFR140DL/SN1Y-E)			
Power Supply:	380-415V,50Hz,3Phase	Export Time:	2015-12-17 11:17:36	

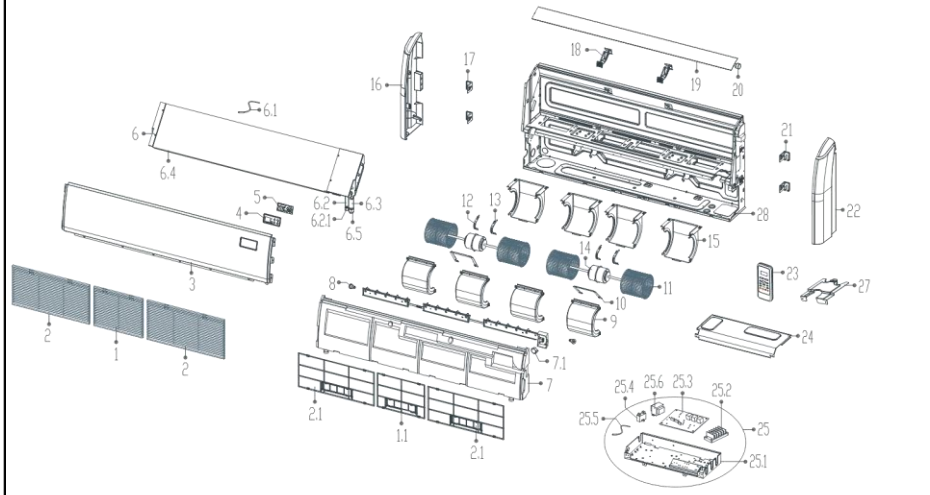


No.	Part Name	Quantity	BOM Code	Price	Remark
1	Air Returning Grille Subassembly	1.0	121M22700A00310		
1.1	Air Filter	1.0	121M00204000718		
1	Air Returning Grille Subassembly	1.0	121M22700A00313		
1.1	Air Filter	1.0	121M00204000718		
2	Top cover	1.0	122M22700000094		
3	VLED Display Module	1.0	171M22700A00005		
4	Display panel box	1.0	121M22700000044		
5	Evaporator assembly	1.0	158M22700000757		
5.1	Temperature Sensor	1.0	112M01007000006		
5.2	Input pipes of Evaporator assemblyJoint board of Evaporator	1.0	151M22700000338		
5.2.1	Brass Nut	1.0	155M00406000010		
5.3	Outlet Pipes of Evaporator	1.0	151M22700000190		
5.4	Evaporator	1.0	158M22700000498		
5.5	Brass Nut	1.0	155M00406000008		
6	Water receiver subassembly	1.0	128M22700000011		
6.1	stepper motor	1.0	110M02010000034		
7	Coupling	1.0	129M23000000004		
8	Anti-power Shaft	2.0	121M22000000344		
9	Motor Boarding	1.0	122M22700000079		
10	Upper Volute	3.0	121M22700000049		
11	Fixed plate of bearing	1.0	122M220000003769		
12	Bearing pedestal	1.0	126M22000000013		
13	Intermediate Shaft	1.0	129M22700000004		
14	Single-phase Asynchronous Motor	1.0	110M02012001969		
15	Right Gland of Motor Bush	1.0	122M22500000255		
16	Left Gland of Motor Bush	1.0	122M22500000253		
17	Plastic Fan Wheel	3.0	121M00103000165		
18	Lower Scroll	3.0	121M22700000113		
19	Cover plate (right)	1.0	121M22700000087		
20	Installation Right Hanger	2.0	122M22700000018		
21	Guide holder	1.0	121M22700000150		
22	Subassembly of Air Guide Strip	1.0	121M22700000058		
23	stepper motor	1.0	110M02010000057		
24	Chassis Assembly	1.0	122M22700000185		
25	Installation Left Hanger	2.0	122M22700000016		
26	Cover plate (left)	1.0	121M22700000093		
27	E-Part Box Cover Subassembly	1.0	122M22700000058		
28	Electrical Control Box Subassembly	1.0	172M22700000052		
28.1	Welding Parts of Electrical Control Box	1.0	122M22700000083		
28.2	Capacitor	1.0	174M00101000086		
28.3	Indoor Main Control Board Subassembly	1.0	171M22700000078		
28.4	Wire holder	1.0	174M00401000020		
28.4	Wire holder	1.0	174M00401000058		
28.5	Room Temperature Sensor	1.0	112M01007000073		
28.6	Power Transformer	1.0	112M03103000065		
29	Connecting pipe clamp	1.0	122M22700000054		
30	Remote Controller	1.0	173M17000001394		
30.1	Holder for remote controller	1.0	121M17000000104		

Exploded View



JCI Model:	YFGE55BXO--M-RX			
Factory Model:	EXP_22022711000584(CE-KFR160DL/SN1Y-E)			
Power Supply:	380-415V,50Hz,3Phase	Export Time:	2015-12-17 11:22:45	



DL-E-48-60K-003

No.	Part Name	Quantity	BOM Code	Price	Remark
1	Air Returning Grille Subassembly	1.0	121M22700A00308		
1.1	Air Filter	1.0	121M00204000719		
2	Air Returning Grille Subassembly	1.0	121M22700A00310		
2.1	Air Filter	1.0	121M00204000718		
2	Air Returning Grille Subassembly	1.0	121M22700A00313		
2.1	Air Filter	1.0	121M00204000718		
3	Top cover	1.0	122M22700000093		
4	Display panel box	1.0	121M22700000044		
5	VLED Display Module	1.0	171M22700A00005		
6	Evaporator assembly	1.0	158M22700000619		
6.1	Temperature Sensor	1.0	112M01007000006		
6.2	Input pipes of Evaporator assemblyJoint board of Evaporator	1.0	151M22700000414		
6.2.1	Brass Nut	1.0	155M00406000010		
6.3	Outlet Pipes of Evaporator	1.0	151M22700000204		
6.4	Evaporator	1.0	158M22700000620		
6.5	Brass Nut	1.0	155M00406000008		
7	Water receiver subassembly	1.0	128M22700000009		
7.1	stepper motor	1.0	110M02010000034		
8	Anti-power Shaft	2.0	121M22000000344		
9	Upper Volute	4.0	121M22700000049		
10	Motor Boarding	2.0	122M22700000079		
11	Plastic Fan Wheel	4.0	121M00103000165		
12	Right Gland of Motor Bush	2.0	122M22500000255		
13	Left Gland of Motor Bush	2.0	122M22500000253		
14	Single-phase Asynchronous Motor	2.0	110M02012003422		
15	Lower Scroll	4.0	121M22700000113		
16	Cover plate (right)	1.0	121M22700000087		
17	Installation Right Hanger	2.0	122M22700000018		
18	Guide holder	2.0	121M22700000150		
19	Subassembly of Air Guide Strip	1.0	121M22700000059		
20	stepper motor	1.0	110M02010000057		
21	Installation Left Hanger	2.0	122M22700000016		
22	Cover plate (left)	1.0	121M22700000093		
23	Remote Controller	1.0	173M17000001394		
23.1	Holder for remote controller	1.0	121M1700000104		
24	E-Part Box Cover Subassembly	1.0	122M22700000058		
25	Electrical Control Box Subassembly	1.0	172M22700000005		
25.1	Welding Parts of Electrical Control Box	1.0	122M22700000083		
25.2	Wire holder	1.0	174M00401000058		
25.2	Wire holder	1.0	174M00401000020		
25.3	Indoor Main Control Board Subassembly	1.0	171M22700000078		
25.4	Capacitor	2.0	174M00101000083		
25.5	Room Temperature Sensor	1.0	112M01007000073		
25.6	Power Transformer	1.0	112M03103000065		
27	Connecting pipe clamp	1.0	122M22700000054		
28	Chassis Assembly	1.0	122M22700000184		