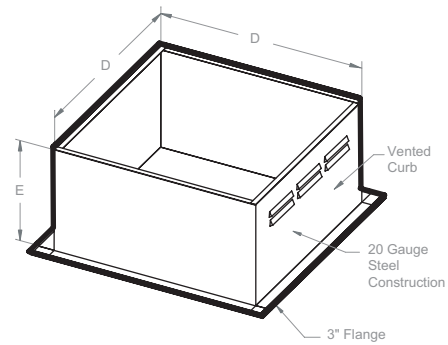
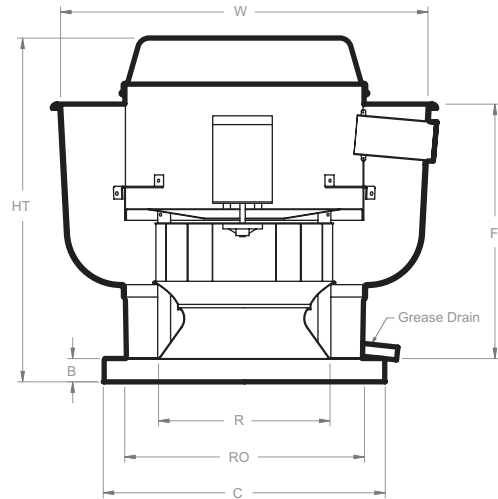


NCA-FA Belt Drive

Centrifugal Upblast Fans



Features & Benefits

- Complete range of motors available to meet specific application needs
- Heavy duty construction, durable and weather resistant
- Non-overloading backward inclined wheels, blades and inlets fabricated from 3003-H14 aluminum
- Wall mount applications; units up to 24" nominal wheel can be wall mounted
- Forced fresh air through the motor compartment cools motor and ensures long motor life
- Quick release latches allow for easy access to motor compartment
- Variable pitch motor pulley allows for field adjustment and system balancing
- High efficiency combined with low tip speeds result in quiet operation
- External disconnect switch
- Fully welded, leak-proof grease drain
- Vibration isolation

Options

- Gravity Damper (UL 705 only)
- Motorized Damper (UL 705 only)
- Wall Mount Sleeve
- Bird Screen (UL 705 only)
- Grease Collection Box
- Roof Curb (vented & non vented)
- Base Hinging Kit or Hinged Sub Base (for NFPA96 compliance)

Certifications



CaptiveAire® certifies that Models NCA8FA thru NCA36FA shown herein are licensed to bear the AMCA seal. The ratings shown are based on tests & procedures performed in accordance with AMCA Publication 211 and Publication 311, and comply with the requirements of the AMCA Certified Ratings Program.



Models NCA8FA thru NCA36FA are ETL Listed and comply with UL705 (electrical) and UL762 Standards and CSA Std. C22.2, No. 113.

Performance

MODEL	HT	W	B	C	D	E	F	R	RO	Weight (lbs)	Damper (lbs)
NCA8FA	25 1/4	27 1/4	2	21	19 1/2	22	18 1/2	12 1/8	16	105	15
NCA10FA	27 1/4	30 1/4	2	21	19 1/2	20	21 1/2	13 1/4	16	120	15
NCA14FA	30 1/2	33 3/4	2	24 3/4	23	20	23	14 7/8	20	140	19
NCA16FA	33 3/4	39 3/8	2	28	26 1/2	20	23 1/2	16 1/2	24	190	23
NCA18FA	33 3/8	38 7/8	2	28	26 1/2	20	29 1/2	18	24	195	23
NCA24FA	37 1/2	43 3/8	2	33	31 1/2	20	30 5/8	23 7/8	28	270	27
NCA30FA	40	52 3/4	2	40	38 1/2	20	33 1/2	24	36	410	35
NCA36FA	49 1/2	66	2	44 1/2	43	20	47 1/2	30 3/4	36	470	35 1/2

Motor Frame

Model	Largest Frame
NCA8FA	56
NCA10FA	56
NCA14FA	145T
NCA16FA	145T
NCA18FA	145T
NCA24FA	182T
NCA30FA	182T
NCA36FA	213T

BHP (Brake Horsepower): The actual power developed by a motor as measured by the force applied to a shaft or flywheel.

Performance		0.00" sp	0.25" sp	0.50" sp	0.75" sp	1.00" sp	1.25" sp	1.50" sp	1.75" sp	2.00" sp
MODEL	CFM	RPM Sone/BHP	RPM Sone/BHP	RPM Sone/BHP	RPM Sone/BHP	RPM Sone/BHP	RPM Sone/BHP	RPM Sone/BHP	RPM Sone/BHP	RPM Sone/BHP
NCA8FA	1000	1038 4.7 / 0.07	1236 6.1 / 0.13	1397 7.6 / 0.20	1534 11.6 / 0.26	1658 12.3 / 0.33	1779 13.1 / 0.41	1898 13.2 / 0.49		
NCA8FA	1200	1246 6.1 / 0.13	1415 9.0 / 0.20	1562 13.0 / 0.27	1690 14.0 / 0.35	1805 14.8 / 0.43				
NCA8FA	1400	1454 11.6 / 0.20	1598 13.9 / 0.28	1735 15.3 / 0.37	1854 16.4 / 0.45					
NCA8FA	1600	1661 15.0 / 0.30	1788 16.3 / 0.39	1912 16.0 / 0.49						
NCA8FA	1800	1869 17.8 / 0.43								
NCA10FA	1400	896 7.2 / 0.09	1017 9.1 / 0.16	1135 11.5 / 0.23	1252 12.1 / 0.31	1367 14.4 / 0.40	1480 15.7 / 0.50			
NCA10FA	1600	1024 9.9 / 0.14	1131 11.9 / 0.21	1235 13.9 / 0.29	1338 14.9 / 0.38	1439 15.8 / 0.48				
NCA10FA	1800	1152 13.1 / 0.20	1247 14.6 / 0.28	1340 15.4 / 0.37	1432 16.6 / 0.46					
NCA10FA	2000	1280 14.8 / 0.28	1366 17.1 / 0.36	1450 17.9 / 0.46						
NCA10FA	2200	1408 18.7 / 0.37	1486 19.4 / 0.46							
NCA10FA	2400	1536 21 / 0.48								
NCA14FA	1600	700 7.1 / 0.09	779 7.8 / 0.14	911 9.4 / 0.23	1034 9.6 / 0.32	1151 12.6 / 0.43	1263 14.7 / 0.55	1371 15.3 / 0.69	1475 16.3 / 0.83	1573 17.6 / 0.99
NCA14FA	1800	719 8.1 / 0.10	844 9.6 / 0.18	964 10.8 / 0.27	1077 10.8 / 0.37	1184 12.5 / 0.49	1288 14.8 / 0.61	1389 15.4 / 0.74	1486 16.5 / 0.89	
NCA14FA	2000	798 9.1 / 0.13	912 10.9 / 0.22	1021 10.2 / 0.32	1125 13.2 / 0.43	1225 13.6 / 0.55	1322 14.9 / 0.67	1415 15.6 / 0.81	1507 16.7 / 0.96	
NCA14FA	2200	878 10.2 / 0.18	981 12.2 / 0.27	1083 12.6 / 0.38	1180 14 / 0.50	1272 15.9 / 0.62	1362 15.8 / 0.75	1449 16 / 0.89		
NCA14FA	2400	958 11.6 / 0.23	1053 12.4 / 0.33	1146 14.3 / 0.45	1236 15.4 / 0.57	1324 17.5 / 0.70	1408 17.3 / 0.84	1490 17.1 / 0.9		
NCA14FA	2600	1038 12 / 0.29	1125 14.3 / 0.40	1212 15.1 / 0.52	1297 17.5 / 0.66	1379 18.6 / 0.79	1458 19.6 / 0.94			
NCA14FA	2800	1118 14.1 / 0.36	1198 15.5 / 0.48	1280 18.1 / 0.61	1359 18.7 / 0.75	1436 19.7 / 0.89				
NCA14FA	3000	1198 15.5 / 0.44	1273 19.1 / 0.57	1349 19.7 / 0.71	1424 20 / 0.85					
NCA14FA	3200	1277 19.4 / 0.54	1348 21 / 0.67	1419 21 / 0.82	1490 22 / 0.97					
NCA14FA	3400	1357 21 / 0.65	1423 22 / 0.79	1491 23 / 0.94						
NCA14FA	3600	1437 22 / 0.77	1499 24 / 0.91							
NCA14FA	3800	1516 24 / 0.90								
NCA16FA	2000	524 4.2 / 0.09	638 6.0 / 0.18	733 7.7 / 0.28	822 9.0 / 0.39					
NCA16FA	2500	655 7.4 / 0.17	750 9.5 / 0.28	833 10.3 / 0.40	907 11.0 / 0.52	978 11.6 / 0.66	1047 12.1 / 0.80	1127 13.8 / 0.98		
NCA16FA	3000	786 11.2 / 0.29	866 12.2 / 0.42	940 12.8 / 0.56	1007 13.0 / 0.70	1069 12.5 / 0.85	1129 13.8 / 1.01	1188 15.0 / 1.17	1248 16.1 / 1.35	1310 17.3 / 1.55
NCA16FA	3500	916 13.9 / 0.46	986 14.8 / 0.61	1052 14.6 / 0.77	1113 15.1 / 0.94	1170 16.4 / 1.10	1224 17.6 / 1.27	1276 18.0 / 1.45	1327 18.5 / 1.64	1377 19.0 / 1.83
NCA16FA	4000	1047 15.6 / 0.69	1108 17.1 / 0.86	1168 17.7 / 1.04	1224 19.4 / 1.23	1276 20 / 1.41	1326 20 / 1.60	1374 21 / 1.80	1420 21 / 2.00	
NCA16FA	4500	1178 19.0 / 0.98	1232 21 / 1.18	1286 22 / 1.38	1337 22 / 1.58	1386 23 / 1.79	1433 24 / 2.00			
NCA16FA	5000	1309 24 / 1.35	1358 24 / 1.56	1406 25 / 1.78						
NCA16FA	5500	1440 27 / 1.80								
NCA18FA	2700	490 4.8 / 0.12	584 6.2 / 0.23	684 8.0 / 0.38	774 9.5 / 0.53	862 11.3 / 0.70				
NCA18FA	3200	581 6.9 / 0.20	657 8.3 / 0.33	744 10.3 / 0.49	825 10.5 / 0.66	902 12.2 / 0.84	976 14.0 / 1.03	1050 15.4 / 1.24		
NCA18FA	3700	672 9.6 / 0.31	735 11.0 / 0.46	810 11.5 / 0.63	884 12.4 / 0.82	954 13.5 / 1.02	1020 15.0 / 1.23	1085 16.1 / 1.44	1148 17.6 / 1.67	1212 19.7 / 1.92
NCA18FA	4200	763 12.5 / 0.45	817 12.5 / 0.61	881 13.5 / 0.80	947 14.7 / 1.01	1012 16.0 / 1.22	1073 16.6 / 1.45	1132 17.5 / 1.69	1189 19.0 / 1.93	
NCA18FA	4700	853 14.4 / 0.63	901 15.8 / 0.81	956 16.2 / 1.01	1015 17.2 / 1.23	1074 17.7 / 1.47	1131 18.7 / 1.71	1187 20 / 1.97		
NCA18FA	5200	944 17.3 / 0.85	986 19.0 / 1.05	1034 18.9 / 1.27	1087 19.1 / 1.50	1141 20 / 1.75				
NCA18FA	5700	1035 21 / 1.12	1073 21 / 1.34	1115 21 / 1.57	1162 22 / 1.82					
NCA18FA	6200	1126 24 / 1.44	1160 24 / 1.68	1199 25 / 1.93						
NCA18FA	6700	1217 28 / 1.82								

Performance shown is for installation Type A; Free Inlet, Free Outlet. Power Rating (BHP) does not include Drive Losses. Performance Ratings do not include the effects of appurtenances in the air stream. The Sound Ratings shown are loudness values in fan sones at 5 ft. (1.5m) in a hemispherical free field calculated per AMCA Standards 301. Values shown are for installation Type A; Free inlet fan sone levels. The AMCA Certified Ratings Sound Seal applies to Sone Ratings only.

NCA-FA Performance

BHP (Brake Horsepower): The actual power developed by a motor as measured by the force applied to a shaft or flywheel.

Performance		0.00" sp	0.25" sp	0.50" sp	0.75" sp	1.00" sp	1.25" sp	1.50" sp	1.75" sp	2.00" sp	2.25" sp	2.50" sp
MODEL	CFM	RPM Sone/BHP	RPM Sone/BHP	RPM Sone/BHP	RPM Sone/BHP	RPM Sone/BHP	RPM Sone/BHP	RPM Sone/BHP	RPM Sone/BHP	RPM Sone/BHP	RPM Sone/BHP	RPM Sone/BHP
NCA24FA	3500	413 6.4 / 0.20	502 8.2 / 0.41	581 9.3 / 0.64	650 11.5 / 0.89	712 13.4 / 1.15						
NCA24FA	4500	530 9.6 / 0.43	602 11.3 / 0.69	668 12.9 / 0.97	729 13.8 / 1.26	785 14.9 / 1.57	838 15.8 / 1.90	887 16.8 / 2.24	933 18.1 / 2.59			
NCA24FA	5500	648 13.4 / 0.79	708 14.7 / 1.10	764 16.0 / 1.43	817 16.3 / 1.77	868 17.3 / 2.13	915 17.5 / 2.50	961 19.1 / 2.88	1004 21 / 3.28	1045 23 / 3.68		
NCA24FA	6500	766 17.0 / 1.30	818 18.0 / 1.67	866 18.1 / 2.05	912 19.2 / 2.44	957 19.4 / 2.85	1000 21 / 3.27	1042 23 / 3.70	1083 24 / 4.14	1121 26 / 4.59		
NCA24FA	7500	884 19.8 / 2.00	930 22 / 2.42	972 22 / 2.85	1013 23 / 3.29	1053 25 / 3.75	1092 27 / 4.22	1130 27 / 4.70				
NCA24FA	8500	1002 25 / 2.91	1042 27 / 3.39	1081 28 / 3.87	1117 29 / 4.37	1153 31 / 4.87						
NCA24FA	9500	1119 32 / 4.06	1156 35 / 4.59									
NCA30FA	6000	446 9.5 / 0.56	503 11.2 / 0.89	557 11.8 / 1.27	606 12.6 / 1.67	652 13.6 / 2.08	696 14.8 / 2.50	738 15.9 / 2.94	781 17.0 / 3.40	822 18.3 / 3.88	863 19.4 / 4.41	905 21 / 4.96
NCA30FA	7000	520 13.2 / 0.89	569 13.7 / 1.26	617 13.8 / 1.69	662 15.2 / 2.15	703 15.9 / 2.61	743 16.1 / 3.09	782 17.1 / 3.57	819 19.1 / 4.06	855 19.8 / 4.57		
NCA30FA	8000	594 14.6 / 1.32	637 16.3 / 1.73	680 17.0 / 2.21	721 17.0 / 2.73	759 18.2 / 3.25	796 19.3 / 3.78	831 21 / 4.32	865 21 / 4.86			
NCA30FA	9000	669 17.4 / 1.88	707 18.9 / 2.33	745 20 / 2.86	782 19.0 / 3.42	818 22 / 4.00	852 23 / 4.59					
NCA30FA	10000	743 20 / 2.58	777 22 / 3.07	812 23 / 3.64	846 24 / 4.25	879 25 / 4.88						
NCA30FA	11000	817 26 / 3.44	848 26 / 3.97	880 27 / 4.57								
NCA30FA	12000	891 29 / 4.46										
NCA36FA	8000		351 9.5 / 0.88	403 11.7 / 1.39	452 14.1 / 1.94	496 16.4 / 2.53	539 18.7 / 3.18	581 21 / 3.87				
NCA36FA	10000	370 11.3 / 0.87	414 13.4 / 1.40	457 15.1 / 1.99	499 17.1 / 2.64	538 19.2 / 3.31	576 21 / 4.02	612 24 / 4.76	646 26 / 5.54	680 29 / 6.36	713 32 / 7.22	
NCA36FA	12000	444 15.7 / 1.50	481 17.7 / 2.12	517 19.4 / 2.81	553 21 / 3.54	588 23 / 4.30	621 25 / 5.10	654 27 / 5.93	685 30 / 6.78			
NCA36FA	14000	518 21 / 2.38	550 23 / 3.10	581 25 / 3.87	612 26 / 4.69	642 28 / 5.54	672 30 / 6.43	702 32 / 7.34				
NCA36FA	16000	592 27 / 3.55	620 29 / 4.37	647 31 / 5.23	674 33 / 6.13	701 34 / 7.07						
NCA36FA	18000	666 33 / 5.06	691 36 / 5.97	715 38 / 6.92								
NCA36FA	20000	740 41 / 6.94										

Performance shown is for installation Type A; Free Inlet, Free Outlet. Power Rating (BHP) does not include Drive Losses. Performance Ratings do not include the effects of appurtenances in the air stream. The Sound Ratings shown are loudness values in fan sones at 5 ft. (1.5m) in a hemispherical free field calculated per AMCA Standards 301. Values shown are for installation Type A; Free inlet fan sone levels. The AMCA Certified Ratings Sound Seal applies to Sone Ratings only.