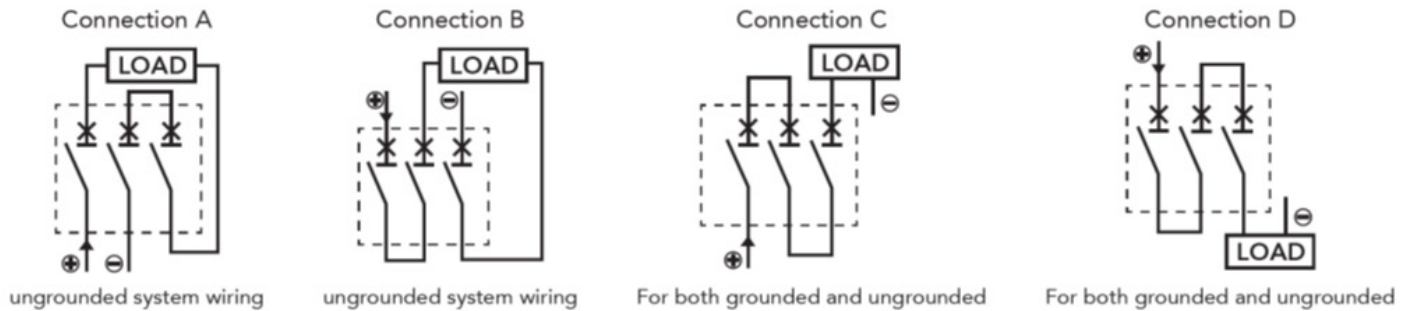


M1PVS - DC Molded Case Circuit Breakers

The M1PVS by NOARK is a **UL489B** DC Molded Case Circuit Breaker available in current ratings of 15A to 80A with a breaking capacity of 10kA @ 1000 Vdc. Each unit is equipped with thermal magnetic trip units for protection of overload and short circuit in **photovoltaic system**. The M1PVS features a poles-in-series design, equipped with pre-installed jumpers. Four jumper connection configurations are offered for grounded and ungrounded systems.

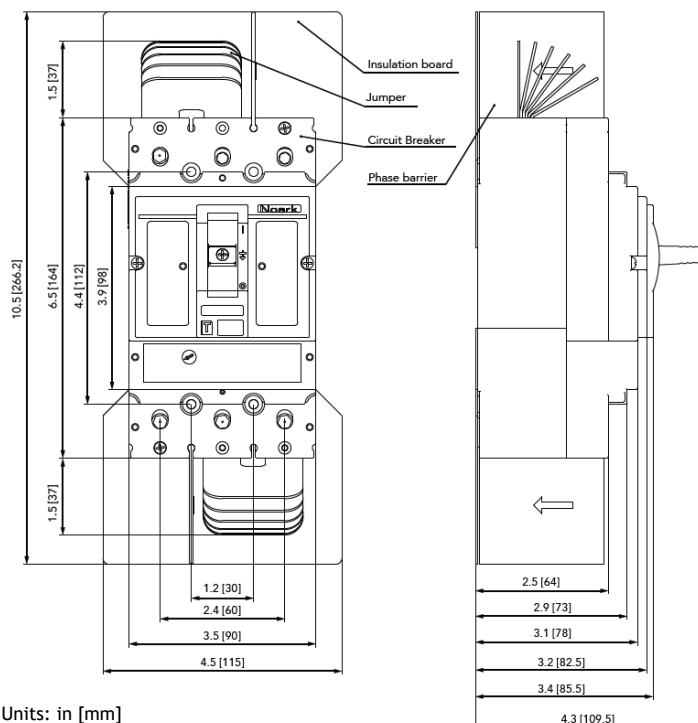
Jumper connection type:



Features and specifications:

- Full line of internal and external accessories available
- Can be used in grounded and ungrounded applications, with 4 different jumper configurations
- Can be used for reverse-feed applications
- Factory installed jumpers
- Calibrated at 50 °C (122 °F)
- **No. of poles: 3**
- **Amperage ratings: 15 - 20 - 25 - 30 - 35 - 40 - 45 - 50 - 60 - 70 - 80 A**
- **Voltage rating: 1000VDC**
- **Approvals: cULus (UL 489B); # E513573**

Dimensional drawing - Connection C:

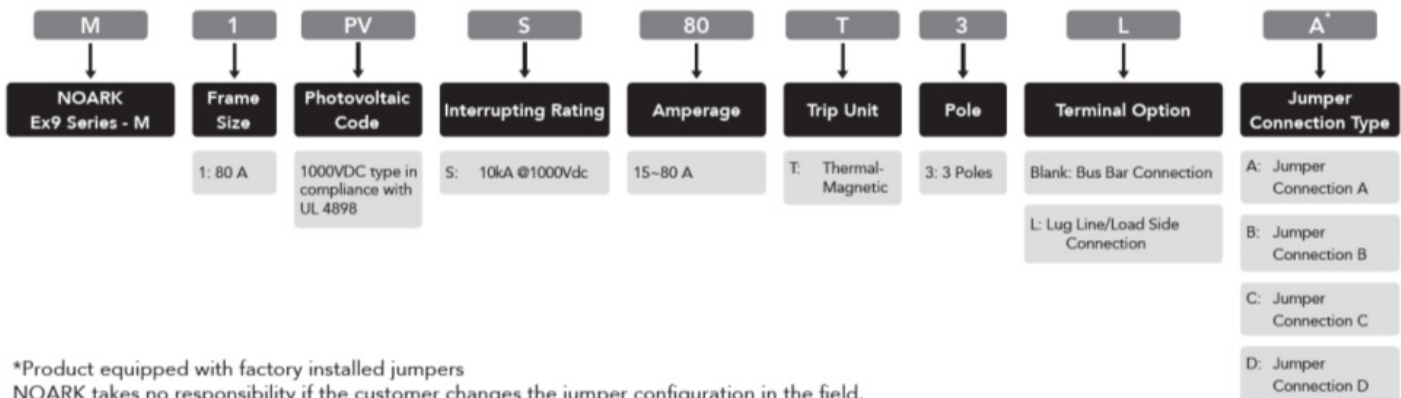


Units: in [mm]



		M1PVS
Rated Service Current		15, 20, 25, 30, 35, 40, 45, 50, 60, 70, 80
Number of Poles		3
Rated Service Voltage		1000VDC
Short-circuit Interrupting rating @1000Vdc		10
Trip Unit		TM
Ambient temperature		-20°C~50°C
Certification		UL 489B
Mechanical life		10,000
Electrical life (operations @ 1000 VDC)		1,000
Dimensions (mm/in)	M1PVS-A/B	W 90 (3.5)
		D 84.5 (3.33)
	M1PVS-C/D	H 201 (7.91)
		W 90 (3.5)
Weight (with jumper)	M1PVS-A/B (kg/lbs)	1.50/3.29
	M1PVS-C/D (kg/lbs)	1.659/3.64
Suitable for Reverse-feed Applications		Yes
Accessories		
Alarm Switch		■
Auxiliary Contact		■
Shunt Trip		■
Under-Voltage Trip		■
Handle Lock		■
Flange Handle		■
Rotary Handle		■
Mechanical Interlock		■
Motor Operator		■
Terminations		
Connections		Jumpers
Cable Selection		CU

Product selection guide:



*Product equipped with factory installed jumpers
NOARK takes no responsibility if the customer changes the jumper configuration in the field.