

CATÁLOGO REFERENCIAL



**AGRÍCOLA**

TRANSMISIONES Y COMPONENTES CARDAN



[WWW.CARDYFREN.COM](http://WWW.CARDYFREN.COM)





## **INFORMACION GENERAL**

El objetivo de este catalogo es el de facilitar a nuestros clientes una información útil para identificar las transmisiones cardan y las piezas de recambio necesarias para efectuar una reparación o construir un cardan completo.

No deberá ser considerado como un catalogo de aplicación o dimensional y su contenido será puramente orientativo. Para más detalle le recomendamos contactar con nuestro departamento técnico o distribuidor.

*Cardyfren S.L.* no se responsabilizará de cualquier aplicación incorrecta que no haya sido aprobada por escrito.

Este catalogo no recoge la totalidad del producto del que dispone *Cardyfren S.L.* sino lo más representativo, por lo que les recomendamos que contacten con nosotros para cualquier consulta o articulo que no hayan localizado.

Todas las dimensiones están expresadas en milímetros (mm.) y algunos valores son aproximados o han sido redondeados a una cifra.

*Cardyfren S.L.* no se responsabiliza de los errores u omisiones eventuales que hayan podido darse durante la confección de este catalogo.

*Cardyfren S.L.* se reserva el derecho de modificar los datos y el contenido de este catalogo sin previo aviso.

Para cualquier información contactar con:

***Cardyfren S.L.***

## **GENERAL INFO**

*The aim of this catalogue is to facilitate a useful information to our customers in order to identify cardanshafts and their components necessary to carry out a repair or to construct a complete universal joint.*

*It will not have to be considered as a catalogue for application or exact dimensions and its content will be purely guiding. For more details, we recommend you to contact our technical department or our distributor.*

*Cardyfren, S.L. does not take responsibility of any incorrect application that has not approved in writing.*

*The present catalogue does not gather the totality of the products which Cardyfren, S.L. has, but the most representative, for what we kindly request of you to contact us for any consult or article you may not have located.*

*All the dimensions are expressed in millimeters (mm) and some values are brought near or rounded to a number.*

*Cardyfren, S.L. does not take any responsibility of the mistakes or eventual omissions that may have occurred while confectioning the present catalogue.*

*Cardyfren, S.L. reserves itself the right to modify the information or content of the catalogue without previous notice.*

*For any information contact to:*

***Cardyfren S.L.***

### CENTRAL / MAIN CENTER

C/ Nacional III, Parc. 7.  
Subpoligono II "El Oliveral"  
46394 RIBARROJA DEL TURIA - VALENCIA (ESPAÑA)  
TEL.: (34) 96 166 51 79 FAX.: (34) 96 166 52 05  
E-mail :cardyfren@cardyfren.com  
WEB : www.cardyfren.com

### SUCURSAL / BRANCH WORKSHOP

C/ Electrónica, 30.  
Polig. Ind. Urtinsa  
28923 ALCORCÓN - MADRID (ESPAÑA)  
TEL.: (34) 91 127 81 11 FAX.:(34) 91 641 02 32  
E-mail :madrid@cardyfren.com  
WEB : www.cardyfren.com



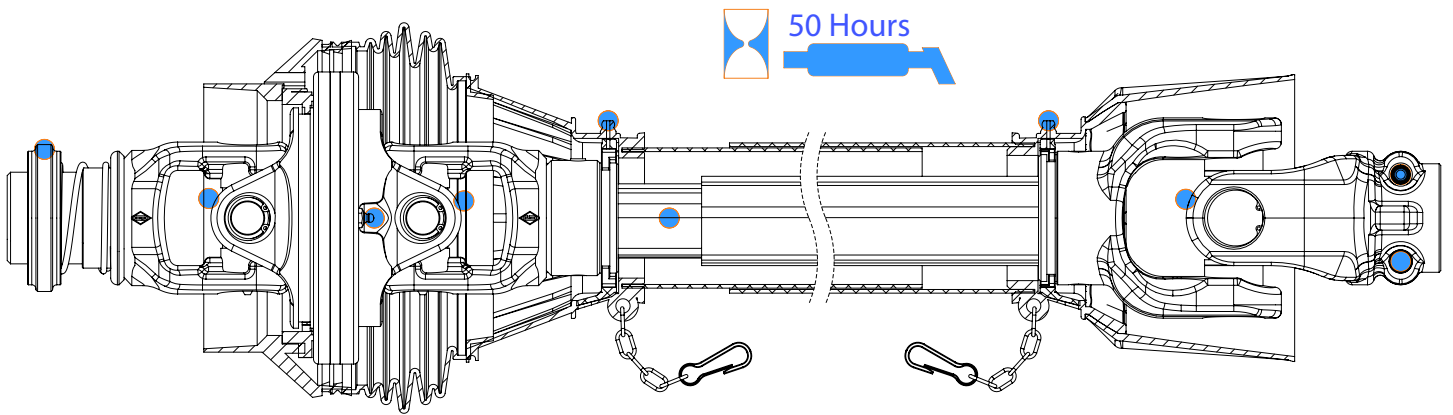


# INDEX

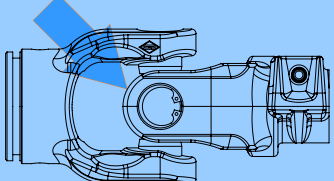
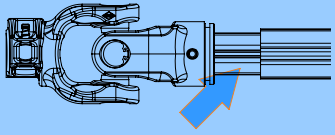
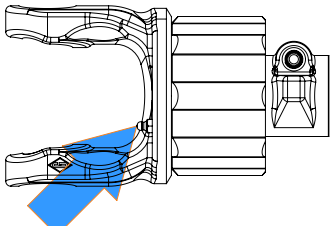
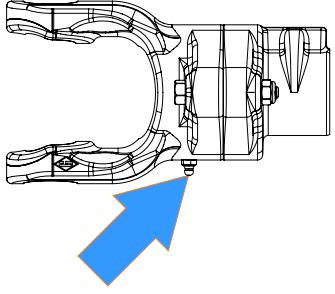
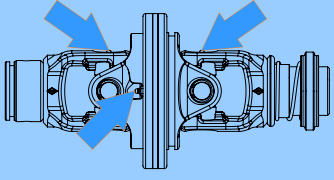
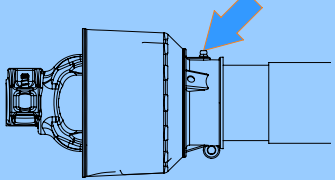
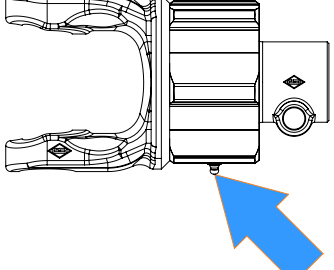
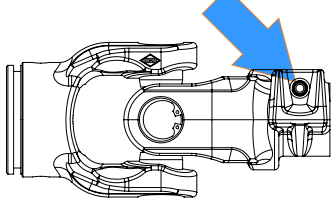
Lubrication	4
Standard Splines For Agriculture	5
Technical Details	6
Coding System For Triangular Tube Shaft	7
Technical Details	8
Coding System For Triangular Tube Shaft	9
Serie 1	10-12
Serie 2	13-15
Serie 4	16-18
Serie 5	19-22
Serie 6	23-34
Serie 7	35-37
Serie 8	38-47
Serie 9	48-51
Serie	52-54
Serie L	55-57
Serie 2G 80° Wide Angle CV Joints	58-61
Serie 4G 80° Wide Angle CV Joints	62-65
Serie 6G 80° Wide Angle CV Joints	66-69
Serie 8G 80° Wide Angle CV Joints	70-73
Overrunning Clutch Safety Devices	74-80
Ratchet Torque Limiter Safety Devices	81-85
Shear Bolt Torque Limiter Safety Devices	86-88
Friction Limiter Safety Devices	89-95
Friction & Overrunning Safety Devices	96-100
Flywheel Friction & Overrunning Safety Devices	101-102



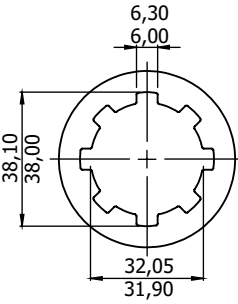
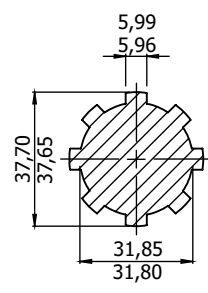
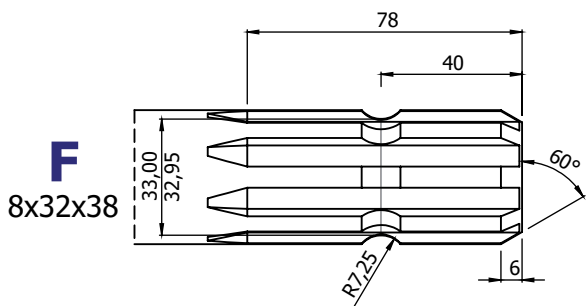
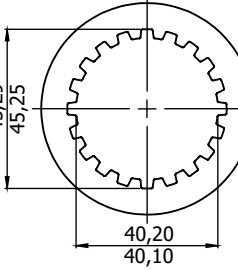
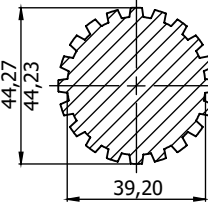
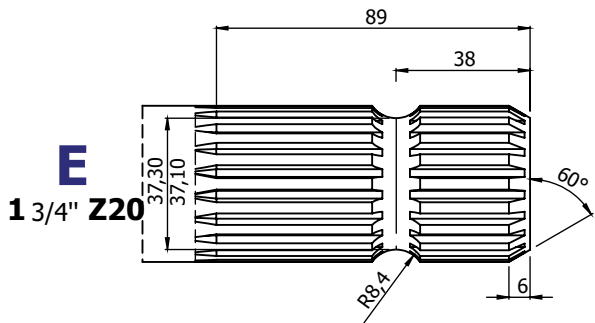
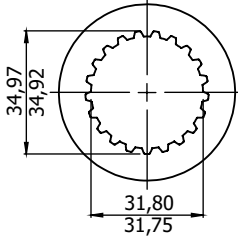
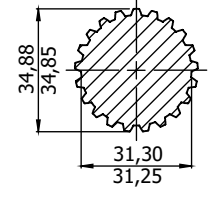
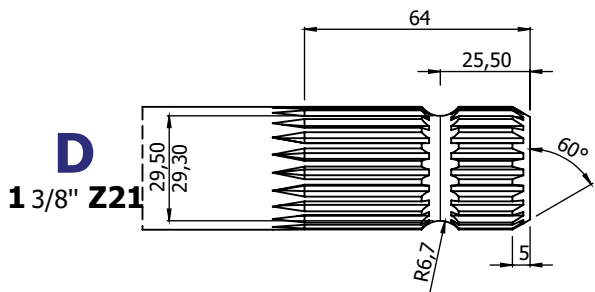
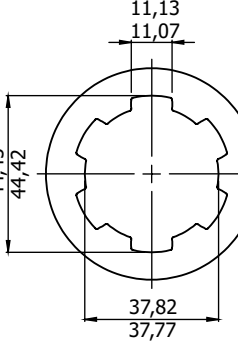
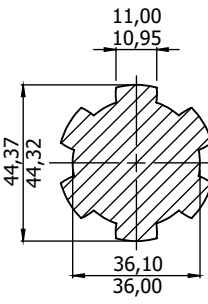
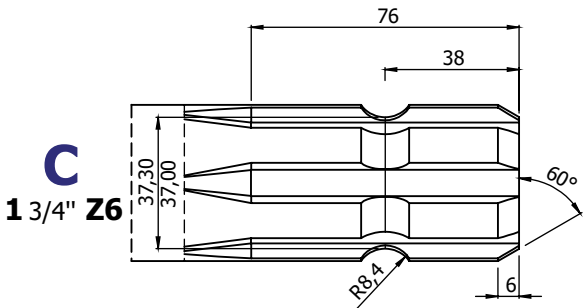
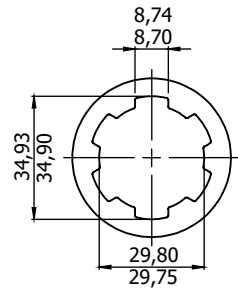
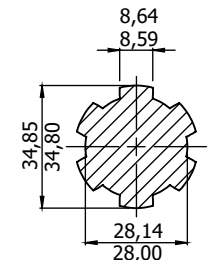
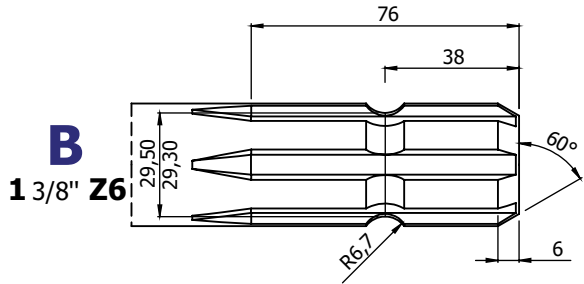
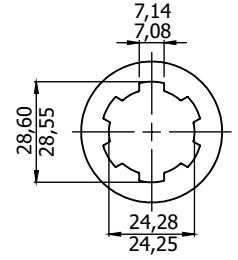
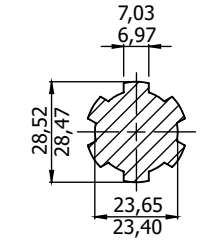
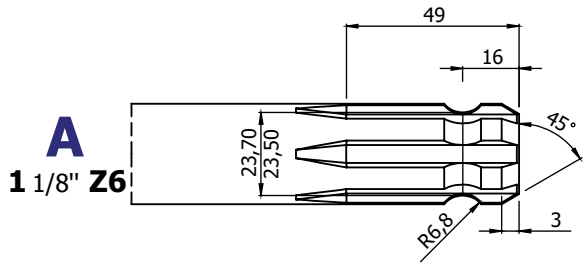
## LUBRICATION



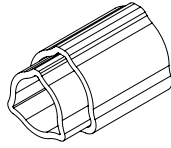
After operating 50 hours, lubricate with grease (EP 2).

	<p><b>Cross Kit</b></p>		<p><b>Inner Tube</b></p>
	<p><b>Ratchet Torque Limiter</b></p>		<p><b>Shear Bolt Torque Limiter</b></p>
	<p><b>Wide Angle CV Joints</b></p>		<p><b>Safety Shield</b></p>
	<p><b>Overrunning Clutch</b></p>		<p><b>Push Pin</b></p>

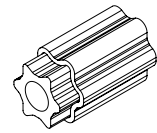
**STANDARD SPLINES FOR AGRICULTURE**



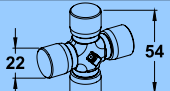
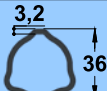
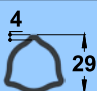
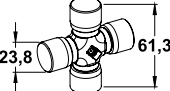
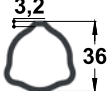
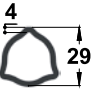
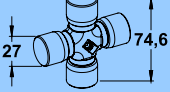
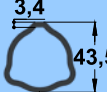
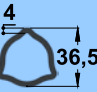
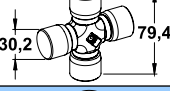
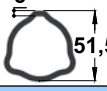
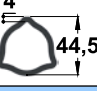
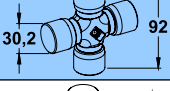
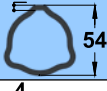
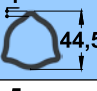
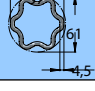
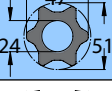

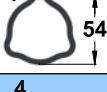
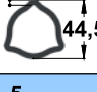
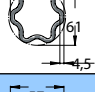
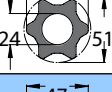


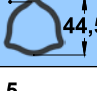
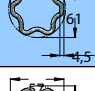
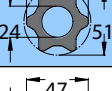
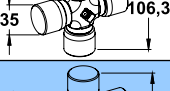


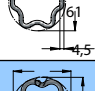
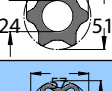

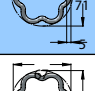
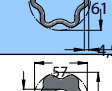

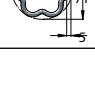

## TECHNICAL DETAILS



**T SERIES**



**S SERIES**

Size	Cross Kit	Triangular Tube Outer	Triangular Tube Inner	Star Tube Outer	Star Tube Inner
<b>1</b>	101 	T106 	T107 		
<b>2</b>	201 	T206 	T207 		
<b>4</b>	401 	T406 	T407 		
<b>5</b>	501 	T506 	T507 		
<b>6</b>	601 	T606 	T607 	S06 	S07 
<b>7</b>	701 	T706 	T707 	S06 	S07 
<b>8</b>	801 	T806 	T807 	S06 	S07 
<b>9</b>	901 	T906 	T907 	S06 	S07 
<b>J</b>	J01 			S05 	S06 
<b>L</b>	L01 			S05 	S08 

## POWER RATING

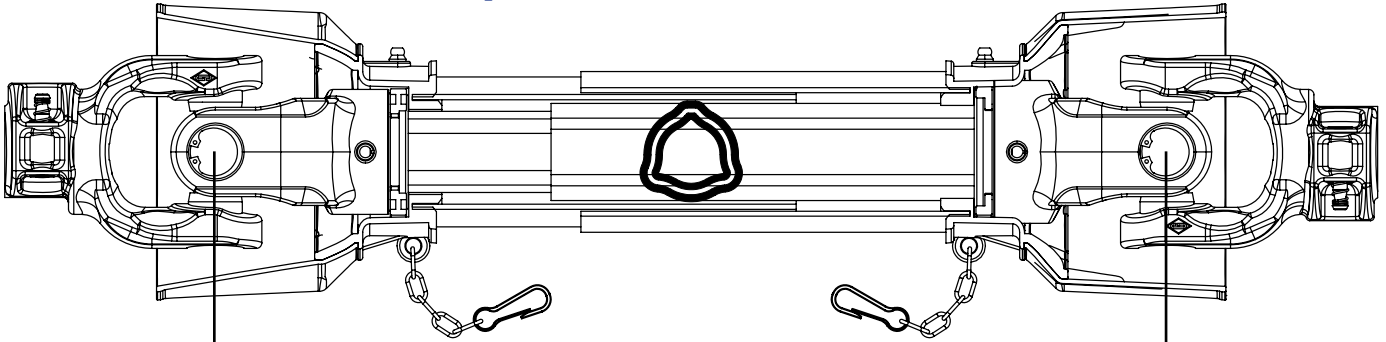
SERIE	540 rpm				1000 rpm				MAX DYNAMIC TORQUE	
	POWER		TORQUE		POWER		TORQUE			
	KW	HP	Nm	in.lb	KW	HP	Nm	in.lb	Nm	in.lb
<b>1</b>	12	16	210	1850	18	25	172	1500	320	2850
<b>2</b>	15	21	270	2400	23	31	220	1950	450	4000
<b>4</b>	26	35	460	4050	40	55	380	3350	780	6900
<b>5</b>	35	47	620	5500	54	74	520	4600	1050	9300
<b>6</b>	47	64	830	7350	74	100	710	6250	1450	12850
<b>7</b>	55	75	970	8600	87	118	830	7350	1800	15950
<b>8</b>	55	75	970	8600	87	118	830	7350	1800	15950
<b>9</b>	70	95	1240	10950	110	150	1050	9300	2250	19900
<b>J</b>	106	145	1890	16700	170	230	1630	14400	3800	33650
<b>L</b>	121	165	2145	18950	188	255	1795	15850	4390	38850

Values related to 5° joint angles, 1000 hours life.  
Values related to 10° joint angles, 500 hours life.

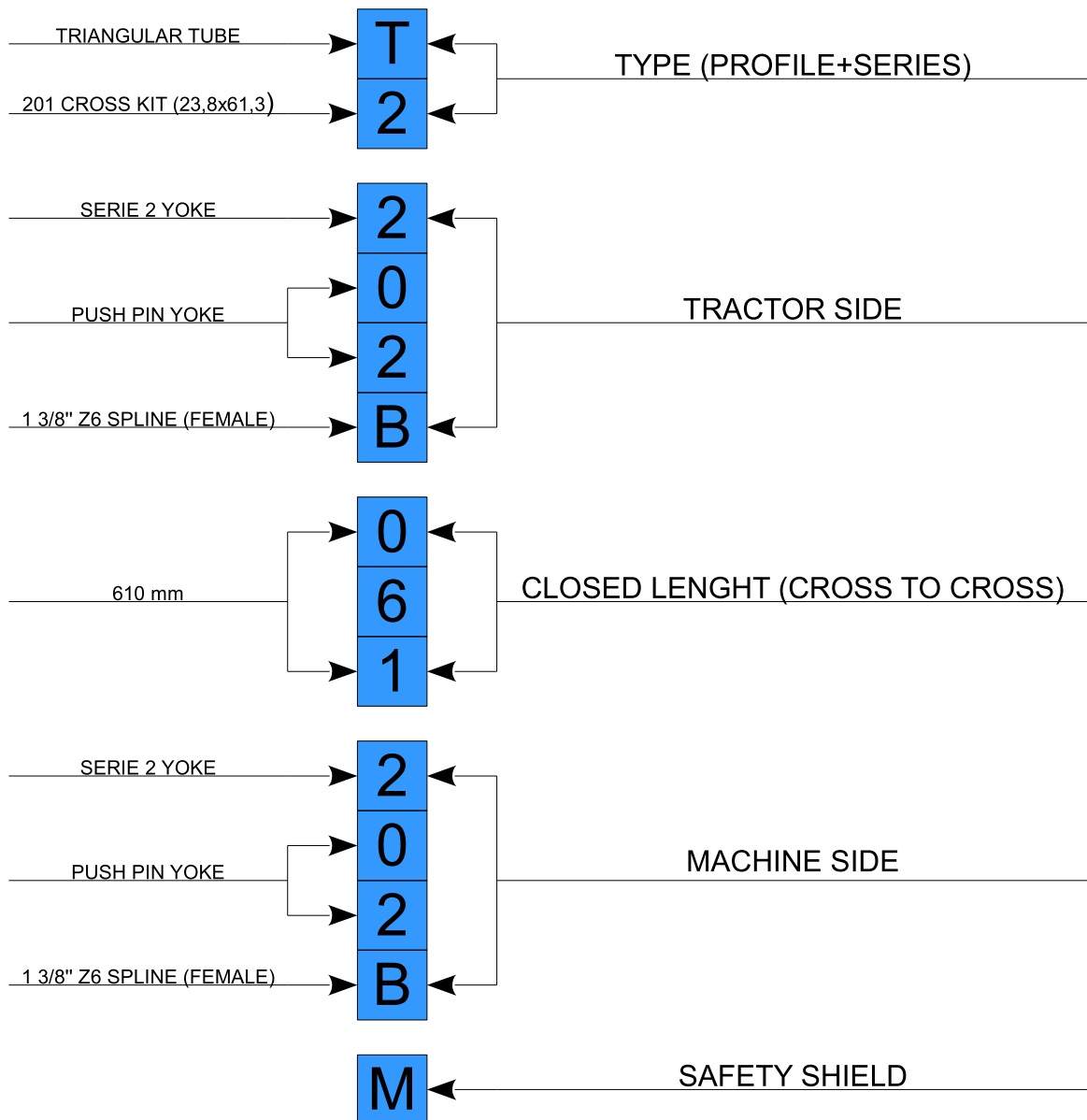


**CODING SYSTEM FOR TRIANGULAR TUBE SHAFTS**

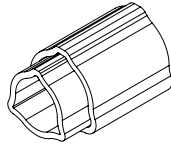
**Example : T2 202B 061 202B M**



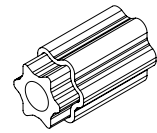
CODE	046	051	056	061	071	086	101	129	CODE
L min	460	510	560	610	710	860	1010	1290	mm



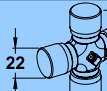
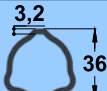
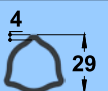
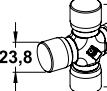
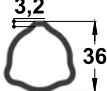
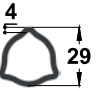
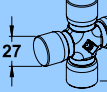
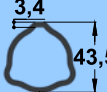
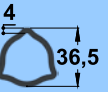
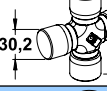
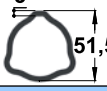
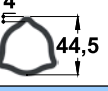
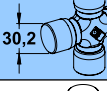
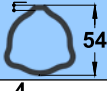
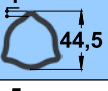
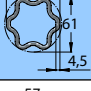
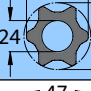

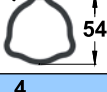
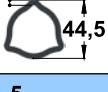
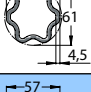
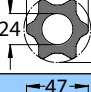



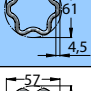
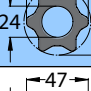
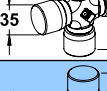


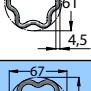

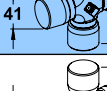
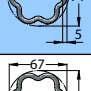
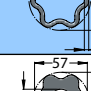
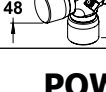
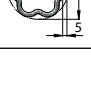
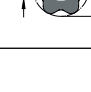
## TECHNICAL DETAILS



**T SERIES**



**S SERIES**

Size	Cross Kit	Triangular Tube Outer	Triangular Tube Inner	Star Tube Outer	Star Tube Inner
<b>1</b>	<b>101</b> 	<b>T106</b> 	<b>T107</b> 		
<b>2</b>	<b>201</b> 	<b>T206</b> 	<b>T207</b> 		
<b>4</b>	<b>401</b> 	<b>T406</b> 	<b>T407</b> 		
<b>5</b>	<b>501</b> 	<b>T506</b> 	<b>T507</b> 		
<b>6</b>	<b>601</b> 	<b>T606</b> 	<b>T607</b> 	<b>S06</b> 	<b>S07</b> 
<b>7</b>	<b>701</b> 	<b>T706</b> 	<b>T707</b> 	<b>S06</b> 	<b>S07</b> 
<b>8</b>	<b>801</b> 	<b>T806</b> 	<b>T807</b> 	<b>S06</b> 	<b>S07</b> 
<b>9</b>	<b>901</b> 	<b>T906</b> 	<b>T907</b> 	<b>S06</b> 	<b>S07</b> 
<b>J</b>	<b>J01</b> 			<b>S05</b> 	<b>S06</b> 
<b>L</b>	<b>L01</b> 			<b>S05</b> 	<b>S08</b> 

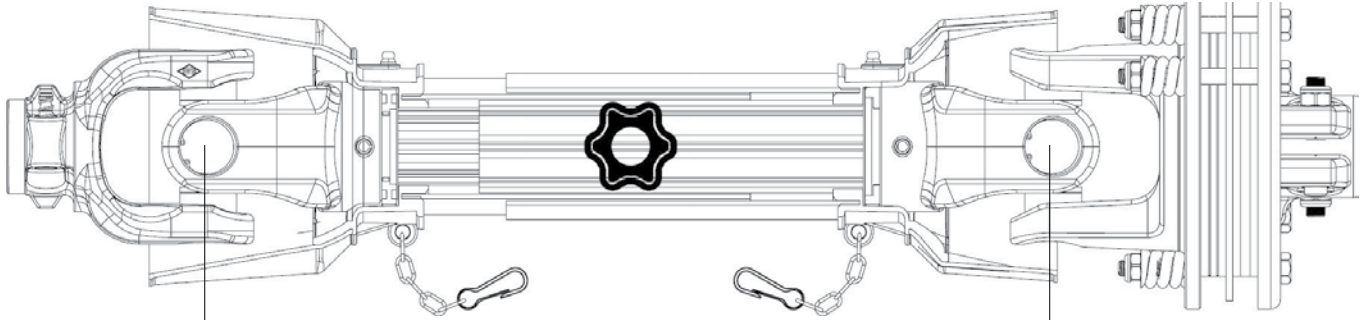
### POWER RATING

SERIE	540 rpm				1000 rpm				MAX DYNAMIC TORQUE	
	POWER		TORQUE		POWER		TORQUE			
	KW	HP	Nm	in.lb	KW	HP	Nm	in.lb	Nm	in.lb
<b>1</b>	12	16	210	1850	18	25	172	1500	320	2850
<b>2</b>	15	21	270	2400	23	31	220	1950	450	4000
<b>4</b>	26	35	460	4050	40	55	380	3350	780	6900
<b>5</b>	35	47	620	5500	54	74	520	4600	1050	9300
<b>6</b>	47	64	830	7350	74	100	710	6250	1450	12850
<b>7</b>	55	75	970	8600	87	118	830	7350	1800	15950
<b>8</b>	55	75	970	8600	87	118	830	7350	1800	15950
<b>9</b>	70	95	1240	10950	110	150	1050	9300	2250	19900
<b>J</b>	106	145	1890	16700	170	230	1630	14400	3800	33650
<b>L</b>	121	165	2145	18950	188	255	1795	15850	4390	38850

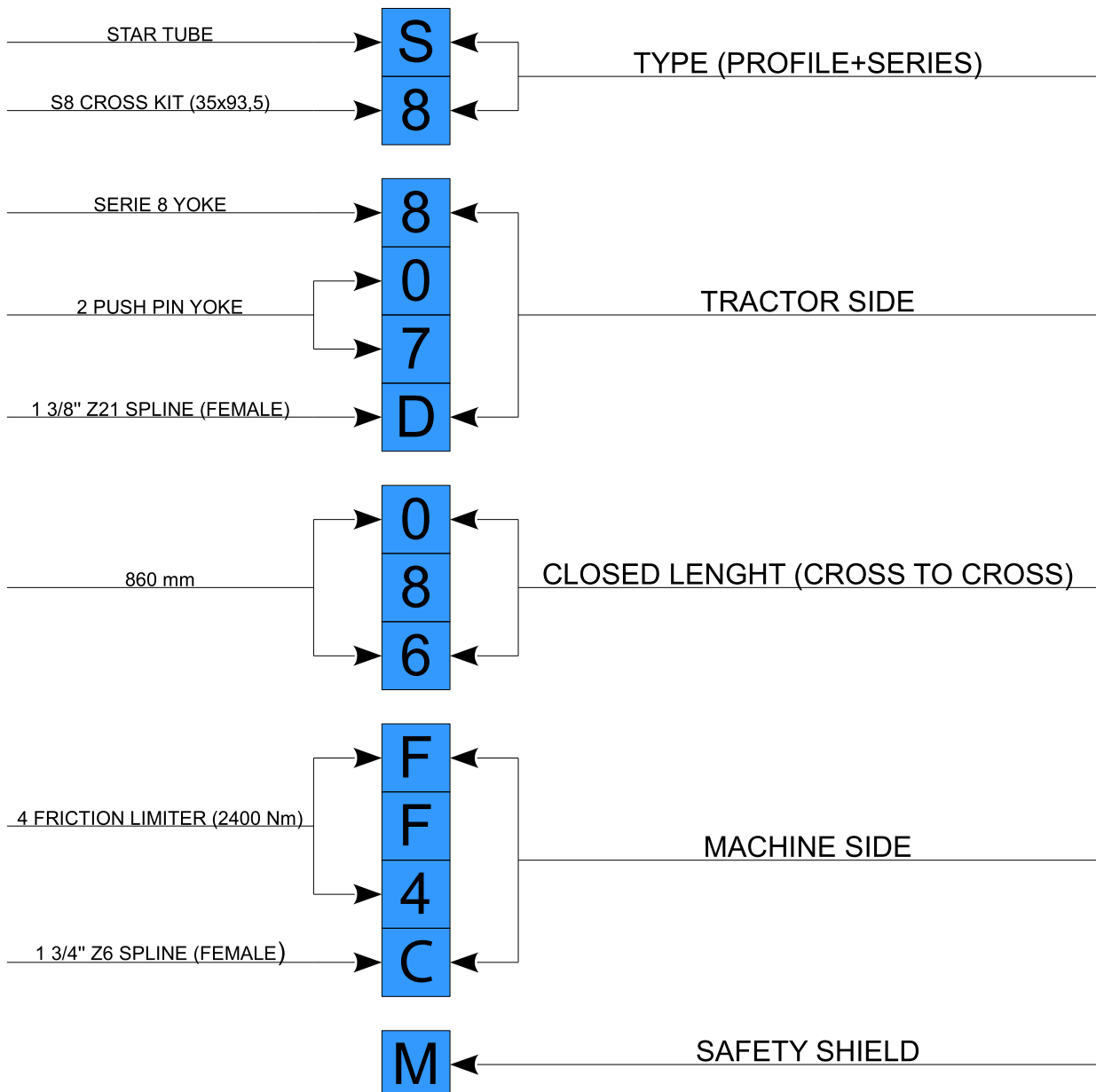
Values related to 5° joint angles, 1000 hours life.  
Values related to 10° joint angles, 500 hours life.

**CODING SYSTEM FOR STAR TUBE SHAFTS**

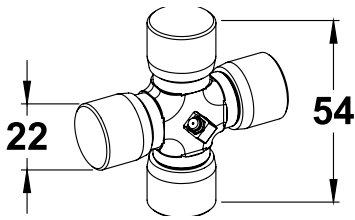
**Example : S8 807D 086 FF4C M**



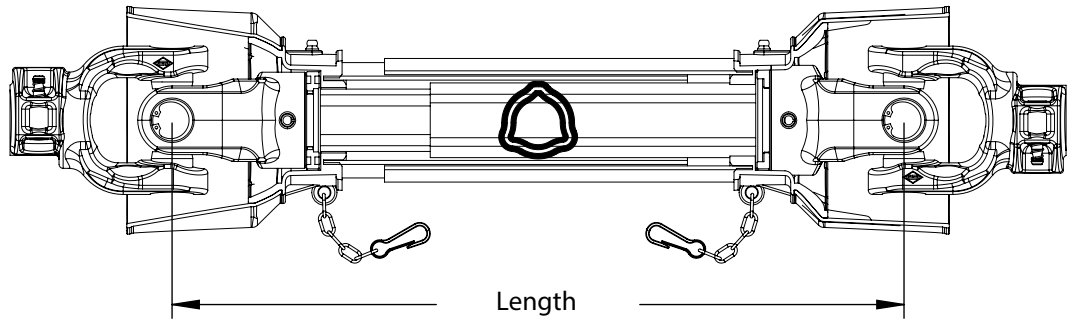
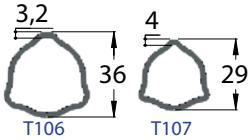
CODE	046	051	056	061	071	086	101	129	CODE
L min	460	510	560	610	710	860	1010	1290	mm



**SERIES 1**



**T1**



KOD-CODE	046	051	056	061	071	086	101	129	-CODE
L min	460	510	560	610	710	860	1010	1290	mm
L max	680	770	840	930	1100	1350	1600	2070	mm

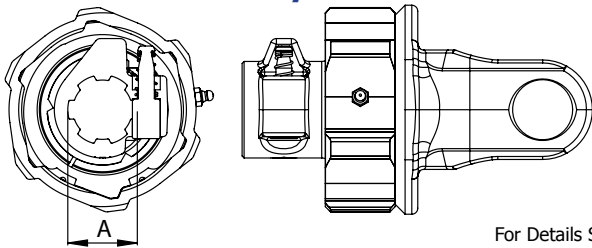
**POWER RATING**

540 rpm				1000 rpm				MAX DYNAMIC TORQUE	
POWER		TORQUE		POWER		TORQUE			
KW	CV-HP-PS	Nm	in.lb	KW	CV-HP-PS	Nm	in.lb	Nm	in.lb
12	16	210	1850	18	25	172	1500	320	2850

Values related to 5° joint angles, 1000 hours life.  
Values related to 10° joint angles, 500 hours life.

**OVERRUNNING CLUTCH**

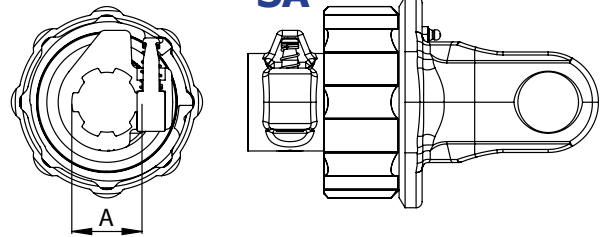
**RR / RL**



For Details See Page 74

**RATCHET TORQUE LIMITER**

**SA**



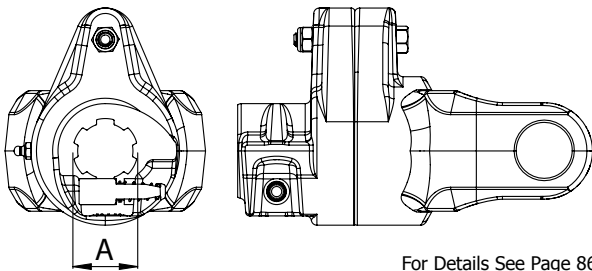
For Details See Page 81-82

TYPE	SPLINE	CODE (RIGHT)	CODE (LEFT)
RR1/RL1	1 3/8" Z6	<b>1RR1B</b>	<b>1RL1B</b>
RR1/RL1	1 3/8" Z21	<b>1RR1D</b>	<b>1RL1D</b>
RR1/RL1	D8x32x38	<b>1RR1F</b>	<b>1RL1F</b>

TYPE	TORQUE	SPLINE	CODE
SA1	260 Nm	1 3/8" Z6	<b>1SA1B</b>
SA1	260 Nm	1 3/8" Z21	<b>1SA1D</b>
SA1	260 Nm	D8x32x38	<b>1SA1F</b>
SA2	600 Nm	1 3/8" Z6	<b>1SA4B</b>
SA2	600 Nm	1 3/8" Z21	<b>1SA4D</b>
SA2	600 Nm	D8x32x38	<b>1SA4F</b>

**SHEAR BOLT TORQUE LIMITER**

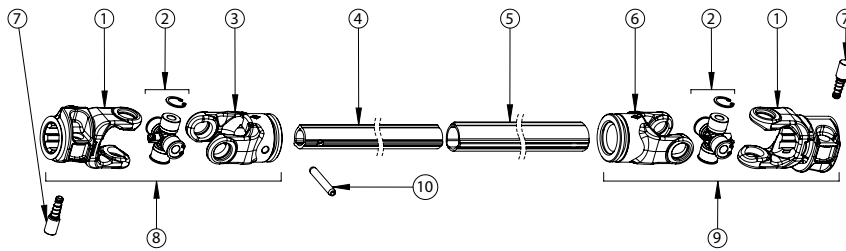
**S**



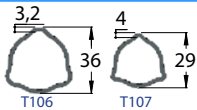
For Details See Page 86

TYPE	TORQUE	SPLINE	CODE
S	650 Nm	1 3/8" Z6	<b>1S01B</b>
S	650 Nm	1 3/8" Z21	<b>1S01D</b>
S	650 Nm	D8x32x38	<b>1S01F</b>
S	780 Nm	1 3/8" Z6	<b>1S02B</b>
S	780 Nm	1 3/8" Z21	<b>1S02D</b>
S	780 Nm	D8x32x38	<b>1S02F</b>

**SERIES 1 SPARE PARTS**



REF	1*	2	3	4**	5**	6***	7	8	9	10
	102A 102B 102D 102F	101	107T	T107	T106	106W	00.02.01	102A+107T 102B+107T 102D+107T 102F+107T	102A+106W 102B+106W 102D+106W 102F+106W	DIN 1481 8x55

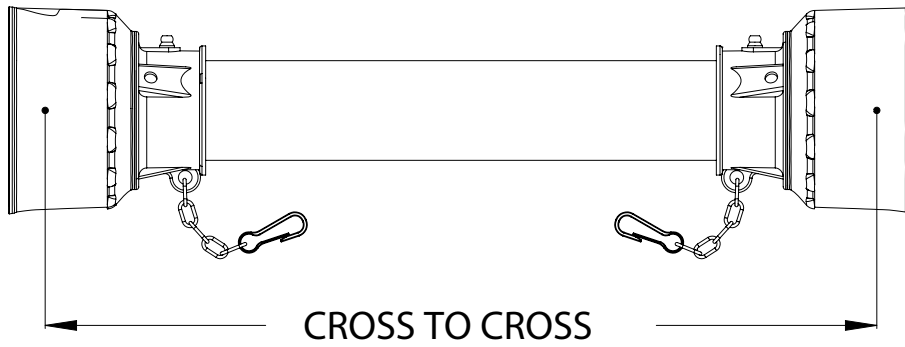


\*For other versions please see the following tables.  
\*\*For the ordering, please complete the code stating lengths in cm.  
\*\*\*Outer yoke with welded.

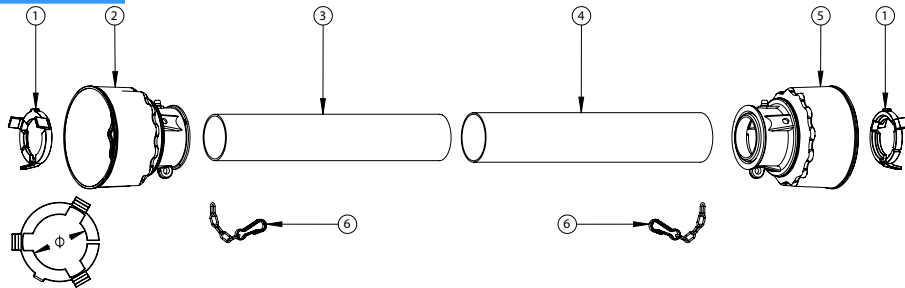
	A	B	C	D	E	F	G	CODE	
<b>02 One Push Pin</b>	Ø22	65	93	21	1 1/8" Z6	00.02.01	-	<b>102A</b>	
	Ø22	65	93	21	1 3/8" Z6	00.02.01	-	<b>102B</b>	
	Ø22	65	93	21	1 3/8" Z21	00.02.01	-	<b>102D</b>	
	Ø22	65	93	21	D8x32x38	00.02.01	-	<b>102F</b>	
<b>05 Handwheel With Pin</b>	Ø22	65	93	24	1 3/8" Z6	00.02.01 O	-	<b>105B</b>	
	Ø22	65	93	24	1 3/8" Z21	00.02.01 O	-	<b>105D</b>	
	Ø22	65	93	24	D8x32x38	00.02.01 O	-	<b>105F</b>	
<b>06 With Ball Attachmet</b>	Ø22	65	93	26	1 3/8" Z6	Ø12,70	-	<b>106B</b>	
	Ø22	65	93	26	1 3/8" Z21	Ø12,70	-	<b>106D</b>	
	Ø22	65	93	26	D8x32x38	Ø12,70	-	<b>106F</b>	
<b>08 Splined Yoke</b>	Ø22	65	80	-	1 1/8" Z6	-	-	<b>108A</b>	
	Ø22	65	80	-	1 3/8" Z6	-	-	<b>108B</b>	
	Ø22	65	80	-	1 3/8" Z21	-	-	<b>108D</b>	
	Ø22	65	80	-	D8x32x38	-	-	<b>108F</b>	
<b>09 Taper Pin Yoke</b>	Ø22	65	93	21	1 3/8" Z6	KC12	M12x1,25	<b>109B</b>	
	Ø22	65	93	21	1 3/8" Z21	KC12	M12x1,25	<b>109D</b>	
	Ø22	65	93	21	D8x32x38	KC12	M12x1,25	<b>109F</b>	
<b>A Pin Hole</b>	Ø22	65	80	15	Ø20 <sup>H8</sup>	6 <sup>H12</sup>	M6x55	<b>1A20</b>	
	Ø22	65	80	15	Ø25 <sup>H8</sup>	8 <sup>H12</sup>	M8x55	<b>1A25</b>	
	Ø22	65	80	15	Ø30 <sup>H8</sup>	10 <sup>H12</sup>	M10x55	<b>1A30</b>	
<b>B Keyway Threaded Hole</b>	Ø22	65	80	20	Ø20 <sup>H8</sup>	6 <sup>Js9</sup>	M8x1,25	<b>1B20</b>	
	Ø22	65	80	20	Ø25 <sup>H8</sup>	8 <sup>Js9</sup>	M10x1,5	<b>1B25</b>	
	Ø22	65	80	20	Ø30 <sup>H8</sup>	8 <sup>Js9</sup>	M10x1,5	<b>1B30</b>	
<b>C Keyway &amp; Clamp Bolt</b>	Ø22	65	93	21	Ø20 <sup>H8</sup>	6 <sup>Js9</sup>	M8x55	<b>1C20</b>	
	Ø22	65	93	21	Ø25 <sup>H8</sup>	8 <sup>Js9</sup>	M8x55	<b>1C25</b>	
	Ø22	65	93	21	Ø30 <sup>H8</sup>	8 <sup>Js9</sup>	M8x55	<b>1C30</b>	
<b>F Flanged Yoke</b>	Ø22	65	49	2,5	Ø47 <sup>H8</sup>	Ø89	Ø74,5	Ø8,5	<b>1F90</b>



## SERIE 1 SAFETY SHIELD

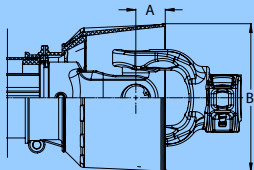
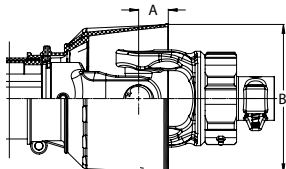
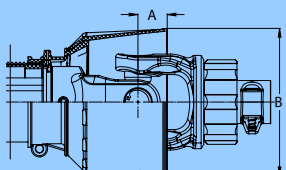
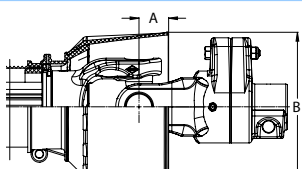


CODE (cm)	M01 046	M01 051	M01 056	M01 061	M01 071	M01 086	M01 101	M01 129
LENGTH (mm)	460	510	560	610	710	860	1010	1290

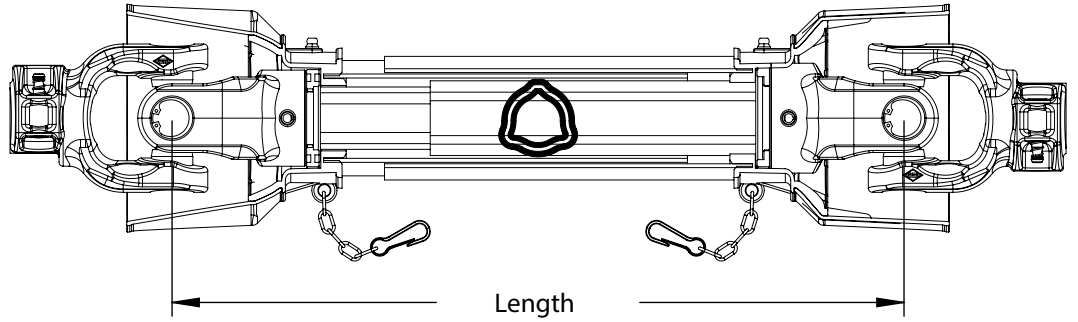
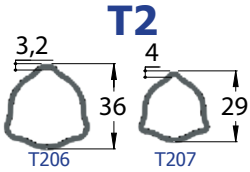
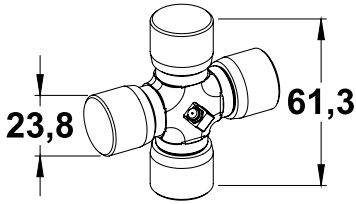


REF	QUANTITY	CODE	DESIGNATION	TECHNICAL DATA
1	2	<b>S01</b>	INNER & OUTER BEARING	Ø45 mm
2	1	<b>GI01</b>	INNER CONE	-
3	1	<b>PI01</b>	INNER TUBE	Ø59x1,9 mm
4	1	<b>P01</b>	OUTER TUBE	Ø63x1,9 mm
5	1	<b>G01</b>	OUTER CONE	-
6	2	<b>C01</b>	SAFETY CHAIN	-

### SERIE 1 SAFETY SHIELD DIMENSIONS

		SERIE	A	B
PTO DRIVE SHAFT		1	27 mm	131 mm
OVERRUNNING CLUTCH		1	27 mm	131 mm
RATCHET TORQUE LIMITER		1	27 mm	131 mm
SHEAR BOLT TORQUE LIMITER		1	27 mm	131 mm

**SERIES 2**



CODE	046	051	056	061	071	086	101	129	CODE
L min	460	510	560	610	710	860	1010	1290	mm
L max	670	750	840	920	1090	1340	1590	2050	mm

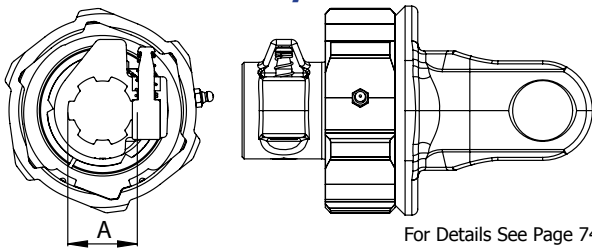
**POWER RATING**

540 rpm				1000 rpm				MAX DYNAMIC TORQUE	
POWER		TORQUE		POWER		TORQUE			
KW	CV-HP-PS	Nm	in.lb	KW	CV-HP-PS	Nm	in.lb	Nm	in.lb
15	21	270	2400	23	31	220	1950	450	4000

Values related to 5° joint angles, 1000 hours life.  
Values related to 10° joint angles, 500 hours life.

**OVERRUNNING CLUTCH**

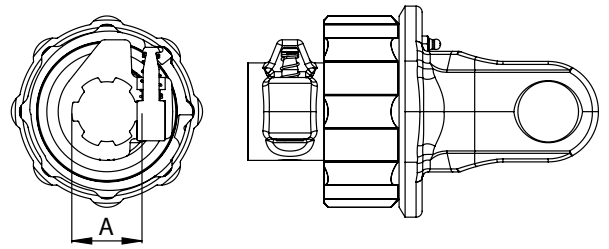
**RR / RL**



For Details See Page 74

**RATCHET TORQUE LIMITER**

**SA**



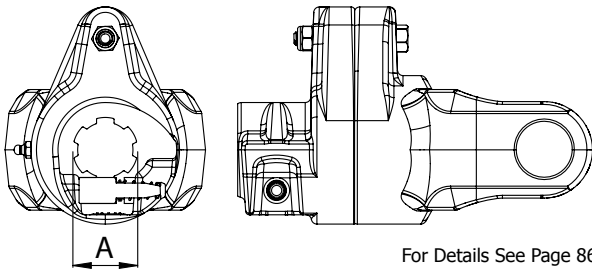
For Details See Page 82-83

TYPE	SPLINE	CODE (RIGHT)	CODE (LEFT)
RR1/RL1	1 3/8" Z6	<b>2RR1B</b>	<b>2RL1B</b>
RR1/RL1	1 3/8" Z21	<b>2RR1D</b>	<b>2RL1D</b>
RR1/RL1	D8x32x38	<b>2RR1F</b>	<b>2RL1F</b>

TYPE	TORQUE	SPLINE	CODE
SA2	600 Nm	1 3/8" Z6	<b>2SA4B</b>
SA2	600 Nm	1 3/8" Z21	<b>2SA4D</b>
SA2	600 Nm	D8x32x38	<b>2SA4F</b>
SA3	900 Nm	1 3/8" Z6	<b>2SA5B</b>
SA3	900 Nm	1 3/8" Z21	<b>2SA5D</b>
SA3	900 Nm	D8x32x38	<b>2SA5F</b>

**SHEAR BOLT TORQUE LIMITER**

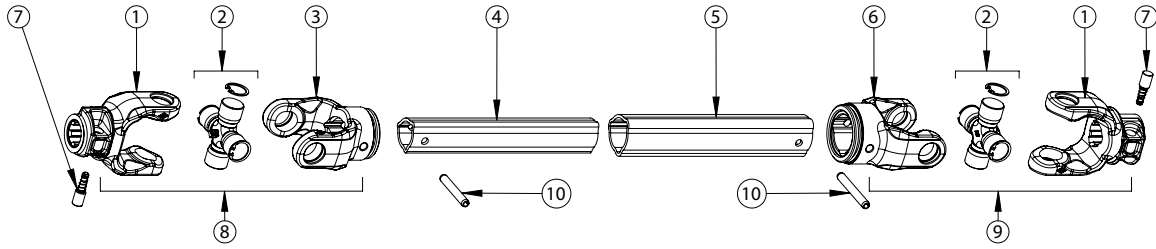
**S**

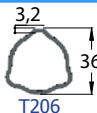
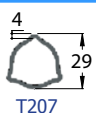


For Details See Page 86

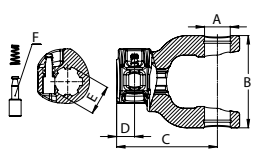
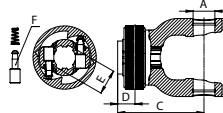
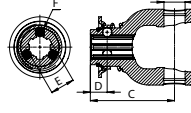
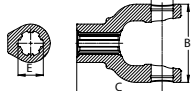
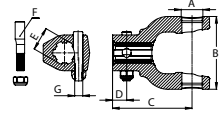
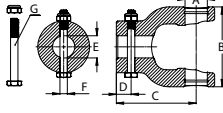
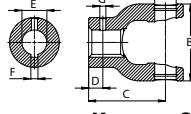

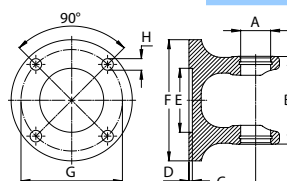
TYPE	TORQUE	SPLINE	CODE
S	950 Nm	1 3/8" Z6	<b>2S03B</b>
S	950 Nm	1 3/8" Z21	<b>2S03D</b>
S	950 Nm	D8x32x38	<b>2S03F</b>
S	1250 Nm	1 3/8" Z6	<b>2S05B</b>
S	1250 Nm	1 3/8" Z21	<b>2S05D</b>
S	1250 Nm	D8x32x38	<b>2S05F</b>

**SERIES 2 SPARE PARTS**

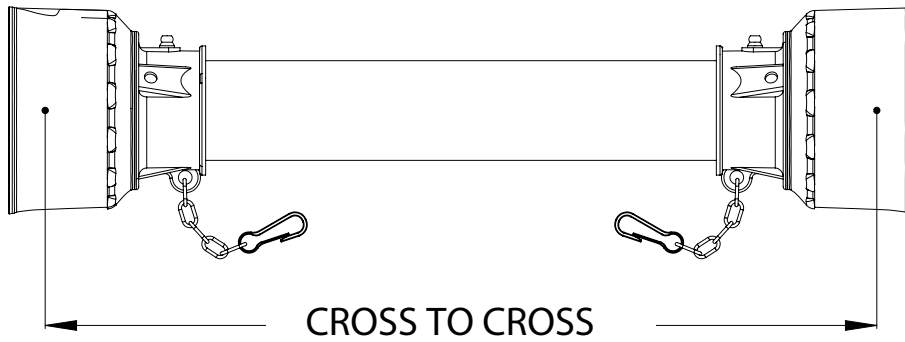


REF	1*	2	3	4**	5**	6	7	8	9	10
 T206  T207	202A 202B 202D 202F	201	207T	T207	T206	206T	00.02.01	202A+207T 202B+207T 202D+207T 202F+207T	202A+206T 202B+206T 202D+206T 202F+206T	DIN 1481 8x55

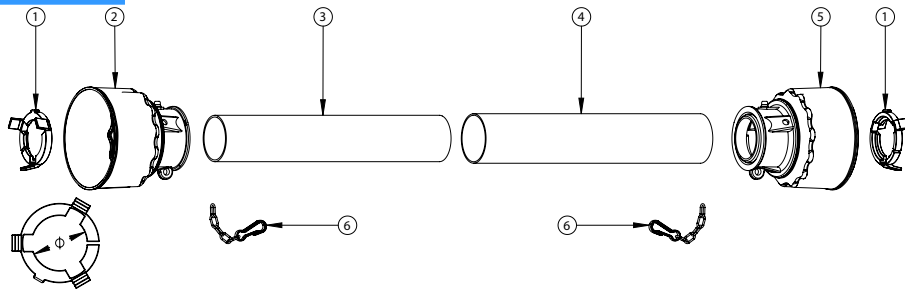
\*For other versions please see the following tables.  
\*\*For the ordering, please complete the code stating lengths in cm.

	A	B	C	D	E	F	G	CODE	
<b>02 One Push Pin</b>	Ø23,8	73	99	21	1 1/8" Z6	00.02.01	-	<b>202A</b>	
	Ø23,8	73	99	21	1 3/8" Z6	00.02.01	-	<b>202B</b>	
	Ø23,8	73	99	21	1 3/8" Z21	00.02.01	-	<b>202D</b>	
	Ø23,8	73	99	21	D8x32x38	00.02.01	-	<b>202F</b>	
<b>05 Handwheel With Pin</b>	Ø23,8	73	99	24	1 3/8" Z6	00.02.01 O	-	<b>205B</b>	
	Ø23,8	73	99	24	1 3/8" Z21	00.02.01 O	-	<b>205D</b>	
	Ø23,8	73	99	24	D8x32x38	00.02.01 O	-	<b>205F</b>	
<b>06 With Ball Attachment</b>	Ø23,8	73	99	26	1 3/8" Z6	Ø12,70	-	<b>206B</b>	
	Ø23,8	73	99	26	1 3/8" Z21	Ø12,70	-	<b>206D</b>	
	Ø23,8	73	99	26	D8x32x38	Ø12,70	-	<b>206F</b>	
<b>08 Splined Yoke</b>	Ø23,8	73	84	-	1 1/8" Z6	-	-	<b>208A</b>	
	Ø23,8	73	84	-	1 3/8" Z6	-	-	<b>208B</b>	
	Ø23,8	73	84	-	1 3/8" Z21	-	-	<b>208D</b>	
	Ø23,8	73	84	-	D8x32x38	-	-	<b>208F</b>	
<b>09 Taper Pin Yoke</b>	Ø23,8	73	99	21	1 3/8" Z6	KC12	M12x1,25	<b>209B</b>	
	Ø23,8	73	99	21	1 3/8" Z21	KC12	M12x1,25	<b>209D</b>	
	Ø23,8	73	99	21	D8x32x38	KC12	M12x1,25	<b>209F</b>	
<b>A Pin Hole</b>	Ø23,8	73	84	15	Ø20 <sup>H8</sup>	6 <sup>H12</sup>	M6x60	<b>2A20</b>	
	Ø23,8	73	84	15	Ø25 <sup>H8</sup>	8 <sup>H12</sup>	M8x60	<b>2A25</b>	
	Ø23,8	73	84	15	Ø30 <sup>H8</sup>	10 <sup>H12</sup>	M10x60	<b>2A30</b>	
<b>B Keyway Threaded Hole</b>	Ø23,8	73	84	20	Ø20 <sup>H8</sup>	6 <sup>Js9</sup>	M8x1,25	<b>2B20</b>	
	Ø23,8	73	84	20	Ø25 <sup>H8</sup>	8 <sup>Js9</sup>	M10x1,5	<b>2B25</b>	
	Ø23,8	73	84	20	Ø30 <sup>H8</sup>	8 <sup>Js9</sup>	M10x1,5	<b>2B30</b>	
<b>C Keyway &amp; Clamp Bolt</b>	Ø23,8	73	99	21	Ø20 <sup>H8</sup>	6 <sup>Js9</sup>	M10x60	<b>2C20</b>	
	Ø23,8	73	99	21	Ø25 <sup>H8</sup>	8 <sup>Js9</sup>	M10x60	<b>2C25</b>	
	Ø23,8	73	99	21	Ø30 <sup>H8</sup>	8 <sup>Js9</sup>	M10x60	<b>2C30</b>	
<b>F Flanged Yoke</b>	Ø23,8	73	54	2,5	Ø47	Ø89	Ø74,5	Ø8,5	<b>2F90</b>
									

**SERIE 2 SAFETY SHIELD**

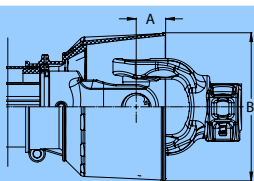
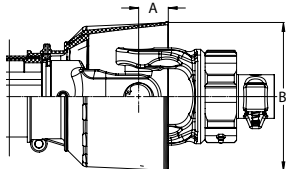
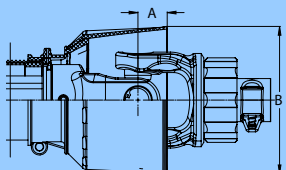
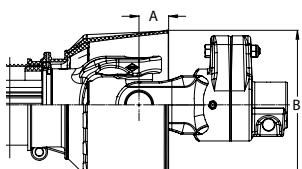


CODE (cm)	M02 046	M02 051	M02 056	M02 061	M02 071	M02 086	M02 101	M02 129
LENGTH (mm)	460	510	560	610	710	860	1010	1290

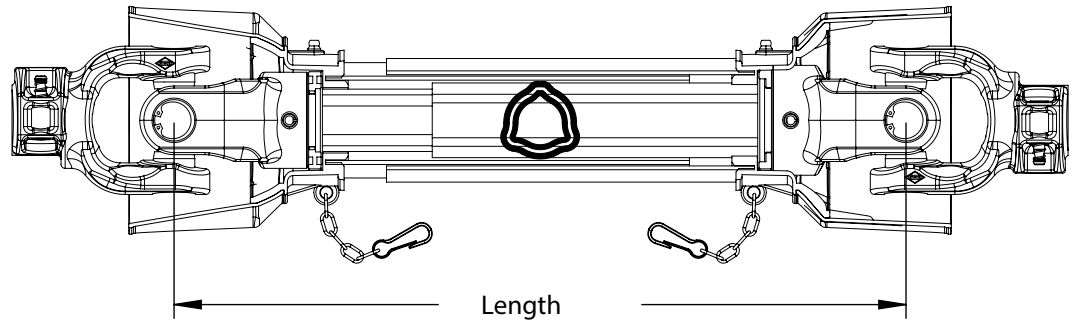
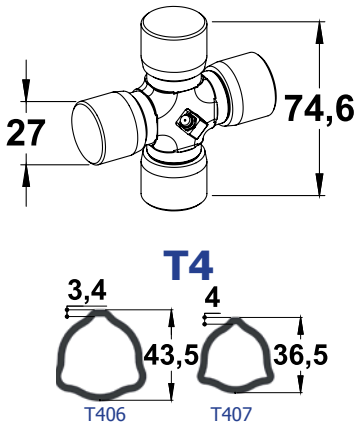


REF	QUANTITY	CODE	DESIGNATION	TECHNICAL DATA
1	2	<b>S02</b>	INNER & OUTER BEARING	Ø45 mm
2	1	<b>GI02</b>	INNER CONE	-
3	1	<b>PI02</b>	INNER TUBE	Ø59x1,9 mm
4	1	<b>P02</b>	OUTER TUBE	Ø63x1,9 mm
5	1	<b>G02</b>	OUTER CONE	-
6	2	<b>C02</b>	SAFETY CHAIN	-

**SERIE 2 SAFETY SHIELD DIMENSIONS**

		SERIE	A	B
PTO DRIVE SHAFT		2	23 mm	131 mm
		2	23 mm	131 mm
OVERRUNNING CLUTCH		2	23 mm	131 mm
		2	23 mm	131 mm
RATCHET TORQUE LIMITER		2	23 mm	131 mm
		2	23 mm	131 mm
SHEAR BOLT TORQUE LIMITER		2	23 mm	131 mm
		2	23 mm	131 mm

## SERIES 4



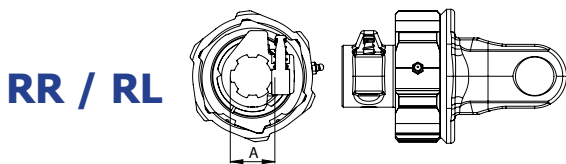
CODE	046	051	056	061	071	086	101	129	CODE
L min	460	510	560	610	710	860	1010	1290	mm
L max	640	720	820	900	1070	1320	1570	2030	mm

### GÜÇ TABLOSU / POWER RATING

540 rpm				1000 rpm				MAX DYNAMIC TORQUE	
POWER		TORQUE		POWER		TORQUE		Nm	in.lb
KW	CV-HP-PS	Nm	in.lb	KW	CV-HP-PS	Nm	in.lb		
26	35	460	4050	40	55	380	3350	780	6900

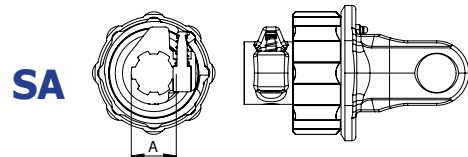
Values related to 5° joint angles, 1000 hours life.  
Values related to 10° joint angles, 500 hours life.

### OVERRUNNING CLUTCH



For Details See Page 74-75

### RATCHET TORQUE LIMITER

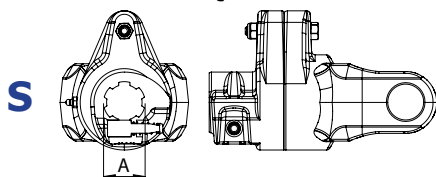


For Details See Page 82-83-84

TYPE	SPLINE	CODE (RIGHT)	CODE (LEFT)
RR1/RL1	1 3/8" Z6	4RR1B	4RL1B
RR1/RL1	1 3/8" Z21	4RR1D	4RL1D
RR1/RL1	D8x32x38	4RR1F	4RL1F
RR2/RL2	1 3/8" Z6	4RR2B	4RL2B
RR2/RL2	1 3/8" Z21	4RR2D	4RL2D
RR2/RL2	D8x32x38	4RR2F	4RL2F

TYPE	TORQUE	SPLINE	CODE
SA2	600 Nm	1 3/8" Z6	4SA4B
SA2	600 Nm	1 3/8" Z21	4SA4D
SA2	600 Nm	D8x32x38	4SA4F
SA3	900 Nm	1 3/8" Z6	4SA5B
SA3	900 Nm	1 3/8" Z21	4SA5D
SA3	900 Nm	D8x32x38	4SA5F
SA4	1200 Nm	1 3/8" Z6	4SA6B
SA4	1200 Nm	1 3/8" Z21	4SA6D
SA4	1200 Nm	D8x32x38	4SA6F

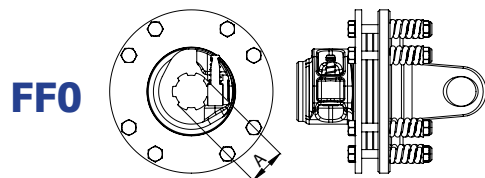
### SHEAR BOLT TORQUE LIMITER



For Details See Page 86

TYPE	TORQUE	SPLINE	CODE
S	1050 Nm	1 3/8" Z6	4S04B
S	1050 Nm	1 3/8" Z21	4S04D
S	1050 Nm	D8x32x38	4S04F
S	1250 Nm	1 3/8" Z6	4S05B
S	1250 Nm	1 3/8" Z21	4S05D
S	1250 Nm	D8x32x38	4S05F
S	1400 Nm	1 3/8" Z6	4S06B
S	1400 Nm	1 3/8" Z21	4S06D
S	1400 Nm	D8x32x38	4S06F
S	1700 Nm	1 3/8" Z6	4S07B
S	1700 Nm	1 3/8" Z21	4S07D
S	1700 Nm	D8x32x38	4S07F

### 2 FRICTION LIMITER CLUTCH

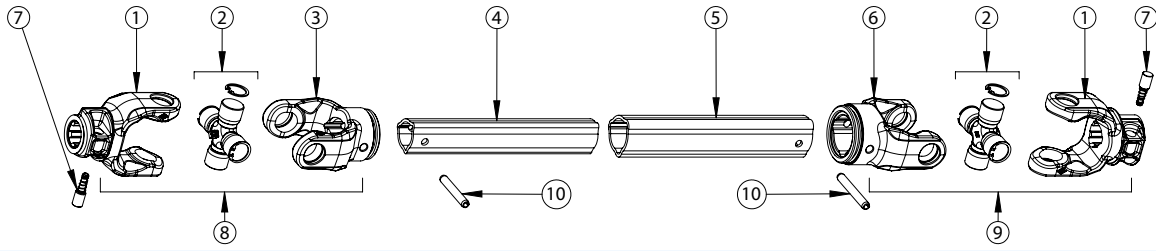


For Details See Page 89

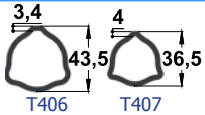
TYPE	TORQUE	SPLINE	CODE
FF0	650 Nm	1 3/8" Z6	4FF0B
FF0	650 Nm	1 3/8" Z21	4FF0D
FF0	650 Nm	D8x32x38	4FF0F



## SERIES 4 SPARE PARTS



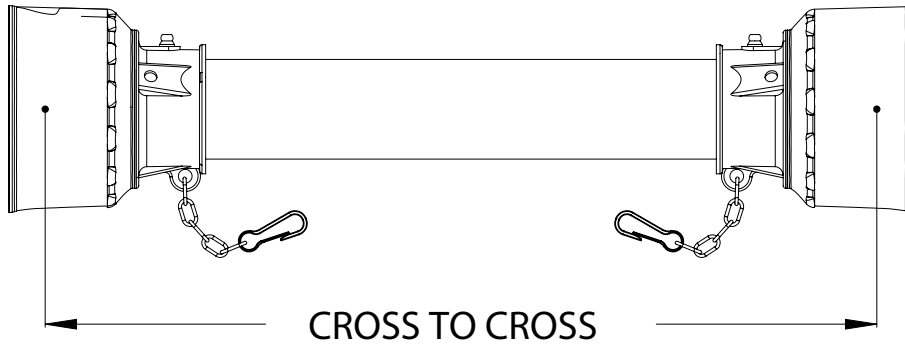
REF	1*	2	3	4**	5**	6	7	8	9	10
	402A 402B 402D 402F	401	407T	T407	T406	406T	00.02.01	402A+407T 402B+407T 402D+407T 402F+407T	402A+406T 402B+406T 402D+406T 402F+406T	DIN 1481 8x55



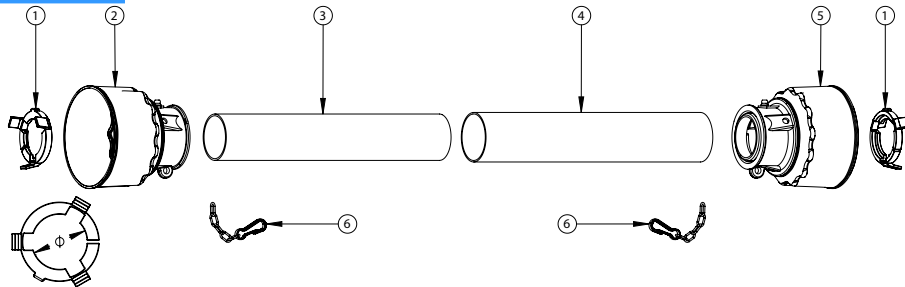
\*For other versions please see the following tables.  
\*\*For the ordering, please complete the code stating lengths in cm.

	A	B	C	D	E	F	G	CODE
<b>02 One Push Pin</b>	Ø27	87	108	21	1 1/8" Z6	00.02.01	-	<b>402A</b>
	Ø27	87	108	21	1 3/8" Z6	00.02.01	-	<b>402B</b>
	Ø27	87	108	21	1 3/8" Z21	00.02.01	-	<b>402D</b>
	Ø27	87	108	21	D8x32x38	00.02.01	-	<b>402F</b>
<b>05 Handwheel With Pin</b>	Ø27	87	108	24	1 3/8" Z6	00.02.01 O	-	<b>405B</b>
	Ø27	87	108	24	1 3/8" Z21	00.02.01 O	-	<b>405D</b>
	Ø27	87	108	24	D8x32x38	00.02.01 O	-	<b>405F</b>
<b>06 With Ball Attachment</b>	Ø27	87	108	26	1 3/8" Z6	Ø12,70	-	<b>406B</b>
	Ø27	87	108	26	1 3/8" Z21	Ø12,70	-	<b>406D</b>
	Ø27	87	108	26	D8x32x38	Ø12,70	-	<b>406F</b>
<b>08 Splined Yoke</b>	Ø27	87	92	-	1 1/8" Z6	-	-	<b>408A</b>
	Ø27	87	92	-	1 3/8" Z6	-	-	<b>408B</b>
	Ø27	87	92	-	1 3/8" Z21	-	-	<b>408D</b>
	Ø27	87	92	-	D8x32x38	-	-	<b>408F</b>
<b>09 Taper Pin Yoke</b>	Ø27	87	107	20	1 3/8" Z6	KC12	M12x1,25	<b>409B</b>
	Ø27	87	107	20	1 3/8" Z21	KC12	M12x1,25	<b>409D</b>
	Ø27	87	107	20	D8x32x38	KC12	M12x1,25	<b>409F</b>
<b>A Pin Hole</b>	Ø27	87	92	15	Ø25 <sup>H8</sup>	8 <sup>H12</sup>	M8x60	<b>4A25</b>
	Ø27	87	92	15	Ø30 <sup>H8</sup>	10 <sup>H12</sup>	M10x60	<b>4A30</b>
	Ø27	87	92	15	Ø35 <sup>H8</sup>	12 <sup>H12</sup>	M12x60	<b>4A35</b>
<b>B Keyway Threaded Hole</b>	Ø27	87	92	20	Ø25 <sup>H8</sup>	8 <sup>Js9</sup>	M12x1,75	<b>4B25</b>
	Ø27	87	92	20	Ø30 <sup>H8</sup>	8 <sup>Js9</sup>	M12x1,75	<b>4B30</b>
	Ø27	87	92	20	Ø35 <sup>H8</sup>	10 <sup>Js9</sup>	M12x1,75	<b>4B35</b>
<b>C Keyway &amp; Clamp Bolt</b>	Ø27	87	107	20	Ø25 <sup>H8</sup>	8 <sup>Js9</sup>	M10x60	<b>4C25</b>
	Ø27	87	107	2-	Ø30 <sup>H8</sup>	8 <sup>Js9</sup>	M10x60	<b>4C30</b>
	Ø27	87	107	21	Ø35 <sup>H8</sup>	10 <sup>Js9</sup>	M10x60	<b>4C35</b>
<b>F Flanged Yoke</b>	Ø27	87	64	2,50	Ø57 <sup>H8</sup>	Ø100	Ø84	Ø10,50 <b>4F90</b>

## SERIE 4 SAFETY SHIELD



CODE (cm)	M04 046	M04 051	M04 056	M04 061	M04 071	M04 086	M04 101	M04 129
LENGTH (mm)	460	510	560	610	710	860	1010	1290

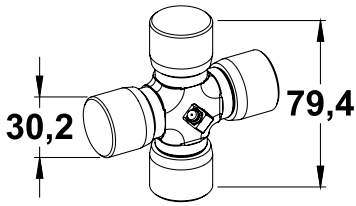


REF	QUANTITY	CODE	DESIGNATION	TECHNICAL DATA
1	2	S04	INNER & OUTER BEARING	Ø52 mm
2	1	GI04	INNER CONE	-
3	1	PI04	INNER TUBE	Ø59x1,9 mm
4	1	P04	OUTER TUBE	Ø63x1,9 mm
5	1	G04	OUTER CONE	-
6	2	C04	SAFETY CHAIN	-

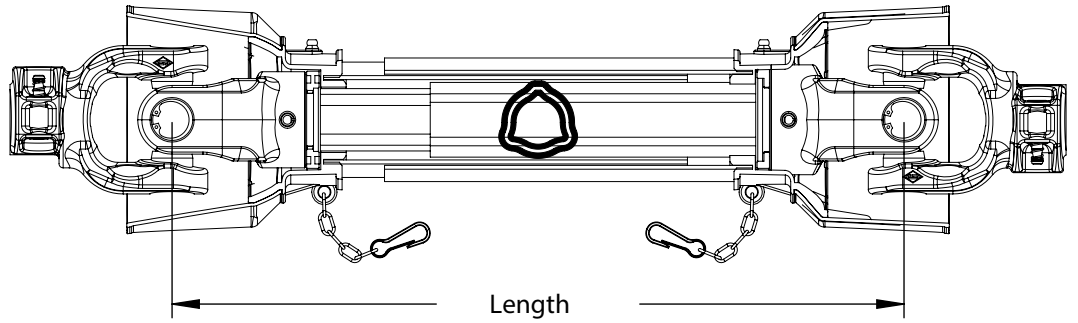
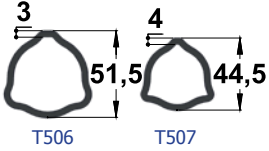
### SERIE 4 SAFETY SHIELD DIMENSIONS

Component	Quantity	Dimension A (mm)	Dimension B (mm)
PTO DRIVE SHAFT	4	30 mm	135 mm
OVERRUNNING CLUTCH	4	30 mm	135 mm
RATCHET TORQUE LIMITER	4	30 mm	135 mm
SHEAR BOLT TORQUE LIMITER	4	30 mm	135 mm
FRICITION LIMITER CLUTCH	4	5 mm	132,5mm

## SERIES 5



**T5**



CODE	046	051	056	061	071	086	101	129	CODE
L min	460	510	560	610	710	860	1010	1290	mm
L max	660	740	820	910	1070	1320	1570	2070	mm

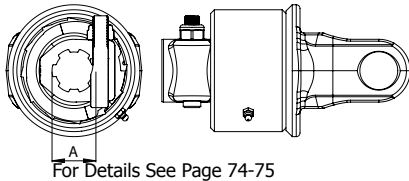
### POWER RATING

540 rpm				1000 rpm				MAX DYNAMIC TORQUE	
POWER		TORQUE		POWER		TORQUE		Nm	in.lb
KW	CV-HP-PS	Nm	in.lb	KW	CV-HP-PS	Nm	in.lb		
35	47	620	5500	54	74	520	4600	1050	9300

Values related to 5° joint angles, 1000 hours life.  
Values related to 10° joint angles, 500 hours life.

### OVERRUNNING CLUTCH

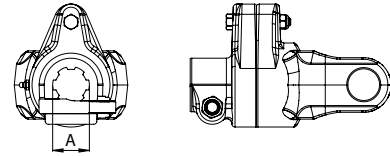
**RR/RL**



For Details See Page 74-75

### SHEAR BOLT TORQUE LIMITER

**S**



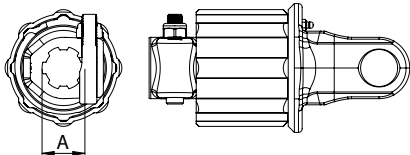
For Details See Page 87

TYPE	SPLINE	CODE (RIGHT)	CODE (LEFT)
RR1/RL1	1 3/8" Z6	<b>5RR1B</b>	<b>5RL1B</b>
RR1/RL1	1 3/8" Z21	<b>5RR1D</b>	<b>5RL1D</b>
RR1/RL1	D8x32x38	<b>5RR1F</b>	<b>5RL1F</b>
RR2/RL2	1 3/8" Z6	<b>5RR2B</b>	<b>5RL2B</b>
RR2/RL2	1 3/4" Z6	<b>5RR2C</b>	<b>5RL2C</b>
RR2/RL2	1 3/8" Z21	<b>5RR2D</b>	<b>5RL2D</b>
RR2/RL2	1 3/4" Z20	<b>5RR2E</b>	<b>5RL2E</b>
RR2/RL2	D8x32x38	<b>5RR2F</b>	<b>5RL2F</b>

TYPE	TORQUE	SPLINE	CODE
<b>S</b>	2000 Nm	1 3/8" Z6	<b>5S08B</b>
<b>S</b>	2000 Nm	1 3/4" Z6	<b>5S08C</b>
<b>S</b>	2000 Nm	1 3/8" Z21	<b>5S08D</b>
<b>S</b>	2000 Nm	1 3/4" Z20	<b>5S08E</b>
<b>S</b>	2000 Nm	D8x32x38	<b>5S08F</b>
<b>S</b>	2400 Nm	1 3/8" Z6	<b>5S09B</b>
<b>S</b>	2400 Nm	1 3/4" Z6	<b>5S09C</b>
<b>S</b>	2400 Nm	1 3/8" Z21	<b>5S09D</b>
<b>S</b>	2400 Nm	1 3/4" Z20	<b>5S09E</b>
<b>S</b>	2400 Nm	D8x32x38	<b>5S09F</b>

### RATCHET TORQUE LIMITER

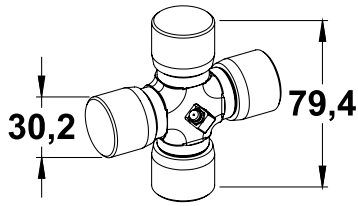
**SA**



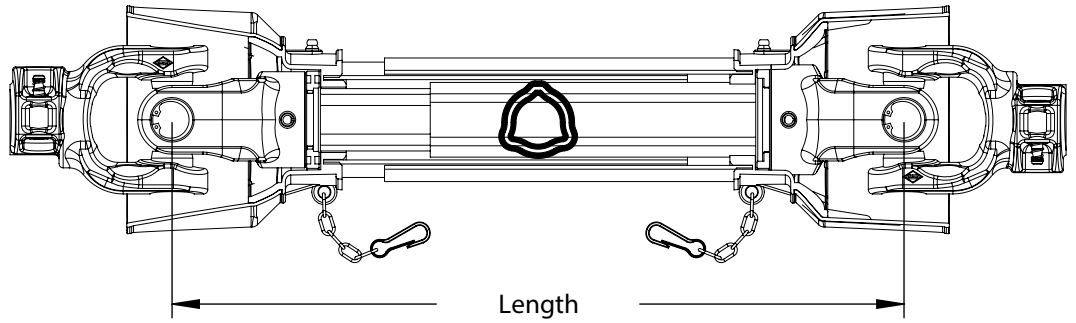
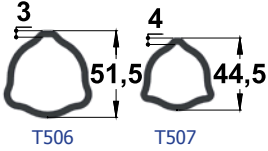
For Details See Page 83-84-85

TYPE	TORQUE	SPLINE	CODE
<b>SA3</b>	900 Nm	1 3/8" Z6	<b>5SA5B</b>
<b>SA3</b>	900 Nm	1 3/8" Z21	<b>5SA5D</b>
<b>SA3</b>	900 Nm	D8x32x38	<b>5SA5F</b>
<b>SA4</b>	1200 Nm	1 3/8" Z6	<b>5SA6B</b>
<b>SA4</b>	1200 Nm	1 3/8" Z21	<b>5SA6D</b>
<b>SA4</b>	1200 Nm	D8x32x38	<b>5SA6F</b>
<b>SA5</b>	1500 Nm	1 3/8" Z6	<b>5SA7B</b>
<b>SA5</b>	1500 Nm	1 3/8" Z21	<b>5SA7D</b>
<b>SA5</b>	1500 Nm	D8x32x38	<b>5SA7F</b>

**SERIES 5**



**T5**



CODE	046	051	056	061	071	086	101	129	CODE
L min	460	510	560	610	710	860	1010	1290	mm
L max	660	740	820	910	1070	1320	1570	2070	mm

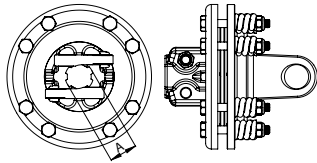
**POWER RATING**

540 rpm				1000 rpm				MAX DYNAMIC TORQUE	
POWER		TORQUE		POWER		TORQUE		Nm	in.lb
KW	CV-HP-PS	Nm	in.lb	KW	CV-HP-PS	Nm	in.lb		
35	47	620	5500	54	74	520	4600	1050	9300

Values related to 5° joint angles, 1000 hours life.  
Values related to 10° joint angles, 500 hours life.

**2 FRICTION LIMITER CLUTCH**

**FF1**

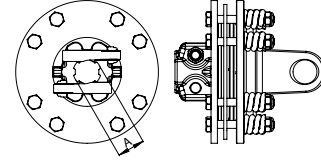


For Details See Page 90

TYPE	TORQUE	SPLINE	CODE
FF1	900 Nm	1 3/8" Z6	<b>5FF1B</b>
FF1	900 Nm	1 3/4" Z6	<b>5FF1C</b>
FF1	900 Nm	1 3/8" Z21	<b>5FF1D</b>
FF1	900 Nm	1 3/4" Z20	<b>5FF1E</b>
FF1	900 Nm	D8x32x38	<b>5FF1F</b>

**4 FRICTION LIMITER CLUTCH**

**FF1**

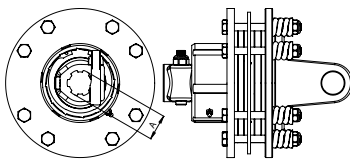


For Details See Page 91

TYPE	TORQUE	SPLINE	CODE
FF1	1200 Nm	1 3/8" Z6	<b>5FF2B</b>
FF1	1200 Nm	1 3/4" Z6	<b>5FF2C</b>
FF1	1200 Nm	1 3/8" Z21	<b>5FF2D</b>
FF1	1200 Nm	1 3/4" Z20	<b>5FF2E</b>
FF1	1200 Nm	D8x32x38	<b>5FF2F</b>

**FRICTION DISC & OVERRUNNING CLUTCH**

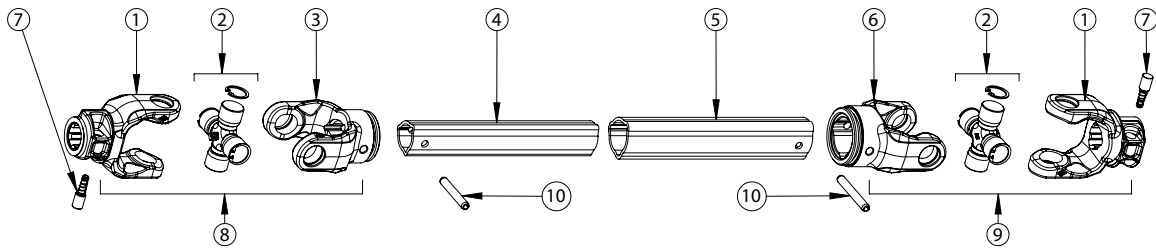
**CR1 / CL1**

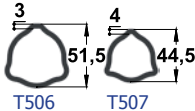


For Details Page See 96-97

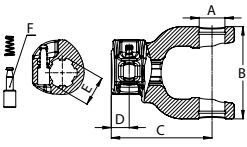
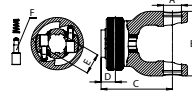
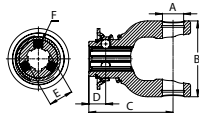
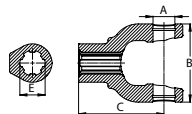
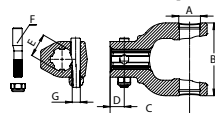
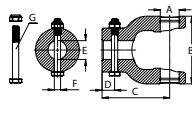
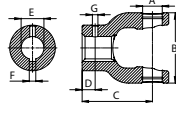
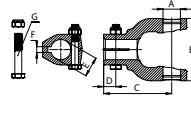
TYPE	TORQUE	SPLINE	CODE (RIGHT)	CODE (LEFT)
CR1/CL1	1200 Nm	1 3/8" Z6	<b>5CR1B</b>	<b>5CL1B</b>
CR1/CL1	1200 Nm	1 3/8" Z21	<b>5CR1D</b>	<b>5CL1D</b>
CR1/CL1	1200 Nm	D8x32x38	<b>5CR1F</b>	<b>5CL1F</b>
CR1/CL1	1450 Nm	1 3/8" Z6	<b>5CR2B</b>	<b>5CL2B</b>
CR1/CL1	1450 Nm	1 3/8" Z21	<b>5CR2D</b>	<b>5CL2D</b>
CR1/CL1	1450 Nm	D8x32x38	<b>5CR2F</b>	<b>5CL2F</b>

**SERIES 5 SPARE PARTS**

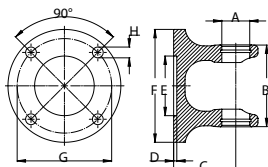


REF	1*	2	3	4**	5**	6	7	8	9	10
 <p>T506      T507</p>	502B 502D 502F	501	507T	T507	T506	506T	00.02.01	502A+507T 502B+507T 502D+507T 502F+507T	502A+506T 502B+506T 502D+506T 502F+506T	DIN 1481 10x70

\*For other versions please see the following tables.  
\*\*For the ordering, please complete the code stating lengths in cm.

	A	B	C	D	E	F	G	CODE
<b>02 One Push Pin</b>	Ø30,2	92	108	21	1 3/8" Z6	00.02.01	-	<b>502B</b>
	Ø30,2	92	108	24	1 3/4" Z6	00.02.01 T	-	<b>502C</b>
	Ø30,2	92	108	21	1 3/8" Z21	00.02.01	-	<b>502D</b>
	Ø30,2	92	108	24	1 3/4" Z20	00.02.01 T	-	<b>502E</b>
	Ø30,2	92	108	21	D8x32x38	00.02.01	-	<b>502F</b>
<b>05 Handwheel With Pin</b>	Ø30,2	92	108	24	1 3/8" Z6	00.02.01 O	-	<b>505B</b>
	Ø30,2	92	108	24	1 3/8" Z21	00.02.01 O	-	<b>505D</b>
	Ø30,2	92	108	24	D8x32x38	00.02.01 O	-	<b>505F</b>
<b>06 With Ball Attachment</b>	Ø30,2	92	108	26	1 3/8" Z6	Ø12,70	-	<b>506B</b>
	Ø30,2	92	108	26	1 3/4" Z6	Ø15	-	<b>506C</b>
	Ø30,2	92	108	26	1 3/8" Z21	Ø12,70	-	<b>506D</b>
	Ø30,2	92	108	26	1 3/4" Z20	Ø15	-	<b>506E</b>
	Ø30,2	92	108	26	D8x32x38	Ø12,70	-	<b>506F</b>
<b>08 Splined Yoke</b>	Ø30,2	92	108	-	1 3/8" Z6	-	-	<b>508B</b>
	Ø30,2	92	108	-	1 3/4" Z6	-	-	<b>508C</b>
	Ø30,2	92	108	-	1 3/8" Z21	-	-	<b>508D</b>
	Ø30,2	92	108	-	1 3/4" Z20	-	-	<b>508E</b>
	Ø30,2	92	108	-	D8x32x38	-	-	<b>508F</b>
<b>09 Taper Pin Yoke</b>	Ø30,2	92	108	20	1 3/8" Z6	KC12	M12x1,25	<b>509B</b>
	Ø30,2	92	108	24	1 3/4" Z6	KC14	M14x1,5	<b>509C</b>
	Ø30,2	92	108	20	1 3/8" Z21	KC12	M12x1,25	<b>509D</b>
	Ø30,2	92	108	24	1 3/4" Z6	KC14	M14x1,5	<b>509E</b>
	Ø30,2	92	108	20	D8x32x38	KC12	M12x1,25	<b>509F</b>
<b>A Pin Hole</b>	Ø30,2	92	98	16	Ø30 <sup>H8</sup>	10 <sup>H12</sup>	M10x65	<b>5A30</b>
	Ø30,2	92	98	16	Ø35 <sup>H8</sup>	12 <sup>H12</sup>	M12x65	<b>5A35</b>
	Ø30,2	92	98	16	Ø40 <sup>H8</sup>	12 <sup>H12</sup>	M12x65	<b>5A40</b>
<b>B Keyway Threaded Hole</b>	Ø30,2	92	98	20	Ø30 <sup>H8</sup>	8 <sup>J59</sup>	M12x1,75	<b>5B30</b>
	Ø30,2	92	98	20	Ø35 <sup>H8</sup>	10 <sup>J59</sup>	M12x1,75	<b>5B35</b>
	Ø30,2	92	98	20	Ø40 <sup>H8</sup>	12 <sup>J59</sup>	M12x1,75	<b>5B40</b>
<b>C Keyway &amp; Clamp Bolt</b>	Ø30,2	92	108	20	Ø30 <sup>H8</sup>	8 <sup>J59</sup>	M12x65	<b>5C30</b>
	Ø30,2	92	108	20	Ø35 <sup>H8</sup>	10 <sup>J59</sup>	M12x65	<b>5C35</b>
	Ø30,2	92	108	20	Ø40 <sup>H8</sup>	12 <sup>J59</sup>	M12x65	<b>5C40</b>

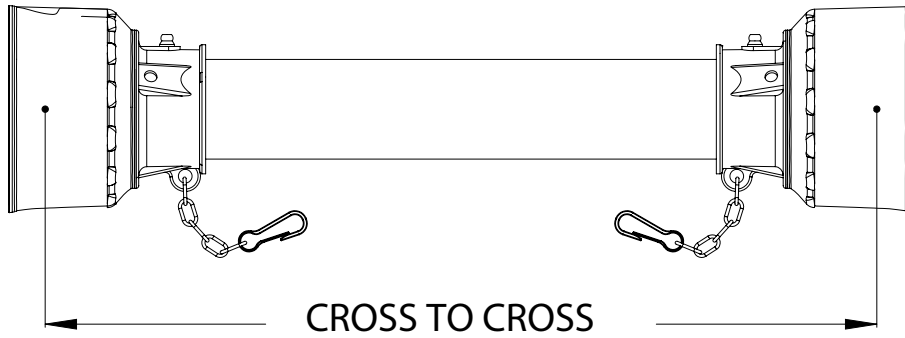
**F Flanged Yoke**



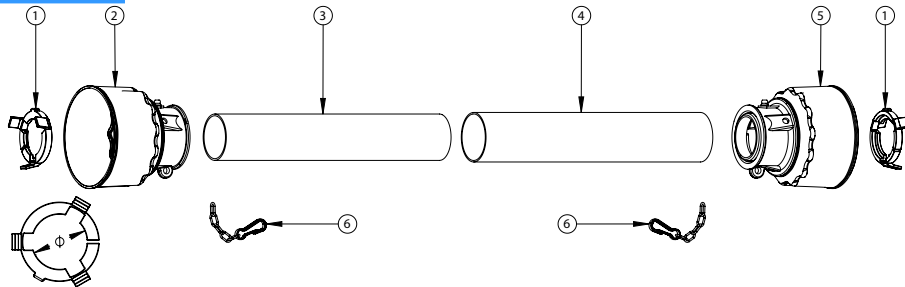
A	B	C	D	E <sup>H8</sup>	F	G	H	CODE
Ø30,20	92	68	2,50	Ø57	Ø110	Ø94	Ø10,50	<b>5F90</b>



## SERIE 5 SAFETY SHIELD

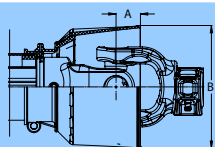
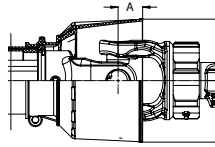
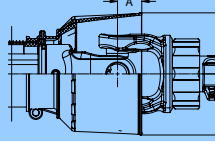
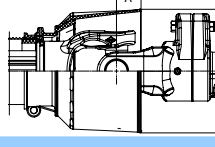
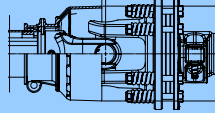


CODE (cm)	M05 046	M05 051	M05 056	M05 061	M05 071	M05 086	M05 101	M05 129
LENGTH (mm)	460	510	560	610	710	860	1010	1290

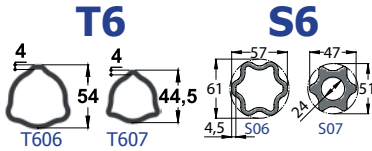
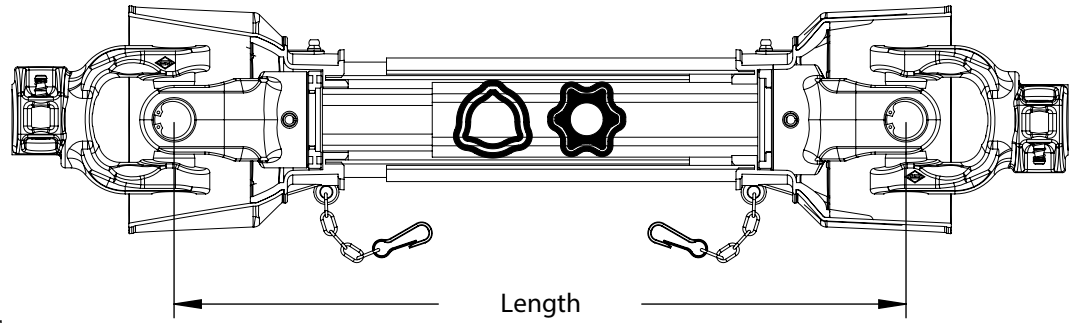
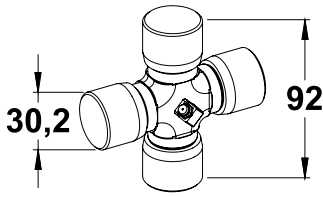


REF	QUANTITY	CODE	DESIGNATION	TECHNICAL DATA
1	2	S05	INNER & OUTER BEARING	Ø65 mm
2	1	GI05	INNER CONE	-
3	1	PI05	INNER TUBE	Ø84x2,2 mm
4	1	PO5	OUTER TUBE	Ø90x2,2 mm
5	1	G05	OUTER CONE	-
6	2	C05	SAFETY CHAIN	-

### SERIE 5 SAFETY SHIELD DIMENSIONS

		SERIE	A	B
PTO DRIVE SHAFT		5	33 mm	164 mm
OVERRUNNING CLUTCH		5	33 mm	164 mm
RATCHET TORQUE LIMITER		5	33 mm	164 mm
SHEAR BOLT TORQUE LIMITER		5	33 mm	164 mm
FRICITION LIMITER CLUTCH		5	11 mm	162 mm

## SERIES 6



CODE	046	051	056	061	071	086	101	129	CODE
L min	460	510	560	610	710	860	1010	1290	mm
L max	630	710	800	880	1050	1300	1550	2010	mm

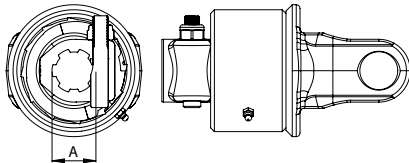
### POWER RATING

540 rpm				1000 rpm				MAX DYNAMIC TORQUE	
POWER		TORQUE		POWER		TORQUE		Nm	in.lb
KW	CV-HP-PS	Nm	in.lb	KW	CV-HP-PS	Nm	in.lb		
47	64	830	7350	74	100	710	6250	1450	12850

Values related to 5° joint angles, 1000 hours life.  
Values related to 10° joint angles, 500 hours life.

### OVERRUNNING CLUTCH

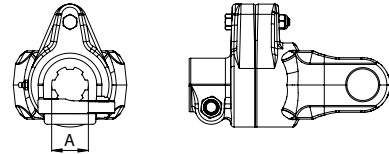
RR/RL



For Details See Page 76

### SHEAR BOLT TORQUE LIMITER

S



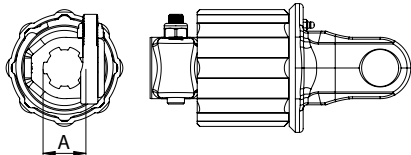
For Details See Page 87

TYPE	SPLINE	CODE (RIGHT)	CODE (LEFT)
RR2/RL2	1 3/8" Z6	6RR2B	6RL2B
RR2/RL2	1 3/4" Z6	6RR2C	6RL2C
RR2/RL2	1 3/8" Z21	6RR2D	6RL2D
RR2/RL2	1 3/4" Z20	6RR2E	6RL2E
RR2/RL2	D8x32x38	6RR2F	6RL2F

TYPE	TORQUE	SPLINE	CODE
S	2700 Nm	1 3/8" Z6	6S10B
S	2700 Nm	1 3/4" Z6	6S10C
S	2700 Nm	1 3/8" Z21	6S10D
S	2700 Nm	1 3/4" Z20	6S10E
S	2700 Nm	D8x32x38	6S10F
S	3100 Nm	1 3/8" Z6	6S11B
S	3100 Nm	1 3/4" Z6	6S11C
S	3100 Nm	1 3/8" Z21	6S11D
S	3100 Nm	1 3/4" Z20	6S11E
S	3100 Nm	D8x32x38	6S11F

### RATCHET TORQUE LIMITER

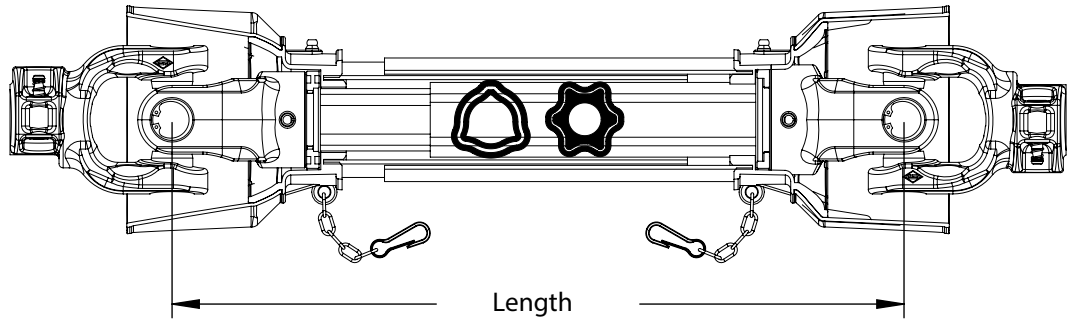
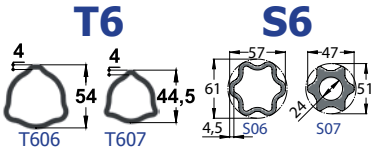
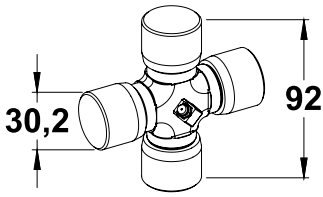
SA



For Details See Page 83-84-85

TYPE	TORQUE	SPLINE	CODE
SA3	900 Nm	1 3/8" Z6	6SA5B
SA3	900 Nm	1 3/8" Z21	6SA5D
SA3	900 Nm	D8x32x38	6SA5F
SA4	1200 Nm	1 3/8" Z6	6SA6B
SA4	1200 Nm	1 3/8" Z21	6SA6D
SA4	1200 Nm	D8x32x38	6SA6F
SA5	1500 Nm	1 3/8" Z6	6SA7B
SA5	1500 Nm	1 3/8" Z21	6SA7D
SA5	1500 Nm	D8x32x38	6SA7F

## SERIES 6



CODE	046	051	056	061	071	086	101	129	CODE
L min	460	510	560	610	710	860	1010	1290	mm
L max	630	710	800	880	1050	1300	1550	2010	mm

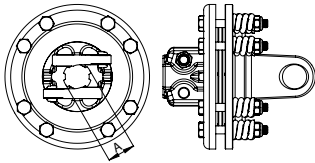
### POWER RATING

540 rpm				1000 rpm				MAX DYNAMIC TORQUE	
POWER		TORQUE		POWER		TORQUE		Nm	in.lb
KW	CV-HP-PS	Nm	in.lb	KW	CV-HP-PS	Nm	in.lb		
47	64	830	7350	74	100	710	6250	1450	12850

Values related to 5° joint angles, 1000 hours life.  
Values related to 10° joint angles, 500 hours life.

### 2 FRICTION LIMITER CLUTCH

**FF1**

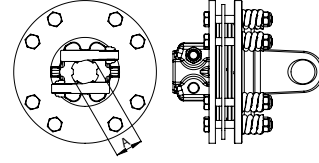


For Details See Page 90

TYPE	TORQUE	SPLINE	CODE
FF1	900 Nm	1 3/8" Z6	<b>6FF1B</b>
FF1	900 Nm	1 3/4" Z6	<b>6FF1C</b>
FF1	900 Nm	1 3/8" Z21	<b>6FF1D</b>
FF1	900 Nm	1 3/4" Z20	<b>6FF1E</b>
FF1	900 Nm	D8x32x38	<b>6FF1F</b>

### 4 FRICTION LIMITER CLUTCH

**FF1**

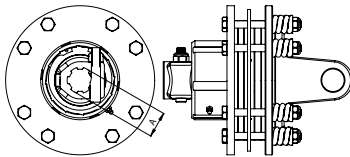


For Details See Page 91

TYPE	TORQUE	SPLINE	CODE
FF1	1200 Nm	1 3/8" Z6	<b>6FF2B</b>
FF1	1200 Nm	1 3/4" Z6	<b>6FF2C</b>
FF1	1200 Nm	1 3/8" Z21	<b>6FF2D</b>
FF1	1200 Nm	1 3/4" Z20	<b>6FF2E</b>
FF1	1200 Nm	D8x32x38	<b>6FF2F</b>

### FRICTION DISC & OVERRUNNING CLUTCH

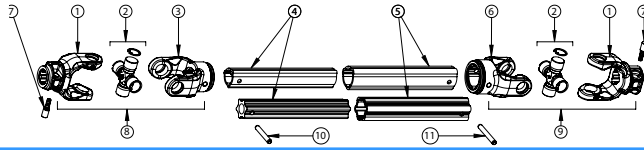
**CR1 / CL1**

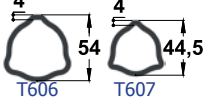
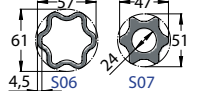


For Details See Page 96

TYPE	TORQUE	SPLINE	CODE (RIGHT)	CODE (LEFT)
CR1/CL1	1200 Nm	1 3/8" Z6	<b>6CR1B</b>	<b>6CL1B</b>
CR1/CL1	1200 Nm	1 3/8" Z21	<b>6CR1D</b>	<b>6CL1D</b>
CR1/CL1	1200 Nm	D8x32x38	<b>6CR1F</b>	<b>6CL1F</b>
CR1/CL1	1450 Nm	1 3/8" Z6	<b>6CR2B</b>	<b>6CL2B</b>
CR1/CL1	1450 Nm	1 3/8" Z21	<b>6CR2D</b>	<b>6CL2D</b>
CR1/CL1	1450 Nm	D8x32x38	<b>6CR2F</b>	<b>6CL2F</b>

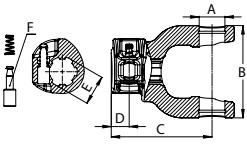
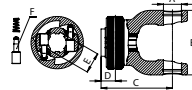
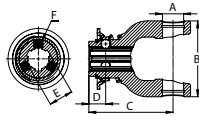
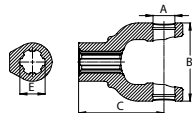
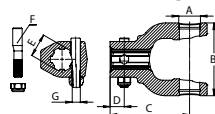
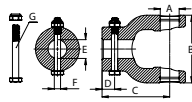
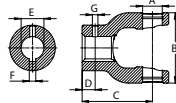
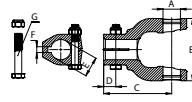
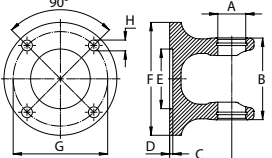
**SERIES 6 SPARE PARTS**



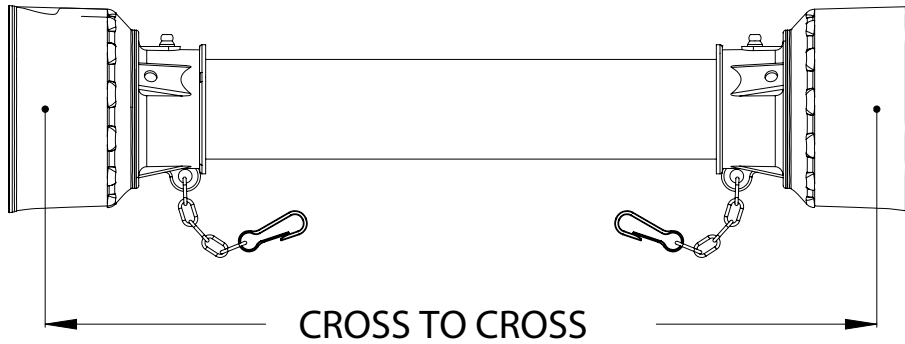
REF	1*	2	3	4**	5**	6	7	8	9	10	11
	602B	601	607T	T607	T606	606T	00.02.01	602B+607T	502A+506T	DIN 1481	DIN 1481
	602C							602C+607T	502B+506T	10x70	10x80
	602D							602D+607T	502D+506T		
	602E							602E+607T	502F+506T		
	602F							602F+607T			
	602B	601	607S	S07	S06	606S	00.02.01	602B+607S	602B+606S	DIN 1481	DIN 1481
	602C							602C+607S	602C+606S	10x70	10x80
	602D							602D+607S	602D+606S		
	602E							602E+607S	602E+606S		
	602F							602F+607S	602F+606S		

\*For other versions please see the following tables.

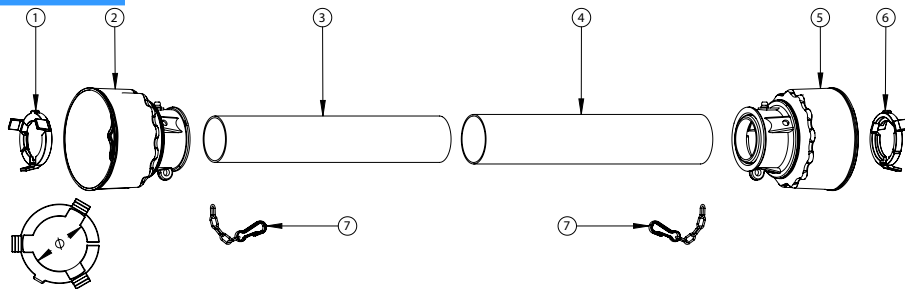
\*\*For the ordering, please complete the code stating lengths in cm.

	A	B	C	D	E	F	G	CODE	
<b>02 One Push Pin</b> 	Ø30,2	105	118	21	1 3/8" Z6	00.02.01	00.02.01	<b>602B</b>	
	Ø30,2	105	118	24	1 3/4" Z6	00.02.01 T	00.02.01 T	<b>602C</b>	
	Ø30,2	105	118	21	1 3/8" Z21	00.02.01	00.02.01	<b>602D</b>	
	Ø30,2	105	118	24	1 3/4" Z20	00.02.01 T	00.02.01 T	<b>602E</b>	
	Ø30,2	105	118	21	D8x32x38	00.02.01	00.02.01	<b>602F</b>	
	<b>05 Handwheel With Pin</b> 	Ø30,2	105	118	24	1 3/8" Z6	00.02.01 O	00.02.01 O	<b>605B</b>
Ø30,2		105	118	24	1 3/8" Z21	00.02.01 O	00.02.01 O	<b>605D</b>	
Ø30,2		105	118	24	D8x32x38	00.02.01 O	00.02.01 O	<b>605F</b>	
<b>06 With Ball Attachment</b> 		Ø30,2	105	118	24	1 3/8" Z6	Ø12,70	Ø12,70	<b>606B</b>
		Ø30,2	105	118	26	1 3/4" Z6	Ø15	Ø15	<b>606C</b>
		Ø30,2	105	118	24	1 3/8" Z21	Ø12,70	Ø12,70	<b>606D</b>
	Ø30,2	105	118	26	1 3/4" Z20	Ø15	Ø15	<b>606E</b>	
	Ø30,2	105	118	24	D8x32x38	Ø12,70	Ø12,70	<b>606F</b>	
	<b>08 Splined Yoke</b> 	Ø30,2	105	108	-	1 3/8" Z6	-	-	<b>608B</b>
Ø30,2		105	108	-	1 3/4" Z6	-	-	<b>608C</b>	
Ø30,2		105	108	-	1 3/8" Z21	-	-	<b>608D</b>	
Ø30,2		105	108	-	1 3/4" Z20	-	-	<b>608E</b>	
Ø30,2		105	108	-	D8x32x38	-	-	<b>608F</b>	
<b>09 Taper Pin Yoke</b> 		Ø30,2	105	118	21	1 3/8" Z6	KC12	KC12	<b>609B</b>
	Ø30,2	105	118	24	1 3/4" Z6	KC14	KC14	<b>609C</b>	
	Ø30,2	105	118	21	1 3/8" Z21	KC12	KC12	<b>609D</b>	
	Ø30,2	105	118	24	1 3/4" Z20	KC14	KC14	<b>609E</b>	
	Ø30,2	105	118	21	D8x32x38	KC12	KC12	<b>609F</b>	
	<b>A Pin Hole</b> 	Ø30,2	105	108	20	Ø30 <sup>H8</sup>	10 <sup>H12</sup>	Ø10 <sup>H12</sup>	<b>6A30</b>
Ø30,2		105	108	20	Ø35 <sup>H8</sup>	12 <sup>H12</sup>	Ø12 <sup>H12</sup>	<b>6A35</b>	
Ø30,2		105	108	20	Ø40 <sup>H8</sup>	12 <sup>H12</sup>	Ø12 <sup>H12</sup>	<b>6A40</b>	
<b>B Keyway Threaded Hole</b> 	Ø30,2	105	108	19	Ø30 <sup>H8</sup>	8 <sup>J59</sup>	8 <sup>J59</sup>	<b>6B30</b>	
	Ø30,2	105	108	19	Ø35 <sup>H8</sup>	10 <sup>J59</sup>	10 <sup>J59</sup>	<b>6B35</b>	
	Ø30,2	105	108	19	Ø40 <sup>H8</sup>	12 <sup>J59</sup>	12 <sup>J59</sup>	<b>6B40</b>	
<b>C Keyway &amp; Clamp Bolt</b> 	Ø30,2	105	118	19	Ø30 <sup>H8</sup>	8 <sup>J59</sup>	8 <sup>J59</sup>	<b>6C30</b>	
	Ø30,2	105	118	19	Ø35 <sup>H8</sup>	10 <sup>J59</sup>	10 <sup>J59</sup>	<b>6C35</b>	
	Ø30,2	105	118	19	Ø40 <sup>H8</sup>	12 <sup>J59</sup>	12 <sup>J59</sup>	<b>6C40</b>	
<b>F Flanged Yoke</b> 	Ø30,2	105	77	2,5	Ø75	Ø130	Ø101,5	Ø12,5	<b>6F90</b>

## SERIE 6 SAFETY SHIELD

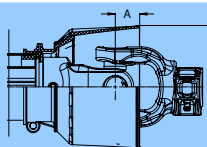
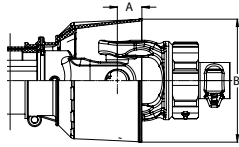
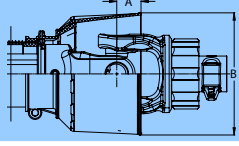
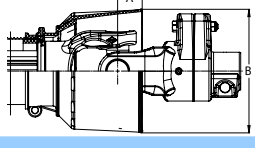
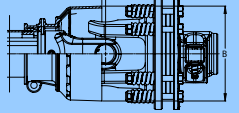


CODE (cm)	M06 046	M06 051	M06 056	M06 061	M06 071	M06 086	M06 101	M06 129
LENGTH (mm)	460	510	560	610	710	860	1010	1290

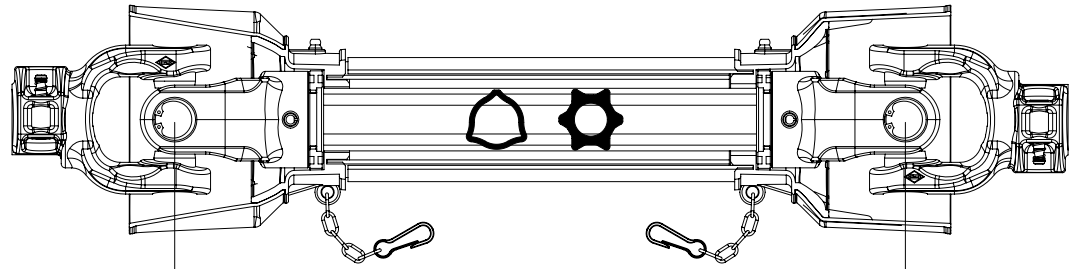
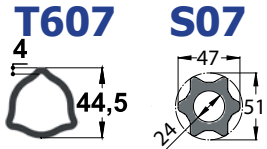
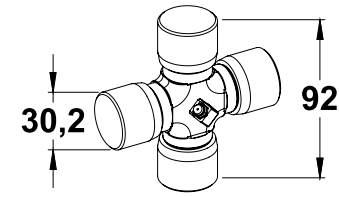


REF	QUANTITY	CODE	DESIGNATION	TECHNICAL DATA
1	1	SI06	INNER BEARING	Ø58,5 mm
2	1	GI06	INNER GUARD BODY	-
3	1	PI06	INNER GUARD TUBE	Ø84x2,2 mm
4	1	PO6	OUTER GUARD TUBE	Ø90x2,2 mm
5	1	GO6	OUTER GUARD BODY	-
6	1	SO6	OUTER BEARING	Ø68,5 mm
7	2	CO6	SAFETY CHAIN	-

### SERIE 6 SAFETY SHIELD DIMENSIONS

		SERIE	A	B
PTO DRIVE SHAFT		6	33 mm	165 mm
OVERRUNNING CLUTCH		6	33 mm	165 mm
RATCHET TORQUE LIMITER		6	33 mm	165 mm
SHEAR BOLT TORQUE LIMITER		6	33 mm	165 mm
FRICITION LIMITER CLUTCH		6	11 mm	163 mm

## SERIE S6 (FIXED SHAFT)

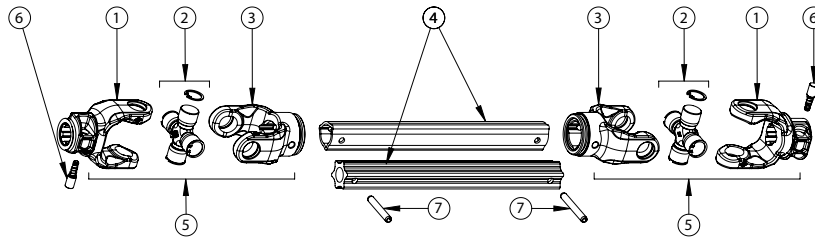


CODE	046	051	056	061	071	086	101	129	CODE
L min	460	510	560	610	710	860	1010	1290	mm

### POWER RATING

540 fpm				1000 rpm				MAX DYNAMIC TORQUE	
POWER		TORQUE		POWER		TORQUE			
KW	CV-HP-PS	Nm	in.lb	KW	CV-HP-PS	Nm	in.lb	Nm	in.lb
47	64	830	7350	74	100	710	6250	1450	12850

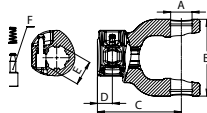
Values related to 5° joint angles, 1000 hours life.  
Values related to 10° joint angles, 500 hours life.



REF	1*	2	3	4**	5	6	7	
<b>T607</b>		602B	601	607T	T607	602B+607T	00.02.01	DIN 1481 10x70
		602D				602D+607T		
		602F				602F+607T		
<b>S07</b>		602B	601	607S	S07	602B+607S	00.02.01	DIN 1481 10x70
		602D				602D+607S		
		602F				602F+607S		

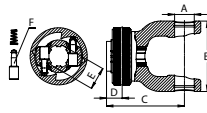
\*For other versions please see the following tables.  
\*\*For the ordering, please complete the code stating lengths in cm.

#### 02 One Push Pin



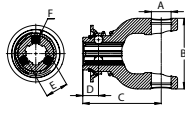
A	B	C	D	E	F	G	CODE
Ø30,2	105	118	21	1 3/8" Z6	00.02.01	-	<b>602B</b>
Ø30,2	105	118	21	1 3/8" Z21	00.02.01	-	<b>602D</b>
Ø30,2	105	118	21	D8x32x38	00.02.01	-	<b>602F</b>

#### 05 Handwheel With Pin



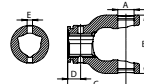
Ø30,2	105	118	24	1 3/8" Z6	00.02.01 O	-	<b>605B</b>
Ø30,2	105	118	24	1 3/8" Z21	00.02.01 O	-	<b>605D</b>
Ø30,2	105	118	24	D8x32x38	00.02.01 O	-	<b>605F</b>

#### 06 With Ball Attachment



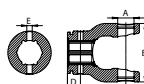
Ø30,2	105	118	24	1 3/8" Z6	Ø12,70	-	<b>606B</b>
Ø30,2	105	118	24	1 3/8" Z21	Ø12,70	-	<b>606D</b>
Ø30,2	105	118	24	D8x32x38	Ø12,70	-	<b>606F</b>

#### 07T Triangular Yoke Inner



Ø30,2	105	108	24	Ø10	-	-	<b>607T</b>
-------	-----	-----	----	-----	---	---	-------------

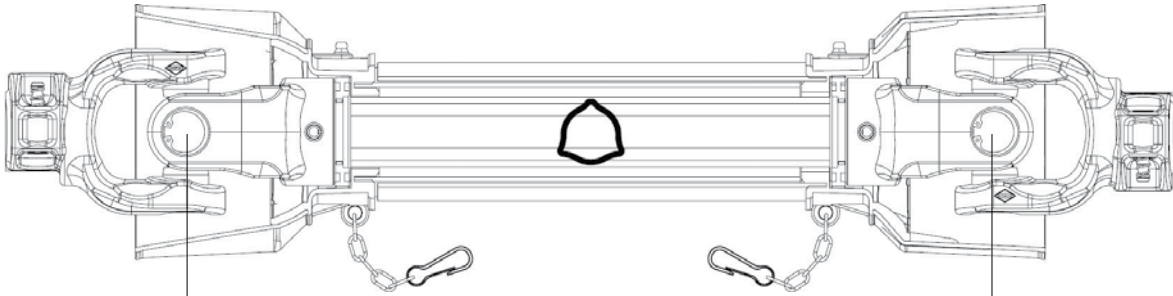
#### 07S Star Yoke Inner



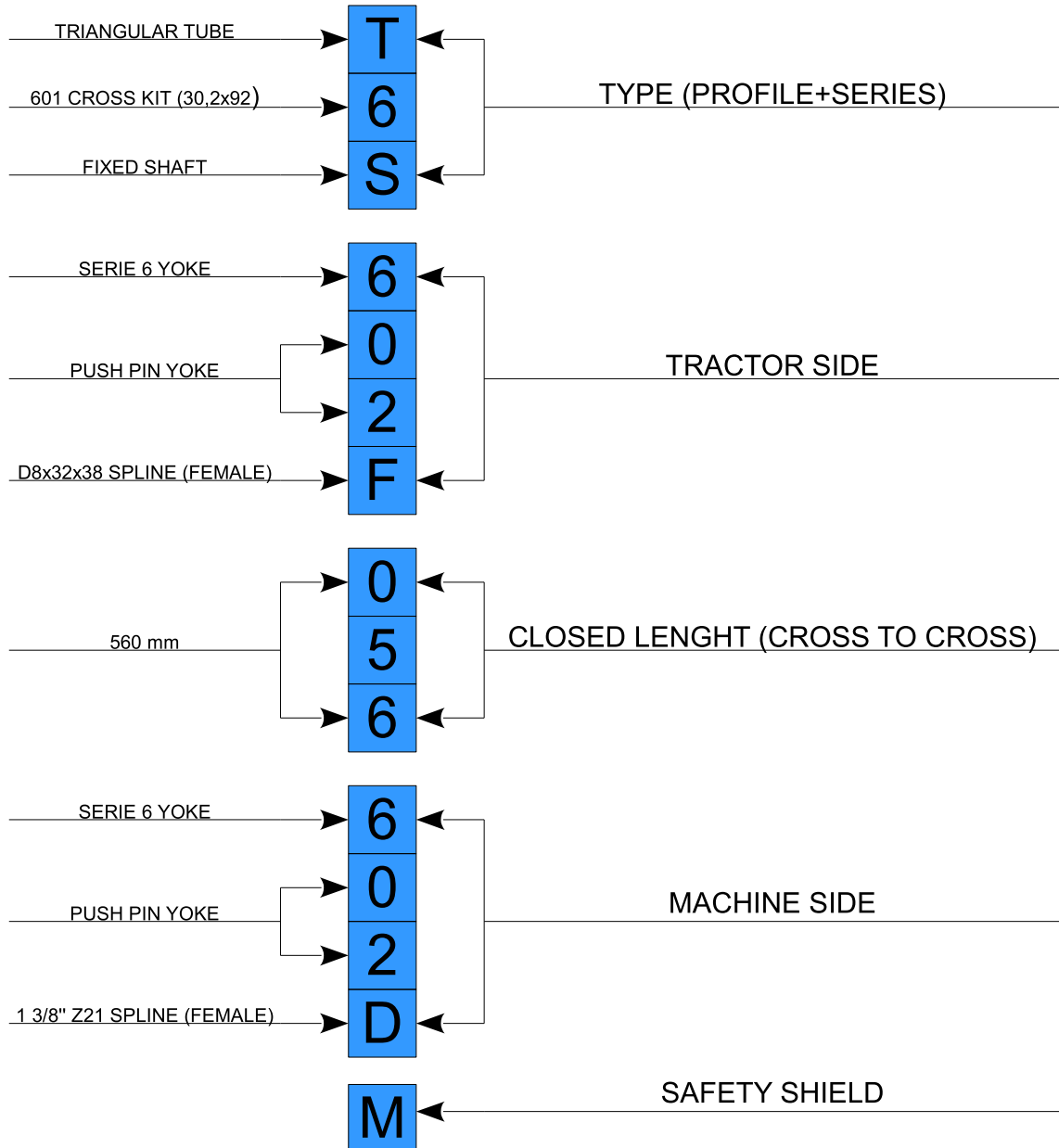
Ø30,2	105	108	24	Ø10	-	-	<b>607S</b>
-------	-----	-----	----	-----	---	---	-------------

**CODING SYSTEM FOR SERIE 6 FIXED SHAFTS**

**Example : T6S 602F 056 602D M**

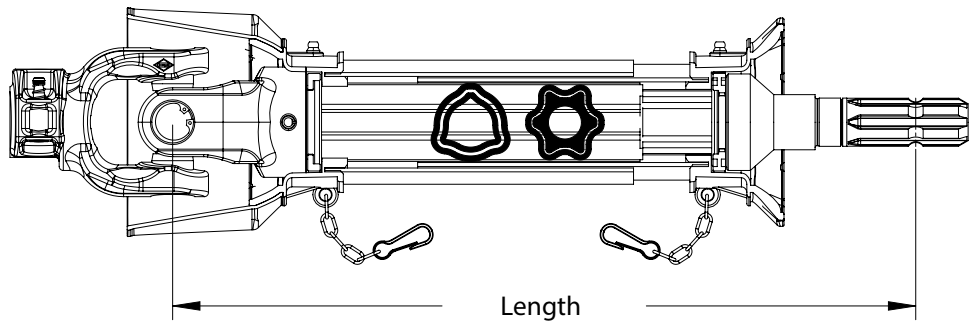
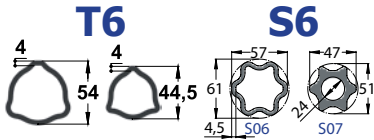
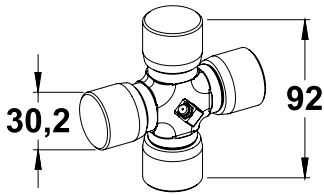


CODE	046	051	056	061	071	086	101	129	CODE
L min	460	510	560	610	710	860	1010	1290	mm





**SERIE 6 BALE MACHINE BETWEEN SHAFT**

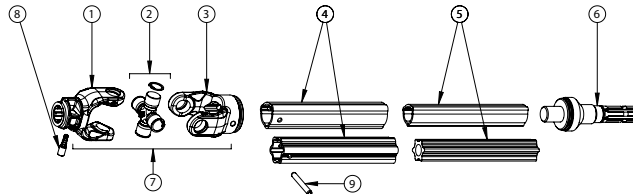


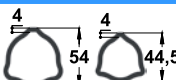
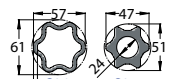
CODE	046	051	056	061	071	086	101	129	CODE
L min	460	510	560	610	710	860	1010	1290	mm
L max	630	710	800	880	1050	1300	1550	2010	mm

**POWER RATING**

540 rpm				1000 rpm				MAX DYNAMIC TORQUE	
POWER		TORQUE		POWER		TORQUE		Nm	in.lb
KW	CV-HP-PS	Nm	in.lb	KW	CV-HP-PS	Nm	in.lb		
47	64	830	7350	74	100	710	6250	1450	12850

Values related to 5° joint angles, 1000 hours life.  
Values related to 10° joint angles, 500 hours life.

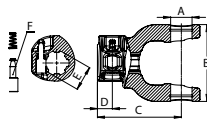


REF	1*	2	3	4**	5**	6	7	8	9
	602B 602D 602F	601	606T	T606	T607	FU1B (1 3/8" Z6)	602B+606T 602D+606T 602F+606T	00.02.01	DIN 1481 10x80
	602B 602D 602F	601	606S	S06	S07	FU1B (1 3/8" Z6)	602B+606S 602D+606S 602F+606S	00.02.01	DIN 1481 10x80

\*For other versions please see the following tables.

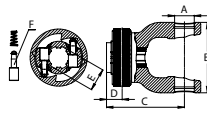
\*\*For the ordering, please complete the code stating lengths in cm.

**02 One Push Pin**



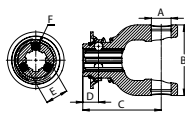
A	B	C	D	E	F	G	CODE
Ø30,2	105	118	21	1 3/8" Z6	00.02.01	-	<b>602B</b>
Ø30,2	105	118	21	1 3/8" Z21	00.02.01	-	<b>602D</b>
Ø30,2	105	118	21	D8x32x38	00.02.01	-	<b>602F</b>

**05 Handwheel With Pin**



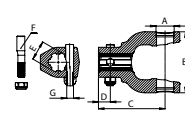
Ø30,2	105	118	24	1 3/8" Z6	00.02.01 O	-	<b>605B</b>
Ø30,2	105	118	24	1 3/8" Z21	00.02.01 O	-	<b>605D</b>
Ø30,2	105	118	24	D8x32x38	00.02.01 O	-	<b>605F</b>

**06 With Ball Attachment**



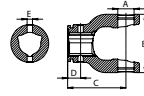
Ø30,2	105	118	24	1 3/8" Z6	Ø12,70	-	<b>606B</b>
Ø30,2	105	118	24	1 3/8" Z21	Ø12,70	-	<b>606D</b>
Ø30,2	105	118	24	D8x32x38	Ø12,70	-	<b>606F</b>

**09 Taper Pin**



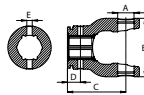
Ø30,2	105	118	21	1 3/8" Z6	KC12	M12x1,25	<b>609B</b>
Ø30,2	105	118	21	1 3/8" Z21	KC12	M12x1,25	<b>609D</b>
Ø30,2	105	118	21	D8x32x38	KC12	M12x1,25	<b>609F</b>

**06T Triangular Yoke Outer**



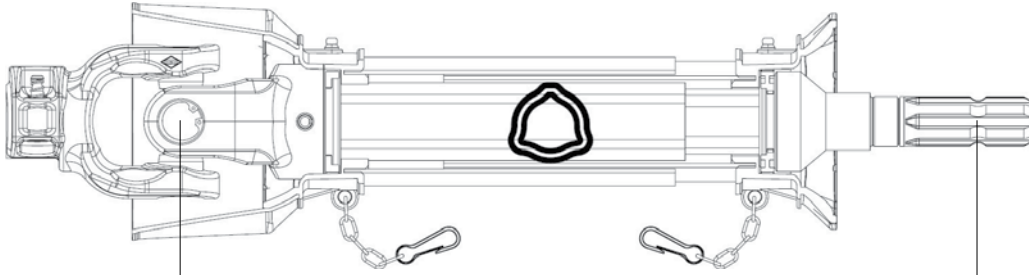
Ø30,2	105	108	24	Ø10	-	-	<b>606T</b>
-------	-----	-----	----	-----	---	---	-------------

**06S Star Yoke Outer**

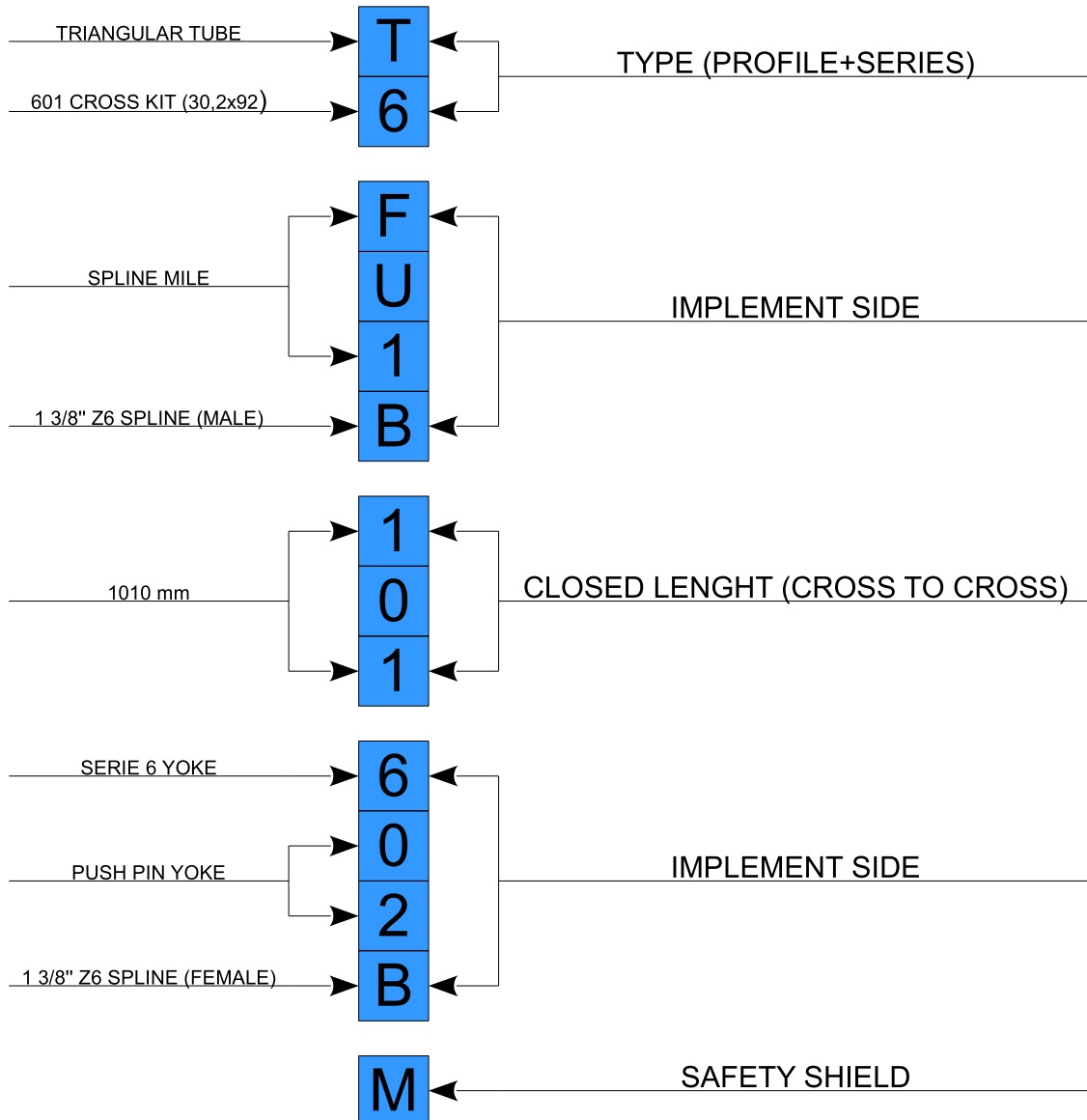


Ø30,2	105	108	24	Ø10	-	-	<b>606S</b>
-------	-----	-----	----	-----	---	---	-------------

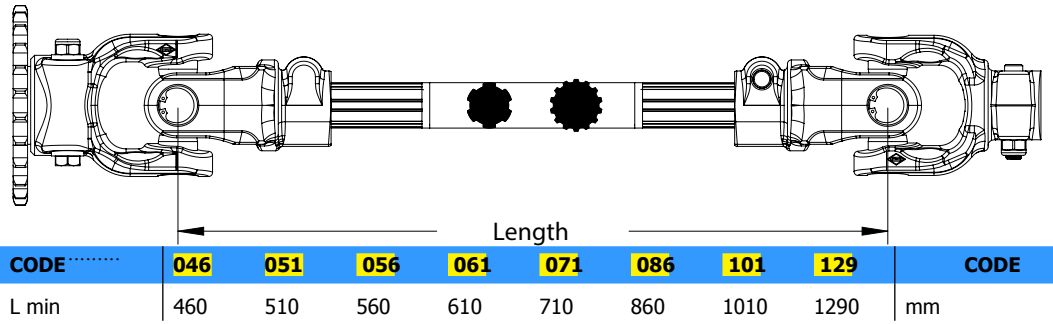
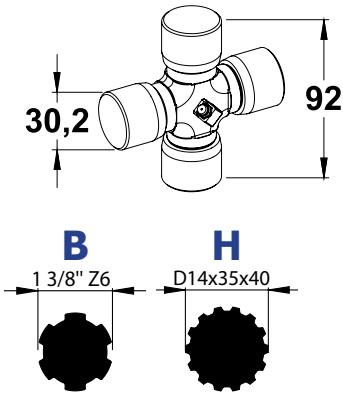
## Example : T6 FU1B 101 602B M



KOD-CODE	046	051	056	061	071	086	101	129	KOD-CODE
L min	460	510	560	610	710	860	1010	1290	



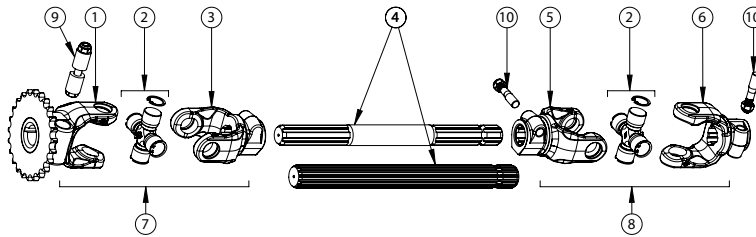
## SERIE 6 BALE MACHINE PITCHFORK SHAFT



### POWER RATING

540 rpm				1000 rpm				MAX DYNAMIC TORQUE	
POWER		TORQUE		POWER		TORQUE		Nm	in.lb
KW	CV-HP-PS	Nm	in.lb	KW	CV-HP-PS	Nm	in.lb		
47	64	830	7350	74	100	710	6250	1450	12850

Values related to 5° joint angles, 1000 hours life.  
Values related to 10° joint angles, 500 hours life.

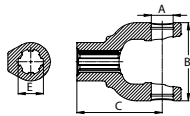


REF	1*	2	3	4**	5	6	7	8	9	10
1 3/8" Z6	6LZ23	601	608B	B6x43	609B	609D	6LZ23+608B	609B+609D	01.02.04	KC12
	6LZ24			B6x45		609G	6LZ24+608B	609B+609G		
	6SZ23						6SZ23+608B			
6SZ24							6SZ24+608B			
D14x35x40	6LZ23	601	608H	H14x43	609H	609D	6LZ23+608H	609H+609D	01.02.04	KC12
	6LZ24			H14x45		609G	6LZ24+608H	609H+609G		
	6SZ23						6SZ23+608H			
6SZ24						6SZ24+608H				

\*For other versions please see the following tables.

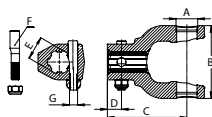
\*\*For the ordering, please complete the code stating lengths in cm.

### 08 Splined Yoke



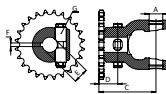
A	B	C	D	E	F	G	CODE
Ø30,2	105	118	-	1 3/8" Z6	-	-	<b>608B</b>
Ø30,2	105	118	-	Ø40 Z14	-	-	<b>608H</b>

### 09 Taper Pin



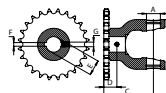
Ø30,2	105	118	21	1 3/8" Z6	KC12	M12x1,25	<b>609B</b>
Ø30,2	105	118	21	1 3/8" Z21	KC12	M12x1,25	<b>609D</b>
Ø30,2	105	118	21	1 3/8" Z41	KC12	M12x1,25	<b>609G</b>
Ø30,2	105	118	21	Ø40 Z14	KC12	M12x1,25	<b>609H</b>

### 6L Clamping Spindle Type



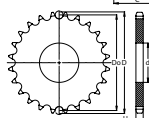
Ø30,2	105	127	42	Ø34 <sup>H8-n6</sup>	8 <sup>J59</sup>	01.02.04	<b>6LZ23</b>
Ø30,2	105	127	42	Ø34 <sup>H8-n6</sup>	8 <sup>J59</sup>	01.02.04	<b>6LZ24</b>

### 6S Keyway Threaded Hole Type



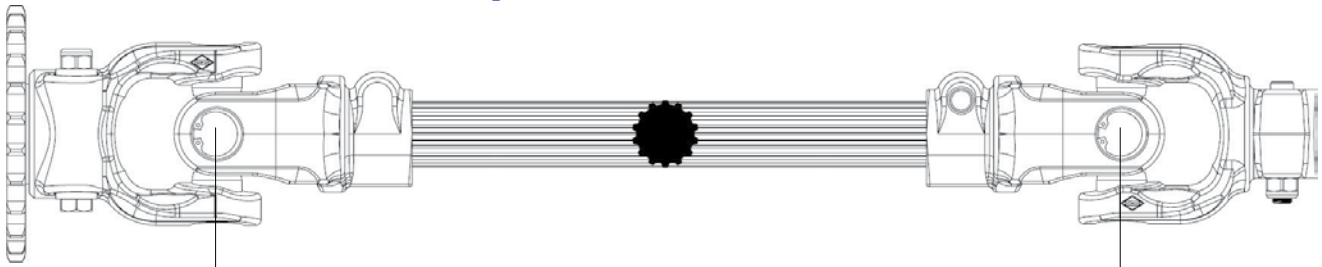
Ø30,2	105	108	28	Ø34 <sup>H8-n6</sup>	8 <sup>J59</sup>	M10x1,5	<b>6SZ23</b>
Ø30,2	105	108	28	Ø34 <sup>H8-n6</sup>	8 <sup>J59</sup>	M10x1,5	<b>6SZ24</b>

### Sprockets

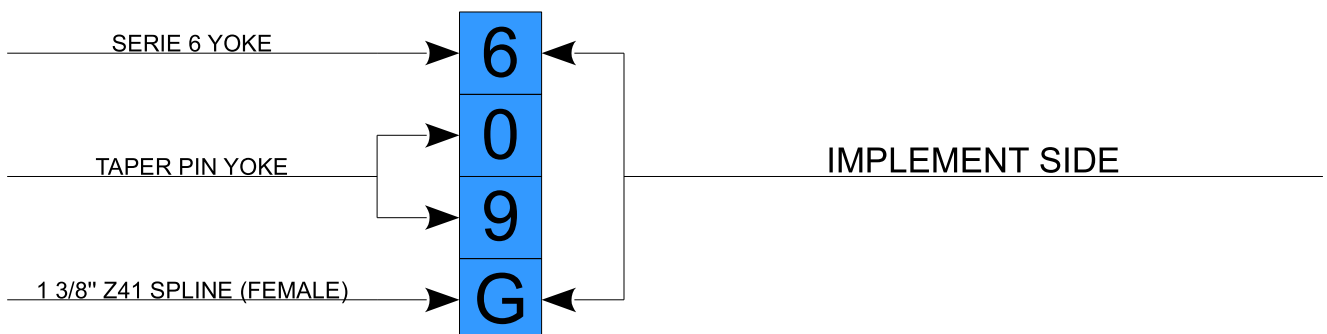
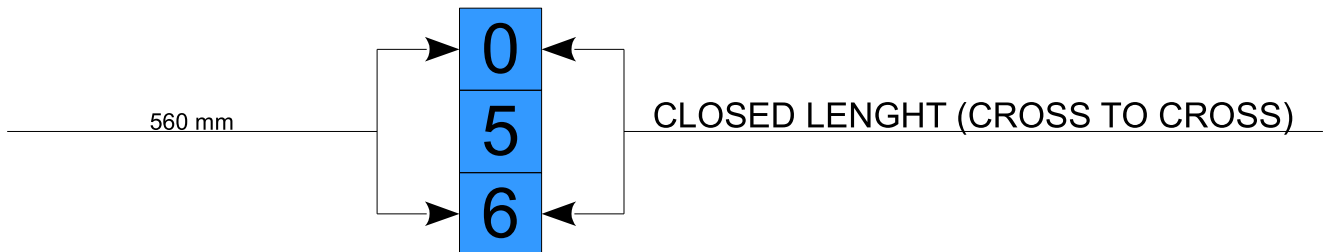
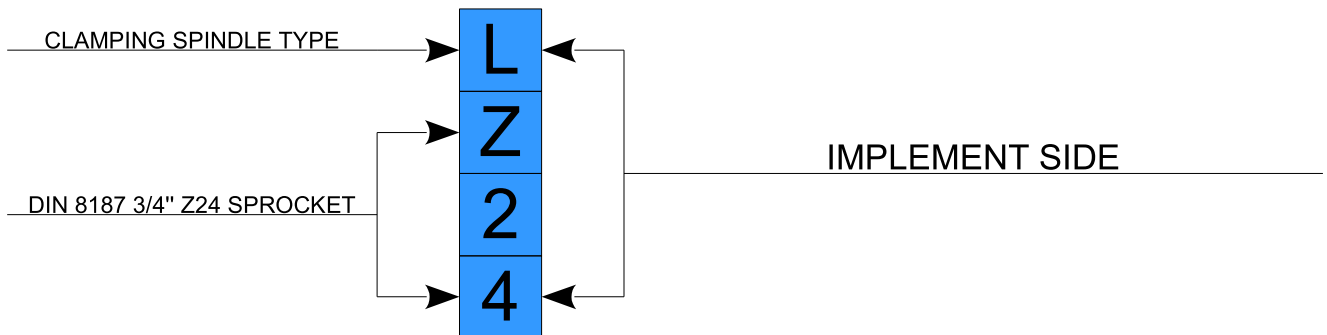
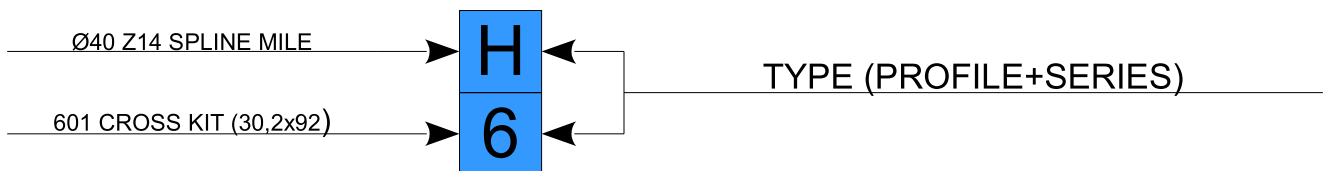


Z	D	Do	H	d	CODE
23	Ø149	139,9	11,1	Ø55 <sup>H8-n6</sup>	DIN 8187 3/4" 12B Z23
24	Ø155	145,9	11,1	Ø55 <sup>H8-n6</sup>	DIN 8187 3/4" 12B Z24

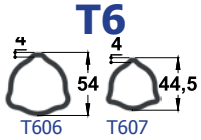
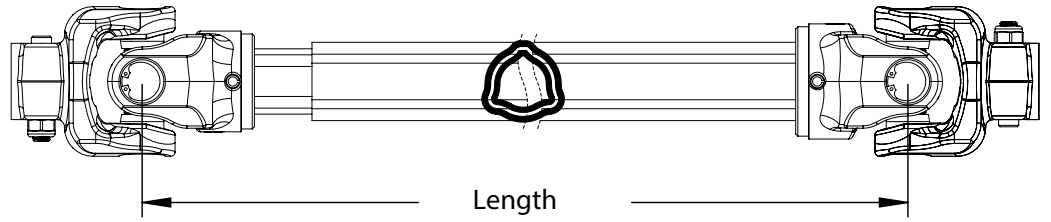
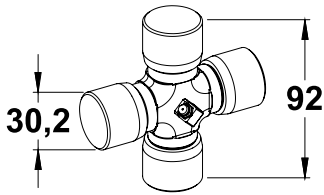
**Example : H6 LZ24 056 609G**



CODE	046	051	056	061	071	086	101	129	CODE
<b>L min</b>	460	510	560	610	710	860	1010	1290	



## SERIE K6 (18°)

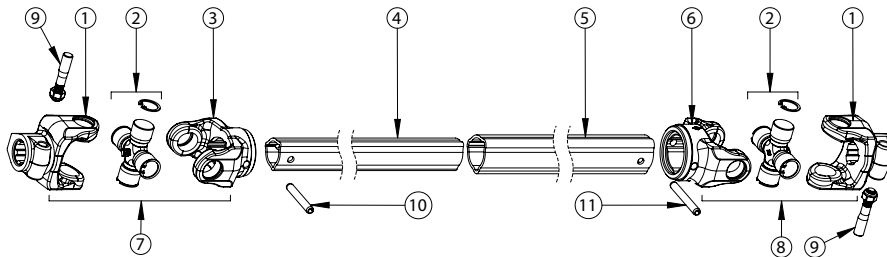


CODE	046	051	056	061	071	086	101	129	CODE
L min	460	510	560	610	710	860	1010	1290	mm
L max	680	770	840	930	1100	1350	1600	2070	mm

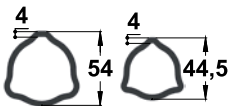
### POWER RATING

540 rpm				1000 rpm				MAX DYNAMIC TORQUE	
POWER		TORQUE		POWER		TORQUE		Nm	in.lb
KW	CV-HP-PS	Nm	in.lb	KW	CV-HP-PS	Nm	in.lb		
47	64	830	7350	74	100	710	6250	1450	12850

Values related to 5° joint angles, 1000 hours life.  
Values related to 10° joint angles, 500 hours life.

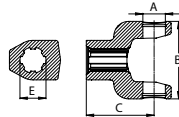


REF	1*	2	3	4**	5**	6	7	8	9	10	11
	K609B K609D K609F	601	K607T	T607	T606	K606T	K609B+K607T K609D+K607T K609F+K607T	K609B+K606T K609D+K606T K609F+K606T	KC12	DIN 1481 10x70	DIN 1481 10x80



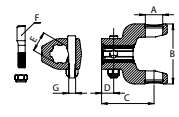
\*For other versions please see the following tables.  
\*\*For the ordering, please complete the code stating lengths in cm.

#### 08 Splined Yoke

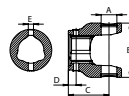


A	B	C	D	E	F	G	KOD CODE
Ø30,2	104	90	-	1 3/8" Z6	-	-	<b>K609B</b>
Ø30,2	104	90	-	1 3/8" Z21	-	-	<b>K609D</b>
Ø30,2	104	90	-	D8x32x38	-	-	<b>K609F</b>
Ø30,2	104	90	-	1 3/8" Z6	KC12	M12x1.25	<b>K608B</b>
Ø30,2	104	90	-	1 3/8" Z21	KC12	M12x1.25	<b>K608D</b>
Ø30,2	104	90	-	D8x32x38	KC12	M12x1.25	<b>K608F</b>
Ø30,2	104	80	15	Ø10	-	-	<b>K606T</b>
Ø30,2	104	80	15	Ø10	-	-	<b>K607T</b>

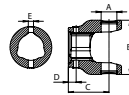
#### 09 Taper Pin



#### 06T Triangular Yoke Outer

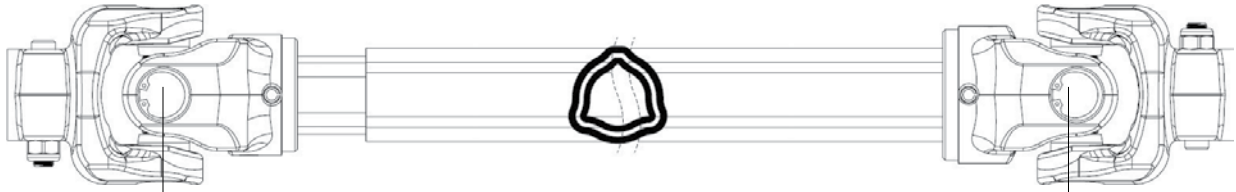


#### 07T Star Yoke Outer

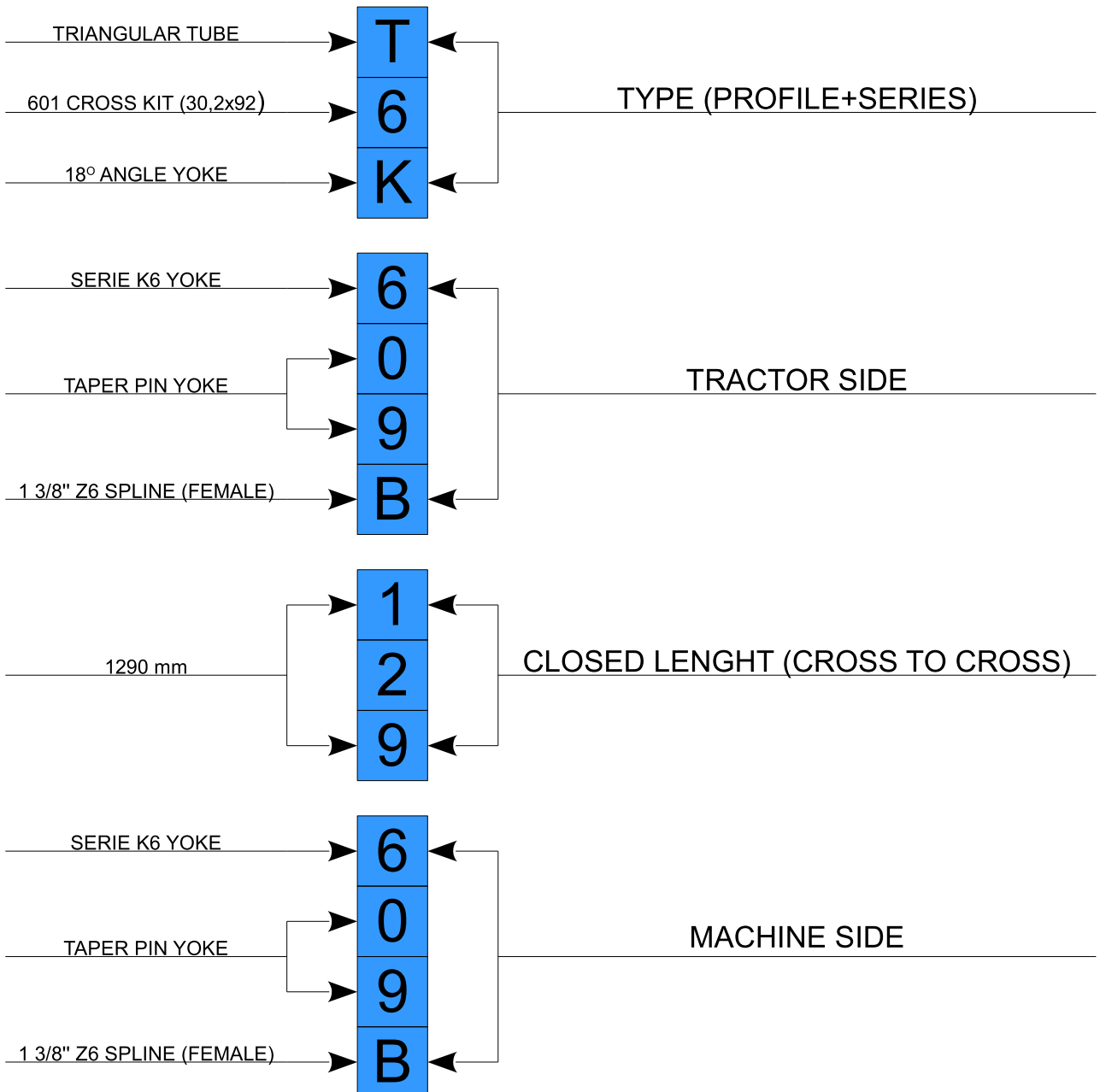


**CODING SYSTEM FOR SERIE K6 MAX. 18° ANGLE SHAFTS**

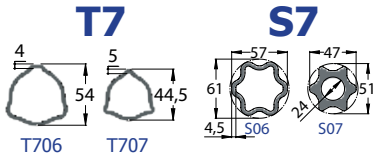
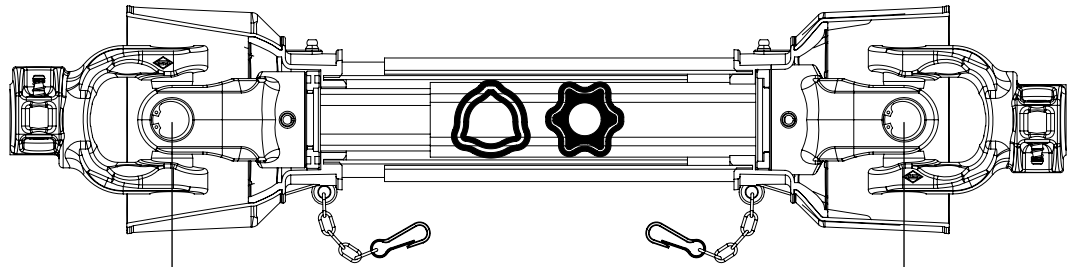
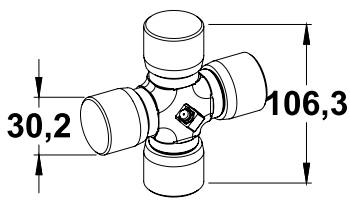
**Example : T6K 609B 129 609B**



CODE	046	051	056	061	071	086	101	129	CODE
L min	460	510	560	610	710	860	1010	1290	mm



## SERIES 7



	Length									
	CODE	046	051	056	061	071	086	101	129	CODE
L min		460	510	560	610	710	860	1010	1290	mm
L max		550	630	710	800	980	1230	1480	1950	mm

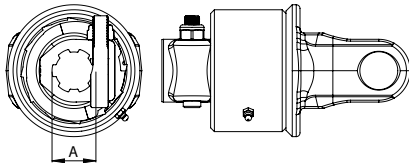
### POWER RATING

540 rpm				1000 rpm				MAX DYNAMIC TORQUE	
POWER		TORQUE		POWER		TORQUE		Nm	in.lb
KW	CV-HP-PS	Nm	in.lb	KW	CV-HP-PS	Nm	in.lb		
55	75	970	8600	87	118	830	7350	1800	15950

Values related to 5° joint angles, 1000 hours life.  
Values related to 10° joint angles, 500 hours life.

### OVERRUNNING CLUTCH

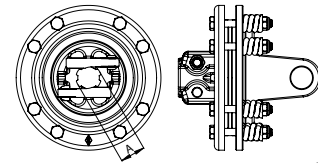
**RR/RL**



For Details See Page 76

### 2 FRICTION LIMITER CLUTCH

**FF2**



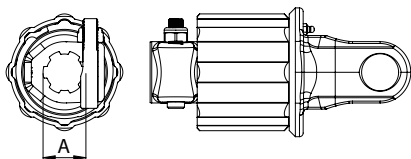
For Details See Page 92

TYPE	SPLINE	CODE (RIGHT)	CODE (LEFT)
RR2/RL2	1 3/8" Z6	<b>7RR2B</b>	<b>7RL2B</b>
RR2/RL2	1 3/4" Z6	<b>7RR2C</b>	<b>7RL2C</b>
RR2/RL2	1 3/8" Z21	<b>7RR2D</b>	<b>7RL2D</b>
RR2/RL2	1 3/4" Z20	<b>7RR2E</b>	<b>7RL2E</b>
RR2/RL2	D8x32x38	<b>7RR2F</b>	<b>7RL2F</b>

TYPE	TORQUE	SPLINE	CODE
FF2	1200 Nm	1 3/8" Z6	<b>7FF2B</b>
FF2	1200 Nm	1 3/4" Z6	<b>7FF2C</b>
FF2	1200 Nm	1 3/8" Z21	<b>7FF2D</b>
FF2	1200 Nm	1 3/4" Z20	<b>7FF2E</b>
FF2	1200 Nm	D8x32x38	<b>7FF2F</b>

### RATCHET TORQUE LIMITER

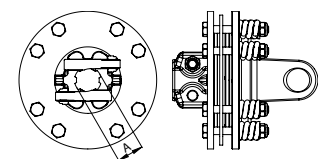
**SA**



For Details See Page 83-84-85

### 4 FRICTION LIMITER CLUTCH

**FF2**



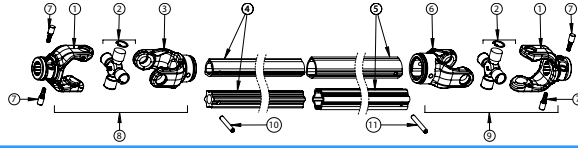
For Details See Page 93

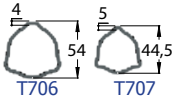
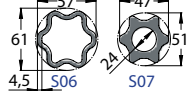
TYPE	TORQUE	SPLINE	CODE
SA3	900 Nm	1 3/8" Z6	<b>7SA5B</b>
SA3	900 Nm	1 3/8" Z21	<b>7SA5D</b>
SA3	900 Nm	D8x32x38	<b>7SA5F</b>
SA4	1200 Nm	1 3/8" Z6	<b>7SA6B</b>
SA4	1200 Nm	1 3/8" Z21	<b>7SA6D</b>
SA4	1200 Nm	D8x32x38	<b>7SA6F</b>
SA5	1500 Nm	1 3/8" Z6	<b>7SA7B</b>
SA5	1500 Nm	1 3/8" Z21	<b>7SA7D</b>
SA5	1500 Nm	D8x32x38	<b>7SA7F</b>

TYPE	TORQUE	SPLINE	CODE
FF2	1450 Nm	1 3/8" Z6	<b>7FF3B</b>
FF2	1450 Nm	1 3/4" Z6	<b>7FF3C</b>
FF2	1450 Nm	1 3/8" Z21	<b>7FF3D</b>
FF2	1450 Nm	1 3/4" Z20	<b>7FF3E</b>
FF2	1450 Nm	D8x32x38	<b>7FF3F</b>
FF2	2400 Nm	1 3/8" Z6	<b>7FF4B</b>
FF2	2400 Nm	1 3/4" Z6	<b>7FF4C</b>
FF2	2400 Nm	1 3/8" Z21	<b>7FF4D</b>
FF2	2400 Nm	1 3/4" Z20	<b>7FF4E</b>
FF2	2400 Nm	D8x32x38	<b>7FF4F</b>



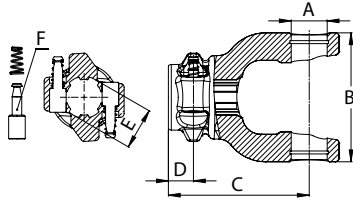
**SERIES 7 SPARE PARTS**



REF	1*	2	3	4**	5**	6	7	8	9	10	11
 T706 T707	707B 707C 707D 707E 707F	701	707T	T707	T706	706T	00.02.01	707B+707T 707C+707T 707D+707T 707E+707T 707F+707T	707B+706T 707C+706T 707D+706T 707E+706T 707F+706T	DIN 1481 10x70	DIN 1481 10x80
 S06 S07	707B 707C 707D 707E 707F	701	707S	S07	S06	706S	00.02.01	707B+707S 707C+707S 707D+707S 707E+707S 707F+707S	707B+706S 707C+706S 707D+706S 707E+706S 707F+706S	DIN 1481 10x70	DIN 1481 10x80

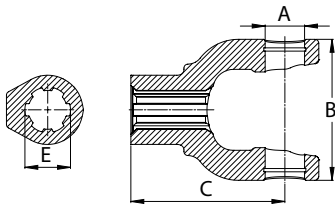
\*For other versions please see the following tables.  
\*\*For the ordering, please complete the code stating lengths in cm.

**07**  
**Two Push Pin**



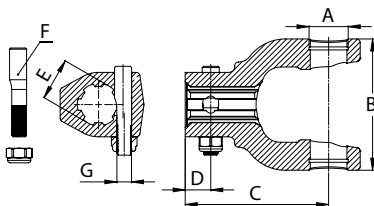
A	B	C	D	E	F	G	CODE
Ø30,2	120	124	21	1 3/8" Z6	00.02.01	-	<b>707B</b>
Ø30,2	120	124	24	1 3/4" Z6	00.02.01 T	-	<b>707C</b>
Ø30,2	120	124	21	1 3/8" Z21	00.02.01	-	<b>707D</b>
Ø30,2	120	124	24	1 3/4" Z20	00.02.01 T	-	<b>707E</b>
Ø30,2	120	124	21	D8x32x38	00.02.01	-	<b>707F</b>

**08**  
**Splined Yoke**



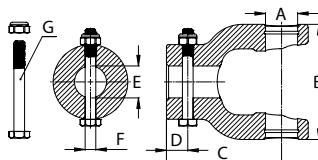
Ø30,2	120	118	-	1 3/8" Z6	-	-	<b>708B</b>
Ø30,2	120	118	-	1 3/4" Z6	-	-	<b>708C</b>
Ø30,2	120	118	-	1 3/8" Z21	-	-	<b>708D</b>
Ø30,2	120	118	-	1 3/4" Z20	-	-	<b>708E</b>
Ø30,2	120	118	-	D8x32x38	-	-	<b>708F</b>

**09**  
**Taper Pin Yoke**



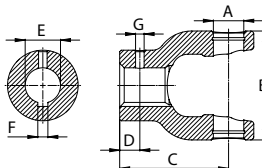
Ø30,2	120	124	21	1 3/8" Z6	KC12	M12x1,25	<b>709B</b>
Ø30,2	120	124	24	1 3/4" Z6	KC14	M14x1,5	<b>709C</b>
Ø30,2	120	124	21	1 3/8" Z21	KC12	M12x1,25	<b>709D</b>
Ø30,2	120	124	24	1 3/4" Z20	KC14	M14x1,5	<b>709E</b>
Ø30,2	120	124	21	D8x32x38	KC12	M12x1,25	<b>709F</b>

**A**  
**Pin Hole**



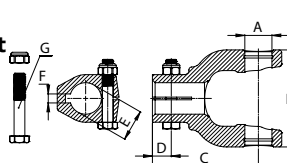
Ø30,2	120	117	25	Ø35 <sup>H8</sup>	Ø12 <sup>H12</sup>	M12x80	<b>7A35</b>
Ø30,2	120	117	25	Ø40 <sup>H8</sup>	Ø12 <sup>H12</sup>	M12x80	<b>7A40</b>
Ø30,2	120	117	25	Ø45 <sup>H8</sup>	Ø12 <sup>H12</sup>	M12x80	<b>7A45</b>

**B**  
**Keyway Threaded Hole**



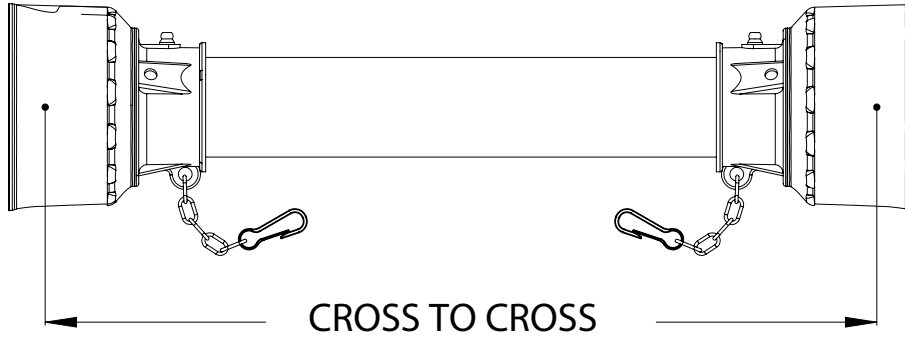
Ø30,2	120	117	25	Ø35 <sup>H8</sup>	10 <sup>S9</sup>	M14x2	<b>7B35</b>
Ø30,2	120	117	25	Ø40 <sup>H8</sup>	12 <sup>S9</sup>	M14x2	<b>7B40</b>
Ø30,2	120	117	25	Ø45 <sup>H8</sup>	14 <sup>S9</sup>	M14x2	<b>7B45</b>

**C**  
**Keyway & Clamp Bolt**

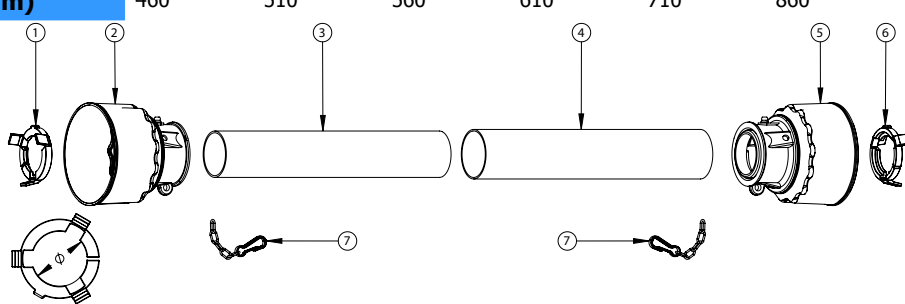


Ø30,2	120	124	24	Ø35 <sup>H8</sup>	10 <sup>S9</sup>	M14x65	<b>7C35</b>
Ø30,2	120	124	24	Ø40 <sup>H8</sup>	12 <sup>S9</sup>	M14x65	<b>7C40</b>
Ø30,2	120	124	24	Ø45 <sup>H8</sup>	14 <sup>S9</sup>	M14x65	<b>7C45</b>

## SERIE 7 SAFETY SHIELD

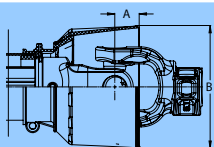
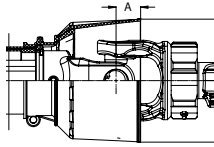
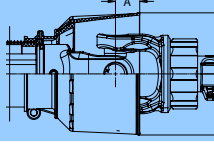
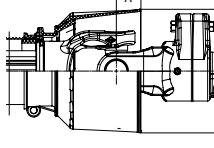


CODE (cm)	M07 046	M07 051	M07 056	M07 061	M07 071	M07 086	M07 101	M07 129
LENGTH (mm)	460	510	560	610	710	860	1010	1290

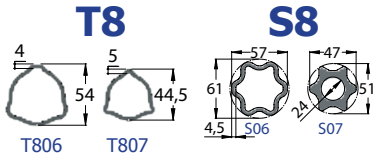
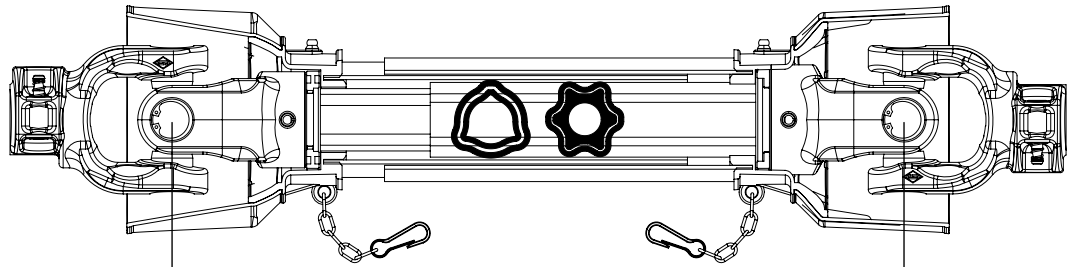
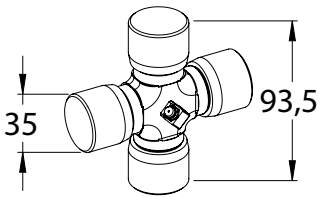


REF	QUANTITY	CODE	DESIGNATION	TECHNICAL DATA
1	1	<b>SI07</b>	INNER BEARING	Ø58,5 mm
2	1	<b>GI07</b>	INNER GUARD BODY	-
3	1	<b>PI07</b>	INNER GUARD TUBE	Ø84x2,2 mm
4	1	<b>P07</b>	OUTER GUARD TUBE	Ø90x2,2 mm
5	1	<b>G07</b>	OUTER GUARD BODY	-
6	1	<b>S07</b>	OUTER BEARING	Ø68,5 mm
7	2	<b>C07</b>	SAFETY CHAIN	-

### SERIE 7 SAFETY SHIELD DIMENSIONS

		SERIE	A	B
PTO DRIVE SHAFT		7	35 mm	172 mm
OVERRUNNING CLUTCH		7	35 mm	172 mm
RATCHET TORQUE LIMITER		7	35 mm	172 mm
FRICTION LIMITER CLUTCH		7	3 mm	168 mm

## SERIES 8



	CODE	046	051	056	061	071	086	101	129	CODE
L min		460	510	560	610	710	860	1010	1290	mm
L max		550	630	710	800	980	1230	1480	1950	mm

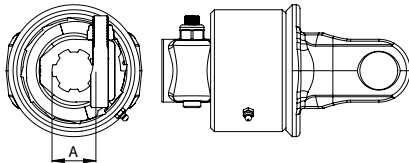
### POWER RATING

540 rpm				1000 rpm				MAX DYNAMIC TORQUE	
POWER		TORQUE		POWER		TORQUE		Nm	in.lb
KW	CV-HP-PS	Nm	in.lb	KW	CV-HP-PS	Nm	in.lb		
55	75	970	8600	87	118	830	7350	1800	15950

Values related to 5° joint angles, 1000 hours life.  
Values related to 10° joint angles, 500 hours life.

### OVERRUNNING CLUTCH

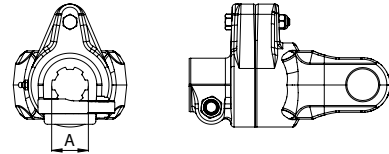
**RR/RL**



For Details See Page 76

### SHEAR BOLT TORQUE LIMITER

**S**



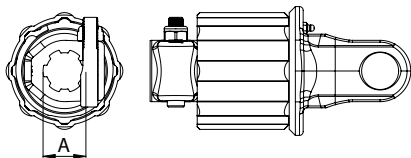
For Details See Page 87

TYPE	SPLINE	CODE (RIGHT)	CODE (LEFT)
RR2/RL2	1 3/8" Z6	<b>8RR2B</b>	<b>8RL2B</b>
RR2/RL2	1 3/4" Z6	<b>8RR2C</b>	<b>8RL2C</b>
RR2/RL2	1 3/8" Z21	<b>8RR2D</b>	<b>8RL2D</b>
RR2/RL2	1 3/4" Z20	<b>8RR2E</b>	<b>8RL2E</b>
RR2/RL2	D8x32x38	<b>8RR2F</b>	<b>8RL2F</b>

TYPE	TORQUE	SPLINE	CODE
S	2700 Nm	1 3/8" Z6	<b>8S10B</b>
S	2700 Nm	1 3/4" Z6	<b>8S10C</b>
S	2700 Nm	1 3/8" Z21	<b>8S10D</b>
S	2700 Nm	1 3/4" Z20	<b>8S10E</b>
S	2700 Nm	D8x32x38	<b>8S10F</b>
S	3100 Nm	1 3/8" Z6	<b>8S11B</b>
S	3100 Nm	1 3/4" Z6	<b>8S11C</b>
S	3100 Nm	1 3/8" Z21	<b>8S11D</b>
S	3100 Nm	1 3/4" Z20	<b>8S11E</b>
S	3100 Nm	D8x32x38	<b>8S11F</b>
S	3500 Nm	1 3/8" Z6	<b>8S12B</b>
S	3500 Nm	1 3/4" Z6	<b>8S12C</b>
S	3500 Nm	1 3/8" Z21	<b>8S12D</b>
S	3500 Nm	1 3/4" Z20	<b>8S12E</b>
S	3500 Nm	D8x32x38	<b>8S12F</b>
S	4200 Nm	1 3/8" Z6	<b>8S13B</b>
S	4200 Nm	1 3/4" Z6	<b>8S13C</b>
S	4200 Nm	1 3/8" Z21	<b>8S13D</b>
S	4200 Nm	1 3/4" Z20	<b>8S13E</b>
S	4200 Nm	D8x32x38	<b>8S13F</b>

### RATCHET TORQUE LIMITER

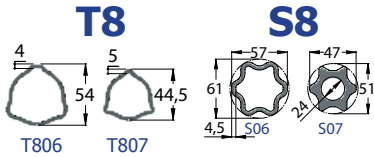
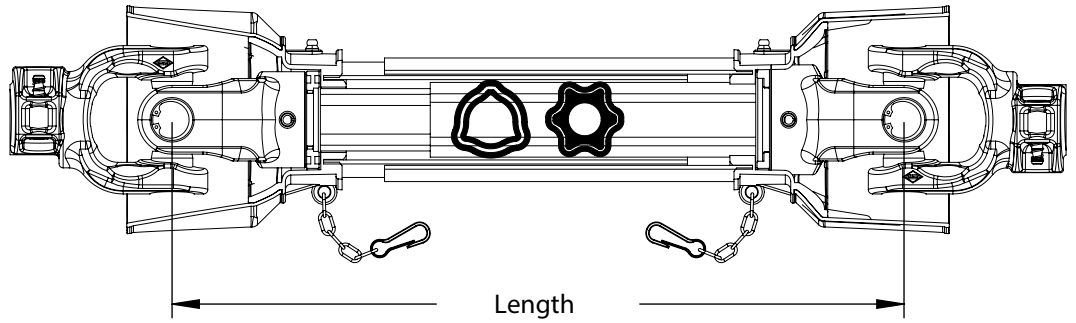
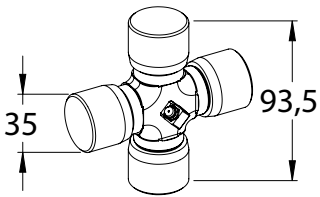
**SA**



For Details See Page 83-84-85

TYPE	TORQUE	SPLINE	CODE
SA3	900 Nm	1 3/8" Z6	<b>8SA5B</b>
SA3	900 Nm	1 3/8" Z21	<b>8SA5D</b>
SA3	900 Nm	D8x32x38	<b>8SA5F</b>
SA4	1200 Nm	1 3/8" Z6	<b>8SA6B</b>
SA4	1200 Nm	1 3/8" Z21	<b>8SA6D</b>
SA4	1200 Nm	D8x32x38	<b>8SA6F</b>
SA5	1500 Nm	1 3/8" Z6	<b>8SA7B</b>
SA5	1500 Nm	1 3/8" Z21	<b>8SA7D</b>
SA5	1500 Nm	D8x32x38	<b>8SA7F</b>

**SERIES 8**



CODE	046	051	056	061	071	086	101	129	CODE
L min	460	510	560	610	710	860	1010	1290	mm
L max	550	630	710	800	980	1230	1480	1950	mm

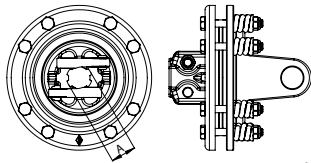
**POWER RATING**

540 rpm				1000 rpm				MAX DYNAMIC TORQUE	
POWER		TORQUE		POWER		TORQUE		Nm	in.lb
KW	CV-HP-PS	Nm	in.lb	KW	CV-HP-PS	Nm	in.lb		
55	75	970	8600	87	118	830	7350	1800	15950

Values related to 5° joint angles, 1000 hours life.  
Values related to 10° joint angles, 500 hours life.

**2 FRICTION LIMITER CLUTCH**

**FF2**

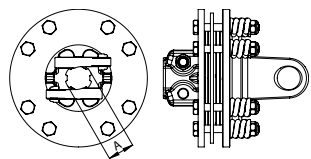


For Details See Page 92

TYPE	TORQUE	SPLINE	CODE
FF2	1200 Nm	1 3/8" Z6	<b>8FF2B</b>
FF2	1200 Nm	1 3/4" Z6	<b>8FF2C</b>
FF2	1200 Nm	1 3/8" Z21	<b>8FF2D</b>
FF2	1200 Nm	1 3/4" Z20	<b>8FF2E</b>
FF2	1200 Nm	D8x32x38	<b>8FF2F</b>

**4 FRICTION LIMITER CLUTCH**

**FF2**

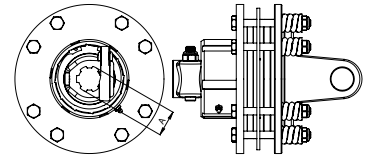


For Details See Page 93

TYPE	TORQUE	SPLINE	CODE
FF2	1450 Nm	1 3/8" Z6	<b>8FF3B</b>
FF2	1450 Nm	1 3/4" Z6	<b>8FF3C</b>
FF2	1450 Nm	1 3/8" Z21	<b>8FF3D</b>
FF2	1450 Nm	1 3/4" Z20	<b>8FF3E</b>
FF2	1450 Nm	D8x32x38	<b>8FF3F</b>
FF2	2400 Nm	1 3/8" Z6	<b>8FF4B</b>
FF2	2400 Nm	1 3/4" Z6	<b>8FF4C</b>
FF2	2400 Nm	1 3/8" Z21	<b>8FF4D</b>
FF2	2400 Nm	1 3/4" Z20	<b>8FF4E</b>
FF2	2400 Nm	D8x32x38	<b>8FF4F</b>

**FRICTION DISC & OVERRUNNING CLUTCH**

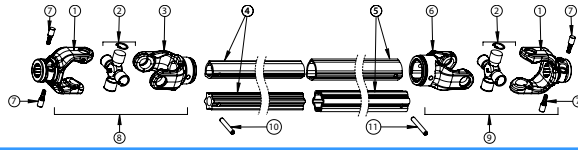
**CR2 / CL2**

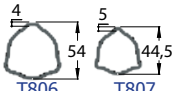
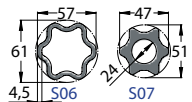


For Details See Page 98

TYPE	TORQUE	SPLINE	CODE (RIGHT)	CODE (LEFT)
CR2/CL2	1450 Nm	1 3/8" Z6	<b>8CR2B</b>	<b>8CL2B</b>
CR2/CL2	1450 Nm	1 3/4" Z6	<b>8CR2C</b>	<b>8CL2C</b>
CR2/CL2	1450 Nm	1 3/8" Z21	<b>8CR2D</b>	<b>8CL2D</b>
CR2/CL2	1450 Nm	1 3/4" Z20	<b>8CR2E</b>	<b>8CL2E</b>
CR2/CL2	1450 Nm	D8x32x38	<b>8CR2F</b>	<b>8CL2F</b>
CR2/CL2	1800 Nm	1 3/8" Z6	<b>8CR3B</b>	<b>8CL3B</b>
CR2/CL2	1800 Nm	1 3/4" Z6	<b>8CR3C</b>	<b>8CL3C</b>
CR2/CL2	1800 Nm	1 3/8" Z21	<b>8CR3D</b>	<b>8CL3D</b>
CR2/CL2	1800 Nm	1 3/4" Z20	<b>8CR3E</b>	<b>8CL3E</b>
CR2/CL2	1800 Nm	D8x32x38	<b>8CR3F</b>	<b>8CL3F</b>
CR2/CL2	2400 Nm	1 3/8" Z6	<b>8CR4B</b>	<b>8CL4B</b>
CR2/CL2	2400 Nm	1 3/4" Z6	<b>8CR4C</b>	<b>8CL4C</b>
CR2/CL2	2400 Nm	1 3/8" Z21	<b>8CR4D</b>	<b>8CL4D</b>
CR2/CL2	2400 Nm	1 3/4" Z20	<b>8CR4E</b>	<b>8CL4E</b>
CR2/CL2	2400 Nm	D8x32x38	<b>8CR4F</b>	<b>8CL4F</b>

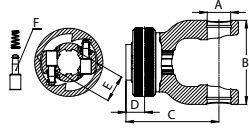
**SERIES 8 SPARE PARTS**



REF	1*	2	3	4**	5**	6	7	8	9	10	11
	807B 807C 807D 807E 807F	801	807T	T807	T806	806T	00.02.01	807B+807T 807C+807T 807D+807T 807E+807T 807F+807T	807B+806T 807C+806T 807D+806T 807E+806T 807F+806T	DIN 1481 10x70	DIN 1481 10x80
	807B 807C 807D 807E 807F	801	807S	S07	S06	806S	00.02.01 T	807B+807S 807C+807S 807D+807S 807E+807S 807F+807S	807B+806S 807C+806S 807D+806S 807E+806S 807F+806S	DIN 1481 10x70	DIN 1481 10x80

\*For other versions please see the following tables.  
\*\*For the ordering, please complete the code stating lengths in cm.

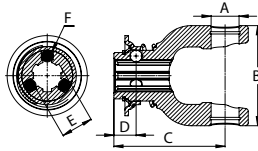
**05 Handwheel With Pin**



A	B	C	D	E	F	G	CODE
---	---	---	---	---	---	---	------

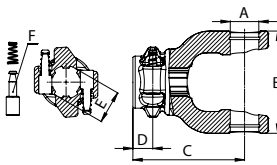
Ø35	113	118	24	1 3/8" Z6	00.02.01 O	-	<b>805B</b>
Ø35	113	118	24	1 3/8" Z21	00.02.01 O	-	<b>805D</b>
Ø35	113	118	24	D8x32x38	00.02.01 O	-	<b>805F</b>

**06 With Ball Attachment**



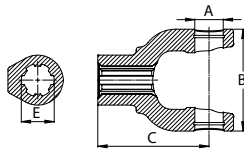
Ø35	113	118	26	1 3/8" Z6	Ø12,70	-	<b>806B</b>
Ø35	113	118	26	1 3/4" Z6	Ø15	-	<b>806C</b>
Ø35	113	118	26	1 3/8" Z21	Ø12,70	-	<b>806D</b>
Ø35	113	118	26	1 3/4" Z20	Ø15	-	<b>806E</b>
Ø35	113	118	26	D8x32x38	Ø12,70	-	<b>806F</b>

**07 Two Push Pin**



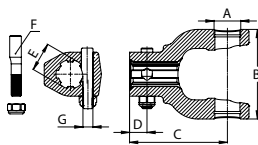
Ø35	113	118	21	1 3/8" Z6	00.02.01	-	<b>807B</b>
Ø35	113	118	24	1 3/4" Z6	00.02.01 T	-	<b>807C</b>
Ø35	113	118	21	1 3/8" Z21	00.02.01	-	<b>807D</b>
Ø35	113	118	24	1 3/4" Z20	00.02.01 T	-	<b>807E</b>
Ø35	113	118	21	D8x32x38	00.02.01	-	<b>807F</b>

**08 Splined Yoke**



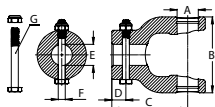
Ø35	113	118	-	1 3/8" Z6	-	-	<b>808B</b>
Ø35	113	118	-	1 3/4" Z6	-	-	<b>808C</b>
Ø35	113	118	-	1 3/8" Z21	-	-	<b>808D</b>
Ø35	113	118	-	1 3/4" Z20	-	-	<b>808E</b>
Ø35	113	118	-	D8x32x38	-	-	<b>808F</b>

**09 Taper Pin**



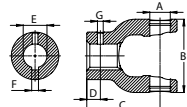
Ø35	113	118	21	1 3/8" Z6	KC12	M12x1,25	<b>809B</b>
Ø35	113	118	21	1 3/4" Z6	KC14	M14x1,5	<b>809C</b>
Ø35	113	118	21	1 3/8" Z21	KC12	M12x1,25	<b>809D</b>
Ø35	113	118	21	1 3/4" Z20	KC14	M14x1,5	<b>809E</b>
Ø35	113	118	21	D8x32x38	KC12	M12x1,25	<b>809F</b>

**A Pin Hole**



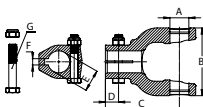
Ø35	113	108	20	Ø35 <sup>H8</sup>	Ø12 <sup>H12</sup>	M12x80	<b>8A35</b>
Ø35	113	108	20	Ø40 <sup>H8</sup>	Ø12 <sup>H12</sup>	M12x80	<b>8A40</b>
Ø35	113	108	20	Ø45 <sup>H8</sup>	Ø12 <sup>H12</sup>	M12x80	<b>8A45</b>

**B Keyway Threaded Hole**



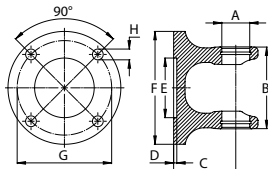
Ø35	113	108	25	Ø35 <sup>H8</sup>	10 <sup>J59</sup>	M14x2	<b>8B35</b>
Ø35	113	108	25	Ø40 <sup>H8</sup>	12 <sup>J59</sup>	M14x2	<b>8B40</b>
Ø35	113	108	25	Ø45 <sup>H8</sup>	14 <sup>J59</sup>	M14x2	<b>8B45</b>

**C Keyway & Clamp Bolt**



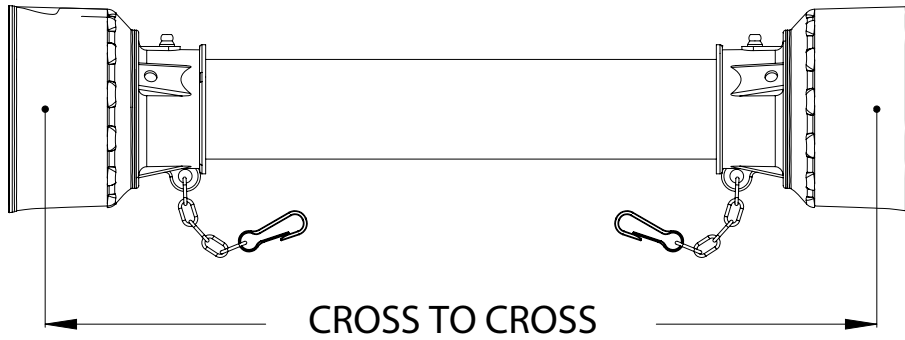
Ø35	113	118	21	Ø35 <sup>H8</sup>	10 <sup>J59</sup>	M12x70	<b>8C35</b>
Ø35	113	118	21	Ø40 <sup>H8</sup>	12 <sup>J59</sup>	M12x70	<b>8C40</b>
Ø35	113	118	21	Ø45 <sup>H8</sup>	14 <sup>J59</sup>	M12x70	<b>8C45</b>

**F Flanged Yoke**

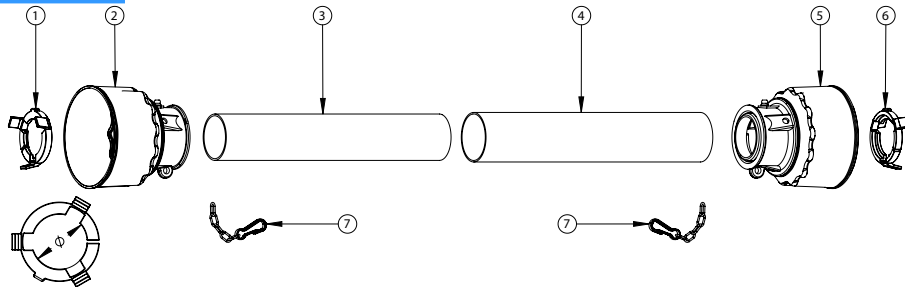


A	B	C	D	E <sup>H8</sup>	F	G	H	CODE
Ø35	113	79	3	Ø85	Ø148	Ø120	Ø15	<b>8F90</b>

## SERIE 8 SAFETY SHIELD

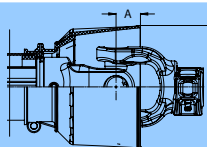
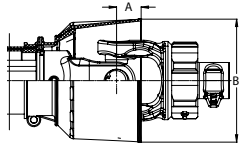
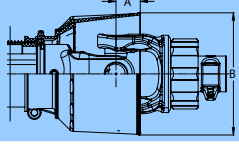
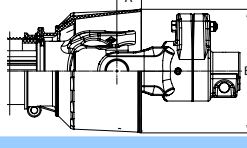
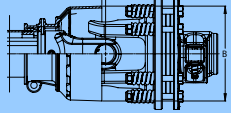


CODE (cm)	M08 046	M08 051	M08 056	M08 061	M08 071	M08 086	M08 101	M08 129
LENGTH (mm)	460	510	560	610	710	860	1010	1290

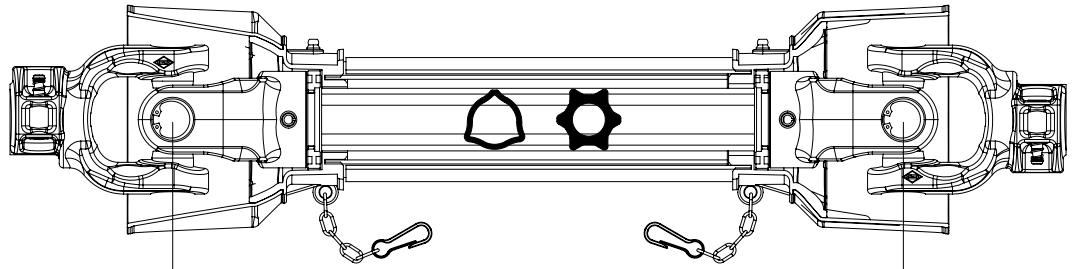
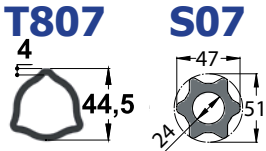
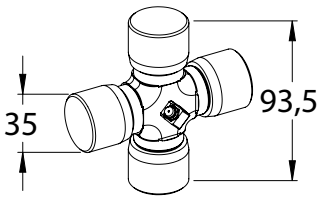


REF	QUANTITY	CODE	DESIGNATION	TECHNICAL DATA
1	1	<b>SI08</b>	INNER BEARING	Ø58,5 mm
2	1	<b>GI08</b>	INNER GUARD BODY	-
3	1	<b>PI08</b>	INNER GUARD TUBE	Ø84x2,2 mm
4	1	<b>PO8</b>	OUTER GUARD TUBE	Ø90x2,2 mm
5	1	<b>GO8</b>	OUTER GUARD BODY	-
6	1	<b>SO8</b>	OUTER BEARING	Ø68,5 mm
7	2	<b>CO8</b>	SAFETY CHAIN	-

### SERIE 8 SAFETY SHIELD DIMENSIONS

		SERIE	A	B
PTO DRIVE SHAFT		8	33 mm	165 mm
OVERRUNNING CLUTCH		8	33 mm	165 mm
RATCHET TORQUE LIMITER		8	33 mm	165 mm
SHEAR BOLT TORQUE LIMITER		8	33 mm	165 mm
FRICITION LIMITER CLUTCH		8	11 mm	163 mm

**SERIE S8 (FIXED SHAFT)**

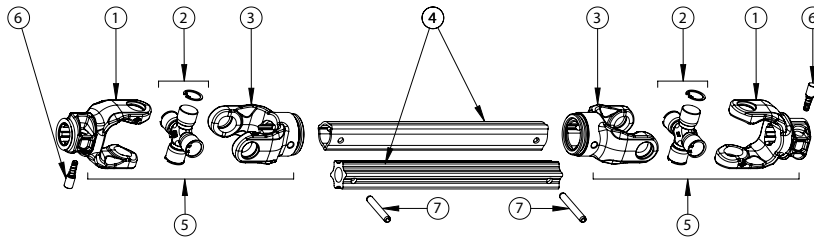


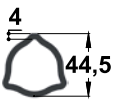
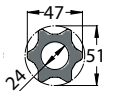
CODE	046	051	056	061	071	086	101	129	CODE
L min	460	510	560	610	710	860	1010	1290	mm

**POWER RATING**

540 rpm				1000 rpm				MAX DYNAMIC TORQUE	
POWER		TORQUE		POWER		TORQUE		Nm	in.lb
KW	CV-HP-PS	Nm	in.lb	KW	CV-HP-PS	Nm	in.lb		
55	75	970	8600	87	118	830	7350	1800	15950

Values related to 5° joint angles, 1000 hours life.  
Values related to 10° joint angles, 500 hours life.

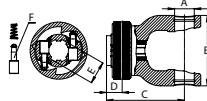


REF	1*	2	3	4**	5	6	7
<b>T807</b>	 4 44,5	802B 802D 802F	801	807T	T807	807B+807T 807D+807T 807F+807T	00.02.01 DIN 1481 10x70
<b>S07</b>	 47 51	802B 802D 802F	801	807S	S07	807B+807S 807D+807S 807F+807S	00.02.01 DIN 1481 10x70

\*For other versions please see the following tables.

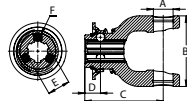
\*\*For the ordering, please complete the code stating lengths in cm.

**05 Handwheel With Pin**



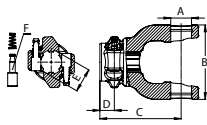
A	B	C	D	E	F	G	CODE
Ø35	105	118	24	1 3/8" Z6	00.02.01 O	-	<b>805B</b>
Ø35	105	118	24	1 3/8" Z21	00.02.01 O	-	<b>805D</b>
Ø35	105	118	24	D8x32x38	00.02.01 O	-	<b>805F</b>

**06 With Ball Attachment**



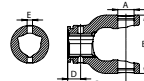
Ø35	105	118	24	1 3/8" Z6	Ø12,70	-	<b>806B</b>
Ø35	105	118	24	1 3/8" Z21	Ø12,70	-	<b>806D</b>
Ø35	105	118	24	D8x32x38	Ø12,70	-	<b>806F</b>

**07 Two Push Pin**



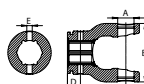
Ø35	105	118	21	1 3/8" Z6	00.02.01	-	<b>807B</b>
Ø35	105	118	21	1 3/8" Z21	00.02.01	-	<b>807D</b>
Ø35	105	118	21	D8x32x38	00.02.01	-	<b>807F</b>

**07T Triangular Yoke Inner**



Ø35	105	108	24	Ø10	-	-	<b>807T</b>
-----	-----	-----	----	-----	---	---	-------------

**07S Star Yoke Inner**

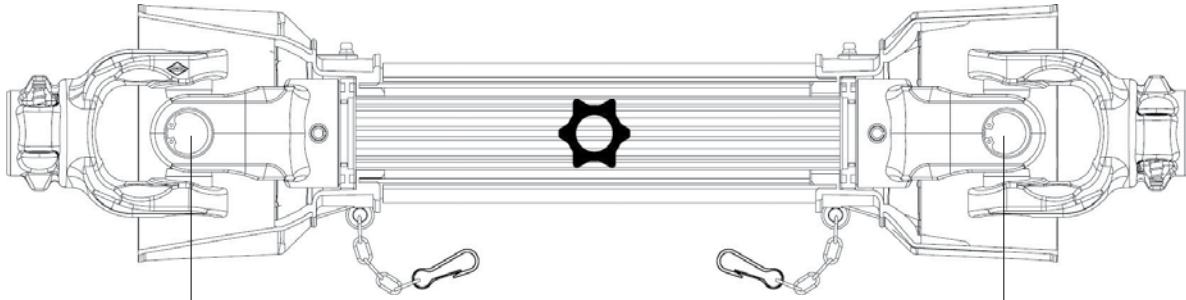


Ø35	105	108	24	Ø10	-	-	<b>807S</b>
-----	-----	-----	----	-----	---	---	-------------

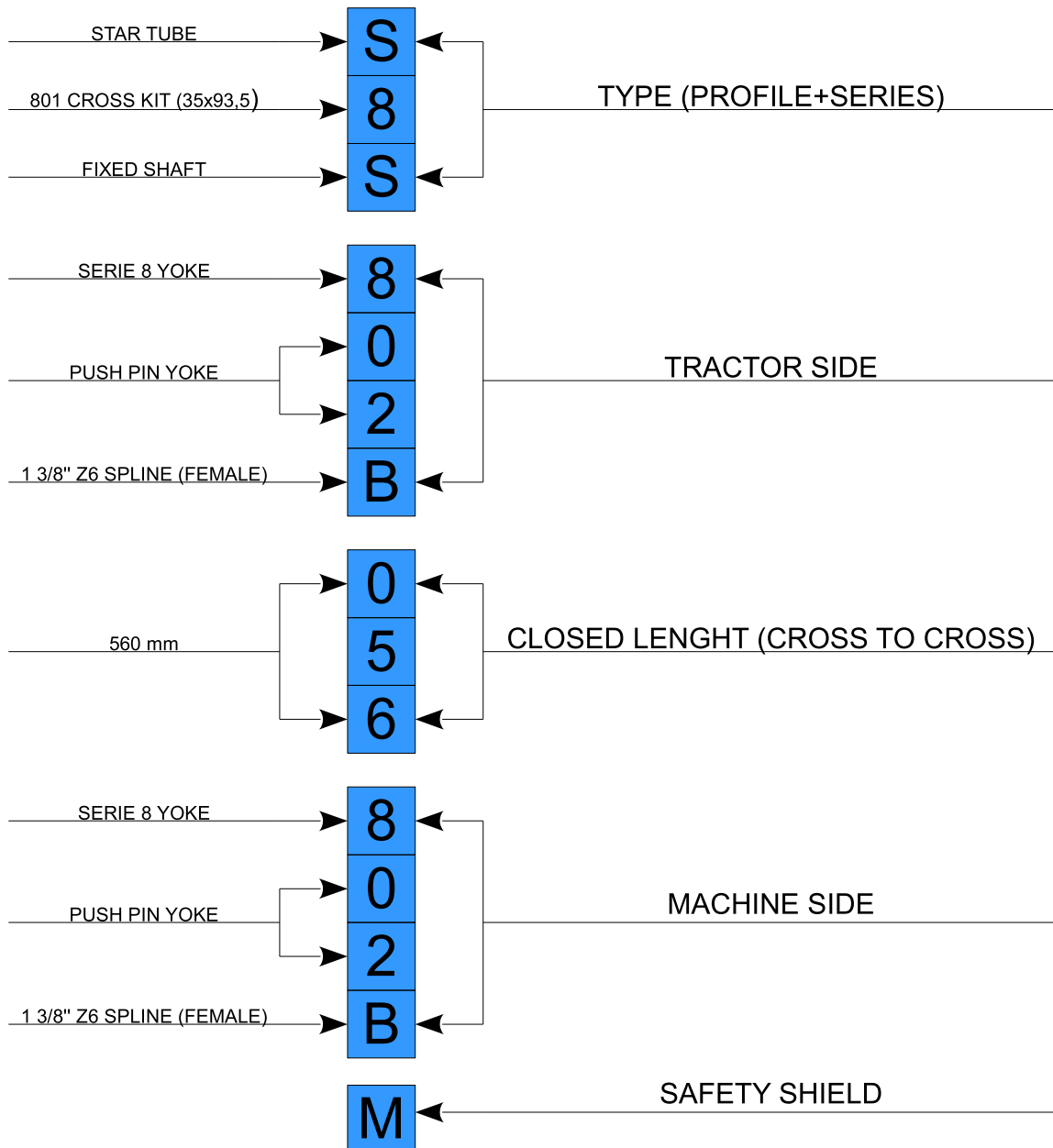


**CODING SYSTEM FOR SERIE 8 FIXED SHAFTS**

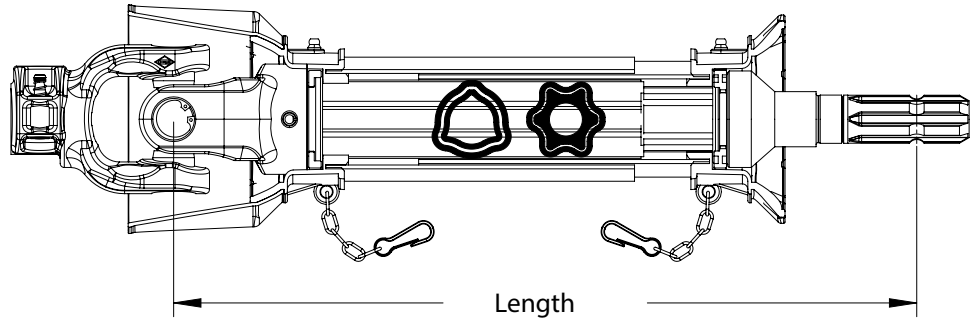
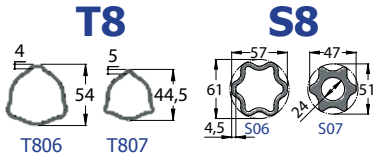
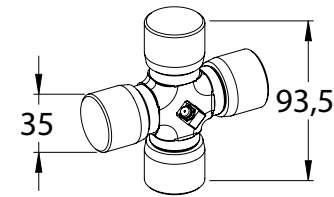
**Example : S8S 802B 056 802B M**



CODE	046	051	056	061	071	086	101	129	CODE
L min	460	510	560	610	710	860	1010	1290	mm



## SERIE 8 BALE MACHINE BETWEEN SHAFT

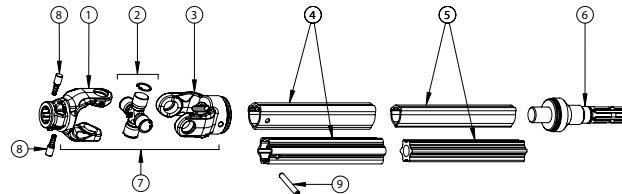


CODE	046	051	056	061	071	086	101	129	CODE
L min	460	510	560	610	710	860	1010	1290	mm
L max	630	710	800	880	1050	1300	1550	2010	mm

### POWER RATING

540 rpm				1000 rpm				MAX DYNAMIC TORQUE	
POWER		TORQUE		POWER		TORQUE		Nm	in.lb
KW	CV-HP-PS	Nm	in.lb	KW	CV-HP-PS	Nm	in.lb		
55	75	970	8600	87	118	830	7350	1800	15950

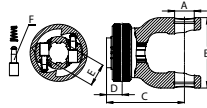
Values related to 5° joint angles, 1000 hours life.  
Values related to 10° joint angles, 500 hours life.



REF	1*	2	3	4**	5**	6	7	8	9
	 807B 807D 807F	801	806T	T806	T807	FU1B (1 3/8" Z6)	807B+806T 807D+806T 807F+806T	00.02.01	DIN 1481 10x80
	 807B 807D 807F	801	806S	S06	S07	FU1B (1 3/8" Z6)	807B+806S 807D+806S 807F+806S	00.02.01	DIN 1481 10x80

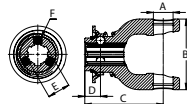
\*For other versions please see the following tables.  
\*\*For the ordering, please complete the code stating lengths in cm.

### 05 Handwheel With Pin



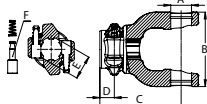
A	B	C	D	E	F	G	CODE
Ø35	105	118	24	1 3/8" Z6	00.02.01 O	-	<b>805B</b>
Ø35	105	118	24	1 3/8" Z21	00.02.01 O	-	<b>805D</b>
Ø35	105	118	24	D8x32x38	00.02.01 O	-	<b>805F</b>

### 06 With Ball Attachment



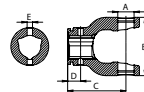
Ø35	105	118	24	1 3/8" Z6	Ø12,70	-	<b>806B</b>
Ø35	105	118	24	1 3/8" Z21	Ø12,70	-	<b>806D</b>
Ø35	105	118	24	D8x32x38	Ø12,70	-	<b>806F</b>

### 07 Two Push Pin



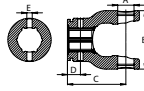
Ø35	105	118	21	1 3/8" Z6	00.02.01	-	<b>807B</b>
Ø35	105	118	21	1 3/8" Z21	00.02.01	-	<b>807D</b>
Ø35	105	118	21	D8x32x38	00.02.01	-	<b>807F</b>

### 06T Triangular Yoke Outer



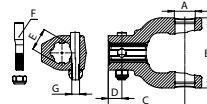
Ø35	105	108	24	Ø10	-	-	<b>806T</b>
-----	-----	-----	----	-----	---	---	-------------

### 06S Star Yoke Outer



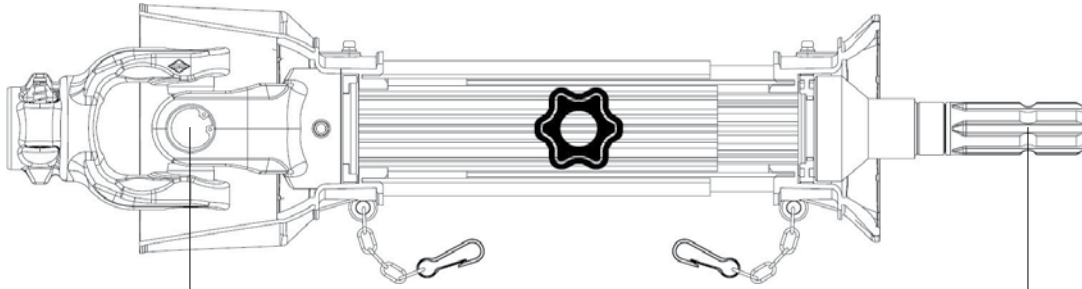
Ø35	105	108	24	Ø10	-	-	<b>806S</b>
-----	-----	-----	----	-----	---	---	-------------

### 09 Taper Pin

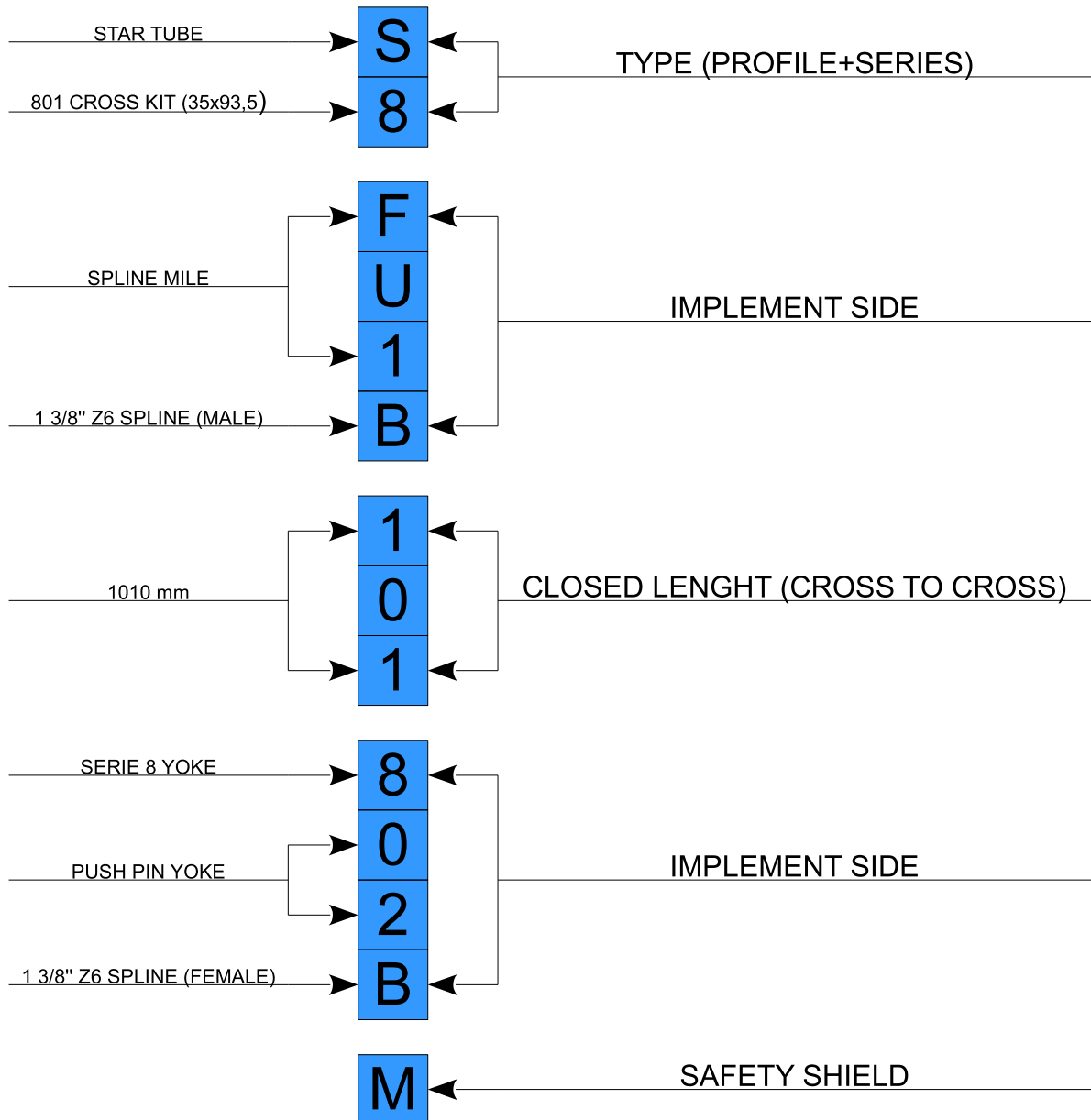


Ø35	105	118	21	1 3/8" Z6	KC12	M12x1,25	<b>809B</b>
Ø35	105	118	21	1 3/8" Z21	KC12	M12x1,25	<b>809D</b>
Ø35	105	118	21	D8x32x38	KC12	M12x1,25	<b>809F</b>

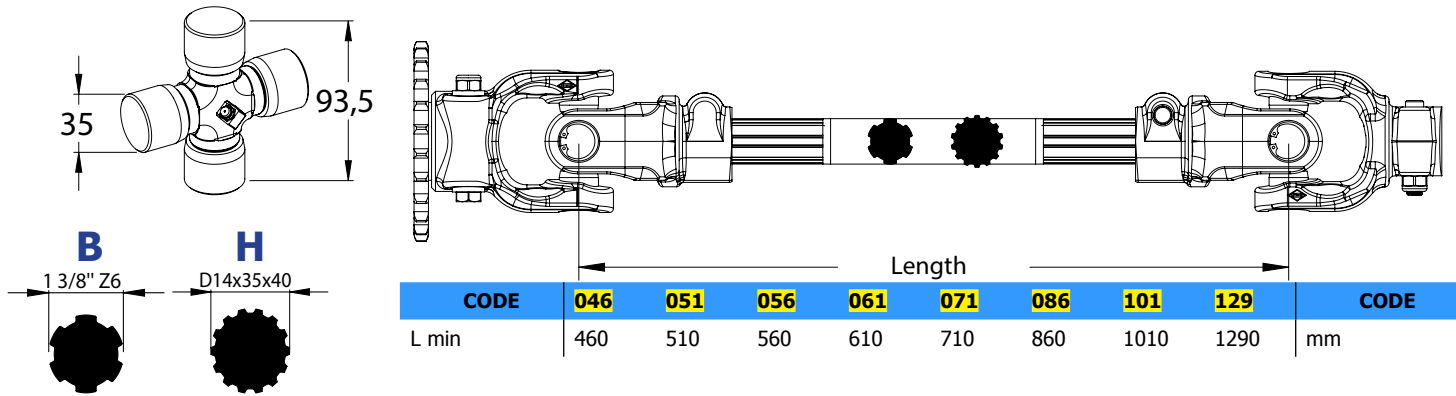
**Example : S8 FU1B 101 802B M**



CODE	046	051	056	061	071	086	101	129	CODE
L min	460	510	560	610	710	860	1010	1290	



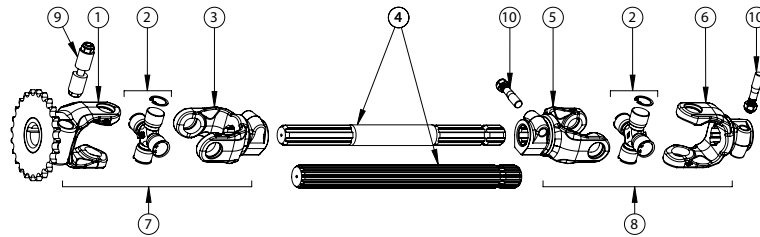
## SERIE 8 BALE MACHINE PITCHFORK SHAFT



### POWER RATING

540 rpm				1000 rpm				MAX DYNAMIC TORQUE	
POWER		TORK – TORQUE		POWER		TORQUE		Nm	in.lb
KW	CV-HP-PS	Nm	in.lb	KW	CV-HP-PS	Nm	in.lb		
55	75	970	8600	87	118	830	7350	1800	15950

Values related to 5° joint angles, 1000 hours life.  
Values related to 10° joint angles, 500 hours life.

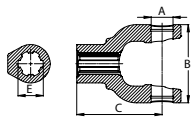


REF	1*	2	3	4**	5	6	7	8	9	10
1 3/8" Z6	8LZ23 8LZ24 8SZ23 8SZ24	801	808B	B6x43 B6x45	809B	809D 809G	8LZ23+808B 8LZ24+808B 8SZ23+808B 8SZ24+808B	809B+809D 809B+809G	01.02.04	KC12
D14x35x40	8LZ23 8LZ24 8SZ23 8SZ24	801	808H	H14x43 H14x45	809H	809D 809G	8LZ23+808H 8LZ24+808H 8SZ23+808H 8SZ24+808H	809H+809D 809H+809G	01.02.04	KC12

\*For other versions please see the following tables.

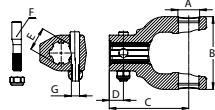
\*\*For the ordering, please complete the code stating lengths in cm.

#### 08 Splined Yoke



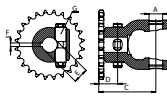
A	B	C	D	E	F	G	CODE
Ø35	105	118	21	1 3/8" Z6	-	-	<b>808B</b>
Ø35	105	118	21	Ø40 Z14	-	-	<b>808H</b>

#### 09 Taper Pin



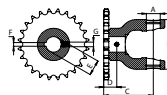
Ø35	105	118	21	1 3/8" Z6	KC12	M12x1,25	<b>809B</b>
Ø35	105	118	21	1 3/8" Z21	KC12	M12x1,25	<b>809D</b>
Ø35	105	118	21	1 3/8" Z41	KC12	M12x1,25	<b>809G</b>
Ø35	105	118	21	Ø40 Z14	KC12	M12x1,25	<b>809H</b>

#### 8L Clamping Spindle Type



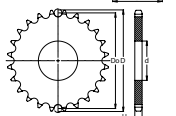
Ø35	105	127	42	Ø34 <sup>H8-n6</sup>	8 <sup>JS9</sup>	01.02.04	<b>8LZ23</b>
Ø35	105	127	42	Ø34 <sup>H8-n6</sup>	8 <sup>JS9</sup>	01.02.04	<b>8LZ24</b>

#### 8S Keyway Threaded Hole Type



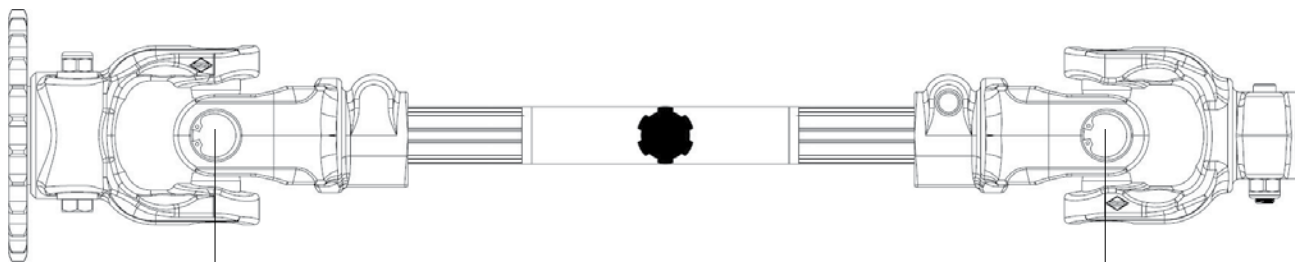
Ø35	105	108	28	Ø34 <sup>H8-n6</sup>	8 <sup>JS9</sup>	M10x1,5	<b>8SZ23</b>
Ø35	105	108	28	Ø34 <sup>H8-n6</sup>	8 <sup>JS9</sup>	M10x1,5	<b>8SZ24</b>

#### Sprockets

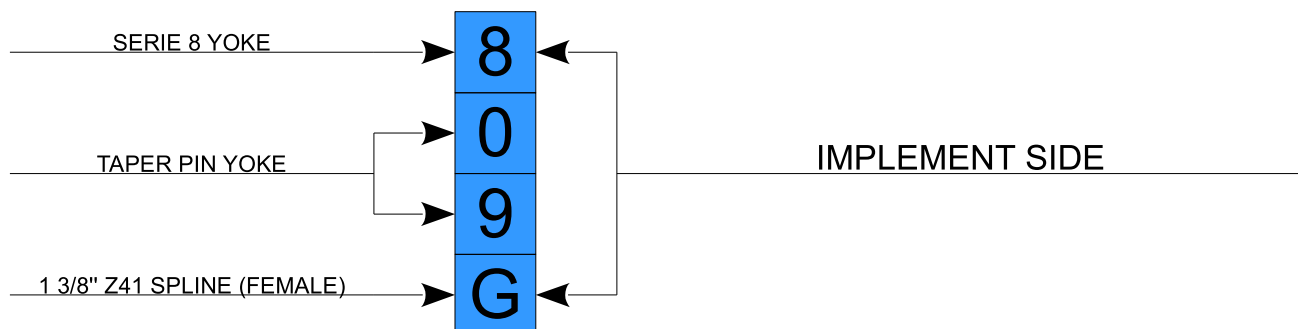
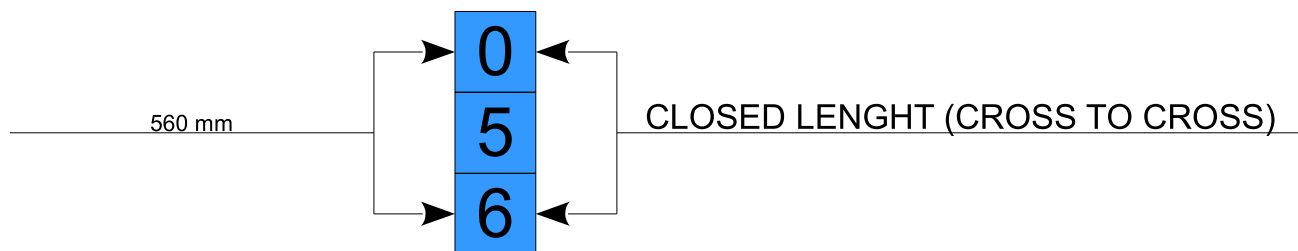
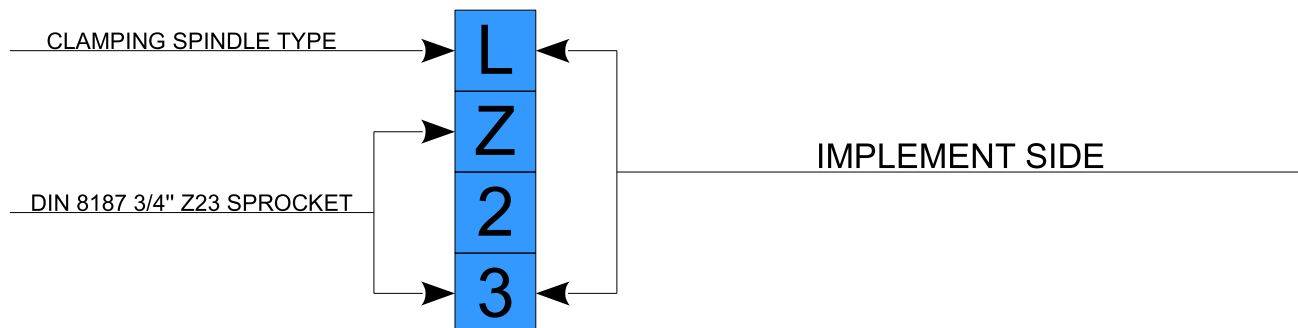
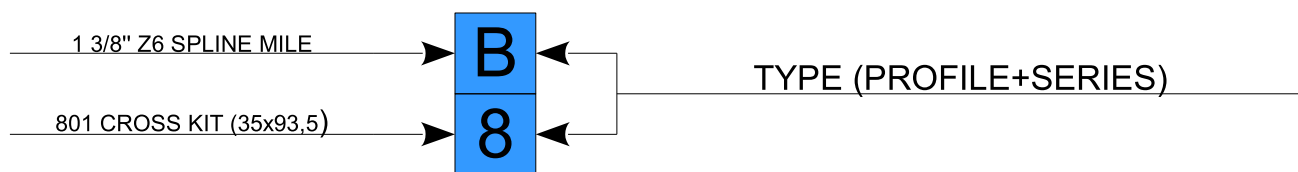


Z	D	Do	H	d	CODE
23	Ø149	139,9	11,1	Ø55 <sup>H8-n6</sup>	DIN 8187 3/4" 12B Z23
24	Ø155	145,9	11,1	Ø55 <sup>H8-n6</sup>	DIN 8187 3/4" 12B Z24

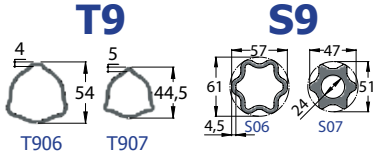
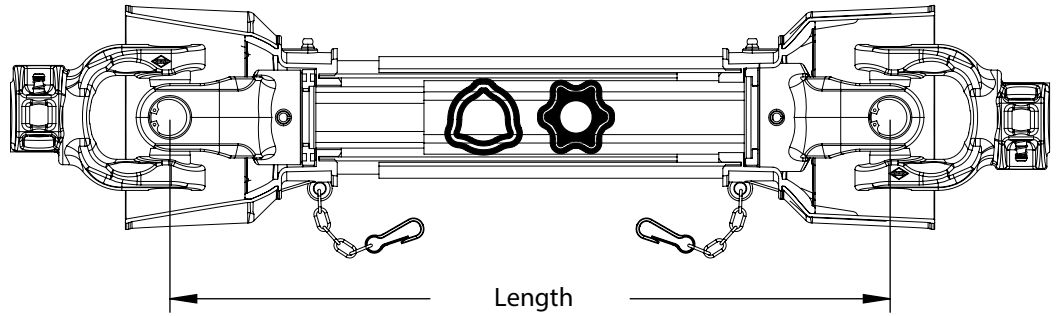
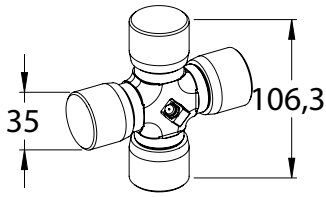
**Example : B8 LZ23 056 809G**



CODE	046	051	056	061	071	086	101	129	CODE
<b>L min</b>	460	510	560	610	710	860	1010	1290	



## SERIES 9



	CODE	046	051	056	061	071	086	101	129	CODE
L min		460	510	560	610	710	860	1010	1290	mm
L max		550	630	710	800	980	1230	1480	1950	mm

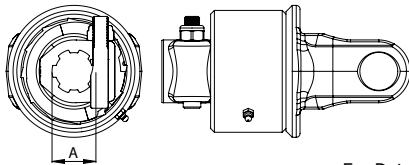
### POWER RATING

540 rpm				1000 rpm				MAX DYNAMIC TORQUE	
POWER		TORQUE		POWER		TORQUE		Nm	in.lb
KW	CV-HP-PS	Nm	in.lb	KW	CV-HP-PS	Nm	in.lb		
70	95	1240	10950	110	150	1050	9300	2250	19900

Values related to 5° joint angles, 1000 hours life.  
Values related to 10° joint angles, 500 hours life.

### OVERRUNNING CLUTCH

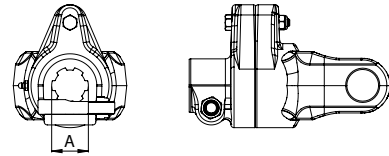
**RR/RL**



For Details See Page 76-77

### SHEAR BOLT TORQUE LIMITER

**S**

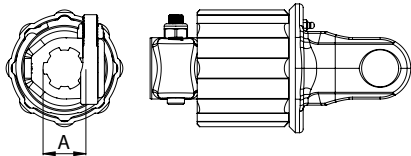


For Details See Page 88

TYPE	SPLINE	CODE (RIGHT)	CODE (LEFT)
RR2/RL2	1 3/8" Z6	9RR2B	9RL2B
RR2/RL2	1 3/4" Z6	9RR2C	9RL2C
RR2/RL2	1 3/8" Z21	9RR2D	9RL2D
RR2/RL2	1 3/4" Z20	9RR2E	9RL2E
RR2/RL2	D8x32x38	9RR2F	9RL2F
RR3/RL3	1 3/8" Z6	9RR3B	9RL3B
RR3/RL3	1 3/4" Z6	9RR3C	9RL3C
RR3/RL3	1 3/8" Z21	9RR3D	9RL3D
RR3/RL3	1 3/4" Z20	9RR3E	9RL3E
RR3/RL3	D8x32x38	9RR3F	9RL3F

### RATCHET TORQUE LIMITER

**SA**

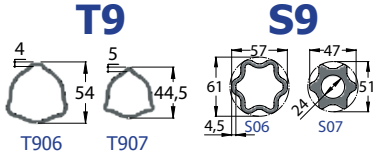
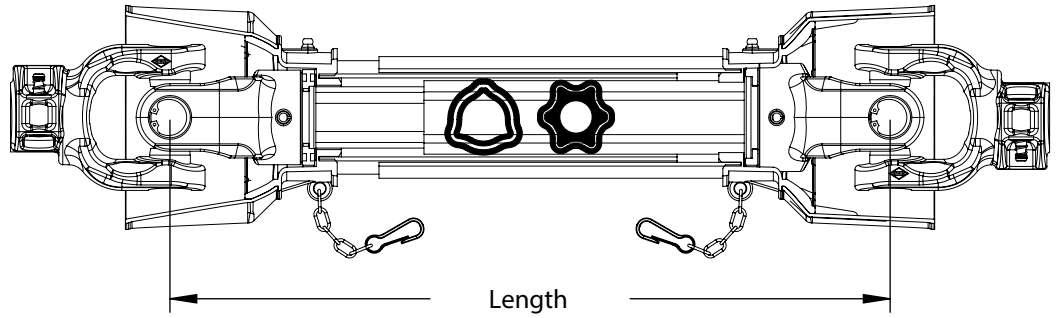
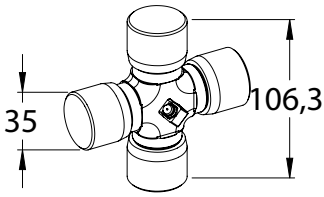


For Details See Page 83-84-85

TYPE	TORQUE	SPLINE	CODE
SA3	900 Nm	1 3/8" Z6	9SA5B
SA3	900 Nm	1 3/8" Z21	9SA5D
SA3	900 Nm	D8x32x38	9SA5F
SA4	1200 Nm	1 3/8" Z6	9SA6B
SA4	1200 Nm	1 3/8" Z21	9SA6D
SA4	1200 Nm	D8x32x38	9SA6F
SA5	1500 Nm	1 3/8" Z6	9SA7B
SA5	1500 Nm	1 3/8" Z21	9SA7D
SA5	1500 Nm	D8x32x38	9SA7F

TYPE	TORQUE	SPLINE	CODE
S	3100 Nm	1 3/8" Z6	9S11B
S	3100 Nm	1 3/4" Z6	9S11C
S	3100 Nm	1 3/8" Z21	9S11D
S	3100 Nm	1 3/4" Z20	9S11E
S	3100 Nm	D8x32x38	9S11F
S	3500 Nm	1 3/8" Z6	9S12B
S	3500 Nm	1 3/4" Z6	9S12C
S	3500 Nm	1 3/8" Z21	9S12D
S	3500 Nm	1 3/4" Z20	9S12E
S	3500 Nm	D8x32x38	9S12F
S	4200 Nm	1 3/8" Z6	9S13B
S	4200 Nm	1 3/4" Z6	9S13C
S	4200 Nm	1 3/8" Z21	9S13D
S	4200 Nm	1 3/4" Z20	9S13E
S	4200 Nm	D8x32x38	9S13F

## SERIES 9



CODE	046	051	056	061	071	086	101	129	CODE
L min	460	510	560	610	710	860	1010	1290	mm
L max	550	630	710	800	980	1230	1480	1950	mm

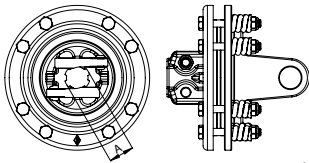
### POWER RATING

540 rpm				1000 rpm				MAX DYNAMIC TORQUE	
POWER		TORQUE		POWER		TORQUE		Nm	in.lb
KW	CV-HP-PS	Nm	in.lb	KW	CV-HP-PS	Nm	in.lb		
70	95	1240	10950	110	150	1050	9300	2250	19900

Values related to 5° joint angles, 1000 hours life.  
Values related to 10° joint angles, 500 hours life.

### 2 FRICTION LIMITER CLUTCH

**FF2**

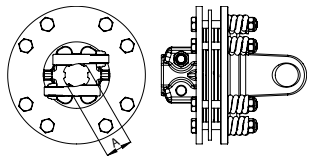


For Details See Page 92

TYPE	TORQUE	SPLINE	CODE
FF2	1200 Nm	1 3/8" Z6	9FF2B
FF2	1200 Nm	1 3/4" Z6	9FF2C
FF2	1200 Nm	1 3/8" Z21	9FF2D
FF2	1200 Nm	1 3/4" Z20	9FF2E
FF2	1200 Nm	D8x32x38	9FF2F

### 4 FRICTION LIMITER CLUTCH

**FF2**

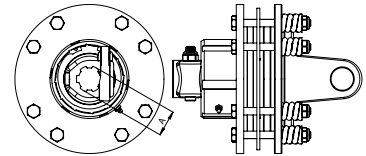


For Details See Page 93

TYPE	TORQUE	SPLINE	CODE
FF2	1450 Nm	1 3/8" Z6	9FF3B
FF2	1450 Nm	1 3/4" Z6	9FF3C
FF2	1450 Nm	1 3/8" Z21	9FF3D
FF2	1450 Nm	1 3/4" Z20	9FF3E
FF2	1450 Nm	D8x32x38	9FF3F
FF2	2400 Nm	1 3/8" Z6	9FF4B
FF2	2400 Nm	1 3/4" Z6	9FF4C
FF2	2400 Nm	1 3/8" Z21	9FF4D
FF2	2400 Nm	1 3/4" Z20	9FF4E
FF2	2400 Nm	D8x32x38	9FF4F

### FRICTION DISC & OVERRUNNING CLUTCH

**CR2 / CL2**

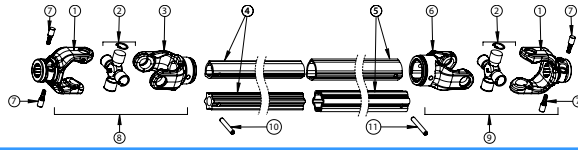


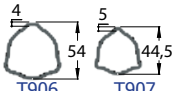
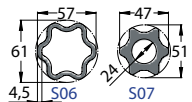
For Details See Page 98-99

TYPE	TORQUE	SPLINE	CODE (RIGHT)	CODE (LEFT)
CR2/CL2	1800 Nm	1 3/8" Z6	9CR3B	9CL3B
CR2/CL2	1800 Nm	1 3/4" Z6	9CR3C	9CL3C
CR2/CL2	1800 Nm	1 3/8" Z21	9CR3D	9CL3D
CR2/CL2	1800 Nm	1 3/4" Z20	9CR3E	9CL3E
CR2/CL2	1800 Nm	D8x32x38	9CR3F	9CL3F
CR2/CL2	2400 Nm	1 3/8" Z6	9CR4B	9CL4B
CR2/CL2	2400 Nm	1 3/4" Z6	9CR4C	9CL4C
CR2/CL2	2400 Nm	1 3/8" Z21	9CR4D	9CL4D
CR2/CL2	2400 Nm	1 3/4" Z20	9CR4E	9CL4E
CR2/CL2	2400 Nm	D8x32x38	9CR4F	9CL4F



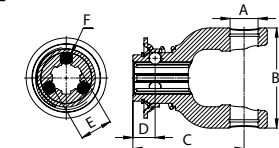
**SERIES 9 SPARE PARTS**



REF	1*	2	3	4**	5**	6	7	8	9	10	11
	907B 907C 907D 907E 907F	901	907T	T907	T906	906T	00.02.01	907B+907T 907C+907T 907D+907T 907E+907T 907F+907T	907B+906T 907C+906T 907D+906T 907E+906T 907F+906T	DIN 1481 10x70	DIN 1481 10x80
	907B 907C 907D 907E 907F	901	907S	S07	S06	906S	00.02.01 T	907B+907S 907C+907S 907D+907S 907E+907S 907F+907S	907B+906S 907C+906S 907D+906S 907E+906S 907F+906S	DIN 1481 10x70	DIN 1481 10x80

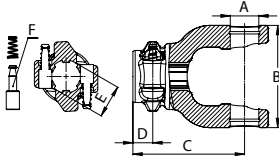
\*For other versions please see the following tables.  
\*\*For the ordering, please complete the code stating lengths in cm.

**06 With Ball Attachment**



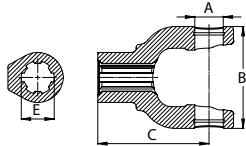
A	B	C	D	E	F	G	CODE
Ø35	120	124	26	1 3/8" Z6	Ø12,70	-	<b>906B</b>
Ø35	120	124	26	1 3/4" Z6	Ø15	-	<b>906C</b>
Ø35	120	124	26	1 3/8" Z21	Ø12,70	-	<b>906D</b>
Ø35	120	124	26	1 3/4" Z20	Ø15	-	<b>906E</b>
Ø35	120	124	26	D8x32x38	Ø12,70	-	<b>906F</b>

**07 Two Push Pin**



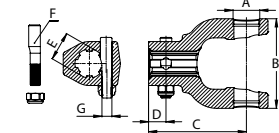
Ø35	120	124	21	1 3/8" Z6	00.02.01	-	<b>907B</b>
Ø35	120	124	21	1 3/4" Z6	00.02.01 T	-	<b>907C</b>
Ø35	120	124	21	1 3/8" Z21	00.02.01	-	<b>907D</b>
Ø35	120	124	21	1 3/4" Z20	00.02.01 T	-	<b>907E</b>
Ø35	120	124	21	D8x32x38	00.02.01	-	<b>907F</b>

**08 Splined Yoke**



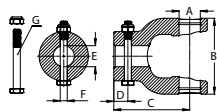
Ø35	120	117	-	1 3/8" Z6	-	-	<b>908B</b>
Ø35	120	117	-	1 3/4" Z6	-	-	<b>908C</b>
Ø35	120	117	-	1 3/8" Z21	-	-	<b>908D</b>
Ø35	120	117	-	1 3/4" Z20	-	-	<b>908E</b>
Ø35	120	117	-	D8x32x38	-	-	<b>908F</b>

**09 Taper Pin**



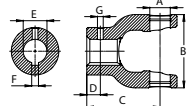
Ø35	120	124	24	1 3/8" Z6	KC12	M12x1,25	<b>909B</b>
Ø35	120	124	24	1 3/4" Z6	KC14	M14x1,5	<b>909C</b>
Ø35	120	124	24	1 3/8" Z21	KC12	M12x1,25	<b>909D</b>
Ø35	120	124	24	1 3/4" Z20	KC14	M14x1,5	<b>909E</b>
Ø35	120	124	24	D8x32x38	KC12	M12x1,25	<b>909F</b>

**A Pin Hole**



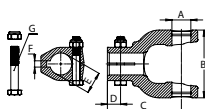
Ø35	120	117	21	Ø35 <sup>H8</sup>	Ø12 <sup>H12</sup>	M12x80	<b>9A35</b>
Ø35	120	117	21	Ø40 <sup>H8</sup>	Ø12 <sup>H12</sup>	M12x80	<b>9A40</b>
Ø35	120	117	21	Ø45 <sup>H8</sup>	Ø12 <sup>H12</sup>	M12x80	<b>9A45</b>

**B Keyway Threaded Hole**



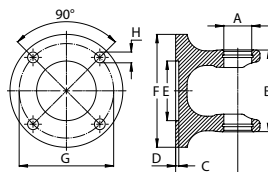
Ø35	120	117	21	Ø35 <sup>H8</sup>	10 <sup>J59</sup>	M14x2	<b>9B35</b>
Ø35	120	117	21	Ø40 <sup>H8</sup>	12 <sup>J59</sup>	M14x2	<b>9B40</b>
Ø35	120	117	21	Ø45 <sup>H8</sup>	14 <sup>J59</sup>	M14x2	<b>9B45</b>

**C Keyway & Clamp Bolt**



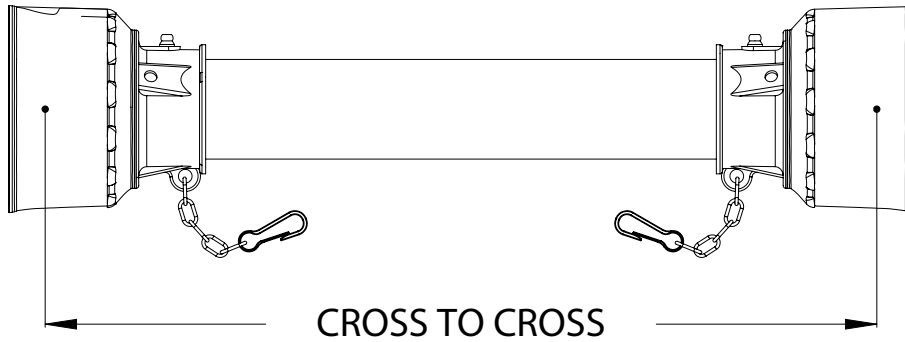
Ø35	120	124	24	Ø35 <sup>H8</sup>	10 <sup>J59</sup>	M14x65	<b>9C35</b>
Ø35	120	124	24	Ø40 <sup>H8</sup>	12 <sup>J59</sup>	M14x65	<b>9C40</b>
Ø35	120	124	24	Ø45 <sup>H8</sup>	14 <sup>J59</sup>	M14x65	<b>9C45</b>

**F Flanged Yoke**

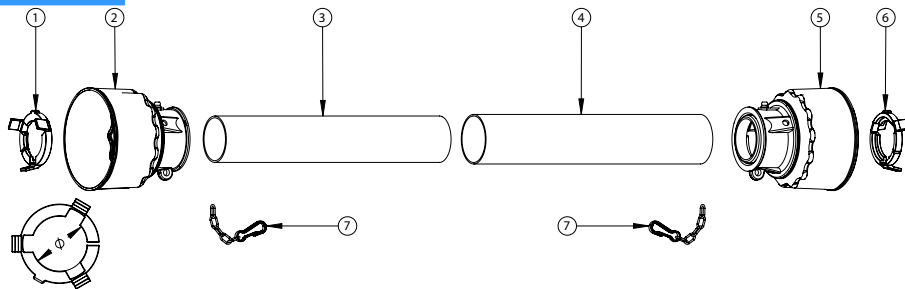


A	B	C	D	E <sup>H8</sup>	F	G	H	CODE
Ø35	120	79	3	Ø85	Ø148	Ø120	Ø15	<b>9F90</b>

## SERIE 9 SAFETY SHIELD

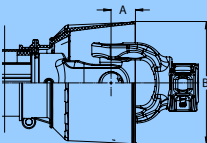
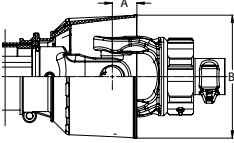
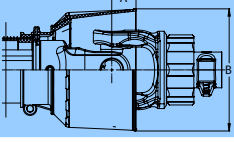
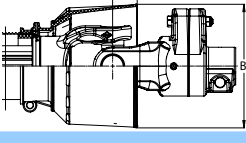
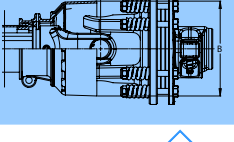


CODE (cm)	M09 046	M09 051	M09 056	M09 061	M09 071	M09 086	M09 101	M09 129
LENGTH (mm)	460	510	560	610	710	860	1010	1290

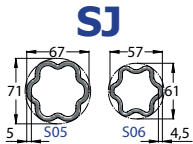
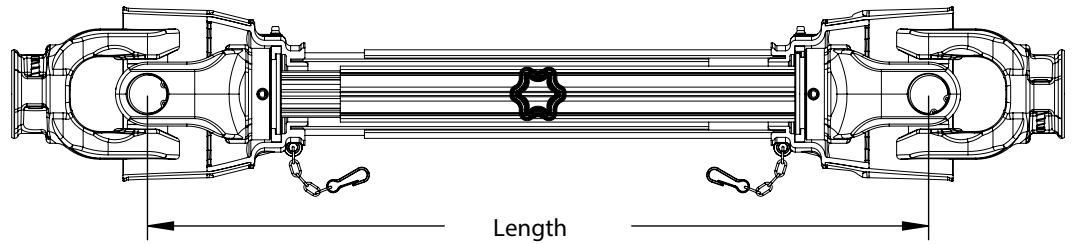
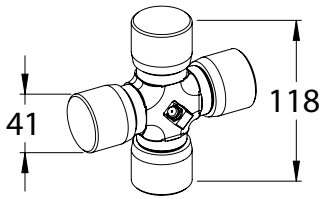


QUANTITY	CODE	DESIGNATION	TECHNICAL DATA
1	<b>SI09</b>	INNER BEARING	Ø58,5 mm
2	<b>GI09</b>	INNER GUARD BODY	-
3	<b>PI09</b>	INNER GUARD TUBE	Ø84x2,2 mm
4	<b>P09</b>	OUTER GUARD TUBE	Ø90x2,2 mm
5	<b>G09</b>	OUTER GUARD BODY	-
6	<b>S09</b>	OUTER BEARING	Ø68,5 mm
7	<b>C09</b>	SAFETY CHAIN	-

### SERIE 9 SAFETY SHIELD DIMENSIONS

		SERIE	A	B
PTO DRIVE SHAFT		9	35 mm	172 mm
OVERRUNNING CLUTCH		9	35 mm	172 mm
RATCHET TORQUE LIMITER		9	35 mm	172 mm
SHEAR BOLT TORQUE LIMITER		9	35 mm	172 mm
FRICITION LIMITER CLUTCH		9	3 mm	168 mm

## SERIES J



CODE	046	051	056	061	071	086	101	129	CODE
L min	460	510	560	610	710	860	1010	1290	mm
L max	680	770	840	930	1100	1350	1600	2070	mm

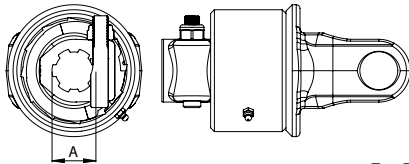
### POWER RATING

540 rpm				1000 rpm				MAX DYNAMIC TORQUE	
POWER		TORQUE		POWER		TORQUE		Nm	in.lb
KW	CV-HP-PS	Nm	in.lb	KW	CV-HP-PS	Nm	in.lb		
106	145	1890	16700	170	230	1630	14400	3800	33600

Values related to 5° joint angles, 1000 hours life.  
Values related to 10° joint angles, 500 hours life.

### OVERRUNNING CLUTCH

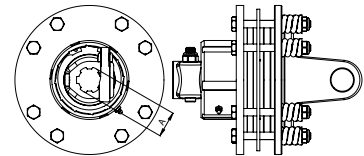
RR/RL



For Details See Page 77

### FRICION DISC & OVERRUNNING CLUTCH

CR2 / CL2



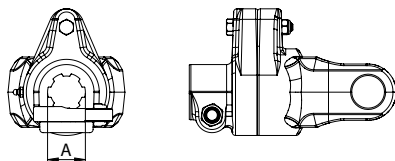
For Details See Page 99-100

TYPE	SPLINE	CODE (RIGHT)	CODE (LEFT)
RR3/RL3	1 3/8" Z6	JRR3B	JRL3B
RR3/RL3	1 3/4" Z6	JRR3C	JRL3C
RR3/RL3	1 3/8" Z21	JRR3D	JRL3D
RR3/RL3	1 3/4" Z20	JRR3E	JRL3E
RR3/RL3	D8x32x38	JRR3F	JRL3F

TYPE	TORQUE	SPLINE	CODE (RIGHT)	CODE (LEFT)
CR2/CL2	2400 Nm	1 3/8" Z6	JCR4B	JCL4B
CR2/CL2	2400 Nm	1 3/4" Z6	JCR4C	JCL4C
CR2/CL2	2400 Nm	1 3/8" Z21	JCR4D	JCL4D
CR2/CL2	2400 Nm	1 3/4" Z20	JCR4E	JCL4E
CR2/CL2	2400 Nm	D8x32x38	JCR4F	JCL4F

### SHEAR BOLT TORQUE LIMITER

S

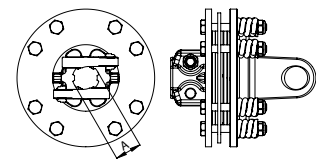


For Details See Page 88

TYPE	TORQUE	SPLINE	CODE
S	4500 Nm	1 3/8" Z6	JS14B
S	4500 Nm	1 3/4" Z6	JS14C
S	4500 Nm	1 3/8" Z21	JS14D
S	4500 Nm	1 3/4" Z20	JS14E
S	4500 Nm	D8x32x38	JS14F
S	5200 Nm	1 3/8" Z6	JS15B
S	5200 Nm	1 3/4" Z6	JS15C
S	5200 Nm	1 3/8" Z21	JS15D
S	5200 Nm	1 3/4" Z20	JS15E
S	5200 Nm	D8x32x38	JS15F

### 4 FRICTION LIMITER CLUTCH

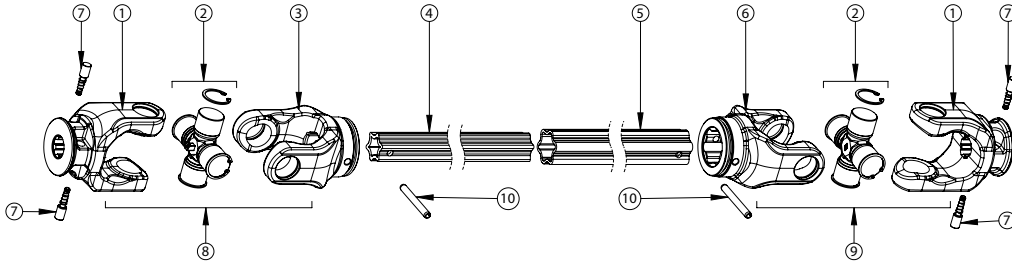
FF2



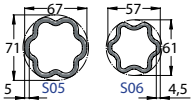
For Details See Page 93-94

TYPE	TORQUE	SPLINE	CODE
FF2	2400 Nm	1 3/8" Z6	JFF4B
FF2	2400 Nm	1 3/4" Z6	JFF4C
FF2	2400 Nm	1 3/8" Z21	JFF4D
FF2	2400 Nm	1 3/4" Z20	JFF4E
FF2	2400 Nm	D8x32x38	JFF4F

**SERIES J SPARE PARTS**

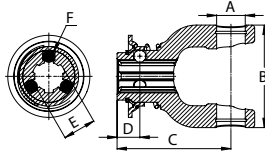


REF	1*	2	3	4**	5**	6	7	8	9	10
	J07B J07C J07D J07E J07F	J01	J06S	S06	S05	J05S	00.02.01 00.02.01 T	J07B+J06S J07C+J06S J07D+J06S J07E+J06S J07F+J06S	J07B+J05S J07C+J05S J07D+J05S J07E+J05S J07F+J05S	DIN 1481 10x90



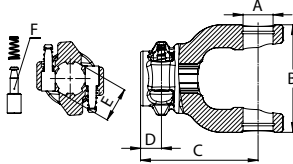
\*For other versions please see the following tables.  
\*\*For the ordering, please complete the code stating lengths in cm.

**06 With Ball Attachment**



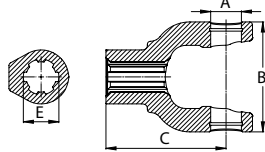
A	B	C	D	E	F	G	CODE
Ø41	133	160	26	1 3/8" Z6	Ø12,8	-	<b>J06B</b>
Ø41	133	160	26	1 3/4" Z6	Ø15	-	<b>J06C</b>
Ø41	133	160	26	1 3/8" Z21	Ø12,8	-	<b>J06D</b>
Ø41	133	160	26	1 3/4" Z20	Ø15	-	<b>J03E</b>
Ø41	133	160	26	D8x32x38	Ø12,8	-	<b>J06F</b>

**07 Two Push Pin**



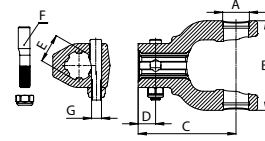
Ø41	133	138	24	1 3/8" Z6	-	00.02.01	<b>J07B</b>
Ø41	133	138	24	1 3/4" Z6	-	00.02.01 T	<b>J07C</b>
Ø41	133	138	24	1 3/8" Z21	-	00.02.01	<b>J07D</b>
Ø41	133	138	24	1 3/4" Z20	-	00.02.01 T	<b>J07E</b>
Ø41	133	138	24	D8x32x38	-	00.02.01	<b>J07F</b>

**08 Splined Yoke**



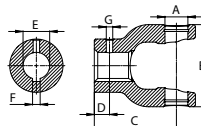
Ø41	133	138	24	1 3/8" Z6	KC12	M12x1,25	<b>J09B</b>
Ø41	133	138	24	1 3/4" Z6	KC14	M14x1,5	<b>J09C</b>
Ø41	133	138	24	1 3/8" Z21	KC12	M12x1,25	<b>J09D</b>
Ø41	133	138	24	1 3/4" Z20	KC14	M14x1,5	<b>J09E</b>
Ø41	133	138	24	D8x32x38	KC12	M12x1,25	<b>J09F</b>

**09 Taper Pin**



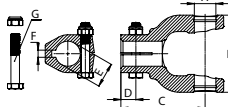
Ø41	133	138	24	1 3/8" Z6	KC12	M12x1,25	<b>J09B</b>
Ø41	133	138	24	1 3/4" Z6	KC14	M14x1,5	<b>J09C</b>
Ø41	133	138	24	1 3/8" Z21	KC12	M12x1,25	<b>J09D</b>
Ø41	133	138	24	1 3/4" Z20	KC14	M14x1,5	<b>J09E</b>
Ø41	133	138	24	D8x32x38	KC12	M12x1,25	<b>J09F</b>

**B Keyway Threaded Hole**



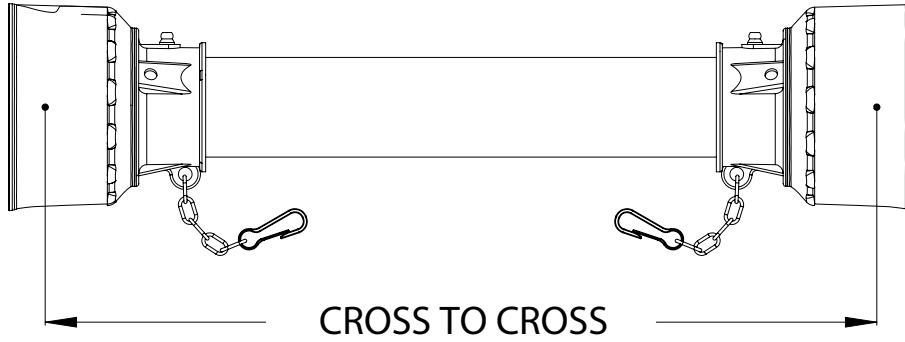
Ø41	133	136	20	Ø40 <sup>H8</sup>	12 <sup>S9</sup>	M14x65	<b>JC40</b>
Ø41	133	136	20	Ø45 <sup>H8</sup>	14 <sup>S9</sup>	M14x65	<b>JC45</b>

**C Keyway & Clamp Bolt**

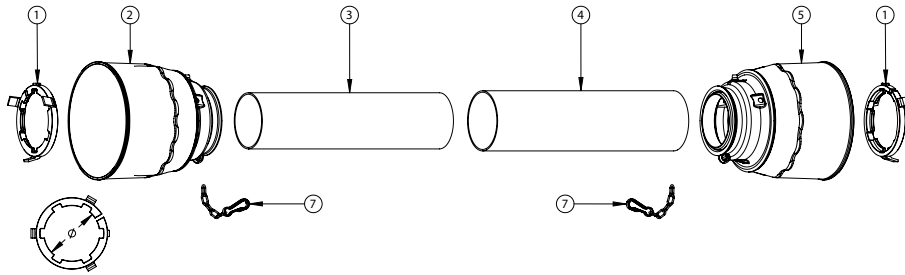


Ø41	133	138	24	Ø40 <sup>H8</sup>	12 <sup>S9</sup>	M14x65	<b>JC40</b>
Ø41	133	138	24	Ø45 <sup>H8</sup>	14 <sup>S9</sup>	M14x65	<b>JC45</b>

## SERIE J SAFETY SHIELD

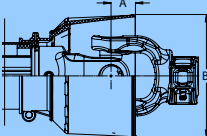
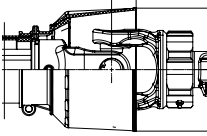
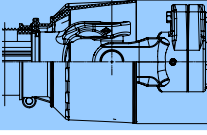
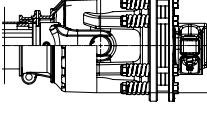


CODE (cm)	MJ 046	MJ 051	MJ 056	MJ 061	MJ 071	MJ 086	MJ 101	MJ 129
LENGTH (mm)	460	510	560	610	710	860	1010	1290

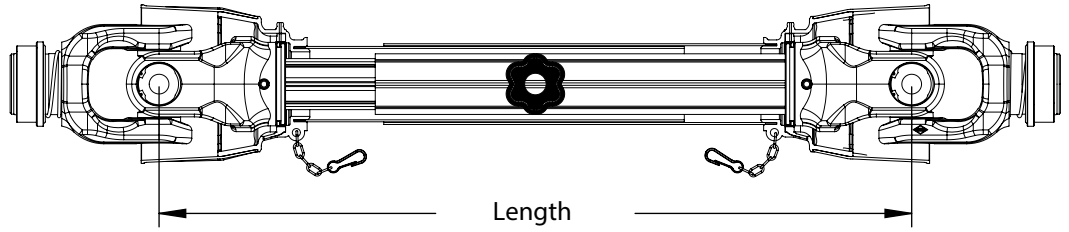
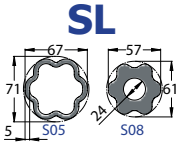
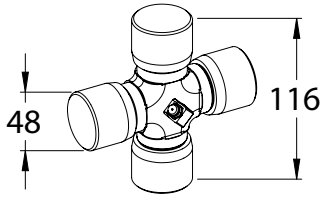


REF	QUANTITY	CODE	DESIGNATION	TECHNICAL DATA
1	2	<b>SJ</b>	INNER & OUTER BEARING	Ø83 mm
2	1	<b>GIJ</b>	INNER GUARD BODY	-
3	1	<b>PIJ</b>	INNER GUARD TUBE	Ø84x2,2 mm
4	1	<b>PJ</b>	OUTER GUARD TUBE	Ø90x2,2 mm
5	1	<b>GJ</b>	OUTER GUARD BODY	-
6	2	<b>CJ</b>	SAFETY CHAIN	-

### SERIE J SAFETY SHIELD DIMENSIONS

		SERIE	A	B
PTO DRIVE SHAFT		J	25 mm	177 mm
OVERRUNNING CLUTCH		J	25 mm	177 mm
SHEAR BOLT TORQUE LIMITER		J	25 mm	177 mm
FRICTION LIMITER CLUTCH		J	11 mm	174 mm

## SERIES L



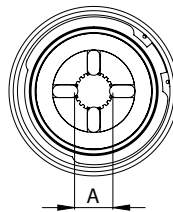
CODE	046	051	056	061	071	086	101	129	CODE
L min	460	510	560	610	710	860	1010	1290	mm
L max	680	770	840	930	1100	1350	1600	2070	mm

### POWER RATING

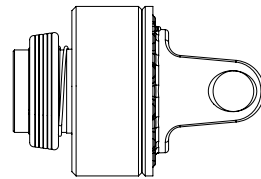
540 rpm				1000 rpm				MAX DYNAMIC TORQUE	
POWER		TORQUE		POWER		TORQUE			
KW	CV-HP-PS	Nm	in.lb	KW	CV-HP-PS	Nm	in.lb	Nm	in.lb
121	165	2145	18950	188	255	1795	15850	4390	38850

Values related to 5° joint angles, 1000 hours life.  
Values related to 10° joint angles, 500 hours life.

### RR/RL



### OVERRUNNING CLUTCH

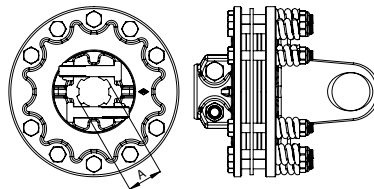


For Details See Page 78

TYPE	SPLINE	CODE (RIGHT)	CODE (LEFT)
RR4/RL4	1 3/4" Z6	LRR4C	<b>LRL4C</b>
RR4/RL4	1 3/4" Z20	LRR4E	<b>LRL4E</b>

### 4 FRICTION LIMITER CLUTCH

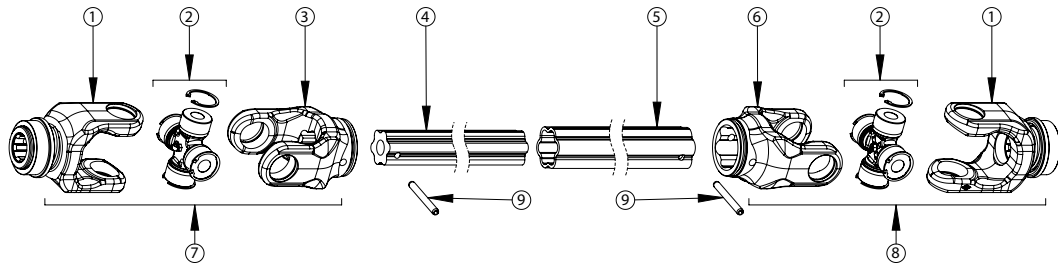
### FF5



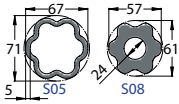
For Details See Page 95

TYPE	TORQUE	SPLINE	CODE
FF5	3200 Nm	1 3/4" Z6	<b>LFF4C</b>
FF5	3200 Nm	1 3/4" Z20	<b>LFF4E</b>

## SERIES L SPARE PARTS



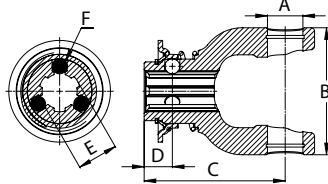
REF	1*	2	3	4**	5**	6	7	8	9
	L06B L06C L06D L06E L06F	L01	L06S	S08	S05	L05S	L06B+L06S L06C+L06S L06D+L06S L06E+L06S L06F+L06S	L06B+L05S L06C+L05S L06D+L05S L06E+L05S L06F+L05S	DIN 1481 12x95



\*For other versions please see the following tables.

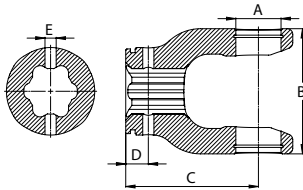
\*\*For the ordering, please complete the code stating lengths in cm.

### 06 With Ball Attachment



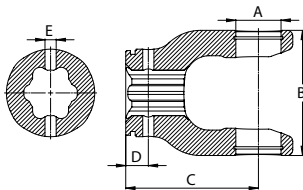
A	B	C	D	E	F	G	CODE
Ø48	133	166	26	1 3/8" Z6	Ø12,7	-	<b>L06B</b>
Ø48	133	166	26	1 3/4" Z6	Ø15	-	<b>L06C</b>
Ø48	133	166	26	1 3/8" Z21	Ø12,7	-	<b>L06D</b>
Ø48	133	166	26	1 3/4" Z20	Ø15	-	<b>L06E</b>
Ø48	133	166	26	D8x32x38	Ø12,7	-	<b>L06F</b>

### 05 S Star Yoke Outer



Ø48	133	145	34	Ø12	-	-	<b>L05S</b>
-----	-----	-----	----	-----	---	---	-------------

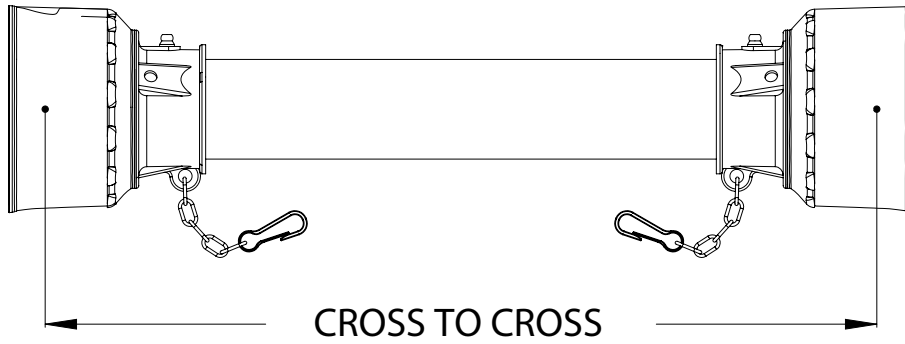
### 06 S Star Yoke Inner



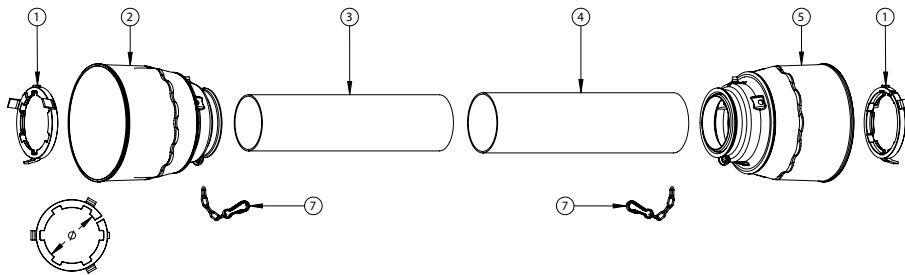
Ø48	133	145	34	Ø12	-	-	<b>L06S</b>
-----	-----	-----	----	-----	---	---	-------------



## SERIE L SAFETY SHIELD

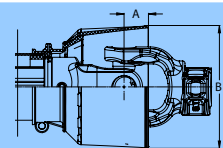
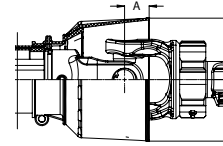
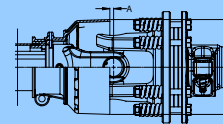


CODE (cm)	ML 046	ML 051	ML 056	ML 061	ML 071	ML 086	ML 101	ML 129
LENGTH (mm)	460	510	560	610	710	860	1010	1290

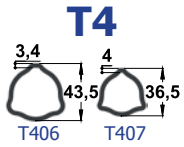
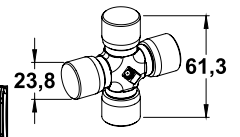
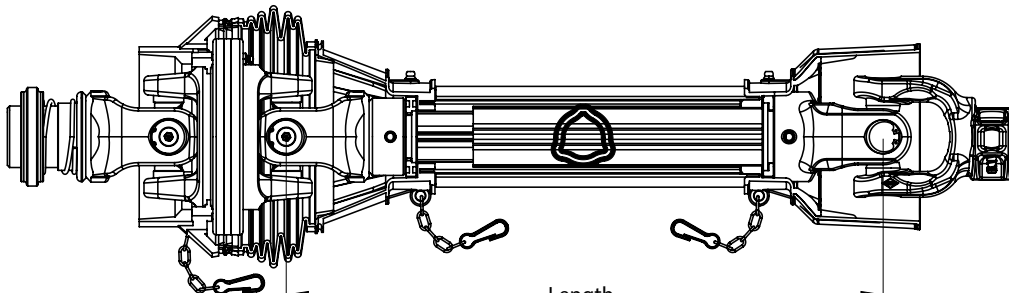
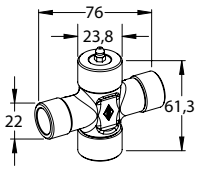


REF	QUANTITY	CODE	DESIGNATION	TECHNICAL DATA
1	2	<b>SL</b>	INNER & OUTER BEARING	Ø83 mm
2	1	<b>GIL</b>	INNER GUARD BODY	-
3	1	<b>PIL</b>	INNER GUARD TUBE	Ø84x2,2 mm
4	1	<b>PL</b>	OUTER GUARD TUBE	Ø90x2,2 mm
5	1	<b>GL</b>	OUTER GUARD BODY	-
6	2	<b>CL</b>	SAFETY CHAIN	-

### SERIE L SAFETY SHIELD DIMENSIONS

		SERIE	A	B
PTO DRIVE SHAFT		L	20 mm	177 mm
OVERRUNNING CLUTCH		L	20 mm	177 mm
FRICITION LIMITER CLUTCH		L	6 mm	174 mm

## SERIE 2G 80° WIDE ANGLE CV JOINTS



**RILSAN**

	Length								
CODE	046	051	056	061	071	086	101	129	CODE
L min	460	510	560	610	710	860	1010	1290	mm
L max	670	750	840	920	1090	1340	1590	2050	mm

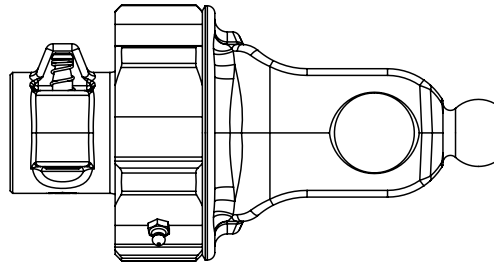
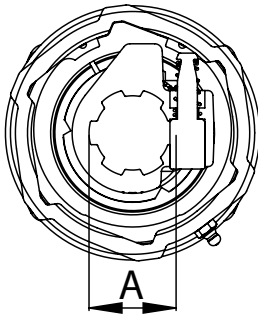
### POWER RATING

540 rpm				1000 rpm				MAX DYNAMIC TORQUE	
POWER		TORQUE		POWER		TORQUE			
KW	CV-HP-PS	Nm	in.lb	KW	CV-HP-PS	Nm	in.lb	Nm	in.lb
20	27	355	3140	31	42	295	2610	570	5040

Values are related to Max. 25° joint angle continuous operation and 500 hours of operation life. Values are related to short duration Max. 80° joint angles.

### OVERRUNNING CLUTCH

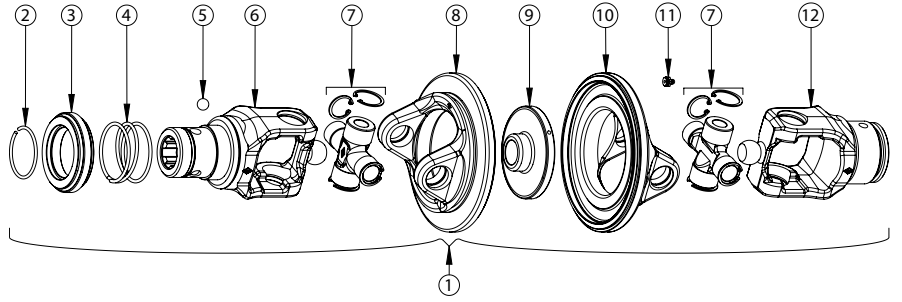
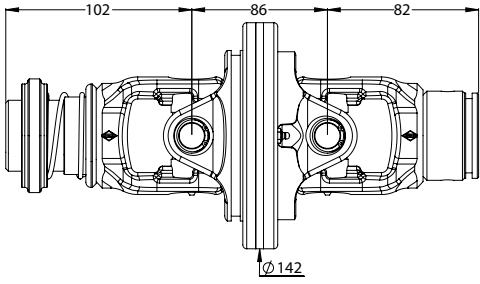
**GR/GL**



For Details See Page 79

TYPE	SPLINE	CODE (RIGHT)	CODE (LEFT)
GR1/GL1	1 3/8" Z6	<b>2GR1B</b>	<b>2GL1B</b>
GR1/GL1	1 3/8" Z21	<b>2GR1D</b>	<b>2GL1D</b>
GR1/GL1	D8x32x38	<b>2GR1F</b>	<b>2GL1F</b>

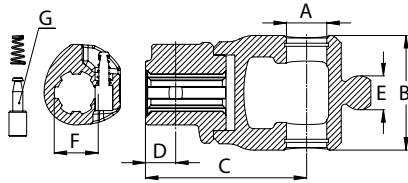
**SERIE 2G 80° WIDE ANGLE CV JOINTS SPARE PARTS**



REF	1	2-3-4-5	6*	7	8	9	10	11	12*
<b>CODE</b>	2G06B+2G06T 2G06B+2G07T	01.02.02 01.02.02	2G02B 2G06B	2001	2G01	2G04	2G02	DIN 71412 M10x1	2G06T 2G07T

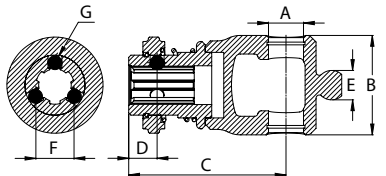
\*For other versions please see the following tables.

**G02**  
One Push Pin yoke



A	B	C	D	E	F	G	CODE
Ø23,8	71	102	21	Ø22	1 3/8" Z6	00.02.01	<b>2G02B</b>
Ø23,8	71	102	21	Ø22	1 3/8" Z21	00.02.01	<b>2G02D</b>
Ø23,8	71	102	21	Ø22	D8x32x38	00.02.01	<b>2G02F</b>

**G06**  
With Ball Attachment

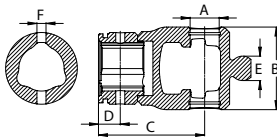


Ø23,8	71	102	24	Ø22	1 3/8" Z6	01.02.02	<b>2G06B</b>
Ø23,8	71	102	24	Ø22	1 3/8" Z21	01.02.02	<b>2G06D</b>
Ø23,8	71	102	24	Ø22	D8x32x38	01.02.02	<b>2G06F</b>

**G06T**  
Triangular Yoke Outer

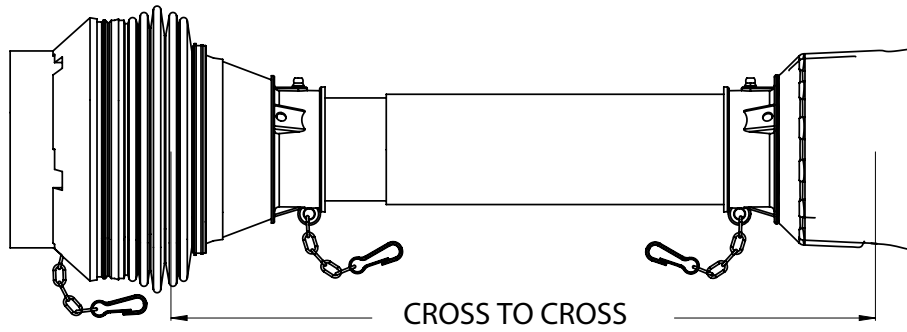
Ø23,8	71	82	24	Ø22	Ø8 <sup>H12</sup>	-	<b>2G06T</b>
-------	----	----	----	-----	-------------------	---	--------------

**G07T**  
Triangular Yoke Inner

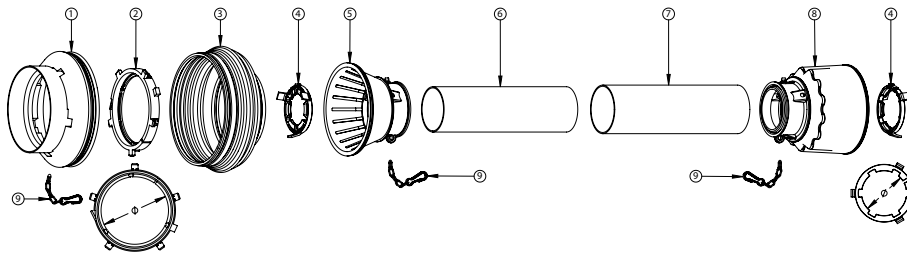


Ø23,8	71	82	24	Ø22	Ø8 <sup>H12</sup>	-	<b>2G07T</b>
-------	----	----	----	-----	-------------------	---	--------------

## SERIE 2G SAFETY SHIELD

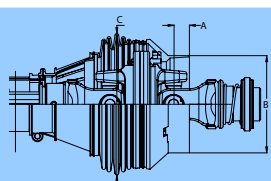
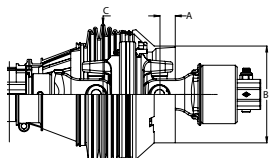


CODE (cm)	M2G 046	M2G 051	M2G 056	M2G 061	M2G 071	M2G 086	M2G 101	M2G 129
LENGTH (mm)	460	510	560	610	710	860	1010	1290



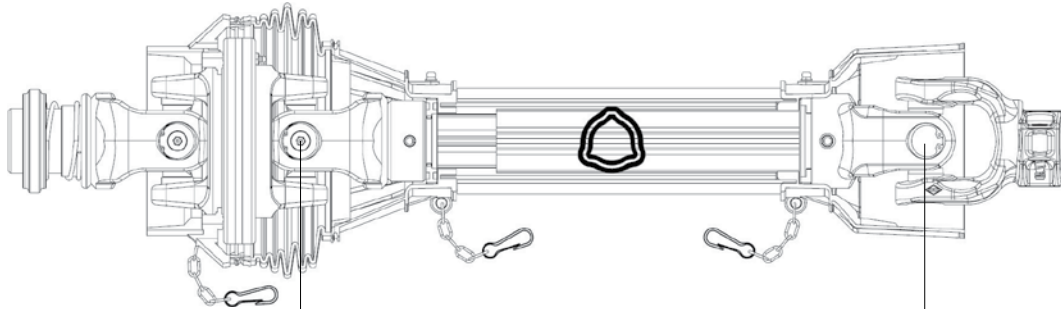
REF	QUANTITY	CODE	DESIGNATION	TECHNICAL DATA
1	1	<b>KH2G</b>	BELLOW CONE	-
2	1	<b>KS2G</b>	BELLOW BEARING	Ø110 mm
3	1	<b>KR2G</b>	BELLOW	-
4	2	<b>S02</b>	INNER & OUTER BEARING	Ø45 mm
5	1	<b>GI2G</b>	INNER GUARD BODY	-
6	1	<b>PI02</b>	INNER GUARD TUBE	Ø59x1,9 mm
7	1	<b>P02</b>	OUTER GUARD TUBE	Ø63x1,9 mm
8	1	<b>G02</b>	OUTER GUARD BODY	-
9	3	<b>C02</b>	SAFETY CHAIN	-

### SERIE 2G SAFETY SHIELD DIMENSIONS

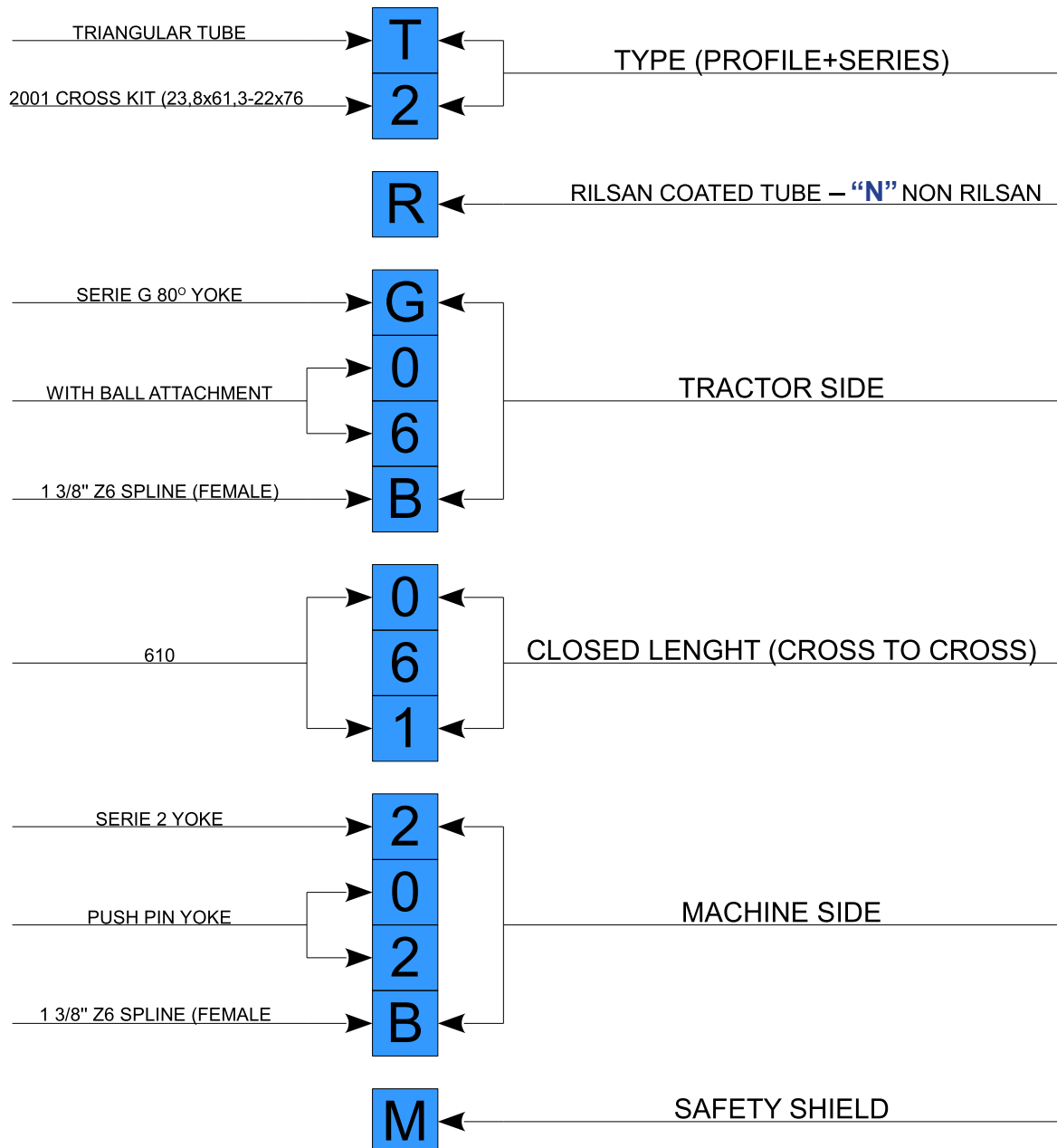
		SERIE A	B	C	
80° WIDE ANGLE		2G	16 mm	135 mm	185 mm
	OVERRUNNING CLUTCH		2G	16 mm	135 mm

**CODING SYSTEM FOR SERIE 2G 80° WIDE ANGLE SHAFTS**

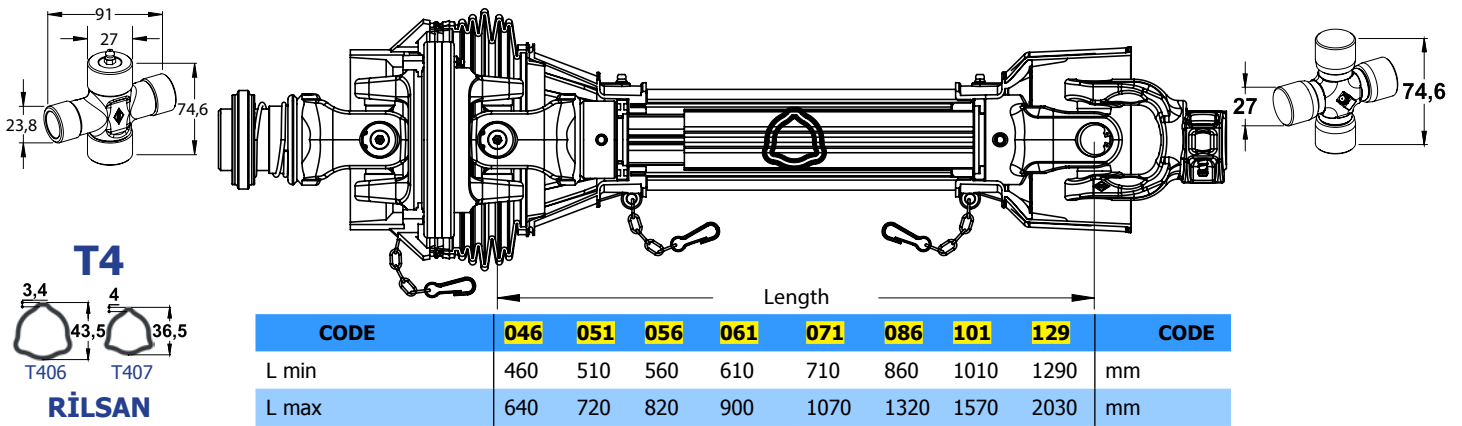
**Example : T2 R G06B 061 202B M**



CODE	046	051	056	061	071	086	101	129	CODE
L min	460	510	560	610	710	860	1010	1290	mm



## SERIE 4G 80° WIDE ANGLE CV JOINTS



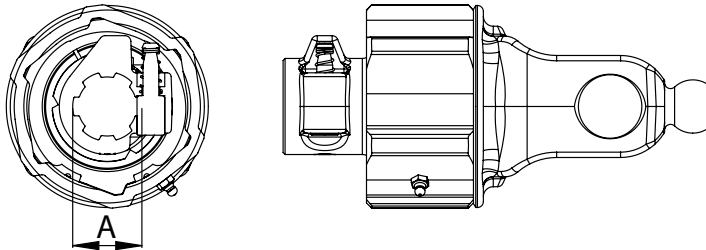
### POWER RATING

540 rpm				1000 rpm				MAX DYNAMIC TORQUE	
POWER		TORQUE		POWER		TORQUE			
KW	CV-HP-PS	Nm	in.lb	KW	CV-HP-PS	Nm	in.lb	Nm	in.lb
28	38	500	4420	44	60	415	3670	800	7080

Values are related to Max. 25° joint angle continuous operation and 500 hours of operation life. Values are related to short duration Max. 80o joint angles.

### OVERRUNNING CLUTCH

**GR/GL**

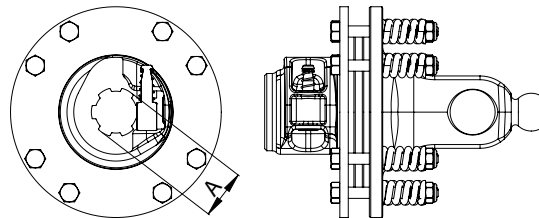


For Details See Page 79

TYPE	SPLINE	CODE (RIGHT)	CODE (LEFT)
GR2/GL2	1 3/8" Z6	<b>4GR2B</b>	<b>4GL2B</b>
GR2/GL2	1 3/8" Z21	<b>4GR2D</b>	<b>4GL2D</b>
GR2/GL2	D8x32x38	<b>4GR2F</b>	<b>4GL2F</b>

### 2 FRICTION LIMITER CLUTCH

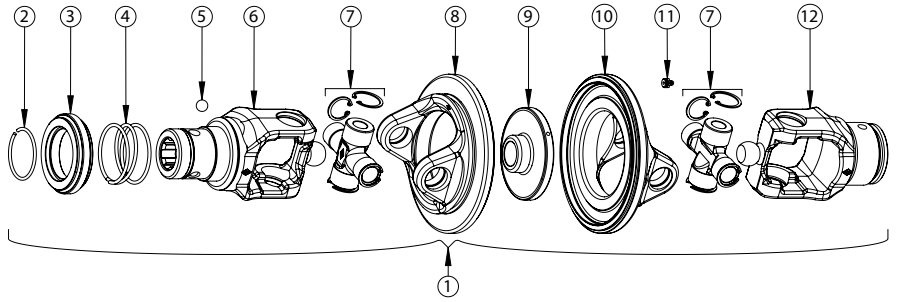
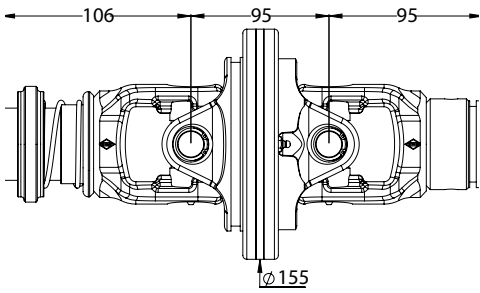
**GFO**



For Details See Page 89

TYPE	TORQUE	SPLINE	CODE
GFO	650 Nm	1 3/8" Z6	<b>4GFOB</b>
GFO	650 Nm	1 3/8" Z21	<b>4GFOD</b>
GFO	650 Nm	D8x32x38	<b>4GFOF</b>

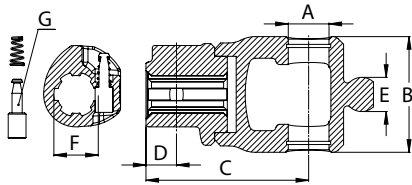
**SERIE 4G 80° WIDE ANGLE CV JOINTS SPARE PARTS**



REF	1	2-3-4-5	6*	7	8	9	10	11	12*
<b>CODE</b>	4G06B+4G06T 4G06B+4G07T	01.02.02 01.02.02	4G02B 4G06B	4001	4G01	4G04	4G02	DIN 71412 M10x1	4G06T 4G07T

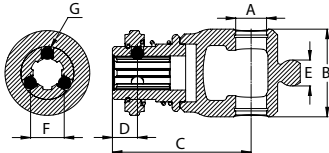
\*For other versions please see the following tables.

**G02**  
One Push Pin yoke



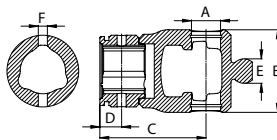
A	B	C	D	E	F	G	CODE
Ø27	85	106	21	Ø24	1 3/8" Z6	00.02.01	<b>4G02B</b>
Ø27	85	106	21	Ø24	1 3/8" Z21	00.02.01	<b>4G02D</b>
Ø27	85	106	21	Ø24	D8x32x38	00.02.01	<b>4G02F</b>

**G06**  
With Ball Attachment



Ø27	85	106	24	Ø24	1 3/8" Z6	01.02.02	<b>4G06B</b>
Ø27	85	106	24	Ø24	1 3/8" Z21	01.02.02	<b>4G06D</b>
Ø27	85	106	24	Ø24	D8x32x38	01.02.02	<b>4G06F</b>

**G06T**  
Triangular Yoke Outer



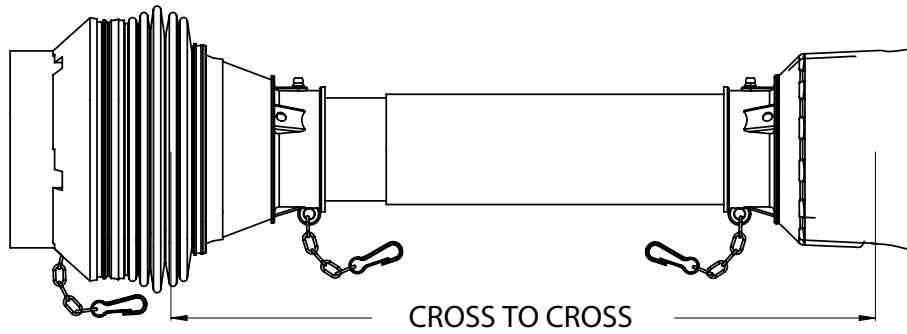
Ø27	85	95	24	Ø24	Ø8 <sup>H12</sup>	-	<b>4G06T</b>
-----	----	----	----	-----	-------------------	---	--------------

**G07T**  
Triangular Yoke Inner

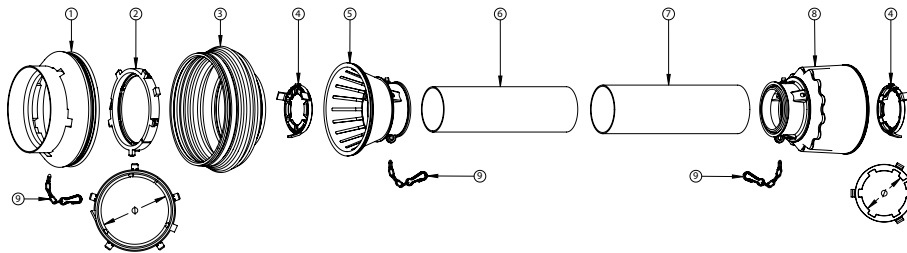
Ø27	85	95	24	Ø24	Ø8 <sup>H12</sup>	-	<b>4G07T</b>
-----	----	----	----	-----	-------------------	---	--------------



## SERIE 4G SAFETY SHIELD

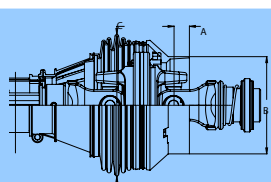
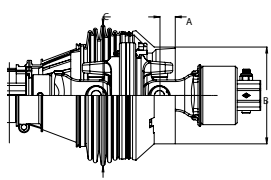
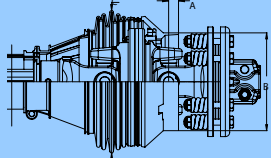


CODE (cm)	M4G 046	M4G 051	M4G 056	M4G 061	M4G 071	M4G 086	M4G 101	M4G 129
LENGTH (mm)	460	510	560	610	710	860	1010	1290



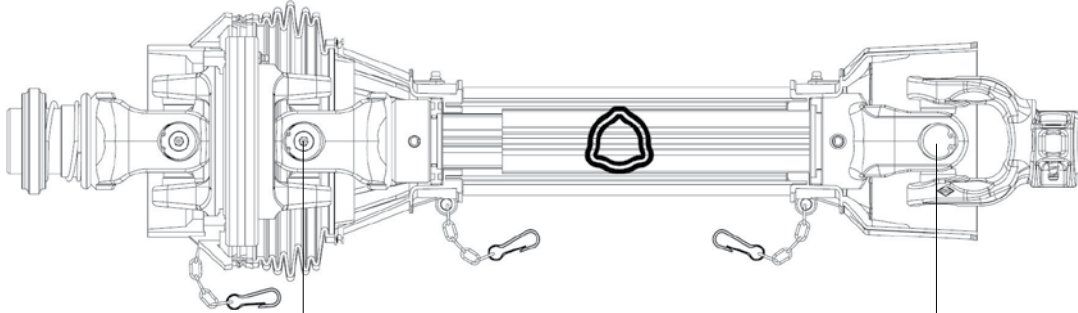
REF	QUANTITY	CODE	DESIGNATION	TECHNICAL DATA
1	1	<b>KH4G</b>	BELLOW CONE	-
2	1	<b>KS4G</b>	BELLOW BEARING	Ø110 mm
3	1	<b>KR4G</b>	BELLOW	-
4	2	<b>S04</b>	INNER & OUTER BEARING	Ø52 mm
5	1	<b>GI4G</b>	INNER GUARD BODY	-
6	1	<b>PI04</b>	INNER GUARD TUBE	Ø59x1,9 mm
7	1	<b>P04</b>	OUTER GUARD TUBE	Ø63x1,9 mm
8	1	<b>G04</b>	OUTER GUARD BODY	-
9	3	<b>C04</b>	SAFETY CHAIN	-

### SERIE 4G SAFETY SHIELD DIMENSIONS

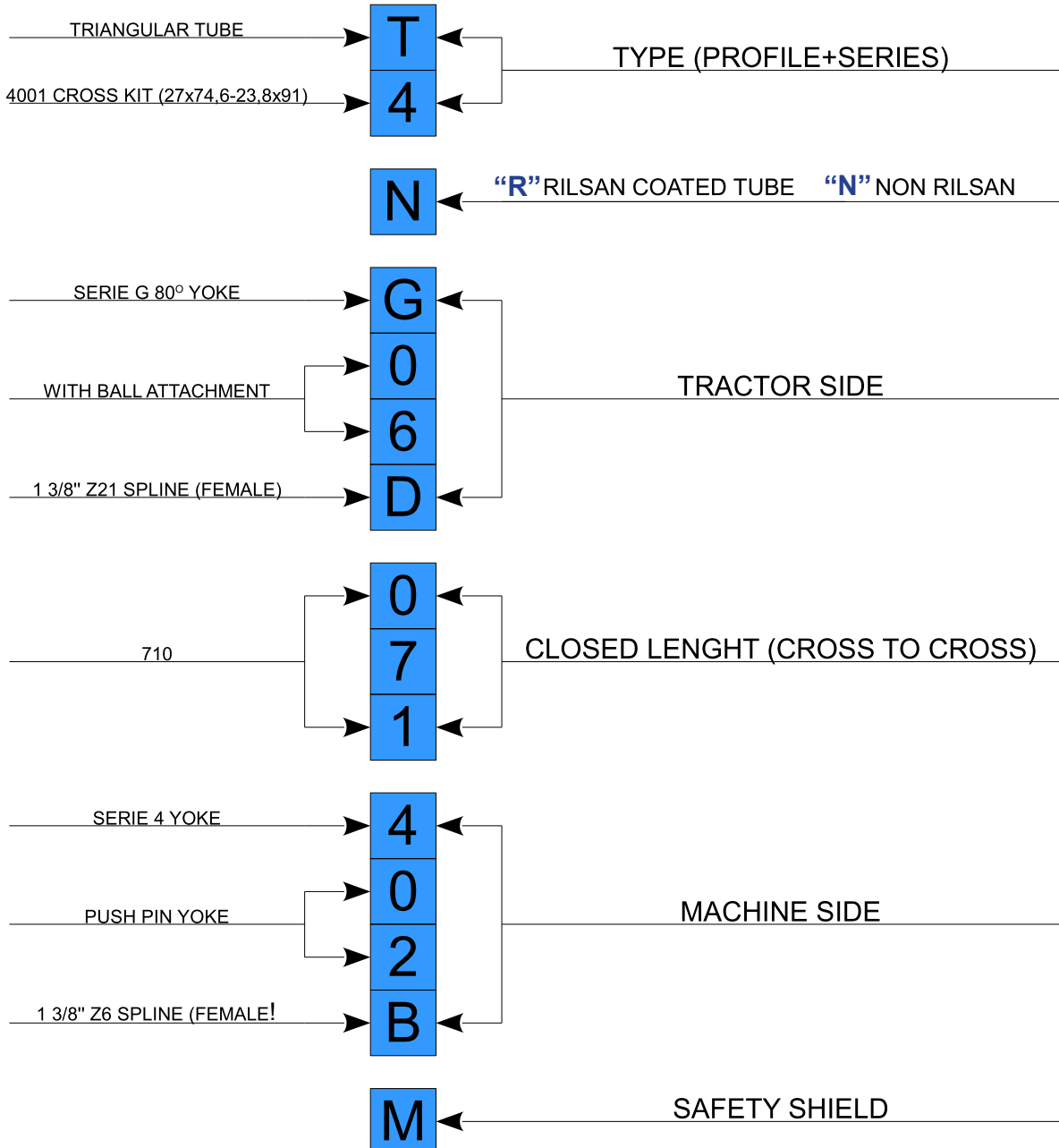
	SERIE .....	A	B	C	
80° WIDE ANGLE		4G	16 mm	135 mm	185 mm
	OVERRUNNING CLUTCH		4G	16 mm	135 mm
FRICITION LIMITER CLUTCH			4G	6 mm	135 mm

**CODING SYSTEM FOR SERIE 4G 80° WIDE ANGLE SHAFTS**

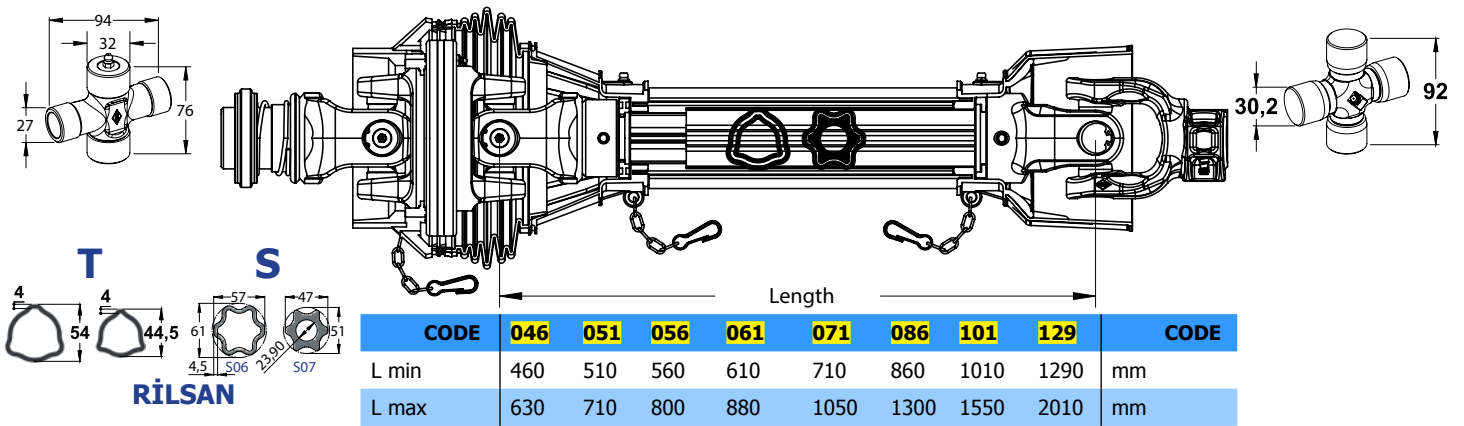
**Example : T4 R G06D 071 402B M**



CODE	046	051	056	061	071	086	101	129	CODE
L min	460	510	560	610	710	860	1010	1290	mm



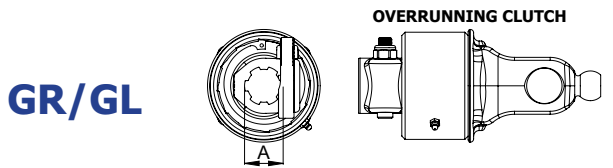
**SERIE 6G 80° WIDE ANGLE CV JOINTS**



**POWER RATING**

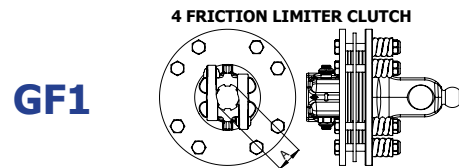
540 rpm				1000 rpm				MAX DYNAMIC TORQUE	
POWER		TORQUE		POWER		TORQUE			
KW	CV-HP-PS	Nm	in.lb	KW	CV-HP-PS	Nm	in.lb	Nm	in.lb
44	60	780	6900	68	93	653	5780	1360	12030

Values are related to Max. 25° joint angle continuous operation and 500 hours of operation life. Values are related to short duration Max. 80° joint angles.



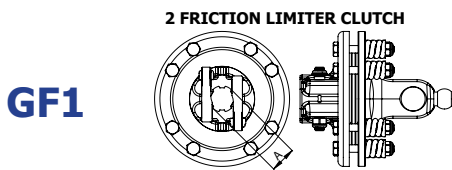
For Details See Page 80

TYPE	SPLINE	CODE (RIGHT)	CODE (LEFT)
GR2/GL2	1 3/8" Z6	6GR2B	6GL2B
GR2/GL2	1 3/8" Z21	6GR2D	6GL2D
GR2/GL2	D8x32x38	6GR2F	6GL2F



For Details See Page 91

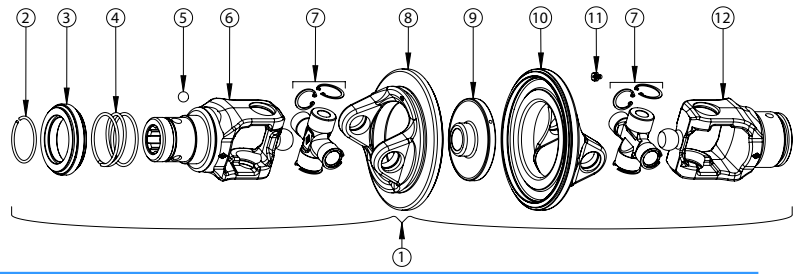
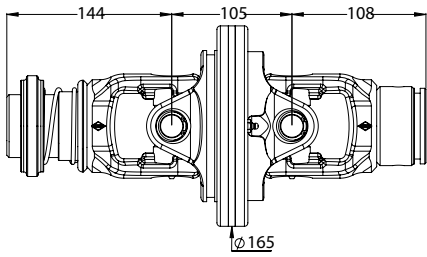
TYPE	TORQUE	SPLINE	CODE
GF1	1200 Nm	1 3/8" Z6	6GF2B
GF1	1200 Nm	1 3/4" Z6	6GF2C
GF1	1200 Nm	1 3/8" Z21	6GF2D
GF1	1200 Nm	1 3/4" Z20	6GF2E
GF1	1200 Nm	D8x32x38	6GF2F



For Details See Page 90

TYPE	TORQUE	SPLINE	CODE
GF1	900 Nm	1 3/8" Z6	6GF1B
GF1	900 Nm	1 3/4" Z6	6GF1C
GF1	900 Nm	1 3/8" Z21	6GF1D
GF1	900 Nm	1 3/4" Z20	6GF1E
GF1	900 Nm	D8x32x38	6GF1F

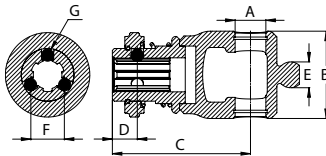
**SERIE 6G 80° WIDE ANGLE CV JOINTS SPARE PARTS**



REF	1	2-3-4-5	6*	7	8	9	10	11	12*
<b>CODE</b>	6G06B+6G06T 6G06B+6G07T	01.02.02 01.02.02	6G02B 6G06B	6001	6G01	6G04	6G02	DIN 71412 M10x1	6G06T 6G07T

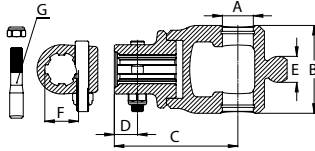
\*For other versions please see the following tables.

**G06**  
With Ball Attachment

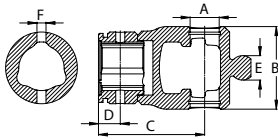


A	B	C	D	E	F	G	CODE
Ø32	91	144	24	Ø27	1 3/8" Z6	Ø12,7	<b>6G06B</b>
Ø32	91	144	26	Ø27	1 3/4" Z6	Ø15	<b>6G06C</b>
Ø32	91	144	24	Ø27	1 3/8" Z21	Ø12,7	<b>6G06D</b>
Ø32	91	144	26	Ø27	1 3/4" Z20	Ø15	<b>6G06E</b>
Ø32	91	144	24	Ø27	D8x32x38	Ø12,7	<b>6G06F</b>
Ø32	91	128	24	Ø27	1 3/8" Z6	KC12	<b>6G09B</b>
Ø32	91	128	24	Ø27	1 3/4" Z6	KC14	<b>6G09C</b>
Ø32	91	128	24	Ø27	1 3/8" Z21	KC12	<b>6G09D</b>
Ø32	91	128	24	Ø27	1 3/4" Z20	KC14	<b>6G09E</b>
Ø32	91	128	24	Ø27	D8x32x38	KC12	<b>6G09F</b>
Ø32	91	108	24	Ø27	Ø10H12	-	<b>6G06T</b>

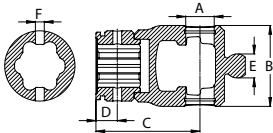
**G09**  
Taper Pin Yoke



**G06T**  
Triangular Yoke Outer



**G07T**  
Triangular Yoke Inner

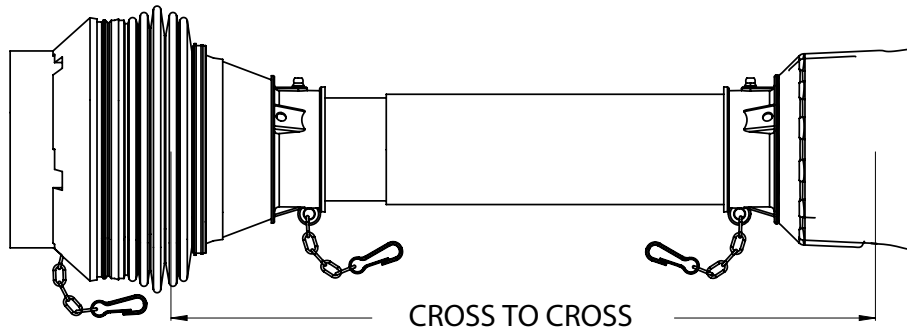


**G06S**  
Star Yoke Outer

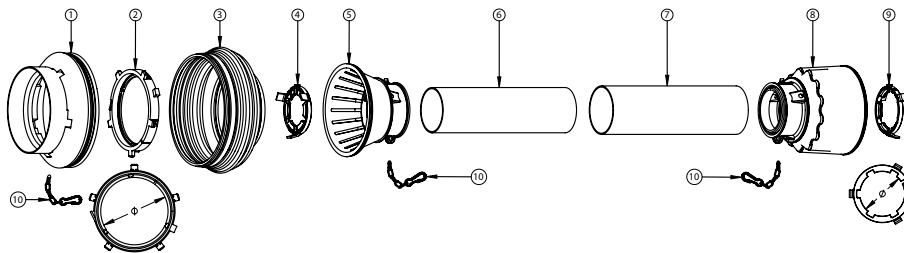
**G07S**  
Star Yoke Inner

Ø32	91	108	24	Ø27	Ø10H12	-	<b>6G07T</b>
Ø32	91	108	24	Ø27	Ø10H12	-	<b>6G06S</b>
Ø32	91	108	24	Ø27	Ø10H12	-	<b>6G07S</b>

## SERIE 6G SAFETY SHIELD

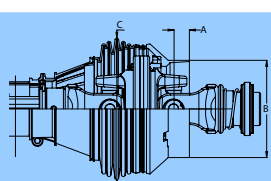
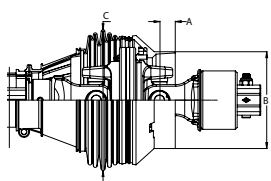
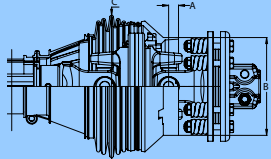


CODE (cm)	M6G 046	M6G 051	M6G 056	M6G 061	M6G 071	M6G 086	M6G 101	M6G 129
LENGTH (mm)	460	510	560	610	710	860	1010	1290



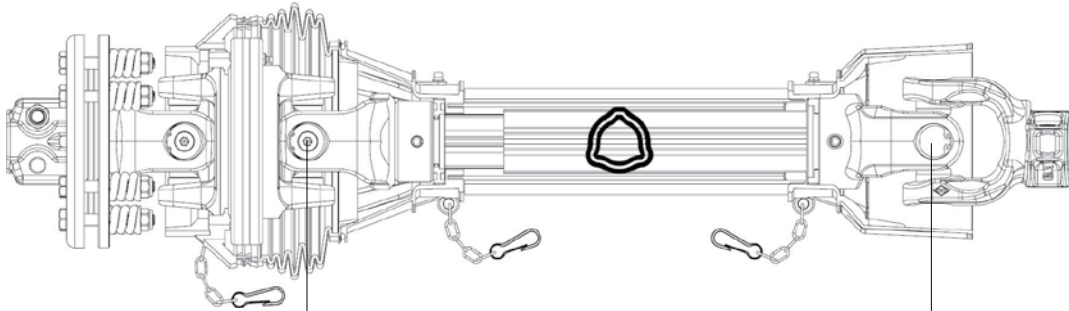
REF	QUANTITY	CODE	DESIGNATION	TECHNICAL DATA
1	1	<b>KH6G</b>	BELLOW CONE	-
2	1	<b>KS6G</b>	BELLOW BEARING	Ø125 mm
3	1	<b>KR6G</b>	BELLOW	-
4	1	<b>SI06</b>	INNER BEARING	Ø58,5 mm
5	1	<b>GI6G</b>	INNER GUARD BODY	-
6	1	<b>PI06</b>	INNER GUARD TUBE	Ø84x2,2 mm
7	1	<b>P06</b>	OUTER GUARD TUBE	Ø90x2,2 mm
8	1	<b>G06</b>	OUTER GUARD BODY	-
9	1	<b>S06</b>	OUTER BEARING	Ø68,5 mm
10	3	<b>C06</b>	SAFETY CHAIN	-

### SERIE 6G SAFETY SHIELD DIMENSIONS

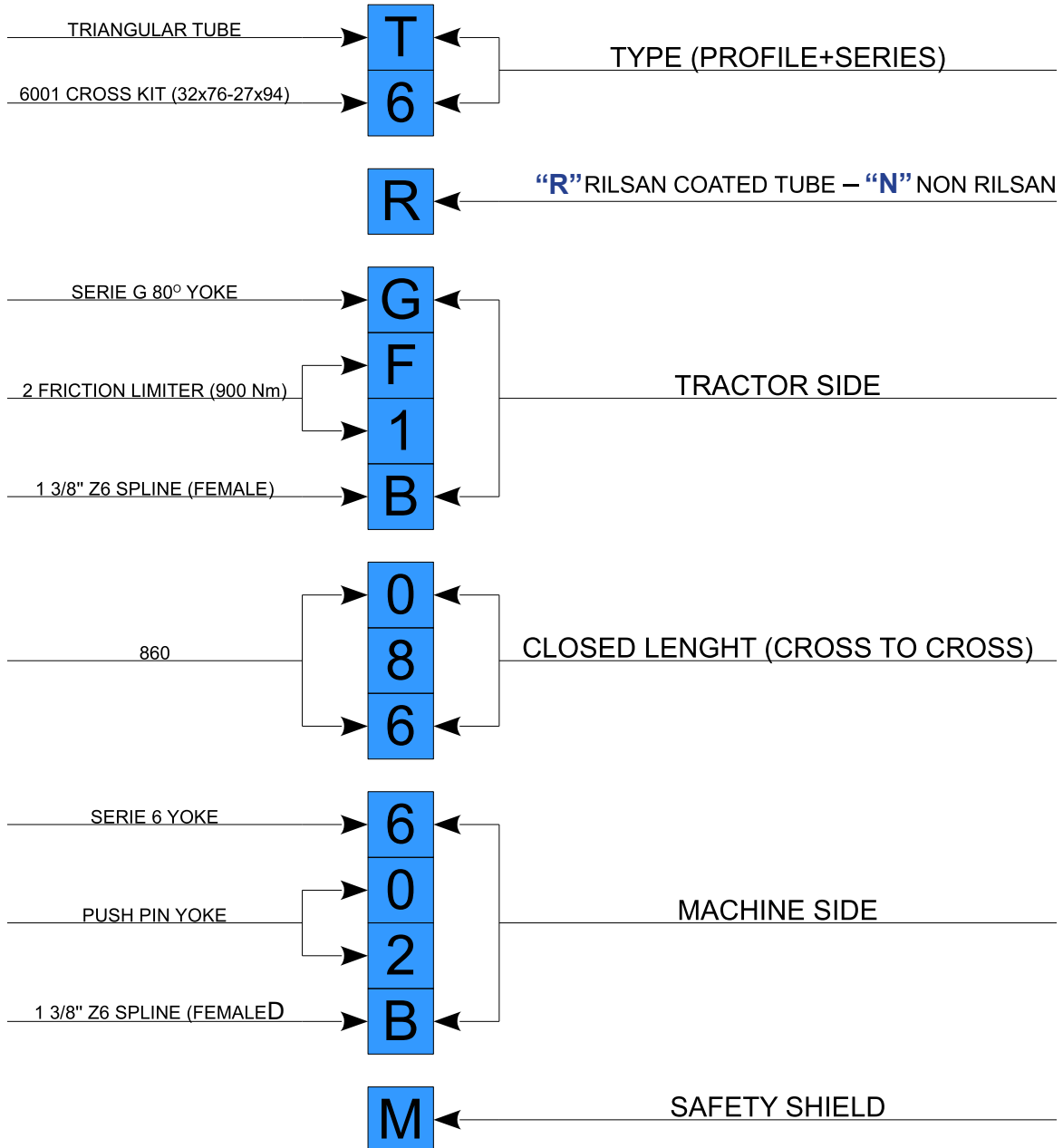
		SERIE A	B	C	
80° WIDE ANGLE		6G	26 mm	161 mm	234 mm
	OVERRUNNING CLUTCH		6G	26 mm	161 mm
FRICITION LIMITER CLUTCH		6G	16 mm	161 mm	234 mm

**CODING SYSTEM FOR SERIE 6G 80° WIDE ANGLE SHAFTS**

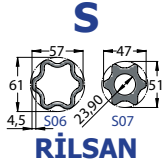
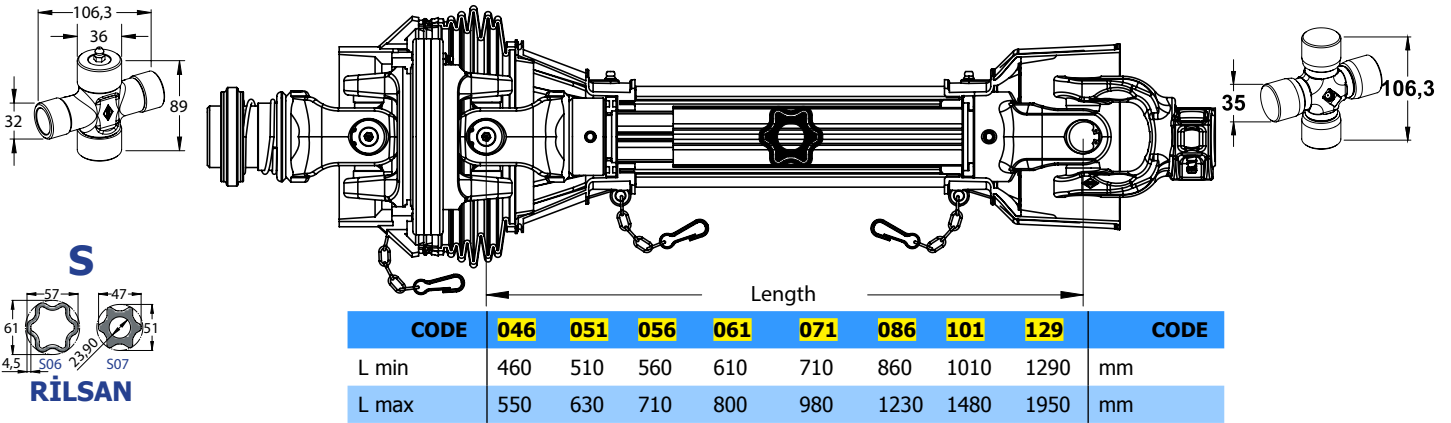
**Example : T6 R GF1B 086 602B M**



CODE	046	051	056	061	071	086	101	129	CODE
L min	460	510	560	610	710	860	1010	1290	mm



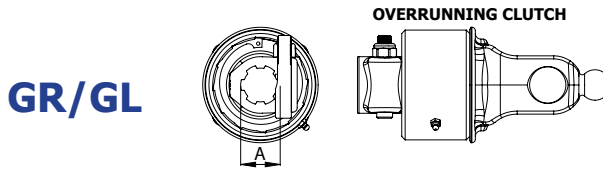
**SERIE 8G 80° WIDE ANGLE CV JOINTS**



**POWER RATING**

540 rpm				1000 rpm				MAX DYNAMIC TORQUE	
POWER		TORQUE		POWER		TORQUE		Nm	in.lb
KW	CV-HP-PS	Nm	in.lb	KW	CV-HP-PS	Nm	in.lb		
66	90	1175	10400	102	139	975	8630	2130	18850

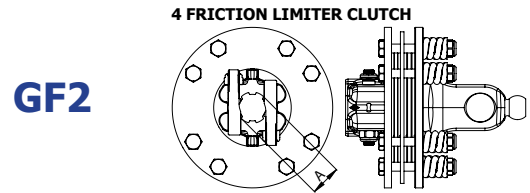
Values are related to Max. 25° joint angle continuous operation and 500 hours of operation life. Values are related to short duration Max. 80° joint angles.



For Details See Page 80

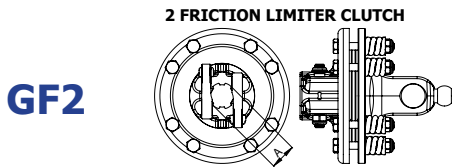
TYPE	SPLINE	CODE (RIGHT)	CODE (LEFT)
GR3/GL3	1 3/8" Z6	8GR3B	8GL3B
GR3/GL3	1 3/8" Z21	8GR3D	8GL3D
GR3/GL3	D8x32x38	8GR3F	8GL3F

GR= Right Rotation  
GL= Left Rotation



For Details See Page 93-94

TYPE	TORQUE	SPLINE	CODE
GF2	2400 Nm	1 3/8" Z6	8GF4B
GF2	2400 Nm	1 3/4" Z6	8GF4C
GF2	2400 Nm	1 3/8" Z21	8GF4D
GF2	2400 Nm	1 3/4" Z20	8GF4E
GF2	2400 Nm	D8x32x38	8GF4F

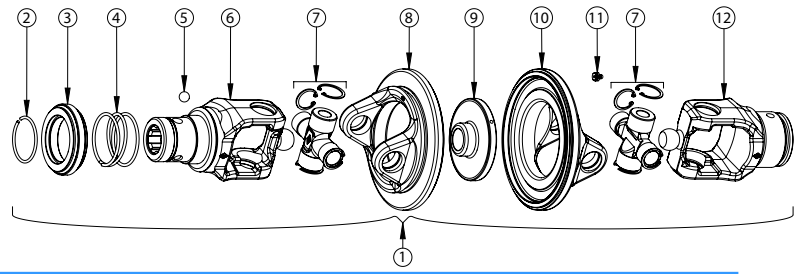
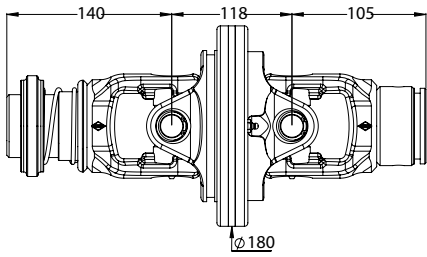


For Details See Page 92

TYPE	TORQUE	SPLINE	CODE
GF2	1200 Nm	1 3/8" Z6	8GF2B
GF2	1200 Nm	1 3/4" Z6	8GF2C
GF2	1200 Nm	1 3/8" Z21	8GF2D
GF2	1200 Nm	1 3/4" Z20	8GF2E
GF2	1200 Nm	D8x32x38	8GF2F



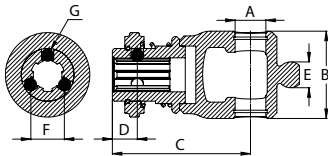
**SERIE 8G 80° WIDE ANGLE CV JOINTS SPARE PARTS**



REF	1	2-3-4-5	6*	7	8	9	10	11	12*
<b>CODE</b>	8G06B+8G06S 8G06B+8G07S	01.02.01 01.02.02	8G02B 8G06B	8001	8G01	8G04	8G02	DIN 71412 M10x1	8G06T 8G07T

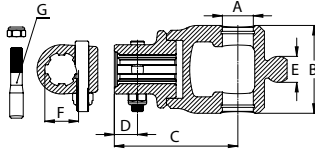
\*For other versions please see the following tables.

**G06**  
With Ball Attachment

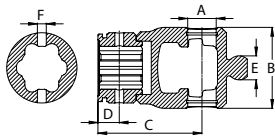


A	B	C	D	E	F	G	CODE
Ø36	106	140	24	Ø30	1 3/8" Z6	01.02.02	<b>8G06B</b>
Ø36	106	140	26	Ø30	1 3/4" Z6	01.02.03	<b>8G06C</b>
Ø36	106	140	24	Ø30	1 3/8" Z21	01.02.02	<b>8G06D</b>
Ø36	106	140	26	Ø30	1 3/4" Z20	01.02.03	<b>8G06E</b>
Ø36	106	140	24	Ø30	D8x32x38	01.02.02	<b>8G06F</b>
Ø36	106	140	24	Ø30	1 3/8" Z6	KC12	<b>8G09B</b>
Ø36	106	140	24	Ø30	1 3/4" Z6	KC14	<b>8G09C</b>
Ø36	106	140	24	Ø30	1 3/8" Z21	KC12	<b>8G09D</b>
Ø36	106	140	24	Ø30	1 3/4" Z20	KC14	<b>8G09E</b>
Ø36	106	140	24	Ø30	D8x32x38	KC12	<b>8G09F</b>
Ø36	106	105	24	Ø30	Ø10 <sup>H12</sup>	-	<b>8G06S</b>
Ø36	106	105	24	Ø30	Ø10 <sup>H12</sup>	-	<b>8G07S</b>

**G09**  
Taper Pin Yoke

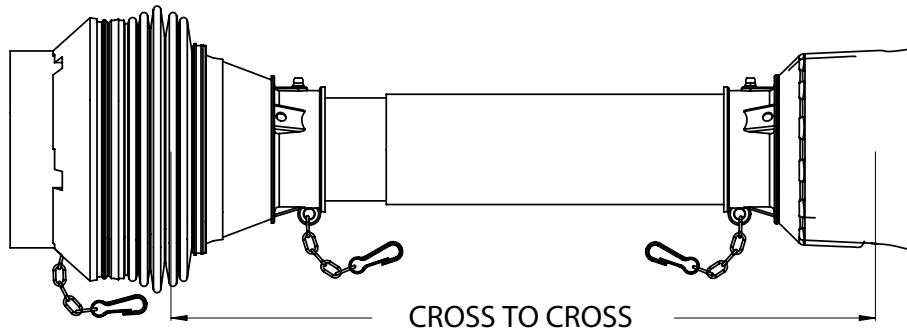


**G06S**  
Star Yoke Outer

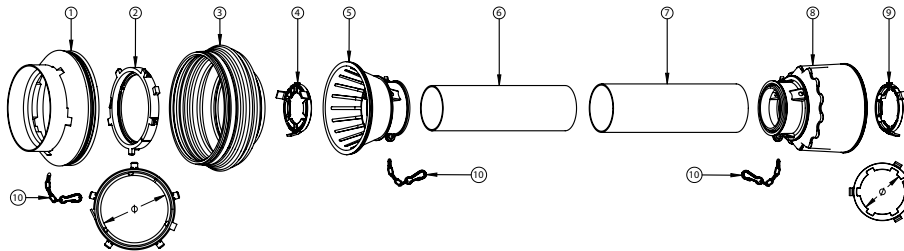


**G07S**  
Star Yoke Inner

## SERIE 8G SAFETY SHIELD

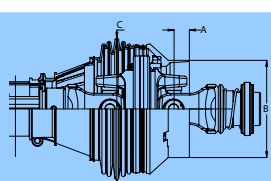
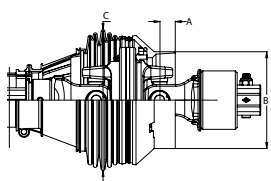
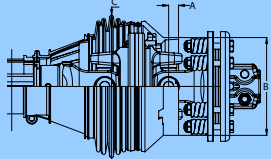


CODE (cm)	M8G 046	M8G 051	M8G 056	M8G 061	M8G 071	M8G 086	M8G 101	M8G 129
LENGTH (mm)	460	510	560	610	710	860	1010	1290



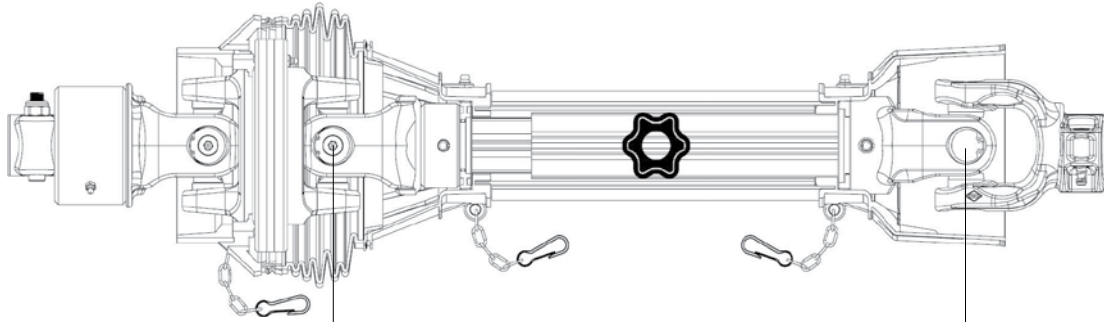
REF	QUANTITY	CODE	DESIGNATION	TECHNICAL DATA
1	1	<b>KH8G</b>	BELLOW CONE	-
2	1	<b>KS8G</b>	BELLOW BEARING	Ø125 mm
3	1	<b>KR8G</b>	BELLOW	-
4	1	<b>SI08</b>	INNER BEARING	Ø58,5 mm
5	1	<b>GI8G</b>	INNER GUARD BODY	-
6	1	<b>PI08</b>	INNER GUARD TUBE	Ø84x2,2 mm
7	1	<b>P08</b>	OUTER GUARD TUBE	Ø90x2,2 mm
8	1	<b>G08</b>	OUTER GUARD BODY	-
9	1	<b>S08</b>	OUTER BEARING	Ø68,5 mm
10	3	<b>C08</b>	SAFETY CHAIN	-

### SERIE 8G SAFETY SHIELD DIMENSIONS

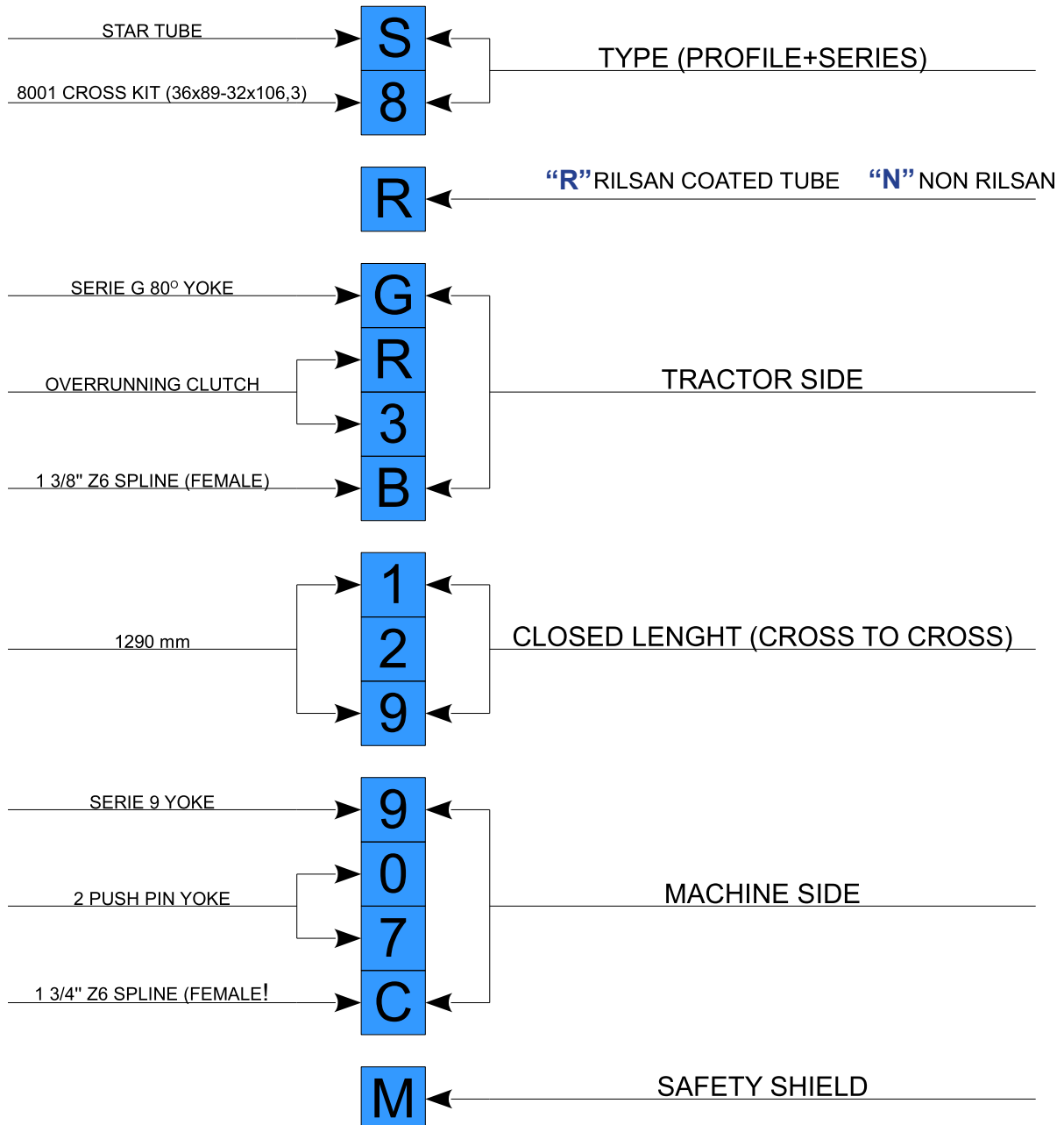
		SERIE	A	B	C
80° WIDE ANGLE		8G	26 mm	161 mm	234 mm
	OVERRUNNING CLUTCH		8G	26 mm	161 mm
FRICITION LIMITER CLUTCH		8G	16 mm	161 mm	234 mm

**CODING SYSTEM FOR SERIE 8G 80° WIDE ANGLE SHAFTS**

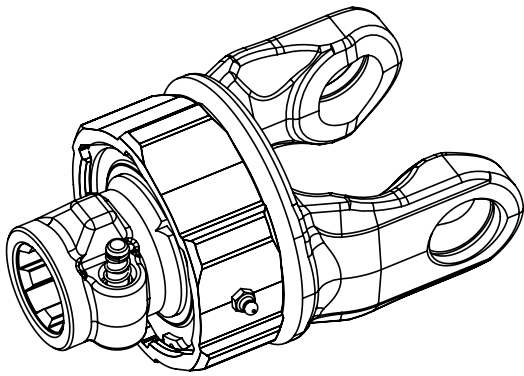
**Example : S8 R GR3B 129 907C M**



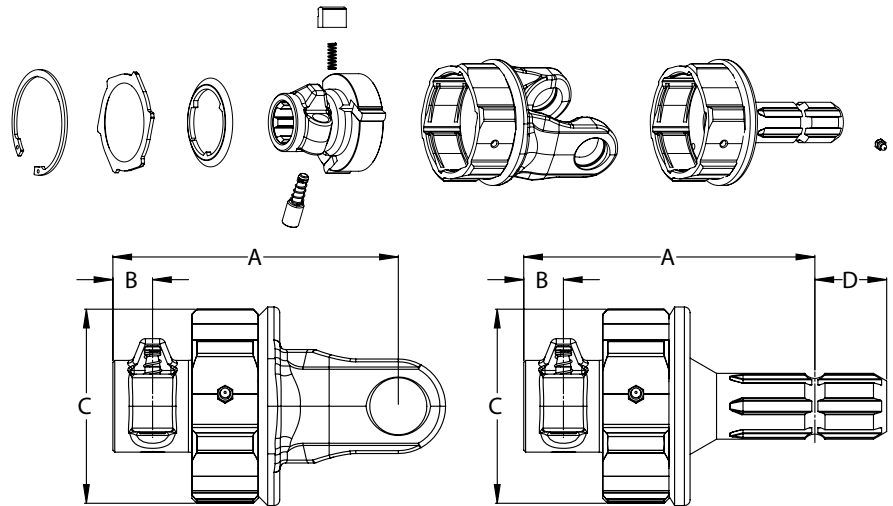
CODE	046	051	056	061	071	086	101	129	CODE
L min	460	510	560	610	710	860	1010	1290	mm



**RR1/RL1- RSR1/RSL1 OVERRUNNING CLUTCH  
(PUSH PIN)**

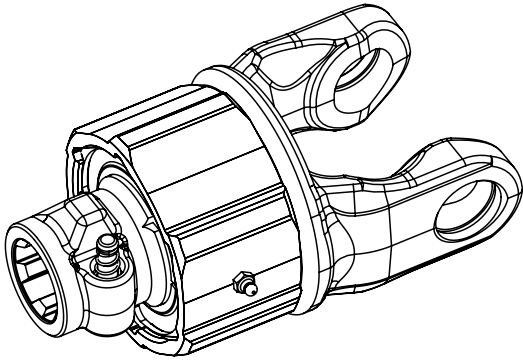


R= Right Rotation  
L= Left Rotation

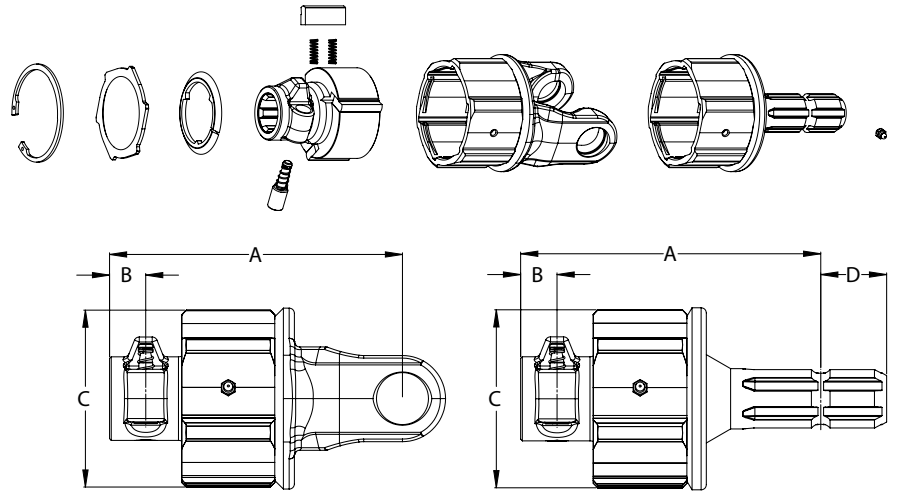


SERIE	MAX TORQUE		TYPE	ROTATION	CODE	SPLINE		A	B	C	D
	Nm	in.lb				FEMALE	MALE				
1	1600	14160	RR1	R	<b>1RR1B</b>	1 3/8" Z6	-	125	21	Ø103	-
1	1600	14160	RR1	R	<b>1RR1D</b>	1 3/8" Z21	-	125	21	Ø103	-
1	1600	14160	RR1	R	<b>1RR1F</b>	D8x32x38	-	125	21	Ø103	-
1	1600	14160	RL1	L	<b>1RL1B</b>	1 3/8" Z6	-	125	21	Ø103	-
1	1600	14160	RL1	L	<b>1RL1D</b>	1 3/8" Z21	-	125	21	Ø103	-
1	1600	14160	RL1	L	<b>1RL1F</b>	D8x32x38	-	125	21	Ø103	-
2	1600	14160	RR1	R	<b>2RR1B</b>	1 3/8" Z6	-	130	21	Ø103	-
2	1600	14160	RR1	R	<b>2RR1D</b>	1 3/8" Z21	-	130	21	Ø103	-
2	1600	14160	RR1	R	<b>2RR1F</b>	D8x32x38	-	130	21	Ø103	-
2	1600	14160	RL1	L	<b>2RL1B</b>	1 3/8" Z6	-	130	21	Ø103	-
2	1600	14160	RL1	L	<b>2RL1D</b>	1 3/8" Z21	-	130	21	Ø103	-
2	1600	14160	RL1	L	<b>2RL1F</b>	D8x32x38	-	130	21	Ø103	-
4	1600	14160	RR1	R	<b>4RR1B</b>	1 3/8" Z6	-	138	21	Ø103	-
4	1600	14160	RR1	R	<b>4RR1D</b>	1 3/8" Z21	-	138	21	Ø103	-
4	1600	14160	RR1	R	<b>4RR1F</b>	D8x32x38	-	138	21	Ø103	-
4	1600	14160	RL1	L	<b>4RL1B</b>	1 3/8" Z6	-	138	21	Ø103	-
4	1600	14160	RL1	L	<b>4RL1D</b>	1 3/8" Z21	-	138	21	Ø103	-
4	1600	14160	RL1	L	<b>4RL1F</b>	D8x32x38	-	138	21	Ø103	-
5	1600	14160	RR1	R	<b>5RR1B</b>	1 3/8" Z6	-	141	21	Ø103	-
5	1600	14160	RR1	R	<b>5RR1D</b>	1 3/8" Z21	-	141	21	Ø103	-
5	1600	14160	RR1	R	<b>5RR1F</b>	D8x32x38	-	141	21	Ø103	-
5	1600	14160	RL1	L	<b>5RL1B</b>	1 3/8" Z6	-	141	21	Ø103	-
5	1600	14160	RL1	L	<b>5RL1D</b>	1 3/8" Z21	-	141	21	Ø103	-
5	1600	14160	RL1	L	<b>5RL1F</b>	D8x32x38	-	141	21	Ø103	-
-	1600	14160	RSR1	R	<b>RSR1B</b>	1 3/8" Z6	1 3/8" Z6	136	21	Ø103	38
-	1600	14160	RSR1	R	<b>RSR1D</b>	1 3/8" Z21	1 3/8" Z21	136	21	Ø103	38
-	1600	14160	RSR1	R	<b>RSR1F</b>	D8x32x38	D8x32x38	136	21	Ø103	38
-	1600	14160	RSL1	L	<b>RSL1B</b>	1 3/8" Z6	1 3/8" Z6	136	21	Ø103	38
-	1600	14160	RSL1	L	<b>RSL1D</b>	1 3/8" Z21	1 3/8" Z21	136	21	Ø103	38
-	1600	14160	RSL1	L	<b>RSL1F</b>	D8x32x38	D8x32x38	136	21	Ø103	38

**RR2/RL2- RSR2/RSL2 OVERRUNNING CLUTCH  
(PUSH PIN)**

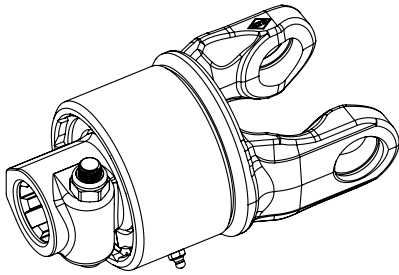


R= Right Rotation  
L= Left Rotation

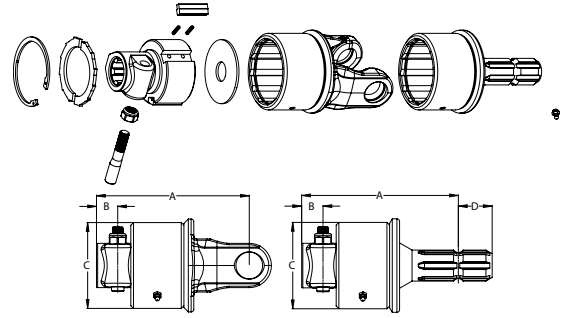


SERIE	MAX TORQUE		TYPE	ROTATION	CODE	SPLINE		A	B	C	D
	Nm	in.lb				FEMALE	MALE				
4	2400	21240	RR2	R	<b>4RR2B</b>	1 3/8" Z6	-	155	21	Ø103	-
4	2400	21240	RR2	R	<b>4RR2D</b>	1 3/8" Z21	-	155	21	Ø103	-
4	2400	21240	RR2	R	<b>4RR2F</b>	D8x32x38	-	155	21	Ø103	-
4	2400	21240	RL2	L	<b>4RL2B</b>	1 3/8" Z6	-	155	21	Ø103	-
4	2400	21240	RL2	L	<b>4RL2D</b>	1 3/8" Z21	-	155	21	Ø103	-
4	2400	21240	RL2	L	<b>4RL2F</b>	D8x32x38	-	155	21	Ø103	-
5	2400	21240	RR2	R	<b>5RR2B</b>	1 3/8" Z6	-	160	21	Ø103	-
5	2400	21240	RR2	R	<b>5RR2D</b>	1 3/8" Z21	-	160	21	Ø103	-
5	2400	21240	RR2	R	<b>5RR2F</b>	D8x32x38	-	160	21	Ø103	-
5	2400	21240	RL2	L	<b>5RL2B</b>	1 3/8" Z6	-	160	21	Ø103	-
5	2400	21240	RL2	L	<b>5RL2D</b>	1 3/8" Z21	-	160	21	Ø103	-
5	2400	21240	RL2	L	<b>5RL2F</b>	D8x32x38	-	160	21	Ø103	-
-	2400	21240	RSR2	R	<b>RSR2B</b>	1 3/8" Z6	1 3/8" Z6	155	21	Ø103	38
-	2400	21240	RSR2	R	<b>RSR2D</b>	1 3/8" Z21	1 3/8" Z21	155	21	Ø103	38
-	2400	21240	RSR2	R	<b>RSR2F</b>	D8x32x38	D8x32x38	155	21	Ø103	38
-	2400	21240	RSL2	L	<b>RSL2B</b>	1 3/8" Z6	1 3/8" Z6	155	21	Ø103	38
-	2400	21240	RSL2	L	<b>RSL2D</b>	1 3/8" Z21	1 3/8" Z21	155	21	Ø103	38
-	2400	21240	RSL2	L	<b>RSL2F</b>	D8x32x38	D8x32x38	155	21	Ø103	38

**RR2/RL2- RSR2/RSL2 OVERRUNNING CLUTCH  
(TAPER PIN)**

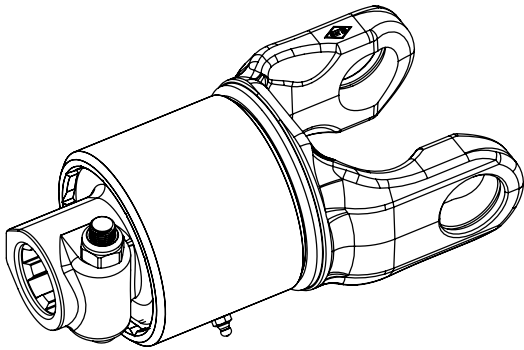


R= Right Rotation  
L= Left Rotation

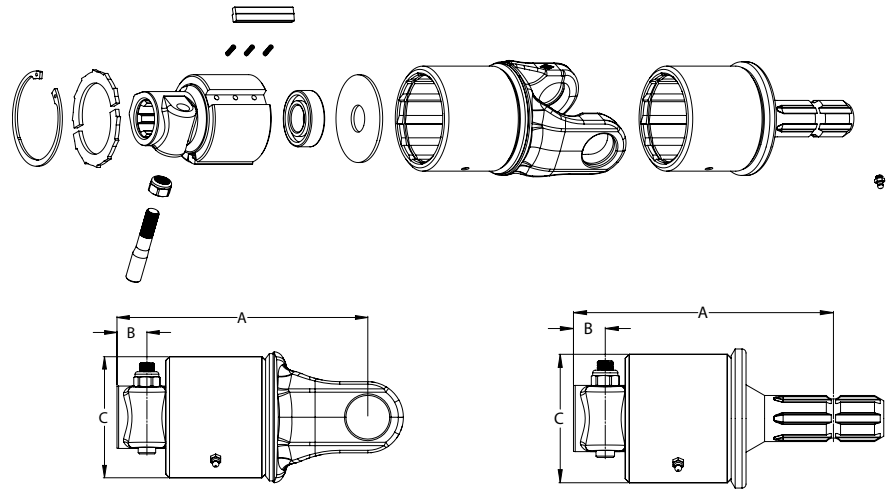


SERIE	MAX TORQUE		TYPE	ROTATION	CODE	SPLINE		A	B	C	D
	Nm	in.lb				FEMALE	MALE				
6	3800	33630	RR2	R	6RR2B	1 3/8" Z6	-	165	26	Ø97	-
6	3800	33630	RR2	R	6RR2C	1 3/4" Z6	-	175	26	Ø97	-
6	3800	33630	RR2	R	6RR2D	1 3/8" Z21	-	175	26	Ø97	-
6	3800	33630	RR2	R	6RR2E	1 3/4" Z20	-	175	26	Ø97	-
6	3800	33630	RR2	R	6RR2F	D8x32x38	-	175	26	Ø97	-
6	3800	33630	RL2	L	6RL2B	1 3/8" Z6	-	175	26	Ø97	-
6	3800	33630	RL2	L	6RL2C	1 3/4" Z6	-	175	26	Ø97	-
6	3800	33630	RL2	L	6RL2D	1 3/8" Z21	-	175	26	Ø97	-
6	3800	33630	RL2	L	6RL2E	1 3/4" Z20	-	175	26	Ø97	-
6	3800	33630	RL2	L	6RL2F	D8x32x38	-	175	26	Ø97	-
7	3800	33630	RR2	R	7RR2B	1 3/8" Z6	-	175	26	Ø97	-
7	3800	33630	RR2	R	7RR2C	1 3/4" Z6	-	175	26	Ø97	-
7	3800	33630	RR2	R	7RR2D	1 3/8" Z21	-	175	26	Ø97	-
7	3800	33630	RR2	R	7RR2E	1 3/4" Z20	-	175	26	Ø97	-
7	3800	33630	RR2	R	7RR2F	D8x32x38	-	175	26	Ø97	-
7	3800	33630	RL2	L	7RL2B	1 3/8" Z6	-	175	26	Ø97	-
7	3800	33630	RL2	L	7RL2C	1 3/4" Z6	-	175	26	Ø97	-
7	3800	33630	RL2	L	7RL2D	1 3/8" Z21	-	175	26	Ø97	-
7	3800	33630	RL2	L	7RL2E	1 3/4" Z20	-	175	26	Ø97	-
7	3800	33630	RL2	L	7RL2F	D8x32x38	-	175	26	Ø97	-
8	3800	33630	RR2	R	8RR2B	1 3/8" Z6	-	165	26	Ø97	-
8	3800	33630	RR2	R	8RR2C	1 3/4" Z6	-	165	26	Ø97	-
8	3800	33630	RR2	R	8RR2D	1 3/8" Z21	-	165	26	Ø97	-
8	3800	33630	RR2	R	8RR2E	1 3/4" Z20	-	165	26	Ø97	-
8	3800	33630	RR2	R	8RR2F	D8x32x38	-	165	26	Ø97	-
8	3800	33630	RL2	L	8RL2B	1 3/8" Z6	-	165	26	Ø97	-
8	3800	33630	RL2	L	8RL2C	1 3/4" Z6	-	165	26	Ø97	-
8	3800	33630	RL2	L	8RL2D	1 3/8" Z21	-	165	26	Ø97	-
8	3800	33630	RL2	L	8RL2E	1 3/4" Z20	-	165	26	Ø97	-
8	3800	33630	RL2	L	8RL2F	D8x32x38	-	165	26	Ø97	-
9	3800	33630	RR2	R	9RR2B	1 3/8" Z6	-	175	26	Ø97	-
9	3800	33630	RR2	R	9RR2C	1 3/4" Z6	-	175	26	Ø97	-
9	3800	33630	RR2	R	9RR2D	1 3/8" Z21	-	175	26	Ø97	-
9	3800	33630	RR2	R	9RR2E	1 3/4" Z20	-	175	26	Ø97	-
9	3800	33630	RR2	R	9RR2F	D8x32x38	-	175	26	Ø97	-
9	3800	33630	RL2	L	9RL2B	1 3/8" Z6	-	175	26	Ø97	-
9	3800	33630	RL2	L	9RL2C	1 3/4" Z6	-	175	26	Ø97	-
9	3800	33630	RL2	L	9RL2D	1 3/8" Z21	-	175	26	Ø97	-
9	3800	33630	RL2	L	9RL2E	1 3/4" Z20	-	175	26	Ø97	-
9	3800	33630	RL2	L	9RL2F	D8x32x38	-	175	26	Ø97	-
-	3800	33630	RSR2	R	RSR2B	1 3/8" Z6	1 3/8" Z6	155	26	Ø97	38
-	3800	33630	RSR2	R	RSR2D	1 3/8" Z21	1 3/8" Z21	155	26	Ø97	38
-	3800	33630	RSR2	R	RSR2F	D8x32x38	D8x32x38	155	26	Ø97	38
-	3800	33630	RSL2	L	RSL2B	1 3/8" Z6	1 3/8" Z6	155	26	Ø97	38
-	3800	33630	RSL2	L	RSL2D	1 3/8" Z21	1 3/8" Z21	155	26	Ø97	38
-	3800	33630	RSL2	L	RSL2F	D8x32x38	D8x32x38	155	26	Ø97	38

**RR3/RL3- RSR3/RSL3 OVERRUNNING CLUTCH  
(TAPER PIN)**



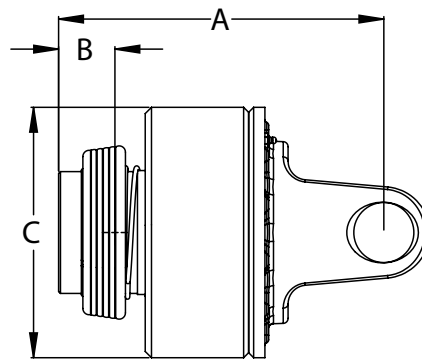
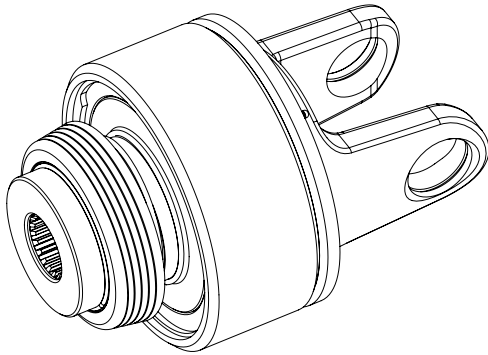
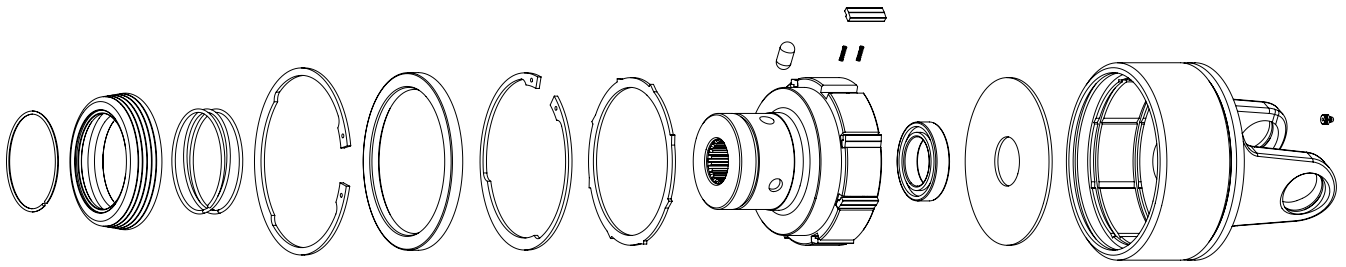
R= Right Rotation  
L= Left Rotation



SERIE	MAX TORQUE		TYPE	ROTATION	CODE	SPLINE		A	B	C	D
	Nm	in.lb				FEMALE	MALE				
9	6200	54870	RR3	R	<b>9RR3B</b>	1 3/8" Z6	-	194	26	Ø97	-
9	6200	54870	RR3	R	<b>9RR3C</b>	1 3/4" Z6	-	194	26	Ø97	-
9	6200	54870	RR3	R	<b>9RR3D</b>	1 3/8" Z21	-	194	26	Ø97	-
9	6200	54870	RR3	R	<b>9RR3E</b>	1 3/4" Z20	-	194	26	Ø97	-
9	6200	54870	RR3	R	<b>9RR3F</b>	D8x32x38	-	194	26	Ø97	-
9	6200	54870	RL3	L	<b>9RL3B</b>	1 3/8" Z6	-	194	26	Ø97	-
9	6200	54870	RL3	L	<b>9RL3C</b>	1 3/4" Z6	-	194	26	Ø97	-
9	6200	54870	RL3	L	<b>9RL3D</b>	1 3/8" Z21	-	194	26	Ø97	-
9	6200	54870	RL3	L	<b>9RL3E</b>	1 3/4" Z20	-	194	26	Ø97	-
9	6200	54870	RL3	L	<b>9RL3F</b>	D8x32x38	-	194	26	Ø97	-
J	6200	54870	RR3	R	<b>JRR3B</b>	1 3/8" Z6	-	205	26	Ø97	-
J	6200	54870	RR3	R	<b>JRR3C</b>	1 3/4" Z6	-	205	26	Ø97	-
J	6200	54870	RR3	R	<b>JRR3D</b>	1 3/8" Z21	-	205	26	Ø97	-
J	6200	54870	RR3	R	<b>JRR3E</b>	1 3/4" Z20	-	205	26	Ø97	-
J	6200	54870	RR3	R	<b>JRR3F</b>	D8x32x38	-	205	26	Ø97	-
J	6200	54870	RL3	L	<b>JRL3B</b>	1 3/8" Z6	-	205	26	Ø97	-
J	6200	54870	RL3	L	<b>JRL3C</b>	1 3/4" Z6	-	205	26	Ø97	-
J	6200	54870	RL3	L	<b>JRL3D</b>	1 3/8" Z21	-	205	26	Ø97	-
J	6200	54870	RL3	L	<b>JRL3E</b>	1 3/4" Z20	-	205	26	Ø97	-
J	6200	54870	RL3	L	<b>JRL3F</b>	D8x32x38	-	205	26	Ø97	-
-	6200	54870	RSR3	R	<b>RSR3B</b>	1 3/8" Z6	1 3/8" Z6	173	26	Ø97	38
-	6200	54870	RSR3	R	<b>RSR3D</b>	1 3/8" Z21	1 3/8" Z21	173	26	Ø97	38
-	6200	54870	RSR3	R	<b>RSR3F</b>	D8x32x38	D8x32x38	173	26	Ø97	38
-	6200	54870	RSL3	L	<b>RSL3B</b>	1 3/8" Z6	1 3/8" Z6	173	26	Ø97	38
-	6200	54870	RSL3	L	<b>RSL3D</b>	1 3/8" Z21	1 3/8" Z21	173	26	Ø97	38
-	6200	54870	RSL3	L	<b>RSL3F</b>	D8x32x38	D8x32x38	173	26	Ø97	38



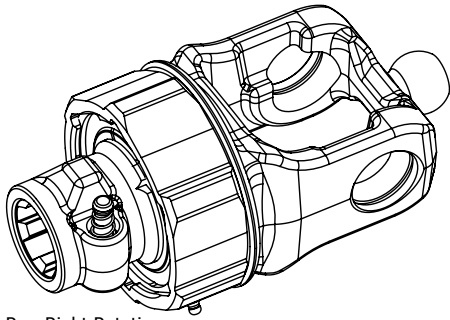
**RR4/RL4 OVERRUNNING CLUTCH**



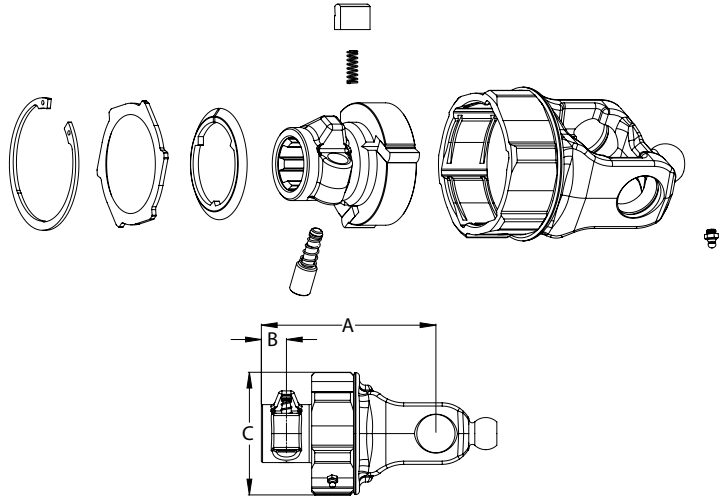
R= Right Rotation  
L= Left Rotation

SERIE	MAX TORQUE		TYPE	ROTATION	CODE	SPLINE FEMALE	A	B	C
	Nm	in.lb							
L	10000	88500	RR4	R	<b>LRR4C</b>	1 3/4" Z6	260	45	Ø200
L	10000	88500	RR4	R	<b>LRR4E</b>	1 3/4" Z20	260	45	Ø200
L	10000	88500	RL4	L	<b>LRL4C</b>	1 3/4" Z6	260	45	Ø200
L	10000	88500	RL4	L	<b>LRL4E</b>	1 3/4" Z20	260	45	Ø200

**GR1/GL1 OVERRUNNING CLUTCH  
(PUSH PIN)**

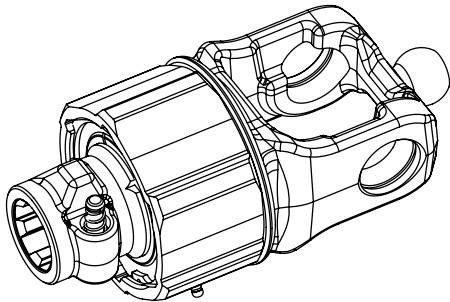


R= Right Rotation  
L= Left Rotation

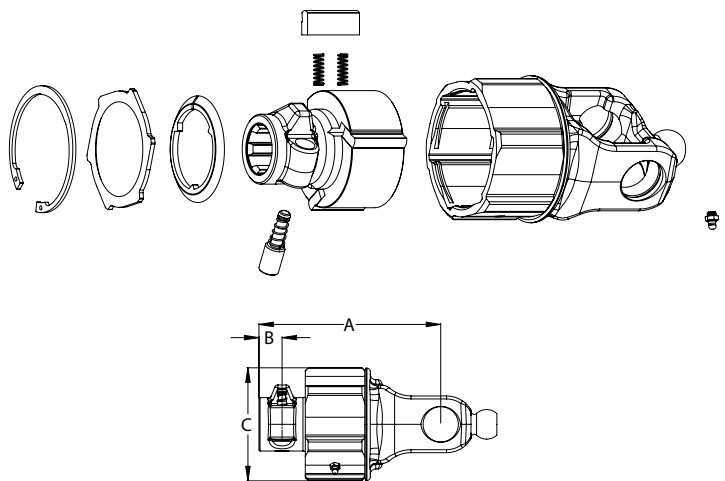


SERIE	MAX TORQUE		TYPE	ROTATION	CODE	SPLINE FEMALE	A	B	C
	Nm	in.lb							
2G	1600	14160	GR1	R	<b>2GR1B</b>	1 3/8" Z6	130	21	Ø103
2G	1600	14160	GR1	R	<b>2GR1D</b>	1 3/8" Z21	130	21	Ø103
2G	1600	14160	GR1	R	<b>2GR1F</b>	D8x32x38	130	21	Ø103
2G	1600	14160	GL1	L	<b>2GL1B</b>	1 3/8" Z6	130	21	Ø103
2G	1600	14160	GL1	L	<b>2GL1D</b>	1 3/8" Z21	130	21	Ø103
2G	1600	14160	GL1	L	<b>2GL1F</b>	D8x32x38	130	21	Ø103

**GR2/GL2 OVERRUNNING CLUTCH  
(PUSH PIN)**

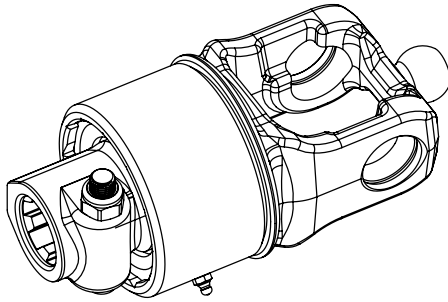


R= Right Rotation  
L= Left Rotation

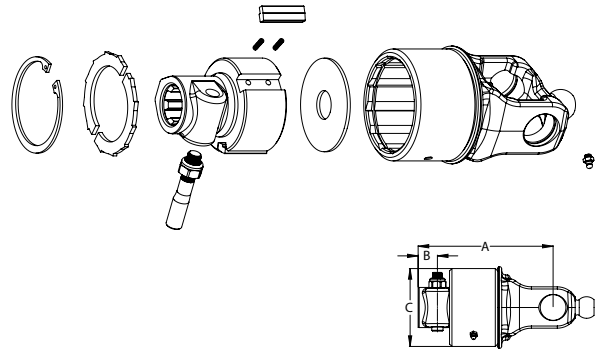


SERIE	MAX TORQUE		TYPE	ROTATION	CODE	SPLINE FEMALE	A	B	C
	Nm	in.lb							
4G	2400	21240	GR2	R	<b>4GR2B</b>	1 3/8" Z6	165	21	Ø103
4G	2400	21240	GR2	R	<b>4GR2D</b>	1 3/8" Z21	165	21	Ø103
4G	2400	21240	GR2	R	<b>4GR2F</b>	D8x32x38	165	21	Ø103
4G	2400	21240	GL2	L	<b>4GL2B</b>	1 3/8" Z6	165	21	Ø103
4G	2400	21240	GL2	L	<b>4GL2D</b>	1 3/8" Z21	165	21	Ø103
4G	2400	21240	GL2	L	<b>4GL2F</b>	D8x32x38	165	21	Ø103

**GR2/GL2 OVERRUNNING CLUTCH  
(TAPER PIN)**

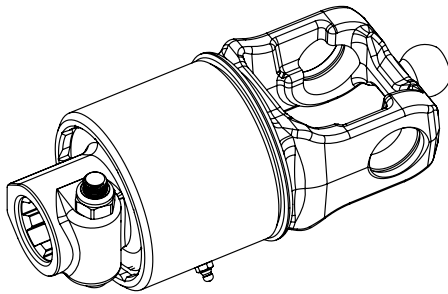


R= Right Rotation  
L= Left Rotation

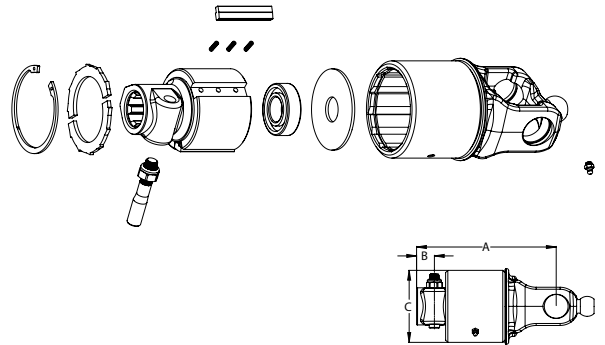


SERIE	MAX TORQUE		TYPE	ROTATION	CODE	SPLINE FEMALE	A	B	C
	Nm	in.lb							
6G	3800	33630	GR2	R	<b>6GR2B</b>	1 3/8" Z6	165	26	Ø97
6G	3800	33630	GR2	R	<b>6GR2C</b>	1 3/4" Z6	165	26	Ø97
6G	3800	33630	GR2	R	<b>6GR2D</b>	1 3/8" Z21	165	26	Ø97
6G	3800	33630	GR2	R	<b>6GR2E</b>	1 3/4" Z20	165	26	Ø97
6G	3800	33630	GR2	R	<b>6GR2F</b>	D8x32x38	165	26	Ø97
6G	3800	33630	GL2	L	<b>6GL2B</b>	1 3/8" Z6	165	26	Ø97
6G	3800	33630	GL2	L	<b>6GL2C</b>	1 3/4" Z6	165	26	Ø97
6G	3800	33630	GL2	L	<b>6GL2D</b>	1 3/8" Z21	165	26	Ø97
6G	3800	33630	GL2	L	<b>6GL2E</b>	1 3/4" Z20	165	26	Ø97
6G	3800	33630	GL2	L	<b>6GL2F</b>	D8x32x38	165	26	Ø97

**GR3/GL3 OVERRUNNING CLUTCH  
(TAPER PIN)**

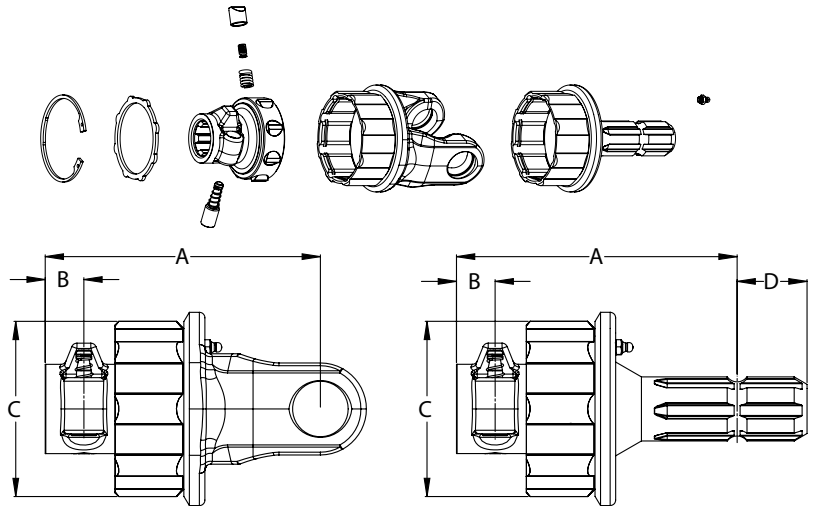
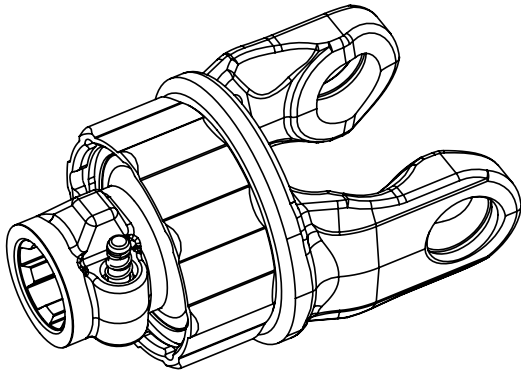


R= Right Rotation  
L= Left Rotation



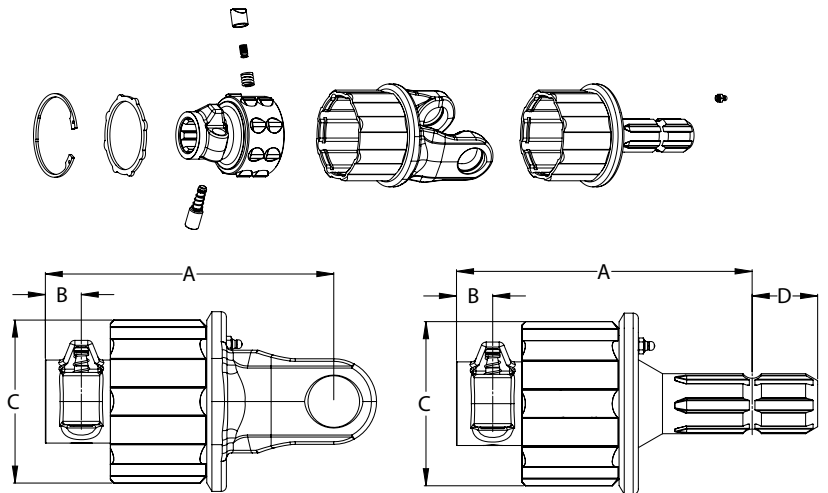
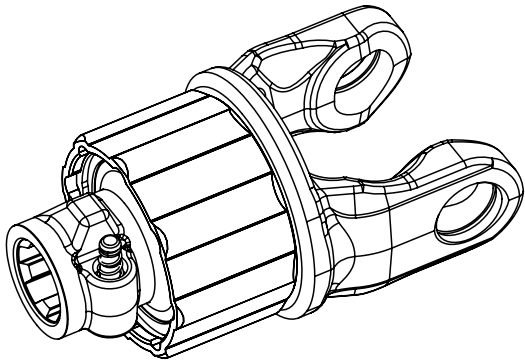
SERIE	MAX TORQUE		TYPE	ROTATION	CODE	SPLINE FEMALE	A	B	C
	Nm	in.lb							
8G	6200	54870	GR3	R	<b>8GR3B</b>	1 3/8" Z6	194	24	Ø97
8G	6200	54870	GR3	R	<b>8GR3C</b>	1 3/4" Z6	194	24	Ø97
8G	6200	54870	GR3	R	<b>8GR3D</b>	1 3/8" Z21	194	24	Ø97
8G	6200	54870	GR3	R	<b>8GR3E</b>	1 3/4" Z20	194	24	Ø97
8G	6200	54870	GR3	R	<b>8GR3F</b>	D8x32x38	194	24	Ø97
8G	6200	54870	GL3	L	<b>8GL3B</b>	1 3/8" Z6	194	24	Ø97
8G	6200	54870	GL3	L	<b>8GL3C</b>	1 3/4" Z6	194	24	Ø97
8G	6200	54870	GL3	L	<b>8GL3D</b>	1 3/8" Z21	194	24	Ø97
8G	6200	54870	GL3	L	<b>8GL3E</b>	1 3/4" Z20	194	24	Ø97
8G	6200	54870	GL3	L	<b>8GL3F</b>	D8x32x38	194	24	Ø97

**SA1/ SAS1 RATCHET TORQUE LIMITER  
(PUSH PIN)**



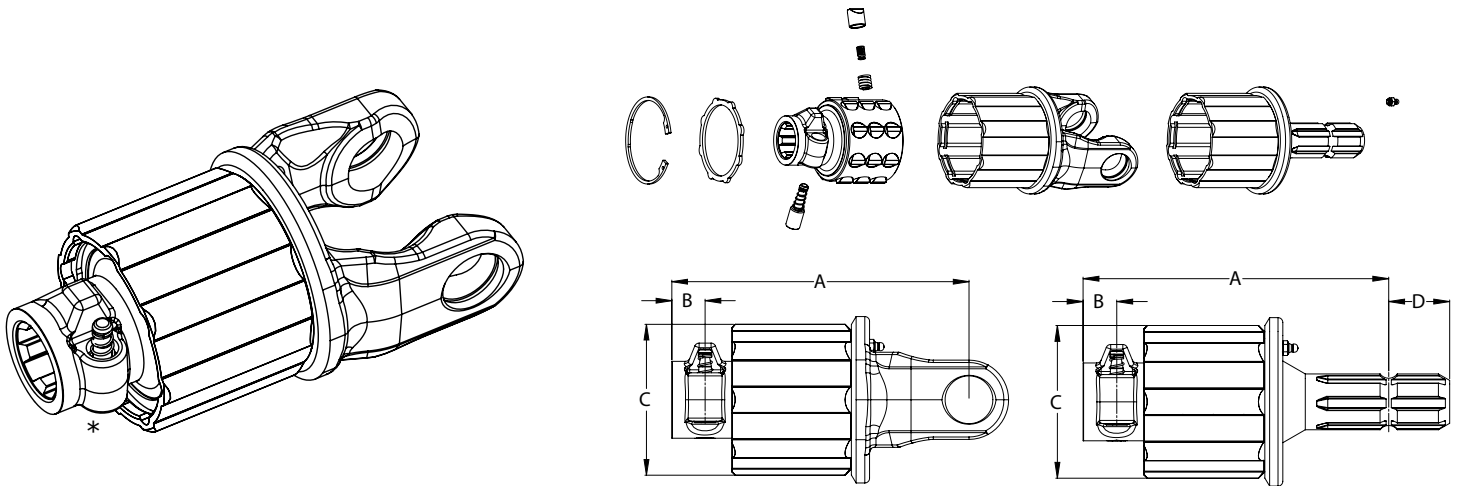
SERIE	MAX TORQUE		TYPE	CODE	SPLINE		A	B	C	D
	Nm	in.lb			FEMALE	MALE				
1	260	2300	SA1	<b>1SA1B</b>	1 3/8" Z6	-	125	21	95	-
1	260	2300	SA1	<b>1SA1D</b>	1 3/8" Z21	-	125	21	95	-
1	260	2300	SA1	<b>1SA1F</b>	D8x32x38	-	125	21	95	-
1	300	2655	SA1	<b>1SA2B</b>	1 3/8" Z6	-	125	21	95	-
1	300	2655	SA1	<b>1SA2D</b>	1 3/8" Z21	-	125	21	95	-
1	300	2655	SA1	<b>1SA2F</b>	D8x32x38	-	125	21	95	-
2	300	2655	SA1	<b>2SA2B</b>	1 3/8" Z6	-	130	21	95	-
2	300	2655	SA1	<b>2SA2D</b>	1 3/8" Z21	-	130	21	95	-
2	300	2655	SA1	<b>2SA2F</b>	D8x32x38	-	130	21	95	-
-	260	2300	SAS1	<b>SAS1B</b>	1 3/8" Z6	1 3/8" Z6	155	21	95	38
-	260	2300	SAS1	<b>SAS1D</b>	1 3/8" Z21	1 3/8" Z21	155	21	95	38
-	260	2300	SAS1	<b>SAS1F</b>	D8x32x38	D8x32x38	155	21	95	38
-	300	2655	SAS1	<b>SAS2B</b>	1 3/8" Z6	1 3/8" Z6	155	21	95	38
-	300	2655	SAS1	<b>SAS2D</b>	1 3/8" Z21	1 3/8" Z21	155	21	95	38
-	300	2655	SAS1	<b>SAS2F</b>	D8x32x38	D8x32x38	155	21	95	38

**SA2/ SAS2 RATCHET TORQUE LIMITER  
(PUSH PIN)**



SERIE	MAX TORQUE		TYPE	CODE	SPLINE		A	B	C	D
	Nm	in.lb			FEMALE	MALE				
1	500	4425	SA2	<b>1SA3B</b>	1 3/8" Z6	-	144	21	95	-
1	500	4425	SA2	<b>1SA3D</b>	1 3/8" Z21	-	144	21	95	-
1	500	4425	SA2	<b>1SA3F</b>	D8x32x38	-	144	21	95	-
1	600	5310	SA2	<b>1SA4B</b>	1 3/8" Z6	-	144	21	95	-
1	600	5310	SA2	<b>1SA4D</b>	1 3/8" Z21	-	144	21	95	-
1	600	5310	SA2	<b>1SA4F</b>	D8x32x38	-	144	21	95	-
2	500	4425	SA2	<b>2SA3B</b>	1 3/8" Z6	-	149	21	95	-
2	500	4425	SA2	<b>2SA3D</b>	1 3/8" Z21	-	149	21	95	-
2	500	4425	SA2	<b>2SA3F</b>	D8x32x38	-	149	21	95	-
2	600	5310	SA2	<b>2SA4B</b>	1 3/8" Z6	-	149	21	95	-
2	600	5310	SA2	<b>2SA4D</b>	1 3/8" Z21	-	149	21	95	-
2	600	5310	SA2	<b>2SA4F</b>	D8x32x38	-	149	21	95	-
4	600	5310	SA2	<b>4SA4B</b>	1 3/8" Z6	-	157	21	95	-
4	600	5310	SA2	<b>4SA4D</b>	1 3/8" Z21	-	157	21	95	-
4	600	5310	SA2	<b>4SA4F</b>	D8x32x38	-	157	21	95	-
-	600	5310	SAS2	<b>SAS4B</b>	1 3/8" Z6	1 3/8" Z6	157	21	95	38
-	600	5310	SAS2	<b>SAS4D</b>	1 3/8" Z21	1 3/8" Z21	157	21	95	38
-	600	5310	SAS2	<b>SAS4F</b>	D8x32x38	D8x32x38	157	21	95	38

**SA3/ SAS3 RATCHET TORQUE LIMITER  
(PUSH PIN)**

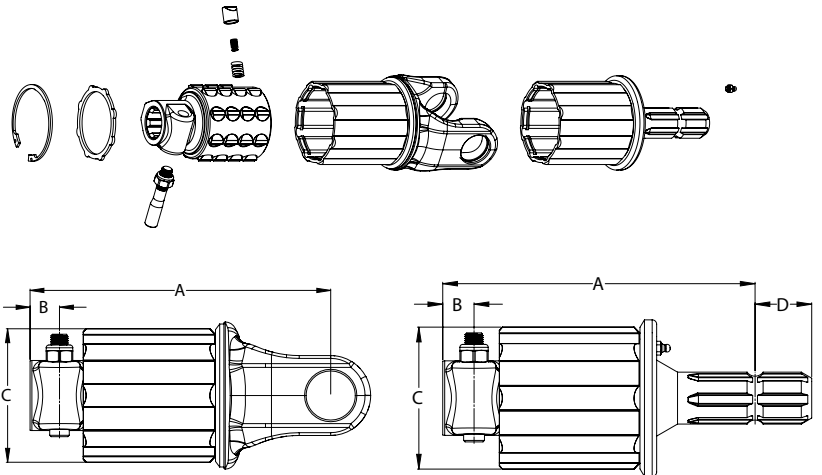
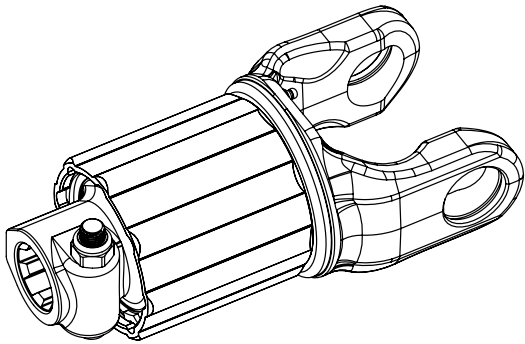


SERIE	MAX TORQUE		TYPE	CODE	SPLINE		A	B	C	D
	Nm	in.lb			FEMALE	MALE				
2	900	7965	SA3	<b>2SA5B</b>	1 3/8" Z6	-	169	21	95	-
2	900	7965	SA3	<b>2SA5D</b>	1 3/8" Z21	-	169	21	95	-
2	900	7965	SA3	<b>2SA5F</b>	D8x32x38	-	169	21	95	-
4	900	7965	SA3	<b>4SA5B</b>	1 3/8" Z6	-	177	21	95	-
4	900	7965	SA3	<b>4SA5D</b>	1 3/8" Z21	-	177	21	95	-
4	900	7965	SA3	<b>4SA5F</b>	D8x32x38	-	177	21	95	-
5	900	7965	SA3	<b>5SA5B</b>	1 3/8" Z6	-	181	21	95	-
5	900	7965	SA3	<b>5SA5D</b>	1 3/8" Z21	-	181	21	95	-
5	900	7965	SA3	<b>5SA5F</b>	D8x32x38	-	181	21	95	-
6	900	7965	SA3	<b>6SA5B</b>	1 3/8" Z6	-	188	21	95	-
6	900	7965	SA3	<b>6SA5D</b>	1 3/8" Z21	-	188	21	95	-
6	900	7965	SA3	<b>6SA5F</b>	D8x32x38	-	188	21	95	-
7	900	7965	SA3	<b>7SA5B</b>	1 3/8" Z6	-	198	21	95	-
7	900	7965	SA3	<b>7SA5D</b>	1 3/8" Z21	-	198	21	95	-
7	900	7965	SA3	<b>7SA5F</b>	D8x32x38	-	198	21	95	-
8	900	7965	SA3	<b>8SA5B</b>	1 3/8" Z6	-	188	21	95	-
8	900	7965	SA3	<b>8SA5D</b>	1 3/8" Z21	-	188	21	95	-
8	900	7965	SA3	<b>8SA5F</b>	D8x32x38	-	188	21	95	-
9	900	7965	SA3	<b>9SA5B</b>	1 3/8" Z6	-	198	21	95	-
9	900	7965	SA3	<b>9SA5D</b>	1 3/8" Z21	-	198	21	95	-
9	900	7965	SA3	<b>9SA5F</b>	D8x32x38	-	198	21	95	-
-	900	7965	SAS3	<b>SAS5B</b>	1 3/8" Z6	1 3/8" Z6	177	21	95	38
-	900	7965	SAS3	<b>SAS5D</b>	1 3/8" Z21	1 3/8" Z21	177	21	95	38
-	900	7965	SAS3	<b>SAS5F</b>	D8x32x38	D8x32x38	177	21	95	38

\* Serie 2, 4 with push pin

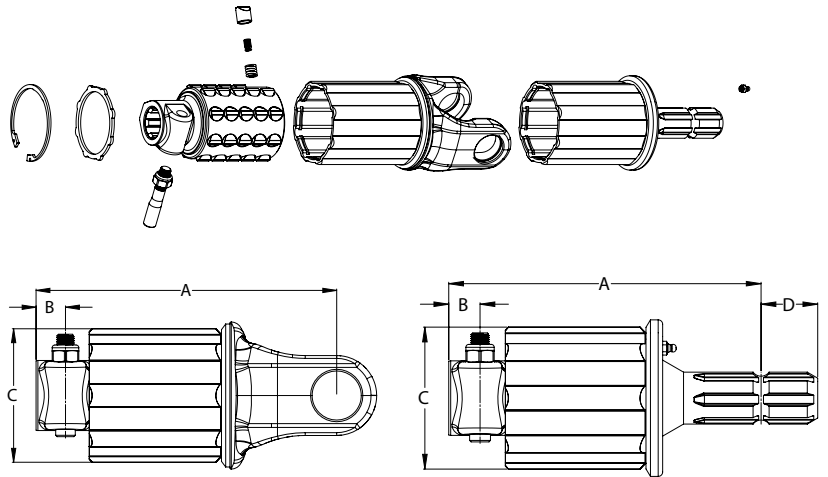
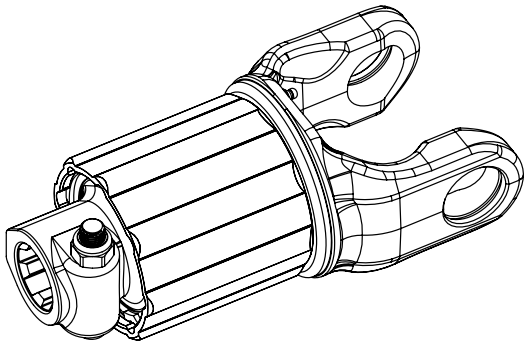
\* Serie 5,6,7,8,9 with taper pin

**SA4/ SAS4 RATCHET TORQUE LIMITER  
(TAPER PIN)**



SERIE	MAX TORQUE		TYPE	CODE	SPLINE		A	B	C	D
	Nm	in.lb			FEMALE	MALE				
4	1200	10620	SA4	<b>4SA6B</b>	1 3/8" Z6	-	197	24	95	-
4	1200	10620	SA4	<b>4SA6D</b>	1 3/8" Z21	-	197	24	95	-
4	1200	10620	SA4	<b>4SA6F</b>	D8x32x38	-	197	24	95	-
5	1200	10620	SA4	<b>5SA6B</b>	1 3/8" Z6	-	201	24	95	-
5	1200	10620	SA4	<b>5SA6D</b>	1 3/8" Z21	-	201	24	95	-
5	1200	10620	SA4	<b>5SA6F</b>	D8x32x38	-	201	24	95	-
6	1200	10620	SA4	<b>6SA6B</b>	1 3/8" Z6	-	208	24	95	-
6	1200	10620	SA4	<b>6SA6D</b>	1 3/8" Z21	-	208	24	95	-
6	1200	10620	SA4	<b>6SA6F</b>	D8x32x38	-	208	24	95	-
7	1200	10620	SA4	<b>7SA6B</b>	1 3/8" Z6	-	218	24	95	-
7	1200	10620	SA4	<b>7SA6D</b>	1 3/8" Z21	-	218	24	95	-
7	1200	10620	SA4	<b>7SA6F</b>	D8x32x38	-	218	24	95	-
8	1200	10620	SA4	<b>8SA6B</b>	1 3/8" Z6	-	208	24	95	-
8	1200	10620	SA4	<b>8SA6D</b>	1 3/8" Z21	-	208	24	95	-
8	1200	10620	SA4	<b>8SA6F</b>	D8x32x38	-	208	24	95	-
9	1200	10620	SA4	<b>9SA6B</b>	1 3/8" Z6	-	218	24	95	-
9	1200	10620	SA4	<b>9SA6D</b>	1 3/8" Z21	-	218	24	95	-
9	1200	10620	SA4	<b>9SA6F</b>	D8x32x38	-	218	24	95	-
-	1200	10620	SAS4	<b>SAS6B</b>	1 3/8" Z6	1 3/8" Z6	197	24	95	38
-	1200	10620	SAS4	<b>SAS6D</b>	1 3/8" Z21	1 3/8" Z21	197	24	95	38
-	1200	10620	SAS4	<b>SAS6F</b>	D8x32x38	D8x32x38	197	24	95	38

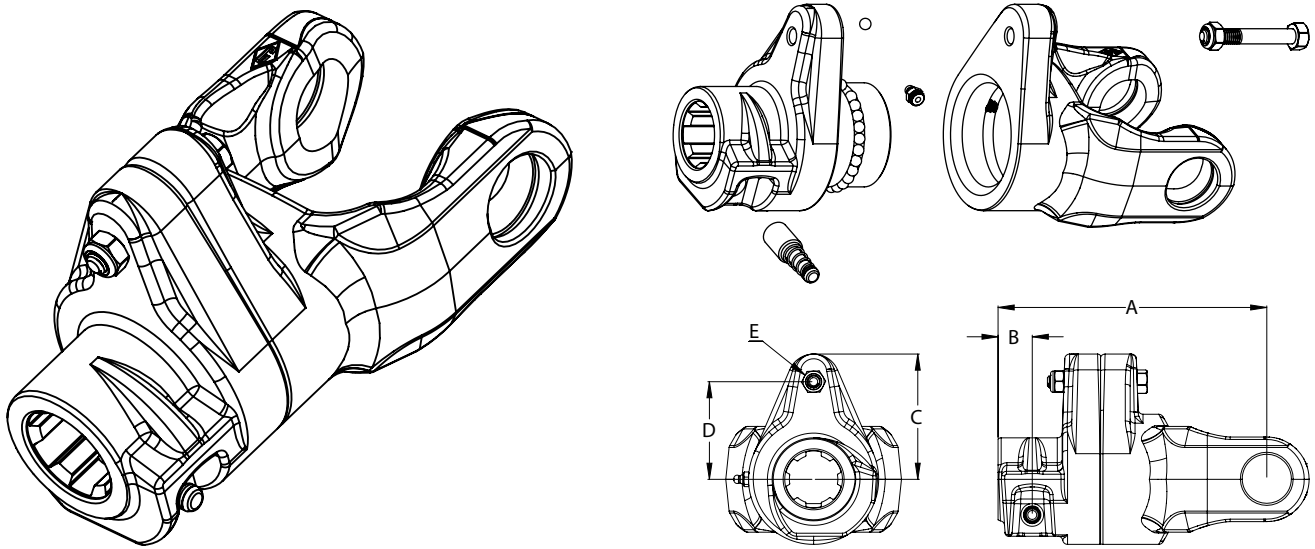
**SA5/ SAS5 RATCHET TORQUE LIMITER  
(TAPER PIN)**



SERIE	MAX TORQUE		TYPE	CODE	SPLINE		A	B	C	D
	Nm	in.lb			FEMALE	MALE				
5	1500	13275	SA5	<b>5SA7B</b>	1 3/8" Z6	-	221	24	95	-
5	1500	13275	SA5	<b>5SA7D</b>	1 3/8" Z21	-	221	24	95	-
5	1500	13275	SA5	<b>5SA7F</b>	D8x32x38	-	221	24	95	-
6	1500	13275	SA5	<b>6SA7B</b>	1 3/8" Z6	-	228	24	95	-
6	1500	13275	SA5	<b>6SA7D</b>	1 3/8" Z21	-	228	24	95	-
6	1500	13275	SA5	<b>6SA7F</b>	D8x32x38	-	228	24	95	-
7	1500	13275	SA5	<b>7SA7B</b>	1 3/8" Z6	-	238	24	95	-
7	1500	13275	SA5	<b>7SA7D</b>	1 3/8" Z21	-	238	24	95	-
7	1500	13275	SA5	<b>7SA7F</b>	D8x32x38	-	238	24	95	-
8	1500	13275	SA5	<b>8SA7B</b>	1 3/8" Z6	-	228	24	95	-
8	1500	13275	SA5	<b>8SA7D</b>	1 3/8" Z21	-	228	24	95	-
8	1500	13275	SA5	<b>8SA7F</b>	D8x32x38	-	228	24	95	-
9	1500	13275	SA5	<b>9SA7B</b>	1 3/8" Z6	-	238	24	95	-
9	1500	13275	SA5	<b>9SA7D</b>	1 3/8" Z21	-	238	24	95	-
9	1500	13275	SA5	<b>9SA7F</b>	D8x32x38	-	238	24	95	-
-	1500	13275	SAS5	<b>SAS7B</b>	1 3/8" Z6	1 3/8" Z6	217	24	95	38
-	1500	13275	SAS5	<b>SAS7D</b>	1 3/8" Z21	1 3/8" Z21	217	24	95	38
-	1500	13275	SAS5	<b>SAS7F</b>	D8x32x38	D8x32x38	217	24	95	38

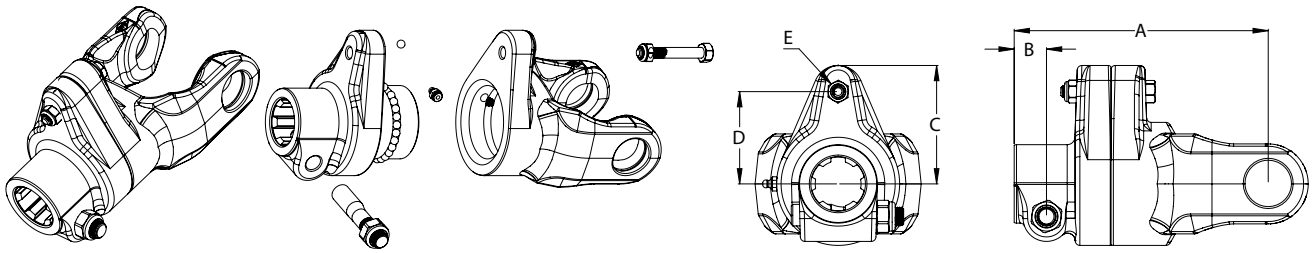


**S SHEAR BOLT TORQUE LIMITER  
(PUSH PIN)**



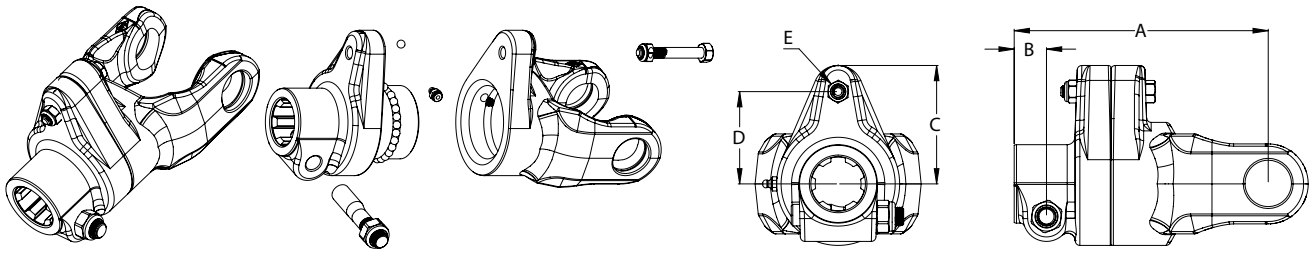
SERIE	MAX TORQUE		CODE	SPLINE	A	B	C	D	E
	Nm	in.lb							
1	650	5750	<b>1S01B</b>	1 3/8" Z6	102	21	68	37	M6x40
1	650	5750	<b>1S01D</b>	1 3/8" Z21	102	21	68	37	M6x40
1	650	5750	<b>1S01F</b>	D8x32x38	102	21	68	37	M6x40
1	780	6900	<b>1S02B</b>	1 3/8" Z6	102	21	68	45	M6x40
1	780	6900	<b>1S02D</b>	1 3/8" Z21	102	21	68	45	M6x40
1	780	6900	<b>1S02F</b>	D8x32x38	102	21	68	45	M6x40
2	950	8400	<b>2S03B</b>	1 3/8" Z6	109	21	68	55	M6x40
2	950	8400	<b>2S03D</b>	1 3/8" Z21	109	21	68	55	M6x40
2	950	8400	<b>2S03F</b>	D8x32x38	109	21	68	55	M6x40
2	1250	11060	<b>2S05B</b>	1 3/8" Z6	109	21	68	40	M8x45
2	1250	11060	<b>2S05D</b>	1 3/8" Z21	109	21	68	40	M8x45
2	1250	11060	<b>2S05F</b>	D8x32x38	109	21	68	40	M8x45
4	1050	9290	<b>4S04B</b>	1 3/8" Z6	115	21	68	60	M6x40
4	1050	9290	<b>4S04D</b>	1 3/8" Z21	115	21	68	60	M6x40
4	1050	9290	<b>4S04F</b>	D8x32x38	115	21	68	60	M6x40
4	1250	11060	<b>4S05B</b>	1 3/8" Z6	115	21	68	40	M8x45
4	1250	11060	<b>4S05D</b>	1 3/8" Z21	115	21	68	40	M8x45
4	1250	11060	<b>4S05F</b>	D8x32x38	115	21	68	40	M8x45
4	1400	12830	<b>4S06B</b>	1 3/8" Z6	115	21	68	45	M8x45
4	1400	12830	<b>4S06D</b>	1 3/8" Z21	115	21	68	45	M8x45
4	1400	12830	<b>4S06F</b>	D8x32x38	115	21	68	45	M8x45
4	1700	15040	<b>4S07B</b>	1 3/8" Z6	115	21	68	55	M8x45
4	1700	15040	<b>4S07D</b>	1 3/8" Z21	115	21	68	55	M8x45
4	1700	15040	<b>4S07F</b>	D8x32x38	115	21	68	55	M8x45

**S SHEAR BOLT TORQUE LIMITER  
(TAPER PIN)**



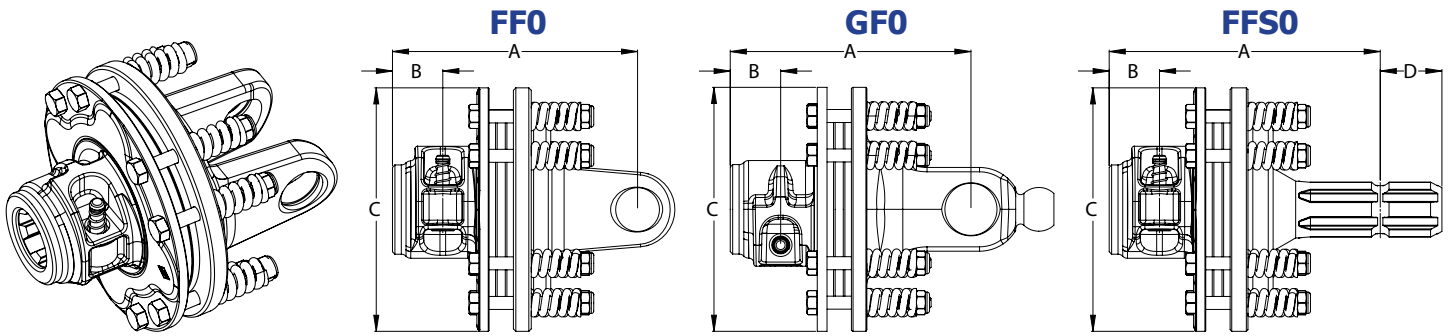
SERIE	MAX TORQUE		CODE	SPLINE	A	B	C	D	E
	Nm	in.lb							
5	2000	17700	<b>5S08B</b>	1 3/8" Z6	128	24	68	43	M10x50
5	2000	17700	<b>5S08C</b>	1 3/4" Z6	128	24	68	43	M10x50
5	2000	17700	<b>5S08D</b>	1 3/8" Z21	128	24	68	43	M10x50
5	2000	17700	<b>5S08E</b>	1 3/4" Z20	128	24	68	43	M10x50
5	2000	17700	<b>5S08F</b>	D8x32x38	128	24	68	43	M10x50
5	2400	21240	<b>5S09B</b>	1 3/8" Z6	128	24	80	50	M10x50
5	2400	21240	<b>5S09C</b>	1 3/4" Z6	128	24	80	50	M10x50
5	2400	21240	<b>5S09D</b>	1 3/8" Z21	128	24	80	50	M10x50
5	2400	21240	<b>5S09E</b>	1 3/4" Z20	128	24	80	50	M10x50
5	2400	21240	<b>5S09F</b>	D8x32x38	128	24	80	50	M10x50
6	2700	23890	<b>6S10B</b>	1 3/8" Z6	134	24	80	55	M10x50
6	2700	23890	<b>6S10C</b>	1 3/4" Z6	134	24	80	55	M10x50
6	2700	23890	<b>6S10D</b>	1 3/8" Z21	134	24	80	55	M10x50
6	2700	23890	<b>6S10E</b>	1 3/4" Z20	134	24	80	55	M10x50
6	2700	23890	<b>6S10F</b>	D8x32x38	134	24	80	55	M10x50
6	3100	27430	<b>6S11B</b>	1 3/8" Z6	134	24	80	65	M10x50
6	3100	27430	<b>6S11C</b>	1 3/4" Z6	134	24	80	65	M10x50
6	3100	27430	<b>6S11D</b>	1 3/8" Z21	134	24	80	65	M10x50
6	3100	27430	<b>6S11E</b>	1 3/4" Z20	134	24	80	65	M10x50
6	3100	27430	<b>6S11F</b>	D8x32x38	134	24	80	65	M10x50
8	2700	23890	<b>8S10B</b>	1 3/8" Z6	137	24	80	55	M10x50
8	2700	23890	<b>8S10C</b>	1 3/4" Z6	137	24	80	55	M10x50
8	2700	23890	<b>8S10D</b>	1 3/8" Z21	137	24	80	55	M10x50
8	2700	23890	<b>8S10E</b>	1 3/4" Z20	137	24	80	55	M10x50
8	2700	23890	<b>8S10F</b>	D8x32x38	137	24	80	55	M10x50
8	3100	27430	<b>8S11B</b>	1 3/8" Z6	137	24	80	65	M10x50
8	3100	27430	<b>8S11C</b>	1 3/4" Z6	137	24	80	65	M10x50
8	3100	27430	<b>8S11D</b>	1 3/8" Z21	137	24	80	65	M10x50
8	3100	27430	<b>8S11E</b>	1 3/4" Z20	137	24	80	65	M10x50
8	3100	27430	<b>8S11F</b>	D8x32x38	137	24	80	65	M10x50
8	3500	30970	<b>8S12B</b>	1 3/8" Z6	137	24	80	50	M12x55
8	3500	30970	<b>8S12C</b>	1 3/4" Z6	137	24	80	50	M12x55
8	3500	30970	<b>8S12D</b>	1 3/8" Z21	137	24	80	50	M12x55
8	3500	30970	<b>8S12E</b>	1 3/4" Z20	137	24	80	50	M12x55
8	3500	30970	<b>8S12F</b>	D8x32x38	137	24	80	50	M12x55
8	4200	37170	<b>8S13B</b>	1 3/8" Z6	137	24	80	60	M12x55
8	4200	37170	<b>8S13C</b>	1 3/4" Z6	137	24	80	60	M12x55
8	4200	37170	<b>8S13D</b>	1 3/8" Z21	137	24	80	60	M12x55
8	4200	37170	<b>8S13E</b>	1 3/4" Z20	137	24	80	60	M12x55
8	4200	37170	<b>8S13F</b>	D8x32x38	137	24	80	60	M12x55

**S SHEAR BOLT TORQUE LIMITER  
(TAPER PIN)**



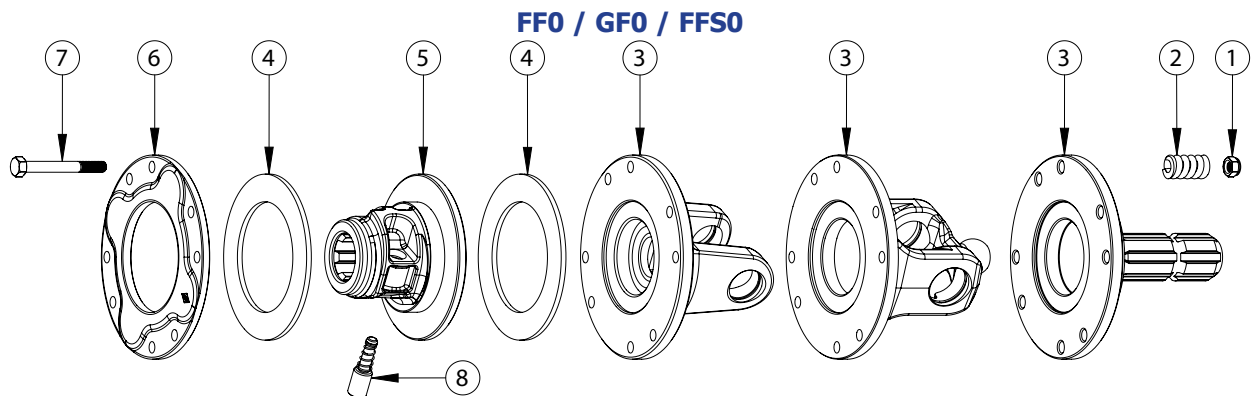
SERIE	MAX TORQUE		CODE	SPLINE	A	B	C	D	E
	Nm	in.lb							
9	3100	27430	<b>9S11B</b>	1 3/8" Z6	143	24	80	65	M10x50
9	3100	27430	<b>9S11C</b>	1 3/4" Z6	143	24	80	65	M10x50
9	3100	27430	<b>9S11D</b>	1 3/8" Z21	143	24	80	65	M10x50
9	3100	27430	<b>9S11E</b>	1 3/4" Z20	143	24	80	65	M10x50
9	3100	27430	<b>9S11F</b>	D8x32x38	143	24	80	65	M10x50
9	3500	30970	<b>9S12B</b>	1 3/8" Z6	143	24	80	50	M12x55
9	3500	30970	<b>9S12C</b>	1 3/4" Z6	143	24	80	50	M12x55
9	3500	30970	<b>9S12D</b>	1 3/8" Z21	143	24	80	50	M12x55
9	3500	30970	<b>9S12E</b>	1 3/4" Z20	143	24	80	50	M12x55
9	3500	30970	<b>9S12F</b>	D8x32x38	143	24	80	50	M12x55
9	4200	37170	<b>9S13B</b>	1 3/8" Z6	143	24	80	60	M12x55
9	4200	37170	<b>9S13C</b>	1 3/4" Z6	143	24	80	60	M12x55
9	4200	37170	<b>9S13D</b>	1 3/8" Z21	143	24	80	60	M12x55
9	4200	37170	<b>9S13E</b>	1 3/4" Z20	143	24	80	60	M12x55
9	4200	37170	<b>9S13F</b>	D8x32x38	143	24	80	60	M12x55
J	4200	37170	<b>JS13B</b>	1 3/8" Z6	149	24	80	60	M12x70
J	4200	37170	<b>JS13C</b>	1 3/4" Z6	149	24	80	60	M12x70
J	4200	37170	<b>JS13D</b>	1 3/8" Z21	149	24	80	60	M12x70
J	4200	37170	<b>JS13E</b>	1 3/4" Z20	149	24	80	60	M12x70
J	4200	37170	<b>JS13F</b>	D8x32x38	149	24	80	60	M12x70
J	4500	39830	<b>JS14B</b>	1 3/8" Z6	149	24	80	65	M12x70
J	4500	39830	<b>JS14C</b>	1 3/4" Z6	149	24	80	65	M12x70
J	4500	39830	<b>JS14D</b>	1 3/8" Z21	149	24	80	65	M12x70
J	4500	39830	<b>JS14E</b>	1 3/4" Z20	149	24	80	65	M12x70
J	4500	39830	<b>JS14F</b>	D8x32x38	149	24	80	65	M12x70
J	5200	46020	<b>JS15B</b>	1 3/8" Z6	149	24	80	55	M14x70
J	5200	46020	<b>JS15C</b>	1 3/4" Z6	149	24	80	55	M14x70
J	5200	46020	<b>JS15D</b>	1 3/8" Z21	149	24	80	55	M14x70
J	5200	46020	<b>JS15E</b>	1 3/4" Z20	149	24	80	55	M14x70
J	5200	46020	<b>JS15F</b>	D8x32x38	149	24	80	55	M14x70

## 2 FRICTION LIMITER CLUTCH



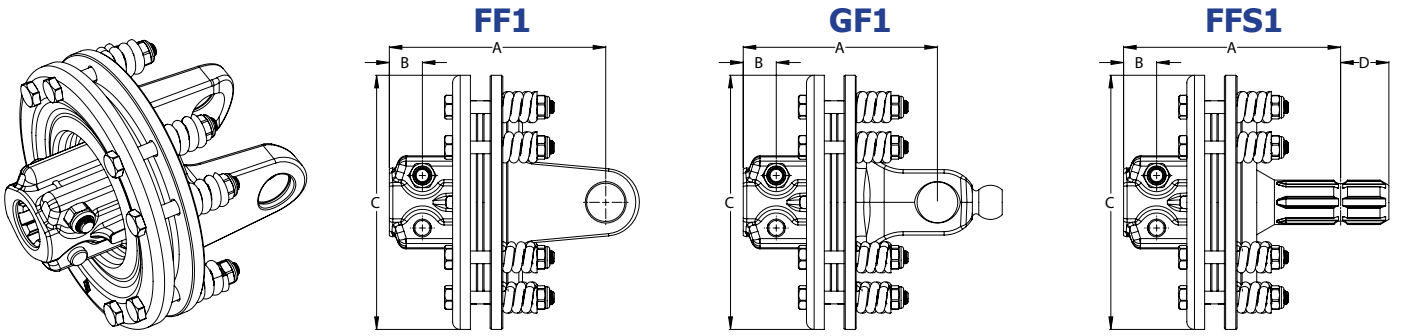
SERIE	MAX TORQUE		TYPE	CODE	SPLINE		A	B	C	D
	Nm	in.lb			FEMALE	MALE				
4	650	5750	FF0	<b>4FF0B</b>	1 3/8" Z6	-	151	31	Ø150	-
4	650	5750	FF0	<b>4FF0D</b>	1 3/8" Z21	-	151	31	Ø150	-
4	650	5750	FF0	<b>4FF0F</b>	D8x32x38	-	151	31	Ø150	-
4G	650	5750	GF0	<b>4GF0B</b>	1 3/8" Z6	-	148	31	Ø150	-
4G	650	5750	GF0	<b>4GF0D</b>	1 3/8" Z21	-	148	31	Ø150	-
4G	650	5750	GF0	<b>4GF0F</b>	D8x32x38	-	148	31	Ø150	-
-	650	5750	FF0	<b>FFS0B</b>	1 3/8" Z6	1 3/8" Z6	151	31	Ø150	38
-	650	5750	FF0	<b>FFS0D</b>	1 3/8" Z21	1 3/8" Z21	151	31	Ø150	38
-	650	5750	FF0	<b>FFS0F</b>	D8x32x38	D8x32x38	151	31	Ø150	38

## 2 FRICTION LIMITER CLUTCH SPARE PARTS



REF	SERIE	QUANTITY	CODE	DESIGNATION	TECHNICAL DATA
1	-	8	<b>985x10</b>	NYLON INSERT NUT	DIN 985 M10
2	-	8	<b>FF02</b>	SPRING	Ø18x38x4,5
3	-	1	<b>FFS0B3</b>	FLANGE WITH SHAFT	1 3/8" Z6 - Ø150
3	4G	1	<b>GF034</b>	FLANGE WITH BRIDGE YOKE	Ø27x74,6 - Ø150
3	4	1	<b>FF034</b>	FLANGE YOKE	Ø27x74,6 - Ø150
4	-	2	<b>FF04</b>	FRICTION DISK	Ø122x82x4
5	-	1	<b>FF0B5</b>	FLANGE HUB FOR PUSH PIN	1 3/8" Z6
6	-	1	<b>FF06</b>	PRESSURE PLATE	Ø150
7	-	8	<b>M8x70</b>	HEXAGON BOLT	DIN 931 M8x70
8	-	1	<b>00.02.01</b>	PUSH PIN	-

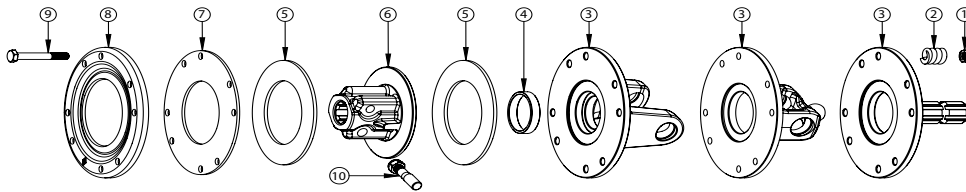
## 2 FRICTION LIMITER CLUTCH



SERIE	MAX TORQUE		TYPE	CODE	SPLINE		A	B	C	D
	Nm	in.lb			FEMALE	MALE				
5	900	7965	FF1	<b>5FF1B</b>	1 3/8" Z6	-	155	26	Ø180	-
5	900	7965	FF1	<b>5FF1C</b>	1 3/4" Z6	-	171	26	Ø180	-
5	900	7965	FF1	<b>5FF1D</b>	1 3/8" Z21	-	155	26	Ø180	-
5	900	7965	FF1	<b>5FF1E</b>	1 3/4" Z20	-	171	26	Ø180	-
5	900	7965	FF1	<b>5FF1F</b>	D8x32x38	-	155	26	Ø180	-
6	900	7965	FF1	<b>6FF1B</b>	1 3/8" Z6	-	165	26	Ø180	-
6	900	7965	FF1	<b>6FF1C</b>	1 3/4" Z6	-	181	26	Ø180	-
6	900	7965	FF1	<b>6FF1D</b>	1 3/8" Z21	-	165	26	Ø180	-
6	900	7965	FF1	<b>6FF1E</b>	1 3/4" Z20	-	181	26	Ø180	-
6	900	7965	GF1	<b>6FF1F</b>	D8x32x38	-	165	26	Ø180	-
6G	900	7965	GF1	<b>6GF1B</b>	1 3/8" Z6	-	165	26	Ø180	-
6G	900	7965	GF1	<b>6GF1C</b>	1 3/4" Z6	-	181	26	Ø180	-
6G	900	7965	GF1	<b>6GF1D</b>	1 3/8" Z21	-	165	26	Ø180	-
6G	900	7965	GF1	<b>6GF1E</b>	1 3/4" Z20	-	181	26	Ø180	-
6G	900	7965	GF1	<b>6GF1F</b>	D8x32x38	-	165	26	Ø180	-
-	900	7965	FF1	<b>FFS1B</b>	1 3/8" Z6	1 3/8" Z6	169	26	Ø180	38
-	900	7965	FF1	<b>FFS1D</b>	1 3/8" Z21	1 3/8" Z21	169	26	Ø180	38
-	900	7965	FF1	<b>FFS1F</b>	D8x32x38	D8x32x38	169	26	Ø180	38

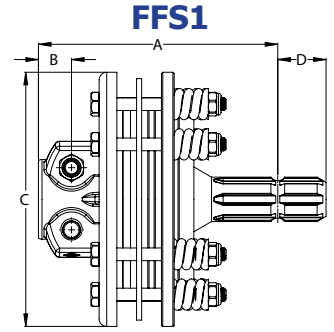
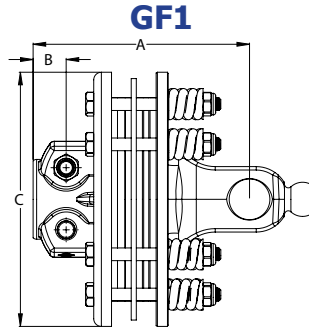
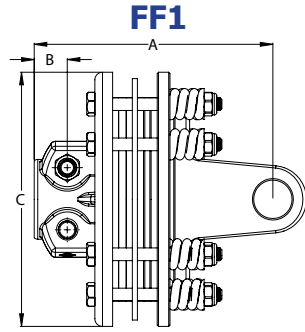
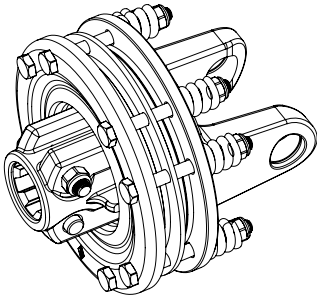
## 2 FRICTION LIMITER CLUTCH SPARE PARTS

### FF1 / GF1 / FFS1



REF	SERIE	QUANTITY	CODE	DESIGNATION	TECHNICAL DATA
1	-	8	<b>985x10</b>	NYLON INSERT NUT	DIN 985 M10
2	-	8	<b>FF12</b>	SPRING	Ø24x36x6
3	-	1	<b>FFS1B3</b>	FLANGE WITH SHAFT	1 3/8" Z6 - Ø180
3	6G	1	<b>GF136</b>	KÜRELİ FLANŞLI MAFSAL / FLANGE WITH BRIDGE YOKE	Ø32x76-Ø180
3	5	1	<b>FF135</b>	FLANŞLI MAFSAL / FLANGE YOKE	Ø30,2x79,4 - Ø180
3	6	1	<b>FF136</b>	FLANŞLI MAFSAL / FLANGE YOKE	Ø30,2x92 - Ø180
4	-	1	<b>FF14</b>	YATAK / RING	64x56x13
5	-	2	<b>FF15</b>	BALATA / FRICTION DISK	Ø140x87x4,8
6	-	1	<b>FF1B6</b>	KONİK CİVATA SIKMALI PORYA / FLANGE HUB FOR TAPER PIN	1 3/8" Z6
7	-	1	<b>FF17</b>	ARA DİSK / INNER PLATE	Ø170
8	-	1	<b>FF19</b>	ESNEK FLANŞ / PRESSURE PLATE	Ø180
9	-	8	<b>M10x80</b>	CİVATA / HEXAGON BOLT	DIN 931 M10x80
10	-	2	<b>KC12</b>	KONİK CİVATA / TAPER PIN	M12

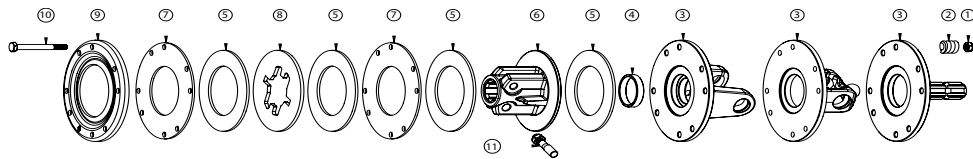
### 4 FRICTION LIMITER CLUTCH



SERIE	MAX TORQUE		TYPE	CODE	SPLINE		A	B	C	D
	Nm	in.lb			FEMALE	MALE				
5	1200	10620	FF1	5FF2B	1 3/8" Z6	-	155	26	Ø180	-
5	1200	10620	FF1	5FF2C	1 3/4" Z6	-	171	26	Ø180	-
5	1200	10620	FF1	5FF2D	1 3/8" Z21	-	155	26	Ø180	-
5	1200	10620	FF1	5FF2E	1 3/4" Z20	-	171	26	Ø180	-
5	1200	10620	FF1	5FF2F	D8x32x38	-	155	26	Ø180	-
6	1200	10620	FF1	6FF2B	1 3/8" Z6	-	165	26	Ø180	-
6	1200	10620	FF1	6FF2C	1 3/4" Z6	-	181	26	Ø180	-
6	1200	10620	FF1	6FF2D	1 3/8" Z21	-	165	26	Ø180	-
6	1200	10620	FF1	6FF2E	1 3/4" Z20	-	181	26	Ø180	-
6	1200	10620	FF1	6FF2F	D8x32x38	-	165	26	Ø180	-
6G	1200	10620	GF1	6GF2B	1 3/8" Z6	-	169	26	Ø180	-
6G	1200	10620	GF1	6GF2C	1 3/4" Z6	-	185	26	Ø180	-
6G	1200	10620	GF1	6GF2D	1 3/8" Z21	-	169	26	Ø180	-
6G	1200	10620	GF1	6GF2E	1 3/4" Z20	-	185	26	Ø180	-
6G	1200	10620	GF1	6GF2F	D8x32x38	-	169	26	Ø180	-
-	1200	10620	FF2	FFS2B	1 3/8" Z6	1 3/8" Z6	169	26	Ø180	38
-	1200	10620	FF2	FFS2D	1 3/8" Z21	1 3/8" Z21	169	26	Ø180	38
-	1200	10620	FF2	FFS2F	D8x32x38	D8x32x38	169	26	Ø180	38

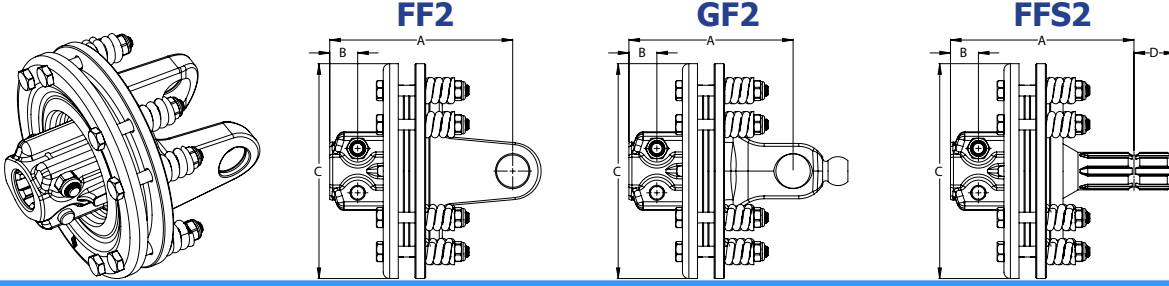
### 4 FRICTION LIMITER CLUTCH SPARE PARTS

#### FF1 / GF1 / FFS1



REF	SERIE	QUANTITY	CODE	DESIGNATION	TECHNICAL DATA
1	-	8	985x10	NYLON INSERT NUT	DIN 985 M10
2	-	8	FF12	SPRING	Ø24x36x6
3	-	1	FFS1B3	FLANGE WITH SHAFT	1 3/8" Z6 - Ø180
3	6G	1	GF136	FLANGE WITH BRIDGE YOKE	Ø32x76 - Ø180
3	5	1	FF135	FLANGE YOKE	Ø30,2x79,4 - Ø180
3	6	1	FF136	FLANGE YOKE	Ø30,2x92 - Ø180
4	-	1	FF14	RING	64x56x13
5	-	4	FF15	FRICTION DISK	Ø140x87x4,8
6	-	1	FF1B6	FLANGE HUB FOR TAPER PIN	1 3/8" Z6 - Ø140
7	-	2	FF17	INNER PLATE	Ø170
8	-	1	FF18	SHAPED FLANGE	Ø140
9	-	1	FF19	PRESSURE PLATE	Ø180
10	-	8	M10x80	HEXAGON BOLT	DIN 931 M10x80
11	-	2	KC12	TAPER PIN	M12

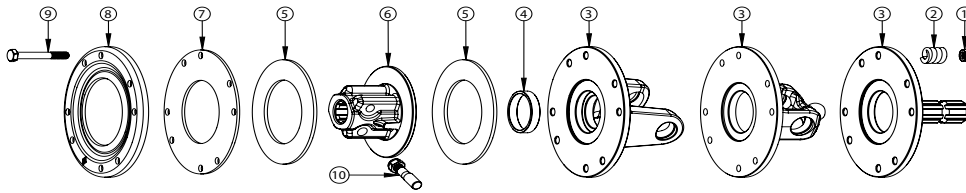
## 2 FRICTION LIMITER CLUTCH



SERIE	MAX TORQUE		TYPE	CODE	SPLINE		A	B	C	D
	Nm	in.lb			FEMALE	MALE				
7	1200	10620	FF2	7FF2B	1 3/8" Z6	-	171	26	Ø200	-
7	1200	10620	FF2	7FF2C	1 3/4" Z6	-	187	26	Ø200	-
7	1200	10620	FF2	7FF2D	1 3/8" Z21	-	171	26	Ø200	-
7	1200	10620	FF2	7FF2E	1 3/4" Z20	-	187	26	Ø200	-
7	1200	10620	FF2	7FF2F	D8x32x38	-	171	26	Ø200	-
8	1200	10620	FF2	8FF2B	1 3/8" Z6	-	165	26	Ø200	-
8	1200	10620	FF2	8FF2C	1 3/4" Z6	-	181	26	Ø200	-
8	1200	10620	FF2	8FF2D	1 3/8" Z21	-	165	26	Ø200	-
8	1200	10620	FF2	8FF2E	1 3/4" Z20	-	181	26	Ø200	-
8	1200	10620	FF2	8FF2F	D8x32x38	-	165	26	Ø200	-
9	1200	10620	FF2	9FF2B	1 3/8" Z6	-	171	26	Ø200	-
9	1200	10620	FF2	9FF2C	1 3/4" Z6	-	187	26	Ø200	-
9	1200	10620	FF2	9FF2D	1 3/8" Z21	-	171	26	Ø200	-
9	1200	10620	FF2	9FF2E	1 3/4" Z20	-	187	26	Ø200	-
9	1200	10620	FF2	9FF2F	D8x32x38	-	171	26	Ø200	-
8G	1200	10620	GF2	8GF2B	1 3/8" Z6	-	165	26	Ø200	-
8G	1200	10620	GF2	8GF2C	1 3/4" Z6	-	181	26	Ø200	-
8G	1200	10620	GF2	8GF2D	1 3/8" Z21	-	165	26	Ø200	-
8G	1200	10620	GF2	8GF2E	1 3/4" Z20	-	181	26	Ø200	-
8G	1200	10620	GF2	8GF2F	D8x32x38	-	165	26	Ø200	-
-	1200	10620	FF2	FFS2B	1 3/8" Z6	1 3/8" Z6	171	26	Ø200	38
-	1200	10620	FF2	FFS2D	1 3/8" Z21	1 3/8" Z21	171	26	Ø200	38
-	1200	10620	FF2	FFS2F	D8x32x38	D8x32x38	171	26	Ø200	38

## 4 FRICTION LIMITER CLUTCH SPARE PARTS

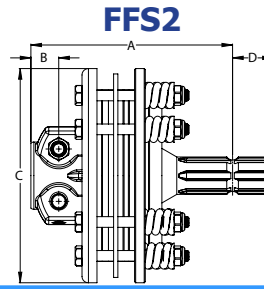
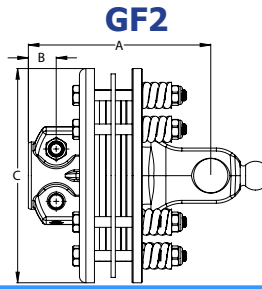
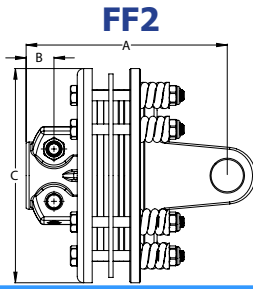
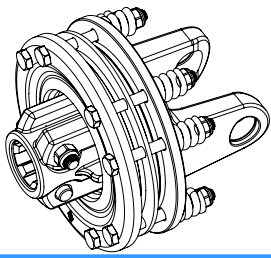
### FF2 / GF2 / FFS2



REF	SERIE	QUANTITY	CODE	DESIGNATION	TECHNICAL DATA
1	-	8	985x10	FİBERLİ SOMUN / NYLON INSERT NUT	DIN 985 M10
2	-	8	FF22	YAY / SPRING	Ø24x36x6,5
3	-	1	FFS2B3	MİLLİ FLANŞ / FLANGE WITH SHAFT	1 3/8" Z6 - Ø200
3	8G	1	GF238	KÜRELİ FLANŞLI MAFSAL / FLANGE WITH BRIDGE YOKE	Ø36x89 - Ø200
3	7	1	FF237	FLANŞLI MAFSAL / FLANGE YOKE	Ø30,2x106,3 - Ø200
3	8	1	FF238	FLANŞLI MAFSAL / FLANGE YOKE	Ø35x93,5 - Ø200
3	9	1	FF239	FLANŞLI MAFSAL / FLANGE YOKE	Ø35x106,3 - Ø200
3	J	1	FF23J	FLANŞLI MAFSAL / FLANGE YOKE	Ø41x118 - Ø200
4	-	1	FF24	YATAK / RING	64x56x13
5	-	2	FF25	BALATA / FRICTION DISK	Ø160x97x4,8
6	-	1	FF2B6	KONİK ÇİVATA SIKMALI PORYA / FLANGE HUB FOR TAPER PIN	1 3/8" Z6 - Ø160
7	-	1	FF27	ARA DİSK / INNER PLATE	Ø190
8	-	1	FF29	ESNEK FLANŞ / PRESSURE PLATE	Ø200
9	-	8	M10x80	ÇİVATA / HEXAGON BOLT	DIN 931 M10x80
10	-	2	KC12	KONİK ÇİVATA / TAPER PIN	M12



## 4 FRICTION LIMITER CLUTCH

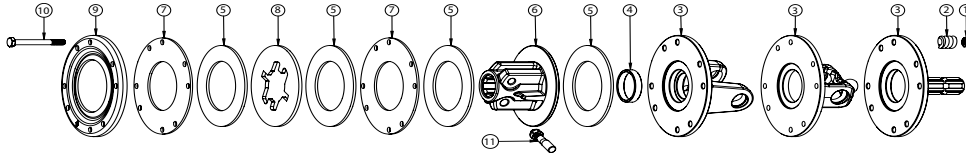


SERIE	MAX TORQUE		TYPE	CODE	SPLINE		A	B	C	D
	Nm	in.lb			FEMALE	MALE				
7	1450	12830	FF2	7FF3B	1 3/8" Z6	-	171	26	Ø200	-
7	1450	12830	FF2	7FF3C	1 3/4" Z6	-	187	26	Ø200	-
7	1450	12830	FF2	7FF3D	1 3/8" Z21	-	171	26	Ø200	-
7	1450	12830	FF2	7FF3E	1 3/4" Z20	-	187	26	Ø200	-
7	1450	12830	FF2	7FF3F	D8x32x38	-	171	26	Ø200	-
7	2400	21240	FF2	7FF4B	1 3/8" Z6	-	171	26	Ø200	-
7	2400	21240	FF2	7FF4C	1 3/4" Z6	-	187	26	Ø200	-
7	2400	21240	FF2	7FF4D	1 3/8" Z21	-	171	26	Ø200	-
7	2400	21240	FF2	7FF4E	1 3/4" Z20	-	187	26	Ø200	-
7	2400	21240	FF2	7FF4F	D8x32x38	-	171	26	Ø200	-
8	1450	12830	FF2	8FF3B	1 3/8" Z6	-	165	26	Ø200	-
8	1450	12830	FF2	8FF3C	1 3/4" Z6	-	181	26	Ø200	-
8	1450	12830	FF2	8FF3D	1 3/8" Z21	-	165	26	Ø200	-
8	1450	12830	FF2	8FF3E	1 3/4" Z20	-	181	26	Ø200	-
8	1450	12830	FF2	8FF3F	D8x32x38	-	165	26	Ø200	-
8	2400	21240	FF2	8FF4B	1 3/8" Z6	-	165	26	Ø200	-
8	2400	21240	FF2	8FF4C	1 3/4" Z6	-	181	26	Ø200	-
8	2400	21240	FF2	8FF4D	1 3/8" Z21	-	165	26	Ø200	-
8	2400	21240	FF2	8FF4E	1 3/4" Z20	-	181	26	Ø200	-
8	2400	21240	FF2	8FF4F	D8x32x38	-	165	26	Ø200	-
9	1450	12830	FF2	9FF3B	1 3/8" Z6	-	171	26	Ø200	-
9	1450	12830	FF2	9FF3C	1 3/4" Z6	-	187	26	Ø200	-
9	1450	12830	FF2	9FF3D	1 3/8" Z21	-	171	26	Ø200	-
9	1450	12830	FF2	9FF3E	1 3/4" Z20	-	187	26	Ø200	-
9	1450	12830	FF2	9FF3F	D8x32x38	-	171	26	Ø200	-
9	2400	21240	FF2	9FF4B	1 3/8" Z6	-	171	26	Ø200	-
9	2400	21240	FF2	9FF4C	1 3/4" Z6	-	187	26	Ø200	-
9	2400	21240	FF2	9FF4D	1 3/8" Z21	-	171	26	Ø200	-
9	2400	21240	FF2	9FF4E	1 3/4" Z20	-	187	26	Ø200	-
9	2400	21240	FF2	9FF4F	D8x32x38	-	171	26	Ø200	-
J	2400	21240	FF4	JFF4B	1 3/8" Z6	-	171	26	Ø200	-
J	2400	21240	FF4	JFF4C	1 3/4" Z6	-	187	26	Ø200	-
J	2400	21240	FF4	JFF4D	1 3/8" Z21	-	171	26	Ø200	-
J	2400	21240	FF4	JFF4E	1 3/4" Z20	-	187	26	Ø200	-
J	2400	21240	FF4	JFF4F	D8x32x38	-	171	26	Ø200	-
8G	2400	21240	GF4	8GF4B	1 3/8" Z6	-	165	26	Ø200	-
8G	2400	21240	GF4	8GF4C	1 3/4" Z6	-	181	26	Ø200	-
8G	2400	21240	GF4	8GF4D	1 3/8" Z21	-	165	26	Ø200	-
8G	2400	21240	GF4	8GF4E	1 3/4" Z20	-	181	26	Ø200	-
8G	2400	21240	GF4	8GF4F	D8x32x38	-	165	26	Ø200	-
-	1450	12830	FF2	FFS3B	1 3/8" Z6	1 3/8" Z6	171	26	Ø180	38
-	1450	12830	FF2	FFS3D	1 3/8" Z21	1 3/8" Z21	171	26	Ø180	38
-	1450	12830	FF2	FFS3F	D8x32x38	D8x32x38	171	26	Ø180	38
-	2400	21240	FF2	FFS4B	1 3/8" Z6	1 3/8" Z6	171	26	Ø200	38
-	2400	21240	FF2	FFS4D	1 3/8" Z21	1 3/8" Z21	171	26	Ø200	38
-	2400	21240	FF2	FFS4F	D8x32x38	D8x32x38	171	26	Ø200	38



**4 FRICTION LIMITER CLUTCH SPARE PARTS**

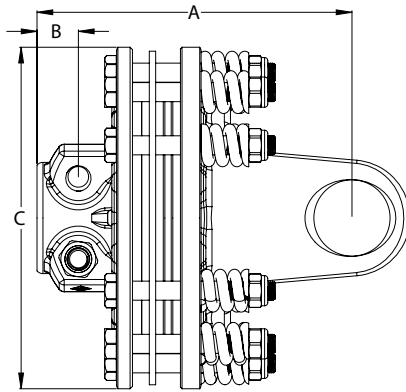
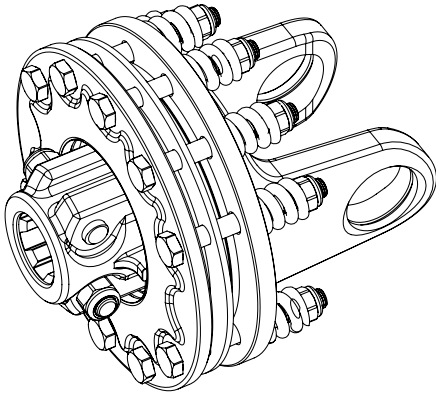
**FF2 / GF2 / FFS2**



REF	SERIE	QUANTITY	CODE	DESIGNATION	TECHNICAL DATA
1	-	8	985x10	NYLON INSERT NUT	DIN 985 M10
2	-	8	FF22	SPRING	Ø24x36x6,5
3	-	1	FFS2B3	FLANGE WITH SHAFT	1 3/8" Z6 - Ø200
3	8G	1	GF238	FLANGE WITH BRIDGE	Ø36x89 - Ø200
				YOKE	
3	7	1	FF237	FLANGE YOKE	Ø30,2x106,3 - Ø200
3	8	1	FF238	FLANGE YOKE	Ø35x93,5 - Ø200
3	9	1	FF239	FLANGE YOKE	Ø35x106,3 - Ø200
3	J	1	FF23J	FLANGE YOKE	Ø41x118 - Ø200
4	-	1	FF24	RING	Ø64x56x13
5	-	4	FF25	FRICTION DISK	Ø160x97x4,8
6	-	1	FF2B6	FLANGE HUB FOR	1 3/8" Z6 - Ø160
				TAPER PIN	
7	-	2	FF27	INNER PLATE	Ø190
8	-	1	FF28	SHAPED FLANGE	Ø160
9	-	1	FF29	PRESSURE PLATE	Ø200
10	-	8	M10x100	HEXAGON BOLT	DIN 931 M10x100
11	-	2	KC12	TAPER PIN	M12

## 4 FRICTION LIMITER CLUTCH

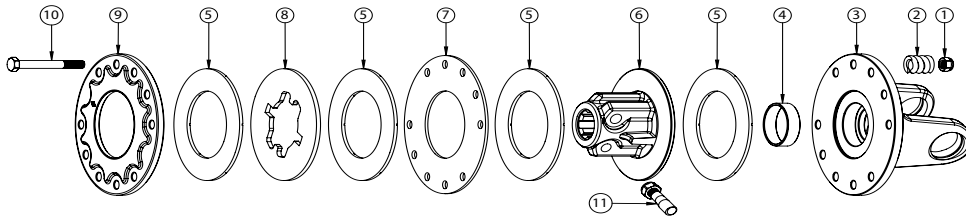
### FF5



SERIE	MAX TORQUE		TYPE	CODE	SPLINE		A	B	C
	Nm	in.lb			FEMALE	MALE			
L	3200	28320	FF5	<b>LFF5C</b>	1 3/4" Z6	-	198	26	Ø215
L	3200	28320	FF5	<b>LFF5E</b>	1 3/4" Z20	-	198	26	Ø215

## 4 FRICTION LIMITER CLUTCH SPARE PARTS

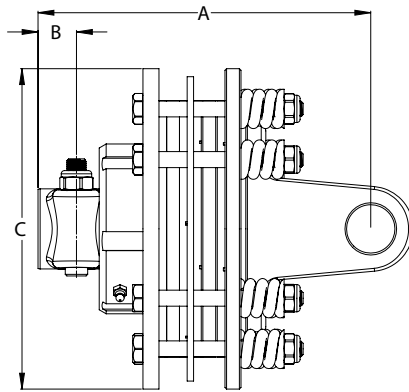
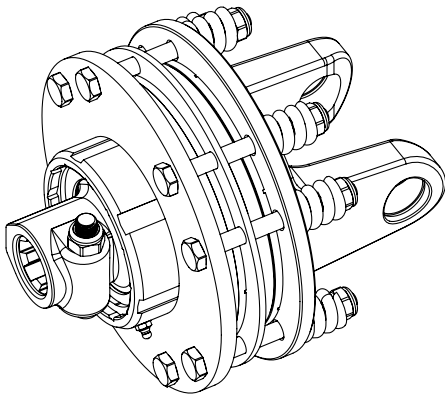
### FF5



REF	SERIE	QUANTITY	CODE	DESIGNATION	TECHNICAL DATA
1	-	10	<b>985x12</b>	NYLON INSERT NUT	DIN 985 M12
2	-	10	<b>FF52</b>	SPRING	Ø27x40x7,5
3	L	1	<b>FF53L</b>	FLANGE YOKE	Ø48x116 - Ø215
4	-	1	<b>FF54</b>	RING	Ø65x59x18
5	-	4	<b>FF55</b>	FRICTION DISK	Ø170x102x4,8
6	-	1	<b>FF5C6</b>	FLANGE HUB FOR TAPER PIN	1 3/4" Z6 - Ø170
7	-	1	<b>FF57</b>	INNER PLATE	Ø215
8	-	1	<b>FF58</b>	SHAPED FLANGE	Ø170
9	-	1	<b>FF59</b>	PRESSURE PLATE	Ø215
10	-	10	<b>M12x100</b>	HEXAGON BOLT	DIN 931 M12x100
11	-	2	<b>KC14</b>	TAPER PIN	M14

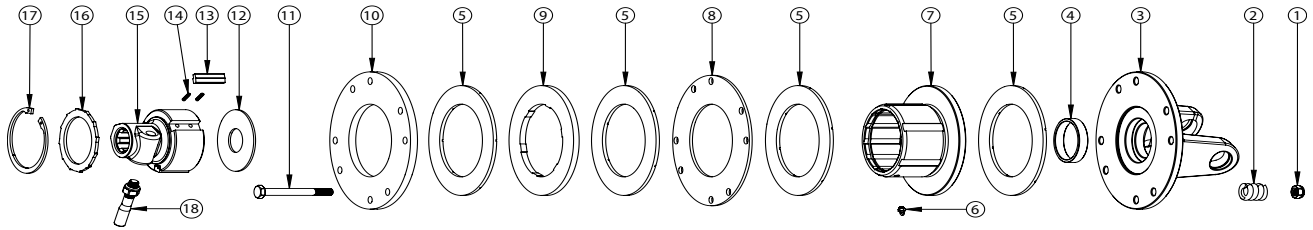
**CR1 / CL1  
FRICTION DISC OVERRUNNING CLUTCH**

**CR1 / CL1**



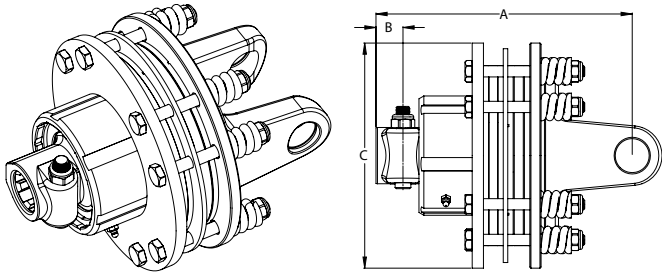
SERIE	MAX TORQUE		TYPE	ROTATION	CODE	SPLINE	A	B	C
	Nm	in.lb							
5	1200	10620	CR1	R	5CR1B	1 3/8" Z6	220	26	Ø180
5	1200	10620	CR1	R	5CR1D	1 3/8" Z6	220	26	Ø180
5	1200	10620	CR1	R	5CR1F	D8x32x38	220	26	Ø180
5	1200	10620	CL1	L	5CL1B	1 3/8" Z6	220	26	Ø180
5	1200	10620	CL1	L	5CL1D	1 3/8" Z6	220	26	Ø180
5	1200	10620	CL1	L	5CL1F	D8x32x38	220	26	Ø180
5	1450	12830	CR1	R	5CR2B	1 3/8" Z6	220	26	Ø180
5	1450	12830	CR1	R	5CR2D	1 3/8" Z6	220	26	Ø180
5	1450	12830	CR1	R	5CR2F	D8x32x38	220	26	Ø180
5	1450	12830	CL1	L	5CL2B	1 3/8" Z6	220	26	Ø180
5	1450	12830	CL1	L	5CL2D	1 3/8" Z6	220	26	Ø180
5	1450	12830	CL1	L	5CL2F	D8x32x38	220	26	Ø180
6	1200	10620	CR1	R	6CR1B	1 3/8" Z6	224	26	Ø180
6	1200	10620	CR1	R	6CR1D	1 3/8" Z6	224	26	Ø180
6	1200	10620	CR1	R	6CR1F	D8x32x38	224	26	Ø180
6	1200	10620	CL1	L	6CL1B	1 3/8" Z6	224	26	Ø180
6	1200	10620	CL1	L	6CL1D	1 3/8" Z6	224	26	Ø180
6	1200	10620	CL1	L	6CL1F	D8x32x38	224	26	Ø180
6	1450	12830	CR1	R	6CR2B	1 3/8" Z6	224	26	Ø180
6	1450	12830	CR1	R	6CR2D	1 3/8" Z6	224	26	Ø180
6	1450	12830	CR1	R	6CR2F	D8x32x38	224	26	Ø180
6	1450	12830	CL1	L	6CL2B	1 3/8" Z6	224	26	Ø180
6	1450	12830	CL1	L	6CL2D	1 3/8" Z6	224	26	Ø180
6	1450	12830	CL1	L	6CL2F	D8x32x38	224	26	Ø180

**CR1 / CL1  
FRICTION DISC OVERRUNNING CLUTCH SPARE PARTS**



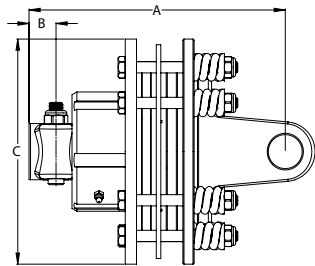
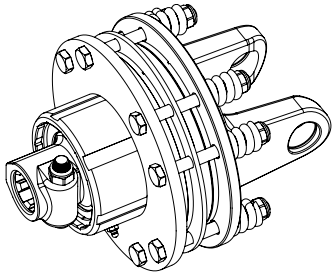
REF	SHAFT SIZE	ROTATION	QUANTITY	CODE	DESIGNATION	TECHNICAL DATA
1			8	985x10	NYLON INSERT NUT	DIN 985 M10x1,25
2			8	FF12	SPRING	Ø24x36x6
3	5		1	FF135	FLANGE YOKE	Ø30,2x79,4 - Ø180
3	6		1	FF136	FLANGE YOKE	Ø30,2x92 - Ø180
4			1	FF14	RING	Ø 64x56x13
5			4	FF15	FRICTION	Ø140x97x4,8
6			1	M6x1	LUBRICATION FITTING	DIN 71412 M6x1
7		R	1	CR112R	FLANGED CLUTCH BODY	Ø140
7		L	1	CR112L	FLANGED CLUTCH BODY	Ø140
8			1	FF17	INNER PLATE	Ø170
9			1	FF18	SHAPED FLANGE	Ø140
10			1	FF19	PRESSURE PLATE	Ø180
11			8	M10x100	HEXAGON BOLT	DIN 985 M10x100
12			1	CR111	BED STAMP	-
13			3	CR110	KEY	-
14			6	CR109	SPRING	-
15		R	1	CR1BR	RIGHT HUB	1 3/8" Z6
15		L	1	CR1BL	LEFT HUB	1 3/8" Z6
16		R	1	CR108R	RIGHT SUPPORTING RING	-
16		L	1	CR108L	LEFT SUPPORTING RING	-
17			1	472X82	CIRCLIP	DIN 472X82
18			1	KC12	TAPER PIN	M12

**CR2 / CL2  
FRICTION DISC OVERRUNNING CLUTCH**



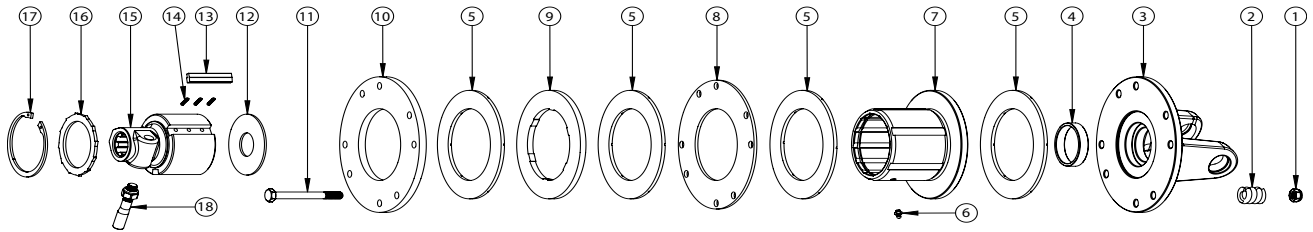
SERIE	MAX TORQUE		TYPE	ROTATION	CODE	SPLINE	A	B	C
	Nm	in.lb							
8	1450	12830	CR2	R	8CR2B	1 3/8" Z6	224	26	Ø200
8	1450	12830	CR2	R	8CR2C	1 3/4" Z6	224	26	Ø200
8	1450	12830	CR2	R	8CR2D	1 3/8" Z21	224	26	Ø200
8	1450	12830	CR2	R	8CR2E	1 3/4" Z20	224	26	Ø200
8	1450	12830	CR2	R	8CR2F	D8x32x38	224	26	Ø200
8	1450	12830	CL2	L	8CL2B	1 3/8" Z6	224	26	Ø200
8	1450	12830	CL2	L	8CL2C	1 3/4" Z6	224	26	Ø200
8	1450	12830	CL2	L	8CL2D	1 3/8" Z21	224	26	Ø200
8	1450	12830	CL2	L	8CL2E	1 3/4" Z20	224	26	Ø200
8	1450	12830	CL2	L	8CL2F	D8x32x38	224	26	Ø200
8	1800	15930	CR2	R	8CR3B	1 3/8" Z6	224	26	Ø200
8	1800	15930	CR2	R	8CR3C	1 3/4" Z6	224	26	Ø200
8	1800	15930	CR2	R	8CR3D	1 3/8" Z21	224	26	Ø200
8	1800	15930	CR2	R	8CR3E	1 3/4" Z20	224	26	Ø200
8	1800	15930	CR2	R	8CR3F	D8x32x38	224	26	Ø200
8	1800	15930	CL2	L	8CL3B	1 3/8" Z6	224	26	Ø200
8	1800	15930	CL2	L	8CL3C	1 3/4" Z6	224	26	Ø200
8	1800	15930	CL2	L	8CL3D	1 3/8" Z21	224	26	Ø200
8	1800	15930	CL2	L	8CL3E	1 3/4" Z20	224	26	Ø200
8	1800	15930	CL2	L	8CL3F	D8x32x38	224	26	Ø200
8	2400	21240	CR2	R	8CR4B	1 3/8" Z6	224	26	Ø200
8	2400	21240	CR2	R	8CR4C	1 3/4" Z6	224	26	Ø200
8	2400	21240	CR2	R	8CR4D	1 3/8" Z21	224	26	Ø200
8	2400	21240	CR2	R	8CR4E	1 3/4" Z20	224	26	Ø200
8	2400	21240	CR2	R	8CR4F	D8x32x38	224	26	Ø200
8	2400	21240	CL2	L	8CL4B	1 3/8" Z6	224	26	Ø200
8	2400	21240	CL2	L	8CL4C	1 3/4" Z6	224	26	Ø200
8	2400	21240	CL2	L	8CL4D	1 3/8" Z21	224	26	Ø200
8	2400	21240	CL2	L	8CL4E	1 3/4" Z20	224	26	Ø200
8	2400	21240	CL2	L	8CL4F	D8x32x38	224	26	Ø200
9	1800	15930	CR2	R	9CR3B	1 3/8" Z6	228	26	Ø200
9	1800	15930	CR2	R	9CR3C	1 3/4" Z6	228	26	Ø200
9	1800	15930	CR2	R	9CR3D	1 3/8" Z21	228	26	Ø200
9	1800	15930	CR2	R	9CR3E	1 3/4" Z20	228	26	Ø200
9	1800	15930	CR2	R	9CR3F	D8x32x38	228	26	Ø200
9	1800	15930	CL2	L	9CL3B	1 3/8" Z6	228	26	Ø200
9	1800	15930	CL2	L	9CL3C	1 3/4" Z6	228	26	Ø200
9	1800	15930	CL2	L	9CL3D	1 3/8" Z21	228	26	Ø200
9	1800	15930	CL2	L	9CL3E	1 3/4" Z20	228	26	Ø200

**CR2 / CL2  
FRICTION DISC OVERRUNNING CLUTCH**



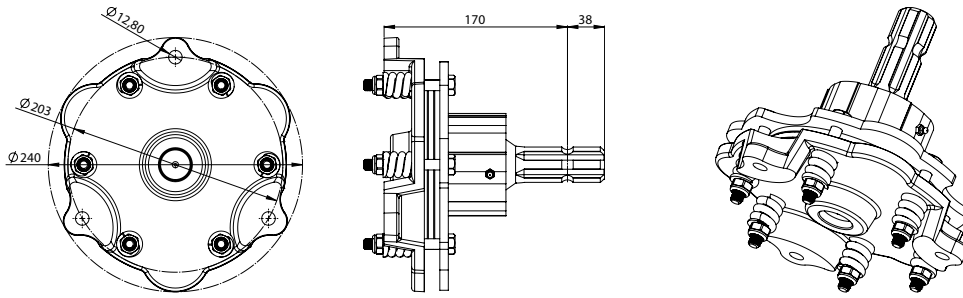
SERIE	MAX TORQUE		TYPE	ROTATION	CODE	SPLINE	A	B	C
	Nm	in.lb							
9	1800	15930	CL2	L	9CL3F	D8x32x38	228	24	Ø200
9	2400	21240	CR2	R	9CR4B	1 3/8" Z6	228	24	Ø200
9	2400	21240	CR2	R	9CR4C	1 3/4" Z6	228	24	Ø200
9	2400	21240	CR2	R	9CR4D	1 3/8" Z21	228	24	Ø200
9	2400	21240	CR2	R	9CR4E	1 3/4" Z20	228	24	Ø200
9	2400	21240	CR2	R	9CR4F	D8x32x38	228	24	Ø200
9	2400	21240	CL2	L	9CL4B	1 3/8" Z6	228	24	Ø200
9	2400	21240	CL2	L	9CL4C	1 3/4" Z6	228	24	Ø200
9	2400	21240	CL2	L	9CL4D	1 3/8" Z21	228	24	Ø200
9	2400	21240	CL2	L	9CL4E	1 3/4" Z20	228	24	Ø200
9	2400	21240	CL2	L	9CL4F	D8x32x38	228	24	Ø200
J	2400	21240	CR2	R	JCR4B	1 3/8" Z6	228	24	Ø200
J	2400	21240	CR2	R	JCR4C	1 3/4" Z6	228	24	Ø200
J	2400	21240	CR2	R	JCR4D	1 3/8" Z21	228	24	Ø200
J	2400	21240	CR2	R	JCR4E	1 3/4" Z20	228	24	Ø200
J	2400	21240	CR2	R	JCR4F	D8x32x38	228	24	Ø200
J	2400	21240	CL2	L	JCL4B	1 3/8" Z6	228	24	Ø200
J	2400	21240	CL2	L	JCL4C	1 3/4" Z6	228	24	Ø200
J	2400	21240	CL2	L	JCL4D	1 3/8" Z21	228	24	Ø200
J	2400	21240	CL2	L	JCL4E	1 3/4" Z20	228	24	Ø200
J	2400	21240	CL2	L	JCL4F	D8x32x38	228	24	Ø200

**CR2 / CL2  
FRICTION DISC OVERRUNNING CLUTCH SPARE PARTS**



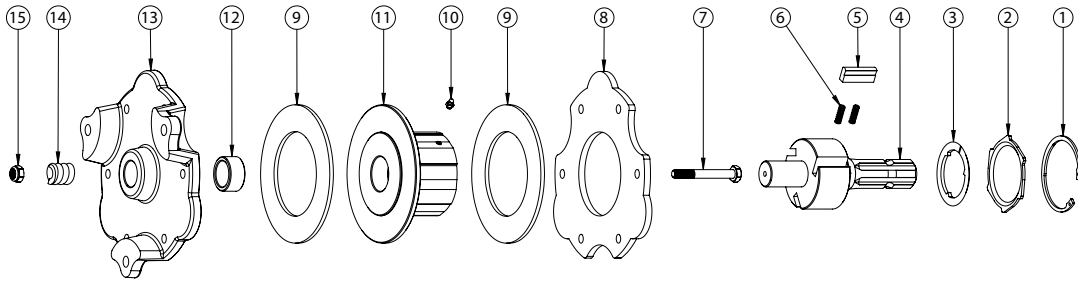
REF	SHAFT SIZE	ROTATION	QUANTITY	CODE	DESIGNATION	TECHNICAL DATA
1			8	985x10	NYLON INSERT NUT	DIN 985 M10x1,25
2			8	FF22	SPRING	Ø24x36x6,5
3	8		1	FF138	FLANGE YOKE	Ø35x93,5 - Ø200
3	9		1	FF139	FLANGE YOKE	Ø35x106,3 - Ø200
3	J		1	FF13J	FLANGE YOKE	Ø41x118 - Ø200
4			1	FF14	RING	Ø 64x56x13
5			4	FF15	FRICTION	Ø160x97x4,8
6			1	M6x1	LUBRICATION FITTING	DIN 71412 M6x1
7		R	1	CR115R	FLANGED CLUTCH BODY	Ø160
7		L	1	CR115L	FLANGED CLUTCH BODY	Ø160
8			1	FF17	INNER PLATE	Ø180
9			1	FF18	SHAPED FLANGE	Ø160
10			1	FF19	PRESSURE PLATE	Ø200
11			8	M10x100	HEXAGON BOLT	DIN 985 M10x100
12			1	CR111	BED STAMP	-
13			3	CR110	KEY	-
14			9	CR109	SPRING	-
15		R	1	CR2ER	RIGHT HUB	1 3/4" Z20
15		L	1	CR2EL	LEFT HUB	1 3/4" Z20
16		R	1	CR108R	RIGHT SUPPORTING RING	-
16		L	1	CR108L	LEFT SUPPORTING RING	-
17			1	472X82	CIRCLIP	DIN 472X82
18			1	KC14	TAPER PIN	M14

**CW1  
FLYWHEEL FRICTION & OVERRUNNING CLUTCH**



MAX TORQUE		CODE	SPLINE
Nm	in.lb		
900	7965	<b>CW1B</b>	1 3/8" Z6

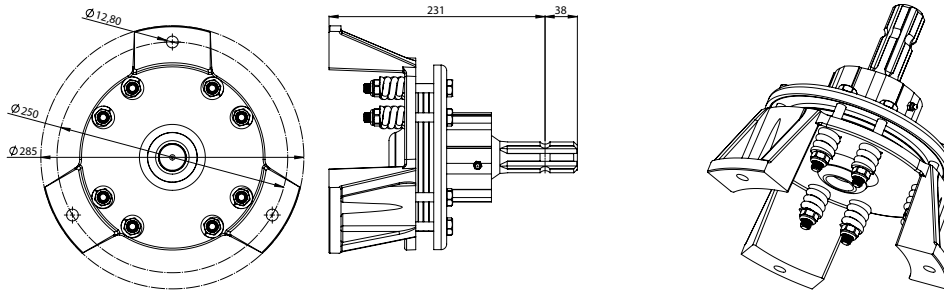
**CW1 FLYWHEEL FRICTION & OVERRUNNING CLUTCH  
SPARE PARTS**



REF	ROTATION	QUANTITY	CODE	DESIGNATION	TECHNICAL DATA
1		1	472x82	CIRCLIP	DIN 472x82
2	R	1	CW11R	RIGHT SUPPORTING RING	-
2	L	1	CW11L	LEFT SUPPORTING RING	-
3	R	1	CW12R	RIGHT LUBRICATE FELT	-
3	L	1	CW12L	LEFT LUBRICATE FELT	-
4	R	1	CW1MBR	RIGHT HUB SPLINE	1 3/8" Z6
4	L	1	CW1MBL	LEFT HUB SPLINE	1 3/8" Z6
5		3	CW13	KEY	-
6		6	CW14	SPRING	-
7		6	M10x90	BOLT	DIN 931 10x90
8		1	CW15	PRESSURE PLATE	Ø200
9		2	CW16	FRICTION	Ø160x97x4,8
10		1	M6x1	LUBRICATION FITING	DIN 71412 M6x1
11	R	1	CW110R	FLANGED CLUTCH BODY	Ø160
11	L	1	CW110L	FLANGED CLUTCH BODY	Ø160
12		1	CW112	BRONZE RING	-
13		1	CW113	TABLE	-
14		6	FF12	FRICTION DISC SPRING	Ø24x36x6
15		6	985x10	NYLON INSERT NUT	DIN 985 M10x1,25

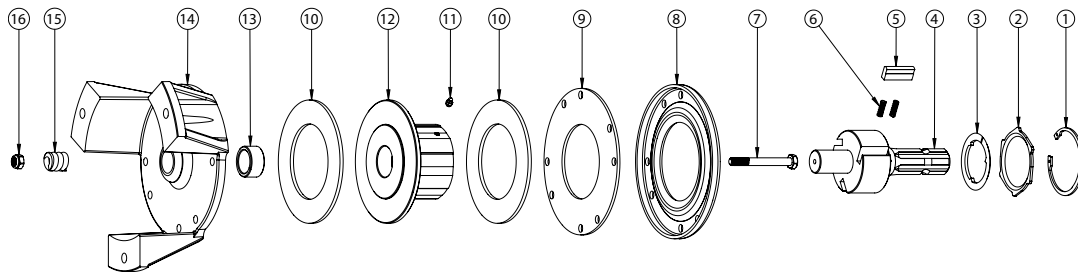


**CW2  
FLYWHEEL FRICTION & OVERRUNNING CLUTCH**



MAX TORQUE		CODE	SPLINE
Nm	in.lb		
900	7965	<b>CW2B</b>	1 3/8" Z6

**CW1 FLYWHEEL FRICTION & OVERRUNNING CLUTCH  
SPARE PARTS**



REF	ROTATION	QUANTITY	CODE	DESIGNATION	TECHNICAL DATA
1		1	472x82	CIRCLIP	DIN 472x82
2	R	1	CW11R	RIGHT SUPPORTING RING	-
2	L	1	CW11L	LEFT SUPPORTING RING	-
3	R	1	CW12R	RIGHT LUBRICATE FELT	-
3	L	1	CW12L	LEFT LUBRICATE FELT	-
4	R	1	CW1MBR	RIGHT HUB SPLINE	1 3/8" Z6
4	L	1	CW1MBL	LEFT HUB SPLINE	1 3/8" Z6
5		3	CW13	KEY	-
6		6	CW14	SPRING	-
7		8	M10x90	BOLT	DIN 931 10x90
8		1	FF29	PRESSURE PLATE	Ø200
9		1	FF27	INNER PLATE	Ø190
10		2	CW16	FRICTION	Ø160x97x4,8
11		1	M6x1	LUBRICATION FITING	DIN 71412 M6x1
12	R	1	CW210R	FLANGED CLUTCH BODY	-
12	L	1	CW210L	FLANGED CLUTCH BODY	-
13		1	CW112	BRONZE RING	-
14		1	CW213	TABLE	-
15		8	FF12	FRICTION DISC SPRING	Ø24x36x6
16		8	985x10	NYLON INSERT NUT	DIN 985 M10x1,25