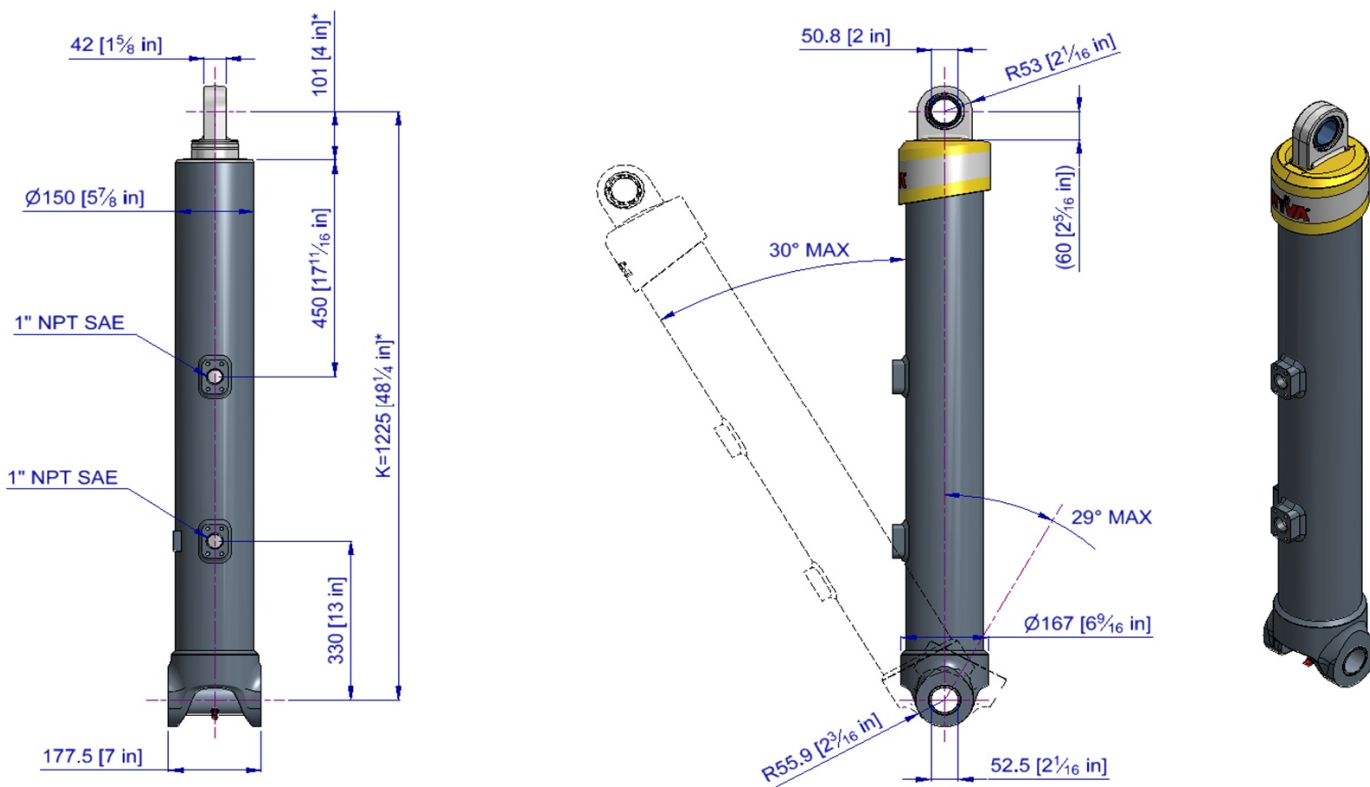


FEE A129-3-02560-243-K1225
Equivalent to FEE A6-3-101-K48

Item no. 70574100
Tipping weight 104 - 148 x 1000 lbs



* incl. 0.79 [-0.20; +1.18] inch pull out

3D model is available on request

Specifications

Max. working pressure 3626 psi
Weight 223 lbs
Working volume 6.6 gallon
Total volume 7.1 gallon
Max. cyl. load (start tipping) 55 klbf

Max. pump flow

With KO¹ 50.2 gallon/min
Without KO¹ 36.2 gallon/min
With KO¹ below -4°F 35.1 gallon/min
Without KO¹ below -4°F 25.3 gallon/min

Tipping time

With KO¹ 8 sec
Without KO¹ 11 sec
With KO¹ below -4°F 11 sec
Without KO¹ below -4°F 16 sec
Allowable lowering time 8 sec

Extension	1	2	3	4	5	6	7	Total
Effective diameter [inch]	5.08	4.33	3.58					100.9
Stroke* [inch]	33.1	33.9	33.9					

Technical notes

- This cylinder is a lifting device only.
- It should not be used as a structural member and should not be subjected to side loads.
- Tipping valve must have a pressure relief at the cylinder port set not higher than max. working pressure.
- Verify max. cyl. load.
- Working temperature range is between -40°F and +176°F.
- Max. duration of extension is 0.5 hours (excluded hard chromed stages).
- Cylinder is painted black (RAL9005) with a min. thickness conforming to the 480 hours neutral salt spray test as per ISO 9227.
- ¹ Hyva knock-off.

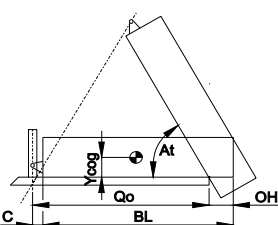
Related documentation

Bracket options: 015BRA13 & 015BRA17

Mounting instructions: CYL-0032

Oil specifications: OIL-0011
Spec sheet explanation: CYL-0041

Tipping weight



BL body length
OH rear overhang
Ycog vert. pos. centre of gravity
Qo pivot length
C bracket length
At tipping angle
stroke x 60 / Qo

BL [inch]	134			132			130		
OH [inch]	8	16	24	8	16	24	8	16	24
At [°]	46	49	53	47	50	54	48	51	55
Ycog [inch]									
16	104	119	144	105	121	148	106	124	
28									
39									

Tipping weight [x 1000 lbs] at maximum pressure of 3626 psi for a vertically mounted cylinder and C is 6.22 inch

For detailed tipping calculations please refer to: <https://tipper.hyva.com>

Alpha series - Front end cylinder with double eye



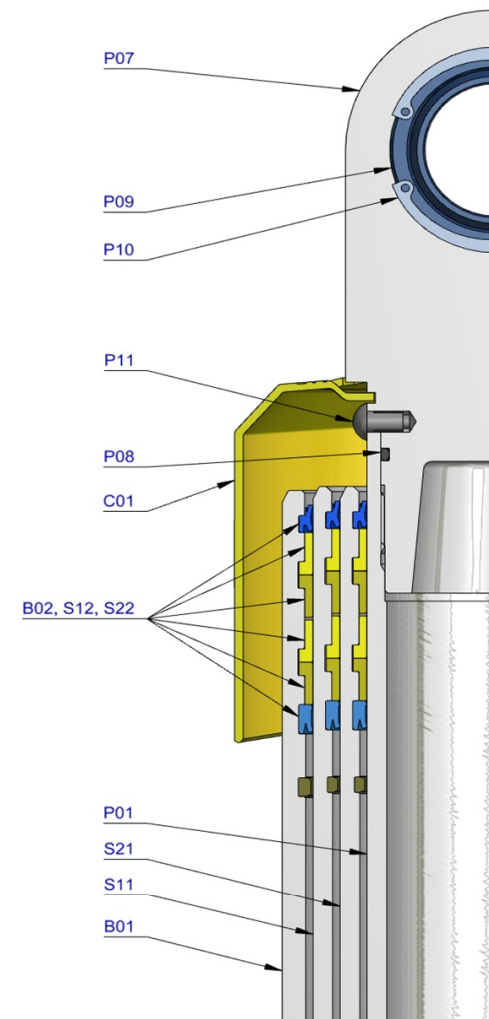
FEE A129-3-02560-243-K1225

Item no.

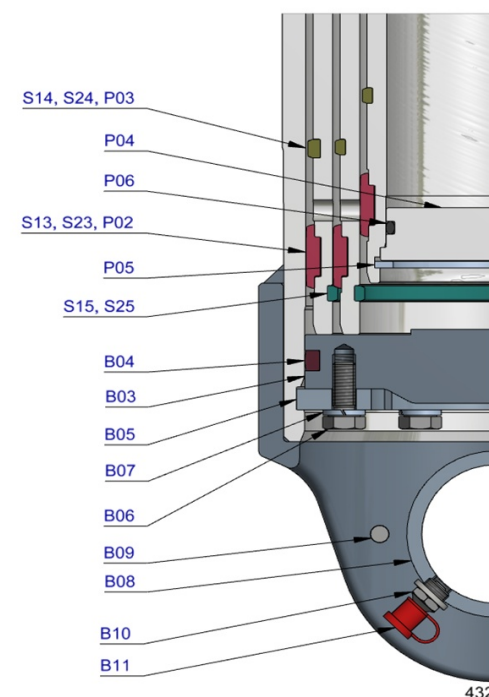
70574100

Equivalent to FEE A6-3-101-K48

Pos.	Part no.	Description	Qty.
C01	71839110	DUST COVER FE 129-3/137-3	1
P01	74402151	PISTON FL2 S 091-1055-HC	1
P02	71853091 K	SLIDER FL 091 (2 X 1/2) A22	1
P03	71851091 K	OUTER STOPRING FL 091 A22	1
P04	71822091	BOTTOM PLATE PISTON FL 091	1
P05	01745012 K	CIRCLIP 82 DIN 472 (87.5x2.5)	1
P06	71870215 K	O-RING PISTON BOTTOM 091	1
P07	71847200	PISTON EYE SPH. FL 091 MK2 L=075	1
P08	01226430 K	O-RING 72.62 X 3.53 MM	1
P09	71875455 K	SPHERICAL BEARING D.50.8 MAINT. FREE	1
P10	01770560 K	CIRCLIP 75 DIN 472 (79.5x3.0)	1
P11	71875012	PIN ROUND HEAD GROOVED 8x15 mm	2



S21	74603150	STAGE FL2 110-1050	1
S22	71802110 K	PACKSET FL 110	1
S23	71853110 K	SLIDER FL 110 (2 X 1/2) A22	1
S24	71851110 K	OUTER STOPRING FL 110 A22	1
S25	71852110 K	LIFTRING FL 110 A22	1
S11	74604150	STAGE FL2 129-1050	1
S12	71802129 K	PACKSET FL 129/HP 129	1
S13	71853129 K	SLIDER FL 129 (2 X 1/2) A22	1
S14	71851129 K	OUTER STOPRING FL 129 A22	1
S15	71852129 K	LIFTRING FL 129 A22	1
B01	74505164	BASE FL2 E 149-1089-4/4NSAE-330/450-O177	1
B02	71802149 K	PACKSET FL 149/HP 150	1
B03	71825420	BOTTOM PLATE FL2 149	1
B04	71870030 K	SEAL BOTTOM PLATE FL 149	1
B05	71820149	LOCKING PLATE FL 149	3
B06	01732055 K	BOLT HEX M8X20X1.25 SET 6 PCS	1
B07	01732559 K	WASHER SPRING M8 SET 6 PCS	1
B08	01793032	EYE TRUNNION TUBE (63-52.5) L=177.5	1
B09	01746121 K	BOLT LOCKING M8x25 DIN 7991	1
B10	56288044 K	GREASE NIPPLE M8x1 DIN 71412	2
B11	01317670 K	GREASER PROTECTION CAP	2



432

Seal kit complete

	71908430 K	Consists of all packsets with packset grease and O-rings	
--	------------	--	--

Notes

The inner stopring is pre-mounted in the grooves on spare bases and stages. Therefore, when ordering new tubes, it is not required to order inner stoprings separately.

For repair instructions see: CYL-0040. Serial no. is located on type plate and near type plate support.