



HOME > PRODUCTS > PROJECTORS > **EPSON EB-685W**

Epson EB-685W



[+](#) ENLARGE IMAGE

Ultra Short Throw Projectors

The perfect ultra short-throw widescreen projector for the BYOD classroom

If you are interested in purchasing an Epson Multimedia projector for business use, please call **1300 361 054**

[Printer Friendly Specs](#)

[Distance Calculator](#) [Download](#)  

Overview

Designed for today's BYOD classroom, the Epson EB-600 series takes classroom collaboration further. Offering 3x Higher Colour Brightness¹ than competitive models, Epson® 3LCD projectors and displays ensure bright, vivid images. It features optional wireless functionality (module sold separately) and advanced connectivity, so teachers can easily share content from multiple student devices, including Chromebooks — up to four at once with Moderator software². Plus, its lamp lasts up to 10,000 hours in ECO Mode.

KEY FEATURES

- 3 x Brighter Colours and reliable performance – 3LCD, 3-Chip Technology. Look for both high colour brightness and high white brightness
- Bright Images – 3,500 lumens colour/white brightness
- Amazing images – WXGA resolution (1280 x 800) and 16:10 format
- Ultra-short throw presentation display – get a 100" image from as little as 28cm away with virtually no shadow interference
- Simultaneously display and control multiple device screens – wirelessly share content from up to four devices², including Chromebooks, with Moderator software (requires optional wireless module)
- Manage your display and send announcements remotely – easy network connectivity; software included
- Versatile connectivity – 3x HDMI® supports multiple high-definition A/V devices, with MHL® support
- Powerful sound to engage every student – built-in 16 W speaker and microphone input; or, use external speakers, even in Standby Mode
- 10,000Hr maintenance cycle – the lamp and filter lasts up to 10,000 hours in ECO Mode

BASIC FUNCTIONS

3LCD Technology

All Epson projectors are based on 3-chip LCD technology for amazing colour, incredible detail and solid reliability. 3LCD's 3-chip architecture dedicates an entire chip to process each primary colour – red, green and blue, continuously. Unlike single-chip technology that delivers colour sequentially, you get full-time colour. The result is vibrant, realistic images and video all delivered with 3LCD's true-to-life colour.



Up to 3x Brighter with Epson Projectors*

Epson projectors use 3LCD Engines that have no colour wheel with a white segment and therefore don't force a tradeoff between white and colour brightness.

In fact, Epson projectors have up to 3x Brighter Colours than their leading competitive 1-chip DLP projectors*. If you are looking for business and education projectors or 720p home entertainment projectors, know that choosing Epson projectors means up to 3x brighter colours. If you are looking for 1080p home entertainment projectors, you consistently get 2x and up to 3x Brighter Colours than competitor 1-chip DLP projectors*.



All Epson projectors list both White Brightness and Colour Brightness specifications, and all have high Colour Brightness.

** Compared to leading 1-chip DLP business and education projectors based on NPD data, July 2011 through June 2012. Colour brightness (colour light output) measured in accordance with IDMS 15.4. Colour brightness will vary depending on usage conditions.*

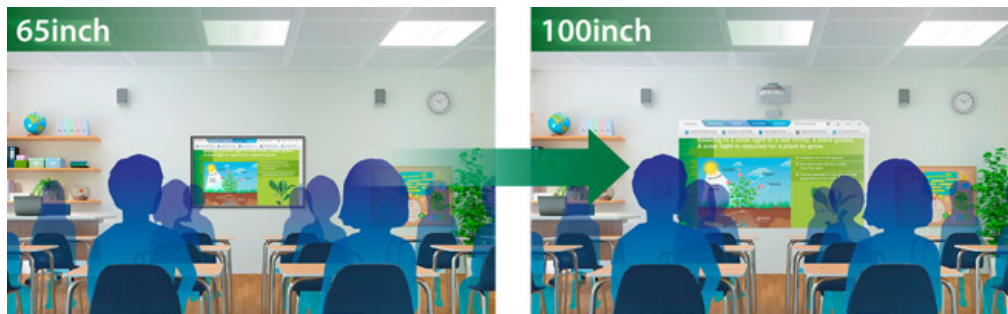
Brighter Images

With brightness up to 3,500 lumens, the screen is easily viewed from anywhere in the classroom, even without dimming the lights.



Readability from Anywhere in the room

Ensure every student in the classroom can easily read and understand the information you're sharing. Offering clear, easy-to-see images up to 100", Epson displays help students learn and retain information, regardless of where they sit.



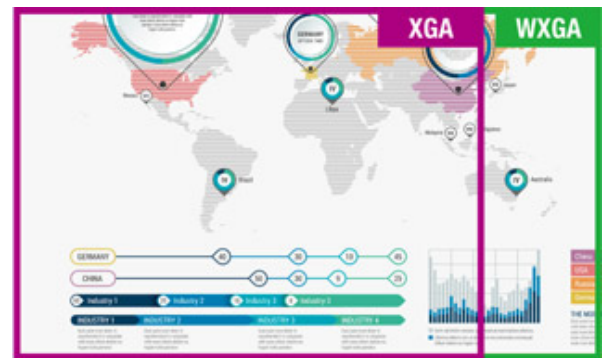
Wide viewing angle

Clear images can be seen from any angle with no limitations of reflective glare. Projected images also allow you to get closer to the image without straining your eyes.



High Resolution

Featuring native resolution of WXGA (1280 x 800), the Epson EB-600 series delivers high quality images and crisp, sharp text without any distortion.



WIRELESS CLASSROOMS

Epson iProjection™ via optional wireless dongle

Epson iProjection is the wireless display solution for today's BYOD classrooms. With true multi-platform support, students can wirelessly display content from Chromebooks, PCs and Mac® computers, as well as iOS and Android devices.

When used in conjunction with Epson Multi-PC projection plus Moderator device management software⁴, up to 50 users can connect to the projector simultaneously, displaying content from as many as four at a time. It's the perfect tool for displaying a variety of content — or for comparing students' work side by side.



Networking features that take teaching to the next level

Manage up to 1,024 Epson networked displays using the included EasyMP® Monitor software or Crestron RoomView® — saves time and money
 Update display firmware in-house via the network, a USB cable, or a USB flash drive — eliminates the need for external service centre repairs; saves time and money
 Send updates or announcements remotely to up to 1,024 Epson networked displays using the Message Broadcasting plug-in for EasyMP Monitor
 Connect your display to an access point to share it with the entire class, without running more cables



⁴Moderator feature is part of Easy MP Multi-PC Projection software

EASY INSTALLATION AND MAINTENANCE

Easy Setup Options

Epson displays offer a suite of innovative features that ensure flexible placement and fast, easy setup:

3x HDMI — supports multiple high-definition A/V devices. Compatible with the latest laptops, Blu-Ray Disc® and media players

MHL — the latest in connectivity

Display content from your MHL-enabled smartphones, tablets and streaming devices

Use the display remote to control MHL-enabled devices

Charge your MHL-enabled device when it's plugged into the display⁵

Offers instant access to movies, games and more

Quick Corner® — this innovative feature allows you to move any of the four corners of an image independently, to adjust each corner for a perfectly rectangular picture

Advanced 3-in-1 USB Plug'n Play instant setup — instantly project audio and video from a PC or Mac via a USB connection

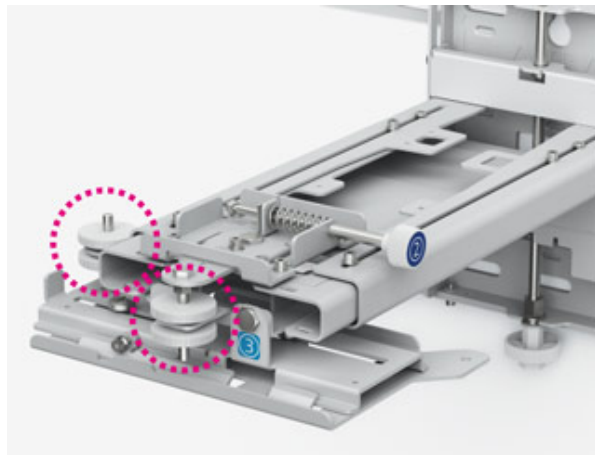
Quick, convenient control — Instant Off® means no cool-down time required; it's ready to shut down when you are

Copy menu settings for multiple display installations — save on installation time; copy settings via a USB flash drive, USB cable or LAN

Flexible wall mount (optional)

10,000H Maintenance cycle

Easily install the display with convenient adjustments, color-coded dials and on-screen prompts. Wide cut-outs facilitate cable management.



The lamp and filter now share the same 10,000 hour replacement schedule when run in eco mode. This saves time and money by reducing the frequency of costly replacements.



⁵Depending on your MHL device, charging may not be supported

Easily conserve power

Epson delivers a number of features aimed towards conserving power and delivering top performance:

ECO Mode — operates the display in a lower brightness setting

Light Optimizer Mode[®] — adjusts the lamp brightness, based on the projected image

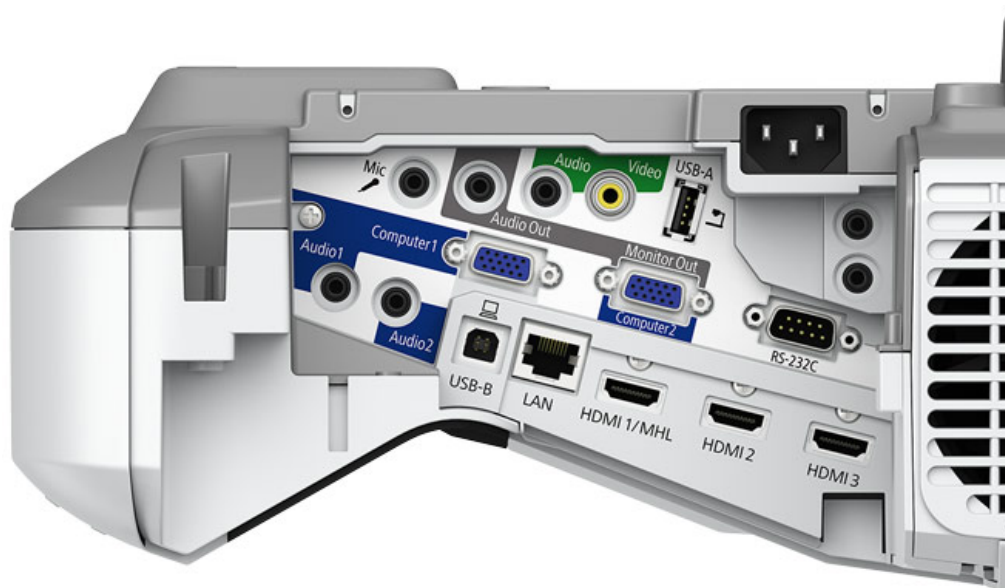
Auto Mode — sensor automatically adjusts the lamp brightness, based on the room environment

Sleep Mode (A/V Mute) — control your presentation; it's right at your fingertips

Direct Power Off/On — power the display on/off with the flip of a wall switch

Standby audio — use the display's internal speakers or continue to pass audio out to an external speaker, even when the display is "off" (in Standby Mode)

Connectivity Panel



Specification

PRODUCT NAME	Epson EB-685W
PRODUCT CODE	V11H74453
TECHNOLOGY	
Projection Technology	Epson 3LCD, 3-chip technology
Projection System	RGB liquid crystal shutter projection system
LCD Panel	0.59-inch with (D9, C2 Fine)

OPTICAL

Zoom Ratio	1.0 - 1.35 (Digital Zoom)
Screen Size (Projection Distance)	60.0" to 100.0" [35.4 to 60.1cm] 74.3" screen 44.3 cm
Throw Ratio	0.28 (Zoom:Wide) 0.37 (Zoom:Tele)
Projection Lens Type	No Optical Zoom / Focus (Manual)
Projection Lens F Number	2.6
Projection Lens Focal Length	3.7 mm
Focus Method	Manual Focus
Offset	5.8:-2

IMAGE

White Light Output	3,500 lumens
Colour Light Output	3,500 lumens
Resolution	WXGA
Native Aspect Ratio	16:10
Contrast Ratio	14,000:1
Keystone Correction	Vertical: -3 to +3 degrees Horizontal: -3 to +3 degrees
Colour Reproduction	Up to 1.07 billion colours
Colour Processing	10 bit

CONNECTIVITY

Video I/O - Input	2x RGB D-sub 15pin *Computer 2 in common with Monitor Out 1x RCA Composite
Video I/O - Output	1x RGB D-sub 15pin *Computer 2 in common with Monitor Out (Output signal : Computer 1 only)
Digital Input	3x HDMI (1 supports MHL)
Audio I/O - Input	3x Stereo mini
Audio I/O - Output	1x Stereo mini
Mic I/O - Input	1x Stereo mini
Control I/O	1x RS-232C D-sub 9pin
USB I/O	1x USB Type A (for USB Memory, USB Document Camera, Firmware update, Copy OSD settings) 1x USB Type B (for USB display, mouse, K/B, Control, Firmware update, Copy OSD settings)
Network I/O:	1x RJ45 (100Mbps) Wired LAN 1x USB Type A (for Optional ELPAP10 LAN unit)
Wireless Connectivity	Optional ELPAP10 Wireless LAN unit
Speaker Output	Monaural: 16 W x 1

ADVANCED FEATURES

EasyMP Network Projector control and projector management via network	Yes
AMX Device Discovery	Yes
Crestron Integrated Partner	Yes
Crestron RoomView	Yes
Extron IP Link	Yes
Control4	Yes
EasyMP Network Multi PC Projection	Yes
Message Broadcasting	Yes
Firmware update	Network via LAN cable, USB A via USB thumb drive, USB B via USB cable
Copy OSD settings	Network via LAN cable, USB A via USB thumb drive, USB B via USB cable
Quick Wireless Connection	Yes
Wireless LAN Security	WPA/WPA2-Personal (with optional Wireless LAN Unit)
Instant Off	Yes
Direct Power On	Yes
Auto Power On	Yes (Computer1,USB-B)
Security	* Kensington® - lock provision * Padlock & Security cable hole * Wireless LAN unit lock * Password protect function (Power On, Network, Protection of User logo)
Colour Modes	Dynamic, Presentation, Cinema, sRGB, BlackBoard
Integrated Mount	Optional (ELPMB46)

GENERAL

Dimensions (excl feet) WxDxH	367 x 400 x 149mm
------------------------------	-------------------

Weight	5.7kg
Lamp Warranty	1 Year (or 750 hours)*
Projector Warranty	3 Years
Lamp Hours	5,000 hours (Normal) 10,000 hours (ECO)
Lamp Type	250W UHE
Power Consumption: Lamp On	354W (Normal) 309W (ECO)
Power Consumption: Networked Standby	2.3W
Power Consumption: Energy Saving	0.37W
Air Filter maintenance cycle	up to 10,000 hours
Fan Noise Level	35dB (Normal) 30dB (ECO)

* Whichever comes first. For more information visit [Epson Projector Warranty](#).

WHAT'S IN THE BOX

Main Unit	EB-685W Projector
Power Cable	Yes 5M
Remote Control	Yes
Battery for Remote Control	AA x 2
Feet for main unit	Yes
Password Protect sticker	Yes

PRODUCT OPTIONS

Description

	Lamp ELPLP91
	Air Filter ELPAF49
	USB Extension cable ELPKC31
	Wall Mount ELPMB46
	Table Mount ELPMB29
	External speakers ELPSP02
	Wireless LAN ELPAP10
	Document Camera ELPDC21
	Control Box ELPCB02

Epson is the registered trademark of Seiko Epson Corporation. Epson ESC/P2 and Epson Stylus are trademarks of Seiko Epson Corporation. MicroDot is a trademark of Epson Australia Pty Limited. All other product names and other company names used herein are for identification purposes only and may be the trademarks or registered trademarks of their respective owners. Epson disclaims any and all rights in those marks. Specifications are subject to change without notice.

Equipment supplied by Epson Australia is designed to function in conjunction with genuine Epson consumables and accessories specifically configured for it.

Usage Conditions

Epson products are designed and made to give highly reliable use and long life when used according to its specifications. With any system, product or device used in situations where human life may be involved or at risk, Epson advises that you should take all necessary steps to ensure the suitability of your Epson product for inclusion in your system, and recommends that you include fail-safe procedures and redundancy support or backup equipment in your system, to maintain the maximum safety margin and optimum system reliability. Examples include but are not limited to – do not interfere with any electrical components within the device, do not use items supplied with the product for purposes other than as intended by Epson (ie mains cords, inks, CDs, plastic wrapping) and do not make modifications to the product.

This printer is designed to function only with genuine Epson ink cartridges and not with third party ink cartridges. The printer may not function properly or at all if you use third party ink cartridges.

Consumables

ACCESSORIES & OPTIONS	PRODUCT CODE
ELPAP10 Wireless LAN Adapter	V12H731P01
ELPMB46 Wall Mount	V12H777010
ELPMB29 Table Mount	V12H516040
ELPSP02 External Speakers - 2 x 15W	ELPSP02
ELPAF49 Air Filter	V13H134A49
ELPKC31USB Extension cable	V12H525001
ELPLP91 Lamp	V13H010L91
ELPCB02 Control Box	V12H614053

Epson is the registered trademark of Seiko Epson Corporation. Epson STYLUS, PerfectPicture, MicroPiezo, AcuPhoto Halftoning, QuickDry are the trademarks of Seiko Epson Corporation. All other names and company names used herein are for identification purpose only and may be the trademarks or registered trademarks of their respective owners. Epson disclaims any and all rights in those marks. All print samples shown herein are imulations. Specifications are subject to change without notice.

Copyright © 2015 Epson Australia Pty Limited. All rights reserved. ABN 91 002 625 783 EPN02