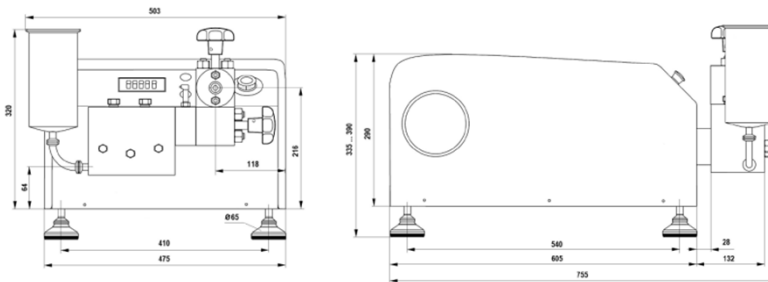


# Laboratory Homogenizer HLL0

The homogenization process for new products begins in the laboratory facility. The new bench top homogenizer HLL0 enables the first step for a successful homogenization and will grant you an excellent scale up of the achieved results. The HLL0 can be driven either as stand-alone unit or integrated in mini-plants for various sanitary or aseptic installation.



## TECHNICAL DATA

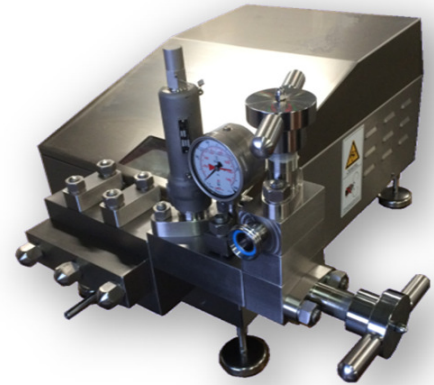
- Universal 2-plunger homogenizer with special camshaft characteristic
- 10 Liter/h capacity at max. 1.500 bar total pressure
- Suitable for sanitary and aseptic conditions
- 2-stage homogenization valve in material tungsten carbide for a broad range of application
- Process connections: ½" Triclamp
- 1 Liter inlet vessel with pressure connection for pumping support
- Min. batch size: approx. 240 ml
- Electrical execution: 1,1 kW motor , HMI touch panel, network connection, cable, plug
- Weight: approx. 160 kg

Technical changes reserved

# Homogenizer HL1

- Max. 285 l/h
- Homogenizing pressure up to 700 bar
- Absorbed motor power: max. 3 kW
- Aseptic execution optional
- Poppet valve for low viscous and slightly abrasive products
- Ball valves for high viscous and abrasive products
- Made in Germany

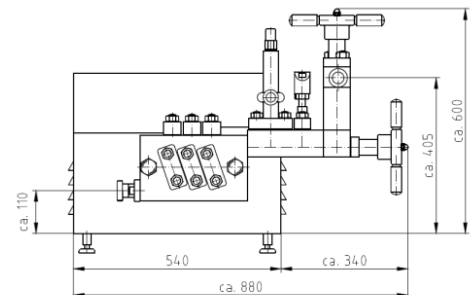
*Weight with Motor: max. 300 kg  
 Technical changes reserved!*



## Poppet valves

For low viscous and slightly abrasive products

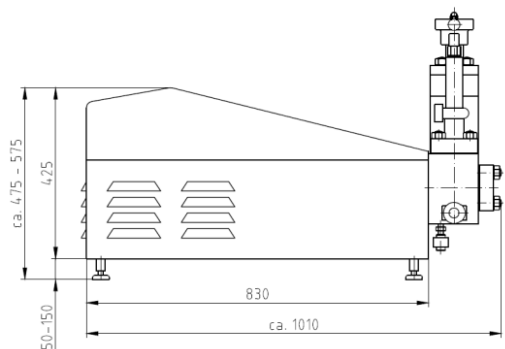
Model	Max. Pressure	Max. Capacity
HL1.3	(bar)	(Liter per hour)
-200T	200	285
-275T	275	230
-400T	400	175



## Ball valves

For high viscous and abrasive products

Model	Max. Pressure	Max. Capacity
HL1.3	(bar)	(Liter per hour)
-200K	200	210
-275K	275	160
-400K	400	125

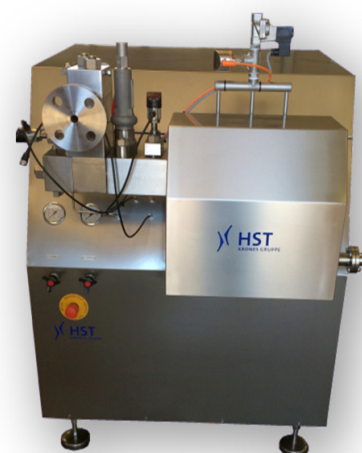


Model	Max. Pressure	Max. Capacity
HL1.2	(bar)	(Liter pro hour)
-700K	700	60
-800K	800	55

# Homogenizer HL2

- Max. 8.000 l/h
- Homogenizing pressure up to 700 bar
- Absorbed motor power: max. 30 kW
- Aseptic execution optional
- Poppet valve for low viscous and slightly abrasive products
- Ball valves for high viscous and abrasive products
- Made in Germany

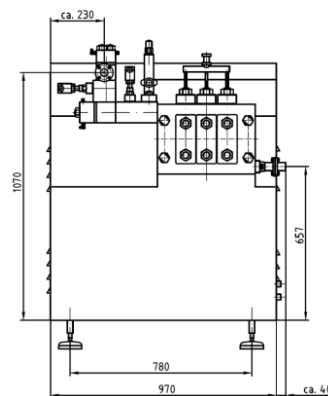
*Weight with Motor: max. 1.680 kg  
 Technical changes reserved!*



## Poppet valves

For low viscous and slightly abrasive products

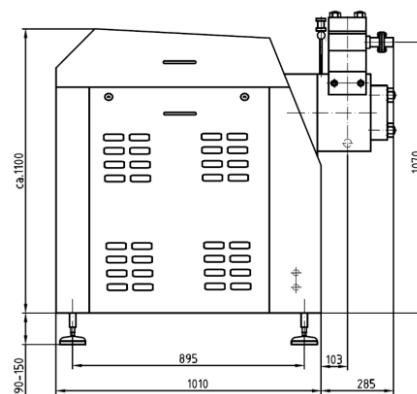
Model	Max. Pressure	Max. Capacity
HL2	(bar)	(Liter per hour)
-70T	70	8.000
-150T	150	5.800
-200T	200	4.600
-250T	250	3.500
-300T	300	2.500
-350T	350	2.100
-550T	550	1.500



## Ball valves

For high viscous and abrasive products

Model	Max. Pressure	Max. Capacity
HL2	(bar)	(Liter per hour)
-150K	150	4.100
-200K	200	3.300
-250K	250	2.600
-300K	300	1.800
-350K	350	1.600
-550K	550	1.100
-700K	700	550



# Homogenizer HL2.5

- Max. 3.500 l/h
- Homogenizing pressure up to 700 bar
- Absorbed motor power: max. 15 kW
- Aseptic execution optional
- Poppet valve for low viscous and slightly abrasive products
- Ball valves for high viscous and abrasive products
- Made in Germany

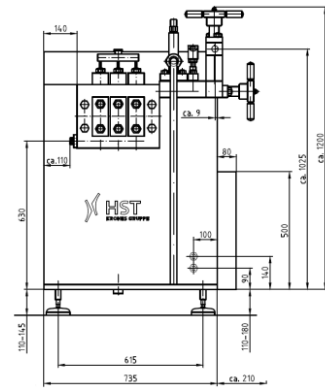
Weight with Motor: max. 1.060 kg  
 Technical changes reserved!



## Poppet valves

For low viscous and slightly abrasive products

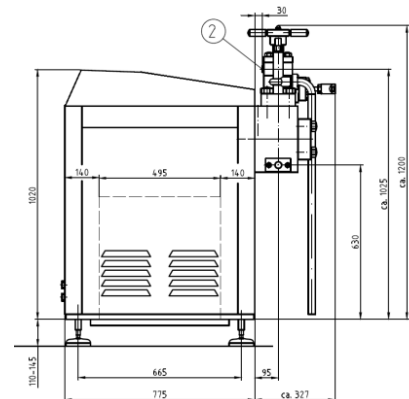
Model	Max. Pressure	Max. Capacity
HL2.5	(bar)	(Liter per hour)
-100T	100	3.500
-150T	150	2.800
-200T	200	2.100
-250T	250	1.700
-300T	300	1.250
-350T	350	1.200
-550T	550	750



## Ball valves

For high viscous and abrasive products

Model	Max. Pressure	Max. Capacity
HL2.5	(bar)	(Liter per hour)
-150K	150	1.650
-200K	200	1.350
-250K	250	1.220
-300K	300	880
-350K	350	750
-550K	550	500
-700K	700	360



# Homogenizer HL3

- Max. 13.000 l/h
- Homogenizing pressure up to 700 bar
- Absorbed motor power: max. 55 kW
- Aseptic execution optional
- Poppet valve for low viscous and slightly abrasive products
- Ball valves for high viscous and abrasive products
- Made in Germany

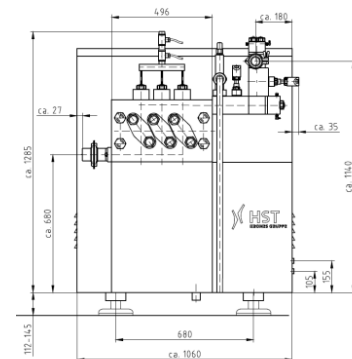
*Weight with Motor: max. 2.950 kg  
Technical changes reserved!*



## Poppet valves

For low viscous and slightly abrasive products

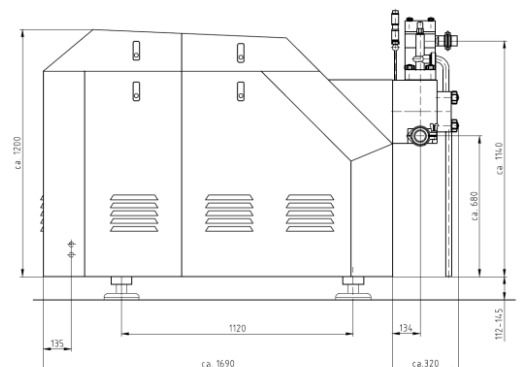
Model	Max. Pressure	Max. Capacity
HL3	(bar)	(Liter per hour)
-100T	100	13.000
-150T	150	11.500
-200T	200	10.000
-250T	250	7.500
-300T	300	6.000
-350T	350	6.000
-550T	550	3.000



## Ball valves

For high viscous and abrasive products

Model	Max. Pressure	Max. Capacity
HL3	(bar)	(Liter per hour)
-150K	150	8.700
-200K	200	7.000
-250K	250	5.800
-300K	300	5.000
-350K	350	4.800
-550K	550	2.000
-700K	700	1.500



# Homogenizer HL3.5

- Max. 21.000 l/h
- Homogenizing pressure up to 700 bar
- Absorbed motor power: max. 75 kW
- Aseptic execution optional
- Poppet valve for low viscous and slightly abrasive products
- Ball valves for high viscous and abrasive products
- Made in Germany

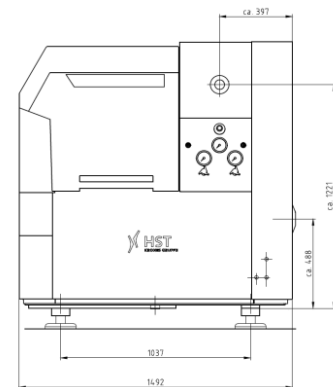


*Weight with Motor: max. 3.300 kg  
 Technical changes reserved!*

## Poppet valves

For low viscous and slightly abrasive products

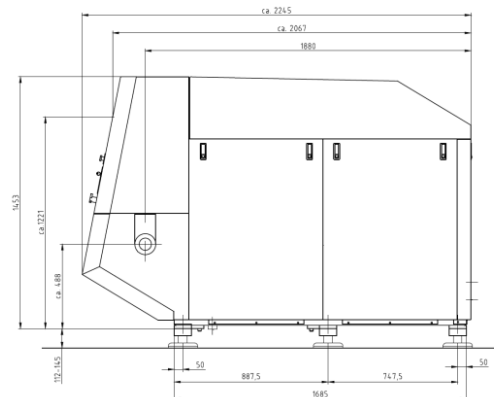
Model	Max. Pressure	Max. Capacity
HL3.5	(bar)	(Liter per hour)
-100T	100	21.000
-150T	150	15.000
-200T	200	12.500
-250T	250	12.000
-300T	300	8.000
-350T	350	6.000
-500T	500	4.700



## Ball valves

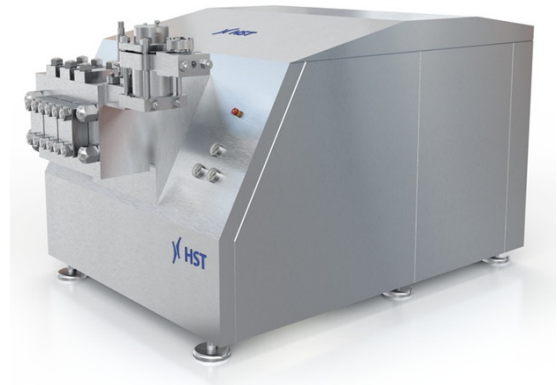
For high viscous and abrasive products

Model	Max. Pressure	Max. Capacity
HL3.5	(bar)	(Liter per hour)
-150K	150	10.000
-200K	200	10.000
-250K	250	8.000
-300K	300	5.800
-350K	350	5.000
-500K	500	3.700
-700K	700	2.500



# Homogenizer HL3.8

- Max. 17.000 l/h
- Homogenizing pressure up to 250 bar
- Absorbed motor power: max. 90 kW
- Aseptic execution optional
- Poppet valve for low viscous and slightly abrasive products
- Ball valves for high viscous and abrasive products
- Made in Germany

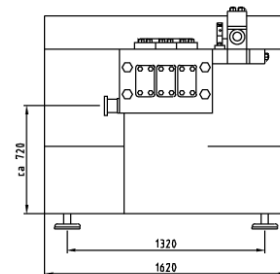


*Weight with Motor: max. 5.200 kg  
 Technical changes reserved!*

## Poppet valves

For low viscous and slightly abrasive products

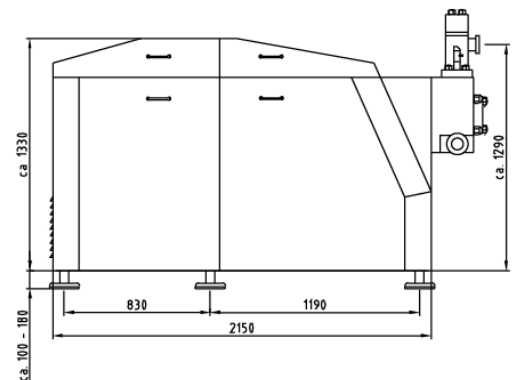
Model	Max. Pressure	Max. Capacity
HL3.8	(bar)	(Liter per hour)
-100T	100	17.000
-150T	150	17.000
-180T	180	14.000
-200T	200	12.000
-210T	210	12.000
-250T	250	10.000



## Ball valves

For high viscous and abrasive products

Model	Max. Pressure	Max. Capacity
HL3.8	(bar)	(Liter per hour)
-100K	100	17.000
-150K	150	17.000
-180K	180	14.000
-200K	200	12.000
-210K	210	12.000
-250K	250	10.000



# Homogenizer HL4

- Max. 24.000 l/h
- Homogenizing pressure up to 700 bar
- Absorbed motor power: max. 110 kW
- Aseptic execution optional
- Poppet valve for low viscous and slightly abrasive products
- Ball valves for high viscous and abrasive products
- Made in Germany

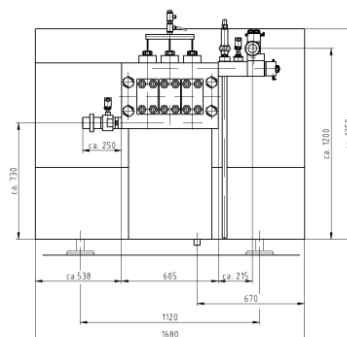


Weight with Motor: max. 5.350 kg  
Technical changes reserved!

## Poppet valves

For low viscous and slightly abrasive products

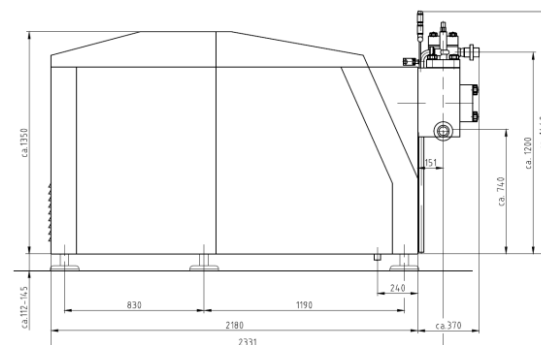
Model	Max. Pressure	Max. Capacity
HL4	(bar)	(Liter per hour)
-150T	150	24.000
-200T	200	18.000
-250T	250	15.000
-300T	300	12.000
-350T	350	10.500
-550T	550	6.600



## Ball valves

For high viscous and abrasive products

Model	Max. Pressure	Max. Capacity
HL4	(bar)	(Liter per hour)
-150K	150	15.000
-200K	200	15.000
-250K	250	13.500
-300K	300	11.500
-350K	350	9.500
-550K	550	5.200
-700K	700	4.000





# Homogenizer HL5

- Max. 37.000 l/h
- Homogenizing pressure up to 700 bar
- Absorbed motor power: max. 160 kW
- Aseptic execution optional
- Poppet valve for low viscous and slightly abrasive products
- Ball valves for high viscous and abrasive products
- Made in Germany

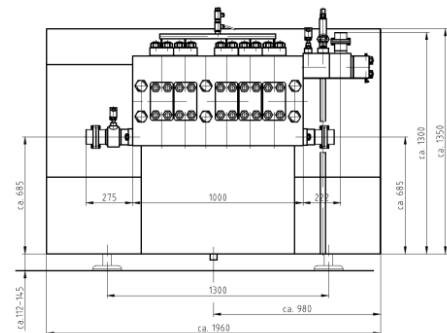


*Weight with Motor: max. 7.500 kg  
 Technical changes reserved!*

## Poppet valves

For low viscous and slightly abrasive products

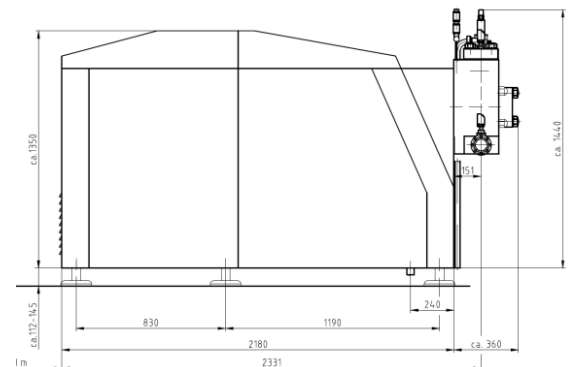
Model	Max. Pressure	Max. Capacity
HL5	(bar)	(Liter per hour)
-140T	140	37.000
-150T	150	34.000
-200T	200	28.000
-250T	250	21.000
-300T	300	18.000
-350T	350	15.000
-550T	550	9.500



## Ball valves

For high viscous and abrasive products

Model	Max. Pressure	Max. Capacity
HL5	(bar)	(Liter per hour)
-150K	150	25.000
-200K	200	25.000
-250K	250	21.000
-300K	300	17.500
-350K	350	15.500
-550K	550	8.500
-700K	700	7.500



# Homogenizer HL6

- Max. 47.000 l/h
- Homogenizing pressure up to 700 bar
- Absorbed motor power: max. 220 kW
- Aseptic execution optional
- Poppet valve for low viscous and slightly abrasive products
- Ball valves for high viscous and abrasive products
- Made in Germany

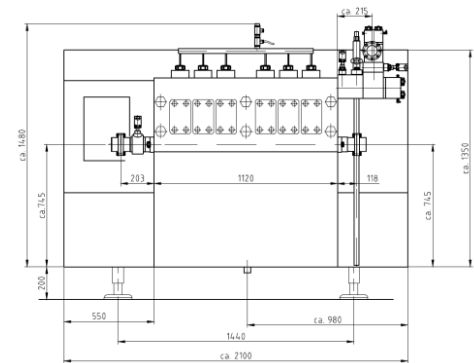


*Weight with Motor: max. 9.350 kg  
 Technical changes reserved!*

## Poppet valves

For low viscous and slightly abrasive products

Model	Max. Pressure	Max. Capacity
HL6	(bar)	(Liter per hour)
-140T	140	47.000
-150T	150	45.000
-200T	200	35.000
-250T	250	30.500
-300T	300	22.500
-350T	350	19.500
-550T	550	13.500



## Ball valves

For high viscous and abrasive products

Model	Max. Pressure	Max. Capacity
HL6	(bar)	(Liter per hour)
-150K	150	30.000
-200K	200	30.000
-250K	250	26.000
-300K	300	21.000
-350K	350	19.000
-550K	550	12.000
-700K	700	9.500

