

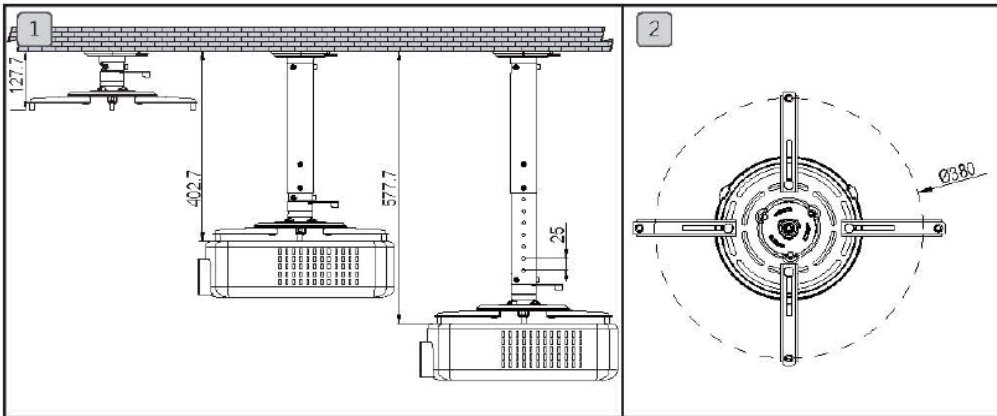


Universal Ceiling Mount (5J.JAM10.001)

Material	Steel/ Aluminum Alloy		
Weight	1,76kg (3.88lbs)		
Length	127.7mm ~ 577.7mm (each spaced 25mm apart)		
Rotation Angle	360°		
Tilt Angle	+/-25°		
Load	25kg (55lbs)		
Screw Type	M3,M4,M5,M6		

Size

1. Length can be adjusted; the shortest length is 127.7mm and the longest is 577.7m (each 25mm apart).
2. Projectors with mounting hole of diameter within 380mm are suitable



Angle Adjustment

1. Angles can be adjusted by +/- 25 degrees
2. Nuts can be used to control the tightness of the projector angles.

