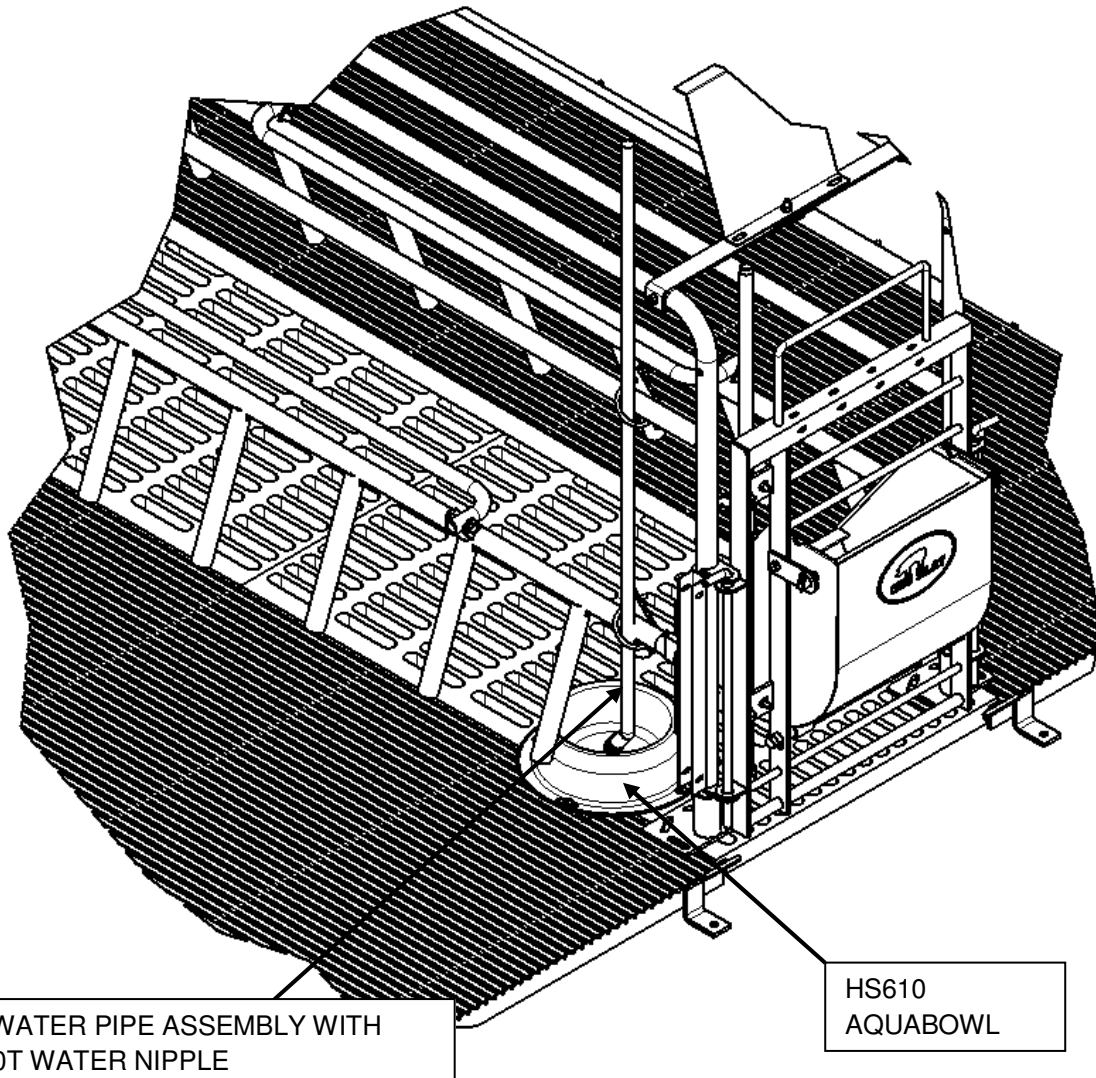




## HS610 AQUABOWL WATERING SYSTEM

---

**Installation:** General guidelines for locating the HS610 AquaBowl and water nipple pipe. AquaBowl is designed with (4) wide slots around perimeter for a wide range of mounting positions.



Suggested location of floor fasteners if only (3) are used.

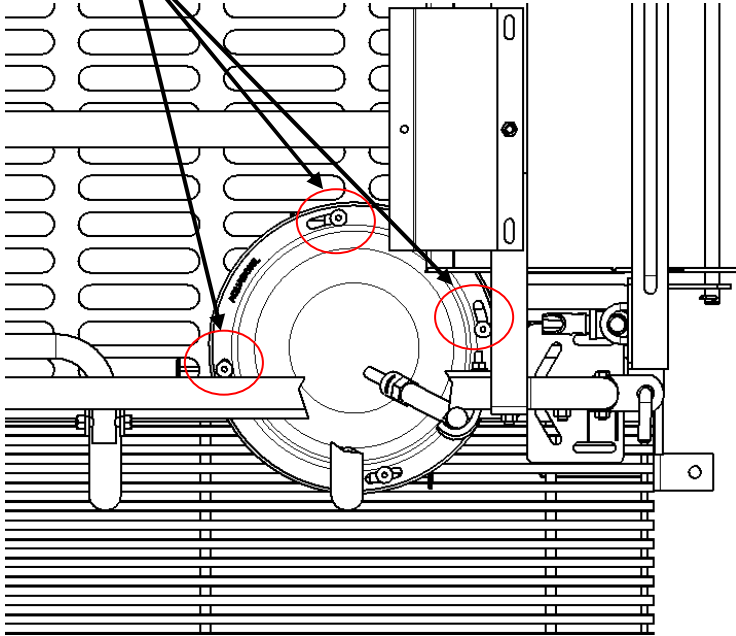


Figure 1

U-Bolt and Back plate

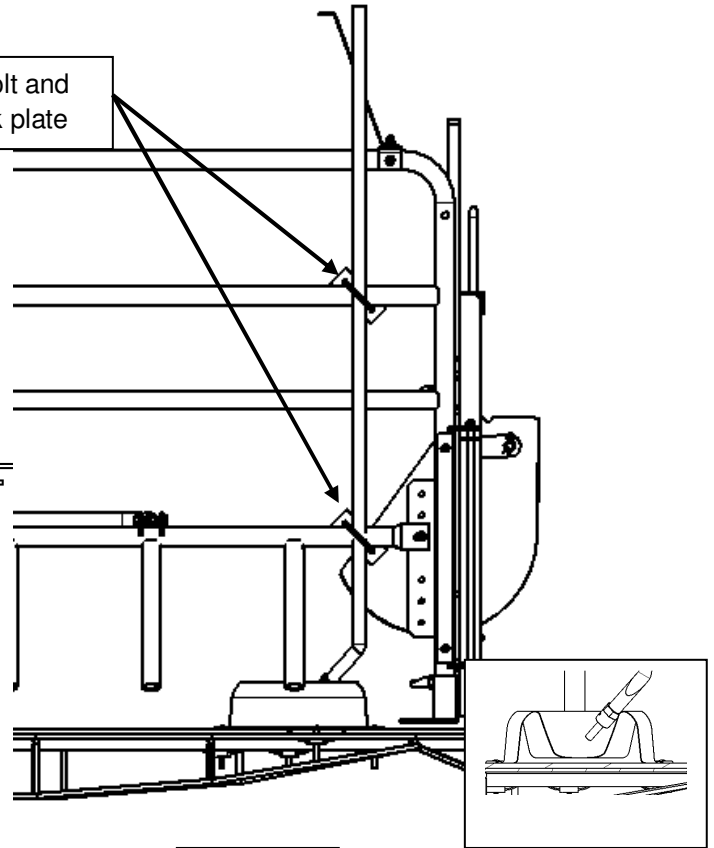


Figure 2

Position water nipple so it is just below top edge of the bowl.

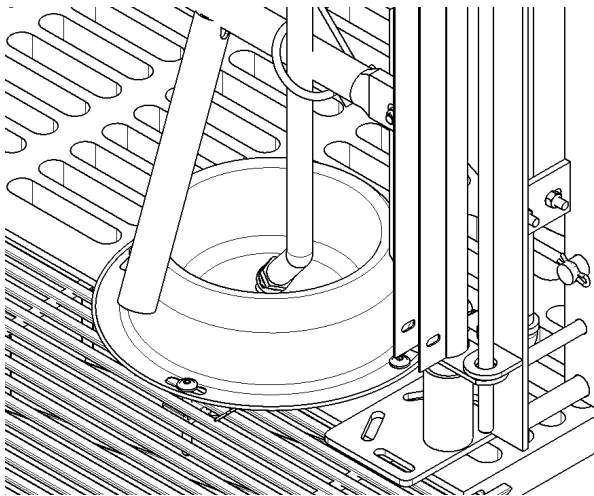
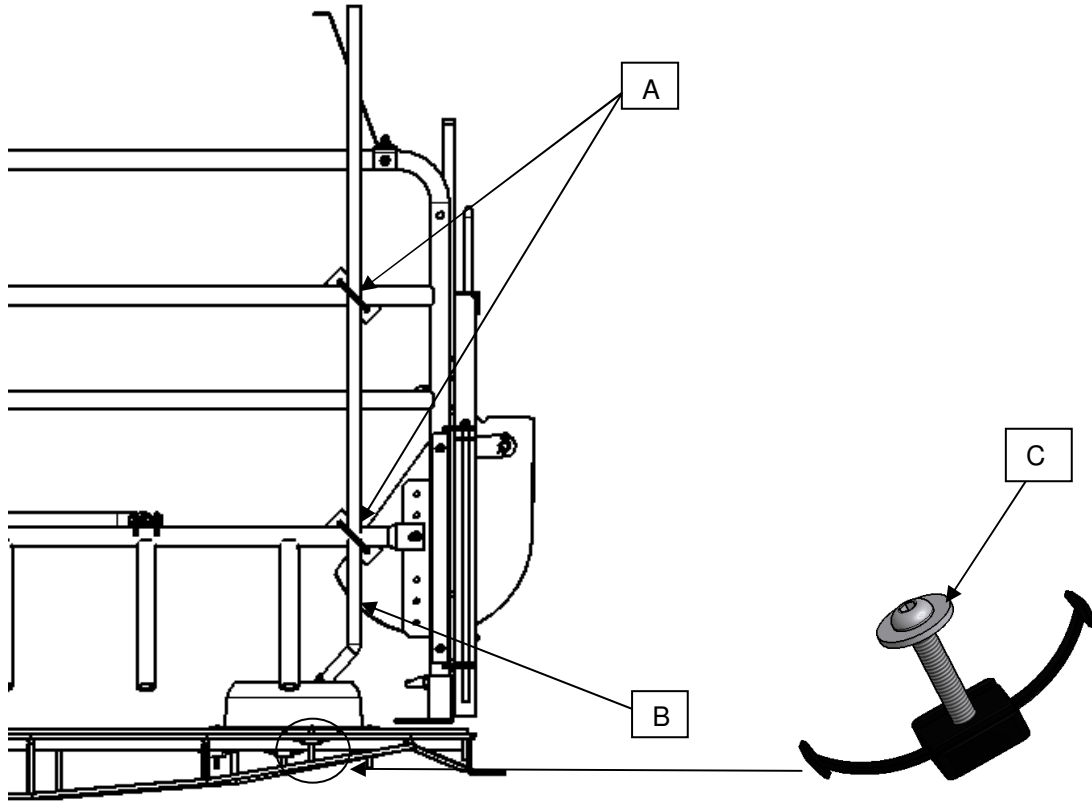


Figure 3

1. Position HS610 AquaBowl in front corner of crate. Either left or right (shown) Position so that slots in AquaBowl align with slots in flooring.  
**See Figure 1**
2. Position HS610-1 water pipe/nipple assembly along crate sides so that water nipple is presented to sow as shown. Attached HS610-1 water pipe/nipple assembly using appropriate sized U-Bolt and plate to fit crate pipe size. **See figure 2**
3. HS610 bowl may be fastened to floor using Cap head bolt and fender washer or Smart Floor Fastener (if only top access is available). (see table "Floor Fasteners") (3 fasteners/bowl minimum)  
Four slots are available in the AquaBowl for up to (4) fasteners



**[A] U-Bolt Installation Kits ( 2 required per water pipe assembly)**

Kit Part #	Description	Components	
		Bracket	U-Bolt
1260971100	Solid Rod Crate - 7/8" OD	1260890100	9731240503 - 5/16" x 1 3/8" ID
1250971100	Advantage/Sampson - 1 315" OD tubing	1260890100	9703120003 – 5/16 x 2 1/16" ID
1232601100	European Crate – 1.66" OD tubing	1232600100	5331370000 – 5/16" x 2 1/2" ID

**[B] Replacement Parts List**

Part #	Description	Components	
		HS610-1	Water pipe/nipple assembly

**[C] Floor Fasteners (min. 3 per assembly)**

Part #	Description
HS652 package of 4	Fastener with M8 x 50mm bolt/washer

**This equipment must be installed in accordance with all State and Local Codes and applicable Regulations which should be followed in all cases. Authorities having jurisdiction should be consulted before installations are made.**



**Hog Slat, Inc.  
PO Box 300  
Newton Grove, NC 28366**

**Phone: (910) 594-0219**

**Fax: (910) 594-1392**

**[www.hogslat.com](http://www.hogslat.com)**

**Copyright © 2013 by Hog Slat, Inc.**