

Accessories

Anti-Theft Lock – Steering Wedge – Hubodometer –
SAF-O-Meter – RECOSS®



Anti-Theft Lock



- Extra sturdy and impact resistant spheroidal graphite cast iron housing
- Suitable for all construction types 2" and 3½" kingpins

Special tamper proof cylinder safety lock incl. 2 keys. Special locking combinations e.g. series if identical lock or with master lock for multiple use in big fleets.

Keyed alike locking system: If you have a keyed alike locking system, please state the key card number and send a copy of the key card. This is required for correct identification and subsequent delivery.



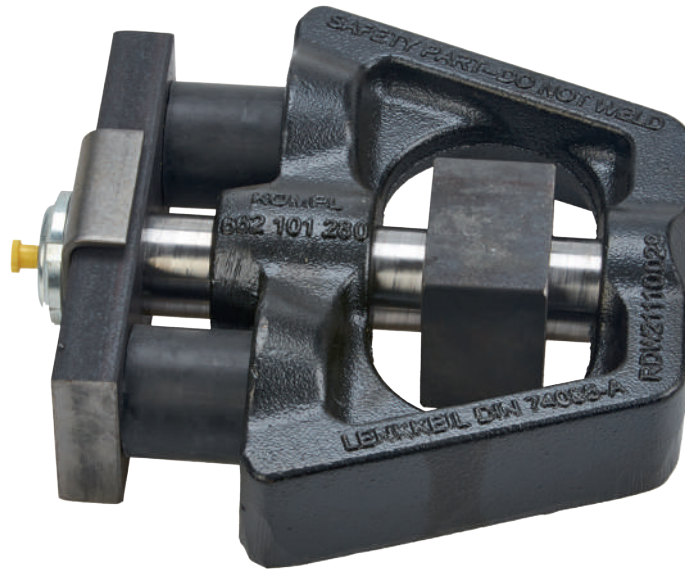
Technical Data - Anti-theft device 2"

Type	Weight [kg]	Overall height [mm]	Diameter Ø [mm]	Order no.
Anti-theft lock standard	5,4	92	260	662102031
Anti-theft lock identical lock	5,4	92	260	662102034
Cylinder key				662102038

Technical Data - Anti-theft device 3 1/2"

Type	Weight [kg]	Overall height [mm]	Diameter Ø [mm]	Order no.
Anti-theft lock standard	5,9	86	260	662102041
Anti-theft lock identical lock	5,9	86	260	662102044
Cylinder key				662102038

Steering Wedge



- Robust body made of spheroidal graphite cast iron
- The integrated rubber spring suspension with a spring extension of 18 mm, prevents jamming during driving.
- The steering wedge does not require any special maintenance and the integrated lubrication system makes servicing easy.

Technical Data

Type	Model	Type approval	Weight [kg]	Order no.
Steering wedge cpl.	gefedert	DIN 74085	12,2	662101280

Fitting Instructions

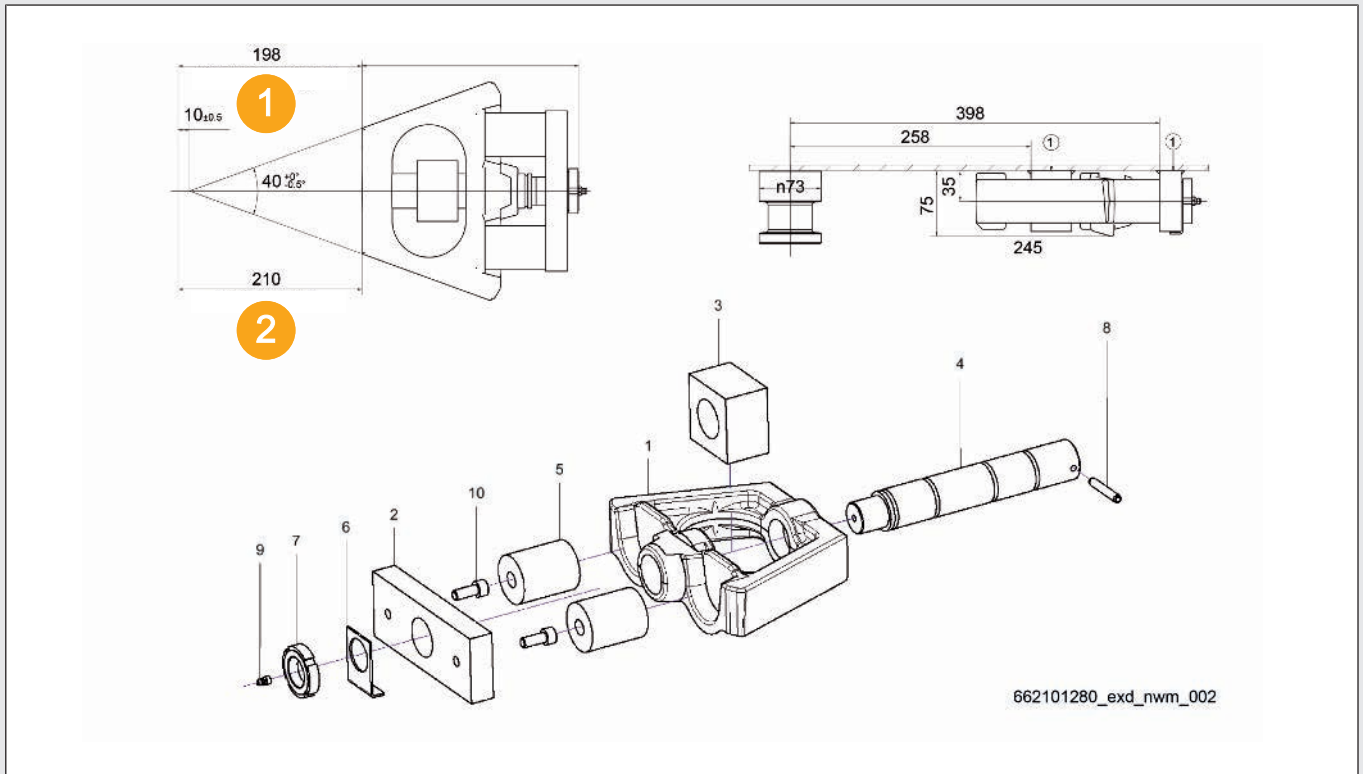
Fastening is carried out by a continuous weld seam (seam thickness 5 mm) of the bearing (1) on the trailer plate. We recommend the welding processes E II or MAG C. Only high quality filler material may be used.

Important: The specified assembly dimensions are to be strictly observed. These dimensions produce a theoretical initial tension of 12 mm. The total spring extension is 18 mm.

When mounted on the vehicle: $M_d = 400 \text{ Nm} \pm 20 \%$.

Bearing (Item 2 + 3): The wedge should not be welded tight.

Dimensions



1	uncoupled
2	coupled

Spare Parts

Item	Component	Pcs.	Order no.
	Steering wedge cpl.	1	662101280
1	Cotter	1	662101282
2	Bearing rear	1	662101279
3	Bearing front	1	662101278
4	Wedge-type guiding spindle	1	662101281
5	Rubber spring	1	662101310
6	Locking plate	1	662101374
7	Nut	1	659115126
8	Rollpin	1	659100022
9	Grease nipple	1	662126224

Hubodometer

Mileage Indicator for Trailers



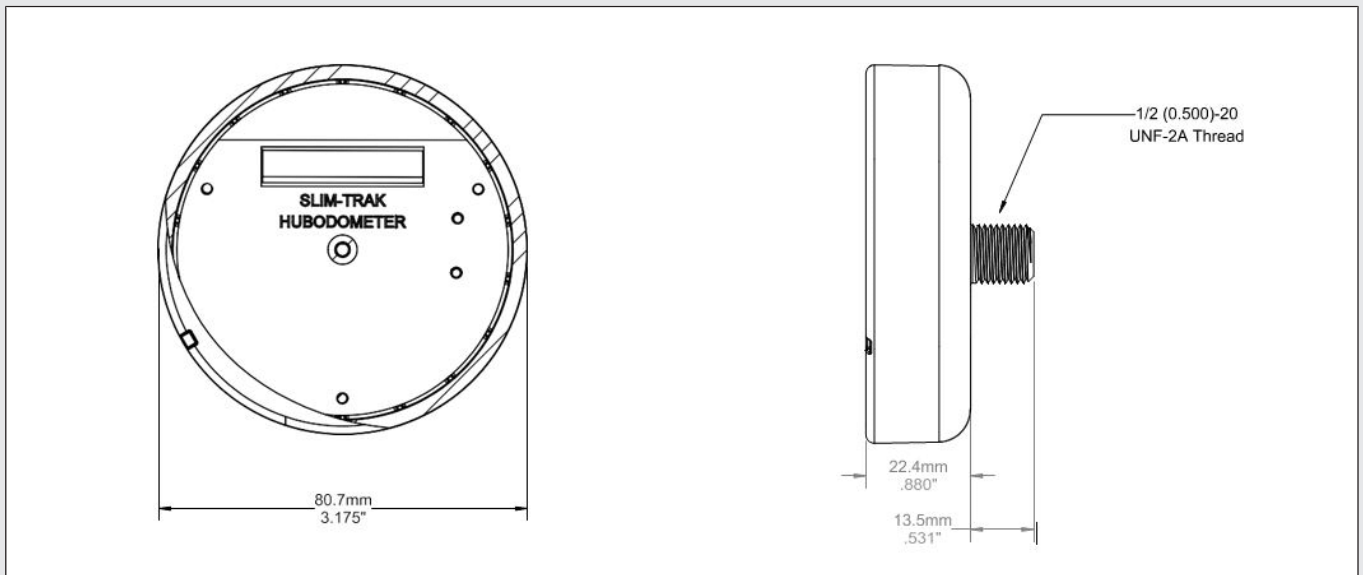
SAF-HOLLAND precision hubodometers are available for all conventional tyre sizes from 15" to 24".

When placing your order, it is important to indicate tyre size or rolling.

Technical Data

Type	Rolling circumference [mm]	Order no.
Hubodometer	2355 (2325 - 2400)	662025014
Hubodometer	2500 (2450 - 2550)	662025005
Hubodometer	2551 (2500 - 2600)	662025013
Hubodometer	2727 (2675 - 2775)	662025012
Hubodometer	2783 (2750 - 2825)	662025011
Hubodometer	2915 (2875 - 2975)	662025010
Hubodometer	3061 (3000 - 3125)	662025009
Hubodometer	3158 (3100 - 3200)	662025003
Hubodometer	3333 (3275 - 3400)	662025000
Hubodometer	3401 (3350 - 3450)	662025002
Hubodometer	3740	662025015

Dimensions



Fitting Instructions

For direct mounting on the hub cap:

The outside surface of the hub cap (contact area of the hubodometer) must be absolutely level. If necessary, turn or grind the surface until level. Drill a hole concentrically with a diameter of 1/2" and if necessary mill the inner side of the hub cap for the type of lock washer.

Important:

Maintain a safety margin of at least 5 mm between screw neck and axle arm. Other types of assembly are possible, e.g. at the flat steel hoop outside of the hub (customer supplied), however, ensure that the hubodometer is always arranged concentrically to the axle.

SAF-O-Meter

Mileage Indicator for Trailers



- Retrospective fitting with SAF-HOLLAND original parts is no problem

Technical Data

Type	Rolling circumference	Rolling circumference area [mm]	Order no.
Hubodometer	245/70R 17,5" - 235/75R 17,5"	2410 (2360 - 2455)	04388024101
Hubodometer	265/70R 19,5"	2640 (2590 - 2690)	04388026401
Hubodometer	445/45R 19,5"	2710 (2655 - 2765)	04388027101
Hubodometer	425/55R 19,5"	2910 (2850 - 2970)	04388029101
Hubodometer	385/55R 22,5"	3040 (2979 - 3100)	04388030401
Hubodometer	1R 22,5" / 295/80R 22,5"	3190 (3125 - 3250)	04388031901
Hubodometer	385/65R 22,5"	3250 (3185 - 3315)	04388032501
Hubodometer	425/65R 22,5"	3490 (3420 - 3560)	04388034901

For example: Tires: 385/65R 22.5" with rolling circumference (E.T.R.T. 0 norm): 3248 mm. This rolling circumference is most suitable for ranges 3185 and 3315.

So:

- SAF-O-Meter 04388032501
- Wheel cap 03304010302

Fitting Instructions

Before mounting, please ensure that you have received the correct SAF-O-Meter for your size of tires!

Axle series 06,
example: Axle model S9-4218



Wheel cap standard
03304010202

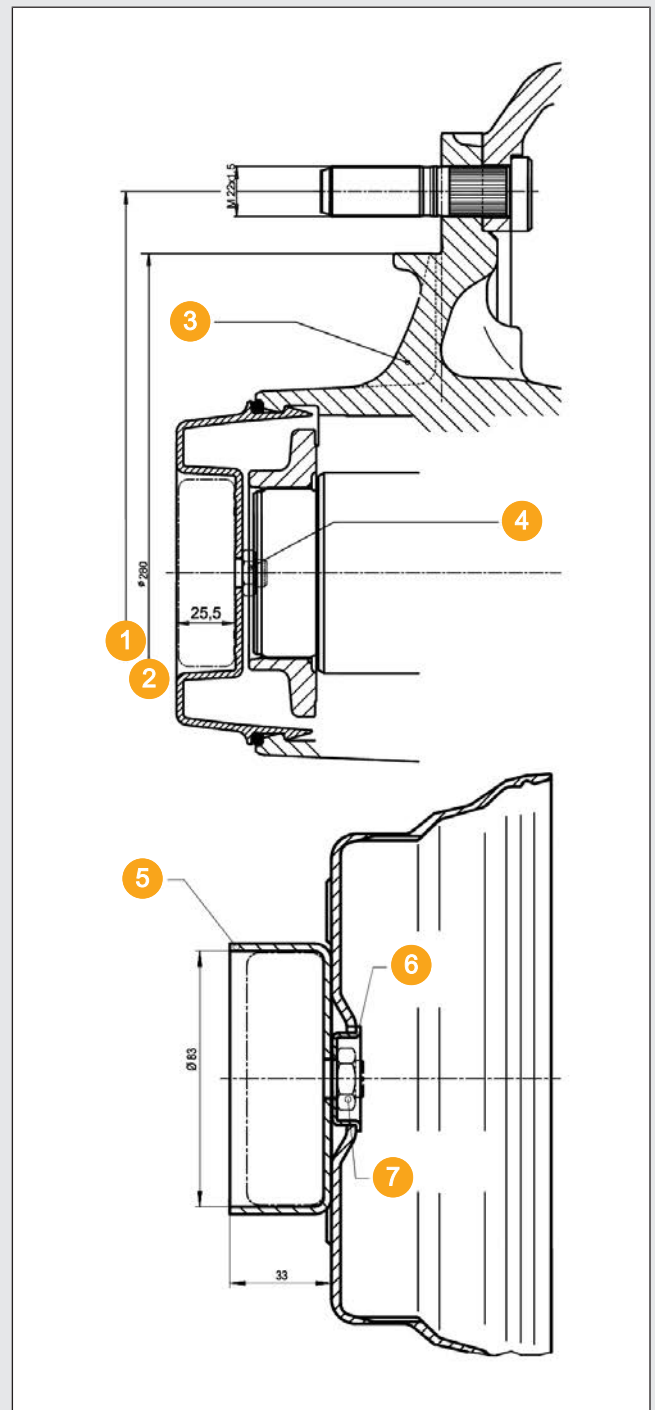
Axle series SK,
example: Axle model SK RZ 12037



Wheel cap for SAF-O-Meter
03304010302

The diagrams show how the SAF-O-Meter is fitted in the hub caps for the different axle models.

It is not important here which side of the vehicle the unit is fitted on, because the counter functions record the distances covered regardless of the direction of turning.

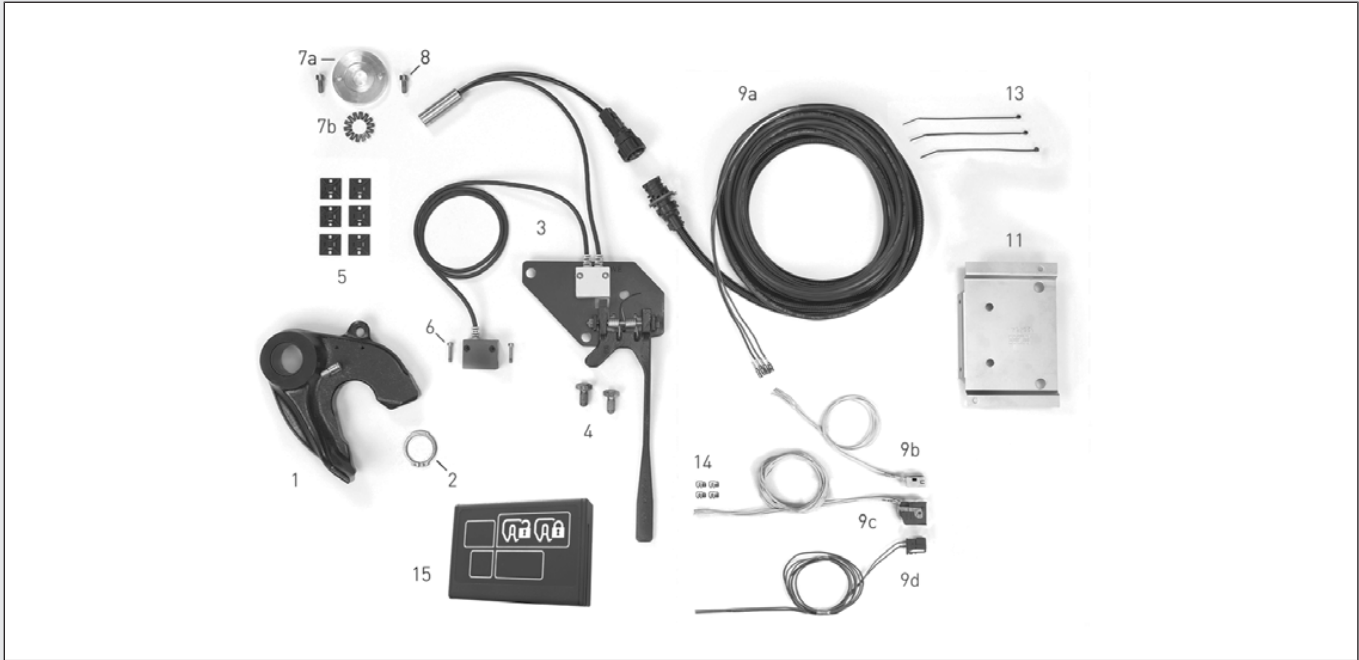


1	TK Ø 355 10 Bolt	5	Protection Cap
2	Ø 280	6	Spacer Ring
3	Wheel Hub	7	Tightening Torque SAF-O-Meter: 15Nm
4	Tightening Torque Nut: 15Nm		

RECOSS®

The Proven 3-Sensor Safety System

RECOSS® REPAIR KITS AND SPARE PARTS



Item	Component	Pcs.	Order no.
	Repair kit locking mechanism		662101716
	Repair kit locking mechanism		662101718
	Repair kit locking mechanism and bearings		662101717
	Repair kit locking mechanism and bearings		662101719
3-8	Repair kit sensor (3S)		662129427
1	Coupler jaw	1	662131115
2	Circlip	1	659100027
5	Mounting base	6	662129168
9	Cable kit RECOSS II standard (9a, 9b, 9c, 9d)	1	662129401
11	Adaptor	1	662129404
13	Cable clip	3	659100045
14	Label for indication element	1	662129190
15	Display unit Recoss II	1	662129445

REPAIR KITS SENSOR: MERCEDES-BENZ / RENAULT / VOLVO

Item	Component	Type	Pcs.	Order no.
	Repair kit locking mechanism	SK-S 36.20 S	1	662101768
	Repair kit locking mechanism and bearings	SK-S 36.20 S	1	662101769
	Repair kit locking mechanism	SK-S 36.20 WS		662101770
	Repair kit locking mechanism and bearings	SK-S 36.20 WS	1	662101771
	Repair kit locking mechanism	SK-S 36.20 S NoLube		662101772
	Repair kit locking mechanism and bearings	SK-S 36.20 S NoLube		662101773
	Repair kit sensor	Volvo FH new / Renault		662129493
	Repair kit sensor	Mercedes Benz		662129496

Order nos. 662101768 - 662101771 now apply for Volvo / Renault / Mercedes-Benz Actros new

Order nos. 662101772 - 662101773 now apply for Mercedes-Benz Actros new