

CATEGORY INDEX

Split Bolts *Copper, Dual-rated, Two-bolt Taps*



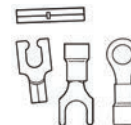
Pages **8-9**

Terminal Lugs *Mechanical, Copper, Bronze*



Pages **10-11**

Crimp Terminals *Bare, Insulated Barrels (Vinyl, Nylon), Disconnects, High Temperature, Display Packaged*



Pages **12-18**

SNAP Connectors *One-hole lugs, 2-hole NEMA lugs, Splices*



Pages **20-41, 99**

Compression *Copper, Dual-rated Aluminum, Splices, Lugs, Tees, Adapters, Reducers, Flex Wire Connectors*



Tooling & Accessories *Hydraulic - Dies, Manual - Dieless, Oxide-inhibitor, Hole-Reducer Adapters*



Pages **42-45**

Mechanical Dual-rated *Aluminum Lugs, Panelboard Connectors, Splices, Lay-in-Lugs, Transformer Lug Kits*



Pages **46-50**

Service Entrance *Parallel Clamps, Compression Sleeves, H-Taps, Vise*



Pages **51-54**

Power Distribution
USA/USAD/PBS Series Insulated Connectors, SPD Side-Stacker™ One-pole Modules, Neutral Bars, Insulation Piercing Connectors, Gutter Taps



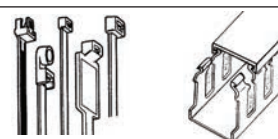
Pages **55-65**

Underground *Splice, Multi-cable, UF Splice, Splice Kits & Covers*



Pages **66-70**

Wire Management *Cable Ties, Panel Channel™ Wiring Duct*



Pages **71-73**

Grounding & Bonding *Low-Wing™ Clamps, Rebar Clamps, Ground-Lok™ & Jones Bond™ Systems, Pool & Spa, I-Beam Clamps, Direct Burial, Ground-Pres™ System*



Pages **74-98**

Substation *Trego™ Connectors, Transformer, Tubular Bus, Flat Bus, HV Stud, Aluminum Compression*



Pages **100-122**

Hardware *Bolts, Nuts, Washers - Bronze, Stainless Steel*



Pages **123-127**

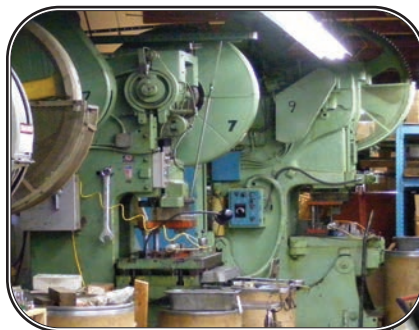
Literature and Displays *Technical Charts, Color Data Sheets, Counter Cards, Banners, Literature Holders, Product Displays, Floor Racks*



Inside Back Cover



Since 1947 Greaves has been a trusted supplier of electrical connectors for the electrical construction trades. Greaves has contributed innovations such as, the Ground-Lok™ pipe grounding system; Jones Bond™ rebar clamps for Ufer grounding; insulated PBS™ in-line splices, USA™ and USAD™ power distribution connectors; all-copper PT-FX Shoo-Pin™ and PT-R ReduceЯ™ compression pin adapters; and Shoo-In™ copper compression lugs and splices for flex cables.



After its beginning in New York in 1947 as Mercury Products, the company moved to Connecticut in 1950 and in 1982 the name was changed to Greaves Corp. In 2007 Essex Products Group acquired Greaves, and relocated the factory to nearby Clinton, CT then and in 2016 all operations moved to the headquarters in Centerbrook, CT. These relocations allowed consolidation for quick manufacturing, stocking, and customer service. As a full-line electrical connector supplier, Greaves inventories over 4000 different items.

Over the years, Greaves has added facilities and manufacturing capabilities to produce both mechanical and compression lugs, splices, and adapters as well as numerous types of bronze grounding clamps. With a broad variety of in-house metalworking and machining processes, Greaves can quickly supply both standard and special products. Greaves expertise includes design of custom products and modification of standard products for specific applications.



GREAVES CORPORATION

P.O.Box 307
30 Industrial Park Road
Centerbrook, CT 06409 USA
www.greaves-usa.com
NAED Vendor Code No. 784491

SALES and MANUFACTURING

860-664-4505 • Toll Free: 800-243-1130 • Fax: 860-664-4546

ACCOUNTING

860-767-7130 ext. 32 • Fax 860-767-3579
ar@epg-inc.com • accounting@epg-inc.com

WEIGHT ESTIMATES – The EST. SHIPPING WEIGHT shown in the catalog are offered only to assist the approximation of shipping cost. Actual weights may vary and packaging should be added.

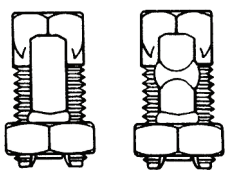
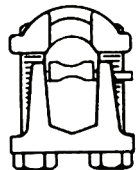
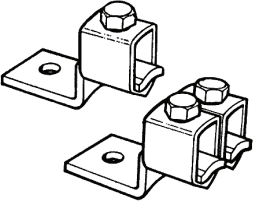
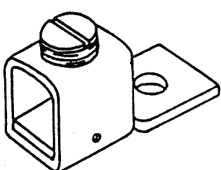



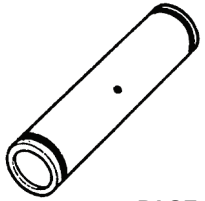
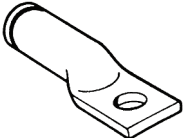
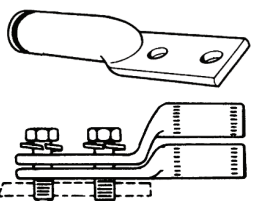
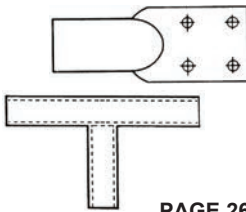
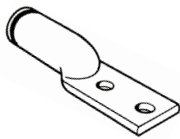
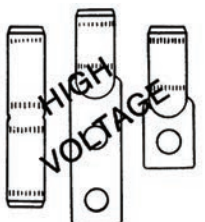
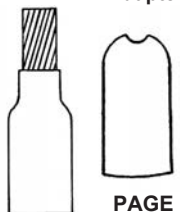

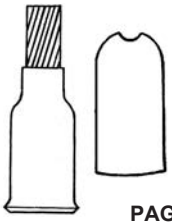
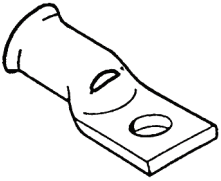

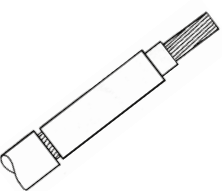
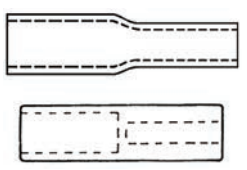
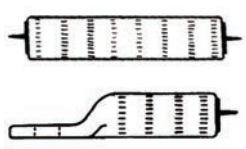
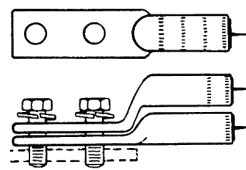
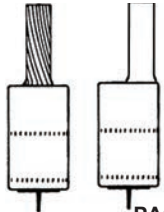


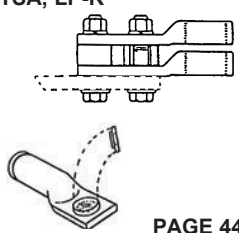

THE FOLLOWING ARE TRADEMARKS OF GREAVES CORPORATION, U.S.A

Beaver-tooth, Bellemore Bushings, Black-Bury, BLZN, BLOX, Bond-Studs, Bug-Bites, Bug-Lug, Buglugs, Bulldog, Continuous Loop, DrumBug, Durham, Ground-Lok, Ground-Pres, High-Wing, Jones, Jones Bond, Li'l Guys, Low-Wing, Lugs n Splices, Mesh-Bug, Neck-Down, Panel Channel, PBS, ReduceЯ™, Rings N Things, Shoo-in, Shoo-pin, Side-Stacker, Stacklug, Thru-Grip, Trego, USA, USAD.

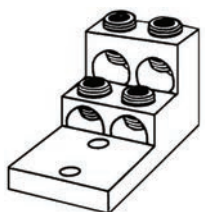

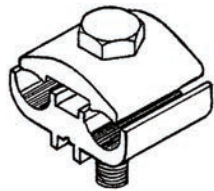
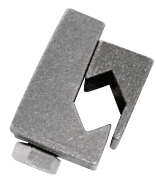
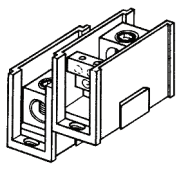



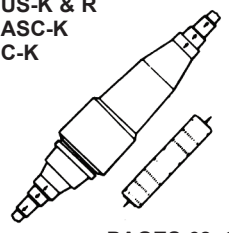




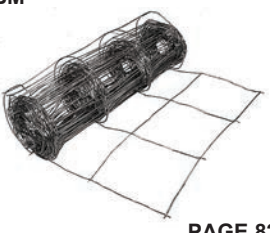
SERIES INDEX – ALPHA

Series	Description	Page	Series	Description	Page	Series	Description	Page
A			G (cont)			P (cont)		
A	Split Bolts	8	GL-FX	CU Compression Lugs-Flex	33	PSP,PST	Stud Connectors Trego	120
A-,AA-	AL Mechanical Lugs	46,47	GL-N	CU Compression Lugs	23	PSP750	USA Screw Port Plugs	63
AAA-,AAAA-	AL Mechanical Lugs	47	GL-NFX	CU Compression Lugs-Flex	33	PT,PTA,PTO	AL Pin Terminal Adapters	41
A-SP	Split Bolts	8	GLT	Transformer Grounding	96	P-T	Tee Connectors Trego	111
A-DB	Mesh-Bug™ Split Bolt DB	80	GP/GPC	AL Tap Connector / Cover	55	PT-FX	CU Shoo-Pin™ Adapters-Flex	31
ABS	AL Mechanical Splices	50	GPC,GPL,GPR	Ground Pres™ C-Tap,Elbow,Rod	84	PTN,PTV	CU Pin Terminals	15
AC-R	AL Compression Reducing Splice	38	GPP	Ground Pres™ Plate	85	PT-R	CU Reduce™ Adapters	29
Adapter Zone	Adapter Zone	19	GRE	Compression Tools	42,43	PWP,PWS	USA Wire/Screw Port Plugs	63
AL	AL Compression Lugs	39	GVC	Vice Grip Connector	54	R		
ALCL	AL Compression Lugs	99	G1	Ground-Lok™ Pipe Clamps	74,75	R	Cable Ties - Releasable	73
AL-N	AL Compression Lugs	40	G1S	Pipe Clamps-Economy	76	R,R-N,R-V	Ring Terminals - Crimp	12,13
ANB	AL Neutral Bars	58	G1R-DB	DB Rebar Clamps w/Lay-in	79	R	DB Splice Cover	69
AQ	AL Mechanical-Panel Board	48	G1-SS	Ground-Lok™ Pipe Clamps SS	75	R-HT	Ring Terminals - High Temp	18
ASC-K	AL Compression Splice Kit	68	G1S-SS	Pipe Clamps-Economy SS	76	S		
ASC-T	AL Compression Splice	39	G1S-DB	DB Pipe Clamps-Economy	76,81	S	Fork Terminals - Crimp	14
ASL-N	AL Compression	40	G1500	2-Wire U-bolt Ground Rod Clamp	77	SB	Silicon Bronze Bolts	124,125
A100	Two-Bolt Taps	9	G18-G516	Ground-Lok™ Assemblies	75	SC	CU Compression Splice	22
A500	Two-Bolt Taps	9	G29-G580	Ground Rod Clamps	77,81	SC-FX	CU Compression Splice-Flex	32
B			G3410,G3435	U-bolt Universal & Lrg Wire	77	SEH	AL H-type Compression Taps	52
B	Cable Ties - Black	72	G5810B	Tork-Away Clamp	77	SEN	AL Compression Splices- Nylon	53
B,B-N,B-V	Butt Splices - Crimp	15	H			S-HT	Fork Terminals - High Temp	18
B-HT	Butt Splices - High Temp	18	H	Bus Bar Clamps Trego	115	SFW	Silicon Bronze Flat Washers	125
BL	BugLug™ Grounding Connector	80	HJJ,HP	Bus Bar Taps Trego	115	SL-N	CU Compression Lugs	25
BLOX	BugLug™ Oxide Inhibitor	45	HT	High Temp Crimps	18	SLW	Silicon Bronze Lock Washers	125
BLZNG	BugLug™ Oxide Inhibitor	45	HWA	Heat Shrink-Heavy Wall, Adhesive	70	SN	Silicon Bronze Nuts	125
B-R	Reducing Splices - Crimp	15	I			SNAP!	SNAP! Connectors Lugs & Splices	20,21
BS	Bond Studs	97	ID	Cable Ties - ID tag	73	SP	Male Snap Plugs	15
BTL	AL Beaver Tooth Lug	96	IPC	Insulation Piercing Conn.	55	SPD	Side-Stacker™ Modules	56,57
BTL-DB	CU DB Beaver Tooth Lug	80,97	J			SPD-C	Side-Stacker™ Covers	57
C			J-DB	Rebar Clamp	79,80	SS	SS Hardware	126,127
C	CU Compression Splices	22	JA	Terminal Lugs Trego	100	SS-A,B,C,D	SS Kits	81
CBM	CU Bonding Mesh Kit	82	JAR	Terminal Lugs Trego	102	SSBW	SS Belleville Washers	127
CCT	CU Compression Tee	26	JAR-DB	Terminal Lugs - Direct Burial	97	T		
C-DB	CU DB Compression Splice	85	JJA	Terminal Lugs Trego	103,104	TA	Terminal Lugs	110
CF	Flexible Strap Clamp	92	JJAR	Terminal Lugs Trego	102,105	Tork-Away	Tork-Away™ Security Hardware	123
C-FX	CU Compression Splices Flex	32	JL	Terminal Adapters Trego	108	TG,TGM	Grnd Connector-Tower/Bar 1-Wire	95
CG	Large Pipe Clamps	89	JJL	Terminal Adapters Trego	109	TGG,TGGM	Grnd Connector-Tower/Bar 2-Wire	95
CH	U-Bolt Clamps 2-Wire	90	JJU	Multiple Cable Couplers Trego	116	TJTT	Tee Connectors Trego	112
C-K	CU DB Splice Kit	69	Jones	Jones Bond™ System	80,81	TK	Couplers Trego	118
CL	CU Soldering Lugs (former D1 series)	13	K			TKT	Tee Connectors Trego	114
C-N	Nylon Pigtail Crimps	15	KTC	Snap Splices	20	TLK	Transformer Lug Kits	49
CNB	CU Neutral Bars	58	KTC-K	Snap Splice Kits	21	TPK	Couplers Trego	117
CR	Raised Floor Pedestal Clamps	91	KTL, KTL-N	Snap Lugs	20	TPT	Tee Connectors Trego	113
CRA	CU Comp. Reducing Adapter	36	KTL-K, KTLN-K	Snap Lug Kits	21	Trego	Trego™ Power Connectors	100-122
CRK	CU Comp. Reducing Kits	37	L			TSA	Stacklug™ Stacking Adapters	44
CTGG	Cable Tray Clamp	94	L	CU Compression Lugs	24	TSP,TST	Stud Connectors Trego	121
C-V	CU HV Compression Splice	28	LF	Spade Adapter Trego	111	TT	Tee Connectors Trego	114
C-X	Universal Connectors	96	L-FX	CU Compression Lugs-Flex	34	U		
CZ	U-Bolt Clamps - 3-Wire	91	L-NDB	CU DB Compression Lugs	85	UFK	DB UF Splice Kit	67
C100	U-Bolt Clamps - 1-Wire	88	L-NFX	CU Compression Lugs-Flex	35	US-K	DB Splice Kit w/cover	68
D			L-N	CU Compression Lugs	25	UPP	Underground Connectors	66
DIE	U-type Dies	43	L-4N	CU Compression Lugs-4 hole	26	USA	Insulated One-Side Entry	60,61
DX	CU Straight Tang Lugs	10	L-NV	CU Compression Lugs-HV	28	USAD	Insulated Optional-Side Entry	60,62,63
D-050	Perforated CU Straps	93	LP-R	Bellemore™ Reducer Bushings	44	USA-M	Mount. Insul. One-Side Entry	64
D480-D487	CU Grounding Straps	93	L-TC	CU Compression Lugs-Telecomm.	27	USAD-M	Mount. Insul. Optional-Side Entry	65
D700	CU Tang & Collar Lugs	10	L-V	CU HV Compression Lugs	28	W		
D800-D836	CU/Bronze Terminal Lugs	11	M			WPC,WTT	Bus Support Trego	122
D899-D901	CU Tang & Collar Lugs-2 Wire	10	M,M-N,M-V	Male Disconnects-Crimp	16	X		
F			M	Cable Ties-Mounting - Natural	73	XA	Terminal Lugs Trego	110
F,F-N,F-V	Female Disconnects - Crimp	16	MB	Cable Ties-Mounting - Black	73	XPA	Terminal Lugs Trego	106
FB	Flexible Braid - Coils	93	MBK	Intersystem Bonding Kit - CU	83	XSP,XST	Stud Connectors Trego	119
F-FN	Female Discon.-Fully Insul. Nylon	17	M-FN	Male Disconnects-Fully Insul. Nylon	17	Abbreviations		
F-HT	Female Disconnects-High Temp	18	M-HT	Male Disconnects-High Temp	18	AL	Aluminum	
FJ	Flexible Jumper Straps	92	MMF	Spade Disconnect - Splitter	17	BS	Brass Screws	
FL	Female Disconnects-Flag	17	MP	Cable Tie Mounting Pads	73	Brnz	Bronze	
F-NSP	Stud Spade Adapter Trego	122	N			Comp.	Compression	
FSP	Female Snap Plugs	15	N	Cable Ties - Natural	72	CU	Copper	
G			ND-R	CU Compression Reducers	38	Discon.	Disconnects	
GAC	AL Pipe Clamps	76	P			DB	Direct Burial	
GBB	Grounding Bus Bar	98	PA	Terminal Lugs Trego	106	Grnd	Grounding/Ground	
GBC	I-Beam Grounding Clamps	86,87	PAC	AL Parallel Clamps	51	HV	High Voltage	
GBK	Intersystem Bonding Kit - Brnz Bar	83	PBS	Inline Splice - Insulated	60	Insul.	Insulated	
G150-DB	DB Low-Wing™ Series	78	PC	Panel Channel™ Wiring Duct	71	Mount.	Mountable	
GFGC	Fence Grounding Clamp	92	PD	AL Neutral Bars	59	SS	Stainless Steel	
GL	CU Compression Lugs	23	PK	Couplers Trego	116			

PICTORIAL INDEX


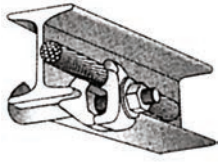
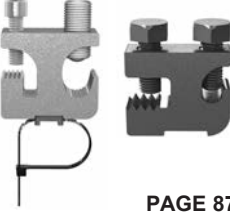
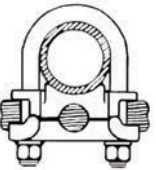
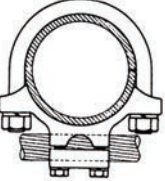

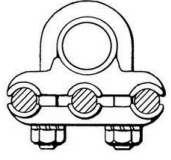
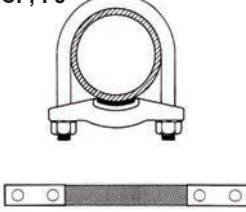

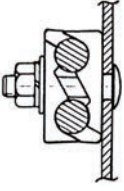
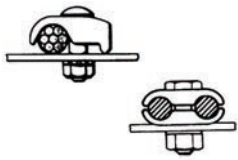
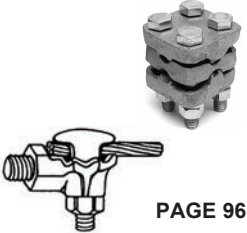
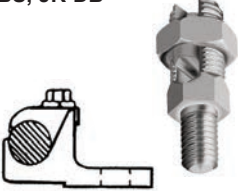


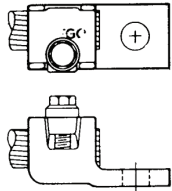
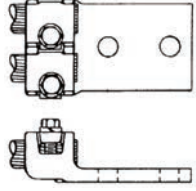
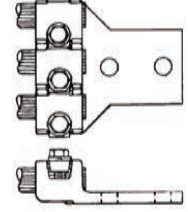
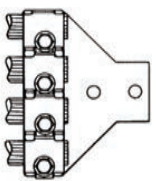
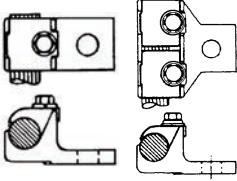
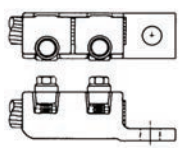
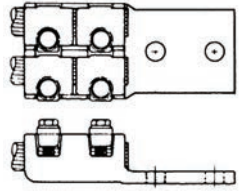
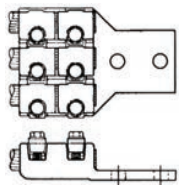
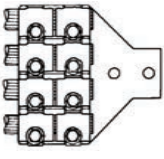
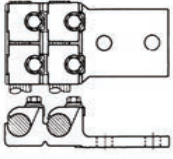
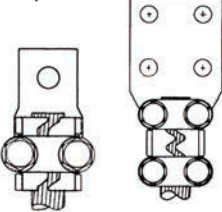
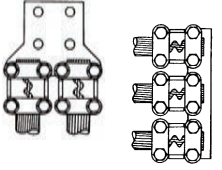
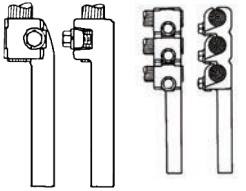
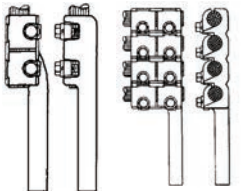
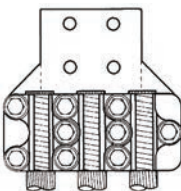
<p>A & A-SP</p>  <p>PAGE 8</p>	<p>A100, A500</p>  <p>PAGE 9</p>	<p>D700, D899</p>  <p>PAGE 10</p>	<p>DX</p>  <p>PAGE 10</p>	<p>D800</p>  <p>PAGE 11</p>
<p>Crimp Terminals</p>  <p>PAGES 12-18</p>	<p>GO TO THE GREAVES ADAPTER ZONE</p> <p>PAGES 19</p>	<p>KTL, KTL-N, KTC</p> <p><i>SNAP!</i> Connectors</p>  <p><i>SNAP+</i> Kits</p>  <p>PAGES 20-21</p>	<p>SC & C</p>  <p>PAGE 22</p>	<p>GL & GL-N</p>  <p>PAGE 23</p>
<p>L</p>  <p>PAGE 24</p>	<p>L-N & SL-N</p>  <p>PAGE 25</p>	<p>L-4N, CCT</p>  <p>PAGE 26</p>	<p>L-TC</p>  <p>PAGE 27</p>	<p>V</p> <p>HIGH VOLTAGE</p>  <p>PAGE 28</p>
<p>PT-R ReduceR™ Adapters</p>  <p>PAGE 29</p>	<p>FX FLEX-CABLE SIZING GUIDE</p>  <p>PAGE 30</p>	<p>PT-FX Shoo-Pin™ Adapters</p>  <p>PAGE 31</p>	<p>FX Shoo-in™ Lugs & Splices</p>  <p>PAGES 32-35</p>	<p>CRA Adapters</p>  <p>PAGE 36</p>
<p>CRK Kits</p>  <p>PAGE 37</p>	<p>ND-R, AC-R</p>  <p>PAGE 38</p>	<p>ASC-T, AL</p>  <p>PAGE 39</p>	<p>AL-N & ASL-N</p>  <p>PAGE 40</p>	<p>PT, PTA, PTO</p>  <p>PAGE 41</p>
<p>GRE COMPRESSION TOOLING AND DIES</p>  <p>PAGES 42, 43</p>	<p>U-Type Dies</p>  <p>PAGE 43</p>	<p>TSA, LP-R</p>  <p>PAGE 44</p>	<p>BLNZG, BLOX BUG•LUG™ OXIDE INHIBITOR</p>  <p>PAGE 45</p>	

PICTORIAL INDEX

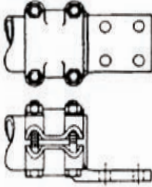
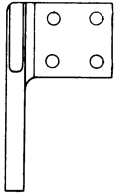
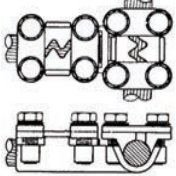
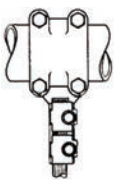
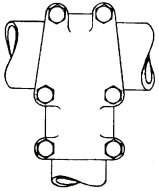
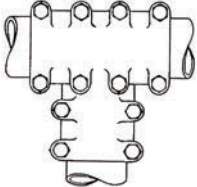
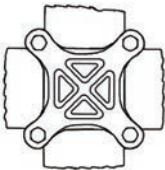
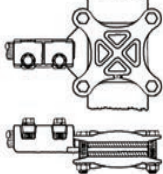
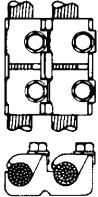
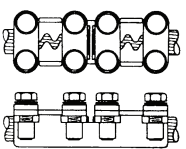
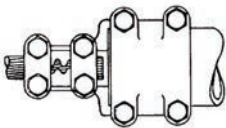
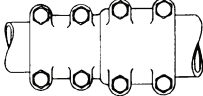
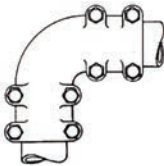
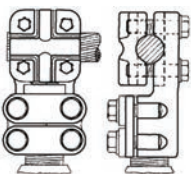
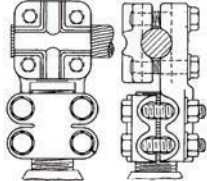
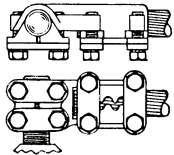
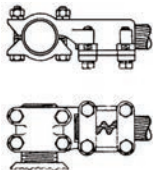
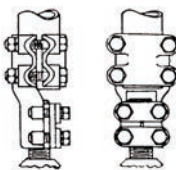
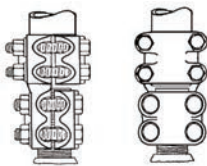
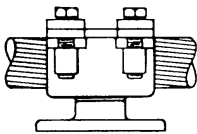
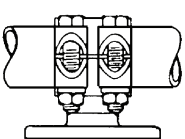
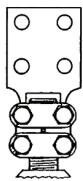


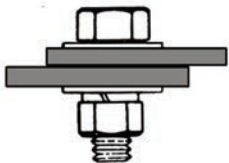

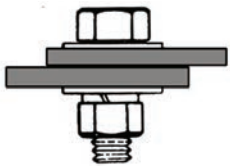
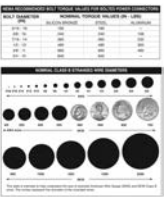

<p>A, AA, AAA, AAAA</p>  <p>PAGES 46, 47</p>	<p>AQ</p>  <p>PAGE 48</p>	<p>TLK</p>  <p>PAGE 49</p>	<p>ABS</p>  <p>PAGE 50</p>	
<p>PAC</p>  <p>PAGE 51</p>	<p>SEH</p>  <p>PAGE 52</p>	<p>SEN</p>  <p>PAGE 53</p>	<p>GVC</p>  <p>PAGE 54</p>	<p>IPC, GP & GPC</p>  <p>PAGE 55</p>
<p>SPD Side-Stacker™</p>  <p>PAGES 56, 57</p>	<p>ANB, CNB, PD</p>  <p>PAGES 58, 59</p>	<p>PBS, USA, USAD INSULATED POWER CONNECTORS</p>  <p>PAGES 60-65</p>	<p>UPP Black-bury™</p>  <p>PAGE 66</p>	
<p>UFK</p>  <p>PAGE 67</p>	<p>US-K & R ASC-K C-K</p>  <p>PAGES 68, 69</p>	<p>HWA</p>  <p>PAGE 70</p>	<p>PC Panel Channel™</p>  <p>PAGE 71</p>	<p>CABLE TIES, MOUNTS</p>  <p>PAGES 72, 73</p>
<p>G1 Ground-Lok™ System</p>  <p>PAGES 74, 75</p>	<p>G1S</p>  <p>PAGE 76</p>	<p>G</p>  <p>PAGE 77</p>	<p>G-DB Low-Wing™</p>  <p>PAGE 78</p>	<p>J-DB, G-DB, GR-DB</p>  <p>PAGE 79</p>
<p>J-DB JONES BOND™ SYSTEM</p>  <p>PAGES 80, 81</p>	<p>CBM</p>  <p>PAGE 82</p>	<p>GBK MBK</p>  <p>PAGE 83</p>	<p>GPC, GPR, GPL</p>  <p>PAGE 84</p>	

**R
E
B
A
R**

PICTORIAL INDEX

<p>L-NDB, G-DB, GPP</p>  <p>PAGE 85</p>	<p>GBC I-Beam Clamps</p>  <p>PAGE 86</p>	<p>GBC I-Beam Clamps</p>  <p>PAGE 87</p>	<p>C100</p>  <p>PAGE 88</p>	<p>CG</p>  <p>PAGE 89</p>
<p>CH</p>  <p>PAGE 90</p>	<p>CZ, CR</p>  <p>PAGE 91</p>	<p>CF, FJ</p>  <p>PAGE 92</p>	<p>D480, D, FB</p>  <p>PAGE 93</p>	<p>CTGG</p>  <p>PAGE 94</p>
<p>TG, TGM, TGG, TGGM</p>  <p>PAGE 95</p>	<p>C-X, GLT, BTL</p>  <p>PAGE 96</p>	<p>BS, JR-DB</p>  <p>PAGE 97</p>	<p>GBB</p>  <p>PAGE 98</p>	<p>ALCL</p>  <p>PAGE 99</p>
<p>JA</p>  <p>PAGE 100</p>	<p>2JA</p>  <p>PAGE 100</p>	<p>3JA</p>  <p>PAGE 101</p>	<p>4JA</p>  <p>PAGE 101</p>	<p>JAR, JJAR</p>  <p>PAGE 102</p>
<p>JJA</p>  <p>PAGE 103</p>	<p>2JJA</p>  <p>PAGE 103</p>	<p>3JJA</p>  <p>PAGE 104</p>	<p>4JJA & 5JJA --</p>  <p>PAGE 104</p>	<p>2JJAR & 3JJAR</p>  <p>PAGE 105</p>
<p>XPA, PA</p>  <p>PAGE 106</p>	<p>2PA, 3PA90</p>  <p>PAGE 107</p>	<p>JL, JL90</p>  <p>PAGE 108</p>	<p>JJL, 2, 3, 4JJL90</p>  <p>PAGE 109</p>	<p>XA</p>  <p>PAGE 110</p>

PICTORIAL INDEX

<p>TA, TA-90</p>  <p>PAGE 110</p>	<p>LF</p>  <p>PAGE 111</p>	<p>PT</p>  <p>PAGE 111</p>	<p>TJJT, TPT</p>  <p>PAGES 112, 113</p>	<p>TT</p>  <p>PAGE 114</p>
<p>TKT</p>  <p>PAGE 114</p>	<p>H</p>  <p>PAGE 115</p>	<p>HJJ, HP</p>  <p>PAGE 115</p>	<p>JJU</p>  <p>PAGE 116</p>	<p>PK</p>  <p>PAGE 116</p>
<p>TPK</p>  <p>PAGE 117</p>	<p>TK</p>  <p>PAGE 118</p>	<p>TK90</p>  <p>PAGE 118</p>	<p>XSP</p>  <p>PAGE 119</p>	<p>XST</p>  <p>PAGE 119</p>
<p>PSP, PSP90</p>  <p>PAGE 120</p>	<p>PST, PST90</p>  <p>PAGE 120</p>	<p>TSP, TSP90</p>  <p>PAGE 121</p>	<p>TST, TST90</p>  <p>PAGE 121</p>	<p>WPC</p>  <p>PAGE 122</p>
<p>WTT</p>  <p>PAGE 122</p>	<p>FNSP</p>  <p>PAGE 122</p>	<p>Tork-Away™ Security Hardware</p>  <p>PAGE 123</p>	<p>BOLTS - BRONZE</p>  <p>PAGE 124</p>	<p>HARDWARE - BRONZE</p>  <p>PAGE 125</p>
<p>BOLTS - STAINLESS STEEL</p>  <p>PAGE 126</p>	<p>HARDWARE - ST STEEL</p>  <p>PAGE 127</p>	<p>DATA</p>  <p>PAGE 128</p>	<p>LITERATURE AND MERCHANDISING</p>  <p>INSIDE BACK COVER</p>	



SPLIT BOLTS

High strength solderless service connector
 High strength copper alloy
 Suitable for direct burial in earth and concrete

For copper and copperweld wires

A SERIES

NAED NUMBER	CATALOG NUMBER	MAX. WIRE EQUAL RUN EQUAL TAP	MIN. TAP WITH MAX. RUN	RECOMMENDED TORQUE INCH-LBS	CTN QTY	EST. SHIPPING	
						WEIGHT (lbs)	UNIT
10130	A 2	8 STR	14 STR	80	100	3.3	CTN
10180	A 3	6 SOL	12 STR	165	100	4.5	CTN
10240	A 5	6 STR	12 STR	165	100	5.3	CTN
10350	A 8	2 STR	12 STR	275	100	9.7	CTN
10400	A 10	1/0 STR	12 STR	385	50	7.8	CTN
10430	A 11	2/0 STR	12 STR	385	25	4.8	CTN
10460	A 12	3/0 STR	8 STR	450	25	7.7	CTN
10490	A 14	4/0-250 MCM	8 STR	600	25	8.7	CTN
10520	A 15	350 MCM	1/0 STR	600	12	6.2	CTN
10550	A 16	500 MCM	2/0 STR	750	12	8.9	CTN
10580	A 17	750 MCM	4/0 STR	900	3	5.1	CTN
10610	*A 18	1000 MCM	4/0 STR	1000	3	7.5	CTN



TYPE FOR THREE MAXIMUM SIZE WIRES

10140	A 2 L	8 STR	14 STR	80	100	3.1	CTN
10220	A 4	6 SOL	14 STR	165	100	5.5	CTN
10280	A 6	4 SOL	12 STR	165	100	5.8	CTN
10380	A 9	2 STR	10 STR	275	100	10.4	CTN

For further wire range data, consult factory.
 *Size not UL.

UNIVERSAL SPLIT BOLTS

All purpose type
 High-strength copper alloy
 Electro tin plated
 Spacer bar separates wires

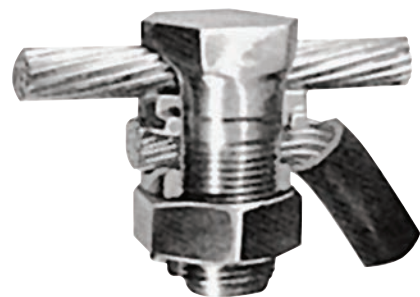
Dual-Rated



A-SP SERIES

Tin-Plated with Spacer

NAED NUMBERS	CATALOG NUMBER	MAXIMUM CONDUCTOR		RECOMMENDED TORQUE INCH-LBS	CTN QTY	EST. SHIPPING	
		CU - AL	ACSR			WEIGHT (lbs)	UNIT
10210	A 3SP	6 SOL	-	165	100	5.1	CTN
10270	A 5SP	4 SOL	6	165	100	6.1	CTN
10370	A 8SP	2 STR	2	275	100	11.5	CTN
10420	A 10SP	1/0 STR	1	385	50	9.1	CTN
10450	A 11SP	2/0 STR	1/0	385	25	5.4	CTN
10480	A 12SP	3/0 STR	2/0	450	25	8.5	CTN
10510	A 14SP	250 MCM	4/0	600	25	9.9	CTN
10540	A 15SP	350 MCM	266.8	600	12	10.2	CTN
10570	A 16SP	500 MCM	397.5	750	12	10.2	CTN
10600	A 17SP	750 MCM	666.6	900	3	5.4	CTN
10630	*A 18SP	1000 MCM	900.00	1000	3	8.2	CTN



For Copper to copper
 Aluminum to copper
 Aluminum to aluminum
 Steel to copper
 Steel to aluminum

For further wire range data, consult factory.
 UL listed for copper to copper applications only.
 *Size not UL.



GREAVES

TAP CONNECTORS

TWO-BOLT TAPS

Bronze body and hardware

Suitable materials for direct burial in earth and concrete

A100 SERIES

NAED NUMBER	CATALOG NUMBER	WIRE RANGE				CTN QTY	EST. SHIPPING	
		MAIN		TAP			WEIGHT (lbs)	UNIT
		MAX.	MIN.	MAX.	MIN.			
12100	A 104	1/0 STR	#2	1/0 STR	#10	12	2.7	CTN
12120	A 105	2/0 STR	#2	2/0 STR	#10	12	4.0	CTN
12140	A 106	4/0 STR	2/0	4/0 STR	#6	12	4.0	CTN
12160	A 107	350 MCM	4/0	350 MCM	#4	6	5.9	CTN
12180	A 108	500 MCM	400 MCM	500 MCM	2/0	6	5.0	CTN
12200	A 109	800 MCM	400 MCM	800 MCM	3/0	3	5.2	CTN
12220	A 110	1000 MCM	500 MCM	1000 MCM	3/0	2	4.7	CTN

If spacer bars are required, add suffix "WS" to the Catalog Number.

For copper cable

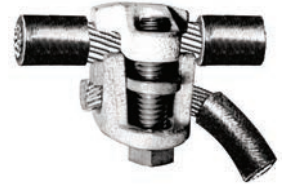


A500 SERIES

Tin-Plated with Spacer

NAED NUMBER	CATALOG NUMBER	WIRE RANGE				CTN QTY	EST. SHIPPING	
		MAIN		TAP			WEIGHT (lbs)	UNIT
		MAX.	MIN.	MAX.	MIN.			
12240	A 504	1/0 STR	#2	1/0 STR	#10	12	5.3	CTN
12260	A 505	2/0 STR	#2	2/0 STR	#10	12	4.2	CTN
12280	A 506	4/0 STR	2/0	4/0 STR	#6	12	4.9	CTN
12300	A 507	350 MCM	4/0	350 MCM	#4	6	6.9	CTN
12320	A 508	500 MCM	400 MCM	500 MCM	2/0	6	6.0	CTN
12340	A 509	800 MCM	400 MCM	800 MCM	3/0	3	5.4	CTN
12360	A 510	1000 MCM	500 MCM	1000 MCM	3/0	2	5.6	CTN

Dual-Rated



For copper to aluminum



TERMINAL LUGS

TANG & COLLAR LUGS – COPPER

Electrolytic copper tang and collar, plated steel screws

Compact

Economical

For copper cable

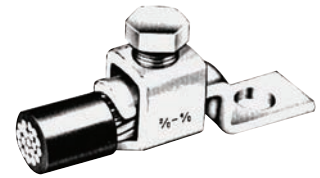
D700 SERIES

NAED NUMBER	CATALOG NUMBER	WIRE RANGE	RATING AMP NEC	BOLT SIZE	TORQUE IN-LBS	CTN QTY	EST. SHIPPING	
							WEIGHT (lbs)	UNIT
50500	*D 703	#10-14 STR	25	1/8	20	200	2.47	CTN
50520	*D 704	#6-14 STR	35-50	3/16	35	200	4.82	CTN
50660	*D 711	#4-14 STR	70	1/4	110	200	5.95	CTN
50540	*D 705	#2-8 STR	70-90	1/4	50	100	3.89	CTN
50560	*D 706	1/0#6 STR	125	1/4	50	100	10.55	CTN
50700	D 713	3/0-#4 STR	175	3/8	110	50	8.48	CTN
50580	D 707	4/0-#2 STR	225	5/16	200	25	5.67	CTN
50640	D 710	350-1/0 STR	300	3/8	250	20	8.96	CTN
50600	D 708	500-1/0 STR	400	3/8	375	12	8.60	CTN
50620	D 709	1000-600 MCM	650	1/2	400	1	1.80	EA

* Supplied with slotted screws, for screwdriver use.

PLATING: For tin plating add suffix "P" to Catalog Number.

One-Wire



Two-Wire

NAED NUMBER	CATALOG NUMBER	WIRE RANGE	RATING AMP NEC	BOLT SIZE	TORQUE IN-LBS	CTN QTY	EST. SHIPPING	
							WEIGHT (lbs)	UNIT
50720	D 899	4/0-#2 STR	450	3/8	200	10	6.04	CTN
50740	D 900	350 -1/0 STR	600	3/8	250	5	4.46	CTN
50760	D 901	500 -1/0 STR	800	1/2	375	4	6.56	CTN

PLATING: For tin plating add suffix "P" to Catalog Number.



STRAIGHT TANG LUGS – COPPER

Electrolytic copper tang and collar, plated steel screws

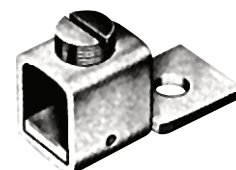
Compact

Economical

DX SERIES

NAED NUMBER	CATALOG NUMBER	WIRE RANGE	BOLT SIZE	CTN QTY	EST. SHIPPING	
					WEIGHT (lbs)	UNIT
50480	DX 6	#6-14	3/16	100	2.04	CTN
50481	DX 4	#4-14	1/4	100	3.31	CTN

One-Wire





TERMINAL LUGS

BULL-DOG™ LUGS COPPER, CAST BRONZE

Heavy duty
High conductivity
High strength copper or copper alloy bronze

For copper cable



Figure 1

NAED NUMBER	CATALOG NUMBER	WIRE RANGE		BOLT SIZE	AMP NEC.	FIG.	CTN QTY	EST. SHIPPING	
		MAX.	MIN.					WEIGHT (lbs)	UNIT
SINGLE BARREL									
51100	*D 800	#8 STR	#14 SOL	#10	35	1	100	1.42	CTN
51120	*D 801	#4 STR	#14 SOL	1/4	70	1	100	3.41	CTN
51140	D 802	1/0 STR	#8 SOL	5/16	125	1	50	3.77	CTN
51180	D 804**	250 MCM	1/0 STR	3/8	250	2	25	5.75	CTN
51220	D 805	500 MCM	4/0 STR	1/2	400	2	10	5.60	CTN
51260	D 806	1000 MCM	500 MCM	1/2	600	2	4	5.12	CTN
SINGLE BARREL									
51300	†D 812**	1/0 STR	#4 SOL	3/8	125	3	50	8.66	CTN
51340	†D 814	250 MCM	1/0 STR	3/8	250	3	25	7.75	CTN
51380	†D 815	500 MCM	4/0 STR	3/8	500	3	6	5.00	CTN
51390	D 815 N	500 MCM	4/0 STR	1/2	500	3	6	5.00	CTN
51420	D 816 N	1000 MCM	500 MCM	1/2	650	3	1	1.50	EA
TWIN BARREL									
51460	D 824 N	250 MCM	1/0 STR	1/2	500	4	6	5.58	CTN
51500	D 825 N	500 MCM	4/0 STR	1/2	800	4	1	1.95	EA
51515	D 825 N4	500 MCM	4/0 STR	1/2	800	5	1	1.91	EA
51540	D 826 N4	1000 MCM	500 MCM	1/2	1300	5	1	3.30	EA
TRIPLE BARREL									
51580	D 834 N	250 MCM	1/0 STR	1/2	750	6	1	1.21	EA
51620	D 835 N	500 MCM	4/0 STR	1/2	1200	6	1	2.40	EA
51700	D 835 N4	500 MCM	4/0 STR	1/2	1200	7	1	2.45	EA
51660	D 836 N4	1000 MCM	500 MCM	5/8	1950	7	1	4.00	EA

Suffix N or N4 indicates 2 or 4 hole NEMA tang drilling, 1 3/4" center spacing for 1/2" bolts

†Lugs with 2 holes for 3/8" bolts have 1" center spacing

*Plated-steel slotted head screws

**Stainless steel screws with hex socket

D805-D836N4 supplied with brass screws with hex socket

For tin plating, add suffix letter "P" to Catalog Number.

D800-D805 are UL listed

D806-D836N4 are CSA certified

For Lug dimensions, refer to specification sheet #1079

Cast Bronze



Figure 2



Figure 3



Figure 4

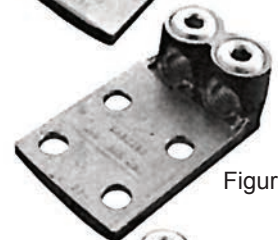


Figure 5



Figure 6

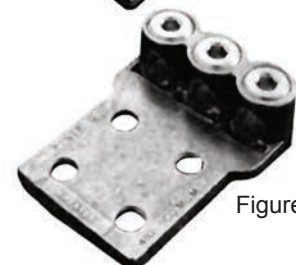


Figure 7

RING TERMINALS

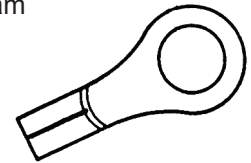
R SERIES

NON-INSULATED

NAED NUMBER	CATALOG NUMBER	WIRE SIZE	STUD SIZE	COLOR	DIMENSIONS		QTY/ BOX	EST. SHIPPING	
					L	W		WEIGHT (lbs)	UNIT
16006	R 18-6	#18-22	6	-	.61	.315	100	0.17	BOX
16008	R 18-8		8					0.17	BOX
16010	R 18-10		10					0.14	BOX
16014	R 18-14	#14-16	1/4	-	.79	.472	50	0.15	BOX
16026	R 14-6		6					0.18	BOX
16028	R 14-8		8					0.18	BOX
16030	R 14-10		10					0.18	BOX
16034	R 14-14		1/4					0.26	BOX
16036	R 14-56		5/16					0.26	BOX
16046	R 10-6	#10-12	6	-	.77	.374	25	0.18	BOX
16048	R 10-8		8					0.18	BOX
16050	R 10-10		10					0.18	BOX
16054	R 10-14		1/4					0.25	BOX
16056	R 10-56		5/16					0.29	BOX
16058	R 10-38		3/8					0.28	BOX
16060	R 10-48	1/2	0.14	BOX					
16064	*R 8-14	#8	1/4	-	1.07	.60	25	0.22	BOX
16068	*R 8-38		3/8					0.20	BOX
16084	*R 6-14	#6	1/4	-	1.20	.63	25	0.31	BOX
16088	*R 6-38		3/8					0.26	BOX
16089	*R 6-48		1/2					0.47	BOX



Butted Seam



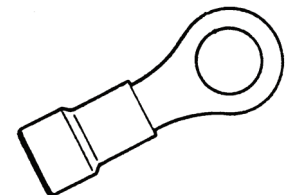
Non-Insulated

Brazed Seam

VINYL INSULATED

NAED NUMBER	CATALOG NUMBER	WIRE SIZE	STUD SIZE	COLOR	DIMENSIONS		QTY/ BOX	EST. SHIPPING	
					L	W		WEIGHT (lbs)	UNIT
16104	* R 18-4V	#18-22	4	RED	.90	.25	100	0.20	BOX
16106	R 18-6V		6					0.20	BOX
16108	R 18-8V		8					0.20	BOX
16110	R 18-10V		10					0.20	BOX
16114	* R 18-14V		1/4					0.28	BOX
16126	R 14-6V	#14-16	6	BLUE	.717	.256	50	0.22	BOX
16128	R 14-8V		8					0.25	BOX
16130	R 14-10V		10					0.30	BOX
16124	R 14-14V		1/4					0.31	BOX
16136	R 14-56V		5/16					0.32	BOX
16138	R 14-38V		3/8					0.16	BOX
16146	R 10-6V	#10-12	6	YELLOW	1.063	.374	25	0.22	BOX
16148	R 10-8V		8					0.21	BOX
16150	R 10-10V		10					0.22	BOX
16154	R 10-14V		1/4					0.29	BOX
16156	R 10-56V		5/16					0.28	BOX
16158	R 10-38V		3/8					0.27	BOX
16160	* R 8-10V	#8	#10	RED	1.4	.60	25	0.27	BOX
16164	* R 8-14V		1/4					0.25	BOX
16168	* R 8-38V		3/8					0.22	BOX
16180	* R 6-10V	#6	#10	BLUE	1.5	.62	25	0.36	BOX
16184	* R 6-14V		1/4					0.32	BOX
16186	* R 6-56V		5/16					0.34	BOX
16188	* R 6-38V		3/8					0.35	BOX
16189	* R 6-48V		1/2					0.51	BOX

Butted Seam



Vinyl Insulated

Brazed Seam

*Not UL, CSA.



GREAVES

RING TERMINALS

R SERIES

NYLON INSULATED

NAED NUMBER	CATALOG NUMBER	WIRE SIZE	STUD SIZE	COLOR	L	W	QTY/ BOX	EST. SHIPPING	
								WEIGHT (lbs)	UNIT
16206	R 18-6N	#18-22	6	RED	.83	.315	100	0.20	BOX
16208	R 18-8N		8		.83	.315		0.20	BOX
16210	R 18-10N		10		.83	.315		0.25	BOX
16214	R 18-14N		1/4		1.01	.472		0.30	BOX
16226	R 14-6N	#14-16	6	BLUE	.72	.256	50	0.23	BOX
16228	R 14-8N		8		.85	.315		0.24	BOX
16230	R 14-10N		10		.85	.315		0.29	BOX
16234	R 14-14N		1/4		1.06	.472		0.36	BOX
16236	R 14-56N		5/16		1.06	.472		0.40	BOX
16246	R 10-6N	#10-12	6	YELLOW	1.06	.374	50	0.28	BOX
16248	R 10-8N		8					0.28	BOX
16250	R 10-10N		10		0.28	BOX			
16254	R 10-14N		1/4		1.20	.472		0.34	BOX
16256	R 10-56N		5/16		1.40	.591		0.34	BOX
16258	R 10-38N		3/8		1.40	.591		0.34	BOX
16264	* R 4-14N	#4	1/4	YELLOW	1.80	.68	10	.30	BOX
16266	* R 4-56N		5/16					.30	BOX
16268	* R 4-38N		3/8		1.80	.68		.30	BOX
16269	* R 4-48N		1/2		2.10	.85		.32	BOX

For other sizes and types, consult factory.

*Not UL, CSA.

SOLDERING LUGS – COPPER

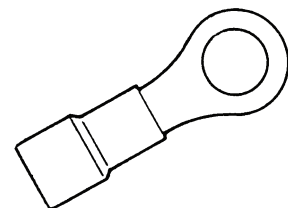
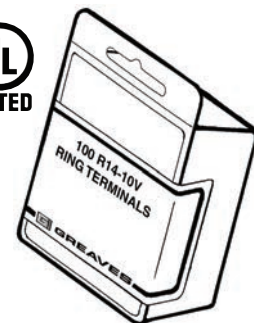
Middle weight bare copper lugs for soldering applications

Can also be installed as compression lugs

CL SERIES (formerly D1 Series)

NAED NUMBER	CATALOG NUMBER	WIRE SIZE	FORMER CAT. NO.	STUD SIZE	AMP RATING	CTN QTY	EST. SHIPPING WEIGHT (lbs) UNIT	
90810	CL810	8	D2	10	35	50	.4	CTN
90814	CL814	8	-	1/4		50		
90610	CL610	6	D3	10	50	25	.3	CTN
90614	CL614	6	D13	1/4		25		
90638	CL638	6	-	3/8		25		
90612	CL612	6	-	1/2		25		
90414	CL414	4	D4	1/4	70	25	.35	CTN
90438	CL438	4	D24	3/8		25		
90412	CL412	4	-	1/2		25		
90214	CL214	2	D5	1/4	90	25	.93	CTN
90256	CL256	2	D15	5/16		25		
90238	CL238	2	D25	3/8		25		
90212	CL212	2	-	1/2		25		
90138	CL138	1	D255	3/8	100	10	.38	CTN
90112	CL112	1	-	1/2		10		
91014	CL1014	1/0	D6	1/4	125	10	.39	CTN
91038	CL1038	1/0	D26	3/8		10		
91012	CL1012	1/0	D16	1/2		10		
92038	CL2038	2/0	D7	3/8	150	10	.51	CTN
92012	CL2012	2/0	D17	1/2		10		
93038	CL3038	3/0	D8	3/8	175	10	.63	CTN
93012	CL3012	3/0	D18	1/2		10		
94038	CL4038	4/0	D9	3/8	225	10	.76	CTN
94012	CL4012	4/0	D19	1/2		10		

For tin plating add suffix "TP" to Catalog Number. Other sizes available, contact factory.



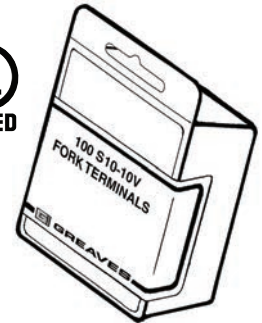
Nylon-Insulated
Sleeved Barrel





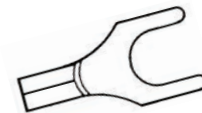
FORK TERMINALS

S SERIES



NON-INSULATED

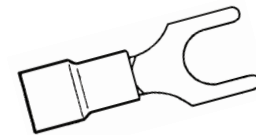
NAED NUMBER	CATALOG NUMBER	WIRE SIZE	STUD SIZE	COLOR	DIMENSIONS		QTY/ BOX	EST. SHIPPING			
					L	W		WEIGHT (lbs)	UNIT		
16301	* S 18-4	#18-22	4	—	.630	.228	100	0.15	BOX		
16305	S 18-6		6		.630	.224		0.16	BOX		
16311	S 18-8		8		.646	.276		0.17	BOX		
16315	S 18-10		10		.689	.378		0.15	BOX		
16321	* S 18-14		1/4		.787	.433		0.15	BOX		
16335	S 14-6	#14-16	6	—	.622	.252	100	0.17	BOX		
16341	S 14-8		8		.630	.315		0.18	BOX		
16345	S 14-10		10		.630	.315		0.17	BOX		
16351	S 14-14		1/4		.787	.472		0.17	BOX		
16365	S 10-6		#10-12		6	—		.717	.354	50	0.18
16371	S 10-8	8		0.14	BOX						
16375	S 10-10	10		0.14	BOX						
16381	S 10-14	1/4		.992	.354		0.14				BOX



Non-Insulated Butted Seam

VINYL INSULATED

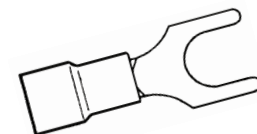
16401	* S 18-4V	#18-22	4	RED	.846	.228	100	0.21	BOX		
16405	S 18-6V		6		.896	.228		0.20	BOX		
16411	S 18-8V		8		.862	.250		0.20	BOX		
16415	S 18-10V		10		.906	.376		0.20	BOX		
16421	* S 18-14V		1/4		1.004	.433		0.17	BOX		
16431	* S 14-4V	#14-16	4	BLUE	.839	.252	100	0.21	BOX		
16435	S 14-6V		6		.839	.252		0.23	BOX		
16441	S 14-8V		8		.846	.315		0.27	BOX		
16445	S 14-10V		10		.846	.315		0.23	BOX		
16451	S 14-14V		1/4		1.004	.472		0.21	BOX		
16465	S 10-6V	#10-12	6	YELLOW	1.012	.354	50	0.21	BOX		
16471	S 10-8V		8					0.21	BOX		
16475	S 10-10V		10					0.21	BOX		
16481	S 10-14V		1/4					1.287	.354	0.21	BOX



Vinyl Insulated Butted Seam

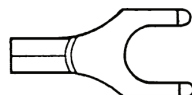
NYLON INSULATED

16501	* S 18-4N	#18-22	4	RED	.846	.228	100	0.25	BOX		
16505	S 18-6N		6		.896	.224		0.26	BOX		
16511	S 18-8N		8		.862	.276		0.27	BOX		
16515	S 18-10N		10		.906	.378		0.28	BOX		
16521	S 18-14N		1/4		1.004	.433		0.28	BOX		
16535	S 14-6N	#14-16	6	BLUE	.839	.252	100	0.29	BOX		
16541	S 14-8N		8		.846	.315		0.28	BOX		
16562	S 14-10N		10		.846	.315		0.27	BOX		
16563	S 14-14N		1/4		1.004	.472		0.35	BOX		
16565	S 10-6N		#10-12		6	YELLOW		1.012	.354	50	0.25
16571	S 10-8N	8		0.25	BOX						
16575	S 10-10N	10		0.25	BOX						
16581	S 10-14N	1/4		1.287	.354		0.31				BOX



Nylon Insulated Sleeved Barrel

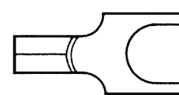
*Not UL, CSA.



Flange Spade
Suffix "F"
Not UL, CSA



Locking Spade
Suffix "L"



Block Spade
Suffix "B"



SPLICES

High conductivity copper, tin plated

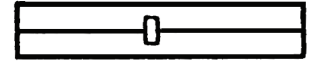
B SERIES

Butt Splices

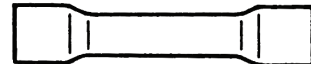
NAED NUMBER	CATALOG NUMBER	WIRE RANGE	COLOR	L	QTY/BOX	EST. SHIPPING	
						WEIGHT (lbs)	UNIT
70000	B 18	#18-22	-	.57	100	0.19	BOX
70001	B 14	#14-16	-	.57	100	0.23	BOX
70002	B 10	#10-12	-	.57	50	0.21	BOX
70004	* B 10S	#10-12	-	.82	50	0.27	BOX
70003	* B 8	#8	-	.82	25	0.24	BOX
70010	B 18V	#18-22	RED	.95	100	0.25	BOX
70011	B 14V	#14-16	BLUE	1.02	100	0.31	BOX
70012	B 10V	#10-12	YELLOW	1.01	50	0.27	BOX
70013	* B 8V	#8	RED	1.46	25	0.27	BOX
70020	* B 18N	#18-22	RED	1.01	100	0.32	BOX
70021	* B 14N	#14-16	BLUE	1.02	100	0.33	BOX
70022	* B 10N	#10-12	YELLOW	1.01	50	0.32	BOX



Non-Insulated Butted Seam



Vinyl Insulated Butted Seam



Nylon Insulated Seamless

* Seamless, not UL, not CSA.

Reducing butt splices for copper wires, available bare and vinyl insulated

B-R SERIES Reducing Butt Splices

NAED NUMBER	CATALOG NUMBER	WIRE RANGE		COLOR		QTY/BOX	EST. SHIPPING	
		SIDE A	SIDE B	SIDE A	SIDE B		WEIGHT (lbs)	UNIT
54010	B 14R18	#16-14	#22-18	BLUE	RED STRIPE	100	0.23	BOX
54020	B 10R14	#12-10	#16-14	YELLOW	BLUE STRIPE	50	0.21	BOX
54030	B 8R10	#8	#12-10	RED	YELLOW STRIPE	50	0.27	BOX
54040	B 6R8	#6	#8	BLUE	RED STRIPE	25	0.24	BOX
70041	B 14R18V	#16-14	#22-18	BLUE	RED STRIPE	100	0.25	BOX
70040	B 10R14V	#12-10	#16-14	YELLOW	BLUE STRIPE	50	0.22	BOX
70043	B 8R10V	#8	#12-10	RED	YELLOW STRIPE	50	0.27	BOX
70042	B 6R8V	#6	#8	BLUE	RED STRIPE	25	0.27	BOX

B-R series not UL listed.

Non-Insulated



Vinyl Insulated

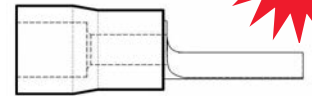


PTV, PTN SERIES Pin Terminals

NAED NUMBER	CATALOG NUMBER	WIRE RANGE	COLOR	PIN DIA	QTY/BOX	EST. SHIPPING	
						WEIGHT (lbs)	UNIT
56018	PTV18	18-22	RED	.08	100		
56014	PTV14	14-16	BLUE	.08	100	.3	BOX
56010	PTV10	10-12	YELLOW	1.05	50		
56118	PTN18	18-22	RED	.08	100		
56114	PTN14	14-16	BLUE	.08	100	.3	BOX
56110	PTN10	10-12	YELLOW	1.05	50		

PTV,PTN not UL listed.

Vinyl Insulated



Nylon Insulated

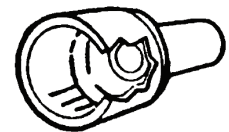


C-N SERIES Nylon Pigtails

NAED NUMBER	CATALOG NUMBER	WIRE RANGE	COLOR	L	QTY/BOX	EST. SHIPPING	
						WEIGHT (lbs)	UNIT
70031	C 14N	#14-16	Clear	.69	100	0.14	BOX
70032	C 10N	#10-12	Clear	.73	50	0.15	BOX

C-N not UL, CSA.

Closed End Connectors



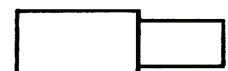
SP SERIES Snap Plugs – Male

NAED NUMBER	CATALOG NUMBER	WIRE RANGE	COLOR	L	QTY/BOX	EST. SHIPPING	
						WEIGHT (lbs)	UNIT
70050	SP 14	#14-16	-	.58	50	0.12	BOX
70051	SP 14V	#14-16	BLUE	.84	50	0.15	BOX

Vinyl Insulated Butted Seam



Nylon Insulated Seamless



Snap Plugs – Female

70061	FSP 156N	#14-16	BLUE	1.025	50	0.15	BOX
-------	----------	--------	------	-------	----	------	-----

SP, FSP not UL, CSA.



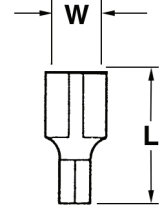
SPADE DISCONNECTS

F/M SERIES

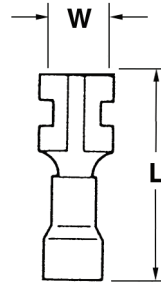
NAED NUMBER	CATALOG NUMBER	WIRE RANGE	STOCK & SPADE SIZE	COLOR	DIMENSIONS		QTY/ BOX	EST. SHIPPING	
					L	W		WEIGHT (lbs)	UNIT
FEMALE DISCONNECTS									
16600	F 18-110		.020 x .110		.54	.16	100	0.08	BOX
16602	F 18-187	#18-22	.020 x .187	—	.63	.23		0.13	BOX
16604	F 18-250		.032 x .250		.63	.31		0.19	BOX
16606	F 14-110		.020 x .110		.54	.16		0.10	BOX
16608	F 14-187	#14-16	.020 x .187	—	.63	.23		0.13	BOX
16610	F 14-250		.032 x .250		.63	.31		0.22	BOX
16612	F 10-250	#10-12	.032 x .250	—	.63	.31	50	0.13	BOX
16620	F 18-110V		.020 X.110		.77	.16	100	0.13	BOX
16622	F 18-187V	#18-22	.020 X.187	RED	.86	.23		0.14	BOX
16624	F 18-250V		.032 X.250		.93	.31		0.15	BOX
16626	F 14-110V		.020 X.110		.77	.16		0.15	BOX
16628	F 14-187V	#14-16	.020 X.187	BLUE	.87	.23		0.18	BOX
16630	F 14-250V		.032 X.250		.87	.31		0.16	BOX
16632	F 10-250V	#10-12	.032 X.250	YELLOW	.93	.31	50	0.16	BOX
16640	F 18-110N		.020 X.110		.77	.16	100	0.16	BOX
16642	F 18-187N	#18-22	.020 X.187	RED	.87	.23		0.19	BOX
16644	F 18-250N		.032 X.250		.87	.32		0.23	BOX
16646	F 14-110N		.020 X.110		.77	.16		0.18	BOX
16648	F 14-187N	#14-16	.020 X.187	BLUE	.87	.23		0.23	BOX
16650	F 14-250N		.032 X.250		.87	.32		0.29	BOX
16652	F 10-250N	#10-12	.032 X.250	YELLOW	.97	.31	50	0.21	BOX
MALE DISCONNECTS									
16660	M 18-250	#18-22	.032 X .250	—	.72	.25	100	0.12	BOX
16662	M 14-187	#14-16	.020 X .187	—	.51	.19		0.18	BOX
16664	M 14-250		.032 X .250	—	.72	.25		0.21	BOX
16666	M 10-250	#10-12	.032 X.250	—	.77	.25		50	0.15
16680	M 18-250V	#18-22	.032 X.250	RED	.97	.25	100	0.23	BOX
16682	M 14-187V	#14-16	.020 X.187	BLUE	.80	.19		0.13	BOX
16684	M 14-250V		.032 X.250		.94	.25		0.17	BOX
16686	M 10-250V	#10-12	.032 X.250	YELLOW	1.05	.25		50	0.12
16690	M 18-250N	#18-22	.032 X.250	RED	.97	.25	100	0.26	BOX
16692	M 14-187N	#14-16	.020 X.187	BLUE	.82	.19		0.17	BOX
16694	M 14-250N		.032 X.250		.97	.25		0.33	BOX
16696	M 10-250N	#10-12	.032 X.250	YELLOW	1.05	.25		50	0.24



Non-Insulated Butted Seam

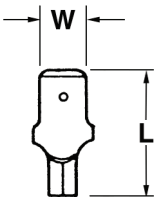


Vinyl Insulated Butted Seam

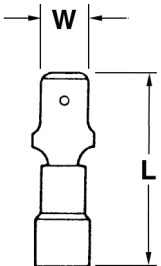


Nylon Insulated Sleeved Barrel

Non-Insulated Butted Seam



Vinyl Insulated Butted Seam



Nylon Insulated Sleeved Barrel



SPADE DISCONNECTS

FULLY NYLON INSULATED

For use where a touch-safe connection is important
Copper, tin-plated
Fully nylon insulated

F/M-FN SERIES

Straight Configuration

NAED NUMBER	CATALOG NUMBER	WIRE RANGE	COLOR	SPADE SIZE	DIMENSIONS		QTY/ BOX	EST. SHIPPING	
					LENGTH	WIDTH		WEIGHT (lbs)	UNIT
FEMALE DISCONNECTS									
16705	F 18-250FN	#18-22	RED		.84			0.13	BOX
16715	F 14-250FN	#14-16	BLUE	.032 X .250	.84	.38	50	0.13	BOX
16725	F 10-250FN	#10-12	YELLOW		.94			0.18	BOX

MALE DISCONNECTS

16706	M 18-250FN	#18-22	RED		1.0			0.13	BOX
16716	M 14-250FN	#14-16	BLUE	.032 X .250	1.0	.47	50	0.13	BOX
16726	M 10-250FN	#10-12	YELLOW		1.1			0.22	BOX

FL-FN SERIES

Flag Configuration

FEMALE DISCONNECTS

NAED NUMBER	CATALOG NUMBER	WIRE RANGE	COLOR	SPADE SIZE	DIMENSIONS		QTY/ BOX	EST. SHIPPING	
					LENGTH	WIDTH		WEIGHT (lbs)	UNIT
16708	FL 18-250FN	#18-22	RED		.38	.56		0.16	BOX
16718	FL 14-250FN	#14-16	BLUE	.032 X .250	.38	.63	50	0.16	BOX

NON-INSULATED

FL SERIES

Flag Configuration

NAED NUMBER	CATALOG NUMBER	WIRE RANGE	SPADE SIZE	DIMENSIONS		QTY/ BOX	EST. SHIPPING	
				LENGTH	WIDTH		WEIGHT (lbs)	UNIT
16722	FL 14-250	#14-18		.52	.38		0.11	BOX
16720	FL 10-250	#10-12	.032 X .250	.63	.38	50	0.12	BOX

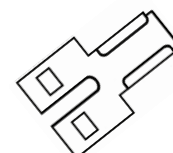
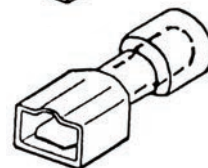
MMF SERIES

Split Configuration

NAED NUMBER	CATALOG NUMBER	WIRE RANGE	SPADE SIZE	DIMENSIONS		QTY/ BOX	EST. SHIPPING	
				LENGTH	WIDTH		WEIGHT (lbs)	UNIT
16724	MMF-250	-	.032 X .250	.75	.56	50	0.18	BOX



Male and female FN Straight Configuration Spade Disconnects form fully insulated sets.





CRIMP TERMINALS

HIGH TEMPERATURE

For high temperature applications such as in heating systems,
glass furnaces, processing ovens, HVAC systems

Rated for temperature up to 700°F

Mild steel with bright nickel plating, non-insulated, butted seam

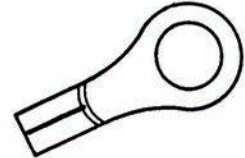
Use on high-temperature wire suitable for the environment



R-HT SERIES

Ring Terminals

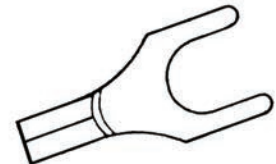
NAED NUMBER	CATALOG NUMBER	WIRE RANGE	STUD SIZE	DIMENSIONS		QTY/ BOX	EST. SHIPPING	
				LENGTH	WIDTH		WEIGHT (lbs)	UNIT
16803	R 18-10HT	#18-22	#10	.69	.31	50	0.07	BOX
16811	R 14-6HT		#6	.65	.25		0.08	BOX
16813	R 14-10HT	#14-16	#10	.69	.31	50	0.09	BOX
16814	R 14-14HT		1/4	.90	.46		0.11	BOX
16821	R 10-6HT		#6	.67	.28		0.15	BOX
16822	R 10-8HT		#8	.72	.37		0.16	BOX
16823	R 10-10HT	#10-12	#10	.72	.37	50	0.14	BOX
16824	R 10-14HT		1/4	.91	.53		0.22	BOX
16825	R 10-38HT		3/8	.97	.60		0.20	BOX
16833	R 8-10HT	#8	#10	.97	.47	25	0.16	BOX
16834	R 8-14HT		1/4				0.16	BOX



S-HT SERIES

Fork Terminals

NAED NUMBER	CATALOG NUMBER	WIRE RANGE	STUD SIZE	DIMENSIONS		QTY/ BOX	EST. SHIPPING	
				LENGTH	WIDTH		WEIGHT (lbs)	UNIT
16841	S 14-6HT	#14-16	#6	.68	.34	100	0.16	BOX
16842	S 14-8HT	#14-16	#8	.68	.34	100	0.16	BOX
16854	S 10-10HT	#10-12	#10	.75	.38	50	0.13	BOX



F/M-HT SERIES

Spade Disconnects

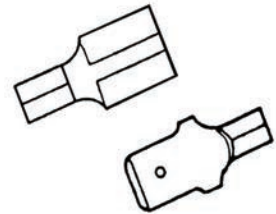
NAED NUMBER	CATALOG NUMBER	WIRE RANGE	SPADE SIZE	DIMENSIONS		QTY/ BOX	EST. SHIPPING	
				LENGTH	WIDTH		WEIGHT (lbs)	UNIT

FEMALE DISCONNECTS

16865	F 14-250HT	#14-16	.032 x .250	.63	.31	50	0.10	BOX
16875	F 10-250HT	#10-12	.032 x .250	.63	.31	50	0.11	BOX

MALE DISCONNECTS

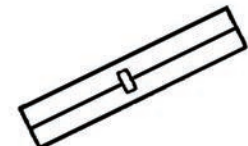
16885	M 14-250HT	#14-16	.032 x .250	.70	.25	50	0.18	BOX
-------	------------	--------	-------------	-----	-----	----	------	-----



B-HT SERIES

Butt Splices

NAED NUMBER	CATALOG NUMBER	WIRE RANGE	DIMENSIONS		QTY/ BOX	EST. SHIPPING	
			LENGTH	I.D.		WEIGHT (lbs)	UNIT
16893	B 14HT	#14-16	.57	.090	50	0.11	BOX
16894	B 10HT	#10-12	.57	.138	50	0.19	BOX



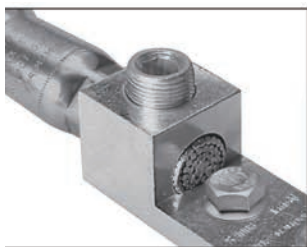


GREAVES

TACKLE YOUR CONNECTION CHALLENGES IN THE



The Greaves all-star lineup of products gives you all the coverage you need when you're dealing with new or relocated equipment, spec changes, and/or mismatched parts and cables. You'll find numerous types of adapters, splices, reducers and lugs in many sizes to help you meet a wide variety of applications and challenges such as:



Terminate – When you need to terminate a cable into a lug where it does not fit, or is not of the appropriate material or stranding.

- Terminate a copper Class B cable into a mechanical lug, but the cable is oversized and too large to fit
- Terminate an aluminum cable into a copper/bronze lug
- Terminate a copper flex/DLO cable into a mechanical lug
- Terminate a copper cable into a lug which needs a larger wire



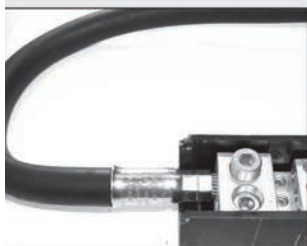
Splice/reduce – When you need to splice/reduce cables that are different from each other.

- Splice a copper wire to a smaller copper wire
- If one or both wires are aluminum
- Splice aluminum to a smaller copper wire
- Transition from copper flex/DLO to copper Class B/THHN cable
- Transition from aluminum wire to a copper flex cable



Multiple cables – When you need to fit multiple cables into closely-spaced wire-ports on a circuit breaker.

- With copper cable, adapters often will allow spacing close enough
- Use adapters with offset pins to allow the wires to be more closely spaced, so they will fit into the wire-ports.
- Splice smaller jumpers onto the runs and locate the splices away from the lug so the smaller jumpers can be bunched together to fit into the wire-ports.



Limited space in switchgear cabinet – In compact switchgear cabinets, often there is not enough space for a bend radius in Class B cable, so flex/DLO is used for the tighter bend capability. Then, an adapter is needed to terminate the flex/DLO into the lug.

Numerous Greaves connectors can help you:

- Adapter Series – PT-FX, PT-R, PT, PTA, PTO
- Splice Series – CRK, CRA, ACK, AC-R, PBS, ABS, UPP

Greaves can also design and fabricate solutions for special situations.



SNAP! CONNECTORS



E28698
Copper wire
Class B only
600V

Revolutionary – Engineered hex nut snaps off when pre-set force is applied
Install with standard box wrench or adjustable wrench
Replaces conventional compression connectors – no cumbersome tool or dies needed
Inspectable – When nut is snapped off, the proper force was applied; windows to view wire insertion
UL listed – Meets or exceeds cable pull-out and conductivity requirements for conventional compression connectors



KTL SERIES

One-Hole Lug

NAED NUMBER	CATALOG NUMBER	CLASS B WIRE SIZE	BOLT SIZE	STRIP LENGTH	DIMENSIONS		WRENCH SIZES		CTN QTY	EST. SHIPPING	
					LENGTH	DIAMETER	BODY	NUT		WEIGHT (LBS)	UNIT
35438	KTL238	#2AWG	3/8	1-1/2	3.03	9/16	7/16	9/16	6	1	CTN
35638	KTL1038	#1/0AWG	3/8	1-5/8	3.25	11/16	9/16	11/16	6	1.1	CTN
35738	KTL2038	#2/0AWG	3/8	1-5/8	3.3	3/4	9/16	3/4	6	1.5	CTN
35838	KTL3038	#3/0AWG	3/8	1-7/8	3.4	13/16	11/16	13/16	6	1.9	CTN
35938	KTL4038	#4/0AWG	3/8	1-7/8	3.8	7/8	11/16	7/8	6	2.3	CTN
36148	KTL25048	250MCM	1/2	2	4.05	15/16	3/4	15/16	3	1.3	CTN
36348	KTL35048	350MCM	1/2	2-1/8	4.25	1	13/16	1	3	1.5	CTN
36548	KTL50048	500MCM	1/2	2-1/2	4.9	1-1/8	15/16	1-1/8	3	1.9	CTN



KTL-N SERIES

Two-Hole NEMA Lug

NAED NUMBER	CATALOG NUMBER	CLASS B WIRE SIZE	BOLT SIZE	STRIP LENGTH	DIMENSIONS		WRENCH SIZES		CTN QTY	EST. SHIPPING	
					LENGTH	DIAMETER	BODY	NUT		WEIGHT (LBS)	UNIT
36802	KTL2N	#2AWG	2 X 1/2	1-1/2	4.82	9/16	7/16	9/16	6	1.3	CTN
36810	KTL10N	#1/0AWG	2 X 1/2	1-5/8	5.19	11/16	9/16	11/16	6	1.4	CTN
36820	KTL20N	#2/0AWG	2 X 1/2	1-5/8	5.38	3/4	9/16	1	6	1.9	CTN
36830	KTL30N	#3/0AWG	2 X 1/2	1-7/8	5.61	13/16	11/16	13/16	6	2.5	CTN
36840	KTL40N	#4/0AWG	2 X 1/2	1-7/8	5.85	7/8	11/16	7/8	6	3	CTN
36825	KTL250N	250MCM	2 X 1/2	2	6.05	15/16	3/4	15/16	3	1.7	CTN
36835	KTL350N	350MCM	2 X 1/2	2-1/8	6.29	1	13/16	1	3	2	CTN
36850	KTL500N	500MCM	2 X 1/2	2-1/2	7.34	1-1/8	15/16	1-1/8	3	2.5	CTN

2-hole NEMA lugs have 2 holes for 1/2" bolts at 1-3/4" spacing



KTC SERIES

In-Line Splice

NAED NUMBER	CATALOG NUMBER	CLASS B WIRE SIZE	BOLT SIZE	STRIP LENGTH	DIMENSIONS		WRENCH SIZES		CTN QTY	EST. SHIPPING	
					LENGTH	DIAMETER	BODY	NUT		WEIGHT (LBS)	UNIT
37400	KTC2	#2AWG	-	1-1/2	2.3	9/16	7/16	9/16	6	1.1	CTN
37600	KTC10	#1/0AWG	-	1-5/8	2.62	11/16	9/16	11/16	6	1.2	CTN
37700	KTC20	#2/0AWG	-	1-5/8	2.70	3/4	9/16	3/4	6	1.7	CTN
37800	KTC30	#3/0AWG	-	1-7/8	2.88	13/16	11/16	13/16	6	2.1	CTN
37900	KTC40	#4/0AWG	-	1-7/8	3.10	7/8	11/16	7/8	6	2.4	CTN
38100	KTC250	250MCM	-	2	3.20	15/16	3/4	15/16	3	1.4	CTN
38300	KTC350	350MCM	-	2-1/8	3.60	1	13/16	1	3	1.6	CTN
38500	KTC500	500MCM	-	2-1/2	4.2	1-1/8	15/16	1-1/8	3	2.1	CTN

May be used for up to 35KV applications when proper installation and insulation procedures are employed.





GREAVES

SNAP+

KITS of CONNECTOR and COLD-SHRINK INSULATION



Cold-Shrink Insulation
1000V rating
90°C
ANSI C119.1-2011



Revolutionary **SNAP!** connector plus cold-shrink insulation in a kit
Insulation installs quickly with no heat, no special tools – just position it and pull the ripcord
Replaces heat shrink or tape
Inspectable – visible shape shows that the SNAP nut was snapped off
Heavy duty EPDM rubber provides excellent insulation, sealing, and abrasion resistance
UV, ozone, and water resistant



Lug Installed



Insulation Installed

KTL-K SERIES

Kit with One-Hole **SNAP!** Lug

NAED NUMBER	CATALOG NUMBER	CLASS B WIRE SIZE	LUG DIMENSIONS		TUBE LENGTH	CTN QTY	KIT EST. WEIGHT (LBS)	SHIPPING UNIT
			LENGTH	DIAMETER				
35439	KTL238-K	#2AWG	3.03	9/16	6	3	0.8	CTN
35639	KTL1038-K	#1/0AWG	3.25	11/16	6	3	0.85	CTN
35739	KTL2038-K	#2/0AWG	3.3	3/4	8	3	1.3	CTN
35839	KTL3038-K	#3/0AWG	3.4	13/16	8	3	1.5	CTN
35939	KTL4038-K	#4/0AWG	3.8	7/8	8	3	1.7	CTN
36149	KTL25048-K	250MCM	4.05	15/16	8	2	1.25	CTN
36349	KTL35048-K	350MCM	4.25	1	9	2	1.4	CTN
36549	KTL50048-K	500MCM	4.9	1-1/8	9	2	1.7	CTN



KTL-N-K SERIES

Kit with Two-Hole NEMA **SNAP!** Lug

NAED NUMBER	CATALOG NUMBER	CLASS B WIRE SIZE	LUG DIMENSIONS		TUBE LENGTH	CTN QTY	KIT EST. WEIGHT (LBS)	SHIPPING UNIT
			LENGTH	DIAMETER				
36803	KTL2N-K	#2AWG	4.82	9/16	6	3	0.95	CTN
36811	KTL10N-K	#1/0AWG	5.19	11/16	6	3	1	CTN
36821	KTL20N-K	#2/0AWG	5.38	3/4	8	3	1.5	CTN
36831	KTL30N-K	#3/0AWG	5.61	13/16	8	3	1.8	CTN
36841	KTL40N-K	#4/0AWG	5.85	7/8	8	3	2.1	CTN
36826	KTL250N-K	250MCM	6.05	15/16	8	2	1.5	CTN
36836	KTL350N-K	350MCM	6.29	1	9	2	1.75	CTN
36851	KTL500N-K	500MCM	7.34	1-1/8	9	2	2.1	CTN



KTC-K SERIES

Kit with In-Line **SNAP!** Splice

NAED NUMBER	CATALOG NUMBER	CLASS B WIRE SIZE	LUG DIMENSIONS		TUBE LENGTH	CTN QTY	KIT EST. WEIGHT (LBS)	SHIPPING UNIT
			LENGTH	DIAMETER				
37401	KTC2-K	#2AWG	2.3	9/16	6	3	0.85	CTN
37601	KTC10-K	#1/0AWG	2.62	11/16	6	3	0.9	CTN
37701	KTC20-K	#2/0AWG	2.70	3/4	8	3	1.4	CTN
37801	KTC30-K	#3/0AWG	2.88	13/16	8	3	1.6	CTN
37901	KTC40-K	#4/0AWG	3.10	7/8	8	3	1.75	CTN
38101	KTC250-K	250MCM	3.20	15/16	8	2	1.3	CTN
38301	KTC350-K	350MCM	3.60	1	9	2	1.5	CTN
38501	KTC500-K	500MCM	4.2	1-1/8	9	2	1.8	CTN



Cold-shrink tube provides effective insulation on the lug or splice.
For inspection, the cold-shrink tube provides verification that the lug or splice has been installed properly, because the resulting shape shows that the SNAP nut has been removed.



GREAVES

COMPRESSION

BUTT SPLICES – COPPER

Produced from high conductivity seamless copper tubing

Marked with die index and color coded

Tin plated to provide corrosion resistance



SC SERIES

NAED NUMBER	CATALOG NUMBER	WIRE SIZE	LENGTH	U-TYPE DIE		CTN QTY	EST. SHIPPING	
				COLOR	INDEX		WEIGHT (lbs)	UNIT
51808	†SC 8	#8	1.50	RED	6	100	1.22	CTN
51806	†SC 6	#6	1.75	BLUE	7/374	100	2.04	CTN
51804	SC 4	#4	1.82	GRAY	8/346	100	2.55	CTN
51802	SC 2	#2	1.94	BROWN	10	50	2.01	CTN
51800	SC 1	#1	1.94	GREEN	11/375	50	2.16	CTN
51810	SC 10	1/0	1.94	PINK	12/348	50	2.66	CTN
51812	SC 20	2/0	2.07	BLACK	13	25	1.70	CTN
51814	SC 30	3/0	2.18	ORANGE	14	25	2.02	CTN
51816	SC 40	4/0	2.18	PURPLE	15	25	2.38	CTN
51818	SC 250	250	2.18	YELLOW	16	25	3.00	CTN
51820	SC 300	300	2.18	WHITE	17/298	12	1.64	CTN
51822	SC 350	350	2.34	RED	18/324	12	2.01	CTN
51824	SC 400	400	2.58	BLUE	19/470	6	1.24	CTN
51826	SC 500	500	2.94	BROWN	20/299	6	2.00	CTN
51828	*SC 600	600	2.94	GREEN	22/472	6	2.51	CTN
51830	*SC 750	750	3.50	BLACK	24/473	3	1.15	CTN
51832	*SC 1000	1000	3.87	WHITE	27	3	2.64	CTN

*Size not UL

†Size not CSA.

C SERIES

NAED NUMBER	CATALOG NUMBER	WIRE SIZE	LENGTH	U-TYPE DIE		CTN QTY	EST. SHIPPING	
				COLOR	INDEX		WEIGHT (lbs)	UNIT
13005	†C 8	#8	2.10	RED	6	100	2.30	CTN
13006	C 6	#6	2.44	BLUE	7/374	100	2.81	CTN
13004	C 4	#4	2.44	GRAY	8/346	100	3.42	CTN
13002	C 2	#2	2.70	BROWN	10	50	3.20	CTN
13000	C 1	#1	2.95	GREEN	11/375	50	3.26	CTN
13008	C 10	1/0	2.95	PINK	12/348	50	4.00	CTN
13010	C 20	2/0	3.20	BLACK	13	25	2.51	CTN
13012	C 30	3/0	3.20	ORANGE	14	25	2.90	CTN
13014	C 40	4/0	3.44	PURPLE	15	25	3.19	CTN
13016	C 250	250	3.45	YELLOW	16	25	4.80	CTN
13018	C 300	300	4.20	WHITE	17/298	12	2.66	CTN
13020	C 350	350	4.20	RED	18/324	12	3.59	CTN
13022	C 400	400	4.44	BLUE	19/470	6	2.00	CTN
13024	C 500	500	4.68	BROWN	20/299	6	3.11	CTN
13026	*C 600	600	5.50	GREEN	22/472	6	4.80	CTN
13028	*C 750	750	5.87	BLACK	24/473	3	3.00	CTN
13030	*C 1000	1000	6.12	WHITE	27	3	4.32	CTN

*Size not UL

†Size not CSA.

**May be used for applications up to 35 KV when proper installation and insulation procedures are employed.

Standard Barrel

For copper cable



600 V**

Long Barrel



600 V**
For heavy duty applications



COMPRESSION

PEEP HOLE STANDARD BARREL COPPER LUGS

Produced from high conductivity seamless copper tubing

Allows inspection of the termination to assure complete cable insertion

Marked with die index and color coded

Tin plated to provide corrosion resistance



GL SERIES

One-Hole

NAED NUMBER	CATALOG NUMBER	WIRE SIZE	BOLT SIZE	U-TYPE DIE		CTN QTY	EST. SHIPPING	
				COLOR	INDEX		WEIGHT (lbs)	UNIT
32000	† GL 810		10				1.44	CTN
32002	GL 814	#8	1/4	RED	6	100	1.38	CTN
31999	GL 610		10				1.85	CTN
32004	† GL 614	#6	1/4	BLUE	7/374	100	1.81	CTN
32001	GL 656		5/16				1.86	CTN
32003	GL 638		3/8				1.84	CTN
32005	GL 414		1/4				2.30	CTN
32006	GL 456	#4	5/16	GRAY	8/346	100	2.32	CTN
32008	GL 438		3/8				2.45	CTN
32017	GL 338	#3	3/8	WHITE	9	50	1.29	CTN
32007	GL 214		1/4				1.96	CTN
32009	GL 256	#2	5/16	BROWN	10	50	1.92	CTN
32010	GL 238		3/8				1.81	CTN
32011	GL 114		1/4				2.03	CTN
32013	GL 156	#1	5/16	GREEN	11/375	50	2.13	CTN
32012	GL 138		3/8				2.05	CTN
32015	GL 1056		5/16				2.58	CTN
32014	† GL 1038	1/0	3/8	PINK	12/348	50	2.51	CTN
32016	GL 1048		1/2				2.54	CTN
32019	GL 2056		5/16				1.60	CTN
32018	† GL 2038	2/0	3/8	BLACK	13	25	1.60	CTN
32020	GL 2048		1/2				1.66	CTN
32022	† GL 3038	3/0	3/8	ORANGE	14	25	2.11	CTN
32024	GL 3048		1/2				2.00	CTN
32027	† GL 4038	4/0	3/8	PURPLE	15	25	2.58	CTN
32026	GL 4048		1/2				2.60	CTN
32028	† GL 25048	250	1/2	YELLOW	16	25	3.70	CTN
32030	† GL 30048	300	1/2	WHITE	17/298	12	1.79	CTN
32032	† GL 35048	350	1/2	RED	18/324	12	2.30	CTN
32034	† GL 40048	400	1/2	BLUE	19/470	6	1.40	CTN
32036	† GL 50048	500	1/2	BROWN	20/299	6	2.20	CTN
32038	* GL 60048	600	1/2	GREEN	22/472	6	3.30	CTN
32040	#† GL 75048	750	1/2	BLACK	24/473	3	1.93	CTN
32041	#† GL 75058		5/8				1.90	CTN
32042	†* GL 100058	1000	5/8	WHITE	27	3	2.64	CTN

*Size not UL listed.

For copper cable



600 V**



- For angle lugs consult factory for availability.
- For 90° angle lugs use L Series
- For blank tangs consult factory for availability.

GL-N SERIES

Two-Hole NEMA

NAED NUMBER	CATALOG NUMBER	WIRE SIZE	BOLT SIZE	U-TYPE DIE		CTN QTY	EST. SHIPPING	
				COLOR	INDEX		WEIGHT (lbs)	UNIT
32044	GL 20N	2/0	1/2	BLACK	13	25	2.82	CTN
32046	GL 30N	3/0	1/2	ORANGE	14		3.44	CTN
32048	GL 40N	4/0	1/2	PURPLE	15		4.31	CTN
32050	GL 250N	250	1/2	YELLOW	16		5.53	CTN
32052	GL 300N	300	1/2	WHITE	17/298	12	2.82	CTN
32054	GL 350N	350	1/2	RED	18/324	12	3.06	CTN
32056	GL 400N	400	1/2	BLUE	19/470	6	2.11	CTN
32058	GL 500N	500	1/2	BROWN	20/299	6	3.18	CTN
32060	* GL 600N	600	1/2	GREEN	22/472	6	4.51	CTN
32062	#* GL 750N	750	1/2	BLACK	24/473	3	2.51	CTN
32064	* GL 1000N	1000	1/2	WHITE	27	1	1.34	CTN



600 V**

Suffix "N" indicates NEMA tang drilling, 1 1/4" on centers for 1/2" bolts.

GL and GL-N series lugs through 750 MCM have 1.75" maximum width to allow side-by-side NEMA mounting.

**May be used for up to 35KV applications when proper installation and insulation procedures are employed.

*Size not UL listed.

† NEMA stud drilling.

www.greaves-usa.com

Phone 860-664-4505 • Fax 860-664-4546

TOLL FREE 1-800-243-1130 (Outside CT)



GREAVES

COMPRESSION

LONG BARREL COPPER LUGS

Long barrel for heavy duty applications
Produced from high conductivity seamless copper tubing
Tin plated to provide corrosion resistance
Marked with die index and color coded



L SERIES

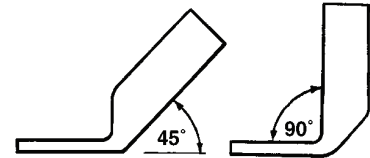
One-Hole

NAED NUMBER	CATALOG NUMBER	WIRE SIZE	BOLT SIZE	U-TYPE DIE		CTN QTY	EST. SHIPPING	
				COLOR	INDEX		WEIGHT (lbs)	UNIT
41105	† L 614		1/4				2.31	CTN
41106	L 656	#6	5/16	BLUE	7/374	100	2.25	CTN
41108	L 638		3/8				2.17	CTN
41109	L 414		1/4				2.92	CTN
41110	L 456	#4	5/16	GRAY	8/346	100	3.02	CTN
41115	L 438		3/8				2.98	CTN
41117	L 338	#3	3/8	WHITE	9	50	1.58	CTN
41118	L 214		1/4				2.21	CTN
41119	L 256	#2	5/16	BROWN	10	50	2.16	CTN
41120	L 238		3/8				2.22	CTN
41123	L 114		1/4				2.77	CTN
41124	L 156	#1	5/16	GREEN	11/375	50	2.87	CTN
41125	L 138		3/8				2.65	CTN
41129	L 1014		1/4				3.43	CTN
41130	† L 1038	1/0	3/8	PINK	12/348	50	3.44	CTN
41135	L 1048		1/2				3.58	CTN
41140	† L 2038		3/8				2.17	CTN
41145	L 2048	2/0	1/2	BLACK	13	25	2.22	CTN
41150	† L 3038		3/8				2.15	CTN
41155	L 3048	3/0	1/2	ORANGE	14	25	2.62	CTN
41156	† L 4038		3/8				3.51	CTN
41160	L 4048	4/0	1/2	PURPLE	15	25	3.39	CTN
41164	L 25038		3/8				4.40	CTN
41165	† L 25048	250	1/2	YELLOW	16	25	4.36	CTN
41170	† L 30048	300	1/2	WHITE	17/298	12	2.33	CTN
41175	† L 35048	350	1/2	RED	18/324	12	3.12	CTN
41180	L 40048	400	1/2	BLUE	19/470	6	1.69	CTN
41185	† L 50048	500	1/2	BROWN	20/299	6	2.91	CTN
41190	* L 60048	600	1/2	GREEN	22/472	6	4.37	CTN
41192	** L 75048		1/2				2.44	CTN
41195	**† L 75058	750	5/8	BLACK	24/473	3	2.40	CTN
41200	†* L 100058	1000	5/8	WHITE	27		1.30	EA
41202	††* L 125058	1250	5/8	YELLOW	29	1	1.45	EA
41204	††* L 150058	1500	5/8	GREEN	31		1.83	EA
41206	††* L 200058	2000	5/8	BROWN	34		2.57	EA

For copper cable



600 V**



- For angle lugs consult factory for availability.
- For blank tangs consult factory for availability.

L series lugs through 750 MCM have 1.75" maximum width to allow side-by-side NEMA mounting.
** May be used for applications up to 35 KV when proper installation and insulation procedures are employed.

† NEMA stud drilling.

* Size not UL.

†† Size not CSA.



COMPRESSION



LONG BARREL COPPER LUGS

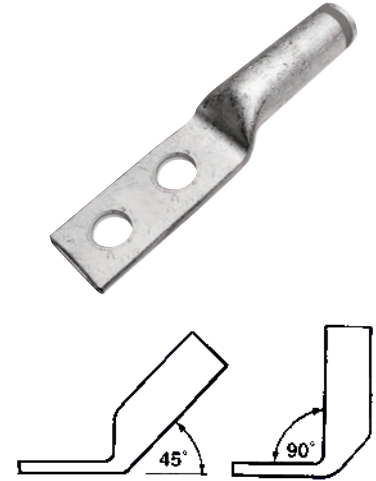
Long barrel for heavy duty applications
 Produced from high conductivity seamless copper tubing
 t in plated to provide corrosion resistance
 Marked with die index and color coded

For copper cable
 600 V**

L-N SERIES

Two-Hole NEMA

NAED NUMBER	CATALOG NUMBER	WIRE SIZE	BOLT		U-TYPE DIE		CTN QTY	EST. SHIPPING	
			SIZE	SPACING	COLOR	INDEX		WEIGHT (lbs)	UNIT
33069	L 6N	#6			BLUE	7/347		1.34	Ct N
33049	L 4N	#4			g r AY	8/346	20	1.10	Ct N
33029	L 2N	#2	1/2	1 3/4	Br Ow N	10		1.60	Ct N
33019	L 1N	#1			g r EEN	11/375		1.90	Ct N
40000	L 10N	1/0			PINK	12/348		2.91	Ct N
40005	L 20N	2/0			BLACK	13		3.50	Ct N
40010	L 30N	3/0	1/2	1 3/4	Or ANg E	14	25	4.01	Ct N
40015	L 40N	4/0			PUr PLE	15		5.24	Ct N
40020	L 250N	250			YELLOW	16		6.12	Ct N
40025	L 300N	300			w hit E	17/298	12	3.41	Ct N
40030	L 350N	350			r Ed	18/324	12	4.61	Ct N
40035	L 400N	400	1/2	1 3/4	BLUE	19/470	6	2.36	Ct N
40040	L 500N	500			Br Ow N	20/299	6	3.89	Ct N
40045	*L 600N	600			g r EEN	22/472	6	5.52	Ct N
40050	#*L 750N	750			BLACK	24/473	3	3.30	Ct N
40055	#*L 1000N	1000			w hit E	27	1	1.78	EA
40056	*L 1250N††	1250	1/2	1 3/4	YELLOW	29	1	2.05	EA
40057	*L 1500N††	1500			g r EEN	31	1	2.51	EA
40059	*L 2000N††	2000			Br Ow N	34	1	3.53	EA



- For angle lugs consult factory for availability.
- For blank tangs consult factory for availability.

L-N series lugs through L1000N have 1.75" maximum width to allow side-by-side NEMA mounting.
 ** May be used for applications up to 35 KV when proper installation and insulation procedures are employed.
 * Size not UL.
 ††Size not CSA.

LONG BARREL STACKING COPPER LUGS

Long barrel for heavy duty applications
 Produced from high conductivity seamless copper tubing
 t in plated to provide corrosion resistance
 Marked with die index and color coded
 d esigned specifically to fit with g reaves LN Series lugs

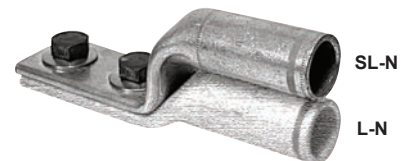
For copper cable
 600 V**

SL-N SERIES

Two-Hole NEMA

NAED NUMBER	CATALOG NUMBER	WIRE SIZE	BOLT		U-TYPE DIE		EST. SHIPPING	
			SIZE	SPACING	COLOR	INDEX	WEIGHT (lbs)	UNIT
71801	SL 20N	2/0			BLACK	13		0.18 EA
71802	SL 30N	3/0			Or ANg E	14		0.20 EA
71803	SL 40N	4/0	1/2	1 3/4	PUr PLE	15		0.24 EA
71804	SL 250N	250			YELLOW	16		0.30 EA
71805	SL 300N	300			w hit E	17/298		0.33 EA
71806	SL 350N	350			r Ed	18/324		0.43 EA
71807	SL 400N	400	1/2	1 3/4	BLUE	19/470		0.44 EA
71808	SL 500N	500			Br Ow N	20/299		0.64 EA
71809	SL 600N	600			g r EEN	22/472		0.96 EA
71811	#SL 750N	750	1/2	1 3/4	BLACK	24/473		1.15 EA
71812	SL 1000N	1000			w hit E	27		1.20 EA

SL-N fits on L-N straight lugs



CAUTION
 May not fit competitor lugs.
 g reaves L-N Series lugs are recommended to make a stacking set.
 Straight lugs sold separately.

** May be used for applications up to 35 KV when proper installation and insulation procedures are employed.
 # SL-N series lugs through 750 MCM have 1.75" maximum width to allow side-by-side NEMA mounting.
 SL-N series not UL, not CSA.



COMPRESSION

LONG BARREL FOUR-HOLE COPPER LUGS

Long barrel for heavy duty applications
 Produced of high conductivity wrought copper
 t in-plated for corrosion protection
 Marked with die index number

For copper cable
 600 V**

L-4N SERIES

Four-Hole NEMA

NAED NUMBER	CATALOG NUMBER	WIRE SIZE	BOLT		PAD THICKNESS	U-TYPE DIE		CTN QTY	EST. SHIPPING	
			SIZE	SPACING		COLOR	INDEX		WEIGHT (lbs)	UNIT
40080	L 40-4N	4/0 Aw g			3/16	PUR PLE	15	1	.88	EA
40081	L 250-4N	250 MCM	1/2	1 3/4	3/16	YELLOW	16		.98	EA
40082	L 350-4N	350 MCM			3/16	r Ed	18/324		1.06	EA
40083	L 500-4N	500 MCM			1/4	Br Ow N	20/299		1.22	EA
40090	L 600-4N	600 MCM	1/2	1 3/4	1/4	gr EEN	22/472		1.32	EA
40084	L 750-4N	750 MCM			1/4	BLACK	24/473		1.41	EA
40085	L 1000-4N	1000 MCM			3/8	whit E	27		2.27	EA
40086	L 1250-4N	1250 MCM	1/2	1 3/4	3/8	YELLOW	29		2.50	EA
40087	L 1500-4N	1500 MCM			11/32	gr EEN	31		2.77	EA
40089	L 2000-4N	2000 MCM			15/32	Br Ow N	34	3.50	EA	



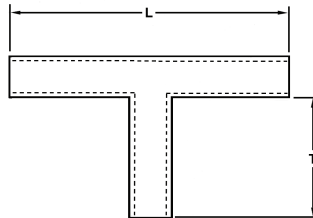
Pad width 3 inches. Other sizes available. Consult factory.

**May be used for up to 35KV applications when proper installation and insulation procedures are employed.

For copper cable
 600V**

COPPER TEE

high conductivity seamless copper tubing
 Use Cr A adapter to accommodate smaller wire size tee
 t in plated for corrosion resistance
 Long barrel for two die impressions per wire
 Marked with die index number



CCT SERIES

NAED NUMBER	CATALOG NUMBER	WIRE SIZE		DIMENSIONS (NOM)		DIE-MAIN		DIE-TAP		EST. SHIPPING	
		MAIN	TAP	L	T	COLOR	INDEX	COLOR	INDEX	WEIGHT (lbs)	UNIT
40206	CCT6	#6	#6	3.75	1.50	BLUE	7/347	BLUE	7/347	0.03	EA
40204	CCT4	#4	#4	3.81	1.50	gr AY	8/346	gr AY	8/346	0.04	EA
40202	CCT2	#2	#2	3.87	1.50	Br Ow N	10	Br Ow N	10	0.11	EA
40201	CCT1	#1	#1	3.94	1.50	gr EEN	11/375	gr EEN	11/375	0.11	EA
40210	CCT10	1/0	1/0	4.00	1.50	PiNK	12/348	PiNK	12/348	0.15	EA
40220	CCT20	2/0	2/0	4.16	1.62	BLACK	13	BLACK	13	0.18	EA
40230	CCT30	3/0	3/0	4.31	1.68	Or ANg E	14	Or ANg E	14	0.20	EA
40240	CCT40	4/0	4/0	4.44	1.75	PUR PLE	15	PUR PLE	15	0.25	EA
40241	CCT40-10	4/0	1/0	4.25	1.75			PiNK	12/348	0.20	EA
40242	CCT40-2	4/0	#2	4.18	1.75			Br Ow N	10	0.18	EA
40225	CCT250	250	250	4.56	1.75	YELLOW	16	YELLOW	16	0.32	EA
40235	CCT350	350	350	5.91	2.19	r Ed	18/324	r Ed	18/324	0.55	EA
40250	CCT500	500	500	6.72	2.60	Br Ow N	20/299	Br Ow N	20/299	0.94	EA
40254	CCT500-40	500	4/0	6.47	2.60			PUR PLE	15	0.68	EA
40252	CCT500-20	500	2/0	6.36	2.60			BLACK	13	0.60	EA
40259	CCT500-2	500	#2	6.24	2.60			Br Ow N	10	0.55	EA
40260	CCT600	600	600	7.87	3.09	gr EEN	22/472	gr EEN	22/472	1.21	EA
40275	CCT750	750	750	7.87	3.39	BLACK	24/473	BLACK	24/473	1.50	EA

Other sizes also available, consult factory.

**May be used for up to 35KV applications when proper installation and insulation procedures are employed.

Also available with high Voltage feature as on page 26.



COMPRESSION

TELECOMMUNICATIONS LUGS

Long barrel copper compression terminals for telecommunications applications

Produced from high conductivity seamless copper tubing

Tin plated to provide corrosion resistance

Marked with die index and color coded

Sight-hole for inspection on sizes #8 - 4/0 AWG

For copper cable
600V**

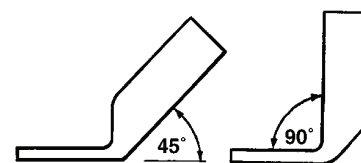
L-TC SERIES

Two-Hole

NAED NUMBER	CATALOG NUMBER	WIRE SIZE	BOLT HOLES		U-TYPE DIE		CTN QTY	EST. SHIPPING	
			SIZE	SPACING	COLOR	INDEX		WEIGHT (lbs)	UNIT
33080	L8-TC10-1	#8	#10	5/8	RED	6	50	1.00	CTN
33081	L8-TC14-1		1/4	5/8				1.17	CTN
33061	L6-TC14-1	#6	1/4	5/8	BLUE	7/374	50	1.39	CTN
33062	L6-TC14-2		1/4	3/4				1.45	CTN
33064	L6-TC14-5	#6	1/4	1	BLUE	7/374	50	1.50	CTN
33066	L6-TC38-2		3/8	3/4				0.76	CTN
33067	L6-TC38-5	#6	3/8	1	BLUE	7/374	25	0.90	CTN
33068	*L6-TC38-25		3/8	3/4-1				1.00	CTN
33041	L4-TC14-1	#4	1/4	5/8	GRAY	8/346	25	0.94	CTN
33042	L4-TC14-2		1/4	3/4				1.01	CTN
33046	L4-TC38-2	#4	3/8	3/4	GRAY	8/346	25	1.00	CTN
33047	L4-TC38-5		3/8	1				0.94	CTN
33031	L3-TC14-1	#3 & 2 SOL	1/4	5/8	WHITE	9	25	0.94	CTN
33037	L3-TC38-5		3/8	1				1.28	CTN
33039	*L3-TC38-25	#3 & 2 SOL	3/8	3/4-1	WHITE	9	25	1.30	CTN
33021	L2-TC14-1		1/4	5/8				1.35	CTN
33022	L2-TC14-2	#2	1/4	3/4	BROWN	10	25	1.48	CTN
33025	L2-TC56-2		5/16	3/4				1.43	CTN
33026	L2-TC38-2	#2	3/8	3/4	BROWN	10	25	1.46	CTN
33027	L2-TC38-5		3/8	1				1.58	CTN
33028	L2-TC38-8	#2	3/8	1 1/4	BROWN	10	25	1.56	CTN
33011	L1-TC14-1		1/4	5/8				1.55	CTN
33012	L1-TC14-2	#1	1/4	3/4	GREEN	11/375	25	1.56	CTN
33015	L1-TC56-4		5/16	7/8				1.58	CTN
33016	L1-TC38-2	#1	3/8	3/4	GREEN	11/375	25	1.60	CTN
33017	L1-TC38-5		3/8	1				1.65	CTN
33101	L10-TC14-1	1/0	1/4	5/8	PINK	12/348	25	2.12	CTN
33102	L10-TC14-2		1/4	3/4				2.16	CTN
33105	L10-TC56-4	1/0	5/16	7/8	PINK	12/348	25	2.26	CTN
33107	L10-TC38-5		3/8	1				2.34	CTN
33201	L20-TC14-1	2/0	1/4	5/8	BLACK	13	25	2.45	CTN
33202	L20-TC14-2		1/4	3/4				2.58	CTN
33207	L20-TC38-5	2/0	3/8	1	BLACK	13	25	2.77	CTN
33301	L30-TC14-1		1/4	5/8				3.22	CTN
33302	L30-TC14-2	3/0	1/4	3/4	ORANGE	14	25	3.24	CTN
33307	L30-TC38-5		3/8	1				3.26	CTN
33402	L40-TC14-2	4/0	1/4	3/4	PURPLE	15	25	4.30	CTN
33407	L40-TC38-5		3/8	1				4.30	CTN
33257	L250-TC38-5	250	3/8	1	YELLOW	16	12	2.50	CTN
33337	L300-TC38-5	300	3/8	1	WHITE	17/298		2.66	CTN
33352	L350-TC14-2	350	1/4	3/4	RED	18/324	6	2.70	CTN
33357	L350-TC38-5	350	3/8	1	RED	18/324		2.72	CTN
33502	L500-TC14-2	500	1/4	3/4	BROWN	20/299	6	2.72	CTN
33507	L500-TC38-5	500	3/8	1	BROWN	20/299		3.33	CTN
33607	L600-TC38-5	600	3/8	1	GREEN	22/472	6	3.35	CTN
33757	L750-TC38-5	750	3/8	1	BLACK	24/473		3.37	CTN
33917	L1000-TC38-5	1000	3/8	1	WHITE	27	6	3.40	CTN



* Slotted



For angle lugs
consult factory for
availability.

Catalog Number Keys

Key	Bolt Size
TC14	1/4
TC56	5/16
TC38	3/8
TC48	1/2

Key	Hole Spacing
-0	1/2
-1	5/8
-2	3/4
-3	13/16
-4	7/8
-5	1
-6	1 1/4
-7	1 1/2
-8	1 3/4
-25*	3/4-1 Slotted
-S	Special

"TC" indicates telecommunications spacing for tang mounting holes.

Other sizes and types available; consult factory.

For blank tangs consult factory for availability.

**May be used for up to 35KV applications when proper installation and insulation procedures are employed.



COMPRESSION

HIGH VOLTAGE COPPER LUGS AND SPLICES

Tapered for corona relief and ease of insulation

For use on copper conductors up to 69KV

Tinned high conductivity seamless copper tubing

C-V SERIES

NAED NUMBER	CATALOG NUMBER	WIRE SIZE	U-TYPE DIE		CTN QTY	EST. SHIPPING	
			COLOR	INDEX		WEIGHT (lbs)	UNIT
70480	C 4 V	#4	GRAY	8/346	50	1.60	CTN
70485	C 2 V	#2	BROWN	10	25	0.98	CTN
70490	C 1 V	#1	GREEN	11/375	25	1.15	CTN
70495	C 10 V	1/0	PINK	12/348	12	0.88	CTN
70500	C 20 V	2/0	BLACK	13	12	0.94	CTN
70505	C 30 V	3/0	ORANGE	14	12	1.06	CTN
70510	C 40 V	4/0	PURPLE	15	12	1.35	CTN
70515	C 250 V	250	YELLOW	16	12	1.71	CTN
70520	C 350 V	350	RED	18/324	12	2.31	CTN
70525	C 500 V	500	BROWN	20/299	6	2.31	CTN
70530	C 750 V	750	BLACK	24/473	6	4.02	CTN

Dimpled center-stop to equalize cable insertions

L-V SERIES

NAED NUMBER	CATALOG NUMBER	WIRE SIZE	BOLT SIZE	U-TYPE DIE		CTN QTY	EST. SHIPPING	
				COLOR	INDEX		WEIGHT (lbs)	UNIT
70360	L 4 V	#4	3/8	GRAY	8/346	50	2.15	CTN
70365	L 2 V	#2	3/8	BROWN	10	25	1.40	CTN
70370	L 1 V	#1	3/8	GREEN	11/375	25	1.65	CTN
70375	L 10 V	1/0	3/8	PINK	12/348	12	0.99	CTN
70380	L 20 V	2/0	1/2	BLACK	13	12	1.23	CTN
70385	L 30 V	3/0	1/2	ORANGE	14	12	1.59	CTN
70390	L 40 V	4/0	1/2	PURPLE	15	12	1.83	CTN
70395	L 250 V	250	1/2	YELLOW	16	12	2.31	CTN
70400	L 350 V	350	1/2	RED	18/324	12	2.79	CTN

L-NV SERIES

NAED NUMBER	CATALOG NUMBER	WIRE SIZE	BOLT SIZE	U-TYPE DIE		CTN QTY	EST. SHIPPING	
				COLOR	INDEX		WEIGHT (lbs)	UNIT
70420	L 20 NV	2/0	1/2	BLACK	13	12	1.11	CTN
70425	L 30 NV	3/0	1/2	ORANGE	14	12	1.47	CTN
70430	L 40 NV	4/0	1/2	PURPLE	15	12	1.95	CTN
70435	L 250 NV	250	1/2	YELLOW	16	12	3.27	CTN
70440	L 350 NV	350	1/2	RED	18/324	12	4.47	CTN
70445	L 500 NV	500	1/2	BROWN	20/299	6	4.35	CTN
70450	† L 750 NV	750	1/2	BLACK	24/473	6	6.45	CTN

Suffix "N" indicates NEMA tang drilling, 1 3/4" on center for 1/2" bolts.

Consult factory for sizes not listed.

† L 750 NV and smaller have 1.75" maximum width to allow side-by-side NEMA mounting.

High Voltage 69 KV



High Voltage Copper Butt Splices



High Voltage Copper Lugs



High Voltage 2 Hole NEMA Copper Lugs



GREAVES

GREAVES EXCLUSIVE

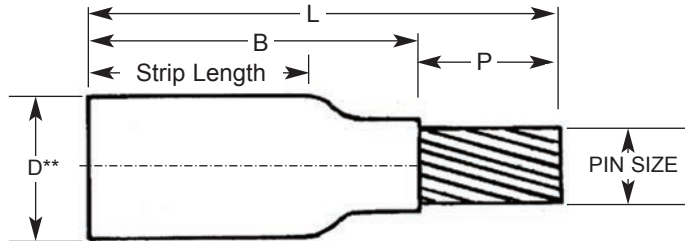
COMPRESSION
ReduceR™

For copper cable
Class B
600V*
105°C



STEP-DOWN ADAPTERS

All-copper compression adapters
For reliable termination of Class B copper conductor
Use where oversized cable is used to reduce voltage drop on long runs
Use where neutrals are upsized for power quality
Narrow profile often allows use in place of offset adapters on multi-wire terminals
Fits into mechanical set-screw type connectors
Amperage rating is per the incoming conductor
Fabricated of wrought copper with pin of Class B stranded copper conductor
Insulating covers are included



PT-R SERIES

NAED NUMBER	CATALOG NUMBER	CABLE SIZE	PIN SIZE	NOMINAL DIMENSIONS (IN)				CABLE STRIP LENGTH	U-TYPE DIE*			EST. SHIPPING	
				B	P	L	D**		COLOR CODE	DIE INDEX	# CRIMPS	WEIGHT (lbs)	UNIT
54102	PT10R2	1/0 AWG	2	1.75	1.10	2.85	0.50	1	PINK	12/348	1	0.08	EA
54202	PT20R2	2/0 AWG	2	1.81	1.10	2.93	0.56	1 1/8	BLACK	13	1	0.10	EA
54210	PT20R10	2/0 AWG	1/0	1.94	1.23	3.13	0.56	1 1/4	BLACK	13	1	0.11	EA
54320	PT30R20	3/0 AWG	2/0	1.95	1.19	3.13	0.62	1 1/4	ORANGE	14	1	0.13	EA
54420	PT40R20	4/0 AWG	2/0	1.93	1.19	3.15	0.67	1 1/4	PURPLE	15	2	0.13	EA
54430	PT40R30	4/0 AWG	3/0	2.10	1.30	3.15	0.67	1 1/4	PURPLE	15	2	0.16	EA
54254	PT250R40	250 kcmil	4/0	2.13	1.31	3.50	0.74	1 1/4	YELLOW	16	2	0.24	EA
54305	PT300R250	300 kcmil	250 kcmil	2.38	1.40	3.75	0.80	1 3/8	WHITE	17/298	2	0.25	EA
54355	PT350R250	350 kcmil	250 kcmil	2.40	1.40	3.85	0.85	1 3/8	RED	18/324	2	0.26	EA
54353	PT350R300	350 kcmil	300 kcmil	2.40	1.45	3.85	0.87	1 3/8	RED	18/324	2	0.32	EA
54435	PT400R350	400 kcmil	350 kcmil	2.65	1.51	4.30	0.95	1 1/2	BLUE	19/470	2	0.38	EA
54535	PT500R350	500 kcmil	350 kcmil	2.50	1.50	4.00	0.99	1 3/8	BLUE	19/470	2	0.40	EA
54540	PT500R400	500 kcmil	400 kcmil	2.63	1.65	4.13	1.01	1 3/8	BLUE	19/470	2	0.44	EA
54650	PT600R500	600 kcmil	500 kcmil	2.90	1.75	4.72	1.13	1 1/2	GREEN	22/472	2	0.64	EA
54750	PT750R500	750 kcmil	500 kcmil	3.06	1.75	4.90	1.21	1 5/8	BLACK	24/473	2	0.65	EA
54760	PT750R600	750 kcmil	600 kcmil	3.15	1.90	5.00	1.27	1 3/4	BLACK	24/473	2	0.89	EA
54107	PT1000R750	1000 kcmil	750 kcmil	3.00	2.01	5.00	1.44	1 7/8	YELLOW	936	2	1.09	EA



Consult factory for price and delivery of the following:

- Size combinations not shown
- Custom pin lengths, diameters, and solid pins
- Tin plating (when ordering, add the suffix "P" to Catalog Number)

For aluminum cable, use PT, PTA, PTO (aluminum barrel adapters). See page 41.

*UL Installation tool: Greenlee HKL 1232.

**Add 1/8" for insulating cover.



COMPRESSION

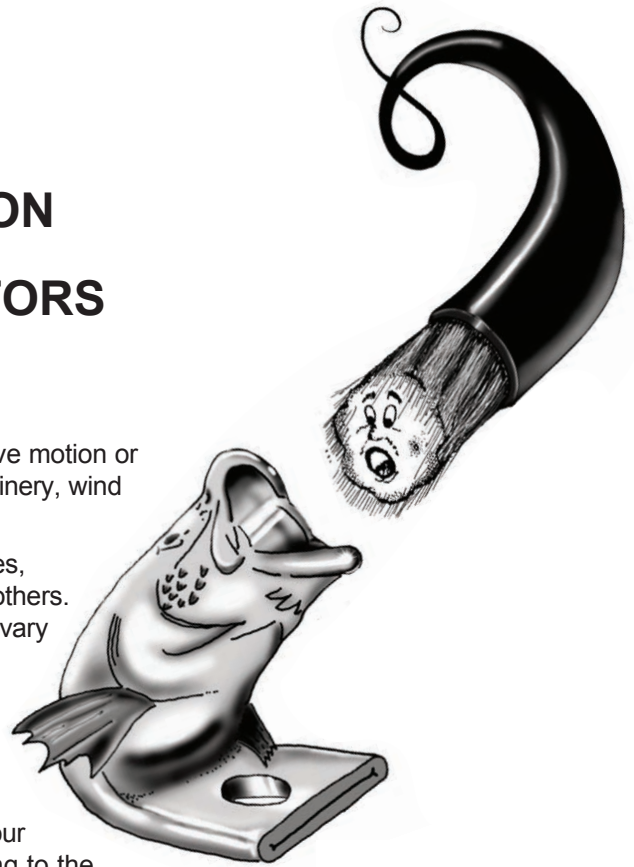
Shoo-in™ FLEX-CABLE CONNECTORS REFERENCE INFORMATION SIZING GUIDE

High-strand flexible cables are often utilized in environments that involve motion or vibration. Applications include locomotive, mining, marine, welding machinery, wind power turbines, temporary power generators, and transformers.

High-strand flexible cables are available in a variety of classes and styles, such as welding cable, rope cable, diesel-locomotive cable (DLO) and others. Each style has a different nominal cable/conductor diameter which can vary from manufacturer to manufacturer, from lot to lot, and even within a manufacturing lot.

This chart can assist in selection of connectors for use on high-strand, flexible cables. Locate your cable across the top, move down to your cable size, and move to the lefthand column for your "FX GUIDE." Then for a lug or splice series, use your FX GUIDE to select your specific lug or splice. An alternative is to select your FX GUIDE according to the conductor O.D. information on the chart; when measuring your cable diameter, include only the bundle of conductors (not the jacket). This will help select an FX lug or splice with appropriate barrel size and flare.

For example, 535kcmil DLO cable (1325/24 stranding) indicates an FX GUIDE of "535FX"; for a long-barrel 2-hole NEMA lug, select Cat. No. L535NFX.



**SIZING GUIDE for FX COMPRESSION LUGS for DLO and FLEX CABLE
CABLE DIMENSIONS – REFERENCE INFORMATION**

FX CAT. NO. GUIDE	CLASS I-MODIFIED (DIESEL-LOCOMOTIVE CABLE)			CLASS H (ROPE)		CLASS M (WELD)		REFERENCE CLASS B (COMM'L)	
	APPROX (AWG)KCMIL	STRANDS (#/AWG)	COND. O.D.	AWG	O.D.	AWG	O.D.	AWG	O.D.
25FX	(6)26	61/24	.207	#7	.188	#7	.196	#6	.184
42FX	(4)42	91/24-105/24	.263	#5	.237	#5	.240	#4	.232
50FX	(3)50.5	125/24	.288	#4	.266	#4	.269	#2	.292
60FX	(2)60.6	150/24	.313	#2	.336	#2	.337	#1	.332
90FX	(1)90.9	225/24	.380	#1	.378	#1	.376	1/0	.373
111FX	(1/0)111.1	275/24	.409	1/0	.424	1/0	.423	2/0	.418
131FX	(2/0)131.3	325/24	.449	2/0	.477	--	--	3/0	.470
181FX	(3/0)181.8	450/24	.540	3/0	.536	2/0	.508	4/0	.528
222FX	(4/0)222.2	550/24	.573	4/0	.602	3/0	.576	250	.575
250FX	250	637/24	.682	250	.653	250	.713	350	.681
262FX	262.6	650/24	.620	250	.653	4/0	.645	300	.630
313FX	313.1	775/24	.688	300	.716	250	.713	350	.681
373FX	373.7	925/24	.774	350	.773	300	.768	500	.814
444FX	444.4	1100/24	.840	400	.909	350	.825	600	.893
535FX	535.3	1325/24	.908	500	.923	400	.901	700	.964
646FX	646.4	1600/24	1.034	700	1.106	600	1.084	800	1.031
777FX	777.7	1925/24	1.123	800	1.180	700	1.183	1000	1.152
929FX	929.2	2299/24	1.230	1000	1.320	900	1.331	1250	1.289
1111FX	1111.1	2745/24	1.360	1250	1.477	1000	1.404	1500	1.412



GREAVES

GREAVES ExCLUSIVE

COMPRESSION Shoo-pin™

For copper flex-cable
105°C

FLEX-CABLE COPPER COMPRESSION ADAPTERS

All-copper compression adapters

Designed for reliable termination of highly stranded flexible copper cable into mechanical lugs

Uses include locomotive, mining, marine, and machinery applications

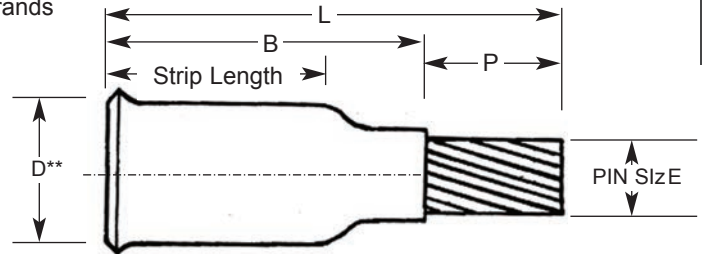
Features flared Shoo-in™ barrel-opening for easy insertion of fine strands

Fits into mechanical set-screw type connectors

Amperage rating is per the incoming conductor

Fabricated of wrought copper with pin of Class B stranded copper conductor

Insulating covers are included



PT-Fx SERIES

NAED NUMBER	CATALOG NUMBER	FLEX CABLE OR CODE AWG CONDUCTOR	PIN SIZE	NOMINAL DIMENSIONS (IN)				CABLE STRIP LENGTH	U-TYPE DIE*			EST. SHIPPING WEIGHT	
		DLO CABLE FLEX CABLE		B	P	L	D**		COLOR	INDEX	# CRIMPS	(lbs)	UNIT
54236	PT25Fx6†	61/24 (#6)	#6 AWG	1.50	1.06	2.50	0.29	7/8	BLUE	7/374	1	0.05	EA
55424	PT42Fx4	91/24-105/24 (#4)	#4 AWG	1.56	1.07	2.63	0.40	1	GRAY	8/346	1	0.06	EA
55602	PT60Fx2	125/24-150/24 (#2)	#2 AWG	1.65	1.10	2.75	0.47	1	BROWN	10	1	0.08	EA
55901	PT90Fx1	175/24-225/24 (#1)	#1 AWG	1.70	1.14	2.75	0.50	1	GREEN	11/375	1	0.10	EA
55111	PT111Fx10	275/24 (1/0)	1/0 AWG	1.81	1.23	3.00	0.55	1 1/8	PINK	12/348	1	0.10	EA
55131	PT131Fx20	325/24 (2/0)	2/0 AWG	2.06	1.19	3.25	0.61	1 1/4	BLACK	13	1	0.13	EA
55181	PT181Fx30	450/24 (3/0)	3/0 AWG	2.19	1.30	3.50	0.67	1 1/4	ORANGE	14	1	0.16	EA
55222	PT222Fx40	550/24 (4/0)	4/0 AWG	2.19	1.31	3.50	0.74	1 1/4	PURPLE	15	1	0.22	EA



NAED NUMBER	CATALOG NUMBER	FLEX CABLE	PIN SIZE	DIMENSIONS (IN)				CABLE STRIP LENGTH	U-TYPE DIE*			EST. SHIPPING WEIGHT	
				B	P	L	D**		COLOR	INDEX	# CRIMPS	(lbs)	UNIT
55250	PT250Fx250	250 kcmil FLEX CLASS G 259 CLASS H 427	250 kcmil	2.25	1.40	3.25	0.78	1 3/8	YELLOW	16	2	0.26	EA
55262	PT262Fx250	262.6 kcmil FLEX 250 FLEX CLASS I, K, M	250 kcmil	2.20	1.40	3.80	0.81	1 3/8	WHITE	17/298	2	0.26	EA
55313	PT313Fx350	313.1 kcmil (775/24) (300 kcmil NOM)	350 kcmil	2.40	1.51	4.00	0.87	1 3/8	RED	18/324	2	0.38	EA
55373	PT373Fx350	373.7 kcmil (925/24) (350 kcmil NOM)	350 kcmil	2.75	1.51	4.40	0.99	1 3/8	BLUE	19/470	2	0.41	EA
55444	PT444Fx500	444.4 kcmil (1100/24) (450 kcmil NOM)	500 kcmil	3.00	1.75	4.70	1.14	1 3/8	BROWN	20/299	2	0.65	EA
55535	PT535Fx500	535.3 kcmil (1325/24) (500 kcmil NOM)	500 kcmil	3.00	1.75	4.85	1.19	1 3/8	GREEN	22/472	2	0.66	EA
55646	PT646Fx600	646 kcmil (1600/24) (600 kcmil NOM)	600 kcmil	3.45	1.90	5.50	1.32	2	BLACK	24/473	2	0.83	EA
55777	PT777Fx750	777.7 kcmil (1925/24) (750 kcmil NOM)	750 kcmil	3.30	2.01	5.50	1.43	2	YELLOW	936	2	1.21	EA



May be used for up to 35KV applications when proper installation and insulation procedures are employed.

Consult factory for price and delivery of the following:

- DLO sizes 929.2, 1111.1 and larger
- Custom pin lengths, diameters, and solid pins
- Tin plating (when ordering, add the suffix "P" to Catalog Number)

* UL Installation tool: Greenlee HKL 1232.

** Add 1/8" for insulating cover.

† Size not CSA certified.



GREAVES

COMPRESSION

Shoo-in™ FLEx-CABLE CONNECTORS

For flexible cable applications in locomotive, marine, mining, welding machinery, temporary power, wind power and transformers
Features flared Shoo-in™ barrel opening for easy cable insertion
Copper, tin-plated for corrosion resistance
Positive center stop

For copper cable



SHORT BARREL SPLICES SC-Fx SERIES

NAED NUMBER	CATALOG NUMBER	DIESEL-LOCOMOTIVE		CLASS H ROPE CABLE AWG/MCM	CLASS M WELD CABLE AWG/MCM	U-TYPE DIE		EST. SHIPPING	
		APPROX (AWG) MCM	CABLE STRAND			COLOR	INDEX	WEIGHT (lbs)	UNIT
32150	SC 50Fx	(3) 50.3	125/24	#4	#4	GRAY	8	0.05	EA
32151	SC 60Fx	(2) 60.6	150/24	#2	#2	BROWN	10	0.05	EA
32152	SC 90Fx	(1) 90.9	225/24	#1	#1	GREEN	11/375	0.06	EA
32153	SC 111Fx	(1/0) 111.1	275/24	1/0	#1/0	PINK	12/348	0.07	EA
32154	SC 131Fx	(2/0) 131.3	325/24	2/0	-	BLACK	13	0.09	EA
32155	SC 181Fx	(3/0) 181.8	450/24	3/0	#2/0	ORANGE	14	0.11	EA
32156	SC 222Fx	(4/0) 222.2	550/24	4/0	#3/0	PURPLE	15	0.14	EA
32157	SC 262Fx	262.6	650/24	250	#4/0	WHITE	17/298	0.15	EA
32158	SC 313Fx	313.1	775/24	300	250	RED	18/324	0.22	EA
32161	SC 373Fx	373.7	925/24	350	300	BLUE	19/470	0.32	EA
32159	SC 444Fx	444.4	1100/24	400	350	BROWN	20/299	0.46	EA
32160	SC 535Fx	535.3	1325/24	500	400	PINK	300	0.52	EA
32162	SC 646Fx	646.4	1600/24	700	600	BLACK	24/473	0.60	EA

May be used for applications up to 35 KV when proper installation and insulation procedures are employed.



LONG BARREL SPLICES C-Fx SERIES



NAED NUMBER	CATALOG NUMBER	DIESEL-LOCOMOTIVE		CLASS H ROPE CABLE AWG/MCM	CLASS M WELD CABLE AWG/MCM	U-TYPE DIE		EST. SHIPPING	
		APPROX (AWG) MCM	CABLE STRAND			COLOR	INDEX	WEIGHT (lbs)	UNIT
32410	C 373Fx	373.7	925/24	350	300	BLUE	19/470	0.55	EA
32420	C 444Fx	444.4	1100/24	400	350	BROWN	20/299	0.65	EA
32430	C 535Fx	535.5	1325/24	500	400	PINK	300	0.85	EA
32440	C 646Fx	646.4	1600/24	700	600	BLACK	24/473	1.05	EA
32450	C 777Fx	777.7	1925/24	800	700	YELLOW	936	1.45	EA

May be used for applications up to 35 KV when proper installation and insulation procedures are employed.

Due to the variety of styles of high-strand, flexible cable, and due to the variations among cable manufacturers, it is recommended to fit the conductor to the actual cable being utilized. (See Sizing Guide.)

For sizes not listed consult factory for availability.

C - FX not CSA.



COMPRESSION

Shoo-in™ FLEx-CABLE CONNECTORS

For flexible cable applications in locomotive, marine, mining, welding machinery, temporary power, wind power and transformers
Features flared Shoo-in™ barrel opening for easy cable insertion
Copper, tin-plated for corrosion resistance

For copper cable



SHORT BARREL LUGS

Inspection hole for visual inspection of wire insertion

GL-Fx SERIES

One-Hole

NAED NUMBER	CATALOG NUMBER	DIESEL-LOCOMOTIVE		CLASS H ROPE CABLE AWG/MCM	CLASS M WELD CABLE AWG/MCM	BOLT SIZE	U-TYPE DIE		EST. SHIPPING	
		APPROX (AWG) MCM	CABLE STRAND				COLOR	INDEX	WEIGHT (lbs)	UNIT
32170	GL 50Fx56	(3) 50.5	125/24	#4	#4	5/16	GRAY	8	0.04	EA
32171	GL 60Fx56	(2) 60.6	150/24	#2	#2	5/16	BROWN	10	0.04	EA
32172	GL 90Fx56	(1) 90.9	225/24	#1	#1	5/16	GREEN	11/375	0.05	EA
32173	GL 111Fx38	(1/0) 111.1	275/24	1/0	#1/0	3/8	PINK	12/348	0.06	EA
32169	GL 131Fx38	(2/0) 131.3	325/24	2/0	-	3/8	BLACK	13	0.08	EA
32174	GL 131Fx48	(2/0) 131.3	325/24	2/0	-	1/2	BLACK	13	0.08	EA
32175	GL 181Fx48	(3/0) 181.8	450/24	3/0	#2/0	1/2	ORANGE	14	0.11	EA
32187	GL 222Fx56					5/16				
32188	GL 222Fx38	(4/0) 222.2	550/24	4/0	#3/0	3/8	PURPLE	15	0.14	EA
32176	GL 222Fx48					1/2				
32177	GL 262Fx48	262.6	650/24	250	#4/0	1/2	WHITE	17/298	0.15	EA
32178	GL 313Fx48	313.1	775/24	300	250	1/2	RED	18/324	0.37	EA
32189	GL 313Fx58					5/8				
32179	GL 373Fx48	373.7	925/24	350	300	1/2	BLUE	19/470	0.38	EA
32190	GL 373Fx58					5/8				
32180	GL 444Fx48	444.4	1100/24	400	350	1/2	BROWN	20/299	0.55	EA
32181	GL 535Fx48	535.3	1325/24	500	400	1/2	PINK	300	0.56	EA
32191	GL 535Fx58					5/8				
32192	GL 646Fx48	646.4	1600/24	700	600	1/2	BLACK	24/473	0.57	EA
32183	GL 646Fx58					5/8				
32193	GL 777Fx48	777.7	1925/24	800	700	1/2	YELLOW	936	0.92	EA
32184	GL 777Fx58					5/8				
32185	†GL 929Fx58	929.2	2299/24	1000	900	5/8	-	P44RT	1.10	EA
32186	†GL 1111Fx58	1111.1	2745/24	1250	1000	5/8	-	P45RT	1.30	EA



- For angle lugs consult factory for availability.
- For blank tangs consult factory for availability.

May be used for applications up to 35 KV when proper installation and insulation procedures are employed.

†Size not CSA.

GL-NFx SERIES

Two-Hole NEMA

NAED NUMBER	CATALOG NUMBER	DIESEL-LOCOMOTIVE		CLASS H ROPE CABLE AWG/MCM	CLASS M WELD CABLE AWG/MCM	BOLT SIZE	U-TYPE DIE		EST. SHIPPING	
		APPROX (AWG) MCM	CABLE STRAND				COLOR	INDEX	WEIGHT (lbs)	UNIT
32510	GL 181NFx	181.8	450/24	3/0	2/0	1/2	ORANGE	14	0.17	EA
32515	GL 222NFx	222.2	550/24	4/0	3/0	1/2	PURPLE	15	0.21	EA
32520	GL 262NFx	262.2	650/24	250	4/0	1/2	WHITE	17/298	0.24	EA
32525	GL 313NFx	313.1	775/24	300	200	1/2	RED	18/324	0.26	EA
32530	GL 373NFx	373.7	925/24	350	300	1/2	BLUE	19/470	0.53	EA
32535	GL 444NFx	444.4	1100/24	400	350	1/2	BROWN	20/299	0.75	EA
32540	#GL 535NFx	535.5	1325/24	500	400	1/2	PINK	300	0.78	EA
32545	#GL 646NFx	646.4	1600/24	700	600	1/2	BLACK	24/473	0.90	EA
32550	#GL 777NFx	777.7	1925/24	800	700	1/2	YELLOW	936	1.34	EA



Suffix "N" indicates NEMA tang drilling, 1 1/4" on centers for 1/2" bolts.

GL-NFX series lugs through 777 size have 1.75" maximum width to allow side-by-side NEMA mounting.

May be used for applications up to 35 KV when proper installation and insulation procedures are employed.

Due to the variety of styles of high-strand, flexible cable, and due to the variations among cable manufacturers, it is recommended to fit the conductor to the actual cable being utilized. See SLIZING GUIDE.

GL-NFX series not CSA.

www.greaves-usa.com

Phone 860-664-4505 • Fax 860-664-4546

TOLL FREE 1-800-243-1130 (Outside CT)



GREAVES

COMPRESSION

Shoo-in™ FLEX-CABLE CONNECTORS

For flexible cable applications in locomotive, mining, marine, welding machinery, temporary power, wind power, and transformers
Features flared Shoo-in™ barrel opening for easy cable insertion
Copper, tin-plated for corrosion resistance

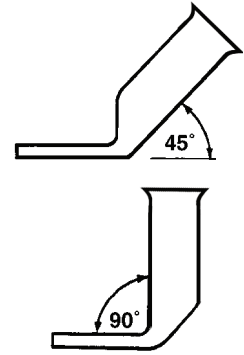


For copper cable

LONG BARREL LUGS L-Fx SERIES

One-Hole

NAED NUMBER	CATALOG NUMBER	DIESEL-LOCOMOTIVE		CLASS H	CLASS M	BOLT SIZE	U-TYPE DIE		EST. SHIPPING	
		APPROX (AWG) MCM	CABLE STRAND	ROPE CABLE AWG/MCM	WELD CABLE AWG/MCM		COLOR	INDEX	WEIGHT (lbs)	UNIT
32270	L 50Fx56	(3) 50.5	125/24	#4	#4	5/16	GRAY	8	0.05	EA
32271	L 60Fx56	(2) 60.6	150/24	#2	#2	5/16	BROWN	10	0.05	EA
32287	L 60Fx38					3/8				
32272	L 90Fx56	(1) 90.9	225/24	#1	#1	5/16	GREEN	11/375	0.07	EA
32300	L 111Fx56	(1/0) 111.1	275/24	1/0	#1/0	5/16	PINK	12/348	0.09	EA
32273	L 111Fx38					3/8				
32301	L 111Fx48					1/2				
32294	L 131Fx38	(2/0) 131.3	325/24	2/0	-	3/8	BLACK	13	0.11	EA
32274	L 131Fx48					1/2				
32295	L 181Fx38	(3/0) 181.8	450/24	3/0	#2/0	3/8	ORANGE	14	0.14	EA
32275	L 181Fx48					1/2				
32288	L 222Fx38	(4/0) 222.2	550/24	4/0	#3/0	3/8	PURPLE	15	0.19	EA
32276	L 222Fx48					1/2				
32277	L 262Fx48	262.6	650/24	250	#4/0	1/2	WHITE	17/298	0.20	EA
32289	L 313Fx38	313.1	775/24	300	250	3/8	RED	18/324	0.27	EA
32278	L 313Fx48					1/2				
32290	L 313Fx58					5/8				
32279	L 373Fx48	373.7	925/24	350	300	1/2	BLUE	19/470	0.50	EA
32299	L 373Fx58					5/8				
32280	L 444Fx48	444.4	1100/24	400	350	1/2	BROWN	20/299	0.62	EA
32281	L 535Fx48	535.3	1325/24	500	400	1/2	PINK	300	0.70	EA
32291	L 535Fx58					5/8				
32302	L 646Fx48	646.4	1600/24	700	600	1/2	BLACK	24/473	0.85	EA
32283	L 646Fx58					5/8				
32303	L 777Fx48	777.7	1925/24	800	700	1/2	YELLOW	936	1.20	EA
32284	L 777Fx58					5/8				
32285	†L 929Fx58	929.2	2299/24	1000	900	5/8	-	P44RT	1.40	EA
32286	†L 1111Fx58	1111.1	2745/24	1250	1000	5/8	-	P45RT	1.60	EA



- For angle lugs consult factory for availability.
- For blank tangs consult factory for availability.

May be used for applications up to 35 KV when proper installation and insulation procedures are employed.
Due to the variety of styles of high-strand, flexible cable, and due to the variations among cable manufacturers, it is recommended to fit the conductor to the actual cable being utilized. See SIZING GUIDE, p. 30.

All L-FX series lugs have 1.75" maximum width to allow side-by-side NEMA mounting.

†Size not CSA.



GREAVES

COMPRESSION



Shoo-in™ FLEx-CABLE CONNECTORS

For flexible cable applications in locomotive, mining, marine, welding machinery, temporary power, wind power, and transformers
Features flared Shoo-in™ barrel opening for easy cable insertion
All L-NFX lugs have 1.75" max tang width to accommodate side-by-side NEMA stud spacing
Copper, tin-plated for corrosion resistance

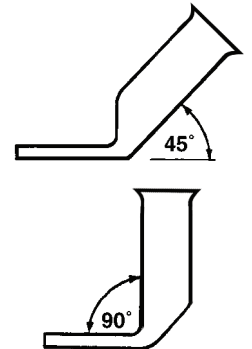


For copper cable

LONG BARREL LUGS L-NFx SERIES

Two-Hole NEMA

NAED NUMBER	CATALOG NUMBER	DIESEL-LOCOMOTIVE		CLASS H	CLASS M	BOLT SIZE	U-TYPE DIE		EST. SHIPPING	
		APPROX (AWG) MCM	CABLE STRAND	ROPE CABLE AWG/MCM	WELD CABLE AWG/MCM		COLOR	INDEX	WEIGHT (lbs)	UNIT
32372	L 90NFx	(1) 90.9	225/24	#1	#1	1/2	GREEN	11/375	0.11	EA
32373	L 111NFx	(1/0) 111.1	275/24	1/0	1/0	1/2	PINK	12/348	0.14	EA
32374	L 131NFx	(2/0) 131.3	325/24	2/0	-	1/2	BLACK	13	0.16	EA
32375	L 181NFx	(3/0) 181.8	450/24	3/0	2/0	1/2	ORANGE	14	0.21	EA
32376	L 222NFx	(4/0) 222.2	550/24	4/0	3/0	1/2	PURPLE	15	0.27	EA
32377	L 262NFx	262.6	650/24	250	4/0	1/2	WHITE	17/298	0.28	EA
32378	L 313NFx	313.1	775/24	300	250	1/2	RED	18/324	0.38	EA
32379	L 373NFx	373.7	925/24	350	300	1/2	BLUE	19/470	0.65	EA
32380	L 444NFx	444.4	1100/24	400	350	1/2	BROWN	20/299	0.87	EA
32381	L 535NFx	535.3	1325/24	500	400	1/2	PINK	300	0.89	EA
32383	L 646NFx	646.4	1600/24	700	600	1/2	BLACK	24/473	1.06	EA
32384	† L 777NFx	777.7	1925/24	800	700	1/2	YELLOW	936	1.47	EA
32385	† L 929NFx	929.2	2299/24	1000	900	1/2	-	P44RT	1.65	EA
32386	† L 1111NFx	1111.1	2745/24	1250	1000	1/2	-	P45RT	1.90	EA



- For angle lugs consult factory for availability.
- For blank tangs consult factory for availability.

May be used for applications up to 35 KV when proper installation and insulation procedures are employed.
Due to the variety of styles of high-strand, flexible cable, and due to the variations among cable manufacturers, it is recommended to fit the conductor to the actual cable being utilized. See SIZING GUIDE.
Suffix "N" indicates NEMA tang drilling, 1 3/4" on centers for 1/2" bolts.
All L-NFX lugs shown have 1.75" maximum width to allow side-by-side NEMA mounting.
Sizes through 373FX are UL.
†Size not CSA.



COMPRESSION

REDUCING ADAPTERS

Versatile adapters fit into copper compression splice or lug to reduce barrel size

Install with compression die appropriate for barrel size

High conductivity copper, tin-plated

Some sizes are corrugated, some smooth with open seam

CRA SERIES

NAED NUMBER	CATALOG NUMBER	REDUCES SIZE		LENGTH	U-TYPE DIE	
		FROM	TO		COLOR	INDEX
41661	CRA 6-10	#6	#10		BLUE	7/374
41626	CRA 2-6	#2	#6	1 1/2	BROWN	10
41616	CRA 10-6		#6			
41614	CRA 10-4	1/0	#4	1 5/16	PINK	12/348
41627	CRA 20-1	2/0	#1		BLACK	
41628	CRA 20-10	2/0	1/0	1 3/4		13
41684	CRA 30-4		#4			
41681	CRA 30-10	3/0	1/0	1 1/2	ORANGE	14
41682	CRA 30-20		2/0			
41646	CRA 40-6		#6			
41644	CRA 40-4		#4			
41645	CRA 40-2		#2			
41640	CRA 40-1	4/0	#1	1 3/4	PURPLE	15
41641	CRA 40-10		1/0			
41642	CRA 40-20		2/0			
41643	CRA 40-30		3/0			
41625	CRA 250-2		#2			
41620	CRA 250-1		#1			
41621	CRA 250-10	250	1/0	2	YELLOW	16
41622	CRA 250-20		2/0			
41623	CRA 250-30		3/0			
41624	CRA 250-40		4/0			
41635	CRA 300-2		#2			
41631	CRA 300-10		1/0			
41632	CRA 300-20	300	2/0	2	WHITE	17/298
41633	CRA 300-30		3/0			
41634	CRA 300-40		4/0			
41636	CRA 350-20		2/0			
41637	CRA 350-40	350	4/0	2	RED	18/324
41638	CRA 350-250		250			
41639	CRA 350-300		300			
41656	CRA 500-6		#6			
41654	CRA 500-4		#4			
41655	CRA 500-2	500	#2	2 1/4	BROWN	20/299
41650	CRA 500-1		#1			
41651	CRA 500-10		1/0			
41652	CRA 500-20		2/0			
41653	CRA 500-30		3/0			
41670	CRA 500-40		4/0			
41671	CRA 500-250	500	250	2 1/4	BROWN	20/299
41672	CRA 500-300		300			
41673	CRA 500-350		350			
41674	CRA 500-400		400			
41665	CRA 600-500	600	500	2 1/4	GREEN	22/472
41675	CRA 750-500	750	500	2 1/4	BLACK	24
41676	CRA 750-600		600			
41607	CRA 1000-750	1000	750	3	WHITE	27

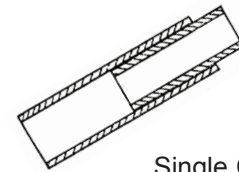
Other sizes available, consult factory.



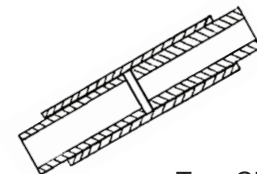
Copper wire only

Typical Applications

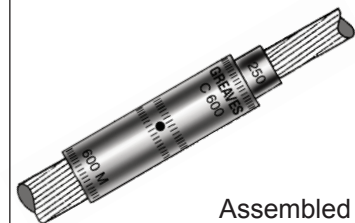
Also use in lugs, tees



Single CRA
in splice or lug



Two CRAs
if needed to
accommodate
wires



Assembled
User to provide wires



COMPRESSION

COMPRESSION REDUCER KITS – COPPER

Splice two sizes of Class B copper cable; installer to supply all cable

Join a new system to an existing system where oversized cable is used to reduce voltage drop on long runs

Reduce an oversized wire to fit a lug supplied on the equipment

CRK kit includes CRA adapter(s) to reduce the barrel to fit the cable sizes.

Each kit contains: Long barrel compression splice (C Series)

Adapter(s) for reduction/tip end (CRA Series)

Adapter(s) for cable/run end, if needed (CRA Series)

All components are high conductivity copper, tin-plated

Can be insulated with high heat-shrink tubing

CRK kits are designed for copper cable only. To splice an aluminum cable to a smaller copper cable, consult the factory for an ACK Kit (ASC-T splice with CRA insert), or use an AC-R Aluminum Reducing Splice or PT Adapter.



Copper wire only

CRK SERIES

NAED NUMBER	CATALOG NUMBER	REDUCES SIZE		KIT INCLUDES			U-TYPE DIE	
		FROM	TO	CRA	C	CRA	COLOR	INDEX
41729	CRK 2-6	#2	#6	-	C2	2-6	BROWN	10
41716	CRK 10-6	1/0	#6	-	C10	10-6	PINK	12/348
41714	CRK 10-4		#4			10-4		
41721	CRK 20-1	2/0	#1	-	C20	20-1	BLACK	13
41734	CRK 30-4	3/0	#4	-	C30	30-4	ORANGE	14
41732	CRK 30-2		#2			30-2		
41735	CRK 30-10		1/0			30-10		
41730	CRK 30-20		2/0			30-20		
41746	CRK 40-6	4/0	#6	-	C40	40-6	PURPLE	15
41745	CRK 40-2		#2			40-2		
41741	CRK 40-10		1/0			40-10		
41742	CRK 40-20		2/0			40-20		
41743	CRK 40-30		3/0			40-30		
41786	CRK 250-6	250	#6	-	C250	250-10 + 10-6	YELLOW	16
41785	CRK 250-2		#2			250-2		
41781	CRK 250-10		1/0			250-10		
41782	CRK 250-20		2/0			250-20		
41783	CRK 250-30		3/0			250-30		
41784	CRK 250-40		4/0			250-40		
41796	CRK 350-20	350	2/0	-	C350	350-20	RED	18/324
41797	CRK 350-40		4/0			350-40		
41749	CRK 400-250	400	250	500-400	C500	500-250	BROWN	20/299
41756	CRK 500-6	500	#6	-	C500	500-6	BROWN	20/299
41752	CRK 500-20		2/0			500-20		
41753	CRK 500-30		3/0			500-30		
41770	CRK 500-40		4/0			500-40		
41771	CRK 500-250		250			500-250		
41773	CRK 500-350		350			500-350		
41774	CRK 500-400	400	500-400					
41762	CRK 600-300	600	300	-	C600	600-500 + 500-300	GREEN	22/472
41763	CRK 600-350		350			600-500 + 500-350		
41764	CRK 600-400		400			600-500 + 500-400		
41765	CRK 600-500		500			600-500		
41775	CRK 750-500	750	500	-	C750	750-500	BLACK	24
41776	CRK 750-600		600			750-600		
41707	CRK 1000-750	1000	750	-	C1000	1000-750	WHITE	27

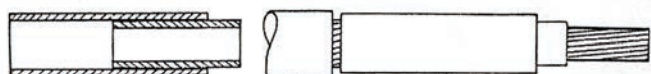
May be used for applications up to 35KV when proper installation and insulation procedures are employed.

Actual configuration may vary due to availability. Other kit combinations available, consult factory.

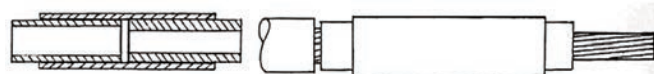
For aluminum main, ACK Series also available. Consult factory.

Example: CRK 500-350 configuration with single adapter

Example: CRK 400-250 configuration with two adapters to fit wires



Assembled, user provides wires



Assembled, user provides wires



COMPRESSION

NECK-DOWN™ REDUCING SPLICES – COPPER

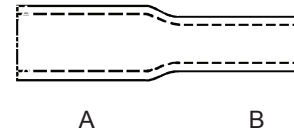
GREAVES EXCLUSIVE

Long barrel reducers to join copper wires of different sizes
 Produced from high-conductivity seamless copper tubing
 Marked with die index and die color code on each end
 Can be insulated with high heat-shrink tubing
 Also see CRK Series compression Reducer Kits

For copper cable only
 600V*

ND-R SERIES

NAED NUMBER	CATALOG NUMBER	WIRE SIZE		U-TYPE DIE A		U-TYPE DIE B	
		A	B	COLOR	INDEX	COLOR	INDEX
52012	ND 10R2	1/0	#2	PINK	12/348	BROWN	10
52011	ND 10R1		#1			GREEN	11/375
52021	ND 20R10	2/0	1/0	BLACK	13	PINK	12/348
52032	ND 30R20	3/0	2/0	ORANGE	14	BLACK	13
52042	ND 40R20	4/0	2/0	PURPLE	15	BLACK	13
52043	ND 40R30		3/0			ORANGE	14
52252	ND 250R20	250	2/0	YELLOW	16	BLACK	13
52254	ND 250R40		4/0			PURPLE	15
52302	ND 300R250	300	250	WHITE	17/298	YELLOW	16
52354	ND 350R40	350	4/0	RED	18/324	PURPLE	15
52352	ND 350R250	350	250	RED	18/324	YELLOW	16
52403	ND 400R350	400	350	BLUE	19/470	RED	18/324
52502	ND 500R250		250	BLUE	19/470	RED	18/324
52503	ND 500R350	500	350			RED	18/324
52504	ND 500R400		400			BLUE	19/470
52635	ND 600R350	600	350	GREEN	22/472	GREEN	22/472
52650	ND 600R500		500			BROWN	20/299
52755	ND 750R500	750	500	BLACK	24/473	BROWN	20/299
52756	ND 750R600		600			GREEN	22/472
52107	ND 1000R750	1000	750	WHITE	27	BLACK	24/473
52121	ND 1250R1000	1250	1000	YELLOW	29	WHITE	27
52151	ND 1500R1000	1500	1000	GREEN	31	WHITE	27
52162	ND 1500R1250	1500	1250	GREEN	31	YELLOW	29



*May be used for applications up to 35 KV when proper installation and insulation procedures are employed.
 Manufactured to order, consult factory for availability. Minimum order 3 pieces of same size.
 For tin plating add suffix "P" to Catalog No; adds approx. 1 week production time. Consult factory for combinations not listed.

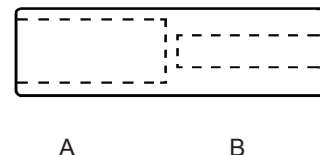
ALUMINUM REDUCING SPLICES

Made of high conductivity wrought aluminum
 Long barrel with positive center stop to assure proper cable insertion
 Can be insulated with high heat-shrink tubing
 Connector bores are coated with oxide-inhibitor and capped

AC-R SERIES

NAED NUMBER	CATALOG NUMBER	WIRE SIZE		LENGTH (IN)	DIE A & B		EST. SHIPPING	
		A	B		COLOR	INDEX	WEIGHT (lbs)	UNIT
53012	AC 10R2	1/0	#2	4 ⁹ / ₁₆	—	BG, 8A, 5/8	.15	EA
53021	AC 20R1	2/0	#1	4 ⁹ / ₁₆		60, 245		
53031	AC 30R10	3/0	1/0	5	WHITE	TU, 781, 56	.21	EA
53042	AC 40R20	4/0	2/0	5 ¹ / ₄		298, 840		
53253	AC 250R30	250	3/0	6 ⁹ / ₁₆	BROWN	11A, 249, 840	.55	EA
53304	AC 300R40	300	4/0	8 ³ / ₁₆		96, 299		
53354	AC 350R40	350	4/0	8 ³ / ₁₆	GREEN	22, 472	.77	EA
53402	AC 400R250	400	250	8 ¹³ / ₃₂				
53530	AC 500R300	500	300	8 ¹³ / ₃₂	PINK	106, 300	.80	EA
53535	AC 500R350	500	350	8 ¹¹ / ₁₆				
53635	AC 600R350	600	350	8 ⁷ / ₈	BLACK	24, 473	1.15	EA
53750	AC 750R500	750	500	9 ⁵ / ₈	RED	140, 301	1.32	EA
53107	AC 1000R750	1000	750	9 ⁵ / ₈	BROWN	161, 302	1.90	EA

Dual-Rated
 CUAL
 600 V*



*May be used for applications up to 35KV when proper installation and insulation procedures are employed.
 Other sizes available, consult factory.
 Manufactured to order, consult factory for availability.



GREAVES

COMPRESSION

ALUMINUM SPLICES & LUGS

Made of high conductivity wrought aluminum
 Connector bores are coated with oxide inhibitor and capped
 Marked with die index and die color
 Tin plated to provide corrosion resistance



Dual-Rated

AL9CU
600 V**

ASC-T SERIES

Splices

NAED NUMBER	CATALOG NUMBER	WIRE SIZE	U-TYPE DIE		CTN QTY	EST. SHIPPING	
			COLOR	INDEX		WEIGHT (lbs)	UNIT
50300	ASC 6 T	#6	GRAY	8/346	24	0.34	CTN
50302	ASC 4 T	#4	GREEN	11/375	24	0.82	CTN
50304	ASC 2 T	#2	PINK	12/348	24	0.82	CTN
50306	ASC 1 T	#1	GOLD	471	24	0.82	CTN
50308	ASC 10 T	1/0	TAN	296	24	1.30	CTN
50310	ASC 20 T	2/0	OLIVE	297	12	0.70	CTN
50312	ASC 30 T	3/0	RUBY	467	12	0.94	CTN
50314	ASC 40 T	4/0	WHITE	17/298	12	1.42	CTN
50316	ASC 250 T	250	RED	18/324	12	1.47	CTN
50318	ASC 300 T	300	BLUE	19/470	6	0.93	CTN
50320	ASC 350 T	350	BROWN	20/299	6	1.35	CTN
50324	ASC 400 T	400	GREEN	22/472	6	1.53	CTN
50326	ASC 500 T	500	PINK	300	6	2.13	CTN
50328	ASC 600 T	600	BLACK	24/473	6	2.79	CTN
50330	ASC 750 T	750	YELLOW	936	3	1.59	CTN
50332	ASC 1000 T	1000	BROWN	302	1	0.95	EA



Positive center stop assures proper cable insertion

AL SERIES

One-Hole Lugs

NAED NUMBER	CATALOG NUMBER	WIRE SIZE	BOLT SIZE	U-TYPE DIE		CTN QTY	EST. SHIPPING	
				COLOR	INDEX		WEIGHT (lbs)	UNIT
50401	AL 814	#8	1/4	BLUE	374	24	0.31	CTN
50400	*AL 614	#6	1/4	GRAY	8/346	24	0.31	CTN
50402	*AL 414	#4	1/4	GREEN	11/375	24	0.70	CTN
50403	†AL 438	#4	3/8	GREEN	11/375	24	0.70	CTN
50404	*AL 214	#2	1/4	PINK	12/348	24	0.92	CTN
50409	†AL 238	#2	3/8	PINK	12/348	24	0.92	CTN
50405	*AL 114	#1	1/4	GOLD	471	24	0.84	CTN
50406	*AL 1038	1/0	3/8	TAN	296	24	1.60	CTN
50408	AL 1048	1/0	1/2	TAN	296	24	1.60	CTN
50410	*AL 2038	2/0	3/8	OLIVE	297	12	0.98	CTN
50412	AL 2048	2/0	1/2	OLIVE	297	12	0.98	CTN
50414	*AL 3038	3/0	3/8	RUBY	467	12	1.18	CTN
50416	AL 3048	3/0	1/2	RUBY	467	12	1.18	CTN
50418	*AL 4038	4/0	3/8	WHITE	17/298	12	1.66	CTN
50420	AL 4048	4/0	1/2	WHITE	17/298	12	1.66	CTN
50422	*AL 25048	250	1/2	RED	18/324	12	1.72	CTN
50424	*AL 30048	300	1/2	BLUE	19/470	6	1.12	CTN
50426	*AL 35048	350	1/2	BROWN	20/299	6	1.48	CTN
50428	*AL 40048	400	1/2	GREEN	22/472	6	2.08	CTN
50432	*AL 50048	500	1/2	PINK	300	6	2.68	CTN
50434	AL 50058	500	5/8	PINK	300	6	2.56	CTN
50436	#AL 60048	600	1/2	BLACK	24/473	3	1.91	CTN
50438	##AL 60058	600	5/8	BLACK	24/473	3	1.91	CTN
50442	#AL 75048	750	1/2	YELLOW	936	3	2.06	CTN
50444	##AL 75058	750	5/8	YELLOW	936	3	2.06	CTN
50450	*AL 100058	1000	5/8	BROWN	302	1	1.16	EA



Dual-Rated

AL9CU
600 V**



AL series lugs through 750 MCM have 1.75" maximum width to allow side-by-side NEMA mounting.

*NEMA stud drilling

**May be used for applications up to 35KV when proper installation and insulation procedures are employed.

For blank tangs, consult factory for availability.

† Not CSA.

www.greaves-usa.com

Phone 860-664-4505 • Fax 860-664-4546

TOLL FREE 1-800-243-1130 (Outside CT)



GREAVES

COMPRESSION

ALUMINUM LUGS

Designed for heavy duty dual-rated applications
 Made of high conductivity wrought aluminum
 Tin plated to provide corrosion resistance
 Connector bores are coated with oxide inhibitor and capped
 Marked with die index and die color



Dual-Rated
 AL9CU
 600 V*

AL-N SERIES

Two-Hole NEMA

NAED NUMBER	CATALOG NUMBER	WIRE SIZE	BOLT SIZE	U-TYPE DIE		CTN QTY	EST. SHIPPING	
				COLOR	INDEX		WEIGHT (lbs)	UNIT
50454	AL 10 N	1/0	1/2	TAN	296	12	1.18	CTN
50456	AL 20 N	2/0	1/2	OLIVE	297	12	1.30	CTN
50458	AL 30 N	3/0	1/2	RUBY	467	12	1.30	CTN
50460	AL 40 N	4/0	1/2	WHITE	17/298	12	2.26	CTN
50462	AL 250 N	250	1/2	RED	18/324	12	2.38	CTN
50464	AL 300 N	300	1/2	BLUE	470	6	1.48	CTN
50466	AL 350 N	350	1/2	BROWN	20/299	6	2.08	CTN
50468	AL 400 N	400	1/2	GREEN	22/472	6	2.56	CTN
50470	AL 500 N	500	1/2	PINK	300	6	3.22	CTN
50472	# AL 600 N	600	1/2	BLACK	24/473	3	2.24	CTN
50474	# AL 750 N	750	1/2	YELLOW	936	3	2.30	CTN
50478	# AL 1000 N	1000	1/2	BROWN	302	1	1.82	EA

*May be used for applications up to 35KV when proper installation and insulation procedures are employed.
 # AL-N lugs have 1.75" maximum width to allow side-by-side NEMA mounting.



STACKING ALUMINUM LUGS

Made of high conductivity wrought aluminum
 Designed to fit specifically with AL-N series to form pair
 Tin plated to provide corrosion resistance
 Connector bores are coated with oxide inhibitor and capped
 Marked with die index and die color



Dual-Rated
 AL9CU
 600 V*

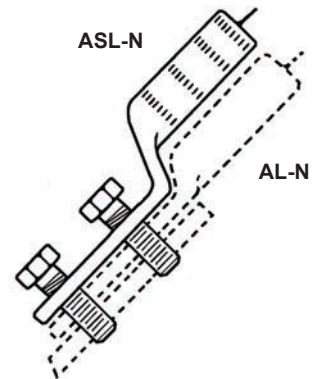
ASL-N SERIES

Two-Hole NEMA

NAED NUMBER	CATALOG NUMBER	WIRE SIZE	BOLT SIZE	U-TYPE DIE		EST. SHIPPING	
				COLOR	INDEX	WEIGHT (lbs)	UNIT
60725	ASL 10 N	1/0	1/2	TAN	296	0.14	EA
60730	ASL 20 N	2/0	1/2	OLIVE	297	0.15	EA
60735	ASL 30 N	3/0	1/2	RUBY	467	0.15	EA
60740	ASL 40 N	4/0	1/2	WHITE	17/298	0.23	EA
60745	ASL 250 N	250	1/2	RED	18/324	0.25	EA
60750	ASL 300 N	300	1/2	BLUE	19/470	0.30	EA
60755	ASL 350 N	350	1/2	BROWN	20/299	0.36	EA
60760	ASL 400 N	400	1/2	GREEN	22/472	0.45	EA
60765	ASL 500 N	500	1/2	PINK	300	0.63	EA
60770	ASL 600 N	600	1/2	BLACK	24/473	0.71	EA
60775	# ASL 750 N	750	1/2	YELLOW	936	0.72	EA

Suffix "N" indicates NEMA tang drilling, 1 $\frac{1}{4}$ " on centers for 1/2" bolts.

*May be used for applications up to 35KV when proper installation and insulation procedures are employed.
 # All ASL-N lugs have 1.75" maximum width to allow side-by-side NEMA mounting.



CAUTION

ASL-N might not fit competitor lugs.
 Greaves AL-N Series lugs are recommended to make a pair.
 Straight lugs sold separately.



GREAVES

Dual-Rated


 600 V
90° C

COMPRESSION PIN TERMINAL ADAPTERS

Use to adapt oversized wire into lug
Rated for full ampacity of incoming conductor
Pre-filled with oxide-inhibitor, caps keep barrel clean
Supplied with insulating cover

Aluminum barrels marked with wire size and die color code
Install with die-type compression tools only
Do not use dieless tools

BI-METALLIC PIN ADAPTERS

Aluminum barrel with copper stranded pin, tin-plated
For termination of aluminum or copper conductors into lugs made for copper or aluminum wire

PT SERIES Concentric Copper Pin

NAED NUMBER	CATALOG NUMBER	BARREL		PIN		U-TYPE DIE		CTN QTY	EST. SHIPPING	
		WIRE	O.D.	STR	CU LENGTH	COLOR	INDEX		WEIGHT (lbs)	UNIT
51906	PT 6	#6		#8	7/8			25	1.8	CTN
51904	PT 4	#4	.66	#6	7/8			25	1.8	CTN
51902	PT 2	#2		#4	7/8	TAN	296	25	1.8	CTN
51900	PT 1	#1		#3	1			10	.9	CTN
51908	PT 10	1/0		#2	1¼				1.7	CTN
51910	PT 20	2/0		#1	1¼	RED	18/324	10	1.7	CTN
51912	PT 30	3/0	.91	1/0	1½				1.8	CTN
51914	PT 40	4/0		2/0	1½				1.9	CTN
51916	PT 250	250		3/0	1½				3.0	CTN
51918	PT 300	300	1.16	4/0	1¾	BROWN	20/299	10	3.3	CTN
51920	PT 350	350		4/0	1¾				3.3	CTN
51922	PT 400	400	1.38	250	1¾	PINK	300	10	9.4	CTN
51924	PT 500	500		350	1¾				5.7	CTN
51926	PT 600	600		350	1¾				2.0	CTN
51928	PT 750	700-750	1.5	500	2	YELLOW	936	3	2.5	CTN



ALUMINUM PIN ADAPTERS

For termination of aluminum or copper conductors into aluminum lugs only. Solid aluminum barrel and pin.

PTA SERIES Concentric Aluminum Pin

NAED NUMBER	CATALOG NUMBER	BARREL		PIN		U-TYPE DIE		CTN QTY	EST. SHIPPING	
		WIRE	O.D.	SOL ALUM	LENGTH	COLOR	INDEX		WEIGHT (lbs)	UNIT
51960	PTA 6	#6		#4	.68					CTN
51961	PTA 4	#4	.60	#4	.68				.7	CTN
51962	PTA 2	#2		#4	.68	TAN	296	10		CTN
51963	PTA 1	#1		#3	.84					CTN
51964	PTA 10	1/0		#2	27/32					CTN
51965	PTA 20	2/0	.86	#1	27/32	WHITE	17/298	10	1.1	CTN
51966	PTA 30	3/0		1/0	1½					CTN
51967	PTA 40	4/0		2/0	1½					CTN
51968	PTA 250	250		3/0	1½					CTN
51969	PTA 300	300	1.11	4/0	1½	BROWN	20/299	10	1.9	CTN
51970	PTA 350	350		250	1½					CTN
51971	PTA 400	400	1.33	300	1½	PINK	300	10	3.5	CTN
51972	PTA 500	500		350	1½					CTN
51973	PTA 600	600	1.47	400	1¾	YELLOW	936	3	1.3	CTN
51974	PTA 750	700-750		500	1¾					CTN



PTO SERIES Offset Aluminum Pin

NAED NUMBER	CATALOG NUMBER	BARREL		PIN		U-TYPE DIE		CTN QTY	EST. SHIPPING	
		WIRE	O.D.	SOL ALUM	LENGTH	COLOR	INDEX		WEIGHT (lbs)	UNIT
51940	PTO 20	2/0		#1	27/32					CTN
51942	PTO 30	3/0	.86	1/0	1½	WHITE	17/298	10	1.10	CTN
51944	PTO 40	4/0		2/0	1½					CTN
51946	PTO 250	250		3/0	1½					CTN
51948	PTO 300	300	1.11	4/0	1½	BROWN	20/299	10	1.90	CTN
51950	PTO 350	350		250	1½					CTN
51954	PTO 500	500	1.33	350	1½	PINK	300	10	3.50	CTN
51956	PTO 600	600	1.47	400	1¾	YELLOW	936	3	1.30	CTN
51958	PTO 750	700-750		500	1¾					CTN



Offset pin allows rotation to accommodate close wire spacings.



COMPRESSION TOOLS FOR U-TYPE DIES

14.8 TON CORDLESS HYDRAULIC TOOL – B1300L-CA

Next generation cordless hydraulic tool, with 18V Li-Ion battery
 OLED display shows real-time tool operating information: pressure, battery power LED work light
 Battery-powered hand-held tool for easy installation of compression connectors
 Two-speed action with rapid approach and slow speed for compression
 Lightweight construction, balance for one-hand operation
 Up to 200,000 crimping cycles
 Accepts all U-type dies, sold separately
 Operating temperature range: +5 to 122°F
 C-shaped head with large 1.65 opening for easy insertion of barrels
 up to 800MCM CU
 Includes tool, battery, spare battery, shoulder strap, 115VAC charger,
 and case with locations for 12 U-type dies



U-type dies
sold separately

NAED NUMBER	CATALOG NUMBER		DIE RANGE AL-CU		DIMENSIONS INCHES	EST. SHIPPING	
			MAX	MIN		WEIGHT (lbs)	UNIT
61281	GRE-801	Tool	CU 800MCM	#8 AWG	18.5 X 4 X 9.4	26.4	EA
			AL 750MCM	#8 AWG			

HYDRAULIC COMPRESSION TOOLS – MANUAL

Tools accept industry-standard U-type dies, sold separately
 Two-speed rapid approach action with slow power-speed to complete the compression
 Includes heavy duty plastic case with storage for U-type dies

14.6 TON MANUAL HYDRAULIC TOOL – HT131LNC

C-shaped head with 1.65 inch opening for 800mcm
 Safety-valve bypasses at max pressure
 Head can rotate 180 degrees for easy positioning on connector



U-type dies
sold separately

NAED NUMBER	CATALOG NUMBER	DIE RANGE AL-CU		DIMENSIONS INCHES	EST. SHIPPING	
		MAX	MIN		WEIGHT (lbs)	UNIT
61215	GRE-15	800MCM	8 STR	20.5 X 5.7	21	EA

12 TON MANUAL HYDRAULIC TOOL – HKL1232

C-style head with 1.4 inch opening for 750MCM connectors
 Push button permits dies to be inserted and removed easily
 Strong lightweight fiberglass handles
 Accepts industry-standard U-type dies as well as Greenlee KC12, KA12 and KD12
 UL c/us Listed



U-type dies
sold separately

NAED NUMBER	CATALOG NUMBER	DIE RANGE AL-CU		DIMENSIONS INCHES	EST. SHIPPING	
		MAX	MIN		WEIGHT (lbs)	UNIT
61216	GRE-16	750MCM	8 STR	24.2 X 5.9	14.4	EA



COMPRESSION TOOLS

U-TYPE COMPRESSION DIES

Industry-standard U-type dies fit most 12-14 ton compression tools

NAED NUMBER	CATALOG NUMBER	U-TYPE DIE		WIRE SIZE			EST. SHIPPING	
		COLOR	INDEX	COPPER LUGS & SPLICES	ALUM. LUGS & SPLICES	PT SERIES ALUM PIN TERMINALS	WEIGHT (lbs)	UNIT
60804	DIE 0	RED	6	8	-	-		EA
60805	DIE-1	BLUE	7/374	6	8	-		EA
60810	DIE-2	GRAY	8/346	4	6	-	.50	EA
60811	DIE 2A	WHITE	9	3-2 SOL	-	-		EA
60815	DIE-3	BROWN	10	2	-	-		EA
60820	DIE-4	GREEN	11/375	1	4	-		EA
60825	DIE-5	PINK	12/348	1/0	2, 1	-		EA
60830	DIE-6	BLACK	13	2/0	-	-	.61	EA
60835	DIE-7	TAN	296	-	1/0	6, 4, 2, 1		EA
60840	DIE-8	ORANGE	14	3/0	-	-		EA
60845	DIE-9	OLIVE	297	-	2/0	-		EA
60850	DIE-10	RUBY	467	-	3/0	-		EA
60855	DIE-11	PURPLE	15	4/0	-	-	.48	EA
60860	DIE-12	YELLOW	16	250 MCM	-	-		EA
60865	DIE-13	WHITE	17/298	300 MCM	4/0	-	.46	EA
60870	DIE-14	RED	18/324	350 MCM	250 MCM	1/0, 2/0, 3/0, 4/0	.44	EA
60875	DIE-15	BLUE	19/470	400 MCM	300 MCM	-	.42	EA
60880	DIE-16	BROWN	20/299	500 MCM	350 MCM	250, 300, 350 MCM	.40	EA
60885	DIE-17	GREEN	22/472	600 MCM	400 MCM	-	.27	EA
60890	DIE-18	PINK	300	-	500 MCM	400, 500 MCM	.36	EA
60895	DIE-19	BLACK	24/473	750 MCM	600 MCM	-	.34	EA
60899	DIE-20	YELLOW	936	-	750 MCM	600, 750 MCM	.33	EA
60898	DIE-21	RED	301	-	750 MCM	-	.33	EA



MANUAL DIELESS QUAD-POINT FLIP-TOP TOOL – HK06FT

4 indentors, flip-top style with pull-pin to open the head

Two-speed pump advances quickly to start the crimp, slowly to complete

Compact, with 350-degree head rotation

Includes carrying case, test gauge, test slugs

NAED NUMBER	CATALOG NUMBER	WIRE RANGE				DIMENSIONS		EST. SHIPPING	
		CU MAX.	CU MIN.	AL MAX.	AL MIN.	L	W	WEIGHT (lbs)	UNIT
61248	GRE-750	750 MCM	4 AWG	750 MCM	6 AWG	21.1	7.5	9.0	EA



GRE-750

MANUAL SINGLE-POINT DIELESS TOOLS

Single indent compressor

Adjustable for a wide range of copper or aluminum compression connectors

Extension handles on GRE500 provide additional leverage

NAED NUMBER	CATALOG NUMBER	WIRE RANGE				DIMENSIONS		EST. SHIPPING	
		CU MAX.	CU MIN.	AL MAX.	AL MIN.	L	W	WEIGHT (lbs)	UNIT
61250	GRE-250	250 MCM	8 AWG	4/0 AWG	8 AWG	22	4	6.5	EA
61260	GRE-500	500 MCM	8 AWG	500 MCM	8 AWG	26	5	10.2	EA



GRE-250



GRE-500



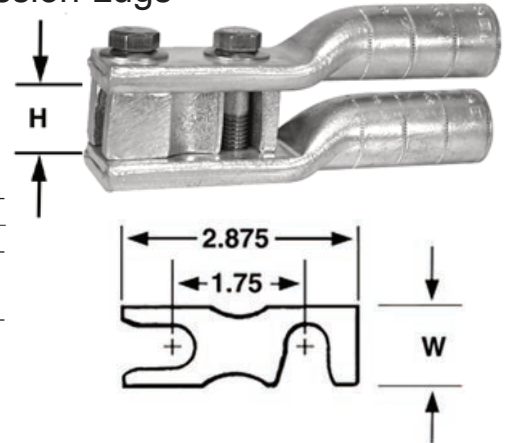
COMPRESSION ACCESSORIES

STACKLUG™ ADAPTERS

Stacking Adapters for Aluminum and Copper Compression Lugs

Tin-plated impacted pure aluminum for good conductivity and corrosion resistance
 Two sizes accommodate terminals from 1/0 through 750 MCM
 Allows stacking of standard terminals
 Keeps costly inventories to a minimum

Dual-Rated



TSA SERIES

NAED NUMBER	CATALOG NUMBER	BOLT SPACING	H	W	TERMINAL MAX - MIN	CTN QTY	EST. SHIPPING	
							WEIGHT (lbs)	UNIT
14090	TSA-875	1.75	.875	1.0	250 - 1/0	10	1.56	CTN
14091	TSA-1125		1.125	1.38	750 - 1/0	10	3.16	CTN

To stack 4 hole NEMA drilled terminals, use 2 adapters assembled in parallel.

BELLEMORE™ BUSHINGS

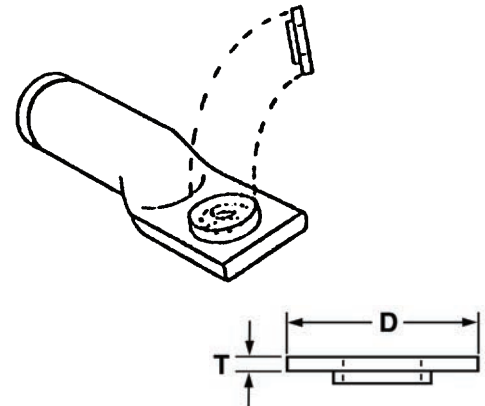
Hole-Reducer Mounting Adapters

Use to down-size a mounting hole and maintain concentricity
 Makes a secure trouble-free terminal mounting
 Simple to use: just replace a flat washer with the appropriate bushing
 Reduces costly lug inventory by making existing inventory more versatile
 Suitable for use with both copper and aluminum terminals
 Tin-plated high copper alloy

LP-R SERIES

NAED NUMBER	CATALOG NUMBER	MOUNTING HOLE REDUCTION	DIMENSIONS		CTN QTY	EST. SHIPPING	
			D	T		WEIGHT (lbs)	UNIT
14013	LP 1R3	5/8 to 1/2	1	.080	10	0.19	CTN
14036	LP 3R6	1/2 to 3/8	7/8	.062	25	0.35	CTN
14030	LP 3R0	1/2 to 1/4	7/8	.062	25	0.28	CTN
14068	LP 6R8	3/8 to 5/16	3/4	.062	25	0.20	CTN
14060	LP 6R0	3/8 to 1/4	3/4	.062	25	0.23	CTN
14080	LP 8R0	5/16 to 1/4	11/16	.062	25	0.15	CTN

Specifically designed for use with Greaves compression connectors.





ACCESSORIES

BUG-LUG™

OXIDE-INHIBITOR ELECTRICAL JOINT COMPOUND

Stable over wide temperature range
 Assures a high-conductivity joint, seals out air and moisture
 Seals out air and moisture from joint to prevent oxidation and corrosion
 Suitable for bolted connector applications and aluminum conduit threads
 Supple round polyethylene squeeze bottle for easy application, wide mouth for wire dipping
 Compact 12-bottle carton (9 inch wide x 6 1/2 inch deep) fits on a small counter or shelf space

BLZNG

Utility Grade

Universal non-petroleum based oxide-inhibitor compound
 Contains homogeneously suspended zinc particles
 Recommended for all AL/AL, AL/CU and CU/CU joints
 Recommended especially for AL/AL and AL/CU compression joints

Metal particles help to break through thin oxide film on aluminum surfaces
 Particles aid in gripping the connector and enhance electrical conductivity
 Compatible with rubber, polyethylene, and most other insulating materials
 Compatible with linesman rubber gloves
 Workable from -10°F to 300°F
 Service Temperature Range -40°F to 350°F
 Will not wash off from exposure to the elements
 Grey color

NAED NUMBER	CATALOG NO.	DESCRIPTION	CTN QTY	EST. SHIPPING	
				WEIGHT (lbs)	UNIT
13990	BLZNG-8	8 fl. oz. SQUEEZE BOTTLE	12	13	CTN



BLOX

Commercial Grade

Petroleum based oxide-inhibitor compound
 Suitable for all AL/AL, AL/CU, and CU/CU joints
 Suitable for copper joints in direct burial
 Not recommended with rubber gloves or rubber insulating materials
 Compatible with polyethylene and most other insulating materials
 Workable from -20°F to 300°F
 Service Temperature Range -40°F to 300°F
 Amber color

NAED NUMBER	CATALOG NO.	DESCRIPTION	CTN QTY	EST. SHIPPING	
				WEIGHT (lbs)	UNIT
13980	BLOX-8	8 fl. oz. SQUEEZE BOTTLE	12	8	CTN
13982	BLOX-1G	1 Gallon CAN	1	9	EA

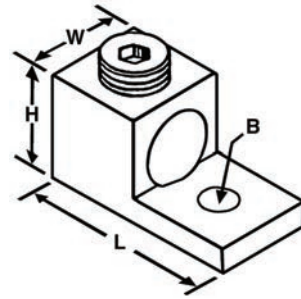




MECHANICAL LUGS – ALUMINUM

Range-taking mechanical set-screw lugs
High strength extruded aluminum alloy
Electro tin plated

SAL SERIES



Dual-Rated
CU9AL
600 V



NAED NUMBER	CATALOG NUMBER	WIRE RANGE AL OR CU		DIMENSIONS (IN)			BOLT SIZE B	FIG.	CTN QTY	EST. SHIPPING		
		MAX.	MIN.	L	W	H				WEIGHT (lbs)	UNIT	
SINGLE BARREL												
50130	*A-614	#4 STR	#14 STR	1 ¹ / ₁₆	1/2	1/2	1/4	1	250	3.31	CTN	
50120	*A-212	#2 STR	#14 STR	1 ⁵ / ₃₂	1/2	9/16	1/4	1	200	3.58	CTN	
50110	*A-2/0	2/0 STR	#14 STR	1 ¹ / ₂	5/8	3/4	1/4	1	50	1.78	CTN	
50115	A-3/0	3/0 STR	#6 STR	1 ⁷ / ₈	11/16	7/8	1/4	1	50	3.14	CTN	
50140	A-250	250 MCM	#6 STR	2	1	1 ¹ / ₃₂	5/16	1	25	2.37	CTN	
50150	A-300	300 MCM	#6 STR	2	1	1 ⁵ / ₁₆	5/16	1	20	1.82	CTN	
50160	A-350	350 MCM	#6 STR	2 ¹ / ₄	1 ¹ / ₈	1 ¹ / ₄	3/8	1	20	2.80	CTN	
50170	A-500	500 MCM	#6 STR	2 ¹³ / ₁₆	1 ¹ / ₂	1 ⁹ / ₁₆	3/8	1	10	2.48	CTN	
50180	A-600	600 MCM	#2 STR	3 ³ / ₁₆	1 ¹ / ₂	1 ⁹ / ₁₆	3/8	1	4	0.91	CTN	
50190	A-800	800 MCM	300 MCM	3 ³ / ₈	1 ³ / ₄	1 ¹⁵ / ₁₆	5/8	1	4	1.80	CTN	
50200	A-1000	1000 MCM	500 MCM	3 ⁷ / ₈	1 ³ / ₄	1 ¹⁵ / ₁₆	5/8	1	4	2.12	CTN	
SINGLE BARREL NEMA TANG DRILLING												
71049	A-250N	250 MCM	#6 STR	4	7/8	1 ³ / ₁₆	1/2	2	3	0.44	CTN	
71050	A-350N	350 MCM	#6 STR	4 ⁵ / ₁₆	1 ¹ / ₄	1 ³ / ₈	1/2	2	3	0.71	CTN	
71055	A-600N	600 MCM	#2 STR	4 ¹ / ₂	1 ¹ / ₂	1 ⁵ / ₈	1/2	2	3	1.27	CTN	
71060	A-800N	800 MCM	300 MCM	4 ³ / ₄	1 ³ / ₄	1 ¹⁵ / ₁₆	1/2	2	4	2.36	CTN	
71061	A-1000N	1000 MCM	500 MCM	4 ³ / ₄	1 ³ / ₄	1 ¹⁵ / ₁₆	1/2	2	3	1.65	CTN	
71056	A-600N-2	600 MCM	2 STR	6 ¹ / ₈	1 ¹ / ₂	1 ⁷ / ₈	1/2	3	4	3.10	CTN	
71062	A-800N-2	800 MCM	300 MCM	6 ¹ / ₈	1 ¹ / ₂	1 ⁷ / ₈	1/2	3	4	3.46	CTN	
71063	A-1000N-2	1000 MCM	500 MCM	6 ¹ / ₈	1 ¹ / ₁₆	1 ⁷ / ₈	1/2	3	4	3.76	CTN	
TWO BARREL												
50215	*AA-2/0	2/0 STR	#14 STR	1 ¹ / ₂	1 ¹ / ₄	13/16	1/4	4	25	2.05	CTN	
50220	AA-250	250 MCM	#6 STR	2 ⁵ / ₁₆	1 ¹ / ₁₆	1 ⁷ / ₃₂	3/8	4	10	2.00	CTN	
50230	AA-350	350 MCM	#6 STR	2 ⁷ / ₈	1 ¹⁵ / ₁₆	1 ¹ / ₄	1/2	4	5	0.95	CTN	
50240	AA-600	600 MCM	#2 STR	3 ¹ / ₃₂	2 ⁷ / ₁₆	1 ⁹ / ₁₆	1/2	4	4	2.18	CTN	
50250	AA-800	800 MCM	300 MCM	3 ³ / ₈	3 ³ / ₁₆	1 ¹⁵ / ₁₆	5/8	4	3	2.65	CTN	
50260	AA-1000	1000 MCM	500 MCM	3 ⁷ / ₈	3 ³ / ₁₆	1 ¹⁵ / ₁₆	5/8	4	3	2.83	CTN	

Suffix "N" indicates NEMA tang drilling, 1³/₄" on centers for 1/2" bolts.

* Supplied with slotted screws for screwdriver use.



Figure 1

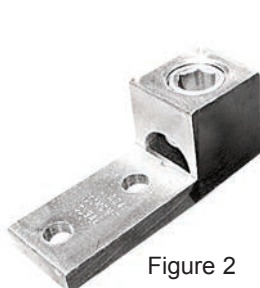


Figure 2

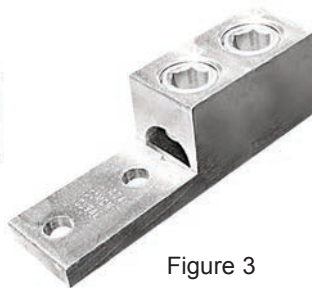


Figure 3



Figure 4

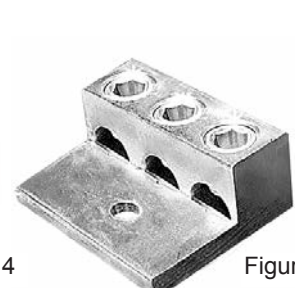


Figure 4A

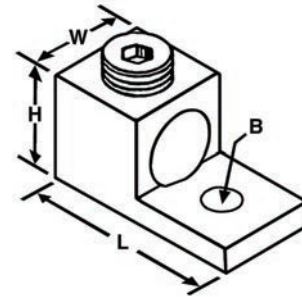


Dual-Rated
CU9AL
600 V



MECHANICAL LUGS – ALUMINUM

Range-taking mechanical set-screw lugs
High strength extruded aluminum alloy
Electro tin plated



SAL SERIES

NAED NUMBER	CATALOG NUMBER	WIRE RANGE AL OR CU		DIMENSIONS (IN)			BOLT SIZE B	FIG.	CTN QTY	EST. SHIPPING	
		MAX.	MIN.	L	W	H				WEIGHT (lbs)	UNIT
TWO BARREL NEMA TANG DRILLING											
71064	AA-250N	250 MCM	#6 STR	4	1 ¹³ / ₁₆	1 ¹³ / ₁₆	1/2	5	3	1.03	CTN
71065	AA-350N	350 MCM	#6 STR	4 ⁵ / ₁₆	2	1 ³ / ₈	1/2	5	3	1.42	CTN
71070	AA-600N	600 MCM	#2 STR	4 ⁵ / ₈	2 ⁷ / ₁₆	1 ⁹ / ₁₆	1/2	5	3	2.17	CTN
71075	AA-800N	800 MCM	300 MCM	4 ³ / ₄	3 ³ / ₁₆	1 ¹⁵ / ₁₆	1/2	5	3	4.02	EA
12361	AA-1000N	1000 MCM	500 MCM	4 ³ / ₄	3 ³ / ₁₆	1 ¹⁵ / ₁₆	1/2	5	3	3.90	EA
12371	AA-600N-2	600 MCM	#2 STR	5 ⁷ / ₈	2 ⁹ / ₁₆	1 ⁵ / ₈	1/2	5A	3	3.42	CTN
12376	AA-800N-2	800 MCM	350 MCM	6 ¹ / ₈	3 ⁹ / ₁₆	1 ¹⁵ / ₁₆	1/2	5A	1	1.43	EA
THREE BARREL NEMA TANG DRILLING											
50270	*AAA-2	#2 STR	#14 STR	1.16	1.63	.56	1/4	4A	5	.4	CTN
50273	*AAA-2/0	#2/0 STR	#14 STR	1.47	1.66	.78	1/4	4A	5	.7	CTN
12365	AAA-250N	250 MCM	#6 STR	4 ¹ / ₈	2 ¹³ / ₁₆	1 ¹ / ₄	1/2	6	3	1.54	CTN
12370	AAA-350N	350 MCM	#6 STR	4 ¹ / ₄	3	1 ³ / ₈	1/2	6	2	0.85	CTN
12372	AAA-600N	600 MCM	#2 STR	4 ¹ / ₂	3 ³ / ₄	1 ⁵ / ₈	1/2	6	3	3.06	CTN
12375	AAA-800N	800 MCM	350 MCM	4 ³ / ₄	4 ¹ / ₂	1 ³ / ₄	1/2	6	2	2.56	CTN
12380	AAA-1000N	1000 MCM	500 MCM	4 ³ / ₄	4 ¹ / ₂	1 ³ / ₄	1/2	6	2	3.02	CTN
12382	AAA-600N-2	600 MCM	#2 STR	5 ⁷ / ₈	3 ³ / ₄	1 ⁵ / ₈	1/2	7	3	5.13	CTN
12377	AAA-800N-2	800 MCM	350 MCM	6 ¹ / ₈	4 ⁹ / ₁₆	1 ¹⁵ / ₁₆	1/2	7	3	5.04	CTN
12383	AAA-1000N-2	1000 MCM	500 MCM	6 ¹ / ₈	4 ³ / ₄	1 ¹⁵ / ₁₆	1/2	7	3	4.98	CTN
FOUR BARREL NEMA TANG DRILLING											
12385	AAAA-250N	250 MCM	#6 STR	4 ¹ / ₈	3 ³ / ₄	1 ¹ / ₄	1/2	8	4	2.82	CTN
12390	AAAA-350N	350 MCM	#6 STR	4 ⁵ / ₁₆	4	1 ³ / ₈	1/2	8	4	3.53	CTN
12392	AAAA-600N	600 MCM	#2 STR	4 ¹ / ₂	4 ⁷ / ₈	1 ⁵ / ₈	1/2	8	3	4.02	CTN
12395	AAAA-800N	800 MCM	350 MCM	4 ³ / ₄	5 ¹ / ₂	1 ³ / ₄	1/2	8	2	4.14	CTN
12399	AAAA-1000N	1000 MCM	500 MCM	4 ³ / ₄	5 ¹⁵ / ₁₆	1 ¹⁵ / ₁₆	1/2	8	2	3.60	CTN
12396	AAAA-600N-2	600 MCM	#2 STR	5 ⁷ / ₈	5 ¹ / ₈	1 ⁵ / ₈	1/2	9	2	4.72	CTN
12397	AAAA-800N-2	800 MCM	350 MCM	6 ¹ / ₈	5 ¹ / ₂	1 ⁷ / ₈	1/2	9	1	2.56	EA
12398	AAAA-1000N-2	1000 MCM	500 MCM	6 ¹ / ₈	6 ¹ / ₈	1 ¹⁵ / ₁₆	1/2	9	1	2.56	EA



Suffix "N" indicates NEMA tang drilling, 1³/₄" on centers for 1/2" bolts.
* Not NEMA tang drilling.

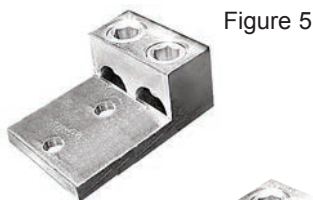


Figure 5



Figure 6
Fits 2-Hole or 4-Hole
NEMA Bolt Pattern



Figure 8

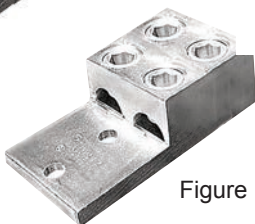


Figure 5A



Figure 7

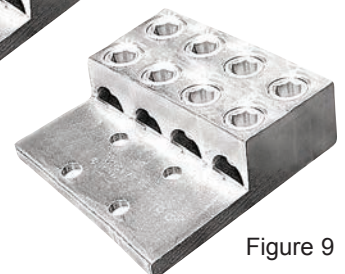


Figure 9

Dual-Rated

600 V
CUAL



MECHANICAL LUGS – ALUMINUM STEPPED MULTI-CABLE

Range-taking mechanical set-screw lugs
High strength extruded aluminum alloy
Electro tin plated

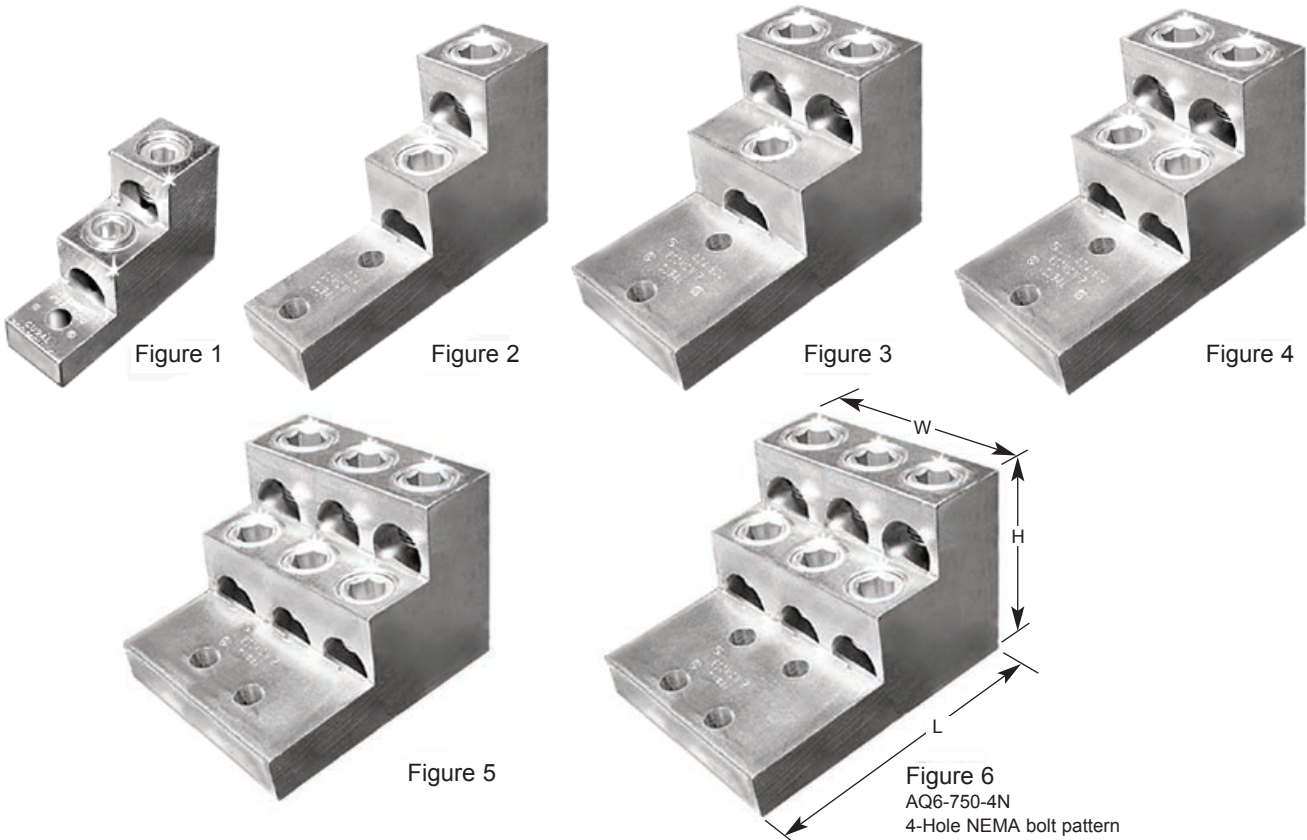
AQ SERIES

NAED NUMBER	CATALOG NUMBER	WIRE RANGE		BOLT		DIMENSIONS (IN)			*TEMP. RATING	FIG.	CTN QTY	EST. SHIPPING	
		MAX.	MIN.	SIZE	SPACING	L	W	H				WEIGHT (lbs)	UNIT
PANELBOARD BOLT MOUNTING													
12400	AQ 2-300	300 MCM	#6 STR	5/16	–	3.00	1.00	2.0	CU9AL	1	3	1.17	CTN
12405	AQ 2-600	600 MCM	#2 STR	3/8	1 3/8	5.06	1.50	3.0	CU7AL	2	3	3.15	CTN
12406	AQ 2-750†	750 MCM	1/0	3/8	1 3/8	5.00	1.69	3.0	CU9AL	2	4	3.40	CTN
12410	AQ 2-800	800 MCM	300 MCM	3/8	1 3/8	4.91	1.50	3.0	CU7AL	3	4	4.08	CTN
12415	AQ 3-600	600 MCM	#2 STR	3/8	1 3/8	5.06	2.47	2.9	CU7AL	3	3	5.13	CTN
12420	AQ 3-800	800 MCM	300 MCM	3/8	1 3/8	4.91	2.63	3.0	CU7AL	3	4	5.37	CTN
12425	AQ 4-600	600 MCM	#2 STR	3/8	1 3/8	5.06	2.47	2.9	CU7AL	4	4	3.84	CTN
12430	AQ 4-800	800 MCM	300 MCM	3/8	1 3/8	4.91	2.63	3.0	CU7AL	4	4	6.20	CTN
12452	AQ 6-500-2††	500 MCM	#2 STR	3/8	1 3/8	4.90	3.75	3.0	CU9AL	5	3	5.49	CTN
12472	AQ 6-750-2††	750 MCM	1/0	3/8	1 3/8	5.75	1.69	3.0	CU9AL	5	3	5.10	CTN
NEMA BOLT MOUNTING													
12407	AQ 2-750N	750 MCM	1/0 STR	1/2	1 3/8	5.75	1.69	3.0	CU9AL	2	4	4.00	CTN
12428	AQ 4-750N	750 MCM	1/0 STR	1/2	1 3/8	5.75	3.1	3.0	CU9AL	4	2	2.82	CTN
12474	AQ 6-750-4N††	750 MCM	1/0 STR	1/2	1 3/8	5.35	3.75	3.0	CU9AL	6	2	3.46	CTN

For Stainless Steel mounting hardware, see HARDWARE section. Hardware sold separately.

† UL only, not CSA.

†† UL Recognition.

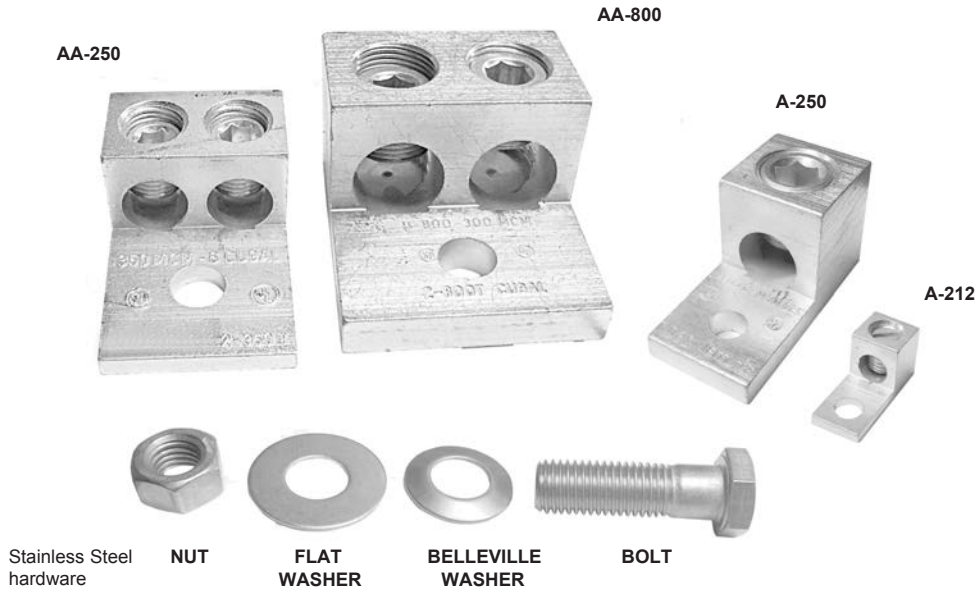




TRANSFORMER LUG KITS

Kits contain lugs and hardware for typical dry-type transformer installations
 Lugs are dual-rated, suitable for copper or aluminum wire (ALCU)
 Lugs made of high-strength 6061-T6 aluminum alloy, electro-tin plated
 Stainless steel mounting hardware packaged in plastic bags
 Lugs are UL listed

Dual-Rated
 CU9AL
 600V



TLK SERIES

NAED NUMBER	CATALOG NUMBER	TRANSFORMER KVA SIZE	ALUM (ALCU) LUGS		ST STEEL HARDWARE (QTY) DESCRIPTION	EST. SHIPPING	
			(QTY) LUG # WIRES/LUG	WIRE RANGE		WEIGHT (lbs)	UNIT
50280	TLK-15	15-37 1/2 1Ø 15-45 3Ø	(8) #A-212	#2-14 AWG	(8) 1/4-20X3/4 BOLT (8) 1/4 NUT (16) 1/4 FLAT WASHER	0.75	KIT
			(4) #A-250	250MCM-#6AWG			
50282	TLK-75	50-75 1Ø 75-112 1/2 3Ø	(12) #A-250	250MCM-#6AWG	(8) 1/4-20X3/4 BOLT (8) 1/4-20X2 BOLT (12) 1/4 NUT (24) 1/4 FLAT WASHER	1.9	KIT
50284	TLK-150	100-167 1Ø 150-300 3Ø	(6) #AA-350	350MCM-#6 AWG	(8) 1/2-13X2 BOLT (8) 1/2-13X2 1/2 BOLT (13) 1/2 NUT (26) 1/2 FLAT WASHER (13) 1/2 BELLEVILLE WASHER	9.9	KIT
			(7) #AA-800	800-300MCM			
50286	TLK-500	400-500 3Ø	(15) #AA-800	800-300MCM	(7) 1/2-13X2 BOLT (4) 1/2-13X2 1/2 BOLT (11) 1/2-13 NUT (22) 1/2 FLAT WASHER (11) 1/2 BELLEVILLE WASHER	16.0	KIT

BLZNG or BLOX oxide-inhibitor is recommended for all aluminum terminations.
 For lug dimensions, see appropriate catalog page.
 Other kits available upon request.



GREAVES

ALUMINUM TWO-WAY CONNECTORS

Range-taking mechanical set-screw in-line splice/reducer

High strength aluminum alloy 6061-T6

Tin-plated for low contact resistance

Positive center stop



Dual-Rated

CU7AL

90°C 600V

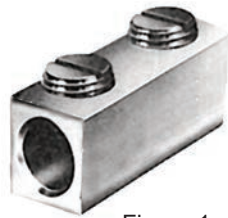


Figure 1

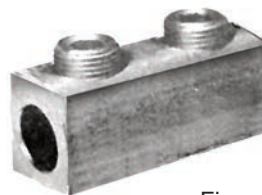


Figure 2



Figure 3

ABS SERIES

Splices

NAED NUMBER	CATALOG NUMBER	WIRE RANGE		SCREWS		OVERALL LENGTH	FIG.	CTN QTY	EST. SHIPPING	
		MAX.	MIN.	NO.	TYPE				WEIGHT (lbs)	UNIT
12501	ABS 2	#2	#14	2	SLOT	1 ³ / ₈	1	25	0.98	CTN
12502	ABS 10	1/0	#14	2	SLOT	2	1	25	1.38	CTN
12503	ABS 40	4/0	#6	2	5/16 HEX	2	2	25	3.34	CTN
12504	ABS 250	250	#6	4	5/16 HEX	4	3	12	2.92	CTN
12506	ABS 350	350	#6	4	3/8 HEX	4 ¹ / ₄	3	12	4.60	CTN
12507	ABS 500	500	3/0	4	3/8 HEX	5	3	6	4.44	CTN
12508	ABS 750	750	250	4	3/8 HEX	6 ¹ / ₄	3	3	2.74	CTN



GREAVES

SERVICE ENTRANCE

PARALLEL ALUMINUM CLAMPS

Splice or tap for service entrance connection
 Cast aluminum body with galvanized or stainless steel hardware

PAC SERIES

NAED NUMBER	CATALOG NUMBER	CONDUCTOR RANGE		FIG.	CTN QTY	EST. SHIPPING	
		MAIN	TAP			WEIGHT (lbs)	UNIT
15101	PAC 4010	4/0 - 1/0	1/0 - 8	1	25	6.51	CTN
15102	PAC 4040	4/0 - 2	4/0 - 2	2	20	9.06	CTN

Pre-filled with oxide-inhibitor and individually bagged.

15111	PAC 4010-X	4/0 - 1/0	1/0 - 8	1	20	7.26	CTN
15112	PAC 4040-X	4/0 - 2	4/0 - 2	2	10	5.76	CTN

Bronze clamps available, consult factory.

Dual-Rated

Bug•Lug™ oxide-inhibitor is recommended for all aluminum terminations



Figure 1



Figure 2

PARALLEL ALUMINUM CLAMPS

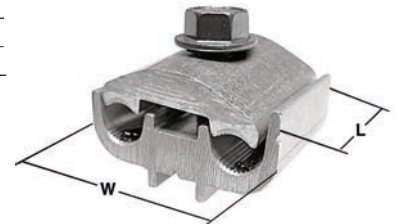
Splice or tap for service entrance connection
 Extruded aluminum body
 High-stress anodized aluminum bolt with integral washer
 Pre-filled with oxide-inhibitor and individually bagged

PAC-X SERIES

NAED NUMBER	CATALOG NUMBER	CONDUCTOR RANGE		BOLT SIZE	DIMENSIONS		CTN QTY	EST. SHIPPING	
		GROOVE A	GROOVE B		L	W		WEIGHT (lbs)	UNIT
15211	PAC20-X	2/0STR-6SOL 2/0-#6ACSR	2/0STR-6SOL 2/0-#6ACSR	3/8	1.37	1.61	20	2.6	CTN
15212	PAC40-X	4/0STR-2SOL 4/0-#4ACSR	4/0STR-2SOL 4/0-#4ACSR	3/8	1.50	1.97	10	2.2	CTN

Dual-Rated

RUS Approved

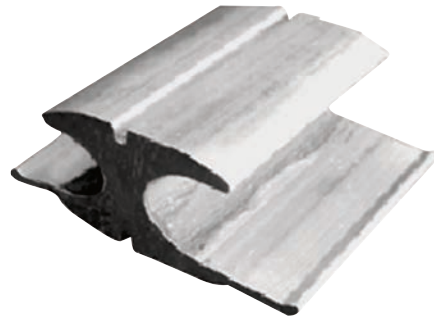




SERVICE ENTRANCE

H-TYPE ALUMINUM COMPRESSION TAPS

Aluminum compression tap or splice connector for service drop, secondary or primary tap
 Seven Connector Program accommodates a wide range of wire sizes
 Accepts combinations of alum-alum or alum-copper conductors
 Manufactured of high-conductivity aluminum extrusion
 Pre-coated with oxide-inhibitor on contact surfaces
 Marked with wire size, die code, and crimp locations
 Install with standard hydraulic compression tool and die indicated
 Fold-in tabs provide positive interlock as die closes



SEH SERIES

NAED NUMBER	CATALOG NUMBER	CODE	WIRE TYPE	STANDARD COND		COMPACT		DIE INDEX	CTN QTY	EST. SHIPPING	
				SIDE A	SIDE B	SIDE A	SIDE B			WEIGHT (lbs)	UNIT
15312	SEH1-22	1	ACSR	1-6	1-6	2-6	2-6	O	20	1.6	CTN
			STR	2-6	2-6	2-6	2-6				
			SOL	2-6	2-6	--	--				
15322	SEH2-201	2	ACSR	1/0-3	2-6	1/0-2	1-6	O	20	1.6	CTN
			STR	2/0-3	1-6	2/0-2	1-6				
			SOL	2/0-1	1/0-6	--	--				
15333	SEH3-301	3	ACSR	2/0-1/0	2-6	3/0-2/0	1-6	D	10	3.2	CTN
			STR	3/0-2/0	1-6	3/0	1-6				
			SOL	4/0-3/0	1/0-6	--	--				
15343	SEH4-3020	4	ACSR	2/0-1	2/0-1	3/0-1/0	2/0-1/0	D	10	3.5	CTN
			STR	3/0-1	2/0-1	3/0-1/0	3/0-1/0				
			SOL	4/0-2/0	3/0-2/0	--	--				
15354	SEH5-401	5	ACSR	4/0-3/0	2-6	4/0	1-6	D	10	1.0	CTN
			STR	4/0	1-6	250-4/0	1-6				
			SOL	300-250	1/0-6	--	--				
15364	SEH6-4020	6	ACSR	4/0-3/0	2/0-1	4/0-3/0	2/0-1/0	D	10	1.3	CTN
			STR	4/0-3/0	2/0-1	250-4/0	3/0-1/0				
			SOL	--	3/0-2/0	--	--				
15374	SEH7-4040	7	ACSR	4/0-3/0	4/0-3/0	4/0-3/0	4/0-3/0	D	10	1.6	CTN
			STR	4/0-3/0	4/0-3/0	250-4/0	250-4/0				
			SOL	--	--	--	--				

Sizes shown are the most typical. Other sizes available, consult factory.



SERVICE ENTRANCE

COMPRESSION SPLICES ALUMINUM SLEEVES – NYLON INSULATED

Aluminum compression splices for overhead distribution service drop
 Accepts combinations of alum-alum or alum-copper conductors
 Tough nylon insulation is anchored to jacket to resist installing tool pressure
 Manufactured of high-conductivity aluminum extrusion
 Pre-filled with oxide-inhibitor
 End caps keep barrels clean and are easily pierced with conductor
 Marked with wire size, wire color code, die code, and crimp locations
 Install with standard hydraulic compression tool with
 appropriate 5/8 or 840 die
 Meets ANSI C119.4 Class A-3 requirements

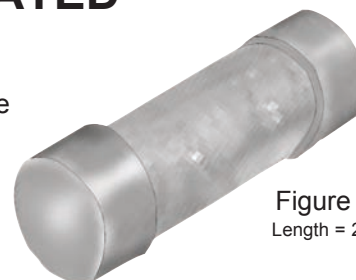


Figure 1
Length = 2 1/8"



Figure 2
Length = 5 1/2"

SEN SERIES

NAED NUMBER	CATALOG NUMBER	END A			END B			DIE	FIG.	CTN QTY	EST. SHIPPING	
		ACSR	AL & CU	COLOR	ACSR	AL & CU	COLOR				WEIGHT (lbs)	UNIT
15466	SEN66	6	6STR-4SOL	BLUE	6	6STR-4SOL	BLUE	5/8 BG U-BG	1	50	4.5	CTN
15446	SEN46	4	4STR-2SOL	ORANGE	6	6STR-4SOL	BLUE			50	4.0	CTN
15444	SEN44		4STR-2SOL		ORANGE	50	3.5			CTN		
15416	SEN16	2	2-1STR	RED	6	6STR-4SOL	BLUE			50	3.0	CTN
15414	SEN14		2-1STR		ORANGE	50	2.4			CTN		
15411	SEN11		2-1STR		RED	50	2.3			CTN		
15410	SEN101	1/0, 1	1/0STR	YELLOW	2	2-1STR	RED	25	7.0	CTN		
15409	SEN1010		1/0STR		YELLOW	1/0, 1	1/0STR	YELLOW	25	7.0	CTN	
15430	SEN304	--	3/0STR	BLACK	4	4STR-2SOL	ORANGE	840	2	25	6.0	CTN
15420	SEN204	--	2/0STR	GRAY	4	4STR-2SOL	ORANGE			25	5.8	CTN
15422	SEN2020	--	2/0STR			2/0STR	GRAY			25	5.5	CTN
15440	SEN404	--	4/0STR	PINK	4	4STR-2SOL	ORANGE			10	2.4	CTN
15441	SEN401		4/0STR		2	1-2STR	RED			10	2.1	CTN
15442	SEN4020		4/0STR		--	2/0STR	GRAY			10	2.2	CTN
15445	SEN4040		4/0STR		4/0STR	--	4/0STR	PINK	10	1.8	CTN	
						4/0STR	PINK	10	1.8	CTN		

Sizes shown are the most typical. Other sizes available upon request.

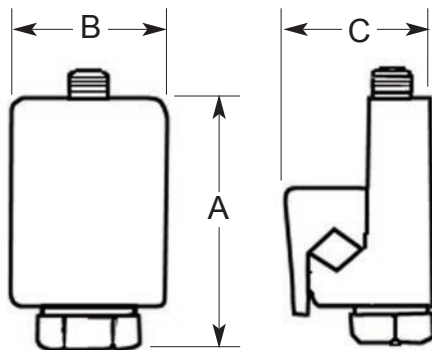


SERVICE ENTRANCE

Copper wire only
600V

WISE GRIP CONNECTOR

Use as splice or tap
For grounding to flat bar with one or two conductors
Lay-in (side-entry) for easy installation
V-groove aligns conductors
Heavy construction for excellent heat dissipation
Interlock design for resistance to vibration
High-strength silicon bronze body with stainless-steel hex head bolt



GVC SERIES

NAED NUMBER	CATALOG NUMBER	CONDUCTOR RANGE		DIMENSIONS APPROX (IN)			BOLT		CTN QTY	EST. SHIPPING	
		MAX 2 WIRE	MIN 1 WIRE	A	B	C	SIZE (IN)	HEAD		WEIGHT (lbs)	UNIT
15506	GVC6	6SOL-8STR	6SOL-8STR	7/8	5/8	3/4	1/4	3/8 SLOTTED	30	2.0	CTN
15504	GVC4	4STR	4SOL	1 1/8	3/4	13/16	15/16	9/16	25	3.1	CTN
15503	GVC3	3STR - 2SOL	2SOL	1 3/8	13/16	15/16	15/16	9/16	20	4.3	CTN
15502	GVC2	2STR	2SOL	1 3/8	13/16	15/16	15/16	9/16	15	3.2	CTN
15510	GVC10	1/0STR	2STR	1 5/8	13/16	1	15/16	9/16	10	2.1	CTN
15520	GVC20	2/0STR-3/0SOL	2/0STR	2	7/8	1 1/4	3/8	9/16	10	3.6	CTN
15540	GVC40	4/0STR	4/0SOL	2 1/8	1	1 3/8	3/8	9/16	6	2.7	CTN
15535	GVC350	350 KCMIL	350 KCMIL	3	1 1/4	1 3/4	1/2	3/4	5	2.8	CTN

Available with shear-head bolt to assure proper torque and tamper-proof installation; add "-TA" to Cat. No. and contact factory for availability.
Available tin-plated; add "-P" to Catalog No. and contact factory for availability.



POWER DISTRIBUTION

BUG•BITES™

Insulation Piercing Connectors

Eliminates need for conductor insulation stripping

No taping required after installation

For copper to copper, copper to aluminum, or aluminum to aluminum applications

For use on insulated conductor only

IPC SERIES

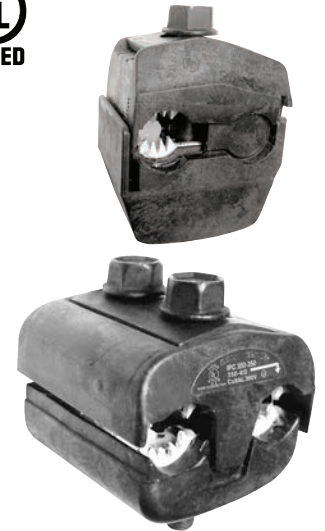
NAED NUMBER	CATALOG NUMBER	WIRE RANGE		VOLTS	BOLTS	TORQUE FT-LBS	CTN QTY	EST. SHIPPING	
		MAIN	TAP					WEIGHT (lbs)	UNIT
13110	IPC 1002	1/0 - 8	2 - 8	300	1	16	12	2.63	CTN
13107	*IPC 4006	4/0 - 4	6 - 14	600	1	13	12	1.90	CTN
13108	*IPC 4020	4/0 - 2	2/0 - 6	600	1	25	12	4.08	CTN
13109	*IPC 2540	250 - 1	4/0 - 6	600	1	30	6	4.17	CTN
13113	IPC 3540	350 - 4/0	4/0 - 10	300	1	25	6	4.17	CTN
13114	IPC 3535	350 - 4/0	350 - 4/0	300	2	25	6	7.63	CTN
13116	†IPC 5012	500 - 250	10 - 12	300	1	25	4	2.85	CTN
13104	*IPC 5025	500 - 250	250 - 4	600	1	55	4	4.06	CTN
13105	*IPC 5050	500 - 300	500 - 250	600	1	75	1	2.64	EA
13106	*IPC 7550	750 - 500	500 - 350	600	1	75	1	2.62	EA

*600 Volts, balance 300 Volts (for 480V grounded Y systems)

† Not CSA certified



CU9AL
90°C



CAUTION
Use Bug•Bites on insulated cable only!
Do not install on bare cable.

GUTTER TAP CONNECTORS

High strength aluminum alloy 6061-T6, tin-plated

Lay-in designed main conductor remains continuous

Tap parallel or perpendicular to main

GP SERIES

NAED NUMBER	CATALOG NUMBER	CONDUCTOR RANGE		APPROX. DIMENSIONS (IN)			CTN QTY	EST. SHIPPING	
		MAIN	TAP	H	W	L		WEIGHT (lbs)	UNIT
13117	GP 2*	2 - 12	4 - 12 SOL	7/8	5/8	1 ²⁵ / ₆₄	24	1.43	CTN
13118	GP 10	1/0 - 2	1/0 - 12 SOL	1	3/4	1 ³ / ₄	12	1.19	CTN
13119	GP 250	250 - 1/0	250 - 6	1 ⁵ / ₁₆	1 ¹ / ₁₆	2 ⁹ / ₃₂	12	2.54	CTN
13121	GP 350	350 - 4/0	350 - 6	1 ⁷ / ₁₆	1 ¹ / ₄	2 ⁹ / ₁₆	6	2.75	CTN
13122	GP 500	500 - 350	500 - 2	1 ³ / ₄	1 ³ / ₈	3 ¹ / ₈	6	3.10	CTN

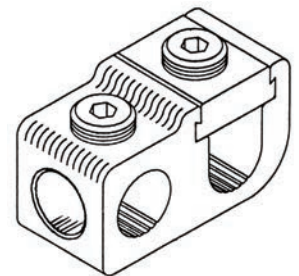
*GP2 has slotted screws.

Oxide-inhibitor is recommended for added corrosion protection.



Dual-Rated

CU9AL
600V 90°C



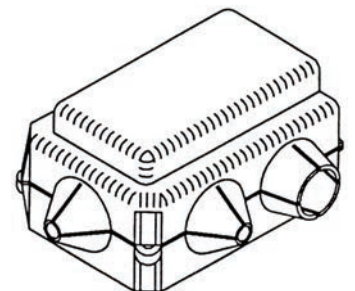
For copper-to-copper,
copper-to-aluminum,
aluminum-to-aluminum

Snap-on insulating covers for use with GP connectors

GPC SERIES

NAED NUMBER	CATALOG NUMBER	FOR USE WITH CONNECTOR	COLOR	APPROX. DIMENSIONS (IN)			CTN QTY	EST. SHIPPING	
				H	W	L		WEIGHT (lbs)	UNIT
13137	GPC 2	GP2	YELLOW	1 ⁷ / ₆₄	1 ²⁹ / ₃₂	1 ⁷ / ₃₂	12	0.46	CTN
13138	GPC 10	GP1/0	GRAY	1 ¹ / ₄	2 ⁵ / ₃₂	2 ⁵ / ₈	6	0.36	CTN
13140	GPC 250	GP250	RED	1 ⁵ / ₈	2 ⁷ / ₈	3 ⁷ / ₁₆	6	0.40	CTN
13141	GPC 350	GP350	YELLOW	1 ³ / ₄	3 ⁷ / ₁₆	3 ³ / ₄	3	0.42	CTN
13142	GPC 500	GP500	BLUE	2 ³ / ₃₂	3 ⁷ / ₁₆	4 ³ / ₈	3	0.46	CTN

600V 90°C
For indoor use only





GREAVES

POWER DISTRIBUTION

Side-Stacker™ ONE-POLE MODULES

Modular System of Splicers, Reducers, and Splitters

Versatile one-pole modules stand alone or stack into multi-pole sets
 Compact modules fit where others are too large - no wide flanges
 Tough, high-impact, high-dielectric fiberglass insulation cases
 For use in trough, wireway, panels, control systems



Dual-Rated

CU9AL
 600VAC
 90°C



SPD SERIES

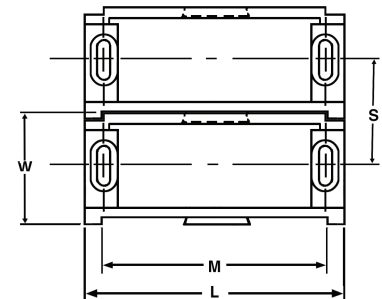
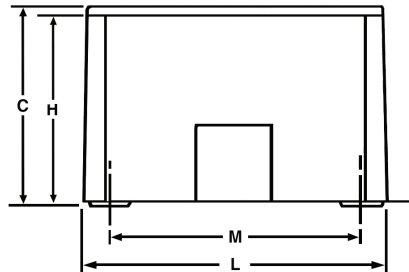
One Primary

NAED NUMBER	CATALOG NUMBER	CASE SIZE	LINE SIDE		LOAD SIDE		AMPS PER POLE	CTN QTY	EST. SHIPPING	
			PORTS	WIRE RANGE	PORTS	WIRE RANGE			WEIGHT (lbs)	UNIT
82201	SPD-I1-I1	S		#2-14*		#2-14*	115	6 or 24	1.26	CTN (6)
82301	SPD-K1-K1	S		#2/0-14*		#2/0-14*	175	6 or 24	1.32	CTN (6)
82401	SPD-N1-N1	M		250-6		250-6	225	3 or 6	1.65	CTN (3)
82551	SPD-P1-P1	M		350-6		350-6	310	3 or 6	2.04	CTN (3)
82601	SPD-R1-R1	M		500-4		500-4	380	3 or 6	2.25	CTN (3)
82304	SPD-K1-H4	S		#2/0-14*		#4-14*	175	6 or 24	5.41	CTN (6)
82306	SPD-K1-H6	S		#2/0-14*		#4-14*	175	6 or 24	5.49	CTN (6)
82506	SPD-P1-H6	M		350-6		#4-14*	310	3 or 6	2.01	CTN (3)
82412	SPD-P1-H12	M		350-6		#4-14*	310	3 or 6	2.03	CTN (3)
82602	SPD-R1-H12	M		500-4		#4-14*	380	3 or 6	2.05	CTN (3)
82605	SPD-P1-K6	L		350-6		#2/0-14*	310	2	2.63	CTN
82606	SPD-R1-K6	L		500-4		#2/0-14*	380	2	2.98	CTN
82806	SPD-V1-K6	L		1000-250		#2/0-14*	545	2	2.86	CTN
82604	SPD-R1-M4	L		500-4		#4/0-6	380	2	3.01	CTN

UL recognized.

*Copper wire only for #14AWG

CASE SIZE	CASE DIMENSIONS				MOUNTING PATTERN		
	L	W	H	C	M	S	BOLT
S	2.9	1.04	2.72	2.46	2.25	.93	3/16
M	4.0	1.71	2.62	2.73	3.31	1.59	3/16
L	5.5	2.90	3.25	3.36	4.72	2.77	1/4





POWER DISTRIBUTION

Side-Stacker™ ONE-POLE MODULES

Modular System of Splicers, Reducers, and Splitters

Versatile one-pole modules stand alone or stack into multi-pole sets

Compact modules fit where others are too large - no wide flanges

Tough, high-impact, high-dielectric fiberglass insulation cases

For use in trough, wireway, panels, control systems



Dual-Rated

CU9AL
600VAC
90°C

SPD SERIES

Two Primary

NAED NUMBER	CATALOG NUMBER	CASE SIZE	LINE SIDE		LOAD SIDE		AMPS PER POLE	CTN QTY	EST. SHIPPING	
			PORTS	WIRE RANGE	PORTS	WIRE RANGE			WEIGHT (lbs)	UNIT
82322	SPD-K2-K2	S		2/0-#14*		2/0-#14*	350	6 or 24	6.27	CTN (6)
82522	SPD-P2-P2	L		350-#6		350-#6	620	2	2.75	CTN
82622	SPD-R2-R2	L		500-#4		500-#4	760	2	2.96	CTN
82526	SPD-K2-H6	S		2/0-#14*		#4-14*	350	6 or 24	5.91	CTN (6)
82316	SPD-K2-I6	M		2/0-#14*		#2-14*	350	3 or 6	2.32	CTN (3)
82312	SPD-K2-H12	M		2/0-#14*		#4-14*	350	3 or 6	2.07	CTN (3)
82512	SPD-P2-H12	L		350-#6		#4-14*	620	2	2.56	CTN
82612	SPD-R2-H12	L		500-#4		#4-14*	760	2	2.66	CTN
82516	SPD-P2-K6	L		350-#6		#2/0-14*	620	2	2.79	CTN
82626	SPD-R2-K6	L		500-#4		#2/0-14*	760	2	3.27	CTN
82614	SPD-R2-M4	L		500-#4		#4/0-6	760	2	3.24	CTN

UL recognized.

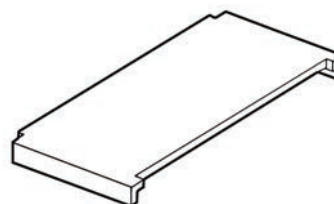
*Copper wire only for #14AWG

COVERS

Provides touch-safe guard on SPD units

Snap-on covers mean quick installation and removal

Clear, high-temperature polycarbonate polymer



SPD-C SERIES

82991	SPD-CS	S	6	0.10	CTN
82992	SPD-CM	M	6	0.29	CTN
82993	SPD-CL	L	4	0.44	CTN

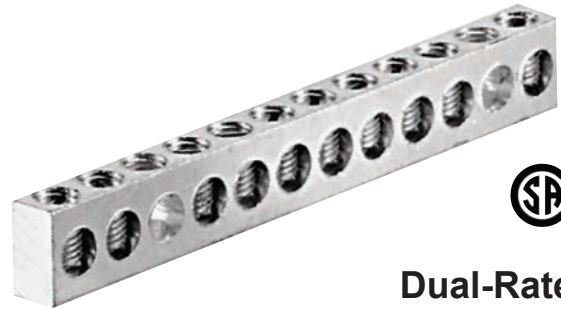


GREAVES

NEUTRAL BARS

MULTI-CIRCUIT NEUTRAL BARS

For use as neutral bar or grounding bar
 Easy to install, reuseable
 Feedwire can be located in any wire-position
 Standard screws are plated steel, slotted, headless
 Mounting holes provided in specified positions



Dual-Rated
600V

ALUMINUM NEUTRAL BARS

Solid-bar high-strength 6061-T6 aluminum alloy
 Plated for low surface resistance

ANB SERIES

NAED NUMBER	CATALOG NUMBER	WIRE RANGE	WIRE CIRCUITS	DIMENSIONS			MOUNTING HOLES		CTN QTY	EST. SHIPPING	
				L	W	H	NO.	POSITION		WEIGHT (lbs)	UNIT
26102	ANB4-4-1	#4-14AWG	4	1.57			1	3	100	2.16	CTN
26103	ANB4-4-3	#4-14AWG	4	1.88	.31	.44	2	1 & 4	100	3.16	CTN
26105	ANB4-5-2	#4-14AWG	5	2.25	.31	.44	2	OUTBOARD	100	3.16	CTN
26107	ANB4-6-1	#4-14AWG	6	2.25			1	4	100	3.16	CTN
26108	ANB4-6-3	#4-14AWG	6	2.56	.31	.44	2	4 & 7	100	4.16	CTN
26109	ANB4-7-3	#4-14AWG	7	2.87			2	3 & 7	100	4.16	CTN
26110	ANB4-9-2	#4-14AWG	9	3.50			2	OUTBOARD	50	2.66	CTN
26111	ANB4-10-2	#4-14AWG	10	3.81			2	OUTBOARD	50	3.16	CTN
26112	ANB4-12-2	#4-14AWG	12	4.43	.31	.44	2	OUTBOARD	50	3.66	CTN
26115	ANB4-15-2	#4-14AWG	15	5.37			2	OUTBOARD	50	4.66	CTN
26116	ANB4-20-2	#4-14AWG	20	6.93			2	OUTBOARD	50	6.16	CTN
26100	ANB4-190*	#4-14AWG	190	60	.31	.44	-	-	10	12.50	CTN
26121	ANB2-10-3	#2-14AWG	10	4.12	.37	.50	2	3 & 11	50	6.16	CTN
26132	ANB20-3-3	2/0-14AWG	3	2.95			2	2 & 4	25	3.16	CTN
26133	ANB20-6-2	2/0-14AWG	6	5.00	.56	.75	2	OUTBOARD	25	3.66	CTN

Other sizes available. Contact factory.

Hole Spacing: ANB4 = .312, ANB2 = .34, ANB20 = .625

Mounting Bolt Size: ANB4 = #10, ANB2 = 3/16, ANB20 = 3/16

COPPER NEUTRAL BARS

Solid-bar high-conductivity pure electrolytic copper
 Plain copper finish

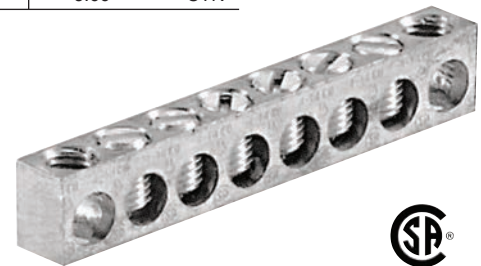
CNB SERIES

NAED NUMBER	CATALOG NUMBER	WIRE RANGE	WIRE CIRCUITS	DIMENSIONS			MOUNTING HOLES		CTN QTY	EST. SHIPPING	
				L	W	H	NO.	POSITION		WEIGHT (lbs)	UNIT
26204	CNB4-4-2	#4-14AWG	4	1.88			2	OUTBOARD	100	6.16	CTN
26205	CNB4-5-2	#4-14AWG	5	2.25	.31	.44	2	OUTBOARD	100	7.16	CTN
26206	CNB4-6-2	#4-14AWG	6	2.56			2	OUTBOARD	50	4.16	CTN
26212	CNB4-12-2	#4-14AWG	12	4.43			2	OUTBOARD	50	7.16	CTN
26213	CNB4-13-3	#4-14AWG	13	4.74	.31	.44	2	3 & 13	50	8.16	CTN
26200	CNB4-190*	#4-14AWG	190	60	.31	.44	-	-	10	20.00	CTN
26223	CNB2-6-2	#2-14AWG	6	3.25	.37	.62	2	2 & 7	25	12.7	CTN

Other sizes available. Contact factory.

Hole Spacing: CNB4 = .312, CNB2 = .397. Mounting Bolt Size: CNB4 = #10, CNB2 = 3/16

* Supplied with screws unassembled



For copper cable
600V



Dual-Rated

CU9AL

NON-INSULATED BLOCKS

Aluminum alloy 6061-T6
Prefilled with oxide inhibitor

PD SERIES



Wire entry
optional from
either side

NAED NUMBER	CATALOG NUMBER	WIRE RANGE	WIRE CIRCUITS	DIMENSIONS			ALLEN HEX	CTN QTY	EST. SHIPPING	
				LENGTH	WIDTH	HEIGHT			WEIGHT (lbs)	UNIT
13500	PD 250-4		4	3.50				6	2.15	CTN
13505	PD 250-6	250 MCM-#6	6	6.25	.87	1.13	5/16	6	3.15	CTN
13510	PD 250-8		8	7.00				6	4.15	CTN
13515	PD 350-4		4	4.25				3	1.75	CTN
13520	PD 350-6	350 MCM-#6	6	6.38	1.00	1.44	5/16	3	2.65	CTN
13525	PD 350-8		8	8.50				3	3.35	CTN
13542	PD 600-4		4	5.40				3	2.25	CTN
13543	PD 600-6	600 MCM-#4	6	8.25	1.25	1.62	5/16	3	3.75	CTN
13544	PD 600-8		8	11.00				3	4.45	CTN
13545	PD 750-4		4	6.00				2	2.60	CTN
13550	PD 750-6	750-250 MCM	6	8.96	1.44	2.00	3/8	2	3.92	CTN
13555	PD 750-8		8	11.81				1	2.60	EA

Other sizes available. Also available with insulated mounting positions. Consult factory.

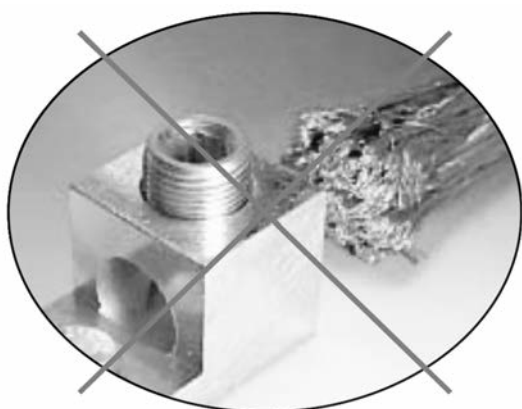
Not recommended for use with fine-stranded, flexible cables.

For flex/extra-flex high-strand wire, first install a PT-FX Shoo-Pin™ Adapter.

Shoo-pin™ Adapters for flex cable terminations

For reliable termination of high-strand flexible cables into set-screw type lugs, terminate the flex cable with a PT-FX Shoo-Pin Adapter.

- For dual-rated or CU set-screw lugs
- Also for PBS/USA/USAD insulated connectors



GREAVES EXCLUSIVE





POWER DISTRIBUTION

INSULATED SPLICES

Insulated with rugged high-dielectric rubber/vinyl coating
 Saves installation time—no taping
 Pre-filled with oxide-inhibitor
 Easy re-entry for changes, inspection, or troubleshooting
 Plugs marked with connector max wire size for easy identification
 For flex/extra-flex high-strand wire, first install a PT-FX Shoo-Pin™ Adapter
 6061-T6 high strength aluminum alloy
 UL listed through 600MCM size
 Copper wire only for #14-#6 AWG
 One wire per port

Dual-Rated

90°C
 CU9AL
 600V



PBS SERIES

In-Line Splice

NAED NUMBER	CATALOG NUMBER	WIRE RANGE	ALLEN HEX	DIMENSIONS			CTN QTY	EST. SHIPPING	
				LENGTH	WIDTH	HEIGHT		WEIGHT (lbs)	UNIT
13701	PBS 2	#2 - 14	5/32	2.40	.75	1.48	12	1.11	CTN
13703	PBS 2/0	2/0 - #14	7/32	3.25	.87	1.52	6	1.13	CTN
13704	PBS 250	250 - #6	5/16	4.00	1.13	2.25	6	2.11	CTN
13706	PBS 350	350 - #6	5/16	4.63	1.25	2.75	4	2.24	CTN
13709	PBS 600	600 - #4	5/16	5.12	1.50	3.00	3	2.66	CTN
13715	PBSH 750*	750 - 250	5/16	7.38	1.62	3.12	1	1.12	EA

* PBSH 750 has 4 screws.



Positive center stop

USA SERIES

One-Side Entry Splice

NAED NUMBER	CATALOG NUMBER	WIRE RANGE	ALLEN HEX	DIMENSIONS		CTN QTY	EST. SHIPPING	
				LENGTH	HEIGHT		WEIGHT (lbs)	UNIT
13442	USA 4-2	#4 - 14	1/8	1.20	1.45	12	1.50	CTN
13452	USA 2-2	#2 - 14	5/32	1.20	1.45	12	0.93	CTN
13422	USA 2/0-2	2/0 - #14	7/32	1.69	1.50	6	0.95	CTN
13432	USA 3/0-2	3/0 - #6	1/4	1.89	1.86	6	1.20	CTN



Both wires enter same side

USAD SERIES

Two-Side Entry Splice

NAED NUMBER	CATALOG NUMBER	WIRE RANGE	ALLEN HEX	DIMENSIONS		CTN QTY	EST. SHIPPING	
				LENGTH	HEIGHT		WEIGHT (lbs)	UNIT
13842	USAD 4-2	#4 - 14	1/8	1.20	1.45	12	1.01	CTN
13852	USAD 2-2	#2 - 14	5/32	1.20	1.45	12	1.01	CTN
13822	USAD 2/0-2	2/0 - #14	7/32	1.55	1.50	6	0.99	CTN
13882	USAD 3/0-2	3/0 - #6	1/4	1.89	1.86	6	1.30	CTN
13898	USAD 250-2	250 - #6	5/16	2.13	2.10	6	1.69	CTN
13913	USAD 350-2	350 - #6	5/16	2.47	2.50	4	1.18	CTN
13962	USAD 600-2	600 - #4	5/16	2.96	2.90	4	3.03	CTN
13943	*USAD 750-2	750 - 250	5/16	3.50	3.60	2	2.25	CTN

* 750 MCM size not UL listed.



Wire entry optional from either side



POWER DISTRIBUTION

INSULATED MULTI-CABLE

Insulated with rugged high-dielectric rubber/vinyl coating

Saves installation time—no taping

Pre-filled with oxide-inhibitor

Easy re-entry for changes, inspection, or troubleshooting

Plugs marked with connector max wire size for easy identification

For flex/extra-flex high-strand wire, first install a PT-FX Shoo-Pin™ Adapter

6061-T6 high strength aluminum alloy

UL listed through 600MCM size

Copper wire only for #14-#6 AWG

One wire per port

Dual-Rated

90°C

CU9AL

600V



USA SERIES

One-Side Entry

NAED NUMBER	CATALOG NUMBER	WIRE PORTS	WIRE RANGE	ALLEN HEX	DIMENSIONS		CTN QTY	EST. SHIPPING	
					LENGTH	HEIGHT		WEIGHT (lbs)	UNIT
13443	USA 4-3	3			1.54		12	1.30	CTN
13444	USA 4-4	4			1.97	1.45	6	0.89	CTN
13446	USA 4-6	6	#4 - 14	1/8	3.13		4	0.87	CTN
13448	USA 4-8	8			4.13		4	1.11	CTN
13453	USA 2-3	3			1.59		12	1.34	CTN
13454	USA 2-4	4			1.99	1.45	6	0.90	CTN
13456	USA 2-6	6	#2 - 14	5/32	2.87		4	0.90	CTN
13458	USA 2-8	8			3.69		4	1.13	CTN
13423	USA 2/0-3	3			2.34		6	1.21	CTN
13424	USA 2/0-4	4			3.01		6	1.53	CTN
13425	USA 2/0-5	5	2/0 - #14	7/32	3.69	1.50	4	1.23	CTN
13426	USA 2/0-6	6			4.36		4	1.44	CTN
13427	USA 2/0-7	7			4.74		3	1.28	CTN
13428	USA 2/0-8	8			5.41		3	1.48	CTN
13433	USA 3/0-3	3	3/0 - #6	1/4	2.65	1.86	6	1.50	CTN
13434	USA 3/0-4	4			3.42		6	2.20	CTN
13599	USA 250-3	3			2.99		4	1.51	CTN
13600	USA 250-4	4			3.85		4	2.09	CTN
13601	USA 250-5	5	250 - #6	5/16	4.71	2.10	3	1.96	CTN
13605	USA 250-6	6			5.57		3	2.33	CTN
13606	USA 250-7	7			6.43		2	1.91	CTN
13610	USA 250-8	8			7.29		2	2.01	CTN
13614	USA 350-3	3			3.52		4	2.43	CTN
13615	USA 350-4	4			4.57		3	2.54	CTN
13616	USA 350-5	5	350 - #6	5/16	5.62	2.50	3	3.12	CTN
13620	USA 350-6	6			6.67		2	2.44	CTN
13621	USA 350-7	7			7.72		2	2.74	CTN
13625	USA 350-8	8			8.77		2	3.30	CTN
13663	USA 600-3	3			4.89		3	3.02	CTN
13664	USA 600-4	4			5.63		2	2.15	CTN
13665	USA 600-5	5	600 - #4	5/16	7.11	2.90	2	3.30	CTN
13666	USA 600-6	6			8.47		2	3.89	CTN
13667	USA 600-7	7			9.83		2	4.43	CTN
13668	USA 600-8	8			11.18		2	5.26	CTN
13644	*USA 750-3	3			4.90		3	4.52	CTN
13645	*USA 750-4	4			6.19		1	1.41	EA
13646	*USA 750-5	5	750 - 250	5/16	7.75	3.60	1	2.61	EA
13650	*USA 750-6	6			9.18		1	3.04	EA
13651	*USA 750-7	7			10.60		1	3.44	EA
13655	*USA 750-8	8			12.03		1	3.91	EA

* 750 MCM size not UL listed.

All wires enter same side





POWER DISTRIBUTION

INSULATED MULTI-CABLE

Insulated with rugged high-dielectric rubber/ vinyl coating
 Saves installation time—no taping
 Pre-filled with oxide-inhibitor
 Easy re-entry for changes, inspection, or troubleshooting
 Plugs marked with connector max wire size for easy identification
 For flex/extra-flex high-strand wire, first install a PT-FX Shoo-Pin™ Adapter
 6061-T6 high strength aluminum alloy
 Copper wire only for #14-#6 AWG
 One wire per port

Dual-Rated

90°C
 CU9AL
 600V



USAD SERIES

Two-Side Entry

NAED NUMBER	CATALOG NUMBER	WIRE PORTS	WIRE RANGE	ALLEN HEX	DIMENSIONS		CTN QTY	EST. SHIPPING	
					LENGTH	HEIGHT		WEIGHT (lbs)	UNIT
13843	USAD 4-3	3			1.54		12	1.39	CTN
13844	USAD 4-4	4			1.97		6	0.91	CTN
13846	USAD 4-6	6	#4 - 14	1/8	2.82	1.45	3	0.91	CTN
13848	USAD 4-8	8			3.65		3	0.99	CTN
13853	USAD 2-3	3			1.59		12	1.43	CTN
13854	USAD 2-4	4			1.99		6	0.96	CTN
13856	USAD 2-6	6	#2 - 14	5/32	2.87	1.45	4	0.93	CTN
13858	USAD 2-8	8			3.69		4	1.21	CTN
13823	USAD 2/0-3	3			2.34		6	1.23	CTN
13824	USAD 2/0-4	4			3.01		6	1.56	CTN
13825	USAD 2/0-5	5			3.69		4	1.32	CTN
13826	USAD 2/0-6	6			4.36		4	1.60	CTN
13827	USAD 2/0-7	7	2/0 - #14	7/32	5.05	1.50	3	1.31	CTN
13828	USAD 2/0-8	8			5.72		3	1.51	CTN
13829	USAD 2/0-9	9			6.37		1	0.65	EA
13830	USAD 2/0-10	10			7.03		1	0.85	EA
13831	USAD 2/0-11	11			7.76		1	0.92	EA
13832	USAD 2/0-12	12			8.40		1	1.00	EA
13883	USAD 3/0-3	3			2.65		6	1.60	CTN
13884	USAD 3/0-4	4			3.42		6	2.21	CTN
13885	USAD 3/0-5	5	3/0 - #6	1/4	4.19	1.86	3	1.10	CTN
13886	USAD 3/0-6	6			4.96		3	1.30	CTN
13899	USAD 250-3	3			2.99		4	1.61	CTN
13900	USAD 250-4	4			3.85		4	2.28	CTN
13903	USAD 250-5	5			4.71		3	2.16	CTN
13905	USAD 250-6	6			5.57		3	2.47	CTN
13907	USAD 250-7	7			6.43		2	1.87	CTN
13910	USAD 250-8	8	250 - #6	5/16	7.29	2.10	2	2.20	CTN
13911	USAD 250-9	9			8.15		1	1.31	EA
13908	USAD 250-10	10			9.01		1	1.50	EA
13909	USAD 250-11	11			9.87		1	1.64	EA
13912	USAD 250-12	12			10.73		1	1.89	EA
13914	USAD 350-3	3			3.52		4	2.61	CTN
13915	USAD 350-4	4			4.57		3	2.76	CTN
13918	USAD 350-5	5			5.62		3	3.31	CTN
13920	USAD 350-6	6			6.67		2	2.69	CTN
13922	USAD 350-7	7			7.72		2	3.00	CTN
13925	USAD 350-8	8	350 - #6	5/16	8.77	2.50	2	3.36	CTN
13926	USAD 350-9	9			9.82		1	2.08	EA
13923	USAD 350-10	10			10.87		1	2.30	EA
13924	USAD 350-11	11			11.92		1	2.34	EA
13927	USAD 350-12	12			12.97		1	2.63	EA
13963	USAD 600-3	3			4.39		3	3.36	CTN
13964	USAD 600-4	4			5.63		2	3.00	CTN
13965	USAD 600-5	5			7.11		2	3.66	CTN
13966	USAD 600-6	6			8.47		2	4.36	CTN
13967	USAD 600-7	7			9.83		2	5.38	CTN
13968	USAD 600-8	8	600 - #4	5/16	11.18	2.90	2	5.62	CTN
13969	USAD 600-9	9			12.53		1	3.11	EA
13970	USAD 600-10	10			13.88		1	3.66	EA
13971	USAD 600-11	11			15.23		1	3.88	EA
13972	USAD 600-12	12			16.58		1	4.28	EA

Wire entry optional from either side





POWER DISTRIBUTION

INSULATED MULTI-CABLE

Insulated with rugged high-dielectric rubber/vinyl coating
 Saves installation time—no taping
 Pre-filled with oxide-inhibitor
 Easy re-entry for changes, inspection, or troubleshooting
 Plugs marked with connector max wire size for easy identification
 For flex/extra-flex high-strand wire, first install a PT-FX Shoo-Pin™ Adapter
 6061-T6 high strength aluminum alloy
 One wire per port

Dual-Rated

90°C
 CU9AL
 600V

USAD SERIES

Two-Side Entry

NAED NUMBER	CATALOG NUMBER	WIRE PORTS	WIRE RANGE	ALLEN HEX	DIMENSIONS		CTN QTY	EST. SHIPPING	
					LENGTH	HEIGHT		WEIGHT (lbs)	UNIT
13944	USAD 750-3	3			4.90		3	4.97	CTN
13945	USAD 750-4	4			6.19		1	2.21	EA
13948	USAD 750-5	5			7.75		1	2.66	EA
13950	USAD 750-6	6			9.18		1	3.26	EA
13952	USAD 750-7	7			10.60		1	3.69	EA
13955	USAD 750-8	8	750 - 250	5/16	12.03	3.60	1	4.23	EA
13956	USAD 750-9	9			13.46		1	4.68	EA
13953	USAD 750-10	10			14.88		1	5.11	EA
13954	USAD 750-11	11			16.30		1	5.56	EA
13957	USAD 750-12	12			17.73		1	5.91	EA

Wire entry optional
 from either side



SPARE PLUGS

Spare plugs for screw cover or wire ports
 Marked with connector max wire size for easy identification

PWS/PSP SERIES

NAED NUMBER	CATALOG NUMBER	CONN SIZE	CTN QTY	EST. SHIPPING	
				WEIGHT (lbs)	UNIT
WIRE & SCREW PORT					
13724	PWS 4	#4	12	0.04	CTN
13722	PWS 2	#2	12	0.04	CTN
13720	PWS 2/0	2/0	12	0.06	CTN
13725	PWS 250	250	6	0.07	CTN
13735	PWS 350	350	6	0.08	CTN
13760	PWS 600	600	6	0.08	CTN
WIRE PORT					
13775	PWP 750	750	3	0.09	CTN
SCREW PORT					
13776	PSP 750	750	3	0.09	CTN





GREAVES



POWER DISTRIBUTION

INSULATED MOUNTABLE

Isolated bolt holes for mounting to trough, panel or wireway

Most sizes available from stock

Insulated with rugged high-dielectric rubber/vinyl coating

Saves installation time—no taping

Pre-filled with oxide-inhibitor

Plugs marked with connector max wire size for easy identification

6061-T6 high strength aluminum alloy

For flex/extra-flex high-strand wire, first install a PT-FX Shoo-Pin™ Adapter

Copper wire only for #14-#6 AWG

One wire per port

Dual-Rated

90°C

CU9AL

600V



USA-M SERIES

One-Side Entry

All wires enter same side.

NAED NUMBER	CATALOG NUMBER	WIRE PORTS	WIRE RANGE	ALLEN HEX	DIMENSIONS		MOUNTING BOLT SIZE	EST. SHIPPING	
					LENGTH	HEIGHT		WEIGHT (lbs)	UNIT
17142	USA 4-2M	2			1.97			0.15	EA
17144	USA 4-4M	4	#4-14	1/8	2.82	1.45	#10	0.22	EA
17146	USA 4-6M	6			3.65			0.28	EA
17122	USA 2-2M	2			1.99			0.15	EA
17124	USA 2-4M	4	#2-14	5/32	2.87	1.45	#10	0.22	EA
17126	USA 2-6M	6			3.69			0.28	EA
17102	USA 2/0-2M	2			3.01			0.26	EA
17103	USA 2/0-3M	3			3.69			0.31	EA
17104	USA 2/0-4M	4	2/0-14	7/32	4.36	1.50	#12	0.36	EA
17105	USA 2/0-5M	5			4.74			0.43	EA
17106	USA 2/0-6M	6			5.41			0.50	EA
17152	USA 250-2M	2			3.85			0.52	EA
17153	USA 250-3M	3			4.71			0.65	EA
17154	USA 250-4M	4	250-#6	5/16	5.57	2.10	1/4	0.78	EA
17155	USA 250-5M	5			6.43			0.96	EA
17156	USA 250-6M	6			7.29			1.01	EA
17132	USA 350-2M	2			4.57			0.85	EA
17133	USA 350-3M	3			5.62			1.04	EA
17134	USA 350-4M	4	350-#6	5/16	6.67	2.50	5/16	1.22	EA
17135	USA 350-5M	5			7.72			1.37	EA
17136	USA 350-6M	6			8.77			1.65	EA
17162	USA 600-2M	2			5.63			1.08	EA
17163	USA 600-3M	3			7.11			1.65	EA
17164	USA 600-4M	4	600-#4	5/16	8.47	2.90	5/16	1.95	EA
17165	USA 600-5M	5			9.83			2.22	EA
17166	USA 600-6M	6			11.18			2.63	EA
17172	*USA 750-2M	2			6.19			1.41	EA
17173	*USA 750-3M	3			7.75			2.61	EA
17174	*USA 750-4M	4	750-250	5/16	9.18	3.60	5/16	3.04	EA
17175	*USA 750-5M	5			10.60			3.44	EA
17176	*USA 750-6M	6			12.03			3.91	EA

* 750 MCM size not UL Listed.

MOUNTABLE



PATENTED

End positions are modified and insulated for mounting bolts



POWER DISTRIBUTION

INSULATED MOUNTABLE

Isolated bolt holes for mounting to trough, panel or wireway

Most sizes available from stock

Insulated with rugged high-dielectric rubber/vinyl coating

Saves installation time—no taping

Pre-filled with oxide-inhibitor

Plugs marked with connector max wire size for easy identification

6061-T6 high strength aluminum alloy

For flex/extra-flex high-strand wire, first install a PT-FX Shoo-Pin™ Adapter

Copper wire only for #14-#6 AWG

One wire per port

Dual-Rated

90°C

CU9AL

600V



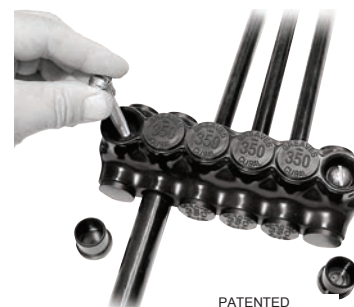
USAD-M SERIES

Two-Side Entry

NAED NUMBER	CATALOG NUMBER	WIRE PORTS	WIRE RANGE	ALLEN HEX	DIMENSIONS		MOUNTING BOLT SIZE	EST. SHIPPING	
					LENGTH	HEIGHT		WEIGHT (lbs)	UNIT
17242	USAD 4-2M	2			1.97			0.15	EA
17244	USAD 4-4M	4	#4-14	1/8	2.82	1.45	#10	0.30	EA
17246	USAD 4-6M	6			3.65			0.40	EA
17222	USAD 2-2M	2			1.99			0.16	EA
17224	USAD 2-4M	4	#2-14	5/32	2.87	1.45	#10	0.27	EA
17226	USAD 2-6M	6			3.69			0.31	EA
17202	USAD 2/0-2M	2			3.01			0.26	EA
17203	USAD 2/0-3M	3			3.69			0.33	EA
17204	USAD 2/0-4M	4			4.36			0.40	EA
17205	USAD 2/0-5M	5			5.05			0.44	EA
17206	USAD 2/0-6M	6	2/0-14	7/32	5.72	1.50	#12	0.51	EA
17207	USAD 2/0-7M	7			6.37			0.65	EA
17208	USAD 2/0-8M	8			7.03			0.85	EA
17209	USAD 2/0-9M	9			7.76			0.92	EA
17200	USAD 2/0-10M	10			8.40			1.00	EA
17252	USAD 250-2M	2			3.85			0.57	EA
17253	USAD 250-3M	3			4.71			0.72	EA
17254	USAD 250-4M	4			5.57			0.82	EA
17255	USAD 250-5M	5			6.43			0.94	EA
17256	USAD 250-6M	6	250-#6	5/16	7.29	2.10	1/4	1.10	EA
17257	USAD 250-7M	7			8.15			1.31	EA
17258	USAD 250-8M	8			9.01			1.50	EA
17259	USAD 250-9M	9			9.87			1.64	EA
17250	USAD 250-10M	10			10.73			1.89	EA
17232	USAD 350-2M	2			4.57			0.92	EA
17233	USAD 350-3M	3			5.62			1.10	EA
17234	USAD 350-4M	4			6.67			1.35	EA
17235	USAD 350-5M	5			7.72			1.50	EA
17236	USAD 350-6M	6	350-#6	5/16	8.77	2.50	5/16	1.68	EA
17237	USAD 350-7M	7			9.82			2.08	EA
17238	USAD 350-8M	8			10.87			2.30	EA
17239	USAD 350-9M	9			11.92			2.34	EA
17230	USAD 350-10M	10			12.97			2.63	EA
17262	USAD 600-2M	2			5.63			1.50	EA
17263	USAD 600-3M	3			7.11			1.83	EA
17264	USAD 600-4M	4			8.47			2.18	EA
17265	USAD 600-5M	5			9.83			2.69	EA
17266	USAD 600-6M	6	600-#4	5/16	11.18	2.90	5/16	2.81	EA
17267	USAD 600-7M	7			12.53			3.11	EA
17268	USAD 600-8M	8			13.88			3.66	EA
17269	USAD 600-9M	9			15.23			3.88	EA
17260	USAD 600-10M	10			16.58			4.28	EA
17272	*USAD 750-2M	2			6.19			2.21	EA
17273	*USAD 750-3M	3			7.75			2.66	EA
17274	*USAD 750-4M	4			9.18			3.26	EA
17275	*USAD 750-5M	5			10.60			3.69	EA
17276	*USAD 750-6M	6	750-250	5/16	12.03	3.60	5/16	4.23	EA
17277	*USAD 750-7M	7			13.46			4.68	EA
17278	*USAD 750-8M	8			14.88			5.11	EA
17279	*USAD 750-9M	9			16.30			5.56	EA
17270	*USAD 750-10M	10			17.73			5.91	EA

Wire entry optional from either side.

MOUNTABLE



End positions are modified and insulated for mounting bolts

* 750 MCM size not UL Listed.



GREAVES

UNDERGROUND

BLACK-BURY™ UNDERGROUND CONNECTORS

Submersible for direct burial or below-grade boxes

For use in lighting, power distribution, URD

Meets ANSI C119.1 and ANSI C119.4 for Class A

Heavy duty re-enterable EPDM or TPE black rubber cover

Supplied with silicone grease for ease of installation and sealing

Aluminum connector 6061-T6 alloy

Dual-rated connectors prefilled with oxide inhibitor

Direct Burial

Dual-Rated

600V



SPLICE CONNECTORS

Use as end-to-end splice or reducer

Accommodates wide range of wire sizes within each connector size

UPP SERIES

In-line

NAED NUMBER	CATALOG NUMBER	WIRE RANGE	DIMENSIONS (IN)			HEX	CTN QTY	EST. SHIPPING	
			H	L	W			WEIGHT (lbs)	UNIT
80350	UPP 1-350	350MCM - #10STR	2 ³ / ₄	8 ⁵ / ₈	1 ³ / ₈	5/16	2	1.50	EA
80360	*UPP 1-500	500MCM - #10STR	4	9 ¹³ / ₁₆	2	5/16	1	0.61	EA
80370	*†UPP 1-750	750MCM - #2AWG	6 ¹ / ₂	10 ¹ / ₄	3 ³ / ₄	3/8	1	2.50	EA

† UPP1-750 has side-by-side configuration with 4 screws.

* UPP 500 and UPP 750 sizes not UL listed.

MULTI-CABLE PEDESTAL CONNECTORS

Use for multi-cable connections such as pedestal or URD

Accommodates a wide range of wire sizes within each connector size

Large heavy duty screw-cap pull-tab



UPP SERIES

Multi-cable

NAED NUMBER	CATALOG NUMBER	PORTS	WIRE RANGE	DIMENSIONS (IN)			EST. SHIPPING	
				H	L	W	WEIGHT (lbs)	UNIT
80432	UPP 2-350	2	350 MCM- #10 STR	2 ¹ / ₂	2.73	4 ¹ / ₂	0.61	EA
80433	UPP 3-350	3			3.56		0.85	EA
80434	UPP 4-350	4			4.68		1.10	EA
80435	UPP 5-350	5			5.81		1.83	EA
80436	UPP 6-350	6			6.93		1.61	EA
80438	UPP 8-350	8			9.18		2.14	EA
80453	*UPP 3-500	3	500 MCM- #10 STR	3	4.56	5 ¹ / ₈	1.38	EA
80454	*UPP 4-500	4			6.03		1.83	EA
80455	*UPP 5-500	5			7.50		2.26	EA
80456	*UPP 6-500	6			8.98		2.71	EA
80458	*UPP 8-500	8			11.91		3.66	EA
80474	*UPP 4-750	4			750 MCM- #2 AWG		4	7.0
80476	*UPP 6-750	6	10.4	6.40		EA		
80478	*UPP 8-750	8	13.75	8.70		EA		

*UPP500 and UPP750 sizes not UL Listed.

www.greaves-usa.com

Phone 860-664-4505 • Fax 860-664-4546

TOLL FREE 1-800-243-1130 (Outside CT)



UNDERGROUND DIRECT BURIAL

UF SPLICE KIT

Submersible Splice Kit for UF Underground Feeder Cable

- Convenient** - for splice/repair of jacketed Underground Feeder Cable
UL Listed - for direct burial splicing of jacketed UF Cable #14 - 8 AWG
 - 2/C plus ground, or 3/C plus ground
 - copper wires only
 - 600 Volts max

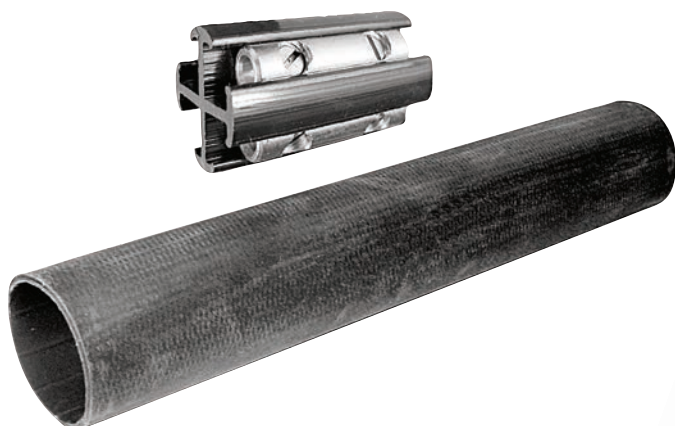
Faster - easier-to-use with only one piece of tubing to shrink

Watertight - sealant activated with heat-shrinking process

Tough - heavy-wall adhesive-lined heat-shrink tubing

UV Resistant - for above-ground applications

Direct Burial
600V CU



Kit Contains

- Connector with 4 tubular brass splice couplers (screw type)
- 8-inch length of heavy-wall adhesive-lined heat-shrinkable tubing
- Installation instruction and wire stripping guide on package

Display packaged - Card 12 X 5 X 1½ inches in bag

Installation - Use soft-flame torch or heat gun to shrink tubing and melt adhesive.

UFK SERIES

Splice Kit

NAED NUMBER	CATALOG NUMBER	WIRE RANGE	QUANTITY	EST. SHIPPING	
				WEIGHT (lbs)	UNIT
80300	UFK 8	UF jacketed copper cable #8-14 AWG 2/C plus ground or 3/C plus ground	12	3.0	CTN



UNDERGROUND

IN-LINE WIRE SPLICE KITS

Submersible watertight insulation splice kits

Re-enterable EPDM rubber cover

Eliminates taping in above-ground installations

Each splice kit contains:

- (1) submersible watertight EPDM splice cover
- (1) capsule of silicone grease
- (1) electrical splice connector

Direct Burial

Splice kit with dual-rated mechanical connector

Connector filled with oxide inhibitor and capped

Use to splice or reduce wire size

Accepts a wide range of wire sizes

Dual-rated for aluminum or copper wiring

Dual-Rated
600V



US-K SERIES

NAED NUMBER	CATALOG NUMBER	WIRE RANGE		CONNECTOR LENGTH (IN)	EST. SHIPPING	
		MAX.	MIN.		WEIGHT (lbs)	UNIT
71005	US 350-K	350 MCM	6 STR	3	0.89	EA
71010	US 500-K	500 MCM	2 STR	3 ⁹ / ₁₆	0.97	EA

Splice kit with dual-rated compression connector

Connector filled with oxide inhibitor and capped

Use to splice specific wire size

Dual-rated for aluminum or copper wiring

Dual-Rated
600V



ASC-K SERIES

NAED NUMBER	CATALOG NUMBER	WIRE SIZE	COLOR CODE	DIE INDEX	SPLICE COVER	EST. SHIPPING	
						WEIGHT (lbs)	UNIT
80100	ASC 4K	#4	Green	11/375	R20	0.17	EA
80110	ASC 2K	#2	Pink	12/348		0.17	EA
80115	ASC 1K	#1	Gold	471		0.17	EA
80120	ASC 10K	1/0	Tan	296		0.19	EA
80125	ASC 20K	2/0	Olive	297	R35	0.26	EA
80130	ASC 30K	3/0	Ruby	467		0.28	EA
80135	ASC 40K	4/0	White	17/298		0.32	EA
80140	ASC 250K	250	Red	18/324		0.32	EA
80145	ASC 300K	300	Blue	19/470		0.34	EA
80150	ASC 350K	350	Brown	20/299	R50	0.49	EA
80155	ASC 400K	400	Green	22/472		0.52	EA
80160	ASC 500K	500	Pink	300	R100	0.85	EA
80165	ASC 600K	600	Black	24/473		0.96	EA
80170	ASC 750K	750	Yellow	936		1.00	EA
80175	ASC 1000K	1000	Brown	302		1.32	EA



UNDERGROUND

IN-LINE WIRE SPLICE KITS

Submersible watertight insulation splice kits

Re-enterable EPDM rubber cover

Eliminates taping in above-ground installations

Each splice kit contains:

- (1) submersible watertight EPDM splice cover
- (1) capsule of silicone grease
- (1) electrical splice connector

Direct Burial

Copper wire only
600V

Splice kit with copper compression connector

Use to splice specific wire size, copper wire only



C-K SERIES

NAED NUMBER	CATALOG NUMBER	WIRE SIZE	COLOR CODE	DIE INDEX	SPLICE COVER	EST. SHIPPING	
						WEIGHT (lbs)	UNIT
80010	C 4K	#4	Gray	8/346	R20	0.17	EA
80015	C 2K	#2	Brown	10		0.19	EA
80020	C 1K	#1	Green	11/375		0.20	EA
80025	C 10K	1/0	Pink	12/348		0.22	EA
80030	C 20K	2/0	Black	13		0.24	EA
80035	C 30K	3/0	Orange	14	R35	0.32	EA
80040	C 40K	4/0	Purple	15		0.36	EA
80045	C 250K	250	Yellow	16		0.39	EA
80050	C 300K	300	White	17/298		0.43	EA
80055	C 350K	350	Red	18/324		0.50	EA
80060	C 400K	400	Blue	19/470	R50	0.61	EA
80065	C 500K	500	Brown	20/299		0.81	EA
80070	C 600K	600	Green	22/472	R100	1.30	EA
80075	C 750K	750	Black	24/473		1.45	EA
80080	C 1000K	1000	White	27		1.88	EA

IN-LINE SPLICE COVERS

Submersible watertight splice cover only

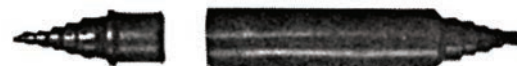
Re-enterable EPDM rubber cover

Eliminates taping in above-ground installations

Contains (1) submersible EPDM splice cover
(1) capsule of silicone grease



R SERIES



NAED NUMBER	CATALOG NUMBER	WIRE RANGE			SPLICE CHAMBER DIMENSIONS (IN)		EST. SHIPPING	
		MAX CU	MAX AL	MIN	LENGTH	DIAMETER	WEIGHT (lbs)	UNIT
80200	R 20	2/0	1/0	14	2.75	.68	0.14	EA
80205	R 35	350	300	14	4.5	.75	0.21	EA
80210	R 50	500	400	14	4.75	1.05	0.29	EA
80215	*R 100	1000	1000	2	9.6	1.84	0.52	EA

* Size not UL.



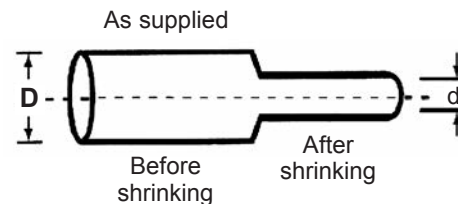
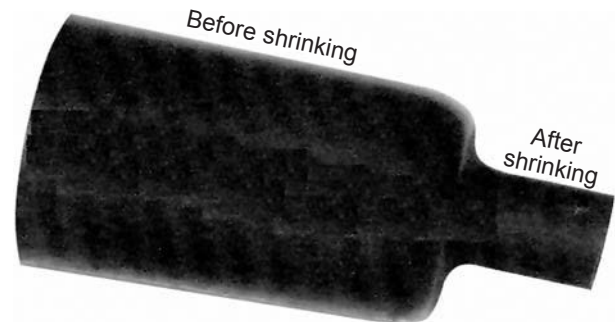
UNDERGROUND

HEAT SHRINK TUBING HEAVY WALL with ADHESIVE



Black cross-linked heavy-wall heat-shrink tubing
 Use to insulate electrical cable splices in utility/industrial applications
 Use on compression splices (C, SC, SC-FX Series) and adapters (CRK, ND-R Series)
 Also use to insulate barrels of compression lugs
 Use for insulation of primary low voltage cables
 Withstands severe mechanical and sealing requirements
 of URD, submersible, and direct burial installations
 Provides strain relief and mechanical protection
 Resists impact and abrasion
 Supplied as expanded tube
 Shrink ratio 3:1, wide range of available diameters
 Shrink temperature: 120°C
 Thermoplastic hot-melt adhesive lining seals to cable jackets
 when heated
 Continuous operating temperature rating: -55°C to 110°C

Meets UL 486D, CSA C22.2 No. 198.2, ANSI C119.1,
 Western Underground Guide Numbers 2.4 and 2.5,
 ICEA and NEMA insulation thickness requirements.



HWA SERIES

NAED NUMBER	CATALOG NUMBER	NOMINAL SIZE	WIRE SIZE		INSIDE DIA		LENGTH PIECE (IN)	PKG QTY	EST. SHIPPING	
			MAX	MIN	D	d			WEIGHT (lbs)	UNIT
41850	HWA50-6	1/2	#6	#8	.51	.16	6	8	.3	CTN
41875	HWA75-6	3/4	#2	#6	.75	.24	6	6	.4	CTN
41810	HWA100-9	1	3/0	#1	1.1	.35	9	4	.6	CTN
41815	HWA150-9	1½	350	2/0	1.5	.47	9	3	.63	CTN
41820	HWA200-9	2	500	250	2.0	.63	9	3	1.0	CTN
41827	HWA275-12	2¾	1000	600	2.7	.87	12	1	.5	EA

Lengths provide 2-inch seal on both cable jackets when using long barrel compression splice.
 Other lengths and sizes available.

INSTALLATION

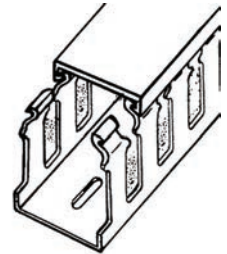
1. Place the tube over one of the cable-ends before splicing.
2. Install the electrical splice.
3. Center the tube over the splice so a minimum of 2 inches of tubing will seal to each cable jacket.
4. With a soft-flame torch, begin at the center and heat slowly around the radius, moving progressively to each end. When heated to shrink temperature, the tubing shrinks and conforms to the splice, and the adhesive melts and seals to the splice and cable jackets. Heat so adhesive forms a bead around each end.
 Do not overheat, which can scorch and damage the tubing.



WIRE MANAGEMENT WIRING DUCT

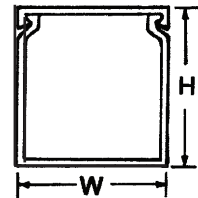
PANEL CHANNEL™

Flush cover design for maximum space utilization, supplied complete with non-slip flush cover
 Slotted wall for easy entry/exit of wires, with break lines for easy removal of sidewall fingers
 Restricted slot opening for retaining wires, burr-free edges for smooth handling
 Rigid PVC, self-extinguishing
 Standard color gray, other colors available.



PC SERIES

NAED NUMBER	CATALOG NUMBER	NOMINAL SIZE (IN)	DIMENSIONS (IN)		NOMINAL LENGTH*	CTN QTY (FT)	EST. SHIPPING	
			W	H			WEIGHT (lbs)	UNIT
84005	PC 0506LG	1/2 x 5/8	.60	.71	6 FT	120	11	CTN
84010	PC 051LG	1/2 x 1	.60	1.18		120	12	CTN
84110	PC 11LG	1 x 1	1.00	1.18	6 FT	108	18	CTN
84115	PC 115LG	1 x 1 1/2	1.00	1.57		108	22	CTN
84120	PC 12LG	1 x 2 1/4	1.00	2.36	6 FT	144	35	CTN
84130	PC 13LG	1 x 3	1.00	3.15		144	51	CTN
84140	PC 14LG	1 x 4	1.00	3.94	6 FT	48	23	CTN
84151	PC 1515LG	1 1/2 x 1 1/2	1.57	1.57		120	34	CTN
84152	PC 152LG	1 1/2 x 2 1/4	1.57	2.36	6 FT	108	36	CTN
84153	PC 153LG	1 1/2 x 3	1.57	3.15		96	37	CTN
84154	PC 154LG	1 1/2 x 4	1.57	3.94	6 FT	48	23	CTN
84215	PC 215LG	2 1/4 x 1 1/2	2.36	1.57		72	27	CTN
84220	PC 22LG	2 1/4 x 2 1/4	2.36	2.36	6 FT	72	33	CTN
84230	PC 23LG	2 1/4 x 3	2.36	3.15		72	37	CTN
84240	PC 24LG	2 1/4 x 4	2.36	3.94	6 FT	24	15	CTN
84315	PC 315LG	3 x 1 1/2	3.15	1.57		72	32	CTN
84320	PC 32LG	3 x 2 1/4	3.15	2.36	6 FT	72	37	CTN
84330	PC 33LG	3 x 3	3.15	3.15		72	44	CTN
84340	PC 34LG	3 x 4	3.15	3.94	6 FT	24	20	CTN
84350	PC 35LG	3 x 5	2.95	4.92		36	32	CTN
84415	PC 415LG	4 x 1 1/2	3.94	1.57	6 FT	48	26	CTN
84420	PC 42LG	4 x 2 1/4	3.94	2.36		48	35	CTN
84430	PC 43LG	4 x 3	3.94	3.15	6 FT	48	36	CTN
84440	PC 44LG	4 x 4	3.94	3.94		24	21	CTN
84450	PC 45LG	4 x 5	3.94	4.92	6 FT	24	24	CTN
84640	PC 64LG	6 x 4	5.91	3.94		24	30	CTN



*Actual piece length is 6' 6 3/4" (2m), which is considered as 6' for carton quantity.

Options available: Adhesive backing, white color, blue color, solid wall. Consult factory for availability.
 Sold in carton quantity only.



GREAVES



WIRE MANAGEMENT CABLE TIES

NATURAL

Nylon 6.6

NAED NUMBER	CATALOG NUMBER	LENGTH (IN)	WIDTH (IN)	MAX BUNDLE (IN)	TENSILE	PKG QTY	EST. SHIPPING	
							WEIGHT (lbs)	UNIT
STANDARD DUTY								
74501	N 418	4	.100	7/8	18	100	0.07	PKG
74515	N 818	8		2			0.13	PKG
74505	N 540	5½	.130	1¼	40		0.17	PKG
74520	N 840	8½		2			0.25	PKG
74510	N 750	7½		1¼			0.30	PKG
74525	N 1150	11	.187	3	50		0.39	PKG
74530	N 1450	14		4		0.50	PKG	
HEAVY DUTY								
74535	N 14120	14½	.300	4	120	50	1.20	PKG
74537	N 24120†	24		8			1.27	PKG
74540	N 24175	24		7		50	1.37	PKG
74555	N 36175	36	.345	11	175		2.03	PKG
74560	N 48175*	48		15			2.68	PKG

*Color of N48175 may be gray for HVAC use.

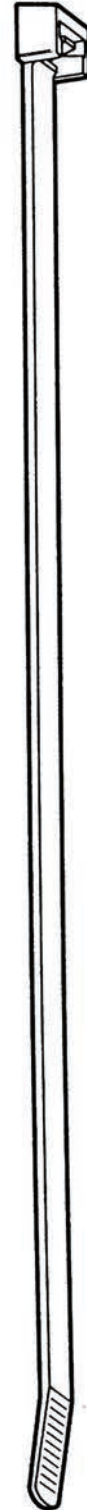
† Not UL Listed.

BLACK UV RESISTANT

Nylon 6.6

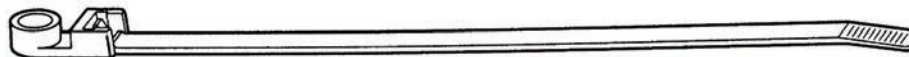
NAED NUMBER	CATALOG NUMBER	LENGTH (IN)	WIDTH (IN)	MAX BUNDLE (IN)	TENSILE	PKG QTY	EST. SHIPPING	
							WEIGHT (lbs)	UNIT
STANDARD DUTY								
74601	B 418	4		7/8		100	0.07	PKG
74615	B 818	8	.100	2	18		0.13	PKG
74605	B 540	5½	.130	1¼	40		0.17	PKG
74620	B 840	8½		2			0.25	PKG
74610	B 750	7½		1¼			0.30	PKG
74625	B 1150	11	.187	3	50		0.39	PKG
74630	B 1450	14		4		0.50	PKG	
HEAVY DUTY								
74635	B 14120	14½	.300	4	120	50	1.20	PKG
74637	B 24120†	24		8			1.27	PKG
74640	B 24175	24		7		50	1.37	PKG
74655	B 36175	36	.345	11	175		2.03	PKG
74660	B 48175	48		15			2.68	PKG

† Not UL Listed.





WIRE MANAGEMENT MOUNTING CABLE TIES



NAED NUMBER	CATALOG NUMBER	LENGTH (IN)	WIDTH (IN)	MAX BUNDLE (IN)	TENSILE	MOUNT HOLE	PKG QTY	EST. SHIPPING	
								WEIGHT (lbs)	UNIT
74804	M 530	6	.140	1 ¹ / ₄	30	8	100	0.20	PKG
74810	M 750	7 ¹ / ₂	.185	1 ³ / ₄	50	10		0.34	PKG
74825	M 1150	11	.187	3	50	10		0.49	PKG
74835	M 14120	15	.300	4	120	1/4		1.53	PKG

WEATHER RESISTANT BLACK

NAED NUMBER	CATALOG NUMBER	LENGTH (IN)	WIDTH (IN)	MAX BUNDLE (IN)	TENSILE	MOUNT HOLE	PKG QTY	EST. SHIPPING	
								WEIGHT (lbs)	UNIT
74904	MB 530	6	.140	1 ¹ / ₄	30	8	100	0.19	PKG
74910	MB 750	7 ¹ / ₂	.185	1 ³ / ₄	50	10		0.34	PKG
74925	MB 1150	11	.187	3	50	10		0.49	PKG
74935	MB 14120	15	.300	4	120	1/4		1.30	PKG

IDENTIFICATION TIES



NAED NUMBER	CATALOG NUMBER	LENGTH (IN)	WIDTH (IN)	MAX BUNDLE (IN)	TENSILE	MARKER AREA	PKG QTY	EST. SHIPPING	
								WEIGHT (lbs)	UNIT
74701	ID 418*	4	.100	3/4	18	.312 x .973	100	0.11	PKG
74710	ID 750	8	.181	1 ³ / ₄	50	1.081 x .522		0.35	PKG

* Flag configuration

RELEASABLE TIES

Extended pawl releases with thumbnail
Ideal for temporary bundling applications
Reusable



NAED NUMBER	CATALOG NUMBER	LENGTH (IN)	WIDTH (IN)	MAX BUNDLE (IN)	TENSILE	PKG QTY	EST. SHIPPING	
							WEIGHT (lbs)	UNIT
74953	R 750	7 ¹ / ₂		1 ⁷ / ₈		100	0.56	PKG
74983	R 1150	11	.18	3	50		0.72	PKG
74985	R 1450	14		4			0.84	PKG

Also available in UV resistant black



CABLE TIE MOUNTS

Produced in 6.6 natural nylon and available in heat stabilized black nylon
Pressure sensitive adhesive backing with #6 screw mounting option
UL recognized

NAED NUMBER	CATALOG NUMBER	DIMENSIONS (IN)	MAX TIE WIDTH (IN)	PKG QTY	EST. SHIPPING	
					WEIGHT (lbs)	UNIT
74755	MP 75	3/4 X 3/4	.130	100	0.18	PKG
74750	MP 100	1 X 1	.187		0.35	PKG



Also available in UV resistant black



GROUNDING

GREAVES EXCLUSIVE

Ground-Lok™ CLAMP SYSTEM INTERLOCKING COMPONENTS

Copper wire only

BRONZE WATER PIPE GROUND CLAMPS

Interchangeable clamps and adapters provide versatility
Interlocking teeth assure positive lock of adapter to clamp while permitting orientation of adapter in virtually any direction
Heavy duty construction - cast bronze body and plated steel screws



G1 SERIES

NAED NUMBER	CATALOG NUMBER	WATER PIPE SIZE (IPS)	TUBING SIZE	GROUND WIRE RANGE	CTN QTY	EST. SHIPPING WEIGHT (lbs) UNIT	
CLAMPS							
30102	G1	1/2 - 1	3/4 - 1 1/2		50	12.0	CTN
30160	G2	1 1/4 - 2	1 1/2 - 2		25	10.8	CTN
30440	G12	2 1/2 - 4	3 - 4	#2 STR - #8	4	4.46	CTN
30460	G13	4 1/2 - 6	5 - 6		4	6.11	CTN
WIRE ADAPTER*							
30685	*G50	CABLE		4/0 - #8 STR	20	4.56	CTN
		ARMORED		#2 STR - #8		4.56	CTN



Clamp



G50 Wire Adapter



Patented

G50 is supplied with stainless steel screws.
* G50 not CSA.

CONDUIT HUBS**							
NAED NUMBER	CATALOG NUMBER	THREAD SIZE	GROUND WIRE RANGE	CTN QTY	EST. SHIPPING WEIGHT (lbs) UNIT		
30700	G41	1/2	2/0 - #8	20	5.00	CTN	
30720	G42	3/4	3/0 - #8	20	5.72	CTN	
30740	G43	1	3/0 - #8	20	6.81	CTN	



Conduit Adapter Hub

For tin-plating add suffix "P" to Catalog Numbers.
UL listed to #4 AWG. CSA certified as shown.
**G41, G42, G43 UL listed when used on G1, G2, G12, or G13 clamp.



4 CLAMPS + 4 ADAPTERS = 20 COMBINATIONS

All adapters fit all clamps



GROUNDING

GREAVES EXCLUSIVE

Ground-Lok™ CLAMP SYSTEM INTERLOCKING – ASSEMBLED SETS



Copper wire only

BRONZE WATER PIPE GROUND CLAMP ASSEMBLIES

NAED NUMBER	CATALOG NUMBER	INCLUDES ADAPTER TYPE	WATER PIPE SIZE (IPS)	GROUND WIRE RANGE	CTN QTY	EST. SHIPPING	
						WEIGHT (lbs)	UNIT
30205	G53	*G50	1/2 - 1	4/0 STR to #8	25	11.74	CTN
30245	G54	WIRE	1/4 - 2		20	6.56	CTN
30485	G515	ADAPTER WITH LAY-IN	2 1/2 - 4		4	5.43	CTN
30505	G516	CAPABILITY	4 1/2 - 6		4	6.90	CTN
* G50 not CSA.							
FOR 1/2" RIGID CONDUIT							
30280	G5	G41	1/2 - 1	2/0 STR to #8	25	12.39	CTN
30320	G6	1/2"	1/4 - 2		20	13.46	CTN
30520	G18	CONDUIT	2 1/2 - 4		4	5.46	CTN
30540	G19	ADAPTER	4 1/2 - 6		4	7.10	CTN
FOR 3/4" RIGID CONDUIT							
30360	G7	G42	1/2 - 1	3/0 STR to #8	25	13.39	CTN
30380	G8	3/4"	1/4 - 2		20	14.26	CTN
30580	G21	CONDUIT	2 1/2 - 4		4	5.62	CTN
30600	G22	ADAPTER	4 1/2 - 6		4	7.10	CTN
FOR 1" RIGID CONDUIT							
30400	G9	G43	1/2 - 1	3/0 STR to #8	25	14.64	CTN
30420	G10	1"	1/4 - 2		10	7.76	CTN
30620	G24	CONDUIT	2 1/2 - 4		2	3.04	CTN
30640	G25	ADAPTER	4 1/2 - 6		2	3.86	CTN

For tin-plating add suffix letter "P" to Catalog Numbers.
UL listed to #4 AWG. CSA certified as shown.



Patented



G1SS SERIES

*Stainless Steel Screws

NAED NUMBER	CATALOG NUMBER	ADAPTER TYPE	WATER PIPE SIZE (IPS)	GROUND WIRE MAX	CTN QTY	EST. SHIPPING	
						WEIGHT (lbs)	UNIT
30901	G1SS	-	1/2 - 1	#2 STR to #8	50	12.7	CTN
30902	G2SS	-	1/4 - 2		25	10.5	CTN
30912	G12SS	-	2 1/2 - 4		4	4.23	CTN
30913	G13SS	-	4 1/2 - 6		4	6.00	CTN
30685	G50	Wire	-	4/0 STR	20	4.67	CTN
30941	G41SS	1/2" Conduit	-	2/0 STR	20	5.17	CTN
30942	G42SS	3/4" Conduit	-	3/0 STR	20	5.83	CTN
30943	G43SS	1" Conduit	-	3/0 STR	20	6.74	CTN
30953	G53SS	Wire	1/2 - 1	4/0 STR	25	12.1	CTN
30954	G54SS	Wire	1/4 - 2	4/0 STR	10	3.50	CTN

For tin-plating add suffix letter "P" to Catalog Numbers.
Screws are stainless steel. These SS clamps not UL, not CSA.
*SS clamps replace BS (Brass Screw) clamps for improved corrosion resistance.



G1SS



G 50

G53SS
G54SSG41SS
G42SS
G43SS

GROUNDING ECONOMY PIPE CLAMPS



Bare Wire Type

Cast bronze high-copper alloy pipe clamp with plated steel screws
For bonding bare copper wire to water pipe, such as a water meter shunt

NAED NUMBER	CATALOG NUMBER	WATER PIPE SIZE (IPS)	WIRE MAX	FIG	CTN QTY	EST. SHIPPING	
						WEIGHT (lbs)	UNIT
30140	G1S	1/2 - 1	#2 STR	1	50	9.90	CTN
30180	G2S	1 1/4 - 2	#2 STR	1	25	9.97	CTN



Copper wire only

Figure 1

Armored Wire Type

Cast bronze high-copper alloy pipe clamp with plated steel screws
For bonding bare or armored copper wire, also use with jacketed cables or cords
Separate two-screw clamping strap for armor

NAED NUMBER	CATALOG NUMBER	WATER PIPE SIZE (IPS)	WIRE MAX	FIG	CTN QTY	EST. SHIPPING	
						WEIGHT (lbs)	UNIT
30560	G20	1/2 - 1	#2 STR	2	50	11.33	CTN
30260	G4S	1 1/4 - 2	#4 STR	2	10	4.83	CTN



Figure 2

1/2" Conduit Type

Cast bronze high-copper alloy pipe clamp with plated steel screws
Hub threaded for 1/2" conduit
Connect wire under hub-screw

NAED NUMBER	CATALOG NUMBER	WATER PIPE SIZE (IPS)	WIRE MAX	FIG	CTN QTY	EST. SHIPPING	
						WEIGHT (lbs)	UNIT
30300	G5S	1/2 - 1	#6 SOL	3	25	5.86	CTN
30340	G6S	1 1/4 - 2	#6 SOL	3	20	10.2	CTN



Figure 3

Stainless Steel Screw Type

Cast bronze high-copper alloy pipe clamp with stainless steel screws
For bonding bare copper wire to water pipe, such as a water meter shunt

NAED NUMBER	CATALOG NUMBER	WATER PIPE SIZE (IPS)	WIRE MAX	FIG	CTN QTY	EST. SHIPPING	
						WEIGHT (lbs)	UNIT
70609	*G1S-SS	1/2 - 1	#2 STR	4	50	10.2	CTN
70613	*G2S-SS	1 1/4 - 2	#2 STR	4	25	9.03	CTN

* Not UL listed.

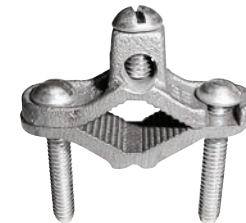


Figure 4

Direct Burial Type

Cast bronze high-copper alloy pipe clamp with silicon bronze or stainless steel screws
For bonding bare copper wire to water pipe, such as a water meter shunt
UL listed for direct burial in earth or concrete, G 20-DB has armor clamp as in Fig. 2

NAED NUMBER	CATALOG NUMBER	WATER PIPE SIZE (IPS)	WIRE MAX.	FIG	CTN QTY	EST. SHIPPING	
						WEIGHT (lbs)	UNIT
70620	G1S-DB	1/2 - 1	#2 STR	5	50	10.3	CTN
70622	*G2S-DB	1 1/4 - 2	#2 STR	5	25	9.15	CTN
70630	*G20-DB	1/2 - 1	#2 STR	2	50	11.8	CTN

PLATING: For tin plating add suffix letter "P" to Catalog Numbers.

*Not UL listed.

Direct Burial



Figure 5

ALUMINUM GROUNDING CLAMPS

High-strength tin-plated aluminum alloy, plated steel screws
For bonding wire to water pipe, galvanized pipe, or steel conduit

NAED NUMBER	CATALOG NUMBER	WATER PIPE SIZE (IPS)	WIRE MAX.	FIG	CTN QTY	EST. SHIPPING	
						WEIGHT (lbs)	UNIT
30810	GAC1	1/2 - 1	1/0 - #14	6	25	3.67	CTN
30820	GAC2	1 1/4 - 2	250 - #6	6	10	3.23	CTN
30840	GAC4	2 1/2 - 4	250 - #6	6	4	3.72	CTN

Dual-rated
for aluminum or copper wire

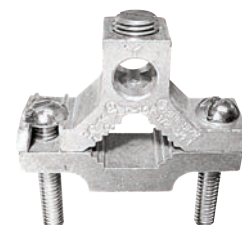


Figure 6



GROUNDING

GROUND ROD CLAMPS

Silicon bronze body
Bronze or stainless steel bolt

G SERIES

NAED NUMBER	CATALOG NUMBER	GROUND ROD SIZE (IN)	GROUND WIRE MAX	CTN QTY	EST. SHIPPING	
					WEIGHT (lbs)	UNIT
HEAVY DUTY						
27000	G29	3/8	#4 STR	50	3.2	CTN
27010	G30	1/2	#4 SOL	50	4.2	CTN
27020	G31	5/8	1/0 SOL	50	6.1	CTN
27030	G32	3/4	#2 SOL	50	8.0	CTN
* HEAVY DUTY						
27050	G120	1/2	#2 STR	50	7.7	CTN
27090	G580	5/8	1/0 STR	50	8.5	CTN
27070	G340	3/4	1/0 STR	50	10.4	CTN
27040	G100	1	4/0 STR	25	6.0	CTN
ECONOMY CLAMP						
27015	G31E	5/8	#2 STR	50	4.9	CTN

PLATING: For tin plating add suffix letter "P" to Catalog Numbers.
* For allen set screws add suffix "A" to Catalog Number.

Tork-Away™ CLAMP

Torque-off bolt head to assure torque and tamper resistance **Brass Bolt**

NAED NUMBER	CATALOG NUMBER	GROUND ROD SIZE (IN)	GROUND WIRE MAX	CTN QTY	EST. SHIPPING	
					WEIGHT (lbs)	UNIT
26910	*G5810B	5/8	1/0 - #8 AWG	10	1.4	CTN

* G5810B not UL listed.

UNIVERSAL and LARGE-WIRE

Extra heavy duty bronze body
Stainless steel bolts
More than 1½ inches of wire contact with G3435 2-bolt clamp

NAED NUMBER	CATALOG NUMBER	GROUND ROD SIZE (IN)	GROUND WIRE RANGE	CTN QTY	EST. SHIPPING	
					WEIGHT (lbs)	UNIT
26923	*G3435	1/2	#6 SOL - 350 MCM	5	5	CTN
		5/8	#6 SOL - 350 MCM			
		3/4	#2 SOL - 250 MCM			
26924	*G3410	1/2 - 3/4	#8 SOL - 1/0 AWG	10	2	CTN

* Fits all size ground rods indicated.

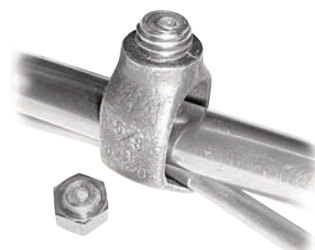
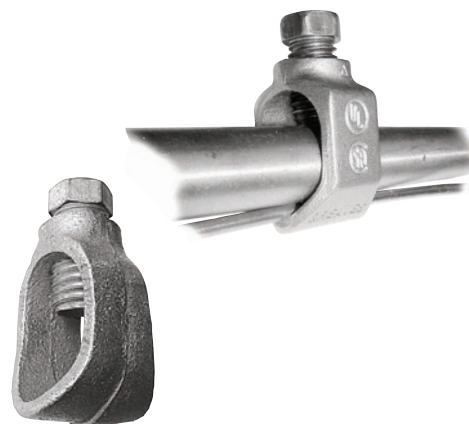
LARGE TWO-WIRE

Bronze body, stainless steel U-bolt
More than 1½ inches of contact area
Fits all ground rod sizes up through 1 inch diameter

NAED NUMBER	CATALOG NUMBER	GROUND ROD SIZE (IN)	WIRE RANGE	CTN QTY	EST. SHIPPING	
					WEIGHT (lbs)	UNIT
26930	G1500	1/2 - 1	#6 - 250MCM 2 WIRES PERPENDICULAR TO ROD #6 - 500MCM 1 WIRE PARALLEL TO ROD	5	2	CTN

Also available with Tork-Away™ Security Hardware to assure required torque and provide tamper resistance. Add "TA" to Catalog Number and contact factory for availability and price.

Direct Burial
Copper wire only



G3410

Continuous Loop





GROUNDING LOW-WING™ CLAMP SERIES INTERLOCKING ASSEMBLIES

For Direct Burial Grounding and Bonding

Applications include galvanized pipe, rod, tube, fencing, rebar (#6, 3/4 inch and up)
 Suitable for use in harsh environments such as agricultural buildings, swimming pools, food processing, marine, grounding grid
 Interlocking teeth assure positive lock of adapter to clamp while permitting orientation of adapter in virtually any direction.
 Corrosion-resistant high-strength cast bronze alloy body, copper straps, silicon bronze or stainless steel hardware
 Approved for direct burial in earth or concrete
 Replaces exothermic welding

Direct Burial

Copper wire only
 Continuous Loop

Wire up to #4/0 AWG
 Pipe sizes 1/2" to 6"



LOW-WING™ SYSTEM

Low profile lay-in design for either continuous run or termination applications
 Replaces G140-DB HIGH-WING Series

G150-DB SERIES

NAED NUMBER	CATALOG NUMBER	WATER PIPE SIZE (IN)	REBAR SIZE		GROUND WIRE	CTN QTY	EST. SHIPPING	
			#	INCH			WEIGHT (lbs)	UNIT
30755	G 150-DB	1/2 - 1	6 - 9	3/4 - 1 1/8	4/0STR - #8	25	12.2	CTN
30765	G 250-DB	1 1/4 - 2	11	1 3/8 - 2 1/4		10	6.8	CTN
30775	G 450-DB	2 1/2 - 4	-	-		2	2.6	CTN
30785	G 650-DB	4 1/2 - 6	-	-		2	3.5	CTN

Not for use on epoxy coated rebar





GROUNDING

2005 NEC Article 250.52(A)(3) requires all “present” grounding electrodes to be bonded together to form a grounding electrode system. “Present” concrete-encased electrodes (re-enforcing bar, or rebar) and/or grounded I-beam must be included in the grounding electrode system. The result is a more effective and reliable grounding system.



Direct Burial
Continuous loop
Copper wire only

REBAR “UFER” GROUNDING CLAMPS

Lay-in feature allows continuous loop wiring
Bronze bodies with bronze or stainless steel hardware
For use in other harsh environments such as swimming pool/spa, agricultural buildings, food processing, marine, communications grid and others
Compared to compression and exothermic methods for rebar “Ufer” grounding and bonding, Greaves mechanical clamps provide fast installation and range-taking capability.
Use to connect wire to rebar. Not for use on epoxy coated rebar.

J-DB SERIES Jones™ Rebar Clamp

NAED NUMBER	CATALOG NUMBER	REBAR SIZE		WIRE RANGE	CTN QTY	EST. SHIPPING	
		#	INCH			WEIGHT (lbs)	UNIT
27101	J 29-DB	3	3/8	#6 SOL - 8 SOL	50	7.5	CTN
27110	J 30-DB	4	1/2	#4 STR - 8 SOL	50	8.5	CTN
27120	J 31-DB	5	5/8	2/0 STR - *6 SOL	25	5.0	CTN
27130	** J 32-DB	4,5,6	1/2,5/8,3/4	4/0 STR - 6 SOL	12	4.3	CTN

Not for use on epoxy-coated rebar
*UL listed for #4 STR - #2 STR
**Not UL listed.

Use to connect wire to galvanized water pipe, rod, tube, fence post, or rebar
Orient head in any direction - lock in position with serrated teeth

G150-DB SERIES LOW-WING™ System

NAED NUMBER	CATALOG NUMBER	REBAR SIZE		WIRE RANGE	CTN QTY	EST. SHIPPING	
		#	INCH			WEIGHT (lbs)	UNIT
30755	G 150-DB	6 - 9	3/4 - 1 1/8	4/0STR - #10SOL	25	12.2	CTN
30765	G 250-DB	11	1 3/8		10	6.8	CTN

G150-DB Series not CSA. Screws are either bronze or stainless steel.

Use to connect wire to rebar or water pipe

GR-DB SERIES Lay-in Rebar Clamp

NAED NUMBER	CATALOG NUMBER	REBAR SIZE		WIRE RANGE	CTN QTY	EST. SHIPPING	
		#	INCH			WEIGHT (lbs)	UNIT
70621	*G 1R-DB	3 - 8	3/8 - 1	#2STR - 10SOL	50	11.6	CTN

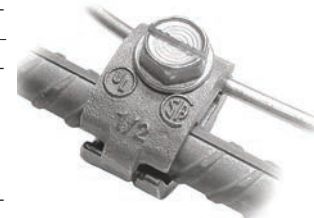
*Not CSA.

Use to connect wire to galvanized water pipe, conduit, rod, tube, fence post, or rebar
Connects wire either parallel or 90° to pipe

C100 SERIES U-Bolt Clamp

NAED NUMBER	CATALOG NUMBER	REBAR SIZE		GROUND WIRE	CTN QTY	EST. SHIPPING	
		#	INCH			WEIGHT (lbs)	UNIT
25020	C 101	3 - 5	3/8 - 5/8			0.48	EA
25080	C 104	4 - 6	1/2 - 3/4			0.54	EA
25160	C 108	7 - 8	7/8 - 1	2/0 - #4	EA	0.49	EA
25260	C 114	7 - 11	7/8 - 1 3/8			0.66	EA
25360	C 120	8 - 12	1 - 1 1/2			0.80	EA

See C100 Series for complete listing of sizes.



R



E

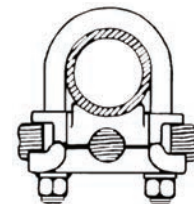
B

Lay-in
Capability



A

R



Parallel or 90°
connection to
rod or pipe

2005 NEC 250.52(A)(3) requires bonding all “present” grounding electrodes, including concrete-encased electrodes (Ufer).



GREAVES EXCLUSIVE

POOL and SPA

“Jones Bond™” system

CONTINUOUS LOOP BONDING & GROUNDING

Swimming pools / spas, foundation footings, agricultural buildings and other difficult environments

JONES REBAR CLAMP

Connect grounding electrode conductor to rebar (concrete encased electrode) for Ufer ground
 Rugged and compact with no awkward projections - easy coverage in concrete
 Lay-in feature allows continuous-run or termination
 Cast bronze body with stainless steel hardware
 The J32-DB handles a range of rebar sizes and wire sizes
 CSA (C US) certified and UL listed for direct burial in earth or concrete

Rebar Clamp

NAED NUMBER	CATALOG NUMBER	WIRE RANGE	REBAR SIZE		CTN QTY	EST. SHIPPING	
			#	INCH		WEIGHT (lbs)	UNIT
27101	J 29-DB	6 SOL - #8	3	3/8	50	7.74	CTN
27110	J 30-DB	4 STR - #8 SOL	4	1/2	50	8.49	CTN
27120	J 31-DB	2/0 STR - *#6 SOL	5	5/8	25	5.66	CTN
27130	** J 32-DB	4/0 STR - #6 SOL	4,5,6	1/2,5/8,3/4	12	4.18	CTN

J-series clamps are designed for bare rebar only
 Do not use on ground rod, pipe, or epoxy-coated rebar
 Installation torque 150 in-lbs
 *UL listed for #4 STR - #2 STR
 **Not UL listed



Direct Burial
 Continuous loop
 Copper wire only



BEAVER TOOTH LUG

Use on electrical equipment, pool/spa equipment, conduit bushings
 Copper body, stainless steel screw, for use with copper wire only

Lay-in-Lug

NAED NUMBER	CATALOG NUMBER	WIRE RANGE	BOLT SIZE	CTN QTY	EST. SHIPPING	
					WEIGHT (lbs)	UNIT
27201	BTL 4-DB	#4 -14 AWG	#10	50	3.06	CTN
27202	BTL 4-DBP	#4 -14 AWG	#10	50	3.06	CTN
27205	BTL 414-DB	#4 -14 AWG	1/4	50	3.89	CTN
27206	BTL 414-DBP	#4 -14 AWG	1/4	50	3.89	CTN

DBP is tin-plated for use on aluminum pool structure. Use of oxide-inhibitor is recommended.



Direct Burial
 Copper wire only



BUGLUGS™

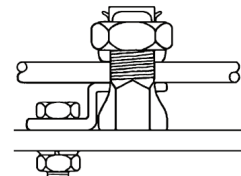
Heavy duty silicon bronze and copper, tin-plated

Lay-in-Lug

NAED NUMBER	CATALOG NUMBER	WIRE MAX	MOUNTING BOLT SIZE	CTN QTY	EST. SHIPPING	
					WEIGHT (lbs)	UNIT
70850	BL 6	#6	#10	50	2.92	CTN
70855	BL 4	#4	1/4	50	4.40	CTN
70860	*BL 2	#2	1/4	50	5.80	CTN
70865	*BL 1/0	1/0	5/16	25	5.27	CTN

Tin-plated for use on aluminum pool structure. Use of oxide-inhibitor is recommended. *Not CSA

Direct Burial
 Copper wire only

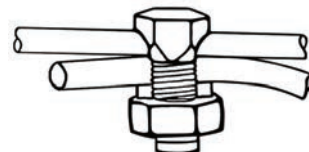


MESH-BUG™

Use to connect copper conductor to wire mesh
 Copper-alloy bronze construction
 Sizes available for rolled (#10) and heavy (#6) wire mesh
 UL listed for direct burial in earth and concrete

NAED NUMBER	CATALOG NUMBER	MESH/ WIRE SIZE	COPPER COND. RANGE (AWG)	EST. SHIPPING	
				WEIGHT (lbs)	UNIT
10131	A2-DB	#10	#8 -12 AWG	0.03	EA
10132	A3-DB	#10	#6 SOL - 8 AWG	0.05	EA
10241	A5-DB	#6, #10	#4 AWG - 8 SOL	0.06	EA
10361	A8-DB	#2	#2 - 6 AWG	0.11	EA
10261	A10-DB	#1/0	#1/0 - 4 AWG	0.16	EA

Direct Burial
 Copper wire only





POOL and SPA

“Jones Bond™” System

Direct Burial

Copper wire only

GROUND ROD CLAMPS

For connecting ground wire to ground rod

Cast bronze body with silicon bronze bolt

UL listed for direct burial in earth and concrete

NAED NUMBER	CATALOG NUMBER	GROUND ROD SIZE (IN)	GROUND WIRE MAX	CTN QTY	EST. SHIPPING	
					WEIGHT (lbs)	UNIT
27000	G 29	3/8	#4 STR	50	3.3	CTN
27010	G 30	1/2	#4 SOL	50	4.2	CTN
27015	G 31E	5/8	#2 STR	50	4.9	CTN
27020	G 31	5/8	1/0 SOL	50	5.6	CTN
27030	G 32	3/4	#2 SOL	50	6.7	CTN
27040	G 100	1	4/0 STR	25	7.6	CTN



PIPE CLAMPS

For connecting ground wire to water pipe

Cast bronze body, silicon bronze or stainless steel screws

UL listed for direct burial in earth and concrete

NAED NUMBER	CATALOG NUMBER	WATER PIPE SIZE (IPS)	GROUND WIRE MAX	CTN QTY	EST. SHIPPING	
					WEIGHT (lbs)	UNIT
70620	G 1S-DB	1/2 - 1	#2 STR	50	9.5	CTN
70622	G 2S-DB	1 1/4 - 2	#2 STR	25	9.0	CTN



Direct Burial



U-BOLT CLAMPS

Heavy Duty U-bolt Clamps

Use to connect wire to pipe, rod, or fence posts

Cast bronze bodies with silicon bronze hardware

CSA Certified for direct burial in earth and concrete

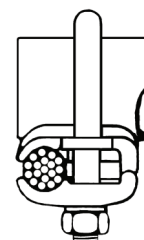
NAED NUMBER	CATALOG NUMBER	ROD SIZE (IN)	WATER PIPE SIZE (IPS)	CABLE RANGE	EST. SHIPPING	
					WEIGHT (lbs)	UNIT
25020	C 101	1/2	1/4		0.5	EA
25080	C 104	5/8 - 3/4	3/8	2/0 - #4	0.6	EA
25160	C 108	7/8 - 1	1/2 - 3/4		0.6	EA
25260	C 114	-	1		0.7	EA
25360	C 120	-	1 1/4	2/0 - #4	0.9	EA
25560	C 132	-	2		1.0	EA
71245	C 142	-	3		1.5	EA

See C100 Series for complete listing of sizes.

PLATING: For tin plating of above items add suffix "P" to Catalog Number.

Direct Burial

Continuous Loop



Parallel or 90° connection to rod or pipe

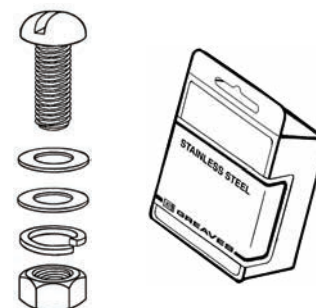
STAINLESS STEEL HARDWARE KITS

Sets of stainless steel screws, washers, and nuts

Use to mount BTL-DB and BL Series lugs to equipment

Each kit packaged in clear plastic display box

NAED NUMBER	CATALOG NUMBER	SCREW		KIT CONTENTS			EST. SHIPPING		
		SIZE	L (IN)	SCREWS	WASHERS FLAT	NUTS LOCK	WEIGHT (lbs)	UNIT	
27221	SS 10-A	10-24	1/2	50	100	50	50	.4	KIT
27223	SS 10-B		3/4					.5	KIT
27225	SS 10-C		1					.6	KIT
27226	SS 10-D		1 1/4					.6	KIT
27231	SS 0-A	1/4-20	1/2	25	50	25	25	.6	KIT
27233	SS 0-B		3/4					.7	KIT
27235	SS 0-C		1					.8	KIT
27237	SS 0-D		1 1/2					.9	KIT



Direct Burial

For larger sizes of stainless steel or silicon bronze see hardware section.



POOL and SPA EQUIPOTENTIAL BONDING

COPPER BONDING MESH KITS

Use to provide equipotential bonding grid

- under pool perimeter surfaces,
- under paving stones or concrete

Fulfills 2008 NEC Article 680.26(B)(1)(b) requirements

Made of #8AWG solid copper with exothermically welded joints

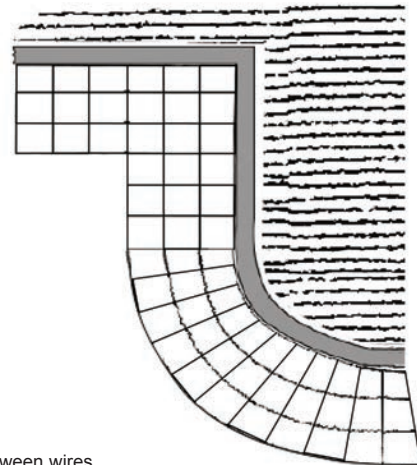
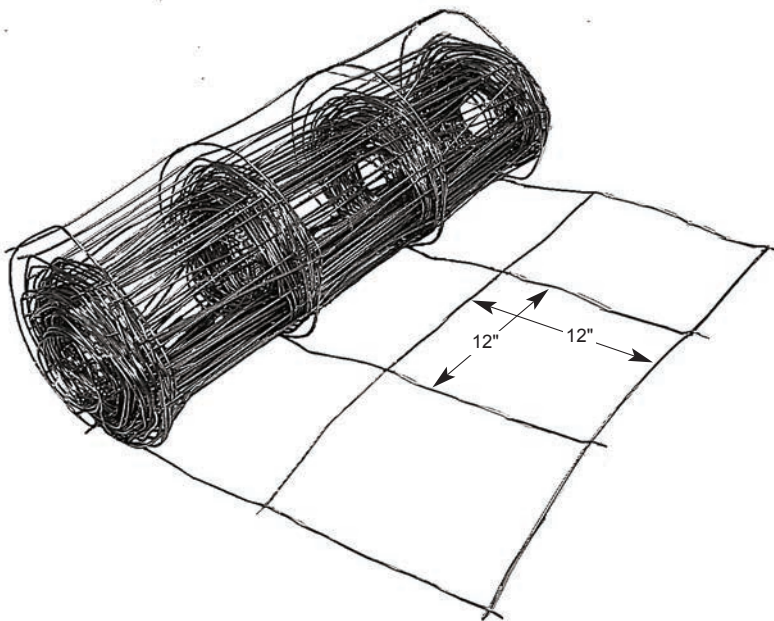
Kits include hardware listed below

Each kit is individually boxed



2008 NEC Article 680.26(B)(1)(b) and 680.26(B)(2) excerpts:

- A copper conductor grid shall be provided and
- be constructed of minimum 8 AWG bare copper conductors bonded to each other at all points of crossing
 - be arranged in a 300mm (12 in) by 300mm (12 in) network of conductors in a uniformly spaced perpendicular grid pattern with a tolerance of 100mm (4 in)
 - the perimeter surface shall extend for 1 m (3 ft) horizontally beyond the inside walls of the pool and shall include unpaved surfaces as well as poured concrete and other types of paving.



W = width
L = length
S = distance between wires

CBM SERIES

NAED NUMBER	CATALOG NUMBER	WIRE MAT'L	MESH DIMENSIONS			KIT CONTENTS			EST. SHIPPING	
			W (FT)	L (FT)	S (IN)	CLAMP	SPLIT BOLTS	STAKES	WEIGHT (lbs)	UNIT
27410	CBM35K	#8CU	3	50	12	1	9	16	22	EA
27415	CBM310K	#8CU	3	100	12	1	17	16	43	EA

INSTALLATION

- 1 - Unroll into position. Use holding stakes to assist one-man work.
- 2 - Bond to rebar with
 - rebar clamp provided (accepts two #8 wires),
 - or Jones Rebar clamp #J29-DB (3/8 rebar), or #J30-DB (1/2" rebar), or #G1R-DB (3/8" - 1" rebar).
- 3 - For contours, shape the mesh wire or cut and splice
- 4 - Bond mesh sections together with direct burial split bolts supplied or Greaves #A2-DB or #A5-DB.



GROUNDING INTERSYSTEM BONDING TERMINATION

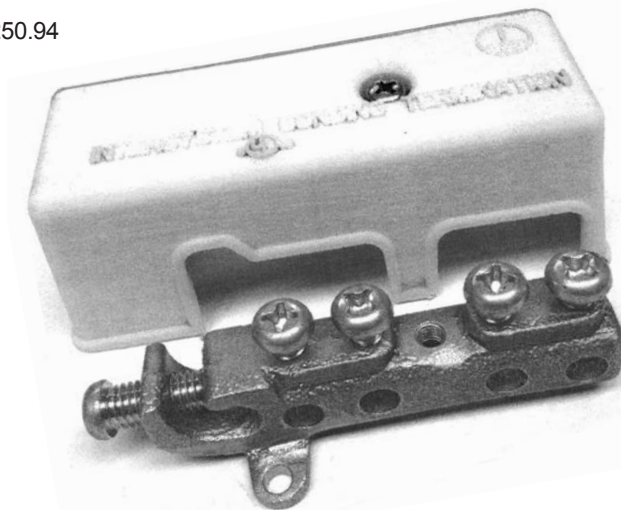
2008 NEC article 250.94 requirements

- An intersystem bonding termination for connecting intersystem bonding and grounding conductors required for other systems shall be provided external to enclosures at the service equipment and at the disconnecting means for any additional buildings or structures.
- The intersystem bonding termination shall be accessible for connection and inspection. The intersystem bonding termination shall have the capacity for connection of not less than three intersystem bonding conductors.
- The intersystem bonding termination device shall not interfere with opening a service or metering equipment enclosure.

Use to connect multiple intersystem conductors per NEC 250.94
Accommodates up to 4 intersystem wires
All hardware is stainless steel

BONDING BAR KIT – BRONZE

Bronze bar with stainless steel set-screws
Lay-in design for main #2-6 AWG
Accommodates up to 4 tap wires up to #4 AWG
Includes cover with stainless steel mounting screw
Cover is paintable and UV rated
Suitable for indoor or outdoor use



GBK SERIES

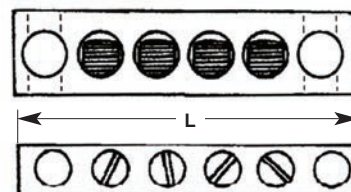
NAED NUMBER	CATALOG NUMBER	BAR MAT'L	DIMENSIONS (IN)			KITS/ CTN	EST. SHIPPING	
			W	H	L		WEIGHT (lbs)	UNIT
27470	GBK4-4	BRONZE	4.5	1.6	1.8	12	3	CTN

METERBOX BONDING KIT

Accommodates up to 4 wires #2-14AWG
Mount on exterior of meter box or panel
Includes stainless steel mounting hardware
Each kit is individually bagged
MBKA Aluminum bar kit is suitable for indoor or dry outdoor use
MBKC Copper bar kit is suitable for outdoor use

Each kit contains:

- (1) Bar with set-screws for wire connections
- (2) Mounting screws 1/4-20 X 1 1/4" stainless steel slotted head
- (2) Nuts 1/4-20 stainless steel
- (2) External-tooth countersunk lock-washers 1/4" stainless steel



MBK SERIES

NAED NUMBER	CATALOG NUMBER	BAR MAT'L	DIMENSIONS (IN)			MOUNTING HOLE		KITS/ CTN	EST. SHIPPING	
			W	H	L	DIA	CENTERS		WEIGHT (lbs)	UNIT
27450	MBKC2-4	CU	3/8	5/8	2 7/16	1/4 CLEAR	2 3/8	10	2	CTN
27460	MBKA2-4	AL	3/8	5/8	2 7/16	1/4 CLEAR	2 3/8	10	1	CTN

CU bar (in #MBKC2-4) is CSA certified and UL recognized.
Screws are stainless steel (5/32 hex-socket) suitable for outdoor locations.
Aluminum bar (in #MBKA2-4) is CSA certified. Screws are slotted-head zinc-plated mild steel.



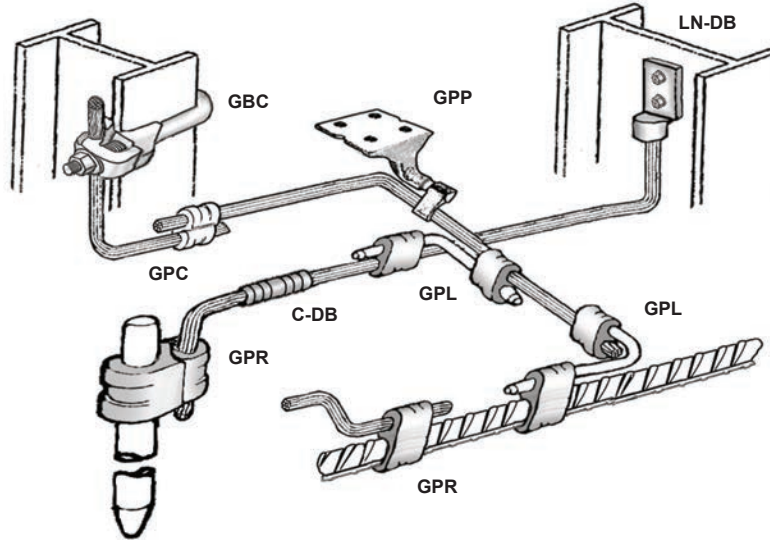
GREAVES

GROUND-PRES™

IRREVERSIBLE COMPRESSION SYSTEM

Irreversible compression "C tap" connectors for direct burial grounding grid applications

Direct Burial



Tap or lap-splice for wire-to-wire connections
GPC SERIES

CAUTION
Use of wash-off resistant oxide-inhibitor is recommended with all underground joints.

NAED NUMBER	CATALOG NUMBER	WIRE RANGE		DIE	CTN QTY	EST. SHIPPING	
		MAIN	TAP			WEIGHT (lbs)	UNIT
12946	GPC46	#4STR-6SOL	#6STR-6SOL	BG or 5/8	50	2.3	CTN
12944	GPC44		#4STR-4SOL		50	2.4	CTN
12926	GPC26	#2STR-2SOL	#6STR-8SOL	C	25	2.3	CTN
12922	GPC22		#2STR-2SOL		25	2.3	CTN
12920	GPC2020	2/0-1/0STR	2/0STR-1/0SOL	O	10	4.1	CTN
12923	GPC2520	250-3/0	2/0-6SOL	997	10	2.3	CTN
12924	GPC2525		250-3/0		10	2.6	CTN
12942	GPC4020	4/0-3/0SOL	2/0STR-1/0SOL	F or D3	10	3.8	CTN
12940	GPC4040		4/0STR-3/0SOL		10	3.3	CTN



Tap or lap-splice for ground rod-to-wire or wire-to-wire connections
GPR SERIES

NAED NUMBER	CATALOG NUMBER	MAIN		TAP	DIE	CTN QTY	EST. SHIPPING	
		ROD	WIRE	WIRE			WEIGHT (lbs)	UNIT
12822	GPR122	1/2, 5/8	250MCM-1/0 STR	#2STR-4SOL	997	10	3.2	CTN
12823	GPR1220			2/0-1/0STR		10	3.0	CTN
12824	GPR1225			250MCM-3/0STR		10	2.6	CTN
12834	GPR342	5/8, 3/4	500-250MCM	#2STR-4SOL	998	10	4.7	CTN
12835	GPR3420			2/0-1/0STR		10	4.6	CTN
12836	GPR3425			250MCM-3/0STR		10	4.2	CTN
12837	GPR3450			500MCM3/0STR		5	5.0	CTN



Perpendicular configuration for ground rod-to-wire or wire-to-wire connections
GPL SERIES

NAED NUMBER	CATALOG NUMBER	ROD	A		B	DIE		CTN QTY	EST. SHIPPING	
			WIRE	WIRE	WIRE	A	B		WEIGHT (lbs)	UNIT
12722	GPL22	—	#2STR-6SOL	#2STR-6SOL	O	O	4	1.8	CTN	
12723	GPL122	1/2, 5/8	250MCM-1STR	#2STR-6SOL	997	O	4	2.3	CTN	
12724	GPL1225		250MCM-#2STR	250MCM-#2	997	997	2	1.7	CTN	
12734	GPL342	5/8, 3/4	500-250MCM	#2STR-6SOL	998	O	2	2.2	CTN	
12735	GPL3425			250MCM-#2	998	997	2	2.2	CTN	
12736	GPL3450			500-250MCM	999	999	2	3.6	CTN	



Hydraulic tool required for installation for all except GPL22.



GROUND-PRES™

IRREVERSIBLE COMPRESSION SYSTEM

COMPRESSION GROUND TERMINAL

Irreversible compression terminal for direct burial grounding grid applications

Seamless high-conductivity copper

NEMA bolt spacing – for 1/2" bolts on 1 3/4" centers

Pre-filled with oxide inhibitor and capped

Direct Burial

Copper wire only

L-NDB SERIES

NAED NUMBER	CATALOG NUMBER	WIRE SIZE	U-TYPE DIE		CTN QTY	EST. SHIPPING	
			COLOR	INDEX		WEIGHT (lbs)	UNIT
34100	L10NDB	1/0	PINK	12/348	10	1.59	CTN
34200	L20NDB	2/0	BLACK	13	10	1.98	CTN
34300	L30NDB	3/0	ORANGE	14	10	2.24	CTN
34400	L40NDB	4/0	PURPLE	15	10	2.76	CTN
34250	L250NDB	250MCM	YELLOW	16	10	3.54	CTN
34350	L350NDB	350MCM	RED	18/324	6	3.12	CTN
34500	L500NDB	500MCM	BROWN	20/299	6	5.00	CTN



COMPRESSION GROUND SPLICE

Irreversible compression splice for direct burial grounding applications

Seamless high-conductivity copper

Two inspection holes, one for each wire

Pre-filled with oxide-inhibitor and capped

C-DB SERIES

NAED NUMBER	CATALOG NUMBER	WIRE SIZE	U-TYPE DIE		CTN QTY	EST. SHIPPING	
			COLOR	INDEX		WEIGHT (lbs)	UNIT
34101	C10DB	1/0	PINK	12/348	10	1.20	CTN
34201	C20DB	2/0	BLACK	13	10	1.45	CTN
34301	C30DB	3/0	ORANGE	14	10	1.56	CTN
34401	C40DB	4/0	PURPLE	15	10	1.71	CTN
34251	C250DB	250MCM	YELLOW	16	10	2.50	CTN
34351	C350DB	350MCM	RED	18/324	6	1.09	CTN
34501	C500DB	500MCM	BROWN	20/299	6	4.00	CTN



COMPRESSION GROUND PLATE

Irreversible compression ground plate for direct burial grounding applications

Body cast of high-strength, high-conductivity high-copper alloy

NEMA spacing for tapped lug-mounting holes for 1/2" bolts on 1 3/4" centers on floor side

Copper compression element of pure wrought copper, pre-filled with oxide-inhibitor

Tapped positioning hole on underside of plate

Plastic plugs provided in tapped holes

GPP SERIES

NAED NUMBER	CATALOG NUMBER	WIRE RANGE	DIE	MOUNTING HOLES	POSITIONING HOLE	CTN QTY	EST. SHIPPING WEIGHT (lbs)	UNIT
12622	GPP250-2N	250MCM-#2	U997*	(2) 1/2-13	3/8-16**	1	2.50	EA
12624	GPP250-4N			(4) 1/2-13		1	2.73	EA

*PT6515 adapter required with some tools.

** 3/8-16 is standard; others available.



GROUNDING

Copper wire only

I-BEAM GROUNDING CLAMPS – BRONZE

To connect grounding electrode conductor to structural I-beam or metal frame
 Can also be used on fence posts, trailer frames, cable tray
 Series covers a wide range of beam and wire sizes
 Eliminates drilling structural steel
 Replaces exothermic welding

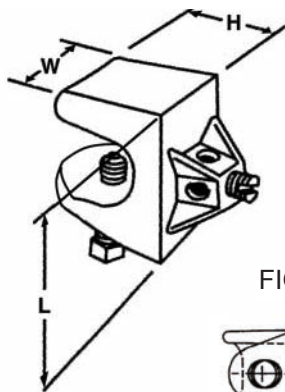
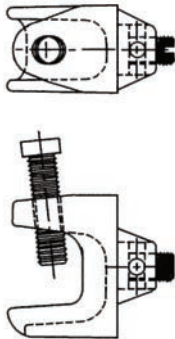


FIG. 1



Continuous loop

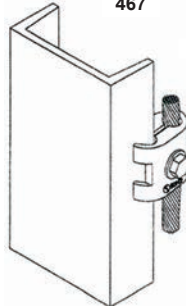
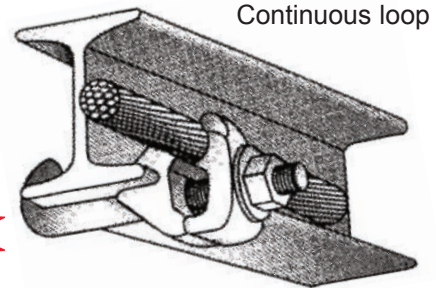
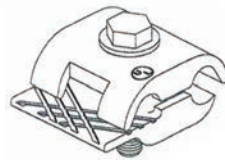
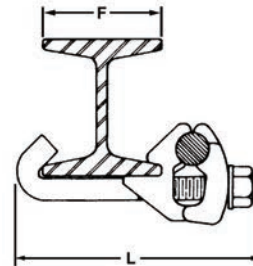


FIG. 2



Continuous loop

FIG. 3



GBCH

High strength copper-alloy bronze casting
 Steel screws, zinc plated
 For stainless steel screws specify GBCH6-SS
 Screw penetrates paint or oxide
 UL (CU only)

GBCL

Cast high-copper alloy bronze body
 Stainless steel hardware
 Use on I-beam flange up to 1/2" thick
 Suitable for direct burial in earth and concrete
 Clean the beam surface before installation for electrical contact
 UL listed for both grounding and lightning protection

GBC40

High strength copper-alloy bronze casting
 Hardware, zinc plated steel or stainless steel
 Shape of hook may vary by size
 Clean beam surface before installation for electrical contact

GBC SERIES

NAED NUMBER	CATALOG NUMBER	BEAM FLANGE (IN)		WIRE RANGE MAX - MIN	DIMENSIONS (IN)			FIG.	CTN QTY	EST. SHIPPING	
		F	TH		W	L	H			WEIGHT (lbs)	UNIT
27190	GBCH6	-	5/8 MAX	#6 - #14AWG	1	1 9/16	1 3/16	1	10	3.0	CTN
27189	GBCH6-SS	-	5/8 MAX	#6 - #14AWG	1	1 9/16	1 3/16	1	10	3.0	CTN
27500	†*GBCL		1/4 - 1/2	4/0 - #6 SOL	1 3/4	2	1 1/2	2	10	4.5	CTN
27192	*GBC40-2	2	3/16	4/0 - #4STR	1	4 1/2	1 3/4	3	1	0.52	EA
27194	*GBC40-4	4	1/4	4/0 - #4STR	1	6 1/2	1 3/4	3	1	0.57	EA
27196	*GBC40-6	6	5/16	4/0 - #4STR	1	8 1/2	1 3/4	3	1	0.62	EA
27198	*GBC40-8	8	3/8	4/0 - #4STR	1	10 1/2	1 3/4	3	1	0.67	EA

For tin plating add suffix letter "P" to Catalog Number.
 *Available with Tork-Away security hardware. Contact factory.
 †Also available in aluminum. Add suffix "A" to Catalog Number.

2005 NEC 250.52(A)(2) requires bonding all "present" grounding electrodes, including I-Beams.



GROUNDING

I-BEAM GROUNDING CLAMPS – ALUMINUM

CU only
Continuous Loop

Use to connect grounding electrode conductor to galvanized steel or anodized aluminum

I-beam, metal frame, cable tray

Screw penetrates I-beam surface paint or oxide for electrical contact

Eliminates drilling structural steel

Aluminum body, tin-plated

Stainless steel screws

UL 467 listed, CU only



GBC2A-SS

GBC2A-SS

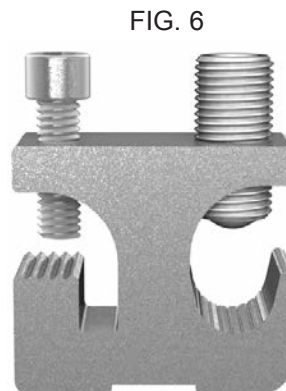
Stainless steel screws



GBC2A-SST

GBC2A-SST

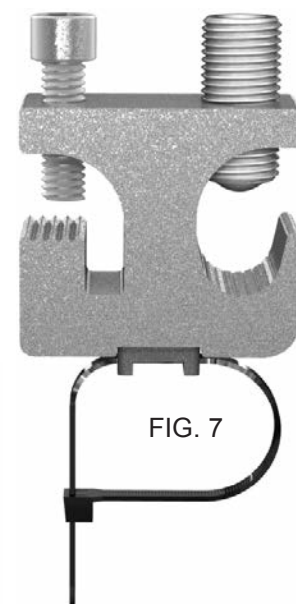
Stainless steel screws
Cable tie slot (.06X.19) of
black UV resistant nylon.
Cable ties sold separately
UL 2703 (solar) listed in USA



GBC250A-SS

GBC250A-SS

Stainless steel screws



GBC250A-SST

GBC250A-SST

Stainless steel screws
Cable tie slot (.06X.19) of
black UV resistant nylon.
Cable ties sold separately
UL 2703 (solar) listed in USA

GBCA SERIES

NAED NUMBER	CATALOG NUMBER	FLANGE THICKNESS	WIRE RANGE	DIMENSIONS (IN)			FIG.	CTN QTY	EST. SHIPPING	
				W	L	H			WEIGHT (lbs)	UNIT
27171	GBC2A-SS	.06 - 3/8	#14AWG - #2 STR	1.5	.62	1.21	4	10	1.3	CTN
27172	GBC2A-SST	.06 - 3/8	#14AWG - #2 STR	1.5	.62	1.4	5	10	1.4	CTN
27174	GBC250A-SS	.08 - .575	#6AWG - 250MCM	2	.87	1.8	6	10	2.8	CTN
27176	GBC250A-SST	.08 - .575	#6AWG - 250MCM	2	.87	2.0	7	10	2.9	CTN



GROUNDING

U-BOLT GROUND CLAMP CONNECTORS

Heavy Duty – Bronze Castings for Strength and Ruggedness

Use to connect wire to pipe, rod, or fence posts

High copper alloy bronze castings with silicon bronze hardware

Suitable for direct burial in earth or concrete

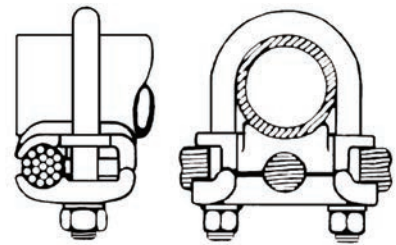
Direct Burial

Continuous Loop
Copper wire only



C100 SERIES

NAED NUMBER	CATALOG NUMBER	ROD SIZE (IN)	PIPE SIZE IPS (O.D.)	CABLE RANGE	EST. SHIPPING	
					WEIGHT (lbs)	UNIT
25000	C 100			#4 - 8	0.39	EA
25020	• C 101	1/2	1/4" (.54)	2/0 - #4	0.48	EA
25040	C 102			250 - 2/0	0.68	EA
25060	C 103			#4 - 8	0.45	EA
25080	• C 104	5/8 - 3/4	3/8" (.675)	2/0 - #4	0.54	EA
25100	• C 105			250 - 2/0	0.66	EA
25120	C 106			500 - 300	1.48	EA
25140	C 107			#4 - 8	0.51	EA
25160	• C 108	7/8 - 1	1/2" - 3/4" (.84) - (1.05)	2/0 - #4	0.49	EA
25180	C 109			250 - 2/0	0.60	EA
25200	• C 110			500 - 300	0.93	EA
25240	C 113			#4 - 8	0.44	EA
25260	• C 114	-	1" (1.315)	2/0 - #4	0.66	EA
25280	• C 115			250 - 2/0	0.66	EA
25300	C 116			500 - 300	1.72	EA
25340	• C 119			#4 - 8	0.77	EA
25360	• C 120		1 1/4" (1.66)	2/0 - #4	0.80	EA
25380	• C 121			250 - 2/0	0.82	EA
25400	C 122			500 - 300	2.01	EA
25440	C 125			#4 - 8	0.75	EA
25460	C 126		1 1/2" (1.90)	2/0 - #4	0.80	EA
25480	• C 127			250 - 2/0	0.98	EA
25500	• C 128			500 - 300	1.56	EA
25540	• C 131			#4 - 8	0.80	EA
25560	• C 132		2" (2.375)	2/0 - #4	0.99	EA
71200	• C 133			250 - 2/0	1.06	EA
71205	C 134			500 - 300	1.90	EA
71215	C 136			#4 - 8	1.07	EA
71220	C 137		2 1/2" (2.875)	2/0 - #4	1.21	EA
71225	C 138			250 - 2/0	1.69	EA
71230	C 139			500 - 300	2.50	EA
71240	C 141			#4 - 8	1.26	EA
71245	• C 142		3" (3.5)	2/0 - #4	1.45	EA
71250	C 143			250 - 2/0	1.85	EA
71255	C 144			500 - 300	2.89	EA
71265	C 146			#4 - 8	1.40	EA
71270	C 147		3 1/2" (4.0)	2/0 - #4	1.60	EA
71275	C 148			250 - 2/0	2.01	EA
71280	C 149			500 - 300	3.00	EA
71290	C 151			#4 - 8	1.97	EA
71300	• C 152		4" (4.5)	2/0 - #4	1.97	EA
71305	C 153			250 - 2/0	2.23	EA
71310	C 154			500 - 300	3.30	EA



Connects one wire
parallel or perpendicular
to rod or pipe

Heavy Duty

Pipe sizes 1/4" to 4" IPS
Wire #8 to 500 MCM

Applications

Water Pipe
Metallic Fencing
Ground Rods
Grounding Grids
Rebar

For sizes not listed contact factory for availability.

PLATING: For tin plating add suffix "P" to Catalog Numbers, contact factory for price and availability.

Sizes with "*" before Catalog Number are CSA only.



GROUNDING

LARGE PIPE CLAMPS

Extra heavy-duty bronze castings for strength and ruggedness

Use to connect wire to pipe or fence posts

Clamp first to pipe, then attach wire with cover piece

Separate bolts for mounting on pipe and connecting wire

High copper alloy bronze castings with silicon bronze or stainless steel hardware

Suitable for direct burial in earth or concrete

Direct Burial

Continuous Loop

Copper wire only

CG SERIES

NAED NUMBER	CATALOG NUMBER	PIPE SIZE IPS (O.D.)	CABLE RANGE	FIG.	EST. SHIPPING	
					WEIGHT (lbs)	UNIT
25624	CG 2050	2" (2.375)	500 - 300	1	1.6	EA
25623	CG 2052		500 - #2	2	2.0	EA
25620	CG 2010		1000 - #2	2	5.8	EA
25625	CG 2604	2-1/2" (2.875)	#4 - 8	1	.7	EA
25626	CG 2622		2/0 - #4	1	.9	EA
25627	CG 2625		250 - 2/0	1	1.1	EA
25628	CG 2650		500 - 300	1	1.8	EA
25629	CG 2610		1000 - #2	2	6.0	EA
25633	CG 3125	3" (3.5)	250 - 2/0	1	1.3	EA
25634	CG 3150		500 - 300	1	2.4	EA
25635	CG 3175		750 - 550	1	3.5	EA
25630	CG 3110		1000 - #2	2	6.6	EA
25673	CG 3625	3-1/2" (4.0)	250 - 2/0	1	1.3	EA
25674	CG 3650		500 - 300	1	2.4	EA
25675	CG 3675		750 - 550	1	3.6	EA
25676	CG 3610		1000 - #2	2	7.3	EA
25677	CG 4125	4" (4.5)	250 - 2/0	1	1.5	EA
25678	CG 4150		500 - 300	1	2.6	EA
25679	CG 4175		750 - 550	1	3.8	EA
25680	CG 4110		1000 - #2	2	8.5	EA
25647	CG 4625	4-1/2" (5.0)	250 - #6	2	7.9	EA
25648	CG 4650		500 - #2	2	8.6	EA
25649	CG 4610		1000 - #2	2	8.9	EA
25651	CG 5122	5" (5.563)	2/0 - #4	1	1.5	EA
25652	CG 5125		250 - 2/0	1	2.0	EA
25653	CG 5150		500 - 300	1	3.1	EA
25654	CG 5175		750 - 550	1	4.3	EA
25650	CG 5110		1000 - #2	2	9.5	EA
25661	CG 6122	6" (6.625)	2/0 - #4	1	1.8	EA
25662	CG 6125		250 - 2/0	1	2.0	EA
25663	CG 6150		500 - 300	1	3.4	EA
25664	CG 6175		750 - 550	1	4.7	EA
25660	CG 6110		1000 - #2	2	10.8	EA
25670	CG 7110	6" Cast Iron (7.1 - 7.3)	1000 - #2	2	7.8	EA
25681	CG 8125	8" (8.625)	250 - 2/0	1	2.4	EA
25682	CG 8150		500 - 300	1	4.5	EA
25683	CG 8175		750 - 550	1	5.3	EA
25689	CG 8110		1000 - #2	2	7.8	EA
25690	CG 1010	10" (10.75)	1000 - #2	2	6.5	EA
25692	CG 1210	12" (12.75)	1000 - #2	2	8.4	EA
25694	CG 1410	14" (14.0)	1000 - #2	2	11.0	EA
25696	CG 1610	16" (16.0)	1000 - #2	2	15.0	EA

Sizes for other O.D. or circumference available. For sizes not listed contact factory for delivery.

For tin plating add suffix letter "P" to Catalog Numbers.

Figure 2 also available with Tork-Away™ Security Hardware to assure required torque and provide tamper resistance. Add "TA" to Catalog Number and contact factory for availability and price.

Large pipe sizes
2" to 16" IPS



Figure 1

Connects one wire parallel or perpendicular to pipe

Large wire sizes
to 1000MCM



Figure 2
Not UL listed

Connects one wire parallel to pipe



GREAVES



GROUNDING

U-BOLT GROUND CLAMPS

Heavy Duty – Bronze castings for strength and ruggedness

High copper alloy tin-plated bronze castings with stainless steel U-bolts and hardware

Superior range-taking capability allows six pipe clamp sizes to supplant dozens of similar clamps

Suitable replacement for many Greaves CW and CS series U-bolt clamps, see cross reference

Accepts one or two cables, either parallel or perpendicular to pipe or rod

UL listed for both grounding and lightning protection

Suitable for direct burial in earth or concrete





Direct Burial

Continuous Loop
Copper wire only



CH SERIES

Two-Wire Parallel or Perpendicular

NAED NUMBER	CATALOG NUMBER	CONDUCTOR RANGE WITH 1 OR 2* CABLES	CONDUCTOR RANGE W/ 2 UNEQUAL CABLES	PIPE SIZE IPS (OD)	EST. SHIPPING		
					WEIGHT (lbs)	UNIT	
24509	CH 109	250 MCM - #6 SOL	250 MCM - #2 SOL OR 1/0 AWG - #6 SOL	1/4 - 3/4 (.375 - 1)	0.5	EA	 1 wire parallel to pipe
24521	CH 121	250 MCM - #6 SOL	250 MCM - #2 SOL OR 1/0 AWG - #6 SOL	1/2 - 1-1/2 (.75 - 1.7)	0.6	EA	
24533	CH 133	250 MCM - #6 SOL	250 MCM - #2 SOL OR 1/0 AWG - #6 SOL	3/4 - 2 (1 - 2.4)	0.7	EA	
24543	CH 143	250 MCM - #6 SOL	250 MCM - #2 SOL OR 1/0 AWG - #6 SOL	2 - 3 (2.25 - 3.5)	1.0	EA	
24553	CH 153	250 MCM - #6 SOL	250 MCM - #2 SOL OR 1/0 AWG - #6 SOL	3 - 4 (3.2 - 4.5)	1.25	EA	
24563	CH 163	250 MCM - #6 SOL	250 MCM - #2 SOL OR 1/0 AWG - #6 SOL	5 - 6 (5.63 - 6.63)	1.75	EA	

*Same size.

Also available with Tork-Away™ Security Hardware to assure required torque and provide tamper-resistant conical. Add "TA" to Cat No. and contact factory for price and availability.



GROUNDING

U-BOLT GROUND CLAMP CONNECTORS

Heavy Duty – Bronze castings for strength and ruggedness

Use to connect wire to pipe or fence posts

High copper alloy bronze castings with silicon bronze hardware

Suitable for direct burial in earth or concrete

Direct Burial

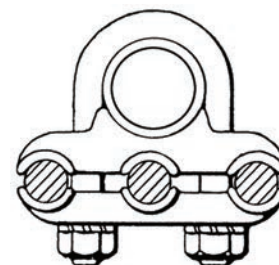
Continuous Loop

Copper wire only

CZ SERIES

Three-Wire Parallel

NAED NUMBER	CATALOG NUMBER	ROD SIZE (IN)	WATER PIPE SIZE (IPS)	CABLE RANGE	EST. SHIPPING	
					WEIGHT (lbs)	UNIT
24904	CZ 104	5/8 or 3/4	3/8	#4 - 2/0	.93	EA
24905	CZ 105			2/0 - 250	1.2	EA
24908	CZ 108	7/8 or 1	1/2 or 3/4	#4 - 2/0	1.3	EA
24909	CZ 109			2/0 - 250	2.1	EA
24910	CZ 110			300 - 500	1.8	EA
24914	CZ 114			#4 - 2/0	1.3	EA
24915	CZ 115	-	1	2/0 - 250	1.3	EA
24916	CZ 116			300 - 500	3.2	EA
24920	CZ 120			#4 - 2/0	1.5	EA
24921	CZ 121	-	1 1/4	2/0 - 250	1.6	EA
24922	CZ 122			300 - 500	3.7	EA
24926	CZ 126			#4 - 2/0	1.5	EA
24927	CZ 127	-	1 1/2	2/0 - 250	1.83	EA
24928	CZ 128			300 - 500	3.7	EA
24932	CZ 132			#4 - 2/0	1.9	EA
24933	CZ 133	-	2	2/0 - 250	2.6	EA
24934	CZ 134			300 - 500	4.3	EA
24937	CZ 137			#4 - 2/0	2.3	EA
24938	CZ 138	-	2 1/2	2/0 - 250	3.2	EA
24939	CZ 139			300 - 500	4.7	EA
24942	CZ 142			#4 - 2/0	2.7	EA
24943	CZ 143	-	3	2/0 - 250	3.5	EA
24944	CZ 144			300 - 500	5.4	EA
24947	CZ 147	-	3 1/2	#4 - 2/0	3.0	EA



Connects three cables parallel to rod or pipe

RAISED-FLOOR PEDESTAL CLAMPS

Pedestal clamp for raised computer-floor grounding grid applications

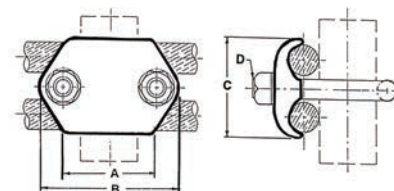
Use for signal reference grid, static ground drain, fault current ground

Accommodates one or two grounding wires

Install on round or square pedestal, as noted

Bronze high-copper alloy body and silicon bronze hardware

Suitable for direct burial in earth or concrete

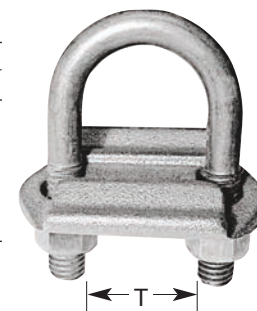


Connects one or two cables perpendicular to pedestal

CR SERIES

T = Throat of U-bolt

NAED NUMBER	CATALOG NUMBER	PEDESTAL		CONDUCTORS		DIMENSIONS					CTN QTY	EST. SHIPPING	
		SIZE (IN)	TYPE	NO.	SIZE	A	B	C	D	T		WEIGHT (lbs)	UNIT
25807	CR107	3/4 - 1 3/4 - 7/8	ROUND SQUARE	1 or 2	#8-4 STR	1.50	2.38	1.3	3/8	1.15	20	7.8	CTN
25808	CR108	3/4 - 1 3/4 - 7/8	ROUND SQUARE	1 or 2	#4-2/0 STR	1.50	2.38	1.7	3/8	1.15	20	9.7	CTN
25814	CR114	1 1/4	ROUND	1 or 2	#4-2/0 STR	1.75	2.62	1.7	3/8	1.38	20	9.8	CTN





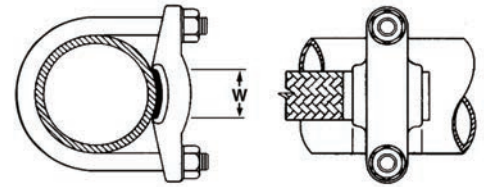
For copper strap

GROUNDING FLEXIBLE STRAP SYSTEM



PIPE CLAMPS FOR FLEXIBLE STRAPS

For grounding flat flexible strap to fence posts, gates or water pipe
Bronze high-copper alloy castings



CF SERIES

NAED NUMBER	CATALOG NUMBER	PIPE SIZE IPS	STRAP MAX W (IN)	EST. SHIPPING	
				WEIGHT (lbs)	UNIT
25710	CF 101	1	1	0.57	EA
25712	CF 121	1 1/4	1	0.65	EA
25715	CF 151	1 1/2	1	0.72	EA
25720	CF 201	2	1	0.78	EA
25725	CF 251	2 1/2	1	0.95	EA
25730	CF 301	3	1	1.02	EA
25735	CF 351	3 1/2	1	1.16	EA
25740	CF 401	4	1	1.22	EA
25750	CF 501	5	1	1.79	EA
25760	CF 601	6	1	2.30	EA



FLEXIBLE JUMPER STRAP CONNECTORS

Use to absorb expansion, misalignment, or motion of equipment
Use with CF Series clamps to bond fencepost to gate
Flexible flat woven tin-plated copper braid
Seamless high-conductivity tin-plated copper flat ferrules



FJ SERIES

NAED NUMBER	CATALOG NUMBER	EQUIV. WIRE SIZE (APPROX)	NOMINAL AMP RATING*		NOMINAL DIMENSIONS			EST. SHIPPING	
			INDOOR	OUTDOOR	L	W	T	WEIGHT (lbs)	UNIT
26870	FJ 200-18N	#1 AWG	200	245	18	1	1/8	0.47	EA
26880	FJ 300-18N	3/0 AWG	340	405	18	1	3/16	0.86	EA
26890	FJ 400-18N	4/0 AWG	360	430	18	1	1/4	1.23	EA

* Ampacity varies with service conditions such as environment, airflow, orientation, temperature rise, etc.
NEMA bolt pattern for (2) 1/2" bolts on 1 3/4" centers.
Other configurations and sizes available; consult factory.



FENCE FABRIC GROUNDING CLAMPS

For grounding of fence fabric, barbed wire, and theft-deterrent wire
Accommodates two wires at nearly any angle
Electro-tin plated bronze body with stainless steel hardware



GFGC SERIES

NAED NUMBER	CATALOG NUMBER	CONDUCTOR SIZE (AWG)	DIMENSIONS		TORQUE (IN-LBS)	CTN QTY	EST. SHIPPING	
			DIA	H			WEIGHT (lbs)	UNIT
25918	GFGC8	#8 AWG	1	5/8	67	10	2	CTN
25916	GFGC6	#6 AWG	1	11/16	67	10	2	CTN
25914	GFGC4	#4 AWG	1	7/8	67	10	2	CTN
25912	GFGC2	#2 AWG	1	13/16	67	10	2	CTN
25920	GFGC20	#2/0AWG	1-3/8	15/16	67	5	1.5	CTN
25924	GFGC240	#2 & 4/0 AWG	1-5/8	1	67	5	1.5	CTN



Also available with Tork-Away™ security hardware to assure required torque and provide tamper-resistance. Add suffix "TA" to Catalog Number and contact factory for availability.
Other sizes available, contact factory.



GROUNDING

ADJUSTABLE GROUND STRAPS

Adjustable ground straps are made from pure annealed copper

Bolts, nuts and washers are plated steel

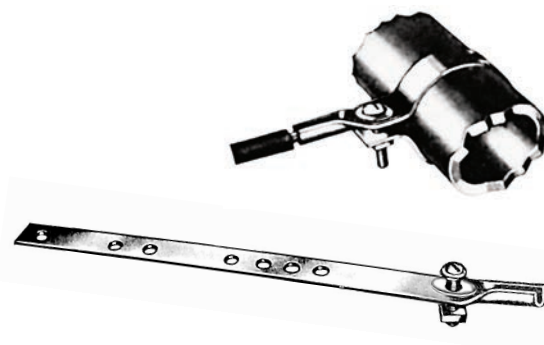
Four sizes cover a ground pipe range of 3/8" to 4"

For copper wire #14-6SOL

Ground wire connection can be soldered or solderless

NAED NUMBER	CATALOG NUMBER	WATER PIPE SIZE (IPS)	CTN QTY	EST. SHIPPING	
				WEIGHT (lbs)	UNIT
HEAVY TYPE .050" THICK, 3/4" WIDE					
26000	D 480	3/8 - 1	50	5.14	CTN
26010	D 481	3/8 - 2	50	7.26	CTN
26020	D 482	3/8 - 3	25	4.76	CTN
26030	D 483	3/8 - 4	25	5.65	CTN
LIGHT TYPE .025" THICK, 3/4" WIDE					
26040	D 484	3/8 - 1	50	3.76	CTN
26050	D 485	3/8 - 2	50	4.50	CTN
26060	D 486	3/8 - 3	25	2.76	CTN
26070	D 487	3/8 - 4	25	3.50	CTN

PLATING: For tin plating add suffix letter "P" to Catalog Numbers.



PERFORATED COPPER STRAP

Pure annealed 16 guage copper

Holes accommodate 1/4" screws, spaced 1/2" on center

Strap has full round edge

NAED NUMBER	CATALOG NUMBER	WIDTH (IN)	THICKNESS (IN)	COIL LENGTH	EST. SHIPPING	
					WEIGHT (lbs)	UNIT
70550	D 050	3/4	.050	10 FT	1.25	COIL

For longer coils consult factory for availability.



FLEXIBLE BRAID

Flexible flat-woven tin-plated copper braid

Use to absorb expansion, misalignment, motion, or vibration of equipment

Use for bonding or grounding jumpers

Use multiple layers to increase ampacity



FB SERIES

NAED NUMBER	CATALOG NUMBER	CIRCULAR MIL AREA	EQUIV. WIRE SIZE (APPROX)	NOMINAL AMP RATING*		DIMENSIONS		COIL LENGTH	EST. SHIPPING	
				INDOOR	OUTDOOR	W	T		WEIGHT (lbs)	UNIT
26310	FB60	9.6 kcmil	#10 AWG	40	60	1/2	1/32	250 FT	7.0	COIL
26315	FB90	24 kcmil	#6 AWG	72	90	1/2	3/32	250 FT	2.0	COIL
26320	FB200	77 kcmil	#1 AWG	200	245	1	1/8	10 FT	2.5	COIL
26330	FB300	154 kcmil	3/0 AWG	340	405	1	3/16	10 FT	5.3	COIL
26340	FB400	231 kcmil	4/0 AWG	360	430	1	5/32	10 FT	7.6	COIL

* Ampacity varies with service conditions such as environment, airflow, orientation, temperature rise, etc.

Also available as finished connectors with endpads; see FJ Series.

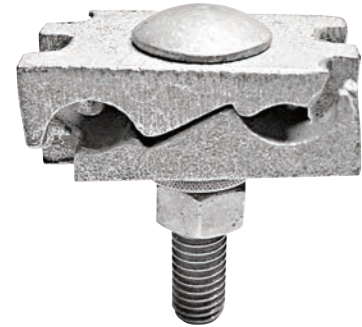
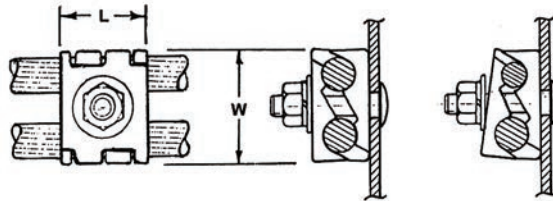
Also available in bulk quantities.



GROUNDING CABLE TRAY CONNECTORS

CABLE TRAY CLAMP

Bronze multi-purpose connector for tray, splice, tap, or cable-end
 High-copper alloy body castings
 Accommodates either one or two conductors
 Galvanized carriage bolt with square shoulder prevents turning
 Low profile bolt head provides smooth surface on inside of tray
 Large contact surfaces to tray and wires for low resistance
 For use with copper conductor



*CTGG 25-P
Shown

CTGG SERIES

NAED NUMBER	CATALOG NUMBER	WIRE RANGE		DIMENSIONS (IN)		BOLT SIZE	CTN QTY	EST. SHIPPING	
		MAIN	TAP	W	L			WEIGHT (lbs)	UNIT
71180	CTGG 25	250-1/0	250-1/0	1 ⁷ / ₈	1	3/8-16 X 2	20	6.91	CTN
71181	CTGG 25-P*	250-1/0	250-1/0	1 ⁷ / ₈	1	3/8-16 X 2	20	6.91	CTN

*CTGG25-P is tin-plated for use with aluminum conductor or on aluminum tray, use oxide-inhibitor.
 Available with silicon bronze hardware, add "-BC" to Catalog Number.



GROUNDING

BAR OR TOWER GROUND CONNECTORS

heavy duty – Bronze castings for strength and ruggedness

Use for grounding cable or wire to a flat bar, plate, or structural steel member

high copper alloy bronze castings with silicon bronze or stainless steel hardware

Suitable for direct burial in earth or concrete

Direct Burial

For copper wire only
Continuous Loop

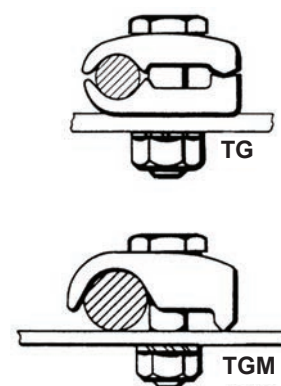
TG SERIES

NAED NUMBER	CATALOG NUMBER	CABLE RANGE		BOLT SIZE	EST. SHIPPING	
		MAX	MIN		WEIGHT (lbs)	UNIT
71100	TG 04	#4 St r	#8 SOL	3/8	0.16	EA
71105	TG 20	2/0 St r	#4 SOL	3/8	0.29	EA
71110	TG 25	250 MCM	2/0 SOL	1/2	0.45	EA
71115	TG 50	500 MCM	300 MCM	1/2	0.95	EA
71116	TG 75	750 MCM	550 MCM	5/8	1.25	EA
71120	TGM 04	#4 St r	#8 SOL	3/8	0.13	EA
71125	TGM 20	2/0 St r	#4 SOL	3/8	0.20	EA
71130	TGM 25	250 MCM	2/0 SOL	1/2	0.31	EA
71135	TGM 50	500 MCM	300 MCM	1/2	0.80	EA
71140	TGM 75	750 MCM	550 MCM	5/8	1.22	EA

Consult factory for connectors for bar greater than 1/4" thick.

For tin plating add suffix "P" to Catalog Numbers.

For tork-Away Security hardware, add suffix "t A" to Catalog Number and contact factory for availability.



Connects one ground wire to
1/4" thick bar or stanchion

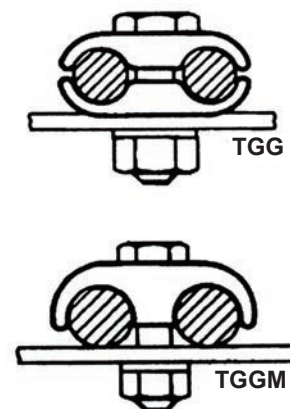
TGG SERIES

NAED NUMBER	CATALOG NUMBER	CABLE RANGE		BOLT SIZE	EST. SHIPPING	
		MAX	MIN		WEIGHT (lbs)	UNIT
71101	TGG 04	#4 St r	#8 SOL	3/8	0.23	EA
71106	TGG 20	2/0 St r	#4 SOL	3/8	0.38	EA
71111	TGG 25	250 MCM	2/0 SOL	1/2	0.81	EA
71117	TGG 50	500 MCM	300 MCM	1/2	1.50	EA
71118	TGG 75	750 MCM	550 MCM	5/8	2.20	EA
71121	TGGM 04	#4 St r	#8 SOL	3/8	0.20	EA
71126	TGGM 20	2/0 St r	#4 SOL	3/8	0.28	EA
71131	TGGM 25	250 MCM	2/0 SOL	1/2	0.70	EA
71136	TGGM 50	500 MCM	300 MCM	1/2	1.20	EA
71141	TGGM 75	750 MCM	550 MCM	5/8	2.00	EA

Consult factory for connectors for bar greater than 1/4" thick.

For tin plating add suffix "P" to Catalog Numbers.

For tork-Away Security hardware, add suffix "t A" to Catalog Number, contact factory for availability.



Connects two ground wires
to 1/4" thick bar or stanchion



GROUNDING

CROSS CONNECTORS – BRONZE

Universal – for use as a tee, tap, parallel, end-to-end and cross
 Bronze body with bronze or stainless steel hardware
 Lay-in for continuous loop applications
 Wide wire range capability
 Suitable materials for direct burial in earth or concrete

Direct Burial
 For copper cable
 Continuous loop

C-X SERIES

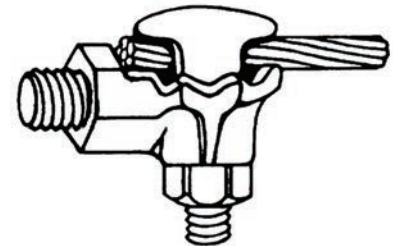
NAED NUMBER	CATALOG NUMBER	WIRE RANGE				CTN QTY
		MAIN		TAP		
		MAX.	MIN.	MAX.	MIN.	
70710	C 3X	250 MCM	6 SOL	250 MCM	6 SOL	12
70720	C 5X	500 MCM	6 SOL	500 MCM	6 SOL	6
70730	C 10X	1000 MCM	2 AWG	1000 MCM	2 AWG	1
70735	C 20X	2000 MCM	4/0 AWG	2000 MCM	4/0 AWG	1



For Tork-Away™ Security Hardware add suffix “-TA” to Catalog Number.
 For tin plating add suffix “P” to the Catalog Numbers.
 For sizes not listed consult factory.

TRANSFORMER GROUND CONNECTORS – BRONZE

For transformers with 1/2-13 tapped hole
 Bronze body – High conductivity copper alloy
 High strength bronze eye bolt
 Hardware is bronze or stainless steel



GLT SERIES

NAED NUMBER	CATALOG NUMBER	WIRE RANGE		CTN QTY	EST. SHIPPING	
		MAX.	MIN.		WEIGHT (lbs)	UNIT
71080	GLT 1	#1 STR	#10 SOL	50	11.7	CTN
71082	GLT 20	2/0 STR	#8 SOL	50	14.3	CTN
71084	GLT 250	250 MCM	#6 STR	25	11.0	CTN

For tin plating add suffix “P” to Catalog Number.

BEAVER-TOOTH LUGS – ALUMINUM

Aluminum Lay-in Grounding Lugs

High strength aluminum alloy 6061-T6
 Tin-plated for low contact resistance
 UL recognized to UL486B for grounding only.

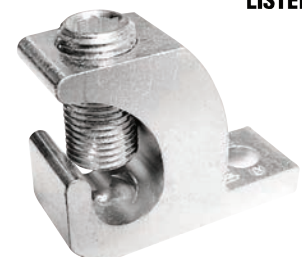
Dual-Rated
 Continuous Loop
 CU9AL
 600V

BTL SERIES

Lay-in Lugs

NAED NUMBER	CATALOG NUMBER	WIRE RANGE		BOLT SIZE	DIMENSIONS			CTN QTY	EST. SHIPPING	
		MAX.	MIN.		LENGTH	WIDTH	HEIGHT		WEIGHT (lbs)	UNIT
13800	BTL 4	#4	#14	3/16	1 ¹ / ₁₆	3/8	3/4	100	1.15	CTN
13805	BTL 0	1/0	#8	1/4	1 ¹ / ₂	9/16	1 ¹ / ₈	50	3.31	CTN
13810	*BTL 000	3/0	#6	5/16	2	13/16	1 ¹ / ₂	50	8.27	CTN
13815	*BTL 250	250	#6	5/16	2 ³ / ₁₆	13/16	1 ¹ / ₁₆	25	2.25	CTN

*Sizes 3/0 and larger have hex socket screws.
 Not for direct burial.
 For direct burial applications use Series BTL-DB or JAR-DB, see page 97.





GROUNDING

BOND STUDS

Lay-in connector for continuous loop grounding
Use to ground 1 or 2 conductors to bar or plate
High copper bronze alloy for maximum conductivity
Suitable for direct burial in earth or concrete

Direct Burial

Copper cable only
Continuous Loop

BS SERIES

Standard and Long Stud



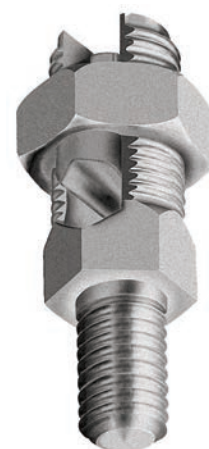
NAED NUMBER	CATALOG NUMBER	MAX. WIRE SIZE		STUD THREAD	STUD LENGTH		CTN QTY	EST. SHIPPING		
		SOLID	STRND.		STANDARD	LONG*		WEIGHT (lbs)	UNIT	
ONE WIRE										
70740	BS 1-7	#6	#7	1/4 - 20	1/2	1	25	1.35	CTN	
70745	BS 1-5	#4	#5	5/16 - 18	9/16	1	25	2.35	CTN	
70750	BS 1-3	#2	#3	3/8 - 16	5/8	1 1/8	25	2.85	CTN	
70755	BS 1-2	#1	#2	3/8 - 16	5/8	1 1/8	25	3.10	CTN	
70760	BS 1-10	2/0	1/0	1/2 - 13	3/4	1 1/4	10	2.20	CTN	
70765	BS 1-20	3/0	2/0	1/2 - 13	3/4	1 1/4	10	3.20	CTN	
70775	BS 1-40	-	4/0	5/8 - 11	1	1 1/2	5	2.70	CTN	
TWO WIRE										
70780	BS 2-7	#6	#7	1/4 - 20	1/2	1	25	1.85	CTN	
70785	BS 2-5	#4	#5	5/16 - 18	9/16	1	25	2.10	CTN	
70790	BS 2-3	#2	#3	3/8 - 16	5/8	1 1/8	25	3.60	CTN	
70795	BS 2-2	#1	#2	3/8 - 16	5/8	1 1/8	25	4.25	CTN	
70800	BS 2-10	2/0	1/0	1/2 - 13	3/4	1 1/4	10	2.50	CTN	
70805	BS 2-20	3/0	2/0	1/2 - 13	3/4	1 1/4	10	3.50	CTN	
70815	BS 2-40	-	4/0	5/8 - 11	1	1 1/2	5	3.00	CTN	

Bronze nuts, flat washers and lockwashers also available for mounting (sold separately). See HARDWARE pages.

For tin plating add suffix "P" to Catalog Number, consult factory for availability and price.

*For long stud add suffix "L" to Catalog Number, consult factory for availability and price.

For sizes not listed consult factory for delivery.



LAY-IN LUG FOR CONTINUOUS LOOP GROUNDING OR BONDING

Use on electrical equipment, conduit bushings, jumper to multiple conduits
Heavy Duty – Bronze castings for strength and ruggedness
High copper alloy bronze castings with silicon bronze hardware
Suitable for direct burial in earth or concrete

Direct Burial

Copper cable only
Continuous Loop

JAR-DB SERIES

Lay-in Lugs

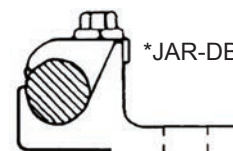


NAED NUMBER	CATALOG NUMBER	MATERIAL		WIRE RANGE	BOLT SIZE	CTN QTY	EST. SHIPPING	
		BODY	SCREW				WEIGHT (lbs)	UNIT
27201	BTL 4-DB	COPPER	STAINLESS STEEL	#4 - 14	#10	50	3.06	CTN
27205	BTL 414-DB			#4 - 14	1/4	50	3.89	CTN
27210	J 2AR-DB	BRONZE	BRONZE	#1 - 4	1/4	25	4.30	CTN
27211	J 3AR-DB			2/0 - 1/0	3/8	25	6.39	CTN
27212	J 4AR-DB			4/0 - 2/0	7/16	12	4.60	CTN
27213	J 5AR-DB			350 - 4/0	1/2	1	0.59	EA
27214	J 6AR-DB			500 - 350	1/2	1	0.84	EA
27215	J 7AR-DB			750 - 500	1/2	1	1.38	EA
27216	J 8AR-DB	1000 - 750	5/8	1	2.00	EA		

*JAR-DB not UL.



BTL-DB



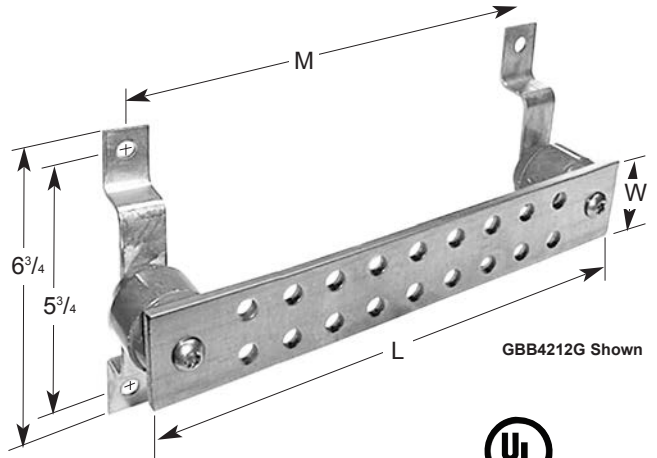
*JAR-DB



GROUNDING

GROUND BUS BARS

Use to connect multiple ground conductors/lugs in panels
 Includes stand-off brackets (1 inch high) and insulators (1½ inch high)
 Standoff brackets drilled for 3/8 bolts
 Other sizes and lug-mounting patterns also available
 Copper bus 1/4-inch thick
 Individually packaged



GBB4212G Shown



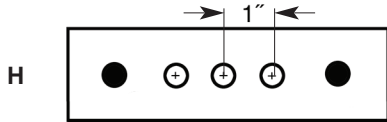
GBB SERIES

NAED NUMBER	CATALOG NO.	DIMENSIONS (IN)					LUG-HOLES		EST. SHIPPING	
		W	L	M	PATTERN NO.	PATTERN NO.	WEIGHT (lbs)	UNIT		
27183	GBB416H	1	6	-	H	3	2	EA		
27188	GBB4212G	2	12	10 ⁹ / ₁₆	G	18	3	EA		
27186	GBB4212X	2	12	-	X	16	3	EA		
27180	GBB4212N	2	12	10 ⁹ / ₁₆	N	0	3	EA		

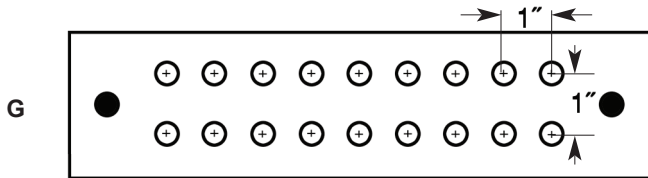
Available in other configurations, consult factory.
 For tin plating add suffix "P" to Catalog Number.

Standard lug-hole patterns

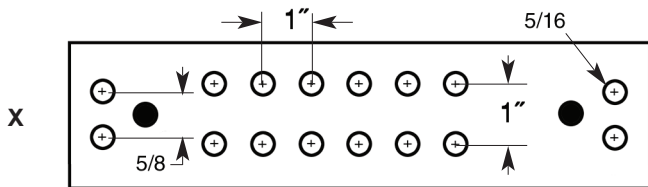
Lug-mounting holes are for 3/8" bolt size (7/16" diameter) unless otherwise noted.



(3) lug-mounting holes (3/8 bolt size)



(18) lug-mounting holes (3/8 bolt size), for
 (9) 2-hole lugs (1 inch spacing),
 or (18) 1-hole lugs



(16) lug-mounting holes for
 (6) 2-hole lugs (3/8 bolt size, 1 inch spacing),
 or (12) 1-hole lugs
 and (2) 2-hole lugs (1/4 bolt size, 5/8 inch spacing)



Blank, supplied with no lug-mounting holes



UTILITY TRANSMISSION

ALUMINUM COMPRESSION LUGS

Pure cast aluminum compression lugs for terminating aluminum conductor to flat pad, such as for MC, ACSR aluminum transmission lines.

Pads have standard NEMA bolting patterns for 2-hole (2N), or four-hole (4N, 44N).

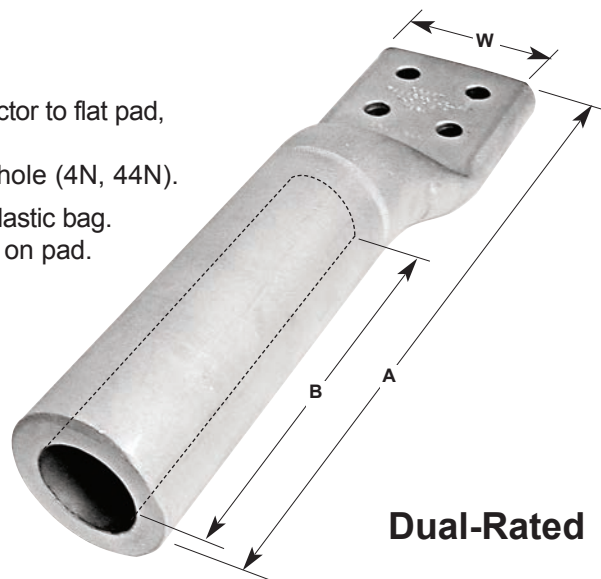
Barrels pre-filled with oxide-inhibitor compound and enclosed in clear plastic bag.

Pad coated with oxide-retardant, and oxide-inhibitor is recommended on pad.

For use with conventional compression tooling.

Uses same dies as equivalent full-tension sleeve or dead-end.

Also available with pad at angle; specify angle with suffix such as -15, -30, -45, -90.



Dual-Rated

ALCL SERIES

NAED NUMBER	CATALOG NUMBER	AAC SIZE AWG OR MCM	ACSR SIZE AWG OR MCM	CONDUCTOR DIAMETER (INCHES)	DIMENSIONS (INCHES)			DIE	EST. SHIPPING	
		MIN. - MAX.	MIN. - MAX.		A	B	W		WEIGHT (lbs)	UNIT
49220	ALCL2A2N	#2	#2	.292 - .325	5 1/4	1 1/2	2	.640	.4	EA
49120	ALCL1/0A2N	1/0	1/0	.355 - .398	5 1/4	1 1/2	2	.840	.5	EA
49140	ALCL1/0A4N			.355 - .398	5 1/4	1 1/2	3	.840	.5	EA
49202	ALCL2/0A2N	2/0	2/0	.414 - .447	6	2	2	.840	.5	EA
49204	ALCL2/0A4N			.414 - .447	6	2	3	.840	.5	EA
49302	ALCL3/0A2N	3/0	3/0	.464 - .502	6	2	2	.840	.5	EA
49304	ALCL3/0A4N			.464 - .502	6	2	3	.840	.5	EA
49402	ALCL4/0A2N	4/0	4/0	.522 - .563	7 1/4	3 1/2	2	.840	.5	EA
49404	ALCL4/0A4N			.522 - .563	7 1/4	3 1/2	3	.840	.5	EA
49262	ALCL226A2N	226.8 - 300	226.8 - 300	.586 - .642	7 1/4	3 1/2	3	1.25	.6	EA
49264	ALCL226A4N			.586 - .642	7 1/4	3 1/2	3	1.25	.6	EA
49364	ALCL336A4N	336.4 (19) - 350 (37)	336.4 (36/1) - 336.4 (18/1)	.666 - .684	7 1/4	3 1/2	3	1.32	1.25	EA
49374	ALCL397A4N	397.5 (19) - 400 (37)	336.4 (26/7) - 397.5 (18/1)	.721 - .743	7 1/4	3 1/2	3	1.32	1.25	EA
49744	ALCL700A44N	700 (61) - 795 (61)	605 (26/7) - 636 (30/19)	.964 - 1.028	12 1/8	6 3/4	4	1.5	1.4	EA
49844	ALCL800A44N	800 (61) - 817.5 (61)	715.5 (54/7) - 715.5 (30/19)	1.031 - 1.081	12 1/8	6 3/4	4	1.843	1.75	EA
49944	ALCL900A44N	900 (37) - 1000 (61)	795 (24/7) - 874.5 (54/7)	1.092 - 1.152	12 1/8	6 3/4	4	1.843	1.75	EA
49134	ALCL1033A44N	1033.5 (37) - 1113 (61)	900 (54/7) - 954 (54/7)	1.162 - 1.216	15	9 1/4	4	2.125	2.5	EA
49124	ALCL1200A44N	1200 (91) - 1272 (61)	1033.5 (54/7) - 1113 (54/19)	1.246 - 1.300	15	9 1/4	4	2.375	2.9	EA
49144	ALCL1400A44N	1400 (91) - 1510.5 (61)	1272 (45/7) - 1351.5 (54/19)	1.345 - 1.424	15	9 1/4	4	2.375	2.9	EA
49154	ALCL1590A4N	1590 (61) - 1700 (127)	1351.5 (54/19) - 1510.5 (54/19)	1.424 - 1.506	15	9 1/4	4	2.375	2.9	EA
49174	ALCL1750A4N	1750 (127)	1510.5 (54/19) - 1590 (54/19)	1.506 - 1.545	14	9 1/4	4	2.375	2.9	EA
49344	ALCL3000A44N	3000 (127)	-	1.996	15	9 1/4	4	2.937	3.75	EA
49354	ALCL3500A44N	3500 (127)	-	2.160	15	9 1/4	4	2.937	3.75	EA

Other sizes available, consult factory.

Most sizes also available in copper.

ALCL connectors are custom made-to-order and are not returnable.

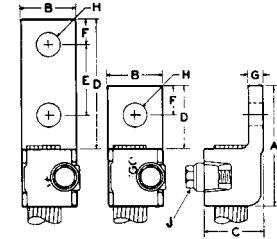
www.greaves-usa.com

Phone 860-664-4505 • Fax 860-664-4546

TOLL FREE 1-800-243-1130 (Outside CT)



E = 1 3/4"

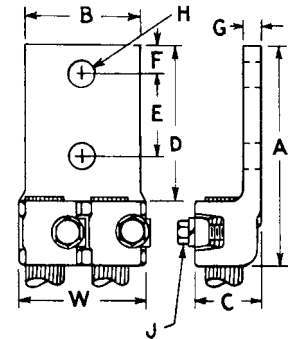


JA SERIES

Terminal lugs, one cable, straight

Cable Range			H.T.	Catalog Number	BRONZE CONNECTORS										DUAL-RATED ALUMINUM CONNECTORS																
Max.	Min.	**			Dimension in Inches (Approximate)										Dimension in Inches (Approximate)																
					A	B	C	D	F	G	H	J	W	Number	A	B	C	D	F	G	H	J	W								
#6	#8	1	J0A	1 1/2	19/32	5/8	5/8	9/32	5/32	7/32	1/4																				
#4	#6	1	J1A	1 9/16	2 1/32	5/8	1 1/16	5/16	5/32	9/32	1/4																				
#1	#4	1	J2A	1 3/4	2 5/32	1 1/16	2 7/32	3/8	3/16	9/32	5/16																				
#1	#4	2	J2A2N	2 15/16	2 29/32	1 1/16	1 5/8	1 3/32	3/16	9/32	5/16																				
1/0	#4	1	J3A	1 31/32	2 29/32	7/8	2 1/32	1 5/32	7/32	1 3/32	5/16	ALJ2A	2 3/4	1 5/16	1 5/16	1	7/16	1/4	9/16	5/16											
1/0	#4	2											ALJ2A2N	5	1 1/16	1 5/16	3 1/4	5/8	1/4	9/16	5/16										
2/0	1/0	1																													
2/0	1/0	2	J3A2N					1/2	7/32	9/16	5/16																				
4/0	1/0	1	J4A	2 3/8	1 1/16	1	1 3/16	9/16	1/4	7/16	5/16	ALJ4A	3 1/16	1 3/16	1 3/16	1 1/4	9/16	5/16	7/16	5/16											
4/0	1/0	2											ALJ4A2N	5 1/16	1 1/4	1 3/16	3 1/4	5/8	5/16	5/16											
4/0	2/0	1																													
4/0	2/0	2	J4A2N	4 13/32	1 1/16	1	3 1/4	5/8	1/4	9/16	5/16																				
350	4/0	1	J5A	2 23/32	1 7/32	1 1/4	1 3/8	2 1/32	9/32	1 7/32	3/8		ALJ5A	3 7/16	1 3/8	1 3/8	1 1/2	1 1/16	1 3/32	1 7/32	3/8										
350	4/0	2	J5A2N	4 5/8	1 7/32	1 1/4	3 3/32	5/8	9/32	9/16	3/8		ALJ5A2N	5 7/16	1 3/8	1 3/8	3 1/4	5/8	1 3/32	9/16	3/8										
350	4/0	4	J5A4N	4 5/8	3	1 1/4	3 9/32	5/8	9/32	9/16	3/8		ALJ5A4N	5 9/16	3	1 3/8	3 1/4	5/8	1 3/32	9/16	3/8										
500	350	1	J6A	3 3/16	1 7/16	1 13/32	1 5/8	3/4	5/16	9/16	3/8		ALJ6A	3 3/8	1 9/16	1 5/8	1 5/8	3/4	1 5/32	9/16	3/8										
500	350	2	J6A2N	4 3/4	1 7/16	1 13/32	3 5/16	5/8	5/16	9/16	3/8		ALJ6A2N	5 3/8	1 5/8	1 5/8	3 3/8	5/8	1 5/32	9/16	3/8										
500	350	4	J6A4N	4 3/4	3	1 13/32	3 5/16	5/8	5/16	9/16	3/8		ALJ6A4N	5 5/8	3	1 5/8	3 3/8	5/8	1 5/32	9/16	3/8										
750	500	1	J7A	3 3/4	1 11/16	1 11/16	1 27/32	7/8	3/8	2 1/32	7/16		ALJ7A	4 3/16	1 13/16	1 15/16	1 7/8	7/8	5/8	2 1/32	7/16										
750	500	2	J7A2N	5 1/4	1 11/16	1 11/16	3 11/32	5/8	3/8	9/16	7/16		ALJ7A2N	5 13/16	1 7/8	1 15/16	3 1/2	5/8	5/8	9/16	7/16										
750	500	4	J7A4N	5 1/4	3	1 11/16	3 11/32	5/8	3/8	9/16	7/16		ALJ7A4N	5 13/16	3	1 15/16	3 1/2	5/8	5/8	9/16	7/16										
1000	750	1	J8A	4 3/32	1 15/16	1 15/16	2 1/8	1	7/16	1 1/16	1/2		ALJ8A	5 11/16	2 1/16	2 2/16	2 1/8	1	2 1/32	1 1/16	1/2										
1000	750	2	J8A2N	5 5/8	1 15/16	1 15/16	3 3/8	5/8	7/16	9/16	1/2		ALJ8A2N	6 1/16	2 1/16	2 3/16	3 1/2	5/8	2 1/32	9/16	1/2										
1000	750	4	J8A4N	5 5/8	3	1 15/16	3 3/8	5/8	7/16	9/16	1/2		ALJ8A4N	6 1/16	3 1/4	2 9/16	3 1/2	5/8	2 1/32	9/16	1/2										

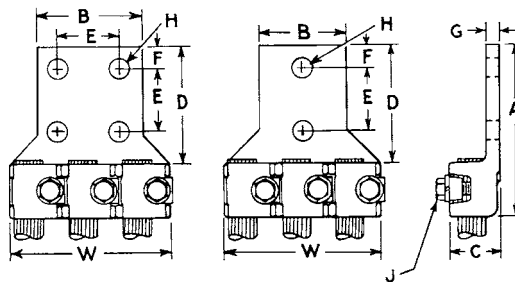
** Holes in Tang



2JA SERIES

Terminal lugs, two cables, straight

2/0	1/0	2	2J3A2N	3	1 11/16	2 29/32	2 1/32	7/16	1/4	7/16	5/16	2 1/16	AL2J4A2N	5 1/16	1 7/8	1 3/16	3 1/4	5/8	5/16	9/16	5/16	2 7/16
4/0	1/0	2												AL2J4A4N	5 1/16	3	1 3/16	3 1/4	5/8	5/16	5/16	2 7/16
4/0	1/0	4	2J4A2N	4 13/32	1 7/8	1	3 1/4	5/8	1/4	9/16	5/16	2 5/16	AL2J5A2N	5 5/16	2 1/4	1 3/8	3 3/8	5/8	1 3/32	9/16	3/8	2 7/8
4/0	2/0	2												AL2J4A4N	4 13/32	3	1	3 1/4	5/8	1/4	9/16	5/16
350	4/0	2	2J5A2N	4 5/8	2 5/16	1 13/32	3 3/32	5/8	5/16	9/16	3/8	2 11/16	AL2J5A4N	5 5/16	3	1 3/8	3 3/8	5/8	1 3/32	9/16	3/8	2 7/8
350	4/0	4	2J5A4N	4 5/8	3	1 13/32	3 3/32	5/8	5/16	9/16	3/8	2 11/16	AL2J5A4N	5 5/16	3	1 3/8	3 3/8	5/8	1 3/32	9/16	3/8	2 7/8
500	350	2	2J6A2N	4 3/4	2 1/2	1 15/32	3 1/16	5/8	3/8	9/16	3/8	3	AL2J6A2N	5 1/2	2 1/2	1 5/8	3 1/2	5/8	1 5/32	9/16	3/8	3 1/4
500	350	4	2J6A4N	4 3/4	3	1 15/32	3 1/16	5/8	3/8	9/16	3/8	3	AL2J6A4N	5 1/2	3	1 5/8	3 1/2	5/8	1 5/32	9/16	3/8	3 1/4
750	500	2	2J7A2N	5 1/4	3	1 3/4	3 11/32	5/8	7/16	9/16	7/16	3 1/2	AL2J7A2N	5 13/16	3	1 15/16	3 1/2	5/8	5/8	9/16	7/16	3 5/8
750	500	4	2J7A4N	5 1/4	3	1 3/4	3 11/32	5/8	7/16	9/16	7/16	3 1/2	AL2J7A4N	5 13/16	3	1 15/16	3 1/2	5/8	5/8	9/16	7/16	3 5/8
1000	750	2	2J8A2N	5 5/8	3 3/32	2	3 3/8	5/8	1/2	9/16	1/2	4	AL2J8A2N	6 1/16	3 1/4	2 3/16	3 1/2	5/8	2 1/32	9/16	1/2	4 1/4
1000	750	4	2J8A4N	5 5/8	3 3/32	2	3 3/8	5/8	1/2	9/16	1/2	4	AL2J8A4N	6 1/16	3 1/4	2 9/16	3 1/2	5/8	2 1/32	9/16	1/2	4 1/4



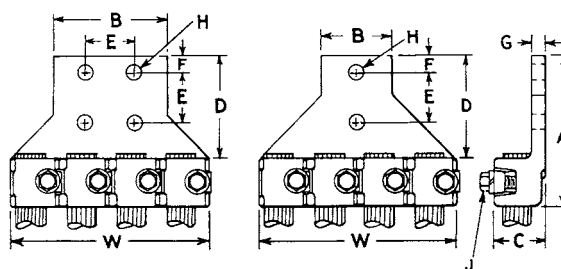
3JA SERIES

Terminal lugs, three cables, straight

E = 1 3/4"

Cable Range			H.T.	Catalog Number	BRONZE CONNECTORS								DUAL-RATED ALUMINUM CONNECTORS										
Max.	Min.				Dimension in Inches (Approximate)								Dimension in Inches (Approximate)										
				A	B	C	D	F	G	H	J	W	A	B	C	D	F	G	H	J	W		
4/0	1/0	2											AL3J4A2N	5 1/16	1 7/8	1 3/16	3 1/4	5/8	5/16	9/16	5/16	3 1/2	
4/0	1/0	4											AL3J4A4N	5 1/16	3	1 3/16	3 1/4	5/8	5/16	9/16	5/16	3 1/2	
4/0	2/0	2	3J4A2N	4 13/32	1 7/8	1	3 1/4	5/8	1/4	9/16	5/16	3 1/2											
4/0	2/0	4	3J4A4N	4 13/32	3	1	3 1/4	5/8	1/4	9/16	5/16	3 1/2											
350	4/0	2	3J5A2N	4 5/8	2 5/16	1 13/32	3 9/32	5/8	5/16	9/16	3/8	4	AL3J5A2N	5 5/16	2 1/4	1 3/8	3 3/8	5/8	13/32	9/16	3/8	4 3/8	
350	4/0	4	3J5A4N	4 5/8	3	1 13/32	3 9/32	5/8	5/16	9/16	3/8	4	AL3J5A4N	5 5/16	3	1 3/8	3 3/8	5/8	13/32	9/16	3/8	4 3/8	
500	350	2	3J6A2N	4 3/4	2 1/2	1 15/32	3 5/16	5/8	3/8	9/16	3/8	4 9/16	AL3J6A2N	5 1/2	2 1/2	1 5/8	3 1/2	5/8	15/32	9/16	3/8	4 15/16	
500	350	4	3J6A4N	4 3/4	3	1 15/32	3 5/16	5/8	3/8	9/16	3/8	4 9/16	AL3J6A4N	5 1/2	3	1 5/8	3 1/2	5/8	15/32	9/16	3/8	4 15/16	
750	500	2	3J7A2N	5 1/4	3	1 3/4	3 11/32	5/8	7/16	9/16	7/16	5 1/4	AL3J7A2N	5 13/16	3	1 15/16	3 1/2	5/8	5/8	9/16	7/16	5 11/16	
750	500	4	3J7A4N	5 1/4	3	1 3/4	3 11/32	5/8	7/16	9/16	7/16	5 1/4	AL3J7A4N	5 13/16	3	1 15/16	3 1/2	5/8	5/8	9/16	7/16	5 11/16	
1000	750	2	3J8A2N	5 5/8	3 3/2	2	3 3/8	5/8	1/2	9/16	1/2	6 1/8	AL3J8A2N	6 1/16	3 1/4	2 5/16	3 1/2	5/8	2 1/32	9/16	1/2	6 7/16	
1000	750	4	3J8A4N	5 5/8	3 3/2	2	3 3/8	5/8	1/2	9/16	1/2	6 1/8	AL3J8A4N	6 1/16	3 1/4	2 5/16	3 1/2	5/8	2 1/32	9/16	1/2	6 7/16	

** Holes in Tang



4JA SERIES

Terminal lugs, four cables, straight

E = 1 3/4"

Cable Range			H.T.	Catalog Number	BRONZE CONNECTORS								---										
Max.	Min.				Dimension in Inches (Approximate)								Dimension in Inches (Approximate)										
				A	B	C	D	F	G	H	J	W	A	B	C	D	F	G	H	J	W		
4/0	1/0	2											AL4J4A2N	4 15/16	2	1 3/16	3 1/8	5/8	5/16	9/16	5/16	5 1/16	
4/0	1/0	4											AL4J4A4N	4 15/16	3	1 3/16	3 1/8	5/8	5/16	9/16	5/16	5 1/16	
4/0	2/0	2	4J4A2N	4 13/32	2	1	3 1/4	5/8	1/4	9/16	5/16	4 7/16											
4/0	2/0	4	4J4A4N	4 13/32	3	1	3 1/4	5/8	1/4	9/16	5/16	4 7/16											
350	4/0	2	4J5A2N	4 5/8	2	1 13/32	3 9/32	5/8	5/16	9/16	3/8	5 1/4	AL4J5A2N	5 5/16	2	1 3/8	3 3/8	5/8	13/32	9/16	3/8	5 13/16	
350	4/0	4	4J5A4N	4 5/8	3	1 13/32	3 9/32	5/8	5/16	9/16	3/8	5 1/4	AL4J5A4N	5 5/16	3	1 3/8	3 3/8	5/8	13/32	9/16	3/8	5 13/16	
500	350	2	4J6A2N	4 3/4	2 1/2	1 15/32	3 5/16	5/8	3/8	9/16	3/8	6	AL4J6A2N	5 5/8	2 1/2	1 5/8	3 3/8	5/8	15/32	9/16	3/8	6 5/8	
500	350	4	4J6A4N	4 3/4	4	1 15/32	3 5/16	5/8	3/8	9/16	3/8	6	AL4J6A4N	5 5/8	4	1 5/8	3 3/8	5/8	15/32	9/16	3/8	6 5/8	
750	500	2	4J7A2N	5 1/4	4	1 3/4	3 11/32	5/8	7/16	9/16	7/16	6 13/16	AL4J7A2N	5 15/16	4	1 15/16	3 3/8	5/8	5/8	9/16	7/16	7 5/8	
750	500	4	4J7A4N	5 1/4	4	1 3/4	3 11/32	5/8	7/16	9/16	7/16	6 13/16	AL4J7A4N	5 15/16	4	1 15/16	3 3/8	5/8	5/8	9/16	7/16	7 5/8	
1000	750	2	4J8A2N	5 5/8	4 1/2	2	3 3/8	5/8	1/2	9/16	1/2	8	AL4J8A2N	6 11/16	4 1/2	2 3/16	4 1/8	5/8	2 1/32	9/16	1/2	8 5/8	
1000	750	4	4J8A4N	5 5/8	4 1/2	2	3 3/8	5/8	1/2	9/16	1/2	8	AL4J8A4N	6 11/16	4 1/2	2 3/16	4 1/8	5/8	2 1/32	9/16	1/2	8 5/8	

** Holes in Tang

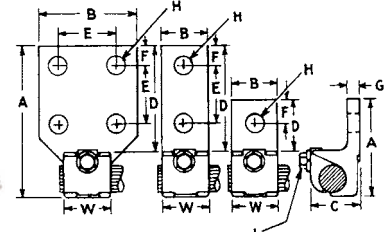


GREAVES

TREGO™
Power Connectors

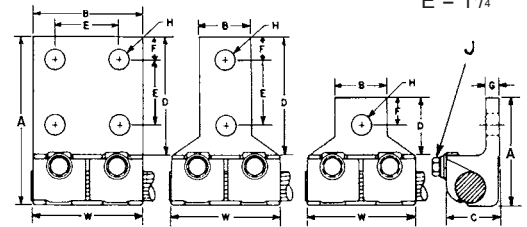
JAR SERIES

Terminal lugs, one cable 90°



Cable Range			Catalog Number	BRONZE CONNECTORS								Catalog Number	DUAL-RATED ALUMINUM CONNECTORS										
Max.	Min.	H.T.		Dimension in Inches (Approximate)									Dimension in Inches (Approximate)										
				A	B	C	D	F	G	H	J	W	A	B	C	D	F	G	H	J	W		
#1	#4	1	J2AR	1 ⁵ / ₈	2 ⁵ / ₃₂	1 ¹ / ₁₆	2 ⁷ / ₃₂	3 ¹ / ₈	3 ¹ / ₁₆	9 ³ / ₃₂	5 ¹ / ₁₆	2 ⁹ / ₃₂	ALJ2AR ALJ2AR2N	1 ¹⁵ / ₁₆	1 ⁵ / ₁₆	1 ⁵ / ₁₆	1	7 ¹ / ₁₆	1 ¹ / ₄	9 ³ / ₃₂	5 ¹ / ₁₆	1 ³ / ₈	
1/0	#4	1													4 ³ / ₁₆	1 ¹ / ₁₆	1 ⁵ / ₁₆	3 ¹ / ₄	5 ⁵ / ₈	1 ¹ / ₄	9 ¹ / ₁₆	5 ¹ / ₁₆	1 ⁵ / ₁₆
1/0	#4	2																					
2/0	1/0	1	J3AR	1 ¹⁵ / ₁₆	2 ⁹ / ₃₂	7 ¹ / ₈	1	1 ⁵ / ₃₂	7 ¹ / ₃₂	1 ³ / ₃₂	5 ¹ / ₁₆	3 ¹ / ₃₂	ALJ4AR ALJ4AR2N	2 ⁷ / ₁₆	1 ³ / ₁₆	1 ³ / ₁₆	1 ¹ / ₄	9 ¹ / ₁₆	5 ¹ / ₁₆	7 ¹ / ₁₆	5 ¹ / ₁₆	3 ¹ / ₁₆	
4/0	1/0	2																					
4/0	2/0	1	J4AR	2 ¹ / ₄	1 ¹ / ₁₆	1	1 ³ / ₁₆	9 ¹ / ₁₆	1 ¹ / ₄	7 ¹ / ₁₆	5 ¹ / ₁₆	1 ³ / ₁₆		ALJ5AR ALJ5AR2N	4 ⁵ / ₁₆	1 ¹ / ₁₆	1	3 ¹ / ₄	5 ⁵ / ₈	1 ¹ / ₄	9 ¹ / ₁₆	5 ¹ / ₁₆	1 ³ / ₁₆
4/0	2/0	2	J4AR2N																				
350	4/0	1	J5AR	2 ⁷ / ₈	1 ¹ / ₃₂	1 ¹ / ₄	1 ³ / ₈	2 ¹ / ₃₂	9 ³ / ₃₂	1 ⁷ / ₃₂	3 ³ / ₈	1 ¹¹ / ₃₂	ALJ5AR ALJ5AR2N		2 ⁷ / ₈	1 ³ / ₈	1 ³ / ₈	1 ¹ / ₂	2 ¹ / ₃	1 ³ / ₃₂	1 ⁷ / ₃₂	3 ³ / ₈	1 ³ / ₈
350	4/0	2	J5AR2N																				
350	4/0	4	J5AR4N																				
500	350	1	J6AR	3 ¹ / ₁₆	1 ⁷ / ₁₆	1 ¹³ / ₃₂	1 ⁵ / ₈	3 ¹ / ₄	5 ¹ / ₁₆	9 ¹ / ₁₆	3 ³ / ₈	1 ⁹ / ₁₆	ALJ6AR ALJ6AR2N	3 ¹ / ₁₆	1 ⁹ / ₁₆	1 ⁵ / ₈	1 ⁵ / ₈	1 ⁵ / ₈	1 ⁵ / ₈	1 ⁵ / ₃₂	9 ¹ / ₁₆	3 ³ / ₈	1 ⁹ / ₁₆
500	350	2	J6AR2N																				
500	350	4	J6AR4N																				
750	500	1	J7AR	3 ¹⁷ / ₃₂	1 ¹¹ / ₁₆	1 ¹¹ / ₁₆	1 ²⁷ / ₃₂	7 ¹ / ₈	3 ³ / ₈	2 ¹ / ₃₂	7 ¹ / ₁₆	1 ²⁹ / ₃₂	ALJ7AR ALJ7AR2N	3 ¹¹ / ₁₆	1 ¹³ / ₁₆	1 ¹⁵ / ₁₆	1 ⁷ / ₈	5 ¹ / ₈	5 ¹ / ₈	2 ¹ / ₃₂	7 ¹ / ₁₆	1 ¹³ / ₁₆	
750	500	2	J7AR2N																				
750	500	4	J7AR4N																				
1000	750	1	J8AR	4 ¹ / ₈	1 ¹⁵ / ₁₆	1 ¹⁵ / ₁₆	2 ¹ / ₈	1	7 ¹ / ₁₆	1 ¹¹ / ₁₆	1 ¹ / ₂	2 ⁵ / ₃₂	ALJ8AR ALJ8AR2N	4 ³ / ₁₆	2 ¹ / ₁₆	2 ¹ / ₁₆	2 ¹ / ₈	5 ¹ / ₈	2 ¹ / ₃₂	1 ¹ / ₁₆	1 ¹ / ₂	2 ¹ / ₁₆	
1000	750	2	J8AR2N																				
1000	750	4	J8AR4N																				

** Holes in Tang



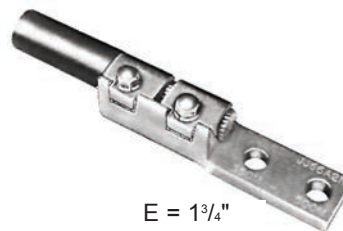
E = 1³/₄"

JJAR SERIES

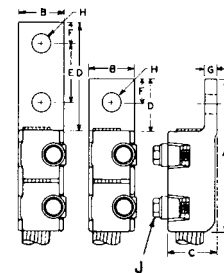
Terminal lugs, one cable 90°

Cable Range			Catalog Number	BRONZE CONNECTORS								Catalog Number	DUAL-RATED ALUMINUM CONNECTORS											
Max.	Min.	H.T.		Dimension in Inches (Approximate)									Dimension in Inches (Approximate)											
				A	B	C	D	F	G	H	J	W	A	B	C	D	F	G	H	J	W			
#1	#4	1	JJ2AR	1 ³ / ₄	3 ¹ / ₄	1 ¹³ / ₁₆	3 ¹ / ₁₆	3 ³ / ₈	3 ¹ / ₁₆	1 ³ / ₃₂	5 ¹ / ₁₆	1 ³ / ₄	ALJJ2AR ALJJ2AR2N	1 ¹⁵ / ₁₆	1 ⁵ / ₁₆	1 ⁵ / ₁₆	1	7 ¹ / ₁₆	1 ¹ / ₄	9 ³ / ₃₂	5 ¹ / ₁₆	3 ⁵ / ₈		
1/0	#4	1																						
1/0	#4	2																						
2/0	1/0	1	JJ3AR	2 ¹ / ₁₆	1 ⁵ / ₁₆	1 ¹³ / ₁₆	1	7 ¹ / ₁₆	7 ¹ / ₃₂	1 ³ / ₃₂	5 ¹ / ₁₆	2 ¹ / ₈	ALJJ4AR ALJJ4AR2N	4 ³ / ₁₆	1 ¹ / ₁₆	1 ³ / ₁₆	1 ¹ / ₄	9 ¹ / ₁₆	5 ¹ / ₁₆	7 ¹ / ₁₆	5 ¹ / ₁₆	3 ³ / ₄		
4/0	1/0	1																						
4/0	1/0	2																						
4/0	2/0	1	JJ4AR	2 ⁵ / ₁₆	1 ¹ / ₁₆	1	1 ¹ / ₈	9 ¹ / ₁₆	1 ¹ / ₄	9 ¹ / ₁₆	5 ¹ / ₁₆	2 ⁷ / ₁₆	ALJJ5AR ALJJ5AR2N	2 ⁷ / ₈	1 ³ / ₈	1 ³ / ₈	1 ¹ / ₂	1 ¹¹ / ₁₆	1 ³ / ₃₂	1 ⁷ / ₃₂	3 ³ / ₈	4		
4/0	2/0	2	JJ4AR2																					
4/0	2/0	2	JJ4AR2N																					
350	4/0	1	JJ5AR	2 ¹¹ / ₁₆	1 ¹ / ₄	1 ¹ / ₄	1 ³ / ₈	9 ¹ / ₁₆	9 ³ / ₃₂	9 ¹ / ₁₆	3 ³ / ₈	2 ² / ₄	ALJJ5AR ALJJ5AR2N	4 ⁷ / ₈	1 ³ / ₈	1 ³ / ₈	3 ¹ / ₄	5 ¹ / ₈	1 ³ / ₃₂	9 ¹ / ₁₆	3 ³ / ₈	4		
350	4/0	2	JJ5AR2N																					
350	4/0	4	JJ5AR4N																					
500	350	1	JJ6AR	3 ¹ / ₈	1 ⁷ / ₁₆	1 ⁷ / ₁₆	1 ⁵ / ₈	3 ¹ / ₄	5 ¹ / ₁₆	9 ¹ / ₁₆	3 ³ / ₈	3 ¹ / ₄	ALJJ6AR ALJJ6AR2N	3 ³ / ₁₆	1 ⁹ / ₁₆	1 ⁵ / ₈	1 ⁵ / ₈	3 ¹ / ₄	1 ⁵ / ₃₂	9 ¹ / ₁₆	3 ³ / ₈	4 ¹ / ₈		
500	350	2	JJ6AR2N																					
500	350	4	JJ6AR4N																					
750	500	1	JJ7AR	3 ⁹ / ₁₆	1 ¹¹ / ₁₆	1 ³ / ₄	1 ¹³ / ₁₆	3 ¹ / ₄	3 ³ / ₈	9 ¹ / ₁₆	7 ¹ / ₁₆	3 ³ / ₄	ALJJ7AR ALJJ7AR2N	3 ¹¹ / ₁₆	1 ¹³ / ₁₆	1 ¹⁵ / ₁₆	1 ⁷ / ₈	7 ¹ / ₈	5 ¹ / ₈	2 ¹ / ₃₂	7 ¹ / ₁₆	4 ³ / ₄		
750	500	2	JJ7AR2N																					
750	500	4	JJ7AR4N																					
1000	750	1	JJ8AR	3 ¹⁵ / ₁₆	1 ¹⁵ / ₁₆	1 ¹⁵ / ₁₆	1 ¹⁵ / ₁₆	7 ¹ / ₈	7 ¹ / ₁₆	9 ¹ / ₁₆	1 ¹ / ₂	4 ⁷ / ₁₆	ALJJ8AR ALJJ8AR2N	4 ³ / ₁₆	2 ¹ / ₁₆	2 ¹ / ₁₆	2 ¹ / ₈	1	2 ¹ / ₃₂	1 ¹ / ₁₆	1 ¹ / ₂	5 ¹ / ₄		
1000	750	2	JJ8AR2N																					
1000	750	4	JJ8AR4N																					

** Holes in Tang



E = 1 3/4"



JJA SERIES

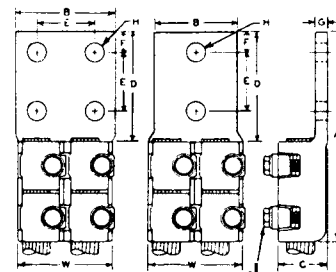
Terminal lugs, one cable, straight

Cable Range Max. Min.	H.T.	Catalog Number	BRONZE CONNECTORS									DUAL-RATED ALUMINUM CONNECTORS								
			Dimension in Inches (Approximate)									Catalog Number	Dimension in Inches (Approximate)							
A	B	C	D	F	G	H	J	A	B	C	D		F	G	H	J				
#1 #4	1	JJ2A	2 1/2	3/4	3/4	13/16	3/8	3/16	13/32	5/16										
#1 #4	2	JJ2A2N	4 3/4	1	3/4	3	5/8	3/16	9/16	5/16	ALJJ2A	4 5/8	15/16	15/16	1	7/16	1/4	9/32	5/16	
1/0 #4	1										ALJJ2A2N	6 3/4	1 1/16	15/16	3 1/4	5/8	1/4	9/16	5/16	
1/0 #4	2																			
2/0 1/0	1	JJ3A	3 1/8	15/16	13/16	1	7/16	7/32	13/32	5/16										
2/0 1/0	2	JJ3A2N	5 1/4	1	13/16	3 1/8	5/8	7/32	9/16	5/16	ALJJ4A	5	1 3/16	1 3/16	1 1/4	9/16	5/16	7/16	5/16	
4/0 1/0	1										ALJJ4A2N	7	1 1/4	1 3/16	3 1/4	5/8	5/16	9/16	5/16	
4/0 1/0	2																			
4/0 2/0	1	JJ4A	3 9/16	1 1/16	1	1 1/8	9/16	1/4	9/16	5/16										
4/0 2/0	2	JJ4A2N	5 11/16	1 1/16	1	3 1/4	5/8	1/4	9/16	5/16										
350 4/0	1	JJ5A	4 1/8	1 1/4	1 1/4	1 3/8	9/16	9/32	9/16	3/8	ALJJ5A	5 1/2	1 3/8	1 3/8	1 1/2	11/16	13/32	17/32	3/8	
350 4/0	2	JJ5A2N	6 1/16	1 1/4	1 1/4	3 5/16	5/8	9/32	9/16	3/8	ALJJ5A2N	7 1/2	1 3/8	1 3/8	3 1/4	5/8	13/32	9/16	3/8	
350 4/0	4	JJ5A4N	6 1/16	3	1 1/4	3 5/16	5/8	9/32	9/16	3/8	ALJJ5A4N	7 1/2	3	1 3/8	3 1/4	5/8	13/32	9/16	3/8	
500 350	1	JJ6A	4 7/8	1 7/16	1 7/16	1 5/8	3/4	5/16	9/16	3/8	ALJJ6A	5 3/4	1 9/16	1 5/8	1 5/8	3/4	15/32	9/16	3/8	
500 350	2	JJ6A2N	6 5/8	1 7/16	1 7/16	3 3/8	5/8	5/16	9/16	3/8	ALJJ6A2N	7 7/8	1 5/8	1 5/8	3 3/8	5/8	15/32	9/16	3/8	
500 350	4	JJ6A4N	6 5/8	3	1 7/16	3 3/8	5/8	5/16	9/16	3/8	ALJJ6A4N	7 7/8	3	1 5/8	3 3/8	5/8	15/32	9/16	3/8	
750 500	1	JJ7A	5 9/16	1 11/16	1 3/4	1 13/16	3/4	3/8	9/16	7/16	ALJJ7A	6 5/8	1 13/16	1 15/16	1 7/8	7/8	5/8	2 1/32	7/16	
750 500	2	JJ7A2N	7 7/8	1 11/16	1 3/4	3 3/8	5/8	3/8	9/16	7/16	ALJJ7A2N	8 1/4	1 7/8	1 15/16	3 1/2	5/8	5/8	9/16	7/16	
750 500	4	JJ7A4N	7 7/8	3	1 3/4	3 3/8	5/8	3/8	9/16	7/16	ALJJ7A4N	8 1/4	3	1 15/16	3 1/2	5/8	5/8	9/16	7/16	
1000 750	1	JJ8A	6 3/8	1 15/16	1 5/16	1 15/16	7/8	7/16	9/16	1/2	ALJJ8A	7 3/8	2 1/16	2 3/16	2 1/8	1	2 1/32	1 1/16	1/2	
1000 750	2	JJ8A2N	7 13/16	1 15/16	1 5/16	3 3/8	5/8	7/16	9/16	1/2	ALJJ8A2N	8 7/8	2 1/16	2 3/16	3 1/2	5/8	2 1/32	9/16	1/2	
1000 750	4	JJ8A4N	7 13/16	3	1 15/16	3 3/8	5/8	7/16	9/16	1/2	ALJJ8A4N	8 7/8	3 1/4	2 3/16	3 1/2	5/8	2 1/32	9/16	1/2	

** Holes in Tang



E = 1 3/4"

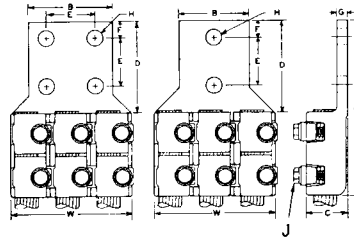


2JJA SERIES

Terminal lugs, two cables, straight

Cable Range Max. Min.	H.T.	Catalog Number	BRONZE CONNECTORS									DUAL-RATED ALUMINUM CONNECTORS								
			Dimension in Inches (Approximate)									Catalog Number	Dimension in Inches (Approximate)							
A	B	C	D	F	G	H	J	A	B	C	D		F	G	H	J				
1/0 #4	2										AL2JJ2A2N	6 3/4	1 7/8	15/16	3 1/4	9/32	9/16	5/16	2	
2/0 1/0	2	2JJ3A2N	4 7/8	1 7/8	13/16	3 1/4	1/4	9/16	5/16	2 1/8										
4/0 1/0	2										AL2JJ4A2N	7	1 7/8	1 3/16	3 1/4	5/16	9/16	5/16	2 1/16	
4/0 1/0	4										AL2JJ4A4N	7	3	1 3/16	3 1/4	5/16	9/16	5/16	2 1/16	
4/0 2/0	2	2JJ4A2N	5 11/16	1 7/8	1	3 1/4	1/4	9/16	5/16	2 3/8										
4/0 2/0	4	2JJ4A4N	5 11/16	3	1	3 1/4	1/4	9/16	5/16	2 3/8										
350 4/0	2	2JJ5A2N	6 1/16	2 2/32	1 1/4	3 5/16	5/16	9/16	3/8	2 5/8	AL2JJ5A2N	7 1/2	2 1/4	1 3/8	3 3/8	13/32	9/16	3/8	2 7/8	
350 4/0	4	2JJ5A4N	6 1/16	3	1 1/4	3 5/16	5/16	9/16	3/8	2 5/8	AL2JJ5A4N	7 1/2	3	1 3/8	3 3/8	13/32	9/16	3/8	2 7/8	
500 350	2	2JJ6A2N	6 5/8	2 1/2	1 7/16	3 3/8	3/8	9/16	3/8	3	AL2JJ6A2N	7 7/8	2 1/2	1 5/8	3 1/2	15/32	9/16	3/8	3 1/4	
500 350	4	2JJ6A4N	6 5/8	3	1 7/16	3 3/8	3/8	9/16	3/8	3	AL2JJ6A4N	7 7/8	3	1 5/8	3 1/2	15/32	9/16	3/8	3 1/4	
750 500	2	2JJ7A2N	7 7/8	3	1 3/4	3 3/8	7/16	9/16	7/16	3 1/2	AL2JJ7A2N	8 1/4	3	1 15/16	3 1/2	5/8	9/16	7/16	3 5/8	
750 500	4	2JJ7A4N	7 7/8	3	1 3/4	3 3/8	7/16	9/16	7/16	3 1/2	AL2JJ7A4N	8 1/4	3	1 15/16	3 1/2	5/8	9/16	7/16	3 5/8	
1000 750	2	2JJ8A2N	7 13/16	3 3/32	1 15/16	3 3/8	1/2	9/16	1/2	4	AL2JJ8A2N	8 7/8	3 1/4	2 3/16	3 1/2	2 1/32	9/16	1/2	4 1/4	
1000 750	4	2JJ8A4N	7 13/16	3 3/32	1 15/16	3 3/8	1/2	9/16	1/2	4	AL2JJ8A4N	8 7/8	3 1/4	2 3/16	3 1/2	2 1/32	9/16	1/2	4 1/4	

** Holes in Tang



3JJA SERIES

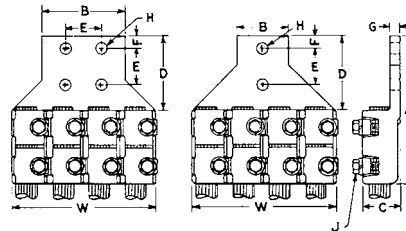
Terminal lugs, three cables, straight

Cable Range			BRONZE CONNECTORS								DUAL-RATED ALUMINUM CONNECTORS									
Max.	Min.	H.T.	Catalog Number	Dimension in Inches (Approximate)								Catalog Number	Dimension in Inches (Approximate)							
				A	B	C	D	F	G	J	W		A	B	C	D	F	G	J	W
1/0	#4	2	3JJ3A2N	4 1/8	1 7/8	1 3/16	3 1/4	5/8	1/4	5/16	3 3/16	AL3JJ2A2N	6 3/4	1 7/8	1 5/16	3 1/4	5/8	3/32	5/16	3 1/16
2/0	1/0	2		AL3JJ4A2N	7	1 7/8	1 3/16	3 1/4	5/8	5/16	5/16	3 13/16	AL3JJ4A4N	7	3	1 3/16	3 1/4	5/8	5/16	5/16
4/0	1/0	2	3JJ4A2N	5 11/16	1 7/8	1	3 1/4	5/8	1/4	5/16	3 9/16	AL3JJ5A2N	7 1/2	2 1/4	1 3/8	3 3/8	5/8	1 3/32	3/8	4 3/8
4/0	1/0	4																		
4/0	2/0	2	3JJ6A2N	6 5/8	2 1/2	1 7/16	3 3/8	5/8	3/8	3/8	4 1/2	AL3JJ6A2N	7 7/8	2 1/2	1 5/8	3 1/2	5/8	1 5/32	3/8	4 15/16
4/0	2/0	4	3JJ6A4N	6 5/8	3	1 7/16	3 3/8	5/8	3/8	3/8	4 1/2	AL3JJ6A4N	7 7/8	3	1 5/8	3 1/2	5/8	1 5/32	3/8	4 15/16
350	4/0	2	3JJ5A2N	6 1/16	2 29/32	1 1/4	3 5/16	5/8	5/16	3/8	3 15/16	AL3JJ5A2N	7 1/2	2 1/4	1 3/8	3 3/8	5/8	1 3/32	3/8	4 3/8
350	4/0	4	3JJ5A4N	6 1/16	3	1 1/4	3 5/16	5/8	5/16	3/8	3 15/16	AL3JJ5A4N	7 1/2	3	1 3/8	3 3/8	5/8	1 3/32	3/8	4 3/8
500	350	2	3JJ7A2N	7 1/8	3	1 3/4	3 3/8	5/8	7/16	7/16	5 1/8	AL3JJ7A2N	8 1/4	3	1 15/16	3 1/2	3/4	5/8	7/16	5 11/16
500	350	4	3JJ7A4N	7 1/8	3	1 3/4	3 3/8	5/8	7/16	7/16	5 1/8	AL3JJ7A4N	8 1/4	3	1 15/16	3 1/2	3/4	5/8	7/16	5 11/16
750	500	2	3JJ8A2N	7 13/16	3 3/32	1 15/16	3 3/8	5/8	1/2	1/2	6	AL3JJ8A2N	8 7/8	3 1/4	2 3/16	3 1/2	7/8	2 1/32	1/2	6 7/16
750	500	4	3JJ8A4N	7 13/16	3 3/32	1 15/16	3 3/8	5/8	1/2	1/2	6	AL3JJ8A4N	8 7/8	3 1/4	2 3/16	3 1/2	7/8	2 1/32	1/2	6 7/16

** Holes in Tang

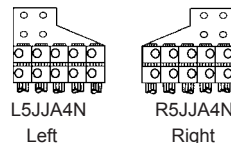
4JJA SERIES

Terminal lugs, four cables, straight



4/0	1/0	2	4JJ4A2N	5 11/16	2	1	3 1/4	5/8	1/4	5/16	4 7/16	AL4JJ4A2N	7	2	1 3/16	3 3/8	5/8	5/16	5/16	5 1/16
4/0	1/0	4										AL4JJ4A4N	7	3	1 3/16	3 3/8	5/8	5/16	5/16	5 1/16
4/0	2/0	2	4JJ5A2N	6 1/16	2	1 1/4	3 3/8	5/8	5/16	3/8	5 1/16	AL4JJ5A2N	7 1/2	2	1 3/8	3 3/8	5/8	1 3/32	3/8	5 13/16
4/0	2/0	4										4JJ5A4N	6 1/16	3	1 1/4	3 3/8	5/8	5/16	3/8	5 13/16
350	4/0	2	4JJ6A2N	6 5/8	2 1/2	1 7/16	3 1/2	5/8	3/8	3/8	6	AL4JJ6A2N	8	2 1/2	1 5/8	3 3/8	5/8	1 5/32	3/8	6 5/8
350	4/0	4	4JJ6A4N	6 5/8	4	1 7/16	3 1/2	5/8	3/8	3/8	6	AL4JJ6A4N	8	4	1 5/8	3 3/8	5/8	1 5/32	3/8	6 5/8
500	350	2	4JJ7A2N	7 1/8	4	1 3/4	3 3/4	5/8	7/16	7/16	6 3/16	AL4JJ7A2N	8 5/8	4	1 15/16	3 3/8	5/8	5/8	7/16	7 5/8
500	350	4	4JJ7A4N	7 1/8	4	1 3/4	3 3/4	5/8	7/16	7/16	6 3/16	AL4JJ7A4N	8 5/8	4	1 15/16	3 3/8	5/8	5/8	7/16	7 5/8
750	500	2	4JJ8A2N	7 13/16	4 1/2	1 15/16	4 1/8	7/8	1/2	1/2	8	AL4JJ8A2N	9 5/8	4 1/2	2 3/16	4 1/8	5/8	2 1/32	1/2	8 5/8
750	500	4	4JJ8A4N	7 13/16	4 1/2	1 15/16	4 1/8	7/8	1/2	1/2	8	AL4JJ8A4N	9 5/8	4 1/2	2 3/16	4 1/8	5/8	2 1/32	1/2	8 5/8

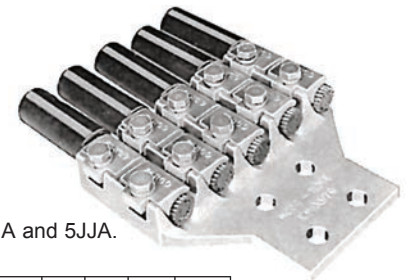
E = 1 3/4"
H = 9/16"



5JJA SERIES

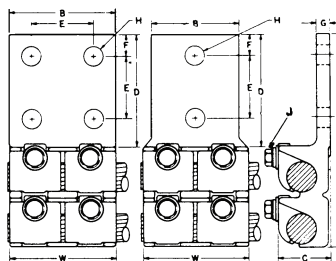
Terminal lugs, five cables, straight

Left and right hand tangs available on types 4JJA and 5JJA.
Add prefix L for left, R for right (i.e. L5JJ4A4N)



4/0	1/0	4	5JJ4A4N	5 11/16	3	1	3 1/4	5/8	1/4	5/16	5 11/16	AL5JJ4A4N	7	3	1 3/16	3 3/8	5/8	5/16	5/16	6 7/16
4/0	2/0	4										AL5JJ5A4N	7 1/2	3	1 3/8	3 3/8	5/8	1 3/32	3/8	7 3/8
350	4/0	4	5JJ5A4N	6 1/16	3	1 1/4	3 3/8	5/8	5/16	3/8	6 1/2	AL5JJ5A4N	7 1/2	3	1 3/8	3 3/8	5/8	1 3/32	3/8	7 3/8
500	350	4	5JJ6A4N	6 5/8	4	1 7/16	3 1/2	5/8	3/8	3/8	7 11/16	AL5JJ6A4N	8	4	1 5/8	3 3/8	5/8	1 5/32	3/8	8 5/16
750	500	4	5JJ7A4N	7 1/8	4	1 3/4	3 3/4	5/8	7/16	7/16	8 15/16	AL5JJ7A4N	8 5/8	4	1 15/16	3 3/8	5/8	5/8	7/16	8 5/16
1000	750	4	5JJ8A4N	7 13/16	4 1/2	1 15/16	4 1/8	7/8	1/2	1/8	10 3/16	AL5JJ8A4N	9 5/8	4 1/2	2 3/16	4 1/8	7/8	2 1/32	1/2	10 3/16

Also available with six or more cable capacity.

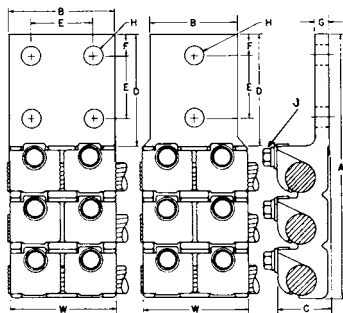


2JJAR SERIES

Terminal lugs, two cables

Cable Range			BRONZE CONNECTORS								DUAL-RATED ALUMINUM CONNECTORS							
Max.	Min.	H.T.	Catalog Number	Dimension in Inches (Approximate)							Catalog Number	Dimension in Inches (Approximate)						
		**		A	B	C	D	G	J	W		A	B	C	D	G	J	W
#1	#4	2	2JJ2AR2N	4 ³ / ₄	1 ⁵ / ₁₆	3 ³ / ₄	3	7 ⁷ / ₃₂	5 ⁵ / ₁₆	1 ¹¹ / ₁₆	AL2JJ2AR2N	5 ¹ / ₄	1 ¹ / ₈	1 ⁵ / ₁₆	3 ¹ / ₄	9 ⁹ / ₃₂	5 ⁵ / ₁₆	3 ⁵ / ₈
1/0	#4	2																
2/0	1/0	2	2JJ3AR2N	5 ¹ / ₈	1 ¹¹ / ₁₆	1 ³ / ₁₆	3 ¹ / ₈	1 ¹ / ₄	5 ⁵ / ₁₆	2 ¹ / ₈	AL2JJ4AR2N	5 ¹¹ / ₁₆	1 ¹ / ₈	1 ³ / ₁₆	3 ¹ / ₄	5 ⁵ / ₁₆	5 ⁵ / ₁₆	3 ³ / ₄
4/0	1/0	2									AL2JJ4AR4N	5 ¹¹ / ₁₆	3	1 ³ / ₁₆	3 ¹ / ₄	5 ⁵ / ₁₆	5 ⁵ / ₁₆	3 ³ / ₄
4/0	1/0	4	2JJ4AR2N	5 ⁷ / ₁₆	1 ¹ / ₈	1	3 ¹ / ₄	1 ¹ / ₄	5 ⁵ / ₁₆	2 ¹ / ₁₆								
4/0	2/0	2	2JJ4AR4N	5 ⁷ / ₁₆	3	1	3 ¹ / ₄	1 ¹ / ₄	5 ⁵ / ₁₆	2 ¹ / ₁₆								
4/0	2/0	4																
350	4/0	2	2JJ5AR2N	5 ¹⁵ / ₁₆	2 ²⁹ / ₃₂	1 ¹ / ₄	3 ⁵ / ₁₆	5 ⁵ / ₁₆	3 ³ / ₈	2 ³ / ₄	AL2JJ5AR2N	6 ¹ / ₄	2 ¹ / ₄	1 ³ / ₈	3 ³ / ₈	1 ¹³ / ₃₂	3 ³ / ₈	4
350	4/0	4	2JJ5AR4N	5 ¹⁵ / ₁₆	3	1 ¹ / ₄	3 ⁵ / ₁₆	5 ⁵ / ₁₆	3 ³ / ₈	2 ³ / ₄	AL2JJ5AR4N	6 ¹ / ₄	3	1 ³ / ₈	3 ³ / ₈	1 ¹³ / ₃₂	3 ³ / ₈	4
500	350	2	2JJ6AR2N	6 ³ / ₈	2 ¹ / ₂	1 ⁷ / ₁₆	3 ³ / ₈	3 ³ / ₈	3 ³ / ₈	3 ¹ / ₄	AL2JJ6AR2N	6 ³ / ₄	2 ¹ / ₂	1 ⁵ / ₈	3 ¹ / ₂	1 ¹⁵ / ₃₂	3 ³ / ₈	4 ¹ / ₈
500	350	4	2JJ6AR4N	6 ³ / ₈	3	1 ⁷ / ₁₆	3 ³ / ₈	3 ³ / ₈	3 ³ / ₈	3 ¹ / ₄	AL2JJ6AR4N	6 ³ / ₄	3	1 ⁵ / ₈	3 ¹ / ₂	1 ¹⁵ / ₃₂	3 ³ / ₈	4 ¹ / ₈
750	500	2	2JJ7AR2N	6 ¹³ / ₁₆	3	1 ³ / ₄	3 ³ / ₈	7 ¹ / ₁₆	7 ¹ / ₁₆	3 ³ / ₄	AL2JJ7AR2N	7 ¹ / ₈	3	1 ¹⁵ / ₁₆	3 ¹ / ₂	5 ⁵ / ₈	7 ¹ / ₁₆	4 ³ / ₄
750	500	4	2JJ7AR4N	6 ¹³ / ₁₆	3	1 ³ / ₄	3 ³ / ₈	7 ¹ / ₁₆	7 ¹ / ₁₆	3 ³ / ₄	AL2JJ7AR4N	7 ¹ / ₈	3	1 ¹⁵ / ₁₆	3 ¹ / ₂	5 ⁵ / ₈	7 ¹ / ₁₆	4 ³ / ₄
1000	750	2	2JJ8AR2N	7 ³ / ₈	3 ⁷ / ₃₂	1 ¹⁵ / ₁₆	3 ³ / ₈	1 ¹ / ₂	1 ¹ / ₂	4 ⁷ / ₁₆	AL2JJ8AR2N	7 ³ / ₄	3 ¹ / ₄	2 ³ / ₁₆	3 ¹ / ₂	2 ¹³ / ₃₂	1 ¹ / ₂	5 ¹ / ₄
1000	750	4	2JJ8AR4N	7 ³ / ₈	3 ⁷ / ₃₂	1 ¹⁵ / ₁₆	3 ³ / ₈	1 ¹ / ₂	1 ¹ / ₂	4 ⁷ / ₁₆	AL2JJ8AR4N	7 ³ / ₄	3 ¹ / ₄	2 ³ / ₁₆	3 ¹ / ₂	2 ¹³ / ₃₂	1 ¹ / ₂	5 ¹ / ₄

** Holes in Tang



3JJAR SERIES

Terminal lugs, three cables, 90°

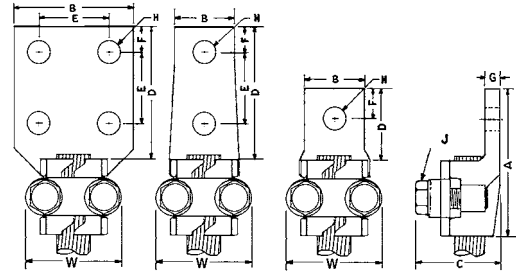
#1	#4	2	3JJ2AR2N	5 ¹¹ / ₁₆	1 ⁵ / ₁₆	1 ³ / ₁₆	3	7 ⁷ / ₃₂	5 ⁵ / ₁₆	1 ³ / ₄	AL3JJ2AR2N	6 ⁵ / ₁₆	1 ¹ / ₈	1 ⁵ / ₁₆	3 ¹ / ₄	9 ⁹ / ₃₂	5 ⁵ / ₁₆	3 ⁵ / ₈
1/0	#4	2																
2/0	1/0	2	3JJ3AR2N	6 ³ / ₁₆	1 ¹¹ / ₁₆	1 ³ / ₁₆	3 ¹ / ₈	1 ¹ / ₄	5 ⁵ / ₁₆	2 ¹ / ₈	AL3JJ4AR2N	7 ¹ / ₁₆	1 ¹ / ₈	1 ³ / ₁₆	3 ¹ / ₄	5 ⁵ / ₁₆	5 ⁵ / ₁₆	3 ³ / ₄
4/0	1/0	2									AL3JJ4AR4N	7 ¹ / ₁₆	3	1 ³ / ₁₆	3 ¹ / ₄	5 ⁵ / ₁₆	5 ⁵ / ₁₆	3 ³ / ₄
4/0	1/0	4	3JJ4AR2N	6 ⁵ / ₈	1 ⁷ / ₈	1	3 ¹ / ₄	1 ¹ / ₄	5 ⁵ / ₁₆	2 ¹ / ₁₆								
4/0	2/0	2	3JJ4AR4N	6 ⁵ / ₈	3	1	3 ¹ / ₄	1 ¹ / ₄	5 ⁵ / ₁₆	2 ¹ / ₁₆								
4/0	2/0	4																
350	4/0	2	3JJ5AR2N	7 ¹ / ₄	2 ²⁹ / ₃₂	1 ¹ / ₄	3 ⁵ / ₁₆	5 ⁵ / ₁₆	3 ³ / ₈	2 ³ / ₄	AL3JJ5AR2N	7 ³ / ₄	2 ¹ / ₄	1 ³ / ₈	3 ³ / ₈	1 ¹³ / ₃₂	3 ³ / ₈	4
350	4/0	4	3JJ5AR4N	7 ¹ / ₄	3	1 ¹ / ₄	3 ⁵ / ₁₆	5 ⁵ / ₁₆	3 ³ / ₈	2 ³ / ₄	AL3JJ5AR4N	7 ³ / ₄	3	1 ³ / ₈	3 ³ / ₈	1 ¹³ / ₃₂	3 ³ / ₈	4
500	350	2	3JJ6AR2N	7 ⁷ / ₈	2 ¹ / ₂	1 ⁷ / ₁₆	3 ³ / ₈	3 ³ / ₈	3 ³ / ₈	3 ¹ / ₄	AL3JJ6AR2N	8 ¹ / ₁₆	2 ¹ / ₂	1 ⁵ / ₈	3 ¹ / ₂	1 ¹⁵ / ₃₂	3 ³ / ₈	4 ¹ / ₈
500	350	4	3JJ6AR4N	7 ⁷ / ₈	3	1 ⁷ / ₁₆	3 ³ / ₈	3 ³ / ₈	3 ³ / ₈	3 ¹ / ₄	AL3JJ6AR4N	8 ⁵ / ₁₆	3	1 ⁵ / ₈	3 ¹ / ₂	1 ¹⁵ / ₃₂	3 ³ / ₈	4 ¹ / ₈
750	500	2	3JJ7AR2N	8 ¹ / ₂	3	1 ³ / ₄	3 ³ / ₈	7 ¹ / ₁₆	7 ¹ / ₁₆	3 ³ / ₄	AL3JJ7AR2N	9 ³ / ₁₆	3	1 ¹⁵ / ₁₆	3 ¹ / ₂	5 ⁵ / ₈	7 ¹ / ₁₆	4 ³ / ₄
750	500	4	3JJ7AR4N	8 ¹ / ₂	3	1 ³ / ₄	3 ³ / ₈	7 ¹ / ₁₆	7 ¹ / ₁₆	3 ³ / ₄	AL3JJ7AR4N	9 ³ / ₁₆	3	1 ¹⁵ / ₁₆	3 ¹ / ₂	5 ⁵ / ₈	7 ¹ / ₁₆	4 ³ / ₄
1000	750	2	3JJ8AR2N	9 ³ / ₈	3 ⁷ / ₃₂	1 ¹⁵ / ₁₆	3 ³ / ₈	1 ¹ / ₂	1 ¹ / ₂	4 ⁷ / ₁₆	AL3JJ8AR2N	9 ³ / ₁₆	3 ¹ / ₄	2 ³ / ₁₆	3 ¹ / ₂	2 ¹³ / ₃₂	1 ¹ / ₂	5 ¹ / ₄
1000	750	4	3JJ8AR4N	9 ³ / ₈	3 ⁷ / ₃₂	1 ¹⁵ / ₁₆	3 ³ / ₈	1 ¹ / ₂	1 ¹ / ₂	4 ⁷ / ₁₆	AL3JJ8AR4N	9 ³ / ₁₆	3 ¹ / ₄	2 ³ / ₁₆	3 ¹ / ₂	2 ¹³ / ₃₂	1 ¹ / ₂	5 ¹ / ₄

** Holes in Tang

E = 1³/₄"
 F = 5⁵/₈"
 H = 9⁵/₁₆"



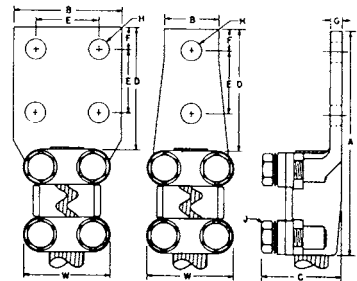
XPA SERIES Terminal lugs, one cable, straight



Cable Range			BRONZE CONNECTORS									DUAL-RATED ALUMINUM CONNECTORS								
Max.	Min.	H.T.	Catalog Number	Dimension in Inches (Approximate)								Catalog Number	Dimension in Inches (Approximate)							
				A	B	C	D	F	G	J	W		A	B	C	D	F	G	J	W
1/0	6	1	XP11A	3 3/4	1 1/2	1 1/4	1 3/4	3/4	1/4	3/8	2	ALXP11A	3 3/4	1 1/2	1 1/4	1 3/4	3/4	1/4	3/8	2
1/0	6	2	XP11A2N	4 3/4	1 1/2	1 1/4	3 3/4	5/8	1/4	3/8	2	ALXP11A2N	4 3/4	1 1/2	1 1/4	3 3/4	5/8	1/4	3/8	2
1/0	6	4	XP11A4N	4 3/4	3	1 1/4	3 3/4	5/8	1/4	3/8	2	ALXP11A4N	4 3/4	3	1 1/4	3 3/4	5/8	1/4	3/8	2
1/0	6	1	XP12A	3 5/16	1 1/2	1 1/4	1 3/4	3/4	1/4	1/2	2 1/4	ALXP12A	3 5/16	1 1/2	1 1/4	1 3/4	3/4	1/4	1/2	2 1/4
1/0	6	2	XP12A2N	4 13/16	1 1/2	1 1/4	3 3/4	5/8	1/4	1/2	2 1/4	ALXP12A2N	4 13/16	1 1/2	1 1/4	3 3/4	5/8	1/4	1/2	2 1/4
1/0	6	4	XP12A4N	4 13/16	3	1 1/4	3 3/4	5/8	1/4	1/2	2 1/4	ALXP12A4N	4 13/16	3	1 1/4	3 3/4	5/8	1/4	1/2	2 1/4
250	1/0	1	XP13A	3 7/16	1 1/2	1 3/8	1 3/4	3/4	5/16	3/8	2	ALXP13A	3 7/16	1 1/2	1 3/8	1 3/4	3/4	5/16	3/8	2
250	1/0	2	XP13A2N	4 15/16	1 1/2	1 3/8	3 3/4	5/8	5/16	3/8	2	ALXP13A2N	4 15/16	1 1/2	1 3/8	3 3/4	5/8	5/16	3/8	2
250	1/0	4	XP13A4N	4 15/16	3	1 3/8	3 3/4	5/8	5/16	3/8	2	ALXP13A4N	4 15/16	3	1 3/8	3 3/4	5/8	5/16	3/8	2
250	1/0	1	XP14A	3 5/8	1 1/2	1 3/8	1 3/4	3/4	5/16	1/2	2 1/4	ALXP14A	3 5/8	1 1/2	1 3/8	1 3/4	3/4	5/16	1/2	2 1/4
250	1/0	2	XP14A2N	5 1/8	1 1/2	1 3/8	3 3/4	5/8	5/16	1/2	2 1/4	ALXP14A2N	5 1/8	1 1/2	1 3/8	3 3/4	5/8	5/16	1/2	2 1/4
250	1/0	4	XP14A4N	5 1/8	3	1 3/8	3 3/4	5/8	5/16	1/2	2 1/4	ALXP14A4N	5 1/8	3	1 3/8	3 3/4	5/8	5/16	1/2	2 1/4
500	4/0	1	XP15A	3 5/8	1 1/2	1 3/4	1 3/4	3/4	3/8	1/2	2 1/4	ALXP15A	3 5/8	1 1/2	1 3/4	1 3/4	3/4	3/8	1/2	2 1/4
500	4/0	2	XP15A2N	5 1/8	1 1/2	1 3/4	3 3/4	5/8	3/8	1/2	2 1/4	ALXP15A2N	5 1/8	1 1/2	1 3/4	3 3/4	5/8	3/8	1/2	2 1/4
500	4/0	4	XP15A4N	5 1/8	3	1 3/4	3 3/4	5/8	3/8	1/2	2 1/4	ALXP15A4N	5 1/8	3	1 3/4	3 3/4	5/8	3/8	1/2	2 1/4
1000	500	1	XP16A	3 3/4	1 1/2	2 5/16	1 3/4	3/4	7/16	1/2	2 1/2	ALXP16A	3 3/4	1 1/2	2 5/16	1 3/4	3/4	7/16	1/2	2 1/2
1000	500	2	XP16A2N	5 1/4	1 1/2	2 5/16	3 3/4	5/8	7/16	1/2	2 1/2	ALXP16A2N	5 1/4	1 1/2	2 5/16	3 3/4	5/8	7/16	1/2	2 1/2
1000	500	4	XP16A4N	5 1/4	3	2 5/16	3 3/4	5/8	7/16	1/2	2 1/2	ALXP16A4N	5 1/4	3	2 5/16	3 3/4	5/8	7/16	1/2	2 1/2

** Holes in Tang

PA SERIES Terminal lugs, one cable/tube straight



Cable Range			BRONZE CONNECTORS									DUAL-RATED ALUMINUM CONNECTORS									
Max.	Min.	IPS	H.T.	Catalog Number	Dimension in Inches (Approximate)								Catalog Number	Dimension in Inches (Approximate)							
					A	B	C	D	F	G	J	W		A	B	C	D	F	G	J	W
2/0	#4	1/8	2	P2A2N	5 3/4	1 3/8	1 5/16	3 3/4	5/8	9/32	1/2	2 3/8	ALP2A2N	5 3/4	1 3/8	1 5/16	3 3/4	5/8	9/32	1/2	2 3/8
2/0	#4	1/8	4	P2A4N	5 3/4	3	1 5/16	3 3/4	5/8	9/32	1/2	2 3/8	ALP2A4N	5 3/4	3	1 5/16	3 3/4	5/8	9/32	1/2	2 3/8
350	2/0	3/8	2	P4A2N	6 1/8	1 1/2	1 3/4	3 3/16	5/8	5/16	1/2	2 3/8	ALP4A2N	6 1/8	1 1/2	1 3/4	3 3/16	5/8	5/16	1/2	2 3/8
350	2/0	3/8	4	P4A4N	6 1/8	3	1 3/4	3 3/16	5/8	5/16	1/2	2 3/8	ALP4A4N	6 1/8	3	1 3/4	3 3/16	5/8	5/16	1/2	2 3/8
600	350	1/2	2	P5A2N	6 3/16	1 1/2	2 1/8	3 3/8	5/8	3/8	1/2	2 11/16	ALP5A2N	6 3/16	1 1/2	2 1/8	3 3/8	5/8	3/8	1/2	2 11/16
600	350	1/2	4	P5A4N	6 3/16	3	2 1/8	3 3/8	5/8	3/8	1/2	2 11/16	ALP5A4N	6 3/16	3	2 1/8	3 3/8	5/8	3/8	1/2	2 11/16
1000	600	3/4	2	P6A2N	6 1/2	1 3/4	2 1/2	3 1/2	5/8	15/32	1/2	2 9/16	ALP6A2N	6 1/2	1 3/4	2 1/2	3 1/2	5/8	15/32	1/2	2 9/16
1000	600	3/4	4	P6A4N	6 1/2	3	2 1/2	3 1/2	5/8	15/32	1/2	2 9/16	ALP6A4N	6 1/2	3	2 1/2	3 1/2	5/8	15/32	1/2	2 9/16
1500	1000	1	2	P7A2N	6 13/16	2	2 7/8	3 3/8	5/8	9/16	1/2	2 13/16	ALP7A2N	6 13/16	2	2 7/8	3 3/8	5/8	9/16	1/2	2 13/16
1500	1000	1	4	P7A4N	6 13/16	3	2 7/8	3 3/8	5/8	9/16	1/2	2 13/16	ALP7A4N	6 13/16	3	2 7/8	3 3/8	5/8	9/16	1/2	2 13/16
2000	1500	1 1/4	2	P8A2N	7 1/8	2 1/4	3 3/4	3 3/4	5/8	5/8	1/2	3 1/16	ALP8A2N	7 1/8	2 1/4	3 3/4	3 3/4	5/8	5/8	1/2	3 1/16
2000	1500	1 1/4	4	P8A4N	7 1/8	3	3 3/4	3 3/4	5/8	5/8	1/2	3 1/16	ALP8A4N	7 1/8	3	3 3/4	3 3/4	5/8	5/8	1/2	3 1/16

For PA-90 types, add suffix "90" to applicable Catalog Number.

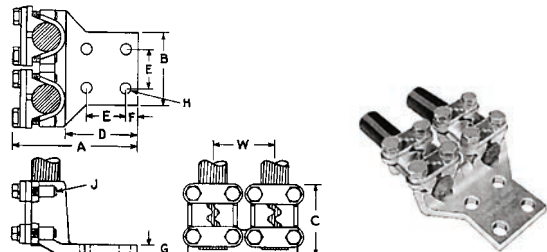
** Holes in Tang

E = 1 3/4"

H = 9/16"

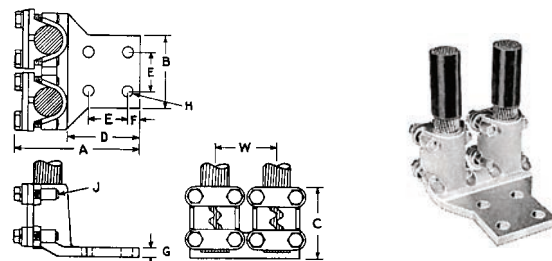
2PA SERIES

Terminal lugs, two cables/tube straight



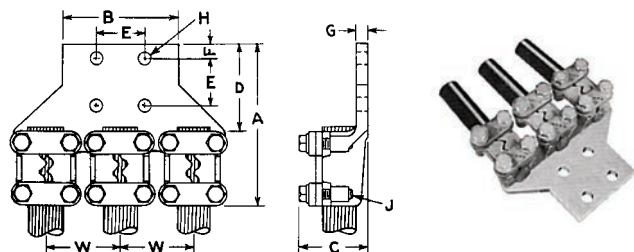
2PA-90 SERIES

Terminal lugs, two cables/tube 90°



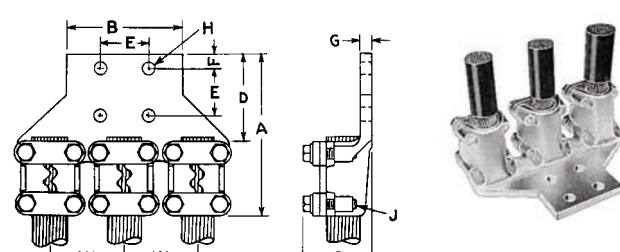
3PA SERIES

Terminal lugs, three cables/tube straight



3PA-90 SERIES

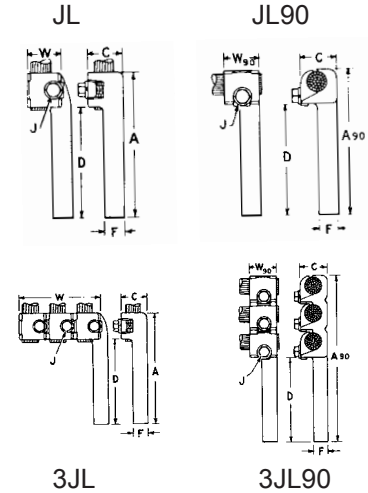
Terminal lugs, three cables/tube 90°



Cable Range				BRONZE CONNECTORS										DUAL-RATED ALUMINUM CONNECTORS							
Max.	Min.	IPS	** H.T.	Catalog Number	Dimension in Inches (Approximate)							Catalog Number	Dimension in Inches (Approximate)								
					A	B	C	D	F	G	W		A	B	C	D	F	G	W		
350	2/0	3/8	4	2P4A4N	6 1/8	3	1 3/4	3 5/16	5/8	3/8	2 5/8	AL2P4A4N	6 1/8	3	1 3/4	3 5/16	5/8	3/8	2 5/8		
600	350	1/2	4	2P5A4N	6 3/16	3	2	3 3/8	5/8	7/16	2 5/8	AL2P5A4N	6 3/16	3	2	3 3/8	5/8	7/16	2 5/8		
1000	600	3/4	4	2P6A4N	6 1/2	3	2 5/16	3 1/2	5/8	7/16	3	AL2P6A4N	6 1/2	3	2 5/16	3 1/2	5/8	7/16	3		
1500	1000	1	4	2P7A4N	6 3/4	3 1/2	2 7/8	3 5/8	5/8	9/16	3 1/2	AL2P7A4N	6 3/4	3 1/2	2 7/8	3 5/8	5/8	9/16	3 1/2		
2000	1500	1 1/4	4	2P8A4N	7 1/8	4	3 1/4	4	5/8	5/8	3 5/8	AL2P8A4N	7 1/8	4	3 1/4	4	5/8	5/8	3 5/8		
350	2/0	3/8	4	2P4A4N90	5 1/16	3	3 5/16	3 5/16	5/8	3/8	2 5/8	AL2P4A4N90	5 1/16	3	3 5/16	3 5/16	5/8	3/8	2 5/8		
600	350	1/2	4	2P5A4N90	5 1/2	3	3 3/8	3 3/8	5/8	7/16	2 5/8	AL2P5A4N90	5 1/2	3	3 3/8	3 3/8	5/8	7/16	2 5/8		
1000	600	3/4	4	2P6A4N90	6	3	3 3/16	3 1/2	5/8	7/16	3	AL2P6A4N90	6	3	3 3/16	3 1/2	5/8	7/16	3		
1500	1000	1	4	2P7A4N90	6 1/2	3 1/2	3 3/8	3 5/8	5/8	9/16	3 1/2	AL2P7A4N90	6 1/2	3 1/2	3 3/8	3 5/8	5/8	9/16	3 1/2		
2000	1500	1 1/4	4	2P8A4N90	7 1/4	4	4 1/8	4	5/8	5/8	3 5/8	AL2P8A4N90	7 1/4	4	4 1/8	4	5/8	5/8	3 5/8		
350	2/0	3/8	4	3P4A4N	6 1/8	3 1/2	1 3/4	3 3/8	5/8	3/8	2 5/8	AL3P4A4N	6 1/8	3 1/2	1 3/4	3 3/8	5/8	3/8	2 5/8		
600	350	1/2	4	3P5A4N	6 3/16	4	2 1/8	3 3/8	5/8	7/16	2 5/8	AL3P5A4N	6 3/16	4	2 1/8	3 3/8	5/8	7/16	2 5/8		
1000	600	3/4	4	3P6A4N	6 1/2	4	2 1/2	3 1/2	5/8	1/2	3	AL3P6A4N	6 1/2	4	2 1/2	3 1/2	5/8	1/2	3		
1500	1000	1	4	3P7A4N	6 3/16	4	7 1/8	3 5/8	3/8	9/16	3 1/2	AL3P7A4N	6 3/16	4	7 1/8	3 5/8	3/4	9/16	3 1/2		
2000	1500	1 1/4	4	3P8A4N	7 1/8	4 1/2	3 3/4	4	7/8	5/8	3 5/8	AL3P8A4N	7 1/8	4 1/2	3 3/4	4	7/8	5/8	3 5/8		
350	2/0	3/8	4	3P4A4N90	5 1/16	3 1/2	3 5/16	3 5/16	5/8	3/8	2 5/8	AL3P4A4N90	5 1/16	3 1/2	3 5/16	3 5/16	5/8	3/8	2 5/8		
600	350	1/2	4	3P5A4N90	5 1/2	4	3 3/8	3 3/8	5/8	7/16	2 5/8	AL3P5A4N90	5 1/2	4	3 3/8	3 3/8	5/8	7/16	2 5/8		
1000	600	3/4	4	3P6A4N90	6	4	3 5/8	3 1/2	5/8	1/2	3	AL3P6A4N90	6	4	3 5/8	3 1/2	5/8	1/2	3		
1500	1000	1	4	3P7A4N90	6 1/2	4	3 7/8	3 5/8	5/8	9/16	3 1/2	AL3P7A4N90	6 1/2	4	3 7/8	3 5/8	5/8	9/16	3 1/2		
2000	1500	1 1/4	4	3P8A4N90	7 1/4	4 1/2	4 1/8	4	5/8	5/8	3 5/8	AL3P8A4N90	7 1/4	4 1/2	4 1/8	4	5/8	5/8	3 5/8		
350	2/0	3/8	4	4P4A4N	6 1/8	3 1/2	1 3/4	3 3/8	5/8	3/8	2 5/8	AL4P4A4N	6 1/8	3 1/2	1 3/4	3 3/8	5/8	3/8	2 5/8		
600	350	1/2	4	4P5A4N	6 3/16	4	2 1/8	3 3/8	5/8	7/16	2 5/8	AL4P5A4N	6 3/16	4	2 1/8	3 3/8	5/8	7/16	2 5/8		
1000	600	3/4	4	4P6A4N	6 1/2	4	2 1/2	3 1/2	5/8	1/2	3	AL4P6A4N	6 1/2	4	2 1/2	3 1/2	5/8	1/2	3		
1500	1000	1	4	4P7A4N	6 3/16	4	2 7/8	3 5/8	3/4	9/16	3 1/2	AL4P7A4N	6 3/16	4	2 7/8	3 5/8	3/4	9/16	3 1/2		
2000	1500	1 1/4	4	4P8A4N	7 1/8	4 1/2	3 3/4	4	7/8	5/8	3 5/8	AL4P8A4N	7 1/8	4 1/2	3 3/4	4	7/8	5/8	3 5/8		
350	2/0	3/8	4	4P4A4N90	5 1/16	3 1/2	3 5/16	3 5/16	5/8	3/8	2 5/8	AL4P4A4N90	5 1/16	3 1/2	3 5/16	3 5/16	5/8	3/8	2 5/8		
600	350	1/2	4	4P5A4N90	5 1/2	4	3 3/8	3 3/8	5/8	7/16	2 5/8	AL4P5A4N90	5 1/2	4	3 3/8	3 3/8	5/8	7/16	2 5/8		
1000	600	3/4	4	4P6A4N90	6	4	3 5/8	3 1/2	5/8	1/2	3	AL4P6A4N90	6	4	3 5/8	3 1/2	5/8	1/2	3		
1500	1000	1	4	4P7A4N90	6 1/2	4	3 7/8	3 5/8	5/8	9/16	3 1/2	AL4P7A4N90	6 1/2	4	3 7/8	3 5/8	5/8	9/16	3 1/2		
2000	1500	1 1/4	4	4P8A4N90	7 1/4	4 1/2	4 1/8	4	5/8	5/8	3 5/8	AL4P8A4N90	7 1/4	4 1/2	4 1/8	4	5/8	5/8	3 5/8		

** Holes in Tang

E = 1 3/4"
H = 9/16"
J = 1/2"



JL, JL90 SERIES

Terminal adapters, one cable

Cable Range		BRONZE CONNECTORS									DUAL-RATED ALUMINUM CONNECTORS								
		Catalog Number	Dimension in Inches (Approximate)								Catalog Number	Dimension in Inches (Approximate)							
Max.	Min.	Number	A	A90	C	D	F	J	W	W90	Number	A	A90	C	D	F	J	W	W90
350	4/0	J5L	5 1/2	—	1 1/4	4 1/8	5/8	3/8	1 5/16	—	ALJ5L	6 1/16	—	1 3/8	4 1/8	5/8	3/8	1 3/8	—
350	4/0	J5L90	—	5 7/16	1 1/4	4 1/8	5/8	3/8	—	1 3/8	ALJ5L90	—	5 1/2	1 3/8	4 1/8	5/8	3/8	—	1 15/16
500	350	J6L	6 1/8	—	1 7/16	4 1/2	13/16	3/8	1 1/2	—	ALJ6L	6 1/2	—	1 5/8	4 1/2	13/16	3/8	1 9/16	—
500	350	J6L90	—	6	1 7/16	4 1/2	13/16	3/8	—	1 5/8	ALJ6L90	—	6 1/16	1 5/8	4 1/2	13/16	3/8	—	2
750	500	J7L	7 1/16	—	1 3/4	5 3/16	15/16	7/16	1 3/4	—	ALJ7L	7 1/2	—	1 15/16	5 3/16	15/16	7/16	1 13/16	—
750	500	J7L90	—	6 15/16	1 3/4	5 3/16	15/16	7/16	—	1 7/8	ALJ7L90	—	7	1 15/16	5 3/16	15/16	7/16	—	2 5/16
1000	750	J8L	7 7/8	—	1 15/16	5 11/16	1 1/4	1/2	2	—	ALJ8L	8 1/4	—	2 3/16	5 11/16	1 1/4	1/2	2 1/16	—
1000	750	J8L90	—	7 11/16	1 15/16	5 11/16	1 1/4	1/2	—	2 7/32	ALJ8L90	—	7 3/4	2 3/16	5 11/16	1 1/4	1/2	—	2 9/16

2JL, 2JL90 SERIES

Terminal adapters, two cables

350	4/0	2J5L	5 1/2	—	1 1/4	4 1/8	5/8	3/8	2 5/8	—	AL2J5L	6 1/16	—	1 3/8	4 1/8	5/8	3/8	2 7/8	—
350	4/0	2J5L90	—	6 3/4	1 1/4	4 1/8	5/8	3/8	—	1 3/8	AL2J5L90	—	7	1 3/8	4 1/8	5/8	3/8	—	1 15/16
500	350	2J6L	6 1/8	—	1 7/16	4 1/2	13/16	3/8	3	—	AL2J6L	6 1/2	—	1 5/8	4 1/2	13/16	3/8	3 1/4	—
500	350	2J6L90	—	7 1/2	1 7/16	4 1/2	13/16	3/8	—	1 5/8	AL2J6L90	—	7 3/4	1 5/8	4 1/2	13/16	3/8	—	2
750	500	2J7L	7 1/16	—	1 3/4	5 3/16	15/16	7/16	3 7/16	—	AL2J7L	7 1/2	—	1 15/16	5 3/16	15/16	7/16	3 5/8	—
750	500	2J7L90	—	8 5/8	1 3/4	5 3/16	15/16	7/16	—	1 7/8	AL2J7L90	—	8 13/16	1 15/16	5 3/16	15/16	7/16	—	2 5/16
1000	750	2J8L	7 7/8	—	1 15/16	5 11/16	1 1/4	1/2	4	—	AL2J8L	8 1/4	—	2 3/16	5 11/16	1 1/4	1/2	4 1/4	—
1000	750	2J8L90	—	9 11/16	1 15/16	5 11/16	1 1/4	1/2	—	2 7/32	AL2J8L90	—	9 15/16	2 3/16	5 11/16	1 1/4	1/2	—	2 9/16

3JL, 3JL90 SERIES

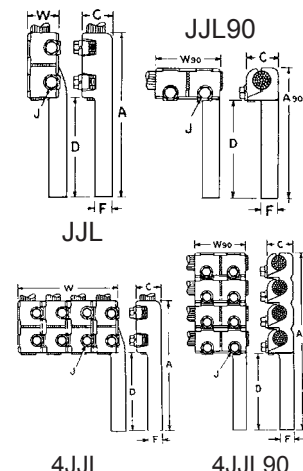
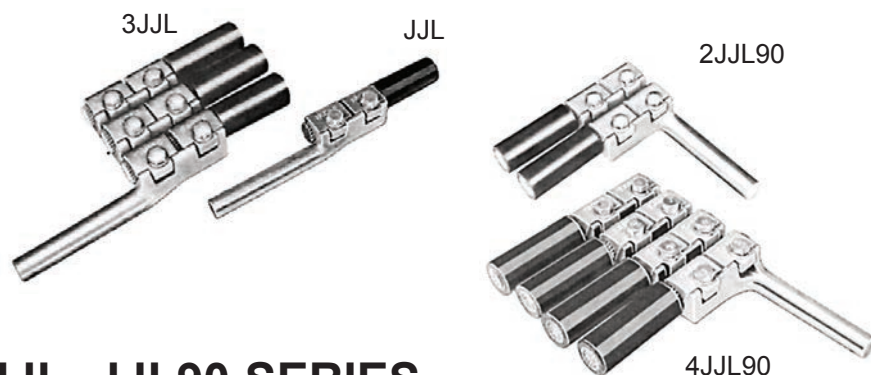
Terminal adapters, three cables

350	4/0	3J5L	5 1/2	—	1 1/4	4 1/8	5/8	3/8	3 15/16	—	AL3J5L	6 1/16	—	1 3/8	4 1/8	5/8	3/8	4 3/8	—
350	4/0	3J5L90	—	8 7/16	1 1/4	4 1/8	5/8	3/8	—	1 3/8	AL3J5L90	—	8 1/2	1 3/8	4 1/8	5/8	3/8	—	1 15/16
500	350	3J6L	6 1/8	—	1 7/16	4 1/2	13/16	3/8	4 1/2	—	AL3J6L	6 1/2	—	1 5/8	4 1/2	13/16	3/8	4 15/16	—
500	350	3J6L90	—	9	1 7/16	4 1/2	13/16	3/8	—	1 5/8	AL3J6L90	—	9 7/16	1 5/8	4 1/2	13/16	3/8	—	2
750	500	3J7L	7 1/16	—	1 3/4	5 3/16	15/16	7/16	5 1/8	—	AL3J7L	7 1/2	—	1 15/16	5 3/16	15/16	7/16	5 11/16	—
750	500	3J7L90	—	10 5/16	1 3/4	5 3/16	15/16	7/16	—	1 7/8	AL3J7L90	—	10 7/8	1 15/16	5 3/16	15/16	7/16	—	2 5/16
1000	750	3J8L	7 7/8	—	1 15/16	5 11/16	1 1/4	1/2	6	—	AL3J8L	8 1/4	—	2 3/16	5 11/16	1 1/4	1/2	6 7/16	—
1000	750	3J8L90	—	11 11/16	1 15/16	5 11/16	1 1/4	1/2	—	2 7/32	AL3J8L90	—	12 1/8	2 3/16	5 11/16	1 1/4	1/2	—	2 9/16

4JL, 4JL90 SERIES

Terminal adapters, four cables

350	4/0	4J5L	5 1/2	—	1 1/4	4 1/8	5/8	3/8	5 1/4	—	AL4J5L	6 1/16	—	1 3/8	4 1/8	5/8	3/8	5 13/16	—
350	4/0	4J5L90	—	9 1/8	1 1/4	4 1/8	5/8	3/8	—	1 3/8	AL4J5L90	—	9 15/16	1 3/8	4 1/8	5/8	3/8	—	1 15/16
500	350	4J6L	6 1/8	—	1 7/16	4 1/2	13/16	3/8	6	—	AL4J6L	6 1/2	—	1 5/8	4 1/2	13/16	3/8	6 5/8	—
500	350	4J6L90	—	10 1/2	1 7/16	4 1/2	13/16	3/8	—	1 5/8	AL4J6L90	—	11 1/8	1 5/8	4 1/2	13/16	3/8	—	2
750	500	4J7L	7 1/16	—	1 3/4	5 3/16	15/16	7/16	6 13/16	—	AL4J7L	7 1/2	—	1 15/16	5 3/16	15/16	7/16	7 5/8	—
750	500	4J7L90	—	12	1 3/4	5 3/16	15/16	7/16	—	1 7/8	AL4J7L90	—	12 13/16	1 15/16	5 3/16	15/16	7/16	—	2 5/16
1000	750	4J8L	7 7/8	—	1 15/16	5 11/16	1 1/4	1/2	8	—	AL4J8L	8 1/4	—	2 3/16	5 11/16	1 1/4	1/2	8 5/8	—
1000	750	4J8L90	—	13 11/16	1 15/16	5 11/16	1 1/4	1/2	—	2 7/32	AL4J8L90	—	14 5/16	2 3/16	5 11/16	1 1/4	1/2	—	2 9/16



JLL, JLL90 SERIES

Terminal adapters, one cable

Cable Range		Catalog Number	BRONZE CONNECTORS							DUAL-RATED ALUMINUM CONNECTORS									
Max.	Min.		Dimension in Inches (Approximate)							Dimension in Inches (Approximate)									
			A	A90	C	D	F	J	W	W90	Number	A	A90	C	D	F	J	W	W90
350	4/0	JJ5L	6 ⁷ / ₈	—	1 ¹ / ₄	4 ¹ / ₈	5 ⁵ / ₈	3 ³ / ₈	1 ⁵ / ₁₆	—	ALJJ5L	8 ¹ / ₈	—	1 ³ / ₈	4 ¹ / ₈	5 ⁵ / ₈	3 ³ / ₈	1 ³ / ₈	—
350	4/0	JJ5L90	—	5 ⁷ / ₁₆	1 ¹ / ₄	4 ¹ / ₈	5 ⁵ / ₈	3 ³ / ₈	—	2 ³ / ₄	ALJJ5L90	—	5 ¹ / ₂	1 ³ / ₈	4 ¹ / ₈	5 ⁵ / ₈	3 ³ / ₈	—	4
500	350	JJ6L	7 ³ / ₄	—	1 ⁷ / ₁₆	4 ¹ / ₂	13 ¹³ / ₁₆	3 ³ / ₈	1 ¹ / ₂	—	ALJJ6L	8 ⁵ / ₈	—	1 ⁵ / ₈	4 ¹ / ₂	13 ¹³ / ₁₆	3 ³ / ₈	1 ⁹ / ₁₆	—
500	350	JJ6L90	—	6	1 ⁷ / ₁₆	4 ¹ / ₂	13 ¹³ / ₁₆	3 ³ / ₈	—	3 ³ / ₄	ALJJ6L90	—	6 ¹ / ₁₆	1 ⁵ / ₈	4 ¹ / ₂	13 ¹³ / ₁₆	3 ³ / ₈	—	4 ¹ / ₈
750	500	JJ7L	9	—	1 ³ / ₄	5 ³ / ₁₆	15 ¹⁵ / ₁₆	7 ⁷ / ₁₆	1 ³ / ₄	—	ALJJ7L	10 ¹ / ₁₆	—	1 ¹⁵ / ₁₆	5 ³ / ₁₆	15 ¹⁵ / ₁₆	7 ⁷ / ₁₆	1 ¹³ / ₁₆	—
750	500	JJ7L90	—	6 ¹⁵ / ₁₆	1 ³ / ₄	5 ³ / ₁₆	15 ¹⁵ / ₁₆	7 ⁷ / ₁₆	—	3 ³ / ₄	ALJJ7L90	—	7	1 ¹⁵ / ₁₆	5 ³ / ₁₆	15 ¹⁵ / ₁₆	7 ⁷ / ₁₆	—	4 ³ / ₄
1000	750	JJ8L	10 ¹ / ₈	—	1 ¹⁵ / ₁₆	5 ¹ / ₁₆	1 ¹ / ₄	1 ¹ / ₂	2	—	ALJJ8L	10 ¹⁵ / ₁₆	—	2 ³ / ₁₆	5 ¹ / ₁₆	1 ¹ / ₄	1 ¹ / ₂	2 ¹ / ₁₆	—
1000	750	JJ8L90	—	7 ¹ / ₁₆	1 ¹⁵ / ₁₆	5 ¹ / ₁₆	1 ¹ / ₄	1 ¹ / ₂	—	4 ⁷ / ₁₆	ALJJ8L90	—	7 ³ / ₄	2 ³ / ₁₆	5 ¹ / ₁₆	1 ¹ / ₄	1 ¹ / ₂	—	5 ¹ / ₄

2JLL, 2JLL90 SERIES

Terminal adapters, two cables

350	4/0	2JJ5L	6 ⁷ / ₈	—	1 ¹ / ₄	4 ¹ / ₈	5 ⁵ / ₈	3 ³ / ₈	2 ⁵ / ₈	—	AL2JJ5L	8 ¹ / ₈	—	1 ³ / ₈	4 ¹ / ₈	5 ⁵ / ₈	3 ³ / ₈	2 ⁷ / ₈	—
350	4/0	2JJ5L90	—	6 ³ / ₄	1 ¹ / ₄	4 ¹ / ₈	5 ⁵ / ₈	3 ³ / ₈	—	2 ³ / ₄	AL2JJ5L90	—	7	1 ³ / ₈	4 ¹ / ₈	5 ⁵ / ₈	3 ³ / ₈	—	4
500	350	2JJ6L	7 ³ / ₄	—	1 ⁷ / ₁₆	4 ¹ / ₂	13 ¹³ / ₁₆	3 ³ / ₈	3	—	AL2JJ6L	8 ⁵ / ₈	—	1 ⁵ / ₈	4 ¹ / ₂	13 ¹³ / ₁₆	3 ³ / ₈	3 ³ / ₄	—
500	350	2JJ6L90	—	7 ¹ / ₂	1 ⁷ / ₁₆	4 ¹ / ₂	13 ¹³ / ₁₆	3 ³ / ₈	—	3 ³ / ₄	AL2JJ6L90	—	7 ³ / ₄	1 ⁵ / ₈	4 ¹ / ₂	13 ¹³ / ₁₆	3 ³ / ₈	—	4 ¹ / ₈
750	500	2JJ7L	9	—	1 ³ / ₄	5 ³ / ₁₆	15 ¹⁵ / ₁₆	7 ⁷ / ₁₆	3 ⁷ / ₁₆	—	AL2JJ7L	10 ¹ / ₁₆	—	1 ¹⁵ / ₁₆	5 ³ / ₁₆	15 ¹⁵ / ₁₆	7 ⁷ / ₁₆	3 ⁵ / ₈	—
750	500	2JJ7L90	—	8 ⁵ / ₈	1 ³ / ₄	5 ³ / ₁₆	15 ¹⁵ / ₁₆	7 ⁷ / ₁₆	—	3 ³ / ₄	AL2JJ7L90	—	8 ¹³ / ₁₆	1 ¹⁵ / ₁₆	5 ³ / ₁₆	15 ¹⁵ / ₁₆	7 ⁷ / ₁₆	—	4 ³ / ₄
1000	750	2JJ8L	10 ¹ / ₈	—	1 ¹⁵ / ₁₆	5 ¹ / ₁₆	1 ¹ / ₄	1 ¹ / ₂	4	—	AL2JJ8L	10 ¹⁵ / ₁₆	—	2 ³ / ₁₆	5 ¹ / ₁₆	1 ¹ / ₄	1 ¹ / ₂	4 ¹ / ₄	—
1000	750	2JJ8L90	—	9 ¹ / ₁₆	1 ¹⁵ / ₁₆	5 ¹ / ₁₆	1 ¹ / ₄	1 ¹ / ₂	—	4 ⁷ / ₁₆	AL2JJ8L90	—	9 ¹⁵ / ₁₆	2 ³ / ₁₆	5 ¹ / ₁₆	1 ¹ / ₄	1 ¹ / ₂	—	5 ¹ / ₄

3JLL, 3JLL90 SERIES

Terminal adapters, three cables

350	4/0	3JJ5L	6 ⁷ / ₈	—	1 ¹ / ₄	4 ¹ / ₈	5 ⁵ / ₈	3 ³ / ₈	3 ¹⁵ / ₁₆	—	AL3JJ5L	8 ¹ / ₈	—	1 ³ / ₈	4 ¹ / ₈	5 ⁵ / ₈	3 ³ / ₈	4 ³ / ₈	—
350	4/0	3JJ5L90	—	8 ¹ / ₁₆	1 ¹ / ₄	4 ¹ / ₈	5 ⁵ / ₈	3 ³ / ₈	—	2 ³ / ₄	AL3JJ5L90	—	8 ¹ / ₂	1 ³ / ₈	4 ¹ / ₈	5 ⁵ / ₈	3 ³ / ₈	—	4
500	350	3JJ6L	7 ³ / ₄	—	1 ⁷ / ₁₆	4 ¹ / ₂	13 ¹³ / ₁₆	3 ³ / ₈	4 ¹ / ₂	—	AL3JJ6L	8 ⁵ / ₈	—	1 ⁵ / ₈	4 ¹ / ₂	13 ¹³ / ₁₆	3 ³ / ₈	4 ¹⁵ / ₁₆	—
500	350	3JJ6L90	—	9	1 ⁷ / ₁₆	4 ¹ / ₂	13 ¹³ / ₁₆	3 ³ / ₈	—	3 ³ / ₄	AL3JJ6L90	—	9 ⁷ / ₁₆	1 ⁵ / ₈	4 ¹ / ₂	13 ¹³ / ₁₆	3 ³ / ₈	—	4 ¹ / ₈
750	500	3JJ7L	9	—	1 ³ / ₄	5 ³ / ₁₆	15 ¹⁵ / ₁₆	7 ⁷ / ₁₆	5 ⁵ / ₈	—	AL3JJ7L	10 ¹ / ₁₆	—	1 ¹⁵ / ₁₆	5 ³ / ₁₆	15 ¹⁵ / ₁₆	7 ⁷ / ₁₆	5 ¹¹ / ₁₆	—
750	500	3JJ7L90	—	10 ⁹ / ₁₆	1 ³ / ₄	5 ³ / ₁₆	15 ¹⁵ / ₁₆	7 ⁷ / ₁₆	—	3 ³ / ₄	AL3JJ7L90	—	10 ¹ / ₈	1 ¹⁵ / ₁₆	5 ³ / ₁₆	15 ¹⁵ / ₁₆	7 ⁷ / ₁₆	—	4 ³ / ₄
1000	750	3JJ8L	10 ¹ / ₈	—	1 ¹⁵ / ₁₆	5 ¹ / ₁₆	1 ¹ / ₄	1 ¹ / ₂	6	—	AL3JJ8L	10 ¹⁵ / ₁₆	—	2 ³ / ₁₆	5 ¹ / ₁₆	1 ¹ / ₄	1 ¹ / ₂	6 ⁷ / ₁₆	—
1000	750	3JJ8L90	—	11 ¹ / ₁₆	1 ¹⁵ / ₁₆	5 ¹ / ₁₆	1 ¹ / ₄	1 ¹ / ₂	—	4 ⁷ / ₁₆	AL3JJ8L90	—	12 ⁵ / ₁₆	2 ³ / ₁₆	5 ¹ / ₁₆	1 ¹ / ₄	1 ¹ / ₂	—	5 ¹ / ₄

4JLL, 4JLL90 SERIES

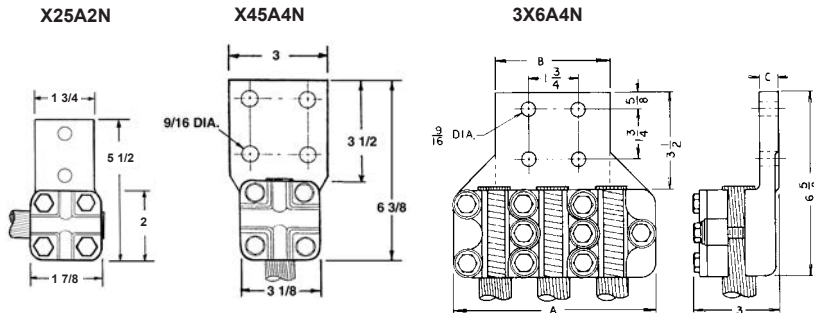
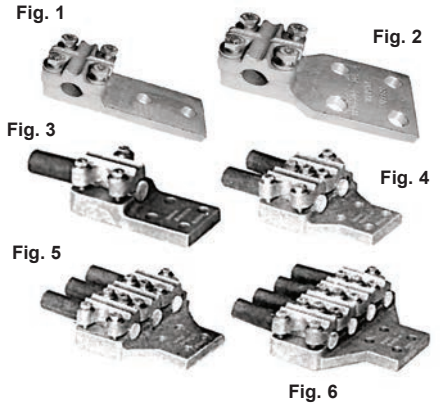
Terminal adapters, four cables

350	4/0	4JJ5L	6 ⁷ / ₈	—	1 ¹ / ₄	4 ¹ / ₈	5 ⁵ / ₈	3 ³ / ₈	5 ¹ / ₄	—	AL4JJ5L	8 ¹ / ₈	—	1 ³ / ₈	4 ¹ / ₈	5 ⁵ / ₈	3 ³ / ₈	5 ¹³ / ₁₆	—
350	4/0	4JJ5L90	—	9 ¹ / ₈	1 ¹ / ₄	4 ¹ / ₈	5 ⁵ / ₈	3 ³ / ₈	—	2 ³ / ₄	AL4JJ5L90	—	9 ¹⁵ / ₁₆	1 ³ / ₈	4 ¹ / ₈	5 ⁵ / ₈	3 ³ / ₈	—	4
500	350	4JJ6L	7 ³ / ₄	—	1 ⁷ / ₁₆	4 ¹ / ₂	13 ¹³ / ₁₆	3 ³ / ₈	6	—	AL4JJ6L	8 ⁵ / ₈	—	1 ⁵ / ₈	4 ¹ / ₂	13 ¹³ / ₁₆	3 ³ / ₈	6 ⁵ / ₈	—
500	350	4JJ6L90	—	10 ¹ / ₂	1 ⁷ / ₁₆	4 ¹ / ₂	13 ¹³ / ₁₆	3 ³ / ₈	—	3 ³ / ₄	AL4JJ6L90	—	11 ¹ / ₈	1 ⁵ / ₈	4 ¹ / ₂	13 ¹³ / ₁₆	3 ³ / ₈	—	4 ¹ / ₈
750	500	4JJ7L	9	—	1 ³ / ₄	5 ³ / ₁₆	15 ¹⁵ / ₁₆	7 ⁷ / ₁₆	6 ¹³ / ₁₆	—	AL4JJ7L	10 ¹ / ₁₆	—	1 ¹⁵ / ₁₆	5 ³ / ₁₆	15 ¹⁵ / ₁₆	7 ⁷ / ₁₆	7 ⁷ / ₈	—
750	500	4JJ7L90	—	12	1 ³ / ₄	5 ³ / ₁₆	15 ¹⁵ / ₁₆	7 ⁷ / ₁₆	—	3 ³ / ₄	AL4JJ7L90	—	12 ¹³ / ₁₆	1 ¹⁵ / ₁₆	5 ³ / ₁₆	15 ¹⁵ / ₁₆	7 ⁷ / ₁₆	—	4 ³ / ₄
1000	750	4JJ8L	10 ¹ / ₈	—	1 ¹⁵ / ₁₆	5 ¹ / ₁₆	1 ¹ / ₄	1 ¹ / ₂	8	—	AL4JJ8L	10 ¹⁵ / ₁₆	—	2 ³ / ₁₆	5 ¹ / ₁₆	1 ¹ / ₄	1 ¹ / ₂	8 ⁵ / ₈	—
1000	750	4JJ8L90	—	13 ¹ / ₁₆	1 ¹⁵ / ₁₆	5 ¹ / ₁₆	1 ¹ / ₄	1 ¹ / ₂	—	4 ⁷ / ₁₆	AL4JJ8L90	—	14 ⁵ / ₁₆	2 ³ / ₁₆	5 ¹ / ₁₆	1 ¹ / ₄	1 ¹ / ₂	—	5 ¹ / ₄

XA SERIES

Terminal lugs for one through four cables

Cable Range Max. Min. ** H.T. Fig.				BRONZE CONNECTORS			DUAL-RATED ALUM. CONNECTORS				
				Catalog Number	Dimension in Inches (Approx.)			Catalog Number	Dimension in Inches (Approximate)		
					A	B	C		A	B	C
250	6 Sol.	2	1	X25A2N	1 7/8	1 3/4	1/4	ALX25A2N	1 7/8	1 3/4	1/4
500	#2	2	1	X45A2N	2	2 1/2	7/16	ALX45A2N	2	2 1/2	7/16
500	#2	4	2	X45A4N	2	3	7/16	ALX45A4N	2	3	7/16
1000	#2	4	3	X6A4N	3 1/8	3	5/8	ALX6A4N	3 1/8	3	5/8
1000	#2	4	4	2X6A4N	5 1/4	3	5/8	AL2X6A4N	5 1/4	3	5/8
1000	#2	4	5	3X6A4N	7 3/8	4	5/8	AL3X6A4N	7 3/4	4	5/8
1000	#2	4	6	4X6A4N	9 1/2	4	5/8	AL4X6A4N	9 1/2	4	5/8



TA, TA-45, TA-90 SERIES

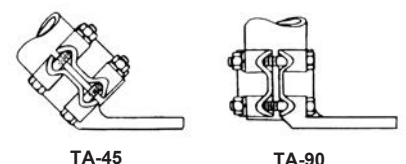
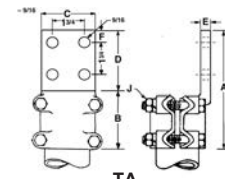
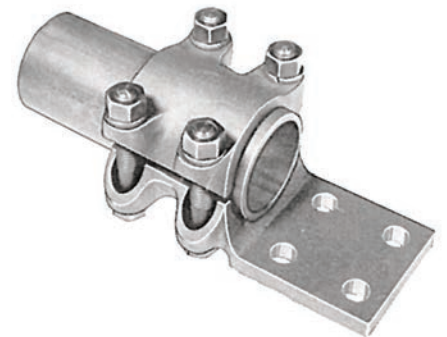
Terminal lugs, IPS tube

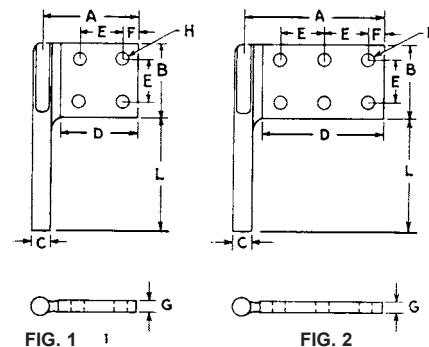
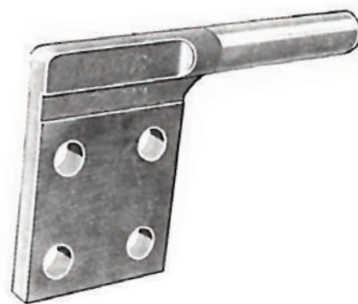
IPS	H.T. **	BRONZE CONNECTORS							DUAL-RATED ALUMINUM CONNECTORS						
		Catalog Number	Dimension in Inches (Approx.)						Catalog Number	Dimension in Inches (Approx.)					
			A	B	C	D	E	J		A	B	C	D	E	J
1/2	2	T0A2N-6	5 3/8	2	1 1/2	3 3/8	5/16	3/8	ALT0A2N-6	5 3/8	2	1 1/2	3 3/8	5/16	3/8
1/2	4	T0A4N-6	5 3/8	2	3	3 3/8	5/16	3/8	ALT0A4N-6	5 3/8	2	3	3 3/8	5/16	3/8
1/2	2	T0A2N	5 5/8	2 1/4	1 1/2	3 3/8	5/16	1/2	ALT0A2N	5 5/8	2 1/4	1 1/2	3 3/8	5/16	1/2
1/2	4	T0A4N	5 5/8	2 1/4	3	3 3/8	5/16	1/2	ALT0A4N	5 5/8	2 1/4	3	3 3/8	5/16	1/2
3/4	2	T1A2N-6	5 1/2	2 1/8	1 3/4	3 3/8	11/32	3/8	ALT1A2N-6	5 1/2	2 1/8	1 3/4	3 3/8	11/32	3/8
3/4	4	T1A4N-6	5 1/2	2 1/8	3	3 3/8	11/32	3/8	ALT1A4N-6	5 1/2	2 1/8	3	3 3/8	11/32	3/8
3/4	2	T1A2N	5 3/4	2 3/8	1 3/4	3 3/8	11/32	1/2	ALT1A2N	5 3/4	2 3/8	1 3/4	3 3/8	11/32	1/2
3/4	4	T1A4N	5 3/4	2 3/8	3	3 3/8	11/32	1/2	ALT1A4N	5 3/4	2 3/8	3	3 3/8	11/32	1/2
1	2	T2A2N-6	5 5/8	2 1/4	2	3 3/8	3/8	3/8	ALT2A2N-6	5 5/8	2 1/4	2	3 3/8	3/8	3/8
1	4	T2A4N-6	5 5/8	2 1/4	3	3 3/8	3/8	3/8	ALT2A4N-6	5 5/8	2 1/4	3	3 3/8	3/8	3/8
1	2	T2A2N	5 7/8	2 1/2	2	3 3/8	3/8	1/2	ALT2A2N	5 7/8	2 1/2	2	3 3/8	3/8	1/2
1	4	T2A4N	5 7/8	2 1/2	3	3 3/8	3/8	1/2	ALT2A4N	5 7/8	2 1/2	3	3 3/8	3/8	1/2
1 1/4	2	T3A2N	6 1/16	2 5/8	2 1/4	3 7/16	3/8	1/2	ALT3A2N	6 1/16	2 5/8	2 1/4	3 7/16	3/8	1/2
1 1/4	4	T3A4N	6 1/16	2 5/8	3	3 7/16	3/8	1/2	ALT3A4N	6 1/16	2 5/8	3	3 7/16	3/8	1/2
1 1/2	2	T4A2N	6 1/4	2 3/4	2 1/2	3 1/2	7/16	1/2	ALT4A2N	6 1/4	2 3/4	2 1/2	3 1/2	7/16	1/2
1 1/2	4	T4A4N	6 1/4	2 3/4	3	3 1/2	7/16	1/2	ALT4A4N	6 1/4	2 3/4	3	3 1/2	7/16	1/2
2	2	T5A2N	6 3/8	2 7/8	2 1/4	3 1/2	1/2	1/2	ALT5A2N	6 3/8	2 7/8	2 1/4	3 1/2	1/2	1/2
2	4	T5A4N	6 3/8	2 7/8	3	3 1/2	1/2	1/2	ALT5A4N	6 3/8	2 7/8	3	3 1/2	1/2	1/2
2 1/2	2	T6A2N	6 1/2	3	3	3 1/2	9/16	1/2	ALT6A2N	6 1/2	3	3	3 1/2	9/16	1/2
2 1/2	4	T6A4N	6 1/2	3	3	3 1/2	9/16	1/2	ALT6A4N	6 1/2	3	3	3 1/2	9/16	1/2
3	2	T7A2N	6 3/4	3 1/4	3	3 1/2	5/8	5/8	ALT7A2N	6 3/4	3 1/4	3	3 1/2	5/8	5/8
3	4	T7A4N	6 3/4	3 1/4	3	3 1/2	5/8	5/8	ALT7A4N	6 3/4	3 1/4	3	3 1/2	5/8	5/8
3 1/2	4	T8A4N	7	3 1/2	3	3 1/2	3/4	5/8	ALT8A4N	7	3 1/2	3	3 1/2	3/4	5/8
4	4	T9A4N	7 1/4	3 3/4	3	3 1/2	3/4	5/8	ALT9A4N	7 1/4	3 3/4	3	3 1/2	3/4	5/8

Suffix "6" indicates 3/8" bolt.

For TA-45 and TA-90 types add suffix "45" or "90" to applicable catalog number.

** Holes in Tang

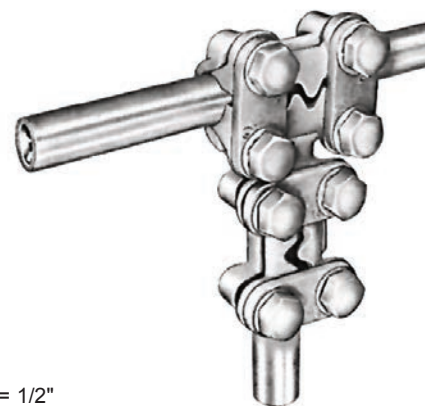
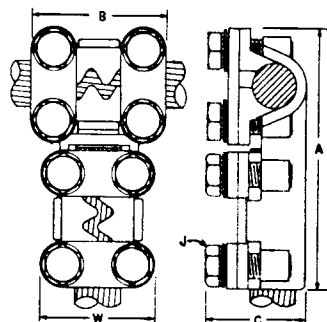




LF SERIES Spade adapter

Fig.	Catalog Number	BRONZE CONNECTORS						DUAL-RATED ALUMINUM CONNECTORS						
		Dimension in Inches (Approx.)						Dimension in Inches (Approx.)						
		A	B	C	D	G	L		A	B	C	D	G	L
1	LF33074N	3 ³ / ₄	3	7 ¹ / ₁₆	3	3 ³ / ₈	4	ALLF33074N	3 ³ / ₄	3	7 ¹ / ₁₆	3	3 ³ / ₈	4
2	LF35076N	5 ¹ / ₂	3	7 ¹ / ₁₆	4 ³ / ₄	3 ³ / ₈	4	ALLF35076N	5 ¹ / ₂	3	7 ¹ / ₁₆	4 ³ / ₄	3 ³ / ₈	4
1	LF33104N	3 ⁷ / ₈	3	5 ⁵ / ₈	3	1 ¹³ / ₃₂	4 ¹ / ₈	ALLF33104N	3 ⁷ / ₈	3	5 ⁵ / ₈	3	1 ¹³ / ₃₂	4 ¹ / ₈
2	LF35106N	5 ⁵ / ₈	3	5 ⁵ / ₈	4 ³ / ₄	1 ¹³ / ₃₂	4 ¹ / ₈	ALLF35106N	5 ⁵ / ₈	3	5 ⁵ / ₈	4 ³ / ₄	1 ¹³ / ₃₂	4 ¹ / ₈
1	LF33134N	3 ¹⁵ / ₁₆	3	1 ¹³ / ₁₆	3	7 ¹ / ₁₆	4 ¹ / ₂	ALLF33134N	3 ¹⁵ / ₁₆	3	1 ¹³ / ₁₆	3	7 ¹ / ₁₆	4 ¹ / ₂
2	LF35136N	5 ¹¹ / ₁₆	3	1 ¹³ / ₁₆	4 ³ / ₄	7 ¹ / ₁₆	4 ¹ / ₂	ALLF35136N	5 ¹¹ / ₁₆	3	1 ¹³ / ₁₆	4 ³ / ₄	7 ¹ / ₁₆	4 ¹ / ₂
1	LF33154N	4	3	1 ¹⁵ / ₁₆	3	1 ¹⁵ / ₃₂	5 ³ / ₁₆	ALLF33154N	4	3	1 ¹⁵ / ₁₆	3	1 ¹⁵ / ₃₂	5 ³ / ₁₆
2	LF35156N	5 ³ / ₄	3	1 ¹⁵ / ₁₆	4 ³ / ₄	1 ¹⁵ / ₃₂	5 ³ / ₁₆	ALLF35156N	5 ³ / ₄	3	1 ¹⁵ / ₁₆	4 ³ / ₄	1 ¹⁵ / ₃₂	5 ³ / ₁₆
1	LF33184N	4 ¹ / ₈	3	1 ¹ / ₈	3	1 ¹ / ₂	5 ¹¹ / ₁₆	ALLF33184N	4 ¹ / ₈	3	1 ¹ / ₈	3	1 ¹ / ₂	5 ¹¹ / ₁₆
2	LF35186N	5 ⁷ / ₈	3	1 ¹ / ₈	4 ³ / ₄	1 ¹ / ₂	5 ¹¹ / ₁₆	ALLF35186N	5 ⁷ / ₈	3	1 ¹ / ₈	4 ³ / ₄	1 ¹ / ₂	5 ¹¹ / ₁₆

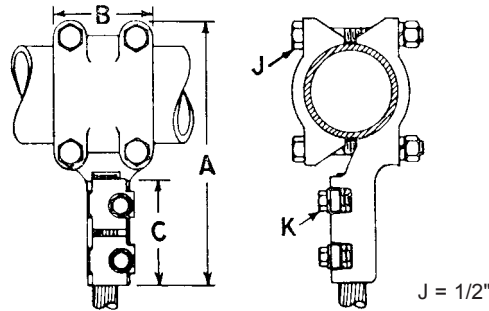
E = 1³/₄"
F = 5⁵/₈"
H = 9¹/₁₆"



J = 1/2"

PT SERIES Tee connector, cable and tube

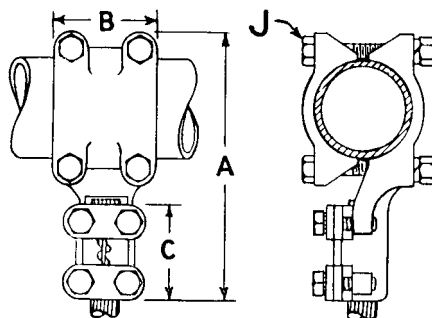
Run						BRONZE CONNECTORS						DUAL-RATED ALUMINUM CONNECTORS					
						Tap						Dimension in Inches (Approximate)					
Cable Range			Cable Range			Catalog Number	Dimension in Inches (Approximate)				Catalog Number	Dimension in Inches (Approximate)					
Max.	Min.	IPS	Max.	Min.	IPS		A	B	C	W		A	B	C	W		
2/0	#4	1/8	2/0	#4	1/8	P22T	5 ¹ / ₄	2 ¹ / ₂	1 ¹ / ₄	2 ³ / ₈	ALP22T	5 ¹ / ₄	2 ¹ / ₂	1 ¹ / ₄	2 ³ / ₈		
350	2/0	3/8	2/0	#4	1/8	P42T	5 ³ / ₈	2 ⁵ / ₈	1 ⁵ / ₈	2 ³ / ₈	ALP42T	5 ³ / ₈	2 ⁵ / ₈	1 ⁵ / ₈	2 ³ / ₈		
350	2/0	3/8	350	2/0	3/8	P44T	5 ¹ / ₂	2 ⁵ / ₈	1 ⁵ / ₈	2 ³ / ₈	ALP44T	5 ¹ / ₂	2 ⁵ / ₈	1 ⁵ / ₈	2 ³ / ₈		
600	350	1/2	2/0	#4	1/8	P52T	5 ³ / ₈	2 ⁵ / ₈	2	2 ⁷ / ₁₆	ALP52T	5 ³ / ₈	2 ⁵ / ₈	2	2 ⁷ / ₁₆		
600	350	1/2	350	2/0	3/8	P54T	5 ¹ / ₂	2 ⁵ / ₈	2	2 ⁷ / ₁₆	ALP54T	5 ¹ / ₂	2 ⁵ / ₈	2	2 ⁷ / ₁₆		
600	350	1/2	600	350	1/2	P55T	5 ¹ / ₂	2 ⁵ / ₈	2	2 ⁷ / ₁₆	ALP55T	5 ¹ / ₂	2 ⁵ / ₈	2	2 ⁷ / ₁₆		
1000	600	3/4	2/0	#4	1/8	P62T	5	3	2 ⁹ / ₁₆	2 ⁹ / ₁₆	ALP62T	5	3	2 ⁹ / ₁₆	2 ⁹ / ₁₆		
1000	600	3/4	350	2/0	3/8	P64T	5	3	2 ⁹ / ₁₆	2 ⁹ / ₁₆	ALP64T	5	3	2 ⁹ / ₁₆	2 ⁹ / ₁₆		
1000	600	3/4	600	350	1/2	P65T	5 ¹ / ₈	3	2 ⁹ / ₁₆	2 ⁹ / ₁₆	ALP65T	5 ¹ / ₈	3	2 ⁹ / ₁₆	2 ⁹ / ₁₆		
1000	600	3/4	1000	600	3/4	P66T	6 ¹ / ₈	3	2 ⁹ / ₁₆	2 ⁹ / ₁₆	ALP66T	6 ¹ / ₈	3	2 ⁹ / ₁₆	2 ⁹ / ₁₆		
1500	1000	1	2/0	#4	1/8	P72T	6 ¹ / ₈	3 ³ / ₁₆	2 ⁵ / ₈	2 ¹³ / ₁₆	ALP72T	6 ¹ / ₈	3 ³ / ₁₆	2 ⁵ / ₈	2 ¹³ / ₁₆		
1500	1000	1	350	2/0	3/8	P74T	6 ¹ / ₄	3 ³ / ₁₆	2 ⁵ / ₈	2 ¹³ / ₁₆	ALP74T	6 ¹ / ₄	3 ³ / ₁₆	2 ⁵ / ₈	2 ¹³ / ₁₆		
1500	1000	1	600	350	1/2	P75T	6 ¹ / ₄	3 ³ / ₁₆	2 ⁵ / ₈	2 ¹³ / ₁₆	ALP75T	6 ¹ / ₄	3 ³ / ₁₆	2 ⁵ / ₈	2 ¹³ / ₁₆		
1500	1000	1	1000	600	3/4	P76T	6 ³ / ₈	3 ³ / ₁₆	2 ⁵ / ₈	2 ¹³ / ₁₆	ALP76T	6 ³ / ₈	3 ³ / ₁₆	2 ⁵ / ₈	2 ¹³ / ₁₆		
1500	1000	1	1500	1000	1	P77T	6 ¹ / ₂	3 ³ / ₁₆	2 ⁵ / ₈	2 ¹³ / ₁₆	ALP77T	6 ¹ / ₂	3 ³ / ₁₆	2 ⁵ / ₈	2 ¹³ / ₁₆		
2000	1500	1 ¹ / ₄	2/0	#4	1/8	P82T	6 ¹ / ₈	3 ³ / ₈	3	3 ¹ / ₁₆	ALP82T	6 ¹ / ₈	3 ³ / ₈	3	3 ¹ / ₁₆		
2000	1500	1 ¹ / ₄	350	2/0	3/8	P84T	6 ¹ / ₄	3 ³ / ₈	3	3 ¹ / ₁₆	ALP84T	6 ¹ / ₄	3 ³ / ₈	3	3 ¹ / ₁₆		
2000	1500	1 ¹ / ₄	600	350	1/2	P85T	6 ¹ / ₄	3 ³ / ₈	3	3 ¹ / ₁₆	ALP85T	6 ¹ / ₄	3 ³ / ₈	3	3 ¹ / ₁₆		
2000	1500	1 ¹ / ₄	1000	600	3/4	P86T	6 ¹ / ₂	3 ³ / ₈	3	3 ¹ / ₁₆	ALP86T	6 ¹ / ₂	3 ³ / ₈	3	3 ¹ / ₁₆		
2000	1500	1 ¹ / ₄	1500	1000	1	P87T	6 ³ / ₄	3 ³ / ₈	3	3 ¹ / ₁₆	ALP87T	6 ³ / ₄	3 ³ / ₈	3	3 ¹ / ₁₆		
2000	1500	1 ¹ / ₄	2000	1500	1 ¹ / ₄	P88T	7	3 ³ / ₈	3	3 ¹ / ₁₆	ALP88T	7	3 ³ / ₈	3	3 ¹ / ₁₆		



TJJT SERIES

Tee connector, tube to cable

Tap			BRONZE CONNECTORS				DUAL-RATED ALUMINUM CONNECTORS					
Cable Range	Run	IPS	Catalog Number	Dimension in Inches (Approximate)				Catalog Number	Dimension in Inches (Approximate)			
				A	B	C	K		A	B	C	K
#1	#4	1/2	T0JJ2T	4 ¹¹ / ₁₆	2 ¹ / ₄	1 ¹¹ / ₁₆	5 ⁵ / ₁₆	ALT0JJ2T	4 ¹¹ / ₁₆	2 ¹ / ₄	1 ¹¹ / ₁₆	5 ⁵ / ₁₆
2/0	1/0	1/2	T0JJ3T	5 ⁵ / ₁₆	2 ¹ / ₄	2 ¹ / ₈	5 ⁵ / ₁₆	ALT0JJ4T	5 ⁷ / ₁₆	2 ¹ / ₄	2 ⁷ / ₁₆	5 ⁵ / ₁₆
4/0	2/0	1/2	T0JJ4T	5 ⁷ / ₁₆	2 ¹ / ₄	2 ⁷ / ₁₆	5 ⁵ / ₁₆					
350	4/0	1/2	T0JJ5T	5 ³ / ₄	2 ¹ / ₄	2 ³ / ₄	3 ³ / ₈					
#1	#4	3/4	T1JJ2T	4 ¹³ / ₁₆	2 ³ / ₈	1 ¹¹ / ₁₆	5 ⁵ / ₁₆	ALT1JJ2T	4 ¹³ / ₁₆	2 ³ / ₈	1 ¹¹ / ₁₆	5 ⁵ / ₁₆
2/0	1/0	3/4	T1JJ3T	5 ¹ / ₄	2 ³ / ₈	2 ¹ / ₈	5 ⁵ / ₁₆	ALT1JJ4T	5 ⁹ / ₁₆	2 ³ / ₈	2 ⁷ / ₁₆	5 ⁵ / ₁₆
4/0	2/0	3/4	T1JJ4T	5 ⁵ / ₁₆	2 ³ / ₈	2 ⁷ / ₁₆	5 ⁵ / ₁₆					
350	4/0	3/4	T1JJ5T	5 ⁷ / ₈	2 ³ / ₈	2 ³ / ₄	3 ³ / ₈					
500	350	3/4	T1JJ6T	6 ³ / ₈	2 ³ / ₈	3 ¹ / ₄	3 ³ / ₈	ALT1JJ6T	6 ³ / ₈	2 ³ / ₈	3 ¹ / ₄	3 ³ / ₈
750	500	3/4	T1JJ7T	6 ⁷ / ₈	2 ³ / ₈	3 ³ / ₄	7 ¹ / ₁₆	ALT1JJ7T	6 ⁷ / ₈	2 ³ / ₈	3 ³ / ₄	7 ¹ / ₁₆
2/0	1/0	1	T2JJ3T	5 ⁹ / ₁₆	2 ¹ / ₂	2 ¹ / ₈	5 ⁵ / ₁₆	ALT2JJ4T	5 ⁷ / ₈	2 ¹ / ₂	2 ⁷ / ₁₆	5 ⁵ / ₁₆
4/0	2/0	1	T2JJ4T	5 ⁷ / ₈	2 ¹ / ₂	2 ⁷ / ₁₆	5 ⁵ / ₁₆					
350	4/0	1	T2JJ5T	6 ³ / ₁₆	2 ¹ / ₂	2 ³ / ₄	3 ³ / ₈					
500	350	1	T2JJ6T	6 ¹ / ₁₆	2 ¹ / ₂	3 ¹ / ₄	3 ³ / ₈	ALT2JJ6T	6 ¹ / ₁₆	2 ¹ / ₂	3 ¹ / ₄	3 ³ / ₈
750	500	1	T2JJ7T	7 ³ / ₁₆	2 ¹ / ₂	3 ³ / ₄	7 ¹ / ₁₆	ALT2JJ7T	7 ³ / ₁₆	2 ¹ / ₂	3 ³ / ₄	7 ¹ / ₁₆
1000	750	1	T2JJ8T	7 ⁷ / ₈	2 ¹ / ₂	4 ⁷ / ₁₆	1 ¹ / ₂	ALT2JJ8T	7 ⁷ / ₈	2 ¹ / ₂	4 ⁷ / ₁₆	1 ¹ / ₂
4/0	2/0	1 ¹ / ₄	T3JJ4T	6 ¹ / ₄	2 ⁵ / ₈	2 ⁷ / ₁₆	5 ⁵ / ₁₆	ALT3JJ4T	6 ¹ / ₄	2 ⁵ / ₈	2 ⁷ / ₁₆	5 ⁵ / ₁₆
350	4/0	1 ¹ / ₄	T3JJ5T	6 ⁹ / ₁₆	2 ⁵ / ₈	2 ³ / ₄	3 ³ / ₈	ALT3JJ5T	6 ⁹ / ₁₆	2 ⁵ / ₈	2 ³ / ₄	3 ³ / ₈
500	350	1 ¹ / ₄	T3JJ6T	7 ¹ / ₁₆	2 ⁵ / ₈	3 ¹ / ₄	3 ³ / ₈	ALT3JJ6T	7 ¹ / ₁₆	2 ⁵ / ₈	3 ¹ / ₄	3 ³ / ₈
750	500	1 ¹ / ₄	T3JJ7T	7 ⁹ / ₁₆	2 ⁵ / ₈	3 ³ / ₄	7 ¹ / ₁₆	ALT3JJ7T	7 ⁹ / ₁₆	2 ⁵ / ₈	3 ³ / ₄	7 ¹ / ₁₆
1000	750	1 ¹ / ₄	T3JJ8T	8 ¹ / ₄	2 ⁵ / ₈	4 ⁷ / ₁₆	1 ¹ / ₂	ALT3JJ8T	8 ¹ / ₄	2 ⁵ / ₈	4 ⁷ / ₁₆	1 ¹ / ₂
2/0	2/0	1 ¹ / ₂	T4JJ4T	6 ⁷ / ₁₆	2 ³ / ₄	2 ⁷ / ₁₆	1 ¹ / ₂	ALT4JJ4T	6 ⁷ / ₁₆	2 ³ / ₄	2 ⁷ / ₁₆	1 ¹ / ₂
350	4/0	1 ¹ / ₂	T4JJ5T	6 ³ / ₄	2 ³ / ₄	2 ³ / ₄	3 ³ / ₈	ALT4JJ5T	6 ³ / ₄	2 ³ / ₄	2 ³ / ₄	3 ³ / ₈
500	350	1 ¹ / ₂	T4JJ6T	7 ¹ / ₄	2 ³ / ₄	3 ¹ / ₄	3 ³ / ₈	ALT4JJ6T	7 ¹ / ₄	2 ³ / ₄	3 ¹ / ₄	3 ³ / ₈
750	500	1 ¹ / ₂	T4JJ7T	7 ³ / ₄	2 ³ / ₄	3 ³ / ₄	7 ¹ / ₁₆	ALT4JJ7T	7 ³ / ₄	2 ³ / ₄	3 ³ / ₄	7 ¹ / ₁₆
1000	750	1 ¹ / ₂	T4JJ8T	8 ⁷ / ₁₆	2 ³ / ₄	4 ⁷ / ₁₆	1 ¹ / ₂	ALT4JJ8T	8 ⁷ / ₁₆	2 ³ / ₄	4 ⁷ / ₁₆	1 ¹ / ₂
4/0	2/0	2	T5JJ4T	7 ¹ / ₁₆	2 ⁷ / ₈	2 ⁷ / ₁₆	5 ⁵ / ₁₆	ALT5JJ4T	7 ¹ / ₁₆	2 ⁷ / ₈	2 ⁷ / ₁₆	5 ⁵ / ₁₆
350	4/0	2	T5JJ5T	7 ³ / ₈	2 ⁷ / ₈	2 ³ / ₄	3 ³ / ₈	ALT5JJ5T	7 ³ / ₈	2 ⁷ / ₈	2 ³ / ₄	3 ³ / ₈
500	350	2	T5JJ6T	7 ⁷ / ₈	2 ⁷ / ₈	3 ¹ / ₄	3 ³ / ₈	ALT5JJ6T	7 ⁷ / ₈	2 ⁷ / ₈	3 ¹ / ₄	3 ³ / ₈
750	500	2	T5JJ7T	8 ³ / ₈	2 ⁷ / ₈	3 ³ / ₄	7 ¹ / ₁₆	ALT5JJ7T	8 ³ / ₈	2 ⁷ / ₈	3 ³ / ₄	7 ¹ / ₁₆
1000	750	2	T5JJ8T	9 ¹ / ₁₆	2 ⁷ / ₈	4 ⁷ / ₁₆	1 ¹ / ₂	ALT5JJ8T	9 ¹ / ₁₆	2 ⁷ / ₈	4 ⁷ / ₁₆	1 ¹ / ₂
4/0	2/0	2 ¹ / ₂	T6JJ4T	7 ⁹ / ₁₆	3	2 ⁷ / ₁₆	5 ⁵ / ₁₆	ALT6JJ4T	7 ⁹ / ₁₆	3	2 ⁷ / ₁₆	5 ⁵ / ₁₆
350	4/0	2 ¹ / ₂	T6JJ5T	7 ⁷ / ₈	3	2 ³ / ₄	3 ³ / ₈	ALT6JJ5T	7 ⁷ / ₈	3	2 ³ / ₄	3 ³ / ₈
500	350	2 ¹ / ₂	T6JJ6T	8 ³ / ₈	3	3 ¹ / ₄	3 ³ / ₈	ALT6JJ6T	8 ³ / ₈	3	3 ¹ / ₄	3 ³ / ₈
750	500	2 ¹ / ₂	T6JJ7T	8 ⁷ / ₈	3	3 ³ / ₄	7 ¹ / ₁₆	ALT6JJ7T	8 ⁷ / ₈	3	3 ³ / ₄	7 ¹ / ₁₆
1000	750	2 ¹ / ₂	T6JJ8T	9 ⁹ / ₁₆	3	4 ⁷ / ₁₆	1 ¹ / ₂	ALT6JJ8T	9 ⁹ / ₁₆	3	4 ⁷ / ₁₆	1 ¹ / ₂
4/0	2/0	3	T7JJ4T	7 ¹³ / ₁₆	3	2 ⁷ / ₁₆	5 ⁵ / ₁₆	ALT7JJ4T	7 ¹³ / ₁₆	3	2 ⁷ / ₁₆	5 ⁵ / ₁₆
350	4/0	3	T7JJ5T	8 ¹ / ₈	3	2 ³ / ₄	3 ³ / ₈	ALT7JJ5T	8 ¹ / ₈	3	2 ³ / ₄	3 ³ / ₈
500	350	3	T7JJ6T	8 ⁵ / ₈	3	3 ¹ / ₄	3 ³ / ₈	ALT7JJ6T	8 ⁵ / ₈	3	3 ¹ / ₄	3 ³ / ₈
750	500	3	T7JJ7T	9 ¹ / ₈	3	3 ³ / ₄	7 ¹ / ₁₆	ALT7JJ7T	9 ¹ / ₈	3	3 ³ / ₄	7 ¹ / ₁₆
1000	750	3	T7JJ8T	9 ⁹ / ₁₆	3	4 ⁷ / ₁₆	1 ¹ / ₂	ALT7JJ8T	9 ⁹ / ₁₆	3	4 ⁷ / ₁₆	1 ¹ / ₂



J = 1/2"



TPT SERIES

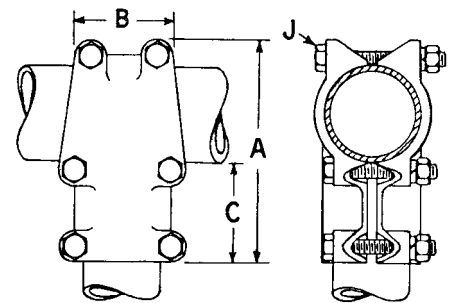
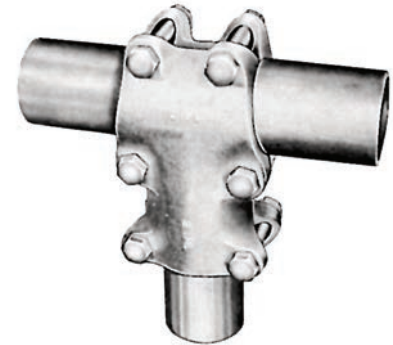
Tee connector, tube to cable

		BRONZE CONNECTORS					DUAL-RATED ALUMINUM CONNECTORS				
Run IPS	Tap Cable Range		Catalog Number	Dimension in Inches (Approx.)			Catalog Number	Dimension in Inches (Approximate)			
	Max.	Min.		A	B	C		A	B	C	
1/2	2/0	4	T0P2T	5 ⁷ / ₁₆	2 ¹ / ₄	2 ⁷ / ₁₆	ALT0P2T	5 ⁷ / ₁₆	2 ¹ / ₄	2 ⁷ / ₁₆	
1/2	350	2/0	T0P4T	5 ¹³ / ₁₆	2 ¹ / ₄	2 ¹³ / ₁₆	ALT0P4T	5 ¹³ / ₁₆	2 ¹ / ₄	2 ¹³ / ₁₆	
3/4	2/0	4	T1P2T	5 ⁹ / ₁₆	2 ³ / ₈	2 ⁷ / ₁₆	ALT1P2T	5 ⁹ / ₁₆	2 ³ / ₈	2 ⁷ / ₁₆	
3/4	350	2/0	T1P4T	5 ¹⁵ / ₁₆	2 ³ / ₈	2 ¹³ / ₁₆	ALT1P4T	5 ¹⁵ / ₁₆	2 ³ / ₈	2 ¹³ / ₁₆	
3/4	600	350	T1P5T	5 ¹⁵ / ₁₆	2 ³ / ₈	2 ¹³ / ₁₆	ALT1P5T	5 ¹⁵ / ₁₆	2 ³ / ₈	2 ¹³ / ₁₆	
1	2/0	4	T2P2T	5 ⁵ / ₈	2 ¹ / ₂	2 ⁷ / ₁₆	ALT2P2T	5 ⁵ / ₈	2 ¹ / ₂	2 ⁷ / ₁₆	
1	350	2/0	T2P4T	6 ¹ / ₄	2 ¹ / ₂	2 ¹³ / ₁₆	ALT2P4T	6 ¹ / ₄	2 ¹ / ₂	2 ¹³ / ₁₆	
1	600	350	T2P5T	6 ¹ / ₄	2 ¹ / ₂	2 ¹³ / ₁₆	ALT2P5T	6 ¹ / ₄	2 ¹ / ₂	2 ¹³ / ₁₆	
1 ¹ / ₄	350	2/0	T3P4T	6 ⁵ / ₈	2 ⁵ / ₈	2 ¹³ / ₁₆	ALT3P4T	6 ⁵ / ₈	2 ⁵ / ₈	2 ¹³ / ₁₆	
1 ¹ / ₄	600	350	T3P5T	6 ⁵ / ₈	2 ⁵ / ₈	2 ¹³ / ₁₆	ALT3P5T	6 ⁵ / ₈	2 ⁵ / ₈	2 ¹³ / ₁₆	
1 ¹ / ₄	1000	600	T3P6T	6 ¹³ / ₁₆	2 ⁵ / ₈	3	ALT3P6T	6 ¹³ / ₁₆	2 ⁵ / ₈	3	
1 ¹ / ₂	350	2/0	T4P4T	6 ¹³ / ₁₆	2 ³ / ₄	2 ¹³ / ₁₆	ALT4P4T	6 ¹³ / ₁₆	2 ³ / ₄	2 ¹³ / ₁₆	
1 ¹ / ₂	600	350	T4P5T	6 ¹³ / ₁₆	2 ³ / ₄	2 ¹³ / ₁₆	ALT4P5T	6 ¹³ / ₁₆	2 ³ / ₄	2 ¹³ / ₁₆	
1 ¹ / ₂	1000	600	T4P6T	7	2 ³ / ₄	3	ALT4P6T	7	2 ³ / ₄	3	
2	350	2/0	T5P4T	7 ⁵ / ₁₆	2 ⁷ / ₈	2 ¹³ / ₁₆	ALT5P4T	7 ⁵ / ₁₆	2 ⁷ / ₈	2 ¹³ / ₁₆	
2	600	350	T5P5T	7 ⁵ / ₁₆	2 ⁷ / ₈	2 ¹³ / ₁₆	ALT5P5T	7 ⁵ / ₁₆	2 ⁷ / ₈	2 ¹³ / ₁₆	
2	1000	600	T5P6T	7 ¹ / ₂	2 ⁷ / ₈	3	ALT5P6T	7 ¹ / ₂	2 ⁷ / ₈	3	
2 ¹ / ₂	350	2/0	T6P4T	7 ¹³ / ₁₆	3	2 ¹³ / ₁₆	ALT6P4T	7 ¹³ / ₁₆	3	2 ¹³ / ₁₆	
2 ¹ / ₂	600	350	T6P5T	7 ¹³ / ₁₆	3	2 ¹³ / ₁₆	ALT6P5T	7 ¹³ / ₁₆	3	2 ¹³ / ₁₆	
2 ¹ / ₂	1000	600	T6P6T	8	3	3	ALT6P6T	8	3	3	
2 ¹ / ₂	1500	1000	T6P7T	8 ³ / ₁₆	3	3 ³ / ₁₆	ALT6P7T	8 ³ / ₁₆	3	3 ³ / ₁₆	
2 ¹ / ₂	2000	1500	T6P8T	8 ³ / ₁₆	3	2 ¹³ / ₁₆	ALT6P8T	8 ³ / ₁₆	3	2 ¹³ / ₁₆	
3	350	2/0	T7P4T	8 ³ / ₁₆	3	2 ¹³ / ₁₆	ALT7P4T	8 ³ / ₁₆	3	2 ¹³ / ₁₆	
3	600	350	T7P5T	8 ³ / ₁₆	3	2 ¹³ / ₁₆	ALT7P5T	8 ³ / ₁₆	3	2 ¹³ / ₁₆	
3	1000	600	T7P6T	8 ³ / ₁₆	3	3	ALT7P6T	8 ³ / ₁₆	3	3	
3	1500	1000	T7P7T	8 ⁹ / ₁₆	3	3 ³ / ₁₆	ALT7P7T	8 ⁹ / ₁₆	3	3 ³ / ₁₆	
3	2000	1500	T7P8T	8 ³ / ₄	3	3 ³ / ₈	ALT7P8T	8 ³ / ₄	3	3 ³ / ₈	
3 ¹ / ₂	600	350	T8P5T	8 ¹¹ / ₁₆	3 ¹ / ₄	2 ¹³ / ₁₆	ALT8P5T	8 ¹¹ / ₁₆	3 ¹ / ₄	2 ¹³ / ₁₆	
3 ¹ / ₂	1000	600	T8P6T	8 ⁷ / ₈	3 ¹ / ₄	3	ALT8P6T	8 ⁷ / ₈	3 ¹ / ₄	3	
3 ¹ / ₂	1500	1000	T8P7T	9 ¹ / ₁₆	3 ¹ / ₄	3 ³ / ₁₆	ALT8P7T	9 ¹ / ₁₆	3 ¹ / ₄	3 ³ / ₁₆	
3 ¹ / ₂	2000	1500	T8P8T	9 ¹ / ₄	3 ¹ / ₄	3 ³ / ₈	ALT8P8T	9 ¹ / ₄	3 ¹ / ₄	3 ³ / ₈	
4	600	350	T9P5T	9 ³ / ₁₆	3 ¹ / ₂	2 ¹³ / ₁₆	ALT9P5T	9 ³ / ₁₆	3 ¹ / ₂	2 ¹³ / ₁₆	
4	1000	600	T9P6T	9 ³ / ₈	3 ¹ / ₂	3	ALT9P6T	9 ³ / ₈	3 ¹ / ₂	3	
4	1500	1000	T9P7T	9 ⁹ / ₁₆	3 ¹ / ₂	3 ³ / ₁₆	ALT9P7T	9 ⁹ / ₁₆	3 ¹ / ₂	3 ³ / ₁₆	
4	2000	1500	T9P8T	9 ³ / ₄	3 ¹ / ₂	3 ³ / ₈	ALT9P8T	9 ³ / ₄	3 ¹ / ₂	3 ³ / ₈	



IPS Run Tap		BRONZE CONNECTORS				DUAL-RATED ALUMINUM CONNECTORS					
		Catalog Number	Dimension in Inches (Approximate)				Catalog Number	Dimension in Inches (Approximate)			
A	B		C	J	A	B		C	J		
1/2	1/2	T00T-6	3 ⁵ / ₁₆	2	1 ³ / ₄	3 ⁸ / ₁₆	ALT00T-6	3 ⁵ / ₁₆	2	1 ³ / ₄	3 ⁸ / ₁₆
1/2	1/2	T00T	3 ¹¹ / ₁₆	2 ¹ / ₄	2	1 ¹ / ₂	ALT00T	3 ¹¹ / ₁₆	2 ¹ / ₄	2	1 ¹ / ₂
3/4	1/2	T10T	3 ⁷ / ₈	2 ³ / ₈	2	1 ¹ / ₂	ALT10T	3 ⁷ / ₈	2 ³ / ₈	2	1 ¹ / ₂
3/4	3/4	T11T-6	3 ³ / ₄	2 ¹ / ₈	2	3 ³ / ₈	ALT11T-6	3 ³ / ₄	2 ¹ / ₈	2	3 ³ / ₈
3/4	3/4	T11T	4 ¹ / ₈	2 ³ / ₈	2 ¹ / ₄	1 ¹ / ₂	ALT11T	4 ¹ / ₈	2 ³ / ₈	2 ¹ / ₄	1 ¹ / ₂
1	1/2	T20T	4 ¹ / ₈	2 ¹ / ₂	2	1 ¹ / ₂	ALT20T	4 ¹ / ₈	2 ¹ / ₂	2	1 ¹ / ₂
1	3/4	T21T	4 ³ / ₈	2 ¹ / ₂	2 ¹ / ₄	1 ¹ / ₂	ALT21T	4 ³ / ₈	2 ¹ / ₂	2 ¹ / ₄	1 ¹ / ₂
1	1	T22T	4 ⁵ / ₈	2 ¹ / ₂	2 ¹ / ₂	1 ¹ / ₂	ALT22T	4 ⁵ / ₈	2 ¹ / ₂	2 ¹ / ₂	1 ¹ / ₂
1 1/4	3/4	T31T	4 ¹¹ / ₁₆	2 ³ / ₄	2 ¹ / ₄	1 ¹ / ₂	ALT31T	4 ¹¹ / ₁₆	2 ³ / ₄	2 ¹ / ₄	1 ¹ / ₂
1 1/4	1	T32T	4 ¹⁵ / ₁₆	2 ³ / ₄	2 ¹ / ₂	1 ¹ / ₂	ALT32T	4 ¹⁵ / ₁₆	2 ³ / ₄	2 ¹ / ₂	1 ¹ / ₂
1 1/4	1 1/4	T33T	5 ³ / ₁₆	2 ³ / ₄	2 ¹ / ₄	1 ¹ / ₂	ALT33T	5 ³ / ₁₆	2 ³ / ₄	2 ³ / ₄	1 ¹ / ₂
1 1/2	3/4	T41T	4 ¹⁵ / ₁₆	2 ³ / ₄	2 ¹ / ₄	1 ¹ / ₂	ALT41T	4 ¹⁵ / ₁₆	2 ³ / ₄	2 ¹ / ₄	1 ¹ / ₂
1 1/2	1	T42T	5 ³ / ₁₆	2 ³ / ₄	2 ¹ / ₂	1 ¹ / ₂	ALT42T	5 ³ / ₁₆	2 ³ / ₄	2 ¹ / ₂	1 ¹ / ₂
1 1/2	1 1/4	T43T	5 ⁷ / ₁₆	2 ³ / ₄	2 ¹ / ₂	1 ¹ / ₂	ALT43T	5 ⁷ / ₁₆	2 ³ / ₄	2 ¹ / ₂	1 ¹ / ₂
1 1/2	1 1/2	T44T	5 ¹¹ / ₁₆	2 ³ / ₄	3	1 ¹ / ₂	ALT44T	5 ¹¹ / ₁₆	2 ³ / ₄	3	1 ¹ / ₂
2	1	T52T	5 ⁹ / ₁₆	2 ⁷ / ₈	2 ¹ / ₂	1 ¹ / ₂	ALT52T	5 ⁹ / ₁₆	2 ⁷ / ₈	2 ¹ / ₂	1 ¹ / ₂
2	1 1/4	T53T	5 ¹⁵ / ₁₆	2 ⁷ / ₈	2 ³ / ₄	1 ¹ / ₂	ALT53T	5 ¹⁵ / ₁₆	2 ⁷ / ₈	2 ³ / ₄	1 ¹ / ₂
2	1 1/2	T54T	6 ³ / ₁₆	2 ⁷ / ₈	3	1 ¹ / ₂	ALT54T	6 ³ / ₁₆	2 ⁷ / ₈	3	1 ¹ / ₂
2	2	T55T	6 ⁷ / ₁₆	2 ⁷ / ₈	3 ¹ / ₄	1 ¹ / ₂	ALT55T	6 ⁷ / ₁₆	2 ⁷ / ₈	3 ¹ / ₄	1 ¹ / ₂
2 1/2	1 1/4	T63T	6 ⁷ / ₁₆	3	2 ³ / ₄	1 ¹ / ₂	ALT63T	6 ⁷ / ₁₆	3	2 ³ / ₄	1 ¹ / ₂
2 1/2	1 1/2	T64T	6 ¹¹ / ₁₆	3	3	1 ¹ / ₂	ALT64T	6 ¹¹ / ₁₆	3	3	1 ¹ / ₂
2 1/2	2	T65T	6 ¹⁵ / ₁₆	3	3 ¹ / ₄	1 ¹ / ₂	ALT65T	6 ¹⁵ / ₁₆	3	3 ¹ / ₄	1 ¹ / ₂
2 1/2	2 1/2	T66T	7 ³ / ₁₆	3	3 ¹ / ₂	1 ¹ / ₂	ALT66T	7 ³ / ₁₆	3	3 ¹ / ₂	1 ¹ / ₂
3	1 1/2	T74T	7 ⁷ / ₁₆	3	3	1 ¹ / ₂	ALT74T	7 ⁷ / ₁₆	3	3	1 ¹ / ₂
3	2	T75T	7 ⁹ / ₁₆	3	3 ¹ / ₄	1 ¹ / ₂	ALT75T	7 ⁹ / ₁₆	3	3 ¹ / ₄	1 ¹ / ₂
3	2 1/2	T76T	7 ¹³ / ₁₆	3	3 ¹ / ₂	1 ¹ / ₂	ALT76T	7 ¹³ / ₁₆	3	3 ¹ / ₂	1 ¹ / ₂
3	3	T77T	8 ³ / ₁₆	3 ¹ / ₄	3 ³ / ₄	5 ⁸ / ₁₆	ALT77T	8 ³ / ₁₆	3 ¹ / ₄	3 ³ / ₄	5 ⁸ / ₁₆
3 1/2	2	T85T	8 ¹ / ₁₆	3 ¹ / ₄	3 ¹ / ₄	1 ¹ / ₂	ALT85T	8 ¹ / ₁₆	3 ¹ / ₄	3 ¹ / ₄	1 ¹ / ₂
3 1/2	2 1/2	T86T	8 ⁵ / ₁₆	3 ¹ / ₄	3 ¹ / ₂	1 ¹ / ₂	ALT86T	8 ⁵ / ₁₆	3 ¹ / ₄	3 ¹ / ₂	1 ¹ / ₂
3 1/2	3	T87T	8 ¹¹ / ₁₆	3 ¹ / ₂	3 ³ / ₄	5 ⁸ / ₁₆	ALT87T	8 ¹¹ / ₁₆	3 ¹ / ₂	3 ³ / ₄	5 ⁸ / ₁₆
3 1/2	3 1/2	T88T	8 ¹⁵ / ₁₆	3 ¹ / ₂	4	5 ⁸ / ₁₆	ALT88T	8 ¹⁵ / ₁₆	3 ¹ / ₂	4	5 ⁸ / ₁₆
4	2	T95T	8 ⁹ / ₁₆	3 ¹ / ₂	3 ¹ / ₄	1 ¹ / ₂	ALT95T	8 ⁹ / ₁₆	3 ¹ / ₂	3 ¹ / ₄	1 ¹ / ₂
4	2 1/2	T96T	8 ¹³ / ₁₆	3 ¹ / ₂	3 ¹ / ₂	1 ¹ / ₂	ALT96T	8 ¹³ / ₁₆	3 ¹ / ₂	3 ¹ / ₂	1 ¹ / ₂
4	3	T97T	9 ¹ / ₁₆	3 ³ / ₄	3 ³ / ₄	5 ⁸ / ₁₆	ALT97T	9 ¹ / ₁₆	3 ³ / ₄	3 ³ / ₄	5 ⁸ / ₁₆
4	3 1/2	T98T	9 ⁷ / ₁₆	3 ³ / ₄	4	5 ⁸ / ₁₆	ALT98T	9 ⁷ / ₁₆	3 ³ / ₄	4	5 ⁸ / ₁₆
4	4	T99T	9 ¹⁵ / ₁₆	3 ³ / ₄	4 ¹ / ₂	5 ⁸ / ₁₆	ALT99T	9 ¹⁵ / ₁₆	3 ³ / ₄	4 ¹ / ₂	5 ⁸ / ₁₆
1/2	1/2	TK00T	4 ³ / ₄	4 ⁷ / ₈	2 ¹ / ₄	1 ¹ / ₂	ALT00T	4 ³ / ₄	4 ⁷ / ₈	2 ¹ / ₄	1 ¹ / ₂
3/4	3/4	TK11T	5 ¹ / ₈	5 ⁵ / ₁₆	2 ³ / ₈	1 ¹ / ₂	ALT00T	5 ¹ / ₈	5 ⁵ / ₁₆	2 ³ / ₈	1 ¹ / ₂
1	3/4	TK21T	5 ¹ / ₂	5 ¹ / ₂	2 ³ / ₈	1 ¹ / ₂	ALT00T	5 ¹ / ₂	5 ¹ / ₂	2 ³ / ₈	1 ¹ / ₂
1	1	TK22T	5 ¹ / ₂	5 ⁵ / ₈	2 ¹ / ₂	1 ¹ / ₂	ALT00T	5 ¹ / ₂	5 ⁵ / ₈	2 ¹ / ₂	1 ¹ / ₂
1 1/4	3/4	TK31T	5 ⁷ / ₈	5 ⁷ / ₈	2 ³ / ₈	1 ¹ / ₂	ALT00T	5 ⁷ / ₈	5 ⁷ / ₈	2 ³ / ₈	1 ¹ / ₂
1 1/4	1	TK32T	5 ⁷ / ₈	6	2 ¹ / ₂	1 ¹ / ₂	ALT00T	5 ⁷ / ₈	6	2 ¹ / ₂	1 ¹ / ₂
1 1/4	1 1/4	TK33T	5 ⁷ / ₈	6 ¹ / ₈	2 ³ / ₈	1 ¹ / ₂	ALT00T	5 ⁷ / ₈	6 ¹ / ₈	2 ³ / ₈	1 ¹ / ₂
1 1/2	3/4	TK41T	6 ¹ / ₄	6 ¹ / ₁₆	2 ³ / ₈	1 ¹ / ₂	ALT00T	6 ¹ / ₄	6 ¹ / ₁₆	2 ³ / ₈	1 ¹ / ₂
1 1/2	1	TK42T	6 ¹ / ₄	6 ³ / ₁₆	2 ¹ / ₂	1 ¹ / ₂	ALT00T	6 ¹ / ₄	6 ³ / ₁₆	2 ¹ / ₂	1 ¹ / ₂
1 1/2	1 1/4	TK43T	6 ¹ / ₄	6 ⁵ / ₁₆	2 ⁵ / ₈	1 ¹ / ₂	ALT00T	6 ¹ / ₄	6 ⁵ / ₁₆	2 ⁵ / ₈	1 ¹ / ₂
1 1/2	1 1/2	TK44T	6 ¹ / ₄	6 ¹ / ₂	2 ³ / ₄	1 ¹ / ₂	ALT00T	6 ¹ / ₄	6 ¹ / ₂	2 ³ / ₄	1 ¹ / ₂
2	1	TK52T	6 ⁵ / ₈	6 ¹¹ / ₁₆	2 ¹ / ₂	1 ¹ / ₂	ALT00T	6 ⁵ / ₈	6 ¹¹ / ₁₆	2 ¹ / ₂	1 ¹ / ₂
2	1 1/4	TK53T	6 ⁵ / ₈	6 ¹³ / ₁₆	2 ³ / ₈	1 ¹ / ₂	ALT00T	6 ⁵ / ₈	6 ¹³ / ₁₆	2 ³ / ₈	1 ¹ / ₂
2	1 1/2	TK54T	6 ⁵ / ₈	7	2 ³ / ₄	1 ¹ / ₂	ALT00T	6 ⁵ / ₈	7	2 ³ / ₄	1 ¹ / ₂
2	2	TK55T	6 ⁵ / ₈	7 ¹ / ₈	2 ¹ / ₈	1 ¹ / ₂	ALT00T	6 ⁵ / ₈	7 ¹ / ₈	2 ¹ / ₈	1 ¹ / ₂
2 1/2	1 1/4	TK63T	7	7 ⁵ / ₁₆	2 ⁵ / ₈	1 ¹ / ₂	ALT00T	7	7 ⁵ / ₁₆	2 ⁵ / ₈	1 ¹ / ₂
2 1/2	1 1/2	TK64T	7	7 ¹ / ₂	2 ¹ / ₄	1 ¹ / ₂	ALT00T	7	7 ¹ / ₂	2 ¹ / ₄	1 ¹ / ₂
2 1/2	2	TK65T	7	7 ⁵ / ₈	2 ¹ / ₈	1 ¹ / ₂	ALT00T	7	7 ⁵ / ₈	2 ¹ / ₈	1 ¹ / ₂
2 1/2	2 1/2	TK66T	7	7 ³ / ₄	3	1 ¹ / ₂	ALT00T	7	7 ³ / ₄	3	1 ¹ / ₂
3	1 1/2	TK74T	7 ¹ / ₄	8 ¹ / ₈	2 ¹ / ₄	1 ¹ / ₂	ALT00T	7 ¹ / ₄	8 ¹ / ₈	2 ¹ / ₄	1 ¹ / ₂
3	2	TK75T	7 ¹ / ₄	8 ¹ / ₄	2 ¹ / ₈	1 ¹ / ₂	ALT00T	7 ¹ / ₄	8 ¹ / ₄	2 ¹ / ₈	1 ¹ / ₂
3	2 1/2	TK76T	7 ¹ / ₄	8 ³ / ₈	3	1 ¹ / ₂	ALT00T	7 ¹ / ₄	8 ³ / ₈	3	1 ¹ / ₂
3	3	TK77T	7 ³ / ₄	8 ¹⁵ / ₁₆	3 ¹ / ₄	5 ⁸ / ₁₆	ALT00T	7 ³ / ₄	8 ¹⁵ / ₁₆	3 ¹ / ₄	5 ⁸ / ₁₆
3 1/2	2	TK85T	8	8 ³ / ₄	2 ¹ / ₈	1 ¹ / ₂	ALT00T	8	8 ³ / ₄	2 ¹ / ₈	1 ¹ / ₂
3 1/2	2 1/2	TK86T	8	8 ⁷ / ₈	3	1 ¹ / ₂	ALT00T	8	8 ⁷ / ₈	3	1 ¹ / ₂
3 1/2	3	TK87T	8 ¹ / ₂	9 ¹ / ₁₆	3 ¹ / ₄	5 ⁸ / ₁₆	ALT00T	8 ¹ / ₂	9 ¹ / ₁₆	3 ¹ / ₄	5 ⁸ / ₁₆
3 1/2	3 1/2	TK88T	8 ¹ / ₂	9 ¹¹ / ₁₆	3 ¹ / ₂	5 ⁸ / ₁₆	ALT00T	8 ¹ / ₂	9 ¹¹ / ₁₆	3 ¹ / ₂	5 ⁸ / ₁₆
4	2	TK95T	8 ¹ / ₂	9 ¹ / ₄	2 ¹ / ₈	1 ¹ / ₂	ALT00T	8 ¹ / ₂	9 ¹ / ₄	2 ¹ / ₈	1 ¹ / ₂
4	2 1/2	TK96T	8 ¹ / ₂	9 ³ / ₈	3	1 ¹ / ₂	ALT00T	8 ¹ / ₂	9 ³ / ₈	3	1 ¹ / ₂
4	3	TK97T	9	9 ¹⁵ / ₁₆	3 ¹ / ₄	5 ⁸ / ₁₆	ALT00T	9	9 ¹⁵ / ₁₆	3 ¹ / ₄	5 ⁸ / ₁₆
4	3 1/2	TK98T	9	10 ³ / ₁₆	3 ¹ / ₂	5 ⁸ / ₁₆	ALT00T	9	10 ³ / ₁₆	3 ¹ / ₂	5 ⁸ / ₁₆
4	4	TK99T	9	10 ⁷ / ₁₆	3 ³ / ₄	5 ⁸ / ₁₆	ALT00T	9	10 ⁷ / ₁₆	3 ³ / ₄	5 ⁸ / ₁₆

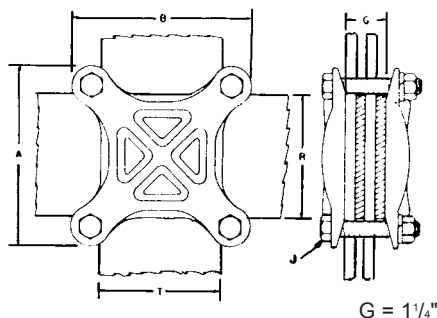
TT SERIES
Tee connector, tube to tube



TKT SERIES
Tee connector, tube to tube

</

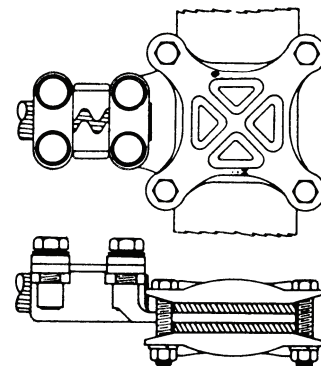
H SERIES Bar clamps



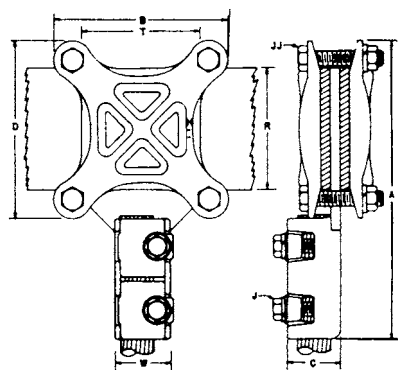
G = 1/4"



HP SERIES Bar taps

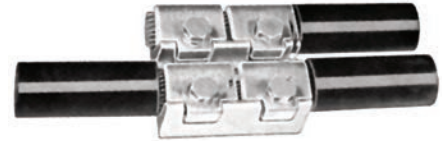


HJJ SERIES Bar taps



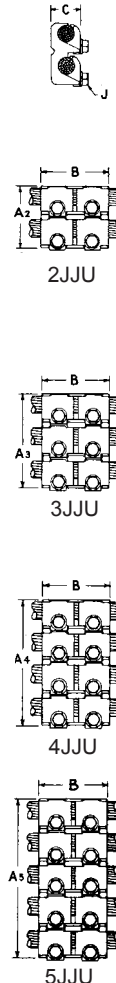
Standard spacing on bar tap clamps accommodates 3/4" bus stack. Specify if greater spacing required.

Bus Bar Width		Cable Range			Catalog Number	BRONZE CONNECTORS							DUAL-RATED ALUMINUM CONNECTORS							
R	T	Max.	Min.	IPS		Dimension in Inches (Approximate)							Dimension in Inches (Approximate)							
						A	B	C	D	J	JJ	W	Number	A	B	C	D	J	JJ	W
3	3				H33	4 ³ / ₈	4 ³ / ₈			3/8			ALH33	4 ³ / ₈	4 ³ / ₈			3/8		
4	4				H44	5 ⁵ / ₈	5 ⁵ / ₈			1/2			ALH44	5 ⁵ / ₈	5 ⁵ / ₈			1/2		
5	4				H54	6 ⁵ / ₈	5 ⁵ / ₈			5/8			ALH54	6 ⁵ / ₈	5 ⁵ / ₈			1/2		
5	5				H55	6 ⁷ / ₈	6 ⁷ / ₈			5/8			ALH55	6 ⁷ / ₈	6 ⁷ / ₈			5/8		
6	4				H64	7 ⁵ / ₈	5 ⁵ / ₈			1/2			ALH64	7 ⁵ / ₈	5 ⁵ / ₈			1/2		
6	5				H65	7 ⁷ / ₈	6 ⁷ / ₈			5/8			ALH65	7 ⁷ / ₈	6 ⁷ / ₈			5/8		
6	6				H66	7 ⁷ / ₈	7 ⁷ / ₈			5/8			ALH66	7 ⁷ / ₈	7 ⁷ / ₈			5/8		
8	4				H84	9 ⁵ / ₈	5 ⁵ / ₈			1/2			ALH84	9 ⁵ / ₈	5 ⁵ / ₈			1/2		
8	5				H85	10	7			5/8			ALH85	10	7			5/8		
8	6				H86	10	8			5/8			ALH86	10	8			5/8		
8	8				H88	10 ¹ / ₈	10 ¹ / ₈			5/8			ALH88	10 ¹ / ₈	10 ¹ / ₈			5/8		
3	3	4/0	2/0		HJJ433	6 ¹³ / ₁₆	4 ³ / ₈	1	4 ³ / ₈	5 ¹ / ₁₆	3/8	1 ¹ / ₁₆	ALHJJ433	6 ¹³ / ₁₆	4 ³ / ₈	1	4 ³ / ₈	5 ¹ / ₁₆	3/8	1 ¹ / ₁₆
4	4	4/0	2/0		HJJ444	7 ¹³ / ₁₆	5 ³ / ₈	1	5 ³ / ₈	5 ¹ / ₁₆	1/2	1 ¹ / ₁₆	ALHJJ444	7 ¹³ / ₁₆	5 ³ / ₈	1	5 ³ / ₈	5 ¹ / ₁₆	1/2	1 ¹ / ₁₆
3	3	350	4/0		HJJ533	7 ¹ / ₈	4 ³ / ₈	1 ¹ / ₄	4 ³ / ₈	3/8	3/8	1 ¹ / ₄	ALHJJ533	7 ¹ / ₈	4 ³ / ₈	1 ¹ / ₄	4 ³ / ₈	3/8	3/8	1 ¹ / ₄
4	4	350	4/0		HJJ544	8 ¹ / ₈	5 ⁵ / ₈	1 ¹ / ₄	5 ⁵ / ₈	3/8	1/2	1 ¹ / ₄	ALHJJ544	8 ¹ / ₈	5 ⁵ / ₈	1 ¹ / ₄	5 ⁵ / ₈	3/8	1/2	1 ¹ / ₄
3	3	500	350		HJJ633	7 ⁵ / ₈	4 ³ / ₈	1 ⁷ / ₁₆	4 ³ / ₈	3/8	3/8	1 ⁷ / ₁₆	ALHJJ633	7 ⁵ / ₈	4 ³ / ₈	1 ⁷ / ₁₆	4 ³ / ₈	3/8	3/8	1 ⁷ / ₁₆
4	4	500	350		HJJ644	8 ⁵ / ₈	5 ⁵ / ₈	1 ⁷ / ₁₆	5 ⁵ / ₈	3/8	1/2	1 ⁷ / ₁₆	ALHJJ644	8 ⁵ / ₈	5 ⁵ / ₈	1 ⁷ / ₁₆	5 ⁵ / ₈	3/8	1/2	1 ⁷ / ₁₆
3	3	750	500		HJJ733	8 ¹ / ₈	4 ³ / ₈	1 ³ / ₄	4 ³ / ₈	7/16	3/8	1 ¹ / ₁₆	ALHJJ733	8 ¹ / ₈	4 ³ / ₈	1 ³ / ₄	4 ³ / ₈	7/16	3/8	1 ¹ / ₁₆
4	4	750	500		HJJ744	9 ¹ / ₈	5 ⁵ / ₈	1 ³ / ₄	5 ⁵ / ₈	7/16	1/2	1 ¹ / ₁₆	ALHJJ744	9 ¹ / ₈	5 ⁵ / ₈	1 ³ / ₄	5 ⁵ / ₈	7/16	1/2	1 ¹ / ₁₆
3	3	1000	750		HJJ833	8 ¹³ / ₁₆	4 ³ / ₈	1 ¹⁵ / ₁₆	4 ³ / ₈	1/2	3/8	1 ¹⁵ / ₁₆	ALHJJ833	8 ¹³ / ₁₆	4 ³ / ₈	1 ¹⁵ / ₁₆	4 ³ / ₈	1/2	3/8	1 ¹⁵ / ₁₆
4	4	1000	750		HJJ844	9 ¹ / ₁₆	5 ⁵ / ₈	1 ¹³ / ₁₆	5 ⁵ / ₈	1/2	1/2	1 ¹⁵ / ₁₆	ALHJJ844	9 ¹ / ₁₆	5 ⁵ / ₈	1 ¹³ / ₁₆	5 ⁵ / ₈	1/2	1/2	1 ¹⁵ / ₁₆
3	3	350	2/0	3/8	HP433	7 ³ / ₁₆	4 ³ / ₈	1 ³ / ₄	4 ³ / ₈	1/2	3/8	2 ³ / ₈	ALHP433	7 ³ / ₁₆	4 ³ / ₈	1 ³ / ₄	4 ³ / ₈	1/2	3/8	2 ³ / ₈
4	4	350	2/0	3/8	HP444	8 ³ / ₁₆	5 ⁵ / ₈	1 ³ / ₄	5 ⁵ / ₈	1/2	1/2	2 ³ / ₈	ALHP444	8 ³ / ₁₆	5 ⁵ / ₈	1 ³ / ₄	5 ⁵ / ₈	1/2	1/2	2 ³ / ₈
3	3	600	350	1/2	HP533	7 ³ / ₁₆	4 ³ / ₈	1 ¹⁵ / ₁₆	4 ³ / ₈	1/2	3/8	2 ¹ / ₁₆	ALHP533	7 ³ / ₁₆	4 ³ / ₈	1 ¹⁵ / ₁₆	4 ³ / ₈	1/2	3/8	2 ¹ / ₁₆
4	4	600	350	1/2	HP544	8 ³ / ₁₆	5 ⁵ / ₈	1 ¹⁵ / ₁₆	5 ⁵ / ₈	1/2	1/2	2 ¹ / ₁₆	ALHP544	8 ³ / ₁₆	5 ⁵ / ₈	1 ¹⁵ / ₁₆	5 ⁵ / ₈	1/2	1/2	2 ¹ / ₁₆
3	3	1000	600	3/4	HP633	7 ³ / ₈	4 ³ / ₈	2 ³ / ₁₆	4 ³ / ₈	1/2	3/8	2 ³ / ₁₆	ALHP633	7 ³ / ₈	4 ³ / ₈	2 ³ / ₁₆	4 ³ / ₈	1/2	3/8	2 ³ / ₁₆
4	4	1000	600	3/4	HP644	8 ³ / ₈	5 ⁵ / ₈	2 ³ / ₁₆	5 ⁵ / ₈	1/2	1/2	2 ³ / ₁₆	ALHP644	8 ³ / ₈	5 ⁵ / ₈	2 ³ / ₁₆	5 ⁵ / ₈	1/2	1/2	2 ³ / ₁₆
3	3	1500	1000	1	HP733	7 ⁹ / ₁₆	4 ³ / ₈	2 ⁷ / ₈	4 ³ / ₈	1/2	3/8	2 ¹³ / ₁₆	ALHP733	7 ⁹ / ₁₆	4 ³ / ₈	2 ⁷ / ₈	4 ³ / ₈	1/2	3/8	2 ¹³ / ₁₆
4	4	1500	1000	1	HP744	8 ¹³ / ₁₆	5 ⁵ / ₈	2 ⁷ / ₈	5 ⁵ / ₈	1/2	1/2	2 ¹³ / ₁₆	ALHP744	8 ¹³ / ₁₆	5 ⁵ / ₈	2 ⁷ / ₈	5 ⁵ / ₈	1/2	1/2	2 ¹³ / ₁₆
3	3	2000	1500	1 ¹ / ₄	HP833	7 ³ / ₄	4 ³ / ₈	3	4 ³ / ₈	1/2	3/8	3 ¹ / ₁₆	ALHP833	7 ³ / ₄	4 ³ / ₈	3	4 ³ / ₈	1/2	3/8	3 ¹ / ₁₆
4	4	2000	1500	1 ¹ / ₄	HP844	9	5 ⁵ / ₈	3	5 ⁵ / ₈	1/2	1/2	3 ¹ / ₁₆	ALHP844	9	5 ⁵ / ₈	3	5 ⁵ / ₈	1/2	1/2	3 ¹ / ₁₆



JJU SERIES Multiple cable coupler

Cable Range			BRONZE CONNECTORS							DUAL-RATED ALUMINUM CONNECTORS							
			Catalog Number	Dimension in Inches (Approximate)						Catalog Number	Dimension in Inches (Approximate)						
				A2	A3	A4	A5	B	C		J	A2	A3	A4	A5	B	C
#1	#4	2JJ2U	1 ⁵ / ₁₆	-	-	-	1 ¹¹ / ₁₆	3/4	1/4	AL2JJ2U	2	-	-	-	3 ⁵ / ₈	1 ¹ / ₄	5/16
1/0	#4	2JJ3U	1 ¹⁵ / ₁₆	-	-	-	2 ⁷ / ₈	1 ³ / ₁₆	5/16	AL2JJ4U	2 ⁷ / ₁₆	-	-	-	3 ³ / ₄	1 ¹ / ₂	5/16
2/0	1/0																
4/0	1/0	2JJ4U	2 ² / ₁₆	-	-	-	2 ⁷ / ₁₆	1	5/16	AL2JJ5U	2 ⁷ / ₈	-	-	-	4	1 ³ / ₄	3/8
4/0	2/0																
350	4/0	2JJ5U	2 ⁵ / ₈	-	-	-	2 ³ / ₄	1 ¹ / ₄	3/8	AL2JJ6U	3 ³ / ₄	-	-	-	4 ¹ / ₈	2	3/8
500	350	2JJ6U	2 ¹⁵ / ₁₆	-	-	-	3 ³ / ₄	1 ⁷ / ₁₆	3/8	AL2JJ7U	3 ⁵ / ₈	-	-	-	4 ³ / ₄	2 ³ / ₈	7/16
750	500	2JJ7U	3 ⁷ / ₁₆	-	-	-	4 ⁷ / ₁₆	1 ³ / ₁₆	7/16	AL2JJ8U	4 ¹ / ₄	-	-	-	5 ¹ / ₄	2 ⁵ / ₈	1/2
1000	750	2JJ8U	3 ¹⁵ / ₁₆	-	-	-	4 ⁷ / ₁₆	1 ¹⁵ / ₁₆	1/2								
#1	#4	3JJ2U	-	2 ¹ / ₂	-	-	1 ¹¹ / ₁₆	3/4	1/4	AL3JJ2U	-	3 ¹ / ₁₆	-	-	3 ⁵ / ₈	1 ¹ / ₄	5/16
1/0	#4	3JJ3U	-	2 ¹⁵ / ₁₆	-	-	2 ⁷ / ₈	1 ³ / ₁₆	5/16	AL3JJ4U	-	3 ¹³ / ₁₆	-	-	3 ³ / ₄	1 ¹ / ₂	5/16
2/0	1/0																
4/0	1/0	3JJ4U	-	3 ⁵ / ₁₆	-	-	2 ⁷ / ₁₆	1	5/16	AL3JJ5U	-	4 ³ / ₈	-	-	4	1 ³ / ₄	3/8
4/0	2/0																
350	4/0	3JJ5U	-	3 ⁷ / ₈	-	-	2 ³ / ₄	1 ¹ / ₄	3/8	AL3JJ6U	-	4 ¹⁵ / ₁₆	-	-	4 ¹ / ₈	2	3/8
500	350	3JJ6U	-	4 ¹ / ₂	-	-	3 ³ / ₄	1 ⁷ / ₁₆	3/8	AL3JJ7U	-	5 ¹¹ / ₁₆	-	-	4 ³ / ₄	2 ³ / ₈	7/16
750	500	3JJ7U	-	5 ³ / ₁₆	-	-	3 ³ / ₄	1 ³ / ₄	7/16	AL3JJ8U	-	6 ⁷ / ₁₆	-	-	5 ¹ / ₄	2 ⁵ / ₈	1/2
1000	750	3JJ8U	-	5 ¹⁵ / ₁₆	-	-	4 ⁷ / ₁₆	1 ¹⁵ / ₁₆	1/2								
#1	#4	4JJ2U	-	-	3 ³ / ₈	-	1 ¹¹ / ₁₆	3/4	1/4	AL4JJ2U	-	-	4 ¹ / ₈	-	3 ⁵ / ₈	1 ¹ / ₄	5/16
1/0	#4	4JJ3U	-	-	3 ¹⁵ / ₁₆	-	2 ⁷ / ₈	1 ³ / ₁₆	5/16	AL4JJ4U	-	-	5 ¹ / ₁₆	-	3 ³ / ₄	1 ¹ / ₂	5/16
2/0	1/0																
4/0	1/0	4JJ4U	-	-	4 ⁷ / ₁₆	-	2 ⁷ / ₁₆	1	5/16	AL4JJ5U	-	-	5 ¹³ / ₁₆	-	4	1 ³ / ₄	3/8
4/0	2/0																
350	4/0	4JJ5U	-	-	5 ⁵ / ₈	-	2 ³ / ₄	1 ¹ / ₄	3/8	AL4JJ6U	-	-	6 ⁵ / ₈	-	4 ¹ / ₈	2	3/8
500	350	4JJ6U	-	-	6	-	3 ³ / ₄	1 ⁷ / ₁₆	3/8	AL4JJ7U	-	-	7 ⁵ / ₈	-	4 ³ / ₄	2 ³ / ₈	7/16
750	500	4JJ7U	-	-	6 ¹⁵ / ₁₆	-	3 ³ / ₄	1 ³ / ₄	7/16	AL4JJ8U	-	-	8 ⁵ / ₈	-	5 ¹ / ₄	2 ⁵ / ₈	1/2
1000	750	4JJ8U	-	-	7 ¹⁵ / ₁₆	-	4 ⁷ / ₁₆	1 ¹⁵ / ₁₆	1/2								
#1	#4	5JJ2U	-	-	-	4 ¹ / ₄	1 ¹¹ / ₁₆	3/4	1/4	AL5JJ2U	-	-	-	6 ³ / ₁₆	3 ⁵ / ₈	1 ¹ / ₄	5/16
1/0	#4	5JJ3U	-	-	-	4 ¹⁵ / ₁₆	2 ⁷ / ₈	1 ³ / ₁₆	5/16	AL5JJ4U	-	-	-	6 ⁷ / ₁₆	3 ³ / ₄	1 ¹ / ₂	5/16
2/0	1/0																
4/0	1/0	5JJ4U	-	-	-	5 ⁹ / ₁₆	2 ⁷ / ₁₆	1	5/16	AL5JJ5U	-	-	-	7 ³ / ₈	4	1 ³ / ₄	3/8
4/0	2/0																
350	4/0	5JJ5U	-	-	-	6 ³ / ₈	2 ³ / ₄	1 ¹ / ₄	3/8	AL5JJ6U	-	-	-	8 ⁵ / ₁₆	4 ¹ / ₈	2	3/8
500	350	5JJ6U	-	-	-	7 ¹ / ₂	3 ³ / ₄	1 ⁷ / ₁₆	3/8	AL5JJ7U	-	-	-	9 ¹ / ₁₆	4 ³ / ₄	2 ³ / ₈	7/16
750	500	5JJ7U	-	-	-	8 ¹¹ / ₁₆	3 ³ / ₄	1 ³ / ₄	7/16	AL5JJ8U	-	-	-	10 ¹³ / ₁₆	5 ¹ / ₄	2 ⁵ / ₈	1/2
1000	750	5JJ8U	-	-	-	9 ¹⁵ / ₁₆	4 ⁷ / ₁₆	1 ¹⁵ / ₁₆	1/2								

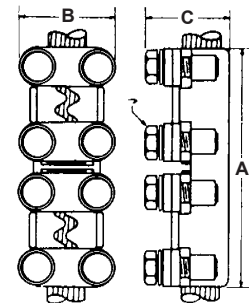


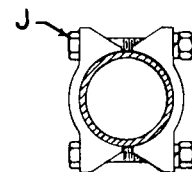
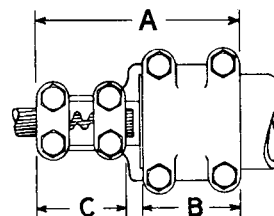
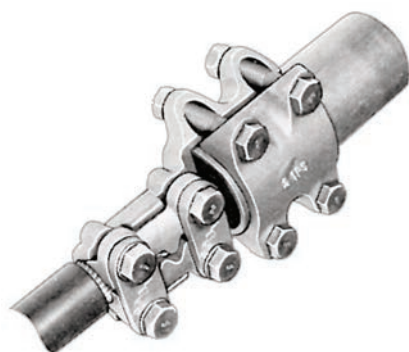
Run			Tap			BRONZE CONNECTORS				DUAL-RATED ALUMINUM CONNECTORS			
						Catalog Number	Dimension in Inches (Approximate)			Catalog Number	Dimension in Inches (Approximate)		
							A	B	C		A	B	C
2/0	#4	1/8	2/0	#4	1/8	P22K	5 ¹ / ₄	2 ³ / ₈	1 ¹ / ₄	ALP22K	5 ¹ / ₄	2 ³ / ₈	1 ¹ / ₄
350	2/0	3/8	2/0	#4	1/8	P42K	5 ⁷ / ₈	2 ³ / ₈	1 ⁵ / ₈	ALP42K	5 ⁷ / ₈	2 ³ / ₈	1 ⁵ / ₈
350	2/0	3/8	350	2/0	3/8	P44K	6	2 ³ / ₈	1 ⁵ / ₈	ALP44K	6	2 ³ / ₈	1 ⁵ / ₈
600	350	1/2	2/0	#4	1/8	P52K	5 ⁷ / ₈	2 ⁷ / ₁₆	2	ALP52K	5 ⁷ / ₈	2 ⁷ / ₁₆	2
600	350	1/2	350	2/0	3/8	P54K	6	2 ⁷ / ₁₆	2	ALP54K	6	2 ⁷ / ₁₆	2
600	350	1/2	600	350	1/2	P55K	6	2 ⁷ / ₁₆	2	ALP55K	6	2 ⁷ / ₁₆	2
1000	600	3/4	2/0	#4	1/8	P62K	5 ⁷ / ₈	2 ⁹ / ₁₆	2 ⁵ / ₁₆	ALP62K	5 ⁷ / ₈	2 ⁹ / ₁₆	2 ⁵ / ₁₆
1000	600	3/4	350	2/0	3/8	P64K	6 ³ / ₈	2 ⁹ / ₁₆	2 ⁵ / ₁₆	ALP64K	6 ³ / ₈	2 ⁹ / ₁₆	2 ⁵ / ₁₆
1000	600	3/4	600	350	1/2	P65K	6 ³ / ₈	2 ⁹ / ₁₆	2 ⁵ / ₁₆	ALP65K	6 ³ / ₈	2 ⁹ / ₁₆	2 ⁵ / ₁₆
1000	600	3/4	1000	600	3/4	P66K	6 ¹ / ₂	2 ⁹ / ₁₆	2 ⁵ / ₁₆	ALP66K	6 ¹ / ₂	2 ⁹ / ₁₆	2 ⁵ / ₁₆
1500	1000	1	2/0	#4	1/8	P72K	6 ¹ / ₈	2 ¹³ / ₁₆	2 ⁵ / ₈	ALP72K	6 ¹ / ₈	2 ¹³ / ₁₆	2 ⁵ / ₈
1500	1000	1	350	2/0	3/8	P74K	6 ⁵ / ₈	2 ¹³ / ₁₆	2 ⁵ / ₈	ALP74K	6 ⁵ / ₈	2 ¹³ / ₁₆	2 ⁵ / ₈
1500	1000	1	600	350	1/2	P75K	6 ⁵ / ₈	2 ¹³ / ₁₆	2 ⁵ / ₈	ALP75K	6 ⁵ / ₈	2 ¹³ / ₁₆	2 ⁵ / ₈
1500	1000	1	1000	600	3/4	P76K	6 ⁷ / ₈	2 ¹³ / ₁₆	2 ⁵ / ₈	ALP76K	6 ⁷ / ₈	2 ¹³ / ₁₆	2 ⁵ / ₈
1500	1000	1	1500	1000	1	P77K	7	2 ¹³ / ₁₆	2 ⁵ / ₈	ALP77K	7	2 ¹³ / ₁₆	2 ⁵ / ₈
2000	1500	1 ¹ / ₄	2/0	#4	1/8	P82K	6 ⁵ / ₁₆	3 ¹ / ₁₆	3	ALP82K	6 ⁵ / ₁₆	3 ¹ / ₁₆	3
2000	1500	1 ¹ / ₄	350	2/0	3/8	P84K	7	3 ¹ / ₁₆	3	ALP84K	7	3 ¹ / ₁₆	3
2000	1500	1 ¹ / ₄	600	350	1/2	P85K	7	3 ¹ / ₁₆	3	ALP85K	7	3 ¹ / ₁₆	3
2000	1500	1 ¹ / ₄	1000	600	3/4	P86K	7 ¹ / ₈	3 ¹ / ₁₆	3	ALP86K	7 ¹ / ₈	3 ¹ / ₁₆	3
2000	1500	1 ¹ / ₄	1500	1000	1	P87K	7 ¹ / ₄	3 ¹ / ₁₆	3	ALP87K	7 ¹ / ₄	3 ¹ / ₁₆	3
2000	1500	1 ¹ / ₄	2000	1500	1 ¹ / ₄	P88K	7 ³ / ₈	3 ¹ / ₁₆	3	ALP88K	7 ³ / ₈	3 ¹ / ₁₆	3

PK SERIES Coupler, cable/tube



J = 1/2





J = 1/2"

TPK SERIES

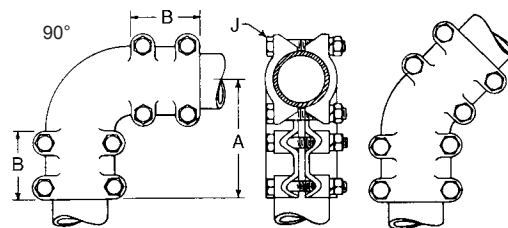
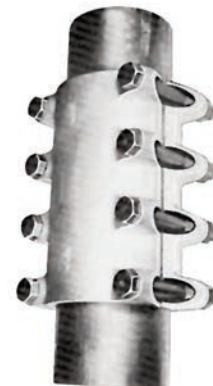
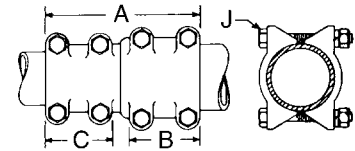
Coupler, tube to cable

Tap		Run IPS	BRONZE CONNECTORS				DUAL-RATED ALUMINUM CONNECTORS			
Cable Range Max.	Min.		Catalog Number	Dimension in Inches (Approximate)			Catalog Number	Dimension in Inches (Approximate)		
		A		B	C	A		B	C	
2/0	#4	1/2	T0P2K	4 ¹⁵ / ₁₆	2 ¹ / ₄	2 ⁷ / ₁₆	ALT0P2K	4 ¹⁵ / ₁₆	2 ¹ / ₄	2 ⁷ / ₁₆
350	2/0	1/2	T0P4K	5 ⁷ / ₁₆	2 ¹ / ₄	2 ¹³ / ₁₆	ALT0P4K	5 ⁷ / ₁₆	2 ¹ / ₄	2 ¹³ / ₁₆
2/0	#4	3/4	T1P2K	5 ³ / ₁₆	2 ³ / ₈	2 ⁷ / ₁₆	ALT1P2K	5 ³ / ₁₆	2 ³ / ₈	2 ⁷ / ₁₆
350	2/0	3/4	T1P4K	5 ⁹ / ₁₆	2 ³ / ₈	2 ¹³ / ₁₆	ALT1P4K	5 ⁹ / ₁₆	2 ³ / ₈	2 ¹³ / ₁₆
600	350	3/4	T1P5K	5 ⁹ / ₁₆	2 ³ / ₈	2 ¹³ / ₁₆	ALT1P5K	5 ⁹ / ₁₆	2 ³ / ₈	2 ¹³ / ₁₆
2/0	#4	1	T2P2K	5 ⁷ / ₁₆	2 ¹ / ₂	2 ⁷ / ₁₆	ALT2P2K	5 ⁷ / ₁₆	2 ¹ / ₂	2 ⁷ / ₁₆
350	2/0	1	T2P4K	5 ¹³ / ₁₆	2 ¹ / ₂	2 ¹³ / ₁₆	ALT2P4K	5 ¹³ / ₁₆	2 ¹ / ₂	2 ¹³ / ₁₆
600	350	1	T2P5K	5 ¹³ / ₁₆	2 ¹ / ₂	2 ¹³ / ₁₆	ALT2P5K	5 ¹³ / ₁₆	2 ¹ / ₂	2 ¹³ / ₁₆
1000	600	1	T2P6K	6	2 ¹ / ₂	3	ALT2P6K	6	2 ¹ / ₂	3
2/0	#4	1 1/4	T3P2K	5 ¹¹ / ₁₆	2 ⁵ / ₈	2 ⁷ / ₁₆	ALT3P2K	5 ¹¹ / ₁₆	2 ⁵ / ₈	2 ⁷ / ₁₆
350	2/0	1 1/4	T3P4K	6 ¹ / ₁₆	2 ⁵ / ₈	2 ¹³ / ₁₆	ALT3P4K	6 ¹ / ₁₆	2 ⁵ / ₈	2 ¹³ / ₁₆
600	350	1 1/4	T3P5K	6 ¹ / ₁₆	2 ⁵ / ₈	2 ¹³ / ₁₆	ALT3P5K	6 ¹ / ₁₆	2 ⁵ / ₈	2 ¹³ / ₁₆
1000	600	1 1/4	T3P6K	6 ¹ / ₄	2 ⁵ / ₈	3	ALT3P6K	6 ¹ / ₄	2 ⁵ / ₈	3
1500	1000	1 1/4	T3P7K	6 ⁷ / ₁₆	2 ⁵ / ₈	3 ³ / ₁₆	ALT3P7K	6 ⁷ / ₁₆	2 ⁵ / ₈	3 ³ / ₁₆
2/0	#4	1 1/2	T4P2K	5 ¹⁵ / ₁₆	2 ³ / ₄	2 ⁷ / ₁₆	ALT4P2K	5 ¹⁵ / ₁₆	2 ³ / ₄	2 ⁷ / ₁₆
350	2/0	1 1/2	T4P4K	6 ⁵ / ₁₆	2 ³ / ₄	2 ¹³ / ₁₆	ALT4P4K	6 ⁵ / ₁₆	2 ³ / ₄	2 ¹³ / ₁₆
600	350	1 1/2	T4P5K	6 ⁵ / ₁₆	2 ³ / ₄	2 ¹³ / ₁₆	ALT4P5K	6 ⁵ / ₁₆	2 ³ / ₄	2 ¹³ / ₁₆
1000	600	1 1/2	T4P6K	6 ¹ / ₂	2 ³ / ₄	3	ALT4P6K	6 ¹ / ₂	2 ³ / ₄	3
1500	1000	1 1/2	T4P7K	6 ¹¹ / ₁₆	2 ³ / ₄	3 ³ / ₁₆	ALT4P7K	6 ¹¹ / ₁₆	2 ³ / ₄	3 ³ / ₁₆
2000	1500	1 1/2	T4P8K	6 ⁷ / ₈	2 ³ / ₄	3 ³ / ₈	ALT4P8K	6 ⁷ / ₈	2 ³ / ₄	3 ³ / ₈
350	2/0	2	T5P4K	6 ⁹ / ₁₆	2 ⁷ / ₈	2 ¹³ / ₁₆	ALT5P4K	6 ⁹ / ₁₆	2 ⁷ / ₈	2 ¹³ / ₁₆
600	350	2	T5P5K	6 ⁹ / ₁₆	2 ⁷ / ₈	2 ¹³ / ₁₆	ALT5P5K	6 ⁹ / ₁₆	2 ⁷ / ₈	2 ¹³ / ₁₆
1000	600	2	T5P6K	6 ³ / ₄	2 ⁷ / ₈	3	ALT5P6K	6 ³ / ₄	2 ⁷ / ₈	3
1500	1000	2	T5P7K	6 ¹⁵ / ₁₆	2 ⁷ / ₈	3 ³ / ₁₆	ALT5P7K	6 ¹⁵ / ₁₆	2 ⁷ / ₈	3 ³ / ₁₆
2000	1500	2	T5P8K	7 ¹ / ₈	2 ⁷ / ₈	3 ³ / ₈	ALT5P8K	7 ¹ / ₈	2 ⁷ / ₈	3 ³ / ₈
350	2/0	2 1/2	T6P4K	6 ¹³ / ₁₆	3	2 ¹³ / ₁₆	ALT6P4K	6 ¹³ / ₁₆	3	2 ¹³ / ₁₆
600	350	2 1/2	T6P5K	6 ¹³ / ₁₆	3	2 ¹³ / ₁₆	ALT6P5K	6 ¹³ / ₁₆	3	2 ¹³ / ₁₆
1000	600	2 1/2	T6P6K	7	3	3	ALT6P6K	7	3	3
1500	1000	2 1/2	T6P7K	7 ³ / ₁₆	3	3 ³ / ₁₆	ALT6P7K	7 ³ / ₁₆	3	3 ³ / ₁₆
2000	1500	2 1/2	T6P8K	7 ³ / ₈	3	3 ³ / ₈	ALT6P8K	7 ³ / ₈	3	3 ³ / ₈
350	2/0	3	T7P4K	6 ¹³ / ₁₆	3	2 ¹³ / ₁₆	ALT7P4K	6 ¹³ / ₁₆	3	2 ¹³ / ₁₆
600	350	3	T7P5K	6 ¹³ / ₁₆	3	2 ¹³ / ₁₆	ALT7P5K	6 ¹³ / ₁₆	3	2 ¹³ / ₁₆
1000	600	3	T7P6K	7	3	3	ALT7P6K	7	3	3
1500	1000	3	T7P7K	7 ³ / ₁₆	3	3 ³ / ₁₆	ALT7P7K	7 ³ / ₁₆	3	3 ³ / ₁₆
2000	1500	3	T7P8K	7 ³ / ₈	3	3 ³ / ₈	ALT7P8K	7 ³ / ₈	3	3 ³ / ₈
600	350	3 1/2	T8P5K	7 ¹ / ₁₆	3 ¹ / ₄	2 ¹³ / ₁₆	ALT8P5K	7 ¹ / ₁₆	3 ¹ / ₄	2 ¹³ / ₁₆
1000	600	3 1/2	T8P6K	7 ¹ / ₄	3 ¹ / ₄	3	ALT8P6K	7 ¹ / ₄	3 ¹ / ₄	3
1500	1000	3 1/2	T8P7K	7 ¹¹ / ₁₆	3 ¹ / ₄	3 ³ / ₁₆	ALT8P7K	7 ¹¹ / ₁₆	3 ¹ / ₄	3 ³ / ₁₆
2000	1500	3 1/2	T8P8K	7 ⁷ / ₈	3 ¹ / ₄	3 ³ / ₈	ALT8P8K	7 ⁷ / ₈	3 ¹ / ₄	3 ³ / ₈
600	350	4	T9P5K	7 ⁵ / ₁₆	3 ¹ / ₂	2 ¹³ / ₁₆	ALT9P5K	7 ⁵ / ₁₆	3 ¹ / ₂	2 ¹³ / ₁₆
1000	600	4	T9P6K	7 ¹ / ₂	3 ¹ / ₂	3	ALT9P6K	7 ¹ / ₂	3 ¹ / ₂	3
1500	1000	4	T9P7K	7 ¹⁵ / ₁₆	3 ¹ / ₂	3 ³ / ₁₆	ALT9P7K	7 ¹⁵ / ₁₆	3 ¹ / ₂	3 ³ / ₁₆
2000	1500	4	T9P8K	8 ¹ / ₈	3 ¹ / ₂	3 ³ / ₈	ALT9P8K	8 ¹ / ₈	3 ¹ / ₂	3 ³ / ₈

TK SERIES

Coupler, tube to tube

IPS		BRONZE CONNECTORS						DUAL-RATED ALUMINUM CONNECTORS					
		Catalog Number	Dimension in Inches (Approximate)				Catalog Number	Dimension in Inches (Approximate)					
			A	B	C	J		A	B	C	J		
Run	Tap												
1/2	1/2	T00K	4 3/4	2 1/4	2 1/4	1/2	ALT00K	4 3/4	2 1/4	2 1/4	1/2		
3/4	1/2	T10K	5	2 5/8	2 1/4	1/2	ALT10K	5	2 5/8	2 1/4	1/2		
3/4	3/4	T11K	5 1/8	2 3/8	2 3/8	1/2	ALT11K	5 1/8	2 3/8	2 3/8	1/2		
1	1/2	T20K	5 1/4	2 1/2	2 1/4	1/2	ALT20K	5 1/4	2 1/2	2 1/4	1/2		
1	3/4	T21K	5 3/8	2 1/2	2 3/8	1/2	ALT21K	5 3/8	2 1/2	2 3/8	1/2		
1	1	T22K	5 1/2	2 1/2	2 1/2	1/2	ALT22K	5 1/2	2 1/2	2 1/2	1/2		
1 1/4	3/4	T31K	5 5/8	2 5/8	2 3/8	1/2	ALT31K	5 5/8	2 5/8	2 3/8	1/2		
1 1/4	1	T32K	5 3/4	2 5/8	2 1/2	1/2	ALT32K	5 3/4	2 5/8	2 1/2	1/2		
1 1/4	1 1/4	T33K	5 7/8	2 5/8	2 5/8	1/2	ALT33K	5 7/8	2 5/8	2 5/8	1/2		
1 1/2	3/4	T41K	5 7/8	2 3/4	2 3/8	1/2	ALT41K	5 7/8	2 3/4	2 3/8	1/2		
1 1/2	1	T42K	6	2 3/4	2 1/2	1/2	ALT42K	6	2 3/4	2 1/2	1/2		
1 1/2	1 1/4	T43K	6 1/8	2 3/4	2 3/8	1/2	ALT43K	6 1/8	2 3/4	2 3/8	1/2		
1 1/2	1 1/2	T44K	6 1/4	2 3/4	2 3/4	1/2	ALT44K	6 1/4	2 3/4	2 3/4	1/2		
2	1	T52K	6 1/4	2 7/8	2 1/2	1/2	ALT52K	6 1/4	2 7/8	2 1/2	1/2		
2	1 1/4	T53K	6 3/8	2 7/8	2 5/8	1/2	ALT53K	6 3/8	2 7/8	2 5/8	1/2		
2	1 1/2	T54K	6 1/2	2 7/8	2 3/4	1/2	ALT54K	6 1/2	2 7/8	2 3/4	1/2		
2	2	T55K	6 5/8	2 7/8	2 7/8	1/2	ALT55K	6 5/8	2 7/8	2 7/8	1/2		
2 1/2	1 1/4	T63K	6 5/8	3	2 5/8	1/2	ALT63K	6 5/8	3	2 5/8	1/2		
2 1/2	1 1/2	T64K	6 3/4	3	2 3/4	1/2	ALT64K	6 3/4	3	2 3/4	1/2		
2 1/2	2	T65K	6 7/8	3	2 7/8	1/2	ALT65K	6 7/8	3	2 7/8	1/2		
2 1/2	2 1/2	T66K	7	3	3	1/2	ALT66K	7	3	3	1/2		
3	1 1/2	T74K	6 3/4	3	2 3/4	1/2	ALT74K	6 3/4	3	2 3/4	1/2		
3	2	T75K	6 7/8	3	2 7/8	1/2	ALT75K	6 7/8	3	2 7/8	1/2		
3	2 1/2	T76K	7	3	3	1/2	ALT76K	7	3	3	1/2		
3	3	T77K	7 3/4	3 1/4	3 1/4	5/8	ALT77K	7 3/4	3 1/4	3 1/4	5/8		
3 1/2	1 1/2	T84K	7 1/4	3 1/4	2 3/4	1/2	ALT84K	7 1/4	3 1/4	2 3/4	1/2		
3 1/2	2	T85K	7 3/8	3 1/4	2 7/8	1/2	ALT85K	7 3/8	3 1/4	2 7/8	1/2		
3 1/2	2 1/2	T86K	7 1/2	3 1/4	3	1/2	ALT86K	7 1/2	3 1/4	3	1/2		
3 1/2	3	T87K	8 1/4	3 1/2	3 1/4	5/8	ALT87K	8 1/4	3 1/2	3 1/4	5/8		
3 1/2	3 1/2	T88K	8 1/2	3 1/2	3 1/2	5/8	ALT88K	8 1/2	3 1/2	3 1/2	5/8		
4	2	T95K	7 3/4	3 1/2	2 7/8	1/2	ALT95K	7 3/4	3 1/2	2 7/8	1/2		
4	2 1/2	T96K	7 7/8	3 1/2	3	1/2	ALT96K	7 7/8	3 1/2	3	1/2		
4	3	T97K	8 1/2	3 3/4	3 1/4	5/8	ALT97K	8 1/2	3 3/4	3 1/4	5/8		
4	3 1/2	T98K	8 3/4	3 3/4	3 1/2	5/8	ALT98K	8 3/4	3 3/4	3 1/2	5/8		
4	4	T99K	9	3 3/4	3 3/4	5/8	ALT99K	9	3 3/4	3 3/4	5/8		



45°
Change K90 to K45 in Catalog Number.

TK-90 SERIES

Coupler, tube to tube

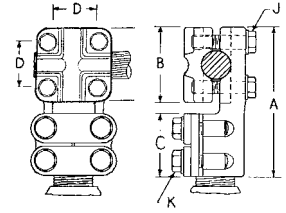
1/2	1/2	T00K90-6	3	1 3/4		3/8	ALT00K90-6	3	1 3/4		3/8
1/2	1/2	T00K90	3 1/4	2		1/2	ALT00K90	3 1/4	2		1/2
3/4	3/4	T11K90-6	3 3/8	2		3/8	ALT11K90-6	3 3/8	2		3/8
3/4	3/4	T11K90	3 5/8	2 1/4		1/2	ALT11K90	3 5/8	2 1/4		1/2
1	1	T22K90-6	3 3/4	2 1/4		3/8	ALT22K90-6	3 3/4	2 1/4		3/8
1	1	T22K90	4	2 1/2		1/2	ALT22K90	4	2 1/2		1/2
1 1/4	1 1/4	T33K90	4 1/2	2 3/4		1/2	ALT33K90	4 1/2	2 3/4		1/2
1 1/2	1 1/2	T44K90	5	3		1/2	ALT44K90	5	3		1/2
2	2	T55K90	5 1/2	3 1/4		1/2	ALT55K90	5 1/2	3 1/4		1/2
2 1/2	2 1/2	T66K90	6	3 1/2		1/2	ALT66K90	6	3 1/2		1/2
3	3	T77K90	6 3/4	3 3/4		5/8	ALT77K90	6 3/4	3 3/4		5/8
3 1/2	3 1/2	T88K90	7 1/2	4		5/8	ALT88K90	7 1/2	4		5/8
4	4	T99K90	8 1/2	4 1/2		5/8	ALT99K90	8 1/2	4 1/2		5/8



XSP SERIES

Stud connectors for cable

K = 1/2"



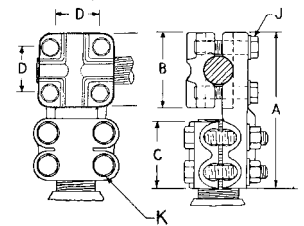
			BRONZE CONNECTORS					DUAL-RATED ALUMINUM CONNECTORS						
Cable Range		Stud Size	Catalog Number	Dimension in Inches (Approximate)					Catalog Number	Dimension in Inches (Approximate)				
Max.	Min.			A	B	C	D	J		A	B	C	D	J
250	6 SOL.	1-14	X25SP2	4 ⁹ / ₁₆	1 ⁷ / ₈	2 ³ / ₁₆	1 ¹ / ₁₆	3 ³ / ₈	ALX25SP2	4 ⁹ / ₁₆	1 ⁷ / ₈	2 ³ / ₁₆	1 ¹ / ₁₆	3 ³ / ₈
500	6 SOL.	1-14	X45SP2	4 ¹³ / ₁₆	2 ¹ / ₈	2 ³ / ₁₆	1 ³ / ₈	3 ³ / ₈	ALX45SP2	4 ¹³ / ₁₆	2 ¹ / ₈	2 ³ / ₁₆	1 ³ / ₈	3 ³ / ₈
1000	2 SOL.	1-14	X6SP2	5 ⁹ / ₁₆	2 ⁷ / ₈	2 ³ / ₁₆	1 ⁷ / ₈	1 ¹ / ₂	ALX6SP2	5 ⁹ / ₁₆	2 ⁷ / ₈	2 ³ / ₁₆	1 ⁷ / ₈	1 ¹ / ₂
250	6 SOL.	1 ¹ / ₈ -12	X25SP3	4 ⁹ / ₁₆	1 ⁷ / ₈	2 ³ / ₁₆	1 ¹ / ₁₆	3 ³ / ₈	ALX25SP3	4 ⁹ / ₁₆	1 ⁷ / ₈	2 ³ / ₁₆	1 ¹ / ₁₆	3 ³ / ₈
500	6 SOL.	1 ¹ / ₈ -12	X45SP3	4 ¹³ / ₁₆	2 ¹ / ₈	2 ³ / ₁₆	1 ³ / ₈	3 ³ / ₈	ALX45SP3	4 ¹³ / ₁₆	2 ¹ / ₈	2 ³ / ₁₆	1 ³ / ₈	3 ³ / ₈
1000	2 SOL.	1 ¹ / ₈ -12	X6SP3	5 ⁹ / ₁₆	2 ⁷ / ₈	2 ³ / ₁₆	1 ⁷ / ₈	1 ¹ / ₂	ALX6SP3	5 ⁹ / ₁₆	2 ⁷ / ₈	2 ³ / ₁₆	1 ⁷ / ₈	1 ¹ / ₂
250	6 SOL.	1 ¹ / ₄ -12	X25SP4	4 ³ / ₄	1 ⁷ / ₈	2 ³ / ₈	1 ¹ / ₁₆	3 ³ / ₈	ALX25SP4	4 ³ / ₄	1 ⁷ / ₈	2 ³ / ₈	1 ¹ / ₁₆	3 ³ / ₈
500	6 SOL.	1 ¹ / ₄ -12	X45SP4	5	2 ¹ / ₈	2 ³ / ₈	1 ³ / ₈	3 ³ / ₈	ALX45SP4	5	2 ¹ / ₈	2 ³ / ₈	1 ³ / ₈	3 ³ / ₈
1000	2 SOL.	1 ¹ / ₄ -12	X6SP4	5 ³ / ₄	2 ⁷ / ₈	2 ³ / ₈	1 ⁷ / ₈	1 ¹ / ₂	ALX6SP4	5 ³ / ₄	2 ⁷ / ₈	2 ³ / ₈	1 ⁷ / ₈	1 ¹ / ₂
250	6 SOL.	1 ¹ / ₂ -12	X25SP5	4 ³ / ₄	1 ⁷ / ₈	2 ³ / ₈	1 ¹ / ₁₆	3 ³ / ₈	ALX25SP5	4 ³ / ₄	1 ⁷ / ₈	2 ³ / ₈	1 ¹ / ₁₆	3 ³ / ₈
500	6 SOL.	1 ¹ / ₂ -12	X45SP5	5	2 ¹ / ₈	2 ³ / ₈	1 ³ / ₈	3 ³ / ₈	ALX45SP5	5	2 ¹ / ₈	2 ³ / ₈	1 ³ / ₈	3 ³ / ₈
1000	2 SOL.	1 ¹ / ₂ -12	X6SP5	5 ³ / ₄	2 ⁷ / ₈	2 ³ / ₈	1 ⁷ / ₈	1 ¹ / ₂	ALX6SP5	5 ³ / ₄	2 ⁷ / ₈	2 ³ / ₈	1 ⁷ / ₈	1 ¹ / ₂
2000	4/0	1 ¹ / ₂ -12	X8SP5	6 ¹ / ₄	3 ³ / ₈	2 ³ / ₈	2 ³ / ₈	1 ¹ / ₂	ALX8SP5	6 ¹ / ₄	3 ³ / ₈	2 ³ / ₈	2 ³ / ₈	1 ¹ / ₂



XST SERIES

Stud connectors for cable

K = 1/2"

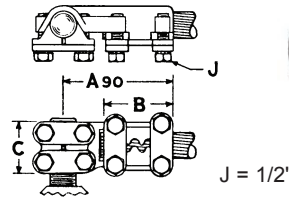


			BRONZE CONNECTORS					DUAL-RATED ALUMINUM CONNECTORS						
Cable Range		Stud Size	Catalog Number	Dimension in Inches (Approximate)					Catalog Number	Dimension in Inches (Approximate)				
Max.	Min.			A	B	C	D	J		A	B	C	D	J
250	6 SOL.	1-14	X25ST2	4 ⁹ / ₁₆	1 ⁷ / ₈	2 ¹ / ₄	1 ¹ / ₁₆	3 ³ / ₈	ALX25ST2	4 ⁹ / ₁₆	1 ⁷ / ₈	2 ¹ / ₄	1 ¹ / ₁₆	3 ³ / ₈
500	6 SOL.	1-14	X45ST2	4 ⁷ / ₈	2 ¹ / ₈	2 ¹ / ₄	1 ³ / ₈	3 ³ / ₈	ALX45ST2	4 ⁷ / ₈	2 ¹ / ₈	2 ¹ / ₄	1 ³ / ₈	3 ³ / ₈
1000	2 SOL.	1-14	X6ST2	5 ⁹ / ₁₆	2 ⁷ / ₈	2 ¹ / ₄	1 ⁷ / ₈	1 ¹ / ₂	ALX6ST2	5 ⁹ / ₁₆	2 ⁷ / ₈	2 ¹ / ₄	1 ⁷ / ₈	1 ¹ / ₂
250	6 SOL.	1 ¹ / ₈ -12	X25ST3	4 ⁹ / ₁₆	1 ⁷ / ₈	2 ¹ / ₄	1 ¹ / ₁₆	3 ³ / ₈	ALX25ST3	4 ⁹ / ₁₆	1 ⁷ / ₈	2 ¹ / ₄	1 ¹ / ₁₆	3 ³ / ₈
500	6 SOL.	1 ¹ / ₈ -12	X45ST3	4 ⁷ / ₈	2 ¹ / ₈	2 ¹ / ₄	1 ³ / ₈	3 ³ / ₈	ALX45ST3	4 ⁷ / ₈	2 ¹ / ₈	2 ¹ / ₄	1 ³ / ₈	3 ³ / ₈
1000	2 SOL.	1 ¹ / ₈ -12	X6ST3	5 ⁹ / ₁₆	2 ⁷ / ₈	2 ¹ / ₄	1 ⁷ / ₈	1 ¹ / ₂	ALX6ST3	5 ⁹ / ₁₆	2 ⁷ / ₈	2 ¹ / ₄	1 ⁷ / ₈	1 ¹ / ₂
250	6 SOL.	1 ¹ / ₄ -12	X25ST4	4 ⁷ / ₈	1 ⁷ / ₈	2 ¹ / ₂	1 ¹ / ₁₆	3 ³ / ₈	ALX25ST4	4 ⁷ / ₈	1 ⁷ / ₈	2 ¹ / ₂	1 ¹ / ₁₆	3 ³ / ₈
500	6 SOL.	1 ¹ / ₄ -12	X45ST4	5 ¹ / ₈	2 ¹ / ₈	2 ¹ / ₂	1 ³ / ₈	3 ³ / ₈	ALX45ST4	5 ¹ / ₈	2 ¹ / ₈	2 ¹ / ₂	1 ³ / ₈	3 ³ / ₈
1000	2 SOL.	1 ¹ / ₄ -12	X6ST4	5 ⁷ / ₈	2 ⁷ / ₈	2 ¹ / ₂	1 ⁷ / ₈	1 ¹ / ₂	ALX6ST4	5 ⁷ / ₈	2 ⁷ / ₈	2 ¹ / ₂	1 ⁷ / ₈	1 ¹ / ₂
250	6 SOL.	1 ¹ / ₂ -12	X25ST5	4 ⁷ / ₈	1 ⁷ / ₈	2 ¹ / ₂	1 ¹ / ₁₆	3 ³ / ₈	ALX25ST5	4 ⁷ / ₈	1 ⁷ / ₈	2 ¹ / ₂	1 ¹ / ₁₆	3 ³ / ₈
500	6 SOL.	1 ¹ / ₂ -12	X45ST5	5 ¹ / ₈	2 ¹ / ₈	2 ¹ / ₂	1 ³ / ₈	3 ³ / ₈	ALX45ST5	5 ¹ / ₈	2 ¹ / ₈	2 ¹ / ₂	1 ³ / ₈	3 ³ / ₈
1000	2 SOL.	1 ¹ / ₂ -12	X6ST5	5 ⁷ / ₈	2 ⁷ / ₈	2 ¹ / ₂	1 ⁷ / ₈	1 ¹ / ₂	ALX6ST5	5 ⁷ / ₈	2 ⁷ / ₈	2 ¹ / ₂	1 ⁷ / ₈	1 ¹ / ₂
2000	4/0	1 ¹ / ₂ -12	X8ST5	6 ³ / ₈	3 ³ / ₈	2 ¹ / ₂	2 ³ / ₈	1 ¹ / ₂	ALX8ST5	6 ³ / ₈	3 ³ / ₈	2 ¹ / ₂	2 ³ / ₈	1 ¹ / ₂
500	6 SOL.	2-12	X45ST6	5 ¹ / ₈	2 ¹ / ₈	2 ¹ / ₂	1 ³ / ₈	3 ³ / ₈	ALX45ST6	5 ¹ / ₈	2 ¹ / ₈	2 ¹ / ₂	1 ³ / ₈	3 ³ / ₈
1000	2 SOL.	2-12	X6ST6	5 ⁷ / ₈	2 ⁷ / ₈	2 ¹ / ₂	1 ⁷ / ₈	1 ¹ / ₂	ALX6ST6	5 ⁷ / ₈	2 ⁷ / ₈	2 ¹ / ₂	1 ⁷ / ₈	1 ¹ / ₂
2000	4/0	2-12	X8ST6	6 ³ / ₈	3 ³ / ₈	2 ¹ / ₂	2 ³ / ₈	1 ¹ / ₂	ALX8ST6	6 ³ / ₈	3 ³ / ₈	2 ¹ / ₂	2 ³ / ₈	1 ¹ / ₂
500	6 SOL.	2 ¹ / ₄ -12	X45ST65	5 ¹ / ₈	2 ¹ / ₈	2 ¹ / ₂	1 ³ / ₈	3 ³ / ₈	ALX45ST65	5 ¹ / ₈	2 ¹ / ₈	2 ¹ / ₂	1 ³ / ₈	3 ³ / ₈
1000	2 SOL.	2 ¹ / ₄ -12	X6ST65	5 ⁷ / ₈	2 ⁷ / ₈	2 ¹ / ₂	1 ⁷ / ₈	1 ¹ / ₂	ALX6ST65	5 ⁷ / ₈	2 ⁷ / ₈	2 ¹ / ₂	1 ⁷ / ₈	1 ¹ / ₂
2000	4/0	2 ¹ / ₄ -12	X8ST65	6 ³ / ₈	3 ³ / ₈	2 ¹ / ₂	2 ³ / ₈	1 ¹ / ₂	ALX8ST65	6 ³ / ₈	3 ³ / ₈	2 ¹ / ₂	2 ³ / ₈	1 ¹ / ₂
500	6 SOL.	2 ¹ / ₂ -12	X45ST7	5 ¹ / ₈	2 ¹ / ₈	2 ¹ / ₂	1 ³ / ₈	3 ³ / ₈	ALX45ST7	5 ¹ / ₈	2 ¹ / ₈	2 ¹ / ₂	1 ³ / ₈	3 ³ / ₈
1000	2 SOL.	2 ¹ / ₂ -12	X6ST7	5 ⁷ / ₈	2 ⁷ / ₈	2 ¹ / ₂	1 ⁷ / ₈	1 ¹ / ₂	ALX6ST7	5 ⁷ / ₈	2 ⁷ / ₈	2 ¹ / ₂	1 ⁷ / ₈	1 ¹ / ₂
2000	4/0	2 ¹ / ₂ -12	X8ST7	6 ³ / ₈	3 ³ / ₈	2 ¹ / ₂	2 ³ / ₈	1 ¹ / ₂	ALX8ST7	6 ³ / ₈	3 ³ / ₈	2 ¹ / ₂	2 ³ / ₈	1 ¹ / ₂
500	6 SOL.	2 ³ / ₄ -12	X45ST75	5 ⁹ / ₁₆	2 ¹ / ₈	3	1 ³ / ₈	3 ³ / ₈	ALX45ST75	5 ⁹ / ₁₆	2 ¹ / ₈	3	1 ³ / ₈	3 ³ / ₈
1000	2 SOL.	2 ³ / ₄ -12	X6ST75	6 ³ / ₈	2 ⁷ / ₈	3	1 ⁷ / ₈	1 ¹ / ₂	ALX6ST75	6 ³ / ₈	2 ⁷ / ₈	3	1 ⁷ / ₈	1 ¹ / ₂
2000	4/0	2 ³ / ₄ -12	X8ST75	6 ⁷ / ₈	3 ³ / ₈	3	2 ³ / ₈	1 ¹ / ₂	ALX8ST75	6 ⁷ / ₈	3 ³ / ₈	3	2 ³ / ₈	1 ¹ / ₂
500	6 SOL.	3-12	X45ST8	5 ⁹ / ₁₆	2 ¹ / ₈	3	1 ³ / ₈	3 ³ / ₈	ALX45ST8	5 ⁹ / ₁₆	2 ¹ / ₈	3	1 ³ / ₈	3 ³ / ₈
1000	2 SOL.	3-12	X6ST8	6 ³ / ₈	2 ⁷ / ₈	3	1 ⁷ / ₈	1 ¹ / ₂	ALX6ST8	6 ³ / ₈	2 ⁷ / ₈	3	1 ⁷ / ₈	1 ¹ / ₂
2000	4/0	3-12	X8ST8	6 ⁷ / ₈	3 ³ / ₈	3	2 ³ / ₈	1 ¹ / ₂	ALX8ST8	6 ⁷ / ₈	3 ³ / ₈	3	2 ³ / ₈	1 ¹ / ₂

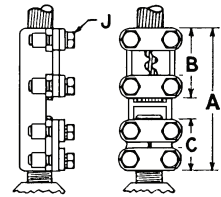


PSP & PSP90 SERIES

Stud connector for cable



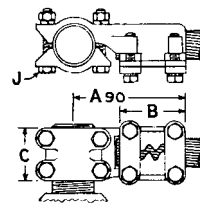
Cable Range Max. Min.			Stud Size			BRONZE CONNECTORS				DUAL-RATED ALUMINUM CONNECTORS			
						Catalog Number	Dimension in Inches (Approximate)			Catalog Number	Dimension in Inches (Approximate)		
							A	A90	B		C	A	A90
2/0	#4	3/4 - 16	P2SP1	5 1/8	4 3/16	2 7/16	2	ALP2SP1	5 1/8	4 3/16	2 7/16	2	
350	2/0	3/4 - 16	P4SP1	5 1/2	4 9/16	2 13/16	2	ALP4SP1	5 1/2	4 9/16	2 13/16	2	
600	350	3/4 - 16	P5SP1	5 1/2	4 9/16	2 13/16	2	ALP5SP1	5 1/2	4 9/16	2 13/16	2	
1000	600	3/4 - 16	P6SP1	5 11/16	4 3/4	3	2	ALP6SP1	5 11/16	4 3/4	3	2	
2/0	#4	1 - 14	P2SP2	5 9/16	4 1/4	2 7/16	2 3/16	ALP2SP2	5 9/16	4 1/4	2 7/16	2 3/16	
350	2/0	1 - 14	P4SP2	5 13/16	4 5/8	2 13/16	2 3/16	ALP4SP2	5 13/16	4 5/8	2 13/16	2 3/16	
600	350	1 - 14	P5SP2	5 13/16	4 5/8	2 13/16	2 3/16	ALP5SP2	5 13/16	4 5/8	2 13/16	2 3/16	
1000	600	1 - 14	P6SP2	6	4 13/16	3	2 3/16	ALP6SP2	6	4 13/16	3	2 3/16	
1500	1000	1 - 14	P7SP2	6 3/16	5	3 3/16	2 3/16	ALP7SP2	6 3/16	5	3 3/16	2 3/16	
2/0	#4	1 1/8 - 12	P2SP3	5 9/16	4 1/4	2 7/16	2 3/16	ALP2SP3	5 9/16	4 1/4	2 7/16	2 3/16	
350	2/0	1 1/8 - 12	P4SP3	5 13/16	4 5/8	2 13/16	2 3/16	ALP4SP3	5 13/16	4 5/8	2 13/16	2 3/16	
600	350	1 1/8 - 12	P5SP3	5 13/16	4 5/8	2 13/16	2 3/16	ALP5SP3	5 13/16	4 5/8	2 13/16	2 3/16	
1000	600	1 1/8 - 12	P6SP3	6	4 13/16	3	2 3/16	ALP6SP3	6	4 13/16	3	2 3/16	
1500	1000	1 1/8 - 12	P7SP3	6 3/16	5	3 3/16	2 3/16	ALP7SP3	6 3/16	5	3 3/16	2 3/16	
2/0	#4	1 1/4 - 12	P2SP4	5 1/2	4 7/16	2 7/16	2 3/8	ALP2SP4	5 1/2	4 7/16	2 7/16	2 3/8	
350	2/0	1 1/4 - 12	P4SP4	6	4 13/16	2 13/16	2 3/8	ALP4SP4	6	4 13/16	2 13/16	2 3/8	
600	350	1 1/4 - 12	P5SP4	6	4 13/16	2 13/16	2 3/8	ALP5SP4	6	4 13/16	2 13/16	2 3/8	
1000	600	1 1/4 - 12	P6SP4	6 3/16	5	3	2 3/8	ALP6SP4	6 3/16	5	3	2 3/8	
1500	1000	1 1/4 - 12	P7SP4	6 3/8	5 3/16	3 3/16	2 3/8	ALP7SP4	6 3/8	5 3/16	3 3/16	2 3/8	
2/0	#4	1 1/2 - 12	P2SP5	5 1/2	4 7/16	2 7/16	2 3/8	ALP2SP5	5 1/2	4 7/16	2 7/16	2 3/8	
350	2/0	1 1/2 - 12	P4SP5	6	4 13/16	2 13/16	2 3/8	ALP4SP5	6	4 13/16	2 13/16	2 3/8	
600	350	1 1/2 - 12	P5SP5	6	4 13/16	2 13/16	2 3/8	ALP5SP5	6	4 13/16	2 13/16	2 3/8	
1000	600	1 1/2 - 12	P6SP5	6 3/16	5	3	2 3/8	ALP6SP5	6 3/16	5	3	2 3/8	
1500	1000	1 1/2 - 12	P7SP5	6 3/8	5 3/16	3 3/16	2 3/8	ALP7SP5	6 3/8	5 3/16	3 3/16	2 3/8	
2000	1500	1 1/2 - 12	P8SP5	6 9/16	5 3/8	3 3/8	2 3/8	ALP8SP5	6 9/16	5 3/8	3 3/8	2 3/8	



For 90° add suffix 90 to Catalog Number.

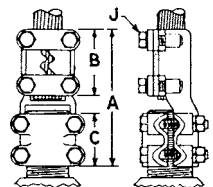
PST & PST90 SERIES

Stud connector for cable



J = 1/2"

Cable Range Max. Min.			Stud Size			BRONZE CONNECTORS				DUAL-RATED ALUMINUM CONNECTORS			
						Catalog Number	Dimension in Inches (Approximate)			Catalog Number	Dimension in Inches (Approximate)		
							A	A90	B		C	A	A90
350	2/0	2 - 12	P4ST6	6 1/8	5 1/8	2 13/16	2 1/2	ALP4ST6	6 1/8	5 1/8	2 13/16	2 1/2	
600	350	2 - 12	P5ST6	6 1/8	5 1/8	2 13/16	2 1/2	ALP5ST6	6 1/8	5 1/8	2 13/16	2 1/2	
1000	600	2 - 12	P6ST6	6 5/16	5 5/16	3	2 1/2	ALP6ST6	6 5/16	5 5/16	3	2 1/2	
1500	1000	2 - 12	P7ST6	6 1/2	5 1/2	3 3/16	2 1/2	ALP7ST6	6 1/2	5 1/2	3 3/16	2 1/2	
2000	1500	2 - 12	P8ST6	6 11/16	5 11/16	3 3/8	2 1/2	ALP8ST6	6 11/16	5 11/16	3 3/8	2 1/2	
350	2/0	2 1/2 - 12	P4ST7	6 3/8	5 3/8	2 13/16	2 3/4	ALP4ST7	6 3/8	5 3/8	2 13/16	2 3/4	
600	350	2 1/2 - 12	P5ST7	6 3/8	5 3/8	2 13/16	2 3/4	ALP5ST7	6 3/8	5 3/8	2 13/16	2 3/4	
1000	600	2 1/2 - 12	P6ST7	6 9/16	5 13/16	3	2 3/4	ALP6ST7	6 9/16	5 13/16	3	2 3/4	
1500	1000	2 1/2 - 12	P7ST7	6 3/4	6	3 3/16	2 3/4	ALP7ST7	6 3/4	6	3 3/16	2 3/4	
2000	1500	2 1/2 - 12	P8ST7	6 15/16	6 3/16	3 3/8	2 3/4	ALP8ST7	6 15/16	6 3/16	3 3/8	2 3/4	
350	2/0	3 - 12	P4ST8	6 5/8	7 1/8	2 13/16	3	ALP4ST8	6 5/8	7 1/8	2 13/16	3	
600	350	3 - 12	P5ST8	6 5/8	7 1/8	2 13/16	3	ALP5ST8	6 5/8	7 1/8	2 13/16	3	
1000	600	3 - 12	P6ST8	6 13/16	7 5/16	3	3	ALP6ST8	6 13/16	7 5/16	3	3	
1500	1000	3 - 12	P7ST8	7	7 1/2	3 3/16	3	ALP7ST8	7	7 1/2	3 3/16	3	
2000	1500	3 - 12	P8ST8	7 3/16	7 11/16	3 3/8	3	ALP8ST8	7 3/16	7 11/16	3 3/8	3	

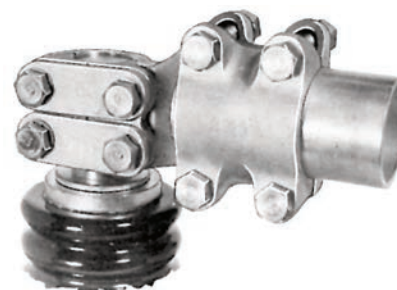
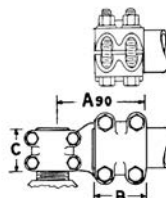


For 90° add suffix 90 to Catalog Number.

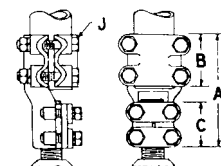
TSP & TSP-90 SERIES

Stud connectors for tube

J = 1/2"



Stud Size	IPS	BRONZE CONNECTORS				DUAL-RATED ALUMINUM CONNECTORS					
		Catalog Number	Dimension in Inches (Approximate)				Catalog Number	Dimension in Inches (Approximate)			
			A	A90	B	C		A	A90	B	C
3/4 -16	1/2	T0SP1	4 ^{15/16}	5 ^{3/16}	2 ^{1/4}	2	ALT0SP1	4 ^{15/16}	5 ^{3/16}	2 ^{1/4}	2
3/4 -16	3/4	T1SP1	5 ^{1/16}	5 ^{7/16}	2 ^{3/8}	2	ALT1SP1	5 ^{1/16}	5 ^{7/16}	2 ^{3/8}	2
3/4 -16	1	T2SP1	5 ^{3/16}	5 ^{1/8}	2 ^{1/2}	2	ALT2SP1	5 ^{3/16}	5 ^{1/8}	2 ^{1/2}	2
1 -14	3/4	T1SP2	5 ^{3/8}	5 ^{5/8}	2 ^{3/8}	2 ^{3/16}	ALT1SP2	5 ^{3/8}	5 ^{5/8}	2 ^{3/8}	2 ^{3/16}
1 -14	1	T2SP2	5 ^{1/2}	5 ^{3/4}	2 ^{1/2}	2 ^{3/16}	ALT2SP2	5 ^{1/2}	5 ^{3/4}	2 ^{1/2}	2 ^{3/16}
1 -14	1 1/4	T3SP2	5 ^{5/8}	5 ^{7/8}	2 ^{3/8}	2 ^{3/16}	ALT3SP2	5 ^{5/8}	5 ^{7/8}	2 ^{3/8}	2 ^{3/16}
1 -14	1 1/2	T4SP2	5 ^{3/4}	6	2 ^{3/4}	2 ^{3/16}	ALT4SP2	5 ^{3/4}	6	2 ^{3/4}	2 ^{3/16}
1 1/8 -12	3/4	T1SP3	5 ^{3/8}	5 ^{5/8}	2 ^{3/8}	2 ^{3/16}	ALT1SP3	5 ^{3/8}	5 ^{5/8}	2 ^{3/8}	2 ^{3/16}
1 1/8 -12	1	T2SP3	5 ^{1/2}	5 ^{3/4}	2 ^{1/2}	2 ^{3/16}	ALT2SP3	5 ^{1/2}	5 ^{3/4}	2 ^{1/2}	2 ^{3/16}
1 1/8 -12	1 1/4	T3SP3	5 ^{5/8}	5 ^{7/8}	2 ^{3/8}	2 ^{3/16}	ALT3SP3	5 ^{5/8}	5 ^{7/8}	2 ^{3/8}	2 ^{3/16}
1 1/8 -12	1 1/2	T4SP3	5 ^{3/4}	6	2 ^{3/4}	2 ^{3/16}	ALT4SP3	5 ^{3/4}	6	2 ^{3/4}	2 ^{3/16}
1 1/4 -12	3/4	T1SP4	5 ^{7/8}	6 ^{1/16}	2 ^{3/8}	2 ^{3/8}	ALT1SP4	5 ^{7/8}	6 ^{1/16}	2 ^{3/8}	2 ^{3/8}
1 1/4 -12	1	T2SP4	6	6 ^{1/16}	2 ^{1/2}	2 ^{3/8}	ALT2SP4	6	6 ^{1/16}	2 ^{1/2}	2 ^{3/8}
1 1/4 -12	1 1/4	T3SP4	6 ^{1/8}	6 ^{7/16}	2 ^{3/8}	2 ^{3/8}	ALT3SP4	6 ^{1/8}	6 ^{7/16}	2 ^{3/8}	2 ^{3/8}
1 1/4 -12	1 1/2	T4SP4	6 ^{1/4}	6 ^{9/16}	2 ^{3/4}	2 ^{3/8}	ALT4SP4	6 ^{1/4}	6 ^{9/16}	2 ^{3/4}	2 ^{3/8}
1 1/2 -12	3/4	T1SP5	5 ^{7/8}	6 ^{1/16}	2 ^{3/8}	2 ^{3/8}	ALT1SP5	5 ^{7/8}	6 ^{1/16}	2 ^{3/8}	2 ^{3/8}
1 1/2 -12	1	T2SP5	6	6 ^{1/16}	2 ^{1/2}	2 ^{3/8}	ALT2SP5	6	6 ^{1/16}	2 ^{1/2}	2 ^{3/8}
1 1/2 -12	1 1/4	T3SP5	6 ^{1/8}	6 ^{7/16}	2 ^{3/8}	2 ^{3/8}	ALT3SP5	6 ^{1/8}	6 ^{7/16}	2 ^{3/8}	2 ^{3/8}
1 1/2 -12	1 1/2	T4SP5	6 ^{1/4}	6 ^{9/16}	2 ^{3/4}	2 ^{3/8}	ALT4SP5	6 ^{1/4}	6 ^{9/16}	2 ^{3/4}	2 ^{3/8}
1 1/2 -12	2	T5SP5	6 ^{3/8}	6 ^{13/16}	2 ^{7/8}	2 ^{3/8}	ALT5SP5	6 ^{3/8}	6 ^{13/16}	2 ^{7/8}	2 ^{3/8}
1 1/2 -12	2 1/2	T6SP5	6 ^{1/2}	6 ^{15/16}	3	2 ^{3/8}	ALT6SP5	6 ^{1/2}	6 ^{15/16}	3	2 ^{3/8}

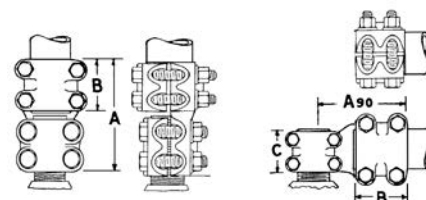


For 90° add suffix 90 to Catalog Number and add 20% to price.

TST & TST-90 SERIES

Stud connectors for tube

J = 1/2"



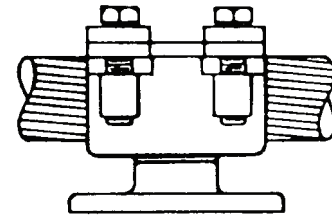
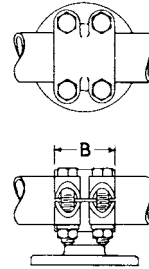
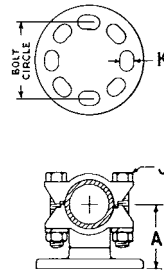
Stud Size	IPS	BRONZE CONNECTORS					DUAL-RATED ALUMINUM CONNECTORS						
		Catalog Number	Dimension in Inches (Approximate)					Catalog Number	Dimension in Inches (Approximate)				
			A	A90	B	C	J		A	A90	B	C	J
2 -12	1/4	T3ST6	6 ^{1/8}	6 ^{7/8}	2 ^{5/8}	2 ^{1/2}	1/2	ALT3ST6	6 ^{1/8}	6 ^{7/8}	2 ^{5/8}	2 ^{1/2}	1/2
2 -12	1/2	T4ST6	6 ^{1/4}	7	2 ^{3/4}	2 ^{1/2}	1/2	ALT4ST6	6 ^{1/4}	7	2 ^{3/4}	2 ^{1/2}	1/2
2 -12	2	T5ST6	6 ^{3/8}	7 ^{1/8}	2 ^{7/8}	2 ^{1/2}	1/2	ALT5ST6	6 ^{3/8}	7 ^{1/8}	2 ^{7/8}	2 ^{1/2}	1/2
2 -12	2 1/2	T6ST6	6 ^{1/2}	7 ^{1/4}	3	2 ^{1/2}	1/2	ALT6ST6	6 ^{1/2}	7 ^{1/4}	3	2 ^{1/2}	1/2
2 -12	3	T7ST6	7	7 ^{7/8}	3 ^{1/4}	2 ^{1/2}	5/8	ALT7ST6	7	7 ^{7/8}	3 ^{1/4}	2 ^{1/2}	5/8
2 1/2 -12	1 1/2	T4ST7	6 ^{1/2}	7 ^{1/2}	2 ^{3/4}	2 ^{3/4}	1/2	ALT4ST7	6 ^{1/2}	7 ^{1/2}	2 ^{3/4}	2 ^{3/4}	1/2
2 1/2 -12	2	T5ST7	6 ^{5/8}	7 ^{5/8}	2 ^{7/8}	2 ^{3/4}	1/2	ALT5ST7	6 ^{5/8}	7 ^{5/8}	2 ^{7/8}	2 ^{3/4}	1/2
2 1/2 -12	2 1/2	T6ST7	6 ^{3/4}	7 ^{7/8}	3	2 ^{3/4}	1/2	ALT6ST7	6 ^{3/4}	7 ^{7/8}	3	2 ^{3/4}	1/2
2 1/2 -12	3	T7ST7	7 ^{1/4}	8 ^{3/8}	3 ^{1/4}	3	5/8	ALT7ST7	7 ^{1/4}	8 ^{3/8}	3 ^{1/4}	3	5/8
3 -12	1 1/4	T3ST8	6 ^{5/8}	7 ^{7/8}	2 ^{3/8}	3	1/2	ALT3ST8	6 ^{5/8}	7 ^{7/8}	2 ^{3/8}	3	1/2
3 -12	2	T5ST8	6 ^{7/8}	8 ^{1/8}	2 ^{7/8}	3	1/2	ALT5ST8	6 ^{7/8}	8 ^{1/8}	2 ^{7/8}	3	1/2
3 -12	2 1/2	T6ST8	7	8 ^{1/4}	3	3	1/2	ALT6ST8	7	8 ^{1/4}	3	3	1/2
3 -12	3	T7ST8	7 ^{9/16}	8 ^{7/8}	3 ^{1/4}	3 ^{1/4}	5/8	ALT7ST8	7 ^{9/16}	8 ^{7/8}	3 ^{1/4}	3 ^{1/4}	5/8
3 -12	3 1/2	T8ST8	7 ^{13/16}	9 ^{1/8}	3 ^{1/2}	3 ^{1/4}	5/8	ALT8ST8	7 ^{13/16}	9 ^{1/8}	3 ^{1/2}	3 ^{1/4}	5/8
3 -12	4	T9ST8	8 ^{1/16}	9 ^{3/8}	3 ^{3/4}	3 ^{1/4}	5/8	ALT9ST8	8 ^{1/16}	9 ^{3/8}	3 ^{3/4}	3 ^{1/4}	5/8



For 90° add suffix 90 to Catalog Number.

WPC & WTT SERIES

Bus support for cable or tube



WTT

WPC

				BRONZE CONNECTOR			DUAL-RATED ALUMINUM CONNECTORS					
Cable Range		IPS	Bolt Circle	Catalog Number	Dimension in Inches (Approx.)			Catalog Number	Dimension in Inches (Approximate)			
Max.	Min.				A	B	K		A	B	K	
2/0	#4	1/4	3	WP2C3	1 3/8	2 13/16	9/16	ALWP2C3	1 3/8	2 13/16	9/16	
2/0	#4	1/4	5	WP2C5	1 3/8	2 13/16	11/16	ALWP2C5	1 3/8	2 13/16	11/16	
350	2/0	3/8	3	WP4C3	1 1/2	2 13/16	9/16	ALWP4C3	1 1/2	2 13/16	9/16	
350	2/0	3/8	5	WP4C5	1 1/2	2 13/16	11/16	ALWP4C5	1 1/2	2 13/16	11/16	
600	350	1/2	3	WP5C3	1 3/4	2 13/16	9/16	ALWP5C3	1 3/4	2 13/16	9/16	
600	350	1/2	5	WP5C5	2 1/8	2 13/16	11/16	ALWP5C5	2 1/8	2 13/16	11/16	
1000	600	3/4	3	WP6C3	2	3	9/16	ALWP6C3	2	3	9/16	
1000	600	3/4	5	WP6C5	2 1/4	3	11/16	ALWP6C5	2 1/4	3	11/16	
1500	1000	1	3	WP7C3	2	3 3/16	9/16	ALWP7C3	2	3 3/16	9/16	
1500	1000	1	5	WP7C5	2 1/4	3 3/16	11/16	ALWP7C5	2 1/4	3 3/16	11/16	
2000	1500	1 1/4	3	WP8C3	2 1/4	3 3/8	9/16	ALWP8C3	2 1/4	3 3/8	9/16	
2000	1500	1 1/4	5	WP8C5	2 1/2	3 3/8	11/16	ALWP8C5	2 1/2	3 3/8	11/16	
3000	2000	1 1/2	3	WP9C3	2 1/2	3 3/8	9/16	ALWP9C3	2 1/2	3 3/8	9/16	
3000	2000	1 1/2	5	WP9C5	2 3/4	3 3/8	11/16	ALWP9C5	2 3/4	3 3/8	11/16	
IPS ONLY		2	3	WT5T3	2 7/8	3	9/16	ALWT5T3	2 7/8	3	9/16	
		2	5	WT5T5	2 7/8	3	11/16	ALWT5T5	2 7/8	3	11/16	
		2 1/2	3	WT6T3	3 1/8	3	9/16	ALWT6T3	3 1/8	3	9/16	
		2 1/2	5	WT6T5	3 1/8	3	11/16	ALWT6T5	3 1/8	3	11/16	
		3	3	WT7T3	3 1/2	3 1/4	9/16	ALWT7T3	3 1/2	3 1/4	9/16	
		3	5	WT7T5	3 11/16	3 1/4	11/16	ALWT7T5	3 11/16	3 1/4	11/16	
		3 1/2	3	WT8T3	3 3/4	3 1/4	9/16	ALWT8T3	3 3/4	3 1/4	9/16	
		3 1/2	5	WT8T5	4	3 1/4	11/16	ALWT8T5	4	3 1/4	11/16	
		4	3	WT9T3	4	3 1/4	9/16	ALWT9T3	4	3 1/4	9/16	
		4	5	WT9T5	4 1/4	3 1/4	11/16	ALWT9T5	4 1/4	3 1/4	11/16	



WPC



WTT

Includes galvanized mounting hardware.

FNSP SERIES

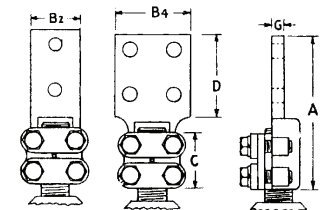
Stud spade adapter

		BRONZE CONNECTORS							DUAL-RATED ALUMINUM CONNECTORS								
Stud Size	H.T.**	Catalog Number	Dimension in Inches (Approximate)							Catalog Number	Dimension in Inches (Approximate)						
			A	B2	B4	C	D	G	A		B2	B4	C	D	G		
1/2-13	2	F2NSP0	5 3/4	2	-	2	3 1/4	5/16	ALF2NSP0	5 3/4	2	-	2	3 1/4	5/16		
1/2-13	4	F4NSP0	5 3/4	-	3	2	3 1/4	5/16	ALF4NSP0	5 3/4	-	3	2	3 1/4	5/16		
3/4-16	2	F2NSP1	5 3/4	2	-	2	3 1/4	3/8	ALF2NSP1	5 3/4	2	-	2	3 1/4	3/8		
3/4-16	4	F4NSP1	5 3/4	-	3	2	3 1/4	3/8	ALF4NSP1	5 3/4	-	3	2	3 1/4	3/8		
1-14	2	F2NSP2	6	2	-	2 3/16	3 1/4	7/16	ALF2NSP2	6	2	-	2 3/16	3 1/4	7/16		
1-14	4	F4NSP2	6	-	3	2 3/16	3 1/4	7/16	ALF4NSP2	6	-	3	2 3/16	3 1/4	7/16		
1 1/8-12	2	F2NSP3	6	2	-	2 3/16	3 1/4	1/2	ALF2NSP3	6	2	-	2 3/16	3 1/4	1/2		
1 1/8-12	4	F4NSP3	6	-	3	2 3/16	3 1/4	1/2	ALF4NSP3	6	-	3	2 3/16	3 1/4	1/2		
1 1/4-12	2	F2NSP4	6 1/2	2	-	2 3/8	3 1/4	9/16	ALF2NSP4	6 1/2	2	-	2 3/8	3 1/4	9/16		
1 1/4-12	4	F4NSP4	6 1/2	-	3	2 3/8	3 1/4	9/16	ALF4NSP4	6 1/2	-	3	2 3/8	3 1/4	9/16		
1 1/2-12	2	F2NSP5	6 1/2	2	-	2 3/8	3 1/4	5/8	ALF2NSP5	6 1/2	2	-	2 3/8	3 1/4	5/8		
1 1/2-12	4	F4NSP5	6 1/2	-	3	2 3/8	3 1/4	5/8	ALF4NSP5	6 1/2	-	3	2 3/8	3 1/4	5/8		

Hardware is 1/2". Bolt hole spacing 1 3/4" on center.

For 90° add suffix 90 to Catalog Number.

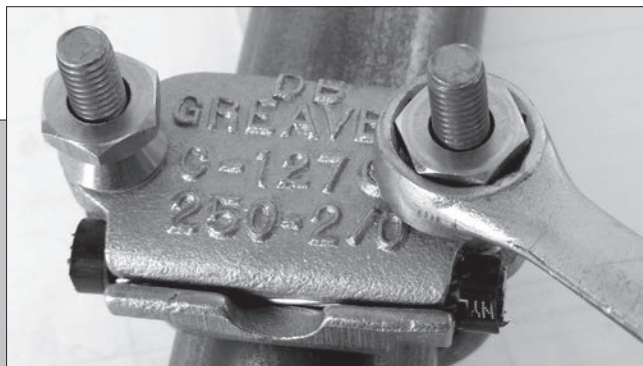
** Holes in Tang





TORK-AWAY

Security Hardware



Tork-Away connections are reliable, secure and safe.

When the pre-set torque is applied, the hex portion breaks off. This is visual, inspectible proof that the proper torque has been applied. The result is a smooth conical shape which is virtually impossible to grip with any tool, so the connection is extremely tamper-resistant, vandal-resistant, and safe. Tork-Away security hardware is stainless steel nuts and/or bolts for maximum corrosion resistance.



1. Screw on nut as shown



2. Tighten to shear-off hex



3. Remove hex head

Reliability – Tork-Away assures the proper installation torque, so the integrity of the electrical joint is inspectible and assured.

Security – Tork-Away provides a safe connection which cannot be removed without destroying the hardware... virtually tamper-proof and vandal-proof.

Installability – Tork-Away is installed with common tools... no molds, no flames, no weather limitations.

Inspectability – Tork-Away is easily inspected... when the hex portion is gone, the proper torque has been applied and a reliable, safe connection is assured.

Irreversible – A Tork-Away connection cannot be removed without destruction.

Numerous Greaves products are available with the Tork-Away feature:

- U-bolt clamps – CH, CG (Fig 2)
- Ground rod clamps – G1500
- I-beam clamps – GBC40, GBCL
- Universal Ground Clamps – CX
- Stainless steel hardware for lug mounting
- Fence Ground Clamp – GFGC



GREAVES

HARDWARE DURHAM BOLTS™

NAED NUMBER	CATALOG NUMBER	SIZE		CTN QTY
		DIA.	LGTH. (IN)	
71400	SB 0	1/4 -20	1/2	100
71405	SB 00	1/4 -20	5/8	100
71410	SB 000	1/4 -20	3/4	100
71415	SB 01	1/4 -20	1	100
71420	SB 02	1/4 -20	1 1/4	100
71425	SB 03	1/4 -20	1 1/2	100
71430	SB 05	1/4 -20	2	100
71435	SB 07	1/4 -20	2 1/2	50
71440	SB 09	1/4 -20	3	50
71445	SB 8	5/16 -18	1/2	100
71450	SB 80	5/16 -18	5/8	100
71455	SB 800	5/16 -18	3/4	100
71460	SB 81	5/16 -18	1	50
71465	SB 82	5/16 -18	1 1/4	50
71500	SB 83	5/16 -18	1 1/2	50
71505	SB 84	5/16 -18	1 3/4	50
71510	SB 85	5/16 -18	2	50
71515	SB 87	5/16 -18	2 1/2	50
71520	SB 89	5/16 -18	3	25
71525	SB 6	3/8 -16	1/2	100
71530	SB 60	3/8 -16	5/8	100
71535	SB 600	3/8 -16	3/4	100
71540	SB 61	3/8 -16	1	50
71545	SB 62	3/8 -16	1 1/4	50
71550	SB 63	3/8 -16	1 1/2	50
71555	SB 64	3/8 -16	1 3/4	50
71560	SB 65	3/8 -16	2	50
71565	SB 66	3/8 -16	2 1/4	50
71570	SB 67	3/8 -16	2 1/2	50
71575	SB 68	3/8 -16	2 3/4	50
71580	SB 69	3/8 -16	3	25
71585	SB 610	3/8 -16	3 1/4	25
71590	SB 611	3/8 -16	3 1/2	25
71595	SB 612	3/8 -16	3 3/4	15
71600	SB 613	3/8 -16	4	15
71605	SB 300	1/2 -13	3/4	100
71610	SB 31	1/2 -13	1	50
71615	SB 32	1/2 -13	1 1/4	50
71620	SB 33	1/2 -13	1 1/2	50
71625	SB 34	1/2 -13	1 3/4	50
71630	SB 35	1/2 -13	2	50
71635	SB 36	1/2 -13	2 1/4	50
71640	SB 37	1/2 -13	2 1/2	50
71645	SB 38	1/2 -13	2 3/4	50
71650	SB 39	1/2 -13	3	25
71655	SB 310	1/2 -13	3 1/4	25
71660	SB 311	1/2 -13	3 1/2	25
71665	SB 312	1/2 -13	3 3/4	25
71670	SB 313	1/2 -13	4	15
71675	SB 315	1/2 -13	4 1/2	15
71680	SB 317	1/2 -13	5	15

Silicon Bronze
Hex Head Machine Bolts



PLATING: Above bolts available tin plated.
Add suffix letter "P" to the above Catalog Numbers.
For sizes not listed consult factory for delivery.



HARDWARE DURHAM BOLTS™

NAED NUMBER	cATALoG NUMBER	SIZE		c TN QTy
		DIA.	LGTH. (IN)	
71685	SB 11	5/8 -11	1	25
71690	SB 12	5/8 -11	1¼	25
71700	SB 13	5/8 -11	1½	25
71705	SB 14	5/8 -11	1¾	25
71710	SB 15	5/8 -11	2	25
71715	SB 16	5/8 -11	2¼	25
71720	SB 17	5/8 -11	2½	25
71725	SB 18	5/8 -11	2¾	25
71730	SB 19	5/8 -11	3	15
71735	SB 110	5/8 -11	3¼	15
71740	SB 111	5/8 -11	3½	15

**Silicon Bronze
Hex Head
Machine Bolts
(Cont.)**



NAED NUMBER	cATALoG NUMBER	SIZE (IN)	c TN QTy	EST. SHIPPING	
				WEIGHT (lbs)	UNIT
71780	SFW 0	1/4	100	.40	CTN
71785	SFW 8	5/16	50	.30	CTN
71790	SFW 6	3/8	50	.45	CTN
71795	SFW 3	1/2	50	1.15	CTN
71800	SFW 1	5/8	25	.93	CTN

**Silicon Bronze
Flat Washers**



71810	SLW 0	1/4	100	.30	CTN
71815	SLW 8	5/16	50	.20	CTN
71820	SLW 6	3/8	50	.35	CTN
71825	SLW 3	1/2	50	.75	CTN
71830	SLW 1	5/8	25	.60	CTN

**Silicon Bronze
Split Lock Washers**

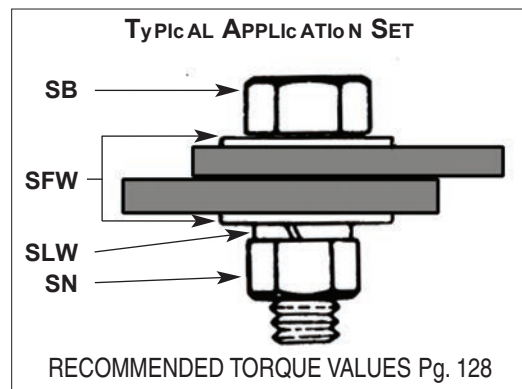


71750	SN 0	1/4 -20	100	.80	CTN
71755	SN 8	5/16 -18	50	.60	CTN
71760	SN 6	3/8 -16	50	.85	CTN
71765	SN 3	1/2 -13	50	2.05	CTN
71770	SN 1	5/8 -11	25	1.95	CTN

**Silicon Bronze
Hex Nuts**



PLATING: Available tin-plated, add suffix "P" to above Catalog Number.
For sizes not listed consult factory.





HARDWARE STAINLESS STEEL

NAED NUMBER	CATALOG NUMBER	SIZE		CTN QTY
		DIA.	LGTH. (IN)	
71851	SS 0	1/4 -20	1/2	100
71852	SS 00	1/4 -20	5/8	100
71853	SS 000	1/4 -20	3/4	100
71854	SS 01	1/4 -20	1	100
71856	SS 02	1/4 -20	1 1/4	100
71857	SS 03	1/4 -20	1 1/2	100
71858	SS 05	1/4 -20	2	100
71859	SS 07	1/4 -20	2 1/2	50
71861	SS 09	1/4 -20	3	50
71862	SS 8	5/16 -18	1/2	100
71863	SS 80	5/16 -18	5/8	100
71864	SS 800	5/16 -18	3/4	100
71866	SS 81	5/16 -18	1	50
71875	SS 82	5/16 -18	1 1/4	50
71876	SS 83	5/16 -18	1 1/2	50
71878	SS 84	5/16 -18	1 3/4	50
71879	SS 85	5/16 -18	2	50
71880	SS 87	5/16 -18	2 1/2	50
71881	SS 89	5/16 -18	3	25
71833	SS 6	3/8 -16	1/2	100
71834	SS 60	3/8 -16	5/8	100
71835	SS 600	3/8 -16	3/4	100
71836	SS 61	3/8 -16	1	50
71837	SS 62	3/8 -16	1 1/4	50
71838	SS 63	3/8 -16	1 1/2	50
71839	SS 64	3/8 -16	1 3/4	50
71840	SS 65	3/8 -16	2	50
71841	SS 66	3/8 -16	2 1/4	50
71842	SS 67	3/8 -16	2 1/2	50
71843	SS 68	3/8 -16	2 3/4	50
71844	SS 69	3/8 -16	3	25
71845	SS 610	3/8 -16	3 1/4	25
71882	SS 611	3/8 -16	3 1/2	25
71883	SS 612	3/8 -16	3 3/4	15
71884	SS 613	3/8 -16	4	15
71846	SS 300	1/2 -13	3/4	100
71847	SS 31	1/2 -13	1	50
71848	SS 32	1/2 -13	1 1/4	50
71849	SS 33	1/2 -13	1 1/2	50
71850	SS 34	1/2 -13	1 3/4	50
71855	SS 35	1/2 -13	2	50
71860	SS 36	1/2 -13	2 1/4	50
71865	SS 37	1/2 -13	2 1/2	50
71867	SS 38	1/2 -13	2 3/4	50
71868	SS 39	1/2 -13	3	25
71869	SS 310	1/2 -13	3 1/4	25
71870	SS 311	1/2 -13	3 1/2	25
71871	SS 312	1/2 -13	3 3/4	25
71872	SS 313	1/2 -13	4	15
71873	SS 315	1/2 -13	4 1/2	15
71874	SS 317	1/2 -13	5	15

Stainless Steel
Hex Head Machine Bolts



For sizes not listed, consult factory for delivery.



HARDWARE STAINLESS STEEL

BELLEVILLE WASHERS

Belleville disk spring washers, made of tempered stainless steel, are used to maintain load or tension in bolted assemblies. High tension is maintained, compensating for differential thermal expansion of dissimilar metals. The bolted tension is distributed over the lug tang for the diameter of the Belleville disk, providing greater contact to the pad.

NAED NUMBER	c ATALo G NUMBER	SIZE	c TN QTy	EST. SHIPPING	
				WEIGHT (lbs)	UNIT
71926	SSBW 6	3/8	50	.25	CTN
71930	SSBW 3	1/2	50	.45	CTN



FLAT WASHERS

NAED NUMBER	c ATALo G NUMBER	SIZE	c TN QTy	EST. SHIPPING	
				WEIGHT (lbs)	UNIT
71901	SSFW 0	1/4	100	.30	CTN
71902	SSFW 8	5/16	50	.20	CTN
71900	SSFW 6	3/8	50	.35	CTN
71905	SSFW 3	1/2	50	.85	CTN



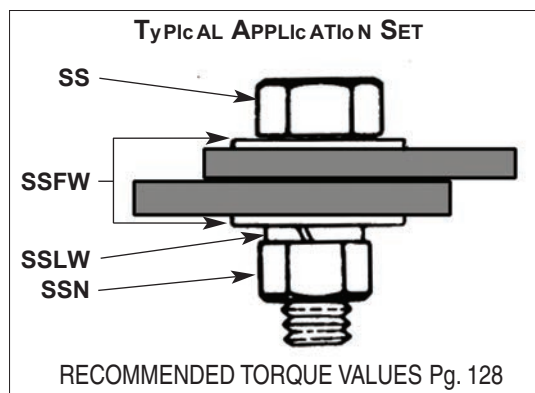
SPLIT Lock WASHERS

71916	SSLW 0	1/4	100	.30	CTN
71917	SSLW 8	5/16	50	.15	CTN
71915	SSLW 6	3/8	50	.30	CTN
71920	SSLW 3	1/2	50	.65	CTN



HEX NUTS

71886	SSN 0	1/4 -20	100	.50	CTN
71887	SSN 8	5/16 -18	50	.35	CTN
71885	SSN 6	3/8 -16	50	.75	CTN
71890	SSN 3	1/2 -13	50	1.80	CTN





NEMA RECOMMENDED BOLT TORQUE VALUES FOR BOLTED POWER CONNECTORS

BOLT DIAMETER (IN)	NOMINAL TORQUE VALUES (IN - LBS)		
	SILICON BRONZE	STEEL	ALUMINUM
5/16 - 18	180	180	—
3/8 - 16	240	240	168
7/16 - 14	360	360	230
1/2 - 13	480	480	300
5/8 - 11	660	660	480
3/4 - 10	840	840	—

NOMINAL CLASS B STRANDED WIRE DIAMETERS

