

SAW Filter 781.5 MHz

Model: TA1017A

Part No: MP02750

REV. NO: 1

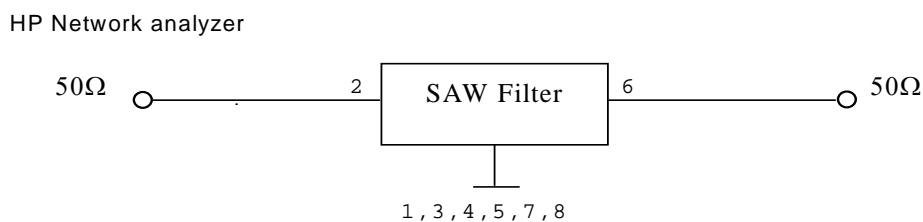
A. MAXIMUM RATING:

1. Input Power Level: 10 dBm
2. DC Voltage: 3V
3. Operating Temperature: -30°C to +85°C
4. Storage Temperature: -40°C to +85°C

B. ELECTRICAL CHARACTERISTICS:

Item	Unit	Min.	Typ.	Max.	Note
Center Frequency Fc	MHz	-	781.5	-	-
Insertion loss (775~788 MHz) IL	dB	-	1.8	4	-
Bandwidth	MHz	13	28	-	-
Amplitude Ripple (775 ~ 788 MHz)	dB	-	0.3	1	-
Attenuation (Reference level from 0 dB)					
300 ~ 700 MHz	dB	28	59	-	-
728 ~ 757 MHz	dB	10	48	-	-
880 ~ 1050 MHz	dB	28	62	-	-
Temperature Coefficient of Frequency	Ppm/°C	-	-36	-	-

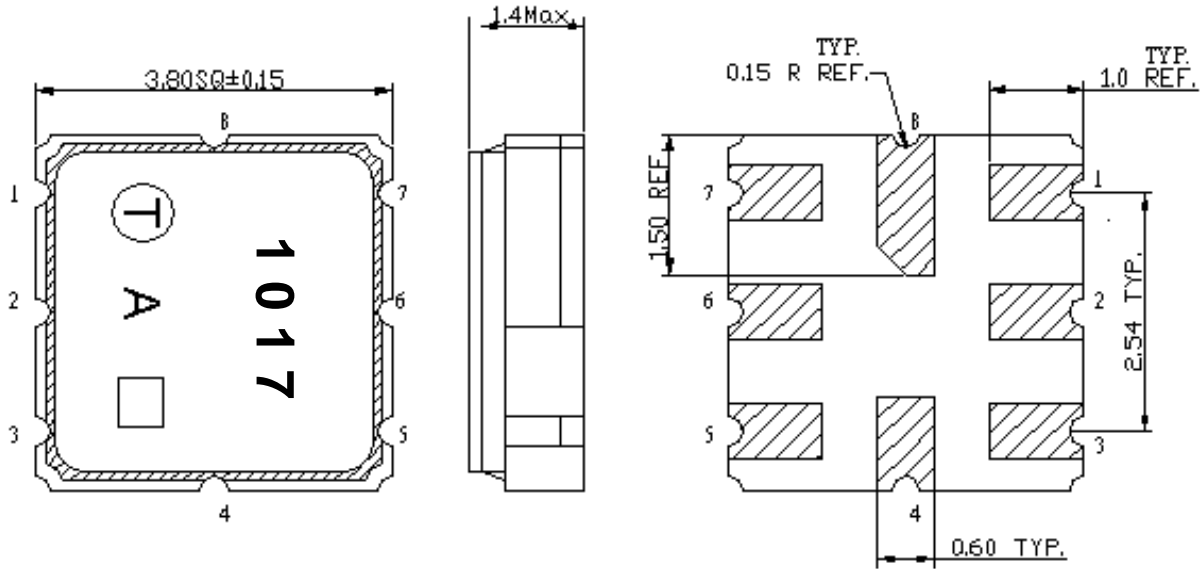
C. MEASUREMENT CIRCUIT:



SAW Filter 781.5 MHz
Part No: MP02750

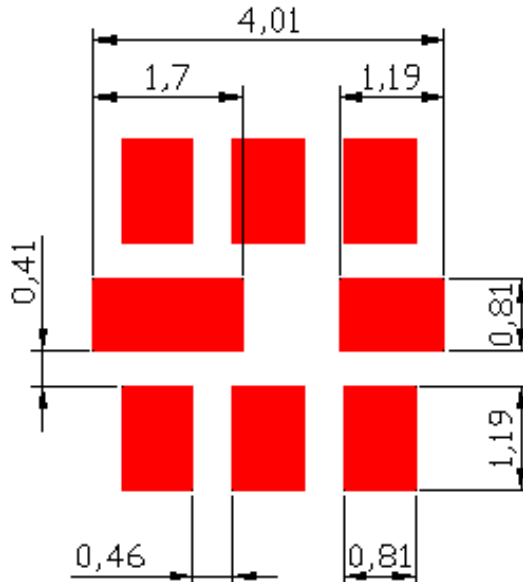
Model: TA1017A
REV. NO: 1

D. OUTLINE DRAWING:



- 2: Input
 - 6: Output
 - 1, 3, 4, 5, 7, 8: Ground
- Unit: mm

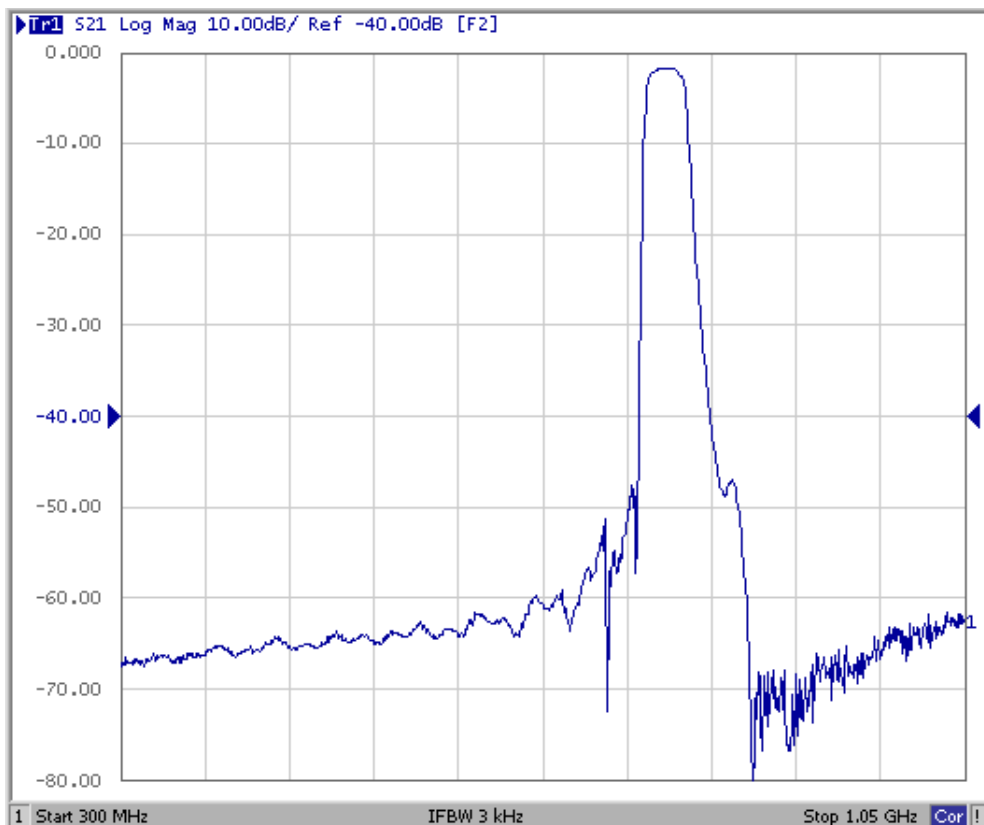
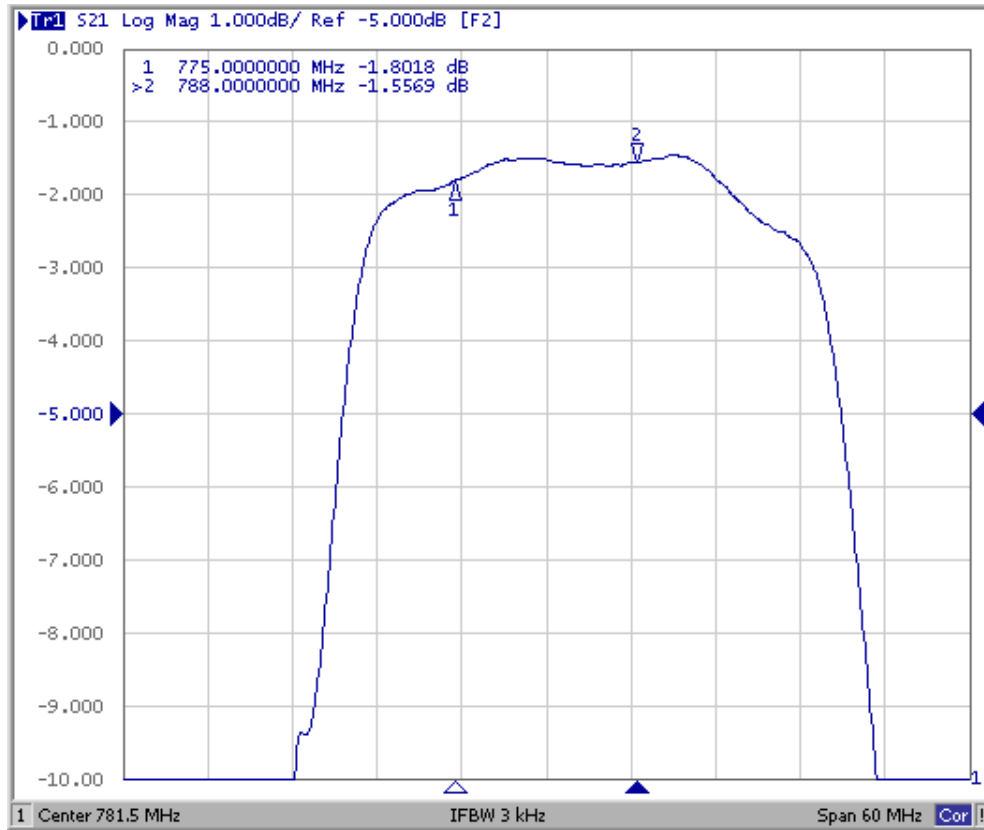
E. PCB FOOTPRINT:



SAW Filter 781.5 MHz
Part No: MP02750

Model: TA1017A
REV. NO: 1

F. FREQUENCY CHARACTERISTICS:



SAW Filter 781.5 MHz

Model: TA1017A

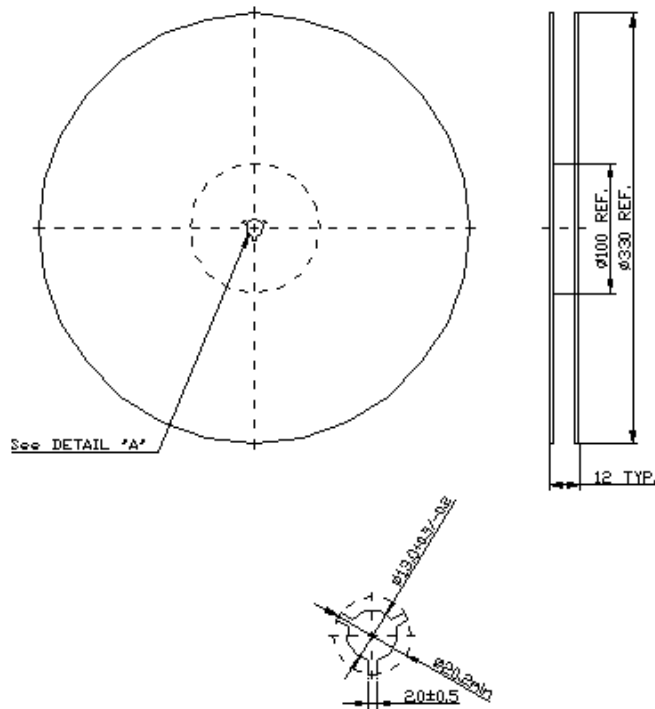
Part No: MP02750

REV. NO: 1

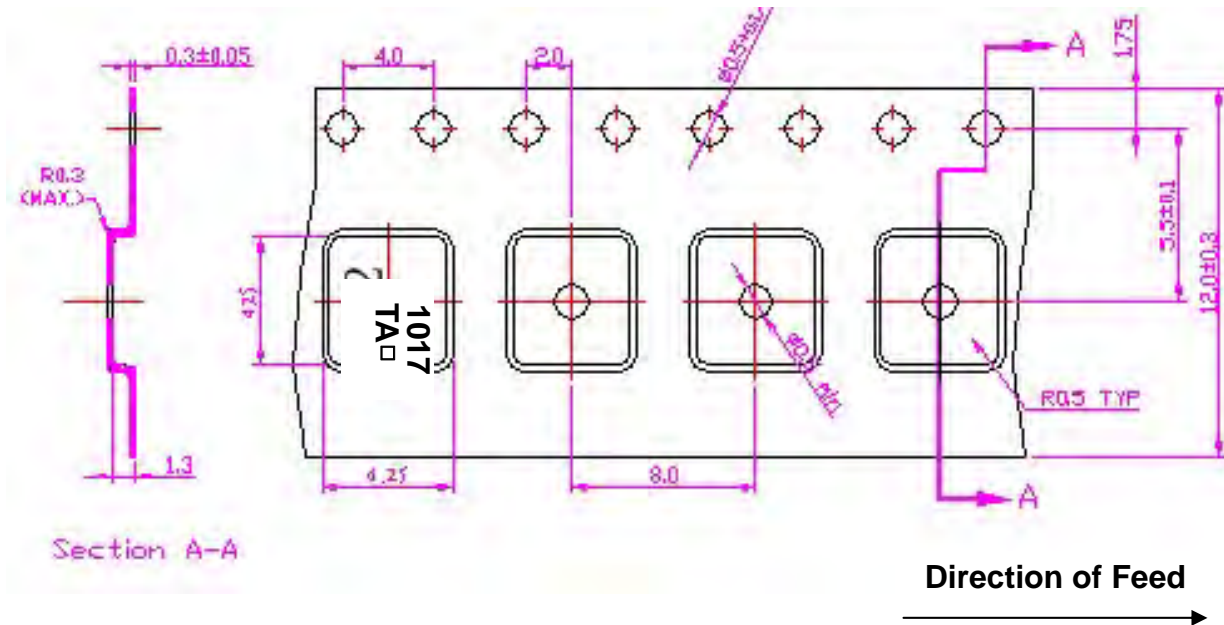
G. PACKING:

1. REEL DIMENSION

(Reel Count : 7"=1000 ; 13"=3000)



2. TAPE DIMENSION



SAW Filter 781.5 MHz

Model: TA1017A

Part No: MP02750

REV. NO: 1

H. RECOMMENDED REFLOW PROFILE:

