

SAW Filter 2045.0MHz
Part No: MP02460

Model: TA0768A
Rev No: 1

A. MAXIMUM RATING:

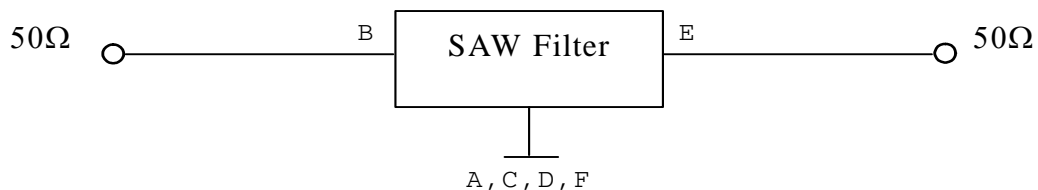
1. Input Power Level: 10dBm
2. DC Voltage: 3V
3. Operating Temperature: -20°C to +70°C
4. Storage Temperature: -40°C to +95°C

B. ELECTRICAL CHARACTERISTICS:

Item	Unit	Min.	Typ.	Max.	Note
Center Frequency Fc	MHz	-	2045	-	-
Insertion Loss (2037.5 ~ 2052.5MHz) IL	dB	-	1.8	3	-
Amplitude Ripple (2037.5 ~ 2052.5MHz)	dB	-	0.3	1.3	-
Attenuation (Reference level from 0dB)					
DC ~ 1970MHz	dB	33	35	-	-
2100 ~ 2300MHz	dB	35	43	-	-

C. MEASUREMENT CIRCUIT:

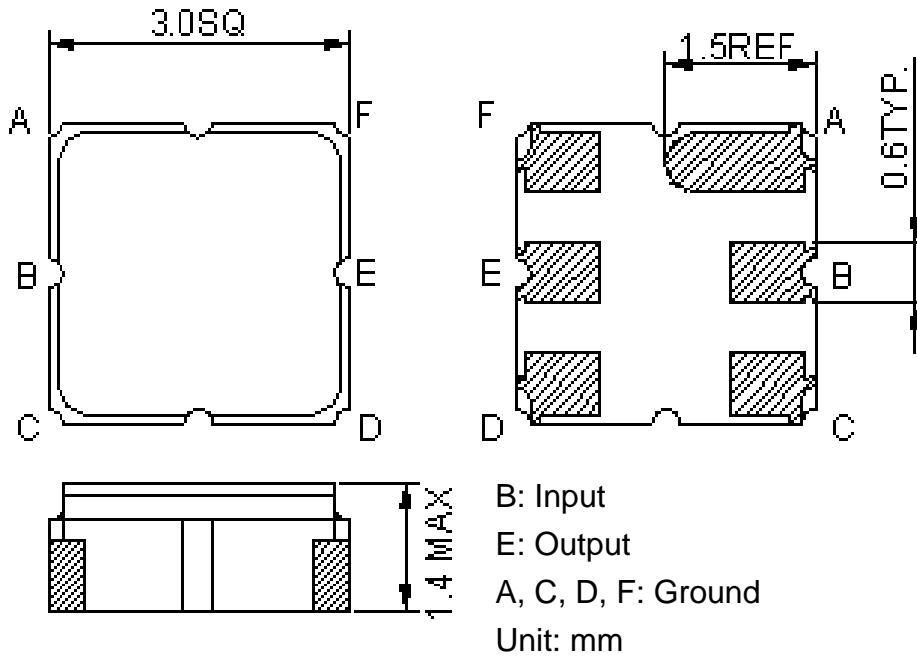
HP Network analyzer



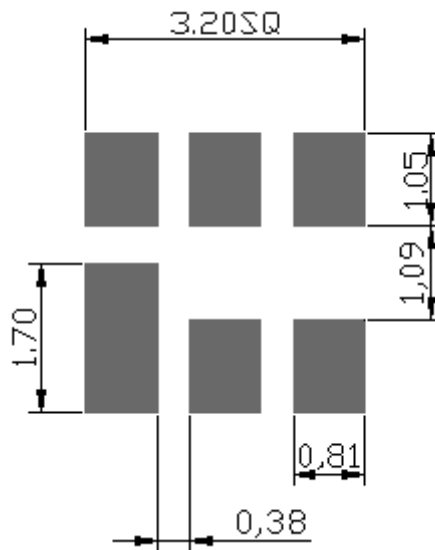
SAW Filter 2045.0MHz
Part No: MP02460

Model: TA0768A
Rev No: 1

D. OUTLINE DRAWING:



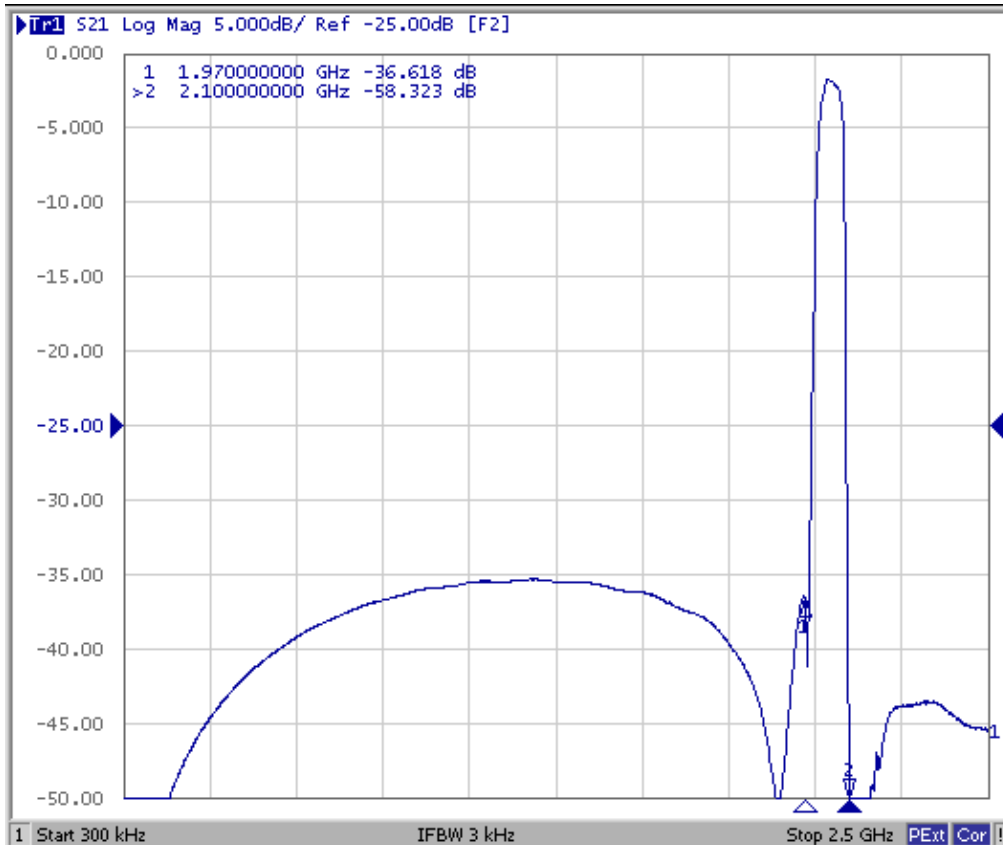
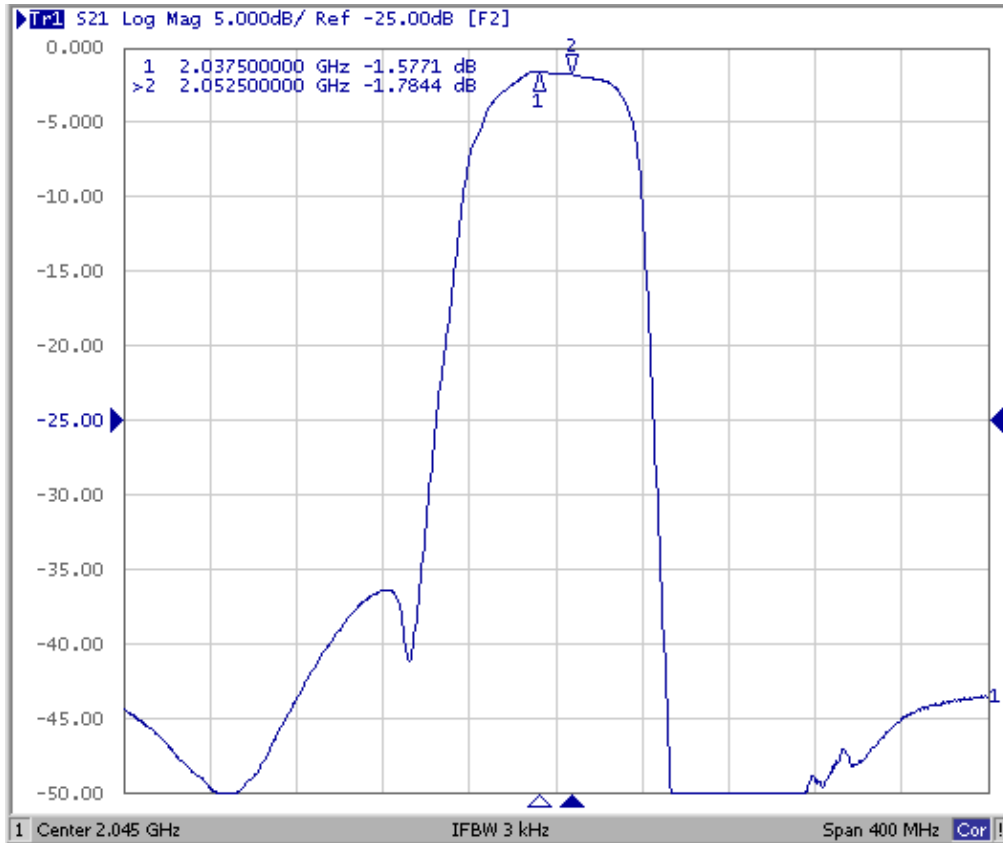
E. PCB FOOTPRINT:



SAW Filter 2045.0MHz
Part No: MP02460

Model: TA0768A
Rev No: 1

F. FREQUENCY CHARACTERISTICS:

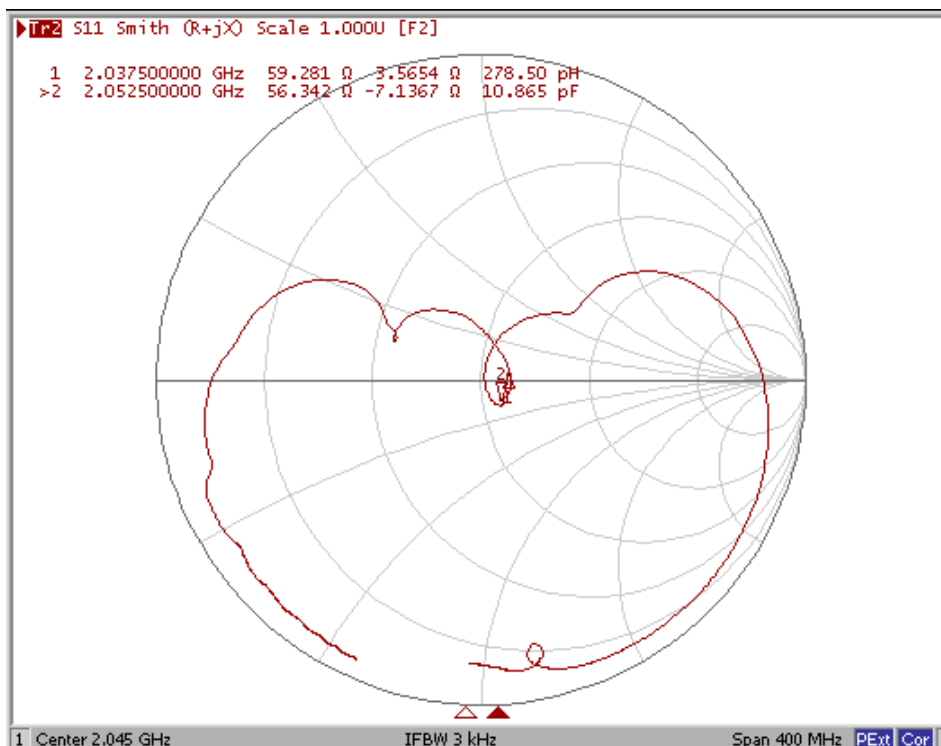
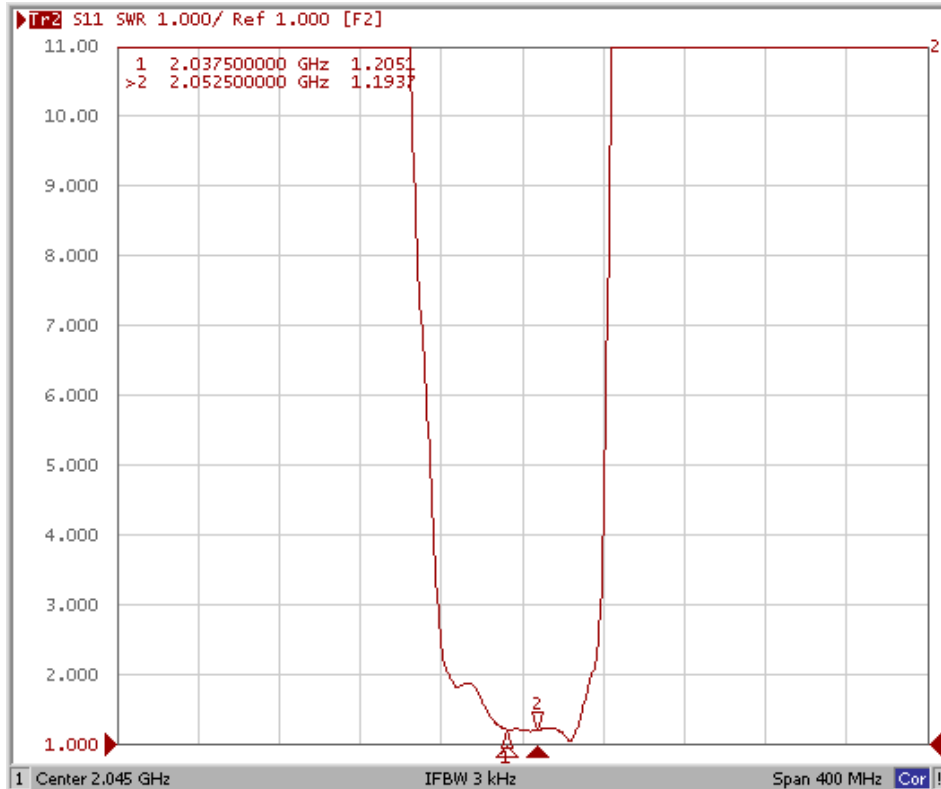


SAW Filter 2045.0MHz
Part No: MP02460

Model: TA0768A
Rev No: 1

Reflection Functions

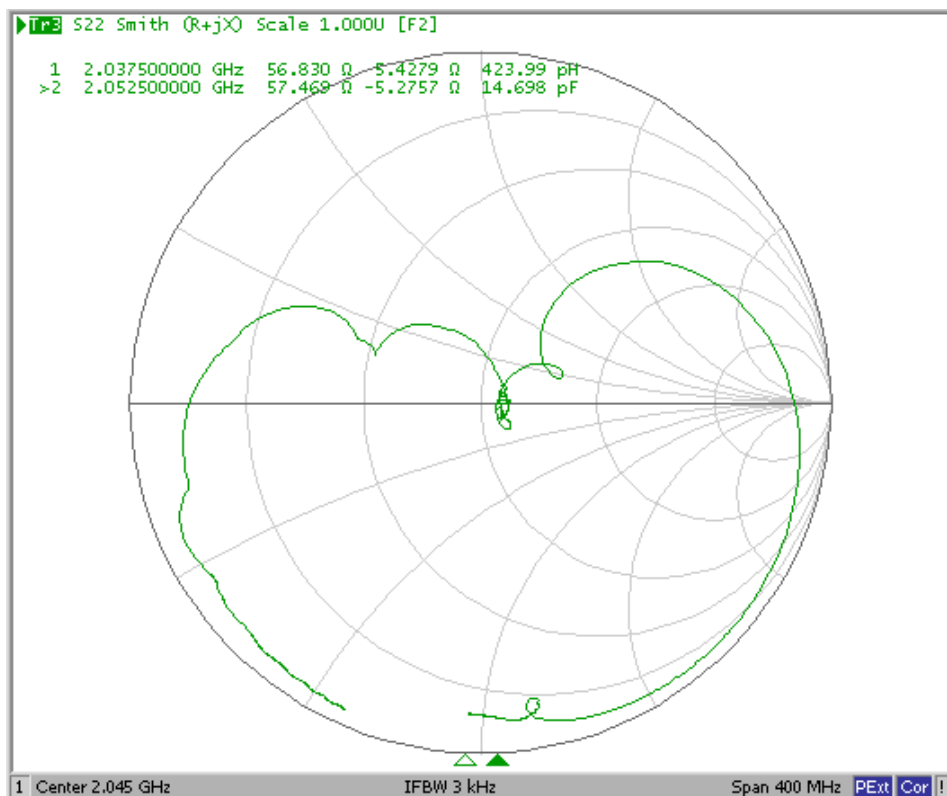
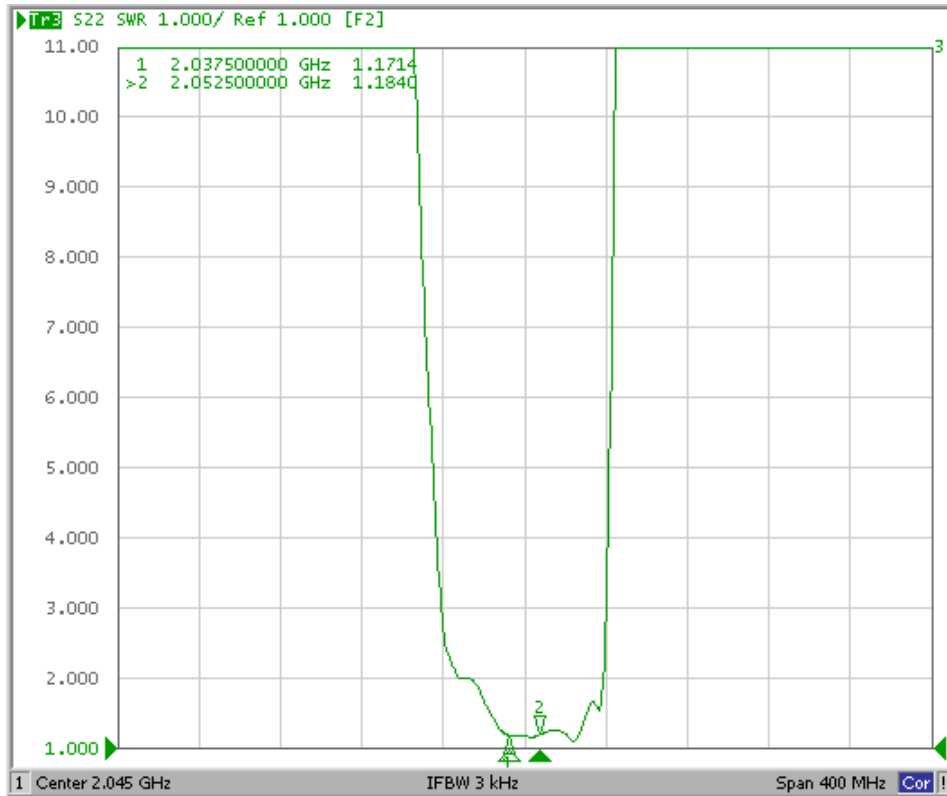
S11



SAW Filter 2045.0MHz
Part No: MP02460

Model: TA0768A
Rev No: 1

S22

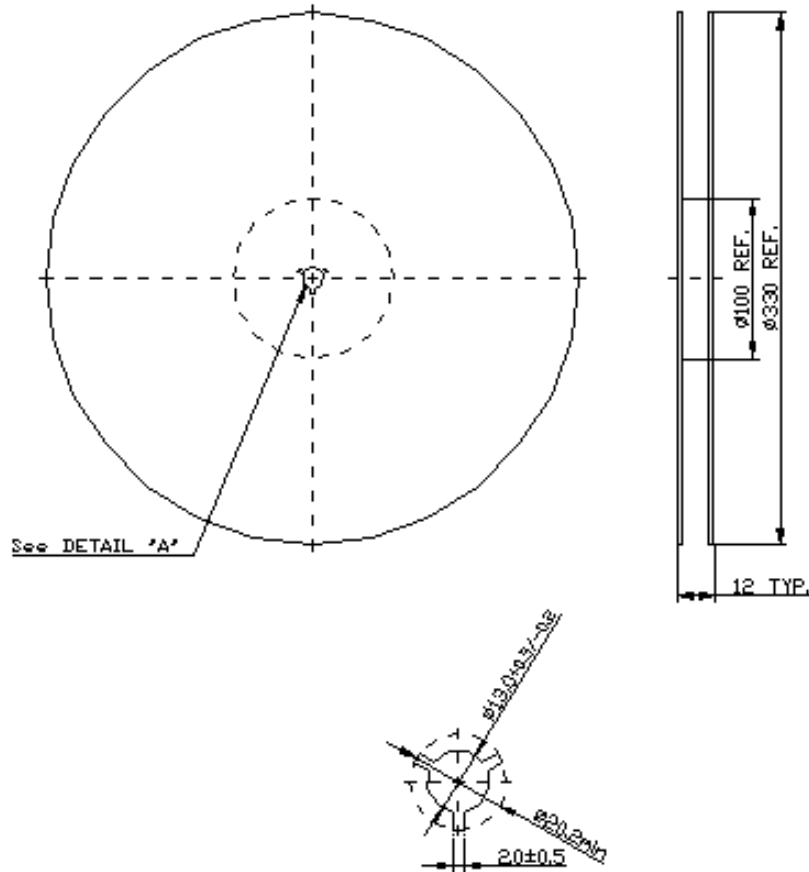


SAW Filter 2045.0MHz
Part No: MP02460

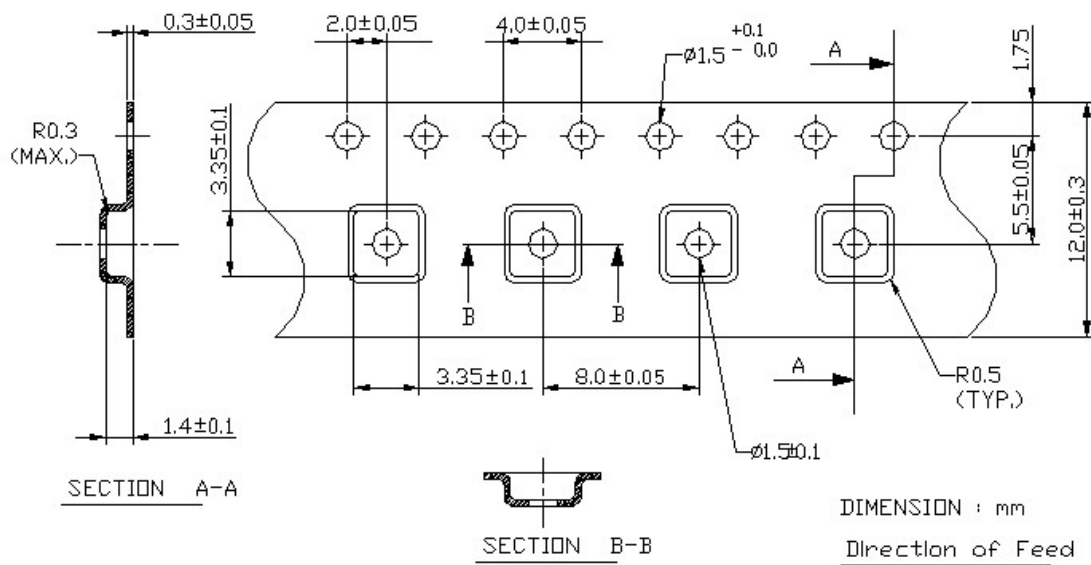
Model: TA0768A
Rev No: 1

G. PACKING:

1. Reel Dimension (Reel Count: 7" = 1000; 13" = 3000)



2. Tape Dimension



SAW Filter 2045.0MHz
Part No: MP02460

Model: TA0768A
Rev No: 1

H. RECOMMENDED REFLOW PROFILE:

