

**Brought to you by Pro Gear &  
Transmission.**

**For parts or service call:**

**877-776-4600  
407-872-1901**



**[www.globaldifferentialsupply.com](http://www.globaldifferentialsupply.com)**

**906 W. Gore St. Orlando, FL 32805  
[parts@eprogear.com](mailto:parts@eprogear.com)**

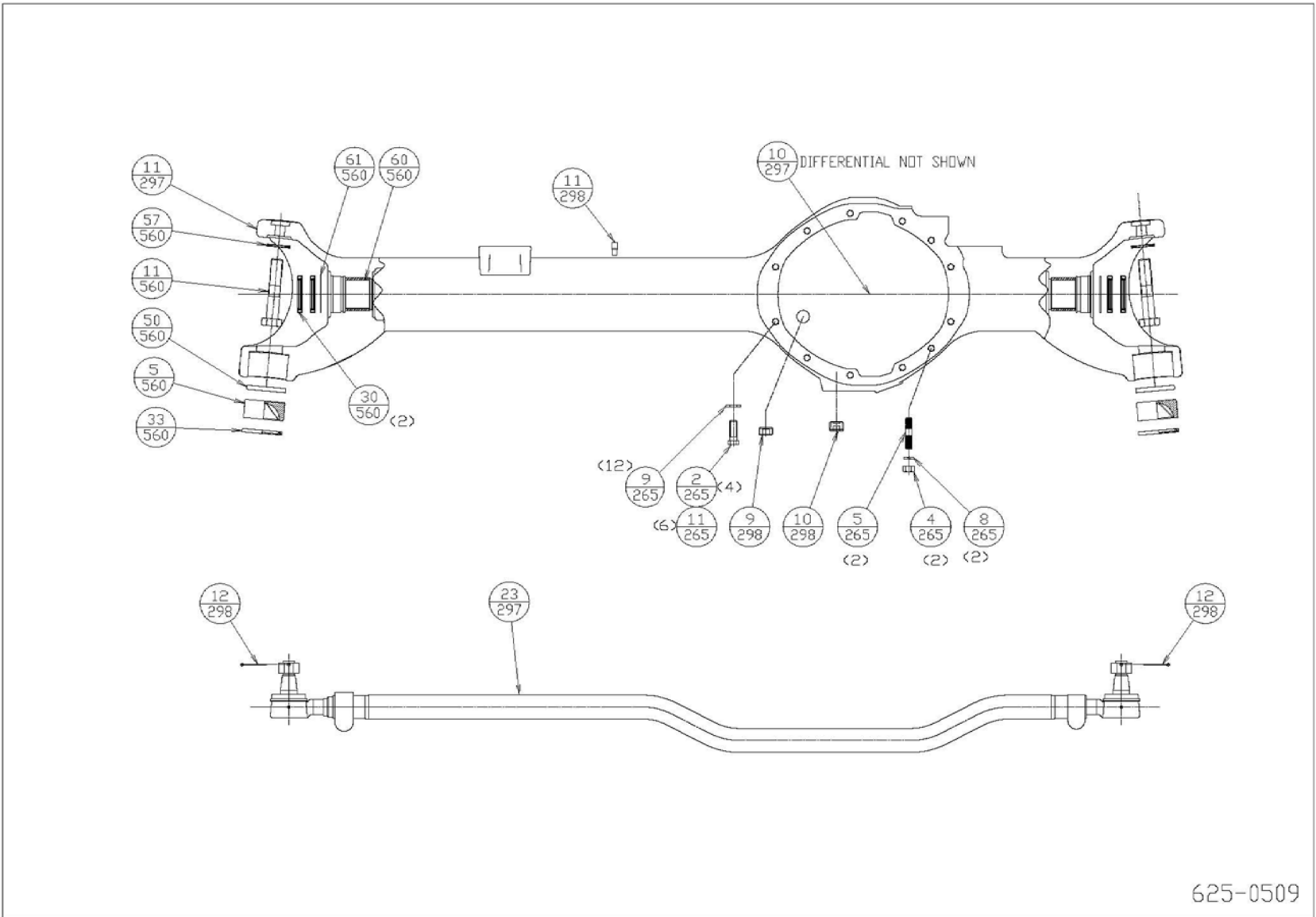


## **PARTS MANUAL**

**FSD-08A STEERABLE DRIVE AXLE  
FSD-10A STEERABLE DRIVE AXLE  
FSD-12A STEERABLE DRIVE AXLE  
FSD-13A STEERABLE DRIVE AXLE  
FSD-14A STEERABLE DRIVE AXLE**

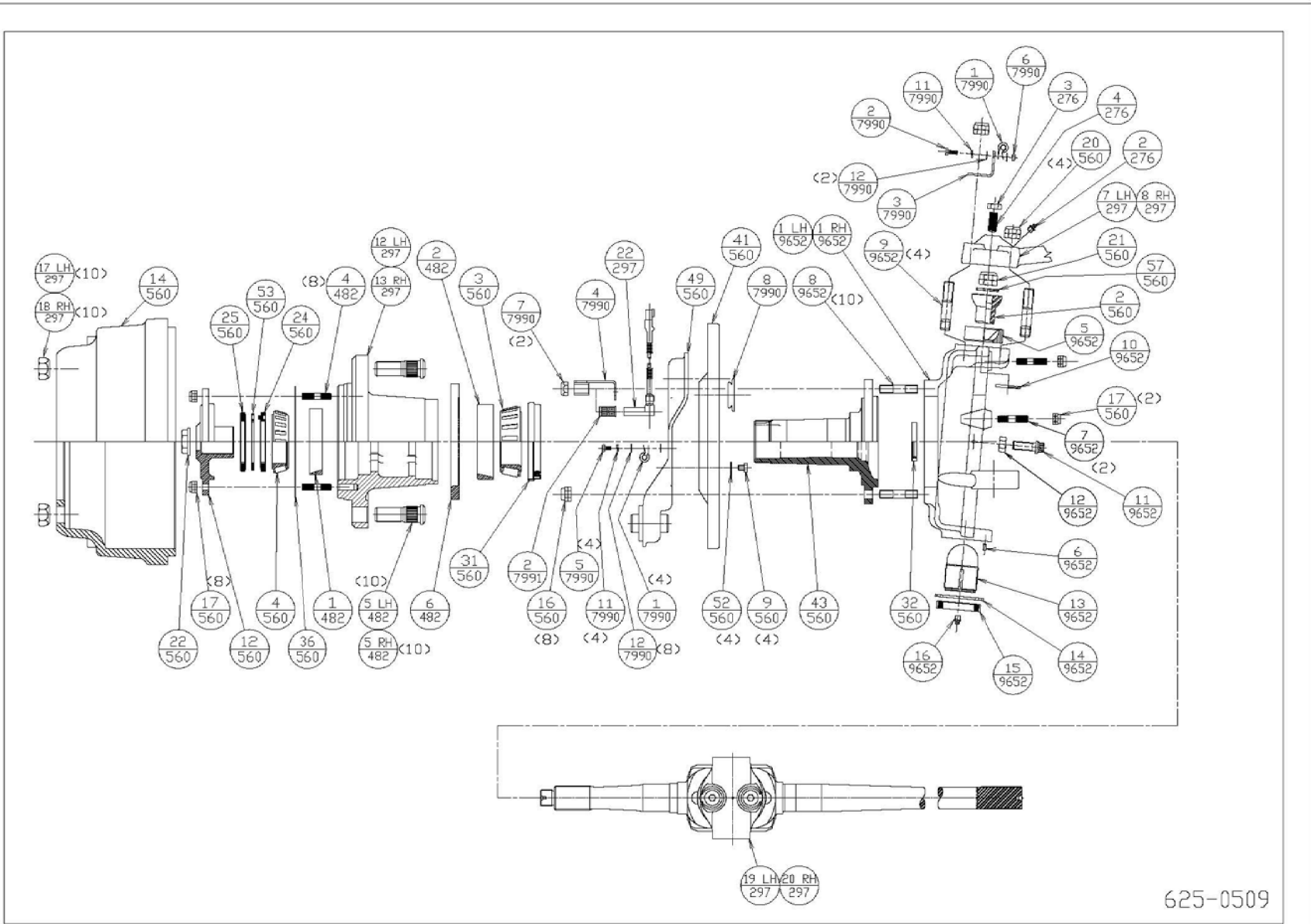
**625-0510 REV(B)  
March 23, 2009**

**FSD-8A, 10A, 12A, 13A, 14A FRONT STEERABLE DRIVE AXLE PARTS LIST**



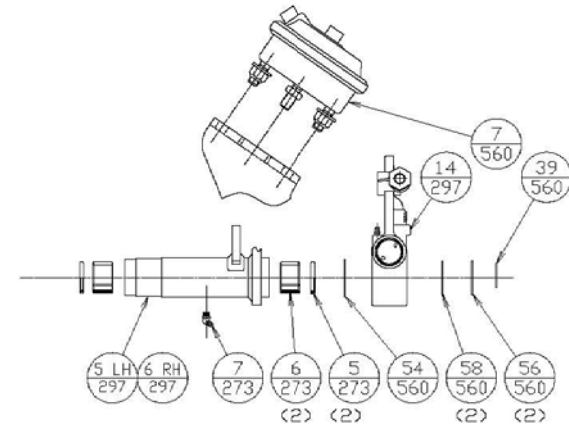
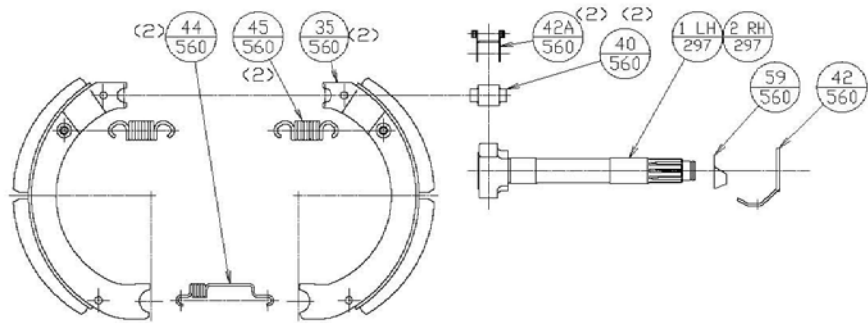
625-0509

FSD-8A, 10A, 12A, 13A, 14A ILLUSTRATED PARTS



625-0509

FSD-8A, 10A, 12A, 13A, 14A ILLUSTRATED PARTS



625-0509

FSD-8A, 10A, 12A, 13A, 14A ILLUSTRATED PARTS

**FSD-8A, 10A, 12A, 13A, 14A  
FRONT STEERABLE DRIVE AXLE PARTS LIST**

<b>ITEM</b>	<b>PART NUMBER</b>	<b>DESCRIPTION</b>	<b>QUANTITY</b>
1LH/297	226-0244	Cam Shaft, S-Cam, Left-hand, ES Brakes	1
2RH/297	266-0245	Cam Shaft, S-Cam, Right-hand, ES Brakes	1
2/265	265-0224	Bolt, 1/2-13 x 2-1/2, Grade 5 Hex Head	4
11/265	265-0363	Bolt, 1/2-13 x 1-1/2, Grade 5 Hex Head	6
4/265	688-0266	Nut, 1/2-20, Hex	2
5/265	788-0549-001	Stud, 1/2 x 2 3/8, Double Ended	2
8/265	927-0282	Washer, 1/2, Spring Lock (Split)	2
9/265	927-0553	Washer, 1/2, Hardened, Plated	12
5LH/297	273-0876	Brake Bracket, Left-hand	1
5/273	732-0436	Seal	2
6/273	287-0279	Bushing	2
7/273	358-0223	Grease Fitting, 1/8 NPT, 45°	1
6RH/297	273-0877	Brake Bracket, Right-hand	1
5/273	732-0436	Seal	2
6/273	287-0279	Bushing	2
7/273	358-0223	Grease Fitting, 1/8 NPT, 45°	1
7LH/297	276-0004-067	Steering Arm Assembly *	1
2/276	358-0222	Grease Fitting, 1/8 NPT	1
3/276	688-0636	Nut, 5/8-18, Hex Jam	1
4/276	724-0723	Socket Set Screw, 5/8-18 x 1 3/4	1
8RH/297	235-1657	Upper Kingpin Cap Assembly *	1
2/276	358-0222	Grease Fitting, 1/8 NPT	1
3/276	688-0636	Nut, 5/8-18, Hex Jam	1
4/276	724-0723	Socket Set Screw, 5/8-18 x 1 3/4	1
9/298	758-0229	Plug, 3/4 NPT Square Countersunk	1
10/298	758-0274	Plug, 3/4 NPT Square Socket Head, Magnetic	1
11/298	836-0222	Breather Vent, 1/8 NPT	1
12/298	749-0225	Cotter Pin, 1/8 X 2, Steel	2

\* Item may vary. Reference specific axle serial number for more information.

**FSD-8A, 10A, 12A, 13A, 14A  
FRONT STEERABLE DRIVE AXLE PARTS LIST**

<b>ITEM</b>	<b>PART NUMBER</b>	<b>DESCRIPTION</b>	<b>QUANTITY</b>
10/297		Differential Assembly *	1
	343-0130-025	3.91:1 Ratio, with SPL100 Pinion Yoke	
	343-0130-026	4.10:1 Ratio, with SPL100 Pinion Yoke	
	343-0130-027	4.30:1 Ratio, with SPL100 Pinion Yoke	
	343-0130-028	4.56:1 Ratio, with SPL100 Pinion Yoke	
	343-0130-029	4.78:1 Ratio, with SPL100 Pinion Yoke	
	343-0130-030	4.88:1 Ratio, with SPL100 Pinion Yoke	
	343-0130-031	5.13:1 Ratio, with SPL100 Pinion Yoke	
	343-0130-032	5.38:1 Ratio, with SPL100 Pinion Yoke	
	343-0130-033	5.57:1 Ratio, with SPL100 Pinion Yoke	
	343-0130-034	5.86:1 Ratio, with SPL100 Pinion Yoke	
	343-0130-035	6.14:1 Ratio, with SPL100 Pinion Yoke	
	343-0130-036	6.50:1 Ratio, with SPL100 Pinion Yoke	
11/297	475-0425-001	Axle Housing Weldment *	1
12LH/297	482-0078-001	Hub Assembly, Left-hand, with ISO, Short Studs (steel wheels) *	1
	482-0078-002	Hub Assembly, Left-hand, with ISO, Long Studs (aluminum wheels) *	
2/482	233-0397	Bearing Cup	1
1/482	233-0527	Bearing Cup	1
4/482	788-0475	Stud, 1/2 X 2 9/16	8
5LH/482	788-0574-001	Wheel Studs, M22 X 3.71 (steel wheels) *	10
	788-0574-002	Wheel Studs, M22 X 4.27 (aluminum wheels) *	
6/482	799-0285	ABS Exciter Ring	1
13RH/297	482-0078-001	Hub Assembly, Right-hand, with ISO, Short Studs (steel wheels) *	1
	482-0078-002	Hub Assembly, Right-hand, with ISO, Long Studs (aluminum wheels) *	
2/482	233-0397	Bearing Cup	1
1/482	233-0527	Bearing Cup	1
4/482	788-0475	Stud, 1/2 X 2 9/16	8
5RH/482	788-0574-001	Wheel Studs, M22 X 3.71 (steel wheels) *	10
	788-0574-002	Wheel Studs, M22 X 4.27 (aluminum wheels) *	
6/482	799-0285	ABS Exciter Ring	1

\* Item may vary. Reference specific axle serial number for more information.

**FSD-8A, 10A, 12A, 13A, 14A**  
**FRONT STEERABLE DRIVE AXLE PARTS LIST**

<b>ITEM</b>	<b>PART NUMBER</b>	<b>DESCRIPTION</b>	<b>QUANTITY</b>
14/297	538-0488	Slack Adjuster Assembly	2
2/560	225-0292	Ball Stud, Upper Kingpin	2
3/560	233-0396	Bearing Cone	2
4/560	233-0528	Bearing Cone	2
5/560	234-0449	Bearing, Lower Kingpin	2
7/560	243-0282	Air Brake Chamber, 20 sq. in. *	2
9/560	265-0994	Bolt, 3/8-16 X 1/2, Grade 5 Hex Head	8
11/560	283-0244	Bolt, 7/8-14 X 4-1/2, Grade 8 Hex Head	2
12/560	352-1522	Drive Flange	2
14/560	378-1298	Brake Drum, 16 1/2 X 5	2
16/560	688-0292	Nut, 5/8-18 UNJF-3B, Hex, High Tensile	16
17/560	688-0342	Nut, 1/2-20 UNJF-3B, Hex, High Tensile	20
20/560	688-0689	Nut, 3/4-16, Hex Lock, High Tensile	8
21/560	688-0695	Nut, 7/8-14 UNJF-3B, Hex, High Tensile	2
22/560	688-0697-002	Nut, 1-1/4-12, Hex, Flanged Self Locking	2
24/560	688-0747	Nut With Dowel, Inner	2
25/560	688-0748	Nut, Outer	2
30/560	732-0463	Seal	4
31/560	732-0334	Seal, Wheel Hub	2
33/560	732-0434	Seal, Lower Kingpin	2
32/560	732-0452	Seal, Yoke Shaft	2
35/560	743-0272	Brake Shoe and Lining, 16 1/2 X 5, EES-420.	4
36/560		Shim, Drive Flange	
	744-0364-001	Shim, .005 Thick	4
	744-0364-002	Shim, .015 Thick	4
	744-0364-003	Shim, .030 Thick	4
39/560	762-0343	Snap Ring, Camshaft Retainer	2
40/560	765-0287	Brake Shoe Roller	4
41/560	772-0267-010	Brake Dust Shield	2
42/560	772-0277	Retainer	2
42A/560	772-0278	Spring, Roller Retainer	4
43/560	774-1298	Spindle Assembly with Bushing	2
44/560	777-0549	Spring, Brake Shoe Retaining	4
45/560	777-0552	Spring, Brake Shoe Release	4

\* Item may vary. Reference specific axle serial number for more information.



**FSD-8A, 10A, 12A, 13A, 14A  
FRONT STEERABLE DRIVE AXLE PARTS LIST**

<b>ITEM</b>	<b>PART NUMBER</b>	<b>DESCRIPTION</b>	<b>QUANTITY</b>
50/560	793-0482	Plate, Lower Kingpin Bearing	2
49/560	793-0534	Plate, Brake Spider	2
52/560	927-0337	Washer, 3/8 SAE, Flat	8
53/560	927-0846	Washer, Lock	2
54/560	927-0847	Washer	2
58/560	927-0848	Washer, .031 Camshaft Shim	4
56/560	927-0849	Washer, .059 Camshaft Shim	4
57/560	927-0852	Washer, 7/8 Plain	4
59/560	927-0868	Washer, S-Cam	2
60/560	234-0489	Bushing	2
61/560	762-0346	Snap Ring	2
17LH/297	688-0756	Wheel Nut, M22 X 1.5 *	10
18RH/297	688-0756	Wheel Nut, M22 X 1.5 *	10
19LH/297	769-0497-010	Shaft, Left-hand, Double Cardan, 56.69 In. Long *	1
20RH/297	769-0497-011	Shaft, Right-hand, Double Cardan, 35.37 In. Long *	1
1/7990	255-0453	Clamp	10
2/7990	265-0386	Bolt, 1/4-20 X 3/4, Grade 5 Hex Head	2
3/7990	273-0852	Bracket, ABS Wire Clamp	2
4/7990	273-0927	Bracket, Abs Sensor	2
5/7990	283-0262	Bolt, 1/4-28 X 1/2, Grade 5 Hex Head	8
7/7990	688-0529	Nut, 5/8-18, Hex Lock	4
6/7990	688-0654	Nut, 1/4-20, Hex Plated	2
8/7990	782-0327	Rubber Grommet, Brake Dust Shield	2
11/7990	927-0338	Washer, 1/4, Spring Lock (Split)	10
12/7990	927-0732	Washer, 1/4 SAE Plain	20
22/297		ABS Sensor Kit, with Clip and Connector *	2
	799-1286-002	ABS Sensor Kit, with Clip and Rockwell/Wabco Connector	
	799-1279-004	ABS Sensor Kit, with Clip and Deutsch DT Connector	
	779-1288-002	ABS Sensor Kit, with Clip and Mini-Packard Connector	
	799-1292-003	ABS Sensor Kit, with Clip and Mini Deutsch Connector	
2/7991	799-0294	Sensor Clip	2
23/297	882-0007-004	Tie Rod Assembly for Offset Bowl Axle *	1

\* Item may vary. Reference specific axle serial number for more information.

**FSD-8A, 10A, 12A, 13A, 14A  
FRONT STEERABLE DRIVE AXLE PARTS LIST**

<b>ITEM</b>	<b>PART NUMBER</b>	<b>DESCRIPTION</b>	<b>QUANTITY</b>
1LH/9652		Spindle Yoke Assembly, Left-hand *	1
	965-1988-001	Short Wheelbase (up to 183")	
	965-1988-002	Long Wheelbase (greater than 184")	
5/9652	234-0454	Bearing, Upper Kingpin	1
10/9652	732-0439	Seal	1
6/9652	746-0742	Dowel Pin, 1/4 X 1/2 Oversize	1
7/9652	788-0549-001	Stud, 1/2 X 2 3/8, Double Ended	2
8/9652	788-0553-006	Stud, 5/8 X 2 7/8, Double Ended	10
9/9652	788-0554-003	Stud, 3/4 X 3 3/4, Double Ended	4
13/9652	225-0289	Ball Stud, Lower Kingpin	1
16/9652	358-0222	Fitting, Grease, 1/8 NPT	1
12/9652	688-0434	Nut, 1/2-13, Thin Hex	1
15/9652	688-0745	Nut, Lock, Kingpin Special	1
11/9652	724-0529	Cap Screw, 1/2-13 X 1 3/4, 12-Point	1
14/9652	927-0853	Washer, Lock Special	1
1RH/9652		Spindle Yoke Assembly, Right-hand *	1
	965-1989-001	Short Wheelbase (up to 183")	
	965-1989-002	Long Wheelbase (greater than 184")	
5/9652	234-0454	Bearing, Upper Kingpin	1
10/9652	732-0439	Seal	1
6/9652	746-0742	Dowel Pin, 1/4 X 1/2 Oversize	1
7/9652	788-0549-001	Stud, 1/2 X 2 3/8, Double Ended	2
8/9652	788-0553-006	Stud, 5/8 X 2 7/8, Double Ended	10
9/9652	788-0554-003	Stud, 3/4 X 3 3/4, Double Ended	4
13/9652	225-0289	Ball Stud, Lower Kingpin	1
16/9652	358-0222	Fitting, Grease, 1/8 NPT	1
12/9652	688-0434	Nut, 1/2-13, Thin Hex	1
15/9652	688-0745	Nut, Lock, Kingpin Special	1
11/9652	724-0529	Cap Screw, 1/2-13 X 1 3/4, 12-Point	1
14/9652	927-0853	Washer, Lock Special	1

\* Item may vary. Reference specific axle serial number for more information.