

# Electric Dropbolts

## Fail-Safe Series

Secure and Intelligent Bolts



EB262N uses an adjustable ball catch to overcome misalignment.



**EB262N**



EB262N strike plate includes an adjustable sensor magnet to accommodate various door gaps.

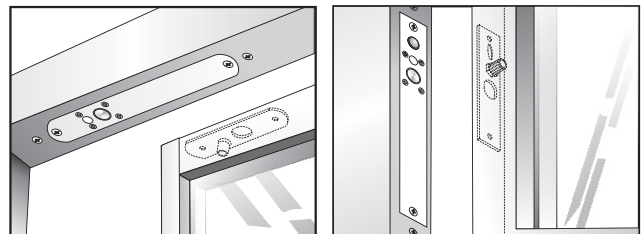
The Fail-Safe series electric dropbolt can be mounted horizontally or vertically and provides various functions. It is designed for use on **double action doors** (or single inswing/outswing doors) and ideal for applications where an electromagnet lock or electric strike is impractical. Surface mount models are also available for hollow metal door or frameless glass door applications.

### Standard Features

- Fail-safe (Power to lock)
- Vandal resistant - The lock cannot be deceived by slipping a magnetic object between lock and the strike plate
- Built-in intelligent electronics allows the bolt to project several times if the door is not closed properly (Except EB200NLW, EB300 Series)
- Push button trigger input (For EB190TG/195TG)
- Built-in bolt status sensor and door position sensor
- Relock time delay
- Door held open alarm 80 dB, selectable door ajar time 10/20/30/60 seconds (For model with suffix NDB)
- Adjustable ball catch (EB262N Series & EB180/190 -P Models)

### Patents, Approvals, and Listings

CE: EC262804-01



#### Warranty

The product is warranted against defects in material and workmanship while used in normal service for a period of 2 year from the date of sale to the original client. The GEM policy is one of continual development and improvement; therefore GEM reserves the right to change specifications without notice.

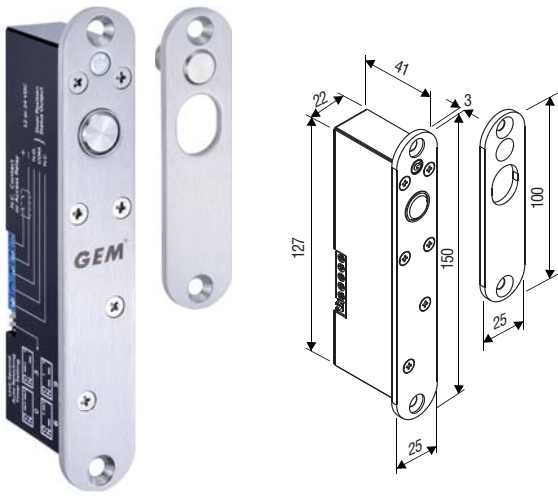
## Fail-Safe Series Mortise Mount Electric Dropbolts

Models	Voltage (VDC)	Current Draw		Functions						Finish		Faceplate
		Pull in	Holding	Relock Timer	BSS	DPS	Ball Catch	Buzzer Alarm	Trigger Push Button	SS	AA	
EB170	Dual 12/24	0.9A/12V	0.15A/12V	●	—	●	—	—	—	●	—	Round
EB175		0.45A/24V	0.1A/24V									Square
EB180	Dual 12/24	0.9A/12V 0.45A/24V	0.15A/12V 0.1A/24V	●	●	—	—	—	—	●	—	Round
EB180P							●					
EB185							—					Square
EB185P							●					
EB190TG	Dual 12/24	0.9A/12V 0.45A/24V	0.15A/12V 0.1A/24V	●	●	●	—	—	●	●	—	Round
EB190TG-P							●					
EB195TG							—					Square
EB195TG-P							●					
EB200NLW	12	0.9A	0.3A	●	—	●	—	—	—	—	●	Square
EB220N	12	0.9A	0.3A	●	●	—	—	—	—	●	—	Square
EB220NDS						●						
EB220NDB						●						
EB262N	12	0.9A	0.3A	●	●	—	●	—	—	●	—	Square
EB262NDS						●						
EB262NDB						●						

BSS: Bolt status sensor DPS: Door position sensor SS: Brushed stainless steel AA: Clear anodized aluminum

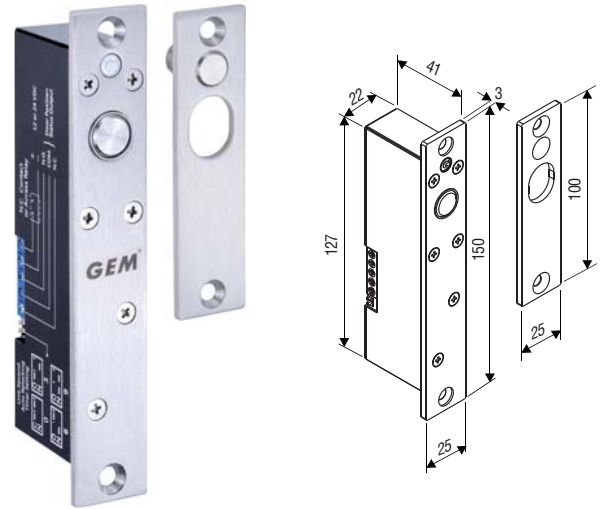
Note: EB220N also comes with a silver finish option.

# Mortise Mount Electric Dropbolts & Optional Brackets



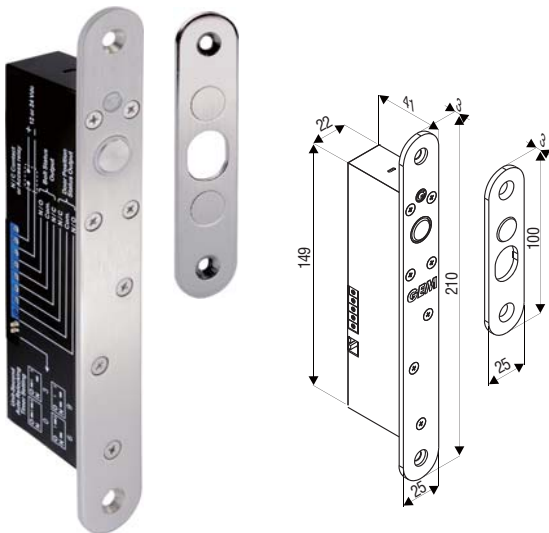
**EB170**

Dual 12/24 VDC;  
round corner faceplate &  
strike plate included



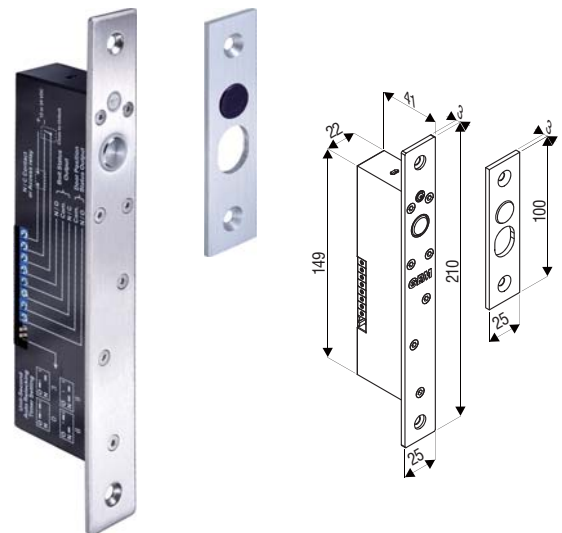
**EB175**

Dual 12/24 VDC;  
square faceplate &  
strike plate included



**EB180/EB180P/EB190TG/EB190TG-P**

Dual 12/24 VDC;  
round corner faceplate &  
strike plate included

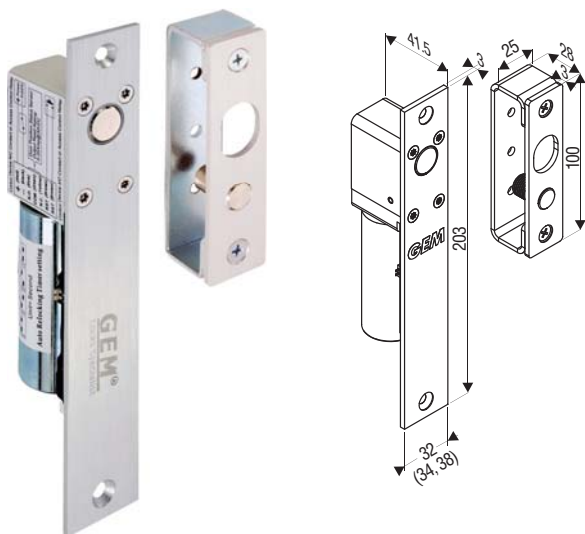


**EB185/EB185P/EB195TG/EB195TG-P**

Dual 12/24 VDC;  
square corner faceplate &  
strike plate included

All dimensions in mm

## Mortise Mount Electric Dropbolts & Optional Brackets



### EB200NLW

Adjustable sensor magnet included; 32/34/38mm faceplate options available



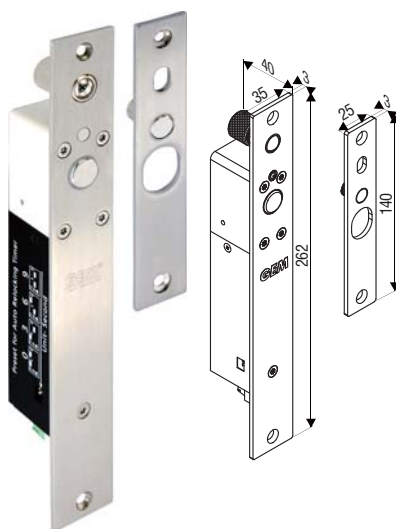
### SMB-200N

Optional housing for EB200NLW-38 to complete installation as fully surface or semi-flush mount.



### EB220N/NDB/NDS

Adjustable sensor magnet included; 32/35/38 mm faceplate options available



### EB262N/NDB/NDS

Adjustable sensor magnet & ball catch included




### UBK-262N

Optional glass door bracket for EB220N/262N; glass door thickness 10 or 12 mm

All dimensions in mm

## Fail-Safe Series Surface Mount Electric Dropbolts

Models	Voltage (VDC)	Current Draw		Functions						Finish		Faceplate	
		Pull in	Holding	Relock Timer	BSS	DPS	Ball Catch	Buzzer Alarm	Trigger Push Button	SS	AA		
EB160	Dual 12/24	0.9A/12V 0.45A/24V	0.15A/12V 0.1A/24V	●	—	●	—	—	—	—	—	Square	
EB185S	Dual 12/24	0.9A/12V 0.45A/24V	0.15A/12V 0.1A/24V	●	●	—	—	—	—	—	—	●	Square
EB185S-P							●						
EB195TGS	Dual 12/24	0.9A/12V 0.45A/24V	0.15A/12V 0.1A/24V	●	●	●	—	—	●	—	—	●	Square
EB195TGS-P							●						
EB300 	12	0.9A	0.3A	●	—	●	—	—	—	—	—	●	Square
EB400NDS	12	0.9A	0.3A	●	●	●	—	—	—	—	●	—	Square
EB400NDB								●					

BSS: Bolt status sensor DPS: Door position sensor SS: Brushed stainless steel AA: Clear anodized aluminum

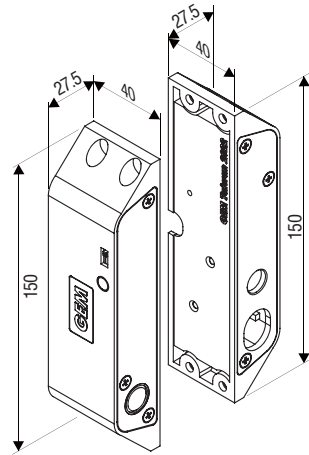
# Surface Mount Electric Dropbolts & Optional Brackets



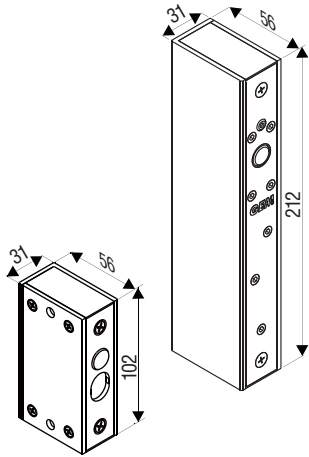
**EB160**



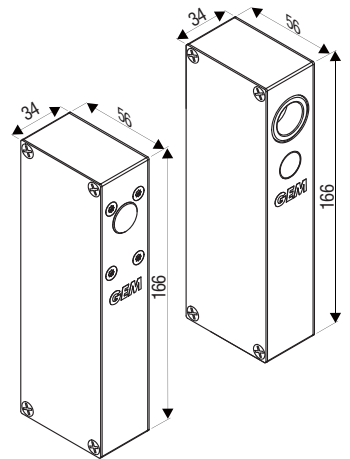
**L-EB160**  
Optional L bracket for narrow header



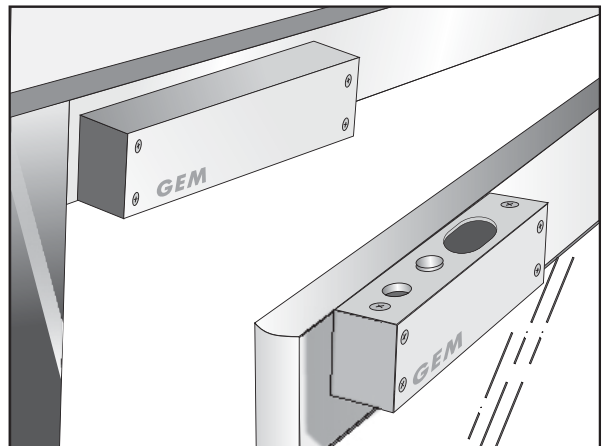
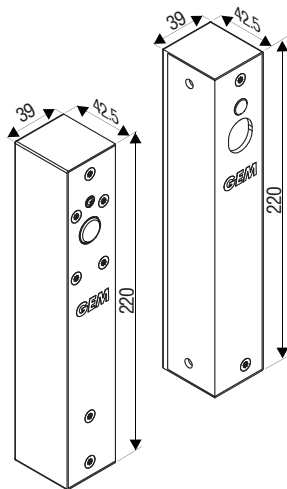
**EB185S/EB195TGS**  
**EB185S-P/EB195TGS-P**  
Dual 12/24 VDC



**EB300**  
Glass mount model EB300VGL  
also available






**EB400NDS/NDB**  
Adjustable sensor magnet included



All dimensions in mm

## Fail-Safe Series Surface Mount Electric Dropbolts (For Glass Doors & Walls)

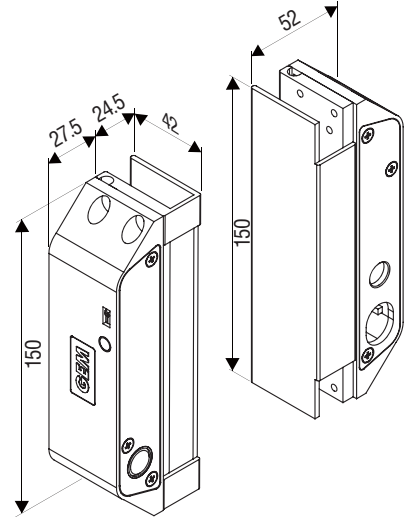
Models	Voltage (VDC)	Current Draw		Functions						Finish		Faceplate
		Pull in	Holding	Relock Timer	BSS	DPS	Ball Catch	Buzzer Alarm	Trigger Push Button	SS	AA	
<b>EB160VGL</b>	Dual 12/24	0.9A/12V 0.45A/24V	0.15A/12V 0.1A/24V	●	—	●	—	—	—	—	—	Square
<b>EB185VGL</b>	Dual 12/24	0.9A/12V 0.45A/24V	0.15A/12V 0.1A/24V	●	●	—	—	—	—	—	●	Square
<b>EB185VGL-P</b>							●					
<b>EB195TGVGL</b> 	Dual 12/24	0.9A/12V 0.45A/24V	0.15A/12V 0.1A/24V	●	●	●	—	—	●	—	●	Square
<b>EB195TGVGL-P</b>							●					
<b>EB200NVGL</b> 	12	0.9A	0.3A	●	—	●	—	—	—	—	●	Square
<b>EB300VGL</b> 	12	0.9A	0.3A	●	—	●	—	—	—	—	●	Square

BSS: Bolt status sensor DPS: Door position sensor SS: Brushed stainless steel AA: Clear anodized aluminum

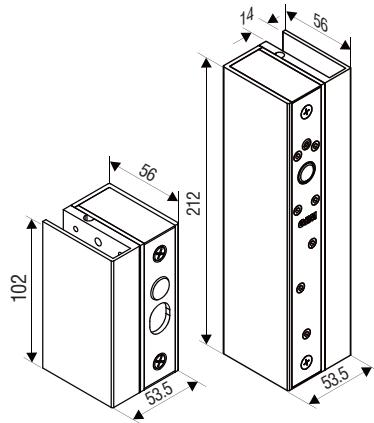
# Surface Mount (For Glass Doors & Walls) Electric Dropbolts & Optional Brackets



**EB160VGL**

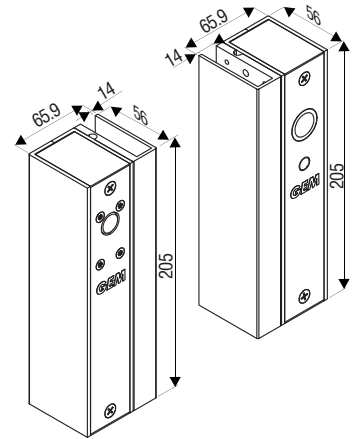


**EB185VGL/EB195TGVGL**  
**EB185VGL-P/EB195TGVGL-P**  
 Dual 12/24 VDC

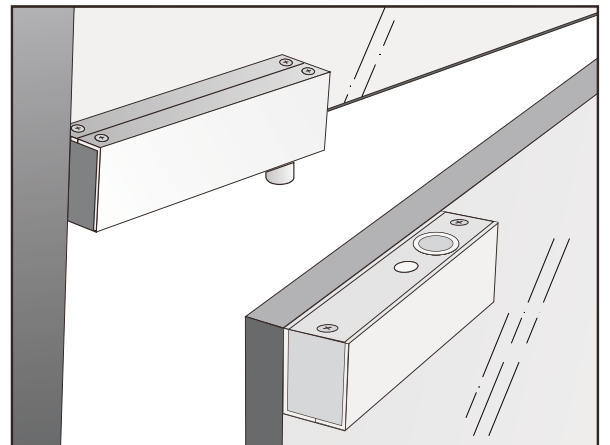
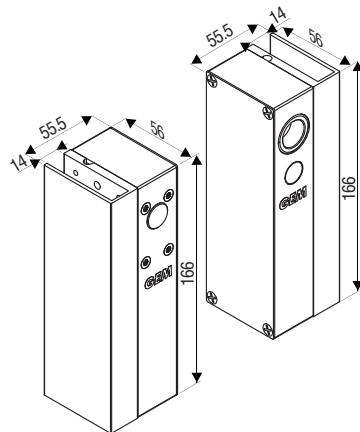


**EB200NVGL**

The EB200NVGL includes EB200NLW-38 electric dropbolt, 2 pcs of the SMB-200N housing and 2 pcs of the UBK-200N-38 brackets.  
 Glass door thickness: 10 to 12 mm



**EB300VGL**  
 Surface mount model EB300  
 also available



All dimensions in mm