

Installer Quick Start Guide  
vs#: 010913

## INSTALLER QUICK START GUIDE

### Preparation:

#### When Installing ClickShare you will:

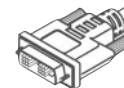
- Step 1 - unpack the components.
- Step 2 - install the Base Unit.
- Step 3 - connect the Base Unit to A/C and the display.
- Step 4 - access the Base Unit Admin Functions Using a Browser.
- Step 5 - configure the system via the Web Interface.
- Step 6 - test the installation.
- Step 7 - pair the Button to the Base Unit if needed.



**GROOVE**  
ENTERTAINMENT TECHNOLOGIES  
www.getgrooven.com - 855-717-8586

#### The tools you will need are:

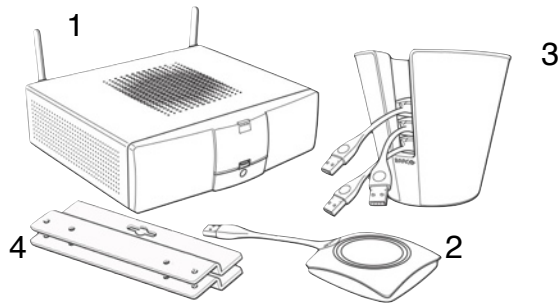
- For mechanical Install
  - ✓ Torx 10 Screwdriver if wall, ceiling or rack mounting
  - ✓ A drill if wall or ceiling mounting
  - ✓ A screwdriver depending on your wall mounting screws
  - ✓ The optional ClickShare Rack Mount Kit if installing in a rack  
*Order number: R9861006R01*
- For hookup to the display
  - ✓ A video cable, which is DVI-i from the Base Unit going to the display input (variable)
  - ✓ Optionally you can use the Display Port output on the Base Unit to the display input
- For configuration of the system
  - ✓ A laptop computer with WiFi for configuring the Base Unit
- For Troubleshooting
  - ✓ Two Ethernet cables for direct connect to the Base Unit though the local LAN
  - ✓ An Ethernet cross-over adapter or cable to connect directly to the Base Unit.



## Step 1 - Unpacking the components

For a basic system, confirm that you have:

- ✓ 1 - A Base Unit
- ✓ 2 - Four Buttons
- ✓ 3 - A Button Tray
- ✓ 4 - Two Mounting Brackets
- ✓ A power chord
- ✓ A DVI-i to VGA adapter



## Step 2 - Installing the Base Unit

There are four mounting options:

For details see *Installation Guide R5900004 - Installing ClickShare -> Installation methods*

Requires the *ClickShare Rack Mount*  
Order number: *R9861006R01*

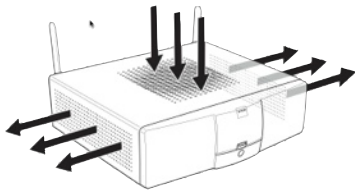
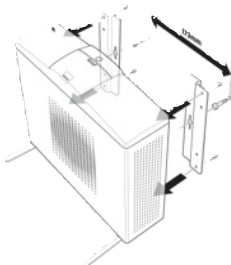
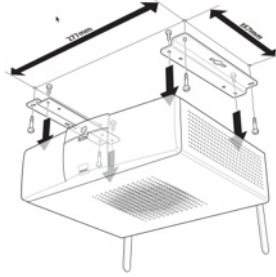


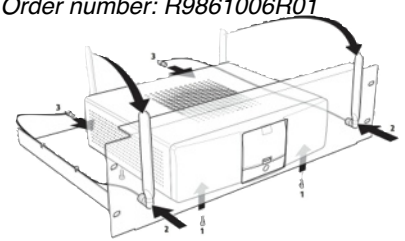
Table Mount



Wall Mount



Ceiling Mount

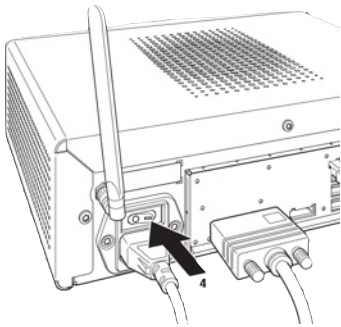


Rack Mount

Always make sure to provide a minimum 2 inch clearance for all ventilation grids.

## Step 3 - Connecting the Base Unit to a/c and the display

Attach the power cable from the Base Unit to a 110v grounded AC wall plug. Do not power-on the Base Unit until after you connect the video cable you brought with you from the Base Unit to the Display.



If Connecting from the DVI out, Power-on the Base Unit after you are connected. ClickShare will then read the display resolution using EDID and set the Base Unit output resolution to match the display. You can also manually set the resolution through the Web Interface.

For details see below and see: *IT & Facilities Guide R5900003 Web Interface -> Configuring ClickShare Through The Web Interface*

## Step 4 - Accessing the Base Unit Admin Functions Using a Browser

For details see: *IT & Facilities Guide R5900003 Web Interface -> Accessing ClickShare Web Interface*

### Option #1: Access Via WiFi

When powered on, the Base Unit broadcasts its SSID, the public name of the ClickShare WiFi network. The default is ClickShare-XXXXXXXXXX with the 10 digit number being the base unit's serial number.

Use your laptop's network connection tools to connect to the Base Unit's WiFi network.

The default network password: **clickshare** (all lower case).

Open a browser window. Now navigate to: <http://192.168.2.1>

Log in using the default: Username: **admin** and Password: **admin**

Welcome screen

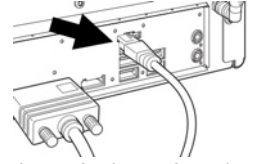


## Option #2: If you cannot log onto the base unit WiFi.

For Details see: IT & Facilities Guide R5900003 Web Interface -> Accessing ClickShare Web Interface

Use the Ethernet cable and cross-over adapter your brought with you and connect the ClickShare Base Unit Ethernet port to the laptop Ethernet port. Open a browser window. Now navigate to: <http://192.168.2.1>

Log in using the default: Username: **admin** and Password: **admin**

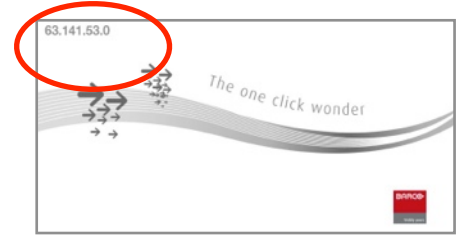


## Option #3: Access the Base Unit via the local LAN

Connect your both your laptop and the Base Unit ethernet ports to the local LAN using the two Ethernet cable you brought (see above). An IP Address will show on top left of the display that the Base Unit is connected to.

Open a browser window and navigate to the IP address showing on the display

Log in using the default: Username: **admin** and Password: **admin**



## Step 5 - Configuring the system via the Web Interface

For details see: IT & Facilities Guide R5900003 Web Interface -> Configuring ClickShare Through The Web Interface

A screenshot of the 'Basic' setup tab in the ClickShare web interface. It contains sections for 'Identification' with text input fields for 'Meeting room:', 'Location:', and 'Welcome message:'. Below that is a 'Localization' section with a 'Language:' dropdown menu set to 'English'. At the bottom are 'Apply' and 'Refresh Page' buttons.

### Setup Tab -> Basic

You have three text fields that will display on the Wallpaper page. You can use these for room ID such as Department, Room name, Help extension#. You can also change the system language.

*The style of this ID text can be modified under Setup Tab -> Display*

A screenshot of the 'Wallpaper' setup tab. It shows a 'Choose a background wallpaper' section with four thumbnail options: 'Barco 1920x1080', 'Instructions 1920x1080', 'Facebook\_Background... 1920x956', and 'BCS-Wall 1920x1080'. Below this is a 'Manage available wallpapers' section showing '8292.33 kB Free' and 'Browse' and 'Add Image' buttons.

### Setup Tab -> Wallpaper

Upload, select and manage wallpaper. This is the background screen that shows when no computer is displaying. The Wallpaper image format must be JPEG, PNG, BMP, GIF or TIFF. The maximum file size per uploaded file is 2MB and the image should be the same resolution as the display (IE: 1920 X 1080 @ 72 dpi)

A screenshot of the 'Display' setup tab. It includes 'Display Settings' with 'Resolution' set to 'Auto' and 'Standby Timeout' set to 'Infinite'. There is an 'On-screen Text Format' section with 'Enabled' checked, and options for 'Text Color', 'Text Size', 'Text Style', 'Background Color', and 'Transparency'.

### Setup Tab -> Display

#### Display Setting:

Here you can manually select the resolution of the display from a dropdown list or set custom.

You can also set a standby timeout. When no computer is displayed for the selected period, the ClickShare Base Unit mutes the video output to the display. The video out is reactivated as soon as someone clicks a Button.

#### On Screen Text Format:

This allows you to set the style of the text fields entered under the Basic tab.

A screenshot of the 'Advanced Settings' tab. It includes 'General Settings' with a 'Hostname' field. Under 'LAN Network Settings', 'Addressing' is set to 'DHCP Assigned'. There is a 'DHCP Client ID' field. Under 'WiFi Settings', 'SSID' is 'ClickShare-9714070119', 'Broadcast SSID' is checked, and there are fields for 'Passphrase' and 'Confirm Passphrase'. 'Frequency Band' is set to '5 GHz' and 'WiFi Channel' is set to '36'.

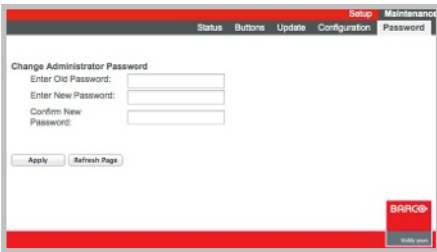
### Setup Tab -> Advanced Settings

For more details also see: ClickShare WiFi and Security Considerations White Paper.

Only change these settings if you understand networking. Here you can configure the ClickShare WiFi network to work smoothly within the client environment. It allow for a number of compatibility and security settings. These setting should be determined in cooperation with the client IT department.

Best practices to consider are:

- ✓ Change the SSID to a client based ID
- ✓ Make the SSID invisible so that the ClickShare unit is not visible in the WiFi spectrum
- ✓ Specify the Frequency Band (2.4 or 5GHz) and the WiFi channel if needed in order to exist compatibly within WiFi rich corporate environments.



### Maintenance Tab

The Maintenance Tab provides a great deal of information on the system and its performance.

For purposes of setting up the system, we will only access one tab under this menu, Password.

### Maintenance Tab -> Password

You may wish to change the admin login password from the default "admin". Be sure to make a note of the new password.

## Step 6 - Testing the installation

### Test each button

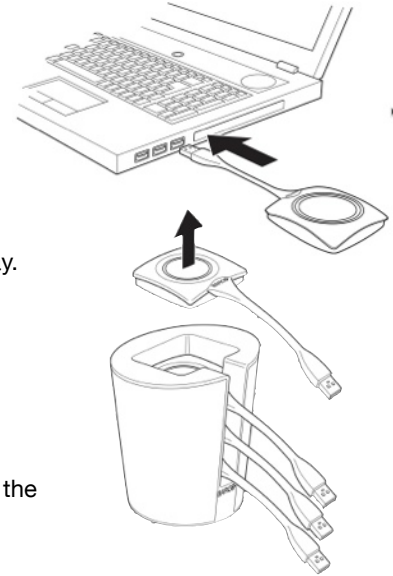
*For details see: User Guide R5900001 - Getting Started -> Basic Use  
Also see the ClickShare Quick Start User Guide*

Take each button in turn and plug it into your laptop.

Launch the ClickShare Software from the button

Make sure the Button is operating properly and broadcasts the computer screen to the display.

Put the tested Buttons in the Tray.



## Step 7 - Pairing the Button to the Base Unit if needed

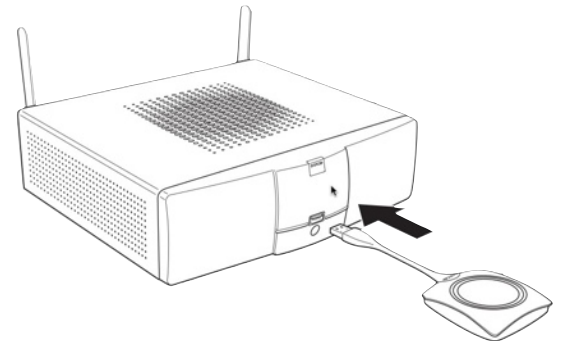
If a button does not seem to be paired to the Base Unit, plug the button into the USB port on the front of the Base Unit.

Pairing is automatic. A progress window will appear on the display as the Button is checked, updated if needed and paired with the Base Unit. The progress window will confirm when the Button is ready.

Test the newly paired Button using your laptop.

If you have multiple laptops available, test with more than one.

That completes the installation.



**GROOVE**  
ENTERTAINMENT TECHNOLOGIES  
www.getgrooven.com - 855-717-8586