



Made in the U.S.A.



PT Coupling Product Catalog



# PT Coupling

Distributed by:



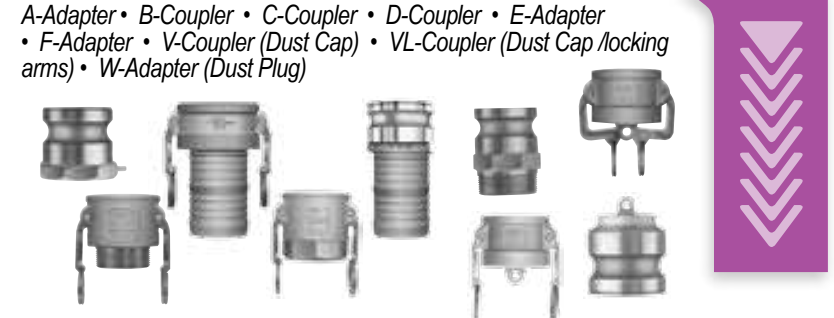
April 2013



# Table of Contents

- COMPANY & WARRANTY INFO..... 2
- HOW TO ORDER ..... 3 - 5
- BRANCH DIVISION MAP..... 6
- BRANCH WAREHOUSES ..... 7
- PRODUCTS ..... 8 - 139
- APPENDIX..... 140 - 152
- NEW PRODUCTS ..... 153

## BASIC STANDARD CAM & GROOVE COUPLINGS 8 - 16



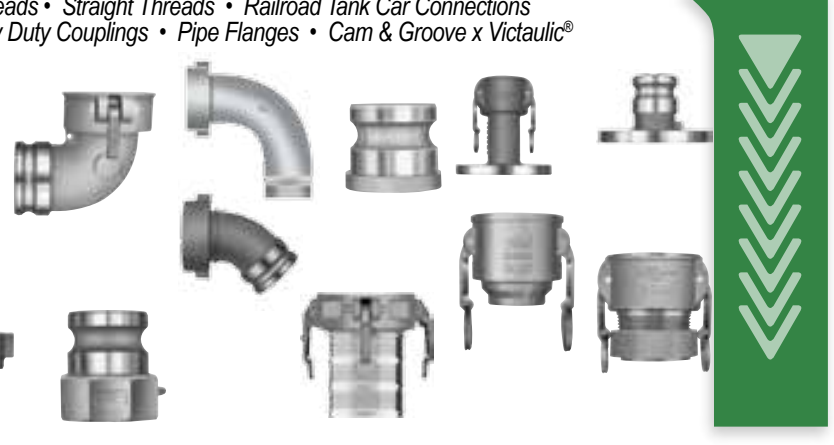
## STA LOK® and STA LOK® II 17 - 25



## REDUCER CAM & GROOVE 26 - 35



## SPECIAL CAM & GROOVE 36 - 59



## VERSATILE SWIVEL CAM & GROOVE • WEDGON PETROLEUM SWIVELS 60 - 65



## ACCESSORIES & REPLACEMENT PARTS 66 - 71



## PETROLEUM HANDLING 73 - 91



## PROGRIP™ 92 - 113



## PUNCH-LOK® 114 - 126



## ROLITE PT3 FITTING MASTER 127



## SPECIAL APPLICATION FITTINGS 128-139







# Company & Warranty Information



Link to PT Coupling Video on YouTube

## COMPANY INFORMATION

The family owned Parrish Manufacturing Group began as a small machining job shop in 1951, in Enid, Oklahoma U.S.A. and today still manufactures cam-and-groove couplings that are strong and durable. It is their goal to be the single source for all your pattern development, casting, precision machining, fabrication, heat treat and plastic injection molding needs. The design and construction of these couplings have a superior quality body with precision machined surfaces. Our company's success stems from an uncompromising commitment to three core values: quality, service and integrity. PT Coupling Company, as a member of the Parrish Manufacturing Group, has grown to be a global supplier of industrial hose fittings, for low-pressure liquid and dry bulk transfer applications, distributing a high quality product at a fair price. For more information about Parrish Manufacturing Group and PT Coupling go to [www.ptcoupling.com](http://www.ptcoupling.com).

## CAM & GROOVE HOSE COUPLINGS

**PT Quick Connect/Disconnect Couplings** provide for quick connecting and disconnecting by means of the camming action. This camming action allows pipe and hose connections to be made without the need of hand tools or difficult threaded connections. Cam and groove couplings are made up of two parts, male (adapter/plug) and female (coupler/socket) that work together. The male adapter is simply inserted into the female coupler until contact is made with the gasket. Both cam arms on the coupler are then pressed down/closed simultaneously to produce a uniform gasket compression between the seal surfaces. This seal is created because the cam arms of the female coupler fit snugly against the groove of the male adapter. A positive seal requires that the surfaces on the gasket seat, the adapter face, and the gasket are smooth and uncontaminated. Also cam arms must be in the full closed position for proper locking of the coupling. To disconnect both arms must be lifted / opened simultaneously to release the seal and release the connection.

## PT COUPLING DOD COMMERCIAL ITEM DESCRIPTION

All PT Quick Connect/Disconnect Couplings in every metal and size, 1/2" x 3/4" through 4" and 6" are manufactured to interchange with products produced to DOD Commercial Item Description **A-A-59326D**. All "RFQ's" identified as Government will be quoted with the required components and castings to meet the **A-A-59326D** DOD Commercial Item Description. Cam and Groove fittings are interchangeable among manufacturers, with the exception of 1/2", 5", 8" - 12" which may not be interchangeable. Quality is controlled in every phase of manufacture as is required for compliance to **A-A-59326D**. PT Coupling's quality management system is certified and conforms to the requirements of ISO9001.

### WARRANTY - Limited Warranty

PT Coupling Company (PT) warrants the products we manufacture and which are represented by PT online or in PT print advertising material to be free from defects in material and workmanship under normal use, service and operating conditions for a period of one (1) year from the date of shipment. This warranty is limited to the repair or replacement of such parts as shall appear to PT upon inspection to have been defective in material or workmanship provided such products are returned to a local PT Warehouse or at PT's sole discretion to the PT factory accompanied by a properly completed Returned Goods Authorization (RGA) form (supplied by PT) within 30 days of the date a defect in material and workmanship is discovered. PT's warranty does not apply to a) any part or product which has been subject to any of the following to include but not limited to: abuse, misapplication, neglect or excessive wear; b) any part or product which has been altered or repaired by anyone other than PT; and c) any part or product which would classify as a wear item under normal service which includes but is not limited to gaskets, o-rings, and washers. Warranty parts must be shipped prepaid motor freight or UPS and packed with enough care as to not cause any additional damage to the parts in question. No claim for breach of warranty shall be valid unless received by PT prior to the expiration of the applicable warranty period.

**THERE IS NO WARRANTY OF MERCHANTABILITY FOR FITNESS FOR ANY PARTICULAR PURPOSE NOR IS THERE ANY OTHER WARRANTY, EXPRESS OR IMPLIED EXCEPT AS SPECIFICALLY STATED HEREIN. PT SHALL IN NO EVENT BE LIABLE FOR SPECIAL, INDIRECT, CONSEQUENTIAL OR PUNITIVE DAMAGES OR ANY NATURE OR KIND UNDER ANY THEORY OR RECOVERY ARISING OUT OF OR RELATED TO THE PRODUCT OR OTHER GOODS SOLD HERE UNDER INCLUDING, BUT NOT LIMITED TO, DELAYS, LOSS OF USE, LOSS OF DATA, LOSS OF PROFITS, OR LOSS OF PRODUCTION, EVEN IF PT HAS BEEN ADVISED OF THE POSSIBILITY OF SUCH DAMAGES.**

PT's liability to Buyer shall be limited in all cases as set forth herein. This warranty is in lieu of and excludes all other representation of warranties. PT reserves the right to make changes in design and improvements wherever it is believed the efficiency of the Products will be improved, but without incurring an obligation to incorporate such improvements in any product which has been shipped or is in service.

# How to Order

## SELECTING FOR YOUR OPERATING CONDITIONS AND APPLICATION.

### Coupler Size

- For parts with a female (sockets) coupler end, the size is determined by measuring the open end (x) of the coupler. Understand that coupling size is an industry designation, not the actual measured size.
- For the male (plug) adapter the size is determined by measuring the adapter plug end (y).
- For threaded, hose barb or flange end. A threaded end can be male or female to match the type and size of your hose end fitting or tool. A barbed end inserts directly into a hose. Certain items are available with British Standard Pipe (BSP) threads. Flanged ends can be either pipe flange or tank car.
- Threaded end - Determine the pipe size used. Pipe size is an industry designation, not the actual measured size. Measure the inside diameter (ID) or outside diameter (OD) as shown in the drawing. Then round up the measurement to the closest ID or OD listed in the chart below and select the corresponding pipe size.



*Example: If ID (female) or OD (male) measures 1 3/16", the next highest ID or OD in the chart is 1 3/8", and the corresponding pipe size is 1".*

- Hose - for use with hose barbed ends: PVC, rubber, polyurethane or polyethylene hose
- Clamps: use original PUNCH-LOK® center punch clamps or banding (see page 115 for more details), or an interlocked PROGRIP™ C-50 ferrule or C-50 crimp sleeve (see PROGRIP™ Section on page 95-100 for more details).

Threaded ID (female) or OD (male)	Pipe Size (NPT)
.75"	1/2"
1"	3/4"
1.375"	1"
1.625"	1 1/4"
1.875"	1 1/2"
2.375"	2"
2.875"	2 1/2"
3.5"	3"
4.5"	4"
5.625"	5"
6.625"	6"
8.625"	8"
10.75"	10"
12.75"	12"

Coupler Inside Diameter (X)		Adapter Outside Diameter (Y)	
Coupling Size	X	Adaptor Size	Y
1/2"	.938"	1/2"	.938"
3/4"	1.25"	3/4"	1.25"
1"	1.475"	1"	1.475"
1 1/4"	1.8125"	1 1/4"	1.8125"
1 1/2"	2.125"	1 1/2"	2.125"
2"	2.5"	2"	2.5"
2 1/2"	3"	2 1/2"	3"
3"	3.625"	3"	3.625"
4"	4.75"	4"	4.75"
5"	5.75"	5"	5.75"
6"	6.9375"	6"	6.9375"
8"	8.9375"	8"	8.9375"
10"	11.375"	10"	11.375"
12"	13.5"	12"	13.5"



# WARNING



**IMPROPER USE, APPLICATION OR SELECTION OF THE APPROPRIATE PRODUCTS AS IS DESCRIBED HEREIN CAN RESULT IN PROPERTY DAMAGE, PERSONAL INJURY OR EVEN DEATH.**

# How to Order

Select materials for operating conditions and application.

Material	Features	Application
Aluminum w/Brass Cam Arms (HB) or w/300 series Stainless Steel Cam Arms (HBS)	*Lightweight and economical. Good abrasion resistance. Fair corrosion and chemical resistance.	*Use with water, hydraulic oil, coolants, gasoline, and petroleum products.
Stainless Steel w/HBS Cam Arms	*Excellent corrosion-resistant material that provides high strength at high temperatures, helps prevent contamination of product being transported, maintains cleanliness and retains a lustrous appearance. Harder than brass.	*Ideal for use with salt water, waste water, and many chemicals; can also be used with hydraulic oil and coolants.
Brass w/HB Cam Arms	*A good corrosion resistance, less expensive than stainless steel. Softer and easier to thread than stainless steel and forms tight seals.	*Ideal for use with water. Can also be used with hydraulic oil, coolants, gasoline, and petroleum products.
Ductile Iron	*Excellent abrasion and wear resistance. Good strength and toughness characteristics.	*Ideal for use with sand, grout, cement, and other abrasives.
Hard Coat Aluminum	*This is a lightweight material with good abrasion resistance. Good corrosion and chemical resistance.	*Use with sand and salt water applications, as well as hydraulic oil, coolants, gasoline and petroleum products.
Polypropylene	*Glass-fiber reinforced for strength. Good abrasion and corrosion resistance. Good chemical resistance.	Color Black *Use with water and coolants
Food Grade Polypropylene	*Fair abrasion resistance.	Color White *Use with water and other food grade applications
Nylon	*Glass-fiber reinforced for strength. Good abrasion, corrosion and chemical resistance.	Color Green *Use with water, coolants, gasoline and varnish.

\*For more detailed use & materials list, see pages 143-146 in the Recommended Operating Conditions and Materials in the back of the PT Coupling catalog.

## OPERATION

The compression on the gasket produced by the camming action produces a positive seal. The surfaces on the gasket seat, the adapter face, and the gasket must be smooth and uncontaminated. Cam arms must be in the fully closed position for proper engagement of cam arms. All couplers come with the standard Buna-N gasket. Customers may specify the type of rings, pins and cam arms.

Material	Gasket	Size	Max. Allowable Working Pressure (PSI)*
<b>Metal Couplings</b>	Standard gaskets are Buna any variation must be specified**	1/2", 3/4 x 1/2", 3/4", 1", 1 1/4", 1 1/2", 2"	250
		2 1/2", 3"	200
		4"	150
		5", 6"	75
		8", 10", 12"	50
<b>Non-Metal Couplings</b>	Standard gaskets are Buna any variation must be specified **	3/4", 1", 1 1/4", 1 1/2", 2"	100
		3", 4"	50

\*Above maximum allowable working pressures are based on operating temperatures less than 100°F. If operating temperatures exceed 100° F., use temperature derating factor listed in the table on page 140.

\*\*Numerous other gaskets are available upon request. Reference the list of gaskets in the back of the PT Catalog on pages 141 in the Recommended Operating Conditions and Materials section.

# How to Order

## FOR DISTRIBUTORS TO PLACE AN ORDER ONLINE:

To order online go to [www.ptcoupling.com](http://www.ptcoupling.com)  
Click on "How to Order" to register or Call 888-306-0185

Information needed:

- Name
- Company
- Account #
- Bill to Address
- Ship to Address
- email address
- username
- password



## PLACE AN ORDER

**PT Coupling only sells their products through distributors.** Orders should be placed in your local region (see the regional branch warehouse listing on page 7). Extensive inventories of quick connect/disconnect couplings and replacement parts are maintained in our warehouses to insure immediate shipment and delivery to our customers anywhere in the world. If your operations require a product not shown in this catalog, we will gladly work with you, our customer, in the custom design and manufacture of a product to meet your fitting specification.

It is the responsibility of the end user to communicate to the distributor the application and operating conditions the parts will be subjected to. It is up to the distributor to supply the right part for the application. PT Coupling Co. is available to help you with a proper recommendation.

In any type of application care must be taken to insure proper connection and a positive seal. Improperly fitted or applied connections can result in a serious accident and/or down time. Under no circumstances shall the pressure rating of the couplings be exceeded. (Please see WARNING on Page 3.)

**For prompt, efficient processing of your order, please follow this procedure:**

1. If ordering online follow steps above.
2. Specify Distributor Account #
3. Specify PT Item # or Part Name
4. Specify Size and Material
5. Specify Quantity

## SHIPPING TERMS AND CONDITIONS

**All orders are solicited and accepted with the understanding that the purchaser agrees to the following terms and conditions:**

1. Orders are subject to approval and acceptance by PT Coupling at the home office in Enid, OK.
2. Minimum order is \$25.00.
3. PT Coupling attempts to ship all orders as promptly and efficiently as possible, however, orders are accepted with the express understanding that PT Coupling will not be liable for any losses or damages resulting from any delays in shipment or delivery.
4. Orders are subject to all government regulations, present and future.
5. Prices and design of products are subject to change without notice. Billings will be made at prices in effect at time of shipment.
6. Shortage of shipments must be reported within 5 days after receipt of goods.
7. Quotes are valid for 2 weeks.
8. Custom made parts are non-returnable. If there is no list price, parts are considered custom made. Once custom made parts are in production, there will be a cancellation fee if the order is canceled.

## RETURN OF GOODS OR DAMAGED GOODS TO PT COUPLING CO.

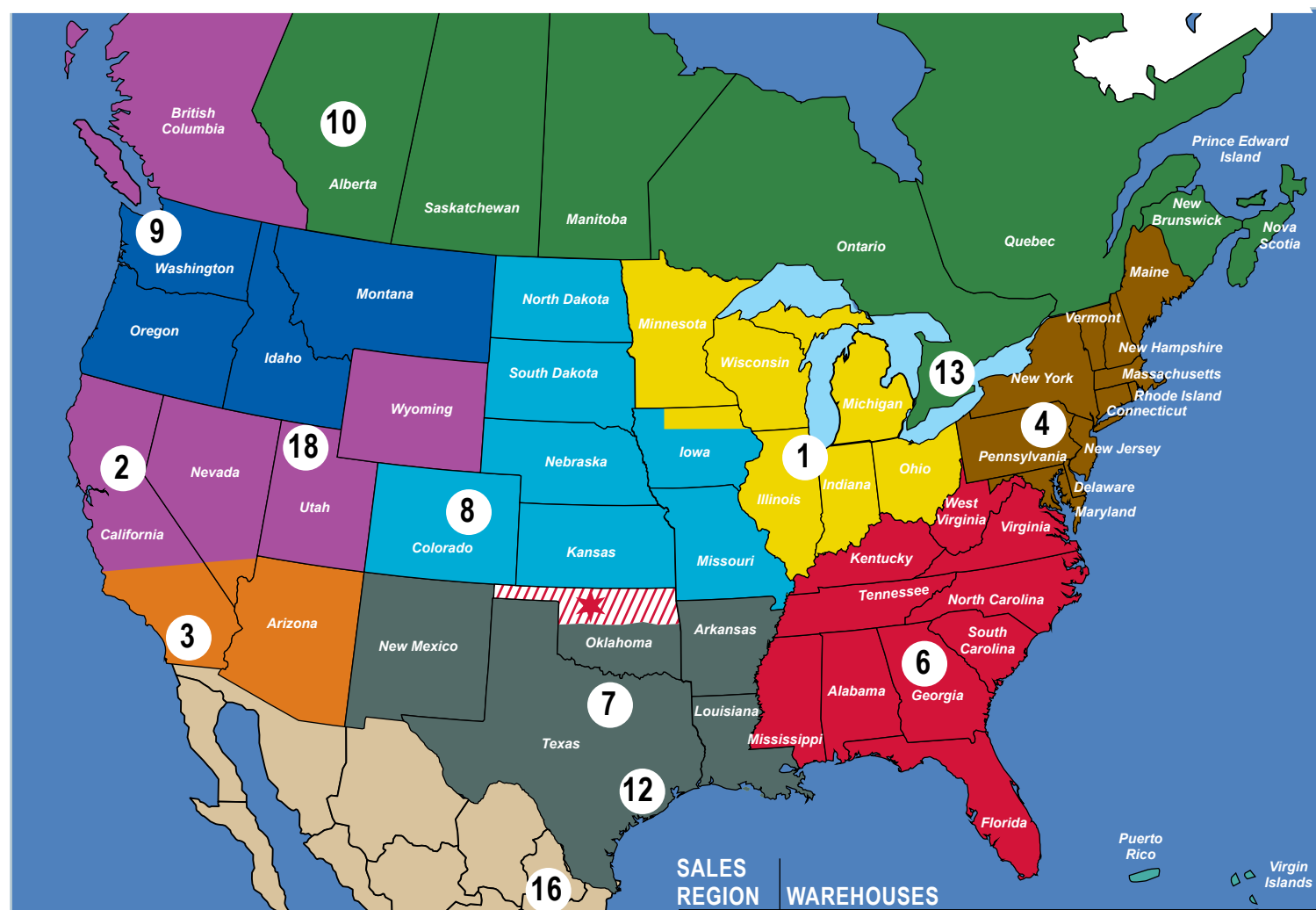
**If for any reason, you desire to return goods to PT Coupling Company:**

Products being returned for credits must be new and in resalable condition. A minimum handling charge of 15% is deducted from the price now in effect or purchase price, whichever is lower. This handling charge, is necessary because of our practice of individually inspecting and testing every item returned and to cover the usual costs of handling returned goods. Any return goods that have been in use, must have **MATERIAL SAFETY DATA SHEETS (MSDS)** attached to the packing slip on the exterior of the shipping container. If not present, parts will be returned unopened. All return goods require a **Return Goods Authorization (RGA)** before credit will be given. Any returns without proper documentation will be returned to the customer at their expense.



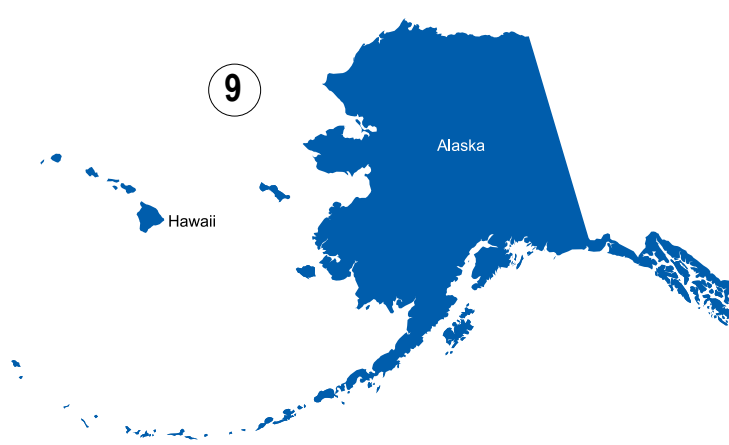


# Branch Divisions & Warehouses



**SALES REGION**    **WAREHOUSES**

- 1** CHICAGO / Richard F. Payne, Inc.
- 2** SACRAMENTO / Industrial Solutions Inc.
- 3** SAN DIEGO / Sunwest Industrial, LLC
- 4** ALLENTOWN / Honohan Sales
- 6** ATLANTA / Flexible Industrial Solutions
- 7** DALLAS-FT. WORTH/ Jimco Sales
- 8** DENVER / PT-Denver  
Midwest/Burchline Sales
- 9** SEATTLE / Wilson/Rogers & Assoc.
- 10** BRITISH COLUMBIA / J&B Rubber Products
- 12** HOUSTON / WRC Marketing
- 13** TORONTO / J & B Rubber Products Inc.
- 16** PT COUPLING DEMEXICO WAREHOUSE
- 18** SALT LAKE CITY, UT
- ★ HOME OFFICE - Enid, Oklahoma



- CHICAGO**  
*Richard F. Payne, Inc.*  
460 Podlin Drive  
Franklin Park, IL 60131  
  
*Joe & Dan Payne*  
Phone: 630-595-0350  
Toll: 800-662-5571  
Fax: 630-595-3685  
Toll Free: 888-595-3685  
E-Mail: sales@rfpayne.com
- SACRAMENTO**  
*Industrial Solutions, Inc.*  
150 Gum Lane  
Auburn, CA 95603  
  
*Gary Rooker & Tom Baker*  
Phone: 530-745-9600  
Toll Free: 888-320-4151  
Fax: 530-745-9607  
E-Mail: sales@industrialsolutionsinc.net
- SAN DIEGO**  
*Sunwest Industrial, LLC*  
13350 Gregg Street, Suite 102  
Poway, CA 92064  
  
*Dave Palmer*  
Phone: 858-997-2404  
Toll Free: 888-833-5401  
Fax: 888-833-5402  
E-Mail: info@sunwestindustrial.com  
dpalmer@sunwestindustrial.com
- ALLENTOWN**  
*Honohan Sales*  
2125 28th Street SW  
Allentown PA 18103  
  
*Dan & Rob Honohan*  
Phone 610-797-8100  
Toll Free: 800-333-1090  
Fax: 610-797-9028  
Email: sales@honohansales.com
- ATLANTA**  
*Flexible Industrial Solutions*  
5250 Fulton Industrial Blvd. SW  
Atlanta, GA 30336  
  
*Rick Davis*  
*Dave Hartman*  
*Tom Martin*  
*T.J. Wootton*  
Phone: 404-696-3998  
Toll Free: 877-624-2770  
Toll Free Fax: 877-624-2766  
E-Mail: se.sales@ptcoupling.com
- DALLAS-FT. WORTH**  
*Jimco Sales, Inc.*  
3317 Bryan Ave.  
Fort Worth, TX 76110  
  
*Jim Hendricks*  
E-Mail: jph@jimcosales.net  
*Pam Hagood*  
E-Mail: sales-pt@jimcosales.net  
  
*Daryl Bates*  
Mobile: 214-394-8734  
E-Mail: darylbatess@jimcosales.net  
  
*Randy Bates*  
Phone: 817-924-0850  
Toll Free: 800-889-4626  
Fax: 817-924-4612
- CANADA**  
**EDMONTON**  
*J & B Rubber Products, Inc.*  
15703-114th Ave.  
Edmonton, AB Canada T5M-2Z  
  
**TORONTO**  
*J & B Rubber Products, Inc.*  
3375 North Service Road,  
Unit B1 Burlington, ON  
Canada L7N3G2  
  
*John McCullough & Bruce McIntosh*  
Phone: 888-315-7750  
Fax: 905-315-7785  
E-Mail: sales@jbrubber.ca  
  
 **BRITISH COLUMBIA**  
*Industrial Solutions, Inc.*  
  
*Rich Morgan & Gary Rooker*  
Phone: 360-920-9358  
Toll Free: 888-320-4151  
E-Mail: rmorgan@industrialsolutionsinc.net
- AUSTRALIA**  
*PT Coupling Company Australia*  
8 Enterprise Way  
Sunshine West Victoria 3020  
  
*Andrew Talbut*  
Phone: 61 3 9314 9369  
Cell: 61 400 389 991  
Fax: 61 3 9314 9479  
Email: salesau@ptcoupling.com.au  
  
**NEW ZEALAND**  
*PT Coupling Company New Zealand*  
101 Hull Road  
Mt Maunganui 3116  
  
*Hayley Smith*  
Phone: 64 7 572 7072  
Fax: 64 7 572 2029  
Email: salesnz@ptcoupling.co.nz
- MEXICO**  
*PT COUPLING DE MEXICO, S. DE R.L. DE C.V.*  
Castelar 1013 Ote.  
Col. Independencia  
Monterrey, N.L. Mexico  
C.P. 67420  
Phone: 52 81 81 90 00 09  
Fax: 52 81 81 90 56 15  
Email: ptmexico@ptcoupling.com  
  
**CENTRAL AMERICAN**  
*MAFISA PT CENTROAMERICA S.A*  
150 Mts Oeste De Los Tribunales  
De Justicia, Calle Blancos Apdo  
1016-2150 Moravia San Jose  
Costa Rica  
  
*Jose Ruiz*  
Phone: 011 506 2202-2300  
E-Mail: mafisapt@ptcoupling.com
- DENVER**  
*Mountain States Warehouse*  
5055 E. 41st Ave.  
Denver, CO 80216  
  
Toll Free: 800-654-0320  
Fax: 800-828-2649  
E-Mail: donb@burchsales.com
- KANSAS CITY**  
*Burchline Sales*  
1107 West Edwards  
Maryville, MO 64468  
  
*Don Burch*  
Cell: 816-916-5744  
E-Mail: donb@burchsales.com  
Toll Free: 800-654-0320
- SEATTLE**  
*Wilson/Rogers & Assoc., Inc.*  
2006 196th St. SW #119  
Lynnwood, WA 98036  
  
*Scott Wilson & Ron Weeks, Jr.*  
Phone: 425-248-4940  
Toll Free: 888-851-7275  
TF Fax: 888-851-7273  
Fax: 425-248-4944  
E-Mail: sales@wilsonrogers.com
- HOUSTON**  
*WRC Marketing*  
5611 Clinton Drive  
Houston, TX 77020  
  
*Ray Cooper*  
Phone: 713-670-9595  
Toll Free: 888-246-9256  
Fax: 713-670-9945  
E-Mail: wrware@sbcglobal.net
- BRAZIL**  
*VLADOS-PT CONEXÕES DO BRASIL*  
R. Auriverde, - Ipiranga - São Paulo -  
SP CEP 04222-002 - Brazil  
  
*Ricardo Neukamp*  
Phone: 55 11 2271-1212  
E-Mail: ricardo@ptcoupling.com.br
- INTERNATIONAL**  
*International Sales Manager*  
*Carlos E. Bermudez*  
  
1414 East Willow  
Enid, OK 73701  
Phone: 580-977-3709  
Cell: 580-478-6639  
Fax: 580-237-3435  
USA Phone: 888-306-2408  
E-Mail: carlosb@ptcoupling.com  
international@ptcoupling.com
- Robert Marr & Son, Inc.**  
32-22, 74th Street 2nd Floor  
East Elmhurst  
New York, NY 11370  
  
*Yin Yin*  
Phone: 718-565-7800  
Fax: 718-565-7802  
E-Mail: marrint@aol.com



**A-ADAPTER**  
ADAPTER X FEMALE  
NPT THREAD  
Made in the U.S.A.



All Stainless Steel cam and groove fittings are 316 Stainless Steel.

Now available with BSP Threads.

A-Adapter line drawings & dimensions are on page 147.

PT Coupling maintains inventories at all of their branch warehouse locations.

PT Coupling Company has a state of the art engineering department to custom design fittings to fit your application.

		Aluminum	Brass	Stainless Steel
Size	Part Name	Item #	Item #	Item #
1/2"	E05A	1000101	1200101	1400101
3/4" x 1/2"	1/2A	1000105	1200105	1400105
3/4"	07A	1000107	1200107	1400107
1"	10A	1000110	1200110	1400110
1-1/4"	12A	1000112	1200112	1400112
1-1/2"	15A	1000115	1200115	1400115
2"	20A	1000120	1200120	1400120
2-1/2"	25A	1000125	1200125	1400125
3"	30A	1000130	1200130	1400130
4"	40A	1000140	1200140	1400140
5"	50A	1000150	1200150	1400150
6"	60A	1000160	1200160	1400160
8"	80A	1000180	1200180	1400180
10"	100A	1000190	1200190	1400190
12"	120A	1000192	☎	1400192

		Ductile Iron	Hard Coat Alum	Carbon Steel
Size	Part Name	Item #	Item #	Item #
1/2"	E05A	1800101	2000101	2400101
3/4" x 1/2"	1/2A	1800105	2000105	2400105
3/4"	07A	1800107	2000107	2400107
1"	10A	1800110	2000110	2400110
1-1/4"	12A	1800112	2000112	2400112
1-1/2"	15A	1800115	2000115	2400115
2"	20A	1800120	2000120	2400120
2-1/2"	25A	1800125	2000125	2400125
3"	30A	1800130	2000130	2400130
4"	40A	1800140	2000140	2400140
5"	50A	1800150	2000150	2400150
6"	60A	1800160	2000160	2400160
8"	80A	1800180	2000180	☎
10"	100A	1800190	2000190	☎
12"	120A	1800192	☎	☎

		Polypropylene	Food Grade Poly	Nylon
Size	Part Name	Item #	Item #	Item #
3/4"	07A	2700107	2770107	2900107
1"	10A	2700110	2770110	2900110
1-1/4"	12A	2700112	2770112	2900112
1-1/2"	15A	2700115	2770115	2900115
2"	20A	2700120	2770120	2900120
3"	30A	2700130	2770130	2900130
4"	40A	2700140	2770140	☎

		Aluminum/HBS	Aluminum/HB	Brass/HB	Brass/HBS
Size	Part Name	Item #	Item #	Item #	Item #
1/2"	E05B	1000201	1070201	1200201	1290201
3/4" x 1/2"	1/2B	1000205	1070205	1200205	1290205
3/4"	07B	1000207	1070207	1200207	1290207
1"	10B	1000210	1070210	1200210	1290210
1-1/4"	12B	1000212	1070212	1200212	1290212
1-1/2"	15B	1000215	1070215	1200215	1290215
2"	20B	1000220	1070220	1200220	1290220
2-1/2"	25B	1000225	1070225	1200225	1290225
3"	30B	1000230	1070230	1200230	1290230
4"	40B	1000240	1070240	1200240	1290240
5"	50B	1000250	1070250	1200250	1290250
6"	60B	1000260	1070260	1200260	☎
8"	80B	1000280	1070280	1200280	☎
10"	100B	1000290	1070290	1200290	☎
12"	120B	1000292	1070292	☎	☎

		Stainless Steel	Ductile Iron	Hard Coat Alum	Carbon Steel
Size	Part Name	Item #	Item #	Item #	Item #
1/2"	E05B	1400201	1800201	2000201	☎
3/4" x 1/2"	1/2B	1400205	1800205	2000205	☎
3/4"	07B	1400207	1800207	2000207	2400207
1"	10B	1400210	1800210	2000210	2400210
1-1/4"	12B	1400212	1800212	2000212	2400212
1-1/2"	15B	1400215	1800215	2000215	2400215
2"	20B	1400220	1800220	2000220	2400220
2-1/2"	25B	1400225	1800225	2000225	2400225
3"	30B	1400230	1800230	2000230	2400230
4"	40B	1400240	1800240	2000240	2400240
5"	50B	1400250	1800250	2000250	☎
6"	60B	1400260	1800260	2000260	☎
8"	80B	1400280	1800280	2000280	☎
10"	100B	☎	☎	☎	☎
12"	120B	☎	☎	☎	☎

		Polypropylene	Food Grade Poly	Nylon
Size	Part Name	Item #	Item #	Item #
3/4"	07B	2700207	2770207	2900207
1"	10B	2700210	2770210	2900210
1-1/4"	12B	2700212	2770212	N/A
1-1/2"	15B	2700215	2770215	2900215
2"	20B	2700220	2770220	2900220
3"	30B	2700230	2770230	2900230

**B-COUPLER**  
COUPLER X MALE  
NPT THREAD  
Made in the U.S.A.



HBS cam arms are made of 300 series Stainless Steel.

HB cam arms are made of Brass.

All Stainless Steel cam and groove fittings are 316 Stainless Steel with 300 series Stainless Steel components, unless otherwise noted.

8, 10, and 12 inch couplers have a 4-cam design with the STA-LOK® positive locking feature.

Now available with BSP Threads.

Please call for special quote on components in 316 Stainless Steel.

B-Coupler line drawings & dimensions are on page 147.





C-COUPLER  
COUPLER X HOSE  
SHANK

Made in the U.S.A.



PT's specially designed multi-barbed shank with interlocking ring allows for attachment via original PUNCH-LOK® center punch clamps (see page 115 for more details), or by an interlocked PROGRIP™ C-50 ferrule or sleeve. See pages 95-100 for more details.

HBS cam arms are made of 300 series Stainless Steel.

HB cam arms are made of Brass.

8, 10 and 12 in. couplers are 4-cam designs with the STA-LOK® positive locking feature.

All Stainless Steel cam and groove fittings are 316 Stainless Steel with 300 series Stainless Steel components, unless otherwise noted.

Please call for special quote on components in 316 Stainless Steel.

All 1-1/2" to 6" Aluminum or Hard Coat Aluminum hose shank couplings are available with Undersized Shank. To order add the letters "US" after the existing item numbers listed above.

C-Coupler line drawings & dimensions are on page 147.

Table with columns: Size, Part Name, Aluminum/HBS, Aluminum/HB, Brass/HB, Brass/HBS. Rows include sizes from 1/2" to 12".

Table with columns: Size, Part Name, Stainless Steel, Ductile Iron, Hard Coat Alum, Carbon Steel. Rows include sizes from 1/2" to 12".

Table with columns: Size, Part Name, Polypropylene, Food Grade Poly, Nylon. Rows include sizes 3/4", 1", 1-1/4", 1-1/2", 2", 3", 4".

Table with columns: Size, Part Name, Aluminum/HBS, Aluminum/HB, Brass/HB, Brass/HBS. Rows include sizes from 1/2" to 12".

Table with columns: Size, Part Name, Stainless Steel, Ductile Iron, Hard Coat Alum, Carbon Steel. Rows include sizes from 1/2" to 12".

Table with columns: Size, Part Name, Polypropylene, Food Grade Poly, Nylon. Rows include sizes 3/4", 1", 1-1/4", 1-1/2", 2", 3".

D-COUPLER  
COUPLER X FEMALE  
NPT THREAD

Made in the U.S.A.



HBS cam arms are made of 300 series Stainless Steel.

HB cam arms are made of Brass.

8, 10, and 12 inch couplers are 4-cam designs with the STA-LOK® positive locking feature.

Now available with BSP Threads.

All Stainless Steel cam and groove fittings are 316 Stainless Steel with 300 series Stainless Steel components, unless otherwise noted.

Please call for special quote on components in 316 Stainless Steel.

PT Coupling maintains inventories at all of their branch warehouse locations.

D-Coupler line drawings & dimensions are on page 148.

Basic Standard Parts - C-Coupler

Basic Standard Parts - D-Coupler



E-ADAPTER ADAPTER X HOSE SHANK

Made in the U.S.A.



All Stainless Steel cam and groove fittings are 316 Stainless Steel.

PT hose shanks are the most versatile for attaching to hose. The specially designed multi-barbed shank allows for attachment via original PUNCH-LOK® center punch clamps (see page 115 for more details), or by an interlocked PROGRIP™ C-50 ferrule or sleeve. See pages 95 -100 for more details.

All 1-1/2" to 6" Aluminum or Hard Coat Aluminum hose shank couplings are available with Undersized Shank. To order add the letters "US" after the existing item numbers listed above.

E-Adapter line drawings & dimensions are on page 148.

Table with columns: Size, Part Name, Aluminum Item #, Brass Item #, Stainless Steel Item #. Rows include sizes from 1/2" to 12".

Table with columns: Size, Part Name, Ductile Iron Item #, Hard Coat Alum Item #, Carbon Steel Item #. Rows include sizes from 1/2" to 12".

Table with columns: Size, Part Name, Polypropylene Item #, Food Grade Poly Item #, Nylon Item #. Rows include sizes from 3/4" to 4".

Table with columns: Size, Part Name, Aluminum Item #, Brass Item #, Stainless Steel Item #. Rows include sizes from 1/2" to 12".

Table with columns: Size, Part Name, Ductile Iron Item #, Hard Coat Alum Item #, Carbon Steel Item #. Rows include sizes from 1/2" to 12".

Table with columns: Size, Part Name, Polypropylene Item #, Food Grade Poly Item #, Nylon Item #. Rows include sizes from 3/4" to 3".

F-ADAPTER ADAPTER X MALE NPT THREAD

Made in the U.S.A.



Now available with BSP Threads.

All Stainless Steel cam and groove fittings are 316 Stainless Steel.

F-Adapter line drawings & dimensions are on page 148.

PT Coupling maintains inventories at all of their branch warehouse locations.





V-COUPLER DUST CAP

Made in the U.S.A.



HBS cam arms are made of 300 series Stainless Steel.

HB cam arms are made of Brass.

8, 10 and 12 inch couplers are 4-cam designs with the STA-LOK® positive locking feature.

All Stainless Steel cam and groove fittings are 316 Stainless Steel with 300 series Stainless Steel components, unless otherwise noted.

Please call for special quote on components in 316 Stainless Steel.

V-Coupler line drawings & dimensions are on page 149.

PT Coupling maintains inventories at all of their branch warehouse locations.

Table with 6 columns: Size, Part Name, Aluminum/HBS, Aluminum/HB, Brass/HB, Brass/HBS. Lists various sizes from 1/2" to 12" and their corresponding part numbers and item numbers.

Table with 6 columns: Size, Part Name, Stainless Steel, Ductile Iron, Hard Coat Alum, Carbon Steel. Lists various sizes from 1/2" to 12" and their corresponding part numbers and item numbers.

Table with 5 columns: Size, Part Name, Polypropylene, Food Grade Poly, Nylon. Lists various sizes from 3/4" to 4" and their corresponding part numbers and item numbers.

Table with 6 columns: Size, Part Name, \*Aluminum, \*\*Aluminum, \*Brass, \*\*Stainless Steel. Lists various sizes from 1-1/2" to 6" and their corresponding part numbers and item numbers.

Table with 5 columns: Size, Part Name, \*Ductile Iron, \*Hard Coat Alum, \*\*Polypropylene. Lists various sizes from 1-1/2" to 6" and their corresponding part numbers and item numbers.

\*Priced with Brass cam arms.

\*\*Priced with 316 Stainless Steel cam arms and 300 series Stainless Steel pin and ring. Pull rings are not included in the 6 inch XL Locking Cam Assembly.

VL-COUPLER DUST CAP W/ LOCKING CAM ARMS

Made in the U.S.A.



Chain Lug diameter is .25" or greater.

All Stainless Steel cam and groove fittings are 316 Stainless Steel, with 300 series Stainless Steel components, unless otherwise noted.

Table with 4 columns: Coupler Size, Part Name, 316 Stainless Steel, Brass. Lists sizes from 2" & 2-1/2" to 6" and their corresponding part numbers and item numbers.

316 Stainless Steel cam arms come standard with 300 series pin and ring. Pull rings are not included in the 6 inch XL Locking Cam Assembly.

XL LOCKING CAM ASSEMBLY FOR VL COUPLER. 1 CAM ARM, 1 PIN & 1 PULL RING. Made in the U.S.A.



Table with 4 columns: Size, Part Name, SS Chain W/Hooks, SS Chain W/Rings. Lists sizes from 6" to 48" and their corresponding part numbers and item numbers.

SECURITY CHAINS FOR DUST CAPS & DUST PLUGS



Table with 4 columns: Size, Part Name, Brass Chain W/Hooks, Brass Chain W/Rings. Lists sizes from 6" to 12" and their corresponding part numbers and item numbers.





W-ADAPTER  
DUST PLUG

Made in the U.S.A.



All Stainless Steel cam and groove fittings are 316 Stainless Steel.

W-Adapter line drawings & dimensions are on page 148.

PT Coupling maintains inventories at all of their branch warehouse locations.

		Aluminum	Brass	Stainless Steel
Size	Part Name	Item #	Item #	Item #
1/2"	E05W	1001201	1201201	1401201
3/4"	07W	1001207	1201207	1401207
1"	10W	1001210	1201210	1401210
1-1/4"	12W	1001212	1201212	1401212
1-1/2"	15W	1001215	1201215	1401215
2"	20W	1001220	1201220	1401220
2-1/2"	25W	1001225	1201225	1401225
3"	30W	1001230	1201230	1401230
4"	40W	1001240	1201240	1401240
5"	50W	1001250	1201250	1401250
6"	60W	1001260	1201260	1401260
8"	80W	1001280	1201280	1401280
10"	100W	1001290	1201290	1401290
12"	120W	1001292	☎	☎

		Ductile Iron	Hard Coat Alum	Carbon Steel
Size	Part Name	Item #	Item #	Item #
1/2"	E05W	1801201	2001201	2401201
3/4"	07W	1801207	2001207	2401207
1"	10W	1801210	2001210	2401210
1-1/4"	12W	1801212	2001212	☎
1-1/2"	15W	1801215	2001215	2401215
2"	20W	1801220	2001220	2401220
2-1/2"	25W	1801225	2001225	☎
3"	30W	1801230	2001230	2401230
4"	40W	1801240	2001240	2401240
5"	50W	1801250	2001250	☎
6"	60W	1801260	2001260	☎
8"	80W	1801280	2001280	☎
10"	100W	1801290	☎	☎
12"	120W	☎	☎	☎

		Polypropylene	Food Grade Poly	Nylon
Size	Part Name	Item #	Item #	Item #
3/4"	07W	2701207	2771207	2901207
1"	10W	2701210	2771210	2901210
1-1/4"	12W	2701212	2771212	☎
1-1/2"	15W	2701215	2771215	2901215
2"	20W	2701220	2771220	2901220
3"	30W	2701230	2771230	2901230
4"	40W	2701240	2771240	☎

STA-LOK® is a positive locking feature that comes with Carbon Steel or Stainless Steel hitch pin clips. You may also substitute a padlock in place of the hitch pin clip. Proper use of these mechanisms can help prevent spills by keeping the cam arms from opening under adverse conditions, such as high vibrations, pulsing, wear, and hazardous materials. STA-LOK® couplers meet the Coast Guard ASTM 1122-87 specifications for Quick Disconnect Couplers.

		Aluminum/HBS	Aluminum/HB	Brass/HB	Stainless Steel
Size	Part Name	Item #	Item #	Item #	Item #
1-1/2"	15BSL	☎	☎	1200215SL	☎
2"	20BSL	1000220SL	1070220SL	1200220SL	1400220SL
2-1/2"	25BSL	☎	☎	1200225SL	☎
3"	30BSL	1000230SL	1070230SL	1200230SL	1400230SL
4"	40BSL	☎	1070240SL	1200240SL	☎

		Aluminum/HBS	Aluminum/HB	Brass/HB
Size	Part Name	Item #	Item #	Item #
1"	10CSL	1000310SL	1070310SL	1200310SL
1-1/4"	12CSL	N/A	N/A	1200312SL
1-1/2"	15CSL	1000315SL	1070315SL	1200315SL
2"	20CSL	1000320SL	1070320SL	1200320SL
3"	30CSL	1000330SL	1070330SL	1200330SL
4"	40CSL	1000340SL	1070340SL	1200340SL
5"	50CSL	☎	☎	1200350SL

		Brass/HBS	Stainless Steel	Polypropylene
Size	Part Name	Item #	Item #	Item #
1"	10CSL	☎	1400310SL	N/A
1-1/4"	12CSL	☎	N/A	N/A
1-1/2"	15CSL	1290315SL	1400315SL	N/A
2"	20CSL	1290320SL	1400320SL	2700320SL
3"	30CSL	1290330SL	1400330SL	N/A
4"	40CSL	1290340SL	1400340SL	2700340SL
5"	50CSL	☎	1400350SL	N/A

		Aluminum/HBS	Aluminum/HB	Brass/HB
Size	Part Name	Item #	Item #	Item #
1"	10DSL	1000410SL	1070410SL	1200410SL
1-1/4"	12DSL	1000412SL	1070412SL	1200412SL
1-1/2"	15DSL	1000415SL	1070415SL	1200415SL
2"	20DSL	1000420SL	1070420SL	1200420SL
2-1/2"	25DSL	☎	1070425SL	1200425SL
3"	30DSL	1000430SL	1070430SL	1200430SL
4"	40DSL	1000440SL	1070440SL	1200440SL

		Aluminum/HBS	Aluminum/HB	Brass/HB
Size	Part Name	Item #	Item #	Item #
1"	10DSL	1000410SL	1070410SL	1200410SL
1-1/4"	12DSL	1000412SL	1070412SL	1200412SL
1-1/2"	15DSL	1000415SL	1070415SL	1200415SL
2"	20DSL	1000420SL	1070420SL	1200420SL
2-1/2"	25DSL	☎	1070425SL	1200425SL
3"	30DSL	1000430SL	1070430SL	1200430SL
4"	40DSL	1000440SL	1070440SL	1200440SL

BSL - COUPLER  
STA-LOK®

COUPLER X MALE  
NPT THREAD

Made in the U.S.A.



CSL - COUPLER  
STA-LOK®

COUPLER X HOSE  
SHANK

Made in the U.S.A.



Basic Standard Couplers in 8, 10, and 12 inch have a 4-cam design with the STA LOK® positive locking feature. Available on pages 9 -11 & 14.

DSL - COUPLER STA-LOK®

COUPLER X FEMALE  
NPT THREAD

Made in the U.S.A.



Now available with BSP Threads.

HBS cam arms are made of 300 series Stainless Steel.

HB cam arms are made of Brass.

Standard Cam assemblies in HB and HBS may be used on all STA LOK® parts.

All Stainless Steel cam and groove fittings are 316 Stainless Steel with 300 series Stainless Steel components, unless otherwise noted.

Please call for special quote on components in 316 Stainless Steel.

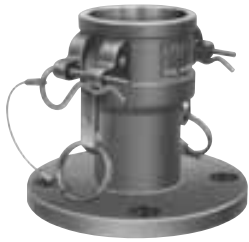




VSL-DUST CAP  
STA-LOK®  
DUST CAP  
Made in the U.S.A.



PF20CSL STA-LOK®  
COUPLER X PIPE  
FLANGE  
Made in the U.S.A.



Basic Standard Couplers  
in 8, 10, and 12 inch have  
a 4-cam design with the  
STA-LOK® positive locking  
feature. Available on  
pages 9-11 & 14.

PAD-LOCK  
SPECIALLY DESIGNED  
FOR ADDED  
SECURITY  
Made in the U.S.A.



REPLACEMENT KIT  
2 HEAVY DUTY  
STEEL CABLES AND  
HITCH PINS  
Made in the U.S.A.



STA-LOK® couplers meet the Coast Guard ASTM 1122-87 specifications for Quick Disconnect Couplers.

		Aluminum/HBS	Aluminum/HB	Brass	Stainless Steel
Size	Part Name	Item #	Item #	Item #	Item #
2"	20VSL	1001120SL	1071120SL	1201120SL	1401120SL
2-1/2"	25VSL	1001125SL	1071125SL	1201125SL	1401125SL
3"	30VSL	1001130SL	1071130SL	1201130SL	1401130SL
4"	40VSL	1001140SL	1071140SL	1201140SL	☎

		Stainless Steel
Size	Part Name	Item #
2"	PF20CSL	64542000SL

Pipe Flange bolt pattern  
conforms to ANSI B16.5 Class 150

HBS cam arms are made of 300 series  
Stainless Steel.

HB cam arms are made of Brass.

Standard Cam assemblies in HB and HBS  
may be used on all STA LOK® parts.

All Stainless Steel cam and groove fittings  
are 316 Stainless Steel with 300 series  
Stainless Steel components, unless  
otherwise noted.

Please call for special quote on components  
in 316 Stainless Steel.

	Brass
Part Name	Item #
PADLOCK	5020029

For use with STA-LOK® VL Locking Caps and SECURE-LOK™.

STA-LOK® II is a passive locking feature that automatically locks the handle into place, if it is fully closed. To open the handles there are manual quick release levers. Proper use of this mechanism can help prevent spills by keeping the cam arms from opening under adverse conditions, such as high vibrations, pulsing, wear, and hazardous materials. STA-LOK® II couplers meet the Coast Guard ASTM 1122-87 specifications for Quick Disconnect Couplers.

		Aluminum/SLS	Aluminum/SLB	Stainless Steel
Size	Part Name	Item #	Item #	Item #
1"	10B SLII	1000210L2	1070210L2	1400210L2
1-1/4"	12B SLII	1000212L2	1070212L2	1400212L2
1-1/2"	15B SLII	1000215L2	1070215L2	1400215L2
2"	20B SLII	1000220L2	1070220L2	1400220L2
2-1/2"	25B SLII	1000225L2	1070225L2	1400225L2
3"	30B SLII	1000230L2	1070230L2	1400230L2
4"	40B SLII	1000240L2	1070240L2	1400240L2
5"	50B SLII	1000250L2	1070250L2	1400250L2
6"	60B SLII	1000260L2	☎	1400260L2

		Brass/SLS	Brass/SLB	Ductile
Size	Part Name	Item #	Item #	Item #
1"	10B SLII	1290210L2	1200210L2	1800210L2
1-1/4"	12B SLII	1290212L2	1200212L2	☎
1-1/2"	15B SLII	1290215L2	1200215L2	☎
2"	20B SLII	1290220L2	1200220L2	1800220L2
2-1/2"	25B SLII	1290225L2	1200225L2	☎
3"	30B SLII	1290230L2	1200230L2	1800230L2
4"	40B SLII	1290240L2	1200240L2	1800240L2
5"	50B SLII	1290250L2	1200250L2	☎
6"	60B SLII	☎	1200260L2	☎

		Hard Coat Alum	Polypropylene	Food Grade Poly
Size	Part Name	Item #	Item #	Item #
1"	10B SLII	2000210L2	2700210L2	2770210L2
1-1/4"	12B SLII	2000212L2	2700212L2	☎
1-1/2"	15B SLII	2000215L2	2700215L2	☎
2"	20B SLII	2000220L2	2700220L2	☎
2-1/2"	25B SLII	2000225L2	N/A	N/A
3"	30B SLII	2000230L2	2700230L2	☎
4"	40B SLII	2000240L2	N/A	N/A

B-COUPLER  
STA-LOK® II  
COUPLER X MALE  
NPT THREAD  
Made in the U.S.A.



SLS cam arms are made  
of 316 Stainless Steel.

SLB cam arms are made  
of Brass.

Pins, rings & the lock plate  
in STA-LOK® II couplings  
are 300 series Stainless  
Steel.

All Stainless Steel cam  
and groove fittings are  
316 Stainless Steel unless  
otherwise noted.

Please call for special  
quote on components in  
316 Stainless Steel.

Now available with BSP  
threads.

PT Coupling maintains  
inventories at all of  
their branch warehouse  
locations.



### C-COUPLER STA-LOK® II COUPLER X HOSE SHANK Made in the U.S.A.



SLS cam arms are made of 316 Stainless Steel.

SLB cam arms are made of Brass.

Pins, rings & the lock plate in STA-LOK® II couplings are 300 series Stainless Steel.

All Stainless Steel cam and groove fittings are 316 Stainless Steel unless otherwise noted.

Please call for special quote on components in 316 Stainless Steel.

PT Coupling maintains inventories at all of their branch warehouse locations.

STA-LOK® II couplers meet the Coast Guard ASTM 1122-87 specifications for Quick Disconnect Couplers.

		Aluminum/SLS	Aluminum/SLB	Stainless Steel
Size	Part Name	Item #	Item #	Item #
1"	10C SLII	1000310L2	1070310L2	1400310L2
1-1/4"	12C SLII	1000312L2	1070312L2	1400312L2
1-1/2"	15C SLII	1000315L2	1070315L2	1400315L2
2"	20C SLII	1000320L2	1070320L2	1400320L2
2-1/2"	25C SLII	1000325L2	1070325L2	1400325L2
3"	30C SLII	1000330L2	1070330L2	1400330L2
4"	40C SLII	1000340L2	1070340L2	1400340L2
5"	50C SLII	1000350L2	1070350L2	1400350L2
6"	60C SLII	1000360L2	1070360L2	1400360L2

		Brass/SLS	Brass/SLB	Ductile
Size	Part Name	Item #	Item #	Item #
1"	10C SLII	1290310L2	1200310L2	☎
1-1/4"	12C SLII	1290312L2	1200312L2	☎
1-1/2"	15C SLII	1290315L2	1200315L2	☎
2"	20C SLII	1290320L2	1200320L2	1800320L2
2-1/2"	25C SLII	1290325L2	1200325L2	1800325L2
3"	30C SLII	1290330L2	1200330L2	1800330L2
4"	40C SLII	1290340L2	1200340L2	1800340L2
5"	50C SLII	1290350L2	1200350L2	1800360L2
6"	60C SLII	☎	1200360L2	☎

		Hard Coat Alum	Polypropylene	Food Grade Poly
Size	Part Name	Item #	Item #	Item #
1"	10C SLII	2000310L2	2700310L2	☎
1-1/4"	12C SLII	2000312L2	2700312L2	☎
1-1/2"	15C SLII	2000315L2	2700315L2	☎
2"	20C SLII	2000320L2	2700320L2	2770320L2
2-1/2"	25C SLII	2000325L2	☎	☎
3"	30C SLII	2000330L2	2700330L2	☎
4"	40C SLII	2000340L2	2700340L2	☎
5"	50C SLII	2000350L2	N/A	N/A
6"	60C SLII	☎	N/A	N/A

STA-LOK® II couplers meet the Coast Guard ASTM 1122-87 specifications for Quick Disconnect Couplers.

		Aluminum/SLS	Aluminum/SLB	Stainless Steel
Size	Part Name	Item #	Item #	Item #
1"	10D SLII	1000410L2	1070410L2	1400410L2
1-1/4"	12D SLII	1000412L2	1070412L2	1400412L2
1-1/2"	15D SLII	1000415L2	1070415L2	1400415L2
2"	20D SLII	1000420L2	1070420L2	1400420L2
2-1/2"	25D SLII	1000425L2	1070425L2	1400425L2
3"	30D SLII	1000430L2	1070430L2	1400430L2
4"	40D SLII	1000440L2	1070440L2	1400440L2
5"	50D SLII	1000450L2	1070450L2	1400450L2
6"	60D SLII	1000460L2	☎	1400460L2

		Brass/SLS	Brass/SLB	Ductile
Size	Part Name	Item #	Item #	Item #
1"	10D SLII	1290410L2	1200410L2	1800410L2
1-1/4"	12D SLII	1290412L2	1200412L2	1800412L2
1-1/2"	15D SLII	1290415L2	1200415L2	1800415L2
2"	20D SLII	1290420L2	1200420L2	1800420L2
2-1/2"	25D SLII	1290425L2	1200425L2	1800425L2
3"	30D SLII	1290430L2	1200430L2	1800430L2
4"	40D SLII	1290440L2	1200440L2	1800440L2
5"	50D SLII	1290450L2	1200450L2	☎
6"	60D SLII	1290460L2	1200460L2	☎

		Hard Coat Alum	Polypropylene	Food Grade Poly
Size	Part Name	Item #	Item #	Item #
1"	10D SLII	2000410L2	2700410L2	2770410L2
1-1/4"	12D SLII	2000412L2	2700412L2	☎
1-1/2"	15D SLII	2000415L2	2700415L2	2770415L2
2"	20D SLII	2000420L2	2700420L2	2770420L2
2-1/2"	25D SLII	2000425L2	☎	☎
3"	30D SLII	2000430L2	2700430L2	☎
4"	40D SLII	2000440L2	☎	☎
5"	50D SLII	2000450L2	☎	☎
6"	60D SLII	2000460L2	N/A	N/A

### D-COUPLER STA-LOK® II COUPLER X FEMALE NPT THREAD Made in the U.S.A.



SLS cam arms are made of 316 Stainless Steel.

SLB cam arms are made of Brass.

Pins, rings & the lock plate in STA-LOK® II couplings are 300 series Stainless Steel.

All Stainless Steel cam and groove fittings are 316 Stainless Steel unless otherwise noted.

Please call for special quote on components in 316 Stainless Steel.

Now available with BSP threads.

PT Coupling maintains inventories at all of their branch warehouse locations.

STA-LOK® II - Passive Locking Cam & Groove





STA-LOK® II couplers meet the Coast Guard ASTM 1122-87 specifications for Quick Disconnect Couplers.

		Aluminum/SLS	Aluminum/SLB	Stainless Steel
Size	Part Name	Item #	Item #	Item #
1"	10V SLII	1001110L2	1071110L2	1401110L2
1-1/4"	12V SLII	1001112L2	1071112L2	1401112L2
1-1/2"	15V SLII	1001115L2	1071115L2	1401115L2
2"	20V SLII	1001120L2	1071120L2	1401120L2
2-1/2"	25V SLII	1001125L2	1071125L2	1401125L2
3"	30V SLII	1001130L2	1071130L2	1401130L2
4"	40V SLII	1001140L2	1071140L2	1401140L2
5"	50V SLII	1001150L2	1071150L2	1401150L2
6"	60V SLII	1001160L2	☎	1401160L2

		Brass/SLS	Brass/SLB	Ductile
Size	Part Name	Item #	Item #	Item #
1"	10V SLII	1291110L2	1201110L2	1801110L2
1-1/4"	12V SLII	1291112L2	1201112L2	1801112L2
1-1/2"	15V SLII	1291115L2	1201115L2	☎
2"	20V SLII	1291120L2	1201120L2	1801120L2
2-1/2"	25V SLII	1291125L2	1201125L2	1801125L2
3"	30V SLII	1291130L2	1201130L2	1801130L2
4"	40V SLII	1291140L2	1201140L2	1801140L2
5"	50V SLII	1291150L2	1201150L2	☎
6"	60V SLII	☎	1201160L2	☎

		Hard Coat Alum	Polypropylene	Food Grade Poly	Nylon
Size	Part Name	Item #	Item #	Item #	Item #
1"	10V SLII	2001110L2	2701110L2	2771110L2	☎
1-1/4"	12V SLII	2001112L2	2701112L2	☎	☎
1-1/2"	15V SLII	2001115L2	2701115L2	☎	☎
2"	20V SLII	2001120L2	2701120L2	☎	2901120L2
2-1/2"	25V SLII	2001125L2	N/A	N/A	N/A
3"	30V SLII	2001130L2	2701130L2	☎	☎
4"	40V SLII	2001140L2	2701140L2	☎	☎
5"	50V SLII	2001150L2	N/A	N/A	N/A
6"	60V SLII	2001160L2	N/A	N/A	N/A

V-DUST CAP  
STA-LOK® II  
DUST CAP

Made in the U.S.A.



SLS cam arms are made of 316 Stainless Steel.

SLB cam arms are made of Brass.

Pins, rings & the lock plate in STA-LOK® II couplings are 300 series Stainless Steel.

All Stainless Steel cam and groove fittings are 316 Stainless Steel unless otherwise noted.

Please call for special quote on components in 316 Stainless Steel.

PT Coupling maintains inventories at all of their branch warehouse locations.

STA-LOK® II couplers meet the Coast Guard ASTM 1122-87 specifications for Quick Disconnect Couplers.

Coupler X Coupler		Aluminum	Brass	Stainless Steel
Size	Part Name	Item #	Item #	Item #
2" x 1-1/2"	20CX15C SLII	☎	62222015L2	64222015L2*
2" x 2"	20CX20C SLII	60272020L2	☎	☎
3" x 2"	30CX20C SLII	60273020L2	62223020L2	64223020L2
3" x 2-1/2"	30CX25C SLII	☎	☎	64223025L2
3" x 3"	30CX30C SLII	60273030L2	☎	☎
4" x 3"	40CX30C SLII	60274030L2	62224030L2	64224030L2
4" x 4"	40CX40C SLII	60274040L2	☎	☎
5" x 4"	50CX40C SLII	60275040L2*	N/A	☎
5" x 5"	50CX50C SLII	60275050L2	☎	☎
6" x 4"	60CX40C SLII	60276040L2	☎	☎
10" x 10"	100CX100C SLII	60279090L2	☎	☎

Coupler X Male NPT Thread		Aluminum	Brass	Stainless Steel
Size	Part Name	Item #	Item #	Item #
2" x 1-1/2"	20X15B SLII	60182015L2	☎	64182015L2
2-1/2" x 2"	25X20B SLII	60182520L2	☎	64182520L2
3" x 2"	30X20B SLII	60183020L2	62183020L2	64183020L2
4" x 3"	40X30B SLII	60184030L2	62184030L2	☎

Now available with BSP threads.

Coupler X Hose Shank		Aluminum	Brass	Stainless Steel
Size	Part Name	Item #	Item #	Item #
2" x 1-1/2"	20X15C SLII	60222015L2	62222015L2	64222015L2
3" x 2"	30X20C SLII	60223020L2	62223020L2	64223020L2
3" x 2-1/2"	30X25C SLII	60223025L2	☎	64223025L2
4" x 3"	40X30C SLII	60224030L2	62224030L2	64224030L2

SLS cam arms are made of 316 Stainless Steel.

SLB cam arms are made of Brass.

Pins, rings & the lock plate in STA-LOK® II couplings are 300 series Stainless Steel.

All Stainless Steel cam and groove fittings are 316 Stainless Steel unless otherwise noted.

Please call for special quote on components in 316 Stainless Steel.

PT Coupling maintains inventories at all of their branch warehouse locations

Coupler X Female NPT Thread		Aluminum	Brass	Stainless Steel
Size	Part Name	Item #	Item #	Item #
1-1/2" x 1"	15X10D SLII	60201510L2	☎	64201510L2
1-1/2" x 1-1/4"	15X12D SLII	☎	☎	☎
2" x 1"	20X10D SLII	☎	☎	☎
2" x 1-1/2"	20X15D SLII	☎	62202015L2	☎
2-1/2" x 1"	25X10D SLII	☎	☎	☎
3" x 1"	30X10D SLII	60203010L2*	N/A	☎
3" x 2"	30x20D SLII	☎	62203020L2	☎
4" x 3"	40X30D SLII	60204030L2	☎	64204030L2

Now available with BSP threads.

\*Denotes parts are produced as a welded fabrication.

CXC COUPLER  
STA-LOK® II  
COUPLER X COUPLER

Made in the U.S.A.



B-COUPLER  
STA-LOK® II REDUCER  
COUPLER X MALE  
NPT THREAD

Made in the U.S.A.



C-COUPLER  
STA-LOK® II REDUCER  
COUPLER X HOSE  
SHANK

Made in the U.S.A.



D-COUPLER  
STA-LOK® II REDUCER  
COUPLER X FEMALE  
NPT THREAD

Made in the U.S.A.



STA-LOK® II - Reducer

STA-LOK® II - Passive Locking Cam & Groove



CXA SHORT STA-LOK® II REDUCER COUPLER X ADAPTER

Made in the U.S.A.



SLS cam arms are made of 316 Stainless Steel.

SLB cam arms are made of Brass.

Pins, rings & the lock plate in STA-LOK® II couplings are 300 series Stainless Steel.

All Stainless Steel cam and groove fittings are 316 Stainless Steel unless otherwise noted.

Please call for special quote on components in 316 Stainless Steel.

PT Coupling maintains inventories at all of their branch warehouse locations.

\*Denotes parts are produced as a welded fabrication.

STA-LOK® II couplers meet the Coast Guard ASTM 1122-87 specifications for Quick Disconnect Couplers.

Table with 5 columns: Coupler X Adapter, Size, Part Name, Aluminum/SLS, Aluminum/SLB, Stainless Steel. Lists various sizes and part numbers.

Table with 5 columns: Coupler X Adapter, Size, Part Name, Brass/SLS, Brass/SLB, Ductile. Lists various sizes and part numbers.

STA-LOK® II couplers meet the Coast Guard ASTM 1122-87 specifications for Quick Disconnect Couplers.

Table with 5 columns: Coupler X Adapter, Size, Part Name, Aluminum/SLS, Aluminum/SLB, Brass/SLB. Lists various sizes and part numbers.

Table with 4 columns: Coupler X Adapter, Size, Part Name, Stainless Steel, Hard Coat Alum. Lists various sizes and part numbers.

Table with 5 columns: Coupler Size, Part Name, Item #, Part Name, Item #. Lists replacement cam assemblies for 316 Stainless Steel and Brass.

CXA LONG STA-LOK® II REDUCER COUPLER X ADAPTER

Made in the U.S.A.



SLS cam arms are made of 316 Stainless Steel.

SLB cam arms are made of Brass.

Pins, rings & the lock plate in STA-LOK® II couplings are 300 series Stainless Steel.

All Stainless Steel cam and groove fittings are 316 Stainless Steel unless otherwise noted.

Please call for special quote on components in 316 Stainless Steel.

PT Coupling maintains inventories at all of their branch warehouse locations.

\*Denotes parts are produced as a welded fabrication.

STA-LOK® II REPLACEMENT CAM ASSEMBLY

1 CAM ARM, PIN, PULL RING AND LOCK PLATE

Made in the U.S.A.







## A-ADAPTER REDUCER ADAPTER X FEMALE NPT THREAD

Made in the U.S.A.



All Stainless Steel cam and groove fittings are 316 Stainless Steel.

PT Coupling maintains inventories at all of their branch warehouse locations.

\*Denotes parts are produced as a welded fabrication.

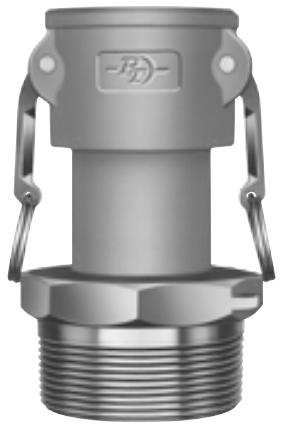
Adapter X Female NPT Thread		Aluminum	Brass	Stainless Steel
Size	Part Name	Item #	Item #	Item #
3/4" x 1"	07X10A	60220710	☎	64141001
1" x 1/2"	10X05A	☎	☎	64141015
1" x 1-1/2"	10X15A	60141015	☎	☎
1-1/2" x 1"	15X10A	60141510	62141510	64141510
1-1/2" x 1-1/4"	15X12A	☎	62141512	64141512
1-1/2" x 2"	15X20A	60141520	62141520	64141520
2" x 1-1/4"	20X12A	60142012	☎	☎
2" x 1-1/2"	20X15A	60142015	62142015	64142015
2" x 2-1/2"	20X25A	60142025	62142025	64142025
2" x 3"	20X30A	60142030	62142030	64142030
2" x 4"	20X40A	60142040*	N/A	64142040*
2-1/2" x 1-1/2"	25X15A	60142515	☎	☎
2-1/2" x 2"	25X20A	60142520	62142520	64142520
2-1/2" x 3"	25X30A	60142530	62142530	64142530
2-1/2" x 4"	25X40A	60142540	62142540	☎
3" x 1"	30X10A	☎	☎	64143010
3" x 2"	30X20A	60143020	62143020	64143020
3" x 2-1/2"	30X25A	60143025	62143025	☎
3" x 4"	30X40A	60143040	62143040	64143040
4" x 2"	40X20A	☎	N/A	64144020*
4" x 2-1/2"	40X25A	60144025	62144025	☎
4" x 3"	40X30A	60144030	62144030	64144030
4" x 5"	40X50A	60144050	☎	64144050
5" x 3"	50X30A	60145030	☎	64145030

Adapter X Female NPT Thread		Ductile Iron	Hard Coat Alum
Size	Part Name	Item #	Item #
1-1/2" x 2"	15X20A	68141520	70141520
2" x 1-1/4"	20X12A	68142012	☎
2" x 1-1/2"	20X15A	68142015	70142015
2" x 2-1/2"	20X25A	☎	70142025
2" x 3"	20X30A	68142030	70142030
3" x 2"	30X20A	68143020	70143020
3" x 2-1/2"	30X25A	☎	70143025
3" x 4"	30X40A	68143040	70143040
4" x 2-1/2"	40X25A	☎	70144025
4" x 3"	40X30A	68144030	70144030
4" x 5"	40X50A	68144050	☎
5" x 3"	50X30A	68145030	☎



## B-COUPLER REDUCER COUPLER X MALE NPT THREAD

Made in the U.S.A.



HBS cam arms are made of 300 series Stainless Steel.

HB cam arms are made of Brass.

All Stainless Steel cam and groove fittings are 316 Stainless Steel with 300 series Stainless Steel components, unless otherwise noted.

Please call for special quote on components in 316 Stainless Steel.

All couplings are available with STA-LOK® II cam arms.

PT Coupling maintains inventories at all of their branch warehouse locations

\*Denotes parts are produced as a welded fabrication.

Coupler X Male NPT Thread		Aluminum/HBS	Aluminum/HB	Brass
Size	Part Name	Item #	Item #	Item #
1" x 2"	10X20B	60181020	☎	☎
1-1/2" x 1"	15X10B	60181510	601800009	☎
1-1/2" x 2"	15X20B	60181520	☎	☎
2" x 1"	20X10B	☎	☎	62182010
2" x 1-1/2"	20X15B	60182015	601800001	62182015
2" x 2-1/2"	20X25B	60182025*	☎	N/A
2" x 3"	20X30B	60182030	601800002	☎
2-1/2" x 2"	25X20B	60182520	601800003	62182520
2-1/2" x 3"	25X30B	60182530	601800004	☎
3" x 2"	30X20B	60183020*	601800005	62183020
3" x 2-1/2"	30X25B	60183025	601800006	62183025
3" x 4"	30X40B	60183040	☎	62183040
4" x 2"	40X20B	60184020	601800007	☎
4" x 2-1/2"	40X25B	60184025*	☎	62184025
4" x 3"	40X30B	60184030	601800008	62184030
5" x 3"	50X30B	60185030*	☎	N/A
5" x 4"	50X40B	60185040*	☎	N/A
8" x 6"	80X60B	60188060*	☎	N/A
8" x 10"	80X100B	☎	60188090	☎
10" x 8"	100X80B	☎	60189080	☎

Coupler X Male NPT Thread		Stainless Steel	Ductile Iron
Size	Part Name	Item #	Item #
1" x 3/4"	10X07B	64181007	☎
1" x 2"	10X15B	64181015*	N/A
1" x 2"	10X20B	☎	☎
1-1/2" x 1"	15X10B	64181510*	N/A
2" x 1-1/2"	20X15B	64182015	☎
2" x 3"	20X30B	64182030*	N/A
2-1/2" x 2"	25X20B	64182520	☎
2-1/2" x 3"	25X30B	64182530	☎
3" x 2"	30X20B	64183020	68183020
3" x 2-1/2"	30X25B	64183025	☎
3" x 4"	30X40B	64183040*	N/A
4" x 2"	40X20B	64184020*	68184020
4" x 3"	40X30B	64184030	68184030
5" x 3"	50X30B	☎	N/A

Reducer Cam & Groove - B - Coupler Reducer

Reducer Cam & Groove - A - Adapter Reducer



**C-COUPLER REDUCER**  
COUPLER X HOSE SHANK

Made in the U.S.A.



HBS cam arms are made of 300 series Stainless Steel.

HB cam arms are made of Brass.

All Stainless Steel cam and groove fittings are 316 Stainless Steel with 300 series Stainless Steel components, unless otherwise noted.

Please call for special quote on components in 316 Stainless Steel.

All couplings are available with STA-LOK® II cam arms.

PT Coupling maintains inventories at all of their branch warehouse locations.

\*Denotes parts are produced as a welded fabrication.

Coupler X Hose Shank		Aluminum/HBS	Aluminum/HB	Brass
Size	Part Name	Item #	Item #	Item #
1/2" x 3/4"	05X07C	☎	☎	62220107
1" x 3/4"	10X07C	☎	602200002	☎
1-1/4" x 1-1/2"	12X15C	☎	☎	62221215
1-1/2" x 1"	15X10C	60221510	6022000001	62221510
1-1/2" x 2"	15X20C	60221520	6022000016	62221520
2" x 1-1/2"	20X15C	60222015	6022000017	62222015
2" x 2-1/2"	20X25C	60222025	6022000018	62222025
2-1/2" x 1-1/2"	25X15C	60222515	☎	☎
2-1/2" x 2"	25X20C	60222520	6022000019	☎
3" x 1"	30X10C	60223010	☎	☎
3" x 1-1/2"	30X15C	60223015*	☎	N/A
3" x 2"	30X20C	60223020	6022000020	62223020
3" x 2-1/2"	30X25C	60223025	6022000021	62223025
3" x 4"	30X40C	60223040*	☎	N/A
3" x 5"	30X50C	60223050	☎	☎
4" x 2"	40X20C	60224020	6022000022	62224020
4" x 2-1/2"	40X25C	60224025*	☎	62224025
4" x 3"	40X30C	60224030	6022000023	62224030
4" x 5"	40X50C	60224050	☎	☎

Coupler X Hose Shank		Stainless Steel	Ductile Iron	Hard Coat Alum
Size	Part Name	Item #	Item #	Item #
3/4" x 1/2"	07X05C	64220705	☎	☎
3/4" x 1"	07X10C	64220710	☎	☎
1" x 3/7"	10X07C	64221007	☎	☎
1" x 1-1/2"	10X15C	64221015	☎	☎
1-1/2" x 1"	15X10C	64221510	☎	70221510
1-1/2" x 2"	15X20C	64221520*	N/A	☎
2" x 1"	20X10C	64222010*	N/A	☎
2" x 1-1/2"	20X15C	64222015	☎	70222015
2" x 2-1/2"	20X25C	64222025*	N/A	70222025
2-1/2" x 2"	25X20C	64222520*	N/A	☎
3" x 2"	30X20C	64223020	68223020	70223020
3" x 2-1/2"	30X25C	64223025	☎	70223025
3" x 4"	30X40C	64223040*	N/A	☎
4" x 2"	40X20C	64224020*	68224020	70224020
4" x 3"	40X30C	64224030	68224030	70224030
4" x 5"	40X50C	64224050*	N/A	☎
5" x 3"	50X30C	64226040	☎	☎
6" x 5"	60X50C	64226050*	N/A	☎
8" x 6"	80X60C	64228060*	N/A	☎

Coupler X Female NPT Thread		Aluminum/HBS	Aluminum/HB	Brass
Size	Part Name	Item #	Item #	Item #
1-1/2" x 1"	15X10D	60201510	6020000009	62201510
1-1/2" x 1-1/4"	15X12D	☎	☎	62201512
1-1/2" x 2"	15X20D	60201520	☎	☎
2" x 1"	20X10D	60202010*	☎	N/A
2" x 1-1/2"	20X15D	60202015	6020000010	62202015
2-1/2" x 1"	25X10D	60202510	6020000011	☎
2-1/2" x 2"	25X20D	60202520	6020000012	62202520
2-1/2" x 3"	25X30D	60202530	☎	☎
3" x 1"	30X10D	60203010*	☎	N/A
3" x 2"	30X20D	60203020	6020000013	62203020
3" x 2-1/2"	30X25D	60203025	6020000014	62203025
3" x 4"	30X40D	60203040*	☎	N/A
4" x 3"	40X30D	60204030	6020000015	62204030
5" x 4"	50X40D	60205040*	☎	N/A
8" x 6"	80X60D	☎	60208060*	☎

Coupler X Female NPT Thread		Stainless Steel	Ductile	Hard Coat Alum
Size	Part Name	Item #	Item #	Item #
1-1/2" x 1"	15X10D	64201510	☎	70201510
1-1/2" x 1-1/4"	15X12D	64201512	☎	☎
2" x 1-1/2"	20X15D	64202015	☎	70202015
2-1/2" x 2"	25X20D	64202520*	N/A	☎
3" x 2"	30X20D	64203020	68203020	70203020
3" x 2-1/2"	30X25D	64203025	☎	70203025
3" x 4"	30X40D	64203040*	N/A	☎
4" x 3"	40X30D	64204030	68204030	70204030
5" x 4"	50X40D	64205040*	N/A	☎

Adapter X Hose Shank		Aluminum	Brass	Stainless Steel	Hard Coat Alum
Size	Part Name	Item #	Item #	Item #	Item #
1" x 1/2"	10X05E	☎	N/A	64241005*	☎
1" x 3/4"	10X07E	60241007	☎	☎	☎
1" x 1-1/2"	10X15E	☎	☎	64241015	☎
1-1/2" x 1"	15X10E	60241510	☎	☎	☎
2" x 1"	20X10E	60242010*	N/A	64242015*	70242015*
2" x 1-1/2"	20X15E	60242015	62242015	☎	☎
2" x 2-1/2"	20X25E	60242025	62242025	64242025*	☎
3" x 2"	30X20E	60243020	62243020	64243020	70243020
3" x 2-1/2"	30X25E	60243025	62243025	64243025	☎
4" x 3"	40X30E	60244030	62244030	64244030	70244030
4" x 5"	40X50E	60244050	☎	☎	☎
5" x 4"	50X40E	60245040*	N/A	☎	☎
6" x 4"	60X40E	60246040*	N/A	64246040*	☎
6" x 5"	60X50E	60246050*	N/A	☎	☎
8" x 6"	80X60E	60248060*	N/A	☎	☎
10" x 8"	100X80E	60249080*	N/A	☎	☎

**D-COUPLER REDUCER**  
COUPLER X FEMALE NPT THREAD

Made in the U.S.A.



HBS cam arms are made of 300 series Stainless Steel.

HB cam arms are made of Brass.

All Stainless Steel cam and groove fittings are 316 Stainless Steel with 300 series Stainless Steel components, unless otherwise noted.

Please call for special quote on components in 316 Stainless Steel.

All couplings are available with STA-LOK® II cam arms.

**E-ADAPTER REDUCER**  
ADAPTER X HOSE SHANK

Made in the U.S.A.



\*Denotes parts are produced as a welded fabrication.

Reducer Cam & Groove - D & E Adapter Reducers





### F-ADAPTER REDUCER ADAPTER X MALE NPT THREAD Made in the U.S.A.



All Stainless Steel cam and groove fittings are 316 Stainless Steel

PT Coupling maintains inventories at all of their branch warehouse locations.

\*Denotes parts are produced as a welded fabrication.

Adapter X Male NPT Thread		Aluminum	Brass	Stainless Steel
Size	Part Name	Item #	Item #	Item #
1" x 3/4"	10X07F	☎	62161007	64341007
1" x 1-1/2"	10X15F	60161015	62161015	☎
1" x 2"	10X20F	60161020	62161020	64161020
1 1/4" x 1-1/2"	12X15F	60161215	☎	☎
1-1/2" x 1"	15X10F	60161510	62161510	64161510
1-1/2" x 1-1/4"	15X12F	☎	62161512	64161512
1-1/2" x 2"	15X20F	60161520	62161520	64161520
2" x 1"	20X10F	☎	N/A	64162010*
2" x 1-1/2"	20X15F	60162015	62162015	64162015
2" x 2-1/2"	20X25F	60162025	☎	64162025
2" x 3"	20X30F	60162030	62162030	64162030
2-1/2" x 3"	25X30F	60162530	62162530	64162530
2-1/2" x 4"	25X40F	☎	62162540	☎
3" x 1-1/2"	30X15F	60163015	62163015	64163015
3" x 2"	30X20F	60163020	62163020	64163020
3" x 2-1/2"	30X25F	60163025	62163025	64163025
3" x 4"	30X40F	60163040	62163040	64163040
4" x 2"	40X20F	60164020	62164020	64164020
4" x 2-1/2"	40X25F	60164025	62164025	☎
4" x 3"	40X30F	60164030	62164030	64164030
5" x 4"	50X40F	60165040	62165040	☎

Adapter X Male NPT Thread		Ductile Iron	Hard Coat Alum
Size	Part Name	Item #	Item #
1-1/2" x 2"	15X20F	68161520	70161520
2" x 1-1/2"	20X15F	68162015	70162015
2" x 3"	20X30F	68162030	70162030
2-1/2" x 30F	25X30F	☎	70162530
3" x 1-1/2"	30X15F	☎	70163015
3" x 2"	30X20F	68163020	70163020
3" x 2-1/2"	30X25F	68164030	70163025
3" x 4"	30X40F	☎	70163040
4" x 3"	40X30F	☎	70164030

Coupler X Adapter		Aluminum/HBS	Aluminum/HB	Brass/HBS	Brass/HB
Size	Part Name	Item #	Item #	Item #	Item #
2"x3"	20CX30A SHORT	☎	☎	622600097	☎
3" x 1"	30CX10A SHORT	60263010	☎	☎	☎
3" x 2"	30CX20A SHORT	60263020	602600033	☎	62263020
3" x 2-1/2"	30CX25A SHORT	☎	☎	☎	☎
4" x 2"	40CX20A SHORT	60264020	602600036	☎	62264020
4" x 3"	40CX30A SHORT	60264030	602600038	622600098	62264030
5" x 3"	50CX30A SHORT	60265030*	☎	N/A	N/A
6" x 2"	60CX20A SHORT	60266020*	60266030	N/A	N/A
6" x 3"	60CX30A SHORT	602660301	☎	☎	62266030
6" x 4"	60CX40A SHORT	602660402	60266040	☎	62266040
8" x 6"	80CX60A SHORT	60268060*	☎	N/A	N/A
8" x 10"	80CX100A SHORT	60268090*	☎	N/A	N/A
10" x 8"	100CX80A SHORT	☎	60269080*	N/A	N/A

Coupler X Adapter		Stainless Steel	Ductile Iron	Hard Coat Alum
Size	Part Name	Item #	Item #	Item #
2"x1"	20CX10A SHORT	64262010*	N/A	☎
3" x 1"	30CX10A SHORT	64263010*	N/A	☎
3" x 1-1/2"	30CX15A SHORT	64263015*	N/A	☎
3" x 2-1/2"	30CX25A SHORT	64263025*	N/A	☎
4" x 2"	40CX20A SHORT	64264020	68264020	70264020
4" x 2-1/2"	40CX25A SHORT	64264025	☎	☎

### CXA Short Reducer COUPLER X ADAPTER Made in the U.S.A.



HBS cam arms are made of 300 series Stainless Steel.

HB cam arms are made of Brass.

All Stainless Steel cam and groove fittings are 316 Stainless Steel with 300 series Stainless Steel components, unless otherwise noted.

Please call for special quote on components in 316 Stainless Steel.

All couplings are available with STA-LOK® II cam arms.

\*Denotes parts are produced as welded fabrication

A "NEW" cam & groove system that prevents rapid separation, in the event that the cam arms are opened under pressure. Available in any material upon request.

		Aluminum	Brass
Size	Part Name	Item #	Item #
2"	20APS Adapter	100012077	☎
3"	30APS Adapter	100013077	12001301

		Aluminum
Size	Part Name	Item #
2"	20CPS Coupler	100032077
3"	30CPS Coupler	100033077

		Aluminum
Size	Part Name	Item #
2"	20DPS Coupler	100042077
3"	30DPS Coupler	100043077

		Aluminum
Size	Part Name	Item #
2"	20VPS Coupler	100112077
3"	30VPS Coupler	100113077

		Aluminum
Size	Part Name	Item #
2"	20WPS Adapter	100122077
3"	30WPS Adapter	100123077

**What is Pressure Safe?**  
A passive safety feature that protects the operator from personal injury in the event the quick release cam arms are opened under pressure



**PRESSURE SAFE**  
Sizes: 2", 3"  
Made in the U.S.A.

Reducer Cam & Groove - F - Adapter Reducer

Reducer Cam & Groove - CXA Short Reducer - Pressure



CXA LONG REDUCER COUPLER X ADAPTER Made in the U.S.A.



All couplings are available with STA-LOK® II cam arms. See pages 24-25.

HBS cam arms are made of 300 series Stainless Steel.

HB cam arms are made of Brass.

All Stainless Steel cam and groove fittings are 316 Stainless Steel with 300 series Stainless Steel components, unless otherwise noted.

Please call for special quote on components in 316 Stainless Steel.

\*Denotes parts are produced as a welded fabrication.

Table with 5 columns: Coupler X Adapter, Part Name, Aluminum/HBS, Aluminum/HB, Brass/HBS. Lists various sizes and part numbers.

Table with 6 columns: Coupler x Adapter, Part Name, Brass/HB, Stainless Steel, Ductile, Hard Coat Alum. Lists various sizes and part numbers.

CXA LONG REDUCER COUPLER X ADAPTER Made in the U.S.A.



All couplings are available with STA-LOK® II cam arms. See pages 24-25.

HBS cam arms are made of 300 series Stainless Steel.

HB cam arms are made of Brass.

All Stainless Steel cam and groove fittings are 316 Stainless Steel with 300 series Stainless Steel components, unless otherwise noted.

Please call for special quote on components in 316 Stainless Steel.

\*Denotes parts are produced as a welded fabrication.

Reducer Cam & Groove - CXA Long Reducer

Reducer Cam & Groove - CXA Long Reducer





**CXC**  
COUPLER X COUPLER  
Made in the U.S.A.



All couplings are available with STA-LOK® II cam arms. See pages 24-25.

HBS cam arms are made of 300 series Stainless Steel.

HB cam arms are made of Brass.

All Stainless Steel cam and groove fittings are 316 Stainless Steel with 300 series Stainless Steel components, unless otherwise noted.

Please call for special quote on components in 316 Stainless Steel.  
Please call for special quote on components in 316 Stainless Steel.



PT Coupling maintains inventories at all of their branch warehouse locations.

Coupler X Coupler		Aluminum/HBS	Aluminum/HB	Brass/HB
Size	Part Name	Item #	Item #	Item #
1" x 1"	10CX10C	60271010	6027000048	62271010
1-1/4" x 1-1/4"	12CX12C	60271212	6027000049	☎
1-1/2" x 1-1/2"	15CX15C	60271515	6027000042	62271515
2" x 1-1/2"	20CX15C	60272015*	☎	N/A
2" x 2"	20CX20C	60272020	6027000043	62272020
2-1/2" x 2"	25CX20C	60272520*	☎	N/A
2-1/2" x 2-1/2"	25CX25C	60272525	6027000050	62272525
3" x 2"	30CX20C	60273020	6027000044	62273020
3" x 3"	30CX30C	60273030	6027000045	62273030
4" x 2"	40CX20C	60274020	☎	☎
4" x 3"	40CX30C	60274030	6027000046	62274030
4" x 4"	40CX40C	60274040	6027000047	62274040
5" x 4"	50CX40C	60275040*	☎	N/A
5" x 5"	50CX50C	60275050*	☎	N/A
6" x 2"	60CX20C	60276020*	☎	N/A
6" x 4"	60CX40C	60276040*	☎	N/A
6" x 5"	60CX50C	60276050*	☎	N/A
8" x 4"	80CX40C	60278040*	☎	N/A

Coupler X Coupler		Brass/HBS	Stainless Steel	Hard Coat Alum
Size	Part Name	Item #	Item #	Item #
1" x 1"	10CX10C	☎	64271010	☎
1-1/4" x 1-1/4"	12CX20C	N/A	64271220*	☎
1-1/2" x 1-1/2"	15CX15C	☎	64271515	70271515
2" x 1-1/2"	20CX15C	N/A	64272015*	☎
2" x 2"	20CX20C	☎	64272020	70272020
2-1/2" x 2-1/2"	25CX25C	N/A	64272525*	☎
2-1/2" x 3"	25CX30C	N/A	64272530*	☎
3" x 2"	30CX20C	☎	64273020	70273020
3" x 3"	30CX30C	6227000099	64273030	70273030
3" x 4"	30CX40C	☎	64273040	70274030
4" x 2"	40CX20C	☎	64274020	☎
4" x 4"	40CX40C	☎	64274020	70274040
5" x 4"	50CX40C	N/A	64275040*	☎

\*Denotes parts are produced as welded fabrication.

Adapter X Adapter		Aluminum	Brass	Stainless Steel	Ductile Iron	Hard Coat Alum
Size	Part Name	Item #	Item #	Item #	Item #	Item #
1/2" x 1/2"	SAE05XE05	60280101	62280101	64280101	☎	☎
3/4" x 3/4"	SA07X07	60280707	62280707	64280707	☎	70280707
1" x 3/4"	SA10X07	60281007	62281007	☎	☎	☎
1" x 1"	SA10X10	60281010	62281010	64281010	68281010	70281010
1" x 1 1/2"	SA10X15	60281015	62281015	64281015*	N/A	70281015
1" x 2"	SA10X20	☎	62281020	64281020*	N/A	☎
1" x 3"	SA10X30	☎	62281030	☎	☎	☎
1-1/4" x 1-1/4"	SA12X12	60281212	62281212	64281212	☎	70281212
1-1/4" x 1-1/2"	SA12X15	60281215	62281215	64281215	68281515	☎
1-1/2" x 1-1/2"	SA15X15	60281515	62281515	64281515	☎	70281515
1-1/2" x 2"	SA15X20	60281520	62281520	64281520	68281520	70281520
1-1/2" x 4"	SA15X40	60281540	62281540	☎	☎	☎
2" x 3/4"	SA20X07	60282007	N/A	☎	N/A	☎
2" x 2"	SA20X20	60282020	62282020	64282020	68282020	70282020
2" x 2-1/2"	SA20X25	60282025	62282025	64282520*	N/A	70282025
2" x 3"	SA20X30	60282030	62282030	64282030	68282030	70282030
2-1/2" x 2-1/2"	SA25X25	60282525	62282525	64282525	68282525	☎
2-1/2" x 3"	SA25X30	60282530	62282530	64282530	68282530	70282530
3" x 1-1/2"	SA30X15	60283015	62283015	64283015*	N/A	70283015
3" x 3"	SA30X30	60283030	62283030	64283030	68283030	70283030
3" x 4"	SA30X40	60283040	62283040	64283040	68283040	70283040
4" x 2"	SA40X20	60284020	62284020	64284020	☎	70284020
4" x 4"	SA40X40	60284040	62284040	64284040	68284040	70284040
5" x 4"	SA50X40	60285040	N/A	64285040*	68285040	☎
5" x 5"	SA50X50	60285050	62285050	64285050	68285050	☎
6" x 3"	SA60X30	60286030	N/A	64286030*	N/A	70286030
6" x 4"	SA60X40	60286040*	62286040	64284060*	68286040	70286040
6" x 5"	SA60X50	60286050*	N/A	☎	N/A	☎
6" x 6"	SA60X60	60286060	62286060	64286060*	N/A	70286060*
6" x 8"	SA60X80	60286080*	N/A	☎	N/A	☎
8" x 4"	SA80X40	60288040*	N/A	☎	N/A	☎
10" x 6"	SA100X60	60289060*	N/A	☎	N/A	☎
10" x 8"	SA100X80	60289080*	N/A	☎	N/A	☎

**SA SPOOL ADAPTER**  
ADAPTER X ADAPTER  
Made in the U.S.A.



All Stainless Steel cam and groove fittings are 316 Stainless Steel.

PT Coupling maintains inventories at all of their branch warehouse locations

\*Denotes parts are produced as welded fabrication.





### CXAY COUPLER X ADAPTERS

Made in the U.S.A.

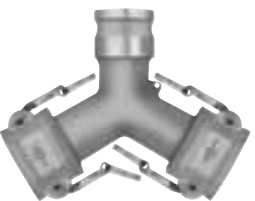


6" Heavy Duty fittings are rated at 150 psi.

Coupler X Adapters		Aluminum	Brass	Stainless Steel	Hard Coat Alum
Size	Part Name	Item #	Item #	Item #	Item #
2"	20CX20AY	60592020	62592020	64592020	70592020
3" x 2"	30CX20AY	☎	☎	64593020	☎
3"	30CX30AY	☎	N/A	64593030*	☎
4"	40CX40AY	60594040*	N/A	☎	☎
6"	60CX60AYHD	60596060	☎	☎	☎
6" x 6" x 4"	60CX60AX40AYHD	60596064	☎	☎	☎

### AXCY ADAPTER X COUPLERS

Made in the U.S.A.



6" Heavy Duty fittings are rated at 150 psi.

Adapter X Couplers		Aluminum	Brass
Size	Part Name	Item #	Item #
2"	20AX20CY	60312020	62312020
4"	40AX40CY	60594140	☎
6" x 4"	60AX40CYHD	60596041	☎
6"	60AX60CYHD	60596061	☎

Tank Truck fittings available on page 73.

### PF40X60AY 4" ADAPTERS X 6" PIPE FLANGE

Made in the U.S.A.



		Aluminum
Size	Part Name	Item #
4" x 6"	PF40X60AY	60546040Y

### 60AXPF40YHD 6" ADAPTER X 4" PIPE FLANGES HEAVY DUTY

Made in the U.S.A.

		Aluminum
Size	Part Name	Item #
6" x 4"	60AXPF40YHD	60596042

Pipe Flange bolt pattern conforms to ANSI B16.5 Class 150.



### 40 SGY SINGLE GROOVE Y

Made in the U.S.A.

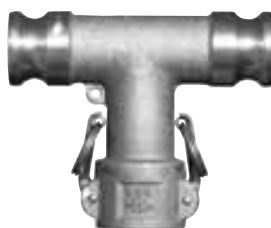


		Aluminum
Size	Part Name	Item #
4"	40SGY	60594142DG

### 15AX15AX15CT ADAPTERS X T COUPLER

Made in the U.S.A.

		Aluminum
Size	Part Name	Item #
1-1/2"	15AX15AX15CT	60591515



### CONQUER CORROSION WITH PT CORROSION RESISTANT PRODUCTS:

Adapter X Female NPT Thread		Hastelloy®	Carpenter 20®	Monel®	Tantaline®
Size	Part Name	Item #	Item #	Item #	Item #
1/2"	E05A	2600101	☎	2200101	☎
3/4" x 1/2"	1/2A	☎	☎	2200105	☎
3/4"	07A	2600107	2500107	2200107	☎
1"	10A	2600110	2500110	2200110	3500110
1-1/4"	12A	2600112	☎	2200112	☎
1-1/2"	15A	2600115	2500115	2200115	3500115
2"	20A	2600120	2500120	2200120	3500120
2-1/2"	25A	☎	☎	2200125	☎
3"	30A	2600130	2500130	2200130	3500130
4"	40A	2600140	2500140	2200140	☎
5"	50A	☎	☎	2200150	☎
6"	60A	2600160	☎	2200160	☎

Coupler X Male NPT Thread		Hastelloy®	Carpenter 20®	Monel®	Tantaline®
Size	Part Name	Item #	Item #	Item #	Item #
1/2"	E05B	2600201	☎	2200201	☎
3/4" x 1/2"	1/2B	2600205	☎	2200205	☎
3/4"	07B	2600207	☎	2200207	☎
1"	10B	2600210	2500210	2200210	3500210
1-1/4"	12B	☎	☎	2200212	☎
1-1/2"	15B	2600215	2500215	2200215	3500215
2"	20B	2600220	2500220	2200220	3500220
2-1/2"	25B	☎	☎	2200225	☎
3"	30B	2600230	2500230	2200230	3500230
4"	40B	2600240	2500240	2200240	☎
5"	50B	☎	☎	2200250	☎

Coupler X Male NPT Thread		Hastelloy®	Carpenter 20®	Monel®	Tantaline®
Size	Part Name	Item #	Item #	Item #	Item #
1/2"	E05C	☎	☎	2200301	☎
3/4" x 1/2"	1/2C	2600305	☎	2200307	☎
3/4"	07C	2600307	2500307	2200310	☎
1"	10C	2600310	2500310	2200312	3500310
1-1/4"	12C	2600312	☎	2200315	☎
1-1/2"	15C	2600315	2500315	2200320	3500315
2"	20C	2600320	2500320	2200325	3500320
2-1/2"	25C	2600325	☎	2200330	☎
3"	30C	2600330	2500330	2200340	3500330
4"	40C	2600340	2500340	2200350	☎
5"	50C	☎	☎	2200360	☎

These corrosion resistant cam & groove couplings are designed for acid applications in highly corrosive media including hydrochloric acid and sulfuric acid.

FOR SAFE APPLICATION OF THESE PRODUCTS: Please refer to PT Coupling's Operating Conditions: Pgs. 140-142

All registered trademarks are the property of their respective owners.

### A - ADAPTER ADAPTER X FEMALE NPT THREAD

Made in the U.S.A.



Now available with BSP Threads.

### B - COUPLER COUPLER X MALE NPT THREAD

Made in the U.S.A.



Now available with BSP Threads.

### C - COUPLER COUPLER X HOSE SHANK

Made in the U.S.A.



Standard cam arms, rings & pins are Stainless Steel.



D - COUPLER  
COUPLER X FEMALE  
NPT THREAD  
Made in the U.S.A.



Now available with BSP  
Threads.

E-ADAPTER  
ADAPTER X HOSE  
SHANK  
Made in the U.S.A.



F-ADAPTER  
ADAPTER X MALE  
NPT THREAD  
Made in the U.S.A.



Now available with BSP  
Threads.

Coupler X Female NPT Thread		Hastelloy®	Carpenter 20®	Monel®	Tantaline®
Size	Part Name	Item #	Item #	Item #	Item #
1/2"	E05D	2600401	2500401	2200401	☎
3/4" x 1/2"	1/2D	☎	☎	2200405	☎
3/4"	07D	2600407	2500407	2200407	☎
1"	10D	2600410	2500410	2200410	3500410
1-1/4"	12D	2600412	☎	2200412	☎
1-1/2"	15D	2600415	2500415	2200415	3500415
2"	20D	2600420	2500420	2200420	3500420
2-1/2"	25D	☎	☎	2200425	☎
3"	30D	2600430	2500430	2200430	3500430
4"	40D	2600440	2500440	2200440	☎
5"	50D	☎	☎	2200450	☎
6"	60D	☎	☎	2200460	☎

Adapter X Hose Shank		Hastelloy®	Carpenter 20®	Monel®	Tantaline®
Size	Part Name	Item #	Item #	Item #	Item #
1/2"	E05E	☎	☎	2200501	☎
3/4"	07E	☎	2500507	2200507	☎
1"	10E	2600510	2500510	2200510	3500510
1-1/4"	12E	☎	☎	2200512	☎
1-1/2"	15E	2600515	2500515	2200515	3500515
2"	20E	2600520	2500520	2200520	3500520
2-1/2"	25E	☎	☎	2200525	☎
3"	30E	2600530	2500530	2200530	3500530
4"	40E	2600540	2500540	2200540	☎
5"	50E	☎	☎	2200550	☎
6"	60E	☎	☎	2200560	☎

Adapter X Male NPT Thread		Hastelloy®	Carpenter 20®	Monel®	Tantaline®
Size	Part Name	Item #	Item #	Item #	Item #
1/2"	E05F	☎	☎	2200601	☎
3/4" x 1/2"	1/2F	2600605	☎	2200605	☎
3/4"	07F	2600607	2500607	2200607	☎
1"	10F	2600610	2500610	2200610	3500610
1-1/4"	12F	☎	☎	2200612	☎
1-1/2"	15F	2600615	2500615	2200615	3500615
2"	20F	2600620	2500620	2200620	3500620
2-1/2"	25F	2600625	☎	2200625	☎
3"	30F	2600630	2500630	2200630	☎
4"	40F	2600640	2500640	2200640	☎
5"	50F	☎	☎	2200650	☎
6"	60F	☎	☎	2200660	☎

All registered Trademarks are the property of their respective owners.

		Hastelloy C®	Carpenter 20®	Monel®	Tantaline®
Size	Part Name	Item #	Item #	Item #	Item #
1/2"	E05V	2601101	☎	2201101	☎
3/4"	07V	2601107	2501107	2201107	☎
1"	10V	2601110	2501110	2201110	☎
1-1/4"	12V	☎	☎	2201112	☎
1-1/2"	15V	2601115	2501115	2201115	3501115
2"	20V	2601120	☎	2201120	3501120
2-1/2"	25V	2601125	☎	2201125	☎
3"	30V	2601130	2501130	2201130	☎
4"	40V	2601140	2501140	2201140	☎
5"	50V	☎	☎	2201150	☎
6"	60V	2601160	2501160	2201160	☎

		Hastelloy C®	Carpenter 20®	Monel®	Tantaline®
Size	Part Name	Item #	Item #	Item #	Item #
1/2"	E05W	☎	☎	2201201	☎
3/4"	07W	2601207	2501207	2201207	☎
1"	10W	2601210	2501210	2201210	☎
1-1/4"	12W	☎	☎	2201212	☎
1-1/2"	15W	☎	☎	2201215	☎
2"	20W	2601220	2501220	2201220	3501220
2-1/2"	25W	☎	☎	2201225	☎
3"	30W	2601230	2501230	2201230	☎
4"	40W	2601240	☎	2201240	☎
5"	50W	☎	☎	2201250	☎
6"	60W	☎	☎	2201260	☎

		Monel®	Hastelloy C®
Size	Part Name	Item #	Item #
1"	PF10C	☎	76541000
1-1/2"	PF15C	☎	76541500
2"	PF20C	72542000	76542000
2-1/2"	PF25C	☎	☎
3"	PF30C	☎	76543000
4"	PF40C	72544000	76544000RF

		Hastelloy C®	Monel®	Tantaline®
Size	Part Name	Item #	Item #	Item #
3/4"	PF07A	66520700	☎	☎
1"	PF10A	76521000	☎	35521000
1-1/2"	PF15A	76521500	☎	35515000
2"	PF20A	76522000	72522000	35522000
2-1/2"	PF25A	76522500	☎	☎
3"	PF30A	76523000	☎	35523000
4"	PF40A	76524000	72524000	☎

V - COUPLER  
DUST CAP  
Made in the U.S.A.



W-ADAPTER  
DUST PLUG  
Made in the U.S.A.



PFC  
COUPLER X PIPE  
FLANGE  
150 lb Flange  
Made in the U.S.A.



PFA  
ADAPTER X PIPE  
FLANGE  
150 lb Flange  
Made in the U.S.A.



All registered trade-  
marks are the property  
of their respective  
owners.

Special Cam & Groove - Corrosion Resistant Fittings

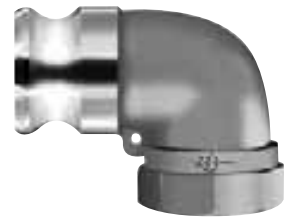
Special Cam & Groove - Corrosion Resistant Fittings





### LA ADAPTER X FEMALE NPT THREAD 90 DEGREE

Made in the U.S.A.



*\*Denotes parts are produced as welded fabrication*

**Now available with BSP Threads.**

### CAL COUPLER X ADAPTER 90 DEGREE

Made in the U.S.A.



*All Stainless Steel castings are 316 Stainless Steel and all components are 300 series Stainless Steel.*

*HBS cam arms are made of 300 series Stainless Steel.*

*HB cam arms are made of Brass.*

### DDL COUPLER X COUPLER 90 DEGREE

Made in the U.S.A.



*\*Denotes parts are produced as welded fabrication*

Adapter X Female NPT Thread		Aluminum	Brass	Stainless Steel
Size	Part Name	Item #	Item #	Item #
1-1/4"	12LA	☎	62491200	☎
1-1/2"	15LA	60491500	62491500	☎
2"	20LA	60492000	☎	☎
3"	30LA	60493000*	☎	64493000*

Adapter X Female NPT Thread		Hard Coat Alum	Polypropylene
Size	Part Name	Item #	Item #
1-1/2"	15LA	☎	67491500
2"	20LA	70492000	67492000
3"	30LA	70493000*	N/A

Coupler X Adapter		Aluminum/HBS	Aluminum/HB	Brass
Size	Part Name	Item #	Item #	Item #
2"	20CAL	60502120	☎	☎
3"	30CAL	60503130	☎	62503130
3"	30CAL-45 Deg	6050313045	6050000066	☎
4"	40CAL	60504140	6050000068	62504140
4"	40CALHD	60504140H	☎	☎
4"	40CAL-45 Deg	60504145	☎	☎
6"	60CALHD-45 Deg	☎	6054426H	☎
6"	60CALHD	☎	60504161H	☎
8"	80CAL	☎	60504181H*	N/A



**CAL Heavy Duty**

		Stainless Steel	Hard Coat Alum/HBS
Size	Part Name	Item #	Item #
2"	20CAL	64504120*	☎
3"	30CAL	64503130*	70503130
4" x 3"	40X30CAL	64504130*	☎
4"	40CAL	64504140	70504140
	40CAL-45 Deg	64504145	☎
5"	50CAL	64505152*	☎
6"	60CALHD-45 Deg	6454426H	☎



**DDL Heavy Duty**

Coupler X Coupler		Aluminum/HBS	Aluminum/HB	Brass	Stainless Steel	Hard Coat Alum/HBS
Size	Part Name	Item #	Item #	Item #	Item #	Item #
2"	20DDL	60502220*	☎	N/A	64504120	☎
3"	30DDL	60503230*	☎	N/A	64503130	70503230*
4"	40DDL	60504240	6050000069	62504240	64504140	70504240
4"	40CAL-45 Deg	☎	☎	N/A	64504145	☎
5"	50DDL	☎	☎	N/A	64505152	☎
6" X 3"	60X30DDL	60506230*	☎	N/A	☎	☎
6"	60DDLHD	60506260	☎	N/A	6454426H	☎

Coupler X Hose Shank		Aluminum/HBS	Aluminum/HB	Brass	Brass / HBS
Size	Part Name	Item #	Item #	Item #	Item #
1"	10CL	60501000	6050000061	62501000	(
1-1/4"	12CL	60501200	6050000062	62501200	(
1-1/4" x 1-1/2"	12X15CL	(	(	62501215	(
1-1/2"	15CL	60501500	6050000063	62501500	(
2"	20CL	60502000	6050000064	62502000	6250000101
2-1/2"	25CL	(	(	62502500	(
3"	30CL	60503000	6050000065	62503000	(
4"	40CL	60504000	6050000067	62504000	(
6"	60CL	(	60506000	62506000	(

Coupler X Hose Shank		Stainless Steel	Ductile Iron	Hard Coat Alum
Size	Part Name	Item #	Item #	Item #
1"	10CL	64501000	(	70501000
1-1/4"	12CL	64501200	(	70501200
1-1/2"	15CL	64501500	(	70501500
2"	20CL	64502000	68502000	70502000
2-1/2"	25CL	(	68502500	(
3"	30CL	64503000	68503000	70503000
4"	40CL	64504000	68504000	70504000
6"	60CL	64506000	(	(

Coupler X Male NPT Thread		Aluminum/HBS	Aluminum/HB	Brass	Stainless Steel
Size	Part Name	Item #	Item #	Item #	Item #
1"	10LD	60481000	6048000062	62481000	64481000
1-1/4"	12LD	(	(	62481200	
1-1/2"	15LD	60481500	6048000063	62481500	64481500
2"	20LD	60482000	6048000005	62482000	64482000
2-1/2"	25LD	60482500	6048000103	62482500	
3"	30LD	60483000	6048000060	62483000	64483000
3"X 45°	30LD 45°	60483000SP	(	N/A	
4"	40LD	60484000	6048000061	62484000	64484000
6"	60LD	60486000	(	62486000	64486000
10"	100LD	(	(	N/A	64481090

Coupler X Male NPT Thread		Ductile Iron	Hard Coat Alum	Polypropylene
Size	Part Name	Item #	Item #	Item #
1"	10LD	(	70481000	(
1-1/4"	12LD	(	(	(
1-1/2"	15LD	(	70481500	67481500
2"	20LD	68482000	70482000	67482000
2-1/2"	25LD	68482500	(	N/A
3"	30LD	68483000	70483000	N/A
4"	40LD	68484000	70484000	N/A

### CL COUPLER X HOSE SHANK 90 DEGREE

Made in the U.S.A.



*All Stainless Steel castings are 316 Stainless Steel and all components are 300 series Stainless Steel.*

*HBS cam arms are made of 300 series Stainless Steel.*

*HB cam arms are made of Brass.*

### LD COUPLER X FEMALE NPT THREAD 90 DEGREE

Made in the U.S.A.



**Now available with BSP Threads.**



**G-ELBOW COUPLER WITH CHECK VALVE**  
 FEMALE NPT THREAD X COUPLER 90 degree  
 Made in the U.S.A.



Full Flow

All Stainless Steel castings are 316 Stainless Steel and all components are 300 series Stainless Steel.

HBS cam arms are made of 300 series Stainless Steel.

HB cam arms are made of Brass.

Now available with BSP Threads.

**REPLACEMENT CHECK VALVE ASSEMBLIES**  
 CONTAINS ALL POPPET ASSEMBLY COMPONENTS AND SEALS  
 Made in the U.S.A.



Female NPT Thread X Coupler		Aluminum/HBS	Aluminum/HB	Brass/HB	Brass/HBS
Size	Part Name	Item #	Item #	Item #	Item #
1"	10G	1000710	1070710	1200710	☎
1-1/4"	12G	1000712	1070712	1200712	☎
1-1/2"	15G	1000715	1070715	1200715	1290715
2"	20G	1000720	1070720	1200720	☎
2-1/2"	25G	1000725	1070725	1200725	☎
3"	30G	1000730	1070730	1200730	☎
4"	40G	1000740	1070740	1200740	☎

Female NPT Thread X Coupler		Stainless Steel	Ductile Iron	Hard Coat Alum
Size	Part Name	Item #	Item #	Item #
1"	10G	1400710	1800710	☎
1-1/4"	12G	☎	☎	☎
1-1/2"	15G	1400715	1800715	☎
2"	20G	1400720	1800720	2000720
2-1/2"	25G	1400725	1800725	☎
3"	30G	1400730	1800730	2000730
4"	40G	1400740	1800740	☎

Less than 5 PSI required to start flow in the full flow direction.

Aluminum & Brass G-Elbows are assembled with Brass check valve assemblies.

Stainless Steel G-Elbows are assembled with stainless Steel check valve assemblies.

Buna N seals are standard in all G-Elbow assemblies other seal types are available by special request and quote.

		Brass	Stainless Steel
Size	Part Name	Item #	Item #
1"	10G POPPET ASBY	62880310	64880310
1-1/4"	12G POPPET ASBY	62880312	☎
1-1/2"	15G POPPET ASBY	62880315	64880315
2"	20G POPPET ASBY	62880320	64880320
2-1/2"	25G POPPET ASBY	62880325	64880325
3"	30G POPPET ASBY	62880330	64880330
4"	40G POPPET ASBY	62880340	64880340

Buna N seals are standard in all G-Elbow assemblies other seal types are available by special request and quote..

Female NPT Thread X Coupler		Aluminum/HBS	Aluminum/HB	Brass/HB	Brass/HBS
Size	Part Name	Item #	Item #	Item #	Item #
1"	10H	1000810	1070810	1200810	☎
1-1/4"	12H	1000812	1070812	1200812	☎
1-1/2"	15H	1000815	1070815	1200815	☎
2"	20H	1000820	1070820	1200820	1290820
2-1/2"	25H	1000825	1070825	1200825	1290825
3"	30H	1000830	1070830	1200830	1290830
4"	40H	1000840	1070840	1200840	1290840
5"	50H	1000850	1070850	1200850	☎
6"	60H	☎	1000860	1200860	☎

Female NPT Thread X Coupler		Stainless Steel	Ductile Iron/HBS	Hard Coat Alum/HBS
Size	Part Name	Item #	Item #	Item #
1"	10H	1400810	1800810	2000810
1-1/4"	12H	1400812	☎	☎
1-1/2"	15H	1400815	1800815	2000815
2"	20H	1400820	1800820	2000820
2-1/2"	25H	1400825	1800825	2000825
3"	30H	1400830	1800830	2000830
4"	40H	1400840	1800840	☎
5"	50H	1400850	1800850	☎
6"	60H	1400860	1800860	☎

**H-ELBOW COUPLER**  
 FEMALE NPT THREAD X COUPLER 90 degree  
 Made in the U.S.A.



All Stainless Steel castings are 316 Stainless Steel and all components are 300 series Stainless Steel.

HBS cam arms are made of 300 series Stainless Steel.

HB cam arms are made of Brass.

Now available with BSP Threads.

PT Coupling maintains inventories at all of their branch warehouse locations



### AFH ADAPTER X FEMALE FIRE HOSE (NH) THREAD

Comes standard with EPDM NH Thread Gasket  
Made in the U.S.A.



All Stainless Steel castings are 316 Stainless Steel.

PT Coupling Company, has a state of the art engineering department to custom design fittings to fit your application

Adapter X Female NPT Thread		Aluminum	Brass	Stainless Steel
Size	Part Name	Item #	Item #	Item #
1-1/2"	15AFH	60371500	(	60371500
2" x 2-1/2"	20X25AFH	60372025	N/A	60372025
2-1/2"	25AFH	60372500	62372500	60372500
2-1/2" x 3"	25X30AFH	60372530	N/A	60372530
3"	30AFH	60373000	62373000	60373000
3" x 2-1/2"	30X25AFH	60373025	62373025	60373025
4"	40AFH	60374000	62374000NH	60374000

Adapter X Female NPT Thread		Ductile Iron	Hard Coat Alum
Size	Part Name	Item #	Item #
1-1/2"	15AFH	(	(
2" x 2-1/2"	20X25AFH	N/A	(
2-1/2"	25AFH	(	70372500
2-1/2" x 3"	25X30AFH	N/A	(
3"	30AFH	(	(
3" x 2-1/2"	30X25AFH	(	70373025
4"	40AFH	(	(

		Aluminum/HBS	Aluminum/HB	Brass	Hard Coat Alum
Size	Part Name	Item #	Item #	Item #	Item #
2-1/2"	25BFH	60382500	6038000053	62382500	70382500
3"	30BFH	60383000	6038000054	(	70383000
3" x 2-1/2"	30X25BFH	60383025	6038000055	(	70383025
4"	40BFH	60384000	(	(	(

Replacement Cam Gaskets sold on page 66.



### BFH COUPLER X MALE FIRE HOSE (NH) THREAD

Comes Standard with Buna N cam gasket  
Made in the U.S.A.

All Stainless Steel castings are 316 Stainless Steel and all components are 300 series Stainless Steel.

HBS cam arms are made of 300 series Stainless Steel.

HB cam arms are made of Brass.

Available with STA-LOK®II.

**PCTF CAP**  
PACIFIC COAST  
THREAD BRASS CAP  
With white Nitrile gasket  
and Brass chain  
Made in the U.S.A.

Size	Part Name	Item #	Description
3"	30PCTF	5880086	BRASS CAP W/ CHAIN

3" PCTF Brass Cap is compatible with 3" Fire Hose NH Thread.

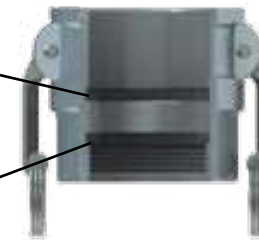


Coupler X Female Hose Thread		Aluminum/HBS	Aluminum/HB	Brass	Hard Coat Alum
Size	Part Name	Item #	Item #	Item #	Item #
1-1/2"	15DFH	60391500	6039000056	(	70391500
2-1/2"	25DFH	60392500	6039000057	62392500	70392500
3"	30DFH	60393000	6039000058	62393000	70393000
3" x 2-1/2"	30X25DFH	60393025	6039000059	62393025	70393025

EPDM NH Thread replacement gaskets sold below.

Buna N Cam Gasket

EPDM NH Thread Gasket



Gaskets for Female Fire Hose (NH) Thread			
Size	Part Name	Item #	Description
1-1/2"	15FHY	5504715	FIRE HOSE GASKET EPDM
2-1/2"	25FHY	5504725	FIRE HOSE GASKET EPDM
3"	30FHY	5504730	FIRE HOSE GASKET EPDM
4"	40FHY	5504740	FIRE HOSE GASKET EPDM

Replacement Cam Gaskets sold on page 66.

Adapter X Male NPT Thread		Aluminum	Brass	Hard Coat Alum
Size	Part Name	Item #	Item #	Item #
1-1/2"	15FFH	60401500	62401500	70401500
2-1/2"	25FFH	60402500	62402500	70402500
3"	30FFH	60403000	62403000	(
3" x 2-1/2"	30X25FFH	60403025	(	70403025
4" x 2-1/2"	40X25FFH	(	62404025	(

### DFH COUPLER X FEMALE FIRE HOSE (NH) THREAD Comes standard with EPDM NH Thread Gasket and Buna N cam gasket.

Made in the U.S.A.



HBS cam arms are made of 300 series Stainless Steel.

HB cam arms are made of Brass.

Also available with STA-LOK®II.

### FFH ADAPTER X MALE FIRE HOSE (NH) THREAD

Made in the U.S.A.



PT Coupling maintains inventories at all of their branch warehouse locations





**AS**  
**ADAPTER X FEMALE STRAIGHT PIPE THREAD**  
 Comes standard with a Buna Fuel Resistant straight thread gasket.  
 Made in the U.S.A.



Female straight pipe threads are compatible with male NPSH, NPSM and NPT threads.



**DS**  
**COUPLER X FEMALE STRAIGHT PIPE THREAD**  
 Comes standard with a Buna Fuel Resistant straight thread gasket and Buna N cam gasket.  
 Made in the U.S.A.



HBS cam arms are made of 300 series Stainless Steel.

HB cam arms are made of Brass.

Also available in STA-LOK® and STA-LOK® II.

Adapter X Female Straight Thread		Aluminum	Brass	Stainless Steel
Size	Part Name	Item #	Item #	Item #
3/4"	07AS	(	(	64341075
1-1/2"	15AS	60341500	62341500	64341500
2"	20AS	60342000	62342000	64342000
2" X 3"	20X30AS	(	(	64342030
2-1/2"	25AS	60342500	62342500	64342500
2-1/2" x 2"	25X20AS	(	62342520	(
2-1/2" x 3"	25X30AS	60342530	62342530	(
3"	30AS	60343000	62343000	64343000
4"	40AS	60344000	62344000	64344000
5"	50AS	60345000	62345000	64345000
6"	60AS	60346000	62346000	64346000
8"	80AS	60348000	(	64348000

Adapter X Female Straight Thread		Ductile Iron	Hard Coat Alum
Size	Part Name	Item #	Item #
1-1/2"	15AS	(	70341500
2"	20AS	68342000	70342000
2-1/2"	25AS	68342500	(
2-1/2" x 3"	25X30AS	(	(
3"	30AS	68343000	70343000
4"	40AS	68344000	70344000
5"	50AS	68345000	(
6"	60AS	68346000	(
8"	80AS	(	(

Coupler X Female Straight Thread		Aluminum HBS	Aluminum HB	Brass	Stainless Steel
Size	Part Name	Item #	Item #	Item #	Item #
1"	10DS	(	(	(	(
2"	20DS	60362000	6036000048	62362000	64362000
2-1/2"	25DS	60362500	6036000049	62362500	64362500
3"	30DS	60363000	6036000050	62363000	64363000
4"	40DS	60364000	6036000051	62364000	64364000
5"	50DS	60365000	6036000052	62365000	64365000
6"	60DS	(	60366000	62366000	64366000

Coupler X Female Straight Thread		Ductile Iron	Hard Coat Alum
Size	Part Name	Item #	Item #
1"	10DS	68361000	(
2"	20DS	68362000	70362000
2-1/2"	25DS	(	70362500
3"	30DS	68363000	70363000
4"	40DS	68364000	70364000
5"	50DS	68365000	70366000

All straight thread replacement gaskets are sold on Page 68.

All cam replacement gaskets are sold on pages 66-68.

Adaoter X Tank Car Thread		Aluminum	Brass	Stainless Steel
Size	Part Name	Item #	Item #	Item #
2" x 5"	TCA20X50	60462050	62462050	64462050
2-1/2" X 5"	TCA25X50	60462550	62462550	64462550
3" x 5"	TCA30X50	60463050	62463050	64463050
4" x 5"	TCA40X50	60464050	62464050	64464050

Adaoter X Tank Car Thread		Ductile Iron	Hard Coat Alum
Size	Part Name	Item #	Item #
2"	TCA20X50	68462050	(
2-1/2"	TCA25X50	(	(
3"	TCA30X50	68463050	70463050
4"	TCA40X50	68464050	70464050

Adaoter X Tank Car Thread		Aluminum	Brass	Stainless Steel
Size	Part Name	Item #	Item #	Item #
4" X 5"	TCA40X45DEG	60464000	62464000	64464000

Adaoter X Tank Car Thread		Ductile Iron	Hard Coat Alum
Size	Part Name	Item #	Item #
4" x 5"	TCA40X45DEG	68464000	70464000

**TCA**  
**ADAPTER X FEMALE TANK CAR THREAD**  
 Made in the U.S.A.



\*with pin lugs

**TCA 40X45° ELBOW**  
**5° ELBOW 4" ADAPTER X FEMALE TANK CAR THREAD**  
 Made in the U.S.A.



**TCA 40X90° ELBOW**  
**4" MALE NPT THREAD X FEMALE TANK CAR THREAD**  
 Made in the U.S.A.



**TCA 40X90° ELBOW**  
**4" ADAPTER X FEMALE TANK CAR THREAD**  
 Made in the U.S.A.



**REPLACEMENT GASKETS**  
 Made in the U.S.A.



Item #	Part #	Replacement Gaskets
5503800		LEATHER GASKET
5503801		WHITE NITRILE (FOOD GRADE)
5503802		EPDM
5503803		BUNA N
5503805		Teflon®
5500891		VITON® GASKET
5504000		NEOPRENE GASKET

Tank Car Thread X NPT Thread		Aluminum
Size	Part Name	Item #
4" X 5"	TCA40NPTM 90 Deg Elbow	60464090

TCA 40X90° Elbow can be used with:



**TTFNPTF**  
**TTMA FLANGE X FEMALE NPT**  
 Sold on page 75.



**MDA MAXI-DRY® ADAPTER**  
**ADAPTER X FEMALE NPT THREAD**  
 Sold on page 86.

Tank Car Thread X Adapter		Aluminum
Size	Part Name	Item #

All tank car adapters come standard with Buna N gaskets.  
 All tank car threads are manufactured to 5 1/4" 4 UN3B specifications.  
 All registered trademarks are the property of their respective owners.



**AWB-ADAPTER**  
ADAPTER X BUTT WELD  
Made in the U.S.A.



All Stainless Steel castings are 316 Stainless Steel.

Other alloys and sizes are available via special quote.

**Ordering Information:**

- Adapter Size
- Material
- Pipe Size & Schedule Number or Tube O.D.
- Wall Thickness
- Butt Weld

**Example:**

- Adapter Size: 3"
- Material: Aluminum
- Pipe Size: 3"
- Sch. Number: Sch 40
- Butt Weld

AWB line drawings & dimensions are on page 152.

All registered trademarks are the property of their respective owners.

**BUTT WELD FOR SCHEDULE 40 PIPE**

		Aluminum	Stainless Steel	Hastelloy®C	Carpenter 20	Carbon Steel
Size	Part Name	Item #	Item #	Item #	Item #	Item #
1/2"	E05AWB	☎	64600112	☎	☎	☎
3/4"	07AWB	☎	64600712	76600701	☎	☎
1"	10AWB	60601025	64601016	76601003	75601001	74601025
1-1/4"	12AWB	60601515	64601211	☎	☎	☎
1-1/2"	15AWB	☎	64601512	76601505	☎	74601525
2"	20AWB	60602017	64602011	76602020	☎	74602027
2-1/2"	25AWB	60602527	64602515	☎	☎	74602525
3"	30AWB	60603012	64603011	☎	75603025	74603025
4"	40AWB	60604018	64604017	☎	☎	74604026
5"	50AWB	60605013	64605012	☎	☎	74605006
6"	60AWB	60606013	64606011	76606001	75606027	74606027
8"	80AWB	60608012	64608026	☎	☎	74608012
10"	100AWB	60609003	64609011	☎	☎	74609010

**BUTT WELD FOR SCHEDULE 10 PIPE**

		Aluminum	Stainless Steel	Hastelloy®C	Carpenter 20	Carbon Steel
Size	Part Name	Item #	Item #	Item #	Item #	Item #
1/2"	E05AWB	☎	64600113	☎	☎	☎
3/4"	07AWB	☎	64600711	76600702	75600725	☎
1"	10AWB	☎	64601011	76601002	☎	☎
1-1/4"	12AWB	☎	64601209	☎	☎	☎
1-1/2"	15AWB	☎	64601515	76601506	☎	☎
2"	20AWB	60602019	64602012	76602019	75602012	74602026
2-1/2"	25AWB	60602513	64602513	☎	☎	☎
3"	30AWB	60603011	64603012	76603011	☎	74603011
4"	40AWB	60604013	64604012	☎	☎	74604029
5"	50AWB	60605020	64605011	☎	☎	☎
6"	60AWB	60606017	64606013	76606002	☎	☎
8"	80AWB	60608014	64608028	☎	☎	☎
10"	100AWB	☎	☎	☎	☎	☎

**BUTT WELD FOR .065 TUBE**

		Aluminum	Stainless Steel	Hastelloy®C	Carpenter 20	Carbon Steel
Size	Part Name	Item #	Item #	Item #	Item #	Item #
1/2"	E05AWB	☎	64600110	☎	☎	☎
3/4"	07AWB	☎	64600714	☎	☎	☎
1"	10AWB	☎	64601012	76601012	☎	☎
1-1/4"	12AWB	☎	64601212	☎	☎	☎
1-1/2"	15AWB	60601511	64601514	76601514	☎	☎
2"	20AWB	60602013	64602013	☎	☎	74602013
2-1/2"	25AWB	60602525	64602514	☎	☎	☎
3"	30AWB	60603014	64603014	☎	☎	74603014
4"	40AWB	60604020	64604014	☎	☎	74604027
5"	50AWB	60605016	64605015	☎	☎	☎
6"	60AWB	60606014	64606014	☎	☎	74606026
8"	80AWB	60608017	☎	☎	☎	☎
10"	100AWB	☎	64609010	☎	☎	☎

**SOCKET WELD FOR PIPE**

		Aluminum	Stainless Steel	Hastelloy®C	Carpenter 20	Carbon Steel
Size	Part Name	Item #	Item #	Item #	Item #	Item #
1/2"	E05AWS	☎	64600101	☎	72600101	☎
3/4"	07AWS	☎	64600701	☎	75600701	☎
1"	10AWS	60601002	64601004	76601001	☎	74601001
1"X1-1/2"	10X15AWS	☎	64601006	☎	☎	☎
1-1/4"	12AWS	60601201	64601201	☎	☎	☎
1-1/2"	15AWS	60601502	64601503	76601501	☎	74601501
2"	20AWS	60602004	64602001	76602004	75602013	74602002
2"X1-1/2"	20X15AWS	☎	64602005	☎	☎	☎
2-1/2"	25AWS	60602502	64602504	☎	☎	74602501
3"	30AWS	60603005	64603003	76603003	☎	☎
4"	40AWS	60604005B	64604003	☎	75604001	74604099
4" X 3"	40X30AWS	60604032	☎	☎	☎	☎
5"	50AWS	60605004	64605001	☎	☎	74605003
5" X 4"	50X40AWS	606050401	☎	☎	☎	☎
6"	60AWS	60606001	64606003	☎	☎	74606002
6" X 5"	60X50AWS	60606050	☎	☎	☎	☎
8"	80AWS	60608004	64608001	☎	☎	74608001
10"	10AWS	60609002	64609001	☎	☎	☎

**SOCKET WELD FOR TUBE**

		Aluminum	Stainless Steel	Hastelloy®C	Carpenter 20	Carbon Steel
Size	Part Name	Item #	Item #	Item #	Item #	Item #
3/4"	07AWS	☎	64600703	☎	☎	☎
1"	10AWS	60601002	64601001	☎	☎	74601002
1-1/4"	12AWS	60601201	☎	☎	☎	☎
1-1/2"	15AWS	60601502	64601504	☎	☎	74601502
2"	20AWS	60602004	64602002	☎	☎	74602003
2" X 1-1/2"	20X15AWS	☎	☎	☎	☎	☎
2-1/2"	25AWS	60602502	64602503	☎	☎	74602502
3"	30AWS	60603005	64603005	☎	☎	74603002
4"	40AWS	60604005B	64604004	☎	☎	74604001
4" x 3"	40X30AWS	60604032	☎	☎	☎	☎
5"	50AWS	60605004	64605004	☎	☎	74605001
5" X 4"	50X40AWS	606050401	☎	☎	☎	☎
6"	60AWS	60606001	64606001	☎	☎	74606001
6" x 5"	60X50AWS	60606050	☎	☎	☎	☎
8"	80AWS	60608004	64608002	☎	☎	☎
10"	100AWS	60609002	☎	☎	☎	☎

**AWS-ADAPTER**  
ADAPTER X SOCKET WELD  
Made in the U.S.A.



All Stainless Steel castings are 316 Stainless Steel.

Other alloys and sizes are available via special quote.

**Ordering Information:**

- Adapter Size
- Material
- Pipe Size & Schedule Number or Tube O.D.
- Wall Thickness
- Socket Weld

**Example:**

- Adapter Size: 3"
- Material: Aluminum
- Pipe Size: 3"
- Sch. Number: Sch 40
- Socket Weld

AWS line drawings & dimensions are on page 152.

All registered trademarks are the property of their respective owners.



DWB COUPLER  
COUPLER X BUTT WELD  
Made in the U.S.A.



All Stainless Steel castings are 316 Stainless Steel and all components are 300 series Stainless Steel.

HBS cam arms are made of 300 series Stainless Steel.

HB cam arms are made of Brass.

Other alloys and sizes are available via special quote.

Ordering Information:

- Coupler Size
- Material
- Pipe Size & Schedule Number or Tube O.D.
- Wall Thickness
- Butt Weld

Example:

- Coupler Size: 3"
- Material: Aluminum
- Pipe Size: 3"
- Butt Weld

All couplings are available with STA-LOK® II cam arms.

DWB line drawings & dimensions are on page 152.

Replacement gaskets are available on pages 66-68.

All registered trademarks are the property of their respective owners.

BUTT WELD FOR SCHEDULE 40 PIPE

Table with 7 columns: Size, Part Name, Item #, Aluminum, Stainless Steel, Hastelloy®C, Carpenter-20, Carbon Steel. Rows include sizes from 1/2" to 10".

BUTT WELD FOR SCHEDULE 10 PIPE

Table with 7 columns: Size, Part Name, Item #, Aluminum, Stainless Steel, Hastelloy®C, Carpenter-20, Carbon Steel. Rows include sizes from 1/2" to 8".

BUTT WELD FOR .065 TUBE

Table with 7 columns: Size, Part Name, Item #, Aluminum, Stainless Steel, Hastelloy®C, Carpenter-20, Carbon Steel. Rows include sizes from 1/2" to 10".

SOCKET WELD FOR PIPE

Table with 7 columns: Size, Part Name, Item #, Aluminum, Stainless Steel, Hastelloy®C, Carpenter-20, Carbon Steel. Rows include sizes from 1/2" to 10".

SOCKET WELD FOR TUBE

Table with 6 columns: Size, Part Name, Item #, Aluminum/HBS, Aluminum/HB, Stainless Steel, Carbon Steel. Rows include sizes from 3/4" to 8".

Replacement gaskets are available on pages 66-68.

All registered trademarks are the property of their respective owners.

DWS COUPLER  
COUPLER X  
SOCKET WELD  
Made in the U.S.A.



All Stainless Steel castings are 316 Stainless Steel and all components are 300 series Stainless Steel.

HBS cam arms are made of 300 series Stainless Steel.

HB cam arms are made of Brass.

Other alloys and sizes are available via special quote.

Ordering Information:

- Coupler Size
- Material
- Pipe Size & Schedule Number or Tube O.D.
- Wall Thickness
- Socket Weld

Example:

- Coupler Size: 3"
- Material: Aluminum
- Pipe Size: 3"
- Schedule Number: Sch 40
- Socket Weld

All couplings are available with STA-LOK® II cam arms.

DWS line drawings & dimensions are on page 152.





PSI Rating for Heavy Duty Couplings

Size	1-1/2"	2"	2-1/2"	3"	4"	6"
PSI Rating	500	500	400	400	300	150

**AHD**  
HEAVY DUTY ADAPTER X  
FEMALE NPT THREAD

Made in the U.S.A.



Size	Part Name	Aluminum	Brass	Stainless Steel	Ductile Iron
		Item #	Item #	Item #	Item #
1"	10AHD	☎	☎	64761000	☎
1-1/2"	15AHD	☎	1200115H	1400115H	68761500
2"	20AHD	1000120H	1200120H	64762000	68762000
2-1/2"	25AHD	☎	☎	1400125H	68762500
3"	30AHD	1000130H	1200130H	1400130H	1800130H
4"	40AHD	1000140H	1200140H	1400140H	1800140H
6"	60AHD	1000160H	1200160H	1400160H	☎

**BHD**  
HEAVY DUTY COUPLER X  
MALE NPT THREAD

Made in the U.S.A.



Aluminum		
Size	Part Name	Item #
6"	60BHD	1000260H

**CHD**  
HEAVY DUTY COUPLER X  
HOSE SHANK

Made in the U.S.A.



Size	Part Name	Aluminum/HBS	Aluminum/HB	Brass	Stainless Steel
		Item #	Item #	Item #	Item #
3"	30CHD	1000330H	☎	☎	☎
4"	40CHD	1000340H	1070340H	1200340H	1400340H
6"	60CHD	1000360H	1070360H	1200360H	1400360H

2-1/2" and smaller couplers come standard with 2 cam arms while 3" and larger couplers come with 4 STA-LOK® II cam arms.

PSI Rating for Heavy Duty Couplings

Size	1-1/2"	2"	2-1/2"	3"	4"	6"
PSI Rating	500	500	400	400	300	150

Size	Part Name	Aluminum	Brass	Stainless Steel	Ductile Iron
		Item #	Item #	Item #	Item #
1-1/2"	15DHD	☎	1200415H	1400415H	68781500
2"	20DHD	1000420H	1200420H	64782000	68782000
2-1/2"	25DHD	☎	☎	1400425HD	68782500
3"	30DHD	10004304CM	☎	14004304CM	18004304CM
4"	40DHD	10004404CM	1200440CM	14004404CM	18004404CM
6"	60DHD	10004604CM	12004604CM	14004604CM	18004604CM

**DHD**  
HEAVY DUTY COUPLER X  
FEMALE NPT THREAD

Made in the U.S.A.



2-1/2" and smaller couplers come standard with 2 cam arms while 3" and larger couplers come with 4 STA-LOK® II cam arms.

**EHD**  
HEAVY DUTY ADAPTER X  
HOSE SHANK

Made in the U.S.A.



Size	Part Name	Aluminum	Brass	Stainless Steel	Ductile Iron
		Item #	Item #	Item #	Item #
3"	30EHD	1000530H	☎	☎	☎
4"	40EHD	1000540H	1200540H	☎	68754000
6"	60EHD	1000560H	1200560H	1400560H	☎

**ADGHD**  
HEAVY DUTY ADAPTER X  
DOUBLE GROOVE

Made in the U.S.A.



Size	Part Name	Aluminum	Aluminum Sand
		Item #	Item #
6"	60ADGHD	6088020H	608802XHSG

Aluminum		
Size	Part Name	Item #
6"	60CDGHD	60226004

**CDGHD**  
HEAVY DUTY COUPLER X  
DOUBLE GROOVE

Made in the U.S.A.





PFA ADAPTER X PIPE FLANGE 150 lb Flange Made in the U.S.A.



All Stainless Steel castings are 316 Stainless Steel.

Stainless Steel and Carbon Steel Flanges are raised face. Other materials are supplied with flat face flanges. Both style of flanges are available upon request.

Pipe Flange bolt pattern conforms to ANSI B16.5 Class 150

PFA Adapter X Flange line drawings & dimensions are on page 150.

\*Denotes that these parts are made as a welded fabrication.

Table with 5 columns: Adapter X Pipe Flange (Size, Part Name), Aluminum (Item #), Brass (Item #), Stainless Steel (Item #). Lists various sizes from 3/4" to 12" and materials.

Table with 5 columns: Adapter X Pipe Flange (Size, Part Name), Ductile Iron (Item #), Hard Coat Alum (Item #), Carbon Steel (Item #). Lists various sizes from 1" to 12" and materials.

PFA ADAPTER X PIPE FLANGE 150 lb Flange Made in the U.S.A.



All Stainless Steel castings are 316 Stainless Steel.

Stainless Steel and Carbon Steel Flanges are raised face. Other materials are supplied with flat face flanges. Both style of flanges are available upon request.

Pipe Flange bolt pattern conforms to ANSI B16.5 Class 150

PFA Adapter X Flange line drawings & dimensions are on page 150.

\*Denotes that these parts are made as a welded fabrication.

PFA - HEAVY DUTY ADAPTER X PIPE FLANGE

Made in the U.S.A.



Table with 5 columns: Adapter X Pipe Flange (Size, Part Name), Aluminum (Item #), Brass (Item #), Stainless Steel (Item #). Lists sizes 4", 6", 6" X 4", and 6" X 5".

Table with 5 columns: Coupler X Pipe Flange (Size, Part Name), Aluminum (Item #), Brass (Item #), Stainless Steel (Item #). Lists sizes 4", 6", and 6" X 3".

PFC - HEAVY DUTY COUPLER X PIPE FLANGE

Made in the U.S.A.





### PFC COUPLER X PIPE FLANGE

Made in the U.S.A.



All Stainless Steel castings are 316 Stainless Steel and all components are 300 series Stainless Steel.

Stainless Steel and Carbon Steel Flanges are raised face. Other materials are supplied with Flat Face Flanges. Both styles of flanges are available on request.

Pipe Flange bolt pattern conforms to ANSI B16.5 Class 150

PFC Coupler X Flange line drawings & dimensions are on page 150.

\* Denotes that these parts are made as a welded fabrication.

Coupler X Pipe Flange		Aluminum/HB	Aluminum/HBS	Brass	Stainless Steel
Size	Part Name	Item #	Item #	Item #	Item #
3/4" X 1"	PF07X10C*	☎	☎	☎	64540710
1"	PF10C*	☎	60541000*	☎	64541000
1-1/2"	PF15C	☎	60541500	62541500	64541500
1-1/2" X 2"	PF15X20C	☎	☎	☎	64541520
2"	PF20C	6054000070	60542000	62542000	64542000
2" X 3"	PF20X30C*	☎	☎	☎	64542030
2-1/2"	PF25C*	☎	60542500	62542500	64542500
2-1/2" X 3"	PF25X30C	☎	☎	62542530	☎
2-1/2" X 4"	PF25X40C	☎	☎	62542540	64542540
3"	PF30C	6054000071	60543000	62543000	64543000
3" x 2"	PF30X20C	☎	☎	☎	64543020
3" x 4"	PF30X40C	☎	☎	☎	64543040
3" x 6"	PF30X60C	60543060	☎	☎	☎
4"	PF40C	6054000072	60544000	62544000	64544000
4" x 3"	PF40X30C	6054030	☎	☎	☎
4" x 6"	PF40X60C	6054060	6054060	☎	☎
5"	PF50C	☎	60545000*	☎	64545000
6"	PF60C	60546000	☎	62546000	64546000
8"	PF80C	6054000073	60548000	62548000	64548000
8" x 12"	PF80X120C	605408092	☎	☎	☎
10"	PF100C	60549000	☎	☎	64549000
12"	PF120C	60549200	60549201	☎	☎

Coupler X Pipe Flange		Ductile Iron	Hard Coat Alum	Carbon Steel
Size	Part Name	Item #	Item #	Item #
1"	PF10C	☎	☎	☎
1-1/2"	PF15C	☎	☎	74541500
1-1/2" x 2"	PF15X20C	☎	☎	☎
2"	PF20C	68542000	☎	74542000
2"	*PF20CSL	☎	☎	☎
2-1/2"	*PF25C	68542500	☎	☎
3"	PF30C	68543000	70543000	74543000
3" x 2"	PF30X20C	☎	☎	☎
3" x 4"	PF30X40C	☎	☎	☎
4"	PF40C	68544000	70544000	74544000
4" x 6"	PF40X60C	☎	7054060	☎
6"	PF60C	68546000	70546000	74546000
8"	PF80C	☎	70548000	☎
8" x 12"	PF80X120C	☎	☎	☎
10"	PF100C	☎	☎	☎
12"	PF120C	☎	☎	☎

		Aluminum HBS	Aluminum HB
Size	Part Name	Item #	Item #
1-1/2"	15BC	60721500	6072000087
2"	20BC	60722000	6072000088
2-1/2"	25BC	60722500	6072000089
2-1/2" x 2-1/4"	25BCX2 1/4"	60722512	☎
3"	30BC	60723000	6072000090

### BC-COUPLER COUPLER X TUBING COMPRESSION FITTING

Made in the U.S.A.



### FC-ADAPTER ADAPTER X TUBING COMPRESSION FITTING

Made in the U.S.A.



		Aluminum
Size	Part Name	Item #
1-1/2"	15FC	60741500
2"	20FC	60742000
2-1/2"	25FC	60742500
2-1/2" x 2-1/4"	25FCX2 1/4"	60742512
3"	30FC	60743000

		Aluminum
Size	Part Name	Item #
1-1/2"	15FCN	60741515
2"	20FCN	60742020
2-1/2"	25FCN	60742525
3"	30FCN	60743030

### COMPRESSION NUT FOR BC & FC NUT AND GASKET



		Buna N
Size	Part Name	Item #
1-1/2"	15FC	5507415
2"	20FC	5507420
2 1/4"	22FC	5507422
2-1/2"	25FC	5507425
3"	30FC	5507430

### BC & FC COMPRESSION NUT GASKET



Compression gasket will not interchange with standard Buna N coupling gasket.

Buna N 1 Blue Stripe

Special Cam & Groove - Pipe Flanges

Special Cam & Groove - Compression Fittings





**AG**  
ADAPTER X  
SINGLE GROOVE  
Made in the U.S.A.



		Aluminum
Size	Part Name	Item #
3"	30AG	60880230
4"	40AG	60880240
6"	60AGHD Heavy Duty	6088026

\*Heavy Duty 150 PSI

**ADGHD**  
HEAVY DUTY ADAPTER  
X DOUBLE GROOVE  
Made in the U.S.A.



		Aluminum	Aluminum Sand
Size	Part Name	Item #	Item #
6"	60ADGHD	6088020H	608802XHSG

\*Heavy Duty 150 PSI

**TTFVG**  
SINGLE GROOVE X  
TTMA FLANGE  
Made in the U.S.A.



		Aluminum
Size	Part Name	Item #
3"	TTF30VG	60513000VG
4"	TTF40VG	60514000VG

**TTFDGHD**  
DOUBLE GROOVE X  
TTMA FLANGE HEAVY  
DUTY  
Made in the U.S.A.



		Aluminum
Size	Part Name	Item #
6"	TTF60DGHD ALUM	6056601H

\*Heavy Duty 150 PSI

**40 SGY**  
SINGLE GROOVE Y  
Made in the U.S.A.



		Aluminum
Size	Part Name	Item #
4"	40SGY	60594142DG

All registered trademarks are the property of their respective owners.

		Aluminum	Ductile
Size	Part Name	Item #	Item #
1-1/2" x 2"	15X20CG	60221520GG	☎
4"	40CG	60890040G	68890040
6"	60CGHD	6022601	☎

\*Heavy Duty 150 PSI

**CG**  
COUPLER X  
SINGLE GROOVE  
Made in the U.S.A.



		Aluminum
Size	Part Name	Item #
6"	60CDGHD	60226004

\*Heavy Duty 150 PSI

**CDGHD**  
HEAVY DUTY COUPLER  
X DOUBLE GROOVE  
Made in the U.S.A.



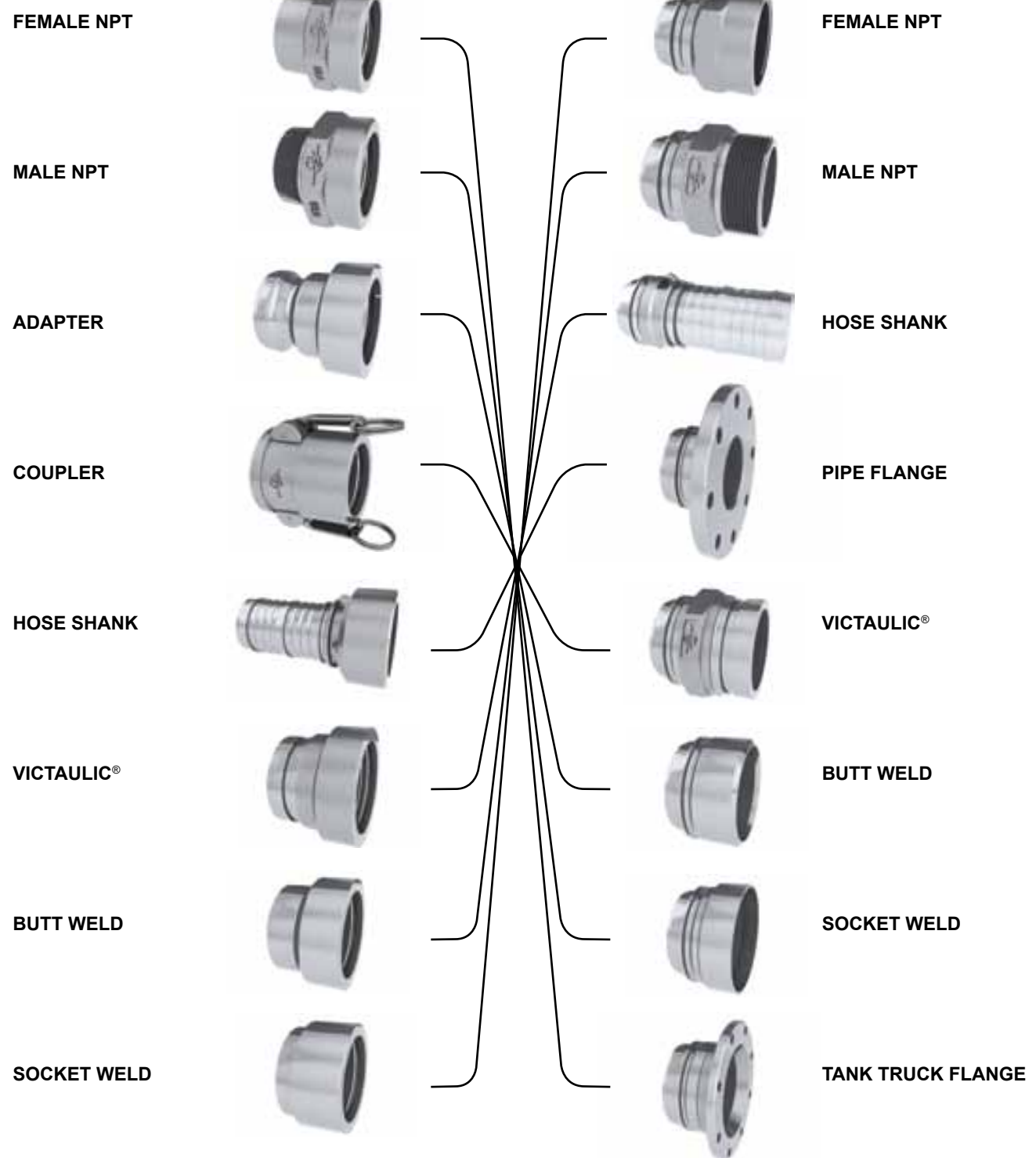
Size	Part Name	Aluminum	Stainless Steel	Steel	Plated Steel
		Item #	Item #	Item #	Item #
1"	PTCN100 Pipe Groove	☎	☎	☎	83640100VG
1-1/2"	PTCN150 Pipe Groove	85640150VG	82640150VG	82640150VG	83640150VG
2"	PTCN200 Pipe Groove	85640200VG	82640200VG	82640200VG	83640200VG
2-1/2"	PTCN250 Pipe Groove	85640250VG	82640250VG	82640250VG	☎
3"	PTCN300 Pipe Groove	85640300VG	82640300VG	82640300VG	83640300VG
4"	PTCN400 Pipe Groove	85640400VG	82640400VG	82640400VG	☎
6"	PTCN600 Pipe Groove	85640600VG	82640600VG	82640600VG	☎
8"	PTCN800 Pipe Groove	☎	82640800VG	82640800VG	☎

**PTCN PIPE GROOVE**  
HOSE SHANK X  
SINGLE GROOVE  
Made in the U.S.A.



All registered trademarks are the property of their respective owners.

**SWIVEL END A**  **SWIVEL END B**



**VERSATILE SWIVEL ORDERING INFORMATION**

(Select desired swivel ends below to determine swivel assembly part name)

**VERSATILE SWIVEL ASSEMBLY NAMING CHART**

		SWIVEL END B							
		FEMALE NPT THREAD	MALE NPT THREAD	HOSE SHANK.	SOCKET WELD	BUTT WELD	GROOVE (VICTOLIC®)	PIPE FLANGE	TANK TRUCK FLG.
SWIVEL END A	FEMALE NPT THREAD	##FFSV	##MFSV	##FSSV	##FWSSV	##FWBSV	##FGSV	PF##FSV	TTF##FSV
	MALE NPT THREAD	##MFSV	##MMSV	##MSSV	##MWSSV	##MWBSV	##MGSV	PF##MSV	TTF##MSV
	ADAPTER	##ASV	##FSV	##ESV	##AWSSV	##AWBSV	##AGSV	PF##ASV	TTF##ASV
	COUPLER	##DSV	##BSV	##CSV	##DWSSV	##DWBSV	##CGSV	PF##CSV	TTF##CSV
	HOSE SHANK	##FSSV	##MSSV	##HMSV	##SWSSV	##SWBSV	##SGSV	PF##SSV	TTF##SSV
	GROOVE(VICT)	##FGSV	##MGSV	##SGSV	##GWSSV	##GWBSV	##GGSV	PF##GSV	TTF##GSV
	BUTT WELD	##FWBSV	##MWBSV	##SWBSV	##WSWBSV	##WBWBSV	##GWBSV	PF##WBSV	TTF##WBSV
	SOCKET WELD	##FWSSV	##MWSSV	##SWSSV	##WSWSSV	##WSWBSV	##GWSSV	PF##WSSV	TTF##WSSV

Select desired size ##	
Sizes Available	PT Description
1.25"	12
1.5"	15
2"	20
2.5"	25
3"	30
4"	40
5"	50
6"	60

Select Desired Body Material	
316 Stainless Steel	SS
Aluminum	ALUM

Select Desired Seal Material
Buna N
Viton®
Teflon®

Flange bolt pattern conforms to ANSI B16.5 Class 150

Pressure ratings on Versatile Swivels are the same as standard cam & groove fittings. Contact PT Coupling if additional pressure is required.

\*Because the Teflon® seal is an o-ring, it could be more difficult to rotate compared to a Buna or Viton® u-cup seal.

- On Weld Fittings indicate
- Pipe Size & Schedule
  - Number or Tube O.D.
  - Wall Thickness
  - Butt or Socket Weld

Using Information from above charts, develop complete swivel description by filling in blanks

Assembly size & part name	Body Material	Seal Material	All Swivels come standard without a grease zerk, but grease zerks are available upon request
<b>Example 1: 30MFSV ALUM BUNA</b>		(Explanation)	
		3" male NPT thread by female NPT thread aluminum swivel with a Buna seal	

\*Please call for stock availability  
All registered trademarks are the property of their respective owners



**ASV-ADAPTER SWIVEL**  
360° SWIVEL-ADAPTER X  
FEMALE NPT THREAD  
Ball bearing swivel action  
Available with Viton® or  
Buna Seals  
Made in the U.S.A.



		Aluminum Viton®	Aluminum Buna	Stainless Steel Viton®	Stainless Steel Buna
Size	Part Name	Item #	Item #	Item #	Item #
1-1/2"	15ASV	60151500	☎	64151500	☎
2"	20ASV	60152000	☎	64152000	64152100
2-1/2"	25ASV	☎	☎	64152500	☎
3"	30ASV	60153000	60153100	64153000	☎
4"	40ASV	60154000	60154100	64154000	64154100
5"	50ASV	60155000	☎	64155000	☎
6"	60ASV	60156000	60156000B	64156000	☎

Other seal materials available upon request

**BSV-COUPLER SWIVEL**  
360° SWIVEL-COUPLER X  
MALE NPT THREAD  
Ball bearing swivel action  
Available with Viton® or  
Buna Seals  
Made in the U.S.A.



		Aluminum Viton®	Aluminum Buna	Stainless Steel Viton®	Stainless Steel Buna
Size	Part Name	Item #	Item #	Item #	Item #
1-1/2"	15BSV	60191500	☎	☎	☎
2"	20BSV	60192000	☎	64192000	☎
2-1/2"	25BSV	60192500	☎	64192500	☎
3"	30BSV	60193000	☎	64193000	☎
4"	40BSV	60194000	☎	64194000	☎
6"	60BSV	60196000	☎	☎	☎

Other seal materials available upon request

**CSV-COUPLER SWIVEL**  
360° SWIVEL-COUPLER X  
HOSE SHANK  
Ball bearing swivel action  
Available with Viton® or  
Buna Seals  
Made in the U.S.A.



		Aluminum Viton®	Aluminum Buna	Stainless Steel Viton®	Stainless Steel Buna
Size	Part Name	Item #	Item #	Item #	Item #
1-1/2"	15CSV	60231500	☎	64231500	☎
2"	20CSV	60232000	☎	64232000	☎
2-1/2"	25CSV	60232500	☎	☎	☎
3"	30CSV	60233000	☎	64233000	☎
4"	40CSV	60234000	☎	64234000	☎
5"	50CSV	60235000	☎	☎	☎
6"	60CSV	60236000	☎	64236000	☎

All couplings are available with STA-LOK® II cam arms.

C50 Sleeves & ferrules can be used on CSV-Coupler Swivel just like on standard C-Couplers.

Other seal materials available upon request

All registered trademarks are the property of their respective owners.



		Aluminum Viton®	Aluminum Buna	Stainless Steel Viton®	Stainless Steel Buna	HCAlum Viton®
Size	Part Name	Item #	Item #	Item #	Item #	Item #
1-1/2"	15DSV	60211500	☎	64211500	☎	☎
2"	20DSV	60212000	☎	64212000	☎	☎
2-1/2"	25DSV	60212500	☎	64212500	☎	☎
3"	30DSV	60213000	60213100	64213000	☎	70213000
4"	40DSV	60214000	60214100	64214000	☎	70214000
5"	50DSV	60215000	☎	64215000	☎	☎
6"	60DSV	60216000	☎	64216000	☎	70216000

		Aluminum Viton®	Aluminum Buna	Stainless Steel Viton®	Stainless Steel Buna
Size	Part Name	Item #	Item #	Item #	Item #
1-1/2"	15ESV	60251500	☎	64251500	☎
2"	20ESV	60252000	☎	64252000	☎
2-1/2"	25ESV	60252500	☎	☎	☎
3"	30ESV	60253000	☎	64253000	☎
4"	40ESV	60254000	☎	☎	☎
5"	50ESV	60255000	☎	☎	☎
6"	60ESV	60256000	☎	☎	☎

C50 Sleeves & ferrules can be used on CSV-Coupler Swivel just like on standard C-Couplers.

		Aluminum Viton®	Aluminum Buna	Stainless Steel Viton®	Stainless Steel Buna	HCAlum Viton®
Size	Part Name	Item #	Item #	Item #	Item #	Item #
1-1/2"	15FSV	60171500	☎	64171500	☎	☎
2"	20FSV	60172000	☎	64172000	☎	☎
2-1/2"	25FSV	60172500	☎	☎	☎	☎
3"	30FSV	60173000	☎	64173000	☎	70173000
4"	40FSV	60174000	☎	64174000	☎	☎
5"	50FSV	☎	☎	☎	☎	☎
6"	60FSV	60176000	☎	☎	☎	☎

		Viton®	Buna	Teflon®
Size	Part Name	Item #	Item #	Item #
1-1/2"	15SV	5019015	☎	☎
2"	20SV	5019020	☎	☎
2-1/2"	25SV	5019025	☎	☎
3"	30SV	5019030	5509390	5509391
4"	40SV	5019040	5509490	☎
5"	50SV	5019050	☎	☎
6"	60SV	5019060	5019061	☎

Other seal materials available upon request  
All registered trademarks are the property of their respective owners.

Toll-Free: (800) 654-0320 • Toll-Free Fax: (800) 828-2649 • info@ptcoupling.com • www.ptcoupling.com

**DSV-COUPLER SWIVEL**  
360° SWIVEL-COUPLER X  
FEMALE NPT THREAD  
Available with Viton® or  
Buna Seals  
Made in the U.S.A.



**ESV-ADAPTER SWIVEL**  
360° SWIVEL-ADAPTER X  
HOSE SHANK  
Ball bearing swivel action  
Available with Viton® or  
Buna Seal  
Made in the U.S.A.



**FSV-ADAPTER SWIVEL**  
360° SWIVEL-ADAPTER X  
MALE NPT THREAD  
Ball bearing swivel action  
Available with Viton® or  
Buna Seals  
Made in the U.S.A.



**SWIVEL REPAIR KIT**  
Made in the U.S.A.



Includes u-cup, bushing, bolt, and ball bearings.

Standard Swivel Cam & Groove

Standard Swivel Cam & Groove





**SWIVEL UNITS**  
 MALE NPT THREAD X  
 FEMALE NPT THREAD  
 150 PSI Working  
 Pressure  
 Made in the U.S.A.



Size	Part Name	Anodized Aluminum		Chrome Plated Brass		Stainless Steel	
		Item #	Item #	Part Name	Item #	Part Name	Item #
1-1/4"	FOA125MF	W470010	W470010V	FOB125MF LONG	W430110	FOS125MF	W440010
1-1/2"	FOA150MF	W470012	W470012V	FOB150MF LONG	W430012	FOS150MF	W440012
2"	FOA200MF	W470016	W470016V	FOB200MF LONG	W430016	FOS200MF	W440016
2-1/2"	FOA250MF	W470020	☎	FOB250MF	N/A	FOS250MF	N/A
3"	FOA300MF	W470024	☎	FOB300MF	N/A	FOS300MF	N/A

**HEX SWIVEL UNITS**  
 MALE NPT THREAD X  
 FEMALE NPT THREAD  
 150 PSI Working  
 Pressure  
 Made in the U.S.A.



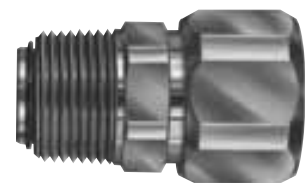
Size	Part Name	Anodized Aluminum	
		Item #	Contains
1-1/2"	ZS9	W421111	Snap Ring / O Ring
1-1/2"	ZS10	W421113	Ball Bearings / O Ring

**SWIVEL UNITS**  
 MALE NPT THREAD X  
 HOSE SHANK  
 150 PSI Working  
 Pressure  
 Made in the U.S.A.



Size	Part Name	Anodized Aluminum		Chrome Plated Brass	
		Item #	Part Name	Item #	Item #
3/4" x 3/4"	FO3434	W960530	FO3434	W961530	
1" x 5/8"	FO1058	W960510	FO1058	W961510	
1" x 3/4"	FO1034	W960520	FO1034	W961520	
1"	FO1000	W960600	FO1000	W961600	
1-1/4"	FO125	W480010	FO125	W961010	
1-1/2" x 1-3/8"	FO138	W480011	FO138	N/A	
1-1/2"	FO150	W480012	N/A	N/A	
2"	FO200	W480016	N/A	N/A	
2-1/2"	FO250	W480020	FO250	W961020	
3"	FO300	W480024	FO300	W961024	

**PUMP & NOZZLE SWIVEL**  
 MALE NPT THREAD X  
 FEMALE NPT THREAD  
 150 PSI Working Pressure  
 Made in the U.S.A.



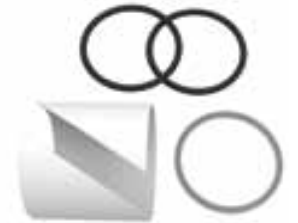
Chrome Plated-Aluminum Body & Brass Nut		
NPT Size	Part Name	Item #
Male x Female		
1/2"	PS12MF	W410004
3/4"	PS34MF	W410006
3/4" x 1"	PS3410MF	W410608
1"	PS100MF	W410009
1" x 3/4" x	PS1034MF	W410806

Fuel Resistant Buna seals are standard, on all WEDGON® swivels.  
 Other seal types are also available, call for pricing and availability.  
 Pump swivels have Stainless Steel retaining rings for water service.

All registered trademarks are the property of their respective owners.

Size	Part Name	Buna		Viton®	
		Item #	Item #	Item #	Item #
1-1/4"	X125	W780010	W782010	W782010	
1-1/2"	X150	W780012	W782012	W782012	
2"	X200	W780016	W782016	W782016	
2-1/2"	X250	W780020	W782020	W782020	

**REPAIR KITS, FOA, FOB, AND FOS SWIVEL FITTINGS**  
 INCLUDES O-RINGS, STAINLESS STEEL RETAINING RING, & BUSHING  
 Made in the U.S.A.



Size	Part Name	Buna		Viton®	
		Item #	Item #	Item #	Item #
1/2"	K12	W710004	W712004	W712004	
3/4"	K34	W710006	W712006	W712006	
1"	K100	W710008	W712008	W712008	
1-1/4"	K125	W710010	W712010	W712010	
1-1/2"	K150	W710012	W712012	W712012	
2"	K200	W710016	W712016	W712016	
2-1/2"	K250	W710020	☎	☎	
3"	K300	W710024	☎	☎	

**REPAIR KITS, FO, ZS & PS SWIVEL FITTINGS**  
 INCLUDES O-RINGS & RETAINING RING  
 Made in the U.S.A.



**Buna O-Rings & Stainless Steel Retaining Ring**

All registered trademarks are the property of their respective owners.



COUPLING GASKET

Made in the U.S.A.



Buna N Standard  
1 Blue Stripe



Buna N Fuel Resistant  
2 Blue Stripes



Neoprene Gasket  
1 White Stripe



VITON® 1/2" - 6"  
Green



VITON® 8" & 10"\*  
1 Green Stripe

Size	Buna N Standard		Buna Fuel Resistant		Neoprene		Viton®	
	Part Name	Item #	Part Name	Item #	Part Name	Item #	Part Name	Item #
1/2"	B05Y	5500205	N/A	N/A	N05Y	5500405	V05Y	5500805
3/4"	B01	5500207	B01F	5500207F	N01	5500407	V01	5500807
1"	B02	5500210	B02F	5500210F	N02	5500410	V02	5500810
1-1/4"	B03	5500212	B03F	5500212F	N03	5500412	V03	5500812
1-1/2"	B04	5500215	B04F	5500215F	N04	5500415	V04	5500815
2"	B05	5500220	B05F	5500220F	N05	5500420	V05	5500820
2-1/2"	B06	5500225	B06F	5500225F	N06	5500425	V06	5500825
3"	B07	5500230	B07F	5500230F	N07	5500430	V07	5500830
4"	B08	5500240	B08F	5500240F	N08	5500440	V08	5500840
5"	B09	5500250	B09F	5500250F	N09	5500450	V09	5500850
6"	B010	5500260	B010F	5500260F	N010	5500460	V010	5500860
8"	B011	5500280	N/A	N/A	N011	5500480	V011	5500880
10"	B012	5500290	N/A	N/A	N/A	N/A	V012	5500890
12"	B013	5500292	N/A	N/A	N/A	N/A	N/A	N/A

Size	Teflon® Encapsulated Silicone		Teflon® Encapsulated Viton®	
	Part Name	Item #	Part Name	Item #
1/2"	TOC05Y	5503005	TOCV05Y	N/A
3/4"	TOCS1	5503007	TOCV1	5503207
1"	TOCS2	5503010	TOCV2	5503210
1-1/4"	TOCS3	5503012	TOCV3	5503212
1-1/2"	TOCS4	5503015	TOCV4	5503215
2"	TOCS5	5503020	TOCV5	5503220
2-1/2"	TOCS6	5503025	TOCV6	5503225
3"	TOCS7	5503030	TOCV7	5503230
4"	TOCS8	5503040	TOCV8	5503240
5"	TOCS9	5503050	N/A	N/A
6"	TOCS10	5503060	N/A	N/A

TEFLON® ENCAPSULATED GASKET

Made in the U.S.A.



Teflon® Encapsulated  
Silicone



Teflon® Encapsulated  
Viton®

Size	Buna N 5/16" Thick		Neoprene 5/16" Thick		EPDM 5/16" Thick		White Nitrile Food Grade 5/16" Thick	
	Part Name	Item #	Part Name	Item #	Part Name	Item #	Part Name	Item #
1"	10YST	5501810	N/A	N/A	E10YST	5501910	N/A	N/A
1-1/2"	15YST	5501815	N/A	N/A	E15YST	5501915	N/A	N/A
2"	20YST	5501820	N20YST	5502020	E20YST	5501920	N/A	N/A
2-1/2"	25YST	5501825	N/A	N/A	N/A	N/A	N/A	N/A
3"	30YST	5501830	N30YST	5502030	E30YST	5501930	N/A	N/A
4"	40YST	5501840	N40YST	5502040	N/A	N/A	NW8	5503440
5"	50YST	5501850	N/A	N/A	N/A	N/A	NW9	5503450
6"	60YST	5501860	N60YST	5502060	N/A	N/A	NW10	5503460

5/16" THICK COUPLING GASKET

Made in the U.S.A.



Buna N 5/16" Thick  
Coupling Gasket  
1 Blue Stripe



Neoprene 5/16" Thick  
Coupling Gasket  
1 White Stripe

TEFLON® ENVELOPED COUPLING GASKET

Made in the U.S.A.



Size	Teflon® Enveloped Viton® Filler		Teflon® Enveloped Neoprene Filler		Teflon® Enveloped Buna Filler	
	Part Name	Item #	Part Name	Item #	Part Name	Item #
1/2"	TOFV05Y	5503905	TOFN05Y	5501605	TOFB05Y	5503705
3/4"	TOFV1	5503907	TOFN1	5501607	TOFB1	5503707
1"	TOFV2	5503910	TOFN2	5501610	TOFB2	5503710
1-1/4"	TOFV3	5503912	TOFN3	5501612	TOFB3	5503712
1-1/2"	TOFV4	5503915	TOFN4	5501615	TOFB4	5503715
2"	TOFV5	5503920	TOFN5	5501620	TOFB5	5503720
2-1/2"	N/A	N/A	TOFN6	5501625	TOFB6	5503725
3"	TOFV7	5503930	TOFN7	5501630	TOFB7	5503730
4"	TOFV8	5503940	TOFN8	5501640	N/A	N/A
6"	TOFV10	5503960	TOFN10	5501660	N/A	N/A

All registered trademarks are the property of their respective owners.

All registered trademarks are the property of their respective owners.

Accessories & Replacement Parts - Coupling Gaskets

Accessories & Replacement Parts - Coupling Gaskets



**COUPLING GASKET**

Made in the U.S.A.



Buna N-Hot Oil  
2 Orange Stripes



Silicone



EPDM Gasket



White Nitrile Food Grade

**NPSH & NPSM  
STRAIGHT THREAD  
GASKET**

Made in the U.S.A.



White Nitrile Food Grade



Buna Fuel Resistant

Size	Buna N-Hot Oil		Silicone	
	Part Name	Item #	Part Name	Item #
1/2"	N/A	N/A	S05Y	5502205
3/4"	N/A	N/A	S01	5502207
1"	N/A	N/A	S02	5502210
1-1/4"	B03X	5502812	S03	5502212
1-1/2"	B04X	5502815	S04	5502215
2"	B05X	5502820	S05	5502220
2-1/2"	N/A	N/A	S06	5502225
3"	B07X	5502830	S07	5502230
4"	B08X	5502840	S08	5502240
5"	B09X	5502850	S011	5502280
6"	B010X	5502860	N/A	N/A

Size	EPDM		White Nitrile Food Grade	
	Part Name	Item #	Part Name	Item #
1/2"	EPT05Y	5502605	NW05Y	5501405
3/4"	EPT1	5502607	NW1	5501407
1"	EPT2	5502610	NW2	5501410
1-1/4"	EPT3	5502612	NW3	5501412
1-1/2"	EPT4	5502615	NW4	5501415
2"	EPT5	5502620	NW5	5501420
2-1/2"	EPT6	5502625	NW6	5501425
3"	EPT7	5502630	NW7	5501430
4"	EPT8	5502640	NW8	5501440
5"	EPT9	5502650	NW9	5501450
6"	EPT10	5502660	NW10	5501460
8"	N/A	N/A	NW11	5501480
10"	N/A	N/A	NW12	5501490

Size	White Nitrile Food Grade		Buna N		Neoprene	
	Part Name	Item #	Part Name	Item #	Part Name	Item #
3/4"	N/A	N/A	B07ASY	5504207	N/A	N/A
1"	N/A	N/A	B10ASY	5504210	N/A	N/A
1-1/2"	N/A	N/A	B15ASY	5504215	N/A	N/A
2"	N/A	N/A	B20ASY	5504220	N/A	N/A
3"	W30ASY	5504630	B30ASY	5504230	N30ASY	5504430
4"	W40ASY	5504640	B40ASY	5504240	N40ASY	5504440
5"	W50ASY	5504650	B50ASY	5504250	N50ASY	5504450
6"	W60ASY	5504660	B60ASY	5504260	N60ASY	5504460
8"	N/A	N/A	B80ASY	5504280	N/A	N/A

A locking system that secures your couplings. Prevents tampering of cam & groove couplings. Made of 12 Gauge 316 Stainless Steel for strength & corrosion resistance. Prevents removal of coupler cam pins by concealing coupler cam pin area. Can be used for lockout/tagout system. Tag hole size .20" Lock hole size .32"

Size	Part Name	Stainless Steel	Carbon Steel
		Item #	Item #
2"	SECURE-LOK™ 20	5007020	☎
3"	SECURE-LOK™ 30	5007030	☎
4"	SECURE-LOK™ 40	5007740	☎



**SECURE-LOK™**

Made in the U.S.A.

Length	Part Name	SS Chain W/SS Hooks	SS Chain W/SS Rings
		Item #	Item #
6"	S56	5101060A	5101061A
8"	S51	5101080A	5101081A
12"	S52	5101092A	5101093A

**SECURITY CHAINS  
FOR DUST CAPS &  
DUST PLUGS**

Made in the U.S.A.



Length	Part Name	Brass Chain W/SS Hooks	Brass Chain W/Zinc Rings
		Item #	Item #
6"	C51	5100560A	5100560B
12"	C52	5100592A	5100592A

Length	Width	Part Name	Item #	Description
12"	1"	CAM STRAP 112	700001	Fits up to 1-1/2" couplings
18"	2"	CAM STRAP 218	700002	Fits up to 3" couplings
24"	2"	CAM STRAP 224	700004	Fits up to 5" couplings
36"	3"	CAM STRAP 236	700003	Fits up to 8" couplings

**HOOK & LOOP  
FASTENER CAM STRAPS**



Size	Part Name	Item #
2"	20SBL	77015
3"	30SBL	77013
4"	40SBL	77014

**SAFETY LOCK™**

Eliminate Spills. Visually Confirm Ear Locking Safety Lock™ patent pending, is an alternative product to the Hook & Loop Fastener Straps with an easy-to-install and easy-to-remove, heavy duty "clip" that clicks into place over the ears.



Accessories & Replacement Parts - Coupling Gaskets 68

Accessories & Replacement Parts - SECURE-LOK™ 69





STANDARD CAM ASSEMBLY HB-HBS-HS

1 cam arm, 1 ring & 1 pin



Coupler Size	Brass		*300 Series Stainless Steel		**316 Stainless Steel	
	Part Name	Item #	Part Name	Item #	Part Name	Item #
1/2 & 3/4"	HB10	5000505A	HBS10	5001505A	HS10	5001005A
1"	HB11	5000510A	HBS11	5001510A	HS11	5001010A
1-1/4"	HB12	5000512A	HBS12	5001512A	HS12	5001012A
1-1/2"	HB15	5000515A	HBS15	5001515A	HS15	5001015A
2 & 2-1/2"	HB20/25	5000520A	HBS20/25	5001520A	HS20/25	5001020A
The above assemblies include (1) cam arm, (1) ring and (1) pin						
3,4, & 5"	HB30/40/50	5000530A	HBS30/40/50	5001530A	HS30/40/50	5001030A
The above assembly includes (1) cam arm, (1) ring and (1) 2" long pin						
3,4, & 5"	HBV30/40/50	5000630A	HBSV30/40/50	5001730A	N/A	N/A
The above assembly includes (1) cam arm, (1) ring and (1) 1-5/8" pin						
6, 8, 10, & 12"	HB60/80	5000560A	HBS60/80	5001560A	HS60/80	5001060A
10 & 12"	HB100	5000590A	HBS100	N/A	HS100	N/A
The above assembly includes (1) cam arm, (1) ring and (1) pin						

\*All cams, assemblies, rings and pins are 300 series Stainless Steel

\*\*All cams, assemblies, rings and pins are 316 Stainless Steel

STANDARD CAM ASSEMBLY SETS HB-HBS

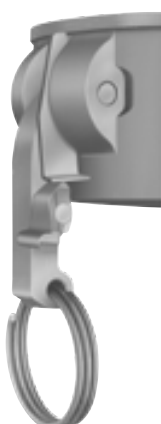
2 cam arms, 2 rings, & 2 pins



Coupler Size	Brass		*300 Series Stainless Steel	
	Part Name	Item #	Part Name	Item #
1/2 & 3/4"	HB10	5000505S	HBS10	5001505S
1"	HB11	5000510S	HBS11	5001510S
1-1/4"	HB12	5000512S	HBS12	5001512S
1-1/2"	HB15	5000515S	HBS15	5001515S
2 & 2-1/2"	HB20/25	5000520S	HBS20/25	5001520S
3,4, & 5"	HB30/40/50	5000530S	HBS30/40/50	5001530S
6,8,10 & 12"	HB60/80	5000560S	HBS60/80	

\*All cams, assemblies, rings and pins are 300 series Stainless Steel.

STA-LOK® II CAM ASSEMBLY 1 CAM ARM, PIN, PULL RING & LOCK PLATE



STA-LOK® II is a passive locking feature that automatically locks the handle into place, if it is fully closed. To open the handles there are manual quick release levers. Proper use of this mechanism can help prevent spills by keeping the cam arms from opening under adverse conditions, such as high vibrations, pulsing, wear and hazardous materials. STA-LOK® II couplers meet the Coast Guard ASTM 1122-87 specifications for Quick Disconnect Couplers.

Coupler Size	Brass		***316 Stainless Steel	
	Part Name	Item #	Part Name	Item #
1"	SLB11	5006010A	SLS11	5009010A
1-1/4"	SLB12	5006012A	SLS12	5009012A
1-1/2"	SLB15	5006015A	SLS15	5009015A
2 & 2-1/2"	SLB20	5006020A	SLS20	5009020A
3,4, & 5"	SLB30	5006030A	SLS30	5009030A
6,8,10 & 12"	SLB60	5006060A	SLS60	5009060A

\*\*\*All cams arms are 316 Stainless Steel, rings and pins are 300 series Stainless Steel.

Call for special quote on 316 Stainless Steel components

Coupler Size	Brass		Stainless Steel	
	Part Name	Item #	Part Name	Item #
3,4, & 5"	PX34	5002530A	PXS30	5042530A
6,8,10 & 12"	PX60	5002560A	N/A	N/A

All paddle handle assembly pins are 300 series Stainless Steel

All cams are made for use on PT Coupling couplers only.

PX PADDLE HANDLE ASSEMBLY Includes 1 paddle handle & 1 pin.



Coupler Size	Brass		Stainless Steel	
	Part Name	Item #	Part Name	Item #
2 & 2-1/2"	SLBPX20	5006320A	SLSPX20	5009320A
3,4, & 5"	SLBPX30	5006330A	SLSPX30	5009331A

All paddle handle assembly pins are 300 series Stainless Steel.

All cams are made for use on PT Coupling couplers only.

SLPX LOCKING CAM PADDLE HANDLE ASSEMBLY Includes locking paddle handle cam arm, 1 pin and 1 lock plate pin



Coupler Size	Brass		Stainless Steel	
	Part Name	Item #	Part Name	Item #
2"	20XL	5003520A	20XL	5004020A
2-1/2"	25XL	5003525A	25XL	N/A
3"	30/40XL	5003530A	30/40XL	5004030A
4"	30/40XL	5003530A	30/40XL	5004030A
5"	50XL	5003550A	N/A	N/A
6"	60XL	5003560A	N/A	N/A

316 Stainless Steel cam arms come standard with 300 series pin and ring.

\*Pull rings are not included in the 3, 4, 5, and 6 inch Brass XL Locking Cam Assembly

All cams are made for use on PT Coupling couplers only.

XL LOCKING CAM ASSEMBLY FOR VL DUST CAP Made in the U.S.A.



Size	Stainless Steel	Zinc Plated Steel
	Item #	Item #
1/2" - 2-1/2" Small Rings	5201005	5201505
3" - 12" Large Rings	5201030	5201530

PULL RINGS SOLD PER PIECE Made in the U.S.A.



Coupler Size	Stainless Steel	Zinc Plated Steel
	Item #	Item #
3/4"	5301007	N/A
1"	5301010	N/A
1-1/4"	5301012	N/A
1-1/2"	5301015	5301515
2 & 2-1/2"	5301020	5301520
3,4, & 5"	5301030	5301530
6,8,10 & 12"	5301060	5301560

CAM PINS SOLD PER PIECE Made in the U.S.A.





**SAFETY BUMP®**

Made in the U.S.A.



Safety Bump® an alternative choice to the traditional cam and groove caps and plugs, providing a comfortable handle for the driver's hand and a "bump" that extends beyond the hose fittings and ears, protecting them from damage. **Safety Bump® is not rated for Pressure.**

		Polypropylene (Blue-Chemical)	Anti-Static Poly (Black -Petroleum)	Food Grade Poly (White)	Aluminum/SLB*
<b>Size</b>	<b>Part Name</b>	<b>Item #</b>	<b>Item #</b>	<b>Item #</b>	<b>Item #</b>
2"	20SBF	77021	77003	77004	77031
3"	30SBF	77023	77007	77008	77028
4"	40SBF	77025	77011	77012	77026
		Polypropylene (Blue-Chemical)	Anti-Static Poly (Black -Petroleum)	Food Grade Poly (White)	Aluminum
<b>Size</b>	<b>Part Name</b>	<b>Item #</b>	<b>Item #</b>	<b>Item #</b>	<b>Item #</b>
2"	20SBM	77020	77001	77002	77032
3"	30SBM	77022	77005	77006	77029
4"	40SBM	77024	77009	77010	77027

Custom logo is available upon request. Please call for quote.

\*STA-LOK® II cams are only available for Aluminum Safety Bump®. Aluminum Safety Bump® come standard with locking handles available in Brass or Stainless Steel, also available with standard HB (Brass) handles.

**SAFETY BUMP® T-Lock Cam Arms**

Made in the U.S.A.



Polypropylene & Food Grade Polypropylene T-Locks are sold in packs of 10, cams only.



Stainless Steel T-Lock Assembly, 1 cam arm & 1 pin

**SAFETY LOCK™**

Heavy duty cam arm clip

Made in the U.S.A.

**Safety Lock™ . . . Eliminate Spills. Visually Confirm Ear Locking**

Safety Lock™ patent pending, is an alternative product to the Hook & Loop Fastener Straps with an easy-to-install and easy-to-remove, heavy duty "clip" that clicks into place over the ears.

Size	Part Name	Item #
2"	20SBL	77015
3"	30SBL	77013
4"	40SBL	77014



Maximum Temperature: 150°  
Minimum Temperature: -15°



Adapter X Flange		Aluminum	Brass	Stainless Steel
<b>Size</b>	<b>Part Name</b>	<b>Item #</b>	<b>Item #</b>	<b>Item #</b>
2"	TTF20A	60562000	☎	☎
2" x 3"	TTF20X30A	60562030	☎	☎
2" x 4"	TTF20X40A	60562040	☎	☎
2-1/2"	TTF25A	☎	62562500	☎
3"	TTF30A	60563000	62563000	64563000
3" x 4"	TTF30X40A	60563040	62563040	64563040*
4"	TTF40A	60564000	62564000	64564000
4" x 6"	TTF40X60A	60564060*	☎	☎
5"	TTF50A	☎	☎	64565000
6"	TTF60A	60566000	62566000	64566000
6" x 4"	TTF60X40A	60566040*	☎	☎

\*Denotes parts are produced as welded fabrication.

Adapter X Flange		Ductile Iron	Hard Coat Alum
<b>Size</b>	<b>Part Name</b>	<b>Item #</b>	<b>Item #</b>
2"	TTF20A	☎	☎
2" x 3"	TTF20X30A	☎	☎
3"	TTF30A	68563000	70563000
3" x 4"	TTF30X40A	☎	☎
4"	TTF40A	68564000	70564000
6"	TTF60A	☎	70566000

Coupler X Flange		Aluminum HBS	Aluminum HB	Brass	Stainless Steel
<b>Size</b>	<b>Part Name</b>	<b>Item #</b>	<b>Item #</b>	<b>Item #</b>	<b>Item #</b>
2"	TTF20C	60582000	☎	☎	☎
2" x 3"	TTF20X30C	60582030*	☎	☎	☎
2-1/2"	TTF25C	☎	☎	62582500	64582500
3"	TTF30C	60583000	6058000074	62583000	64583000
3" x 4"	TTF30X40C	60583040	6058000075	☎	☎
4"	TTF40C	60584000	6058000076	62584000	64584000
4" x 3"	TTF40X30C	60584030*	☎	N/A	☎
6"	TTF60C	☎	60586000	62586000	64586000
6	TTF60CHD	☎	6058600H	N/A	☎
6" x 4"	TTF60X40C	☎	60586040*	N/A	☎
8"	TTF80C	☎	60588000	☎	☎

		Ductile Iron	Hard Coat Alum
<b>Size</b>	<b>Part Name</b>	<b>Item #</b>	<b>Item #</b>
2"	TTF20C	☎	☎
3"	TTF30C	68583000	☎
3" x 4"	TTF30X40C	☎	☎
4"	TTF40C	68584000	70584000
6"	TTF60C	68586000	☎

**TTFA ADAPTER X TTMA FLANGE**

Made in the U.S.A.



Tank Truck Flanges conform to (TTMA) Truck Trailer Manufacturers Assoc. standards.

Adapter X TTMA Flange line drawings & dimensions are on page 151.

PSI chart on page 140.

**TTFC COUPLER X TTMA FLANGE**

Made in the U.S.A.



Also available with STA-LOK® II cam arms.

Please call for special quote on cam arm and components in 316 Stainless Steel.

Coupler X TTMA Flange line drawings & dimensions are on page 151.

PSI chart on page 140.

**MOUNT PLUG  
ADAPTER X FLANGE**  
Made in the U.S.A.



Size	Part Name	Item #
3"	30W Mount Plug Aluminum	10012301
4"	40W Mount Plug Aluminum	10012401

- Weldable
- Pre-drilled holes



Tank Truck Flanges conform to (TTMA) Truck Trailer Manufacturers Assoc. standards.

**TTFA-22.5°  
ADAPTER X TTMA  
FLANGE 22.5°**  
Made in the U.S.A.



Adapter X Flange		Aluminum	Hard Coat Alum
Size	Part Name	Item #	Item #
4"	TTF40A-22.5	6056400022	☎
6"	TTF60AHD-22.5	6056600022	☎

**TTFC-22.5°  
COUPLER X TTMA  
FLANGE 22.5°**  
Made in the U.S.A.



Coupler X Flange		Aluminum	Hard Coat Alum
Size	Part Name	Item #	Item #
4"	TTF40C-22.5	6058400022	☎
4"	TTF40C-22.5 w/brass paddle handle	605840022P	☎
4"	TTF40C-22.5 w/stainless steel paddle handle	☎	☎

**TTFT  
TTMA FLANGE TEE**  
Made in the U.S.A.



		Aluminum	Hard Coat Alum
Size	Part Name	Item #	Item #
3"	TTF30T	60573000	☎
4"	TTF40T	60574000	70574000
6"	TTF60T	60576000	☎

**TTY  
TTMA FLANGE Y**  
Made in the U.S.A.



		Aluminum	Stainless Steel
Size	Part Name	Item #	Item #
4"	TTF40Y	60594000	64594000
6"	TTF60Y	60596000	☎

Aluminum		
Size	Part Name	Item #
3"	TTF30NPTM	60513000
4"	TTF40NPTM	60514000
6"	TTF60NPTM	60516000

**TTFNPTM  
MALE NPT THREAD X  
TTMA FLANGE**  
Made in the U.S.A.



		Aluminum	Stainless Steel
Size	Part Name	Item #	Item #
3"	TTF30NPTF	60553000	64553000
4"	TTF40NPTF	60554000	(

**TTFNPTF  
FEMALE NPT THREAD X  
TTMA FLANGE**  
Made in the U.S.A.



Aluminum		
Size	Part Name	Item #
4"	TTF40WF	60564000WF

**TTFWF  
SOCKET WELD X  
TTMA FLANGE**  
Made in the U.S.A.



Aluminum		
Size	Part Name	Item #
3"	TTF30WB	60513000WB
4"	TTF40WB	60604024
6"	TTF60WB	60516000WB

**TTFWB  
BUTT WELD FOR  
SCH 40 PIPE X TTMA  
FLANGE**  
Made in the U.S.A.



		Aluminum	Stainless Steel
Size	Part Name	Item #	Item #
3"	TTF30VG	60513000VG	(
4"	TTF40VG	60514000VG	64516000VG

**TTFVG  
SINGLE GROOVE X  
TTMA FLANGE**  
Made in the U.S.A.



Tank Truck Flanges conform to (TTMA) Truck Trailer Manufacturers Assoc. standards.

Part Name	Item #
Cork/Buna 3" TTF30G	5503830
Cork/Buna 4" TTF40G	5503840
Cork/Buna 6" TTF60G	5503860

**TANK TRUCK  
FLANGE GASKET**  
Made in the U.S.A.



Petroleum Handling - Tank Truck Flanges & Y Fittings

Petroleum Handling - Tank Truck Flanges



### TTFSG & TTFSGE ACRYLIC SIGHT GLASS

Made in the U.S.A.



Acrylic		
Size	Part Name	Item #
3"	TTF30SG	86005630
4"	TTF40SG	86005640

Crown Edge Bio-Fuel Resistant		
Size	Part Name	Item #
3"	TTF30SGE	86005630E
4"	TTF40SGE	86005640E

### TTFWSG SIGHT GLASS SHORT TTMA FLANGE (SHORT)

Made in the U.S.A.



Aluminum		
Size	Part Name	Item #
4"	TTF40WG	60584400S

Overall length is 1.7 inches.

### TTF40WSG REPLACEMENT PARTS

Made in the U.S.A.



Short Sight Glass Kit		
Size	Part Name	Item #
4"	TTF40WSG	60584420

SHORT SIGHT GLASS KIT contains acrylic sight glass & all elastomer components

### TTFWS SIGHT GLASS LONG TTMA FLANGE

Made in the U.S.A.



Aluminum		
Size	Part Name	Item #
4"	TTF40WS	60584400

Overall length is 3.3 inches.

### TTF40WS-1 REPLACEMENT PARTS

Made in the U.S.A.

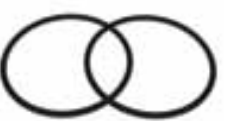


Long Sight Glass Kit		
Size	Part Name	Item #
4"	TTF40WS-1	60584410

LONG SIGHT GLASS KIT contains acrylic sight glass & all elastomer components

### TTF40WS REPLACEMENT PARTS

Made in the U.S.A.



Seal Kit	
Part Name	Item #
TTF40WS-8 BUNA-F	60584408
TTF40WS-8 Viton®	60584409

Contains all elastomer components.

Please go to [www.ptcoupling.com/technical-information.html](http://www.ptcoupling.com/technical-information.html) for installation instructions.

Maximum temperature for acrylic sight glass is 175°

Maximum Pressure Rating 150#

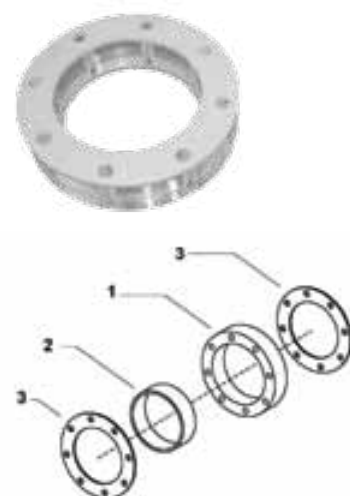
Crown Edge Bio-Fuel Resistant is Compatible with E10, E85, and 100% Ethanol; B-20, B100 Bio-diesel; and ultra low sulphur diesel. (ULSD)

SEE PAGE 153



**BIOFUEL SIGHT GLASS**  
ACRYLIC SIGHT GLASS WITH INTERNAL EMBEDDED GLASS TUBE. Available with Buna N or Viton® gaskets. Bottom Loading System Round Flange Installed. Made in Brazil

All registered trademarks are property of their respective owners.



Ref #	Components	Quantity
1	acrylic sight glass	1
2	glass tube	1
3	gasket	2

All registered trademarks are the property of their respective owners.



TF30x40AF  
3" adapter x 4" flange



TF40CF  
4" coupler x 4" flange



TF30x40CF  
3" coupler x 4" flange



TF40TF  
4" female NPT thread  
x 4" flange



TF30x40TF  
3" female NPT thread  
x 4" flange

Complete Assembly	
Item #	Description
86004100	UTF40 w\TF40AF Adapter
86004200	UTF40 Short Tightfill
86004130S	UTF40SHORT W\TF30X40AF Adapter
86004140S	UTF40 SHORT W\TF40CF Coupler
86004130A	UTF40 W\TF30X40AF Adapter
86004140C	UTF40 W\TF40CF Coupler
86004130C	UTF40 W\TF30X40CF Coupler
86004140T	UTF40 W\TF40X40TF Flange
86004130T	UTF40 W\TF30X40TF Flange
86004300	UTF40 ANTI-SPILL ASSY
86004230AA	UTF40S ANTISPIL TF30X40A
86004230AC	UTF40S ANTISPIL TF30X40CF

Optional Parts	
Item #	Description
86133040	TF30X40AF ALUM
86383040	TF30X40CF ALUM
86384000	TF40CF ALUM
86393040	TF30X40TF THRDXLNG ALUM
86394000	TF40TF ALUM
86004401	ANTI-SPILL TUBE ASSEMBLY



Anti-Spill Tube

### Features/Benefits

1. Handle does not require a locking feature (cams over center).
2. Adjustable linkage, (linkage can be adjusted in the field, for older worn adapters).
3. Brass Cams are solid (no rollers).
4. All PT elbows have interchangeable Cam Arm Assembly Kits
5. Half the moving/replacement parts, lightest weight in the industry.
  - UTF40 13.5 lbs.
  - UTF40 Short 11.5 lbs.

### UTF40 TIGHT FILL ELBOW

Made in the U.S.A.



Optional parts may be substituted or added.

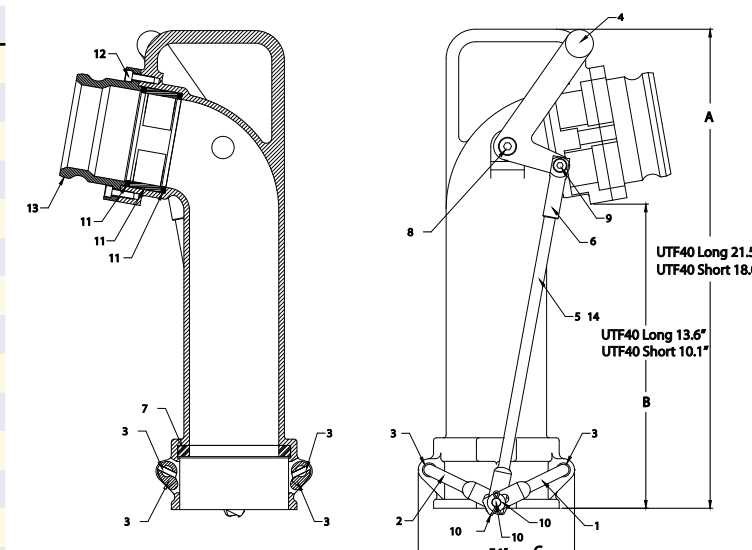
\*Order Cap Screw Kit to attach connector end.

\*\* Anti-Spill Tube Assembly only available for UTF40 Short

### UTF40 REPAIR PARTS LIST

Made in the U.S.A.

Ref #	Item #	Description
1	86004101	UTF40 Cam Arm Right
2	86004102	UTF40 Cam Arm Left
3	86004120	UTF40 Cam Assembly Kit
4	86004104	Actuation Lever
5	86004124	UTF Connecting Link Kit
5 (Short)	86004125	UTF Short Connecting Link Kit
6	86004106	Actuation Rod End
7	86004002	1/2" Thick Fuel Gasket
8	86004108	Actuation Lever Bolt
9	86004109	Rod End Shoulder Bolt
10	86004121	UTF Connecting Link Pin Kit
11	86004123	UTF/UVR Sight Glas Kit
12	86004122	UTF/UVR Cap Screw Kit
13	86004014	TF40AF Adapter
14	86004105	Connecting Link
14 (Short)	86004114	UTF40S Short Connecting Link





**UVR300**  
VAPOR ELBOW  
Made in the U.S.A.



COMPLETE ASSEMBLY	
Item #	Description
86003100	UVR300 Complete Assembly
86003200	UVR300 Complete Assembly Short

OPTIONAL PARTS	
Item #	Description
1000630	30F Aluminum
60164030	40X30F Adapter



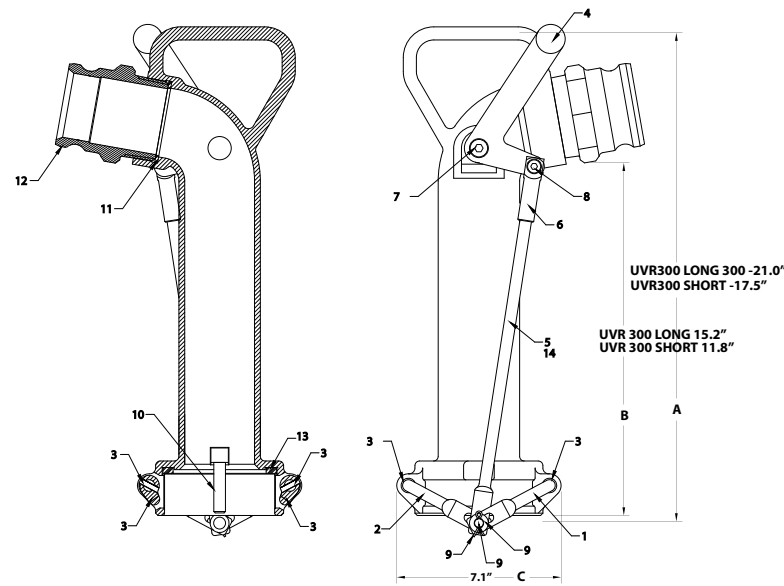
30F Alum Adapter included.

Optional parts may be substituted or added. Contact your PT Warehouse for price and availability.

**UVR300**  
REPAIR PARTS LIST  
Made in the U.S.A.

**Features/Benefits**

1. Handle does not require a locking feature (cams over center)
2. Adjustable linkage (linkage can be adjusted in the field, for older worn adapters)
3. Brass Cams are solid (no rollers)
4. Available in two heights.
5. 30F included (female straight threads w/ gasket.)
6. Half the moving/replacement parts, lightest weight in the industry.
  - UVR300 11.5 lb.
  - UVR300 Short 11.00 lb.



Ref #	Item #	Description
1	86004101	UTF40 Cam Arm Right
2	86004102	UTF40 Cam Arm Left
3	86004120	UTF40 Cam Assembly Kit
4	86004104	UT Actuation Lever
5	86004124	UTF Connecting Link Kit
6	86004106	UTF Actuation Rod End
7	86004108	Actuation Lever Bolt
8	86004109	Rod End Shoulder Bolt
9	86004121	UTF Connecting Link Pin Kit
10	87224030-2	CSP-2 Push Rod
11	5504230	B30ASY Buna Fuel Gasket
12	1000630	30F Aluminum
13	5500240F	BO8F Buna Fuel Gasket
14 (Short)	86004125	UTF Short Cconnecting Link Kit
	86004105	UTF Connecting Link
	86004114	UTFS Short Connecting Link



TF30x40AF  
3" adapter x 4" flange



TF40CF  
4" coupler x 4" flange



TF30x40CF  
3" coupler x 4" flange



TF40TF  
4" female NPT thread  
x 4" flange



TF30x40TF  
3" female NPT thread  
x 4" flange

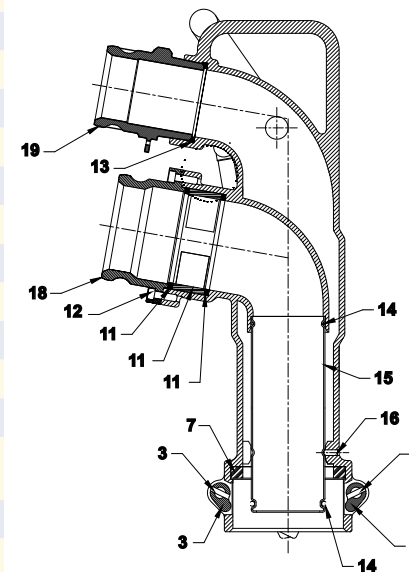
Complete Assembly	
Item #	Description
88000400	VR400A with 4" Adapter
88000440	VR400A with TTF40CF
88000430A	VR400A with TF30X40AF ALUM

Optional Parts	
Item #	Description
86133040	TF30X40AF ALUM
86383040	TF30X40CF ALUM
86384000	TF40CF ALUM
86393040	TF30X40TF THREAD X FLANGE ALUM
86394000	TF40TF ALUM

**Features/Benefits**

1. Handle does not require a locking feature (cams over center).
2. Adjustable linkage, (linkage can be adjusted in the field, for older worn adapters).
3. Brass Cams are solid (no rollers).
4. Optional Parts (TF30x40AF,
5. All PT elbows have interchangeable Cam Arm Assembly Kits
6. Half the moving/replacement parts, lightest weight in the industry.
  - Weight: VR400A 17.7 lb

Ref #	Item #	Description
1	86004101	UTF40 Cam Arm - Right
2	86004102	UTF40 Cam Arm - Left
3	86004120	UTF40 Cam Assembly Kit
4	86004104	Actuation Lever
5	88004004	VR400A Connecting Link Kit
6	86004106	Rod End
7	86004002	1/2" Thick Fuel Gasket
8	86004108	Actuation Lever Bolt
9	86004109	Rod End Shoulder Bolt
10	86004121	UTF Connecting Link Pin Kit
11	86004123	Sight Glass Kit
12	86004122	Capscrew Kit
13	5504230	B30ASY Buna Fuel Resistant Gasket
14	88000420	VR400A Tube Seal Kit
15	88000406	VR400A Tube
16	88000424	VR 424 Set Screw
17	88004003	UVR400 Connecting Link
18	86004014	TF40AF Alum Adapter
19	1000630	30F Alum Adapter



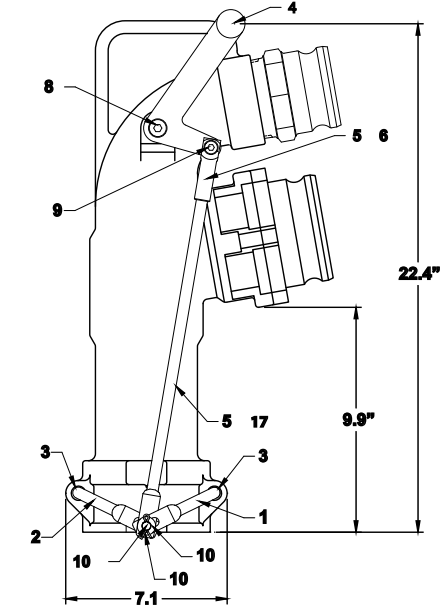
**VR400A**  
COAXIAL DELIVERY  
ELBOW-VAPOR ON TOP  
PRODUCT ON BOTTOM  
Made in the U.S.A.



VR400A  
with 4" Tank Truck Flange  
X Coupler TF40CF

VR400A with  
4" Adapter

**VR400A**  
REPAIR PARTS LIST  
Made in the U.S.A.





**UVR 400**  
COAXIAL DELIVERY  
ELBOW-PRODUCT  
ON TOP VAPOR  
ON BOTTOM  
Made in the U.S.A.



30F Aluminum Adapter included.

COMPLETE ASSEMBLY STANDARD	
Item #	Description Standard
88004000	UVR400 with 4" adapter

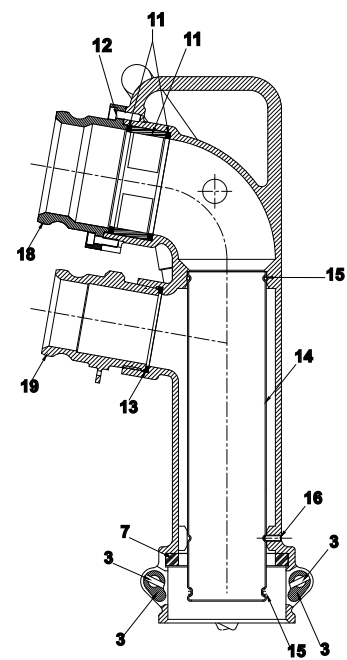
  

COMPLETE ASSEMBLY OPTIONAL	
Item #	Description
88004040C	UVR400 with 4" coupler
88004030A	UVR400 with 3" adapter
88004030C	UVR400 with 3" coupler

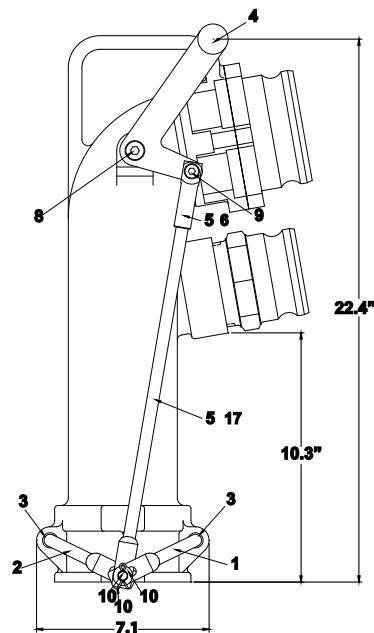
### Features/Benefits

1. Handle does not require a locking feature (cams over center).
2. Adjustable linkage, (linkage can be adjusted in the field, for older worn adapters).
3. Brass Cams are solid (no rollers).
4. Optional Parts (TF30x40AF, TF40CF, TF30x40CF, TF40TF, TF30x40TF) See page page 79.
5. All PT elbows have interchangeable Cam Arm Assembly Kits
6. Half the moving/replacement parts, lightest weight in the industry.
7. Weight: UVR400 16.8 lb

**UVR 400**  
REPAIR PARTS LIST  
Made in the U.S.A.



WEIGHT = 16.8 LBS.



Ref #	Item #	Description
1	86004101	UTF40 Cam Arm - Right
2	86004102	UTF40 Cam Arm - Left
3	86004120	UTF40 Cam Assembly Kit
4	86004104	Actuation Lever
5	88004004	UVR400A Connecting Link Kit
6	86004106	Actuation Rod End
7	86004002	1/2" Thick Fuel Gasket
8	86004108	Actuation Lever Bolt
9	86004109	Rod End Shoulder Bolt
10	86004121	UTF Connecting Link Pin Kit
11	86004123	UTF/UVR Sight Glass
12	86004122	UTF/UVR Capscrew
13	5504230	B30ASY Buna Fuel Resistant Gasket
14	88004002	UVR400 Tube
15	88000420	UVR400 Tube Seal Kit
16	88000424	VR 424 Set Screw
17	88004003	UVR Connecting Link
18	86004014	TF40AF Alum Adapter
19	1000630	30F Alum Adapter

Item #	Description
89004300	without Sight Glass
89004400	with Sight Glass

### Features/Benefits

1. Brass adapter area swivels to reduce wear in cam arm connections.
2. Flat bottom for full drainage
3. Visual site glass optional

Item #	Description
89004500	without Sight Glass
89004600	with Sight Glass

**API GRAVITY VALVE**  
API ADAPTER X  
TTMA FLANGE  
Sight glass, Openable Valve  
Swivel Adapter  
Made in the U.S.A.



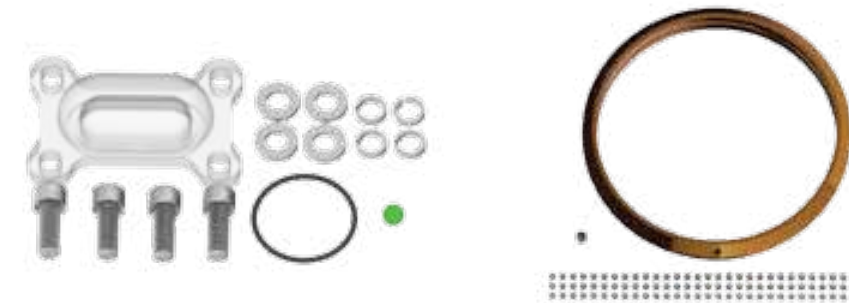
**API GRAVITY VALVE**  
API ADAPTER X  
TTMA FLANGE  
Sight glass,  
Non-openable Valve  
Swivel Adapter  
Made in the U.S.A.



Item #	Description
89004419	API Sight Glass Replacement Kit
89004466	API Adapter Ring Kit

**API REPLACEMENT KIT**  
Sight glass includes:  
Sight Glass, 4 bolts, 4 washers, 4 lock washers, O-Ring, and float.

Ring Kit includes:  
Set Screw, Brass Ring, Ball Bearings.  
Made in the U.S.A.



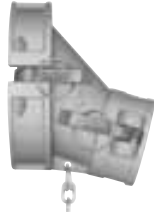


**DA**  
API COUPLER X  
ADAPTER  
Made in the U.S.A.



Size	Part Name	Item #	Description
3"	DA-3SG	3603330	Drop Adapter w\ Sight Glass
4"	DA-4SG	3604440	Drop Adapter w\ Sight Glass
3"	DA-3SG	3603330L2	STA-LOK® II Drop Adapter Assembly
4"	DA-4SG	3604440L2	STA-LOK® II Drop Adapter Assembly

**DC**  
API COUPLER X  
COUPLER  
Made in the U.S.A.



Size	Part Name	Item #	Description
3"	DC-3	3703300	Drop Coupler
4"	DC-4	3704400	Drop Coupler
3"	DC-3	3703300L2	STA-LOK® II Drop Coupler
4"	DC-4	3704400L2	STA-LOK® II Drop Coupler

**DA-SG**  
API COUPLER X  
ADAPTER W/SIGHT  
GLASS  
Made in the U.S.A.



Size	Part Name	Item #	Description
3"	DA-3	3603300	Drop Adapter
4"	DA-4	3604400	Drop Adapter
3"	DA-3	3603300L2	STA-LOK® II Drop Adapter Assembly.
4"	DA-4	3604400L2	STA-LOK® II Drop Adapter Assembly.
3" - 4"	DA-3-4SG	3604441	Sight glass Replacement Kit

**NEW**

**DA-SG**  
API COUPLER X  
ADAPTER W/SIGHT  
GLASS & BRASS  
PADDLE HANDLE  
Made in the U.S.A.



**GV4440**  
API DUST CAP  
Made in the U.S.A.



Item #	Description
89004440	API Dust Cap
89004440L2	STA-LOK® II API Dust Cap
89004445	Roller Cam Asby.

Comes standard with 2 cam arms, shown with optional Roller Cam Assembly.  
Custom Logo available upon request.

**API COUPLER GASKETS & CHAINS**  
REPLACEMENT GASKET  
FUEL RESISTANT BUNA  
CHAIN LENGTH 18 INCH

Part Name	Item #	Description
DA4-3	3604430	Gasket
DA4-17	3604480	Chains



Made in the U.S.A.

**API COUPLER  
SIGHT GLASS  
REPLACEMENT KIT**  
O-Rings, Retaining  
Ring, & Indicator  
window



**API COUPLER FUEL  
RESISTANT GASKET**  
2 Blue Stripes



		Aluminum	Brass
Size	Part Name	Item #	Item #
4"	TF40LC	86524000	86534000

For use with TFSAS, TFAS, & SSA

		Brass
Size	Part Name	Item #
4"	TF40SAS W/INT.LUG	86344000B
4"	TF40SAS W/O INT.LUG	86344000SP

For use with UTF40, VR400A & UVR400.

Comes standard with a NPSH Straight Pipe Thread Buna N Gasket Fuel.  
Available on page 68.

		Aluminum	Brass
Size	Part Name	Item #	Item #
4"	TFAS	86344000A	86294000

For use with UTF40, VR400A & UVR400.

Comes standard with a NPSH Straight Pipe Thread Buna N Gasket Fuel.  
Available on page 68.

		Aluminum
Size	Part Name	Item #
4"	40X40SSA LEVER ASSEMBLY	5007040A
4"	40X40SSA SIDE SEAL ADAPTER	86354040

For use with UTF40, VR400A & UVR400.

Comes standard with a NPSH Straight Pipe Thread Buna N Gasket Fuel.  
Available on page 68.



Powder Coat

		Aluminum
Part Name	Item #	
COMMODITY INDICATOR	888000	

Sold without labels, available upon request.  
Custom logo, powder coating or anodizing available upon request.

**TFLC**  
TANK ADAPTER  
LOCKING CAP  
Made in the U.S.A.



**TFSAS**  
TANK ADAPTER  
4" NPSH Straight  
Thread  
Made in the U.S.A.



**TFAS**  
TANK FILL ADAPTER  
X 4" FEMALE NPSH  
STRAIGHT THREAD  
Made in the U.S.A.



**SSA**  
SIDE SEAL COUPLER  
X TOP SEAL TANK  
ADAPTER  
Made in the U.S.A.



**COMMODITY  
TAG HOLDER**  
Made in the U.S.A.



**CSP X CSP**  
COUPLER WITH  
PUSHROD X COUPLER  
WITH PUSHROD  
Made in the U.S.A.



Size	Part Name	Item #
4"	40CSPX40CSP ALUMINUM	87104040
	CSP-3 PUSHROD BRASS	87224030-3



**CSP-3 PUSHROD**  
Brass  
Made in the U.S.A.



**CSP X COUPLER**  
**REDUCER**  
COUPLER WITH  
PUSHROD X COUPLER  
Made in the U.S.A.



Size	Part Name	Item #
4" x 3"	40CSPX30C ALUMINUM	87274130
	CSP-2 PUSHROD BRASS	87224030-2

**CXASP**  
COUPLER WITH  
PUSHROD X ADAPTER  
Made in the U.S.A.



Size	Part Name	Item #
4" x 3"	40CX30ASP ALUMINUM	87264030SP
4"	40CX40ASP ALUMINUM	87264040SP
	CSP-2 PUSHROD BRASS	87224030-2



**CSP-2 PUSHROD**  
Brass  
Made in the U.S.A.



**CSP**  
COUPLER WITH  
PUSHROD X SHANK  
Made in the U.S.A.



Size	Part Name	Item #
3"	30CSP ALUMINUM	87103000
4"	40CSP ALUMINUM	87104000
4" x 2"	40X20CSP ALUMINUM	87104020
4" x 3"	40X30CSP ALUMINUM	87104030
	CSP-2 PUSHROD BRASS	87224030-2

**CLSP**  
COUPLER WITH  
PUSHROD X SHANK 45°  
Made in the U.S.A.



Size	Part Name	Item #
4" x 3"	40x30CLS P/45DEG	87104030L

All CSP couplers are available with STA-LOK® II cam arms, PX or SLPX paddle handles.

Toll-Free: (800) 654-0320 • Toll-Free Fax: (800) 828-2649 • info@ptcoupling.com • www.ptcoupling.com

Aluminum			
Size	Part Name	Item #	Description
4" X 3"	40X30CSPVR	89010404A	40X30CSPVR ASSEMBLY
4" X 3"	40X30CSPVR w/Paddle	890104041	40X30CSPVR ALUM PADDLE

Standard hose shank design allows hose attachment via PUNCH-LOK® center punch clamps or by interlocked PROGRIP™ C-50 ferrule or sleeve.

**40X30CSPVR**  
4" VAPOR RECOVERY  
COUPLER X 3" HOSE  
SHANK  
Made in the U.S.A.



Aluminum			
Size	Part Name	Item #	Description
4"	VR40AF	89010402A	VR40AF WO/ SG ASSEMBLY
4"	VR40AF	89010403A	VR40AF W/ SG ASSEMBLY

Equipped with sight glass for easy detection of accidental overfill. 3/4" NPT drain plug for easy removal of overfilled product. Drilled mounting surface for air interlock valve. Available with and without sight glass.

**VR40AF**  
4" VAPOR RECOVERY  
ADAPTER X 4" TANK  
TRUCK FLANGE  
Made in the U.S.A.



Aluminum			
Size	Part Name	Item #	Description
4"	VR40A	89004140	VR40A VAP/REC ADAPT ASSEMBLY

Drilled mounting surface for air interlock valve.

Comes standard with a NPSH Straight Thread Buna N Gasket Fuel Resistant, Available on page 68.

(For all Vapor Recovery Parts) Aluminum body with a plastic poppet O-ring seal on the poppet prevents vapor from leaking into the atmosphere. Poppet design is rebuildable without removing the hose from the fitting or the fitting from the truck. Go to [www.ptcoupling.com/technical-information.html](http://www.ptcoupling.com/technical-information.html) to see a breakdown of parts/assembly instructions and demonstration of disassembly.

**VRA**  
VAPOR RECOVERY  
ADAPTER  
4" Poppet Adapter X 4"  
NPSH Straight Thread  
Made in the U.S.A.



Part Name	Item #	Description	Separation Force
WBA34	W089007	3/4" Breakaway	325 lbs.
WBAH343	W089107	3/4" Breakaway w/ Spacer Hose	325 lbs.
WBA1	W089010	1" Breakaway	325 lbs.
WBAH11	W089110	1" Breakaway w/ Spacer Hose	325 lbs.
WBA14	W089212	1-1/4" HV Breakaway	400 lbs.
WBA15	W089215	1-1/2" HV Breakaway	400 lbs.
WBA2	W089220	2" HV Breakaway	600 lbs.
WBA3	W089230	3" HV Breakaway	1200 lbs.

**WEDGON®**  
BREAKAWAY FITTINGS\*  
ALUMINUM  
Made in the U.S.A.



Part Name	Item #	Description
WBA34K	W085006	3/4" REPAIR KIT
WBA 10K	W085010	1" Repair Kit
WBA1215	W085015	1-1/4" and 1-1/2" Repair Kit
WBA20K	W085020	2" Repair Kit
WBA30K	W085030	3" Repair Kit



**WEDGON®**  
BREAKAWAY REPAIR KIT  
Made in the U.S.A.



\*Not for compressed gas, propane.

Toll-Free: (800) 654-0320 • Toll-Free Fax: (800) 828-2649 • info@ptcoupling.com • www.ptcoupling.com



3/4" Breakaways are UL listed Cert. #ERBY.MH28160 and ULC listed Cert. #ERBY7.MH28160



**MDA MAXI-DRY® ADAPTER**  
ADAPTER X FEMALE NPT THREAD

Made in the U.S.A.



		Alum/Buna	Alum/Viton®	Alum/Teflon®	Alum/EPDM
Size	Part Name	Item #	Item #	Item #	Item #
1-1/2"	MD15A	40001530	40001530V	40001530T	40001530E
2"	MD20A	40000230	40000230V	40000230T	40000230E
3"	MD30A	40000330	40000330V	40000330T	40000330E
4"	MD40A	40000340	40000340V	☎	40000340E

		SS/Buna	SS/Viton®	SS/Teflon®	SS/EPDM
Size	Part Name	Item #	Item #	Item #	Item #
1-1/2"	MD15A	44001530	44001530V	44001530T	44001530E
2"	MD20A	44000230	44000230V	44000230T	44000230E
3"	MD30A	44000330	44000330V	44000330T	44000330E

**MDPFA MAXI-DRY® PIPE FLANGE X ADAPTER**

Made in the U.S.A.



Pipe Flange bolt pattern conforms to ANSI B16.5 Class 150

		Alum/Buna	Alum/Viton®	Alum/Teflon®
Size	Part Name	Item #	Item #	Item #
2"	MD20PFA	☎	☎	☎
3"	*MD30PFA	☎	46000330V	46000330T
4"	MD40PFA	46000400	☎	☎

		SS/Buna	SS/Viton®	SS/Teflon®	SS/EPDM
Size	Part Name	Item #	Item #	Item #	Item #
2"	MD20PFA	47000230	47000230V	47000230T	☎
3"	*MD30PFA	47000330	N/A	47000330T	☎
4"	MD40PFA	☎	☎	47000440T	☎

\*Denotes parts are produced as welded fabrication.

**MDD MAXI-DRY® COUPLER**  
COUPLER X FEMALE NPT THREAD

Made in the U.S.A.



		Alum/Buna	Alum/Viton®	Alum/Teflon®	Alum/EPDM
Size	Part Name	Item #	Item #	Item #	Item #
1-1/2"	MD15D	40001500	40001500V	40001500T	40001500E
2"	MD20D	40000200	40000200V	40000200T	40000200E
3"	MD30D	40000300	40000300V	40000300T	40000300E
4"	MD40D	40000342	40000342V	☎	☎

		SS/Buna	SS/Viton®	SS/Teflon®	SS/EPDM
Size	Part Name	Item #	Item #	Item #	Item #
1-1/2"	MD15D	44001500	44001500V	44001500T	44001500E
2"	MD20D	44000200	44000200V	44000200T	44000200E
3"	MD30D	44000300	44000300V	44000300T	44000300E
4"	MD40D	☎	44000342V	☎	☎

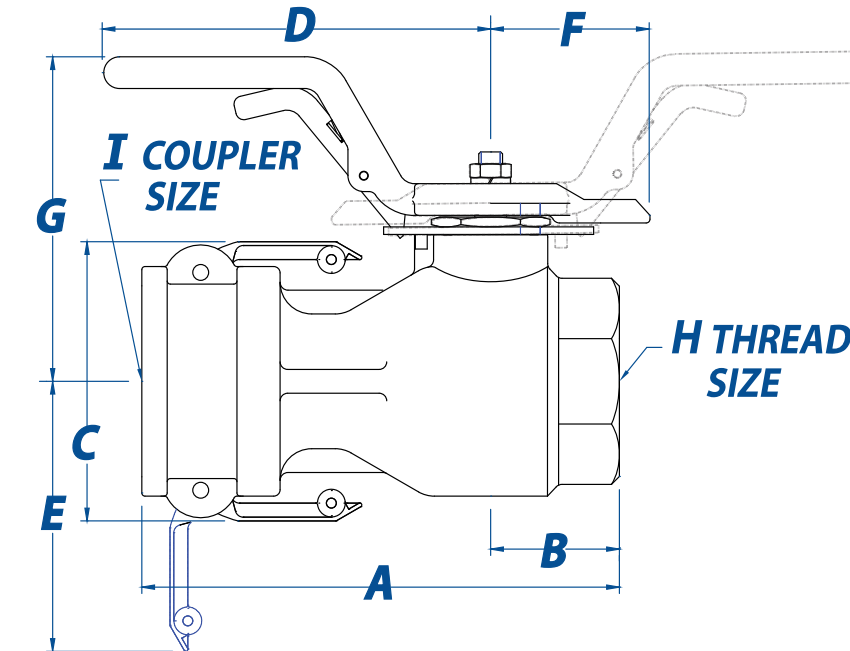
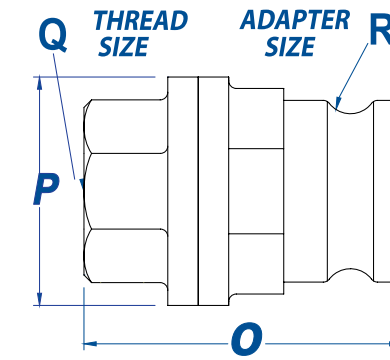
All registered trademarks are the property of their respective owners.



**MAXI-DRY® ADAPTER**

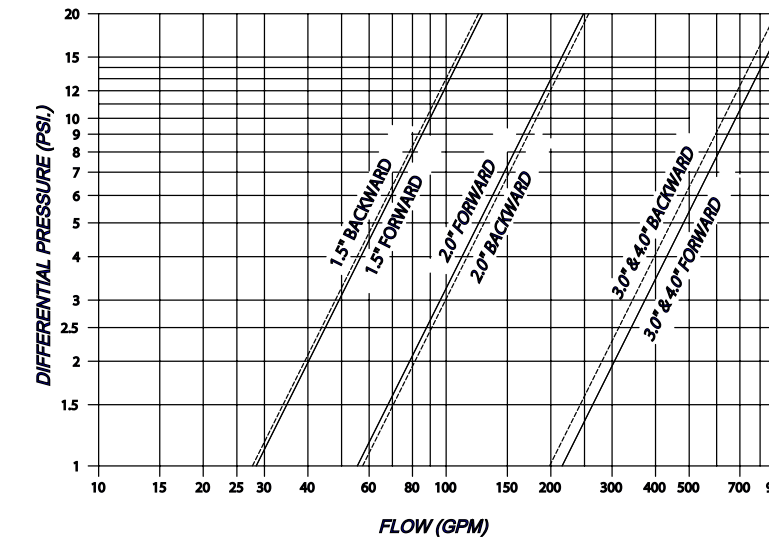
Adapter	Pressure Rating	O	P	Q	R
MD15A	200 PSI	4.3	3.2	1 1/2" NPT	2
MD20A	150 PSI	5.2	3.7	2" NPT	2.5
MD30A	125 PSI	6.8	5.6	3" NPT	4
MD40A	125 PSI	6.8	5.6	4" NPT	4

Dimensions are in inches.



**MAXI-DRY® COUPLER**

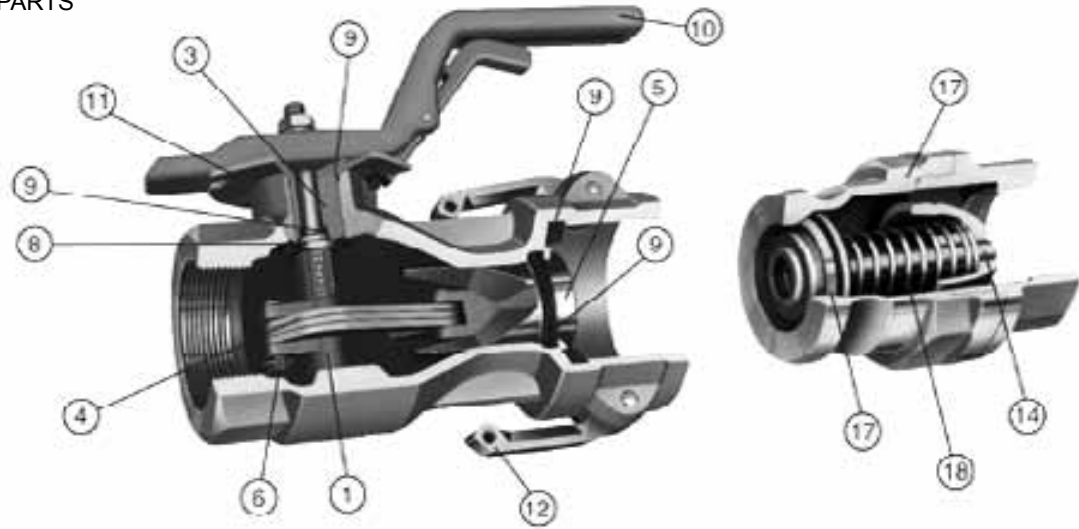
Size	Coupler	Pressure Rating	A	B	C	D	E	F	G	H	I
1 1/2"	MD15D	200 PSI	6.9"	1.5"	3.9"	6.1"	4.1"	2.5"	5.0"	1 1/2" NPT	2.0
2"	MD20D	150 PSI	7.5"	2.0"	4.4"	6.1"	4.3"	2.5"	5.1"	2" NPT	2.5
3"	MD30D	125 PSI	9.5"	2.5"	6.5"	9.0"	5.5"	4.0"	6.0"	3" NPT	4.0
4"	MD40D	125 PSI	9.5"	2.5"	6.5"	9.0"	5.5"	4.0"	6.2"	4" NPT	4.0







MAXI-DRY® COUPLER AND ADAPTER REPLACEMENT PARTS Made in the U.S.A.

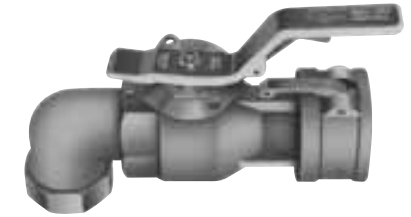


Ref #	Description	Material	1-1/2" Item #	2" Item #	3" Item #
1	Stem	Stainless Steel	44001502	44000202	44000355
3	Bushing	Stainless Steel	44001503L	44000203L	44000303L
4	Link	Stainless Steel	44001504	44000204	44000304
5	Poppet	Stainless Steel	44001505	44000205	44000305
6	Poppet Pin Kit	Stainless Steel	44000150	44000261	44000318
8	O-Ring Retainer	Stainless Steel	44001508	44000208	---
9	Coupler Seal Kit	Buna-N	40001515	40000217	44000315
	Coupler Seal Kit	Viton®	44001523	44000223	44000316
	Coupler Seal Kit	EPDM	44001550	44000229	44000360
	Coupler Seal Kit	Teflon® Encap. Viton®	44001524	44000224	44000317
10	Handle Kit	Stainless A351 CF8M	44001512	44000212	44000312
11	Stop Plate	Stainless Steel	44001525	44000225	44000225
12	Cam Arm Assy.	Stainless Steel	5001520A	5001520A	5001530A
12a	STA-LOK® II Cam Asby.	Stainless Steel	44001564	44001564	44000321
14	Adapter Poppet Kit	Stainless Steel	44001565	44000262	44000319
17	Adapter Seal Kit	Buna-N	40001540	40000240	44000340
	Adapter Seal Kit	Viton®	44001544	44000244	44000344
	Adapter Seal Kit	EPDM	44001560	44000235	44000365
	Adapter Seal Kit	Teflon® Encap. Viton®	44001545	44000245	44000345
18	Poppet Spring	Stainless Steel	44001538	44000238	44000338
19	Swivel Seal Kit	Buna-N	N/A	40010290	40010390
	Swivel Seal Kit	Viton®	N/A	40010280	40010380

\*Swivel Seal Kits are for the MAXI-DRY® Swivels shown on page 89. Please go to [www.ptcoupling.com](http://www.ptcoupling.com) for disassembly & reassembly instructions. All registered trademarks are the property of their respective owners.



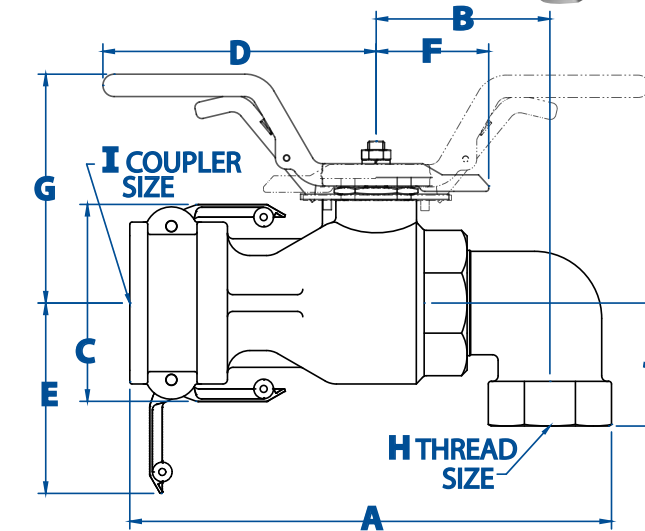
MDD90 - MAXI-DRY® COUPLER 90 DEGREE SWIVEL COUPLER X FEMALE NPT THREAD 90 DEGREE ELBOW SWIVEL Made in the U.S.A.



	Alum/Buna	Alum/Viton®	Alum/Teflon®	Alum/EPDM
Part Name	Item #	Item #	Item #	Item #
MD20DSW	40000200S	40000200SV	40000200ST	40000200SE
MD30DSW	40000300S	40000300SV	☎	☎

	Stainless/Buna	Stainless/Viton®	Stainless/Teflon®	Stainless/EPDM
Part Name	Item #	Item #	Item #	Item #
MD20DSW	44000200S	44000200SV	44000200ST	☎
MD30DSW	44000300S	☎	☎	44000300SE

Size	2"	3"
Coupler	MD20D 90°	MD30D 90°
Press. Rating	150 PSI	125 PSI
A	10.9	14.05
B	4	5
C	4.4	6.85
D	6.1	9
E	4.3	5.5
F	2.5	4
G	5.1	6.2
H	1" NPT	3" NPT
I	2.5	4
J	2.8	4.4

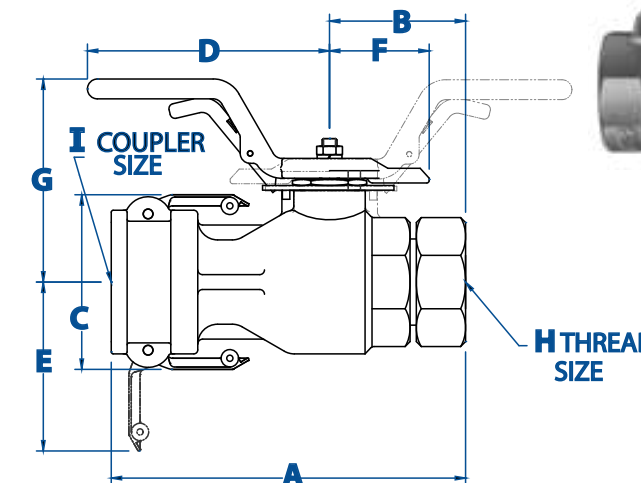


	Alum/Buna	Alum/Viton®	Alum/Teflon®	Alum/EPDM
Part Name	Item #	Item #	Item #	Item #
MD20DSTRSW	40000260	40000260V	☎	☎
MD30DSTRSW	40000360	40000360V	☎	☎

MDDSSW - MAXI-DRY® STRAIGHT SWIVEL COUPLER X FEMALE NPT THREAD SWIVEL Made in the U.S.A.



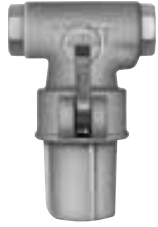
Size	2"	3"
Coupler	MD20D 90°	MD30D 90°
Press. Rating	150 PSI	125 PSI
A	9	10.9
B	3.5	3.9
C	4.4	6.5
D	6.1	9
E	4.3	5.5
F	2.5	4
G	5.1	6.2
H	2" NPT	3" NPT
I	2.5	4



All registered trademarks are the property of their respective owners.



**STDS-T**  
STRAINER 150 PSI MAX  
WORKING PRESSURE  
Made in the U.S.A.



**REPLACEMENT  
BULB ADAPTER**  
Made in the U.S.A.



**STR-Y Polypropylene**  
STRAINER 125 PSI MAX  
WORKING PRESSURE  
Made in the U.S.A.



**Y-STRAINER  
REPLACEMENT PARTS  
Polypropylene**



**Y-STRAINER BASKET  
Polypropylene**

**PUMP FILTER**  
Made in the U.S.A.



		Aluminum/ HBS	Aluminum/ HB	Hard Coat Alum
Size	Part Name	Item #	Item #	Item #
1-1/2"	30X15STDS	60903015S	☎	70903015S
2"	30X20STDS	60903020S	6090000092	70903020S

	Aluminum	Hard Coat Alum
Part Name	Item #	Item #
30STA	60903000	70903000

Size	Part Name	Item #
3/4"	07STR	37890700
1"	10STR	37891000
1-1/2"	15STR	37891500
2"	20STR	37892000
3"	30STR	37893000
4"	40STR	☎

Strainer Basket below must be ordered separately.

07STR-P		
Part Name	Item #	Description
STR-P	37890407	Poly Seal Kit
STR-5P-20	3700720	20 Mesh Bskt
STR-5P-40	3700740	40 Mesh Bskt
STR-5P-80	3700780	80 Mesh Bskt
10STR-P		
Part Name	Item #	Description
STR-P	37890410	Poly Seal Kit
STR-5P-20	3701020	20 Mesh Bskt
STR-5P-40	3701040	40 Mesh Bskt
STR-5P-80	3701080	80 Mesh Bskt

15/20STR-P		
Part Name	Item #	Description
STR-P	37890415	Poly Seal Kit
STR-5P-20	3701520	20 Mesh Bskt
STR-5P-40	3701540	40 Mesh Bskt
STR-5P-80	3701580	80 Mesh Bskt
30STR-P		
Part Name	Item #	Description
STR-P	37890430	Poly Seal Kit
STR-5P-20	3703020	20 Mesh Bskt
STR-5P-40	3703040	40 Mesh Bskt
STR-5P-80	☎	80 Mesh Bskt

		Aluminum	304 Stainless Steel
Size	Part Name	Item #	Item #
1-1/2"	15P	60951500	☎
2"	20P	60952000	64952000
3"	30P	60953000	64953000
4"	40P	60954000	64954000
4"	40P .38" Hole	60954002	☎
4"	40P .50" Hole	60954001	64954001

Threads into bottom of female NPT thread to protect equipment from large contaminants.  
Standard hole size is 1/4". Also available in .38" & 1/2" hole size.  
Custom sizes are available by quote, minimum purchase required.



**REPLACEMENT  
T-STRAINER  
SCREEN**  
STAINLESS STEEL  
SCREEN  
Made in the U.S.A.

Part Name	Item #
30STSC-12 MESH	60903131
30STSC-20 MESH	60903132
30STSC-40 MESH	60903133
30STSC-60 MESH	60903134
30STSC-80 MESH	60903130

		Aluminum	Stainless Steel	Ductile Iron
Size	Part Name	Item #	Item #	Item #
3/4"	07STR	☎	☎	38890700
1"	10STR	☎	☎	38891000
1-1/2"	15STR	38891500A	34891500	38891500
2"	20STR	30892000	34892000	38892000
3"	30STR	38893000A	34893000	38893000
4"	40STR	30894000	☎	38894000

Strainer Basket must be ordered separately, see bottom of page.

**Y-STRAINER REPLACEMENT PARTS**  
Aluminum, Stainless Steel and Ductile Iron

07STR & 10STR		
Part Name	Item #	Description
STR-2	38891050	Clamp Kit
STR-3	38890730	Cap-Ductile Iron
STR-3	☎	Cap-Aluminum
STR-4	38891080	Seal Kit
15STR		
Part Name	Item #	Description
STR-2	38891550	Clamp Kit
STR-3	38891530	Cap-Ductile Iron
STR-3	38891530A	Cap-Aluminum
STR-4	38891580	Seal Kit
20STR		
Part Name	Item #	Description
STR-2	38892050	Clamp Kit
STR-3	38892300	Cap-Ductile Iron
STR-3	30892300	Cap-Aluminum
STR-3	34892300	Cap-Stainless Steel
STR-4	38892800	Seal Kit

30STR		
Part Name	Item #	Description
STR-2	38893050	Clamp Kit
STR-3	38893300	Cap-Ductile Iron
STR-3	38893300A	Cap-Aluminum
STR-4	38893080	Seal Kit
40STR		
Part Name	Item #	Description
STR-2	38894050	Clamp Kit
STR-3	38894300	Cap-Ductile Iron
STR-3	38894400A	Cap-Aluminum
STR-4	38894980	Seal Kit

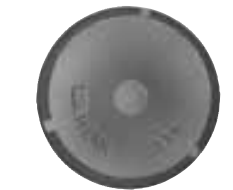
**STR-Y**  
STRAINER 125 PSI MAX  
WORKING PRESSURE  
Made in the U.S.A.



**CLAMP KIT**



**CAP**



**SEAL KIT**



**Y-STRAINER BASKET  
Stainless Steel**



**Y-STRAINER BASKETS 304 STAINLESS STEEL**

	SS 14 Mesh	SS 20 Mesh	SS 40 Mesh	SS 60 Mesh	SS 80 Mesh	SS 100 Mesh
Part Name	Item #	Item #	Item #	Item #	Item #	Item #
10STR-5	3410014	3410020	3410040	3410060	3410080	3410100
15STR-5	3415014	3415020	3415040	3415060	3415080	3415100
20STR-5	3420014	3420020	3420040	3420060	3420080	3420100
30STR-5	3430014	3430020	3430040	3430060	3430080	3430100
40STR-5	3440014	3440020	3440040	☎	3440080	3440100





PT Coupling manufactures PROGRIP™ coupling retention systems for attaching hose to fittings, either by externally crimping or internally expanding. The products range in sizes from 1/2" up to 8". Standard materials available are plated Carbon Steel and Stainless Steel. Other materials are available on request. The fittings produced cover a wide range of applications including sanitary, pharmaceutical, chemical, petroleum, industrial, and fire

protection. Various types of hose shank designs are utilized to maximize the performance of the different fittings and ferrule combinations. All of the different hose shanks are available with any type of the connecting ends. Ends available include male and female NPT Pipe, Victaulic® style groove, butt weld, socket weld, I-Line, Pacific Coast thread, tri-clamp and flanged.

MAXIMUM ALLOWABLE WORKING PRESSURE RATINGS FOR PROGRIP™ (PRESSURE IN PSI)

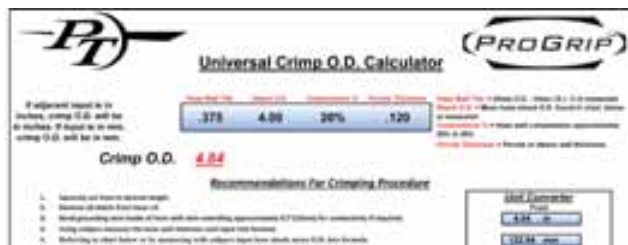
Table with columns: Fitting, 1.0", 1.25", 1.5", 2.0", 2.5", 3.0", 4.0", 6.0". Rows include: All PROGRIP™ bodies with mechanical interlocking ferrules, Cam & Groove, and Ansi 150# Flanges.

The above pressure ratings are for the fitting itself. There are several factors that determine the pressure rating of a hose assembly. Some of which are hose pressure rating, method of hose attachment, quality of hose attachment, and external fastening devices such as Tri-Clamp and I-Line clamps, flange bolts, etc. It is up to the hose assembler and the end user to assure that all components are applied properly and meet the required working pressure of the system.

It is recommended that hydrostatic testing be done to hose assemblies to assure the above crimp diameters are sufficient for the intended application. Reference the NAHAD Hose Safety Institute Hose Assembly Guidelines for recommended testing procedures. www.nahad.org

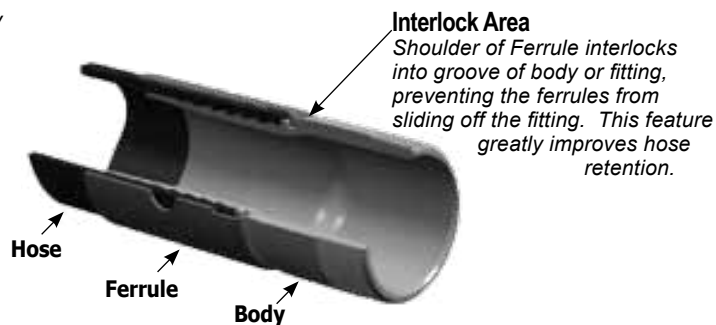
There are multiple resources for PROGRIP™ crimping calculations located at www.ptcoupling.com/technical-information.html

- Ferrules/Sleeve Crimp Diameter Calculator (Excel)



- PT Coupling Crimp OD and Product Guide (PDF)

CRIMP OD & PRODUCT GUIDE table with columns: HOSE ID, HOSE OD, CRIMP OD, FERR/SLV WALL, PROGRIP FERR/SLV, PT CAM & GRV. FEMALE COUPLER, PT CAM & GRV. MALE ADAPTER, PROGRIP BODIES.



Interlock Area: Shoulder of Ferrule interlocks into groove of body or fitting, preventing the ferrules from sliding off the fitting. This feature greatly improves hose retention.

- iPhone App go to www.ptcoupling.com/technical-information.html or iTunes to download app to your iPhone, iPod Touch, iPad, or iPad mini.
- Android App go to www.ptcoupling.com/technical-information.html or Google Play to download the app for your Android phone or device.



Table with columns: Size, Part Name, Item #, Part Name, Item #. Rows for sizes 1-1/4", 1-1/2", 2", 2-1/2", 3", 4", 5", 6" in Stainless Steel and Plated Carbon Steel.

Custom design supplied upon request.

304 Stainless Steel is standard material, also available in 316 Stainless Steel by quote.

The Ferrules to be used with the bodies on this page are on located on pages 95 -101.

Table with columns: Size, Part Name, Item #, Part Name, Item #. Rows for sizes 3/4", 1", 1-1/2", 2", 3", 4" in Aluminum.

Table with columns: Size, Part Name, Item #, Part Name, Item #. Rows for sizes 2", 3", 4" in Stainless Steel and Carbon Steel.

Pipe Flange bolt pattern conforms to ANSI B16.5 Class 150.

Table with columns: Size, Part Name, Item #, Part Name, Item #, Part Name, Item #. Rows for sizes 1", 1-1/2", 2", 2-1/2", 3", 4" in Stainless Steel, Non-Plated Carbon Steel, and Aluminum.

Table with columns: Size, Part Name, Item #, Part Name, Item #. Rows for sizes 1", 1 1/4", 1-1/2", 2", 2-1/2", 3", 4" in Stainless Steel and Plated Carbon Steel.

TMC50 BODY NPT MALE THREAD Made in the U.S.A.



TMC50AL MALE NPT THREAD Casting with Hex-Octagon Made in the U.S.A.



PFFC50 BODY ANSI PIPE FLANGE 150# FLANGE MODIFIED TO SLIDE OVER FERRULE Made in the U.S.A.



WC50 BODY WELD-BUTT PIPE SCHEDULE 40 Made in the U.S.A.



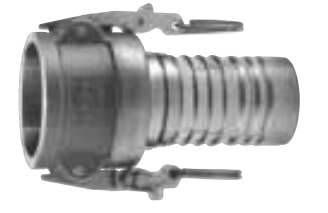
VC50 BODY GROOVED PIPE END Made in the U.S.A.







**C-C50 BODY**  
CAM & GROOVE STA-LOK® II  
FEMALE COUPLER  
316 Stainless Steel  
Made in the U.S.A.



Stainless Steel		
Size	Part Name	Item #
1"	10CC50SS STA-LOK® II	5711007L2
1-1/2"	15CC50SS STA-LOK® II	5711507L2
2"	20CC50SS STA-LOK® II	5712007L2
2-1/2"	25CC50SS STA-LOK® II	5712507L2
3"	30CC50SS STA-LOK® II	5713007L2
4"	40CC50SS STA-LOK® II	5714007L2

**C-C50 BODY**  
CAM & GROOVE  
FEMALE COUPLER  
316 Stainless Steel  
Made in the U.S.A.



Stainless Steel		
Size	Part Name	Item #
1"	10CC50SS	5711007
1-1/2"	15CC50SS	5711507
2"	20CC50SS	5712007
2 1/2"	25CC50SS	5712507
3"	30CC50SS	5713007
4"	40CC50SS	5714007

**E-C50 BODY**  
CAM & GROOVE  
MALE ADAPTER  
316 Stainless Steel  
Made in the U.S.A.



Stainless Steel		
Size	Part Name	Item #
1"	10EC50SS	5711008
1-1/4"	12EC50SS	5711208
1-1/2"	15EC50SS	5711508
2"	20EC50SS	5712008
3"	30EC50SS	5713008
4"	40EC50SS	5714008

*Custom design supplied upon request.*

*All Stainless Steel castings are 316 Stainless Steel and all components are 300 series Stainless Steel.*



Stainless Steel			
Size	Ferrule ID (in)	Part Name	Item #
1/2"	0.875	05028C50SS	54105028
1/2"	0.938	05030C50SS	54105030
1/2"	1.000	05100C50SS	54105100
1/2"	1.063	05102C50SS	54105102
3/4"	1.063	07102C50SS	54107102
3/4"	1.125	07104C50SS	54107104
3/4"	1.188	07106C50SS	54107106
3/4"	1.250	07108C50SS	54107108
3/4"	1.313	07110C50SS	54107110
3/4"	1.375	07112C50SS	54107112
1"	1.438	10114C50SS	54110114
1"	1.500	10116C50SS	54110116
1"	1.563	10118C50SS	54110118
1"	1.625	10120C50SS	54110120
1"	1.688	10122C50SS	54110122
1"	1.750	10124C50SS	54110124
1"	1.813	10126C50SS	54110126
1"	1.875	10128C50SS	54110128
1-1/4"	1.563	12118C50SS	54112118
1-1/4"	1.625	12120C50SS	54112120
1-1/4"	1.688	12122C50SS	54112122
1-1/4"	1.750	12124C50SS	54112124
1-1/4"	1.813	12126C50SS	54112126
1-1/4"	1.875	12128C50SS	54112128
1-1/4"	1.938	12130C50SS	54112130
1-1/4"	2.000	12200C50SS	54112200
1-1/2"	1.875	15128C50SS	54115128
1-1/2"	1.938	15130C50SS	54115130
1-1/2"	2.000	15200C50SS	54115200
1-1/2"	2.063	15202C50SS	54115202
1-1/2"	2.125	15204C50SS	54115204
1-1/2"	2.188	15206C50SS	54115206
1-1/2"	2.250	15208C50SS	54115208
1-1/2"	2.313	15210C50SS	54115210
1-1/2"	2.375	15212C50SS	54115212
1-1/2"	2.438	15214C50SS	54115214
2"	2.438	20214C50SS	54120214
2"	2.500	20216C50SS	54120216
2"	2.563	20218C50SS	54120218
2"	2.625	20220C50SS	54120220
2"	2.688	20222C50SS	54120222
2"	2.750	20224C50SS	54120224
2"	2.813	20226C50SS	54120226
2"	2.875	20228C50SS	54120228
2"	2.938	20230C50SS	54120230

Stainless Steel			
Size	Ferrule ID (in.)	Part Name	Item #
2"	3.063	20302C50SS	54120302
2"	3.125	20304C50SS	54120304
2-1/2"	2.875	25228C50SS	54125228
2-1/2"	2.938	25230C50SS	54125230
2-1/2"	3.000	25300C50SS	54125300
2-1/2"	3.063	25302C50SS	54125302
2-1/2"	3.125	25304C50SS	54125304
2-1/2"	3.188	25306C50SS	54125306
2-1/2"	3.250	25308C50SS	54125308
2-1/2"	3.313	25310C50SS	54125310
2-1/2"	3.375	25312C50SS	54125312
2-1/2"	3.500	25316C50SS	54125316
2-1/2"	3.563	25318C50SS	54125318
2-1/2"	3.750	25324C50SS	54125324
3"	3.375	30312C50SS	54130312
3"	3.500	30316C50SS	54130316
3"	3.563	30318C50SS	54130318
3"	3.625	30320C50SS	54130320
3"	3.688	30322C50SS	54130322
3"	3.750	30324C50SS	54130324
3"	3.813	30326C50SS	54130326
3"	3.875	30328C50SS	54130328
3"	3.938	30330C50SS	54130330
3"	4.000	30400C50SS	54130400
3"	4.063	30402C50SS	54130402
3"	4.125	30404C50SS	54130404
3"	4.188	30406C50SS	54130406
4"	4.375	40412C50SS	54140412
4"	4.438	40414C50SS	54140414
4"	4.500	40416C50SS	54140416
4"	4.563	40418C50SS	54140418
4"	4.625	40420C50SS	54140420
4"	4.688	40422C50SS	54140422
4"	4.750	40424C50SS	54140424
4"	4.813	40426C50SS	54140426
4"	4.875	40428C50SS	54140428
4"	4.938	40430C50SS	54140430
4"	5.000	40500C50SS	54140500
4"	5.063	40502C50SS	54140502
4"	5.188	40506C50SS	54140506
4"	5.250	40508C50SS	54140508
6"	6.875	60628C50SS	54160628
6"	6.938	60630C50SS	54160630
6"	7.063	60702C50SS	54160702
6"	7.250	60708C50SS	54160708

**C50SS**  
CRIMP FERRULE  
Made in the U.S.A.



*Designed to be used with PT shanked fittings and PROGRIP™ C50 bodies.*

*Custom design supplied upon request.*

*304 Stainless Steel is the standard material.*

*Please call for special quote in 316 Stainless Steel.*

C50 External Crimp System

C50 External Crimp System



# C50 External Crimp System

# C50 External Crimp System



### C50CS CRIMP FERRULE Made in the U.S.A.



Designed to be used with PT shanked fittings and PROGRIP™ C50 bodies.

Custom design supplied upon request.

Also available in 316 Stainless Steel, Aluminum, Anodized Aluminum & private label by quote.

Plated Carbon Steel				Plated Carbon Steel			
Size	Ferrule ID (in.)	Part Name	Item #	Size	Ferrule ID (in.)	Part Name	Item #
1/2"	0.875	05028C50CS	54005028	2-1/2"	3.000	25300C50CS	54025300
3/4"	1.063	07102C50CS	54007102	2-1/2"	3.063	25302C50CS	54025302
3/4"	1.125	07104C50CS	54007104	2-1/2"	3.125	25304C50CS	54025304
3/4"	1.188	07106C50CS	54007106	2-1/2"	3.188	25306C50CS	54025306
3/4"	1.250	07108C50CS	54007108	2-1/2"	3.250	25308C50CS	54025308
3/4"	1.313	07110C50CS	54007110	2-1/2"	3.313	25310C50CS	54025310
1"	1.438	10114C50CS	54010114	2-1/2"	3.438	25314C50CS	54025314
1"	1.500	10116C50CS	54010116	2-1/2"	3.500	25316C50CS	54025316
1"	1.563	10118C50CS	54010118	2-1/2"	3.563	25318C50CS	54025318
1"	1.625	10120C50CS	54010120	2-1/2"	3.750	25324C50CS	54025324
1"	1.688	10122C50CS	54010122	3"	3.438	30314C50CS	54030314
1"	1.750	10124C50CS	54010124	3"	3.500	30316C50CS	54030316
1"	1.813	10126C50CS	54010126	3"	3.563	30318C50CS	54030318
1-1/4"	1.688	12122C50CS	54012122	3"	3.625	30320C50CS	54030320
1-1/4"	1.750	12124C50CS	54012124	3"	3.688	30322C50CS	54030322
1-1/4"	1.813	12126C50CS	54012126	3"	3.750	30324C50CS	54030324
1-1/4"	1.875	12128C50CS	54012128	3"	3.813	30326C50CS	54030326
1-1/4"	1.938	12130C50CS	54012130	3"	3.875	30328C50CS	54030328
1-1/2"	1.875	15128C50CS	54015128	3"	3.938	30330C50CS	54030330
1-1/2"	1.938	15130C50CS	54015130	3"	4.000	30400C50CS	54030400
1-1/2"	2.000	15200C50CS	54015200	3"	4.125	30404C50CS	54030404
1-1/2"	2.063	15202C50CS	54015202	4"	4.375	40412C50CS	54040412
1-1/2"	2.125	15204C50CS	54015204	4"	4.500	40416C50CS	54040416
1-1/2"	2.188	15206C50CS	54015206	4"	4.563	40418C50CS	54040418
1-1/2"	2.250	15208C50CS	54015208	4"	4.625	40420C50CS	54040420
1-1/2"	2.375	15212C50CS	54015212	4"	4.688	40422C50CS	54040422
1-1/2"	2.438	15214C50CS	54015214	4"	4.750	40424C50CS	54040424
2"	2.375	20212C50CS	54020212	4"	4.813	40426C50CS	54040426
2"	2.438	20214C50CS	54020214	4"	4.875	40428C50CS	54040428
2"	2.500	20216C50CS	54020216	4"	4.938	40430C50CS	54040430
2"	2.563	20218C50CS	54020218	4"	5.000	40500C50CS	54040500
2"	2.625	20220C50CS	54020220	4"	5.063	40502C50CS	54040502
2"	2.688	20222C50CS	54020222	4"	5.125	40504C50CS	54040504
2"	2.750	20224C50CS	54020224	5"	5.938	50530C50CS	54050530
2"	2.813	20226C50CS	54020226	6"	6.063	50602C50CS	54050602
2"	2.875	20228C50CS	54020228	6"	6.875	60628C50CS	54060628
2"	2.938	20230C50CS	54020230	7"	7.000	60700C50CS	54060700
2"	3.000	20300C50CS	54020300	7"	7.063	60702C50CS	54060702
2-1/2"	2.875	25228C50CS	54025228	7"	7.188	60706C50CS	54060706

Aluminum				Aluminum			
Size	Ferrule ID (in.)	Part Name	Item #	Size	Ferrule ID (in.)	Part Name	Item #
1/2"	0.875	05028C50AL	(	2-1/2"	3.000	25300C50AL	(
3/4"	1.063	07102C50AL	(	2-1/2"	3.063	25302C50AL	(
3/4"	1.125	07104C50AL	(	2-1/2"	3.125	25304C50AL	(
3/4"	1.188	07106C50AL	(	2-1/2"	3.188	25306C50AL	(
3/4"	1.250	07108C50AL	(	2-1/2"	3.250	25308C50AL	(
3/4"	1.313	07110C50AL	(	2-1/2"	3.313	25310C50AL	(
1"	1.438	10114C50AL	(	2-1/2"	3.438	25314C50AL	(
1"	1.500	10116C50AL	(	2-1/2"	3.500	25316C50AL	(
1"	1.563	10118C50AL	(	2-1/2"	3.563	25318C50AL	(
1"	1.625	10120C50AL	(	2-1/2"	3.750	25324C50AL	(
1"	1.688	10122C50AL	(	3"	3.438	30314C50AL	(
1"	1.750	10124C50AL	(	3"	3.500	30316C50AL	(
1"	1.813	10126C50AL	(	3"	3.563	30318C50AL	(
1-1/4"	1.688	12122C50AL	(	3"	3.625	30320C50AL	(
1-1/4"	1.750	12124C50AL	(	3"	3.688	30322C50AL	56030320
1-1/4"	1.813	12126C50AL	(	3"	3.750	30324C50AL	(
1-1/4"	1.875	12128C50AL	(	3"	3.813	30326C50AL	(
1-1/4"	1.938	12130C50AL	(	3"	3.875	30328C50AL	56030326
1-1/2"	1.875	15128C50AL	(	3"	3.938	30330C50AL	56030328
1-1/2"	1.938	15130C50AL	(	3"	4.000	30400C50AL	56030330
1-1/4"	2.000	12200C50AL	(	3"	4.125	30404C50AL	(
1-1/2"	2.063	15202C50AL	(	4"	4.375	40412C50AL	(
1-1/2"	2.125	15204C50AL	(	4"	4.500	40416C50AL	(
1-1/2"	2.188	15206C50AL	(	4"	4.563	40418C50AL	(
1-1/2"	2.250	15208C50AL	(	4"	4.625	40420C50AL	(
1-1/2"	2.375	15212C50AL	(	4"	4.688	40422C50AL	(
1-1/2"	2.438	15214C50AL	(	4"	4.750	40424C50AL	56040422
2"	2.375	20212C50AL	(	4"	4.813	40426C50AL	56040424
2"	2.438	20214C50AL	(	4"	4.875	40428C50AL	56040426
2"	2.500	20216C50AL	(	4"	4.938	40430C50AL	56040428
2"	2.563	20218C50AL	(	4"	5.000	40500C50AL	56040430
2"	2.625	20220C50AL	56020220	4"	5.063	40502C50AL	(
2"	2.688	20222C50AL	(	4"	5.125	40504C50AL	(
2"	2.750	20224C50AL	(	5"	5.938	50530C50AL	(
2"	2.813	20226C50AL	56020226	6"	6.063	50602C50AL	(
2"	2.875	20228C50AL	(	6"	6.875	60628C50AL	56050530
2"	2.938	20230C50AL	(	7"	7.000	60700C50CS	(
2"	3.000	20300C50AL	(	7"	7.063	60702C50AL	(
2-1/2"	2.875	25228C50AL	(	7"	7.188	60706C50CS	(

### C50AL CRIMP FERRULE Made in the U.S.A.



Designed to be used with PT shanked fittings and PROGRIP™ C50 bodies.

Custom design supplied upon request.

Also available in Anodized Aluminum in assorted colors and private label by quote.



C50 External Crimp System

C50 External Crimp System



**CSSS**  
CRIMP SLEEVE  
Made in the U.S.A.



\*1", 1 1/4", 1 1/2" sizes are interchangeable  
 \*\*2" and 2 1/2" sizes are interchangeable  
 Custom design supplied upon request.  
 304 Stainless Steel is standard material, also available in 316 Stainless Steel by quote.

Stainless Steel					Stainless Steel				
Size	Sleeve ID	Length (in.)	Part Name	Item #	Size	Sleeve ID	Length (in.)	Part Name	Item #
1/2"	0.688	1.3	05022CSSS	54305022	**2-1/2"	3.000	3.1	25300CSSS	54325300
1/2"	0.813	1.3	05026CSSS	54305026	**2-1/2"	3.063	3.1	25302CSSS	54325302
1/2"	0.875	1.3	05028CSSS	54305028	**2-1/2"	3.125	3.1	25304CSSS	54325304
1/2"	0.938	1.3	05030CSSS	54305030	**2-1/2"	3.188	3.1	25306CSSS	54325306
1/2"	1.000	1.3	05100CSSS	54305100	**2-1/2"	3.250	3.1	25308CSSS	54325308
1/2"	1.063	1.3	05102CSSS	54305102	**2-1/2"	3.313	3.1	25310CSSS	54325310
3/4"	1.063	1.6	07102CSSS	54307102	**2-1/2"	3.375	3.1	25312CSSS	54325312
3/4"	1.125	1.6	07104CSSS	54307104	3"	3.313	3.5	30310CSSS	54330310
3/4"	1.188	1.6	07106CSSS	54307106	3"	3.375	3.5	30312CSSS	54330312
3/4"	1.250	1.6	07108CSSS	54307108	3"	3.438	3.5	30314CSSS	54330314
3/4"	1.313	1.6	07110CSSS	54307110	3"	3.500	3.5	30316CSSS	54330316
*1"	1.313	2.1	10110CSSS	54310110	3"	3.563	3.5	30318CSSS	54330318
*1"	1.375	2.1	10112CSSS	54310112	3"	3.625	3.5	30320CSSS	54330320
*1"	1.438	2.1	10114CSSS	54310114	3"	3.688	3.5	30322CSSS	54330322
*1"	1.500	2.1	10116CSSS	54310116	3"	3.750	3.5	30324CSSS	54330324
*1"	1.563	2.1	10118CSSS	54310118	3"	3.813	3.5	30326CSSS	54330326
*1"	1.625	2.1	10120CSSS	54310120	3"	3.875	3.5	30328CSSS	54330328
*1"	1.688	2.1	10122CSSS	54310122	3"	3.938	3.5	30330CSSS	54330330
*1-1/4"	1.750	2.1	12124CSSS	54312124	3"	4.000	3.5	30400CSSS	54330400
*1-1/4"	1.813	2.1	12126CSSS	54312126	3"	4.063	3.5	30402CSSS	54330402
*1-1/4"	1.875	2.1	12128CSSS	54312128	3"	4.125	3.5	30404CSSS	54330404
*1-1/4"	1.938	2.1	12130CSSS	54312130	3"	4.188	3.5	30406CSSS	54330406
*1-1/2"	2.000	2.1	15200CSSS	54315200	4"	4.313	4.5	40410CSSS	54340410
*1-1/2"	2.063	2.1	15202CSSS	54315202	4"	4.375	4.5	40412CSSS	54340412
*1-1/2"	2.125	2.1	15204CSSS	54315204	4"	4.438	4.5	40414CSSS	54340414
*1-1/2"	2.188	2.1	15206CSSS	54315206	4"	4.500	4.5	40416CSSS	54340416
*1-1/2"	2.250	2.1	15208CSSS	54315208	4"	4.563	4.5	40418CSSS	54340418
*1-1/2"	2.313	2.1	15210CSSS	54315210	4"	4.625	4.5	40420CSSS	54340420
**2"	2.250	3.1	20208CSSS	54320208	4"	4.688	4.5	40422CSSS	54340422
**2"	2.313	3.1	20210CSSS	54320210	4"	4.750	4.5	40424CSSS	54340424
**2"	2.375	3.1	20212CSSS	54320212	4"	4.813	4.5	40426CSSS	54340426
**2"	2.438	3.1	20214CSSS	54320214	4"	4.875	4.5	40428CSSS	54340428
**2"	2.500	3.1	20216CSSS	54320216	4"	4.938	4.5	40430CSSS	54340430
**2"	2.563	3.1	20218CSSS	54320218	4"	5.000	4.5	40500CSSS	54340500
**2"	2.625	3.1	20220CSSS	54320220	4"	5.063	4.5	40502CSSS	54340502
**2"	2.688	3.1	20222CSSS	54320222	4"	5.125	4.5	40504CSSS	54340504
**2"	2.750	3.1	20224CSSS	54320224	4"	5.188	4.5	40506CSSS	54340506
**2"	2.813	3.1	20226CSSS	54320226	6"	6.500	6.1	60616CSSS	54360616
**2"	2.875	3.1	20228CSSS	54320228	6"	6.875	6.1	60628CSSS	54360628
**2"	2.938	3.1	20230CSSS	54320230	6"	6.938	6.1	60630CSSS	54360630
					8"	8.688	8.1	80822CSSS	54380822

Plated Carbon Steel					Plated Carbon Steel				
Size	Sleeve ID	Length (in.)	Part Name	Item #	Size	Sleeve ID	Length (in.)	Part Name	Item #
1/2"	0.875	1.3	05028CSCS	54205028	3"	3.438	3.5	30314CSCS	54230314
1/2"	0.938	1.3	05030CSCS	54205030	3"	3.500	3.5	30316CSCS	54230316
1/2"	1.000	1.3	05100CSCS	(	3"	3.563	3.5	30318CSCS	54230318
3/4"	1.063	1.6	07102CSCS	54207102	3"	3.625	3.5	30320CSCS	54230320
3/4"	1.125	1.6	07104CSCS	54207104	3"	3.688	3.5	30322CSCS	54230322
3/4"	1.188	1.6	07106CSCS	54207106	3"	3.750	3.5	30324CSCS	54230324
3/4"	1.250	1.6	07108CSCS	54207108	3"	3.813	3.5	30326CSCS	54230326
3/4"	1.313	1.6	07110CSCS	54207110	3"	3.875	3.5	30328CSCS	54230328
*1"	1.313	2.1	10110CSCS	54210110	3"	3.938	3.5	30330CSCS	54230330
*1"	1.375	2.1	10112CSCS	54210112	3"	4.000	3.5	30400CSCS	54230400
*1"	1.438	2.1	10114CSCS	54210114	3"	4.063	3.5	30402CSCS	54230402
*1"	1.500	2.1	10116CSCS	54210116	3"	4.125	3.5	30404CSCS	54230404
*1"	1.563	2.1	10118CSCS	54210118	3"	4.188	3.5	30406CSCS	(
*1"	1.625	2.1	10120CSCS	54210120	4"	4.313	4.5	40410CSCS	54240410
*1"	1.688	2.1	10122CSCS	54210122	4"	4.375	4.5	40412CSCS	54240412
*1-1/4"	1.750	2.1	12124CSCS	(	4"	4.438	4.5	40414CSCS	54240414
*1-1/4"	1.813	2.1	12126CSCS	54212126	4"	4.500	4.5	40416CSCS	54240416
*1-1/4"	1.875	2.1	12128CSCS	54212128	4"	4.563	4.5	40418CSCS	54240418
*1-1/4"	1.938	2.1	12130CSCS	54212130	4"	4.625	4.5	40420CSCS	54240420
*1-1/2"	2.000	2.1	15200CSCS	54215200	4"	4.688	4.5	40422CSCS	54240422
*1-1/2"	2.063	2.1	15202CSCS	54215202	4"	4.750	4.5	40424CSCS	54240424
*1-1/2"	2.125	2.1	15204CSCS	54215204	4"	4.813	4.5	40426CSCS	54240426
*1-1/2"	2.188	2.1	15206CSCS	54215206	4"	4.875	4.5	40428CSCS	54240428
*1-1/2"	2.250	2.1	15208CSCS	54215208	4"	4.938	4.5	40430CSCS	54240430
*1-1/2"	2.313	2.1	15210CSCS	54215210	4"	5.000	4.5	40500CSCS	54240500
**2"	2.250	3.1	20208CSCS	(	4"	5.063	4.5	40502CSCS	54240502
**2"	2.313	3.1	20210CSCS	(	5"	5.375	5.5	50512CSCS	54250512
**2"	2.375	3.1	20212CSCS	54220212	5"	5.625	5.5	50520CSCS	54250520
**2"	2.438	3.1	20214CSCS	54220214	5"	5.750	5.5	50524CSCS	54250524
**2"	2.500	3.1	20216CSCS	54220216	5"	5.875	5.5	50528CSCS	54250528
**2"	2.563	3.1	20218CSCS	54220218	6"	6.313	6.1	60610CSCS	54260610
**2"	2.625	3.1	20220CSCS	54220220	6"	6.375	6.1	60612CSCS	54260612
**2"	2.688	3.1	20222CSCS	54220222	6"	6.438	6.1	60614CSCS	54260614
**2"	2.750	3.1	20224CSCS	54220224	6"	6.500	6.1	60616CSCS	54260616
**2"	2.813	3.1	20226CSCS	54220226	6"	6.563	6.1	60618CSCS	54260618
**2"	2.875	3.1	20228CSCS	54220228	6"	6.625	6.1	60620CSCS	54260620
**2"	2.938	3.1	20230CSCS	54220230	6"	6.875	6.1	60628CSCS	54260628
**2-1/2"	3.000	3.1	25300CSCS	54225300	8"	6.938	6.1	60630CSCS	54260630
**2-1/2"	3.063	3.1	25302CSCS	54225302	8"	7.125	6.1	60704CSCS	54260704
**2-1/2"	3.125	3.1	25304CSCS	54225304	8"	8.500	8.1	80816CSCS	54280816
**2-1/2"	3.188	3.1	25306CSCS	54225306	8"	8.625	8.1	80820CSCS	54280820
**2-1/2"	3.250	3.1	25308CSCS	54225308	8"	9.000	8.1	80900CSCS	54280900
**2-1/2"	3.313	3.1	25310CSCS	(	8"	9.125	8.1	80904CSCS	54280904
**2-1/2"	3.375	3.1	25312CSCS	(	8"	9.500	8.1	80916CSCS	54280916
3"	3.313	3.5	30310CSCS	54230310	8"	9.625	8.1	80920CSCS	54280920
3"	3.375	3.5	30312CSCS	54230312					

**CSCS**  
CRIMP SLEEVE  
Made in the U.S.A.



\*1", 1 1/4", 1 1/2" sizes are interchangeable  
 \*\*2" and 2 1/2" sizes are interchangeable  
 Note: These sleeves are designed to be used with C50 bodies.  
 Custom Design Supplied upon Request.  
 304 Stainless Steel is standard material, also available in 316 Stainless Steel by quote.





**CSAL**  
CRIMP SLEEVE  
Made in the U.S.A.



\*1", 1 1/4", 1 1/2" sizes are interchangeable  
 \*\*2" and 2 1/2" sizes are interchangeable  
 Custom design supplied upon request.  
 Also available in Anodized Aluminum in assorted colors and private label by quote.



Aluminum					Aluminum				
Size	Sleeve ID	Length (in.)	Part Name	Item #	Size	Sleeve ID	Length (in.)	Part Name	Item #
1/2"	0.688	1.3	05022CSAL	☎	3"	3.313	3.5	30310CSAL	☎
1/2"	0.813	1.3	05026CSAL	☎	3"	3.375	3.5	30312CSAL	☎
1/2"	0.875	1.3	05028CSAL	☎	3"	3.438	3.5	30314CSAL	☎
1/2"	0.938	1.3	05030CSAL	☎	3"	3.500	3.5	30316CSAL	542303161
1/2"	1.000	1.3	05100CSAL	☎	3"	3.563	3.5	30318CSAL	54930318
3/4"	1.063	1.6	07102CSAL	☎	3"	3.625	3.5	30320CSAL	54230321
3/4"	1.125	1.6	07104CSAL	☎	3"	3.688	3.5	30322CSAL	☎
3/4"	1.188	1.6	07106CSAL	☎	3"	3.750	3.5	30324CSAL	54930324
3/4"	1.250	1.6	07108CSAL	☎	3"	3.813	3.5	30326CSAL	54230321
3/4"	1.313	1.6	07110CSAL	☎	3"	3.875	3.5	30328CSAL	542303281
*1"	1.313	2.1	10110CSAL	☎	3"	3.938	3.5	30330CSAL	☎
*1"	1.375	2.1	10112CSAL	☎	3"	4.000	3.5	30400CSAL	☎
*1"	1.438	2.1	10114CSAL	☎	3"	4.063	3.5	30402CSAL	☎
*1"	1.500	2.1	10116CSAL	54910116	3"	4.125	3.5	30404CSAL	☎
*1"	1.563	2.1	10118CSAL	54910118	3"	4.188	3.5	30406CSAL	☎
*1"	1.625	2.1	10120CSAL	☎	4"	4.313	4.5	40410CSAL	☎
*1"	1.688	2.1	10122CSAL	☎	4"	4.375	4.5	40412CSAL	☎
*1-1/4"	1.750	2.1	12124CSAL	☎	4"	4.438	4.5	40414CSAL	☎
*1-1/4"	1.813	2.1	12126CSAL	☎	4"	4.500	4.5	40416CSAL	☎
*1-1/4"	1.875	2.1	12128CSAL	☎	4"	4.563	4.5	40418CSAL	542404191
*1-1/4"	1.938	2.1	12130CSAL	☎	4"	4.625	4.5	40420CSAL	☎
*1-1/2"	2.000	2.1	15200CSAL	☎	4"	4.688	4.5	40422CSAL	54940422
*1-1/2"	2.063	2.1	15202CSAL	☎	4"	4.750	4.5	40424CSAL	54940424
*1-1/2"	2.125	2.1	15204CSAL	☎	4"	4.813	4.5	40426CSAL	54940426
*1-1/2"	2.188	2.1	15206CSAL	☎	4"	4.875	4.5	40428CSAL	54940440
*1-1/2"	2.250	2.1	15208CSAL	☎	4"	4.938	4.5	40430CSAL	54940430
*1-1/2"	2.313	2.1	15210CSAL	☎	4"	5.000	4.5	40500CSAL	54940500
**2"	2.250	3.1	20208CSAL	☎	4"	5.063	4.5	40502CSAL	☎
**2"	2.313	3.1	20210CSAL	☎	4"	5.125	4.5	40504CSAL	☎
**2"	2.375	3.1	20212CSAL	☎	4"	5.188	4.5	40506CSAL	☎
**2"	2.438	3.1	20214CSAL	☎	5"	5.625	5.5	50520CSAL	☎
**2"	2.500	3.1	20216CSAL	54920216	6"	6.313	6.1	60610CSAL	☎
**2"	2.563	3.1	20218CSAL	54920218	6"	6.375	6.1	60612CSAL	☎
**2"	2.625	3.1	20220CSAL	54920220	6"	6.500	6.1	60616CSAL	☎
**2"	2.688	3.1	20222CSAL	☎	6"	6.563	6.1	60618CSAL	☎
**2"	2.750	3.1	20224CSAL	54920224	6"	6.625	6.1	60620CSAL	☎
**2"	2.813	3.1	20226CSAL	☎	6"	6.875	6.1	60628CSAL	☎
**2"	2.875	3.1	20228CSAL	☎	6"	6.938	6.1	60630CSAL	☎
**2"	2.938	3.1	20230CSAL	☎	6"	7.125	6.1	60704CSAL	☎
**2-1/2"	3.000	3.1	25300CSAL	☎	8"	8.500	8.1	80816CSAL	☎
**2-1/2"	3.063	3.1	25302CSAL	☎	8"	8.625	8.1	80820CSAL	☎
**2-1/2"	3.125	3.1	25304CSAL	☎	8"	9.125	8.1	80904CSAL	☎
**2-1/2"	3.188	3.1	25306CSAL	☎	8"	9.500	8.1	80916CSAL	☎
**2-1/2"	3.250	3.1	25308CSAL	☎	8"	9.625	8.1	80920CSAL	☎
**2-1/2"	3.313	3.1	25310CSAL	☎					
**2-1/2"	3.375	3.1	25312CSAL	☎					

Stainless Steel				Plated Carbon Steel	
Size	Ferrule ID (in.)	Part Name	Item #	Part Name	Item #
1"	1.5	07116C50HDSS	☎	07116C50HDSCS	54007116H
1"	1.625	10120C50HDSS	54110120H	10120C50HDSCS	☎
1"	1.750	10124C50HDSS	54110124H	10124C50HDSCS	☎
1"	1.938	10130C50HDSS	☎	10130C50HDSCS	54010130H
1-1/2"	2.125	15204C50HDSS	54115204H	15204C50HDSCS	54015204H
1-1/2"	2.250	15208C50HDSS	54115208H	15208C50HDSCS	54015208H
1-1/2"	2.375	15212C50HDSS	☎	15212C50HDSCS	54015212H
1-1/2"	2.438	15214C50HDSS	☎	15214C50HDSCS	54015214H
2"	2.688	20222C50HDSS	54120222H	20222C50HDSCS	54020222H
2"	2.75	20224C50HDSS	54120224H	20224C50HDSCS	54020224H
2"	2.813	20226C50HDSS	☎	20226C50HDSCS	54020226H
2"	2.875	20228C50HDSS	☎	20228C50HDSCS	54020228H
2"	2.938	20230C50HDSS	☎	20230C50HDSCS	54020230H
2-1/2"	3.250	25308C50HDSS	54125308H	25308C50HDSCS	54025308H
2-1/2"	3.5	25316C50HDSS	☎	25316C50HDSCS	54025316H
3"	3.625	30320C50HDSS	54130320H	30320C50HDSCS	☎
3"	3.688	30322C50HDSS	54130322H	30322C50HDSCS	54030322H
3"	3.750	30324C50HDSS	54130324H	30324C50HDSCS	54030324H
3"	3.813	30326C50HDSS	54130326H	30326C50HDSCS	☎
3"	3.875	30328C50HDSS	54130328H	30328C50HDSCS	☎
3"	3.938	30330C50HDSS	☎	30330C50HDSCS	54030330H
3"	4.000	30400C50HDSS	☎	30400C50HDSCS	54030400H
3"	4.063	30402C50HDSS	☎	30402C50HDSCS	54030402H
4"	4.688	40422C50HDSS	☎	40422C50HDSCS	54040422H
4"	4.750	40424C50HDSS	54140424H	40424C50HDSCS	54040424H
4"	4.813	40426C50HDSS	☎	40426C50HDSCS	54040426H
4"	4.875	40428C50HDSS	54140428H	40428C50HDSCS	54040428H
4"	4.938	40430C50HDSS	54140430H	40430C50HDSCS	☎
4"	5.000	40500C50HD	☎	40500C50HDSCS	54040500H
4"	5.063	40502C50HDSS	☎	40502C50HDSCS	54040502H

**C50HD**  
HEAVY DUTY CRIMP  
FERRULE  
Made in the U.S.A.



Custom design supplied upon request.  
 304 Stainless Steel is the standard material.  
 Please call for special quote in 316 Stainless Steel.

**Slide Bearing Technology**

- Maximum productivity with very low maintenance cost
- No grease for consistent efficient crimp force, improving ability to document
- No grease, improving cleanliness of machine and hose assemblies
- No grease increases operator safety and happiness
- Wearing parts are easy to replace and less costly
- Actual crimp force closer to theoretical force, allowing buyer to make a more informed buying decision
- iPhone, iPad, App available
- Android App available

Part#	Item#
PTS8 MACHINE	5901502



- iPhone App go to [www.ptcoupling.com](http://www.ptcoupling.com) or iTunes to download Crimp Diameter Calculator App to your iPhone, iPod Touch or iPad, & iPad mini.
- Android App go to [www.ptcoupling.com](http://www.ptcoupling.com) or Google Play to download Crimp Diameter Calculator App to your Android Device.



The bodies on this page are to be assembled or installed using an **Internal Expansion Pull Mandrel (PM) system**. The Ferrules used with the bodies on this page are located on page 103 - 104.

**TMPM**  
NPT MALE THREAD  
Made in the U.S.A.



Size	Stainless Steel		Plated Carbon Steel	
	Part Name	Item #	Part Name	Item #
1"	10TMPMSS	5731002	10TMPMCS	5721002
1-1/4"	12TMPMSS	5731202	12TMPMCS	5721202
1-1/2"	15TMPMSS	5731502	15TMPMCS	5721502
2"	20TMPMSS	5732002	20TMPMCS	5722002
2-1/2"	25TMPMSS	5732502	25TMPMCS	5722502
3"	30TMPMSS	5733002	30TMPMCS	5723002
4"	40TMPMSS	5734002	40TMPMCS	5724002
6"	60TMPMSS	5736002	60TMPMCS	5726002
8"	80TMPMSS	☎	80TMPMCS	5728002

**WPM**  
BUTT-WELD PIPE  
SCHEDULE 40  
Made in the U.S.A.



Size	Stainless Steel		Plated Carbon Steel	
	Part Name	Item #	Part Name	Item #
1-1/2"	15WPMSS	5731514	15WPMCS	5721514
2"	20WPMSS	5732014	20WPMCS	5722014
2-1/2"	25WPMSS	5732514	25WPMCS	5722514
3"	30WPMSS	☎	30WPMCS	5723014
4"	40WPMSS	5734014	40WPMCS	5724014

**CSEPM**  
CALIFORNIA STUB  
END (HEAVY DUTY  
RAISED END)  
Made in the U.S.A.



Size	Plated Carbon Steel		
	Part Name	Item #	
2"	20CSEPMCS	5722025	<i>Custom design supplied upon request.</i>
2-1/2"	25CSEPMCS	5722525	
3"	30CSEPMCS	5723025	
4"	40CSEPMCS	5724025	

*304 Stainless Steel is the standard material. Please call for special quote on 316 Stainless Steel.*

**VPM**  
VICTAULIC® GROOVE  
Made in the U.S.A.



Size	Stainless Steel		Plated Carbon Steel	
	Part Name	Item #	Part Name	Item #
1"	10VPMSS	5731016	10VPMCS	5721016
1-1/4"	12VPMSS	☎	12VPMCS	5721216
1-1/2"	15VPMSS	5731516	15VPMCS	5721516
2"	20VPMSS	5732016	20VPMCS	5722016
2-1/2"	25VPMSS	5732516	25VPMCS	5722516
3"	30VPMSS	5733016	30VPMCS	5723016
4"	40VPMSS	5734016	40VPMCS	5724016
6"	60VPMSS	5736016	60VPMCS	5726016

**PFFPM BODY**  
ANSI PIPE FLANGE 150#  
FLANGE MODIFIED TO  
SLIDE OVER FERRULE  
Made in the U.S.A.



Size	Stainless Steel		Plated Carbon Steel	
	Part Name	Item #	Part Name	Item #
2"	20PFFPMSS	5732005	20PFFPMCS	☎
3"	30PFFPMSS	5733005	30PFFPMCS	5723005
4"	40PFFPMSS	5734005	40PFFPMCS	5724005

Size	Ferrule ID (in.)	Stainless Steel		Size	Ferrule ID (in.)	Stainless Steel	
		Part Name	Item #			Part Name	Item #
1"	1.500	10116PMSS	54510116	2-1/2"	3.438	25314PMSS	☎
1"	1.563	10118PMSS	54510118	3"	3.250	30308PMSS	☎
1"	1.625	10120PMSS	54510120	3"	3.438	30314PMSS	54530314
1"	1.688	10122PMSS	☎	3"	3.563	30318PMSS	54530318
1"	1.750	10124PMSS	☎	3"	3.625	30320PMSS	54530320
1-1/4"	1.563	12118PMSS	54512118	3"	3.688	30322PMSS	54530322
1-1/4"	1.750	12124PMSS	54512124	3"	3.750	30324PMSS	54530324
1-1/4"	1.813	12126PMSS	54512126	3"	3.813	30326PMSS	54530326
1-1/4"	1.875	12128PMSS	54512128	3"	3.875	30328PMSS	54530328
1-1/2"	1.938	12130PMSS	54512130	3"	3.938	30330PMSS	54530330
1-1/2"	1.813	15126PMSS	54515126	3"	4.000	30400PMSS	54530400
1-1/2"	2.063	15202PMSS	54515202	3"	4.063	30402PMSS	54530402
1-1/2"	2.125	15204PMSS	54515204	3"	4.125	30404PMSS	54530404
1-1/2"	2.188	15206PMSS	54515206	3"	4.188	30406PMSS	☎
1-1/2"	2.250	15208PMSS	54515208	3"	4.250	30408PMSS	☎
1-1/2"	2.313	15210PMSS	54515210	4"	4.250	40408PMSS	☎
1-1/2"	2.375	15212PMSS	☎	4"	4.500	40416PMSS	☎
1-1/2"	2.438	15214PMSS	☎	4"	4.563	40418PMSS	54540418
2"	2.375	20212PMSS	54520212	4"	4.625	40420PMSS	54540420
2"	2.500	20216PMSS	54520216	4"	4.688	40422PMSS	54540422
2"	2.563	20218PMSS	54520218	4"	4.750	40424PMSS	54540424
2"	2.625	20220PMSS	54520220	4"	4.813	40426PMSS	54540426
2"	2.688	20222PMSS	54520222	4"	4.875	40428PMSS	54540428
2"	2.750	20224PMSS	54520224	4"	4.938	40430PMSS	54540430
2"	2.813	20226PMSS	☎	4"	5.000	40500PMSS	☎
2"	2.875	20228PMSS	☎	4"	5.063	40502PMSS	☎
2"	2.938	20230PMSS	54520230	4"	5.125	40504PMSS	☎
2"	3.063	20302PMSS	☎	4"	5.188	40506PMSS	54540506
2"	3.125	20304PMSS	☎	4"	5.250	40508PMSS	☎
2-1/2"	3.125	25304PMSS	54525304	4"	5.313	40510PMSS	☎
2-1/2"	3.188	25306PMSS	54525306	6"	6.938	60630PMSS	☎
2-1/2"	3.250	25308PMSS	54525308	6"	7.063	60702PMSS	☎
2-1/2"	3.313	25310PMSS	54525310	6"	7.250	60708PMSS	☎

**PMSS**  
FERRULE  
Made in the U.S.A.



*Designed to be used with PMSS Pull Mandrel bodies (Internal Expanded Stainless Steel bodies).*

*Custom design supplied upon request.*

*304 Stainless Steel is the standard material.*

*Please call for special quote in 316 Stainless Steel.*

PM Internal Expansion System - Industrial

PM Internal Expansion System Industrial



**PMCS FERRULE**  
Made in the U.S.A.



*Designed to be used with PMCS Pull Mandrel bodies (Internal Expanded Carbon Steel bodies).  
Custom design supplied upon request.*

Plated Carbon Steel			
Size	Ferrule ID (in.)	Part Name	Item #
1"	1.500	10116PMCS	54410116
1"	1.563	10118PMCS	54410118
1"	1.625	10120PMCS	54410120
1"	1.688	10122PMCS	54410122
1"	1.750	10124PMCS	54410124
1-1/4"	1.563	12118PMCS	☎
1-1/4"	1.750	12124PMCS	54412124
1-1/4"	1.813	12126PMCS	54412126
1-1/4"	1.875	12128PMCS	54412128
1-1/2"	1.938	12130PMCS	54412130
1-1/2"	1.813	15126PMCS	54415126
1-1/2"	2.063	15202PMCS	54415202
1-1/2"	2.125	15204PMCS	54415204
1-1/2"	2.188	15206PMCS	54415206
1-1/2"	2.250	15208PMCS	54415208
1-1/2"	2.313	15210PMCS	54415210
1-1/2"	2.375	15212PMCS	54415212
1-1/2"	2.438	15214PMCS	54415214
2"	2.375	20212PMCS	☎
2"	2.500	20216PMCS	☎
2"	2.563	20218PMCS	54420218
2"	2.625	20220PMCS	54420220
2"	2.688	20222PMCS	54420222
2"	2.750	20224PMCS	54420224
2"	2.813	20226PMCS	54420226
2"	2.875	20228PMCS	54420228
2"	2.938	20230PMCS	54420230
2"	3.063	20302PMCS	54420302
2"	3.125	20304PMCS	54420304
2-1/2"	3.125	25304PMCS	54425304
2-1/2"	3.188	25306PMCS	54425306
2-1/2"	3.250	25308PMCS	54425308
2-1/2"	3.313	25310PMCS	54425310
2-1/2"	3.375	25312PMCS	54425312
2-1/2"	3.438	25314PMCS	54425312

Plated Carbon Steel			
Size	Ferrule ID (in.)	Part Name	Item #
3"	3.250	30308PMCS	54425314
3"	3.438	30314PMCS	54430308
3"	3.563	30318PMCS	54430314
3"	3.625	30320PMCS	54430318
3"	3.688	30322PMCS	54430320
3"	3.750	30322PMCS	54430322
3"	3.750	30324PMCS	54430324
3"	3.813	30326PMCS	54430326
3"	3.875	30328PMCS	54430328
3"	3.938	30330PMCS	54430330
3"	4.000	30400PMCS	54430400
3"	4.063	30402PMCS	54430402
3"	4.125	30404PMCS	54430404
3"	4.188	30406PMCS	54430406
3"	4.250	30408PMCS	54430408
4"	4.250	40408PMCS	54440408
4"	4.25	40412PMCS	54440412
4"	4.500	40416PMCS	54440416
4"	4.563	40418PMCS	☎
4"	4.625	40420PMCS	54440420
4"	4.688	40422PMCS	54440422
4"	4.750	40424PMCS	54440424
4"	4.813	40426PMCS	54440426
4"	4.875	40428PMCS	54440428
4"	4.938	40430PMCS	54440430
4"	5.000	40500PMCS	54440500
4"	5.063	40502PMCS	54440502
4"	5.125	40504PMCS	54440504
4"	5.188	40506PMCS	54440506
4"	5.250	40508PMCS	54440508
4"	5.313	40510PMCS	54440510
6"	6.938	60630PMCS	☎
6"	7.063	60702PMCS	☎
6"	7.250	60708PMCS	☎

These bodies are to be used with a Pull Mandrel (PM) style Internal Expansion Systems and SE (Segmented End) Sanitary Ferrules, available on page 107.

Stainless Steel			
Size	Part Name	Item #	Description
1"	10TCPM	5761009	Body
1-1/2"	15TCPM	5761509	Body
2"	20TCPM	5762009	Body
2-1/2"	25TCPM	5762509	Body
3"	30TCPM	5763009	Body
4"	40TCPM	5764009	Body

Stainless Steel			
Size	Part Name	Item #	Description
1"	10BSFPM	☎	Body
1-1/2"	15BSFPM	5761510	Body
2"	20BSFPM	5762010	Body
2-1/2"	25BSFPM	5762510	Body
3"	30BSFPM	5763010	Body
4"	40BSFPM	5764010	Body

Bevel Seat Nut must be ordered separately, sold on page 106.

Stainless Steel			
Size	Part Name	Item #	Description
2"	20BSMPM	5762011	Body
3"	30BSMPM	5763011	Body

Stainless Steel			
Size	Part Name	Item #	Description
1-1/2"	15ILFPM	5761512	Body
2"	20ILFPM	5762012	Body
3"	30ILFPM	5763012	Body
4"	40ILFPM	5764012	Body

Stainless Steel			
Size	Part Name	Item #	Description
1-1/2"	15ILMPM	5761513	Body
2"	20ILMPM	5762013	Body
2 1/2"	25ILMPM	5762513	Body
3"	30ILMPM	5763013	Body
4"	40ILMPM	5764013	Body

**TCPM SANITARY TRI-CLAMP**  
Made in the U.S.A.



**BSFPM BEVEL SEAT FEMALE**  
Made in the U.S.A.



**BSMPM BEVEL SEAT MALE**  
Made in the U.S.A.



**ILFPM SANITARY I-LINE BODY FEMALE**  
Made in the U.S.A.



**ILMPM SANITARY I-LINE BODY MALE**  
Made in the U.S.A.







These bodies are to be used with **Segmented End (SE)** style Internal Expansion Systems and SE Sanitary Ferrules, available on page 107.

**TCSE**  
SANITARY TRI-CLAMP  
Made in the U.S.A.



Stainless Steel			
Size	Part Name	Item #	Description
1-1/2"	15TCSE	5751509	Body
2"	20TCSE	5752009	Body
2-1/2"	25TCSE	5752509	Body
3"	30TCSE	5753009	Body
4"	40TCSE	5754009	Body

**BSFSE**  
SANITARY BEVEL  
SEAT FEMALE  
Made in the U.S.A.



Stainless Steel			
Size	Part Name	Item #	Description
1"	10BSFSE	5751010	Body
1-1/2"	15BSFSE	5751510	Body
2"	20BSFSE	5752010	Body
2-1/2"	25BSFSE	5752510	Body
3"	30BSFSE	5753010	Body

**TESE**  
WELD-TUBE END  
Made in the U.S.A.



Stainless Steel			
Size	Part Name	Item #	Description
1-1/2"	15TESE	5751515	Body
2"	20TESE	5752015	Body
2-1/2"	25TESE	5752515	Body
3"	30TESE	5753015	Body
4"	40TESE	5754015	Body

Bevel Seat Nut must be ordered separately, sold below.

**TRI-CLAMP**  
SANITARY



Tri-Clamp		
Size	Part Name	Item #
1" - 1-1/2"	13MHM CLAMPS	5880710
2"	13MHM CLAMPS	5880720
2-1/2"	13MHM CLAMPS	5880725
3"	13MHM CLAMPS	5880730
4"	13MHM CLAMPS	5880740
6"	13MHM CLAMPS	5880750

**BSF**  
BEVEL SEAT NUT



Bevel Seat Nut		
Size	Part Name	Item #
1"	10BSF ACME NUT	5880043
1-1/2"	15BSF ACME NUT	5880044
2"	20BSF ACME NUT	5880045
2-1/2"	25BSF ACME NUT	5880057
3"	30BSF ACME NUT	5880058
4"	40BSF ACME NUT	5880059

304 Stainless Steel is the standard material for bodies. Please call for special quote on 316 Stainless Steel.

Stainless Steel			
Size	Ferrule ID (in.)	Part Name	Item #
1"	1.375	10112SE	54710112
1"	1.500	10116SE	54710116
1"	1.563	10118SE	54710118
1"	1.750	10120SE	54710120
1"	1.750	10124SE	54710124
1-1/2"	1.813	15216SE	54715126
1-1/2"	1.875	15128SE	54715128
1-1/2"	2.000	15200SE	54715200
1-1/2"	2.063	15202SE	54715202
1-1/2"	2.125	15204SE	54715204
1-1/2"	2.188	15206SE	54715206
1-1/2"	2.250	15208SE	54715208
1-1/2"	2.213	15210SE	54715210
1-1/2"	2.563	15218SE	54715218
2"	2.375	20212SE	54720212
2"	2.438	20214SE	54720214
2"	2.500	20216SE	54720216
2"	2.563	20218SE	54720218
2"	2.625	20220SE	54720220
2"	2.688	20222SE	54720222
2"	2.750	20224SE	54720224
2"	2.812	20226SE	54720226
2"	2.875	20228SE	54720228
2"	2.938	20230SE	54720230
2"	3.000	20300SE	54720300
2-1/2"	3.063	20302SE	54720302
2-1/2"	3.063	25302SE	54725302
2-1/2"	3.125	25304SE	54725304
2-1/2"	3.188	25306SE	54725306

Stainless Steel			
Size	Ferrule ID (in.)	Part Name	Item #
2-1/2"	3.313	25310SE	54725310
2-1/2"	3.375	25312SE	54725312
2-1/2"	3.500	25316SE	54725316
2-1/2"	3.563	25318SE	54725318
2-1/2"	3.438	30314SE	54730314
3"	3.500	30316SE	54730316
3"	3.562	30318SE	54730318
3"	3.625	30310SE	54730320
3"	3.688	30322SE	54730322
3"	3.750	30324SE	54730324
3"	3.813	30326SE	54730326
3"	3.875	30328SE	54730328
3"	3.938	30330SE	54730330
3"	4.000	30400SE	54730400
3"	4.063	30402SE	54730402
3"	4.125	30404SE	54730404
3"	4.188	30406SE	54730406
3"	4.250	30408SE	54730408
4"	4.563	40418SE	54740418
4"	4.625	40420SE	54740420
4"	4.688	40422SE	54740422
4"	4.750	40424SE	54740424
4"	4.813	40426SE	54740426
4"	4.875	40428SE	54740428
4"	4.938	40430SE	54740430
4"	5.063	40502SE	54740502
4"	5.125	40504SE	54740504
4"	5.188	40506SE	54740506
4"	5.313	40510SE	54740510

**SE**  
SANITARY FERRULE  
Made in the U.S.A.



Designed to be used with Pull Mandrel (PM) or SE Sanitary Bodies (Internal Sanitary Expansion).

Cannot be used in place of SFC50

Custom design supplied upon request.

304 Stainless Steel is the standard material.

Please call for special quote in 316 Stainless Steel.

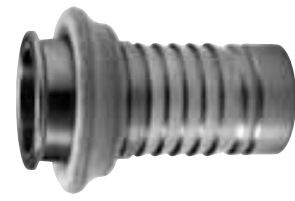
SE Internal Expansion System - Sanitary

SE Internal Expansion System - Sanitary



These bodies are to be used with External Crimp Systems and SFC50 Sanitary Ferrules. found on page 110

**TCC50**  
SANITARY TRI-CLAMP  
Made in the U.S.A.



Stainless Steel			
Size	Part Name	Item #	Description
1/2"	05TCC50	5770509	BODY W/BUMPER
3/4"	07TCC50	5770709	BODY W/BUMPER
1"	10TCC50	5771009	BODY W/BUMPER
1-1/2"	15TCC50	5771509	BODY W/BUMPER
2"	20TCC50	5772009	BODY W/BUMPER
2-1/2"	25TCC50	5772509	BODY W/BUMPER
3"	30TCC50	5773009	BODY W/BUMPER
4"	40TCC50	5774009	BODY W/BUMPER

**TCC50X**  
SANITARY TRI-CLAMP  
Made in the U.S.A.



Stainless Steel			
Size	Part Name	Item #	Description
1/2"	05TCC50X	5780509	BODY
3/4"	07TCC50X	5780709	BODY
1"	10TCC50X	5771009C	BODY
1-1/2"	15TCC50X	5781509	BODY
2"	20TCC50X	5782009	BODY
2-1/2"	25TCC50X	5782509	BODY
3"	30TCC50X	5783009	BODY
4"	40TCC50X	5784009	BODY
6"	60TCC50X	5786009	BODY

**BSFC50**  
SANITARY BEVEL SEAT FEMALE  
Made in the U.S.A.



Stainless Steel			
Size	Part Name	Item #	Description
1"	10BSFC50	5771010	BODY W/BUMPER
1-1/2"	15BSFC50	5771510	BODY W/BUMPER
2"	20BSFC50	5772010	BODY W/BUMPER
2-1/2"	25BSFC50	5772510	BODY W/BUMPER
3"	30BSFC50	5773010	BODY W/BUMPER
4"	40BSFC50	5774010	BODY W/BUMPER

Bevel Seat Nut must be ordered separately, sold on page 106.

**BSMC50**  
SANITARY BEVEL SEAT MALE  
Made in the U.S.A.



Stainless Steel			
Size	Part Name	Item #	Description
2"	20BSMC50	5772011	BODY W/BUMPER
3"	30BSMC50	5773011	BODY W/BUMPER

**BSMC50X**  
SANITARY BEVEL SEAT MALE  
Made in the U.S.A.



Stainless Steel			
Size	Part Name	Item #	Description
1"	10BSMC50X	5781511	BODY
1-1/2"	15BSMC50X	5781511	BODY
2"	20BSMC50X	5782011	BODY
3"	30BSMC50X	5783011	BODY
4"	40BSMC50X	5784011	BODY

304 Stainless Steel is the standard material. Please call for special quote on 316 Stainless Steel.

Stainless Steel			
Size	Part Name	Item #	Description
1"	10BSFC50X	5781010	BODY
1-1/2"	15BSFC50X	5781510	BODY
2"	20BSFC50X	5782010	BODY
2-1/2"	25BSFC50X	5782510	BODY
3"	30BSFC50X	5783010	BODY
4"	40BSFC50X	5784010	BODY

Bevel Seat Nut must be ordered separately, sold on page 106.

Stainless Steel			
Size	Part Name	Item #	Description
1-1/2"	15ILFC50	5771512	BODY W/BUMPER
2"	20ILFC50	5772012	BODY W/BUMPER
2-1/2"	25ILFC50	5772512	BODY W/BUMPER
3"	30ILFC50	5773012	BODY W/BUMPER
4"	40ILFC50	5774012	BODY W/BUMPER

Stainless Steel			
Size	Part Name	Item #	Description
1-1/2"	15ILMC50	5771513	BODY W/BUMPER
2"	20ILMC50	5772013	BODY W/BUMPER
2-1/2"	25ILMC50	5772513	BODY W/BUMPER
3"	30ILMC50	5773013	BODY W/BUMPER
3 x 2 1/2"	30x25ILMC50	577302513	BODY W/BUMPER
4"	40ILMC50	5774013	BODY W/BUMPER

Stainless Steel			
Size	Part Name	Item #	Description
1-1/2"	15TEC50	5771515	BODY W/BUMPER
2"	20TEC50	5772015	BODY W/BUMPER
2-1/2"	25TEC50	5772515	BODY W/BUMPER
3"	30TEC50	5773015	BODY W/BUMPER
4"	40TEC50	5774015	BODY W/BUMPER

Stainless Steel			
Size	Part Name	Item #	Description
1-1/2"	15TEC50X	5781515	BODY
2"	20TEC50X	5782015	BODY
2-1/2"	25TEC50X	5782515	BODY
3"	30TEC50X	5783015	BODY
4"	40TEC50X	5784015	BODY

304 Stainless Steel is the standard material. Please call for special quote on 316 Stainless Steel.

**BSFC50X**  
SANITARY BEVEL SEAT FEMALE  
Made in the U.S.A.



**ILFC50**  
SANITARY I-LINE FEMALE  
Made in the U.S.A.



**ILMC50**  
SANITARY I-LINE MALE  
Made in the U.S.A.



**TEC50X**  
SANITARY TUBE END  
Made in the U.S.A.



**TEC50**  
SANITARY TUBE END  
Made in the U.S.A.



C50 Crimp System - Sanitary

C50 Crimp System - Sanitary



### SFC50 SANITARY CRIMP FERRULE

Made in the U.S.A.



Designed to be used with C50 Sanitary Bodies. Can be used in place of SE Ferrules.

Custom design supplied upon request.

304 Stainless Steel is the standard material.

Please call for special quote in 316 Stainless Steel.

Stainless Steel				Stainless Steel			
Size	Ferrule ID (in.)	Part Name	Item #	Size	Ferrule ID (in.)	Part Name	Item #
3/4"	1.125	07104SFC50	54107104P	2"	3.063	20302SFC50	54120302P
3/4"	1.313	07110SFC50	54107110P	2"	3.250	20308SFC50	54120308P
1"	1.500	10116SFC50	54110116P	2-1/2"	3.125	25304SFC50	54125304P
1"	1.563	10118SFC50	54110118P	2-1/2"	3.188	25306SFC50	54125306P
1"	1.625	10120SFC50	54110120P	2-1/2"	3.250	25308SFC50	54125308P
1"	1.688	10122SFC50	54110122P	2-1/2"	3.313	25310SFC50	54125310P
1"	1.750	10124SFC50	54110124P	2-1/2"	3.563	25318SFC50	54125318P
1"	1.813	10126SFC50	54110126P	2-1/2"	3.625	25320SFC50	54125320P
1-1/2"	1.812	15126SFC50	54115126P	2-1/2"	3.688	25322SFC50	54125322P
1-1/2"	1.875	15128SFC50	54115128P	2-1/2"	3.750	25324SFC50	54125324P
1-1/2"	1.938	15130SFC50	54115130P	3"	3.625	30320SFC50	54130320P
1-1/2"	2.000	15200SFC50	54115200P	3"	3.688	30322SFC50	54130322P
1-1/2"	2.063	15202SFC50	54115202P	3"	3.750	30324SFC50	54130324P
1-1/2"	2.125	15204SFC50	54115204P	3"	3.813	30326SFC50	54130326P
1-1/2"	2.188	15206SFC50	54115206P	3"	3.875	30328SFC50	54130328P
1-1/2"	2.250	15208SFC50	54115208P	3"	3.938	30330SFC50	54130330P
1-1/2"	2.313	15210SFC50	54115210P	3"	4.000	30400SFC50	54130400P
1-1/2"	2.438	15214SFC50	54115214P	3"	4.063	30402SFC50	54130402P
2"	2.438	20214SFC50	54120214P	4"	4.375	40412SFC50	54140412P
2"	2.563	20218SFC50	54120218P	4"	4.563	40418SFC50	54140418P
2"	2.625	20220SFC50	54120220P	4"	4.625	40420SFC50	54140420P
2"	2.688	20222SFC50	54120222P	4"	4.688	40422SFC50	54140422P
2"	2.750	20224SFC50	54120224P	4"	4.750	40424SFC50	54140424P
2"	2.813	20226SFC50	54120226P	4"	4.813	40426SFC50	54140426P
2"	2.875	20228SFC50	54120228P	4"	4.875	40428SFC50	54140428P
2"	2.938	20230SFC50	54120230P	4"	4.938	40430SFC50	54140430P
2"	3.000	20300SFC50	54120300P	4"	5.000	40500SFC50	54140500P
				4"	5.063	40502SFC50	54140502P

### CXTC COUPLER X TRI-CLAMP

Made in the U.S.A.



Stainless Steel			
Size	Part Name	Item #	Description
1"	10CXTC	64311000*	Coupler X Tri-Clamp
1-1/2"	15CXTC	64311500	Coupler X Tri-Clamp
2"	20CXTC	64312000	Coupler X Tri-Clamp

Does not have sanitary i.D. finish, but available upon request. Adapter & Coupler butt weld fittings for pipe and tube are available on pages 48 & 50.

### AXTC ADAPTER X TRI-CLAMP

Made in the U.S.A.



Stainless Steel			
Size	Part Name	Item #	Description
1"	10AXTC	64301000	Adapter X Tri-Clamp
1-1/2"	15AXTC	64301500	Adapter X Tri-Clamp
2"	20AXTC	64302000	Adapter X Tri-Clamp
3"	30AXTC	64303000	Adapter X Tri-Clamp
4"	40AXTC	64304000	Adapter X Tri-Clamp

Stainless Steel			
Size	Part Name	Item #	Description
2"	20PCTFC50X	5782017	Body W/ Brass Nut & Gskt.
3"	30PCTFC50X	5783017	Body W/ Brass Nut & Gskt.

### PCTFC50X PACIFIC COAST THREAD FEMALE

Made in the U.S.A.



Stainless Steel			
Size	Part Name	Item #	Description
2"	20PCTMC50X	5782018	Body
3"	30PCTMC50X	5783018	Body

### PCTMC50X PACIFIC COAST THREAD MALE

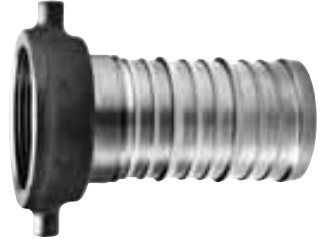
Made in the U.S.A.



Stainless Steel			
Size	Part Name	Item #	Description
1-1/2"	15PCTFWSS	5811517	Body W/ Brass Nut & Gskt.
2"	20PCTFWSS	5812017	Body W/ Brass Nut & Gskt.
3"	30PCTFWSS	5813017	Body W/ Brass Nut & Gskt.

### PCTFWSS PACIFIC COAST THREAD FEMALE

Made in the U.S.A.



Stainless Steel			
Size	Part Name	Item #	Description
1-1/2"	15PCTMWSS	5811518	Body
2"	20PCTMWSS	5812018	Body
3"	30PCTMWSS	5813018	Body

### PCTMWSS PACIFIC COAST THREAD MALE

Made in the U.S.A.



C50 Crimp System - Sanitary

C50 Crimp System - Sanitary Wine Fittings





**TCWSS**  
SANITARY TRI-CLAMP  
Made in the U.S.A.



Stainless Steel			
Size	Part Name	Item #	Description
1-1/2"	15TCWSS	5811509	Body w/ Bumper
2"	20TCWSS	5812009	Body w/ Bumper
3"	30TCWSS	5813009	Body w/ Bumper

**TCBRUSS**  
SANITARY TRI-CLAMP  
LONG SHANK  
Made in the U.S.A.



Stainless Steel			
Size	Part Name	Item #	Description
1"	10TCBRUSS	5891110	Body
1-1/2"	15TCBRUSS	5891115	Body
2"	20TCBRUSS	5891120	Body
3"	30TCBRUSS	5891130	Body

**WSS**  
WSS CRIMP FERRULE  
Made in the U.S.A.



Stainless Steel			
Size	Ferrule ID (in.)	Part Name	Item #
1-1/2"	2.125	15204WSS	54115204L
1-1/2"	2.187	15206WSS	54115206L
2"	2.625	20220WSS	54120220L
2"	2.688	20222WSS	54120222L
2"	2.750	20224WSS	54120224L
2"	2.938	20230WSS	54120230L
2"	3.000	20300WSS	54120300L
2-1/2"	3.563	25318WSS	54125318L
3"	3.625	30320WSS	54130320L
3"	3.688	30322WSS	54130322L
3"	3.750	30324WSS	54130324L
3"	3.813	30326WSS	54130326L
3"	3.875	30328WSS	54130328L
3"	3.938	30330WSS	54130330L
3"	4.000	30400WSS	54130400L
3"	4.125	30404WSS	54130404L
4"	4.875	40428WSS	54140428L

304 Stainless Steel is the standard material.

Please call for special quote in 316 Stainless Steel.

**PCTF CAP**  
PACIFIC COAST  
THREAD BRASS CAP  
With white Nitrile gasket  
and Brass chain  
Made in the U.S.A.



Size	Part Name	Item #	Description
2"	20PCTF	5812016	BRASS CAP W/CHAIN
3"	30PCTF	5880086	BRASS CAP W/CHAIN

Stainless Steel w/ Brass Nuts			
Size	Part Name	Item #	Description
2"	20PCTFPCTF	589201717	Adapter SS
3"	30PCTFPCTF	589301717	Adapter SS

**PCTFPCTF**  
PACIFIC COAST THREAD  
FEMALE X PACIFIC COAST  
THREAD FEMALE  
Made in the U.S.A.



Size	Part Name	Item #	Description
3" X 2"	30PCTF X 20PCTM	5880087	Pacific Coast Female Thread x Pacific Coast Male Thread

**PCTF X PCTM REDUCER**  
PACIFIC COAST THREAD  
FEMALE X PACIFIC COAST  
THREAD MALE  
Made in the U.S.A.



Brass Nut		
Size	Part Name	Item #
1-1/2"	15PCTF NUT	5880088
2"	20PCTF NUT	5880064
3"	30PCTF-G NUT	588094

**PCTF NUT**  
PACIFIC COAST  
THREAD FEMALE  
BRASS NUT  
Made in the U.S.A.



Gasket		
Size	Part Name	Item #
1-1/2"	NW4	5501415
2"	NW5	5501420
3"	NW7	5501430

**WHITE NITRILE FOOD  
GRADE GASKET**



Size	Part Name	Item #
3/4"	07P SEAL/BUMPER	5880001
1"	10P SEAL/BUMPER	5880002
1 1/2"	15P SEAL/BUMPER	5880003
2"	20P SEAL/BUMPER	5880004
2 1/2"	25P SEAL/BUMPER	5880005
3"	30P SEAL/BUMPER	5880006
4"	40P SEAL/BUMPER	5880007

**SEAL/BUMPER**



C50 Crimp System - Sanitary Wine Fittings

PROGRIP Sanitary Wine Fittings

# Hose Tagging System

"A SELF-CONTAINED, COMPUTERIZED HOSE IDENTIFICATION TAG ENGRAVING SYSTEM"



HoseMarc



HoseMarc Pro



HoseMarc Pro Plus



HoseMarc MAX

GO TO [WWW.PTCOUPLING.COM](http://WWW.PTCOUPLING.COM) FOR ADDITIONAL INFORMATION ABOUT THE HOSEMARC ENGRAVING SYSTEM

### COMPLIANCE WITH THE NAHAD HOSE INSTITUTE ASSEMBLY SPECIFICATION GUIDELINES

The PT Engraving System promotes the responsible use of your assembly by allowing you to create a visible record of the hose serial number, bore size, month/year of assembly and maximum working pressure. Attach the tags to hoses using PUNCH-LOK® 3/8" wide banding and banding tools. Proper use ensures compliance with NAHAD industrial hose assembly identification guidelines.

### HOSE IDENTIFICATION TAGS STANDARD SIZES TAG SIZES AVAILABLE:

Material: Tags are made from 316 series Stainless Steel.  
Custom Sizes available upon request.



Item #	Description
P930012	IDTAG 2.5 X 1.5 SS
P930013	IDTAG 3.5 X 0.70 SS
P930014	IDTAG 2.00 X 0.70 SS
P930015	IDTAG 2.00 X 0.70 V-2 SS

### CABLE TIE HAND TOOL & STAINLESS STEEL CABLE TIES

Available on Page 123.



Item #	Description
P930030	Cable Tie Hand Tool
P930020	.37 x 8 SST Cable Tie
P930021	.37 x 14.25 SST Cable Tie
P930022	.37 x 20.50 SST Cable Tie

Cable ties are not intended for use with Hose Shank Fittings. Cable ties come in bags of 100.



Link to HoseMarc Pro Engraver Video on YouTube

Call PT Coupling or your local PT Representative for pricing and availability.

Engraving Capabilities			
Machine	HoseMarc	HoseMarc PRO	HoseMarc PRO PLUS & MAX
Single Tag	YES	YES	YES
Multiple Tags	NO	YES	YES
Ferrules	NO	NO	YES
Sleeves	NO	NO	YES
Flat Surface Fittings	NO	*Deep vice required	YES
Cylindrical Fittings	NO	NO	ProPlus - up to 6" workpiece; MAX up to 11" workpiece
Logos / Brands	*Must be pre loaded or transferred using a flash drive	YES	YES
Engrave information from Excel spreadsheet	NO	YES	YES
Software Capabilities			
Serialization	YES	YES	YES
Start from the last number engraved	YES	YES	YES
Vectorize images	NO	YES	YES
Multiple Fonts	Choose from 9 different fonts to emphasize information	Over 1,300 fonts	Over 1,300 fonts
Price Includes			
First 1,000 tags	YES	NO	NO
Laptop w/ Software	NO	YES	YES
Fixtures / Holders (includes software templates)	Single tag holder for our 3 basic size tags	3 fixtures for our basic size tags	3 fixtures for our basic size tags and a universal pin holder
Multi Mat (sticky pad)	NO	YES	YES
In House Training	NO	YES	YES
Unlimited Service and Tech support for 1 year	YES	YES	YES
Advantage of Machines	Engrave a custom tag in minutes or less	Engrave multiple custom tags at one time	Engrave ferrules, sleeves, fittings or tags



**ORIGINAL PRE-FORMED PUNCH-TYPE CLAMP**

**PUNCH TYPE CLAMPS**  
DOUBLE-WRAPPED AND FORMED TO A GIVEN DIAMETER. CLAMPS COME READY FOR APPLICATION.  
Made in the U.S.A.



To Order: Measure the Outside Diameter of the hose with its fitting inserted.

Then select the next larger Inside Diameter clamp by catalog number. Using the hose size in inches is not sufficient information, because different thickness of hose will result in varying outside diameters.

To apply, use PUNCH-LOK® banding tool model P-1000™, P-3000™, or P-38™, or equivalent.

Clamp ID	Band Width	201 Stainless Steel (Std. Pack)			201 Stainless Steel (Bulk Pack)		
		Part Name	Item #	Qty/Ctn	Part Name	Item #	Qty/Box
13/16"	3/8"	P3S	P110300	100	BP3S	P170300	1000
1"	3/8"	P310S	P110310	100	BP310S	P170310	1000
1-3/8"	3/8"	P311S	P110311	100	BP311S	P170311	1000
2"	3/8"	P316S	P110316	100	BP316S	P170316	1000
1"	5/8"	P4S	P110400	100	BP4S	P170400	500
1-1/4"	5/8"	P5S	P110500	100	BP5S	P170500	500
1-1/2"	5/8"	P6S	P110600	100	BP6S	P170600	500
1-3/4"	5/8"	P7S	P110700	100	BP7S	P170700	500
2"	5/8"	P8S	P110800	100	BP8S	P170800	500
2-1/4"	5/8"	P9S	P110900	100	BP9S	P170900	500
2-1/2"	5/8"	P10S	P111000	50	BP10S	P171000	500
2-3/4"	5/8"	P11S	P111100	50	BP11S	P171100	250
3"	5/8"	P12S	P111200	50	BP12S	P171200	250
3-1/2"	5/8"	P14S	P111400	50	BP14S	P171400	250
4"	5/8"	P16S	P111600	25	BP16S	P171600	250
4-1/2"	5/8"	P18S	P111800	25	BP18S	P171800	250
5"	5/8"	P20S	P112000	25	BP20S	P172000	250
6"	5/8"	P24S	P112400	25	BP24S	P172400	125
6-1/2"	5/8"	P26S	P112600	50	BP26S	P172600	125
7"	5/8"	P28S	P112800	50	BP28S	P172800	100
8"	5/8"	P32S	P113200	50	BP32S	P173200	100

Clamp ID	Band Width	Galv. Carbon Steel (Std. Pack)			Galv. Carbon Steel (Bulk Pack)		
		Part Name	Item #	Qty/Ctn	Part Name	Item #	Qty/Box
13/16"	3/8"	P3	P100300	100	BP3	P160300	1000
1"	3/8"	P310	P100310	100	BP310	P160310	1000
1-3/8"	3/8"	P311	P100311	100	BP311	P160311	1000
2"	3/8"	P316	P100316	100	BP316	P160316	N/A
1"	5/8"	P4	P100400	100	BP4	P160400	500
1-1/4"	5/8"	P5	P100500	100	BP5	P160500	500
1-1/2"	5/8"	P6	P100600	100	BP6	P160600	500
1-3/4"	5/8"	P7	P100700	100	BP7	P160700	500
2"	5/8"	P8	P100800	100	BP8	P160800	500
2-1/4"	5/8"	P9	P100900	100	BP9	P160900	500
2-1/2"	5/8"	P10	P101000	50	BP10	P161000	500
2-3/4"	5/8"	P11	P101100	50	BP11	P161100	250
3"	5/8"	P12	P101200	50	BP12	P161200	250
3-1/2"	5/8"	P14	P101400	50	BP14	P161400	250
4"	5/8"	P16	P101600	25	BP16	P161600	250
4-1/2"	5/8"	P18	P101800	25	BP18	P161800	250
5"	5/8"	P20	P102000	25	BP20	P162000	250
6"	5/8"	P24	P102400	25	BP24	P162400	125
6-1/2"	5/8"	P26	P102600	50	BP26	P162600	125
7"	5/8"	P28	P102800	50	BP28	P162800	100
8"	5/8"	P32	P103200	50	BP32	P163200	100

Clamp ID	Band Width	201 Stainless Steel		High Strength Galv. Carbon Steel		Qty/Ctn
		Part Name	Item #	Part Name	Item #	
13/16"	3/8"	PO-3-S	P140300	PO-3	P130300	100
1-3/8"	3/8"	PO-311-S	P140311	PO-311	P130311	100
2"	3/8"	PO-316-S	P140316	PO-316	P130316	100
3-1/8"	3/8"	PO-325-S	P140325	PO-325	P130325	100
2"	5/8"	PO-8-S	P140800	PO-8	P130800	100
2-1/2"	5/8"	PO-10-S	P141000	PO-10	P131000	50
3"	5/8"	PO-12-S	P141200	PO-12	P131200	50
3-1/2"	5/8"	PO-14-S	P141400	PO-14	P131400	50
4"	5/8"	PO-16-S	P141600	PO-16	P131600	50
4-1/2"	5/8"	PO-18-S	P141800	PO-18	P131800	50
5"	5/8"	PO-20-S	P142000	PO-20	P132000	50
6"	5/8"	PO-24-S	P142400	PO-24	P132400	50
7"	5/8"	PO-28-S	P142800	PO-28	P132800	25
8"	5/8"	PO-32-S	P143200	PO-32	P133200	25
9"	5/8"	PO-36-S	P143600	PO-36	P133600	25
10"	5/8"	PO-40-S	P144000	PO-40	P134000	25
12"	5/8"	PO-48-S	P144800	PO-48	P134800	25

**PRE-FORMED EVERDUR CLAMPS**

DOUBLE-WRAPPED, TRIPLE LOCKED PUNCH-LOK® CLAMPS HOLD THINGS TIGHTLY, SECURELY PERMANENTLY!  
Made in the U.S.A.



Everdur clamps are made of a copper based material and are extremely anticorrosive, and non-magnetic. Other sizes and materials such as Monel may be available via special quote. Minimum quantity is one standard carton.

These clamps are made to order and generally not stocked at any factory warehouse. Orders placed for these clamps are non-cancelable and not returnable.

**OPEN-END EVERDUR CLAMPS**

Made in the U.S.A.



**PUNCH-LOK® OPEN-END CLAMPS**  
NON-SPRING COILED TO A GIVEN DIAMETER BUT NOT LACED UP THROUGH THE LOK.

Made in the U.S.A.



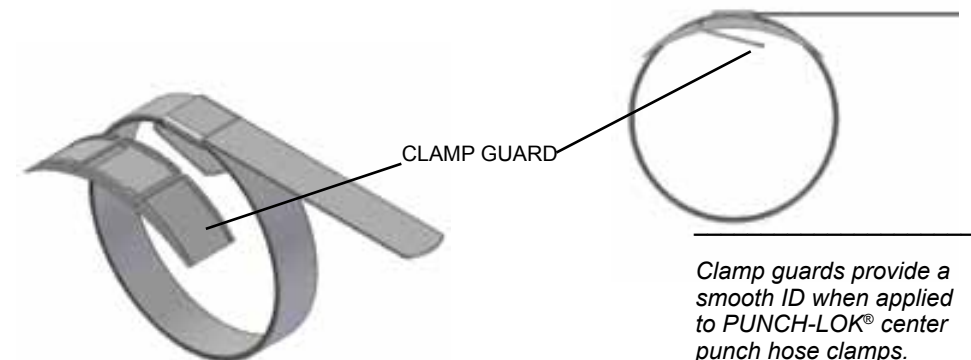
To Order: Measure the Outside Diameter of the hose with its fitting inserted.

Then select the next larger Inside Diameter clamp by catalog number. Using the hose size in inches is not sufficient information, because different thickness of hose will result in varying outside diameters.

Item#	Description	Qty/Bag
P125000	Plastic Clamp Guard	100

**CLAMP GUARDS**

Made in the U.S.A.



Clamp guards provide a smooth ID when applied to PUNCH-LOK® center punch hose clamps.





**PUNCH-LOK® SPECIAL ORDER OPEN-END CLAMPS**  
NON-SPRING  
COILED TO A GIVEN DIAMETER BUT NOT LACED UP THROUGH THE LOK.  
Made in the U.S.A.



*This page consists of clamps that are made to order and generally not stocked at any factory warehouse. Orders placed for these clamps are non-cancelable and not returnable.*

		Stainless Steel		
Clamp ID	Band Width	Part Name	Item #	Qty/Ctn
1-5/8"	3/8"	PO-313-S	P140313	100
2-1/2"	3/8"	PO-320-S	P140320	100
3-1/2"	3/8"	PO-328-S	P140328	100
4"	3/8"	PO-332-S	P140332	100
4-1/2"	3/8"	PO-336-S	P140336	100
5"	3/8"	PO-340-S	P140340	100
5-1/2"	3/8"	PO-344-S	P140344	100
6"	3/8"	PO-348-S	P140348	100
6-1/2"	3/8"	PO-352-S	P140352	100
7"	3/8"	PO-356-S	P140356	100
7-1/4"	3/8"	PO-358-S	P140358	100
14"	5/8"	PO-56-S	P145600	10
16"	5/8"	PO-64-S	P146400	10
18"	5/8"	PO-72-S	P147200	10
20"	5/8"	PO-80-S	P148000	10
24"	5/8"	PO-96-S	P149600	10
30"	5/8"	PO-120-S	P149920	10
36"	5/8"	PO-144-S	P149944	10
42"	5/8"	PO-168-S	P149968	10
48"	5/8"	PO-192-S	P149992	10

		High-Strength Galvanized Carbon Steel		
Clamp ID	Band Width	Part Name	Item #	Qty/Ctn
1-5/8"	3/8"	PO-313	P130313	100
2-1/2"	3/8"	PO-320	P130320	100
3-1/2"	3/8"	PO-328	P130328	100
4"	3/8"	PO-332	P130332	100
4-1/2"	3/8"	PO-336	P130336	100
5"	3/8"	PO-340	P130340	100
5-1/2"	3/8"	PO-344	P130344	100
6"	3/8"	PO-348	P130348	100
6-1/2"	3/8"	PO-352	P130352	100
7"	3/8"	PO-356	P130356	100
7-1/4"	3/8"	PO-358	P130358	100
14"	5/8"	PO-56	P135600	10
16"	5/8"	PO-64	P136400	10
18"	5/8"	PO-72	P137200	10
20"	5/8"	PO-80	P138000	10
24"	5/8"	PO-96	P139600	10
30"	5/8"	PO-120	P139920	10
36"	5/8"	PO-144	P139944	10
42"	5/8"	PO-168	P139968	10
48"	5/8"	PO-192	P139992	10

		Stainless Steel		
Clamp ID	Band Width	Part Name	Item #	Qty/Ctn
13/16"	3/8"	PJ-201	P470201	100
1"	1/4"	PJ-242	P470242	100
1"	3/8"	PJ-243	P470243	100
1-3/8"	3/8"	PJ-202	P470202	100
1"	1/2"	PJ-203	P470203	100
1-1/4"	1/2"	PJ-204	P470204	100
1-3/8"	1/4"	PJ-241	P470241	100
1-1/2"	5/8"	PJ-205	P470205	100
1-3/4"	1/2"	PJ-236	P470236	100
1-3/4"	5/8"	PJ-206	P470206	100
2"	3/8"	PJ-245	P470245	100
2"	5/8"	PJ-207	P470207	100
2-1/4"	5/8"	PJ-208	P470208	100
2-1/2"	5/8"	PJ-209	P470209	100
2-3/4"	1/2"	PJ-230	P470230	100
2-3/4"	3/4"	PJ-210	P470210	50
3"	3/4"	PJ-211	P470211	50
3-1/2"	3/4"	PJ-212	P470212	50
4"	3/4"	PJ-213	P470213	25
4-1/2"	3/4"	PJ-214	P470214	25
5"	3/4"	PJ-215	P470215	25
6"	3/4"	PJ-216	P470216	25
7"	3/4"	PJ-218	P470218	25
8"	3/4"	PJ-219	P470219	25

		High-Strength Galvanized Carbon Steel		
Clamp ID	Band Width	Part Name	Item #	Qty/Ctn
13/16"	3/8"	PJ-301	P460301	100
1"	3/8"	PJ-343	P460343	100
1-3/8"	3/8"	PJ-302	P460302	100
1"	1/2"	PJ-303	P460303	100
1-1/4"	1/2"	PJ-304	P460304	100
1-1/2"	5/8"	PJ-305	P460305	100
1-3/4"	5/8"	PJ-306	P460306	100
2"	3/8"	PJ-345	P460345	100
2"	5/8"	PJ-307	P460307	100
2-1/4"	5/8"	PJ-308	P460308	100
2-1/2"	5/8"	PJ-309	P460309	100
2-3/4"	3/4"	PJ-310	P460310	50
3"	3/4"	PJ-311	P460311	50
3-1/2"	3/4"	PJ-312	P460312	50
4"	3/4"	PJ-313	P460313	25
4-1/2"	3/4"	PJ-314	P460314	25
5"	3/4"	PJ-315	P460315	25
7"	3/4"	PJ-318	P460318	25

**PUNCH-LOK® PRE-FORMED J-LOK CLAMPS**  
DOUBLE-WRAPPED, DOUBLE LOCKED J-LOK CLAMPS PROVIDE VERSATILE CLAMPING IN MANY SITUATIONS.  
Made in the U.S.A.



*New design on J-Lok clamp has a smooth ID*

*PUNCH-LOK® J-Lok clamps have Stainless Steel buckles for added strength and corrosion resistance - with your choice of Stainless Steel or high-strength galvanized Carbon Steel bands.*

*Totally different than punch-type clamps, these J-Lok clamps are not for use with punch-type tools. They are designed exclusively for applications with non-punch type mechanical and air tools.*

*Also available in 316 Stainless Steel.*

PUNCH-LOK Special Order "Non-Stock" Clamps

PUNCH-LOK Preformed J-Lok Clamps



**STEEL BANDING & STRAPPING**

100 FEET PER ROLL  
STANDARD LENGTH

Made in the U.S.A.



Thread band through buckle twice for greatest strength. To apply, use PUNCH-LOK® banding tool model PB-001, PB-001-H or equivalent. Call for quote on any length, mill coils, or type of steel.

Width	Thickness	Part Name	Item #	Description
3/8"	.023/.025	PC3S	P800103	Light-Duty Type 201 Stainless
1/2"	.023/.025	PC4S	P800104	Light-Duty Type 201 Stainless
5/8"	.023/.025	PC5S	P800105	Light-Duty Type 201 Stainless
3/4"	.023/.025	PC6S	P800106	Light-Duty Type 201 Stainless
3/8"	0.025	PB203	P811203	Standard-Duty Type 201 Stainless
1/2"	0.030	PB204	P811204	Standard-Duty Type 201 Stainless
5/8"	0.030	PB205	P811205	Standard-Duty Type 201 Stainless
3/4"	0.030	PB206	P811206	Standard-Duty Type 201 Stainless
3/4"	.042/.044	PG430	P811430	Heavy-Duty Type 201 Stainless
1"	.042/.044	PG431	P811431	Heavy-Duty Type 201 Stainless
1-1/4"	.042/.044	PG432	P811432	Heavy-Duty Type 201 Stainless
3/8"	0.025	PC403	P811403	Standard-Duty Type 316 Stainless
1/2"	0.030	PC404	P811404	Standard-Duty Type 316 Stainless
5/8"	0.030	PC405	P811405	Standard-Duty Type 316 Stainless
3/4"	0.030	PC406	P811406	Standard-Duty Type 316 Stainless
3/8"	0.025	PB303	P810303	Galvanized Carbon Steel
1/2"	0.030	PB304	P810304	Galvanized Carbon Steel
5/8"	0.030	PB305	P810305	Galvanized Carbon Steel
3/4"	0.030	PB306	P810306	Galvanized Carbon Steel

Type 301 Stainless Steel

Width	Thickness	Part Name	Item #	Description
3/8"	0.025	PB-803	P811803	Standard-Duty Stainless Safety Yellow
1/2"	0.030	PB-804	P811804	Standard-Duty Stainless Safety Yellow
5/8"	0.030	PB-805	P811805	Standard-Duty Stainless Safety Yellow
3/4"	0.030	PB-806	P811806	Standard-Duty Stainless Safety Yellow
3/4"	.042/.044	PG-830	P811830	Heavy Duty Stainless Safety Orange
1"	.042/.044	PG-831	P811831	Heavy Duty Stainless Safety Orange
1-1/4"	.042/.044	PG-832	P811832	Heavy Duty Stainless Safety Orange

Reusable corrugated plastic weather resistant packaging, ideal for rain, humidity, or moisture in order to prevent the natural deterioration of cardboard.



Width	Thickness	Part Name	Item #	Description
3/8"	0.025	PB503	P811503	Standard-Duty Stainless Safety Yellow Tote
1/2"	0.030	PB504	P811504	Standard-Duty Stainless Safety Blue Tote
5/8"	0.030	PB505	P811505	Standard-Duty Stainless Safety Green Tote
3/4"	0.030	PB506	P811506	Standard-Duty Stainless Safety Red Tote
3/4"	.042X.044	PB530	P811507	Heavy Duty Stainless Steel Orange Tote

**STAINLESS STEEL BANDING & STRAPPING IN PLASTIC SAFETY BOXES**

100 FEET PER ROLL  
STANDARD LENGTH

Made in the U.S.A.



**STAINLESS STEEL BANDING & STRAPPING IN BANDING TOTE**

100 FEET PER ROLL  
STANDARD LENGTH

Made in the U.S.A.

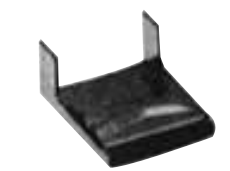
Size	Part Name	Item #	Description	Qty/Box
3/8"	PC-153	P831153	201 Stainless Steel Light-Duty Clip	100
1/2"	PC-154	P831154	201 Stainless Steel Light-Duty Clip	100
5/8"	PC-155	P831155	201 Stainless Steel Light-Duty Clip	100
3/4"	PC-156	P831156	201 Stainless Steel Light-Duty Clip	100
3/8"	PB-253	P831253	201 Stainless Steel Standard-Duty Buckle	100
1/2"	PB-254	P831254	201 Stainless Steel Standard-Duty Buckle	100
5/8"	PB-255	P831255	201 Stainless Steel Standard-Duty Buckle	100
3/4"	PB-256	P831256	201 Stainless Steel Standard-Duty Buckle	100
3/4"	PG-440	P831440	201 Stainless Steel Heavy-Duty Buckle	25
1"	PG-441	P831441	201 Stainless Steel Heavy-Duty Buckle	25
1-1/4"	PG-442	P831442	201 Stainless Steel Heavy-Duty Buckle	25
3/8"	PC-353	P831353	Galvanized Carbon Steel Standard-Duty Buckle	100
1/2"	PC-354	P831354	Galvanized Carbon Steel Standard-Duty Buckle	100
5/8"	PC-355	P831355	Galvanized Carbon Steel Standard-Duty Buckle	100

Size	Part Name	Item #	Description	Qty/Box
3/8"	PC-453	P831453	316 Stainless Steel Standard-Duty Buckle	100
1/2"	PC-454	P831454	316 Stainless Steel Standard-Duty Buckle	100
5/8"	PC-455	P831455	316 Stainless Steel Standard-Duty Buckle	100
3/4"	PC-456	P831456	316 Stainless Steel Standard-Duty Buckle	100

For use with PB203, PB205, PB303 & PB305 banding

Width	Part Name	Item #	Description (100 pcs per box)
3/8"	PL3S	P820103	Stainless Steel Coil Clamp Strapping Lok
5/8"	PL5S	P820105	Stainless Steel Coil Clamp Strapping Lok

**PUNCH-LOK® BUCKLES/CLIPS**



Light Duty Buckle



Standard Duty Buckle



Heavy Duty Buckle

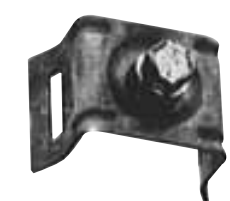
**PUNCH-LOK® STRAPPING LOKS FOR USE WITH LIGHT AND STANDARD DUTY BANDING**



**PUNCH-LOK® BRACKETS**



Straight Leg Brackets



Flared Leg Brackets

Straight Leg		
Part Name	Item #	Description (50 pcs per box)
PD-001	P900001	S.S. with S.S. Bolt & Washer
PD-004	P900004	S.S. with No Bolt
PD-011	P900011	Galvanized w/Galvanized Bolt & Washer
PD-014	P900014	Galvanized with No Bolt

Flared Leg		
Part Name	Item #	Description (50 pcs per box)
PD-021	P900021	S.S. with S.S. Bolt & Washer
PD-022	P900022	S.S. with No Bolt
PD-031	P900031	Galvanized w/Galvanized Bolt & Washer
PD-032	P900032	Galvanized with No Bolt

Replacement Parts		
Part Name	Item #	Description
PD-002	P900002	S.S. Bolts 3/4" x 5/16" - 18NC
PD-012	P900012	Galvanized Bolt 3/4" x 5/16" - 18NC
PD-003	P900003	Washer 3/8" i.d. 7/8" o.d. - 1/16" thick

PUNCH-LOK® Banding/Strapping & Safety Boxes

PUNCH-LOK® Buckles, Clips, Strapping Loks & Brackets



**P-1000™ LOKING TOOL**  
“The PUNCH-LOK® Tool” the original. Made like no other tool! Designed for fast, economical application of punch-type clamps.

The portable P-1000™ weighs only 2 1/2 pounds. Drop forged and double plated tempered steel construction. For 5/8” clamps only.



Part Name	Item #	Description
P-1000	P200005	Loking Tool For 5/8” Punch Clamps
P-1000-D-229	P200007	Loking Tool For 3/8” & 5/8” Punch Clamps
P-3000	P250004	Loking Tool For 3/8” Punch Clamps Only
P-38	P500038	Clamp-Master Tool Set for 3/8” Punch Clamps
PB-001	P250012	Banding Tool
PB-001H	P250011	HEAVY DUTY Banding Tool
D-550	P255500	Clamp Cutter
D-225-A	P252250	Mallet

**PB-001 BANDING TOOL**  
Forged double plated tensioning tool with built in cutter for banding and buckle application. Also can be used with PJ-001 for J-Lok clamp installation. 1” Banding



**PB-001H HEAVY DUTY BANDING TOOL**  
Forged double plated tensioning tool with built in cutter for banding and buckle application. Only for use with heavy duty banding and buckles.



**P-3000™ LOKING TOOL**  
Similar to the Model P-1000™, the Model P-3000™ is designed for 3/8” wide punch-type clamp applications only. It will not fit 5/8” wide clamps. Double plated construction.



**P-38™ CLAMP-MASTER™ TOOL SET**  
The original, handy, low cost tool set for applying punch-type clamps. Weighs less than one pound. Excellent for confined working areas and for on-job repair and replacement work. Fits 3/8” & 5/8” wide clamps. Double plated construction.



**D-550™ CLAMP CUTTER**  
Powerful 14” cutter removes any punch-type clamp with minimum effort. Rugged drop forged heat treated high-carbon steel construction. Double plated.



**D-225-A Mallet**  
Specially designed for the punch-type clamps. Malleable iron head has softer striking surface for long tool life. Made in the U.S.A.



Replacement parts for Hand Clamping & Banding Tools are on page 126.

Part Name	Item #	Description
D-229	P252290	3/8” Adapter for P-1000 Loking Tool
PJ-001	P250010	Clamp Adapter for PB-001 Tool
D-300-A	P253000	Bench Adapter for P-1000 and P-3000 Loking Tools

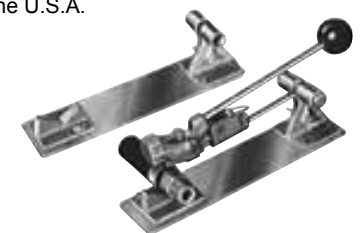
**D-229™ CLAMP ADAPTER**  
Fits under the pusher nose of P-1000™ loking tool to apply 3/8” punch-type clamps.



**PJ-001 PUNCH-LOK® J-LOK BANDING TOOL ADAPTER**  
Converts PB-001 banding tool to apply J-Lok clamps.



**D-300-A™ BENCH ADAPTER**  
Converts P-1000™ and P-3000™ loking tools to bench tools to speed clamp application in tool room and hose assembly shop. Made in the U.S.A.



Part Name	Item #	Description
K-52	P600052	Clamp-Master Kit, Galvanized Steel Clamp
K-52S	P600152	Clamp-Master Kit, Stainless Steel Clamp
R-52	P600520	Refill Clamps (Galv.) for K-52 Kit
R-52S	P605200	Refill Clamps (Stainless) for K-52-S Kit

**K-52™**  
Clamp-Master™ kit with high-strength galvanized carbon punch-type steel clamps in steel case. Made in the U.S.A.



Part Name	Item #	Description
TA3	P700003	Tension-Air Automatic Clamping Machine
TA-3 8”	P700008	TA3 MACHINE W/8” HOSE KIT
TA-3 8”	P755506	Tension-Air Machine 8” Conversion Kit
D-202	P252020	Punch
D-2149	P252142	Pulling Dog
	P753202	Pneumatic Sensor
	P755551	.375 Clamp Holder
	P755553	.625 Clamp Holder
	P755554	.375 Clamp Holder / Cutter
	P755557	.625 Clamp Holder / Cutter

**TENSION-AIR™ TA-3™ PRODUCTION HOSE CLAMPING MACHINE**  
Totally automatic. No manual punching or bending required. No faster machine available for production clamping. Only requires one man and three seconds to operate. Made in the U.S.A.



TA-3™ with 8” hose kit



Top of TA-3™



Item #	Description
P930030	Cable Tie Hand Tool
P930020	.37 x 8 SST Cable Tie
P930021	.37 x 14.25 SST Cable Tie
P930022	.37 x 20.50 SST Cable Tie

Cable ties are not intended for use with Hose Shank Fittings. Cable ties come in bags of 100.

**STAINLESS STEEL CABLE TIES**  
300 Series Stainless Steel Bands

Secure your Hose ID Tags Simple, Secure & Quick Ball Lock



Item #	Description
P930012	IDTAG 2.5 X 1.5 SS
P930013	IDTAG 3.5 X 0.70 SS
P930014	IDTAG 2.00 X 0.70 SS
P930015	IDTAG 2.00 X 0.70 V-2 SS

**HOSE IDENTIFICATION TAGS**  
STANDARD SIZES TAG SIZES AVAILABLE:  
Material: Tags are made from 316 series Stainless Steel. Custom Sizes available upon request.



### PUNCH-LOK® PLATED HOSE FITTINGS



PUNCH-LOK® single and double groove hose fittings of all types are designed and engineered for use with PUNCH-LOK® clamps to make connections which will withstand high pressure services.

The shape of the grooves eliminates damage to the inner wall of the hose. The PUNCH-LOK® clamp brings the hose wall into the grooves with even compression around the fittings.

Carbon steel steam hose fittings are available in sizes ranging from 1/2" to 1" and include tie wires.

Hex Steel Lok-nipples are cut from hexagon shaped cold rolled steel bar stock with NPT thread and tapered end for easy application.

### HEX-STEEL LOK-NIPPLE SINGLE GROOVE



### HEX-STEEL LOK-NIPPLE DOUBLE GROOVE



Hose Size	Std. Pipe Thread	Length	Part Name	Item #	No. Of Grooves	Qty/Box
1/4"	1/4"	2"	HX-221	P300221	1	24
3/8"	1/4"	2-1/2"	HX-321	P300321	1	24
3/8"	1/4"	3-1/2"	HX-322	P300322	2	12
3/8"	3/8"	2-1/2"	HX-331	P300331	1	24
3/8"	3/8"	3-1/2"	HX-332	P300332	2	12
1/2"	1/4"	2-1/2"	HX-421	P300421	1	24
1/2"	1/4"	3-1/2"	HX-422	P300422	2	12
1/2"	3/8"	2-1/2"	HX-431	P300431	1	24
1/2"	3/8"	3-1/2"	HX-432	P300432	2	12
1/2"	1/2"	2-1/2"	HX-441	P300441	1	24
1/2"	1/2"	3-1/2"	HX-442	P300442	2	12
3/4"	1/2"	3-1/8"	HX-641	P300641	1	12
3/4"	1/2"	4-3/8"	HX-642	P300642	2	12
3/4"	3/4"	3-1/8"	HX-661	P300661	1	12
3/4"	3/4"	4-3/8"	HX-662	P300662	2	12
1"	3/4"	4-3/4"	HX-862	P300862	2	12
1"	1"	4-3/4"	HX-882	P300882	2	12
1-1/4"	1-1/4"	5"	HX-10102	P301102	2	12

Hose Size	Length	Part Name	Item #	No. Of Grooves	Qty/Box
1/2"	3-3/8"	L-421	P330421	1	24
1/2"	4-5/8"	L-422	P330422	2	24
5/8"	3-3/8"	L-531	P330531	1	24
5/8"	4-5/8"	L-532	P330532	2	24
3/4"	3-3/8"	L-641	P330641	1	24
3/4"	4-5/8"	L-642	P330642	2	24
1"	3-3/4"	L-861	P330861	1	24
1"	5"	L-862	P330862	2	24
1-1/4"	5-1/2"	L-1082	P331082	2	12
1-1/2"	5-1/2"	L-12102	P332102	2	12
2"	6-1/4"	L-16122	P336122	2	12

### LOK-NIPPLE SINGLE GROOVE



### LOK-NIPPLE DOUBLE GROOVE



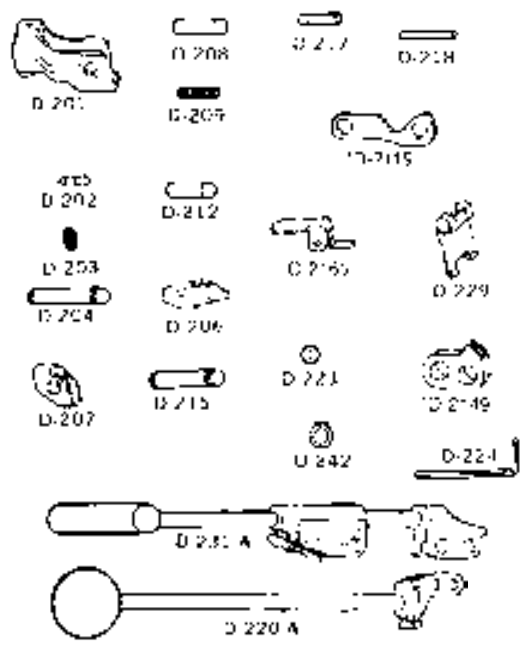
Hose Size	Length	Part Name	Item #	No. Of Grooves	Qty/Box
1/4"	2-5/8"	BM-21	P310021	1	48
5/16"	2-1/4"	BM-251	P310025	1	48
3/8"	2-5/8"	M-31	P310031	1	24
1/2"	3-1/4"	M-41	P310041	1	24
1/2"	5-3/4"	M-42	P310042	2	24
5/8"	3-1/4"	M-51	P310051	1	24
5/8"	5-3/4"	M-52	P310052	2	24
3/4"	3-1/4"	M-61	P310061	1	24
3/4"	5-3/4"	M-62	P310062	2	24
1"	3-1/4"	M-81	P310081	1	24
1"	5-3/4"	M-82	P310082	2	24
1-1/4"	3-1/4"	M-101	P310101	1	12
1-1/4"	5-3/4"	M-102	P310102	2	12
1-1/2"	3-1/4"	M-121	P310121	1	12
1-1/2"	5-3/4"	M-122	P310122	2	12
2"	5-3/4"	M-162	P310162	2	12

### LOK-MENDER SINGLE GROOVE



### LOK-MENDER DOUBLE GROOVE



**P-1000™ & P-3000™ Replacement Parts**


PUNCH-LOK® TOOL REPLACEMENT PARTS		
Part Name	Item #	Description
D-201-A	P252010	Punch Head
D-202	P252020	Punch
D-203	P252030	Set Screw
D-204	P252040	Punch Head Pin (1-7/8" long)
D-206	P252060	Pusher Nose
D-207	P252070	Holding Dog
D-208	P252080	Pusher Nose (15/16" long)
D-209	P252090	Holding Dog Spring (long)
D-2119	P252111	Puller Link (need 2)
D-212	P252120	Puller Link Pin (5/8" long)
D-2149	P252142	*Pulling Dog
D-215	P252150	Pulling Dog Pin (1-11/32" long)
D-2169	P252161	Release Lever
D-217	P252170	Pulling Dog Spring (short)
D-218	P252180	Release Lever Pin
D-220-A	P252200	Ball Handle Assembly
D-224	P252240	Wrench
D-225-A	P252250	Mallet
D-229	P252290	3/8" Clamp Adapter
D-231-A1	P252312	Pusher - Puller Assembly
D-242	P252420	Retaining Rings (need 4)

PB-001 REPLACEMENT PARTS		
Part Name	Item #	Description
PB-006	P250067	Tension Handle (Parts 7, 8, & 9)
PB-010	P252210	Spindle Rod
PB-015	P252015	Cutter Blade
PB-016	P252016	Ball Bearing
PB-017	P252017	Cutter Blade Lever
PB-020	P252220	Gripper
PB-021	P252021	Gripper Pivot Pin
PB-022	P252022	Cutter Blade Set Screw

P-38 REPLACEMENT PARTS		
Part Name	Item #	Description
D-285-A	P252850	Frame
D-289-A	P252890	Punch and Holder
D-298-A	P252980	Ratchet Wrench and Winder



# Rolite PT3 Fitting Master

**FINALLY, A HOSE ASSEMBLY TOOL WITH THE OPERATOR IN MIND.**

After struggling with many types of hoses and fittings that can make hose assembly a difficult and sometimes tedious process, PT Coupling Company has recently engineered the equipment and process that makes **installation** and **removal** of fittings an easy, painless experience. And, unlike other methods of hose assembly and disassembly, the PT Coupling Rolite PT3 Fitting Master yields performance and reliability with unique features such as:

- Pneumatic air tool
- 1200 lbs. of thrusting power
- 350 lbs. of hose gripping power
- Standard Size Handles hose diameters of 1" to 8"
- Accepts all styles of hoses
- Accepts all types of hose fittings
- Fully transportable
- Variable speed controls
- Dual action allows fitting removal from hose\*
- Roller belts prevent hose damage
- Large diameter hose is a snap
- Call for pricing



Part Name	Item #
Rolite PT3 Machine	792000

**STEP 1**


Hose is inserted through the gripping belt loop.

**STEP 3**


Use the control levers to push the fitting into the hose with the ram plate.

**STEP 2**


Place fitting to be inserted at the end of the hose, in front of the pneumatic ram plate.

**STEP 4**


Release the tension on the gripping belt and remove the finished assembly.

**ROLITE PULLER**

Part Name	Item #
RL15A Puller Adapter	793015
RL20A Puller Adapter	793020
RL30A Puller Adapter	793030
RL40A Puller Adapter	793040
Part Name	Item #
RL15A Puller Coupler	794015
RL20A Puller Coupler	794020
RL30A Puller Coupler	794030
RL40A Puller Coupler	794040

\* Exchange Pusher Plate for Puller Adapter or Puller Coupler to remove fitting from hose.

Part Name	Item #	For Sizes
StdPusher Plate 10"	792075	1" - 8"
Opt Pusher Plate 15"	792091	10"-12"



PTCN-COMBINATION NIPPLE  
HOSE SHANK X MALE NPT  
THREAD



PTCN - Aluminum

TMC50AL  
MALE NPT THREAD



100% Made in the U.S.A.

		Aluminum	Brass	Stainless Steel
Size	Part Name	Item #	Item #	Item #
1/2"	PTCN50	85640050	82640050BR	*84640050
3/4"	PTCN75	85640075	82640075BR	*84640075
3/4" X 1/2"	PTCN75X50	(	83640705	84640705
3/4" X 1"	PTCN75X100	(	(	84640710
1"	PTCN100	85640100	82640100BR	*84640100
1-1/4"	PTCN125	85640125	82640125BR	*84640125
1-1/4" X 1 1/2"	PTCN125X150	(	82641215BR	(
1-1/2"	PTCN150	85640150	82640150BR	*84640150
1-1/2" X 2"	PTCN150X200	(	82641520BR	(
2"	PTCN200	85640200	82640200BR	*84640200
2" X 1-1/2"	PTCN200X150	85642015	(	(
2-1/2"	PTCN250	85640250	82640250BR	*84640250
2-1/2" X 2"	PTCN250X200	(	(	84642520
3"	PTCN300	85640300	82640300BR	*84640300
3"X4"	PTCN300X400	85643040	(	(
4"	PTCN400	85640400	82640400BR	*84640400
5"	PTCN500	85640500	(	84640500
6"	PTCN600	85640600	(	84640600
8"	PTCN800	85640800	(	**84640800
10"	PTCN1000	85641000	82641000BR	**84641000
12"	PTCN1200	(	(	(

\* Produced from casting with Hex/octagon

\*\* Produced from E Style Casting

See PROGRIP™ product line on pages 92-113 if interlock ring is required for ferrule applications.

		Aluminum	Brass	Stainless Steel
Size	Part Name	Item #	Item #	Item #
1/2"	PTHM50	85660050	(	84660050
3/4"	PTHM75	85660075	82660075BR	84660075
1"	PTHM100	85660100	82660100BR	84660100
1-1/4"	PTHM125	85660125	82660125BR	84660125
1-1/2"	PTHM150	85660150	82660150BR	84660150
2"	PTHM200	85660200	82660200BR	84660200
2-1/2"	PTHM250	(	(	84660250
3"	PTHM300	85660300	(	84660300
4"	PTHM400	85660400	(	84660400
5"	PTHM500	(	(	(
6"	PTHM600	(	(	84660600
8"	PTHM800	(	(	(
10"	PTHM1000	(	(	(
12"	PTHM1200	(	(	(

PTHM-HOSE  
MENDER  
HOSE SHANK X HOSE  
SHANK



		Plain Steel	Plated Steel	Polypropylene
Size	Part Name	Item #	Item #	Item #
1/2"	PTCN50	82640050	83640050	85850050
3/4" X 1/2"	PTCN75X50	82640705	83640705	(
3/4"	PTCN75	82640075	83640075	85850075
3/4" X 1"	PTCN75x100	82640710	(	85857510
1" X 3/4"	PTCN100X75	82641075	83641007	(
1"	PTCN100	82640100	83640100	85850100
1" X 1-1/4"	PTCN100X125	82641012	83641012	N/A
1-1/4"	PTCN125	82640125	83640125	85850125
1 1/4" X 1"	PTCN125X100	82641210	83641210	N/A
1-1/4"X1 1/2"	PTCN125X150	82641215	83641215	(
1-1/2"	PTCN150	82640150	83640150	85850150
1-1/2" X 1"	PTCN150X100	82641510	(	N/A
1-1/2" X 1-1/4"	PTCN150X125	82641512	83641512	N/A
1-1/2" X 2"	PTCN150X200	82641520	83641520	N/A
2" X 1 1/2"	PTCN200X150	82642015	83642015	N/A
2"	PTCN200	82640200	83640200	85850200
2" X 2-1/2"	PTCN200X250	(	83642025	(
2-1/2"	PTCN250	82640250	83640250	N/A
2-1/2" X 2"	PTCN250X200	(	83642520	(
3"	PTCN300	82640300	83640300	85850300
3" X 2-1/2"	PTCN300X250	82643025	(	N/A
3"X4"	PTCN300X400	82643040	83643040	N/A
4"	PTCN400	82640400	83640400	85850400
5"	PTCN500	82640500	83640500	N/A
6"	PTCN600	82640600	83640600	N/A
8"	PTCN800	82640800	83640800	N/A
10"	PTCN1000	82641000	83641000	N/A
12"	PTCN1200	82641200	83641200	N/A

See PROGRIP™ product line on pages 92-113 if interlock ring is required for ferrule applications.

		Plain Steel	Plated Steel	Polypropylene
Size	Part Name	Item #	Item #	Item #
1/2"	PTHM50	82660050	83660050	85880050
3/4"	PTHM75	82660075	83660075	85880075
1"	PTHM100	82660100	83660100	85880100
1-1/4"	PTHM125	82660125	83660125	85880125
1-1/2"	PTHM150	82660150	83660150	85880150
2"	PTHM200	82660200	83660200	N/A
2-1/2"	PTHM250	82660250	83660250	N/A
3"	PTHM300	82660300	83660300	N/A
4"	PTHM400	82660400	83660400	N/A
5"	PTHM500	82660500	83660500	N/A
6"	PTHM600	82660600	83660600	N/A
8"	PTHM800	82660800	83660800	N/A
10"	PTHM1000	82661000	83661000	N/A
12"	PTHM1200	82661200	83661200	N/A

PTCN-COMBINATION NIPPLE  
HOSE SHANK X MALE  
NPT THREAD



PTCN-Polypropylene

PTHM-HOSE  
MENDER  
HOSE SHANK X HOSE  
SHANK



PTHM-Polypropylene

Special Application Fittings - Hose Menders

Special Application Fittings - Combination Nipple





**WELD NIPPLES**  
HOSE SHANK BUTT  
WELD



		Aluminum	Stainless Steel	Plain Steel
Size	Part Name	Item #	Item #	Item #
3/4"	PTCN75N	85640075N	84640075N	82640075N
1"	PTCN100N	85640100N	84640100N	82640100N
1-1/4"	PTCN125N	85640125N	84640125N	82640125N
1-1/2"	PTCN150N	85640150N	84640150N	82640150N
2"	PTCN200N	85640200N	84640200N	82640200N
2-1/2"	PTCN250N	85640250N	84640250N	82640250N
3"	PTCN300N	85640300N	84640300N	82640300N
4"	PTCN400N	85640400N	84640400N	82640400N
5"	PTCN500N	85640500N	84640500N	82640500N
6"	PTCN600N	85640600N	84640600N	82640600N
8"	PTCN800N	☎	84640800N	82640800N
10"	PTCN1000N	☎	84641000N	☎
12"	PTCN1200N	☎	☎	82641200N

**WC50AL VRAP**



**PUMP FOOT VALVES**  
Ductile Iron



	Complete Assembly Painted		Strainer Only		Flapper Valve Painted	
Size	Part Name	Item #	Part Name	Item #	Part Name	Item #
1-1/2"	FV150	89100150	FVS150	89100151	FV150	89100152
2"	FV200	89100200	FVS200	89100201	FV200	89100202
2-1/2"	FV250	89100250	FVS250	89100251	FV250	89100252
3"	FV300	89100300	FVS300	89100301	FV300	89100302
4"	FV400	89100400	FVS400	89100401	FV400	89100402
6"	FV600	89100600	FVS600	89100601	FV600	89100602
8"	FV800	89100800	FVS800	89100801	FV800	89100802

	Buna Gasket		Seal Plate Assembly Painted	
Size	Part Name	Item #	Part Name	Item #
1-1/2"	FVL150	89100153	FVSP150	89100154
2"	FVL200	89100203	FVSP200	89100204
2-1/2"	FVL250	89100253	FVSP250	89100254
3"	FVL300	89100303	FVSP300	89100304
4"	FVL400	89100403	FVSP400	89100404
6"	FVL600	89100603	FVSP600	89100604
8"	FVL800	89100803	FVSP800	89100804

**PUMP SUCTION STRAINER**  
ROUND HOLE TYPE  
Plated Carbon Steel  
.38" holes



Size	Part Name	Item #
1-1/2"	SHS150 STRAINER	90180015
2"	SHS200 STRAINER	90180020
2-1/2"	SHS250 STRAINER	90180025
3"	SHS300 STRAINER	90180030
4"	SHS400 STRAINER	90180040
6"	SHS600 STRAINER	90180060
8"	SHS800 STRAINER	90180080

	Aluminum w/Ductile Swivel Nut & Gasket		Aluminum w/Brass Swivel Nut & Gasket	
Size	Part Name	Item #	Part Name	Item #
1-1/2"	PL15-AM	90100015	PL15-AB	90110015
2"	PL20-AM	90100020	PL20-AB	90110020
2-1/2"	PL25-AM	90100025	PL25-AB	90110025
3"	PL30-AM	90100030	PL30-AB	90110030
4"	PL40-AM	90100040	PL40-AB	90110040
6"	PL60-AM	N/A	PL60-AB	90110060

	Brass w/Brass Swivel Nut & Gasket		Plated Ductile w/Plated Ductile Swivel Nut & Gasket		Replacement Gaskets	
Size	Part Name	Item #	Part Name	Item #	Part Name	Item #
1-1/2"	PL15-B	90020015	PL15-M	90010015	PL15-G	90090015
2"	PL20-B	90020020	PL20-M	90010020	PL20-G	90090020
2-1/2"	PL25-B	90020025	PL25-M	90010025	PL25-G	90090025
3"	PL30-B	90020030	PL30-M	90010030	PL30-G	90090030
4"	PL40-B	90020040	PL40-M	90010040	PL40-G	90090040
6"	PL60-B	☎	PL60-M	90010060	PL60-G	90090060

	Aluminum Male Shank		Plated Ductile Male Shank	
Size	Part Name	Item #	Part Name	Item #
1-1/2"	PL15-AMS	90040015	PL15-MMS	90080015
2"	PL20-AMS	90040020	PL20-MMS	90080020
2-1/2"	PL25-AMS	90040025	PL25-MMS	90080025
3"	PL30-AMS	90040030	PL30-MMS	90080030
4"	PL40-AMS	90040040	PL40-MMS	90080040
6"	PL60-AMS	90040060	PL60-MMS	90080060

	Aluminum Female Shank w/Plated Ductile Swivel Nut		Aluminum Female Shank w/Brass Swivel Nut & Gasket		Plated Ductile Female Shank w/Plated Ductile Swivel Nut & Gasket	
Size	Part Name	Item #	Part Name	Item #	Part Name	Item #
1-1/2"	PL15-AFSM	90120015	PL15-AFSB	90130015	PL15-MFSM	90070015
2"	PL20-AFSM	90120020	PL20-AFSB	90130020	PL20-MFSM	90070020
2-1/2"	PL25-AFSM	90120025	PL25-AFSB	☎	PL25-MFSM	90070025
3"	PL30-AFSM	90120030	PL30-AFSB	90130030	PL30-MFSM	90070030
4"	PL40-AFSM	90120040	PL40-AFSB	90130040	PL40-MFSM	90070040
6"	PL60-AFSM	90120060	PL60-AFSB	90130060	PL60-MFSM	90070060

	Brass Swivel Nut w/Gasket		Plated Ductile Swivel Nut w/Gasket	
Size	Part Name	Item #	Part Name	Item #
1-1/2"	PL15-BS	90050015	PL15-MS	90060015
2"	PL20-BS	90050020	PL20-MS	90060020
2-1/2"	PL25-BS	90050025	PL25-MS	90060025
3"	PL30-BS	90050030	PL30-MS	90060030
4"	PL40-BS	90050040	PL40-MS	90060040
6"	PL60-BS	90050060	PL60-MS	90060060

**DISCHARGE & SUCTION HOSE COUPLINGS**  
Complete Set



Rubber Replacement Gasket

**DISCHARGE & SUCTION HOSE COUPLINGS**  
Individual Parts



Male Shank



Female Shank with Nut



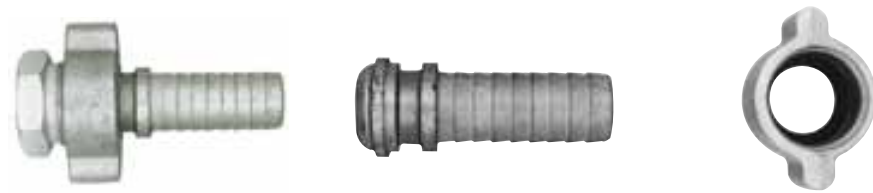
Nut

Special Application Fittings - Discharge & Suction Hose

Special Application Fittings - Weld Nipples, Pump Foot



GROUND JOINT COUPLINGS / COPPER SEATS PLATED DUCTILE



Clamp Size	Coupling w/ Female Spud		Stem		Wing Nut	
	Part Name	Item #	Part Name	Item #	Part Name	Item #
1/2"	GJF50	90000101	GJS-50	90000110	GJWN-50	90000122
3/4"	GJF75	90000102	GJS-75	90000111	GJWN-75	90000124
1"	GJF100	90000103	GJS-100	90000112	GJWN-100	90000124
1-1/4"	GJF125	90000104	GJS-125	90000113	GJWN-125	90000126
1-1/2"	GJF150	90000105	GJS-150	90000114	GJWN-150	90000126
2"	GJF200	90000106	GJS-200	90000115	GJWN-200	90000127
2-1/2"	GJF250	90000107	GJS-250	90000116	GJWN-250	90000128
3"	GJF300	90000108	GJS-300	90000117	GJWN-300	90000129
4"	GJF400	90000109	GJS-400	90000118	GJWN-400	90000130

MALE / FEMALE SPUD PLATED DUCTILE



Clamp Size	Female Spud		Male Spud		Double Spud	
	Part Name	Item #	Part Name	Item #	Part Name	Item #
1/2"	GJFS-50	90000134	GJMS-50	90000145	GJDS-50	90000154
3/4"	GJFS-75	90000135	GJMS-75	90000146	N/A	N/A
1"	GJFS-100	90000136	GJMS-100	90000147	GJD75/100	90000156
1-1/4"	GJFS-125	90000137	GJMS-125	90000148	GJDS-125	90000157
1-1/2"	GJFS-150	90000138	GJMS-150	90000149	GJDS-150	90000158
2"	GJFS-200	90000139	GJMS-200	90000150	GJDS-200	90000159
2-1/2"	GJFS-250	90000140	N/A	N/A	N/A	N/A
3"	GJFS-300	90000141	N/A	N/A	N/A	N/A
4"	GJFS-400	90000142	N/A	N/A	N/A	N/A

Hose ID Size	Hose OD		Part Name	Item #
	From	To		
1/2"	15/16"	1-1/16"	UHC50-4	90000081-4
1/2"	11/16"	1-3/16"	UHC50-5	90000081-5
3/4"	1-3/16"	1-5/16"	UHC75-U9	90000082-U
3/4"	1-5/16"	1-1/2"	UHC75-9	90000082-9
3/4"	1-1/2"	1-11/16"	UHC75-10	90000082-1
1"	1-17/32"	1-23/32"	UHC100-U14	90000083-U
1-1/4"	2-1/6"	2-1/4"	UHC125-19	90000084-1
1-1/2"	2-3/32"	2-9/32"	UHC150-U24	90000085-U
1-1/2"	2-15/32"	2-23/32"	UHC150-25	90000085-2
2"	2-1/2"	2-25/32"	UHC200-U29	90000086-U
2"	2-3/4"	3-1/6"	UHC200-29	90000086-2
2"	3-3/32"	3-7/16"	UHC200-30	90000086-3
2-1/2"	3-1/2"	3-15/16"	UHC250-34	90000087-3
3"	3-13/16"	4-3/16"	UHC300-35	9000008935
3"	4-1/16"	4-7/16"	UHC300-39	9000008939
4"	5-1/8"	6-3/16"	UHC400-49	90000090-4

\*With safety claws, zinc plated - two parts. 1 1/4" size and larger with 4 bolts.

MALE STEM SHANK X MALE NPT THREAD



Hose Shank X NPT	Zinc Plated Steel		Clamp Opening	Part Name	Item #
	Part Name	Item #			
			1-1/32" - 7/8"	HC0687	900000910
1/4" x 1/8"	GJMST42	90000302	7/8" - 1-9/64"	HC0814	900000920
1/4" x 1/4"	GJMST44	90000304	1-5/16" - 1-11/32"	HC1334	900000930
1/4" x 3/8"	GJMST46	90000306	1-5/16" - 1-19/32"	HC1359	900000940
3/8" x 1/4"	GJMST64	90000308	1-5/8" - 1-15/16"	HC1693	900000950
3/8" x 3/8"	GJMST66	90000310	1-7/8" - 2-3/8"	HC1817	900000960
1/2" x 1/4"	GJMST84	90000312	2-3/8" - 3-7/16"	HC2343	900000970
1/2" x 3/8"	GJMST86	90000314	3-1/2" - 3-11/16"	HC3568	900000980
1/2" x 1/2"	GJMST88	90000316	3-3/4" - 4-1/2"	HC3700	900000990
3/4" x 1/2"	GJMST128	90000318	3-1/2" - 4"	HC3500	90000095
1/2" x 3/4"	GJMST812	90000320	4-1/16" - 4-7/16"	HC4062	90000096
3/4" x 3/4"	GJMST1212	90000322	4-3/16" - 5"	HC4187	90000097
1" x 3/4"	GJMST1612	90000324	5" - 5-1/2"	HC5000	90000098
1" x 1"	GJMST1616	90000326	5-1/2" - 6-1/6"	HC5500	90000099
			6-15/16" - 7-5/8"	HC6937	90000100

Zinc Plated Ductile Iron		
Hose Shank X NPT	Part Name	Item #
1-1/4" x 1-1/4"	GJMST125	90000165
1-1/2" x 1-1/2"	GJMST150	90000166
2" x 2"	GJMST200	90000167
2-1/2" x 2-1/2"	GJMST250	90000168
3" x 3"	GJMST300	90000169
4" x 4"	GJMST400	90000170

BOLT TYPE CLAMPS PLATED DUCTILE IRON 2 BOLT & 4 BOLT



BOLT TYPE CLAMPS MALLEABLE IRON, ZINC PLATED, WITH LOOSE TONGUES





**UCHS**  
CLAW COUPLING X  
HOSE SHANK  
150 PSI MAX working pressure  
Includes Safety Clip



Plated Ductile		
Size	Part Name	Item #
1/4"	UCHS25	90000025
3/8"	UCHS38	90000026
1/2"	UCHS50	90000027
3/4"	UCHS75	90000028
1"	UCHS100	90000029
1-1/4"	UCHS125	90000075

**UCME**  
CLAW COUPLING X  
MALE NPT  
150 PSI MAX working pressure  
Includes Safety Clip



Plated Ductile		
Size	Part Name	Item #
1/4"	UCME25	90000049
3/8"	UCME38	90000050
1/2"	UCME50	90000051
3/4"	UCME75	90000052
1"	UCME100	90000053

**UCFE**  
CLAW COUPLING X  
FEMALE NPT  
150 PSI MAX working pressure  
Includes Safety Clip



Plated Ductile		
Size	Part Name	Item #
1/4"	UCFE25	90000037
3/8"	UCFE38	90000038
1/2"	UCFE50	90000039
3/4"	UCFE75	90000040
1"	UCFE100	90000041
1-1/2"	UCFE150	90000074

**UCDE**  
DEAD END COUPLING  
150 PSI MAX working pressure  
Includes Safety Clip



Plated Ductile	
Part Name	Item #
UCDE	90000058



Part Name	Item #
TWC	90000072

**TWC**  
THREE WAY COUPLING  
110 PSI working pressure



Size	Hose O.D.		Part Name	Item#
	From	To		
1/2"	0.81	1.03	UCHS50-F CLAW COUP-FERR	901000
3/4"	1.03	1.34	UCHS75-F CLAW COUP-FERR	901001
1"	1.25	1.56	UCHS100-F CLAW COUP-FERR	901002
1"	1.44	1.75	UCHS100-F2 CLAW COUP-FER	901003

**UCH**  
CLAW COUPLER X HOSE  
SHANK WITH FERRULE  
Plated Ductile Iron Body with  
Carbon Steel Ferrule



Part Name	Item #
RG	90000073

**RG**  
OIL RESISTANT  
RUBBER GASKET



Part Name	Item #
UC	90000024

**UC CLIP**

(A) Style WST: for hose-to-tool service				
Cable	Hose I.D.	Length	Part Name	Item#
1/8"	.5"-1.25"	20-1/4"	WST18HT	90000019
1/4"	1.5" - 3"	38"	WST14HT	90000022

**SAFETY**  
CABLE AIR-HOSE  
RESTRAINT



(B) Style WS: for hose-to-hose service				
Cable	Hose I.D.	Length	Part Name	Item#
1/8"	.5"-1.25"	20-1/4"	WS18HH	90000020
1/4"	1.5" - 3"	38"	WS14HH	90000021







**CSB QUICK COUPLING SAND BLAST COUPLING**  
COUPLER X HOSE CONNECTION 110 PSI MAX. PRESSURE SUPPLIED WITH SCREWS.



Size	Cross Ref.	Hose O.D.	Part Name	Material	
				Aluminum	Brass
3/4"	Q1	1.50"	07 CSB	60900700	62900700
1"	Q2	1.88"	10 CSB	60901000	62901000
1-1/4"	Q3	2.16"	12 CSB	60901200	62901200
1-1/2"	Q4	2.38"	15 CSB	60901500	62901500

**DSB THREAD COUPLING**  
COUPLER X FEMALE NPT



Size	Cross Ref.	Part Name	Material	
			Aluminum	Brass
1-1/4"	SB-1	12 DSB	60911200	62911200
1-1/2"	SB-2	15 DSB	60911500	62911500

**NSB NOZZLE HOLDER**  
1-1/4" NPSM THREAD X HOSE CONNECTION SUPPLIED WITH SCREWS.



Size	Cross Ref.	Hose O.D.	Part Name	Material	
				Aluminum	Brass
3/4"	HE-1	1.50"	07 NSB	60930700	62930700
1"	HE-2	1.88"	10 NSB	60931000	62931000
1-1/4"	HE-3	2.16"	12 NSB	60931200	62931200
1-1/2"	HE-4	2.38"	15 NSB	60931500	62931500

**REPLACEMENT PARTS**

Part Name	Item #	Description
YSBG	62940000	Gasket
YSBS	62940001	Sand Blast Screw

Size	Standard Port	
	Part Name	Item #
1"	10STD Poly Ball Valve	90000202
1-1/4"	12STD Poly Ball Valve	90000204
2"	20STD Poly Ball Valve	90000205

Size	Full Port	
	Part Name	Item #
1/2"	05FP Poly Ball Valve	90000207
3/4"	07FP Poly Ball Valve	90000210
1"	10FP Poly Ball Valve	90000211
1-1/4"	12FP Poly Ball Valve	90000212
1-1/2"	15FP Poly Ball Valve	90000213
2"	20FP Poly Ball Valve	90000214
3"	30FP Poly Ball Valve	90000215

Size	Part Name	Item #
2"	20FPMA Male X Male Poly Ball Valve	90000295
2"	20FPMA Male X Female Poly Ball Valve	90000296

**BOLTED POLY BALL VALVES**  
FEMALE NPT THREAD X FEMALE NPT THREAD



**COMPACT BOLTED BALL VALVES**  
FEMALE NPT THREAD X MALE ADAPTER



Size	Part Name	Item #
3"	30FP Ball Valve Seal Kit	90000250

**SEAL KIT**

Size	Part Name	Item #
1/2"	50BV	90000249
3/4"	75BV	90000251
1"	100BV	90000252
1-1/4"	125BV	90000254
1-1/2"	150BV	90000256
2"	200BV	90000257
3"	300BV	90000258

**SINGLE UNION POLY BALL VALVES**  
FEMALE NPT THREAD X FEMALE NPT THREAD



*PT Poly Ball Valves are manufactured from glass filled Polypropylene for superior corrosion resistance and strength.*

*Pressure rated @ 125 PSI @ 70°F, all valves are pressure tested under water before shipping. Teflon® seats allow the self-aligning ball to rotate freely. Stainless steel bolts and nuts. Female NPT threads.*

*All registered trademarks are the property of their respective owners.*

Special Application Fittings - Sand Blast Fittings

Special Application Fittings - Polypropylene Specialty Fittings



**POLY TEES**  
FEMALE NPT THREAD X  
FEMALE NPT THREAD X  
FEMALE NPT THREAD



Size	Item #	Part Name
1/2"	85700050	50 POLY TEE
3/4"	85700075	75 POLY TEE
1"	85700100	100 POLY TEE
1-1/4"	85700125	125 POLY TEE
1-1/2"	85700150	150 POLY TEE
2"	85700200	200 POLY TEE
3"	85700300	300 POLY TEE

**POLY NIPPLES**  
MALE NPT THREAD X  
MALES NPT THREAD



Size	Item #	Part Name
1/2"	85720050	50 POLY NIPPLE SHORT
1/2"	85730050	50 POLY NIPPLE 3"
3/4"	85720075	75 POLY NIPPLE SHORT
3/4"	85730075	75 POLY NIPPLE 4"
3/4"	85740075	75 POLY NIPPLE LONG 6"
1"	85720100	100 POLY NIPPLE SHORT
1"	85730100	100 POLY NIPPLE 4"
1"	85740100	100 POLY NIPPLE LONG 6"
1-1/4"	85720125	125 POLY NIPPLE SHORT
1-1/4"	85730125	125 POLY NIPPLE
1-1/4"	85740125	125 POLY NIPPLE LONG 6"
1-1/2"	85720150	150 POLY NIPPLE SHORT
1-1/2"	85730150	150 POLY NIPPLE
1-1/2"	85740150	150 POLY NIPPLE LONG 6"
2"	85720200	200 POLY NIPPLE SHORT
2"	85730200	200 POLY NIPPLE
2"	85740200	200 POLY NIPPLE LONG 6"
3"	85720300	300 POLY NIPPLE SHORT
3"	85730300	300 POLY NIPPLE LONG 6"

*PT Schedule 80 poly fittings are manufactured from glass filled polypropylene. Pressure rated to 150 PSI @ 70°*

*Recommended Operating Pressure: 120 PSI @ 0°F  
150 PSI @ 70°F  
90 PSI @ 150°F*

**POLY 90 DEGREE PIPE ELBOWS**  
FEMALE NPT THREAD X  
FEMALE NPT THREAD



Size	Item #	Part Name
1/2"	85710050	PE50 90° Elbow
3/4"	85710075	PE75 90° Elbow
1"	85710100	PE100 90° Elbow
1-1/4"	85710125	PE125 90° Elbow
1-1/2"	85710150	PE150 90° Elbow
2"	85710200	PE200 90° Elbow
3"	85710300	PE300 90° Elbow

**POLY 90 DEGREE STREET ELBOWS**  
MALE NPT THREAD X  
FEMALE NPT THREAD



Size	Item #	Part Name
1/2"	85750050	E50 90° St. Elbow
3/4"	85750075	E75 90° St. Elbow
1"	85750100	E100 90° St. Elbow
1-1/4"	85750125	E125 90° St. Elbow
1-1/2"	85750150	E150 90° St. Elbow
2"	85750200	E200 90° St. Elbow
3"	85750300	E300 90° St. Elbow

Size	Description	Item #
1/2"	50 Poly Coupling	85760050
3/4"	75 Poly Coupling	85760075
1"	100 Poly Coupling	85760100
1-1/4"	125 Poly Coupling	85760125
1-1/2"	150 Poly Coupling	85760150
2"	200 Poly Coupling	85760200
3"	300 Poly Coupling	85760300

**POLY COUPLING**  
FEMALE NPT X FEMALE NPT



Size	Description	Item #
3/4"	75 Poly Cross	85780075
1"	100 Poly Cross	85780100
1-1/4"	125 Poly Cross	85780125
1-1/2"	150 Poly Cross	85780150
2"	200 Poly Cross	85780200

**POLY CROSSES**  
FOUR-WAY FEMALE NPT



Size	Part Name	Item #
3/4" x 1/2"	RN 75X50	85780705
1" x 3/4"	RN 100X75	85781007
1-1/4" x 1"	RN 125X100	85781210
1-1/2" x 1-1/4"	RN 150X125	85781512
2" x 1-1/2"	RN 200X150	85782015
3" x 2"	RN 300X200	85783020

**POLY REDUCER NIPPLES**  
MALE NPT X MALE NPT



Size	Part Name	Item #
1/2"	PTHM50	85880050
3/4"	PTHM75	85880075
1"	PTHM100	85880100
1-1/4"	PTHM125	85880125
1-1/2"	PTHM150	85880150

**POLY PTHM-HOSE MENDER**  
HOSE SHANK X HOSE SHANK



Size	Part Name	Item #
1/2"	PTCN50	85850050
3/4"	PTCN75	85850075
1"	PTCN100	85850100
1-1/4"	PTCN125	85850125
1-1/2"	PTCN150	85850150
2"	PTCN200	85850200
3"	PTCN300	85850300
4"	PTCN400	85850400

**POLY PTCN - COMBINATION NIPPLE**  
MALE NPT X HOSE SHANK





# Recommended Operating Conditions

PT Coupling Company does not recommend cam and groove fittings for any compressed gas service, which includes air and steam service.

Material	Gasket	Size	Max. Allowable Working Pressure (PSI)*	Heavy Duty Max. Allowable Working Pressure (PSI)*
<b>Metal Couplings</b>	Standard gaskets are Buna any variation must be specified	1/2", 3/4 x 1/2", 3/4", 1", 1 1/4", 1 1/2", 2"	250	500
		2 1/2" 3"	200	400
		4"	150	300
		5", 6"	75	150
		8", 10", 12"	50	N/A
<b>Non-Metal Couplings</b>	Standard gaskets are Buna any variation must be specified	3/4", 1", 1 1/4", 1 1/2", 2"	100	N/A
		3", 4"	50	N/A

\*Note: Above maximum allowable working pressures are based on operating temperatures less than 100°F. If operating temperatures exceed 100°F, use temperature derating factor from table below.

Locate the correct factor from the table below and multiply this by the appropriate MAWP (psi) above for the elevated temperature working pressure.

Example: 2" Alum. at 250°F = 250 psi x .84 = 210 psi at elevated temperature.

Temperature Derating Factors										
Temp (deg F)	Alum.	Brass	Stain. Steel	Ductile Iron	Carbon Steel	Hast. C®	Carp 20®	Monel®	Poly	Nylon
*Min.	-150 F	-150 F	-150 F	-20 F	-20 F	-150 F	-150 F	-150 F	-15F	-30 F
100	1.00	1.00	1.00	1.00	1.00	1.00	1.00	1.00	1.00	1.00
150	1.00	1.00	1.00	1.00	1.00	1.00	1.00	1.00	0.80	0.90
200	1.00	1.00	1.00	1.00	1.00	1.00	1.00	1.00	NR	0.60
250	0.84	1.00	1.00	1.00	1.00	1.00	1.00	1.00	NR	NR
300	NR	0.97	1.00	1.00	1.00	1.00	1.00	1.00	NR	NR
350	NR	0.95	1.00	1.00	1.00	1.00	1.00	1.00	NR	NR
400	NR	0.92	1.00	1.00	1.00	1.00	1.00	1.00	NR	NR
450	NR	0.90	1.00	1.00	1.00	1.00	1.00	1.00	NR	NR
*500	NR	NR	1.00	1.00	1.00	1.00	1.00	1.00	NR	NR

NR = Not Recommended

\*These temperatures represent the extremes that can be handled by current gasket materials.

MATERIALS AVAILABLE FOR SPECIAL USES ARE:	
Monel®	Aluminum Anodized
Carpenter 20®	Teflon® Lined
Hastelloy C®, Hastelloy C22®	Others Per Request
Tantaline	

These listings are not exclusive—please contact us for parts engineered to fit your needs..

All registered trademarks are the property of their respective owners.

All PT Quick Connect/Disconnect Couplings in every metal and size through 6" parts are manufactured to interchange with all products produced to Commercial Item Description A-A-59326. All "RFQ's" identified as Government will be quoted with the required components and castings to meet the A-A-59326 Commercial Item Description. Couplings NOT interchangeable in the industry are sizes 8" through 12". No standards were established by the government for these sizes. Quality is controlled in every phase of manufacture as is required for compliance to A-A-59326. PT Coupling's quality management system is certified and conforms to the requirements of ISO9001.



## ACCESSORIES

**CAM ARM GUARANTEE:** PT Cam arms are guaranteed against breakage. If a cam arm breaks during normal use, just return it to the branch warehouse in your region for replacement.

Gaskets: Standard gaskets are Buna N. Any variation must be specified.

GASKETS AVAILABLE AND THEIR PROPERTIES				
Compound	Material Color	Color Code Stripe	Minimum Temperature Range F°	Maximum Temperature Range F°
Buna N (std.)	Black	Blue	-65	275
Buna N (Fuel Resist.)	Black	Two Blue	-65	275
Buna N (Hot Oil)	Black	Two Orange	-65	325
Neoprene	Black	White	-65	275
Viton®	Green	N/A	-40	400
Viton®	Black	Green	-40	400
Thiokol®	Black	Yellow & Green	-65	225
Natural Rubber	Tan	N/A	-65	250
White Nitrile (Food)	White	N/A	-65	275
Silicone	Rust	N/A	-150	500
Hypalon®	Black	White & Red	-65	250
EPDM	Black	Yellow	-65	300
EPDM (Fire Hose)	Black	Red or Yellow	-65	300
Teflon® Enveloped	White Translucent	N/A		
Neoprene Filler	Black	White	-65	275
Buna Filler	Black	Blue	-65	275
Viton® Filler	Black	Green	-40	400
EPDM Filler	Black	Yellow	-65	300
Teflon® Encapsulation	Transparent	N/A		
Silicon Filler	Rust	N/A	-75	450
Viton® Filler	Black	N/A	-40	400

All registered trademarks are the property of their respective owners

## WARRANTY

PT COUPLING COMPANY WARRANTS ITS PRODUCTS TO BE FREE OF DEFECTS IN MATERIAL AND WORKMANSHIP, AND IN ACCORDANCE WITH THE SPECIFICATIONS LISTED. IT IS THE BUYER'S RESPONSIBILITY TO PERFORM TESTING BEFORE SELECTION OF PRODUCT. ABUSE OR MISAPPLICATION VOIDS THIS WARRANTY.

ANY CATALOG, BROCHURE OR WEBSITE PUBLISHED BY PT COUPLING COMPANY SHOULD ONLY BE CONSIDERED AS AN OFFER TO SELL PRODUCT. IN ADDITION SUCH PUBLISHED MATERIALS ARE NOT IN AND OF THEMSELVES INTENDED TO BE A TECHNICAL MANUAL. DUE TO THE VARIETY OF OPERATING CONDITIONS AND PROCESS APPLICATIONS IT IS THE RESPONSIBILITY OF THE END USER, THROUGH ITS EXPERTISE, TO SELECT THE APPROPRIATE PT COUPLING PRODUCTS AND TO ENSURE ALL PERFORMANCE, SAFETY AND WARNING REQUIREMENTS ARE MET AS DEMANDED PER THE SPECIFIC APPLICATION.





# Safety Instructions

## INSTALLATION

The PT line of quick disconnect couplings comes with a wide range of fittings including threaded, hose connection, and flanged end. These couplings have been engineered to meet specific requirements with safety margins.

**IT IS THE RESPONSIBILITY OF THE END USER TO COMMUNICATE TO THE DISTRIBUTOR, THE APPLICATION AND OPERATING CONDITIONS THE COUPLING WILL BE SUBJECTED TO. IT IS UP TO THE DISTRIBUTOR TO SUPPLY THE RIGHT COUPLING FOR THE APPLICATION. PT COUPLING CO. IS AVAILABLE TO HELP YOU WITH A PROPER COUPLING RECOMMENDATION.**

For the type of application required, care must be taken to insure proper connection and a positive seal. Improperly fitted or applied connections can result in serious accident and/or downtime. Under no circumstances shall the recommended pressure rating of the couplings be exceeded.

## OPERATION

PT couplings provide for quick and frequent connections by means of the camming action on the groove surface of the male adapter. The male adapter is simply inserted into the female coupler until contact is made with the gasket. Both cam arms on the coupler are then closed simultaneously to produce a uniform gasket compression between the seal surfaces.

The compression on the gasket produces a seal when torque is applied to the cam arms. A positive seal requires that the surfaces on the gasket seat, the adapter face, and the gasket are smooth and uncontaminated. Cam arms must be in the full closed position for proper locking of coupling.

Gasket deterioration and excessive wear on cam, groove, and seal surfaces can reduce the performance of the coupler. Periodic inspection and servicing will ensure an efficient and safe performance.

## MAINTENANCE

Couplings should be well maintained and inspected, particularly when the conditions of service include high working pressure and/or the transfer or storage of hazardous materials. Periodic inspection and testing will detect signs indicating deterioration, damage, or loss of performance before failure.

**Gaskets:** The recommended seal material for a particular application has its limitations. Initial installation of a seal material should be followed by frequent inspections. This will help establish the routine inspection and service cycle.

Replacement is required when gasket becomes hard, brittle, or otherwise loses the characteristics required to perform in the intended manner.

**Couplers:** Periodically check seal surfaces on both coupler and adapter for signs of wear or corrosion. The adapter should be checked for excessive wear on the groove surface where contact is made with cam arms.

Cam arm and pin should also be periodically inspected for excessive wear. Worn or otherwise damaged cam arms and pins can prevent the coupler from operating in the intended manner.

To replace worn cam arm and pin, remove cam pin with hammer and punch. Install properly selected new cam arm and pin making sure the cam arm is positioned in the proper direction. The cam arm handle should always be pointed away from the female end of the cam and groove connection when the arm is in the closed position. Safety goggles should be worn during this procedure.



**IMPROPER USE, APPLICATION OR SELECTION OF THE APPROPRIATE PRODUCTS AS IS DESCRIBED HEREIN CAN RESULT IN PROPERTY DAMAGE, PERSONAL INJURY OR EVEN DEATH.**



# Recommended Materials

All recommendations are based on media temperature of 70° F. Since the resistance of metals, plastics, and elastomers can be affected by concentration, temperature, presence of other chemicals and other factors, this information should be considered as a general guide. Ultimately, the customer must determine the suitability of the material to be used.

## LEGEND

Body Material		Gasket Material	
<b>A</b>	Aluminum	BN	Buna N (Standard)
<b>B</b>	Brass	BF	Buna N (Fuel)
<b>C</b>	Ductile Iron	NE	Neoprene
<b>E</b>	Stainless Steel	TF	Teflon®
<b>S</b>	Carbon Steel	VT	Viton®
<b>P</b>	Polypropylene	EP	EPDM
<b>N</b>	Nylon	SC	Silicone
	Consult PT		Consult PT

All registered trademarks are the property of their respective owners.

Media	Body Material	Gasket Material
Acetic Acid	AEP	EP
Acetic Anhydride	AEP	NE
Acetone	ACESPN	EP
Acetylene-dry	AEC	NE
Agricultural Lime Solutions	CESPN	BN
Air	ABCEN	BN
Alcohol-Amyl	BCESPN	BN
Alcohol-Butyl	ABCEPN	BN
Alcohol-Thyl	BCESPN	VT
Alcohol-Isopropyl	ABCESPN	BF
Alcohol-Methyl	BCESPN	BF
Alum	E	BN
Aluminum Chloride	P	BN
Aluminum Floride, 20%	ABCP	BN
Aluminum Nitrate	EP	BN
Aluminum Potassium Sulfate	AEP	BN
Aluminum Sulfate	EP	BN
Ammonia-Gas or Liquid	ACSPN	NE
Ammonium Chloride -Dry	CP	BN

Media	Body Material	Gasket Material
Ammonium Hydroxide	ACEP	EP
Ammonium Nitrate	AESP	BN
Ammonium Phosphate	EP	BN
Mono-Basic	E	BN
DI Basic or Tri-Basic	AEP	BN
Ammonium Sulfate	CEP	BN
Aniline	ACESP	EP
Arsenic Acid	EP	BN
Asphalt	BCES	VT
Barium Chloride	BECP	TF
Barium Hydroxide	CESP	BN
Barium Sulfide	ESP	BN
Basic Slag	P	BN
Beer	ABEN	NE
Benzene/Benzol	ABCESN	VT
Benzine	ABCESN	BN
Bio-Diesel		VT
Black Liquor (Paper Ind.)	P	VT
Bleach (12.5 Chloride)	P	VT



Media	Body Material	Gasket Material
Borax	CESP	SC
Boric Acid	AEP	BN
Brine	EPN	BN
Bromic Acid	P	VT
Burnt Limt (CA O)	ABCESPN	BN
Butadiene	ABCES	SC
Butane	ABCEN	BN
Butenes	ABCES	VT
Butyl Acetate-Dry	ABCES	EP
Butyle Stearate	ABE	BN
Butylene	ABCE	BN
Cadium Cyanide	P	BN
Calcium Acetate	BEP	EP
Calcium Bisulfite	EP	BN
Calcium Chloride	P	BN
Calcium Hydroxide	BCESP	BN
Calcium Hypochlorite	P	☎
Calcium Nitrate, 40%	ACEP	BN
Carbolic Acid (Phenol)	E	VT
Carbon Dioxide -Dry	ABCEN	BN
Carbon Disulfide	ABCES	VT
Carbon Tetrachloride	CEN	VT
Carbonated Beverages	AEN	NE
Carbonic Acid	AEN	BN
Castor Oil	EPN	BN
Caustic Potash (KOH)	CPN	EP
Caustic Soda (NA OH)	CPN	EP
"Cellosolves"		
Butyl or Ethyl	ABCES	TF
Methyl	ABCES	BN
Chlorobromomethane	BE	VT
Chloroform-Dry	ABN	NE
"Chlorex"	BN	NE
Chromic Acid, 50%	CEP	☎
Citric Acid	EPN	NE
Cobaltized Super Compound	P	BN
Copper Chloride-Dry	CSP	BN
Copper Sulfate	EP	BN
Copperized Super Compound	P	BN
Corn Oil	EPN	BN
Cottonseed Oil	AEPN	BN
Cresote	ABCES	VT
Cresylic Acid	ABCES	VT

Media	Body Material	Gasket Material
Cyclohexane	ABCESN	VT
Detergents	EPN	BN
Developer Solution	P	BN
Dextrose	AEN	BN
Diesel Fuels	ABCESPN	BF
Deithylene Glycol	ABCESP	BF
Deithyl Sebacate	☎	☎
Disodium Phosphate	P	BN
Dowtherm	S	VT
Ethanolamine	ACES	NE
Ether	ABEN	BN
Ethyl Acetate	CESPN	EP
Ethyl Chloride-Dry	ABE	BN
Ethylene	BCE	BF
Ethylene Dichloride-Dry	ABCES	VT
Ethylene Glycol	ABCESPN	BF
Ethylene Oxide	E	TF
Fatty Acids	EPN	BN
Ferric Chloride	BP	BN
Ferric Hydroxide	P	BN
Ferric Nitrate	EP	BN
Ferric Sulfate	EP	BN
Flourboric Acid	EP	☎
Formaldehyde, 40%	AEP	NE
Formalin	AEP	NE
Formic Acid	AEP	NE
Freon	ACESPN	NE
Fruit Juices		
Grapefruit	EN	NE
Lemon	EN	NE
Pineapple	EN	NE
Furfural	ABCE	NE
Gas -Coke Oven	☎	☎
Gasoline-Refined	ABCESN	BF
Gasoline-Sour	AEN	BF
Gelatin	AEPN	NE
Glucose	AEPN	NE
Glue	ABCESPN	BN
Glycerin	ABCESPN	BF
Glycols	PN	BF
Green Liquors (Paper Ind.)	P	VT
Hexane	ABCESN	VT
Hydrobromic Acid	P	VT

Media	Body Material	Gasket Material
Hydrochloric Acid	P	VT
Hydrocyanic Acid, 50%	AEP	EP
Hydroflouric Acid, 48%	E	☎
Hydrogen Gas	ABCEN	BN
Hydrogen Peroxide	EP	VT
Hydrogen Sulfate	E	☎
"Hypo"	E	BN
Hypochlorous Acid, 20%	☎	VT
Isobutyl Acetate	ABESPN	EP
Isopropyl Acetate	CEP	EP
Jet Fuel	ABCESN	VT
Kerosene	ABCESN	BN
Lacquers	ABEN	BN
Lactic Acid, 20%	EPN	NE
Lactic Acid, 50%	EP	NE
Lard	EPN	NE
Lead Chloride Sulfate	P	BN
Lime Slurry	EPN	BN
Lime Sulfur	CESPN	BN
Linoleic Acid	EP	SC
Linseed Oil	EPN	BN
L.P.G.	ABCEN	BF
Magnesium Carbonate	BCESPN	BN
Magnesium Chloride	EP	BN
Magnesium Hydroxide	BCESPN	EP
Magnesium Nitrate	AEP	BN
Magnesium Sulfate	AEP	NBN
Meat and Bone Meal	APN	BN
Mercuric Chloride	P	BN
Mercury	CESPN	BN
Methane	ACEN	BF
Methanol	ABCESPN	BF
Methyl Amyl Acetate	P	EP
Methylene Chloride	EN	T
Methyl Benzene	ABCESN	VT
Methylenthyl Keton	ABCESPN	EP
Milk	EN	NE
Mineral Oil	ABCESPN	BN
Molasses	BCESPN	NE
Muriate of Potash (K CL)	CPN	BN
Muriatic Acid (H CL)	☎	VT
Naptha	ABESN	VT
Napthalene	ABCES	VT

Media	Boday Material	Gasket Material
Napthenic Acid	BCES	BN
Natural Gas	ACEN	BF
Nickel Chloride	EP	BN
Nickel Sulfate	BEP	BN
Nitric Acid	EP	VT
Nitrobenzene	ACESN	EP
Nitro Lime	P	BN
Octane	ABCESN	VT
Oil-Core	BCESN	BN
Oil-Fuel	ABCESN	BF
Oil-Hydraulic	ABCESPN	BN
Oil-Petroleum	☎	☎
Crude	CESN	BF
Refined	ABCESN	BN
Oil-Transmission	BCESPN	VT
Oil-Vegetable	EPN	NE
Oleic Acid	CESPN	BN
Oleum	CS	VT
Oxalic Acid	APN	BN
Oxygen	ABCEN	BN
Palmitic Acid	EPN	BN
Paraffin	ABCESPN	BN
Pentachlorophenol-Dru	S	TF
Perchloroethylene	CEN	VT
Phosphoric Acid	EP	☎
Photographic Solutions	PN	VT
Phthalic Anhydride	ABCESPN	NE
Picric Acid		
Molten E	E	☎
Aqueous Solution	EP	☎
Plating Solutions	P	EP
Potassium Acetate	BCE	EP
Potassium Chloride	PN	BN
Potassium Cyanide	ESN	BN
Potassium Dichromate	ABCESN	BN
Potassium Flouride	ABCESPN	☎
Potassium Hydroxide,30%	EPN	EP
Potassium Nitrate	ABCEPN	BN
Potassium Sulfate	ABEPN	BN
Propicnic Acid	EPN	NE
Propylene Glycol	ABCPN	BN
Propylene Oxide	ESN	EP
Rosi	AEPN	BN

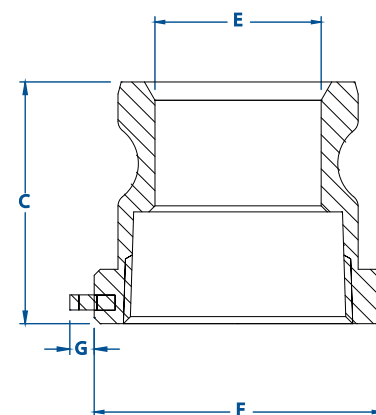
Appendix - Recommended Materials

Appendix - Recommended Materials

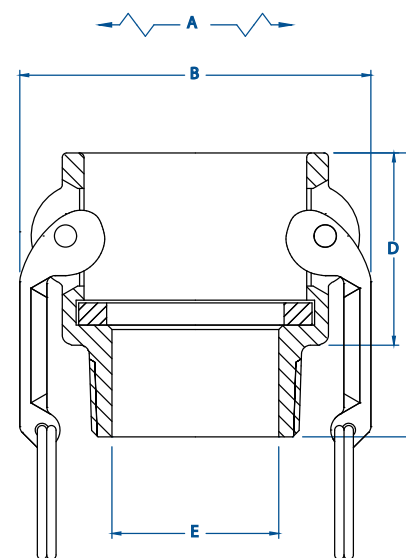
## PT COUPLING CO. GENERAL DIMENSIONS

Media	Body Material	Gasket Material
Salt Water	BEPN	BN
Shellac	AEPN	BN
Silicone Fluid	EN	EP
Silicone Oil	EPN	NE
Silver Nitrate	PN	EP
Soap Solutions	EPN	BN
Soda Ash	CESPN	BN
Sodium Bicarbonate	BEPN	BN
Sodium Bisulfate	EP	BN
Sodium Borate	ABEPN	BN
Sodium Carbonate	CESPN	BN
Sodium Chloride	BCESPN	BN
Sodium Cyanide, 10%	CESPN	BN
Sodium Dichromate, 10%	AESP	☎
Sodium Hydroxide, 40%	CEPN	NE
Sodium Hypochlorite, 20%	P	☎
Sodium Metaphosphate	BEPN	BN
Sodium Nitrate	ACESPN	EP
Sodium Peroxide	CESP	EP
Sodium Phosphate		
Mon-Basic	BCESP	BN
Di-Basic	BCESP	BN
Tri-Basic	BCESP	BN
Sodium Silicate	BCEP	BN
Sodium Sulfate	BEPN	BN
Sodium Sulfide	ESP	BN
Sodium Thiosulfate	SP	BN
Soybean Oil	SPN	BN
Stannic Chloride	P	☎
Stannous Chloride, 15%-Dry	CE	☎
Steam 400°F	CE	VT
Stearic Acid	EP	BN
Stoddard Solvent	ABCES	BF

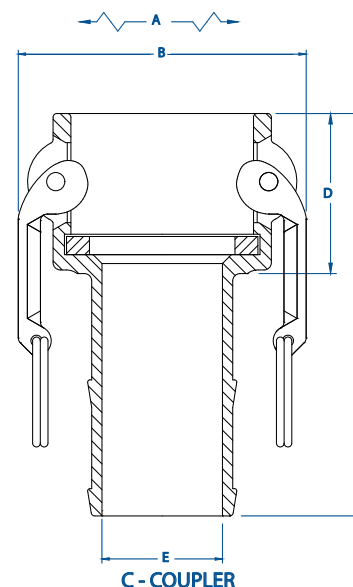
Media	Body Material	Gasket Material
Styrene	VT	VT
Sugar Liquors		
Cane	ABCESPN	NE
Beet	ACESPN	NE
Sulfate Liquors	EP	BN
Sulphite Liquors	EP	VT
Sulfuric Acid	☎	☎
Sulfurous Acid	EP	HP
Superphosphate	P	BN
Tannic Acid, 10%	EP	☎
Tar-Wood	ABCESP	BN
Tartaric Acid	EPN	BN
Titanium Tetrachloride-Dry	ESPN	VT
Toluene/Toluol	ABCESN	VT
Tetrachloroethylene	EN	VT
Trichloroethylene-Dry	BCESN	VT
Triethanolamine	ACEP	EP
Trisodium Phosphate	ESPN	BN
Urea	AEP	BN
Urine	PN	NE
Varnish	AEN	VT
Vinegar	EPN	NE
Water		
Acid Mine	EN	BN
Deionized	PN	NE
Demineralized	PN	NE
Distilled	AEPN	NE
Fresh	ABEPN	BN
Salt	BEPN	BN
White Liquor (Paper Ind.)	E	BN
Wine	EN	NE
Xylene/Xylol	ABESN	VT
Zinc Chloride	P	BN
Zinc Nitrate, Sulfate	AEPN	BN



A - Adapter



B - COUPLER



C - COUPLER

		A - Adapter (ADAPTER X FEMALE THREAD)														
REF	DESCRIPTION	E05	05	07	10	12	15	20	25	30	40	50	60	80	100	120
	COUPLER OR ADAPTER SIZE	.50	.75	.75	1.00	1.25	1.50	2.00	2.50	3.00	4.00	5.00	6.00	8.00	10.00	12.00
	THREAD SIZE	.50	.50	.75	1.00	1.25	1.50	2.00	2.50	3.00	4.00	5.00	6.00	8.00	10.00	12.00
C	OVERALL LENGTH in/(mm)	1.60 (41)	1.62 (41)	1.62 (41)	1.91 (49)	2.16 (55)	2.29 (58)	2.54 (65)	2.75 (70)	2.84 (72)	3.16 (80)	3.22 (82)	3.35 (85)	4.50 (114)	4.50 (114)	4.38 (111)
E	INSIDE DIAMETER in/(mm)	.53 (13)	.66 (17)	.75 (20)	.88 (22)	1.04 (26)	1.35 (34)	1.72 (44)	2.14 (54)	2.80 (71)	3.78 (96)	4.79 (122)	5.90 (150)	7.80 (198)	10.10 (257)	12.00 (305)
F	ACROSS CORNERS in/(mm)	1.12 (28)	1.49 (38)	1.49 (38)	1.76 (45)	2.19 (56)	2.44 (62)	2.92 (74)	3.49 (89)	4.22 (107)	5.41 (137)	6.49 (165)	7.70 (196)	10.23 (260)	12.79 (325)	14.75 (375)
G	CHAIN LUG EXTENSION in/(mm)				.34 (9)	.34 (9)	.33 (8)	.31 (8)	.27 (7)	.44 (11)	.39 (10)	.35 (9)	.60 (15)	.60 (15)	.60 (15)	

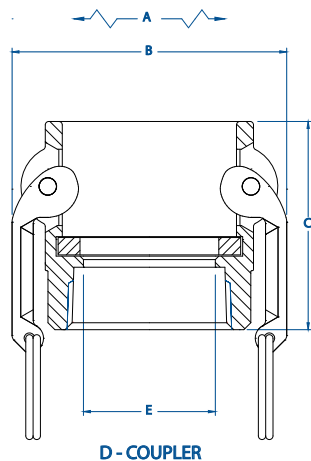
		B - Coupler (COUPLER X MALE THREAD)														
REF	DESCRIPTION	E05	05	07	10	12	15	20	25	30	40	50	60	80	100	120
	COUPLER OR ADAPTER SIZE	.50	.75	.75	1.00	1.25	1.50	2.00	2.50	3.00	4.00	5.00	6.00	8.00	10.00	12.00
	THREAD SIZE	.50	.50	.75	1.00	1.25	1.50	2.00	2.50	3.00	4.00	5.00	6.00	8.00	10.00	12.00
A	O.D. WITH CAM ARMS EXTENDED in/(mm)	4.21 (107)	4.51 (115)	4.51 (115)	5.10 (130)	6.86 (174)	7.16 (182)	7.54 (192)	8.03 (204)	9.56 (243)	10.66 (271)	11.67 (296)	16.26 (413)	18.23 (463)	20.66 (525)	22.72 (577)
B	OUTSIDE DIAMETER in/(mm)	1.82 (46)	2.11 (54)	2.11 (54)	2.44 (62)	3.26 (83)	3.56 (90)	3.94 (100)	4.43 (113)	5.46 (139)	6.56 (167)	7.57 (192)	10.16 (258)	12.13 (308)	14.56 (370)	16.62 (422)
C	OVERALL LENGTH in/(mm)	2.10 (53)	2.10 (53)	2.10 (53)	2.50 (64)	2.89 (73)	2.93 (74)	3.20 (81)	3.63 (92)	3.82 (97)	4.00 (102)	4.20 (107)	4.52 (115)	4.80 (122)	5.50 (140)	5.70 (145)
D	EXPOSED LENGTH in/(mm)	1.25 (32)	1.25 (32)	1.25 (32)	1.56 (40)	1.84 (47)	1.88 (48)	2.15 (55)	2.18 (55)	2.27 (58)	2.34 (59)	2.44 (62)	2.62 (67)	2.72 (69)	3.20 (81)	3.20 (81)
E	INSIDE DIAMETER in/(mm)	.56 (14)	.56 (14)	.78 (20)	.97 (25)	1.25 (32)	1.50 (38)	1.88 (48)	2.38 (60)	2.88 (73)	3.60 (91)	4.50 (114)	5.60 (142)	7.50 (191)	9.40 (239)	11.40 (290)

		C - Coupler (COUPLER X HOSE SHANK)														
REF	DESCRIPTION	E05	05	07	10	12	15	20	25	30	40	50	60	80	100	120
	COUPLER OR ADAPTER SIZE	.50	.75	.75	1.00	1.25	1.50	2.00	2.50	3.00	4.00	5.00	6.00	8.00	10.00	12.00
	HOSE SHANK SIZE	.50	.50	.75	1.00	1.25	1.50	2.00	2.50	3.00	4.00	5.00	6.00	8.00	10.00	12.00
A	O.D. WITH CAM ARMS EXTENDED in/(mm)	4.21 (107)	4.51 (115)	4.51 (115)	5.10 (130)	6.86 (174)	7.16 (182)	7.54 (192)	8.03 (204)	9.56 (243)	10.66 (271)	11.67 (296)	16.26 (413)	18.23 (463)	20.66 (525)	22.72 (577)
B	OUTSIDE DIAMETER in/(mm)	1.82 (46)	2.11 (54)	2.11 (54)	2.44 (62)	3.26 (83)	3.56 (90)	3.94 (100)	4.43 (113)	5.46 (139)	6.56 (167)	7.57 (192)	10.16 (258)	12.13 (308)	14.56 (370)	16.62 (422)
C	OVERALL LENGTH in/(mm)	2.69 (68)	2.7 (69)	3.55 (90)	4.06 (103)	4.44 (113)	4.82 (122)	5.53 (140)	5.93 (151)	6.32 (161)	6.64 (169)	7.24 (184)	9.5 (241)	9.5 (241)	12 (305)	12 (305)
D	EXPOSED LENGTH in/(mm)	1.25 (32)	1.25 (32)	1.25 (32)	1.56 (40)	1.84 (47)	1.88 (48)	2.15 (55)	2.18 (55)	2.27 (58)	2.34 (59)	2.44 (62)	2.7 (69)	2.72 (69)	3.2 (81)	3.3 (81)
E	INSIDE DIAMETER in/(mm)	0.38 (10)	0.38 (10)	0.53 (13)	0.78 (20)	0.97 (25)	1.22 (31)	1.71 (43)	2.16 (55)	2.65 (67)	3.53 (90)	4.53 (115)	5.53 (140)	7.53 (191)	9.4 (239)	11.4 (290)

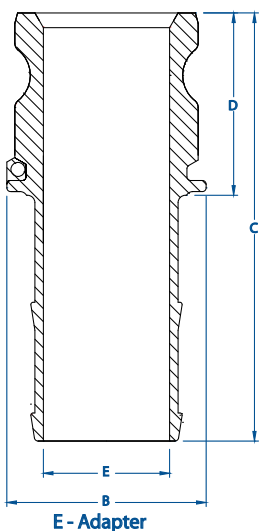




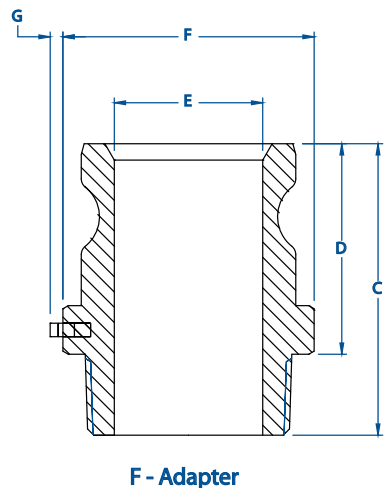
PT COUPLING CO. GENERAL DIMENSIONS



D - Coupler (COUPLER X FEMALE THREAD)																
REF	DESCRIPTION	E05	05	07	10	12	15	20	25	30	40	50	60	80	100	120
	COUPLER OR ADAPTER SIZE	.50	.75	.75	1.00	1.25	1.50	2.00	2.50	3.00	4.00	5.00	6.00	8.00	10.00	12.00
	THREAD SIZE	.50	.50	.75	1.00	1.25	1.50	2.00	2.50	3.00	4.00	5.00	6.00	8.00	10.00	12.00
A	O.D. WITH CAM ARMS EXTENDED in/(mm)	4.21 (107)	4.51 (115)	4.51 (115)	5.10 (130)	6.86 (174)	7.16 (182)	7.54 (192)	8.03 (204)	9.56 (243)	10.66 (271)	11.67 (296)	16.26 (413)	18.23 (463)	20.66 (525)	22.72 (577)
B	OUTSIDE DIAMETER in/(mm)	1.82 (46)	2.11 (54)	2.11 (54)	2.44 (62)	3.26 (83)	3.56 (90)	3.94 (100)	4.43 (113)	5.46 (139)	6.56 (167)	7.57 (192)	10.16 (258)	12.13 (308)	14.56 (370)	16.62 (422)
C	OVERALL LENGTH in/(mm)	2 (51)	2.1 (53)	2.1 (53)	2.5 (64)	2.7 (69)	2.8 (71)	3.1 (79)	3.4 (86)	3.5 (89)	3.9 (99)	4.1 (104)	4.4 (112)	4.8 (122)	5.5 (140)	5.7 (145)
E	INSIDE DIAMETER in/(mm)	0.67 (17)	0.67 (17)	0.88 (22)	0.97 (25)	1.25 (32)	1.5 (38)	1.88 (48)	2.38 (60)	2.88 (73)	3.6 (91)	4.5 (114)	5.5 (140)	7.5 (191)	9.4 (239)	11.4 (290)

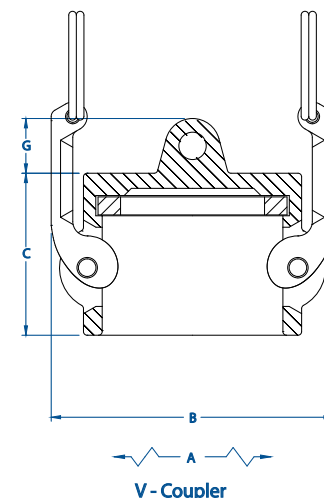


E - Adapter (ADAPTER X HOSE SHANK)																
REF	DESCRIPTION	E05	05	07	10	12	15	20	25	30	40	50	60	80	100	120
	COUPLER OR ADAPTER SIZE	.50	.75	.75	1.00	1.25	1.50	2.00	2.50	3.00	4.00	5.00	6.00	8.00	10.00	12.00
	HOSE SHANK SIZE	.50	.50	.75	1.00	1.25	1.50	2.00	2.50	3.00	4.00	5.00	6.00	8.00	10.00	12.00
B	OUTSIDE DIAMETER in/(mm)	0.96 (24)	1.26 (32)	1.26 (32)	1.63 (41)	2 (51)	2.14 (54)	2.64 (67)	3.07 (78)	3.70 (94)	4.71 (120)	6.56 (167)	7.1 (180)	9.1 (231)	11.37 (289)	13.46 (342)
C	OVERALL LENGTH in/(mm)	2.56 (65)	3.21 (82)	3.78 (96)	4.3 (109)	4.90 (124)	5.10 (130)	5.75 (146)	6.63 (168)	6.88 (175)	7.2 (183)	7.56 (192)	10.1 (257)	10.1 (257)	11.7 (297)	11.7 (297)
D	EXPOSED LENGTH in/(mm)	1.11 (28)	1.46 (37)	1.46 (37)	1.8 (46)	2.35 (60)	2.15 (55)	2.40 (61)	2.47 (63)	2.53 (64)	2.60 (66)	2.81 (71)	3.3 (84)	3.3 (84)	2.88 (73)	2.88 (73)
E	INSIDE DIAMETER in/(mm)	0.38 (10)	0.35 (9)	0.53 (13)	0.88 (22)	0.97 (25)	1.19 (30)	1.68 (43)	2.13 (54)	2.62 (67)	3.50 (89)	4.53 (115)	5.53 (140)	7.53 (191)	9.4 (239)	11.4 (290)

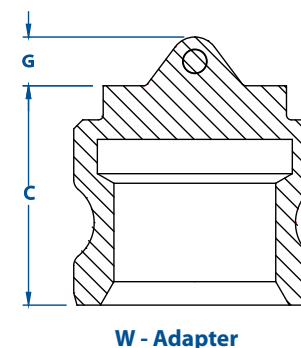


F - Adapter (ADAPTER X MALE THREAD)																
REF	DESCRIPTION	E05	05	07	10	12	15	20	25	30	40	50	60	80	100	120
	COUPLER OR ADAPTER SIZE	.50	.75	.75	1.00	1.25	1.50	2.00	2.50	3.00	4.00	5.00	6.00	8.00	10.00	12.00
	THREAD SIZE	.50	.50	.75	1.00	1.25	1.50	2.00	2.50	3.00	4.00	5.00	6.00	8.00	10.00	12.00
C	OVERALL LENGTH in/(mm)	1.96 (50)	2.47 (63)	2.47 (63)	2.89 (73)	3.23 (82)	3.29 (84)	3.57 (91)	4.18 (106)	4.37 (111)	4.79 (122)	4.91 (125)	5.20 (132)	5.90 (150)	6.75 (171)	7.2 (182)
D	EXPOSED LENGTH in/(mm)	1.26 (32)	1.67 (42)	1.67 (42)	1.99 (51)	2.23 (57)	2.31 (59)	2.57 (65)	2.78 (71)	2.87 (73)	3.19 (81)	3.21 (82)	3.40 (86)	3.90 (99)	4.38 (111)	4.80 (122)
E	INSIDE DIAMETER in/(mm)	0.53 (13)	0.56 (14)	0.75 (19)	0.85 (22)	1.04 (26)	1.34 (34)	1.72 (44)	2.14 (54)	2.80 (71)	3.78 (96)	4.79 (122)	5.84 (148)	7.80 (198)	9.88 (251)	12.00 (305)
F	MAX. ACROSS CORNERS in/(mm)	1.12 (28)	1.42 (36)	1.42 (36)	1.75 (45)	2.16 (55)	2.44 (62)	2.84 (72)	3.45 (88)	4.07 (103)	5.27 (134)	6.39 (162)	7.70 (196)	10.00 (254)	11.87 (301)	14.1 (358)
G	CHAIN LUG EXTENSION in/(mm)				.34 (9)	0.34 (9)	0.30 (8)	0.28 (7)	0.29 (7)	0.44 (11)	0.40 (10)	0.16 (4)	.60 (15)	.60 (15)	.60 (15)	

PT COUPLING CO. GENERAL DIMENSIONS



V - Coupler (COUPLER DUST CAP)																
REF	DESCRIPTION	E05	05	07	10	12	15	20	25	30	40	50	60	80	100	120
	COUPLER OR ADAPTER SIZE	.50		.75	1.00	1.25	1.50	2.00	2.50	3.00	4.00	5.00	6.00	8.00	10.00	12.00
A	O.D. WITH CAM ARMS EXTENDED in/(mm)	4.21 (107)		4.51 (115)	5.10 (130)	6.86 (174)	7.16 (182)	7.54 (192)	8.03 (204)	9.56 (243)	10.66 (271)	11.67 (296)	16.26 (413)	18.23 (463)	20.66 (525)	22.72 (577)
B	OUTSIDE DIAMETER in/(mm)	1.82 (46)		2.11 (54)	2.44 (62)	3.26 (83)	3.56 (90)	3.94 (100)	4.43 (113)	5.46 (139)	6.56 (167)	7.57 (192)	10.16 (258)	12.13 (308)	14.56 (370)	16.62 (422)
C	OVERALL LENGTH in/(mm)	1.3 (33)		1.35 (34)	1.60 (41)	1.89 (48)	1.96 (50)	2.25 (57)	2.28 (58)	2.27 (58)	2.34 (59)	2.44 (62)	2.76 (70)	2.72 (69)	3.30 (84)	3.50 (89)
G	CHAIN LUG EXTENSION in/(mm)	0.5 (13)		0.5 (13)	0.62 (16)	0.6 (15)	0.86 (22)	0.76 (19)	0.90 (23)	1.03 (26)	0.99 (25)	1.15 (29)	1.14 (29)	1.18 (30)	1.30 (33)	1.30 (33)

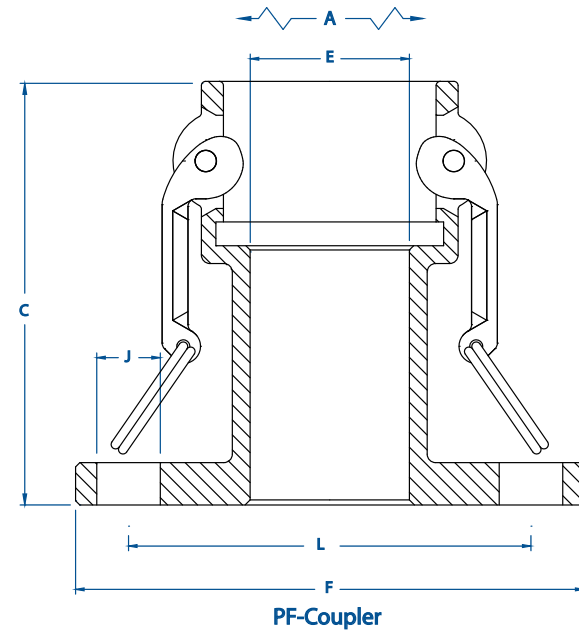
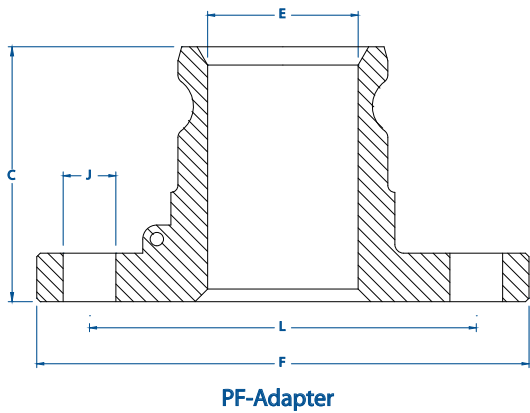


W - Adapter (ADAPTER DUST PLUG)																
REF	DESCRIPTION	E05	05	07	10	12	15	20	25	30	40	50	60	80	100	120
	COUPLER OR ADAPTER SIZE	.50		.75	1.00	1.25	1.50	2.00	2.50	3.00	4.00	5.00	6.00	8.00	10.00	12.00
C	OVERALL LENGTH in/(mm)	1.06 (27)		1.41 (36)	1.35 (34)	1.94 (49)	2.06 (52)	1.90 (48)	2.44 (62)	2.03 (52)	2.10 (53)	2.63 (67)	2.28 (58)	2.28 (58)	3 (76)	2.88 (73)
G	CHAIN LUG EXTENSION in/(mm)	.50 (13)		.59 (15)	.96 (24)	.62 (16)	.50 (13)	.70 (18)	.81 (21)	1.00 (25)	1.00 (25)	.85 (22)	1.00 (25)	1.18 (30)	0.9 (23)	.50 (13)



PT COUPLING CO. GENERAL DIMENSIONS

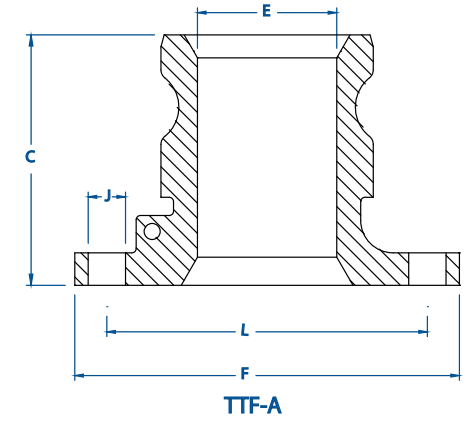
PART PF-A (ADAPTER X FLANGE)												
REF	DESCRIPTION	PF10A	PF15A	PF20A	PF25A	PF30A	PF40A	PF50A	PF60A	PF80A	PF100A	PF120A
	ADAPTER SIZE	1.00	1.50	2.00	2.50	3.00	4.00	5.00	6.00	8.00	10.00	12.00
	FLANGE SIZE (ANSI CLASS 150)	1.00	1.50	2.00	2.50	3.00	4.00	5.00	6.00	8.00	10.00	12.00
C	OVERALL LENGTH in/(mm)	2.32 (59)	3.56 (90)	3.5 (89)	3.63 (92)	3.69 (94)	4.0 (102)	4.44 (113)	4.5 (114)	5.38 (137)	6.6 (168)	7.0 (178)
E	INSIDE DIAMETER in/(mm)	.88 (22)	1.34 (34)	1.72 (44)	2.14 (54)	2.78 (71)	3.78 (96)	4.79 (122)	5.56 (141)	7.8 (198)	10.0 (254)	11.4 (290)
F	OUTSIDE DIAMETER in/(mm)	4.25 (108)	5.0 (127)	6.0 (152)	7.0 (178)	7.5 (191)	9.0 (229)	10.0 (254)	11.0 (279)	13.5 (343)	16.0 (406)	19.0 (483)
J	BOLT HOLE DIAMETER in/(mm)	.63 (16)	.63 (16)	.75 (19)	.75 (19)	.75 (19)	.75 (19)	.88 (22)	.88 (22)	.88 (22)	1.0 (25)	1.0 (25)
K	NUMBER OF HOLES	4	4	4	4	4	8	8	8	8	12	12
L	BOLT CIRCLE DIAMETER in/(mm)	3.13 (80)	3.88 (99)	4.75 (121)	5.5 (140)	6.0 (152)	7.5 (191)	8.5 (216)	9.5 (241)	11.75 (298)	14.25 (362)	17.0 (432)



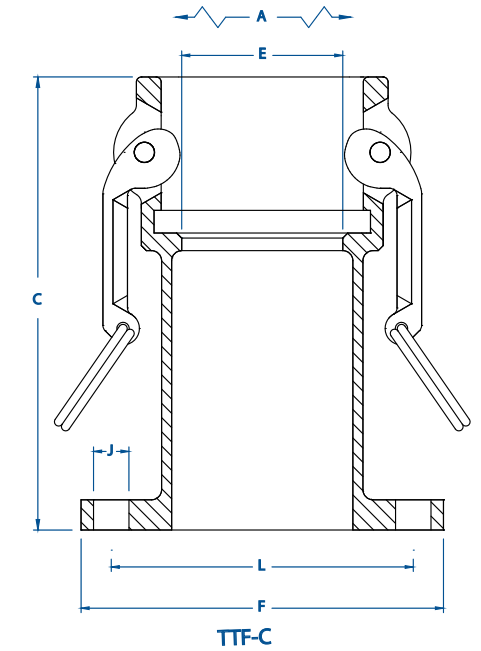
PART PF-C (COUPLER X FLANGE)											
REF	DESCRIPTION	PF10C	PF15C	PF20C	PF25C	PF30C	PF40C	PF60C	PF80C	PF100C	PF120C
	COUPLER SIZE	1.00	1.50	2.00	2.50	3.00	4.00	6.00	8.00	10.00	12.00
	FLANGE SIZE (ANSI CLASS 150)	1.00	1.50	2.00	2.50	3.00	4.00	6.00	8.00	10.00	12.00
A	O.D. WITH CAM ARMS EXTENDED in/(mm)	5.04 (128)	7.16 (182)	7.54 (192)	8.03 (204)	9.56 (243)	10.66 (271)	16.76 (426)	18.73 (476)	23.00 (599)	25.00 (635)
C	OVERALL LENGTH in/(mm)	3.48 (88)	5.25 (133)	5.82 (148)	5.09 (129)	5.82 (148)	5.39 (137)	7.75 (197)	7.64 (194)	8.5 (216)	8.5 (216)
E	INSIDE DIAMETER in/(mm)	.69 (18)	1.35 (34)	1.63 (41)	2.38 (60)	2.9 (74)	3.6 (91)	5.6 (142)	7.53 (191)	9.4 (239)	11.4 (290)
F	OUTSIDE DIAMETER in/(mm)	4.25 (108)	5.0 (127)	6.0 (152)	7.0 (178)	7.5 (191)	9.0 (229)	11.0 (279)	13.5 (343)	16.0 (406)	19.0 (483)
J	BOLT HOLE DIAMETER in/(mm)	.63 (16)	.63 (16)	.75 (19)	.75 (19)	.75 (19)	.75 (19)	.88 (22)	.88 (22)	1.0 (25)	1.0 (25)
K	NUMBER OF HOLES	4	4	4	4	4	8	8	8	12	12
L	BOLT CIRCLE DIAMETER in/(mm)	3.13 (80)	3.88 (99)	4.75 (121)	5.5 (140)	6.0 (152)	7.5 (191)	9.5 (241)	11.75 (298)	14.25 (362)	12.00 (432)

PT COUPLING CO. GENERAL DIMENSIONS

TTF-A (ADAPTER X FLANGE)					
REF	DESCRIPTION	TTF20A	TTF30A	TTF40A	TTF60A
	ADAPTER SIZE	2.00	3.00	4.00	6.00
	FLANGE SIZE (TTMA)	2.00	3.00	4.00	6.00
C	OVERALL LENGTH in/(mm)	2.93 (74)	3.38 (86)	3.35 (85)	4.88 (124)
E	INSIDE DIAMETER in/(mm)	1.63 (41)	2.8 (71)	3.78 (96)	5.84 (148)
F	OUTSIDE DIAMETER in/(mm)	4.5 (114)	5.63 (143)	6.63 (168)	8.88 (226)
J	BOLT HOLE DIAMETER in/(mm)	.44 (11)	.44 (11)	.44 (11)	.44 (11)
K	NUMBER OF HOLES	6	8	8	12
L	BOLT CIRCLE DIAMETER in/(mm)	3.75 (95)	4.88 (124)	5.88 (149)	8.13 (207)



TTF-C (COUPLER X FLANGE)						
REF	DESCRIPTION	TTF20C	TTF30C	TTF40C	TTF60C	TTF80C
	COUPLER SIZE	2.00	3.00	4.00	6.00	8.00
	FLANGE SIZE (TTMA)	2.00	3.00	4.00	6.00	8.00
A	O.D. WITH CAM ARMS EXTENDED in/(mm)	7.54 (192)	9.56 (243)	10.66 (271)	16.26 (413)	18.23 (463)
C	OVERALL LENGTH in/(mm)	5.63 (143)	5.66 (144)	5.68 (144)	7.25 (184)	7.64 (194)
E	INSIDE DIAMETER in/(mm)	2.0 (51)	2.9 (74)	3.6 (91)	5.6 (142)	7.53 (191)
F	OUTSIDE DIAMETER in/(mm)	4.5 (114)	5.63 (143)	6.63 (168)	8.88 (226)	10.87 (276)
J	BOLT HOLE DIAMETER in/(mm)	.44 (11)	.44 (11)	.44 (11)	.44 (11)	.44 (11)
K	NUMBER OF HOLES	6	8	8	12	16
L	BOLT CIRCLE DIAMETER in/(mm)	3.75 (95)	4.88 (124)	5.88 (149)	8.13 (207)	10.12 (257)



PT Coupling CO. Engagement Lengths															
DESCRIPTION	COUPLER/ADAPTER SIZE														
	E05	05	07	10	12	15	20	25	30	40	50	60	80	100	120
ADAPTER/COUPLER SIZE	0.50	0.75	0.75	1.00	1.25	1.50	2.00	2.50	3.00	4.00	5.00	6.00	8.00	10.00	12.00
ADAPTER ENGAGEMENT LENGTH	1.03	0.97	0.97	1.19	1.44	1.48	1.75	1.75	1.84	1.87	1.97	2.19	2.15	2.55	2.55

Appendix - General Dimensions

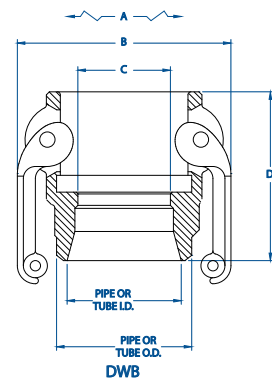
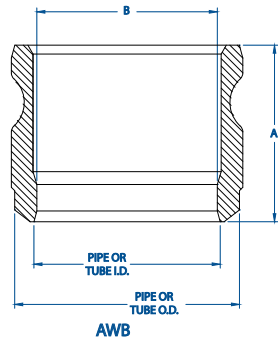
Appendix - General Dimensions



PT COUPLING CO. GENERAL SOCKET WELD DIMENSIONS

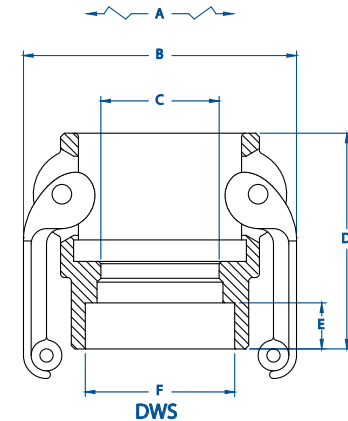
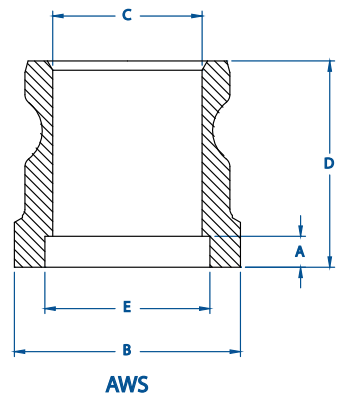
PART AWB (ADAPTER X BUTT WELD)														
DIM	DESCRIPTION	E05	07	10	12	15	20	25	30	40	50	60	80	100
A	OVERALL LENGTH	1.43	1.40	1.74	1.99	2.06	2.50	2.44	2.75	2.88	2.70	3.00	5.90	6.73
B	INSIDE DIAMETER	.53	.75	.88	1.06	1.25	1.75	2.14	2.81	3.75	4.75	5.84	7.80	9.90

PART DWB (COUPLER X BUTT WELD)														
DIM	DESCRIPTION	E05	07	10	12	15	20	25	30	40	50	60	80	100
A	O.D. WITH CAM ARMS EXTENDED	4.21	4.51	5.10	6.86	7.16	7.54	8.03	9.56	10.66	11.67	16.26	18.23	20.66
B	OUTSIDE DIAMETER	1.82	2.11	2.44	3.26	3.56	3.94	4.43	5.46	6.56	7.57	10.16	12.13	14.56
C	INSIDE DIAMETER	.56	.78	.97	1.25	1.54	1.88	2.38	2.88	3.50	4.50	5.50	7.50	9.40
D	OVERALL LENGTH	2.00	2.00	2.51	2.89	2.81	3.20	3.63	3.82	4.00	4.20	4.54	4.80	5.50



PART AWS (ADAPTER X SOCKET WELD)															
DIM	DESCRIPTION	E05	07	10	12	15	20	25	30	40	50	60	80	100	
A	SOCKET DEPTH	.30	.30	.30	.30	.40	.40	.40	.40	.60	.60	.60	.90	.90	
B	OUTSIDE DIAMETER	1.00	1.25	1.45	2.00	2.25	2.74	3.25	3.75	5.01	6.00	7.00	10.30	12.80	
C	INSIDE DIAMETER	.53	.75	.88	1.06	1.35	1.81	2.14	2.81	3.00	4.78	5.84	7.86	9.77	
D	OVERALL LENGTH	1.00	1.13	1.44	2.00	2.13	2.50	2.56	2.75	2.97	2.94	2.90	4.50	4.60	
E	SOCKET DIAMETER	PIPE	.88	1.10	1.36	1.71	1.95	2.44	2.94	3.57	4.58	5.66	6.72	8.74	10.89
	TUBE	.52	.77	1.02	1.27	1.52	2.02	2.52	3.02	4.03	5.03	6.03	8.04	10.05	

PART DWS (COUPLER X SOCKET WELD)															
DIM	DESCRIPTION	E05	07	10	12	15	20	25	30	40	50	60	80	100	
A	O.D. WITH CAM ARMS EXTENDED	4.21	4.51	5.10	6.86	7.16	7.54	8.03	9.56	10.66	11.67	16.26	18.23	20.66	
B	OUTSIDE DIAMETER	1.82	2.11	2.44	3.26	3.56	3.94	4.43	5.46	6.56	7.57	10.16	12.13	14.40	
C	INSIDE DIAMETER	.56	.88	.97	1.25	1.50	1.88	2.38	2.88	3.60	4.50	5.50	7.50	9.40	
D	OVERALL LENGTH	2.00	2.06	2.50	2.70	2.81	3.10	3.40	3.50	3.90	4.20	4.54	4.80	5.50	
E	SOCKET DEPTH	.50	.50	.50	.50	.50	.70	.70	.70	.70	.90	.90	.90	.90	
F	SOCKET DIAMETER	PIPE	0.88	1.10	1.36	1.71	1.95	2.44	2.94	3.57	4.58	5.66	6.72	8.74	10.89
	TUBE	0.52	.77	1.02	1.27	1.52	2.02	2.52	3.02	4.03	5.03	6.03	8.04	10.05	



C & E - US

NEW

For 2013

40C US with Bands  
40E US with Bands  
Aluminum Coupler X Under Size  
Hose Shank  
Aluminum Adapter X Under  
SizeHose Shank

- For layflat hose
- Use with Punch-Lok™ center punch clamps

Made in the U.S.A.

Banding Totes



STEEL BANDING & STRAPPING IN BANDING TOTE

100 FEET PER ROLL STANDARD LENGTH  
Standard Duty 3/8" - 3/4" & 3/4" Heavy Duty  
Page 120

Made in the U.S.A.

Hose Marc MAX



Mount Plug

ADAPTER X FLANGE  
Made in the U.S.A.

- Weldable
- Pre-drilled holes
- Aluminum
- Available in 3" & 4"
- Page 74



Aluminum Safety Bump



Available in 2", 3" & 4".  
STA-LOK® II cams are only available for Aluminum Safety Bump®.  
Aluminum Safety Bump® come standard with locking handles  
available in Brass or Stainless Steel, also available with standard  
HB (Brass) handles.  
Page 72  
Made in the U.S.A.



**CHICAGO**

*Richard F. Payne, Inc.*  
460 Podlin Drive  
Franklin Park, IL 60131

*Joe & Dan Payne*  
**Phone:** 630-595-0350  
**Toll:** 800-662-5571  
**Fax:** 630-595-3685  
**Toll Free:** 888-595-3685  
**E-Mail:** sales@rfpayne.com

**SACRAMENTO**

*Industrial Solutions, Inc.*  
150 Gum Lane  
Auburn, CA 95603

*Gary Rooker & Tom Baker*  
**Phone:** 530-745-9600  
**Toll Free:** 888-320-4151  
**Fax:** 530-745-9607  
**E-Mail:** sales@industrialsolutionsinc.net

**SALT LAKE CITY**

*Industrial Solutions, Inc.*  
2507 South 300 West  
Salt Lake City, UT 84115

**SAN DIEGO**

*Sunwest Industrial, LLC*  
13350 Gregg Street, Suite 102  
Poway, CA 92064

*Dave Palmer*  
**Phone:** 858-997-2404  
**Toll Free:** 888-833-5401  
**Fax:** 888-833-5402  
**E-Mail:** info@sunwestindustrial.com  
dpalmer@sunwestindustrial.com

**ALLENTOWN**

*Honohan Sales*  
2125 28th Street SW  
Allentown PA 18103

*Dan & Rob Honohan*  
**Phone:** 610-797-8100  
**Toll Free:** 800-333-1090  
**Fax:** 610-797-9028  
**Email:** sales@honohansales.com

**ATLANTA**

*Flexible Industrial Solutions*  
5250 Fulton Industrial Blvd. SW  
Atlanta, GA 30336

*Rick Davis*  
*Dave Hartman*  
*Tom Martin*  
*TJ Wootton*  
**Phone:** 404-696-3998  
**Toll Free:** 877-624-2770  
**Toll Free Fax:** 877-624-2766  
**E-Mail:** se.sales@ptcoupling.com

**DALLAS-FT. WORTH**

*Jimco Sales, Inc.*  
3317 Bryan Ave.  
Fort Worth, TX 76110

*Jim Hendricks*  
**E-Mail:** jph@jimcosales.net  
*Pam Hagood*  
**E-Mail:** sales-pt@jimcosales.net

*Daryl Bates*  
**Mobile:** 214-394-8734  
**E-Mail:** darylbbates@jimcosales.net

*Randy Bates*  
**Mobile:** 817-874-9202  
**E-Mail:** randybates@jimcosales.net

**Phone:** 817-924-0850  
**Toll Free:** 800-889-4626  
**Fax:** 817-924-4612

**DENVER**

*Mountain States Warehouse*  
5055 E. 41st Ave.  
Denver, CO 80216

**Toll Free:** 800-654-0320  
**Fax:** 800-828-2649  
**E-Mail:** donb@burchsales.com

**KANSAS CITY**

*Burchline Sales*  
1107 West Edwards  
Maryville, MO 64468

*Don Burch*  
**Cell:** 816-916-5744  
**E-Mail:** donb@burchsales.com  
**Toll Free:** 800-654-0320

**SEATTLE**

*Wilson/Rogers & Assoc., Inc.*  
2006 196th St. SW #119  
Lynnwood, WA 98036

*Scott Wilson & Ron Weeks, Jr.*  
**Phone:** 425-248-4940  
**Toll Free:** 888-851-7275  
**TF Fax:** 888-851-7273  
**Fax:** 425-248-4944  
**E-Mail:** sales@wilsonrogers.com

**HOUSTON**

*WRC Marketing*  
5611 Clinton Drive  
Houston, TX 77020

*Ray Cooper*  
**Phone:** 713-670-9595  
**Toll Free:** 888-246-9256  
**Fax:** 713-670-9945  
**E-Mail:** wraware@sbcglobal.net

**CANADA**

**EDMONTON**

*J & B Rubber Products, Inc.*  
15703-114th Ave.  
Edmonton, AB Canada T5M-2Z

**TORONTO**

*J & B Rubber Products, Inc.*  
3375 North Service Road,  
Unit B1 Burlington, ON  
Canada L7N3G2

*John McCullough & Bruce McIntosh*  
**Phone:** 888-315-7750  
**Fax:** 905-315-7785  
**E-Mail:** sales@jbrubber.ca

**BRITISH COLUMBIA**  
*Industrial Solutions, Inc.*

Rich Morgan & Gary Rooker  
**Phone:** 360-920-9358  
**Toll Free:** 888-320-4151  
**E-Mail:** rmorgan@industrialsolutionsinc.net

**AUSTRALIA**

*PT Coupling Company Australia*  
8 Enterprise Way  
Sunshine West Victoria 3020

*Andrew Talbut*  
**Phone:** 61 3 9314 9369  
**Cell:** 61 400 389 991  
**Fax:** 61 3 9314 9479  
**Email:** salesau@ptcoupling.com.au

**NEW ZEALAND**

*PT Coupling Company New Zealand*  
101 Hull Road  
Mt Maunganui 3116

*Hayley Smith*  
**Phone:** 64 7 572 7072  
**Fax:** 64 7 572 2029  
**Email:** salesnz@ptcoupling.co.nz

**MEXICO**

*PT COUPLING DE MEXICO, S. DE R.L. DE C.V.*  
Castelar 1013 Ote.  
Col. Independencia  
Monterrey, N.L. Mexico  
C.P. 67420  
**Phone:** 52 81 81 90 00 09  
**Fax:** 52 81 81 90 56 15  
**Email:** ptdmexico@ptcoupling.com

**CENTRAL AMERICAN**  
*MAFISA PT CENTROAMERICA S.A*

150 Mts Oeste De Los Tribunale  
De Justicia, Calle Blancos Apdo  
1016-2150 Moravia San Jose  
Costa Rica

*Jose Ruiz*  
**Phone:** 011 506 2202-2300  
**E-Mail:** mafisapt@ptcoupling.com

**BRAZIL**

*VLADOS-PT CONEXÕES DO BRASIL*  
R. Auriverde, - Ipiranga - São Paulo -  
SP CEP 04222-002 - Brazil

*Ricardo Neukamp*  
**Phone:** 55 11 2271-1212  
**E-Mail:** ricardo@ptcoupling.com.br

**INTERNATIONAL**

*International Sales Manager*  
*Carlos E. Bermudez*

1414 East Willow  
Enid, OK 73701  
**Phone:** 580-977-3709  
**Cell:** 580-478-6639  
**Fax:** 580-237-3435  
**USA Phone:** 888-306-2408  
**E-Mail:** carlosb@ptcoupling.com  
international@ptcoupling.com

**Robert Marr & Son, Inc.**  
32-22, 74th Street 2nd Floor  
East Elmhurst  
New York, NY 11370

*Yin Yin*  
**Phone:** 718-565-7800  
**Fax:** 718-565-7802  
**E-Mail:** marrintl@aol.com



PT Coupling Company

North American  
**Toll Free:** 800-654-0320  
**Fax:** 800-828-2649

info@ptcoupling.com  
govsales@ptcoupling.com

P.O. Box 3909  
1414 East Willow  
Enid, OK 73701

International: 580-977-3741  
International Fax: 580-237-3435  
international@ptcoupling.com



Made in U.S.A  
© 2013 PT Coupling Co.