

# PRIMERGY RX300 S8

## *System configurator and order-information guide*

October 2014

### Contents

Instructions

Configuration diagram

Configurator

0 System software

I Basic unit

II Processor

III Memory

IV Graphics

V Accessible drives

VI Hard disk drives

VII PCI Controller

VIII Raid Controller and Devices for SAS3.0 (12 Gb/sec)

IX Communication/Network

X System Management Products (RemoteView)

XI Miscellaneous

XII Country specific power cord

Change report



**PRIMERGY Server**

# Instructions

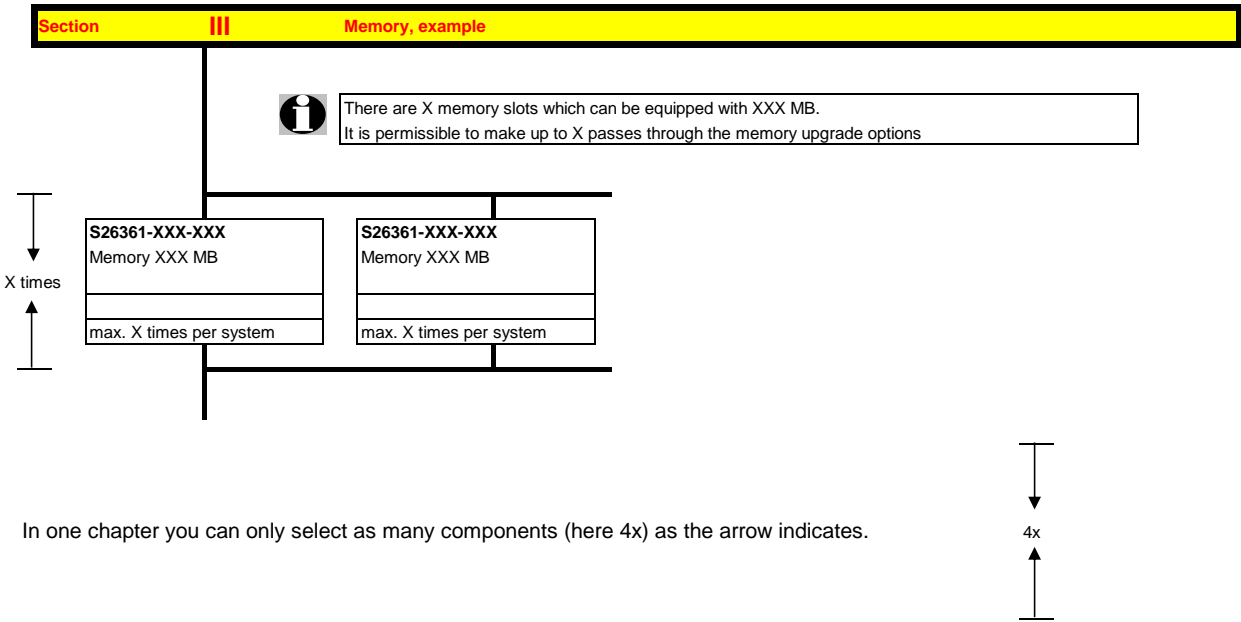
This document contains basic product and configuration information that will enable you to configure your system via PC-/System-Architect.

Only these tools will ensure a fast and proper configuration of your PRIMERGY server or your complete PRIMERGY Rack system.

You can configure your individual PRIMERGY server in order to adjust your specific requirements.

The System configurator is divided into several chapters that are identical to the current price list and PC-/SystemArchitect.

Please follow the lines. If there is a junction, you can choose which way or component you would like to take. Go through the configurator by following the lines from the top to the bottom.



In one chapter you can only select as many components (here 4x) as the arrow indicates.

Please note that there are information symbols which indicate necessary information.



For further information see:

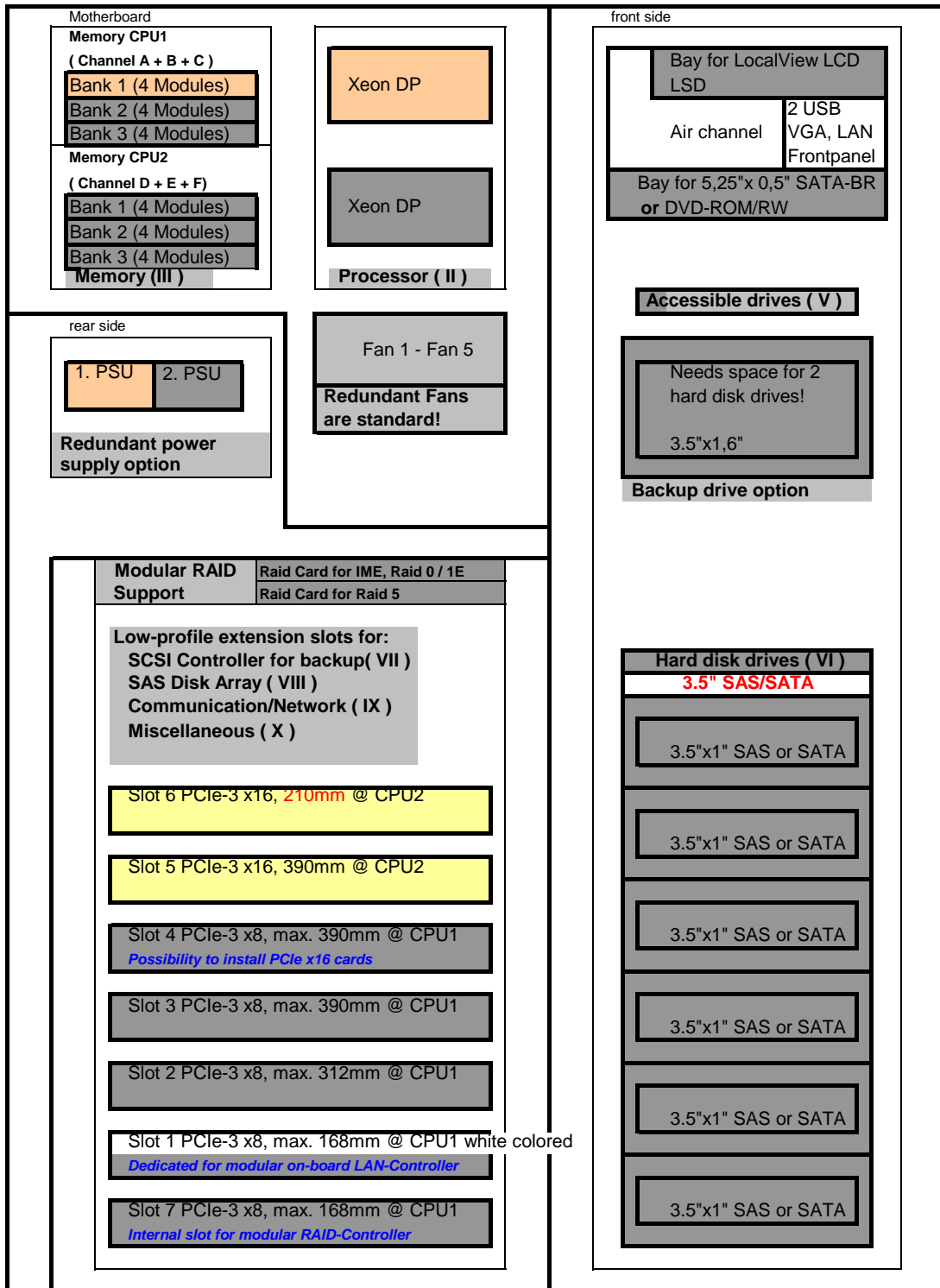
[http://ts.fujitsu.com/products/standard\\_servers/inc](http://ts.fujitsu.com/products/standard_servers/inc) (internet)

[https://partners.ts.fujitsu.com/com/order-supply/configurators/primergy\\_config/current/Pages/default.aspx](https://partners.ts.fujitsu.com/com/order-supply/configurators/primergy_config/current/Pages/default.aspx) (extranet)

## Configuration diagram PRIMERGY RX300 S8

### System unit ( I )

with up to 6x 3.5" Hard disk drives



Key:



Included in basic unit



Option

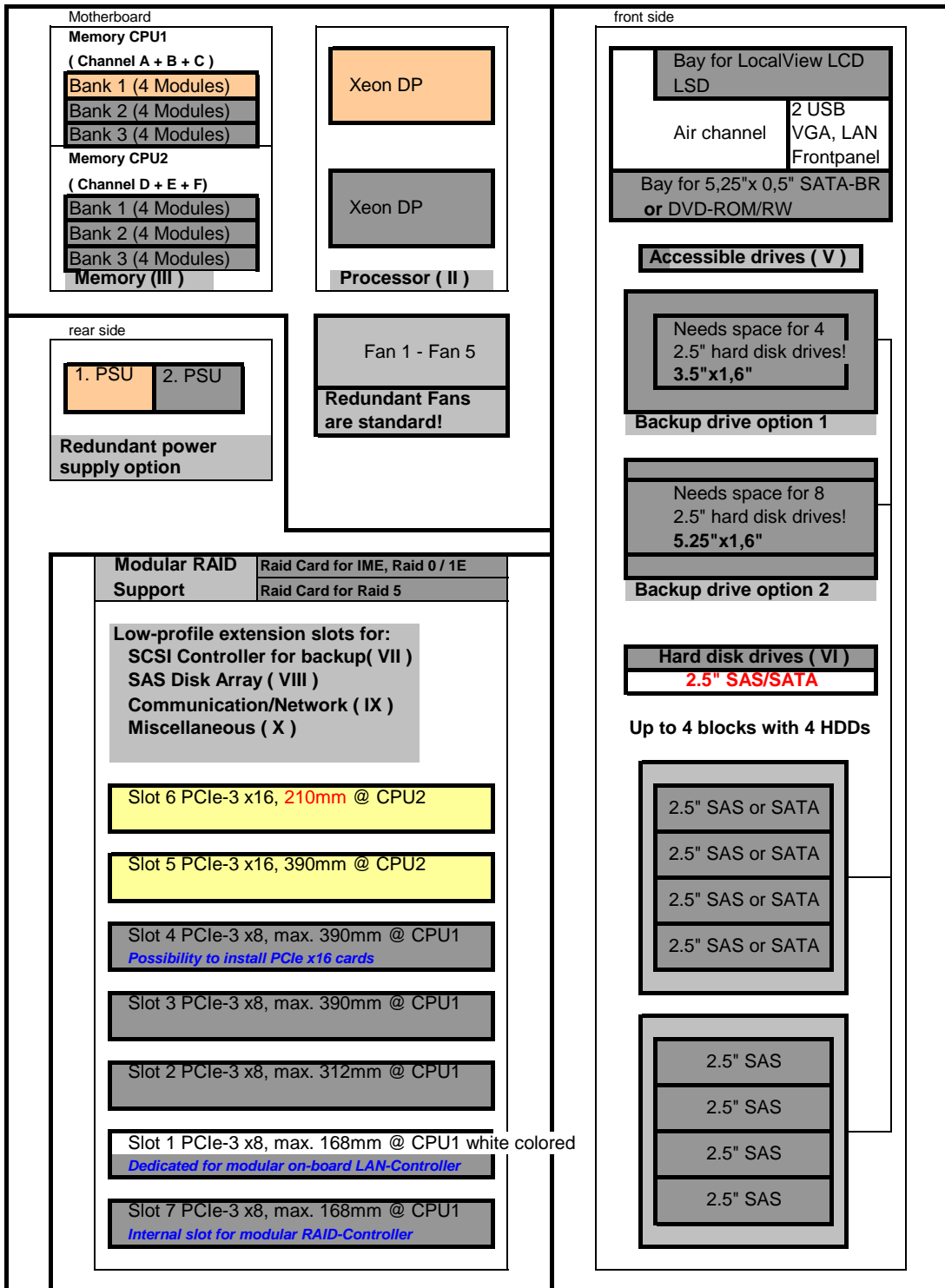


One CPU, one memory per CPU and one PSU has to be selected for an orderable basic unit.

## Configuration diagram PRIMERGY RX300 S8

### System unit ( I )

with up to 4, 8, 12 or 16x 2.5" Hard disk drives or up to 4 or 8 PCIe SSDs 2.5"



Key:

Included in basic unit

Option

One CPU, one memory per CPU and one PSU has to be selected for an orderable basic unit.

## Section

## Basic unit

**System unit consisting of:**

- \* 2U Housing without power supply modules
- \* Basic units with:
  - 2 Hot-Plug Power Supply Bays
  - 5 Fans (full redundancy)
  - 12 memory DIMMs per CPU ( max 768GB ) => Total 24 DIMMs ( max 1536GB ) for two CPU` s
- \* SAS Backplane for 6x 3.5" HD, SAS Backplanes for 4, 8, 12 or 16x 2.5" HD or PCIe Backplanes for 4 or 8 PCIe SSD with cable connection to on-board, modular RAID Controller
- \* Drives/Bays
  - 6 bays 1" for hot plug 3.5" HD (1" high) or 4, 8, 12 or 16 bays for hot plug 2.5" HD
  - 1 bay for 3.5" and 1.6" high Backup device, consumes 2 bays for 3.5" HD for basic unit 6x 3.5" HD not possible for basic unit with 12 or 16 x 2,5" HD
  - 1 bay for 5,25" and 1.6" high Backup device, not possible for basic unit 6x 3.5" HD for basic unit with 12 or 16 x 2.5" HD
  - 1 bay SATA-CD- or DVD-ROM 0,5" height (option)
  - 1 bay for opt. LocalView LC-Display
- \* Integrated ServerView Diagnostics Technology ( Diagnosis LED`s ) for indication of internal failed components

**Systemboard D2939-B with:**

- \* Up to two Xeon DP CPU` s (Socket-R) with 2 serial QPI links ( Quick Path Interconnect ) and four memory channels per CPU  
First CPU has to be selected for an orderable basic unit,
- \* Chipset Intel® C600 Series (codenamed Patsburg)
- \* 7 PCI slots:
  - 2x PCIe-3 x16 (both slots are connected to CPU 2 and are useable with configured 2nd CPU only!)
  - 4x PCIe-3 x8 (one notched to install x16 cards)
  - 1x PCIe-3 x8 (for internal modular RAID controller only)
- \* 24 memory slots for max. 1536GB RAM DDR3 available
  - Memory is divided into 12 DIMMs per CPU ( 4 channels with 3 slots per channel )
  - Possible max. configurations are:
    - 16x 8GB UDIMM (dual rank modules) = 128GB
    - 24x 16GB RDIMM (dual rank modules) = 384GB
    - 24x 32GB LRDIMM (quad rank modules) = 768GB
    - 24x 64GB LRDIMM (eight rank modules) = 1536GB
  - First Memory ( one module ) has to be selected for an orderable basic unit per CPU
  - Memory upgrade is possible module wise
  - Memory mirroring is supported with 2 identical modules in channel A+B CPU 1 or D+E CPU 2
  - Hot Spare Memory is supported with 3 identical modules in channel A+B+C CPU 1 or D+E+F CPU 2
  - SDDC (Chipkill) is supported for memory modules,
- \* Dual Port 10/100/1000 x4 PCI Express\* Gigabit Ethernet Intel LAN controller Powerville on-board
- \* iRMC S4 (integrated Remote Management Controller) on-board server management controller with dedicated 10/100/1000 Service LAN-port and integrated graphics controller.  
The Service LAN-port can be switched alternatively on standard Gbit LAN port 1
- \* Graphics Controller integrated in iRMC S4 (integrated Remote Management Controller):  
1600x1200x16bpp 60Hz, 1280x1024x16bpp 60Hz, 1024x768x32bpp 75Hz, 800x600x32bpp 85Hz, 640x480x32bpp 85Hz  
(1280x1024x24bpp 60Hz only possible if local monitor or remote video redirection is off)

**Interfaces at the rear:**

- \* 1x RS-232-C (serial, 9 pins) (usable for BMC or OS or shared)
- \* 1x VGA (15 pins)
- \* 4x USB 2.0 ( UHCI ) with 480MBit/s, no USB wakeup
- \* 2x LAN RJ45, 1x Service-LAN RJ45

**Interfaces on the front:**

- \* 2x USB 2.0 ( UHCI ) with 480MBit/s, no USB wakeup
- \* 1x VGA (15 pins) as an option
- \* 1x Service-LAN RJ45 as an option

**Interfaces internal:**

- \* 1x released internal USB Interfaces for backup devices,
- \* 1x USB 2.0 (UHCI) with 480MBit/s for dongle functionality (uSSD memory), no USB wakeup
- \* 1x SATA interface for DVD (only usable with 4x 2.5" HDD + DVD Option)
- \* 4x SATA/SAS interface for 4 SATA/SAS HD` s or SAS Backup device
- \* 2x USB 2.0 ports for internal USB redirection connected to BMC

**Software:**

- \* ServerView Suite Software package incl. ServerStart, ServerBooks, Management Software and Updates
- \* Documentation engl. (multilingual on CD)

A

**Cables included in basic unit**

Connections	Cable	PRIMERGY RX300 S7
1. SATA DVD		
2. SAS cables to HDDs		
3. 1x cable for SAS signaling		

⊗ SAS  
 ○ SATA

**Note: Rack Mounting kit and Power Cord for RX300S7 is not included in the basic unit and has to be configured separately**

Rack version for 19" racks with <b>No PSU included in Base Unit</b>	
Basic unit is without CPU and Memory For an orderable basic unit one CPU = first CPU and one memory = first memory has to be selected	
Basic unit with <b>6x 3.5" HDD bays fixed</b>	<b>S26361-K1457-V101</b>
Basic unit with <b>2.5" HDD bays expandable</b>	<b>S26361-K1457-V401</b>
Basic unit with <b>8x 2.5" HDD bays fixed</b>	<b>S26361-K1457-V201</b>
Basic unit with <b>12x 2.5" HDD bays fixed</b>	<b>S26361-K1457-V301</b>

Basic unit with 2.5" HDD bays is modular expandable with various modules for backup devices integration or up to 16x 2.5" HDDs. Details and pictures see Section Va: Possible configuration options for basic units

Full redundancy cannot be guaranteed for a max. config. with e.g. two 135W CPUs with 450W PSUs. In this case SysArch will generate a warning and Power Safeguard will throttle CPUs in case of a PSU failure. So, power consumption will be limited to 450W.

<b>S26113-F575-E12</b> 450W PSU module platinum 1st or 2nd PSU for redundancy 94% efficiency (platinum) uses hot plug PSU slot min. 1 / max. 2x per system
---

<b>S26113-F574-E12</b> 800W PSU module platinum 1st or 2nd PSU for redundancy 94% efficiency (platinum) uses hot plug PSU slot min. 1 / max. 2x per system
---

<b>S26113-F609-E10</b> 800W PSU module -48V DC gold 1st or 2nd PSU for redundancy 92% efficiency (gold) uses hot plug PSU slot min. 1 / max. 2x per system
---

<b>* 110V range not supported</b> <b>S26113-F615-E10 *</b> 800W PSU module titanium 1st or 2nd PSU for redundancy 96% efficiency (titanium) uses hot plug PSU slot min. 1 / max. 2x per system
--

<b>S26113-F574-E99 *</b> <b>Power Supply Dummy</b> must be ordered if 1x PSU only occupies one bay for hot plug power supply max. 1x per system
---

<b>For later redundancy upgrade the following kit is available:</b>	
One 450W power supply module hot plug <b>no power cable included!!!</b>	<b>S26113-F575-L12</b>
One 800W power supply module hot plug <b>no power cable included!!!</b>	<b>S26113-F574-L12</b>
One 800W -48V DC PSU hot plug <b>no power cable included!!!</b>	<b>S26113-F609-L10</b>
One 800W power supply module titanium <b>no power cable included!!!</b>	<b>S26113-F615-L10</b>
Please order appropriate power cord additionally: Powercord for rack, 4m, grey, IEC320 C13->C14 connector Power Cord USA / Canada, 1.8m, grey Power Cord -48V DC, 4m, black	
	<b>T26139-Y1968-L10</b> <b>T26139-Y1742-L10</b> <b>T26139-Y4024-L10</b>



**\*For order completeness only**  
Not shown in system architect  
Version > V9.2

<b>S26361-F3552-E1</b> TPM Module Trusted Platform Module on Motherboard Use according to import restrictions max. 1x per system
--

<b>S26361-F3552-L1</b> TPM Module add-on kit for later integration (loose delivery) Trusted Platform Module on Motherboard Use according to import restrictions max. 1x per system
---

Be aware of import restrictions!  
Loose delivery for later integration possible for customer.

B

**B**  
**PRIMECENTER Rack**

**S26361-F2735-E145**  
 RMK-F1\_DI\_CMA\_QRL  
 best choice for PrimeCenter racks  
 consisting of  
 vario carrier 714-785mm  
 telescopic drop-in rails 781mm  
 with quick release lever support  
 with full extraction  
 with CMA adapter  
 1x per system

**S26361-F2735-E175**  
 Rack Mount Kit F1-C S7 LV  
 best choice for 3rd party racks  
 consisting of  
 vario carrier 559-914mm  
 telescopic drop-in rails 781mm  
 with quick release lever support  
 with full extraction  
 with CMA adapter  
 1x per system

**S26361-F2735-E111**  
 No Rackmount-Kit option  
 Only for loose deliveries  
 No mounting in racks possible  
 max. 1x per system



Further information for rack mounting is available within the Corporate Partner Portal

All "L" no's for loose delivery

**S26361-F2735-L10**  
 Adapter angle PC/DC-Rack, till 50Kg  
 necessary for mounting RMKs in asymmetrical PC racks

**S26361-F4530-E11**  
 Bracket 1U in asymmetrical racks

**S26361-F4530-E10**  
 Mounting of RMK in symmetrical racks (no support brackets needed)



**S26361-F2735-L145**  
 RMK-F1\_DI\_CMA\_QRL  
 best choice for PrimeCenter racks with CMA adapter

**S26361-F2735-E71**  
 Lateral cable management for 2U servers or higher  
 - for asymmetrical racks  
**PRIMECENTER S2 or M1**  
 - 1 bracket PC Rack asym.  
 1x per system

**S26361-F2735-E82**  
 Rack Cable Management Arm CMA 2U for 2U Server in racks  
 - for symmetrical racks  
**M1 or 3rd party racks**  
**Fujitsu racks**  
 1x per system

**S26361-F2735-L175**  
 RMK-F1\_DI\_CMA\_QRL\_LV  
 best choice for 3rd party racks with CMA adapter

**S26361-F2735-L176**  
 RMK-F1\_DI\_QRL\_LV  
 best choice for 3rd party racks w/o CMA adapter

**SNP:SY-F1647E301-P**  
 Installation ex works for one server or subsystem.  
 Hereby the rack will be delivered completely pre-mounted and all wired connections are tested.  
 With PCR M1 16U, 24U, 42U:  
 Systems and components will be delivered installed in the rack

To be ordered only together with a PRIMECENTER rack  
 PCR S2 e.g. S26361-K826-V10x  
 new PCR M1 e.g. S26361-K827-Vxxx  
 refer PCR S2 or M1 rack configurator  
 max. 1x per System



"Rack-mounting ex factory"  
 This service is to be ordered once per installable server/storage subsystem, in order to get the server/storage subsystem mounted into the racks.  
 In case of not-installed server and subsystems this service has to be ordered, to get the mounting kits and the cables installed.

**S26361-F2735-L7**  
 Lateral cable management (optionally) can only be mounted in asymmetrical PRIMECENTER S2 or new M1 racks in 1U above RMK

**S26361-F2735-L82**  
 Rack Cable Management Arm CMA 2U for 2U Server in racks.

**S26361-F2201-L20**  
 Cable arm 2U PCR M1 S and 3rd p.-racks for L176, has to be mounted above RMK



PRIMERGY Classic 19" rack is not supported

**C**

C

**Section II Processor**

There are 2 processor sockets available.  
The first socket must always be equipped with the **first CPU** which can be selected via configurator  
It is also possible to upgrade a dual-processor system later on with a **second CPU**  
**Both PCIe-3 x16 slots are connected to CPU 2 and are useable with configured 2nd CPU only!**  
**Two processors with different clock frequencies are not possible**  
A multi-processor operating system is required for a dual-processor system.

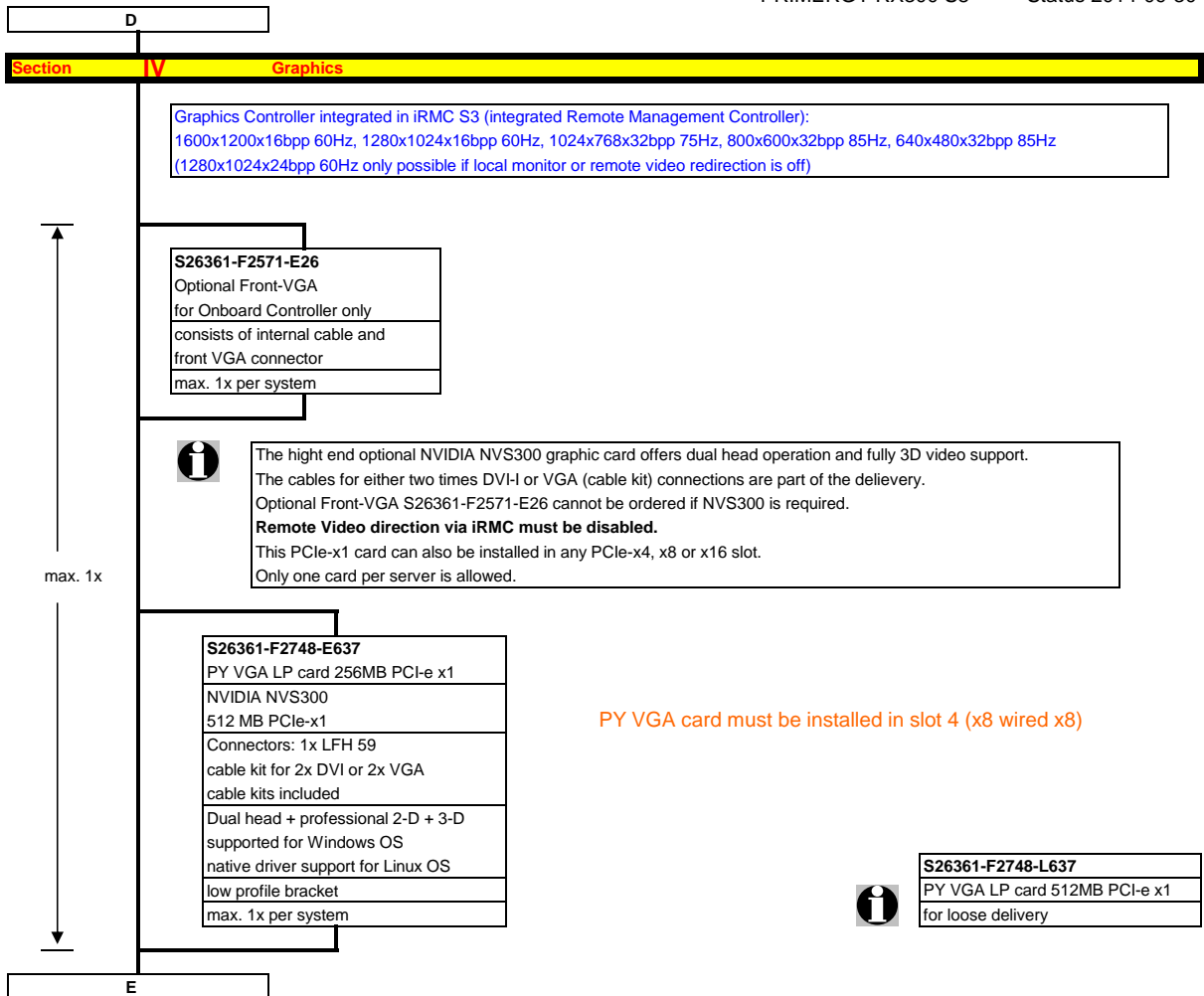
<b>Max. two CPU's can be selected per basic unit</b>	
<b>One of following CPU's has to be selected as first CPU for an orderable basic unit</b>	
<b>Optional second CPU has to be the same type like the first CPU</b>	
<b>Basic 4C CPU's</b>	
- 1x 64-bit Intel Xeon (10MB Smart Cache) 1333 MHz DDR3 Bus; 6,40 GT/s QPI Bus and passive heat sink occupies socket for one CPU	
<b>Xeon E5-2603v2 4C/4T 1.80GHz 10MB 6.40GT/s 1333MHz 80W</b>	<b>S26361-F3788-E180</b>
<b>Xeon E5-2609v2 4C/4T 2.50GHz 10MB 6.40GT/s 1333MHz 80W</b>	<b>S26361-F3788-E250</b>
<b>Standard Turbo 6C/8C CPU's</b>	
- 1x 64-bit Intel Xeon (15/20MB Smart Cache); Hyper-Threading (HT); 1600 MHz DDR3 Bus; 7,20 GT/s QPI Bus and passive heat sink occupies socket for one CPU	
<b>Xeon E5-2620v2 6C/12T 2.10GHz 15MB 7.20GT/s 1600MHz 80W</b>	<b>S26361-F3789-E210</b>
<b>Xeon E5-2630v2 6C/12T 2.60GHz 15MB 7.20GT/s 1600MHz 80W</b>	<b>S26361-F3789-E260</b>
<b>Xeon E5-2640v2 8C/16T 2.00GHz 20MB 7.20GT/s 1600MHz 95W</b>	<b>S26361-F3789-E200</b>
<b>Advanced Turbo+ 8C/10C CPU's</b>	
- 1x 64-bit Intel Xeon (20/25MB Smart Cache); Hyper-Threading (HT); 1866 MHz DDR3 Bus; 8,00 GT/s QPI Bus and passive heat sink occupies socket for one CPU	
<b>Xeon E5-2650v2 8C/16T 2.60GHz 20MB 8.00GT/s 1866MHz 95W</b>	<b>S26361-F3790-E260</b>
<b>Xeon E5-2660v2 10C/20T 2.20GHz 25MB 8.00GT/s 1866MHz 95W</b>	<b>S26361-F3790-E220</b>
<b>Xeon E5-2670v2 10C/20T 2.50GHz 25MB 8.00GT/s 1866MHz 115W</b>	<b>S26361-F3790-E250</b>
<b>Xeon E5-2680v2 10C/20T 2.80GHz 25MB 8.00GT/s 1866MHz 115W</b>	<b>S26361-F3790-E280</b>
<b>Xeon E5-2690v2 10C/20T 3.00GHz 25MB 8.00GT/s 1866MHz 130W</b>	<b>S26361-F3790-E300</b>
<b>Segment Optimized CPU's</b>	
- 1x 64-bit Intel Xeon (15/25/30MB Smart Cache); Hyper-Threading (HT); 1866 MHz DDR3 Bus; 8,00 GT/s QPI Bus and passive heat sink occupies socket for one CPU	
<b>Xeon E5-2637v2 4C/8T 3.50GHz 15MB 8.00GT/s 1866MHz 130W</b>	<b>S26361-F3791-E350</b>
<b>Xeon E5-2643v2 6C/12T 3.50GHz 25MB 8.00GT/s 1866MHz 130W</b>	<b>S26361-F3791-E330</b>
<b>Xeon E5-2667v2 8C/16T 3.30GHz 25MB 8.00GT/s 1866MHz 130W</b>	<b>S26361-F3791-E300</b>
<b>Xeon E5-2695v2 12C/24T 2.40GHz 30MB 8.00GT/s 1866MHz 115W</b>	<b>S26361-F3791-E240</b>
<b>Xeon E5-2697v2 12C/24T 2.70GHz 30MB 8.00GT/s 1866MHz 130W</b>	<b>S26361-F3791-E270</b>
<b>Low Power 6C/10C CPU's</b>	
- 1x 64-bit Intel Xeon (15/25MB Smart Cache); Hyper-Threading (HT); 1600 MHz DDR3 Bus; 7,20/8,00 GT/s QPI Bus and passive heat sink occupies socket for one CPU	
<b>Xeon E5-2630Lv2 6C/12T 2.40GHz 15MB 7.20GT/s 1600MHz 60W</b>	<b>S26361-F3792-E240</b>
<b>Xeon E5-2650Lv2 10C/20T 1.70GHz 25MB 8.00GT/s 1600MHz 70W</b>	<b>S26361-F3792-E170</b>



Max. DDR3 Bus Speed depends on:  
- max. DDR3 Bus Speed from the CPU and  
- max. DDR3 Memory Speed and  
- max. memory modules on one memory channel  
For CPUs which do not offer 1866 MHz support,  
(Basic, Standard & Low Power class),  
System Architect will not offer memory modules  
supporting this frequency.

D





E

**Section III Memory**



- **There are 12 memory slots per CPU for max.**  
 768GB LRDIMM (12x 64GB 8R)  
 192GB RDIMM (12x 16GB 2R)  
**64GB UDIMM (8x 8GB) on special Release only**  
**=> max. 1.536GB for two CPU's (768GB per CPU), using LRDIMM**

- The memory area is divided into 4 channels per CPU with 3 slots per channel  
 - Slot 1 of each channel belongs to memory bank 1, the slot 2 belongs to memory bank 2, slot 3 belongs to memory bank 3

---

**Registered, LR DIMMs and unbuffered memory modules can be selected**  
**No mix of registered, load reduced and unbuffered modules allowed.**  
 Memory can be operated at 1.5V or 1.35V, even if the modules are of low voltage type.  
 Memory operating voltage can be set within BIOS (**1.5V is default** setting for max. speed).  
 In a single DIMM per channel configuration, following frequencies are supported:  
 - 1.5V - 1866MHz max (depending on CPU)  
 - 1.35V - 1600MHz max (depending on CPU, up to two LRDIMM per channel)  
 - 1.35V - 1333MHz max (up to two UDIMM or RDIMM per channel)  
 In a 3 DIMMs per channel configuration, memory will operate at 1.35V or 1.5V (no UDIMM allowed).  
**SSD (Chipkill) is supported for registered / load reduced x4 organized memory modules only.**

---

**1.) In the "Independent Channel Mode" is following configuration possible**  
 Channels can be populated in any order in Independent Channel Mode. All four channels may be populated in any order and have no matching requirements. All channels must run at the same interface frequency but individual channels may run at different DIMM timings (RAS latency, CAS latency, and so forth)  
**No mix of registered, load reduced and unbuffered modules allowed.**

---

**2.) "Rank Sparing Mode" configuration**  
 - Within a memory channel, one rank is a spare of the other ranks.  
 The Spare Rank is held in reserve and is not available as system memory  
 For the effective memory capacity, please refer to the spreadsheet below.  
 The BIOS is set to the rank sparing setting.  
**Minimum configuration is: 2x 1R, 2x 2R or 1x4R DDR3 module per channel**  
**This mode is not supported by unbuffered memory modules**

---

**3.) "Performance Mode" configuration**  
 - In this configuration, the memory module population ex factory is spread across all channels.  
 The BIOS is set to the max. performance for memory.  
**Minimum configuration is: 4x identical modules**

---

**4.) In the "Mirrored Channel Mode" is following configuration possible**  
 - Each memory bank can optionally be equipped with 4x registered or load reduced or unbuffered DDR3 modules  
**In each memory bank channel A and B / C and D of CPU 1 or channel E and F / G and H of CPU 2 have to be equipped with identical modules for mirrored channel mode.**  
 In channel B / D is always the mirrored memory of channel A / B of CPU 1  
 In channel F / H is always the mirrored memory of channel E / G of CPU 2  
**Minimum configuration is: 4x identical modules**  
**This mode is not supported by unbuffered memory modules**

F

F

1x per CPU

<p><b>S26361-F3694-E10 Independent Mode</b> Independent Channel Mode allows all channels to be populated in any order. No specific Memory RAS features are defined <b>Requires min 1 memory Module per CPU</b></p>
<p><b>S26361-F3694-E1 Rank Sparing Mode Installation</b> BIOS Setup factory preinstalled to this mode. One Rank is spare of other ranks on the same channel. Spare Rank is not shown in System Memory. For effective capacity within a channel, please have a look below. <b>Supported for RDIMM / LRDIMM only.</b> <b>Requires min 2x 1R/2R or 1x 4R modules per CPU</b></p>
<p><b>S26361-F3694-E2 Performance Mode Installation</b> BIOS Setup factory preinstalled for max. Performance, LV memory might be set to 1.5V operation. Four identical memory modules will be equipped in one memory bank to achieve highest memory performance. All four modules are active and full capacity can be used. <b>Multiple of 4 identical modules to be configured per CPU</b></p>
<p><b>S26361-F3694-E3 Mirrored Channel Mode Installation</b> BIOS Setup factory preinstalled to this mode. Four identical memory modules are always equipped in one memory bank to use the Mirrored channel Mode. Only two modules contain active data, the remain two modules contain mirrored data <b>Supported for RDIMM / LRDIMM only.</b> <b>Multiple of 4 identical modules to be configured per CPU</b></p>



Effective Memory capacity / Rank Sparing Mode, 1 Channel populated						
	RDIMM				LRDIMM	
	4GB 1R	8GB 1R	8GB 2R	16GB 2R	32GB 4R	64GB 8R
1DPC	na	na	na	na	24GB	48GB
2DPC	4GB	8GB	12GB	28GB	56GB	112GB
3DPC	8GB	16GB	20GB	44GB	80GB	160GB



**Minimum one memory module or order code per CPU = first memory**

Note 1.)

8/12x per CPU, max.  
2/3 modules per channel

<p><b>Unbuffered Memory (UDIMM) no SDDC (chipkill) support</b> - one DDR3 unbuffered ECC mem. Module, 1.35V <b>Choose up to 8 order codes per CPU</b> 8GB (1x8GB) 2Rx8 L DDR3-1600 U ECC S26361-F3807-E515</p>
<p><b>Registered Memory (RDIMM) with SDDC (chipkill) support</b> - one DDR3 registered ECC mem. Module, 1.35V 1333MHz supported with up to 2DPC (8 modules/CPU) and 1.35V 1600MHz supported with up to 2DPC (8 modules/CPU) and 1.5V <b>Choose up to 12 order codes per CPU</b> 4GB (1x4GB) 1Rx4 L DDR3-1600 R ECC S26361-F3781-E514 8GB (1x8GB) 1Rx4 L DDR3-1600 R ECC S26361-F3781-E515 16GB (1x16GB) 2Rx4 L DDR3-1600 R ECC S26361-F3781-E516</p>
<p><b>Registered Memory (RDIMM) with SDDC (chipkill) support</b> - one DDR3 registered ECC mem. Module, 1.5V 1866MHz supported with up to 2DPC (8 modules/CPU) <b>Choose up to 12 order codes per CPU</b> 16GB (1x16GB) 2Rx4 DDR3-1866 R ECC S26361-F3793-E516</p>
<p><b>Registered Memory (RDIMM) no SDDC (chipkill) support</b> - one DDR3 registered ECC mem. Module, 1.5V No mix with any other types of memory modules possible 1866MHz supported with up to 2DPC (8 modules/CPU) <b>Choose up to 12 order codes per CPU</b> 8GB (1x8GB) 2Rx8 DDR3-1866 R ECC S26361-F3793-E515</p>
<p><b>Load Reduced Memory (LRDIMM) with SDDC (chipkill) support</b> - one DDR3 load reduced ECC mem. Module, 1.35V <b>Choose up to 12 order codes per CPU</b> 32GB (1x32GB) 4Rx4 L DDR3-1600 LR ECC S26361-F3782-E517 64GB (1x64GB) 8Rx4 L DDR3-1333 LR ECC S26361-F3783-E518</p>
<p><b>Load Reduced Memory (LRDIMM) with SDDC (chipkill) support</b> - one DDR3 load reduced ECC mem. Module, 1.5V 1866MHz supported with up to 2DPC (8 modules/CPU) <b>Choose up to 12 order codes per CPU</b> 32GB (1x32GB) 4Rx4 DDR3-1866 LR ECC S26361-F3848-E517</p>

special release only



Note 1)  
Max. DDR3 memory speed depends on the memory configuration (No of mem modules per channel) as well as on the CPU type. The memory channel with the lowest speed defines the speed of all CPU channels in the system, also for the channels of the second CPU if configured. For real memory speed (depending on memory type / population), please check the spreadsheet "Memory speed" below



Note 2)  
Mix of memory modules is only possible within the same group

G

## Memory Configuration PRIMERGY RX300 S8

Each CPU offers 12 Slots for DDR3 Memory Modules organised in **3 Banks and 4 Channels**.

If you need more than 12 Slots you have to configure the 2nd CPU.

Depending on the amount of memory configured you can decide between 4 basic modes of operation (see explanation below).

There are 3 different kinds of DDR3 Memory Modules available: UDIMM / RDIMM and LRDIMM

UDIMM / RDIMM / LRDIMM offer different functionality. Mix of UDIMM / RDIMM / LRDIMM is not allowed.

If 1.5V and 1.35V DIMMs are mixed, the DIMMs will run at 1.5V

Mode	Configuration	UDIMM	RDIMM	RDIMM LRDIMM	Application
		x8	x8	x4	
SDDC (chipkill) support	any	no	no	yes	detect multi-bit errors
Independent Channel Mode	1, 2 or 3 Modules per Bank	yes	yes	yes	offers max. flexibility, upgradeability, capacity use UDIMM modules for lowest cost
Mirrored Channel Mode *)	4 identical Modules / Bank	no	no	yes	offers maximum security
Performance Mode	4 identical Modules / Bank	yes	yes	yes	offers maximum performance and capacity
Rank Sparing Mode *)	min. 2 Ranks / Channel	no	no	yes	balances security and capacity

\*) For the delivery ex works the system will be prepared with dedicated BIOS setting.

Capacity	Configuration	UDIMM	RDIMM	LRDIMM	Notes
Min. Memory per CPU	1 Module / CPU	1x4GB	1x4GB	1x32GB	with one CPU
Max. Memory per CPU	8/12 Modules / CPU	8x4GB	12x16GB	12x64GB	with one CPU
Max. Memory per System	16/24 Modules / System	64GB	384GB	1536GB	if second CPU is configured

### Memory-Speed:

**Max. DDR3 memory speed depends on the memory configuration on one memory channel and the speed of the CPU**

The memory channel with the lowest speed defines the speed of all CPU channels in the system

Mem. Speed provided by CPU	Real maximum memory-bus speed depending on CPU type, memory configuration (DPC) and voltage setting (BIOS)																	
	UDIMM 1866MHz						RDIMM 1866MHz						LRDIMM 4R 1866MHz					
	1.5V [default]			1.35V			1.5V [default]			1.35V			1.5V [default]			1.35V		
	1	2	3	1	2	3	1	2	3	1	2	3	1	2	3	1	2	3
	DPC	DPC	DPC	DPC	DPC	DPC	DPC	DPC	DPC	DPC	DPC	DPC	DPC	DPC	DPC	DPC	DPC	DPC
<b>CPU with 1866MHz DDR3 Bus</b>	1866	1600	-	1333	1333	-	1866	1866	1066	1333	1333	800	1866	1866	1066	1600	1600	1066
<b>CPU with 1600MHz DDR3 Bus</b>	1600	1600	-	1333	1333	-	1600	1600	1066	1333	1333	800	1600	1600	1066	1600	1600	1066
<b>CPU with 1333MHz DDR3 Bus</b>	1333	1333	-	1333	1333	-	1333	1333	1066	1333	1333	800	1333	1333	1066	1333	1333	1066

1R - Single Rank      4R - Quad Rank  
 2R - Dual Rank      8R - Eight Rank

1DPC = 1 DIMM per Channel  
 2DPC = 2 DIMM per Channel  
 3DPC = 3 DIMM per Channel

Configuration hints:

- The memory sockets on the systemboard offer a color coding:

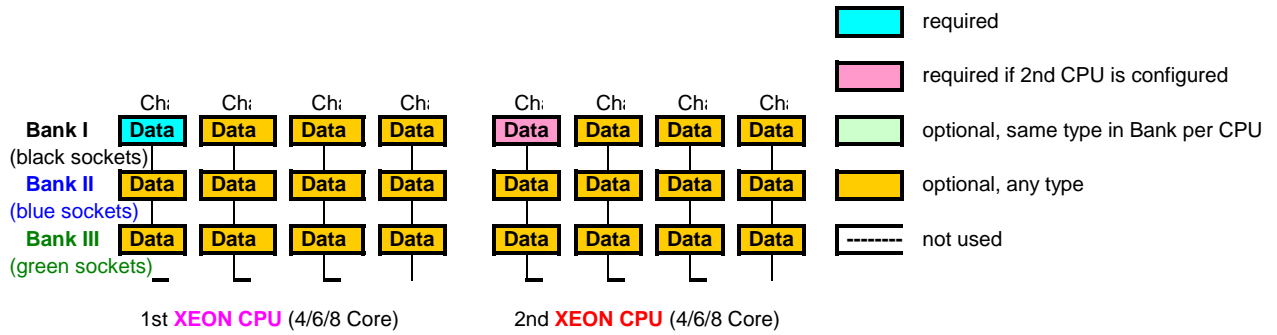
**Bank I**    black sockets  
**Bank II**   blue sockets  
**Bank III**   green sockets

- A so called Bank consists of 1 memory module on every Channel available on one CPU (examples see below)

**Bank I on CPU 1/2**    up to 4 memory modules connected to Channel A - H on the 1st/2nd CPU  
**Bank II on CPU 1/2**    up to 4 memory modules connected to Channel A - E on the 1st/2nd CPU  
**Bank III on CPU 1/2**    up to 4 memory modules connected to Channel A - E on the 1st/2nd CPU  
 (can not be populated by UDIMM or 4R RDIMM memory modules)

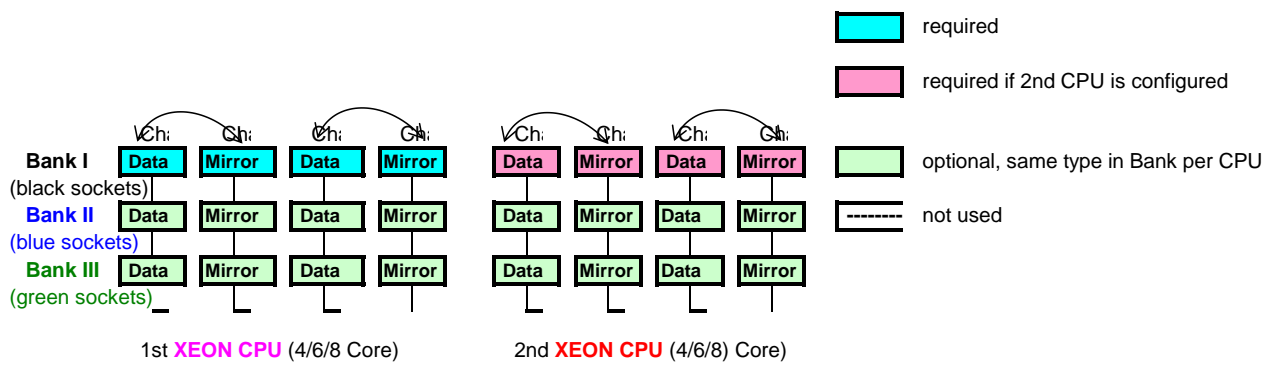
- See below and next page for a detailed descriptions of the memory configuration supported.

### 1. Independent Channel Mode



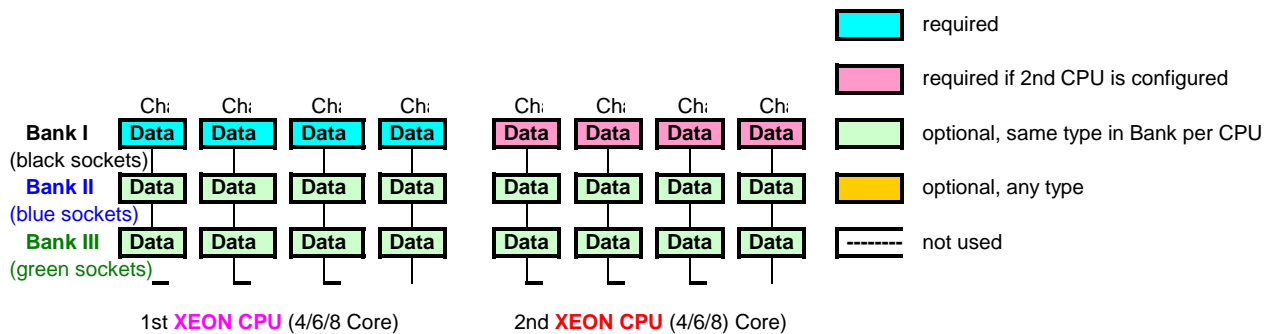
Independent Channel Mode allows all channels to be populated in any order  
 Can run with differently rated DIMMs and use the settings of the slowest DIMM installed in the system

### 2. Mirrored Channel Mode



Mirrored Channel Mode requires identical modules on channel A,B, C, D (1st CPU) or channel E, F, G and H (2nd CPU)  
 50% of the capacity is used for the mirror => the available memory for applications is only half of the installed memory  
 If this mode is used, a multiple of 4 identical modules has to be ordered.

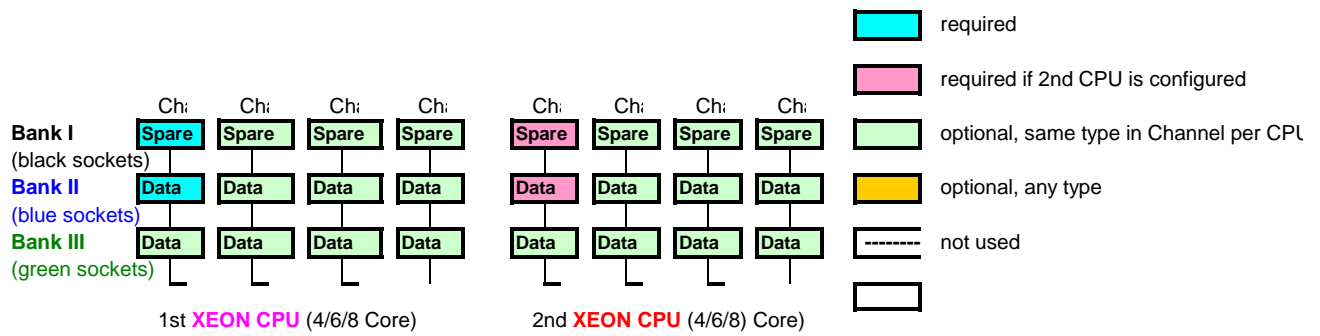
### 3. Performance Channel Mode



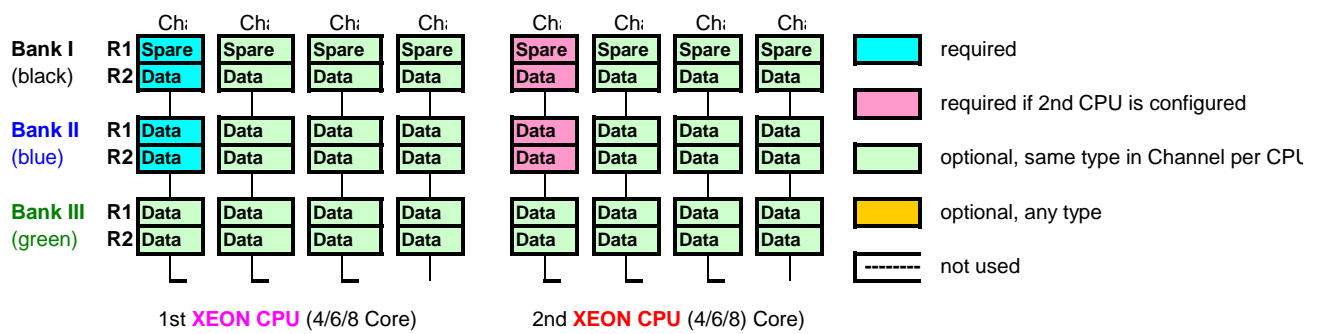
Performance Channel Mode requires identical modules on all channels of each Bank per CPU.  
 If this mode is used, a multiple of 4 identical modules has to be ordered.

## 4. Rank Sparing Mode

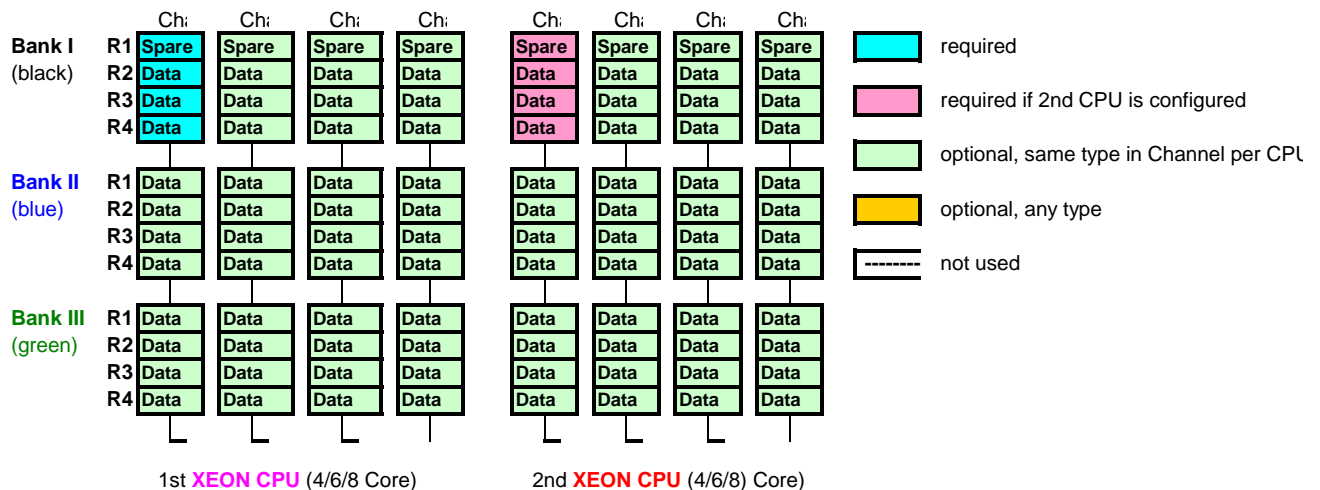
1-Rank Memory modules (RDIMM)



2-Rank Memory modules (RDIMM)



4-Rank Memory modules (LRDIMM)



Rank Sparing Mode requires identical modules (same capacity and technology) within the same channel. The available memory for applications will vary depending on configuration. Please refer to the spreadsheet above "Effective Memory capacity with active Rank Sparing Mode". Population rule for Rank sparing mode is to achieve max. available memory, e.g. 6 DIMMs will be spread across two channels, each with 3DPC

G

**Section Va Possible configuration options for basic units**



**Config 1: 6x or 4x 3.5" HDD + 3.5" DDS/RDX drive**

Is fixed due to selection of basic unit with:  
**6x 3,5" HDD bays fixed** S26361-K1457-V101

SAS3.0 available since Q2/2014 **no PCIe SSD SFF**



Basic unit S26361-K1457-V401 with **expandable**  
**Config 2: 4x 2.5" HDD** S26361-F1373-E420 \*)

Available Upgrade kits for this configuration option:  
**Upgrade kit to 8x 2.5" HDD** S26361-F1373-L424  
**Upgrade kit to 12x 2.5" HDD** S26361-F1373-L427  
**Upgrade kit to 4x 2.5" HDD + LTO** S26361-F1373-L423

**Upgrade kit to 4x + 8x 2.5" SAS3.0** S26361-F1373-L572



Basic unit S26361-K1457-V401 with **expandable**  
**Config 3: 4x 2.5" HDD + LTO** S26361-F1373-E430

Basic unit S26361-K1457-V401 with **expandable**

Available Upgrade kits for this configuration option:  
**Upgrade kit to 8x 2.5" HDD** S26361-F1373-L436



Basic unit S26361-K1457-V201 with **expandable**  
**Config 4: 8x 2,5" HDD bays fixed** S26361-K1457-V201

Available Upgrade kits for this fixed configuration:  
**Upgrade kit to 12x 2.5" HDD** S26361-F1373-L247  
**Upgrade kit to 16x 2.5" HDD** S26361-F1373-L248



Basic unit S26361-K1457-V401 with **expandable**  
**Config 5: 8x 2.5" HDD + 3.5" drive** S26361-F1373-E450

**Config 12: 3.5" drive + 8x SAS3.0** S26361-F1373-E550

No Upgrade kit available!



Basic unit S26361-K1457-V401 with **expandable**  
**Config 6: 8x 2.5" HDD + LTO** S26361-F1373-E460

**Config 15: LTO + 8x SAS3.0** S26361-F1373-E560

no ODD and LSD bay available!

No Upgrade kit available!



Basic unit S26361-K1457-V301 with **expandable**  
**Config 7: 12x 2,5" HDD bays fixed** S26361-K1457-V301

Basic unit S26361-K1457-V401 with **expandable**

**Config 10: 4x SAS2.0 + 8x SAS3.0** S26361-F1373-E572

**Note: 4x SAS2.0 connected to on-board RAID Ctrl!**

Available Upgrade kits for this configurations:  
**Upgrade kit to 16x 2.5" HDD** S26361-F1373-L378



Basic unit S26361-K1457-V401 with **expandable**  
**Config 8: 16x 2.5" HDD** S26361-F1373-E480

no ODD and LSD bay available!

No Upgrade kit available!

Includes all necessary bezels, cages, backplanes and cables

H

\*) these are the only noHDD/SSD configuration opportunity without needed RAID controller

H

**Section Vb Accessible drives**

Setup RX300 S7 by ServerStart is supported with following configurations:  
**no DVD, no CD:**  
 remote installation only ( PXE service & DHCP server required)  
**built in CD/DVD or USB CD/DVD disk drive:**  
 UNC Network share reachable or USB Floppy connected  
**USB Floppy, no CD/DVD:**  
 USB CD/DVD connected

If installation is done locally, make sure you have external FDD available for driver installation.

1x

**S26361-F3269-E2**  
 DVD-RW supermulti slim SATA  
 all formats, DUAL/DL, DVD-RAM  
 0.5 x 5.25", black bezel  
 max. 1x per system

**S26361-F3641-E2**  
 Blu-ray Triple Writer slim SATA  
 6x BD-RW, 8x DVD, 24x CD  
 BD DL and all CD/DVD formats  
 0.5 x 5.25"  
 max. 1x per system

USB 3.0 adapter

**S26361-F3749-E201**  
 USB3.0 PCIe x1 adapter card lp  
 Sunrich U-720  
 PCIe x1  
 1 port intern, 1 port extern  
 USB 3.0 A jacks  
 max. 1x per system

**i** The adapter is also available as optional (loose) delivery with FH and LP bracket included  
 S26361-F3749-L501

RDX drives perform better with USB 3.0 Controller

Only for basic unit V4xx

Only for basic unit V1xx

**S26361-F3750-E5**  
 RDX Drive USB3.0 3.5" internal  
 100MB/s, USB 3.0  
 Connector: USB 3.0 "B"  
 with USB cable  
 without RDX cartridges  
 1.6 x 3.5", black bezel  
 max. 1x per system

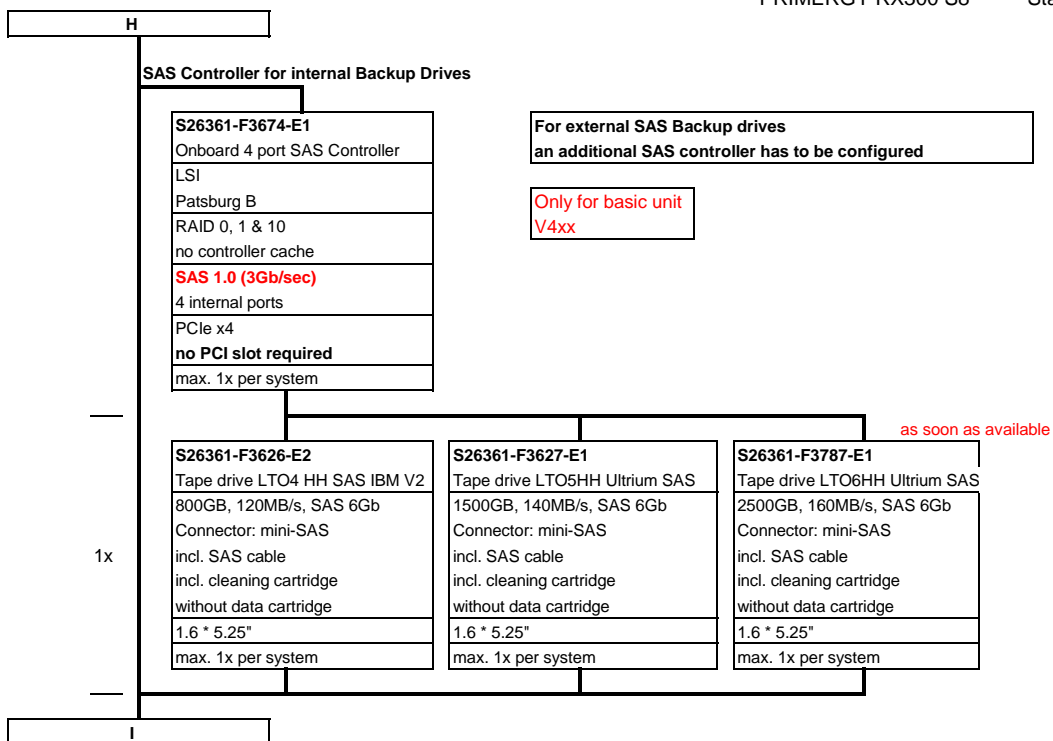
**S26361-F3750-E7**  
 RDX Drive USB3.0 3.5" internal  
 100MB/s, USB 3.0  
 Connector: USB 3.0 "B"  
 within tape cage w/ USB cable  
 without RDX cartridges  
 1.6 x 3.5", black bezel  
 max. 1x per system

**i** RDX cartridges must be ordered separately  
 RDX 320GB = S26361-F3857-L320  
 RDX 500GB = S26361-F3857-L500  
 RDX 1TB = S26361-F3857-L600  
 10x RDX320 = S26361-F3857-L329

**i** The drive is also available as optional (loose) delivery  
 S26361-F3750-L5/L7 with USB3.0 cable for adapter card.  
 The USB3.0 Adapter card or the USB2.0 cable set  
 S26361-F3750-L20 must be ordered with the drive!

H





**Section VI Hard disks drives**

Modular Raid controller is connected to internal HDDs  
 For basic units V1xx up to 6 SAS 3.5" hard disks can be configured also in mixed configuration.  
 If the option "Tape drive" is configured only 4 bays for hard disks are available  
**Mixed configurations with Eco SATA drives and SAS drives are not allowed**  
 3.5" SAS drives and 3.5" BC SATA drives can be mixed, but not used in one logical RAID volume  
 \*) SSD Mainstream Endurance 10DWPD over 5y

6x / 4x with Backup drive for basic unit V1xx

**SATA Disk Drive 3.5"**

HDD SATA 6Gb/s 3.5" with hot plug/hot replace tray	
500GB 7200rpm,<9,0ms, 64MB Cache	S26361-F3670-E500
1TB 7200rpm,<9,0ms, 64MB Cache	S26361-F3670-E100
2TB 7200rpm,<9,0ms, 64MB Cache	S26361-F3670-E200
3TB 7200rpm,<9,0ms, 64MB Cache	S26361-F3670-E300
4TB 7200rpm,<9,0ms, 64MB Cache	S26361-F3670-E400
max. 6x per System	

**SAS Disk Drive 3.5"**

HDD SAS 6Gb/s 3.5" with hot plug/hot replace tray	
300GB 15000rpm,<4,0ms, 16MB Cache	S26361-F4005-E530
450GB 15000rpm,<4,0ms, 16MB Cache	S26361-F4005-E545
600GB 15000rpm,<4,0ms, 16MB Cache	S26361-F4005-E560
1TB 7200rpm,<9,0ms, 32MB Cache	S26361-F5241-E100
2TB 7200rpm,<9,0ms, 32MB Cache	S26361-F5241-E200
3TB 7200rpm,<9,0ms, 32MB Cache	S26361-F5241-E300
4TB 7200rpm,<9,0ms, 32MB Cache	S26361-F5241-E400
max. 6x per System	

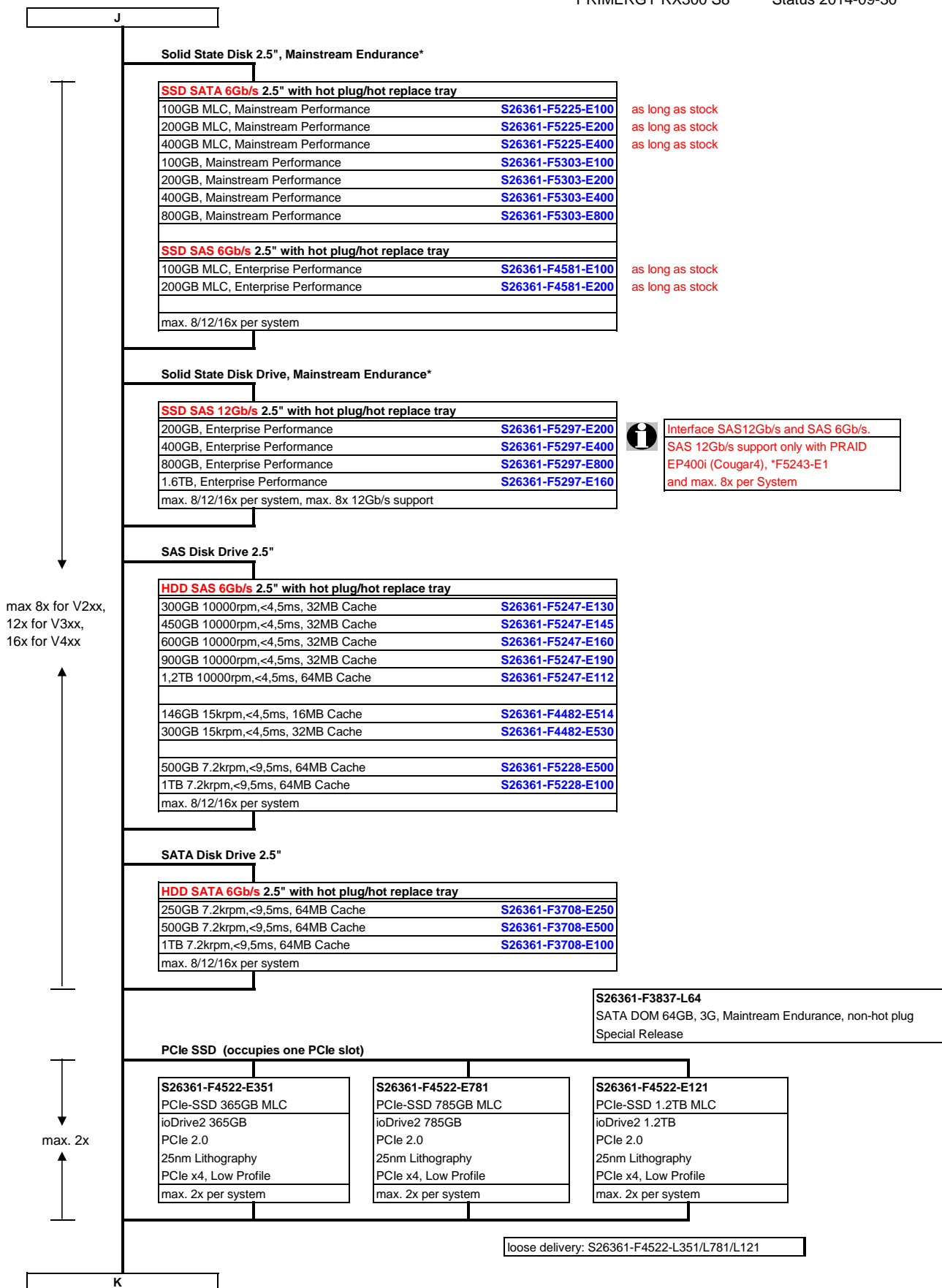
**Solid State Disk Drive 3.5", Mainstream Endurance\***

SSD SATA 6Gb/s 2.5" within 3.5" hot plug/hot replace tray	
100GB, Mainstream Performance	S26361-F5319-E100
200GB, Mainstream Performance	S26361-F5319-E200
400GB, Mainstream Performance	S26361-F5319-E400
800GB, Mainstream Performance	S26361-F5319-E800
SSD SAS 12Gb/s 2.5" within 3.5" hot plug/hot replace tray	
200GB, Enterprise Performance	S26361-F5315-E200
400GB, Enterprise Performance	S26361-F5315-E400
800GB, Enterprise Performance	S26361-F5315-E800
1.6TB, Enterprise Performance	S26361-F5315-E160
max. 6x per System	



3.5" config: no SAS 3.0 support

as soon as available  
 as soon as available  
 as soon as available  
 as soon as available



K



**Section VII Modular Raid 0/1, Raid5 for SAS or SATA HD's. On-board Controller for max. 4x 2.5" SATA or SAS HD's**

**On board SATA Controller with 3 Gb/sec and up to 4x 2.5" SATA HDDs (no additional controller required)**  
 For up to 4x 2.5" SAS HDDs with RAID 0/1 functionality a Patsburg Upgrade Kit is required  
 For all other HDD configurations a modular RAID-controller is required

Following optional onboard SAS RAID can be selected for 4x2.5" HDDs or one SAS Tape device

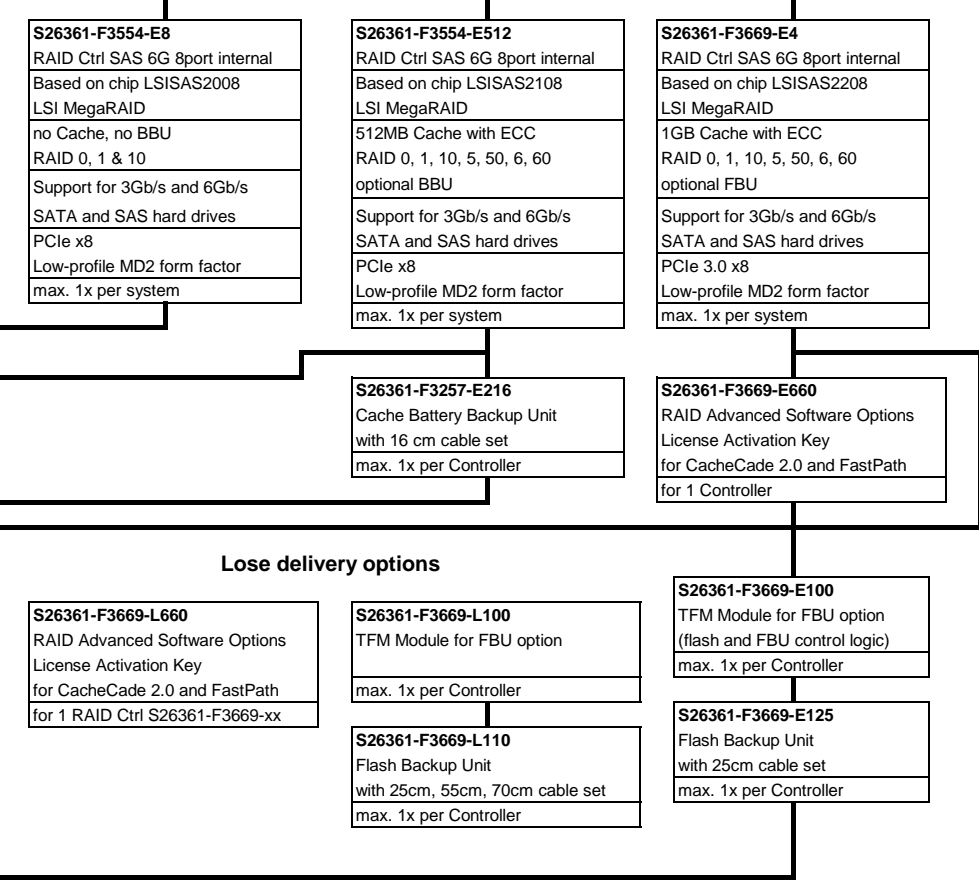
<b>S26361-F3674-E1</b>
Onboard 4 port SAS Controller
LSI
Patsburg B
RAID 0, 1 & 10
no controller cache
<b>SAS 1.0 (3Gb/sec)</b>
4 internal ports
PCIe x4
<b>no PCI slot required</b>
max. 1x per system

For more than 4 hard disks or 6 Gb/sec one of the following modular RAID-controllers is required

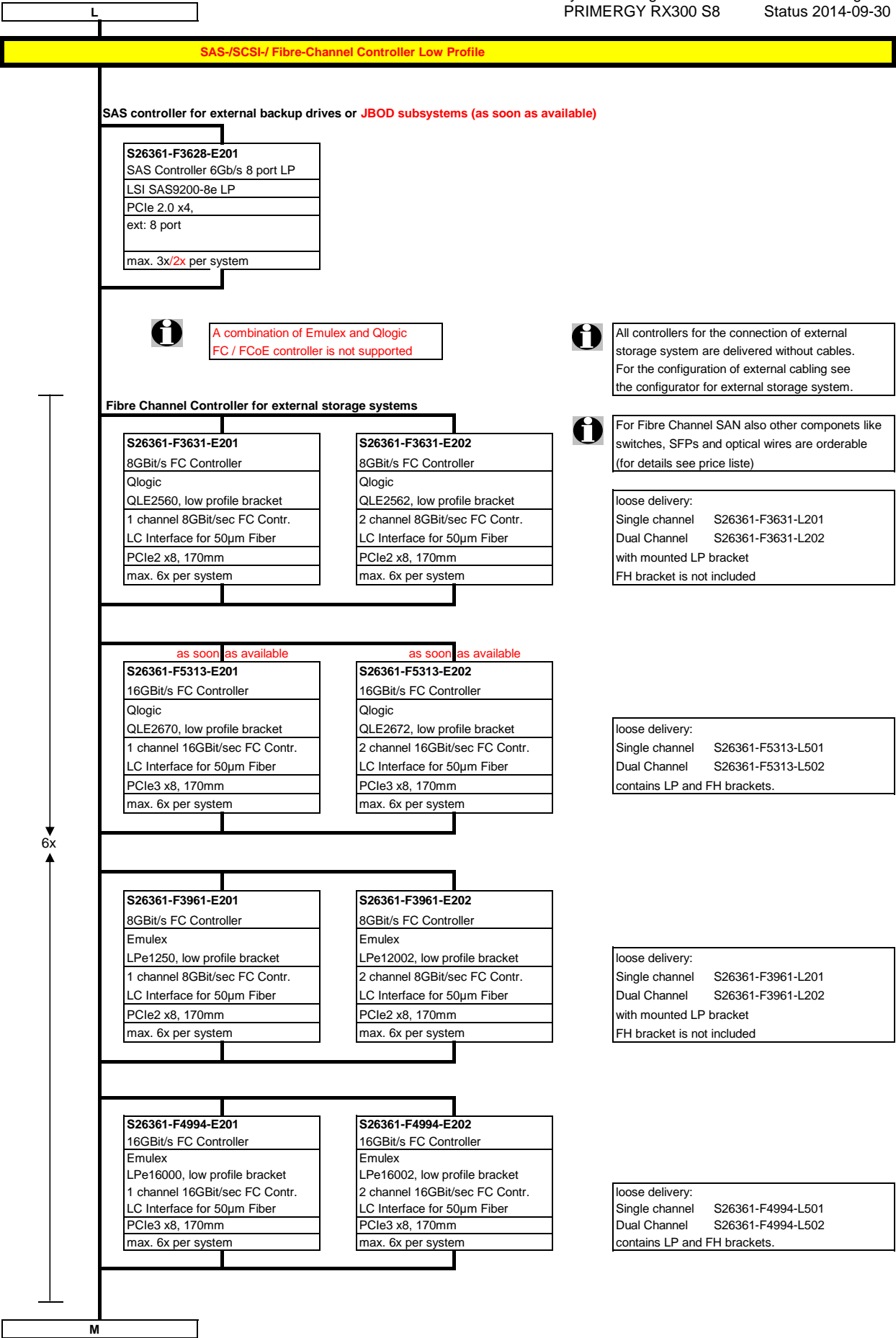
-  **Modular Raid 0/1 controller with IME support for SAS/SATA**  
 This RAID controller supports max. 8 HDDs on internal SAS ports
-  **Modular Raid 5 controller for SAS/SATA**  
 RAID levels 0, 1, 10, 5, 50, 6 and 60 are supported.  
 This RAID controller supports max. 16 HDDs combined with internal SAS expander

The FBU is an option for the controller which can be used once per controller. If the FBU option has been chosen, the TFM Module is needed once per FBU.

1x



L



SAS controller for external backup drives or JBOD subsystems (as soon as available)

<b>S26361-F3628-E201</b>
SAS Controller 6Gb/s 8 port LP
LSI SAS9200-8e LP
PCIe 2.0 x4, ext: 8 port
max. 3x/2x per system

**i** A combination of Emulex and Qlogic FC / FCoE controller is not supported

**i** All controllers for the connection of external storage system are delivered without cables. For the configuration of external cabling see the configurator for external storage system.

Fibre Channel Controller for external storage systems

<b>S26361-F3631-E201</b>
8GBit/s FC Controller
Qlogic
QLE2560, low profile bracket
1 channel 8GBit/sec FC Contr.
LC Interface for 50µm Fiber
PCIe2 x8, 170mm
max. 6x per system

<b>S26361-F3631-E202</b>
8GBit/s FC Controller
Qlogic
QLE2562, low profile bracket
2 channel 8GBit/sec FC Contr.
LC Interface for 50µm Fiber
PCIe2 x8, 170mm
max. 6x per system

**i** For Fibre Channel SAN also other componets like switches, SFPs and optical wires are orderable (for details see price list)

loose delivery:  
 Single channel S26361-F3631-L201  
 Dual Channel S26361-F3631-L202  
 with mounted LP bracket  
 FH bracket is not included

as soon as available

as soon as available

<b>S26361-F5313-E201</b>
16GBit/s FC Controller
Qlogic
QLE2670, low profile bracket
1 channel 16GBit/sec FC Contr.
LC Interface for 50µm Fiber
PCIe3 x8, 170mm
max. 6x per system

<b>S26361-F5313-E202</b>
16GBit/s FC Controller
Qlogic
QLE2672, low profile bracket
2 channel 16GBit/sec FC Contr.
LC Interface for 50µm Fiber
PCIe3 x8, 170mm
max. 6x per system

loose delivery:  
 Single channel S26361-F5313-L501  
 Dual Channel S26361-F5313-L502  
 contains LP and FH brackets.

6x

<b>S26361-F3961-E201</b>
8GBit/s FC Controller
Emulex
LPe1250, low profile bracket
1 channel 8GBit/sec FC Contr.
LC Interface for 50µm Fiber
PCIe2 x8, 170mm
max. 6x per system

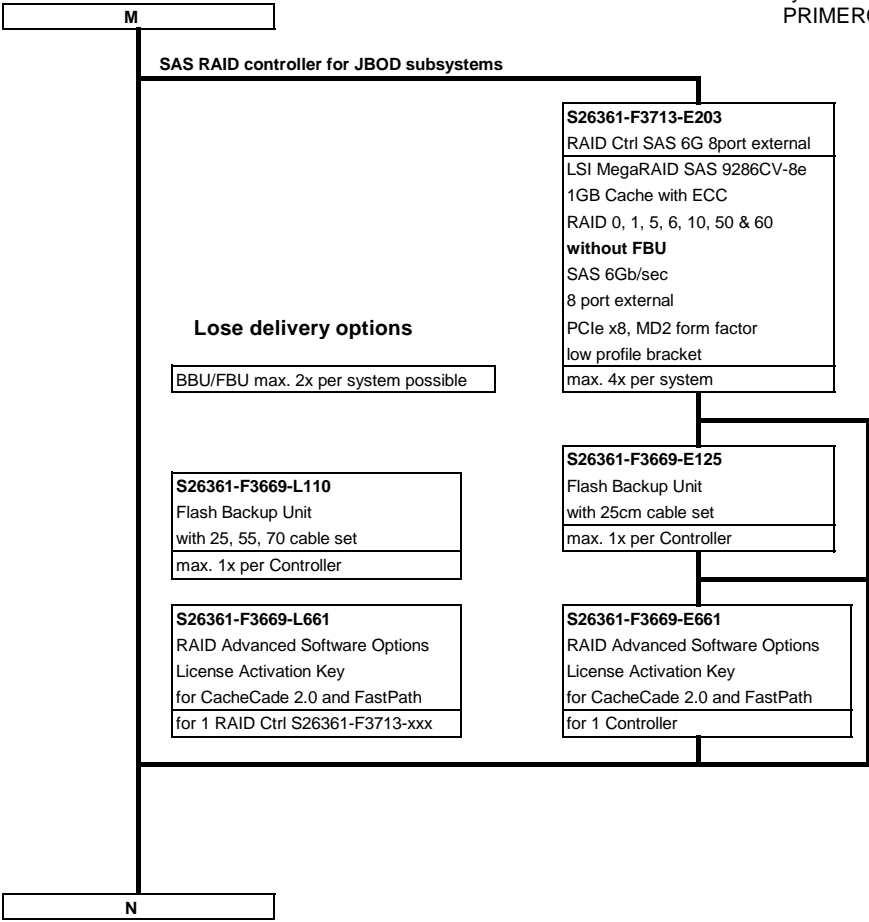
<b>S26361-F3961-E202</b>
8GBit/s FC Controller
Emulex
LPe12002, low profile bracket
2 channel 8GBit/sec FC Contr.
LC Interface for 50µm Fiber
PCIe2 x8, 170mm
max. 6x per system

loose delivery:  
 Single channel S26361-F3961-L201  
 Dual Channel S26361-F3961-L202  
 with mounted LP bracket  
 FH bracket is not included

<b>S26361-F4994-E201</b>
16GBit/s FC Controller
Emulex
LPe16000, low profile bracket
1 channel 16GBit/sec FC Contr.
LC Interface for 50µm Fiber
PCIe3 x8, 170mm
max. 6x per system

<b>S26361-F4994-E202</b>
16GBit/s FC Controller
Emulex
LPe16002, low profile bracket
2 channel 16GBit/sec FC Contr.
LC Interface for 50µm Fiber
PCIe3 x8, 170mm
max. 6x per system

loose delivery:  
 Single channel S26361-F4994-L501  
 Dual Channel S26361-F4994-L502  
 contains LP and FH brackets.



N

**Section VIII Raid Controller and Devices for SAS3.0 (12 Gb/sec)**

**i** **Modular Raid 5 controller for SAS 12GB/s**  
 RAID levels 0, 1, 10, 5, 50, 6 and 60 are supported.  
 This RAID controller supports max. 8 HDDs or SSDs  
 A 12GB/s SAS expander is not available!

The FBU is an option for the controller which can be used once per controller. If the FBU option has been chosen, the TFM Module is needed once per FBU.

Note: This option is possible for:

Config 10: 4x SAS2.0 + 8x SAS3.0	S26361-F1373-E572
Config 12: 3.5" drive + 8x SAS3.0	S26361-F1373-E550
Config 15: LTO + 8x SAS3.0	S26361-F1373-E560

1x

**S26361-F5243-E1**  
 PRAID EP400i  
 Based on chip LSI SAS3108  
 LSI MegaRAID  
 1GB Cache with ECC  
 RAID 0, 1, 10, 5, 50, 6, 60  
 optional FBU  
 Support for 3Gb/s, 6Gb/s and 12Gb/s  
 SATA and SAS hard drives  
 PCIe 3.0 x8  
 Low / High profile ex factory  
 max. 1x per system

**S26361-F5243-E2**  
 PRAID EP420i  
 Based on chip LSI SAS3108  
 LSI MegaRAID  
 2GB Cache with ECC  
 RAID 0, 1, 10, 5, 50, 6, 60  
 optional FBU  
 Support for 3Gb/s, 6Gb/s and 12Gb/s  
 SATA and SAS hard drives  
 PCIe 3.0 x8  
 Low / High profile ex factory  
 max. 1x per system

**i** Controller supports OOB-RAID including OOB-HDD monitoring no OOB-HDD cable needed

**i** loose delivery: S26361-F5243-L1 / L2

**S26361-F5243-E100** for EP400i  
 TFM Module for FBU option  
 (flash and FBU control logic)  
 max. 1x per Controller

**S26361-F5243-E200** for EP420i  
 TFM Module for FBU option  
 (flash and FBU control logic)  
 max. 1x per Controller

**Loose delivery TFM option**

**i** **S26361-F5243-L100 / L200**  
 TFM Module for FBU option  
 (flash and FBU control logic)  
 max. 1x per Controller

**S26361-F5243-E125**  
 Flash Backup Unit  
 with 25cm cable set  
 max. 1x per Controller

**i** The FBU is an option which can be used once per controller. If the FBU option has been chosen, the TFM Module is needed once per FBU.

**i** **S26361-F5243-L110**  
 Flash Backup Unit  
 with 25cm, 55cm, 70cm cable set  
 max. 1x per Controller

**S26361-F5243-E660**  
 RAID Advanced Software Options  
 License Activation Key  
 for CacheCade 2.0 and FastPath  
 for 1 Controller

**Advanced Software Option**

**i** **S26361-F5243-L660**  
 RAID Advanced Software Options  
 License Activation Key  
 for CacheCade 2.0 and FastPath  
 for 1 Controller

O

O

**Section X Communication / Network**

2x Gigabit (Dualport) Ethernet Controller on-board  
 Intel LAN I350 (Powerville)  
 ext: 2x RJ 45 connector



Modular On-Board LAN is a flexible extension of a cost-optimized Motherboard with basic 2x Gbit LAN on-board.  
 5 different Upgrade-Kits are offered, which occupies a dedicated PCIe slot and can be ordered once per system.  
**If a 1Gb modular LAN Controller is installed, 3 additional 1Gb LAN controllers are possible!**  
**If a 10Gb modular LAN Controller is installed, 2 additional 10Gb LAN controllers is possible!**

**1Gbit/s Modular On-Board LAN Adapter**

**S26361-F4610-E802**  
 Upgrade-Kit to 4x 1Gb LAN on-board LP  
 PLAN CP 2x1Gbit Cu Intel I350-T2 LP  
 Intel Powerville based 2 port Server Ad.  
 PCIe x4, Low Profile  
 ext: for RJ45-plug, Cat 5  
 max. 1x per system

**S26361-F4610-E804**  
 Upgrade-Kit to 6x 1Gb LAN on-board LP  
 PLAN CP 4x1Gbit Cu Intel I350-T4 LP  
 Intel Powerville based 4 port Server Ad.  
 PCIe x4, Low Profile  
 ext: for RJ45-plug, Cat 5  
 max. 1x per system

**S26361-F3629-E702**  
 Upgrade-Kit to 2xGbit+2x10Gbit LOM  
 Eth Ctrl 2x10Gbit PCIe x8 D2755 SFP+  
 Intel Niantic based dual port 10Gb NIC  
 please refer to 10Gb LAN section

4x

**1Gbit/s Ethernet Adapter**

**S26361-F4610-E202**  
 (I350-T2)  
 Gbit Ethernet Controller Dual 1000TX LP  
 PLAN CP 2x1Gbit Cu Intel I350-T2 LP  
 Intel Powerville based 2 port Server Ad.  
 PCIe x4, Low Profile  
 low profile (LP) bracket  
 ext: for RJ45-plug, Cat 5  
 max. 4x per system

**S26361-F4610-E204**  
 (I350-T4)  
 Gbit Ethernet Controller Quad 1000TX LP  
 PLAN CP 4x1Gbit Cu Intel I350-T4 LP  
 Intel Powerville based 4 port Server Ad.  
 PCIe x4, Low Profile  
 low profile (LP) bracket  
 ext: for RJ45-plug, Cat 5  
 max. 4x per system

**S26361-F3516-E201**  
 (Shelter Island)  
 Gigabit Ethernet Controller 1000TX LP  
 Eth Ctrl 1x1Gbit PCI-e Gigabit CT DT Cu LP  
 Intel® Gigabit CT Desktop Adapter  
 PCIe x1  
 ext: for RJ45-connector, Cat 5  
 max. 4x per system

6x



Loose delivery with FH and LP bracket:  
 I350-T2 S26361-F4610-L502  
 I350-T4 S26361-F4610-L504  
 Loose delivery with LP bracket:  
 Shelter Island S26361-F3516-L201  
 Sheepshead Bay S26361-F3242-L201

P



P



If a 10Gb modular LAN Controller is installed, 1 additional 10Gb LAN controllers is possible!

10Gbit/s Ethernet Adapter

<b>S26361-F3629-E702</b> (D2755)
Upgrade-Kit to 2xGbit+2x10Gbit LOM
Eth Ctrl 2x10Gbit PCIe x8 D2755 SFP+
Intel Niantic based dual port 10Gb NIC
PCIe x8, Low Profile, Low Profile Bracket
ext: 2x SFP+ cage
max. 1x per system

<b>S26361-F3629-E202</b> (D2755)
10 Gigabit Ethernet Contr. dual port SFP+
Eth Ctrl 2x10Gbit PCIe x8 D2755 SFP+
Intel Niantic based dual port 10Gb NIC
PCIe x8, Low Profile, Low Profile Bracket
ext: 2x SFP+ cage
max. 2x per system

<b>S26361-F3752-E202</b> (Intel X540-T2)
Eth Ctrl 2x10GBase-T Ip
Intel Twinville based 2 port Server Ad.
PCIe x4, Low Profile
low profile (LP) bracket
ext: for RJ45-plug, Cat 6
max. 2x per system

<b>S26361-F3629-E750</b>
Shared 10Gb Management LAN
Install and configure Management LAN on 10Gb Shared LAN port
max. 1x per 10Gb upgrade kit

<b>S26361-F3986-E3</b>
SFP+ Module MMF 10GbE LC
SFP+ module for 10 Gbit
Ethernet 50µm FO cabling
ext:LC-SR-connector
max. 2x per controller

<b>S26361-F3986-E4</b>
SFP+ Module SMF 10GbE LC
SFP+ module for 10 Gbit
Ethernet 9µm FO cabling
ext:LC-LR-connector
max. 2x per controller

**V:TWX Connector-PY**  
 for all Twinax (FTS,BR,CI)  
 max. 2x per controller



The SFP+ modules are also available as loose delivery  
 S26361-F3986-L3  
 S26361-F3986-L4  
 Instead SFP+ Modules, SFP+ twinax cables from the switch vendors may be used

<b>S26361-F3989-E600 *)</b>
SFP+ active twinax cable
customized twinax cable for
full rack setup ex factory
cable length is selected by
requirement in the factory
Fujitsu branded cable
max. 2x per controller

<b>S26361-F3873-E500 *)</b>
SFP+ active twinax cable
customized twinax cable for
full rack setup ex factory
cable length is selected by
requirement in the factory
Brocade branded cable
max. 2x per controller

<b>S26361-F4571-E500 *)</b>
SFP+ passive twinax cable
customized twinax cable for
full rack setup ex factory
cable length is selected by
requirement in the factory
Cisco branded cable
max. 2x per controller

\*) in SA only shown in cabling view



The controller D2755 is delivered without SFP+ modules for optical cables, these must be ordered separately.

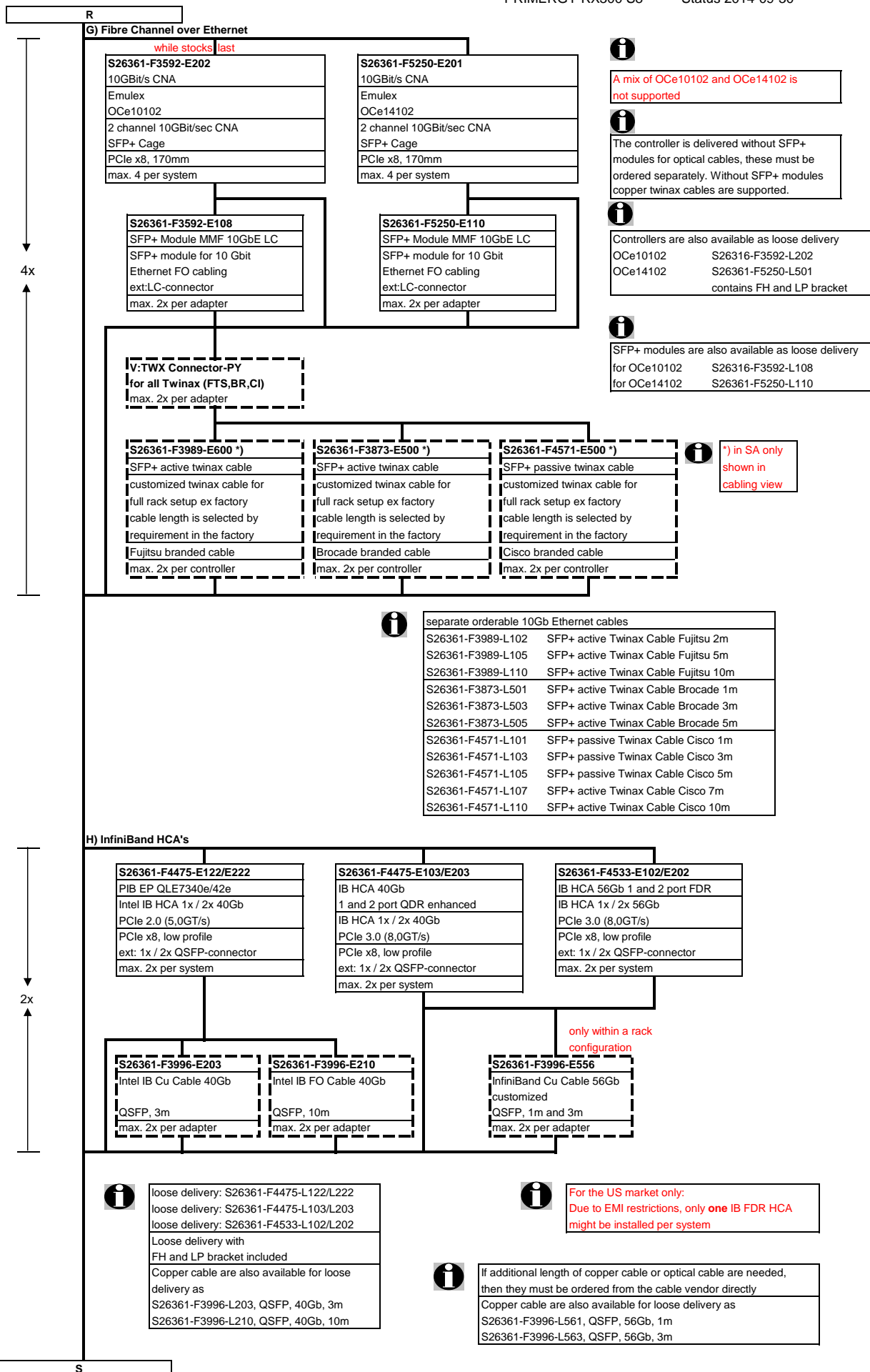
Loose delivery options (FH and LP bracketed included)

D2755	S26361-F3629-L502
X540-T2	S26361-F3752-L502

separate orderable 10Gb Ethernet cables


S26361-F3989-L102	SFP+ active Twinax Cable Fujitsu 2m
S26361-F3989-L105	SFP+ active Twinax Cable Fujitsu 5m
S26361-F3989-L110	SFP+ active Twinax Cable Fujitsu 10m
S26361-F3873-L501	SFP+ active Twinax Cable Brocade 1m
S26361-F3873-L503	SFP+ active Twinax Cable Brocade 3m
S26361-F3873-L505	SFP+ active Twinax Cable Brocade 5m
S26361-F4571-L101	SFP+ passive Twinax Cable Cisco 1m
S26361-F4571-L103	SFP+ passive Twinax Cable Cisco 3m
S26361-F4571-L105	SFP+ passive Twinax Cable Cisco 5m
S26361-F4571-L107	SFP+ active Twinax Cable Cisco 7m
S26361-F4571-L110	SFP+ active Twinax Cable Cisco 10m

R



S

**Section XI System Management Products (RemoteView)**

iRMC S4 (integrated Remote Management Controller) onboard server management Controller with dedicated 10/100/1000 Service LAN-port and integrated graphics. 

**S26361-F1790-E243**  
**iRMC S4 advanced pack**  
 integrated remote management controller  
 activation key for  
 graphical console redirection  
 and remote media redirection  
 max. 1x per system

**S26361-F2557-E106**  
 Local Service Display incl. mount. kit  
 Customer Self Service  
 LSD module incl. mounting kit  
 0.5" x 5.25"  
 max. 1x per system

available April 2014


**S26361-F1373-E540**  
 HDD&RAID OOB monitoring by iRMC  
 Out of Band Status Monitoring for HDD  
 w/o OS running  
 Cables and 2x HDD BP for 8x 2.5" HDDs  
 max. 1x per system



This option enables the out-of-band monitoring function of the HDD by iRMC. In this case HDD will be monitored without any Server Management agents. Not necessary for: RAID Ctrl SAS 6G 1GB (D3116C)  
**Note: This option is possible for S26361-K1457-V401 only!**

**S26361-F2571-E27**  
**Maintenance LAN**  
 Front management LAN Port  
 In combination with iRMC adv. pack  
 For local maintenance / console redirection,  
 Integrated in front (operating panel)  
 max. 1x per system

**Section XII Miscellaneous**

 **Options and other peripherals**  
 For other options, refer to SystemArchitect and Pricelist  
 These options are supplied loose with the shipment  
 For suitable peripherals for this product, please refer to SystemArchitect

**S26361-F3776-E101**  
**Cool-safe<sup>SM</sup> Advanced Thermal Design**  
 Restricts configuration to make  
 5-40° possible  
 Feature is enabled and fixed ex factory  
 max. 1x per system

**Cool-safe ATD configuration restrictions for RX300S8:**  
 related L-numbers as well restricted



**no BBU**  
 Cache Battery Backup Unit S26361-F3257-E216  
**no tape drives**  
 Tape drive LTO4 HH SAS IBM V2 S26361-F3626-E2  
 Tape drive LTO5HH Ultrium SAS S26361-F3627-E1  
 Tape drive LTO6HH Ultrium SAS S26361-F3787-E1

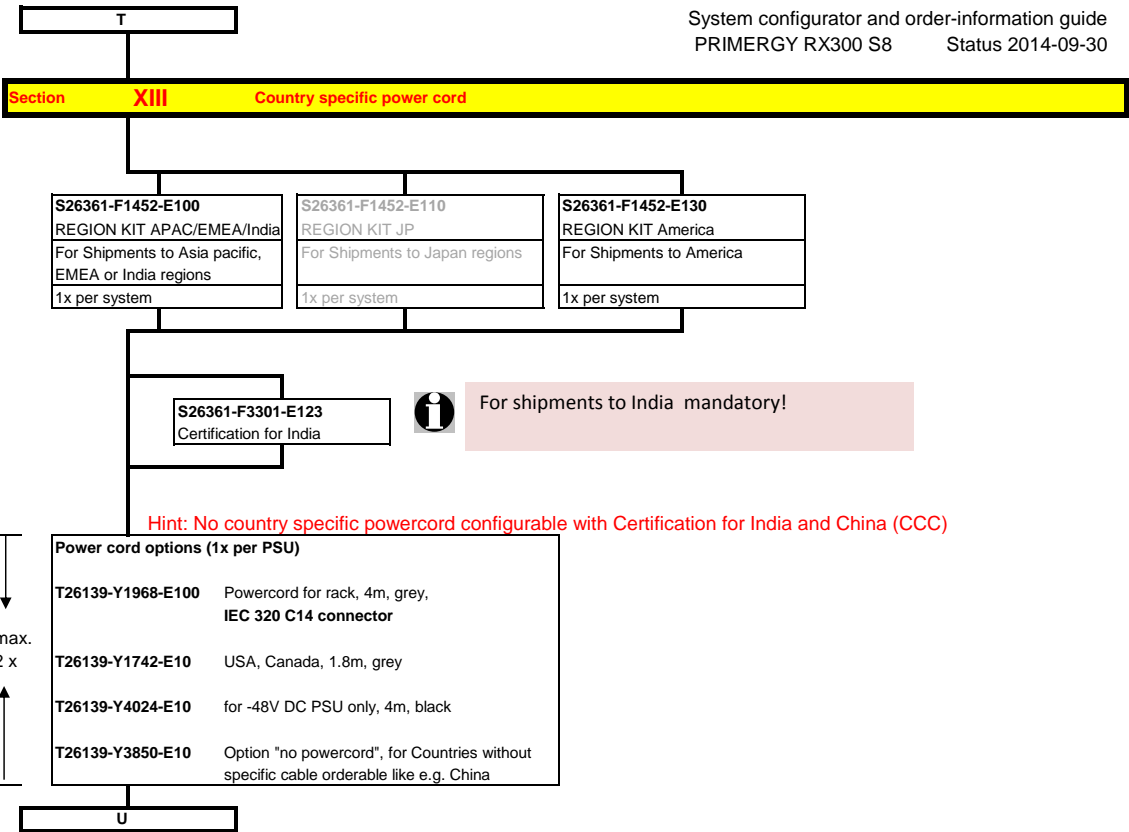
**no PCIe SSDs**  
 PCIe-SSD 365GB MLC S26361-F4522-E351  
 PCIe-SSD 785GB MLC S26361-F4522-E781  
 PCIe-SSD 1.2TB MLC S26361-F4522-E121

**no 130W CPUs**

Xeon E5-2690v2 10C/20T 3.00GHz 25MB 8.00GT/s 1866MHz 130W	S26361-F3790-E300
Xeon E5-2637v2 4C/8T 3.50GHz 15MB 8.00GT/s 1866MHz 130W	S26361-F3791-E350
Xeon E5-2643v2 6C/12T 3.50GHz 25MB 8.00GT/s 1866MHz 130W	S26361-F3791-E330
Xeon E5-2667v2 8C/16T 3.30GHz 25MB 8.00GT/s 1866MHz 130W	S26361-F3791-E300
Xeon E5-2697v2 12C/24T 2.70GHz 30MB 8.00GT/s 1866MHz 130W	S26361-F3791-E270

**no 32GB LRDIMM @ 1866 MHz**  
 32GB (1x32GB) 4Rx4 DDR3-1866 LR ECC S26361-F3848-E517

T



U

**Section XVI CCC exclusions**

**S26361-F3301-E120**  
 CCC Certification for China  
 Limits configuration in accordance  
 with CCC exclusions  
 max. 1x per system

**The following order components out of the specific sections  
 are NOT allowed together with CCC Certification for China:**



Front-VGA Interface	S26361-F2571-E26
PCIe-SSD 365GB MLC	S26361-F4522-E351
PCIe-SSD 785GB MLC	S26361-F4522-E781
PCIe-SSD 1.2TB MLC	S26361-F4522-E121
SAS Ctrl 6G 8ext PCIe Ip	S26361-F3628-E201
Shared 10Gb Management LAN Kit	S26361-F3629-E750
Modulare SV 800W titanium hp	S26113-F615-E10
Modulare SV DC -48V 800W gold hp	S26113-F609-E10
Cable powercord rack, 4m, grey	T26139-Y1968-E100
Ltg Netzanschluss -48V DC, 4m, schwarz	T26139-Y4024-E10
Leitung Netzanschluss (USA), 1,8m, grau	T26139-Y1742-E10
TPM Modul	S26361-F3552-E1

**End PRIMERGY RX300 S8**

