

PRIMERGY RX300 S8

System configurator and order-information guide

September 2015

Contents

Instructions

Configuration diagram

Configurator

0 System software

I Basic unit

II Processor

III Memory

IV Graphics

V Accessible drives

VI Hard disk drives

VII PCI Controller

VIII Raid Controller and Devices for SAS3.0 (12 Gb/sec)

IX Communication/Network

X System Management Products (RemoteView)

XI Miscellaneous

XII Country specific power cord

Change report



PRIMERGY Server

Instructions

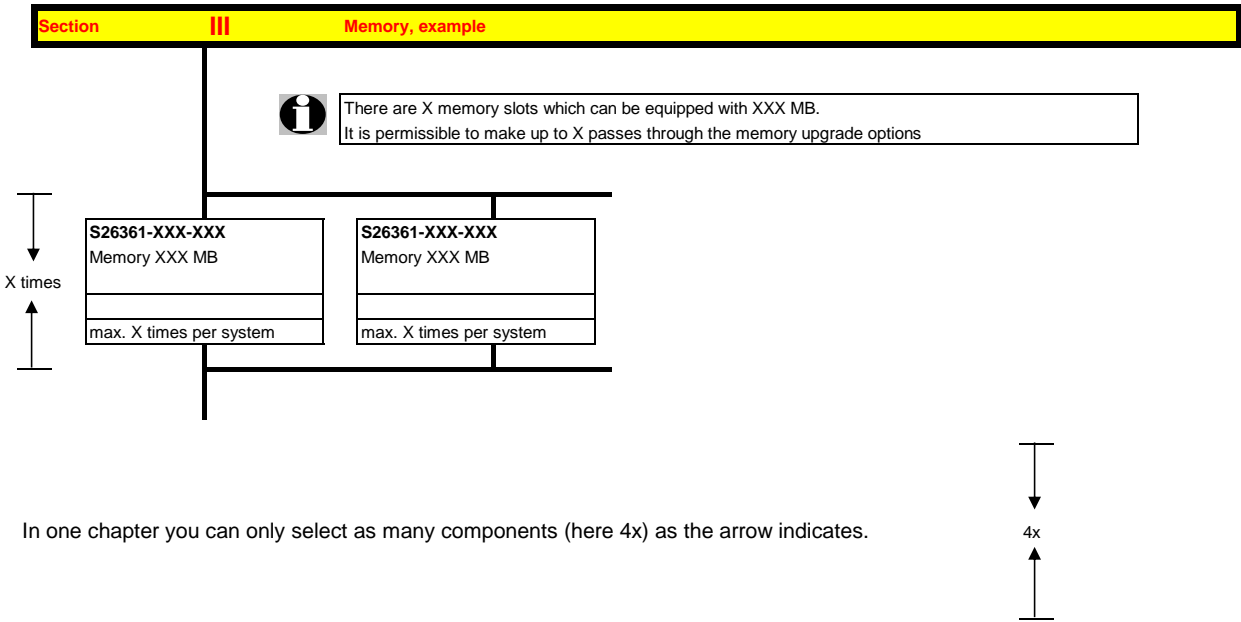
This document contains basic product and configuration information that will enable you to configure your system via PC-/System-Architect.

Only these tools will ensure a fast and proper configuration of your PRIMERGY server or your complete PRIMERGY Rack system.

You can configure your individual PRIMERGY server in order to adjust your specific requirements.

The System configurator is divided into several chapters that are identical to the current price list and PC-/SystemArchitect.

Please follow the lines. If there is a junction, you can choose which way or component you would like to take. Go through the configurator by following the lines from the top to the bottom.



In one chapter you can only select as many components (here 4x) as the arrow indicates.

Please note that there are information symbols which indicate necessary information.



For further information see:

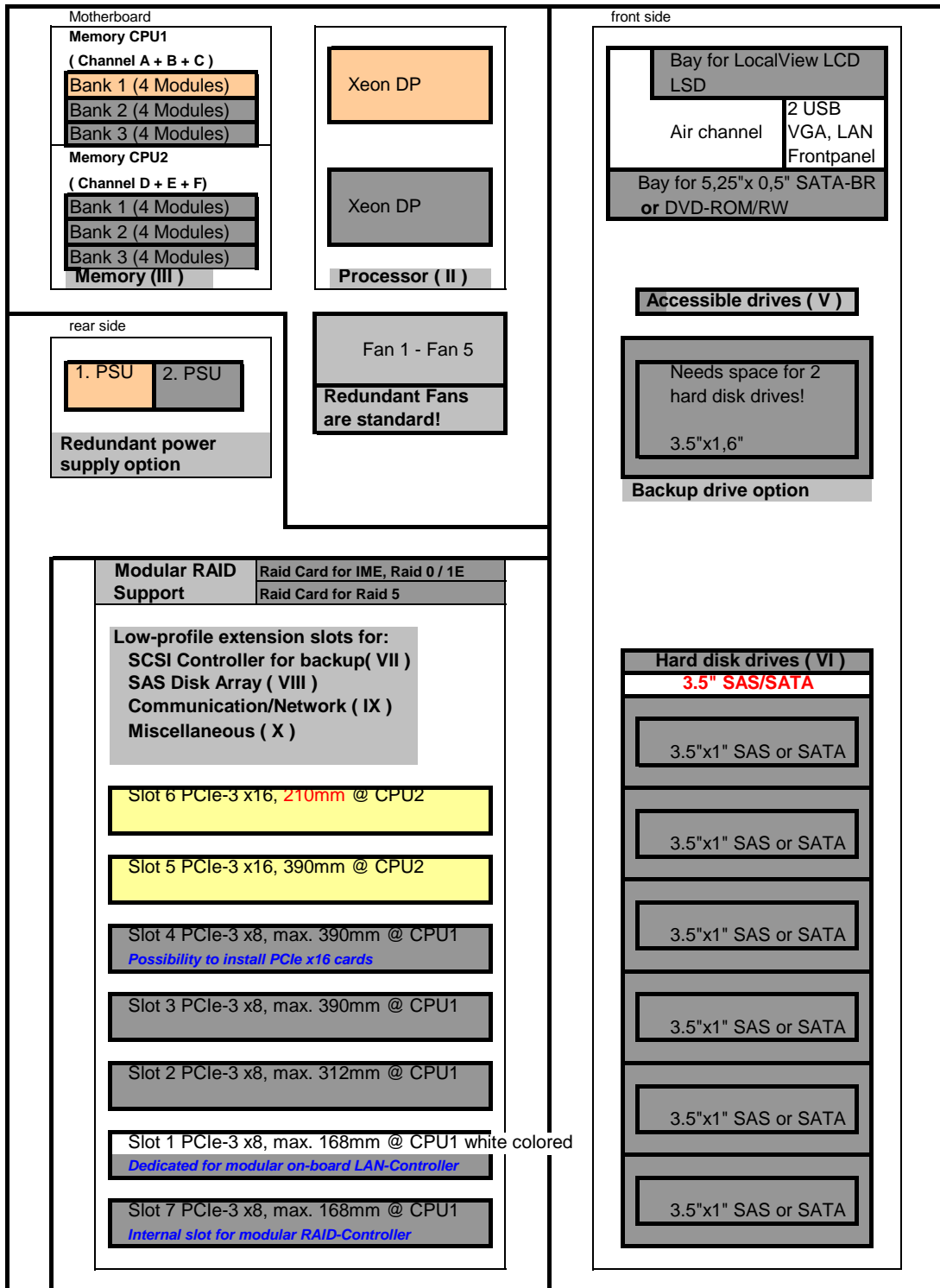
http://ts.fujitsu.com/products/standard_servers/inc (internet)

https://partners.ts.fujitsu.com/com/order-supply/configurators/primergy_config/current/Pages/default.aspx (extranet)

Configuration diagram PRIMERGY RX300 S8

System unit (I)

with up to 6x 3.5" Hard disk drives



Key:



Included in basic unit



Option

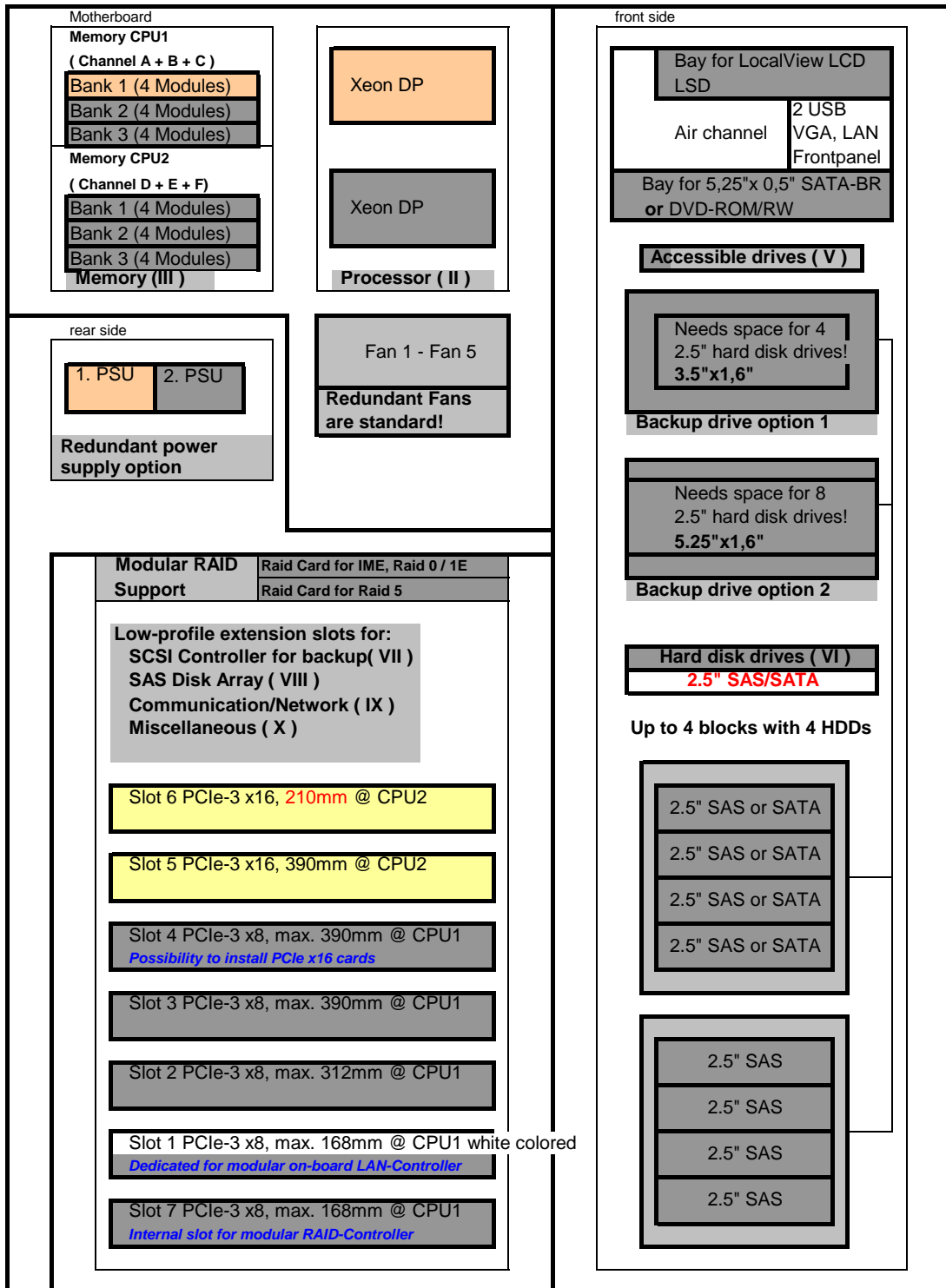


One CPU, one memory per CPU and one PSU has to be selected for an orderable basic unit.

Configuration diagram PRIMERGY RX300 S8

System unit (I)

with up to 4, 8, 12 or 16x 2.5" Hard disk drives or up to 4 or 8 PCIe SSDs 2.5"



Key:

Included in basic unit

Option

One CPU, one memory per CPU and one PSU has to be selected for an orderable basic unit.

Section

Basic unit

**System unit consisting of:**

- * 2U Housing without power supply modules
- * Basic units with:
 - 2 Hot-Plug Power Supply Bays
 - 5 Fans (full redundancy)
 - 12 memory DIMMs per CPU (max 768GB) => Total 24 DIMMs (max 1536GB) for two CPU's
- * SAS Backplane for 6x 3.5" HD, SAS Backplanes for 4, 8, 12 or 16x 2.5" HD or PCIe Backplanes for 4 or 8 PCIe SSD with cable connection to on-board, modular RAID Controller
- * Drives/Bays
 - 6 bays 1" for hot plug 3.5" HD (1" high) or 4, 8, 12 or 16 bays for hot plug 2.5" HD
 - 1 bay for 3.5" and 1.6" high Backup device, consumes 2 bays for 3.5" HD for basic unit 6x 3.5" HD not possible for basic unit with 12 or 16 x 2,5" HD
 - 1 bay for 5,25" and 1.6" high Backup device, not possible for basic unit 6x 3.5" HD for basic unit with 12 or 16 x 2.5" HD
 - 1 bay SATA-CD- or DVD-ROM 0,5" height (option)
 - 1 bay for opt. LocalView LC-Display
- * Integrated ServerView Diagnostics Technology (Diagnosis LED's) for indication of internal failed components

Systemboard D2939-B with:

- * Up to two Xeon DP CPU's (Socket-R) with 2 serial QPI links (Quick Path Interconnect) and four memory channels per CPU
First CPU has to be selected for an orderable basic unit,
- * Chipset Intel® C600 Series (codenamed Patsburg)
- * 7 PCI slots:
 - 2x PCIe-3 x16 (both slots are connected to CPU 2 and are useable with configured 2nd CPU only!)
 - 4x PCIe-3 x8 (one notched to install x16 cards)
 - 1x PCIe-3 x8 (for internal modular RAID controller only)
- * 24 memory slots for max. 1536GB RAM DDR3 available
 - Memory is divided into 12 DIMMs per CPU (4 channels with 3 slots per channel)
 - Possible max. configurations are:
 - 16x 8GB UDIMM (dual rank modules) = 128GB
 - 24x 16GB RDIMM (dual rank modules) = 384GB
 - 24x 32GB LRDIMM (quad rank modules) = 768GB
 - 24x 64GB LRDIMM (eight rank modules) = 1536GB
 - First Memory (one module) has to be selected for an orderable basic unit per CPU
 - Memory upgrade is possible module wise
 - Memory mirroring is supported with 2 identical modules in channel A+B CPU 1 or D+E CPU 2
 - Hot Spare Memory is supported with 3 identical modules in channel A+B+C CPU 1 or D+E+F CPU 2
 - SDDC (Chipkill) is supported for memory modules,
- * Dual Port 10/100/1000 x4 PCI Express* Gigabit Ethernet Intel LAN controller Powerville on-board
- * iRMC S4 (integrated Remote Management Controller) on-board server management controller with dedicated 10/100/1000 Service LAN-port and integrated graphics controller.
The Service LAN-port can be switched alternatively on standard Gbit LAN port 1
- * Graphics Controller integrated in iRMC S4 (integrated Remote Management Controller):
1600x1200x16bpp 60Hz, 1280x1024x16bpp 60Hz, 1024x768x32bpp 75Hz, 800x600x32bpp 85Hz,
640x480x32bpp 85Hz
(1280x1024x24bpp 60Hz only possible if local monitor or remote video redirection is off)

Interfaces at the rear:

- * 1x RS-232-C (serial, 9 pins) (usable for BMC or OS or shared)
- * 1x VGA (15 pins)
- * 4x USB 2.0 (UHCI) with 480MBit/s, no USB wakeup
- * 2x LAN RJ45, 1x Service-LAN RJ45

Interfaces on the front:

- * 2x USB 2.0 (UHCI) with 480MBit/s, no USB wakeup
- * 1x VGA (15 pins) as an option
- * 1x Service-LAN RJ45 as an option

Interfaces internal:

- * 1x released internal USB Interfaces for backup devices,
- * 1x USB 2.0 (UHCI) with 480MBit/s for dongle functionality (uSSD memory), no USB wakeup
- * 1x SATA interface for DVD (only usable with 4x 2.5" HDD + DVD Option)
- * 4x SATA/SAS interface for 4 SATA/SAS HD's or SAS Backup device
- * 2x USB 2.0 ports for internal USB redirection connected to BMC

Software:

- * ServerView Suite Software package incl. ServerStart, ServerBooks, Management Software and Updates
- * Documentation engl. (multilingual on CD)

A

Cables included in basic unit

| Connections | Cable | PRIMERGY RX300 S7 |
|-------------------------------|-------|-------------------|
| 1. SATA DVD | | |
| 2. SAS cables to HDDs | | |
| 3. 1x cable for SAS signaling | | |

⊗ SAS
 ○ SATA

Note: Rack Mounting kit and Power Cord for RX300S7 is not included in the basic unit and has to be configured separately

| | |
|--|--------------------------|
| Rack version for 19" racks with No PSU included in Base Unit | |
| Basic unit is without CPU and Memory For an orderable basic unit one CPU = first CPU and one memory = first memory has to be selected | |
| Basic unit with 6x 3.5" HDD bays fixed | S26361-K1457-V101 |
| Basic unit with 2.5" HDD bays expandable | S26361-K1457-V401 |
| Basic unit with 8x 2.5" HDD bays fixed | S26361-K1457-V201 |
| Basic unit with 12x 2.5" HDD bays fixed | S26361-K1457-V301 |

Basic unit with 2.5" HDD bays is modular expandable with various modules for backup devices integration or up to 16x 2.5" HDDs. Details and pictures see Section Va: Possible configuration options for basic units

Full redundancy cannot be guaranteed for a max. config. with e.g. two 135W CPUs with 450W PSUs. In this case SysArch will generate a warning and Power Safeguard will throttle CPUs in case of a PSU failure. So, power consumption will be limited to 450W.

| |
|---|
| S26113-F575-E12 450W PSU module platinum 1st or 2nd PSU for redundancy 94% efficiency (platinum) uses hot plug PSU slot min. 1 / max. 2x per system |
|---|

| |
|---|
| S26113-F574-E12 800W PSU module platinum 1st or 2nd PSU for redundancy 94% efficiency (platinum) uses hot plug PSU slot min. 1 / max. 2x per system |
|---|

| |
|---|
| S26113-F609-E10 800W PSU module -48V DC gold 1st or 2nd PSU for redundancy 92% efficiency (gold) uses hot plug PSU slot min. 1 / max. 2x per system |
|---|

| |
|--|
| * 110V range not supported S26113-F615-E10 * 800W PSU module titanium 1st or 2nd PSU for redundancy 96% efficiency (titanium) uses hot plug PSU slot min. 1 / max. 2x per system |
|--|

| |
|---|
| S26113-F574-E99 * Power Supply Dummy must be ordered if 1x PSU only occupies one bay for hot plug power supply max. 1x per system |
|---|

| | |
|--|---|
| For later redundancy upgrade the following kit is available: | |
| One 450W power supply module hot plug no power cable included!!! | S26113-F575-L12 |
| One 800W power supply module hot plug no power cable included!!! | S26113-F574-L12 |
| One 800W -48V DC PSU hot plug no power cable included!!! | S26113-F609-L10 |
| One 800W power supply module titanium no power cable included!!! | S26113-F615-L10 |
| Please order appropriate power cord additionally: Powercord for rack, 4m, grey, IEC320 C13->C14 connector Power Cord USA / Canada, 1.8m, grey Power Cord -48V DC, 4m, black | |
| | T26139-Y1968-L10 T26139-Y1742-L10 T26139-Y4024-L10 |



as soon as available

as soon as available

***For order completeness only**
Not shown in system architect
Version > V9.2

| |
|--|
| S26361-F3552-E1 TPM Module Trusted Platform Module on Motherboard Use according to import restrictions max. 1x per system |
|--|

| |
|---|
| S26361-F3552-L1 TPM Module add-on kit for later integration (loose delivery) Trusted Platform Module on Motherboard Use according to import restrictions max. 1x per system |
|---|

Be aware of import restrictions!
Loose delivery for later integration possible for customer.

B

B
PRIMECENTER Rack

S26361-F2735-E175
Rack Mount Kit F1-C S7 LV
for PCR M1 and 3rd party racks
consisting of
vario carrier **559-914mm**
telescopic drop-in rails 781mm
with quick release lever support
with full extraction
with CMA adapter
1x per system

S26361-F2735-E111
No Rackmount-Kit option
Only for loose deliveries
No mounting in racks possible
max. 1x per system



Further information for
rack mounting is available
within the
Corporate Partner Portal

All "L" no's for loose delivery

S26361-F2735-L10
Adapter angle PC/DC-Rack, till 50Kg
necessary for mounting RMKs in
asymmetrical PC racks

C

S26361-F4530-E11
Bracket 1U in asymmetrical racks

S26361-F4530-E10
Mounting of RMK in symmetrical racks
(no support brackets needed)



S26361-F2735-E71
Lateral cable management
for 2U servers or higher
- for asymmetrical racks
PRIMECENTER S2 or M1
- 1 bracket PC Rack asym.
1x per system

S26361-F2735-E82
Rack Cable Management Arm CMA 2U
for 2U Server in racks
- for symmetrical racks
M1 or 3rd party racks
Fujitsu racks
1x per system

S26361-F2735-L175
RMK-F1_DI_CMA_QRL_LV
for PCR M1 and 3rd party racks
with CMA adapter

S26361-F2735-L176
RMK-F1_DI_QRL_LV
best choice for 3rd party racks
w/o CMA adapter

S26361-F2735-L7
Lateral cable management (optionally)
can only be mounted
in asymmetrical PRIMECENTER
S2 or new M1 racks in 1U above RMK

S26361-F2735-L82
Rack Cable Management Arm CMA 2U
for 2U Server in racks.

S26361-F2201-L20
Cable arm 2U PCR M1 S and 3rd p.-racks
for L176, has to be mounted above RMK

SNP:SY-F1647E301-P
**Installation ex works for one
server or subsystem.**
**Hereby the rack will be delivered
completely pre-mounted and
all wired connections are tested.**
With PCR M1 16U, 24U, 42U:
Systems and components
will be delivered installed in the rack

To be ordered only together with
a PRIMECENTER rack
PCR S2 e.g. S26361-K826-V10x
new PCR M1 e.g. S26361-K827-Vxxx
refer PCR S2 or M1 rack configurator
max. 1x per System



"Rack-mounting ex factory"
This service is to be ordered **once
per installable server/storage
subsystem, in order to get the
server/storage subsystem
mounted into the racks.**
**In case of not-installed server and subsystems
this service has to be ordered,
to get the mounting kits and the
cables installed.**



PRIMERGY Classic 19" rack is not supported

C

C

Section II Processor

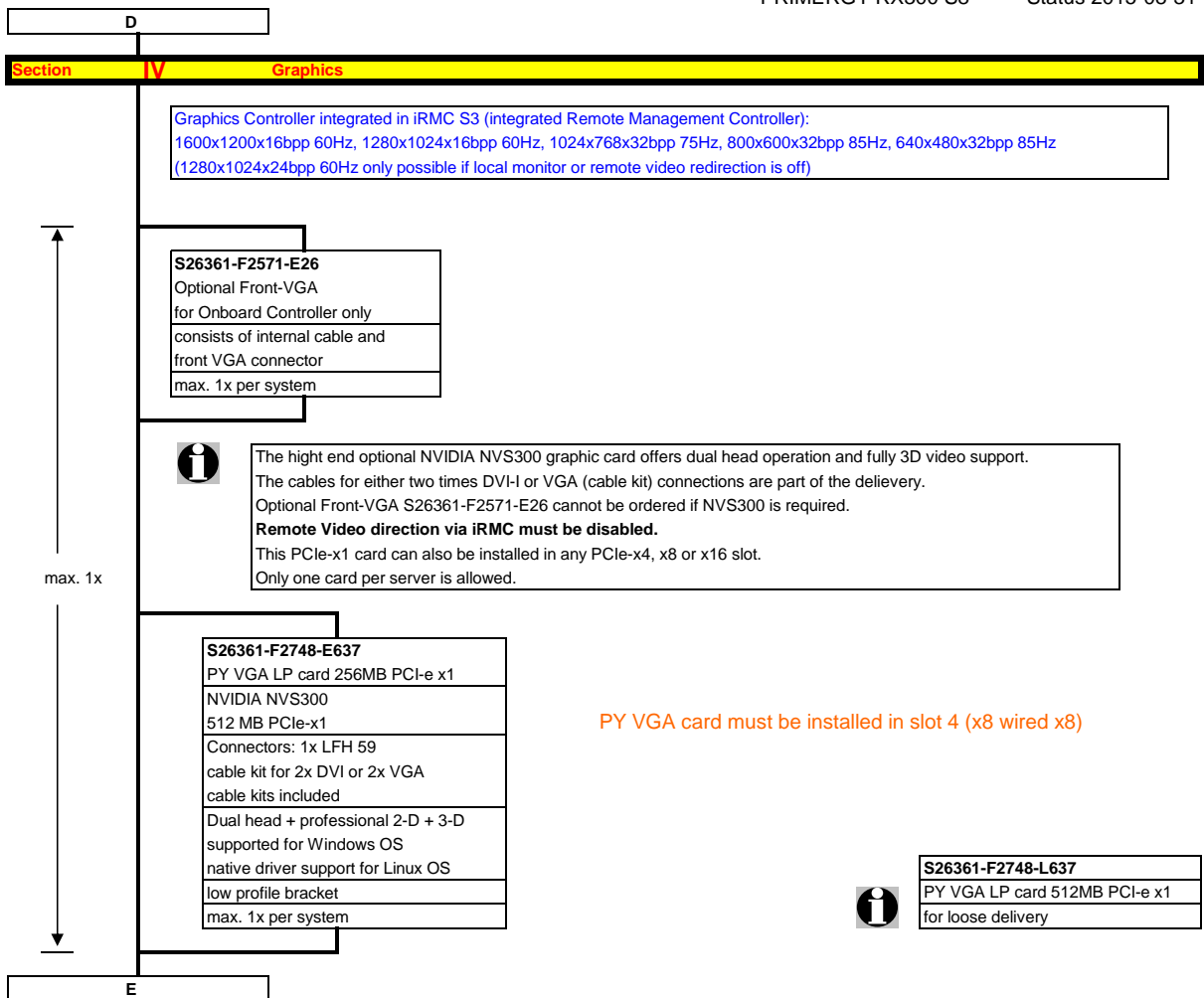
There are 2 processor sockets available.
The first socket must always be equipped with the **first CPU** which can be selected via configurator
It is also possible to upgrade a dual-processor system later on with a **second CPU**
Both PCIe-3 x16 slots are connected to CPU 2 and are useable with configured 2nd CPU only!
Two processors with different clock frequencies are not possible
A multi-processor operating system is required for a dual-processor system.

| | |
|---|--------------------------|
| Max. two CPU's can be selected per basic unit | |
| One of following CPU's has to be selected as first CPU for an orderable basic unit | |
| Optional second CPU has to be the same type like the first CPU | |
| Basic 4C CPU's | |
| - 1x 64-bit Intel Xeon (10MB Smart Cache) 1333 MHz DDR3 Bus; 6,40 GT/s QPI Bus and passive heat sink occupies socket for one CPU | |
| Xeon E5-2603v2 4C/4T 1.80GHz 10MB 6.40GT/s 1333MHz 80W | S26361-F3788-E180 |
| Xeon E5-2609v2 4C/4T 2.50GHz 10MB 6.40GT/s 1333MHz 80W | S26361-F3788-E250 |
| Standard Turbo 6C/8C CPU's | |
| - 1x 64-bit Intel Xeon (15/20MB Smart Cache); Hyper-Threading (HT); 1600 MHz DDR3 Bus; 7,20 GT/s QPI Bus and passive heat sink occupies socket for one CPU | |
| Xeon E5-2620v2 6C/12T 2.10GHz 15MB 7.20GT/s 1600MHz 80W | S26361-F3789-E210 |
| Xeon E5-2630v2 6C/12T 2.60GHz 15MB 7.20GT/s 1600MHz 80W | S26361-F3789-E260 |
| Xeon E5-2640v2 8C/16T 2.00GHz 20MB 7.20GT/s 1600MHz 95W | S26361-F3789-E200 |
| Advanced Turbo+ 8C/10C CPU's | |
| - 1x 64-bit Intel Xeon (20/25MB Smart Cache); Hyper-Threading (HT); 1866 MHz DDR3 Bus; 8,00 GT/s QPI Bus and passive heat sink occupies socket for one CPU | |
| Xeon E5-2650v2 8C/16T 2.60GHz 20MB 8.00GT/s 1866MHz 95W | S26361-F3790-E260 |
| Xeon E5-2660v2 10C/20T 2.20GHz 25MB 8.00GT/s 1866MHz 95W | S26361-F3790-E220 |
| Xeon E5-2670v2 10C/20T 2.50GHz 25MB 8.00GT/s 1866MHz 115W | S26361-F3790-E250 |
| Xeon E5-2680v2 10C/20T 2.80GHz 25MB 8.00GT/s 1866MHz 115W | S26361-F3790-E280 |
| Xeon E5-2690v2 10C/20T 3.00GHz 25MB 8.00GT/s 1866MHz 130W | S26361-F3790-E300 |
| Segment Optimized CPU's | |
| - 1x 64-bit Intel Xeon (15/25/30MB Smart Cache); Hyper-Threading (HT); 1866 MHz DDR3 Bus; 8,00 GT/s QPI Bus and passive heat sink occupies socket for one CPU | |
| Xeon E5-2637v2 4C/8T 3.50GHz 15MB 8.00GT/s 1866MHz 130W | S26361-F3791-E350 |
| Xeon E5-2643v2 6C/12T 3.50GHz 25MB 8.00GT/s 1866MHz 130W | S26361-F3791-E330 |
| Xeon E5-2667v2 8C/16T 3.30GHz 25MB 8.00GT/s 1866MHz 130W | S26361-F3791-E300 |
| Xeon E5-2695v2 12C/24T 2.40GHz 30MB 8.00GT/s 1866MHz 115W | S26361-F3791-E240 |
| Xeon E5-2697v2 12C/24T 2.70GHz 30MB 8.00GT/s 1866MHz 130W | S26361-F3791-E270 |
| Low Power 6C/10C CPU's | |
| - 1x 64-bit Intel Xeon (15/25MB Smart Cache); Hyper-Threading (HT); 1600 MHz DDR3 Bus; 7,20/8,00 GT/s QPI Bus and passive heat sink occupies socket for one CPU | |
| Xeon E5-2630Lv2 6C/12T 2.40GHz 15MB 7.20GT/s 1600MHz 60W | S26361-F3792-E240 |
| Xeon E5-2650Lv2 10C/20T 1.70GHz 25MB 8.00GT/s 1600MHz 70W | S26361-F3792-E170 |



Max. DDR3 Bus Speed depends on:
- max. DDR3 Bus Speed from the CPU and
- max. DDR3 Memory Speed and
- max. memory modules on one memory channel
For CPUs which do not offer 1866 MHz support,
(Basic, Standard & Low Power class),
System Architect will not offer memory modules
supporting this frequency.

D



E

Section III Memory



- **There are 12 memory slots per CPU for max.**
 768GB LRDIMM (12x 64GB 8R)
 192GB RDIMM (12x 16GB 2R)
64GB UDIMM (8x 8GB) on special Release only
=> max. 1.536GB for two CPU's (768GB per CPU), using LRDIMM

- The memory area is divided into 4 channels per CPU with 3 slots per channel
 - Slot 1 of each channel belongs to memory bank 1, the slot 2 belongs to memory bank 2, slot 3 belongs to memory bank 3

Registered, LR DIMMs and unbuffered memory modules can be selected
No mix of registered, load reduced and unbuffered modules allowed.
 Memory can be operated at 1.5V or 1.35V, even if the modules are of low voltage type.
 Memory operating voltage can be set within BIOS (**1.5V is default** setting for max. speed).
 In a single DIMM per channel configuration, following frequencies are supported:
 - 1.5V - 1866MHz max (depending on CPU)
 - 1.35V - 1600MHz max (depending on CPU, up to two LRDIMM per channel)
 - 1.35V - 1333MHz max (up to two UDIMM or RDIMM per channel)
 In a 3 DIMMs per channel configuration, memory will operate at 1.35V or 1.5V (no UDIMM allowed).
SSD (Chipkill) is supported for registered / load reduced x4 organized memory modules only.

1.) In the "Independent Channel Mode" is following configuration possible
 Channels can be populated in any order in Independent Channel Mode. All four channels may be populated in any order and have no matching requirements. All channels must run at the same interface frequency but individual channels may run at different DIMM timings (RAS latency, CAS latency, and so forth)
No mix of registered, load reduced and unbuffered modules allowed.

2.) "Rank Sparing Mode" configuration
 - Within a memory channel, one rank is a spare of the other ranks.
 The Spare Rank is held in reserve and is not available as system memory
 For the effective memory capacity, please refer to the spreadsheet below.
 The BIOS is set to the rank sparing setting.
Minimum configuration is: 2x 1R, 2x 2R or 1x4R DDR3 module per channel
This mode is not supported by unbuffered memory modules

3.) "Performance Mode" configuration
 - In this configuration, the memory module population ex factory is spread across all channels.
 The BIOS is set to the max. performance for memory.
Minimum configuration is: 4x identical modules

4.) In the "Mirrored Channel Mode" is following configuration possible
 - Each memory bank can optionally be equipped with 4x registered or load reduced or unbuffered DDR3 modules
In each memory bank channel A and B / C and D of CPU 1 or channel E and F / G and H of CPU 2 have to be equipped with identical modules for mirrored channel mode.
 In channel B / D is always the mirrored memory of channel A / B of CPU 1
 In channel F / H is always the mirrored memory of channel E / G of CPU 2
Minimum configuration is: 4x identical modules
This mode is not supported by unbuffered memory modules

F

F

1x per CPU

| |
|--|
| <p>S26361-F3694-E10 Independent Mode Independent Channel Mode allows all channels to be populated in any order. No specific Memory RAS features are defined Requires min 1 memory Module per CPU</p> |
| <p>S26361-F3694-E1 Rank Sparing Mode Installation BIOS Setup factory preinstalled to this mode. One Rank is spare of other ranks on the same channel. Spare Rank is not shown in System Memory. For effective capacity within a channel, please have a look below. Supported for RDIMM / LRDIMM only. Requires min 2x 1R/2R or 1x 4R modules per CPU</p> |
| <p>S26361-F3694-E2 Performance Mode Installation BIOS Setup factory preinstalled for max. Performance, LV memory might be set to 1.5V operation. Four identical memory modules will be equipped in one memory bank to achieve highest memory performance. All four modules are active and full capacity can be used. Multiple of 4 identical modules to be configured per CPU</p> |
| <p>S26361-F3694-E3 Mirrored Channel Mode Installation BIOS Setup factory preinstalled to this mode. Four identical memory modules are always equipped in one memory bank to use the Mirrored channel Mode. Only two modules contain active data, the remain two modules contain mirrored data Supported for RDIMM / LRDIMM only. Multiple of 4 identical modules to be configured per CPU</p> |



| Effective Memory capacity / Rank Sparing Mode, 1 Channel populated | | | | | | |
|--|--------|--------|--------|---------|---------|---------|
| | RDIMM | | | | LRDIMM | |
| | 4GB 1R | 8GB 1R | 8GB 2R | 16GB 2R | 32GB 4R | 64GB 8R |
| 1DPC | na | na | na | na | 24GB | 48GB |
| 2DPC | 4GB | 8GB | 12GB | 28GB | 56GB | 112GB |
| 3DPC | 8GB | 16GB | 20GB | 44GB | 80GB | 160GB |



Minimum one memory module or order code per CPU = first memory

Note 1.)

8/12x per CPU, max.
2/3 modules per channel

| |
|--|
| <p>Unbuffered Memory (UDIMM) no SDDC (chipkill) support - one DDR3 unbuffered ECC mem. Module, 1.35V Choose up to 8 order codes per CPU 8GB (1x8GB) 2Rx8 L DDR3-1600 U ECC S26361-F3807-E515 special release only</p> |
| <p>Registered Memory (RDIMM) with SDDC (chipkill) support - one DDR3 registered ECC mem. Module, 1.35V 1333MHz supported with up to 2DPC (8 modules/CPU) and 1.35V 1600MHz supported with up to 2DPC (8 modules/CPU) and 1.5V Choose up to 12 order codes per CPU 4GB (1x4GB) 1Rx4 L DDR3-1600 R ECC S26361-F3781-E514 8GB (1x8GB) 1Rx4 L DDR3-1600 R ECC S26361-F3781-E515 16GB (1x16GB) 2Rx4 L DDR3-1600 R ECC S26361-F3781-E516</p> |
| <p>Registered Memory (RDIMM) with SDDC (chipkill) support - one DDR3 registered ECC mem. Module, 1.5V 1866MHz supported with up to 2DPC (8 modules/CPU) Choose up to 12 order codes per CPU 16GB (1x16GB) 2Rx4 DDR3-1866 R ECC S26361-F3793-E516</p> |
| <p>Registered Memory (RDIMM) no SDDC (chipkill) support - one DDR3 registered ECC mem. Module, 1.5V No mix with any other types of memory modules possible 1866MHz supported with up to 2DPC (8 modules/CPU) Choose up to 12 order codes per CPU 8GB (1x8GB) 2Rx8 DDR3-1866 R ECC S26361-F3793-E515</p> |
| <p>Load Reduced Memory (LRDIMM) with SDDC (chipkill) support - one DDR3 load reduced ECC mem. Module, 1.35V Choose up to 12 order codes per CPU 32GB (1x32GB) 4Rx4 L DDR3-1600 LR ECC S26361-F3782-E517 64GB (1x64GB) 8Rx4 L DDR3-1333 LR ECC S26361-F3783-E518</p> |
| <p>Load Reduced Memory (LRDIMM) with SDDC (chipkill) support - one DDR3 load reduced ECC mem. Module, 1.5V 1866MHz supported with up to 2DPC (8 modules/CPU) Choose up to 12 order codes per CPU 32GB (1x32GB) 4Rx4 DDR3-1866 LR ECC S26361-F3848-E517</p> |



Note 1)
Max. DDR3 memory speed depends on the memory configuration (No of mem modules per channel) as well as on the CPU type. The memory channel with the lowest speed defines the speed of all CPU channels in the system, also for the channels of the second CPU if configured. For real memory speed (depending on memory type / population), please check the spreadsheet "Memory speed" below



Note 2)
Mix of memory modules is only possible within the same group

G

Memory Configuration PRIMERGY RX300 S8

Each CPU offers 12 Slots for DDR3 Memory Modules organised in **3 Banks and 4 Channels**.

If you need more than 12 Slots you have to configure the 2nd CPU.

Depending on the amount of memory configured you can decide between 4 basic modes of operation (see explanation below).

There are 3 different kinds of DDR3 Memory Modules available: UDIMM / RDIMM and LRDIMM

UDIMM / RDIMM / LRDIMM offer different functionality. Mix of UDIMM / RDIMM / LRDIMM is not allowed.

If 1.5V and 1.35V DIMMs are mixed, the DIMMs will run at 1.5V

| Mode | Configuration | UDIMM | RDIMM | RDIMM LRDIMM | Application |
|--------------------------|----------------------------|-------|-------|-----------------|---|
| | | x8 | x8 | x4 | |
| SDDC (chipkill) support | any | no | no | yes | detect multi-bit errors |
| Independent Channel Mode | 1, 2 or 3 Modules per Bank | yes | yes | yes | offers max. flexibility, upgradeability, capacity use UDIMM modules for lowest cost |
| Mirrored Channel Mode *) | 4 identical Modules / Bank | no | no | yes | offers maximum security |
| Performance Mode | 4 identical Modules / Bank | yes | yes | yes | offers maximum performance and capacity |
| Rank Sparing Mode *) | min. 2 Ranks / Channel | no | no | yes | balances security and capacity |

*) For the delivery ex works the system will be prepared with dedicated BIOS setting.

| Capacity | Configuration | UDIMM | RDIMM | LRDIMM | Notes |
|------------------------|------------------------|-------|---------|---------|-----------------------------|
| Min. Memory per CPU | 1 Module / CPU | 1x4GB | 1x4GB | 1x32GB | with one CPU |
| Max. Memory per CPU | 8/12 Modules / CPU | 8x4GB | 12x16GB | 12x64GB | with one CPU |
| Max. Memory per System | 16/24 Modules / System | 64GB | 384GB | 1536GB | if second CPU is configured |

Memory-Speed:

Max. DDR3 memory speed depends on the memory configuration on one memory channel and the speed of the CPU

The memory channel with the lowest speed defines the speed of all CPU channels in the system

| Mem. Speed provided by CPU | Real maximum memory-bus speed depending on CPU type, memory configuration (DPC) and voltage setting (BIOS) | | | | | | | | | | | | | | | | | |
|----------------------------------|--|------|-----|-------|------|-----|----------------|------|------|-------|------|-----|-------------------|------|------|-------|------|------|
| | UDIMM 1866MHz | | | | | | RDIMM 1866MHz | | | | | | LRDIMM 4R 1866MHz | | | | | |
| | 1.5V [default] | | | 1.35V | | | 1.5V [default] | | | 1.35V | | | 1.5V [default] | | | 1.35V | | |
| | 1 | 2 | 3 | 1 | 2 | 3 | 1 | 2 | 3 | 1 | 2 | 3 | 1 | 2 | 3 | 1 | 2 | 3 |
| | DPC | DPC | DPC | DPC | DPC | DPC | DPC | DPC | DPC | DPC | DPC | DPC | DPC | DPC | DPC | DPC | DPC | |
| CPU with 1866MHz DDR3 Bus | 1866 | 1600 | - | 1333 | 1333 | - | 1866 | 1866 | 1066 | 1333 | 1333 | 800 | 1866 | 1866 | 1066 | 1600 | 1600 | 1066 |
| CPU with 1600MHz DDR3 Bus | 1600 | 1600 | - | 1333 | 1333 | - | 1600 | 1600 | 1066 | 1333 | 1333 | 800 | 1600 | 1600 | 1066 | 1600 | 1600 | 1066 |
| CPU with 1333MHz DDR3 Bus | 1333 | 1333 | - | 1333 | 1333 | - | 1333 | 1333 | 1066 | 1333 | 1333 | 800 | 1333 | 1333 | 1066 | 1333 | 1333 | 1066 |

1R - Single Rank 4R - Quad Rank
 2R - Dual Rank 8R - Eight Rank

1DPC = 1 DIMM per Channel
 2DPC = 2 DIMM per Channel
 3DPC = 3 DIMM per Channel

Configuration hints:

- The memory sockets on the systemboard offer a color coding:

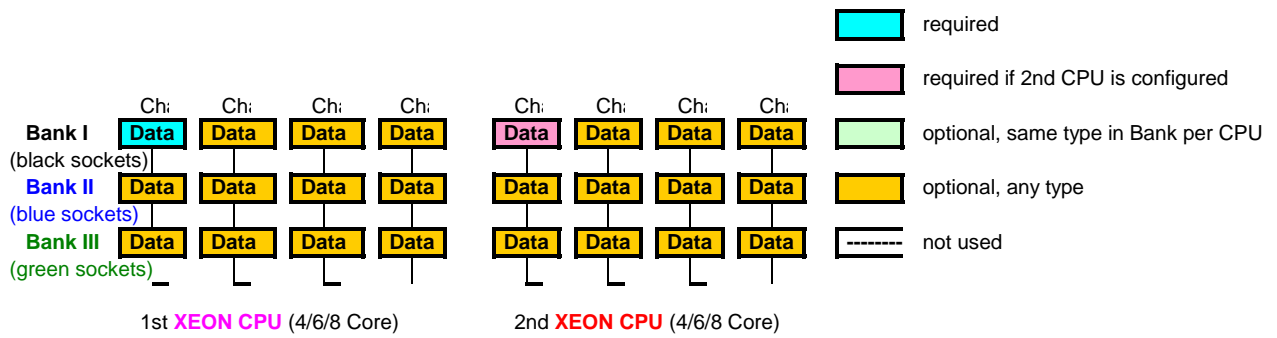
- Bank I** black sockets
- Bank II** blue sockets
- Bank III** green sockets

- A so called Bank consists of 1 memory module on every Channel available on one CPU (examples see below)

- Bank I on CPU 1/2** up to 4 memory modules connected to Channel A - H on the 1st/2nd CPU
- Bank II on CPU 1/2** up to 4 memory modules connected to Channel A - E on the 1st/2nd CPU
- Bank III on CPU 1/2** up to 4 memory modules connected to Channel A - E on the 1st/2nd CPU
 (can not be populated by UDIMM or 4R RDIMM memory modules)

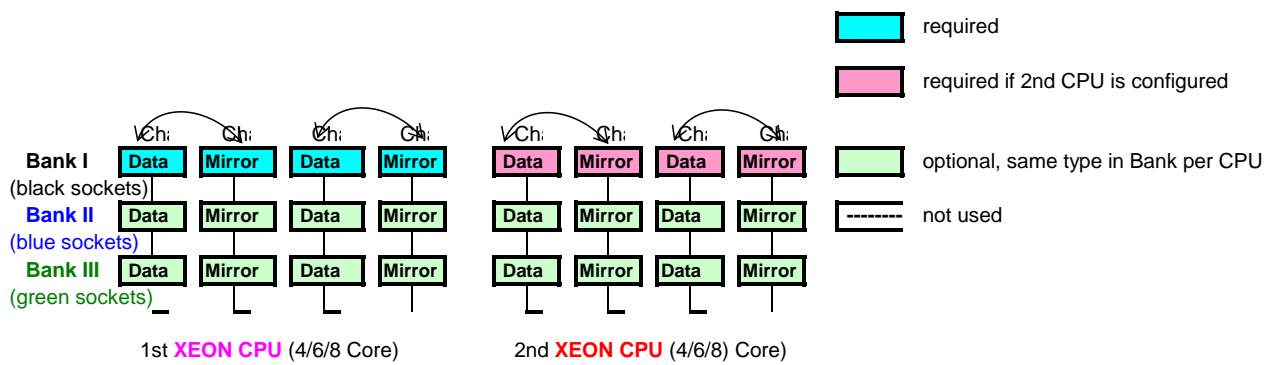
- See below and next page for a detailed descriptions of the memory configuration supported.

1. Independent Channel Mode



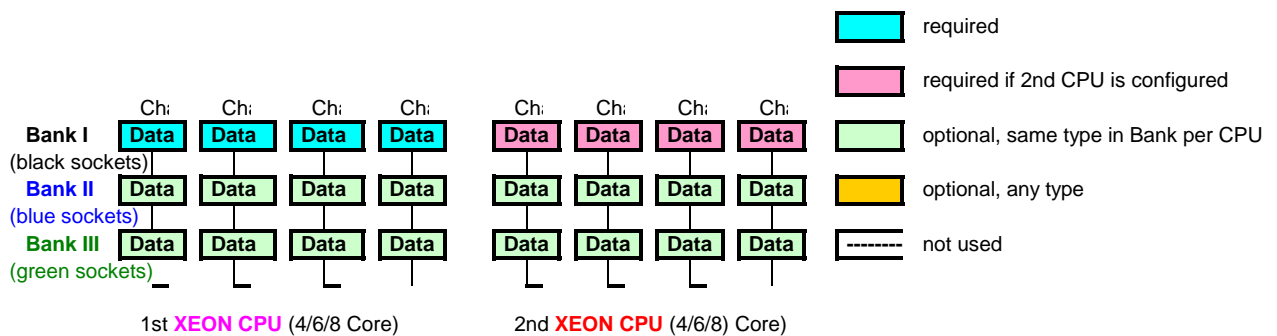
Independent Channel Mode allows all channels to be populated in any order
 Can run with differently rated DIMMs and use the settings of the slowest DIMM installed in the system

2. Mirrored Channel Mode



Mirrored Channel Mode requires identical modules on channel A,B, C, D (1st CPU) or channel E, F, G and H (2nd CPU)
 50% of the capacity is used for the mirror => the available memory for applications is only half of the installed memory
 If this mode is used, a multiple of 4 identical modules has to be ordered.

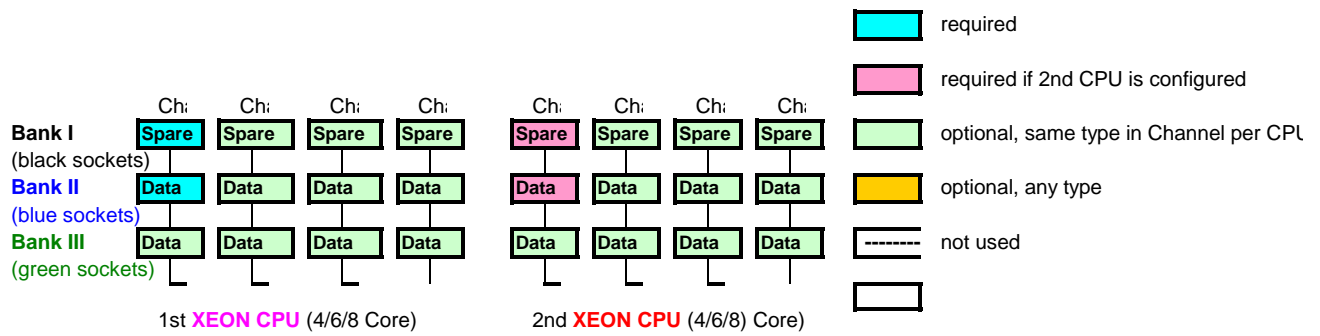
3. Performance Channel Mode



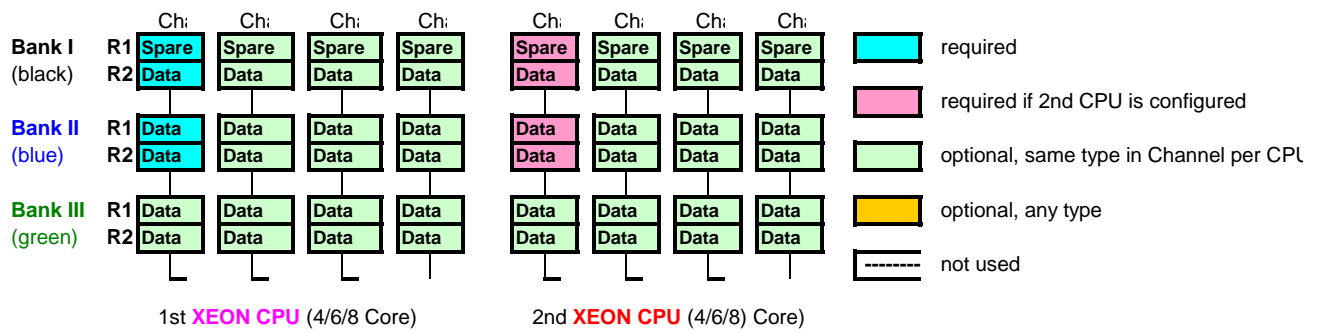
Performance Channel Mode requires identical modules on all channels of each Bank per CPU.
 If this mode is used, a multiple of 4 identical modules has to be ordered.

4. Rank Sparing Mode

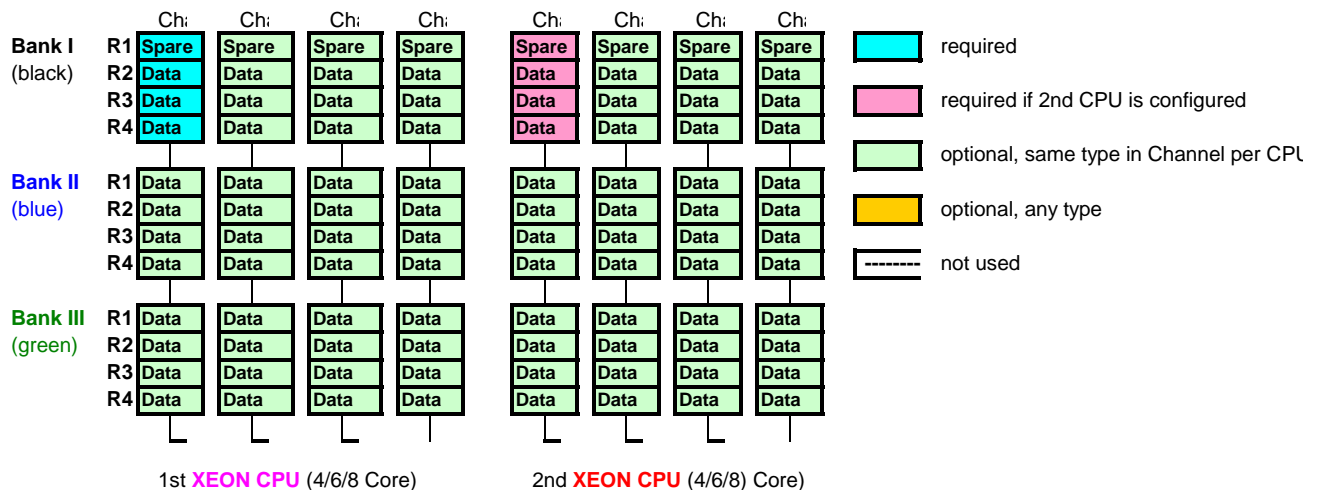
1-Rank Memory modules (RDIMM)



2-Rank Memory modules (RDIMM)



4-Rank Memory modules (LRDIMM)



Rank Sparing Mode requires identical modules (same capacity and technology) within the same channel. The available memory for applications will vary depending on configuration. Please refer to the spreadsheet above "Effective Memory capacity with active Rank Sparing Mode". Population rule for Rank sparing mode is to achieve max. available memory, e.g. 6 DIMMs will be spread across two channels, each with 3DPC

G

Section Va Possible configuration options for basic units



Config 1: 6x or 4x 3.5" HDD + 3.5" DDS/RDX drive

Is fixed due to selection of basic unit with:
6x 3,5" HDD bays fixed S26361-K1457-V101

SAS3.0 available since Q2/2014 **no PCIe SSD SFF**



Basic unit S26361-K1457-V401 with **expandable**
Config 2: 4x 2.5" HDD S26361-F1373-E420 ^{*)}

Available Upgrade kits for this configuration option:
Upgrade kit to 8x 2.5" HDD S26361-F1373-L424
Upgrade kit to 12x 2.5" HDD S26361-F1373-L427
Upgrade kit to 4x 2.5" HDD + LTO S26361-F1373-L423

Upgrade kit to 4x + 8x 2.5" SAS3.0 S26361-F1373-L572



Basic unit S26361-K1457-V401 with **expandable**
Config 3: 4x 2.5" HDD + LTO S26361-F1373-E430

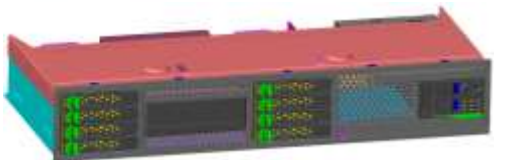
Basic unit S26361-K1457-V401 with **expandable**

Available Upgrade kits for this configuration option:
Upgrade kit to 8x 2.5" HDD S26361-F1373-L436



Basic unit S26361-K1457-V201 with **expandable**
Config 4: 8x 2,5" HDD bays fixed S26361-K1457-V201

Available Upgrade kits for this fixed configuration:
Upgrade kit to 12x 2.5" HDD S26361-F1373-L247
Upgrade kit to 16x 2.5" HDD S26361-F1373-L248



Basic unit S26361-K1457-V401 with **expandable**
Config 5: 8x 2.5" HDD + 3.5" drive S26361-F1373-E450

Config 12: 3.5" drive + 8x SAS3.0 S26361-F1373-E550

No Upgrade kit available!



Basic unit S26361-K1457-V401 with **expandable**
Config 6: 8x 2.5" HDD + LTO S26361-F1373-E460

Config 15: LTO + 8x SAS3.0 S26361-F1373-E560

no ODD and LSD bay available!

No Upgrade kit available!



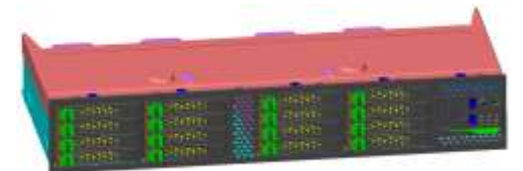
Basic unit S26361-K1457-V301 with **expandable**
Config 7: 12x 2,5" HDD bays fixed S26361-K1457-V301

Basic unit S26361-K1457-V401 with **expandable**

Config 10: 4x SAS2.0 + 8x SAS3.0 S26361-F1373-E572

Note: 4x SAS2.0 connected to on-board RAID Ctrl!

Available Upgrade kits for this configurations:
Upgrade kit to 16x 2.5" HDD S26361-F1373-L378



Basic unit S26361-K1457-V401 with **expandable**
Config 8: 16x 2.5" HDD S26361-F1373-E480

no ODD and LSD bay available!

No Upgrade kit available!

Includes all necessary bezels, cages, backplanes and cables

H

^{*)} these are the only noHDD/SSD configuration opportunity without needed RAID controller

H

Section Vb Accessible drives

Setup RX300 S7 by ServerStart is supported with following configurations:
no DVD, no CD:
 remote installation only (PXE service & DHCP server required)
built in CD/DVD or USB CD/DVD disk drive:
 UNC Network share reachable or USB Floppy connected
USB Floppy, no CD/DVD:
 USB CD/DVD connected

If installation is done locally, make sure you have external FDD available for driver installation.

| | | |
|----|--|--|
| 1x | S26361-F3269-E2 DVD-RW supermulti slim SATA all formats, DUAL/DL, DVD-RAM 0.5 x 5.25", black bezel max. 1x per system | S26361-F3641-E2 Blu-ray Triple Writer slim SATA 6x BD-RW, 8x DVD, 24x CD BD DL and all CD/DVD formats 0.5 x 5.25" max. 1x per system |
|----|--|--|

USB 3.0 adapter

S26361-F3749-E201
 USB3.0 PCIe x1 adapter card Ip Sunrich U-720
 PCIe x1
 1 port intern, 1 port extern
 USB 3.0 A jacks
 max. 1x per system

i The adapter is also available as optional (loose) delivery with FH and LP bracket included
 S26361-F3749-L501

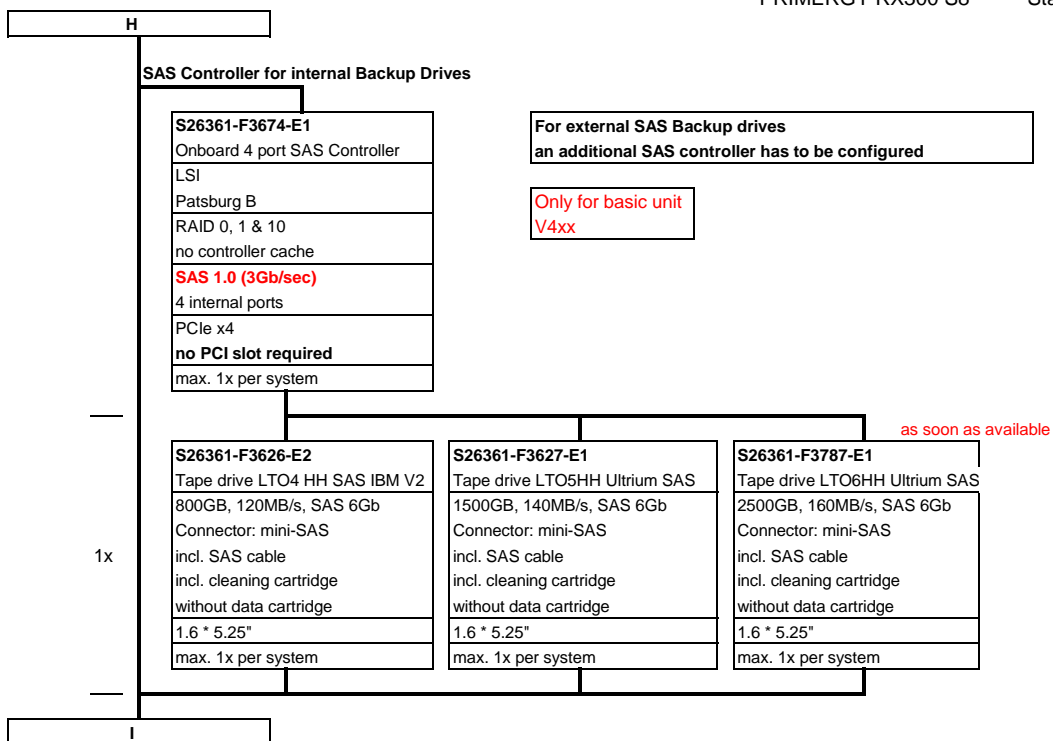
RDX drives perform better with USB 3.0 Controller

| | | | |
|--------------------------|---|--------------------------|--|
| Only for basic unit V4xx | S26361-F3750-E5 RDX Drive USB3.0 3.5" internal 100MB/s, USB 3.0 Connector: USB 3.0 "B" with USB cable without RDX cartridges 1.6 x 3.5", black bezel max. 1x per system | Only for basic unit V1xx | S26361-F3750-E7 RDX Drive USB3.0 3.5" internal 100MB/s, USB 3.0 Connector: USB 3.0 "B" within tape cage w/ USB cable without RDX cartridges 1.6 x 3.5", black bezel max. 1x per system |
|--------------------------|---|--------------------------|--|

i RDX cartridges must be ordered separately
 RDX 320GB = S26361-F3857-L320
 RDX 500GB = S26361-F3857-L500
 RDX 1TB = S26361-F3857-L600
 10x RDX320 = S26361-F3857-L329

i The drive is also available as optional (loose) delivery
 S26361-F3750-L5/L7 with USB3.0 cable for adapter card.
 The USB3.0 Adapter card or the USB2.0 cable set
 S26361-F3750-L20 must be ordered with the drive!

H



Section VI Hard disks drives

Modular Raid controller is connected to internal HDDs
 For basic units V1xx up to 6 SAS 3.5" hard disks can be configured also in mixed configuration.
 If the option "Tape drive" is configured only 4 bays for hard disks are available
Mixed configurations with Eco SATA drives and SAS drives are not allowed
 3.5" SAS drives and 3.5" BC SATA drives can be mixed, but not used in one logical RAID volume
 *) SSD Mainstream Endurance 10DWPD over 5y
 **) SSD Read-Intensive Endurance 0.3DWPD over 5y

6x / 4x with Backup drive for basic unit V1xx

SATA Disk Drive 3.5"

| HDD SATA 6Gb/s 3.5" with hot plug/hot replace tray | | |
|--|--|-----------------------------------|
| 500GB 7200rpm, <9,0ms, 64MB Cache | | S26361-F3670-E500 |
| 1TB 7200rpm, <9,0ms, 64MB Cache | | S26361-F3670-E100 |
| 2TB 7200rpm, <9,0ms, 64MB Cache | | S26361-F3670-E200 |
| 3TB 7200rpm, <9,0ms, 64MB Cache | | S26361-F3670-E300 |
| 4TB 7200rpm, <9,0ms, 64MB Cache | | S26361-F3670-E400 |
| max. 6x per System | | |

SAS Disk Drive 3.5"

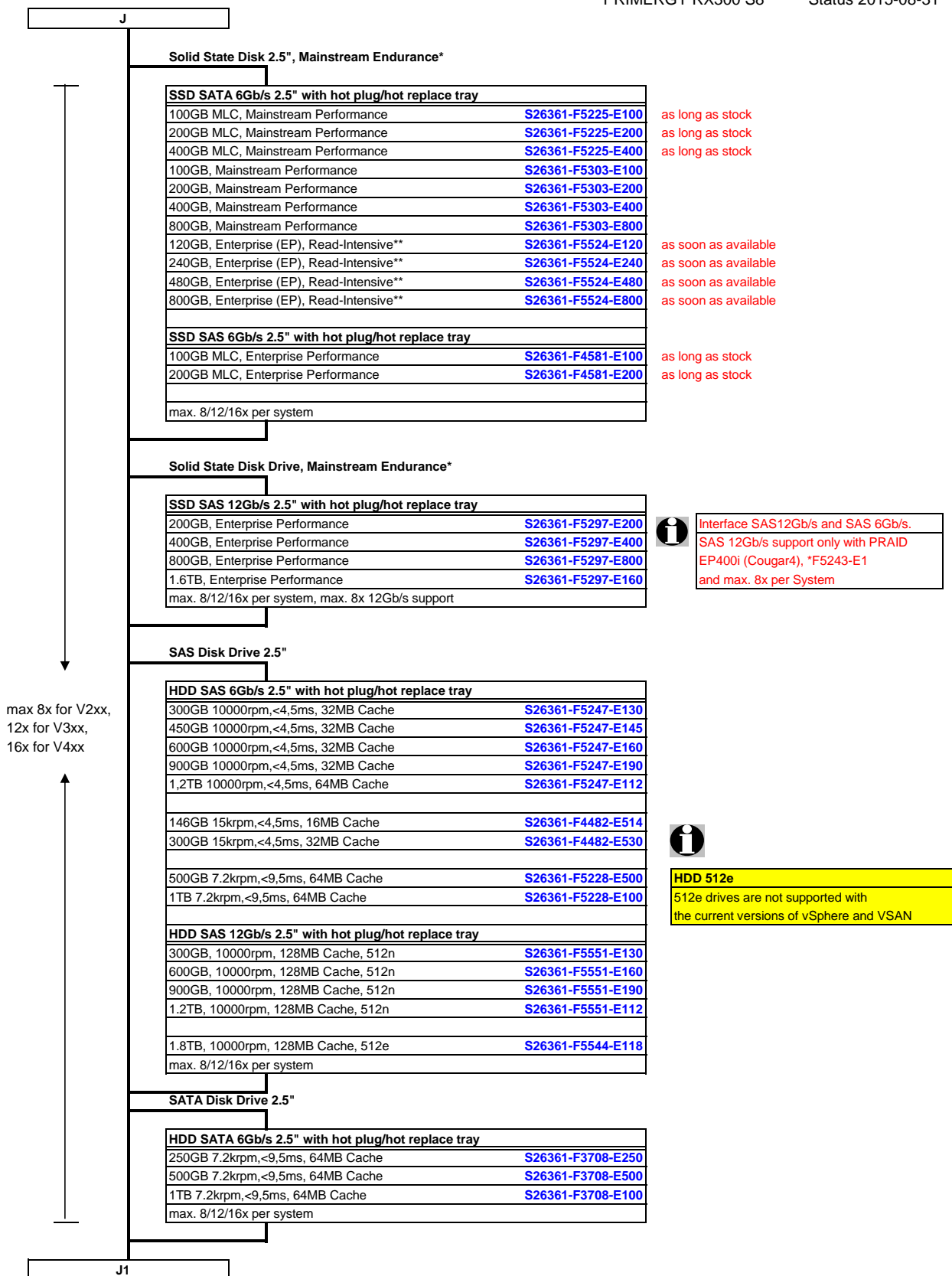
| HDD SAS 6Gb/s 3.5" with hot plug/hot replace tray | | |
|---|--|-----------------------------------|
| 300GB 15000rpm, <4,0ms, 16MB Cache | | S26361-F4005-E530 |
| 450GB 15000rpm, <4,0ms, 16MB Cache | | S26361-F4005-E545 |
| 600GB 15000rpm, <4,0ms, 16MB Cache | | S26361-F4005-E560 |
| | | |
| 1TB 7200rpm, <9,0ms, 32MB Cache | | S26361-F5241-E100 |
| 2TB 7200rpm, <9,0ms, 32MB Cache | | S26361-F5241-E200 |
| 3TB 7200rpm, <9,0ms, 32MB Cache | | S26361-F5241-E300 |
| 4TB 7200rpm, <9,0ms, 32MB Cache | | S26361-F5241-E400 |
| | | |
| HDD SAS 6Gb/s 3.5" with hot plug/hot replace tray | | |
| 300GB 15000rpm, <3,0ms, 64MB Cache | | S26361-F5520-E530 |
| 450GB 15000rpm, <3,0ms, 64MB Cache | | S26361-F5520-E545 |
| 600GB 15000rpm, <3,0ms, 64MB Cache | | S26361-F5520-E560 |
| max. 6x per System | | |

Solid State Disk Drive 3.5", Mainstream Endurance*

| SSD SATA 6Gb/s 2.5" within 3.5" hot plug/hot replace tray | | |
|---|--|-----------------------------------|
| 100GB, Mainstream Performance | | S26361-F5319-E100 |
| 200GB, Mainstream Performance | | S26361-F5319-E200 |
| 400GB, Mainstream Performance | | S26361-F5319-E400 |
| 800GB, Mainstream Performance | | S26361-F5319-E800 |
| 120GB, Enterprise (EP), Read-Intensive** | | S26361-F5528-E120 |
| 240GB, Enterprise (EP), Read-Intensive** | | S26361-F5528-E240 |
| 480GB, Enterprise (EP), Read-Intensive** | | S26361-F5528-E480 |
| 800GB, Enterprise (EP), Read-Intensive** | | S26361-F5528-E800 |
| SSD SAS 12Gb/s 2.5" within 3.5" hot plug/hot replace tray | | |
| 200GB, Enterprise Performance | | S26361-F5315-E200 |
| 400GB, Enterprise Performance | | S26361-F5315-E400 |
| 800GB, Enterprise Performance | | S26361-F5315-E800 |
| 1.6TB, Enterprise Performance | | S26361-F5315-E160 |
| max. 6x per System | | |

3.5" config, no SAS 3.0 support





Solid State Disk 2.5", Mainstream Endurance*

| SSD SATA 6Gb/s 2.5" with hot plug/hot replace tray | |
|---|-------------------|
| 100GB MLC, Mainstream Performance | S26361-F5225-E100 |
| 200GB MLC, Mainstream Performance | S26361-F5225-E200 |
| 400GB MLC, Mainstream Performance | S26361-F5225-E400 |
| 100GB, Mainstream Performance | S26361-F5303-E100 |
| 200GB, Mainstream Performance | S26361-F5303-E200 |
| 400GB, Mainstream Performance | S26361-F5303-E400 |
| 800GB, Mainstream Performance | S26361-F5303-E800 |
| 120GB, Enterprise (EP), Read-Intensive** | S26361-F5524-E120 |
| 240GB, Enterprise (EP), Read-Intensive** | S26361-F5524-E240 |
| 480GB, Enterprise (EP), Read-Intensive** | S26361-F5524-E480 |
| 800GB, Enterprise (EP), Read-Intensive** | S26361-F5524-E800 |
| SSD SAS 6Gb/s 2.5" with hot plug/hot replace tray | |
| 100GB MLC, Enterprise Performance | S26361-F4581-E100 |
| 200GB MLC, Enterprise Performance | S26361-F4581-E200 |
| max. 8/12/16x per system | |

as long as stock
as long as stock
as long as stock

as soon as available
as soon as available
as soon as available
as soon as available

Solid State Disk Drive, Mainstream Endurance*

| SSD SAS 12Gb/s 2.5" with hot plug/hot replace tray | |
|---|-------------------|
| 200GB, Enterprise Performance | S26361-F5297-E200 |
| 400GB, Enterprise Performance | S26361-F5297-E400 |
| 800GB, Enterprise Performance | S26361-F5297-E800 |
| 1.6TB, Enterprise Performance | S26361-F5297-E160 |
| max. 8/12/16x per system, max. 8x 12Gb/s support | |

i Interface SAS12Gb/s and SAS 6Gb/s.
SAS 12Gb/s support only with PRAID EP400i (Cougar4), *F5243-E1 and max. 8x per System

SAS Disk Drive 2.5"

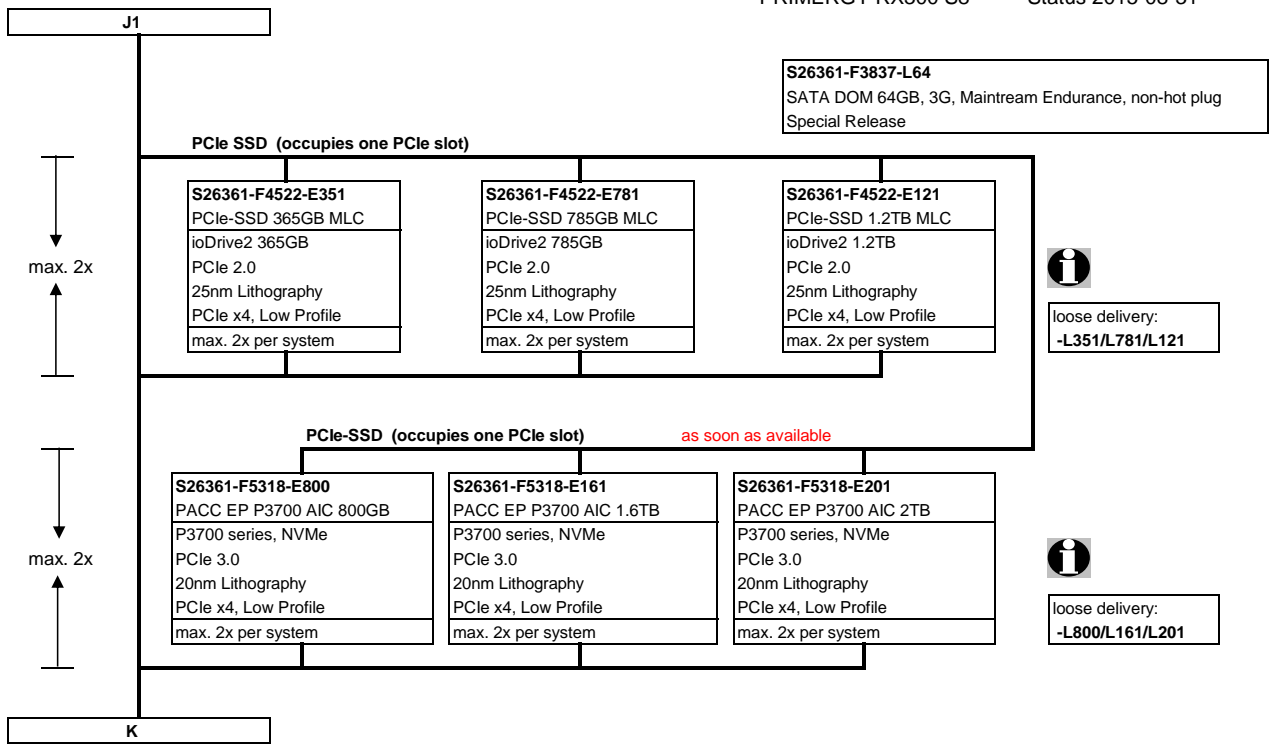
| HDD SAS 6Gb/s 2.5" with hot plug/hot replace tray | |
|---|-------------------|
| 300GB 10000rpm,<4,5ms, 32MB Cache | S26361-F5247-E130 |
| 450GB 10000rpm,<4,5ms, 32MB Cache | S26361-F5247-E145 |
| 600GB 10000rpm,<4,5ms, 32MB Cache | S26361-F5247-E160 |
| 900GB 10000rpm,<4,5ms, 32MB Cache | S26361-F5247-E190 |
| 1,2TB 10000rpm,<4,5ms, 64MB Cache | S26361-F5247-E112 |
| HDD SAS 12Gb/s 2.5" with hot plug/hot replace tray | |
| 300GB, 10000rpm, 128MB Cache, 512n | S26361-F5551-E130 |
| 600GB, 10000rpm, 128MB Cache, 512n | S26361-F5551-E160 |
| 900GB, 10000rpm, 128MB Cache, 512n | S26361-F5551-E190 |
| 1.2TB, 10000rpm, 128MB Cache, 512n | S26361-F5551-E112 |
| 1.8TB, 10000rpm, 128MB Cache, 512e | S26361-F5544-E118 |
| max. 8/12/16x per system | |

i
HDD 512e
512e drives are not supported with the current versions of vSphere and VSAN

SATA Disk Drive 2.5"

| HDD SATA 6Gb/s 2.5" with hot plug/hot replace tray | |
|---|-------------------|
| 250GB 7.2krpm,<9,5ms, 64MB Cache | S26361-F3708-E250 |
| 500GB 7.2krpm,<9,5ms, 64MB Cache | S26361-F3708-E500 |
| 1TB 7.2krpm,<9,5ms, 64MB Cache | S26361-F3708-E100 |
| max. 8/12/16x per system | |

max 8x for V2xx,
12x for V3xx,
16x for V4xx



K

Section VII Modular Raid 0/1, Raid5 for SAS or SATA HD's. On-board Controller for max. 4x 2.5" SATA or SAS HD's

On board SATA Controller with 3 Gb/sec and up to 4x 2.5" SATA HDDs (no additional controller required)
 For up to 4x 2.5" SAS HDDs with RAID 0/1 functionality a Patsburg Upgrade Kit is required
 For all other HDD configurations a modular RAID-controller is required

Following optional onboard SAS RAID can be selected for 4x2.5" HDDs or one SAS Tape device

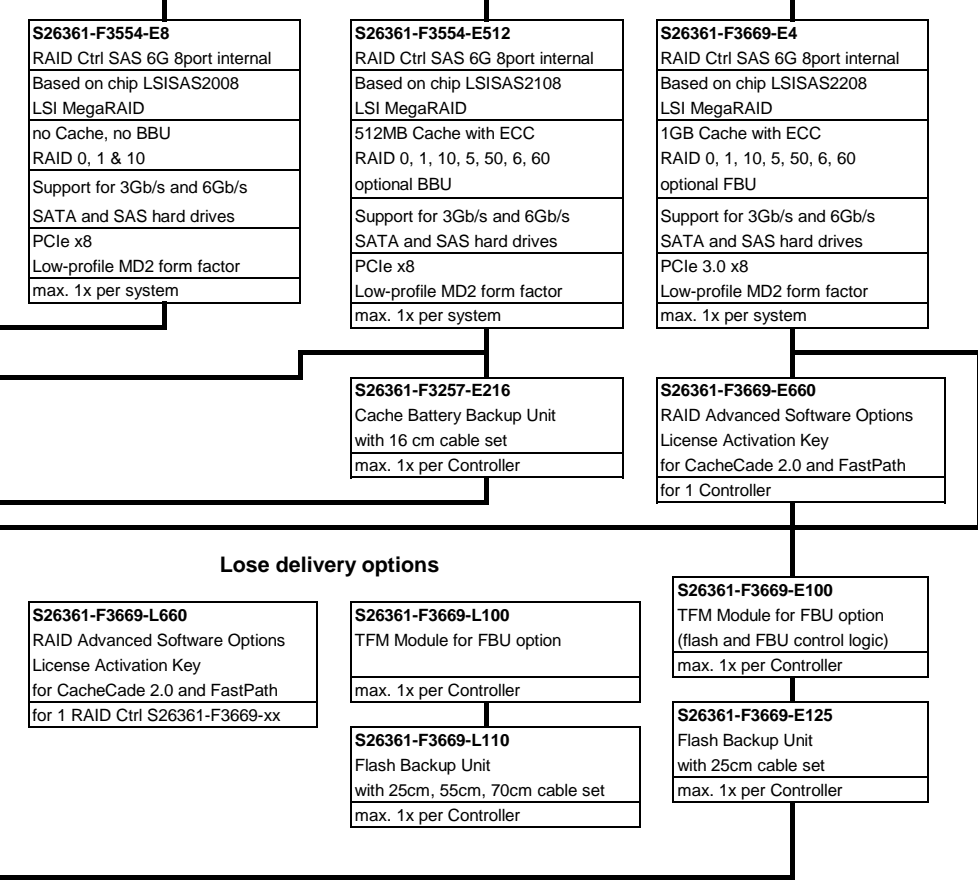
| |
|-------------------------------|
| S26361-F3674-E1 |
| Onboard 4 port SAS Controller |
| LSI |
| Patsburg B |
| RAID 0, 1 & 10 |
| no controller cache |
| SAS 1.0 (3Gb/sec) |
| 4 internal ports |
| PCIe x4 |
| no PCI slot required |
| max. 1x per system |

For more than 4 hard disks or 6 Gb/sec one of the following modular RAID-controllers is required

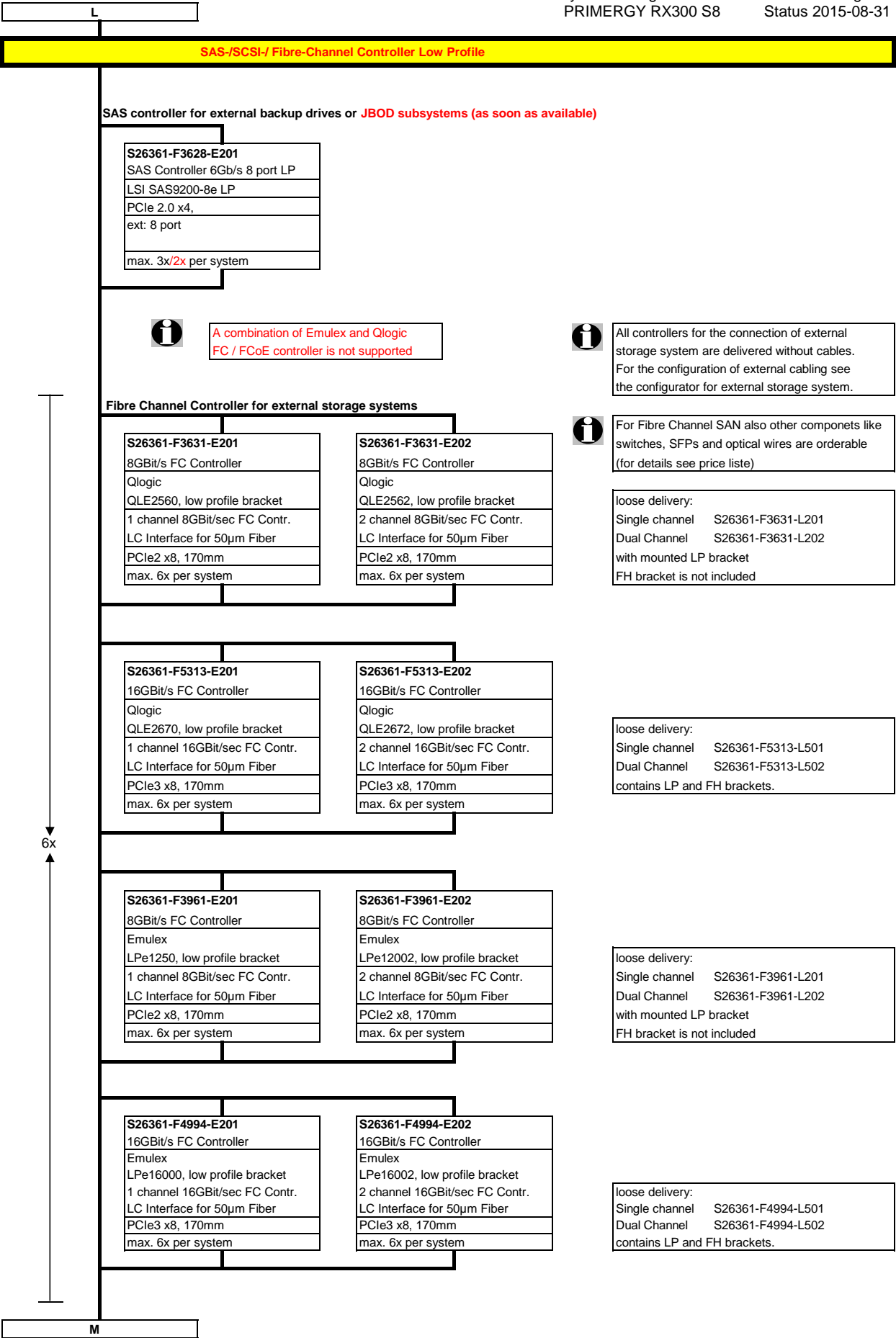
- i** **Modular Raid 0/1 controller with IME support for SAS/SATA**
 This RAID controller supports max. 8 HDDs on internal SAS ports
- i** **Modular Raid 5 controller for SAS/SATA**
 RAID levels 0, 1, 10, 5, 50, 6 and 60 are supported.
 This RAID controller supports max. 16 HDDs combined with internal SAS expander

The FBU is an option for the controller which can be used once per controller. If the FBU option has been chosen, the TFM Module is needed once per FBU.

1x



L



SAS controller for external backup drives or JBOD subsystems (as soon as available)

| |
|--------------------------------|
| S26361-F3628-E201 |
| SAS Controller 6Gb/s 8 port LP |
| LSI SAS9200-8e LP |
| PCIe 2.0 x4, ext: 8 port |
| max. 3x/2x per system |

i A combination of Emulex and Qlogic FC / FCoE controller is not supported

i All controllers for the connection of external storage system are delivered without cables. For the configuration of external cabling see the configurator for external storage system.

Fibre Channel Controller for external storage systems

| |
|-------------------------------|
| S26361-F3631-E201 |
| 8GBit/s FC Controller |
| Qlogic |
| QLE2560, low profile bracket |
| 1 channel 8GBit/sec FC Contr. |
| LC Interface for 50µm Fiber |
| PCIe2 x8, 170mm |
| max. 6x per system |

| |
|-------------------------------|
| S26361-F3631-E202 |
| 8GBit/s FC Controller |
| Qlogic |
| QLE2562, low profile bracket |
| 2 channel 8GBit/sec FC Contr. |
| LC Interface for 50µm Fiber |
| PCIe2 x8, 170mm |
| max. 6x per system |

i For Fibre Channel SAN also other componets like switches, SFPs and optical wires are orderable (for details see price list)

loose delivery:
 Single channel S26361-F3631-L201
 Dual Channel S26361-F3631-L202
 with mounted LP bracket
 FH bracket is not included

| |
|--------------------------------|
| S26361-F5313-E201 |
| 16GBit/s FC Controller |
| Qlogic |
| QLE2670, low profile bracket |
| 1 channel 16GBit/sec FC Contr. |
| LC Interface for 50µm Fiber |
| PCIe3 x8, 170mm |
| max. 6x per system |

| |
|--------------------------------|
| S26361-F5313-E202 |
| 16GBit/s FC Controller |
| Qlogic |
| QLE2672, low profile bracket |
| 2 channel 16GBit/sec FC Contr. |
| LC Interface for 50µm Fiber |
| PCIe3 x8, 170mm |
| max. 6x per system |

loose delivery:
 Single channel S26361-F5313-L501
 Dual Channel S26361-F5313-L502
 contains LP and FH brackets.

| |
|-------------------------------|
| S26361-F3961-E201 |
| 8GBit/s FC Controller |
| Emulex |
| LPe1250, low profile bracket |
| 1 channel 8GBit/sec FC Contr. |
| LC Interface for 50µm Fiber |
| PCIe2 x8, 170mm |
| max. 6x per system |

| |
|-------------------------------|
| S26361-F3961-E202 |
| 8GBit/s FC Controller |
| Emulex |
| LPe12002, low profile bracket |
| 2 channel 8GBit/sec FC Contr. |
| LC Interface for 50µm Fiber |
| PCIe2 x8, 170mm |
| max. 6x per system |

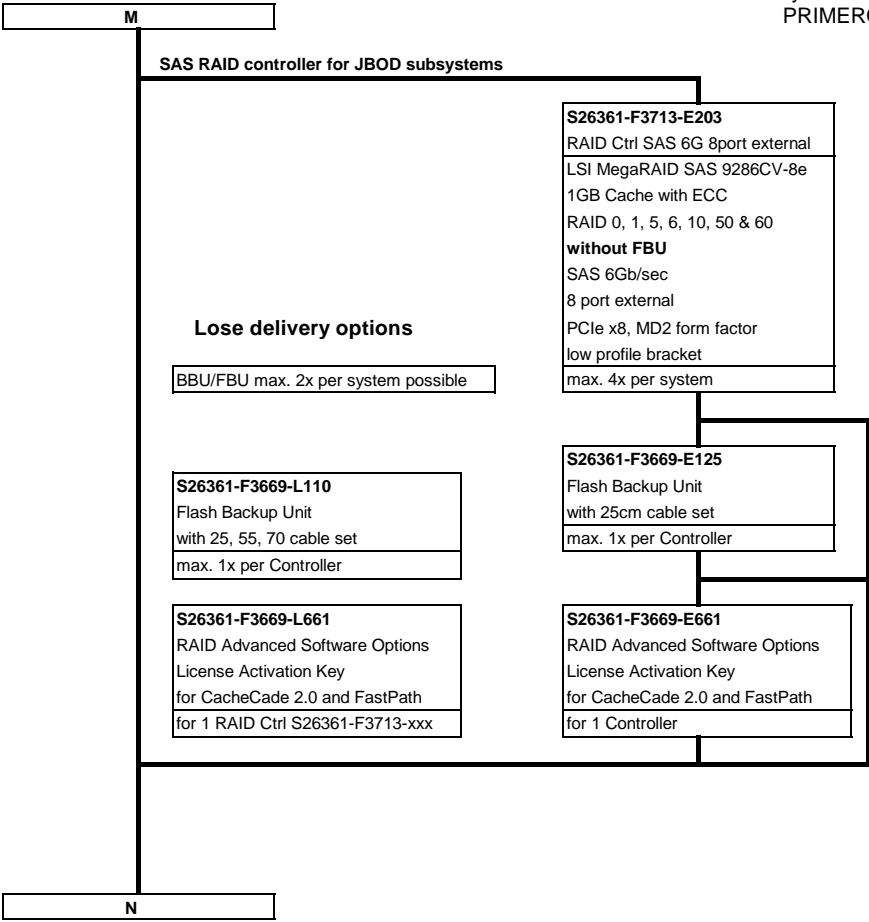
loose delivery:
 Single channel S26361-F3961-L201
 Dual Channel S26361-F3961-L202
 with mounted LP bracket
 FH bracket is not included

| |
|--------------------------------|
| S26361-F4994-E201 |
| 16GBit/s FC Controller |
| Emulex |
| LPe16000, low profile bracket |
| 1 channel 16GBit/sec FC Contr. |
| LC Interface for 50µm Fiber |
| PCIe3 x8, 170mm |
| max. 6x per system |

| |
|--------------------------------|
| S26361-F4994-E202 |
| 16GBit/s FC Controller |
| Emulex |
| LPe16002, low profile bracket |
| 2 channel 16GBit/sec FC Contr. |
| LC Interface for 50µm Fiber |
| PCIe3 x8, 170mm |
| max. 6x per system |

loose delivery:
 Single channel S26361-F4994-L501
 Dual Channel S26361-F4994-L502
 contains LP and FH brackets.

6x



Section **VIII** Raid Controller and Devices for SAS3.0 (12 Gb/sec)

i **Modular Raid 5 controller for SAS 12GB/s**
RAID levels 0, 1, 10, 5, 50, 6 and 60 are supported.
This RAID controller supports max. 8 HDDs or SSDs
A 12GB/s SAS expander is not available!

The FBU is an option for the controller which can be used once per controller. If the FBU option has been chosen, the TFM Module is needed once per FBU.

Note: This option is possible for:

| | |
|-----------------------------------|-------------------|
| Config 10: 4x SAS2.0 + 8x SAS3.0 | S26361-F1373-E572 |
| Config 12: 3.5" drive + 8x SAS3.0 | S26361-F1373-E550 |
| Config 15: LTO + 8x SAS3.0 | S26361-F1373-E560 |

1x

| | |
|---|---|
| S26361-F5243-E1 PRAID EP400i Based on chip LSI SAS3108 1GB Cache RAID 0, 1, 1E, 10, 5, 50, 6, 60 optional FBU, TFM 8 ports 3, 6 & 12Gb/s SAS/SATA HDD/ SSD requires 1x FH PCIe 3.0 x8 Low / High profile ex factory max. 1x per system | S26361-F5243-E2 PRAID EP420i Based on chip LSI SAS3108 2GB Cache RAID 0, 1, 1E, 10, 5, 50, 6, 60 optional FBU, TFM 8 ports 3, 6 & 12Gb/s SAS/SATA HDD/ SSD requires 1x FH PCIe 3.0 x8 Low / High profile ex factory max. 1x per system |
|---|---|

i Controller supports OOB-RAID including OOB-HDD monitoring no OOB-HDD cable needed

i loose delivery: S26361-F5243-L1 / L2

| | |
|--|--|
| S26361-F5243-E100 for EP400i TFM Module for FBU option (flash and FBU control logic) max. 1x per Controller | S26361-F5243-E200 for EP420i TFM Module for FBU option (flash and FBU control logic) max. 1x per Controller |
|--|--|

Loose delivery TFM option

i **S26361-F5243-L100 / L200**
TFM Module for FBU option (flash and FBU control logic)
max. 1x per Controller

S26361-F5243-E125
Flash Backup Unit with 25cm cable set
max. 1x per Controller

i The FBU is an option which can be used once per controller. If the FBU option has been chosen, the TFM Module is needed once per FBU.

i **S26361-F5243-L110**
Flash Backup Unit with 25cm, 55cm, 70cm cable set
max. 1x per Controller

S26361-F5243-E660
RAID Advanced Software Options License Activation Key for CacheCade 2.0 for 1 Controller

RAID Advanced Software free of charge test licence available: PRIMERGY-PM

FastPath is free of charge since Controller Firmware version MR6.4

Advanced Software Option

i **S26361-F5243-L660**
RAID Advanced Software Options License Activation Key for CacheCade 2.0 and FastPath for 1 Controller

O

O

Section X Communication / Network

2x Gigabit (Dualport) Ethernet Controller on-board
 Intel LAN I350 (Powerville)
 ext: 2x RJ 45 connector



Modular On-Board LAN is a flexible extension of a cost-optimized Motherboard with basic 2x Gbit LAN on-board.
 5 different Upgrade-Kits are offered, which occupies a dedicated PCIe slot and can be ordered once per system.
If a 1Gb modular LAN Controller is installed, 3 additional 1Gb LAN controllers are possible!
If a 10Gb modular LAN Controller is installed, 2 additional 10Gb LAN controllers is possible!

1Gbit/s Modular On-Board LAN Adapter

S26361-F4610-E802
 Upgrade-Kit to 4x 1Gb LAN on-board LP
 PLAN CP 2x1Gbit Cu Intel I350-T2 LP
 Intel Powerville based 2 port Server Ad.
 PCIe x4, Low Profile
 ext: for RJ45-plug, Cat 5
 max. 1x per system

S26361-F4610-E804
 Upgrade-Kit to 6x 1Gb LAN on-board LP
 PLAN CP 4x1Gbit Cu Intel I350-T4 LP
 Intel Powerville based 4 port Server Ad.
 PCIe x4, Low Profile
 ext: for RJ45-plug, Cat 5
 max. 1x per system

S26361-F3629-E702
 Upgrade-Kit to 2xGbit+2x10Gbit LOM
 Eth Ctr 2x10Gbit PCIe x8 D2755 SFP+
 Intel Niantic based dual port 10Gb NIC
 please refer to 10Gb LAN section

4x

1Gbit/s Ethernet Adapter

S26361-F4610-E202
 (I350-T2)
 Gbit Ethernet Controller Dual 1000TX LP
 PLAN CP 2x1Gbit Cu Intel I350-T2 LP
 Intel Powerville based 2 port Server Ad.
 PCIe x4, Low Profile
 low profile (LP) bracket
 ext: for RJ45-plug, Cat 5
 max. 4x per system

S26361-F4610-E204
 (I350-T4)
 Gbit Ethernet Controller Quad 1000TX LP
 PLAN CP 4x1Gbit Cu Intel I350-T4 LP
 Intel Powerville based 4 port Server Ad.
 PCIe x4, Low Profile
 low profile (LP) bracket
 ext: for RJ45-plug, Cat 5
 max. 4x per system

S26361-F3516-E201
 (Shelter Island)
 Gigabit Ethernet Controller 1000TX LP
 Eth Ctr 1x1Gbit PCI-e Gigabit CT DT Cu LP
 Intel® Gigabit CT Desktop Adapter
 PCIe x1
 ext: for RJ45-connector, Cat 5
 max. 4x per system

6x



Loose delivery with FH and LP bracket:
 I350-T2 S26361-F4610-L502
 I350-T4 S26361-F4610-L504
 Loose delivery with LP bracket:
 Shelter Island S26361-F3516-L201
 Sheepshead Bay S26361-F3242-L201

P

P



If a 10Gb modular LAN Controller is installed, 1 additional 10Gb LAN controllers is possible!

10Gbit/s Ethernet Adapter

| |
|---|
| S26361-F3629-E702 (D2755) Upgrade-Kit to 2xGbit+2x10Gbit LOM Eth Ctrl 2x10Gbit PCIe x8 D2755 SFP+ Intel Niantic based dual port 10Gb NIC PCIe x8, Low Profile, Low Profile Bracket ext: 2x SFP+ cage max. 1x per system |
|---|

| |
|--|
| S26361-F3629-E202 (D2755) 10 Gigabit Ethernet Contr. dual port SFP+ Eth Ctrl 2x10Gbit PCIe x8 D2755 SFP+ Intel Niantic based dual port 10Gb NIC PCIe x8, Low Profile, Low Profile Bracket ext: 2x SFP+ cage max. 2x per system |
|--|

| |
|--|
| S26361-F3752-E202 (Intel X540-T2) Eth Ctrl 2x10GBase-T Ip Intel Twinville based 2 port Server Ad. PCIe x4, Low Profile low profile (LP) bracket ext: for RJ45-plug, Cat 6 max. 2x per system |
|--|

| |
|--|
| S26361-F3629-E750 Shared 10Gb Management LAN Install and configure Management LAN on 10Gb Shared LAN port max. 1x per 10Gb upgrade kit |
|--|

| |
|--|
| S26361-F3986-E3 SFP+ Module MMF 10GbE LC SFP+ module for 10 Gbit Ethernet 50µm FO cabling ext:LC-SR-connector max. 2x per controller |
|--|

| |
|---|
| S26361-F3986-E4 SFP+ Module SMF 10GbE LC SFP+ module for 10 Gbit Ethernet 9µm FO cabling ext:LC-LR-connector max. 2x per controller |
|---|

V:TWX Connector-PY
for all Twinax (FTS,BR,CI)
max. 2x per controller



The SFP+ modules are also available as loose delivery
S26361-F3986-L3
S26361-F3986-L4
Instead SFP+ Modules, SFP+ twinax cables from the switch vendors may be used

| |
|--|
| S26361-F3989-E600 *) SFP+ active twinax cable customized twinax cable for full rack setup ex factory cable length is selected by requirement in the factory Fujitsu branded cable max. 2x per controller |
|--|

| |
|--|
| S26361-F3873-E500 *) SFP+ active twinax cable customized twinax cable for full rack setup ex factory cable length is selected by requirement in the factory Brocade branded cable max. 2x per controller |
|--|

| |
|---|
| S26361-F4571-E500 *) SFP+ passive twinax cable customized twinax cable for full rack setup ex factory cable length is selected by requirement in the factory Cisco branded cable max. 2x per controller |
|---|

*) in SA only shown in cabling view

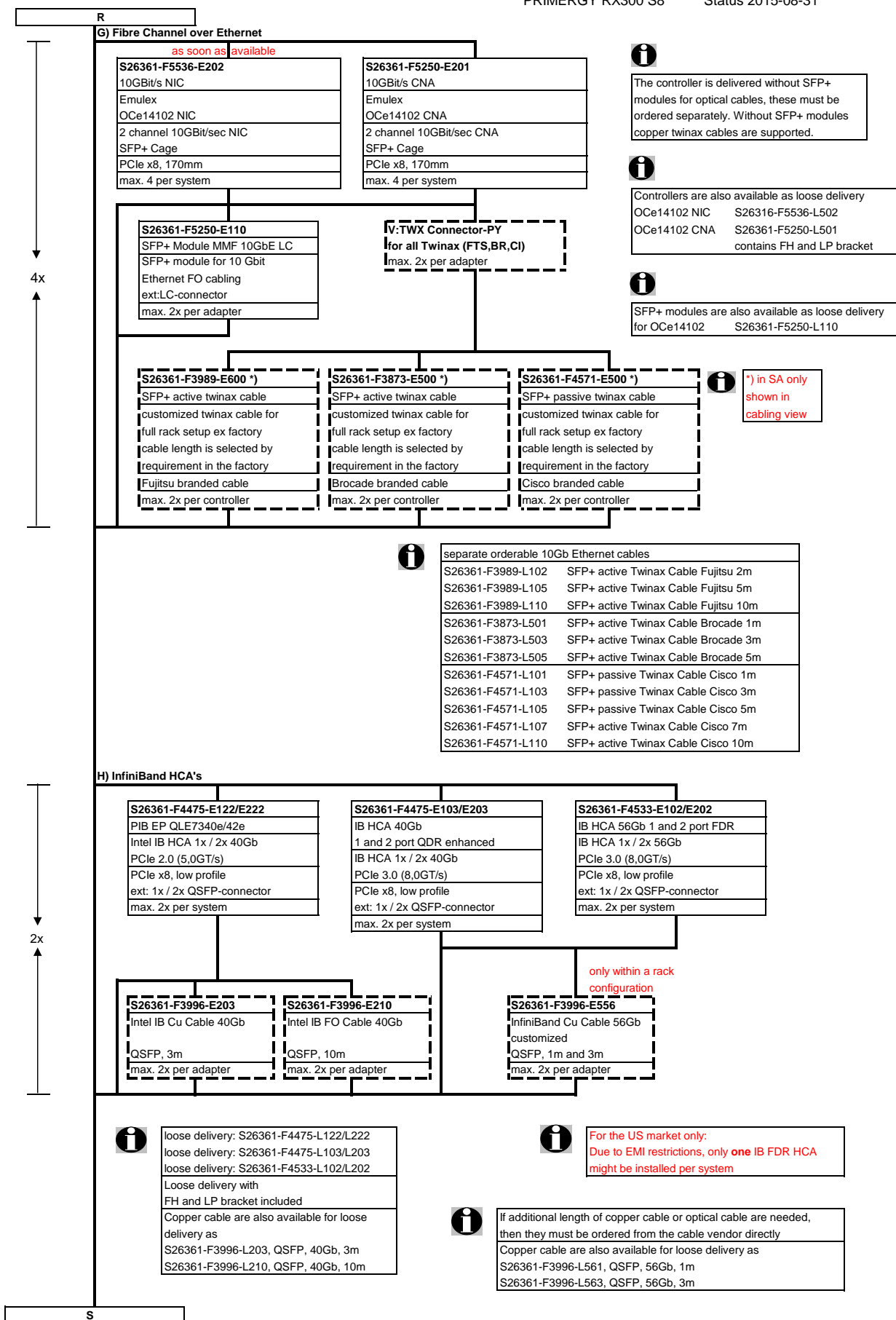


The controller D2755 is delivered without SFP+ modules for optical cables, these must be ordered separately.

Loose delivery options (FH and LP bracked included)
D2755 S26361-F3629-L502
X540-T2 S26361-F3752-L502


| separate orderable 10Gb Ethernet cables | |
|---|--------------------------------------|
| S26361-F3989-L102 | SFP+ active Twinax Cable Fujitsu 2m |
| S26361-F3989-L105 | SFP+ active Twinax Cable Fujitsu 5m |
| S26361-F3989-L110 | SFP+ active Twinax Cable Fujitsu 10m |
| S26361-F3873-L501 | SFP+ active Twinax Cable Brocade 1m |
| S26361-F3873-L503 | SFP+ active Twinax Cable Brocade 3m |
| S26361-F3873-L505 | SFP+ active Twinax Cable Brocade 5m |
| S26361-F4571-L101 | SFP+ passive Twinax Cable Cisco 1m |
| S26361-F4571-L103 | SFP+ passive Twinax Cable Cisco 3m |
| S26361-F4571-L105 | SFP+ passive Twinax Cable Cisco 5m |
| S26361-F4571-L107 | SFP+ active Twinax Cable Cisco 7m |
| S26361-F4571-L110 | SFP+ active Twinax Cable Cisco 10m |

R



S

Section XI System Management Products (RemoteView)



iRMC S4 (integrated Remote Management Controller) onboard server management Controller with dedicated 10/100/1000 Service LAN-port and integrated graphics. 

S26361-F1790-E243
iRMC S4 advanced pack
 integrated remote management controller
 activation key for
 graphical console redirection
 and remote media redirection
 max. 1x per system

S26361-F2557-E106
 Local Service Display incl. mount. kit
 Customer Self Service
 LSD module incl. mounting kit
 0.5" x 5.25"
 max. 1x per system

available April 2014

S26361-F1373-E540
 HDD&RAID OOB monitoring by iRMC
 Out of Band Status Monitoring for HDD
 w/o OS running
 Cables and 2x HDD BP for 8x 2.5" HDDs
 max. 1x per system


 

This option enables the out-of-band monitoring function of the HDD by iRMC. In this case HDD will be monitored without any Server Management agents. Not necessary for: RAID Ctrl SAS 6G 1GB (D3116C)

Note: This option is possible for S26361-K1457-V401 only!

S26361-F2571-E27
Maintenance LAN
 Front management LAN Port
 In combination with iRMC adv. pack
 For local maintenance / console redirection,
 Integrated in front (operating panel)
 max. 1x per system

Section XII Miscellaneous

 **Options and other peripherals**
 For other options, refer to SystemArchitect and Pricelist
 These options are supplied loose with the shipment
 For suitable peripherals for this product, please refer to SystemArchitect

S26361-F3776-E101
Cool-safe™ Advanced Thermal Design
 Restricts configuration to make
 5-40° possible
 Feature is enabled and fixed ex factory
 max. 1x per system

Cool-safe ATD configuration restrictions for RX300S8:
 related L-numbers as well restricted

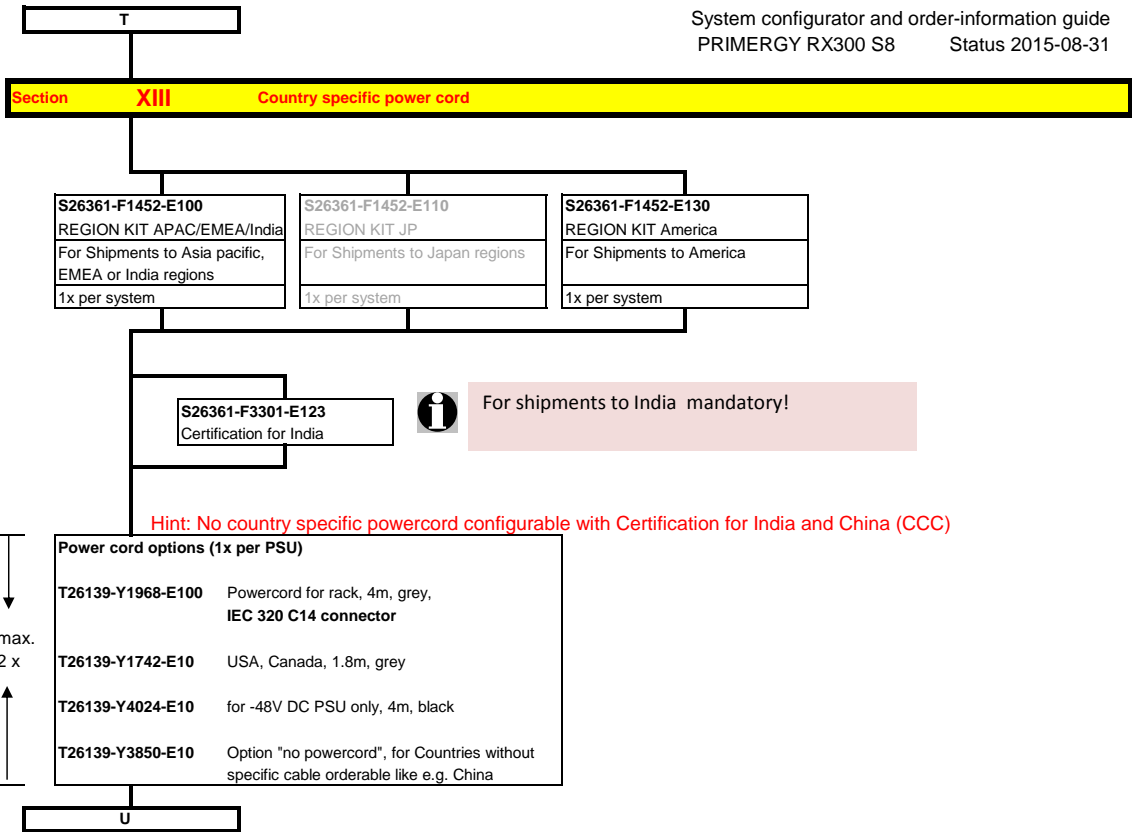
- no BBU**
- Cache Battery Backup Unit S26361-F3257-E216
- no tape drives**
- Tape drive LTO4 HH SAS IBM V2 S26361-F3626-E2
 Tape drive LTO5HH Ultrium SAS S26361-F3627-E1
 Tape drive LTO6HH Ultrium SAS S26361-F3787-E1

- no PCIe SSDs**
- PCIe-SSD 365GB MLC S26361-F4522-E351
 PCIe-SSD 785GB MLC S26361-F4522-E781
 PCIe-SSD 1.2TB MLC S26361-F4522-E121

- no 130W CPUs**
- | | |
|---|-------------------|
| Xeon E5-2690v2 10C/20T 3.00GHz 25MB 8.00GT/s 1866MHz 130W | S26361-F3790-E300 |
| Xeon E5-2637v2 4C/8T 3.50GHz 15MB 8.00GT/s 1866MHz 130W | S26361-F3791-E350 |
| Xeon E5-2643v2 6C/12T 3.50GHz 25MB 8.00GT/s 1866MHz 130W | S26361-F3791-E330 |
| Xeon E5-2667v2 8C/16T 3.30GHz 25MB 8.00GT/s 1866MHz 130W | S26361-F3791-E300 |
| Xeon E5-2697v2 12C/24T 2.70GHz 30MB 8.00GT/s 1866MHz 130W | S26361-F3791-E270 |

- no 32GB LRDIMM @ 1866 MHz**
- | | |
|-------------------------------------|-------------------|
| 32GB (1x32GB) 4Rx4 DDR3-1866 LR ECC | S26361-F3848-E517 |
|-------------------------------------|-------------------|

T



U

Section XVI CCC exclusions

S26361-F3301-E120
 CCC Certification for China
 Limits configuration in accordance
 with CCC exclusions
 max. 1x per system

**The following order components out of the specific sections
 are NOT allowed together with CCC Certification for China:**



| | |
|---|-------------------|
| Front-VGA Interface | S26361-F2571-E26 |
| PCIe-SSD 365GB MLC | S26361-F4522-E351 |
| PCIe-SSD 785GB MLC | S26361-F4522-E781 |
| PCIe-SSD 1.2TB MLC | S26361-F4522-E121 |
| PACC EP P3700 AIC 800GB | S26361-F5318-E800 |
| PACC EP P3700 AIC 1.6TB | S26361-F5318-E161 |
| PACC EP P3700 AIC 2TB | S26361-F5318-E201 |
| SAS Ctrl 6G 8ext PCIe Ip | S26361-F3628-E201 |
| Shared 10Gb Management LAN Kit | S26361-F3629-E750 |
| Modulare SV 800W titanium hp | S26113-F615-E10 |
| Modulare SV DC -48V 800W gold hp | S26113-F609-E10 |
| Cable powercord rack, 4m, grey | T26139-Y1968-E100 |
| Ltg Netzanschluss -48V DC, 4m, schwarz | T26139-Y4024-E10 |
| Leitung Netzanschluss (USA), 1,8m, grau | T26139-Y1742-E10 |
| TPM Modul | S26361-F3552-E1 |

End PRIMERGY RX300 S8

