

Tech Master GPT400 Series

4.5 Purity Two Stage Brass Barstock Diaphragm Cylinder Regulator



The Tech Master GPT400 Series two stage diaphragm cylinder regulators are designed for primary pressure gas control of non-corrosive or toxic, technical gases up to grade 4.5 purity (99.995%), on applications where constant delivery pressure is required as the cylinder pressure decreases.

- **GPT401** Series | Two Stage Diaphragm Cylinder Regulator, FKM Seal
- **GPT402** Series | Two Stage Diaphragm Cylinder Regulator, EPDM Seal

★ FEATURES

- Five port configuration
- Encapsulated seat design
- Low wetted surface area
- Full range of inlet and outlet fittings
- Base and side entry

📁 MATERIAL

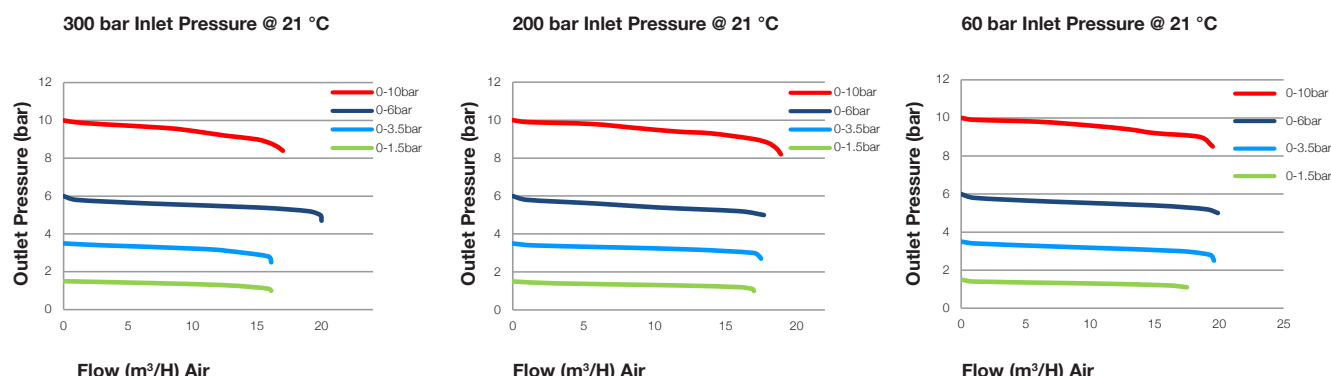
■ Body	Brass Barstock
■ Bonnet	High Strength Alloy
■ Diaphragm	Polychloroprene (Neoprene®) (CR)
■ Valve Seat	Polyamide (Nylon®)
■ Seal	FKM / EPDM
■ Filter	10 Micron 316L Stainless Steel

👍 SPECIFICATION

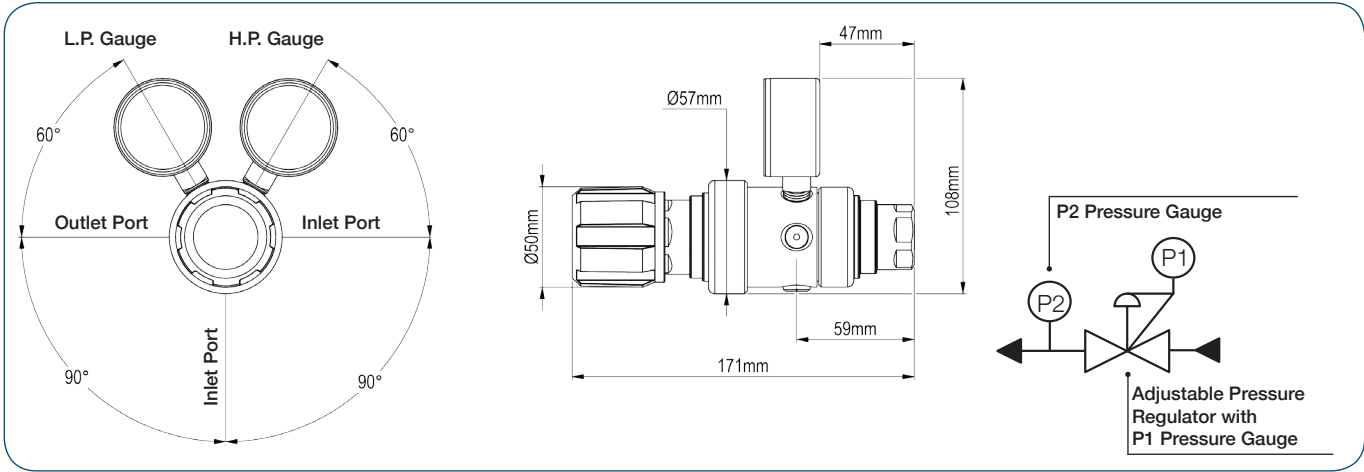
■ Maximum Inlet Pressure	60 bar (870 PSI) 300 bar (4350 PSI)*
■ Delivery Pressure Range	1.5 bar (22 PSI) 3.5 bar (50 PSI) 6 bar (90 PSI) 10 bar (150 PSI)
■ Gauges	50mm (2") Diameter
■ Ports	1/4" NPT Female
■ Temperature Range	-20° C to +60° C (-4° F to +140° F)
■ Flow Coefficient (Cv)	0.079
■ Weight	1.8 kg (4.0 lbs)** EN ISO 2503 Compliant

* Subject to cylinder connection – ** Cylinder connection not included

✓ FLOW PERFORMANCE



DRAWINGS



MODEL NO. SELECTOR GUIDE

Example for a Model No. for GPT400 Series

Product Type	Inlet Pressure Bar [PSI]	Outlet Pressure Bar [PSI]	Inlet Pressure Gauge	Outlet Pressure Gauge	Inlet Connection	Outlet Connection	Options
GPT401-	02- 60 bar [870]	02- 0 to 1.5 [22]	00- No Gauge Fitted	00- No Gauge Fitted	000- No Outlet Fitted (1/4 NPT F)	00- No Outlet Fitted (1/4 NPT F)	A- No Options Selected
GPT402	04- 300 bar [4350]	03- 0 to 3.5 [50]	01- bar/PSI	01- bar/PSI	001- 1/8 Stainless Steel Compression	01- 1/8 Stainless Steel Compression	K- Certificate of Conformity (CoC)
		04- 0 to 6 [90]	10- Plugged Port	10- Plugged Port	002- 1/4 Stainless Steel Compression	02- 1/4 Stainless Steel Compression	P- Calibration / Pressure Test Certificate
		05- 0 to 10 [150]			003- 6mm Stainless Steel Compression	03- 6mm Stainless Steel Compression	X- Special Instruction
					004- 1/4 NPT Male	04- 1/4 NPT Male	
					007- G3/8 BSP R/H Brass Male	05- 1/4 SAE Flare Brass Male	
					008- G3/8 BSP L/H Brass Male	06- G1/2 BSP R/H Brass Male	
					009- BS341 No.3 (Base Entry)	07- G3/8 BSP R/H Brass Male	
					010- BS341 No.3	08- G3/8 BSP L/H Brass Male	
					011- BS341 No.4 (Base Entry)	09- Isolation Valve, 1/4 NPT Female, FKM Seal	
					012- BS341 No.4	10- Isolation Valve, 1/4 NPT Female, EPDM Seal	
					015- BS341 No.8	11- Isolation Valve, 1/8 Stainless Steel Compression, FKM Seal	
					030- DIN477 No.6	12- Isolation Valve, 1/8 Stainless Steel Compression, EPDM Seal	
					033- DIN477 No.9	13- Isolation Valve, 1/4 Stainless Steel Compression, FKM Seal	
					034- DIN477 No.10	14- Isolation Valve, 1/4 Stainless Steel Compression, EPDM Seal	
					045- CGA320	15- Isolation Valve, 6mm Stainless Steel Compression, FKM Seal	
					052- CGA540	16- Isolation Valve, 6mm Stainless Steel Compression, EPDM Seal	
					053- CGA580	17- Isolation Valve, 1/4 NPT Male, FKM Seal	
					<i>For our complete range of cylinder connections refer to 'ICONTGEN-Tech/Master Cylinder Connections data sheet'</i>	18- Isolation Valve, 1/4 NPT Male, EPDM Seal	
				19- Isolation Valve, G3/8 BSP R/H Brass Male, FKM Seal			
				20- Isolation Valve, G3/8 BSP R/H Brass Male, EPDM Seal			
				21- Isolation Valve, G3/8 BSP L/H Brass Male, FKM Seal			
				22- Isolation Valve, G3/8 BSP L/H Brass Male, EPDM Seal			