

EST.

**F/S**

1990

**MANUFACTURING**



**EQUIPMENT  
PARTS CATALOG**  
VERSION .34



## TABLE OF CONTENTS

3-Point Sprayers	4-5
<b>DAKOTA</b> UTV Sprayers	6-9
Booms	10-11
Boomless Systems	12
ATV Sprayers	13
Pull-Behind Sprayers	14-15
<b>Dandy-Lion Killers</b>	16-17
<b>Guardian</b> Fire Control	18-21
<b>De-Ice Systems</b> Ice Control	22-23
Truck-Mount Sprayers	24
<b>Super-Reel</b>	25
<b>Tru-Kleen</b> Chemical Handling	26-31
Tanks \ Accessories	32-36
Foam Markers	36-37
Planter Fertilizer Application	39-41
Hose \ Clamps	42-44
Fittings \ Valves	45-58
Pumps	59-71
NH3 \ Misc.	72-75
Boom Components \ Strainers	76-97
Electronics \ GPS	98-101

## THANK YOU

FOR OVER 30 YEARS OF  
LOYALTY TO F/S PRODUCTS!

Due to space considerations and a constantly expanding inventory, not every item that we carry is listed in our catalog. If you do not find the product, part or application you are looking for, please do not hesitate to call us. We make it our job to serve you in every way possible!

Cordially,  
**THE F/S TEAM**

### OFFICE STAFF

- Bryan Gefroh** - General Manager
- Danny Gall** - Sales
- Mark Trandem** - Sales
- John Richards** - Sales
- John Nelson** - Comptroller
- Nikki Losee** - Operations Specialist
- Jordan Stiefel** - Marketing Specialist
- Adam Lewis** - Shop Supervisor

### BUSINESS HOURS

Monday - Friday 8:00am - 5:00pm

# 3-POINT SPRAYERS



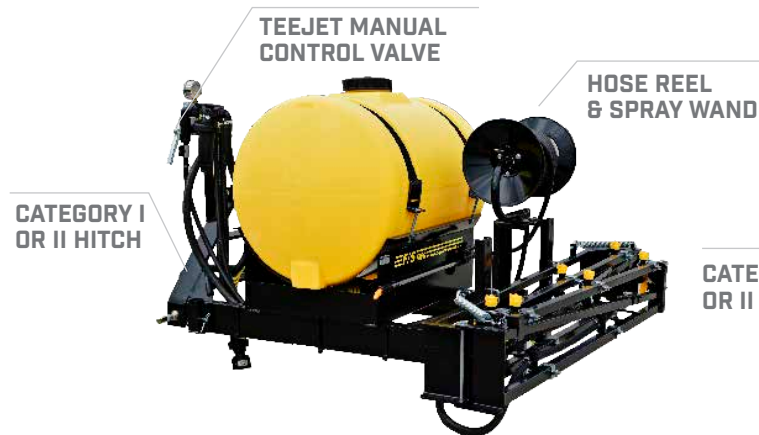
HOMESTEAD-200-EC SHOWN WITH BOOM30 & TIP LIFT



HOMESTEAD-25 SHOWN WITH BOOM12



## MANUAL CONTROLS



HOMESTEAD-50  
(Boom22Flex)

PART#	GALLONS	DESCRIPTION
HOMESTEAD-25	25	3 Pt Homestead Sprayer
HOMESTEAD-50	50	3 Pt Homestead Sprayer
HOMESTEAD-110	110	3 Pt Heavy Duty Sprayer
HOMESTEAD-150	150	3 Pt Heavy Duty Sprayer
HOMESTEAD-200	200	3 Pt Heavy Duty Sprayer

## ELECTRIC CONTROLS



HOMESTEAD-200-EC  
(Boom45 w/Tip Lift)

PART#	GALLONS	DESCRIPTION
HOMESTEAD-50-EC	50	3 Pt Sprayer
HOMESTEAD-110-EC	110	3 Pt Heavy Duty Sprayer
HOMESTEAD-150-EC	150	3 Pt Heavy Duty Sprayer
HOMESTEAD-200-EC	200	3 Pt Heavy Duty Sprayer

## OPTIONAL EQUIPMENT

COMPATIBILITY	PART#	DESCRIPTION
HOMESTEAD-25 HOMESTEAD-50	BOOM12-3	12 Ft. Spray Pattern (20 In. Spacing)
	BOOM18-3	18 Ft. Spray Pattern (20 In. Spacing)
	BOOM18FLEX-3	18 Ft. Spray Pattern (20 In. Spacing)
	BOOM22FLEX-3	22 Ft. Spray Pattern (20 In. Spacing)
HOMESTEAD-110 HOMESTEAD-150 HOMESTEAD-200	BOOM20	20 Ft. Spray Pattern (20 In. Spacing)
	BOOM30	30 Ft. Spray Pattern (20 In. Spacing)
	BOOM45	45 Ft. Spray Pattern (20 In. Spacing)
	BOOM60	60 Ft. Spray Pattern (20 In. Spacing)
AVAILABLE ON ALL HOMESTEAD SPRAYERS	HOMESTEAD-TL	Hydraulic Tip Lift (20', 30', 45', or 60' Boom)
	SS PUMP	Stainless Steel Pump Upgrade
	HOMESTEAD-HP	Hydraulic Pump Upgrade
	HOMESTEAD FM6	Foam Marker 6 Upgrade with Bracket
	HOMESTEAD FM14	Foam Marker 14 Upgrade with Bracket
	HOMESTEAD FM25	Foam Marker 25 Upgrade with Bracket
	BOOMLESS BOOMINATOR*	Boomless Kit with SS Boominator Nozzles
BOOMLESS BOOMJET*	Boomless Kit with Boomjet Nozzle	
HOMESTEAD SPRAY GUN UPGRADE *AA43L-AL10	TeeJet 22" Aluminum Spray Gun with Brass Swivel	

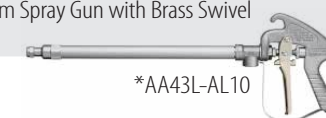
\*Multiple Nozzle Sizes & Spray Patterns Available

\*AA43L-AL10



F/S TOUCHDOWN  
WHEELS AVAILABLE  
SEE PAGE 73

LOOKING FOR  
BOOMLESS TIPS?  
SEE PAGES 90-91



## SPRAY LIKE A PRO.

### ✓ LOW PROFILE TANK

Tru-Kleen low profile full drain tank maximizes your liquid carrying capacity while minimizing problems linked to high center of gravity conditions.

### ✓ SPOT SPRAYING

Spray wand and hose reel with 50 ft of 3/8" hose come standard so you can spot spray when or where boom spraying is not an option.

### ✓ ADJUSTABLE BOOM

The heavy duty adjustable boom mounting system allows you to set the right nozzle height for any application.

### ✓ QUALITY PARTS

All F/S sprayers are built using commercial quality valves and fittings that are made in the U.S.A.



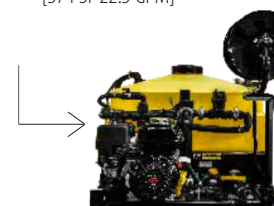
LOOKING FOR HIGH PRESSURE OPTIONS?  
SEE NEXT PAGE →



## MANUAL CONTROLS



SPECIFICATIONS	FSDAK-50	FSDAK-100(Shown)	FSDAK-50-E(Shown)	FSDAK-100-E
Capacity	50 Gallons	100 Gallons	50 Gallons	100 Gallons
W x L x H	38 x 42 x 23	47 3/4 x 49 x 26	38 x 42 x 23	47 3/4 x 49 x 26
Weight (Empty/Full)	175 lbs. / 574 lbs.	182 lbs. x 1,017 lbs.	134 lbs. / 551 lbs.	163 lbs. x 998 lbs.
Controls	Manual TeeJet Shutoff and Regulating Valves	Manual TeeJet Shutoff and Regulating Valves	Manual TeeJet Shutoff and Regulating Valves	Manual TeeJet Shutoff and Regulating Valves
Motor	4HP Honda GX120 Engine	4HP Honda GX120 Engine	-	-
Pump	Ace Centrifugal Pump [57 PSI-22.5 GPM]	Ace Centrifugal Pump [57 PSI-22.5 GPM]	12V Electric Pump [100 Max PSI-7 GPM]	12V Electric Pump [100 Max PSI-7 GPM]



**NARROW DESIGN**  
FSDAK-NARROW OPTIONS AVAILABLE FOR 50 GALLON MODELS!

# UTV SPRAYERS

## ARE YOU A CONTROL FREAK?

### ✓ FSDAK-100-EC-3KZ

- 01 LOW PROFILE FULL DRAIN TANK
- 02 HOSE REEL AND SPRAY WAND  
*[50 ft. of 3/8 in. Hose]*
- 03 12'-22' FOLDABLE BOOM OPTIONS  
*[22 ft. Flex Boom Shown]*
- 04 OPTIONAL BOOMLESS SYSTEM
- 05 4HP HONDA ENGINE WITH ACE CENTRIFUGAL PUMP  
*[57 PSI Max - 22.5 GPM]*
- 06 KZ ELECTRIC BALL VALVES  
*[Fast & Reliable]*
- 07 FSDAK-SPRAY GUN UPGRADE  
*[22 in. Aluminum Barrel w/ Brass Swivel]*



### SINGLE-SECTION ELECTRIC CONTROLS



SPECIFICATIONS	FSDAK-50-EC	FSDAK-100-EC (Shown)
Capacity	50 Gallons	100 Gallons
W x L x H	38 x 42 x 23	47 ¾ x 49 x 26
Weight (Empty/Full)	175 lbs. / 574 lbs.	182 lbs. x 1,017 lbs.
Controls	1 Sect. Banjo Valve with Texas Industrial Controller	1 Sect. Banjo Valve with Texas Industrial Controller
Motor	4HP Honda GX120 Engine	4HP Honda GX120 Engine
Pump	Ace Centrifugal Pump [57 PSI-22.5 GPM]	Ace Centrifugal Pump [57 PSI-22.5 GPM]



SPECIFICATIONS	FSDAK-100-ROLLERPUMP
Capacity	100 Gallons
W x L x H	47 ¾ x 49 x 26
Weight (Empty/Full)	182 lbs. x 1,017 lbs.
Controls	Manual TeeJet Shutoff and Regulating Valves
Motor	4HP Honda GX120 Engine
Pump	Hypro 7-Roller Pump [200 PSI-22 GPM]

**HIGH PRESSURE**

FOR BOOM / BOOMLESS SYSTEM OPTIONS  
SEE PAGES 10-12

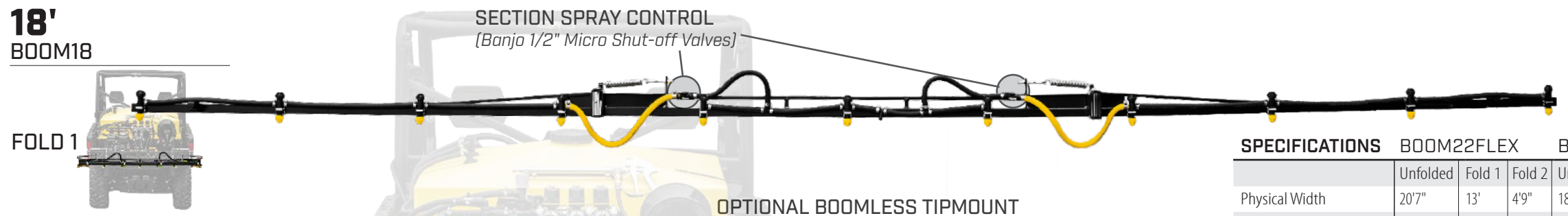
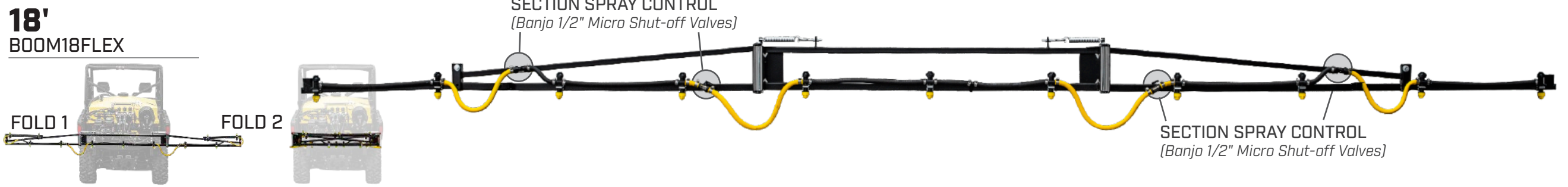
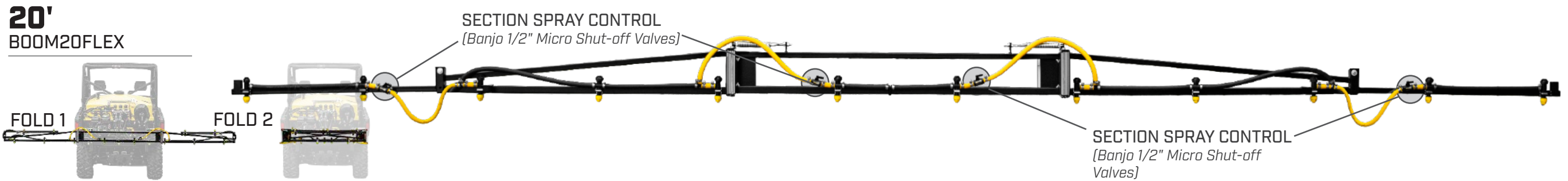
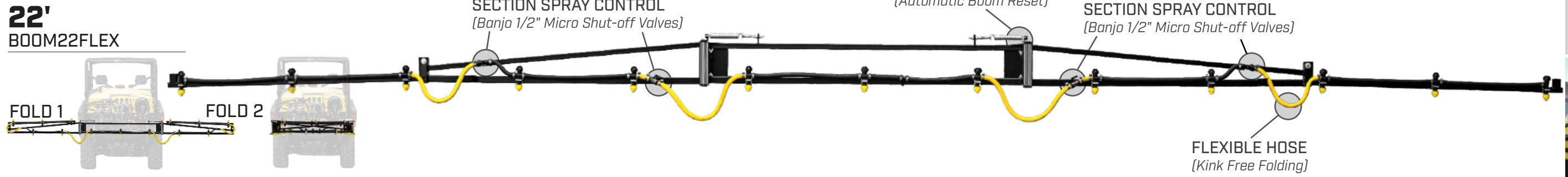
### MULTI-SECTION ELECTRIC CONTROLS



SPECIFICATIONS	FSDAK-50-EC-*KZ	FSDAK-100-EC-*KZ	FSDAK-100-EC-*KZ-RCR	FSDAK-100-EC-*KZ-PRO
Capacity	50 Gallon	100 Gallons	100 Gallons	100 Gallons
W x L x H	38 x 42 x 23	47 ¾ x 49 x 26	47 ¾ x 49 x 26	47 ¾ x 49 x 26
Weight (Empty/Full)	175 lbs. / 574 lbs.	182 lbs. x 1,017 lbs.	182 lbs. x 1,017 lbs.	182 lbs. x 1,017 lbs.
Controls	*2-5 Sect. KZ Valve, Electric Control with 744A TeeJet Controller	*2-5 Sect. KZ Valve, Electric Control with 744A TeeJet Controller	*2-5 Sect. KZ Valve, Electric Control Raven Flowmeter and Regulating Valves	*2-5 Sect. KZ Valve, Electric Control with 744A TeeJet Controller
Motor	4HP Honda GX120 Engine	4HP Honda GX120 Engine	4HP Honda GX120 Engine	5.5HP Electric Start Honda GX160 Engine
Pump	Ace Centrifugal Pump [57 PSI-22.5 GPM]	Ace Centrifugal Pump [57 PSI-22.5 GPM]	Ace Centrifugal Pump [57 PSI-22.5 GPM]	Ace Centrifugal Pump [120 PSI-110 GPM]

# OPTIONAL EQUIPMENT

DE-ICE SYSTEMS  
BOOM OPTIONS  
SEE PAGES 22-23  
→



\*FSDAK-100-EC SHOWN WITH FSDEICE-BOOM-4

SPECIFICATIONS	BOOM22FLEX			BOOM20FLEX			BOOM18FLEX			BOOM18		BOOM12	
	Unfolded	Fold 1	Fold 2	Unfolded	Fold 1	Fold 2	Unfolded	Fold 1	Fold 2	Unfolded	Fold 1	Unfolded	Fold 1
Physical Width	20'7"	13'	4'9"	18'11"	13'	4'9"	17'3"	13'	4'9"	17'3"	5'11"	10'4"	4'3"
Spray Coverage	21'8"	11'8"	5'	20'	13'4"	3'4"	18'4"	11'8"	5'	18'4"	5'	11'8"	5'
Total Nozzles	13			12			11			11		7	
Nozzle Spacing	20"			20"			20"			20"		20"	

## EXTENDED COVERAGE OPTIONS

PART#	DESCRIPTION
BOOMLESSBOOMINATOR*-SKID-TIPMOUNT-**	Boominator Single Side Boomless End Mount Kit for [12' & 18' Boom Models]
BOOMLESSHYPRO*-SKID-TIP-MOUNT	Hypro Single Side Boomless End Mount Kit for [12' & 18' Boom Models]
OFFSET TIP KIT	Single Side End Mount Offset Spray Kit for Boom
OFFSET TIP KIT-EC	Single Side End Mount Offset Spray Kit for Boom



\*Multiple Sizes Available  
\*\*L-Left or R-Right

# OPTIONAL EQUIPMENT



FOR NOZZLE CHARTS  
SEE PAGES 90-91



## BOOMLESS SYSTEMS

TEEJET / HYPRO / BOOMINATOR

	PART#	DESCRIPTION	*Multiple Sizes Available
1. SELECT NOZZLE TYPE	BOOMLESS TJ*	Boomless Kit with Plastic TeeJet Nozzles	
	BOOMLESS HYPRO*	Boomless Kit with SS Hypro XT Nozzles	
	BOOMLESS BOOMINATOR*	Boomless Kit wwith SS Boominator Nozzles	
2. OPTIONAL MOUNT KIT	BOOMLESS-MOUNT-KIT	Mounting Bar and Hardware for Boomless Mount Kit (Required if not directly mounted to a boom)	



## BOOMLESS TURFJET

"SIDE SHOOTER"

PART#	DESCRIPTION	*Multiple Sizes Available
BOOM-BOOMINATOR*-TURFJET	Boomless Kit with TurfJet Nozzles	
BOOM-BOOMINATOR*-TURFJET-3	Boomless Kit with TurfJet Nozzles for 3 Section	
BOOM-BOOMLESSHYPRO 20 BLUE-TURFJET	Hypro Left/Right, TurfJet Center	
BOOM-BOOMLESSHYPRO 20 BLUE-TURFJET-3	3 Section Hypro Left/Right, TurfJet Center	



## ACCESSORIES

PART#	DESCRIPTION
FSDAK-STAND	Stand for Dakota UTV Skid Sprayer
FSDAK- Spray Gun Upgrade	TeeJet 22" Aluminum Spray Gun with Brass Swivel (See Pg. 93)
FM1 (SEE PAGE 36)	1 Gallon Foam Marker
FM1 Skid Mount Kit	FM1 Skid Mount Kit

FM1



WAND UPGRADE



FSDAK-STAND

# ATV SPRAYERS

## ATV CONTOUR SPRAYER

- Adaptable to Boom/Boomless Systems
- TeeJet and Banjo Plumbing Parts
- 5.3 GPM Remco 12V Pump
- Inline TeeJet Strainer to Protect Pump
- Spray Wand and 20' Hose
- Liquid-Filled Gauge and Pressure Regulator
- Drain Valve
- 20 Gallon Tank with Sump

PART#	CAPACITY	PUMP
ATV20	20 Gallons	5.3 GPM Remco 12V Electric Bypass Pump



Slide In Receiver Mount Upgrade

TEEJET & BANJO PLUMBING PARTS

LIQUID FILLED GAUGE & PRESSURE REGULATOR

20 GALLON TANK WITH SUMP

ATV20 shown with Boom12 & Boomless Boominator on Standard Mounting Brackets

## OPTIONAL EQUIPMENT

PART#	DESCRIPTION
BOOM80	Boom80 In. Pattern at 40 In. Spacing
BOOM12	Boom12 Ft. Pattern at 20 In. Spacing
BOOMLESS TJ*	Boomless Kit with Plastic TeeJet Nozzles
BOOMLESS HYPRO*	Boomless Kit with SS Hypro XT Nozzles
BOOMLESS BOOMINATOR*	Boomless Kit with SS Boominator Nozzles
ATVRM	Slide In Receiver Mount Upgrade
BOOMLESS-MOUNT-KIT	Mounting Bar and Hardware for Boomless Mount Kit
ATV20-BOOM-BOOMLESS-PLUMBING KIT	ATV20 3-Way Valve Boom and Boomless Plumbing Kit

\*Multiple Nozzle Sizes & Spray Patterns Available

## ATV SPOT SPRAYER

- 20 Gallon Tank
- Drain Sump in Tank
- 1.8 or 1.0 GPM Demand Pump
- TeeJet Spray Wand and 20' of 3/8" Spray Hose
- Drain Valve

PART#	CAPACITY	PUMP
SS20 UTILITY	20 Gallons	1.0 GPM Delavan Pump
SS20	20 Gallons	1.8 GPM Shurflo Pump



# PULL-BEHIND SPRAYERS



## PULL-BEHIND MINI SPRAYER

- 50 Gallon Low Profile Full Drain Tru-Kleen Tank
- 16.5 x 6.5 x 8 High Floatation Turf Tires
- Tank has Molded Anti-Vortex Baffles
- All Terrain Design
- Ships by Freight Truck
- Hose Reel with 50 Ft. of Hose
- Spray Wand



ATV MINI-50E SHOWN WITH BOOM12

PART#	CAPACITY	PUMP	CONTROLS
ATV MINI-50E		5 GPM Electric Pump	Manual
ATV MINI-50	50 Gallons	4HP Honda with 22 GPM Centrifugal Pump	Manual
ATV MINI-50-EC		4HP Honda with 22 GPM Centrifugal Pump	Electric

## PULL-BEHIND ESTATE SPRAYER

- 23 Gallon Capacity
- 2.2 GPM Pump
- Adjustable Hitch
- 6" Vented Lid
- Clean Drain Valve
- 20" Nozzle Spacing
- TeeJet Spray Wand
- 13" Turf Tires
- Full Drain Tru-Kleen Tank



PART#	CAPACITY	PUMP	BOOM SIZE	NOZZLES
ES23	23 Gallons	2.2 GPM Pump	60"	3
ES23-MAX	23 Gallons	2.2 GPM Pump	100"	5

## PULL-BEHIND MAXI SPRAYER

- Walking Tandem Axles
- Axles Adjust for Row Spacing (60" - 80")
- Pull by a Small Utility Tractor or UTV
- 4HP Honda GX120 Engine with 22.5 GPM Centrifugal Pump
- Boom Breakaway
- Adjustable Boom Height
- High Floatations Tires (20 x 20 x 8)
- Hose Reel & Spray Wand for Spot Spraying



PART#	CAPACITY	PUMP	CONTROLS
MAXI-110	110	4HP Honda GX120 Engine with 22.5 GPM Centrifugal Pump	Manual
MAXI-110-EC	110		Electric
MAXI-150	150	4HP Honda GX120 Engine with 22.5 GPM Centrifugal Pump	Manual
MAXI-150-EC	150		Electric

GE660 PUMP OPTIONS AVAILABLE

## BOOM OPTIONS

- Electric Boom Controls

PART#	DESCRIPTION
MAXI-BOOM20	Boom - 20 Ft. Spray Pattern (20 In. Spacing)
MAXI-BOOM30	Boom - 30 Ft. Spray Pattern (20 In. Spacing)
MAXI-BOOMLESS-MOUNT-KIT	Maxi Boomless H-Frame Mount Kit



## OPTIONAL EQUIPMENT

PART#	DESCRIPTION
BOOM80	Boom - 80 In. Pattern (40 In. Spacing)
BOOM12	Boom - 12 Ft. Pattern (20 In. Spacing)
BOOMLESS TJ*	Boomless Kit with Plastic TeeJet Nozzles
BOOMLESS HYPRO*	Boomless Kit with SS Hypro XT Nozzles
BOOMLESS BOOMINATOR*	Boomless Kit with SS Boominator Nozzles

\*Multiple Sizes Available



ATV MINI-50-EC





# DANDY-LION KILLERS



## THE **NO DRIFT** CHEMICAL APPLICATOR.

- 01 TRU-KLEEN FULL DRAIN TANK**
- 02 GRAVITY FED** [No Electronics]
- 03 ADJUSTABLE HANDLE** [Push-Type]
- 04 ADJUSTABLE HITCH** [Pull-Type]
- 05 NO DRIFT ROLLER**  
[Applies Chemical Directly on Plants]



### **WR36" 3 GALLON** PUSH TYPE

PART# DESCRIPTION

WR36 36" Weed Roller - Push Type

#### REPLACEMENT PARTS

CWR1033 WR36 Manifold Assembly

CWR1034 WR36 Roller with Carpet

CWR1045 WR36 Carpet



### **WR48" 12 GALLON** PULL TYPE

PART# DESCRIPTION

WR48 48" Weed Roller - Pull Type

#### REPLACEMENT PARTS

CWR1006 WR48 Manifold Assembly

CWR1025 WR48 Roller with Carpet

CWR1055 Plastic Knob Plunger Spring Lock Pin  
1" x 5/8 - 11" x .44

CWR1066 WR48 Carpet

CWR1054 Replacement Tire



### **WR72" 25 GALLON** PULL TYPE

PART# DESCRIPTION

WR72 72" Weed Roller - Pull Type

#### REPLACEMENT PARTS

CWR1070 WR72 Manifold Assembly (One Side Only)

CWR1034 WR72 Roller with Carpet

CWR1055 Plastic Knob Plunger Spring Lock Pin  
1" x 5/8 - 11" x .44

CWR1045 WR72 Carpet

CWR1054 Replacement Tire





**EXPECT THE UNEXPECTED.**

GUARDIAN 150 GALLON SHOWN WITH SIDE MOUNT [FSGUARD-150]



## GUARDIAN GRAIN CART FIRE FIGHTER

- 01 150 GALLON TANK
- 02 KINK RESISTANT PVC'S HOSE
- 03 MULTI-POSITION QUICK RELEASE HOSE WRAP
- 04 205PH5 TRANSFER PUMP WITH 5.5 HP HONDA GX160 ENGINE
- 05 TANK DRAIN

SPECIFICATIONS	FSGUARD-150	FSGUARD-150-HP
Max Output	50 PSI	145 PSI
Motor/Pump	5.5 HP Honda GX160 with 205 PH5 Transfer Pump	Hypro Cast Iron Pump
Capacity	150 Gallons	
Dimensions (W x L x H)	29" (39" with Hose Wrap) x 66" x 40"	
Hose Length	100'	
Hose Size	3/4"	
Spray Distance	35-40'	
Run Time	13 Minutes	

## MOUNTING KITS

REAR AND SIDE

PART#	DESCRIPTION
FSGUARD-MK-RM	Grain Cart Rear Mount Kit
FSGUARD-MK-SM	Grain Cart Side Mount Kit

\*MAY NOT WORK WITH ALL MODELS





**GUARDIAN 200 GALLON SHOWN**  
PART# FSGUARD-200-¾-N



**GUARDIAN 100 GALLON HIGH PRESSURE SHOWN**  
[FSGUARD-100-HP-DP-70.1-GRIP]



LOOKING FOR MORE HOSE NOZZLE OPTIONS?  
SEE PAGE 57

## GUARDIAN SKID-MOUNT FIRE FIGHTER

- White or Yellow Tank
- 200-400 Gallon Capacity
- Forklift Pockets for easy lifting
- 1" or 3/4" Cox Hose Reel
- Bottom Fill



SPECIFICATIONS	FSGUARD-200-*	FSGUARD-300-*	FSGUARD-400-*	FSGUARD-400-¾-*
Capacity	200 Gallons	300 Gallons	400 Gallons	400 Gallons
Hose Reel	1" Electric	1" Electric	1" Electric	¾" Electric
Hose Length	125'	125'	125'	125'
Hose Size	1"	1"	1"	¾"
Motor	5.5 HP Honda GX160	5.5 HP Honda GX160	5.5 HP Honda GX160	5.5 HP Honda GX160
Pump	Ace GE660 with 110 GPM	Ace GE660 with 110 GPM	Ace GE660 with 110 GPM	Ace GE660 with 110 GPM

PRO SERIES	FSGUARD-200-*-PRO	FSGUARD-300-*-PRO	FSGUARD-400-*-PRO	FSGUARD-400-¾-*-PRO
Motor	8 HP Honda GX240 with Electric Start	8 HP Honda GX240 with Electric Start	8 HP Honda GX240 with Electric Start	8 HP Honda GX240 with Electric Start
Pump	Ace GE860 with 140 GPM	Ace GE860 with 140 GPM	Ace GE860 with 140 GPM	Ace GE860 with 140 GPM

\* Specify Tank Color  Y  N

## GUARDIAN ATV / UTV FIRE FIGHTER

- 50-100 Gallon Capacity
- Tru-Kleen Low Profile Full Drain Tank
- Clean Drain Valve
- Available with or without Hose Reel

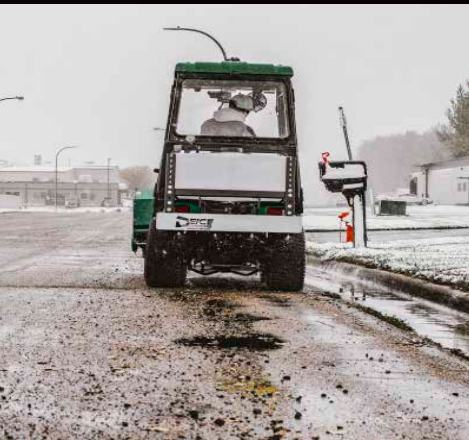


SPECIFICATIONS	FSGUARD-100	FSGUARD-100-HP-DP-70.1-GRIP	FSGUARD-100-LHR
Capacity	100 Gallons	100 Gallons	100 Gallons
Hose Reel	Electric	Manual	-
Hose Length	100'	100'	25' (Kink Free)
Hose Size	¾"	¾"	¾"
Spray Distance	35'	45'	35'
Max Output	40 PSI	290 PSI	40 PSI
Run Time	5 Minutes	30 Minutes	5 Minutes
Motor	4 HP Honda GX120	4 HP Honda GX120	4 HP Honda GX120
Pump	Ace GE-85	John Blue DP-70.1-GRIP (Poly) Diaphragm	Ace GE-85
<b>50 GALLONS</b>	FSGUARD-50	FSGUARD-50-HP-DP-70.1-GRIP	FSGUARD-50-LHR

SPECIFICATIONS	FSGUARD-CONVERT
Hose Length	25'
Hose Size	¾"
Spray Distance	35'
Max Output	40 PSI
Run Time	5 Minutes



# ICE CONTROL



## DE-ICE SYSTEMS SKID MOUNT

SPECIFICATIONS	FSDEICE-200	FSDEICE-300	FSDEICE-400	FSDEICE-500	FSDEICE-750	FSDEICE-850
01 Capacity	200 Gallons	300 Gallons	400 Gallons	500 Gallons	750 Gallons	850 Gallons
02 Fill Type	Top					
03 Features	Forklift Pockets for Easy Lifting					
04 Controls	Manual Regulator with Electric Ball Valve Shutoff					
05 Pump	5.5 HP Honda with 2" Banjo Pump					

ELECTRIC START  
OPTIONS AVAILABLE

## 06 BOOM OPTIONS

SPECIFICATIONS	FSDEICE-BOOM-8
Total Nozzles	8
Spacing	12"
Width	6'
Spray Coverage	8'



FSDEICE-300  
GALLON SHOWN  
\*Boom Sold Separately

## DE-ICE SYSTEMS PUSH-TYPE

- 5 Gallon Tru-Kleen Full Drain Tank
- Automatic Battery Trickle Charger
- Mighty Max Deep Cycle 12V Battery
- 5 Hours of Continuous use Battery Life

SPECIFICATIONS	FSDEICE-PUSH-5
Capacity	5 Gallons
Fill Type	Top
Spray Coverage	4'
Nozzles	(2) 1/4" TTJ02-VS TeeJet
Spacing	20"
Application Rate	.4 GPM
Pump	1.2 GPM Delavan



## DE-ICE SYSTEMS 3-POINT

- Category I 3-Point Hitch
- 4 Point Stand (50 Gallon Only)
- Pressure Regulating Relief Valve
- Winter proof Buna Seals for added CF7 & Brine resistance



SHOWN WITH  
FSDEICE-BOOM-4-3  
\*Boom Sold Separately

SPECIFICATIONS	FSDEICE-HS-25	FSDEICE-HS-50
Capacity	25 Gallons	50 Gallons
Fill Type	Top	Top
Controls	Manual Regulator	Manual Regulator
Pump	5.3 GPM 12V Remco Bypass Pump with 60 PSI	5.3 GPM 12V Remco Bypass Pump with 60 PSI

## DE-ICE SYSTEMS LAWN TRACTOR

- 25 Gallon Tru-Kleen Full Drain Tank
- Designed for John Deere X700 Series Lawn Tractors
- Pressure Regulating Relief Valve
- Compact Design for All Wheel Steering Maneuverability

SPECIFICATIONS	FSDEICE-JDX7-25
Capacity	25 Gallons
Fill Type	Top
Controls	Manual Regulator
Pump	5.3 GPM 12V Remco Bypass Pump with 60 PSI



SHOWN WITH  
FSDEICE-BOOM-4  
\*Boom Sold Separately

## DE-ICE SYSTEMS BOOM OPTIONS

- TeeJet 7 Stream Nozzles & TurfJet tips included on all models
- Hypro 3-Way Nozzle Bodies at 10" Spacing
- Stainless Steel hood for nozzle protection

### STANDARD COVERAGE 4' Spray Coverage

PART#	DESCRIPTION
FSDEICE-BOOM-4	4' Wet Boom

### EXTENDED COVERAGE

Boominator Nozzles add 5' of coverage on each side for a max coverage of 14'

PART#	DESCRIPTION
FSDEICE-BOOM-4-3	4' Wet Boom with Boominator Nozzles and Plumbing for 3 Section Manual Control
FSDEICE-BOOM-4-3-EC	4' Wet Boom with Boominator Nozzles and Plumbing for 3 Section Electric Control

# TRUCK-MOUNT SPRAYERS

## TRUCK-MOUNT SKID SPRAYER

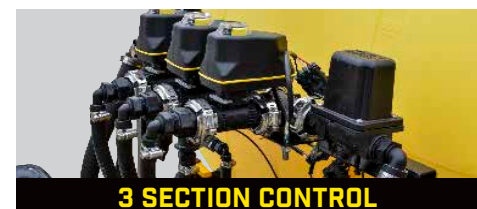
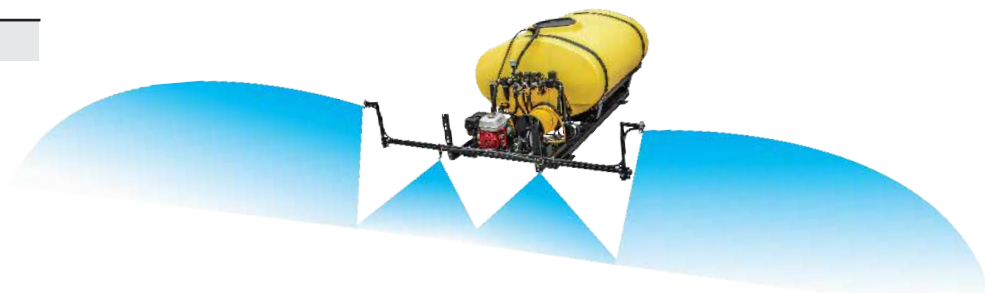
- 744 TeeJet Electric Controller
- Spray Pattern up to 42'
- 3 Section KZ Ball Valves
- 5HP Honda GX160 with Electric Start
- GE660 Ace Pump with 110 GPM & 95 PSI
- Adjustable Boom Height
- 100' 3/8" Yellow Ag Spray Hose and 22" Aluminum Spray Gun

PART#	TANK SIZE
FS TRUCK SKID SPRAYER 300	300
FS TRUCK SKID SPRAYER 400	400

### ACCESSORIES:

PART#
FS TRUCK SKID BOOMLESSBOOMINATOR*-3

\*Multiple Sizes Available



3 SECTION CONTROL



TURFJET WIDE ANGLE TIPS



BOOMINATOR NOZZLES

## COXREELS COXREELS

### SIGNATURE FEATURES

- Professional grade heavy duty steel construction
- Durable proprietary CPC™ powder coat process
- Rolled edges & ribbed discs provide strength & safety
- Leading 2-year manufacturer's limited warranty
- Made in the U.S.A. - Sold & Supported Worldwide

### POSSIBLE FIELDS OF APPLICATION

- Industrial Plant & Ground Maintenance
- Fire Suppression
- Farming
- Construction Sites
- Landscape
- Pest & Weed Control
- Golf Course Maintenance
- Air Compressor
- Washdown
- High-Flow Watering
- Hydro Seeding
- Pressure Washing
- Agricultural Spraying
- Chemical Fluid Transfer



# HOSE REELS



## SUPER REEL

- Heavy Duty Construction
- 12V Motor with Hand Control
- Manual Clutch Lockout for Easy Pull-Out
- Manual Crank Handle Included
- Guide Tubes for Easy Retrieval
- 2-Way Wireless and Manual Switches
- Stainless Steel Swivel
- Remote Controller
- Chain Guard
- Durable Powder Coat Finish
- Side Rollers

**STAINLESS STEEL SWIVEL NOW STANDARD ON ALL SUPER REELS**



HRE200



HRE200



HRE300

FOR SMALLER HOSE REEL OPTIONS SEE PAGE 38

SPECIFICATIONS	HR200SS	HRE200SS	HRE300SS
Model	2"	2"	3"
Dimensions	30(L) x 31(W) x 27(H)	30(L) x 31(W) x 27(H)	41(L) x 31(W) x 39(H)
Weight	150 lbs	150 lbs	255 lbs
Hose Capacity	75' of 2" Bumblebee	75' of 2" Bumblebee	75' of 3" Bumblebee
Controls	Manual Crank (adds 5" to width)	Electric	Electric

### REPAIR PARTS:

PART#	DESCRIPTION	PART#	DESCRIPTION
CHR1093	Electric Motor	CHR1191	Repair Kit for Hand Crank Shaft
HR11	Wired Control Remote	CHR1123	2" O-Ring
CHR1115-B	9" Manual Crank Handle	CHR1124	3" O-Ring
CHR1089	2" Stainless Steel Swivel	CHR1211	Replacement Controller and Bracket
CHR1092	3" Stainless Steel Swivel		

### ACCESSORIES:

PART#	DESCRIPTION
HRSRK	Hose Reel Side Roller Kit

PARTS DIAGRAM / INSTRUCTIONS ONLINE AT [WWW.FSMFG.COM](http://WWW.FSMFG.COM)



TRU-KLEEN CHEMICAL  
INDUCTOR TANKS  
(WITH STAND)

## TRU-KLEEN CHEMICAL INDUCTORS

- 16" Vented Lid
- Stand is Drilled and Ready to be Bolted Down
- 2" Male Threaded Snout (No Bulk-Head Fittings)
- 1 Gallon Increments on 20 - 65 Gallon Tanks
- 2.5 Gallon Increments on 100 and 200 Gallon Tanks

### TANK & SHORT STAND COMBOS (Short Stands Allow Space For 2" Plumbing)

PART#	CAPACITY	DESCRIPTION	DIMENSIONS
TK20TS-2	20 Gallons	Tank and Short Stand	18" x 39"
TK30TS-2	30 Gallons	Tank and Short Stand	18" x 48"
TK40MTS-2	40 Gallons	Magnum Tank and Short Stand	28" x 40"
TK65MTS-2	65 Gallons	Magnum Tank and Short Stand	28" x 48"

### TANK & TALL STAND COMBOS (Tall Stands Allow Space For 3" Plumbing)

PART#	CAPACITY	DESCRIPTION	DIMENSIONS
TK20TS-3	20 Gallons	Tank & Tall Stand	18" x 41"
TK30TS-3	30 Gallons	Tank & Tall Stand	18" x 51"
TK40MTS-3	40 Gallons	Magnum Tank & Tall Stand	28" x 43"
TK65MTS-3	65 Gallons	Magnum Tank & Tall Stand	28" x 51"
TK100MTS	100 Gallons	Magnum Tank & Tall Stand	35" x 48"
TK200MTS	200 Gallons	Magnum Tank & Tall Stand	35" x 78"

### \*PLUMBING KITS AVAILABLE IF NEEDED (Not Included with Tank & Stand Combos)

TKKIT-2	2" Inductor Plumbing Kit
TKKIT-3	3" Inductor Plumbing Kit

### OPTIONAL ACCESSORIES: (See Guide)

PART#	DESCRIPTION
TKC20-30	Tru-Kleen Cone Rinse System
TKC40-65	
TKJUG	Tru-Kleen Stainless Jug Rinse
TKV20	Anti-Vortex Plate for 20/30 Gallons
TKV40	Anti-Vortex Plate for 40/65 Gallons
TKV100	Anti-Vortex Plate for 100/200 Gallons
JET RINSE	Jet Rinse Container Rinsers
TKJUGCUT	Stainless Jug Cutter with Rinse Ball
TKTURBO	Tru-Kleen Tank Agitation

### CONE & JUG RINSE SYSTEMS FIT ALL F/S INDUCTORS!

### TRU-KLEEN INDUCTOR PLUMBING KITS

- Ball Valve
- Nipple
- Tee
- Hose Barbs



## TRU-KLEEN INDUCTOR ACCESSORIES

- 01 CONE RINSE**  
Washes chemical out of the entire tank
- 02 ANTI-VORTEX PLATES**  
Prevents your pump from losing its prime
- 03 JUG RINSE**  
Leaves no wasted chemical in your jugs
- 04 TANK AGITATION**  
Evenly mixes chemical
- 05 JUG CUTTER**  
Efficiently opens, empties, & rinses chemical containers



CONTINUED ON THE NEXT PAGE  
→

## TRU-KLEEN CHEMICAL INJECTORS

- Injects Chemical into Pressure Line (Installed after Pump)
- Keeps Pump Free of Chemical
- Anti-Vortex Plate
- Mixes Dry Chemical

\* - Indicate 2 for 2" plumbing  
\* - Indicate 3 for 3" plumbing

### SINGLE INJECTOR

PART#	DESCRIPTION
TKINJ20-*-TKC	20 Gallon Tru-Kleen Chemical Injector
TKINJ30-*-TKC	30 Gallon Tru-Kleen Chemical Injector
TKINJ40-*-TKC	40 Gallon Tru-Kleen Chemical Injector
TKINJ65-*-TKC	65 Gallon Tru-Kleen Chemical Injector
TKINJ100-*-TKC	100 Gallon Tru-Kleen Chemical Injector



### DOUBLE INJECTOR

PART#	DESCRIPTION
TKINJ40-30-*-TKC(x2)-TKJUG	Double Injector - TK40 & TK30
TKINJ40-40-*-TKC(x2)-TKJUG	Double Injector - TK40 & TK40
TKINJ65-40-*-TKC(x2)-TKJUG	Double Injector - TK65 & TK40



### TRIPLE INJECTOR

PART#	DESCRIPTION
TKINJ40-40-40-*-TKC(x3)-TKJUG(x1)	Triple Injector - TK40(x3)
TKINJ65-40-40-*-TKC(x3)-TKJUG(x1)	Triple Injector - TK65, TK40 & TK40

### OTHER TANK CONFIGURATIONS AVAILABLE



### OPTIONAL EQUIPMENT

PART#	DESCRIPTION
TKTURBO	Tru-Kleen Tank Agitation
TKJUG	Tru-Kleen Stainless Jug Rinse (See Pg. 27)
TKJUGCUT	Stainless Jug Cutter with Rinse Ball

## TRU-KLEEN MEASURING CYLINDER

- 13 or 25 Gallon Capacity
- 12" Diameter
- 6" Vented Cap
- 2" Male Threaded Tank Outlet

PART#	DESCRIPTION
TK13TS	Tank & Stand (12" x 47")
TK25TS	Tank & Stand (12" x 73")
TK25TS-MK (Shown)	Measuring Kit with Tank and Stand

### MEASURING KIT FEATURES

- 1/2" Sight Gauge for Accuracy
- TeeJet Internal Rinse Ball for Thorough Rinsing
- 1" Top Fill with 1" Male Adapter (TK25TS-MK ONLY)



## TRU-KLEEN RECIRCULATING BATCH MASTER

- 3 Pt. Recirculating Tru-Kleen Tank
- 2" or 3" Plumbing Options
- Powers an Entire Loading System
- Mixes Dry Chemical or Fertilizer

### PUMP SOLD SEPARATELY

PART#	GALLONS
BATCHMASTER65-NM-PK*	65
BATCHMASTER100-NM-PK*	100
BATCHMASTER200-NM-PK*	200

\* - Indicate 2 for 2" plumbing  
\* - Indicate 3 for 3" plumbing



## BANJO VENTURIS



PART#	DESCRIPTION
MIS220	2" Manifold Venturi Bypass Only
MIS300	3" Manifold Venturi Bypass Only

## TRU-KLEEN CHEMICAL INOCULATOR

- 20 Gallon Tank
- Adjustable Magnetic Nozzle Mount
- 0-60 Pound Liquid Pressure Gauge
- Manual Rate Adjustment
- 115V Pump with 20 Ft. Power Cord
- Pneumatic Tires

PART#	DESCRIPTION
TKI-12V	Tru-Kleen Inoculator 12V Pump
TKI-115V	Tru-Kleen Inoculator 115V Pump





## TRU-KLEEN CONE BOTTOM TRAILERS

- Tru-Kleen Tank
- Available With or Without a Front Deck for Hauling Totes
- 235/80R16 10-Ply High Speed Tires
- 2 5/16" Ball Hitch
- Brakes and Lights Standard
- 5 Year Prorated Tank Warranty
- Anti-Vortex Plate Included

\* Specify Tank Color **Y B N**

### CADDY ONLY

PART#	GALLONS	DESCRIPTION	GROSS VEHICLE WEIGHT (LBS.)
FSCADDY10-*	1000	Caddy	14,000 lbs.
FSCADDY13-*	1300	Caddy	14,000 lbs.
FSCADDY16-*	1600	Caddy	20,000 lbs.

### CADDY WITH TOTE DECK

FSCADDY10D-*	1000	Caddy with Deck	14,000 lbs.
FSCADDY13D-*	1300	Caddy with Deck	16,000 lbs.
FSCADDY16D-*	1600	Caddy with Deck	20,000 lbs.

### CADDY PLUMBING PACKAGES

FSCADDY-PK2	2" Plumbing Package
FSCADDY-PK3	3" Plumbing Package



1,300 Gallon Caddy without Deck



1,000 Gallon Caddy with Deck

## TRU-KLEEN CONE BOTTOM TENDERS

- 2 (2,500 or 3,000 Gallon Tanks) **OR** 3 (3,000 gallon Tru-Kleen Tanks)
- Full Drain 3" Manifold Outlet
- No Bulk-Head Fittings
- Double Hydraulic Operation (Internal Hand Pump)
- 5 Year Prorated Tank Warranty
- Full Carry-Through Axle
- Mechanical Cylinder Lock for Transport
- 225/75R15 High Speed Tires
- 13'-2" Transport Height / 12'-3" Lowered Height
- **Heavy Duty** - 16# Per Gallon Rating Tanks

\* Specify Tank Color **Y N**



PART#	GALLONS	DESCRIPTION
FSTENDER2-2500-*	5000	Tandem Fertilizer Tender
FSTENDER2-*	6000	Tandem Fertilizer Tender
FSTENDER3-*	9000	Triple Fertilizer Tender

### TENDER PLUMBING PACKAGES

FSTENDER2-PK	3" Plumbing Package for 2 Tank Tender
FSTENDER3-PK	3" Plumbing Package for 3 Tank Tender



9,000 Gallon Triple



## TRU-KLEEN CONE BOTTOM TANKS

- Full Drain 3" Manifold Outlet
- No Bulk-Head Fittings
- 1600 and 2000 Gallon Suitable for Transport
- 5 Year Prorated Warranty
- 10 Degree Cone-Bottom with 16" Lid
- **Heavy Duty** - 16# Per/Gallon Rating
- Steel Stand with Steel Tank Tie Down



\* Specify Tank Color

**Y B N**



TANK & STANDS	PART#	GALLONS	TANK WEIGHT	TOTAL WEIGHT	(W X H)
	TK1000-90-* -TS	1000	225	740	93" x 65"
	TK1300-90-* -TS	1300	260	775	93" x 79"
	TK1600-* -TS	1600	300	815	90" x 95"
	TK2000-* -TS	2000	400	915	90" x 112"
	TK2500-* -TS	2500	500	965	91" x 120"
	TK3000-* -TS	3000	600	1,065	91" x 142"

Cone-Bottom Tanks come w/ a 3" Flange Fitting & can be reduced for 2" Plumbing

ACCESSORIES

PART#	DESCRIPTION
TK-PK2	2" Plumbing Package
TK-PK3	3" Plumbing Package
TKV1600	1600 Gallon and 2000 Gallon Anti-Vortex Plate
TKV3000	2500 Gallon and 3000 Gallon Anti-Vortex Plate

TANK & STANDS

PART#	GALLONS	WEIGHT (LBS.)	W X L X H
CBT4900-W-TS	4900	1748	102 x 159 x 170
CBT6900-W-TS	6900	2720	122 x 168 x 178
CBT8250-W-TS	8250	3120	122 x 195 x 205

FOR STAINLESS  
STEEL VALVES  
SEE PAGE 56

## FLAT BOTTOM VERTICAL TANKS

- 5 Year Prorated Warranty
- 4 Spike Tie Downs
- Fills 100%
- Manhole Above Top with 16" Lid
- 16# Per Gal. Rating
- Rebated Bottom Corner (Protects Against Cracking)
- Siphon Tube Pickup



\* Specify Tank Color

**Y B N**



PART#	GALLONS	WEIGHT (LBS.)	OUTLET	(W X H)
FSVT1000-82-*	1000	225	2"	82 x 60
FSVT1300-82-*	1300	260	2"	82 x 74
FSVT1600-*	1600	300	2"	85 x 78
FSVT1625-*	1625	300	2"	82 x 85
FSVT2000-*	2000	400	2"	85 x 94
FSVT2500-*	2500	500	3"	90 x 104
FSVT3000-*	3000	600	3"	90 x 123

PART#	DESCRIPTION
SG-KIT	Poly Valve Sight Gauge Kit
SG-KIT-HD	Heavy Duty Stainless Steel Sight Gauge Kit

Great for use in  
Van Trailers!

Improved  
Design!



## FLAT BOTTOM VERTICAL TANKS



PART#	GALLONS	WEIGHT (LBS.)	W X H
VT55	55	22	20 x 47
VT65	65	25	23 x 42
VT100	100	36	28 x 45
VT110	110	40	32 x 41
VT175	175	54	31 x 61
VT225	225	65	31 x 76
VT265	265	74	31 x 88
VT300	300	73	42 x 55
VT425	425	101	42 x 75
VT500	500	118	46 x 77
VT550	550	116	52 x 66
VT600	600	130	46 x 91
VT800	800	175	46 x 118
VT900	900	222	46 x 132
VT5150	5150	1350	102 x 161
VT6250	6250	1550	102 x 194
VT10500	10500	2800	142 x 177

## RINSE TANKS



PART#	GALLONS
RT3	3
RT5	5
RT12	12
RT25	25
RT35	35
RT55	55

## PICKUP TANKS



PART#	GALLONS	WEIGHT (LBS.)	W X L X H
PUT200	200	54	52 x 30
PUT305	305	97	60 x 58 x 30 (Water Only)
PUT350	350	92	62 x 34
PUT450	450	102	62 x 41

## ELLIPTICAL TANKS / CRADLES



\* Specify Tank Color  Y  N

PART#	GALLONS	WEIGHT (LBS.)	W X L X H
ET200-*	200	82	41 X 66 X 26
ET300-*	300	114	48 X 70 X 30
ET400-*	400	130	57 X 70 X 36
ET500-*	500	180	57 X 82 X 36
ET600-*	600	200	57 X 82 X 40
ET750-*	750	240	69 X 89 X 46
ET850-*	850	270	69 X 89 X 49
ET1000-*	1000	285	78 X 90 X 49
ET1250-*	1250	400	78 X 92 X 60
ET1600-*	1600	439	78 X 138 X 49

PART#	WEIGHT (LBS.)	DESCRIPTION
CET200-CR	140	Cradle - ET200
CET300-CR	155	Cradle - ET300
CET400-CR	190	Cradle - ET400
CET500/600-CR	202	Cradle - ET500 / ET600
CET750/850-CR	216	Cradle - ET750 / ET850
CET1000-CR	515	Cradle - ET1000
CET1250-CR	520	Cradle - ET1250
CET1600-CR	578	Cradle - ET1600

PART#	GALLONS
CET200-SK	Strap Kit for ET200
CET300-SK	Strap Kit for ET300
CET400-SK	Strap Kit for ET400
CET500/600-SK	Strap Kit for ET500/ET600
CET750/850-SK	Strap Kit for ET750/ET850
CET1000-SK	Strap Kit for ET1000
CET1250-SK	Strap Kit for ET1250
CET1600-SK	Strap Kit for ET1600

## TANK LIDS



PART#	DESCRIPTION
LID4	4" Center Lid with Breather
LID6	6" Female Lid with Breather
LID8	8" Lid with Breather
LID10	10" Lid with Breather
LID12	12" Threaded Vented Lid & Ring
LID12IND	12" Threaded Non-Vented Lid
LID16	16" Lid with Breather
TL16-0006-01	16" Hypro Duralock Hinged Lid

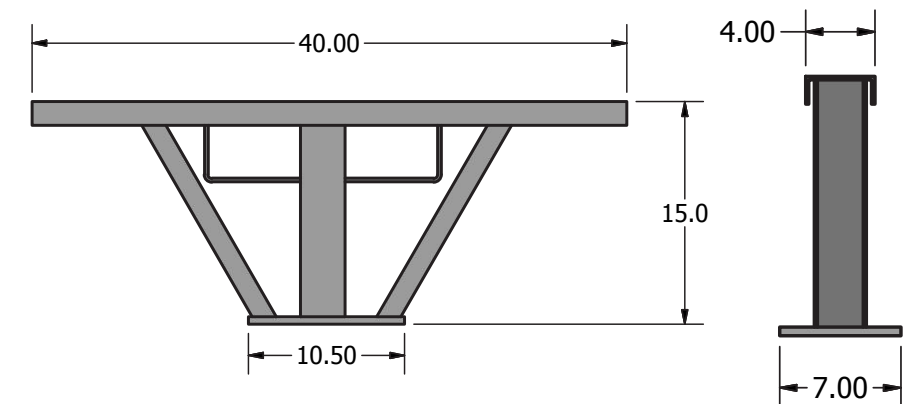
## BULKHEAD FITTINGS/ SIPHON TUBES



PART#	DESCRIPTION
BHF12	1/2" Polypropylene
BHF34	3/4" Polypropylene
BHF100	1" Polypropylene
BHF114	1 1/4" Polypropylene
BHF112	1 1/2" Polypropylene
BHF200	2" Polypropylene
BHF300	3" Polypropylene
ST200	2" Siphon Tube
ST300	3" Siphon Tube
MBF200BD	2" Flange X 2" EPDM Female Thread Bottom Drain
MBF220BD	2" Full Port Flange X 2" EPDM Female Thread Bottom Drain
MBF300BD	3" Flange X 3" EPDM Female Thread Bottom Drain
MTF300	3" Manifold Poly Bulkhead EPDM Fitting



PLANTER TANK STAND SHOWN WITH 500 GALLON ELLIPTICAL TANK



## PLANTER TANK STAND

- 2 needed for 300, 400, and 500 gallon elliptical tanks
- 3 needed for 750 and 850 gallon elliptical tanks
- Each stand requires two U-Bolts to attach stand to cradle. (U-Bolts not included)

PART#	DESCRIPTION
PTS	Planter Tank Stand
PTS-UBOLT	U-Bolt For Planter Tank Stand 14" - Made To Print with +/- .060 Tolerance
PTS-UBOLT-LONG	U-Bolt For Planter Tank Stand 18.75" - Made To Print with +/- .060 Tolerance



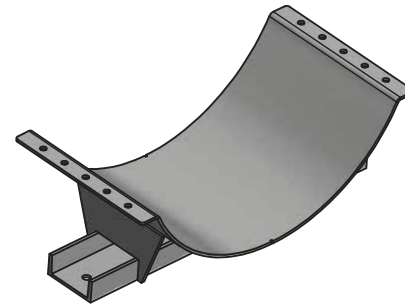
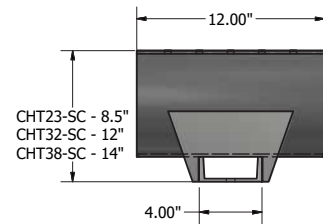
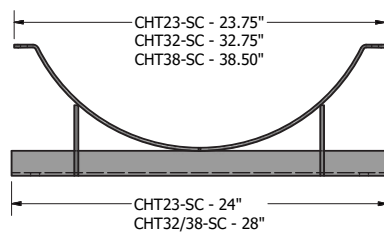
## HORIZONTAL TANKS / CRADLES

FOR TANK CLEANER  
SEE PAGE 72

PART#	GALLONS	WEIGHT (LBS.)	W X H
HT25	25	14	23 X 22
<b>*HT50</b>	<b>50</b>	<b>23</b>	<b>23 X 36</b>
HT55	55	23	23 X 38
HT75	75	31	24 X 47
HT95	95	35	24 X 56
HT100	100	40	23 X 64
HT110-30	110	40	30 X 44
<b>*HT110-32</b>	<b>110</b>	<b>44</b>	<b>32 X 38</b>
HT150-30	150	50	30 X 57
<b>*HT150-32</b>	<b>150</b>	<b>52</b>	<b>32 X 54</b>
HT200-32	200	64	32 X 68
<b>*HT200-38</b>	<b>200</b>	<b>70</b>	<b>38 X 51</b>
HT300	300	88	38 X 76
HT400	400	117	42 X 76
HT500	500	122	48 X 79

PART#	WEIGHT (LBS.)	DESCRIPTION
CHT25-CR	20	Cradle for HT25
<b>*CHT50-CR</b>	<b>24</b>	<b>Cradle for HT50</b>
CHT55-CR	24	Cradle for HT55
CHT75-CR	36	Cradle for HT75
CHT95-CR	38	Cradle for HT95
CHT100-CR	40	Cradle for HT100
CHT11030-CR	40	Cradle for HT11030
<b>*CHT11032-CR</b>	<b>40</b>	<b>Cradle for HT11032</b>
CHT15030-CR	57	Cradle for HT15030
<b>*CHT15032-CR</b>	<b>55</b>	<b>Cradle for HT15032</b>
CHT20032-CR	110	Cradle for HT20032
<b>*CHT20038-CR</b>	<b>85</b>	<b>Cradle for HT20038</b>
CHT300-CR	145	Cradle for HT300
CHT400-CR	146	Cradle for HT400
CHT500-CR	170	Cradle for HT500

\*Stock Items

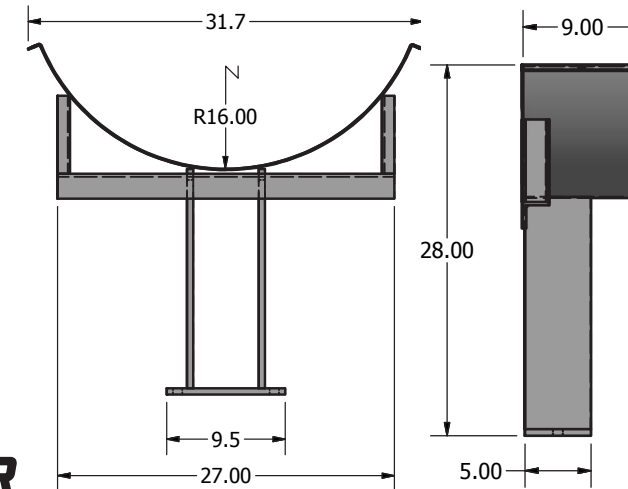


## SPLIT CRADLES

PART#	DESCRIPTION
CHT23-SC	Split Cradle for 23" Horizontal Tank
CHT32-SC	Split Cradle for 32" Horizontal Tank
CHT38-SC	Split Cradle for 38" Horizontal Tank

## STRAP KITS

PART#	DESCRIPTION
CHT23-SK	Strap Kit for 23" Diameter Tank ( 50 Gallon   55 Gallon )
CHT30-SK	Strap Kit for 30" Diameter Tank ( 110 Gallon   150 Gallon )
CHT32-SK	Strap Kit for 32" Diameter Tank ( 110 Gallon   150 Gallon   200 Gallon )
CHT38-SK	Strap Kit for 38" Diameter Tank ( 200 Gallon   300 Gallon )



## TOOL BAR TANK STAND

- Used for 110, 150 or 200 Gallon Horizontal Tanks with 32" Diameter
- Mounts Tank up to a 7" Tool Bar with included back plate
- Straps for Tank Included
- Mounting Hardware

PART#	DESCRIPTION
PKSTAND	Tool Bar Tank Stand

NEED THREAD SEALANT  
SEE PAGE 44



SHOWN WITH 110 GALLON TANK AND PAIR OF TANK STANDS

## LEG TANKS / HOOPS

PART#	GALLONS	WEIGHT (LBS.)	W X L X H
LT15	15	11	14 x 30 x 8
LT25	25	13	16 x 34 x 22
LT65	65	24	24 x 39 x 30
LT70	70	35	24 x 39 x 30**
LT125	125	52	32 x 44 x 35
LT165	165	70	32 x 54 x 37
LT225	225	85	38 x 52 x 42
LT325	325	106	38 x 72 x 42
LT535	535	160	48 x 78 x 54
LT735	735	250	48 x 103 x 54*
LT1065	1065	340	56 x 105 x 63*
LT1300	1300	425	62 x 114 x 67*
LT1610	1610	530	78 x 139 x 56*
LT1750	1750	616	62 x 147 x 68*
LT2350	2350	920	88 x 146 x 63*
LT3250	3250	1208	88 x 146 x 79*
LT3750	3750	1422	88 x 146 x 91*
LT4250	4250	1617	88 x 146 x 101*

\* Hoops Required \*\*Stackable



PART#	DESCRIPTION
LT735-HP	Hoops for LT735 (Set of 3)
LT1065-HP	Hoops for LT1065 (Set of 3)
LT1300-HP	Hoops for LT1300 (Set of 3)
LT1610-HP	Hoops for LT1610 (Set of 4)
LT1750-HP	Hoops for LT1750 (Set of 4)
LT2350-HP	Hoops for LT2350 (Set of 4)
LT3250-HP	Hoops for LT3250 (Set of 4)
LT3750-HP	Hoops for LT3750 (Set of 4)
LT4250-HP	Hoops for LT4250 (Set of 4)

# TANK ACCESSORIES

## RINSE BALL



PART#	DESCRIPTION
RINSE BALL	Delta Tank Rinse Ball SB100 With 1" Close Nipple MM1010 - 3 GPM at 50 PSI - 200 PSI
PC1/2F-235120	Proclean Rotating Tank Rinse Nozzle
55270-1/2-11-POM	Spray Systems Tank Rinsing Nozzle 1/2" FPT
55270-3/4-18-POM	Teejet Rotating Tank Rinse Nozzle 3/4" FPT

## TRU-KLEEN AUGER TREATER

- 3 or 5 Gallon Models
- Mounts on a Truck Box or Auger
- Two Outlets for Thorough Coverage

PART#	GALLONS	PUMP
TBT3-12	3	12V
TBT3-115	3	115V
TBT5-12	5	12V
TBT5-115	5	115V



## F/S FOAM MARKER

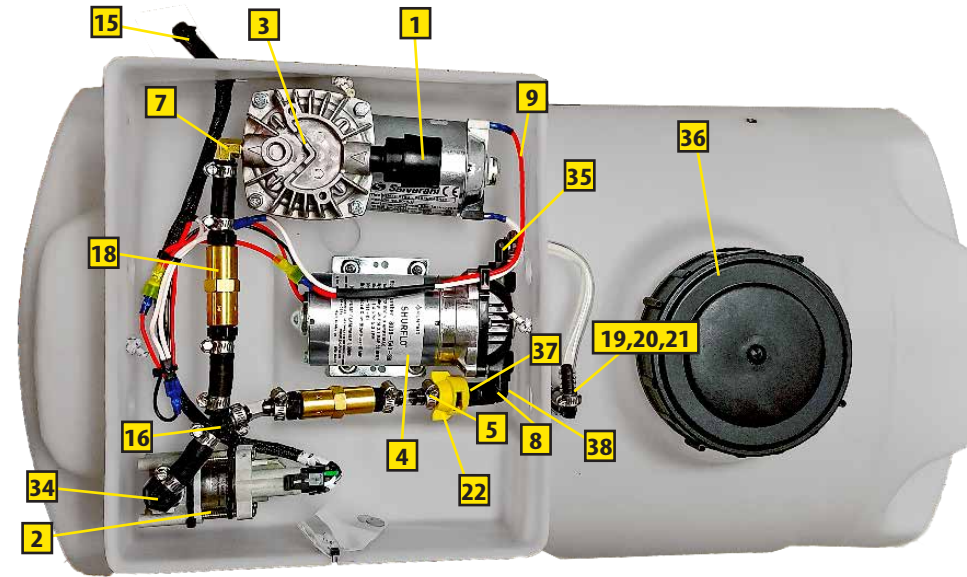
- 12V DC Operated
- 3-Position Switch Enclosed in Weatherproof Cover
- Two Stage Foam Generation
- Boom End Mounted Foam Chambers
- 125' Delivery Hose (FM14/FM25 Only)
- 4" Fluorescent Drop Boots for Visibility

PART#	DESCRIPTION
FM1	1 Gallon Foam Marker
FM6	6 Gallon Foam Marker
FM14	14 Gallon Foam Marker
FM25	25 Gallon Foam Marker

FOR FOAM MARKER CONCENTRATE  
SEE PAGE 73



# FOAM MARKERS



## OLD MODEL



Uses Black 1/2" EVA - EVA12B

## OLD FOAM CHAMBER PARTS:

NO.	PART#	DESCRIPTION
39	CFM1010	3/4" Foam Chamber Assembly
40	CFM1020	1-1/2" Foam Chamber Assembly
41	HBE12	MPT Hose Barb Elbow 1/2" x 1/2"

## NEW MODEL



Uses 1/2" Push-Pull Tubing - JGPT86BK

## NEW FOAM CHAMBER PARTS:

NO.	PART#	DESCRIPTION
13	CFM1038	3/4" Foam Chamber Assembly
14	CFM1039	1-1/2" Foam Chamber Assembly
32	JGMC88	1/2" MPT x 1/2" OD-Male Connector

## FM1 SHOWN:



## FOAM MARKER PARTS LIST:

NO.	PART#	DESCRIPTION
1	299111	Salvaranni Air Filter
2	2504B	3-Way Solenoid Valve 0-2 GPM, 75 PSI, 12V, 1.1 AMP
3	299501.04NPT	12V Diaphragm Compressor (96W 1.27CFM, 36 PSI) NPT Port
4	8006-543-250	Diaphragm Pumps By Pass (1.4 GPM)
5	8400-406-NYB	Hose Shank Connection
6	BC4	Band Clamp - SS 1/4" - 3/4"
7	BE1438	Brass Hose Barb Elbow 1/4" MPT x 3/8" Barb
8	BSE14	Street Elbow - 1/4"
9	CFM1001	Foam Marker Compressor Pig Tail Assembly
10	CFM1003	Foam Marker Bungee Cord
11	CFM1031	Drop Boot Assembly - FM6
12	CFM1009	Drop Boot Assembly FM14 & FM25
15	CFM1013	FM Harness Assembly Complete
16	CFM1015	Y Hose Assembly
17	CFM1035	Brass Check Valve Assembly - SGH38
18	CFM1021	Brass Check Valve Assembly - EPDMSH38
19	CFM1024	6 Gallon Suction Tube Assembly
20	CFM1022	14 Gallon Suction Tube Assembly
21	CFM1023	25 Gallon Suction Tube Assembly
22	CP114444-CE	Quick Teejet Cap Yellow
23	CP18999-EPR	Quick Teejet Seat Gasket - EPDM For Disc-Core
24	CP4916-20	Teejet Flow Regulators (Stainless Steel)
25	CP4916-25	Teejet Flow Regulators (Stainless Steel)
26	CP4916-30	Teejet Flow Regulators (Stainless Steel)
27	CFM1017	Weather Housing Base And Cover
28	CTANK-FM6	6 Gallon Rectangle Tank with 2" Lid
29	CTANK-FM14	14 Gallon Tank
30	CTANK-FM25	25 Gallon Tank
	JGPT86BK	.500 OD x .375 ID Poly Tubing 100' Roll, Black
33	JGTEC88	1/2" Push Pull Stem x 1/2" OD Push Pull, Elbow
34	HBE1238	MPT Hose Barb Elbow 1/2" x 3/8"
35	HBE38	MPT x Hose Barb Elbow 3/8" x 3/8"
36	LID6	6" Female Lid with Spring Breather
37	QJ1/4TT-NYB	Quick Teejet Nozzle Body - 1/4" Pipe Con- M
38	RB3814	Reducer Bushing 3/8" x 1/4"

## GOLF COURSE SKID SPRAYER

- 150 Gallon Tank
- KZ Ball Valve
- 5HP Honda GX160 with Electric Start
- GE85 Ace Pump
- Adjustable Boom Height

PART#	TANK SIZE
FS TRUCK SKID SPRAYER 150	150



SHOWN WITH BOOM18  
\*Boom Sold Separately

FOR BOOM/BOOMLESS SYSTEM OPTIONS  
SEE PAGES 10-12

## A1 MIST SPRAYERS

### “THE TERMINATOR”

- Heavy Duty 3-Point, Compatible with Category I, II, & III
- 540 PTO Shaft
- Electric 210 Degree Right to Left Rotation
- Forklift Compatible Frame
- Up to 80’ Vertical or 140’ Horizontal Throw

Part#	Gallons	Description
3PT-HPR-60-R15	60	3-Point “Terminator”
3PT-HPR-100-R15	100	3-Point “Terminator”
TX3PT-HPR-100-R15	100	3-Point “Titan X”



### “THE RANGER”

- 40 or 60 Gallon Tank
- 11 HP Electric Start Honda Engine
- Electric 210 Degree Right to Left Rotation
- Forklift Compatible Frame
- Up to 70’ Vertical or 130’ Horizontal Throw

Part#	Gallons	Description
URX-40-R14	40	Gas Engine Driven “Ranger”
URX-60-R14	60	Gas Engine Driven “Ranger”



### “THE BOSS”

- 15, 25, or 40 Gallon Tank
- 5.5 HP Electric Start Honda Engine
- Manual 210 Degree Right to Left Rotation
- Forklift Compatible Frame
- Up to 30’ Vertical or 75’ Horizontal Throw

Part#	Gallons	Description
TRB-15	15	“Boss”
TRB-25	25	“Boss”
TRB-40	40	“Boss”



## F/S PLANTER FERTILIZER KITS

- Push-Pull Fittings
- Mounting Bracket for 7” Square Tube
- 3/8” U Bolts
- 1/4” Nylon Tubing
- Rubber Feed Hose
- Manifold
- Filter
- Orifices
- Diaphragm Check Valves
- Wilger Style Columns



12 Row Kit Shown

GIVE US A CALL TODAY,  
& our knowledgeable team will help design you a custom planter kit!

Part#	Description
CPK1000-B	Vertical Bracket for Planter Kit Flow Columns
CPK1001-WH	Horizontal Bracket for Planter Kit Flow Columns - White
PKUBOLT	U-Bolt For Planter Kit Bracket

## PLANTER KIT PUMPS / CHECK VALVES

FOR PLANTER TANK MOUNTING OPTIONS  
SEE PAGE 33



FMCS-HYD-204-SS



5517-2E1-63A



7971-111Y



QJ98595-1/4-5  
(Diaphragm Check Valve)



FMCWS-125-HYD-204



NGP-6055-F

Part#	Description
FMCS-HYD-204-SS	Ace Hydraulic Centrifugal Pump, 4 GPM Hydraulic Motor, Silicon Carbide Shaft Seal, Stainless Steel Hardware. Max Flow: 85 GPM, Max Pressure: 100 PSI.
FMCWS-125-HYD-204	Pump - Hyd Drive 1-1/4" X 1", Wet Seal
5517-2E1-63A	Remco - 5.3 GPM, Bypass, 60 PSI, 12VDC with Quick Attach Ports
7971-111Y-OEM	Delavan 7 GPM, Bypass, 100 PSI, 12VDC with Quick Attach Ports
QJ98595-1/4-5	1/4" Quick TeeJet Push-Pull Assembly with Chemsaver
QJ98594-3/8-5	3/8" Quick TeeJet Push-Pull Assembly with Chemsaver
CS-150-HYM	Wet Seal Hyd Drive Cent Pump, 4 GPM Hyd Motor with Manifold, 1-1/2" In - 1-1/4" Out
NGP-6055-F	Piston Pump - 21.0 Single Piston - Flanged

## ELECTRIC PUMP CONTROLLERS



MSC30-DD



Implement Switch

Part#	Description
MSC30-DDKIT	30 Amp Digital Speed Control
BC30-10	10' Battery Cable for MSC30
MC30-15	15' Motor Cable for MSC30
IMP SWITCH	Implement Switch

## IN-FURROW OPTIONS

- Guides seeds to the bottom of the furrow
- Enters the seed trench right behind the discs
- Shaped like the seed V
- Peels seeds off the sidewall and funnels them to the bottom
- Does not press the seed in the ground
- Easy to install
- Can be used with optional fittings and liquid fertilizer attachments



Orange Plastic Spoon (ROPS)  
with YNOT Split-It Kit

Part#	Description
ROPS	Orange Plastic Spoons (per row)
YNOT	Split-It Kit for ROPS



## EVA APPLICATOR TUBING



Part#	Inside Diameter	Roll Length
EVA38B	3/8	500
EVA38	3/8	500
EVA12	1/2	350
EVA12B	1/2	250

"B" INDICATES BLACK HOSE

## BRAIDED EVA APPLICATOR TUBING



Part#	Inside Diameter	Roll Length
BEVA38	3/8	300
BEVA12	1/2	300
BEVA34	3/4	300
BEVA100	1	200

## GRAIN VAC HOSE

**Temperature Range:** -40° to 220° (F)

**Applications:** General Ducting and Blower Applications

**Construction:** Polyurethane, Metal Wire Helix, Slightly Corrugated Exterior

**MUCH MORE FLEXIBLE THAN OTHER GRAIN VAC HOSES!**

Part#	Inside Diameter
HD-60-HMB-5IN	5
HD-60-HMB-6IN	6
HD-60-HMB-7IN	7
HD-60-HMB-8IN	8

Available in 12'-6", 25' or 50' lengths only

## GRAIN DOWNSPOUT HOSE (620 WD)

**Temperature Range:** -40° to 220° (F)

**Applications:** General Ducting and Blower Applications

**Construction:** EPDM Rubber, Metal Wire Helix, Smooth Bore, Slightly Corrugated Exterior

Part#	Inside Diameter
6204	4
6205	5
6206	6
6207	7
6208	8

## GRAIN VAC HOSE (180 BL)

**Temperature Range:** -40° to 140° (F)

**Applications:** Suction and light blowing of lightweight abrasives such as rockwool, fiberglass, sawdust, grain, insulation and cement dust

**Construction:** SBR Rubber blended with Static Carbon Black, Rigid PVC Helix, Smooth Bore, Corrugated Exterior

Part#	Inside Diameter
BL1803	3
BL1804	4
BL1805	5
BL1806	6
BL1807	7
BL1808	8

## PACKED STEELFLEX HOSE (U-130)



Part#	Inside Diameter	Length (Ft.)
SFHP4	4	15
SFHP5	5	12
SFHP515	5	15
SFHP6	6	12
SFHP615	6	15
SFHP7	7	15
SFHP725	7	25

ALSO AVAILABLE IN UNPACKED 8' (U-120)

## HEAVY DUTY SUCTION HOSE (150 PSI)



Part#	Inside Diameter
T-2022	2
T-2023	3

## PVC CLEAR VINYL TUBING (SIGHT GAUGE)



Roll: 100 Ft.

Part#	Inside Diameter	Wall Thickness
SGH38	3/8	1/16
SGH12	1/2	1/8
SGH58	5/8	1/8
SGH34	3/4	1/8
SGH100	1	1/8

## 390SD

### BEST LOADING HOSE!



Roll: 100 Ft.

**Temperature Range:** -40° to 140° (F)

**Applications:** High Pressure Suction & Discharge

**Construction:** EPDM Rubber, Polyethylene Helix, Synthetic Braiding, Smooth Bore, Corrugated Exterior

Part#	Inside Diameter	Working (PSI) @72° F
390SD114	1 1/4	100
390SD112	1 1/2	100
390SD200	2	100
390SD300	3	90

## BUMBLEBEE (300-EPDM)



Roll: 100 Ft.

ALSO AVAILABLE

Green - 2 1/2", 4" & 6"  
Yellow - 1"

**Temperature Range:** -40° to 140° (F)

**Applications:** Heavy Duty Liquid Suction Hose

**Construction:** EPDM Rubber, Polyethylene Helix, Smooth Bore, Corrugated Exterior

Part#	Inside Diameter	Working Pressure (PSI) @72° F
300S100	1	50
300S114	1 1/4	50
300S112	1 1/2	50
300S200	2	50
300S300	3	43

## PVC SUCTION & AIR SEEDER (PVC-CL)



Roll: 100 Ft.

**Temperature Range:** -13° to 140° (F)

**Applications:** Heavy Duty Water/Fertilizer Suction Hose

**Construction:** Flexible PVC, Rigid PVC Helix, Smooth Bore, Smooth Exterior

Part#	Inside Diameter	Working Pressure (PSI) @72° F
PVCS34	3/4	86
PVCS100	1	86
PVCS100B*	1	86
PVCS114	1.25	79
PVCS112	1.5	72
PVCS200	2	72
PVCS212	2.5	72
PVCS212B*	2.5	72
PVCS300	3	62
PVCS400	4	55
PVCS500	5	33
PVCS600	6	33

"B" INDICATES BLACK HOSE

## URETHANE HOSE



Roll: 100 Ft.

Part#	Inside Diameter	Roll Length
HOSE-URETHANE0125-B/C	1 1/4	100
HOSE-URETHANE0150-B/C	1 1/2	100
HOSE-URETHANE0175-B/C	1 3/4	100
HOSE-URETHANE0200-B/C	2	100
HOSE-URETHANE0250-B/C	2 1/2	100
HOSE-URETHANE0300-R/C	3	100

## AG SPRAY HOSE



Roll: 300 Ft. (Available in 400 Ft. Rolls)

PSI: 600

Part#	Inside Diameter
60038	3/8
60012	1/2

## EPDM SPRAY HOSE



Roll: 100 Ft.

PSI: 150 & 200

Part#	Inside Diameter
<b>PSI:150</b>	
EPDMSH38	3/8
<b>PSI:200</b>	
EPDMSH14	1/4
EPDMSH12	1/2
EPDMSH58	5/8
EPDMSH34	3/4
EPDMSH100	1
EPDMSH114	1 1/4
EPDMSH112	1 1/2
EPDMSH200	2

## LAY FLAT DISCHARGE HOSE (SF10E)



Roll: 300 Ft.

Part#	Inside Diameter
PVCF112	1 1/2
PVCF200	2
PVCF212	2 1/2
PVCF300	3

## HOSE CUTTERS



Part#	Description
CUTTERS M	Small Hose Cutter-Up to 1-1/8
CUTTER L G	Large Hose Cutter-Up to 1-7/8

## CABLE TIES



Part#	Description
CABLETIE-.142X8.9	
CABLETIE-.14X11	Bag of 100
CABLETIE-.18X14.50	
CABLETIE-.35X32	Bag of 25

## THREAD SEALANT



Part#	Description
Teflon Tape	1/2" x 260"
Rector TruBlu	8 oz
Rectorseal No. 21	8 oz

## BAND CLAMPS



Part#	Min	Max
BC4	1/4	5/8
BC5	5/16	7/8
BC6	3/8	7/8
BC10	9/16	1 1/16
BC12	1/2	1 1/4
BC16	11/16	1 1/2
BC24	1	2
BC28	1 1/4	2 1/4
BC32	1 9/16	2 1/2
BC48	2 1/2	3 1/2
BC72	3	5



## T-BOLT CLAMPS

Part#	Min	Max
TBC131	1.19	1.45
TBC150	1.36	1.50
TBC175	1.62	1.87
TBC200	1.87	2.12
TBC225	2.06	2.37
TBC238	2.19	2.50
TBC250	2.31	2.62
TBC300	2.78	3.09
TBC350	3.28	3.59
TBC375	3.53	3.84
TBC475	4.53	4.81



## BANJO T-BOLT CLAMPS

Part#	Min	Max
TC120	1.20	1.34
TC162	1.62	1.87
TC181	1.81	2.06
TC193	1.93	2.18
TC218	2.18	2.50
TC231	2.31	2.62
TC250	2.50	2.81
TC287	2.87	3.18
TC331	3.31	3.62
TC343	3.43	3.75
TC425	4.25	4.56



## PRESSURE SEAL CLAMPS

- 300 Stainless Steel Construction
- Spring compression of liner creates 360° pressure on hose

Part#	Min	Max
K36003-0016	1	1.5
K36003-0020	1.22	1.75
K36003-0024	1.38	2
K38215-0238	1.62	2.12
K38215-0288	2.12	2.62
K38215-0400	3.12	3.79

## PUSH-PULL FITTINGS

- No Tools Needed, Easy to Install
- NSF Listed, FDA Approved Materials
- Fit Tubes from 5/32" to 1/2" OD
- Temp/Air -14 to 167F
- Liquid Temp 33F to 140F

### How to make a connection

Cut the tube square



Cut the tube square and remove burrs and sharp edges. Ensure the outside diameter is free of score marks. For soft or thin walled tube we recommend the use of a tube insert.

Push up to tube stop



Push the tube into the fitting, to the tube stop.

Pull to check secure



Pull on the tube to check it is secure. Test the system before use.

### To disconnect

Push in collet and remove tube



To disconnect, ensure the system is depressurized, push the collet square against the fitting. With the collet held in this position the tube can be removed.

## UNION CONNECTORS



Part#	OD 1	OD 2
JGUC33	3/16	3/16
JGUC44	1/4	1/4
JGUC55	5/16	5/16
JGUC66	3/8	3/8
JGUC88	1/2	1/2
JGRUC54	5/16	1/4
JGRUC63	3/8	3/16
JGRUC64	3/8	1/4
JGRUC65	3/8	5/16
JGRUC86	1/2	3/8

## MALE ELBOWS



Part#	MPT	OD
JGME24	1/8	1/4
JGME44	1/4	1/4
JGME64	3/8	1/4
JGME46	1/4	3/8
JGME66	3/8	3/8

## FEMALE CONNECTORS



Part#	FPT	OD
JGFC44	1/4	1/4
JGFC46	1/4	3/8

## POLYPROPYLENE TUBING



Part#	OD	ID
<b>100 FT. ROLLS</b>		
JGPT43	.250	.170
JGPT64	.375	.250
JGPT86	.500	.375
<b>500 FT. ROLLS</b>		
JGPT43500RB	.250	.170
JGPT43500R	.250	.170
JGPT64500RB	.375	.250

"B" INDICATES BLACK HOSE

## MALE CONNECTORS



Part#	MPT	OD
JGMC23	1/8	3/16
JGMC24	1/8	1/4
JGMC44	1/4	1/4
JGMC64	3/8	1/4
JGMC46	1/4	3/8
JGMC66	3/8	3/8
JGMC86	1/2	3/8
JGMC68	3/8	1/2
JGMC88	1/2	1/2

## UNION TEE CONNECTORS



Part#	OD	ID
JGUTC444	1/4	1/4
JGUTC666	3/8	3/8
JGUTC888	1/2	1/2
JGUTC466	3/8	1/4

## STEM ELBOW CONNECTORS



Part#	STEM	OD
JGTEC44	1/4	1/4
JGTEC64	3/8	1/4
JGTEC66	3/8	3/8
JGTEC88	1/2	1/2

## CROSS CONNECTORS



Part#	OD
JGCR6	3/8

## PUSH PULL CHECK VALVES



Part#	OD
CV-1103-P14	1/4
CV-1103-P38	3/8

# FITTINGS

## MPT X HOSE BARB ELBOW



Part#	MPT	Barb
HBE1814	1/8	1/4
HBE1838	1/8	3/8
	BHBE14	1/4 1/4
HBE1438	BHBE1438	1/4 3/8
HBE1412	BHBE1412	1/4 1/2
HBE38	BHBE38	3/8 3/8
HBE3814		3/8 1/4
HBE3812		3/8 1/2
HBE3858		3/8 5/8
HBE1214		1/2 1/4
HBE1238	BHBE1238	1/2 3/8
HBE12	BHBE12	1/2 1/2
HBE1258		1/2 5/8
	BHBE1234	1/2 3/4
HBE12100		1/2 1
HBE3438		3/4 3/8
	BHBE3412	3/4 1/2
HBE3458		3/4 5/8
	BHBE34	3/4 3/4
	BHBE34100	3/4 1
HBE10012		1 1/2
	BHBE10034	1 3/4
	BHBE100	
HBE11434		1 1/4 3/4
	BHBE114100	1 1/4 1
	BHBE114	1 1/4 1 1/4
	BHBE114112	1 1/4 1 1/2
	BHBE112114	1 1/2 1 1/4
	BHBE112	1 1/2 1 1/2
	BHBE200	2 2
	BHBE200112	2 1 1/2
	BHBE300	3 3

## HOSE BARB TEE



Part#	MPT	Barb
HBT143838	1/4	3/8
HBT123838	1/2	3/8
HBT12	1/2	1/2
HBT58	5/8	5/8
	BHBT34	3/4 3/4
	BHBT100	1 1
HBT114	1 1/4	1 1/4
HBT112	1 1/2	1 1/2
	BHBT200	2 2
	BHBT300	3 3

## MPT X HOSE BARB



Part#	MPT	Barb
HB1814	1/8	1/4
HB1838	1/8	3/8
	BHB14	1/4 1/4
	BHB1438	1/4 3/8
	BHB1412	1/4 1/2
HB38	BHB38	3/8 3/8
HB3814		3/8 1/4
HB3812	BHB3812	3/8 1/2
HB3858		3/8 5/8
	BHB1214	1/2 1/4
HB1238	BHB1238	1/2 3/8
HB12	BHB12	1/2 1/2
HB1258		1/2 5/8
	BHB1234	1/2 3/4
HB12100		1/2 1
HB3414		3/4 1/4
HB3438	BHB3438	3/4 3/8
	BHB3412	3/4 1/2
	BHB3458	3/4 5/8
	BHB34	3/4 3/4
	BHB34100	3/4 1
	BHB10034	1 3/4
	BHB100	1 1
	BHB100114	1 1 1/4
	BHB11434	1 1/4 3/4
	BHB114100	1 1/4 1
	BHB114	1 1/4 1 1/4
	BHB114112	1 1/4 1 1/2
	BHB112100	1 1/2 1
	BHB112114	1 1/2 1 1/4
	BHB112	1 1/2 1 1/2
	BHB112200	1 1/2 2
	BHB200112	2 1 1/2
	BHB200	2 2
	BHB300	3 3

## MPT X HOSE BARB TEE



Part#	MPT	Barb
MPT1438	1/4	3/8
MPT1412	1/4	1/2
MPT38	3/8	3/8
MPT3812	3/8	1/2
MPT1238	1/2	3/8
MPT12	1/2	1/2
MPT34	3/4	3/4

## CLOSE NIPPLE



Part#	MPT	Length
CN18		1/8 CLOSE
	BCN14	1/4 CLOSE
	BCN38	3/8 CLOSE
CN12	BCN12	1/2 CLOSE
	BCN123	1/2 3
CN34	BCN34	3/4 CLOSE
	BCN344	3/4 4
	BCN346	3/4 6
	BCN100	1 CLOSE
	BCN1004	1 4
	BCN1006	1 6
CN114	BCN114	1 1/4 CLOSE
	BCN1144	1 1/4 4
	BCN1146	1 1/4 6
	BCN112	1 1/2 CLOSE
	BCN1124	1 1/2 4
	BCN1126	1 1/2 6
	BCN200	2 CLOSE
	BCN2004	2 4
	BCN2006	2 6
	BCN300	3 CLOSE
	BCN3004	3 4
	BCN3006	3 6

## REDUCER NIPPLE



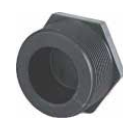
Part#	MPT 1	MPT 2
RPN1418	1/4	1/8
RPN3818	3/8	1/8
RPN3814	BRB3814	3/8 1/4
RPN1214	BRB1214	1/2 1/4
RPN1238	BRPN1238	1/2 3/8
RPN3438		3/4 3/8
	BRPN3412	3/4 1/2
	BRPN10034	1 3/4
	BRPN114100	1 1/4 1
	BRPN112100	1 1/2 1
	BRPN112114	1 1/2 1 1/4
	BRPN200114	2 1 1/4
	BRPN200112	2 1 1/2
	BRPN300200	3 2
	BRB300200	3 2

## REDUCER BUSHING



Part#	MPT	FPT
RB1418	1/4	1/8
RB3818	3/8	1/8
RB3814	BRB3814	3/8 1/4
	BRB1214	1/2 1/4
RB1238	BRB1238	1/2 3/8
	BRB3414	3/4 1/4
RB3412	BRB3412	3/4 1/2
	BRB10012	1 1/2
	BRB10034	1 3/4
	BRB11434	1 1/4 3/4
	BRB114100	1 1/4 1
	BRB11234	1 1/2 3/4
	BRB112100	1 1/2 1
	BRB112114	1 1/2 1 1/4
	BRB20034	2 3/4
	BRB200100	2 1
	BRB200114	2 1 1/4
	BRB200112	2 1 1/2
	BRB300200	3 2
	BRB400300	4 3

## PIPE PLUG



Part#	MPT
PP18	1/8
PP14	1/4
PP38	3/8
PP12	1/2
PP34	3/4
	BPP100 1
RB3412	BPP114 1 1/4
	BPP112 1 1/2
	BPP200 2
	BPP300 3

## PIPE CAP



Part#	FPT
BCAP12	1/2
BCAP34	3/4
BCAP100	1
BCAP114	1 1/4
BCAP112	1 1/2
BCAP200	2
BCAP300	3

## BULKHEAD FITTING



Part#	Description
BHF12	1/2" Polypropylene
BHF34	3/4" Polypropylene
BHF100	1" Polypropylene
BHF114	1 1/4" Polypropylene
BHF112	1 1/2" Polypropylene
BHF200	2" Polypropylene
BHF300	3" Polypropylene
MBF200BD	2" Flange X 2" EPDM Female Thread Bottom Drain
MBF220BD	2" Full Port Flange X 2" EPDM Female Thread Bottom Drain
MBF300BD	3" Flange X 3" EPDM Female Thread Bottom Drain
MTF300	3" Manifold Poly Bulkhead EPDM Fitting



# FITTINGS

## HOSE MENDER



Part#	Barb 1	Barb 2
<b>SCHEDULE 40</b>	<b>SCHEDULE 80</b>	
HM3814	BHM14	1/4 1/4
		3/8 1/4
	BHM38	3/8 3/8
HM1238	BHM12	1/2 3/8
		1/2 1/2
HM1258		1/2 5/8
HM58		5/8 5/8
	BHM34	3/4 3/4
	BHM100	1 1
	BHM114	1 1/4 1 1/4
	BHM112	1 1/2 1 1/2
	BHM200	2 2
	BHM300	3 3

## HOSE MENDER ELBOW



Part#	Barb 1	Barb 2
<b>SCHEDULE 40</b>		
HME14	1/4	1/4
HME38	3/8	3/8
HME1214	1/2	1/4
HME1238	1/2	3/8
HME12	1/2	1/2
HME58	5/8	5/8
HME34	3/4	3/4
HME100	1	1
HME114	1 1/4	1 1/4
HME112	1 1/2	1 1/2
HME200	2	2

## FPT X HOSE BARB



Part#	FPT	Barb
<b>SCHEDULE 40</b>	<b>SCHEDULE 80</b>	
FHB14		1/4 1/4
FHB1438		1/4 3/8
FHB12		1/2 1/2
FHB34	BFHB34	3/4 3/4
FHB1214		1/2 1/4
FHB1412		1/4 1/2
FHB1238		1/2 1/4
	BFHB100	1 1
FHB200		2 2

## FPT X HOSE BARB ELBOW



Part#	FPT	Barb
<b>SCHEDULE 40</b>		
FHBE12	1/2	1/2
FHBE14	1/4	1/4
FHBE38	3/8	3/8
FHBE3812	3/8	1/2
FHBE3412	3/4	1/2
FHBE3458	3/4	5/8
FHBE34	3/4	3/4

## PIPE COUPLING



Part#	FPT	
<b>SCHEDULE 40</b>	<b>SCHEDULE 80</b>	
PCP18	1/8	
	BPCP14	1/4
	BPCP38	3/8
	BPCP12	1/2
	BPCP34	3/4
	BPCP100	1
	BPCP114	1 1/4
	BPCP112	1 1/2
	BPCP200	2
	BPCP300	3

## STREET ELBOW



Some Sizes Also Available in 45°

Part#	MPT/FPT
<b>SCHEDULE 80</b>	
BSE14	1/4
BSE38	3/8
BSE12	1/2
BSE34	3/4
BSE100	1
BSE114	1 1/4
BSE112	1 1/2
BSE200	2
BSE300	3

## PIPE ELBOW



Some Sizes Also Available in 45°

Part#	FPT
<b>SCHEDULE 80</b>	
BPE14	1/4
BPE38	3/8
BPE12	1/2
BPE34	3/4
BPE100	1
BPE114	1 1/4
BPE112	1 1/2
BPE200	2
BPE300	3

## REDUCER PIPE COUPLING



Part#	FPT 1	FPT 2
<b>SCHEDULE 40</b>	<b>SCHEDULE 80</b>	
RPC3814		3/8 1/4
RPC1238		1/2 3/8
RPC3412		3/4 1/2
	BRPC10034	1 3/4
	BRPC112100	1 1/2 1
	BRPC112114	1 1/2 1 1/4
	BRPC200100	2 1
	BRPC200114	2 1 1/4
	BRPC200112	2 1 1/2
	BRPC300200	2 2

## PIPE TEE



Part#	FPT
<b>SCHEDULE 80</b>	
BPT14	1/4
BPT38	3/8
BPT12	1/2
BPT34	3/4
BPT100	1
BPT114	1 1/4
BPT112	1 1/2
BPT200	2
BPT300	3

## FEMALE CROSS



Part#	FPT
<b>SCHEDULE 80</b>	
BCR34	3/4
BCR100	1
BCR114	1 1/4
BCR112	1 1/2
BCR200	2

## GARDEN HOSE X HOSE BARB



Part#	MGHT	Barb
<b>SCHEDULE 40</b>		
GH3438	3/4	3/8
GH3412	3/4	1/2
GH34	3/4	3/4
GHW (WASHER)		

## AGITATOR



Part#	FPT
<b>SCHEDULE 40</b>	
T10-VH-PP	Agitator

## GAUGE TEE



(Gauge Not Included)

Part#	FPT	Port
<b>SCHEDULE 40</b>	<b>SCHEDULE 80</b>	
GT1214		1/2 1/4
GT3418		3/4 1/8
GT3414	BGT3414	1 1/4
GT10014		1/2

## PRESSURE GAUGES



GG100 Shown

All Listed Gauges Have 1/4" MPT Connector

Part#	Description
SG60	2 1/2" Gauge
SG100	2 1/2" Gauge
SG604	4" Gauge
SG1004	4" Gauge
GG60	2 1/2" Gauge
GG100	2 1/2" Gauge
GG1604	4" Gauge
GG1004	4" Gauge
ASG60	2 1/2" NH3 Gauge
ASG160	2 1/2" NH3 Gauge
ASG400	2 1/2" NH3 Gauge
ASG604	4" NH3 Gauge
ASG1604	4" NH3 Gauge
ASG4004	4" NH3 Gauge
ABS60C	2 1/2" Back Mount
ABS100C	2 1/2" Back Mount

## BANJO GARDEN HOSE FITTINGS

- Quick and Simple Garden Hose Connection
- Easily Connects Hose to Spigot, Sprinkler, Nozzle or Other Hose End Accessories
- Durable, Rustproof Fiberglass Reinforced Polypropylene
- Eliminates the need for Pliers
- Standard 3/4" Diameter



Part#	Description
<b>SCHEDULE 80</b>	
GHFT075A	3/4 Adapter x 3/4 Female Thread
GHMT075B	3/4 Coupler x 3/4 Male Thread
GHFT075D	3/4 Coupler x 3/4 Female Thread
GHMT075F	3/4 Adapter x 3/4 Male Thread
GHFT075MPT	3/4 Male MPT x 3/4 Female Thread
GHMT075FPT	3/4 Female MPT x 3/4 Male Thread

## CAM LEVER COUPLINGS

- Stainless steel rings, arms & pins.
- Versatile - interchangeable with all types of cam lever couplers.
- Precision molded -insures a uniform and accurate fit.
- Durable - Polypropylene is glass filled for strength and durability.
- Smooth operating- finger rings for easy opening of cam levers.
- Operating conditions:  
- 3/8" thru 2" - 100 P.S.I. at 0°F; 125 P.S.I. at 70°F; 70 P.S.I. at 150°F  
- 2 1/2", 3" & 4" Cap-50 P.S.I.; Couplings 75 P.S.I. max.
- Economical & superior in performance.
- Standard Fittings have EPDM gaskets. Buna "N", & FKM (viton type)

### \*LOCKING CAMLOCKS

Part# Size

#### A

075A1/2	1/2
075A3/4	3/4
100A	1
125A	1 1/4
150A	1 1/2
200A	2
300A	3

#### A-90

150A90	1 1/2
200A90	2

#### B

075B1/2	1/2
075B3/4	3/4
100B	1

#### SAF100B 1

125B	1 1/4
150B	1 1/2
200B90	2

#### SAF200B 2

201B	2
300B	3

#### SAF300B 3

#### C

050C	1/2
075C	3/4
100C	1

#### SAF100C 1

125C	1 1/4
150C	1 1/2
200C	2

#### SAF200C 2

300C	3
------	---

#### SAF300C 3

#### C-90

150C90	1 1/2
200C90	2
200CSWP90	2

#### SAFETY BUMP PLUGS

200PLH	2
300PLH	3



Part# Size

#### D

050D	1/2
075D	3/4
100D	1

#### SAF100D 1

125D	1 1/4
150D	1 1/2
200D	2

#### SAF200D 2

300D	3
------	---

#### SAF300D 3

#### D-90

150D90	1 1/2
200D90	2

#### E

050E	1/2
075E	3/4
100E	1
125E	1 1/4
150E	1 1/2
200E	2
300E	3

#### F

050F	1/2
075F	3/4
100F	1
125F	1 1/4
150F	1 1/2
200F	2
300F	3

#### F-90

150F90	1 1/2
200F90	2

#### PLUGS

075PLUG	3/4
100125PLUG	1
150PLUG	1 1/2
200PLUG	2
300PLUG	3

#### CAPS

075CAP	3/4
SAF100CAP	1
100125CAP	1
150CAP	1 1/2
200CAP	2
SAF200CAP	2
300CAP	3
SAF300CAP	3

## 3-ARM / ADAPTER CAM LEVER COUPLINGS FITTINGS



Part# Description

### 2-ARM CAM LEVER FITTINGS

M220D 2" Female Coupler - 2" Full-Port Flange

Part# Description

### 3-ARM CAM LEVER FITTINGS

303B 3" Female Coupler - 3" Extended Male Thread

303C 3" Female Coupler - 3" Hose Barb

M303D 3" Female Coupler - 3" Full-Port Flange

Part# Description

### ADAPTER FITTINGS

303B200A 3" Female Coupler - 2" Male Adapter (3 Lever)

200FF 2" Male Adapter - 2" Male Adapter

300F200F 3" Male Adapter - 2" Male Adapter

300FF 3" Male Adapter - 3" Male Adapter

300B200A 3" Female Coupler - 2" Male Adapter (2 Lever)

## MANIFOLD SWEEPS



Part # Description

### 2"

M220SWP90	2" Flange x Flange Sweep
M220ASWP90	2" Full Port Flange x Male Adapter Sweep
M220MPTSWP90	2" Full Port Flange x Male NPT Thread Sweep
200FSWP90	2" Male Adapter X 2" Male NPT Sweep Elbow

Part # Description

### 3"

M300SWP90	3" Flange x Flange Sweep
M300ASWP90	3" Flange x Male Adapter Sweep
M300SWPG90	3" Flange x Flange Sweep with 1/4" Gauge Port
300FSWP90	3" Male Adapter X 3" Male NPT Sweep Elbow

## CAM LEVER GASKETS



Part# Description

075G	3/4" EPDM Gasket
100G	1" EPDM Gasket
150G	200 Series SP EPDM Gasket
200G	220 Series FP EPDM Gasket
300G	300 Series EPDM Gasket
150GXT	1 1/2" Extra Thick EPDM Gasket
200GXT	2" Extra Thick EPDM Gasket
300GXT	3" Extra Thick EPDM Gasket

## MANIFOLD FITTINGS

- 1" & 2" fittings pressure-150 PSI(70°F)
- 3" fittings pressure-125 PSI(70°F)
- Positive seals
- Quick and easy assembly
- Easy On/Off hose connections
- 360° Orientation

## FLANGED COUPLINGS



Part#	Description
M100CPG	1" x 1" Flange
M200CPG	2" x 2" SP Flange
M220CPG	2" x 2" FP Flange
M300CPG	3" x 3" FP Flange

## 90° FLANGED COUPLINGS



Part#	Description
M100CPG90	1" x 1" Flange 90°
M200CPG90	2" x 2" SP Flange 90°
M200CPG90SH	2" x 2" FP Flange 90° Short
M220CPG90	2" x 2" FP Flange 90°
M300CPG90	3" x 3" Flange 90°

## 45° FLANGED COUPLINGS



Part#	Description
M100CPG45	1" Flange x 45°
M220CPG45	2" FP Flange x 45°
M300CPG45	3" Flange x 45°

## FLANGED REDUCER COUPLINGS



Part#	Description
M200100CPG	2" SP x 1" Reducer Flange
M220100CPG	2" FP x 1" Reducer Flange
M220200CPG	2" FP x 2" SP Reducer Flange
M300200CPG	3" x 2" SP Reducer Flange
M300220CPG	3" x 2" FP Reducer Flange

## FLANGE X FEMALE NPT



Part#	Description
M100050FPT	1" Flange x 1/2" Pipe Thread
M100075FPT	1" Flange x 3/4" Pipe Thread
M100FPT	1" Flange x 1" Pipe Thread
M200FPT	2" SP Flange x 2" Pipe Thread
M220FPT	2" FP Flange x 2" Pipe Thread
M300FPT	3" Flange x 3" Pipe Thread

## FLANGE X MALE NPT



Part#	Description
M100075MPT	1" Flange x 3/4" Male Thread
M100MPT	1" Flange x 1" Male Thread
M100125MPT	1" Flange x 1 1/4" Male Thread
M200125MPT	2" SP Flange x 1 1/4" Male Thread
M200150MPT	2" SP Flange x 1 1/2" Male Thread
M200MPT	2" SP Flange x 2" Male Thread
M220MPT	2" FP Flange x 2" Male Thread
M300MPT	3" Flange x 3" Male Thread

## STAINLESS STEEL FLANGE X MALE NPT



Part#	Description
M220150MPTSS	2" FP Flange x 1-1/2" Male Thread 316 SS
M220MPTSS	2" FP Flange x 2" Male Thread 316 SS
M300220MPTSS	3" Flange x 2" FP Male Thread 316 SS

## FLANGED X HOSE BARB TEE



Part#	Description
M100100HBT	1" Flange x 1" Hose Barb Tee
M100125HBT	1" Flange x 1 1/4" Hose Barb Tee
M220200HBT	2" Full Port Flange x 2" Hose Barb Tee
M300300HBT	3" Flange x 3" Hose Barb Tee

## FLANGED TEE



Part#	Description
M100TEE	1" Flanged Tee
M101TEE	1" Flanged Tee – Long
M200100TEE	2" SP x 1" Flanged Tee
M200TEE	2" SP Flanged Tee
M220100TEE	2" FP Flanged Tee x 1" Flanged Tee
M220TEE	2" FP Flanged Tee
M300TEE	3" Flanged Tee

## FLANGE X HOSE BARB



Part#	Description
M100075BRB	1" Flange x 3/4" Hose Barb
M100BRB	1" Flange x 1" Hose Barb
M100125BRB	1" Flange x 1 1/4" Hose Barb
M200100BRB	2" Flange x 1" Hose Barb
M200125BRB	2" Flange x 1 1/4" Hose Barb
M200150BRB	2" Flange x 1 1/2" Hose Barb
M200BRB	2" Flange x 2" Hose Barb
M220150BRB	2" FP Flange x 1 1/2" Hose Barb
M220BRB	2 FP Flange x 2" Hose Barb
M300220BRB	3" Flange x 2" Hose Barb
M300BRB	3" Flange x 3" Hose Barb

## FLANGE X 90° HOSE BARB ELBOW



Part#	Description
M100075BRB90	1" Flange x 3/4" 90° Barb
M100BRB90	1" Flange x 1" 90° Barb
M100125BRB90	1" Flange x 1 1/4" 90° Barb
M200100BRB90	2" SP Flange x 1" 90° Barb
M200125BRB90	2" SP Flange x 1 1/4" 90° Barb
M200150BRB90	2" SP Flange x 1 1/2" 90° Barb
M200BRB90	2" SP Flange x 2" 90° Barb
M220150BRB90	2" FP Flange x 1 1/2" 90° Barb
M220BRB90	2" FP Flange x 2" 90° Barb
M300220BRB90	3" Flange x 2" 90° Barb
M300BRB90	3" Flange x 3" 90° Barb

## FLANGE X MALE ADAPTER



Part#	Description
M100A	1" Flange x 1" Male Adapter
M200A	2" Flange x 2" Male Adapter
M220A	2" FP Flange x 2" Male Adapter
M300A	3" FP Flange x 3" Male Adapter

## FLANGED CROSS



Part#	Description
M100CR	1" Flanged Cross
M200CR	2" SP Flanged Cross
M220CR	2" FP Flanged Cross
M300CR	3" Flanged Cross

## FLANGE X 45° Y FLANGE



Part#	Description
M220Y45	2" FP X 2" FP X 2" FP Y Flange 45°
M220YG45	2" FP X 2" FP X 2" FP Y Flange 45° (3/4" Gauge Port)
M300Y45	3" X 3" X 3" Y Flange 45°
M300YG45	3" X 3" X 3" Y Flange 45° (3/4" Gauge Port)

## FLANGE X 45° HOSE BARB ELBOW



Part#	Description
M100BRB45	1" Flange x 1" 45° Hose Barb Elbow
M200BRB45	2" Flange x 2" 45° Hose Barb Elbow
M220BRB45	2" Full Port Flange x 2" 45° Hose Barb Elbow
M300BRB45	3" Flange x 3" 45° Hose Barb Elbow

## MANIFOLD FITTINGS / ACCESSORIES



Part#	Description
M100PLG	1" Flange Plug
M200PLG	2" SP Flange Plug
M220PLG	2" FP Flange Plug
M300PLG	3" Flange Plug
M100PLG025	1" Flange Plug with 1/4" FPT
M200PLG025	2" SP Flange Plug with 1/4" FPT
M200PLG038	2" SP Flange Plug with 3/8" FPT
M200PLG050	2" SP Flange Plug with 1/2" FPT
M200PLG075	2" SP Flange Plug with 3/4" FPT
M200PLG100	2" SP Flange Plug with 1" FPT
M220PLG075	2" FP Flange Plug with 3/4" FPT
M300PLG075	3" SP Flange Plug with 3/4" FPT
M300PLG100	3" SP Flange Plug with 1" FPT

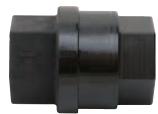


Part#	Description
M101G	100 Series EPDM Manifold Gasket with Rib
M201G	2" EPDM Manifold Gasket with Rib
M221G	2" Full Port EPDM Manifold Gasket with Rib
M301G	300 Series EPDM Manifold Gasket with Rib
FG100	1" Flange EPDM Gasket
FG200	1-1/2" Flange Gasket
FG220	2" Flange Gasket
FG300	3" Flange Gasket



Part#	Description
FC100	100 Series Worm Screw Clamp
FC200	200 Series SP Worm Screw Clamp
FC220	220 Series FP Worm Screw Clamp
FC300	300 Series Worm Screw Clamp
FC220B	2" Full Port Bolted Flange Clamp
FC300B	3" Bolted Flange Clamp
FC220TB	2" Full Port Hi-Torque T-Bolt Flange Clamp
FC300TB	3" Full Port Hi-Torque T-Bolt Flange Clamp

## THREADED CHECK VALVES



Part#	Description
BCV100MT	1" Male x Female NPT
BCV100	1" Check Valve
BCV221	2" True Full Port Female NPT Check Valve
BCV301	3" Full Port Check Valve

## FLANGED CHECK VALVES



Part#	Description
MCV100	1" Flanged Poly Check Valve
MCV200	2" Flanged Poly Check Valve
MCV221	2" FP Flanged Poly Check Valve
MCV301	3" FP Flanged Poly Check Valve

## BALL VALVES



Part#	Size	Port
V050	1/2"	1/2"
V075	3/4"	3/4"
V100	1"	3/4"
V100FP	1"	1"
V125	1 1/4"	1"
V125FP	1 1/4"	1 1/4"
V150FP	1 1/2"	1 1/2"
V200	2"	1 1/2"
V204FP4	2"	2"
V200FP	2"	2"
V300	3"	2 1/2"
V300FP	3"	3"

## VALVE MOUNT BRACKET



Part#	Description
V25270	Valve Mounting Bracket For V125FP, V150, V200, V200FP, V300, & V300FP
V25271	90 Degree Valve Mounting Bracket, Fits V125FP, V150, V200, V200FP, V300, & V300FP
V25272	Valve Lift Handle - Bolted Valves, 316 SS (Fits most 2" & 3" valves)

## MANIFOLD BALL VALVES



Part#	Description	Max PSI	Pipe Size	Port
MV100CF	1x1 Flange Ball Valve	150	1"	1"
MSUV100FP	1x1 Single Union FP Ball Valve	100	1"	1"
MV200CF	2x2 Flange Ball Valve	150	2"	1 1/2"
MV220CF	2x2 FP Flange Ball Valve	150	2"	2"
MV300	3x3 SP Ball Valve	100	3"	2 1/2"
MV300CF	3x3 FP Ball Valve	100	3"	3"

## STUBBY ADAPTER BALL VALVES



Part#	Size	Port
VSMT200	2" FPT x 2" MPT	1 1/2"
VSFMT200	2" MPT x 2" Male Adapter	1 1/2"
VS204FP	2" Female NPT x 2" Female NPT	2"
VSFMT204FP	2" Male Adapter x 2" Male NPT	2"
VSFMT300FP	3" FP Male NPT x 3" Male Adapter	3"

## STUBBY VALVES



Part#	Size
VSHBD204FP	2" Hose Barb X 2" Female Coupler - Full Port Valve
VSHBD300FP	3" Hose Barb X 3" Female Coupler - Full Port Valve

## STUBBY MANIFOLD VALVES

- Stainless steel bolts
- Glass filled polypropylene
- Multiple design options
- Unique patented compact design
- Lightweight



Part#	Description	Max PSI	Pipe Size	Port
MVS220FP	2" FP Flange x 2" Female NPT	100	2"	2"
MVSF220FP	2" FP Flange x 2" Male Adapt	100	2"	2"
MVSMT220FP	2" FP Flange x 2" Male NPT	100	2"	2"
MVS220CF	2" FP Flange x 2" FP Flange	100	2"	2"
MVSF300	3" Flange x 3" Male Adapter	100	3"	2 1/2"
MVSF300FP	3" Flange x 3" Male Adapter	100	3"	3"
MVSMT300	3" Flange x 3" Male NPT	100	3"	2 1/2"
MVS300CFFP	3" Flange x 3" Flange	100	3"	3"
MVSHB220FP	2" FP Flange X 2" Hose Barb Stubby Valve	100	2"	2"
MVSHB300FP	3" FP Flange X 3" Hose Barb Valve	100	3"	3"

## MAX OPERATING PRESSURE

- 100 PSI @ 70°F
- 75 PSI @ 150°F

## POLY VALVES WITH SS

- Stainless steel ball, handle and stem
- **Locking Handle**
- 100 PSI
- PTFE ball seats
- Glass-filled polypropylene
- FKM (viton type) body seals
- Stainless steel bolts
- Easy to see handle position

**RECOMMENDED FOR FERTILIZER STORAGE**



Part#	Size	Port
MVS300HSFP	3" FP Flange x 3" FP Flange with SS Ball, Stem and Handle	3"
MVSF300HSFP	3" FP Flange x 3" Male Adapter with SS Ball, Stem and Handle	3"
VSFMT204HSFP	2" FP Male NPT x 2" Male Adapter with SS Ball, Stem and Handle	2"
MVS220HSFP	2" FP Flange x 2" FP Flange with SS Ball, Stem and Handle	2"
MVSF220HSFP	2" FP Flange x 2" Male Adapter with SS Ball, Stem and Handle	2"
VSFMT300HSFP	3" FP Male NPT x 3" Male Adapter with SS Ball, Stem and Handle	3"
MVS300HSFP	3" FP Flange x 3" FP Flange with SS Ball, Stem and Handle	3"
MVSF300HSFP	3" FP Flange x 3" Male Adapter with SS Ball, Stem and Handle	3"
MVSMT300HSFP	3" FP Male NPT x 3" Male Flange with SS Ball, Stem and Handle	3"

## 3-WAY MANIFOLD VALVES

- Stainless steel bolts.
- Precision molded in polypropylene - reinforced with fiberglass for added strength
- Self-aligning ball moves freely against the PTFE seats for smooth operation
- The valve opens and closes with very little pressure on the handle
- Ball is diamond turned after molding to make it spherically perfect, which provides precise contact between ball and seats
- PTFE self-lubricating stem bushings and seats cannot stick or bind
- FKM (viton type) seals



Part#	Description	Max PSI	Pipe Size	Port
MV100SL	1" Flanges	100	1"	1"
MV200SL	2" STD Port Flanges	100	2"	1 1/2"
MV220SL	2" Full Port Flanges	100	2"	2"
MV100BL	1" Flanges	100	1"	1"
MV200BL	2" STD Port Flanges	100	2"	1 1/2"
MV220BL	2" Full Port Flanges	100	2"	2"

## 3-WAY THREADED VALVES



**BOTTOM LOAD**

Part#	Size	Port
V075BL	3/4"	1"
V100BL	1"	1"
V125BL	1 1/4"	1 1/2"
V150BL	1 1/2"	1 1/2"
V200BL	2"	2"



**SIDE LOAD**

## 3-WAY THREADED VALVES

Part#	Size	Port
V075SL	3/4"	1"
V100SL	1"	1"
V125SL	1 1/4"	1 1/2"
V150SL	1 1/2"	1 1/2"
V200SL	2"	2"

## ANGLE HOSE END VALVES



Part#	Size	Port
VA150	1 1/2"	1 1/2"
VA200	2"	1 1/2"
VA200FP	2"	2"

## DRY-DISCONNECT VALVES



Part#	Size
DM150A	1 1/2" Male Dry-Mate
DM150D	1 1/2" Female Dry-Mate
DM200A	2" Male Dry-Mate
DM200D	2" Female Dry-Mate

## MICRO VALVES

- Precision molded polypropylene
- Reinforced with fiberglass for additional strength
- 90° Rotating Handle
- Standard FKM (viton type) seats and O-rings
- Maximum operating pressure 150 PSI

## ELECTRIC VALVES ALSO AVAILABLE

SEE PAGE 96



Part#	Size	Max PSI	Port
LV025V	1/4" Female NPT Micro Valve	150	3/8"
LV038V	3/8" Female NPT Micro Valve	150	3/8"
LV050V	1/2" Female NPT Micro Valve	150	15/32"
LV025MTV	1/4" Female x Male NPT	150	3/8"
LV038MTV	3/8" Female x Male NPT	150	3/8"
LV038050MTV	3/8" Female x 1/2" Male NPT	150	3/8"
LV050MTV	1/2" Female x Male NPT	150	15/32"
LV050100MTV	1/2" Female x 1" Male NPT	150	15/32"
LVPL025V	1/4" Female Push Pull Micro Valve	150	3/8"
LVPL038V	3/8" X 3/8" Push Pull Micro Valve	150	3/8"
LVHB025V	1/4" Hose Barb Micro Valve	150	3/8"
LVHB038V	3/8" Hose Barb Micro Valve	150	3/8"
LVHB050V	1/2" Hose Barb Micro Valve	150	15/32"
LVHB075V	3/4" Hose Barb Micro Valve	150	15/32"
LVHB038050MTV	3/8" Hose Barb x 1/2" Male NPT	150	3/8"
LVHB075100MTV	3/4" Hose Barb x 1" Male NPT	150	15/32"
LV038050MTLV	3/8" Female NPT x 1/2 Male NPT Micro-Valve Lock Handle	150	3/8"
LV050100MTLV	1/2" Female NPT x 1" Male NPT Micro-Valve Lock Handle	150	1/2"

## SINGLE UNION VALVES



Part#	Size	Port
SUV050FP	1/2"	1/2"
SUV075FP	3/4"	3/4"
SUV100FP	1"	1"
SUV125FP	1 1/4"	1 1/4"
SUV150FP	1 1/2"	1 1/2"
SUV200FP	2"	2"
V10161	1"	1"

## CHECK VALVES



Part#	Size	PSI
CV34	3/4" (Threaded PVC)	1/3
CV-1101-P14	1/4" (Push pull In/Out)	1
CV-1101-P38	3/8" (Push Pull In/Out)	3
CV-1101-B38	3/8" (Hose Barb In/Out)	1
CV-1103-B38	3/8" (Barb In/Out)	3
CV-1103-P14	1/4" (Push Pull In/Out)	3
CV-1103-P38	3/8" (Push Pull In/Out)	3
CV-1103-B12	1/2" (Barb In/Out)	3

## FIRE HOSE NOZZLES



Part#	Size
FN34	3/4" FPT
FN34GHT	3/4" GHT
FN100	1" FPT
FN112	1 1/2" FPT
FN200	2" FPT
FN112BR	1 1/2" FPT Brass
FN200BR	2" FPT Brass

## BRASS BALL VALVES



Part#	FPT
CBV22	1/8"
CBV44	1/4"
CBV66	3/8"
CBV88	1/2"
171N34	3/4"
171N100	1"

## SAFETY CAMLOCKS

- Spring locking pins keep arms in place
- Reduces possibility of inintentional opening
- No more zip ties to keep cam arms shut



Part#	Description
SAF100CAP	1" & 1-1/4" Camlock Cap with Safety Lock Pins
SAF100C	1" Female Coupler - 1" Hose Shank with Safety Lock Pins
SAF100B	1" Female Coupler - 1" Male Thread with Safety Lock Pins
SAF100D	1" Female Coupler X 1" Female Thread with Safety Lock Pins
SAF200CAP	2" Cap For Male Adapter with Safety Lock Pins
SAF200C	2" Female Coupler - 2" Hose Shank with Safety Lock Pins
SAF200B	2" Female Coupler - 2" Extended Male Thread with Safety Lock Pins
SAF200D	2" Female Coupler - 2" Female Thread with Safety Lock Pins
SAF300CAP	3" Camlock Cap with Safety Lock Pins
SAF300C	3" Female Coupler - 3" Hose Shank with Safety Lock Pins
SAF300B	3" Female Coupler - 3" Male Thread with Safety Lock Pins
SAF300D	3" Female Coupler - 3" Female Thread with Safety Lock Pins

## STAINLESS STEEL FITTINGS



### CLOSE NIPPLE

Part#	Description
CN12SS	1/2" MPT X 1/2" MPT X 1-1/2" SS Close Nipple
CN34138SS	3/4" MPT X 3/4" MPT X 1-3/8" SS Close Nipple
CN100112SS	1" MPT X 1" MPT X 1-1/2" SS Close Nipple
CN1004SS	1" MPT X 1" MPT X 4" SS Close Nipple
CN200SS	2" SS Close Nipple
CN300SS	3" X 3-1/2" SS Close Nipple

## HOSE BARB

Part#	Description
HB14SS	1/4" MPT x 1/4" SS Hose Barb
HB1438SS	1/4" MPT x 3/8" SS Hose Barb
HB38SS	3/8" MPT x 3/8" SS Hose Barb
HB1234SS	1/2" MPT x 3/4" SS Hose Barb
HB12SS	1/2" MPT x 1/2" SS Hose Barb
HB1238SS	1/2" MPT x 3/8" SS Hose Barb
HB34SS	3/4" MPT x 3/4" SS Hose Barb
HB3412SS	3/4" MPT x 1/2" Barb - Stainless Steel
HB100SS	1" MPT x 1" SS Hose Barb
HB100-075SS	2" MPT x 3/4" Hose Shank 316 - Stainless Steel

OTHER SIZES AVAILABLE - CALL FOR OPTIONS

## STREET ELBOW

Part#	Description
SE34SS	Street Elbow 3/4" SS
SE100SS	Street Elbow 1" SS

## VALVE

Part#	Description
V050SS	1/2" SS FP Ball Valve
V075SS	3/4" FPT 316 SS FP Ball Valve, 1000 PSI
V100SS	1" SS FP Ball Valve
V125SS	1 1/4" SS FP Ball Valve
V200SS	2" SS FP Ball Valve

## JOHN BLUE PUMPS



PSP-3240-G6H



SP-3350-G13HFLG

### GAS DRIVEN

Part#	Description
SP-3350-G13HFLG (Shown)	3" John Blue Cast Iron Wet Seal Pump, 13 HP Honda with Electric Start
SP-3350-G14KFLG	3" Cast Iron John Blue Wet Seal Pump, 14 HP Kohler CH440-3275 Command Pro with Electric Start, Flanged
SP-3240-G6EHFLG	Next Gen John Blue Cast Iron Pump 2" with 6.5 HP Honda Electric Start Engine
SP-3240-G6HFLG	Next Gen John Blue Cast Iron Pump 2" with 6.5 HP Honda Engine & Base Plate
PSP-3240-G6H-RK (Shown)	John Blue Poly Threaded Port Wet Seal Pump 2" with 6.5 HP Honda Gx200 Engine
PSP-3240-G6EH-RK	John Blue Poly Threaded Port Wet Seal Pump 2" with 6.5 HP Honda Gx200 Electric Start Engine
PSP-3340-G13HFLG	3" Poly John Blue Pump with FLG, 13 HP E-Start Honda Engine & Base Plate

### ELECTRIC

Part#	Description
SP-3340-E10TB-1FLG	3' Cast Iron John Blue Pump, Wet Seal 10 HP Electric Single Phase
PSP-3240-E5T1B (Shown)	2" John Blue Poly Centrifugal Pump, 2" FPT Ports, 5 HP Electric TEFC Motor, 1 Phase
SP-3240-E5T1BFLG	2" John Blue Cast Iron Pump- SP Cent-5 HP Electric Motor -Single Phase-TEFC-Base-Flanged

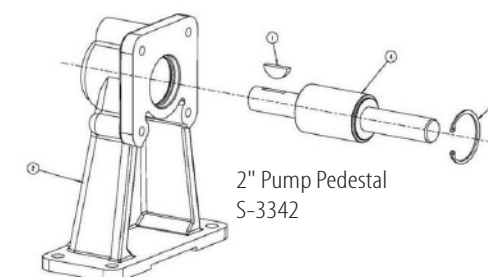


PSP-3240-E5T1B



### PUMP ONLY

Part#	Description	PSP-3240
PSP-3240	2" Poly Wet Seal Pump only, Self-Priming, Viton	
SP-3240-FLG	Next Gen Cast Iron Pump 2" Pump only (Wet Seal) Flanged Ports	
SP-3350-BS	3" John Blue Cast Iron Pump only 3350 Wet Seal for 1" Shaft Threaded Inlet and Outlet	



2" Pump Pedestal S-3342

### ACCESSORIES

Part#	Description
116252-91	2" SP Centrifugal Base Kit for Gas or Electric Pump
116395-91	Base Rail Kit 2" Poly Pump
S-3342	Bearing Pedestal Assembly for 2" John Blue Pumps
116230-91	John Blue Baseplate Kit For Customer Supplied 13 HP Engine



205PH5



M332PIH13W



200P6PRO

POWERED by  
**HONDA™**



## BANJO TRANSFER PUMPS

Part#	Description
<b>HONDA</b>	
205PH5	2" Poly Transfer Pump with 5.5 HP Honda
205PH5E	2" Electric Start Poly Transfer Pump with 5.5 HP Honda
205PH6	2" Poly Transfer Pump with 6.5 HP Honda
300PH6	3" Poly Transfer Pump with 6.5 HP Honda
300PH6E	3" Electric Start Poly Transfer Pump with 6.5 HP Honda
<b>MANIFOLD TRANSFER PUMPS</b>	
M225PH6	2" FP Manifold Poly Pump with 6.5 HP Honda
M300PH13W	3" Manifold Poly Wet Seal Transfer Pump with 13 HP Honda
M332PIH13W	3" Manifold Cast-Iron Wet Seal Transfer Pump with 13 HP Honda
M350PH13W	3" Wet Seal Poly Pump with 13 HP Honda
<b>BRIGGS &amp; STRATTON</b>	
200P6PRO	6.5 HP Briggs & Stratton with 2" Poly Transfer Pump

## HONDA GX ENGINES

- 3 Year Warranty
- Transistorized Ignition
- Overhead Valve for Smooth Operation & Less Vibration
- Auto Decompression for Easy Starts
- Optional Cyclone Air Cleaners (single cylinder models only) for Dusty Conditions

POWERED by  
**HONDA™**



Part#	Description	Part#	Description
GX120UT3QX2-BLK	4.0 HP Honda Engine	HON1010-C.DRA	Oil Drain Kit for Honda GX120, GX160, GX200, 10 X 1.25 mm
GX160UT2QX2	5.5 HP Honda Engine	HON1012-C.DRA	Oil Drain Kit for Honda GX240, GX270, GX390, 12 X 1.5 mm
GX160UT2QXE2	5.5 HP Honda Engine with Electric Start	STAN1025-C.DRA	Oil Drain Kit for 6.5 HP Briggs Intek Pro 206 OHV, 1/4" NPT Port
GX200UTQX2	6.5 HP Honda Engine		
GX240UT2QA2	8.0 HP Honda Engine		

## BANJO PUMP REPAIR KITS

Part#	Description
12000A	Repair Kit for EPDM Poly Pumps
12999A	Banjo Pump Seal Kit 2"
12772	Banjo Pump Impeller (5 Vane)
13999	Banjo Pump Seal Kit 3"

## FS TRANSFER PUMP MOTOR COVER

- One-Piece Poly Body
- Stainless Steel Handle
- Fits Most Engine-Pump Combinations

Part#	Description
FSPMC-TALL	Poly Cover for Transfer Pump Engines



## ELECTRIC PUMPS DIAPHRAGM



8007-543-850



7812-111

Part#	Brand	Max PSI	Voltage	GPM	Type	Ports
8000-533-236	SHURFLO	60 PSI	115	1.4	Demand	3/8" FPT
8000-533-250	SHURFLO	60 PSI	115	1.4	Bypass	3/8" FPT
8000-543-236	SHURFLO	50 PSI	12	1.8	Demand	3/8" FPT
8000-543-250	SHURFLO	50 PSI	12	1.8	Bypass	3/8" FPT
8006-543-250	SHURFLO	50 PSI	12	1.4	Bypass (Reversed Pump Head)	3/8" FPT
8007-543-850	SHURFLO	50 PSI	12	1.8	Bypass with Switch	3/8" FPT
8007-593-836	SHURFLO	50 PSI	12	1.8	Demand with Switch	3/8" FPT
4211-035	SHURFLO	40 PSI	12	6.25	Demand	1/2" MPT
5059-1310-D011	SHURFLO	60 PSI	12	5.3	Demand	1/2" FPT
5059-3610-D011	SHURFLO	90 PSI	12	5.3	Bypass	1/2" FPT
7812-201	Delavan	60 PSI	12	2.0	Demand	3/8" FPT
7812-111	Delavan	70 PSI	12	2.0	Bypass	3/8" FPT
5850-111E	Delavan	70 PSI	12	5.0	Bypass	1/2" FPT
5950-201E	Delavan	60 PSI	12	5.0	Demand	Quick Attach
7971-111E-SBD	Delavan	70 PSI	12	7.0	Bypass	Quick Attach
5517-2E1-63A	Remco	60 PSI	12	5.3	Bypass	Quick Attach
5517-2E6-63A	Remco	60 PSI	12	5.3	Bypass	Buna
5517-1E1-82B	Remco	60 PSI	12	5.3	Demand	2 Pin Connector
5517-2E1-63A	Remco	60 PSI	12	5.3	Bypass	Viton/Santoprene
5518-211-94A	Remco	100 PSI	12	7	Bypass	Quick Attach

## QUICK-ATTACH FITTINGS



Part#	Description
5DFA38	3/8" Quick Attach Hose Barb
5DFA12	1/2" Quick Attach Hose Barb
5DFA34	3/4" Quick Attach Hose Barb
5DFE38	3/8" Quick Attach Hose Barb Elbow
5DFE12	1/2" Quick Attach Hose Barb Elbow
5DFE34	3/4" Quick Attach Hose Barb Elbow

## CENTRIFUGAL TRANSFER PUMP



Part#	Description	GPM
9700S	12V Stainless Centrifugal Transfer Pump - 7.5 AMP	19



## ACE ROLLER PUMPS



RP-800C

Part#	GPM	PSI	RPM	Description
RP-800C	22.5	300	1000	Cast Iron 8 Roller Pump - 15/16" Shaft, 3/4" Inlet/Outlet



4101

1700

6500

7560

7700



## HYPRO ROLLER PUMPS

Part#	GPM	PSI	RPM	Description
4101C	7.2	150	2600	Cast Iron 4-Roller Pump with Super Rollers, Viton Seals, 3/4" NPT Ports, 5/8" Solid Shaft
1700C	45	200	1000	Cast Iron 5-Roller Pump with Super Rollers, Viton Seals, 1" NPT Ports, 15/16" Solid Shaft
6500C	22	300	1200	Cast Iron 6-Roller Pump with Super Rollers, Viton Seals, 3/4" NPT Ports, 5/8" Solid Shaft
6500XL	22	300	1000	ROUND-UP READY Silver Cast 6-Roller Pump with Super Rollers, Viton Seals, 3/4" NPT Ports, 5/8" Solid Shaft
7560C	22	300	1000	Cast Iron 8-Roller Pump with Super Rollers, Viton Seals, 3/4" NPT Ports, 15/16" Solid Shaft
7560XL	22	300	1000	ROUND-UP READY Silver Cast 8-Roller Pump with Super Rollers, Viton Seals, 3/4" NPT Ports, 15/16" Solid Shaft
7700C	22.4	200	800	Cast Iron 7-Roller Pump with Super Rollers, Viton Seals, 3/4" NPT Ports, 15/16" Solid Shaft
7700XL	22.4	200	800	ROUND-UP READY Silver Cast 7-Roller Pump with Super Rollers, Viton Seals, 3/4" NPT Ports, 15/16" Solid Shaft



## HYPRO CENTRIFUGAL PUMPS

### 9200 SERIES CAST IRON, PEDESTAL-MOUNT



9203

Part#	GPM	PSI	RPM	Description
9202C	105	170	6000	Pedestal mount, cast iron pump with 5/8" Solid Shaft and Viton shaft seal, 1 1/4" Inlet; 1" Outlet
9203C	136	170	6000	Pedestal mount, cast iron pump with 5/8" Solid Shaft and Viton shaft seal, 1 1/2" Inlet; 1 1/4" Outlet NPT Ports

## 9300 SERIES CAST IRON, HYDRAULIC DRIVEN



9303



9306

Part#	Max GPM	Max PSI	Description
9303C-HM1C	114	130	13 GPM Hydraulic motor/cast iron pump for OPEN/CLOSED CENTER systems. Ports (NPT): 1 1/2" Inlet, 1 1/4" Outlet
9303C-HM1C-U	114	130	Cent Pump 220 Flange Inlet x 200 Flange Outlet
9303C-HM3C	125	98	24 GPM Hydraulic motor/cast iron pump for LARGE OPEN CENTER systems. Ports (NPT): 1 1/2" Inlet, 1 1/4" Outlet
9303C-HM4C	115	93	7 GPM Hydraulic motor/cast iron pump for OPEN/CLOSED CENTER systems. Ports (NPT): 1 1/2" Inlet, 1 1/4" Outlet
9303C-HM5C	147	145	16 GPM Hydraulic motor/cast iron pump for OPEN/CLOSED CENTER systems. Ports (NPT): 1 1/2" Inlet, 1 1/4" Outlet
9306C-HM5C-B	212	140	13-18 GPM Hydraulic motor/cast iron Pump for OPEN/CLOSED CENTER Systems, Ports (NPT): 2" Inlet, 1-1/2" Outlet w/ Silicon Carbide Seal
9306C-HM1C-3U	283	127	13 GPM Hydraulic motor/cast iron Pump for OPEN/CLOSED CENTER Systems, Port Sizes: 300 x 220 (3U) Universal flange
9306C-HM1C	207	127	13 GPM Hydraulic motor/cast iron Pump, for OPEN/CLOSED CENTER Systems, Ports (FPT): 2" Inlet, 1 1/2" Outlet



## HYPRO REPAIR KITS



Life Guard® Silicon Carbide Seal Kit

Part#	Description
3430-0161	Kit-Poly Roller (1700 Series)
3430-0167	Kit-Poly Roller (7560 Series)
3430-0175	Kit-Poly Roller (6500 Series)
3430-0332	Kit-Seal (9300 Series)
3430-0334	Kit-Seal (9000 Series) O'Ring Cast Pumps
3430-0343	Universal Super Roller Kit (6500, 7560, 7700 Series)
3430-0381	Kit-Super Roller (7560 Series) with O'Ring & Viton Seals
3430-0382	Kit-Seal (9000 S) (9200 Pump Vit - O'Ring)
3430-0384	Kit-Super Roller (7700 Series) with O'Ring & Viton Seals
3430-0390	Kit-Super Roller (4000 Series) with O'Ring & Viton Seals
3430-0412	Kit-Bearing and Seal (9200 Series)
3430-0437	Kit-Super Roller (1700 Series) with O'Ring & Viton Seals
3430-0445	Kit-Seal (9303P Series)

## PTO ADAPTERS



Part#	RPM	Spline x Bore	Spline
90700	540	1 3/8 x 15/16	6
1321-0009 (QUICK)	1000	1 3/8 x 15/16	21
1321-0013 (QUICK)	540 or 1000	1 3/8 x 15/16	6 or 21







## GET THE **ACE** ADVANTAGE **ACE** PUMPS



GREAT FOR  
PLANTER  
KITS!

### ACE HYDRAULIC-DRIVEN CENTRIFUGAL PUMPS

Part#	Bearing	Repair Kit	Impeller	Description
FMC-75-HYD-204	BAC-37	RK-GE-75	GE-26-75	Poly Centrifugal Driven by a 4 GPM Hydraulic Motor with Integral Needle Valve. Max Flow: 25 GPM, Max Pressure: 100 PSI.
FMSCS-HYD-204-SS	BAC-37	RK-FMSCS	BAC-26-HYD-VALOX	Cast Iron Centrifugal Driven by a 4 GPM Hydraulic Motor with Integral Needle Valve, Silicon Carbide Shaft Seal, Stainless Steel Hardware. Max Flow: 85 GPM, Max Pressure: 100 PSI.
FMC-150F-HYD-206	BAC-37	RK-FMC-150	BAC-26-150P	Cast Iron Centrifugal Driven by 7 GPM Hydraulic Motor with Integral Needle Valve Inlet 220 Full Port Flange & 1 1/2" NPT Outlet 200 Standard Port Flange & 1 1/4" NPT. Max Flow: 135 GPM Max Pressure: 120 PSI
FMC-200-HYD-304	BAC-37	RK-FMC	BAC-26-200-P	Cast Iron Centrifugal Driven by a 11 GPM Hydraulic Motor with Integral Needle Valve. 2" NPT Inlet / 1 1/2" NPT Outlet. Max Flow :200 GPM Max Pressure: 120 PSI
FMC-200-HYD-310	BAC-37	RK-FMC	BAC-26-200-P	Cast Iron Centrifugal Driven by a 25 GPM Hydraulic Motor with Integral Needle Valve. 2" NPT Inlet / 1 1/2" NPT Outlet. Max Flow :200 GPM Max Pressure: 100 PSI
FMC-200F-HYD-304	BAC-37	RK-FMC	BAC-26-200-P	Cast Iron Centrifugal Driven by 11 GPM Hydraulic Motor with Integral Needle Valve Inlet 300 Series Standard Port Flange Outlet 220 Series Full Port Flange Max Flow: 240 GPM Max Pressure: 120 PSI
FMCWS-125-HYD-204	40880	RK-FMCWS	BAC-26-125-P	Pump - Hyd Drive 1-1/4" X 1", Wet Seal

### ACE BELT-DRIVEN CENTRIFUGAL PUMPS



Part#	Bearing	Repair Kit	Impeller	Description
FMC-CW-800-DRB	ACAL-37-DRB	RK-FMC-CW-800	ACAL-26-75	2" x 1 1/2" Cast Iron Frame Mounted Centrifugal for Belt Drive Applications Max Flow: 180 GPM Max Pressure: 170 PSI

### ACE PUMPS FLOW LIMITER VALVES



Part#	Description
LS-204N	Flow Limiter - 204N HYD Motor
LS-206N	Flow Limiter - 206N HYD Motor
LS-304N	Flow Limiter - 304N HYD Motor

### ACE PUMP IMPELLERS



Part#
BAC-26-HYD-VALOX
BAC-26-150-P
BAC-26-200-P
GE-26-75
GE-26-85

### ACE PUMP REPAIR KITS



Part#
RK-FMC
RK-FMC-650
RK-GE-75
RK-GE-85

### ACE PUMP BEARINGS



Part#
40875
BAC-37

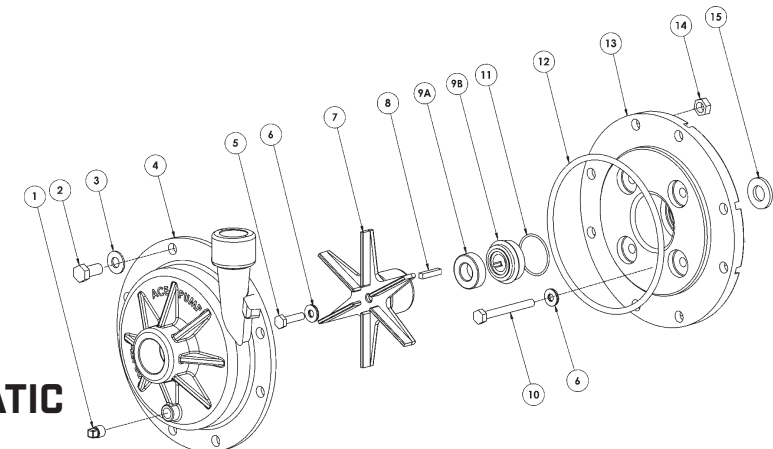
**PLEASE CALL US FOR ALL ACE REPLACEMENT PARTS!**

### ACE GAS ENGINE-DRIVEN CENTRIFUGAL PUMPS



Part#	Repair Kit	Impeller	Description
GE-85-Honda	RK-GE-85	GE-12-75	GE-85 Centrifugal Pump with 4HP Honda Engine
GE-85-Kohler	RK-GE-85	GE-12-75	GE-85 Centrifugal Pump with Kohler Gas Engine
GE-85-LE	RK-GE-85	GE-12-75	GE-85 Centrifugal Pump Only
GE-660-LE	RK-GE-660	ACAL-28-660-P	GE-660-LE Centrifugal Pump Only
GE-860-LE	RK-GE-860	ACAL-26-860	GE-860-LE Centrifugal Pump Only

THE PERFECT SOLUTION FOR SMALL SPRAYERS!



### GE-85-LE SCHEMATIC

REF. #	PART NUMBER	EDP #	DESCRIPTION	REQ.
1	BAC-53-P	41119	Pipe plug, 1/8" NPT, plastic	1
2	80250	80250	Cap screw, 3/8"-16 x 7/8", hex head	8
3	42701	42701	Washer, 3/8" flat	8
4	GE-12-75	42700	Volute, 3/4" x 1", polypropylene	1
5	GE-60-SS	42235	Cap screw, 5/16"-NF x 3/4", hex, stainless steel	1
6 <sup>①②</sup>	30028	30028	Washer, sealing	5
7	GE-26-85	42711	Impeller, with keyway, polypropylene	1
8	41082	41082	Key, 3/16" x 3/16" x 15/16"	1
9 <sup>①</sup>	BAC-7-660V	30225	Seal, 3/4", Viton® type rubber	1
9 <sup>②</sup>	BAC-7SC-660V	30226	Seal, 3/4", Carbide/Ceramic/Viton® (optional)	1
10	42245	42245	Cap screw, M8 x 60, stainless steel (GC-160)	4
10	42238	42238	Cap screw, 5/16"NF x 2-1/4", (GX-160)	4
11 <sup>①②</sup>	40159	40159	O-ring, shaft seal, GE-85	1
12 <sup>①②</sup>	40017	40017	O-ring, volute seal, GE-85	1
13	GE-14-85	42721	Bracket, GE-85, polypropylene	1
14	BAC-45	41010	Nut, hex, 3/8"	8
15	GE-54-660	42222	Slinger	1
①	RK-GE-85	60845	Repair kit for GE-85	-
②	RK-GESC-85	60846	Repair kit for GE-85, silicon carbide seal	-

## FILL-RITE FUEL TRANSFER PUMPS



**FILL-RITE**

Part#	Description
DC PUMPS FR1210G	Transfer Pump 15 GPM with Manual Nozzle and 3/4" x 12' Hose
AC PUMPS FR310VB	Fuel Pump 35 GPM – 115v/230v with Auto Shutoff Nozzle and 1" x 18' Hose

## FILL-RITE FUEL NOZZLES



Part#	Description
FRHMN075S	3/4" URL Manual Nozzle – No Lead Spout and Hook All 12 Volt and AC; 3/4" Outlet
N075DAU10	Quick Flow 3/4" UL Auto Nozzle. Diesel Spout and Hook Green Boot; All 12 Volt and AC; 1" Outlet 2.5-14.5 GPM
N075UAU10	3/4" UL Nozzle. No Lead Spout and Hook Red Boot; All 12 Volt and AC; 3/4" Outlet
N100DAU12G	High Flow 1" UL Auto Nozzle. Diesel Spout and Hook Green Boot; All 12V and AC; 1" Outlet 5-25 GPM Rated for 50 PSI
N100DAU13G	1" Ultra High Flow Auto Nozzle, Green Cover, 3 Position Hold Latch 5-40 GPM Rated for 50 psi

## TELESCOPING SUCTION PIPES



Part#	Description	Length
445F1863	1" Poly Suction Tube with Belows	24"-42"

## FUEL HOSE



Part#	Description
FH34	Fuel Hose 3/4"
FH100	Fuel Hose 1"

## D.E.F. PUMPS



Part#	Description
DEF115V	Piusi 115 Volt 8 GPM DEF Pump
DEF12V	Piusi 12 Volt 8 GPM DEF Pump
DEF34H	3/4" DEF Hose (Per Foot)
DEFNOZZLE	3/4" Manual DEF Nozzle

## FUEL ACCESSORIES

Part#	Description
S075H1314	3/4" Multi-Plane Fuel Hose Swivel
S100H1315	1" Multi-Plane Fuel Hose Swivel

## BANJO DRY POPPET COUPLINGS



Part#	Description
DPCF100	Female Dry Poppet Coupler, 1" FPT with Viton Seals
DPCMT100	Male Dry Poppet Adapter with 2" Male Threaded Body, and 1" FPT Threads with Viton Seals
VSMT200DPC	2" MPT x 1" Dry Poppet Stubby Valve

## FLOW METERS



Part#	Description
806C	Gravity Flow Meter – 20 GPM; 1" Inlet Strainer and Fittings
807C	Gravity Flow Meter – 20 GPM; 3/4" Inlet
850	1" Digital Chemical Meter with Air Eliminator
1-063-0173-653	Raven Flow Max 221 Flow Meter 200 GPM
DP-3000V	1" Dura-Product Digital Flow Meter 2-22 GPM (Viton Seals)
TT10PN	Turbine Meter, 1" Poly NPT, Ag Chemicals, Def, Non Potable Water
MFM220	2" Full Port Meter with Digital Meter
MFM300	3" Full Port Manifold Flow Meter

## CHEMICAL TRANSFER PUMPS



Part#	Description
SS415B	12V / 13 GPM Sotera Chemical Transfer Pump only with Cast Iron Inlet
SS415BX731	12V / 13 GPM Sotera Chemical Transfer Pump only with Poly Inlet and Motor Bracket
SS460BX731	115V / 13 GPM Sotera Chemical Transfer Pump only with Motor Bracket
SS435BX713	12V / 13 GPM Sotera Chemtraveller Pump Kit—Includes 1" x 9' EPDM Hose, 1" x 12' EPDM Hose, 1" Ball Valve Nozzle, 20' Battery Cable with clips, 1" NPT 90° Outlet Flange. Also includes top and bottom tote adapter kits.
CHEMPUMPKIT	Chemical transfer pump parts kit for top and bottom suction (Pump and drop tube not included)

## DURA CHEMICAL PUMP



Part#	Description
DP-P6017A-V	Dura-Pump 6000 Series Replacement Cartridge Kit – O-Ring, Bottom Gasket, Viton
DPABS-6318V	12V Dura-Product Chemical Auto Batch System 15 GPM (Viton Seals)
DP6018V-12	12V Dura-Product Chemical Pump 18 GPM (Pump Only) (Viton Seals)
DP6018V-110	110V Dura-Product Chemical Pump 18 GPM (Pump Only) (Viton Seals)
DPE-6018V-12	12V Dura-Pump Easy Caddy without meter (Viton Seals) <b>(Shown)</b>

## BULK CONTAINER COUPLERS



Part#	Description
MVC	Macro Valve Coupler
DVC	Drum Valve Coupler
MVSB	Macro Valve Storage Bracket
DVRS3KEY	Drum Valve Rinse Socket
MVRS	Macro Valve Rinse Socket
DVC-DEF	Drum Valve Coupler for DEF
DVE-BSP	Drum Valve Coupler with BSP Threads
DVE-BSP-3KEY	2" BSP RSV Container Valve – 2" Thread Inside, 3 Key Standard, Viton Seal
DVE-BUTTRESS	Drum Valve Coupler with Buttress Threads
DVE-TUBE	Flex Tube Assembly
102-068	Main Gasket – DVC
102-074	Coupler Seal Probe – DVC

## NEW JOHN BLUE 12VOLT BATCH CONTROLLER



Part#	Description
12VBC-100	12 Volt Batch Controller – 1" NPT Male Threads, Viton O-Rings, 2-55 GPM Flow Rate

## PPE SAFETY KIT

- Coveralls (1)
- Goggles (1)
- Gloves (2 Pairs)
- Respirators (2)



Part#	Description
PPESAFETYKIT	PPE Safety (Protective Suit, Gloves, Goggle, Respirators And Bag)

## CALIBRATION CONTAINER



Part#	Description
CALCON	4 oz Calibration Cylinder
WATERPITCHER-64	64 oz Calibration Container
WATERPITCHER-128	128 oz Calibration Container

## FIELD MARKER FLAGS

- Hot Pink for Superior Visibility
- 5" x 8" Flag on 35" Wire
- Heavy, Fade Resistant Plastic
- 100 Per bundle

Part#	Qty
FMF	100



## SOIL PROBES



Part#	Description
SOILPROBE8	8 Inch Soil Probe
SOILPROBE12	12 Inch Soil Probe

## SPRAY TANK CLEANER



Part#	Description
SPRAYTANKCLEANER	Neutralize Spray Tank Cleaner-32oz (2#)

## BUBBLE BUSTER



Part#	Description
BUBBLEBUSTER	Ag Anti-Foam Additive Bubble Buster-Quart

## FOAM CONCENTRATE

Part#	Description
FOAMCONCENTRATE	Foam Concentrate - 1 Gallon, 80:1 Mix Ratio



## F/S TOUCHDOWN WHEELS

- 14" Solid Tire / Ball Bearing Wheel
- Complete with U-Bolts
- Fits Up To a 1 3/4" Square Tube
- All Steel Bracket

Part#	Description
TD	Pair of Touchdown Wheels
CSB1041	Single Replacement Wheel



## ECO-RMOR E-1301 IBC TOTE MICRO-SPILL CONTAINMENT SYSTEM



The Eco-Rmor Micro-Spill Containment System prevents environmental contamination from leakage at the outlet valve for bulk fluid transport containers or IBC's. This spill containment system is a one size fits all solution that features a double restraint system with the lid held closed by a built-in snap feature and a draw-string style restraint.

**Each Kit Includes:** Tray base, Cover, Cord, Two Cord Locks and Two General Pads.

Part#	Description
E-1301	Ecormor Chemical Tote Leak Protection General Kit

## NITRILE/NH3 GLOVES



Part#	Description	Sizes Available	Pairs
GLOVE-NU-*	Unlined Nitrile Gloves	L, XL, XXL	1
GLOVE-GTEK*	Seamless Gray Coated Gloves	L, XL	1
GLOVE-NH3	Anhydrous Ammonia Gloves	One Size Fits Most	1

## WIND METERS

### BTMETER FEATURES:

- Wind Speed, Wind Temperature, Wind Chill, Low battery indicator on bright backlit LCD screen. BT-100 is a portable wind speed gauges can accurately measure air speed in 5 units: m/s, km/h, ft/min, knots, mph. Wind Temp in °°(Degree Celsius/Fahrenheit)

- Wind Speed Meter for measuring wind speed range 0.67~67.1 mph (+/- 2% of readings), Wind temperature -10~60°, 14°-113°(+/- 2°, 35.6°); Resolution 0.1m/s; 0.2°. 2 temp sensors and 8 vanes makes this air velocity meter is sensitive to measure very low air flow in HVAC installation, duct vent.

- Metal threaded hole on the bottom of the digital anemometer, so you can fix it on a tripod for continuous wind gauges. To set your hands free when you fly drones, rc planes, wings, helicopters and quads, long distance shooting.




- Manual / Auto Power OFF optional, Back Light Screen to let you see clear even in dark. 2x1.5V AAA batteries included to get you started when you receive the wind tester.

Part#	Description
WM	Portable Wind Meter



## NH3 CONVERSION TUBES / INSULATORS

- Mounts behind the shank. Unique cone shaped outlet minimizes plugging.
- For chisel plows and field cultivators.
- Available in 3/8" and 1/2" tubes.

FEATURES	Part#	Description
<ul style="list-style-type: none"> <li>• Self-Clearing Delivery Port</li> <li>• Wear-Resistant Cross Tube</li> </ul> 	CPI	3/8" Tube for Chisel Plow
	FCI	3/8" Tube for Field Cultivator
	CPI-1	1/2" Tube for Chisel Plow/Cultivator
	FSI	Insulator for CPI and FCI
	FE400	1/2" Tube for Cold Flow System
<ul style="list-style-type: none"> <li>• For 1/2" Cold Flow</li> <li>• Easy Replacement of Worn Hose</li> </ul> 		

## MANIFOLD HOSE BARBS



Part#	Thread Size	Hose Size	Description
A-1132	1/4"	3/8"	Plain
A-1138	1/4"	1/2"	Plain
A-1138-2	1/4"	1/2"	With 3/32" Orifice
A-6132-2	1/8"	3/8"	With 3/32" Orifice
A-6138	1/8"	1/2"	Plain
A-6138-2	1/8"	1/2"	With 3/32" Orifice

## PRESSURE GAUGES



Part#	Description
ASG60	2 1/2" NH3 Gauge
ASG160	2 1/2" NH3 Gauge
ASG400	2 1/2" NH3 Gauge
ASG604	4" NH3 Gauge
ASG1604	4" NH3 Gauge
ASG4004	4" NH3 Gauge

## NH3 HOSE



Part#	Description
AAH100-3	1" NH3 Hose with Ends - 3'
AAH100-6	1" NH3 Hose with Ends - 6'
AAH100-10	1" NH3 Hose with Ends - 10'
AAH100-12	1" NH3 Hose with Ends - 12'
AAH100-15	1" NH3 Hose with Ends - 15'
AAH125-20	1 1/4" NH3 Hose with Ends - 20'
AAH125-8	1 1/4" NH3 Hose with Ends - 8'
AAH125-10	1 1/4" NH3 Hose with Ends - 10'
AAH125-12	1 1/4" NH3 Hose with Ends - 12'

## PLASTIC CAPS



Part#	Size
DC20170	1 3/4" Plastic Cap with Chain

## MANIFOLD PLUGS



Part#	Description
A-1135	1/4" MPNT Plug
244-005000	1/8" MPNT Plug

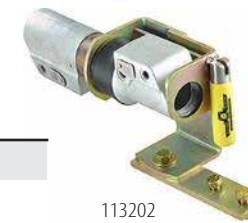
## BREAKAWAY COUPLERS



- Breakaway couplers shut off the flow of NH3 from the nurse tank to the applicator when hitch failure occurs, preventing rupture to the hose.
- **Breakaway couplers require annual maintenance and safety inspections before EACH USE!!** Couplers can corrode and may not operate properly if connected for a long period of time.

Part#	Description
4500-6M	1" Coupler Complete with Acme Adapter
4510-6M	1" Male Tip x 1 3/4" Male Acme
4510-6	1" Male Tip x 1" FPT Coupler
4500-7	1 1/4" Coupler Complete (no Adapter)

## FLOMAX BREAKAWAY COUPLERS



Part#	Size
113028	1 1/4" Breakaway Coupler with Ez Bracket
A411	Valve Bleed 1/4" SS

## RED WEEDER

Perfect Hand-Held unit for Applying RoundUp around Bins, Buildings and Houses with **NO DRIFT!**

Part#	Description
RED WEEDER	Wool Applicator
GREEN WEEDER	Hand Wand Style No Drift Weed Applicator





## QUICK TEEJET 360 DRY BOOM NOZZLE BODIES

- Positive Shut-off Between Each Spray Position
- Use with All Quick-Change Color Caps



Part# Single Inlet	Part# Double Inlet	Spray Outlets	Hose Size
QJ363C-500-1-NYB	QJ363C-500-2-NYB	3	1/2
QJ363C-750-1-NYB	QJ363C-750-2-NYB	3	3/4
QJ364C-500-1-NYB	QJ364C-500-2-NYB	4	1/2
QJ364C-750-1-NYB	QJ364C-750-2-NYB	4	3/4
QJ365C-500-1-NYB	QJ365C-500-2-NYB	5	1/2
QJ365C-750-1-NYB	QJ365C-750-2-NYB	5	3/4

## QJ200 SERIES NOZZLE BODIES

- ChemSaver Diaphragm Check Valve for Drip-Free Shut-off (Opens at 10 PSI)
- Standard Diaphragm is EPDM (Viton Optional)



Part#	Size
19349-211-406-NYB	3/8
19349-211-540-NYB	1/2
19349-211-785-NYB	3/4
19350-212-406-NYB	3/8
19350-212-540-NYB	1/2
19350-212-785-NYB	3/4
19351-213-406-NYB	3/8
19351-213-540-NYB	1/2
19351-213-785-NYB	3/4

## TRIPLE NOZZLE BODIES

- Simplifies Changing Tips
- Positive Shut-off Between Each Spray Position
- Use with All TeeJet Caps
- 10 PSI ChemSaver Diaphragm Check Valve for Drip-Free Shut-off



Part#	Size
24230A-1-540-NYB	1/2
24230A-1-785-NYB	3/4
24230A-2-540-NYB	1/2
24230A-2-785-NYB	3/4

## QJ100 SERIES NOZZLE BODIES

Part#	Size
18635-111-406-NYB	3/8
18638-111-540-NYB	1/2
18719-111-785-NYB	3/4
18636-112-406-NYB	3/8
18639-112-540-NYB	1/2
18720-112-785-NYB	3/4
18637-113-406-NYB	3/8
18640-113-540-NYB	1/2
18721-113-785-NYB	3/4



## QJ300 SERIES NOZZLE BODIES

- ChemSaver Diaphragm Check Valve for Drip-Free Shut-off (Opens at 10 PSI)
- Standard Diaphragm is EPDM (Viton Optional)



Part#	Size
22251-311-375-NYB	3/8
22251-311-500-NYB	1/2
22251-311-750-NYB	3/4
22252-312-375-NYB	3/8
22252-312-500-NYB	1/2
22252-312-750-NYB	3/4

## QUICK TEEJET 380 WET BOOM NOZZLE BODIES

- Positive Shut-off Between Each Spray Position
- Seals to 3/8" (9.5 mm) Hole Drilled in Pipe or Tube
- Use with All Quick-Change Color Caps
- Mounts to 1/2", 3/4" or 1" Pipe



Part#	Spray Outlets	Pipe Size
QJ363C-1/2-NYB	3	1/2
QJ363C-3/4-NYB	3	3/4
QJ363C-1-NYB	3	1
QJ364C-1/2-NYB	4	1/2
QJ364C-3/4-NYB	4	3/4
QJ364C-1-NYB	4	1
QJ365C-1/2-NYB	5	1/2
QJ365C-3/4-NYB	5	3/4
QJ365C-1-NYB	5	1



## HIGH-FLOW QJ NOZZLE BODIES

- Standard and Fertilizer styles available
- Triple outlet turrets on all assemblies



### APPLICATIONS:

- High-speed Self-Propelled Machines
- High flow rate Liquid Fertilizer Applications

Part#	Spray Outlets	Pipe Size
QJ383-3/4-NYB	3	3/4
QJ383-1-NYB	3	1

## DIAPHRAGM NOZZLE BODIES (SINGLE)

- Mounts on 1/2", 3/4" or 1" Pipe
- Seals to 3/8" (9.5 mm) Hole Drilled in Pipe or Tube
- Includes ChemSaver Diaphragm Check Valve for Drip-Free Shut-off (Opens at 10 PSI)



Part#	Size
QJ17560A-1/2-NYB	1/2
QJ17560A-3/4-NYB	3/4
QJ17560A-1-NYB	1

## RAPID STOP

- Evacuates air trapped in booms
- Reduces boom shut-off times
- Improves boom start times
- Does NOT require boom redesign



Part#	Description
CP98583-3-1/2-SS	1/2" Rapid Stop ADP for QJ360C Series
CP98583-3-1-SS	1" Rapid Stop ADP for QJ360C Series
CP98583-3-3/4-SS	3/4" Rapid Stop ADP for QJ360C Series

## MANUAL DIAPHRAGM SHUTOFF

Part#	Description
58140-NYB	ChemSaver Manual Shutoff



## SINGLE NOZZLE BODIES

- Mounts on 1/2", 3/4" or 1" Pipe
- Seals to 3/8" (9.5 mm) Hole Drilled in Pipe or Tube
- 1/2" & 3/4" Sizes Can be Mounted to Flat Surfaces



Part#	Size
QJ7421-3/4-NYB	3/4
QJ7421-1-NYB	1"

## DIAPHRAGM NOZZLE BODIES (TRIPLE)

- Mounts on 1/2", 3/4" or 1" Pipe
- Seals to 3/8" (9.5 mm) Hole Drilled in Pipe or Tube
- Positive Shut-off Between Each Spray Position
- Includes ChemSaver Diaphragm Check Valve for Drip-Free Shut-off (Opens at 10 PSI)



Part#	Size
24216A-1/2-NYB	1/2
24216A-3/4-NYB	3/4
24216A-1-NYB	1

## RETROFIT SEAL (VITON)

- Replaces John Deere factory supplied bodies
- Fits existing booms with 11/16" holes



Part#	Description
CP98488-VI	Retrofit Seal for large hole wet booms

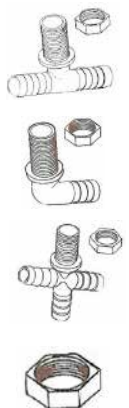
## BOOM CLAMPS

	Part#	Size
Standard Round	AA111-1/2	1/2
	AA111-3/4	3/4
	AA111-1	1
Standard Square	AA111-11/4	1 1/4
	AA111SQ-1	1
	AA111SQ-11/4	1 1/4
Quicklet Round	QJ111-1/2	1/2
	QJ111-3/4	3/4
	QJ111-1	1
Quicklet Square	QJ111-11/4	1 1/4
	QJ111SQ-3/4	3/4
	QJ111SQ-1	1
	QJ111SQ-11/4	1 1/4
	QJ111SQ-11/2	1 1/2



## OLD STYLE THREADED NOZZLE BODIES

Part#	Description
8120-NYB-406TD	3/8 Nylon Tee
8120-NYB-540TD	1/2 Nylon Tee
8121-NYB-406TD	3/8 Nylon Elbow
8121-NYB-540TD	1/2 Nylon Elbow
8124-NYB-406TD	3/8 Nylon Cross
8124-NYB-540TD	1/2 Nylon Cross
CP8027-NYB	Nylon Cap
CP1325	Brass Cap
8023NYB	Nylon Nut



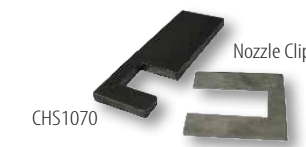
## SWIVEL BODY ASSEMBLIES

Part#	Description
QJ8600-1/4NYB	Single Swivel
QJ8600-2-1/4NYB	Double Swivel



## NOZZLE CLIP/ HOLDER

Part#	Description
NOZZLE CLIP	Nozzle Clip
CHS1070	Weld on Nozzle Mount



## NOZZLE HOSE DROPS

- Connect to Standard and Quick TeeJet Nozzle Bodies
- Can be used with swivels

Part#	Length	Description
21353-6-15-NYB	15"	Quick TeeJet Type
21353-6-24-NYB	24"	Quick TeeJet Type



## ADAPTERS

- Adapts all Quick TeeJet parts to 1/8" or 1/4" NPT
- Includes ChemSaver Diaphragm Check Valve for Drip-Free Shut-off (Opens at 10 PSI).
- Standard Diaphragm is EPDM (Viton Optional)

Part#	Size
QJ8355-1/8-NYB	1/8 FNPT
QJ8355-1/4-NYB	1/4 FNPT
8360NYB	1/4 MNPT
QJT8360-NYB	11/16" 16 TeeJet Thread
CP20266EPDM	Gasket



## STRAINERS/ CHECK VALVES

Part#	Mesh
8079PP24	24
8079PP50	50
8079PP80	80
8079PP100	100
8079PP200	200
4193B-PP-10-100SS	100



## INLET CONNECTORS

Part#	Material	Size
CP1322	BRASS	1/4
QJ1/4TT-NYB	NYLON	1/4
CP1321	BRASS	1/4
QJ1/4T-NYB	NYLON	1/4



## COMBO-JET SYSTEM

Part#	Description
<b>DRY BOOM</b>	
40352-00	Combo-Jet Sq. Mt. Dry Boom – Single with Diaphragm
40353-00	Combo-Jet Sq. Mt. Dry Boom – Double Swivel with Diaphragm
40354-00	Combo-Jet Sq. Mt. Dry Boom – Triple Swivel with Diaphragm
40301-00	Hose Shank Adapter – 3/8" One Way
40302-00	Hose Shank Adapter – 3/8" Two Way
40306-00	Hose Shank Adapter – 1/2" One Way
40307-00	Hose Shank Adapter – 1/2" Two Way
40311-00	Hose Shank Adapter – 3/4" One Way
40312-00	Hose Shank Adapter – 3/4" Two Way
40313-00	Hose Shank Adapter – 3/4" Three Way

## COMBO-JET OUTLET NOZZLES

Part#	Description
<b>WET BOOM</b>	
40621-00	Wilger 1" Wet Boom Nozzle Body Assembly Single Combo Jet Outlet with Bolt Mount
40622-00	Wilger 1" Wet Boom Nozzle Body Assembly Dual Combo Jet Outlet with Bolt Mount
40623-00	Wilger 1" Wet Boom Nozzle Body Assembly Triple Combo Jet Outlet with Bolt Mount



## SQUARE LUG OUTLET NOZZLE BODIES

Part#	Description
<b>WET BOOM</b>	
40661-00	Wilger 1" Wet Boom Nozzle Body Assembly Single Square Lug Outlet with Bolt Mount
40662-00	Wilger 1" Wet Boom Nozzle Body Assembly Dual Square Lug Outlet with Bolt Mount
40663-00	Wilger 1" Wet Boom Nozzle Body Assembly Triple Square Lug Outlet with Bolt Mount



Part#	Description
41437-00	Combo-Rate II INTGL Saddle/Body Blended Pulse 1" 1 Way 3/8" Inlet Bolt Mount
40155-23	Molded Diaphragm Plus Pad O-Ring, FKM







## COMBO-RATE SYSTEM

Part#	Description
<b>MANUAL ON/OFF DIAPHRAGM NOZZLE BODIES</b>	
41110-00	Combo-Rate Thru Diaphragm Body Assembly Manual On/Off
41111-00	Combo-Rate End Diaphragm Body Assembly Manual On/Off
<b>CAPSTAN BLENDED PULSE NOZZLE BODIES</b>	
41136-00	Combo-Rate End Body Assembly for Capstan (without nut)
<b>SQ. MT. EXTRA HIGH REACH DRY BOOM</b>	
40342-00	Dry Boom Clamp Assembly 1 1/2 - 2 sq. and Rd. Tube

## WET BOOM BODIES



Part#	Description
<b>COMBO-RATE SIDE INLET SADDLES</b>	
41203-00	Wet Boom Saddle Assembly 1/2" Pipe, 3/8" Inlet
41200-00	Wet Boom Saddle Assembly 1" Pipe, 3/8" Inlet
<b>COMBO-JET &amp; SQUARE LUG ADAPTERS</b>	
40203-00	Combo-Jet To Square Lug Adapter
<b>WILGER BOOM END FLUSH VALVES</b>	
25176-V0	Quick Nut Boom End Flush Valve 1" FPT
41402-V0	Thin Wall Steel Boom End Flush Valve For Case 1.315 "Od Pipe
25175-10	Boom End Valve Replacement Dust Cap
25160-V4	O-Ring For Wilger Boom End Flush Valve
25175-11	Boom End Flush Valve Repair Kit (2 Valves) Viton



## COMBO-JET SPRAY TIPS

### MR TIP

- The MR series Wilger's 2nd stage drift reduction series, producing great coverage, with very significant drift reduction.
- Cap reduces 75% of driftable fines
- Ideal for applications which require good coverage, but require high levels of drift reduction. (i.e. Systemic Herbicides)

Nozzle Number

MR110-\*

\* Specify Opening Size Below



### UR TIP

- The UR series is Wilger's newest 4th stage drift reduction series, emphasizing coarse spray for ultimately low drift.
- The UR series was developed for applications that have very low tolerance for spray particle drift, minimizing off-target spray movement.
- Ideal for applications which value drift reduction over coverage. Typically coverage is maintained by using higher application volumes. (i.e. Ground-Applied & Systemic Herbicides)

Nozzle Number

UR110-\*

\* Specify Opening Size Below



## Y-LINE STRAINERS



### SCREENS

MESH SIZE	OLD RIB COLOR	NEW RIB COLOR
6 MESH	WHITE	WHITE
12 MESH	BLACK	BLACK
20 MESH	BEIGE	BEIGE
30 MESH	YELLOW	FLAME RED
40 MESH	BROWN	BROWN
50 MESH	RED	GENTIAN BLUE
80 MESH	BLUE	ZINC YELLOW
100 MESH	GREEN	TRAFFIC GREEN
120 MESH	BLACK	BLACK

Part#	Size	Mesh
1" LS100-40	1	40
1 1/4"	LS125-40	1 1/4" 40
	LS125-80	1 1/4" 80
1 1/2"	LS150-30	1 1/2" 30
	LS150-50	1 1/2" 50
2"	LS150-80	1 1/2" 80
	LS200-12	2" 12
2"	LS200-20	2" 20
	LS200-50	2" 50
2"	LS200-80	2" 80
	LS200-120	2" 120
2"	MLS200-50	2" 50
	MLS222-50	2" 50
3"	MLS300-50	3" 50

## Y-LINE STRAINER PARTS

Part#	Description
LS100-G	3/4" & 1" Strainer Gasket
LS150-G	Strainer Gasket - 1 1/2" and 2" Strainers
12777	1/2" Drain Plug - 1" and 1 1/4" Strainers
LSQ200PL	1" Drain Plug - 1 1/2" and 2" Strainers
UV15163	O-ring for Drain Plug - 1" and 1 1/4" Strainer
LSQ200R	O-ring for Drain Plug - 1 1/2" and 2" Strainers
LS740	40 Mesh Screen - 1/2" and 3/4" Strainers
LS780	80 Mesh Screen - 1/2" and 3/4" Strainers
LS140	40 Mesh Screen - 1" and 1 1/4" Strainers
LS180	80 Mesh Screen - 1" and 1 1/4" Strainers
LS220	20 Mesh Screen - 1 1/2" and 2" Strainers
LS230	30 Mesh Screen - 1 1/2" and 2" Strainers
LS250	50 Mesh Screen - 1 1/2" and 2" Strainers
LS280	80 Mesh Screen - 1 1/2" and 2" Strainers
LS320	20 SS Mesh Screen for MLS300 Strainer
LS350	50 SS Mesh Screen for 3" Manifold Strainer
LST230SS	30 SS Mesh Screen for 2" T Strainer
LST250SS	50 SS Mesh Screen for 2" T Strainer
MLS250SS	50 SS Mesh Perforated Screen

## T-LINE STRAINERS



SCREENS		
MESH SIZE	OLD RIB COLOR	NEW RIB COLOR
6 MESH	WHITE	WHITE
12 MESH	BLACK	BLACK
20 MESH	BEIGE	BEIGE
30 MESH	YELLOW	FLAME RED
40 MESH	BROWN	BROWN
50 MESH	RED	GENTIAN BLUE
80 MESH	BLUE	ZINC YELLOW
100 MESH	GREEN	TRAFFIC GREEN
120 MESH	BLACK	BLACK

Part#	Size	Mesh	
LSTM075-50	3/4"	50	
LST075-30	3/4"	30	
3/4"	LST075-50	3/4"	50
	LST075-80	3/4"	80
	LST075-100	3/4"	100
	LST100-30	1"	30
	LST100-50	1"	50
1"	LST100-80	1"	80
	LST100-100	1"	100
	LST125-30	1 1/4"	30
1 1/4"	LST125-50	1 1/4"	50
	LST125-80	1 1/4"	80
	LST125-100	1 1/4"	100
1 1/2"	LST150-30	1 1/2"	30
	LST150-50	1 1/2"	50
	LST150-80	1 1/2"	80
	LST150-100	1 1/2"	100

### T-LINE STRAINER PARTS

Part#	Description
LSTM050G	EPDM Gasket for Mini T-Strainer
LST100-G	3/4" & 1" Strainer Gasket
12777	1/2" Drain Plug - 1" and 1 1/4" Strainers
UV15163	O-ring for Drain Plug - 1" and 1 1/4" Strainer
LST130	30 Mesh Screen - 3/4" and 1" Strainer
LST150	50 Mesh Screen - 3/4" and 1" Strainer
LST180	80 Mesh Screen - 3/4" and 1" Strainer
LST1100	100 Mesh Screen - 3/4" and 1" Strainer
LST150-G	T-Line Strainer Gaskets - 1 1/4" and 1 1/2" Strainers
LSQ200PL	1" Drain Plug - 1 1/2" and 2" Strainers
LSQ200R	O-ring for Drain Plug - 1 1/2" and 2" Strainers
LST1530	30 Mesh Screen - 1 1/4" and 1 1/2" Strainers
LST1550	50 Mesh Screen - 1 1/4" and 1 1/2" Strainers
LST1580	80 Mesh Screen - 1 1/4" and 1 1/2" Strainers
LST15100	100 Mesh Screen - 1 1/4" and 1 1/2" Strainers

## TeeJet T-LINE STRAINERS



Part#	Pipe/Flange Connection	APPROXIMATE FLOW RATE WITH 5 PSI (0.34 bar) PRESSURE DROP IN GPM (l/min)
AA122-1/2-PP-*	1/2"	12 (45)
AA122-ML-1/2-PP-50	1/2"	12 (45)
AA126ML-F50-*	50 Series Flange	35 (132)
AA126ML-3-*	3/4"	23 (87)
AA126ML-4-*	1"	35 (132)
AA126ML-F75-*	75 Series Flange	77 (291)

\* Specify Mesh Size

Screen Mesh	Part#
50	CP45102-3-SSPP (shown)
80	CP45102-4-SSPP
100	CP45102-5-SSPP
50	CP16903-4-SSPP
80	CP16903-5-SSPP
100	CP16903-6-SSPP
30	CP15941-2-SSPP
50	CP15941-3-SSPP
80	CP15941-4-SSPP
100	CP15941-5-SSPP



## HYPRO T-LINE STRAINERS



Part#	Mesh	Size	Replacement Screens	Replacement Gaskets
3350-0043A	80	1/2"	3800-0026	1700-0091
3350-0034A	50	3/4"	3800-0025	1700-0092
3350-0035A	80	3/4"	3800-0026	
3350-0058A	50	1"	3800-0041	
3350-0059A	80	1"	3800-0042	
3350-0072A	50	1 1/4"	3800-0044	
3350-0113A	50	1 1/2"	3800-0066	





# BOOM COMPONENTS

## TeeJet FERTILIZER SPRAY TIP SELECTION GUIDE

SPRAY TIPS & DROPLET SIZE*	HERBICIDES		FUNGICIDES		INSECTICIDES		
	SOIL APPLIED	POST-EMERGENCE		CONTACT	SYSTEMIC	CONTACT	SYSTEMIC
		CONTACT	SYSTEMIC				
<b>AccuPulse TwinJet</b> APTJ	EXCELLENT		EXCELLENT				
<b>Turbo TeeJet</b> TT		EXCELLENT	VERY GOOD	EXCELLENT	VERY GOOD	EXCELLENT	VERY GOOD
<b>AIXR TeeJet</b> AIXR	VERY GOOD	EXCELLENT	VERY GOOD	GOOD	VERY GOOD	VERY GOOD	EXCELLENT
<b>Air Induction TeeJet</b> AI & AIC	VERY GOOD		EXCELLENT		GOOD		VERY GOOD
<b>Turbo TeeJet Induction</b> TTI	EXCELLENT		EXCELLENT				
<b>TTI TwinJet</b> TTI60	EXCELLENT		EXCELLENT				
<b>XR, XRC TeeJet</b> XR & XRC		VERY GOOD	GOOD	EXCELLENT	GOOD	EXCELLENT	GOOD
<b>Turbo TwinJet</b> TTJ60	GOOD	EXCELLENT	VERY GOOD	EXCELLENT	VERY GOOD	EXCELLENT	VERY GOOD
<b>AI Turbo TwinJet</b> AITJ60	VERY GOOD	VERY GOOD	EXCELLENT	GOOD	EXCELLENT	GOOD	EXCELLENT
<b>AI3070</b> AI3070				EXCELLENT	VERY GOOD		
<b>StreamJet</b> SJ3 & SJ3-VR							
<b>StreamJet</b> SJ7A & SJ7A-VR							
<b>StreamJet</b> PTC-VR & QJ-VR							
<b>StreamJet</b> SOLID STREAM							

**Note:** Consult the chemical manufacturer's product label for specific rate and application recommendations. Droplet size categories shown are based on ISO 25358.  
\*(XF) Extremely Fine, (VF) Very Fine, (F) Fine, (M) Medium, (C) Coarse, (VC) Very Coarse, (XC) Extremely Coarse, (UC) Ultra Coarse

## TeeJet

FERTILIZER		DRIFT CONTROL	PWM APPROVED
BROADCAST	DIRECTED		
EXCELLENT		EXCELLENT	✓
EXCELLENT		GOOD	✓
		VERY GOOD	
VERY GOOD		EXCELLENT	
EXCELLENT		EXCELLENT	✓
EXCELLENT		EXCELLENT	✓
		GOOD	✓
		VERY GOOD	✓
		EXCELLENT	✓
EXCELLENT		EXCELLENT	
EXCELLENT		EXCELLENT	
	EXCELLENT	EXCELLENT	
	EXCELLENT	EXCELLENT	

### LIQUID FERTILIZER APPLICATION

Just as in applying crop protection products, the proper application of liquid fertilizer is important. Delivering nutrients to the crop in a timely and effective manner while minimizing crop damage is essential. TeeJet Technologies offers an extensive selection of spray tips specifically designed to maximize the performance of your liquid fertilizer application.

Solid stream nozzles, offered in both single and multiple-stream versions, are designed to deliver fertilizer to the soil surface where it can be effectively utilized by the crop. By creating solid liquid streams, these tips greatly reduce foliar coverage in standing crop in order to minimize leaf burn. TeeJet Technologies StreamJet tips provide the ideal blend of compact, reliable design, ease of installation and affordable pricing.

In some cases, the use of a broadcast nozzle for fertilizer application may be desirable. This could include combined fertilizer/pesticide applications, foliar feeding or broadcast liquid fertilization of bare ground. For these applications TeeJet Technologies offers a wide variety of low drift, flat spray tips.

### LIQUID DENSITY CONVERSION

When selecting a specific capacity tip for liquid fertilizer application, always correct for liquid density. Application charts shown in this catalog are based on spraying water. Many fertilizer solutions are denser than water, which will affect the application rate. Please see page 185 for a list of density conversion factors.

#### EXAMPLE

Desired application rate is 20 GPA of 28% Nitrogen. Determine the correct nozzle size as follows:

$$\text{GPA (liquid other than water)} \times \text{Conversion Factor} = \text{GPA}^*$$

$$20 \text{ GPA (28\%)} \times 1.13 = 22.6 \text{ GPA (water)}$$

The applicator should choose a tip size that will supply 22.6 GPA of water at the desired pressure.

\*From table in catalog.



# BOOM COMPONENTS

## TeeJet<sup>®</sup> XP - BOOMJET | Boomless Flat Spray Nozzles

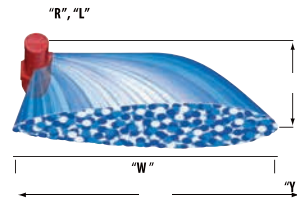
NPT or BSPT (male) threads for easy installation.



10 20 25 40 80

\* Specify Opening Size Below

Nozzle Number	Material
1/4XP*R-VP	Acetal
1/2XP*R-VP	Acetal



DROPSIZE	PSI	CAPACITY ONE NOZZLE IN GPM	SPRAY WIDTH "W" (FEET)		HEIGHT "Y" = 24"										HEIGHT "Y" = 36"										
			24" HEIGHT	36" HEIGHT	GPA FOR ONE NOZZLE					GALLONS PER 1000 SQ. FT.					GPA FOR ONE NOZZLE					GALLONS PER 1000 SQ. FT.					
					4 MPH	6 MPH	8 MPH	10 MPH	15 MPH	20 MPH	2 MPH	3 MPH	4 MPH	5 MPH	4 MPH	6 MPH	8 MPH	10 MPH	15 MPH	20 MPH	2 MPH	3 MPH	4 MPH	5 MPH	
(B)1/4XP10R	20	UC	0.71	8.5	10.0	10.3	6.9	5.2	4.1	2.8	2.1	0.47	0.32	0.24	0.19	8.8	5.9	4.4	3.5	2.3	1.8	0.40	0.27	0.20	0.16

**Note:** Always double check your application rates. Tabulations are based on spraying water at 70°F (21°C). Application rates are identical for a two-tip setup. Swath width and flow capacity will be doubled for a two-tip setup.

## BOOMJET | Boomless Nozzles



Type 5880 BoomJet nozzle is used for spraying areas not easily accessed with a boom sprayer. It combines two off-center tips and three VeeJet<sup>®</sup> nozzles to produce an overall wide swath flat spray. The nozzle assembly provides good distribution considering the wide pattern coverage obtained; however, the uniformity is not as good as with a properly operated boom sprayer. \* Supplied with one additional 1/49 NPT pipe plug and one blank tip for setting BoomJet to one side only. Also has a 1/49 NPT pressure gauge port.

06 10 20 40

\* Specify Opening Size Below

Nozzle Number	Material
5880-3/4-2TOC*	Brass

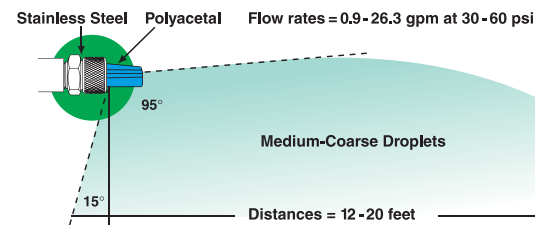
DROPSIZE	PSI	GPM	"W" (FEET)	GPA					GALLONS PER 1000 SQ. FT.				
				4 MPH	5 MPH	7.5 MPH	10 MPH	15 MPH	2 MPH	3 MPH	4 MPH	5 MPH	
5880-3/4-2TOC06	20	1.84	33.5	6.8	5.4	3.6	2.7	1.8	0.31	0.21	0.16	0.12	

**Note:** Always double check your application rates. Tabulations are based on spraying water at 70°F (21°C).

## HYPRO<sup>®</sup> BOOMLESS SPRAY NOZZLES XT - BOOM X TENDER | Boomless Spray Tips

The Boom X Tender<sup>®</sup> is a boomless spray nozzle that is ideal for applications where a conventional boom cannot be used due to obstacles such as, power poles, guardrails, fences, trees, etc.

### Standard Pattern



Material

XT010F12
XT020F17
XT024F18
XT043F20
XT080F21

XT020GIOKIT\*  
\* Specify Tip Size

Nozzle Size (MNPT)	Pressure (PSI)	Flow Rate (GPM)	Gallons per Acre at swath shown MPH										GAL/1000ft <sup>2</sup>					Swath (ft) at 40 PSI 48 in high
			4	5	6	8	10	12	15	20	2	3	4	5				
10 (1/4")	30	0.9	8.9	7.1	5.9	4.5	3.6	3.0	2.4	1.8	0.41	0.27	0.20	0.16				

Features	
Common Use	Weeds
Pattern	Boomless Fan
Technology	Pre-Orifice
Material	Stainless or Polyacetal
Spray Angle	105°
Pressure Range	30-60 PSI (2-5 BAR)
Configuration	MNPT & FastCap



## BOOMINATOR BOOMLESS NOZZLES



Nozzle Number

UB1160L

UB1160R

UB1165L

UB1165R

UB1250L

UB1250R

UB1400L

UB1400R

UB1870L

UB1870R

1160 RIGHT or LEFT	(1/4" MNPT)			SPEED (MPH)						
	PSI	GPM	PATTERN	2	3	4	5	6	7	
				GALLONS PER ACRE						
20	1.0	16 ft.	15.5	10	8	6	5	4.5		

# BOOM COMPONENTS

## HYPRO BROADCAST SPRAY NOZZLES

### ULD - ULTRA LOW DRIFT Low Drift 120°

The Ultra Lo-Drift™ is the ideal spray tip for use where drift reduction is paramount. The tip produces large air-filled droplets, which cut drift dramatically compared with a standard fan and conventional low-drift spray tips. Ideal for use with pre-emergence and broad spectrum products. 15-115 PSI



Nozzle Number	Material
ULD120*	Plastic
FCULD120*	Plastic



### FCGA - FASTCAP GUARDIANAIR Air-Inducted 110°

GuardianAIR spray tips boost productivity, control, and profitability using a patented combination of innovations. They are air-inducted to reduce drift and boost on-target spray deposition, yet are tuned to provide more droplets per gallon than any comparable air inducted tip. Those coverage-boosting droplets are delivered at an optimized incline that provides more uniform coverage on the entire plant, front and back.



Nozzle Number	Material
FCGA110*	Plastic



### F80 - FANTIP Flat Fan 80°

The FanTip is a general spray tip that produces a mixed droplet spectrum over the 30-60 PSI operational pressure range. It is good for applications of herbicides, fungicides, insecticides and plant growth regulators.



Nozzle Number	Material
F80-*	Plastic



## HYPRO BROADCAST / BANDING SPRAY NOZZLES

### DT - DEFLECTIP 80°-145°

The DeflecTip produces a wide angled even spray (80° to 145°) making it ideal for banding applications of pre and post-emergent herbicides. When selected as a medium spray, the DeflecTip is good for applying cereal fungicides.



Nozzle Number	Material
DT*	Plastic



## HYPRO SPRAY GUNS



3381-0010

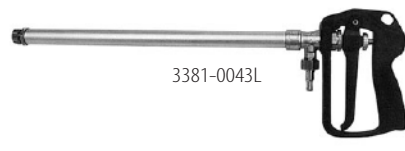
Adjust "On the Fly" Spray Pattern



3381-0021



3381-0043



3381-0043L

Part#	Length	Port (Npt)	Psi
3381-0010	17"	1/2" Inlet	1200
3381-0021	21"	3/8 & 1/2" Hose Barb	60
3381-0043	7 1/4"	3/8" & 1/2" Hose Barb	600
3381-0043L	18"	3/8" & 1/2" Hose Barb	600

## VALLEY INDUSTRIES SPRAY GUN

- Adjustable Spray Pattern
- Triggerlock for continuous spraying
- Ergonomic Stainless Steel Grip



Part#	Description	Psi
SG-PC-025	Jet Spray Gun	800

## LAWN SPRAY GUNS *TeeJet*

- Interchangeable nozzle tips are color-coded for easy identification of tip size.
- Nozzle tips provide a 45° full cone "showerhead" spray pattern.
- Convenient trigger lock for continuous spraying.
- Maximum operating pressure of 200 PSI (14 bar).
- Made of Nylon with Viton® O-rings and stainless steel springs.

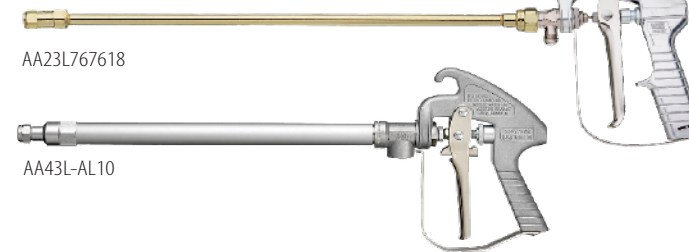
- OPTIONS:**
- Hose shank swivel for inlet connection
  - Extension wand and adapters for low-volume and spot spraying.



### CAPACITY (GPM) AT GIVEN PRESSURE

Model Number	Nozzle Tip Number	2 PSI	4 PSI	6 PSI	8 PSI	10 PSI	15 PSI	20 PSI
25660-1.5	CP25670-1.5-NY	1.4	1.9	2.3	2.6	2.9	3.4	4.0

## GUNJET SPRAY GUNS



AA23L767618

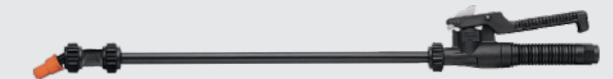
AA43L-AL10

Part#	Description
AA23L	GunJet without Extension
AA23L-7676-8	GunJet with 8" Extension
AA23L-7676-18	GunJet with 18" Extension
AA23L-7676-36	GunJet with 36" Extension
AA43LA-AL10	GunJet with 13" Aluminum Barrel
AA43L-AL10	GunJet with 22" Aluminum Barrel
11990-19	1/2" MPT x 1/2" FPT Brass Swivel

## TRIGGERJET 22670

The 22670 TriggerJet kit combines the 22650 TriggerJet with an extension wand and maximum pressure rating of 150 PSI (10 bar).

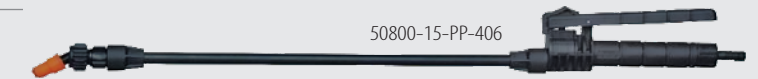
- 22650 TriggerJet spray gun with choice of 1/4 or 3/8 Hose Shank and a 1/4 NPT or BSPT(F) thread inlet connection.
- Trigger lock continuous flow (optional).



Part#	Description
22670-PP-15	Gun with 15" Extension
22670-PP-24	Gun with 24" Extension

## TRIGGERJET 50800

The 50800 TriggerJet spray gun is a lightweight spray gun designed for use with backpack, canister or other low pressure sprayers. The TriggerJet is made of molded polypropylene for excellent chemical resistance & durability.



Part#	Description
50800-15-PP-406	Gun with 15" Polypropylene Extension
50800-21-AL-406	Gun with 21" Aluminum Extension

## CONEJET SPRAY TIPS

Body of tip rotates through a half turn to provide spray selection from a wide angle fine cone spray to a straight stream. Available in Brass or Polypropylene.



Part#
5500-X3
5500-PPB-X5*
5500-X8

## OFFSET CONEJET SPRAY TIPS

- Provides adjustable spray from solid stream to a hollow cone pattern.
- Made of polypropylene material for excellent chemical resistance.
- Fits any 11/16-16 TeeJet® male thread bodies.
- 30° offset from horizontal incorporated into main tip body.



Part#
38720-PPB-X12
38720-PPB-X18
38720-PPB-X26

# BOOM COMPONENTS

## SPRAY CHART

SPRAY CHART			GALLONS PER ACRE – 20" SPACING								
STRAINER MESH	TIP NUMBER	PSI	MPH	4	5	6	8	10	12	15	20
			GPM/NOZZLE								
100	015 TIPS	15	0.092	6.8	5.5	4.6	3.4	2.7	2.3	1.8	1.4
		20	0.11	8.2	6.5	5.4	4.1	3.3	2.7	2.2	1.6
		30	0.13	9.7	7.7	6.4	4.8	3.9	3.2	2.6	1.9
		40	0.15	11.1	8.9	7.4	5.6	4.5	3.7	3.0	2.2
		50	0.17	12.6	10.1	8.4	6.3	5.0	4.2	3.4	2.5
		60	0.18	13.4	10.7	8.9	6.7	5.3	4.5	3.6	2.7
		80	0.21	15.6	12.5	10.4	7.8	6.2	5.2	4.2	3.1
	100	0.24	17.8	14.3	11.9	8.9	7.1	5.9	4.8	3.6	
50	02 TIPS	15	0.12	8.9	7.1	5.9	4.5	3.6	3.0	2.4	1.8
		20	0.14	10.4	8.3	6.9	5.2	4.2	3.5	2.8	2.1
		30	0.17	12.6	10.1	8.4	6.3	5.0	4.2	3.4	2.5
		40	0.20	14.9	11.9	9.9	7.4	5.9	5.0	4.0	3.0
		50	0.22	16.3	13.1	10.9	8.2	6.5	5.4	4.4	3.3
		60	0.24	17.8	14.3	11.9	8.9	7.1	5.9	4.8	3.6
		80	0.28	21.0	16.6	13.9	10.4	8.3	6.9	5.5	4.2
	100	0.32	24.0	19.0	15.8	11.9	9.5	7.9	6.3	4.8	
50	025 TIPS	15	0.15	11.1	8.9	7.4	5.6	4.5	3.7	3.0	2.2
		20	0.18	13.4	10.7	8.9	6.7	5.3	4.5	3.6	2.7
		30	0.22	16.3	13.1	10.9	8.2	6.5	5.4	4.4	3.3
		40	0.25	18.6	14.9	12.4	9.3	7.4	6.2	5.0	3.7
		50	0.28	21.0	16.6	13.9	10.4	8.3	6.9	5.5	4.2
		60	0.31	23.0	18.4	15.3	11.5	9.2	7.7	6.1	4.6
		80	0.35	26.0	21.0	17.3	13.0	10.4	8.7	6.9	5.2
	100	0.40	30.0	24.0	19.8	14.9	11.9	9.9	7.9	5.9	
50	03 TIPS	15	0.18	13.4	10.7	8.9	6.7	5.3	4.5	3.6	2.7
		20	0.21	15.6	12.5	10.4	7.8	6.2	5.2	4.2	3.1
		30	0.26	19.3	15.4	12.9	9.7	7.7	6.4	5.1	3.9
		40	0.30	22.0	17.8	14.9	11.1	8.9	7.4	5.9	4.5
		50	0.34	25.0	20.0	16.8	12.6	10.1	8.4	6.7	5.0
		60	0.37	27.0	22.0	18.3	13.7	11.0	9.2	7.3	5.5
		80	0.42	31.0	25.0	21.0	15.6	12.5	10.4	8.3	6.2
	100	0.47	35.0	28.0	23.0	17.4	14.0	11.6	9.3	7.0	
50	04 TIPS	15	0.24	17.8	14.3	11.9	8.9	7.1	5.9	4.8	3.6
		20	0.28	21.0	16.6	13.9	10.4	8.3	6.9	5.5	4.2
		30	0.35	26.0	21.0	17.3	13.0	10.4	8.7	6.9	5.2
		40	0.40	30.0	24.0	19.8	14.9	11.9	9.9	7.9	5.9
		50	0.45	33.0	27.0	22.0	16.7	13.4	11.1	8.9	6.7
		60	0.49	36.0	29.0	24.0	18.2	14.6	12.1	9.7	7.3
		80	0.57	42.0	34.0	28.0	21.0	16.9	14.1	11.3	8.5
	100	0.63	47.0	37.0	31.0	23.0	18.7	15.6	12.5	9.4	
50	05 TIPS	15	0.31	23.0	18.4	15.3	11.5	9.2	7.7	6.1	4.6
		20	0.35	26.0	21.0	17.3	13.0	10.4	8.7	6.9	5.2
		30	0.43	32.0	26.0	21.0	16.0	12.8	10.6	8.5	6.4
		40	0.50	37.0	30.0	25.0	18.6	14.9	12.4	9.9	7.4
		50	0.56	42.0	33.0	28.0	21.0	16.6	13.9	11.1	8.3
		60	0.61	45.0	36.0	30.0	23.0	18.1	15.1	12.1	9.1
		80	0.71	53.0	42.0	35.0	26.0	21.0	17.6	14.1	10.5
	100	0.79	59.0	47.0	39.0	29.0	23.0	19.6	15.6	11.7	
50	06 TIPS	15	0.37	27.0	22.0	18.3	13.7	11.0	9.2	7.3	5.5
		20	0.42	31.0	25.0	21.0	15.6	12.5	10.4	8.3	6.2
		30	0.52	39.0	31.0	26.0	19.3	15.4	12.9	10.3	7.7
		40	0.60	45.0	36.0	30.0	22.0	17.8	14.9	11.9	8.9
		50	0.67	50.0	40.0	33.0	25.0	19.9	16.6	13.9	9.9
		60	0.73	54.0	43.0	36.0	27.0	22.0	18.1	14.5	10.8
		80	0.85	63.0	50.0	42.0	32.0	25.0	21.0	16.8	12.6
	100	0.95	71.0	56.0	47.0	35.0	28.0	24.0	18.8	14.1	



## REGULATING/RELIEF VALVES

Part#	Description	PSI
AA110-1/4	Brass Pressure Relief	150
AA110-3/8	Brass Pressure Relief	150
AA110-1-DI	Ductile Iron Pressure Relief	150
8460-1/2	Nylon Pressure Relief	50
8460-3/4	Nylon Pressure Relief	50
23120PP34	PP Pressure Relief	150
23520-3/4-PP	PP Throttling Valve	150

## 244 ELECTRIC REGULATING BUTTERFLY VALVE

- 2-Wire Lead Provides Easy Installation with 12 Volt Systems
- Easy Installation (flows either direction)
- Flow Rate - 28 GPM



Part#	Description	PSI
35-50029	244C Regulating Valve, 3/4"	100

## 344 ELECTRIC REGULATING BALL VALVES

- 2-Wire Lead Provides Easy Installation with 12 Volt Systems
- Low Power Consumption (<1 Amp)



Part#	Description
35-02116	3/4" NPT Regulating Valve, 2 Way, 27 GPM
344BRL-2F-03CCS	1" Flanged Regulating Valve 344BRL, 3 RPM 6SEC RL Reg



# BOOM COMPONENTS



## BANJO ELECTRIC BALL VALVES

Part#	Description
LEV050	1/2" FPT Electric Valve
MLEV100	1" Electric Manifold Valve
MLEV100A	1/2" MLEV with M100 1" Manifold Electric Valve, 3 Wire. SS Ball, High Torque
MEV100CF	1" Full Port Banjo Electric Ball Valve
EV3300	3/4 Second 3 Wire Motor Assembly



## TeeJet TEEJET ELECTRIC BALL VALVES

### 430 SERIES 2-WAY MANIFOLD VALVES

- 0.6 Second Shut-off Time
- Built-In Mini DIN Connection
- All Metal Gear Train with SS Ball and Stem
- Max PSI - 215 / 16.5 Max GPM

Part#	Description
431EC-2-D	Single 430 Series 2-Way Ball Valve
58445	430 EC REPL Motor
58480EC-05	3 wire .5 meter Mini-Din Adapter Cable



### 344 SERIES 3-WAY MANIFOLD VALVES

Part#	Description
344BEC-3F-C	Electric 3-Way Ball Valve 1" Flanged Ends



### 450 SERIES MANIFOLD SHUT-OFF VALVES

- 1 to 5-Bank Manifolds Available
- Max PSI 200
- Threaded or Flange Fittings
- 22 RPM - 0.7 Sec. Shut-off
- 453 Flowback Ball Valve has Instant Shut-off Automatic Boom Section Control



Part#	Description
451BEC-2F-CVX	Single Manifold
453BEC-2F-CVX	3-Bank Manifold
451BEC-3FBF-CVX	Single Flowback Manifold
453BEC-3FBF-CVX	3-Bank Flowback Manifold
50515-22CP05	TeeJet Ball Valve Motor



## KZ VALVES

Part#	Description
C2D37-10DKO-B01	Valve - Actuated, EH7, Tx2-1/2"
C2D37	Valve Assy - TX 1/2" 2-Way, (Bottom Half M100 Flange, SS Stem & Ball)
10DKO-P01	Ball Valve Motor .05 SEC 12V (Top Half of C2D37-10DKO-B01)
106-0014	KZ Retainer, Hairpin, Nylon, EH7 ACT/Valve



## MANUAL CONTROL VALVES

### AA6B MANUAL CONTROL VALVE

- All Corrosion Resistant Parts
- Max PSI 150
- 12 GPM flow - only 5 PSI Pressure Drop
- 1/4" NPT Gauge Port

Part#	Description
AA6B	Manual Control Valve



### AA17Y MANUAL CONTROL VALVE

- 300 PSI Max
- Control any combination of up to 3 Boom Sections
- Corrosion Resistant Aluminum with SS and Plastic Internal Parts

Part#	Description
AA17Y	Manual Control Valve



## AA144A SOLENOID VALVES

- Stainless Steel Parts for Corrosion Resistance
- 10 GPM flow - only 5 PSI Pressure Drop
- EPDM Diaphragms Standard (Viton Optional)
- 3/4" Inlet / 1/2" Outlet

Part#
AA144A-1



## AA144F SOLENOID VALVE

- 8 GPM flow - only 5 PSI Pressure Drop
- Pressure Range 0-50 PSI
- Brass Internal Metal Parts,
- SS Fasteners
- Zinc-plated External Metal Parts

Part#
AA144F-1-3



## AA144P SOLENOID VALVES

- Stainless Steel Wet Parts for Corrosion Resistance
- Poly Body for Chemical Resistance
- No Stroke Adjustment required
- Corrosion Resistant 430SS Solenoid grade armature and armature stop.
- Encapsulated coil and magnetic circuit
- 3/4" Inlet / 1/2" Outlet

Part#
AA144P1



## 2504B SOLENOID VALVE

- 12V DC Operation
- 1/2" FNPT Inlet / (2) 1/2" FNPT Outlets
- Glass-filled Nylon Valve Housing with SS Wet Parts
- Epoxy-Encapsulated Coils with Weatherpack Connector
- 2 GPM @ 75 PSI

Part#
2504B



## SPRAYER VALVES & CONTROLS

- Sprayer Control System with 6 Ft. Harness, Liquid-filled Pressure Gauge, Pressure Regulator, 1999A Solenoid Valves and 1990 Valve Mounting Bracket

Part#	Description
1541A	Regulating Valve for B2040
TR2690	Kit-Elec Control for Motorized Boom Valves 1 Section 1541A Regulating Valve, 100 PSI Gauge



## 1999A SOLENOID VALVE

- 1" FNPT Inlet / 1" MNPT Outlet
- 12V DC Operation
- 3/4" FNPT Boom Line
- 18 GPM @ 175 PSI

Part#	Description
1999A1	Single Solenoid
1999A2	Double Solenoid
1999A3	Triple Solenoid



## 2201A SOLENOID VALVE

- 12V DC Operation
- 1/4" FNPT Inlet and Outlet
- Glass-filled Nylon Valve Housing with SS Wet Parts
- Epoxy-Encapsulated Coils with Weatherpack Connector
- 1 GPM @ 125 PSI

Part#
2201A



## REPAIR KITS FOR 1999A SOLENOID

Part#	Description
2517	1999A Solenoid Valve Kit (Viton)
2518	1999A Solenoid Valve Kit (AFLAS)
2515	1999A Coil Assembly



## TEEJET GPS GUIDANCE & AUTOSTEER SYSTEMS

- RealView Guidance over Video
- Droplet Size Monitoring
- Advanced Swath and Rate Control Capabilities



Part#	Description	Matrix 430
GD430-GLO-P-L	Matrix 430 Kit, GLONASS, Patch Antenna, Lighter Connector	
90-02720	RXA-30 Antenna with 20' Cable	
78-50190	Patch Antenna Replacement	



REALVIEW GUIDANCE OVER VIDEO



BE AWARE OF MORE BY SPLITTING THE SCREEN TO FOUR CAMERAS



DROPLET SIZE MONITOR FUNCTION



REALVIEW CAMERAS CAN BE EASILY MOUNTED ANYWHERE

## 744A SPRAYER CONTROLLER

- Manual spray controller in a compact package
- Lighted pressure gauge for night use
- Heavy duty switches with LED indicators
- Choice of dry or liquid-filled 100 PSI(7 bar) or 300 PSI(20 bar)
- Variety of kit forms using solenoid/ball control valves available



Part#	Description
90-50149	744 Core Kit/Cables/3 Switch
90-50163	744 Kit Complete (Console, Solenoid Valves, Regulating Valve)
90-02439-UX	Kit, 744A, Boom 100 PSI, Ball Valve Harness Weatherpack

## CABLES & PARTS

Part#	Description
45-10106-UX	21' Harness, 5 Section Ball Valves, 4 Term. Weatherpack
90-50230	801 Flowmeter, 1" HB, 2.5-60 GPM
57-10122	802 Flowmeter, 75 Series Flange, 3-130 GPM
16-40004	Proximity Speed Sensor
45-20042	Speed Cable, 844E-Dickey John



## GPS SPEED SENSOR

- GPS receiver measures true ground speed & delivers a signal compatible with most monitors.
- Eliminates problems with radar speed sensors on wet surfaces, moving crops, and vehicle vibration.
- Speed range 5. to 80+ MPH / 1 to 130 km/h

Part#	Description
90-02386	GPS Speed Sensor-844E
90-02404	GPS Speed Spensor-Raven



## MICRO-TRAK TURBINE TYPE FLOW METERS

- Connect wide range of flowmeters to any major brand control system to enjoy superior performance and accuracy
- Precisely monitors flow of valuable liquids and NH3
- Up to 2X the working life compared to other brands



Part#	Description	FM270
0151-P A	FM270 2" Flange 3.5-70 GPM 225 PSI Max	

## SERVO VALVES

- Fast acting servo valves ideally suited for responsive rate changes, and accurate control



Part#	Description	19097
19096	Servo Valve, M200 Flanged or 1 1/2" FPT, 1" Butterfly, Viton O-Rings, 150 PSI	
19097	Servo Valve, M200 Flanged or 1 1/2" FPT, 1.5" Butterfly, Viton O-Rings, 150 PSI, M200	
16129 A	Servo Valve - M200 Flanged or 1-1/2" FPT with 1" Butterfly, Raven, 2 Pin Molded	
16130 A	Servo Valve - M200 Flanged or 1-1/2" FPT with 1-1/2" Butterfly, Raven, 2 Pin Molded	

## SPRAYMATE II

- The SprayMate II features a compact design built in controls for up to 3 separate boom sections. It controls application rates precisely, regardless of changing field conditions



Part#	Description
01341	SprayMate II-Self Contained with built-in Controls for up to 3 Boom Sections

## ASTRO II GPS SPEED SENSORS

- Highly accurate and affordable replacement for magnetic wheel speed sensors or radar guns. Connects with ease to most brands of monitors and controllers.



Part#	Description
01410	Astro Series GPS Speed Sensors

## CABLES & PARTS

Part#	Description
19906	Adapts a Raven Speed Sensor to a Micro-Trak Controller
18664	Adapts a Raven Flowmeter to a Micro-Trak Controller. This adapter is used with Raven Flowmeters made after 2012
17442	Micro-Trak Flow Sensor with a Raven style Conxall connector. Can be used with all Micro-Trak Turbine type Flowmeters to connect to a Raven Controller
17324	Adapts a Micro-Trak Servo Valve to a Raven Controller
14611	Adapts a Raven Flowmeter to a Micro-Trak Controller when +5VDC is required to power the Raven flow sensor. (Required for Raven Flowmeters made before 2012)
17325	Adapts a Micro-Trak Flowmeter to a Raven Controller
17528	Adapts a Raven Servo to a Micro-Trak Controller
19905	Adapts a Raven "Fast Valve" to a Micro-Trak Controller
14315	Power Cable
14313	Boom/Servo/Flow Harness
14316	120" 10-Pin Extension Cable
13221	Extension Cable 10 Pin MP 150, 10'



## RAVEN SCS SPRAY CONSOLE CONSOLES



### SCS 450 FEATURES

- One-Product Capability (Liquid, NH3)
- 6 Boom Switches
- Capable of Direct Injection when used with Sidekick

- Simple operation
- Low-limit function
- Digital boom pressure read-out
- Supports a variety of Flow Meters and Control Valves
- Audible alarms
- Self-test function
- Rate bump features

### CONSOLE

Part#	Description
1-063-0171-220	SCS 450 Console (6 Boom)

### CABLES

New Part#	Description
1-115-0171-085	Console Cable 10'
1-115-0159-856	Extension Cable 12', 7 Boom
1-115-0159-857	Extension Cable 24', 7 Boom
1-115-0171-086	Flow Cable 6', 6 Boom, 3-Pin Weatherpack
1-115-0171-055	Flow Cable 12', 6 Boom, 3-Pin Weatherpack



1-063-0172-125

### REGULATING VALVES

Part#	Description
1-063-0172-125	Control Valve, 1", Poly Flanged Butterfly
1-063-0171-894	Control Valve, 1 1/2", Poly Flanged Butterfly

### RFM FLOW METERS

New Part#	Description
1-063-0172-058	MF270 LF Flow Meter Kit
1-063-0171-985	RFM 60P High Pulse (1-60 GPM) M200 Flange
1-063-0173-578	RFM 100P High Pulse (5-100 GPM) M220 Flange
1-063-0173-579	RFM 200P High Pulse (15-200 GPM) M300 Flange



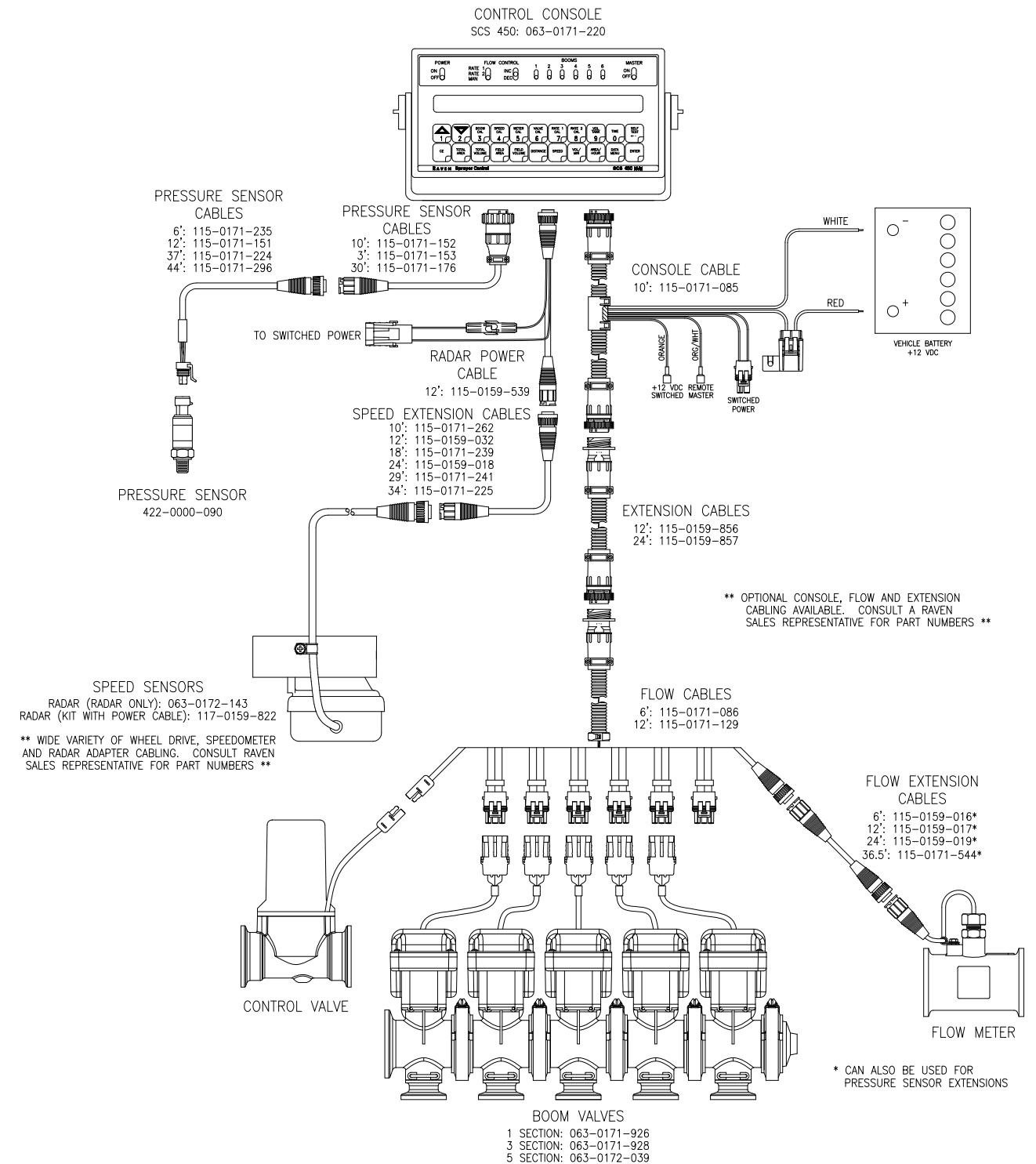
1-063-0172-058

### PRESSURE SENSORS

Part#	Description
AKSCP-030	Pressure Sensor for 12V John Blue Controller 2nd Gen
1-422-0000-090	Raven Pressure Transducer 0-250 PSI



## SCS 450 LIQUID CONTROL SYSTEM



**A**  
 Agitator.....37  
 Air Compressors.....41  
**Anhydrous Products.....72-75**  
 Conversion Tubes.....74  
 Couplers.....75  
 Caps.....75  
 Hose.....75  
 Manifolds.....74  
 Manifold Fittings.....74  
 NH3 Gloves.....72  
 Pressure Gauges.....74  
 Ray-Mac Hitch.....74  
**ATV Sprayers.....6-17**  
 ATV Contour/Spot Sprayers.....13  
 ATV Skid Sprayers.....6-9,12  
 Pull-Behind Sprayers.....See Pull-Behind  
 Weed Rollers.....16-17  
 AutoRateControl.....98-100

**B**  
**Boom Components.....76-97**  
 Nozzle Bodies.....76-79  
 Clamps/Clips/Holders/Brackets.....78  
 Dry Boom.....76,79  
 Old Style.....78  
 Wet Boom.....77,79  
 Nozzle Caps/Gaskets.....87  
 NozzleHoseDrops.....78  
 NozzleStrainers/CheckValves.....78  
 Spray Guns.....92-93  
**Spray Nozzles.....84-92**  
 Boomless.....90-91  
 Green Leaf.....88-89  
 Hypro.....92  
 Spray Chart.....94  
 TeeJet.....84-87  
 Wilger.....80  
 Swivel Bodies.....78  
 Valves(Shut-Off/Soleniod/Control.....95-97  
 Bulkhead Fittings.....32

**C**  
 Cable Ties.....44  
 Cam-Lever Couplings.....50, 51, 58  
**Chemical Handling**  
 Hand-Held Applicators.....75  
 Weed Rollers.....16-17  
 Weed Wipers.....75  
 Wick Weeders.....75  
 Batch Master.....29  
 Chemical Inductors.....26-29  
 Chemical Injector.....28  
 Chemical Inoculator(AugerTreater).....29,36  
 Measuring Cylinder.....29  
 Pumps (Chemical Transfer).....71  
 Suction Pipes.....70  
 Venturi.....29

Couplings.....See Fittings  
 CoxReels(Hose Reels).....38

**D**  
**Dakota Sprayers.....See UTV Sprayers**  
 Dandy-Lion Killers.....16-17  
 Drum Valve Couplers.....71  
 Dry Boom.....See Boom Components  
**De-Ice Systems.....22-23**

**E**  
**Electronics/GPS.....98-100**  
 Engines.....59-60  
 Honda.....60  
 John Blue.....59

**F**  
 Fertilizer Tanks.....See Tanks  
 Fertilizer Caddy.....30  
 Fertilizer Tenders.....30  
 Field Marker Flags.....72  
**Fire Control Sprayers.....18-21**  
 Fire Nozzle.....57  
**Fittings.....45-57**  
 Agitator.....49  
 Bulkhead.....32  
 Cam-Lever Couplings.....50,51,58  
 Garden Hose Fittings.....49  
 Gauge Tee.....49  
 Manifold (Flange) Fittings.....51-55  
 Poly Barbed/Threaded.....46  
 Push-Pull.....45  
 Stainless Steel.....58  
 Flow Indicator Assemblies.....40  
 Flow Meters.....71  
 Foam Markers.....36-37  
**Fuel Handling.....70-71**  
 Fuel Filters.....71  
 Fuel Flow Meters.....70,71  
 Fuel Hose.....70  
 Fuel Nozzles.....70  
 Fuel Pumps.....70

**H**  
**Homestead 3-Point Sprayers.....4-5**  
**Hose.....42-44**  
 Air Seeder.....43  
 Anhydrous.....42  
 Bumblebee (300-EPDM).....43  
 Clear PVC Tubing (Sight Gauge).....43  
 EPDM-390-SD.....43  
 EPDM Black Rubber Spray Hose.....43  
 EVA.....42  
 EVA (Braided).....42  
 Flat Discharge.....43  
 Fuel.....70  
 Grain Downspout.....42  
 Grain Vac.....42  
 Hose Clamps.....44  
 PVC Suction (See Air Seeder).....43  
 Steelflex.....42  
 Yellow Ag Spray Hose.....43  
 Hose Cutter.....44  
 Hose Nozzle (Fire Hose).....57  
 Hose Reels.....25,38  
 Super Reel.....25  
 Coxreels.....38  
 Hudson Fill Control Valve.....36  
 Hydraulic Pumps.....62-70

**I**  
 Ice Control Sprayers.....22-23  
 Inductor/Induction Systems.....26-29

**J**  
 Jet Rinse.....26  
 John Blue Products.....59  
 Jug Rinse.....26

**M**  
 Macro Valves.....71  
 Meters.....71  
 Mixing Tanks.....26-29

**N**  
 NH3.....72-75  
 Nozzle Bodies.....76-79  
 Nozzles  
 Fire Nozzle.....57  
 Spray Nozzles.....84-92  
 Boomless.....90-91  
 Hypro.....92  
 TeeJet.....84-87  
 GreenLeaf.....88-89

**P**  
 Planter Kits.....33,35,39-41  
 PPE.....72  
 Protective Equipment (Gloves).....72  
**Pull-Behind Sprayers.....14-15**

ATV Estate Sprayer.....15  
 ATV Maxi Sprayer.....15  
 ATV Mini Sprayer.....14  
**Pumps.....59-71**  
 Ace.....67-69  
 Centrifugal.....62,68-69  
 D.E.F.....70  
 Diaphragm.....61  
 Diesel.....70  
 Hypro.....62-66  
 Roller.....62  
 PTO Adapters.....63  
**Transfer Pumps.....59-61**  
 Electric.....61  
 Gas Engine.....59-60  
 Protective Cover.....60  
 Repair Kits.....60  
**Push-Type Sprayers.....17,22**  
 WR36 (Dandy-Lion Killer).....17  
 FSDEICE-Push(De-IceSystems).....22

**R**  
 Rinsing Products  
 Cone Rinse.....26  
 Jet Rinse.....26  
 Jug Rinse.....26  
 Tank Rinse Ball.....36

**S**  
 Safety Kit.....72  
 Seed Treaters.....26,36  
 Siphon Tubes.....32  
 Soil Probes.....72  
 Speed Controls.....39  
 Spray Guns.....92-93  
 Spray Tip Chart.....94  
 Sprayer Controls.....98-99

**Sprayers**  
**Truck-Mount Sprayers.....20,22,24**  
 ATV Sprayers.....13-15  
**ATV Contour/Spot Sprayers.....13**  
 ATV Skid Sprayers.....6-9,12  
 Pull-Behind Sprayers.....See Pull-Behind  
 Hand-Held (Red Weeder).....75  
 Weed Rollers.....16-17  
 Fire Fighters.....18-21  
 Homestead 3 Point Sprayers.....4-5  
 Strainers.....81-83  
 Banjo  
 T-Line Strainers.....82  
 Y-Line Strainers.....81  
 Hypro T-Line Strainers.....83  
 TeeJet T-Line Strainers.....83  
 Suction Pipes.....70  
**Super Reel (Hose Reel).....25**

**T**  
**Tanks.....26-29, 31-35**  
 Cone-Bottom.....30-31  
 Elliptical (and Cradles).....33  
 Horizontal (and Cradles).....34  
 Leg (and Hoops).....35  
 Lids.....32  
 Pickup.....32  
 Rinse.....32  
 Trailers.....See Fertilizer Tenders  
 Vertical.....31-32  
 T-Bolt Clamps.....44  
 Tenders.....See Fertilizer Tenders  
 Thread Sealant/Teflon Tape.....44  
 Three Point Sprayers.....4-5  
 Touch Down Wheels.....73  
 Transfer Pumps.....See Pumps

**U**  
**UTV Sprayers.....6-9,12,21**

**V**  
**Valves**  
 3-Way.....56  
 Angle.....56  
 Ball.....55-57  
 Brass.....57  
 Check.....54,57  
 Drum Valve Couplers.....71  
 Dry Disconnect.....71  
 Hudson Water Control.....36  
 Manifold (Flange) Valves.....51-55  
 Manual Boom Control.....96  
 Regulating.....95  
 Relief.....95  
 Shut-Off.....96-97  
 Solenoid.....97  
 Stainless Steel.....58  
 Union.....57  
 Venturi (Banjo).....29

**W**  
 Wand.....See Spray Gun  
 Water Tanks.....26-29,31-35  
 Wind Meters.....73  
 Windsock.....72  
 Weed Roller.....16-17  
 Weed Wiper.....75  
 Wick Weeder.....75  
 Wet Boom.....See Boom Components  
 WAAS-GPS Receivers.....99

**X**  
 XT-Hypro Boom XTender.....91  
 XR/XRC Spray Nozzles.....84  
 XP Boom Jet.....90

## WARRANTY

### WHAT IS WARRANTED

Unless otherwise noted, F/S Manufacturing warrants its Equipment to be free from defects in material and workmanship under normal use for a period of one year from the purchase date by the end user.

Warranty is limited to repair or replacement of the defective part. Expenses, mileage, inconveniences, or damages that may occur are not subject to warranty consideration. User shall determine the suitability of the product for its intended use and assume all risks and liability in connection with its use.

### LIMITATIONS

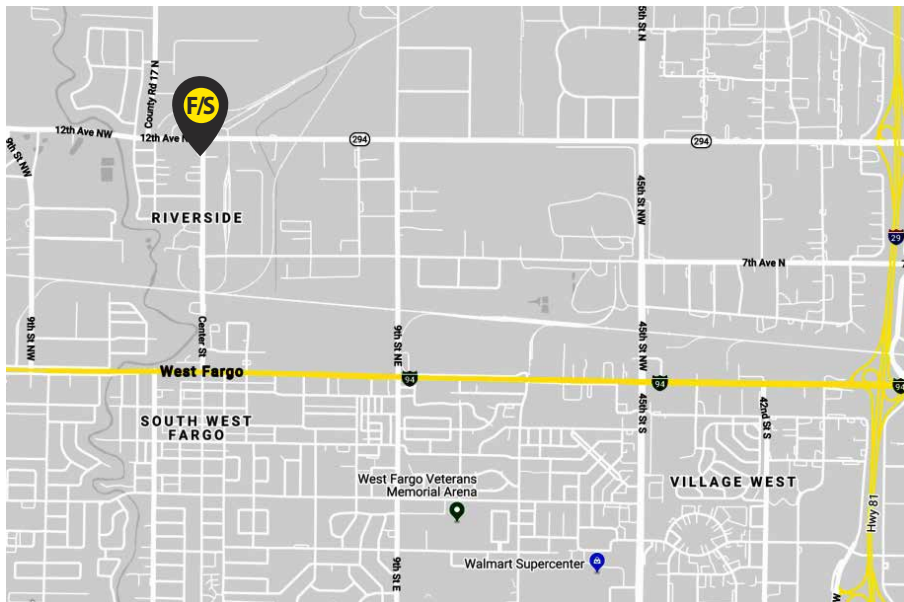
The entire warranty is embodied in the provisions described on this page and is not transferable. Statements made by sales people or dealers about F/S products are not part of this warranty provision.

This warranty does not apply to any Equipment which has been altered in any way after leaving F/S's property, which in F/S's judgement has affected its operation or reliability, or which in our opinion has subjected the Equipment to misuse, neglect, or accident.

Warranty claims for parts furnished to F/S from other manufacturers shall be subject to that manufacturer's warranty. F/S will process such warranty claims when items are returned to F/S Manufacturing, with the transportation to our facilities paid by the purchaser.



1102 Center Street  
West Fargo, ND 58078  
1-800-333-2314  
www.fsmfg.com



### BUSINESS HOURS

Monday - Friday 8:00am - 5:00pm

### CONTACT

1-800-333-2314  
www.fsmfg.com

### STAY UP TO DATE!

