

## PLASTIC PIPING SYSTEMS 2024



VISIT OUR WEBSITES TO LEARN MORE ABOUT OUR PRODUCTS

WWW.CEPEX.COM

CEPEX

HOME EMPRESA COMUNICACIÓN DESCARGAS CONTACTO REGO AGUA INDUSTRIAL

AGUA

Solucionamos las necesidades de conducción de fluidos.

Ver más

ESPECIALISTAS EN CONDUCCIÓN DE FLUIDOS

Cepex es la marca del grupo Fluttra que lleva trabajando en el mercado de conducción de Fluidos durante más de 25 años, con el compromiso de satisfacer las necesidades de este mercado y de sus clientes al 100%. Cepex se ha convertido en uno de los principales fabricantes europeos de válvulas y accesorios plásticos, creando su propia red de distribución mundial.

NUEVA VÁLVULA DE DIAFRAGMA MANUAL

Cepex lanza su nueva válvula de diafragma manual expresamente diseñada para aplicaciones industriales. Con los objetivos en mente de una regulación...

NOTICIAS

NUEVO CATÁLOGO TÉCNICO CEPEX

Cepex lanza su nuevo Catálogo Técnico para conducción de fluidos (válvulas y accesorios). Este catálogo está dirigido principalmente a siste...

WWW.CEPEXINDUSTRIAL.COM

CEPEX

Producto Aplicaciones Proyectos Noticias Descargas Contacto ESP Q

VÁLVULA DE DIAFRAGMA CEPEX

SEGURIDAD Y CONTROL

Cepex soluciona sus necesidades de conducción de fluidos.

VER PRODUCTO →

Nueva gama de válvulas CEPEX EXTREME SERIES

Más de 35 años de experiencia solucionando sus necesidades de conducción de fluidos.

PAG.

PVC-U PRESSURE FITTINGS	11	PVC-U
SOLVENT CEMENT / CLEANERS	32	
PVC-U PIPE	33	
VALVES	37	Valves
ACTUATED VALVES	58	
IRRIGATION VALVE BOXES	73	PP
PP COMPRESSION FITTINGS	75	
PP FITTINGS	85	
SPARE PARTS	92	Spare parts

# FLUIDRA

## THE PERFECT POOL EXPERIENCE

We are a leader in the global pool industry. Our portfolio includes some of the most trusted brands, including Jandy®, AstralPool®, Polaris®, Cepex®, Zodiac®, CTX Professional® and Gre®. We offer our customers an expansive array of products across both the residential and commercial pool and wellness markets, and we have a strong geographical footprint with operations in over 45 countries.

We have some 5,500 employees and the necessary resources to accelerate innovation in critical areas like energy-efficiency, robotics and the Internet of Things.

We are guided by clear values and come to work every day with a simple and direct mission: **To create the perfect pool and wellness experience.**

By staying focused on this mission, we create value for all our stakeholders: customers, pool owners, investors, employees, suppliers and society.

## INTEGRATED BUSINESS MODEL



### R+D+i

Excellence in innovation with +200 engineers and some 1,200 patents



### Production

34 flexible multi-technology plants in key countries



### Logistics

Logistics operators to ensure fast and reliable deliveries



### Distribution

+140 points of sale, giving support and training to the professional clients in over 45 countries



### Engineering

Design and engineering of water projects

# KEY FIGURES

5,500

No. of employees

+45

No. of countries

+140

No. of sales  
branches

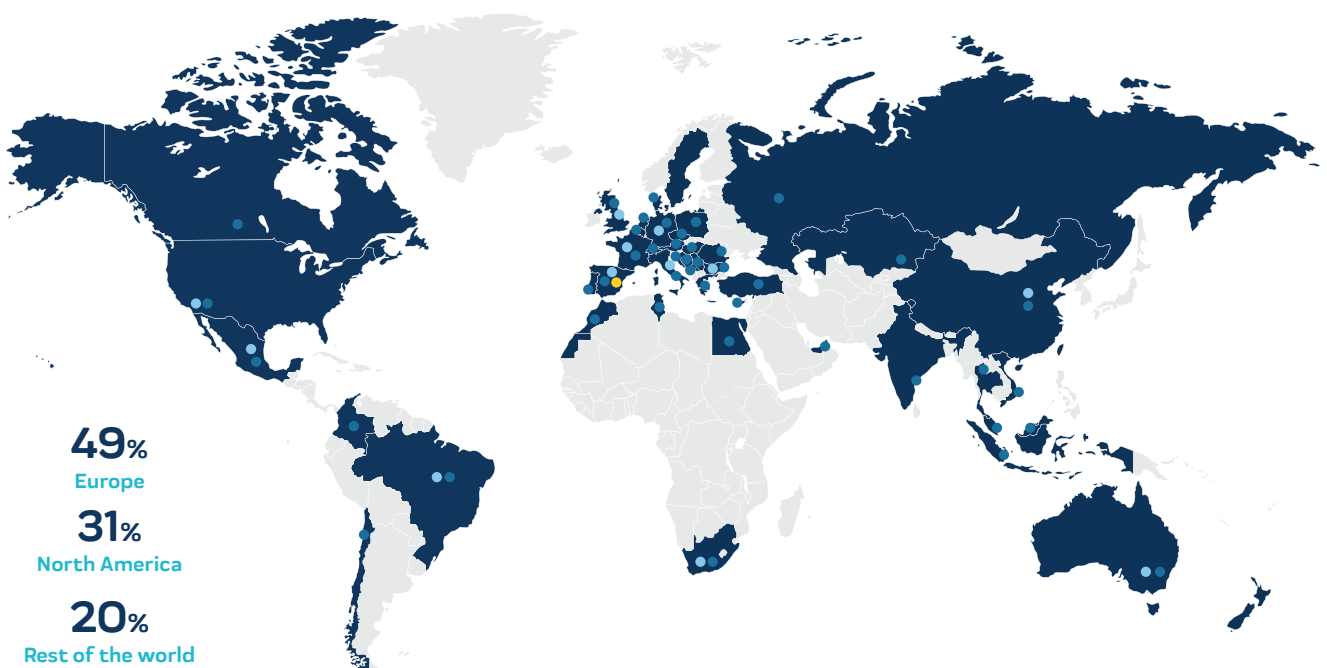
34

No. of production  
centers

## HIGHLY RECOGNIZED BRANDS



## A GLOBAL POWERHOUSE



• Own sales branch    • Production centres    • Headquarters

PRESENTATION GUIDE

- Picturized index helps you finding the required article.
- Each picture represents a product’s category, e.g.: elbows, valves, tees, ...
- Products have been grouped according to their function, e.g.: all valves appear together.
- Technical details are supplied in Cepex Technical Catalog.
- Spare parts details are now included at the end of this document.
- Traded products have been marked with a (\*) following its technical reference.

SIZE	PN	REF.	PACK	kg	Q(B)	Q(P)	CODE	EUR
16	16	05 01 016	B	3,1	200	24.000	<b>11655</b>	<b>0,77</b>
20	16	05 01 020	B	2,8	140	16.800	<b>01712</b>	<b>0,77</b>
25	16	05 01 025	B	2,8	80	9.600	<b>01713</b>	<b>0,96</b>
32	16	05 01 032	C	5,5	90	5.400	<b>01714</b>	<b>1,46</b>
40	16	05 01 040	C	5,2	55	3.300	<b>01715</b>	<b>2,05</b>
50	16	05 01 050	D	9,5	60	1.800	<b>01716</b>	<b>3,00</b>
63	16	05 01 063	D	10,7	36	1.080	<b>01717</b>	<b>4,60</b>

Corzan® is a registered trademark of The Lubrizol Corporation

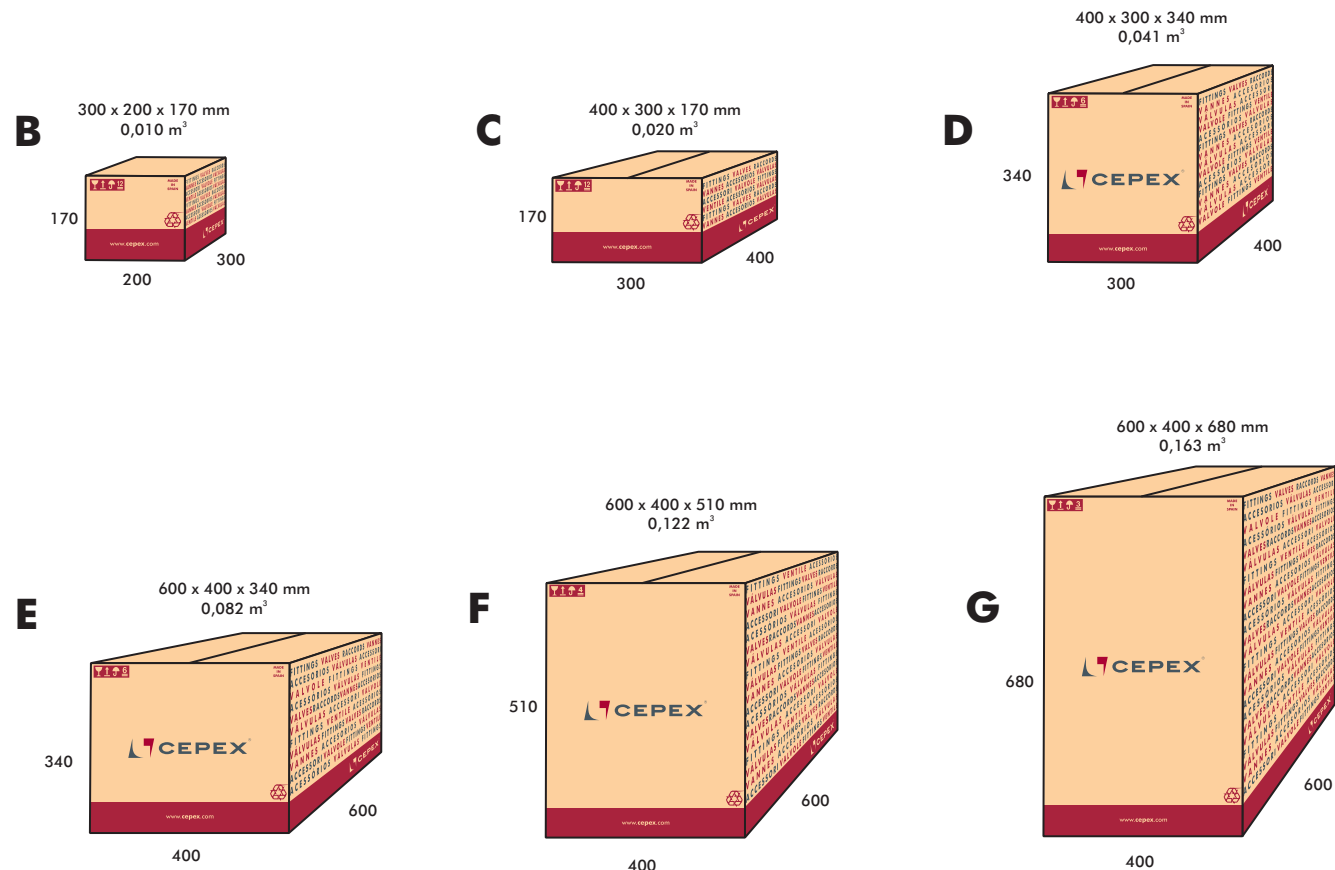
All the certificated references could be found in the Cepex Technical Catalogue or in the website [www.cepex.com](http://www.cepex.com)

- Certificates
- Associations
- Collaborations

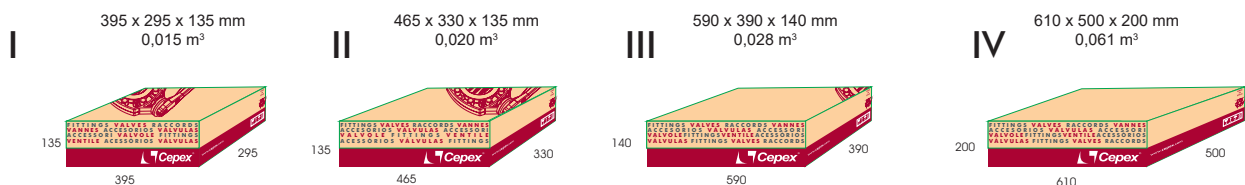


PACKAGING:

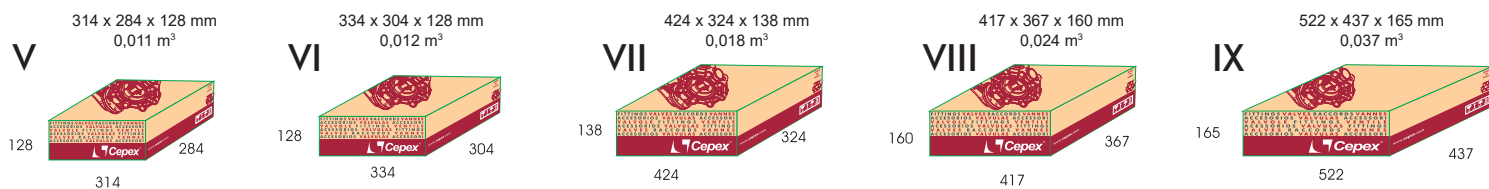
- PACK     Box modell  
When non-standard boxes are used, volume (m<sup>3</sup>) is shown in the PACK column.
- kg.     Gross weight per box
- Q(B)    Q: total quantity per box  
          B: quantity per internal box
- Q(P)    Total quantity per pallet



Butterfly valves Classic Series



Butterfly valves Standard and Industrial Series







# PVC-U PRESSURE FITTINGS

PVC-U

Valves

PP

Spare parts

PVC-U

**11** Elbows & bends



**27** Unions



**31** Sight glasses



Valves

**13** Tees & crosses



**28** Spigots



**31** Grooved coupling



PP

**16** Sockets & reducers



**29** Manifolds for electric valves



**31** Flowmeters



Spare parts

**19** Flanges & bolts



**29** Rubber-ring joint fittings



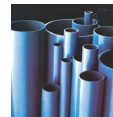
**32** Solvent cement / cleaner / tape



**23** Caps



**33** PVC-U pipe



**24** Nipples



## UP. 01. SF

ACP 010\*


**90° ELBOW**  
solvent socket

SIZE	PN	REF.	PACK	kg	Q(B)	Q(P)	CODE	EUR
16	16	05 01 016	B	3,1	200	24.000	<b>11655</b>	<b>0,77</b>
20	16	05 01 020	B	2,8	140	16.800	<b>01712</b>	<b>0,77</b>
25	16	05 01 025	B	2,8	80	9.600	<b>01713</b>	<b>0,96</b>
32	16	05 01 032	C	5,5	90	5.400	<b>01714</b>	<b>1,46</b>
40	16	05 01 040	C	5,2	55	3.300	<b>01715</b>	<b>2,05</b>
50	16	05 01 050	D	9,5	60	1.800	<b>01716</b>	<b>3,00</b>
63	16	05 01 063	D	10,7	36	1.080	<b>01717</b>	<b>4,60</b>
75	16	05 01 075	D	9,2	21	630	<b>01718</b>	<b>8,48</b>
90	16	05 01 090	D	9,3	12	360	<b>01719</b>	<b>14,33</b>
110	16	05 01 110	E	19,1	14	210	<b>01720</b>	<b>26,69</b>
125	16	05 01 125	E	18,4	10	150	<b>01721</b>	<b>38,38</b>
140	16	05 01 140	E	12,1	5	75	<b>01722</b>	<b>65,69</b>
160	10	05 01 160	E	10,8	4	60	<b>01723</b>	<b>76,64</b>
200	10	05 01 200	F	15,0	3	30	<b>01724</b>	<b>120,15</b>
225	10	05 01 225	F	13,8	2	20	<b>01725</b>	<b>174,86</b>
250	10	05 01 250	G	21,1	2	20	<b>01726</b>	<b>419,26</b>
315	10	05 01 315 *	G	22,4	1	10	<b>01727</b>	<b>733,67</b>
400	5	05 01 400 *	CP	98,5	3	3	<b>34807</b>	<b>1.645,06</b>

## UP. 01. SFT

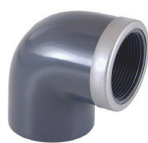
ACP 030


**90° ELBOW**  
solvent socket x BSP female thread

SIZE	PN	REF.	PACK	kg	Q(B)	Q(P)	CODE	EUR
20 x 1/2"	10	05 01 420	B	2,9	130	15.600	<b>01728</b>	<b>1,57</b>
25 x 3/4"	10	05 01 425	B	2,7	70	8.400	<b>01729</b>	<b>1,82</b>
32 x 1"	10	05 01 432	B	2,3	30	3.600	<b>01730</b>	<b>2,46</b>
40 x 1 1/4"	10	05 01 440	C	4,6	50	3.000	<b>01731</b>	<b>3,22</b>
50 x 1 1/2"	10	05 01 450	C	5,5	28	1.680	<b>01732</b>	<b>4,77</b>
63 x 2"	10	05 01 463	C	5,8	16	960	<b>01733</b>	<b>6,72</b>
75 x 2 1/2"	10	05 01 475 *	C	4,0	9	540	<b>22596</b>	<b>20,82</b>
90 x 3"	10	05 01 490 *	C	4,5	6	360	<b>22597</b>	<b>31,21</b>
110 x 4"	10	05 01 510 *	C	3,5	3	180	<b>22598</b>	<b>48,06</b>

## UP. 01. SFTR

ACP 030


**90° REINFORCED ELBOW**  
solvent socket x BSP female thread

SIZE	PN	REF.	PACK	kg	Q(B)	Q(P)	CODE	EUR
20 x 1/2"	16	05 01 820	B	3,2	130	15.600	<b>01740</b>	<b>3,18</b>
25 x 3/4"	16	05 01 825	B	3,3	70	8.400	<b>01741</b>	<b>3,72</b>
32 x 1"	16	05 01 832	B	2,5	30	3.600	<b>01742</b>	<b>4,78</b>
40 x 1 1/4"	16	05 01 840	B	3,0	20	2.400	<b>01743</b>	<b>6,12</b>
50 x 1 1/2"	16	05 01 850	C	5,7	28	1.680	<b>01744</b>	<b>8,76</b>
63 x 2"	16	05 01 863	C	5,4	16	960	<b>01745</b>	<b>11,58</b>

## UP. 01. FT

ACP 040


**90° ELBOW**  
BSP female thread

SIZE	PN	REF.	PACK	kg	Q(B)	Q(P)	CODE	EUR
1/2"	10	05 01 620	B	2,9	130	15.600	<b>01734</b>	<b>1,84</b>
3/4"	10	05 01 625	B	2,7	70	8.400	<b>01735</b>	<b>2,18</b>
1"	10	05 01 632	B	2,4	30	3.600	<b>01736</b>	<b>2,93</b>
1 1/4"	10	05 01 640	B	2,5	20	2.400	<b>01737</b>	<b>4,18</b>
1 1/2"	10	05 01 650	C	5,8	28	1.680	<b>01738</b>	<b>5,87</b>
2"	10	05 01 663	C	6,0	16	960	<b>01739</b>	<b>8,18</b>
2 1/2"	10	05 01 675 *	C	4,4	9	540	<b>22587</b>	<b>22,23</b>
3"	10	05 01 690 *	C	5,0	6	360	<b>22588</b>	<b>32,96</b>
4"	10	05 01 710 *	C	3,4	3	180	<b>22589</b>	<b>54,12</b>

## UP. 29. SFG

ACP 010


**90° REDUCING ELBOW**  
solvent socket female x male - female

SIZE	PN	REF.	PACK	kg	Q(B)	Q(P)	CODE	EUR
50 x 50 - 40	16	05 29 050	D	10,0	60	1.800	<b>02237</b>	<b>3,80</b>
63 x 63 - 50	16	05 29 063	D	9,8	32	960	<b>02238</b>	<b>6,00</b>

## UP. 29. SMT

ACP 030


**90° ELBOW**  
solvent socket x BSP male thread

SIZE	PN	REF.	PACK	kg	Q(B)	Q(P)	CODE	EUR
50 x 1 1/2"	10	05 29 450	D	10,5	80	2.400	<b>02239</b>	<b>4,39</b>
63 x 2"	10	05 29 463	D	11,0	35	1.050	<b>02240</b>	<b>6,43</b>

UP. 02. SF

ACP 010\*



**45° ELBOW**  
solvent socket

SIZE	PN	REF.	PACK	kg	Q(B)	Q(P)	CODE	EUR
16	16	05 02 016	B	2,1	200	24.000	<b>16307</b>	<b>1,06</b>
20	16	05 02 020	B	2,3	140	16.800	<b>01746</b>	<b>1,06</b>
25	16	05 02 025	B	2,7	80	9.600	<b>01747</b>	<b>1,37</b>
32	16	05 02 032	C	5,4	100	6.000	<b>01748</b>	<b>1,85</b>
40	16	05 02 040	C	4,8	60	3.600	<b>01749</b>	<b>2,45</b>
50	16	05 02 050	D	7,3	80	2.400	<b>01750</b>	<b>3,30</b>
63	16	05 02 063	D	9,6	45	1.350	<b>01751</b>	<b>4,80</b>
75	16	05 02 075	D	8,8	25	750	<b>01752</b>	<b>9,50</b>
90	16	05 02 090	D	8,9	15	450	<b>01753</b>	<b>14,00</b>
110	16	05 02 110	E	15,2	16	240	<b>01754</b>	<b>23,66</b>
125	16	05 02 125	E	17,6	12	180	<b>01755</b>	<b>34,43</b>
140	16	05 02 140	E	14,8	8	120	<b>01756</b>	<b>55,46</b>
160	10	05 02 160	E	10,4	5	75	<b>01757</b>	<b>67,76</b>
200	10	05 02 200	F	14,7	4	40	<b>01758</b>	<b>100,39</b>
225	10	05 02 225	E	10,5	2	30	<b>01759</b>	<b>156,44</b>
250	10	05 02 250	F	16,4	2	20	<b>01760</b>	<b>343,11</b>
315	10	05 02 315 *	F	16,5	1	10	<b>01761</b>	<b>647,57</b>
400	5	05 02 400 *	CP	102,0	4	4	<b>34808</b>	<b>1.380,98</b>

UP. 02. FT

ACP 040



**45° ELBOW**  
BSP female thread

SIZE	PN	REF.	PACK	kg	Q(B)	Q(P)	CODE	EUR
¾"	10	05 02 625	B	2,7	80	9.600	<b>01769</b>	<b>2,59</b>
1"	10	05 02 632	B	2,3	40	4.800	<b>01770</b>	<b>3,38</b>
1¼"	10	05 02 640	B	2,0	20	2.400	<b>01771</b>	<b>4,27</b>
1½"	10	05 02 650	C	5,8	35	2.100	<b>01772</b>	<b>6,52</b>
2"	10	05 02 663	C	6,1	18	1.080	<b>01773</b>	<b>9,24</b>
2½"	10	05 02 675 *	C	3,7	10	600	<b>22590</b>	<b>33,74</b>
3"	10	05 02 690 *	C	3,8	6	360	<b>22591</b>	<b>44,19</b>
4"	10	05 02 710 *	C	3,8	4	240	<b>22592</b>	<b>84,08</b>

UP. 30. SFG

ACP 010



**45° REDUCING ELBOW**  
solvent socket female x male - female

SIZE	PN	REF.	PACK	kg	Q(B)	Q(P)	CODE	EUR
50 x 50 - 40	16	05 30 050	D	11,3	90	2.700	<b>02241</b>	<b>4,99</b>
63 x 63 - 50	16	05 30 063	D	9,7	45	1.350	<b>02242</b>	<b>7,42</b>

UP. 08. SF

ACP 010\*



**90° BEND**  
solvent socket

SIZE	PN	REF.	PACK	kg	Q(B)	Q(P)	CODE	EUR
20	16	05 08 020	B	2,3	60	7.200	<b>01967</b>	<b>2,52</b>
25	16	05 08 025	B	2,3	40	4.800	<b>01968</b>	<b>3,15</b>
32	16	05 08 032	B	2,5	24	2.880	<b>01969</b>	<b>4,50</b>
40	16	05 08 040	C	4,5	25	1.500	<b>01970</b>	<b>5,93</b>
50	16	05 08 050	D	9,1	30	900	<b>01971</b>	<b>9,02</b>
63	16	05 08 063	D	8,3	15	450	<b>01972</b>	<b>14,51</b>
75	16	05 08 075	D	7,2	8	240	<b>01973</b>	<b>25,91</b>
90	16	05 08 090	D	6,2	4	120	<b>05331</b>	<b>57,65</b>
110	16	05 08 110 *	E	12,6	4	60	<b>05332</b>	<b>102,65</b>
125	10	05 08 125 *	E	16,5	5	75	<b>05333</b>	<b>203,44</b>
140	10	05 08 140 *	E	13,6	4	60	<b>05334</b>	<b>214,35</b>
160	10	05 08 160 *	F	20,1	4	40	<b>05335</b>	<b>245,76</b>
200	4	05 08 200 *	F	8,4	1	10	<b>05336</b>	<b>561,97</b>

## UP. 03. SF

ACP 010\*



**90° TEE**  
solvent socket

SIZE	PN	REF.	PACK	kg	Q(B)	Q(P)	CODE	EUR
16	16	05 03 016	B	2,5	120	14.400	<b>16308</b>	<b>0,94</b>
20	16	05 03 020	B	2,6	100	12.000	<b>01780</b>	<b>0,95</b>
25	16	05 03 025	B	2,2	50	6.000	<b>01781</b>	<b>1,25</b>
32	16	05 03 032	C	4,7	60	3.600	<b>01782</b>	<b>1,80</b>
40	16	05 03 040	C	5,0	40	2.400	<b>01783</b>	<b>2,95</b>
50	16	05 03 050	D	11,7	48	1.440	<b>01784</b>	<b>4,50</b>
63	16	05 03 063	D	10,7	24	720	<b>01785</b>	<b>6,00</b>
75	16	05 03 075	D	9,0	15	450	<b>01786</b>	<b>12,50</b>
90	16	05 03 090	D	7,9	8	240	<b>01787</b>	<b>22,75</b>
110	16	05 03 110	E	17,7	10	150	<b>01788</b>	<b>33,50</b>
125	16	05 03 125	E	17,5	7	105	<b>01789</b>	<b>54,50</b>
140	16	05 03 140	E	12,4	4	60	<b>01790</b>	<b>82,80</b>
160	10	05 03 160	E	13,5	3	45	<b>01791</b>	<b>97,80</b>
200	10	05 03 200	F	14,9	2	20	<b>01792</b>	<b>157,00</b>
225	10	05 03 225	F	19,6	2	20	<b>01793</b>	<b>218,00</b>
250	10	05 03 250	F	14,5	1	10	<b>01794</b>	<b>480,00</b>
315	10	05 03 315 *	G	27,5	1	10	<b>01795</b>	<b>870,00</b>
400	4	05 03 400 *	CP	141,0	3	3	<b>05328</b>	<b>2.208,72</b>

## UP. 03. SFT

ACP 030



**90° TEE**  
solvent socket x BSP female thread

SIZE	PN	REF.	PACK	kg	Q(B)	Q(P)	CODE	EUR
20 x 1/2"	10	05 03 420	B	3,0	100	12.000	<b>01796</b>	<b>2,02</b>
25 x 3/4"	10	05 03 425	B	2,6	50	6.000	<b>01797</b>	<b>2,28</b>
32 x 1"	10	05 03 432	B	2,8	30	3.600	<b>01798</b>	<b>2,88</b>
40 x 1 1/4"	10	05 03 440	B	3,1	19	2.280	<b>01799</b>	<b>4,69</b>
50 x 1 1/2"	10	05 03 450	C	5,4	21	1.260	<b>01800</b>	<b>6,43</b>
63 x 2"	10	05 03 463	C	5,6	12	720	<b>01801</b>	<b>10,45</b>
75 x 2 1/2"	10	05 03 475 *	C	3,4	6	360	<b>22602</b>	<b>24,00</b>
90 x 3"	10	05 03 490 *	C	2,9	3	180	<b>22603</b>	<b>35,96</b>
110 x 4"	10	05 03 510 *	C	3,2	2	120	<b>22604</b>	<b>59,26</b>

## UP. 03. FT

ACP 040



**90° TEE**  
BSP female thread

SIZE	PN	REF.	PACK	kg	Q(B)	Q(P)	CODE	EUR
1/2"	10	05 03 620	B	3,5	100	12.000	<b>01802</b>	<b>2,88</b>
3/4"	10	05 03 625	B	2,5	50	6.000	<b>01803</b>	<b>3,15</b>
1"	10	05 03 632	B	2,8	30	3.600	<b>01804</b>	<b>3,88</b>
1 1/4"	10	05 03 640	B	3,1	19	2.280	<b>01805</b>	<b>6,12</b>
1 1/2"	10	05 03 650	C	6,1	21	1.260	<b>01806</b>	<b>8,52</b>
2"	10	05 03 663	C	6,4	12	720	<b>01807</b>	<b>13,66</b>
2 1/2"	10	05 03 675 *	C	3,7	6	360	<b>22593</b>	<b>27,66</b>
3"	10	05 03 690 *	C	3,3	3	180	<b>22594</b>	<b>36,67</b>
4"	10	05 03 710 *	C	3,2	2	120	<b>22595</b>	<b>67,12</b>

PVC-U

Valves

PP

Spare parts

UP. 04. SFG

ACP 010\*



**90° REDUCING TEE**  
solvent socket

SIZE	PN	REF.	PACK	kg	Q(B)	Q(P)	CODE	EUR
25 x 20	16	05 04 025	B	2,4	50	6.000	<b>01814</b>	<b>1,55</b>
32 x 25	16	05 04 032	C	4,8	60	3.600	<b>01815</b>	<b>2,10</b>
32 x 20	16	05 04 033	C	4,6	60	3.600	<b>01816</b>	<b>2,10</b>
40 x 32	16	05 04 040	C	5,4	46	2.760	<b>01817</b>	<b>3,63</b>
40 x 25	16	05 04 041	C	4,3	40	2.400	<b>01818</b>	<b>3,63</b>
40 x 20	16	05 04 042	C	6,0	48	2.880	<b>01819</b>	<b>3,63</b>
50 x 40	16	05 04 050	D	10,3	48	1.440	<b>01820</b>	<b>4,72</b>
50 x 32	16	05 04 051	D	10,3	48	1.440	<b>01821</b>	<b>4,72</b>
50 x 25	16	05 04 052	D	11,3	54	1.620	<b>01822</b>	<b>4,72</b>
50 x 20	16	05 04 053	D	11,8	56	1.680	<b>01823</b>	<b>4,72</b>
63 x 50	16	05 04 063	D	10,1	27	810	<b>01824</b>	<b>7,86</b>
63 x 40	16	05 04 064	D	10,6	28	840	<b>01825</b>	<b>7,86</b>
63 x 32	16	05 04 065	D	11,3	30	900	<b>01826</b>	<b>7,86</b>
63 x 25	16	05 04 066	D	11,1	30	900	<b>01827</b>	<b>7,86</b>
63 x 20	16	05 04 067	D	11,0	30	900	<b>01828</b>	<b>7,86</b>
75 x 63	16	05 04 075	D	9,4	16	480	<b>01829</b>	<b>13,35</b>
75 x 50	16	05 04 076	D	10,7	18	540	<b>01830</b>	<b>13,35</b>
75 x 40	16	05 04 077	D	10,6	18	540	<b>01831</b>	<b>13,35</b>
75 x 32	16	05 04 078	D	10,4	18	540	<b>01832</b>	<b>13,35</b>
90 x 75	16	05 04 090	D	8,9	9	270	<b>01833</b>	<b>23,62</b>
90 x 63	16	05 04 091	D	9,1	9	270	<b>01834</b>	<b>23,62</b>
90 x 50	16	05 04 092	D	9,4	9	270	<b>01835</b>	<b>23,62</b>
90 x 40	16	05 04 093	D	9,2	9	270	<b>01836</b>	<b>23,62</b>
110 x 90	16	05 04 110	E	17,2	11	165	<b>01837</b>	<b>33,80</b>
110 x 75	16	05 04 111	E	18,0	12	180	<b>01838</b>	<b>33,80</b>
110 x 63	16	05 04 112	E	17,5	12	180	<b>01839</b>	<b>33,80</b>
110 x 50	16	05 04 113	E	17,5	12	180	<b>01840</b>	<b>33,80</b>
125 x 110	16	05 04 125	E	16,3	7	105	<b>01841</b>	<b>56,12</b>
125 x 90	16	05 04 126	E	18,0	8	120	<b>01842</b>	<b>56,12</b>
125 x 75	16	05 04 127	E	17,0	8	120	<b>01843</b>	<b>56,12</b>
125 x 63	16	05 04 128	E	17,2	8	120	<b>01844</b>	<b>56,12</b>
140 x 125	16	05 04 140	E	14,2	5	75	<b>01845</b>	<b>83,73</b>
140 x 110	16	05 04 141	E	16,0	6	90	<b>01846</b>	<b>83,73</b>
140 x 90	16	05 04 142	E	15,5	6	90	<b>01847</b>	<b>83,73</b>
140 x 75	16	05 04 143	E	15,2	6	90	<b>01848</b>	<b>83,73</b>
160 x 140	10	05 04 160	E	12,5	3	45	<b>07688</b>	<b>100,86</b>
160 x 125	10	05 04 161	E	12,2	3	45	<b>07689</b>	<b>100,86</b>
160 x 110	10	05 04 162	E	12,0	3	45	<b>07690</b>	<b>99,65</b>
160 x 90	10	05 04 163	E	11,7	3	45	<b>07691</b>	<b>99,65</b>

UP. 04. SFTG

ACP 030



**90° REDUCING TEE**  
solvent socket x BSP female thread

SIZE	PN	REF.	PACK	kg	Q(B)	Q(P)	CODE	EUR
25 x 1/2"	10	05 04 425	B	2,4	50	6.000	<b>01849</b>	<b>2,30</b>
32 x 3/4"	10	05 04 432	B	2,4	30	3.600	<b>01850</b>	<b>2,93</b>
32 x 1/2"	10	05 04 433	B	2,4	30	3.600	<b>01851</b>	<b>2,93</b>
40 x 1"	10	05 04 440	C	5,2	40	2.400	<b>01852</b>	<b>4,44</b>
40 x 3/4"	10	05 04 441	C	5,3	40	2.400	<b>01853</b>	<b>4,44</b>
40 x 1/2"	10	05 04 442	C	5,0	40	2.400	<b>01854</b>	<b>4,44</b>
50 x 1 1/4"	10	05 04 450	C	5,1	24	1.440	<b>01855</b>	<b>6,67</b>
50 x 1"	10	05 04 451	C	5,3	24	1.440	<b>01856</b>	<b>6,67</b>
50 x 3/4"	10	05 04 452	C	5,2	24	1.440	<b>01857</b>	<b>6,67</b>
50 x 1/2"	10	05 04 453	C	5,2	24	1.440	<b>01858</b>	<b>6,67</b>
63 x 1 1/2"	10	05 04 463	C	4,4	13	780	<b>01859</b>	<b>10,40</b>
63 x 1 1/4"	10	05 04 464	C	5,4	14	840	<b>01860</b>	<b>10,40</b>
63 x 1"	10	05 04 465	C	5,8	15	900	<b>01861</b>	<b>10,40</b>
63 x 3/4"	10	05 04 466	C	5,7	15	900	<b>01862</b>	<b>10,40</b>
63 x 1/2"	10	05 04 467	C	5,6	15	900	<b>01863</b>	<b>10,40</b>
75 x 2"	10	05 04 475	C	4,0	6	360	<b>01864</b>	<b>15,29</b>
75 x 1 1/2"	10	05 04 476	C	3,9	6	360	<b>01865</b>	<b>15,29</b>
75 x 1 1/4"	10	05 04 477	C	3,7	6	360	<b>01866</b>	<b>15,29</b>
75 x 1"	10	05 04 478	C	3,7	6	360	<b>01867</b>	<b>15,29</b>
90 x 2 1/2"	10	05 04 490	C	3,2	3	180	<b>01868</b>	<b>27,24</b>
90 x 2"	10	05 04 491	C	3,4	3	180	<b>01869</b>	<b>27,24</b>
90 x 1 1/2"	10	05 04 492	C	3,2	3	180	<b>01870</b>	<b>27,24</b>
90 x 1 1/4"	10	05 04 493	C	3,2	3	180	<b>01871</b>	<b>27,24</b>

PVC-U

Valves

PP

Spare parts

## UP. 36. SF

ACP 010



**45° TEE**  
solvent socket

SIZE	PN	REF.	PACK	kg	Q(B)	Q(P)	CODE	EUR
20	16	05 36 020 *	B	2,6	70	8.400	<b>22583</b>	<b>4,56</b>
25	16	05 36 025 *	B	2,5	40	4.800	<b>22584</b>	<b>5,27</b>
32	16	05 36 032 *	B	2,6	24	2.880	<b>22585</b>	<b>5,90</b>
40	16	05 36 040 *	C	5,5	30	1.800	<b>22586</b>	<b>8,05</b>
50	10	05 36 050	D	9,3	32	960	<b>20155</b>	<b>8,43</b>
63	10	05 36 063	D	9,2	18	540	<b>20156</b>	<b>12,05</b>
75	10	05 36 075 *	D	8,1	11	330	<b>32804</b>	<b>46,46</b>
90	10	05 36 090 *	D	7,2	6	180	<b>32805</b>	<b>76,36</b>
110	10	05 36 110 *	E	14,9	7	105	<b>32806</b>	<b>154,66</b>
125	10	05 36 125 *	D	7,1	2	60	<b>70260</b>	<b>TBA</b>
140	10	05 36 140 *	D	4,9	1	30	<b>70262</b>	<b>TBA</b>

## UP. 28. SF

ACP 010



**CROSS**  
solvent socket

SIZE	PN	REF.	PACK	kg	Q(B)	Q(P)	CODE	EUR
20	16	05 28 020	B	2,4	60	7.200	<b>20143</b>	<b>2,06</b>
25	16	05 28 025	B	2,5	40	4.800	<b>20144</b>	<b>2,58</b>
32	16	05 28 032	B	2,2	20	2.400	<b>20145</b>	<b>3,72</b>
40	16	05 28 040	C	5,2	30	1.800	<b>20146</b>	<b>6,12</b>
50	16	05 28 050	D	9,6	32	960	<b>02235</b>	<b>8,30</b>
63	16	05 28 063	D	8,7	16	480	<b>02236</b>	<b>11,70</b>
75	16	05 28 075 *	D	7,4	12	360	<b>27958</b>	<b>47,85</b>
90	16	05 28 090 *	E	12,1	12	180	<b>22581</b>	<b>61,29</b>
110	16	05 28 110 *	E	10,6	6	90	<b>22582</b>	<b>97,53</b>

PVC-U

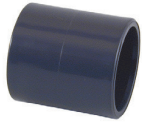
Valves

PP

Spare parts

UP. 05. SF

ACP 010\*



**SOCKET**  
solvent socket

SIZE	PN	REF.	PACK	kg	Q(B)	Q(P)	CODE	EUR
16	16	05 05 016	B	1,8	200	24.000	<b>16309</b>	<b>0,90</b>
20	16	05 05 020	B	2,9	200	24.000	<b>01872</b>	<b>0,88</b>
25	16	05 05 025	B	2,7	120	14.400	<b>01873</b>	<b>1,06</b>
32	16	05 05 032	C	5,8	160	9.600	<b>01874</b>	<b>1,25</b>
40	16	05 05 040	C	5,0	80	4.800	<b>01875</b>	<b>1,85</b>
50	16	05 05 050	C	5,2	56	3.360	<b>01876</b>	<b>2,40</b>
63	16	05 05 063	C	5,4	34	2.040	<b>01877</b>	<b>3,50</b>
75	16	05 05 075	C	3,9	14	840	<b>01878</b>	<b>7,20</b>
90	16	05 05 090	D	8,2	18	540	<b>01879</b>	<b>9,30</b>
110	16	05 05 110	D	9,1	12	360	<b>01880</b>	<b>15,41</b>
125	16	05 05 125	E	17,0	16	240	<b>01881</b>	<b>23,66</b>
140	16	05 05 140	E	16,7	12	180	<b>01882</b>	<b>35,02</b>
160	10	05 05 160	E	9,2	6	90	<b>01883</b>	<b>47,40</b>
200	10	05 05 200	E	9,2	3	45	<b>01884</b>	<b>70,90</b>
225	10	05 05 225	F	14,3	4	40	<b>01885</b>	<b>115,75</b>
250	10	05 05 250	E	10,9	2	30	<b>01886</b>	<b>235,84</b>
315	10	05 05 315	F	11,4	1	10	<b>01887</b>	<b>330,63</b>
400	6	05 05 400 *	1,45	144,3	10	10	<b>05329</b>	<b>568,03</b>

UP. 05. SFT

ACP 030



**ADAPTOR SOCKET**  
solvent socket x BSP female thread

SIZE	PN	REF.	PACK	kg	Q(B)	Q(P)	CODE	EUR
16 x 3/8"	10	05 05 416	B	2,5	200	24.000	<b>01888</b>	<b>1,59</b>
20 x 1/2"	10	05 05 420	B	3,1	180	21.600	<b>01889</b>	<b>1,59</b>
25 x 3/4"	10	05 05 425	B	2,8	100	12.000	<b>01890</b>	<b>1,82</b>
32 x 1"	10	05 05 432	C	5,6	120	7.200	<b>01891</b>	<b>2,03</b>
40 x 1 1/4"	10	05 05 440	C	5,1	60	3.600	<b>01892</b>	<b>2,68</b>
50 x 1 1/2"	10	05 05 450	C	6,8	56	3.360	<b>01893</b>	<b>3,46</b>
63 x 2"	10	05 05 463	C	6,7	28	1.680	<b>01894</b>	<b>4,91</b>
75 x 2 1/2"	10	05 05 475	C	4,2	14	840	<b>01895</b>	<b>10,71</b>
90 x 3"	10	05 05 490	D	11,5	24	720	<b>01896</b>	<b>16,22</b>
110 x 4"	10	05 05 510	D	8,8	10	300	<b>01897</b>	<b>25,78</b>

UP. 05. SFTR

ACP 030



**ADAPTOR REINFORCED SOCKET**  
solvent socket x BSP female thread

SIZE	PN	REF.	PACK	kg	Q(B)	Q(P)	CODE	EUR
20 x 1/2"	16	05 05 820	B	3,5	180	21.600	<b>01908</b>	<b>3,27</b>
25 x 3/4"	16	05 05 825	B	3,3	100	12.000	<b>01909</b>	<b>3,72</b>
32 x 1"	16	05 05 832	B	3,3	60	7.200	<b>01910</b>	<b>4,36</b>
40 x 1 1/4"	16	05 05 840	B	2,9	30	3.600	<b>01911</b>	<b>5,53</b>
50 x 1 1/2"	16	05 05 850	C	7,5	56	3.360	<b>01912</b>	<b>7,21</b>
63 x 2"	16	05 05 863	C	7,2	28	1.680	<b>01913</b>	<b>9,56</b>

UP. 05. FT

ACP 040



**THREADED SOCKET**  
BSP female thread

SIZE	PN	REF.	PACK	kg	Q(B)	Q(P)	CODE	EUR
3/8"	10	05 05 616	B	2,5	200	24.000	<b>01898</b>	<b>1,88</b>
1/2"	10	05 05 620	B	3,0	180	21.600	<b>01899</b>	<b>1,88</b>
3/4"	10	05 05 625	B	2,8	100	12.000	<b>01900</b>	<b>2,19</b>
1"	10	05 05 632	C	5,6	120	7.200	<b>01901</b>	<b>2,66</b>
1 1/4"	10	05 05 640	C	5,0	60	3.600	<b>01902</b>	<b>3,46</b>
1 1/2"	10	05 05 650	C	7,5	56	3.360	<b>01903</b>	<b>4,69</b>
2"	10	05 05 663	C	7,5	28	1.680	<b>01904</b>	<b>6,27</b>
2 1/2"	10	05 05 675	C	4,5	14	840	<b>01905</b>	<b>15,14</b>
3"	10	05 05 690	C	4,3	8	480	<b>01906</b>	<b>21,31</b>
4"	10	05 05 710	C	4,3	5	300	<b>01907</b>	<b>33,12</b>

PVC-U

Valves

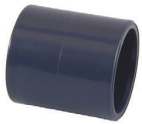
PP

Spare parts



UP. 27. SF. MBS

ACP 030

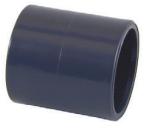


**TRANSITION SOCKET**  
solvent socket metric x British Standard (BS)

SIZE	PN	REF.	PACK	kg	Q(B)	Q(P)	CODE	EUR
20 x ½"	16	05 27 901	B	2,7	200	24.000	<b>07229</b>	<b>0,93</b>
25 x ¾"	16	05 27 902	B	2,5	120	14.400	<b>07230</b>	<b>1,10</b>
32 x 1"	16	05 27 903	C	5,5	160	9.600	<b>07231</b>	<b>1,29</b>
40 x 1¼"	16	05 27 904	C	4,4	80	4.800	<b>07232</b>	<b>1,96</b>
50 x 1½"	16	05 27 905	C	5,5	56	3.360	<b>07233</b>	<b>2,47</b>
63 x 2"	16	05 27 906	C	6,2	34	2.040	<b>07234</b>	<b>3,68</b>
90 x 3"	10	05 27 908	D	11,5	24	720	<b>07236</b>	<b>9,77</b>
110 x 4"	10	05 27 910	D	7,4	12	360	<b>07237</b>	<b>16,20</b>

UP. 27. SF. MMA

ACP 030

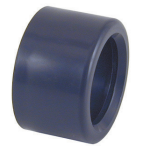


**TRANSITION SOCKET**  
solvent socket metric x American size (ASTM)

SIZE	PN	REF.	PACK	kg	Q(B)	Q(P)	CODE	EUR
20 x ½"	16	05 27 901 MA	B	2,8	200	24.000	<b>60257</b>	<b>2,23</b>
25 x ¾"	16	05 27 902 MA	B	2,5	120	14.400	<b>64467</b>	<b>2,37</b>
32 x 1"	16	05 27 903 MA	C	4,2	120	7.200	<b>64468</b>	<b>2,91</b>
40 x 1¼"	16	05 27 904 MA	C	4,6	80	4.800	<b>64496</b>	<b>3,45</b>
50 x 1½"	16	05 27 905 MA	C	6,6	56	3.360	<b>64497</b>	<b>4,57</b>
63 x 2"	16	05 27 906 MA	C	6,7	28	1.680	<b>64498</b>	<b>6,76</b>
75 x 2½"	10	05 27 907 MA	C	4,3	14	840	<b>64499</b>	<b>12,14</b>
90 x 3"	10	05 27 908 MA	D	11,5	24	720	<b>64500</b>	<b>14,22</b>
110 x 4"	10	05 27 910 MA	D	9,9	12	360	<b>64501</b>	<b>23,40</b>

UP. 06. SMF

ACP 010\*



**REDUCING BUSH**  
solvent socket male x female

SIZE	PN	REF.	PACK	kg	Q(B)	Q(P)	CODE	EUR
20 x 16	16	05 06 020	B	0,8	200	24.000	<b>01914</b>	<b>0,57</b>
25 x 20	16	05 06 025	B	1,2	200	24.000	<b>01915</b>	<b>0,65</b>
32 x 25	16	05 06 032	B	2,3	200	24.000	<b>01916</b>	<b>0,69</b>
32 x 20	16	05 06 033	B	2,8	200	24.000	<b>01917</b>	<b>0,94</b>
40 x 32	16	05 06 040	B	2,3	120	14.400	<b>01918</b>	<b>1,07</b>
40 x 25	16	05 06 041	B	3,1	120	14.400	<b>01919</b>	<b>1,40</b>
40 x 20	16	05 06 042	B	3,1	120	14.400	<b>01920</b>	<b>1,40</b>
50 x 40	16	05 06 050	B	2,1	60	7.200	<b>01921</b>	<b>1,32</b>
50 x 32	16	05 06 051	B	2,7	60	7.200	<b>01922</b>	<b>1,90</b>
50 x 25	16	05 06 052	B	3,1	60	7.200	<b>01923</b>	<b>1,90</b>
50 x 20	16	05 06 053	B	3,0	60	7.200	<b>01924</b>	<b>1,90</b>
63 x 50	16	05 06 063	B	3,2	48	5.760	<b>01925</b>	<b>1,80</b>
63 x 40	16	05 06 064	B	3,4	40	4.800	<b>01926</b>	<b>2,50</b>
63 x 32	16	05 06 065	B	3,3	40	4.800	<b>01927</b>	<b>2,50</b>
75 x 63	16	05 06 075	B	2,4	28	3.360	<b>01928</b>	<b>3,16</b>
75 x 50	16	05 06 076	B	3,5	28	3.360	<b>18685</b>	<b>3,72</b>
75 x 40	16	05 06 077	B	3,6	28	3.360	<b>18686</b>	<b>3,72</b>
90 x 75	16	05 06 090	C	5,4	36	2.160	<b>01929</b>	<b>5,18</b>
90 x 63	16	05 06 091	C	6,3	36	2.160	<b>18687</b>	<b>5,99</b>
90 x 50	16	05 06 092	C	6,7	36	2.160	<b>18688</b>	<b>5,99</b>
110 x 90	16	05 06 110	C	4,6	16	960	<b>01930</b>	<b>10,01</b>
110 x 75	16	05 06 111	C	5,5	16	960	<b>18689</b>	<b>11,37</b>
110 x 63	16	05 06 112	C	5,3	16	960	<b>18690</b>	<b>11,51</b>
125 x 110	16	05 06 125	D	7,2	24	720	<b>01931</b>	<b>13,04</b>
125 x 90	16	05 06 126	C	5,5	12	720	<b>18691</b>	<b>15,11</b>
125 x 75	16	05 06 127	C	5,4	12	720	<b>20142</b>	<b>15,39</b>
140 x 125	16	05 06 140	D	7,1	20	600	<b>01932</b>	<b>17,69</b>
140 x 110	16	05 06 141	C	4,9	10	600	<b>18692</b>	<b>19,85</b>
160 x 140	10	05 06 160	D	7,4	12	360	<b>01933</b>	<b>23,13</b>
160 x 125	10	05 06 161	C	6,0	6	360	<b>62136</b>	<b>26,18</b>
160 x 110	10	05 06 162	C	4,9	6	360	<b>18693</b>	<b>26,18</b>
200 x 180	10	05 06 199	D	6,0	6	180	<b>01934</b>	<b>44,90</b>
200 x 160	10	05 06 200	D	8,2	6	180	<b>01935</b>	<b>44,78</b>
225 x 200	10	05 06 225	E	11,1	7	105	<b>01936</b>	<b>49,05</b>
225 x 160	10	05 06 226	E	16,7	7	105	<b>01937</b>	<b>60,29</b>
250 x 225	10	05 06 250	E	11,3	6	90	<b>01938</b>	<b>88,86</b>
250 x 200	10	05 06 251	E	16,7	6	90	<b>01939</b>	<b>89,84</b>
315 x 280	6	05 06 315	E	12,1	3	45	<b>10093</b>	<b>251,53</b>
315 x 250	6	05 06 316 *	E	16,4	3	45	<b>01940</b>	<b>263,43</b>
315 x 225	6	05 06 317 *	E	17,1	3	45	<b>01941</b>	<b>271,98</b>
400 x 315	6	05 06 400 *	F	11,8	1	10	<b>05330</b>	<b>368,42</b>

UP. 09. SMF

ACP 010\*



**CONICAL REDUCER**  
solvent socket male - female x female

SIZE	PN	REF.	PACK	kg	Q(B)	Q(P)	CODE	EUR
32 - 25 x 25	16	05 09 032	B	2,5	100	12.000	<b>01974</b>	<b>1,18</b>
32 - 25 x 20	16	05 09 033	B	2,7	120	14.400	<b>01975</b>	<b>1,18</b>
40 - 32 x 32	16	05 09 040	B	1,9	50	6.000	<b>01976</b>	<b>1,49</b>
40 - 32 x 25	16	05 09 041	B	2,3	60	7.200	<b>01977</b>	<b>1,49</b>
40 - 32 x 20	16	05 09 042	B	2,5	80	9.600	<b>01978</b>	<b>1,49</b>
50 - 40 x 40	16	05 09 050	B	2,2	30	3.600	<b>01979</b>	<b>2,13</b>
50 - 40 x 32	16	05 09 051	C	4,1	60	3.600	<b>01980</b>	<b>2,13</b>
50 - 40 x 25	16	05 09 052	B	2,4	40	4.800	<b>01981</b>	<b>2,13</b>
50 - 40 x 20	16	05 09 053	B	2,6	50	6.000	<b>01982</b>	<b>2,13</b>
63 - 50 x 50	16	05 09 063	B	2,7	20	2.400	<b>01983</b>	<b>3,40</b>
63 - 50 x 40	16	05 09 064	C	5,6	46	2.760	<b>01984</b>	<b>3,40</b>
63 - 50 x 32	16	05 09 065	B	2,7	30	3.600	<b>01985</b>	<b>3,40</b>
63 - 50 x 25	16	05 09 066	B	2,7	30	3.600	<b>01986</b>	<b>3,40</b>
63 - 50 x 20	16	05 09 067	B	2,9	30	3.600	<b>01987</b>	<b>3,40</b>
75 - 63 x 63	16	05 09 075	C	4,8	26	1.560	<b>01988</b>	<b>5,46</b>
75 - 63 x 50	16	05 09 076	C	6,1	40	2.400	<b>01989</b>	<b>5,46</b>
75 - 63 x 40	16	05 09 077	C	5,5	40	2.400	<b>01990</b>	<b>5,46</b>
75 - 63 x 32	16	05 09 078	C	5,1	40	2.400	<b>01991</b>	<b>5,46</b>
90 - 75 x 75	16	05 09 090	C	3,9	12	720	<b>01992</b>	<b>7,11</b>
90 - 75 x 63	16	05 09 091	D	9,6	34	1.020	<b>01993</b>	<b>7,11</b>
90 - 75 x 50	16	05 09 092	D	11,2	48	1.440	<b>01994</b>	<b>7,11</b>
90 - 75 x 40	16	05 09 093	C	5,3	24	1.440	<b>01995</b>	<b>7,11</b>
110 - 90 x 90	16	05 09 110	D	9,3	16	480	<b>01996</b>	<b>13,01</b>
110 - 90 x 75	16	05 09 111	D	9,4	18	540	<b>01997</b>	<b>13,01</b>
110 - 90 x 63	16	05 09 112	D	12,3	27	810	<b>01998</b>	<b>13,01</b>
110 - 90 x 50	16	05 09 113	D	11,6	27	810	<b>01999</b>	<b>13,01</b>
125 - 110 x 90	16	05 09 126	D	10,5	18	540	<b>02000</b>	<b>16,47</b>
125 - 110 x 75	16	05 09 127	D	10,1	18	540	<b>02001</b>	<b>16,47</b>
125 - 110 x 63	16	05 09 128	D	8,8	20	600	<b>02002</b>	<b>16,47</b>
140 - 125 x 110	16	05 09 141	D	8,3	9	270	<b>02003</b>	<b>21,87</b>
140 - 125 x 90	16	05 09 142	D	8,7	12	360	<b>02004</b>	<b>21,87</b>
140 - 125 x 75	16	05 09 143	D	8,4	12	360	<b>02005</b>	<b>21,87</b>
160 - 140 x 125	10	05 09 161	E	13,5	11	165	<b>02006</b>	<b>31,08</b>
160 - 140 x 110	10	05 09 162	E	16,1	14	210	<b>02007</b>	<b>31,08</b>
160 - 140 x 90	10	05 09 163	E	19,2	18	270	<b>02008</b>	<b>31,08</b>
200 - 180 x 140	10	05 09 202	E	11,2	6	90	<b>02009</b>	<b>49,66</b>
200 - 180 x 125	10	05 09 203	E	10,6	6	90	<b>02010</b>	<b>49,66</b>
200 - 180 x 110	10	05 09 204	E	10,2	6	90	<b>02011</b>	<b>49,66</b>
225 - 200 x 160	10	05 09 227	E	8,7	3	45	<b>02012</b>	<b>67,95</b>
225 - 200 x 140	10	05 09 228	E	8,5	3	45	<b>02013</b>	<b>67,95</b>
225 - 200 x 125	10	05 09 229	E	10,5	4	60	<b>02014</b>	<b>67,95</b>
250 - 225 x 200	10	05 09 251	E	8,8	2	30	<b>02015</b>	<b>98,58</b>
250 - 225 x 160	10	05 09 253	E	7,7	2	30	<b>02016</b>	<b>98,58</b>
250 - 225 x 140	10	05 09 254	E	10,2	3	45	<b>02017</b>	<b>98,58</b>
315 - 280 x 200	6	05 09 318 *	E	12,2	2	30	<b>02018</b>	<b>386,87</b>
315 - 280 x 160	6	05 09 320 *	E	11,8	2	30	<b>02019</b>	<b>386,87</b>

UP. 09. SF

ACP 010



**EXCENTRIC CONICAL REDUCER**  
solvent socket male - female x female

SIZE	PN	REF.	PACK	kg	Q(B)	Q(P)	CODE	EUR
90 - 75 x 63	16	05 09 691	C	3,4	12	720	<b>09030</b>	<b>8,08</b>

## UP. 10. SF

ACP 010\*

**FLANGE ADAPTOR**

solvent socket

SIZE	PN	REF.	PACK	kg	Q(B)	Q(P)	CODE	EUR
20	16	05 10 020	B	2,3	200	24.000	<b>07692</b>	<b>1,66</b>
25	16	05 10 025	B	2,7	150	18.000	<b>07693</b>	<b>1,97</b>
32	16	05 10 032	B	2,2	80	9.600	<b>07694</b>	<b>2,15</b>
40	16	05 10 040	B	2,2	50	6.000	<b>07695</b>	<b>2,75</b>
50	16	05 10 050	B	2,6	40	4.800	<b>02020</b>	<b>3,40</b>
63	16	05 10 063	B	2,2	18	2.160	<b>02021</b>	<b>4,18</b>
75	16	05 10 075	C	5,2	29	1.740	<b>02022</b>	<b>5,74</b>
90	16	05 10 090	C	4,3	14	840	<b>02023</b>	<b>8,64</b>
110	16	05 10 110	D	9,9	20	600	<b>02024</b>	<b>10,83</b>
125	16	05 10 125	D	9,0	14	420	<b>02025</b>	<b>14,24</b>
140	16	05 10 140	D	8,8	10	300	<b>02026</b>	<b>19,04</b>
160	10	05 10 160	E	15,3	12	180	<b>02027</b>	<b>26,31</b>
200	10	05 10 200	E	12,4	7	105	<b>02028</b>	<b>48,12</b>
225	10	05 10 225	E	12,1	6	90	<b>02029</b>	<b>57,24</b>
250	10	05 10 250	F	18,7	5	50	<b>02030</b>	<b>128,49</b>
280	10	05 10 280 *	F	13,2	4	40	<b>72575</b>	<b>TBA</b>
315	10	05 10 315	F	14,6	3	30	<b>02031</b>	<b>199,65</b>
400	6	05 10 400 *	F	9,6	1	10	<b>05341</b>	<b>408,64</b>
500	4	05 10 402 *	G	16,5	2	20	<b>05342</b>	<b>449,97</b>

## UP. 11. FLG

ACP 010\*

**BACKING FLANGE**

SIZE	PN	REF.	PACK	kg	Q(B)	Q(P)	CODE	EUR
20	16	05 11 020	B	3,6	40	4.800	<b>07696</b>	<b>4,33</b>
25	16	05 11 025	B	2,8	25	3.000	<b>07697</b>	<b>4,96</b>
32	16	05 11 032	B	3,2	20	2.400	<b>07698</b>	<b>5,50</b>
40	16	05 11 040	B	5,2	22	2.640	<b>07699</b>	<b>6,39</b>
50	16	05 11 050	B	4,6	18	2.160	<b>02032</b>	<b>7,20</b>
63	16	05 11 063	C	6,1	20	1.200	<b>02033</b>	<b>7,90</b>
75	16	05 11 075	C	7,1	15	900	<b>02034</b>	<b>10,25</b>
90	16	05 11 090	D	16,7	34	1.020	<b>02035</b>	<b>10,90</b>
110	16	05 11 110	D	12,8	22	660	<b>02036</b>	<b>14,85</b>
125 *	16	05 11 125	D	11,4	18	540	<b>02037</b>	<b>21,30</b>
140	16	05 11 140	D	11,9	16	480	<b>02038</b>	<b>24,22</b>
125 (DN125)	16	05 11 141	D	12,8	16	480	<b>02039</b>	<b>26,41</b>
160	10	05 11 160	D	13,2	12	360	<b>02040</b>	<b>29,27</b>
200 *	10	05 11 200	D	10,1	8	240	<b>02041</b>	<b>35,33</b>
225	10	05 11 225	D	7,3	5	150	<b>02042</b>	<b>40,22</b>
200 (DN200)	10	05 11 226	D	9,1	5	150	<b>09039</b>	<b>44,90</b>
250	10	05 11 250	E	14,1	6	90	<b>02043</b>	<b>114,79</b>
315	10	05 11 315	F	16,2	6	60	<b>02044</b>	<b>174,71</b>
400	6	05 11 400 *	F	10,0	2	20	<b>05343</b>	<b>292,05</b>
500	4	05 11 402 *	G	10,4	2	20	<b>05344</b>	<b>390,29</b>

## UP. 25. FLG

ACP 010\*

**FIXED FLANGE**

stub and backing ring

SIZE	PN	REF.	PACK	kg	Q(B)	Q(P)	CODE	EUR
20	16	05 25 020 *	B	2,5	30	3.600	<b>22575</b>	<b>5,69</b>
25	16	05 25 025 *	B	2,3	20	2.400	<b>22576</b>	<b>7,49</b>
32	16	05 25 032 *	B	2,9	20	2.400	<b>22577</b>	<b>8,96</b>
40	16	05 25 040 *	C	4,9	20	1.200	<b>22578</b>	<b>11,68</b>
50	16	05 25 050 *	C	6,0	20	1.200	<b>22579</b>	<b>13,73</b>
63	16	05 25 063 *	C	4,8	12	720	<b>22580</b>	<b>17,07</b>
75	16	05 25 075	D	11,3	20	600	<b>02226</b>	<b>17,94</b>
90	16	05 25 090	D	10,8	15	450	<b>02227</b>	<b>20,75</b>
110	16	05 25 110	D	10,5	10	300	<b>02228</b>	<b>25,37</b>
125 *	16	05 25 125	E	18,7	16	240	<b>02229</b>	<b>31,71</b>
125 (DN125)	16	05 25 126	E	21,8	15	225	<b>02234</b>	<b>39,13</b>
140	16	05 25 140	E	17,5	11	165	<b>02230</b>	<b>40,04</b>
160	10	05 25 160	E	17,2	8	120	<b>02231</b>	<b>54,52</b>
200	10	05 25 200	E	13,2	5	75	<b>02232</b>	<b>69,94</b>
225	10	05 25 225	E	9,9	3	45	<b>02233</b>	<b>83,16</b>

\* Special sizes for Cepex valves (ask Cepex Technical Catalogue for complete sizes).

**UP. 37. FLG**

ACP 010\*



**BLIND FLANGE**

SIZE	PN	REF.	PACK	kg	Q(B)	Q(P)	CODE	EUR
20	16	05 37 020 *	B	3,2	40	4.800	<b>22561</b>	<b>6,21</b>
25	16	05 37 025 *	B	3,2	30	3.600	<b>22562</b>	<b>7,11</b>
32	16	05 37 032 *	B	3,0	20	2.400	<b>22563</b>	<b>9,51</b>
40	16	05 37 040 *	B	4,7	20	2.400	<b>22564</b>	<b>12,40</b>
50	16	05 37 050 *	B	4,1	16	1.920	<b>22565</b>	<b>15,16</b>
63	16	05 37 063 *	B	3,7	10	1.200	<b>22566</b>	<b>18,63</b>
75	16	05 37 075 *	B	3,6	7	840	<b>22567</b>	<b>24,47</b>
90	16	05 37 090 *	C	6,8	10	1.200	<b>22568</b>	<b>28,19</b>
110	16	05 37 110 *	C	5,3	6	360	<b>22569</b>	<b>37,10</b>
125	16	05 37 125 *	C	5,1	5	600	<b>22570</b>	<b>42,04</b>
140	16	05 37 140 *	C	6,0	5	300	<b>22571</b>	<b>48,56</b>
160	10	05 37 160 *	C	8,4	5	300	<b>22572</b>	<b>54,71</b>
200 (DN200)	10	05 37 200 *	D	11,8	5	150	<b>22573</b>	<b>105,33</b>
225	10	05 37 225 *	D	10,5	4	120	<b>22574</b>	<b>111,17</b>

**PP. 12. FLG**

ACP 010\*



**PP BACKING FLANGE**

SIZE	PN	REF.	PACK	kg	Q(B)	Q(P)	CODE	EUR
63	16	05 12 063	B	3,0	12	1.440	<b>02046</b>	<b>13,04</b>
75	16	05 12 075	C	5,4	16	960	<b>02047</b>	<b>19,26</b>
90	16	05 12 090	C	5,7	14	840	<b>02048</b>	<b>23,22</b>
110	16	05 12 110	C	3,7	7	420	<b>02049</b>	<b>29,47</b>
125 *	16	05 12 125	C	3,2	6	360	<b>02050</b>	<b>37,66</b>
140	16	05 12 140	C	3,7	6	360	<b>02051</b>	<b>40,69</b>
125 (DN125)	16	05 12 141	C	4,3	6	360	<b>02052</b>	<b>47,87</b>
160	10	05 12 160	C	4,0	5	300	<b>02053</b>	<b>50,59</b>
200 *	10	05 12 200	D	10,1	6	180	<b>02054</b>	<b>56,96</b>
225	10	05 12 225	D	10,1	6	180	<b>02055</b>	<b>62,76</b>
200 (DN200)	10	05 12 226	D	7,2	6	180	<b>02056</b>	<b>71,74</b>

**EVA. 14**

ACP 010\*



**EVA FLAT GASKET**

SIZE	PN	REF.	PACK	kg	Q(B)	Q(P)	CODE	EUR
20		05 14 020	B	1,0	200	24.000	<b>07700</b>	<b>0,91</b>
25		05 14 025	B	1,2	200	24.000	<b>07701</b>	<b>1,02</b>
32		05 14 032	B	1,3	200	24.000	<b>07702</b>	<b>1,07</b>
40		05 14 040	B	1,8	200	24.000	<b>07703</b>	<b>1,24</b>
50		05 14 050	B	1,8	160	19.200	<b>02061</b>	<b>1,47</b>
63		05 14 063	B	1,7	120	14.400	<b>02062</b>	<b>1,60</b>
75		05 14 075	B	1,8	100	12.000	<b>02063</b>	<b>2,13</b>
90		05 14 090	B	1,9	80	9.600	<b>02064</b>	<b>2,34</b>
110		05 14 110	B	2,3	60	7.200	<b>02065</b>	<b>2,97</b>
125		05 14 125	B	1,5	30	3.600	<b>02066</b>	<b>3,55</b>
140		05 14 140	C	3,5	60	3.600	<b>02067</b>	<b>3,94</b>
160		05 14 160	C	3,0	40	2.400	<b>02068</b>	<b>4,41</b>
200		05 14 200	C	2,9	30	1.800	<b>02069</b>	<b>5,58</b>
225		05 14 225	C	3,6	30	1.800	<b>02070</b>	<b>12,04</b>
250		05 14 250	C	2,1	10	600	<b>02071</b>	<b>18,67</b>
315		05 14 315	C	1,4	6	360	<b>02072</b>	<b>30,06</b>

**EPDM. 14**

ACP 010\*



**EPDM FLAT GASKET**

SIZE	PN	REF.	PACK	kg	Q(B)	Q(P)	CODE	EUR
20		05 14 020 EPDM *	B	1,6	80	9.600	<b>66933</b>	<b>4,04</b>
25		05 14 025 EPDM *	B	1,9	80	9.600	<b>66934</b>	<b>4,42</b>
32		05 14 032 EPDM *	B	2,3	80	9.600	<b>66935</b>	<b>4,98</b>
40		05 14 040 EPDM *	B	3,1	80	9.600	<b>66936</b>	<b>6,81</b>
50		05 14 050 EPDM *	B	3,0	60	7.200	<b>66937</b>	<b>7,60</b>
63		05 14 063 EPDM *	B	2,9	50	6.000	<b>66938</b>	<b>8,78</b>
75		05 14 075 EPDM *	B	2,7	40	4.800	<b>66939</b>	<b>10,59</b>
90		05 14 090 EPDM *	B	2,4	30	3.600	<b>66940</b>	<b>12,18</b>
110		05 14 110 EPDM *	B	2,3	30	3.600	<b>66941</b>	<b>14,31</b>
125		05 14 125 EPDM *	B	2,0	20	2.400	<b>66942</b>	<b>17,40</b>
140		05 14 140 EPDM *	B	2,3	20	2.400	<b>66943</b>	<b>18,51</b>
160		05 14 160 EPDM *	B	1,5	10	1.200	<b>66944</b>	<b>20,18</b>
200		05 14 200 EPDM *	B	1,9	10	1.200	<b>66945</b>	<b>25,07</b>
225		05 14 225 EPDM *	B	1,6	10	1.200	<b>66946</b>	<b>25,86</b>
250		05 14 250 EPDM *	B	2,0	10	1.200	<b>66947</b>	<b>34,02</b>
315		05 14 315 EPDM *	B	1,3	6	720	<b>66948</b>	<b>42,16</b>
400		05 14 400 EPDM *	B	1,2	6	720	<b>05345</b>	<b>100,78</b>
500		05 14 500 EPDM *	B	1,6	6	720	<b>05346</b>	<b>118,10</b>

\* Special sizes for Cepex valves (ask Cepex Technical Catalogue for complete sizes).

UP. 52. SF

ACP 050



**FIXED FLANGE SET**  
solvent socket (EVA)

SIZE	PN	REF.	PACK	kg	Q(B)	Q(P)	CODE	EUR
75	10	05 52 075	C	5,8	3	180	<b>02371</b>	<b>50,69</b>
90	10	05 52 090	C	6,0	2	120	<b>02372</b>	<b>67,97</b>
110	10	05 52 110	D	11,3	3	90	<b>02373</b>	<b>79,27</b>
125	10	05 52 125	D	12,0	3	90	<b>02374</b>	<b>93,06</b>
140	10	05 52 140	D	10,0	2	60	<b>02375</b>	<b>113,37</b>
160	6	05 52 160	D	14,5	2	60	<b>02376</b>	<b>160,94</b>
200	6	05 52 200	D	8,6	1	30	<b>02377</b>	<b>201,04</b>
225	6	05 52 225	D	9,7	1	30	<b>02378</b>	<b>235,07</b>

UP. 52. SF. RA

ACP 050



**LOOSE FLANGE SET**  
solvent socket (EVA)

SIZE	PN	REF.	PACK	kg	Q(B)	Q(P)	CODE	EUR
75	16	05 52 075 RA	C	6,6	3	180	<b>67059</b>	<b>44,82</b>
90	16	05 52 090 RA	C	6,9	2	120	<b>67064</b>	<b>65,69</b>
110	16	05 52 110 RA	D	13,0	3	90	<b>67065</b>	<b>78,42</b>
125	16	05 52 125 RA	D	14,4	3	90	<b>67070</b>	<b>102,86</b>
140	16	05 52 140 RA	D	11,0	2	60	<b>67066</b>	<b>118,47</b>
160	10	05 52 160 RA	D	17,4	2	60	<b>67067</b>	<b>145,11</b>
200	10	05 52 200 RA	D	10,1	1	30	<b>67068</b>	<b>226,28</b>
225	10	05 52 225 RA	D	11,3	1	30	<b>67069</b>	<b>261,95</b>
250	10	05 52 250 RA	E	18,9	1	15	<b>66955</b>	<b>589,21</b>
315	10	05 52 315 RA	F	22,2	1	10	<b>66956</b>	<b>852,78</b>

91

ACP 100



**BOLTS, NUTS AND WASHERS**

SIZE	PN	REF.	PACK	kg	Q(B)	Q(P)	CODE	EUR
M 12 x 60		05 91 060 *	B	4,6	48 (4)	2.880	<b>16061</b>	<b>1,66</b>
M 16 x 70		05 91 070 *	B	9,1	48 (8)	2.880	<b>02437</b>	<b>2,72</b>
M 16 x 80		05 91 080 *	B	9,7	48 (8)	2.880	<b>02438</b>	<b>2,84</b>
M 16 x 90		05 91 090 *	B	10,6	48 (8)	2.880	<b>02439</b>	<b>3,15</b>
M 16 x 100		05 91 100 *	B	11,2	48 (8)	2.880	<b>66775</b>	<b>3,65</b>
M 16 x 110		05 91 110 *	B	12,0	48 (8)	2.880	<b>66776</b>	<b>3,88</b>
M 16 x 120		05 91 120 *	B	8,7	32 (4)	1.920	<b>02440</b>	<b>4,09</b>
M 16 x 130		05 91 130 *	B	9,0	32 (8)	1.920	<b>02441</b>	<b>3,96</b>
M 16 x 140		05 91 140 *	B	9,6	32 (4)	1.920	<b>02442</b>	<b>4,21</b>
M 16 x 150		05 91 150 *	B	10,0	32 (4)	1.920	<b>02443</b>	<b>4,65</b>
M 16 x 160		05 91 160 *	B	7,9	24 (8)	1.440	<b>02444</b>	<b>4,57</b>
M 16 x 170		05 91 170 *	B	8,4	24 (4)	1.440	<b>02445</b>	<b>4,75</b>
M 16 x 200		05 91 200 *	B	6,4	16 (4)	960	<b>07718</b>	<b>6,00</b>
M 16 x 220		05 91 220 *	B	6,8	16 (4)	960	<b>07719</b>	<b>5,99</b>
M 16 x 240		05 91 240 *	B	7,0	16 (4)	960	<b>07720</b>	<b>6,53</b>
M 20 x 90		05 91 290 *	B	8,7	24 (8)	1.440	<b>02446</b>	<b>5,14</b>
M 20 x 110		05 91 310 *	B	9,7	24 (8)	1.440	<b>02447</b>	<b>5,90</b>
M 20 x 120		05 91 320 *	B	10,4	24 (8)	1.440	<b>66777</b>	<b>7,00</b>
M 20 x 130		05 91 330 *	B	9,7	24 (8)	1.440	<b>66778</b>	<b>7,21</b>
M 20 x 140		05 91 340 *	B	11,6	24 (8)	1.440	<b>66779</b>	<b>7,57</b>
M 20 x 150		05 91 350 *	B	9,7	24 (8)	1.440	<b>66780</b>	<b>8,07</b>
M 20 x 160		05 91 360 *	B	8,6	16 (8)	960	<b>02448</b>	<b>7,21</b>
M 20 x 180		05 91 380 *	B	9,3	16 (8)	960	<b>02449</b>	<b>7,79</b>
M 20 x 190		05 91 390 *	B	9,7	16 (8)	960	<b>02450</b>	<b>6,09</b>
M 20 x 200		05 91 400 *	B	10,0	16 (8)	960	<b>20263</b>	<b>8,32</b>
M 20 x 210		05 91 410 *	B	10,4	16 (8)	960	<b>02451</b>	<b>8,89</b>
M 20 x 230		05 91 430 *	B	11,2	16 (8)	960	<b>02452</b>	<b>9,44</b>
M 20 x 270		05 91 470 *	B	12,7	16 (4)	960	<b>07721</b>	<b>12,33</b>
M 20 x 310		05 91 510 *	C	14,2	16 (4)	480	<b>07722</b>	<b>13,30</b>
M 20 x 340		05 91 540 *	C	15,4	16 (4)	480	<b>07723</b>	<b>23,91</b>
M 24 x 140		05 91 640 *	C	15,4	16 (4)	480	<b>66781</b>	<b>11,95</b>
M 24 x 160		05 91 660 *	C	15,4	16 (4)	480	<b>66782</b>	<b>13,02</b>

Required bolt size depending on each application of the flange: butterfly valve, coupling or swing check valve.

FLANGE SIZE	Flange set (loose flange)		Flange set (fix flange)		Butterfly valve (loose flange) *		Butterfly valve (fix flange) *		Flange set (fix flange)	
	BOLT SIZE	UNITS	BOLT SIZE	UNITS	BOLT SIZE	UNITS	BOLT SIZE	UNITS	BOLT SIZE	UNITS
D20, D25	M12 x 60	4	M 12 x 60	4						
D32	M12 x 60	4	M 12 x 60	4						
D40	M16 x 70	4	M 16 x 70	4						
D50	M16 x 80	4	M 16 x 70	4						
D63	M16 x 80	4	M 16 x 70	4	M 16 x 120	4	M 16 x 120	4		
D75	M16 x 90	4	M 16 x 70	4	M 16 x 140	4	M 16 x 120	4	M 16 x 120	4
D90	M16 x 90	8	M 16 x 70	8	M 16 x 150	8	M 16 x 130	8	M 16 x 120	8
D110	M16 x 100	8	M 16 x 80	8	M 16 x 160	8	M 16 x 140	8	M 16 x 130	8
D125	M16 x 110	8	M 16 x 80	8	M 16 x 170	8	M 16 x 140	8	M 16 x 140	8
D140	M16 x 120	8	M 16 x 90	8	M 16 x 170	8	M 16 x 150	8	M 16 x 140	8
D160	M20 x 130	8	M 20 x 90	8	M 20 x 200	8	M 20 x 160	8	M 20 x 160	8
D200	M20 x 140	8	M 20 x 110	8	M 20 x 210	8	M 20 x 180	8	M 20 x 180	8
D225	M20 x 140	8	M 20 x 110	8	M 20 x 230	8	M 20 x 190	8	M 20 x 180	8
D250	M20 x 140	12			M 20 x 270	12			M 20 x 210	12
D280	M20 x 150	12			M 20 x 270	12				
D315	M20 x 160	12			M 20 x 310	12			M 20 x 210	12
D400	M24 x 160	16								
D500	M24 x 160	20								

\* Valid for Industrial, Standard and Classic Series

## UP. 07. SF

ACP 010\*

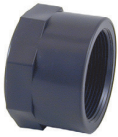


**CAP**  
solvent socket

SIZE	PN	REF.	PACK	kg	Q(B)	Q(P)	CODE	EUR
16	16	05 07 016	B	0,9	200	24.000	<b>01942</b>	<b>0,63</b>
20	16	05 07 020	B	1,4	200	24.000	<b>01943</b>	<b>0,68</b>
25	16	05 07 025	B	2,7	200	24.000	<b>01944</b>	<b>0,81</b>
32	16	05 07 032	B	2,9	120	14.400	<b>01945</b>	<b>1,09</b>
40	16	05 07 040	B	2,8	70	8.400	<b>01946</b>	<b>1,69</b>
50	16	05 07 050	B	3,6	48	5.760	<b>01947</b>	<b>2,45</b>
63	16	05 07 063	B	2,7	24	2.880	<b>01948</b>	<b>3,40</b>
75	16	05 07 075	C	5,7	32	1.920	<b>01949</b>	<b>6,46</b>
90	16	05 07 090	C	6,2	16	960	<b>01950</b>	<b>10,54</b>
110	16	05 07 110	C	5,4	9	540	<b>01951</b>	<b>21,29</b>
125	16	05 07 125	D	10,9	15	450	<b>01952</b>	<b>29,84</b>
140	16	05 07 140	D	11,1	10	300	<b>01953</b>	<b>39,00</b>
160	10	05 07 160	D	8,6	6	180	<b>01954</b>	<b>45,07</b>
200	10	05 07 200	E	13,4	6	90	<b>01955</b>	<b>56,06</b>
225	10	05 07 225	E	11,1	4	60	<b>01956</b>	<b>106,43</b>
250	10	05 07 250	E	16,8	4	60	<b>15776</b>	<b>203,36</b>
315	10	05 07 315	F	17,8	2	20	<b>15777</b>	<b>311,84</b>

## UP. 07. FT

ACP 040



**CAP**  
BSP female thread

SIZE	PN	REF.	PACK	kg	Q(B)	Q(P)	CODE	EUR
3/8"	10	05 07 616	B	2,0	200	24.000	<b>01957</b>	<b>1,44</b>
1/2"	10	05 07 620	B	2,7	200	24.000	<b>01958</b>	<b>1,53</b>
3/4"	10	05 07 625	B	3,7	160	19.200	<b>01959</b>	<b>1,66</b>
1"	10	05 07 632	B	3,2	80	9.600	<b>01960</b>	<b>2,06</b>
1 1/4"	10	05 07 640	B	3,6	50	6.000	<b>01961</b>	<b>2,88</b>
1 1/2"	10	05 07 650	B	4,3	40	4.800	<b>01962</b>	<b>3,74</b>
2"	10	05 07 663	B	4,3	22	2.640	<b>01963</b>	<b>4,99</b>
2 1/2"	10	05 07 675	B	3,1	12	1.440	<b>01964</b>	<b>11,90</b>
3"	10	05 07 690	C	7,1	16	960	<b>01965</b>	<b>19,01</b>
4"	10	05 07 710	C	5,6	8	480	<b>01966</b>	<b>26,56</b>

## UP. 19. MT

ACP 040



**PLUG**  
BSP male thread

SIZE	PN	REF.	PACK	kg	Q(B)	Q(P)	CODE	EUR
1/4"	10	05 19 612	B	3,2	1000	120.000	<b>02121</b>	<b>0,85</b>
3/8"	10	05 19 616	B	1,4	200	24.000	<b>02122</b>	<b>0,91</b>
1/2"	10	05 19 620	B	2,8	200	24.000	<b>02123</b>	<b>1,07</b>
3/4"	10	05 19 625	B	3,8	200	24.000	<b>02124</b>	<b>1,31</b>
1"	10	05 19 632	B	3,3	120	14.400	<b>02125</b>	<b>1,84</b>
1 1/4"	10	05 19 640	B	3,7	80	9.600	<b>02126</b>	<b>2,46</b>
1 1/2"	10	05 19 650	B	4,2	60	7.200	<b>02127</b>	<b>3,19</b>
2"	10	05 19 663	C	7,4	70	4.200	<b>02128</b>	<b>3,74</b>
2 1/2"	10	05 19 675	C	7,1	45	2.700	<b>02129</b>	<b>6,65</b>
3"	10	05 19 690	C	7,6	33	1.980	<b>02130</b>	<b>10,76</b>
4"	10	05 19 710	C	6,4	12	720	<b>02131</b>	<b>21,03</b>

UP. 15. SFMT

ACP 030



**ADAPTOR NIPPLE**  
solvent socket M-F x BSP male thread

SIZE	PN	REF.	PACK	kg	Q(B)	Q(P)	CODE	EUR
16 - 12 x 3/8"	10	05 15 416	B	1,6	200	24.000	<b>02073</b>	<b>0,91</b>
20 - 16 x 1/2"	10	05 15 420	B	2,8	200	24.000	<b>02074</b>	<b>1,03</b>
20 - 16 x 3/8"	10	05 15 421	B	2,7	200	24.000	<b>02075</b>	<b>1,03</b>
25 - 20 x 3/4"	10	05 15 425	B	2,5	120	14.400	<b>02076</b>	<b>1,22</b>
25 - 20 x 1/2"	10	05 15 426	B	2,8	140	16.800	<b>02077</b>	<b>1,22</b>
25 - 20 x 3/8"	10	05 15 427	B	2,6	140	16.800	<b>02078</b>	<b>1,22</b>
32 - 25 x 1"	10	05 15 432	B	2,8	80	9.600	<b>02079</b>	<b>1,37</b>
32 - 25 x 3/4"	10	05 15 433	B	2,5	80	9.600	<b>02080</b>	<b>1,37</b>
32 - 25 x 1/2"	10	05 15 434	B	2,4	80	9.600	<b>02081</b>	<b>1,37</b>
40 - 32 x 1 1/4"	10	05 15 440	B	2,9	50	6.000	<b>02082</b>	<b>1,84</b>
40 - 32 x 1"	10	05 15 441	B	2,7	50	6.000	<b>02083</b>	<b>1,84</b>
40 - 32 x 3/4"	10	05 15 442	B	2,4	50	6.000	<b>02084</b>	<b>1,84</b>
50 - 40 x 1 1/2"	10	05 15 450	C	5,9	68	4.080	<b>02085</b>	<b>2,34</b>
50 - 40 x 1 1/4"	10	05 15 451	C	5,5	68	4.080	<b>02086</b>	<b>2,37</b>
50 - 40 x 1"	10	05 15 452	C	5,4	70	4.200	<b>02087</b>	<b>2,37</b>
63 - 50 x 2"	10	05 15 463	C	6,2	46	2.760	<b>02088</b>	<b>3,81</b>
63 - 50 x 1 1/2"	10	05 15 464	C	7,5	60	3.600	<b>02089</b>	<b>3,88</b>
63 - 50 x 1 1/4"	10	05 15 465	C	7,2	60	3.600	<b>02090</b>	<b>3,88</b>
75 - 63 x 2 1/2"	10	05 15 475	C	5,1	24	1.440	<b>02091</b>	<b>6,17</b>
75 - 63 x 2"	10	05 15 476	C	5,9	30	1.800	<b>02092</b>	<b>6,17</b>
75 - 63 x 1 1/2"	10	05 15 477	C	5,4	30	1.800	<b>02093</b>	<b>6,17</b>
90 - 75 x 3"	10	05 15 490	C	3,9	12	720	<b>02094</b>	<b>8,95</b>
90 - 75 x 2 1/2"	10	05 15 491	C	4,6	15	900	<b>02095</b>	<b>8,95</b>
90 - 75 x 2"	10	05 15 492	C	6,6	24	1.440	<b>02096</b>	<b>8,95</b>
110 - 90 x 4"	10	05 15 510	C	4,1	6	360	<b>02097</b>	<b>20,69</b>
110 - 90 x 3"	10	05 15 511	C	5,5	9	540	<b>02098</b>	<b>20,69</b>
110 - 90 x 2 1/2"	10	05 15 512	C	5,3	9	540	<b>02099</b>	<b>20,69</b>

UP. 17. SFMT

ACP 030



**ADAPTOR BUSH**  
solvent socket x BSP male thread

SIZE	PN	REF.	PACK	kg	Q(B)	Q(P)	CODE	EUR
20 x 1/2"	10	05 17 420	B	3,0	200	24.000	<b>02102</b>	<b>1,19</b>
25 x 3/4"	10	05 17 425	B	2,7	120	14.400	<b>02103</b>	<b>1,32</b>
32 x 1"	10	05 17 432	B	2,6	60	7.200	<b>02104</b>	<b>1,56</b>
40 x 1 1/4"	10	05 17 440	C	5,1	80	4.800	<b>02105</b>	<b>2,06</b>
50 x 1 1/2"	10	05 17 450	C	6,5	72	4.320	<b>02106</b>	<b>2,43</b>
63 x 2"	10	05 17 463	C	7,2	50	3.000	<b>02107</b>	<b>3,77</b>
75 x 2 1/2"	10	05 17 475	C	6,5	24	1.440	<b>02108</b>	<b>7,17</b>
90 x 3"	10	05 17 490	D	12,3	28	840	<b>02109</b>	<b>14,46</b>
110 x 4"	10	05 17 510	D	6,9	10	300	<b>02110</b>	<b>21,85</b>

UP. 18. MT

ACP 040



**HEXAGON NIPPLE**  
BSP male thread

SIZE	PN	REF.	PACK	kg	Q(B)	Q(P)	CODE	EUR
3/8"	10	05 18 616	B	1,5	200	24.000	<b>02111</b>	<b>1,22</b>
1/2"	10	05 18 620	B	2,8	200	24.000	<b>02112</b>	<b>1,29</b>
3/4"	10	05 18 625	B	2,4	120	14.400	<b>02113</b>	<b>1,53</b>
1"	10	05 18 632	B	2,6	80	9.600	<b>02114</b>	<b>1,82</b>
1 1/4"	10	05 18 640	B	2,7	50	6.000	<b>02115</b>	<b>2,28</b>
1 1/2"	10	05 18 650	B	2,6	36	4.320	<b>02116</b>	<b>2,99</b>
2"	10	05 18 663	C	5,0	46	2.760	<b>02117</b>	<b>3,81</b>
2 1/2"	10	05 18 675	C	5,5	30	1.800	<b>02118</b>	<b>6,72</b>
3"	10	05 18 690	C	3,2	12	720	<b>02119</b>	<b>10,52</b>
4"	10	05 18 710	C	3,5	6	360	<b>02120</b>	<b>24,77</b>

PVC-U

Valves

PP

Spare parts



UP. 31. SFT

ACP 030



**ADAPTOR NIPPLE**  
solvent socket M-F x BSP female thread

SIZE	PN	REF.	PACK	kg	Q(B)	Q(P)	CODE	EUR
20 - 16 x 3/4"	10	05 31 420	B	3,2	120	14.400	<b>02243</b>	<b>1,71</b>
20 - 16 x 1/2"	10	05 31 421	B	3,0	140	16.800	<b>02244</b>	<b>1,71</b>
20 - 16 x 3/8"	10	05 31 422	B	3,0	160	19.200	<b>02245</b>	<b>1,71</b>
20 - 16 x 1/4"	10	05 31 423	B	3,7	200	24.000	<b>02246</b>	<b>1,71</b>
25 - 20 x 1"	10	05 31 425	B	2,6	60	7.200	<b>02247</b>	<b>2,19</b>
25 - 20 x 3/4"	10	05 31 426	B	2,9	100	12.000	<b>02248</b>	<b>2,02</b>
25 - 20 x 1/2"	10	05 31 427	B	2,8	120	14.400	<b>02249</b>	<b>2,02</b>
32 - 25 x 1 1/4"	10	05 31 432	B	2,2	30	3.600	<b>02250</b>	<b>2,91</b>
32 - 25 x 1"	10	05 31 433	B	2,9	60	7.200	<b>02251</b>	<b>2,69</b>
32 - 25 x 3/4"	10	05 31 434	B	3,1	80	9.600	<b>02252</b>	<b>2,69</b>
32 - 25 x 1/2"	10	05 31 435	B	2,9	80	9.600	<b>24822</b>	<b>2,69</b>
40 - 32 x 1 1/2"	10	05 31 440	B	2,9	30	3.600	<b>02253</b>	<b>4,05</b>
40 - 32 x 1 1/4"	10	05 31 441	C	4,6	50	3.000	<b>02254</b>	<b>3,46</b>
40 - 32 x 1"	10	05 31 442	C	5,3	80	4.800	<b>02255</b>	<b>3,46</b>
40 - 32 x 3/4"	10	05 31 443	C	5,3	80	4.800	<b>71572</b>	<b>3,46</b>
50 - 40 x 2"	10	05 31 450	C	7,8	45	2.700	<b>02256</b>	<b>6,10</b>
50 - 40 x 1 1/2"	10	05 31 451	C	4,5	40	2.400	<b>02257</b>	<b>4,90</b>
50 - 40 x 1 1/4"	10	05 31 452	C	4,3	40	2.400	<b>02258</b>	<b>4,90</b>
63 - 50 x 2 1/2"	10	05 31 463	C	6,0	24	1.440	<b>02259</b>	<b>9,77</b>
63 - 50 x 2"	10	05 31 464	C	7,2	36	2.160	<b>02260</b>	<b>7,50</b>
63 - 50 x 1 1/2"	10	05 31 465	C	5,7	36	2.160	<b>02261</b>	<b>7,39</b>
75 - 63 x 3"	10	05 31 475	C	5,7	16	960	<b>02262</b>	<b>14,21</b>
75 - 63 x 2 1/2"	10	05 31 476	C	3,3	12	720	<b>02263</b>	<b>10,32</b>
75 - 63 x 2"	10	05 31 477	C	5,7	24	1.440	<b>02264</b>	<b>10,32</b>
90 - 75 x 4"	10	05 31 490	C	6,2	10	600	<b>02265</b>	<b>19,66</b>
90 - 75 x 3"	10	05 31 491	C	3,9	9	540	<b>02266</b>	<b>18,31</b>
90 - 75 x 2 1/2"	10	05 31 492	C	3,5	9	540	<b>02267</b>	<b>18,31</b>
110 - 90 x 4"	10	05 31 511	C	4,4	6	360	<b>02268</b>	<b>24,99</b>
110 - 90 x 3"	10	05 31 512	C	3,9	6	360	<b>02269</b>	<b>24,99</b>

UP. 32. MFT

ACP 040



**REDUCER**  
BSP male x female thread

SIZE	PN	REF.	PACK	kg	Q(B)	Q(P)	CODE	EUR
3/4" x 1/2"	10	05 32 616	B	4,0	200	24.000	<b>02270</b>	<b>1,82</b>
1/2" x 3/4"	10	05 32 620	B	3,2	120	14.400	<b>02271</b>	<b>1,90</b>
1/2" x 3/8"	10	05 32 621	B	2,2	200	24.000	<b>02272</b>	<b>1,77</b>
3/4" x 1"	10	05 32 625	B	2,9	70	8.400	<b>02273</b>	<b>2,31</b>
3/4" x 1/2"	10	05 32 626	B	2,7	120	14.400	<b>02274</b>	<b>1,90</b>
3/4" x 3/8"	10	05 32 627	B	2,7	140	16.800	<b>02275</b>	<b>1,96</b>
1" x 1 1/4"	10	05 32 632	B	2,9	40	4.800	<b>02276</b>	<b>2,75</b>
1" x 3/4"	10	05 32 633	B	3,0	80	9.600	<b>02277</b>	<b>2,18</b>
1" x 1/2"	10	05 32 634	B	2,7	80	9.600	<b>02278</b>	<b>2,18</b>
1" x 3/8"	10	05 32 635	B	3,1	100	12.000	<b>02279</b>	<b>2,31</b>
1 1/4" x 1 1/2"	10	05 32 640	B	3,6	40	4.800	<b>02280</b>	<b>3,93</b>
1 1/4" x 1"	10	05 32 641	B	2,8	50	6.000	<b>02281</b>	<b>2,68</b>
1 1/4" x 3/4"	10	05 32 642	B	2,7	50	6.000	<b>02282</b>	<b>2,75</b>
1 1/4" x 1/2"	10	05 32 643	B	2,6	50	6.000	<b>02283</b>	<b>2,75</b>
1 1/4" x 1/4"	10	05 32 645	B	2,6	50	6.000	<b>73528</b>	<b>TBA</b>
1 1/2" x 2"	10	05 32 650	B	3,0	18	2.160	<b>02284</b>	<b>6,28</b>
1 1/2" x 1 1/4"	10	05 32 651	C	5,1	70	4.200	<b>02285</b>	<b>3,08</b>
1 1/2" x 1"	10	05 32 652	C	4,9	70	4.200	<b>02286</b>	<b>3,08</b>
1 1/2" x 3/4"	10	05 32 653	C	5,8	90	5.400	<b>02287</b>	<b>3,12</b>
2" x 2 1/2"	10	05 32 663	C	7,8	36	2.160	<b>02288</b>	<b>10,70</b>
2" x 1 1/2"	10	05 32 664	C	5,2	48	2.880	<b>02289</b>	<b>4,56</b>
2" x 1 1/4"	10	05 32 665	C	4,9	48	2.880	<b>02290</b>	<b>4,69</b>
2" x 1"	10	05 32 666	C	4,9	50	3.000	<b>02291</b>	<b>4,62</b>
2 1/2" x 3"	10	05 32 675	C	5,5	16	960	<b>02292</b>	<b>20,20</b>
2 1/2" x 2"	10	05 32 676	C	6,0	32	1.920	<b>02293</b>	<b>6,18</b>
2 1/2" x 1 1/2"	10	05 32 677	C	5,8	32	1.920	<b>02294</b>	<b>6,18</b>
2 1/2" x 1 1/4"	10	05 32 678	C	6,3	40	2.400	<b>02295</b>	<b>6,18</b>
3" x 4"	10	05 32 690	C	7,1	12	720	<b>02296</b>	<b>24,65</b>
3" x 2 1/2"	10	05 32 691	C	6,1	24	1.440	<b>02297</b>	<b>10,70</b>
3" x 2"	10	05 32 692	C	5,7	24	1.440	<b>02298</b>	<b>7,70</b>
3" x 1 1/2"	10	05 32 693	C	5,2	24	1.440	<b>02299</b>	<b>7,70</b>
4" x 3"	10	05 32 711	C	4,8	9	540	<b>02300</b>	<b>24,60</b>
4" x 2 1/2"	10	05 32 712	C	5,9	12	720	<b>02301</b>	<b>24,60</b>
4" x 2"	10	05 32 713	C	6,0	12	720	<b>02302</b>	<b>24,60</b>

UP. 33. MT

ACP 040



**REDUCING NIPPLE**

BSP male thread

SIZE	PN	REF.	PACK	kg	Q(B)	Q(P)	CODE	EUR
1/2" x 3/8"	10	05 33 620	B	2,0	200	24.000	<b>02303</b>	<b>1,29</b>
3/4" x 1/2"	10	05 33 625	B	3,1	160	19.200	<b>02304</b>	<b>1,35</b>
3/4" x 3/8"	10	05 33 626	B	2,9	160	19.200	<b>02305</b>	<b>1,44</b>
1" x 3/4"	10	05 33 632	B	2,9	80	9.600	<b>02306</b>	<b>1,75</b>
1" x 1/2"	10	05 33 633	B	2,6	90	10.800	<b>02307</b>	<b>1,77</b>
1" x 3/8"	10	05 33 634	B	2,8	90	10.800	<b>02308</b>	<b>1,82</b>
1 1/4" x 1"	10	05 33 640	B	2,7	50	6.000	<b>02309</b>	<b>2,16</b>
1 1/4" x 3/4"	10	05 33 641	B	2,9	60	7.200	<b>02310</b>	<b>2,28</b>
1 1/4" x 1/2"	10	05 33 642	B	2,9	60	7.200	<b>02311</b>	<b>2,28</b>
1 1/2" x 1 1/4"	10	05 33 650	B	2,6	38	4.560	<b>02312</b>	<b>2,63</b>
1 1/2" x 1"	10	05 33 651	B	4,9	60	7.200	<b>02313</b>	<b>2,59</b>
1 1/2" x 3/4"	10	05 33 652	B	3,6	60	7.200	<b>02314</b>	<b>2,63</b>
2" x 1 1/2"	10	05 33 663	B	2,4	24	2.880	<b>02315</b>	<b>3,31</b>
2" x 1 1/4"	10	05 33 664	B	3,1	33	3.960	<b>02316</b>	<b>3,43</b>
2" x 1"	10	05 33 665	B	3,1	33	3.960	<b>02317</b>	<b>3,43</b>
2 1/2" x 2"	10	05 33 675	C	5,2	30	1.800	<b>02318</b>	<b>6,18</b>
2 1/2" x 1 1/2"	10	05 33 676	C	7,1	45	2.700	<b>02319</b>	<b>6,18</b>
2 1/2" x 1 1/4"	10	05 33 677	C	7,0	45	2.700	<b>02320</b>	<b>6,18</b>
3" x 2 1/2"	10	05 33 690	C	5,7	24	1.440	<b>02321</b>	<b>9,98</b>
3" x 2"	10	05 33 691	C	5,3	24	1.440	<b>02322</b>	<b>9,98</b>
3" x 1 1/2"	10	05 33 692	C	7,6	36	2.160	<b>02323</b>	<b>9,98</b>
4" x 3"	10	05 33 710	C	6,1	12	720	<b>02324</b>	<b>22,99</b>
4" x 2 1/2"	10	05 33 711	C	5,9	12	720	<b>02325</b>	<b>22,99</b>
4" x 2"	10	05 33 712	C	5,7	12	720	<b>02326</b>	<b>22,99</b>

UP. 34. MFT

ACP 040



**SHORT REDUCING NIPPLE**

BSP male x female thread

SIZE	PN	REF.	PACK	kg	Q(B)	Q(P)	CODE	EUR
1/2" x 1/4"	10	05 34 621	B	2,6	200	24.000	<b>23087</b>	<b>1,40</b>
3/4" x 1/2"	10	05 34 625	B	2,9	200	24.000	<b>20147</b>	<b>1,65</b>
3/4" x 1/4"	10	05 34 627	B	4,0	200	24.000	<b>23088</b>	<b>1,66</b>
3/4" x 1/8"	10	05 34 628	B	4,1	200 (20)	24.000	<b>28081</b>	<b>1,66</b>
1" x 3/4"	10	05 34 632	B	2,4	120	14.400	<b>20148</b>	<b>2,02</b>
1" x 1/4"	10	05 34 635	B	3,4	120	14.400	<b>23089</b>	<b>2,05</b>
1 1/4" x 1"	10	05 34 640	B	2,7	80	9.600	<b>20149</b>	<b>2,47</b>
1 1/2" x 1 1/4"	10	05 34 650	B	2,1	50	6.000	<b>20150</b>	<b>2,84</b>
2" x 1 1/2"	10	05 34 663	B	2,6	36	4.320	<b>20151</b>	<b>4,33</b>
2 1/2" x 2"	10	05 34 675	B	2,8	22	2.640	<b>20152</b>	<b>5,81</b>
3" x 2 1/2"	10	05 34 690	B	2,6	18	2.160	<b>20153</b>	<b>9,90</b>
4" x 3"	10	05 34 710	B	2,7	6	720	<b>20154</b>	<b>23,62</b>

PVC-U

Valves

PP

Spare parts

UP. 50. SF

ACP 050



**UNION**  
solvent socket

SIZE	PN	REF.	PACK	kg	Q(B)	Q(P)	CODE	EUR
16	16	05 50 016	B	2,6	100	12.000	<b>20157</b>	<b>2,94</b>
20	16	05 50 020	B	3,3	80	9.600	<b>02327</b>	<b>2,91</b>
25	16	05 50 025	B	2,9	40	4.800	<b>02328</b>	<b>3,34</b>
32	16	05 50 032	B	3,0	30	3.600	<b>02329</b>	<b>4,72</b>
40	16	05 50 040	C	6,8	40	2.400	<b>02330</b>	<b>5,68</b>
50	16	05 50 050	C	5,8	30	1.800	<b>02331</b>	<b>6,96</b>
63	16	05 50 063	C	4,4	12	720	<b>02332</b>	<b>10,15</b>
75	10	05 50 075	D	9,3	16	480	<b>02333</b>	<b>29,47</b>
90	10	05 50 090	D	10,1	12	360	<b>02334</b>	<b>39,00</b>
110	10	05 50 110	D	8,2	5	150	<b>02335</b>	<b>57,02</b>

UP. 50. SFT

ACP 050



**UNION**  
solvent socket x BSP female thread

SIZE	PN	REF.	PACK	kg	Q(B)	Q(P)	CODE	EUR
16 x 3/8"	10	05 50 416	B	2,7	100	12.000	<b>20158</b>	<b>3,33</b>
20 x 1/2"	10	05 50 420	B	3,3	80	9.600	<b>02336</b>	<b>3,38</b>
25 x 3/4"	10	05 50 425	B	2,9	40	4.800	<b>02337</b>	<b>3,97</b>
32 x 1"	10	05 50 432	B	3,4	30	3.600	<b>02338</b>	<b>5,34</b>
40 x 1 1/4"	10	05 50 440	C	6,9	40	2.400	<b>02339</b>	<b>6,70</b>
50 x 1 1/2"	10	05 50 450	C	6,2	30	1.800	<b>02340</b>	<b>8,03</b>
63 x 2"	10	05 50 463	C	4,7	12	720	<b>02341</b>	<b>11,68</b>
75 x 2 1/2"	10	05 50 475	D	9,4	16	480	<b>02342</b>	<b>32,73</b>
90 x 3"	10	05 50 490	D	10,3	12	360	<b>02343</b>	<b>41,76</b>
110 x 4"	10	05 50 510	D	8,5	5	150	<b>02344</b>	<b>66,35</b>

UP. 50. FT

ACP 050



**UNION**  
BSP female thread

SIZE	PN	REF.	PACK	kg	Q(B)	Q(P)	CODE	EUR
1/2"	10	05 50 620	B	3,3	80	9.600	<b>02345</b>	<b>4,06</b>
3/4"	10	05 50 625	B	2,9	40	4.800	<b>02346</b>	<b>4,81</b>
1"	10	05 50 632	B	3,1	30	3.600	<b>02347</b>	<b>6,40</b>
1 1/4"	10	05 50 640	C	6,7	40	2.400	<b>02348</b>	<b>8,05</b>
1 1/2"	10	05 50 650	C	6,6	30	1.800	<b>02349</b>	<b>9,49</b>
2"	10	05 50 663	C	5,1	12	720	<b>02350</b>	<b>13,48</b>
2 1/2"	10	05 50 675	C	4,9	8	480	<b>07713</b>	<b>35,85</b>
3"	10	05 50 690	C	4,7	5	300	<b>07714</b>	<b>48,59</b>
4"	10	05 50 710	C	3,6	2	120	<b>07715</b>	<b>74,61</b>

UP. 51. SMF

ACP 050



**UNION**  
solvent socket

SIZE	PN	REF.	PACK	kg	Q(B)	Q(P)	CODE	EUR
50	16	05 51 050	C	5,0	20	1.200	<b>02351</b>	<b>7,70</b>
63	16	05 51 063	C	5,5	12	720	<b>02352</b>	<b>12,29</b>

UP. 51. SMT

ACP 050



**UNION**  
solvent socket x BSP male thread

SIZE	PN	REF.	PACK	kg	Q(B)	Q(P)	CODE	EUR
16 x 3/8"	10	05 51 416	B	3,0	100	12.000	<b>20160</b>	<b>3,94</b>
20 x 1/2"	10	05 51 420	B	3,6	80	9.600	<b>02353</b>	<b>3,94</b>
25 x 3/4"	10	05 51 425	B	3,0	40	4.800	<b>02354</b>	<b>4,43</b>
32 x 1"	10	05 51 432	B	3,5	30	3.600	<b>02355</b>	<b>5,34</b>
40 x 1 1/4"	10	05 51 440	C	6,7	36	2.160	<b>02356</b>	<b>6,55</b>
50 x 1 1/2"	10	05 51 450	C	6,7	30	1.800	<b>02357</b>	<b>7,21</b>
63 x 2"	10	05 51 463	C	5,2	12	720	<b>02358</b>	<b>11,65</b>
75 x 2 1/2"	10	05 51 475	D	8,2	16	480	<b>02359</b>	<b>31,80</b>
90 x 3"	10	05 51 490	D	10,0	10	300	<b>02360</b>	<b>41,76</b>
110 x 4"	10	05 51 510	D	6,7	4	120	<b>02361</b>	<b>66,35</b>

UP. 51. MFT

ACP 050



**UNION**  
BSP female x male thread

SIZE	PN	REF.	PACK	kg	Q(B)	Q(P)	CODE	EUR
1/2" x 1/2"	10	05 51 620	B	3,7	80	9.600	<b>02362</b>	<b>4,41</b>
3/4" x 3/4"	10	05 51 625	B	3,0	40	4.800	<b>02363</b>	<b>5,15</b>
1" x 1"	10	05 51 632	B	3,5	30	3.600	<b>02364</b>	<b>6,12</b>
1 1/4" x 1 1/4"	10	05 51 640	C	6,8	36	2.160	<b>02365</b>	<b>7,62</b>
1 1/2" x 1 1/2"	10	05 51 650	C	4,9	20	1.200	<b>02366</b>	<b>8,83</b>
2" x 2"	10	05 51 663	C	5,5	12	720	<b>02367</b>	<b>14,13</b>
2 1/2" x 2 1/2"	10	05 51 675	C	4,1	6	360	<b>02368</b>	<b>36,74</b>
3" x 3"	10	05 51 690	C	4,9	5	300	<b>02369</b>	<b>48,54</b>

**UP. 51. SMT2**

ACP 050



**UNION**  
solvent socket x BSP male thread

SIZE	PN	REF.	PACK	kg	Q(B)	Q(P)	CODE	EUR
50 x 1½"	10	05 51 250	C	7,3	30	1.800	<b>07716</b>	<b>9,50</b>
50 x 2"	10	05 51 251	C	5,2	12	720	<b>26638</b>	<b>12,79</b>
63 x 2"	10	05 51 263	C	5,2	12	720	<b>07717</b>	<b>14,00</b>

Conjunto con junta exterior  
Product with external o-ring

**UP. 51. SFMT**

ACP 050



**UNION**  
solvent socket x BSP male thread

SIZE	PN	REF.	PACK	kg	Q(B)	Q(P)	CODE	EUR
50 x 2"	10	05 51 451	C	5,1	20	1.200	<b>09033</b>	<b>8,93</b>

**UP. 57. SFMT**

ACP 050



**SELF-ALIGN UNION**  
solvent socket x BSP male thread

SIZE	PN	REF.	PACK	kg	Q(B)	Q(P)	CODE	EUR
50 x 1½"	10	05 57 550	B	3,1	6	720	<b>18874</b>	<b>17,57</b>

**UP. 55. SPI**

ACP 050



**SPIGOT AND NUT UNION**  
spigot x female thread

SIZE	PN	REF.	PACK	kg	Q(B)	Q(P)	CODE	EUR
16 x ¾"		05 55 016	B	2,4	100	12.000	<b>02399</b>	<b>3,16</b>
18 x ¾"		05 55 018	B	2,6	100	12.000	<b>02400</b>	<b>3,33</b>
20 x ¾"		05 55 020	B	2,2	80	9.600	<b>02401</b>	<b>3,43</b>
25 x 1"		05 55 025	B	2,1	60	7.200	<b>02402</b>	<b>3,56</b>
20 x 1"		05 55 026	B	2,0	60	7.200	<b>15764</b>	<b>3,61</b>
30 x 1¼"		05 55 032	B	2,4	40	4.800	<b>02403</b>	<b>4,09</b>
40 x 1½"		05 55 040	B	2,6	30	3.600	<b>02404</b>	<b>5,27</b>
50 x 2"		05 55 050	B	2,9	20	2.400	<b>02405</b>	<b>6,39</b>
38 x 2"		05 55 051	B	2,2	20	2.400	<b>02406</b>	<b>6,27</b>
60 x 2½"		05 55 063	B	2,4	12	1.440	<b>02407</b>	<b>8,24</b>

**UP. 56. SF**

ACP 050



**FITTING CONNECTION**  
solvent socket x female thread

SIZE	PN	REF.	PACK	kg	Q(B)	Q(P)	CODE	EUR
40 x 2"	16	05 56 440	B	2,9	20 (10)	2.400	<b>05350</b>	<b>6,20</b>
50 x 1½"	16	05 56 451	B	2,7	24 (1)	2.880	<b>75937</b>	<b>TBA</b>
50 x 2"	16	05 56 450	B	2,1	15	1.800	<b>75938</b>	<b>TBA</b>

**UP. 24. SF**

ACP 010



**SPIGOT CONNECTION**  
solvent socket x spigot

SIZE	PN	REF.	PACK	kg	Q(B)	Q(P)	CODE	EUR
16 x 16	10	05 24 016	B	3,8	500	60.000	<b>02200</b>	<b>0,94</b>
20 x 18	10	05 24 018	B	2,6	200	24.000	<b>02201</b>	<b>1,09</b>
20 x 20	10	05 24 020	B	2,6	200	24.000	<b>02202</b>	<b>1,15</b>
25 x 25	10	05 24 025	B	2,3	120	14.400	<b>02203</b>	<b>1,44</b>
32 x 30	10	05 24 032	B	2,5	80	9.600	<b>02204</b>	<b>1,81</b>
40 x 40	10	05 24 040	B	2,1	40	4.800	<b>02205</b>	<b>2,15</b>
50 x 50	10	05 24 050	B	2,7	30	3.600	<b>02206</b>	<b>3,05</b>
50 x 38	10	05 24 051	B	3,2	40	4.800	<b>02207</b>	<b>3,10</b>
63 x 60	10	05 24 063	B	2,6	18	2.160	<b>02208</b>	<b>3,84</b>

**UP. 24. MT**

ACP 040



**SPIGOT CONNECTION**  
BSP male thread x spigot

SIZE	PN	REF.	PACK	kg	Q(B)	Q(P)	CODE	EUR
¾" x 16	10	05 24 616	B	2,0	200	24.000	<b>02217</b>	<b>0,91</b>
½" x 18	10	05 24 618	B	3,0	200	24.000	<b>02218</b>	<b>1,07</b>
½" x 20	10	05 24 620	B	2,7	180	21.600	<b>02219</b>	<b>1,15</b>
¾" x 25	10	05 24 625	B	2,7	120	14.400	<b>02220</b>	<b>1,41</b>
¾" x 20	10	05 24 626	B	2,7	140	16.800	<b>15763</b>	<b>1,46</b>
1" x 30	10	05 24 632	B	2,3	60	7.200	<b>02221</b>	<b>1,81</b>
1" x 25	10	05 24 633	B	2,7	80	9.600	<b>09031</b>	<b>1,81</b>
1¼" x 40	10	05 24 640	B	2,0	30	3.600	<b>02222</b>	<b>2,16</b>
1½" x 50	10	05 24 650	B	2,9	30	3.600	<b>02223</b>	<b>3,09</b>
1½" x 38	10	05 24 651	B	3,0	36	4.320	<b>02224</b>	<b>3,03</b>
1½" x 40	10	05 24 652	B	3,2	36	4.320	<b>09032</b>	<b>3,13</b>
2" x 60	10	05 24 663	B	2,2	15	1.800	<b>02225</b>	<b>3,90</b>

## MANIFOLDS FOR ELECTRIC VALVES

## UP. 01. MFD. FF

ACP 080

**90° ELBOW F/F**

For manifold systems

SIZE	PN	REF.	PACK	kg	Q(B)	Q(P)	CODE	EUR
1"	10	72 01 632	B	2,7	40 (10)	4.800	<b>41850</b>	<b>7,09</b>

## UP. 01. MFD. FM

ACP 080

**90° ELBOW F/M**

For manifold systems

SIZE	PN	REF.	PACK	kg	Q(B)	Q(P)	CODE	EUR
1"	10	72 01 432	B	2,6	50 (10)	6.000	<b>41851</b>	<b>5,39</b>

## UP. 03. MFD. FFM

ACP 080

**90° TEE F/F/M**

For manifold systems

SIZE	PN	REF.	PACK	kg	Q(B)	Q(P)	CODE	EUR
1"	10	72 03 432	B	2,5	30 (10)	3.600	<b>41852</b>	<b>7,42</b>

## UP. 28. MFD. FFFM

ACP 080

**CROSS F/F/F/M**

For manifold systems

SIZE	PN	REF.	PACK	kg	Q(B)	Q(P)	CODE	EUR
1"	10	72 28 432	B	2,3	20 (10)	2.400	<b>41853</b>	<b>12,48</b>

## UP. 05. MFD. FF

ACP 080

**SOCKET F/F**

For manifold systems

SIZE	PN	REF.	PACK	kg	Q(B)	Q(P)	CODE	EUR
1"	10	72 05 632	B	3,0	50 (10)	6.000	<b>41854</b>	<b>6,34</b>

## UP. 05. MFD. FM

ACP 080

**SOCKET F/M**

For manifold systems

SIZE	PN	REF.	PACK	kg	Q(B)	Q(P)	CODE	EUR
1"	10	72 05 432	B	2,7	60 (10)	7.200	<b>41855</b>	<b>4,65</b>

## UP. 18. MFD. MT

ACP 080

**NIPPLE**

For manifold systems

SIZE	PN	REF.	PACK	kg	Q(B)	Q(P)	CODE	EUR
1"	10	72 18 032	B	3,2	80 (10)	9.600	<b>41856</b>	<b>2,15</b>

## UP. 33. MFD. MTR

ACP 080

**REDUCING NIPPLE**

For manifold systems

SIZE	PN	REF.	PACK	kg	Q(B)	Q(P)	CODE	EUR
1" x ¾"	10	72 33 032	B	3,1	90 (10)	10.800	<b>41857</b>	<b>2,15</b>

## MANIFOLDS FOR ELECTRIC VALVES

## UP. 26. MFD. 2OUT

ACP 080


**2-OUTLET MANIFOLD**  
 For manifold systems

SIZE	PN	REF.	PACK	kg	Q(B)	Q(P)	CODE	EUR
1"	10	72 26 232	B	2,4	16 (2)	1.920	<b>41858</b>	<b>13,16</b>

## UP. 26. MFD. 3OUT

ACP 080


**3-OUTLET MANIFOLD**  
 For manifold systems

SIZE	PN	REF.	PACK	kg	Q(B)	Q(P)	CODE	EUR
1"	10	72 26 332	B	2,2	10 (2)	1.200	<b>41859</b>	<b>22,26</b>

## UP. 26. MFD. 4OUT

ACP 080


**4-OUTLET MANIFOLD**  
 For manifold systems

SIZE	PN	REF.	PACK	kg	Q(B)	Q(P)	CODE	EUR
1"	10	72 26 432	C	4,4	16 (4)	960	<b>41860</b>	<b>27,96</b>

## UP. 07. MFD. FT

ACP 080


**CAP**  
 For manifold systems

SIZE	PN	REF.	PACK	kg	Q(B)	Q(P)	CODE	EUR
1"	10	72 07 032	B	2,1	100 (10)	12.000	<b>41861</b>	<b>1,82</b>

## UP. 49. MFD

ACP 080


**CLOSING RING**  
 For manifold systems

SIZE	PN	REF.	PACK	kg	Q(B)	Q(P)	CODE	EUR
1"	10	72 49 032	B	0,9	500 (10)	60.000	<b>41873</b>	<b>0,15</b>

## PVC-U RUBBER RING JOINT SOCKET

## UP. 05. RJ

ACP 090

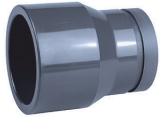

**SOCKET**  
 rubber ring joint

SIZE	PN	REF.	PACK	kg	Q(B)	Q(P)	CODE	EUR
63	10	70 05 063 *	C	2,7	6	360	<b>22917</b>	<b>28,45</b>
75	10	70 05 075 *	D	5,5	9	270	<b>22918</b>	<b>33,77</b>
90	10	70 05 090 *	D	5,2	6	180	<b>22919</b>	<b>44,33</b>
110	10	70 05 110 *	E	10,5	8	120	<b>22920</b>	<b>56,82</b>
125	10	70 05 125 *	E	11,8	7	105	<b>22921</b>	<b>82,11</b>
140	10	70 05 140 *	E	10,7	5	75	<b>22922</b>	<b>93,32</b>
160	10	70 05 160 *	E	8,3	3	45	<b>22923</b>	<b>120,69</b>
200	10	70 05 200 *	F	11,5	2	20	<b>22924</b>	<b>199,81</b>
225	10	70 05 225 *	G	15,7	2	20	<b>22925</b>	<b>277,48</b>
250	10	70 05 250 *	G	17,1	2	20	<b>22926</b>	<b>398,87</b>
315	10	70 05 315 *	1,452	134,2	6	6	<b>22927</b>	<b>910,38</b>

GROOVED COUPLING

UP. 58. SFVT

ACP 010\*



**GROOVED COUPLING SOCKET**  
solvent socket M-F x grooved

SIZE	PN	REF.	PACK	kg	Q(B)	Q(P)	CODE	EUR
75 - 63 x 2"	16	05 58 463	B	2,8	16	1.920	<b>20162</b>	<b>9,52</b>
110 - 90 x 3"	16	05 58 490	C	4,4	8	480	<b>20163</b>	<b>24,87</b>
125 - 110 x 4"	16	05 58 510	D	9,1	12	360	<b>20164</b>	<b>33,15</b>
180 - 160 x 6"	10	05 58 560	D	6,8	4	120	<b>21444</b>	<b>46,91</b>

UP. 58. VT

ACP 100



**GROOVED COUPLING**

SIZE	PN	REF.	PACK	kg	Q(B)	Q(P)	CODE	EUR
2"		05 58 063 *	B	9,8	12	720	<b>20165</b>	<b>44,51</b>
3"		05 58 090 *	B	9,9	8	480	<b>20166</b>	<b>51,31</b>
4"		05 58 110 *	B	7,3	4	240	<b>20167</b>	<b>76,36</b>
6"		05 58 160 *	C	12,9	4	120	<b>21445</b>	<b>135,87</b>

SIGHT GLASSES

UP. 54. SF

VCS 210



**SIGHT GLASS**  
solvent socket

SIZE	PN	REF.	PACK	kg	Q(B)	Q(P)	CODE	EUR
50	6	05 54 050	C	5,1	12	720	<b>02387</b>	<b>25,96</b>
63	6	05 54 063	C	7,5	12	720	<b>02388</b>	<b>31,90</b>
75	10	05 54 075	C	7,7	3	180	<b>02389</b>	<b>83,57</b>
90	10	05 54 090	D	12,6	4	120	<b>02390</b>	<b>100,99</b>
110	10	05 54 110	D	8,6	2	60	<b>02391</b>	<b>125,34</b>
125	10	05 54 125	D	9,6	2	60	<b>02392</b>	<b>147,64</b>
140	10	05 54 140	D	6,1	1	30	<b>02393</b>	<b>182,64</b>
160	10	05 54 160	D	8,5	1	30	<b>02394</b>	<b>265,34</b>
200	10	05 54 200	E	11,3	1	15	<b>02395</b>	<b>306,63</b>
225	10	05 54 225	F	13,3	1	10	<b>02396</b>	<b>377,34</b>

UP. 54. FT

VCS 210



**SIGHT GLASS**  
BSP female thread

SIZE	PN	REF.	PACK	kg	Q(B)	Q(P)	CODE	EUR
1½"	6	05 54 650	C	5,1	12	720	<b>02397</b>	<b>28,09</b>
2"	6	05 54 663	C	8,1	12	720	<b>02398</b>	<b>34,55</b>

FLOWMETERS

UP. 92. SF. M

VCS 220



**FLOWMETER methacrylate**  
solvent socket

SIZE	PN	REF.	PACK	kg	Q(B)	Q(P)	CODE	EUR
20 (10-100 l/h)	15	05 92 020A	B	1,0	4 (1)	480	<b>20205</b>	<b>232,25</b>
20 (16-160 l/h)	15	05 92 020B	B	1,0	4 (1)	480	<b>20206</b>	<b>232,25</b>
20 (25-250 l/h)	15	05 92 020C	B	1,0	4 (1)	480	<b>20207</b>	<b>232,25</b>
25 (40-400 l/h)	15	05 92 025A	B	1,4	4 (1)	480	<b>20208</b>	<b>242,88</b>
25 (60-630 l/h)	15	05 92 025B	B	1,4	4 (1)	480	<b>20209</b>	<b>242,88</b>
25 (100-1000 l/h)	15	05 92 025C	B	1,4	4 (1)	480	<b>20210</b>	<b>242,88</b>

UP. 92. FT. M

VCS 220



**FLOWMETER methacrylate**  
BSP female thread

SIZE	PN	REF.	PACK	kg	Q(B)	Q(P)	CODE	EUR
½" (10-100 l/h)	15	05 92 620A	B	1,0	4 (1)	480	<b>20211</b>	<b>233,90</b>
½" (16-160 l/h)	15	05 92 620B	B	1,0	4 (1)	480	<b>20212</b>	<b>233,90</b>
½" (25-250 l/h)	15	05 92 620C	B	1,0	4 (1)	480	<b>20213</b>	<b>233,90</b>
¾" (40-400 l/h)	15	05 92 625A	B	1,4	4 (1)	480	<b>20214</b>	<b>244,51</b>
¾" (60-630 l/h)	15	05 92 625B	B	1,4	4 (1)	480	<b>20215</b>	<b>244,51</b>
¾" (100-1000 l/h)	15	05 92 625C	B	1,4	4 (1)	480	<b>20216</b>	<b>244,51</b>

## PVC-U SOLVENT CEMENT

## UP. 90. SC

ADH 010


**PVC-U SOLVENT CEMENT**

SIZE	PN	REF.	PACK	kg	Q(B)	Q(P)	CODE	EUR
125 cc		05 90 012	0,02	5,6	30	1.260	<b>02429</b>	<b>TBA</b>
250 cc w/b		05 90 026	0,02	9,3	28	1.176	<b>02430</b>	<b>TBA</b>
500 cc		05 90 050	0,02	8,0	15	630	<b>02427</b>	<b>TBA</b>
500 cc w/b		05 90 051	0,02	8,1	15	630	<b>09043</b>	<b>25,40</b>
1.000 cc		05 90 100	0,02	13,0	12	504	<b>02426</b>	<b>TBA</b>
1.000 cc w/b		05 90 101	0,02	12,8	12	504	<b>09044</b>	<b>43,30</b>

## UP. 90. SC. TV

ADH 010


**PVC-U SOLVENT CEMENT**

w/cover valve

SIZE	PN	REF.	PACK	kg	Q(B)	Q(P)	CODE	EUR
1.000 cc		05 90 100 TV	0,02	13,0	12	504	<b>60251</b>	<b>30,50</b>

## UP. 90. TSC

ADH 010


**TANGIT® PVC-U SOLVENT CEMENT**

SIZE	PN	REF.	PACK	kg	Q(B)	Q(P)	CODE	EUR
500 cc w/p		05 90 350 *	0,01	7,4	12	864	<b>02434</b>	<b>59,65</b>
1.000 cc		05 90 400 *	0,02	13,8	12	864	<b>02433</b>	<b>102,11</b>

## UP. 90. SCU

ADH 010


**UNI-100 PVC-U SOLVENT CEMENT**

with brush

SIZE	PN	REF.	PACK	kg	Q(B)	Q(P)	CODE	EUR
500 cc w/b		05 90 051 UNI *	0,01	7,1	12	720	<b>52706</b>	<b>45,16</b>

## CP. 90. SCH

ADH 010


**HT-120 CPVC SOLVENT CEMENT**

with brush

SIZE	PN	REF.	PACK	kg	Q(B)	Q(P)	CODE	EUR
500 cc w/b		36 90 051 *	0,01	7,3	12	924	<b>52708</b>	<b>57,58</b>

## CLEANER

## UP. 90. CL

ADH 010


**CLEANER**

PVC-U / CPVC

SIZE	PN	REF.	PACK	kg	Q(B)	Q(P)	CODE	EUR
125 cc		05 90 125	0,01	5,0	28	2.100	<b>54740</b>	<b>10,72</b>
500 cc		05 90 250	0,02	8,1	15	630	<b>02432</b>	<b>TBA</b>
1.000 cc		05 90 300	0,02	11,0	12	504	<b>02431</b>	<b>TBA</b>

## PTFE TAPE

## UP. 90. TF

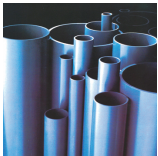
ADH 010


**PTFE THREAD-WRAP TAPE**

SIZE	PN	REF.	PACK	kg	Q(B)	Q(P)	CODE	EUR
12mm/12m/0,075		05 90 500 *	B	1,9	140	16.800	<b>02435</b>	<b>1,17</b>
19mm/50m/0,15		05 90 550 *	B	3,2	36	4.320	<b>02436</b>	<b>13,56</b>



## PVC-U PIPE



## PVC PRESSURE PIPE

D	PN	LENGTH	CODE	EUR / m
20	20	4 m	<b>24128-4M</b>	<b>1,60</b>
25	16	4 m	<b>02723-4M</b>	<b>2,05</b>
32	16	4 m	<b>02724-4M</b>	<b>3,30</b>
40	10	4 m	<b>02708-4M</b>	<b>3,45</b>
50	10	4 m	<b>02709-4M</b>	<b>5,35</b>
50	10	2,5 m	<b>02709-2,5M</b>	<b>6,60</b>
63	10	4 m	<b>02710-4M</b>	<b>8,30</b>
63	10	2,5 m	<b>02710-2,5M</b>	<b>8,80</b>
75	10	4 m	<b>02711-4M</b>	<b>11,65</b>
90	10	4 m	<b>02712-4M</b>	<b>16,70</b>
110	10	4 m	<b>02713-4M</b>	<b>20,30</b>
125	10	4 m	<b>02714-4M</b>	<b>26,20</b>
140	10	4 m	<b>02715-4M</b>	<b>33,00</b>
160	10	4 m	<b>02716-4M</b>	<b>43,30</b>
200	10	4 m	<b>02718-4M</b>	<b>66,90</b>
250	10		<b>02719</b>	<b>101,00</b>
315	10		<b>02720</b>	<b>154,00</b>

PVC-U

Valves

PP

Spare parts



# VALVES

PVC-U

Valves

PP

Spare parts

PVC-U

Valves

PP

Spare parts

**37** | Ball valves [STD] Series



**44** | Check valves Spring Series



**52** | Rotary disc valves



**39** | Ball valves Standard Series



**45** | Check valves Ball Series



**52** | Drain valves



**40** | Ball valves Industrial Series



**46** | Swing check valves



**53** | Knife gate valves



**42** | Ball valves POOL VALVE Series



**47** | Butterfly valves Standard Series



**55** | Angle seat valves



**43** | Ball valves Uniblock Series



**48** | Butterfly valves Industrial Series



**55** | Air/vacuum relief valves



**43** | Ball valves 3-way Series



**51** | Butterfly valves Classic Series



## PVC-U BALL VALVES [STD] SERIES

## UP. 60ST. SF5

VAL 311



**PE - EPDM**  
solvent socket

SIZE	PN	REF.	PACK	kg	Q(B)	Q(P)	CODE	EUR
16	16	60 60 016	B	3,6	25	3.000	<b>36500</b>	<b>12,18</b>
20	16	60 60 020	B	3,5	25	3.000	<b>36501</b>	<b>12,18</b>
25	16	60 60 025	B	3,2	14	1.680	<b>36502</b>	<b>13,39</b>
32	16	60 60 032	B	2,9	8	960	<b>36503</b>	<b>17,55</b>
40	16	60 60 040	B	3,1	6	720	<b>36504</b>	<b>20,50</b>
50	16	60 60 050	C	7,4	10	600	<b>36505</b>	<b>27,50</b>
63	16	60 60 063	D	12,7	10	300	<b>36506</b>	<b>37,50</b>
75	10	60 60 075	C	4,9	2	120	<b>36507</b>	<b>118,00</b>
90	10	60 60 090	D	8,2	2	60	<b>36508</b>	<b>170,00</b>
110	10	60 60 111	D	8,7	1	30	<b>36509</b>	<b>305,00</b>

## UP. 60ST. FT5

VAL 311



**PE - EPDM**  
BSP female thread

SIZE	PN	REF.	PACK	kg	Q(B)	Q(P)	CODE	EUR
3/8"	16	60 60 616	B	3,7	25	3.000	<b>36510</b>	<b>13,22</b>
1/2"	16	60 60 620	B	3,5	25	3.000	<b>36511</b>	<b>13,22</b>
3/4"	16	60 60 625	B	3,2	14	1.680	<b>36512</b>	<b>14,61</b>
1"	16	60 60 632	B	2,8	8	960	<b>36513</b>	<b>19,04</b>
1 1/4"	16	60 60 640	B	3,1	6	720	<b>36514</b>	<b>22,05</b>
1 1/2"	16	60 60 650	C	7,6	10	600	<b>36515</b>	<b>30,24</b>
2"	16	60 60 663	D	13,1	10	300	<b>36516</b>	<b>41,27</b>
2 1/2"	10	60 60 675	C	5,9	2	120	<b>36517</b>	<b>125,34</b>
3"	10	60 60 690	D	8,0	2	60	<b>36518</b>	<b>179,30</b>
4"	10	60 60 711	D	8,6	1	30	<b>36519</b>	<b>326,34</b>

## UP. 61ST. SF6

VAL 311



**PTFE - EPDM**  
solvent socket

SIZE	PN	REF.	PACK	kg	Q(B)	Q(P)	CODE	EUR
16	16	60 61 016	B	3,7	25	3.000	<b>41866</b>	<b>15,60</b>
20	16	60 61 020	B	3,5	25	3.000	<b>37039</b>	<b>15,60</b>
25	16	60 61 025	B	3,2	14	1.680	<b>37040</b>	<b>18,53</b>
32	16	60 61 032	B	2,9	8	960	<b>37041</b>	<b>23,96</b>
40	16	60 61 040	B	3,1	6	720	<b>37042</b>	<b>30,39</b>
50	16	60 61 050	C	7,4	10	600	<b>37043</b>	<b>41,12</b>
63	16	60 61 063	D	12,8	10	300	<b>37044</b>	<b>53,57</b>
75	10	60 61 075	C	5,9	2	120	<b>37045</b>	<b>144,93</b>
90	10	60 61 090	D	7,7	2	60	<b>41867</b>	<b>197,01</b>
110	10	60 61 111	D	8,9	1	30	<b>41868</b>	<b>404,71</b>

## UP. 61ST. FT6

VAL 311



**PTFE - EPDM**  
BSP female thread

SIZE	PN	REF.	PACK	kg	Q(B)	Q(P)	CODE	EUR
3/8"	16	60 61 616	B	3,8	24 (12)	2.880	<b>41869</b>	<b>16,65</b>
1/2"	16	60 61 620	B	3,6	25	3.000	<b>37047</b>	<b>16,65</b>
3/4"	16	60 61 625	B	3,2	14	1.680	<b>37048</b>	<b>19,75</b>
1"	16	60 61 632	B	2,9	8	960	<b>37049</b>	<b>25,30</b>
1 1/4"	16	60 61 640	B	3,1	6	720	<b>37050</b>	<b>31,94</b>
1 1/2"	16	60 61 650	C	7,6	10	600	<b>37051</b>	<b>43,69</b>
2"	16	60 61 663	D	13,2	10	300	<b>37052</b>	<b>57,15</b>
2 1/2"	10	60 61 675	C	5,9	2	120	<b>37053</b>	<b>151,64</b>
3"	10	60 61 690	D	8,0	2	60	<b>41870</b>	<b>203,80</b>
4"	10	60 61 711	D	8,8	1	30	<b>41871</b>	<b>422,66</b>

PVC-U BALL VALVES [STD] SERIES

UP. 60ST. SF7

VAL 311



**PTFE - FPM**  
solvent socket

SIZE	PN	REF.	PACK	kg	Q(B)	Q(P)	CODE	EUR
16	16	60 61 016 VI	B	3,6	24 (12)	2.880	<b>57725</b>	<b>28,28</b>
20	16	60 61 020 VI	B	3,6	25	3.000	<b>57724</b>	<b>28,28</b>
25	16	60 61 025 VI	B	3,2	14	1.680	<b>57726</b>	<b>31,65</b>
32	16	60 61 032 VI	B	2,9	8	960	<b>57727</b>	<b>40,93</b>
40	16	60 61 040 VI	B	3,3	6	720	<b>57728</b>	<b>51,42</b>
50	16	60 61 050 VI	C	7,4	10	600	<b>57729</b>	<b>71,96</b>
63	16	60 61 063 VI	D	12,8	10	300	<b>57730</b>	<b>88,55</b>
75	10	60 61 075 VI	C	5,6	2	120	<b>57731</b>	<b>191,88</b>
90	10	60 61 090 VI	D	8,0	2	60	<b>57732</b>	<b>249,73</b>
110	10	60 61 111 VI	D	8,8	1	30	<b>57733</b>	<b>463,62</b>

UP. 60ST. FT7

VAL 311



**PTFE - FPM**  
BSP female thread

SIZE	PN	REF.	PACK	kg	Q(B)	Q(P)	CODE	EUR
3/8"	16	60 61 616 VI	B	3,8	24	2.880	<b>57734</b>	<b>29,72</b>
1/2"	16	60 61 620 VI	B	6,6	25	3.000	<b>57735</b>	<b>29,72</b>
3/4"	16	60 61 625 VI	B	3,2	14	1.680	<b>57736</b>	<b>32,14</b>
1"	16	60 61 632 VI	B	2,9	8	960	<b>57737</b>	<b>41,99</b>
1 1/4"	16	60 61 640 VI	B	3,2	6	720	<b>57738</b>	<b>51,87</b>
1 1/2"	16	60 61 650 VI	C	8,1	10	600	<b>57739</b>	<b>74,73</b>
2"	16	60 61 663 VI	D	13,8	10	300	<b>57740</b>	<b>92,18</b>
2 1/2"	10	60 61 675 VI	C	6,3	2	120	<b>57741</b>	<b>198,60</b>
3"	10	60 61 690 VI	D	9,1	2	60	<b>57742</b>	<b>256,52</b>
4"	10	60 61 711 VI	D	8,8	1	30	<b>57743</b>	<b>481,57</b>

UP. 60ST. PESF5

VAL 311



**PE - EPDM**  
PE connection x solvent socket

SIZE	PN	REF.	PACK	kg	Q(B)	Q(P)	CODE	EUR
20 - 20	10	60 63 020	B	2,9	16 (8)	1.920	<b>43535</b>	<b>15,83</b>
25 - 25	10	60 63 025	B	3,2	11	1.320	<b>43536</b>	<b>18,82</b>
32 - 32	10	60 63 032	B	2,6	6	720	<b>43537</b>	<b>23,86</b>
40 - 40	10	60 63 040	C	6,7	10	600	<b>43538</b>	<b>29,33</b>
50 - 50	10	60 63 050	C	5,9	6	360	<b>43539</b>	<b>35,33</b>
63 - 63	10	60 63 063	D	13,2	8	240	<b>43540</b>	<b>52,38</b>

UP. 60ST. PEFT5

VAL 311



**PE - EPDM**  
PE connection x BSP female thread

SIZE	PN	REF.	PACK	kg	Q(B)	Q(P)	CODE	EUR
20 - 1/2"	10	60 63 420	B	3,0	16	1.920	<b>43541</b>	<b>16,45</b>
25 - 3/4"	10	60 63 425	B	3,2	11	1.320	<b>43542</b>	<b>19,37</b>
32 - 1"	10	60 63 432	B	3,1	7	840	<b>43543</b>	<b>24,57</b>
40 - 1 1/4"	10	60 63 440	C	6,7	10	600	<b>43544</b>	<b>29,91</b>
50 - 1 1/2"	10	60 63 450	C	6,0	6	360	<b>43545</b>	<b>36,13</b>
63 - 2"	10	60 63 463	D	13,5	8	240	<b>43546</b>	<b>52,83</b>

UP. 60ST. PE5

VAL 311



**PE - EPDM**  
PE connection x PE connection

SIZE	PN	REF.	PACK	kg	Q(B)	Q(P)	CODE	EUR
20	10	60 63 620	B	3,3	16	1.920	<b>43547</b>	<b>19,53</b>
25	10	60 63 625	B	3,1	9	1.080	<b>43548</b>	<b>23,49</b>
32	10	60 63 632	B	2,5	5	600	<b>43549</b>	<b>30,51</b>
40	10	60 63 640	C	5,9	7	420	<b>45290</b>	<b>39,87</b>
50	10	60 63 650	C	6,0	5	300	<b>43551</b>	<b>47,16</b>
63	10	60 63 663	D	12,3	6	180	<b>43552</b>	<b>69,19</b>

UP. 60ST. BW11

VAL311



**PE - EPDM**  
PE100 - SDR11

SIZE	PN	REF.	PACK	kg	Q(B)	Q(P)	CODE	EUR
20	16	60 60 220 PE	B	1,7	10	1.200	<b>44755</b>	<b>17,20</b>
25	16	60 60 225 PE	B	2,4	10	1.200	<b>44756</b>	<b>18,85</b>
32	16	60 60 232 PE	C	5,0	14	840	<b>44757</b>	<b>23,61</b>
40	16	60 60 240 PE	C	4,2	8	480	<b>44758</b>	<b>27,00</b>
50	16	60 60 250 PE	C	4,7	6	360	<b>44759</b>	<b>43,73</b>
63	16	60 60 263 PE	D	8,1	6	180	<b>44760</b>	<b>55,55</b>
75	10	60 60 275 PE	D	9,3	4	120	<b>44761</b>	<b>145,36</b>
90	10	60 60 290 PE	D	8,1	2	60	<b>44762</b>	<b>203,66</b>
110	10	60 60 311 PE	D	8,5	1	30	<b>44763</b>	<b>362,58</b>

## PVC-U BALL VALVES STANDARD SERIES

## UP. 60. SF5

VAL 310



**PE - EPDM**  
solvent socket

SIZE	PN	REF.	PACK	kg	Q(B)	Q(P)	CODE	EUR
16	16	05 60 016	B	4,1	25	3.000	<b>05352</b>	<b>13,70</b>
20	16	05 60 020	B	3,9	25	3.000	<b>02453</b>	<b>13,70</b>
25	16	05 60 025	B	3,7	14	1.680	<b>02454</b>	<b>15,02</b>
32	16	05 60 032	B	3,1	8	960	<b>02455</b>	<b>19,84</b>
40	16	05 60 040	B	3,7	6	720	<b>02456</b>	<b>23,00</b>
50	16	05 60 050	C	5,9	6	360	<b>02457</b>	<b>31,64</b>
63	16	05 60 063	D	13,8	9	270	<b>02458</b>	<b>43,05</b>
75	10	05 60 075	C	6,3	2	120	<b>02459</b>	<b>134,36</b>
90	10	05 60 090	D	8,8	2	60	<b>02460</b>	<b>182,85</b>
110 (DN 80)	10	05 60 110	D	9,1	2	60	<b>02461</b>	<b>195,14</b>
110	10	05 60 111	D	9,0	1	30	<b>22797</b>	<b>326,86</b>
125 (DN 100)	10	05 60 125	D	8,9	1	30	<b>23084</b>	<b>352,32</b>

## UP. 60. FT5

VAL 310



**PE - EPDM**  
BSP female thread

SIZE	PN	REF.	PACK	kg	Q(B)	Q(P)	CODE	EUR
3/8"	16	05 60 616	B	4,1	25	3.000	<b>05353</b>	<b>14,37</b>
1/2"	16	05 60 620	B	3,9	25	3.000	<b>02462</b>	<b>14,37</b>
3/4"	16	05 60 625	B	3,7	14	1.680	<b>02463</b>	<b>15,83</b>
1"	16	05 60 632	B	3,1	8	960	<b>02464</b>	<b>21,06</b>
1 1/4"	16	05 60 640	B	3,7	6	720	<b>02465</b>	<b>24,63</b>
1 1/2"	16	05 60 650	C	6,0	6	360	<b>02466</b>	<b>33,71</b>
2"	16	05 60 663	D	14,3	9	270	<b>02467</b>	<b>45,80</b>
2 1/2"	10	05 60 675	C	6,3	2	120	<b>02468</b>	<b>141,18</b>
3"	10	05 60 690	D	9,1	2	60	<b>02469</b>	<b>190,08</b>
4" (DN 80)	10	05 60 710	D	9,1	2	60	<b>05354</b>	<b>209,90</b>
4"	10	05 60 711	D	8,9	1	30	<b>22798</b>	<b>345,92</b>

## UP. 61. SF6

VAL 310



**PTFE - EPDM**  
solvent socket

SIZE	PN	REF.	PACK	kg	Q(B)	Q(P)	CODE	EUR
16	16	05 61 016	B	4,1	25	3.000	<b>05355</b>	<b>15,14</b>
20	16	05 61 020	B	4,0	25	3.000	<b>02470</b>	<b>15,14</b>
25	16	05 61 025	B	3,7	14	1.680	<b>02471</b>	<b>17,79</b>
32	16	05 61 032	B	3,2	8	960	<b>02472</b>	<b>24,01</b>
40	16	05 61 040	B	3,7	6	720	<b>02473</b>	<b>28,70</b>
50	16	05 61 050	C	5,9	6	360	<b>02474</b>	<b>38,04</b>
63	16	05 61 063	D	13,8	9	270	<b>02475</b>	<b>50,43</b>
75	10	05 61 075	C	6,3	2	120	<b>02476</b>	<b>140,49</b>
90	10	05 61 090	D	8,8	2	60	<b>02477</b>	<b>191,27</b>
110 (DN 80)	10	05 61 110	D	9,1	2	60	<b>05356</b>	<b>208,11</b>
110	10	05 61 111	D	9,1	1	30	<b>22065</b>	<b>392,94</b>

## UP. 61. FT6

VAL 310



**PTFE - EPDM**  
BSP female thread

SIZE	PN	REF.	PACK	kg	Q(B)	Q(P)	CODE	EUR
1/2"	16	05 61 620	B	4,0	25	3.000	<b>02478</b>	<b>15,84</b>
3/4"	16	05 61 625	B	3,7	14	1.680	<b>02479</b>	<b>19,00</b>
1"	16	05 61 632	B	3,2	8	960	<b>02480</b>	<b>25,59</b>
1 1/4"	16	05 61 640	B	3,8	6	720	<b>02481</b>	<b>31,51</b>
1 1/2"	16	05 61 650	C	6,0	6	360	<b>02482</b>	<b>41,38</b>
2"	16	05 61 663	D	14,3	9	270	<b>02483</b>	<b>54,94</b>
2 1/2"	10	05 61 675	C	6,3	2	120	<b>02484</b>	<b>157,71</b>
3"	10	05 61 690	D	9,1	2	60	<b>02485</b>	<b>208,90</b>
4" (DN 80)	10	05 61 710	D	9,1	2	60	<b>05358</b>	<b>224,44</b>
4"	10	05 61 711	D	9,0	1	30	<b>22066</b>	<b>438,92</b>

PVC-U BALL VALVES STANDARD SERIES

UP. 61. SF7

VAL 310



**PTFE - FPM**  
solvent socket

SIZE	PN	REF.	PACK	kg	Q(B)	Q(P)	CODE	EUR
16	16	05 61 016 VI	B	4,2	24	2.880	<b>05359</b>	<b>27,82</b>
20	16	05 61 020 VI	B	4,0	25	3.000	<b>02486</b>	<b>28,00</b>
25	16	05 61 025 VI	B	3,7	14	1.680	<b>02487</b>	<b>30,91</b>
32	16	05 61 032 VI	B	3,2	8	960	<b>02488</b>	<b>40,97</b>
40	16	05 61 040 VI	B	3,8	6	720	<b>02489</b>	<b>49,71</b>
50	16	05 61 050 VI	C	6,0	6	360	<b>02490</b>	<b>68,89</b>
63	16	05 61 063 VI	D	14,1	9	270	<b>02491</b>	<b>85,40</b>
75	10	05 61 075 VI	C	6,3	2	120	<b>02492</b>	<b>187,43</b>
90	10	05 61 090 VI	D	8,8	2	60	<b>02493</b>	<b>243,99</b>

UP. 61. FT7

VAL 310



**PTFE - FPM**  
BSP female thread

SIZE	PN	REF.	PACK	kg	Q(B)	Q(P)	CODE	EUR
½"	16	05 61 620 VI	B	4,0	25	3.000	<b>02494</b>	<b>29,02</b>
¾"	16	05 61 625 VI	B	3,7	14	1.680	<b>02495</b>	<b>31,37</b>
1"	16	05 61 632 VI	B	3,2	8	960	<b>02496</b>	<b>42,28</b>
1¼"	16	05 61 640 VI	B	3,8	6	720	<b>02497</b>	<b>51,44</b>
1½"	16	05 61 650 VI	C	6,1	6	360	<b>02498</b>	<b>72,43</b>
2"	16	05 61 663 VI	D	14,6	9	270	<b>02499</b>	<b>89,97</b>
2½"	10	05 61 675 VI	C	6,3	2	120	<b>02500</b>	<b>194,74</b>
3"	10	05 61 690 VI	D	9,1	2	60	<b>02501</b>	<b>251,73</b>

PVC-U

Valves

PP

Spare parts

PVC-U BALL VALVES INDUSTRIAL SERIES

UP. 73. SF6

VAL 315



**PTFE - EPDM**  
solvent socket

SIZE	PN	REF.	PACK	kg	Q(B)	Q(P)	CODE	EUR
16	16	05 73 016	B	1,8	8 (1)	960	<b>18434</b>	<b>23,55</b>
20	16	05 73 020	B	1,8	8 (1)	960	<b>18435</b>	<b>23,55</b>
25	16	05 73 025	B	2,6	8 (1)	960	<b>18436</b>	<b>27,88</b>
32	16	05 73 032	B	2,0	4 (1)	480	<b>18437</b>	<b>33,16</b>
40	16	05 73 040	B	2,8	4 (1)	480	<b>18438</b>	<b>45,29</b>
50	16	05 73 050	D	8,9	8 (1)	240	<b>18439</b>	<b>54,97</b>
63	16	05 73 063	D	10,0	6 (1)	180	<b>18440</b>	<b>70,68</b>
75	10	05 73 075	D	11,5	4 (1)	120	<b>18441</b>	<b>189,15</b>
90	10	05 73 090	D	9,4	2 (1)	60	<b>18442</b>	<b>217,27</b>
110	10	05 73 111	D	9,1	1	30	<b>22799</b>	<b>426,83</b>

UP. 73. FT6

VAL 315



**PTFE - EPDM**  
BSP female thread

SIZE	PN	REF.	PACK	kg	Q(B)	Q(P)	CODE	EUR
¾"	16	05 73 616	B	1,8	8 (1)	960	<b>18453</b>	<b>24,28</b>
½"	16	05 73 620	B	1,8	8 (1)	960	<b>18454</b>	<b>24,28</b>
¾"	16	05 73 625	B	2,6	8 (1)	960	<b>18455</b>	<b>28,79</b>
1"	16	05 73 632	B	2,0	4 (1)	480	<b>18456</b>	<b>35,04</b>
1¼"	16	05 73 640	B	2,8	4 (1)	480	<b>18457</b>	<b>47,09</b>
1½"	16	05 73 650	D	9,2	8 (1)	240	<b>18458</b>	<b>58,18</b>
2"	16	05 73 663	D	10,5	6 (1)	180	<b>18459</b>	<b>74,94</b>
2½"	10	05 73 675	D	11,5	4 (1)	120	<b>18460</b>	<b>197,00</b>
3"	10	05 73 690	D	9,5	2 (1)	60	<b>18461</b>	<b>229,22</b>
4"	10	05 73 711	D	9,0	1	30	<b>22800</b>	<b>468,91</b>



## CORZAN® CPVC BALL VALVES [STD] SERIES

## CP. 61ST. SF6

VAL 313



**PTFE - EPDM perox.**  
solvent socket

SIZE	PN	REF.	PACK	kg	Q(B)	Q(P)	CODE	EUR
16	16	36 61 016	B	3,6	24 (12)	2.880	<b>59006</b>	<b>27,25</b>
20	16	36 61 020	B	3,7	25	3.000	<b>59007</b>	<b>27,25</b>
25	16	36 61 025	B	2,2	14	1.680	<b>59008</b>	<b>32,42</b>
32	16	36 61 032	B	1,9	8	960	<b>59009</b>	<b>41,08</b>
40	16	36 61 040	B	2,4	6	720	<b>59011</b>	<b>51,99</b>
50	16	36 61 050	C	5,0	10	600	<b>59012</b>	<b>70,21</b>
63	16	36 61 063	D	8,4	10	300	<b>59013</b>	<b>93,44</b>
75	10	36 61 075	C	5,9	2	120	<b>59014</b>	<b>214,38</b>
90	10	36 61 090	D	7,7	2	60	<b>59015</b>	<b>307,82</b>
110	10	36 61 111	D	8,9	1	30	<b>59016</b>	<b>685,92</b>

## CP. 61ST. FT6

VAL 313



**PTFE - EPDM perox.**  
BSP female thread

SIZE	PN	REF.	PACK	kg	Q(B)	Q(P)	CODE	EUR
3/8"	10	36 61 616	-	-	-	-	<b>59029</b>	<b>28,43</b>
1/2"	10	36 61 620	B	3,6	24	2.880	<b>59030</b>	<b>28,43</b>
3/4"	10	36 61 625	B	2,2	14	1.680	<b>59032</b>	<b>33,76</b>
1"	10	36 61 632	B	1,9	8	960	<b>59034</b>	<b>42,63</b>
1 1/4"	10	36 61 640	B	2,4	6	720	<b>59035</b>	<b>53,32</b>
1 1/2"	10	36 61 650	C	5,0	10	600	<b>59036</b>	<b>73,09</b>
2"	10	36 61 663	D	8,4	10	300	<b>59037</b>	<b>97,58</b>
2 1/2"	10	36 61 675	C	5,6	2	120	<b>59038</b>	<b>229,73</b>
3"	10	36 61 690	D	7,7	2	60	<b>59040</b>	<b>324,04</b>
4"	10	36 61 711	-	-	-	-	<b>59042</b>	<b>709,22</b>

## CORZAN® CPVC BALL VALVES INDUSTRIAL SERIES

## CP. 73. SF6

VAL 320



**PTFE - EPDM perox.**  
solvent socket

SIZE	PN	REF.	PACK	kg	Q(B)	Q(P)	CODE	EUR
16	16	35 73 016	B	1,9	8 (1)	960	<b>22804</b>	<b>30,61</b>
20	16	35 73 020	B	1,9	8 (1)	960	<b>22805</b>	<b>30,61</b>
25	16	35 73 025	B	2,7	8 (1)	960	<b>22806</b>	<b>37,68</b>
32	16	35 73 032	B	2,1	4 (1)	480	<b>22807</b>	<b>47,17</b>
40	16	35 73 040	B	2,8	4 (1)	480	<b>22808</b>	<b>65,72</b>
50	16	35 73 050	D	9,4	8 (1)	240	<b>22809</b>	<b>83,85</b>
63	16	35 73 063	D	10,6	6 (1)	180	<b>22810</b>	<b>111,48</b>
75	10	35 73 075	D	11,5	4 (1)	120	<b>22811</b>	<b>292,59</b>
90	10	35 73 090	D	9,9	2 (1)	60	<b>22812</b>	<b>353,16</b>
110	10	35 73 111	D	9,3	1	30	<b>26444</b>	<b>731,52</b>

## CP. 73. FT6

VAL 320



**PTFE - EPDM perox.**  
BSP female thread

SIZE	PN	REF.	PACK	kg	Q(B)	Q(P)	CODE	EUR
3/8"	16	35 73 616	B	1,9	8 (1)	960	<b>22814</b>	<b>32,10</b>
1/2"	16	35 73 620	B	1,9	8 (1)	960	<b>22815</b>	<b>32,10</b>
3/4"	16	35 73 625	B	2,7	8 (1)	960	<b>22816</b>	<b>39,47</b>
1"	16	35 73 632	B	2,1	4 (1)	480	<b>22817</b>	<b>49,87</b>
1 1/4"	16	35 73 640	B	3,1	4 (1)	480	<b>22818</b>	<b>69,32</b>
1 1/2"	16	35 73 650	D	10,4	8 (1)	240	<b>22819</b>	<b>88,44</b>
2"	16	35 73 663	D	11,0	6 (1)	180	<b>22820</b>	<b>117,60</b>
2 1/2"	10	35 73 675	D	11,9	4 (1)	120	<b>22821</b>	<b>308,24</b>
3"	10	35 73 690	D	10,1	2 (1)	60	<b>22822</b>	<b>369,73</b>
4"	10	35 73 711	D	9,3	1	30	<b>26445</b>	<b>754,31</b>

PVC-U BALL VALVES POOL VALVE SERIES

UP. 62. SF5

VAL 330



**PE - EPDM**  
solvent socket

SIZE	PN	REF.	PACK	kg	Q(B)	Q(P)	CODE	EUR
50	10	05 62 050	C	7,6	10	600	<b>02502</b>	<b>25,90</b>
63	10	05 62 063	D	11,8	9	270	<b>02503</b>	<b>38,56</b>

UP. 62. FT5

VAL 330



**PE - EPDM**  
BSP female thread

SIZE	PN	REF.	PACK	kg	Q(B)	Q(P)	CODE	EUR
1½"	10	05 62 650	C	7,7	10	600	<b>02504</b>	<b>27,86</b>
2"	10	05 62 663	D	12,4	9	270	<b>02505</b>	<b>41,22</b>

UP. 62. SMF5

VAL 330



**PE - EPDM**  
male x female solvent socket

SIZE	PN	REF.	PACK	kg	Q(B)	Q(P)	CODE	EUR
50	10	05 62 250	C	5,7	7	420	<b>02506</b>	<b>27,46</b>
63	10	05 62 263	C	5,6	4	240	<b>02507</b>	<b>42,75</b>

UP. 63. PESF5

VAL 310



**PE - EPDM**  
PE connection x solvent socket

SIZE	PN	REF.	PACK	kg	Q(B)	Q(P)	CODE	EUR
16 x 16	10	05 63 016	B	3,7	18	2.160	<b>05363</b>	<b>17,39</b>
20 x 20	10	05 63 020	B	3,5	18	2.160	<b>02510</b>	<b>17,39</b>
25 x 25	10	05 63 025	B	3,7	12	1.440	<b>02511</b>	<b>20,35</b>
32 x 32	10	05 63 032	B	3,6	8	960	<b>02512</b>	<b>26,63</b>
40 x 40	10	05 63 040	C	7,4	10	600	<b>02513</b>	<b>29,23</b>
50 x 50	10	05 63 050	C	5,6	6	360	<b>02514</b>	<b>35,52</b>
63 x 63	10	05 63 063	D	12,8	8	240	<b>02515</b>	<b>53,31</b>
75 x 75	10	05 63 075	D	12,5	4	120	<b>02516</b>	<b>156,85</b>
90 x 90	10	05 63 090	D	10,2	2	60	<b>34648</b>	<b>212,51</b>
110 x 110	10	05 63 110	D	11,5	2	60	<b>34649</b>	<b>249,81</b>

UP. 63. PEFT5

VAL 310



**PE - EPDM**  
PE connection x BSP female thread

SIZE	PN	REF.	PACK	kg	Q(B)	Q(P)	CODE	EUR
16 x ¾"	10	05 63 416	B	3,6	18 (9)	2.160	<b>05364</b>	<b>17,79</b>
20 x ½"	10	05 63 420	B	3,5	18	2.160	<b>02517</b>	<b>17,79</b>
25 x ¾"	10	05 63 425	B	3,3	10 (5)	1.200	<b>02518</b>	<b>20,74</b>
32 x 1"	10	05 63 432	B	3,7	8	960	<b>02519</b>	<b>27,27</b>
40 x 1½"	10	05 63 440	C	6,1	8	480	<b>02520</b>	<b>30,61</b>
50 x 1½"	10	05 63 450	C	5,7	6	360	<b>02521</b>	<b>37,74</b>
63 x 2"	10	05 63 463	D	13,1	8	240	<b>02522</b>	<b>57,35</b>
75 x 2½"	10	05 63 475	D	12,5	4	120	<b>02523</b>	<b>160,51</b>
90 x 3"	10	05 63 490	D	10,2	2	60	<b>34650</b>	<b>226,11</b>
110 x 4"	10	05 63 510	D	11,4	2	60	<b>34651</b>	<b>262,03</b>

UP. 63. PE5

VAL 310



**PE - EPDM**  
PE connection

SIZE	PN	REF.	PACK	kg	Q(B)	Q(P)	CODE	EUR
16 x 16	10	05 63 616	B	3,2	14	1.680	<b>05365</b>	<b>20,69</b>
20 x 20	10	05 63 620	B	3,3	16	1.920	<b>02524</b>	<b>20,69</b>
25 x 25	10	05 63 625	B	3,5	10	1.200	<b>02525</b>	<b>24,69</b>
32 x 32	10	05 63 632	B	2,7	5	600	<b>02526</b>	<b>30,90</b>
40 x 40	10	05 63 640	C	6,1	7	420	<b>02527</b>	<b>35,02</b>
50 x 50	10	05 63 650	C	5,6	5	300	<b>02528</b>	<b>45,85</b>
63 x 63	10	05 63 663	D	11,6	6	180	<b>02529</b>	<b>69,78</b>
75 x 75	10	05 63 675	D	11,3	3	90	<b>02530</b>	<b>168,11</b>
90 x 90	10	05 63 690	E	18,2	3	45	<b>34652</b>	<b>257,99</b>
110 x 110	10	05 63 710	E	14,6	2	30	<b>34653</b>	<b>302,39</b>

## PVC-U BALL VALVES UNIBLOCK SERIES

## UP. 70S. SF5

VAL 340



**PE - EPDM**  
solvent socket

SIZE	PN	REF.	PACK	kg	Q(B)	Q(P)	CODE	EUR
20	10	05 70 020	B	2,9	24	2.880	<b>22773</b>	<b>9,21</b>
25	10	05 70 025	B	2,5	14	1.680	<b>22774</b>	<b>10,56</b>
32	10	05 70 032	B	3,0	12	1.440	<b>22775</b>	<b>13,42</b>
40	10	05 70 040	B	2,4	6	720	<b>22776</b>	<b>15,92</b>
50	10	05 70 050	C	5,8	12	720	<b>11375</b>	<b>19,29</b>
63	10	05 70 063	D	10,8	12	360	<b>15826</b>	<b>28,65</b>
75	10	05 70 075	C	5,0	2	120	<b>22777</b>	<b>83,32</b>
90	10	05 70 090	D	7,4	2	60	<b>22778</b>	<b>120,03</b>
110	10	05 70 111	D	6,7	1	30	<b>36728</b>	<b>240,08</b>

## UP. 70S. FT5

VAL 340



**PE - EPDM**  
BSP female thread

SIZE	PN	REF.	PACK	kg	Q(B)	Q(P)	CODE	EUR
½"	10	05 70 620	B	3,0	28	3.360	<b>22791</b>	<b>10,07</b>
¾"	10	05 70 625	B	2,5	14	1.680	<b>22792</b>	<b>11,38</b>
1"	10	05 70 632	B	3,0	12	1.440	<b>22793</b>	<b>14,62</b>
1¼"	10	05 70 640	B	2,4	6	720	<b>22794</b>	<b>17,90</b>
1½"	10	05 70 650	C	6,1	12	720	<b>11377</b>	<b>22,02</b>
2"	10	05 70 663	D	12,1	12	360	<b>15829</b>	<b>32,46</b>
2½"	10	05 70 675	C	5,0	2	120	<b>22795</b>	<b>94,43</b>
3"	10	05 70 690	D	7,1	2	60	<b>22796</b>	<b>133,64</b>
4"	10	05 70 711	D	6,7	1	30	<b>36729</b>	<b>255,68</b>

## UP. 70S. MT5

VAL 340



**PE - EPDM**  
solvent socket x BSP male thread

SIZE	PN	REF.	PACK	kg	Q(B)	Q(P)	CODE	EUR
20 x ½"	10	05 70 420	B	2,7	25	3.000	<b>22785</b>	<b>9,89</b>
25 x ¾"	10	05 70 425	B	2,5	14	1.680	<b>22786</b>	<b>11,35</b>
32 x 1"	10	05 70 432	B	3,1	12	1.440	<b>22787</b>	<b>14,46</b>
40 x 1¼"	10	05 70 440	B	2,5	6	720	<b>22788</b>	<b>17,51</b>
50 x 1½"	10	05 70 450	C	6,5	12	720	<b>11374</b>	<b>22,09</b>
63 x 2"	10	05 70 463	D	11,0	11	330	<b>15827</b>	<b>32,83</b>

## UP. 70F. MT5

VAL 340



**PE - EPDM**  
BSP female x male thread

SIZE	PN	REF.	PACK	kg	Q(B)	Q(P)	CODE	EUR
½"	10	05 70 220	B	2,8	25	3.000	<b>22779</b>	<b>10,28</b>
¾"	10	05 70 225	B	2,5	14	1.680	<b>22780</b>	<b>11,78</b>
1"	10	05 70 232	B	3,1	12	1.440	<b>22781</b>	<b>15,08</b>
1¼"	10	05 70 240	B	2,5	6	720	<b>22782</b>	<b>18,37</b>
1½"	10	05 70 250	C	6,2	12	720	<b>11376</b>	<b>23,07</b>
2"	10	05 70 263	D	11,4	11	330	<b>15828</b>	<b>34,17</b>

## PVC-U BALL VALVES 3-WAY SERIES

## UP. 74. SF1

VAL 350



**PE - EPDM**  
solvent socket

SIZE	PN	REF.	PACK	kg	Q(B)	Q(P)	CODE	EUR
50	10	05 74 050	B	2,2	1	120	<b>20168</b>	<b>75,60</b>

## UP. 74. FT1

VAL 350



**PE - EPDM**  
BSP female thread

SIZE	PN	REF.	PACK	kg	Q(B)	Q(P)	CODE	EUR
1½"	10	05 74 650	B	2,2	1	120	<b>20170</b>	<b>80,05</b>

PVC-U CHECK VALVES SPRING SERIES

UP-S. 67. SF1

APC 410



**EPDM O-Rings**  
solvent socket

SIZE	PN	REF.	PACK	kg	Q(B)	Q(P)	CODE	EUR
16	16	05 67 016	B	3,8	24 (12)	2.880	<b>09010</b>	<b>13,82</b>
20	16	05 67 020	B	3,6	24 (12)	2.880	<b>09011</b>	<b>13,82</b>
25	16	05 67 025	B	3,5	15	1.800	<b>09012</b>	<b>15,60</b>
32	16	05 67 032	B	3,4	10	1.200	<b>09013</b>	<b>17,00</b>
40	16	05 67 040	B	3,2	6	720	<b>09014</b>	<b>20,92</b>
50	16	05 67 050	C	7,8	12	720	<b>09015</b>	<b>28,00</b>
63	16	05 67 063	D	11,7	10	300	<b>09016</b>	<b>39,00</b>
75	10	05 67 075	C	6,7	3	180	<b>09017</b>	<b>85,00</b>
90	10	05 67 090	D	7,7	2	60	<b>09018</b>	<b>112,03</b>
110 (DN 80)	10	05 67 110	D	7,7	2	60	<b>09019</b>	<b>124,33</b>
110	10	05 67 111	D	7,8	1	30	<b>37076</b>	<b>256,58</b>

UP-S. 67. FT1

APC 410



**EPDM O-Rings**  
BSP female thread

SIZE	PN	REF.	PACK	kg	Q(B)	Q(P)	CODE	EUR
½"	16	05 67 620	B	3,6	24 (12)	2.880	<b>09021</b>	<b>14,49</b>
¾"	16	05 67 625	B	3,5	15	1.800	<b>09022</b>	<b>16,91</b>
1"	16	05 67 632	B	3,4	10	1.200	<b>09023</b>	<b>18,73</b>
1¼"	16	05 67 640	B	3,2	6	720	<b>09024</b>	<b>23,52</b>
1½"	16	05 67 650	C	8,1	12	720	<b>09025</b>	<b>30,63</b>
2"	16	05 67 663	D	12,2	10	300	<b>09026</b>	<b>43,09</b>
2½"	10	05 67 675	C	6,7	3	180	<b>09027</b>	<b>97,87</b>
3"	10	05 67 690	D	7,7	2	60	<b>09028</b>	<b>127,44</b>
4" (DN 80)	10	05 67 710	D	7,7	2	60	<b>09029</b>	<b>141,54</b>
4"	10	05 67 711	D	7,8	1	30	<b>37077</b>	<b>287,49</b>

PVC-U FOOT VALVES SPRING SERIES

UP-S. 66. SF1

APC 410



**EPDM O-Rings**  
solvent socket

SIZE	PN	REF.	PACK	kg	Q(B)	Q(P)	CODE	EUR
16	16	05 66 016	B	3,4	24 (12)	2.880	<b>08990</b>	<b>14,28</b>
20	16	05 66 020	B	3,4	24 (12)	2.880	<b>08991</b>	<b>14,28</b>
25	16	05 66 025	B	2,9	12 (6)	1.440	<b>08992</b>	<b>17,30</b>
32	16	05 66 032	B	3,1	10	1.200	<b>08993</b>	<b>19,35</b>
40	16	05 66 040	B	3,0	6	720	<b>08994</b>	<b>22,36</b>
50	16	05 66 050	C	3,8	6	360	<b>08995</b>	<b>29,54</b>
63	16	05 66 063	C	4,4	4	240	<b>08996</b>	<b>41,09</b>
75	10	05 66 075	D	8,3	4	120	<b>08997</b>	<b>95,16</b>
90	10	05 66 090	D	7,7	2 (1)	60	<b>08998</b>	<b>123,14</b>
110 (DN 80)	10	05 66 110	D	8,0	2 (1)	60	<b>08999</b>	<b>131,49</b>

UP-S. 66. FT1

APC 410



**EPDM O-Rings**  
BSP female thread

SIZE	PN	REF.	PACK	kg	Q(B)	Q(P)	CODE	EUR
¾"	16	05 66 616	B	3,5	24 (12)	2.880	<b>09000</b>	<b>14,65</b>
½"	16	05 66 620	B	3,5	24 (12)	2.880	<b>09001</b>	<b>14,65</b>
¾"	16	05 66 625	B	2,9	12 (6)	1.440	<b>09002</b>	<b>17,72</b>
1"	16	05 66 632	B	3,2	10	1.200	<b>09003</b>	<b>19,89</b>
1¼"	16	05 66 640	B	3,0	6	720	<b>09004</b>	<b>23,19</b>
1½"	16	05 66 650	C	3,8	6	360	<b>09005</b>	<b>31,61</b>
2"	16	05 66 663	C	4,5	4	240	<b>09006</b>	<b>43,94</b>
2½"	10	05 66 675	D	8,4	4	120	<b>09007</b>	<b>100,32</b>
3"	10	05 66 690	D	7,8	2 (1)	60	<b>09008</b>	<b>131,44</b>
4" (DN 80)	10	05 66 710	D	7,7	2 (1)	60	<b>09009</b>	<b>138,27</b>

## PVC-U CHECK VALVES BALL SERIES

## UP-B. 67. SF1

APC 430



**EPDM O-Rings**  
solvent socket

SIZE	PN	REF.	PACK	kg	Q(B)	Q(P)	CODE	EUR
16	16	05 67 216	B	3,9	24 (12)	2.880	<b>74333</b>	<b>TBA</b>
20	16	05 67 220	B	4,4	30	3.600	<b>22078</b>	<b>24,62</b>
25	16	05 67 225	B	3,5	15	1.800	<b>22079</b>	<b>28,69</b>
32	16	05 67 232	B	3,6	10	1.200	<b>22080</b>	<b>40,77</b>
40	16	05 67 240	B	3,5	6	720	<b>22174</b>	<b>46,17</b>
50	16	05 67 250	C	8,4	12	720	<b>25697</b>	<b>62,00</b>
63	16	05 67 263	D	12,7	10	300	<b>25698</b>	<b>88,00</b>
75	10	05 67 275	C	7,6	3	180	<b>22175</b>	<b>181,84</b>
90	10	05 67 290	D	7,6	2	60	<b>22176</b>	<b>260,73</b>
110 (DN 80)	10	05 67 310	D	7,6	2	60	<b>22177</b>	<b>279,71</b>

## UP-B. 67. FT1

APC 430



**EPDM O-Rings**  
BSP female thread

SIZE	PN	REF.	PACK	kg	Q(B)	Q(P)	CODE	EUR
3/8"	16	05 67 416	B	3,8	24 (12)	2.880	<b>74335</b>	<b>TBA</b>
1/2"	16	05 67 420	B	3,8	24 (12)	2.880	<b>22061</b>	<b>25,70</b>
3/4"	16	05 67 425	B	3,5	15	1.800	<b>22062</b>	<b>29,95</b>
1"	16	05 67 432	B	3,7	10	1.200	<b>22085</b>	<b>42,64</b>
1 1/4"	16	05 67 440	B	3,5	6	720	<b>22086</b>	<b>48,81</b>
1 1/2"	16	05 67 450	C	8,7	12	720	<b>25699</b>	<b>66,03</b>
2"	16	05 67 463	D	13,2	10	300	<b>25700</b>	<b>92,85</b>
2 1/2"	10	05 67 475	C	9,8	3	180	<b>22087</b>	<b>191,44</b>
3"	10	05 67 490	D	9,0	2	60	<b>22088</b>	<b>274,42</b>
4" (DN 80)	10	05 67 510	D	9,0	2	60	<b>22089</b>	<b>286,08</b>

## UP-B. 67. SF4

APC 430



**FPM O-Rings**  
solvent socket

SIZE	PN	REF.	PACK	kg	Q(B)	Q(P)	CODE	EUR
16	16	05 67 216 VI	-	-	-	-	<b>74334</b>	<b>TBA</b>
20	16	05 67 220 VI	B	3,8	24 (12)	2.880	<b>22090</b>	<b>40,37</b>
25	16	05 67 225 VI	B	3,5	15	1.800	<b>22091</b>	<b>42,84</b>
32	16	05 67 232 VI	B	3,7	10	1.200	<b>22092</b>	<b>63,51</b>
40	16	05 67 240 VI	B	3,5	6	720	<b>22239</b>	<b>75,11</b>
50	16	05 67 250 VI	C	8,7	12	720	<b>25701</b>	<b>108,76</b>
63	16	05 67 263 VI	D	12,2	10	300	<b>25702</b>	<b>142,56</b>
75	10	05 67 275 VI	C	9,8	3	180	<b>22240</b>	<b>242,66</b>
90	10	05 67 290 VI	D	9,0	2	60	<b>22241</b>	<b>331,21</b>
110 (DN 80)	10	05 67 310 VI	D	9,5	2	60	<b>22242</b>	<b>350,78</b>

## UP-B. 67. FT4

APC 430



**FPM O-Rings**  
BSP female thread

SIZE	PN	REF.	PACK	kg	Q(B)	Q(P)	CODE	EUR
3/8"	16	05 67 416 VI	-	-	-	-	<b>74336</b>	<b>TBA</b>
1/2"	16	05 67 420 VI	B	3,9	24 (12)	2.880	<b>22243</b>	<b>41,19</b>
3/4"	16	05 67 425 VI	B	3,5	15	1.800	<b>22244</b>	<b>43,90</b>
1"	16	05 67 432 VI	B	3,7	10	1.200	<b>22267</b>	<b>65,21</b>
1 1/4"	16	05 67 440 VI	B	3,5	6	720	<b>22268</b>	<b>77,51</b>
1 1/2"	16	05 67 450 VI	C	8,8	12	720	<b>25703</b>	<b>112,59</b>
2"	16	05 67 463 VI	D	13,2	10	300	<b>25704</b>	<b>146,05</b>
2 1/2"	10	05 67 475 VI	C	9,8	3	180	<b>22269</b>	<b>250,00</b>
3"	10	05 67 490 VI	D	9,0	2	60	<b>22270</b>	<b>341,30</b>
4" (DN 80)	10	05 67 510 VI	D	7,6	2	60	<b>22893</b>	<b>358,47</b>

CORZAN® CPVC CHECK VALVES BALL SERIES

CP-B. 67. SF1

APC 440



**EPDM perox. O-rings**  
solvent socket

SIZE	PN	REF.	PACK	kg	Q(B)	Q(P)	CODE	EUR
20	16	35 67 220	B	4,0	24 (12)	2.880	<b>27501</b>	<b>43,92</b>
25	16	35 67 225	B	4,0	15	1.800	<b>27502</b>	<b>67,46</b>
32	16	35 67 232	B	3,9	10	1.200	<b>27503</b>	<b>72,55</b>
40	16	35 67 240	B	3,7	6	720	<b>27504</b>	<b>99,59</b>
50	16	35 67 250	C	9,0	12	720	<b>27505</b>	<b>119,27</b>
63	16	35 67 263	D	13,2	10	300	<b>27506</b>	<b>190,41</b>
75	10	35 67 275	C	7,6	3	180	<b>27507</b>	<b>562,28</b>
90	10	35 67 290	D	7,6	2	60	<b>27508</b>	<b>913,39</b>
110 (DN 80)	10	35 67 310	D	9,8	2	60	<b>27509</b>	<b>941,24</b>

PVC-U

CP-B. 67 FT1

APC 440



**EPDM perox. O-rings**  
BSP female thread

SIZE	PN	REF.	PACK	kg	Q(B)	Q(P)	CODE	EUR
½"	16	35 67 420	B	4,0	24 (12)	2.880	<b>27510</b>	<b>44,56</b>
¾"	16	35 67 425	B	4,0	15	1.800	<b>27511</b>	<b>68,14</b>
1"	16	35 67 432	B	3,3	10	1.200	<b>27512</b>	<b>74,53</b>
1¼"	16	35 67 440	B	3,7	6	720	<b>27513</b>	<b>102,76</b>
1½"	16	35 67 450	C	9,3	12	720	<b>27514</b>	<b>122,91</b>
2"	16	35 67 463	D	13,8	10	300	<b>27515</b>	<b>192,68</b>
2½"	10	35 67 475	C	7,6	3	180	<b>27516</b>	<b>593,29</b>
3"	10	35 67 490	D	9,5	2	60	<b>27517</b>	<b>915,68</b>
4" (DN 80)	10	35 67 510	D	9,8	2	60	<b>27518</b>	<b>951,25</b>

Valves

PP

Spare parts

PVC-U SWING CHECK VALVES

UP. 65

APC 450



**EPDM O-Rings**

SIZE	PN	REF.	PACK	kg	Q(B)	Q(P)	CODE	EUR
63	6	05 65 063 *	B	4,1	15 (1)	1.800	<b>37055</b>	<b>45,07</b>
75	6	05 65 075	B	3,2	10 (1)	1.200	<b>08984</b>	<b>37,26</b>
90	6	05 65 090	B	3,2	8 (1)	960	<b>08985</b>	<b>42,96</b>
110	6	05 65 110	B	2,9	5 (1)	600	<b>08986</b>	<b>51,80</b>
125	6	05 65 125	B	3,4	5 (1)	600	<b>09040</b>	<b>60,60</b>
140	6	05 65 140	C	8,2	10 (1)	600	<b>08987</b>	<b>67,73</b>
160	6	05 65 160	C	5,8	5 (1)	300	<b>08988</b>	<b>73,72</b>
200	6	05 65 200	C	5,9	4 (1)	240	<b>09041</b>	<b>88,32</b>
225	6	05 65 225	C	6,3	3 (1)	180	<b>08989</b>	<b>105,62</b>
250	6	05 65 250	D	13,5	4 (1)	120	<b>37056</b>	<b>165,95</b>
280	6	05 65 280 *	D	14,2	4 (1)	120	<b>41865</b>	<b>188,19</b>
315	6	05 65 315 *	D	7,3	1	24	<b>37057</b>	<b>282,46</b>

UP. 65. VKIT


APC 450



**With mounting kit**  
loose flanges + flange adaptors + bolts

SIZE	PN	REF.	PACK	kg	Q(B)	Q(P)	CODE	EUR
63	6	05 65 063 RA *	B	4,5	2	240	<b>37073</b>	<b>76,37</b>
75	6	05 65 075 RA	B	5,3	2	240	<b>23312</b>	<b>84,34</b>
90	6	05 65 090 RA	C	12,5	3	180	<b>23313</b>	<b>110,50</b>
110	6	05 65 110 RA	C	10,5	2	120	<b>23314</b>	<b>138,21</b>
125	6	05 65 125 RA	C	11,3	2	120	<b>23315</b>	<b>170,64</b>
140	6	05 65 140 RA	D	13,2	2	60	<b>23316</b>	<b>193,49</b>
160	6	05 65 160 RA	D	10,7	1	30	<b>23317</b>	<b>258,82</b>
200	6	05 65 200 RA	D	12,3	1	30	<b>23318</b>	<b>344,49</b>
225	6	05 65 225 RA	D	14,1	1	30	<b>23319</b>	<b>390,41</b>
250	6	05 65 250 RA	E	23,4	1	15	<b>37074</b>	<b>838,06</b>
315	6	05 65 315 RA *	F	27,9	1	10	<b>37075</b>	<b>1.211,10</b>

... the most **complete** range

		Body	Disc	Rubber seal	Shaft	Sizes	PN
<b>Serie STD</b>		PVC-U (D63-D225)	PVC-U	EPDM FPM	Zinc plated steel	D63 - D140 (2" - 5")	10 bar 150 p.s.i.
	PP-GF handle with locking device	PP-GF (D250-D315)				D160 - D315 (6" - 12")	6 bar 90 p.s.i.
63 - 75	90	110	125 - 140	160	200 - 225	250	315
							

### PVC-U BUTTERFLY VALVES STD SERIES

UP. 83. ZP. EP

VMA 510



**EPDM O-Rings**  
zinc plated steel shaft

SIZE	PN	REF.	PACK	kg	Q(B)	Q(P)	CODE	EUR
63-75	10	05 83 075	V	3,3	2	168	<b>32614</b>	<b>121,24</b>
90	10	05 83 090	V	3,8	2	168	<b>32615</b>	<b>141,25</b>
110	10	05 83 110	VI	5,2	2	126	<b>32616</b>	<b>156,86</b>
125-140	10	05 83 140	VII	7,0	2	112	<b>32617</b>	<b>186,68</b>
160	6	05 83 160	VIII	9,1	2	72	<b>32618</b>	<b>228,33</b>
200-225	6	05 83 200	IX	14,7	2	48	<b>32619</b>	<b>339,95</b>
250	6	05 83 250	IV	17,6	1	20	<b>46647</b>	<b>875,36</b>
315	6	05 83 315	IV	23,1	1	20	<b>46648</b>	<b>1.508,42</b>

UP. 83. ZP. VI

VMA 510



**FPM O-Rings**  
zinc plated steel shaft

SIZE	PN	REF.	PACK	kg	Q(B)	Q(P)	CODE	EUR
63-75	10	05 83 075 VI	V	3,4	2	168	<b>34532</b>	<b>178,85</b>
90	10	05 83 090 VI	V	3,9	2	168	<b>34533</b>	<b>224,83</b>
110	10	05 83 110 VI	VI	5,2	2	126	<b>34534</b>	<b>293,68</b>
125-140	10	05 83 140 VI	VII	7,0	2	112	<b>34535</b>	<b>349,37</b>
160	6	05 83 160 VI	VIII	9,1	2	72	<b>34536</b>	<b>466,59</b>
200-225	6	05 83 200 VI	IX	15,2	2	48	<b>34537</b>	<b>717,44</b>











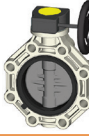



... the most complete range

PVC-U

Valves

PP

Spare parts

	Body	Disc	Rubber seal	Shaft	Sizes	PN	
<b>Serie IND</b>	PP - GF	PVC-U CPVC	EPDM perox. FPM	Stainless steel	D63 - D140 (2" - 5")	10 bar 150 p.s.i.	
PP-GF handle with locking device					D160 - D225 (6" - 8")	6 bar 90 p.s.i.	
63 - 75	90	110	125 - 140	160	200 - 225		
							
<b>Serie IND</b>	PP - GF	PVC-U CPVC	EPDM perox. FPM	Acero inoxidable Stainless steel	D63 - D140 (2" - 5")	10 bar 150 p.s.i.	
Gear box					D160 - D315 (6" - 12")	6 bar 90 p.s.i.	
63 - 75	90	110	125 - 140	160	200 - 225	250 - 280	315
							



## BUTTERFLY VALVES IND SERIES (PVC-U DISC)

## UP. 84. SS. FGEP

VMA 515



**EPDM perox. O-rings**  
stainless steel shaft

SIZE	PN	REF.	PACK	kg	Q(B)	Q(P)	CODE	EUR
63-75	10	05 84 075	V	3,0	2	168	<b>32620</b>	<b>180,00</b>
90	10	05 84 090	VII	3,9	2	112	<b>32621</b>	<b>205,00</b>
110	10	05 84 110	VII	5,0	2	112	<b>32622</b>	<b>210,00</b>
125-140	10	05 84 140	IX	7,3	2	48	<b>32623</b>	<b>275,00</b>
160	6	05 84 160	IX	9,0	2	48	<b>32624</b>	<b>385,00</b>
200-225	6	05 84 200	VIII	7,6	1	36	<b>32625</b>	<b>595,00</b>

## UP. 84. SS. VI

VMA 515



**FPM O-Rings**  
stainless steel shaft

SIZE	PN	REF.	PACK	kg	Q(B)	Q(P)	CODE	EUR
63-75	10	05 84 075 VI	V	3,1	2	168	<b>32628</b>	<b>233,43</b>
90	10	05 84 090 VI	VII	4,0	2	112	<b>32629</b>	<b>286,97</b>
110	10	05 84 110 VI	VII	5,0	2	112	<b>32630</b>	<b>372,95</b>
125-140	10	05 84 140 VI	IX	7,3	2	48	<b>32631</b>	<b>491,99</b>
160	6	05 84 160 VI	IX	9,3	2	48	<b>32632</b>	<b>610,07</b>
200-225	6	05 84 200 VI	VIII	7,8	1	36	<b>32633</b>	<b>970,92</b>

## UP. 84. SS. FGEP. RM

VMA 550



**EPDM perox. O-rings**  
stainless steel shaft

SIZE	PN	REF.	PACK	kg	Q(B)	Q(P)	CODE	EUR
63-75	10	05 84 075 RM	C	3,2	1	60	<b>34466</b>	<b>465,74</b>
90	10	05 84 090 RM	C	3,6	1	60	<b>34467</b>	<b>475,99</b>
110	10	05 84 110 RM	C	3,7	1	60	<b>34468</b>	<b>522,45</b>
125-140	10	05 84 140 RM	D	5,5	1	30	<b>34469</b>	<b>590,97</b>
160	6	05 84 160 RM	VIII	6,7	1	24	<b>34470</b>	<b>817,87</b>
200-225	6	05 84 200 RM	E	9,7	1	15	<b>34471</b>	<b>1.153,36</b>
250-280	6	05 84 250 RM	F	20,7	1	10	<b>34472</b>	<b>1.914,35</b>
315	6	05 84 315 RM	G	25,3	1	10	<b>32738</b>	<b>2.479,18</b>

## UP. 84. SS. VI. RM

VMA 550



**FPM O-Rings**  
stainless steel shaft

SIZE	PN	REF.	PACK	kg	Q(B)	Q(P)	CODE	EUR
63-75	10	05 84 075 VRM	-	-	-	-	<b>34473</b>	<b>525,03</b>
90	10	05 84 090 VRM	C	3,2	1	60	<b>34474</b>	<b>558,57</b>
110	10	05 84 110 VRM	C	3,7	1	60	<b>34475</b>	<b>643,83</b>
125-140	10	05 84 140 VRM	D	5,2	1	30	<b>34476</b>	<b>749,10</b>
160	6	05 84 160 VRM	VIII	5,9	1	36	<b>34477</b>	<b>1.021,85</b>
200-225	6	05 84 200 VRM	E	12,7	1	15	<b>34478</b>	<b>1.541,50</b>
250-280	6	05 84 250 VRM	F	20,7	1	10	<b>34479</b>	<b>2.570,73</b>
315	6	05 84 315 VRM	G	25,3	1	15	<b>32739</b>	<b>3.098,93</b>

PVC-U

Valves

PP

Spare parts

**BUTTERFLY VALVES IND SERIES (CORZAN® CPVC DISC)**

**CP. 84. SS. FGEP**

VMA 511



**EPDM perox. O-rings**  
stainless steel shaft

SIZE	PN	REF.	PACK	kg	Q(B)	Q(P)	CODE	EUR
63-75	10	35 84 075	V	3,0	2	168	<b>34480</b>	<b>243,01</b>
90	10	35 84 090	VII	3,9	2	112	<b>34481</b>	<b>279,35</b>
110	10	35 84 110	VII	5,1	2	112	<b>33961</b>	<b>320,17</b>
125-140	10	35 84 140	IX	7,3	2	48	<b>34482</b>	<b>420,04</b>
160	6	35 84 160	IX	9,1	2	48	<b>34483</b>	<b>519,83</b>
200-225	6	35 84 200	VIII	7,6	1	36	<b>34484</b>	<b>799,19</b>

PVC-U

**CP. 84. SS. VI**

VMA 511



**FPM O-Rings**  
stainless steel shaft

SIZE	PN	REF.	PACK	kg	Q(B)	Q(P)	CODE	EUR
63-75	10	35 84 075 VI	V	3,1	2	168	<b>34485</b>	<b>318,07</b>
90	10	35 84 090 VI	VII	3,8	2	112	<b>34486</b>	<b>390,34</b>
110	10	35 84 110 VI	VII	5,1	2	112	<b>33962</b>	<b>505,73</b>
125-140	10	35 84 140 VI	IX	7,3	2	48	<b>34487</b>	<b>664,80</b>
160	6	35 84 160 VI	IX	9,4	2	48	<b>34488</b>	<b>823,01</b>
200-225	6	35 84 200 VI	VIII	7,9	1	36	<b>34489</b>	<b>1.306,72</b>

Valves

**CP. 84. SS. SGEP. RM**

VMA 550



**EPDM perox. O-rings**  
stainless steel shaft

SIZE	PN	REF.	PACK	kg	Q(B)	Q(P)	CODE	EUR
63-75	10	35 84 075 RM	C	3,3	1	60	<b>34490</b>	<b>466,55</b>
90	10	35 84 090 RM	C	3,6	1	60	<b>34491</b>	<b>477,10</b>
110	10	35 84 110 RM	C	4,2	1	60	<b>34492</b>	<b>524,90</b>
125-140	10	35 84 140 RM	D	5,2	1	30	<b>34493</b>	<b>595,32</b>
160	6	35 84 160 RM	E	9,1	1	15	<b>34494</b>	<b>826,83</b>
200-225	6	35 84 200 RM	E	9,7	1	15	<b>34495</b>	<b>1.162,48</b>
250-280	6	35 84 250 RM	F	20,7	1	10	<b>34496</b>	<b>1.940,81</b>
315	6	35 84 315 RM	G	23,4	1	10	<b>34497</b>	<b>2.515,46</b>

PP

**CP. 84. SS. VI. RM**

VMA 550



**FPM O-Rings**  
stainless steel shaft

SIZE	PN	REF.	PACK	kg	Q(B)	Q(P)	CODE	EUR
63-75	10	35 84 075 VRM	-	-	-	-	<b>34498</b>	<b>525,85</b>
90	10	35 84 090 VRM	-	-	-	-	<b>34499</b>	<b>559,68</b>
110	10	35 84 110 VRM	-	-	-	-	<b>34500</b>	<b>646,64</b>
125-140	10	35 84 140 VRM	-	-	-	-	<b>34501</b>	<b>753,16</b>
160	6	35 84 160 VRM	-	-	-	-	<b>34502</b>	<b>1.030,36</b>
200-225	6	35 84 200 VRM	E	13,1	1	15	<b>34503</b>	<b>1.550,62</b>
250-280	6	35 84 250 VRM	F	20,8	1	10	<b>34504</b>	<b>2.590,73</b>
315	6	35 84 315 VRM	G	25,5	1	10	<b>34505</b>	<b>3.134,93</b>

Spare parts

	Body	Disc	Rubber seal	Shaft	Sizes	PN
<b>Serie Classic</b>	PVC-U	PVC-U	EPDM FPM	Zinc plated steel Stainless steel shaft	D63 - D140 (2" - 5")	10 bar 150 p.s.i.
Aluminium handle					D160 - D250 (6" - 10")	6 bar 90 p.s.i.
63 - 75	90	110	125 - 140	160	200 - 225	250

PVC-U BUTTERFLY VALVES CLASSIC SERIES

UP. 80. Z3

VMA 510



**EPDM O-Rings**  
zinc plated steel shaft

SIZE	PN	REF.	PACK	kg	Q(B)	Q(P)	CODE	EUR
63-75	10	05 80 075	I	4,1	2	140	<b>02581</b>	<b>145,00</b>
90	10	05 80 090	I	5,5	2	140	<b>02582</b>	<b>170,00</b>
110	10	05 80 110	II	7,8	2	98	<b>02583</b>	<b>185,00</b>
125-140	10	05 80 140	III	10,6	2	70	<b>02585</b>	<b>220,00</b>
160	6	05 80 160	III	12,7	2	70	<b>02586</b>	<b>270,00</b>
200-225	6	05 80 200	IV	19,6	2	40	<b>02587</b>	<b>395,00</b>
250	6	05 80 250	IV	12,2	1	20	<b>15846</b>	<b>795,00</b>

UP. 80. I4

VMA 510



**FPM O-Rings**  
stainless steel shaft

SIZE	PN	REF.	PACK	kg	Q(B)	Q(P)	CODE	EUR
63-75	10	05 80 075 IV	I	4,1	2	140	<b>16713</b>	<b>314,16</b>
90	10	05 80 090 IV	I	5,5	2	140	<b>16714</b>	<b>411,54</b>
110	10	05 80 110 IV	II	7,8	2	98	<b>16715</b>	<b>528,32</b>
125-140	10	05 80 140 IV	III	10,6	2	70	<b>16716</b>	<b>700,45</b>
160	6	05 80 160 IV	III	12,7	2	70	<b>16717</b>	<b>946,00</b>
200-225	6	05 80 200 IV	IV	19,6	2	40	<b>16718</b>	<b>1.497,79</b>
250	6	05 80 250 IV	IV	12,2	1	20	<b>22426</b>	<b>1.323,26</b>

PVC-U ASSEMBLY KITS FOR BUTTERFLY VALVES

UP. 81. RA

ACP 120



**BUTTERFLY VALVE ASSEMBLY KIT**  
loose flanges + flange adaptors + bolts

SIZE	PN	REF.	PACK	kg	Q(B)	Q(P)	CODE	EUR
63	16	05 81 063 RA	B	5,8	3	360	<b>09119</b>	<b>39,00</b>
75	16	05 81 075 RA	B	4,9	2	240	<b>09120</b>	<b>50,50</b>
90	16	05 81 090 RA	C	12,3	3	180	<b>09121</b>	<b>77,50</b>
110	16	05 81 110 RA	C	9,7	2	120	<b>09122</b>	<b>93,00</b>
125	16	05 81 125 RA	C	10,6	2	120	<b>09123</b>	<b>118,09</b>
140	16	05 81 140 RA	D	12,0	2	60	<b>09124</b>	<b>133,48</b>
160	10	05 81 160 RA	D	19,4	2	60	<b>09125</b>	<b>207,20</b>
200	10	05 81 200 RA	D	11,4	1	30	<b>09126</b>	<b>266,99</b>
225	10	05 81 225 RA	D	7,1	1	30	<b>09127</b>	<b>302,31</b>
250	10	05 81 250 RA	E	21,6	1	15	<b>16060</b>	<b>630,50</b>

UP. 82. RA

ACP 120



**BUTTERFLY VALVE ASSEMBLY KIT**  
fixed flanges + bolts

SIZE	PN	REF.	PACK	kg	Q(B)	Q(P)	CODE	EUR
75	16	05 82 075 RA	B	4,5	2	240	<b>09128</b>	<b>49,99</b>
90	16	05 82 090 RA	C	11,0	3	180	<b>09129</b>	<b>74,78</b>
110	16	05 82 110 RA	C	9,0	2	120	<b>09130</b>	<b>87,39</b>
125	16	05 82 125 RA	D	14,1	3	90	<b>09131</b>	<b>100,12</b>
140	16	05 82 140 RA	D	11,3	2	60	<b>09132</b>	<b>118,15</b>
160	10	05 82 160 RA	D	17,0	2	60	<b>09133</b>	<b>179,16</b>
200	10	05 82 200 RA	D	9,8	1	30	<b>09134</b>	<b>223,98</b>
225	10	05 82 225 RA	D	11,0	1	30	<b>09135</b>	<b>256,22</b>

PVC-U ROTARY DISC VALVES

UP. 90. 2V

VAL 355



**2-WAY ROTARY DISC VALVE**  
solvent socket female - male - SI

SIZE	PN	REF.	PACK	kg	Q(B)	Q(P)	CODE	EUR
50 - 63	6	05 90 720	D	6,0	8 (1)	240	<b>16059</b>	<b>37,46</b>

PVC-U

UP. 90. 3V

VAL 355



**3-WAY ROTARY DISC VALVE**  
solvent socket female - male - SI

SIZE	PN	REF.	PACK	kg	Q(B)	Q(P)	CODE	EUR
50 - 63	6	05 90 730	D	6,7	8 (1)	240	<b>15765</b>	<b>43,84</b>
63 - 75	6	05 90 740	D	5,4	4 (1)	120	<b>41862</b>	<b>62,22</b>

Valves

Opción con actuador eléctrico pág.80.  
Electrical actuated option pag.80.

PP

Spare parts

DRAIN VALVES

ABS. 90. MT

VAL 390



**ABS DRAIN VALVE**  
BSP male thread x spigot connection

SIZE	PN	REF.	PACK	kg	Q(B)	Q(P)	CODE	EUR
1/4"	6	05 90 612	B	1,9	200	24.000	<b>11656</b>	<b>2,96</b>

UP. 90. MT

VAL 360



**PVC DRAIN VALVE**  
BSP male x female thread

SIZE	PN	REF.	PACK	kg	Q(B)	Q(P)	CODE	EUR
3/4"	10	05 90 625	B	3,1	80	9.600	<b>02579</b>	<b>5,24</b>

## PVC-U KNIFE GATE VALVES

## UP. 79. SF

VGU 850



**KNIFE GATE VALVE**  
solvent socket x solvent socket

SIZE	P MAX	REF.	PACK	kg	Q(B)	Q(P)	CODE	EUR
50 x 50	3,5	05 79 050	B	2,8	8	960	<b>28590</b>	<b>18,46</b>
63 x 63	3,5	05 79 063	C	5,6	12	720	<b>28600</b>	<b>26,34</b>
90 x 90	1,5	05 79 090	D	8,6	3	90	<b>43577</b>	<b>92,85</b>
110 x 110	1,5	05 79 110	D	11,7	4	120	<b>43578</b>	<b>99,73</b>

## UP. 79. SFSP1

VGU 850



**KNIFE GATE VALVE**  
solvent socket x spigot

SIZE	P MAX	REF.	PACK	kg	Q(B)	Q(P)	CODE	EUR
50 x 50	3,5	05 79 150	B	3,0	8	960	<b>28934</b>	<b>18,46</b>
50 x 38	3,5	05 79 151	B	2,9	8	960	<b>28935</b>	<b>18,46</b>

## UP. 79. SPI

VGU 850



**KNIFE GATE VALVE**  
spigot x spigot

SIZE	P MAX	REF.	PACK	kg	Q(B)	Q(P)	CODE	EUR
38 x 38	3,5	05 79 438	B	2,3	6	720	<b>31441</b>	<b>18,46</b>
50 x 50	3,5	05 79 450	B	2,5	6	720	<b>28598</b>	<b>18,46</b>

## UP. 79. MT

VGU 850



**KNIFE GATE VALVE**  
male thread x male thread

SIZE	P MAX	REF.	PACK	kg	Q(B)	Q(P)	CODE	EUR
1½" x 1½"	3,5	05 79 250	B	2,9	8	960	<b>28595</b>	<b>18,46</b>
2" x 2"	3,5	05 79 263	C	5,6	12	720	<b>28605</b>	<b>26,34</b>

## UP. 79. MTSF

VGU 850



**KNIFE GATE VALVE**  
male thread x solvent socket

SIZE	P MAX	REF.	PACK	kg	Q(B)	Q(P)	CODE	EUR
1½" x 50	3,5	05 79 335	B	3,0	8	960	<b>28937</b>	<b>18,46</b>

## UP. 79. MTSP1

VGU 850



**KNIFE GATE VALVE**  
male thread x spigot

SIZE	P MAX	REF.	PACK	kg	Q(B)	Q(P)	CODE	EUR
1½" x 38	3,5	05 79 551	B	3,0	8	960	<b>28940</b>	<b>18,46</b>

## UP. 79. FT

VGU 850



**KNIFE GATE VALVE**  
female thread x female thread

SIZE	P MAX	REF.	PACK	kg	Q(B)	Q(P)	CODE	EUR
1½" x 1½"	3,5	05 79 650	B	3,0	8	960	<b>28593</b>	<b>19,28</b>

## UP. 79. MFT

VGU 850



**KNIFE GATE VALVE**  
female thread x male thread

SIZE	P MAX	REF.	PACK	kg	Q(B)	Q(P)	CODE	EUR
1½" x 1½"	3,5	05 79 750	B	3,1	8	960	<b>28942</b>	<b>18,85</b>

PVC-U KNIFE GATE VALVES

UP. 79. FTSPI

VGU 850



**KNIFE GATE VALVE**  
female thread x spigot

SIZE	P MAX	REF.	PACK	kg	Q(B)	Q(P)	CODE	EUR
1½" x 50	3,5	05 79 950	B	3,1	8	960	<b>28946</b>	<b>18,85</b>
1½" x 38	3,5	05 79 951	B	3,0	8	960	<b>28947</b>	<b>18,85</b>

UP. 79. SM

VGU 850



**KNIFE GATE VALVE**  
male solvent socket

SIZE	P MAX	REF.	PACK	kg	Q(B)	Q(P)	CODE	EUR
63 x 63	3,5	05 79 363	C	5,6	12	720	<b>70922</b>	<b>TBA</b>

PVC-U

Valves

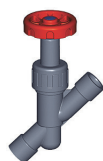
PP

Spare parts

## PVC-U ANGLE SEAT REGULATOR VALVES

## UP. 75. SF

VAI 710

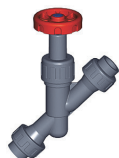


**HDPE - EPDM**  
solvent socket

SIZE	PN	REF.	PACK	kg	Q(B)	Q(P)	CODE	EUR
20	16	05 75 020	B	1,7	8 (4)	960	<b>22884</b>	<b>21,09</b>

## UP. 75. 3SF

VAI 710

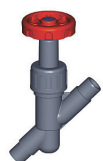


**HDPE - EPDM**  
solvent socket - end connector

SIZE	PN	REF.	PACK	kg	Q(B)	Q(P)	CODE	EUR
20	16	05 75 120	B	1,7	6 (3)	720	<b>22885</b>	<b>24,63</b>

## UP. 75. SM

VAI 710



**HDPE - EPDM**  
male solvent socket

SIZE	PN	REF.	PACK	kg	Q(B)	Q(P)	CODE	EUR
20	16	05 75 220	B	1,6	8 (4)	960	<b>22886</b>	<b>21,09</b>

## UP. 75. MT

VAI 710



**HDPE - EPDM**  
BSP male thread

SIZE	PN	REF.	PACK	kg	Q(B)	Q(P)	CODE	EUR
¾" (DN 15)	16	05 75 425	B	2,0	10 (5)	1.200	<b>22887</b>	<b>21,09</b>

## PVC-U AIR/VACUUM RELIEF VALVES

## UP. 90. DE

VVE 810



**AIR/VACUUM RELIEF VALVE**  
BSP male thread

SIZE	PN	REF.	PACK	kg	Q(B)	Q(P)	CODE	EUR
1½"	12	05 90 850	B	2,3	6	720	<b>22803</b>	<b>38,04</b>





## ACTUATED VALVES

58

Actuated ball valves



60

Actuated ball valves 3-way Series



61

Actuated butterfly valves



64

Actuated rotary disc valves



65

Actuators, kits and accessories

PVC-U

Valves

PP

Spare parts

INDUSTRIAL SERIES



Industrial Series ball valves PVC-U - solvent socket



PTFE - EPDM

	Electric actuation		Electric actuation & BSR safety block
	24 V AC / DC	85 - 240 V AC / DC	24 - 240 V AC / DC
D16	29490 <b>612,90</b>	31420 <b>612,90</b>	26417 <b>1.563,73</b>
D20	29491 <b>612,90</b>	31421 <b>612,90</b>	05366 <b>1.563,73</b>
D25	29492 <b>617,04</b>	31422 <b>617,04</b>	05367 <b>1.573,35</b>
D32	29493 <b>623,29</b>	31423 <b>623,29</b>	05368 <b>1.578,29</b>
D40	29494 <b>633,91</b>	31424 <b>633,91</b>	05369 <b>1.591,75</b>
	24 - 240 V AC / DC		24 - 240 V AC / DC
D50	02628 <b>834,36</b>		05370 <b>1.594,65</b>
D63	02629 <b>899,60</b>		05371 <b>1.616,49</b>
D75	02630 <b>1.304,95</b>		05372 <b>2.036,30</b>
D90	02631 <b>1.647,61</b>		05373 <b>2.357,13</b>
D110	26415 <b>2.387,06</b>		26419 <b>3.272,50</b>

PTFE - FPM

	Electric actuation		Electric actuation & BSR safety block
	24 V AC / DC	85 - 240 V AC / DC	24 - 240 V AC / DC
D16	29570 <b>616,71</b>	31425 <b>616,71</b>	29600 <b>1.575,22</b>
D20	29571 <b>616,71</b>	31426 <b>616,71</b>	29601 <b>1.575,22</b>
D25	29572 <b>623,39</b>	31427 <b>623,39</b>	29602 <b>1.587,02</b>
D32	29573 <b>630,70</b>	31428 <b>630,70</b>	29603 <b>1.596,31</b>
D40	29574 <b>644,64</b>	31429 <b>644,64</b>	29604 <b>1.611,94</b>
	24 - 240 V AC / DC		24 - 240 V AC / DC
D50	29585 <b>865,30</b>		29605 <b>1.625,58</b>
D63	29586 <b>906,89</b>		29606 <b>1.638,24</b>
D75	29587 <b>1.340,71</b>		29607 <b>2.072,05</b>
D90	29588 <b>1.682,34</b>		29608 <b>2.392,39</b>
D110	29589 <b>2.438,14</b>		29609 <b>3.323,59</b>

\* Available 12V actuator on request

PVC-U BALL VALVES INDUSTRIAL SERIES: PNEUMATIC ACTUATION

INDUSTRIAL SERIES



Industrial Series ball valves PVC-U - solvent socket

PTFE - EPDM



	Pneumatic actuation aluminum		Pneumatic actuation aluminum & kit (*)		Pneumatic actuation polyamide		Pneumatic actuation polyamide & kit (*)	
	Double acting	Spring return	Double acting	Spring return	Double acting	Spring return	Double acting	Spring return
D16	26425 <b>388,67</b>	26433 <b>508,55</b>	26421 <b>877,37</b>	26429 <b>860,53</b>	29875 <b>383,07</b>	29885 <b>411,84</b>	29894 <b>843,35</b>	29904 <b>881,03</b>
D20	05390 <b>388,67</b>	05414 <b>508,55</b>	02648 <b>877,37</b>	05304 <b>860,53</b>	29876 <b>383,07</b>	29886 <b>411,84</b>	29895 <b>843,35</b>	29905 <b>881,03</b>
D25	05391 <b>395,54</b>	05415 <b>515,43</b>	02649 <b>881,92</b>	05305 <b>863,30</b>	29877 <b>389,94</b>	29887 <b>418,72</b>	29896 <b>850,23</b>	29906 <b>887,91</b>
D32	05392 <b>460,42</b>	05416 <b>572,46</b>	02650 <b>803,43</b>	05306 <b>927,67</b>	29878 <b>562,78</b>	29888 <b>615,90</b>	29897 <b>1.014,01</b>	29907 <b>1.063,53</b>
D40	05393 <b>465,10</b>	05417 <b>577,24</b>	02651 <b>809,57</b>	05307 <b>933,81</b>	29879 <b>554,79</b>	29889 <b>620,66</b>	29898 <b>1.020,44</b>	29908 <b>1.069,96</b>
D50	05394 <b>472,70</b>	05418 <b>728,56</b>	02652 <b>827,77</b>	05308 <b>1.088,90</b>	29880 <b>578,78</b>	29890 <b>795,70</b>	29899 <b>1.034,37</b>	29909 <b>1.234,00</b>
D63	05395 <b>486,73</b>	05419 <b>738,58</b>	02653 <b>838,13</b>	05309 <b>1.099,20</b>	29881 <b>593,08</b>	29891 <b>806,26</b>	29900 <b>1.044,35</b>	29910 <b>1.268,40</b>
D75	05396 <b>698,99</b>	05420 <b>1.151,90</b>	02654 <b>1.041,92</b>	05310 <b>1.516,61</b>	29882 <b>761,30</b>	29892 <b>1.126,04</b>	29901 <b>1.217,85</b>	29911 <b>1.571,07</b>
D90	05397 <b>750,77</b>	05421 <b>1.213,09</b>	02655 <b>1.131,97</b>	05311 <b>1.599,83</b>	29883 <b>781,15</b>	29893 <b>1.166,24</b>	29902 <b>1.321,09</b>	29912 <b>1.632,26</b>
D110	26427 <b>1.189,18</b>	26435 <b>2.008,08</b>	26423 <b>1.612,52</b>	26431 <b>2.389,49</b>	29884 <b>1.196,22</b>		29903 <b>1.695,79</b>	

PTFE - FPM

	Pneumatic actuation aluminum		Pneumatic actuation aluminum & kit (*)		Pneumatic actuation polyamide		Pneumatic actuation polyamide & kit (*)	
	Double acting	Spring return	Double acting	Spring return	Double acting	Spring return	Double acting	Spring return
D16	29913 <b>395,21</b>	29923 <b>519,34</b>	29933 <b>878,04</b>	29943 <b>864,34</b>	29953 <b>386,96</b>	29963 <b>422,62</b>	29972 <b>856,71</b>	29982 <b>894,36</b>
D20	29914 <b>395,21</b>	29924 <b>519,34</b>	29934 <b>878,04</b>	29944 <b>864,34</b>	29954 <b>386,96</b>	29964 <b>422,62</b>	29973 <b>856,71</b>	29983 <b>894,36</b>
D25	29915 <b>398,45</b>	29925 <b>520,20</b>	29935 <b>881,95</b>	29945 <b>869,63</b>	29955 <b>393,84</b>	29965 <b>423,31</b>	29974 <b>861,86</b>	29984 <b>899,53</b>
D32	29916 <b>467,06</b>	29926 <b>578,42</b>	29936 <b>810,83</b>	29946 <b>935,07</b>	29956 <b>567,52</b>	29966 <b>622,71</b>	29975 <b>1.025,28</b>	29985 <b>1.074,80</b>
D40	29917 <b>468,60</b>	29927 <b>587,08</b>	29937 <b>820,31</b>	29947 <b>944,55</b>	29957 <b>580,81</b>	29967 <b>630,20</b>	29976 <b>1.039,30</b>	29986 <b>1.088,90</b>
D50	29918 <b>491,26</b>	29928 <b>759,57</b>	29938 <b>844,62</b>	29948 <b>1.099,42</b>	29958 <b>597,34</b>	29968 <b>804,21</b>	29977 <b>1.056,09</b>	29987 <b>1.248,30</b>
D63	29919 <b>502,32</b>	29929 <b>774,67</b>	29939 <b>859,88</b>	29949 <b>1.120,94</b>	29959 <b>608,75</b>	29969 <b>821,76</b>	29978 <b>1.072,80</b>	29988 <b>1.283,89</b>
D75	29920 <b>728,36</b>	29930 <b>1.190,71</b>	29940 <b>1.062,02</b>	29950 <b>1.552,37</b>	29960 <b>792,99</b>	29970 <b>1.189,56</b>	29979 <b>1.257,44</b>	29989 <b>1.610,62</b>
D90	29921 <b>795,50</b>	29931 <b>1.257,84</b>	29941 <b>1.176,86</b>	29951 <b>1.644,72</b>	29961 <b>825,88</b>	29971 <b>1.203,69</b>	29980 <b>1.372,89</b>	29990 <b>1.684,02</b>
D110	29922 <b>1.240,25</b>	29932 <b>2.059,17</b>	29942 <b>1.663,61</b>	29952 <b>2.440,57</b>	29962 <b>1.235,43</b>		29981 <b>1.757,89</b>	

(\*) Kit: electric valve (220 VAC), limit-switch box and relief regulators

Pneumatic valves are shipped as NC (normally closed) as standard. If a NO (normally open) configuration is needed, please specify when placing the order.

BALL VALVES 3-WAY SERIES: ELECTRIC ACTUATION

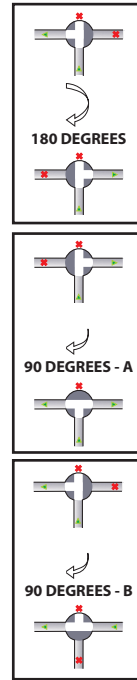


3-way Series ball valves PVC-U - solvent socket

PE - EPDM



	Electric actuation		Electric actuation & BSR safety block	
	24 - 240 V AC / DC	24 - 240 V AC / DC	24 - 240 V AC / DC	24 - 240 V AC / DC
D50	27227	27228	27228	27228
	865,03	865,03	1.548,54	1.548,54
D50	71153	71155	71155	71155
	865,03	865,03	1.548,54	1.548,54
D50	71154	71156	71156	71156
	865,03	865,03	1.548,54	1.548,54



Válvulas de bola 3 vías PVC-U - encolar  
3-way Series ball valves PVC-U - solvent socket

\* Available 12V actuator on request

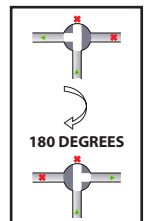
BALL VALVES 3-WAY SERIES: PNEUMATIC ACTUATION



PE - EPDM



	Pneumatic actuation aluminum		Pneumatic actuation aluminum & kit (*)		Pneumatic actuation polyamide		Pneumatic actuation polyamide & kit (*)	
	Double acting	Spring return	Double acting	Spring return	Double acting	Spring return	Double acting	Spring return
D50	27589	27591	27588	27590	30147	30148	30149	30150
	1.222,72	1.510,84	1.555,43	1.843,31	1.577,67	1.756,96	2.043,29	2.211,97



Kit: electric valve (220 VAC), limit-switch box and relief regulators

Pneumatic valves are shipped as NC (normally closed) as standard. If a NO (normally open) configuration is needed, please specify when placing the order.

## STD SERIES

# STD BUTTERFLY VALVE ELECTRIC ACTUATOR

## Best value for your money



- Specially designed for commercial swimming pools - automatic battery valves for big filters
- Best **quality-price** relation with the warranty of the **Cepex Quality System**
- Valve completely made in PVC-U; o-rings in EPDM; zinc plated steel shaft - **Corrosion FREE**
- Impact and UV resistant
- Compatible with all the installation standards - ISO/DIN, BSi, ANSI, JIS
- Actuator with multivoltage (24-240 VAC-VDC) and protection degree IP67

VMA 533



**EPDM O-Rings**  
zinc plated steel shaft

SIZE	PN	REF.	PACK	kg	Q(B)	Q(P)	CODE	EUR
63-75	10	05 83 075 09J	C	3,9	1	60	<b>72267</b>	<b>TBA</b>
90	10	05 83 090 09J	D	4,6	1	30	<b>72268</b>	<b>TBA</b>
110	10	05 83 110 09J	E	7,2	1	15	<b>72269</b>	<b>TBA</b>
125-140	10	05 83 140 09J	E	8,5	1	15	<b>72270</b>	<b>TBA</b>
160	6	05 83 160 09J	E	11,6	1	15	<b>72273</b>	<b>TBA</b>
200-225	6	05 83 200 09J	-	15,5	1	10	<b>72274</b>	<b>TBA</b>
250	6	05 83 250 09J	-	-	1	-	<b>72275</b>	<b>TBA</b>
315	6	05 83 315 09J	-	-	1	-	<b>72276</b>	<b>TBA</b>

IND SERIES



Butterfly valves Industrial Series PVC-U - stainless steel shaft

EPDM Perox.



	Electric actuation 24 - 240 V AC / DC	Electric actuation & BSR safety block 24 - 240 V AC / DC
<b>D63 - D75</b>	30272 <b>1.278,82</b>	30286 <b>1.878,63</b>
<b>D90</b>	30273 <b>1.303,08</b>	30287 <b>2.047,06</b>
<b>D110</b>	30274 <b>1.630,75</b>	30288 <b>2.337,89</b>
<b>D125 - D140</b>	30275 <b>2.232,04</b>	30289 <b>3.092,44</b>
<b>D160</b>	30276 <b>2.271,31</b>	30290 <b>3.131,71</b>
<b>D200 - D225</b>	30277 <b>2.879,88</b>	30291 <b>3.845,04</b>
<b>D250 - D280</b>	30278 <b>3.314,87</b>	30292 <b>4.504,33</b>
<b>D315</b>	32742 <b>3.831,23</b>	32744 <b>4.940,21</b>

FPM

	Electric actuation 24 - 240 V AC / DC	Electric actuation & BSR safety block 24 - 240 V AC / DC
<b>D63 - D75</b>	30336 <b>1.337,57</b>	30350 <b>2.068,91</b>
<b>D90</b>	30337 <b>1.378,20</b>	30351 <b>2.128,87</b>
<b>D110</b>	30338 <b>1.738,70</b>	30352 <b>2.445,18</b>
<b>D125 - D140</b>	30339 <b>2.404,27</b>	30353 <b>3.289,72</b>
<b>D160</b>	30340 <b>2.514,68</b>	30354 <b>3.400,13</b>
<b>D200 - D225</b>	30341 <b>3.140,47</b>	30355 <b>4.197,42</b>
<b>D250 - D280</b>	30342 <b>3.994,94</b>	30356 <b>5.051,89</b>
<b>D315</b>	32749 <b>4.554,00</b>	32751 <b>5.554,22</b>

\* Available 12V actuator on request

PVC-U  
Valves  
PP  
Spare parts

BUTTERFLY VALVES (PVC-U DISC) IND SERIES: PNEUMATIC ACTUATION

IND SERIES



Butterfly valves Industrial Series PVC-U - stainless steel shaft

EPDM Perox.



	Pneumatic actuation aluminum		Pneumatic actuation aluminum & kit (*)		Pneumatic actuation polyamide		Pneumatic actuation polyamide & kit (*)	
	Double acting	Spring return	Double acting	Spring return	Double acting	Spring return	Double acting	Spring return
<b>D63 - D75</b>	30464 <b>705,98</b>	30471 <b>949,30</b>	30478 <b>1.068,64</b>	30485 <b>1.309,78</b>	30492 <b>734,91</b>	30498 <b>1.088,09</b>	30501 <b>1.228,92</b>	30507 <b>1.625,05</b>
<b>D90</b>	30465 <b>727,25</b>	30472 <b>1.125,36</b>	30479 <b>1.078,82</b>	30486 <b>1.535,94</b>	30493 <b>759,52</b>	30499 <b>1.112,68</b>	30502 <b>1.239,10</b>	30508 <b>1.649,64</b>
<b>D110</b>	30466 <b>745,82</b>	30473 <b>1.161,62</b>	30480 <b>1.124,82</b>	30487 <b>1.554,49</b>	30494 <b>805,19</b>	30500 <b>1.158,33</b>	30503 <b>1.285,08</b>	30509 <b>1.695,31</b>
<b>D125 - D140</b>	30467 <b>1.088,40</b>	30474 <b>1.793,87</b>	30481 <b>1.481,33</b>	30488 <b>2.186,72</b>	30495 <b>1.082,34</b>		30504 <b>1.619,28</b>	
<b>D160</b>	30468 <b>1.135,00</b>	30475 <b>1.835,24</b>	30482 <b>1.523,88</b>	30489 <b>2.232,82</b>	30496 <b>1.120,86</b>		30505 <b>1.657,83</b>	
<b>D200 - D225</b>	30469 <b>1.438,00</b>	30476 <b>2.096,11</b>	30483 <b>1.882,42</b>	30490 <b>2.489,90</b>	30497 <b>1.437,82</b>		30506 <b>2.017,32</b>	
<b>D250 - D280</b>	30470 <b>2.255,00</b>	30477 <b>2.720,25</b>	30484 <b>2.620,74</b>	30491 <b>3.115,29</b>				
<b>D315</b>	32755 <b>3.075,46</b>	32757 <b>5.859,59</b>	32756 <b>3.383,98</b>	32758 <b>6.289,70</b>				



FPM

	Pneumatic actuation aluminum		Pneumatic actuation aluminum & kit (*)		Pneumatic actuation polyamide		Pneumatic actuation polyamide & kit (*)	
	Double acting	Spring return	Double acting	Spring return	Double acting	Spring return	Double acting	Spring return
<b>D63 - D75</b>	30517 <b>739,47</b>	30524 <b>982,85</b>	30531 <b>1.158,00</b>	30538 <b>1.401,35</b>	30545 <b>799,15</b>	30551 <b>1.173,00</b>	30554 <b>1.305,14</b>	30560 <b>1.688,65</b>
<b>D90</b>	30518 <b>793,10</b>	30525 <b>1.191,21</b>	30532 <b>1.160,63</b>	30539 <b>1.601,74</b>	30546 <b>852,79</b>	30552 <b>1.218,65</b>	30555 <b>1.350,79</b>	30561 <b>1.734,30</b>
<b>D110</b>	30519 <b>851,96</b>	30526 <b>1.267,72</b>	30533 <b>1.262,51</b>	30540 <b>1.660,62</b>	30547 <b>911,63</b>	30553 <b>1.295,14</b>	30556 <b>1.409,68</b>	30562 <b>1.793,18</b>
<b>D125 - D140</b>	30520 <b>1.207,87</b>	30527 <b>1.886,66</b>	30534 <b>1.574,16</b>	30541 <b>2.279,58</b>	30548 <b>1.198,61</b>		30557 <b>1.696,63</b>	
<b>D160</b>	30521 <b>1.285,72</b>	30528 <b>1.990,05</b>	30535 <b>1.678,64</b>	30542 <b>2.382,95</b>	30549 <b>1.302,81</b>		30558 <b>1.800,85</b>	
<b>D200 - D225</b>	30522 <b>1.788,04</b>	30529 <b>2.420,08</b>	30536 <b>2.129,04</b>	30543 <b>2.736,54</b>	30550 <b>1.735,79</b>		30559 <b>2.263,98</b>	
<b>D250 - D280</b>	30523 <b>2.800,99</b>	30530 <b>3.295,50</b>	30537 <b>3.193,90</b>	30544 <b>3.688,44</b>				
<b>D315</b>	32759 <b>3.651,80</b>	32761 <b>6.473,60</b>	32760 <b>3.961,54</b>	32762 <b>6.903,73</b>				

Kit: solenoid valve (220 VAC), limit-switch box and relief regulators

Pneumatic valves are shipped as NC (normally closed) as standard. If a NO (normally open) configuration is needed, please specify when placing the order.

PVC-U AUTOMATIC ROTARY DISC VALVES

ELECTRIC ROTARY DISC VALVES				
230 VAC		24 VAC		
				
90° turn	180° turn	90° turn	180° turn	
D50-D63	59955 <b>504,71</b>	41863 <b>504,71</b>	59956 <b>504,71</b>	45866 <b>504,71</b>
D63-D75	41864 <b>523,01</b>	59959 <b>523,00</b>	43730 <b>523,01</b>	59960 <b>523,00</b>

SPARE PARTS PVC-U AUTOMATIC ROTARY DISC VALVES

	SIZE	PN	REF.	PACK	kg	Q(B)	Q(P)	CODE	EUR
ELECTRIC ACTUATOR 90°	220V AC	-	-	-	-	-	-	<b>53933</b>	<b>409,68</b>
	24 V AC	-	-	-	-	-	-	<b>53934</b>	<b>409,68</b>
ELECTRIC ACTUATOR 180°	220V AC	-	-	-	-	-	-	<b>59965</b>	<b>409,68</b>
	24 V AC	-	-	-	-	-	-	<b>59966</b>	<b>409,68</b>
ACTUATION KIT	50-63	-	-	-	-	-	-	<b>54436</b>	<b>51,78</b>
	63-75	-	-	-	-	-	-	<b>54086</b>	<b>51,78</b>



SPARE PARTS: ACTUATION KITS FOR BALL VALVES

Actuation Kits	J+J®		CH-air®		Prisma		
	Electric actuation		Pneumatic actuation aluminum		Pneumatic actuation polyamide		
	Without BSR	With BSR	Double acting	Spring return	Double acting	Spring return	
2-way ball valves							
Includes coupling bush, supports, bolts, mounting clamp and connectors in required sizes.							
Industrial Series	D16 - 3/8"	30570 <b>62,35</b>	56852 <b>62,32</b>	30590 <b>61,68</b>	30600 <b>62,32</b>	30610 <b>62,02</b>	30620 <b>62,02</b>
	D20 - 1/2"	30571 <b>62,35</b>	56853 <b>62,32</b>	30591 <b>61,68</b>	30601 <b>62,32</b>	30611 <b>62,02</b>	30621 <b>62,02</b>
	D25 - 3/4"	30572 <b>61,63</b>	56854 <b>61,58</b>	30592 <b>61,37</b>	30602 <b>60,17</b>	30612 <b>61,30</b>	30622 <b>61,27</b>
	D32 - 1"	30573 <b>64,38</b>	56855 <b>64,35</b>	30593 <b>64,04</b>	30603 <b>64,04</b>	30613 <b>64,28</b>	30623 <b>64,28</b>
	D40 - 1 1/4"	30574 <b>63,84</b>	56856 <b>63,81</b>	30594 <b>63,54</b>	30604 <b>63,54</b>	30614 <b>63,74</b>	30624 <b>63,74</b>
	D50 - 1 1/2"	30575 <b>68,93</b>		30595 <b>68,67</b>	30605 <b>69,63</b>	30615 <b>68,86</b>	30625 <b>69,63</b>
	D63 - 2"	30576 <b>67,42</b>		30596 <b>68,19</b>	30606 <b>69,09</b>	30616 <b>67,42</b>	30626 <b>69,09</b>
	D75 - 2 1/2"	30577 <b>74,64</b>		30597 <b>74,64</b>	30607 <b>74,64</b>	30617 <b>74,64</b>	30627 <b>103,84</b>
	D90 - 3"	30578 <b>99,61</b>		30598 <b>99,61</b>	30608 <b>99,61</b>	30618 <b>99,91</b>	30628 <b>98,63</b>
	D110 - 4"	30579 <b>98,73</b>		30599 <b>99,71</b>	30609 <b>96,83</b>	30619 <b>98,73</b>	
3-way ball valves							
Includes coupling bush, support, bolts and inserts.							
D50 - 1 1/2"	30629 <b>66,80</b>		30843 <b>64,76</b>	30844 <b>64,76</b>	30631 <b>64,69</b>	30632 <b>100,99</b>	



SPARE PARTS: ACTUATION KITS FOR BUTTERFLY VALVES

Actuation Kits	J+J®		CH-air®		Prisma		Gear operator		
	Electric actuation		Pneumatic actuation aluminum		Pneumatic actuation polyamide		Gear operator		
	24 - 240 V AC / DC		Double acting	Spring return	Double acting	Spring return	Direct connection	With turret	
IND Series	D63 - D75	57498 <b>66,03</b>	35898 <b>66,02</b>	35898 <b>66,02</b>	35922 <b>66,05</b>	55185 <b>95,26</b>		35899 <b>66,06</b>	
	D90	35901 <b>66,06</b>	57497 <b>66,05</b>	35901 <b>66,06</b>	35923 <b>66,05</b>	55186 <b>95,26</b>		35902 <b>66,06</b>	
	D110	35901 <b>66,06</b>	57497 <b>66,05</b>	35901 <b>66,06</b>	35924 <b>66,05</b>	55187 <b>95,26</b>		35902 <b>66,06</b>	
	D125 - D140	69632 <b>67,05</b>	35905 <b>66,06</b>	35904 <b>66,06</b>	35925 <b>66,05</b>			35906 <b>66,06</b>	
	D160	69632 <b>67,05</b>	35905 <b>66,06</b>	35904 <b>66,06</b>	35925 <b>66,05</b>			56816 <b>66,06</b>	
	D200 - D225	35908 <b>145,60</b>	35909 <b>218,13</b>	69785 <b>145,60</b>	35926 <b>143,42</b>			35910 <b>86,37</b>	
	D250 - D280	35912 <b>153,86</b>	35912 <b>153,86</b>	35912 <b>153,86</b>			35911 <b>63,48</b>	35915 <b>88,81</b>	
	D315	35912 <b>153,86</b>	35912 <b>153,86</b>	35914 <b>226,39</b>			35911 <b>63,48</b>	35915 <b>88,81</b>	
	Butterfly valves								
	Includes coupling bush, supports, bolts, mounting clamp and connectors in required sizes.								
STD Series	D63 - D75	74239 <b>TBA</b>							
	D90	74240 <b>TBA</b>							
	D110	35901 <b>66,06</b>							
	D125 - D140	74442 <b>TBA</b>							
	D160	69632 <b>67,05</b>							
	D200 - D225	35908 <b>145,60</b>							
	D250 - D280	35912 <b>153,86</b>							
D315	35912 <b>153,86</b>								



SPARE PARTS: ACTUATOR (WITHOUT KIT) AND GEAR BOX



Actuators Including actuator only (without mounting kit)



2-way ball valves

	Electric actuator		Pneumatic actuator aluminum		Pneumatic actuator polyamide	
	24 V AC / DC	85 - 240 V AC / DC	Double acting	Spring return	Double acting	Spring return
D16 - 1/4"	30671	30676	30706	30712	30719	30724
	<b>514,35</b>	<b>514,35</b>	<b>284,11</b>	<b>418,11</b>	<b>284,14</b>	<b>317,23</b>
D20 - 1/2"	30671	30676	30706	30712	30719	30724
	<b>514,35</b>	<b>514,35</b>	<b>284,11</b>	<b>418,11</b>	<b>284,14</b>	<b>317,23</b>
D25 - 3/4"	30671	30676	30706	30712	30719	30724
	<b>514,35</b>	<b>514,35</b>	<b>284,11</b>	<b>418,11</b>	<b>284,14</b>	<b>317,23</b>
D32 - 1"	30671	30676	30707	30713	32364	30725
	<b>514,35</b>	<b>514,35</b>	<b>348,90</b>	<b>475,68</b>	<b>407,92</b>	<b>474,57</b>
D40 - 1 1/4"	30671	30676	30707	30713	32364	30725
	<b>514,35</b>	<b>514,35</b>	<b>348,90</b>	<b>475,68</b>	<b>407,92</b>	<b>474,57</b>
	24 - 240 V AC / DC		Double acting	Spring return	Double acting	Spring return
D50 - 1 1/2"	46652		30707	30714	32364	30726
	<b>744,70</b>		<b>348,90</b>	<b>611,52</b>	<b>407,92</b>	<b>626,61</b>
D63 - 2"	46652		30707	30714	32364	30726
	<b>744,70</b>		<b>348,90</b>	<b>611,52</b>	<b>407,92</b>	<b>626,61</b>
D75 - 2 1/2"	30677		30708	30715	30720	30727
	<b>1.100,77</b>		<b>508,90</b>	<b>899,41</b>	<b>541,87</b>	<b>880,74</b>
D90 - 3"	46654		30708	30715	30720	30727
	<b>1.364,25</b>		<b>508,90</b>	<b>899,41</b>	<b>541,87</b>	<b>880,74</b>
D110 - 4"	30678		30709	30716	30721	
	<b>1.777,69</b>		<b>745,90</b>	<b>1.429,10</b>	<b>762,61</b>	

3-way ball valves

	Electric actuator		Pneumatic actuator aluminum		Pneumatic actuator polyamide	
	24 - 240 V AC / DC		Double acting	Spring return	Double acting	Spring return
D50 - 1 1/2"	30681		30711	30718	30723	30728
	<b>754,99</b>		<b>1.036,58</b>	<b>1.337,42</b>	<b>1.403,07</b>	<b>1.452,46</b>



Butterfly valves

	Electric actuator		Pneumatic actuator aluminum		Pneumatic actuator polyamide		Gear operator
	24 - 240 V AC / DC		Double acting	Spring return	Double acting	Spring return	
D63 - D75	30677		30708	43288	30720	30727	54744
	<b>1.100,77</b>		<b>508,90</b>	<b>727,09</b>	<b>541,87</b>	<b>880,74</b>	<b>283,19</b>
D90	30677		30708	30715	30720	30727	54744
	<b>1.100,77</b>		<b>508,90</b>	<b>899,41</b>	<b>541,87</b>	<b>880,74</b>	<b>283,19</b>
D110	46654		30708	30715	30720	30727	54744
	<b>1.364,25</b>		<b>508,90</b>	<b>899,41</b>	<b>541,87</b>	<b>880,74</b>	<b>283,19</b>
D125 - D140	30678		30709	30716	30721		54737
	<b>1.777,69</b>		<b>745,90</b>	<b>1.429,10</b>	<b>762,61</b>		<b>478,13</b>
D160	30678		30709	30716	30721		54737
	<b>1.777,69</b>		<b>745,90</b>	<b>1.429,10</b>	<b>762,61</b>		<b>478,13</b>
D200 - D225	30679		30709	30716	30721		54737
	<b>1.978,61</b>		<b>745,90</b>	<b>1.429,10</b>	<b>762,61</b>		<b>478,13</b>
D250 - D280	30679		30710	30716			36662
	<b>1.978,61</b>		<b>965,04</b>	<b>1.429,10</b>			<b>735,45</b>
D315	30679		41872	30717			36662
	<b>1.978,61</b>		<b>1.184,06</b>	<b>3.755,33</b>			<b>735,45</b>

Butterfly valves

	Electric actuator	
	24 - 240 V AC / DC	
D63 - D75	65342	
	<b>834,61</b>	
D90	65342	
	<b>834,61</b>	
D110	30677	
	<b>1.100,77</b>	
D125 - D140	46654	
	<b>1.364,25</b>	
D160	30678	
	<b>1.777,69</b>	
D200 - D225	30678	
	<b>1.777,69</b>	
D250 - D280	30679	
	<b>1.978,61</b>	
D315	30679	
	<b>1.978,61</b>	

PVC-U

Valves

PP

Spare parts

IND Series

STD Series

ACCESSORIES FOR ACTUATORS (ELECTRIC ACTUATION)



Actuators with safety block

	30849
Ball Valves D16 - D63	<b>1.358,81</b>
	73987
Butterfly v. STD D63-D90	<b>TBA</b>
	30850
Ball Valves D75 & IND butterfly Valves D75-D90 / STD D110	<b>1.719,79</b>
	53834
Ball Valves D90 & IND butterfly Valves D110 / STD D125-140	<b>2.063,75</b>
	30851
Ball Valves D110 & IND butterfly Valves D140-D160 / STD D160-225	<b>2.554,15</b>
	30852
IND/STD butterfly Valves D200-D250	<b>2.962,82</b>
	30862
3 way Ball Valve D50	<b>1.373,04</b>

Actuators with digital positioner 4-20 mA

	30857
Ball Valves D16 - D63	<b>1.299,21</b>
	30858
Ball Valves D75 & IND butterfly Valves D90	<b>1.656,78</b>
	10065
Ball Valves D90 & IND butterfly Valves D110	<b>2.008,30</b>
	30859
Ball Valves D110 & IND butterfly Valves D140-D160	<b>2.894,70</b>
	30860
IND butterfly Valves D200-D250	<b>3.320,40</b>
	30864
3 way Ball Valve D50	<b>1.294,10</b>

Actuators with safety block and digital positioner

	65276
Ball Valves D16 - D63	<b>1.989,38</b>
	65278
Ball Valves D75 & IND butterfly Valves D90	<b>2.325,04</b>
	65280
Ball Valves D90 & IND butterfly Valves D110	<b>2.701,63</b>
	65282
Ball Valves D110 & IND butterfly Valves D140-D160	<b>3.734,05</b>
	65284
IND butterfly Valves D200-D250	<b>3.954,19</b>

BSR safety block kit

	J4C model	J3C model
Ball Valves D16 - D63	74213	72730
	<b>TBA</b>	<b>TBA</b>
Butterfly v. STD D63-D90	74213	72730
	<b>TBA</b>	<b>TBA</b>
Ball Valves D75 & IND butterfly Valves D75-D90 / STD D110	74213	72730
	<b>TBA</b>	<b>TBA</b>
Ball Valves D90 & IND butterfly Valves D110 / STD D125-140	74213	72730
	<b>TBA</b>	<b>TBA</b>
Ball Valves D110 & IND butterfly Valves D140-D160 / STD D160-225	74214	66354
	<b>TBA</b>	<b>776,06</b>
IND/STD butterfly Valves D200-D250	74214	66354
	<b>TBA</b>	<b>776,06</b>
3 way Ball Valve D50	74213	72730
	<b>TBA</b>	<b>TBA</b>

DPS positioner kit

	J4C model	J3C model
Ball Valves D16 - D63	66351	74235
	<b>602,48</b>	<b>TBA</b>
Ball Valves D75 & IND butterfly Valves D75-D90	66351	74235
	<b>602,48</b>	<b>TBA</b>
Ball Valves D90 & IND butterfly Valves D110	66351	74235
	<b>602,48</b>	<b>TBA</b>
Ball Valves D110 & IND butterfly Valves D140-D160	66352	74236
	<b>1.100,56</b>	<b>TBA</b>
IND butterfly Valves D200-D250	66352	74236
	<b>1.100,56</b>	<b>TBA</b>
3 way Ball Valve D50	66351	74235
	<b>602,48</b>	<b>TBA</b>

12V special actuators

Ball Valves D16 - D63	73151
	<b>TBA</b>
Ball Valves D75 & IND butterfly Valves D90	73152
	<b>TBA</b>
Ball Valves D90 & IND butterfly Valves D110	73153
	<b>TBA</b>



**Actuation brackets**

Industrial Butterfly valves

	43393
IND butterfly valves D75 - D160	<b>30,78</b>
	10072
IND butterfly valves D200	<b>29,54</b>
	43394
Brackets F07 IND butterfly valves D250 - D315	<b>36,23</b>
	43394F10
Brackets F10 IND butterfly valves D250 - D315	<b>36,23</b>
	43394F12
Brackets F12 IND butterfly valves D250 - D315	<b>36,23</b>



ACCESSORIES FOR ACTUATORS (PENUMATIC ACTUATION)

PVC-U

Valves

PP

Spare parts

Pneumatic actuation



Solenoid valve (CH-Air)



12V DC	30739
	<b>231,20</b>
24V AC	30740
	<b>136,12</b>
24V DC	30722
	<b>136,12</b>
110V AC	30741
	<b>258,17</b>
110V DC	30742
	<b>152,62</b>

Special solenoid valve coupling CH32 \*

69425
<b>79,95</b>

\* Accessories required for solenoid valve coupling in double acting pneumatic actuator in ball valves D16-D25

Solenoid valve (Prisma)



220V AC	30746
	<b>237,42</b>
12V DC	30748
	<b>237,42</b>
24V AC	30749
	<b>237,42</b>
24V DC	30670
	<b>237,42</b>
110V AC	30750
	<b>237,42</b>
110V DC	30751
	<b>237,42</b>

Solenoid valve (Burkert)



220V AC	30737B
	<b>516,47</b>
12V DC	30739B
	<b>697,01</b>
24V AC	30740B
	<b>484,66</b>
24 VDC	30722B
	<b>293,93</b>
110V AC	30741B
	<b>519,32</b>
110V DC	30742B
	<b>612,07</b>

Solenoid valve (SMC)



220V AC	70375
	<b>TBA</b>
24V AC	70732
	<b>TBA</b>
24 VDC	70733
	<b>TBA</b>



Limit switch box



especial CH032

30743
<b>190,65</b>
30744
<b>257,44</b>

Relief regulators (\*\*)



30745
<b>40,87</b>

(\*\*) There are needed 2 per actuator (included)



Limit switch box



45293
<b>212,15</b>





# PP FITTINGS

PVC-U

Valves

PP

Spare parts

PVC-U

**73**

Valve boxes Pro Series



**81**

Compression fitt. Standard Series



**88**

Hose couplings



Valves

**75**

Compression fitt. Performance Series



**85**

Clamp saddles



**88**

Threaded Series



PP

**80**

Universal Fitting



**87**

Pipe clips



**89**

Spiral barb & irrigation fittings



Spare parts



VALVE BOXES PRO SERIES

PP. 26. Round Garden

ARQ 110



**VALVE BOX round**  
With 3/4" male thread hose valve

SIZE	PN	REF.	PACK	kg	Q(B)	Q(P)	CODE	EUR
-		11 26 05	0,08	7,1	7	105	<b>17186</b>	<b>44,09</b>

PP. 26. Round 5"

ARQ 110



**VALVE BOX round**  
Clip-on cover

SIZE	PN	REF.	PACK	kg	Q(B)	Q(P)	CODE	EUR
-		11 26 01	G	16,9	24	360	<b>02672</b>	<b>8,73</b>

PP. 26. Round 9"

ARQ 110



**VALVE BOX round**  
Twist lock cover

SIZE	PN	REF.	PACK	kg	Q(B)	Q(P)	CODE	EUR
-		11 26 02	G	17,5	10	150	<b>02673</b>	<b>18,87</b>

PP. 26. Rectangular. Standard

ARQ 110



**VALVE BOX rectangular Standard**  
Bolt lock cover

SIZE	PN	REF.	PACK	kg	Q(B)	Q(P)	CODE	EUR
-		11 26 03		3,9	1	66	<b>02674</b>	<b>44,38</b>

PP. 26. Rectangular. Jumbo

ARQ 110



**VALVE BOX rectangular Jumbo**  
Bolt lock cover

SIZE	PN	REF.	PACK	kg	Q(B)	Q(P)	CODE	EUR
-		11 26 04		5,3	1	48	<b>02675</b>	<b>60,44</b>

PP. 26. Extension

ARQ 110



**VALVE BOX EXTENSION**  
Rectangular valve box

SIZE	PN	REF.	PACK	kg	Q(B)	Q(P)	CODE	EUR
(02674)		11 26 08	0,03	1,9	1	56	<b>02676</b>	<b>20,17</b>
(02675)		11 26 09	0,05	2,5	1	24	<b>07777</b>	<b>27,29</b>

PP. 26. Cover

ARQ 110



**VALVE BOX COVER**

SIZE	PN	REF.	PACK	kg	Q(B)	Q(P)	CODE	EUR
(17186)		11 26 05 02	0,04	8,7	50	2.000	<b>27999</b>	<b>2,90</b>
(02672)		11 26 01 02	E	7,3	50	750	<b>27995</b>	<b>3,57</b>
(02673)		11 26 02 02	0,08	11,8	22	440	<b>27996</b>	<b>8,57</b>
(02674)		11 26 03 02	E	12,1	10	150	<b>27997</b>	<b>15,10</b>
(02675)		11 26 04 02	1,45	210,2	90	90	<b>27998</b>	<b>23,97</b>

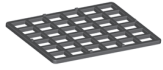


Valve box covers are also available in other colors upon request.

VALVE BOXES PRO SERIES

PP. 26. Grid

ARQ 110



**VALVE BOX GRID**  
Rectangular valve box

SIZE	PN	REF.	PACK	kg	Q(B)	Q(P)	CODE	EUR
(02674)		11 26 12	0,03	4,5	5	200	<b>32781</b>	<b>16,92</b>
(02675)		11 26 13	0,03	6,8	5	200	<b>32782</b>	<b>28,17</b>

PP. 26. Bolt

ARQ 110

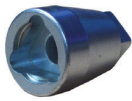


**ANTI VANDAL BOLT**  
Rectangular valve box

SIZE	PN	REF.	PACK	kg	Q(B)	Q(P)	CODE	EUR
(02674/5)		11 26 14	-	0,8	20	180	<b>34549</b>	<b>12,90</b>

PP. 26. Key

ARQ 110



**ANTI VANDAL KEY**  
Rectangular valve box

SIZE	PN	REF.	PACK	kg	Q(B)	Q(P)	CODE	EUR
(02674/5)		11 26 15	-	-	-	-	<b>34550</b>	<b>18,43</b>

The code of the corresponding valve box is indicated in brackets in SIZE.

PVC-U

Valves

PP

Spare parts

## PP COMPRESSION FITTINGS PERFORMANCE SERIES

## PP-P. 01. CP

PPP 040



**90° ELBOW Performance**  
Comp x Comp

SIZE	PN	REF.	PACK	kg	Q(B)	Q(P)	CODE	EUR
16 x 16	16	11 01 016	C	4,8	60	3.600	<b>01469</b>	<b>3,33</b>
20 x 20	16	11 01 020	C	4,3	60	3.600	<b>01470</b>	<b>3,48</b>
25 x 25	16	11 01 025	D	8,5	60	1.800	<b>01471</b>	<b>4,45</b>
32 x 32	16	11 01 032	D	5,8	30	900	<b>01472</b>	<b>5,50</b>
40 x 40	16	11 01 040	D	8,0	20	600	<b>01473</b>	<b>9,63</b>
50 x 50	16	11 01 050	E	14,8	25	375	<b>01474</b>	<b>13,47</b>
63 x 63	16	11 01 063	E	16,4	15	225	<b>01475</b>	<b>19,13</b>
75 x 75	10	11 01 075	E	12,2	8	120	<b>01476</b>	<b>32,35</b>
90 x 90	10	11 01 090	E	11,5	5	75	<b>17898</b>	<b>41,69</b>
110 x 110	10	11 01 110	E	11,3	3	45	<b>17899</b>	<b>86,51</b>

## PP-P. 01. CPFT

PPP 040



**90° ELBOW Performance**  
Comp x Female thread

SIZE	PN	REF.	PACK	kg	Q(B)	Q(P)	CODE	EUR
16 x 3/8"	10	11 01 416	C	5,1	100	6.000	<b>01478</b>	<b>2,34</b>
16 x 1/2"	10	11 01 417	C	4,4	80	4.800	<b>09145</b>	<b>2,34</b>
20 x 1/2"	10	11 01 420	C	4,2	80	4.800	<b>01479</b>	<b>2,62</b>
20 x 3/4"	10	11 01 421	C	4,2	80	4.800	<b>01480</b>	<b>2,62</b>
25 x 1/2"	10	11 01 424	D	8,5	90	2.700	<b>07350</b>	<b>3,33</b>
25 x 3/4"	10	11 01 425	D	8,5	90	2.700	<b>01481</b>	<b>3,33</b>
32 x 1/2"	10	11 01 430	D	6,7	50	1.500	<b>09710</b>	<b>4,05</b>
32 x 3/4"	10	11 01 431	D	6,8	50	1.500	<b>01482</b>	<b>4,05</b>
32 x 1"	10	11 01 432	D	6,8	50	1.500	<b>01483</b>	<b>4,05</b>
40 x 3/4"	10	11 01 438	D	8,2	30	900	<b>33488</b>	<b>6,54</b>
40 x 1"	10	11 01 439	D	8,2	30	900	<b>33489</b>	<b>6,54</b>
40 x 1 1/4"	10	11 01 440	D	8,2	30	900	<b>01485</b>	<b>6,54</b>
40 x 1 1/2"	10	11 01 441	D	8,8	30	900	<b>01486</b>	<b>6,54</b>
50 x 1 1/4"	10	11 01 449	E	17,3	40	600	<b>34577</b>	<b>9,24</b>
50 x 1 1/2"	10	11 01 450	E	17,3	40	600	<b>01487</b>	<b>9,24</b>
50 x 2"	10	11 01 451	E	17,9	40	600	<b>01488</b>	<b>9,24</b>
63 x 1 1/4"	10	11 01 461	E	16,2	20	300	<b>34579</b>	<b>14,34</b>
63 x 1 1/2"	10	11 01 462	E	16,2	20	300	<b>33132</b>	<b>14,34</b>
63 x 2"	10	11 01 463	E	16,2	20	300	<b>01489</b>	<b>14,34</b>
75 x 2"	10	11 01 474	E	13,5	12	180	<b>01490</b>	<b>25,46</b>
75 x 2 1/2"	10	11 01 475	E	12,9	12	180	<b>01491</b>	<b>25,46</b>
90 x 3"	10	11 01 490	E	11,6	8	120	<b>17900</b>	<b>51,32</b>
90 x 4"	10	11 01 491	E	13,7	8	120	<b>17901</b>	<b>51,32</b>
110 x 4"	10	11 01 510	E	11,8	5	75	<b>17902</b>	<b>83,20</b>

## PP-P. 01. CPMT

PPP 040



**90° ELBOW Performance**  
Comp x Male thread

SIZE	PN	REF.	PACK	kg	Q(B)	Q(P)	CODE	EUR
16 x 3/8"	10	11 01 616	C	5,1	100	6.000	<b>01493</b>	<b>2,19</b>
16 x 1/2"	10	11 01 617	C	4,7	80	4.800	<b>09146</b>	<b>2,19</b>
20 x 1/2"	10	11 01 620	C	4,0	80	4.800	<b>01494</b>	<b>2,31</b>
20 x 3/4"	10	11 01 621	C	4,0	80	4.800	<b>01495</b>	<b>2,31</b>
25 x 1/2"	10	11 01 624	D	7,7	90	2.700	<b>01496</b>	<b>2,84</b>
25 x 3/4"	10	11 01 625	D	8,3	90	2.700	<b>01497</b>	<b>2,84</b>
32 x 1/2"	10	11 01 630	D	7,6	60	1.800	<b>32055</b>	<b>3,76</b>
32 x 3/4"	10	11 01 631	D	7,6	60	1.800	<b>32056</b>	<b>3,76</b>
32 x 1"	10	11 01 632	D	7,8	60	1.800	<b>01498</b>	<b>3,76</b>
40 x 1 1/4"	10	11 01 640	D	8,2	30	900	<b>01499</b>	<b>6,04</b>
40 x 1 1/2"	10	11 01 641	D	8,0	30	900	<b>01484</b>	<b>6,04</b>
50 x 1 1/4"	10	11 01 649	E	16,1	40	600	<b>01500</b>	<b>7,81</b>
50 x 1 1/2"	10	11 01 650	E	16,4	40	600	<b>01501</b>	<b>8,33</b>
50 x 2"	10	11 01 651	E	16,2	40	600	<b>01502</b>	<b>8,33</b>
63 x 1 1/4"	10	11 01 661	E	15,6	20	300	<b>34580</b>	<b>12,09</b>
63 x 1 1/2"	10	11 01 662	E	15,6	20	300	<b>34581</b>	<b>12,09</b>
63 x 2"	10	11 01 663	E	15,6	20	300	<b>01503</b>	<b>12,09</b>
75 x 2 1/2"	10	11 01 675	E	17,6	12	180	<b>01504</b>	<b>24,54</b>
90 x 3"	10	11 01 690	E	12,5	8	120	<b>17903</b>	<b>32,43</b>
90 x 4"	10	11 01 691	E	13,7	8	120	<b>17904</b>	<b>32,43</b>
110 x 4"	10	11 01 710	E	14,9	6	90	<b>17905</b>	<b>63,09</b>

## PP-P. 01. CPW

PPP 040



**90° ELBOW Performance**  
Comp x Female thread - Wall

SIZE	PN	REF.	PACK	kg	Q(B)	Q(P)	CODE	EUR
25 x 3/4"	10	11 01 225	D	7,8	80	2.400	<b>11723</b>	<b>TBA</b>

PP COMPRESSION FITTINGS PERFORMANCE SERIES

PP-P. 01. CPWR

PPP 040



**90° REINF. ELBOW Performance**  
Comp x Female thread - Wall

SIZE	PN	REF.	PACK	kg	Q(B)	Q(P)	CODE	EUR
20 x 1/2"	10	11 01 320	C	4,4	60	3.600	<b>52671</b>	<b>TBA</b>
25 x 3/4"	10	11 01 325	D	8,3	80	2.400	<b>15778</b>	<b>5,10</b>

PP-P. 03. CP

PPP 040



**90° TEE Performance**  
Comp x Comp x Comp

SIZE	PN	REF.	PACK	kg	Q(B)	Q(P)	CODE	EUR
16 x 16 x 16	16	11 03 016	C	4,7	40	2.400	<b>01506</b>	<b>4,28</b>
20 x 20 x 20	16	11 03 020	C	4,2	40	2.400	<b>01507</b>	<b>4,75</b>
25 x 25 x 25	16	11 03 025	D	8,4	40	1.200	<b>01508</b>	<b>6,32</b>
32 x 32 x 32	16	11 03 032	D	6,1	20	600	<b>01509</b>	<b>8,16</b>
40 x 40 x 40	16	11 03 040	D	7,4	12	360	<b>01510</b>	<b>13,47</b>
50 x 50 x 50	16	11 03 050	E	13,7	15	225	<b>01511</b>	<b>18,16</b>
63 x 63 x 63	16	11 03 063	E	13,2	8	120	<b>01512</b>	<b>26,95</b>
75 x 75 x 75	10	11 03 075	E	13,6	6	90	<b>01513</b>	<b>45,37</b>
90 x 90 x 90	10	11 03 090	E	13,2	4	60	<b>17906</b>	<b>65,92</b>
110 x 110 x 110	10	11 03 110	E	13,7	1	15	<b>17907</b>	<b>127,89</b>

PP-P. 03. CPFT

PPP 040



**90° TEE Performance**  
Comp x Female thread x Comp

SIZE	PN	REF.	PACK	kg	Q(B)	Q(P)	CODE	EUR
16 x 3/8" x 16	10	11 03 416	C	4,6	50	3.000	<b>01523</b>	<b>3,46</b>
16 x 1/2" x 16	10	11 03 417	C	3,8	40	2.400	<b>09147</b>	<b>3,46</b>
20 x 1/2" x 20	10	11 03 420	C	3,5	40	2.400	<b>01524</b>	<b>3,76</b>
20 x 3/4" x 20	10	11 03 421	C	3,5	40	2.400	<b>01525</b>	<b>3,76</b>
25 x 1/2" x 25	10	11 03 424	D	8,0	50	1.500	<b>01526</b>	<b>4,85</b>
25 x 3/4" x 25	10	11 03 425	D	8,0	50	1.500	<b>01527</b>	<b>4,85</b>
25 x 1" x 25	10	11 03 426	D	8,0	50	1.500	<b>34227</b>	<b>4,85</b>
32 x 1/2" x 32	10	11 03 430	D	6,1	25	750	<b>01528</b>	<b>6,32</b>
32 x 3/4" x 32	10	11 03 431	D	6,1	25	750	<b>03337</b>	<b>6,32</b>
32 x 1" x 32	10	11 03 432	D	6,2	25	750	<b>01529</b>	<b>6,32</b>
40 x 1 1/4" x 40	10	11 03 440	D	7,4	15	450	<b>01530</b>	<b>10,70</b>
50 x 1" x 50	10	11 03 448	E	15,1	20	300	<b>33129</b>	<b>15,45</b>
50 x 1 1/2" x 50	10	11 03 450	E	15,1	20	300	<b>01531</b>	<b>15,45</b>
50 x 2" x 50	10	11 03 451	E	14,9	20	300	<b>01532</b>	<b>15,45</b>
63 x 1" x 63	10	11 03 460	E	13,6	10	150	<b>33130</b>	<b>21,92</b>
63 x 1 1/2" x 63	10	11 03 462	E	13,6	10	150	<b>33131</b>	<b>21,92</b>
63 x 2" x 63	10	11 03 463	E	13,6	10	150	<b>01533</b>	<b>21,92</b>
75 x 2 1/2" x 75	10	11 03 475	E	12,8	7	105	<b>01534</b>	<b>37,20</b>
90 x 3" x 90	10	11 03 490	E	10,1	4	60	<b>17910</b>	<b>64,08</b>
110 x 3" x 110	10	11 03 509	E	12,3	3	45	<b>17911</b>	<b>88,42</b>
110 x 4" x 110	10	11 03 510	E	13,6	3	45	<b>17912</b>	<b>101,86</b>

PP-P. 03. CPMT

PPP 040



**90° TEE Performance**  
Comp x Male thread x Comp

SIZE	PN	REF.	PACK	kg	Q(B)	Q(P)	CODE	EUR
16 x 3/8" x 16	10	11 03 616	C	4,2	54	3.240	<b>01536</b>	<b>3,68</b>
16 x 1/2" x 16	10	11 03 617	C	4,9	50	3.000	<b>09148</b>	<b>3,68</b>
20 x 1/2" x 20	10	11 03 620	C	3,2	40	2.400	<b>01537</b>	<b>3,78</b>
20 x 3/4" x 20	10	11 03 621	C	3,3	41	2.460	<b>01538</b>	<b>3,78</b>
25 x 1/2" x 25	10	11 03 624	D	7,9	50	1.500	<b>01539</b>	<b>5,03</b>
25 x 3/4" x 25	10	11 03 625	D	7,9	50	1.500	<b>01540</b>	<b>5,03</b>
32 x 1/2" x 32	10	11 03 630	D	6,0	32	960	<b>01541</b>	<b>6,55</b>
32 x 1" x 32	10	11 03 632	D	6,1	25	750	<b>01542</b>	<b>6,55</b>
40 x 1 1/4" x 40	10	11 03 640	D	7,4	15	450	<b>01543</b>	<b>10,48</b>
40 x 1 1/2" x 40	10	11 03 641	D	7,4	15	450	<b>03338</b>	<b>10,48</b>
50 x 1 1/2" x 50	10	11 03 650	E	14,1	20	300	<b>01544</b>	<b>14,86</b>
63 x 2" x 63	10	11 03 663	E	15,5	12	180	<b>01545</b>	<b>23,61</b>
75 x 2 1/2" x 75	10	11 03 675	E	14,4	8	120	<b>01546</b>	<b>40,81</b>
90 x 3" x 90	10	11 03 690	E	10,5	4	60	<b>17913</b>	<b>74,51</b>
90 x 4" x 90	10	11 03 691	E	13,7	4	60	<b>17914</b>	<b>76,37</b>
110 x 4" x 110	10	11 03 710	E	8,8	2	30	<b>17915</b>	<b>101,26</b>

## PP COMPRESSION FITTINGS PERFORMANCE SERIES

## PP-P. 04. CPR

PPP 040



**90° REDUCING TEE Performance**  
Comp x Comp x Comp

SIZE	PN	REF.	PACK	kg	Q(B)	Q(P)	CODE	EUR
20 x 16 x 20	16	11 04 020	C	4,4	40	2.400	<b>01515</b>	<b>5,17</b>
25 x 20 x 25	16	11 04 025	D	7,2	40	1.200	<b>01516</b>	<b>6,15</b>
32 x 25 x 32	16	11 04 032	D	5,9	20	600	<b>01517</b>	<b>7,91</b>
40 x 32 x 40	16	11 04 040	D	8,1	15	450	<b>01518</b>	<b>12,71</b>
50 x 32 x 50	16	11 04 049	E	12,5	15	225	<b>33487</b>	<b>18,16</b>
50 x 40 x 50	16	11 04 050	E	12,5	15	225	<b>01519</b>	<b>18,16</b>
63 x 50 x 63	16	11 04 063	E	14,8	10	150	<b>01520</b>	<b>24,64</b>
75 x 63 x 75	10	11 04 075	E	12,8	6	90	<b>01521</b>	<b>45,35</b>
90 x 75 x 90	10	11 04 090	E	13,7	4	60	<b>17908</b>	<b>76,65</b>
110 x 90 x 110	10	11 04 110	E	13,7	2	30	<b>17909</b>	<b>136,45</b>

## PP-P. 08. CPA

PPP 040



**90° ENLARGING TEE Performance**  
Comp x Comp x Comp

SIZE	PN	REF.	PACK	kg	Q(B)	Q(P)	CODE	EUR
20 x 25 x 20	16	11 08 020	D	7,2	40	1.200	<b>33891</b>	<b>6,15</b>

## PP-P. 05. CP

PPP 040



**COUPLING Performance**  
Comp x Comp

SIZE	PN	REF.	PACK	kg	Q(B)	Q(P)	CODE	EUR
16 x 16	16	11 05 016	C	4,6	60	3.600	<b>01548</b>	<b>3,28</b>
20 x 20	16	11 05 020	C	4,2	60	3.600	<b>01549</b>	<b>3,46</b>
25 x 25	16	11 05 025	D	8,4	60	1.800	<b>01550</b>	<b>4,45</b>
32 x 32	16	11 05 032	D	7,7	40	1.200	<b>01551</b>	<b>5,68</b>
40 x 40	16	11 05 040	D	9,8	25	750	<b>01552</b>	<b>9,24</b>
50 x 50	16	11 05 050	E	17,4	30	450	<b>01553</b>	<b>12,45</b>
63 x 63	16	11 05 063	E	20,1	20	300	<b>01554</b>	<b>18,00</b>
75 x 75	10	11 05 075	E	17,8	12	180	<b>01555</b>	<b>32,67</b>
90 x 90	10	11 05 090	E	16,2	8	120	<b>17916</b>	<b>38,80</b>
110 x 110	10	11 05 110	E	13,0	4	60	<b>17917</b>	<b>82,67</b>

## PP-P. 05. CPFT

PPP 040



**ADAPTOR Performance**  
Comp x Female thread

SIZE	PN	REF.	PACK	kg	Q(B)	Q(P)	CODE	EUR
16 x 3/8"	10	11 05 416	C	5,3	110	6.600	<b>01565</b>	<b>2,07</b>
16 x 1/2"	10	11 05 417	C	3,9	80	4.800	<b>07349</b>	<b>2,07</b>
20 x 1/2"	10	11 05 420	C	3,8	80	4.800	<b>01566</b>	<b>2,24</b>
20 x 3/4"	10	11 05 421	C	3,9	80	4.800	<b>01567</b>	<b>2,24</b>
25 x 1/2"	10	11 05 424	D	9,0	100	3.000	<b>01568</b>	<b>2,67</b>
25 x 3/4"	10	11 05 425	D	8,9	100	3.000	<b>01569</b>	<b>2,67</b>
25 x 1"	10	11 05 426	D	9,1	100	3.000	<b>01570</b>	<b>2,67</b>
32 x 3/4"	10	11 05 431	D	7,9	60	1.800	<b>01571</b>	<b>3,76</b>
32 x 1"	10	11 05 432	D	7,7	60	1.800	<b>01572</b>	<b>3,76</b>
40 x 1"	10	11 05 439	D	8,8	35	1.050	<b>01573</b>	<b>5,55</b>
40 x 1 1/4"	10	11 05 440	D	8,5	35	1.050	<b>01574</b>	<b>5,55</b>
50 x 1 1/4"	10	11 05 449	E	15,0	40	600	<b>01575</b>	<b>7,64</b>
50 x 1 1/2"	10	11 05 450	E	15,5	40	600	<b>01576</b>	<b>7,64</b>
50 x 2"	10	11 05 451	E	17,7	40	600	<b>01577</b>	<b>7,64</b>
63 x 1 1/2"	10	11 05 462	E	18,3	25	375	<b>34582</b>	<b>12,07</b>
63 x 2"	10	11 05 463	E	18,3	25	375	<b>01578</b>	<b>12,07</b>
75 x 2"	10	11 05 474	E	14,9	15	225	<b>01579</b>	<b>21,35</b>
75 x 2 1/2"	10	11 05 475	E	14,9	15	225	<b>01580</b>	<b>21,35</b>
75 x 3"	10	11 05 476	E	12,8	15	225	<b>20786</b>	<b>21,35</b>
90 x 2"	10	11 05 488	E	14,8	12	180	<b>17921</b>	<b>27,02</b>
90 x 2 1/2"	10	11 05 489	E	10,1	12	180	<b>17922</b>	<b>27,02</b>
90 x 3"	10	11 05 490	E	14,3	12	180	<b>17923</b>	<b>27,02</b>
90 x 4"	10	11 05 491	E	10,1	12	180	<b>17924</b>	<b>27,10</b>
110 x 2"	10	11 05 508	E	11,9	6	90	<b>17925</b>	<b>63,64</b>
110 x 3"	10	11 05 509	E	11,9	6	90	<b>17926</b>	<b>63,64</b>
110 x 4"	10	11 05 510	E	12,8	6	90	<b>17927</b>	<b>63,64</b>

PP COMPRESSION FITTINGS PERFORMANCE SERIES

PP-P. 05. CPMT

PPP 040

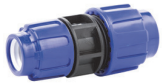


**ADAPTOR Performance**  
Comp x Male thread

SIZE	PN	REF.	PACK	kg	Q(B)	Q(P)	CODE	EUR
16 x 3/8"	10	11 05 616	C	5,0	115	6.900	<b>01582</b>	<b>1,99</b>
16 x 1/2"	10	11 05 617	C	3,9	80	4.800	<b>07348</b>	<b>1,99</b>
16 x 3/4"	10	11 05 618	C	3,9	80	4.800	<b>31921</b>	<b>1,99</b>
20 x 1/2"	10	11 05 620	C	3,6	80	4.800	<b>01583</b>	<b>2,07</b>
20 x 3/4"	10	11 05 621	C	3,7	80	4.800	<b>01584</b>	<b>2,07</b>
20 x 1"	10	11 05 622	C	3,9	80	4.800	<b>01585</b>	<b>2,07</b>
25 x 1/2"	10	11 05 624	D	8,6	100	3.000	<b>01586</b>	<b>2,39</b>
25 x 3/4"	10	11 05 625	D	8,6	100	3.000	<b>01587</b>	<b>2,39</b>
25 x 1"	10	11 05 626	D	8,8	100	3.000	<b>01588</b>	<b>2,39</b>
32 x 3/4"	10	11 05 631	D	7,5	60	1.800	<b>01589</b>	<b>3,13</b>
32 x 1"	10	11 05 632	D	7,3	60	1.800	<b>01590</b>	<b>3,13</b>
32 x 1 1/4"	10	11 05 633	D	7,7	60	1.800	<b>06154</b>	<b>3,36</b>
40 x 1"	10	11 05 639	D	9,7	40	1.200	<b>33127</b>	<b>5,67</b>
40 x 1 1/4"	10	11 05 640	D	9,7	40	1.200	<b>01591</b>	<b>5,67</b>
40 x 1 1/2"	10	11 05 641	D	9,6	40	1.200	<b>01592</b>	<b>5,67</b>
50 x 1"	10	11 05 648	E	16,0	45	675	<b>33128</b>	<b>7,44</b>
50 x 1 1/4"	10	11 05 649	E	16,0	45	675	<b>06155</b>	<b>7,44</b>
50 x 1 1/2"	10	11 05 650	E	16,4	45	675	<b>01593</b>	<b>7,44</b>
50 x 2"	10	11 05 651	E	16,2	45	675	<b>01594</b>	<b>7,44</b>
63 x 1 1/2"	10	11 05 662	E	15,6	25	375	<b>01595</b>	<b>10,60</b>
63 x 2"	10	11 05 663	E	15,9	25	375	<b>01596</b>	<b>10,60</b>
75 x 2"	10	11 05 674	E	15,4	15	225	<b>01597</b>	<b>21,35</b>
75 x 2 1/2"	10	11 05 675	E	15,2	15	225	<b>01598</b>	<b>21,35</b>
75 x 3"	10	11 05 676	E	15,3	15	225	<b>09711</b>	<b>21,35</b>
90 x 2"	10	11 05 688	E	10,1	12	180	<b>17928</b>	<b>26,35</b>
90 x 2 1/2"	10	11 05 689	E	10,1	12	180	<b>17929</b>	<b>26,35</b>
90 x 3"	10	11 05 690	E	14,8	12	180	<b>17930</b>	<b>26,35</b>
90 x 4"	10	11 05 691	E	10,1	12	180	<b>17931</b>	<b>27,43</b>
110 x 2"	10	11 05 708	E	11,7	6	90	<b>17932</b>	<b>47,06</b>
110 x 3"	10	11 05 709	E	10,1	6	90	<b>17933</b>	<b>47,06</b>
110 x 4"	10	11 05 710	E	11,8	6	90	<b>17934</b>	<b>47,06</b>

PP-P. 06. CPR

PPP 040



**REDUCING COUPLING Performance**  
Comp x Comp

SIZE	PN	REF.	PACK	kg	Q(B)	Q(P)	CODE	EUR
20 x 16	16	11 06 020	C	4,5	60	3.600	<b>01557</b>	<b>3,46</b>
25 x 20	16	11 06 025	D	8,9	80	2.400	<b>01558</b>	<b>4,05</b>
32 x 20	16	11 06 031	D	8,8	50	1.500	<b>33490</b>	<b>5,23</b>
32 x 25	16	11 06 032	D	8,8	50	1.500	<b>01559</b>	<b>5,23</b>
40 x 25	16	11 06 039	D	9,3	30	900	<b>34576</b>	<b>8,28</b>
40 x 32	16	11 06 040	D	9,3	30	900	<b>01560</b>	<b>8,28</b>
50 x 32	16	11 06 049	E	17,9	40	600	<b>27994</b>	<b>11,47</b>
50 x 40	16	11 06 050	E	20,7	40	600	<b>01561</b>	<b>11,47</b>
63 x 50	16	11 06 063	E	17,2	20	300	<b>01562</b>	<b>16,28</b>
75 x 63	10	11 06 075	E	16,2	12	180	<b>01563</b>	<b>29,64</b>
90 x 63	10	11 06 089	E	13,3	8	120	<b>17918</b>	<b>37,70</b>
90 x 75	10	11 06 090	E	14,1	8	120	<b>17919</b>	<b>37,70</b>
110 x 90	10	11 06 110	E	13,8	5	75	<b>17920</b>	<b>78,97</b>

PP-P. 07. CP

PPP 040



**CAP Performance**  
Comp

SIZE	PN	REF.	PACK	kg	Q(B)	Q(P)	CODE	EUR
16	16	11 07 016	C	4,6	100	6.000	<b>01600</b>	<b>2,16</b>
20	16	11 07 020	C	4,3	100	6.000	<b>01601</b>	<b>2,24</b>
25	16	11 07 025	D	8,3	100	3.000	<b>01602</b>	<b>2,76</b>
32	16	11 07 032	D	7,3	60	1.800	<b>01603</b>	<b>3,33</b>
40	16	11 07 040	D	9,6	40	1.200	<b>01604</b>	<b>5,62</b>
50	16	11 07 050	E	17,7	50	750	<b>01605</b>	<b>8,33</b>
63	16	11 07 063	E	15,8	25	375	<b>01606</b>	<b>11,28</b>
75	10	11 07 075	E	18,8	20	300	<b>01607</b>	<b>21,47</b>
90	10	11 07 090	E	16,6	14	210	<b>17935</b>	<b>29,39</b>
110	10	11 07 110	E	11,6	6	90	<b>17936</b>	<b>70,15</b>

## PP COMPRESSION FITTINGS PERFORMANCE SERIES

## PP-P. 30. PART

PPP 040



## NUT Performance

SIZE	PN	REF.	PACK	kg	Q(B)	Q(P)	CODE	EUR
16		11 30 016	-	-	6	-	<b>01635</b>	<b>0,74</b>
20		11 30 020	B	1,0	36 (6)	4.320	<b>01636</b>	<b>0,77</b>
25		11 30 025	B	1,5	36 (6)	4.320	<b>01637</b>	<b>0,90</b>
32		11 30 032	B	1,3	24 (4)	2.880	<b>01638</b>	<b>1,24</b>
40		11 30 040	D	4,0	40	1.200	<b>01639</b>	<b>2,16</b>
50		11 30 050	-	1,3	2	-	<b>01640</b>	<b>2,71</b>
63		11 30 063	C	2,4	10 (2)	600	<b>01641</b>	<b>4,53</b>
75		11 30 075	-	-	-	-	<b>01642</b>	<b>8,68</b>
90		11 30 090	-	-	-	-	<b>26312</b>	<b>9,50</b>
110		11 30 110	-	-	-	-	<b>26313</b>	<b>11,43</b>

## PP-P. 31. PART

PPP 040



## INSERT Performance

SIZE	PN	REF.	PACK	kg	Q(B)	Q(P)	CODE	EUR
16		11 31 016	-	-	-	-	<b>01644</b>	<b>0,37</b>
20		11 31 020	-	-	-	-	<b>01645</b>	<b>0,37</b>
25		11 31 025	-	-	-	-	<b>01646</b>	<b>0,45</b>
32		11 31 032	-	-	-	-	<b>01647</b>	<b>0,59</b>
40		11 31 040	-	-	-	-	<b>01648</b>	<b>1,10</b>
50		11 31 050	C	1,5	40	2.400	<b>01649</b>	<b>1,37</b>
63		11 31 063	C	2,7	44	2.640	<b>01650</b>	<b>2,24</b>
75		11 31 075	-	-	-	-	<b>01651</b>	<b>2,88</b>
90		11 31 090	-	-	-	-	<b>26316</b>	<b>3,16</b>
110		11 31 110	-	-	-	-	<b>26317</b>	<b>3,48</b>

## PP-P. 32. PART

PPP 040



## SPLIT RING Performance

SIZE	PN	REF.	PACK	kg	Q(B)	Q(P)	CODE	EUR
16		11 32 016	-	-	-	-	<b>01626</b>	<b>0,47</b>
20		11 32 020	-	-	-	6	<b>01627</b>	<b>0,47</b>
25		11 32 025	B	0,9	102 (6)	12.240	<b>01628</b>	<b>0,52</b>
32		11 32 032	-	-	-	-	<b>01629</b>	<b>0,80</b>
40		11 32 040	-	-	-	-	<b>01630</b>	<b>1,17</b>
50		11 32 050	-	1,2	40	4.800	<b>01631</b>	<b>1,84</b>
63		11 32 063	D	5,1	100	3.000	<b>01632</b>	<b>2,81</b>
75		11 32 075	-	-	-	-	<b>01633</b>	<b>4,08</b>
90		11 32 090	-	-	-	-	<b>26314</b>	<b>4,20</b>
110		11 32 110	-	-	-	-	<b>26315</b>	<b>5,10</b>

## PP-P. 33. PART

PPP 040



## O-RING Performance

SIZE	PN	REF.	PACK	kg	Q(B)	Q(P)	CODE	EUR
16		11 33 016	-	-	-	-	<b>01653</b>	<b>0,47</b>
20		11 33 020	-	-	-	-	<b>01654</b>	<b>0,47</b>
25		11 33 025	B	0,9	300	36.000	<b>01655</b>	<b>0,52</b>
32		11 33 032	B	0,8	200	24.000	<b>01656</b>	<b>0,77</b>
40		11 33 040	B	0,9	100	12.000	<b>01657</b>	<b>1,17</b>
50		11 33 050	-	1,1	90	10.800	<b>01658</b>	<b>1,32</b>
63		11 33 063	C	4,1	200	12.000	<b>01659</b>	<b>1,97</b>
75		11 33 075	-	-	-	-	<b>01660</b>	<b>2,49</b>
90		11 33 090	C	3,0	120	7.200	<b>26318</b>	<b>2,86</b>
110		11 33 110	-	-	-	-	<b>26319</b>	<b>3,53</b>

NBR o-rings.

PP COMPRESSION FITTINGS UNIVERSAL SERIES

PP-P. 05. UCF1

PPP 040



**COUPLING UNIVERSAL**

Universal x Comp

SIZE	PN	REF.	PACK	kg	Q(B)	Q(P)	CODE	EUR
15-21 x 20	10	11 46 020	C	2,8	20	2.400	<b>27860</b>	<b>17,57</b>
15-21 x 25	10	11 46 024	C	3,6	20	2.400	<b>27861</b>	<b>17,75</b>
15-21 x 32	10	11 46 030	B	2,4	12	1.440	<b>27862</b>	<b>18,77</b>
21-27 x 20	10	11 46 021	D	10,2	60	1.800	<b>43461</b>	<b>19,76</b>
21-27 x 25	10	11 46 025	D	8,3	40	1.200	<b>28817</b>	<b>20,28</b>
21-27 x 32	10	11 46 031	D	7,7	40	1.200	<b>28818</b>	<b>20,48</b>
21-27 x 40	10	11 46 038	C	4,9	14	840	<b>28819</b>	<b>22,45</b>
27-35 x 25	10	11 46 037	-	-	-	-	<b>67085</b>	<b>TBA</b>
27-35 x 32	10	11 46 032	D	8,5	25	750	<b>28820</b>	<b>24,12</b>
27-35 x 40	10	11 46 039	D	15,1	40	1.200	<b>28821</b>	<b>25,13</b>
27-35 x 50	10	11 46 048	D	8,9	16	480	<b>28822</b>	<b>27,42</b>

PP-P. 05. UCF2

PPP 040



**COUPLING UNIVERSAL**

Universal x Universal

SIZE	PN	REF.	PACK	kg	Q(B)	Q(P)	CODE	EUR
15-21	10	11 45 020	B	2,6	15	1.800	<b>27863</b>	<b>28,15</b>
21-27	10	11 45 025	D	8,1	54	1.620	<b>28823</b>	<b>35,93</b>
27-35	10	11 45 032	D	9,8	25	750	<b>28824</b>	<b>53,86</b>

PP-P. 05. UCF3

PPP 040



**UNIVERSAL FITTING**

Universal conversion kit

SIZE	PN	REF.	PACK	kg	Q(B)	Q(P)	CODE	EUR
15-21 / 25		11 47 020	-	-	-	-	<b>27864</b>	<b>13,83</b>
21-27 / 32		11 47 025	-	-	-	-	<b>28825</b>	<b>15,36</b>
27-35 / 40		11 47 032	-	-	-	-	<b>28826</b>	<b>17,05</b>

Contact us for other options.



## PP COMPRESSION FITTINGS STANDARD SERIES

## PP-S. 01. CP

STD 048



**90° ELBOW Standard**  
Comp x Comp

SIZE	PN	REF.	PACK	kg	Q(B)	Q(P)	CODE	EUR
16 x 16	10	22 01 016	C	3,7	100	6.000	<b>24671</b>	<b>2,26</b>
20 x 20	10	22 01 020	C	4,1	80	4.800	<b>24672</b>	<b>2,37</b>
25 x 25	10	22 01 025	D	7,5	80	2.400	<b>24673</b>	<b>3,01</b>
32 x 32	10	22 01 032	D	8,2	60	1.800	<b>24674</b>	<b>3,74</b>
40 x 40	10	22 01 040	D	7,8	25	750	<b>24675</b>	<b>6,52</b>
50 x 50	10	22 01 050	E	14,7	25	375	<b>24676</b>	<b>10,28</b>
63 x 63	10	22 01 063	E	16,3	15	225	<b>24677</b>	<b>14,63</b>

## PP-S. 01. CPFT

STD 048



**90° ELBOW Standard**  
Comp x Female thread

SIZE	PN	REF.	PACK	kg	Q(B)	Q(P)	CODE	EUR
16 x 1/2"	10	22 01 417	C	3,2	120	7.200	<b>24679</b>	<b>1,65</b>
20 x 1/2"	10	22 01 420	C	3,8	100	6.000	<b>24680</b>	<b>1,77</b>
20 x 3/4"	10	22 01 421	C	4,1	100	6.000	<b>24681</b>	<b>1,77</b>
25 x 1/2"	10	22 01 424	D	8,1	120	3.600	<b>24682</b>	<b>2,26</b>
25 x 3/4"	10	22 01 425	D	8,3	120	3.600	<b>24683</b>	<b>2,26</b>
32 x 3/4"	10	22 01 431	D	8,0	80	2.400	<b>24685</b>	<b>2,76</b>
32 x 1"	10	22 01 432	D	8,0	80	2.400	<b>24686</b>	<b>2,76</b>
40 x 1 1/4"	10	22 01 440	D	8,5	35	1.050	<b>24687</b>	<b>4,46</b>
50 x 1 1/2"	10	22 01 450	E	17,4	40	600	<b>24689</b>	<b>7,04</b>
63 x 2"	10	22 01 463	E	16,3	20	300	<b>24691</b>	<b>10,98</b>

## PP-S. 01. CPMT

STD 048



**90° ELBOW Standard**  
Comp x Male thread

SIZE	PN	REF.	PACK	kg	Q(B)	Q(P)	CODE	EUR
16 x 1/2"	10	22 01 617	D	4,0	160	9.600	<b>24693</b>	<b>1,51</b>
20 x 1/2"	10	22 01 620	C	3,6	100	6.000	<b>24694</b>	<b>1,60</b>
20 x 3/4"	10	22 01 621	C	3,6	100	6.000	<b>24695</b>	<b>1,60</b>
25 x 1/2"	10	22 01 624	D	7,8	120	3.600	<b>24696</b>	<b>1,92</b>
25 x 3/4"	10	22 01 625	D	7,7	120	3.600	<b>24697</b>	<b>1,92</b>
25 x 1"	10	22 01 626	D	6,6	120 (10)	3.600	<b>25198</b>	<b>1,92</b>
32 x 1"	10	22 01 632	D	7,5	80	2.400	<b>24698</b>	<b>2,57</b>
40 x 1 1/4"	10	22 01 640	D	8,6	40	1.200	<b>24699</b>	<b>4,12</b>
50 x 1 1/2"	10	22 01 650	E	16,2	40	600	<b>24702</b>	<b>6,37</b>
63 x 2"	10	22 01 663	E	15,3	20	300	<b>24704</b>	<b>9,27</b>

## PP-S. 03. CP

STD 048



**90° TEE Standard**  
Comp x Comp x Comp

SIZE	PN	REF.	PACK	kg	Q(B)	Q(P)	CODE	EUR
16 x 16 x 16	10	22 03 016	C	3,4	60	3.600	<b>24707</b>	<b>2,93</b>
20 x 20 x 20	10	22 03 020	C	3,1	40	2.400	<b>24708</b>	<b>3,21</b>
25 x 25 x 25	10	22 03 025	D	7,1	50	1.500	<b>24709</b>	<b>4,26</b>
32 x 32 x 32	10	22 03 032	D	6,3	30	900	<b>24710</b>	<b>5,54</b>
40 x 40 x 40	10	22 03 040	D	7,3	15	450	<b>24711</b>	<b>9,13</b>
50 x 50 x 50	10	22 03 050	E	13,7	15	225	<b>24712</b>	<b>13,87</b>
63 x 63 x 63	10	22 03 063	E	13,3	8	120	<b>24713</b>	<b>20,58</b>

## PP-S. 03. CPFT

STD 048



**90° TEE Standard**  
Comp x Female thread x Comp

SIZE	PN	REF.	PACK	kg	Q(B)	Q(P)	CODE	EUR
16 x 1/2" x 16	10	22 03 417	C	4,3	100	6.000	<b>24633</b>	<b>2,34</b>
20 x 1/2" x 20	10	22 03 420	D	3,7	60	3.600	<b>24634</b>	<b>2,57</b>
20 x 3/4" x 20	10	22 03 421	C	3,8	60	3.600	<b>24635</b>	<b>2,57</b>
25 x 1/2" x 25	10	22 03 424	C	4,1	36	2.160	<b>24636</b>	<b>3,25</b>
25 x 3/4" x 25	10	22 03 425	D	6,9	60	1.800	<b>24637</b>	<b>3,25</b>
32 x 1/2" x 32	10	22 03 430	D	6,8	40	1.200	<b>24638</b>	<b>4,29</b>
32 x 3/4" x 32	10	22 03 431	D	6,9	40	1.200	<b>24639</b>	<b>4,29</b>
32 x 1" x 32	10	22 03 432	D	6,9	40	1.200	<b>24640</b>	<b>4,29</b>
40 x 1 1/4" x 40	10	22 03 440	D	8,1	20	600	<b>24641</b>	<b>7,28</b>
50 x 1 1/2" x 50	10	22 03 450	E	15,0	20	300	<b>24642</b>	<b>11,82</b>
63 x 2" x 63	10	22 03 463	E	13,6	10	150	<b>24644</b>	<b>16,75</b>

## PP COMPRESSION FITTINGS STANDARD SERIES

## PP-S. 03. CPMT

STD 048


**90° TEE Standard**  
 Comp x Male thread x Comp

SIZE	PN	REF.	PACK	kg	Q(B)	Q(P)	CODE	EUR
16 x 1/2" x 16	10	22 03 617	C	4,3	100	6.000	<b>24646</b>	<b>2,52</b>
20 x 1/2" x 20	10	22 03 620	C	3,7	60	3.600	<b>24647</b>	<b>2,58</b>
20 x 3/4" x 20	10	22 03 621	C	3,6	60	1.800	<b>24648</b>	<b>2,58</b>
25 x 1/2" x 25	10	22 03 624	D	7,7	70	2.100	<b>24649</b>	<b>3,42</b>
25 x 3/4" x 25	10	22 03 625	D	7,0	70	2.100	<b>24650</b>	<b>3,42</b>
32 x 1/2" x 32	10	22 03 630	D	7,4	45	1.350	<b>24651</b>	<b>4,29</b>
32 x 1" x 32	10	22 03 632	D	7,6	45	1.350	<b>24652</b>	<b>4,29</b>
40 x 1 1/4" x 40	10	22 03 640	D	9,5	25	750	<b>24653</b>	<b>7,12</b>
50 x 1 1/2" x 50	10	22 03 650	E	14,1	20	300	<b>24655</b>	<b>11,36</b>
63 x 2" x 63	10	22 03 663	E	15,3	12	180	<b>24656</b>	<b>18,05</b>

## PP-S. 05. CP

STD 048


**COUPLING Standard**  
 Comp x Comp

SIZE	PN	REF.	PACK	kg	Q(B)	Q(P)	CODE	EUR
16 x 16	10	22 05 016	C	4,0	120	7.200	<b>24657</b>	<b>2,20</b>
20 x 20	10	22 05 020	C	3,7	80	4.800	<b>24658</b>	<b>2,34</b>
25 x 25	10	22 05 025	D	7,1	80	2.400	<b>24659</b>	<b>3,01</b>
32 x 32	10	22 05 032	D	7,7	60	1.800	<b>24660</b>	<b>3,86</b>
40 x 40	10	22 05 040	D	9,2	35	1.050	<b>24661</b>	<b>6,29</b>
50 x 50	10	22 05 050	E	17,3	30	450	<b>24662</b>	<b>9,51</b>
63 x 63	10	22 05 063	E	20,2	20	300	<b>24663</b>	<b>13,77</b>

## PP-S. 05. CPFT

STD 048


**ADAPTOR Standard**  
 Comp x Female thread

SIZE	PN	REF.	PACK	kg	Q(B)	Q(P)	CODE	EUR
16 x 1/2"	10	22 05 417	C	4,3	200	12.000	<b>24715</b>	<b>1,39</b>
20 x 1/2"	10	22 05 420	C	3,9	120	7.200	<b>24716</b>	<b>1,54</b>
20 x 3/4"	10	22 05 421	C	3,7	120	7.200	<b>24717</b>	<b>1,54</b>
25 x 1/2"	10	22 05 424	D	7,1	120	3.600	<b>24718</b>	<b>1,82</b>
25 x 3/4"	10	22 05 425	D	7,0	120	3.600	<b>24719</b>	<b>1,82</b>
25 x 1"	10	22 05 426	D	7,3	120	3.600	<b>24720</b>	<b>1,82</b>
32 x 3/4"	10	22 05 431	D	8,1	100	3.000	<b>24721</b>	<b>2,57</b>
32 x 1"	10	22 05 432	D	8,0	90	2.700	<b>24722</b>	<b>2,57</b>
40 x 1"	10	22 05 439	D	7,7	45	1.350	<b>24723</b>	<b>3,76</b>
40 x 1 1/4"	10	22 05 440	D	8,5	45	1.350	<b>24724</b>	<b>3,76</b>
50 x 1 1/2"	10	22 05 450	E	15,5	40	600	<b>24726</b>	<b>5,82</b>
63 x 2"	10	22 05 463	E	18,1	25	375	<b>24728</b>	<b>9,27</b>

## PP-S. 05. CPMT

STD 048


**ADAPTOR Standard**  
 Comp x Male thread

SIZE	PN	REF.	PACK	kg	Q(B)	Q(P)	CODE	EUR
16 x 1/2"	10	22 05 617	C	4,4	200	12.000	<b>24730</b>	<b>1,31</b>
20 x 1/2"	10	22 05 620	C	3,6	120	7.200	<b>24731</b>	<b>1,39</b>
20 x 3/4"	10	22 05 621	C	3,2	120	7.200	<b>24732</b>	<b>1,39</b>
20 x 1"	10	22 05 622	C	3,9	120	7.200	<b>24733</b>	<b>1,39</b>
25 x 1/2"	10	22 05 624	D	6,9	120	3.600	<b>24734</b>	<b>1,65</b>
25 x 3/4"	10	22 05 625	D	6,7	120	3.600	<b>24735</b>	<b>1,65</b>
25 x 1"	10	22 05 626	D	7,1	120	3.600	<b>24739</b>	<b>1,65</b>
32 x 3/4"	10	22 05 631	D	7,5	90	2.700	<b>24740</b>	<b>2,08</b>
32 x 1"	10	22 05 632	D	7,3	90	2.700	<b>24741</b>	<b>2,08</b>
32 x 1 1/4"	10	22 05 633	D	7,7	90	2.700	<b>24742</b>	<b>2,29</b>
40 x 1 1/4"	10	22 05 640	D	7,6	45	1.350	<b>24743</b>	<b>3,83</b>
40 x 1 1/2"	10	22 05 641	D	7,6	45	1.350	<b>24744</b>	<b>3,83</b>
50 x 1 1/2"	10	22 05 650	E	16,4	45	675	<b>24746</b>	<b>5,70</b>
63 x 2"	10	22 05 663	E	16,0	25	375	<b>24749</b>	<b>8,09</b>

## PP-S. 06. CPR

STD 048


**REDUCING COUPLING Standard**  
 Comp x Comp

SIZE	PN	REF.	PACK	kg	Q(B)	Q(P)	CODE	EUR
20 x 16	10	22 06 020	C	4,1	100	6.000	<b>24664</b>	<b>2,34</b>
25 x 20	10	22 06 025	D	8,6	120	3.600	<b>24665</b>	<b>2,76</b>
32 x 25	10	22 06 032	D	7,9	70	2.100	<b>24666</b>	<b>3,57</b>
40 x 32	10	22 06 040	D	8,3	40	1.200	<b>24667</b>	<b>5,59</b>
50 x 40	10	22 06 050	E	18,1	35	525	<b>24668</b>	<b>8,78</b>
63 x 50	10	22 06 063	E	17,3	20	300	<b>24669</b>	<b>12,46</b>

## PP COMPRESSION FITTINGS STANDARD SERIES

## PP-S. 07. CP

STD 048

**CAP Standard**  
Comp

SIZE	PN	REF.	PACK	kg	Q(B)	Q(P)	CODE	EUR
16	10	22 07 016	C	4,0	200	12.000	<b>24750</b>	<b>1,48</b>
20	10	22 07 020	C	3,8	140	8.400	<b>24751</b>	<b>1,54</b>
25	10	22 07 025	D	7,9	150	4.500	<b>24752</b>	<b>1,86</b>
32	10	22 07 032	D	7,8	100	3.000	<b>24753</b>	<b>2,26</b>
40	10	22 07 040	D	7,7	50	1.500	<b>24754</b>	<b>3,79</b>
50	10	22 07 050	E	17,9	50	750	<b>24755</b>	<b>6,37</b>
63	10	22 07 063	E	15,7	25	375	<b>24756</b>	<b>8,61</b>

## PP-S. 30. PART

STD 048

**NUT Standard**

SIZE	PN	REF.	PACK	kg	Q(B)	Q(P)	CODE	EUR
16		22 30 016	-	-	-	-	<b>25263</b>	<b>0,53</b>
20		22 30 020	-	-	-	-	<b>24799</b>	<b>0,56</b>
25		22 30 025	-	-	-	-	<b>24800</b>	<b>0,63</b>
32		22 30 032	-	-	-	-	<b>24801</b>	<b>0,84</b>
40		22 30 040	-	-	-	-	<b>24802</b>	<b>1,51</b>
50		22 30 050	-	-	-	-	<b>24803</b>	<b>2,08</b>
63		22 30 063	-	-	-	-	<b>24804</b>	<b>3,45</b>

## PP-S. 31. PART

STD 048

**INSERT Standard**

SIZE	PN	REF.	PACK	kg	Q(B)	Q(P)	CODE	EUR
16		22 31 016	-	-	-	-	<b>25264</b>	<b>0,18</b>
20		22 31 020	-	-	-	-	<b>24805</b>	<b>0,20</b>
25		22 31 025	-	-	-	-	<b>24806</b>	<b>0,23</b>
32		22 31 032	-	-	-	-	<b>24807</b>	<b>0,41</b>
40		22 31 040	-	-	-	-	<b>24808</b>	<b>0,75</b>
50		22 31 050	C	1,5	40	2.400	<b>01649</b>	<b>1,37</b>
63		22 31 063	C	2,7	44	2.640	<b>01650</b>	<b>2,24</b>

## PP-S. 32. PART

STD 048

**SPLIT RING Standard**

SIZE	PN	REF.	PACK	kg	Q(B)	Q(P)	CODE	EUR
16		22 32 016	-	-	-	-	<b>25265</b>	<b>0,23</b>
20		22 32 020	E	10,6	5004	75.060	<b>24811</b>	<b>0,24</b>
25		22 32 025	-	-	-	-	<b>24812</b>	<b>0,31</b>
32		22 32 032	-	-	-	-	<b>24813</b>	<b>0,58</b>
40		22 32 040	-	-	-	-	<b>26495</b>	<b>0,99</b>
50		22 32 050	-	1,2	40	4.800	<b>01631</b>	<b>1,84</b>
63		22 32 063	D	5,1	100	3.000	<b>01632</b>	<b>2,81</b>

## PP-S. 33. PART

STD 048

**O-RING Standard**

SIZE	PN	REF.	PACK	kg	Q(B)	Q(P)	CODE	EUR
16		22 33 016	B	0,3	120	14.400	<b>25266</b>	<b>0,23</b>
20		22 33 020	B	0,5	240	28.800	<b>24815</b>	<b>0,24</b>
25		22 33 025	B	0,8	300	36.000	<b>24816</b>	<b>0,31</b>
32		22 33 032	B	1,3	320	38.400	<b>24817</b>	<b>0,58</b>
40		22 33 040	-	-	-	-	<b>24818</b>	<b>0,79</b>
50		22 33 050	-	1,1	90	10.800	<b>01658</b>	<b>1,32</b>
63		22 33 063	C	4,1	200	12.000	<b>01659</b>	<b>1,97</b>

**TOOLS**

**PP. 80. TLA**

OPP 200



**STRAP WRENCH**  
Wrench / Tape

SIZE	PN	REF.	PACK	kg	Q(B)	Q(P)	CODE	EUR
<200		11 80 001	C	8,7	30	1.800	<b>01609</b>	<b>152,16</b>
cinta / tape		11 80 00104	B	0,3	25 (1)	400	<b>16239</b>	<b>33,09</b>

**PP. 80. TLB**

OPP 200



**BEVELER**

SIZE	PN	REF.	PACK	kg	Q(B)	Q(P)	CODE	EUR
<200		11 80 002	-	-	-	-	<b>05160</b>	<b>394,84</b>

**PP. 81. TLC**

OPP 200



**PIPE CUTTERS**

SIZE	PN	REF.	PACK	kg	Q(B)	Q(P)	CODE	EUR
<25		11 81 001	-	-	-	-	<b>05157</b>	<b>139,07</b>
<40		11 81 002	-	-	-	-	<b>05158</b>	<b>167,85</b>
<75		11 81 003	-	-	-	-	<b>05159</b>	<b>598,43</b>

**PP. 80. TLD**

OPP 200



**ASSEMBLY WRENCH**

SIZE	PN	REF.	PACK	kg	Q(B)	Q(P)	CODE	EUR
20-50		11 80 003	B	2,0	50	6.000	<b>23138</b>	<b>4,26</b>

PVC-U

Valves

PP

Spare parts

## CLAMP SADDLES

## PP. 53. CS

PPC 042



**CLAMP SADDLE**  
BSP female thread

SIZE	PN	REF.	PACK	kg	Q(B)	Q(P)	CODE	EUR
25 x 1/2"	10	11 53 025	C	5,7	100	6.000	<b>05287</b>	<b>1,51</b>
25 x 3/4"	10	11 53 026	C	5,9	100	6.000	<b>06052</b>	<b>1,51</b>
32 x 1/2"	10	11 53 031	C	6,1	60	3.600	<b>05288</b>	<b>1,88</b>
32 x 3/4"	10	11 53 032	C	6,3	60	3.600	<b>05289</b>	<b>1,88</b>
32 x 1"	10	11 53 033 *	C	3,8	30	1.800	<b>20596</b>	<b>1,88</b>
40 x 1/2"	10	11 53 038	C	4,6	40	2.400	<b>05138</b>	<b>2,21</b>
40 x 3/4"	10	11 53 039	C	4,8	40	2.400	<b>05139</b>	<b>2,21</b>
40 x 1"	10	11 53 040	C	5,0	40	2.400	<b>05140</b>	<b>2,21</b>
50 x 1/2"	10	11 53 048	D	10,0	70	2.100	<b>05141</b>	<b>2,38</b>
50 x 3/4"	10	11 53 049	D	10,0	70	2.100	<b>05142</b>	<b>2,38</b>
50 x 1"	10	11 53 050	D	10,4	70	2.100	<b>05143</b>	<b>2,38</b>
50 x 1 1/4"	10	11 53 051	D	10,7	70	2.100	<b>28674</b>	<b>2,38</b>
63 x 1/2"	10	11 53 061	D	12,2	50	1.500	<b>28675</b>	<b>3,33</b>
63 x 3/4"	10	11 53 062	D	12,8	50	1.500	<b>05145</b>	<b>3,33</b>
63 x 1"	10	11 53 063	D	13,0	50	1.500	<b>05146</b>	<b>3,33</b>
63 x 1 1/4"	10	11 53 064	D	10,4	40	1.200	<b>28676</b>	<b>3,33</b>
63 x 1 1/2"	10	11 53 065	D	11,4	40	1.200	<b>05441</b>	<b>3,33</b>
75 x 1/2"	6	11 53 073 *	E	15,6	50	750	<b>05438</b>	<b>5,53</b>
75 x 3/4"	6	11 53 074 *	E	16,1	50	750	<b>05439</b>	<b>5,53</b>
75 x 1"	6	11 53 075 *	E	16,3	50	750	<b>05148</b>	<b>5,53</b>
75 x 1 1/4"	6	11 53 076 *	E	16,6	50	750	<b>28677</b>	<b>5,53</b>
75 x 1 1/2"	6	11 53 077 *	E	16,6	50	750	<b>05150</b>	<b>5,53</b>
90 x 1/2"	6	11 53 088 *	E	15,2	40	600	<b>05440</b>	<b>5,85</b>
90 x 3/4"	6	11 53 089 *	E	14,8	40	600	<b>06011</b>	<b>5,85</b>
90 x 1"	6	11 53 090 *	E	15,2	40	600	<b>05152</b>	<b>5,85</b>
90 x 1 1/4"	6	11 53 091 *	E	14,8	40	600	<b>05153</b>	<b>5,85</b>
90 x 1 1/2"	6	11 53 092 *	E	14,9	40	600	<b>05154</b>	<b>5,85</b>
90 x 2"	6	11 53 093 *	E	16,2	40	600	<b>52549</b>	<b>TBA</b>
110 x 3/4"	6	11 53 106 *	E	19,2	40	600	<b>44684</b>	<b>TBA</b>
110 x 1"	6	11 53 107 *	E	19,2	40	600	<b>06013</b>	<b>8,86</b>
110 x 1 1/2"	6	11 53 109 *	E	19,5	40	600	<b>06015</b>	<b>8,86</b>
110 x 2"	6	11 53 110 *	E	21,0	40	600	<b>06016</b>	<b>8,86</b>
125 x 1"	6	11 53 122 *	E	17,0	35	525	<b>06018</b>	<b>13,53</b>
125 x 1 1/2"	6	11 53 124 *	E	17,5	35	525	<b>06020</b>	<b>13,53</b>
125 x 2"	6	11 53 125 *	E	17,7	35	525	<b>06021</b>	<b>13,53</b>
140 x 1"	6	11 53 136 *	E	15,7	18	270	<b>18785</b>	<b>22,48</b>
140 x 1 1/2"	6	11 53 138 *	E	22,8	20	300	<b>18786</b>	<b>22,48</b>
140 x 2"	6	11 53 139 *	E	18,6	20	300	<b>18787</b>	<b>22,48</b>
140 x 3"	6	11 53 140 *	E	14,9	16	240	<b>18788</b>	<b>22,48</b>
160 x 1"	6	11 53 156 *	E	13,9	15	225	<b>18789</b>	<b>28,65</b>
160 x 1 1/2"	6	11 53 158 *	E	15,2	16	240	<b>18790</b>	<b>28,65</b>
160 x 2"	6	11 53 159 *	E	15,0	16	240	<b>18791</b>	<b>28,65</b>
160 x 3"	6	11 53 160 *	E	18,5	15	225	<b>18792</b>	<b>28,65</b>
200 x 1 1/4"	6	11 53 196 *	E	13,2	6	90	<b>18793</b>	<b>92,14</b>
200 x 1 1/2"	6	11 53 197 *	E	12,9	6	90	<b>18794</b>	<b>92,14</b>
200 x 2"	6	11 53 198 *	E	13,5	6	90	<b>18795</b>	<b>92,14</b>
200 x 3"	6	11 53 199 *	E	13,7	6	90	<b>18796</b>	<b>92,14</b>
200 x 4"	6	11 53 200 *	E	13,8	6	90	<b>18797</b>	<b>92,14</b>
225 x 1 1/4"	6	11 53 221 *	E	14,2	6	90	<b>18798</b>	<b>104,56</b>
225 x 1 1/2"	6	11 53 222 *	E	14,2	6	90	<b>18799</b>	<b>104,56</b>
225 x 2"	6	11 53 223 *	E	14,4	6	90	<b>18800</b>	<b>104,56</b>
225 x 3"	6	11 53 224 *	E	13,9	6	90	<b>18801</b>	<b>104,56</b>
225 x 4"	6	11 53 225 *	E	14,6	6	90	<b>18802</b>	<b>104,56</b>
250 x 1 1/4"	6	11 53 246 *	E	12,1	4	60	<b>18803</b>	<b>118,19</b>
250 x 1 1/2"	6	11 53 247 *	E	12,1	4	60	<b>18804</b>	<b>118,19</b>
250 x 2"	6	11 53 248 *	E	12,1	4	60	<b>18805</b>	<b>118,19</b>
250 x 3"	6	11 53 249 *	E	12,2	4	60	<b>18806</b>	<b>118,19</b>
250 x 4"	6	11 53 250 *	E	12,3	4	60	<b>18807</b>	<b>118,19</b>
315 x 1 1/4"	6	11 53 311 *	E	13,8	3	45	<b>18808</b>	<b>146,46</b>
315 x 1 1/2"	6	11 53 312 *	E	13,3	3	45	<b>18809</b>	<b>146,46</b>
315 x 2"	6	11 53 313 *	E	13,4	3	45	<b>18810</b>	<b>146,46</b>
315 x 3"	6	11 53 314 *	E	13,4	3	45	<b>18811</b>	<b>146,46</b>
315 x 4"	6	11 53 315 *	E	13,6	3	45	<b>18812</b>	<b>146,46</b>

PVC-U

Valves

PP

Spare parts

CLAMP SADDLES

PP. 54. CS

PPC 042



**REINFORCED CLAMP SADDLE**  
BSP female thread

SIZE	PN	REF.	PACK	kg	Q(B)	Q(P)	CODE	EUR
25 x 1/2"	10	11 54 025	D	6,0	100	3.000	<b>11435</b>	<b>2,32</b>
25 x 3/4"	10	11 54 026	C	6,7	100	6.000	<b>02379</b>	<b>2,32</b>
32 x 1/2"	10	11 54 031	C	6,3	60	3.600	<b>11436</b>	<b>2,73</b>
32 x 3/4"	10	11 54 032	C	6,4	60	3.600	<b>11437</b>	<b>2,73</b>
32 x 1"	10	11 54 033 *	C	4,6	30	1.800	<b>02380</b>	<b>2,73</b>
40 x 1/2"	10	11 54 038	C	4,8	40	2.400	<b>11438</b>	<b>2,87</b>
40 x 3/4"	10	11 54 039	C	5,0	40	2.400	<b>11439</b>	<b>2,87</b>
40 x 1"	10	11 54 040	C	5,5	40	2.400	<b>02381</b>	<b>2,87</b>
50 x 1/2"	10	11 54 048	D	10,0	70	2.100	<b>11440</b>	<b>3,22</b>
50 x 3/4"	10	11 54 049	D	10,6	70	2.100	<b>11441</b>	<b>3,22</b>
50 x 1"	10	11 54 050	D	10,9	70	2.100	<b>02382</b>	<b>3,22</b>
50 x 1 1/4"	10	11 54 051	D	11,3	70	2.100	<b>28678</b>	<b>3,22</b>
63 x 1/2"	10	11 54 061	D	12,3	50	1.500	<b>28679</b>	<b>5,02</b>
63 x 3/4"	10	11 54 062	D	13,2	50	1.500	<b>11442</b>	<b>5,02</b>
63 x 1"	10	11 54 063	D	13,6	50	1.500	<b>02383</b>	<b>5,02</b>
63 x 1 1/4"	10	11 54 064	D	10,6	40	1.200	<b>28680</b>	<b>5,02</b>
63 x 1 1/2"	10	11 54 065	D	11,8	40	1.200	<b>11443</b>	<b>5,02</b>
75 x 1/2"	10	11 54 073 *	E	16,1	50	750	<b>11444</b>	<b>7,33</b>
75 x 3/4"	10	11 54 074 *	E	16,7	50	750	<b>11445</b>	<b>7,33</b>
75 x 1"	10	11 54 075 *	E	17,0	50	750	<b>02384</b>	<b>7,33</b>
75 x 1 1/4"	10	11 54 076 *	E	17,3	50	750	<b>28681</b>	<b>7,33</b>
75 x 1 1/2"	10	11 54 077 *	E	17,5	50	750	<b>11446</b>	<b>7,33</b>
90 x 1/2"	10	11 54 088 *	E	15,5	40	600	<b>11447</b>	<b>8,28</b>
90 x 3/4"	10	11 54 089 *	E	15,3	40	600	<b>11448</b>	<b>8,28</b>
90 x 1"	10	11 54 090 *	E	15,7	40	600	<b>02385</b>	<b>8,28</b>
90 x 1 1/4"	10	11 54 091 *	E	15,5	40	600	<b>11449</b>	<b>8,28</b>
90 x 1 1/2"	10	11 54 092 *	E	15,6	40	600	<b>11450</b>	<b>8,28</b>
90 x 2"	10	11 54 093 *	E	16,2	40	1.200	<b>36878</b>	<b>TBA</b>
110 x 1"	10	11 54 107 *	E	20,0	40	600	<b>02386</b>	<b>11,48</b>
110 x 1 1/2"	10	11 54 109 *	E	20,5	40	600	<b>11451</b>	<b>11,48</b>
110 x 2"	10	11 54 110 *	E	21,4	40	600	<b>11452</b>	<b>11,48</b>
125 x 1"	10	11 54 122 *	E	18,0	35	525	<b>11453</b>	<b>16,23</b>
125 x 1 1/2"	10	11 54 124 *	E	17,3	35	525	<b>11454</b>	<b>16,23</b>
125 x 2"	10	11 54 125 *	E	18,8	35	525	<b>11455</b>	<b>16,23</b>
140 x 1"	10	11 54 136 *	E	17,3	18	270	<b>06022</b>	<b>26,97</b>
140 x 1 1/2"	10	11 54 138 *	E	17,5	18	270	<b>06024</b>	<b>26,97</b>
140 x 2"	10	11 54 139 *	E	17,8	18	270	<b>06025</b>	<b>26,97</b>
140 x 3"	10	11 54 140 *	E	17,7	16	240	<b>06026</b>	<b>31,03</b>
160 x 1"	10	11 54 156 *	E	14,4	15	225	<b>06027</b>	<b>31,30</b>
160 x 1 1/2"	10	11 54 158 *	E	16,1	15	225	<b>06029</b>	<b>31,30</b>
160 x 2"	10	11 54 159 *	E	14,8	15	225	<b>06030</b>	<b>31,30</b>
160 x 3"	10	11 54 160 *	E	15,5	15	225	<b>06031</b>	<b>34,43</b>
200 x 1 1/4"	10	11 54 196 *	E	13,3	6	90	<b>06032</b>	<b>120,83</b>
200 x 1 1/2"	10	11 54 197 *	E	14,0	6	90	<b>06033</b>	<b>120,83</b>
200 x 2"	10	11 54 198 *	E	13,7	6	90	<b>06034</b>	<b>120,83</b>
200 x 3"	10	11 54 199 *	E	14,0	6	90	<b>06035</b>	<b>123,16</b>
200 x 4"	10	11 54 200 *	E	14,2	6	90	<b>06036</b>	<b>123,16</b>
225 x 1 1/4"	10	11 54 221 *	E	17,9	8	120	<b>06037</b>	<b>146,55</b>
225 x 1 1/2"	10	11 54 222 *	E	14,3	6	90	<b>06038</b>	<b>146,55</b>
225 x 2"	10	11 54 223 *	E	14,6	6	90	<b>06039</b>	<b>146,55</b>
225 x 3"	10	11 54 224 *	E	14,9	6	90	<b>06040</b>	<b>152,14</b>
225 x 4"	10	11 54 225 *	E	14,9	6	90	<b>06041</b>	<b>152,14</b>
250 x 1 1/4"	10	11 54 246 *	E	12,2	4	60	<b>06042</b>	<b>172,60</b>
250 x 1 1/2"	10	11 54 247 *	E	12,2	4	60	<b>06043</b>	<b>172,60</b>
250 x 2"	10	11 54 248 *	E	12,4	4	60	<b>06044</b>	<b>172,60</b>
250 x 3"	10	11 54 249 *	E	12,4	4	60	<b>06045</b>	<b>177,06</b>
250 x 4"	10	11 54 250 *	E	12,5	4	60	<b>06046</b>	<b>177,06</b>
315 x 1 1/4"	10	11 54 311 *	E	14,0	3	45	<b>06047</b>	<b>216,99</b>
315 x 1 1/2"	10	11 54 312 *	E	13,3	3	45	<b>06048</b>	<b>216,99</b>
315 x 2"	10	11 54 313 *	E	13,5	3	45	<b>06049</b>	<b>216,99</b>
315 x 3"	10	11 54 314 *	E	13,6	3	45	<b>06050</b>	<b>225,21</b>
315 x 4"	10	11 54 315 *	E	13,8	3	45	<b>06051</b>	<b>225,21</b>

PVC-U

Valves

PP

Spare parts

## PIPE CLIPS

## PP. 20. OP

OPP 041



OPEN PIPE CLIP

SIZE	PN	REF.	PACK	kg	Q(B)	Q(P)	CODE	EUR
20		11 20 020	B	2,2	500	60.000	<b>02132</b>	<b>0,64</b>
25		11 20 025	B	2,1	350	42.000	<b>02133</b>	<b>0,67</b>
32		11 20 032	B	2,2	225	27.000	<b>02134</b>	<b>0,86</b>
40		11 20 040	B	2,1	150	18.000	<b>02135</b>	<b>1,02</b>
50		11 20 050	C	4,6	150	9.000	<b>02136</b>	<b>1,27</b>
63		11 20 063	C	3,5	100	6.000	<b>02137</b>	<b>1,47</b>
75		11 20 075	C	4,9	80	4.800	<b>02138</b>	<b>1,95</b>
90		11 20 090	C	5,2	50	3.000	<b>02139</b>	<b>2,26</b>
110		11 20 110	C	4,2	35	2.100	<b>08908</b>	<b>4,38</b>
125		11 20 125	C	4,4	30	1.800	<b>08909</b>	<b>4,95</b>
140		11 20 140	C	3,6	15	900	<b>10955</b>	<b>5,31</b>
160		11 20 160	C	4,0	15	900	<b>08910</b>	<b>6,52</b>
200		11 20 200	C	3,8	10	600	<b>08911</b>	<b>7,97</b>
225		11 20 225	C	2,8	4	240	<b>10957</b>	<b>12,69</b>

## PP. 20. CL

OPP 041



CLOSED PIPE CLIP

SIZE	PN	REF.	PACK	kg	Q(B)	Q(P)	CODE	EUR
50		11 20 450	C	2,8	100	6.000	<b>02140</b>	<b>1,60</b>
63		11 20 463	C	2,2	50	3.000	<b>02141</b>	<b>1,80</b>
75		11 20 475	C	2,9	40	2.400	<b>02142</b>	<b>2,26</b>
90		11 20 490	C	3,1	25	1.500	<b>02143</b>	<b>2,66</b>
110		11 20 510	C	4,1	30	1.800	<b>08916</b>	<b>6,83</b>
125		11 20 525	C	4,2	25	1.500	<b>08917</b>	<b>7,70</b>
140		11 20 540	C	4,1	15	900	<b>10956</b>	<b>8,11</b>
160		11 20 560	C	3,2	10	600	<b>08918</b>	<b>9,47</b>
200		11 20 599	C	3,6	8	480	<b>08919</b>	<b>11,48</b>
225		11 20 425	C	3,1	4	240	<b>10958</b>	<b>16,54</b>

## PP. 20. CP

OPP 041



BRIDLE CLAMP

SIZE	PN	REF.	PACK	kg	Q(B)	Q(P)	CODE	EUR
50		11 20 650	C	2,0	350	21.000	<b>02144</b>	<b>0,34</b>
63		11 20 663	C	2,2	250	15.000	<b>02145</b>	<b>0,34</b>
75		11 20 675	C	1,0	90	5.400	<b>02146</b>	<b>0,43</b>
90		11 20 690	D	2,5	144	4.320	<b>02147</b>	<b>0,49</b>
110		11 20 710	B	0,7	42	5.040	<b>08912</b>	<b>2,90</b>
125		11 20 725	D	4,6	180	5.400	<b>08913</b>	<b>3,21</b>
140		11 20 740	D	4,5	108	3.240	<b>11300</b>	<b>3,36</b>
160		11 20 760	C	1,7	32	1.920	<b>08914</b>	<b>3,47</b>
200		11 20 799	D	3,3	50	1.500	<b>08915</b>	<b>4,09</b>
225		11 20 625	D	2,5	20	600	<b>11301</b>	<b>4,44</b>

PVC-U

Valves

PP

Spare parts

HOSE COUPLINGS

PP. 96. SP

OPP 094



**HOSE PLUG**  
spigot

SIZE	PN	REF.	PACK	kg	Q(B)	Q(P)	CODE	EUR
30		11 96 030	C	3,9	240 (120)	14.400	<b>01622</b>	<b>0,56</b>
35		11 96 035	C	3,3	148 (74)	8.880	<b>01623</b>	<b>0,75</b>
40		11 96 040	C	3,5	100	6.000	<b>01624</b>	<b>0,84</b>
45		11 96 045	D	5,3	150 (75)	4.500	<b>01625</b>	<b>1,04</b>

PP. 97. FTSP

OPP 094



**HOSE COUPLING**  
spigot x female thread

SIZE	PN	REF.	PACK	kg	Q(B)	Q(P)	CODE	EUR
30 x 1"		11 97 030	C	3,3	144 (72)	8.640	<b>01618</b>	<b>0,84</b>
35 x 1"		11 97 035	C	2,8	90	5.400	<b>01619</b>	<b>0,99</b>
40 x 1¼"		11 97 040	D	6,3	136 (68)	4.080	<b>01620</b>	<b>1,15</b>
45 x 1¼"		11 97 045	D	5,0	100	3.000	<b>01621</b>	<b>1,42</b>

PP. 98. MTSP

OPP 094



**HOSE COUPLING**  
spigot x male thread

SIZE	PN	REF.	PACK	kg	Q(B)	Q(P)	CODE	EUR
30 x 1"		11 98 030	C	3,3	160 (80)	9.600	<b>01614</b>	<b>0,60</b>
35 x 1"		11 98 035	C	3,3	100	6.000	<b>01615</b>	<b>0,75</b>
40 x 1¼"		11 98 040	D	5,8	150 (75)	4.500	<b>01616</b>	<b>0,92</b>
45 x 1¼"		11 98 045	D	6,0	120 (60)	3.600	<b>01617</b>	<b>1,13</b>

PP. 99. SP

OPP 094



**HOSE COUPLING**  
spigot

SIZE	PN	REF.	PACK	kg	Q(B)	Q(P)	CODE	EUR
30		11 99 030	C	3,2	130 (65)	7.800	<b>01610</b>	<b>0,60</b>
35		11 99 035	C	4,0	78	4.680	<b>01611</b>	<b>0,79</b>
40		11 99 040	D	5,4	110	3.300	<b>01612</b>	<b>0,95</b>
45		11 99 045	D	5,0	78	2.340	<b>01613</b>	<b>1,13</b>

THREADED SERIES

PP. 33. MTR

OPP 090



**REDUCING NIPPLE**  
Male x male

SIZE	PN	REF.	PACK	kg	Q(B)	Q(P)	CODE	EUR
¾" x ½"	10	11 33 625	B	2,3	175	21.000	<b>11740</b>	<b>0,70</b>
1" x ¾"	10	11 33 632	B	2,0	100	12.000	<b>11742</b>	<b>0,76</b>
1" x ½"	10	11 33 633	B	2,3	120	14.400	<b>11741</b>	<b>0,76</b>
1¼" x 1"	10	11 33 640	B	2,0	60	7.200	<b>15884</b>	<b>1,05</b>
1½" x 1¼"	10	11 33 650	B	1,9	40	4.800	<b>15885</b>	<b>1,30</b>
2" x 1½"	10	11 33 663	B	1,5	20	2.400	<b>15886</b>	<b>1,65</b>

PP. 32. MFTR

OPP 090



**REDUCING NIPPLE**  
Male x female

SIZE	PN	REF.	PACK	kg	Q(B)	Q(P)	CODE	EUR
¾" x ½"	10	11 32 626	B	2,4	150	18.000	<b>11743</b>	<b>0,86</b>
1" x ¾"	10	11 32 633	B	2,4	100	12.000	<b>11745</b>	<b>0,95</b>
1" x ½"	10	11 32 634	B	2,1	100	12.000	<b>11744</b>	<b>0,95</b>
1¼" x 1"	10	11 32 640	B	1,7	50	6.000	<b>15887</b>	<b>1,24</b>
1½" x 1¼"	10	11 32 650	B	1,9	40	4.800	<b>15888</b>	<b>1,51</b>
2" x 1½"	10	11 32 663	C	3,8	50	3.000	<b>15889</b>	<b>1,92</b>

PP. 18. MT

OPP 090



**HEXAGON NIPPLE**  
Male thread

SIZE	PN	REF.	PACK	kg	Q(B)	Q(P)	CODE	EUR
½" x ½"	10	11 18 620	B	2,5	250	30.000	<b>11734</b>	<b>0,69</b>
¾" x ¾"	10	11 18 625	B	2,1	150	18.000	<b>11735</b>	<b>0,73</b>
1" x 1"	10	11 18 632	B	2,1	100	12.000	<b>11736</b>	<b>0,76</b>
1¼" x 1¼"	10	11 18 640	B	1,9	50	6.000	<b>15878</b>	<b>1,08</b>
1½" x 1½"	10	11 18 650	B	1,8	35	4.200	<b>15879</b>	<b>1,30</b>
2" x 2"	10	11 18 663	B	1,6	20	2.400	<b>15880</b>	<b>1,74</b>

PP. 19. CAP

OPP 090



**CAP**  
Male thread

SIZE	PN	REF.	PACK	kg	Q(B)	Q(P)	CODE	EUR
½"	10	11 19 620	B	3,0	350	42.000	<b>11737</b>	<b>0,44</b>
¾"	10	11 19 625	B	2,5	200	24.000	<b>11738</b>	<b>0,37</b>
1"	10	11 19 632	B	2,3	130	15.600	<b>11739</b>	<b>0,67</b>
1¼"	10	11 19 640	B	2,1	70	8.400	<b>15881</b>	<b>0,75</b>
1½"	10	11 19 650	B	2,1	50	6.000	<b>15882</b>	<b>0,98</b>
2"	10	11 19 663	B	2,0	30	3.600	<b>15883</b>	<b>1,34</b>



## SPIRAL BARB FITTINGS

## PP. 01. SBE

OPP 096



**SPIRED BARBED ELBOW**  
spigot x male thread

SIZE	PN	REF.	PACK	kg	Q(B)	Q(P)	CODE	EUR
13,8 x 1/2"	5,5	11 01 720	B	1,7	250	30.000	<b>21948</b>	<b>0,31</b>
13,8 x 3/4"	5,5	11 01 725	B	1,6	200	24.000	<b>21949</b>	<b>0,31</b>

## PP. 05. SBA

OPP 096



**SPIRED BARBED ADAPTOR**  
spigot x male thread

SIZE	PN	REF.	PACK	kg	Q(B)	Q(P)	CODE	EUR
13,8 x 1/2"	5,5	11 05 720	B	2,2	400	48.000	<b>28670</b>	<b>0,31</b>
13,8 x 3/4"	5,5	11 05 725	B	2,0	300	36.000	<b>28671</b>	<b>0,31</b>

## PP. 05. SBC

OPP 096



**SPIRED BARBED COUPLING**  
spigot

SIZE	PN	REF.	PACK	kg	Q(B)	Q(P)	CODE	EUR
13,8x13,8	5,5	11 05 012	B	2,3	600	72.000	<b>28672</b>	<b>0,37</b>

## PP. 03. SBT

OPP 096



**SPIRED BARBED TEE**  
spigot

SIZE	PN	REF.	PACK	kg	Q(B)	Q(P)	CODE	EUR
13,8x13,8x13,8	5,5	11 03 012	B	1,8	250	30.000	<b>28673</b>	<b>0,32</b>

## IRRIGATION FITTINGS

## PP. 52. IRR

OPP 096



**THREADED ADAPTOR**  
male thread x male thread

SIZE	PN	REF.	PACK	kg	Q(B)	Q(P)	CODE	EUR
1/2" x 1/2"	6	11 52 620	D	8,7	450	13.500	<b>09660</b>	<b>0,50</b>
3/4" x 1/2"	6	11 52 624	D	7,4	350	10.500	<b>09661</b>	<b>0,53</b>
3/4" x 3/4"	6	11 52 625	D	8,6	300	9.000	<b>09662</b>	<b>0,60</b>

## PP. 43. IRR

OPP 096



**TEE FOR ASSEMBLY**  
female thread x male thread

SIZE	PN	REF.	PACK	kg	Q(B)	Q(P)	CODE	EUR
3/4"	10	11 43 625	C	3,5	80	4.800	<b>21732</b>	<b>1,34</b>
1"	10	11 43 632	C	3,4	50	3.000	<b>18566</b>	<b>1,65</b>

PVC-U

Valves

PP

Spare parts



# SPARE PARTS

PVC-U

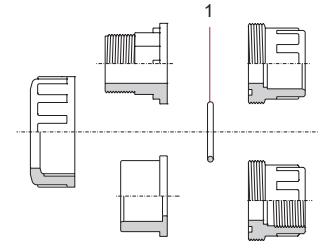
Valves

PP

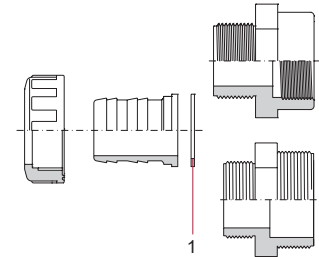
Spare parts

**UNIONS**

UNION O-RING				
CODE	DESCRIPTION	Fig.	Q	EUR
723 R 0156026	O-Ring D16 - 3/4"	1	10	0,15
723 R 0202035	O-Ring D20 - 1/2"	1	10	0,49
723 R 0282035	O-Ring D25 - 3/4"	1	10	0,52
723 R 0329035	O-Ring D32 - 1"	1	10	0,63
723 R 0407053	O-Ring D40 - 1 1/4"	1	10	0,87
723 R 0470053	O-Ring D50 - 1 1/2"	1	10	0,99
723 R 0597053	O-Ring D63 - 2"	1	5	1,11
723 R 0756053	O-Ring D75 - 2 1/2"	1	5	3,15
723 R 0914053	O-Ring D90 - 3"	1	2	3,51
723 R 1168070	O-Ring D110 - 4"	1	2	3,01



SPIGOT AND NUT UNION O-RING				
CODE	DESCRIPTION	Fig.	Q	EUR
02401 R 0134	Flat gasket D16 - 3/4"	1	10	0,20
02401 R 0134	Flat gasket D18 - 1/2"	1	10	0,20
02401 R 0134	Flat gasket D20 - 1/2"	1	10	0,20
02402 R 0134	Flat gasket D25 - 3/4"	1	10	0,26
02403 R 0134	Flat gasket D32 - 1"	1	10	0,41
02404 R 0134	Flat gasket D40 - 1 1/4"	1	10	0,50
02405 R 0134	Flat gasket D50 - 1 1/2"	1	5	0,72
02405 R 0134	Flat gasket D50 - 1 1/2" (D38)	1	5	0,72
02407 R 0134	Flat gasket D63 - 2"	1	5	0,86

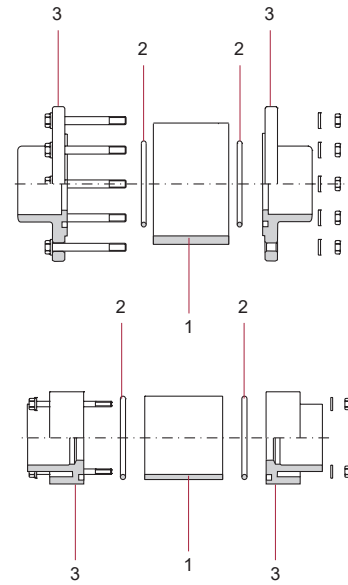


**SIGHT GLASSES**

SIGHT				
CODE	DESCRIPTION	Fig.	Q	EUR
02387 R 0100	Sight D50	1	1	10,40
02388 R 0100	Sight D63	1	1	11,51
02389 R 0100	Sight D75	1	1	14,23
02390 R 0100	Sight D90	1	1	17,59
02391 R 0100	Sight D110	1	1	24,80
02392 R 0100	Sight D125	1	1	30,42
02393 R 0100	Sight D140	1	1	43,08
02394 R 0100	Sight D160	1	1	47,19
02395 R 0100	Sight D200	1	1	66,18
02396 R 0100	Sight D225	1	1	80,22

SIGHT O-RING EPDM				
CODE	DESCRIPTION	Fig.	Q	EUR
02575 R 0135	Sight O-Ring EPDM D50	2	8	0,92
02576 R 0135	Sight O-Ring EPDM D63	2	8	1,31
723 R 0798053	Sight O-Ring EPDM D75	2	5	0,76
723 R 1000053	Sight O-Ring EPDM D90	2	2	0,90
723 R 1207053	Sight O-Ring EPDM D110	2	2	1,45
723 R 1397053	Sight O-Ring EPDM D125	2	2	2,03
723 R 1550053	Sight O-Ring EPDM D140	2	2	2,03
723 R 1708053	Sight O-Ring EPDM D160	2	2	2,55
723 R 2153053	Sight O-Ring EPDM D200	2	2	4,23
723 R 2380060	Sight O-Ring EPDM D225	2	2	5,01

SIGHT END CONNECTOR				
CODE	DESCRIPTION	Fig.	Q	EUR
02387 R 0105	End connector D50	3	2	2,66
02388 R 0105	End connector D63	3	2	3,16
02389 R 0105	End connector D75	3	2	22,23
02390 R 0105	End connector D90	3	2	29,15
02391 R 0105	End connector D110	3	2	38,82
02392 R 0105	End connector D125	3	2	43,15
02393 R 0105	End connector D140	3	2	52,96
02394 R 0105	End connector D160	3	2	81,07
02395 R 0105	End connector D200	3	2	87,36
02396 R 0105	End connector D225	3	2	160,90
02397 R 0105	End connector 1 1/2"	3	2	5,13
02398 R 0105	End connector 2"	3	2	5,89



**MANIFOLD FITTINGS**

MANIFOLD O-RING				
CODE	DESCRIPTION	Fig.	Q	EUR
723 R 0234035	O-Ring 1" EPDM	1	10	0,23
723 R 0258035	O-Ring 1" EPDM	1	10	0,27
723 R 0329035	O-Ring 1" EPDM	1	10	0,63
41873 R 0118	Flat gasket 1" NBR	1	10	0,26

Equivalence of o-rings for manifold fittings (Q)

CODE	Elbow f/f	Elbow f/m	Tee f/f/m	Cross f/f/f/m	Socket f/f	Socket f/m	Nipple	Reducing nipple	2-out. manifold	3-out. manifold	4-out. manifold	Cap
723 R 0234035												1
723 R 0258035								1				
723 R 0329035							2	1				
41873 R 0118	2	1	2	3	2	1			3	4	5	

PVC-U BALL VALVES [STD] SERIES

D16 - 3/8" / D20 - 1/2"					
CODE	DESCRIPTION	Fig.	Q	EUR	
36501 R 0124	Standard handle assembly	4	5	1,63	
36501 R 0104	Union nut	3	10	1,62	
36500 R 0105	16 mm connection	5	10	0,86	
36501 R 0105	20 mm connection	5	10	0,86	
36510 R 0105	3/8" connection BSP	5	10	1,48	
36511 R 0105	1/2" connection BSP	5	10	1,48	
723 R 0202035	Union O-Ring EPDM	10	10	0,49	
36501 R 0102	Ball	2	5	1,97	
36501 R 0135	O-Ring kit EPDM/PE	6-7-8-9-10	1	4,86	
36501 R 0121	Shaft + EPDM O-Rings	1-7	5	1,34	

D32 - 1"					
CODE	DESCRIPTION	Fig.	Q	EUR	
36503 R 0124	Standard handle assembly	4	5	2,40	
36503 R 0104	Union nut	3	10	2,28	
36503 R 0105	32 mm connection	5	10	1,30	
36513 R 0105	1" connection BSP	5	10	2,29	
723 R 0329035	Union O-Ring EPDM	10	10	0,63	
36503 R 0102	Ball	2	5	2,75	
36503 R 0135	O-Ring kit EPDM/PE	6-7-8-9-10	1	6,46	
36503 R 0121	Shaft + EPDM O-Rings	1-7	5	1,66	

D50 - 1 1/2"					
CODE	DESCRIPTION	Fig.	Q	EUR	
36505 R 0124	Standard handle assembly	4	4	3,62	
36505 R 0104	Union nut	3	8	3,42	
36505 R 0105	50 mm connection	5	8	2,21	
36515 R 0105	1 1/2" connection BSP	5	8	3,57	
723 R 0470053	Union O-Ring EPDM	10	10	0,99	
36505 R 0102	Ball	2	4	4,34	
36505 R 0135	O-Ring kit EPDM/PE	6-7-8-9-10	1	7,47	
36505 R 0121	Shaft + EPDM O-Rings	1-7	4	2,41	

D75 - 2 1/2"					
CODE	DESCRIPTION	Fig.	Q	EUR	
36507 R 0124	Standard handle assembly	4	2	12,70	
36507 R 0104	Union nut	3	4	17,01	
36507 R 0105	75 mm connection	5	4	10,41	
36517 R 0105	2 1/2" connection BSP	5	4	14,97	
723 R 0756053	Union O-Ring EPDM	10	5	3,15	
36507 R 0102	Ball	2	2	22,66	
36507 R 0135	O-Ring kit EPDM/PE	6-7-8-9-10	1	15,97	
36507 R 0121	Shaft + EPDM O-Rings	1-7	2	10,03	

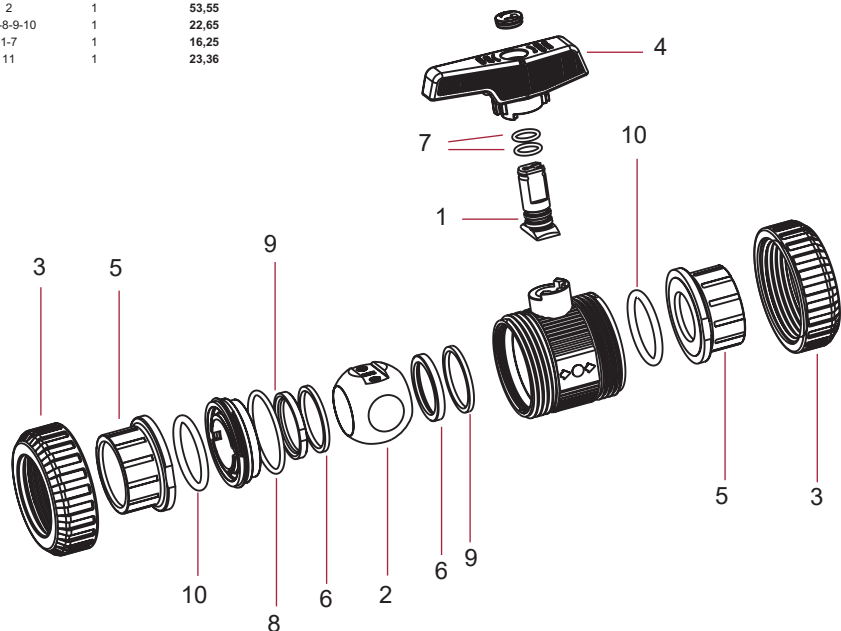
D110 - 4"					
CODE	DESCRIPTION	Fig.	Q	EUR	
36509 R 0124	Handle assembly	4	1	18,05	
36509 R 0104	Union nut	3	2	60,71	
36509 R 0105	110 mm connection	5	2	30,39	
36519 R 0105	4" connection BSP	5	2	41,47	
723 R 1092057	Union O-Ring EPDM	10	2	4,86	
22797 R 0102	Ball	2	1	53,55	
36509 R 0135	O-Ring kit EPDM/PE	6-7-8-9-10	1	22,65	
22797 R 0121	Shaft + EPDM O-Rings	1-7	1	16,25	
22799 R 0108	Adjusting tool	11	1	23,36	

D25 - 3/4"					
CODE	DESCRIPTION	Fig.	Q	EUR	
36502 R 0124	Standard handle assembly	4	5	1,83	
36502 R 0104	Union nut	3	10	1,71	
36502 R 0105	25 mm connection	5	10	0,98	
36512 R 0105	3/4" connection BSP	5	10	1,62	
723 R 0282035	Union O-Ring EPDM	10	10	0,52	
36502 R 0102	Ball	2	5	2,17	
36502 R 0135	O-Ring kit EPDM/PE	6-7-8-9-10	1	4,98	
36502 R 0121	Shaft + EPDM O-Rings	1-7	5	1,40	

D40 - 1 1/4"					
CODE	DESCRIPTION	Fig.	Q	EUR	
36504 R 0124	Standard handle assembly	4	5	3,01	
36504 R 0104	Union nut	3	10	2,41	
36504 R 0105	40 mm connection	5	10	1,51	
36514 R 0105	1 1/4" connection BSP	5	10	2,57	
723 R 0407053	Union O-Ring EPDM	10	10	0,87	
36504 R 0102	Ball	2	5	3,27	
36504 R 0135	O-Ring kit EPDM/PE	6-7-8-9-10	1	7,18	
36504 R 0121	Shaft + EPDM O-Rings	1-7	5	1,95	

D63 - 2"					
CODE	DESCRIPTION	Fig.	Q	EUR	
36506 R 0124	Standard handle assembly	4	4	3,82	
36506 R 0104	Union nut	3	8	5,38	
36506 R 0105	63 mm connection	5	8	3,82	
36516 R 0105	2" connection BSP	5	8	5,13	
723 R 0597053	Union O-Ring EPDM	10	8	1,11	
36506 R 0102	Ball	2	4	6,67	
36506 R 0135	O-Ring kit EPDM/PE	6-7-8-9-10	1	7,85	
36506 R 0121	Shaft + EPDM O-Rings	1-7	4	2,70	

D90 - 3"					
CODE	DESCRIPTION	Fig.	Q	EUR	
36508 R 0124	Standard handle assembly	4	1	15,94	
36508 R 0104	Union nut	3	2	25,52	
36508 R 0105	90 mm connection	5	2	17,35	
36518 R 0105	3" connection BSP	5	2	26,51	
723 R 0914053	Union O-Ring EPDM	10	2	3,51	
36508 R 0102	Ball	2	2	38,02	
36508 R 0135	O-Ring kit EPDM/PE	6-7-8-9-10	1	19,52	
36508 R 0121	Shaft + EPDM O-Rings	1-7	1	11,10	



PVC-U

Valves

PP

Spare parts

**BALL VALVES [IND] SERIES**

PVC-U

Valves

PP

Spare parts

D16 - 3/8" / D20 - 1/2"					
CODE	DESCRIPTION	Fig.	Q	EUR	
36501 R 0124	Handle assembly	4	5	1,63	
36501 R 0104	Union nut	3	10	1,62	
36500 R 0105	16 mm connection	5	10	0,86	
36501 R 0105	20 mm connection	5	10	0,86	
36510 R 0105	3/8" connection BSP	5	10	1,48	
36511 R 0105	1/2" connection BSP	5	10	1,48	
740 R 0202035	Union O-Ring Perox. EPDM	10	10	0,98	
714 R 0202035	Union O-Ring FPM	10	10	2,78	
36501 R 0102	Ball	2	5	1,97	
36123 R 0135	O-Ring kit Perox. EPDM/PTFE	6-7-8-9-10	1	11,19	
36143 R 0135	O-Ring kit FPM/PTFE	6-7-8-9-10	1	17,58	
36123 R 0121	Shaft + Perox. EPDM O-Rings	1-7	5	2,23	

D32 - 1"					
CODE	DESCRIPTION	Fig.	Q	EUR	
36503 R 0124	Handle assembly	4	5	2,40	
36503 R 0104	Union nut	3	10	2,28	
36503 R 0105	32 mm connection	5	10	1,30	
36513 R 0105	1" connection BSP	5	10	2,29	
740 R 0329035	Union O-Ring Perox. EPDM	10	10	1,88	
714 R 0329035	Union O-Ring FPM	10	10	3,31	
36503 R 0102	Ball	2	5	2,75	
36125 R 0135	O-Ring kit Perox. EPDM/PTFE	6-7-8-9-10	1	16,23	
36145 R 0135	O-Ring kit FPM/PTFE	6-7-8-9-10	1	25,10	
36125 R 0121	Shaft + Perox. EPDM O-Rings	1-7	5	2,40	

D50 - 1 1/2"					
CODE	DESCRIPTION	Fig.	Q	EUR	
36505 R 0124	Handle assembly	4	4	3,62	
36505 R 0104	Union nut	3	8	3,42	
36505 R 0105	50 mm connection	5	8	2,21	
36515 R 0105	1 1/2" connection BSP	5	8	3,57	
740 R 0470053	Union O-Ring Perox. EPDM	10	10	2,95	
714 R 0470053	Union O-Ring FPM	10	10	9,53	
36505 R 0102	Ball	2	4	4,34	
36127 R 0135	O-Ring kit Perox. EPDM/PTFE	6-7-8-9-10	1	34,01	
36147 R 0135	O-Ring kit FPM/PTFE	6-7-8-9-10	1	48,09	
36127 R 0121	Shaft + Perox. EPDM O-Rings	1-7	4	3,57	

D75 - 2 1/2"					
CODE	DESCRIPTION	Fig.	Q	EUR	
36507 R 0124	Handle assembly	4	2	12,70	
36507 R 0104	Union nut	3	4	17,01	
36507 R 0105	75 mm connection	5	4	10,41	
36517 R 0105	2 1/2" connection BSP	5	4	14,97	
740 R 0756053	Union O-Ring Perox. EPDM	10	5	4,29	
714 R 0756053	Union O-Ring FPM	10	5	16,92	
36507 R 0102	Ball	2	2	22,66	
36129 R 0135	O-Ring kit Perox. EPDM/PTFE	6-7-8-9-10	1	53,52	
36149 R 0135	O-Ring kit FPM/PTFE	6-7-8-9-10	1	101,59	
36129 R 0121	Shaft + Perox. EPDM O-Rings	1-7	2	9,06	

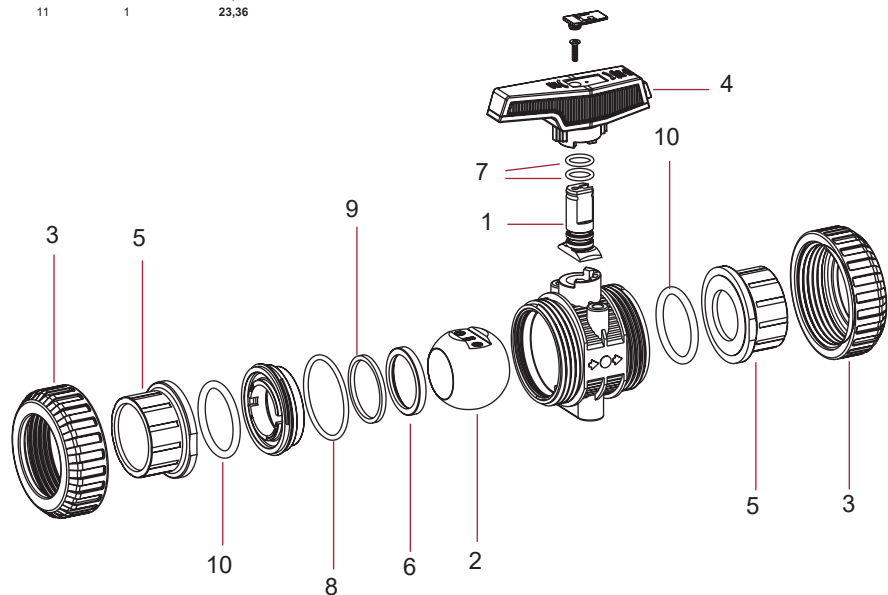
D110 - 4"					
CODE	DESCRIPTION	Fig.	Q	EUR	
36509 R 0124	Handle assembly	4	1	18,05	
36509 R 0104	Union nut	3	2	60,71	
36509 R 0105	110 mm connection	5	2	30,39	
36519 R 0105	4" connection BSP	5	2	41,47	
740 R 1092057	Union O-Ring Perox. EPDM	10	2	7,15	
714 R 1092057	Union O-Ring FPM	10	2	19,68	
22797 R 0102	Ball	2	1	53,55	
36131 R 0135	O-Ring kit Perox. EPDM/PTFE	6-7-8-9-10	1	91,82	
36151 R 0135	O-Ring kit FPM/PTFE	6-7-8-9-10	1	194,15	
36131 R 0121	Shaft + Perox. EPDM O-Rings	1-7	1	15,10	
22799 R 0108	Adjusting tool	11	1	23,36	

D25 - 3/4"					
CODE	DESCRIPTION	Fig.	Q	EUR	
36502 R 0124	Handle assembly	4	5	1,83	
36502 R 0104	Union nut	3	10	1,71	
36502 R 0105	25 mm connection	5	10	0,98	
36512 R 0105	3/4" connection BSP	5	10	1,62	
740 R 0282035	Union O-Ring Perox. EPDM	10	10	1,28	
714 R 0282035	Union O-Ring FPM	10	10	3,12	
36502 R 0102	Ball	2	5	2,17	
36124 R 0135	O-Ring kit Perox. EPDM/PTFE	6-7-8-9-10	1	13,65	
36144 R 0135	O-Ring kit FPM/PTFE	6-7-8-9-10	1	22,46	
36124 R 0121	Shaft + Perox. EPDM O-Rings	1-7	5	2,23	

D40 - 1 1/4"					
CODE	DESCRIPTION	Fig.	Q	EUR	
36504 R 0124	Handle assembly	4	5	3,01	
36504 R 0104	Union nut	3	10	2,41	
36504 R 0105	40 mm connection	5	10	1,51	
36514 R 0105	1 1/4" connection BSP	5	10	2,57	
740 R 0407053	Union O-Ring Perox. EPDM	10	10	2,61	
714 R 0407053	Union O-Ring FPM	10	10	6,47	
36504 R 0102	Ball	2	5	3,27	
36126 R 0135	O-Ring kit Perox. EPDM/PTFE	6-7-8-9-10	1	26,27	
36146 R 0135	O-Ring kit FPM/PTFE	6-7-8-9-10	1	38,88	
36126 R 0121	Shaft + Perox. EPDM O-Rings	1-7	5	3,25	

D63 - 2"					
CODE	DESCRIPTION	Fig.	Q	EUR	
36506 R 0124	Handle assembly	4	4	3,82	
36506 R 0104	Union nut	3	8	5,38	
36506 R 0105	63 mm connection	5	8	3,82	
36516 R 0105	2" connection BSP	5	8	5,13	
740 R 0597053	Union O-Ring Perox. EPDM	10	5	2,96	
714 R 0597053	Union O-Ring FPM	10	5	9,70	
36506 R 0102	Ball	2	4	6,67	
36128 R 0135	O-Ring kit Perox. EPDM/PTFE	6-7-8-9-10	1	41,78	
36148 R 0135	O-Ring kit FPM/PTFE	6-7-8-9-10	1	52,99	
36128 R 0121	Shaft + Perox. EPDM O-Rings	1-7	4	9,68	

D90 - 3"					
CODE	DESCRIPTION	Fig.	Q	EUR	
36508 R 0124	Handle assembly	4	1	15,94	
36508 R 0104	Union nut	3	2	25,52	
36508 R 0105	90 mm connection	5	2	17,35	
36518 R 0105	3" connection BSP	5	2	26,51	
740 R 0892057	Union O-Ring Perox. EPDM	10	2	5,42	
714 R 0892057	Union O-Ring FPM	10	2	17,79	
36508 R 0102	Ball	2	2	38,02	
36130 R 0135	O-Ring kit Perox. EPDM/PTFE	6-7-8-9-10	1	74,64	
36150 R 0135	O-Ring kit FPM/PTFE	6-7-8-9-10	1	124,70	
36130 R 0121	Shaft + Perox. EPDM O-Rings	1-7	2	9,51	



PVC-U BALL VALVES STANDARD & INDUSTRIAL SERIES

D16 - 3/8" / D20 - 1/2" (PN 16)				
CODE	DESCRIPTION	Fig.	Q	EUR
02453 R 0121	Shaft + EPDM O-Rings	1+7	5	0,66
02453 R 0102	Ball	2	5	1,95
02453 R 0104	Union nut	3	10	0,98
02453 R 0124	Handle assembly	4	5	0,82
05352 R 0105	16 mm connection	5	10	0,56
02453 R 0105	20 mm connection	5	10	0,56
05353 R 0105	3/8" connection BSP	5	10	0,87
02462 R 0105	1/2" connection BSP	5	10	0,87
02453 R 0107	Ball seat HDPE	6	10	0,44
02470 R 0115	Ball seat PTFE	6	10	0,92
723 R 0093018	Shaft O-Ring EPDM	7	10	0,15
723 R 0266026	Body O-Ring EPDM (Standard)	8	10	0,20
723 R 0238026	Body O-Ring EPDM (Industrial)	8	10	0,20
02453 R 0118	Seat O-Ring EPDM	9	10	0,23
723 R 0202035	Union O-Ring EPDM	10	10	0,49
02453 R 0129	O-Ring kit EPDM (Standard)	7+8+9+10	1	1,89
18435 R 0129	O-Ring kit EPDM (Industrial)	7+8+9+10	1	1,89
714 R 0093018	Shaft O-Ring FPM	7	10	0,50
714 R 0266026	Body O-Ring FPM (Standard)	8	10	1,40
714 R 0238026	Body O-Ring FPM (Industrial)	8	10	1,40
02486 R 0118	Seat O-Ring FPM	9	10	1,08
714 R 0202035	Union O-Ring FPM	10	10	2,78
02486 R 0129	O-Ring kit FPM (Standard)	7+8+9+10	1	7,28
18445 R 0129	O-Ring kit FPM (Industrial)	7+8+9+10	1	7,28
18435 R 0108	Adjusting tool	11	5	1,88

D32 - 1" (PN 16)				
CODE	DESCRIPTION	Fig.	Q	EUR
02455 R 0121	Shaft + EPDM O-Rings	1+7	5	0,70
02455 R 0102	Ball	2	5	1,65
02455 R 0104	Union nut	3	10	1,34
02455 R 0124	Handle assembly	4	5	1,34
02455 R 0105	32 mm connection	5	10	0,92
02464 R 0105	1" connection BSP	5	10	1,39
02455 R 0107	Ball seat HDPE	6	10	0,47
02472 R 0115	Ball seat PTFE	6	10	1,80
723 R 0120025	Shaft O-Ring EPDM	7	10	0,15
723 R 0378026	Body O-Ring EPDM	8	10	0,23
02455 R 0118	Seat O-Ring EPDM	9	10	0,35
723 R 0329035	Union O-Ring EPDM	10	10	0,63
02455 R 0129	O-Ring kit EPDM	7+8+9+10	1	2,14
714 R 0120025	Shaft O-Ring FPM	7	10	0,87
714 R 0378026	Body O-Ring FPM	8	10	1,65
02488 R 0118	Seat O-Ring FPM	9	10	1,80
714 R 0329035	Union O-Ring FPM	10	10	3,31
02488 R 0129	O-Ring kit FPM	7+8+9+10	1	11,90
18437 R 0108	Adjusting tool	11	5	1,97

D50 - 1 1/2" (PN 16)				
CODE	DESCRIPTION	Fig.	Q	EUR
02457 R 0121	Shaft + EPDM O-Rings	1+7	4	1,08
02457 R 0102	Ball	2	4	3,15
02457 R 0104	Union nut	3	8	3,12
02457 R 0124	Handle assembly	4	4	1,83
02457 R 0105	50 mm connection	5	8	1,68
02466 R 0105	1 1/2" connection BSP	5	8	2,37
02457 R 0107	Ball seat HDPE	6	8	0,63
02474 R 0115	Ball seat PTFE	6	8	3,68
723 R 0155026	Shaft O-Ring EPDM	7	10	0,15
723 R 0619035	Body O-Ring EPDM	8	5	0,56
02457 R 0118	Seat O-Ring EPDM	9	8	0,47
723 R 0470053	Union O-Ring EPDM	10	10	0,99
02457 R 0129	O-Ring kit EPDM	7+8+9+10	1	2,79
714 R 0155026	Shaft O-Ring FPM	7	10	1,11
714 R 0619035	Body O-Ring FPM	8	5	4,75
02490 R 0118	Seat O-Ring FPM	9	8	2,60
714 R 0470053	Union O-Ring FPM	10	10	9,53
02490 R 0129	O-Ring kit FPM	7+8+9+10	1	23,04
18439 R 0108	Adjusting tool	11	4	2,50

D75 - 2 1/2" (PN 10)				
CODE	DESCRIPTION	Fig.	Q	EUR
02459 R 0121	Shaft + EPDM O-Rings	1+7	2	3,94
02459 R 0102	Ball	2	2	9,04
02459 R 0104	Union nut	3	4	9,56
02459 R 0124	Handle assembly	4	2	5,48
02459 R 0105	75 mm connection	5	4	4,14
02468 R 0105	2 1/2" connection BSP	5	4	7,56
02459 R 0107	Ball seat HDPE	6	4	1,21
02476 R 0115	Ball seat PTFE	6	4	7,04
723 R 0234035	Shaft O-Ring EPDM	7	10	0,23
723 R 0978053	Body O-Ring EPDM	8	2	1,40
02459 R 0118	Seat O-Ring EPDM	9	4	0,76
723 R 0756053	Union O-Ring EPDM	10	5	3,15
02459 R 0129	O-Ring kit EPDM	7+8+9+10	1	4,49
714 R 0234035	Shaft O-Ring FPM	7	10	1,68
714 R 0978053	Body O-Ring FPM	8	2	13,00
02492 R 0118	Seat O-Ring FPM	9	4	5,28
714 R 0756053	Union O-Ring FPM	10	5	16,92
02492 R 0129	O-Ring kit FPM	7+8+9+10	1	47,49
18441 R 0108	Adjusting tool	11	2	2,90

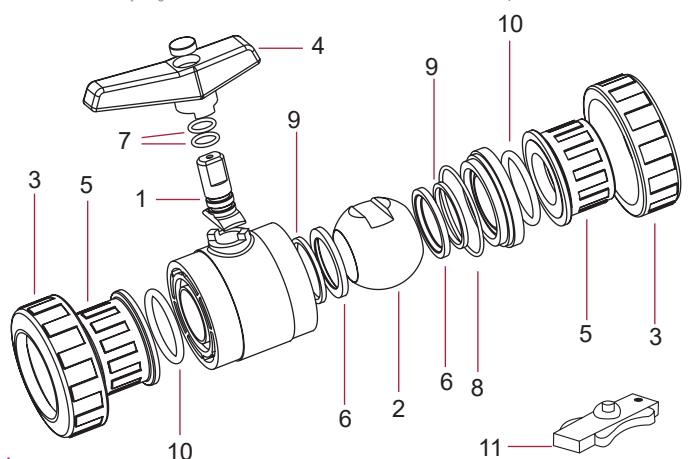
D110 - 4" (PN 10)				
CODE	DESCRIPTION	Fig.	Q	EUR
22797 R 0121	Shaft + EPDM O-Rings	1+7	1	16,25
22797 R 0102	Ball	2	1	53,55
22797 R 0104	Union nut 110 mm	3	2	18,92
22797 R 0124	Handle assembly	4	1	7,18
22797 R 0105	110 mm connection	5	2	14,00
22798 R 0105	4" connection BSP	5	2	19,84
22797 R 0107	Ball seat HDPE	6	2	1,42
22805 R 0115	Ball seat PTFE	6	2	23,75
723 R 0266035	Shaft O-Ring EPDM	7	10	0,23
723 R 1600040	Body O-Ring EPDM	8	1	1,92
22797 R 0118	Seat O-Ring EPDM	9	2	1,19
723 R 1092057	Union O-Ring EPDM	10	2	4,86
22797 R 0129	O-Ring kit EPDM	7+8+9+10	1	6,09
714 R 0266035	Shaft O-Ring FPM	7	10	1,86
714 R 1600040	Body O-Ring FPM	8	1	9,97
22801 R 0118	Seat O-Ring FPM	9	2	17,67
714 R 1092057	Union O-Ring FPM	10	2	19,68
22801 R 0129	O-Ring kit FPM	7+8+9+10	1	60,75
22799 R 0108	Adjusting tool	11	2	23,36

D25 - 3/4" (PN 16)				
CODE	DESCRIPTION	Fig.	Q	EUR
02454 R 0121	Shaft + EPDM O-Rings	1+7	5	0,66
02454 R 0102	Ball	2	5	1,21
02454 R 0104	Union nut	3	10	1,21
02454 R 0124	Handle assembly	4	5	0,98
02454 R 0105	25 mm connection	5	10	0,66
02463 R 0105	3/4" connection BSP	5	10	1,08
02454 R 0107	Ball seat HDPE	6	10	0,47
02471 R 0115	Ball seat PTFE	6	10	1,53
723 R 0111018	Shaft O-Ring EPDM	7	10	0,15
723 R 0330026	Body O-Ring EPDM	8	5	0,23
02454 R 0118	Seat O-Ring EPDM	9	10	0,35
723 R 0282035	Union O-Ring EPDM	10	10	0,52
02454 R 0129	O-Ring kit EPDM	7+8+9+10	1	2,00
714 R 0111018	Shaft O-Ring FPM	7	10	0,63
714 R 0330026	Body O-Ring FPM	8	10	1,80
02487 R 0118	Seat O-Ring FPM	9	10	1,34
714 R 0282035	Union O-Ring FPM	10	10	3,12
02487 R 0129	O-Ring kit FPM	7+8+9+10	1	9,56
18435 R 0108	Adjusting tool	11	5	1,88

D40 - 1 1/4" (PN 16)				
CODE	DESCRIPTION	Fig.	Q	EUR
02456 R 0121	Shaft + EPDM O-Rings	1+7	5	0,76
02456 R 0102	Ball	2	5	2,11
02456 R 0104	Union nut	3	10	1,89
02456 R 0124	Handle assembly	4	5	1,34
02456 R 0105	40 mm connection	5	10	1,25
02465 R 0105	1 1/4" connection BSP	5	10	1,63
02456 R 0107	Ball seat HDPE	6	10	0,50
02473 R 0115	Ball seat PTFE	6	10	3,25
723 R 0139026	Shaft O-Ring EPDM	7	10	0,20
723 R 0505026	Body O-Ring EPDM	8	5	0,47
02456 R 0118	Seat O-Ring EPDM	9	10	0,44
723 R 0407053	Union O-Ring EPDM	10	10	0,87
02456 R 0129	O-Ring kit EPDM	7+8+9+10	1	2,75
714 R 0139026	Shaft O-Ring FPM	7	10	1,11
714 R 0505026	Body O-Ring FPM	8	5	2,89
02489 R 0118	Seat O-Ring FPM	9	10	2,18
714 R 0407053	Union O-Ring FPM	10	10	6,47
02489 R 0129	O-Ring kit FPM	7+8+9+10	1	18,49
18437 R 0108	Adjusting tool	11	5	1,97

D63 - 2" (PN 16)				
CODE	DESCRIPTION	Fig.	Q	EUR
02457 R 0121	Shaft + EPDM O-Rings	1+7	4	1,08
02458 R 0102	Ball	2	4	4,66
02458 R 0104	Union nut	3	8	4,61
02458 R 0124	Handle assembly	4	4	2,66
02458 R 0105	63 mm connection	5	8	2,66
02467 R 0105	2" connection BSP	5	8	3,62
02458 R 0107	Ball seat HDPE	6	8	0,76
02475 R 0115	Ball seat PTFE	6	8	3,76
723 R 0155026	Shaft O-Ring EPDM	7	10	0,15
723 R 0758035	Body O-Ring EPDM	8	5	0,63
02458 R 0118	Seat O-Ring EPDM	9	8	0,50
723 R 0597053	Union O-Ring EPDM	10	5	1,11
02458 R 0129	O-Ring kit EPDM	7+8+9+10	1	3,25
714 R 0155026	Shaft O-Ring FPM	7	10	1,11
714 R 0758035	Body O-Ring FPM	8	5	5,71
02491 R 0118	Seat O-Ring FPM	9	8	4,61
714 R 0597053	Union O-Ring FPM	10	5	9,70
02491 R 0129	O-Ring kit FPM	7+8+9+10	1	30,50
18439 R 0108	Adjusting tool	11	4	2,50

D90 - 3" / D110 - 4" (DN 80) (PN 10)				
CODE	DESCRIPTION	Fig.	Q	EUR
02460 R 0121	Shaft + EPDM O-Rings	1+7	1	5,60
02460 R 0102	Ball	2	1	16,55
02460 R 0104	Union nut 90 mm	3	2	13,42
02461 R 0104	Union nut 110 mm (DN 80)	3	2	14,75
02460 R 0124	Handle assembly	4	1	7,79
02460 R 0105	90 mm connection	5	2	6,93
02461 R 0105	110 mm connection (DN 80)	5	2	11,30
02469 R 0105	3" connection BSP	5	2	12,23
05354 R 0105	4" connection BSP (DN 80)	5	2	16,69
02460 R 0107	Ball seat HDPE	6	2	1,89
02477 R 0115	Ball seat PTFE	6	2	7,56
723 R 0266035	Shaft O-Ring EPDM	7	10	0,23
723 R 1238053	Body O-Ring EPDM	8	1	2,70
02460 R 0118	Seat O-Ring EPDM	9	2	1,21
723 R 0914053	Union O-Ring EPDM	10	2	3,51
02460 R 0129	O-Ring kit EPDM	7+8+9+10	1	5,77
714 R 0266035	Shaft O-Ring FPM	7	10	1,86
714 R 1238053	Body O-Ring FPM	8	1	17,36
02493 R 0118	Seat O-Ring FPM	9	2	6,73
714 R 0914053	Union O-Ring FPM	10	2	17,79
02493 R 0129	O-Ring kit FPM	7+8+9+10	1	56,61
18441 R 0108	Adjusting tool	11	2	2,90



PVC-C BALL VALVES INDUSTRIAL SERIES

PVC-U

Valves

PP

Spare parts

Table for D16 - 3/8" / D20 - 1/2" (PN 16) with columns: CODE, DESCRIPTION, Fig., Q, EUR. Includes parts like Shaft + EPDM O-Rings, Ball, Union nut, etc.

Table for D25 - 3/4" (PN 16) with columns: CODE, DESCRIPTION, Fig., Q, EUR. Includes parts like Shaft + EPDM O-Rings, Ball, Union nut, etc.

Table for D32 - 1" (PN 16) with columns: CODE, DESCRIPTION, Fig., Q, EUR. Includes parts like Shaft + EPDM O-Rings, Ball, Union nut, etc.

Table for D40 - 1 1/4" (PN 16) with columns: CODE, DESCRIPTION, Fig., Q, EUR. Includes parts like Shaft + EPDM O-Rings, Ball, Union nut, etc.

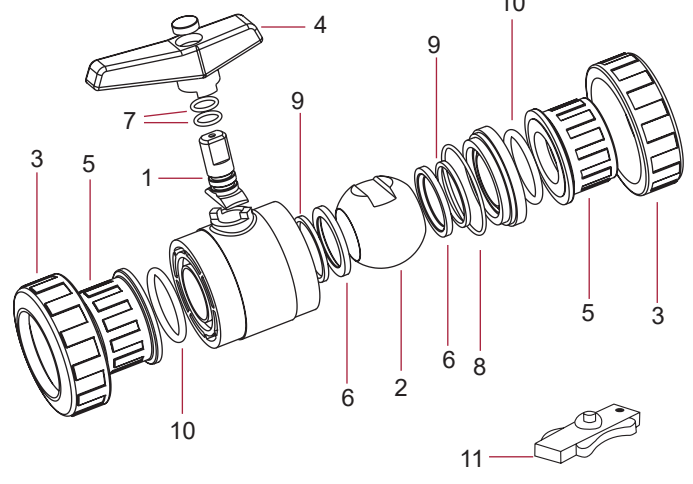
Table for D50 - 1 1/2" (PN 16) with columns: CODE, DESCRIPTION, Fig., Q, EUR. Includes parts like Shaft + EPDM O-Rings, Ball, Union nut, etc.

Table for D63 - 2" (PN 16) with columns: CODE, DESCRIPTION, Fig., Q, EUR. Includes parts like Shaft + EPDM O-Rings, Ball, Union nut, etc.

Table for D75 - 2 1/2" (PN 10) with columns: CODE, DESCRIPTION, Fig., Q, EUR. Includes parts like Shaft + EPDM O-Rings, Ball, Union nut, etc.

Table for D90 - 3" with columns: CODE, DESCRIPTION, Fig., Q, EUR. Includes parts like Shaft + EPDM O-Rings, Ball, Union nut, etc.

Table for D110 - 4" (PN 10) with columns: CODE, DESCRIPTION, Fig., Q, EUR. Includes parts like Shaft + EPDM O-Rings, Ball, Union nut, etc.





PVC-U BALL VALVES UNIBLOCK SERIES

D20 - 1/2" (UNIBLOCK)				
CODE	DESCRIPTION	Fig.	Q	EUR
02453 R 0121	Shaft + EPDM O-Rings	1+7	5	0,66
02453 R 0102	Ball	2	5	1,05
22773 R 0104	Union nut	3	10	0,98
22773 R 0124	Handle assembly	4	5	0,82
22773 R 0105	20 mm connection	5	10	0,50
22791 R 0105	1/2" connection BSP	5	10	0,61
02453 R 0107	Ball seat HDPE	6	10	0,44
723 R 0093018	Shaft O-Ring EPDM	7	10	0,15
723 R 0266026	Body O-Ring EPDM	8	10	0,20
02453 R 0118	Seat O-Ring EPDM	9	10	0,23
723 R 0202035	Union O-Ring EPDM	10	10	0,49
02453 R 0129	O-Ring kit EPDM	7+8+9+10	1	1,89
22785 R 0105	1/2" male connection BSP	12	10	0,69

D32 - 1" (UNIBLOCK)				
CODE	DESCRIPTION	Fig.	Q	EUR
02455 R 0121	Shaft + EPDM O-Rings	1+7	5	0,70
02455 R 0102	Ball	2	5	1,65
22775 R 0104	Union nut	3	10	1,34
22775 R 0124	Handle assembly	4	5	1,34
22775 R 0105	32 mm connection	5	10	0,72
22793 R 0105	1" connection BSP	5	10	0,84
02455 R 0107	Ball seat HDPE	6	10	0,47
723 R 0120025	Shaft O-Ring EPDM	7	10	0,15
723 R 0378026	Body O-Ring EPDM	8	10	0,23
02455 R 0118	Seat O-Ring EPDM	9	10	0,35
723 R 0329035	Union O-Ring EPDM	10	10	0,63
02455 R 0129	O-Ring kit EPDM	7+8+9+10	1	2,14
22787 R 0105	1" male connection BSP	12	10	0,99

D50 - 1 1/2" (UNIBLOCK)				
CODE	DESCRIPTION	Fig.	Q	EUR
02502 R 0121	Shaft + EPDM O-Rings	1+7	4	0,99
02502 R 0102	Ball	2	4	2,70
11375 R 0104	Union nut	3	8	1,80
11375 R 0124	Handle assembly	4	4	1,82
11375 R 0105	50 mm connection	5	8	1,53
11377 R 0105	1 1/2" connection BSP	5	8	1,63
11375 R 0107	Ball seat HDPE	6	8	0,63
723 R 0155026	Shaft O-Ring EPDM	7	10	0,15
723 R 0567035	Body O-Ring EPDM	8	5	0,50
02457 R 0118	Seat O-Ring EPDM	9	8	0,47
723 R 0470053	Union O-Ring EPDM	10	10	0,99
11375 R 0129	O-Ring kit EPDM	7+8+9+10	1	2,18
11374 R 0105	1 1/2" male connection BSP	12	4	1,92

D75 - 2 1/2" (UNIBLOCK)				
CODE	DESCRIPTION	Fig.	Q	EUR
02459 R 0121	Shaft + EPDM O-Rings	1+7	2	3,94
02459 R 0102	Ball	2	2	9,04
22777 R 0104	Union nut	3	4	9,56
22777 R 0124	Handle assembly	4	2	5,48
22777 R 0105	75 mm connection	5	4	4,05
22795 R 0105	2 1/2" connection BSP	5	4	7,19
02459 R 0107	Ball seat HDPE	6	4	1,21
723 R 0234035	Shaft O-Ring EPDM	7	10	0,23
723 R 0978053	Body O-Ring EPDM	8	2	1,40
02459 R 0118	Seat O-Ring EPDM	9	4	0,76
723 R 0756053	Union O-Ring EPDM	10	5	3,15
02459 R 0129	O-Ring kit EPDM	7+8+9+10	1	4,49
22789 R 0105	2 1/2" male connection BSP	12	4	8,43

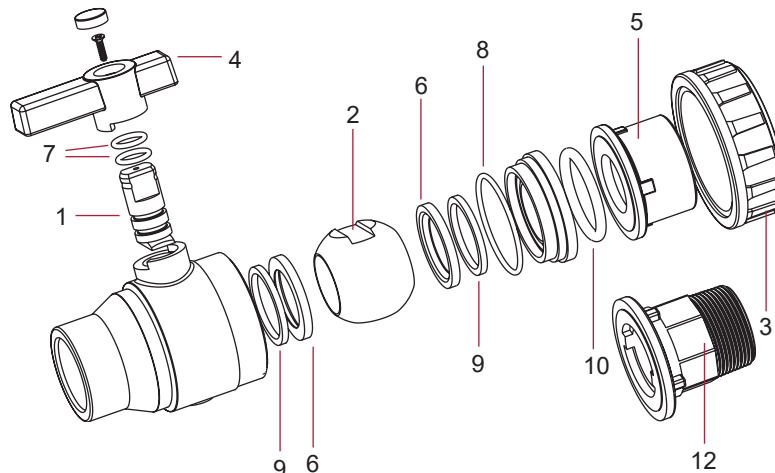
D110 - 4" (UNIBLOCK)				
CODE	DESCRIPTION	Fig.	Q	EUR
22797 R 0121	Shaft + EPDM O-Rings	1+7	1	16,25
22797 R 0102	Ball	2	1	53,55
22797 R 0104	Union nut	3	2	18,92
22797 R 0124	Handle assembly	4	1	7,18
22797 R 0105	110 mm connection	5	2	14,00
22798 R 0105	4" connection BSP	5	2	19,84
22797 R 0107	Ball seat HDPE	6	2	1,42
723 R 0266035	Shaft O-Ring EPDM	7	10	0,23
723 R 1550053	Body O-Ring EPDM	8	2	2,03
22797 R 0118	Seat O-Ring EPDM	9	2	1,19
723 R 1092057	Union O-Ring EPDM	10	2	4,86
36728 R 0129	O-Ring kit EPDM	7+8+9+10	1	6,09
36730 R 0105	4" male connection BSP	12	2	24,07

D25 - 3/4" (UNIBLOCK)				
CODE	DESCRIPTION	Fig.	Q	EUR
02454 R 0121	Shaft + EPDM O-Rings	1+7	5	0,66
02454 R 0102	Ball	2	5	1,31
22774 R 0104	Union nut	3	10	1,21
22774 R 0124	Handle assembly	4	5	0,98
22774 R 0105	25 mm connection	5	10	0,50
22792 R 0105	3/4" connection BSP	5	10	0,61
02454 R 0107	Ball seat HDPE	6	10	0,47
723 R 0111018	Shaft O-Ring EPDM	7	10	0,15
723 R 0330026	Body O-Ring EPDM	8	5	0,23
02454 R 0118	Seat O-Ring EPDM	9	10	0,35
723 R 0282035	Union O-Ring EPDM	10	10	0,52
02454 R 0129	O-Ring kit EPDM	7+8+9+10	1	2,00
22786 R 0105	3/4" male connection BSP	12	10	0,69

D40 - 1 1/4" (UNIBLOCK)				
CODE	DESCRIPTION	Fig.	Q	EUR
02456 R 0121	Shaft + EPDM O-Rings	1+7	5	0,76
02456 R 0102	Ball	2	5	2,11
22776 R 0104	Union nut	3	10	1,89
22776 R 0124	Handle assembly	4	5	1,34
22776 R 0105	40 mm connection	5	10	1,19
22794 R 0105	1 1/4" connection BSP	5	10	1,27
02456 R 0107	Ball seat HDPE	6	10	0,50
723 R 0139026	Shaft O-Ring EPDM	7	10	0,20
723 R 0505026	Body O-Ring EPDM	8	5	0,47
02456 R 0118	Seat O-Ring EPDM	9	10	0,44
723 R 0407053	Union O-Ring EPDM	10	10	0,87
02456 R 0129	O-Ring kit EPDM	7+8+9+10	1	2,75
22788 R 0105	1 1/4" male connection BSP	12	10	1,47

D63 - 2" (UNIBLOCK)				
CODE	DESCRIPTION	Fig.	Q	EUR
02457 R 0121	Shaft + EPDM O-Rings	1+7	4	1,08
02458 R 0102	Ball	2	4	4,66
15826 R 0104	Union nut	3	8	4,17
15826 R 0124	Handle assembly	4	4	2,14
15826 R 0105	63 mm connection	5	8	2,50
15829 R 0105	2" connection BSP	5	8	2,76
02458 R 0107	Ball seat HDPE	6	8	0,76
723 R 0155026	Shaft O-Ring EPDM	7	10	0,15
723 R 0758035	Body O-Ring EPDM	8	5	0,63
02458 R 0118	Seat O-Ring EPDM	9	8	0,50
723 R 0597053	Union O-Ring EPDM	10	5	1,11
15826 R 0129	O-Ring kit EPDM	7+8+9+10	1	2,66
15827 R 0105	2" male connection BSP	12	4	3,60

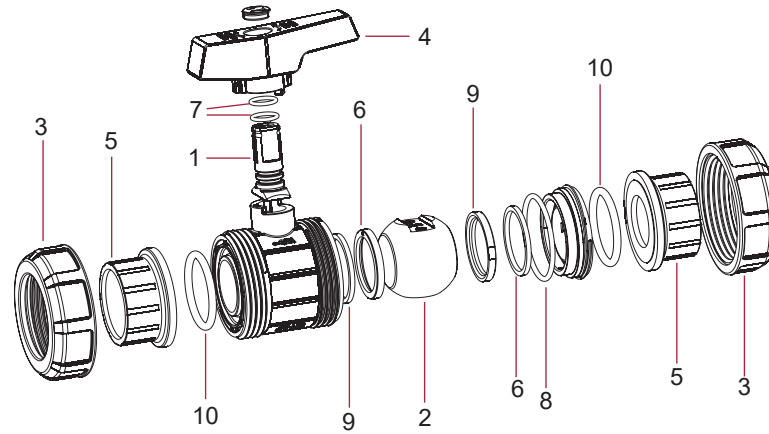
D90 - 3" (UNIBLOCK)				
CODE	DESCRIPTION	Fig.	Q	EUR
02460 R 0121	Shaft + EPDM O-Rings	1+7	1	5,60
02460 R 0102	Ball	2	1	16,55
22778 R 0104	Union nut	3	2	13,42
22778 R 0124	Handle assembly	4	1	7,79
22778 R 0105	90 mm connection	5	2	6,26
22796 R 0105	3" connection BSP	5	2	10,23
02460 R 0107	Ball seat HDPE	6	2	1,89
723 R 0266035	Shaft O-Ring EPDM	7	10	0,23
723 R 1238053	Body O-Ring EPDM	8	1	2,70
02460 R 0118	Seat O-Ring EPDM	9	2	1,21
723 R 0914053	Union O-Ring EPDM	10	2	3,51
02460 R 0129	O-Ring kit EPDM	7+8+9+10	1	5,77
22790 R 0105	3" male connection BSP	12	2	12,02



PVC-U BALL VALVES E-QUA SERIES

D50 - 1½" (PN 12) e-QUA				
CODE	DESCRIPTION	Fig.	Q	EUR
41544 R 0124	Standard handle assembly	4	4	3,62
41941 R 0104	Union nut	3	8	3,42
36505 R 0105	50 mm connection	5	8	2,21
36515 R 0105	1"1/2 connection BSP	5	8	3,57
723 R 0470053	Union O-Ring EPDM	10	10	0,99
36505 R 0102	Ball	2	4	4,34
36505 R 0135	O-Ring kit EPDM/PE	6-7-8-9-10	1	7,47
36505 R 0121	Shaft + EPDM O-Rings	1-7	4	2,41

D63 - 2" (PN 12) e-QUA				
CODE	DESCRIPTION	Fig.	Q	EUR
41545 R 0124	Standard handle assembly	4	4	3,82
41545 R 0104	Union nut	3	8	5,38
36506 R 0105	63 mm connection	5	8	3,82
36516 R 0105	2" connection BSP	5	8	5,13
723 R 0597053	Union O-Ring EPDM	10	5	1,11
36506 R 0102	Ball	2	4	6,67
36506 R 0135	O-Ring kit EPDM/PE	6-7-8-9-10	1	7,85
36506 R 0121	Shaft + EPDM O-Rings	1-7	4	2,70



PVC-U

Valves

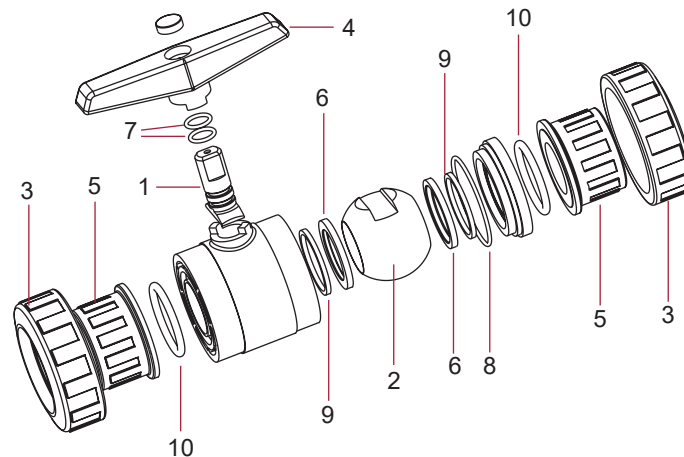
PP

Spare parts

PVC-U BALL VALVES PN 10 SERIES

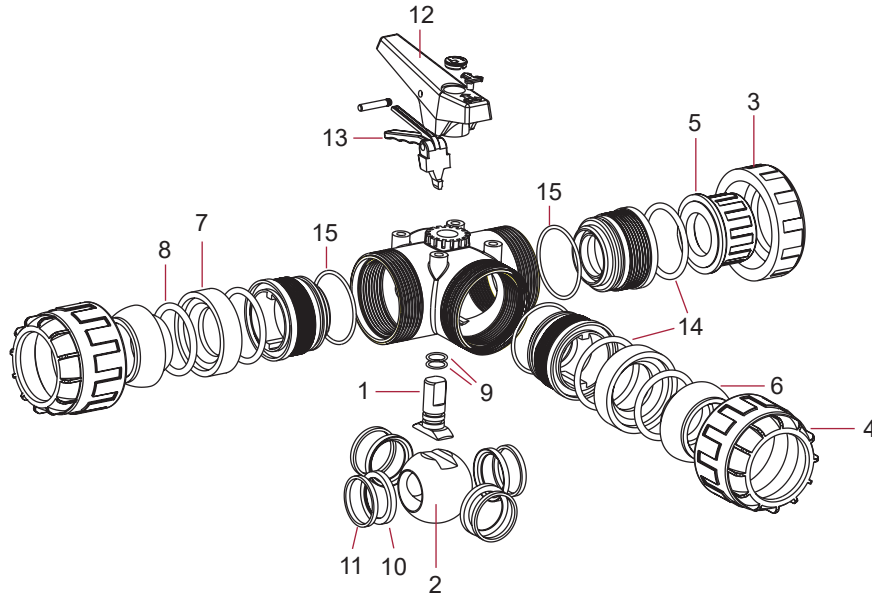
D50 - 1½" (PN 10)				
CODE	DESCRIPTION	Fig.	Q	EUR
02502 R 0121	Shaft + EPDM O-Rings	1+7	4	0,99
02502 R 0102	Ball	2	4	2,70
02502 R 0104	Union nut	3	8	2,46
02502 R 0124	Handle assembly	4	4	2,08
02502 R 0105	50 mm connection	5	8	2,36
02504 R 0105	1½" BSP connection	5	8	3,63
02502 R 0107	Ball seat HDPE	6	8	0,63
723 R 0155026	Shaft O-Ring EPDM	7	10	0,15
723 R 0667035	Body O-Ring EPDM	8	5	0,50
02457 R 0118	Seat O-Ring EPDM	9	8	0,47
723 R 0470053	Union O-Ring EPDM	10	10	0,99
02502 R 0129	O-Ring kit EPDM	7+8+9+10	1	2,75

D63 - 2" (PN 10)				
CODE	DESCRIPTION	Fig.	Q	EUR
02457 R 0121	Shaft + EPDM O-Rings	1+7	4	1,08
02458 R 0102	Ball	2	4	4,66
02503 R 0104	Union nut	3	8	3,94
02503 R 0124	Handle assembly	4	4	2,70
02503 R 0105	63 mm connection	5	8	2,52
02505 R 0105	2" connection BSP	5	8	3,59
02458 R 0107	Ball seat HDPE	6	8	0,76
723 R 0155026	Shaft O-Ring EPDM	7	10	0,15
723 R 0758035	Body O-Ring EPDM	8	5	0,63
02458 R 0118	Seat O-Ring EPDM	9	8	0,50
723 R 0597053	Union O-Ring EPDM	10	5	1,11
02458 R 0129	O-Ring kit EPDM	7+8+9+10	1	3,25



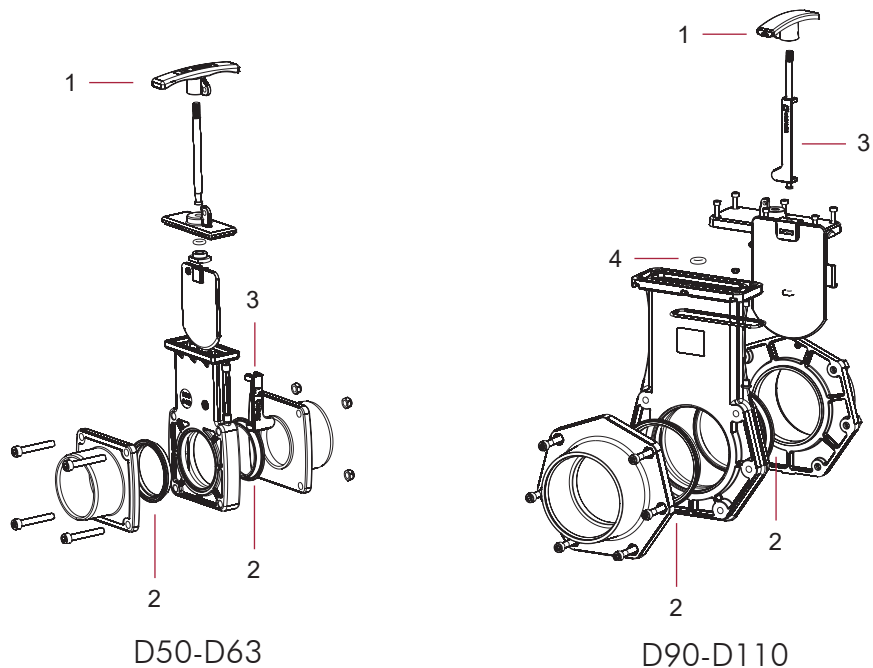
PVC-U BALL VALVES 3-WAY SERIES

D50 - 1½"				
CODE	DESCRIPTION	Fig.	Q	EUR
02457 R 0121	Shaft + EPDM O-Rings	1+9	4	1,08
20168 R 0102	Ball	2	4	4,18
02457 R 0104	Union nut	3	8	3,12
20169 R 0104	Self-align union nut	4	4	3,71
20168 R 0124	Handle assembly	12+13	4	9,10
20168 R 0105	50 mm connection	4	8	4,51
20170 R 0105	1½" connection BSP	5	8	5,71
20169 R 0105	50 mm self-align connection	6	4	2,14
20169 R 0108	Ball-socket joint	7	4	1,51
723 R 0550060	Ball-socket joint O-Ring	8	5	0,72
20168 R 0107	Ball seat HDPE	10	16	0,63
723 R 0155026	Shaft O-Ring EPDM	9	10	0,15
723 R 0599035	Body O-Ring EPDM	15	5	0,56
20168 R 0118	Seat O-Ring EPDM	11	16	0,47
723 R 0597053	Union O-Ring EPDM	14	5	1,11
20168 R 0129	O-Ring kit EPDM (except ball-socket joint)	9+11+14+15	1	5,94



PVC-U KNIFE GATE VALVES

GUILLOTINA - KNIFE GATE				
CODE	DESCRIPTION	Fig.	Q	EUR
28590 R 0124	Handle assembly + clip D50	1+3	1	2,92
28600 R 0124	Handle assembly + clip D63	1+3	1	TBA
43578 R 0124	Handle assembly + clip D90-110	1+3	1	4,96
28590 R 0110	EPDM gasket - D50	2	2	1,71
28600 R 0110	EPDM gasket - D63	2	2	2,17
43578 R 0110	EPDM gasket - D90-110	2	2	10,78



PVC-U CHECK VALVES SPRING SERIES

PVC-U

Valves

PP

Spare parts

D16 - 3/4" / D20 - 1/2"				
CODE	DESCRIPTION	Fig.	Q	EUR
02543 R 0106	Screen	3	5	1,53
02543 R 0104	Union nut	4	10	0,96
05352 R 0105	16 mm connection	5	10	0,56
02453 R 0105	20 mm connection	5	10	0,56
05353 R 0105	3/4" connection BSP	5	10	0,87
02462 R 0105	1/2" connection BSP	5	10	0,87
723 R 0139035	Cone O-Ring EPDM	6	10	0,20
723 R 0266026	Body O-Ring EPDM	7	10	0,20
723 R 0202035	Union O-Ring EPDM	8	10	0,49
08991 R 0121	Cone + O-Ring EPDM	1+6	5	1,80
08991 R 0110	Spring	2	5	0,86
08991 R 0129	O-Ring kit EPDM	6+7+8	1	1,53
714 R 0139035	Cone O-Ring FPM	6	10	1,11
714 R 0266026	Body O-Ring FPM	7	10	1,40
714 R 0202035	Union O-Ring FPM	8	10	2,78
18732 R 0121	Cone + O-Ring FPM	1-6	5	2,64
08991 R 0130	O-Ring kit FPM	6+7+8	1	5,73

D32 - 1"				
CODE	DESCRIPTION	Fig.	Q	EUR
02545 R 0106	Screen	3	5	2,15
02455 R 0104	Union nut	4	10	1,34
02455 R 0105	32 mm connection	5	10	0,92
02464 R 0105	1" connection BSP	5	10	1,39
723 R 0250035	Cone O-Ring EPDM	6	10	0,23
723 R 0378026	Body O-Ring EPDM	7	10	0,23
723 R 0329035	Union O-Ring EPDM	8	10	0,63
08993 R 0121	Cone + O-Ring EPDM	1+6	5	2,32
08993 R 0110	Spring	2	5	1,34
08993 R 0129	O-Ring kit EPDM	6+7+8	1	1,68
714 R 0250035	Cone O-Ring FPM	6	10	1,68
714 R 0378026	Body O-Ring FPM	7	10	1,65
714 R 0329035	Union O-Ring FPM	8	10	3,31
18734 R 0121	Cone + O-Ring FPM	1-6	5	3,70
08993 R 0130	O-Ring kit FPM	6+7+8	1	9,22

D50 - 1 1/2"				
CODE	DESCRIPTION	Fig.	Q	EUR
02547 R 0106	Screen	3	4	3,77
02502 R 0104	Union nut	4	8	2,46
02502 R 0105	50 mm connection	5	8	2,36
02504 R 0105	1 1/2" connection BSP	5	8	3,63
723 R 0387035	Cone O-Ring EPDM	6	10	0,23
723 R 0567035	Body O-Ring EPDM	7	5	0,50
723 R 0470053	Union O-Ring EPDM	8	10	0,99
08995 R 0121	Cone + O-Ring EPDM	1+6	4	3,02
08995 R 0110	Spring	2	4	2,34
08995 R 0129	O-Ring kit EPDM	6+7+8	1	2,49
714 R 0387035	Cone O-Ring FPM	6	10	1,65
714 R 0567035	Body O-Ring FPM	7	5	6,49
714 R 0470053	Union O-Ring FPM	8	10	9,53
18736 R 0121	Cone + O-Ring FPM	1-6	4	4,34
08995 R 0130	O-Ring kit FPM	6+7+8	1	17,19

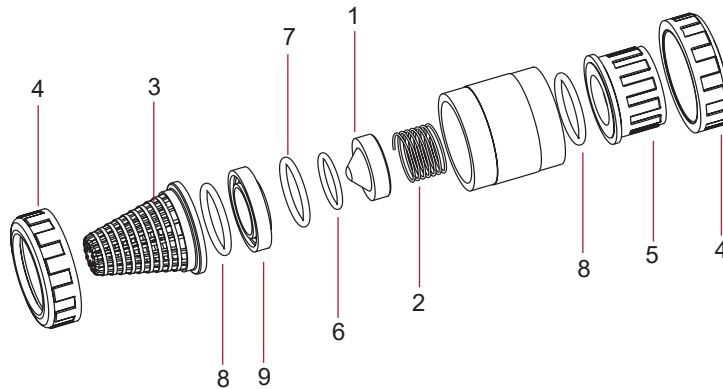
D75 - 2 1/2"				
CODE	DESCRIPTION	Fig.	Q	EUR
02549 R 0106	Screen	3	2	5,48
02459 R 0104	Union nut	4	4	9,56
02459 R 0105	75 mm connection	5	4	4,14
02468 R 0105	2 1/2" connection BSP	5	4	7,56
723 R 0660053	Cone O-Ring EPDM	6	5	0,87
723 R 0978053	Body O-Ring EPDM	7	2	1,40
723 R 0756053	Union O-Ring EPDM	8	5	3,15
08997 R 0121	Cone + O-Ring EPDM	1+6	2	6,12
08997 R 0110	Spring	2	2	4,29
08997 R 0129	O-Ring kit EPDM	6+7+8	1	3,94
714 R 0660053	Cone O-Ring FPM	6	5	4,73
714 R 0978053	Body O-Ring FPM	7	2	13,00
714 R 0756053	Union O-Ring FPM	8	5	16,92
18738 R 0121	Cone + O-Ring FPM	1-6	2	9,79
08997 R 0130	O-Ring kit FPM	6+7+8	1	41,75

D25 - 3/4"				
CODE	DESCRIPTION	Fig.	Q	EUR
02544 R 0106	Screen	3	5	1,86
02454 R 0104	Union nut	4	10	1,21
02454 R 0105	25 mm connection	5	10	0,66
02463 R 0105	3/4" connection BSP	5	10	1,08
723 R 0202035	Cone O-Ring EPDM	6	10	0,49
723 R 0330026	Body O-Ring EPDM	7	5	0,23
723 R 0282035	Union O-Ring EPDM	8	10	0,52
08992 R 0121	Cone + O-Ring EPDM	1+6	5	1,97
08992 R 0110	Spring	2	5	1,13
08992 R 0129	O-Ring kit EPDM	6+7+8	1	1,65
714 R 0202035	Cone O-Ring FPM	6	10	2,78
714 R 0330026	Body O-Ring FPM	7	10	1,80
714 R 0282035	Union O-Ring FPM	8	10	3,12
18733 R 0121	Cone + O-Ring FPM	1-6	5	3,05
08992 R 0130	O-Ring kit FPM	6+7+8	1	7,28

D40 - 1 1/4"				
CODE	DESCRIPTION	Fig.	Q	EUR
02546 R 0106	Screen	3	5	2,52
02456 R 0104	Union nut	4	10	1,89
02456 R 0105	40 mm connection	5	10	1,25
02465 R 0105	1 1/4" connection BSP	5	10	1,63
723 R 0329035	Cone O-Ring EPDM	6	10	0,63
723 R 0505026	Body O-Ring EPDM	7	5	0,47
723 R 0407053	Union O-Ring EPDM	8	10	0,87
08994 R 0121	Cone + O-Ring EPDM	1+6	5	2,50
08994 R 0110	Spring	2	5	1,89
08994 R 0129	O-Ring kit EPDM	6+7+8	1	2,24
714 R 0329035	Cone O-Ring FPM	6	10	3,31
714 R 0505026	Body O-Ring FPM	7	5	2,89
714 R 0407053	Union O-Ring FPM	8	10	6,47
18735 R 0121	Cone + O-Ring FPM	1-6	5	4,60
08994 R 0130	O-Ring kit FPM	6+7+8	1	9,68

D63 - 2"				
CODE	DESCRIPTION	Fig.	Q	EUR
02548 R 0106	Screen	3	4	4,50
02503 R 0104	Union nut	4	8	3,94
02503 R 0105	63 mm connection	5	8	2,52
02505 R 0105	2" connection BSP	5	8	3,59
723 R 0504035	Cone O-Ring EPDM	6	5	0,44
723 R 0694035	Body O-Ring EPDM	7	5	0,63
723 R 0597053	Union O-Ring EPDM	8	5	1,11
08996 R 0121	Cone + O-Ring EPDM	1+6	4	3,71
08996 R 0110	Spring	2	4	3,02
08996 R 0129	O-Ring kit EPDM	6+7+8	1	2,70
714 R 0504035	Cone O-Ring FPM	6	5	2,89
714 R 0694035	Body O-Ring FPM	7	5	6,87
714 R 0597053	Union O-Ring FPM	8	5	9,70
18737 R 0121	Cone + O-Ring FPM	1-6	4	6,06
08996 R 0130	O-Ring kit FPM	6+7+8	1	22,68

D90 - 3" / D110 - 4" (DN80)				
CODE	DESCRIPTION	Fig.	Q	EUR
02550 R 0106	Screen	3	1	6,93
02460 R 0104	Union nut 90 mm	4	2	13,42
02461 R 0104	Union nut 110 mm	4	2	14,75
02460 R 0105	90 mm connection	5	2	6,93
02461 R 0105	110 mm connection	5	2	11,30
02469 R 0105	3" connection BSP	5	2	12,23
05354 R 0105	4" connection BSP	5	2	16,69
723 R 0840053	Cone O-Ring EPDM	6	5	0,76
723 R 1238053	Body O-Ring EPDM	7	1	2,70
723 R 0914053	Union O-Ring EPDM	8	2	3,51
08998 R 0121	Cone + O-Ring EPDM	1+6	1	7,44
08998 R 0110	Spring	2	1	5,70
08998 R 0129	O-Ring kit EPDM	6+7+8	1	5,54
714 R 0840053	Cone O-Ring FPM	6	5	7,44
714 R 1238053	Body O-Ring FPM	7	1	17,36
714 R 0914053	Union O-Ring FPM	8	2	17,79
18739 R 0121	Cone + O-Ring FPM	1-6	1	13,87
08998 R 0130	O-Ring kit FPM	6+7+8	1	49,74



PVC-C CHECK VALVES SPRING SERIES

D16 - 3/8" / D20 - 1/2"				
CODE	DESCRIPTION	Fig.	Q	EUR
02543 R 0106	Screen	3	5	1,53
22805 R 0104	Union nut	4	10	1,47
22805 R 0105	20 mm connection	5	10	1,51
22815 R 0105	1/2" connection BSP	5	10	2,37
723 R 0139035	Cone O-Ring EPDM	6	10	0,20
723 R 0266026	Body O-Ring EPDM	7	10	0,20
723 R 0202035	Union O-Ring EPDM	8	10	0,49
22845 R 0121	Cone + O-Ring EPDM	1+6	5	1,99
08991 R 0110	Spring	2	5	0,86
08991 R 0129	O-Ring kit EPDM	6+7+8	1	1,53
714 R 0139035	Cone O-Ring FPM	6	10	1,11
714 R 0266026	Body O-Ring FPM	7	10	1,40
714 R 0202035	Union O-Ring FPM	8	10	2,78
22845 R 0129	Cone + O-Ring FPM	1-6	5	3,22
08991 R 0130	O-Ring kit FPM	6+7+8	1	5,73

D32 - 1"				
CODE	DESCRIPTION	Fig.	Q	EUR
02545 R 0106	Screen	3	5	2,15
22807 R 0104	Union nut	4	10	2,75
22807 R 0105	32 mm connection	5	10	2,47
22817 R 0105	1" connection BSP	5	10	3,71
723 R 0250035	Cone O-Ring EPDM	6	10	0,23
723 R 0378026	Body O-Ring EPDM	7	10	0,23
723 R 0329035	Union O-Ring EPDM	8	10	0,63
22847 R 0121	Cone + O-Ring EPDM	1+6	5	2,57
08993 R 0110	Spring	2	5	1,34
08993 R 0129	O-Ring kit EPDM	6+7+8	1	1,68
714 R 0250035	Cone O-Ring FPM	6	10	1,68
714 R 0378026	Body O-Ring FPM	7	10	1,65
714 R 0329035	Union O-Ring FPM	8	10	3,31
22847 R 0129	Cone + O-Ring FPM	1-6	5	3,59
08993 R 0130	O-Ring kit FPM	6+7+8	1	9,22

D50 - 1 1/2"				
CODE	DESCRIPTION	Fig.	Q	EUR
02547 R 0106	Screen	3	4	3,77
22849 R 0104	Union nut	4	8	5,35
22849 R 0105	50 mm connection	5	8	2,92
22859 R 0105	1 1/2" connection BSP	5	8	4,86
723 R 0387035	Cone O-Ring EPDM	6	10	0,23
723 R 0567035	Body O-Ring EPDM	7	5	0,50
723 R 0470053	Union O-Ring EPDM	8	10	0,99
22849 R 0121	Cone + O-Ring EPDM	1+6	4	3,22
08995 R 0110	Spring	2	4	2,34
08995 R 0129	O-Ring kit EPDM	6+7+8	1	2,49
714 R 0387035	Cone O-Ring FPM	6	10	1,65
714 R 0567035	Body O-Ring FPM	7	5	6,49
714 R 0470053	Union O-Ring FPM	8	10	9,53
22849 R 0129	Cone + O-Ring FPM	1-6	4	5,28
08995 R 0130	O-Ring kit FPM	6+7+8	1	17,19

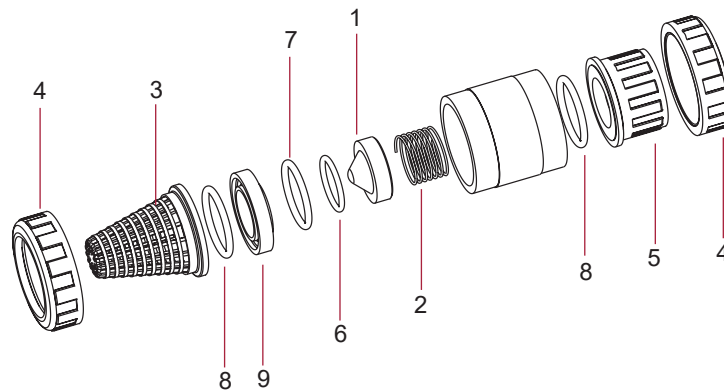
D75 - 2 1/2"				
CODE	DESCRIPTION	Fig.	Q	EUR
02549 R 0106	Screen	3	2	5,48
22811 R 0104	Union nut	4	4	19,56
22811 R 0105	75 mm connection	5	4	11,15
22821 R 0105	2 1/2" connection BSP	5	4	20,40
723 R 0660053	Cone O-Ring EPDM	6	5	0,87
723 R 0978053	Body O-Ring EPDM	7	2	1,40
723 R 0756053	Union O-Ring EPDM	8	5	3,15
22851 R 0121	Cone + O-Ring EPDM	1+6	2	6,92
08997 R 0110	Spring	2	2	4,29
08997 R 0129	O-Ring kit EPDM	6+7+8	1	3,94
714 R 0660053	Cone O-Ring FPM	6	5	4,73
714 R 0978053	Body O-Ring FPM	7	2	13,00
714 R 0756053	Union O-Ring FPM	8	5	16,92
22851 R 0129	Cone + O-Ring FPM	1-6	2	8,32
08997 R 0130	O-Ring kit FPM	6+7+8	1	41,75

D25 - 3/4"				
CODE	DESCRIPTION	Fig.	Q	EUR
02544 R 0106	Screen	3	5	1,86
22806 R 0104	Union nut	4	10	2,18
22806 R 0105	25 mm connection	5	10	1,82
22816 R 0105	3/4" connection BSP	5	10	2,92
723 R 0202035	Cone O-Ring EPDM	6	10	0,49
723 R 0330026	Body O-Ring EPDM	7	5	0,23
723 R 0282035	Union O-Ring EPDM	8	10	0,52
22846 R 0121	Cone + O-Ring EPDM	1+6	5	2,17
08992 R 0110	Spring	2	5	1,13
08992 R 0129	O-Ring kit EPDM	6+7+8	1	1,65
714 R 0202035	Cone O-Ring FPM	6	10	2,78
714 R 0330026	Body O-Ring FPM	7	10	1,80
714 R 0282035	Union O-Ring FPM	8	10	3,12
22846 R 0129	Cone + O-Ring FPM	1-6	5	3,51
08992 R 0130	O-Ring kit FPM	6+7+8	1	7,28

D40 - 1 1/4"				
CODE	DESCRIPTION	Fig.	Q	EUR
02546 R 0106	Screen	3	5	2,52
22808 R 0104	Union nut	4	10	4,00
22808 R 0105	40 mm connection	5	10	3,36
22818 R 0105	1 1/4" connection BSP	5	10	4,43
723 R 0329035	Cone O-Ring EPDM	6	10	0,63
723 R 0505026	Body O-Ring EPDM	7	5	0,47
723 R 0407053	Union O-Ring EPDM	8	10	0,87
22848 R 0121	Cone + O-Ring EPDM	1+6	5	2,73
08994 R 0110	Spring	2	5	1,89
08994 R 0129	O-Ring kit EPDM	6+7+8	1	2,24
714 R 0329035	Cone O-Ring FPM	6	10	3,31
714 R 0505026	Body O-Ring FPM	7	5	2,89
714 R 0407053	Union O-Ring FPM	8	10	6,47
22848 R 0129	Cone + O-Ring FPM	1-6	5	4,78
08994 R 0130	O-Ring kit FPM	6+7+8	1	9,68

D63 - 2"				
CODE	DESCRIPTION	Fig.	Q	EUR
02548 R 0106	Screen	3	4	4,50
22850 R 0104	Union nut	4	8	5,79
22850 R 0105	63 mm connection	5	8	8,35
22860 R 0105	2" connection BSP	5	8	8,16
723 R 0504035	Cone O-Ring EPDM	6	5	0,44
723 R 0694035	Body O-Ring EPDM	7	5	0,63
723 R 0597053	Union O-Ring EPDM	8	5	1,11
22850 R 0121	Cone + O-Ring EPDM	1+6	4	4,09
08996 R 0110	Spring	2	4	3,02
08996 R 0129	O-Ring kit EPDM	6+7+8	1	2,70
714 R 0504035	Cone O-Ring FPM	6	5	2,89
714 R 0694035	Body O-Ring FPM	7	5	6,87
714 R 0597053	Union O-Ring FPM	8	5	9,70
22850 R 0129	Cone + O-Ring FPM	1-6	4	5,73
08996 R 0130	O-Ring kit FPM	6+7+8	1	22,68

D90 - 3" / D110 - 4" (DN80)				
CODE	DESCRIPTION	Fig.	Q	EUR
02550 R 0106	Screen	3	1	6,93
22812 R 0104	Union nut 90 mm	4	2	28,65
22853 R 0104	Union nut 110 mm	4	2	33,23
22812 R 0105	90 mm connection	5	2	18,77
22853 R 0105	110 mm connection	5	2	26,36
22822 R 0105	3" connection BSP	5	2	33,08
22863 R 0105	4" connection BSP	5	2	54,62
723 R 0840053	Cone O-Ring EPDM	6	5	0,76
723 R 1238053	Body O-Ring EPDM	7	1	2,70
723 R 0914053	Union O-Ring EPDM	8	2	3,51
22852 R 0121	Cone + O-Ring EPDM	1+6	1	8,09
08998 R 0110	Spring	2	1	5,70
08998 R 0129	O-Ring kit EPDM	6+7+8	1	5,54
714 R 0840053	Cone O-Ring FPM	6	5	7,44
714 R 1238053	Body O-Ring FPM	7	1	17,36
714 R 0914053	Union O-Ring FPM	8	2	17,79
22852 R 0129	Cone + O-Ring FPM	1-6	1	11,83
08998 R 0130	O-Ring kit FPM	6+7+8	1	49,74



PVC-U CHECK VALVES BALL SERIES

PVC-U

Valves

PP

Spare parts

D16 - 3/8" / D20 - 1/2"				
CODE	DESCRIPTION	Fig.	Q	EUR
22078 R 0102	Ball	1	1	10,96
02543 R 0106	Screen	3	5	1,53
02543 R 0104	Union nut	4	10	0,96
05352 R 0105	16 mm connection	5	10	0,56
02453 R 0105	20 mm connection	5	10	0,56
05353 R 0105	3/8" connection BSP	5	10	0,87
02462 R 0105	1/2" connection BSP	5	10	0,87
22078 R 0107	O-Ring EPDM	2	5	1,21
22090 R 0107	O-Ring FPM	2	5	2,90
723 R 0202035	Union O-Ring EPDM	8	10	0,49
714 R 0202035	Union O-Ring FPM	8	10	2,78

D32 - 1"				
CODE	DESCRIPTION	Fig.	Q	EUR
22080 R 0102	Ball	1	1	12,78
02545 R 0106	Screen	3	5	2,15
02455 R 0104	Union nut	4	10	1,34
02455 R 0105	32 mm connection	5	10	0,92
02464 R 0105	1" connection BSP	5	10	1,39
22080 R 0107	O-Ring EPDM	2	5	1,91
22092 R 0107	O-Ring FPM	2	5	4,79
723 R 0329035	Union O-Ring EPDM	8	10	0,63
714 R 0329035	Union O-Ring FPM	8	10	3,31

D50 - 1 1/2"				
CODE	DESCRIPTION	Fig.	Q	EUR
25697 R 0102	Ball	1	1	18,42
02547 R 0106	Screen	3	4	3,77
02502 R 0104	Union nut	4	8	2,46
02457 R 0105	50 mm connection	5	8	1,68
02466 R 0105	1 1/2" connection BSP	5	8	2,37
25697 R 0107	O-Ring EPDM	2	4	3,80
25701 R 0107	O-Ring FPM	2	4	10,00
723 R 0470053	Union O-Ring EPDM	8	10	0,99
714 R 0470053	Union O-Ring FPM	8	10	9,53

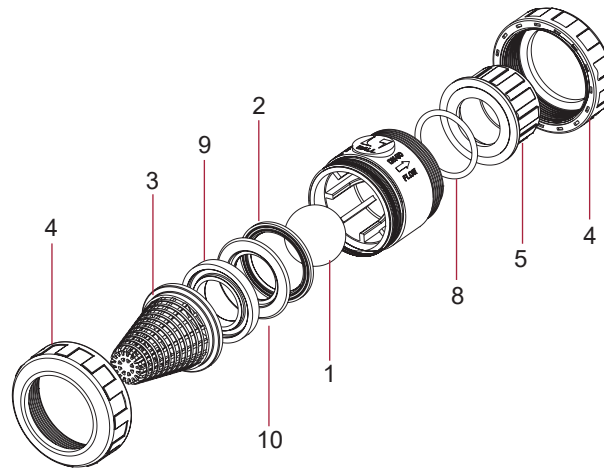
D75 - 2 1/2"				
CODE	DESCRIPTION	Fig.	Q	EUR
22175 R 0102	Ball	1	1	44,76
02549 R 0106	Screen	3	2	5,48
02459 R 0104	Union nut	4	4	9,56
02459 R 0105	75 mm connection	5	4	4,14
02468 R 0105	2 1/2" connection BSP	5	4	7,56
22175 R 0107	O-Ring EPDM	2	2	6,03
22240 R 0107	O-Ring FPM	2	2	27,06
723 R 0756053	Union O-Ring EPDM	8	5	3,15
714 R 0756053	Union O-Ring FPM	8	5	16,92

D25 - 3/4"				
CODE	DESCRIPTION	Fig.	Q	EUR
22079 R 0102	Ball	1	1	11,87
02544 R 0106	Screen	3	5	1,86
02454 R 0104	Union nut	4	10	1,21
02454 R 0105	25 mm connection	5	10	0,66
02463 R 0105	3/4" connection BSP	5	10	1,08
22079 R 0107	O-Ring EPDM	2	5	1,45
22091 R 0107	O-Ring FPM	2	5	4,00
723 R 0282035	Union O-Ring EPDM	8	10	0,52
714 R 0282035	Union O-Ring FPM	8	10	3,12

D40 - 1 1/4"				
CODE	DESCRIPTION	Fig.	Q	EUR
22174 R 0102	Ball	1	1	17,56
02546 R 0106	Screen	3	5	2,52
02456 R 0104	Union nut	4	10	1,89
02456 R 0105	40 mm connection	5	10	1,25
02465 R 0105	1 1/4" connection BSP	5	10	1,63
22174 R 0107	O-Ring EPDM	2	5	2,55
22239 R 0107	O-Ring FPM	2	5	7,62
723 R 0407053	Union O-Ring EPDM	8	10	0,87
714 R 0407053	Union O-Ring FPM	8	10	6,47

D63 - 2"				
CODE	DESCRIPTION	Fig.	Q	EUR
25698 R 0102	Ball	1	1	19,94
02548 R 0106	Screen	3	4	4,50
02503 R 0104	Union nut	4	8	3,94
02503 R 0105	63 mm connection	5	8	2,52
02505 R 0105	2" connection BSP	5	8	3,59
25698 R 0107	O-Ring EPDM	2	4	4,46
25702 R 0107	O-Ring FPM	2	4	14,38
723 R 0597053	Union O-Ring EPDM	8	5	1,11
714 R 0597053	Union O-Ring FPM	8	5	9,70

D90 - 3" / D110 - 4" (DN80)				
CODE	DESCRIPTION	Fig.	Q	EUR
22176 R 0102	Ball	1	1	79,68
02550 R 0106	Screen	3	1	6,93
02460 R 0104	Union nut 90 mm	4	2	13,42
02461 R 0104	Union nut 110 mm	4	2	14,75
02460 R 0105	90 mm connection	5	2	6,93
02461 R 0105	110 mm connection	5	2	11,30
02469 R 0105	3" connection BSP	5	2	12,23
05354 R 0105	4" connection BSP	5	2	16,69
22176 R 0107	O-Ring EPDM	2	1	10,11
22241 R 0107	O-Ring FPM	2	1	42,36
723 R 0914053	Union O-Ring EPDM	8	2	3,51
714 R 0914053	Union O-Ring FPM	8	2	17,79



PVC-C CHECK VALVES BALL SERIES

D16 - 3/8" / D20 - 1/2"				
CODE	DESCRIPTION	Fig.	Q	EUR
27501 R 0102	Ball	1	1	24,89
02543 R 0106	Screen	3	5	1,53
22805 R 0104	Union nut	4	10	1,47
22805 R 0105	20 mm connection	5	10	1,51
22815 R 0105	1/2" connection BSP	5	10	2,37
22078 R 0107	O-Ring EPDM	2	5	1,21
22090 R 0107	O-Ring FPM	2	5	2,90
723 R 0202035	Union O-Ring EPDM	8	10	0,49
714 R 0202035	Union O-Ring FPM	8	10	2,78

D32 - 1"				
CODE	DESCRIPTION	Fig.	Q	EUR
27503 R 0102	Ball	1	1	38,37
02545 R 0106	Screen	3	5	2,15
22807 R 0104	Union nut	4	10	2,75
22807 R 0105	32 mm connection	5	10	2,47
22817 R 0105	1" connection BSP	5	10	3,71
22080 R 0107	O-Ring EPDM	2	5	1,91
22092 R 0107	O-Ring FPM	2	5	4,79
723 R 0329035	Union O-Ring EPDM	8	10	0,63
714 R 0329035	Union O-Ring FPM	8	10	3,31

D50 - 1 1/2"				
CODE	DESCRIPTION	Fig.	Q	EUR
27505 R 0102	Ball	1	1	45,58
02547 R 0106	Screen	3	4	3,77
22849 R 0104	Union nut	4	8	5,35
22849 R 0105	50 mm connection	5	8	2,92
22859 R 0105	1 1/2" connection BSP	5	8	4,86
25697 R 0107	O-Ring EPDM	2	4	3,80
25701 R 0107	O-Ring FPM	2	4	10,00
723 R 0470053	Union O-Ring EPDM	8	10	0,99
714 R 0470053	Union O-Ring FPM	8	10	9,53

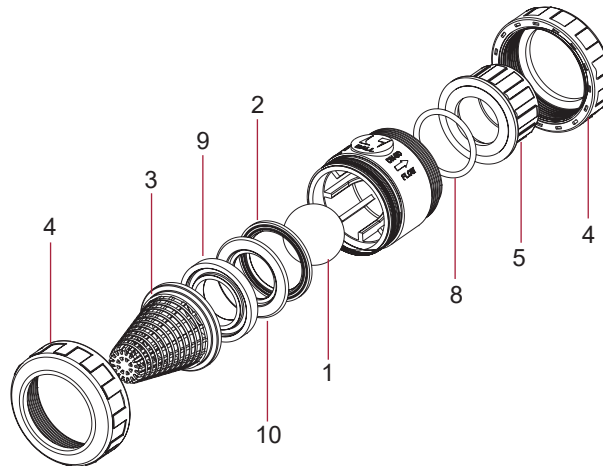
D75 - 2 1/2"				
CODE	DESCRIPTION	Fig.	Q	EUR
27507 R 0102	Ball	1	1	247,14
02549 R 0106	Screen	3	2	5,48
22811 R 0104	Union nut	4	4	19,56
22811 R 0105	75 mm connection	5	4	11,15
22821 R 0105	2 1/2" connection BSP	5	4	20,40
22175 R 0107	O-Ring EPDM	2	2	6,03
22240 R 0107	O-Ring FPM	2	2	27,06
723 R 0756053	Union O-Ring EPDM	8	5	3,15
714 R 0756053	Union O-Ring FPM	8	5	16,92

D25 - 3/4"				
CODE	DESCRIPTION	Fig.	Q	EUR
27502 R 0102	Ball	1	1	31,40
02544 R 0106	Screen	3	5	1,86
22806 R 0104	Union nut	4	10	2,18
22806 R 0105	25 mm connection	5	10	1,82
22816 R 0105	3/4" connection BSP	5	10	2,92
22079 R 0107	O-Ring EPDM	2	5	1,45
22091 R 0107	O-Ring FPM	2	5	4,00
723 R 0282035	Union O-Ring EPDM	8	10	0,52
714 R 0282035	Union O-Ring FPM	8	10	3,12

D40 - 1 1/4"				
CODE	DESCRIPTION	Fig.	Q	EUR
27504 R 0102	Ball	1	1	44,03
02546 R 0106	Screen	3	5	2,52
22808 R 0104	Union nut	4	10	4,00
22808 R 0105	40 mm connection	5	10	3,36
22818 R 0105	1 1/4" connection BSP	5	10	4,43
22174 R 0107	O-Ring EPDM	2	5	2,55
22239 R 0107	O-Ring FPM	2	5	7,62
723 R 0407053	Union O-Ring EPDM	8	10	0,87
714 R 0407053	Union O-Ring FPM	8	10	6,47

D63 - 2"				
CODE	DESCRIPTION	Fig.	Q	EUR
27506 R 0102	Ball	1	1	68,72
02548 R 0106	Screen	3	4	4,50
22850 R 0104	Union nut	4	8	5,79
22850 R 0105	63 mm connection	5	8	8,35
22860 R 0105	2" connection BSP	5	8	8,16
25698 R 0107	O-Ring EPDM	2	4	4,46
25702 R 0107	O-Ring FPM	2	4	14,38
723 R 0597053	Union O-Ring EPDM	8	5	1,11
714 R 0597053	Union O-Ring FPM	8	5	9,70

D90 - 3" / D110 - 4" (DN80)				
CODE	DESCRIPTION	Fig.	Q	EUR
27508 R 0102	Ball	1	1	530,74
02550 R 0106	Screen	3	1	6,93
22812 R 0104	Union nut 90 mm	4	2	28,65
22853 R 0104	Union nut 110 mm	4	2	33,23
22812 R 0105	90 mm connection	5	2	18,77
22853 R 0105	110 mm connection	5	2	26,36
22822 R 0105	3" connection BSP	5	2	33,08
22863 R 0105	4" connection BSP	5	2	54,62
22176 R 0107	O-Ring EPDM	2	1	10,11
22241 R 0107	O-Ring FPM	2	1	42,36
723 R 0914053	Union O-Ring EPDM	8	2	3,51
714 R 0914053	Union O-Ring FPM	8	2	17,79



PVC-U

Valves

PP

Spare parts

PVC-U SWING CHECK VALVES

PVC-U

Valves

PP

Spare parts

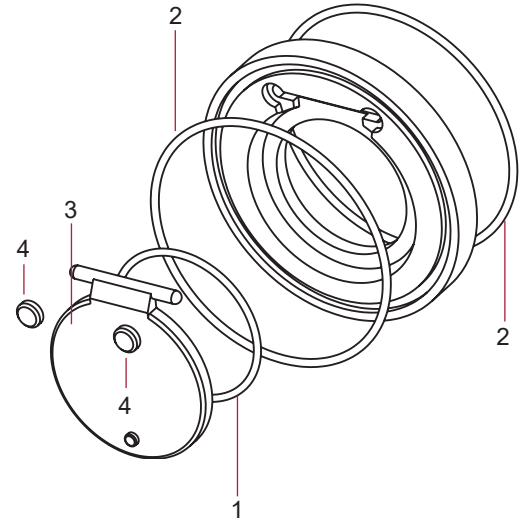
BODY O-RING EPDM				
CODE	DESCRIPTION	Fig.	Q	EUR
37055 R 0400	Body O-Ring EPDM D63	2	1	1,07
723 R 0914053	Body O-Ring EPDM D75	2	2	3,51
723 R 1105053	Body O-Ring EPDM D90	2	1	1,45
723 R 1359053	Body O-Ring EPDM D110	2	1	1,65
723 R 1486053	Body O-Ring EPDM D125	2	1	2,14
723 R 1600070	Body O-Ring EPDM D90-D110	2	1	3,62
723 R 1899070	Body O-Ring EPDM D160	2	2	4,93
723 R 2216070	Body O-Ring EPDM D200	2	1	5,01
723 R 2470070	Body O-Ring EPDM D225	2	1	TBA
723 R 2915070	Body O-Ring EPDM D250	2	1	13,88
37057 R 0400	Body O-Ring EPDM D315	2	1	18,87

FLAP O-RING EPDM				
CODE	DESCRIPTION	Fig.	Q	EUR
37055 R 0401	Flap O-Ring EPDM D63	1	1	0,50
723 R 0407053	Flap O-Ring EPDM D75	1	10	0,87
723 R 0565053	Flap O-Ring EPDM D90	1	5	0,70
723 R 0724053	Flap O-Ring EPDM D110	1	5	0,75
723 R 0819053	Flap O-Ring EPDM D125	1	2	0,82
723 R 0914053	Flap O-Ring EPDM D140	1	2	3,51
723 R 1137053	Flap O-Ring EPDM D160	1	1	1,48
723 R 1359053	Flap O-Ring EPDM D200	1	1	1,65
723 R 1486053	Flap O-Ring EPDM D225	1	1	2,14
723 R 1645053	Flap O-Ring EPDM D250	1	1	12,70
37057 R 0401	Flap O-Ring EPDM D315	1	1	17,93

FLAP KIT				
CODE	DESCRIPTION	Fig.	Q	EUR
08984 R 0120	Flap, flap O-Ring & caps D75	1+3+4	1	4,46
08985 R 0120	Flap, flap O-Ring & caps D90	1+3+4	1	5,33
08986 R 0120	Flap, flap O-Ring & caps D110	1+3+4	1	6,14
09040 R 0120	Flap, flap O-Ring & caps D125	1+3+4	1	6,73
08987 R 0120	Flap, flap O-Ring & caps D140	1+3+4	1	7,80
08988 R 0120	Flap, flap O-Ring & caps D160	1+3+4	1	12,02
09041 R 0120	Flap, flap O-Ring & caps D200	1+3+4	1	13,97
08989 R 0120	Flap, flap O-Ring & caps D225	1+3+4	1	16,78
37056 R 0120	Flap, flap O-Ring & caps D250	1+3+4	1	26,61

BODY O-RING FPM				
CODE	DESCRIPTION	Fig.	Q	EUR
714 R 0914053	Body O-Ring FPM D75	2	2	17,79
714 R 1105053	Body O-Ring FPM D90	2	2	12,25
714 R 1359053	Body O-Ring FPM D110	2	1	13,99
714 R 1486053	Body O-Ring FPM D125	2	1	17,94
714 R 1600070	Body O-Ring FPM D140	2	1	30,56
714 R 1915070	Body O-Ring FPM D160	2	2	41,78
714 R 2216070	Body O-Ring FPM D200	2	1	42,65
714 R 2485070	Body O-Ring FPM D225	2	1	53,82

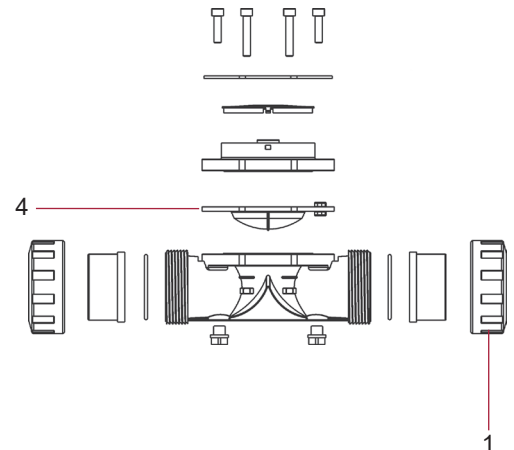
FLAP O-RING FPM				
CODE	DESCRIPTION	Fig.	Q	EUR
714 R 0407053	Flap O-Ring FPM D75	1	10	6,47
714 R 0565053	Flap O-Ring FPM D90	1	5	6,51
714 R 0724053	Flap O-Ring FPM D110	1	5	6,92
714 R 0819053	Flap O-Ring FPM D125	1	2	7,48
714 R 0914053	Flap O-Ring FPM D140	1	2	17,79
714 R 1137053	Flap O-Ring FPM D160	1	1	12,61
714 R 1359053	Flap O-Ring FPM D200	1	1	13,99
714 R 1486053	Flap O-Ring FPM D225	1	1	17,94



PVC-U HYDRAULIC VALVE

D63				
CODE	DESCRIPTION	Fig.	Q	EUR
11462 R 041	Hydraulic valve diaphragm	4	1	114,05
11462 R 0104	Hydraulic valve nut	1	4	8,02

D90				
CODE	DESCRIPTION	Fig.	Q	EUR
27500 R 041	Hydraulic valve diaphragm	4	1	142,20





STANDARD SERIES BUTTERFLY VALVES

D63 / D75				
CODE	DESCRIPTION	Fig.	Q	EUR
32614 R 0124	Handle assembly EPDM	1+2+3+4+5	1	15,88
34532 R 0124	Handle assembly FPM	1+2+3+4+5	1	15,88
32614 R 0130	Dial plate assembly	6+7+8	1	8,20
32614 R 0129	Shaft O-ring kit EPDM	9	1	5,34
34532 R 0129	Shaft O-ring kit FPM	9	1	7,86
32614 R 0121	Disc PVC-U	10	1	9,77
32614 R 0118	Body gasket EPDM	11	1	15,70
34532 R 0118	Body gasket FPM	11	1	69,56

D90				
CODE	DESCRIPTION	Fig.	Q	EUR
32615 R 0124	Handle assembly EPDM	1+2+3+4+5	1	16,25
34534 R 0124	Handle assembly FPM	1+2+3+4+5	1	16,25
32614 R 0130	Dial plate assembly	6+7+8	1	8,20
32615 R 0129	Shaft O-ring kit EPDM	9	1	5,34
34533 R 0129	Shaft O-ring kit FPM	9	1	7,86
32615 R 0121	Disc PVC-U	10	1	10,20
32615 R 0118	Body gasket EPDM	11	1	16,57
34533 R 0118	Body gasket FPM	11	1	101,75

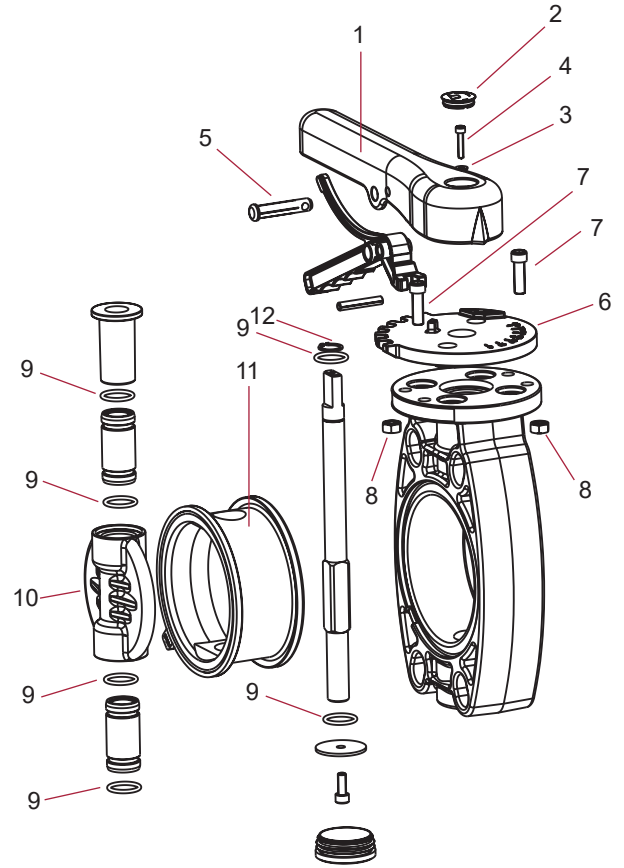
D110				
CODE	DESCRIPTION	Fig.	Q	EUR
32616 R 0124	Handle assembly EPDM	1+2+3+4+5	1	16,25
34534 R 0124	Handle assembly FPM	1+2+3+4+5	1	16,25
32616 R 0130	Dial plate assembly	6+7+8	1	TBA
32616 R 0129	Shaft O-ring kit EPDM	9	1	5,57
34534 R 0129	Shaft O-ring kit FPM	9	1	10,98
32616 R 0121	Disc PVC-U	10	1	13,61
32616 R 0118	Body gasket EPDM	11	1	21,16
34534 R 0118	Body gasket FPM	11	1	148,28

D125 / D140				
CODE	DESCRIPTION	Fig.	Q	EUR
32617 R 0124	Handle assembly EPDM	1+2+3+4+5	1	18,22
34535 R 0124	Handle assembly FPM	1+2+3+4+5	1	18,22
32616 R 0130	Dial plate assembly	6+7+8	1	TBA
32617 R 0129	Shaft O-ring kit EPDM	9	1	5,57
34535 R 0129	Shaft O-ring kit FPM	9	1	10,98
32617 R 0121	Disc PVC-U	10	1	18,58
32617 R 0118	Body gasket EPDM	11	1	22,75
34535 R 0118	Body gasket FPM	11	1	155,96

D160				
CODE	DESCRIPTION	Fig.	Q	EUR
32617 R 0124	Handle assembly EPDM	1+2+3+4+5	1	18,22
34535 R 0124	Handle assembly FPM	1+2+3+4+5	1	18,22
32616 R 0130	Dial plate assembly	6+7+8	1	TBA
32617 R 0129	Shaft O-ring kit EPDM	9	1	5,57
34535 R 0129	Shaft O-ring kit FPM	9	1	10,98
32618 R 0121	Disc PVC-U	10	1	22,33
32618 R 0118	Body gasket EPDM	11	1	30,59
34536 R 0118	Body gasket FPM	11	1	246,34

D200 / D225				
CODE	DESCRIPTION	Fig.	Q	EUR
32619 R 0124	Handle assembly EPDM	1+2+3+4+5	1	24,42
34537 R 0124	Handle assembly FPM	1+2+3+4+5	1	24,42
32619 R 0130	Dial plate assembly	6+7+8	1	14,52
32619 R 0129	Shaft O-ring kit EPDM	9	1	5,85
34537 R 0129	Shaft O-ring kit FPM	9	1	13,48
32619 R 0121	Disc PVC-U	10	1	43,41
32619 R 0118	Body gasket EPDM	11	1	51,28
34537 R 0118	Body gasket FPM	11	1	398,82

D250				
CODE	DESCRIPTION	Fig.	Q	EUR
10096 R 0124	Handle assembly EPDM	1+2+3+4+5	1	348,06
46647 R 0130	Dial plate assembly	6+7+8	1	19,78
46647 R 0129	Shaft O-ring kit EPDM	9	1	7,18
34472 R 0121	Disc PVC-U	10	1	82,66
46647 R 0118	Body gasket EPDM	11	1	88,55



PVC-U  
Valves  
PP  
Spare parts

INDUSTRIAL SERIES BUTTERFLY VALVES

PVC-U

Valves

PP

Spare parts

D63 / D75				
CODE	DESCRIPTION	Fig.	Q	EUR
32614 R 0124	Handle assembly EPDM	1+2+3+4+5	1	15,88
34532 R 0124	Handle assembly FPM	1+2+3+4+5	1	15,88
32614 R 0130	Dial plate assembly	6+7+8	1	8,20
32620 R 0129	Shaft O-ring kit Perox. EPDM	9	1	5,39
34532 R 0129	Shaft O-ring kit FPM	9	1	7,86
32614 R 0121	Disc PVC-U	10	1	9,77
34480 R 0121	Disc PVC-C	10	1	11,07
32620 R 0118	Body gasket Perox. EPDM	11	1	30,16
34532 R 0118	Body gasket FPM	11	1	69,56

D90				
CODE	DESCRIPTION	Fig.	Q	EUR
32615 R 0124	Handle assembly EPDM	1+2+3+4+5	1	16,25
34534 R 0124	Handle assembly FPM	1+2+3+4+5	1	16,25
32614 R 0130	Dial plate assembly	6+7+8	1	8,20
32621 R 0129	Shaft O-ring kit Perox. EPDM	9	1	5,92
34533 R 0129	Shaft O-ring kit FPM	9	1	7,86
32615 R 0121	Disc PVC-U	10	1	10,20
34481 R 0121	Disc PVC-C	10	1	12,14
32621 R 0118	Body gasket Perox. EPDM	21+22+23	1	31,38
34533 R 0118	Body gasket FPM	24	1	101,75

D110				
CODE	DESCRIPTION	Fig.	Q	EUR
32616 R 0124	Handle assembly EPDM	1+2+3+4+5	1	16,25
34534 R 0124	Handle assembly FPM	1+2+3+4+5	1	16,25
32616 R 0130	Dial plate assembly	6+7+8	1	TBA
32622 R 0129	Shaft O-ring kit Perox. EPDM	9	1	7,19
34534 R 0129	Shaft O-ring kit FPM	9	1	10,98
32616 R 0121	Disc PVC-U	10	1	13,61
33961 R 0121	Disc PVC-C	10	1	16,75
32622 R 0118	Body gasket Perox. EPDM	11	1	35,12
34534 R 0118	Body gasket FPM	11	1	148,28

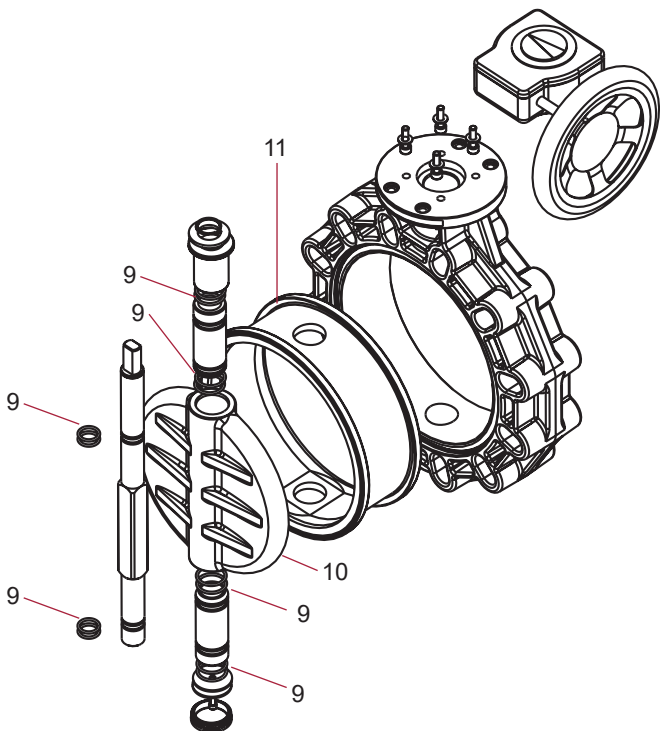
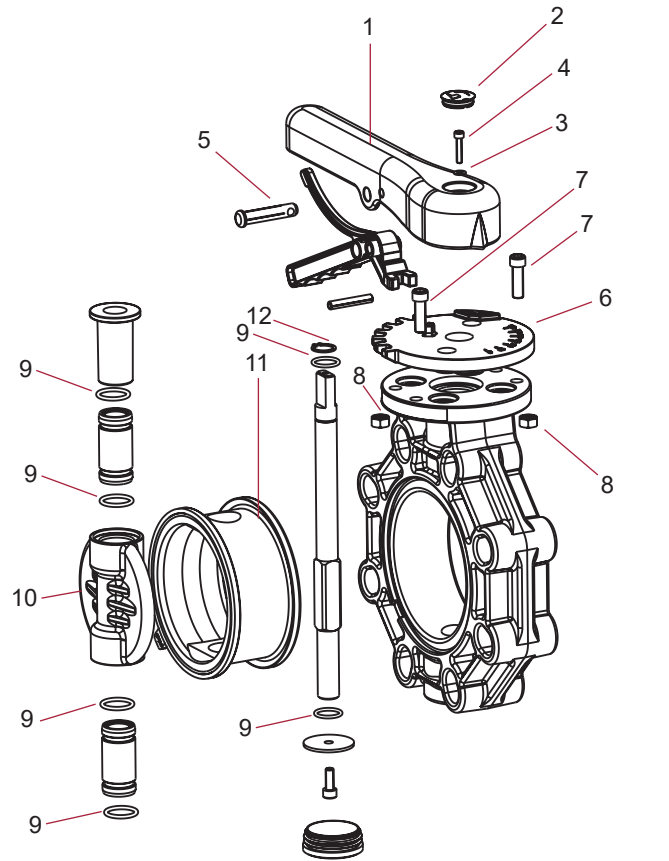
D125 / D140				
CODE	DESCRIPTION	Fig.	Q	EUR
32617 R 0124	Handle assembly EPDM	1+2+3+4+5	1	18,22
34535 R 0124	Handle assembly FPM	1+2+3+4+5	1	18,22
32616 R 0130	Dial plate assembly	6+7+8	1	TBA
32623 R 0129	Shaft O-ring kit Perox. EPDM	9	1	7,19
34535 R 0129	Shaft O-ring kit FPM	9	1	10,98
32617 R 0121	Disc PVC-U	10	1	18,58
34482 R 0121	Disc PVC-C	10	1	25,01
32623 R 0118	Body gasket Perox. EPDM	11	1	39,41
34535 R 0118	Body gasket FPM	11	1	155,96

D160				
CODE	DESCRIPTION	Fig.	Q	EUR
32617 R 0124	Handle assembly EPDM	1+2+3+4+5	1	17,32
34535 R 0124	Handle assembly FPM	1+2+3+4+5	1	17,32
32616 R 0130	Dial plate assembly	6+7+8	1	7,80
32623 R 0129	Shaft O-ring kit Perox. EPDM	9	1	6,84
34535 R 0129	Shaft O-ring kit FPM	9	1	10,44
32618 R 0121	Disc PVC-U	10	1	21,23
34483 R 0121	Disc PVC-C	10	1	30,76
32624 R 0118	Body gasket Perox. EPDM	11	1	47,34
34536 R 0118	Body gasket FPM	11	1	234,25

D200 / D225				
CODE	DESCRIPTION	Fig.	Q	EUR
32619 R 0124	Handle assembly EPDM	1+2+3+4+5	1	23,22
34537 R 0124	Handle assembly FPM	1+2+3+4+5	1	23,22
32619 R 0130	Dial plate assembly	6+7+8	1	13,81
32625 R 0129	Shaft O-ring kit Perox. EPDM	9	1	8,28
34537 R 0129	Shaft O-ring kit FPM	9	1	12,82
32619 R 0121	Disc PVC-U	10	1	41,28
34484 R 0121	Disc PVC-C	10	1	72,18
32625 R 0118	Body gasket Perox. EPDM	11	1	81,72
34537 R 0118	Body gasket FPM	11	1	379,24

D250 / D280				
CODE	DESCRIPTION	Fig.	Q	EUR
34472 R 0129	Shaft O-ring kit Perox. EPDM	9	1	11,24
34479 R 0129	Shaft O-ring kit FPM	9	1	27,15
34472 R 0121	Disc PVC-U	10	1	78,60
34496 R 0121	Disc PVC-C	10	1	109,27
34472 R 0118	Body gasket Perox. EPDM	11	1	167,35
34479 R 0118	Body gasket FPM	11	1	866,55

D315				
CODE	DESCRIPTION	Fig.	Q	EUR
34472 R 0129	Shaft O-ring kit Perox. EPDM	9	1	11,24
34479 R 0129	Shaft O-ring kit FPM	9	1	27,15
32738 R 0121	Disc PVC-U	10	1	114,21
34497 R 0121	Disc PVC-C	10	1	154,10
32738 R 0118	Body gasket Perox. EPDM	11	1	209,62
32739 R 0118	Body gasket FPM	11	1	925,07



PVC-U BUTTERFLY VALVES CLASSIC SERIES

D63 / D75				
CODE	DESCRIPTION	Fig.	Q	EUR
02581 R 0124	Handle assembly	1	1	27,30
02581 R 0130	Dial plate assembly	2	1	12,66
02581 R 0121	Disc, zinc plated shaft + EPDM O-Rings	3+5	1	11,24
16707 R 0121	Disc, stainless shaft + EPDM O-Rings	3+5	1	56,36
02581 R 0118	Body gasket EPDM	4	1	26,56
723 R 0124018	Shaft O-Ring EPDM	5	10	0,15
02590 R 0118	Body gasket FPM	4	1	120,73
714 R 0124018	Shaft O-Ring FPM	5	10	0,66

D90				
CODE	DESCRIPTION	Fig.	Q	EUR
02582 R 0124	Handle assembly	1	1	27,30
02581 R 0130	Dial plate assembly	2	1	12,66
02582 R 0121	Disc, zinc plated shaft + EPDM O-Rings	3+5	1	15,64
16708 R 0121	Disc, stainless shaft + EPDM O-Rings	3+5	1	66,99
02582 R 0118	Body gasket EPDM	4	1	30,16
723 R 0139026	Shaft O-Ring EPDM	5	10	0,20
02591 R 0118	Body gasket FPM	4	1	172,40
714 R 0139026	Shaft O-Ring FPM	5	10	1,11

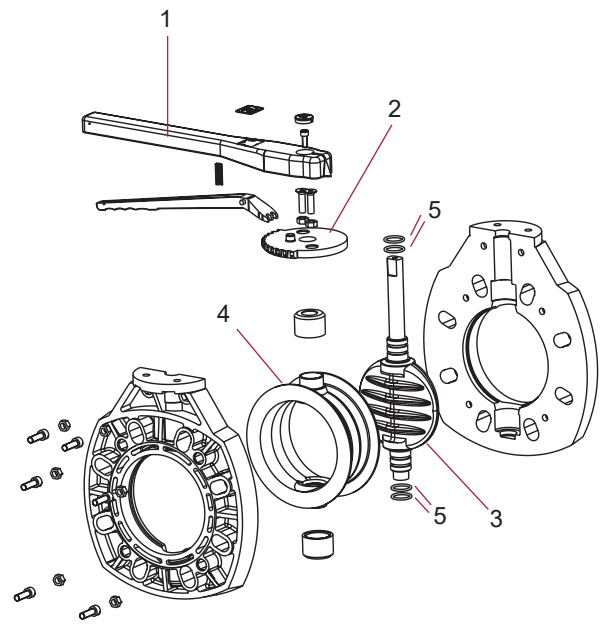
D110				
CODE	DESCRIPTION	Fig.	Q	EUR
02583 R 0124	Handle assembly	1	1	30,50
02581 R 0130	Dial plate assembly	2	1	12,66
02583 R 0121	Disc, zinc plated shaft + EPDM O-Rings	3+5	1	20,71
16709 R 0121	Disc, stainless shaft + EPDM O-Rings	3+5	1	112,24
02583 R 0118	Body gasket EPDM	4	1	33,64
723 R 0188018	Shaft O-Ring EPDM	5	10	0,20
02592 R 0118	Body gasket FPM	4	1	224,08
714 R 0188018	Shaft O-Ring FPM	5	10	1,11

D125 / D140				
CODE	DESCRIPTION	Fig.	Q	EUR
02585 R 0124	Handle assembly	1	1	37,67
02581 R 0130	Dial plate assembly	2	1	12,66
02585 R 0121	Disc, zinc plated shaft + EPDM O-Rings	3+5	1	26,42
16710 R 0121	Disc, stainless shaft + EPDM O-Rings	3+5	1	123,31
02585 R 0118	Body gasket EPDM	4	1	42,76
723 R 0219026	Shaft O-Ring EPDM	5	10	0,20
02594 R 0118	Body gasket FPM	4	1	294,05
714 R 0219026	Shaft O-Ring FPM	5	10	1,28

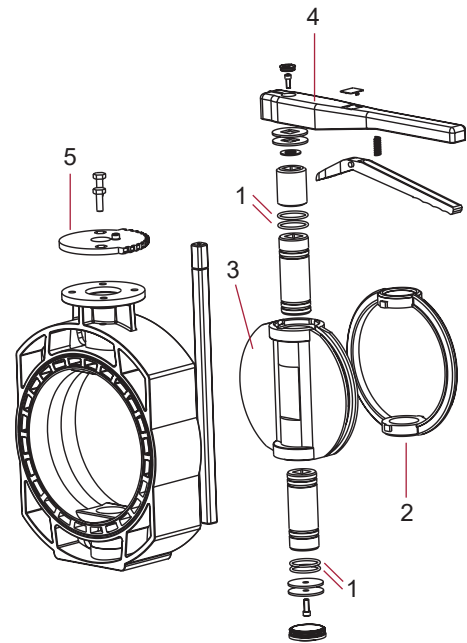
D160				
CODE	DESCRIPTION	Fig.	Q	EUR
02586 R 0124	Handle assembly	1	1	37,67
02581 R 0130	Dial plate assembly	2	1	12,66
02586 R 0121	Disc, zinc plated shaft + EPDM O-Rings	3+5	1	34,63
16711 R 0121	Disc, stainless shaft + EPDM O-Rings	3+5	1	143,11
02586 R 0118	Body gasket EPDM	4	1	51,11
723 R 0234035	Shaft O-Ring EPDM	5	10	0,23
02595 R 0118	Body gasket FPM	4	1	428,03
714 R 0234035	Shaft O-Ring FPM	5	10	1,68

D200 / D225				
CODE	DESCRIPTION	Fig.	Q	EUR
02587 R 0124	Handle assembly	1	1	55,05
02587 R 0130	Dial plate assembly	2	1	18,03
02587 R 0121	Disc, zinc plated shaft + EPDM O-Rings	3+5	1	60,55
16712 R 0121	Disc, stainless shaft + EPDM O-Rings	3+5	1	181,03
02587 R 0118	Body gasket EPDM	4	1	77,77
723 R 0300040	Shaft O-Ring EPDM	5	10	0,64
02596 R 0118	Body gasket FPM	4	1	942,19
714 R 0300040	Shaft O-Ring FPM	5	10	2,31

D250				
CODE	DESCRIPTION	Fig.	Q	EUR
15846 R 0124	Handle assembly	4	1	55,05
02587 R 0130	Dial plate assembly	5	1	18,03
15846 R 0101	Disc	3	1	59,37
15846 R 0118	Disc gasket EPDM	2	1	34,02
723 R 0380035	Shaft O-Rings EPDM	1	8	0,43
16868 R 0118	Disc gaskets FPM	2	1	263,52
714 R 0380035	Shaft O-Rings FPM	1	8	3,18



D63 - D225



D250

PVC-U

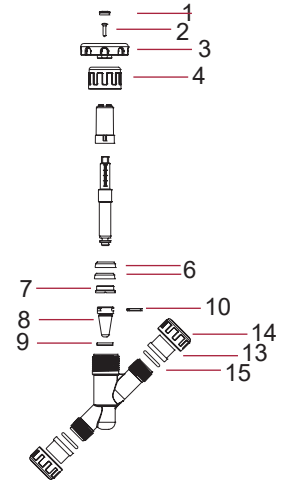
Valves

PP

Spare parts

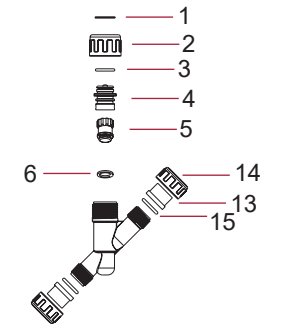
**ANGLE SEAT REGULATOR VALVE**

D20 - 1/2" (REGULADORA - REGULATOR)				
CODE	DESCRIPTION	Fig.	Q	EUR
22885 R 0124	Handwheel assembly	1+2+3	4	2,53
22885 R 0102	Bonnetnut	4	10	1,53
22885 R 0125	Sealing assembly	6+7	10	1,39
22885 R 0129	Conical assembly	8+9+10	5	4,24
723 R 0202035	EPDM o-ring (union)	15	10	0,49
02172	20 mm connection (Union)	13	10	0,69
02188	Union nut 1"	14	10	1,06



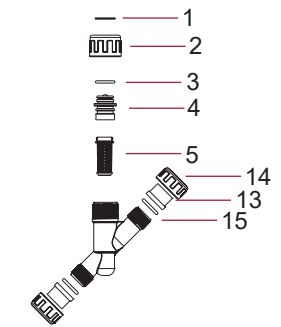
**ANGLE SEAT CHECK VALVE**

D20 - 1/2" (ANTI-RETORNO - CHECK)				
CODE	DESCRIPTION	Fig.	Q	EUR
22889 R 0112	Safety ring	1	10	0,50
22889 R 0107	Cap + o-ring assembly	3+4	5	1,80
22889 R 0101	Disc bonnet assembly	5+6	5	5,39
22889 R 0136	Disc assembly	6	5	0,18
22885 R 0102	Bonnetnut	2	10	1,53
723 R 0202035	EPDM o-ring (union)	15	10	0,49
02172	20 mm connection (union)	13	10	0,69
02188	Union nut 1"	14	10	1,06



**LINE STRAINER**

D20 - 1/2" (FILTRO - LINE STRAINER)				
CODE	DESCRIPTION	Fig.	Q	EUR
25713 R 0106	Screen	5	5	0,69
22885 R 0102	Bonnetnut	2	10	1,53
22889 R 0112	Safety ring	1	10	0,50
22889 R 0107	Cap + o-ring assembly	3+4	5	1,80
723 R 0202035	EPDM o-ring (union)	15	10	0,49
02172	20 mm connection (union)	13	10	0,69
02188	Union nut 1"	14	10	1,06

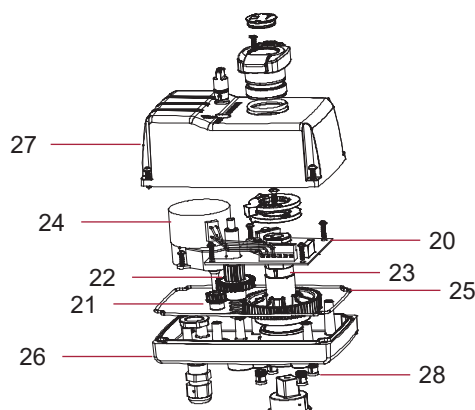
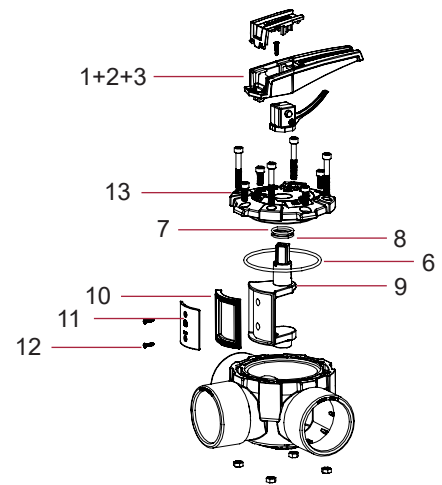


**ROTARY DISC VALVES**

D50 - D63				
CODE	DESCRIPTION	Fig.	Q	EUR
16059 R 0124	Handle assembly 2-3 way valve	1+2+3	4	3,59
16059 R 0121	Shaft assembly 2-3 way valve	9+10+11+12	4	14,84
16059 R 0129	Shaft O-Rings kit	7+8	4	1,21
723 R 0758035	Body O-Ring	6	5	0,63
16059 R 0013	Cover + O-rings kit	6+7+8+13	1	6,40
16059 R 0730	Valve head kit	1+2+3+6+7+8+9+10+11+12+13	1	TBA

D63 - D75				
CODE	DESCRIPTION	Fig.	Q	EUR
41862 R 0124	Handle assembly 3-way valve	1+2+3	4	4,86
41862 R 0121	Shaft assembly 3-way valve	9+10+11+12	4	14,84
41862 R 0129	Shaft O-Rings kit	7+8	4	1,36
723 R 0853035	Body O-Ring	6	5	2,20

Actuador - Actuator				
CODE	DESCRIPTION	Fig.	Q	EUR
53933 R 0001	Electronic board 220 VAC	20	1	TBA
53933 R 3030	Motor gear set	21+22+23	1	TBA
53933 R 3013	Geared motor 220 VAC	24	1	TBA
53933 R 3015	Motor cover gasket	25	1	TBA
41864 R 3007	Base + cover + inserts + gasket	26+27+28+25	1	TBA



PVC-U

Valves

PP

Spare parts







**Fluidra Adriatic d.o.o.**

Vučak 38, 10090 Zagreb | Croatia

Tel. +385 1 7988 790

[www.fluidra.hr](http://www.fluidra.hr)

[www.cepex.com](http://www.cepex.com)