

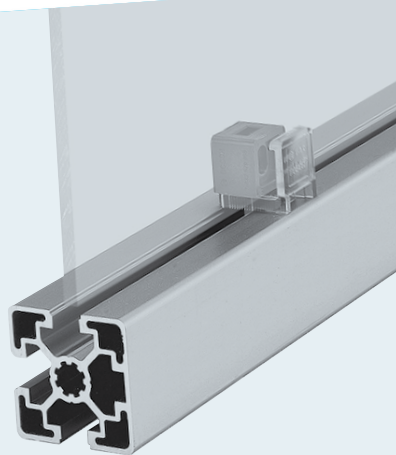
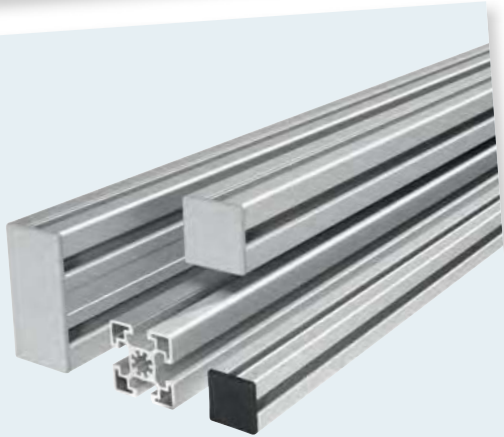
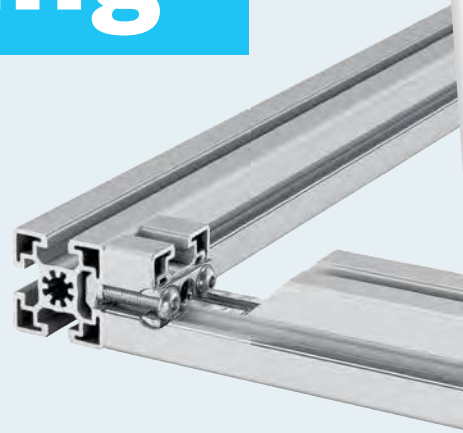
Aluminum

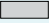


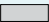

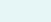


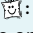

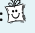


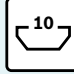
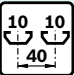
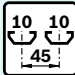
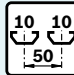
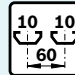







rexroth
A Bosch Company

9.0

Structural Framing

System



Presentation		Explanation	
40x40 HR		L (mm)	No.
1 pc		50 ... 6070	3 842 993 256 / L
1 pc	M12  M12	110 ... 6000	3 842 993 257 / L
 20 pcs		6070	3 842 529 381
<p>Product available for delivery as:</p> <ul style="list-style-type: none"> - Single component of variable length, e.g. Order: 1 x 3 842 993 257 / 785 Delivery: 1 x 40x40 HR with M12 profile finishing on both sides, L = 785 mm - Delivery unit (: here 20 pcs) of fixed length, e.g. Order: 1 x 3 842 529 381 Delivery: 20 x 40x40 HR (without profile finishing), L = 6070 mm <p>M12  M12 Notes on profile finishing, see Section 2.</p>			
50/50		Slot	ESD  No.
Bracket (standard)		10	 20 3 842 530 381
<p>The product is delivered in packaging units (: in this case 20 units); i.e. the order quantity must at least equal the specified quantity or a multiple of it; differing quantities will be rounded up</p> <p>Order examples:</p> <ul style="list-style-type: none"> - Order: 1 x 3 842 530 381 – delivery: 20 x bracket 50/50 - Order: 20 x 3 842 530 381 – delivery: 20 x bracket 50/50 - Order: 30 x 3 842 530 381 – delivery: 40 x bracket 50/50 			
Threaded sleeve		No.	
		3 842 504 790	
<p>For order tables without the column , the following applies:  = 1</p> <p>Order examples:</p> <ul style="list-style-type: none"> - Order: 1 x 3 842 504 790 – delivery: 1 x threaded sleeve incl. fastening material (FS) enclosed with the product for peripheral mounting 			
  		<ol style="list-style-type: none"> 1. Profile with slot width 6 mm, 8 mm, 10 mm; all modular dimensions 2. Accessories suitable for mounting on profiles with the specified slot width; all modular dimensions 	
   		<ol style="list-style-type: none"> 1. Profile with slot width 10 mm; modular dimensions: 40 mm, 45 mm, 50 mm, 60 mm 2. Accessories suitable for mounting on profiles with the specified slot width and modular dimensions 	
		Conductive material version in accordance with DIN EN 61340-5-1; suitable for use in ESD-sensitive areas	
		Suitable for use in clean rooms	
		Profile finishing required (drilling, thread cutting, milling)	
		The centering tab can be broken off for offset assembly or assembly at an angle to the profile slot.	
		Screw with Torx profile	
		Weight	
		Permitted loading (N)	

Introduction	1
Strut profiles	2
Connection elements	3
Joints	4
Air-supply elements	5
Feet and wheels	6
Mounting of panel elements	7
Doors and fittings	8
Accessories for protective devices	9
Protective devices and partition walls EcoSafe	10
Installation elements	11
Elements for manual movement	12
Linear guides	13
Tools	14
FiFo station	15
Components for lateral guides	16
Components for ESD applications	17
Technical data	18
Material number overview	19
Index	20

The Rexroth modular profile system

Working environments are all the more efficient when they are individually tailored to meet the respective production requirements. Bosch Rexroth's ultra-flexible assembly system offers quick, complete solutions for every industry.

From flow racks and frames made of aluminum profiles, enclosures, ergonomic assembly work stations through to fully automated manufacturing lines with transfer systems: Based on decades of practical experience, the sophisticated and uniquely versatile assembly technology from Bosch Rexroth is continuously being further developed. With modular, finely coordinated components,

Bosch Rexroth facilitates the realization of customized, future-proof solutions for your production. With customer-oriented services and comprehensive service support, including free-of-charge planning software, our modular system offers everything you need for efficient working environments.



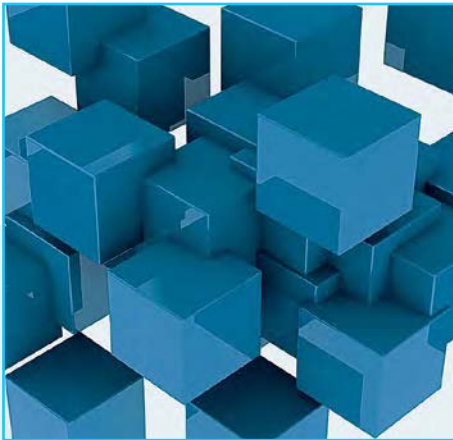
**One system – Everything covered.
Our versatile comprehensive range:
The “Single-source overall concept”**



Smart product concept – The Rexroth modular profile system

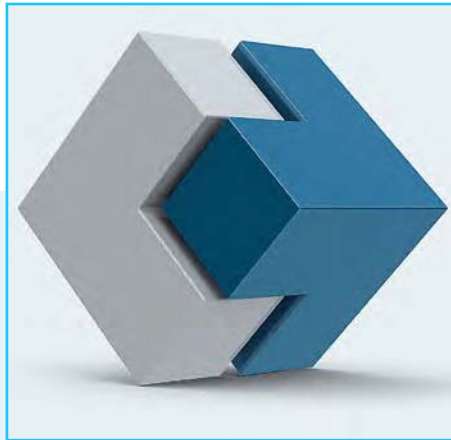
Bosch Rexroth's high-performance aluminum modular profile system allows you to create secure, complete and transparent solutions for improving work productivity.

VERSATILE



- **Standardized components**
- **Well designed connecting systems**
- **Low planning costs**
- **Short assembly times with few tools needed**

FUNCTIONAL



- **Systematically matched elements**
- **Comprehensive color concept**
- **Universal ESD-compatibility**
- **Anti-torsion elements and positioning aids**

SECURE



- **Strong profiles and stable connectors withstanding strong forces**
- **Compliance with standards and regulations**
- **Guaranteed performance data**
- **Durable and corrosion-resistant**

Rexroth aluminum strut profiles – Smart individual components in comprehensive systems

Over 120 different profile cross-sections with perfectly adjusted modular dimensions as well as versatile connection elements and accessories enable you to turn any idea into reality – for maximum design flexibility and security.

Strong profiles

**Secure connection
technology**

**Custom-fit matching
accessories**

**Economical choice for
any load scenario!**

**Rexroth connectors hold
firmly and securely!**

**Easy to fix in the profile
slot or central hole!**

+ Our product advantages



**Profiles with high
load-bearing
capacities**

**Innovative
special profiles**

**Perfectly
matching
components**

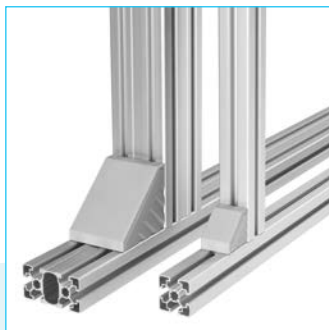
Easy handling

**Fast and secure
fitting**

**Application
options without
limits**

Secure connection technology – Smart and proven in practice and workshop environments

The right connection element for every application – whether rectangular, variable-angle, flexible, internal, vibration-resistant, torsion-resistant. The connectors break the anodized coating of the profiles. This way, a conducting connection is established between the profiles to comply with the requirements for applications in ESD-sensitive environments (ESD – Electro Static Discharge).



BRACKET

- ▶ Quick and precise installation with centering lugs – even overhead
- ▶ Plug-through screws including position recognition



CUBIC CONNECTOR

- ▶ Well-designed connectors with high rigidity
- ▶ Quick installation without profile preparation
- ▶ Cut-out for gap-free mounting of panel elements



QUICK CONNECTOR

- ▶ Easy and quick installation
- ▶ Free slots for panel mounting, movable on profile slot



TENSIONING CONNECTOR

- ▶ Well-designed corner connection without end finishing



BOLT CONNECTOR

- ▶ Reliable and strong connection for challenging requirements like permanent vibration or dynamic load
- ▶ High torsion resistance



T-CONNECTORS AND END CONNECTORS

- ▶ Very high load-bearing capacity
- ▶ Exact and quick installation without profile finishing and movable on the slot

Matching accessories – Tailor precisely to the modular profile system

The accessories are tailored precisely to the modular profile system and enable easy mounting in the profile slot or the central bore. The modular profile system of profiles and connection elements is completed by a wide range of accessories.



COVER CAPS

- ▶ Protection against injury at open cutting edges
- ▶ Attractive design in “signal gray” and “black ESD”



INSTALLATION ELEMENTS

- ▶ Well-arranged installation of power lines
- ▶ Low-maintenance electrical installation with cable ducts and cable brackets



FEET AND WHEELS

- ▶ Secure support
- ▶ Wide range of supports and wheels



DOORS AND FITTINGS

- ▶ Construction of hatches and doors
- ▶ Attachment via profile slot or directly at panel element



MOUNTING OF PANEL ELEMENTS

- ▶ Mounting of panel elements (e.g. protective pane) in the slot
- ▶ Design in compliance with Machinery Directive



MANUAL MOVEMENT

- ▶ Wide selection of sliders, support rollers and hydraulic adjustment options
- ▶ Individual solutions with standard products

Design elements – Well-arranged connections, clear marking

SIGNAL GRAY

The signal gray (RAL7004) color variant meets the market requirement for a subtle color scheme for fixtures and therefore provide the application with a harmonious and calm appearance. The low-contrast aluminum structure forms the optical background and leaves open room for customer-specific design elements.



ESD BLACK

As the only modular profile system on the market, Rexroth offers all standard and ESD accessories in gray and black. The conductive plastic components can discharge voltage and ensure equipotential bonding in the frame. The showstopper: Black ESD components make it easy to visually distinguish ESD applications from non-ESD applications.



designLINE – THE PERFECT COMBINATION OF QUALITY AND FUNCTION

You value good design? The *designLINE* version of our proven die-cast connectors features an impressive and high-quality appearance. Thanks to special pointing in “RAL 9006 white aluminum”, the appearance of your application is further improved by visually seamless adaptation to aluminum profiles. The paint is also scratch-resistant. A special highlight: The ESD-compatibility of connections is maintained.



Experience and expertise – thanks to professional, worldwide network

Comprehensive experience, in-depth know-how and reliable production capacities ensure timely and speedy supply.

Reliable worldwide availability

- ▶ Dealers, systems providers and regional and national subsidiaries are always near at hand for you – worldwide
- ▶ Highly efficient central warehouse in Stuttgart
- ▶ Local warehouses at Rexroth sites
- ▶ “Made to order” production capacities

Professional point of contact

- ▶ Personalized advice
- ▶ Comprehensive services
- ▶ Local sales partners
- ▶ Highly skilled experts

On-time, speedy supply

- ▶ All components available
- ▶ Pre-assembled modules, complete frames
- ▶ Prompt delivery and excellent adherence to deadlines

Your contact partner can be found under:
www.boschrexroth.com/contact

worldwide

reliable

professional



Systematic safety – playing it safe from the start

Thanks to the overall system of the Rexroth modular profile system, accident risks are avoided and safety regulations reliably complied with.

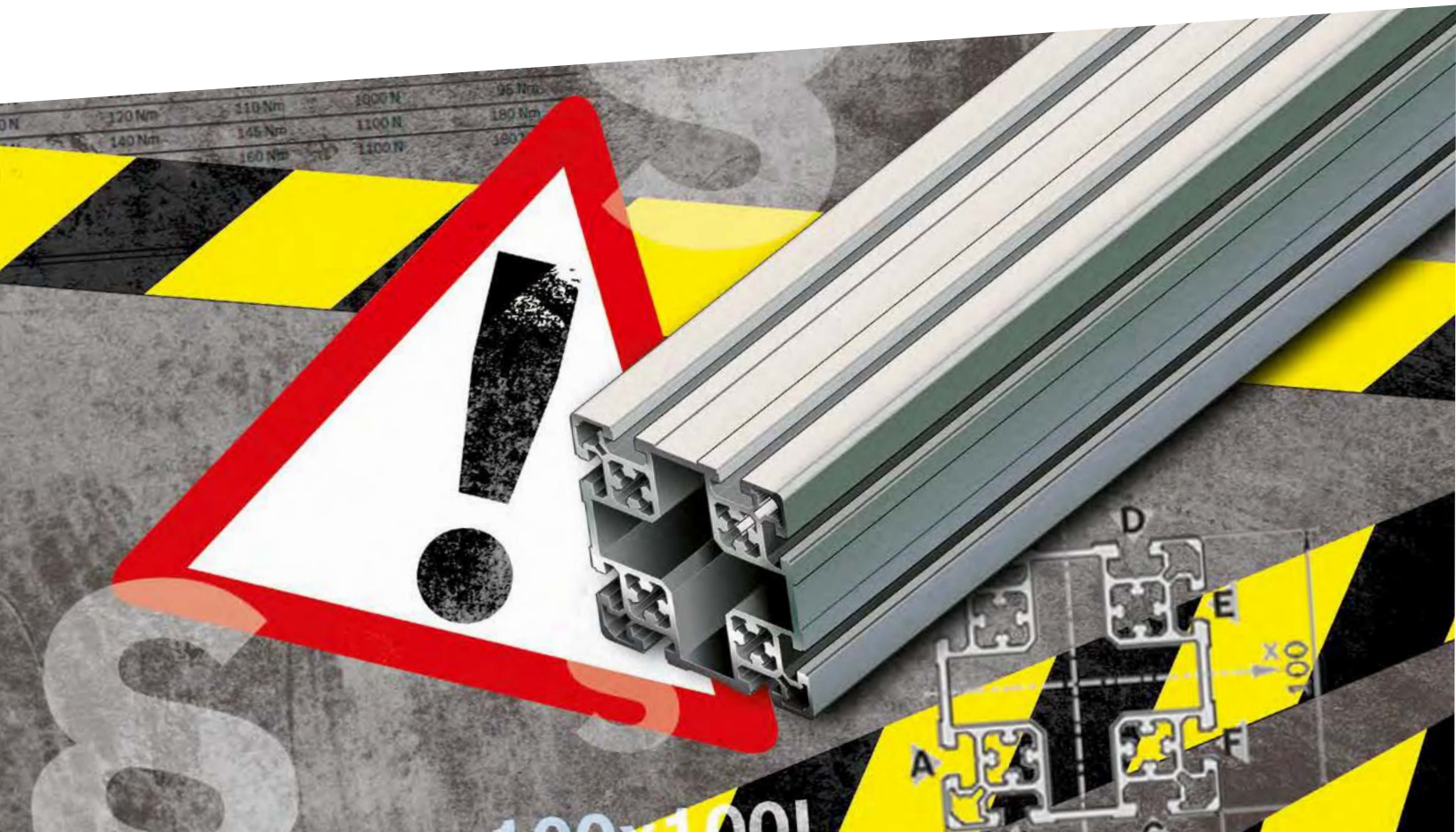
There are numerous hazards in any modern work environment and particularly where they are expected the least. A lack of safety in production, assembly or storage facilities poses a risk of death for personnel.

Severe accidents may have unexpected consequences for the liable manufacturer of equipment or the equipment owner.

Operational safety of equipment is a serious topic within the responsibility of the company and the facility owner.

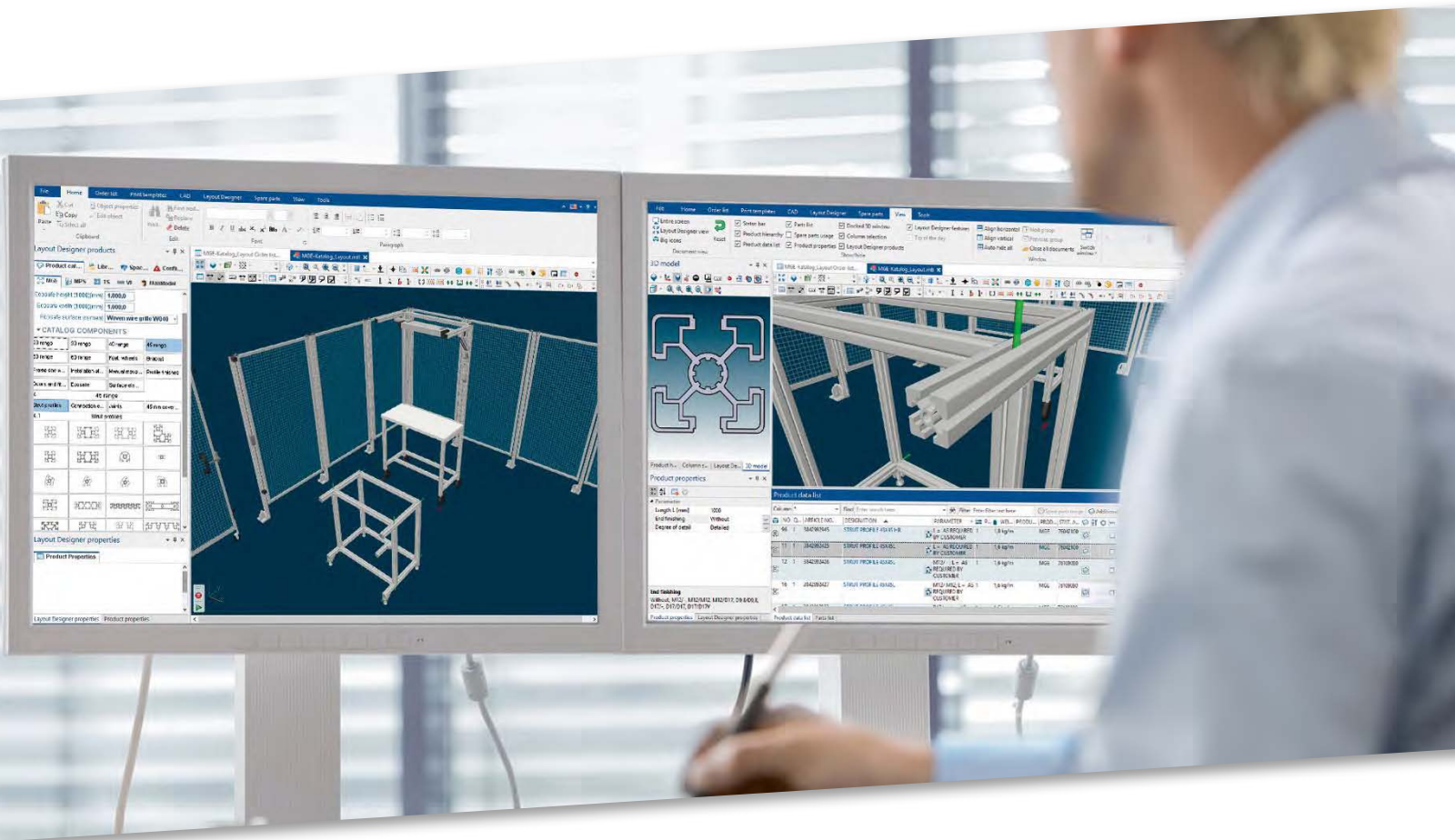
In most countries, these positions are also liable.

Legal regulations, product regulations, certifications, regular checks and verifications and documentation are comprehensive requirements. We are aware of them and offer our support.



Maximum planning security with MTpro planning software

Unlimited combination options together with simple planning and ordering allow you to achieve perfect results.



This especially user-friendly software speeds up and simplifies the planning of application-specific frames, enclosures, and workstations.

The entire ordering process can also be done in next to no time. And the data can be transferred to your CAD or VR environment via a CAD interface. The program offers the following functions and full content in seven languages (en/de/fr/es/it/ja/zh):

- ▶ Complete product information
- ▶ CAD library

- ▶ Profile deflection calculation
- ▶ Conversion of profile drawings
- ▶ Quick and simple planning in the Layout Designer

Download MTpro:



Solutions for all sectors – Optimum application-oriented solutions with deep specialized know-how

A convincing concept for providing solutions for all sectors, from the automotive industry to logistics, automation, electronics or exhibition stand construction.



SOLUTION #1

For Robert Bosch GmbH in Stuttgart, Rexroth assembly technology has designed a flexible assembly line.

SOLUTION #2

Frame enclosure of an assembly plant for steering systems

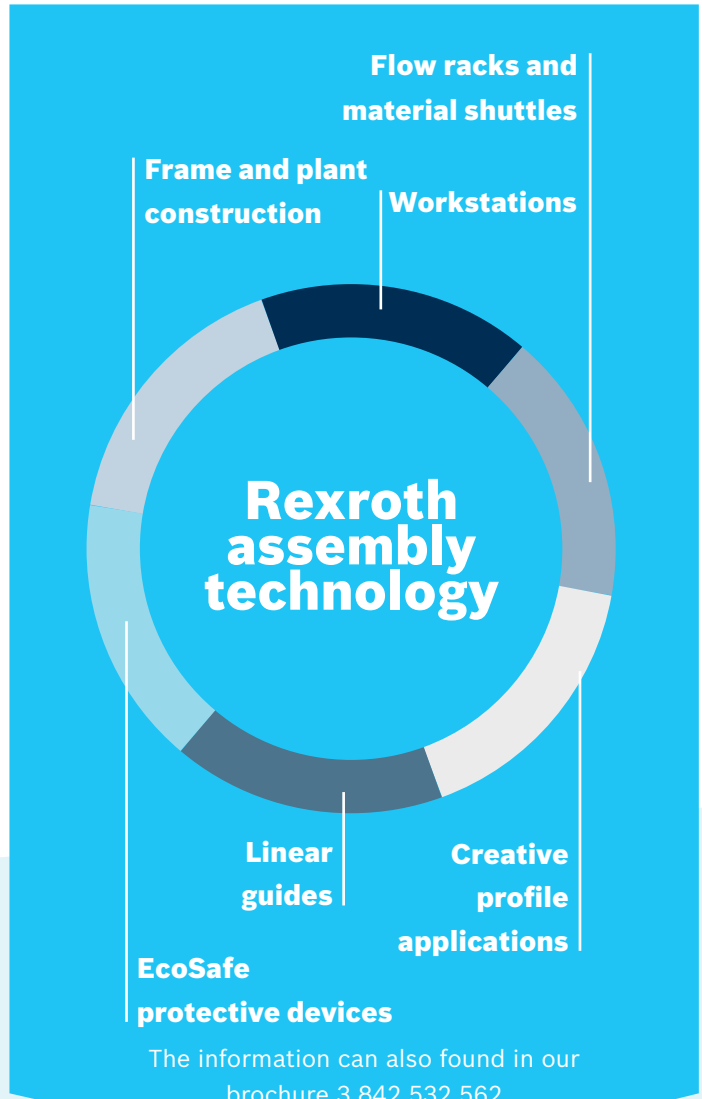
SOLUTION #3

Thanks to a tightening station for manufacturing of generators made of Rexroth aluminum profiles, work process can be realized even easier.



SOLUTION #4

EcoSafe protective fences from Rexroth are used in fully automatized assembly of car bodies at Jaguar Land Rover, UK.



The information can also found in our brochure 3 842 532 562



More solutions can be found online. Find out for yourself.

Competent partner – Assembly technology product range



Manual Production Systems (MPS)

The manual production system enables quick and efficient adaptation of workstations and entire production lines to the work to be carried out.

Catalog

3 842 538 281



ActiveAssist

The ActiveAssist system is a freely configurable software that supports employees with targeted information and help functions and intelligently guides them through the assembly process.

Catalog

R999001409

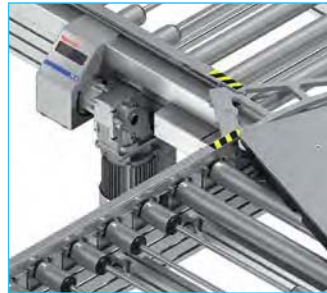


TS 2plus

From the automotive industry and the electronics industry to household appliances and electronics manufacturing: With their diverse system components, TS 2plus assembly lines are suitable for use in a wide range of industries.

Catalog

R999000396



TS 5

The roller conveyor of the TS 5 transfer system conveys loads of up to 400 kg or more even over long distances and its robust construction make it especially suitable for harsh and oily environments.

Catalog

3 842 540 380



ActiveMover linear drive transfer system

The manual production system enables quick and efficient adaptation of workstations and entire production lines to the work to be carried out.

Catalog

R999001427



VarioFlow plus

VarioFlow plus is a high-performance and low-noise conveyor system for use in the food & packaging and the healthcare fields as well as in automotive & electronic assembly lines and machine linking applications.

Catalog

R999000402



Tightening technology

Handheld, hand-guided, semi, or fully automatic – electric tightening systems from Rexroth are the efficient and flexible solution for your production process.

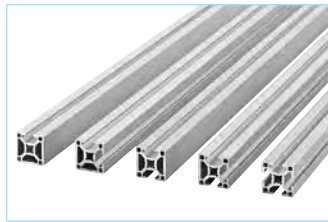
Catalog

R999000049

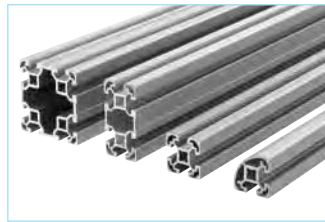
Strut profiles



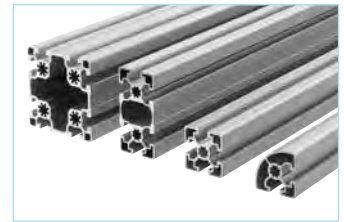
Strut profiles, 6 mm slot,
20 mm modular dimension
(p. 2-9)



Strut profiles, 8 mm slot,
30 mm modular dimension
(p. 2-14)



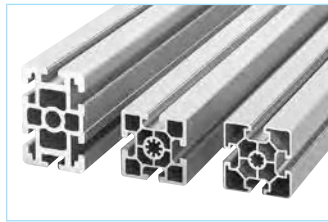
Strut profiles, 10 mm slot,
40 mm modular dimension
(p. 2-22)



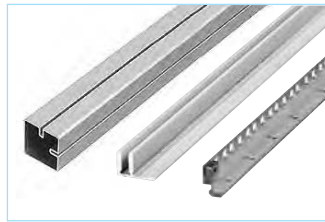
Strut profiles, 10 mm slot,
45 mm modular dimension
(p. 2-34)



Strut profiles, 10 mm slot,
50 mm modular dimension
(p. 2-49)



Strut profiles, 10 mm slot,
60 mm modular dimension
(p. 2-51)



Rectangular tube (p. 2-53)
Clamping profile (p. 2-54)
Al angle profile 19" (p. 2-55)



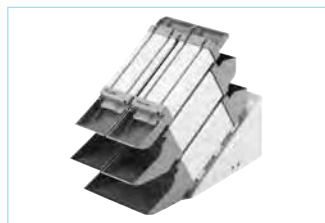
Frame profile
22.5x30 (p. 2-56)
22.5x45 (p. 2-57)



Angle profile (p. 2-58)
Suspension profile (p. 2-59)
Container mount (p. 2-60)



Slotted plate (p. 2-61)



Material chute (p. 2-62)



Profile rail (p.2-64)



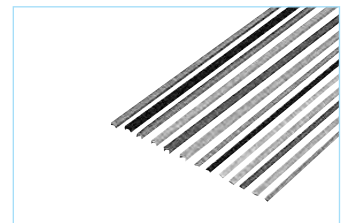
Profiles for installing
conveyor media (p. 2-65)



Round tube D28 (p. 2-68)
Strut profile D28x55
(p. 2-68)



EcoShape tubular framing
system (p. 2-71)



Cover profiles, additional
accessories (p. 2-83)

Strut profiles

With more than 120 strut profiles for all types of loading, Bosch Rexroth AG offers the widest product range for different demands:

- ▶ Square and rectangular profiles
- ▶ Light profiles with optimized cross-sections
- ▶ Round profiles and profiles with smooth lateral surfaces

Connectors with high load-bearing capacities combined with ultra robust slots and large central bores make profile connections possible which can handle high static and dynamic loads.

Bosch Rexroth AG offers you six different profile ranges. All profiles within one profile range have the same slot dimensions and spacing to ensure perfect coordination during construction.

Due to their high degree of robustness, the 10 mm slotted profiles are suitable for constructions ranging from tables to heavy machine frames. They are available in four profile series with a slot spacing of 40 mm, 45 mm, 50 mm, or 60 mm.



The profiles with 8 mm and 6 mm slots are used in the construction of lightweight equipment, partition walls, stands, or showcases.

Profile length in profile packaging units

The stated length of the profile packaging units relates to the guaranteed usable length.

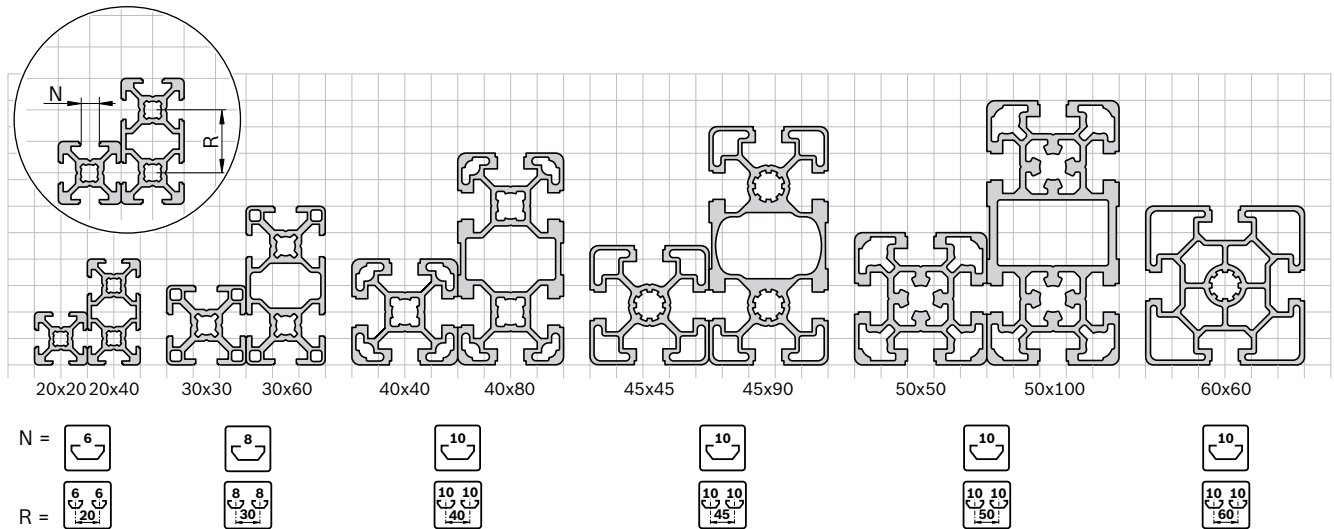
During anodizing as part of the manufacturing process bare areas which are approx. 30 mm long are left at each end of the profile (= contact areas), so the profiles are generally supplied incorporating an excess length of 100 mm.

Example:

45x45L	L (mm)	No.
 20 pcs 	6070	3 842 553 611

Notice: The length dimension “L” in the table equals the usable length, whereas the actual length is approx. 100 mm longer.

Strut profiles – slot sizes and modular dimensions






































































36326




























Slot size N = 6 mm, 8 mm, 10 mm

























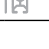


Modular dimensions R = 20 mm, 30 mm, 40 mm, 45 mm, 50 mm, 60 mm

Technical data – profiles


Profile	Slot	Profile surface	Moment of inertia			Moment of resistance		Torsion index		Weight m (kg/m)	Page
			A (cm ²)	I _x (cm ⁴)	I _y (cm ⁴)	W _x (cm ³)	W _y (cm ³)	I _t (cm ⁴)	W _t (cm ³)		
20x20		6	1.6	0.7	0.7	0.7	0.7	0.08	0.17	0.4	2-10
20x20 1N		6	1.9	0.8	0.8	0.8	0.8	0.60	0.67	0.5	2-10
20x20 2N		6	1.8	0.7	0.8	0.7	0.8	0.31	0.52	0.5	2-10
20x20 2NVS		6	1.8	0.7	0.7	0.7	0.7	0.37	0.52	0.5	2-11
20x20 3N		6	1.7	0.7	0.8	0.7	0.7	0.19	0.34	0.5	2-11
20x20 R		6	1.6	0.6	0.6	0.5	0.5	0.21	0.39	0.4	2-11
20x40		6	2.9	4.6	1.2	2.5	1.4	0.68	0.91	0.8	2-12
20x60		6	3.5	14.2	1.7	4.7	1.7	2.30	2.00	0.9	2-12
20x40x40		6	4.2	6.0	6.0	2.6	2.6	1.50	1.30	1.1	2-12
10x40		6	2.1	3.2	0.2	1.6	0.4	-	-	0.6	2-13
30x30		8	3.1	2.8	2.8	1.8	1.8	0.29	0.33	0.9	2-15
30x30 1N		8	3.7	3.1	3.5	2.0	2.3	2.80	1.50	1.0	2-15
30x30 2N		8	3.5	2.8	3.5	2.1	2.7	1.50	1.20	1.0	2-15
30x30 2NVS		8	3.5	3.1	3.1	2.0	2.0	1.70	1.10	1.0	2-16
30x30 3N		8	3.3	3.1	2.8	2.3	2.1	0.86	0.73	0.9	2-16
30x30°		8	3.7	3.5	3.6	2.0	1.9	1.50	2.00	1.0	2-16
30x45°		8	4.0	3.6	5.1	2.1	2.3	2.10	2.40	1.1	2-17
30x60°		8	3.6	3.0	4.1	1.7	1.9	1.50	2.00	1.0	2-17
30x30 R		8	2.9	2.3	2.3	1.4	1.4	0.81	1.20	0.8	2-17
30x60		8	5.5	19.6	5.1	7.0	3.9	2.60	2.10	1.5	2-18
30x60 4N		8	5.8	20.2	5.5	6.7	3.8	4.80	2.40	1.6	2-18
30x60x60		8	8.2	26.2	26.2	7.6	7.6	6.40	3.60	2.2	2-18
30x90		8	7.7	60.7	7.3	13.5	4.9	5.10	3.80	2.1	2-19
30x120		8	9.9	136.3	9.6	22.7	6.4	7.60	5.60	2.7	2-19
30x45		8/10	4.0	8.1	3.9	3.9	2.9	1.30	1.30	1.1	2-20
60x60 8N		8	9.8	39.7	39.7	13.2	13.2	19.30	6.80	2.6	2-20
11x20		8	1.0	0.5	0.1	0.7	0.3	-	-	0.3	2-20
15x120		8	9.0	110.4	2.2	18.4	2.7	-	-	2.4	2-21
40x40L		10	5.6	9.1	9.1	4.5	4.5	1.30	0.74	1.5	2-24
40x40L 0N		10	6.3	10.4	10.4	5.2	5.2	10.70	4.30	1.7	2-24
40x40L 1N		10	6.1	9.8	10.3	4.7	5.1	6.90	3.70	1.7	2-24
40x40L 2N		10	6.0	9.0	10.3	4.5	5.2	4.00	3.00	1.6	2-25
40x40L 2NVS		10	6.0	9.7	9.7	4.9	4.9	4.50	2.70	1.6	2-25
40x40L 3N		10	5.8	9.7	9.0	4.8	4.5	2.60	1.70	1.6	2-25
40x30°		10	6.2	9.4	11.8	4.7	5.9	3.00	3.10	1.7	2-26
40x45°		10	6.8	9.9	16.6	5.0	8.3	4.20	3.70	1.8	2-26
40x60°		10	6.3	8.7	13.1	4.3	6.5	3.00	3.10	1.7	2-26
40x40L R		10	5.0	7.2	7.2	3.6	3.6	2.50	2.00	1.3	2-27
40x40 HR		10	5.5	8.1	7.6	4.0	3.6	4.60	2.80	1.5	2-27

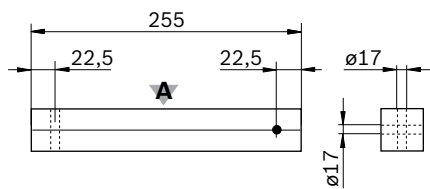
Profile	Slot	Profile surface	Moment of inertia		Moment of resistance		Torsion index		Weight m (kg/m)	Page	
			A (cm ²)	I _x (cm ⁴)	I _y (cm ⁴)	W _x (cm ³)	W _y (cm ³)	I _t (cm ⁴)			W _t (cm ³)
40x80L		10	9.9	63.4	17.3	15.9	8.7	8.02	4.80	2.7	2-28
40x80L 2N		10	10.9	66.6	20.8	16.6	10.4	22.40	7.58	2.9	2-28
40x80L 4N		10	10.4	65.2	19.1	16.3	9.9	13.30	4.40	2.8	2-28
40x80L 2NVS		10	10.7	67.8	19.0	17.0	9.5	19.24	7.55	2.9	2-29
40x80L 3NVS		10	10.6	67.8	19.0	17.0	9.5	15.90	5.20	2.9	2-29
40x80x80L		10	15.4	96.6	96.6	24.2	24.2	19.60	9.80	4.2	2-29
40x120L		10	15.5	203.2	27.8	33.9	13.9	17.20	10.00	4.2	2-30
40x160L		10	20.5	466.7	37.2	58.3	18.6	25.80	14.60	5.5	2-30
80x80L		10	18.2	132.1	132.1	33.0	33.0	59.80	17.20	4.9	2-31
80x80L 4N		10	19.1	142.5	142.5	35.6	35.6	83.90	15.4	5.2	2-31
80x80L 4NVS		10	19.3	142.5	142.5	35.6	35.6	92.00	16.80	5.2	2-32
80x80L 6N		10	18.8	134.1	140.9	33.5	36.2	72.60	15.00	5.1	2-32
40x120x120L		10	24.6	318.0	318.0	42.2	42.2	37.10	19.00	6.7	2-32
80x120L		10	25.6	389.2	192.8	64.9	48.2	119.00	29.10	6.9	2-33
80x160L		10	32.9	850.7	253.4	106.3	63.4	182.00	41.10	8.9	2-33
45x45L		10	6.0	11.7	11.7	5.2	5.2	1.46	0.75	1.6	2-34
45x45L 0N		10	6.7	13.5	13.5	6.0	6.0	16.20	6.10	1.8	2-34
45x45L 1N		10	6.5	12.6	13.5	5.5	6.0	10.00	5.20	1.8	2-35
45x45L 2N		10	6.4	11.6	13.5	5.2	6.0	5.50	4.30	1.7	2-35
45x45L 2NVS		10	6.4	12.6	12.6	5.6	5.6	6.30	3.80	1.7	2-35
45x45L 3N		10	6.2	12.6	11.7	5.4	5.2	3.40	2.40	1.7	2-36
45x30°		10	6.9	12.7	15.2	5.0	5.3	6.60	5.70	1.9	2-36
45x45°		10	7.6	13.4	21.4	5.2	6.4	9.00	6.80	2.0	2-36
45x60°		10	6.8	11.4	16.9	4.4	5.2	6.80	4.30	1.8	2-37
45x45L R		10	4.9	8.6	8.6	5.0	5.0	3.30	2.80	1.3	2-37
45x45HR		10	6.6	11.0	10.7	4.4	4.8	7.60	3.40	1.8	2-37
45x45		10	7.5	13.8	13.8	6.1	6.1	2.65	0.96	2.0	2-38
45x60		10	11.0	37.2	22.7	12.4	10.1	6.70	4.09	3.0	2-39

Profile	Slot	Profile surface	Moment of inertia		Moment of resistance		Torsion index		Weight m (kg/m)	Page	
			A (cm ²)	I _x (cm ⁴)	I _y (cm ⁴)	W _x (cm ³)	W _y (cm ³)	I _t (cm ⁴)			W _t (cm ³)
45x90SL		10	9.0	73.4	18.1	16.3	8.0	8.57	4.00	2.4	2-39
45x90L		10	11.3	82.0	23.6	18.2	10.5	15.10	4.40	3.0	2-40
45x90L 2N		10	12.0	26.9	85.6	6.0	38.1	31.70	7.70	3.2	2-40
45x90L 2NVS		10	12.0	25.9	90.6	5.7	40.3	23.34	9.65	3.3	2-41
45x90L 3NVS		10	11.8	87.2	25.2	38.8	5.6	25.70	6.60	3.2	2-41
45x90		10	15.4	124.6	32.8	27.7	14.6	15.40	6.61	4.2	2-42
45x180		10	25.5	766.7	57.3	85.2	25.5	44.40	17.00	6.9	2-42
45x270		10	61.9	3962.0	118.0	300.2	61.6	-	-	16.7	2-43
45x90x90L		10	21.2	152.1	152.1	19.1	19.1	34.90	11.60	5.7	2-43
45x90x90L 4N		10	22.1	160.8	160.8	30.6	30.6	65.30	17.20	6.0	2-44
90x90SL		10	14.1	130.2	130.2	28.9	28.9	42.50	13.90	3.8	2-44
90x90L		10	24.1	211.1	211.1	46.9	46.9	82.10	20.10	6.5	2-44
90x90L 4N		10	24.2	227.4	214.7	50.5	47.7	122.00	22.20	6.5	2-45
90x90L 4NVS		10	24.2	220.9	220.9	49.2	49.2	127.00	22.00	6.5	2-45
90x90		10	38.4	299.8	299.8	66.7	66.7	118.60	26.00	10.4	2-45
90x180L		10	42.8	1380.0	401.0	153.3	89.1	257.00	47.10	11.6	2-46
90x180		10	63.6	2138.3	544.3	237.6	121.0	429.00	64.00	17.2	2-46
90x360		10	90.2	14065.0	710.0	781.4	157.7	937.10	117.60	24.4	2-47
15x22.5		10	1.3	0.8	0.3	0.9	0.6	-	-	0.3	2-47
15x180		10	11.6	321.7	3.2	35.7	4.2	-	-	3.1	2-48
22.5x45		10	4.7	7.1	2.9	3.2	2.6	-	-	1.3	2-48
22.5x180		10	21.6	581.0	11.8	66.8	14.7	-	-	5.8	2-48
50x50L		10	9.3	21.2	21.2	8.5	8.5	5.37	4.30	2.5	2-49
50x100L		10	17.2	162.8	42.6	32.6	17.0	29.43	10.70	4.6	2-49
50x150L		10	25.8	540.0	64.2	72.0	25.7	52.10	20.50	6.9	2-50
100x100L		10	29.9	318.3	318.3	63.7	63.7	153.53	31.40	8.1	2-50
100x200L		10	54.0	2133.1	602.1	213.3	120.4	421.00	75.70	14.6	2-51

Profile	Slot	Profile surface	Moment of inertia		Moment of resistance		Torsion index		Weight m (kg/m)	Page	
			A (cm ²)	I _x (cm ⁴)	I _y (cm ⁴)	W _x (cm ³)	W _y (cm ³)	I _t (cm ⁴)			W _t (cm ³)
60x60L		10	9.6	32.4	32.4	10.8	10.8	13.20	8.70	2.6	2-51
60x60		10	14.4	52.2	52.2	17.4	17.4	15.90	8.80	3.9	2-52
60x90		10	25.8	214.2	90.5	47.6	30.2	45.80	18.00	7.0	2-52
50x50 Rectangular tube		10	4.5	15.1	15.1	5.7	5.7	-	-	1.2	2-53
Frame profile 22.5x30		10	3.2	1.7	3.0	1.5	2.0	-	-	0.9	2-56
Frame profile 22.5x45		10	3.4	6.7	1.7	2.8	1.3	-	-	0.9	2-57
Angle profile		10	4.5	8.8	6.9	3.2	2.3	-	-	1.2	2-58
Suspension profile		10	2.0	2.0	0.5	2.7	0.3	-	-	0.6	2-59
30x100 L/R Slotted plate		10	9.7	88.8	9.2	17.8	6.0	-	-	2.6	2-61
30x100 M Slotted plate		10	9.7	88.8	9.2	17.8	6.0	-	-	2.6	2-61
Profile rail 30x45C		10	4.4	10.3	5.6	4.2	3.7	-	-	1.2	2-64
U-profile		10	4.4	10.4	8.3	4.6	4.1	-	-	1.2	2-65
SP 2/R		8	5.2	4.3	11.7	2.4	5.2	-	-	1.4	2-65
SP 2/B		10	10.4	49.6	25.8	12.1	11.5	-	-	2.8	2-66
SP 2/B-50		8/10	6.9	16.1	16.9	5.3	7.5	-	-	1.9	2-66
SP 2/B-100		10	11.9	95.1	30.4	20.0	13.5	-	-	3.2	2-66
SP 2/BH		10	12.4	53.7	28.6	14.0	13.8	-	-	3.3	2-67
SP 4/R		10	26.1	222.0	95.5	84.9	16.4	-	-	3.5	2-67
D28			2.4	1.5	1.5	1.1	1.1	-	-	0.7	2-69
D28x55			5.9	3.2	88.3	2.3	32.1	-	-	1.6	2-70
D28L			1.8	1.3	1.3	1.0	1.0	-	-	0.5	2-73
D28L; N10			2.6	1.2	2.0	0.8	1.4	-	-	0.7	2-73
Section profile MV45x45		10	6.2	11.8	10.5	5.3	4.7	-	-	1.7	12-27
30x30 WG30		8	3.2	2.5	3.0	1.6	1.9	-	-	0.9	10-10
30x30 WG40		8	3.2	2.4	2.9	1.5	1.8	-	-	0.9	10-10
30x45 WG30		8	4.5	7.3	4.2	3.2	2.7	-	-	1.2	10-10
30x45 WG40		8	4.5	6.9	4.1	4.3	1.8	-	-	1.2	10-10

**Example: 40x40L**

3 842 993 126 / 255 D17  D17V



00133799

Profile finishing

Profile finishing is required whenever interlocking connectors are used. Bores must be added for bolt connectors or threads cut in central bores, for example. This requires machining with standard dimensions.

Standard profile finishing with fixed material numbers

For certain profiles, you can receive selected profile finishing with a fixed material number. This is the easiest way to order the appropriate profile finishing for our proven interlocking profile connectors.

The available profile finishing is shown in pictograms in the order tables.

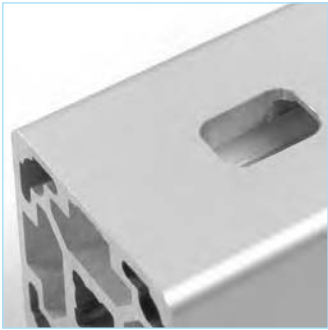
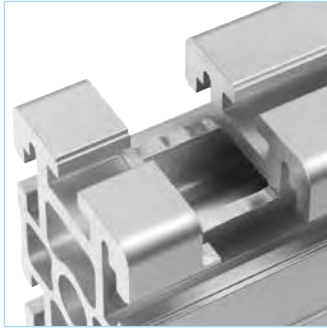
For more information on the available profile finishing, see page 18-2.

eShop and MTpro – software tools for designers, planners, and purchasers

We offer:

- ▶ Customer-friendly configuration
- ▶ Generation of 3D CAD models for designers
- ▶ Drawings at the press of a button
- ▶ Integration of frames/profiles in layouts
- ▶ Easy ordering at the click of a mouse





Profile finishing

Rexroth offers you numerous connection options for putting strut profiles together.

The wide variety of connector types is due to the differing demands made of the applications:

- ▶ Right-angled
- ▶ Variable-angle
- ▶ Internal
- ▶ Torsion-resistant
- ▶ Vibration-resistant
- ▶ With or without profile finishing

If you require a finished profile, it can be provided for you in an installation-ready form.

When you select the corresponding material number the profile is provided in cut, burr-free form, or alternatively fully finished with drilled holes or threads.

This eliminates risk for you and reduces your production workload.

If you wish to undertake the finishing yourself, here are a few tips:

Saw and saw blade

Segmental metal circular saw blade, carbide-tipped

Number of teeth: 92 or 96

Rotational speed: at least 2500 rpm

Finishing of central holes

As a rule, the threads can be directly formed and cut, but countersinks facilitate their production. The central holes of the strut profiles are designed for the following thread manufacturing processes.

Threads	Finishing	Notices
M6	Thread forming	-
M8	Thread forming	-
M12	Thread cutting	-
M16	Thread forming	pre-drilling in some cases

Drilling jigs

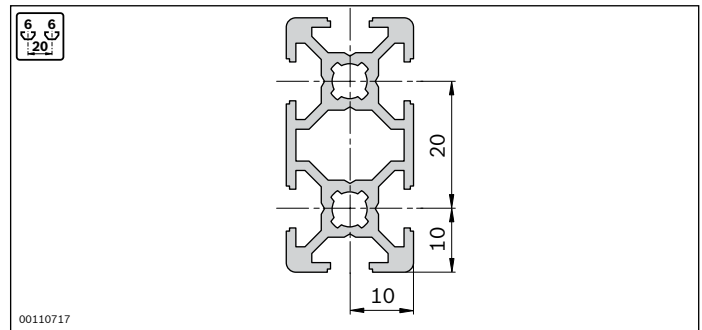
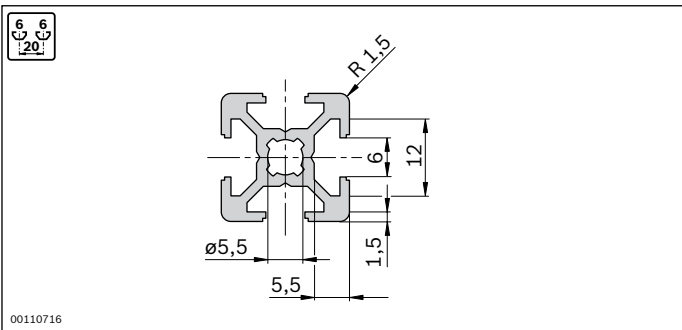
In the tools section you will find useful drilling jigs for the Rexroth standard finishes (p. 14-2).

Strut profiles with 6 mm slot

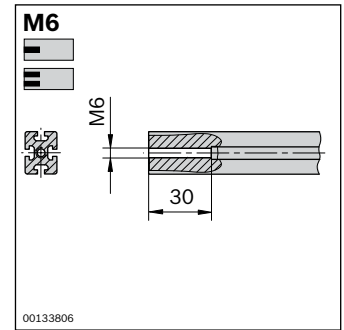
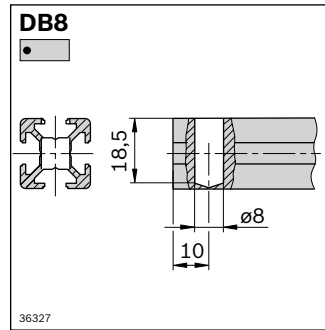
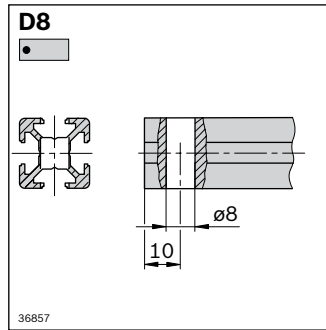
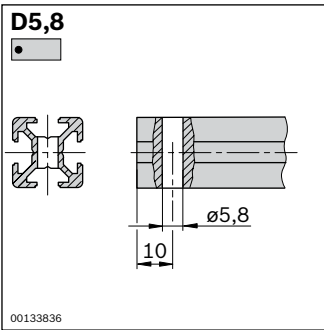
Strut profiles with 6 mm slot for light structures, such as supports and lab fixtures.

The 20x40 and 20x60 profiles are especially suitable for reinforcing; the 20x40x40 profile is suitable for constructing showcases, flow racks, and enclosures.

Slot, modular dimensions, central bore



Profile finishing

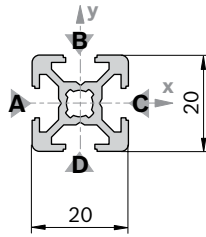


Reduced maximum profile lengths $L_{max i}$ at customized profile finishing

L_{max} (mm)	$L_{max i}$ (mm)
6070	5400
3000	2300
2000	1300

20x20

A = 1,6 cm²
 I_x = 0,7 cm⁴
 I_y = 0,7 cm⁴
 W_x = 0,7 cm³
 W_y = 0,7 cm³
 m = 0,4 kg/m



19168

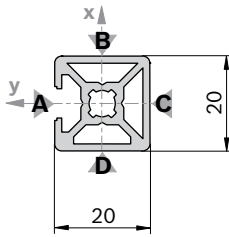
20x20		L (mm)	No.
1 pc		50 ... 3000	3 842 992 888 / L
1 pc	M6	50 ... 3000	3 842 993 230 / L
1 pc	M6 M6	70 ... 3000	3 842 993 231 / L
1 pc	M6 D8	70 ... 3000	3 842 993 494 / L
1 pc	D8	50 ... 3000	3 842 993 493 / L
1 pc	D8 D8	50 ... 3000	3 842 993 495 / L
1 pc	D8 D8V	50 ... 3000	3 842 993 496 / L
20 pcs		3000	3 842 517 179
1 pc		3000	3 842 517 173

Cover cap	Color	ESD		No.
20x20 (1x)	Signal gray	100		3 842 548 742
20x20 (1x)	Black		20	3 842 548 743

Material: PP

20x20 1N

A = 1,9 cm²
 I_x = 0,8 cm⁴
 I_y = 0,8 cm⁴
 W_x = 0,8 cm³
 W_y = 0,8 cm³
 m = 0,5 kg/m



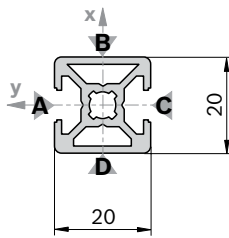
19169

20x20 1N		L (mm)	No.
1 pc		50 ... 3000	3 842 993 421 / L
20 pcs		3000	3 842 536 475
1 pc		3000	3 842 536 476

Cover cap: see 20x20

20x20 2N

A = 1,8 cm²
 I_x = 0,7 cm⁴
 I_y = 0,8 cm⁴
 W_x = 0,7 cm³
 W_y = 0,8 cm³
 m = 0,5 kg/m



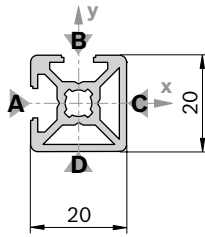
19170

20x20 2N		L (mm)	No.
1 pc		50 ... 3000	3 842 993 422 / L
20 pcs		3000	3 842 536 478
1 pc		3000	3 842 536 479

Cover cap: see 20x20

20x20 2NVS

A = 1,8 cm²
 I_x = 0,7 cm⁴
 I_y = 0,7 cm⁴
 W_x = 0,7 cm³
 W_y = 0,7 cm³
 m = 0,5 kg/m



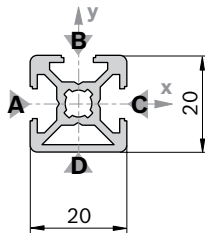
19171

20x20 2NVS		L (mm)	No.
1 pc		50 ... 3000	3 842 992 924 / L
20 pcs		3000	3 842 519 658
1 pc		3000	3 842 519 657

Cover cap: see 20x20

20x20 3N

A = 1,7 cm²
 I_x = 0,7 cm⁴
 I_y = 0,8 cm⁴
 W_x = 0,7 cm³
 W_y = 0,7 cm³
 m = 0,5 kg/m



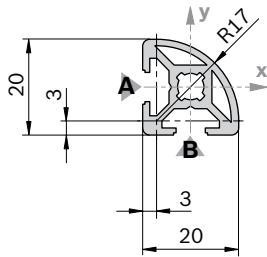
19172

20x20 3N		L (mm)	No.
1 pc		50 ... 3000	3 842 992 889 / L
20 pcs		3000	3 842 517 180
1 pc		3000	3 842 517 174

Cover cap: see 20x20

20x20 R

A = 1,6 cm²
 I_x = 0,6 cm⁴
 I_y = 0,6 cm⁴
 W_x = 0,5 cm³
 W_y = 0,5 cm³
 m = 0,4 kg/m



19173

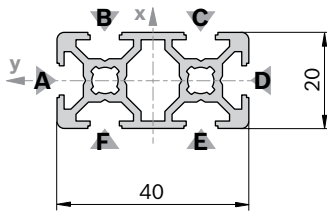
20x20 R		L (mm)	No.
1 pc		50 ... 3000	3 842 992 890 / L
20 pcs		3000	3 842 517 183
1 pc		3000	3 842 517 177

Cover cap	Color	ESD		No.
20x20 R (1x)	Signal gray	20		3 842 548 826
20x20 R (1x)	Black		20	3 842 548 827

Material: PP

20x40

A = 2,9 cm²
 I_x = 4,6 cm⁴
 I_y = 1,2 cm⁴
 W_x = 2,5 cm³
 W_y = 1,4 cm³
 m = 0,8 kg/m



19174

Cover cap	Color	ESD	No.
20x20 (2x)	Signal gray	100	3 842 548 742
20x20 (2x)	Black	20	3 842 548 743

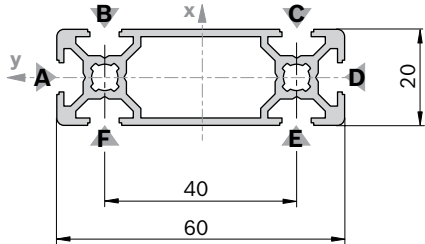
Material: PP

20x40	L (mm)	No.
1 pc	50 ... 3000	3 842 992 891 / L
1 pc D8	50 ... 3000	3 842 993 497 / L
1 pc D8	50 ... 3000	3 842 993 499 / L
1 pc D8	50 ... 3000	3 842 993 500 / L
1 pc D8V	50 ... 3000	3 842 993 498 / L
1 pc D8V	50 ... 3000	3 842 993 501 / L
24 pcs	3000	3 842 537 816
1 pc	3000	3 842 517 178

Profile finishing: D8: in slots B/F, C/E
 D8V: in slots A/D

20x60

A = 3,5 cm²
 I_x = 14,2 cm⁴
 I_y = 1,7 cm⁴
 W_x = 4,7 cm³
 W_y = 1,7 cm³
 m = 0,9 kg/m



19175

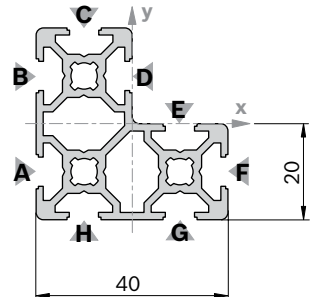
Cover cap	Color	ESD	No.
20x60 (1x)	Signal gray	20	3 842 548 828
20x60 (1x)	Black	20	3 842 548 829

Material: PP

20x60	L (mm)	No.
1 pc	50 ... 3000	3 842 992 992 / L
16 pcs	3000	3 842 537 819
1 pc	3000	3 842 532 239

20x40x40

A = 4,2 cm²
 I_x = 6,0 cm⁴
 I_y = 6,0 cm⁴
 W_x = 2,6 cm³
 W_y = 2,6 cm³
 m = 1,1 kg/m



19176

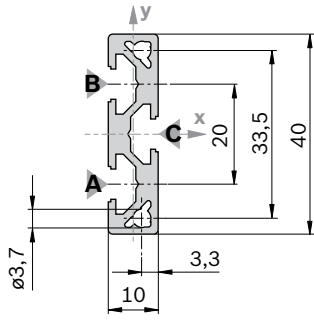
Cover cap	Color	ESD	No.
20x20 (3x)	Signal gray	100	3 842 548 742
20x20 (3x)	Black	20	3 842 548 743

Material: PP

20x40x40	L (mm)	No.
1 pc	50 ... 3000	3 842 992 991 / L
16 pcs	3000	3 842 537 818
1 pc	3000	3 842 523 241

10x40

A = 2,1 cm²
 I_x = 3,2 cm⁴
 I_y = 0,2 cm⁴
 W_x = 1,6 cm³
 W_y = 0,4 cm³
 m = 0,6 kg/m



10x40		L (mm)	No.
1 pc		50 ... 3000	3 842 993 077 / L
10 pcs		3000	3 842 526 817
1 pc		3000	3 842 526 816

2

Cover cap	Color	ESD		No.
10x40 (1x)	Signal gray	20		3 842 548 766
10x40 (1x)	Black	20		3 842 548 767

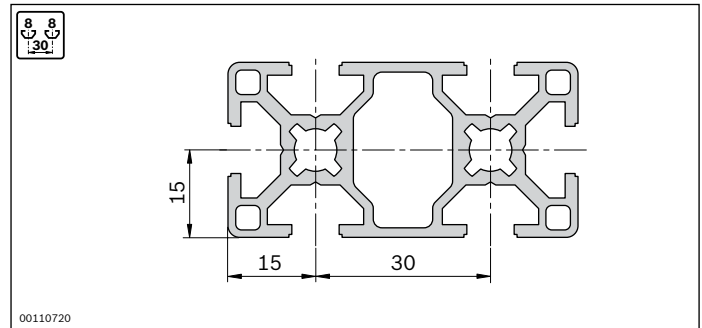
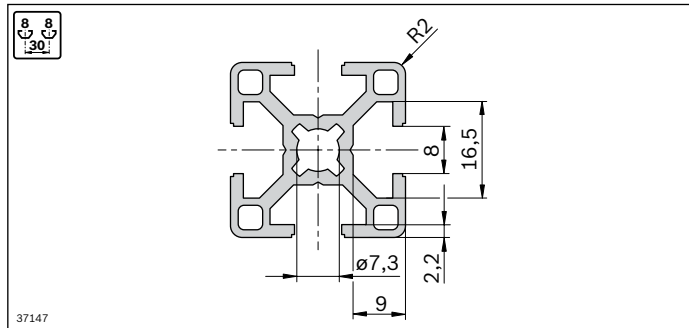
Material: PP

Strut profiles with 8 mm slot

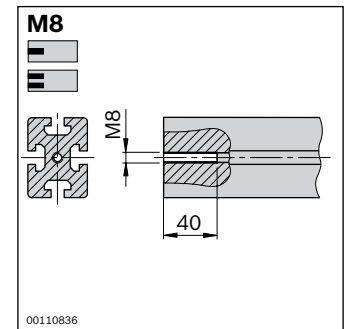
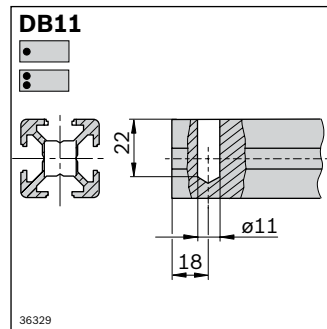
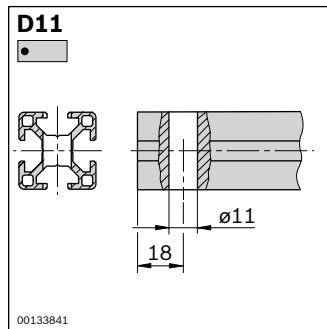
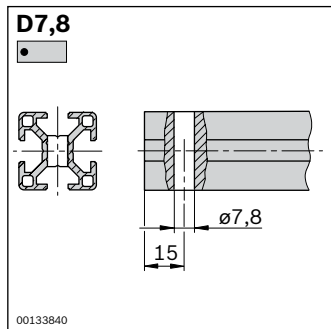
Strut profiles with a 8 mm slot are suitable for medium loads, such as material shuttles, light fixtures, frames and partition walls.

Profile 30x60x60 is suitable for constructing showcases and flow racks. Attractive covers and hoods can be designed with radius profiles.

Slot, modular dimensions, central bore



Profile finishing

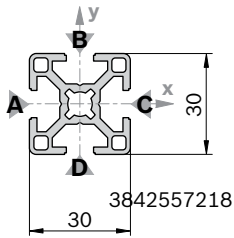


Reduced maximum profile lengths $L_{max i}$ at customized profile finishing

L_{max} (mm)	$L_{max i}$ (mm)
6070	5400
3000	2300
2000	1300

30x30

A = 3,1 cm²
 I_x = 2,8 cm⁴
 I_y = 2,8 cm⁴
 W_x = 1,8 cm³
 W_y = 1,8 cm³
 m = 0,9 kg/m



19178

30x30		L (mm)	No.
1 pc		50 ... 6070	3 842 990 720 / L
1 pc	M8	50 ... 6000	3 842 990 721 / L
1 pc	M8 M8	80 ... 6000	3 842 990 723 / L
1 pc	M8 D11	70 ... 6000	3 842 990 724 / L
1 pc	D7,8 D7,8	60 ... 6000	3 842 992 965 / L
1 pc	D11	50 ... 6000	3 842 990 722 / L
1 pc	D11 D11	60 ... 6000	3 842 990 725 / L
1 pc	D11 D11V	60 ... 6000	3 842 990 726 / L
20 pcs		6070	3 842 557 206
1 pc		6070	3 842 557 216

Cover cap	Color	ESD		No.
30x30 (1x)	Signal gray	100		3 842 548 744
30x30 (1x)	Black			3 842 548 745

Material: PP

Cover cap with hole	Color	ESD		No.
30x30 (1x)	Signal gray	20		3 842 548 774
30x30 (1x)	Black			3 842 548 775

Material: PP

Cover cap ZN	ESD No.	FS
30x30-ZN	3 842 518 204	FS1

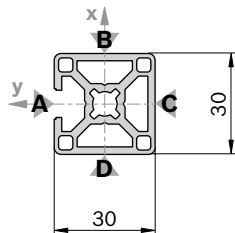
Material: Cover cap: Diecast zinc
 Fastening material: Steel; zinc-plated

FS1

DIN 7991
 M4x16

30x30 1N

A = 3,7 cm²
 I_x = 3,1 cm⁴
 I_y = 3,5 cm⁴
 W_x = 2,0 cm³
 W_y = 2,3 cm³
 m = 1,0 kg/m



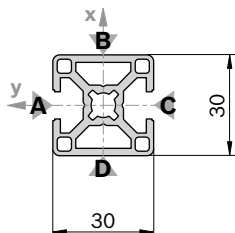
19179

30x30 1N		L (mm)	No.
1 pc		50 ... 6070	3 842 992 397 / L
20 pcs		6070	3 842 557 208
1 pc		6070	3 842 557 218

Cover cap: see 30x30

30x30 2N

A = 3,5 cm²
 I_x = 2,8 cm⁴
 I_y = 3,5 cm⁴
 W_x = 2,1 cm³
 W_y = 2,7 cm³
 m = 1,0 kg/m



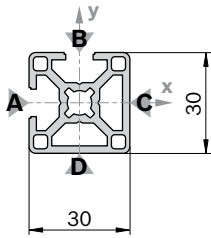
19180

30x30 2N		L (mm)	No.
1 pc		50 ... 6070	3 842 992 399 / L
20 pcs		6070	3 842 557 220
1 pc		6070	3 842 557 230

Cover cap: see 30x30

30x30 2NVS

A = 3,5 cm²
 I_x = 3,1 cm⁴
 I_y = 3,1 cm⁴
 W_x = 2,0 cm³
 W_y = 2,0 cm³
 m = 1,0 kg/m



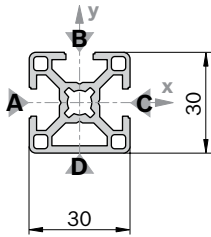
19181

Cover cap: see 30x30

30x30 2NVS		L (mm)	No.
1 pc		50 ... 6070	3 842 992 398 / L
20 pcs		6070	3 842 557 209
1 pc		6070	3 842 557 219

30x30 3N

A = 3,3 cm²
 I_x = 3,1 cm⁴
 I_y = 2,8 cm⁴
 W_x = 2,3 cm³
 W_y = 2,1 cm³
 m = 0,9 kg/m



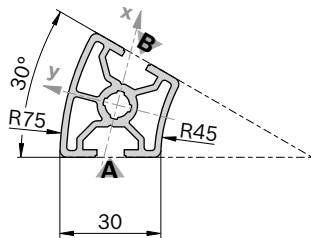
19182

Cover cap: see 30x30

30x30 3N		L (mm)	No.
1 pc		50 ... 6070	3 842 992 400 / L
20 pcs		6070	3 842 557 221
1 pc		6070	3 842 557 231

30x30°

A = 3,7 cm²
 I_x = 3,5 cm⁴
 I_y = 3,6 cm⁴
 W_x = 2,0 cm³
 W_y = 1,9 cm³
 m = 1,0 kg/m



19183

30x30°		L (mm)	No.
1 pc		50 ... 6070	3 842 993 010 / L
20 pcs		6070	3 842 557 951
1 pc		6070	3 842 558 313

Cover cap	Color	ESD	No.
30x30° (1x)	Signal gray	20	3 842 551 008
30x30° (1x)	Black	20	3 842 551 009

Material: PP

30x45°

$A = 4,0 \text{ cm}^2$
 $I_x = 3,6 \text{ cm}^4$
 $I_y = 5,1 \text{ cm}^4$
 $W_x = 2,1 \text{ cm}^3$
 $W_y = 2,3 \text{ cm}^3$
 $m = 1,1 \text{ kg/m}$

19184

30x45°		L (mm)	No.
1 pc		50 ... 6070	3 842 993 011 / L
20 pcs		6070	3 842 557 952
1 pc		6070	3 842 558 314

Cover cap	Color	ESD	No.
30x45° (1x)	Signal gray	20	3 842 551 010
30x45° (1x)	Black		3 842 551 011

Material: PP

30x60°

$A = 3,6 \text{ cm}^2$
 $I_x = 3,0 \text{ cm}^4$
 $I_y = 4,1 \text{ cm}^4$
 $W_x = 1,7 \text{ cm}^3$
 $W_y = 1,9 \text{ cm}^3$
 $m = 1,0 \text{ kg/m}$

19185

30x60°		L (mm)	No.
1 pc		50 ... 6070	3 842 993 012 / L
20 pcs		6070	3 842 557 953
1 pc		6070	3 842 558 315

Cover cap	Color	ESD	No.
30x60° (1x)	Signal gray	20	3 842 551 012
30x60° (1x)	Black		3 842 551 013

Material: PP

30x30 R

$A = 2,9 \text{ cm}^2$
 $I_x = 2,3 \text{ cm}^4$
 $I_y = 2,3 \text{ cm}^4$
 $W_x = 1,4 \text{ cm}^3$
 $W_y = 1,4 \text{ cm}^3$
 $m = 0,8 \text{ kg/m}$

19186

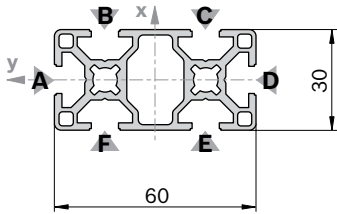
30x30 R		L (mm)	No.
1 pc		50 ... 6070	3 842 992 896 / L
20 pcs		6070	3 842 557 947
1 pc		6070	3 842 558 309

Cover cap	Color	ESD	No.
30x30 R (1x)	Signal gray	20	3 842 548 776
30x30 R (1x)	Black		3 842 548 777

Material: PP

30x60

A = 5,5 cm²
 I_x = 19,6 cm⁴
 I_y = 5,1 cm⁴
 W_x = 7,0 cm³
 W_y = 3,9 cm³
 m = 1,5 kg/m



19187

Cover cap	Color	ESD	No.
30x30 (2x)	Signal gray	100	3 842 548 744
30x60 (1x)	Signal gray	20	3 842 548 780
30x30 (2x)	Black	20	3 842 548 745
30x60 (1x)	Black	20	3 842 548 781
Material:	PP		

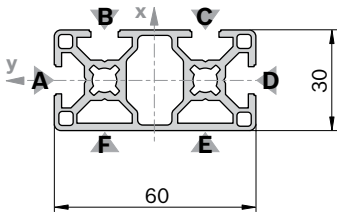
Cover cap with hole	Color	ESD	No.
30x30 (2x)	Signal gray	20	3 842 548 774
30x30 (2x)	Black	20	3 842 548 775
Material:	PP		

30x60	L (mm)	No.
1 pc	50 ... 6070	3 842 992 457 / L
1 pc	M8	3 842 992 458 / L
1 pc	M8	3 842 992 926 / L
1 pc	D11	3 842 992 459 / L
1 pc	D11	3 842 992 460 / L
1 pc	D11	3 842 992 463 / L
1 pc	D11V	3 842 992 462 / L
10 pcs	6070	3 842 557 205
1 pc	6070	3 842 557 215

Profile finishing: M8: in all core holes
 D11: in slots B/F, C/E
 D11V: in slots A/D

30x60 4N

A = 5,8 cm²
 I_x = 20,2 cm⁴
 I_y = 5,5 cm⁴
 W_x = 6,7 cm³
 W_y = 3,8 cm³
 m = 1,6 kg/m



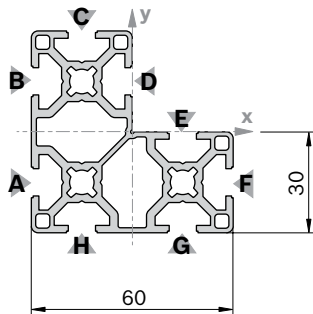
19188

30x60 4N	L (mm)	No.
1 pc	50 ... 6070	3 842 993 420 / L
10 pcs	6070	3 842 536 472
1 pc	6070	3 842 536 473

Cover cap: see 30x60

30x60x60

A = 8,2 cm²
 I_x = 26,2 cm⁴
 I_y = 26,2 cm⁴
 W_x = 7,6 cm³
 W_y = 7,6 cm³
 m = 2,2 kg/m



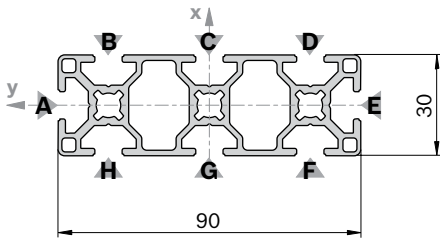
19189

30x60x60	L (mm)	No.
1 pc	50 ... 6070	3 842 993 016 / L
20 pcs	6070	3 842 557 241
1 pc	6070	3 842 557 248

Cover cap	Color	ESD	No.
30x30 (3x)	Signal gray	100	3 842 548 744
30x30 (3x)	Black	20	3 842 548 745
Material:	PP		

30x90

A = 7,7 cm²
 I_x = 60,7 cm⁴
 I_y = 7,3 cm⁴
 W_x = 13,5 cm³
 W_y = 4,9 cm³
 m = 2,1 kg/m



19190

30x90		L (mm) No.	
20 pcs		6070	3 842 541 937
1 pc		6070	3 842 541 936

Cover cap	Color	ESD	No.
30x30 (3x)	Signal gray	100	3 842 548 744
30x30 (3x)	Black		20 3 842 548 745

Material:

PP

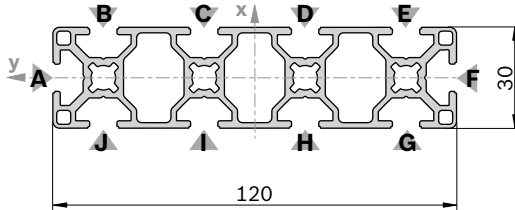
Cover cap with hole	Color	ESD	No.
30x30 (3x)	Signal gray	20	3 842 548 774
30x30 (3x)	Black		20 3 842 548 775

Material:

PP

30x120

A = 9,9 cm²
 I_x = 136,3 cm⁴
 I_y = 9,6 cm⁴
 W_x = 22,7 cm³
 W_y = 6,4 cm³
 m = 2,7 kg/m



19191

30x120		L (mm) No.	
20 pcs		6070	3 842 541 939
1 pc		6070	3 842 541 938

Cover cap	Color	ESD	No.
30x30 (4x)	Signal gray	100	3 842 548 744
30x60 (2x)	Signal gray	20	3 842 548 780
30x30 (4x)	Black		20 3 842 548 745
30x60 (2x)	Black		20 3 842 548 781

Material:

PP

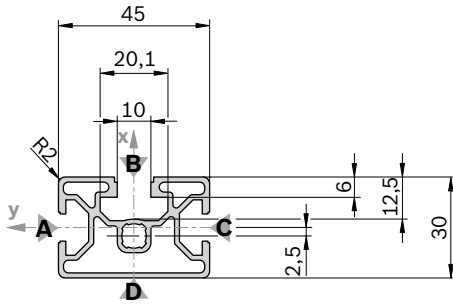
Cover cap with hole	Color	ESD	No.
30x30 (4x)	Signal gray	20	3 842 548 774
30x30 (4x)	Black		20 3 842 548 775

Material:

PP

30x45

A = 4,0 cm²
 I_x = 8,1 cm⁴
 I_y = 3,9 cm⁴
 W_x = 3,9 cm³
 W_y = 2,9 cm³
 m = 1,1 kg/m



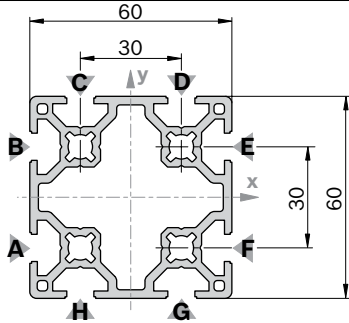
30x45		L (mm)	No.
1 pc		50 ... 6070	3 842 992 430 / L
1 pc	M8	50 ... 6000	3 842 992 431 / L
18 pcs		6070	3 842 557 203
1 pc		6070	3 842 557 213

Cover cap	Color	ESD	No.
30x45 (1x)	Signal gray	20	3 842 548 778
30x45 (1x)	Black		3 842 548 779

Material: PP

60x60 8N

A = 9,8 cm²
 I_x = 39,7 cm⁴
 I_y = 39,7 cm⁴
 W_x = 13,2 cm³
 W_y = 13,2 cm³
 m = 2,6 kg/m



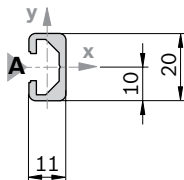
60x60 8N		L (mm)	No.
1 pc		50 ... 6070	3 842 993 033 / L
20 pcs		6070	3 842 535 176
1 pc		6070	3 842 535 175

Cover cap	Color	ESD	No.
60x60 8N (1x)	Signal gray	20	3 842 551 046
60x60 8N (1x)	Black		3 842 551 047

Material: PP

11x20

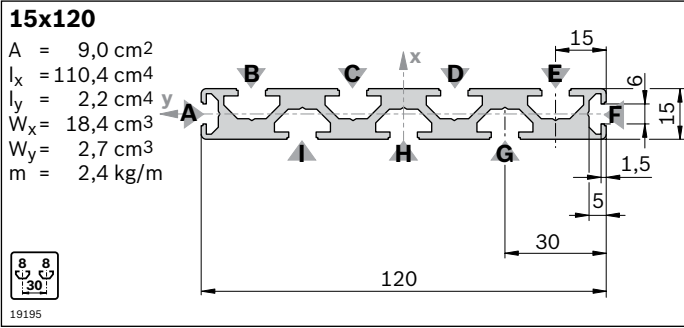
A = 1,0 cm²
 I_x = 0,5 cm⁴
 I_y = 0,1 cm⁴
 W_x = 0,7 cm³
 W_y = 0,3 cm³
 m = 0,3 kg/m



11x20		L (mm)	No.
1 pc		50 ... 2000	3 842 992 476 / L
10 pcs		2000	3 842 513 581
1 pc		2000	3 842 513 582

Cover cap	Color	ESD	No.
11x20 (1x)	Signal gray	20	3 842 551 044
11x20 (1x)	Black		3 842 551 045

Material: PP



15x120		L (mm)	No.
1 pc		50 ... 3000	3 842 993 078 / L
10 pcs		3000	3 842 537 821
1 pc		3000	3 842 526 818

Cover cap	Color	ESD		No.
15x120 (1x)	Signal gray	20		3 842 548 768
15x120 (1x)	Black	20		3 842 548 769

Material: PP

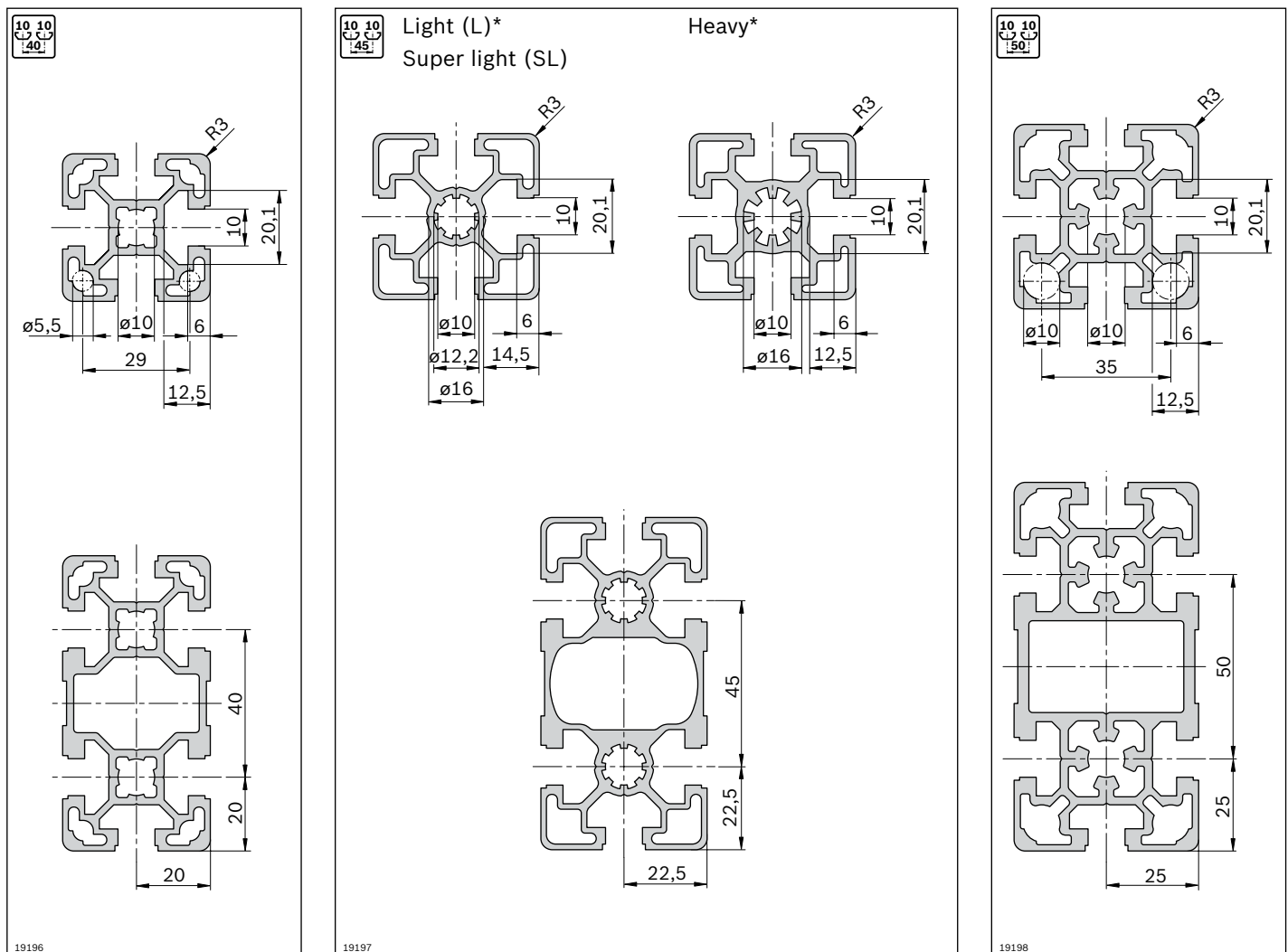
Strut profiles with 10 mm slot

The Rexroth modular profile system, with 10 mm slots in the modular dimensions 40 mm, 45 mm, 50 mm, and 60 mm, covers all conventional profile dimensions on the world market.

profiles L with 10 mm slot (modular dimensions 40 mm, 45 mm, and 50 mm, e.g. 50x50L) combine high strengths with minimum use of materials. This gives you a cost-effective and stable solution for the construction of tables, protection devices or frames, for instance.

Thanks to their computer-optimized design, the strut

Slot, modular dimensions, central bore



*) The following L-profiles have a “heavy” slot geometry:
 45x90x90L; 45x90x90L 4N; 90x90L; 90x90L 4N; 90x90L 4NVS; 90x180L

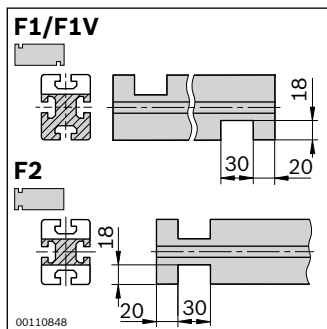
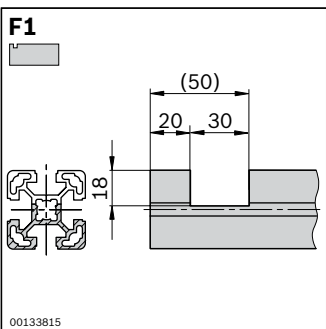
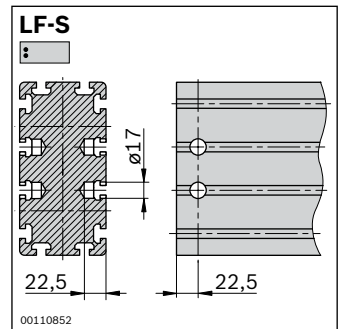
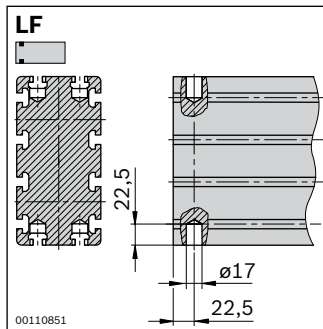
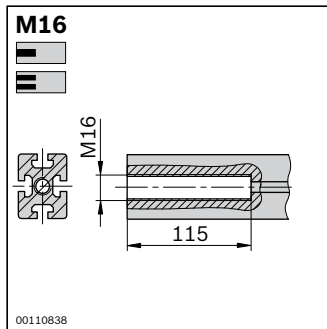
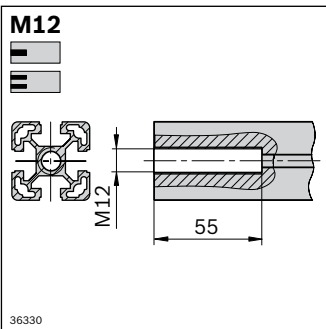
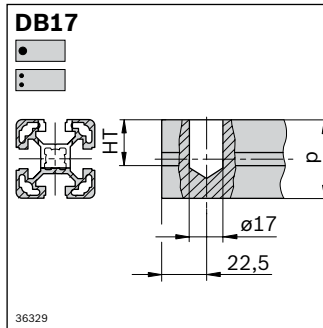
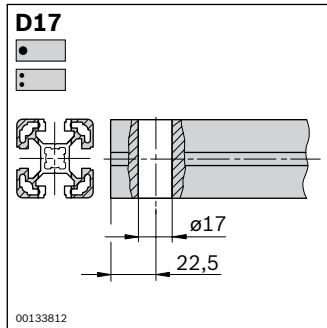
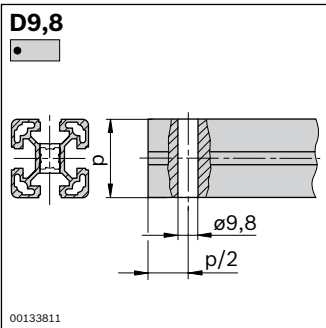
**Reduced maximum profile lengths $L_{max i}$
at customized profile finishing**

L_{max} (mm)	$L_{max i}$ (mm)
6070	5400
3000	2300
2000	1300

For applications with high loads, we recommend especially stable profiles with 10 mm slots, e.g. for heavy work tables, fixtures, machine frames, transport shuttles, protective enclosures, and handling systems.

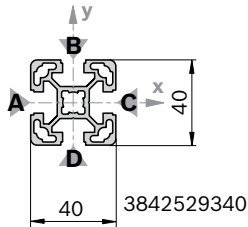
Due to its very sturdy design, this slot allows maximum strength connections.

Profile finishing



40x40L

A = 5,6 cm²
 I_x = 9,1 cm⁴
 I_y = 9,1 cm⁴
 W_x = 4,5 cm³
 W_y = 4,5 cm³
 m = 1,5 kg/m



19199

Cover cap	Color	ESD	No.
40x40 (1x)	Signal gray	100	3 842 548 746
40x40 (1x)	Black	20	3 842 548 747

Material: PP

Cover cap with hole	Color	ESD	No.
40x40 (1x)	Signal gray	20	3 842 548 782
40x40 (1x)	Black	20	3 842 548 783

Material: PP

Cover cap ZN	ESD No.	FS
40x40-ZN	3 842 541 807	FS2

Material: Cover cap: Diecast zinc
 Fastening material: Steel; zinc-plated

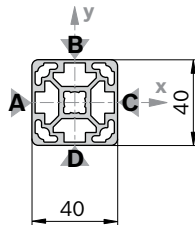
40x40L	L (mm)	No.
1 pc	50 ... 6070	3 842 993 120 / L
1 pc M12	60 ... 6000	3 842 993 121 / L
1 pc M12-M12	110 ... 6000	3 842 993 122 / L
1 pc M12-D17	90 ... 6000	3 842 993 123 / L
1 pc D17	60 ... 6000	3 842 993 124 / L
1 pc D17-D17	80 ... 6000	3 842 993 125 / L
1 pc D17-D17V	80 ... 6000	3 842 993 126 / L
1 pc D9,8-D9,8	80 ... 6000	3 842 993 129 / L
20 pcs	6070	3 842 529 339
1 pc	6070	3 842 529 340

FS2

DIN 7991
 M6x16

40x40L 0N

A = 6,3 cm²
 I_x = 10,4 cm⁴
 I_y = 10,4 cm⁴
 W_x = 5,2 cm³
 W_y = 5,2 cm³
 m = 1,7 kg/m



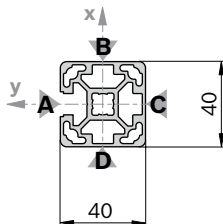
19200

40x40L 0N	L (mm)	No.
20 pcs	6070	3 842 540 954
1 pc	6070	3 842 540 956

Cover cap: see 40x40

40x40L 1N

A = 6,1 cm²
 I_x = 9,8 cm⁴
 I_y = 10,3 cm⁴
 W_x = 4,7 cm³
 W_y = 5,1 cm³
 m = 1,7 kg/m



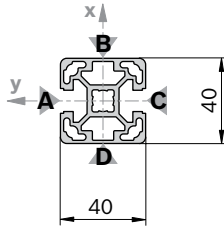
19201

40x40L 1N	L (mm)	No.
1 pc	50 ... 6070	3 842 993 185 / L
1 pc M12-M12	110 ... 6000	3 842 993 186 / L
20 pcs	6070	3 842 529 361
1 pc	6070	3 842 529 362

Cover cap: see 40x40

40x40L 2N

A = 6,0 cm²
 I_x = 9,0 cm⁴
 I_y = 10,3 cm⁴
 W_x = 4,5 cm³
 W_y = 5,2 cm³
 m = 1,6 kg/m



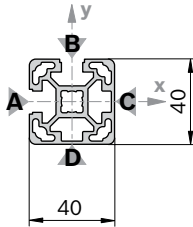
19202

40x40L 2N		L (mm)	No.
1 pc		50 ... 6070	3 842 993 187 / L
1 pc	M12 M12	110 ... 6000	3 842 993 188 / L
20 pcs		6070	3 842 529 363
1 pc		6070	3 842 529 364

Cover cap: see 40x40

40x40L 2NVS

A = 6,0 cm²
 I_x = 9,7 cm⁴
 I_y = 9,7 cm⁴
 W_x = 4,9 cm³
 W_y = 4,9 cm³
 m = 1,6 kg/m



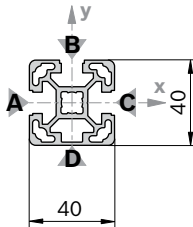
19203

40x40L 2NVS		L (mm)	No.
1 pc		50 ... 6070	3 842 993 189 / L
1 pc	M12 M12	110 ... 6000	3 842 993 190 / L
20 pcs		6070	3 842 529 365
1 pc		6070	3 842 529 366

Cover cap: see 40x40

40x40L 3N

A = 5,8 cm²
 I_x = 9,7 cm⁴
 I_y = 9,0 cm⁴
 W_x = 4,8 cm³
 W_y = 4,5 cm³
 m = 1,6 kg/m



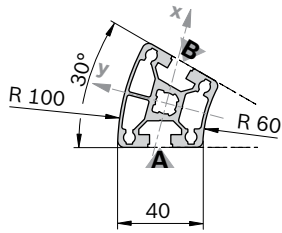
19204

40x40L 3N		L (mm)	No.
1 pc		50 ... 6070	3 842 993 191 / L
1 pc	M12 M12	110 ... 6000	3 842 993 192 / L
20 pcs		6070	3 842 529 367
1 pc		6070	3 842 529 368

Cover cap: see 40x40

40x30°

A = 6,2 cm²
 I_x = 9,4 cm⁴
 I_y = 11,8 cm⁴
 W_x = 4,7 cm³
 W_y = 5,9 cm³
 m = 1,7 kg/m



19205

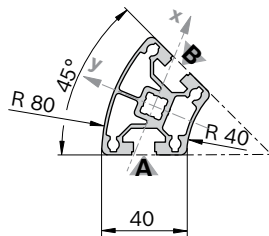
40x30°		L (mm) No.	
1 pc		50 ... 6070	3 842 993 195 / L
12 pcs		6070	3 842 529 371
1 pc		6070	3 842 529 372

Cover cap	Color	ESD	No.
40x30° (1x)	Signal gray	20	3 842 551 014
40x30° (1x)	Black		3 842 551 015

Material: PP

40x45°

A = 6,8 cm²
 I_x = 9,9 cm⁴
 I_y = 16,6 cm⁴
 W_x = 5,0 cm³
 W_y = 8,3 cm³
 m = 1,8 kg/m



19206

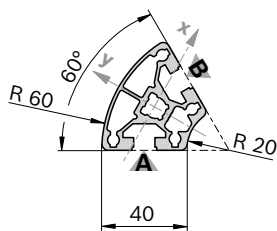
40x45°		L (mm) No.	
1 pc		50 ... 6070	3 842 993 197 / L
12 pcs		6070	3 842 529 373
1 pc		6070	3 842 529 374

Cover cap	Color	ESD	No.
40x45° (1x)	Signal gray	20	3 842 551 016
40x45° (1x)	Black		3 842 551 017

Material: PP

40x60°

A = 6,3 cm²
 I_x = 8,7 cm⁴
 I_y = 13,1 cm⁴
 W_x = 4,3 cm³
 W_y = 6,5 cm³
 m = 1,7 kg/m



19207

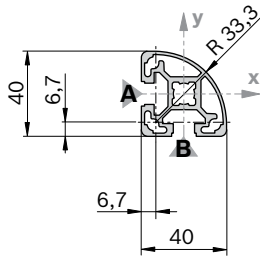
40x60°		L (mm) No.	
1 pc		50 ... 6070	3 842 993 198 / L
12 pcs		6070	3 842 529 375
1 pc		6070	3 842 529 376

Cover cap	Color	ESD	No.
40x60° (1x)	Signal gray	20	3 842 551 018
40x60° (1x)	Black		3 842 551 019

Material: PP

40x40L R

A = 5,0 cm²
 I_x = 7,2 cm⁴
 I_y = 7,2 cm⁴
 W_x = 3,6 cm³
 W_y = 3,6 cm³
 m = 1,3 kg/m



19208

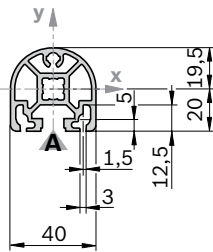
40x40L R		L (mm)	No.
1 pc		50 ... 6070	3 842 993 184 / L
20 pcs		6070	3 842 529 359
1 pc		6070	3 842 529 360

Cover cap	Color	ESD		No.
40x40 R (1x)	Signal gray	20		3 842 548 784
40x40 R (1x)	Black		20	3 842 548 785

Material: PP

40x40 HR

A = 5,5 cm²
 I_x = 8,1 cm⁴
 I_y = 7,6 cm⁴
 W_x = 4,0 cm³
 W_y = 3,6 cm³
 m = 1,5 kg/m



19209

40x40 HR		L (mm)	No.
1 pc		50 ... 6070	3 842 993 256 / L
1 pc	M12 M12	110 ... 6000	3 842 993 257 / L
20 pcs		6070	3 842 529 381
1 pc		6070	3 842 529 382

Cover cap	Color	ESD		No.
40x40 HR (1x)	Signal gray	20		3 842 548 786
40x40 HR (1x)	Black		20	3 842 548 787

Material: PP

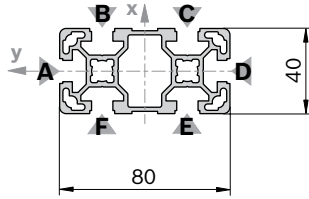
Cover cap with hole¹⁾	Color	ESD		No.
40x40 HR (1x)	Signal gray	20		3 842 548 786
40x40 HR (1x)	Black		20	3 842 548 787

Material: PP

¹⁾ The cover cap is also suitable for use with a hole, which can be broken out

40x80L

A = 9,9 cm²
 I_x = 63,4 cm⁴
 I_y = 17,3 cm⁴
 W_x = 15,9 cm³
 W_y = 8,7 cm³
 m = 2,7 kg/m



19210

Cover cap	Color	ESD	No.
40x80 (1x)	Signal gray	20	3 842 548 748
40x80 (1x)	Black	20	3 842 548 749

Material: PP

Cover cap with hole	Color	ESD	No.
40x80 (1x)	Signal gray	20	3 842 548 788
40x80 (1x)	Black	20	3 842 548 789

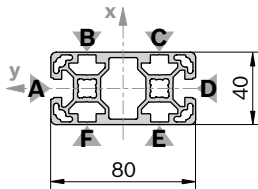
Material: PP

40x80L	L (mm)	No.
1 pc	50 ... 6070	3 842 993 130 / L
1 pc M12	60 ... 6000	3 842 993 131 / L
1 pc M12	110... 6000	3 842 993 132 / L
1 pc D17	80 ... 6000	3 842 993 135 / L
1 pc D17	80 ... 6000	3 842 993 136 / L
1 pc D17V	60 ... 6000	3 842 993 137 / L
1 pc D17V	80 ... 6000	3 842 993 138 / L
12 pcs	6070	3 842 529 341
1 pc	6070	3 842 529 342

Profile finishing: M12: in all core holes
 D17: in slots B/F, C/E
 D17V: in slots A/D

40x80L 2N

A = 10,9 cm²
 I_x = 66,6 cm⁴
 I_y = 20,8 cm⁴
 W_x = 16,6 cm³
 W_y = 10,4 cm³
 m = 2,9 kg/m



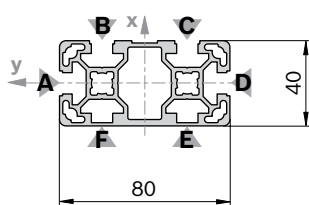
33094

Cover cap: see 40x80

40x80L 2N	L (mm)	No.
12 pcs	6070	3 842 555 650
1 pc	6070	3 842 555 646

40x80L 4N

A = 10,4 cm²
 I_x = 65,2 cm⁴
 I_y = 19,1 cm⁴
 W_x = 16,3 cm³
 W_y = 9,9 cm³
 m = 2,8 kg/m



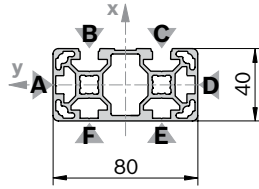
19211

Cover cap: see 40x80

40x80L 4N	L (mm)	No.
1 pc	50 ... 6070	3 842 993 424 / L
12 pcs	6070	3 842 536 484
1 pc	6070	3 842 536 485

40x80L 2NVS

A = 10,7 cm²
 I_x = 67,8 cm⁴
 I_y = 19,0 cm⁴
 W_x = 17,0 cm³
 W_y = 9,5 cm³
 m = 2,9 kg/m



33093

Cover cap: see 40x80

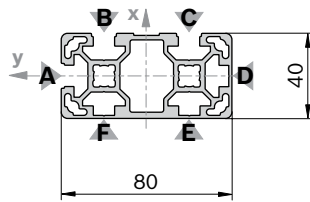
40x80L 2NVS

L (mm) No.

	12 pcs		6070	3 842 555 649
	1 pc		6070	3 842 555 645

40x80L 3NVS

A = 10,6 cm²
 I_x = 67,8 cm⁴
 I_y = 19,0 cm⁴
 W_x = 17,0 cm³
 W_y = 9,5 cm³
 m = 2,9 kg/m



19212

Cover cap: see 40x80

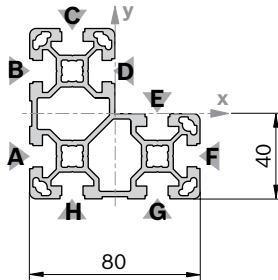
40x80L 3NVS

L (mm) No.

	1 pc		50 ... 6070	3 842 993 654 / L
	12 pcs		6070	3 842 538 330
	1 pc		6070	3 842 538 329

40x80x80L

A = 15,4 cm²
 I_x = 96,6 cm⁴
 I_y = 96,6 cm⁴
 W_x = 24,2 cm³
 W_y = 24,2 cm³
 m = 4,2 kg/m



19213

40x80x80L

L (mm) No.

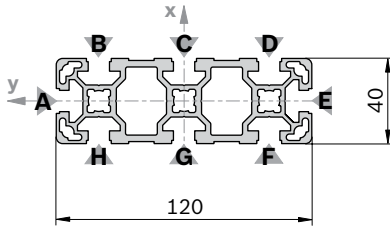
	1 pc		50 ... 6070	3 842 993 193 / L
	8 pc		6070	3 842 537 827
	1 pc		6070	3 842 529 370

Cover cap	Color	ESD		No.
40x80x80 (1x)	Signal gray	20		3 842 548 790
40x80x80 (1x)	Black		20	3 842 548 791

Material: PP

40x120L

A = 15,5 cm²
 I_x = 203,2 cm⁴
 I_y = 27,8 cm⁴
 W_x = 33,9 cm³
 W_y = 13,9 cm³
 m = 4,2 kg/m



Cover cap	Color	ESD	No.
40x40 (1x)	Signal gray	100	3 842 548 746
40x80 (1x)	Signal gray	20	3 842 548 748
40x40 (1x)	Black	20	3 842 548 747
40x80 (1x)	Black	20	3 842 548 749

Material: PP

Notice:

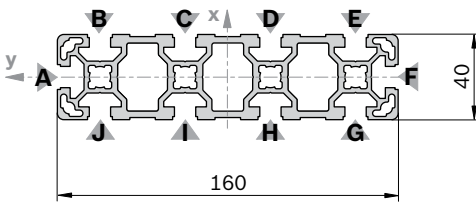
For the 40x120L profile you require the following combination of cover caps: 1x 40x40 und 1x 40x80

40x120L	L (mm)	No.
1 pc	50 ... 6070	3 842 993 139 / L
1 pc M12	60 ... 6000	3 842 993 140 / L
1 pc M12 M12	110 ... 6000	3 842 993 141 / L
1 pc D17 D17	80 ... 6000	3 842 993 142 / L
1 pc D17V D17V	90 ... 6000	3 842 993 225 / L
8 pc	6070	3 842 537 824
1 pc	6070	3 842 529 344

Profile finishing: M12: in all core holes
 D17: in slots B/H, C/G, D/F
 D17V: in slots A/E

40x160L

A = 20,5 cm²
 I_x = 466,7 cm⁴
 I_y = 37,2 cm⁴
 W_x = 58,3 cm³
 W_y = 18,6 cm³
 m = 5,5 kg/m



Cover cap	Color	ESD	No.
40x80 (2x)	Signal gray	20	3 842 548 748
40x80 (2x)	Black	20	3 842 548 749

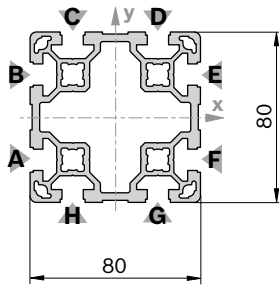
Material: PP

40x160L	L (mm)	No.
1 pc	50 ... 6070	3 842 993 143 / L
1 pc M12	60 ... 6000	3 842 993 144 / L
1 pc M12 M12	110 ... 6000	3 842 993 145 / L
1 pc D17 D17	80 ... 6000	3 842 993 146 / L
6 pcs	6070	3 842 529 345
1 pc	6070	3 842 529 346

Profile finishing: M12: in all core holes
 D17: in slots B/J, C/I, D/H, E/G

80x80L

A = 18,2 cm²
 I_x = 132,1 cm⁴
 I_y = 132,1 cm⁴
 W_x = 33,0 cm³
 W_y = 33,0 cm³
 m = 4,9 kg/m



80x80L		L (mm)	No.
1 pc		50 ... 6070	3 842 993 133 / L
1 pc	M12	60 ... 6000	3 842 993 134 / L
1 pc	M12 M12	110 ... 6000	3 842 993 147 / L
1 pc	M12 D17	90 ... 6000	3 842 993 148 / L
1 pc	D17	60 ... 6000	3 842 993 149 / L
1 pc	D17 D17	80 ... 6000	3 842 993 150 / L
1 pc	D17 D17V	80 ... 6000	3 842 993 151 / L
6 pcs		6070	3 842 529 347
1 pc		6070	3 842 529 348

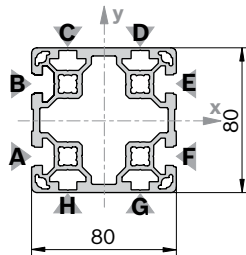
Profile finishing: M12: in all core holes
 D17: in slots A/F, B/E
 D17V: in slots C/H, D/G

Cover cap	Color	ESD		No.
80x80 (1x)	Signal gray	20		3 842 548 750
80x80 (1x)	Black		20	3 842 548 751

Material: PP

80x80L 4N

A = 19,1 cm²
 I_x = 142,5 cm⁴
 I_y = 142,5 cm⁴
 W_x = 35,6 cm³
 W_y = 35,6 cm³
 m = 5,2 kg/m



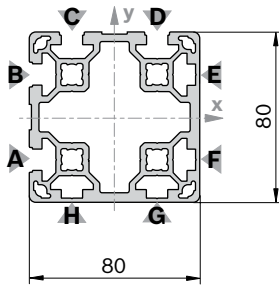
80x80L 4N		L (mm)	No.
6 pcs		6070	3 842 555 651
1 pc		6070	3 842 555 647

Cover cap	Color	ESD		No.
80x80 (1x)	Signal gray	20		3 842 548 750
80x80 (1x)	Black		20	3 842 548 751

Material: PP

80x80L 4NVS

A = 19,3 cm²
 I_x = 142,5 cm⁴
 I_y = 142,5 cm⁴
 W_x = 35,6 cm³
 W_y = 35,6 cm³
 m = 5,2 kg/m



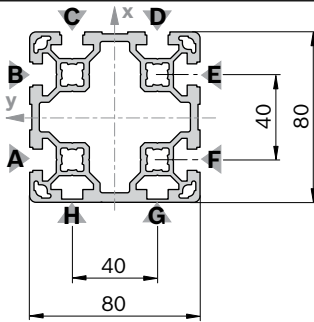
19416

80x80L 4NVS		L (mm)	No.
1 pc		50 ... 6070	3 842 993 658 / L
6 pcs		6070	3 842 538 334
1 pc		6070	3 842 538 333

Cover cap: see 80x80

80x80L 6N

A = 18,8 cm²
 I_x = 134,1 cm⁴
 I_y = 140,9 cm⁴
 W_x = 33,5 cm³
 W_y = 36,2 cm³
 m = 5,1 kg/m



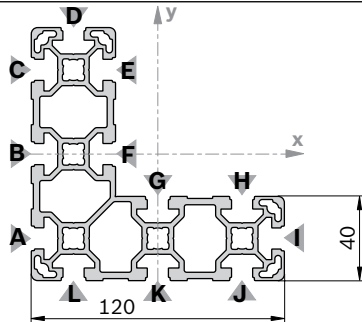
19417

80x80L 6N		L (mm)	No.
1 pc		50 ... 6070	3 842 993 423 / L
6 pcs		6070	3 842 536 481
1 pc		6070	3 842 536 482

Cover cap: see 80x80

40x120x120L

A = 24,6 cm²
 I_x = 318,0 cm⁴
 I_y = 318,0 cm⁴
 W_x = 42,2 cm³
 W_y = 42,2 cm³
 m = 6,7 kg/m



19418

40x120x120L		L (mm)	No.
1 pc		50 ... 6070	3 842 993 653 / L
4 pcs		6070	3 842 538 287
1 pc		6070	3 842 538 252

Cover cap	Color	ESD	No.
40x40 (5x)	Signal gray	100	3 842 548 746
40x80 (2x)	Signal gray	20	3 842 548 748
40x40 (1x)	Signal gray	100	3 842 548 746
40x40 (5x)	Black	20	3 842 548 747
40x80 (2x)	Black	20	3 842 548 749
40x40 (1x)	Black	20	3 842 548 747

Material: PP

Notice:

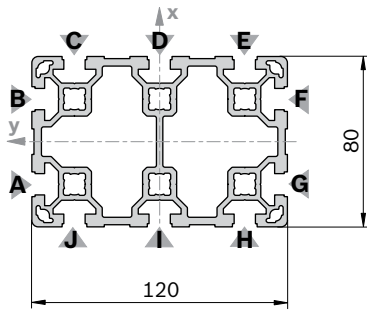
for the 40x120x120L profile you require the following combination of cover caps: 5x 40x40 or 2x 40x80 and 1x 40x40

80x120L

$A = 25,6 \text{ cm}^2$
 $I_x = 389,2 \text{ cm}^4$
 $I_y = 192,8 \text{ cm}^4$
 $W_x = 64,9 \text{ cm}^3$
 $W_y = 48,2 \text{ cm}^3$
 $m = 6,9 \text{ kg/m}$



19419



Cover cap	Color	ESD	No.
80x120 (1x)	Signal gray	20	3 842 548 792
80x120 (1x)	Black	20	3 842 548 793

Material: PP

80x120L	L (mm)	No.
1 pc	50 ... 6070	3 842 993 201 / L
1 pc M12	60 ... 6000	3 842 993 202 / L
1 pc M12 M12	110 ... 6000	3 842 993 203 / L
1 pc D17 D17	80 ... 6000	3 842 993 204 / L
1 pc D17V D17V	90 ... 6000	3 842 993 229 / L
4 pcs	6070	3 842 537 828
1 pc	6070	3 842 529 380

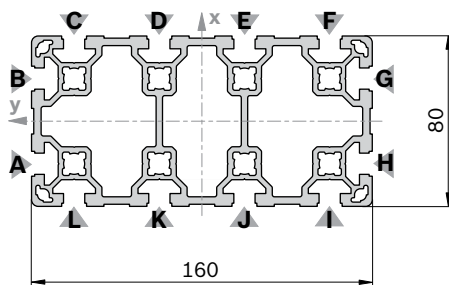
Profile finishing: M12: in all core holes
 D17: in slots C/J, D/I, E/H
 D17V: in slots A/G, B/F

80x160L

$A = 32,9 \text{ cm}^2$
 $I_x = 850,7 \text{ cm}^4$
 $I_y = 253,4 \text{ cm}^4$
 $W_x = 106,3 \text{ cm}^3$
 $W_y = 63,4 \text{ cm}^3$
 $m = 8,9 \text{ kg/m}$



19420



Cover cap	Color	ESD	No.
80x80 (2x)	Signal gray	20	3 842 548 750
80x80 (2x)	Black	20	3 842 548 751

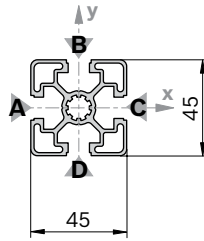
Material: PP

80x160L	L (mm)	No.
1 pc	50 ... 6070	3 842 993 127 / L
1 pc M12	60 ... 6000	3 842 993 128 / L
1 pc M12 M12	110 ... 6000	3 842 993 152 / L
1 pc M12 D17	90 ... 6000	3 842 993 153 / L
1 pc D17	60 ... 6000	3 842 993 154 / L
1 pc D17 D17	80 ... 6000	3 842 993 155 / L
1 pc D17V D17V	90 ... 6000	3 842 993 226 / L
3 pcs	6070	3 842 529 349
1 pc	6070	3 842 529 350

Profile finishing: M12: in all core holes
 D17: in slots C/L, D/K, E/J, F/I
 D17V: in slots A/H, B/G

45x45L

A = 6,0 cm²
 I_x = 11,7 cm⁴
 I_y = 11,7 cm⁴
 W_x = 5,2 cm³
 W_y = 5,2 cm³
 m = 1,6 kg/m



19421

Cover cap	Color	ESD	No.
45x45 (1x)	Signal gray	100	3 842 548 752
45x45 (1x)	Black	20	3 842 548 753

Material: PP

Cover cap with hole	Color	ESD	No.
45x45 (1x)	Signal gray	20	3 842 548 796
45x45 (1x)	Black	20	3 842 548 797

Material: PP

Cover cap ZN	ESD No.	FS
45x45-ZN	3 842 518 205	FS2

Material: Cover cap: Diecast zinc
 Fastening material: Steel; zinc-plated

45x45L	L (mm)	No.
1 pc	50 ... 6070	3 842 992 425 / L
1 pc M12	60 ... 6000	3 842 992 426 / L
1 pc M12-M12	110 ... 6000	3 842 992 427 / L
1 pc M12-D17	90 ... 6000	3 842 992 960 / L
1 pc D9,8-D9,8	80 ... 6000	3 842 992 967 / L
1 pc D17	60 ... 6000	3 842 992 953 / L
1 pc D17-D17	80 ... 6000	3 842 992 954 / L
1 pc D17-D17V	80 ... 6000	3 842 992 956 / L
20 pcs	6070	3 842 553 611
1 pc	6070	3 842 553 618

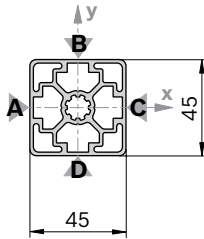


FS2

DIN 7991
 M6x16

45x45L 0N

A = 6,7 cm²
 I_x = 13,5 cm⁴
 I_y = 13,5 cm⁴
 W_x = 6,0 cm³
 W_y = 6,0 cm³
 m = 1,8 kg/m



19422

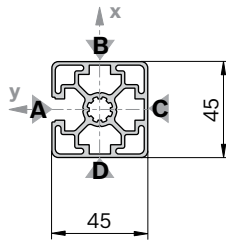
45x45L 0N	L (mm)	No.
20 pcs	6070	3 842 540 955
1 pc	6070	3 842 540 957



Cover cap: see 45x45

45x45L 1N

A = 6,5 cm²
 I_x = 12,6 cm⁴
 I_y = 13,5 cm⁴
 W_x = 5,5 cm³
 W_y = 6,0 cm³
 m = 1,8 kg/m



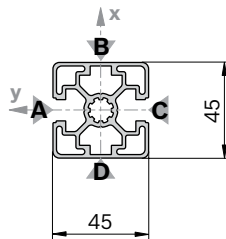
19423

45x45L 1N		L (mm)	No.
1 pc		50 ... 6070	3 842 992 401 / L
20 pcs		6070	3 842 557 222
1 pc		6070	3 842 557 232

Cover cap: see 45x45

45x45L 2N

A = 6,4 cm²
 I_x = 11,6 cm⁴
 I_y = 13,5 cm⁴
 W_x = 5,2 cm³
 W_y = 6,0 cm³
 m = 1,7 kg/m



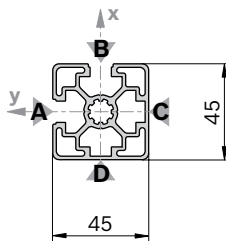
19424

45x45L 2N		L (mm)	No.
1 pc		50 ... 6070	3 842 992 403 / L
20 pcs		6070	3 842 557 224
1 pc		6070	3 842 557 234

Cover cap: see 45x45

45x45L 2NVS

A = 6,4 cm²
 I_x = 12,6 cm⁴
 I_y = 12,6 cm⁴
 W_x = 5,6 cm³
 W_y = 5,6 cm³
 m = 1,7 kg/m



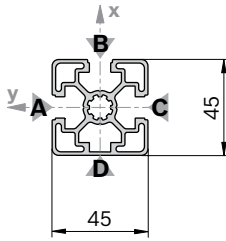
19425

45x45L 2NVS		L (mm)	No.
1 pc		50 ... 6070	3 842 992 402 / L
20 pcs		6070	3 842 557 223
1 pc		6070	3 842 557 233

Cover cap: see 45x45

45x45L 3N

A = 6,2 cm²
 I_x = 12,6 cm⁴
 I_y = 11,7 cm⁴
 W_x = 5,4 cm³
 W_y = 5,2 cm³
 m = 1,7 kg/m



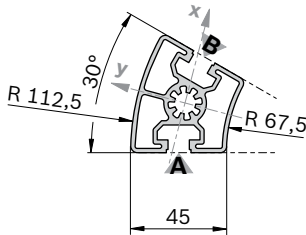
19426

45x45L 3N		L (mm) No.	
1 pc		50 ... 6070	3 842 992 404 / L
20 pcs		6070	3 842 557 225
1 pc		6070	3 842 557 235

Cover cap: see 45x45

45x30°

A = 6,9 cm²
 I_x = 12,7 cm⁴
 I_y = 15,2 cm⁴
 W_x = 5,0 cm³
 W_y = 5,3 cm³
 m = 1,9 kg/m



19427

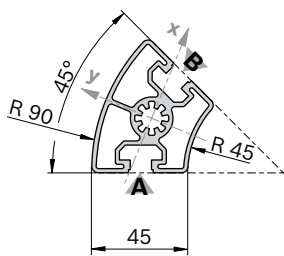
45x30°		L (mm) No.	
1 pc		50 ... 6070	3 842 993 013 / L
20 pcs		6070	3 842 557 954
1 pc		6070	3 842 558 316

Cover cap	Color	ESD		No.
45x30° (1x)	Signal gray		20	3 842 551 020
45x30° (1x)	Black		20	3 842 551 021

Material: PP

45x45°

A = 7,6 cm²
 I_x = 13,4 cm⁴
 I_y = 21,4 cm⁴
 W_x = 5,2 cm³
 W_y = 6,4 cm³
 m = 2,0 kg/m



19428

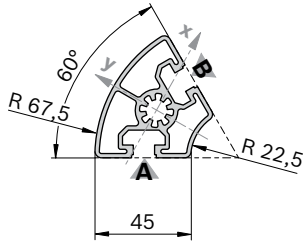
45x45°		L (mm) No.	
1 pc		50 ... 6070	3 842 993 014 / L
20 pcs		6070	3 842 557 955
1 pc		6070	3 842 558 317

Cover cap	Color	ESD		No.
45x45° (1x)	Signal gray		20	3 842 551 022
45x45° (1x)	Black		20	3 842 551 023

Material: PP

45x60°

A = 6,8 cm²
 I_x = 11,4 cm⁴
 I_y = 16,9 cm⁴
 W_x = 4,4 cm³
 W_y = 5,2 cm³
 m = 1,8 kg/m



19429

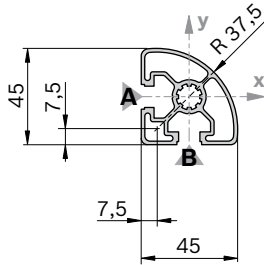
45x60°		L (mm)	No.
1 pc		50 ... 6070	3 842 993 015 / L
20 pcs		6070	3 842 557 956
1 pc		6070	3 842 558 318

Cover cap	Color	ESD	No.
45x60° (1x)	Signal gray	20	3 842 551 024
45x60° (1x)	Black		3 842 551 025

Material: PP

45x45L R

A = 4,9 cm²
 I_x = 8,6 cm⁴
 I_y = 8,6 cm⁴
 W_x = 5,0 cm³
 W_y = 5,0 cm³
 m = 1,3 kg/m



19430

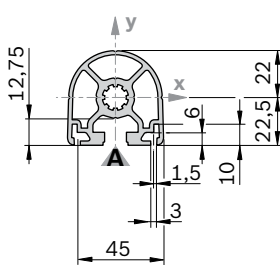
45x45L R		L (mm)	No.
1 pc		50 ... 6070	3 842 992 897 / L
20 pcs		6070	3 842 557 948
1 pc		6070	3 842 558 310

Cover cap	Color	ESD	No.
45x45 R (1x)	Signal gray	20	3 842 548 800
45x45 R (1x)	Black		3 842 548 801

Material: PP

45x45 HR

A = 6,6 cm²
 I_x = 11,0 cm⁴
 I_y = 10,7 cm⁴
 W_x = 4,4 cm³
 W_y = 4,8 cm³
 m = 1,8 kg/m



19431

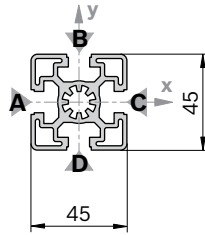
45x45 HR		L (mm)	No.
1 pc		50 ... 6070	3 842 992 945 / L
1 pc		60 ... 6000	3 842 993 001 / L
1 pc		M12 110 ... 6000	3 842 992 999 / L
20 pcs		6070	3 842 557 957
1 pc		6070	3 842 558 319

Cover cap	Color	ESD	No.
45x45 HR (1x)	Signal gray	20	3 842 548 798
45x45 HR (1x)	Black		3 842 548 799

Material: PP

45x45

A = 7,5 cm²
 $I_x = 13,8 \text{ cm}^4$
 $I_y = 13,8 \text{ cm}^4$
 $W_x = 6,1 \text{ cm}^3$
 $W_y = 6,1 \text{ cm}^3$
 m = 2,0 kg/m



19432

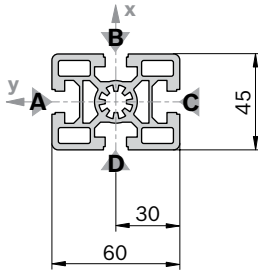
Cover cap	Color	ESD	No.
45x45 (1x)	Signal gray	100	3 842 548 752
45x45 (1x)	Black	20	3 842 548 753
Material:	PP		

Cover cap with hole	Color	ESD	No.
45x45 (1x)	Signal gray	20	3 842 548 796
45x45 (1x)	Black	20	3 842 548 797
Material:	PP		

45x45	L (mm)	No.
1 pc	50 ... 6070	3 842 990 520 / L
1 pc M12	60 ... 6000	3 842 990 517 / L
1 pc M12-M12	110 ... 6000	3 842 990 518 / L
1 pc M12-M16	180 ... 6000	3 842 990 519 / L
1 pc M12-D17	90 ... 6000	3 842 990 640 / L
1 pc M16	120 ... 6000	3 842 990 521 / L
1 pc M16-D17	170 ... 6000	3 842 990 642 / L
1 pc D9,8-D9,8	70 ... 6000	3 842 992 969 / L
1 pc D17	60 ... 6000	3 842 990 648 / L
1 pc D17-D17	80 ... 6000	3 842 990 644 / L
1 pc D17-D17V	80 ... 6000	3 842 990 646 / L
20 pcs	6070	3 842 553 614
1 pc	6070	3 842 553 621

45x60

$A = 11,0 \text{ cm}^2$
 $I_x = 37,2 \text{ cm}^4$
 $I_y = 22,7 \text{ cm}^4$
 $W_x = 12,4 \text{ cm}^3$
 $W_y = 10,1 \text{ cm}^3$
 $m = 3,0 \text{ kg/m}$



19433

Cover cap	Color	ESD	No.
45x60 (1x)	Signal gray	20	3 842 548 754
45x60 (1x)	Black	20	3 842 548 755

Material: PP

Cover cap with hole	Color	ESD	No.
45x60 (1x)	Signal gray	20	3 842 548 802
45x60 (1x)	Black	20	3 842 548 803

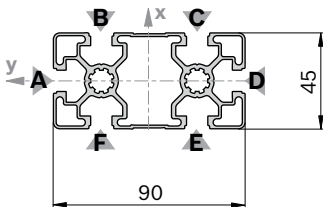
Material: PP

45x60	L (mm)	No.
1 pc	50 ... 6070	3 842 990 570 / L
1 pc M12	60 ... 6000	3 842 990 571 / L
1 pc M12-M12	110 ... 6000	3 842 990 572 / L
1 pc M12-M16	180 ... 6000	3 842 990 575 / L
1 pc M16	120 ... 6000	3 842 990 573 / L
1 pc D9,8	50 ... 6000	3 842 992 376 / L
1 pc D17	60 ... 6000	3 842 990 688 / L
1 pc D17-D17	80 ... 6000	3 842 990 672 / L
1 pc D17-D17V	80 ... 6000	3 842 990 674 / L
1 pc D9,8V	50 ... 6000	3 842 992 375 / L
1 pc D17V	60 ... 6000	3 842 990 690 / L
1 pc D17V-D17V	80 ... 6000	3 842 990 670 / L
1 pc LF	80 ... 6000	3 842 993 085 / L
1 pc F1	80 ... 6000	3 842 990 584 / L
20 pcs	6070	3 842 557 200
1 pc	6070	3 842 557 210

Profile finishing D9.8, D17: in slots B/D
 D9.8V, D17V: in slots A/C
 LF: in slots A/C
 F1: in slot A

45x90SL

$A = 9,0 \text{ cm}^2$
 $I_x = 73,4 \text{ cm}^4$
 $I_y = 18,1 \text{ cm}^4$
 $W_x = 16,3 \text{ cm}^3$
 $W_y = 8,0 \text{ cm}^3$
 $m = 2,4 \text{ kg/m}$



19434

Cover cap	Color	ESD	No.
45x90 (1x)	Signal gray	20	3 842 548 756
45x90 (1x)	Black	20	3 842 548 757

Material: PP

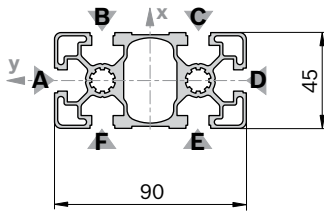
Cover cap with hole	Color	ESD	No.
45x90 (1x)	Signal gray	20	3 842 548 804
45x90 (1x)	Black	20	3 842 548 805

Material: PP

45x90SL	L (mm)	No.
1 pc	50 ... 6070	3 842 993 450 / L
12 pcs	6070	3 842 537 102
1 pc	6070	3 842 537 103

45x90L

A = 11,3 cm²
 I_x = 82,0 cm⁴
 I_y = 23,6 cm⁴
 W_x = 18,2 cm³
 W_y = 10,5 cm³
 m = 3,0 kg/m



Cover cap	Color	ESD	No.
45x90 (1x)	Signal gray	20	3 842 548 756
45x90 (1x)	Black	20	3 842 548 757
Material:	PP		

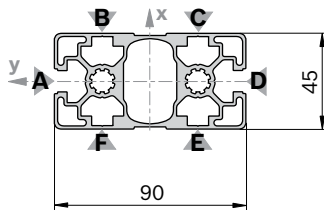
Cover cap with hole	Color	ESD	No.
45x90 (1x)	Signal gray	20	3 842 548 804
45x90 (1x)	Black	20	3 842 548 805
Material:	PP		

45x90L	L (mm)	No.
1 pc	50 ... 6070	3 842 992 432 / L
1 pc M12	60 ... 6000	3 842 992 453 / L
1 pc M12 M12	110 ... 6000	3 842 992 433 / L
1 pc D17 D17	80 ... 6000	3 842 992 437 / L
1 pc D17 D17V	80 ... 6000	3 842 992 436 / L
1 pc D17V	60 ... 6000	3 842 992 452 / L
1 pc D17V D17V	80 ... 6000	3 842 992 435 / L
1 pc LF LF	80 ... 6000	3 842 993 084 / L
12 pcs	6070	3 842 553 612
1 pc	6070	3 842 553 619

Profile finishing: M12: in all core holes
 D17: in slots B/F, C/E
 D17V: in slots A/D
 LF: in slots A/D

45x90L 2N

A = 12,0 cm²
 I_x = 26,9 cm⁴
 I_y = 85,6 cm⁴
 W_x = 6,0 cm³
 W_y = 38,1 cm³
 m = 3,2 kg/m

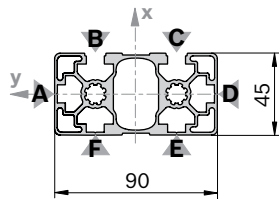


45x90L 2N	L (mm)	No.
1 pc	50 ... 6070	3 842 993 644 / L
12 pcs	6070	3 842 538 299
1 pc	6070	3 842 538 303




Cover cap: see 45x90

45x90L 2NVS

A = 12,0 cm²
 I_x = 25,9 cm⁴
 I_y = 90,6 cm⁴
 W_x = 5,7 cm³
 W_y = 40,3 cm³
 m = 3,3 kg/m



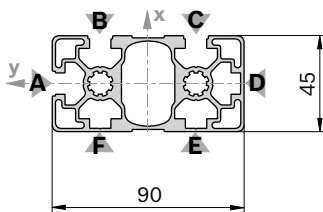
33096

45x90L 2NVS		L (mm) No.	
 12 pcs		6070	3 842 555 652
1 pc		6070	3 842 555 648





Cover cap: see 45x90

45x90L 3NVS

A = 11,8 cm²
 I_x = 87,2 cm⁴
 I_y = 25,2 cm⁴
 W_x = 38,8 cm³
 W_y = 5,6 cm³
 m = 3,2 kg/m



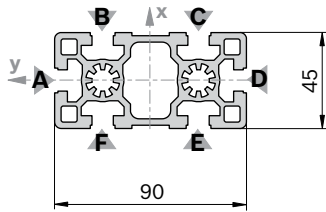
19437

45x90L 3NVS		L (mm) No.	
1 pc		50 ... 6070	3 842 993 635 / L
 12 pcs		6070	3 842 538 298
1 pc		6070	3 842 538 302

Cover cap: see 45x90

45x90

A = 15,4 cm²
 I_x = 124,6 cm⁴
 I_y = 32,8 cm⁴
 W_x = 27,7 cm³
 W_y = 14,6 cm³
 m = 4,2 kg/m



19438

Cover cap	Color	ESD	No.
45x90 (1x)	Signal gray	20	3 842 548 756
45x90 (1x)	Black	20	3 842 548 757
Material:	PP		

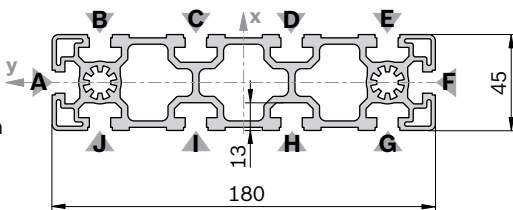
Cover cap with hole	Color	ESD	No.
45x90 (1x)	Signal gray	20	3 842 548 804
45x90 (1x)	Black	20	3 842 548 805
Material:	PP		

45x90	L (mm)	No.
1 pc	50 ... 6070	3 842 990 300 / L
1 pc M12	60 ... 6000	3 842 990 301 / L
1 pc M12 M12	110 ... 6000	3 842 990 302 / L
1 pc M12 D17	90 ... 6000	3 842 990 323 / L
1 pc M12 D17V	90 ... 6000	3 842 990 305 / L
1 pc M16	120 ... 6000	3 842 990 303 / L
1 pc M16 M16	240 ... 6000	3 842 990 304 / L
1 pc M16 D17	170 ... 6000	3 842 990 325 / L
1 pc M16 D17V	170 ... 6000	3 842 990 307 / L
1 pc D17	60 ... 6000	3 842 990 329 / L
1 pc D17 D17	80 ... 6000	3 842 990 313 / L
1 pc D17 D17V	80 ... 6000	3 842 990 311 / L
1 pc D17V	60 ... 6000	3 842 990 331 / L
1 pc D17V D17V	80 ... 6000	3 842 990 309 / L
12 pcs	6070	3 842 553 615
1 pc	6070	3 842 553 622

Profile finishing: M12, M16: in all core holes
 D17: in slots B/F, C/E
 D17V: in slots A/D

45x180

A = 25,5 cm²
 I_x = 766,7 cm⁴
 I_y = 57,3 cm⁴
 W_x = 85,2 cm³
 W_y = 25,5 cm³
 m = 6,9 kg/m

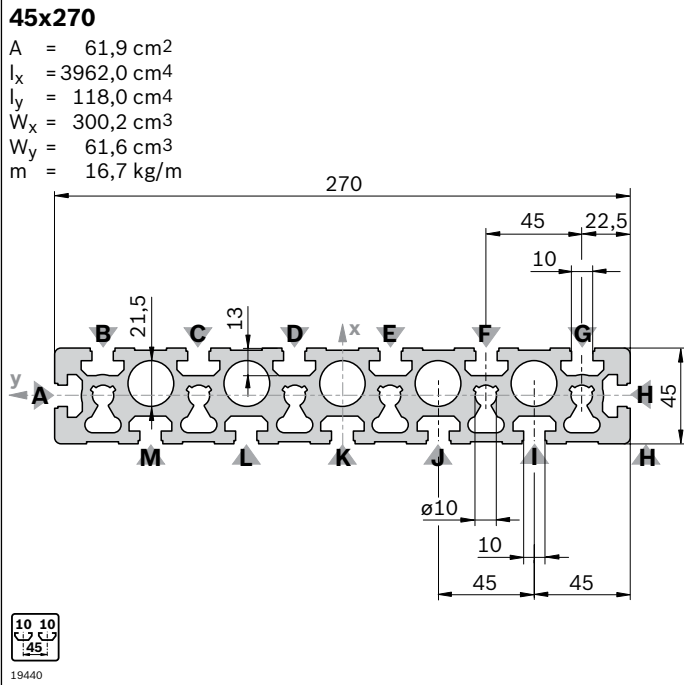


19439

Cover cap	Color	ESD	No.
45x180 (1x)	Signal gray	20	3 842 548 794
45x180 (1x)	Black	20	3 842 548 795
Material:	PP		

45x180	L (mm)	No.
1 pc	50 ... 6070	3 842 990 335 / L
1 pc M12	60 ... 6000	3 842 990 336 / L
1 pc M12 M12	110 ... 6000	3 842 990 339 / L
1 pc D17	80 ... 6000	3 842 990 342 / L
1 pc D17V	80 ... 6000	3 842 990 344 / L
6 pcs	6070	3 842 553 616
1 pc	6070	3 842 553 623

Profile finishing: M12: in all core holes
 D17: in slots B/J, E/G
 D17V: in slots A/F

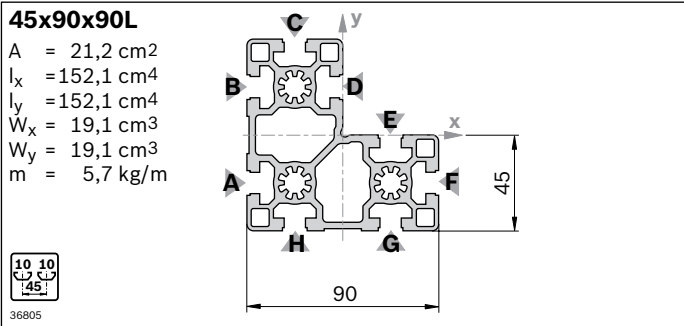


45x270		L (mm)	No.
1 pc		50 ... 6000	3 842 992 927 / L
1 pc	M12	110 ... 6000	3 842 992 928 / L
2 pcs		6070	3 842 557 949
1 pc		6070	3 842 558 311

Profile finishing: M12: in core holes with C, F slots

Cover cap	Color	ESD	No.
45x90 (3x)	Signal gray	20	3 842 548 756
45x90 (3x)	Black	20	3 842 548 757

Material: PP



45x90x90L		L (mm)	No.
1 pc		50 ... 6070	3 842 992 387 / L
1 pc	M12	60 ... 6000	3 842 992 388 / L
8 pc		6070	3 842 537 823
1 pc		6070	3 842 537 846

Profile finishing: M12: in the central bore at the intersection of slots A and H

Cover cap	Color	ESD	No.
45x90x90 (1x)	Signal gray	20	3 842 548 806
45x90x90 (1x)	Black	20	3 842 548 807

Material: PP

Cover cap with hole ¹⁾	Color	ESD	No.
45x90x90 (1x)	Signal gray	20	3 842 548 806
45x90x90 (1x)	Black	20	3 842 548 807

Material: PP

¹⁾ The cover cap is also suitable for use with a hole, which can be broken out

45x90x90L 4N

$A = 22,1 \text{ cm}^2$
 $I_x = 160,8 \text{ cm}^4$
 $I_y = 160,8 \text{ cm}^4$
 $W_x = 30,6 \text{ cm}^3$
 $W_y = 30,6 \text{ cm}^3$
 $m = 6,0 \text{ kg/m}$

10 10
45

29432

45x90x90L 4N		L (mm)	No.
	8 pc	6070	3 842 547 827
	1 pc	6070	3 842 547 828

Cover cap: see 45x90x90L

90x90SL

$A = 14,1 \text{ cm}^2$
 $I_x = 130,2 \text{ cm}^4$
 $I_y = 130,2 \text{ cm}^4$
 $W_x = 28,9 \text{ cm}^3$
 $W_y = 28,9 \text{ cm}^3$
 $m = 3,8 \text{ kg/m}$

10 10
45

19442

90x90SL		L (mm)	No.
	1 pc	50 ... 6070	3 842 993 449 / L
	6 pcs	6070	3 842 537 100
	1 pc	6070	3 842 537 101

Cover cap: see 90x90L

90x90L

$A = 24,1 \text{ cm}^2$
 $I_x = 211,1 \text{ cm}^4$
 $I_y = 211,1 \text{ cm}^4$
 $W_x = 46,9 \text{ cm}^3$
 $W_y = 46,9 \text{ cm}^3$
 $m = 6,5 \text{ kg/m}$

10 10
45

19443

90x90L		L (mm)	No.
	1 pc	50 ... 6070	3 842 992 415 / L
	1 pc M12	60 ... 6000	3 842 992 416 / L
	1 pc M12 M12	110 ... 6000	3 842 992 422 / L
	1 pc M12 D17	90 ... 6000	3 842 992 423 / L
	1 pc D17	60 ... 6000	3 842 992 417 / L
	1 pc D17 D17	80 ... 6000	3 842 992 420 / L
	1 pc D17 D17V	80 ... 6000	3 842 992 421 / L
	1 pc LF LF	80 ... 6000	3 842 992 418 / L
	1 pc LF M12	90 ... 6000	3 842 992 419 / L
	6 pcs	6070	3 842 553 613
	1 pc	6070	3 842 553 620

Cover cap	Color	ESD	No.
90x90L (1x)	Signal gray	20	3 842 548 758
90x90L (1x)	Black	20	3 842 548 759

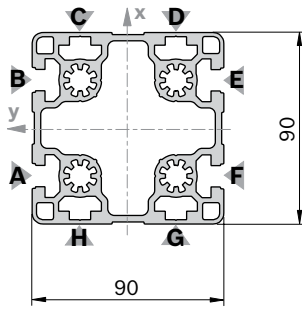
Material: PP

Profile finishing:

- M12: in all core holes
- D17: in slots C/H, D/G
- D17V: in slots A/F, B/E
- LF: in slots C/H, D/G

90x90L 4N

A = 24,2 cm²
 I_x = 227,4 cm⁴
 I_y = 214,7 cm⁴
 W_x = 50,5 cm³
 W_y = 47,7 cm³
 m = 6,5 kg/m

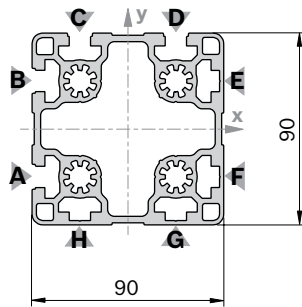


90x90L 4N		L (mm)	No.
1 pc		50 ... 6070	3 842 993 628 / L
6 pcs		6070	3 842 538 297
1 pc		6070	3 842 538 301

Cover cap: see 90x90L

90x90L 4NVS

A = 24,2 cm²
 I_x = 220,9 cm⁴
 I_y = 220,9 cm⁴
 W_x = 49,2 cm³
 W_y = 49,2 cm³
 m = 6,5 kg/m

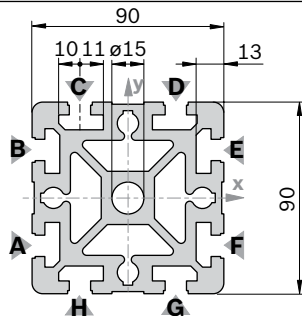


90x90L 4NVS		L (mm)	No.
1 pc		50 ... 6070	3 842 993 621 / L
6 pcs		6070	3 842 538 296
1 pc		6070	3 842 538 300

Cover cap: see 90x90L

90x90

A = 38,4 cm²
 I_x = 299,8 cm⁴
 I_y = 299,8 cm⁴
 W_x = 66,7 cm³
 W_y = 66,7 cm³
 m = 10,4 kg/m



90x90		L (mm)	No.
1 pc		50 ... 6070	3 842 990 500 / L
1 pc		120 ... 6000	3 842 990 501 / L
1 pc		240 ... 6000	3 842 990 502 / L
1 pc		170 ... 6000	3 842 992 961 / L
1 pc		60 ... 6000	3 842 990 092 / L
1 pc		80 ... 6000	3 842 990 093 / L
1 pc		80 ... 6000	3 842 990 094 / L
1 pc		80 ... 6000	3 842 993 082 / L
1 pc		60 ... 6000	3 842 990 505 / L
1 pc		110 ... 6000	3 842 990 507 / L
6 pcs		6070	3 842 557 201
1 pc		6070	3 842 557 211

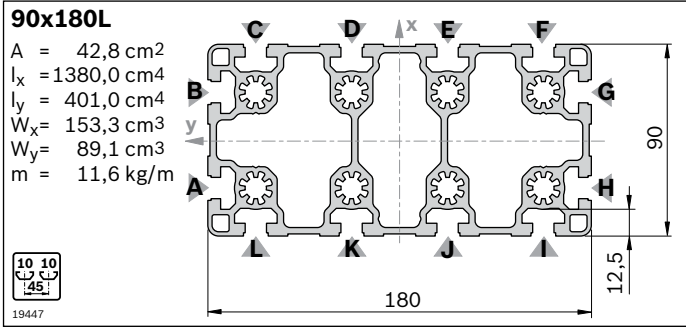
Cover cap	Color	ESD		No.
90x90 (1x)	Signal gray	20		3 842 548 760
90x90 (1x)	Black	20		3 842 548 761

Material: PP

Cover cap with hole	Color	ESD		No.
90x90 (1x)	Signal gray	20		3 842 548 814
90x90 (1x)	Black	20		3 842 548 815

Material: PP

Notice: A quick connector cannot be used

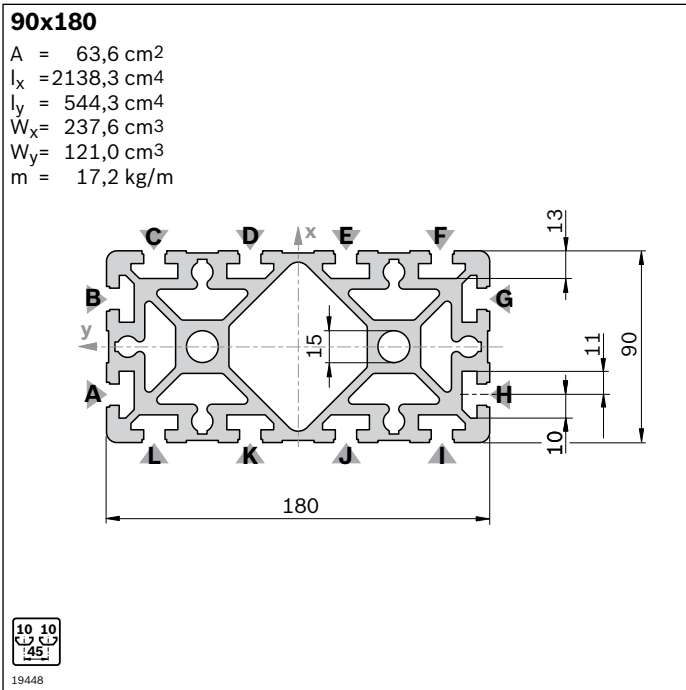


Cover cap	Color	ESD	No.
90x90L (2x)	Signal gray	20	3 842 548 758
90x90L (2x)	Black	20	3 842 548 759

Material: PP

90x180L	L (mm)	No.
1 pc	50 ... 6070	3 842 992 857 / L
1 pc M12	60 ... 6000	3 842 992 858 / L
1 pc M12 M12	110 ... 6000	3 842 992 859 / L
1 pc M12 LF	90 ... 6000	3 842 992 860 / L
1 pc D17V D17V	90 ... 6000	3 842 992 864 / L
1 pc LF LF	80 ... 6000	3 842 992 861 / L
3 pcs	6070	3 842 557 226
1 pc	6070	3 842 557 236

Profile finishing: M12: in all core holes
 D17V: in slots A/H, B/G
 LF: in slots A/H, B/G



Cover cap	Color	ESD	No.
90x90 (2x)	Signal gray	20	3 842 548 760
90x90 (2x)	Black	20	3 842 548 761

Material: PP

Cover cap with hole	Color	ESD	No.
90x90 (2x)	Signal gray	20	3 842 548 814
90x90 (2x)	Black	20	3 842 548 815

Material: PP

90x180	L (mm)	No.
1 pc	50 ... 6070	3 842 990 416 / L
1 pc M16	120 ... 6000	3 842 990 417 / L
1 pc M16 M16	240 ... 6000	3 842 990 418 / L
1 pc M16 F2	170 ... 6000	3 842 990 419 / L
1 pc D17V D17V	80 ... 6000	3 842 992 378 / L
1 pc LF LF	80 ... 6000	3 842 992 898 / L
1 pc LF-S LF-S	80 ... 6000	3 842 993 081 / L
1 pc F2 F2	110 ... 6000	3 842 990 421 / L
3 pcs	6070	3 842 553 617
1 pc	6070	3 842 553 624

Profile finishing: M16: in all core holes
 D17V: in slots A/H, B/G
 LF: in slots A/H, B/G
 LF-S: in slots D/K, E/J

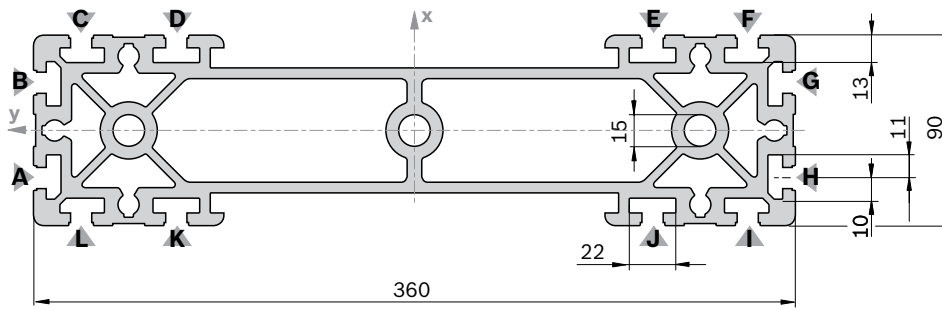
Notice: A quick connector cannot be used with profile 90x180

90x360

A = 90,2 cm²
 I_x = 14065,0 cm⁴
 I_y = 710,0 cm⁴
 W_x = 781,4 cm³
 W_y = 157,7 cm³
 m = 24,4 kg/m



19449



Cover cap	Color	ESD	No.
90x90 (2x)	Signal gray	20	3 842 548 760
90x90 (2x)	Black	20	3 842 548 761
Material:	PP		

Cover cap with hole	Color	ESD	No.
90x90 (2x)	Signal gray	20	3 842 548 814
90x90 (2x)	Black	20	3 842 548 815
Material:	PP		

90x360	L (mm)	No.
	50 ... 6000	3 842 993 434 / L
M16	240 ... 6000	3 842 993 435 / L
F2	110 ... 6000	3 842 993 436 / L
	6000	3 842 539 519

Profile finishing: M16: in all core holes

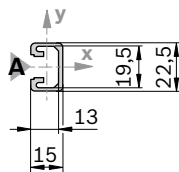
Notice: A quick connector cannot be used

15x22,5

A = 1,3 cm²
 I_x = 0,8 cm⁴
 I_y = 0,3 cm⁴
 W_x = 0,9 cm³
 W_y = 0,6 cm³
 m = 0,3 kg/m

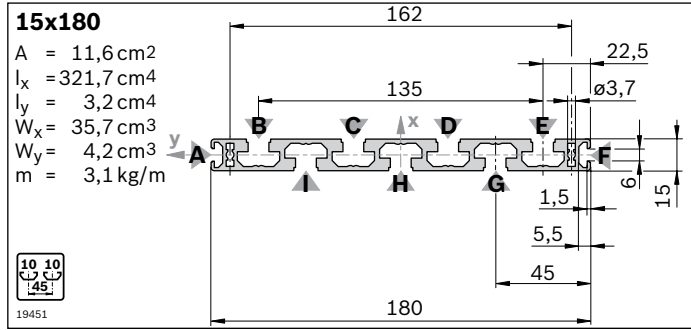


19450



15x22.5	L (mm)	No.
1 pc	50 ... 3000	3 842 992 473 / L
1 pc D17	60 ... 3000	3 842 992 474 / L
1 pc D17	80 ... 3000	3 842 992 475 / L
10 pcs	3000	3 842 563 231
1 pc	3000	3 842 563 232

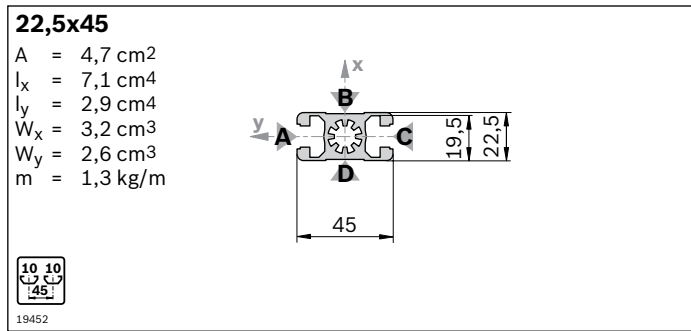
Cover cap	Color	ESD	No.
15x22.5 (1x)	Signal gray	20	3 842 548 816
15x22.5 (1x)	Black	20	3 842 548 817
Material:	PP		



15x180		L (mm)	No.
1 pc		50 ... 6070	3 842 993 079 / L
6 pcs		6070	3 842 557 242
1 pc		6070	3 842 557 249

Cover cap	Color	ESD	No.
15x180 (1x)	Signal gray	20	3 842 548 772
15x180 (1x)	Black	20	3 842 548 773

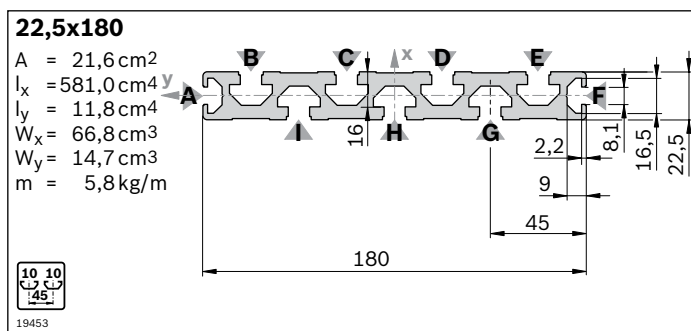
Material: PP



22.5x45		L (mm)	No.
1 pc		50 ... 6070	3 842 990 292 / L
1 pc	M12	60 ... 6000	3 842 990 087 / L
1 pc	M12 M12	110 ... 6000	3 842 990 090 / L
1 pc	D17V D17V	80 ... 6000	3 842 990 091 / L
24 pcs		6070	3 842 537 812
1 pc		6070	3 842 502 695

Cover cap	Color	ESD	No.
22.5x45 (1x)	Signal gray	20	3 842 548 830
22.5x45 (1x)	Black	20	3 842 548 831

Material: PP



22.5x180		L (mm)	No.
1 pc		50 ... 6070	3 842 990 345 / L
6 pcs		6070	3 842 557 944
1 pc		6070	3 842 558 306

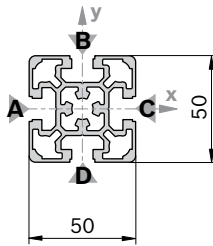
Profile finishing: D28: in slots G, I

Cover cap	Color	ESD	No.
22.5x180 (1x)	Signal gray	20	3 842 548 770
22.5x180 (1x)	Black	20	3 842 548 771

Material: PP

50x50L

A = 9,3 cm²
 I_x = 21,2 cm⁴
 I_y = 21,2 cm⁴
 W_x = 8,5 cm³
 W_y = 8,5 cm³
 m = 2,5 kg/m



19454

Cover cap	Color	ESD	No.
50x50 (1x)	Signal gray	20	3 842 548 820
50x50 (1x)	Black	20	3 842 548 821

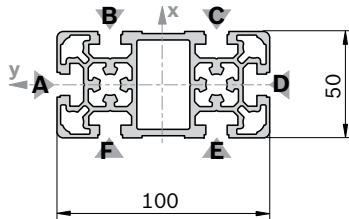
Material: PP

Cover cap with hole	Color	ESD	No.
50x50 (1x)	Signal gray	20	3 842 548 822
50x50 (1x)	Black	20	3 842 548 823

Material: PP

50x100L

A = 17,2 cm²
 I_x = 162,8 cm⁴
 I_y = 42,6 cm⁴
 W_x = 32,6 cm³
 W_y = 17,0 cm³
 m = 4,6 kg/m



19455

Cover cap	Color	ESD	No.
50x50 (2x)	Signal gray	20	3 842 548 820
50x50 (2x)	Black	20	3 842 548 821

Material: PP

Cover cap with hole	Color	ESD	No.
50x50 (2x)	Signal gray	20	3 842 548 822
50x50 (2x)	Black	20	3 842 548 823

Material: PP

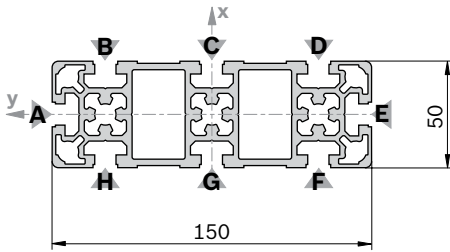
50x50L	L (mm)	No.
1 pc	50 ... 6070	3 842 993 156 / L
1 pc M12	60 ... 6000	3 842 993 157 / L
1 pc M12-M12	110 ... 6000	3 842 993 158 / L
1 pc M12-D17	90 ... 6000	3 842 993 159 / L
1 pc D9,8-D9,8	80 ... 6000	3 842 993 164 / L
1 pc D17	60 ... 6000	3 842 993 160 / L
1 pc D17-D17	80 ... 6000	3 842 993 161 / L
1 pc D17-D17V	80 ... 6000	3 842 993 162 / L
20 pcs	6070	3 842 529 351
1 pc	6070	3 842 529 352

50x100L	L (mm)	No.
1 pc	50 ... 6070	3 842 993 163 / L
1 pc M12	60 ... 6000	3 842 993 165 / L
1 pc M12-M12	110 ... 6000	3 842 993 166 / L
1 pc D17-D17	80 ... 6000	3 842 993 167 / L
1 pc D17-D17V	80 ... 6000	3 842 993 168 / L
1 pc D17V	60 ... 6000	3 842 993 169 / L
1 pc D17V-D17V	90 ... 6000	3 842 993 170 / L
10 pcs	6070	3 842 537 825
1 pc	6070	3 842 529 354

Profile finishing: M12: in all core holes
 D17: in slots B/F, C/E
 D17V: in slot A/D

50x150L

A = 25,8 cm²
 I_x = 540,0 cm⁴
 I_y = 64,2 cm⁴
 W_x = 72,0 cm³
 W_y = 25,7 cm³
 m = 6,9 kg/m



50x150L	L (mm)	No.
1 pc	50 ... 6070	3 842 993 196 / L
1 pc M12	60 ... 6000	3 842 993 194 / L
1 pc M12	110 ... 6000	3 842 993 199 / L
1 pc D17	80 ... 6000	3 842 993 200 / L
4 pcs	6070	3 842 537 826
1 pc	6070	3 842 529 378

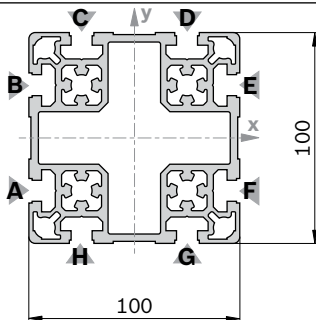
Profile finishing: M12: in all core holes
 D17: in slots B/H, C/G, D/F
 D17V: in slots A/E

Cover cap	Color	ESD	No.
50x150 (1x)	Signal gray	20	3 842 548 818
50x150 (1x)	Black	20	3 842 548 819

Material: PP

100x100L

A = 29,9 cm²
 I_x = 318,3 cm⁴
 I_y = 318,3 cm⁴
 W_x = 63,7 cm³
 W_y = 63,7 cm³
 m = 8,1 kg/m

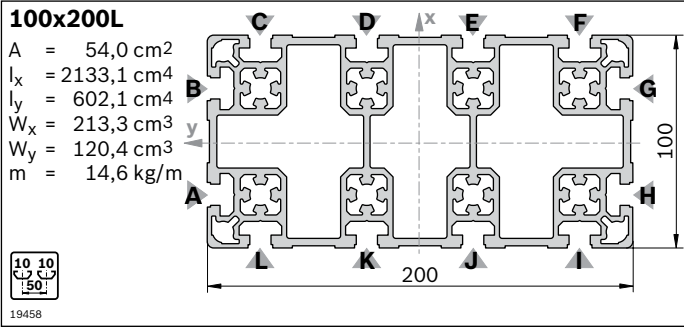


100x100L	L (mm)	No.
1 pc	50 ... 6070	3 842 993 171 / L
1 pc M12	60 ... 6000	3 842 993 172 / L
1 pc M12	110 ... 6000	3 842 993 173 / L
1 pc M12	90 ... 6000	3 842 993 174 / L
1 pc D17	60 ... 6000	3 842 993 175 / L
1 pc D17	80 ... 6000	3 842 993 176 / L
1 pc D17	80 ... 6000	3 842 993 177 / L
6 pcs	6070	3 842 529 355
1 pc	6070	3 842 529 356

Profile finishing: M12: in all core holes
 D17: in slots C/H, D/G
 D17V: in slots A/F, B/E

Cover cap	Color	ESD	No.
100x100 (1x)	Signal gray	20	3 842 548 824
100x100 (1x)	Black	20	3 842 548 825

Material: PP

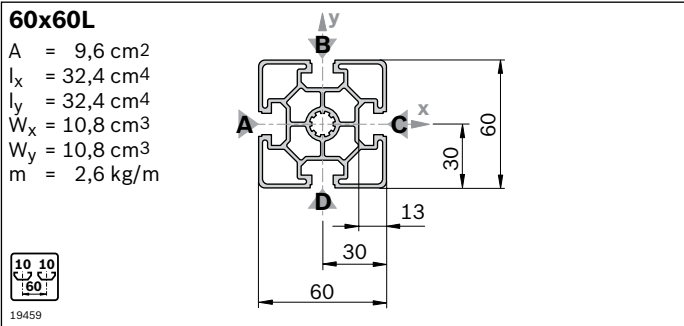


Cover cap	Color	ESD	No.
100x100 (2x)	Signal gray	20	3 842 548 824
100x100 (2x)	Black	20	3 842 548 825

Material: PP

100x200L	L (mm)	No.
1 pc	50 ... 6070	3 842 993 178 / L
1 pc M12	60 ... 6000	3 842 993 179 / L
1 pc M12 M12	110 ... 6000	3 842 993 180 / L
1 pc M12 D17	90 ... 6000	3 842 993 181 / L
1 pc D17	60 ... 6000	3 842 993 182 / L
1 pc D17 D17	80 ... 6000	3 842 993 183 / L
3 pcs	6070	3 842 529 357
1 pc	6070	3 842 529 358

Profile finishing: M12: in all core holes
 D17: in slots C/L, D/K, E/J, F/I
 D17V: in slots A/H, B/G



Cover cap	Color	ESD	No.
60x60 (1x)	Signal gray	100	3 842 548 808
60x60 (1x)	Black	20	3 842 548 809

Material: PP

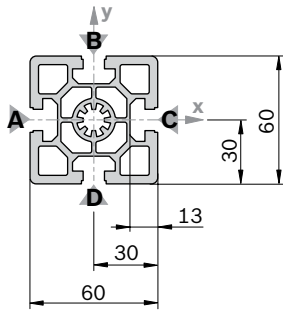
Cover cap with hole	Color	ESD	No.
60x60 (1x)	Signal gray	20	3 842 548 810
60x60 (1x)	Black	20	3 842 548 811

Material: PP

60x60L	L (mm)	No.
1 pc	50 ... 6070	3 842 992 443 / L
1 pc M12	60 ... 6000	3 842 992 444 / L
1 pc M12 M12	110 ... 6000	3 842 992 445 / L
1 pc M12 D17	90 ... 6000	3 842 992 446 / L
1 pc D17	60 ... 6000	3 842 992 449 / L
1 pc D17 D17	80 ... 6000	3 842 992 447 / L
1 pc D17 D17V	80 ... 6000	3 842 992 448 / L
20 pcs	6070	3 842 557 204
1 pc	6070	3 842 557 214

60x60

A = 14,4 cm²
 I_x = 52,2 cm⁴
 I_y = 52,2 cm⁴
 W_x = 17,4 cm³
 W_y = 17,4 cm³
 m = 3,9 kg/m



Cover cap	Color	ESD	No.
60x60 (1x)	Signal gray	100	3 842 548 808
60x60 (1x)	Black	20	3 842 548 809

Material: PP

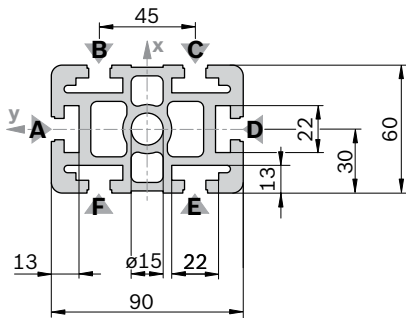
Cover cap with hole	Color	ESD	No.
60x60 (1x)	Signal gray	20	3 842 548 810
60x60 (1x)	Black	20	3 842 548 811

Material: PP

60x60	L (mm)	No.
1 pc	50 ... 6070	3 842 990 350 / L
1 pc M12	60 ... 6000	3 842 990 351 / L
1 pc M12-M12	110 ... 6000	3 842 990 353 / L
1 pc M12-M16	180 ... 6000	3 842 990 354 / L
1 pc M12-D17	90 ... 6000	3 842 990 355 / L
1 pc M16	120 ... 6000	3 842 990 352 / L
1 pc M16-D17	170 ... 6000	3 842 990 373 / L
1 pc D17	50 ... 6000	3 842 990 370 / L
1 pc D17-D17	80 ... 6000	3 842 990 357 / L
1 pc D17-D17V	80 ... 6000	3 842 990 359 / L
20 pcs	6070	3 842 557 202
1 pc	6070	3 842 557 212

60x90

A = 25,8 cm²
 I_x = 214,2 cm⁴
 I_y = 90,5 cm⁴
 W_x = 47,6 cm³
 W_y = 30,2 cm³
 m = 7,0 kg/m



Cover cap	Color	ESD	No.
60x90 (1x)	Signal gray	20	3 842 548 812
60x90 (1x)	Black	20	3 842 548 813

Material: PP

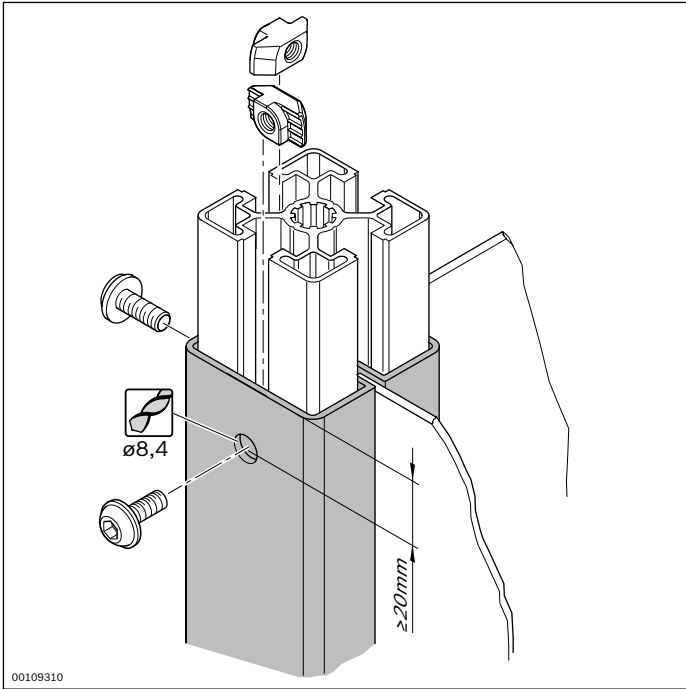
Cover cap with hole	Color	ESD	No.
60x90 (1x)	Signal gray	20	3 842 551 050
60x90 (1x)	Black	20	3 842 551 051

Material: PP

60x90	L (mm)	No.
1 pc	50 ... 6070	3 842 990 450 / ...
1 pc M16	120 ... 6000	3 842 990 453 / ...
1 pc M16-M16	240 ... 6000	3 842 990 454 / ...
1 pc M16-D17	170 ... 6000	3 842 992 962 / ...
1 pc M16-D17V	170 ... 6000	3 842 992 963 / ...
1 pc M16-F2	170 ... 6000	3 842 990 472 / ...
1 pc D17-D17	80 ... 6000	3 842 990 097 / ...
1 pc D17-D17V	80 ... 6000	3 842 990 099 / ...
1 pc D17V-D17V	90 ... 6000	3 842 990 098 / ...
1 pc F1-F1	110 ... 6000	3 842 990 464 / ...
1 pc F1-F1V	110 ... 6000	3 842 990 481 / ...
1 pc F2-F2	110 ... 6000	3 842 990 478 / ...
10 pcs	6070	3 842 557 207
1 pc	6070	3 842 557 217

Profile finishing: D17: in slots B/F, C/E
 D17V: in slots A/D

Notice: A quick connector cannot be used



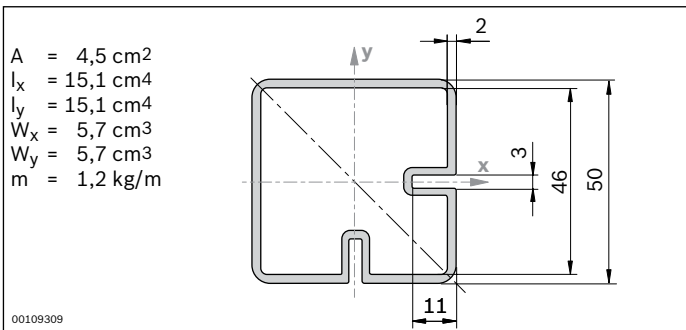
Rectangular tube



- ▶ For constructing manually height-adjustable frames
- ▶ Cut-outs for mounting of panel elements
- ▶ Profile finishing: Hole for screw

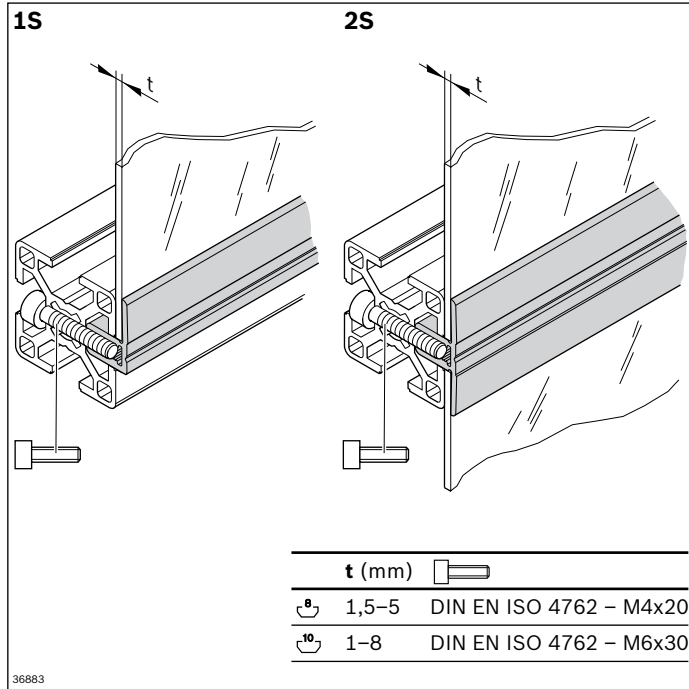
Required accessories:

Fastening material



Rectangular tube	L (mm)	No.
1 pc	50 ...	6070 3 842 992 913 / L
6 pcs		6070 3 842 557 960
1 pc		6070 3 842 558 321

Material: Aluminum; anodized



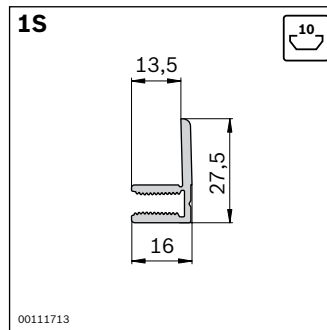
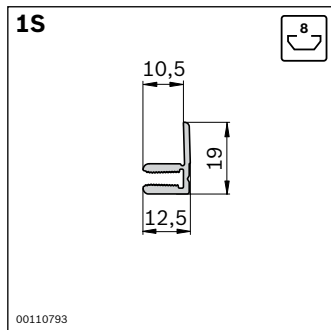
Clamping profile



- ▶ For simple fastening of panes, panel elements, or grilles on strut profiles
- ▶ For subsequent installation in closed frame constructions
- ▶ For panel elements with varying thicknesses
- ▶ Profile finishing: Through-hole for mounting screw

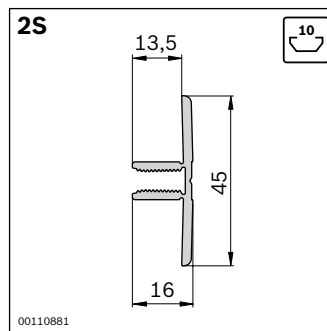
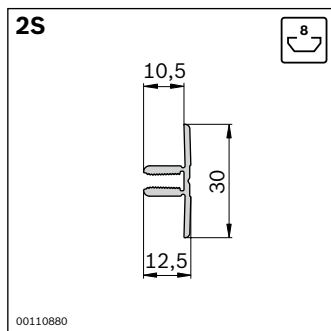
Required accessories:

- ▶ Cylinder head bolt DIN EN ISO 4762 – M4x20 (8 mm slot)
- ▶ Cylinder head bolt DIN EN ISO 4762 – M6x30 (10 mm slot)



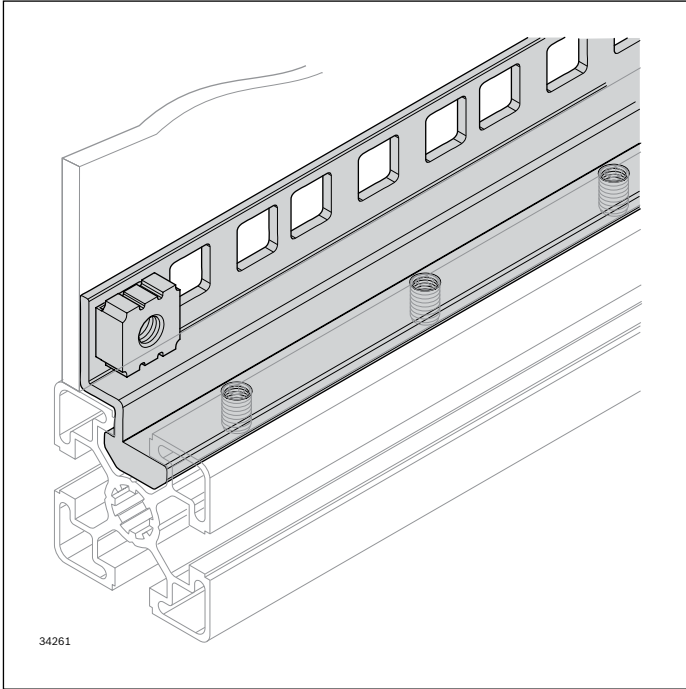
Clamping profile 1S		Slot	L (mm)	No.
1 pc		8	50 ... 3000	3 842 993 017 / L
10 pcs		8	3000	3 842 524 058
1 pc		10	50 ... 3000	3 842 993 019 / L
10 pcs		10	3000	3 842 524 064

Material: Aluminum; anodized



Clamping profile 2S		Slot	L (mm)	No.
1 pc		8	50 ... 3000	3 842 993 018 / L
10 pcs		8	3000	3 842 524 061
1 pc		10	50 ... 3000	3 842 993 020 / L
10 pcs		10	3000	3 842 524 067

Material: Aluminum; anodized

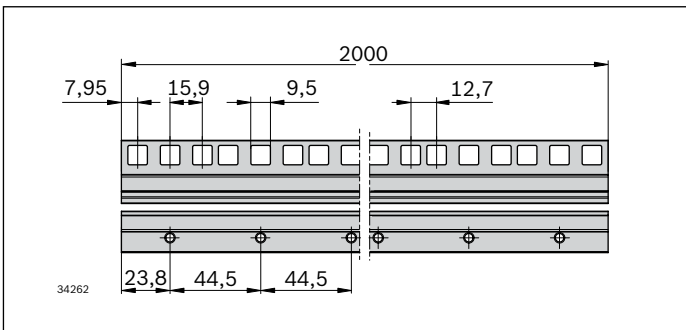


Al angle profile 19"

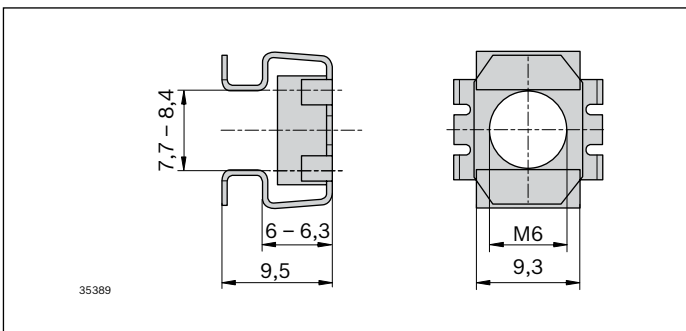


- ▶ Rail for mounting 19" devices in electronic and electrical production
- ▶ Suitable for fastening panel elements
- ▶ Fully finished angle profile
 - with square cutouts for fastening the 19" devices with a cage nut (hole according to DIN 60297-3-100)
 - with threads for fastening the Al angle profile with headless setscrews in the slot
- ▶ Angle profile, can be swiveled into slot

Required accessories: Headless setscrew M6x12



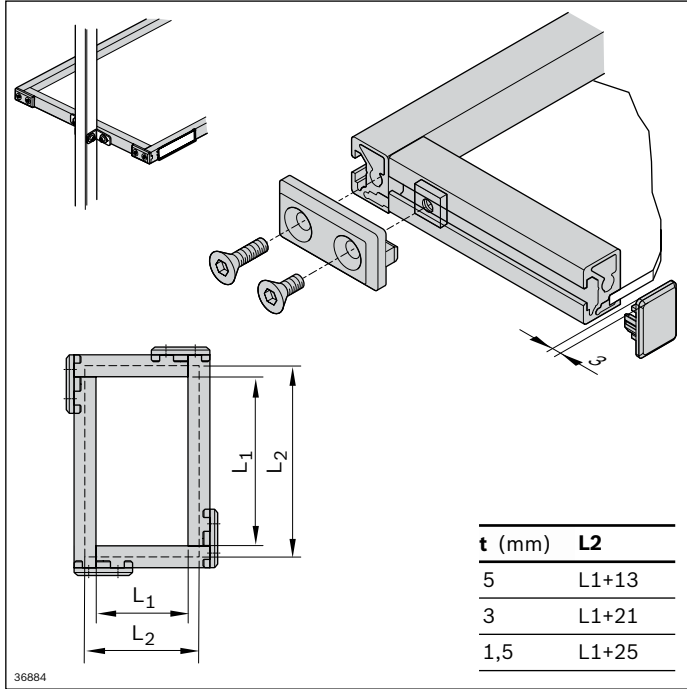
Al angle profile 19"		L (mm)	No.
	10 pcs	2000	3 842 557 254
Material:		Aluminum; anodized	



Cage nut

- ▶ For fastening panel elements or 19" devices on profile
- ▶ Easy assembly as tension springs snap into the recess

Cage nut M6		No.
	20	3 842 557 255
Material:		Steel; zinc-plated



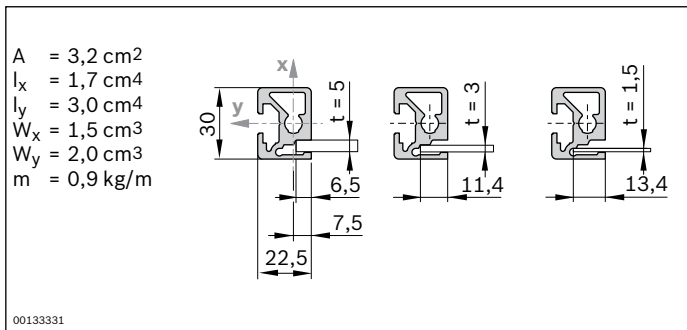
Frame profile 22.5x30



- ▶ For inexpensive construction of trays and material shelves
- ▶ Panel elements are mounted under tension so that they do not rattle

Optional accessories:

- ▶ Bracket set M6 (p. 3-32)
- ▶ Swivel mounting (p. 4-13)
- ▶ Labeling clip for 8 mm slot (p. 2-85)
- ▶ Plate (p. 2-61)

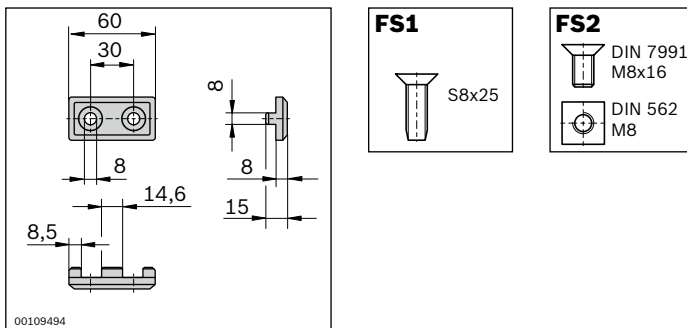


Frame profile 22.5x30	Slot	L (mm)	No.
1 pc	8	50 ... 6070	3 842 992 493 / L
20 pcs	8	6070	3 842 557 946
1 pc	8	6070	3 842 558 308

Material: Aluminum; anodized

Cover cap	Color	ESD	No.
22.5x30	Signal gray	20	3 842 551 564
22.5x30	Black	20	3 842 551 565

Material: PP



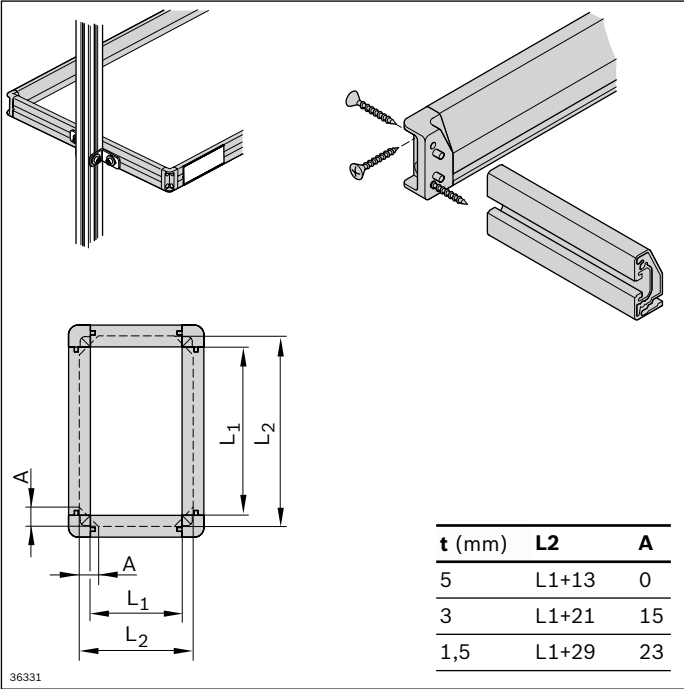
Corner piece for frame profile 22.5x30

- ▶ For the right-angled connection of two 22.5x30 frame profiles
- ▶ Profile finishing not required

Corner piece	Color	ESD	No.	FS
22.5x30	Signal gray	20	3 842 554 708	FS1, FS2
22.5x30	Black	20	3 842 554 709	FS1, FS2

Material: PA

Scope of delivery: Incl. fastening material (FS)



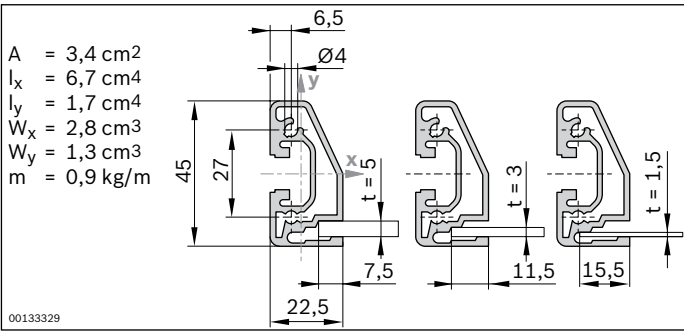
Frame profile 22.5x45



- ▶ For inexpensive construction of trays and material shelves
- ▶ Panel elements are mounted under tension so that they do not rattle

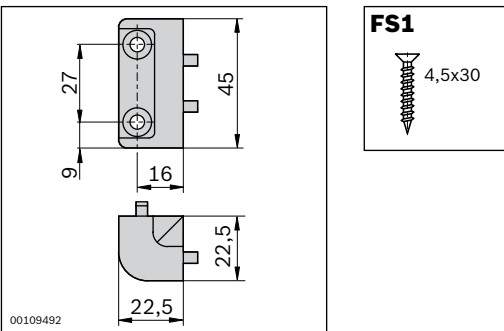
Optional accessories:

- ▶ Bracket set (p. 3-34)
- ▶ Swivel mounting (p. 4-13)
- ▶ Labeling clip for 10 mm slot (p. 2-85)
- ▶ Plate (p. 2-61)



Frame profile 22.5x45	Slot	L (mm)	No.
1 pc	10	50 ... 6070	3 842 992 411 / L
20 pcs	10	6070	3 842 557 941
1 pc	10	6070	3 842 558 303

Material: Aluminum; anodized

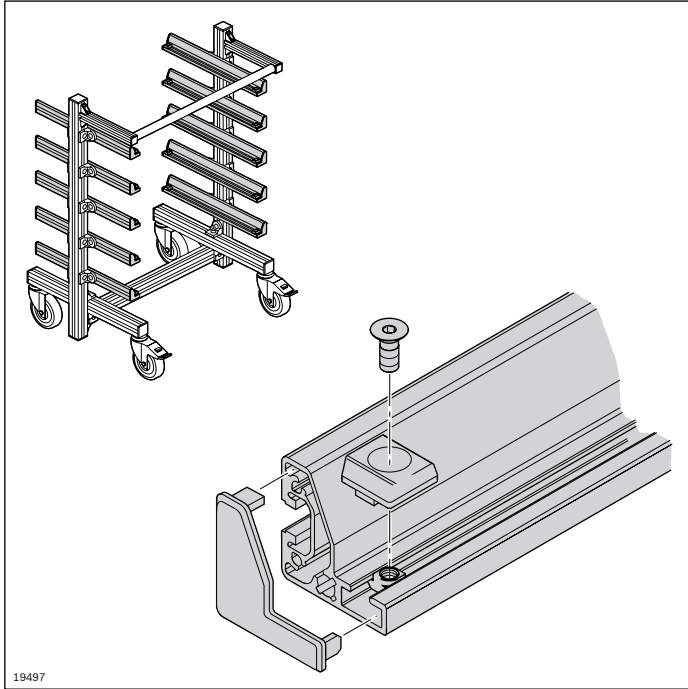


Corner bracket for frame profile 22.5x45

- ▶ For the right-angled connection of two 22.5x45 frame profiles
- ▶ Profile finishing not required

Corner bracket	ESD	No.	FS
22.5x45		20 3 842 535 637	4xFS1

Material: Diecast zinc
 Scope of delivery: Incl. fastening material (FS)



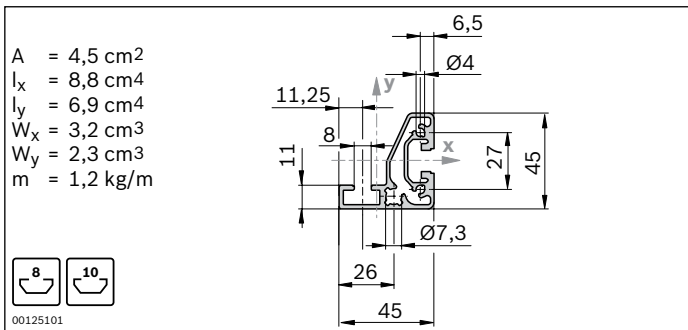
19497

Angle profile



- For supporting containers, plates, or workpiece pallets in flow racks, material shuttles, or hopper stackers

Accessories:
Bracket R40x43 (p. 3-33)

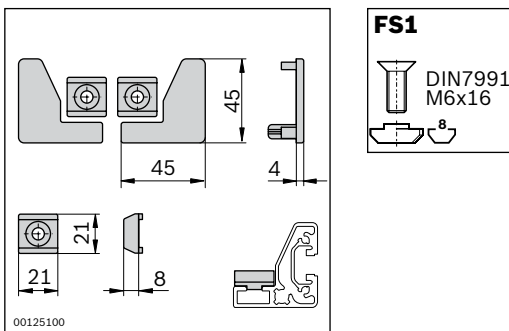


A = 4,5 cm²
I_x = 8,8 cm⁴
I_y = 6,9 cm⁴
W_x = 3,2 cm³
W_y = 2,3 cm³
m = 1,2 kg/m

00125101

Angle profile	L (mm)	No.
1 pc	50 ... 6070	3 842 992 412 / L
20 pcs	6070	3 842 557 942
1 pc	6070	3 842 558 304

Material: Aluminum; anodized



00125100

Stopper and cover cap

- The stopper prevents containers from shifting on the angle profile
- Cover cap to prevent injuries at open profile ends
- Attractive design

Stopper, cover cap	Color	ESD	No.	FS
Set	Signal gray	20	3 842 554 490	2xFS1
Set	Black	20	3 842 554 491	2xFS1

Material: PA
Fastening material: Steel; zinc-plated

Scope of delivery: Incl. fastening material (FS)

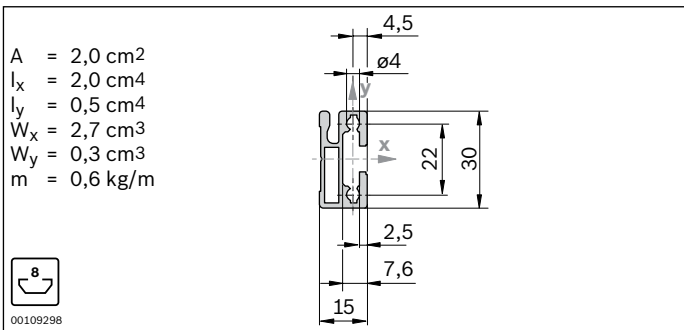
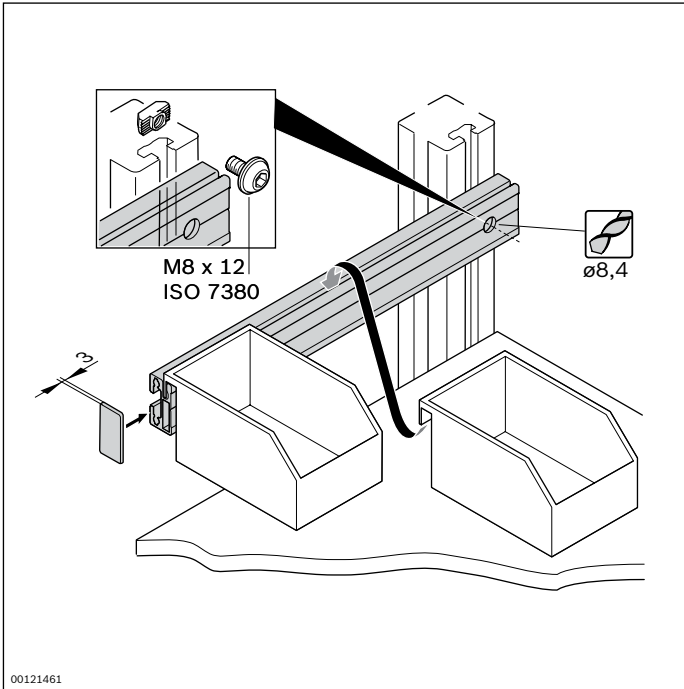
Suspension profile



- ▶ For the fast, secure suspension of grab containers, grab ledges, grab trays, and tool holders
- ▶ Profile finishing:
Through-hole for screwdriver
- ▶ Matching grab containers in the Manual Production Systems catalog (**3 842 538 280**)

Required accessories:

- ▶ Screw
- ▶ T-nut (p. 3-4)

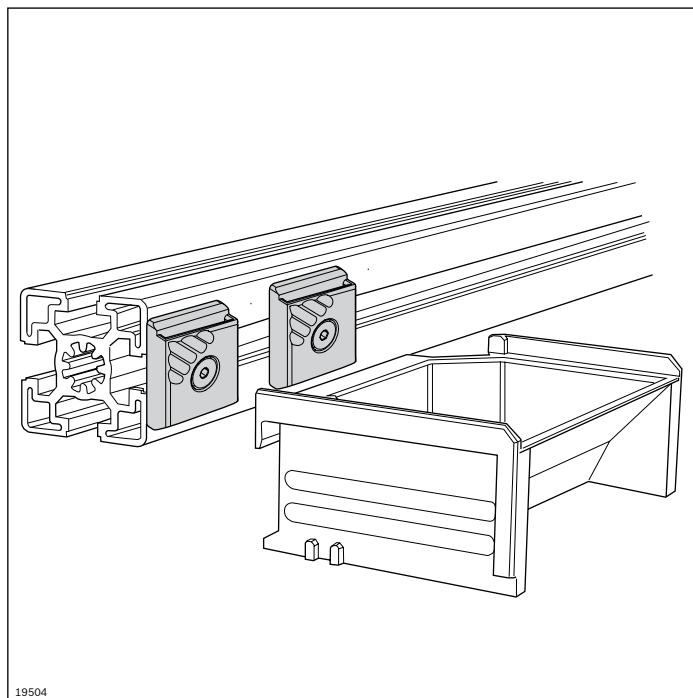


Suspension profile	L (mm)	ESD No.
1 pc	50 ... 3000	3 842 993 411 / L
10 pcs	3000	3 842 537 679
1 pc	50 ... 3000	3 842 993 063 / L
10 pcs	3000	3 842 554 157
1 pc	3000	3 842 537 680
1 pc	3000	3 842 554 156

Material: Suspension profile: Aluminum; anodized
Suspension profile ESD: Aluminum; natural

Cover cap	Color	ESD	No.
15x30	Signal gray	20	3 842 551 582
15x30	Black	20	3 842 551 583

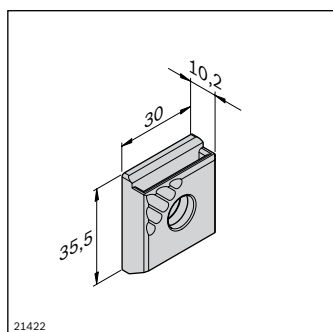
Material: PP



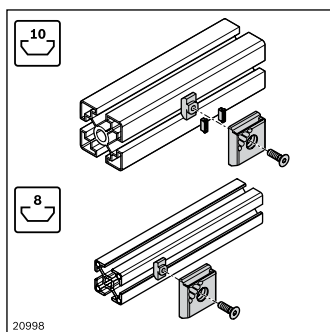
19504

Container mount

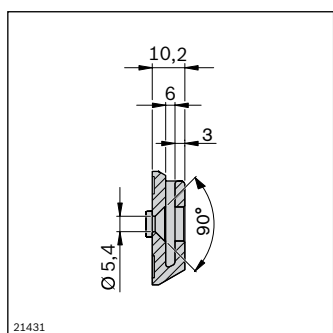
- ▶ Container mount for mounting tool holders, grab containers, grab trays and grab ledges
- ▶ Suitable for 8 mm and 10 mm slots



21422



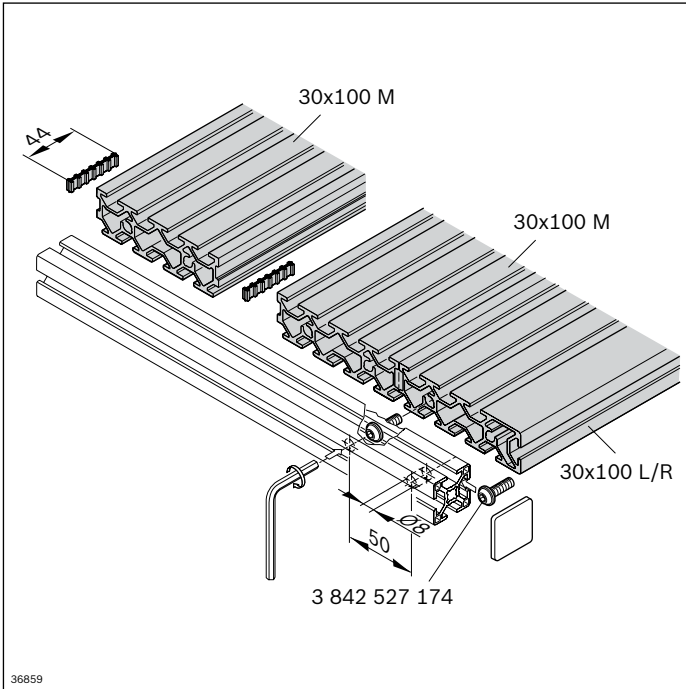
20998



21431

Container mount	ESD No.
10	3 842 544 797

Material: PA 66; black
 Fastening material: Steel; zinc-plated
 Scope of delivery: Incl. fastening material (FS)

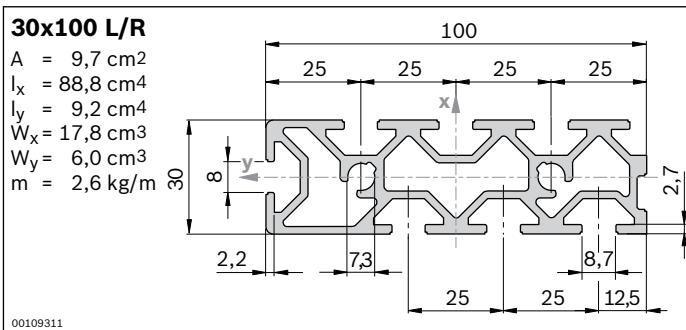


Slotted plate 30x100

- ▶ Modular plate profiles with multiple slots for experimental constructions of any size
- ▶ Slot spacing 25 mm
- ▶ Slot size 8.9 mm
- ▶ 8 mm slot connectors may be used

Optional accessories:

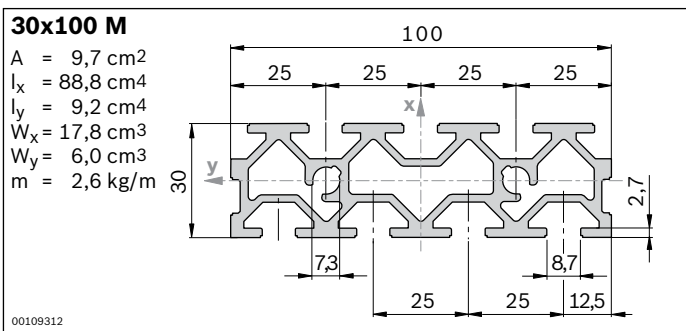
- ▶ Profile 30x30 (p. 2-15)
- ▶ Sliding block



- ▶ Slotted plate **30x100 L/R** with lateral 8 mm slot as outer stop

Slotted plate 30x100 L/R	Slot	L (mm)	No.
1 pc	8	100 ... 5600	3 842 993 337 / L
18 pcs	8	5600	3 842 542 696

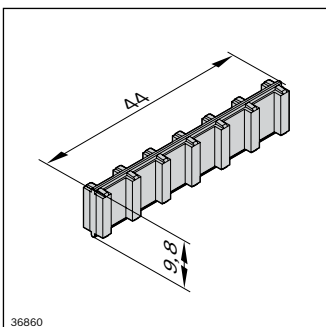
Material: Aluminum; anodized



- ▶ Slotted plate **30x100 M** for constructing slotted plates of any width

Slotted plate 30x100 M	Slot	L (mm)	No.
1 pc	8	100 ... 5600	3 842 993 336 / L
18 pcs	8	5600	3 842 542 698

Material: Aluminum; anodized

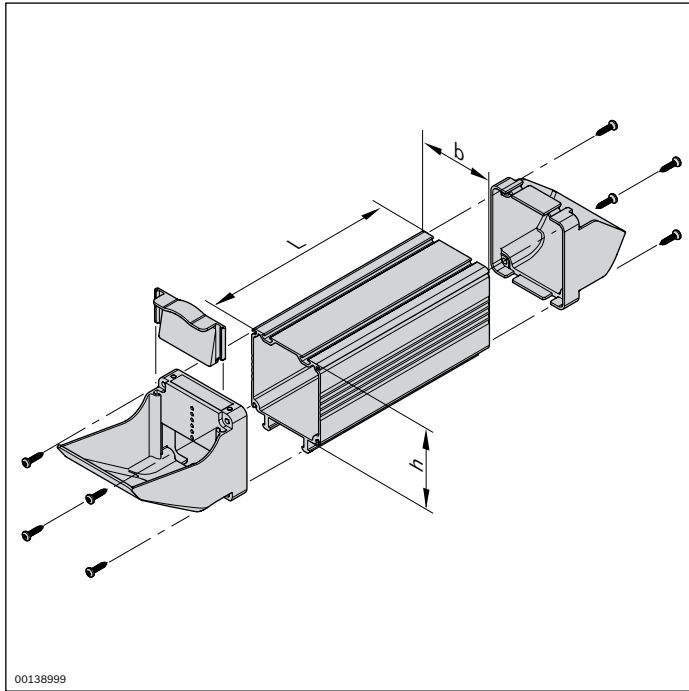


Sliding block

- ▶ For connecting slotted plates 30x100
- ▶ Recommendation: Use 3 sliding blocks per meter of profile length

Sliding block	No.
	100 3 842 520 922

Material: PA



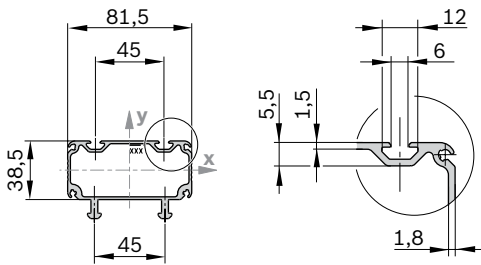
Material chute
Grab ledge and refill end-piece
Grab container base



- ▶ Small parts within easy reach on the workstation
- ▶ Components for the individual construction of stable Vario grab containers
- ▶ Customizable holding capacity

90x45

A = 7,0 cm²
 I_x = 20,7 cm⁴
 I_y = 54,3 cm⁴
 m = 1,8 kg/m



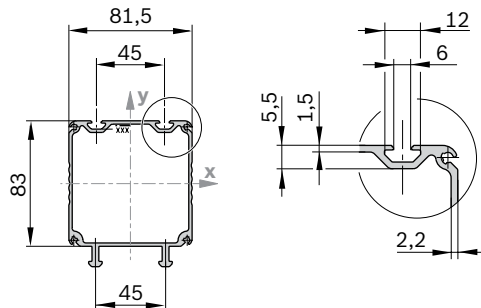
19908

Material chute 90x45	L (mm)	ESD No.
1 pc	50 ... 3000	3 842 993 071 / L
3 pcs	3000	3 842 526 671
1 pc	50 ... 1500	3 842 993 446 / L
6 pcs	1500	3 842 558 332

Material: Material chute: Aluminum; anodized
 Material chute ESD: Aluminum; coated with Alutin

90x90

A = 9,6 cm²
 I_x = 118,8 cm⁴
 I_y = 88,1 cm⁴
 m = 2,5 kg/m



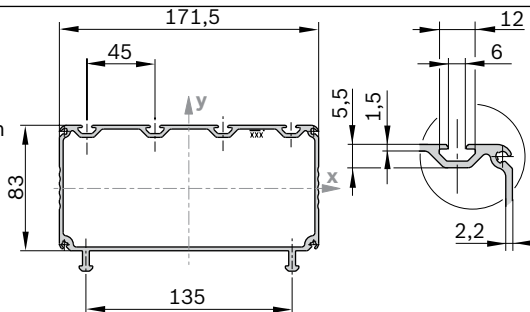
19599

Material chute 90x90	L (mm)	ESD No.
1 pc	50 ... 3000	3 842 993 072 / L
3 pcs	3000	3 842 526 672
1 pc	50 ... 1500	3 842 993 517 / L
6 pcs	1500	3 842 558 333

Material: Material chute: Aluminum; anodized
 Material chute ESD: Aluminum; coated with Alutin

180x90

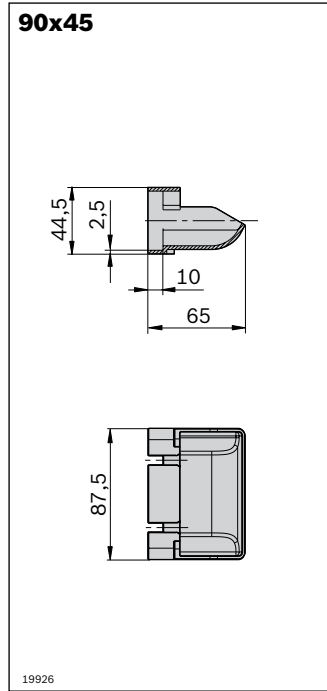
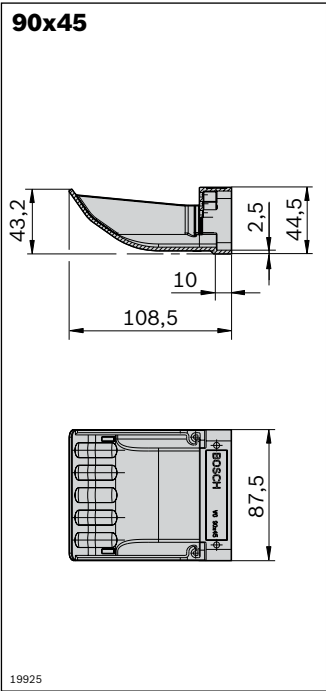
A = 15,5 cm²
 I_x = 208,2 cm⁴
 I_y = 597,5 cm⁴
 m = 4,2 kg/m



19909

Material chute 180x90	L (mm)	ESD No.
1 pc	50 ... 3000	3 842 993 073 / L
3 pcs	3000	3 842 526 673
1 pc	50 ... 1500	3 842 993 527 / L
6 pcs	1500	3 842 558 334

Material: Material chute: Aluminum; anodized
 Material chute ESD: Aluminum; coated with Alutin

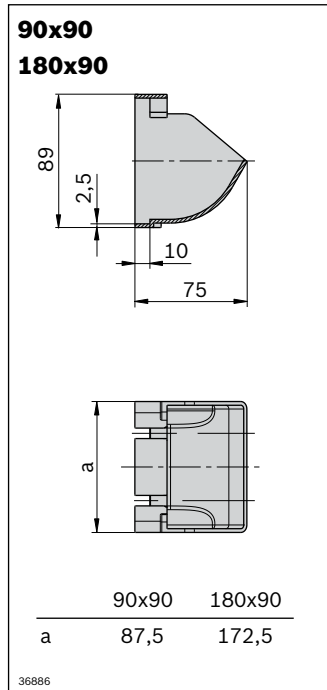
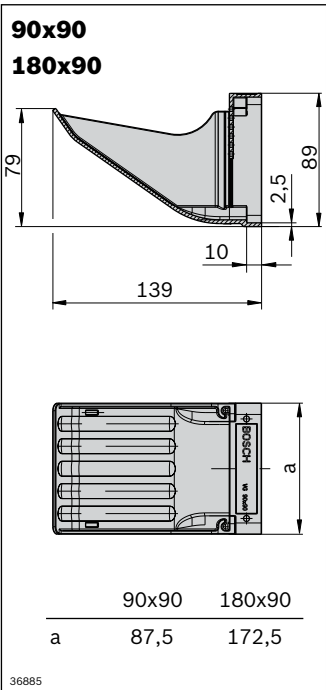
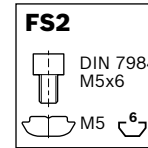
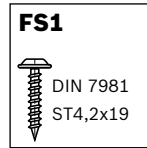


- ▶ Refill end-piece with large opening for easy filling
- ▶ Ergonomically designed grab ledge for easy, safe grabbing
- ▶ Grab container pusher for closing

Grab ledge and refill end-piece	ESD No.	FS
90 x 45	3 842 526 626	8xFS1, FS2
	3 842 558 328	8xFS1, FS2

Material: Grab ledge and refill end-piece
Plastic ABS, light gray RAL 7035
Grab ledge and refill end-piece ESD:
ABS plastic, black, similar to RAL 9005
Fastening material: Steel; zinc-plated

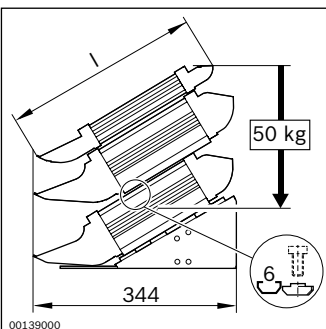
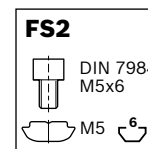
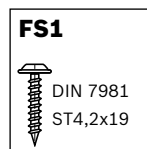
Scope of delivery: Incl. fastening material (FS)



Grab ledge and refill end-piece	ESD No.	FS
90 x 90	3 842 526 627	8xFS1, FS2
	3 842 558 329	8xFS1, FS2
180 x 90	3 842 526 628	8xFS1, FS2
	3 842 558 330	8xFS1, FS2

Material: Grab ledge and refill end-piece
Plastic ABS, light gray RAL 7035
Grab ledge and refill end-piece ESD:
ABS plastic, black, similar to RAL 9005
Fastening material: Steel; zinc-plated

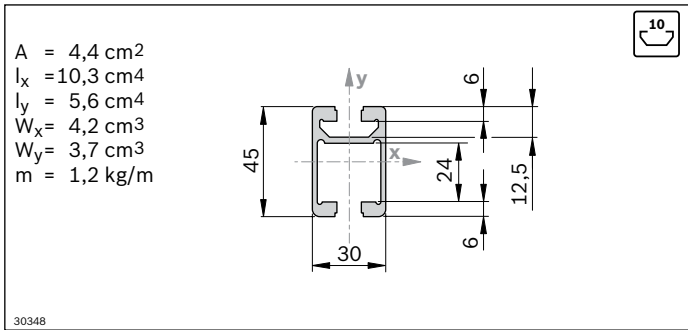
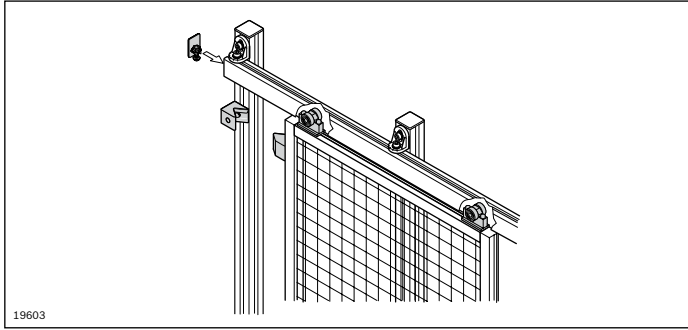
Scope of delivery: Incl. fastening material (FS)



- ▶ Grab container base for an ergonomically optimized arrangement of grab containers

Grab container base	w x h x l (mm)	ESD No.
SG 90	90 x 149 x 315	3 842 526 660
		3 842 558 331
SG 180	180 x 149 x 315	3 842 526 665
		3 842 559 310

Material: Grab container base: Sheet steel, light gray powder coating (RAL 7035)
Grab container base ESD: Sheet steel; dusty gray (RAL 7037)



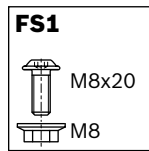
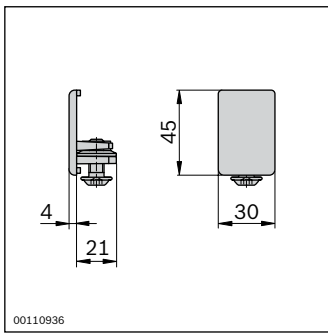
Profile rail, trolley

- ▶ Profile rail and trolley for movable mounting of parts, e.g. for use as a screwdriver hanger at work tables or for EcoSafe sliding doors (p. 10-15)

Accessories:
See page 12-4

Profile rail 30x45C		L (mm)	No.
1 pc		50 ... 6070	3 842 992 946 / L
20 pcs		6070	3 842 557 950
1 pc		6070	3 842 558 312

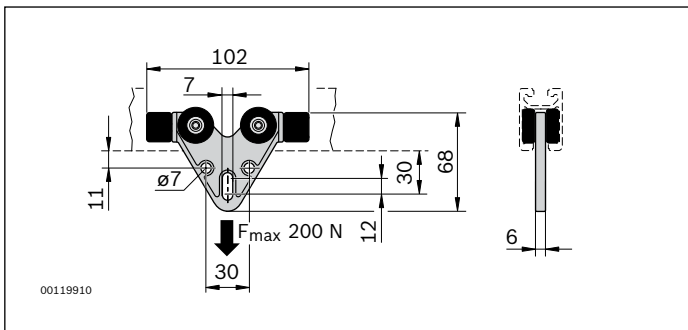
Material: Aluminum; anodized



- ▶ Profile rail end piece for use for trolley as a cover cap with stop
- ▶ With screw protection

End piece 30x45C Color	ESD	No.	FS
Signal gray	20	3 842 554 710	FS1
Black	20	3 842 554 711	FS1

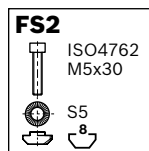
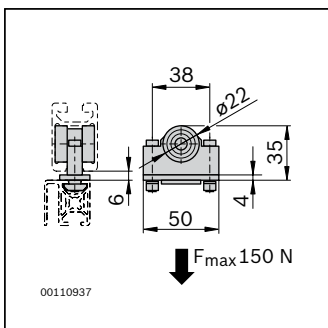
Material: End piece: PA
Fastening material: Steel; zinc-plated
Scope of delivery: Incl. fastening material (FS)



- ▶ Trolley with eye, e.g. for suspending a snap hook

Trolley for profile rail 30x45C	No.
	3 842 521 510

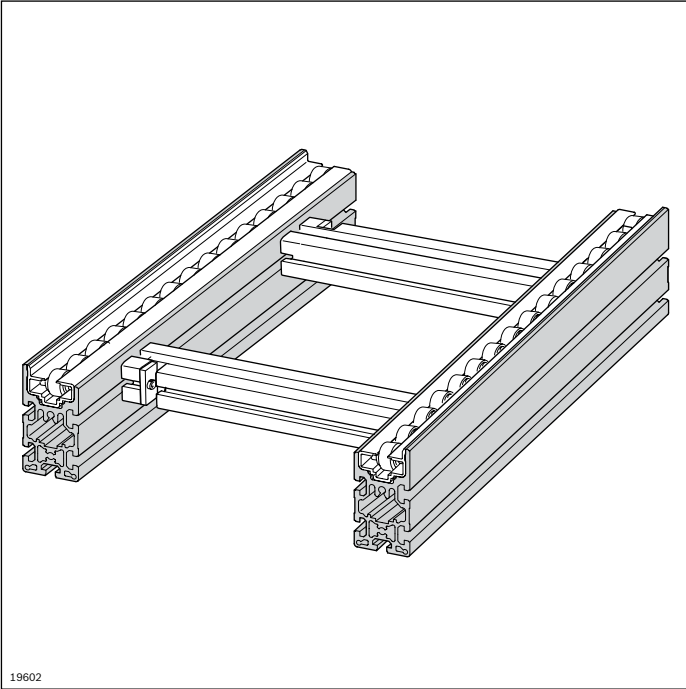
Material: Trolley: PA 6; black
Cam roller: POM; natural
Rubber buffer: NK/SBR; black



- ▶ Trolley with dust-proof ball bearings for smooth sliding motion
- ▶ For fastening profiles with a 8 mm slot

Trolley	No.	FS
	3 842 524 153	2xFS2

Material: PA; black / steel, zinc-plated
Fastening material: Steel; zinc-plated
Scope of delivery: Incl. fastening material (FS)



19602

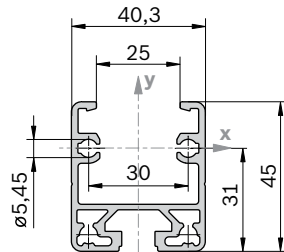
Profiles for installing conveyor media



- Profiles that are normally used to construct the transfer systems TS *2plus* and TS 4, as well as Lean conveyor sections, are also suitable for the construction of manual conveyor sections. Detailed information is available in chapter 12 “Elements for manual movement” and in the respective special catalogs

U-profile

A = 4,4 cm²
 I_x = 10,4 cm⁴
 I_y = 8,3 cm⁴
 W_x = 4,6 cm³
 W_y = 4,1 cm³
 m = 1,2 kg/m



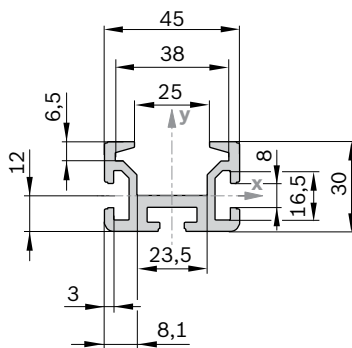
36861

U-profile	Slot	L (mm)	ESD No.
1 pc	10	50 ... 6070	3 842 993 316 / L
20 pcs	10	6070	3 842 535 115
1 pc	10	50 ... 6070	3 842 995 027 / L
20 pcs	10	6070	3 842 541 814
1 pc	10	6070	3 842 541 813
1 pc	10	6070	3 842 535 116

Material: U-profile: Aluminum; anodized
 U-profile ESD: Aluminum, untreated

SP 2/R

A = 5,2 cm²
 I_x = 4,3 cm⁴
 I_y = 11,7 cm⁴
 W_x = 2,4 cm³
 W_y = 5,2 cm³
 m = 1,4 kg/m



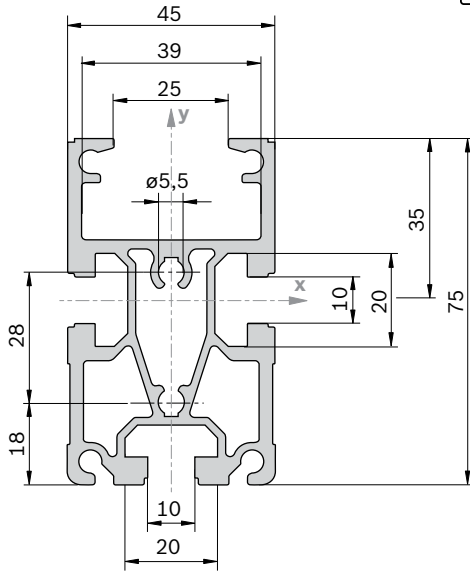
19893

Section profile SP 2/R	L (mm)	No.
	50 ... 6070	3 842 992 676
	6070	3 842 508 553

Material: Aluminum, natural-colored, anodized

SP 2/B

A = 10,4 cm²
 I_x = 49,6 cm⁴
 I_y = 25,8 cm⁴
 W_x = 12,1 cm³
 W_y = 11,5 cm³
 m = 2,8 kg/m



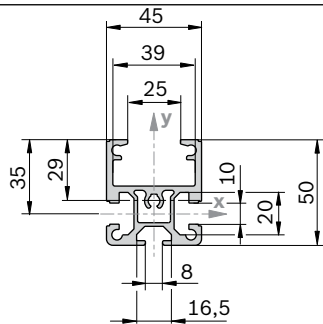
19903

Section profile SP 2/B	Slot	L (mm)	No.
1 pc		10	200 ... 6070 3 842 992 884 / L
16 pcs		10	6070 3 842 532 695
1 pc		10	6070 3 842 532 698

Material: Aluminum, natural-colored, anodized

SP 2/B-50

A = 6,9 cm²
 I_x = 16,1 cm⁴
 I_y = 16,9 cm⁴
 W_x = 5,3 cm³
 W_y = 7,5 cm³
 m = 1,9 kg/m



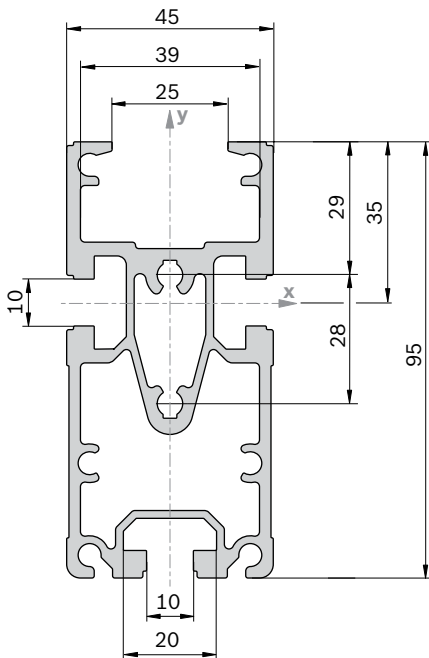
19904

Section profile SP 2/B-50	Slot	L (mm)	No.
1 pc		8 / 10	200...6070 3 842 992 903 / L
20 pcs		8 / 10	6070 3 842 532 697
1 pc		8 / 10	6070 3 842 532 670

Material: Aluminum, natural-colored, anodized

SP 2/B-100

A = 11,9 cm²
 I_x = 95,1 cm⁴
 I_y = 30,4 cm⁴
 W_x = 20,0 cm³
 W_y = 13,5 cm³
 m = 3,2 kg/m



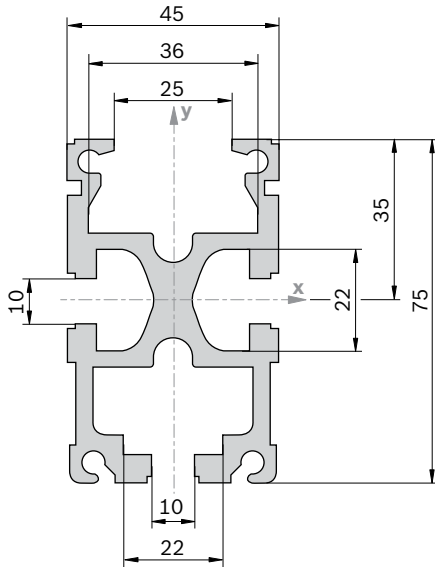
19905

Section profile SP 2/B-100	Slot	L (mm)	No.
1 pc		10	200...6070 3 842 993 259 / L
16 pcs		10	6070 3 842 532 608
1 pc		10	6070 3 842 532 592

Material: Aluminum, natural-colored, anodized

SP 2/BH

A = 12,4 cm²
 I_x = 53,7 cm⁴
 I_y = 28,6 cm⁴
 W_x = 14,0 cm³
 W_y = 13,8 cm³
 m = 3,3 kg/m



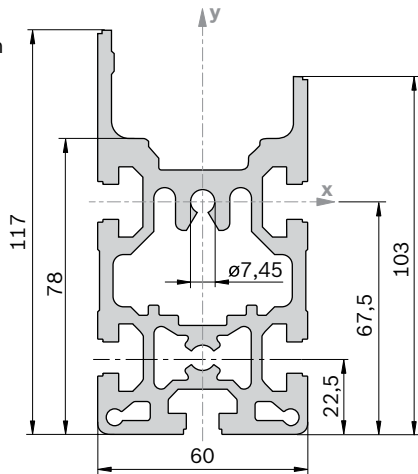
19906

Section profile SP 2/BH	Slot	L (mm)	No.
1 pc		10	200 ... 6070 3 842 990 409 / L
16 pcs		10	6070 3 842 532 696
1 pc		10	6070 3 842 532 699

Material: Aluminum, natural-colored, anodized

SP 4/R

A = 26,1 cm²
 I_x = 222,0 cm⁴
 I_y = 95,5 cm⁴
 W_x = 84,9 cm³
 W_y = 16,4 cm³
 m = 3,5 kg/m



19907

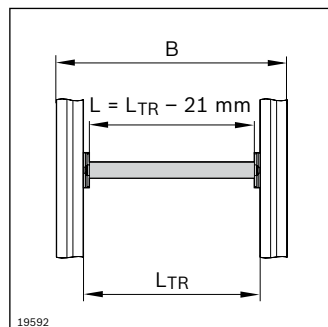
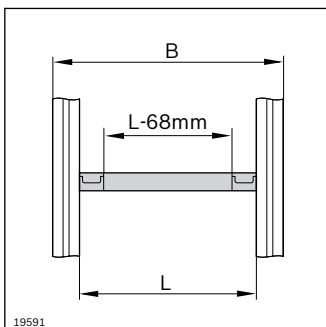
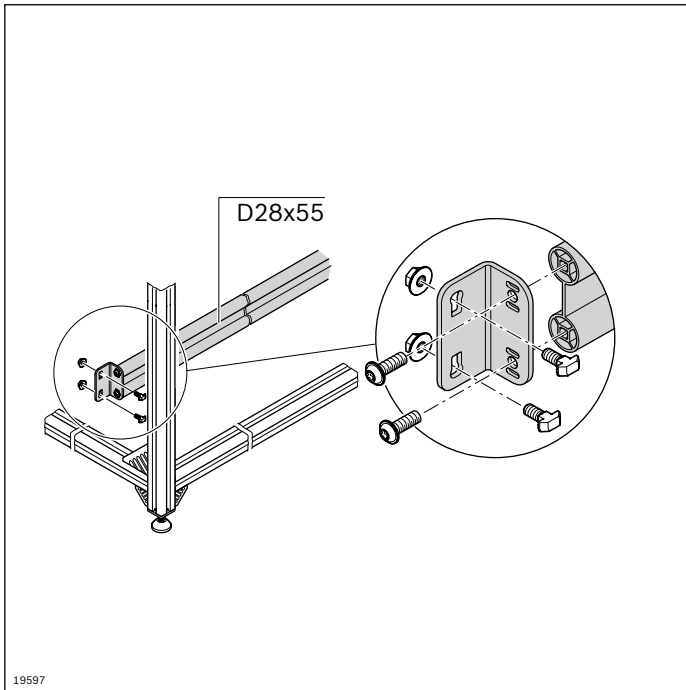
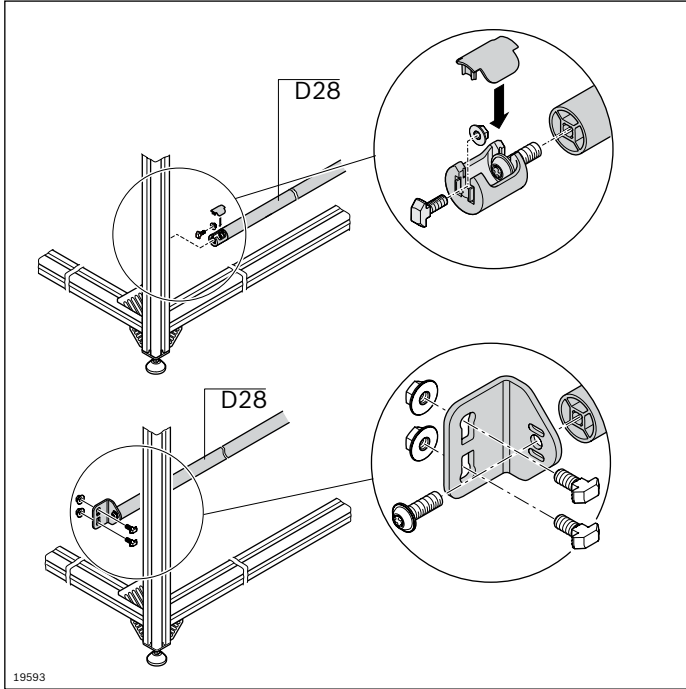
Section profile SP 4/R	Slot	L (mm)	No.
10 pcs		10	6070 3 842 532 505
1 pc		10	6070 3 842 532 703

Material: Aluminum, natural-colored, anodized

Round tube D28, strut profile D28x55 bracket, T-connector Bracket, T-connector

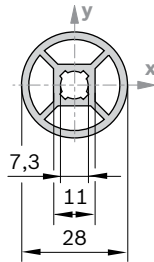


- ▶ For constructing cross ties in flow racks or workstations
- ▶ Suitable for heavy loads
- ▶ Use of brackets makes for easy assembly
- ▶ Elongated hole in the mounting bracket for longitudinal compensation
- ▶ Central holes can be used for self-tapping screws S8x25 (p. 3-43)
- ▶ For matching components to construct conveyor tracks, see chapter 12 “Elements for manual movement”



D28

A = 2,4 cm²
 I_x = 1,5 cm⁴
 I_y = 1,5 cm⁴
 W_x = 1,1 cm³
 W_y = 1,1 cm³
 m = 0,7 kg/m

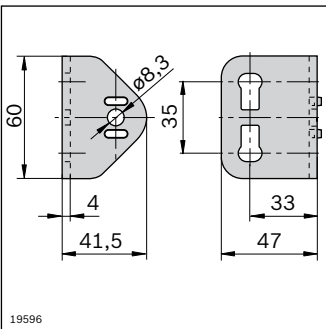


19505

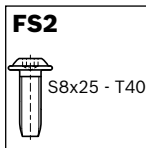
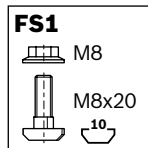
Round tube D28		L (mm)	No.
1 pc		50 ... 6070	3 842 993 317 / L
	20 pcs	6070	3 842 535 118
1 pc		6070	3 842 535 117

Material: Aluminum; anodized
 Optional accessories: Labeling clip (p. 2-85)

Cover cap D28	Color	ESD	No.
	Gray	20	3 842 537 718
	Black	20	3 842 535 835



19596

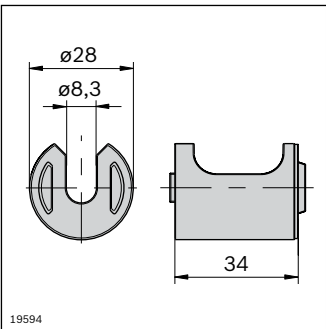


Holding bracket for round tube D28

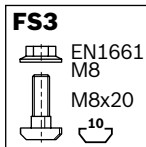
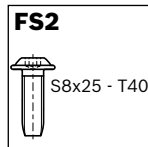
- ▶ For mounting a round tube D28 to a strut profile with a 10 mm slot
- ▶ Extremely simple mounting thanks to easy adjustment of the installation height

Bracket 60x47x4	No.	FS
20	3 842 536 002	2xFS1, FS2

Material: Steel; zinc-plated
 Scope of delivery: Incl. fastening material (FS)



19594

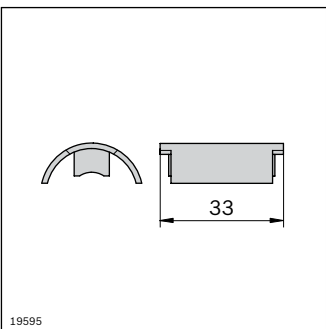


T-connector for round tube D28

- ▶ For mounting a round tube D28 to a strut profile with a 10 mm slot
- ▶ Without interfering contours

T-connector D28	No.	FS
20	3 842 532 879	FS2, FS3

Material: T-connector: Diecast aluminum
 Cover cap: ABS; black
 Scope of delivery: Incl. cover cap, fastening material (FS)



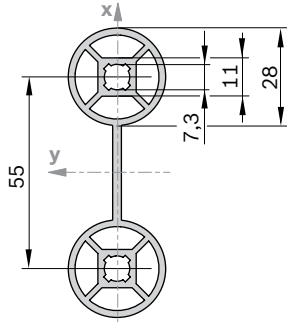
19595

Cover cap D28	No.
20	3 842 532 878

Material: ABS; black

D28x55

A = 5,9 cm²
 I_x = 3,2 cm⁴
 I_y = 88,3 cm⁴
 W_x = 2,3 cm³
 W_y = 23,1 cm³
 m = 1,6 kg/m

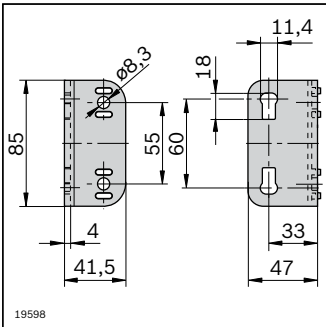


19468

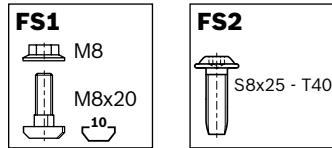
Strut profile D28x55		L (mm)	No.
1 pc		100...6070	3 842 993 489 / L
20 pcs		6070	3 842 537 477
1 pc		6070	3 842 537 476

Material: Aluminum; anodized
 Optional accessories: Labeling clip (p. 2-85)

Cover cap D28	Color	ESD	No.
(2x)	Gray	20	3 842 537 718
(2x)	Black	20	3 842 535 835



19598



Bracket 85x47x4

- ▶ For mounting a strut profile D28x55 to a strut profile with a 10 mm slot
- ▶ Extremely simple mounting thanks to easy adjustment of the installation height

Bracket 85x47x4	No.	FS
20	3 842 536 730	2xFS1, 2xFS2

Material: Steel; zinc-plated
 Scope of delivery: Incl. fastening material (FS)

EcoShape tubular framing system



- ▶ All connectors can be combined with the EcoShape D28L round tubes and D28L, N10, and the D28 round tube
- ▶ Integrated poka-yoke system for easy and secure connector installation
 - Anti-torsion element for secure joints
 - Form-fit connection

- ▶ All connectors are suitable for setting up ESD-conductive systems.

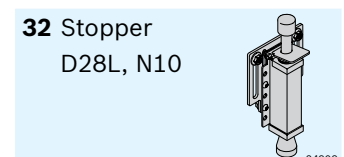
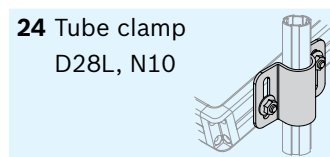
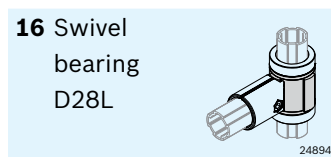
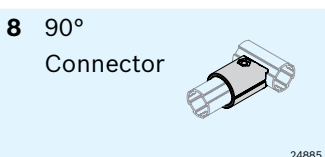
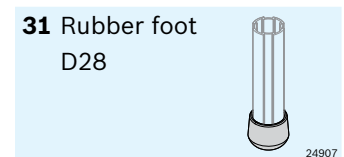
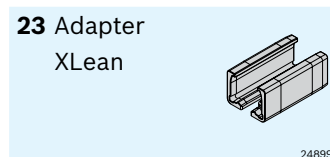
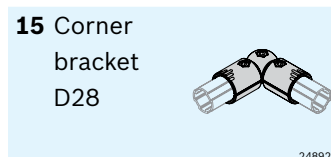
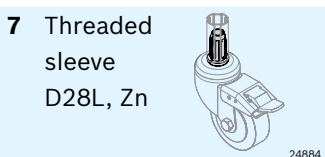
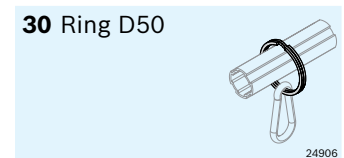
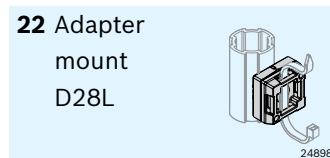
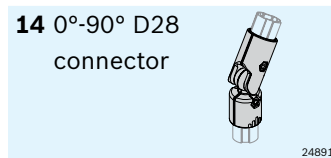
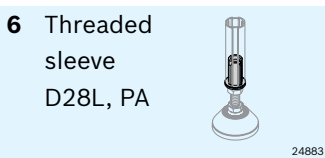
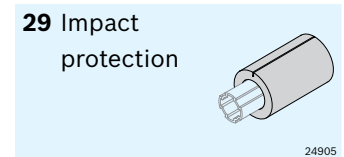
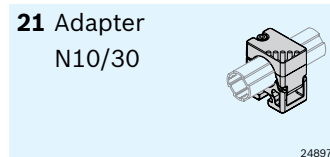
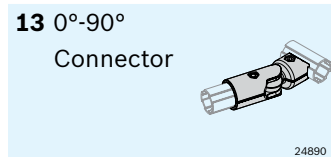
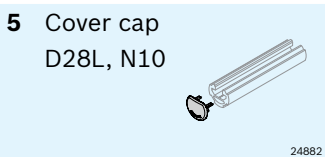
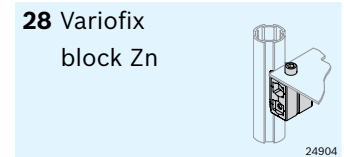
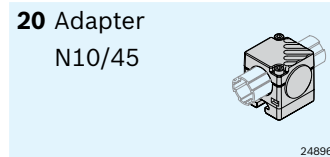
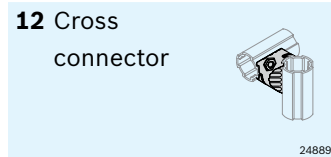
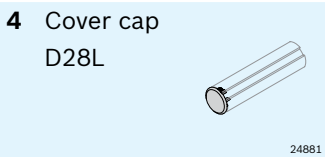
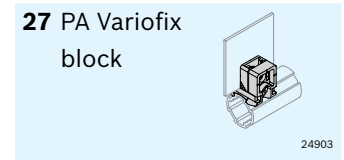
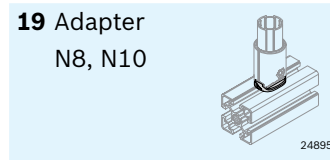
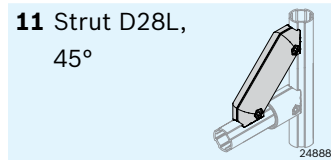
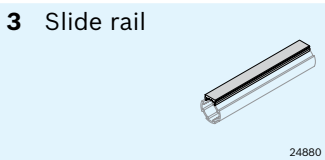
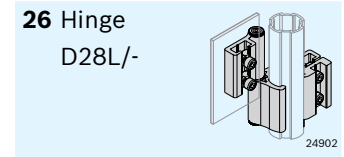
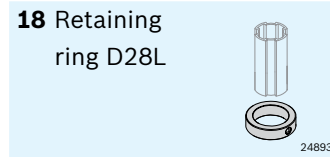
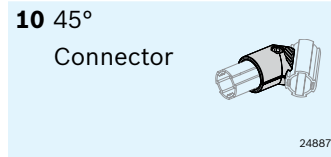
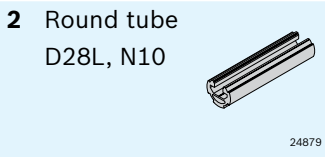
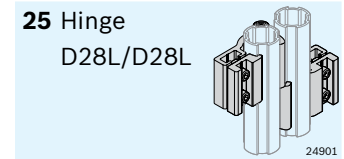
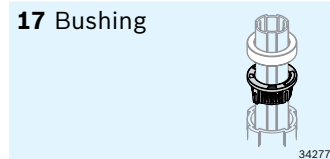
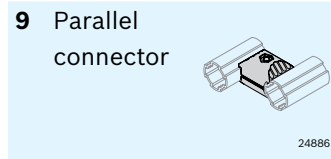
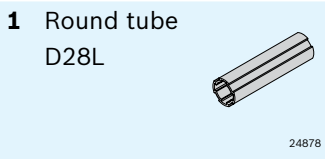
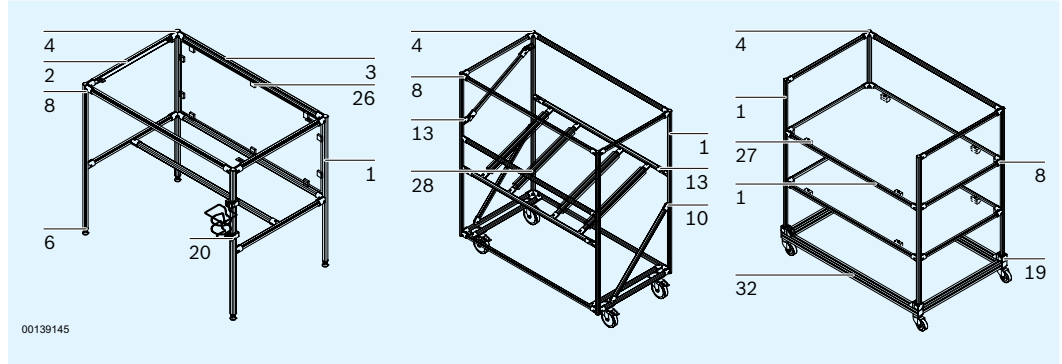
Material: Diecast zinc

Scope of delivery: Incl. Fastening material

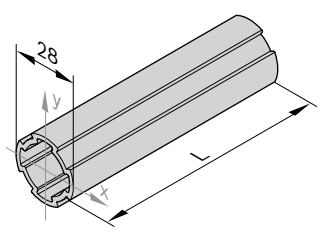


32 components – countless options

The EcoShape system is characterized by its consistent simplicity and efficiency: Using just a few components, you can build complete assembly lines as well as simple transport shuttles.



1
 $A = 1,8 \text{ cm}^2$
 $I_x = 1,3 \text{ cm}^4$
 $I_y = 1,3 \text{ cm}^4$
 $W_x = 1,0 \text{ cm}^3$
 $W_y = 1,0 \text{ cm}^3$
 $m = 0,5 \text{ kg/m}$



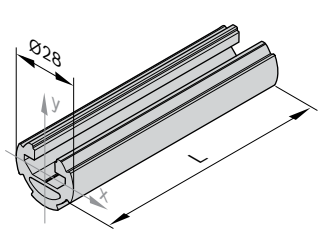

36806

- ▶ D28L round tube with 4 interfaces for attaching EcoShape connectors

Round tube D28L		L (mm)	No.
1 pc		50 ... 6070	3 842 996 191 / L
50 pcs		6070	3 842 557 243
1 pc		6070	3 842 557 250

Material: Aluminum; anodized

2
 $A = 2,6 \text{ cm}^2$
 $I_x = 1,2 \text{ cm}^4$
 $I_y = 2,0 \text{ cm}^4$
 $W_x = 0,8 \text{ cm}^3$
 $W_y = 1,4 \text{ cm}^3$
 $m = 0,7 \text{ kg/m}$

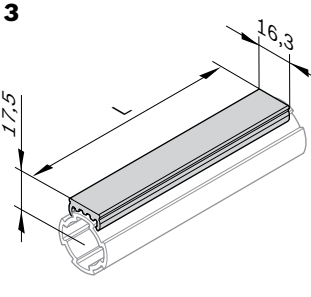
36807

- ▶ D28L round tube, N10 with 10 mm slot for mounting accessories from the MGE modular system
- ▶ Three interfaces for attaching EcoShape connectors

Round tube D28L, N10		L (mm)	No.
1 pc		50 ... 6070	3 842 996 192 / L
20 pcs		6070	3 842 557 244
1 pc		6070	3 842 557 251

Material: Aluminum; anodized

3



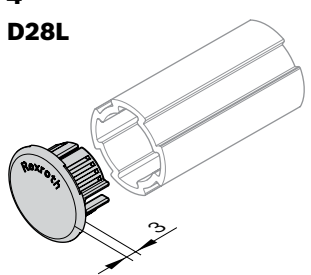
00134987

- ▶ Slide rail for creating a simple conveyor track or manual slide section by clipping the slide rail onto the D28L round tube or D28L, N10 round tube

Slide rail	Color	L (mm)	ESD		No.
	Signal gray	2000		10	3 842 554 750
	Black	2000		10	3 842 548 117

Material: PVC

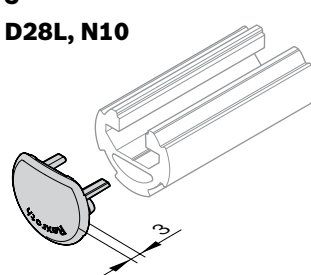
4
D28L



24132

- ▶ Cover cap for D28L round tube and D28L, N10 round tube

5
D28L, N10

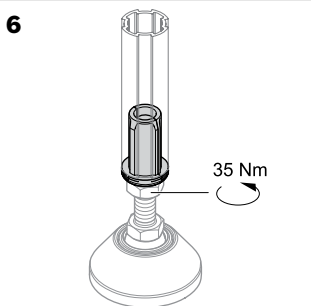


24133

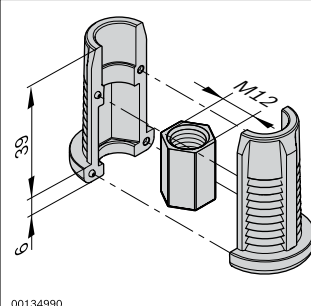
Cover cap	Color	ESD		No.
D28L	Signal gray		20	3 842 554 752
	Black		20	3 842 548 129
D28L, N10	Signal gray		20	3 842 554 754
	Black		20	3 842 548 130

Material: PA6

6



25597

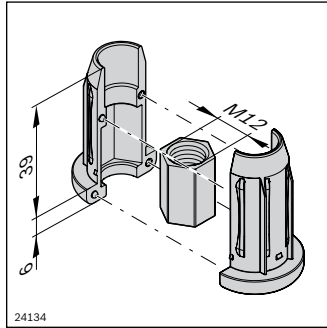
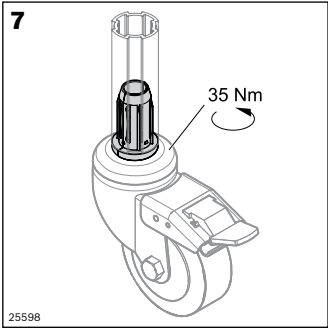


00134990

- ▶ Threaded sleeve for incorporating a leveling foot or castor wheel. For further information (see page 6-7)

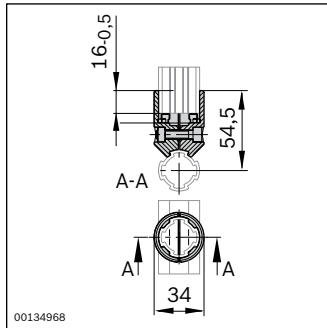
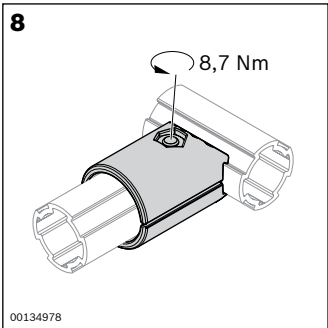
Threaded sleeve D28L, PA	ESD		No.
		20	3 842 541 185

Material: PA66 (conductive); black
 Hexagon nut: Aluminum



Threaded sleeve D28L, Zn	ESD	No.
	20	3 842 548 119

Material: Diecast zinc
Hexagon nut: Aluminum

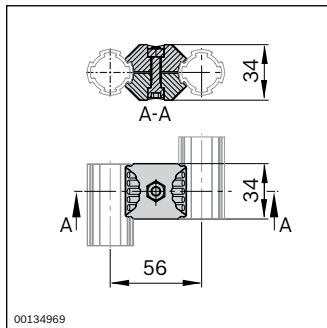
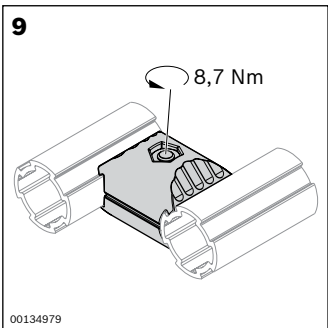


90° connector	ESD	No.	FS
	20	3 842 541 173	FS1

Material: Diecast zinc
Scope of delivery: Incl. fastening material (FS)

FS1

- ISO 4762 M6x25
- DIN EN
- ISO 10511 M6

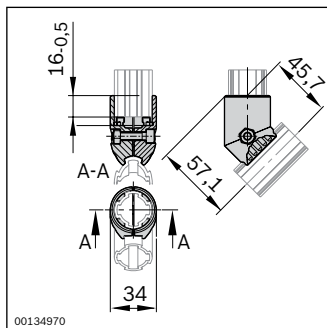
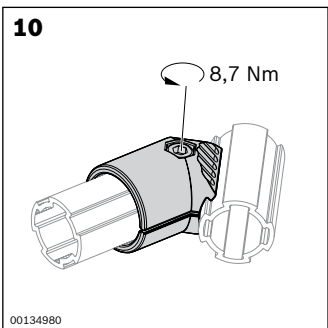


Parallel connector	ESD	No.	FS
	20	3 842 541 183	FS1

Material: Diecast zinc
Scope of delivery: Incl. fastening material (FS)

FS1

- ISO 4762 M6x25
- DIN EN
- ISO 10511 M6

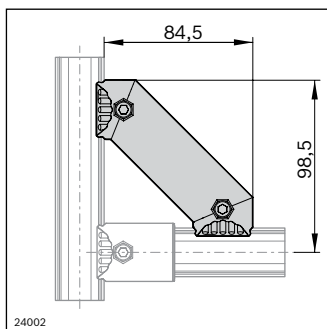
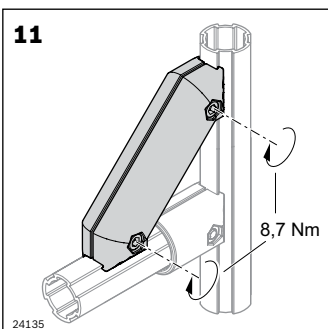


45° connector	ESD	No.	FS
	20	3 842 541 175	FS1

Material: Diecast zinc
Scope of delivery: Incl. fastening material (FS)

FS1

- ISO 4762 M6x25
- DIN EN
- ISO 10511 M6

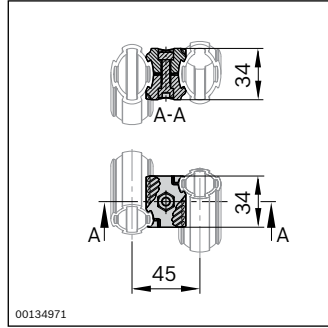
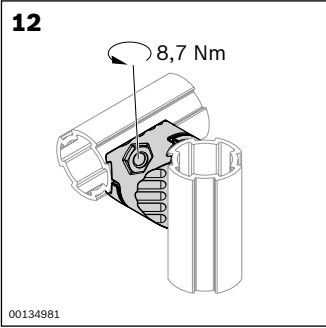


Strut D28L, 45°	ESD	No.	FS
	20	3 842 548 118	2xFS1

Material: Diecast zinc
Scope of delivery: Incl. fastening material (FS)

FS1

- ISO 4762 M6x25
- DIN EN
- ISO 10511 M6

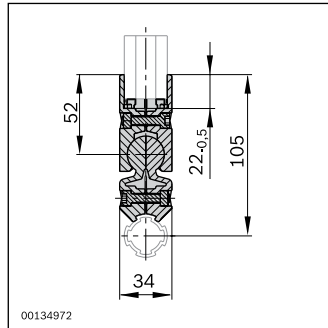
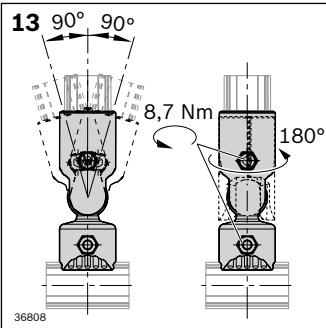


Cross connector	ESD	No.	FS
	20	3 842 541 181	FS1

Material: Diecast zinc
 Scope of delivery: Incl. fastening material (FS)

FS1

ISO 4762	M6x25
DIN EN	ISO 10511
M6	

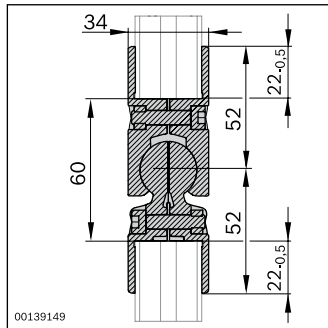
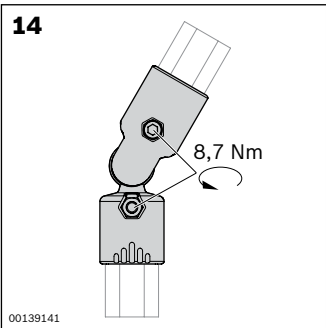


0°-90° connector	ESD	No.	FS
	20	3 842 541 178	2xFS1

Material: Diecast zinc
 Scope of delivery: Incl. fastening material (FS)

FS1

ISO 4762	M6x25
DIN EN	ISO 10511
M6	

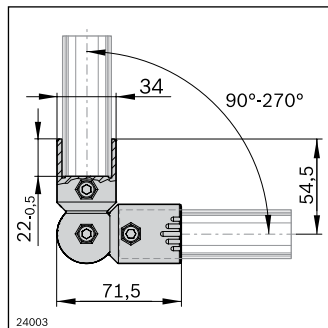
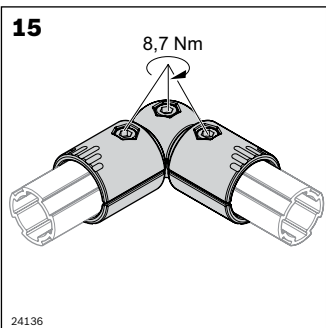


0°-90° D28 connector	ESD	No.	FS
	20	3 842 543 480	2xFS1

Material: Diecast zinc
 Scope of delivery: Incl. fastening material (FS)

FS1

ISO 4762	M6x25
DIN EN	ISO 10511
M6	



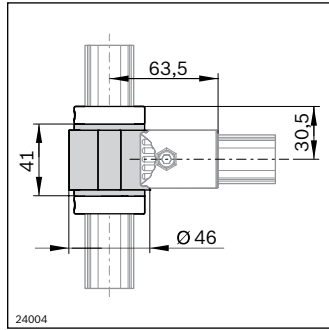
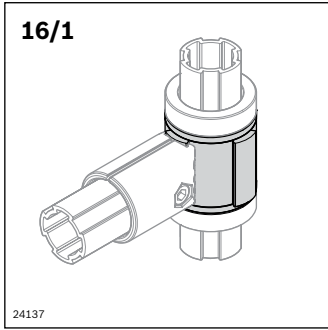
- ▶ Corner bracket D28 for easy adjustment within a 15° range
- ▶ Swivel range: 90°-270°

Corner bracket D28	ESD	No.	FS
	20	3 842 548 123	3xFS1

Material: Diecast zinc
 Scope of delivery: Incl. fastening material (FS)

FS1

ISO 4762	M6x25
DIN EN	ISO 10511
M6	



- ▶ For axial shifting along the D28L round tube or D28L, N10 round tube. The retaining ring determines the end position
- ▶ Construction of swiveling applications
- ▶ Additional thread for flexible bracket adjustment

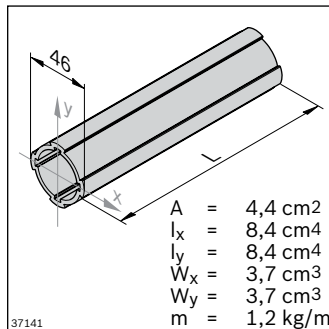
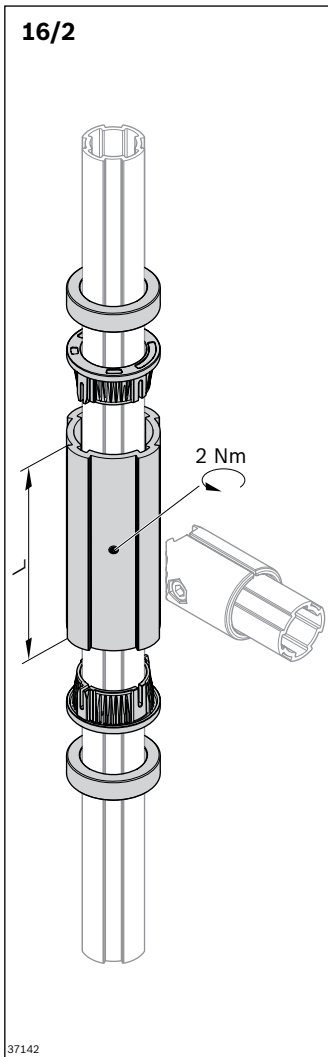
Required accessories:

Retaining ring D28L

Swivel bearing D28L	L (mm)	ESD	No.
	34	20	3 842 548 121

Material: Swivel bearing: Aluminum

Scope of delivery: D28L swivel bearing, L = 34 mm D28 bushing (17), headless setscrew ISO 4026 M4x10

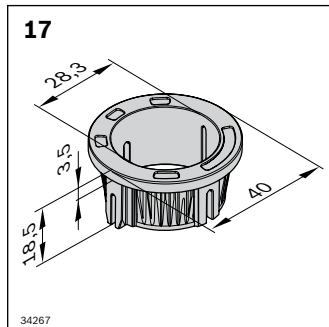


For self-assembly:

- ▶ D28L swivel bearing with L = 1000 mm that can be cut to length

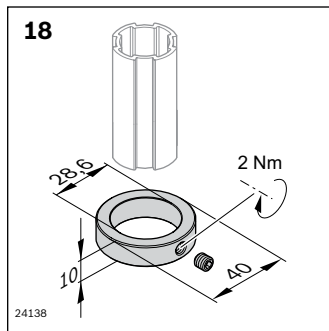
Swivel bearing D28L	L (mm)	No.
	1000	2 3 842 557 298

Material: Swivel bearing: Aluminum



Bushing D28	L (mm)	No.
	4	3 842 557 299

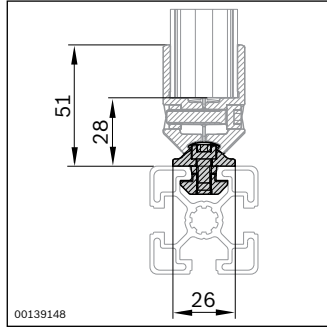
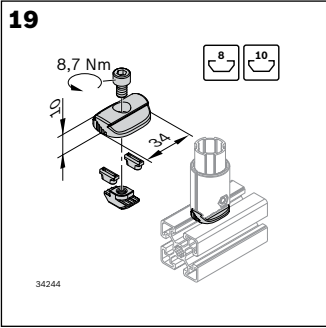
Material: Bushing: POM; black



Retaining ring D28L	L (mm)	ESD	No.
		20	3 842 548 122

Material: Retaining ring: Aluminum

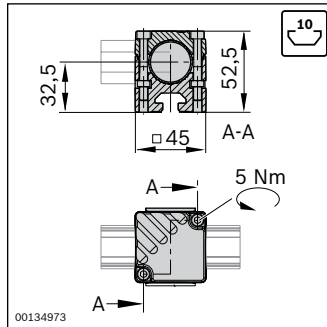
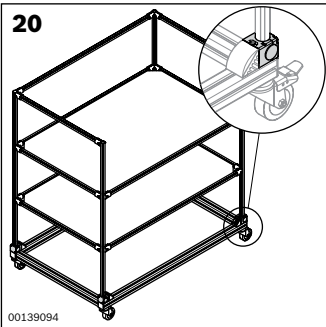
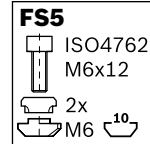
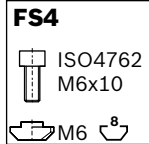
Scope of delivery: Retaining ring: incl. headless setscrew DIN 913 M6x6



- N8, N10 adapter for connecting an MGE strut profile (8 mm, 10 mm slots)

Adapter N8, N10	ESD	No.	FS
	20	3 842 543 272	FS4, FS5

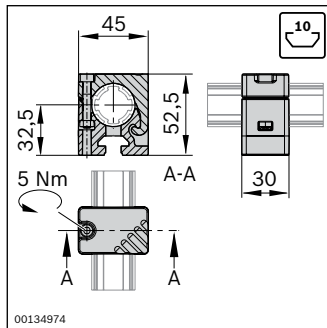
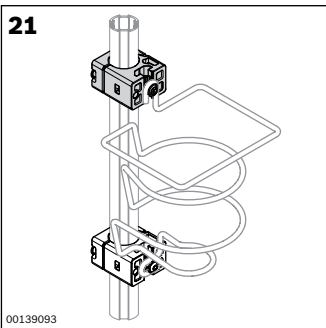
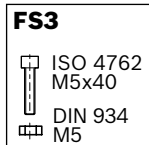
Material: Diecast zinc
 Scope of delivery: Incl. fastening material (FS)



- N10/45 adapter for connecting D28L round tubes or D28L, N10 round tubes to profiles with a 10 mm slot

Adapter N10/45	ESD	No.	FS
	20	3 842 541 187	2xFS3

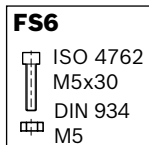
Material: Adapter: Diecast zinc
 Cover cap: PE
 Scope of delivery: Incl. cover cap, fastening material (FS)

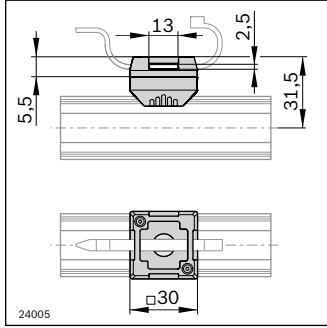
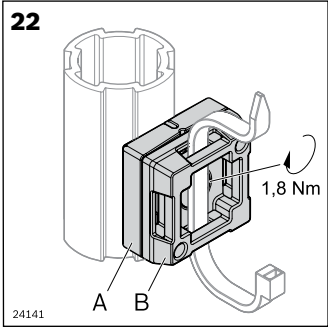


- N10/30 adapter for fastening light accessories such as a bottle holder to the D28L round tube

Adapter N10/30	ESD	No.	FS
	20	3 842 541 190	FS6

Material: Diecast zinc
 Scope of delivery: Incl. fastening material (FS)

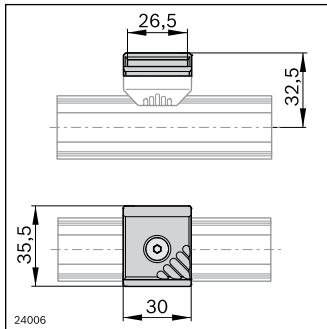
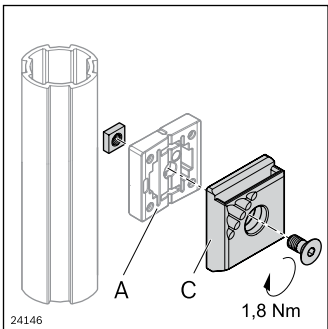
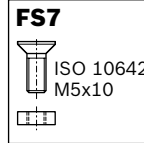




► For attaching cable ties

Adapter mount D28L	ESD	No.	FS
A + B		20 3 842 548 120	FS7

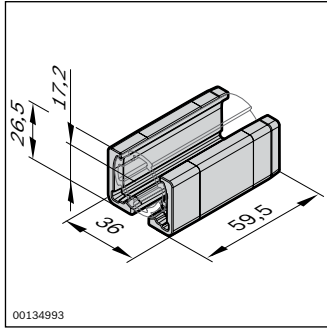
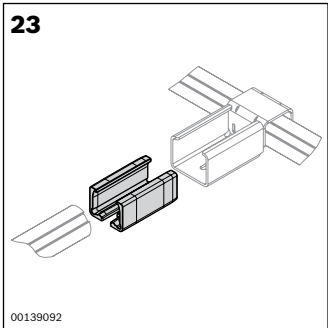
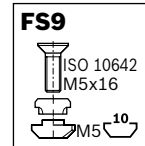
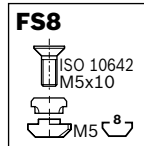
Material: PA66 (conductive); black
 Scope of delivery: Incl. fastening material (FS)



► For attaching containers using the container mount

Container mount	ESD	No.	FS
C		10 3 842 544 797	FS8, FS9

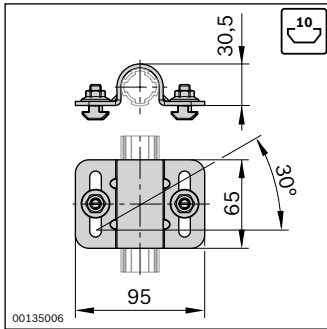
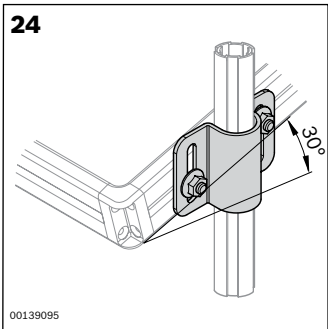
Material: PA66 (conductive); black
 Scope of delivery: Incl. fastening material (FS)



► XLean adapter for combination with XLean.
 The XLean adapter connects the D28L round tube with the XLean rail holder (p. 12-25)

XLean adapter	ESD	No.
		20 3 842 541 296

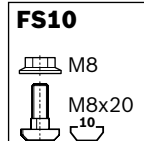
Material: PA66 (conductive); black

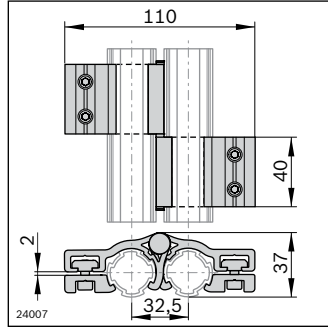
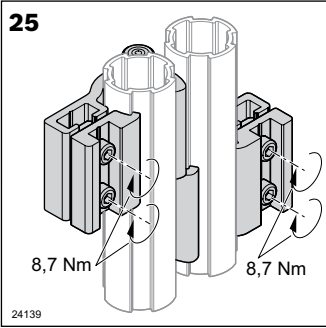


► Tube clamp D28L, N10 for fastening material shelves with a 10 mm slot to the D28L round tube; oblique positioning up to 30 degrees is possible

Tube clamp D28L, N10	ESD	No.	FS
		20 3 842 541 193	2xFS10

Material: Steel; zinc-plated
 Scope of delivery: Incl. fastening material (FS)

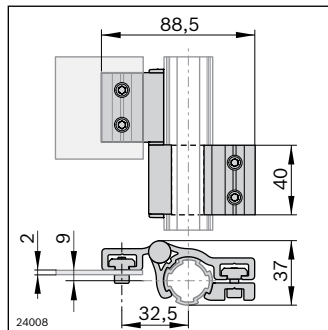
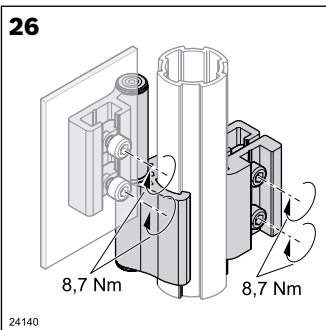
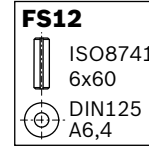
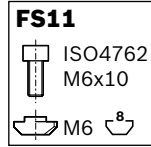




- ▶ Opening angle: 180°
- ▶ For mounting D28L round tube

Hinge D28L/D28L	ESD	No.	FS
	2	3 842 548 126	4x FS11, FS12

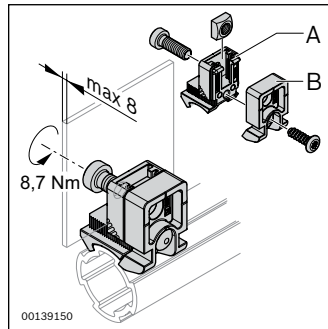
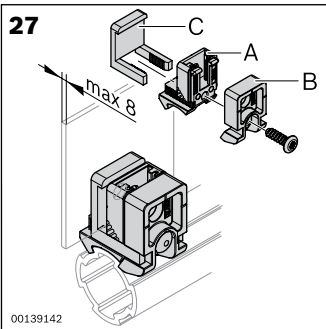
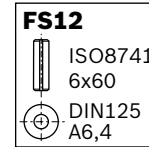
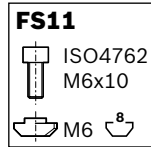
Material: Aluminum
 Scope of delivery: Incl. fastening material (FS)



- ▶ Opening angle: 180°
- ▶ For mounting panel elements

Hinge D28L/-	ESD	No.	FS
	2	3 842 548 127	2x FS11, FS12

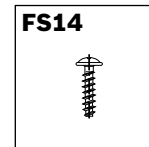
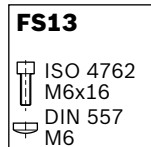
Material: Aluminum
 Scope of delivery: Incl. fastening material (FS)



- ▶ Plastic Variofix block for fastening panel elements with snap-in clips or a screw
- ▶ Variofix remover for releasing the snap-in clip (p. 14-6)

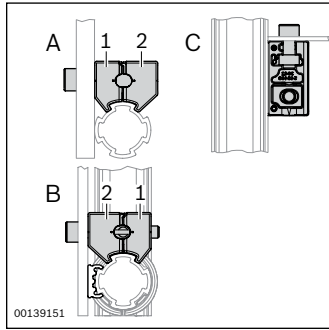
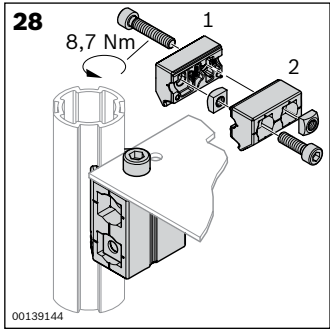
Variofix block (PA)	No.	FS
A + B	20	3 842 543 311 FS13, FS14

Material: PA66 (conductive); black
 Scope of delivery: Incl. fastening material (FS)



Snap-in clip	No.
C	10 3 842 184 738

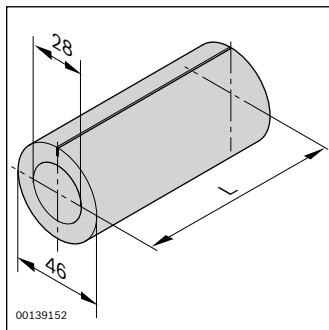
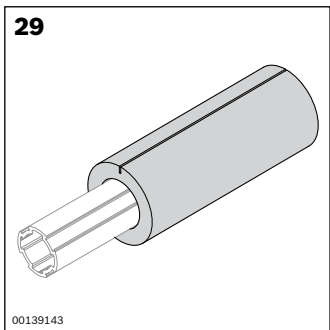
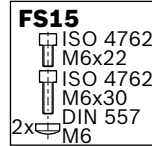
Material: PA6; transparent



- ▶ Diecast zinc Variofix block for fastening panel elements
- ▶ Three arrangements possible (“A”, “B”, “C”)

Variofix block Zn	ESD	No.	FS
	20	3 842 543 494	FS15

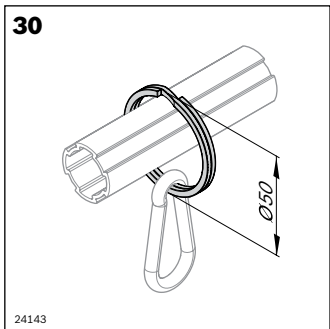
Material: Diecast zinc
 Scope of delivery Incl. fastening material (FS)



- ▶ Impact protection for D28 and D28L round tubes

Impact protection	L (mm)	No.
	2000 10	3 842 544 637

Material: PE-LD; gray



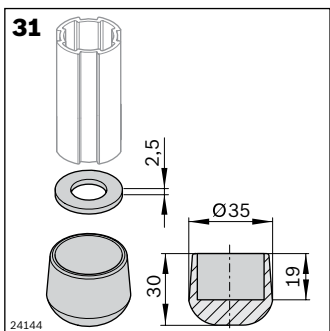
- ▶ For designing simple tool holders

Ring D50	No.
	20 3 842 548 131

Material: Nickel-plated steel

Spring hook	No.
	1 0 842 901 309

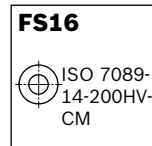
Material: Steel; zinc-plated

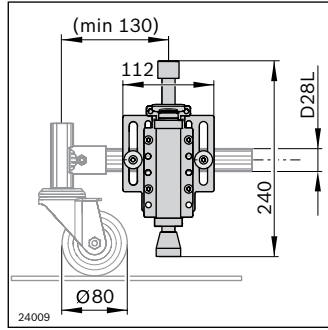
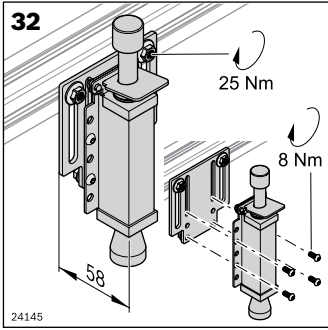


- ▶ Non-slip design of flow racks and stands

Rubber foot D28	ESD	No.	FS
	20	3 842 548 128	FS16

Material: NR/SBR (conductive); black



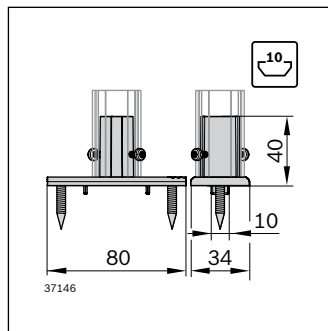
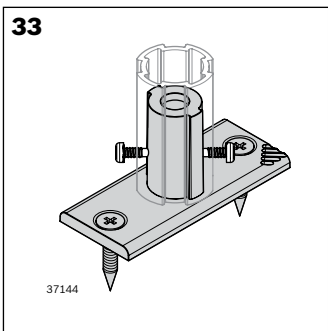
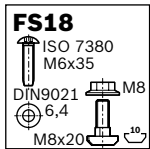
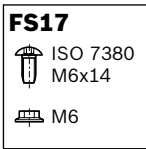


- ▶ To stop material shuttles ergonomically at just one point
- ▶ All-purpose option for attachment to different round tubes and profile cross-sections
- ▶ Stopper tension path: 34 mm

Stopper D28L, N10	No.	FS
	3 842 548 132	4x FS17, 2xFS18

Material: Stopper: Stainless steel, EPDM
Attachment plate: Aluminum

Scope of delivery: Incl. fastening material (FS)



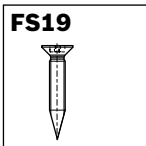
- ▶ Base plate for fastening frames directly onto walls, floors, table tops and strut profiles with 10 mm slot via EcoShape round tubes
- ▶ No additional connector required
- ▶ Anti-torsion element by centering lug (can be broken off)
- ▶ Reference load during profile installation: 15 Nm admissible in lengthwise and crosswise direction. Load values at installation on other surfaces depend on the respective material

Recommended accessories for profile installation:

Countersunk screw ISO 10642 M5x16-8.8;

T-nut (**3 842 530 283**) (p. 3-5)

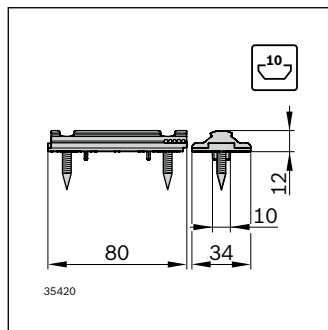
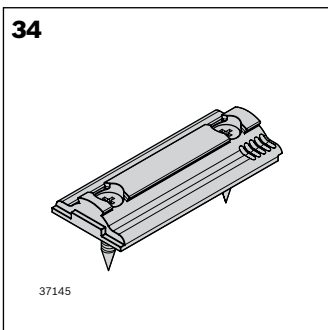
Optional accessories: Self-tapping screw (**3 842 552 267**)



Base plate D28L	ESD	No.	FS
		3 842 559 346	2xFS19

Material: Diecast zinc

Scope of delivery: Incl. fastening material (FS)

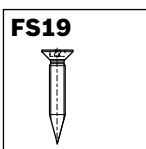


- ▶ Base plate for fastening frames onto walls, floors, table tops and strut profiles with 10 mm slot with the help of EcoShape connectors
- ▶ Anti-torsion element by centering lug (can be broken off)
- ▶ Reference load during profile installation: 15 Nm admissible in lengthwise and crosswise direction. Load values at installation on other surfaces depend on the respective material

Recommended accessories for profile installation:

Countersunk screw ISO 10642 M5x16-8.8;

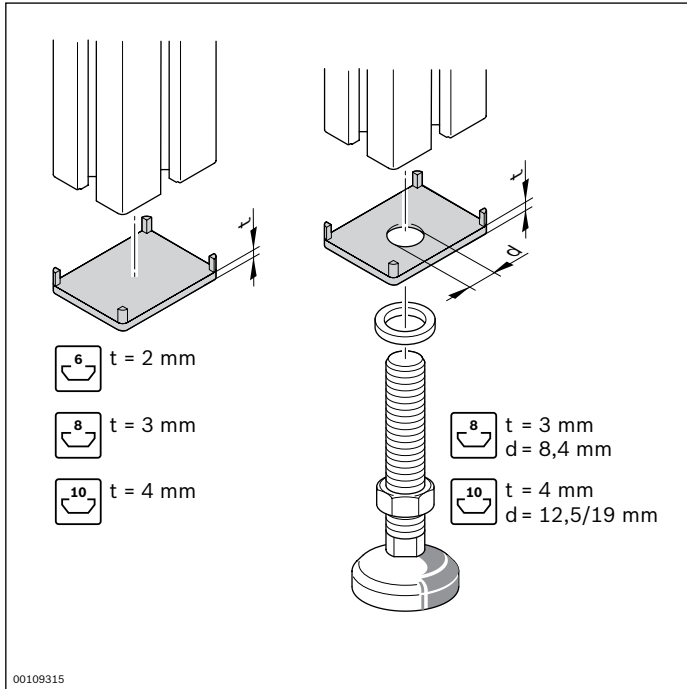
T-nut (**3 842 530 283**) (p. 3-5)



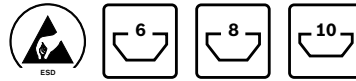
EcoShape base plate	ESD	No.	FS
		3 842 559 345	2xFS19

Material: Diecast zinc

Scope of delivery: Incl. fastening material (FS)

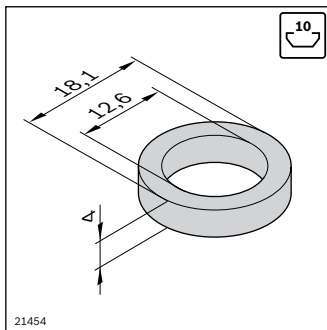


Cover cap Cover cap with hole



- ▶ To prevent injuries at open profile ends
- ▶ Attractive design
- ▶ Cover cap with hole for use with leveling feet and rollers
- ▶ Cover cap material: PA or PP

Order information for the cover caps can be found in the profile section

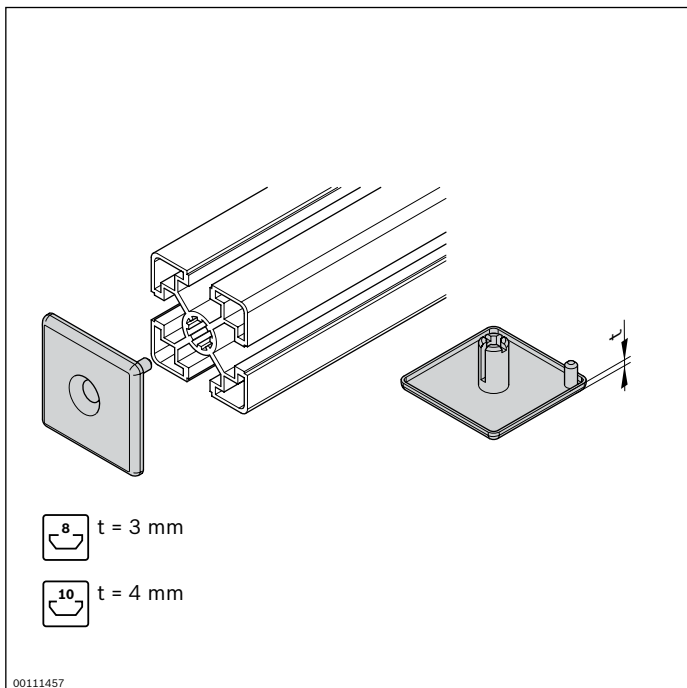


Bearing ring

- ▶ For cover caps with hole in the sizes 40x40, 45x45, 50x50 and 60x60
- ▶ For M12 threads
- ▶ To protect the cover caps when tightening accessories

Bearing ring	ESD No.	No.
		100 3 842 555 653

Material: Diecast zinc

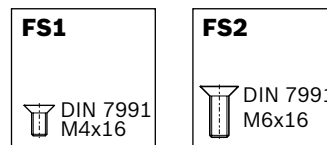


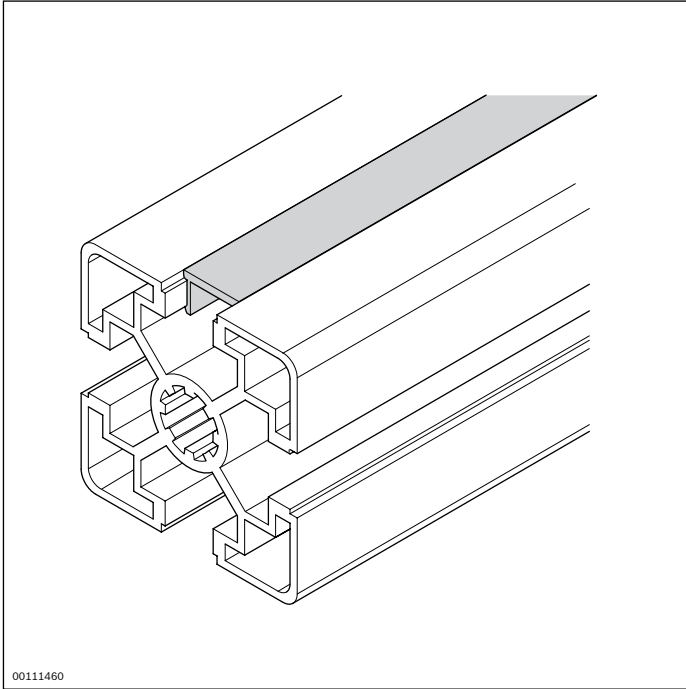
Diecast zinc cover cap

- ▶ Shock-proof
- ▶ Resistant to aggressive media
- ▶ Fastening with countersunk screw; profile finishing not required

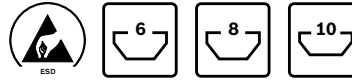
Cover cap ZN	ESD No.	FS
30x30-ZN	3 842 518 204	FS1
40x40-ZN	3 842 541 807	FS2
45x45-ZN	3 842 518 205	FS2

Material: Cover cap: Diecast zinc
Fastening material: Steel; zinc-plated

















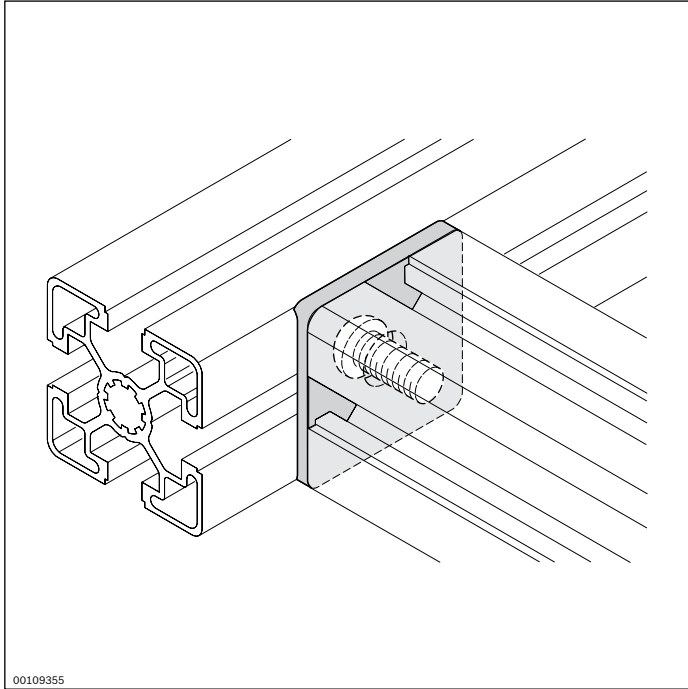


Cover profiles



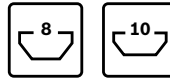
- ▶ For fixing cables in position
- ▶ To prevent dirt from entering the profile slot
- ▶ Attractive design
- ▶ Soft PVC cover profile for 6 mm slot is provided as a roller
- ▶ Flush with profile
- ▶ An ESD-conductive connection between the cover profile and the strut profile must be ensured by a suitable design solution, e.g. screw

Cover profile, 6 mm slot	Color	Material	ESD	L (mm)		No.
 00109365	Colorless, natural	Aluminum; anodized		2000	10	3 842 523 254
 00117777	Signal gray (RAL 7035)	Soft PVC		10000	1	3 842 555 268
Cover profile, 8 mm slot	Color	Material	ESD	L (mm)		No.
 00109366	Colorless, natural	Aluminum; anodized		2000	10	3 842 523 256
 00109367	Signal gray (RAL 7004)	PP		2000	10	3 842 548 878
	Black (RAL 9005)	PP		2000	10	3 842 548 879
	Light gray (RAL 7035)	PP		2000	10	3 842 548 898
	Red (RAL 3020)	PP		2000	10	3 842 549 878
	Yellow (RAL 1023)	PP		2000	10	3 842 549 879
	Green (RAL 6032)	PP		2000	10	3 842 554 771
	Blue (RAL 5010)	PP		2000	10	3 842 549 880
	Orange (RAL 2004)	PP		2000	10	3 842 549 881
	Colorless, transparent	PET		2000	10	3 842 549 877
Cover profile, 10 mm slot	Color	Material	ESD	L (mm)		No.
 00109368	Colorless, natural	Aluminum; anodized		2000	10	3 842 523 258
 19502	Signal gray (RAL 7004)	Hard PVC		2000	10	3 842 548 876
	Black (RAL 9005)	Hard PVC		2000	10	3 842 548 877
	Light gray (RAL 7035)	Hard PVC		2000	10	3 842 518 367
	Red (RAL 3020)	Hard PVC		2000	10	3 842 518 368
	Yellow (RAL 1023)	Hard PVC		2000	10	3 842 518 369
	Yellow (RAL 6032)	Hard PVC		2000	10	3 842 549 888
	Blue (RAL 5010)	Hard PVC		2000	10	3 842 538 955
	Orange (RAL 2004)	Hard PVC		2000	10	3 842 538 957
	Colorless, transparent	Hard PVC		2000	10	3 842 191 182

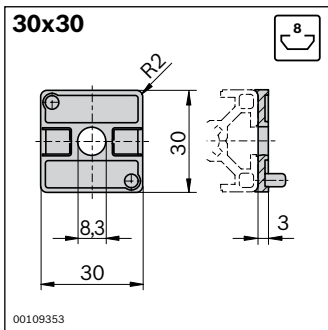


00109355

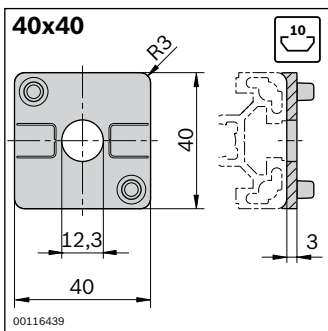
Radial compensation



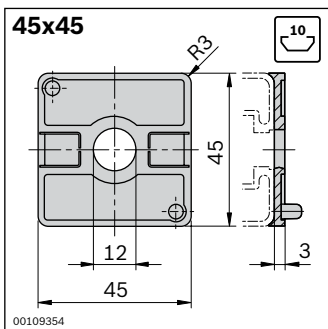
- ▶ For avoiding gaps and sharp edges on T-connections between two profiles using a central bolt or quick connector (note spacing of hole from the end of the profile)
- ▶ Slot segments can be broken out to support panel elements in the slot
- ▶ Important note: The load carrying capacity of the profile connection is reduced when using radial compensation (see “Technical data”, page 18-16)!



00109353



00116439



00109354

Radial compensation	Slot	No.
30x30	8	10 3 842 551 026

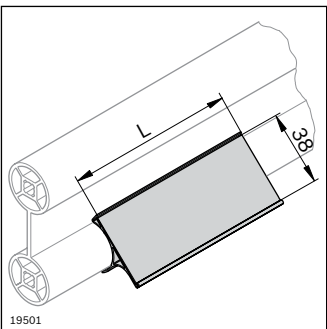
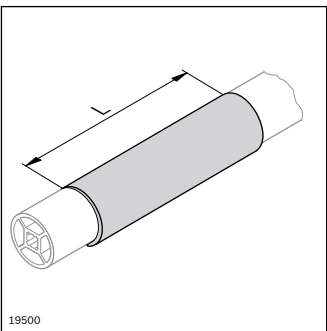
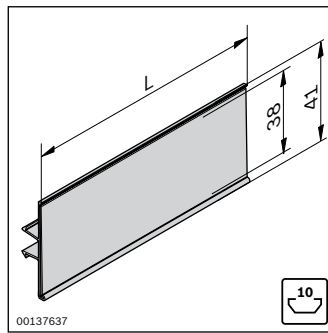
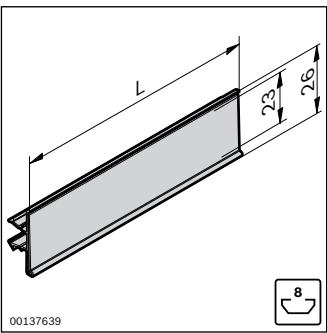
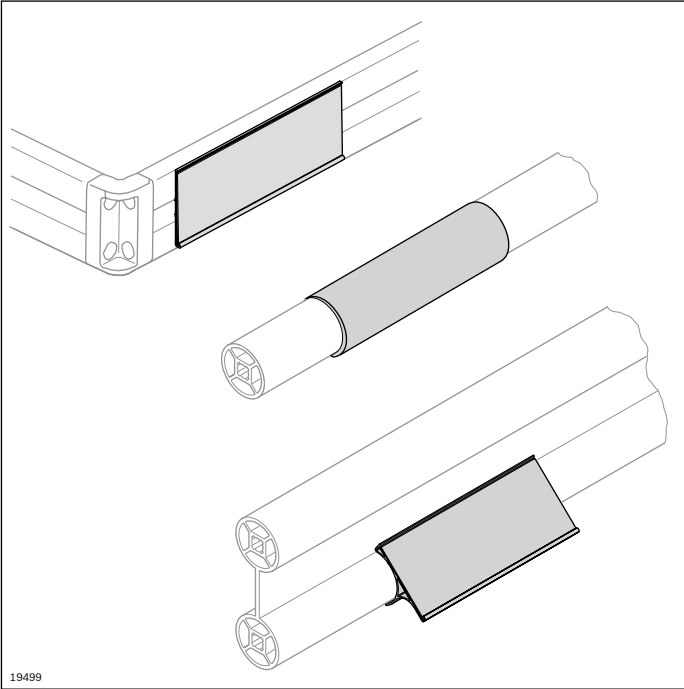
Material: PA; signal gray RAL 7004

Radial compensation	Slot	No.
40x40	10	10 3 842 551 028

Material: PA; signal gray RAL 7004

Radial compensation	Slot	No.
45x45	10	10 3 842 551 030

Material: PA; signal gray RAL 7004



Labeling clips

- For labeling profiles and tubular cross ties

- Labeling clip for strut profiles with 8 mm and 10 mm slot

Labeling clip	Slot	L (mm)		No.
	8	2000	20	3 842 537 113
	8	102	20	3 842 537 650
	10	2000	20	3 842 537 116
	10	102	20	3 842 537 651

Material: Hard PVC, light gray (RAL 7035), transparent

- Self-adhesive
- Labeling clip with rounded text surface for strut profiles D28; D28L; D28L, N10, and D28x55
- Label height 38 mm

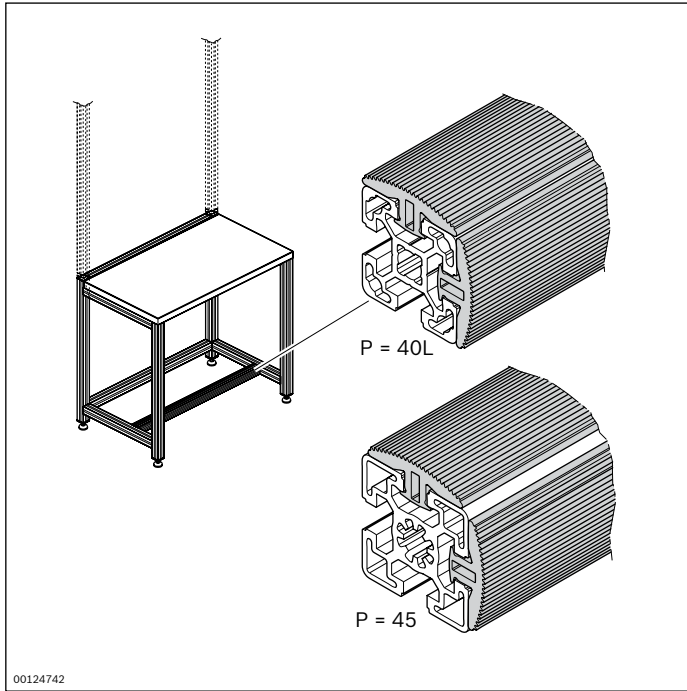
Labeling clip	L (mm)		No.
For tubular cross ties	2000	20	3 842 535 136
	102	20	3 842 538 093

Material: Hard PVC, colorless, transparent

- Self-adhesive
- Labeling clip with flat text surface for strut profiles D28; D28L; D28L, N10, and D28x55

Labeling clip	L (mm)		No.
For tubular cross ties	2000	20	3 842 537 119
	102	20	3 842 537 652

Material: Hard PVC, light gray (RAL 7035), transparent



Rubber profile Cloth holder



Rubber profile

- ▶ To avoid impact on hard edges, such as when setting down impact-sensitive products
- ▶ For use as footrest to clip in from top and front on the cross strut of the workstation
- ▶ Really simple and inexpensive
- ▶ Suitable for the construction of ESD workstations

Rubber profile	L (mm)	ESD	No.
	30 ... 2000		1 3 842 994 979 / L
	2000		10 3 842 537 135

Material: EPDM; conduction resistance $R = 10^4 \dots 10^9 \Omega$

Screwed-on cloth holder

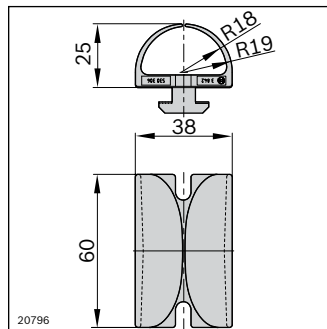
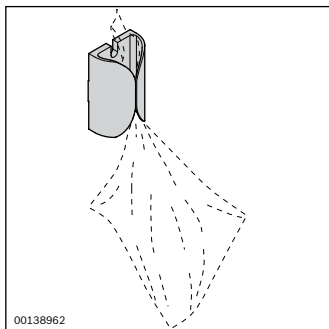
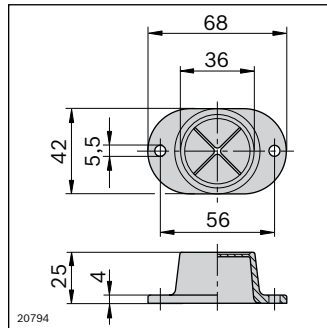
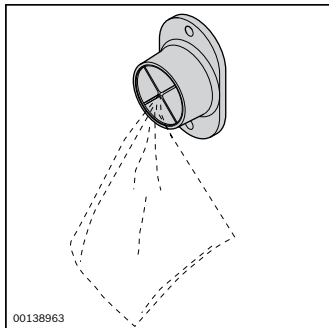
- ▶ For hanging cleaning cloths

Required accessories:

- ▶ T-nut, 10 mm slot, M5 (**3 842 530 283**) (p. 3-5)
- ▶ Screw DIN 7984 M5x12

Screwed-on cloth holder	No.
	1 845 719 000

Material: PE; black



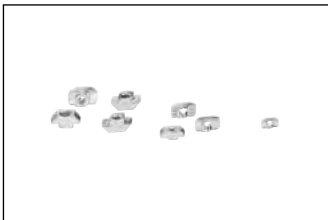
Cloth holder with clamp base

- ▶ With injection molded clamp base for direct assembly on strut profile with 10 mm slot
- ▶ Can also be used as a cable guide

Cloth holder with clamp base	No.
	3 842 530 306

Material: PA6, black

Connection elements



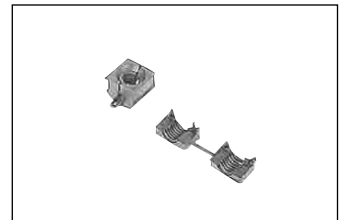
T-nut (p. 3-4)
Collar screw (p. 3-6)



Flange nut, T-bolt (p. 3-7)



Sliding block (p. 3-9)



Expanding nut (p. 3-12)



Parallel connector (p. 3-13)



Tensioning connector
(p. 3-14)



Slot connector (p. 3-15)



Inner bracket (p. 3-16)
Inner bracket R (p. 3-17)



Miter bracket (p. 3-19)



Bracket (p. 3-20)



Bracket R (p. 3-32)



Steel bracket (p. 3-34)



Metal bracket, supporting
bracket (p. 3-35)



Foundation bracket
(p. 3-36)



Holder (p. 3-37)



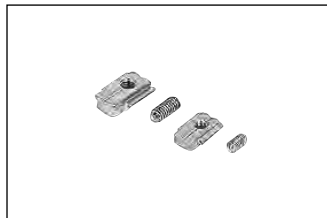
Supporting bracket
(p. 3-39)



Profile connector (p. 3-41)



Central bolt (p. 3-43)



Anti-torsion element
(p. 3-44)



Cubic connector (p. 3-45)



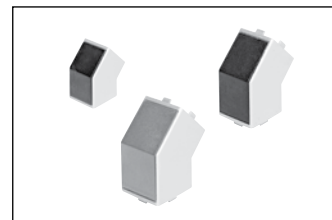
Corner bracket (p. 3-49)



End connector (p. 3-51)



T-connector (p. 3-53)



Connector 45° (p. 3-55)



Quick connector (p. 3-56)



Quick connector, bendable
(p. 3-59)



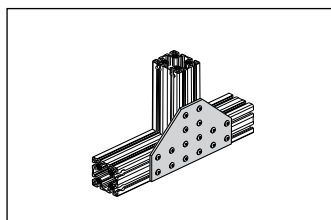
Longitudinal end connector
(p. 3-61)



Bolt connector (p. 3-62)


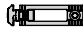
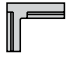
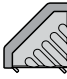

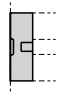

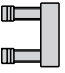
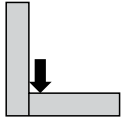
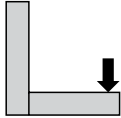
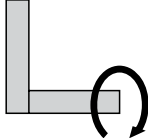
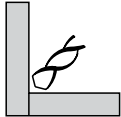





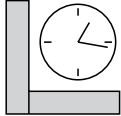
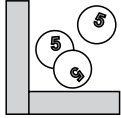
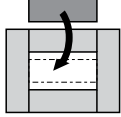
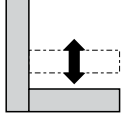
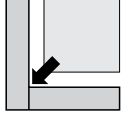
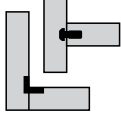


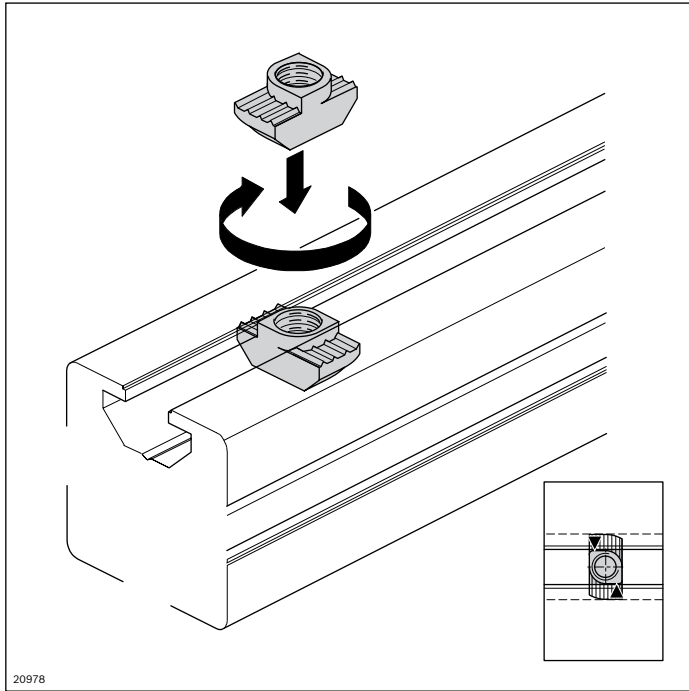
Cross connector kit
(p. 3-64)



Joining plates (p. 3-65)

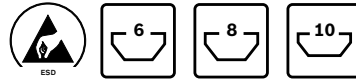
Connection elements, selection criteria

									
		Tensioning connector	Slot connector	Inner bracket	Bracket	Central bolt	T-connector	Quick connector	Bolt connector
	High feed force	●	●	○	●	●	●	●	●
	High moment	◐	◐	○	●	◐	◐	○	●
	High torsional moment	●	●	○	◐	○	●	○	●
	Minimal finishing	●	●	●	●	◐	●	◐	◐
						M12 9,8		D17	D17
	Minimal assembly	●	●	●	●	●	○	●	○
	Low parts costs	◐	◐	◐	◐	●	○	◐	○
	Subsequent mounting in closed frame	◐	◐	○	●	○	◐	○	●
	Adjustment possible	●	●	◐	●	○	●	●	●
	Mounting of panel elements	◐	◐	◐	◐	●	○	●	○
	Internal connection (concealable)	●	●	●	○	●	◐	◐	●



20978

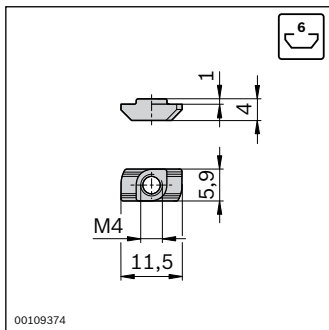
T-nut

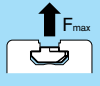




- ▶ Standard element for a secure and conductive connection
- ▶ End stop for correct positioning in the profile slot
- ▶ Stainless steel T-nut, e.g. for outdoor or cleanroom applications
- Profile finishing: Not required

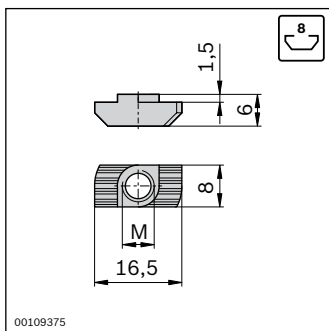
Technical data (p. 18-11)

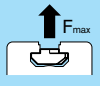
Accessories:
Insulating cap (p. 3-5)












Slot	 F _{max}
6	1700 N

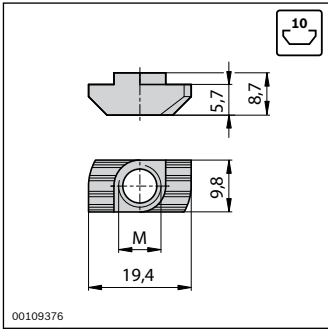
T-nut, 6 mm slot	Slot	M	ESD	No.
Steel; zinc-plated	6	M4		100 3 842 523 135
Stainless steel	6	M4		100 3 842 536 599



Slot	 F _{max}
8 (M6)	4000 N

T-nut, 8 mm slot	Slot	M	ESD	No.
Steel; zinc-plated	8	M4		100 3 842 501 751
		M5*		100 3 842 501 752
		M6*		100 3 842 501 753
	8-32 U.N.C.		1	8 981 016 122
	10-32 U.N.F.		1	8 981 016 123
	1/4"x20 U.N.C.		1	8 981 016 124
Stainless steel	8	M4		100 3 842 536 600
		M5		100 3 842 536 601
		M6		100 3 842 536 602

* Suitable for standard screws. **Attention:** T-nuts have driving torque for safe turning in the base of the slot.

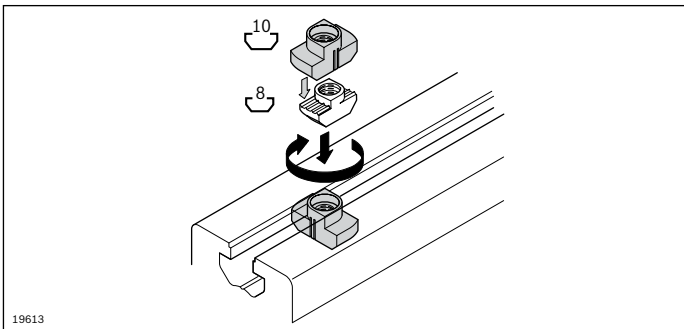


Slot	
10 (M8)	6000 ... 18000 N ¹⁾

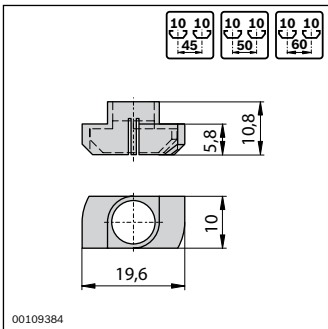
¹⁾ Depending on profile (p. 19-5)

T-nut, 10 mm slot	Slot	M	ESD	No.
Steel; zinc-plated	10	M4	⚡	100 3 842 530 281
		M5*	⚡	100 3 842 530 283
		M6*	⚡	100 3 842 530 285
		M8*	⚡	100 3 842 530 287
		8-32 U.N.C.	⚡	1 8 981 021 321
		10-32 U.N.F.	⚡	1 8 981 021 322
		1/4"x20 U.N.C.	⚡	1 8 981 021 323
		5/16"x18 U.N.C.	⚡	1 8 981 021 324
Stainless steel	10	M4	⚡	100 3 842 536 606
		M5	⚡	100 3 842 536 605
		M6	⚡	100 3 842 536 604
		M8	⚡	100 3 842 536 603

* Suitable for standard screws. **Attention:** T-nuts have driving torque for safe turning in the base of the slot.

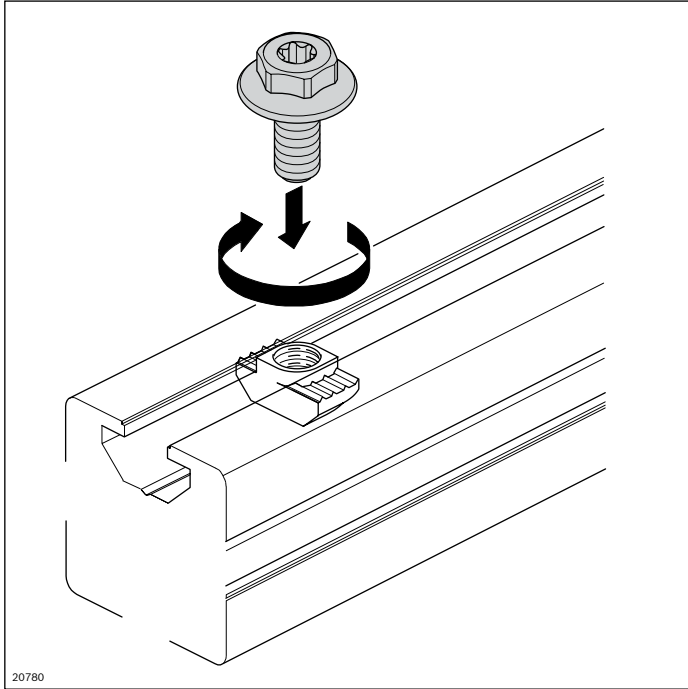


- ▶ Insulating cap for decoupling directly grounded components; for use with T-nuts for 8 mm slots in a 10 mm slot



Insulating cap for T-nut, 8 mm slot	Slot	No.
	10	10 3 842 524 012

Material: PA; high-strength, black



20780

Collar screw



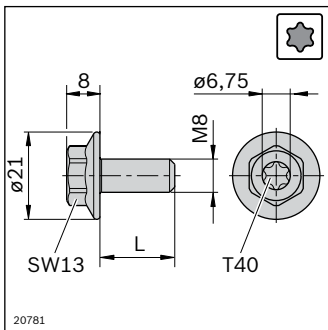
- ▶ Collar screw with multi-function head for tightening with ring/open-end wrench (WS 13) or Torx screwdriver (T40)
- ▶ Machine tightening possible
- ▶ Preferably to be used for fastening brackets
- ▶ Quick and simple assembly
- ▶ Excellent force transmission via the wide flange
- ▶ ESD-capable
 - With Polyfleck to secure the T-nut

Tools:

Offset screwdriver (p. 14-5)

Accessories:

T-nut (p. 3-4)



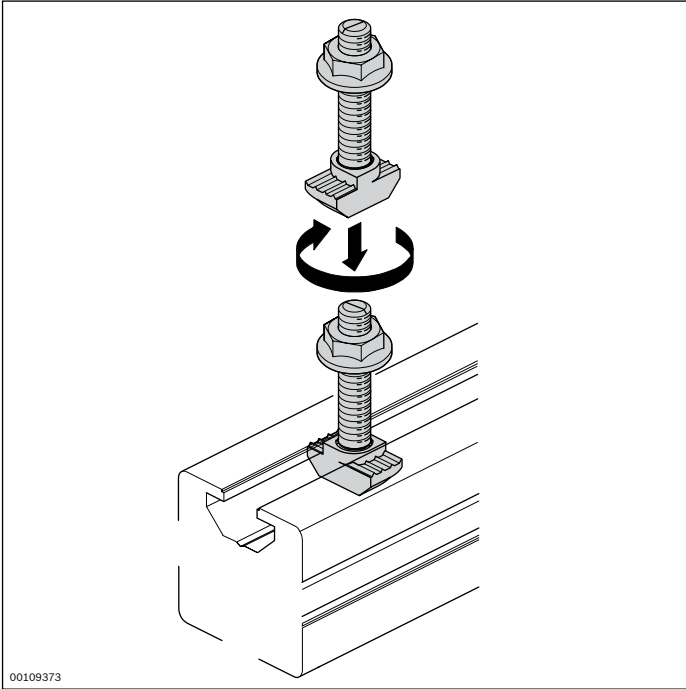
20781

Collar screw	M	L (mm)	ESD	No.
M8x18-SW13-T40¹⁾	M8	18		3 842 541 246
M8x20-SW13-T40²⁾	M8	20		3 842 541 409

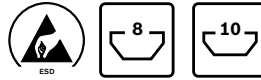
¹⁾ For 40/40 and 60/60 brackets

²⁾ For all other brackets for 10 mm slot

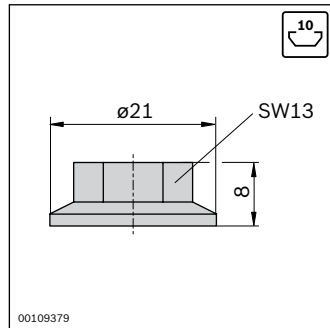
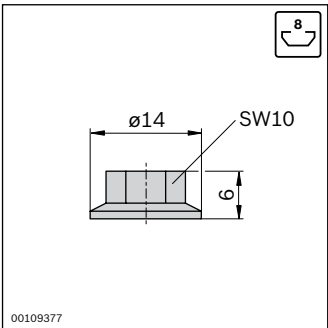
Material: Steel; zinc-plated



**Flange nut
T-bolt**

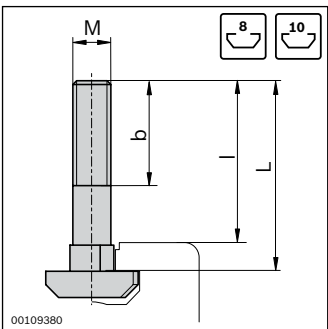


- ▶ Secure and conductive connection
 - ▶ Notch at bolt end as marker for correct position recognition
 - Profile finishing: Not required
- Technical data (p. 18-11)



Flange nut	Slot	M	ESD	No.
	8	M6		100 3 842 523 925
		1/4-20		1 8 981 021 465
	10	M8		100 3 842 345 081
		5/16-18		1 8 981 021 464

Material: Steel; zinc-plated

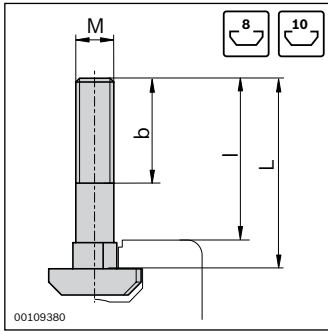
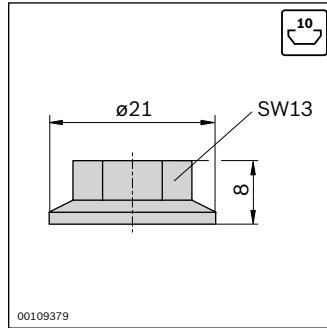
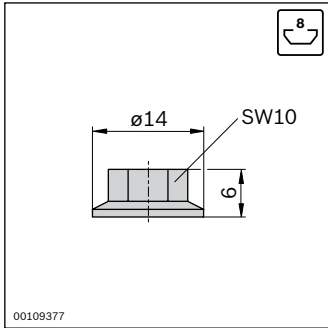
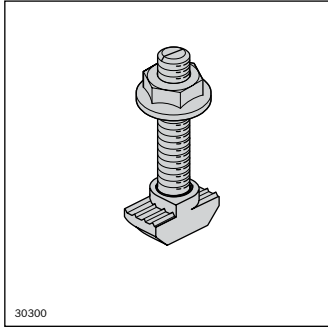


Slot	
8	4000 N
10	6000 ... 18000 N ¹⁾

¹⁾ Depending on profile (p. 18-11)

T-bolt	Slot	MxL	b (mm)	l (mm)	ESD	No.
	8	M6x16	10	14		100 3 842 523 920
		M6x20	14	18		100 3 842 523 921
		M6x25	18	23		100 3 842 523 922
	10	M8x20	14	14		100 3 842 528 715
		M8x25	19	19		100 3 842 528 718
		M8x30	24	24		100 3 842 528 721
		M8x40	22	34		100 3 842 528 724
		M8x50	22	44		100 3 842 528 727
		M8x60	22	54		100 3 842 528 730

Material: Steel; zinc-plated



Slot	
8	4000 N
10	6000 ... 18000 N ¹⁾

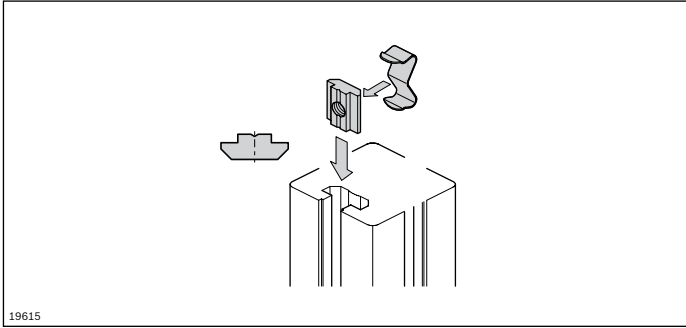
¹⁾ Depending on profile (p. 18-11)

T-bolt fastening kits

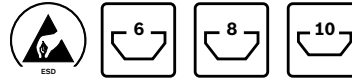
► Include T-bolt and flange nut

Slot	MxL	b (mm)	l (mm)	ESD	No.
8	M6x16	10	14		1 8 981 019 577
	M6x20	14	18		1 8 981 019 578
	M6x25	18	23		1 8 981 019 579
10	M8x16	14	14		1 8 981 021 342
	M8x21	19	19		1 8 981 021 343
	M8x26	24	24		1 8 981 021 344
	M8x36	22	34		1 8 981 021 345
	M8x46	22	44		1 8 981 021 346
	M8x56	22	54		1 8 981 021 347
	5/16-18x3/4	13	16		1 8 981 021 554
5/16-18x1	16	19		1 8 981 021 555	

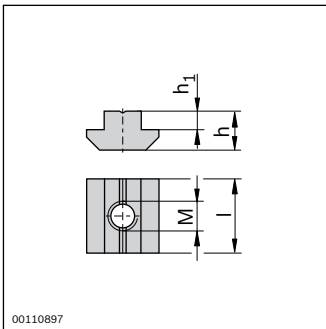
Material: Steel, zinc-plated

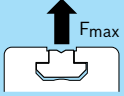


Sliding block, sliding block profile



- ▶ Sliding block for reliable absorption of high forces
 - ▶ Sliding block profile for self-assembly of individual fastening elements
 - ▶ Profile finishing: Not required
 - The spring assists with the assembly and positioning of the sliding block and swivel-in sliding block (p. 3-10)
- Technical data (p. 18-11)

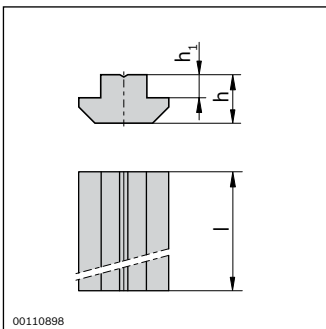


Slot	
6 (M5)	3000 N
8 (M8)	6000 N
10 (M8)	8000 ... 24000 N ¹⁾

¹⁾ Depending on profile (p. 18-11)

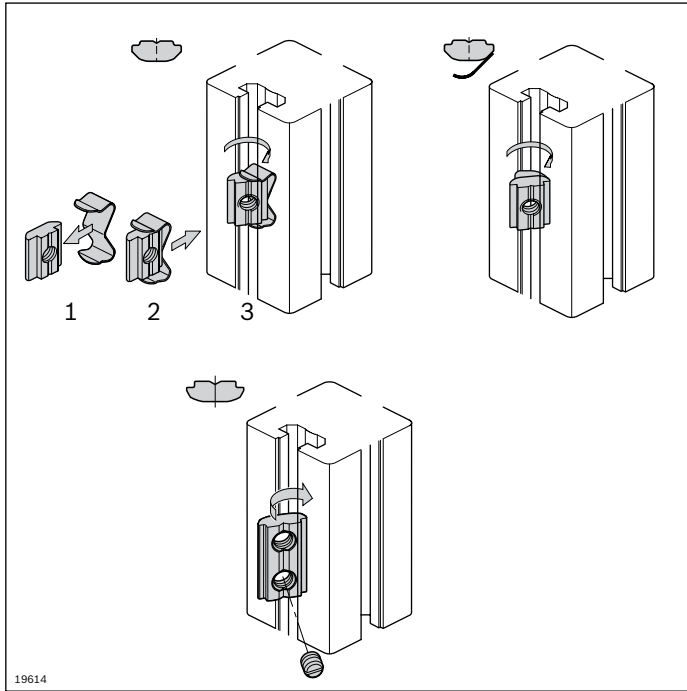
Sliding block	Slot M	h (mm)	h ₁ (mm)	l (mm)	ESD	No.		
Steel; zinc-plated	6	M4	4.0	1.0	12	100	3 842 542 692	
		M5	4.0	1.0	12	100	3 842 542 693	
	8	M4	6.0	2.0	16	100	3 842 514 928	
		M5	6.0	2.0	16	100	3 842 514 929	
		M6	6.0	2.0	16	100	3 842 514 930	
		M8	6.0	2.0	16	100	3 842 514 931	
	10	M5	10.5	5.0	20	100	3 842 528 741	
		M6	10.5	5.0	20	100	3 842 528 738	
		M8	10.5	5.0	20	100	3 842 528 735	
	Steel; stainless	6	M4	4.0	1.0	12	100	3 842 523 140
			M5	4.0	1.0	12	100	3 842 523 142
		8	M4	6.0	2.0	16	100	3 842 547 817
M5			6.0	2.0	16	100	3 842 547 816	
M6			6.0	2.0	16	100	3 842 547 815	
M8			6.0	2.0	16	100	3 842 547 814	
10		M5	10.5	5.0	20	100	3 842 547 813	
		M6	10.5	5.0	20	100	3 842 547 812	
		M8	10.5	5.0	20	100	3 842 547 811	

Accessories: Spring (p. 3-11)

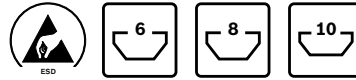


Sliding block profile	Slot	h (mm)	h ₁ (mm)	l (mm)	No.
Steel; zinc-plated	6	4.0	1.0	1000	3 842 542 694
	8	6.0	2.0	1000	3 842 510 078
	10	10.5	5.0	1000	3 842 528 744
Steel; stainless	6	4.0	1.0	1000	3 842 523 438

Accessories: Spring (p. 3-11)



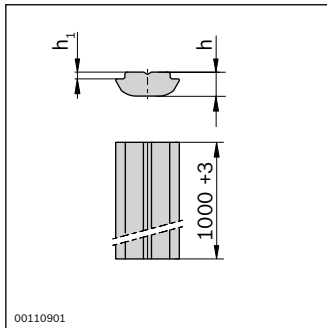
Swivel-in sliding block
Swivel-in sliding block profile
Spring

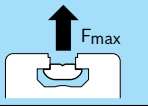


- ▶ Swivel-in sliding block profile for self-assembly of individual fastening elements
- ▶ The swivel-in sliding block can be inserted directly at the assembly point for easy assembly
- ▶ The swivel-in sliding block with spring can be inserted directly at the assembly point and fixed in position thanks to attached springs
- ▶ Swivel-in sliding block with headless setscrews for shake-proof fixing in all positions

– Profile finishing: Not required

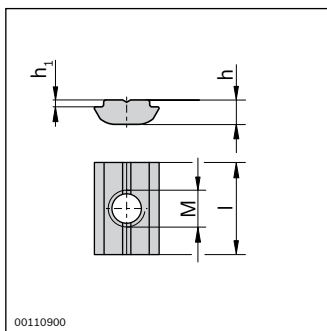
Technical data (p. 18-11)








Slot	
8 (M8)	2200 N
10 (M8)	8000 ... 18000 N ¹⁾

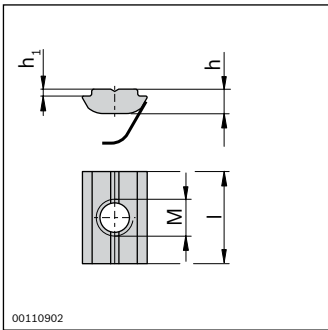
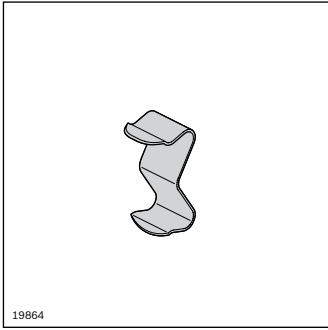
¹⁾ Depending on profile (p. 18-11)

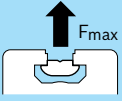
Swivel-in sliding block profile	Slot	h (mm)	h ₁ (mm)	l (mm)	No.
Steel; zinc-plated	8	4.8	1.0	1000	3 842 529 327
	10	5.3	1.5	1000	3 842 529 325



Swivel-in sliding block	Slot	M	h (mm)	h ₁ (mm)	l (mm)	ESD	No.	
Steel; zinc-plated	8	M5	4.8	1.0	16	100	3 842 529 319	
		M6	4.8	1.0	16	100	3 842 529 320	
		M8	4.8	1.0	16	100	3 842 529 321	
	10	M6	5.3	1.5	20	100	3 842 529 323	
		M8	5.3	1.5	20	100	3 842 529 324	
		1/4-20	5.3	1.5	20	1	8 981 021 441	
		5/16-18	5.3	1.5	20	1	8 981 021 440	
		10-32	5.3	1.5	20	1	8 981 021 442	
	Steel; stainless	6	M3	3.0	0.9	12	 100	3 842 547 826
M4			3.0	0.9	12	 100	3 842 536 669	
M5			3.0	0.9	12	 100	3 842 547 825	
8		M6	4.8	1.0	16	 100	3 842 530 321	
		10	M8	5.3	1.5	20	 100	3 842 530 316


Accessories: spring (p. 3-9)



















Slot	 F_{max}
8 (M8)	2200 N
10 (M8)	8000 ... 18000 N ¹⁾

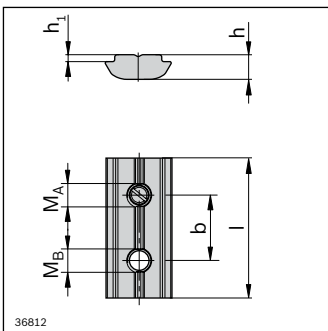
¹⁾ Depending on profile (p. 18-11)


► The spring assists with the assembly and positioning of the sliding block and swivel-in sliding block

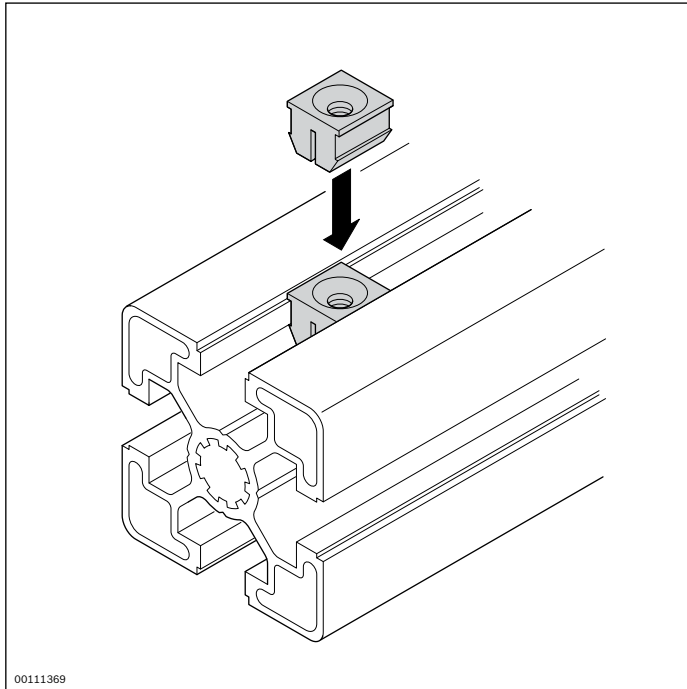
Spring	Slot	 No.
Spring steel; stainless	6	100 3 842 523 145
	8	100 3 842 516 685
	10	100 3 842 516 669

Swivel-in sliding block with spring	Slot	M	h (mm)	h ₁ (mm)	l	ESD 	No.
Steel; zinc-plated	8	M4	4.8	1.0	16		100 3 842 529 294
		M5	4.8	1.0	16		100 3 842 529 295
		M6	4.8	1.0	16		100 3 842 529 296
		M8	4.8	1.0	16		100 3 842 529 297
	10	M4	5.3	1.5	20		100 3 842 541 393
		M5	5.3	1.5	20		100 3 842 529 298
		M6	5.3	1.5	20		100 3 842 529 299
		M8	5.3	1.5	20		100 3 842 529 300
Steel; stainless	8	M4	4.8	1.0	16		100 3 842 547 824
		M5	4.8	1.0	16		100 3 842 547 823
		M6	4.8	1.0	16		100 3 842 547 822
		M8	4.8	1.0	16		100 3 842 547 821
	10	M5	5.3	1.5	20		100 3 842 547 808
		M6	5.3	1.5	20		100 3 842 547 807
		M8	5.3	1.5	20		100 3 842 547 806

Material: Spring: Spring steel; stainless



Swivel-in sliding block, with Headless setscrew (M _A)	Slot	M _A ; M _B	b (mm)	h (mm)	h ₁ (mm)	l	 No.
Steel; stainless	6	M4; M4	8	3.0	0.9	15	100 3 842 536 673
	8	M5; M4	12	4.8	1.0	24	100 3 842 557 259
M5; M5		12	4.8	1.0	24	100 3 842 536 675	
M5; M6		12	4.8	1.0	24	100 3 842 557 260	
Steel; zinc-plated	10	M5; M5	14	5.3	1.5	30	100 3 842 536 676
		M5; M6	14	5.3	1.5	30	100 3 842 557 261
		M5; M8	14	5.3	1.5	30	100 3 842 557 262



00111369

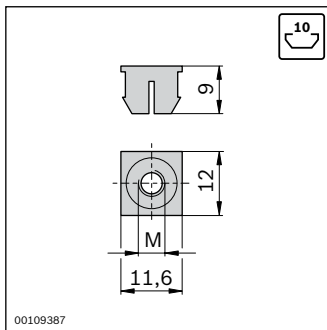
Expanding nut



- ▶ For attaching light accessories such as cable ties or rings
- ▶ Easy assembly by clipping into the profile slot
- ▶ Profile finishing: Not required

Required accessories:

Countersunk screw

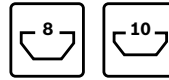


00109387

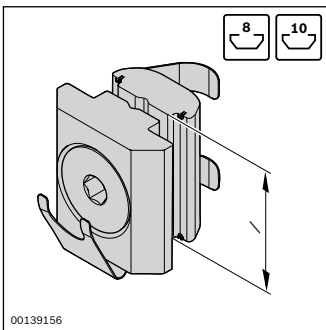
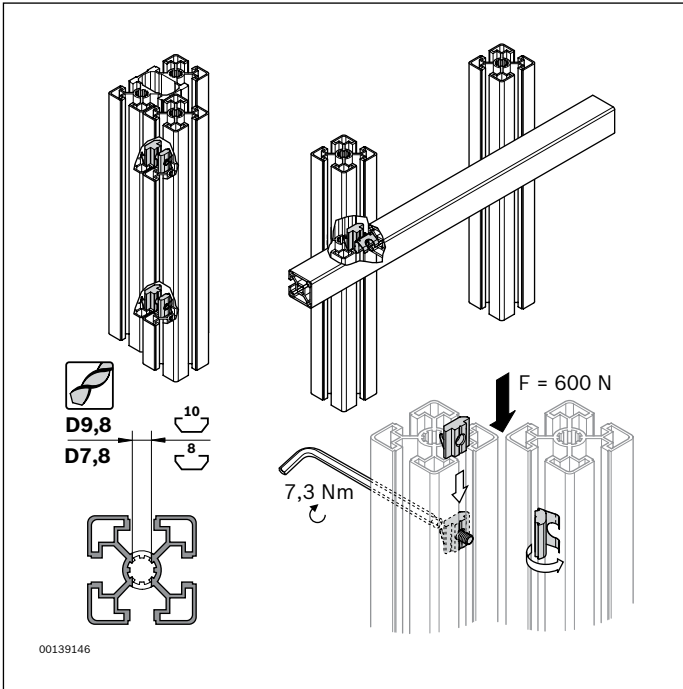
Expanding nut	Slot	M		No.
	10	M4	100	3 842 554 774
		M5	100	3 842 554 776
		M6	100	3 842 554 778

Material: PA; signal gray similar to RAL 7004

Parallel connector



- ▶ For a gap-free connection between two strut profiles, parallel to the axis or at any angle
- ▶ Parallel connector consisting of two sliding blocks with welded springs for simple assembly
- ▶ Attractive-looking interior connection, e.g. for material shelves
- ▶ Connection possible in any position
- ▶ Transferable displacement force per parallel connector: 600 N
- ▶ Profile finishing: Through-hole

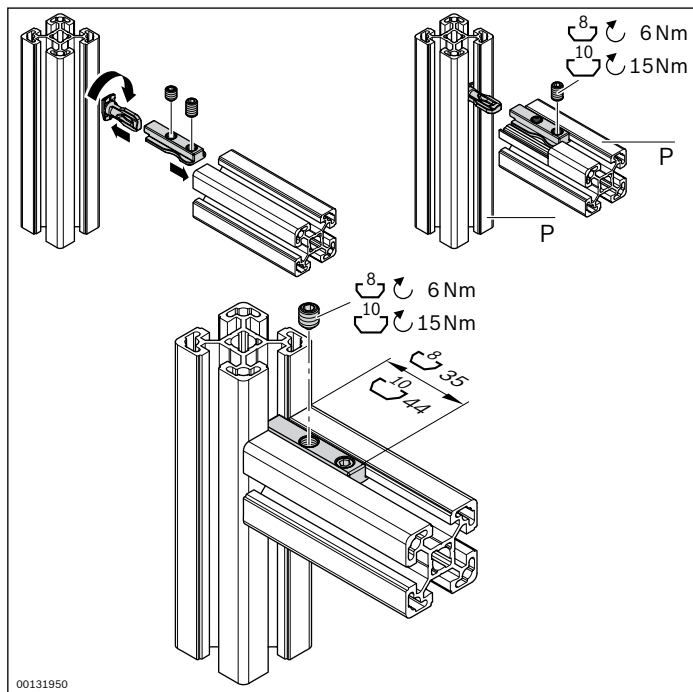


Slot	F_{max}
8	600 N
10	600 N

Parallel connector	Slot l (mm)	No.
	8 16 10	3 842 542 737
	10 20 10	3 842 542 736

Material: Sliding block: Steel; zinc-plated
Spring: Spring steel; stainless

Scope of delivery: Sliding block with spring, swivel-in sliding block with spring, countersunk screw M5



Tensioning connector

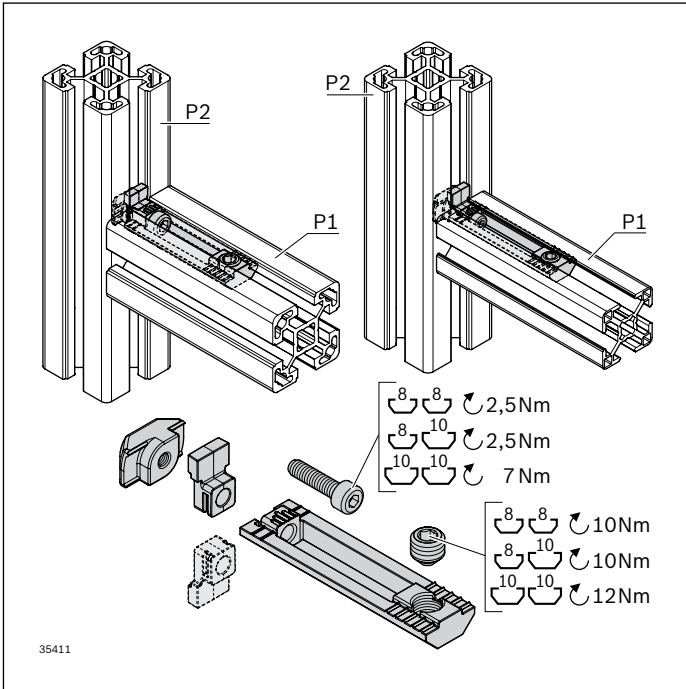


- ▶ Tensioning connector for fast assembly
 - ▶ The connector can be moved within the slot
 - ▶ Easily accessible screws
 - ▶ Three slots are left free for mounting of panel elements
 - Profile finishing: Not required
- Technical data (p. 18-14)

P			
30x...	1000 N	35 Nm	15 Nm
45x...L	3500 N	110 Nm	30 Nm
40x..., 45x..., 50x..., 90x...	3500 N	110 Nm	30 Nm
60x...	3500 N	195 Nm	60 Nm

Tensioning connector	Slot	P	ESD	No.
8	8	30x...		10 3 842 538 489
10L	10	45x...L 45x90SL 90x90SL		10 3 842 538 491
10	10	40x...L, 45x..., 50x...L, 60x..., 60x...L 80x...L 90x..., 90x...L, 45x90x90L		10 3 842 538 490

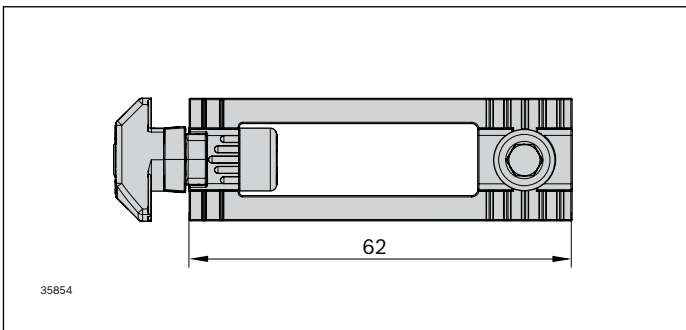
Material: Steel; zinc-plated



Slot connector



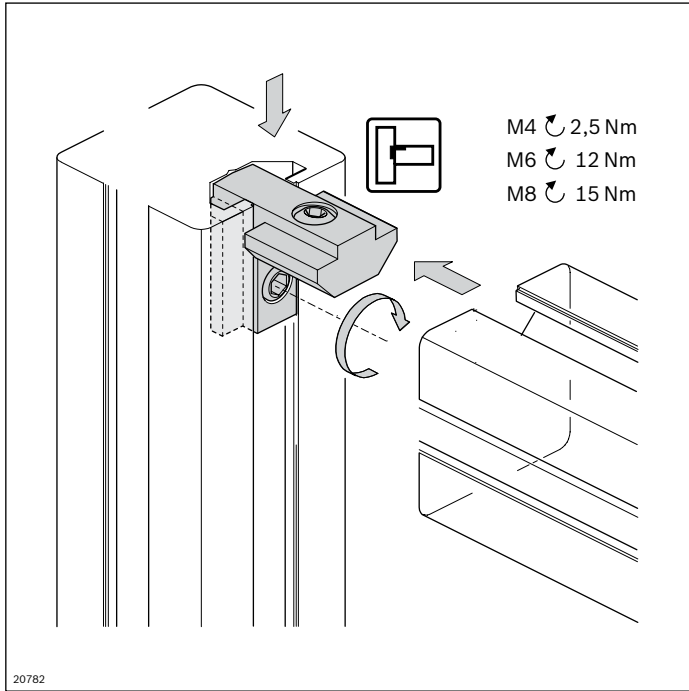
- ▶ Slot connector for fast assembly
- ▶ The connector can be moved within the slot
- ▶ Easily accessible screws
- ▶ Anti-torsion element can be removed if necessary, variable alignment (slot 10/10; 8/10)
- ▶ Headless setscrew, preassembled
- ▶ Profile finishing: Not required



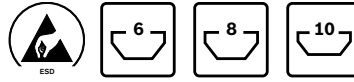
Slot connector	P1	P2	ESD	No.
8/8	8	8		10 3 842 558 566
8/10	8	10		10 3 842 558 567
10/10	10	10		10 3 842 558 568

Material: Slot connector: Steel; zinc-plated
Anti-torsion element: PA6

Slot			
8 / 8	1000 N	35 Nm	15 Nm
8 / 10	1000 N	35 Nm	15 Nm
10 / 10	3000 N	110 Nm	30 Nm



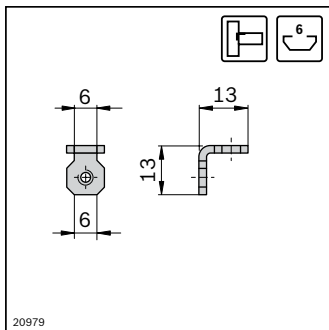
Inner bracket



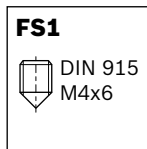
- ▶ For elegant, easy-to-assemble profile connections
- ▶ Especially suitable for constructing door frames, protective grilles, or partition walls
- ▶ The inner bracket, 6 mm slot, can also be used as an inner bracket R, 6 mm slot
- Profile finishing: Not required

Technical data (p. 18-14)

20782

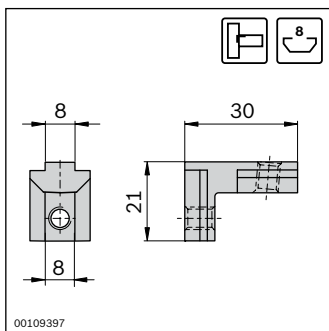


20979



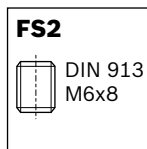
Inner bracket	Slot	ESD	No.	FS
	6 / 6		10	3 842 535 574 2xFS1

Material: Sheet steel; zinc-plated
Fastening material: Steel; zinc-plated
Scope of delivery: Incl. fastening material (FS)



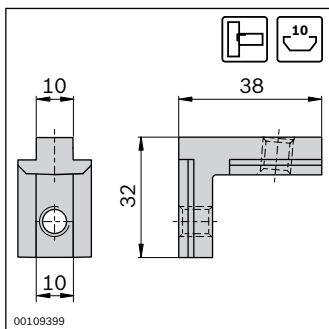
00109397

Slot	F_{max}	M_{max}
8 / 8	2200 N	50 Nm



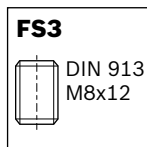
Inner bracket	Slot	ESD	No.	FS
	8 / 8		10	3 842 535 578 2xFS2

Material: Cast steel; zinc-plated
Fastening material: Steel; zinc-plated
Scope of delivery: Incl. fastening material (FS)



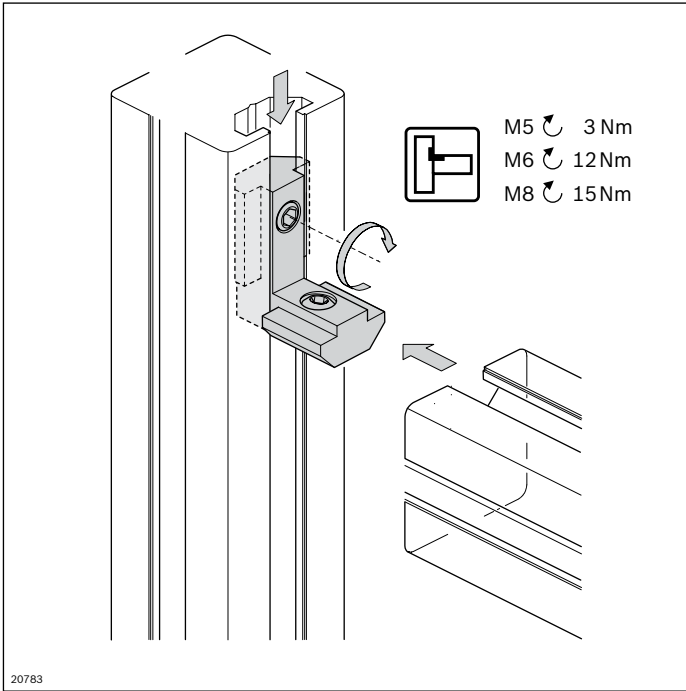
00109399

Slot	F_{max}	M_{max}
10 / 10	2800 N	100 Nm

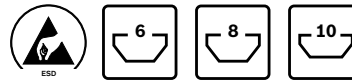


Inner bracket	Slot	ESD	No.	FS
	10 / 10		10	3 842 535 572 2xFS3

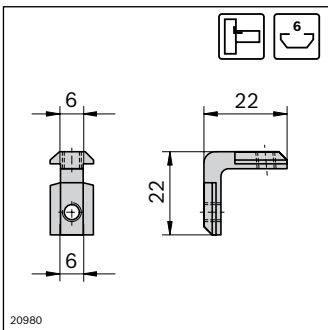
Material: Cast steel; zinc-plated
Fastening material: Steel; zinc-plated
Scope of delivery: Incl. fastening material (FS)



Inner bracket R



- ▶ For elegant, easy-to-assemble profile connections
 - ▶ Especially suitable for constructing door frames, protective grilles, or partition walls
 - Profile finishing: Not required
- Technical data (p. 18-14)



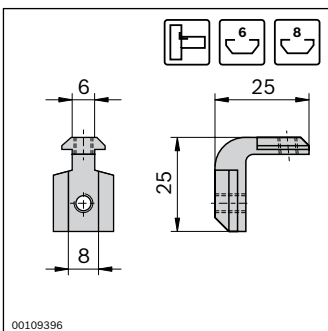
Slot	F_{max}	M_{max}
6 / 6	600 N	10 Nm

FS1

DIN 913
M5x5

Inner bracket R	Slot	ESD	No.	FS
	6 / 6		10 3 842 535 575	2xFS1

Material: Cast steel; zinc-plated
Fastening material: Steel; zinc-plated
Scope of delivery: Incl. fastening material (FS)



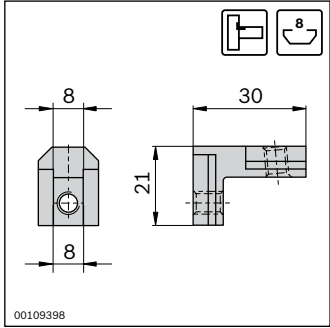
Slot	F_{max}	M_{max}
6 / 8	600 N	10 Nm

FS1

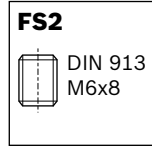
DIN 913
M5x5

Inner bracket R	Slot	ESD	No.	FS
	6 / 8		10 3 842 535 573	2xFS1

Material: Cast steel; zinc-plated
Fastening material: Steel; zinc-plated
Scope of delivery: Incl. fastening material (FS)

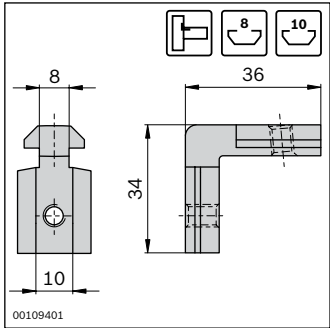


Slot	F_{max}	M_{max}
8 / 8	2500 N	50 Nm

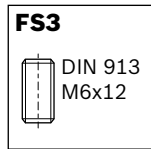
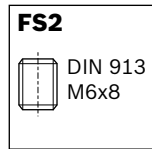


Inner bracket R	Slot	ESD	No.	FS
	8 / 8	10	3 842 535 577	2xFS2

Material: Cast steel; zinc-plated
 Fastening material: Steel; zinc-plated
 Scope of delivery: Incl. fastening material (FS)

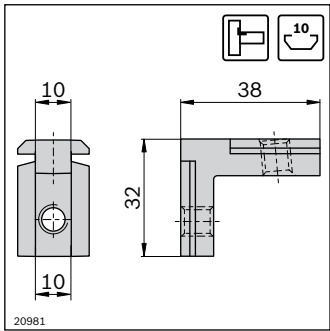


Slot	F_{max}	M_{max}
8 / 10	2500 N	50 Nm

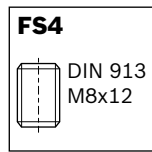


Inner bracket R	Slot	ESD	No.	FS
	8 / 10	10	3 842 535 576	FS2, FS3

Material: Cast steel; zinc-plated
 Fastening material: Steel; zinc-plated
 Scope of delivery: Incl. fastening material (FS)

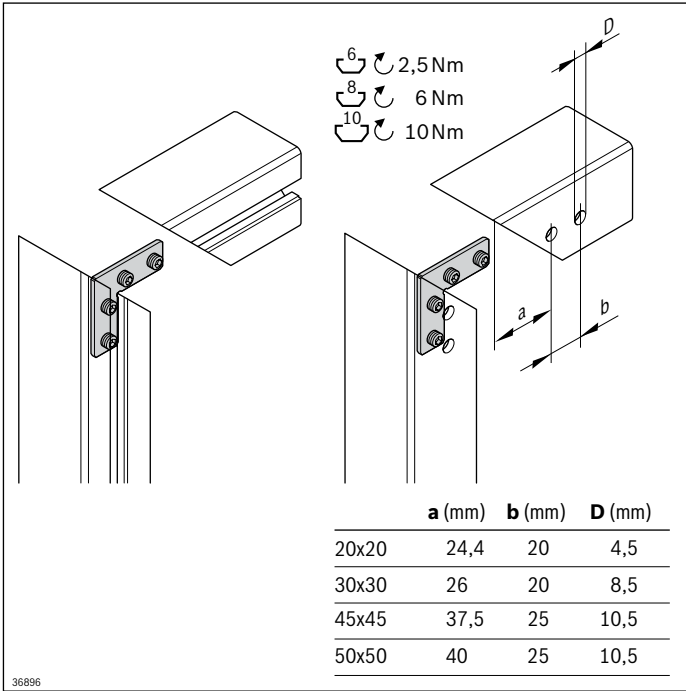


Slot	F_{max}	M_{max}
10 / 10	3000 N	100 Nm

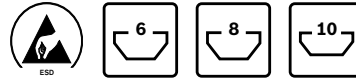


Inner bracket R	Slot	ESD	No.	FS
	10 / 10	10	3 842 535 571	2xFS4

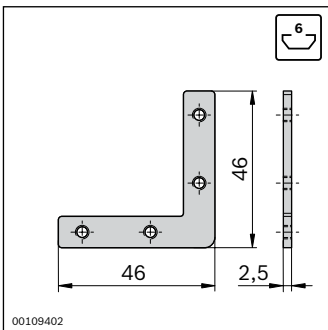
Material: Cast steel; zinc-plated
 Fastening material: Steel; zinc-plated
 Scope of delivery: Incl. fastening material (FS)



Miter bracket



- ▶ For right-angled connections of miter-cut profiles
- ▶ Profile finishing with open profile slots: Not required
- ▶ Profile finishing with closed profile slots: Through-holes for screwdriver

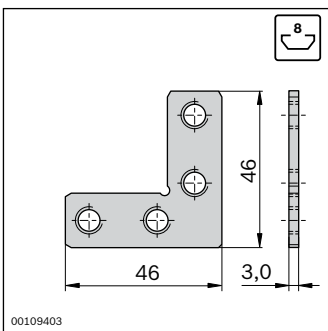


FS1

DIN EN ISO 4027
M4x5

Miter bracket	Slot ESD	No.	FS
	6	20	3 842 535 626 4xFS1

Material: Steel; stainless
 Fastening material: Steel; zinc-plated
 Scope of delivery: Incl. fastening material (FS)

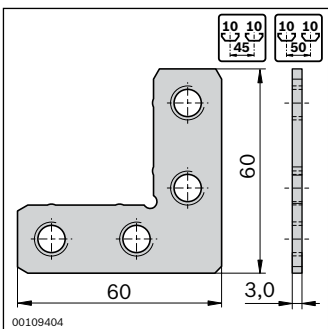


FS2

DIN EN ISO 4026
M8x8

Miter bracket	Slot ESD	No.	FS
	8	20	3 842 535 627 4xFS2

Material: Steel; zinc-plated
 Fastening material: Steel; zinc-plated
 Scope of delivery: Incl. fastening material (FS)

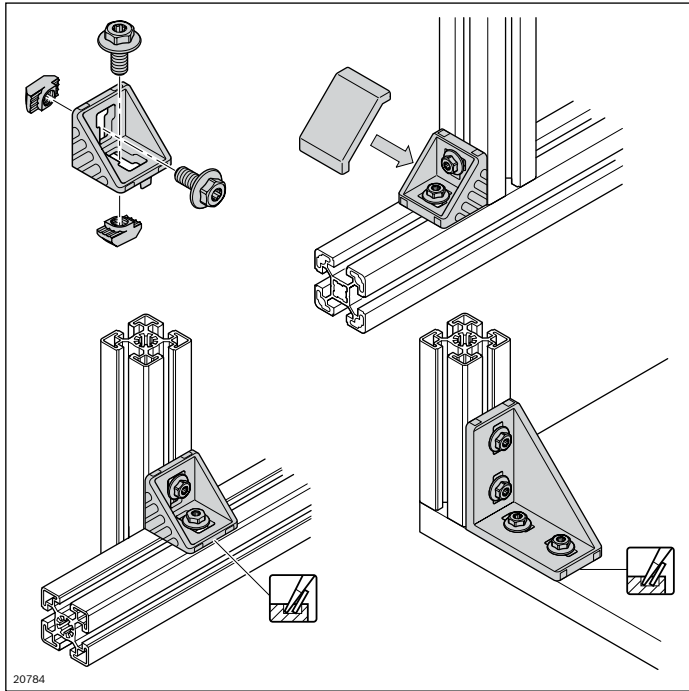


FS3

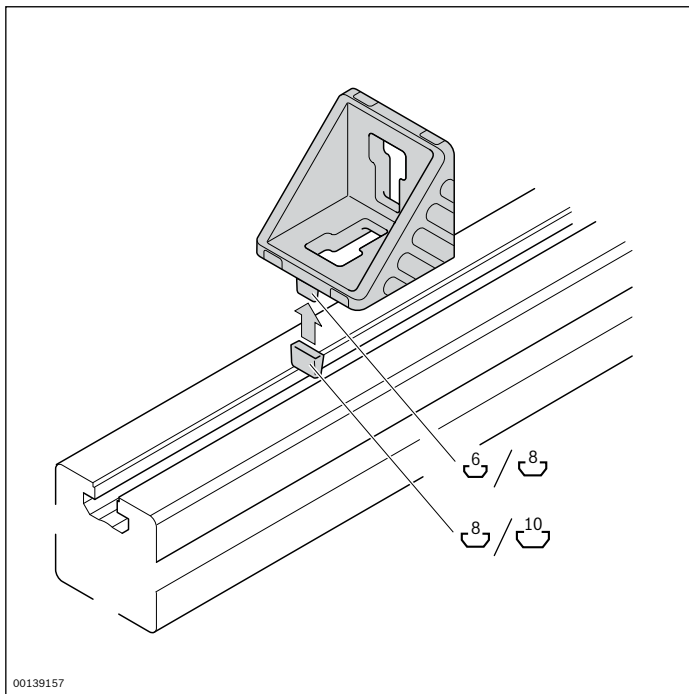
DIN EN ISO 4026
M10x10

Miter bracket	Slot ESD	No.	FS
	10	20	3 842 535 625 4xFS3

Material: Steel; zinc-plated
 Fastening material: Steel; zinc-plated
 Scope of delivery: Incl. fastening material (FS)



20784



00139157

Bracket



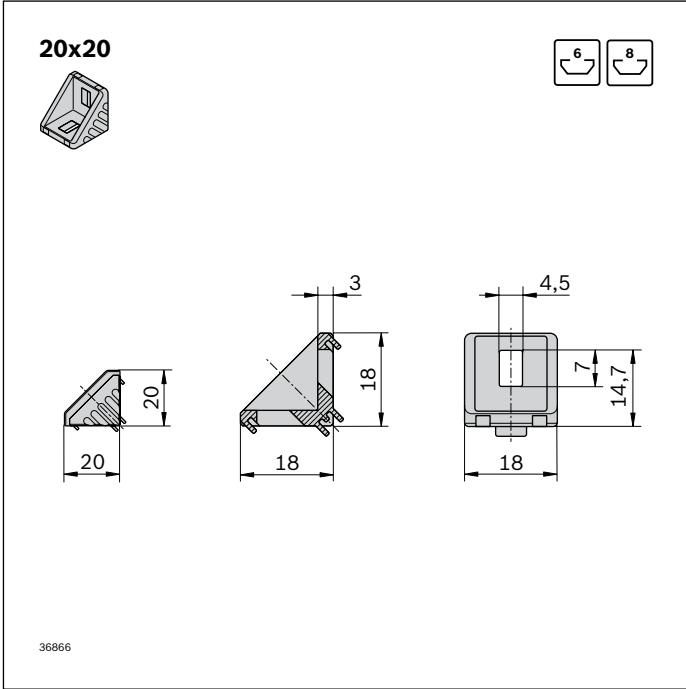
designLINE

- ▶ Brackets with centering lugs for rapid, precise assembly with protection against turning
- ▶ Centering lugs can be easily broken off for assembly on plates or at right angles to the slot
- ▶ *designLINE* version with special silver paint (RAL 9006) for an attractive, high-quality design
- ▶ Intermediate element for positioning brackets in the next largest slot
- ▶ Sliding block offset for off-center positioning of the 45/45 bracket
- ▶ For preventing dry running.
available in signal gray (RAL 7004) and black ESD (RAL 9005)

– Profile finishing: Not required

Technical data (p. 18-15)

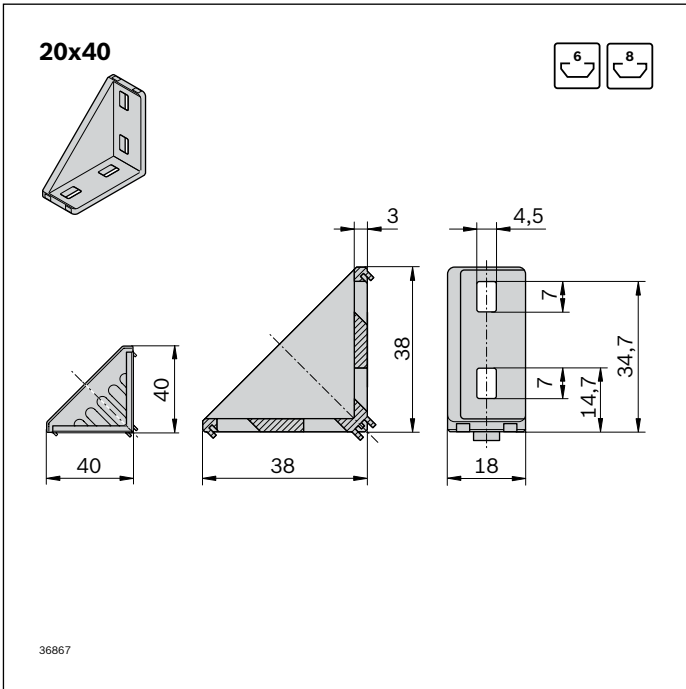
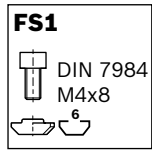
Notice: The collar screws enable the brackets to be assembled really quickly and easily (p. 3-6)



20x20	Slot	ESD	No.	FS
Set (standard)	6 / 6		1 3 842 523 511	2xFS1
<i>designLINE</i> set	6 / 6		1 3 842 551 596	2xFS1
Bracket (standard)	6		100 3 842 523 508	
Cover cap, signal gray			100 3 842 548 842	
Cover cap, black			20 3 842 548 843	
Intermediate element for 8 mm slot	6 / 8		100 3 842 523 516	

Material: Bracket: Diecast aluminum, vibratory ground
designLINE bracket: painted (RAL 9006)
 Intermediate element: PA; black
 Cover cap: PP
 Fastening material: Steel; zinc-plated
 Scope of delivery: Set incl. fastening material (FS)

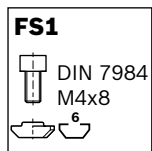
Type				
20x20	700 N	6 Nm	25 Nm	–




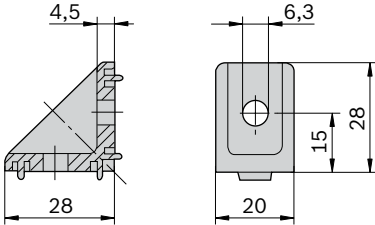
20x40	Slot	ESD	No.	FS
Set (standard)	6 / 6		1 3 842 523 520	4xFS1
<i>designLINE</i> set	6 / 6		1 3 842 551 597	4xFS1
Bracket (standard)	6		20 3 842 523 517	
Cover cap, signal gray			20 3 842 548 844	
Cover cap, black			20 3 842 548 845	
Intermediate element for 8 mm slot	6 / 8		100 3 842 523 516	

Material: Bracket: Diecast aluminum, vibratory ground
designLINE bracket: painted (RAL 9006)
 Intermediate element: PA; black
 Cover cap: PP
 Fastening material: Steel; zinc-plated
 Scope of delivery: Set incl. fastening material (FS)

Type				
20x40	1400 N	15 Nm	50 Nm	8 Nm



20x28

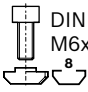



00125983

20x28	Slot	ESD	No.	FS
Set (standard)	8 / 8		1 3 842 502 137	2xFS1
Bracket (standard)	8		100 3 842 501 587	

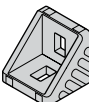
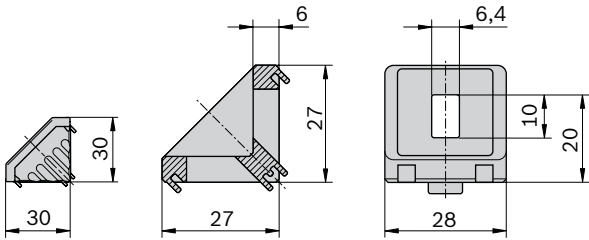
Material: Diecast zinc
 Fastening material: Steel; zinc-plated
 Scope of delivery: Set incl. fastening material (FS)

FS1



DIN 7984
 M6x12

30x30

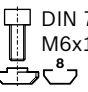
36868

30x30	Slot	ESD	No.	FS
Set (standard)	8 / 8		1 3 842 523 528	2xFS2
	8 / 10		1 3 842 523 530	1xFS2, 2xFS3, 1xFS4
	10 / 10		1 3 842 523 532	4xFS3, 2xFS4
<i>designLINE</i> set	8 / 8		1 3 842 551 598	2xFS2
	8 / 10		1 3 842 551 600	1xFS2, 2xFS3, 1xFS4
	10 / 10		1 3 842 551 599	4xFS3, 2xFS4
Bracket (standard)	8		100 3 842 523 525	
Cover cap, signal gray			100 3 842 548 846	
Cover cap, black			20 3 842 548 847	
Intermediate element for 10 mm slot	8 / 10		100 3 842 523 537	

Material: Bracket: Diecast aluminum, vibratory ground
designLINE bracket: painted (RAL 9006)
 Intermediate element: PA; black
 Cover cap: PP
 Fastening material: Steel; zinc-plated
 Scope of delivery: Set incl. fastening material (FS)

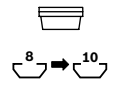
Type				
30x30	1250 N	25 Nm	75 Nm	-

FS2

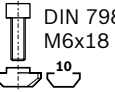


DIN 7984
 M6x14

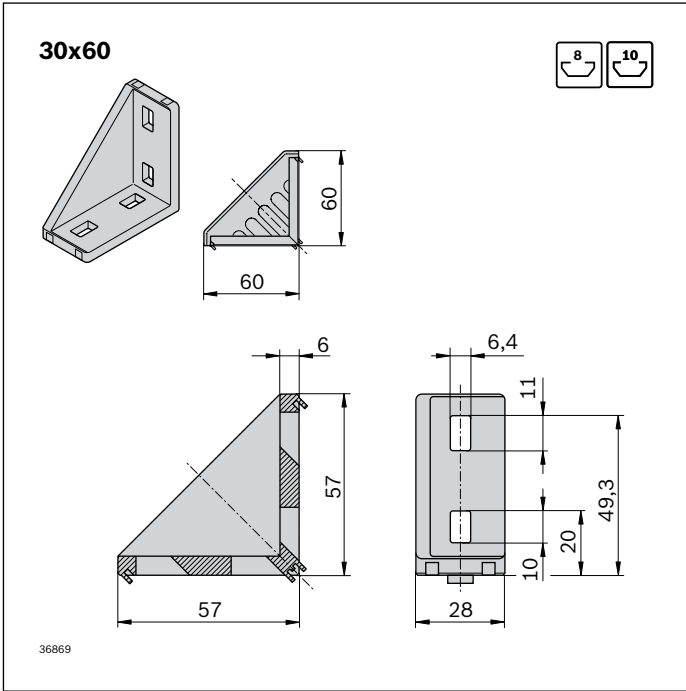
FS3



FS4



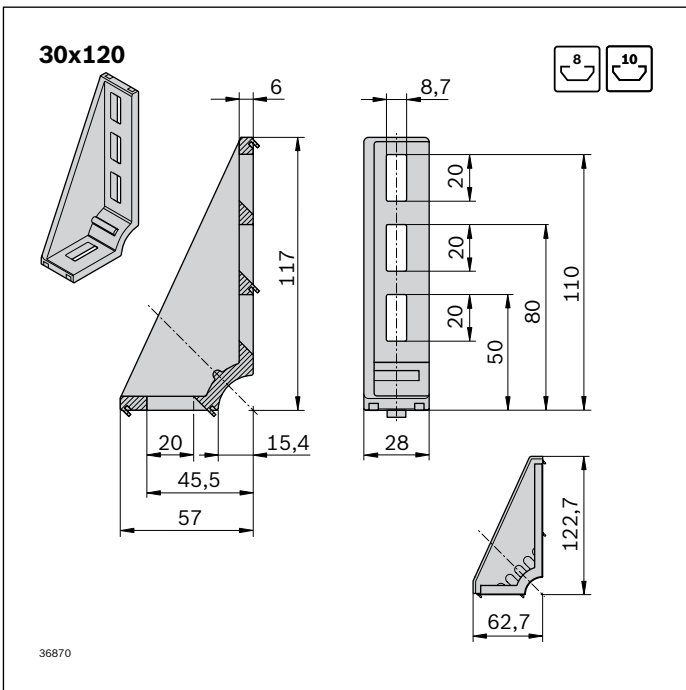
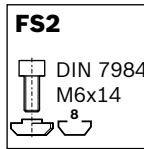
DIN 7984
 M6x18



30x60	Slot	ESD	No.	FS
Set (standard)	8 / 8		1 3 842 523 541	4xFS2
<i>designLINE</i> set	8 / 8		1 3 842 551 601	4xFS2
Bracket (standard)	8		20 3 842 523 538	
Cover cap, signal gray			20 3 842 548 848	
Cover cap, black			20 3 842 548 849	
Intermediate element for 10 mm slot	8 / 10		100 3 842 523 537	

Material: Bracket: Diecast aluminum, vibratory ground
designLINE bracket: painted (RAL 9006)
 Intermediate element: PA; black
 Cover cap: PP
 Fastening material: Steel; zinc-plated
 Scope of delivery: Set incl. fastening material (FS)

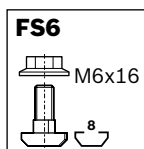
Type				
30x60	2500 N	100 Nm	170 Nm	25 Nm

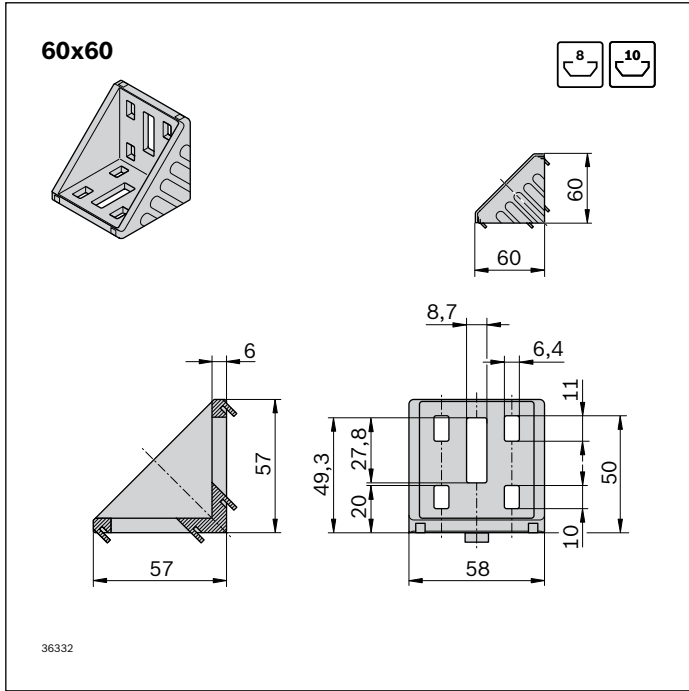


30x120	Slot	ESD	No.	FS
<i>designLINE</i> set	8 / 8		1 3 842 551 602	2xFS6
Bracket (standard)	8		20 3 842 523 587	
Cover cap, signal gray			20 3 842 548 850	
Cover cap, black			20 3 842 548 851	
Intermediate element for 10 mm slot	8 / 10		100 3 842 523 537	

Material: Bracket: Diecast aluminum, vibratory ground
designLINE bracket: painted (RAL 9006)
 Intermediate element: PA; black
 Cover cap: PP
 Fastening material: Steel; zinc-plated
 Scope of delivery: Set incl. fastening material (FS)

Type			
30x120	3750 N	100 Nm	47 Nm

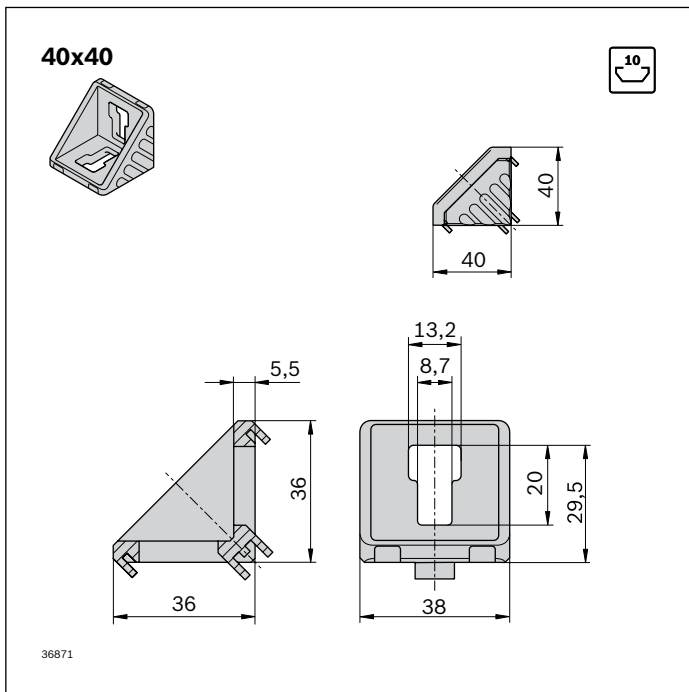
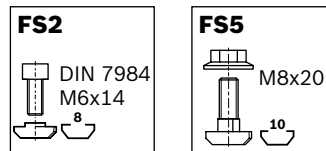




60x60	Slot	ESD	No.	FS
Set (standard)	8 / 8		1 3 842 523 549	8xFS2
	8 / 10		1 3 842 523 551	4xFS2, 1xFS5
	10 / 10		1 3 842 523 553	2xFS5
designLINE set	8 / 8		1 3 842 551 609	8xFS2
	8 / 10		1 3 842 551 610	4xFS2, 1xFS5
	10 / 10		1 3 842 551 611	2xFS5
Bracket (standard)	8		20 3 842 523 546	
Cover cap, signal gray			20 3 842 548 852	
Cover cap, black			20 3 842 548 853	
Intermediate element for 10 mm slot	10		100 3 842 523 537	

Material: Bracket: Diecast aluminum, vibratory ground
 designLINE bracket: painted (RAL 9006)
 Intermediate element: PA; black
 Cover cap: PP
 Fastening material: Steel; zinc-plated
 Scope of delivery: Set incl. fastening material (FS)

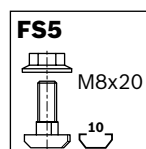
Type	Slot	F_{max}	M_{max}	M_{max}	M_{max}
60x60	8	5000 N	320 Nm	370 Nm	110 Nm
	10	3000 N	125 Nm	150 Nm	-

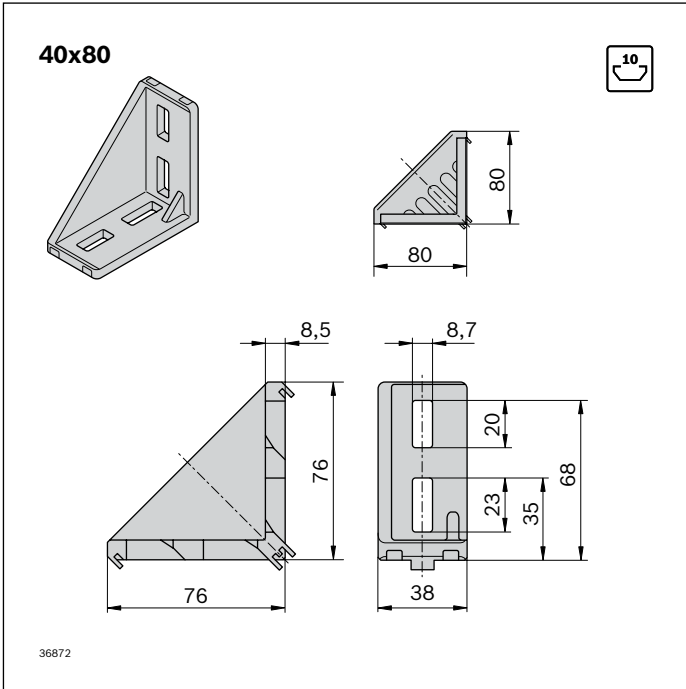







40x40	Slot	ESD	No.	FS
Set (standard)	10 / 10		1 3 842 529 383	2xFS5
designLINE set	10 / 10		1 3 842 551 603	2xFS5
Bracket (standard)	10		100 3 842 528 967	
Cover cap, signal gray			100 3 842 548 854	
Cover cap, black			20 3 842 548 855	

Material: Bracket: Diecast aluminum, vibratory ground
 designLINE bracket: painted (RAL 9006)
 Cover cap: PP
 Fastening material: Steel; zinc-plated
 Scope of delivery: Set incl. fastening material (FS)

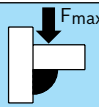
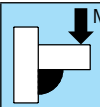
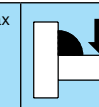
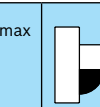
Type	F_{max}	M_{max}	M_{max}	M_{max}
40x40	3000 N	55 Nm	145 Nm	35 Nm

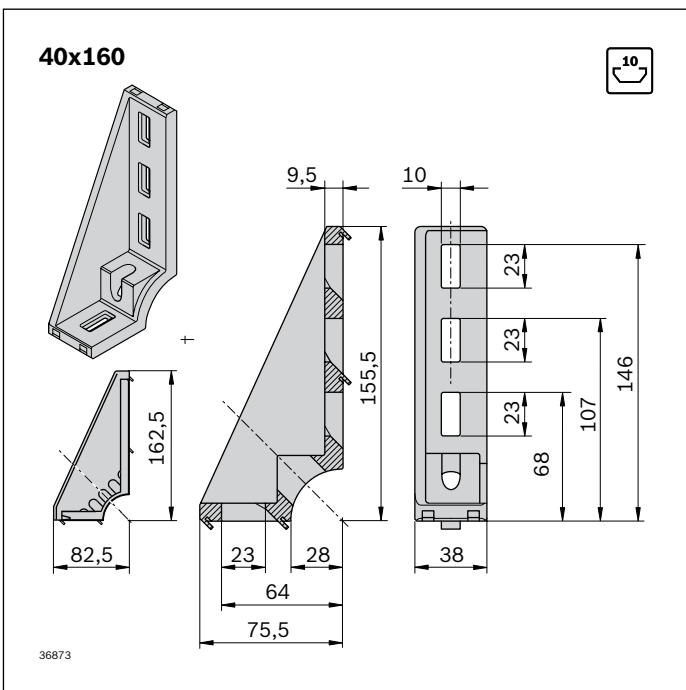
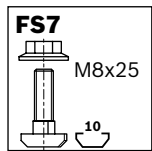








40x80	Slot	ESD		No.	FS
Set (standard)	10 / 10		1	3 842 529 386	4xFS7
<i>designLINE</i> set	10 / 10		1	3 842 551 604	4xFS7
Bracket (standard)	10		20	3 842 529 005	
Cover cap, signal gray			20	3 842 548 856	
Cover cap, black			20	3 842 548 857	

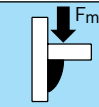
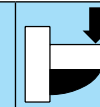
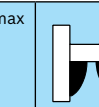
Material: Bracket: Diecast aluminum, vibratory ground
designLINE bracket: painted (RAL 9006)
 Cover cap: PP
 Fastening material: Steel; zinc-plated
 Scope of delivery: Set incl. fastening material (FS)

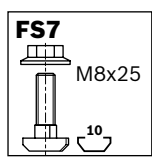
Type				
40x80	6000 N	180 Nm	400 Nm	60 Nm

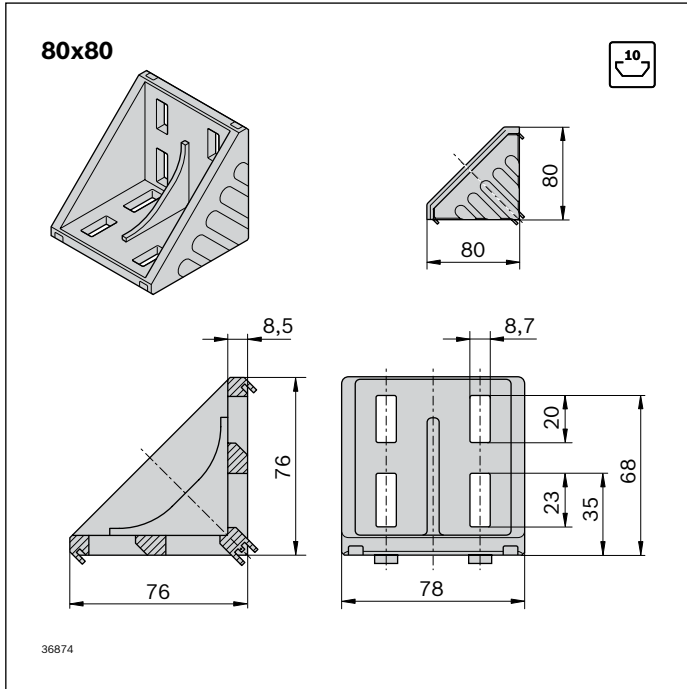


40x160	Slot	ESD		No.	FS
<i>designLINE</i> set	10 / 10		1	3 842 551 605	2x FS7
Bracket (standard)	10		20	3 842 529 006	
Cover cap, signal gray			20	3 842 548 858	
Cover cap, black			20	3 842 548 859	

Material: Bracket: Diecast aluminum, vibratory ground
designLINE bracket: painted (RAL 9006)
 Cover cap: PP
 Fastening material: Steel; zinc-plated
 Scope of delivery: Set incl. fastening material (FS)

Type			
40x160	9000 N	250 Nm	60 Nm

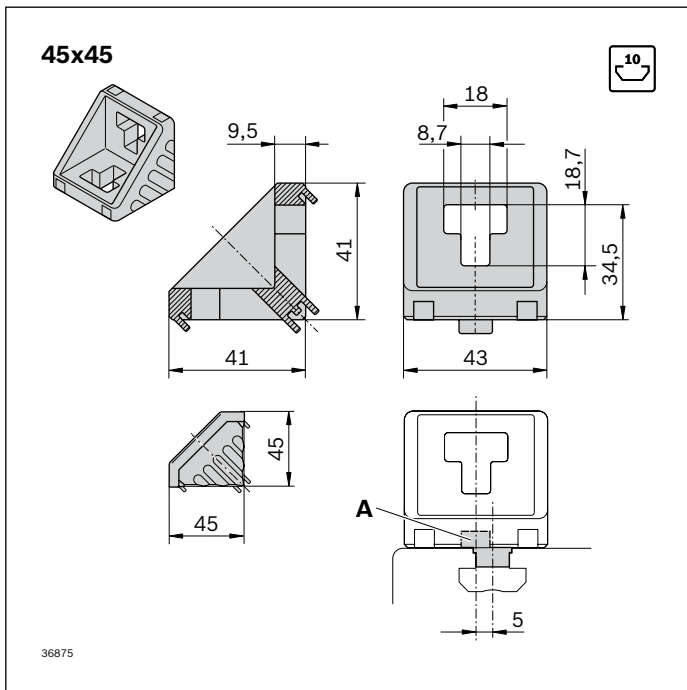
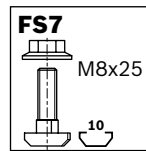




80x80	Slot	ESD	No.	FS
Set (standard)	10 / 10		1 3 842 530 360	8xFS7
<i>designLINE</i> set	10 / 10		1 3 842 551 612	8xFS7
Bracket (standard)	10		20 3 842 530 231	
Cover cap, signal gray			20 3 842 548 860	
Cover cap, black			20 3 842 548 861	

Material: Bracket: Diecast aluminum, vibratory ground
designLINE bracket: painted (RAL 9006)
 Cover cap: PP
 Fastening material: Steel; zinc-plated
 Scope of delivery: Set incl. fastening material (FS)

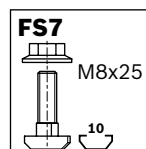
Type				
80x80	14000 N	500 Nm	1000 Nm	400 Nm

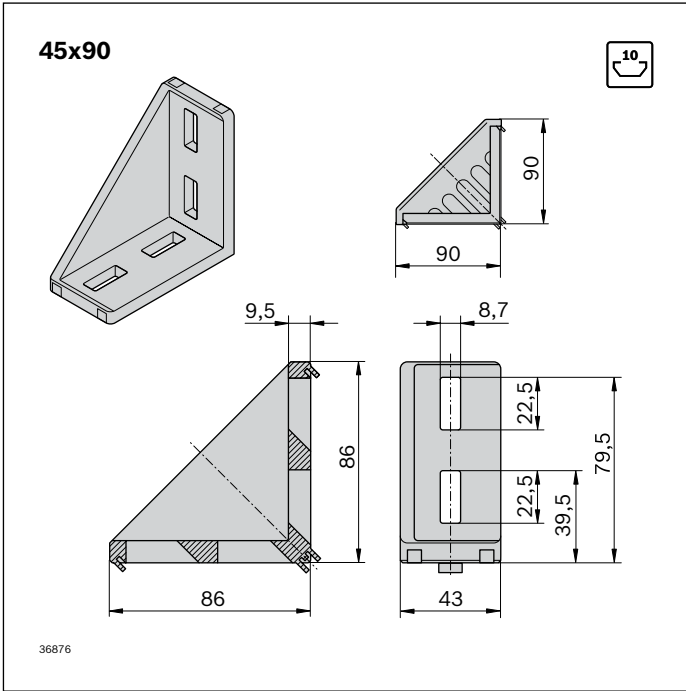


45x45	Slot	ESD	No.	FS
Set (standard)	10 / 10		1 3 842 523 561	2xFS7
<i>designLINE</i> set	10 / 10		1 3 842 551 606	2xFS7
Bracket (standard)	10		100 3 842 523 558	
Cover cap, signal gray			100 3 842 548 862	
Cover cap, black			20 3 842 548 863	
Sliding block, offset (A)	10		100 3 842 523 593	

Material: Bracket: Diecast aluminum, vibratory ground
designLINE bracket: painted (RAL 9006)
 Sliding block, offset: PA; black
 Cover cap: PP
 Fastening material: Steel; zinc-plated
 Scope of delivery: Set incl. fastening material (FS)

Type				
45x45	3000 N	60 Nm	160 Nm	-

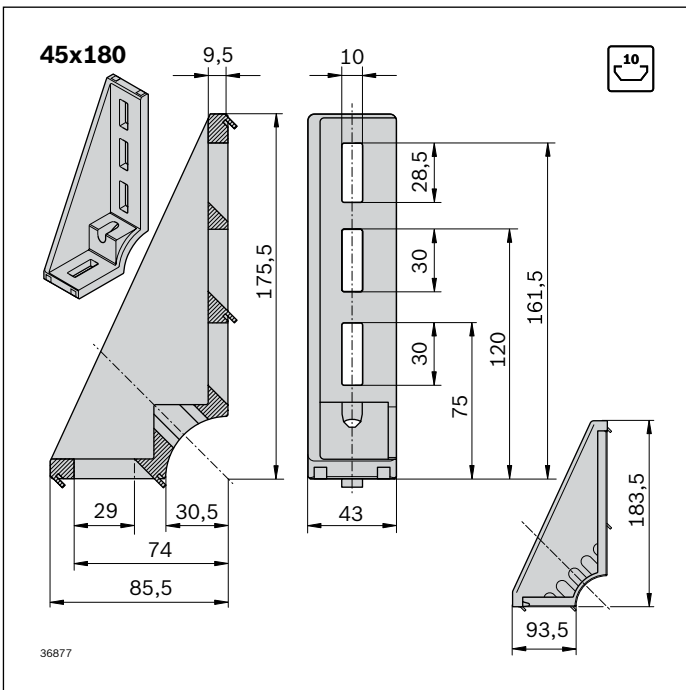
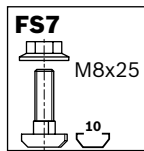




45x90	Slot	ESD	No.	FS
Set (standard)	10 / 10		1 3 842 523 570	4xFS7
<i>designLINE</i> set	10 / 10		1 3 842 551 607	4xFS7
Bracket (standard)	10		100 3 842 523 567	
Cover cap, signal gray			20 3 842 548 864	
Cover cap, black			20 3 842 548 865	

Material: Bracket: Diecast aluminum, vibratory ground
designLINE bracket: painted (RAL 9006)
 Cover cap: PP
 Fastening material: Steel; zinc-plated
 Scope of delivery: Set incl. fastening material (FS)

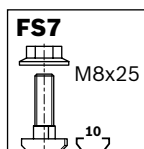
Type				
45x90	6000 N	180 Nm	400 Nm	60 Nm

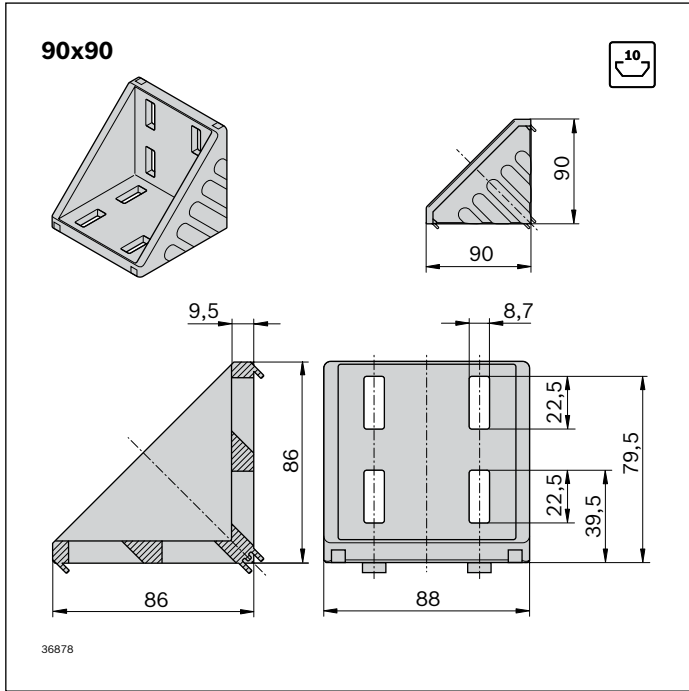







45x180	Slot	ESD	No.	FS
<i>designLINE</i> set	10 / 10		1 3 842 551 608	2xFS7
Bracket (standard)	10		20 3 842 523 583	
Cover cap, signal gray			20 3 842 548 866	
Cover cap, black			20 3 842 548 867	

Material: Bracket: Diecast aluminum, vibratory ground
designLINE bracket: painted (RAL 9006)
 Cover cap: PP
 Fastening material: Steel; zinc-plated
 Scope of delivery: Set incl. fastening material (FS)

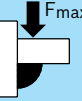
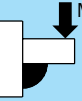
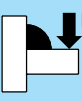

Type			
45x180	9000 N	250 Nm	65 Nm

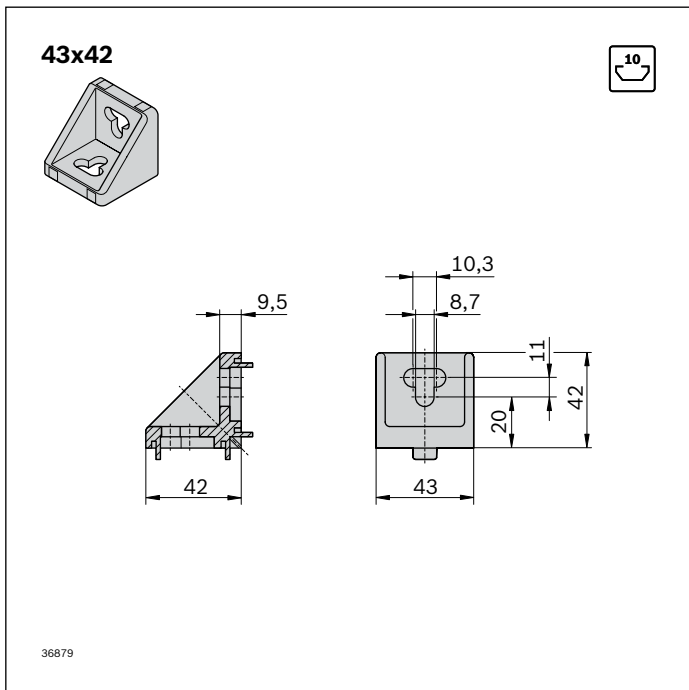
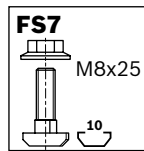




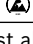


90x90	Slot	ESD		No.	FS
Set (standard)	10 / 10		1	3 842 523 578	8xFS7
<i>designLINE</i> set	10 / 10		1	3 842 551 613	8xFS7
Bracket (standard)	10		20	3 842 523 575	
Cover cap, signal gray			20	3 842 548 868	
Cover cap, black			20	3 842 548 869	

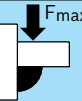
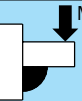
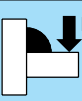

Material: Bracket: Diecast aluminum, vibratory ground
designLINE bracket: painted (RAL 9006)
 Cover cap: PP
 Fastening material: Steel; zinc-plated
 Scope of delivery: Set incl. fastening material (FS)

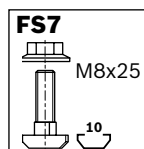
Type				
90x90	12000 N	370 Nm	800 Nm	200 Nm

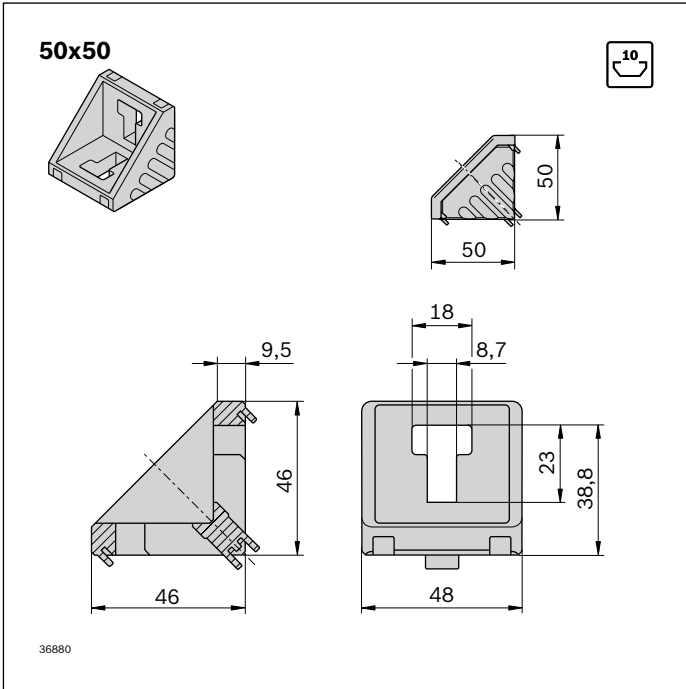






43x42	Slot	ESD		No.	FS
Set (standard)	10 / 10		1	3 842 352 009	2xFS7
Bracket (standard)	10		100	3 842 348 526	

Material: Bracket: Diecast aluminum
 Fastening material: Steel; zinc-plated
 Scope of delivery: Set incl. fastening material (FS)

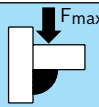
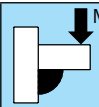
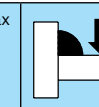
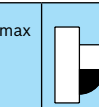
Type				
43x42	2000 N	-	160 Nm	-

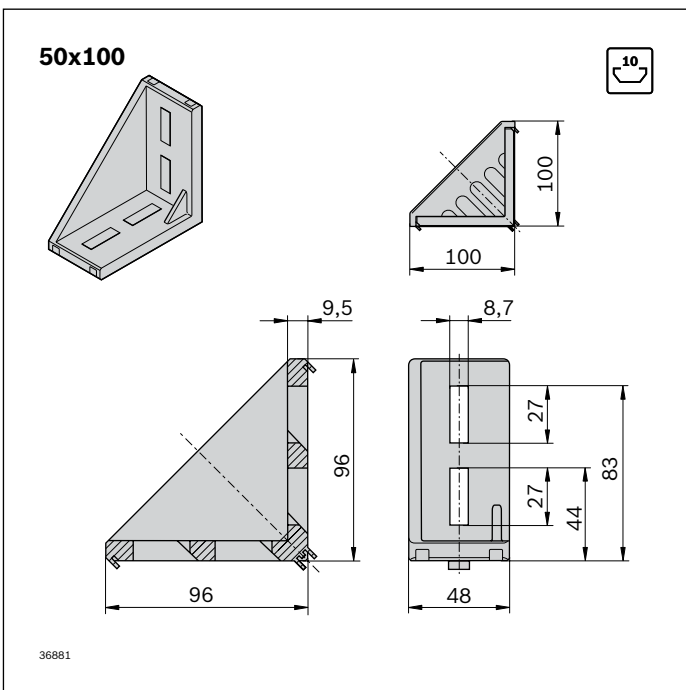
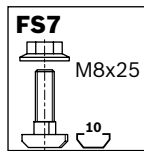








50x50	Slot	ESD		No.	FS
Set (standard)	10 / 10		1	3 842 530 259	2xFS7
Bracket (standard)	10		20	3 842 530 381	
Cover cap, signal gray			20	3 842 548 870	
Cover cap, black			20	3 842 548 871	

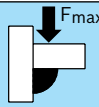
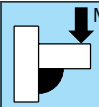
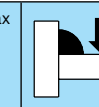
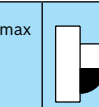
Material: Bracket: Diecast aluminum, vibratory ground
 Cover cap: PP
 Fastening material: Steel; zinc-plated
 Scope of delivery: Set incl. fastening material (FS)

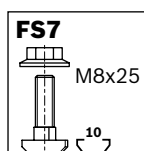
Type				
50x50	4000 N	125 Nm	250 Nm	38 Nm

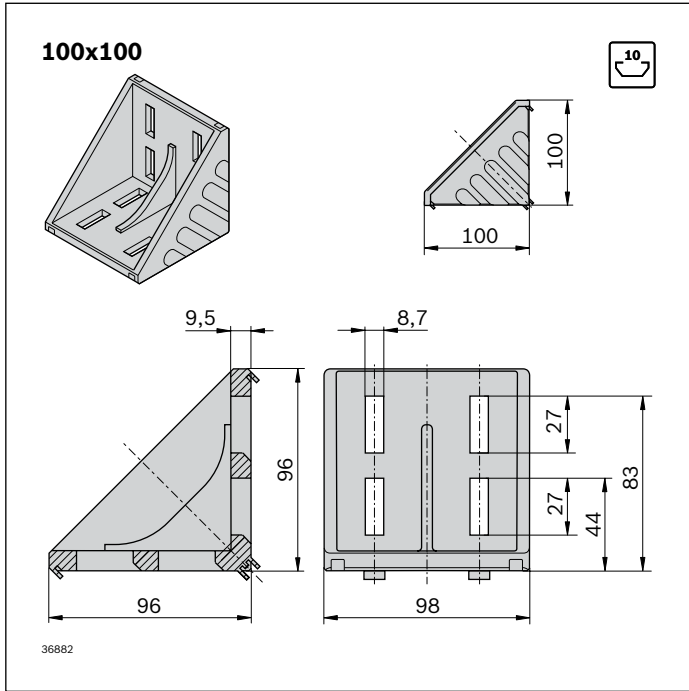


50x100	Slot	ESD		No.	FS
Set (standard)	10 / 10		1	3 842 530 260	4xFS7
Bracket (standard)	10		20	3 842 530 382	
Cover cap, signal gray			20	3 842 548 872	
Cover cap, black			20	3 842 548 873	

Material: Bracket: Diecast aluminum, vibratory ground
 Cover cap: PP
 Fastening material: Steel; zinc-plated
 Scope of delivery: Set incl. fastening material (FS)

Type				
50x100	7500 N	300 Nm	600 Nm	73 Nm

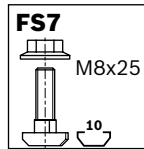




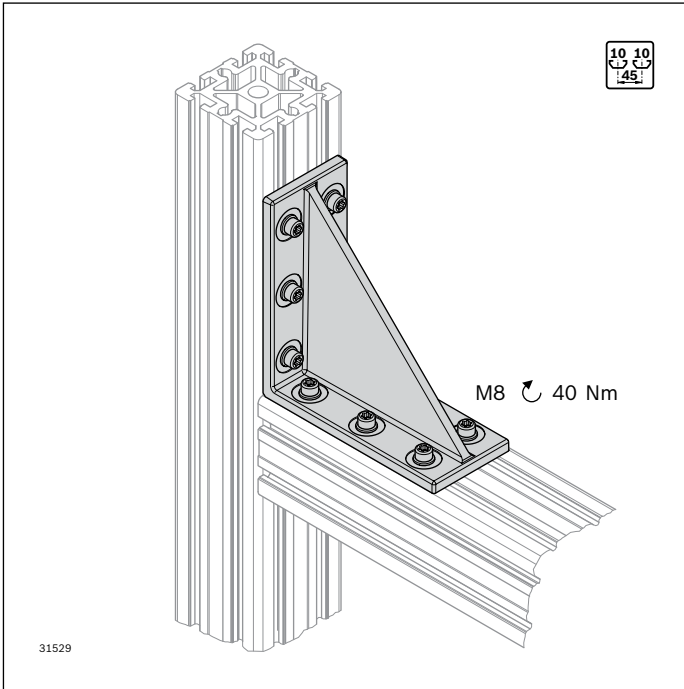
100x100	Slot	ESD	No.	FS
Set (standard)	10 / 10		1 3 842 530 361	8xFS7
Bracket (standard)	10		20 3 842 530 460	
Cover cap, signal gray			20 3 842 548 874	
Cover cap, black			20 3 842 548 875	

Material: Bracket: Diecast aluminum, vibratory ground
 Cover cap: PP
 Fastening material: Steel; zinc-plated
 Scope of delivery: Set incl. fastening material (FS)

Type				
100x100	15000 N	550 Nm	1100 Nm	480 Nm

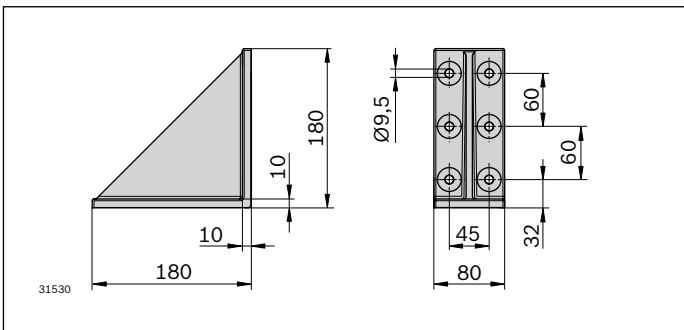


Heavy-duty connector 180x180 dynamic load



- ▶ Heavy-duty connector for reliable absorption of high forces
- ▶ Can be used for both static and dynamic forces
- ▶ Connection possible in any position
- ▶ Profile finishing: Not required
- ▶ Calculation program for static and dynamic forces included in MTpro planning software
- ▶ Focus profile: 90x90, 90x180, 90x360

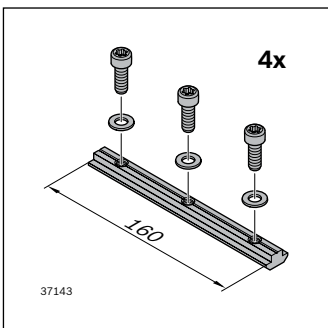
Required accessories:
Mounting kit



180x180	Slot	ESD	No.
	10		3 842 555 616

Material: Cast iron; zinc-plated
Scope of delivery: Bracket

Type				
180x180	30000 N	5600 Nm	5600 Nm	1400 Nm



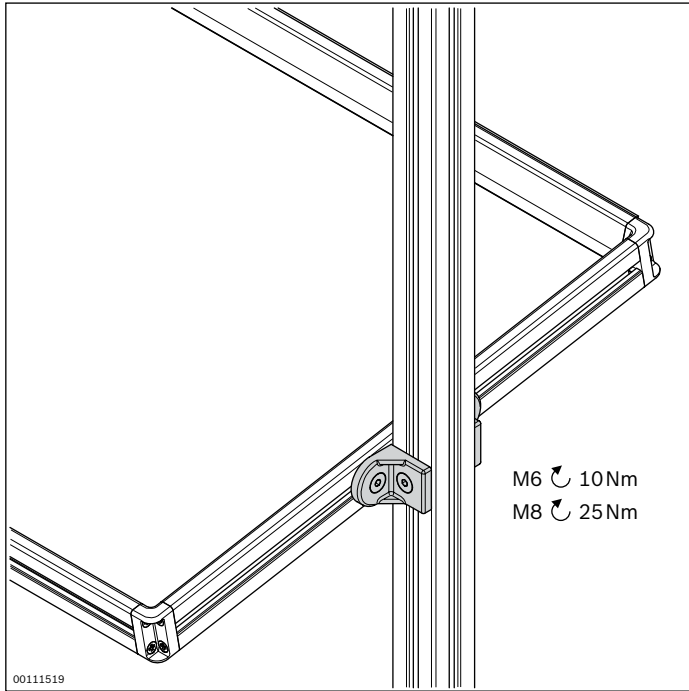
Slot	
10 (M8)	6000 ... 18000 N

Mounting kit

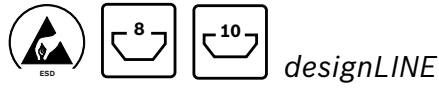
- ▶ For connecting a heavy-duty angle to a profile
- ▶ Set consists of 4 sliding blocks and 12 screws with washers

Mounting kit	Slot	M	ESD	No.
	10	8		Set 3 842 548 955

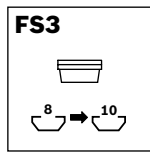
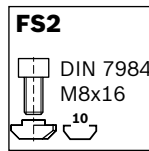
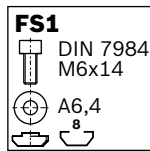
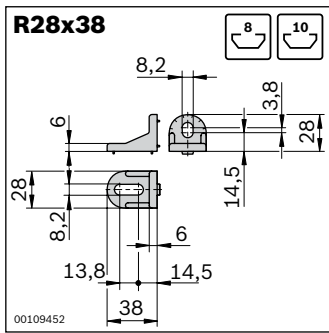
Material: Screws: Steel; zinc-plated
Sliding block: Steel; zinc-plated
Scope of delivery: 4 x sliding blocks, 12 x washers,
12 x screws M8 10.9 microencapsulated



Bracket R

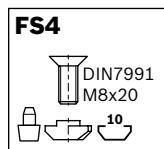
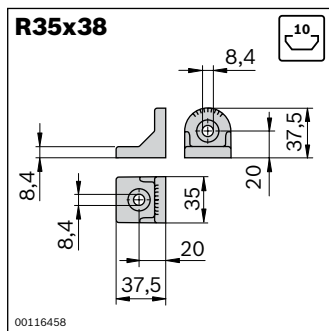


- ▶ For connecting profiles at any angle
- ▶ No interfering edges thanks to rounded bracket
- ▶ Brackets with centering lugs for rapid, precise assembly with protection against turning
- ▶ Centering lugs can be easily broken off for assembly on plates or at right angles to the slot
- ▶ *designLINE* version with special silver paint (RAL 9006)
- Profile finishing: Not required



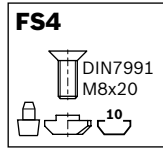
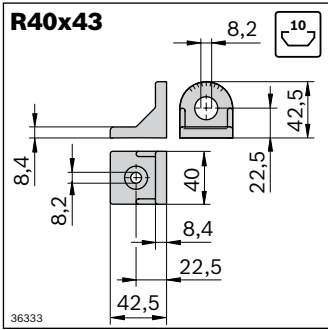
R28x38	Slot	ESD	No.	FS
Set (standard)	8 / 10	⚡	1 3 842 515 547	FS1, FS2, 2xFS3
	10 / 10	⚡	1 3 842 521 580	2xFS2, 4xFS3
<i>designLINE</i> set	8 / 10	⚡	1 3 842 538 703	FS1, FS2, 2xFS3
	10 / 10	⚡	1 3 842 538 704	2xFS2, 4xFS3
Bracket (standard)	8 / 10	⚡	100 3 842 515 473	

Material: Bracket: Diecast zinc
designLINE bracket: painted (RAL 9006)
 Intermediate element: PA; black
 Fastening material: Steel; zinc-plated
 Scope of delivery: Set incl. fastening material (FS)



R35x38	Slot	ESD	No.	FS
Set (standard)	10 / 10	⚡	1 3 842 532 274	2xFS4
<i>designLINE</i> set	10 / 10	⚡	1 3 842 538 705	2xFS4
Bracket (standard)	10	⚡	100 3 842 529 020	

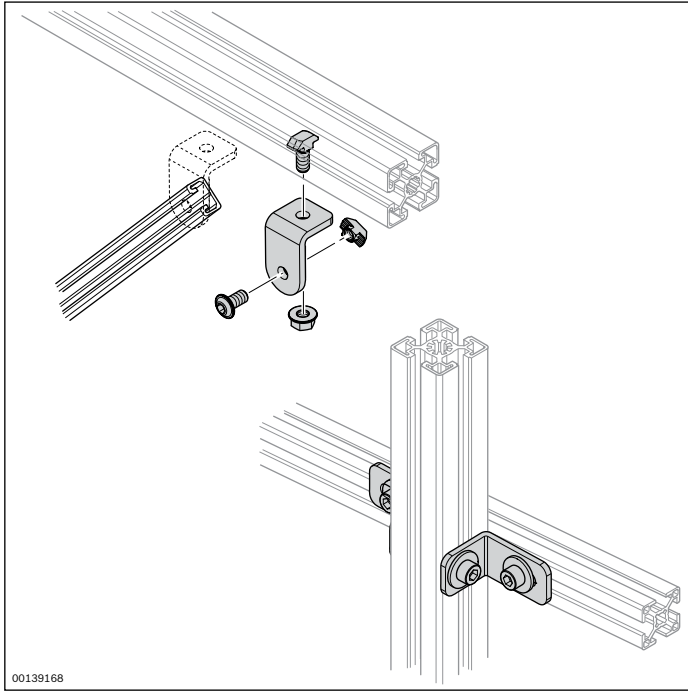
Material: Bracket: Diecast aluminum
designLINE bracket: painted (RAL 9006)
 Centering bolts: PA6, black
 Fastening material: Steel; zinc-plated
 Scope of delivery: Set incl. fastening material (FS)



R40x43	Slot	ESD		No.	FS
Set (standard)	10 / 10		1	3 842 518 424	2xFS4
<i>designLINE</i> set	10 / 10		1	3 842 538 706	2xFS4
Bracket (standard)	10		100	3 842 504 760	

Material: Bracket: Diecast zinc
designLINE bracket: painted (RAL 9006)
 Centering bolts: PA6, black
 Fastening material: Steel; zinc-plated

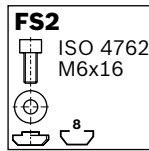
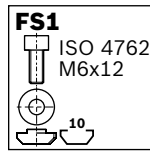
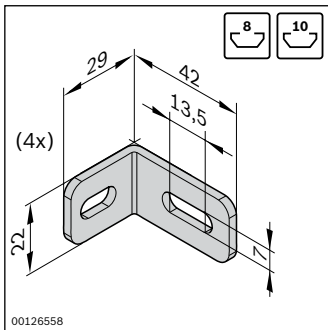
Scope of delivery: Set incl. fastening material (FS)



Steel bracket

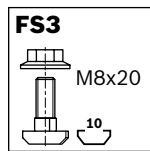
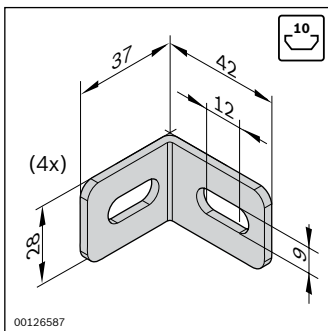


- ▶ Steel bracket without centering lugs for fastening at any angle
- ▶ Profile finishing: Not required



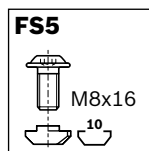
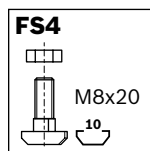
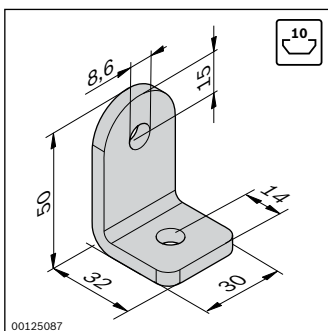
Bracket set	Slot	ESD	No.	FS
	8 / 10		4	3 842 537 862 4xFS1, 4xFS2

Material: Steel; zinc-plated
 Fastening material: Steel; zinc-plated
 Scope of delivery: Set incl. fastening material (FS)



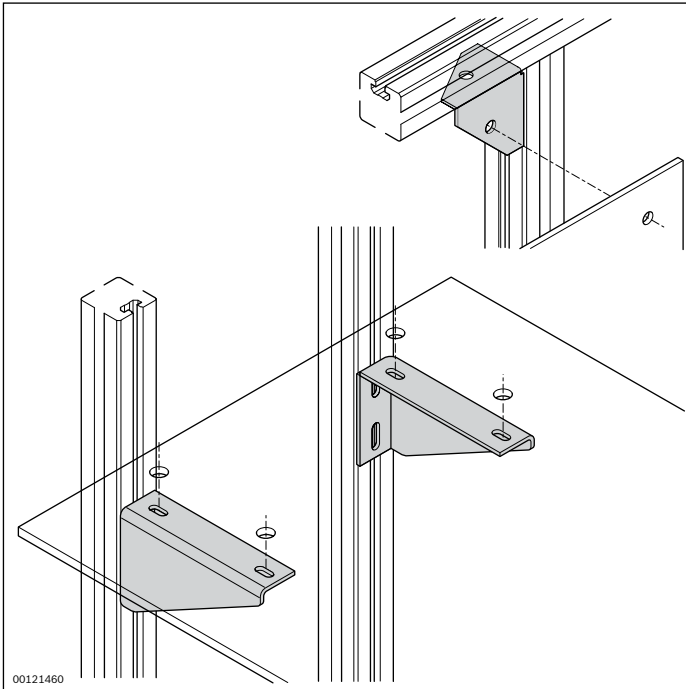
Bracket set	Slot	ESD	No.	FS
	10 / 10		4	3 842 537 861 8xFS3

Material: Steel; zinc-plated
 Fastening material: Steel; zinc-plated
 Scope of delivery: Set incl. fastening material (FS)



Bracket set	Slot	ESD	No.	FS
	10 / 10		20	3 842 536 729 FS4, FS5

Material: Steel; zinc-plated
 Fastening material: Steel; zinc-plated
 Scope of delivery: Set incl. fastening material (FS)



Metal bracket
Supporting bracket

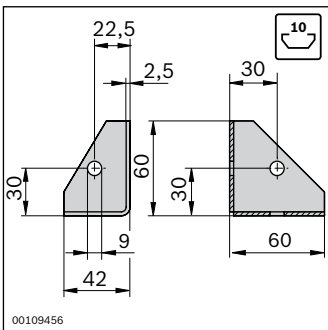


Metal bracket

- ▶ Metal bracket for right-angled profile connections
- ▶ Screw fitting of panel elements in the stiffening fin bore
- Profile finishing: Not required

Supporting bracket

- ▶ Supporting bracket for fastening panel elements to profiles, e.g. for shelves
- Profile finishing: Not required

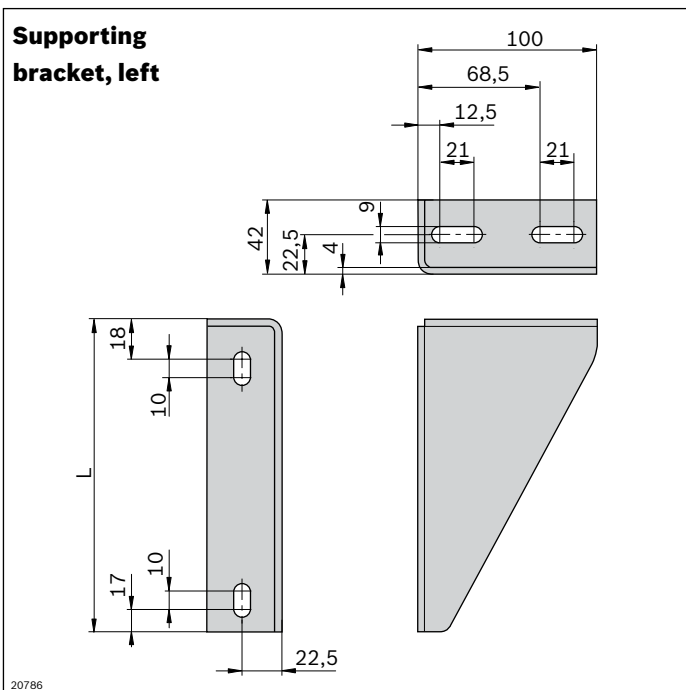


Metal bracket	ESD	No.
	20	3 842 146 813

Material: Sheet steel; zinc-plated

Required accessories:

- ▶ T-bolt M8x20, 10 mm slot, **3 842 528 715** (p. 3-7)
- ▶ Flange nut M8, **3 842 345 081** (p. 3-7)

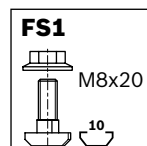


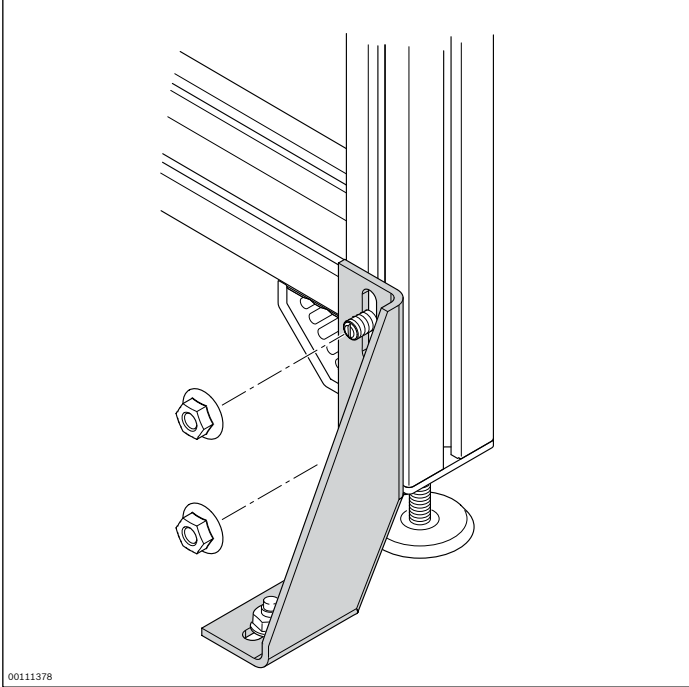
Supporting bracket	L (mm)	ESD	No.	FS
left	255	20	3 842 536 119	2xFS1
	335	20	3 842 536 121	2xFS1
	415	20	3 842 536 123	2xFS1
	495	20	3 842 536 125	2xFS1
right	255	20	3 842 536 120	2xFS1
	335	20	3 842 536 122	2xFS1
	415	20	3 842 536 124	2xFS1
	495	20	3 842 536 126	2xFS1

Material: Sheet steel; powder-coated, RAL 7037

Fastening material: Steel; zinc-plated

Scope of delivery: Incl. fastening material (FS)





00111378

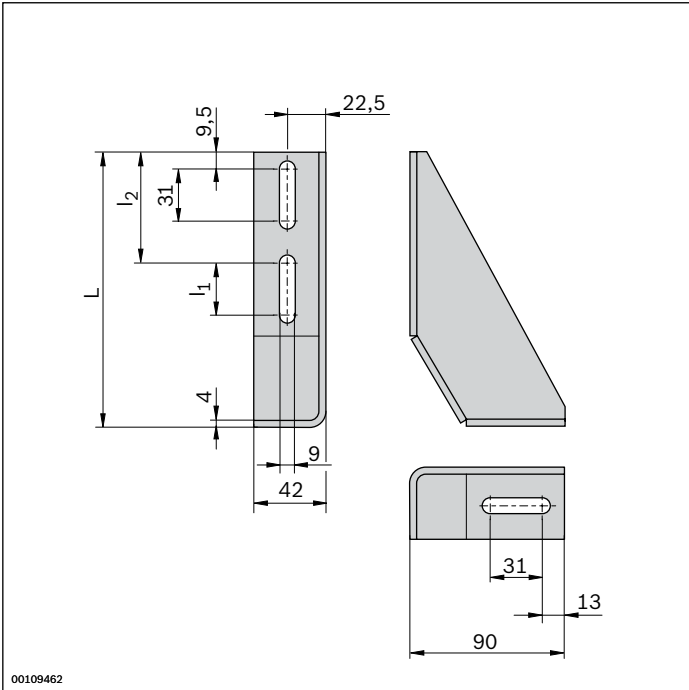
Foundation bracket



- ▶ Foundation bracket for securing frames to the floor
- ▶ The drilled hole for the floor dowel can be created without removing the foundation bracket
- Profile finishing: Not required

Required accessories:

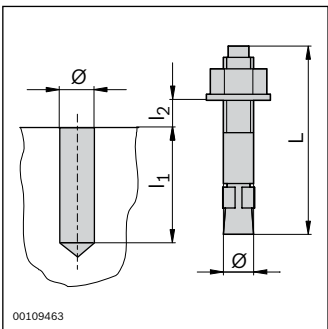
- ▶ T-bolt M8x20, 10 mm slot, **3 842 528 715** (p. 3-7)
- ▶ Flange nut M8, **3 842 345 081** (p. 3-7)
- ▶ Floor dowel



00109462

Foundation bracket	L (mm)	l ₁ (mm)	l ₂ (mm)		No.
	160	31	64.5	20	3 842 146 815
	210	91	54.5	20	3 842 146 848

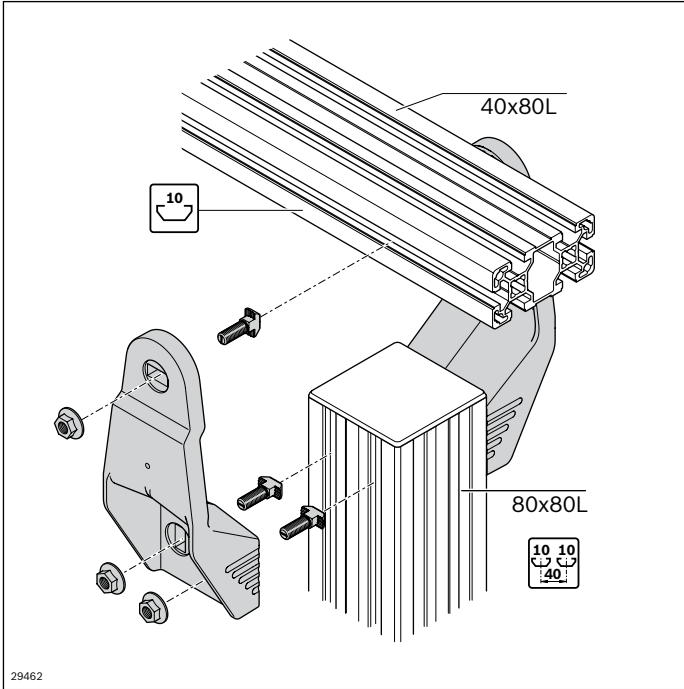
Material: Sheet steel; zinc-plated



00109463

Floor dowel	Ø	L (mm)	l ₁ (mm)	l _{2 max} (mm)		No.
	8	80	65	15 100		3 842 526 560

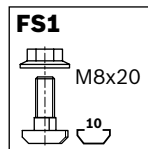
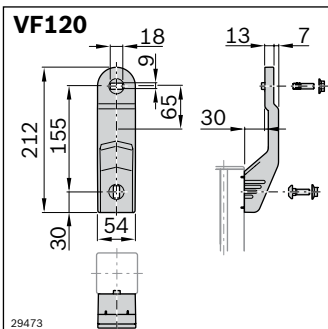
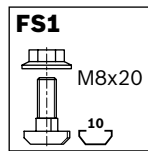
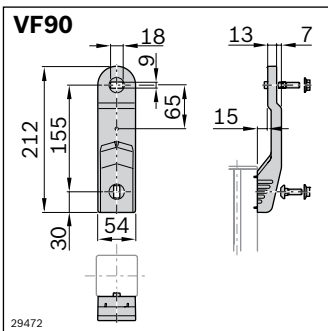
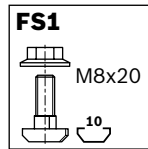
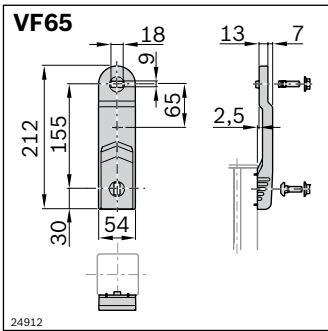
Material: Steel; zinc-plated



Holder AL



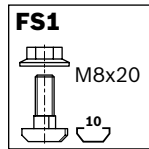
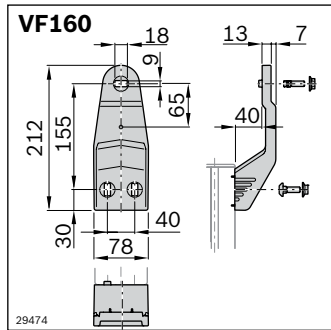
- ▶ For connecting profiles at right-angles to each other and with defined spacing, e.g. for floor supports made of 80x80L or 60x60 profiles
- ▶ Longitudinal connection possible in all profiles with 10 mm slot
- ▶ Transverse connection possible with 40 mm slot spacing
- ▶ Profile finishing: Not required



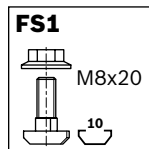
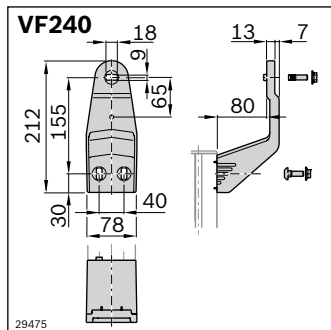
Holder	No.	FS
VFplus 65	Set 3 842 546 625	8xFS1
Material:	Holder: Diecast aluminum; powder-coated (RAL 9006) Fastening material: Steel; zinc-plated	
Scope of delivery:	2 x holder, fastening material (FS)	

Holder	No.	FS
VFplus 90	Set 3 842 546 626	8xFS1
Material:	Holder: Diecast aluminum; powder-coated (RAL 9006) Fastening material: Steel; zinc-plated	
Scope of delivery:	2 x holder, fastening material (FS)	

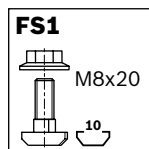
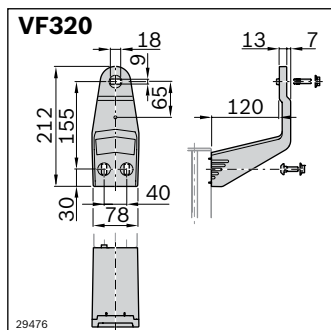
Holder	No.	FS
VFplus 120	Set 3 842 546 627	8xFS1
Material:	Holder: Diecast aluminum; powder-coated (RAL 9006) Fastening material: Steel; zinc-plated	
Scope of delivery:	2 x holder, fastening material (FS)	



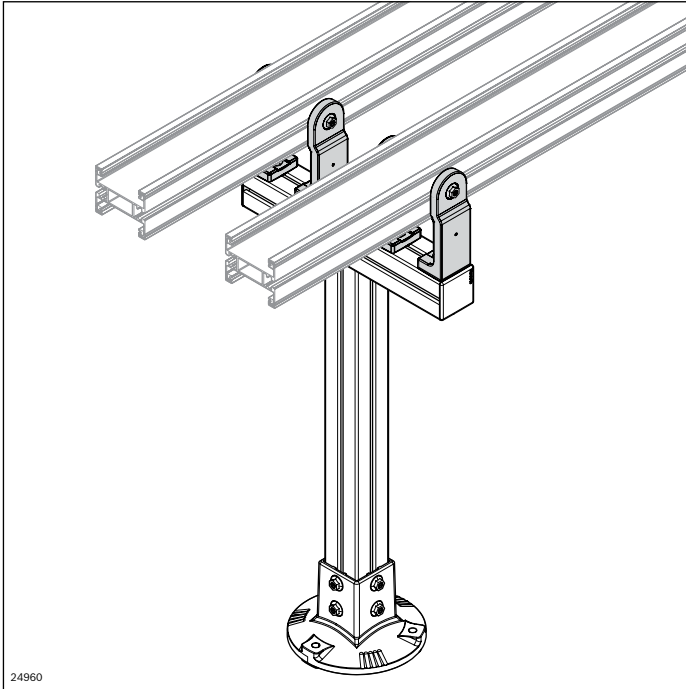
Holder	No.	FS
VFplus 160	Set 3 842 546 628	8xFS1
Material:	Holder: Diecast aluminum; powder-coated (RAL 9006) Fastening material: Steel; zinc-plated	
Scope of delivery:	2 x holder, fastening material (FS)	



Holder	No.	FS
VFplus 240	Set 3 842 546 629	8xFS1
Material:	Holder: Diecast aluminum; powder-coated (RAL 9006) Fastening material: Steel; zinc-plated	
Scope of delivery:	2 x holder, fastening material (FS)	



Holder	No.	FS
VFplus 320	Set 3 842 546 630	8xFS1
Material:	Holder: Diecast aluminum; powder-coated (RAL 9006) Fastening material: Steel; zinc-plated	
Scope of delivery:	2 x holder, fastening material (FS)	

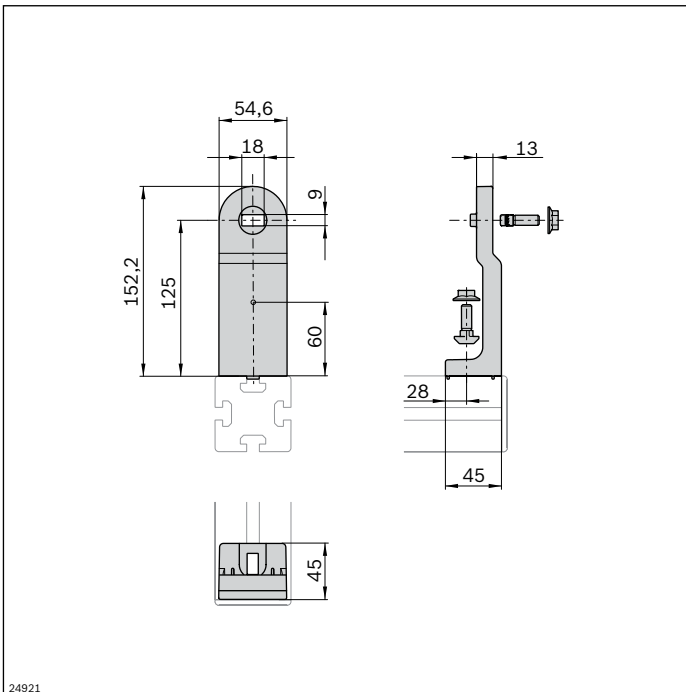


24960

Supporting bracket AL



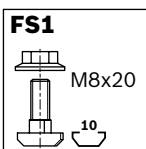
- ▶ Supporting bracket for connecting two profiles with defined spacing (approx. 2–3 m)
- ▶ Profile finishing: Not required
- ▶ Centering lugs make centering the supporting brackets in the slot easy
- ▶ If the centering lugs are removed, the supporting bracket can also be used for upward and downward sloping sections (up to approx. 45° depending on the return chain)
- ▶ Very simple assembly thanks to pluggable screwed connection
- ▶ Easy-to-clean design with draining surfaces

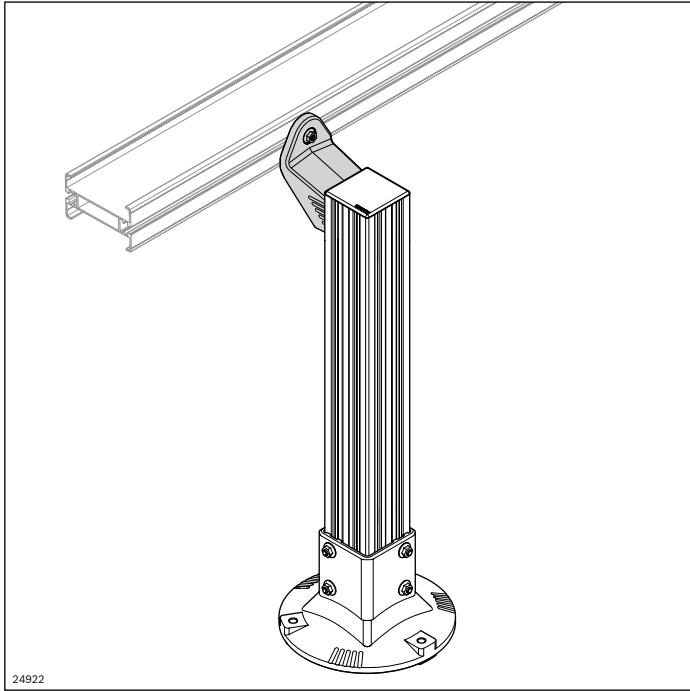


24921

Supporting bracket VFplus AL	No.	FS
Set	3 842 546 632	6xFS1

Material: Holder: Diecast aluminum, powder-coated (RAL 9006)
 Fastening material: Steel; zinc-plated
 Scope of delivery: Incl. fastening material (FS)

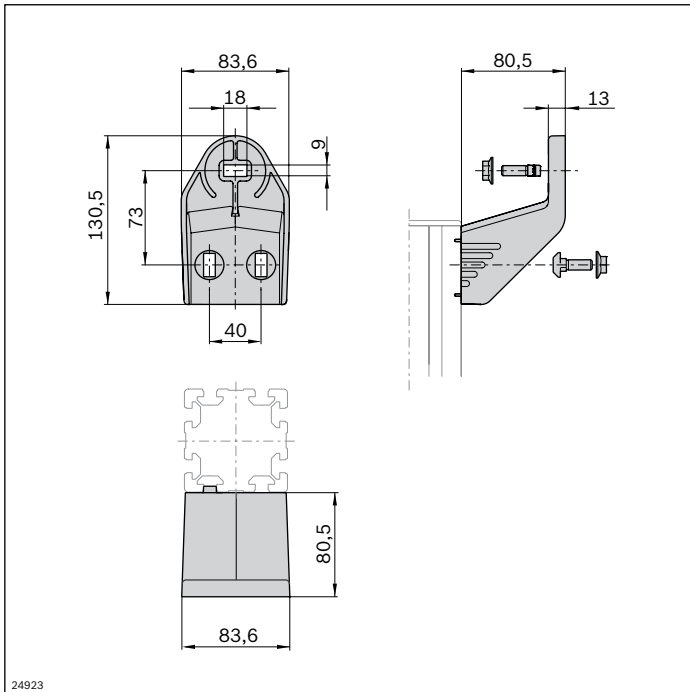




Supporting bracket AL, lateral



- ▶ Supporting bracket for connecting two profiles with defined spacing (approx. 2–3 m)
- ▶ Profile finishing: Not required
- ▶ Centering lugs make centering the supporting brackets in the slot easy
- ▶ If the centering lugs are removed, the supporting bracket can also be used for upward and downward sloping sections (up to approx. 45° depending on the return chain)
- ▶ Designed for attachment to a vertical 80x80 strut profile



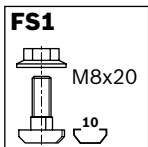
Supporting bracket VFplus lateral AL	No.	FS
--------------------------------------	-----	----

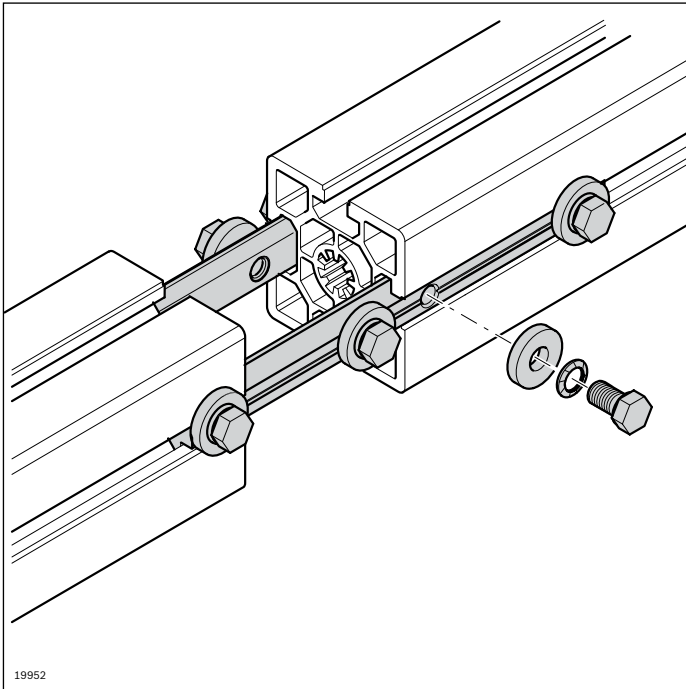
Set **3 842 547 461** 6xFS1

Material: Holder: Diecast aluminum; powder-coated (RAL 9006)

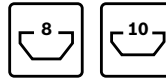
Fastening material: Steel; zinc-plated

Scope of delivery: Incl. fastening material (FS)

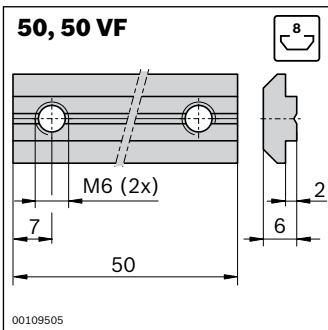




Profile connector



- ▶ Profile connector for the end-face connection of any profiles
- ▶ For an especially strong connection: One profile connector per slot
- ▶ Profile finishing: Not required




Profile connector	⌚ (Nm)	Slot	🏠 No.	FS
50 VF	10	8	10	3 842 536 787 2xFS2
50	8.5	8	1	3 842 518 427 2xFS1

Material: Steel; zinc-plated;
fastening material: Steel; zinc-plated


Scope of delivery: Incl. fastening material (FS)

FS1

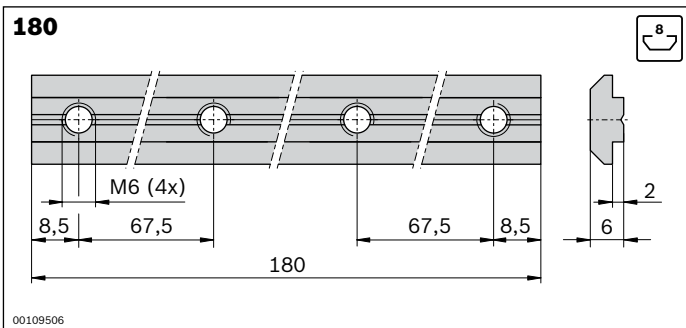


DIN 913
M6x10

FS2



M6x8
ISO 4762
A6,4




Profile connector	⌚ (Nm)	Slot	No.	FS
180	10	8	3 842 521 216	4xFS3


Material: Steel; zinc-plated;
fastening material: Steel; zinc-plated

Scope of delivery: Incl. fastening material (FS)

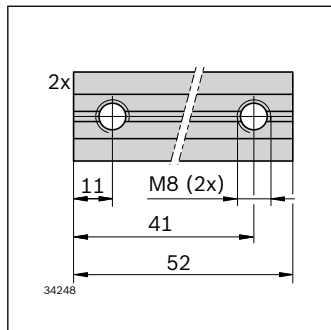
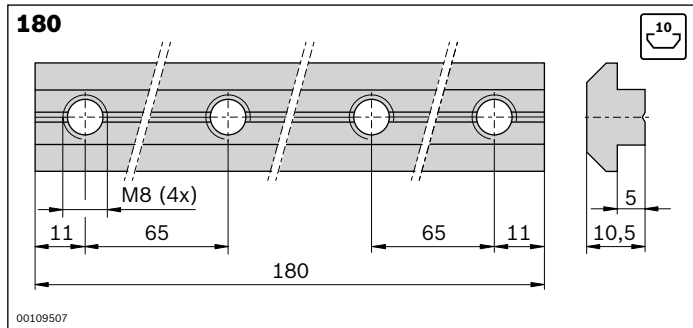
FS3



DIN 4762
M6x10



DIN 7349
6,4



Profile connector	(Nm)	Slot	No.	FS
180	25	10	3 842 528 746	4xFS4

Material: Steel; zinc-plated;
fastening material: Steel; zinc-plated

Scope of delivery: Incl. fastening material (FS)

FS4

ISO 4017
M8x14

8-Fst

DIN 7394
8,4

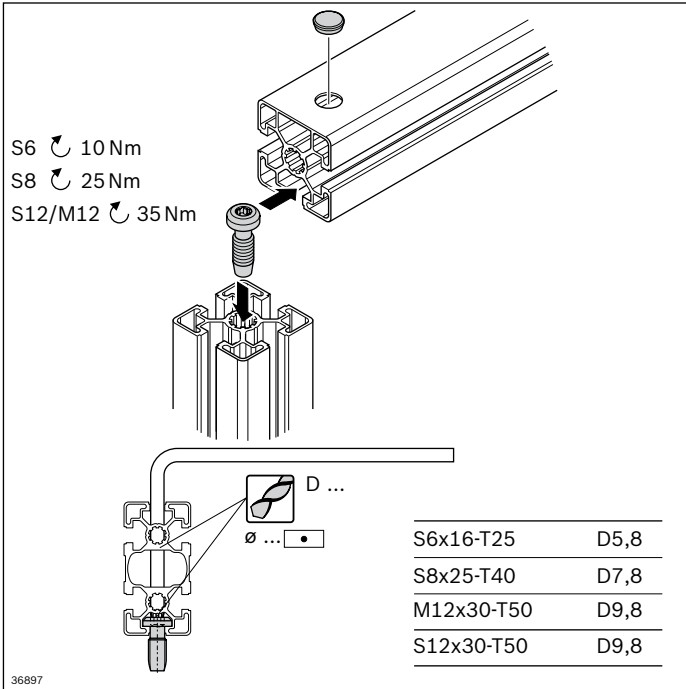
Connection kit	(Nm)	Slot	No.	FS
	18	10	Set 3 842 529 881	4xFS5

Material: Steel; zinc-plated;
fastening material: Steel; zinc-plated

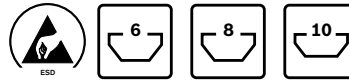
Scope of delivery: Set (2 pieces);
incl. fastening material

FS5

M8x12



Central bolt, Anti-torsion element, cover cap

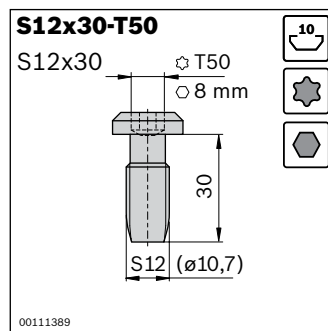
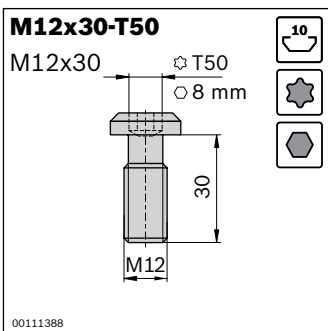
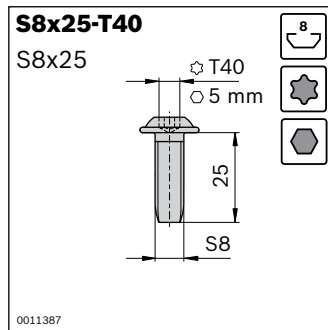
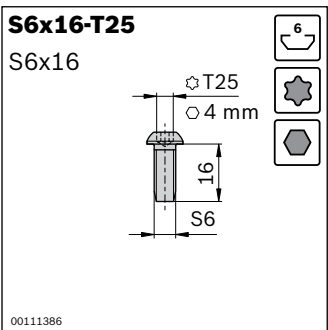


Central bolt

- ▶ Best-value connection element
- ▶ Self-tapping screw, can be mounted without profile finishing
- ▶ Profile finishing:
 - Thread cutting for M12x30 screw
 - Through-hole for screwdriver/offset screwdriver

Tools:

- ▶ Offset screwdriver (p. 14-5)
- ▶ Hex head screwdriver



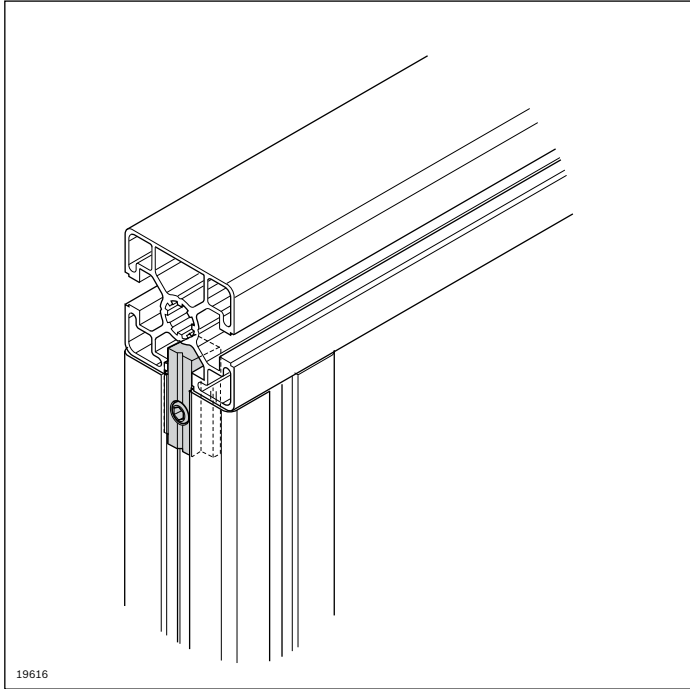
Central bolt	(mm)	Slot	ESD	No.
S6x16-T25	T25	6	⚡	100 3 842 528 593
(self-tapping)	4	6	⚡	100 3 842 523 968
S8x25-T40	T40	8	⚡	100 3 842 527 174
(self-tapping)	5	8	⚡	100 3 842 523 970

Material: Steel; zinc-plated

Central bolt	(mm)	Slot	ESD	No.
M12x30-T50	T50	10	⚡	100 3 842 530 235
	8	10	⚡	100 8 981 021 301
S12x30-T50	T50	10	⚡	100 3 842 530 236
(self-tapping)	8	10	⚡	100 8 981 021 302

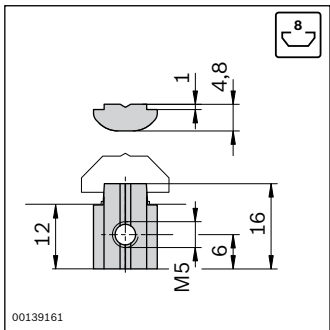
Material: Steel; zinc-plated

Size	F_{max}	M_{max}
S6	500 N	8 Nm
S8	800 N	43 Nm
S12	1300 N	80 Nm
M12	3000 N	80 Nm



Anti-torsion element


- ▶ Provides torsion resistance for profile connections with central bolts or quick connectors
- ▶ Subsequent installation in the connection possible



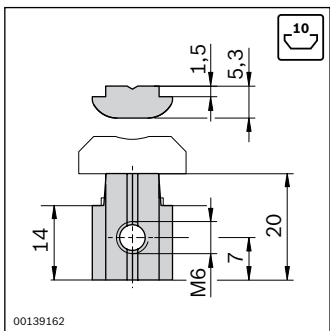
FS1




DIN 916
M5x8

Anti-torsion element	Slot		No.	FS
	8	10	3 842 530 325	FS1


Material: Steel; zinc-plated
Fastening material: Steel; zinc-plated



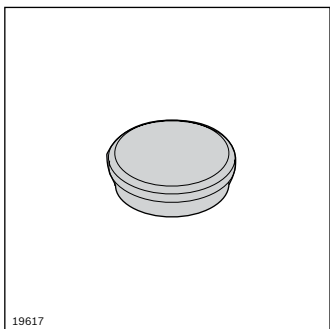
FS2



DIN 916
M6x12


Anti-torsion element	Slot		No.	FS
	10	10	3 842 530 326	FS2

Material: Steel; zinc-plated
Fastening material: Steel; zinc-plated

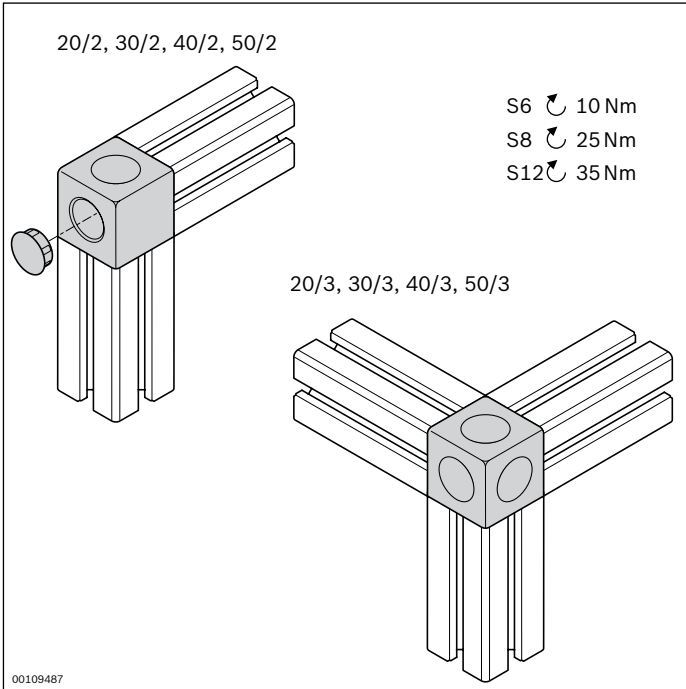


Cover cap

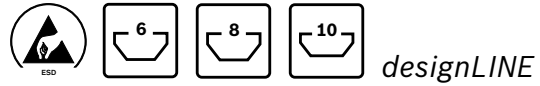
- ▶ For sealing through-holes in closed profiles

Cover cap	D (mm)		No.
	5.8	100	3 842 551 032
	7.8	100	3 842 551 034
	9.8	100	3 842 551 036

Material: PA; signal gray RAL 7004

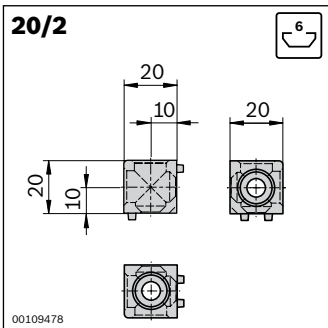


Cubic connector

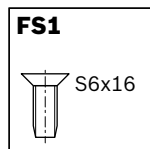


- ▶ For torsion-proof corner connections of profiles with equivalent cross-sections
- ▶ *designLINE* version with special silver paint (RAL 9006) for an attractive, high-quality design
- ▶ Cover caps to cover the openings
- ▶ Screw fitting on profile with self-tapping screws
 - Profile finishing: Not required

Technical data (p. 18-14)



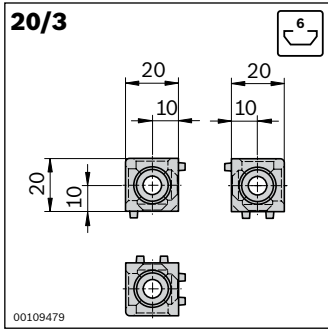
Type	M _{max}
20/2	18 Nm



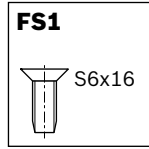
Cubic connector 20/2	Slot	ESD	No.	FS
Set (standard), signal gray	6		1	3 842 549 858 2xFS1
<i>designLINE</i> set, signal gray	6		1	3 842 549 859 2xFS1
Cubic connector	6		20	3 842 523 875
Cover cap	signal gray (PP)		100	3 842 548 700
D12	black (PP)		100	3 842 548 704
Countersunk screw S6x16	6		100	3 842 517 132

Material: Cubic connector: Diecast aluminum
designLINE cubic connector: painted (RAL 9006)
Fastening material: Steel; zinc-plated

Scope of delivery: Set incl. fastening material (FS), cover caps
* Cubic connector creates conductive connection, but the cover caps included in the set are not ESD-compatible.



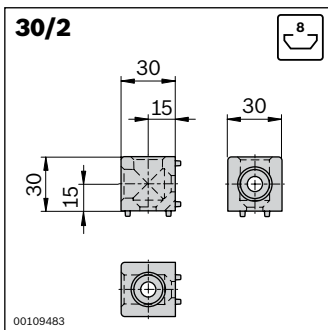
Type	
20/3	23 Nm



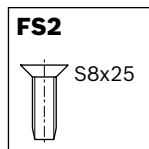
Cubic connector 20/3	Slot	ESD	No.	FS
Set (standard), signal gray	6		1	3 842 549 860 3xFS1
<i>designLINE</i> set, signal gray	6		1	3 842 549 861 3xFS1
Cubic connector	6		20	3 842 523 872
Cover cap	signal gray (PP)		100	3 842 548 700
D12	black (PP)		100	3 842 548 704
Countersunk screw S6x16	6		100	3 842 517 132

Material: Cubic connector: Diecast aluminum
designLINE cubic connector: painted (RAL 9006)
 Fastening material: Steel; zinc-plated

Scope of delivery: Set incl. fastening material (FS), cover caps
 * Cubic connector creates conductive connection, but the cover caps included in the set are not ESD-compatible.



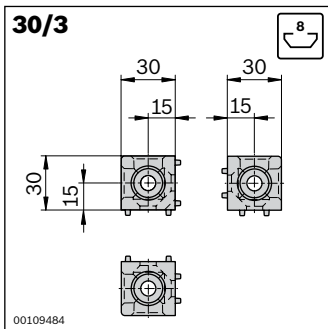
Type	
30/2	80 Nm



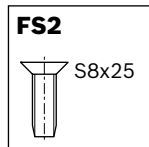
Cubic connector 30/2	Slot	ESD	No.	FS
Set (standard), signal gray	8		1	3 842 549 862 2xFS2
<i>designLINE</i> set, signal gray	8		1	3 842 549 863 2xFS2
Cubic connector	8		20	3 842 523 876
Cover cap	signal gray (PP)		100	3 842 548 701
D18	black (PP)		100	3 842 548 705
Countersunk screw S8x25	8		100	3 842 517 543

Material: Cubic connector: Diecast aluminum
designLINE cubic connector: painted (RAL 9006)
 Fastening material: Steel; zinc-plated

Scope of delivery: Set incl. fastening material (FS), cover caps
 * Cubic connector creates conductive connection, but the cover caps included in the set are not ESD-compatible.



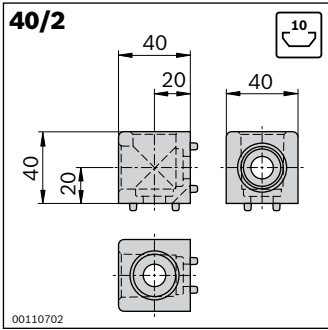
Type	
30/3	85 Nm



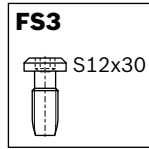
Cubic connector 30/3	Slot	ESD	No.	FS
Set (standard), signal gray	8		1	3 842 549 864 3xFS2
<i>designLINE</i> set, signal gray	8		1	3 842 549 865 3xFS2
Cubic connector	8		20	3 842 523 873
Cover cap	signal gray (PP)		100	3 842 548 701
D18	black (PP)		100	3 842 548 705
Countersunk screw S8x25	8		100	3 842 517 543

Material: Cubic connector: Diecast aluminum
designLINE cubic connector: painted (RAL 9006)
 Fastening material: Steel; zinc-plated

Scope of delivery: Set incl. fastening material (FS), cover caps
 * Cubic connector creates conductive connection, but the cover caps included in the set are not ESD-compatible.



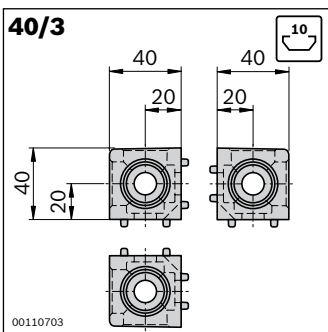
Type	
40/2	60 Nm



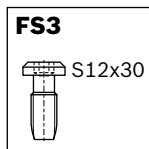
Cubic connector 40/2	Slot	ESD	No.	FS
Set (standard), signal gray	10	⚡*	1	3 842 549 866 2xFS3
<i>designLINE</i> set, signal gray	10	⚡*	1	3 842 549 867 2xFS3
Cubic connector	10	⚡	20	3 842 529 010
Cover cap			100	3 842 548 702
D24		⚡	100	3 842 548 706
Screw S12x30	10	⚡	100	3 842 530 236

Material: Cubic connector: Diecast aluminum
designLINE cubic connector: painted (RAL 9006)
 Fastening material: Steel; zinc-plated

Scope of delivery: Set incl. fastening material (FS), cover caps
 * Cubic connector creates conductive connection, but the cover caps included in the set are not ESD-compatible.



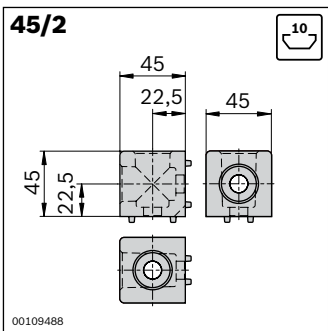
Type	
40/3	70 Nm



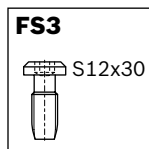
Cubic connector 40/3	Slot	ESD	No.	FS
Set (standard), signal gray	10	⚡*	1	3 842 549 868 3xFS3
<i>designLINE</i> set, signal gray	10	⚡*	1	3 842 549 869 3xFS3
Cubic connector	10	⚡	20	3 842 529 011
Cover cap			100	3 842 548 702
D24		⚡	100	3 842 548 706
Screw S12x30	10	⚡	100	3 842 530 236

Material: Cubic connector: Diecast aluminum
designLINE cubic connector: painted (RAL 9006)
 Fastening material: Steel; zinc-plated

Scope of delivery: Set incl. fastening material (FS), cover caps
 * Cubic connector creates conductive connection, but the cover caps included in the set are not ESD-compatible.



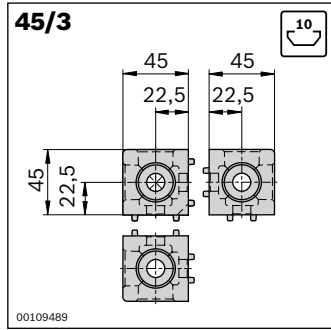
Type	
45/2	150 Nm
	200 Nm



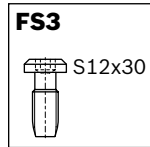
Cubic connector 45/2	Slot	ESD	No.	FS
Set (standard), signal gray	10	⚡*	1	3 842 549 870 2xFS3
<i>designLINE</i> set, signal gray	10	⚡*	1	3 842 549 871 2xFS3
Cubic connector	10	⚡	20	3 842 523 877
Cover cap			100	3 842 548 702
D24		⚡	100	3 842 548 706
Screw S12x30	10	⚡	100	3 842 530 236

Material: Cubic connector: Diecast aluminum
designLINE cubic connector: painted (RAL 9006)
 Fastening material: Steel; zinc-plated

Scope of delivery: Set incl. fastening material (FS), cover caps
 * Cubic connector creates conductive connection, but the cover caps included in the set are not ESD-compatible.



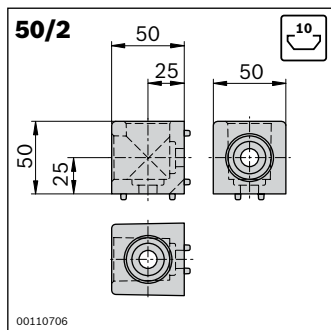
Type		
45/3	45x45L	170 Nm
	45x45	240 Nm



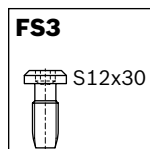
Cubic connector 45/3	Slot	ESD	No.	FS	
Set (standard), signal gray	10		1	3 842 549 872	3xFS3
<i>designLINE</i> set, signal gray	10		1	3 842 549 873	3xFS3
Cubic connector	10		20	3 842 523 874	
Cover cap	signal gray (PP)		100	3 842 548 702	
D24	black (PP)		100	3 842 548 706	
Screw S12x30	10		100	3 842 530 236	

Material: Cubic connector: Diecast aluminum
designLINE cubic connector: painted (RAL 9006)
 Fastening material: Steel; zinc-plated

Scope of delivery: Set incl. fastening material (FS), cover caps
 * Cubic connector creates conductive connection, but the cover caps included in the set are not ESD-compatible.



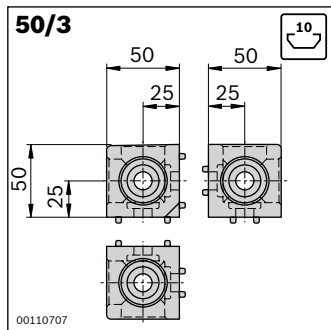
Type		
50/2		120 Nm



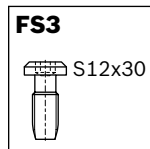
Cubic connector 50/2	Slot	ESD	No.	FS	
Set (standard), signal gray	10		1	3 842 549 874	2xFS3
Cubic connector	10		20	3 842 529 012	
Cover cap	signal gray (PP)		100	3 842 548 703	
D30	black (PP)		100	3 842 548 707	
Screw S12x30	10		100	3 842 530 236	

Material: Cubic connector: Diecast aluminum
 Fastening material: Steel; zinc-plated

Scope of delivery: Set incl. fastening material (FS), cover caps
 * Cubic connector creates conductive connection, but the cover caps included in the set are not ESD-compatible.



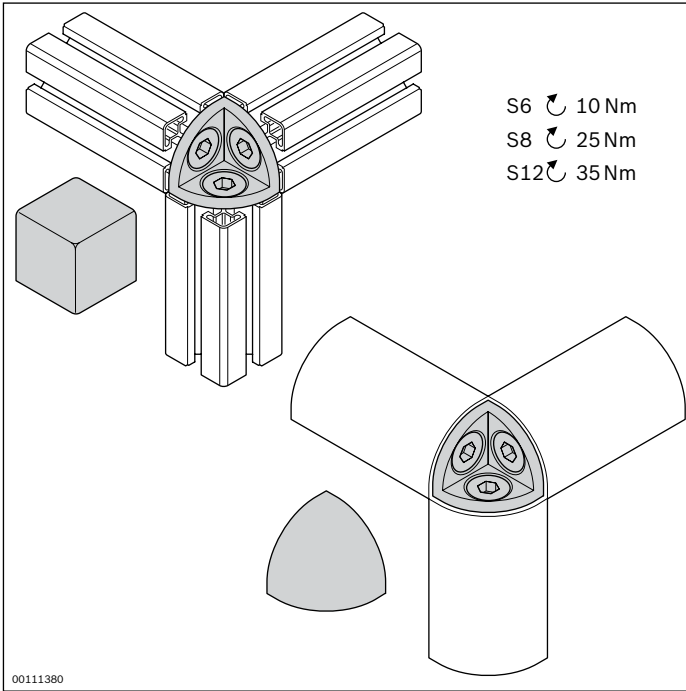
Type		
50/3		140 Nm



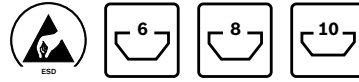
Cubic connector 50/3	Slot	ESD	No.	FS	
Set (standard), signal gray	10		1	3 842 549 876	3xFS3
Cubic connector	10		20	3 842 529 013	
Cover cap	signal gray (PP)		100	3 842 548 703	
D30	black (PP)		100	3 842 548 707	
Screw S12x30	10		100	3 842 530 236	

Material: Cubic connector: Diecast aluminum
 Fastening material: Steel; zinc-plated

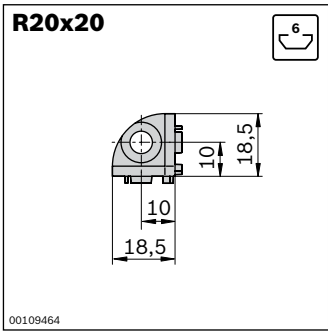
Scope of delivery: Set incl. fastening material (FS), cover caps
 * Cubic connector creates conductive connection, but the cover caps included in the set are not ESD-compatible.



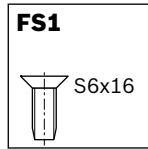
Corner bracket



- ▶ Corner bracket for corner connection of three square or half-round profiles with equivalent cross-sections
- ▶ Screw fitting on profiles with self-tapping screws
- ▶ Ball or cubic-shaped cover caps to prevent injuries and avoid dirt
- ▶ Profile finishing: Not required

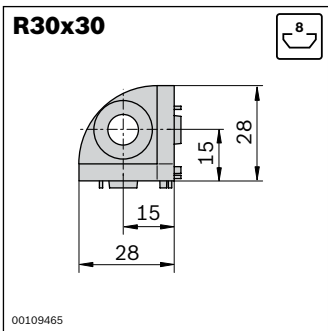


Type	$M_{max} / 2$
20/3	23 Nm

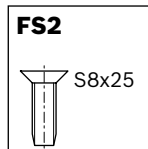


R20x20	Slot	ESD	No.	FS
Corner bracket	6		1 3 842 519 318	3xFS1
Cover cap K (ball)			10 3 842 548 708	
			10 3 842 548 712	
Cover cap W (cube)			10 3 842 548 716	
			10 3 842 548 720	

Material: Corner bracket: Diecast zinc
 Fastening material: Steel; zinc-plated
 Scope of delivery: Incl. fastening material (FS)

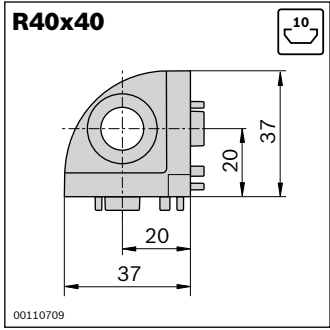


Type	$M_{max} / 2$
30/3	85 Nm

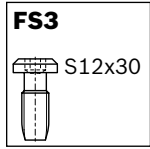


R30x30	Slot	ESD	No.	FS
Corner bracket	8		1 3 842 519 319	3xFS2
Cover cap K (ball)			10 3 842 548 709	
			10 3 842 548 713	
Cover cap W (cube)			10 3 842 548 717	
			10 3 842 548 721	

Material: Corner bracket: Diecast zinc
 Fastening material: Steel; zinc-plated
 Scope of delivery: Incl. fastening material (FS)

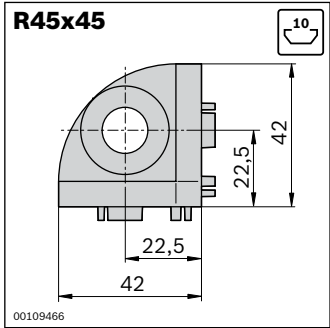


Type	
40/3	70 Nm

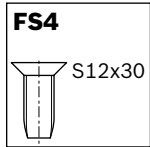


R40x40	Slot	ESD		No.	FS
Corner bracket	10		1	3 842 529 404	3xFS3
Cover cap K (ball)	signal gray (PP)			10	3 842 548 710
	black (PP)			10	3 842 548 714
Cover cap W (cube)	signal gray (PP)			10	3 842 548 718
	black (PP)			10	3 842 548 722

Material: Corner bracket: Diecast zinc
Fastening material: Steel; zinc-plated
Scope of delivery: Incl. fastening material (FS)

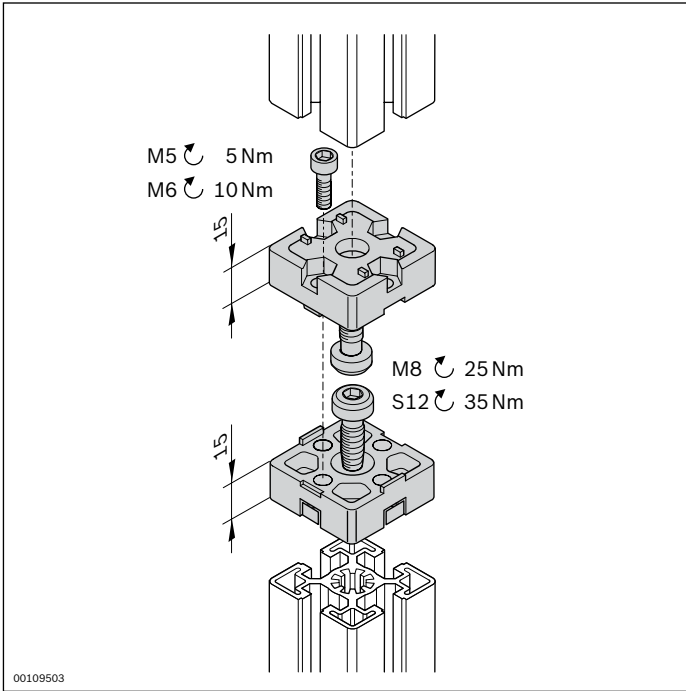


Type	
45/3 45x45L	170 Nm
45x45	240 Nm

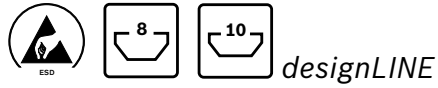


R45x45	Slot	ESD		No.	FS
Corner bracket	10		1	3 842 519 321	3xFS4
Cover cap K (ball)	signal gray (PP)			10	3 842 548 711
	black (PP)			10	3 842 548 715
Cover cap W (cube)	signal gray (PP)			10	3 842 548 719
	black (PP)			10	3 842 548 723

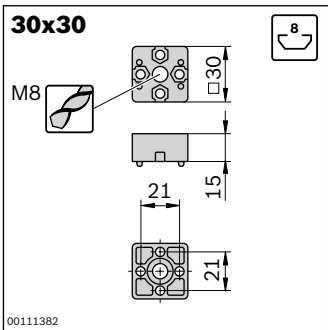
Material: Corner bracket: Diecast zinc
Fastening material: Steel; zinc-plated
Scope of delivery: Incl. fastening material (FS)



End connector



- ▶ For end-to-end profile connections
- ▶ *designLINE* version with special silver paint (RAL 9006) for an attractive, high-quality design
- ▶ Profile finishing:
 - 30x30: M8 thread cutting in central bores
 - 40x40, 45x45, 50x50: Not required



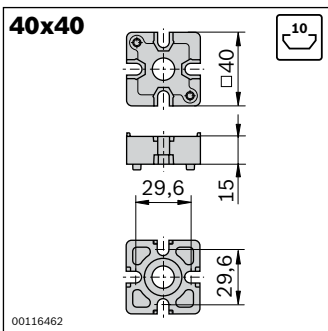
Type	
30x30	81 Nm

FS1	FS2
DIN 7984 M8x30	DIN 7984 M5x25 DIN 934 M5

End connector	Slot	ESD No.	FS
30x30 Set (standard)	8	3 842 526 003	2xFS1, 4xFS2
<i>designLINE</i> set	8	3 842 538 656	2xFS1, 4xFS2

Material: End connector: Diecast aluminum
designLINE end connector: painted (RAL 9006)
 Fastening material: Steel; zinc-plated

Scope of delivery: Set incl. fastening material (FS)



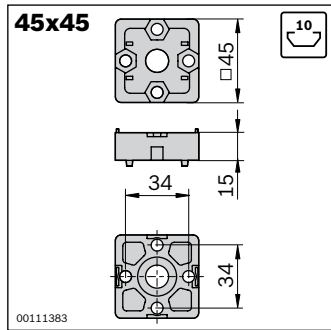
Type	
40x40	170 Nm

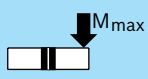
FS3	FS4
S12x30	DIN 7984 M6x25 DIN 4032 M6

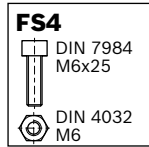
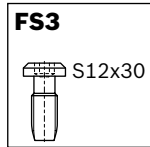
End connector	Slot	ESD No.	FS
40x40 Set (standard)	10	3 842 532 196	2xFS3, 4xFS4
<i>designLINE</i> set	10	3 842 538 657	2xFS3, 4xFS4



Material: End connector: Diecast aluminum
designLINE end connector: painted (RAL 9006)
 Fastening material: Steel; zinc-plated

Scope of delivery: Set incl. fastening material (FS)

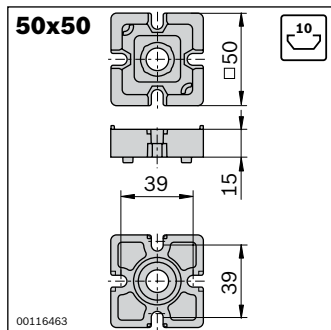


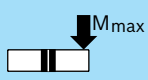
Type	
45x45	200 Nm

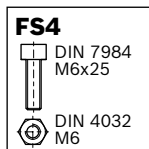
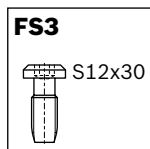



End connector	Slot	ESD No.	FS
45x45 Set (standard)	10	 3 842 191 175	2xFS3, 4xFS4
<i>designLINE</i> set	10	 3 842 538 658	2xFS3, 4xFS4

Material: End connector: Diecast zinc
designLINE end connector: painted (RAL 9006)
 Fastening material: Steel; zinc-plated
 Scope of delivery: Set incl. fastening material (FS)



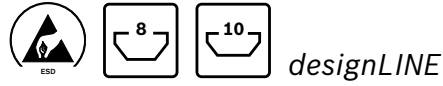
Type	
50x50	180 Nm



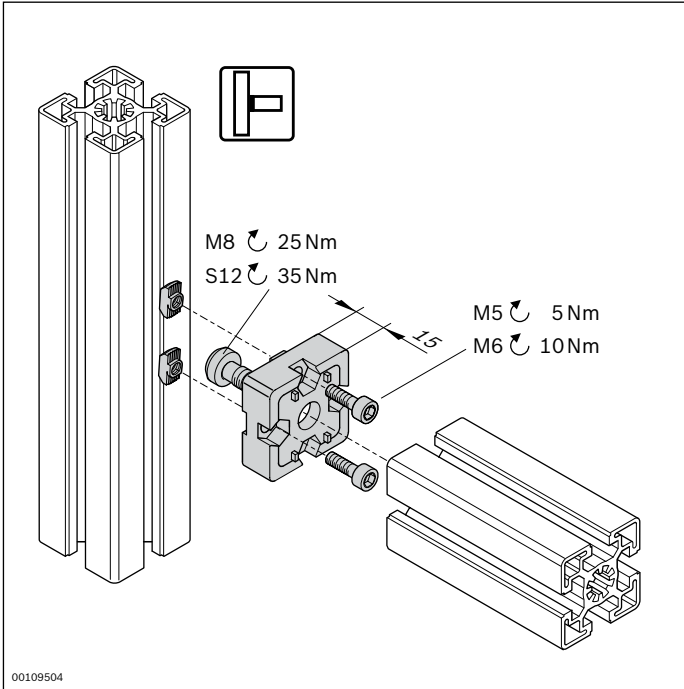
End connector	Slot	ESD No.	FS
50x50 Set (standard)	10	 3 842 532 199	2xFS3, 4xFS4

Material: End connector: Diecast zinc
 Fastening material: Steel; zinc-plated
 Scope of delivery: Set incl. fastening material (FS)

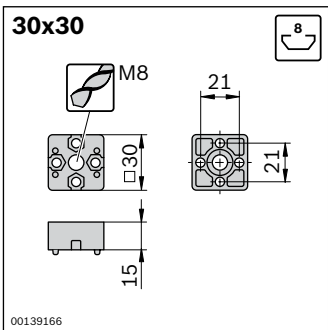
T-connector



- ▶ For right-angled profile connections
- ▶ *designLINE* version with special silver paint (RAL 9006) for an attractive, high-quality design
- ▶ Profile finishing:
 - 30x30: M8 thread cutting in central bores
 - 40x40, 45x45, 50x50: Not required



00109504



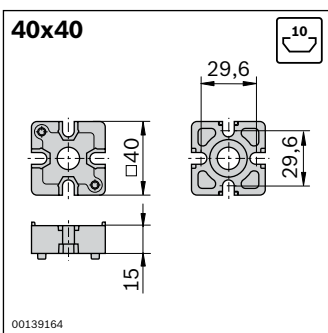
00139166

Type	F_{max}	M_{max}
30x30	4000 N	80 Nm

FS1	FS2
DIN 7984 M8x30	DIN 7984 M5x16

T-connector	Slot	ESD No.	FS
30x30 Set (standard)	8	3 842 524 476	1xFS1, 2xFS2
<i>designLINE</i> set	8	3 842 538 696	1xFS1, 2xFS2

Material: T-connector: Diecast aluminum
designLINE T-connector: painted (RAL 9006)
 Fastening material: Steel; zinc-plated
 Scope of delivery: Set incl. fastening material (FS)



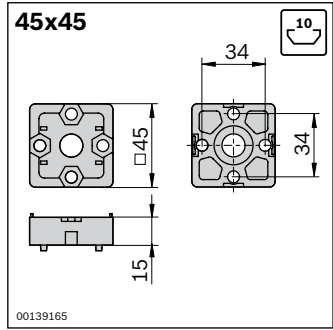
00139164

Type	F_{max}	M_{max}
40x40	9000 N	150 Nm

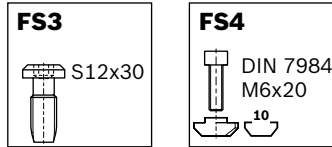
FS3	FS4
S12x30	DIN 7984 M6x20

T-connector	Slot	ESD No.	FS
40x40 Set (standard)	10	3 842 532 195	1xFS3, 2xFS4
<i>designLINE</i> set	10	3 842 538 697	1xFS3, 2xFS4

Material: T-connector: Diecast aluminum
designLINE T-connector: painted (RAL 9006)
 Fastening material: Steel; zinc-plated
 Scope of delivery: Set incl. fastening material (FS)

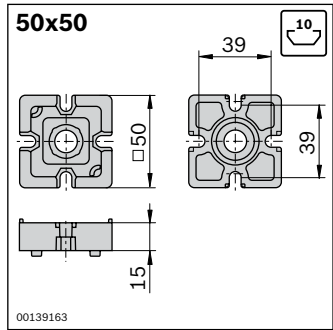


Type	F_{max}	M_{max}
45x45	9000 N	200 Nm

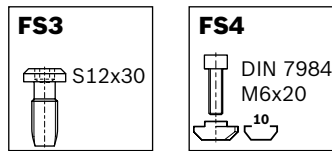


T-connector	Slot	ESD No.	FS
45x45 Set (standard)	10	3 842 520 802	1xFS3, 2xFS4
<i>designLINE</i> set	10	3 842 538 698	1xFS3, 2xFS4

Material: T-connector: Diecast zinc
designLINE T-connector: painted (RAL 9006)
 Fastening material: Steel; zinc-plated
 Scope of delivery: Set incl. fastening material (FS)

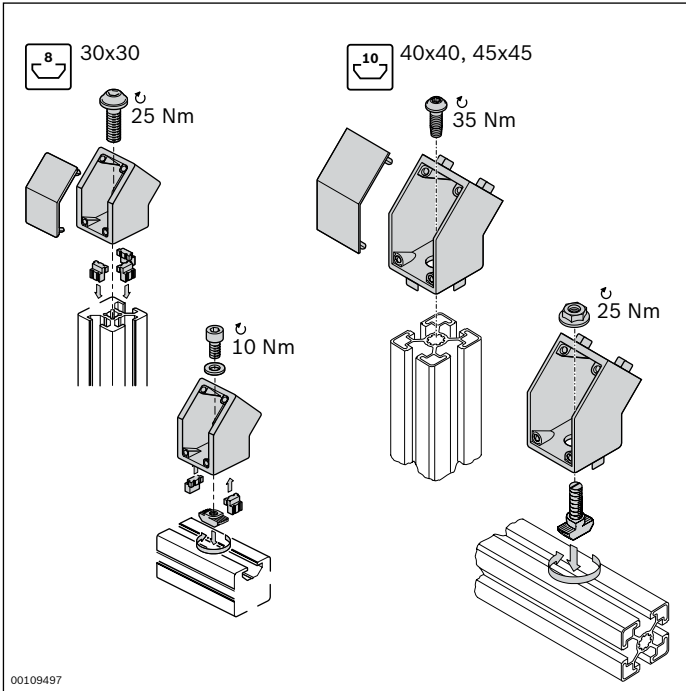


Type	F_{max}	M_{max}
50x50	10000 N	170 Nm

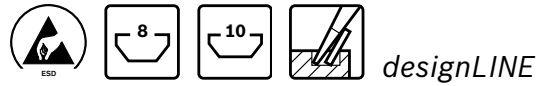


T-connector	Slot	ESD No.	FS
50x50 Set (standard)	10	3 842 532 198	1xFS3, 2xFS4

Material: T-connector: Diecast zinc
 Fastening material: Steel; zinc-plated
 Scope of delivery: Set incl. fastening material (FS)

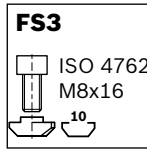
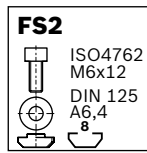
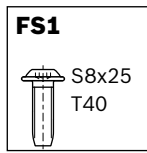
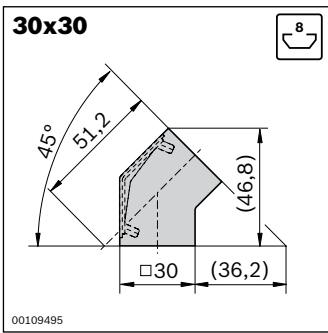


Connector 45°



- ▶ For connecting profiles at an angle of less than 45°
- ▶ Suitable for reinforcing frames
- ▶ Suitable for connections at the end-face or in the profile slot
- ▶ Connectors 45° 40x40 and 45x45 with centering lugs for easy positioning (centering lugs can simply be broken off for installation in the profile slot)
- ▶ *designLINE* version with special silver paint (RAL 9006) for an attractive, high-quality design
- Profile finishing: Not required

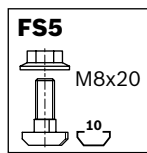
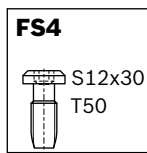
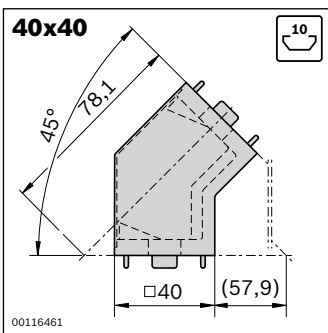
* Connector 45° creates conductive connection, but the cover caps included in the set are not ESD-compatible.



Connector 45°	Color	Slot	ESD No.	FS
30x30 Set (standard)	Signal gray	8	⚡*	3 842 554 446 2xFS1,
	Black	8	⚡*	3 842 554 447 FS2, FS3
Set <i>designLINE</i>	Signal gray	8	⚡*	3 842 554 452 2xFS1,
	Black	8	⚡*	3 842 554 453 FS2, FS3

Material: Connector 45°: Diecast zinc; connector 45° *designLINE*: painted (RAL 9006); centering piece, cover cap: PP; fastening material: Steel; zinc-plated

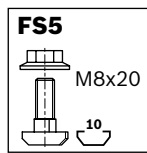
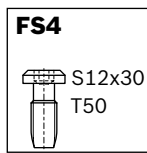
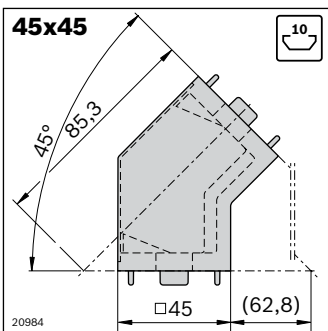
Scope of delivery: Set incl. fastening material (FS), 6 x centering piece, cover cap



Connector 45°	Color	Slot	ESD No.	FS
40x40 Set (standard)	Signal gray	10	⚡*	3 842 554 448 2xFS4,
	Black	10	⚡*	3 842 554 449 FS5
Set <i>designLINE</i>	Signal gray	10	⚡*	3 842 554 454 2xFS4,
	Black	10	⚡*	3 842 554 455 FS5

Material: Connector 45°: Diecast aluminum; connector 45° *designLINE*: painted (RAL 9006); centering piece, cover cap: PP; fastening material: Steel; zinc-plated

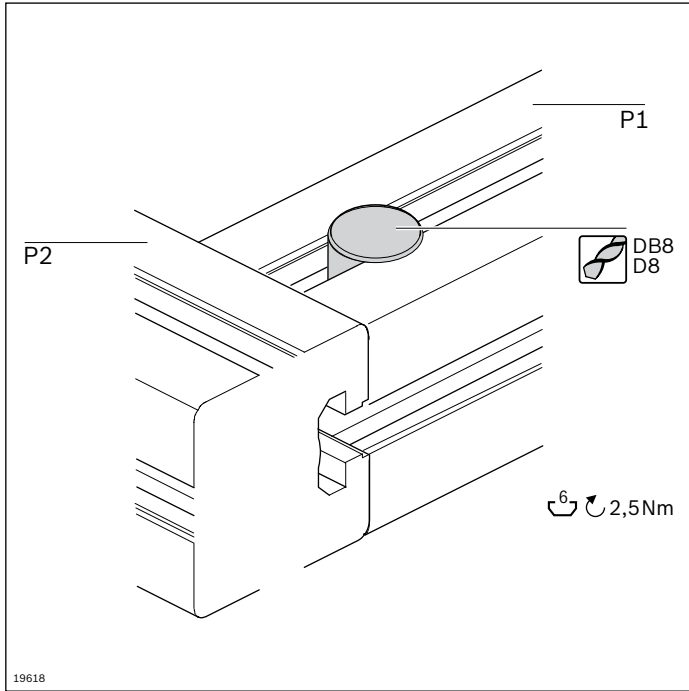
Scope of delivery: Set incl. fastening material (FS), cover cap



Connector 45°	Color	Slot	ESD No.	FS
45x45 Set (standard)	Signal gray	10	⚡*	3 842 554 450 2xFS4,
	Black	10	⚡*	3 842 554 451 FS5
Set <i>designLINE</i>	Signal gray	10	⚡*	3 842 554 456 2xFS4,
	Black	10	⚡*	3 842 554 457 FS5

Material: Connector 45°: Diecast aluminum; connector 45° *designLINE*: painted (RAL 9006); centering piece, cover cap: PP; fastening material: Steel; zinc-plated

Scope of delivery: Set incl. fastening material (FS), cover cap

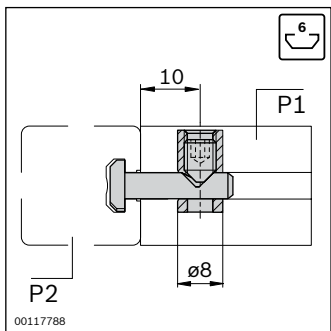
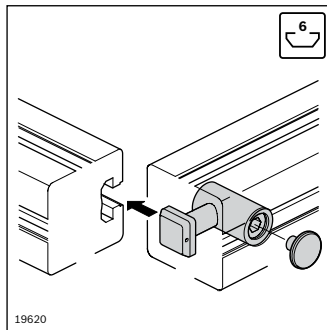
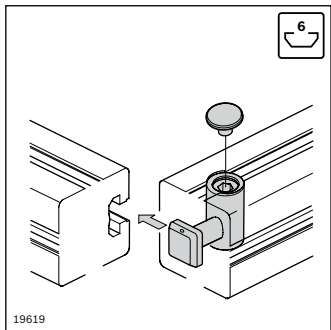


**Quick connector, 6 mm slot, 0°, 90°
Cover cap**



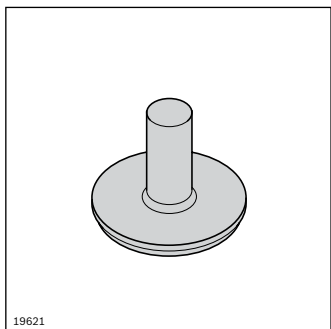
- ▶ For the right-angled connecting of two profiles
- ▶ Excellent accessibility for tools during mounting
- ▶ Quick connector for 6 mm slot with square head; can be used as a 0° or 90° connector
- ▶ Profile finishing:
Blind hole DB8 or through-hole D8

Optional accessories:
Drilling jig (p. 14-2)



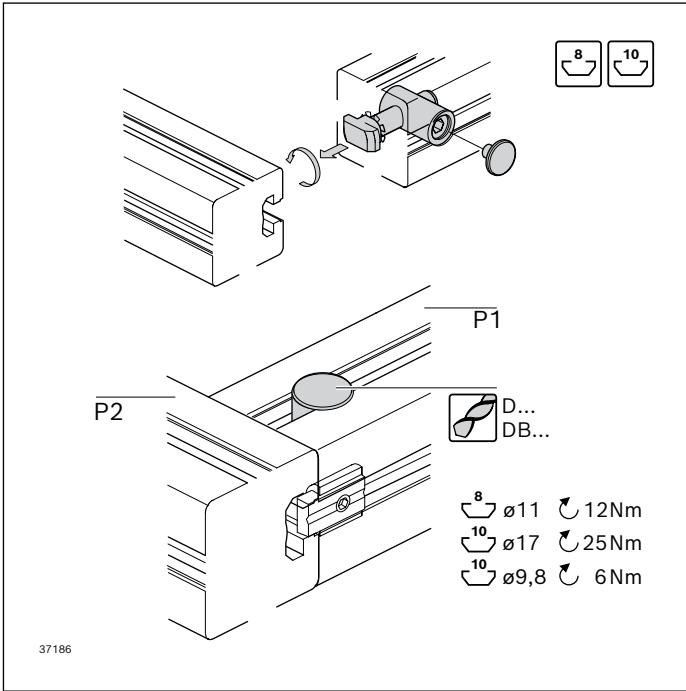
Slot	F_{max}	M_{max}
6 / 6	450 N	18 Nm

Quick connector 0° / 90°	P1 / P2	D ESD (mm)	No.
	6 / 6	8	3 842 537 013
Material: Steel; stainless			



- ▶ Cover cap for connector sleeves

Cover cap	D (mm)	No.
	8	3 842 551 038
Material: PE; signal gray RAL 7004		



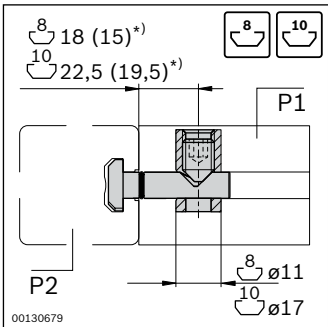
Quick connector, 8/10 mm slot, 0°



- ▶ For the right-angled connecting of two profiles
- ▶ Excellent accessibility for tools during mounting
- ▶ O-ring for fixing allows overhead assembly
- ▶ Quick connectors can be pivoted into the profile slot at the mounting location
- ▶ Profile finishing:
Blind hole DB11, DB17 or
Through-hole D11, D17
- ▶ Note differing drilling intervals and load-bearing capacities when using with radial compensation (“Technical data” p. 18-12)

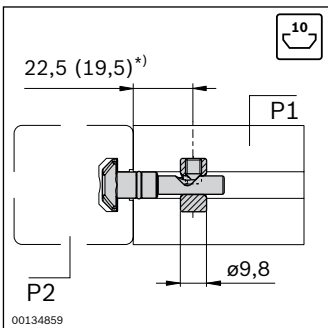
Optional accessories:

- ▶ Anti-torsion element (p. 3-44)
- ▶ Radial compensation (p. 2-84)
- ▶ Drilling jig (p. 14-2)
- ▶ Cover cap (p. 3-56)



Slot	F_{max}	M_{max}
8 / 8	500 N	40 Nm
8 / 10	2000 N	70 Nm
10 / 10	4000 N	140 Nm

*) With the use of a radial compensation



Slot	F_{max}	M_{max}
10 / 10	800 N	50 Nm

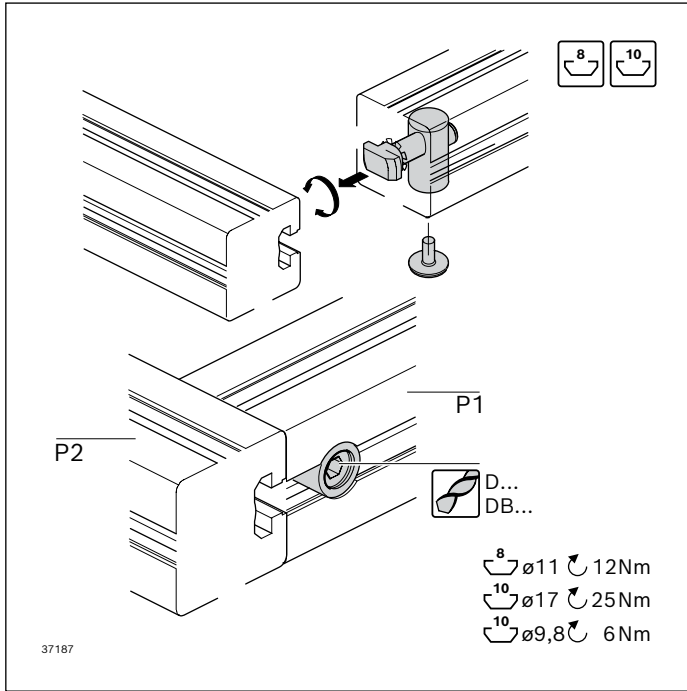
*) With the use of a radial compensation

Quick connector 0°	P1 / P2	D	ESD	No.
		(mm)		
Steel; zinc-plated	8 / 8	11	⚠	3 842 535 459
	8 / 10	11	⚠	3 842 535 464
	10 / 10	17	⚠	3 842 535 458
Steel; stainless	8 / 8	11	⚠	3 842 548 934
	8 / 10	11	⚠	3 842 548 935
	10 / 10	17	⚠	3 842 548 936

- ▶ Quick connector 9.8 with smaller connector sleeve
- ▶ The hole for the connector sleeve does not make contact with the slot flanks. This permits a visually attractive connection; the slot can be completely closed with the cover profile

Quick connector 0°, connector sleeve D = 9.8	P1 / P2	D	ESD	No.
		(mm)		
Steel; zinc-plated	10 / 10	9.8 ¹⁾	⚠	3 842 541 412

¹⁾ No standard hole in modular dimensions 40, 50 and 60
Target distance from profile end: 22.5 mm



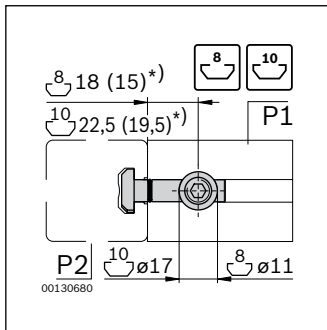
**Quick connector, 8/10 mm slot, 90°
Cover cap**



- ▶ Tie rod head rotated at a 90° angle to the connector sleeve
- ▶ Profile finishing:
Blind hole DB11, DB17 or
Through-hole D11, D17

Optional accessories:

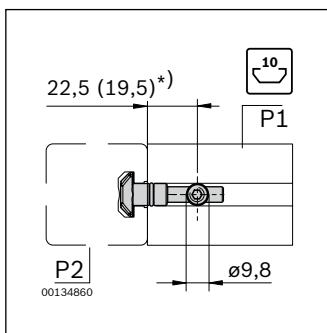
- ▶ Anti-torsion element (p. 3-44)
- ▶ Radial compensation (p. 2-84)
- ▶ Drilling jig (p. 14-2)
- ▶ Cover cap



Slot	F_{max}	M_{max}
8 / 8	500 N	40 Nm
10 / 10	4000 N	140 Nm

*) With the use of a radial compensation

Quick connector 90°	P1 / P2	D	ESD	No.
		(mm)		
Steel; zinc-plated	8 / 8	11	⚡	3 842 535 465
	10 / 10	17	⚡	3 842 535 466
Steel; stainless	8 / 8	11	⚡	3 842 548 937
	10 / 10	17	⚡	3 842 548 938

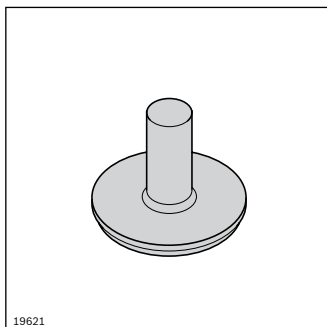


Slot	F_{max}	M_{max}
10 / 10	800 N	50 Nm

*) With the use of a radial compensation

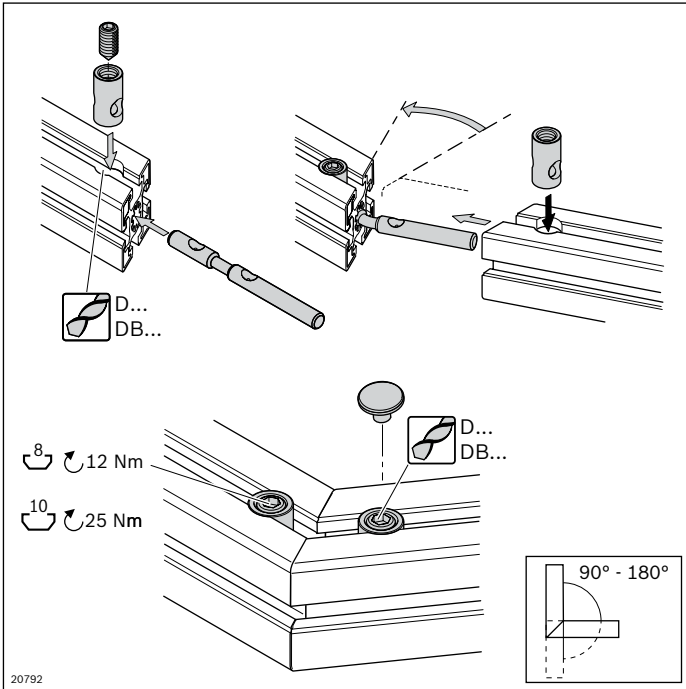
Quick connector 90°, connector sleeve D = 9.8	P1 / P2	D	ESD	No.
		(mm)		
Steel; zinc-plated	10 / 10	9.8 ¹⁾	⚡	3 842 541 410

¹⁾ No standard hole in modular dimensions 40, 50 and 60
Target distance from profile end: 22.5 mm



Cover cap	D	No.
	(mm)	
	11	100 3 842 551 040
	17	100 3 842 551 042

Material: PE; signal gray RAL 7004



20792

Quick connector, bendable – end-to-end

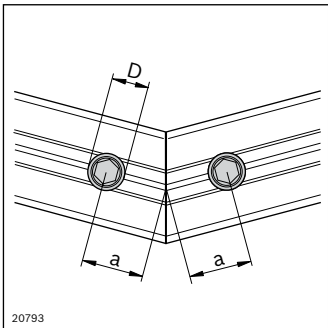


- ▶ For end-to-end connecting of two profiles with equal cross-sections and at any angle, e.g. for frames
- ▶ Profile finishing:
 - Blind hole DB11, DB17 or through-hole D11, D17
 - Miter cut


Technical data (p. 18-12)



Accessories:

- ▶ Drilling jig (p. 14-2)
- ▶ Cover cap (p. 3-56)

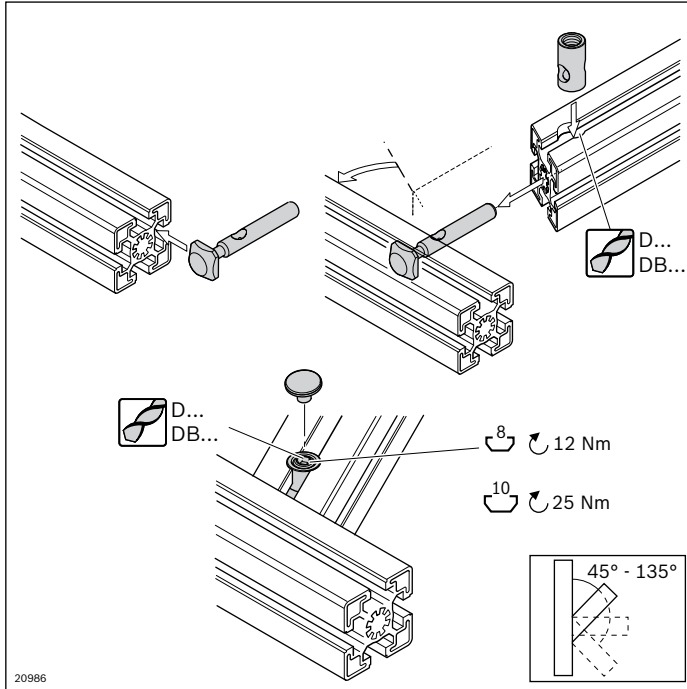


20793

Profile	M _{max} ↓ 
30x30	24 Nm
40x40L	100 Nm
45x45L	110 Nm
45x45	145 Nm
50x50L	160 Nm

Quick connector, bendable	P1 / P2	a (mm)	D (mm)	ESD	No.
End-to-end	8 / 8	18	11		10 3 842 535 630
	10 / 10	22.5	17		10 3 842 535 634

Material: Tie rod: Steel; stainless
Socket: Steel; zinc-plated



Quick connector, bendable – end-to-slot

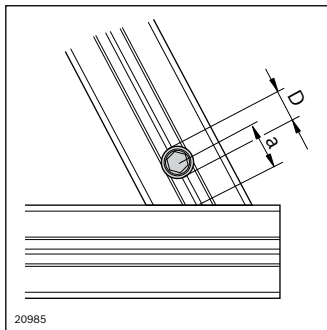


- ▶ For end-to-slot connecting of two profiles at any angle, e.g. for framework constructions
- ▶ Profile finishing:
 - Blind hole DB11, DB17 or through-hole D11, D17
 - Miter cut

Technical data (p. 18-12)

Accessories:

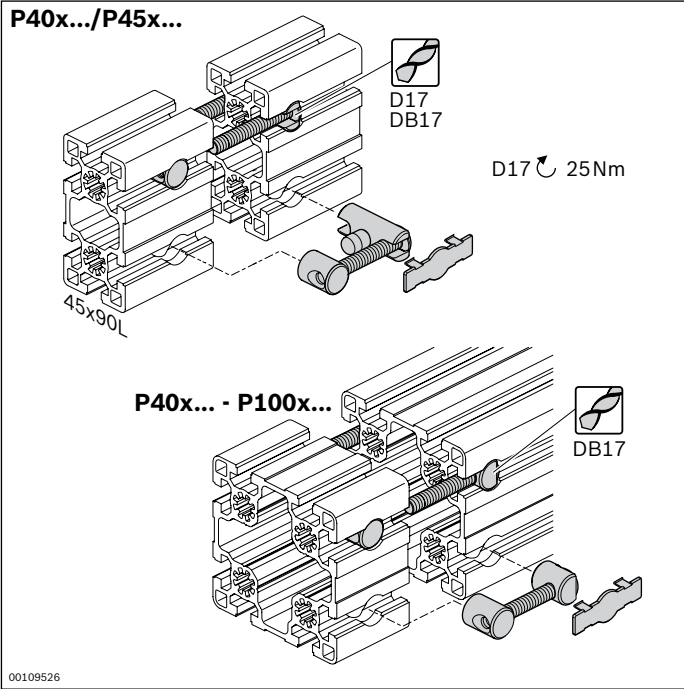
- ▶ Drilling jig (p. 14-2)
- ▶ Cover cap (p. 3-56)



Quick connector, bendable	P1 / P2	a (mm)	D (mm)	ESD	No.
End-to-slot	8 / 8	18	11	⚡	3 842 535 629
	10 / 10	22.5	17	⚡	3 842 535 635

Material: Tie rod: Steel; stainless
Socket: Steel; zinc-plated

Profile	F_{max}	M_{max}	F_{max}	M_{max}
30x30	1100 N	35 Nm	650 N	40 Nm
40x40L	1500 N	110 Nm	1000 N	80 Nm
45x45L	1500 N	120 Nm	1000 N	95 Nm
45x45	1500 N	140 Nm	1100 N	180 Nm
50x50L	1500 N	150 Nm	1100 N	180 Nm

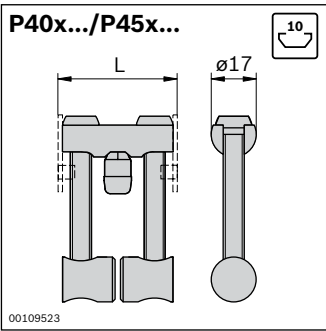


Longitudinal end connector



- ▶ For the end-to-end connecting of two profiles
- ▶ Standard profile finishing:
 - Through-hole D17 (longitudinal end connector on both sides)
 - Blind hole DB17 or through-hole D17 (longitudinal end connector on one side)

Optional accessories:
Cover cap D17 x 44.6; ESD (p. 3-63)



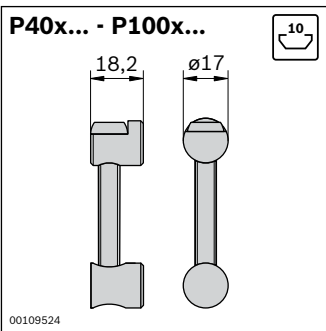
Longitudinal end connector, two-sided	L (mm)	ESD	No.
---------------------------------------	--------	-----	-----

Profile 40x...	40	⚡*	3 842 554 442
Profile 45x...	45	⚡*	3 842 554 440

Material: Longitudinal end connector: screw steel; zinc-plated
Centering pin, cover caps: PP, signal gray

Scope of delivery: Incl. 4 x cover cap

* Longitudinal end connector establishes conductive connection.
Cover caps included in the set are not ESD-compatible.



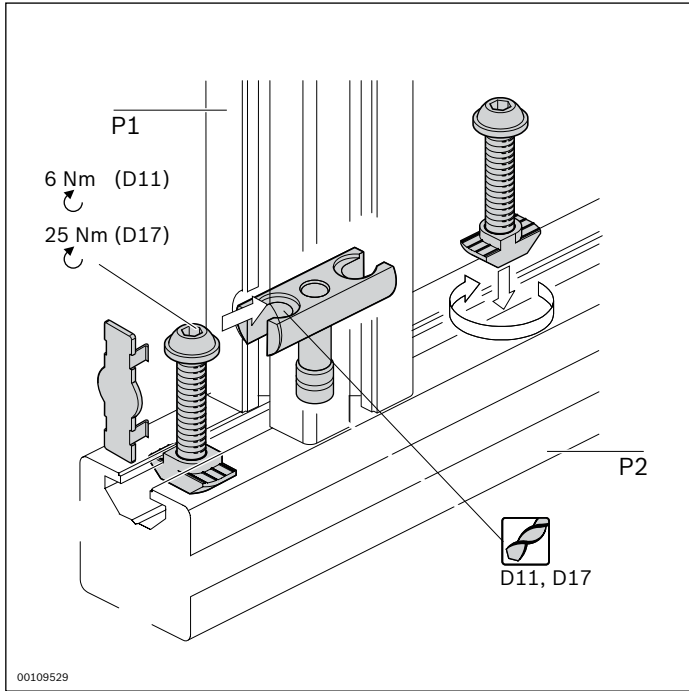
Longitudinal end connector, one-sided	ESD	No.
---------------------------------------	-----	-----

Profile 40x... - 100x...	⚡*	3 842 554 444
--------------------------	----	---------------

Material: Longitudinal end connector: screw steel; zinc-plated
Centering pin, cover caps: PP, signal gray

Scope of delivery: Incl. 2 x cover cap

* Longitudinal end connector establishes conductive connection.
Cover caps included in the set are not ESD-compatible.



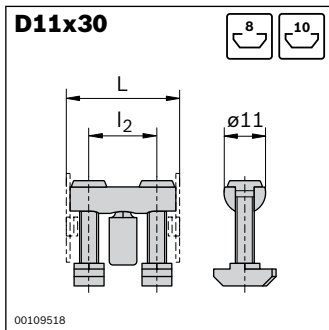
Bolt connector



- ▶ For the right-angled connecting of two profiles
 - ▶ Suitable for heavy loads, including torsional loads
 - ▶ Can be mounted in closed frames
 - Profile finishing: Through-hole D11, D17
- Technical data (p. 18-13)

Accessories:
Drilling jig (p. 14-2)

Optional accessories:
Cover cap ESD (p. 3-63)

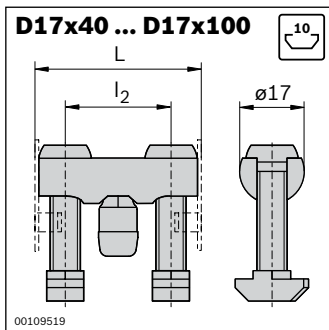


Size	F_{max}	M_{max}	M_{max}
30	2500 N	60 Nm	20 Nm

Bolt connector	P1 / P2	L (mm)	l_2 (mm)	ESD	No.
D11x30	8 / 8	30	18	⚡*	10 3 842 554 402
	8 / 10	30	18	⚡*	10 3 842 555 590

Material: Bolt connector: Steel; zinc-plated
Centering pin, cover caps: PP, signal gray
* Bolt connector creates conductive connection, but the cover caps included in the set are not ESD-compatible.

Scope of delivery: Incl. 2 x cover cap

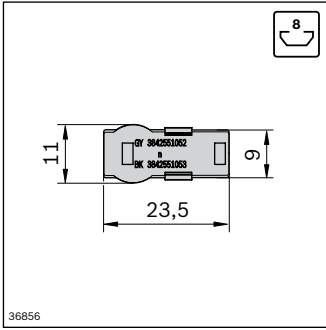


Size	F_{max}	M_{max}	M_{max}
40	4000 N	180 Nm	40 Nm
45	4000 N	180 Nm	60 Nm
50	4000 N	200 Nm	65 Nm
60	4000 N	200 Nm	80 Nm
80	5000 N	800 Nm	170 Nm
90	5000 N	800 Nm	200 Nm
100	5000 N	1000 Nm	480 Nm

Bolt connector	P1 / P2	L (mm)	l_2 (mm)	ESD	No.
D17x40	10 / 10	40	23	⚡*	10 3 842 555 594
D17x45	10 / 10	45	28	⚡*	10 3 842 555 584
D17x50	10 / 10	50	33	⚡*	10 3 842 555 596
D17x60	10 / 10	60	43	⚡*	10 3 842 555 586
D17x80	10 / 10	80	63	⚡*	10 3 842 555 598
D17x90	10 / 10	90	73	⚡*	10 3 842 555 588
D17x100	10 / 10	100	83	⚡*	10 3 842 555 592

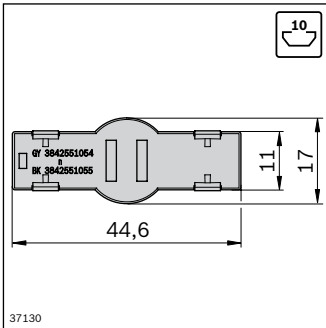
Material: Bolt connector: Steel; zinc-plated
Centering pin, cover caps: PP, signal gray
* Bolt connector creates conductive connection, but the cover caps included in the set are not ESD-compatible.

Scope of delivery: Incl. 2 x cover cap



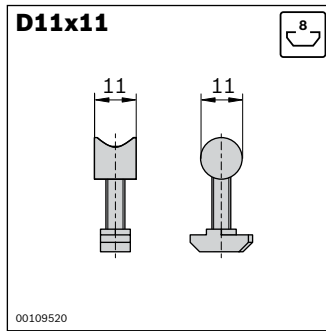
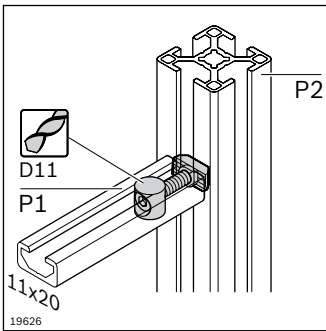
Cover cap	Color	ESD	No.
D11 x 23.5	Signal gray	100	3 842 551 052
D11 x 23.5	Black	100	3 842 551 053

Material: PP



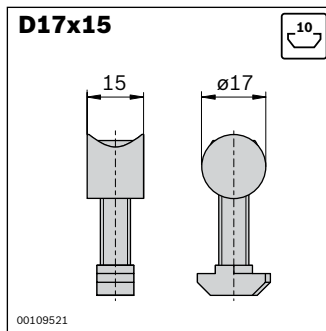
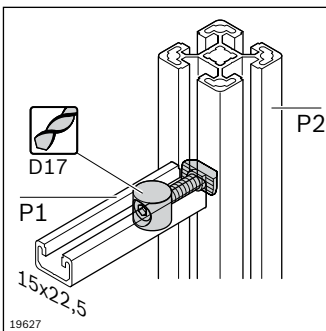
Cover cap	Color	ESD	No.
D17 x 44.6	Signal gray	100	3 842 551 054
D17 x 44.6	Black	100	3 842 551 055

Material: PP



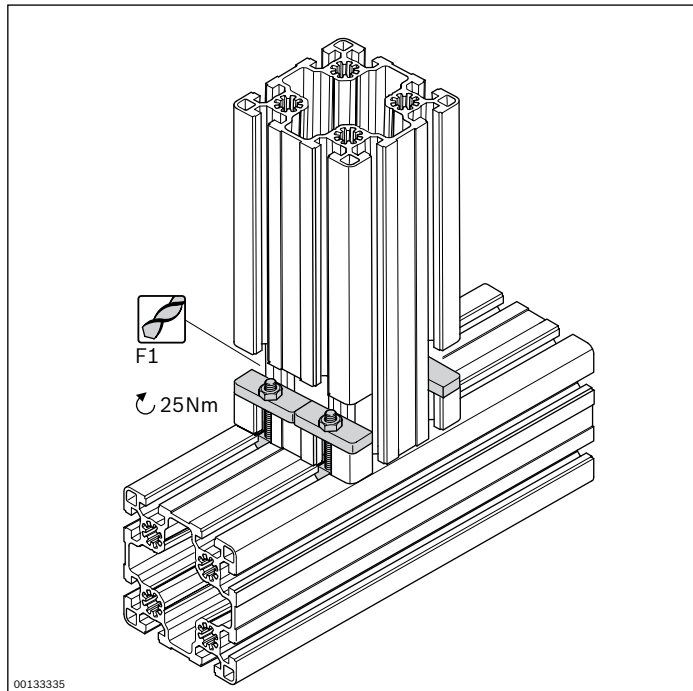
Bolt connector	P1 / P2	ESD	No.
D11x11	8 / 8	10	3 842 535 617

Material: Steel; zinc-plated



Bolt connector	P1 / P2	ESD	No.
D17x15	10 / 10	10	3 842 535 619

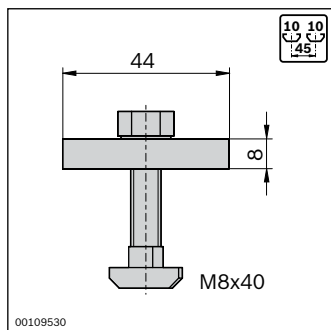
Material: Steel; zinc-plated



Cross connector kit

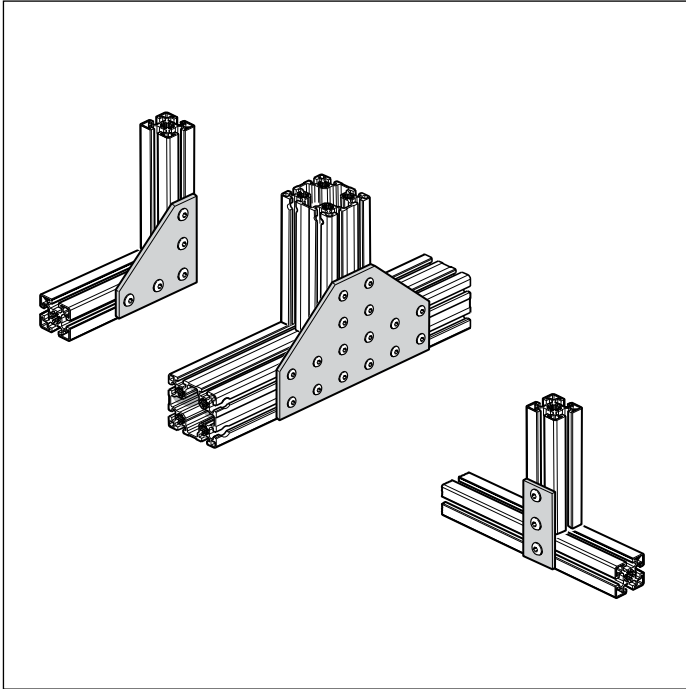


- ▶ For the right-angled connecting of two profiles
- ▶ Excellent accessibility for tools during mounting
- ▶ Profile finishing: Standard milling F1
- ▶ Bending moments must be avoided



Slot	
10	1000 N

Cross connector kit		No.
Material: Steel; zinc-plated	10	3 842 146 972

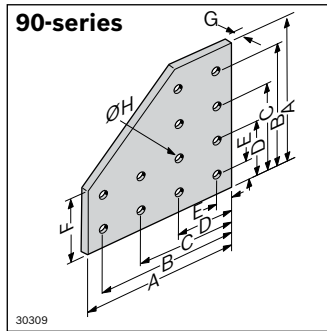
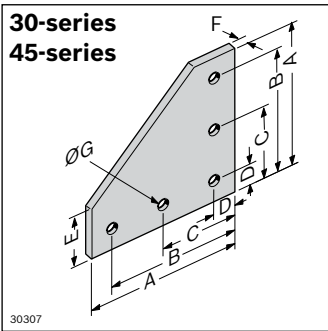


Joining plates

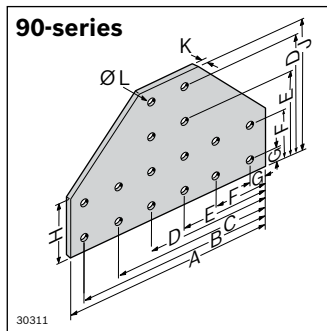
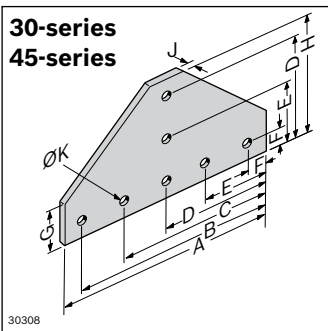


- ▶ Fasten to the outside faces of the profiles, leaving the inner T-slots free for panels or accessories.
- ▶ Can be added to reinforce a structure after initial assembly
- ▶ Three different styles available in a variety of sizes
- ▶ Material: Clear anodized 6063-T6 aluminum

Note: All dimensions in mm

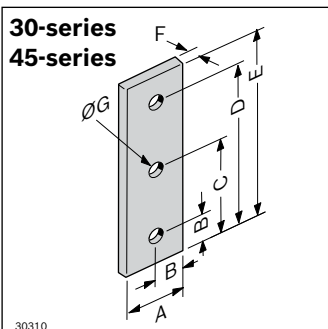


Corner Joining Plates	Profile	Slot	Icon	No.
	30-series	8	1	8 981 019 457
	45-series	10	1	8 981 019 448
	90-series	10	1	8 981 019 452



T-Junction Joining Plates	Profile	Slot	Icon	No.
	30-series	8	1	8 981 019 461
	45-series	10	1	8 981 019 450
	90-series	10	1	8 981 019 455

Profile	A	B	C	D	E	F	G	H	J	K	ØK	ØL
30-series	144	132.0	102.0	72.0	42.0	12.0	24.0	84	5.0	-	6.2	-
45-series	219	199.5	154.4	109.5	64.5	19.5	39.0	129	6.5	-	8.3	-
90-series	264	244.5	199.5	154.5	109.5	64.5	19.5	84	174	6.5	-	8.3



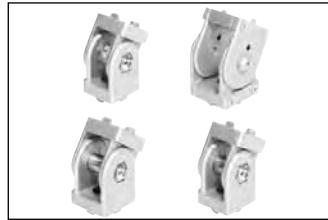
Rectangular Joining Plates	Profile	Slot	Icon	No.
	30-series	8	1	8 981 019 458
	45-series	10	1	8 981 019 449

Profile	A	B	C	D	E	F	ØG
30-series	24	12.0	42.0	72.0	84	5.0	6.2
45-series	39	19.5	64.5	109.5	129	6.5	8.3

Joints



Joint 45x45 lockable
(p. 4-2)



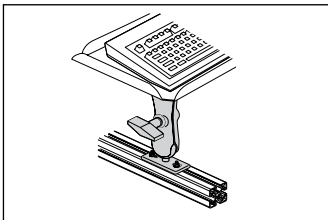
Joints (p. 4-4)



Swivel bearing (p. 4-9)



Supporting arm joint
(p. 4-10)



Mounting unit, Flat panel
monitor (p. 4-11)



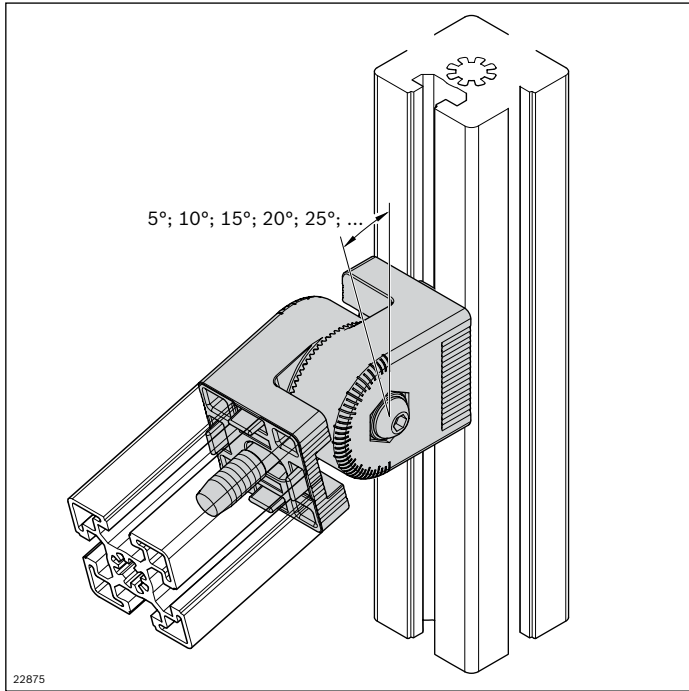
Bearing pedestal (p. 4-12)



Swivel mounting (p. 4-13)



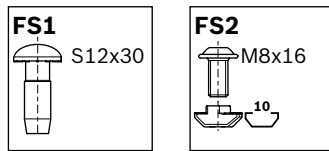
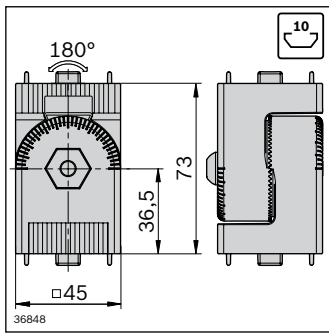
Clamping lever, star knob
(p. 4-14)



Joint 45x45 lockable



- ▶ For adjustable or rigid profile connections
- ▶ For high loads up to 100 Nm in the swivel direction
- ▶ Form fit thanks to Hirth teething
- ▶ Swivel range 180°
- ▶ Easy adjustment in the 5° modular dimensions
- ▶ Marking with a 5° graduation for easy detection of the adjustment angle
- ▶ Clamping and convenient adjustment of joint using a clamping lever or screw
- ▶ Profile finishing: Not required (self-cutting screw for end face to end face connections)
- ▶ Compatible with joint 45x45 and joint 45x45 support (p. 4-5)

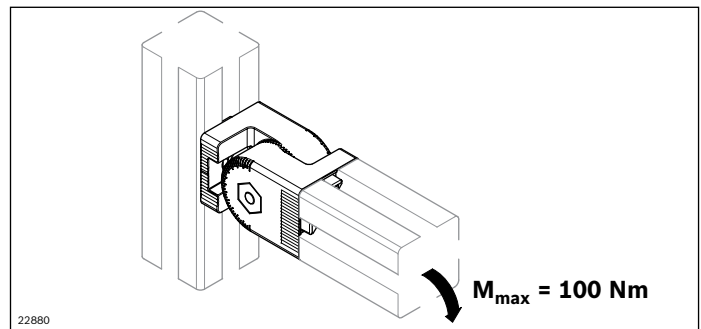
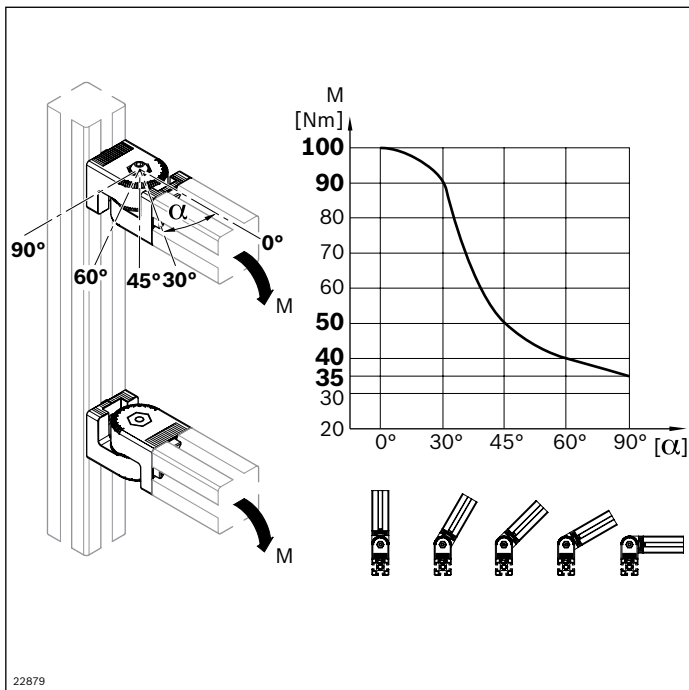


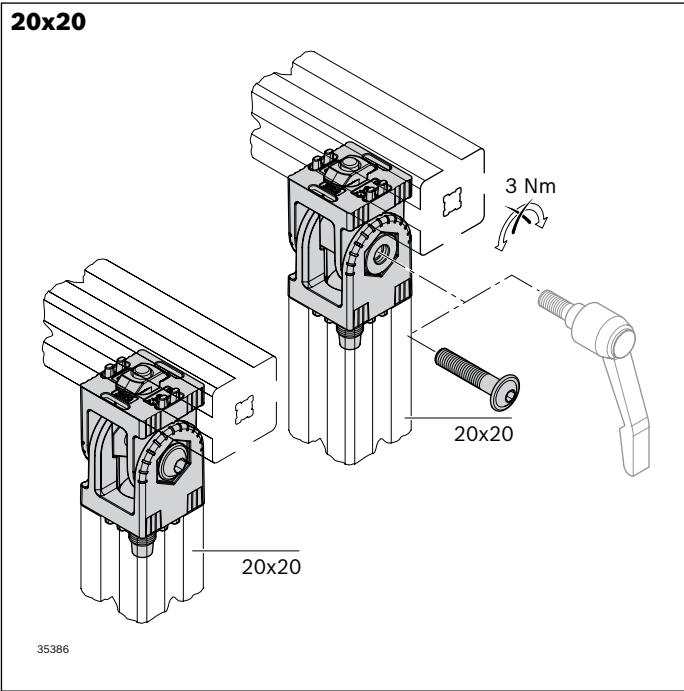
Joint 45x45 lockable	Slot	ESD	No.	FS
	10		3 842 546 564	2xFS1, 2xFS2

Material: Diecast zinc
 Fastening material: Steel; zinc-plated
 Scope of delivery: Incl. fastening material (FS)

Clamping lever M8x45	No.
For joint 45x45 lockable	3 842 538 607

Material: Diecast zinc, black polymer coating

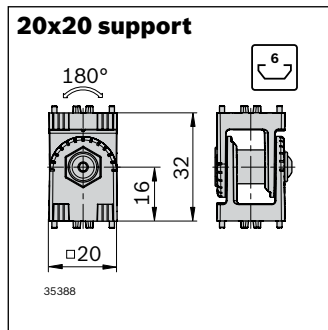
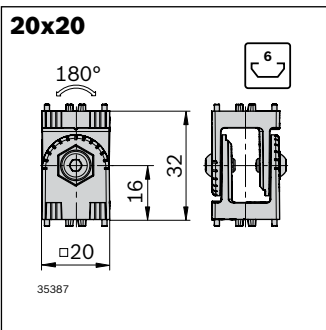




Joint 20x20



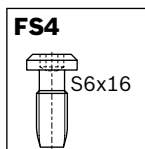
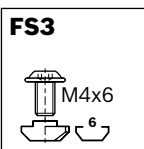
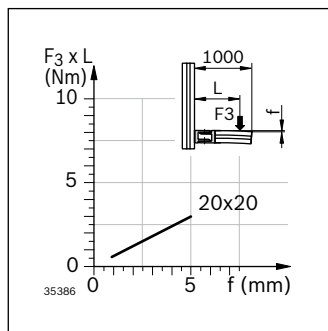
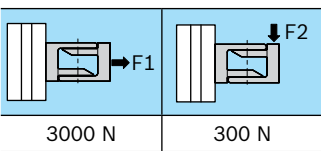
- ▶ For movable or rigid profile connections at any angle
- ▶ Swivel range 180°
- ▶ With a 15° graduation
- ▶ Clamping (3 Nm) and convenient adjustment of joint using a clamping lever (M4x20)
- ▶ *designLINE* version with special silver paint (RAL 9006) for an attractive, high-quality design
- ▶ Two different assembly versions (normal and support) available under the same order number

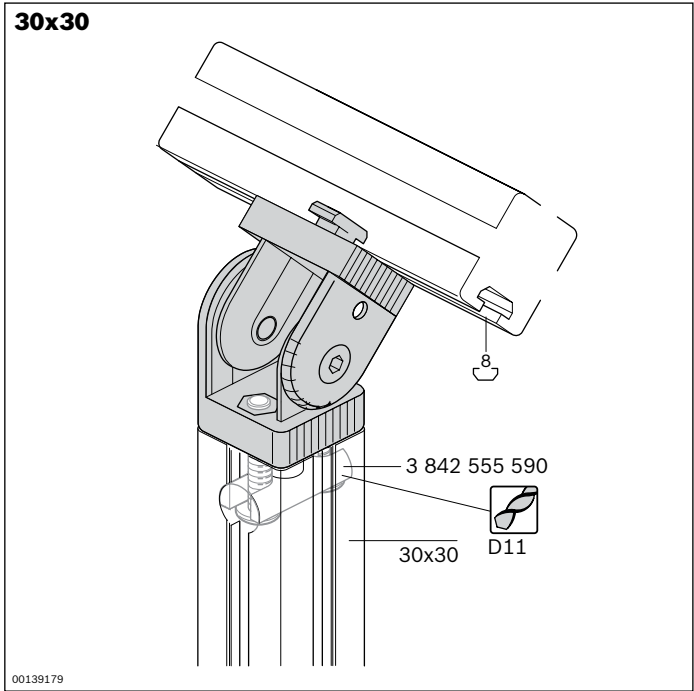


Joint 20x20	Slot ESD No.	FS
Standard	6	3 842 555 659 2xFS3, 2xFS4
designLINE	6	3 842 555 665 2xFS3, 2xFS4

Material: Standard: Diecast aluminum
designLINE: painted, RAL 9006
 Fastening material: Steel; zinc-plated

Scope of delivery: Incl. fastening material (FS)



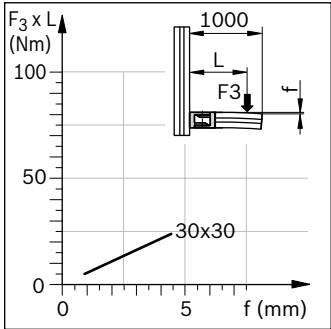
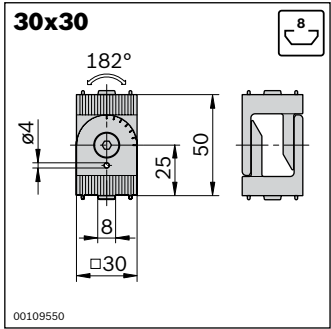


Joint 30x30



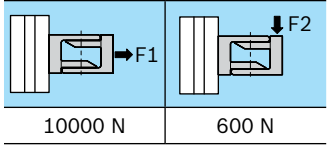
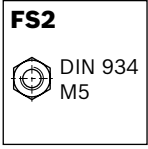
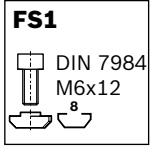
- ▶ For movable or rigid profile connections at any angle
- ▶ Swivel range 182°
- ▶ With a 15° graduation
- ▶ Locking by clamping (5 Nm) or fixing with pins (15 Nm)
- ▶ *designLINE* version with special silver paint (RAL 9006) for an attractive, high-quality design
- ▶ Profile finishing:
Through-hole D11 for end face profile connections

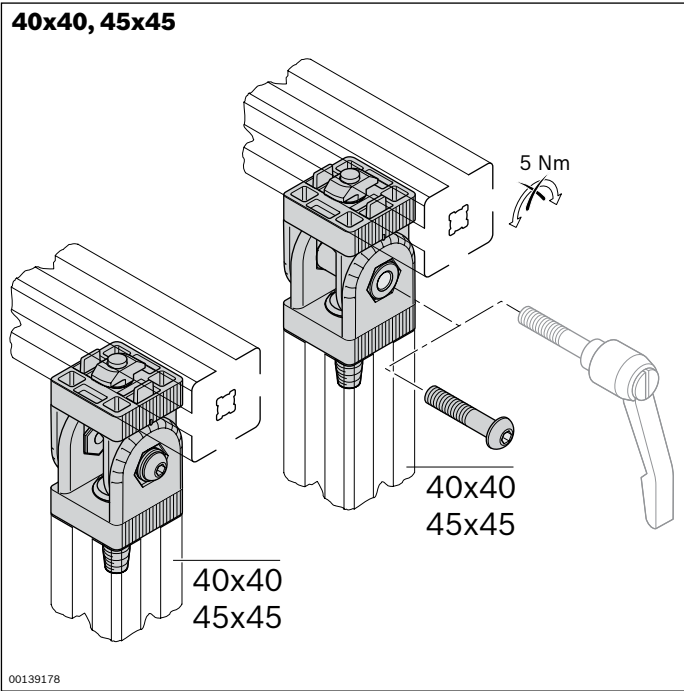
Required accessories:
Bolt connector D11 for end face connections



Joint 30x30	Slot ESD No.	FS
Standard	8	3 842 502 683 2xFS1, 4xFS2
designLINE	8	3 842 538 683 2xFS1, 4xFS2

Material: Standard: Diecast zinc
designLINE: painted, RAL 9006
Fastening material: Steel; zinc-plated
Scope of delivery: Incl. fastening material (FS)

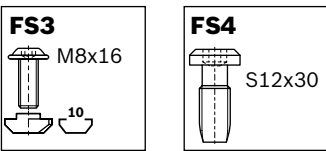
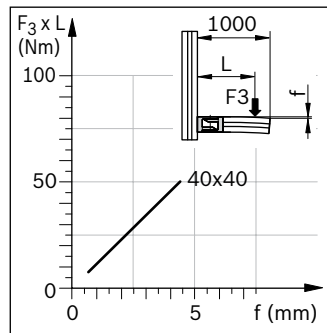
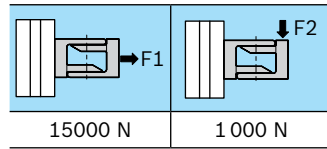
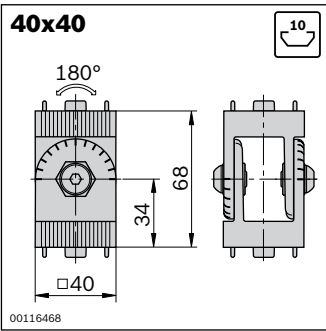




Join 40x40, 40x40 support, 45x45, 45x45 support

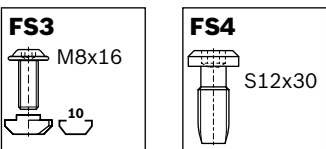
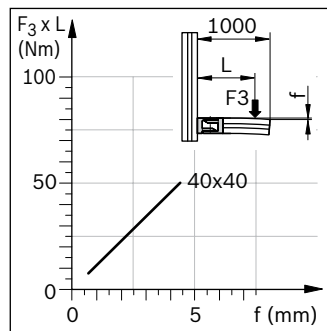
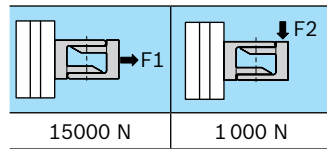
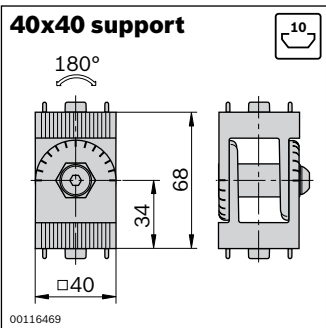


- ▶ For movable or rigid profile connections at any angle
- ▶ Swivel range 180°
- ▶ With a 15° graduation
- ▶ Clamping and convenient adjustment of “support” joint using a clamping lever (5 Nm)
- ▶ *designLINE* version with special silver paint (RAL 9006) for an attractive, high-quality design



Joint 40x40	Slot	ESD	No.	FS
Standard	10	⚠	3 842 543 401	2xFS3, 2xFS4
<i>designLINE</i>	10	⚠	3 842 538 684	2xFS3, 2xFS4

Material: Standard: Diecast aluminum
designLINE: painted, RAL 9006
 Fastening material: Steel; zinc-plated
 Scope of delivery: Incl. fastening material (FS)

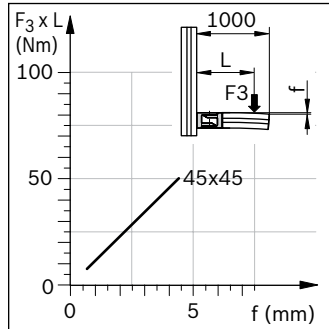
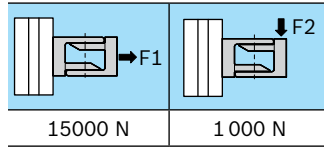
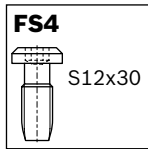
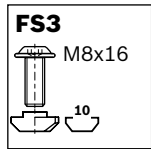
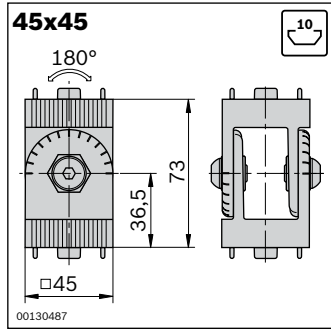


Joint 40x40 support	Slot	ESD	No.	FS
Standard	10	⚠	3 842 543 402	2xFS3, 2xFS4
<i>designLINE</i>	10	⚠	3 842 538 685	2xFS3, 2xFS4

Material: Standard: Diecast aluminum
designLINE: painted, RAL 9006
 Fastening material: Steel; zinc-plated
 Scope of delivery: Incl. fastening material (FS)

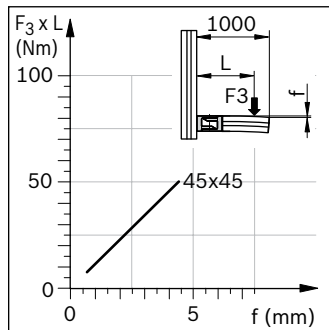
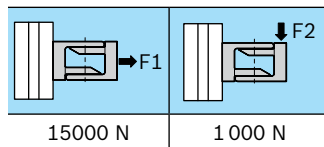
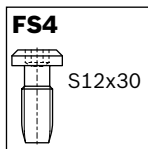
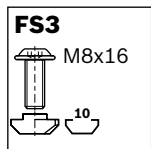
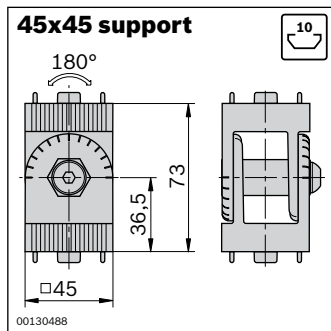
Clamping lever M8x40	No.
For joint 40x40 support	3 842 516 847

Material: Diecast zinc, black polymer coating



Joint 45x45	Slot	ESD	No.	FS
Standard	10		3 842 543 403	2xFS3, 2xFS4
<i>designLINE</i>	10		3 842 538 686	2xFS3, 2xFS4

Material: Standard: Diecast aluminum
designLINE: painted, RAL 9006
 Fastening material: Steel; zinc-plated
 Scope of delivery: Incl. fastening material (FS)

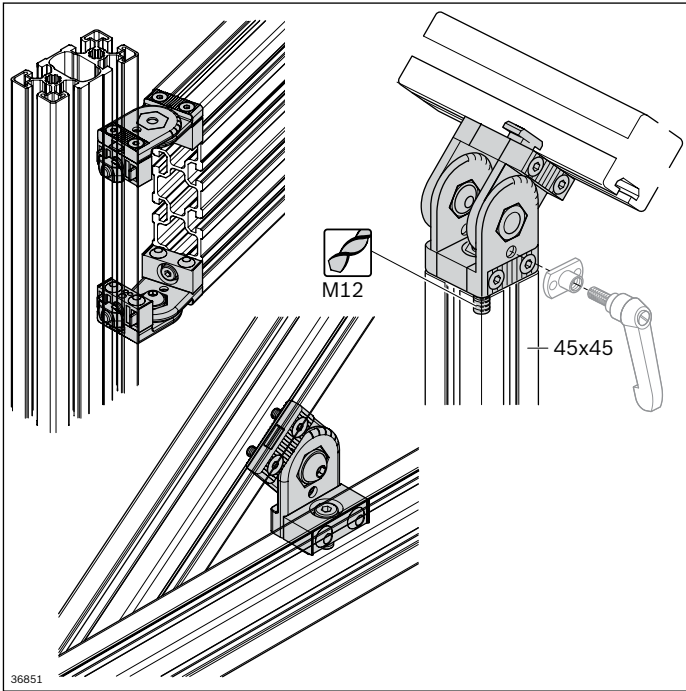


Joint 45x45 support	Slot	ESD	No.	FS
Standard	10		3 842 543 404	2xFS3, 2xFS4
<i>designLINE</i>	10		3 842 538 687	2xFS3, 2xFS4

Material: Standard: Diecast aluminum
designLINE: painted, RAL 9006
 Fastening material: Steel; zinc-plated
 Scope of delivery: Incl. fastening material (FS)

Clamping lever M8x45	No.
For joint 45x45 support	3 842 538 607

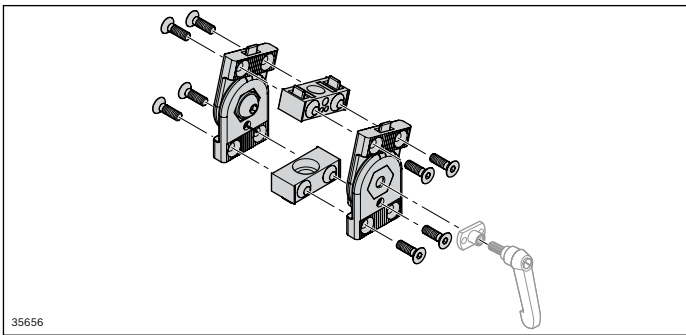
Material: Diecast zinc, black polymer coating



Joint 45x45



- ▶ For movable or rigid profile connections at any angle
- ▶ Swivel range 182°
- ▶ With a 15° graduation

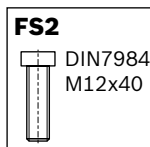
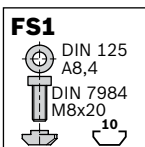
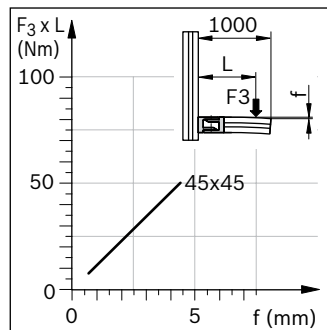
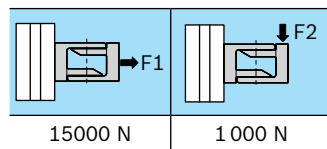
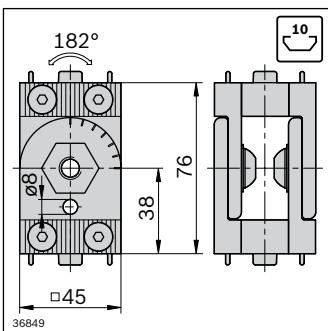


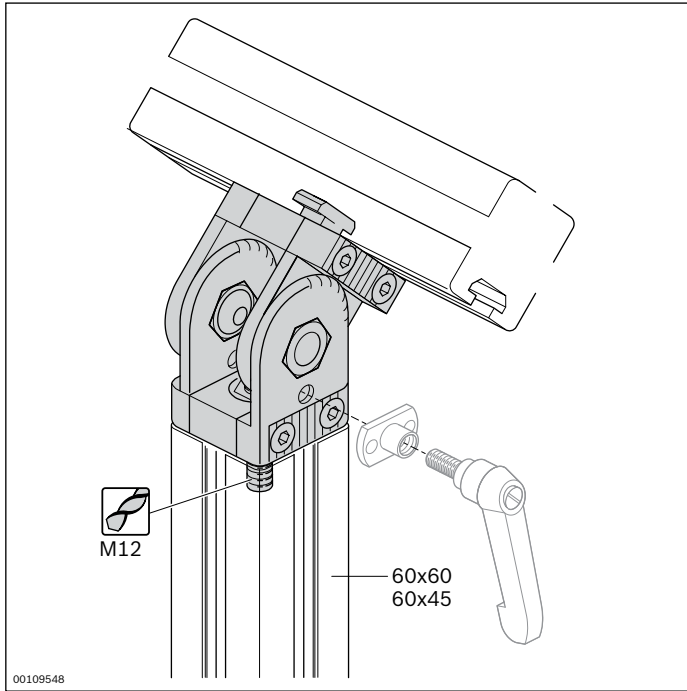
Joint 45x45	Slot ESD No.	FS
Standard	10	3 842 502 684 2xFS1, 2xFS2

Material: Standard: Diecast zinc
 Fastening material: Steel; zinc-plated
 Scope of delivery: Incl. fastening material (FS)

Clamping lever M5x10	ESD No.
For joint 45x45	3 842 505 144

Material: Diecast zinc, black polymer coating

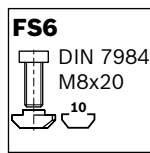
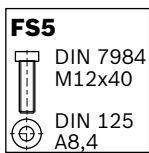
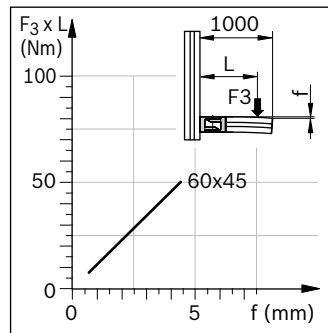
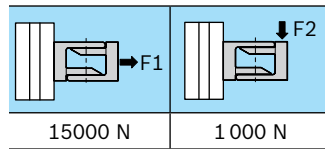
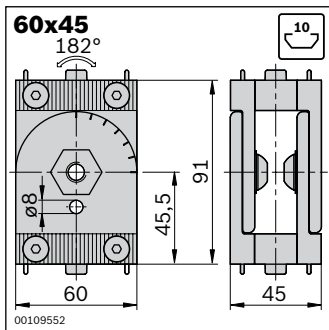




Joint 60x45, 60x60



- ▶ For movable or rigid profile connections at any angle
- ▶ Swivel range 182°
- ▶ With a 15° graduation
- ▶ Locking by clamping (5 Nm) or fixing with pins (15 Nm)
- ▶ The joint can be adjusted using a clamping lever
- ▶ *designLINE* version with special silver paint (RAL 9006)
- ▶ Profile finishing:
Thread (M12) in central bore for end connection

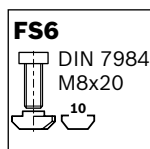
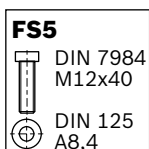
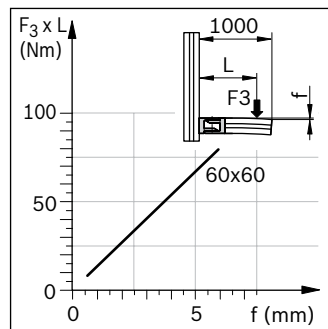
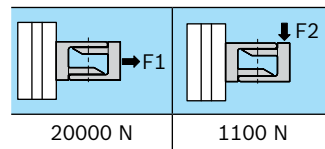
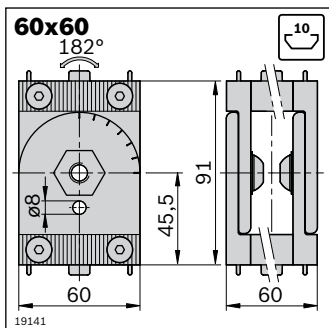


Joint 60x45	Slot	ESD	No.	FS
Standard	10		3 842 502 688	2xFS5, 2xFS6
<i>designLINE</i>	10		3 842 539 799	2xFS5, 2xFS6

Material: Standard: Diecast zinc
designLINE: painted, RAL 9006
Fastening material: Steel; zinc-plated
Scope of delivery: Incl. fastening material (FS)

Clamping lever M5x10	No.
For joint 60x45	3 842 505 144

Material: Diecast zinc, black polymer coating

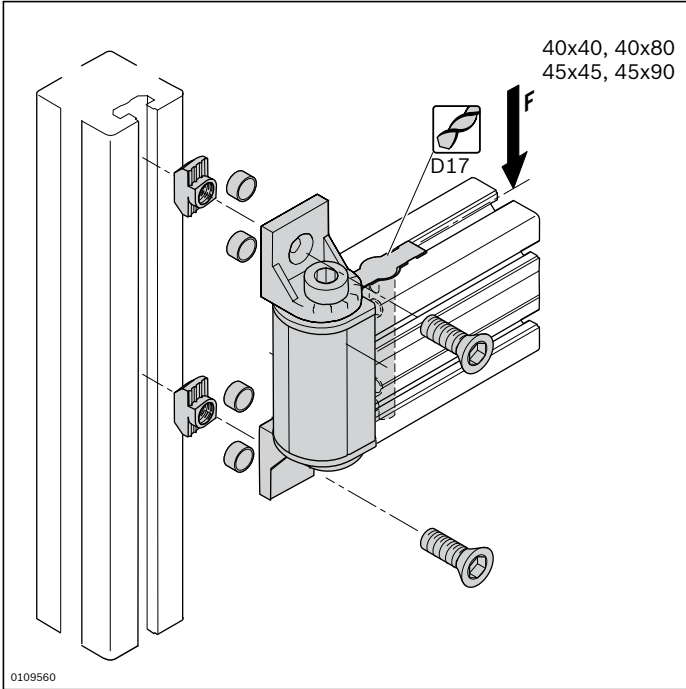


Joint 60x60	Slot	ESD	No.	FS
Standard	10		3 842 502 687	2xFS5, 2xFS6
<i>designLINE</i>	10		3 842 539 800	2xFS5, 2xFS6

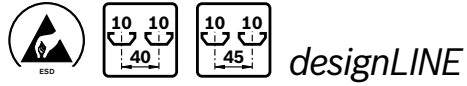
Material: Standard: Diecast zinc
designLINE: painted, RAL 9006
Fastening material: Steel; zinc-plated
Scope of delivery: Incl. fastening material (FS)

Clamping lever M5x10	No.
For joint 60x60	3 842 505 144

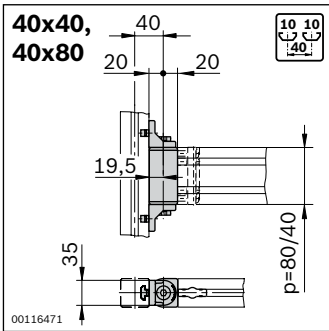
Material: Diecast zinc, black polymer coating



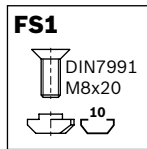
Swivel bearing



- ▶ Suitable for swiveling right-angled profile connections, e.g. for constructing supporting arms or doors
- ▶ *designLINE* version with special silver paint (RAL 9006) for an attractive, high-quality design
- ▶ Profile finishing:
Through-hole D17



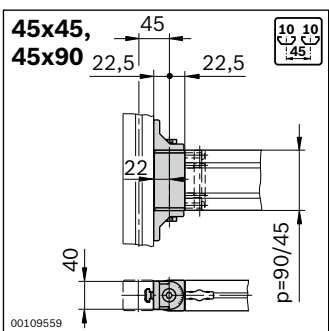
Profile	$M_{max} = F \times L$ (Nm)
40x40	40
40x80	130



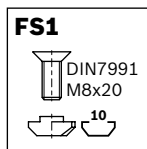
Swivel bearing		p (mm)	ESD No.	FS
40x40	Standard	40	3 842 554 404	2xFS1
	<i>designLINE</i>	40	3 842 554 412	2xFS1
40x80	Standard	80	3 842 554 406	2xFS1
	<i>designLINE</i>	80	3 842 554 414	2xFS1

Material: Standard: Diecast aluminum
designLINE: painted (RAL 9006)
Fastening material: Steel; zinc-plated
Cover cap: PP; gray

Scope of delivery: Incl. cover caps, bolt connectors, fastening material (FS)



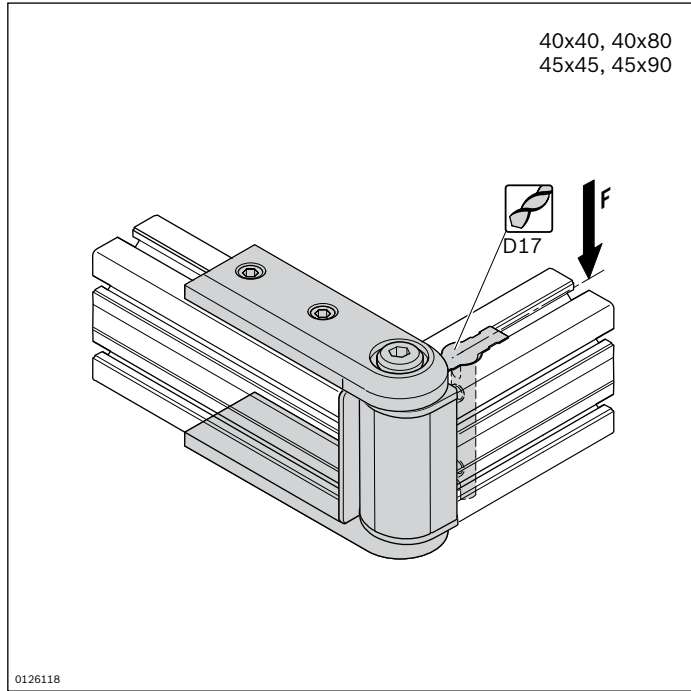
Profile	$M_{max} = F \times L$ (Nm)
45x45	50
45x90	150



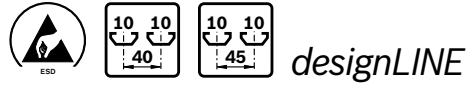
Swivel bearing		p (mm)	ESD No.	FS
45x45	Standard	45	3 842 554 408	2xFS1
	<i>designLINE</i>	45	3 842 554 416	2xFS1
45x90	Standard	90	3 842 554 410	2xFS1
	<i>designLINE</i>	90	3 842 554 418	2xFS1

Material: Standard: Diecast zinc
designLINE: painted (RAL 9006)
Fastening material: Steel; zinc-plated
Cover cap: PP; gray

Scope of delivery: Incl. cover caps, bolt connectors, fastening material (FS)

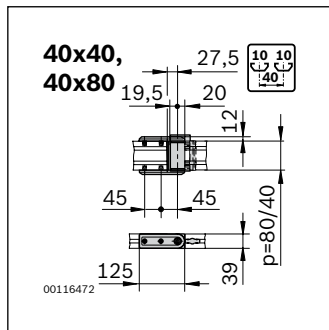


Supporting arm joint

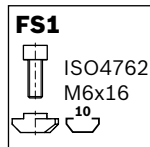


- ▶ Suitable for swiveling end connections, e.g. for the construction of supporting arms
- ▶ *designLINE* version with special silver paint (RAL 9006) for an attractive, high-quality design
- ▶ Profile finishing:
Through-hole D17

0126118



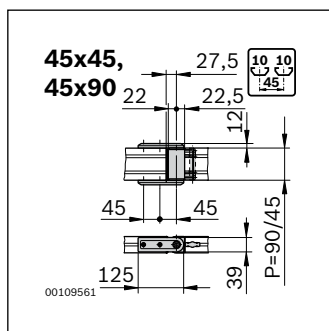
Profile	$M_{max} = F \times L$ (Nm)
40x40	40
40x80	130



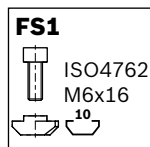
Supporting arm joint	p (mm)	ESD	No.	FS
40x40 Standard	40		3 842 554 420	4xFS1
40x40 <i>designLINE</i>	40		3 842 554 428	4xFS1
40x80 Standard	80		3 842 554 422	4xFS1
40x80 <i>designLINE</i>	80		3 842 554 430	4xFS1

Material: Standard: Diecast zinc
designLINE: painted (RAL 9006)
Cover cap: PP, signal gray
Fastening material: Steel; zinc-plated

Scope of delivery: Incl. cover caps, bolt connectors, fastening material (FS)



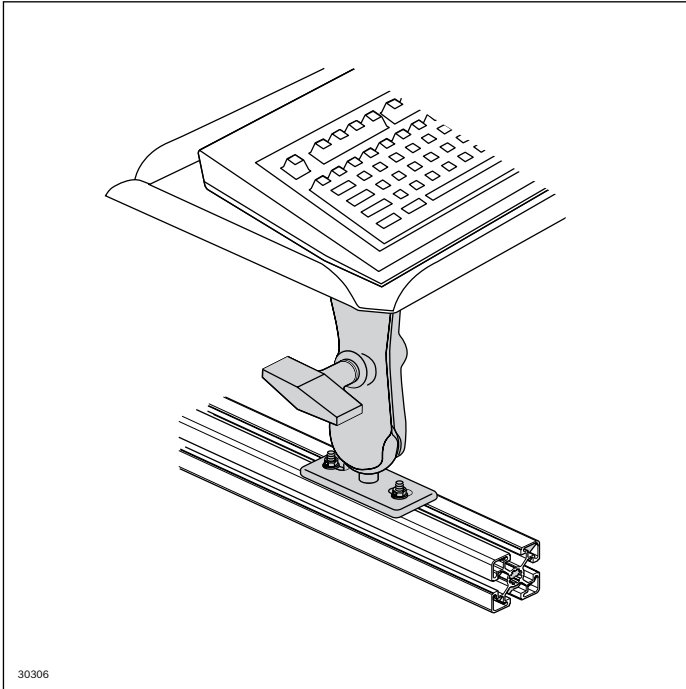
Profile	$M_{max} = F \times L$ (Nm)
45x45	50
45x90	150



Supporting arm joint	p (mm)	ESD	No.	FS
45x45 Standard	45		3 842 554 424	4xFS1
45x45 <i>designLINE</i>	45		3 842 554 432	4xFS1
45x90 Standard	90		3 842 554 426	4xFS1
45x90 <i>designLINE</i>	90		3 842 554 434	4xFS1

Material: Standard: Diecast zinc
designLINE: painted (RAL 9006)
Cover cap: PP, signal gray
Fastening material: Steel; zinc-plated

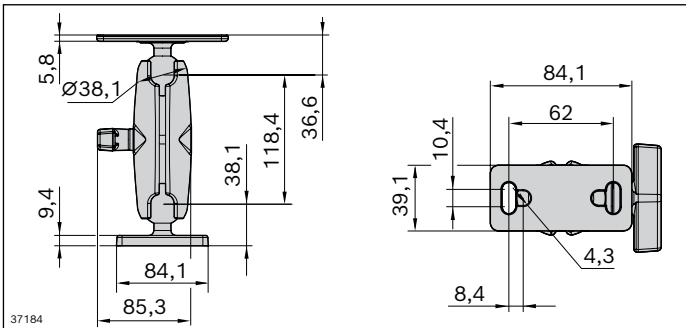
Scope of delivery: Incl. cover caps, bolt connectors, fastening material (FS)



Mounting unit

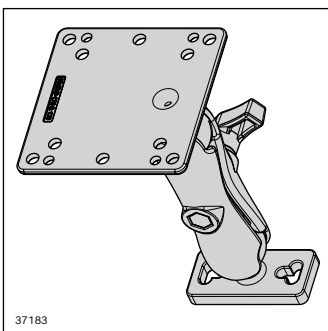


- ▶ Provides a fully adjustable, two-joint connection between two surfaces
- ▶ Locking handle secures the R-A-M® mount in the desired position
- ▶ Perfect for fixturing or adjustable equipment mounts
- ▶ T-bolt fastening kit for installation profile sold separately



R-A-M® mount	No.
	8 981 019 573

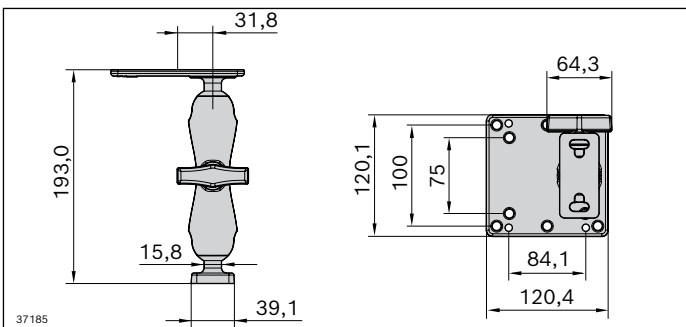
Material: Mounting plates and R-A-M® mount body:
black diecast aluminum
Adjustment balls: rubber
Hardware: stainless steel

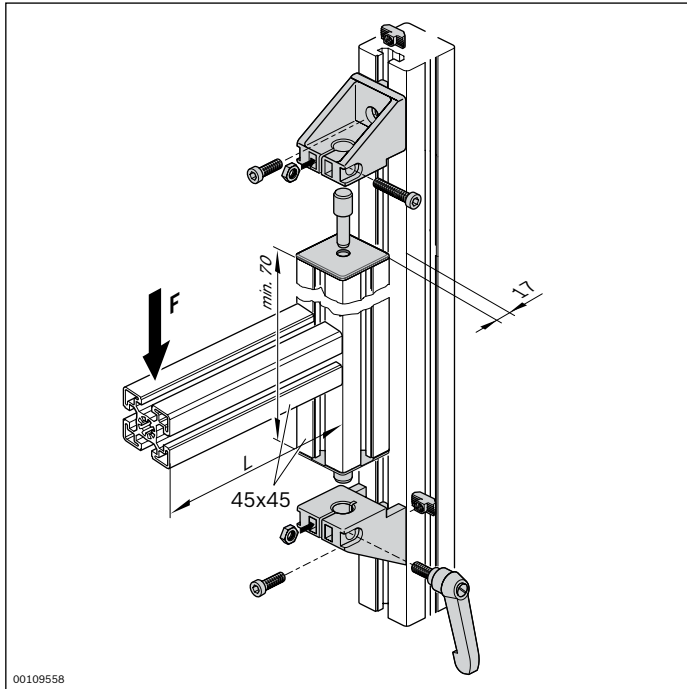


Flat panel monitor

- ▶ VESA mount has standard 75x75 mm and 100x100 mm patterns for mounting most flat panel monitors
- ▶ Supports up to 5 kg (11 lbs)

Economic TFT monitor bracket with support arm	No.
	R980 024 883



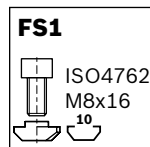
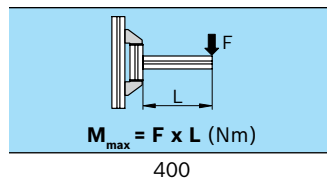
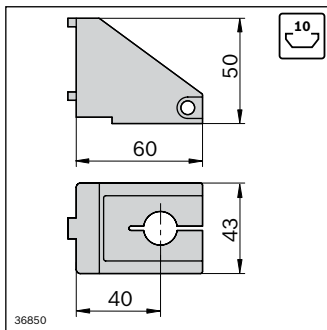


Bearing pedestal



designLINE

- ▶ Bearing pedestal for heavy constructions which have to be swiveled
- ▶ *designLINE* version with special silver paint (RAL 9006) for an attractive, high-quality design



Bearing pedestal	Slot	No.	FS
Standard	10	3 842 547 868	2xFS1
<i>designLINE</i>	10	3 842 547 869	2xFS1

Material:

Standard: Diecast zinc
designLINE: painted (RAL 9006)
 Fastening material: Steel; zinc-plated
 Clamping lever handle: Diecast zinc;
 black plastic coated
 Cover cap: PP, signal gray

Scope of delivery:

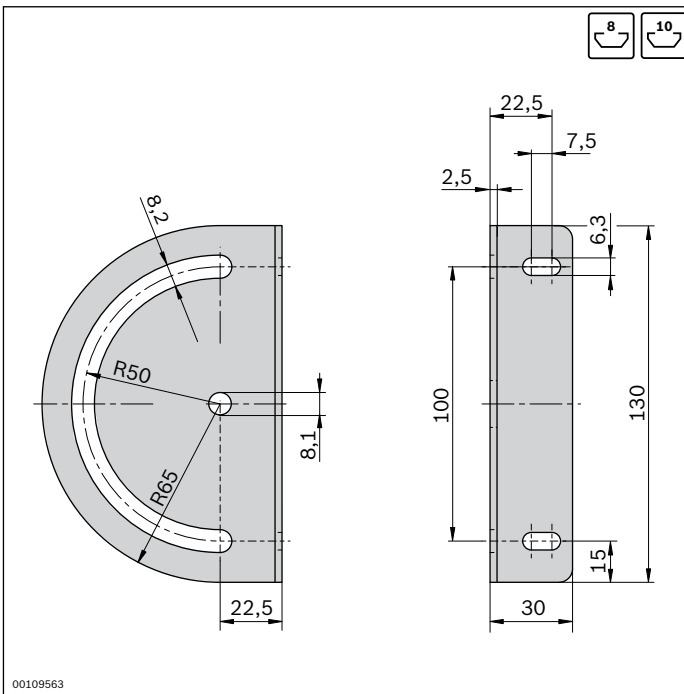
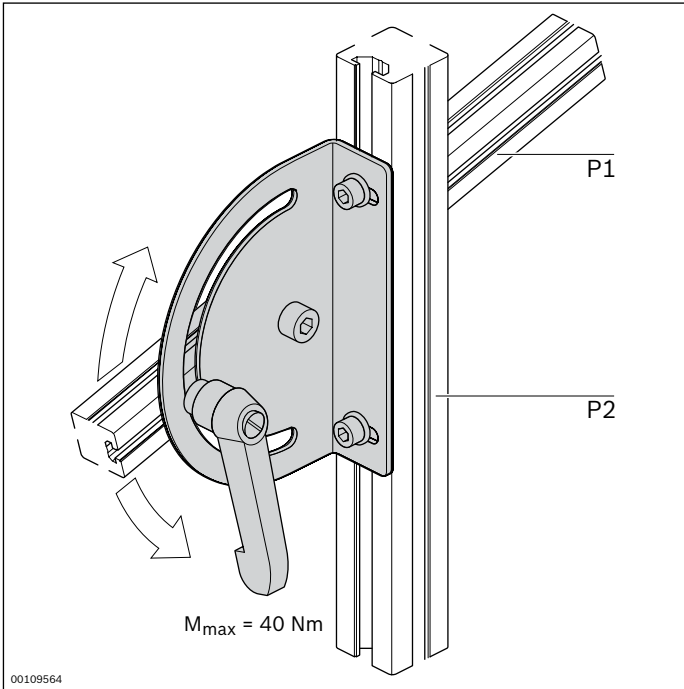
Incl. fastening material (FS), 2 x cover cap,
 2 x bolt, clamping lever (and additional standard
 parts for clamping the bearing pedestal)

Swivel mounting 180°



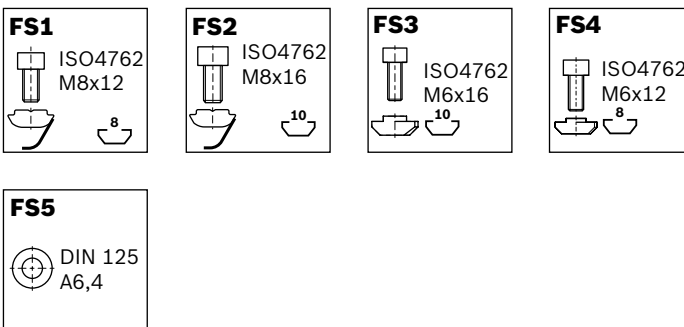
- Swivel mounting for shelves, etc. which need to be positioned at an angle of $\pm 90^\circ$

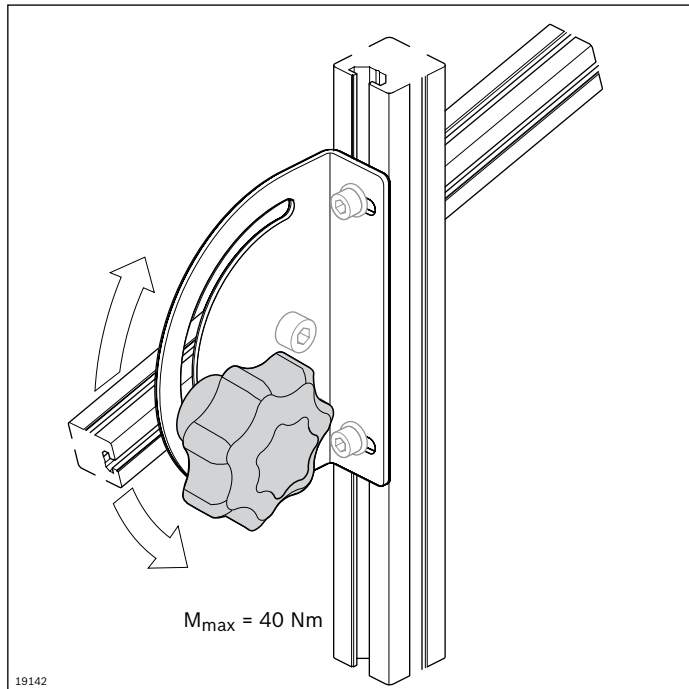
4



Swivel mounting 180°	P1 / P2	ESD	No.	FS
	8 / 8	▲	3 842 538 275	FS1
	8 / 10			2xFS3
				2xFS4
				2xFS5
	10 / 8	▲	3 842 538 276	FS2
	10 / 10			2xFS3
				2xFS4
				2xFS5

Material: Swivel mounting: Steel; zinc-plated
 Clamping lever: Diecast zinc; black plastic coated
 Scope of delivery: Incl. fastening material (FS), clamping lever with disk and swivel-in sliding block with spring





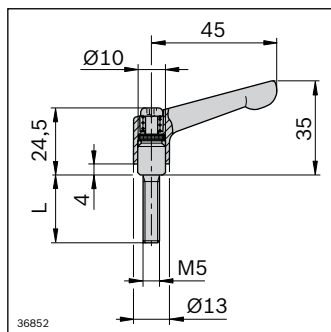
Clamping lever, star knob



- Clamping elements for adjustable connections

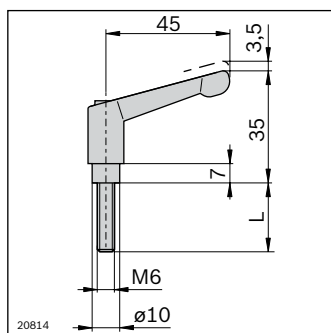
Accessories:

- Screws and sliding blocks; see fastening material (p. 4-13)



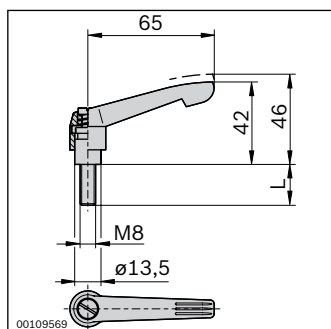
Clamping lever M5	L (mm)	No.
	10	3 842 505 144

Material: Clamping lever: Diecast zinc; black plastic coated
Screws: Steel; bronzed



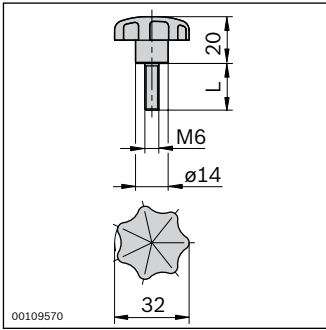
Clamping lever M6	L (mm)	No.
	25	3 842 528 540
	40	3 842 528 539

Material: Clamping lever: Diecast zinc; black plastic coated
Screws: Steel; zinc-plated and black chrome-plated



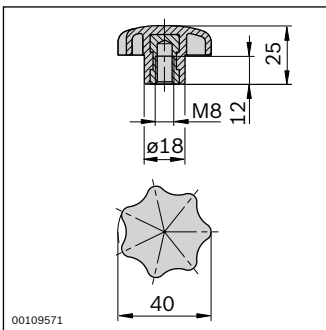
Clamping lever M8	L (mm)	No.
	12	3 842 516 845
	16	3 842 522 124
	20	3 842 516 846
	40	3 842 516 847
	45	3 842 538 607
	55	3 842 516 848

Material: Clamping lever: Diecast zinc; black plastic coated
Steel parts: zinc-plated, strength class 5.8



Star knob M6	L (mm)	No.
	15	3 842 516 849
	20	3 842 516 850

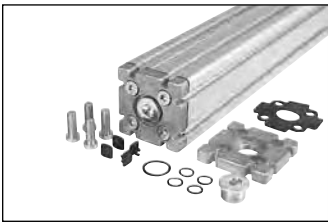
Material: Star knob: PA; black
Steel parts: zinc-plated, strength class 5.8



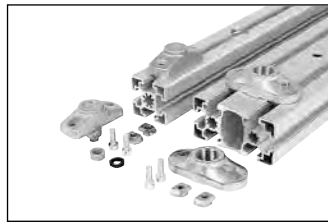
Star knob M8	No.
	3 842 516 851

Material: Star knob: PA; black
Steel parts: zinc-plated, strength class 5.8

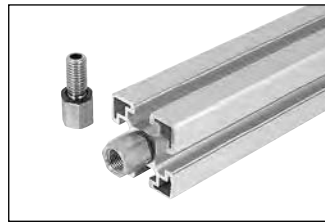
Air-supply elements



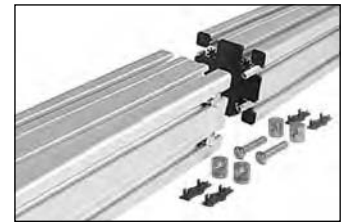
Flanged plate (p. 5-3)



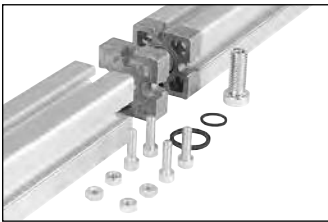
Connection piece (p. 5-4)



Connection screw fitting
M12-1/4" (p. 5-4)



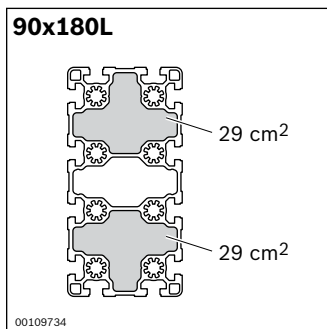
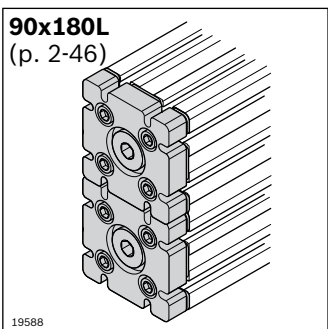
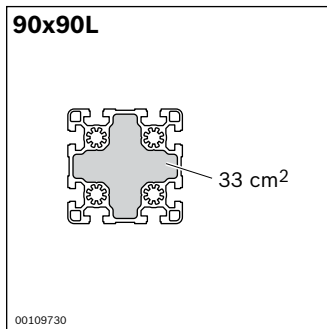
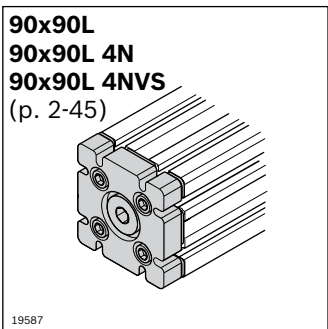
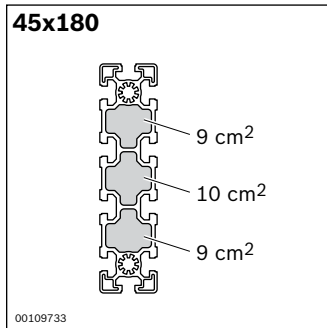
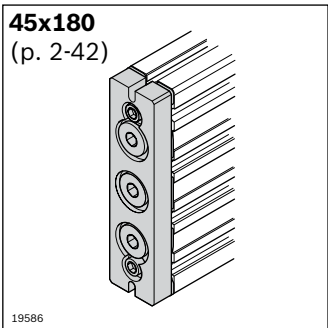
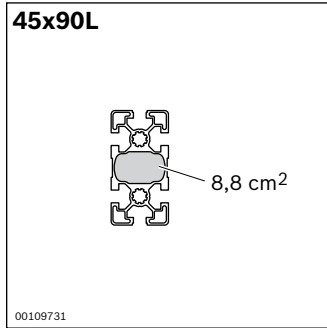
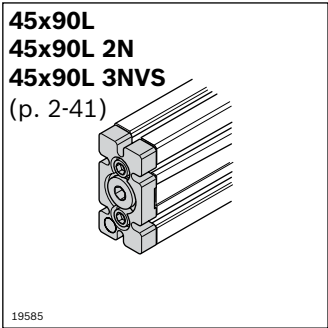
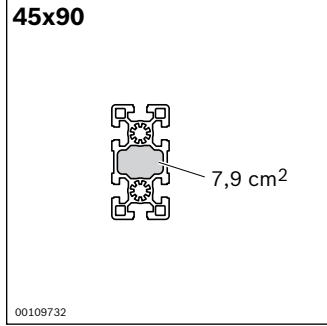
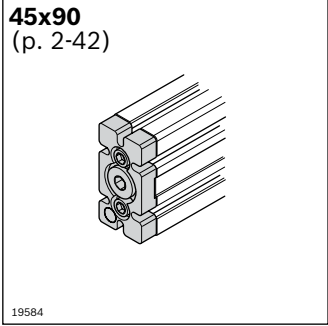
Longitudinal end connector
(p. 5-5)



Longitudinal end connector
45 Pneu (p. 5-6)



T-connector 45 Pneu
(p. 5-6)



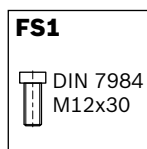
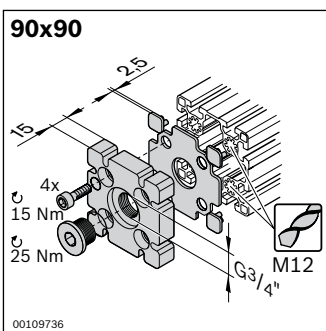
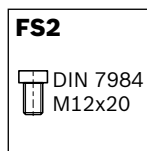
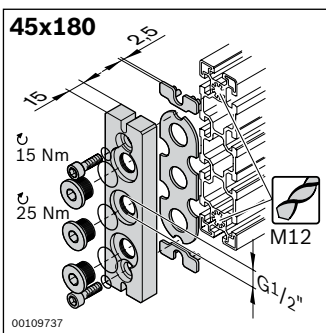
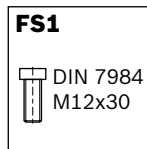
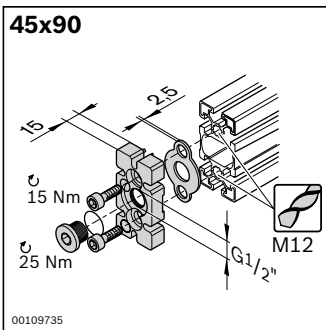
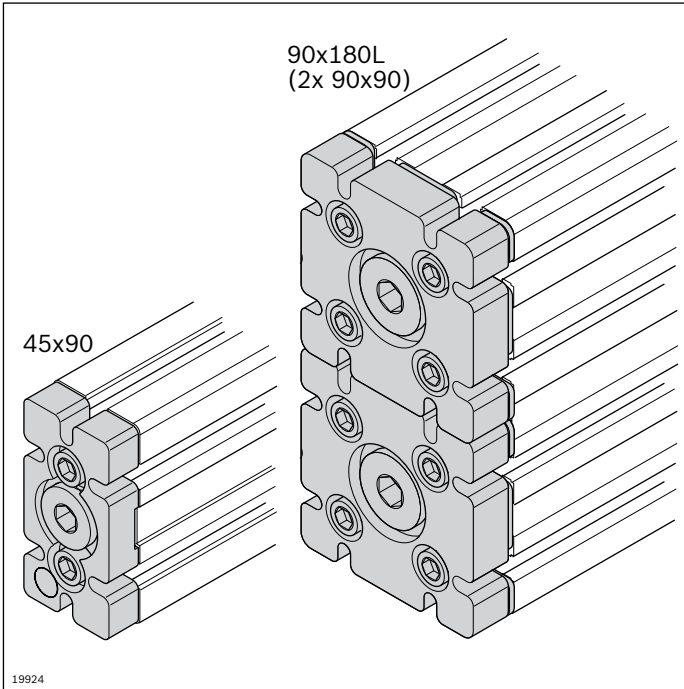
Air-supply elements

- ▶ Rexroth **strut profiles** can be used as compressed-air lines and reservoirs. The hollow chambers or central holes are used
- ▶ **Flanged plate** for end closing of profiles (p. 5-3)
- ▶ Compressed-air intake or discharge at the flanged plate, **connection piece**, or **connection screw fitting** (p. 5-4)
- ▶ Air-tight connecting of profiles with **longitudinal end connectors** or **T-connectors** (p. 5-6, 5-5)
- ▶ The use of the heavy-duty profiles is preferable in the case of more demanding leak-tightness requirements (e.g. for underwater applications)

Flanged plate



- ▶ For sealing the ends of the hollow chambers. This enables the profiles to be used as a compressed-air line
- ▶ For compressed-air introduction or removal when screw plugs are replaced by pneumatic screw fittings
- ▶ Profile finishing: M12 thread cutting in the central holes
- ▶ For a maximum pressure (p_{max}) of 8 bar

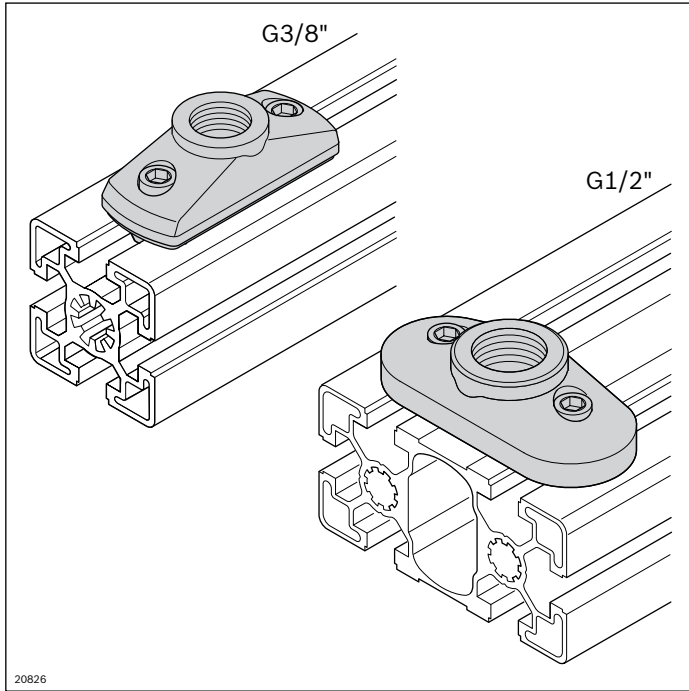


Flanged plate	No.	FS
45x90	3 842 523 097	2xFS1
Material:	Flanged plate: Diecast aluminum Seal: NBR Fastening material: Steel; zinc-plated	
Scope of delivery:	Incl. fastening material (FS), screw plug, seals	

Flanged plate	No.	FS
45x180	2 3 842 535 721	2xFS2
Material:	Flanged plate: Aluminum Seal: NBR Fastening material: Steel; zinc-plated	
Scope of delivery:	Incl. fastening material (FS), 2 x spacer, 3 x screw plug, seals	

Flanged plate	No.	FS
90x90	3 842 523 098	4xFS1
Material:	Flanged plate: Diecast aluminum Seal: NBR Fastening material: Steel; zinc-plated	
Scope of delivery:	Incl. fastening material (FS), 4 x spacer, screw plug, seals	

Notice: Only suitable for light profiles 90x90L and 90x180L.

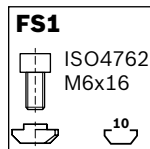
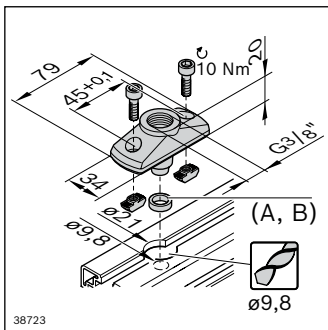


Connection piece
Connection screw fitting M12-1/4"



Connection piece

- ▶ For compressed-air intake or discharge at any point on the profile
- ▶ G3/8" for connection at central profile bore
- ▶ G1/2" for connection at hollow chamber
- ▶ Suitable for light and standard profiles
 - Profile finishing: Blind hole $\varnothing 9.8$; blind hole $\varnothing 21$ mm (drilling jig **3 842 528 574**, p. 14-3)
- ▶ For a maximum pressure (p_{max}) of 8 bar

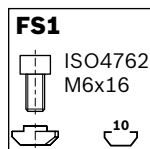
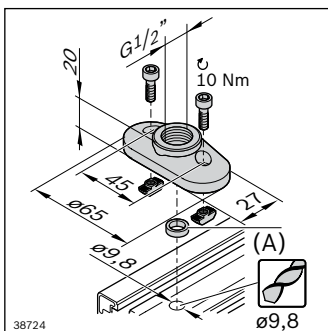


Connection piece	No.	FS
G3/8"	3 842 523 092	2xFS1

Material: Connection piece: Diecast aluminum
Seal: NBR

Scope of delivery: Incl. fastening material, seals **(A, B)**

Accessories: Seals **A, B** (p. 5-6)

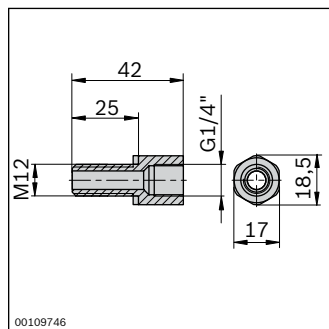
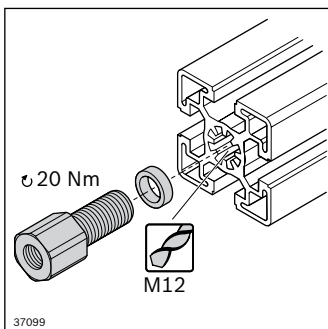


Connection piece	No.	FS
G1/2"	3 842 352 085	2xFS1

Material: Connection piece: Diecast zinc
Seal: NBR

Scope of delivery: Incl. fastening material, seal **(A)**

Accessories: Seal **A** (p. 5-6)



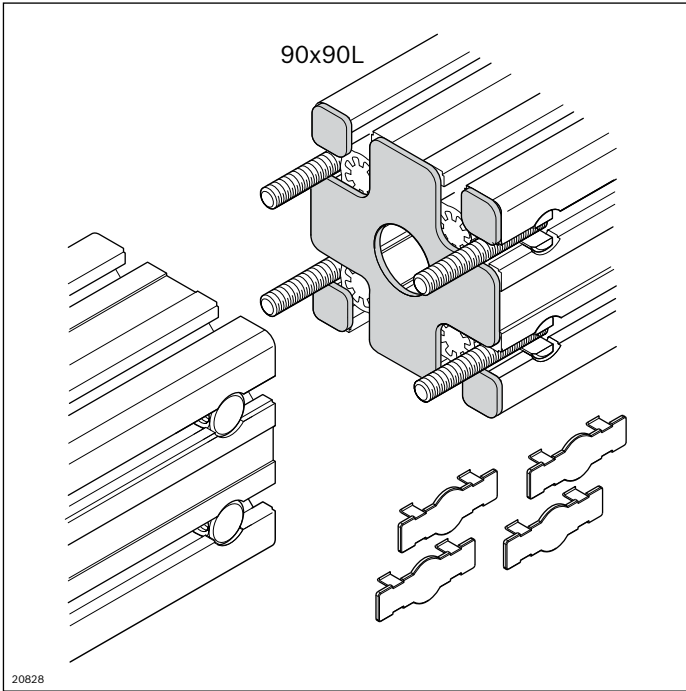
Connection screw fitting M12-1/4"

- ▶ For screw fitting in central profile bore
- ▶ Profile finishing: M12
- ▶ For a maximum pressure (p_{max}) of 8 bar

Connection screw fitting	No.
M12-1/4"	10 3 842 535 719

Material: Connection screw fitting: Steel; zinc-plated
Seal: PVC; hard

Scope of delivery: Incl. Seal



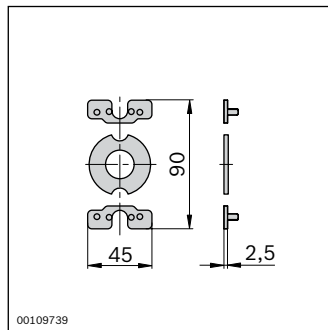
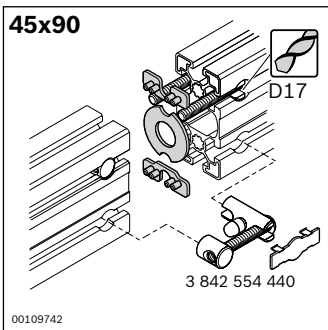
Longitudinal end connection



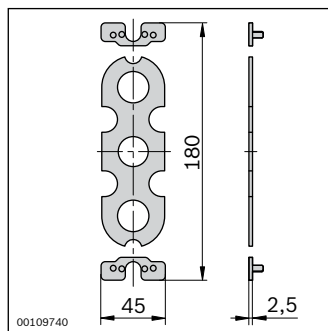
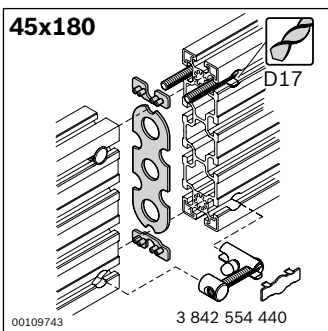
- ▶ Seal for end-to-end connection of profiles carrying compressed air
- ▶ Profile finishing: Through-hole D17 (45x90, 45x180); blind hole LF (90x90L)
- ▶ For a maximum pressure (p_{max}) of 8 bar

Required accessories:

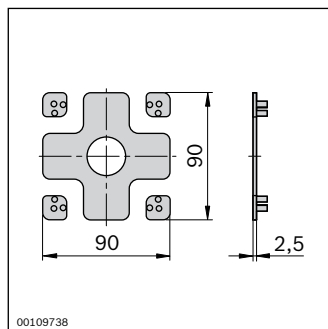
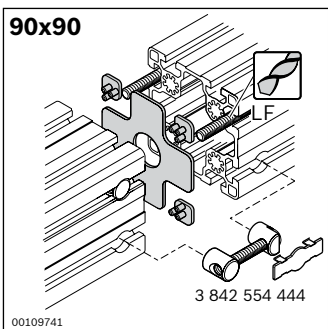
Longitudinal end connector for profile connection (p. 3-61)



Longitudinal end connection	No.
45x90	3 842 508 087
Material:	Seal: PUR Spacer: PA
Scope of delivery:	Seal, 2 x spacer

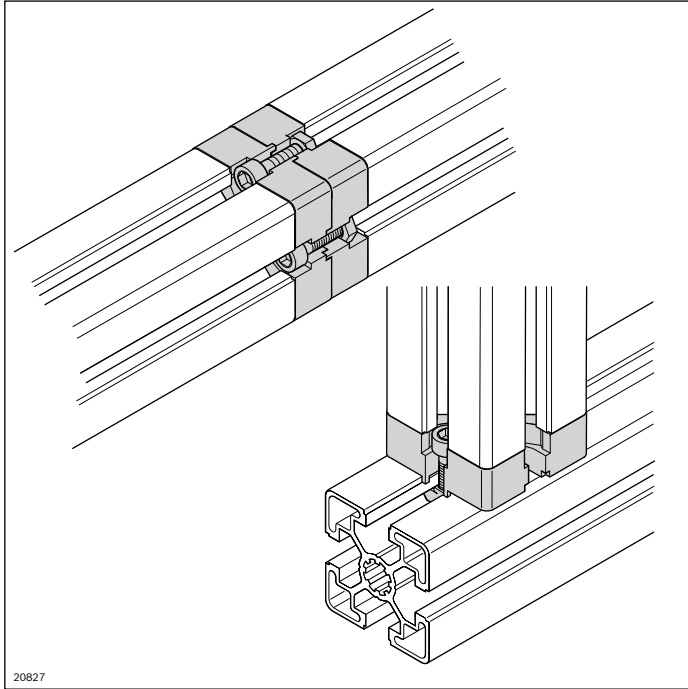


Longitudinal end connection	No.
45x180	3 842 508 088
Material:	Seal: NBR Spacer: PA
Scope of delivery:	Seal, 2 x spacer



Longitudinal end connection	No.
90x90	3 842 510 145
Material:	Seal: NBR Spacer: PA
Scope of delivery:	Seal, 4 x spacer

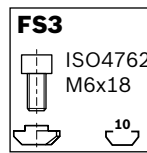
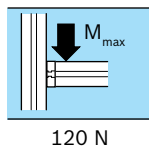
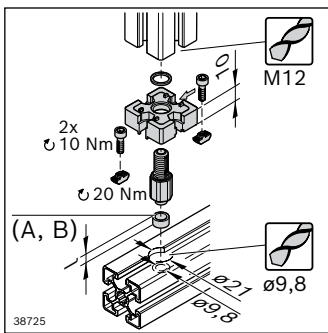
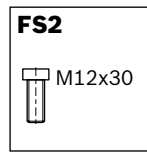
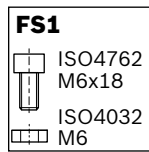
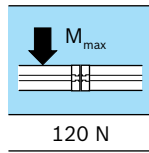
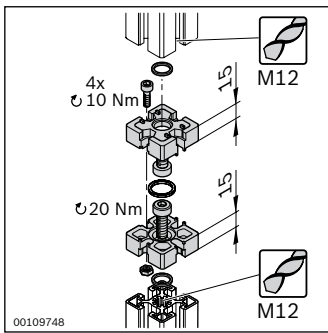
Notice: Only suitable for light profile 90x90L.



Longitudinal end connector 45 Pneu T-connector 45 Pneu, seal



- ▶ Longitudinal end connector 45 Pneu for end face mechanical and pneumatic connections of two 45x45 or 45x45L profiles for using the central hole as a compressed-air line
- ▶ T-connector 45 Pneu for the mechanical and pneumatic connection of two 45x45 or 45x45L profiles at under a 90° angle for using the central hole as a compressed-air line
- ▶ Profile finishing: M12 in central hole; blind hole $\varnothing 9.8$; blind hole $\varnothing 21$ mm (drilling jig **3 842 528 574**, p. 14-3)
- ▶ For a maximum pressure (p_{max}) of 8 bar



Longitudinal end connector	No.	FS
45 Pneu	3 842 523 094	4xFS1, 2xFS2

Material: Longitudinal end connector: Diecast aluminum
Seal: NBR

Scope of delivery: Incl. fastening material, sealing rings

T-connector	No.	FS
45 Pneu	3 842 523 093	2xFS3

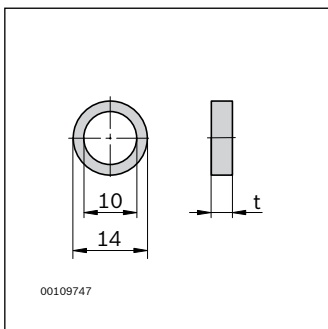
Material: T-connector: Diecast aluminum
Seal: NBR

Scope of delivery: Incl. fastening material, seals (A, B) for standard and light profiles

- ▶ Seal for connection piece and T-connector

Seal	t (mm)	No.
A For standard profiles	4 10	3 842 503 242
B For light profiles	7 10	3 842 523 102

Material: NBR



Feet and wheels



Modular leveling feet
(p. 6-2)



Leveling foot, foot,
damping ring (p. 6-4)



Plate (p. 6-6)



Base plate, steel (p. 6-8)



Base plate (p. 6-10)



Base plate (p. 6-11)



Foot (p. 6-12)



Foot, stainless steel
(p. 6-14)



Double wheel (p. 6-16)



Wheel (p. 6-17)



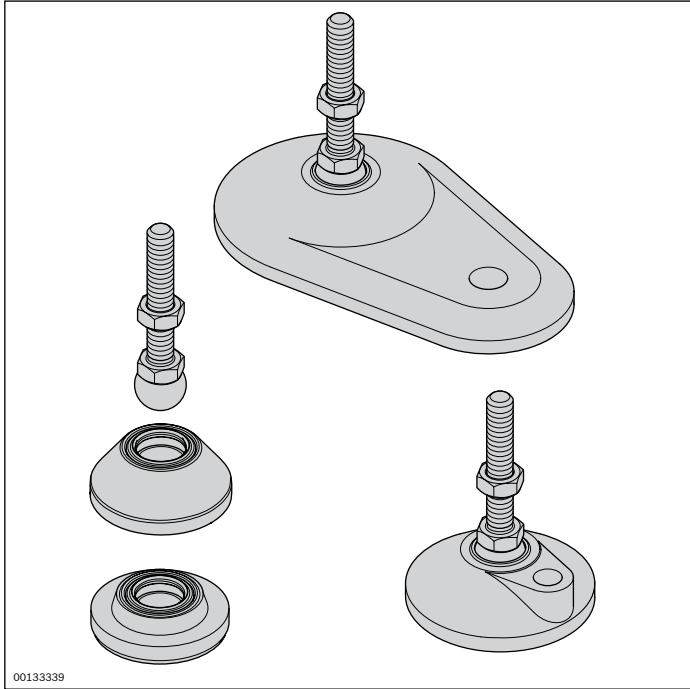
Heavy-duty wheel (p. 6-20)



Lifting wheel (p. 6-22)



Roller with mounting flange
(p. 6-24)

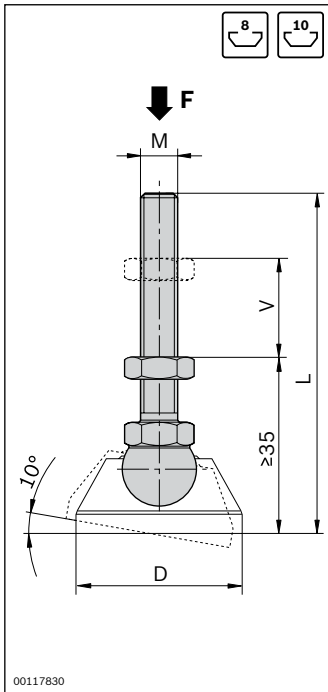


Modular leveling feet

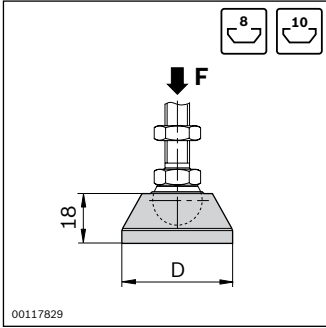


- ▶ Leveling feet for compensating irregularities in the floor up to 10°
 - Modular system, various combinations possible
 - Spindles and base plates can be combined as desired
 - Base plates with screw hole for simple screw fitting to the floor
- ▶ The damping plate prevents the transfer of vibrations and allows a defined conduction of voltages via a set of grounding components (p. 17-2)
- ▶ Profile finishing: Thread M in central hole

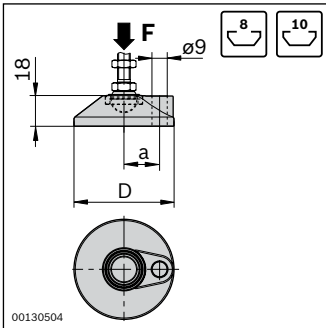
Accessories: Bearing ring (p. 6-16)



Spindle	F (N)	M	L (mm)	V (mm)	ESD	No.
Stainless steel	10000	M8	75	20	⚡	3 842 536 811
	20000	M12	85	30	⚡	3 842 536 812
	20000	M12	145	80	⚡	3 842 537 223
	20000	M12	200	135	⚡	3 842 537 225
	30000	M16	85	20	⚡	3 842 537 227
	30000	M16	145	80	⚡	3 842 537 229
	30000	M16	200	135	⚡	3 842 537 231
Steel; zinc-plated	10000	M8	75	20	⚡	3 842 537 220
	20000	M12	85	30	⚡	3 842 537 222
	20000	M12	145	80	⚡	3 842 537 224
	20000	M12	200	135	⚡	3 842 537 226
	30000	M16	85	20	⚡	3 842 537 228
	30000	M16	145	80	⚡	3 842 537 230
	30000	M16	200	135	⚡	3 842 537 232

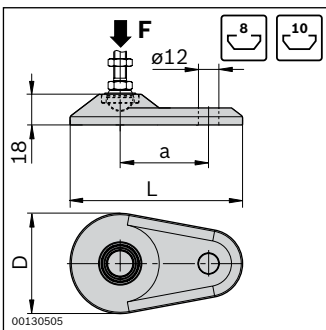


Base plate	F (N)	D (mm)	ESD	No.
Stainless steel	20000	29	20	3 842 536 694
	30000	39	20	3 842 536 695
	30000	44	20	3 842 536 696
	30000	59	20	3 842 538 673
	30000	79	20	3 842 537 206
Diecast zinc, black powder coating	20000	29	20	3 842 538 674
	30000	39	20	3 842 538 675
	30000	44	20	3 842 538 676
	30000	59	20	3 842 538 677
	30000	79	20	3 842 538 678
PA; black	5000	29	20	3 842 538 832
	9000	39	20	3 842 538 833
	9000	44	20	3 842 538 834
	9000	59	20	3 842 538 835
	9000	79	20	3 842 538 836



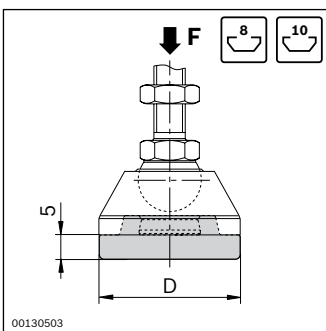
Base plate with screw hole	F (N)	D (mm)	a (mm)	No.
	30000	59	21	3 842 538 932
	30000	79	31	3 842 538 934

Material: Diecast zinc, black powder coating



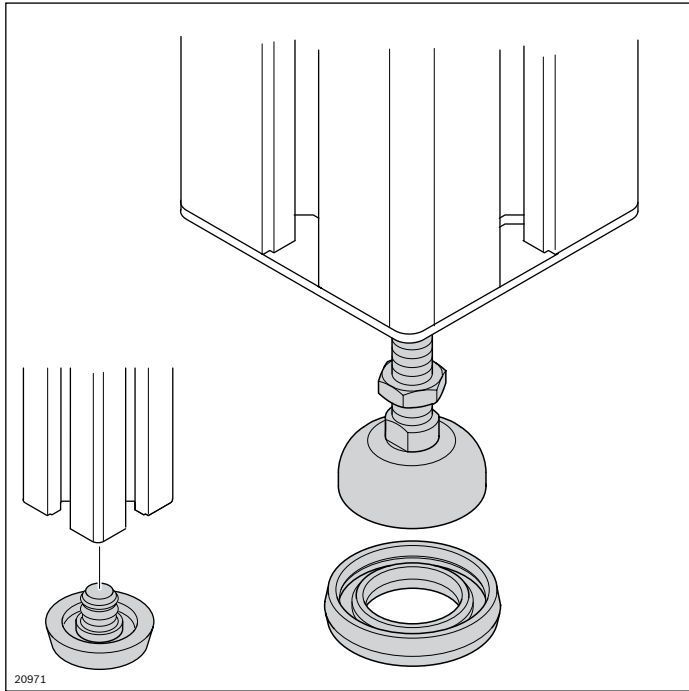
Oval base plate with screw hole	F (N)	D (mm)	a (mm)	L (mm)	No.
	30000	59	52	100	3 842 538 679
	30000	79	65	130	3 842 538 680

Material: Diecast zinc, black powder coating

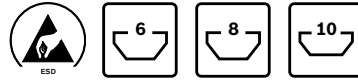


Damping plate	F (N)	D (mm)	No.
	1100	29	3 842 538 555
	1600	39	3 842 538 556
	2000	44	3 842 538 557
	2500	59	3 842 538 558
	2800	79	3 842 538 559

Material: PUR; black



Leveling foot, foot, Damping ring



Leveling foot

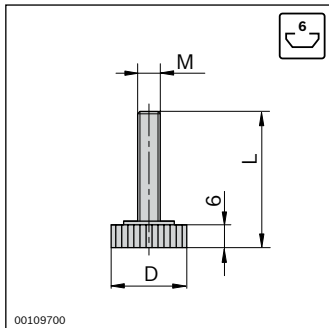
- ▶ For compensating irregularities in the floor up to 5°
- ▶ Fully assembled spindle and base plate
- ▶ Profile finishing: Threading in central hole

Damping ring

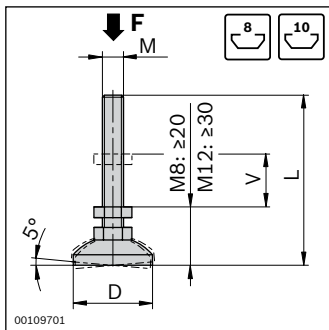
- ▶ The electrically insulating damping ring prevents the transfer of vibrations and allows a defined conduction of voltages via a set of grounding components (p. 17-2)

Optional accessories:

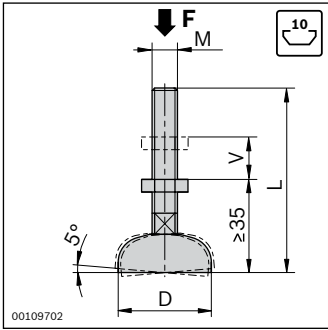
Bearing ring (p. 6-16), for when cover caps with a hole are used



Leveling foot		M	D (mm)	L (mm)	ESD	No.
Material: Steel/plastic		M6	20	41	20	3 842 518 743

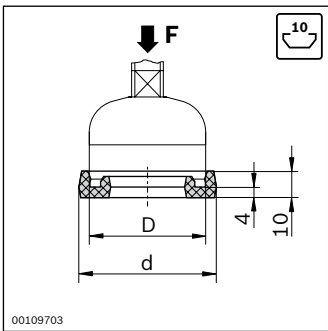


Leveling foot		F (N)	M	D (mm)	L (mm)	V (mm)	ESD	No.
Material: Steel; zinc-plated		5000	M8	30	65	15	20	3 842 502 257
		8000	M12	30	72	14	20	3 842 529 025



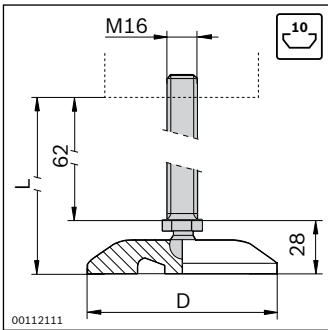
Leveling foot	F (N)	M	D (mm)	L (mm)	V (mm)	ESD	No.
	10000	M12	44	85	30		20 3 842 352 061
	20000	M16	44	145	80		20 3 842 311 956
	10000	M12	44	160	80		20 3 842 536 470
	20000	M16	44	200	135		20 3 842 554 149
	10000	M12	58	85	30		20 3 842 511 893
	20000	M16	90	85	20		20 3 842 311 950
	20000	M16	90	145	80		20 3 842 311 951
	20000	M16	90	200	135		20 3 842 527 186

Material: Steel; zinc-plated



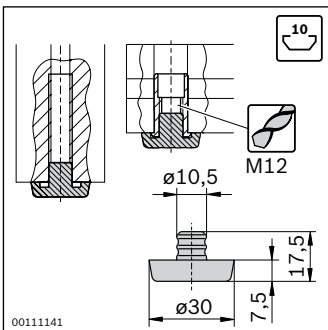
Damping ring	F (N)	D (mm)	d (mm)	No.
	1600	30	39	20 3 842 529 024
	2000	44	52	20 3 842 521 817
	2500	58	66	20 3 842 522 301
	3000	90	98	20 3 842 522 303

Material: PUR; natural, hardness: shore A 70-80



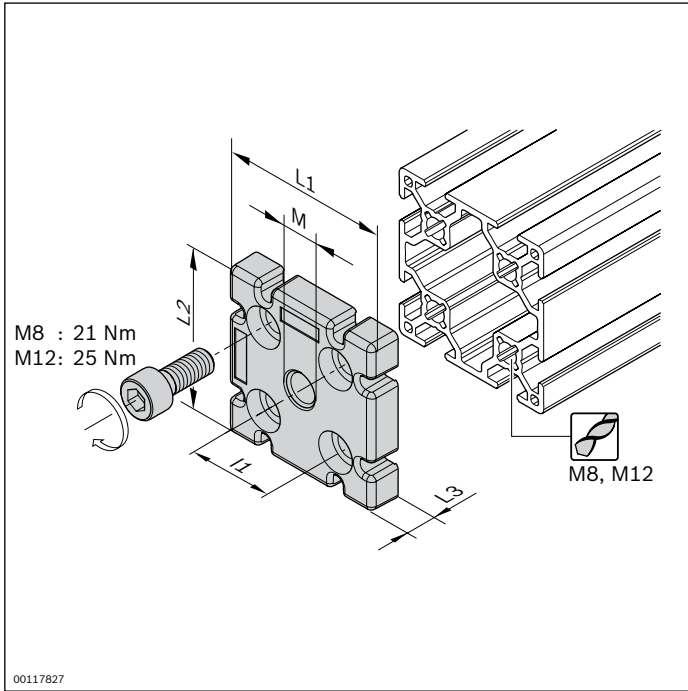
Leveling foot	M	D (mm)	L (mm)	V (mm)	No.
	M16	80	95	62	1 3 842 533 310

Material: Spindle: Stainless steel
Base plate: PA



Foot	No.
	100 3 842 514 568

Material: TPE; black



Plate



- ▶ For fastening leveling feet in profiles without a central hole
- ▶ For use as an end connector or T-connector
- ▶ Profile finishing: Tapping of thread in the central hole

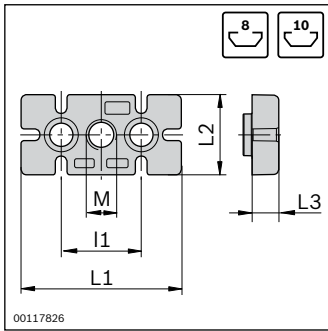


Plate	F (N)	M	L1 (mm)	l1 (mm)	L2 (mm)	L3 (mm)	No.	FS
30x60	8000	M12	60	30	30	11	3 842 536 560	2xFS1
40x80	10000	M12	80	40	40	15	3 842 536 562	2xFS2
45x90	20000	M16	90	45	45	15	3 842 536 564	2xFS2

Material: Plate: Diecast aluminum
Fastening material: Steel; zinc-plated
Scope of delivery: Incl. fastening material (FS)

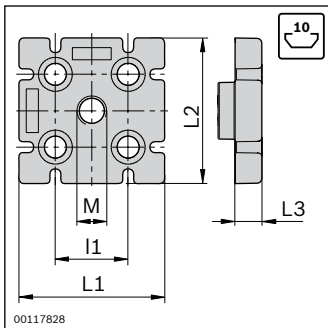
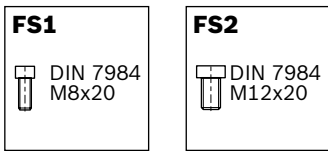
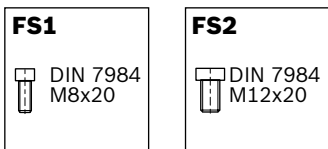
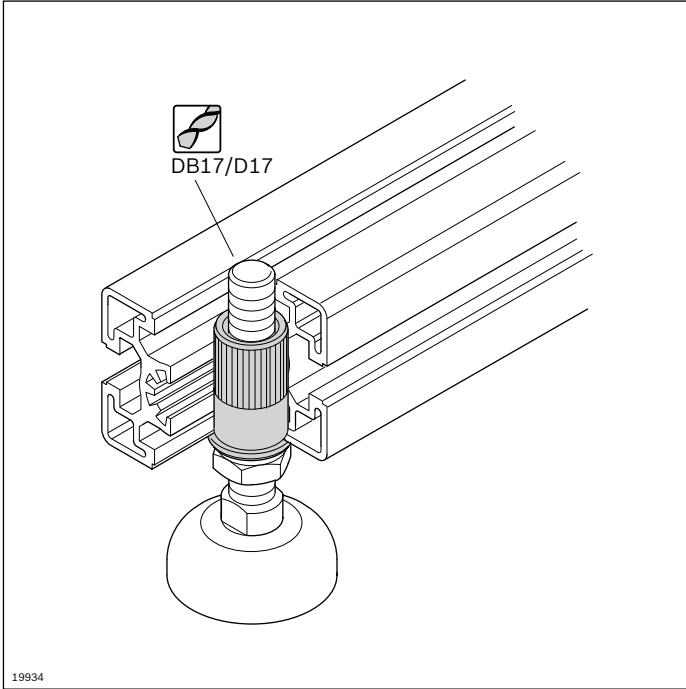


Plate	F (N)	M	L1 (mm)	l1 (mm)	L2 (mm)	L3 (mm)	No.	FS
60x60 8N	10000	M12	60	30	60	11	3 842 536 566	4xFS1
80x80L	10000	M12	80	40	80	15	3 842 529 416	4xFS2
90x90L	20000	M16	90	45	90	15	3 842 511 352	4xFS2
100x100L	20000	M16	100	50	100	15	3 842 529 417	4xFS2

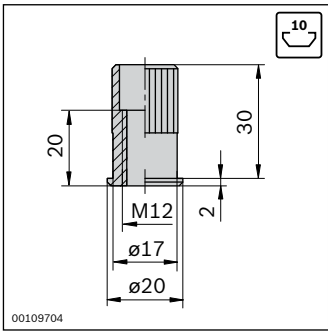
Material: Plate: Diecast aluminum
Fastening material: Steel; zinc-plated
Scope of delivery: Incl. fastening material (FS)





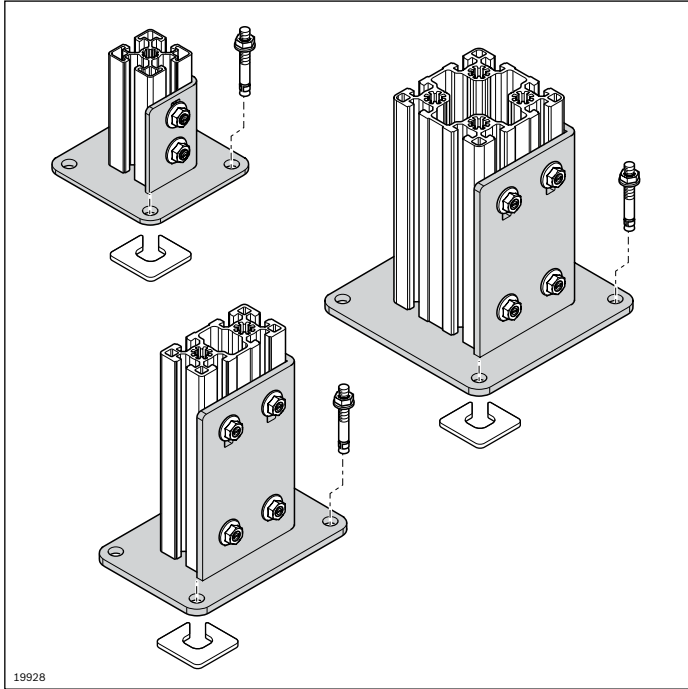
Threaded sleeve

- ▶ For fastening leveling feet at an angle to the longitudinal profile direction
- ▶ Profile finishing:
 - Drilling of blind hole DB17
 - Through-hole D17

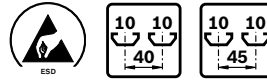


Threaded sleeve	No.
	3 842 504 790

Material: Steel; zinc-plated



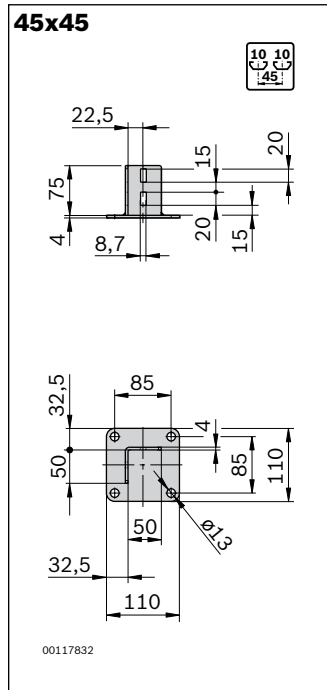
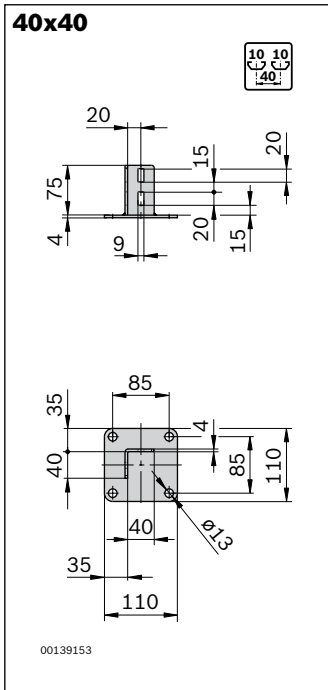
Base plate, steel



- ▶ Used in construction for supporting separating and protective walls
- ▶ Profile finishing: Not required

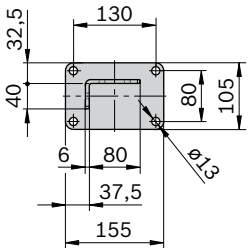
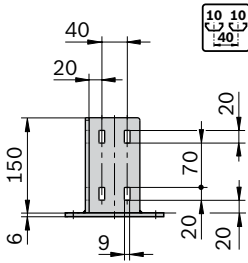
Accessories:

- ▶ T-bolt M8x20, 10 mm slot (p. 3-7)
- ▶ Flange nut M8 (p. 3-7)
- ▶ Floor dowl **3 842 526 561** (p. 6-12)
- ▶ Washer (p. 6-13)



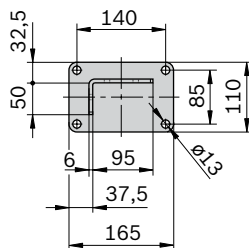
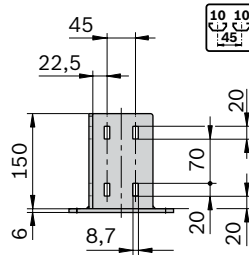
Base plate, steel	ESD No.
40x40	3 842 542 667
45x45	3 842 536 581
Material:	Steel; zinc-plated

40x80



00139154

45x90



00117834

Base plate, steel

ESD No.

40x80

3 842 542 668

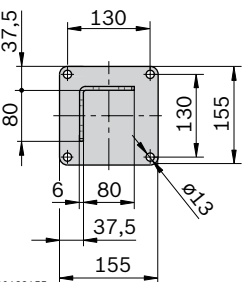
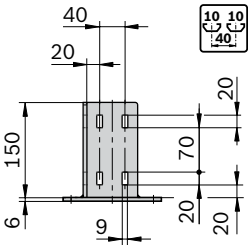
45x90

3 842 536 207

Material:

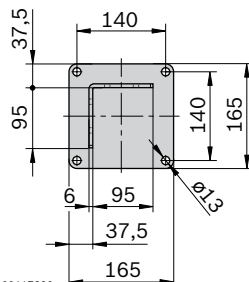
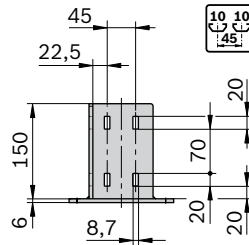
Steel; zinc-plated

80x80



00139155

90x90



00117836

Base plate, steel

ESD No.

80x80

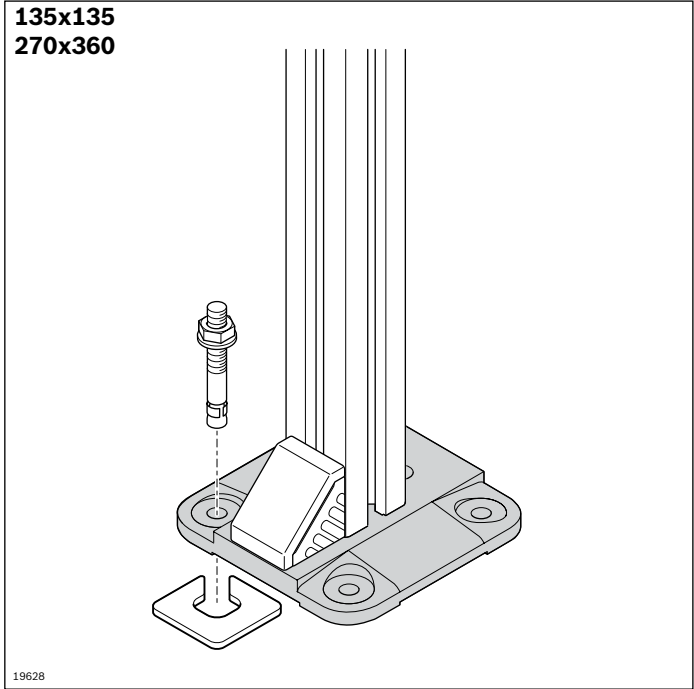
3 842 542 669

90x90

3 842 536 746

Material:

Steel; zinc-plated

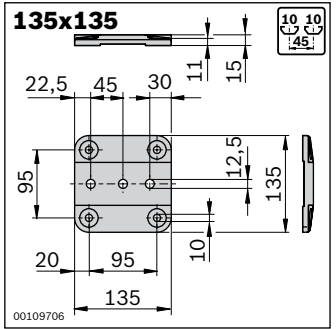


Base plate 135x135, 270x360



- ▶ Used in construction for supporting separating and protective walls
- ▶ Anchoring with floor dowel

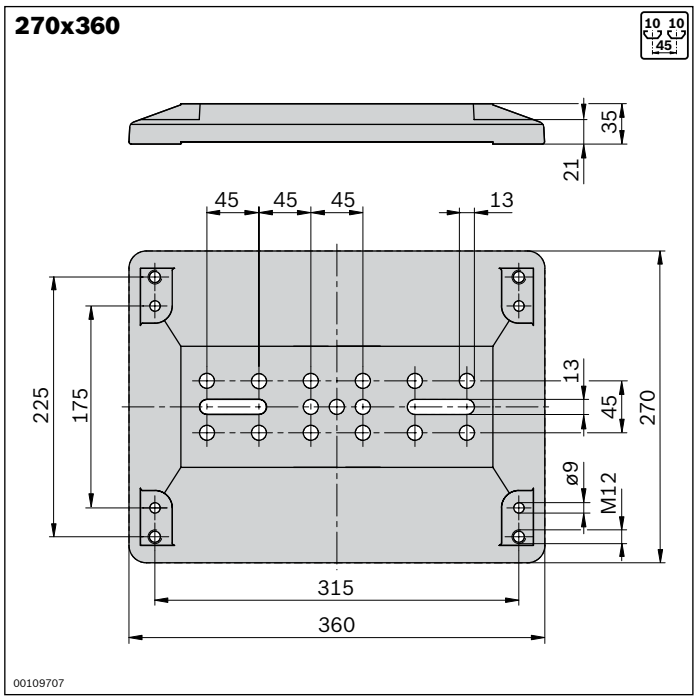
Required accessories:
Bracket (p. 3-20)



Base plate	ESD No.
135x135	3 842 516 175

Material: Diecast aluminum

- Required accessories:
- ▶ Floor dowel **3 842 526 560** (p. 6-12)
 - ▶ Washer (p. 6-13)

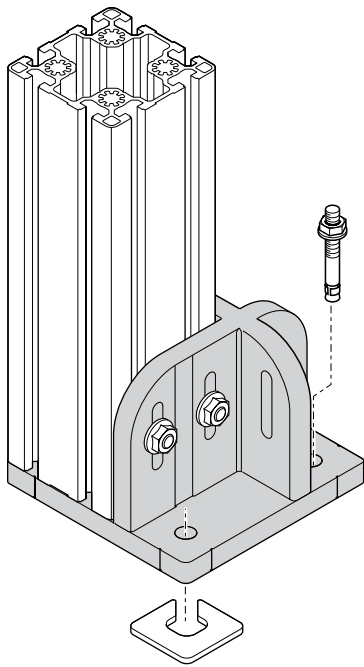


Base plate	No.
270x360	3 842 514 567

Material: Gray cast iron, painted black

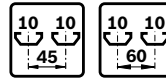
- Required accessories:
- ▶ Floor dowel **3 842 540 668** (p. 6-12)
 - ▶ Washer (p. 6-13)

120x120
150x150



19929

Base plate 120x120, 150x150



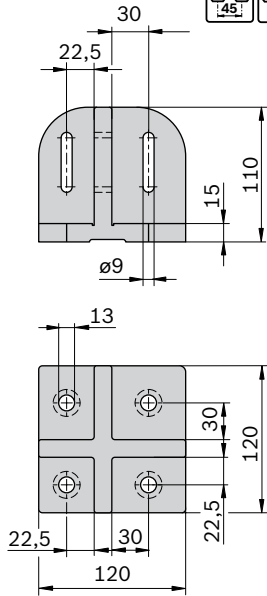
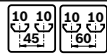
- ▶ For flush mounting of supports. No danger of tripping!
- ▶ Markings arranged at the center of the profile for precise alignment
- ▶ Anchoring with floor dowel

Required accessories:

- ▶ T-bolt M8x30 **3 842 528 721** (p. 3-7)
- ▶ Flange nut M8 **3 842 345 081** (p. 3-7)
- ▶ Floor dowel **3 842 526 561** (p. 6-12)
- ▶ Washer (p. 6-13)

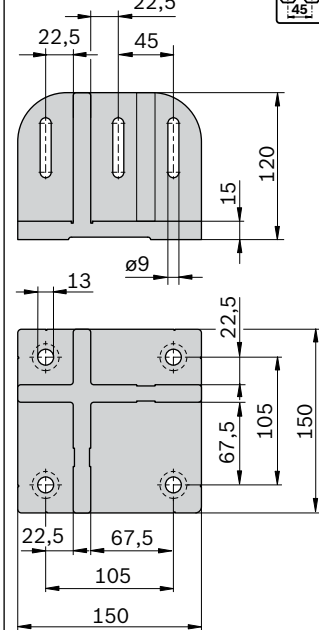
6

120x120



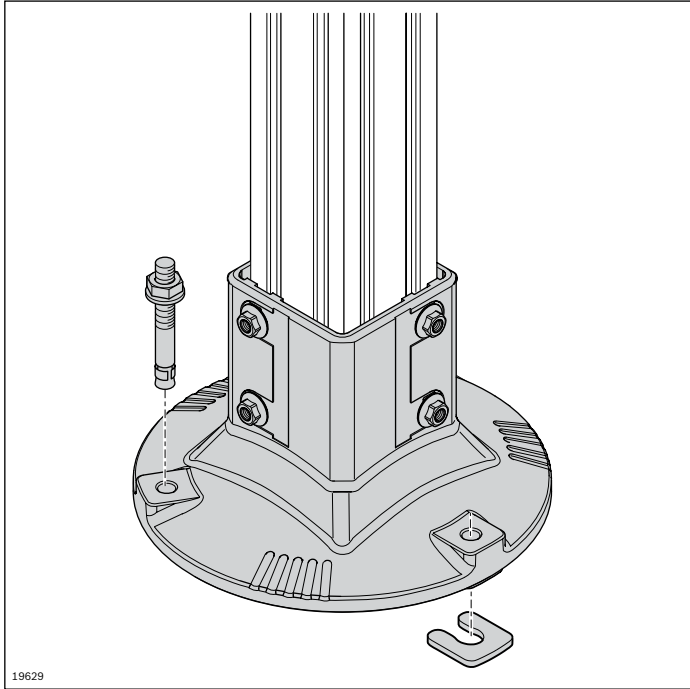
00109708

150x150



00109711

Base plate	ESD No.
120x120	3 842 527 553
150x150	3 842 524 469
Material:	Diecast aluminum



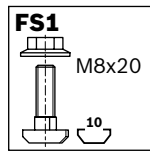
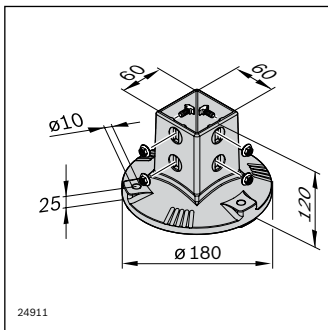
Foot
Floor dowel, washer

Foot

- ▶ For constructing supports made of 80x80L and 60x60 profiles
- ▶ Large standing surface for high stability
- ▶ Easy cleaning thanks to few horizontal surfaces
- ▶ Open on the inside to enable draining of liquids
- ▶ Stop as depth limit for profile (removable)

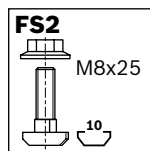
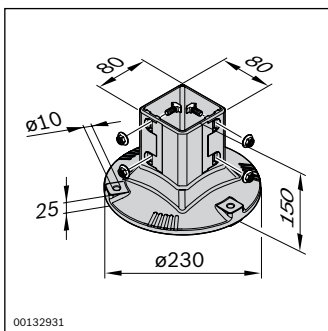
Required accessories:

- ▶ Floor dowel **3 842 540 668**
- ▶ Washer **3 842 546 717** or **3 842 546 718**



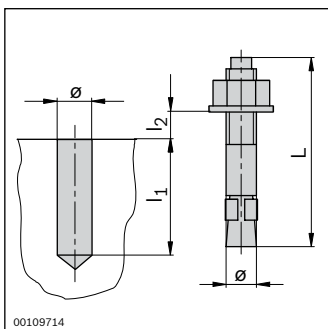
Foot AL	No.	FS
60x60	1 3 842 544 875	4xFS1

Material: Aluminum, powder-coated (RAL 9006)
Fastening material: Steel; zinc-plated
Scope of delivery: Incl. Fastening material (FS1)



Foot	No.	FS
80x80	1 3 842 540 173	4xFS2

Material: Aluminum, powder-coated (RAL 9006)
Fastening material: Steel; zinc-plated
Scope of delivery: Incl. Fastening material (FS1)

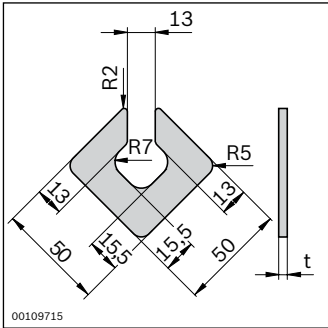
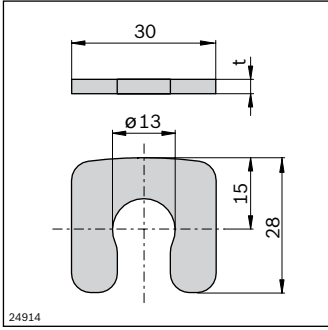


Floor dowel

- ▶ For anchoring the base plates

Floor dowel	ø	L	l ₁	l _{2 max}	No.
	(mm)	(mm)	(mm)	(mm)	
	8	80	65	15 100	3 842 526 560
	10	90	70	15 100	3 842 526 561
	8	95	65	30 100	3 842 540 668

Material: Steel; zinc-plated



Washer

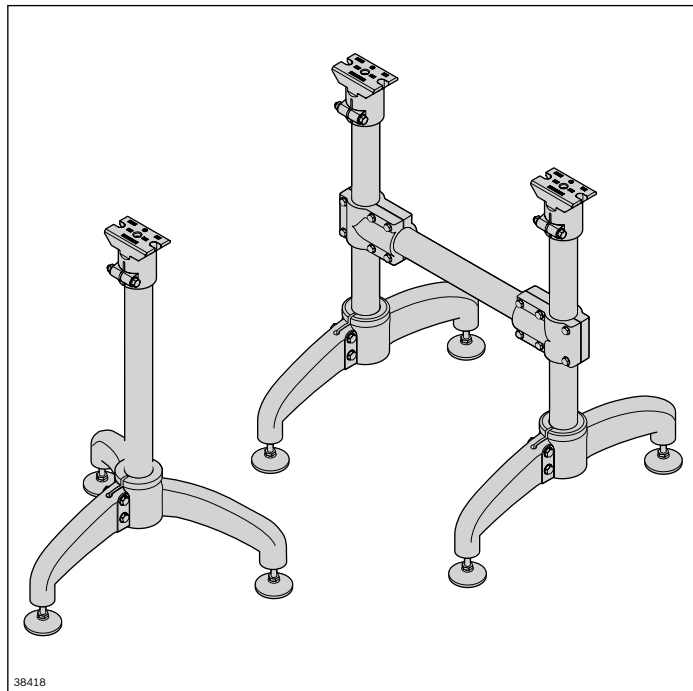
► For leveling in case of uneven flooring

Washer	t (mm)	No.
for round feet	1 100	3 842 546 717
	3 100	3 842 546 718

Material: Steel; stainless

Washer	t (mm)	No.
for square feet	1 100	3 842 528 189
	4 100	3 842 528 191

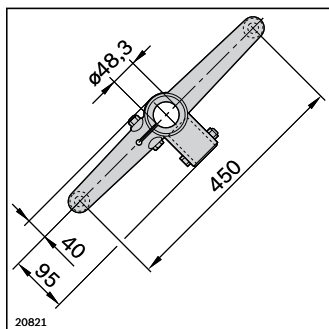
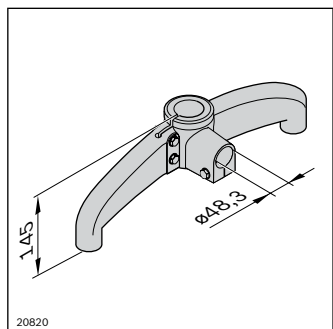
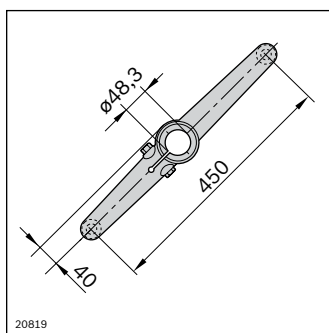
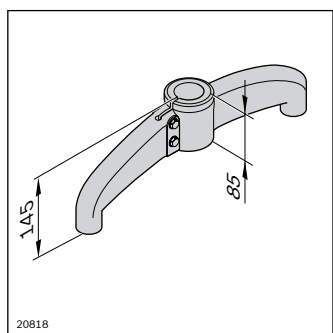
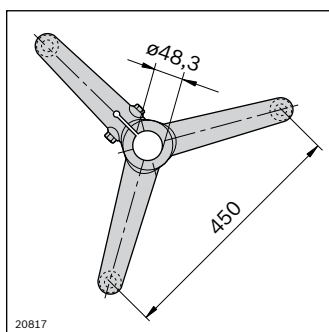
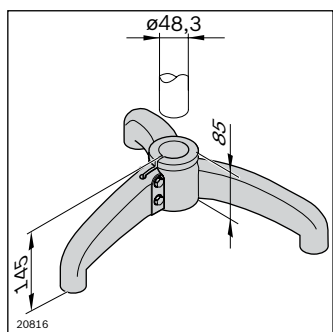
Material: Steel; stainless



Foot, stainless steel

- ▶ Components for constructing feet and frames using the stainless steel tube D 48.3
- ▶ Tube fastened by clamping
- ▶ Spindle thread M16

Optional accessories:
Leveling foot **3 842 533 310** (p. 6-5)



Foot	No.
Tripod	3 842 533 307

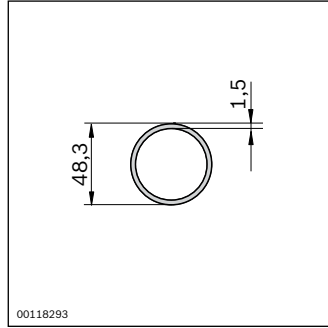
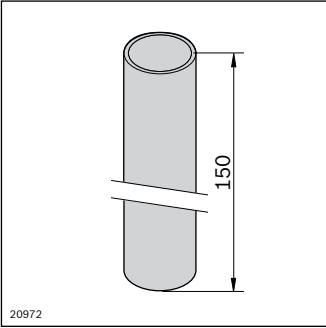
Material: Foot: Stainless steel
Fastening material: Stainless steel

Foot	No.
Bipod	3 842 533 308

Material: Foot: Stainless steel
Fastening material: Stainless steel

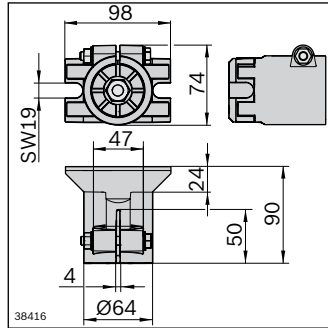
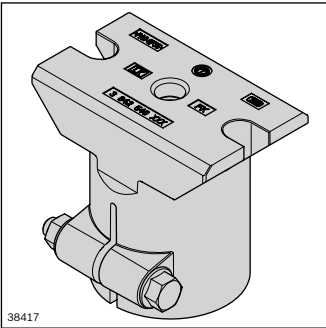
Foot	No.
Bipod with flange	3 842 533 309

Material: Foot: Stainless steel
Fastening material: Stainless steel



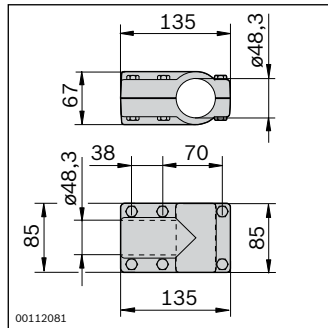
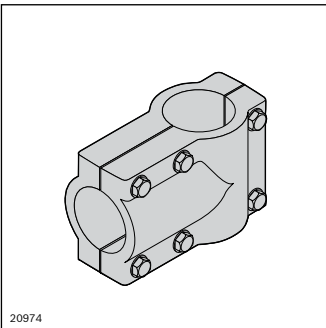
Tube D 48.3		L (mm)	No.
1 pc		200 ... 3000	3 842 993 308 / L
	6 pcs	3000	3 842 533 901
1 pc		3000	3 842 533 877

Material: Stainless steel



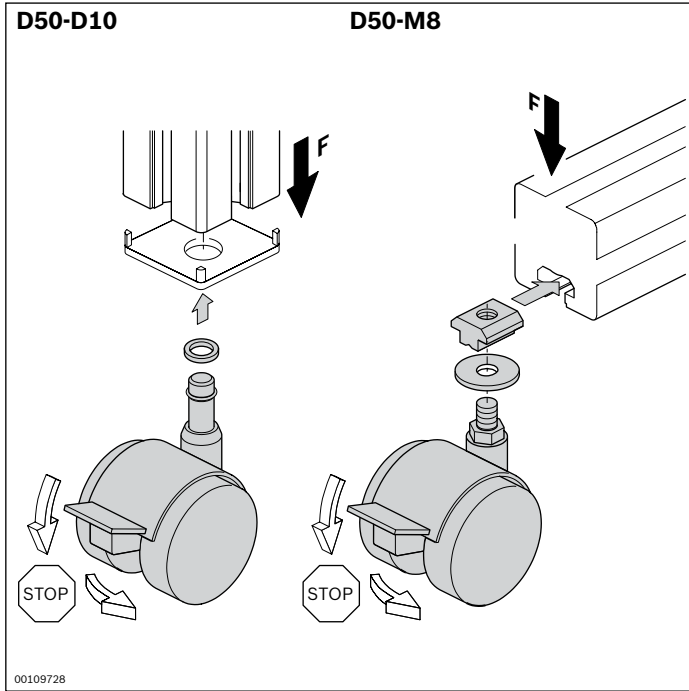
Flange		No.
		Set 3 842 547 892

Material: Flange: PA
Fastening material: Stainless steel

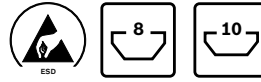


Cross connector		No.
		3 842 533 306

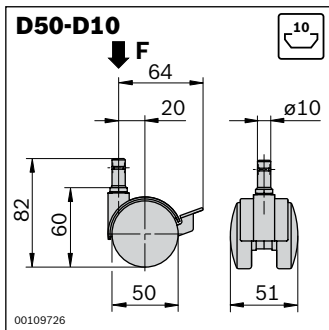
Material: PA
Fastening material, adjustment screw:
Stainless steel



Double wheel



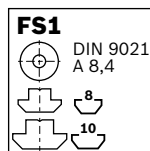
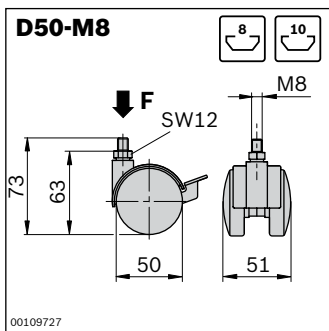
- ▶ Attractive double wheel for light applications
- ▶ Made of oil-resistant material
- ▶ Braked double wheel
- ▶ Double wheel D50-D10 for insertion in the central hole with a diameter of 10 mm
- ▶ Double wheel D50-M8 for bolting in the profile slot



Double wheel	F (N)	ESD	No.
D50-D10	400	4	3 842 515 457
	400	4 ¹⁾	3 842 515 459

¹⁾ Conduction resistance $\leq 10^6 \Omega$

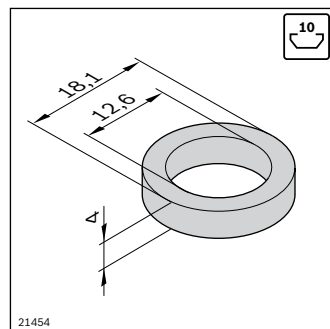
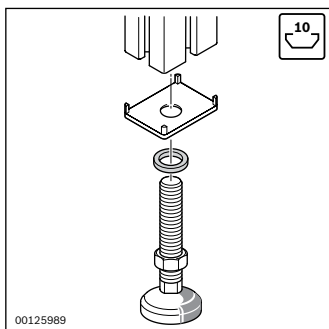
Material: Housing, wheel, lock: PA; black
 Running surface: PU (not with ESD version)
 Fastening material: Steel; zinc-plated



Double wheel	F (N)	ESD	No.	FS
D50-M8	400	4	3 842 535 669	FS1
	400	4 ¹⁾	3 842 535 670	FS1

¹⁾ Conduction resistance $\leq 10^6 \Omega$

Material: Housing, wheel, lock: PA; black
 Running surface: PU (not with ESD version)
 Fastening material: Steel; zinc-plated

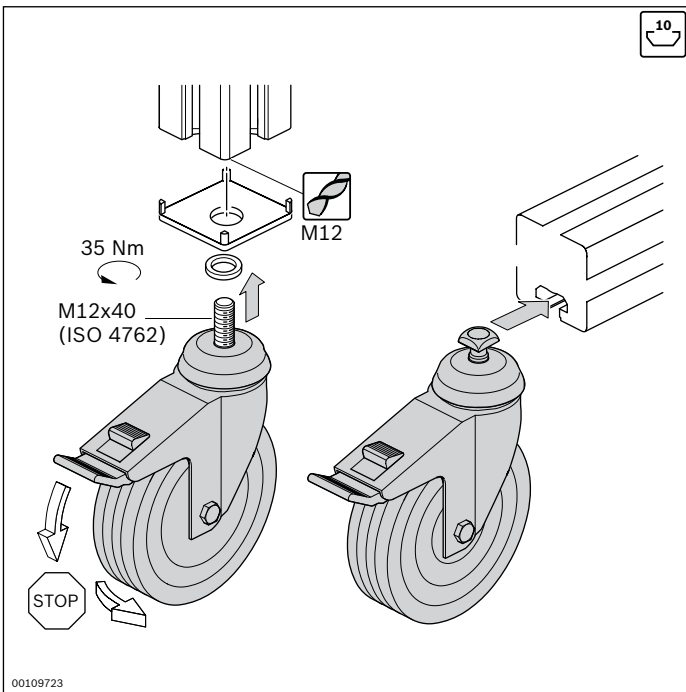


Bearing ring

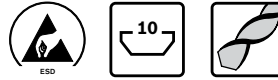
- ▶ For cover caps with hole in the sizes 40x40, 45x45, 50x50 and 60x60
- ▶ For M12 threads
- ▶ To protect the cover caps when tightening accessories

Bearing ring	No.
	100 3 842 555 653

Material: Diecast zinc



Wheel



- ▶ Impressive versatility
- ▶ Wheels with excellent running properties
- ▶ Available as a castor wheel with lock, a castor wheel, and a trestle roller



Especially gentle on floors



Resistant to oil, suitable for workshop floors



Suitable for use in clean rooms.

Conductive material version in accordance with DIN EN 61340-5-1; conduction resistance 10^3 to $10^8 \Omega$



Rubber running surface made of solid rubber with good deformation elasticity. No permanent flattening of the wheel due to it traveling over edges or not being moved for long periods



Suitable for ESD-sensitive areas.








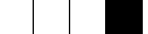

















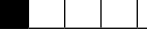


Conductive material version in accordance with DIN EN 61340-5-1; conduction resistance $\leq 10^6 \Omega$

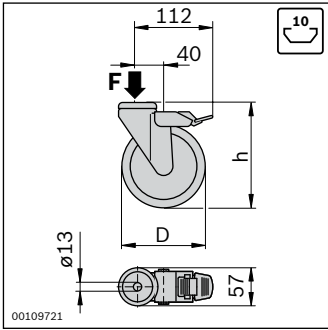
- ▶ Mounting of all wheel in the profile slot or central hole (accessories required)
- ▶ Profile finishing: Thread cutting M12 for assembly in central hole



Required accessories:

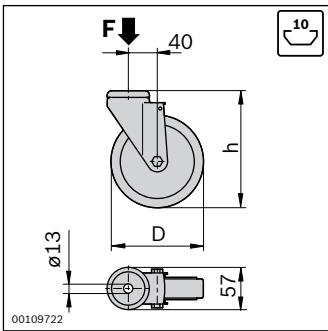
- ▶ Screw M12x40 (ISO 4762) for mounting in central hole (\cup 35 Nm)
- ▶ Bearing ring if cover cap with hole is used (p. 6-16)



Wheel selection guide

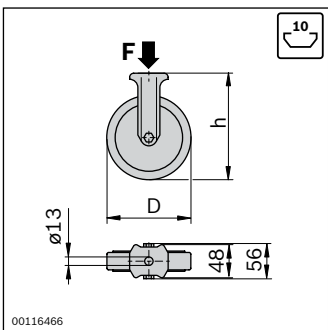
				
Tread	Thermoplastic rubber	Polyamide 6	Solid rubber	Polyurethane
ESD	yes / no (either possible)	no	yes	yes
Tread hardness	 85° shore A	 70° shore D	 80° shore A	 94° shore A
Temperature resistance	 -20 °C ... +60 °C	 -25 °C ... 80 °C	 -20 °C ... +60 °C	 -20 °C ... +60 °C
Rolling resistance	 very good	 outstanding	 good	 very good
Travel noise	 good	 satisfactory	 very good	 good
Floor protection	 good	 satisfactory	 very good	 good
Deformation elasticity Tread	 satisfactory	 adequate	 very good	 good
Tread color	gray	black	black	gray
Makes no track marks	yes	yes	no	yes





FS1
 M12X30
 DIN 985
M12





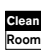















FS1
 M12X30
 DIN 985
M12














FS1
 M12X30
 DIN 985
M12

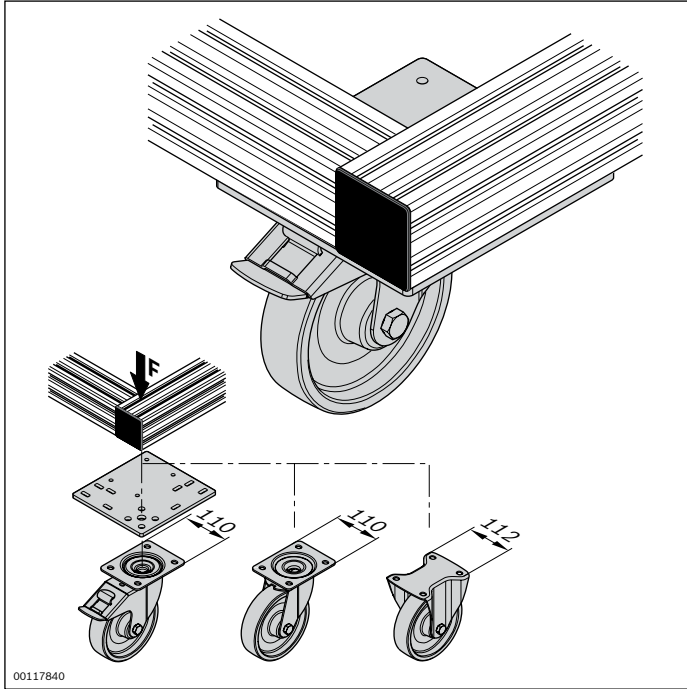
► Castor wheel with lock: Lock prevents the wheel from rolling or turning

Castor wheel with lock	F (N)	D (mm)	h (mm)	ESD	No.	FS
	900	80	108		3 842 541 226	FS1
	1100	125	158		3 842 541 228	FS1
	900	80	108		3 842 541 230	FS1
	1100	125	158		3 842 541 232	FS1
	1100	125	158		3 842 515 367	FS1
	1000	125	158		3 842 524 499	FS1
	600	80	108		3 842 547 836	FS1
	800	125	158		3 842 547 838	FS1

Castor wheel	F (N)	D (mm)	h (mm)	ESD	No.	FS
	900	80	108		3 842 541 234	FS1
	1100	125	158		3 842 541 236	FS1
	900	80	108		3 842 541 238	FS1
	1100	125	158		3 842 541 240	FS1
	1100	125	158		3 842 515 366	FS1
	1000	125	158		3 842 524 500	FS1
	600	80	108		3 842 547 835	FS1
	800	125	158		3 842 547 837	FS1

Trestle roller	F (N)	D (mm)	h (mm)	ESD	No.	FS
	900	80	108		3 842 541 242	FS1
	1100	125	158		3 842 541 244	FS1
	600	80	108		3 842 547 839	FS1
	800	125	158		3 842 547 840	FS1

- Material:
-  Thermoplastic rubber
 -  Reinforced PA
 -  Gray PU, housing: Steel, chrome-plated
 -  Solid rubber
 -  Conductive, conduction resistance $\leq 10^6 \Omega$



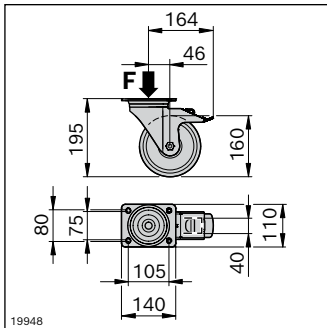
Heavy-duty wheel



- ▶ Heavy-duty wheel with mounting flange
- ▶ Available as a castor wheel with lock, a castor wheel, and a trestle roller
- ▶ Heavy-duty, particularly suited for workshop applications
- ▶ Wheels with excellent running properties

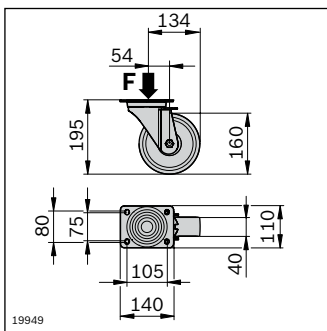
Required accessories:

- ▶ Screw M10x16 (ISO 4762), washer ISO 7089-10, lock washer 10FSt for fastening to the screw-on plate
- ▶ T-bolt, flange nut, central bolt M12 or S12 for fastening the screw-on plate to the profile frame



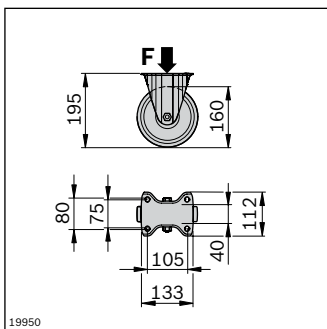
Castor wheel with lock	F (N)	No.
	3000	3 842 562 057

Material: Housing: Steel; galvanized
Wheel: TPU, 94° Shore A, gray



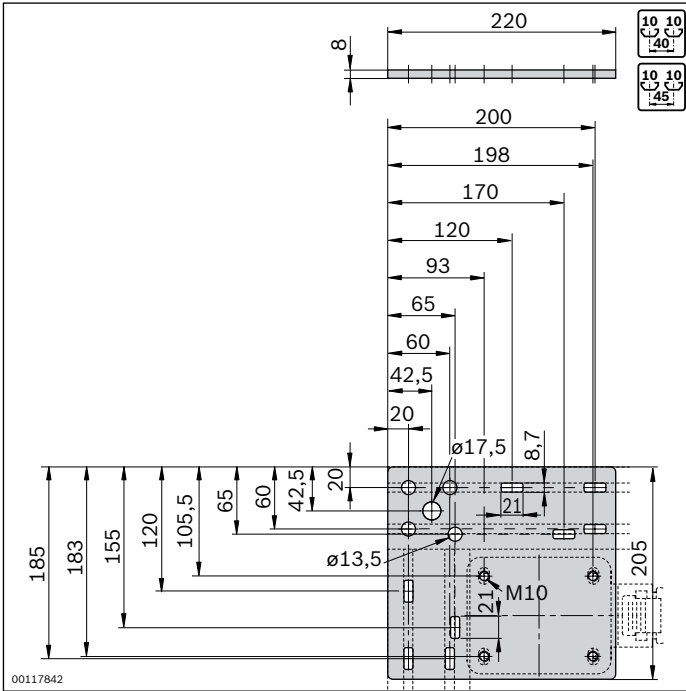
Castor wheel	F (N)	No.
	3000	3 842 562 058

Material: Housing: Steel; galvanized
Wheel: TPU, 94° Shore A, gray



Trestle roller	F (N)	No.
	3000	3 842 562 059

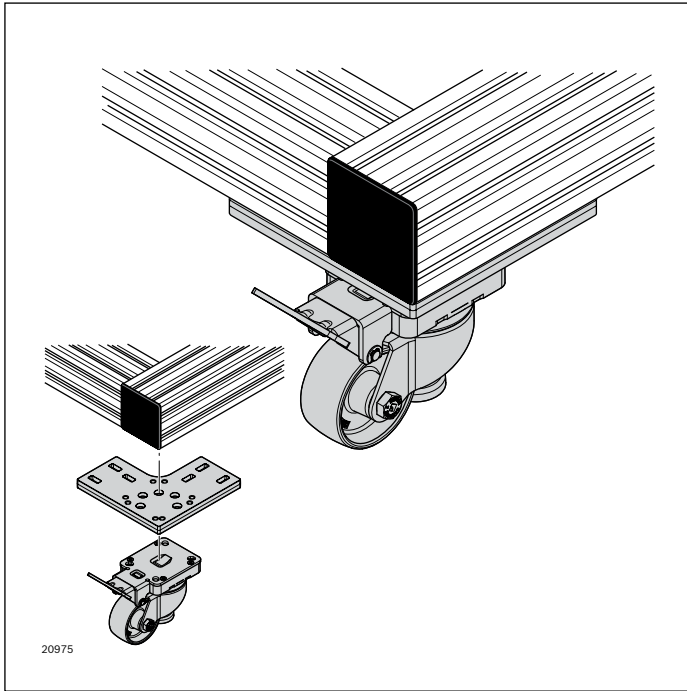
Material: Housing: Steel; galvanized
Wheel: TPU, 94° Shore A, gray



- Screw-on plate for attachment to 40 mm or 45 mm profiles

Screw-on plate	No.
	4 3 842 536 701

Material: Steel; zinc-plated



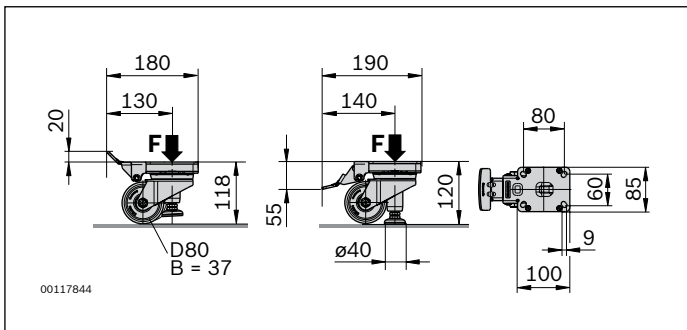
Lifting wheel



- ▶ Steerable lifting wheel
- ▶ The wheel turns into a stable base simply by engaging the stop lever
- ▶ Screw-on plate for mounting the lifting wheel
- ▶ With "Ideal-Stop": Locking lever does not swivel with the castor wheel but remains in the defined position. The locking lever is fixed in position on the frame by means of the screw-on plate, and the castor wheel moves freely

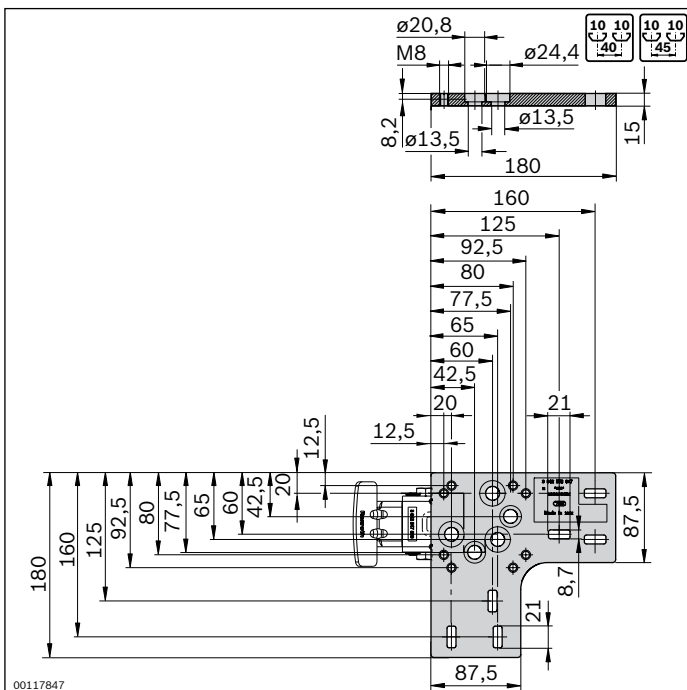
Required accessories:

- ▶ Screw M8x35 (ISO 4762), washer 8 (DIN EN ISO 7089), locking washer 8 FSt for attaching to the screw-on plate
- ▶ T-bolt M8x30 (p. 3-7), flange nut M8 (p. 3-7), central bolt M12 or S12 (p. 3-43) for fastening to the screw-on plate on the profile frame



Lifting wheel	F (N)	No.
	2300	3 842 547 890

Material: Wheel: PA6, natural white
Housing: Steel; zinc-plated
Base plate: Rubber, gray



Screw-on plate	No.
	4 3 842 553 967

Material: Diecast aluminum

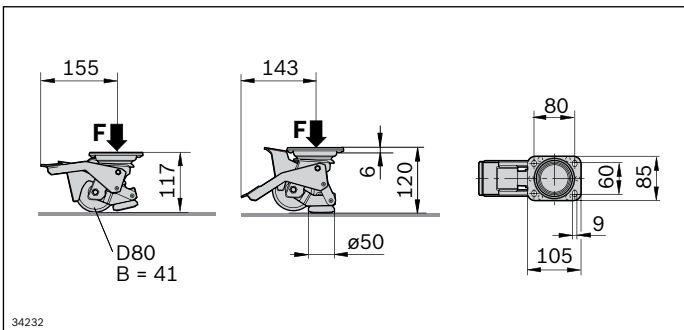
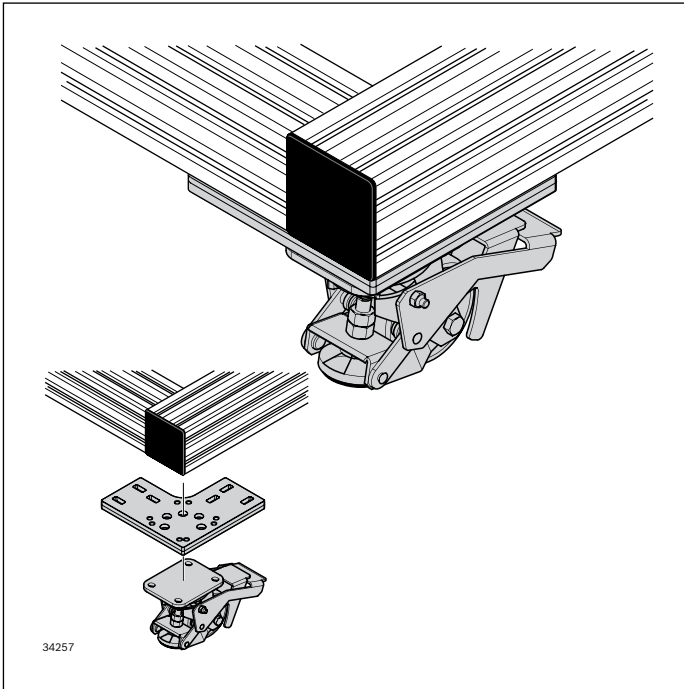
Lifting wheel - rotatable pedal



- ▶ Steerable lifting wheel
- ▶ The wheel turns into a stable base simply by engaging the stop lever
- ▶ The locking lever moves with the wheel
- ▶ The locking lever can be moved under the frame if necessary

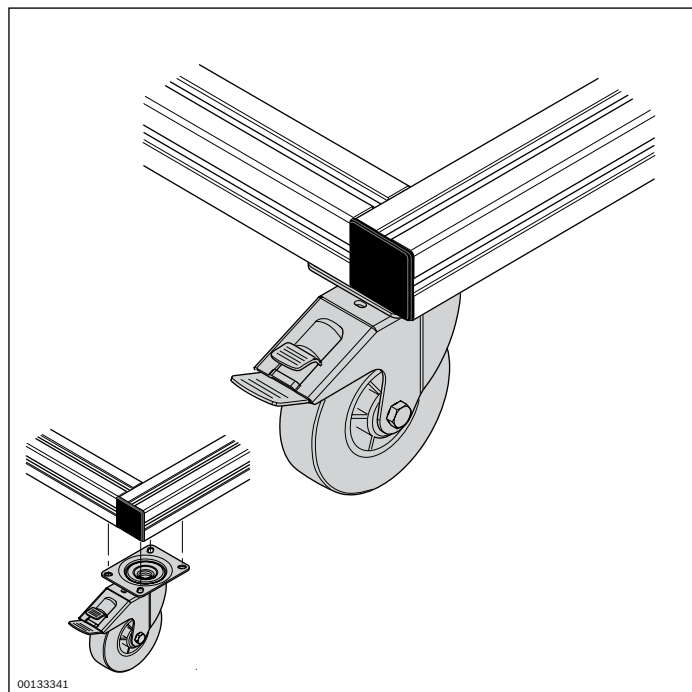
Required accessories:

- ▶ Screw M8x20 (ISO 4762), washer 8 (DIN EN ISO 7089), locking washer 8 FSt for attaching to the screw-on plate
- ▶ Screw-on plate 3 842 553 967 (p. 6-22)
- ▶ Flange head screw similar to ISO 7380-2 10.9 M8x25, however, Torx 40 (tightening torque 25 Nm), T-nut 10 M8 (p. 3-5), central bolt M12 or S12 (p. 3-43) for fastening the screw-on plate at the profile frame



Lifting wheel	F (N)	No.
Rotatable pedal	2000	3 842 555 610

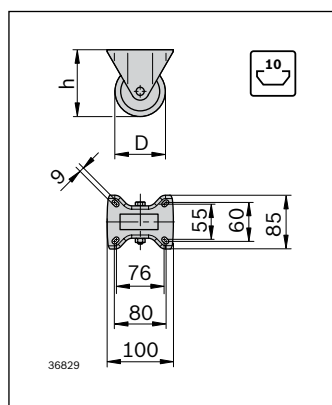
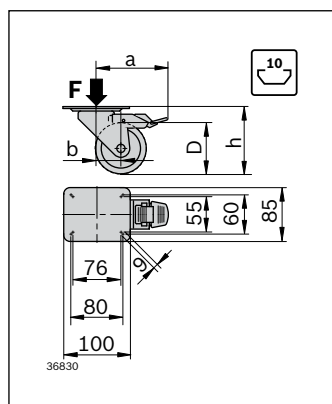
Material: Wheel: PA6, natural white
 Housing: Steel; zinc-plated
 Base plate: PA; rubber black



Roller with mounting flange



- ▶ Robust rollers with mounting flange
- ▶ Excellent running properties, particularly suitable for workshop floors
- ▶ Available as a castor wheel with lock and as a trestle roller
- ▶ Castor wheel with lock: Lock prevents the wheel from rolling or turning



FS1
ISO 4762
M8x16
8-FSt
DIN 125, 8,4
M8

Castor wheel	F (N)	D (mm)	h (mm)	a (mm)	b (mm)	No.
	600	100	125	113	36±2	3 842 259 790
	900	125	150	123	40±2	3 842 259 791

Material: Wheel: Solid rubber
Rims: Polypropylene
Housing: Sheet steel; zinc-plated

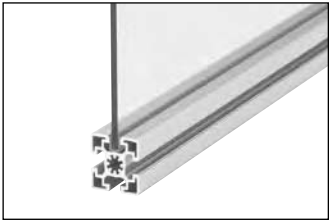
Trestle roller	F (N)	D (mm)	h (mm)	No.
	600	100	125	3 842 259 792
	900	125	150	3 842 259 793

Material: Wheel: Solid rubber
Rims: Polypropylene
Housing: Sheet steel; zinc-plated

- ▶ For castor and trestle roller

Mounting kit	No.	FS
	3 842 259 794	3xFS1

Mounting of panel elements



Panel support profile
(p. 7-2)



Panel support profile
cleanroom (p. 7-3)



Protective panel support
profile (p. 7-4)



Protective panel support
profile cleanroom (p. 7-5)



Variofix block (p. 7-6)
Variofix block S (p. 7-7)



Bracket S (p. 7-8)



Retainer ring (p. 7-9)



Screw bar profile (p. 7-10)



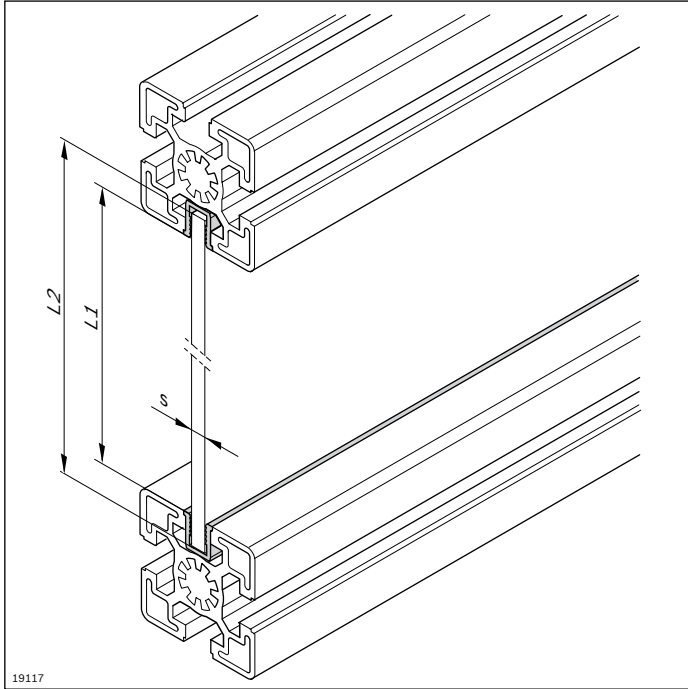
Potential equalizer
(p. 7-11)



Protective grille profile
(p. 7-12)



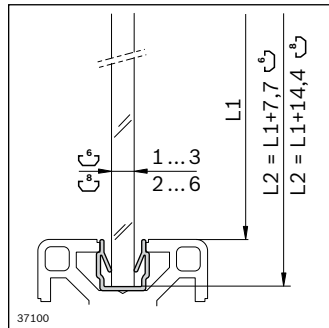
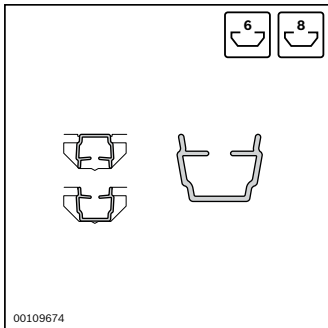
Clamp bushing (p. 7-13)



Panel support profile

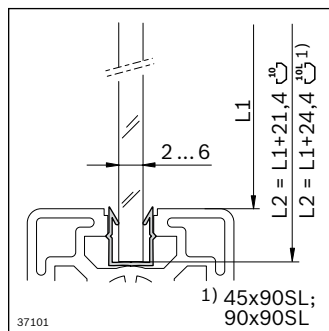
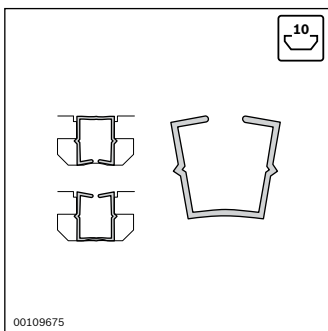


- ▶ For the play-free mounting of panel elements in the profile slot
- ▶ For panel elements up to 6 mm thick
- ▶ Installation during frame assembly
- ▶ Panel support profile PP can also be used as a cover profile



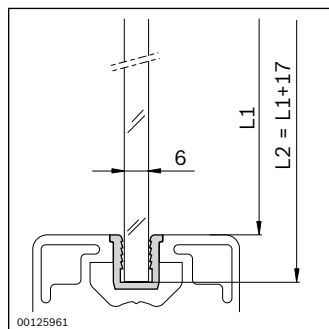
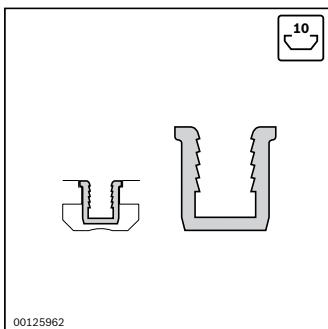
Panel support profile	Slot s (mm)	L (mm)	No.
	6	1 ... 3	2000 3 842 555 272
	8	2 ... 6	2000 3 842 555 274

Material: PP; signal gray RAL 7004



Panel support profile	Slot s (mm)	L (mm)	No.
	10	2 ... 6	2000 3 842 555 276

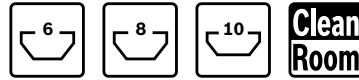
Material: PP; signal gray RAL 7004



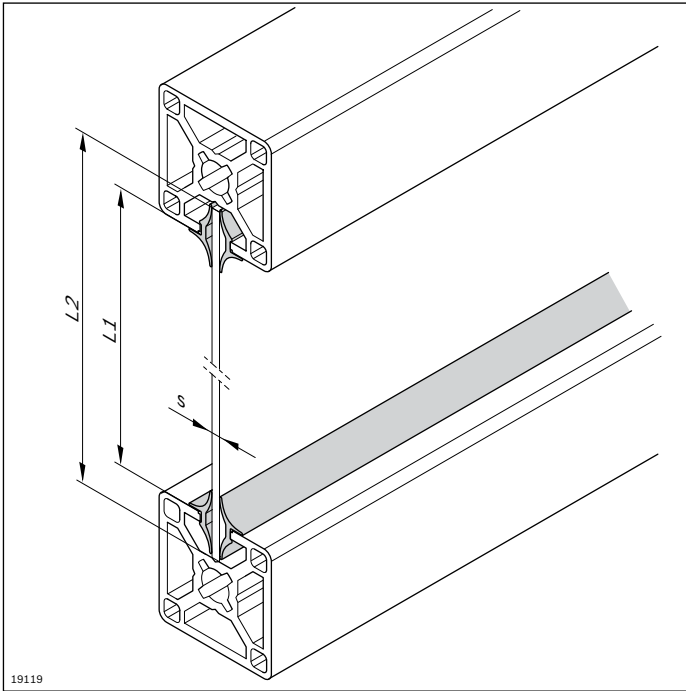
Panel support profile	Slot s (mm)	L (mm)	No.
	10	6	2000 3 842 555 270

Material: PE; signal gray RAL 7004

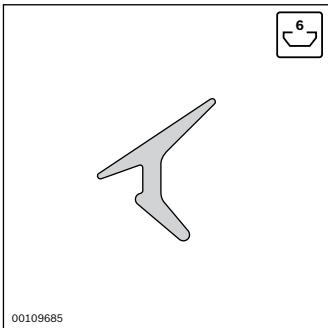
Panel support profile cleanroom



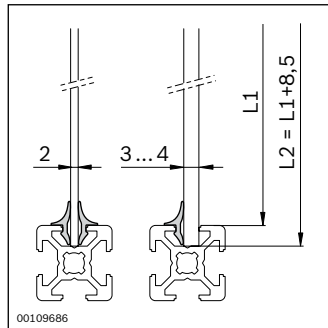
- ▶ For the play-free mounting of panel elements in the profile slot
- ▶ For panel elements with a thickness of 2 ... 8 mm
- ▶ For use on one or two sides of the panel support profile, depending on the panel element thickness
- ▶ Installation during profile frame assembly
- ▶ Can be used under cleanroom conditions
- ▶ Checked for emission of volatile organic substances at room temperature, 50 °C and 120 °C, Report No. BO 9903-160



19119



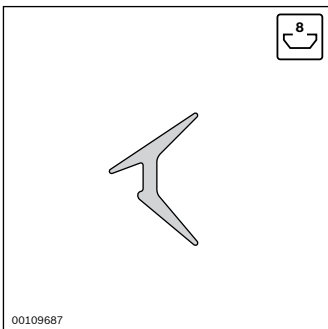
00109685



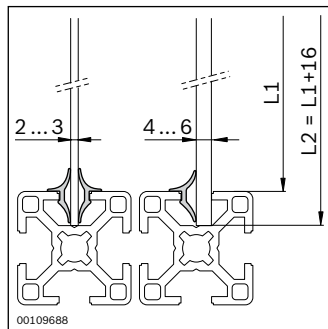
00109686

Panel support profile cleanroom	Slot s (mm)	L (mm)	No.
	6	2 ... 4	10000 3 842 523 493

Material: TPE, light gray RAL 7035



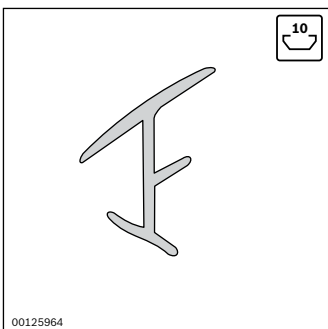
00109687



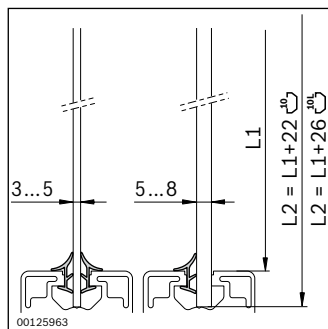
00109688

Panel support profile cleanroom	Slot s (mm)	L (mm)	No.
	8	2 ... 6	10000 3 842 523 494

Material: TPE, light gray RAL 7035



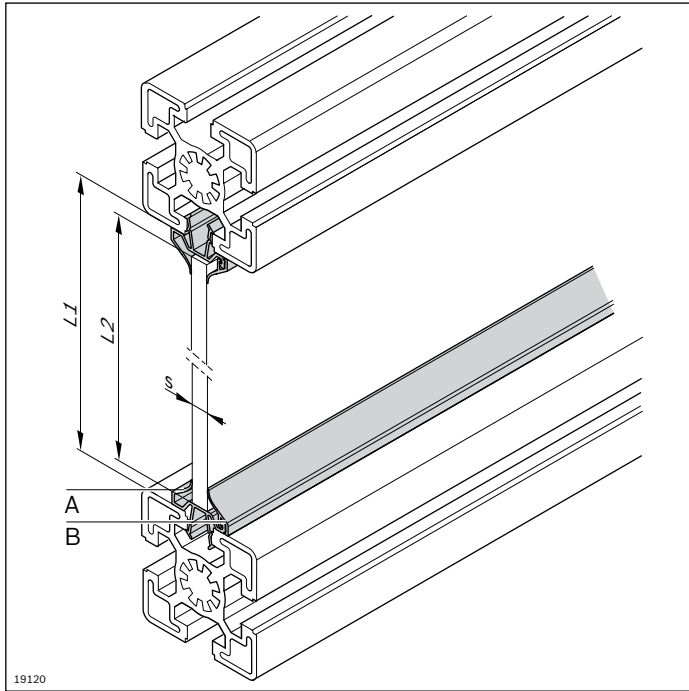
00125964



00125963

Panel support profile cleanroom	Slot s (mm)	L (mm)	No.
	10	3 ... 8	10000 3 842 555 282

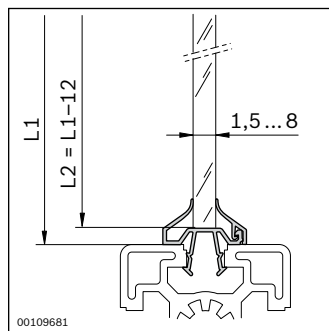
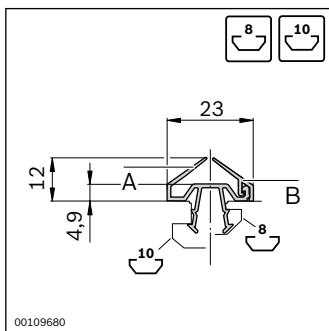
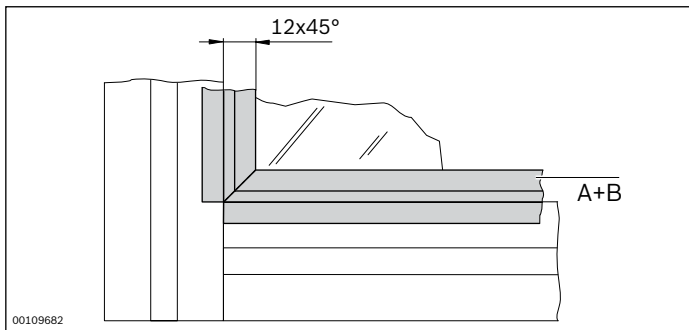
Material: TPE; signal gray RAL 7004



Protective panel support profile



- ▶ For the play-free mounting of panel elements
- ▶ For panel elements with a thickness of 1.5 ... 8 mm
- ▶ For subsequent installation in closed frame constructions
- ▶ Installation of panel elements at center of slot
- ▶ The protective panel support profile consists of the basic profile (**A**) and the clip strip (**B**)
- ▶ With lip seals to protect the working space from splashing liquids

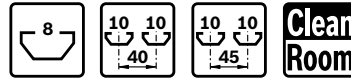


Protective panel support profile	Slot	s (mm)	L (mm)	No.
----------------------------------	------	--------	--------	-----

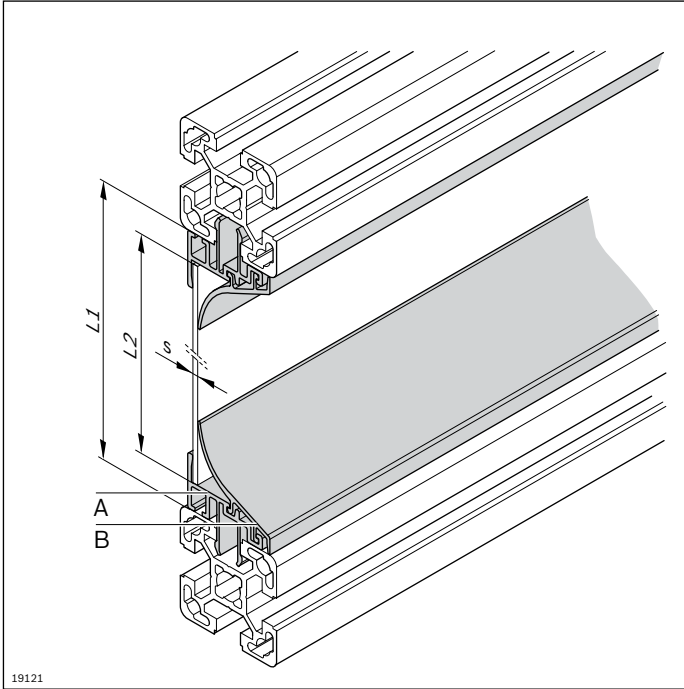
A Basic profile	8, 10	1.5 ... 8	2000	10 3 842 555 284
B Clip strip	8, 10	1.5 ... 8	2000	10 3 842 555 286

Material: PVC; signal gray RAL 7004

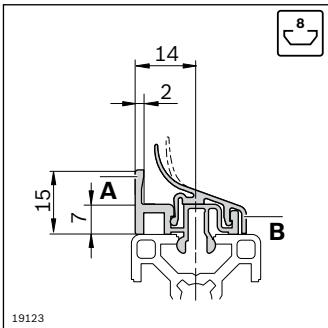
Protective panel support profile cleanroom



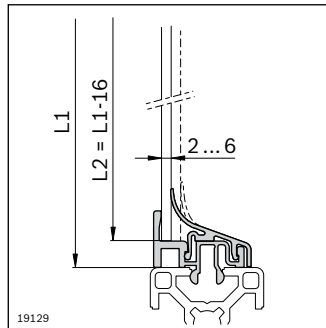
- ▶ For the play-free mounting of panel elements
- ▶ For panel elements with a thickness of 2 ... 8 mm
- ▶ For subsequent installation in closed frame constructions
- ▶ Installation of panel elements flush with the profile edge
- ▶ The protective panel support profile consists of the basic profile **(A)** and the clip-on strip **(B)**. Both profiles are required for proper functioning.
- ▶ Can be used under cleanroom conditions
- ▶ Checked for emission of volatile organic substances at room temperature, 50 °C and 120 °C, Report No. BO 9903-161



19121



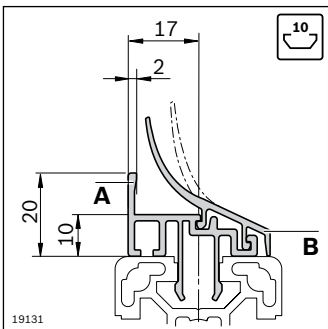
19123



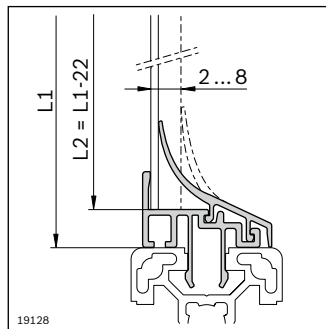
19129

Protective panel support profile cleanroom	Slot s (mm)	L (mm)	No.
A Basic profile	8	2 ... 6	2000 10 3 842 524 025
B Clip strip	8	2 ... 6	2000 10 3 842 555 288

Material: Basic profile: Aluminum; anodized
Clip strip: PP/TPE; signal gray RAL 7004



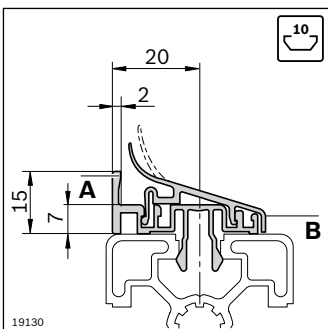
19131



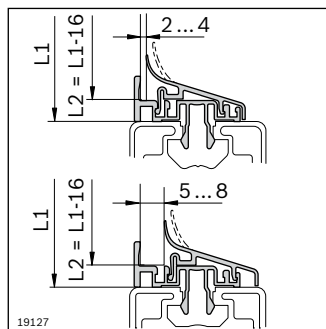
19128

Protective panel support profile cleanroom	Slot s (mm)	L (mm)	No.
A Basic profile	10	2 ... 8	2000 10 3 842 529 761
B Clip strip	10	2 ... 8	2000 10 3 842 555 292

Material: Basic profile: Aluminum; anodized
Clip strip: PP/TPE; signal gray RAL 7004



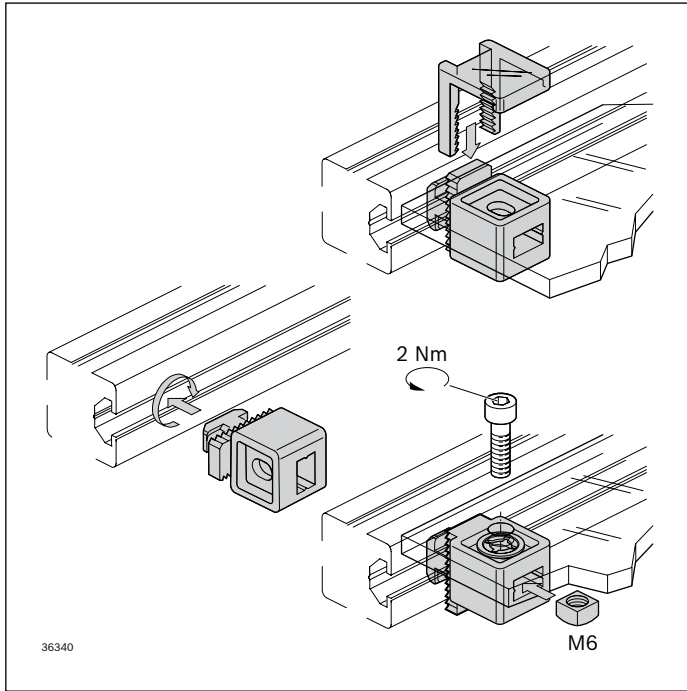
19130



19127

Protective panel support profile cleanroom	Slot s (mm)	L (mm)	No.
A Basic profile	10	2 ... 8	2000 10 3 842 524 027
B Clip strip	10	2 ... 8	2000 10 3 842 555 290

Material: Basic profile: Aluminum; anodized
Clip strip: PP/TPE; signal gray RAL 7004



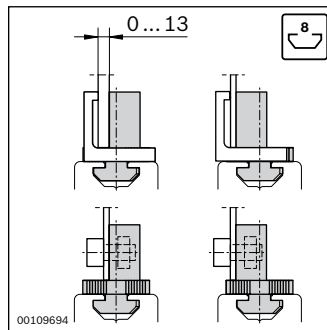
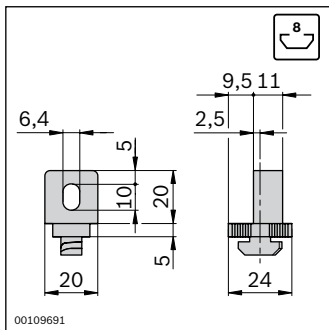
Variofix block



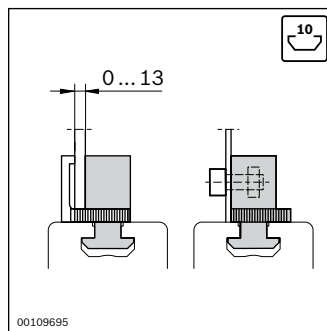
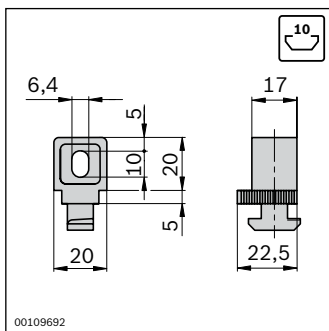
- ▶ For panel elements up to 13 mm thick
- ▶ For subsequent installation in closed frame constructions
- ▶ Asymmetrical form enables fastening of panel elements in two different positions
- ▶ Clamping via snap-in clip or screw fitting with square nut M6 (included in scope of delivery) and screw
- ▶ Retainer ring for connecting the screw to the panel element (Machinery Directive 2006/42/EC)

Accessories:

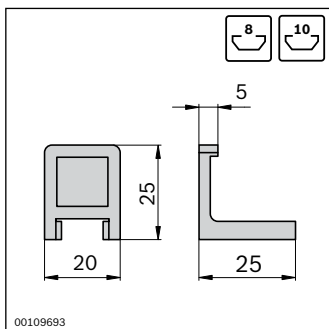
- ▶ Variofix remover (p. 14-6)
- ▶ Screw for fitting with square nut



Variofix block	Slot	No.
	8 10	3 842 548 832
Material:	PP; signal gray RAL 7004	
	Square nut: Steel; zinc-plated	
Scope of delivery:	Incl. square nut	



Variofix block	Slot	No.
	10 10	3 842 548 834
Material:	PP; signal gray RAL 7004	
	Square nut: Steel; zinc-plated	
Scope of delivery:	Incl. square nut M6, retainer ring M6	



Snap-in clip	No.
	10 3 842 184 738
Material:	PA; colorless

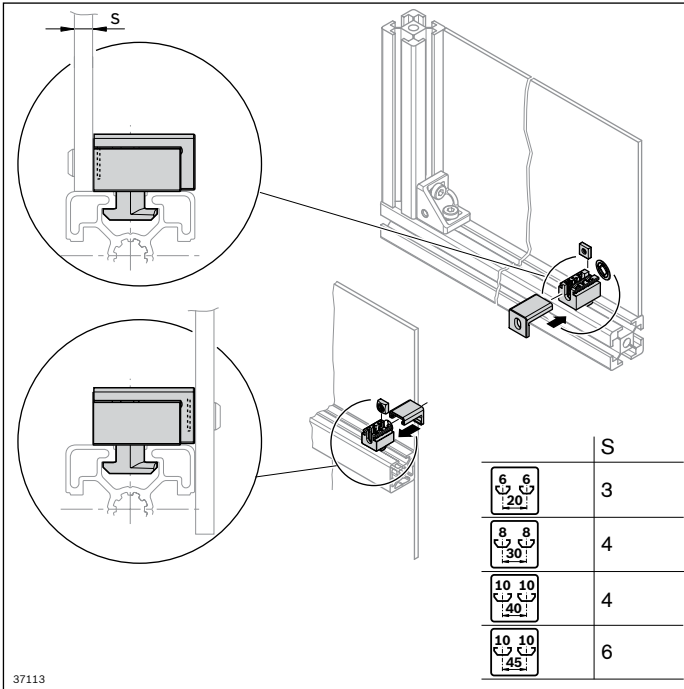
Variofix block S



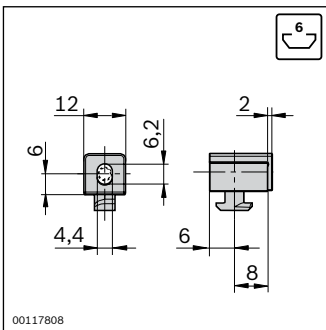
- ▶ For virtually gap-free panel element mounting
- ▶ For subsequent installation in closed frame constructions
- ▶ The asymmetrical design and cover cap enable variable mounting positions for the panel elements: flush with the profile edge or situated in front of the profile
- ▶ Retainer ring for connecting the screw to the panel element (Machinery Directive 2006/42/EC)

Required accessories:

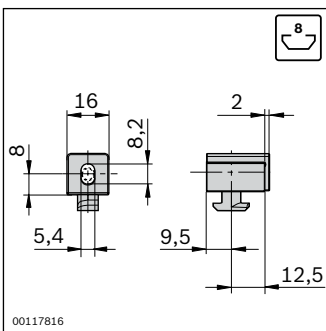
Screw for fastening the panel element



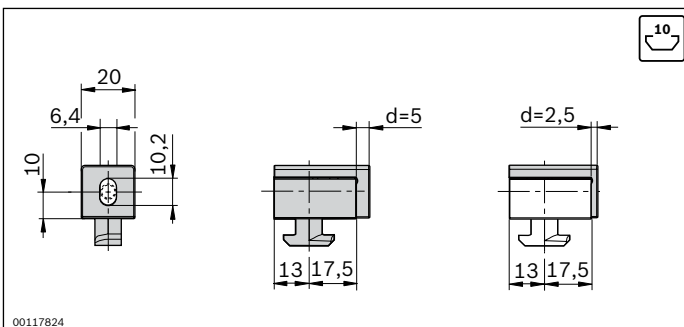
37113



00117808



00117816



00117824

Variofix block S	Slot	No.
	6	10 3 842 548 836

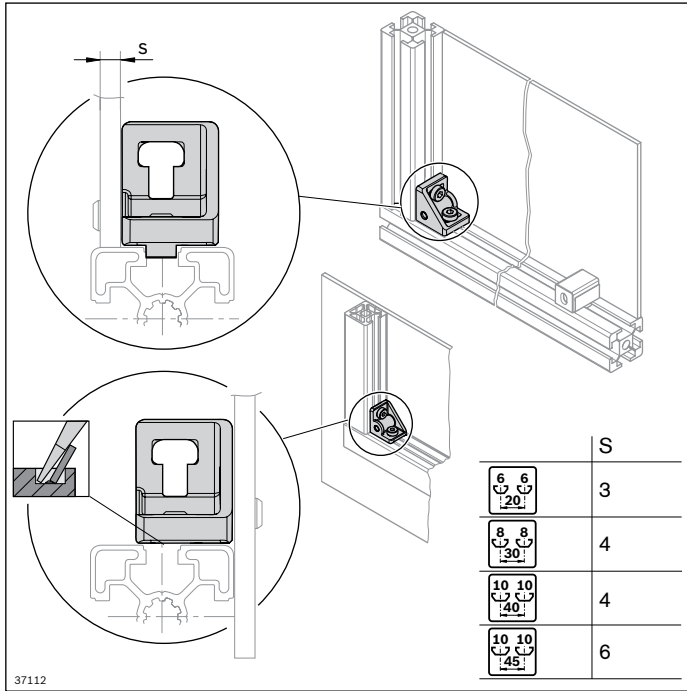
Material: PP; signal gray RAL 7004
 Square nut: Steel; zinc-plated
 Scope of delivery: Incl. square nut M4, cap

Variofix block S	Slot	No.
	8	10 3 842 548 838

Material: PP; signal gray RAL 7004
 Square nut: Steel; zinc-plated
 Scope of delivery: Incl. square nut M5, cap, retainer ring

Variofix block S	Slot	No.
	10	10 3 842 548 840

Material: PP; signal gray RAL 7004
 Square nut: Steel; zinc-plated
 Scope of delivery: Incl. square nut M5, 2 x cap (d = 2.5 mm; d = 5 mm), retainer ring



Bracket S



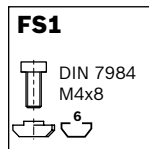
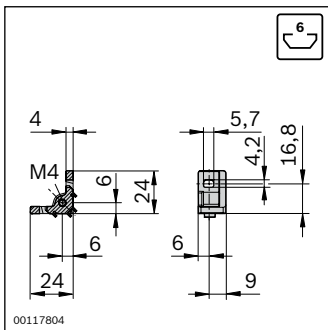
- ▶ Bracket with thread for virtually gap-free mounting of panel elements
- ▶ For subsequent installation in closed frame constructions
- ▶ Panel elements can be mounted in different positions: flush with the profile edge or situated in front of the profile (by breaking off the centering lug)

Required accessories:

Screw for fastening the panel element

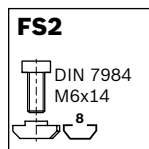
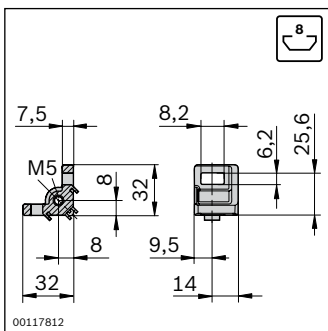
Optional accessories:

- ▶ Variofix block S (p. 7-7)
- ▶ Retainer ring (p. 7-9)



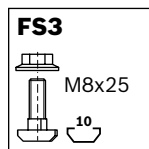
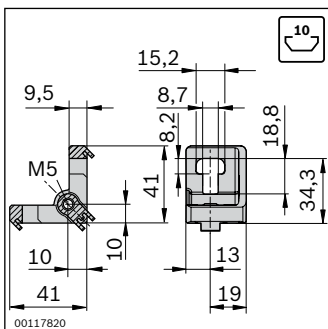
Bracket S	Slot	No.	FS
20x20	6	20	3 842 536 489
20x20 set	6	1	3 842 536 670 2xFS1

Material: Diecast aluminum
Fastening material: Steel; zinc-plated
Scope of delivery: Set incl. fastening material (FS)



Bracket S	Slot	No.	FS
30x30	8	20	3 842 536 490
30x30 set	8	1	3 842 536 671 2xFS2

Material: Diecast aluminum
Fastening material: Steel; zinc-plated
Scope of delivery: Set incl. fastening material (FS)

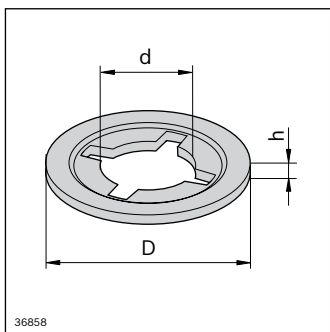
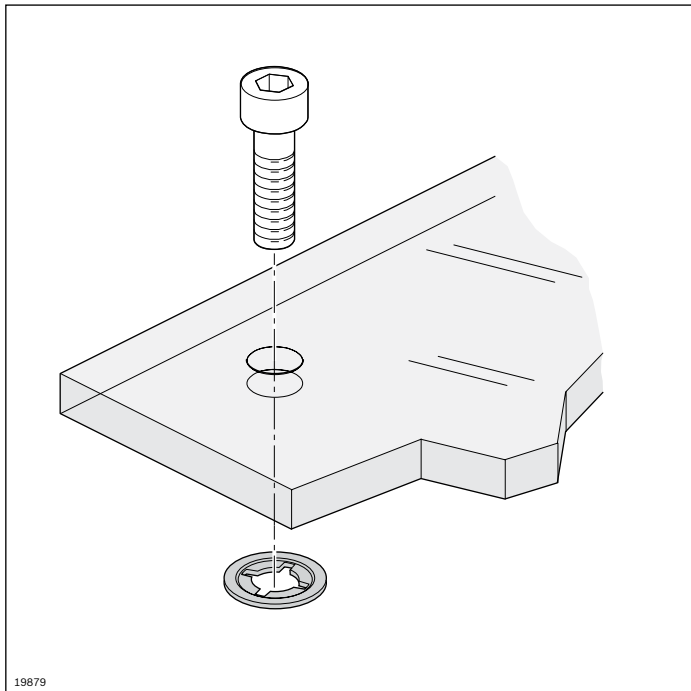



Bracket S	Slot	No.	FS
40/45	10	20	3 842 536 491
40/45 set	10	1	3 842 536 672 2xFS3

Material: Diecast aluminum
Fastening material: Steel; zinc-plated
Scope of delivery: Set incl. fastening material (FS)

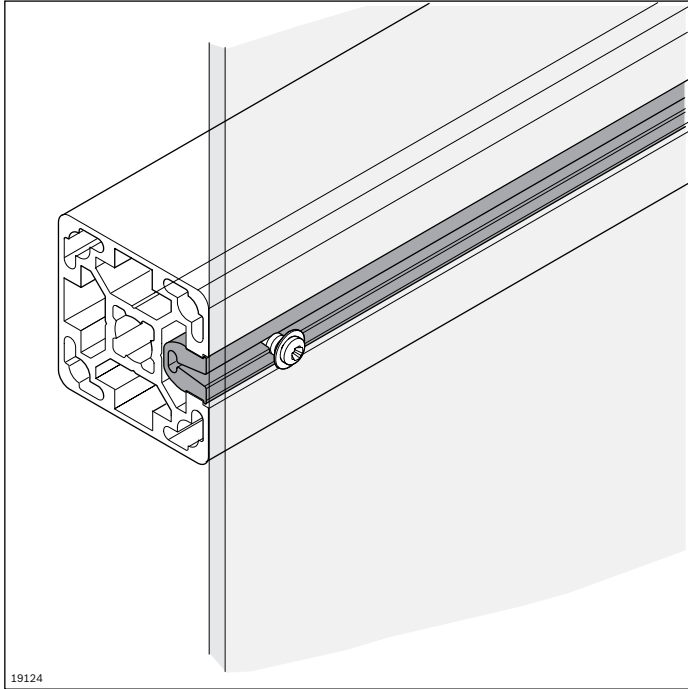
Retainer ring

- ▶ Secures the fastening screw to the panel element
- ▶ For use with all Variofix blocks, but not for the S bracket
- ▶ Can be retrofitted
- ▶ For various thread sizes



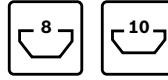
Retainer ring	D (mm)	d (mm)	h (mm)	 No.
M4	9.0	3.4	1.0	100 3 842 542 328
M5	10.0	4.5	1.0	100 3 842 542 329
M6	12.5	5.5	1.5	100 3 842 542 330

Material: PA; black



19124

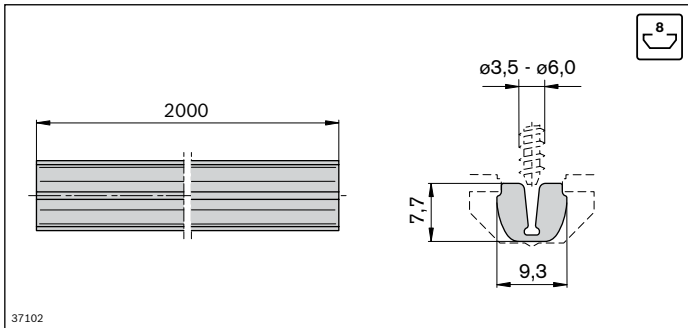
Screw bar profile



- ▶ Screw bar profile for fastening panel elements using commercially available sheet metal screws
- ▶ Clipping the screw bar profile into the profile slot
- ▶ Low-cost connection element

Required accessories:

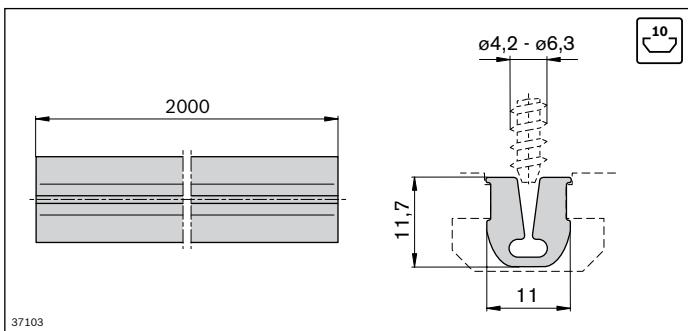
Sheet metal screws for fastening panel elements



37102

Screw bar profile	Slot	L (mm)	No.
	8	2000	3 842 555 550

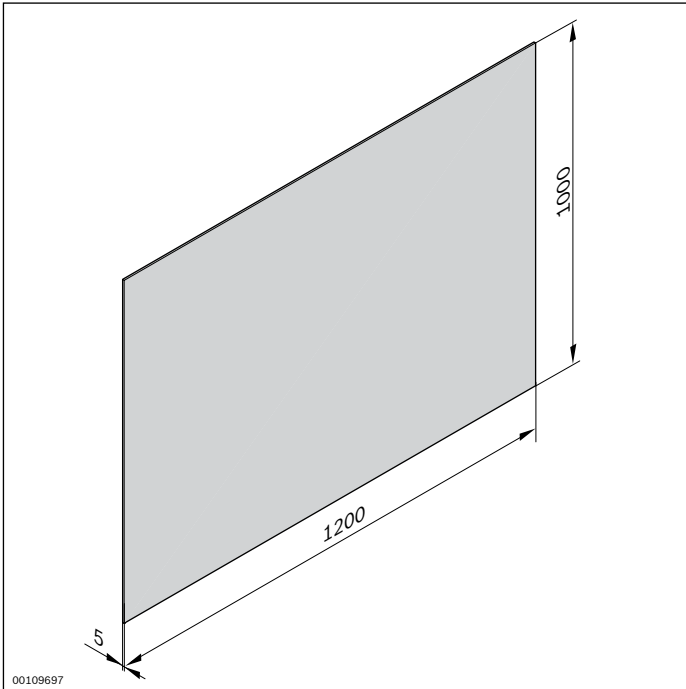
Material: PVC; signal gray RAL 7004



37103

Screw bar profile	Slot	L (mm)	No.
	10	2000	3 842 555 552

Material: PVC; signal gray RAL 7004



Universal plate



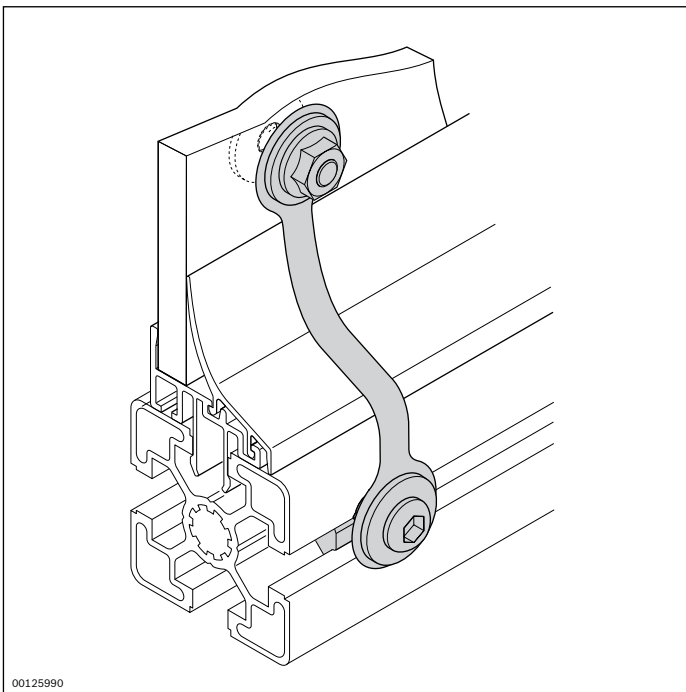
- For the construction of trays, material shuttles, or privacy shields on tables or frames

Accessories:

Frame profile, mounting of panel elements

Universal plate	ESD No.
PP	3 842 516 837
SB	3 842 516 838

Material: PP: gray, smooth on one side, grained on the other
SB: black, smooth on both sides



Potential equalizer

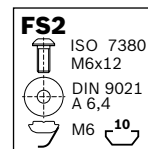
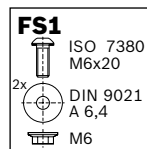


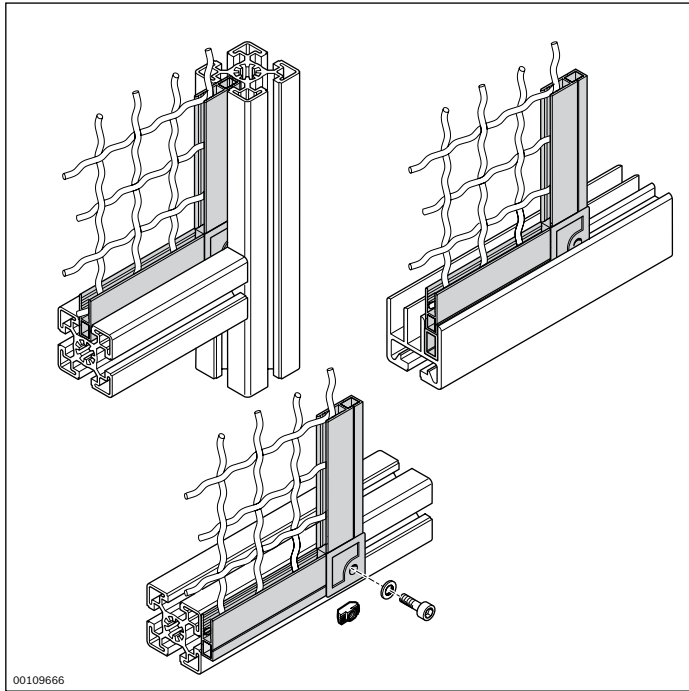
- Potential equalizer for creating electrostatic conduction between panel elements and strut profiles

Potential equalizer	ESD	No.	FS
		10 3 842 536 148	FS1, FS2

Material: Strip: Steel, stainless
Fastening material: Steel; zinc-plated

Scope of delivery: Incl. fastening material (FS)





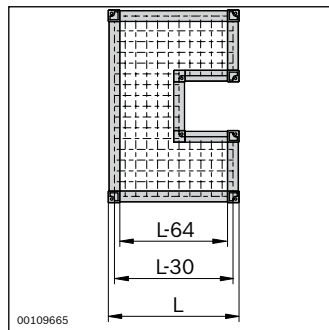
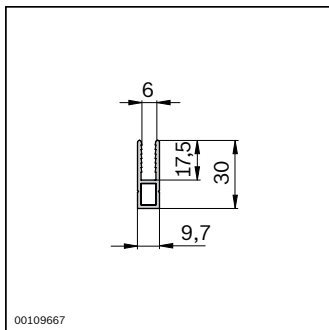
Protective grille profile Corner connector



- ▶ For constructing frames for woven wire grilles or panel elements
- ▶ For woven wire grilles with a wire diameter up to 3.1 mm
- ▶ For panel elements up to 6 mm thick
- ▶ Screw fitting of frame to the outside of strut profiles (subsequent installation)
- ▶ Insertion of frame into the slot of a strut profile or a sliding door profile Al 45
- ▶ Corner connectors for inner and outer corners

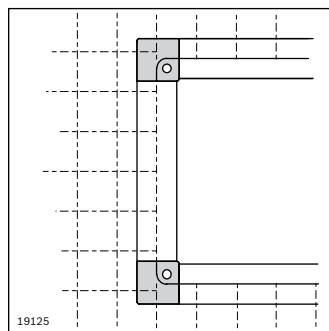
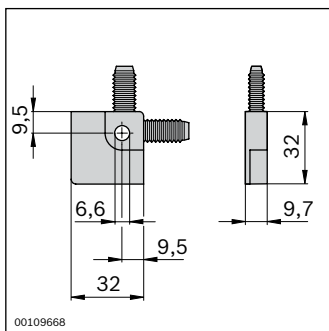
Optional accessories:

- ▶ T-nut M6 (p. 3-4)
- ▶ Screw M6



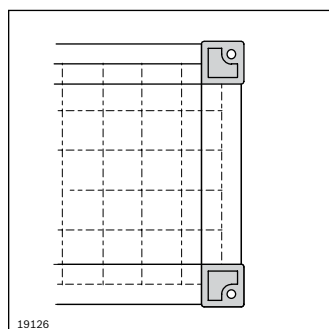
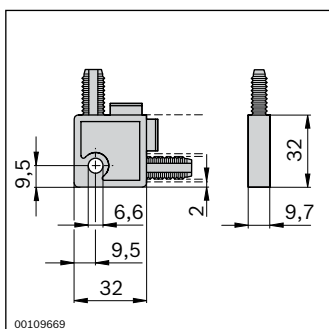
Protective grille profile	L (mm)	No.
	3000 ¹⁾	20 3 842 305 766

¹⁾ Due to the (anodic oxidation) contact points produced in the manufacturing process, supplied in profile length of 3100 mm
Material: Aluminum, black anodized



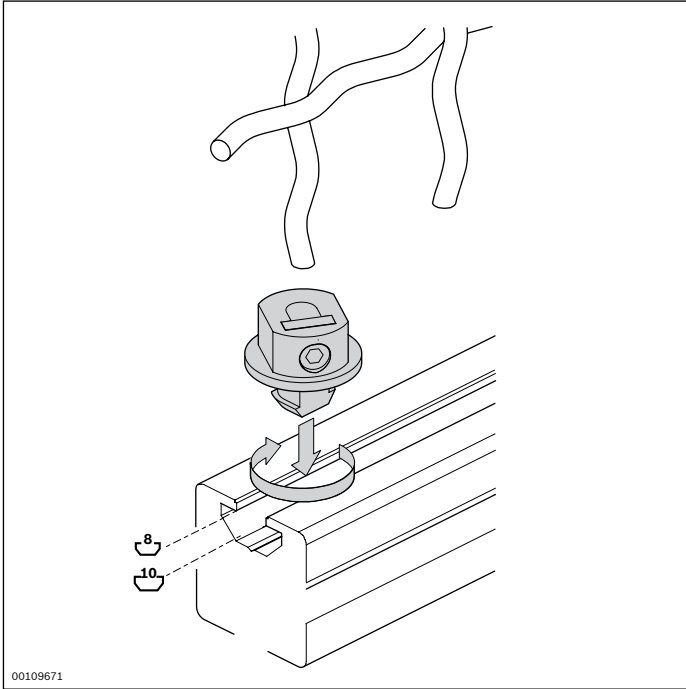
Inner corner connector	No.
	20 3 842 305 768

Material: PA; black

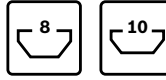


Outer corner connector	No.
	20 3 842 305 767

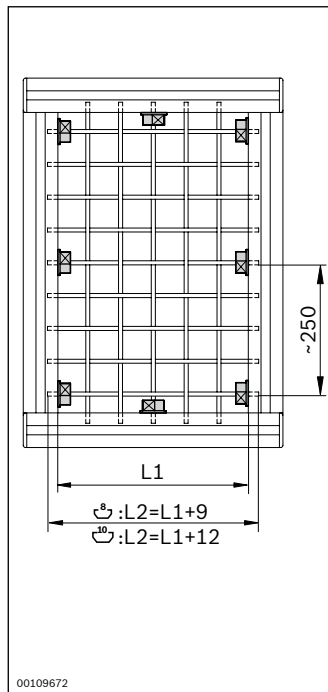
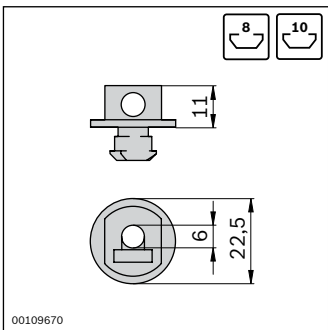
Material: PA; black



Clamp bushing



- ▶ For fastening woven wire grilles in the profile slot
- ▶ For woven wire grilles with a wire diameter up to 3.1 mm
- ▶ Suitable for 8 mm and 10 mm slots
- ▶ Low-cost connection element
- ▶ Rattle-free mounting



Clamp bushing	Slot	No.	FS
	8, 10	100	3 842 515 244 FS1

Material: Diecast zinc
Fastening material: Steel; zinc-plated

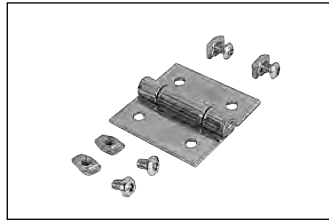
FS1

- EN ISO 4027 M6x10
- DIN 562 M6-04

Doors and fittings



Hinge profile (p. 8-3)



Hinge (p. 8-4)



Hinge, plastic (p. 8-5)



Hinge, aluminum (p. 8-6)



LIFTOFF hinge (p. 8-7)



Hinge, removable (p. 8-8)



Hinge, adjustable (p. 8-9)



Folding door element
(p. 8-10)



Door lock for swing and
sliding doors
(p. 8-11, 8-15)



Door lock (p. 8-12)



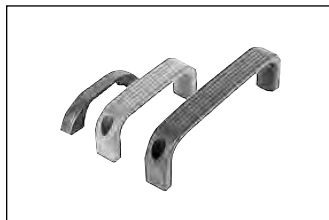
Door lock for EcoSafe
sliding doors (p. 8-13)



Door lock for swing doors
(p. 8-14, 8-17)



Mortise lock for swing doors (p. 8-21)



Bow-type handle (p. 8-23)



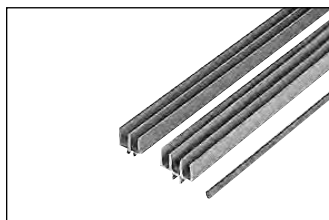
Safety handle (p. 8-24)



Sealing strip (p. 8-25)
Sealing profile (p. 8-26)



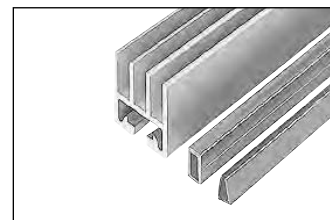
Slider (p. 8-27)



Sliding door profile PVC clip-in (p. 8-28)



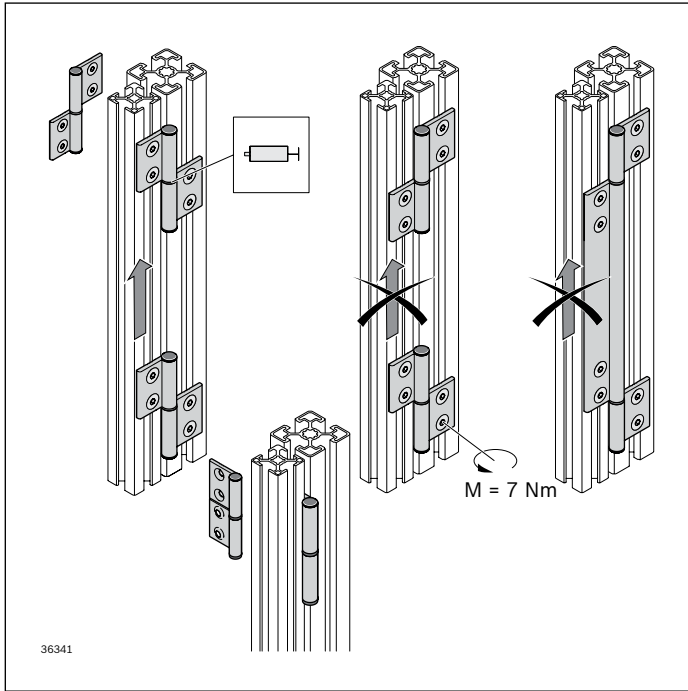
Sliding door profile Al clip-in (p. 8-29)



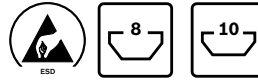
Sliding door profile Al 45 (p. 8-30)



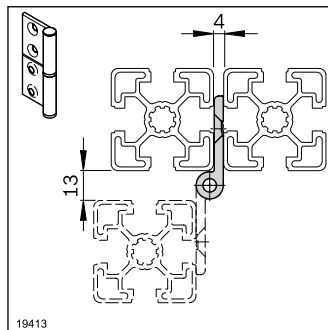
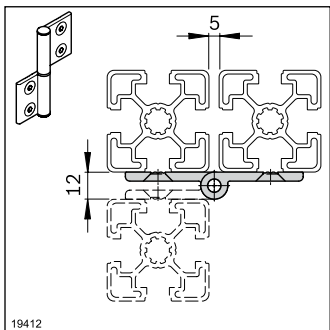
Edge protector, door handle profile (p. 8-32)



Hinge profile

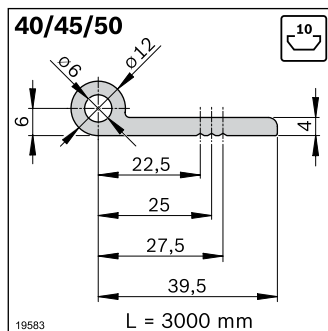
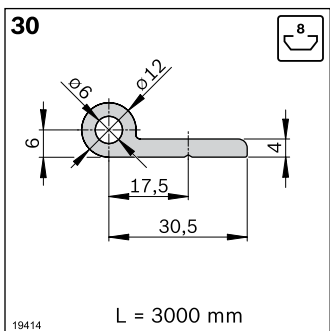


- ▶ For self-assembly of hinges or hinge bands
- ▶ Possible to use as a non-transparent hinge band to fully cover the door gap
- ▶ Hinge profiles for slot dimensions 30 and 40/45/50 can also be combined for maximum flexibility
- ▶ For doors with profile frames or doors made of solid panel elements
- ▶ Assembly on exterior or interior
- ▶ Assembly as removable and non-removable hinges
- ▶ Opening to the right and left
- ▶ Centering slots as a drill guide for mounting bores
- ▶ Required finishing:
 - Cut the hinge halves to length
 - Drill holes for fixing



Required accessories:

- ▶ Hinge pins
- ▶ T-nut M6 (p. 3-4)
- ▶ Screw ISO 10642 M6x12 (8 mm slot)
- ▶ screw ISO 10642 M6x16 (10 mm slot)

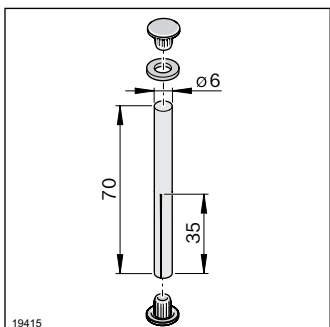


Hinge profile	L (mm)	No.
30	3000 ¹⁾	10 3 842 543 371
40/45/50	3000 ¹⁾	10 3 842 543 372

¹⁾ Due to the (anodic oxidation) contact points produced in the manufacturing process, supplied in profile length of 3100 mm

Material: Aluminum; anodized

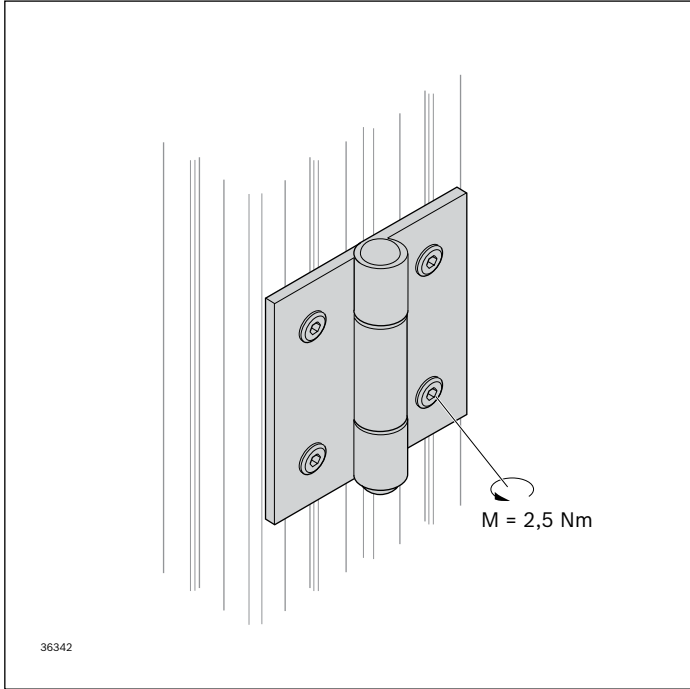
Slot	F _{max}
8	300 N
10	300 N



Hinge pins	No.
	10 3 842 544 661

Material: Grooved pin: Steel; zinc-plated
Washer, cover cap: TPE

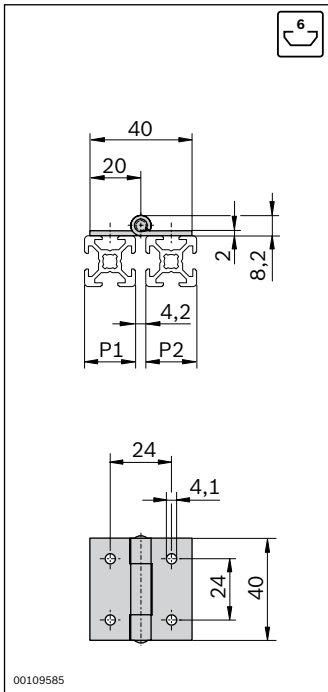
Scope of delivery: Incl. grooved pin, 2 x cover cap, washer



Hinge



- ▶ Assembly possible on solid panel elements
- ▶ For small doors and flaps
- ▶ Steel hinge for profiles with 6 mm slot



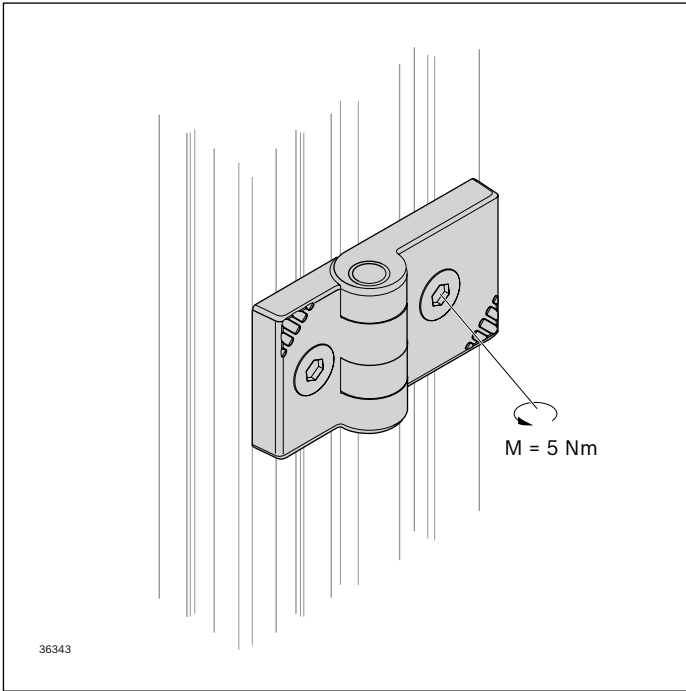
Slot	
6	300 N

FS1

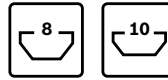
ISO 7380
M4x6

Hinge	P1 (mm)	P2 (mm)	ESD		No.	FS
	20	20		2	3 842 535 684	4xFS1

Material: Steel; stainless
Fastening material: Steel; zinc-plated
Scope of delivery: Incl. fastening material (FS)

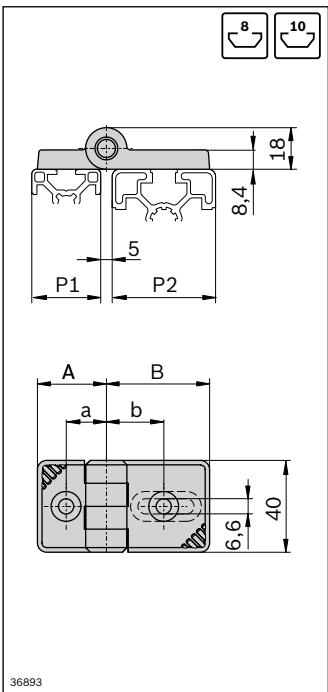


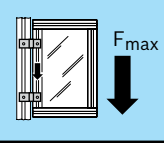
Hinge, plastic

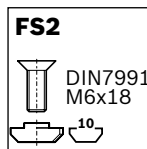
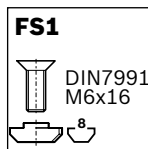


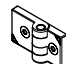
- ▶ Plastic hinge for profiles with 8 mm or 10 mm slot
- ▶ Assembly possible on solid panel elements
- ▶ Centering bolts for easing mounting and as an anti-torsion element

8



Slot	
8	150 N
10	150 N

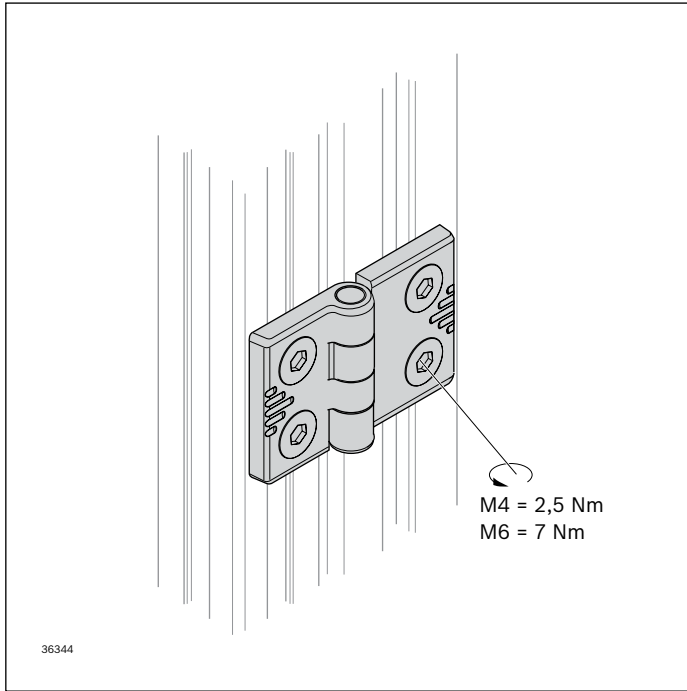


Hinge, plastic	P1 (mm)	P2 (mm)		No.	FS
	30	30	2	3 842 554 458	2xFS1
	30	40/50	2	3 842 554 460	1xFS1, 1xFS2
	30	45	2	3 842 554 462	1xFS1, 1xFS2
	30	60	2	3 842 554 464	1xFS1, 1xFS2
	40/50	40/50	2	3 842 554 466	2xFS2
	45	45	2	3 842 554 468	2xFS2
	45	60	2	3 842 554 470	2xFS2
	60	60	2	3 842 554 472	2xFS2

Material: PA; signal gray
 Hinge axle: Steel; zinc-plated
 Fastening material: Steel; zinc-plated

Scope of delivery: Incl. fastening material (FS)

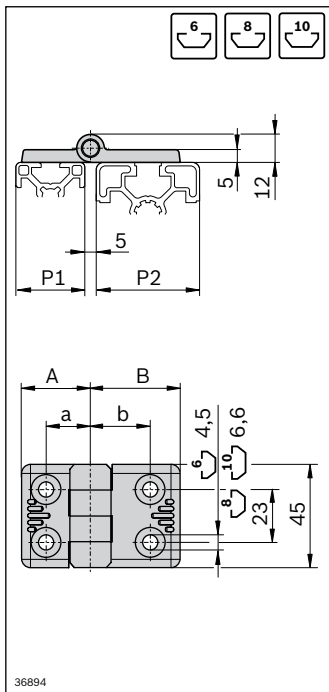
P1/P2 (mm)	A/B (mm)	a/b (mm)
30	30	17.5
40	39	22.5
45	45	25.0
50	39	27.5
60	60	32.5



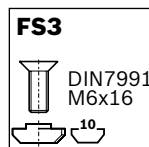
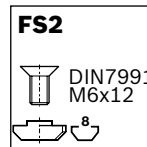
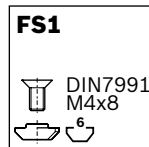
Hinge, aluminum



- ▶ Aluminum hinge for all slot systems
- ▶ Assembly possible on solid panel elements
- ▶ High-quality version
- ▶ Conductive version
- ▶ Suitable for use under cleanroom conditions thanks to wear-resistant guide bushings



Slot	
6	300 N
8	300 N
10	300 N

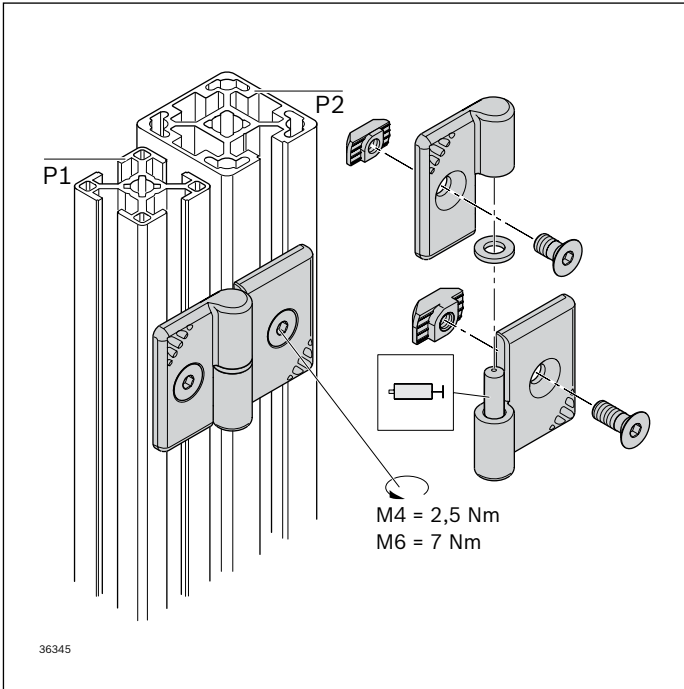


Hinge, aluminum	P1 (mm)	P2 (mm)	ESD	No.	FS
	20	20		2 3 842 544 525	4xFS1
	20	30		2 3 842 544 526	2xFS1, 2xFS2
	30	30		2 3 842 544 527	4xFS2
	30	40		2 3 842 544 528	2xFS2, 2xFS3
	30	45		2 3 842 544 529	2xFS2, 2xFS3
	40	40		2 3 842 544 530	4xFS3
	45	45		2 3 842 544 531	4xFS3

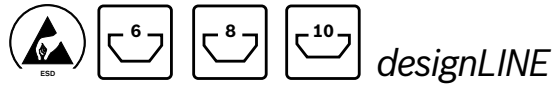
Material: Diecast aluminum; nickel-plated
 Fastening material: Steel; zinc-plated
 Scope of delivery: Incl. fastening material (FS)

P1/P2 (mm)	A/B (mm)	a/b (mm)
20	20	12.5
30	28	17.5
40	37	22.5
45	40	25.0

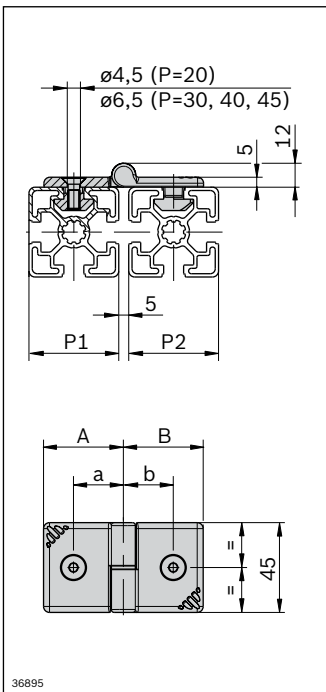




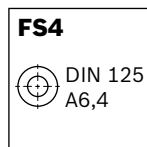
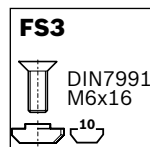
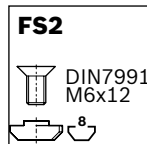
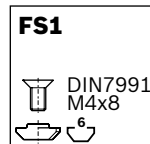
LIFTOFF hinge



- ▶ Removable compact hinge, opening to the right or left
- ▶ designLINE version with special silver paint (RAL 9006) for an attractive, high-quality design
- ▶ Centering lugs as an assembly aid and anti-torsion element



Slot	
6	300 N
8	300 N
10	300 N

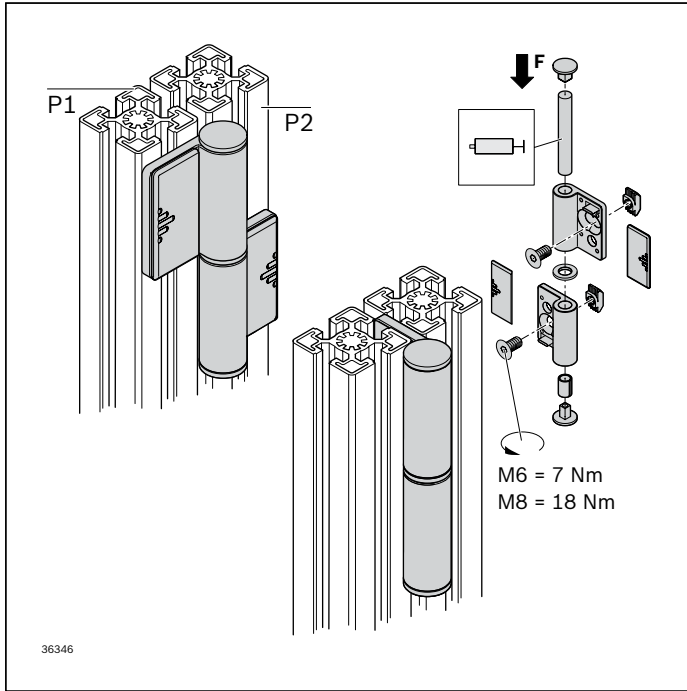


LIFTOFF hinge	P1 (mm)	P2 (mm)		No.	FS
right	20	20	2	3 842 543 334	2xFS1, FS4
	20	30	2	3 842 543 333	FS1, FS2, FS4
	30	30	2	3 842 543 332	2xFS2, FS4
	30	40	2	3 842 543 331	FS2, FS3, FS4
	30	45	2	3 842 543 330	FS2, FS3, FS4
	40	40	2	3 842 543 329	2xFS3, FS4
left	45	45	2	3 842 543 328	2xFS3, FS4
	20	20	2	3 842 543 327	2xFS1, FS4
	20	30	2	3 842 543 326	FS1, FS2, FS4
	30	30	2	3 842 543 325	2xFS2, FS4
	30	40	2	3 842 543 324	FS2, FS3, FS4
	30	45	2	3 842 543 323	FS2, FS3, FS4
	40	40	2	3 842 543 322	2xFS3, FS4
	45	45	2	3 842 543 321	2xFS3, FS4

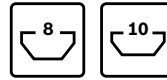
Material: Hinge: Diecast aluminum, painted
Fastening material: Steel; zinc-plated
Grooved pin: Steel; zinc-plated
Washer: PA

Scope of delivery: Incl. fastening material (FS)

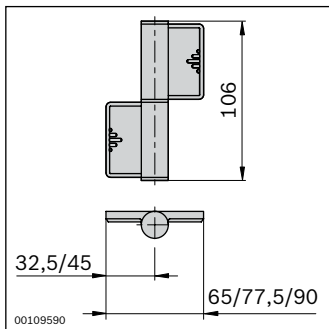
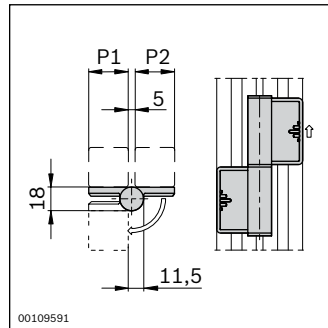
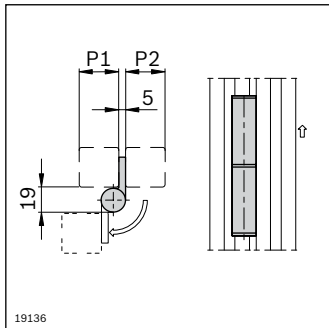
P1/P2 (mm)	A/B (mm)	a/b (mm)
20	20	12.5
30	28	17.5
40	37	22.5
45	40	25.0



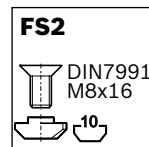
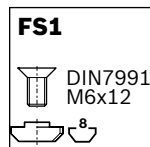
Hinge, removable



- ▶ For constructing large, heavy doors
- ▶ Removable
- ▶ For left and right stop
- ▶ Externally mounted: Opening angle approx. 180°
- ▶ Internally mounted: Prevents unauthorized removal, e.g. for safety devices



Slot	
8	300 N
10	300 N

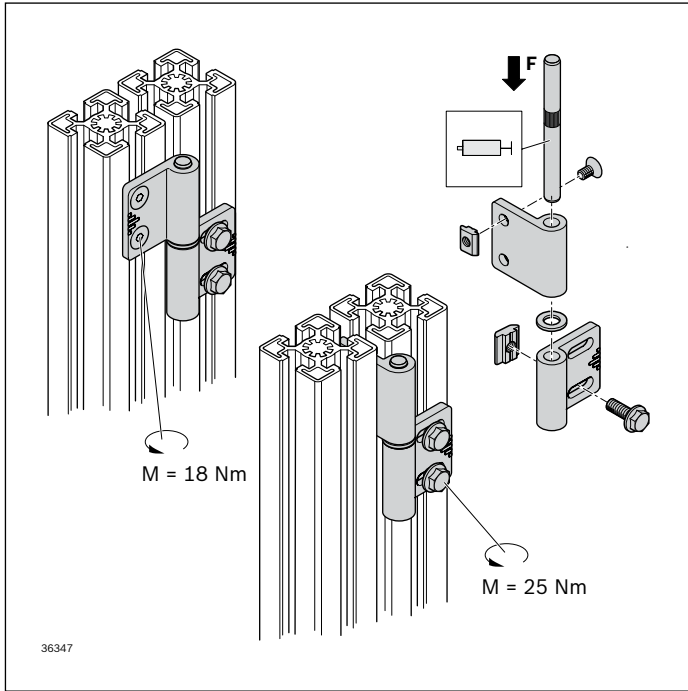


Hinge, removable	P1 (mm)	P2 (mm)		No.	FS
	30	30	2	3 842 555 572	2xFS1
	30	45	2	3 842 555 574	1xFS1, 1xFS2
	30 ¹⁾	60			
	45	45	2	3 842 555 576	2xFS2
	45 ¹⁾	60			
	60 ¹⁾	60			

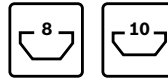
¹⁾ Not suitable for installing on inner side

Material: Hinge: Diecast zinc
Cover cap: PP, signal gray
Fastening material: Steel; zinc-plated

Scope of delivery: Incl. fastening material (FS), 2 x cover cap



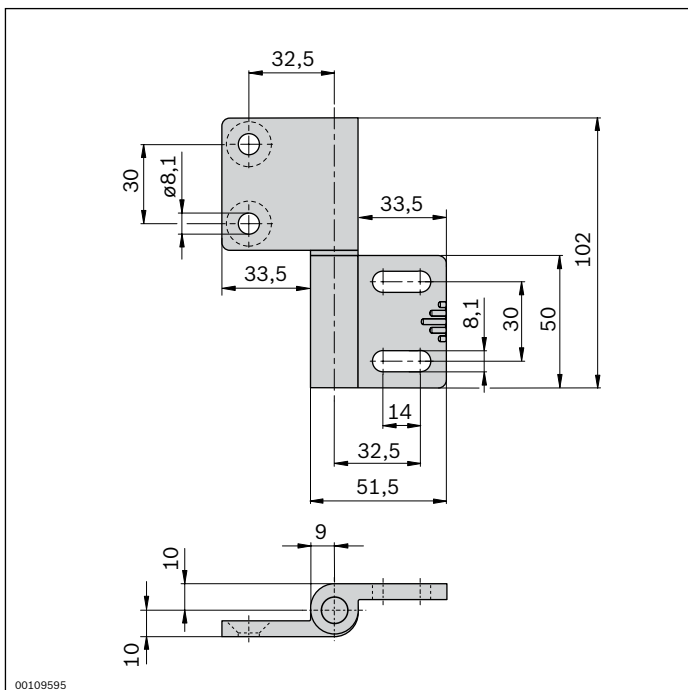
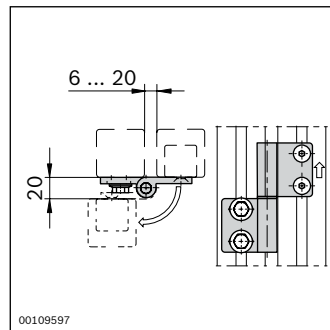
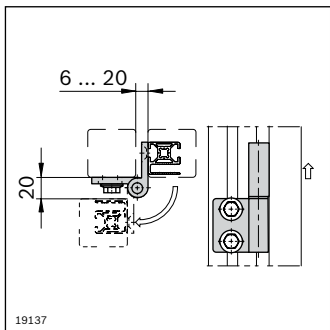
Hinge, adjustable

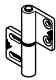


- ▶ For constructing large, heavy doors
- ▶ Adjustable for compensating clearance tolerances
- ▶ Removable
- ▶ For left and right stop
- ▶ Opening angle approx. 180°

Accessories:

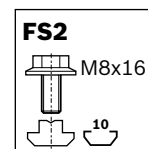
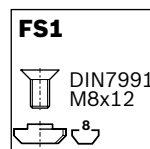
T-nut slot 10, M8 (p. 3-4) for fixing a door with 10 mm slot

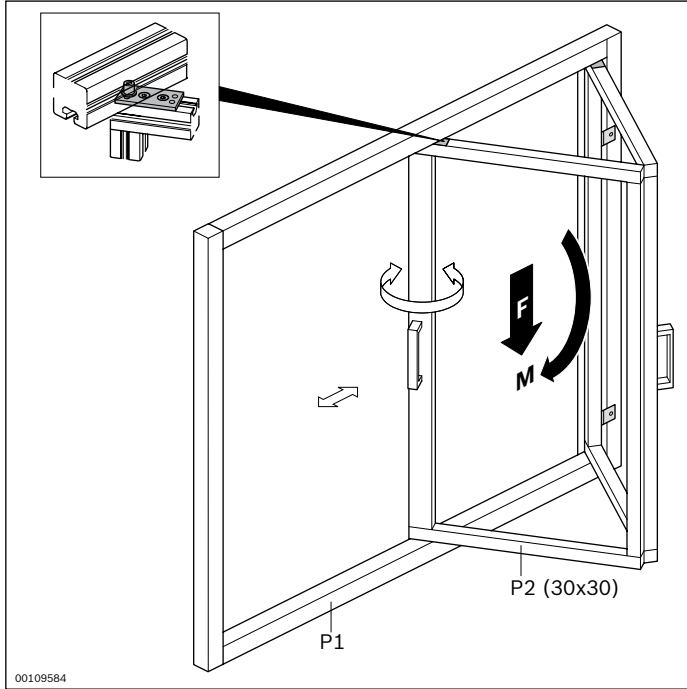


Hinge, adjustable	No.	FS
	2 3 842 544 562	2xFS1, 2xFS2

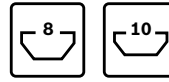
Material: Diecast aluminum
 Fastening material: Steel; zinc-plated
 Scope of delivery: Incl. fastening material (FS)

Slot	F_{max}
8	300 N
10	300 N

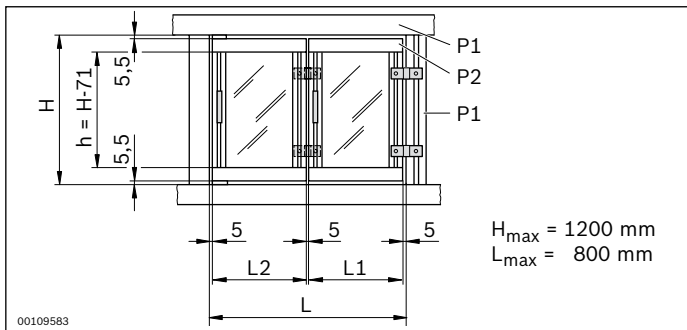




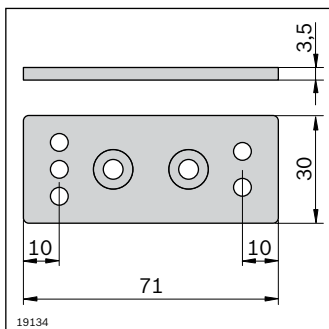
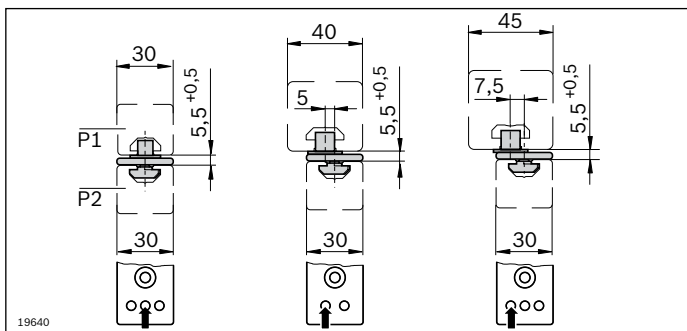
Folding door element



- ▶ For a simultaneous swinging and sliding action on folding doors made of 30 mm profiles
- ▶ Extremely long service life (approx. 50,000 actuations)
- ▶ Suitable for frames made of profiles with 8 mm and 10 mm slot
- ▶ The frame and door profile are always flush (the guide ring position depends on the thickness of the frame profile)



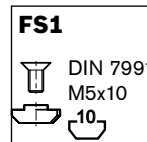
P2 (mm)	P1 (mm)	L1 (mm)	L2 (mm)
30X30	45x45	0,5L - 29.5	0,5L + 14.5
	40x40	0,5L - 28.3	0,5L + 13.3
	30x30	0,5L - 25.8	0,5L + 10.8

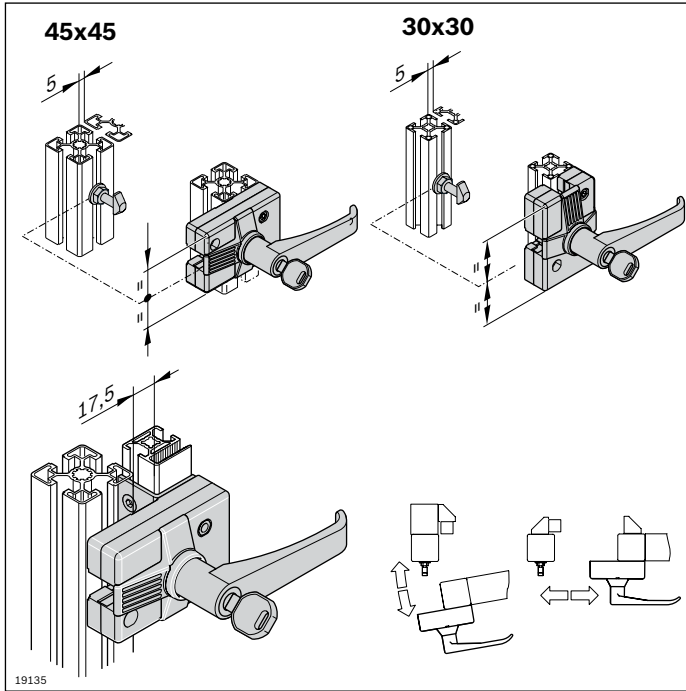


Slot	F_{max}	M_{max}
8	120 N	20 Nm
10	120 N	20 Nm

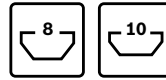
Folding door element	No.	FS
	3 842 516 715	2xFS1

Material: Folding door element: Diecast zinc
 Guide ring: PA; black
 Fastening material: Steel; zinc-plated
 Scope of delivery: Incl. fastening material (FS)



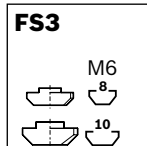
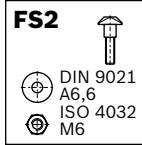
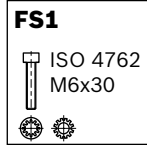
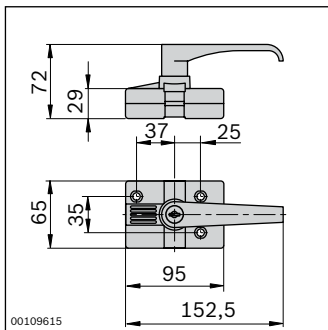


Door lock for swing and sliding doors



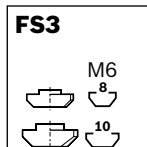
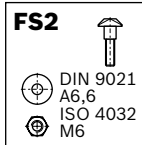
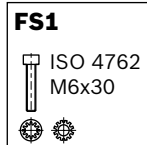
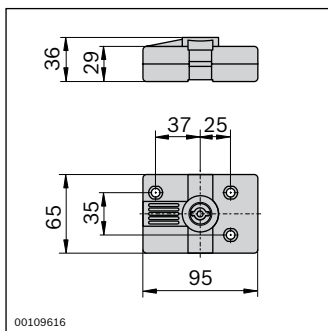
- ▶ Opening to the right and left
- ▶ Suitable for profiles 45x45 and 30x30
- ▶ “Standard locking” variant with random key selection (each lock has a different key)
- ▶ “Uniform locking” variant always has the same key
- ▶ Version with door handle or as two-way lock

Accessories:
Adapter plate



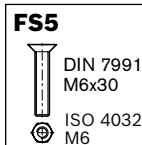
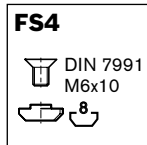
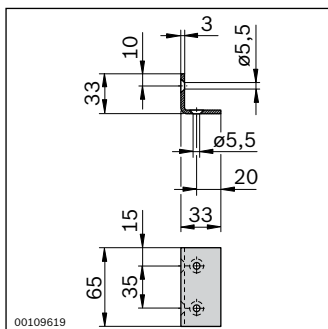
Door lock	No.	FS
Standard locking	30x30,	3 842 525 821 2xFS1, 1xFS2,
	45x45	3xFS3
Uniform locking	30x30,	3 842 525 822 2xFS1, 1xFS2,
	45x45	3xFS3

Material: Housing: Diecast aluminum
Door handle: PA; black
Fastening material: Steel; zinc-plated
Scope of delivery: Incl. 3 keys, fastening material (FS)



Door lock	No.	FS
	30x30,	3 842 525 823 2xFS1, FS2,
	45x45	3xFS3

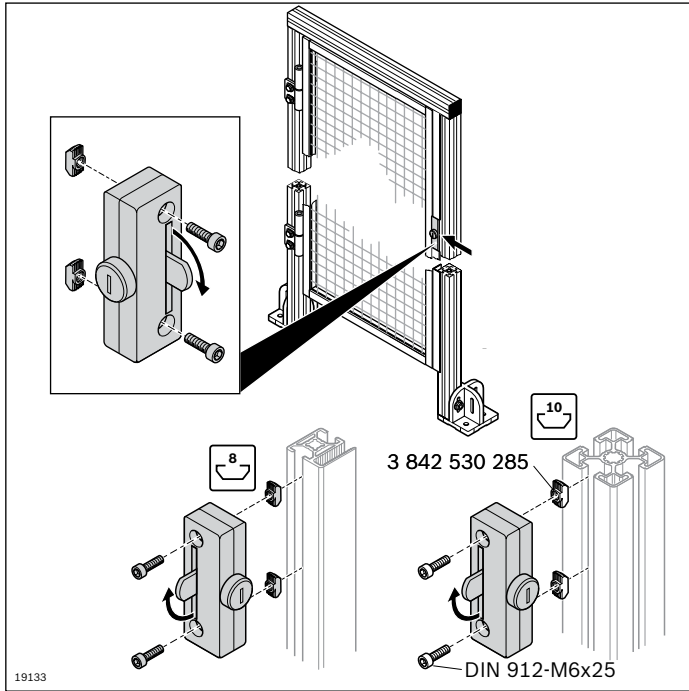
Material: Diecast aluminum
Fastening material: Steel; zinc-plated
Scope of delivery: Incl. 1 x two-way key, fastening material (FS)



- ▶ Adapter plate for mounting the door lock on an EcoSafe protective frame (p. 10-7)

Adapter plate	No.	FS
	3 842 523 243	2xFS4, 2xFS5

Material: Steel; zinc-plated
Fastening material: Steel; zinc-plated
Scope of delivery: Incl. fastening material (FS)



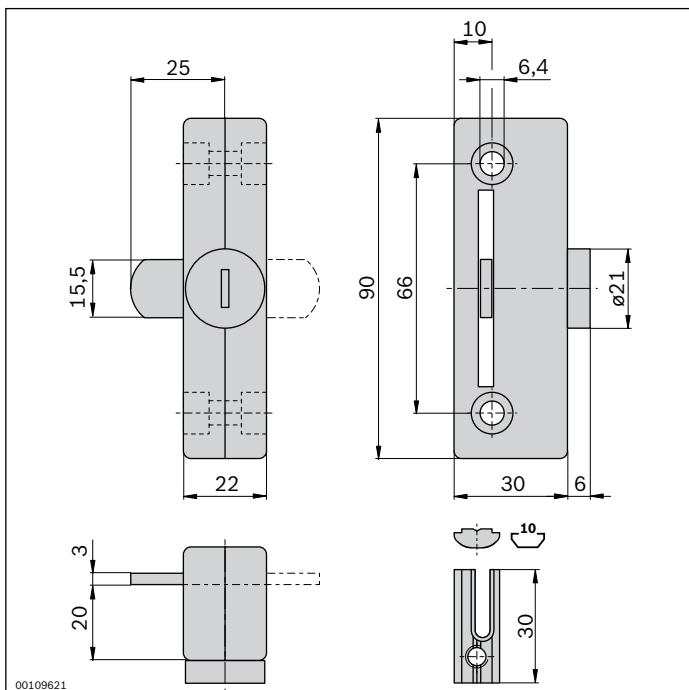
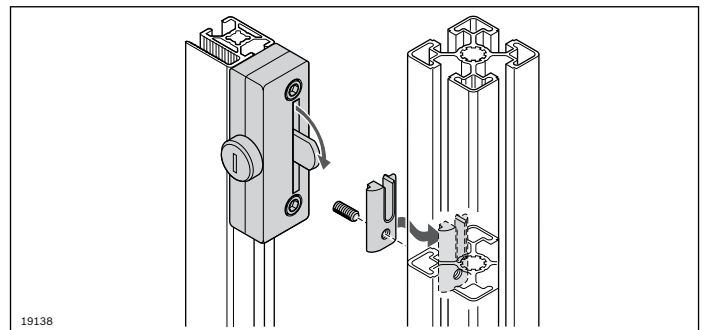
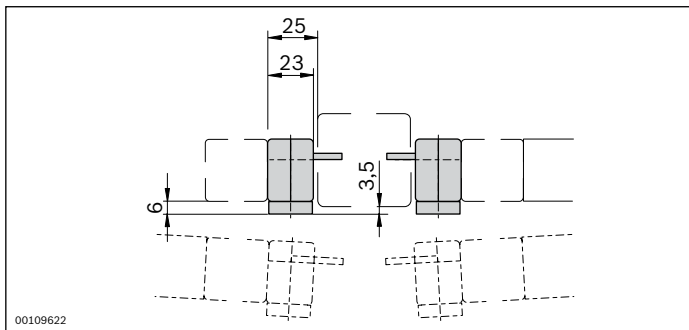
Door lock



- ▶ Opening to the right and left
- ▶ For frame profile 30x30 WG (EcoSafe protective fence system); incl. fastening material
- ▶ “Standard locking” variant with random key selection (each lock has a different key)
- ▶ “Uniform locking” variant always has the same key

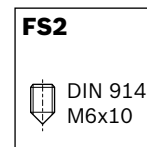
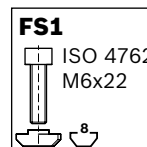
Accessories for mounting on profile with 10 mm slot:

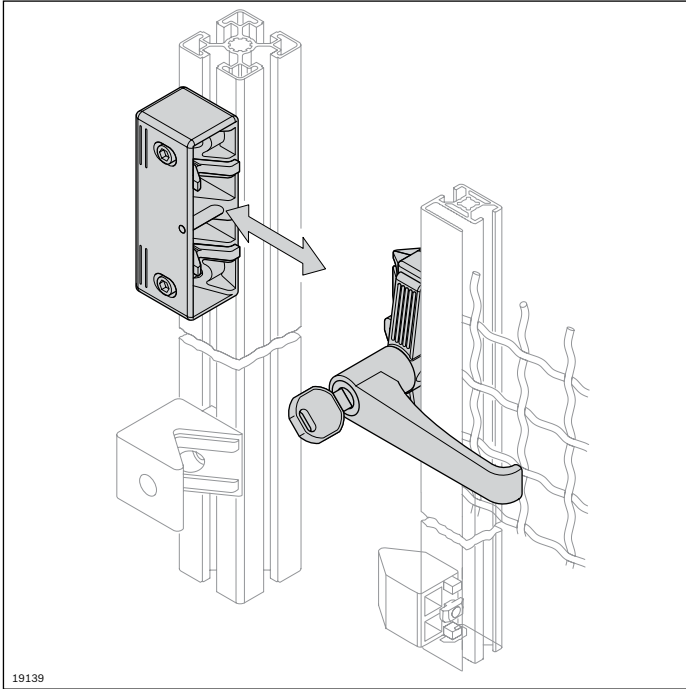
- ▶ 2 x T-nut M6, **3 842 530 285** (p. 3-4)
- ▶ 2 x screw DIN 912-M6x25



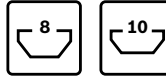
Door lock	No.	FS
Standard locking	3 842 522 479	2xFS1, 1xFS2
Uniform locking	3 842 523 320	2xFS1, 1xFS2

Material: Diecast zinc
 Fastening material: Steel; zinc-plated
 Scope of delivery: Incl. 3 keys, fastening material (FS)





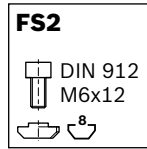
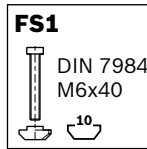
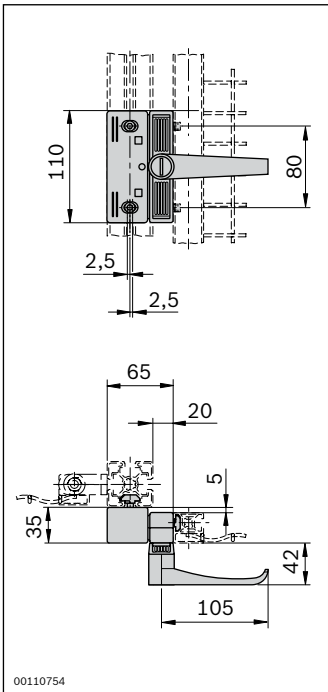
Door lock for EcoSafe sliding doors



- ▶ Opening to the right and left
- ▶ “Standard locking” variant with random key selection (each lock has a different key)
- ▶ “Uniform locking” variant always has the same key

Optional accessories:

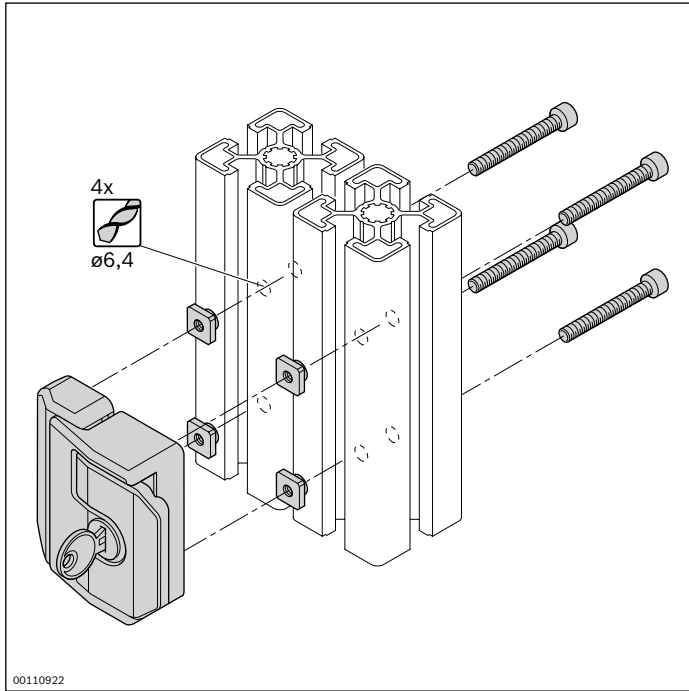
Stop kit for cushioned closing of the doors (p. 12-5)



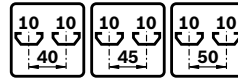
Door lock for sliding doors	No.	FS
Standard locking	3 842 525 946	2xFS1, 2xFS2
Uniform locking	3 842 525 947	2xFS1, 2xFS2

Material: Housing: Diecast aluminum
 Door handle: PA; black
 Cover cap: PA6
 Fastening material: Steel; zinc-plated

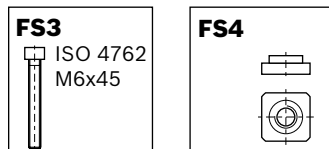
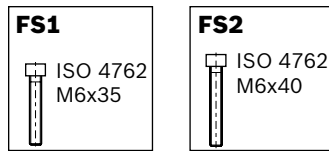
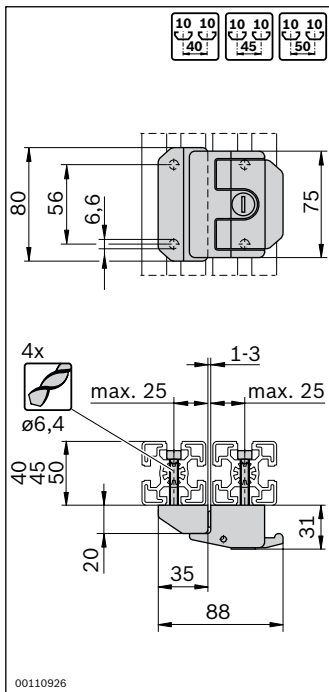
Scope of delivery: Incl. 3 keys, fastening material (FS)



Door lock for swing doors

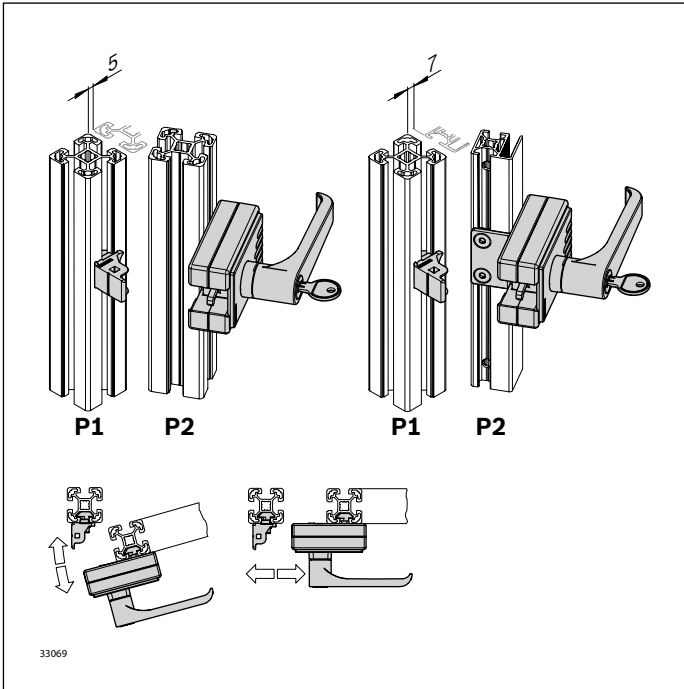


- ▶ Opening to the right and left
- ▶ Self-locking mechanism in the closed position
- ▶ Smooth closing
- ▶ Ergonomically designed folding handle for opening
- ▶ “Standard locking” variant with random key selection (each lock has a different key)
- ▶ “Uniform locking” variant always has the same key
- ▶ Profile finishing: Drill hole D6.4

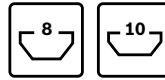


Door lock	No.	FS
Standard locking	3 842 530 353	4xFS1, 4xFS2, 4xFS3, 4xFS4
Uniform locking	3 842 530 352	4xFS1, 4xFS2, 4xFS3, 4xFS4

Material: Diecast zinc; black powder-coated
 Fastening material: Steel; zinc-plated
 Scope of delivery: Incl. 2 keys, fastening material (FS)



Door lock “Multi-use” for swing and sliding doors

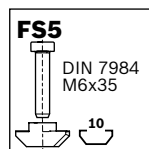
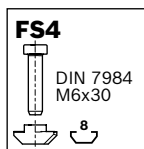
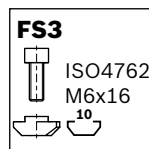
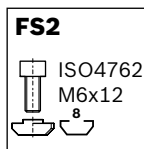
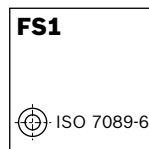
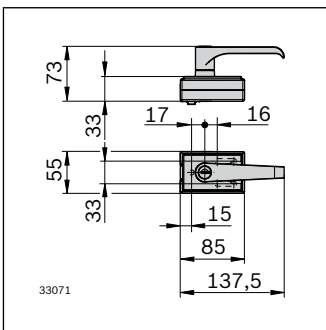


- ▶ Opening to the right and left
- ▶ For numerous profile combinations
- ▶ “Standard locking” variant with random key selection (each lock has a different key)
- ▶ “Uniform locking” variant always has the same key
- ▶ Version with door handle or as two-way lock
- ▶ Covered fastening screws
- ▶ Differing gap measurements for doors <400 mm with modular dimensions up to 45 mm and < 600 mm for modular dimensions of 50 mm (see assembly instructions **3 842 554 184**)
- ▶ Without profile finishing

Optional accessories:

Adapter plate for connecting to a WG40 or WG30 woven wire grille profile (p. 10-10)

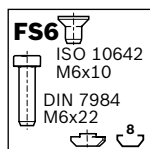
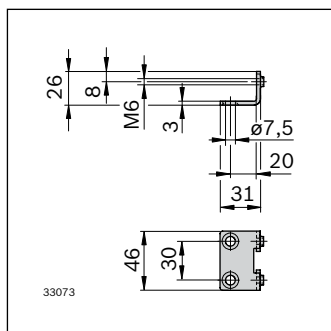
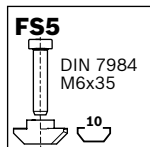
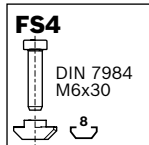
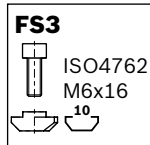
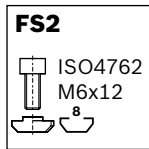
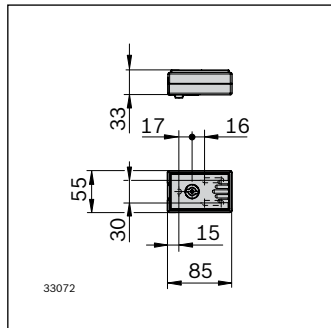
P1	P2	P2	P2	P2	P2
30	WG30/40	30	-	-	-
40	WG30/40	30	40	-	-
45	WG30/40	30	40	45	-
50	WG30/40	30	40	45	50
60	WG30/40	30	40	-	-



Door lock “Multi-use” for swing and sliding doors	No.	FS
Standard locking	3 842 548 971	3xFS1, FS2, FS3, 2xFS4, 2xFS5
Uniform locking	3 842 548 970	3xFS1, FS2, FS3, 2xFS4, 2xFS5

Material: Housing: Diecast zinc
 Door handle: PA6, black
 Cover: PP; signal gray RAL 7004
 Fastening material: Steel; zinc-plated

Scope of delivery: Incl. 3 keys, fastening material (FS)



Door lock "Multi-use" for swing and sliding doors	No.	FS
---	-----	----

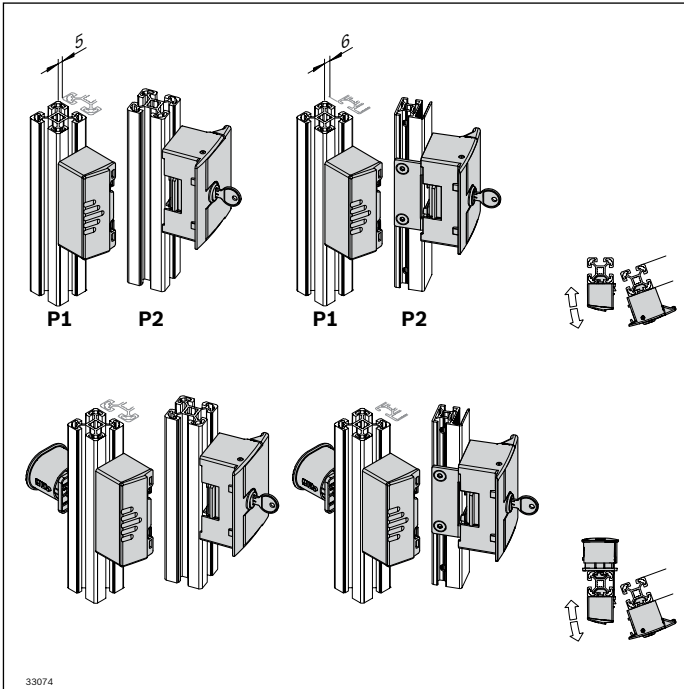
Two-way lock	3 842 548 965	3xFS1, FS2, FS3, 2xFS4, 2xFS5
---------------------	----------------------	-------------------------------

Material: Housing: Diecast zinc
 Cover: PP; signal gray RAL 7004
 Fastening material: Steel; zinc-plated
 Scope of delivery: Incl. 1x two-way key, fastening material

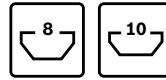
Adapter plate	No.	FS
---------------	-----	----

EcoSafe	3 842 548 969	2xFS6
----------------	----------------------	-------

Material: Steel; zinc-plated
 Fastening material: Steel; zinc-plated
 Scope of delivery: Incl. Fastening material



Door lock “Compact” for swing doors

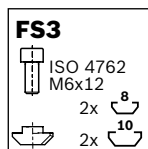
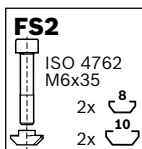
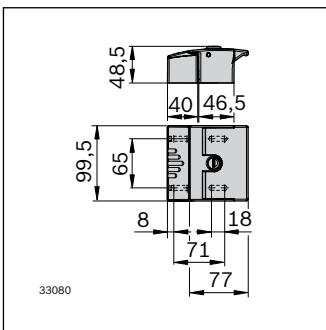


- ▶ Opening to the right and left
- ▶ For numerous profile combinations
- ▶ “Standard locking” variant with random key selection (each lock has a different key)
- ▶ “Uniform locking” variant always has the same key
- ▶ Covered fastening screws
- ▶ Installation of an emergency opening mechanism for unlocking from inside in emergency possible (Gap measurements according to assembly instructions **3 842 554 192**)
- ▶ Without profile finishing

Optional accessories:

- ▶ Adapter plate for connecting to a WG40 or WG30 woven wire grille profile (p. 10-10)
- ▶ Emergency opening mechanism (p. 8-18)

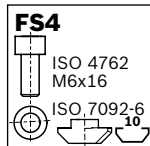
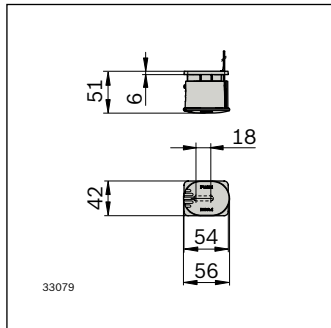
P1	P2	P2	P2	P2	P2
30	WG30/40	30	–	–	–
40	WG30/40	30	40	–	–
45	WG30/40	30	40	45	–
50	WG30/40	30	40	45	50
60	WG30/40	–	40	45	50



Door lock “Compact” for swing doors	No.	FS
Standard locking	3 842 553 640	4xFS1, 2xFS2, 2xFS3
Uniform locking	3 842 553 639	4xFS1, 2xFS2, 2xFS3

Material: Housing: Diecast aluminum
Cover: PP; signal gray RAL 7004
Fastening material: Steel; zinc-plated

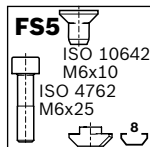
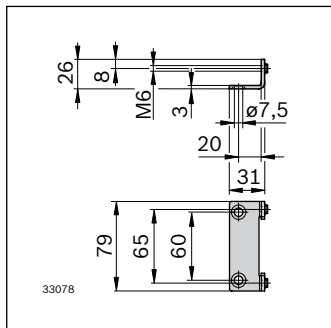
Scope of delivery: Incl. 2 keys, fastening material



- For emergency opening of the door lock “Compact” from the inside in its locked state

Emergency unlocking	No.	FS
Compact	3 842 554 134	FS4

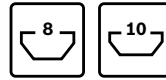
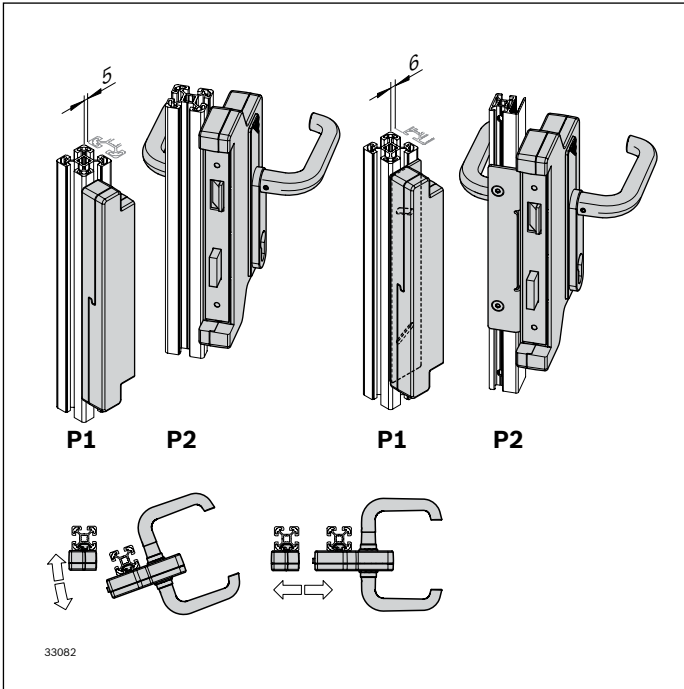
Material: Steel; zinc-plated
 Pushbutton: PA6; red RAL 3020
 Fastener: PA6; RAL 7004
 Fastening material: Steel; zinc-plated
 Scope of delivery: Incl. Fastening material



Adapter plate	No.	FS
EcoSafe	3 842 554 136	2xFS5

Material: Steel; zinc-plated
 Fastening material: Steel; zinc-plated
 Scope of delivery: Incl. Fastening material

Chamber lock for swing and sliding doors

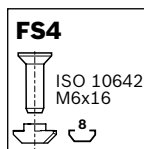
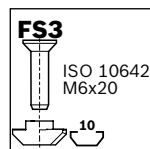
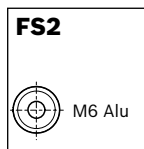
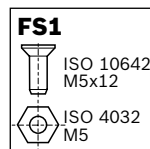
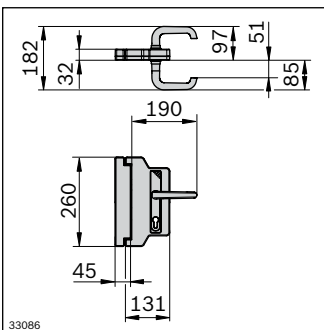


- ▶ Opening to the right and left
- ▶ For numerous profile combinations
- ▶ For installation of a standard lock cylinder (not included in the scope of delivery)
- ▶ Version with door handle, can be opened from inside and outside
- ▶ Without profile finishing
- ▶ Covered fastening screws

Optional accessories:

- ▶ Adapter plate for connecting to a WG40 or WG30 woven wire grille profile (p. 10-10)
- ▶ Lock cylinder (p. 8-20)

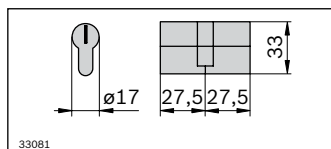
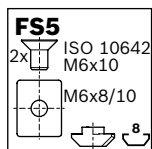
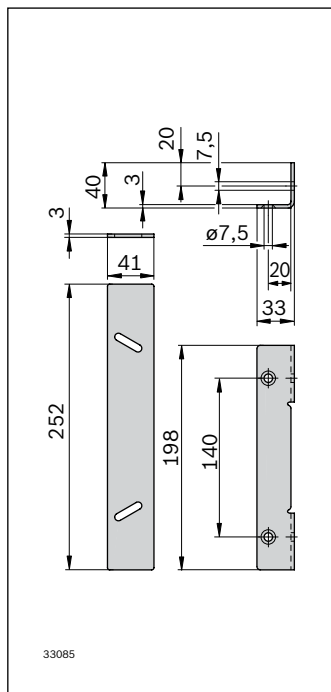
P1	P2	P2	P2	P2	P2
30	WG30/40	30	-	-	-
40	WG30/40	30	40	-	-
45	WG30/40	30	40	45	-
50	WG30/40	30	40	45	50
60	WG30/40	30	40	45	50



Chamber lock	No.	FS
Sliding door	3 842 554 151	4xFS1, 4xFS2, 4xFS3, 2xFS4
Swing door	3 842 554 150	4xFS1, 4xFS2, 4xFS3, 2xFS4

Material: Housing: PA6 signal gray (RAL7004)
 Door handle: Aluminum; anodized
 Fastening material: Steel; zinc-plated
 Washer: Aluminum

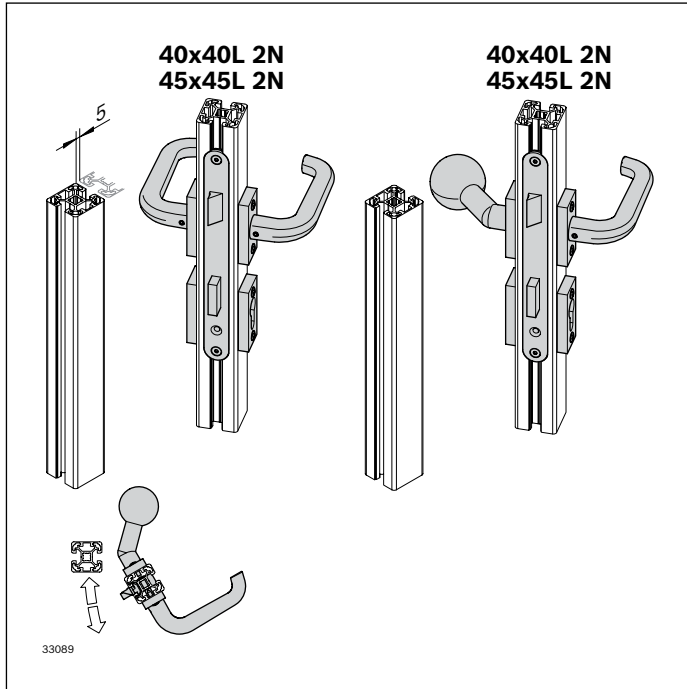
Scope of delivery: Incl. Fastening material



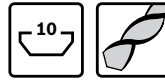
Adapter plate	No.	FS
Chamber lock	3 842 554 152	2xFS5

Material: Steel; zinc-plated
Fastening material: Steel; zinc-plated
Scope of delivery: Incl. fastening material

- Conventional lock cylinder 27.5/27.5 is not included in the scope of delivery.



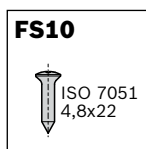
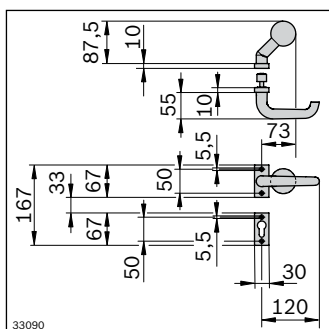
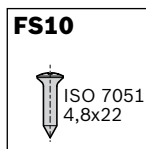
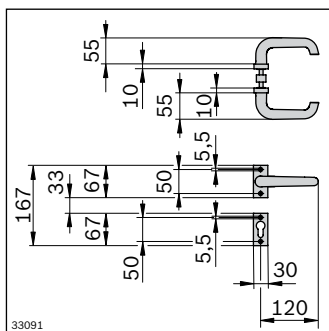
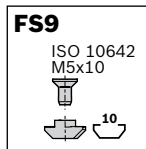
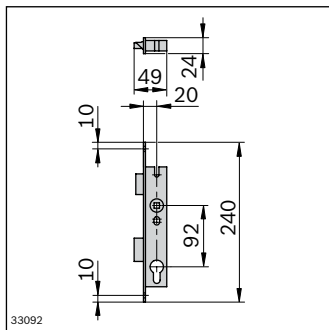
Mortise lock for swing doors



- ▶ For installation in 40x40L 2N or 45x45L 2N profiles
- ▶ For installation of a standard lock cylinder (not included in the scope of delivery)
- ▶ Robust design
- ▶ Door handle in the variants: Handle/handle, handle/knob
- ▶ Milled/drilled profile finishing

Accessories:

- ▶ Handle/handle
- ▶ Handle/knob
- ▶ Lock cylinder (p. 8-22)



Mortise lock	No.	FS
	3 842 553 638	2xFS9

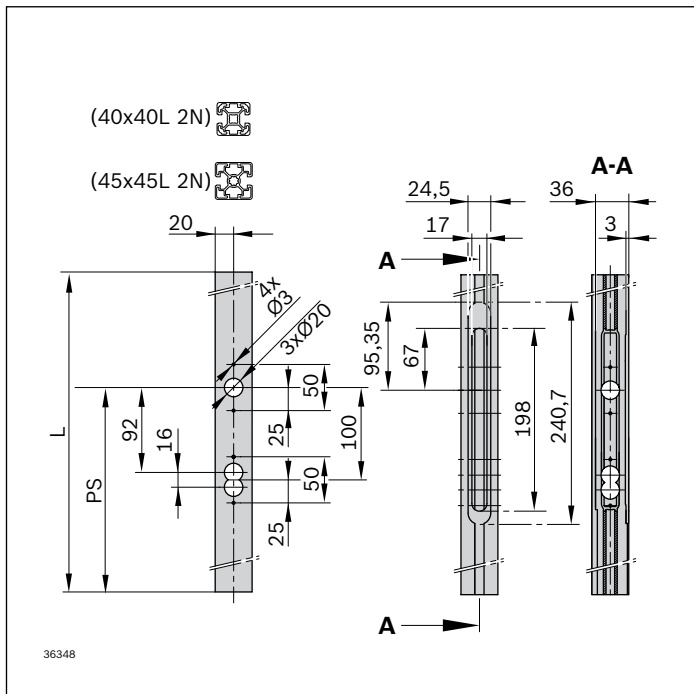
Material: Steel
Fastening material: Steel; zinc-plated
Scope of delivery: Incl. Fastening material

Handle/handle	No.	FS
	3 842 553 631	8x FS10

Material: Aluminum; anodized
Fastening material: Steel; zinc-plated
Scope of delivery: Incl. Fastening material

Handle/knob	No.	FS
	3 842 553 630	8x FS10

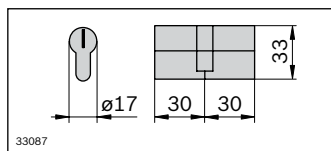
Material: Aluminum; anodized
Fastening material: Steel; zinc-plated
Scope of delivery: Incl. Fastening material



► Dimensional drawing of the profile finishing for mortise lock

Strut profile	L (mm)	No.
40x40L 2N	6070	3 842 529 364
45x45L 2N	6070	3 842 557 234

Parameter input – example: 3842993739 L=1800



► Conventional lock cylinder 30/30 is not included in the scope of delivery

Bow-type handle

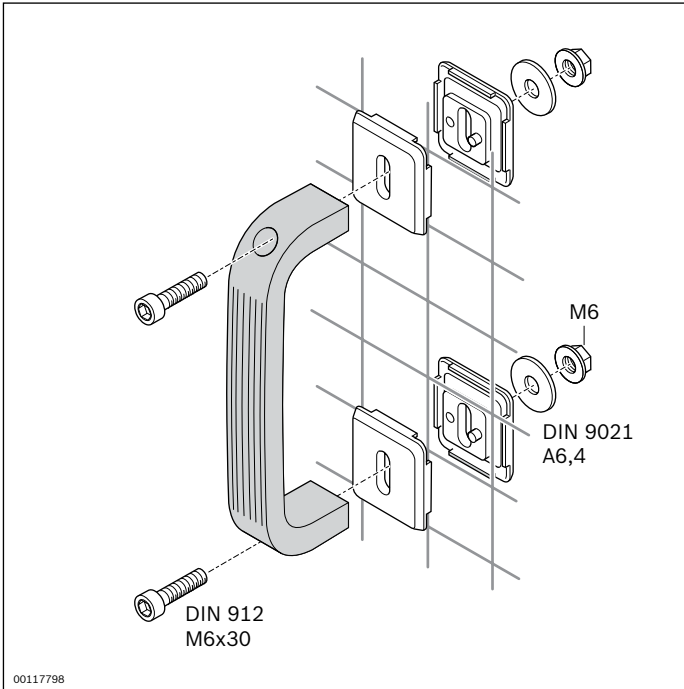


Bow-type handle

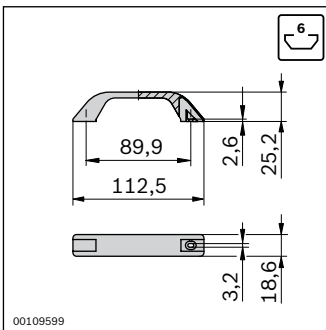
- ▶ Robust construction equipped to withstand strong forces
- ▶ Fastening in the profile slot or on a woven wire grille with the clamping element
- ▶ Suitable for use in ESD-protected environments

Optional accessories:

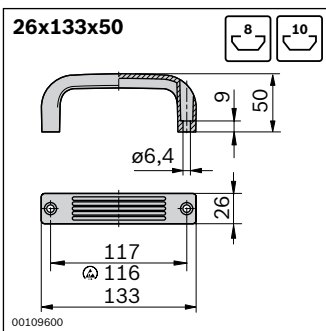
- ▶ Clamping element for mounting on woven wire grille (p. 10-20)
- ▶ T-nut (p. 3-4)



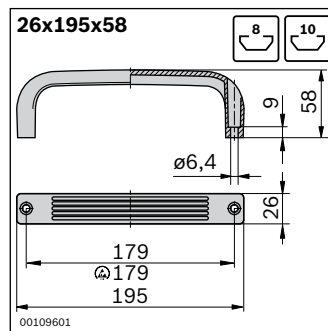
00117798



00109599



00109600



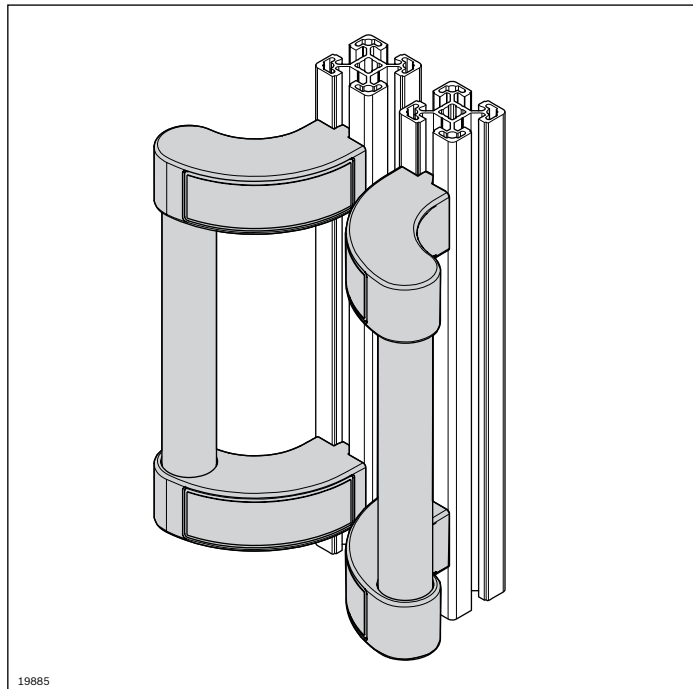
00109601

Bow-type handle	Color	ESD	No.
	Signal gray RAL 7004		10 3 842 554 716
	Black		10 3 842 518 738

Material: PA

Bow-type handle	Color	ESD	No.
26x133x50	Signal gray RAL 7004		10 3 842 554 718
	Black	⚡	10 3 842 525 481
26x195x58	Signal gray RAL 7004		10 3 842 554 720
	Black	⚡	10 3 842 525 767

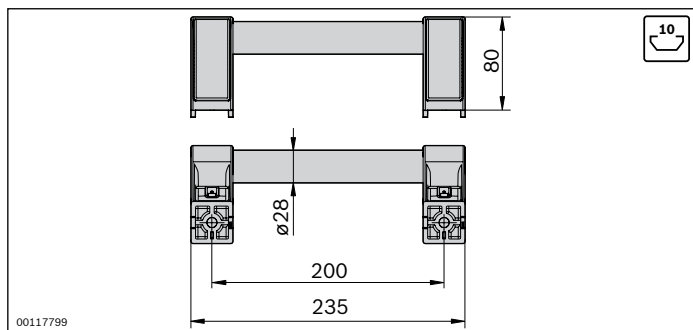
Material: PA



Safety handle



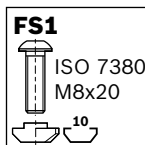
- ▶ Prevents injuries caused by catching of body parts when closing sliding doors
- ▶ Suitable for sliding or swing doors
- ▶ The length of the handle can be varied by changing the tube D28

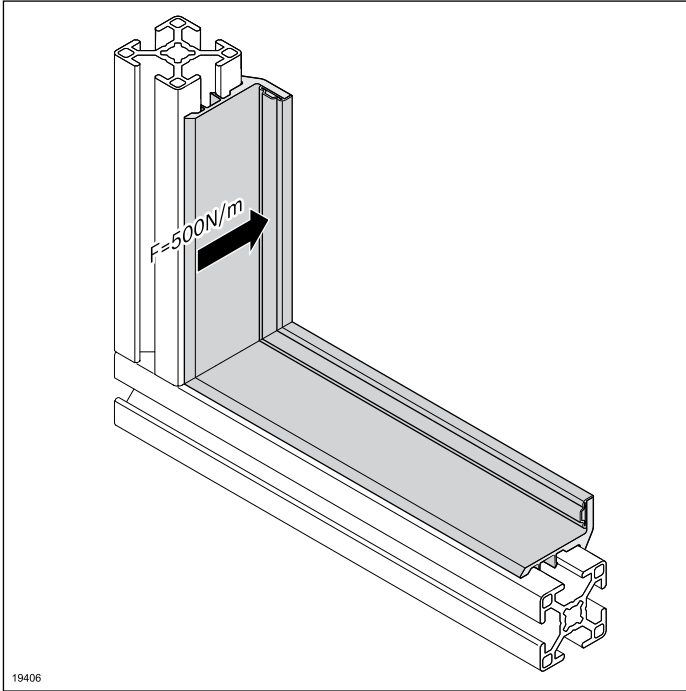


Safety handle	No.	FS
	3 842 555 564	2xFS1

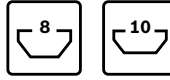
Material: Round tube D28: Aluminum; anodized
Holder: PA; signal gray RAL 7004

Scope of delivery: Incl. fastening material (FS)

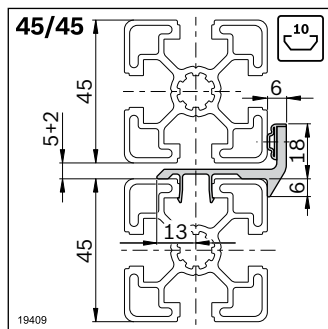
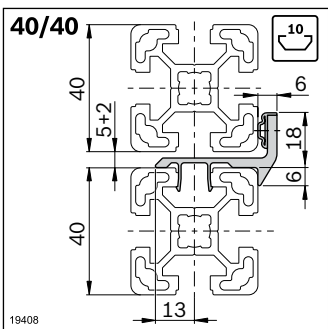
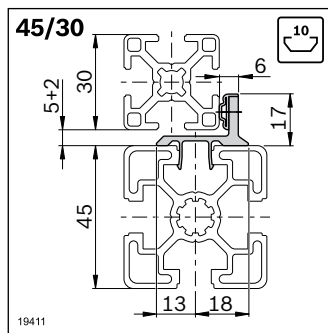
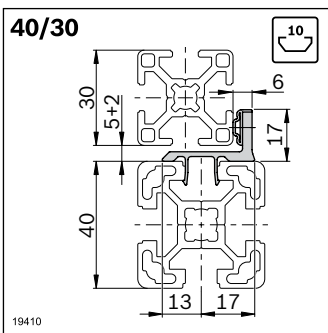
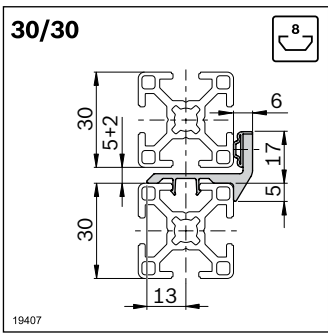




Sealing strip



- ▶ For sealing doors (width > 500 mm) with an elastic lip seal
- ▶ Can be clipped into the slot
- ▶ Non-transparent elastic lip seal covers the door gap
- ▶ Stop for swing doors (impact force: 500 N/m)
- ▶ For flush-closing doors



Sealing strip	L (mm)	No.
30/30	3000 10	3 842 555 554

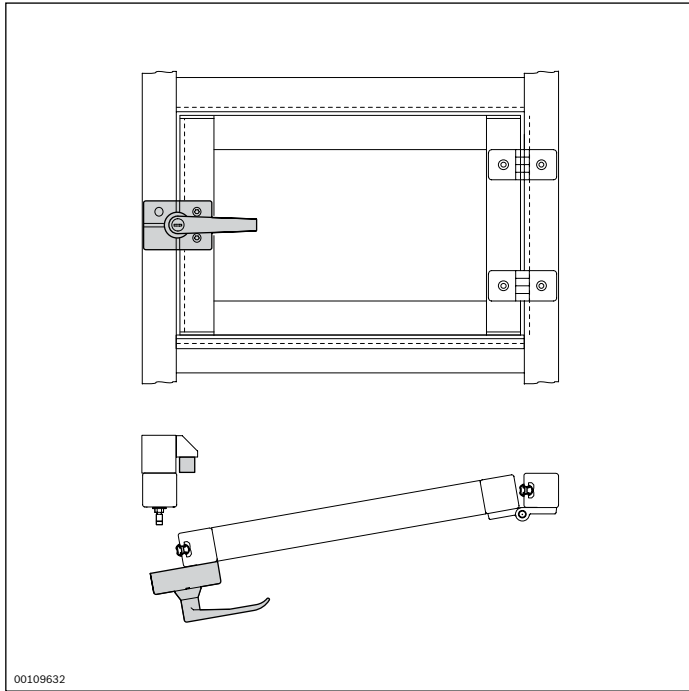
Material: PVC/TPE; signal gray RAL 7004

Sealing strip	L (mm)	No.
40/30	3000 10	3 842 555 562
45/30	3000 10	3 842 555 560

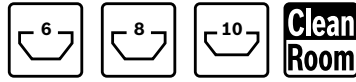
Material: PVC/TPE; signal gray RAL 7004

Sealing strip	L (mm)	No.
40/40	3000 10	3 842 555 558
45/45	3000 10	3 842 555 556

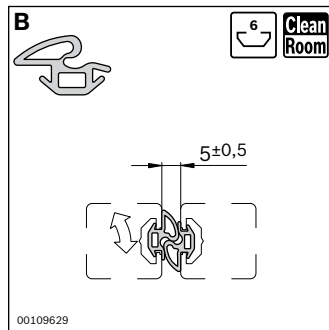
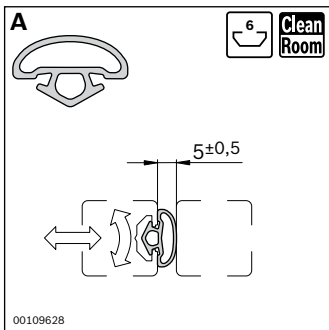
Material: PVC/TPE; signal gray RAL 7004



Sealing profile



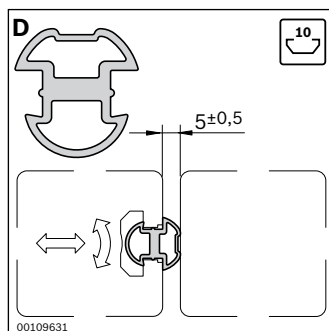
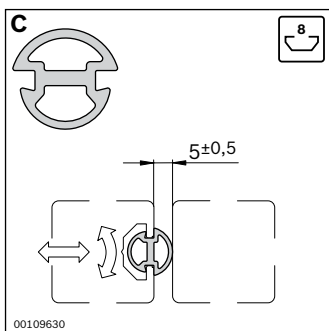
- ▶ For sliding and swing doors
- ▶ Prevents particles from entering or escaping



- ▶ Suitable for use in cleanroom environments
- ▶ Two-piece seal (**B**) also performs a stop function.

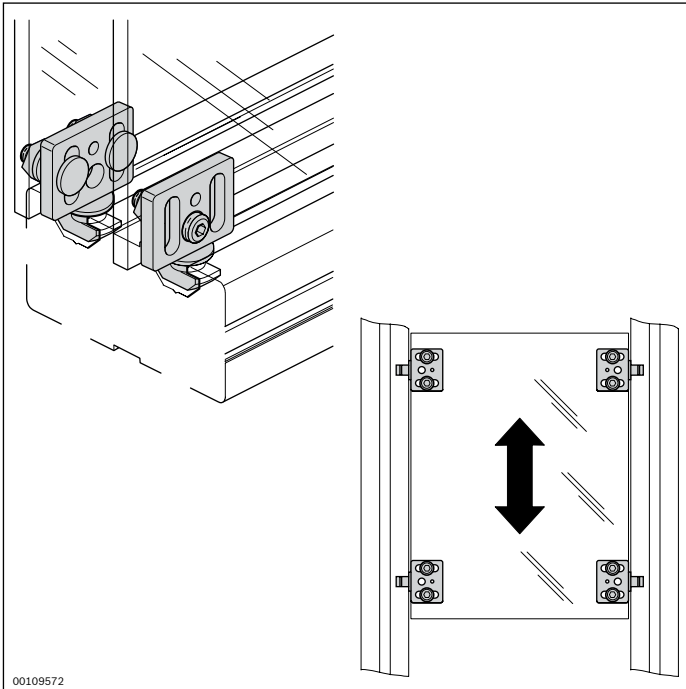
Sealing profile	Slot	L (mm)	No.
A	6	10000	3 842 524 623
B	6	10000	3 842 524 622

Material: TPE; light gray RAL 7035, hardness: 64° ±5 shore A



Sealing profile	Slot	L (mm)	No.
C	8	10000	3 842 516 598
D	10	10000	3 842 518 492

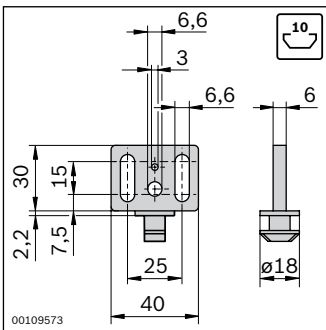
Material: NBR; black, hardness 60° shore A



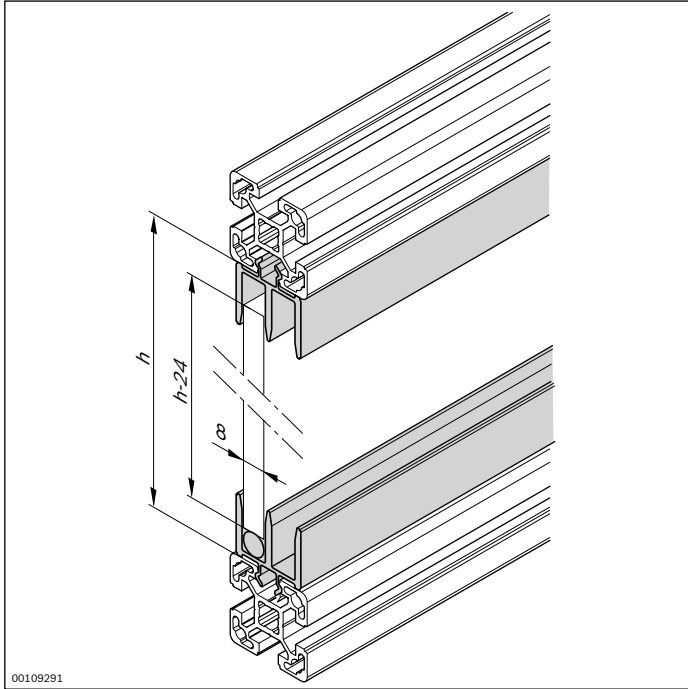
Slider



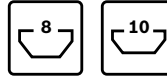
- ▶ For constructing inexpensive sliding and lifting doors
- ▶ Good functional reliability



Slider	No.
	10 3 842 555 226
Material:	POM; signal gray RAL 7004



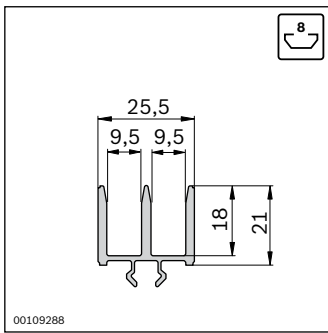
Sliding door profile PVC clip-in



- ▶ Can be clipped into the supporting frame made of strut profiles
- ▶ Round bar to minimize the displacement force required
- ▶ For panel elements of a thickness of 8 mm
- ▶ Insertion of the panel element into closed frame

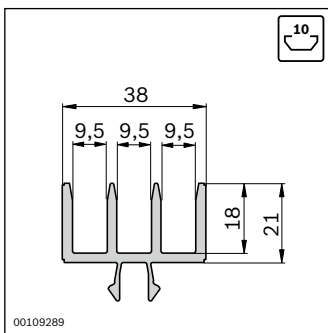
Optional accessories:

- ▶ Edge protector (p. 8-32)
- ▶ Door handle profile (p. 8-32)
- ▶ Bow-type handle (p. 8-23)



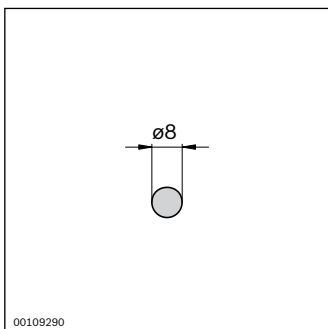
Sliding door profile PVC clip-in	Slot	L (mm)	No.
	8	2000	10 3 842 555 262

Material: PVC; signal gray RAL 7004



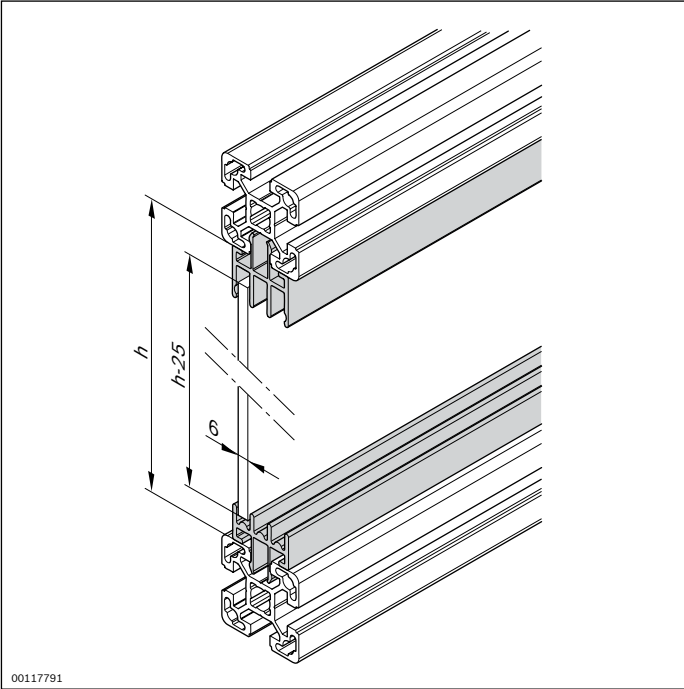
Sliding door profile PVC clip-in	Slot	L (mm)	No.
	10	2000	10 3 842 555 260

Material: PVC; signal gray RAL 7004



Round bar	L (mm)	No.
	2000	10 3 842 516 694

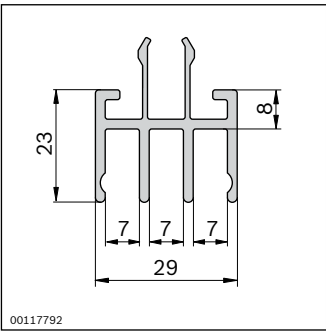
Material: POM; black



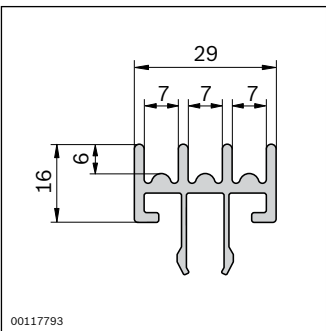
00117791







- ▶ Can be clipped into the supporting frame made of strut profiles
- ▶ Sliding door profile, bottom, with half-round floor contour to minimize the displacement force required
- ▶ For panel elements with a thickness of 5 or 6 mm
- ▶ Insertion of the panel element into closed frame







00117792



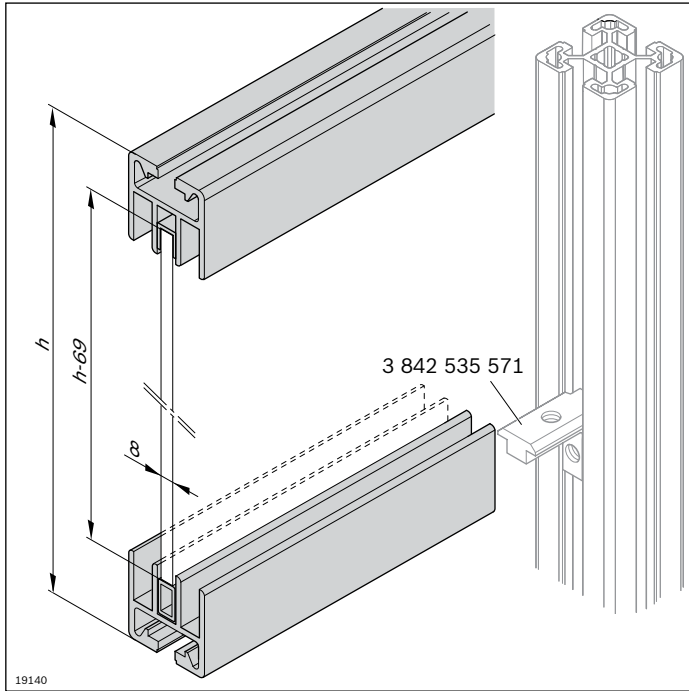
00117793

Sliding door profile, top		L (mm)	No.
1 pc		40 ... 3000	3 842 993 425 / L
 10 pcs		3000	3 842 536 531
1 pc		3000	3 842 536 889

Material: Aluminum; anodized

Sliding door profile, bottom		L (mm)	No.
1 pc		40 ... 3000	3 842 993 426 / L
 10 pcs		3000	3 842 536 532
1 pc		3000	3 842 536 890

Material: Aluminum; anodized



Sliding door profile AI 45
Cover cap, end piece

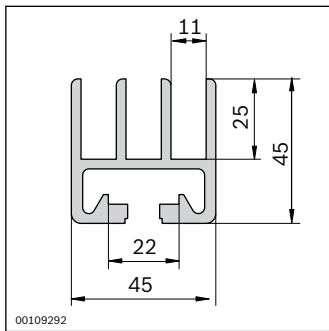


Sliding door profile AI 45

- ▶ Aluminum profile as a supporting construction element
- ▶ Installation using inner brackets between two vertical struts
- ▶ Glide profile to edge the upper part of the sliding door
- ▶ Insertion profile acts as a slide surface
- ▶ For panel elements of a thickness of 8 mm
- ▶ Insertion of the panel element into closed frame

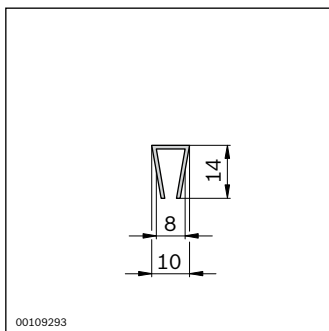
Accessories:

- ▶ Cover cap (p. 8-31)
- ▶ End piece (p. 8-31)
- ▶ Inner bracket (p. 3-16), inner bracket R (p. 3-17)



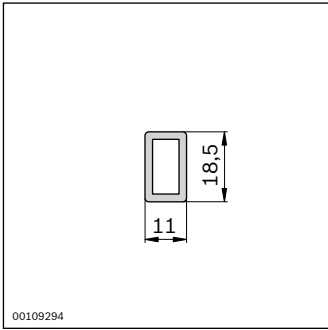
Sliding door profile		L (mm)	No.
1 pc		100 ... 6070	3 842 990 115 / L
1 pc	F1 F1	100 ... 6000	3 842 990 116 / L
	20 pcs	6070	3 842 557 943
	1 pc	6070	3 842 558 305

Material: Aluminum; anodized



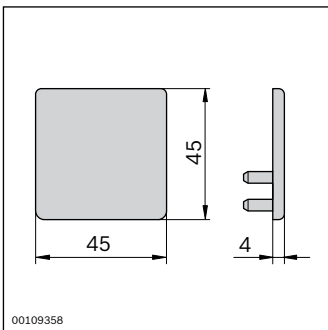
Glide profile	L (mm)	No.
	3000 10	3 842 554 724

Material: Hard PVC; signal gray RAL 7004



Insertion profile	L (mm)	ESD	No.
	3000	10	3 842 554 726

Material: PA; signal gray RAL 7004

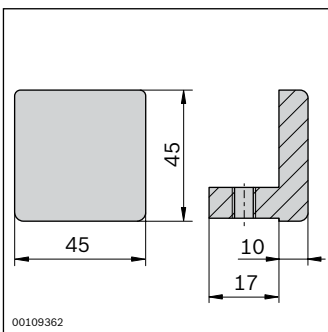


Cover cap

- ▶ As a design element and to prevent injuries

Cover cap	Color	ESD	No.
	Signal gray	20	3 842 551 662

Material: PP; signal gray RAL 7004



FS1

DIN 916
M8x16

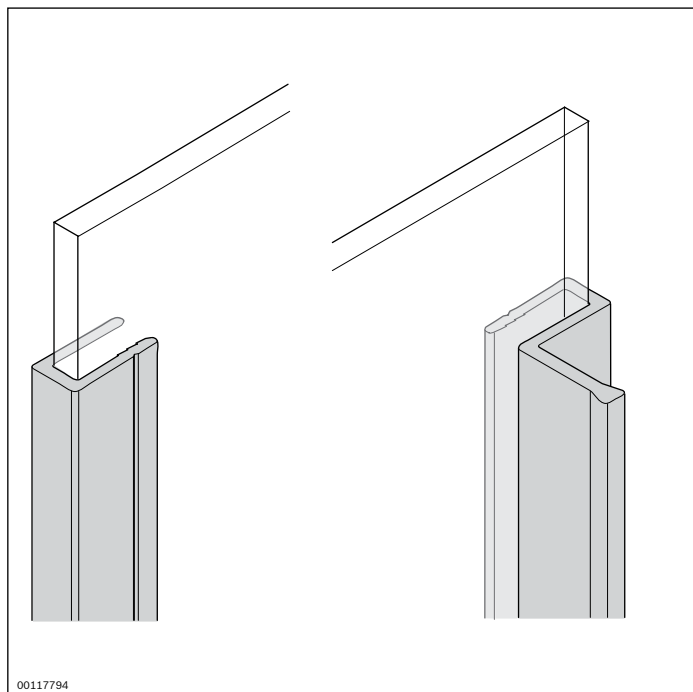
End piece

- ▶ For use as a stop for sliding elements
- ▶ Clamping with setscrew in the profile slot

End piece	ESD	No.	FS
	20	3 842 191 194	FS1

Material: Diecast aluminum

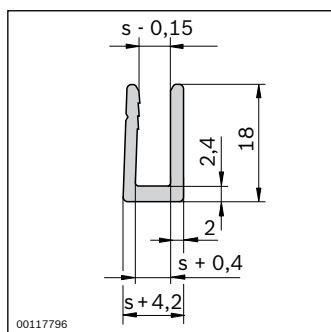
Scope of delivery: Incl. fastening material (FS)



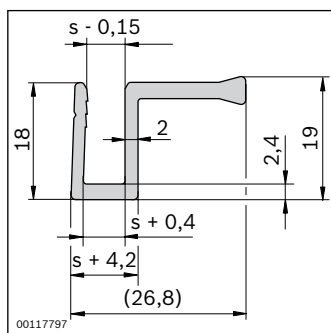
00117794

Edge protector Door handle profile

- ▶ For reinforcing frameless panel elements on sliding doors
- ▶ Profile for $s = 6$ mm can also be used for 1/4 inch plates



00117796



00117797

Edge protector	s (mm)	L (mm)	No.
1 pc	5	40 ... 3000	3 842 993 429 / L
10 pcs	5	3000	3 842 536 537
1 pc	5	3000	3 842 536 538
1 pc	6	40 ... 3000	3 842 993 430 / L
10 pcs	6	3000	3 842 536 540
1 pc	6	3000	3 842 536 541

Material: Aluminum; anodized

Door handle profile	s (mm)	L (mm)	No.
1 pc	5	40 ... 3000	3 842 993 427 / L
10 pcs	5	3000	3 842 536 533
1 pc	5	3000	3 842 536 534
1 pc	6	40 ... 3000	3 842 993 428 / L
10 pcs	6	3000	3 842 536 536
1 pc	6	3000	3 842 536 891

Material: Aluminum; anodized

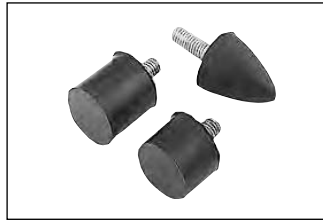
Accessories for protective devices



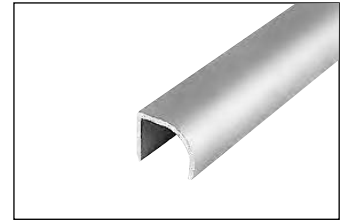
Counterbalance (p. 9-2)



Safety catch (p. 9-4)



Bumper (p. 9-5)



Handle bar (p. 9-5)



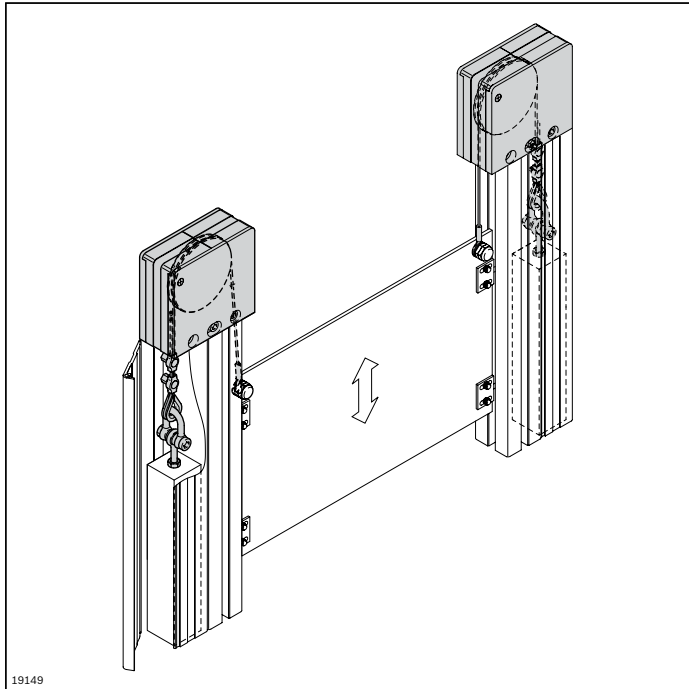
Magnet catch (p. 9-6)



Double ball stop latch
(p. 9-7)



Ball catch (p. 9-8)



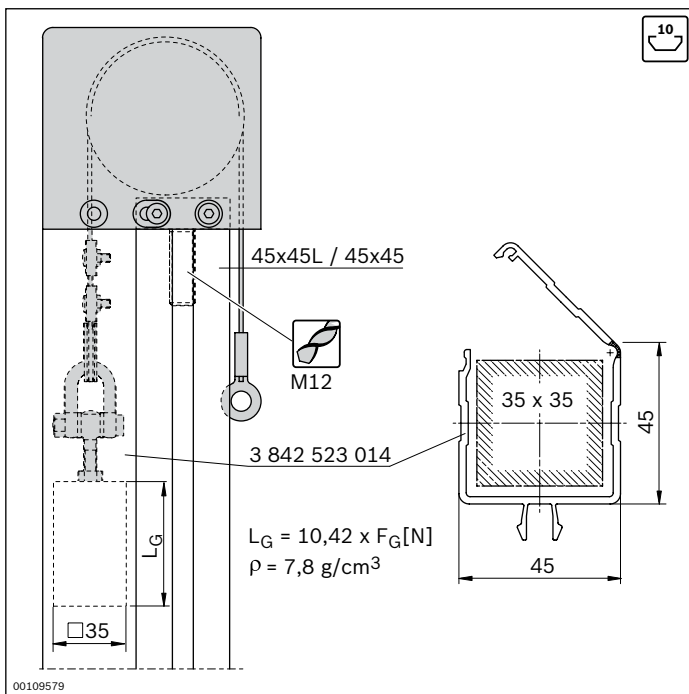
Counterbalance



- ▶ For lifting doors comprising a deflection pulley and control cable
- ▶ Counterweight individually adjustable and preferably guided in a cable duct
- ▶ Length of cable can be adjusted
- ▶ Service life: 50000 actuations
- ▶ Profile finishing:
 - M12 for fastening the deflection pulley
- ▶ Fit lifting doors with a back-up fall arrestor in accordance with the Machinery Directive 2006/42/EC

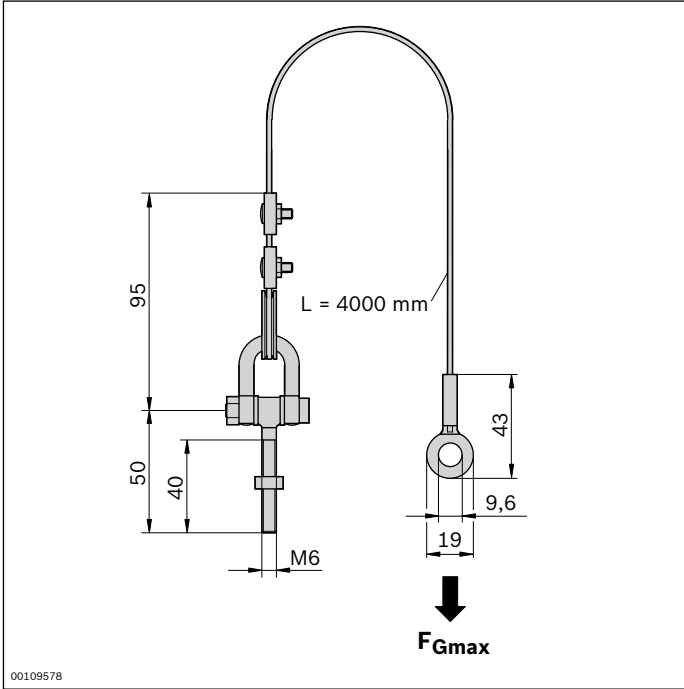
Required accessories:

Counterbalance weight (square profile 35x35 mm)



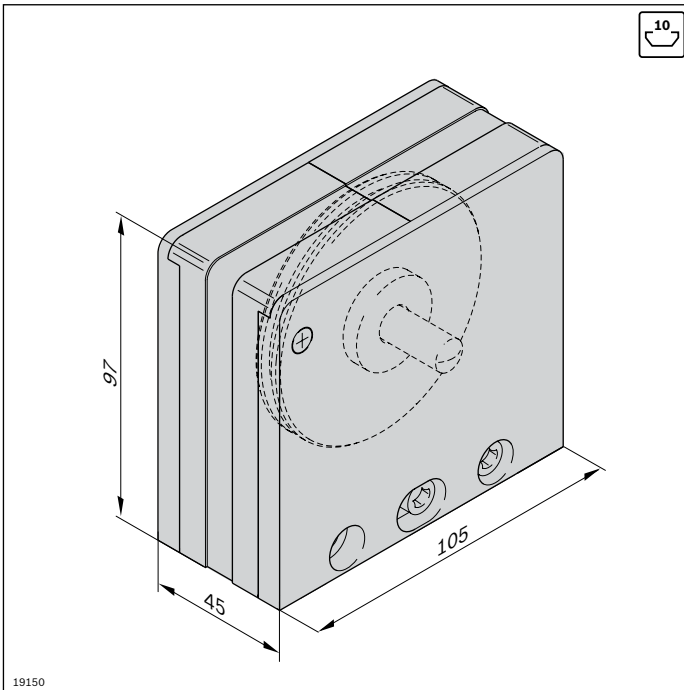
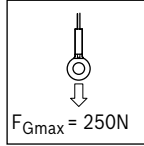
Optional accessories:

- ▶ Cable duct 45x45 (p. 11-2)
- ▶ Slider (p. 12-3/8-27)
- ▶ Safety catch (p. 9-4)



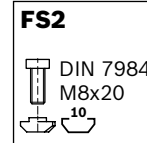
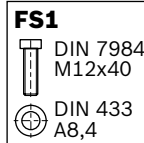
Counterbalance control cable	No.
	3 842 518 798

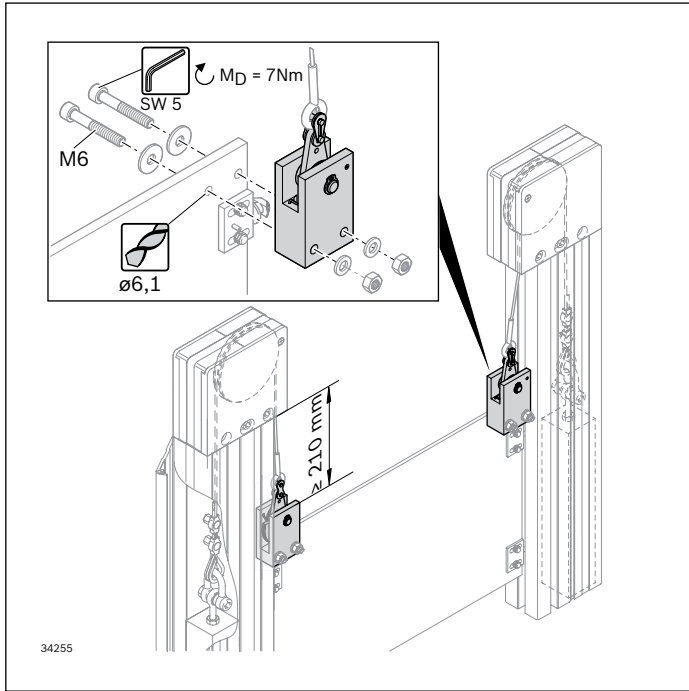
Material: Steel; stainless



Counterbalance deflection pulley	No.	FS
	3 842 518 797	FS1, FS2

Material: Housing: PA; black
Fastening material: Steel; zinc-plated
Scope of delivery: Incl. fastening material (FS)





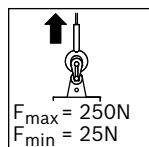
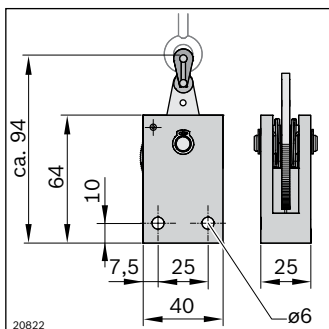
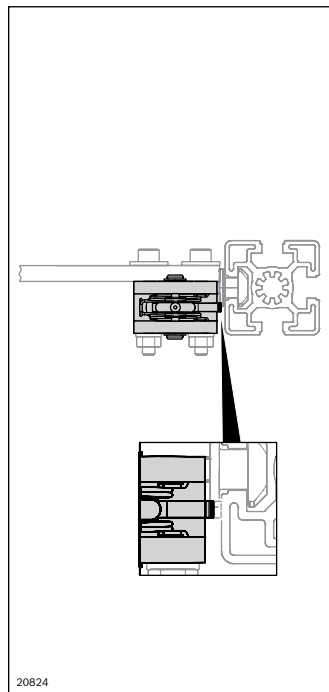
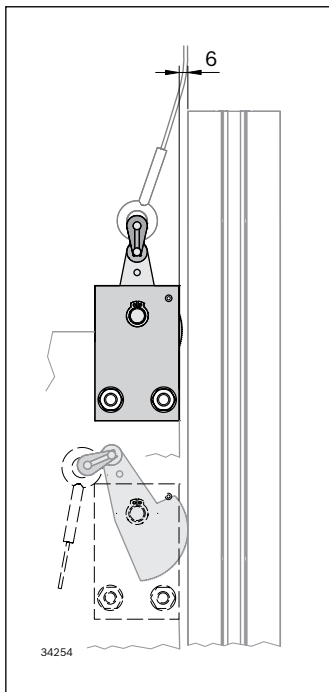
Safety catch



- ▶ The safety catch in conjunction with the other components prevents a lifting door from falling if a cable breaks
- ▶ If a cable breaks, the revolving part of the safety catch jams against a counterbearing and is wedged in position in the guide profile
- ▶ Gap dimension between safety catch body and lateral guide profile: 6 mm
- ▶ One safety catch is required for each cable.
- ▶ Max. load per safety catch: 250 N
- ▶ Min. load per safety catch: 25 N
- ▶ The counterbearing (e.g. slider **3 842 555 226**) should be mounted under the safety catch and as close as possible to it
- ▶ It can also be mounted without a frame on panel elements which have adequate transverse rigidity
- ▶ Before installation and use please read the data sheet containing notes on use which is enclosed with the product

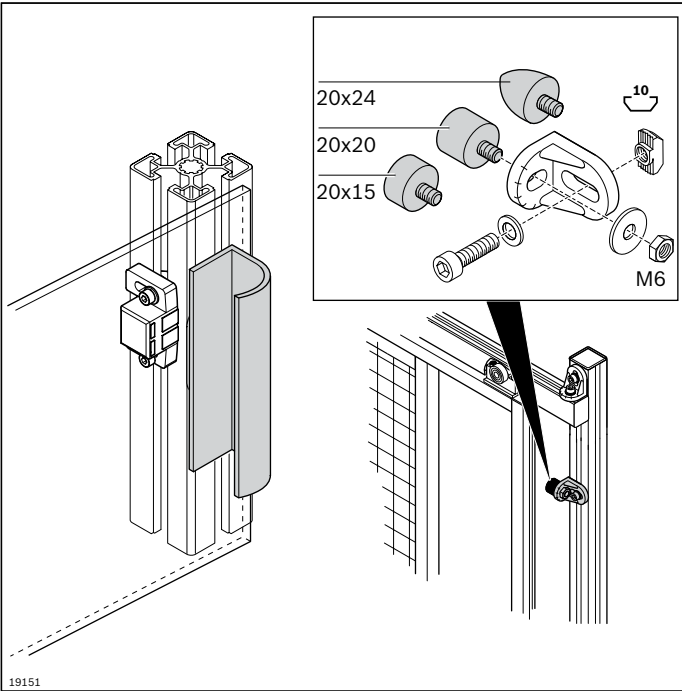
Optional accessories:

- ▶ Slider (p. 12-3)
- ▶ Fastening material for attaching the safety catch to the lifting door
- ▶ Counterbalance (p. 9-2)
- ▶ Strut profiles (from p. 2-1)



Safety catch	No.
	3 842 546 519

Material:	Housing: Aluminum Turntable: Steel; stainless Bolt: Steel, hardened Chain lock: Nickel-plated steel Spacer disk: POM
Scope of delivery:	Incl. chain lock for securing the cable
Condition on delivery:	Assembled



Bumper Handle bar

Bumper

- For damping impact and noise on doors, flaps, and covers

Accessories:

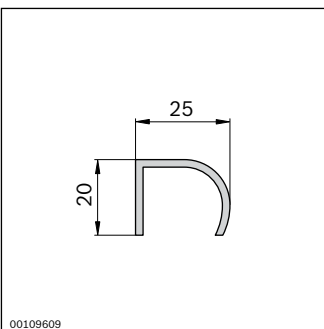
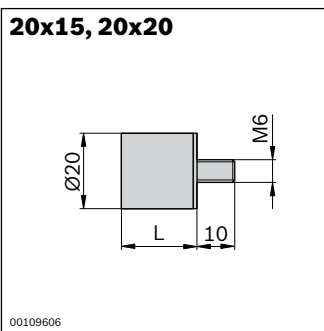
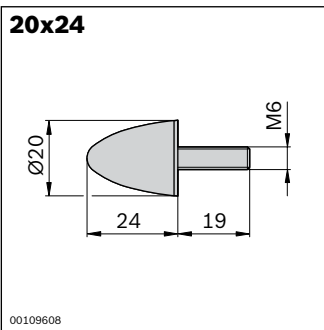
Nut, T-nut M6 (p. 3-4)

Handle bar

- Can be used, for example, on covers, drawers, or doors
- Machining: Drill holes for fixing

Required accessories:

Fastening material



Bumper		No.
20x24	10	3 842 510 165

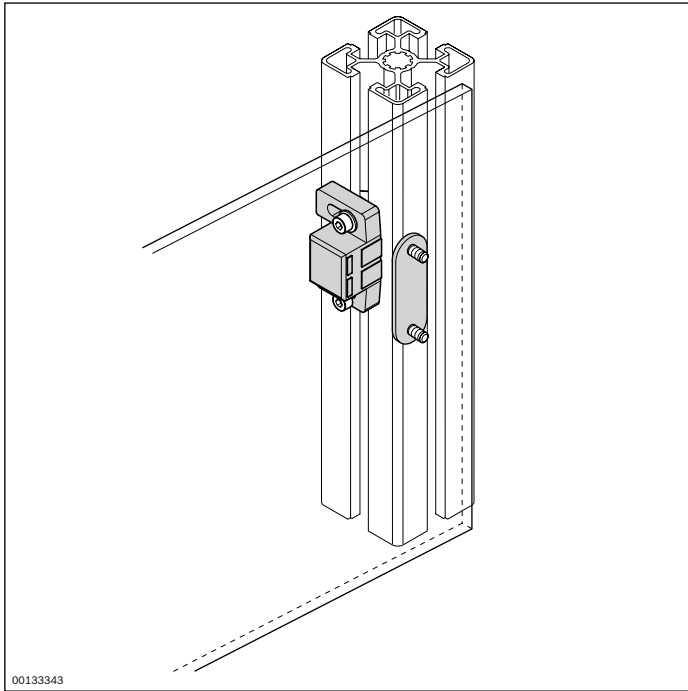
Material: Rubber; hardness 55° shore A

Bumper	L (mm)	No.
20x15	15	10 3 842 510 464
20x20	20	10 3 842 510 462

Material: Rubber; hardness 55° shore A

Handle bar	L (mm)	No.
	50...3000	1 3 842 990 111 / L
	3000	10 3 842 500 287

Material: Aluminum; anodized



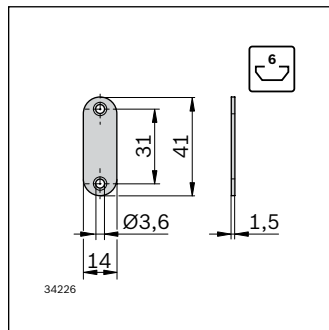
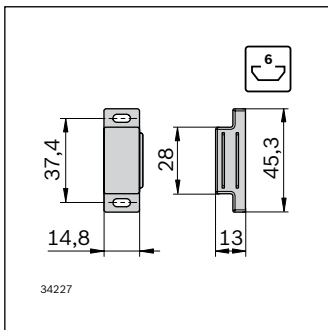
Magnet catch



- ▶ The magnet catch prevents doors and flaps from banging or being unintentionally opened
- ▶ Elongated holes to compensate for different panel element thicknesses

Accessories:

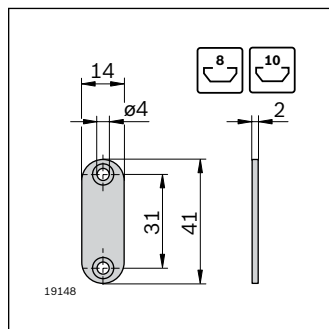
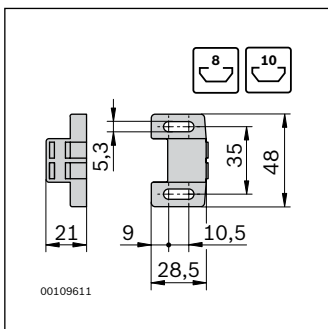
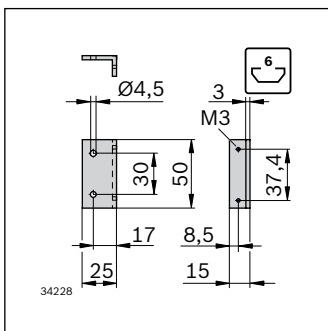
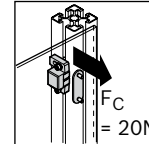
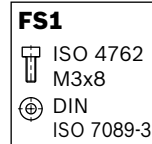
Cylinder bolt ISO 4762, washer, T-nut (p. 3-4)



Magnet catch	Slot No.	FS
	6	3 842 558 323 2xFS1

Material: PP; white / steel; zinc-plated

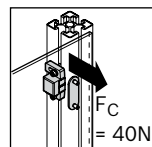
Scope of delivery: Incl. counterpiece, bracket, fastening material (FS)

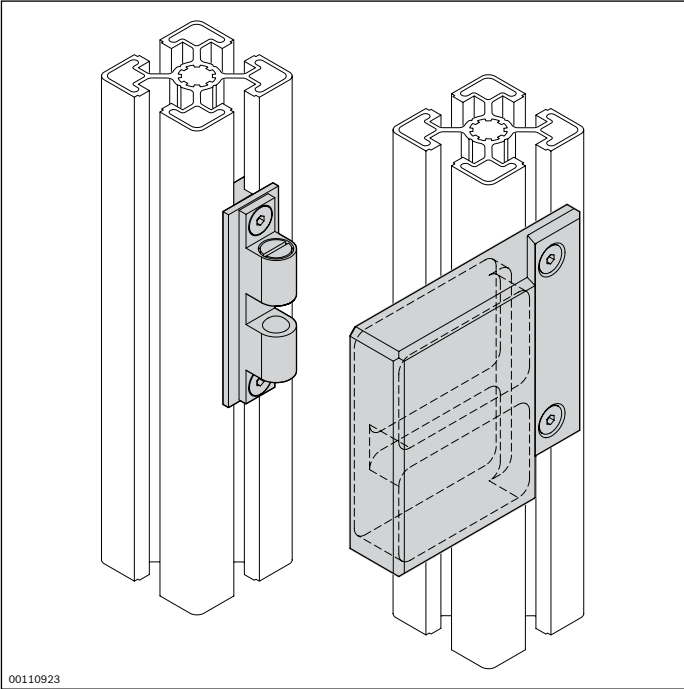


Magnet catch	Slot No.	FS
	8, 10	3 842 555 568

Material: PA; signal gray RAL 7004
Steel; zinc-plated

Scope of delivery: Incl. counterpiece



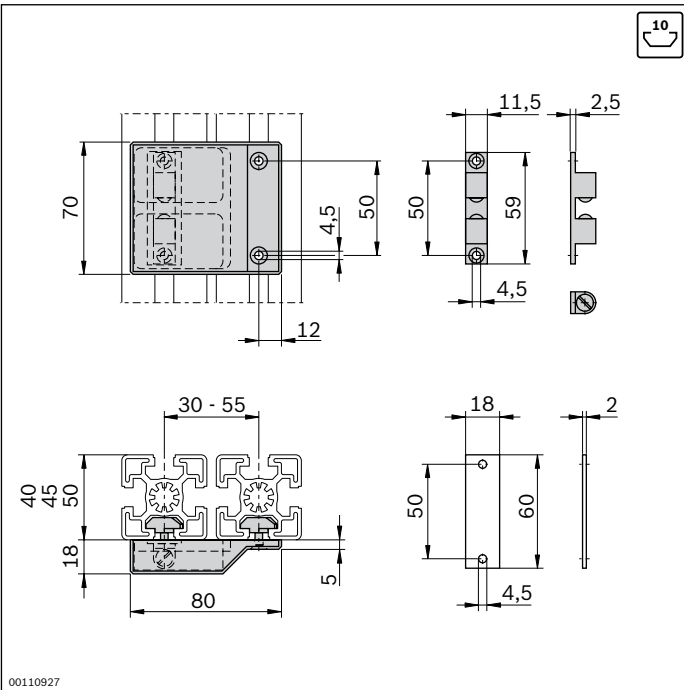


00110923

Double ball stop latch



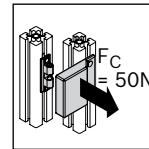
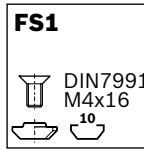
- ▶ For arresting doors made of profile frames and for bridging door gaps
- ▶ Suitable for profiles with modular dimensions 40 mm, 45 mm, and 50 mm
- ▶ Locking also possible with varying profile spacing

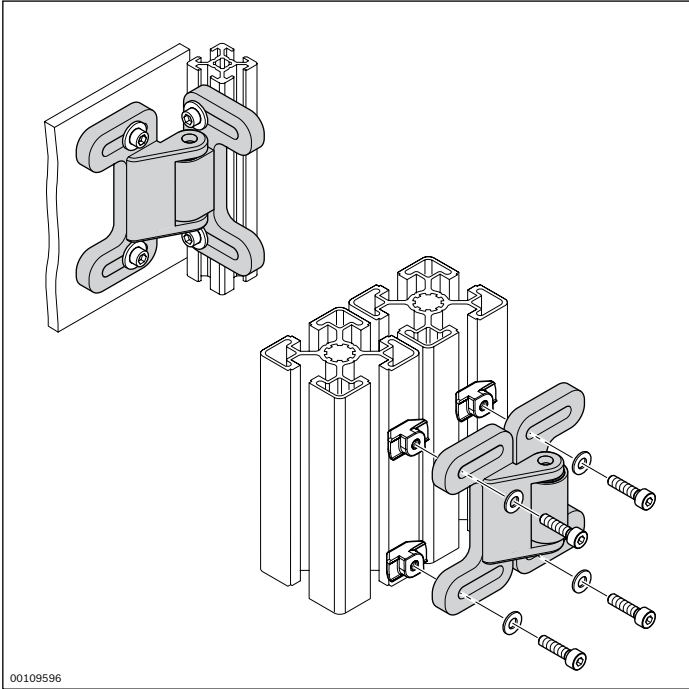


00110927

Double ball stop latch	Slot No.	FS
	10	3 842 530 241 4xFS1

Material: Aluminum, black anodized
 Scope of delivery: Incl. fastening material (FS)





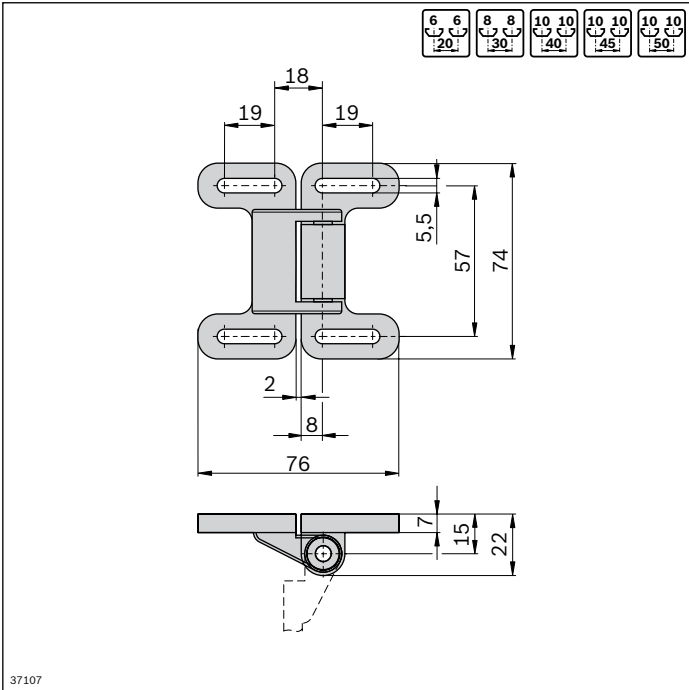
00109596

Ball catch



- ▶ Ball catch for doors and flaps
- ▶ For sliding and swing doors
- ▶ For doors with or without frames
- ▶ Elongated hole to adjust for differing spacing
- ▶ Can be used under cleanroom conditions

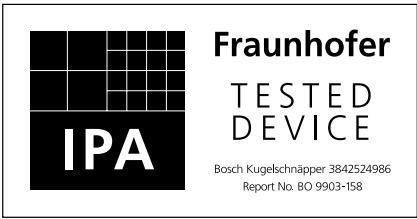
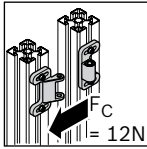
Accessories:
 Cap screw ISO 4762, washer,
 T-nut (p. 3-4)



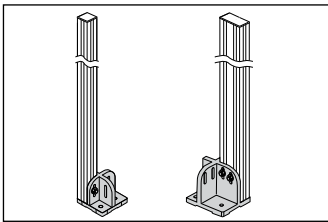
37107

Ball catch	Color	ESD	No.
	Black	10	3 842 524 986

Material: PA



Protective devices and EcoSafe partition walls



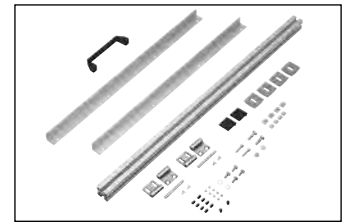
Support post assemblies
(p. 10-6)



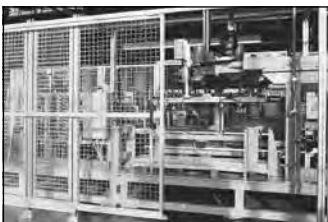
EcoSafe guarding
components (p. 10-7)



Suspension bracket,
attachment kit (p. 10-11)
Tilt lever (p. 10-12)



EcoSafe system door kit
(p. 10-13)



EcoSafe sliding door kit
with/without superstructure
(p. 10-15)



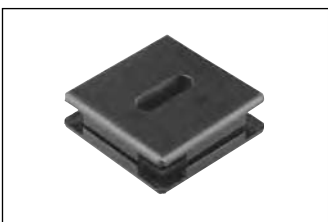
EcoSafe double door kit
(p. 10-17)



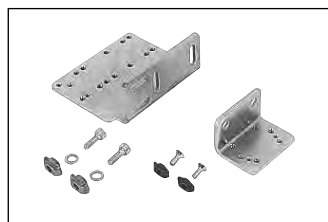
Lock mechanism for double
door (p. 10-18)



Ground terminal (p. 10-19)



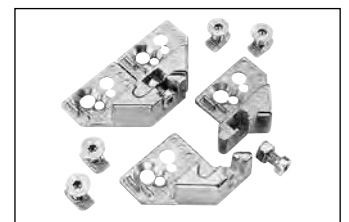
Clamping element (p. 10-20)



Attachment kit for safety
switch (p. 10-21)



Spring clamping element
(p. 10-22)



Suspension piece for frame
(p. 10-23)

Eliminate safety risks in manufacturing and production by using the components for Rexroth protective devices. EcoSafe protective fence components are flexible to use and help comply with current standards and guidelines. Pre-assembled protective frames, door kits, and a well thought-out overall product range ensure fast planning as well as economical and practical implementation.

Individual protective devices such as enclosures and additional attachments can be created using the tried and tested Aluminum Structural Framing components. These two systems are mutually compatible. Rexroth therefore offers a comprehensive, overall solution for all requirements.

Compliance with standards

DIN EN ISO 12100 – Safety of machinery

- The protective fence must be designed so that it can only be opened with the aid of, or by destroying, the fastenings.
- The actual design requires a risk assessment to be carried out according to DIN EN ISO 12100-1 in every case

DIN EN 953 – General design and construction requirements

- Rigidity, impact resistance, strength & durability of connection points, etc.

DIN EN ISO 13857

- Safety distances to prevent hazard zones being reached by upper and lower limbs

DIN EN ISO 14120

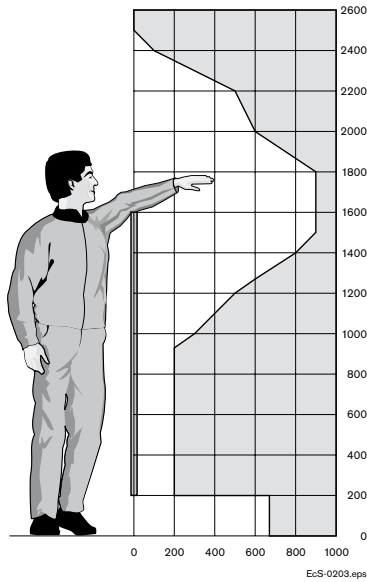
- Safety of machinery – Guards – General requirements for the design and construction of fixed and movable guards
- Rexroth protective frame tested according to pendulum test Appendix C and passed

Machinery Directive 2006/42/EC

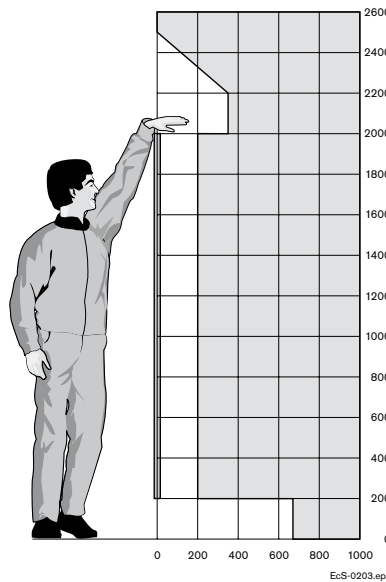
Excerpt from the requirements that apply to protective devices:

- must be solidly built
- must be securely held in position
- must not cause any additional hazards
- must not be able to be easily circumvented or rendered ineffective
- fastenings must only be able to be undone or removed with the aid of tools
- Once the protective devices have been removed, fastenings must remain attached or fastened to the protective devices or the machine

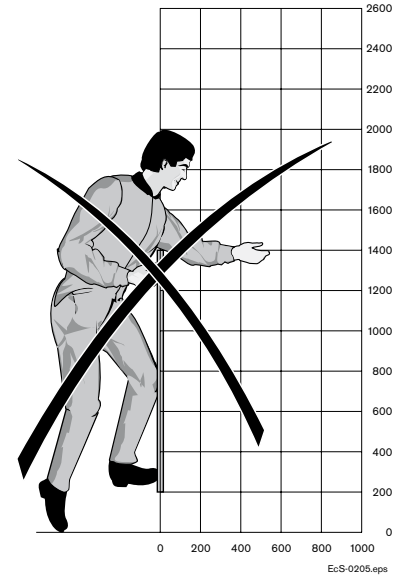
Safety distances



H = 1600 mm



H = 2000 mm

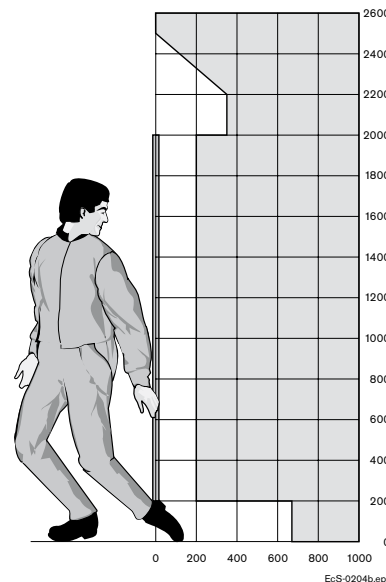
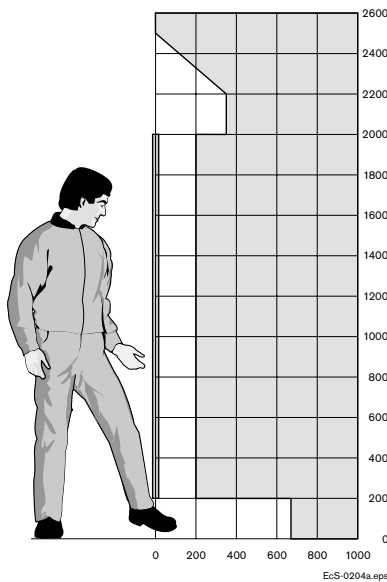


H = 1400 mm

The safety distances depend on the height of the protective device and the openings in the protective grille. If woven wire grilles with a mesh width of 40x40 are used, only a safety distance of 200 mm from the hazard area is required. The standard fence height of 2000 mm provides

adequate protection in conjunction with a relatively small safety distance. The graphics show a profile with the safety distances for 2 different system heights (DIN EN 13857). Protective fences of under 1400 mm in height do not provide adequate protection for personnel.

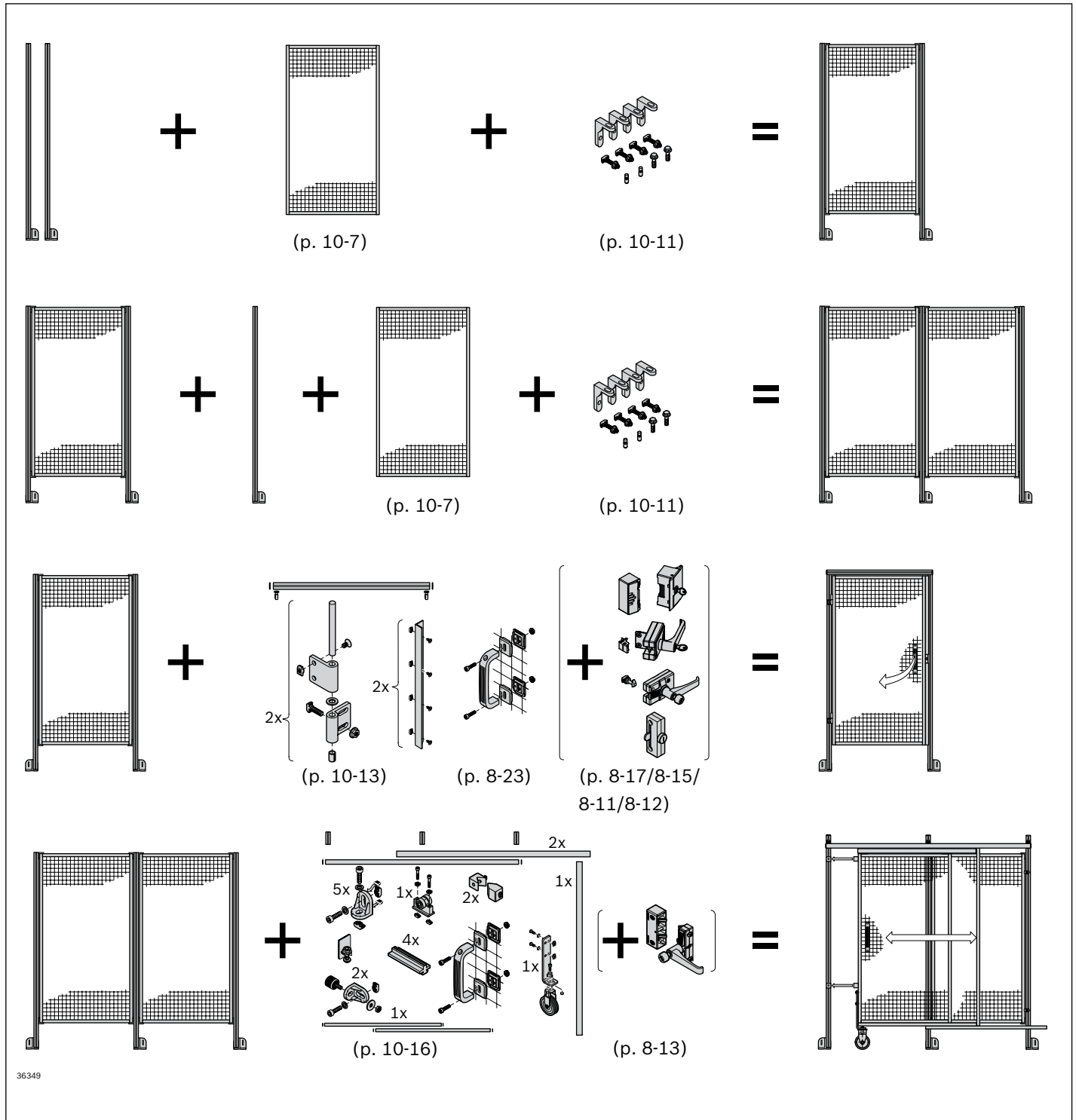
Safety distances where there is 200 mm ground clearance



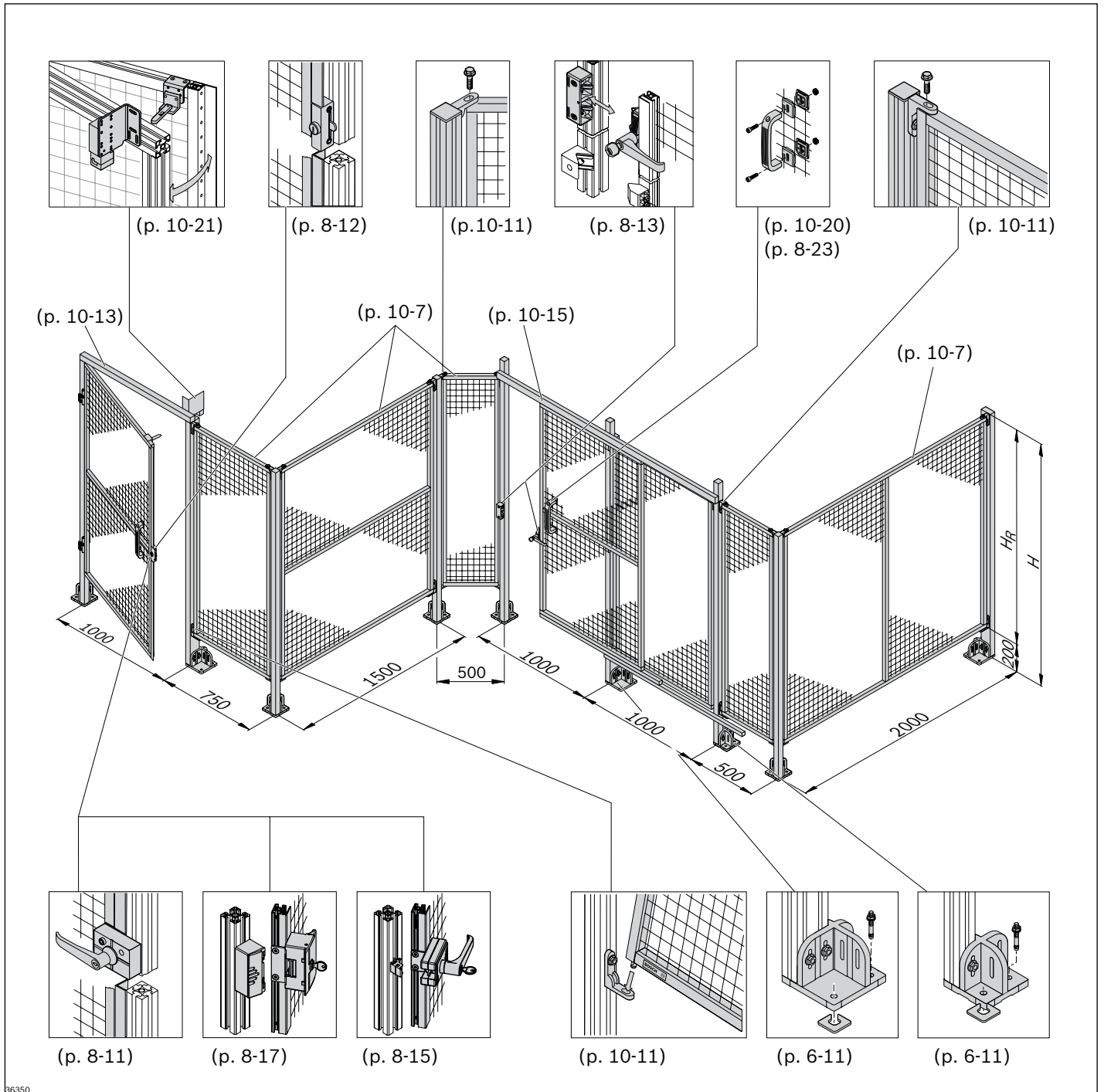
The standard distance between the protective frame and the ground is 200 mm. This gives a distance from the hazard area of 665 mm. According to the standard, openings that are

larger than 180 mm allow the whole body to fit through. Depending on the customer's requirements, the distance from the ground may have to be reduced to <180 mm.

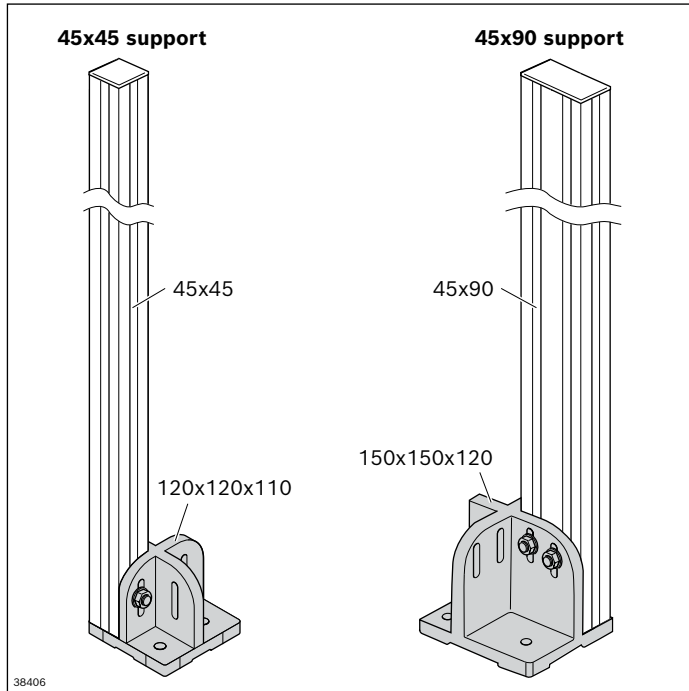
EcoSafe components for building protective fences



EcoSafe components for building protective fences



96350

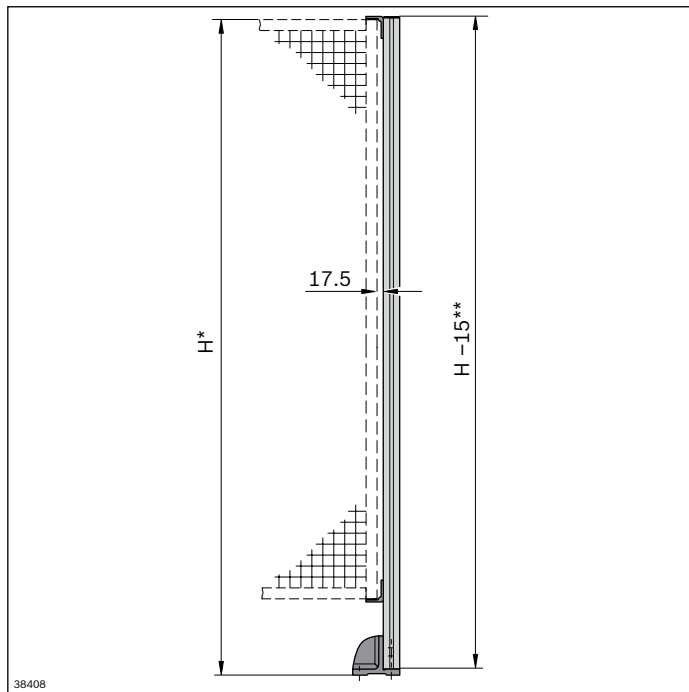


Support post assemblies



Support posts

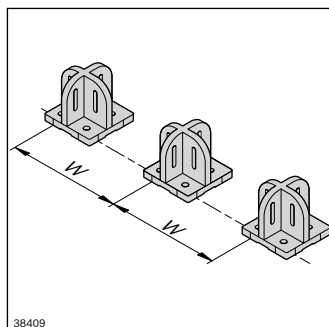
- ▶ Used for perimeter type guards
- ▶ Two styles available: 45x45 for standard applications, and 45x90 for heavy-duty applications
- ▶ Can be used to support EcoSafe panels or panels made using standard 30- and 45-series profiles
- ▶ Includes footplate and end cap



Component	Pcs	No.
45x45 Support post (includes the following)		
45x45 profile, square cut to length	1	3 842 992 425 / L**
Cover cap 45x45	1	3 842 548 753
Base plate 120x120x110	1	3 842 527 553
24 mm T-bolt kit	2	8 981 021 344
S12x30 connection screw	1	8 981 021 302
45x90 Support post (includes the following)		
45x90 profile, square cut to length	1	3 842 992 432 / L**
Cover cap 45x90	1	3 842 548 756
Base plate 150x150x120	1	3 842 524 469
24 mm T-bolt kit	2	8 981 021 344
S12x30 connection screw	1	8 981 021 302

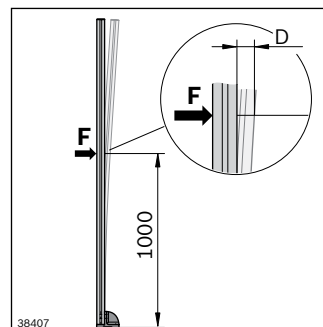
* specify height (H) ≥450 mm ≤2300 mm

** specify height (H-15) ≥450 mm ≤2300 mm



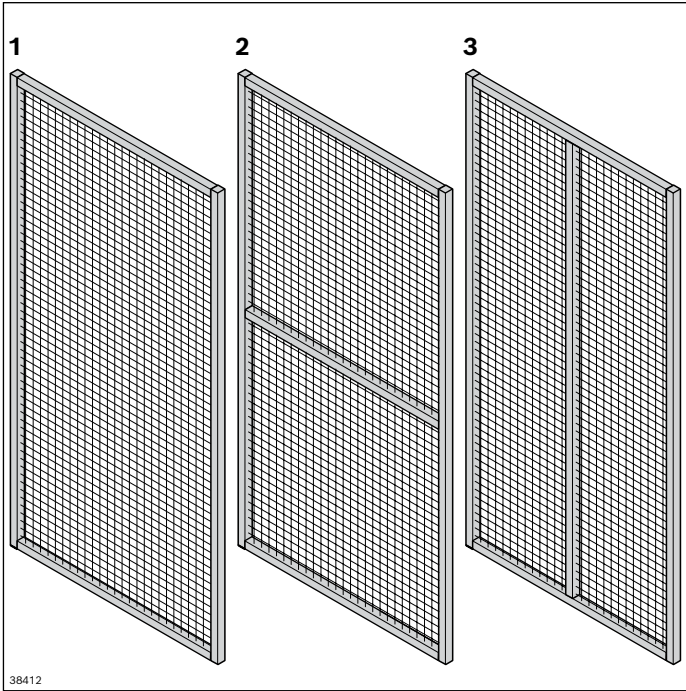
Assembly note

Use the lateral alignment marks on the footplate to achieve precise spacing for EcoSafe support posts.
W = Width



Technical data

F (N)	D (mm)
100	4
150	6
300	13
450	21
600	31



1 Undivided
 2 Horizontally Divided
 3 Vertically Divided

EcoSafe guarding components

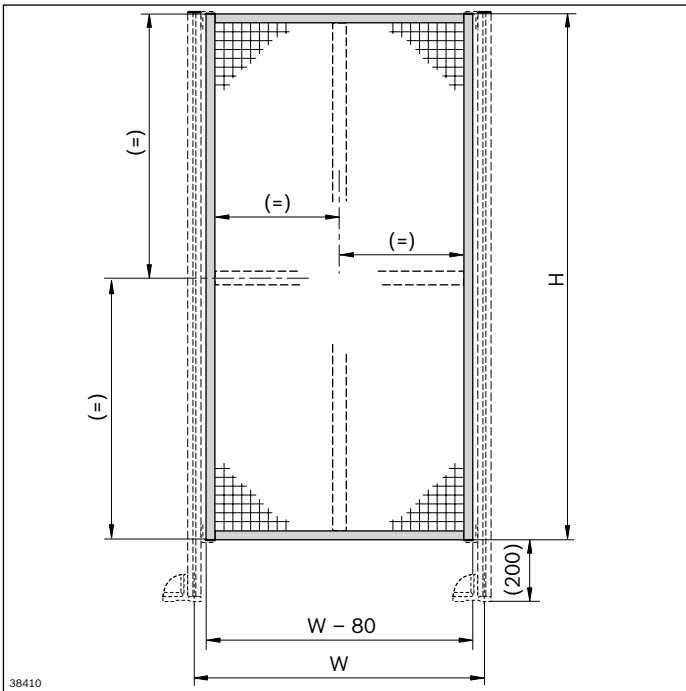


Protective frames

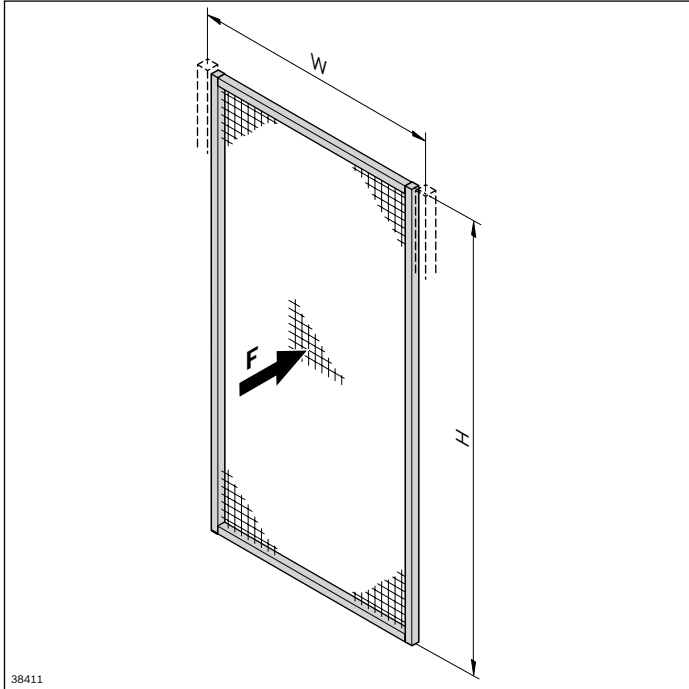
- ▶ 30x30 WG aluminum frames can hold solid panels or wire mesh
- ▶ Attach frames to support posts using panel mounting brackets
- ▶ Allow fast assembly of perimeter guarding
- ▶ Three styles are available: Undivided, Vertically Divided, and Horizontally Divided. For ordering and component details, see the next page

Note:

EcoSafe panels are designed and built by your local Bosch Rexroth distributor. Call 1-800-REXROTH for the location of your nearest authorized Bosch Rexroth framing distributor.



H = Height of Frame
 W = Width

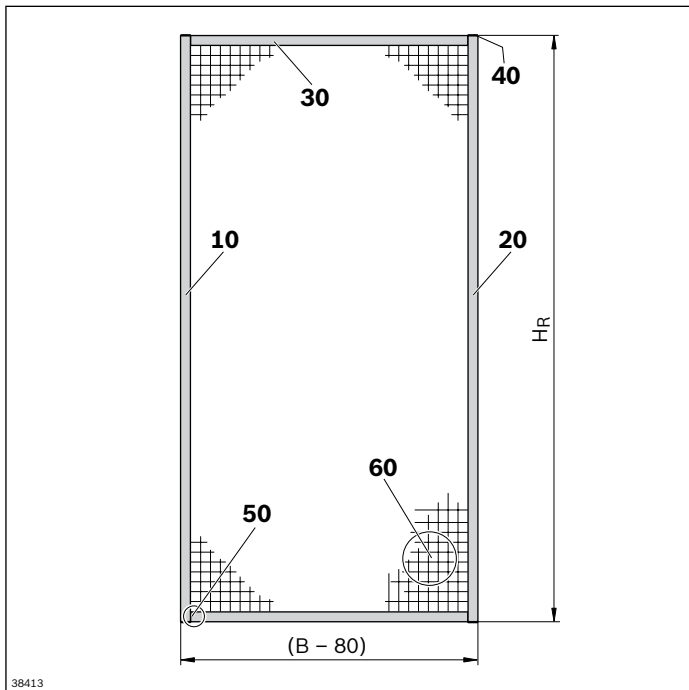


Technical data for frames with steel mesh

Force needed to push woven 12AWG triple crimp wire out of frame profile as tested statically in the center of panel with a 200 mm dia. steel plate.

H (mm)	W (mm)	F _{max} (N)
1800	750	1100
1800	1000	730
1800	1500	550

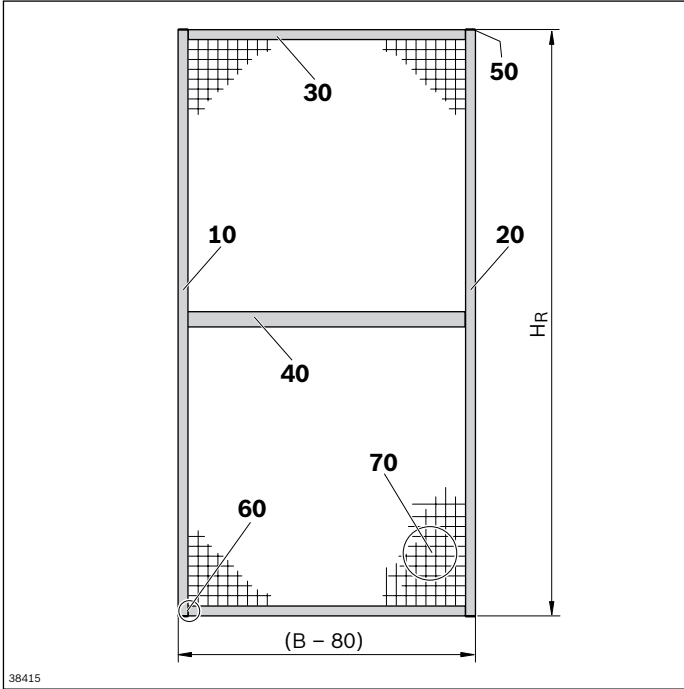
38411



Undivided EcoSafe panel

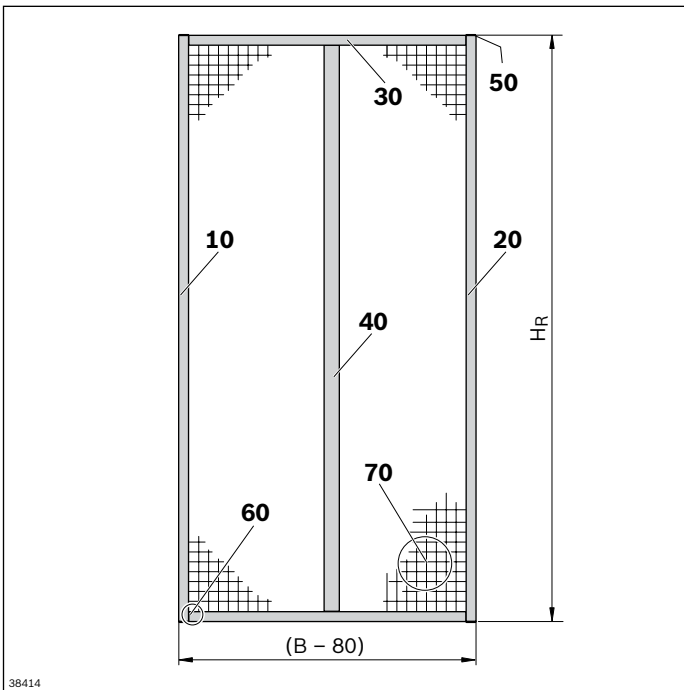
Component	Pcs	No.
10 30x30 WG40 left-hand: drilled both ends 7.8 mm, one end tapped M8, 40 mm deep L = H _R , specify length ≥250 mm ≤2000 mm	1	3 842 992 978 / L
20 30x30 WG40 right-hand: drilled both ends 7.8 mm, one end tapped M8, 40mm deep L = H _R , specify length ≥250 mm ≤2000 mm	1	8 981 992 247 / L
30 30x30 WG40: square cut to length L = (B-80)-60, specify length ≥210 mm ≤2440 mm	2	3 842 992 972 / L
40 Cover cap 30x30 WG30/40	4	3 842 522 345
50 S8x25 self-tapping screw		3 842 523 970
60 Panel, specify type, L x W = (B-92) x (H _R -12) (4-5 mm thick)	1	Contact your distributor

38413


Horizontally divided EcoSafe panel

Component	Pcs	No.
10 30x30 WG40 left-hand: drilled both ends and center 7.8 mm; one end tapped M8, 40 mm deep $L = H_R$, specify length ≥ 250 mm ≤ 2000 mm	1	3 842 992 985 / L
20 30x30 WG40 right-hand: drilled both ends and center 7.8 mm, one end tapped M8, 40 mm deep $L = H_R$, specify length ≥ 250 mm ≤ 2000 mm	1	8 981 992 247 / L
30 30x30 WG40: $L = (B-80)-60$, specify length ≥ 210 mm ≤ 2440 mm	2	3 842 992 984 / L
40 30x45 WG40: square cut to length, $L = (B-80)-60$, specify length ≥ 210 mm ≤ 2440 mm	1	3 842 992 973 / L
50 Cover cap 30x30 WG30/40	4	3 842 522 345
60 S8x25 self-tapping screw	4	3 842 523 970
70 Panel, specify type, $L \times W = (B-92) \times (H_R/2) - 12$ (4-5 mm thick)	2	Contact your distributor

10


Vertically divided EcoSafe panel

Component	Pcs	No.
10 30x30 WG40 left-hand: drilled both ends 7.8 mm, one end tapped M8, 40 mm deep $L = H_R$, specify length ≥ 250 mm ≤ 2000 mm	1	3 842 992 978 / L
20 30x30 WG40 right-hand: drilled both ends 7.8 mm, one end tapped M8, 40 mm deep $L = H_R$, specify length ≥ 250 mm ≤ 2000 mm	1	8 981 992 247 / L
30 30x30 WG40: drilled in center 7.8 mm, $L = (B-80)-60$, specify length ≥ 210 mm ≤ 2440 mm	2	3 842 992 984 / L
40 30x45 WG40, square cut to length, $L = H_R-60$, specify length ≥ 210 mm ≤ 1940 mm	1	3 842 992 973 / L
50 Cover cap 30x30 WG30/40	4	3 842 522 345
60 S8x25 self-tapping screw	4	3 842 523 970
70 Panel, specify type, $L \times W = (B/2) - 51 \times (H_R - 12)$ (4-5 mm thick)	2	Contact your distributor

30x30 WG30

$A = 3,2 \text{ cm}^2$
 $I_x = 2,5 \text{ cm}^4$
 $I_y = 3,0 \text{ cm}^4$
 $W_x = 1,6 \text{ cm}^3$
 $W_y = 1,9 \text{ cm}^3$
 $m = 0,9 \text{ kg/m}$

00109305

Protective grille profile		L (mm)	No.
30x30 WG30			
1 pc		100 ... 6070	3 842 992 970 / L
1 pc	M8/7,8V M8/7,8V	100 ... 6000	3 842 992 977 / L
20 pcs		6070	3 842 557 227
Material: Aluminum; anodized			

30x30 WG40

$A = 3,2 \text{ cm}^2$
 $I_x = 2,4 \text{ cm}^4$
 $I_y = 2,9 \text{ cm}^4$
 $W_x = 1,5 \text{ cm}^3$
 $W_y = 1,8 \text{ cm}^3$
 $m = 0,9 \text{ kg/m}$

00109303

Protective grille profile		L (mm)	No.
30x30 WG40			
1 pc		100 ... 6070	3 842 992 972 / L
1 pc	M8/7,8V M8/7,8V	100 ... 6000	3 842 992 978 / L
20 pcs		6070	3 842 557 229
Material: Aluminum; anodized			

30x45 WG30

$A = 4,5 \text{ cm}^2$
 $I_x = 7,3 \text{ cm}^4$
 $I_y = 4,2 \text{ cm}^4$
 $W_x = 3,2 \text{ cm}^3$
 $W_y = 2,7 \text{ cm}^3$
 $m = 1,2 \text{ kg/m}$

00109306

Protective grille profile		L (mm)	No.
30x45 WG30			
1 pc		100 ... 6070	3 842 992 971 / L
20 pcs		6070	3 842 557 228
Material: Aluminum; anodized			

30x45 WG40

$A = 4,5 \text{ cm}^2$
 $I_x = 6,9 \text{ cm}^4$
 $I_y = 4,1 \text{ cm}^4$
 $W_x = 4,3 \text{ cm}^3$
 $W_y = 1,8 \text{ cm}^3$
 $m = 1,2 \text{ kg/m}$

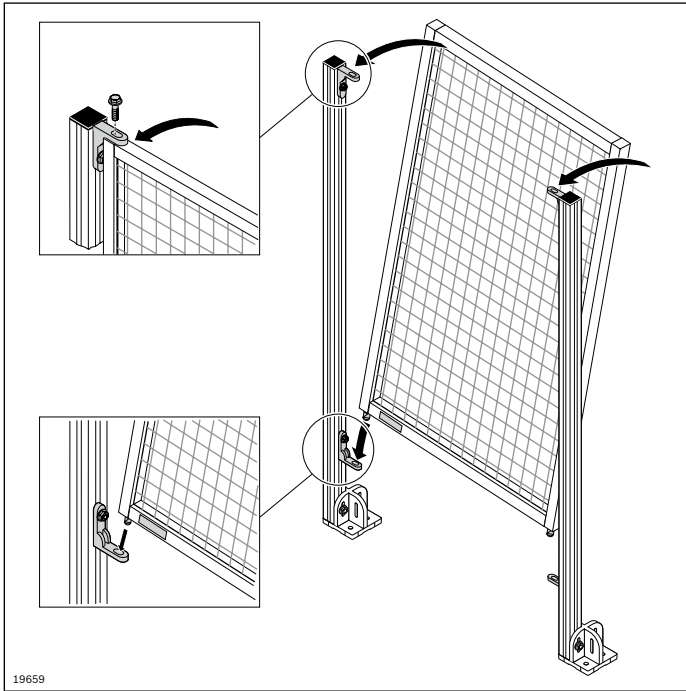
00109304

Protective grille profile		L (mm)	No.
30x45 WG40			
1 pc		100 ... 6070	3 842 992 973 / L
20 pcs		6070	3 842 557 240
Material: Aluminum; anodized			

00109360

► Cover cap for a more attractive appearance and to prevent injuries

Cover cap	Color	No.
30x30	Black	100 3 842 522 345
Material: PA; black		



19659

Suspension bracket Safety strip safety kit

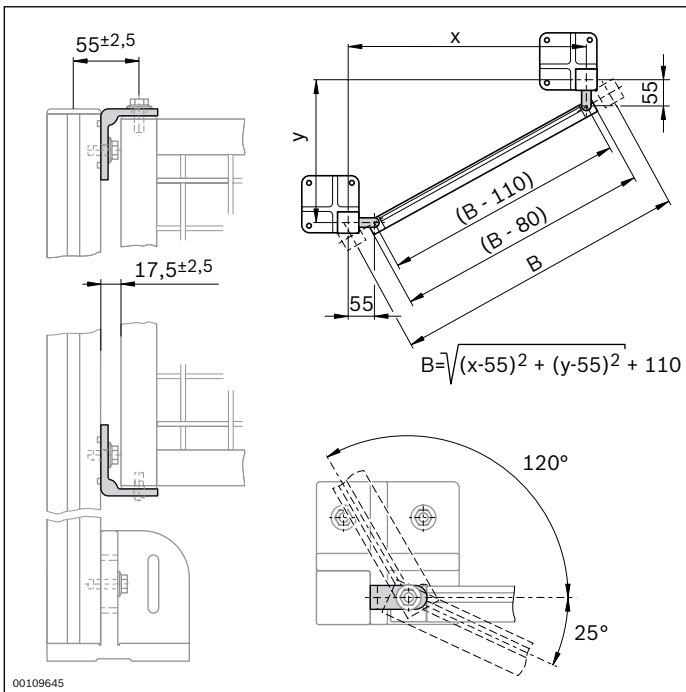


Suspension bracket

- ▶ For mounting the EcoSafe protective frame on the support at various angles
- ▶ Suspension bracket with centering lugs as anti-torsion element

Safety strip safety kit

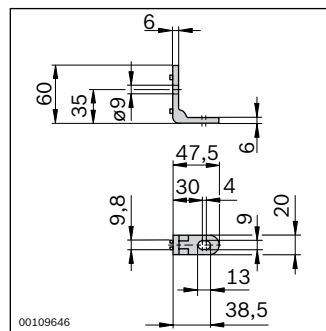
- ▶ Safe and inexpensive
- ▶ Easy assembly; can be retrofitted
- ▶ Patented
- ▶ Meets the requirements of Machinery Directive 2006/42/EC Screw remains connected to the suspension bracket after loosening



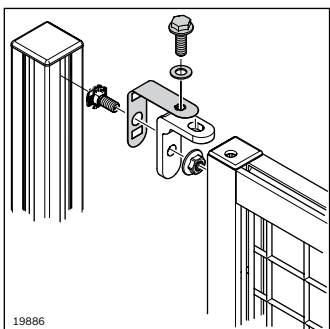
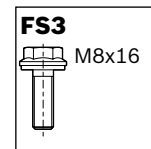
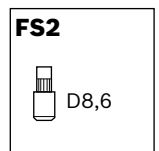
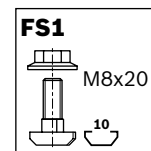
00109645

Suspension bracket	No.	FS
Set	3 842 522 481	4x FS1, 2x FS2, 2x FS3

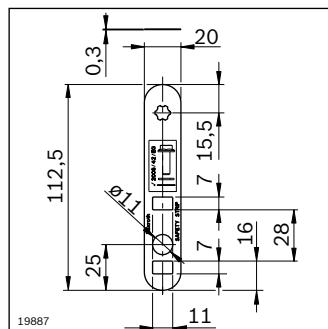
Material: Diecast zinc
Fastening material: Steel; zinc-plated
Scope of delivery: In a set with four brackets, incl. fastening material (FS)



00109646



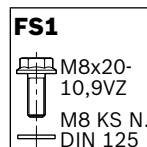
19886

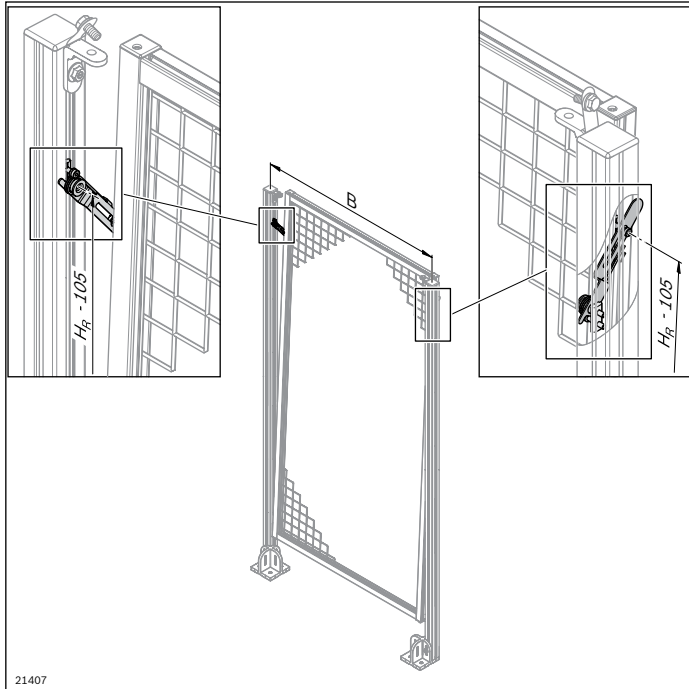


19887

Safety strip safety kit	No.	FS
	10	3 842 542 146 FS1

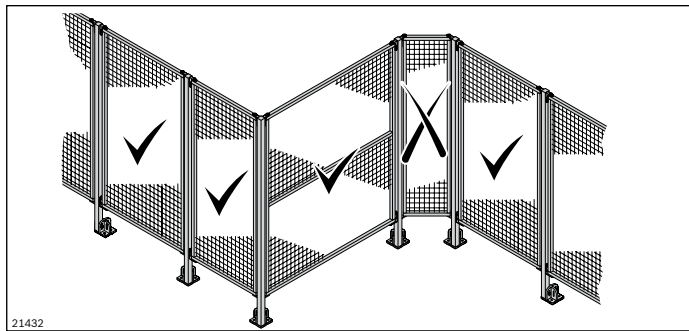
Material: PP granulate
Scope of delivery: Incl. fastening material (FS)





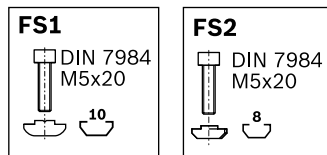
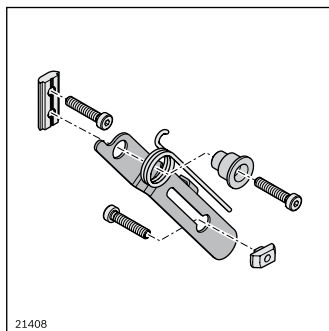
Tilt lever

- ▶ For compliance with the requirement in Machinery Directive 2006/42/EC relating to the detaching of protective frames
 - The long-arm spring is designed so that it tilts the protective frame outwards, making it clear that the protective frame is detached
 - Protective frame cannot fall out
- ▶ Easily removable EcoSafe protective frames
- ▶ Can be retrofitted
- ▶ Installation on both sides recommended for EcoSafe protective frames of width B >1500 mm



Possible installation situation:

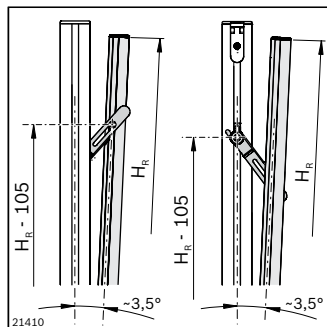
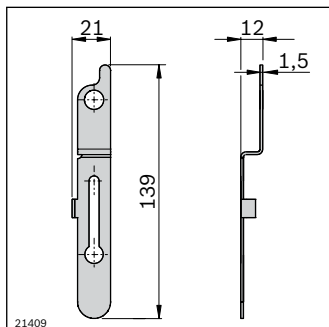
- ▶ Not suitable for installing the protective frame across a corner



Tilt lever	No.	FS
	3 842 546 560	FS1, FS2

Material: Holding plate: Stainless steel
 Spacer: Aluminum
 Long-arm spring: Spring steel

Scope of delivery: Holding plate, spacer, long-arm spring, fastening material (FS)

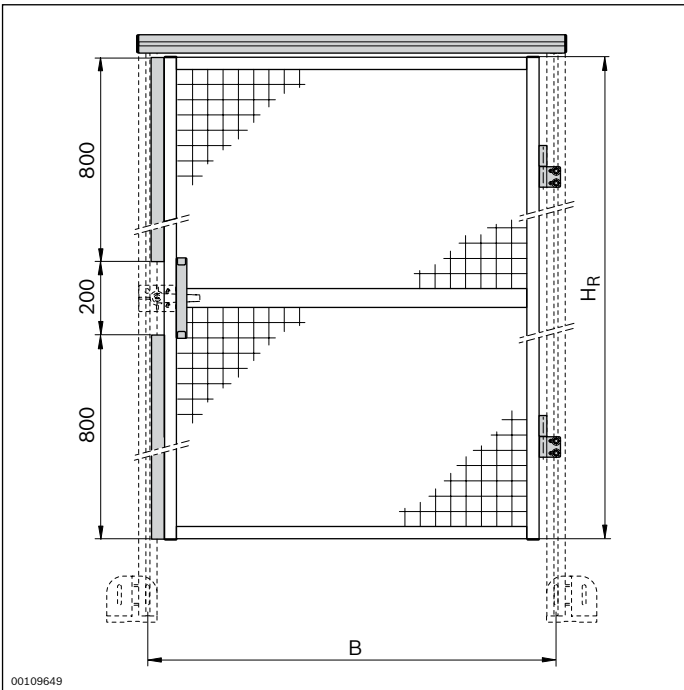
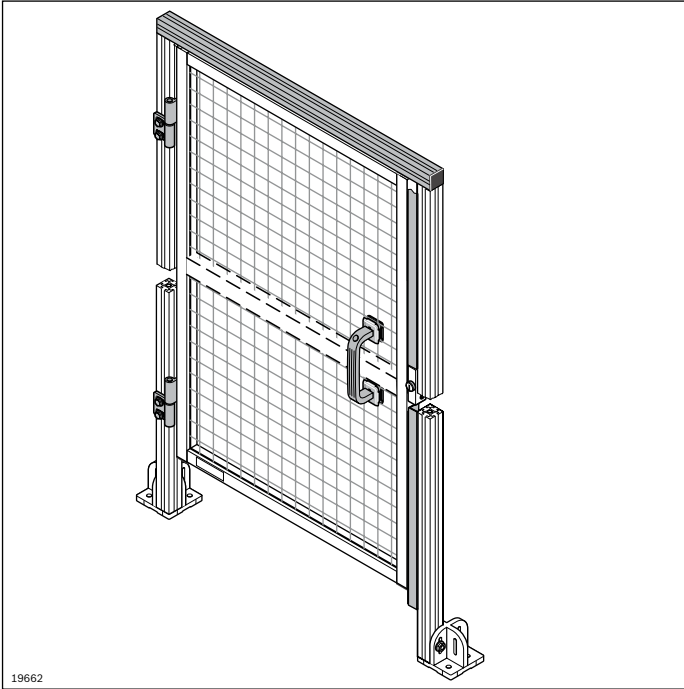


EcoSafe system door kit

- ▶ For constructing an EcoSafe system door in the modular dimension system
- ▶ Use of finished protective frame as a door
- ▶ For doors that open to the left or right
- ▶ Required components:
 - Assembly kit for system door
 - Protective frame (p. 10-7)

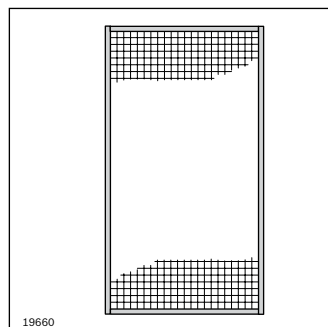
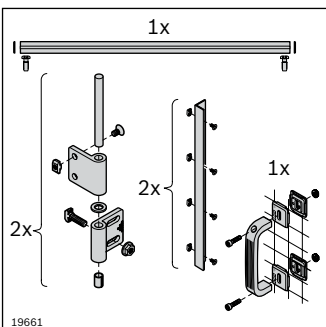
Optional accessories:

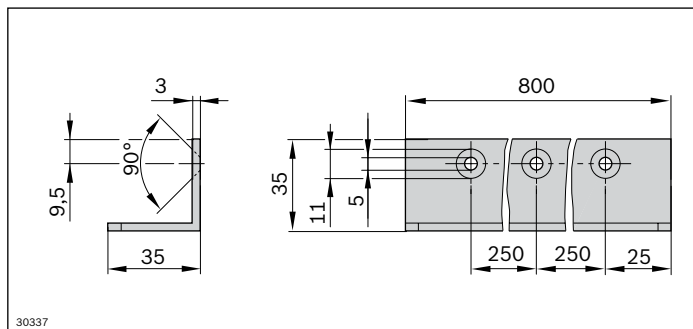
- ▶ Door lock (p. 8-11, 8-12, 8-15, 8-16, 8-17)
- ▶ Attachment kit for safety switch (p. 10-21)



Assembly kit for system door	H _R (mm)	B (mm)	No.
	1800	1000	3 842 523 166
	1800	750	3 842 523 165

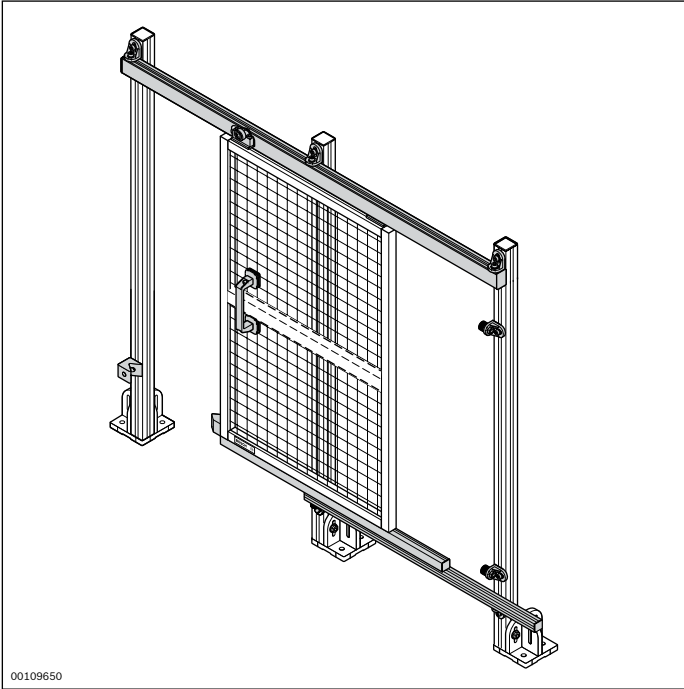
Scope of delivery: 2 x hinge, 2 x stop rail, profile as door lintel, bow-type handle, incl. fastening material





► System door stop rail for self-assembly

Stop rail	No.
	3 842 523 170

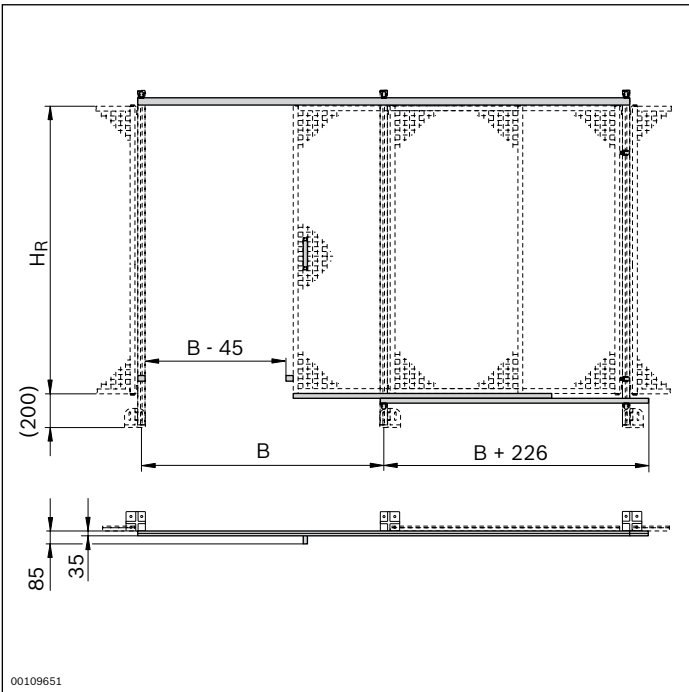


00109650

EcoSafe assembly kit for sliding door with superstructure

- ▶ Assembly kit for constructing an EcoSafe sliding door with superstructure in the modular dimension system
- ▶ Use of finished protective frame as a door
- ▶ Easy subsequent installation in a protective fence
- ▶ Rollers with ball bearings for smooth running
- ▶ For doors that open to the left or right
- ▶ Required components:
 - Assembly kit for sliding door with superstructure
 - Protective frame (p. 10-7)

Optional accessories:
Door lock (p. 8-11/8-13)

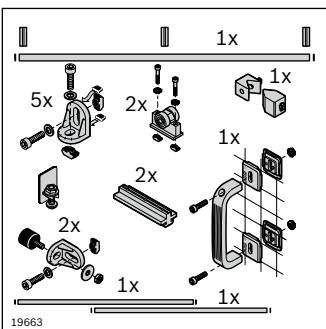


00109651

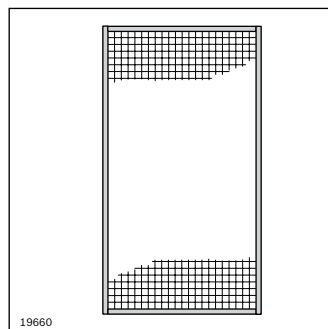
Assembly kit for sliding door with superstructure	H _R (mm)	B (mm)	No.
---	---------------------	--------	-----

	1800	1000	3 842 524 163
	1800	1500	3 842 524 164

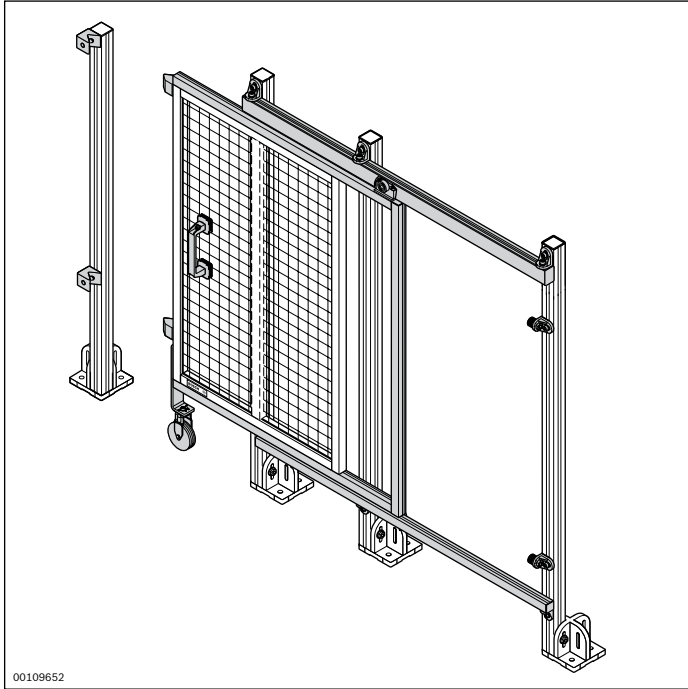
Scope of delivery: 2 x bumper, 2 x slider, 2 x trolley, profile for door superstructure, 7 x mounting bracket, stop kit, 2 x profile for sliding door



19663



19660

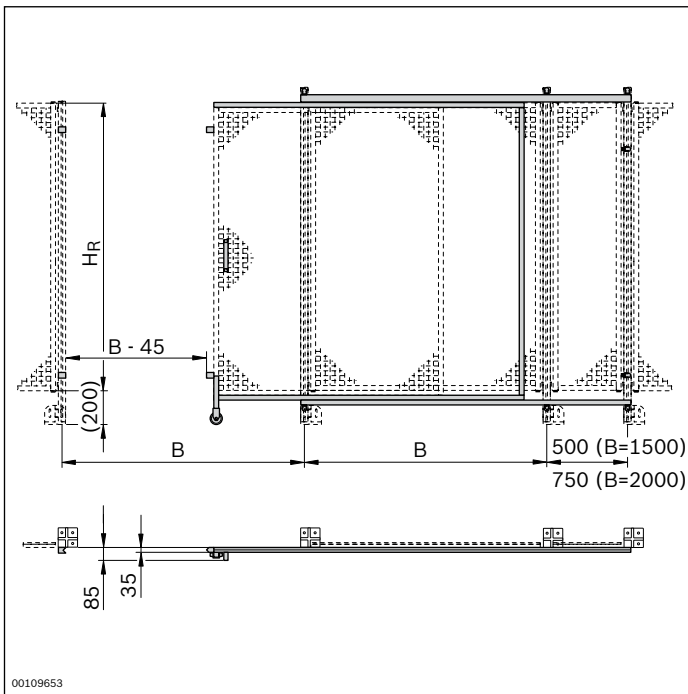


00109652

EcoSafe assembly kit for sliding door without superstructure

- ▶ Assembly kit for constructing an EcoSafe sliding door without superstructure in the modular dimension system
- ▶ Use of finished protective frame as a door
- ▶ Rollers with ball bearings for smooth running
- ▶ For doors that open to the left or right
- ▶ Required components:
 - Assembly kit for sliding door without superstructure
 - Protective frame (p. 10-7)
- ▶ Also available with leg sets with 45x90L profiles for more stability

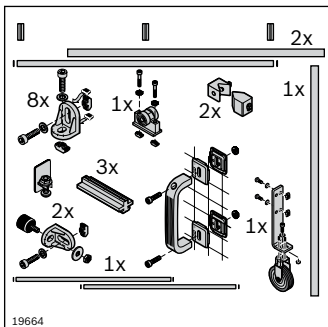
Optional accessories:
Door lock (p. 8-11/8-13)



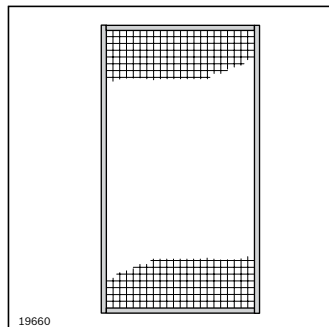
00109653

Assembly kit for sliding door without superstructure	H _R (mm)	B (mm)	No.
	1800	1500	3 842 524 165
	1800	2000	3 842 524 166

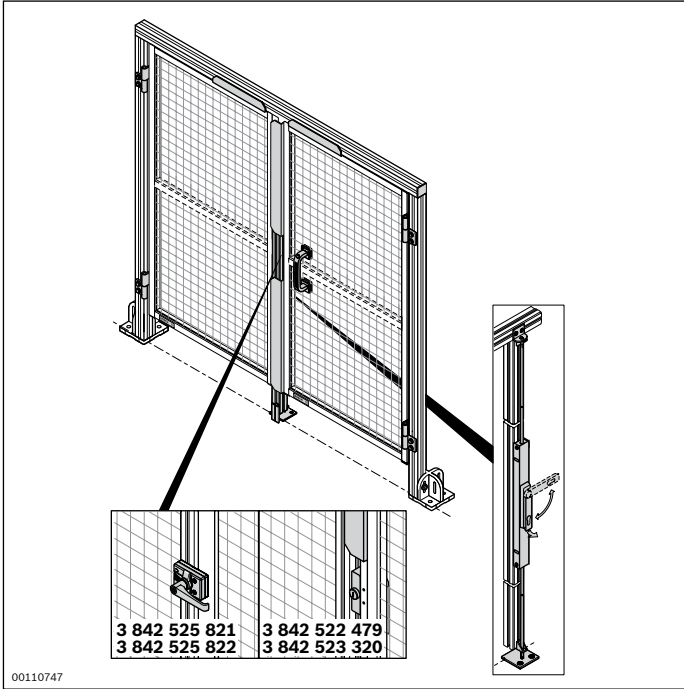
Scope of delivery: 2 x bumper, 3 x slider, trolley, profile for door superstructure, 8 x mounting bracket, 2 x stop kit, 2 x profile for sliding door, incl. fastening material



19664



19660

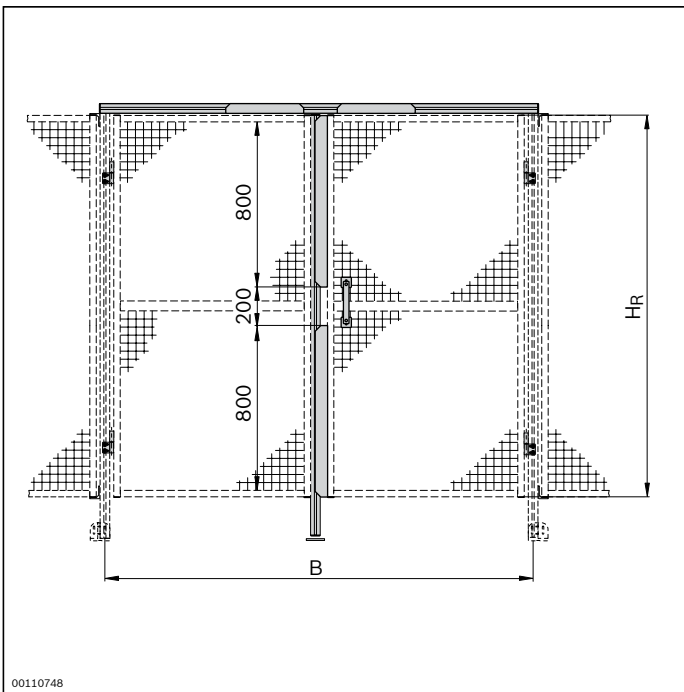


EcoSafe double door kit

- ▶ Assembly kit for constructing an EcoSafe double door in the modular dimension system
- ▶ Use of finished protective frame as a door
- ▶ Easy subsequent installation in a protective fence
- ▶ Optional installation of a standard lock cylinder in the lock mechanism for the double door
- ▶ Required components:
 - Double door assembly kit
 - Two protective frames (p. 10-7)

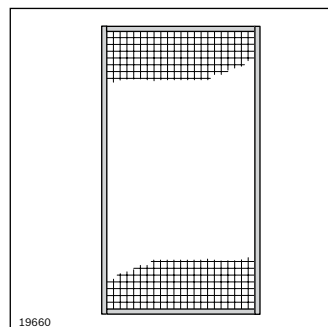
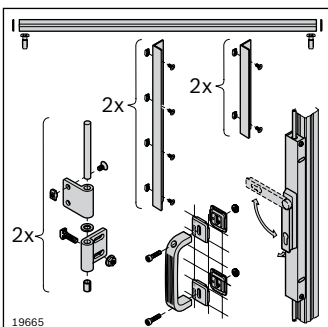
Optional accessories:

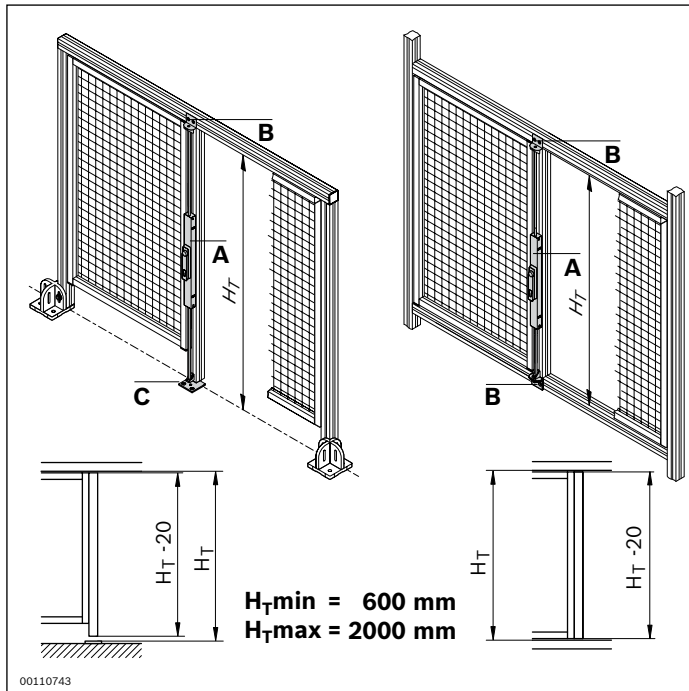
- ▶ Door lock (p. 8-11/8-12)
- ▶ Attachment kit for safety switch (p. 10-21)
- ▶ Conventional lock cylinder 35/35 is not included in the scope of delivery



Double door assembly kit	H _R (mm)	B (mm)	No.
	1800	1500	3 842 525 781
	1800	2000	3 842 525 782

Scope of delivery: Lock mechanism assembly kit, profile for door superstructure, profile for door stop, 4x hinges, lock bracket, base plate, bow-type handle, 2x horizontal brackets, 2x vertical brackets, rail, fastening material





Lock mechanism for double door



- ▶ Components for constructing a lock mechanism for double doors
- ▶ Optional installation of a standard lock cylinder in the lock mechanism for the double door
- ▶ Locking mechanism assembly kit **(A)** for individually designed double doors with H_Tmax = 2000 mm
- ▶ Lock bracket **(B)** for mounting the lock bolt bar
- ▶ Base plate **(C)** for mounting the lock bolt bar; fastened to the floor with supplied dowels. For doors which can be driven through

Optional accessories:

Conventional lock cylinder 35/35 is not included in the scope of delivery

Lock mechanism assembly kit	No.	FS
A	3 842 525 780	2xFS1, 2xFS2, 4xFS3

Material: Housing: Aluminum
Door handle: PA; black
Lock bolt: Steel; zinc-plated
Lock bolt guide bracket: Diecast zinc

Scope of delivery: Lock mechanism for double door, incl. fastening material (FS)

Lock bracket	No.	FS
B	3 842 526 786	2xFS4

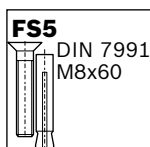
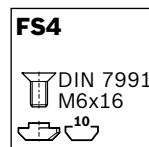
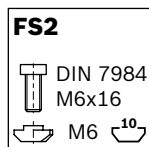
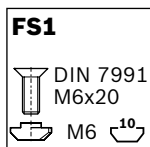
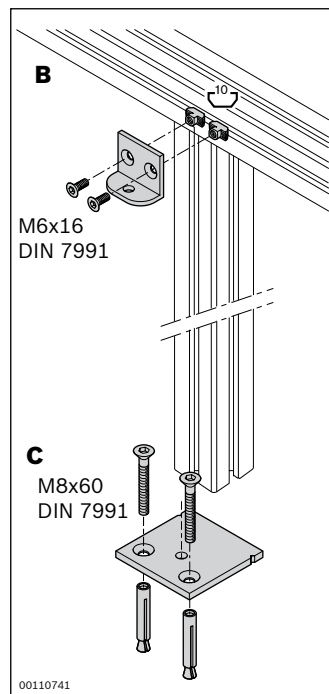
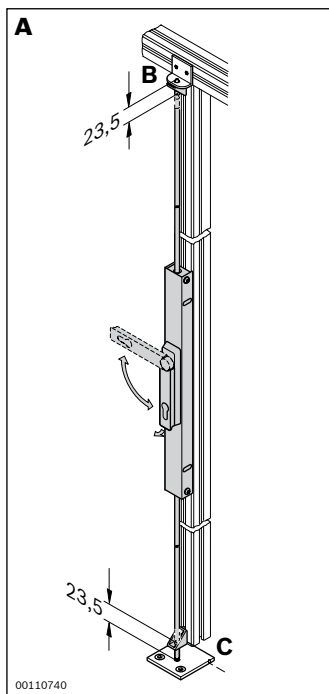
Material: Aluminum; anodized

Scope of delivery: Incl. fastening material (FS)

Base plate	No.	FS
C	3 842 526 787	2xFS5

Material: Floor plate: Steel; stainless
Floor dowel: Steel; zinc-plated

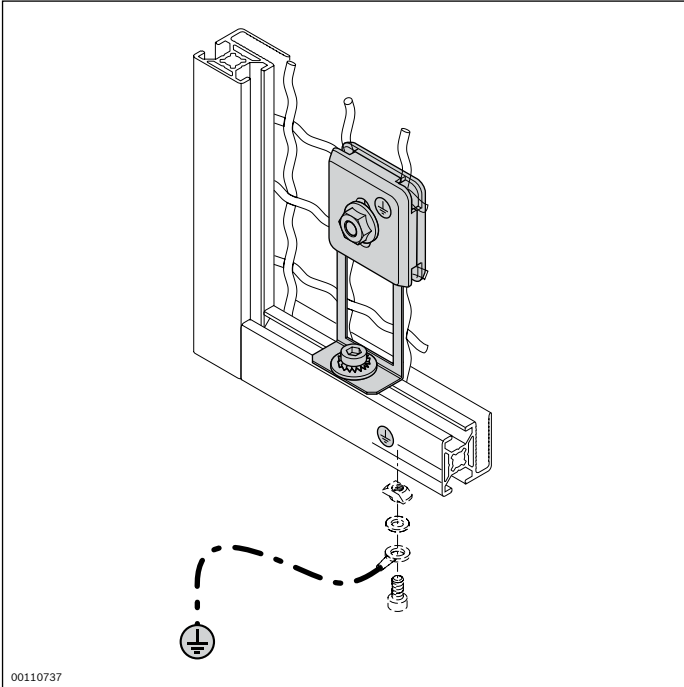
Scope of delivery: Incl. fastening material (FS)



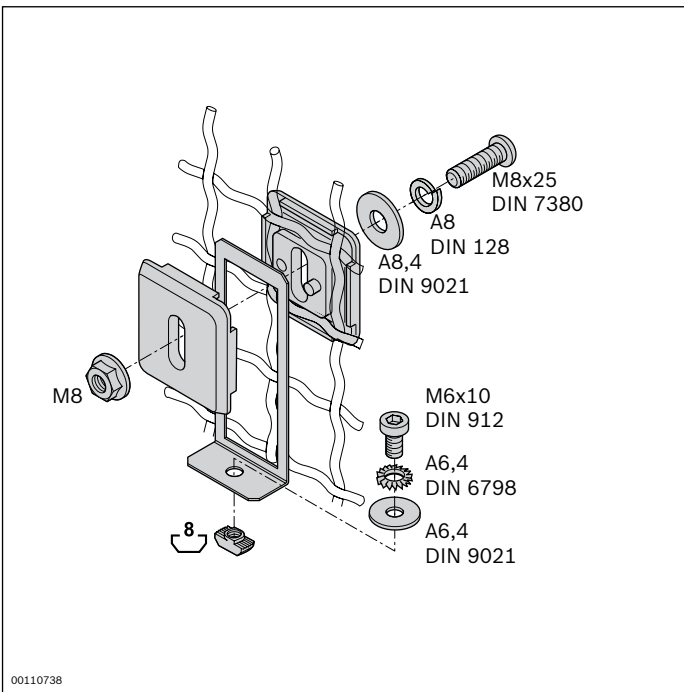
Ground terminal



- ▶ For creating an electrically conductive connection between the woven wire grille and protective frame
- ▶ Connect the protective conductor via the ESD-conductive connection elements (e.g. T-nut)
- ▶ Guarantees safe conduction of short-circuit currents up to a rated current of 63 A



00110737

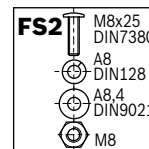
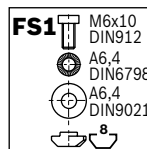


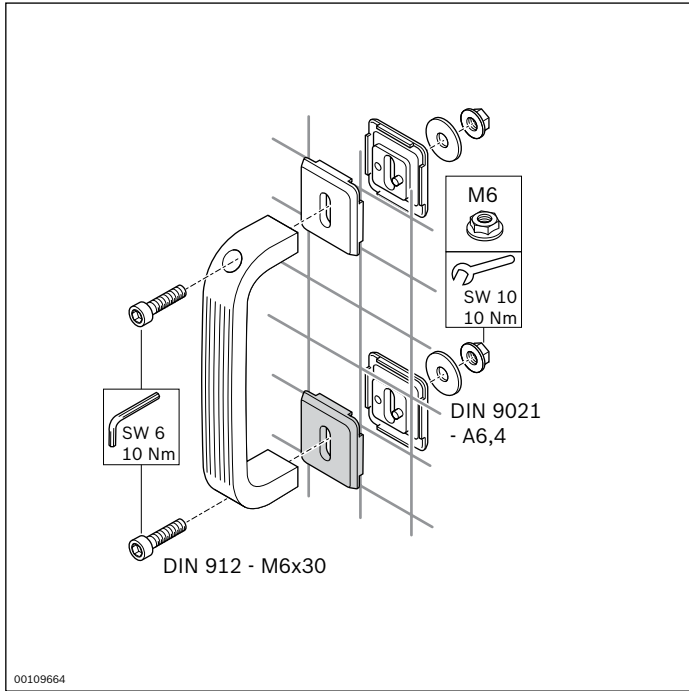
00110738

Ground terminal	No.	FS
	3 842 525 833	FS1, FS2

Material: Ground terminal: Steel; stainless
Clamping element: PA; black
Fastening material: Steel; zinc-plated

Scope of delivery: Incl. fastening material (FS)



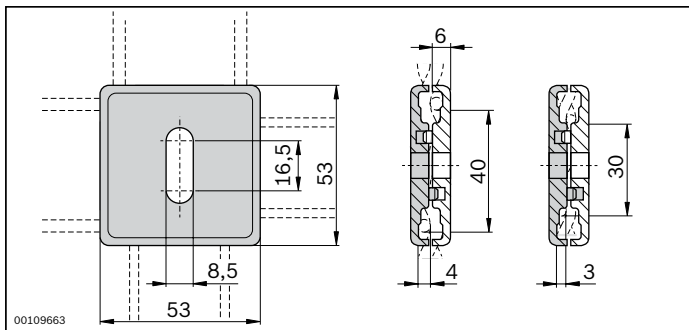


Clamping element

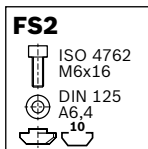
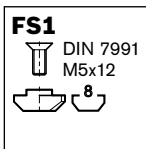
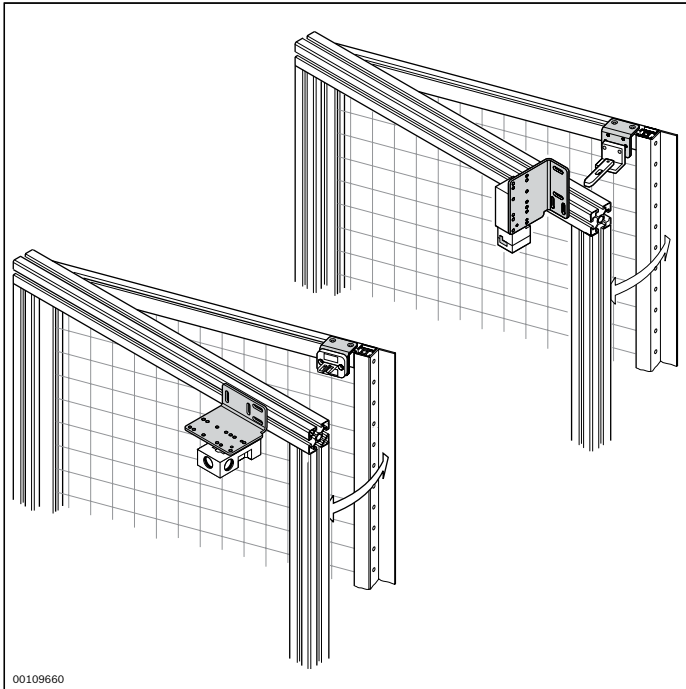
- ▶ For attaching handles, information boards or warning signs to woven wire grilles 40x40x4 and 30x30x3
- ▶ Clamping with opposing pairs of clamping elements

Required accessories:

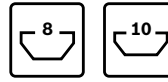
Fastening material; see drawing



Clamping element	No.
	20 3 842 523 308
Material:	PA66, black



Attachment kit for safety switch

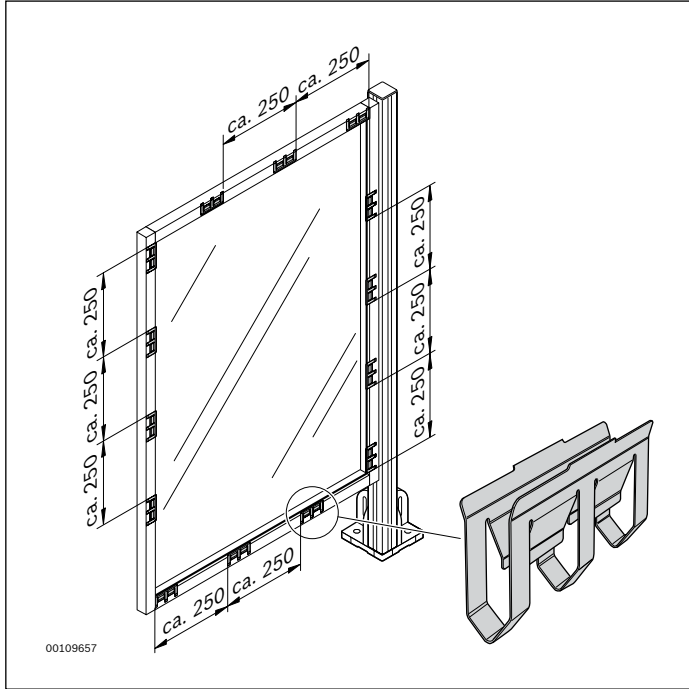


- For installing standard commercially available safety switches on EcoSafe system doors

Attachment kit for safety switch		No.	FS
For safety switch	For actuator		
Euchner NZ 1 VZ...	024298; 024299	3 842 522 475	2xFS1, 2xFS2
Euchner NZ 2 VZ...	024298; 024299		
Euchner NZ 1 VS...	024298; 024299		
Euchner NZ 2 VS...	024298; 024299		
Schmersal AZ15,...	AZ15/16-B2-1747		
Schmersal AZ16,...	AZ15/16-B2-1747		
Schneider Electric XCS - A...	XCS-Z03		
Schneider Electric XCS - C...	XCS-Z03		
Schneider Electric XCS - PA...	XCS-Z13		
Schneider Electric XCS - TE...	XCS-Z13		
Euchner TZ...	024298; 024299	3 842 522 476	2xFS1, 2xFS2
Schneider Electric XCS - LE/ LF...	XCS-Z03		
Schneider Electric XCS - TE...	XCS-Z13		
Schneider Electric XCS - PA...	XCS-Z13		
Schmersal AZM161...	AZM161-B1		
Schmersal AZM161...	AZM161-B1E		

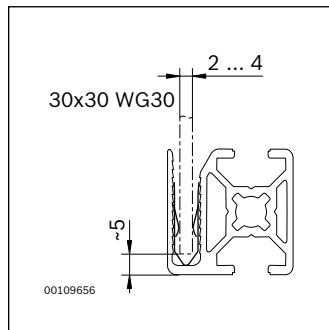
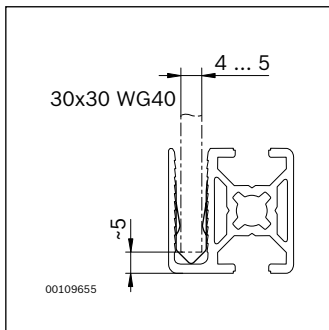
Material: Steel; zinc-plated

Scope of delivery: Incl. adapter plate, bracket, incl. fastening material (FS)



Spring clamping element

- ▶ For clamping panel elements in EcoSafe protective fence profiles 30x30 WG30 and 30x30 WG40
- ▶ Play-free clamping
- ▶ Individual sections of the protective frames can be filled as you wish

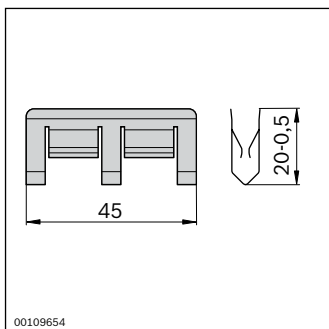
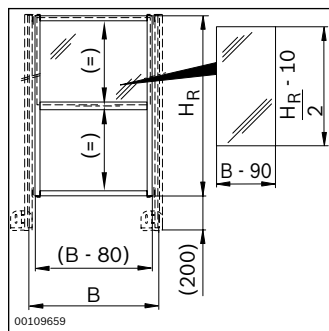
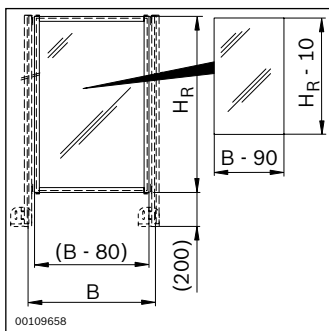


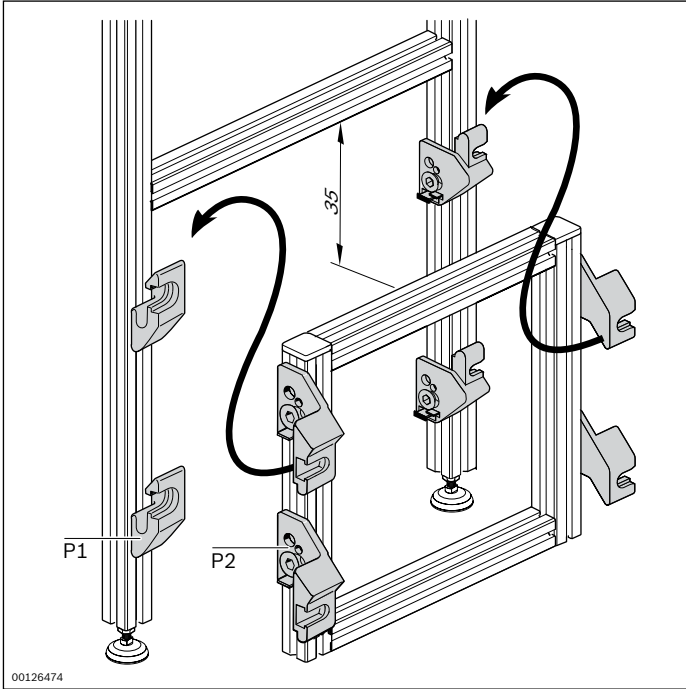
Spring clamping element

No.

100 3 842 525 014

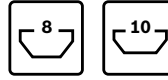
Material: Spring steel, stainless



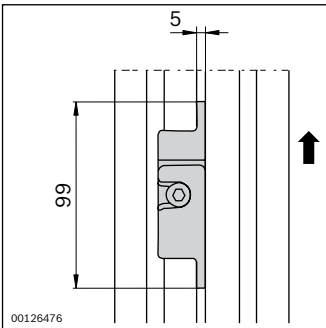


00126474

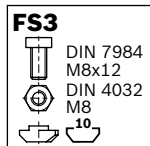
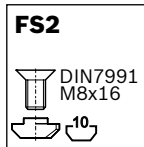
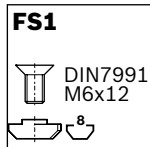
Suspension piece for frames



- ▶ Very quick fitting and removal of pre-assembled frames in prepared supporting structures
- ▶ Protection against unintentional lifting out due to both parts of the suspension piece being screwed in
- ▶ Notes on compliance with the Machinery Directive 2006/42/EC: Please note that fastening parts may work loose during disassembly

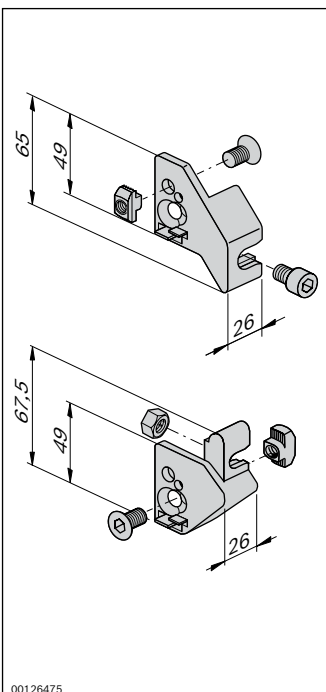


00126476



Suspension piece	P1	P2	No.	FS
Set	45	30	3 842 515 531	4x FS1, 4x FS2, 4x FS3
Set	45	45	3 842 515 863	8x FS2, 4x FS3

Material: Diecast zinc
 Scope of delivery: Four suspension pieces,
 incl. fastening material (FS)



00126475

Installation elements



Cable duct PVC (p. 11-2)



Cable duct AL (p. 11-3)



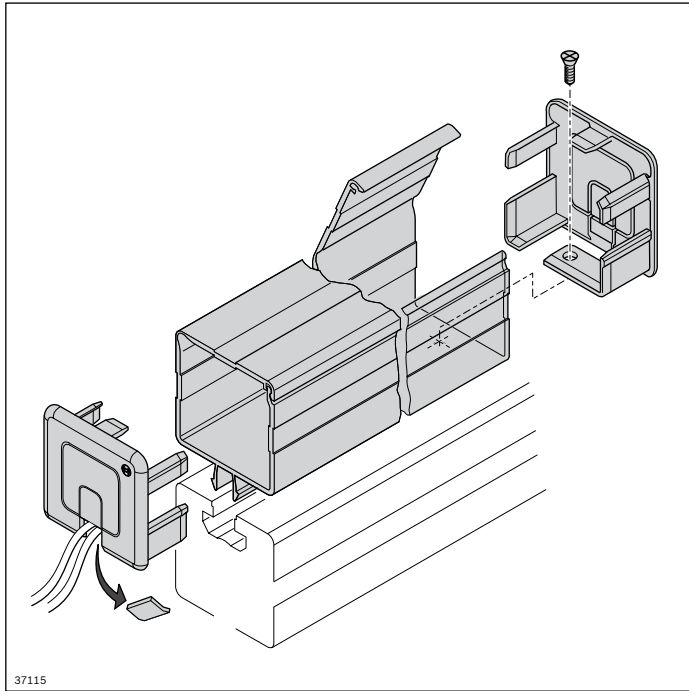
Cable bracket (p. 11-10)



Quick-lock (p. 11-11)

Electrical leads must be neatly laid. Because only if they have been installed in an orderly way can electrical faults be easily located and eliminated.

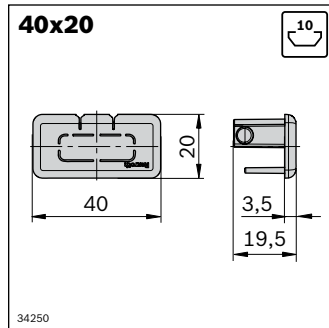
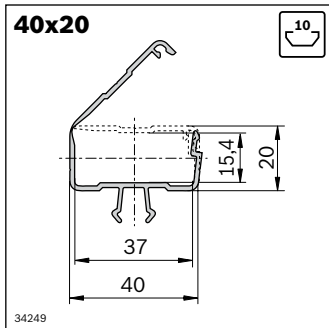
Cable ducts and cable brackets are therefore important elements in terms of maintenance-friendly electrical installation on all kinds of constructions made of Aluminum Structural Framing components.



Cable duct

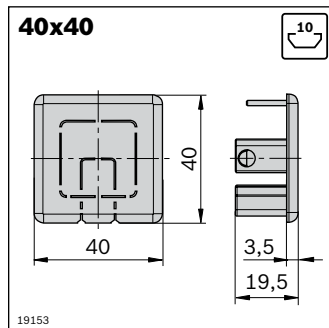
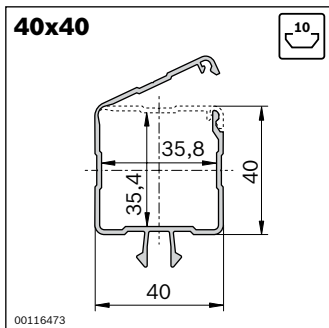


- ▶ Cable duct for routing electrical lines
- ▶ Captive cover
- ▶ Very easy to access
- ▶ Large usable volume
- ▶ Simple, fast assembly – just clips into the 10 mm slot
- ▶ Cover cap for sealing the cable duct with pre-punched holes for running cables through
- ▶ VDE certified
- ▶ An ESD-conductive connection made of plastic between the profile and the cable duct must be ensured by a suitable design solution, e.g. screw



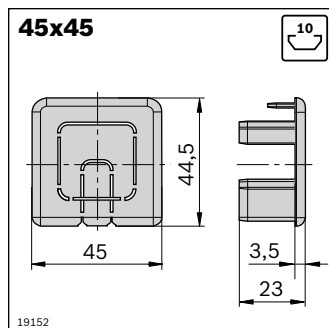
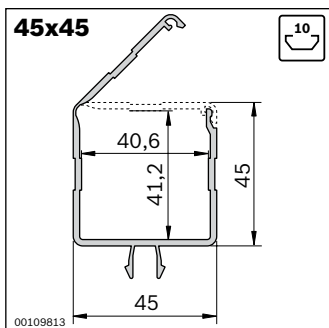
	L (mm)	Color	ESD	No.
Cable duct 40x20	2000	Black	⚡	1 3 842 555 670
Cover cap 40x20		Black	⚡	10 3 842 555 671
Cable duct 40x20	2000	Signal gray		1 3 842 557 443
Cover cap 40x20		Signal gray		10 3 842 557 444

Material: Cable duct: PVC
Cover cap: PP
Scope of delivery: Cover cap incl. fastening screws



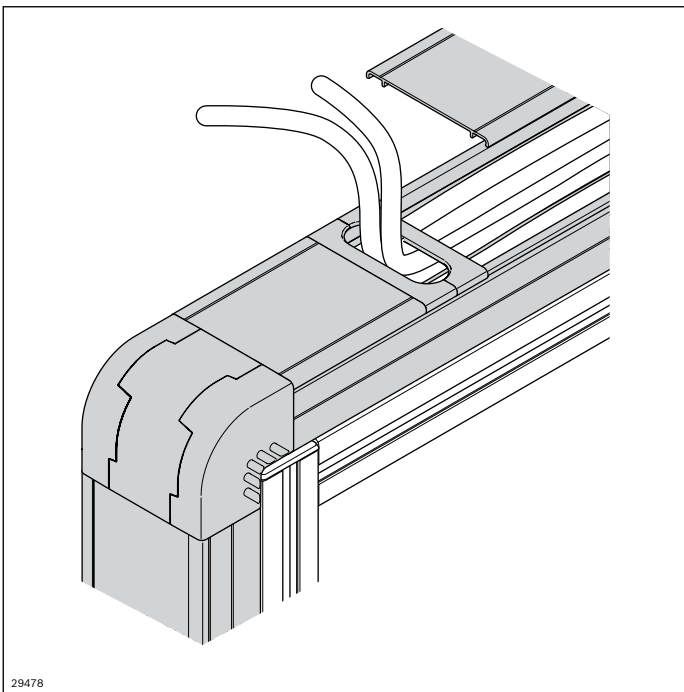
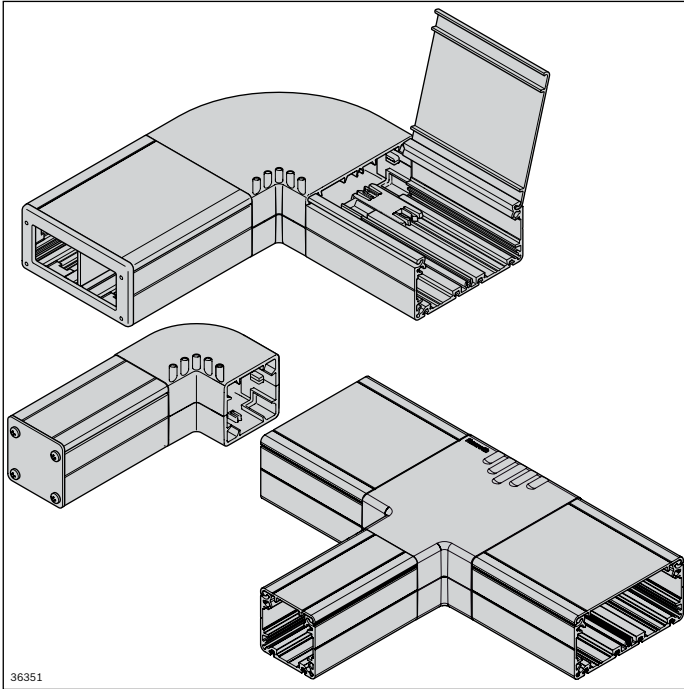
	L (mm)	Color	No.
Cable duct 40x40	2000	Black	1 3 842 532 363
Cover cap 40x40		Black	10 3 842 535 921

Material: Cable duct: PVC
Cover cap: PA
Scope of delivery: Cover cap incl. fastening screws



	L (mm)	Color	No.
Cable duct 45x45	2000	Black	1 3 842 523 014
Cover cap 45x45		Black	10 3 842 535 676

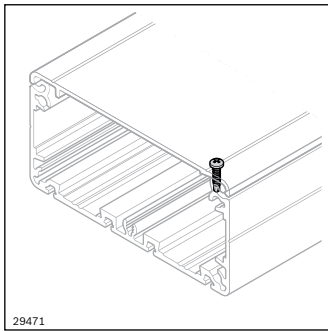
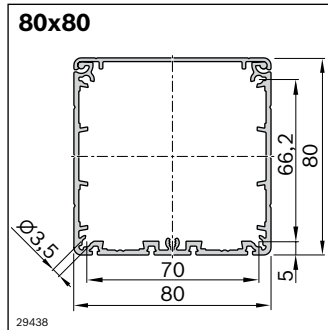
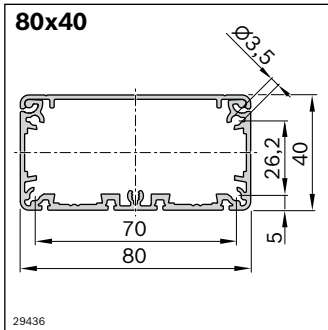
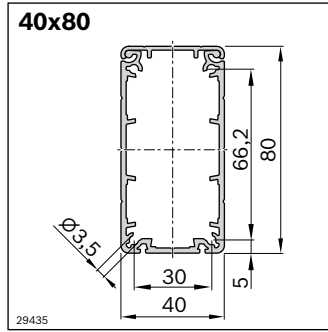
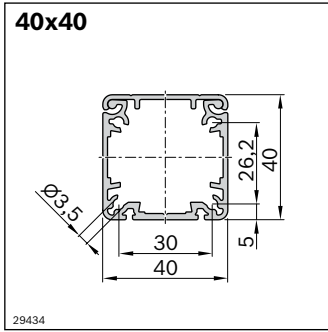
Material: Cable duct: PVC
Cover cap: PA
Scope of delivery: Cover cap incl. fastening screws



Aluminum cable duct



- ▶ Can be either clipped or screwed onto the support profile
- ▶ Sizes 40x40, 40x80, 80x40, 80x80
- ▶ Drilling aids for easy machining
- ▶ Dovetail attachment option
- ▶ Suitable for installing on profiles with modular dimensions of 40 and 45 mm
- ▶ Interior can be divided for routing different cable types (size 80x40 and 80x80)
- ▶ For connection of cable ducts via T-piece (p. 11-8)
- ▶ ESD-conductive
- ▶ High-quality, attractive external finish thanks to anodized duct surface and cover plate
- ▶ Edge protector for protecting the cables/lines from being damaged on rough edges
- ▶ PG screw fastenings possible in the side wall and cover plate (mechanical finishing)
- ▶ Fitting of sockets, switches etc. possible (mechanical finishing)
- ▶ Screw holes for secure fastening of the cover plate
- ▶ Cable duct cover can be screwed to the bearing/support structure
- ▶ VDE certified
- ▶ Compliant with DIN EN 50085-1 and 50085-2-1 standards



Aluminum cable duct

- ▶ Cable duct pre-assembled (cover and bearing/support structure)
- ▶ Usable length 3000 mm (delivered in 3100 mm lengths)
- ▶ Cover can be secured with a self-tapping screw

Optional accessories: Self-tapping screw **3 842 552 267**

Cable duct with AL cover plate		ESD	L (mm)	No.
12 pcs	40x40		3000	3 842 552 268
1 pc	40x40		3000	3 842 552 241
12 pcs	40x80		3000	3 842 552 270
1 pc	40x80		3000	3 842 552 242
12 pcs	80x40		3000	3 842 552 273
1 pc	80x40		3000	3 842 552 243
6 pcs	80x80		3000	3 842 552 275
1 pc	80x80		3000	3 842 552 244

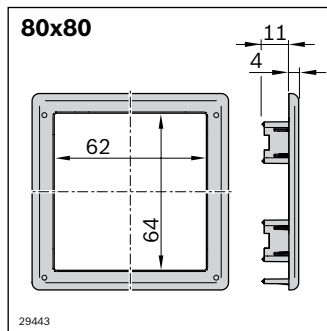
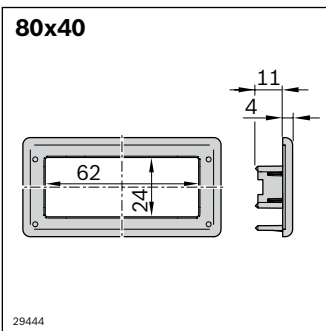
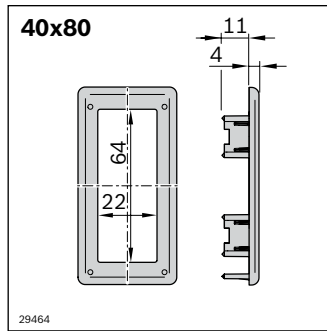
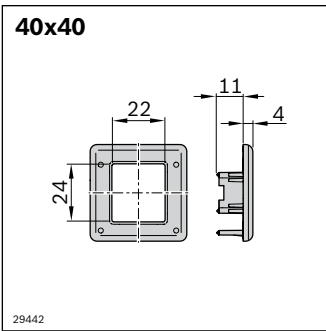
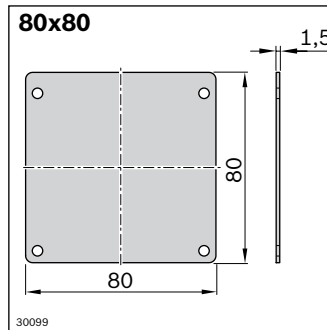
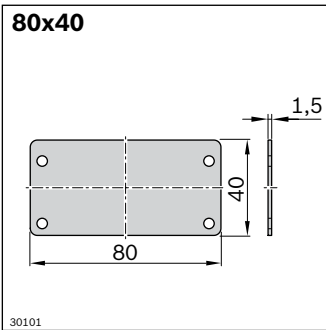
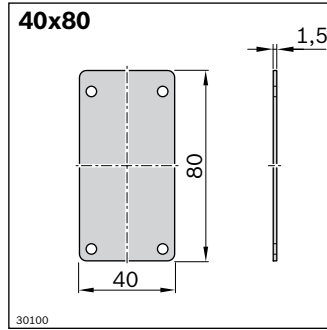
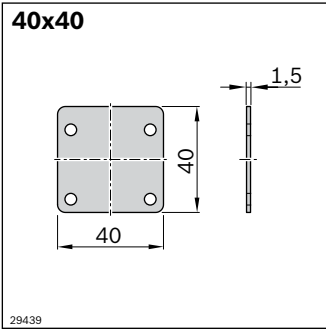
Material: Aluminum; anodized

Self-tapping screw

- ▶ For securing the cover plate on the cable duct
- ▶ Produces conductive connection between the cover plate and cable duct

Self-tapping screw	ESD	No.
Ze. Pi. 3.5x9.5		10 3 842 552 267

Material: Steel; zinc-plated



Cover plate

- ▶ Seals the end face of the cable duct
- ▶ Fastened securely with screws
- ▶ Openings for PG screw fastenings can be provided through mechanical finishing

Cover plate	ESD	No.
40x40	⚡ 10	3 842 552 249
40x80	⚡ 10	3 842 552 250
80x40	⚡ 10	3 842 552 251
80x80	⚡ 10	3 842 552 252

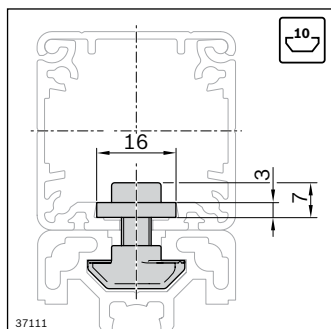
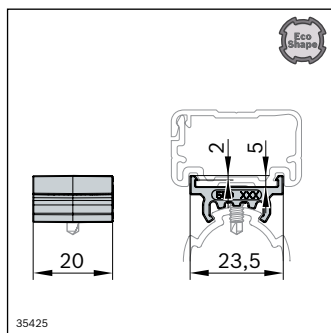
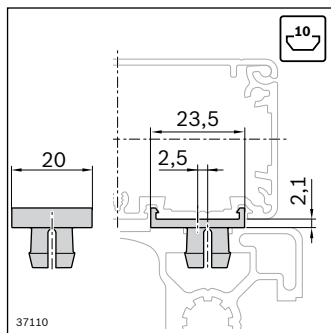
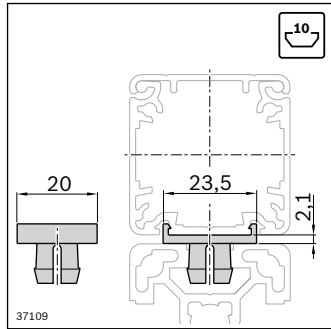
Material: Cover plate: Aluminum; anodized
 Pressed edges: Aluminum, plain
 Screw: Steel; zinc-plated
 Scope of delivery: Cover plate incl. fastening screws

Edge protector

- ▶ Used to protect the cables if there is an end face cable outlet
- ▶ Can be pushed and also screwed into position
- ▶ Can be used to protect the cable at lateral outlets

Edge protector	No.
40x40	10 3 842 552 253
40x80	10 3 842 552 254
80x40	10 3 842 552 255
80x80	10 3 842 552 256

Material: PP; signal gray RAL 7004



Mounting base

- ▶ For machining-free mounting of the cable duct on the support profile
- ▶ Insulates the cable duct from the support profile
- ▶ “Symmetrical mounting base” design for central mounting of the cable duct on profiles with just one slot on the mounting side, and on multi-slot profiles with 40 mm modular dimension

Mounting base		ESD	No.
Symmetrical	10		3 842 552 247
Material:	PA; signal gray RAL 7004		

- ▶ “Asymmetrical mounting base” design for central installation on profiles with multiple slots on the mounting side and 45 mm modular dimension

Mounting base		ESD	No.
Asymmetrical	10		3 842 552 248
Material:	PA; signal gray RAL 7004		

- ▶ D28L mounting base also compatible with aluminum cable duct (p. 11-4)
- ▶ Additional stabilization of D28L mounting bases and establishing an ESD-compliant connection between profile and base can be realized using self-tapping screw (**3 842 552 267**)

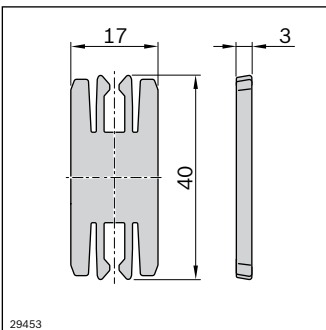
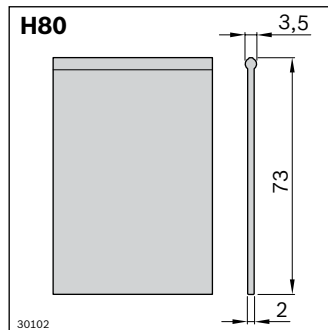
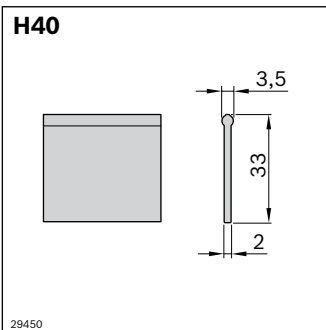
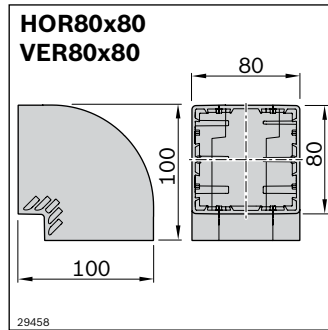
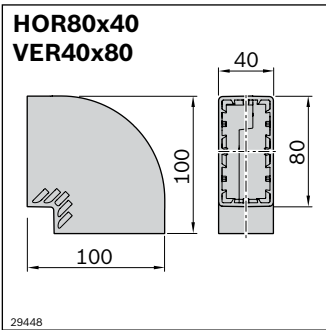
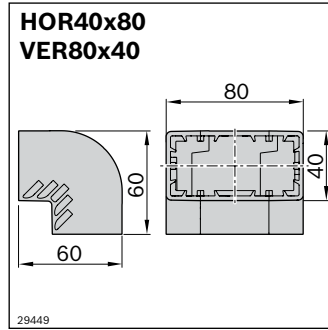
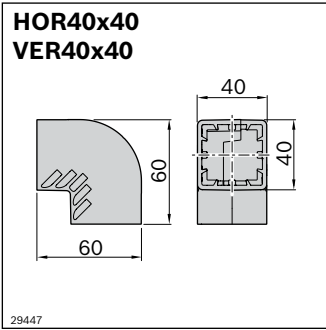
Recommended accessories: Self-tapping screw

Mounting base	Color	ESD	No.
D28L	Signal gray	10	3 842 559 338
D28L	Black	ESD	10 3 842 559 337
Material:	PA		

Mounting kit

- ▶ For screwing the cable duct to the support profile
- ▶ Secure force transmission without deformation of the mounting surface
- ▶ Cable duct has to be drilled (diameter: 6.4 mm)
- ▶ Recommendation: Insert every 500 mm

Mounting kit	ESD	No.
10	ESD	10 3 842 548 997
Material:	Steel; zinc-plated	
Scope of delivery:	Insert sheet; T-nut M6, 10 mm slot; screw M6x16	



Curve

- ▶ 90° curve in horizontal and vertical direction
- ▶ Modular design
- ▶ Cable ducts connected together with push-in connection elements
- ▶ Cable ducts can be made conductive by using supplied potential equalizer line

Curve	ESD ^{*)}	No.
HOR40x40; VER40x40	⚡	1 3 842 552 257
HOR40x80; VER80x40	⚡	1 3 842 552 258
HOR80x40; VER40x80	⚡	1 3 842 552 259
HOR80x80; VER80x80	⚡	1 3 842 552 260

Material: PP; signal gray RAL 7004

Scope of delivery: Curve, connection elements, potential equalizer line

*) ESD: Plastic has no conductivity. Using a potential equalizer, 2 cable ducts can be connected in a conductive way (s. p. 11-9).

Dividing strip

- ▶ Divides the cable duct into 2 chambers for carrying different electric cables, e.g. electricity and data cables
- ▶ Push-in installation
- ▶ Bendable, so it can also be used on curves

Dividing strip	No.
H40 L=3000 mm	10 3 842 552 245
H80 L=3000 mm	10 3 842 552 246

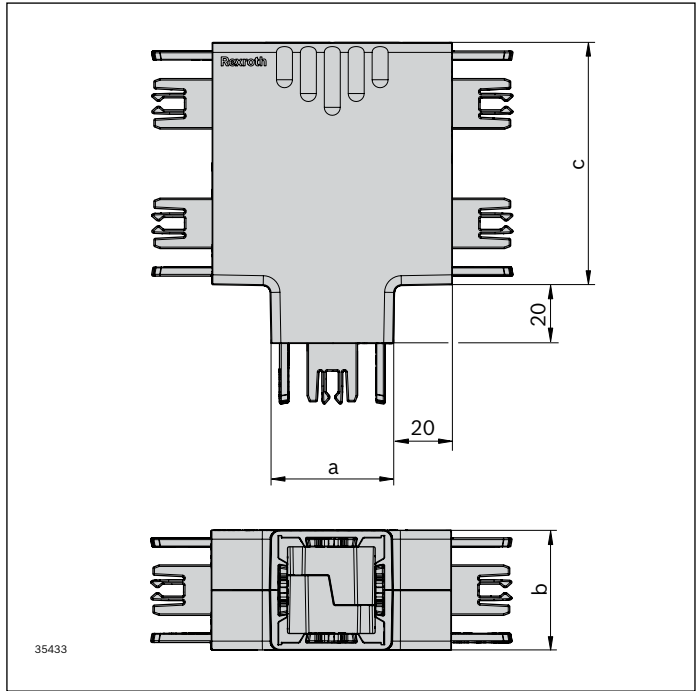
Material: PVC; signal gray RAL 7004

Connection element

- ▶ Extension of ends of cable ducts
- ▶ For connecting cable duct with curve
- ▶ ESD conductivity of both cable ducts can be established by using an overlapping cover and self-tapping screw (p. 11-4)

Connection element	No.
	10 3 842 552 240

Material: PA; signal gray RAL 7004



T-piece cable duct

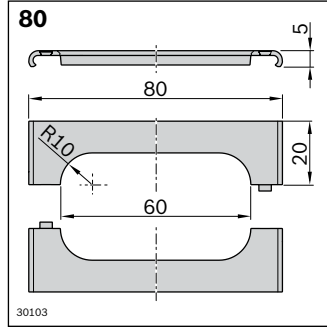
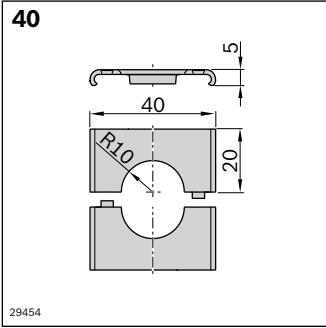
- ▶ Modular design
- ▶ Cable ducts connected together with push-in connection elements
- ▶ Cable ducts can be made conductive by using supplied potential equalizer line
- ▶ VDE certified

T-piece Cable duct	a (mm)	b (mm)	c (mm)	ESD*)	No.
40x40x40	40	40	40	⚡	3 842 558 644
40x40x80	40	40	80	⚡	3 842 558 646
40x80x40	40	80	40	⚡	3 842 558 648
40x80x80	40	80	80	⚡	3 842 558 650
80x40x40	80	40	40	⚡	3 842 558 651
80x40x80	80	40	80	⚡	3 842 558 652
80x80x40	80	80	40	⚡	3 842 558 653
80x80x80	80	80	80	⚡	3 842 558 654

Material: PP; signal gray RAL 7004

Scope of delivery: T-piece, connection elements, potential equalizer line

ESD*: Plastic has no conductivity. Using a potential equalizer, cable ducts can be connected in a conductive way

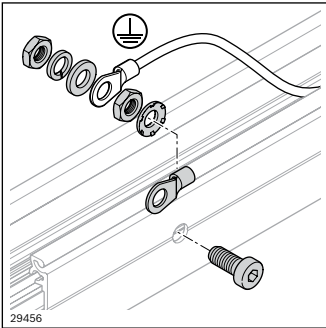


Cable hole

- ▶ For passing cables through within the cover

Cable hole		No.
40	10	3 842 553 973
80	10	3 842 553 974

Material: PP; signal gray RAL 7004



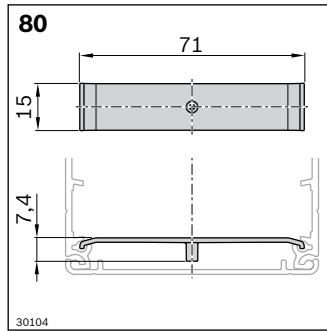
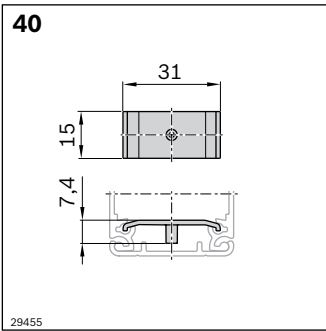
Potential equalizer

- ▶ DIN VDE 0100-410 compliant
- ▶ For connecting the cable duct to an earthed protective conductor

Potential equalizer		No.
10	10	3 842 552 263

Material: Steel; zinc-plated

Scope of delivery: Grounding wire not available

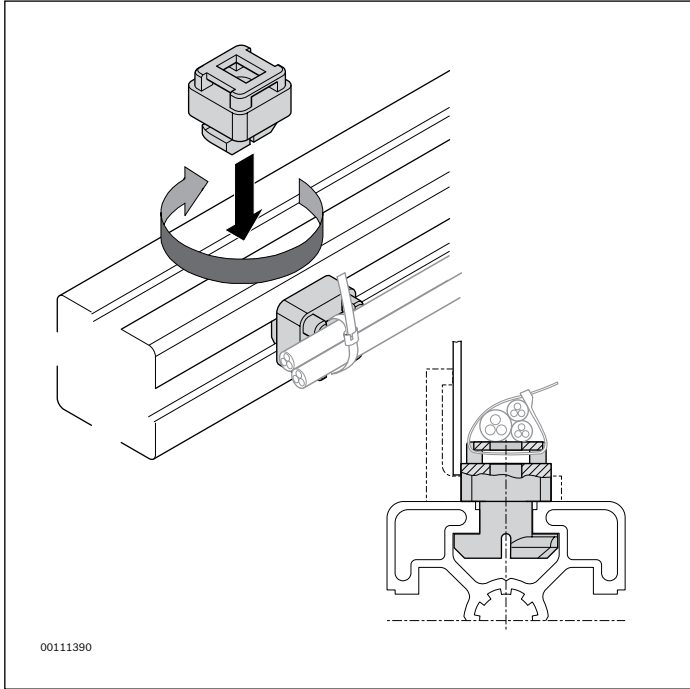


Cable holder

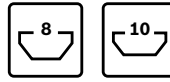
- ▶ For fixing the cable in the cable duct in the case of overhead mounting
- ▶ Recommendation: Insert every 200 mm

Cable holder		No.
40	10	3 842 552 265
80	10	3 842 552 266

Material: PA6; signal gray RAL 7004



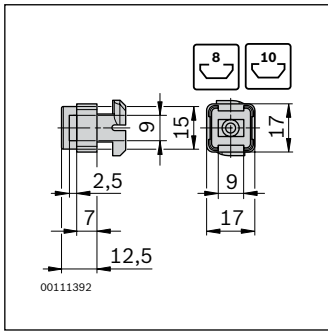
Cable bracket




- ▶ Cable bracket for fastening individual cables with cable ties
- ▶ For use behind panels or screens
- ▶ Dimensioned to match the Variofix block for slot 10 mm

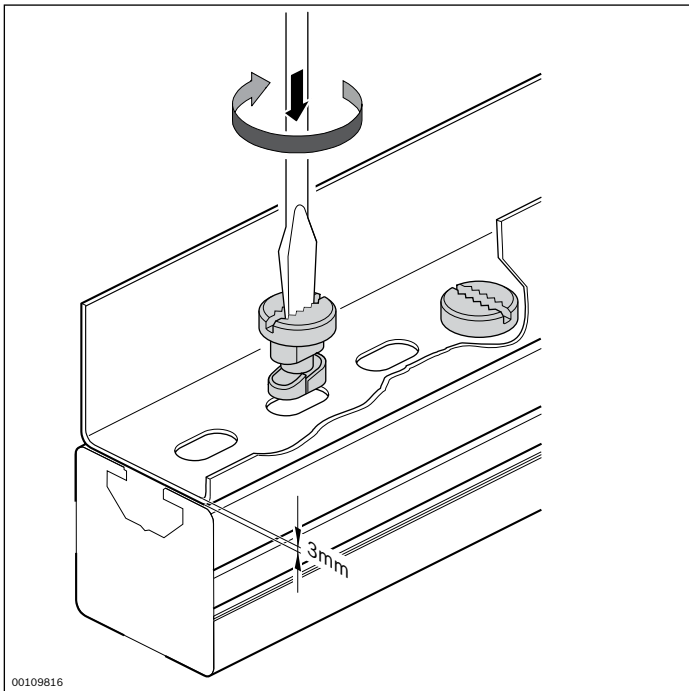
Required accessories:

Cable ties



Cable bracket	Slot		No.
	8	100	3 842 555 182
	10	100	3 842 555 180

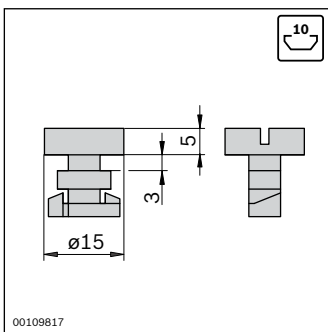
Material: PA; signal gray RAL 7004



Quick-lock



- ▶ Quick-lock for fastening standard commercially available cable ducts



Quick-lock	No.
	100 3 842 146 920
Material:	PA; black

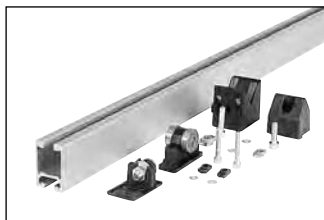
Elements for manual movement



Slide hangers, snap hooks
(p. 12-2)



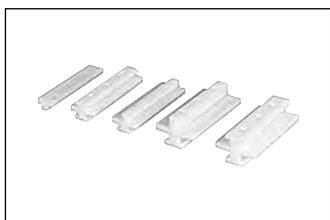
Sliders for panel element
(p. 12-3)



Components for sliding door
(p. 12-4)



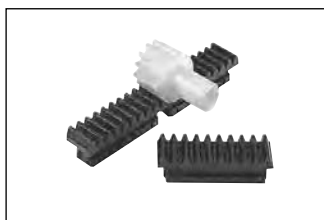
EcoSlide (p. 12-6)



Sliders for profiles (p. 12-13)



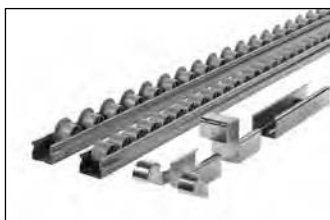
Support rollers (p. 12-17)



Rack, pinion (p. 12-18)



Conveyor track Lean
(p. 12-19)



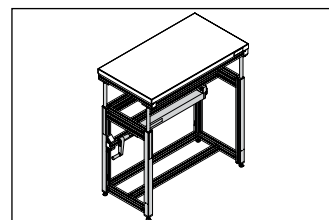
Conveyor track XLean
(p. 12-24)



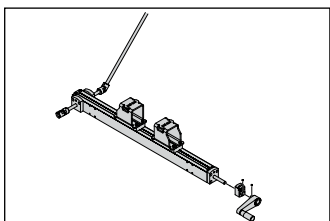
Conveyor track EcoFlow
(p. 12-27)



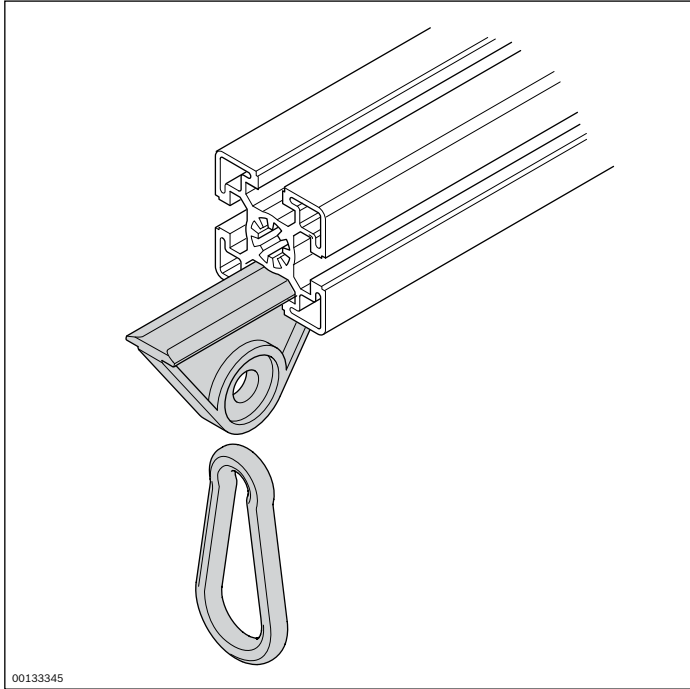
Profiles for installing conveyor media
(p. 12-33)



Components for height adjustment 45x45 and 45x60
(p. 12-43)



Adjustment unit (p. 12-45)



00133345

Slide hanger Snap hook



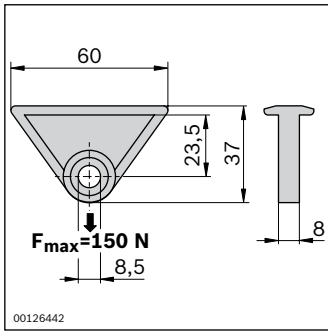
Slide hanger

- ▶ Slide hanger as an inexpensive solution for sliding tool hangers
- ▶ Maximum load: 150 N
- ▶ Guide in the 10 mm profile slot
- ▶ Sliding block can be used as a stopper

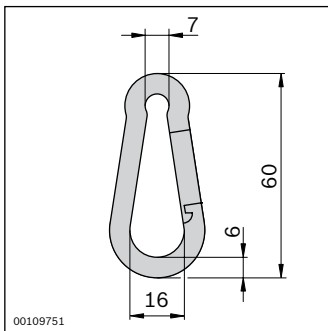
Accessories: Sliding block as a stopper (see p. 3-9)

Snap hook

- ▶ Snap hook for fastening tools to the slide hanger:
 - Quick and easy to change



00126442



00109751

Slide hanger	No.
	3 842 218 953

Material: POM; natural

Snap hook	No.
	0 842 901 309

Material: Steel; zinc-plated

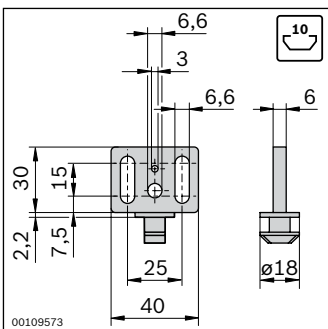
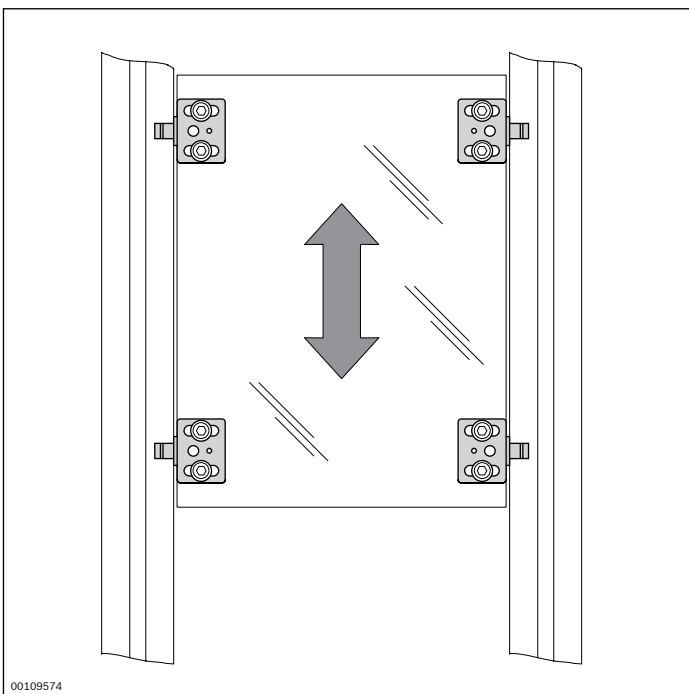
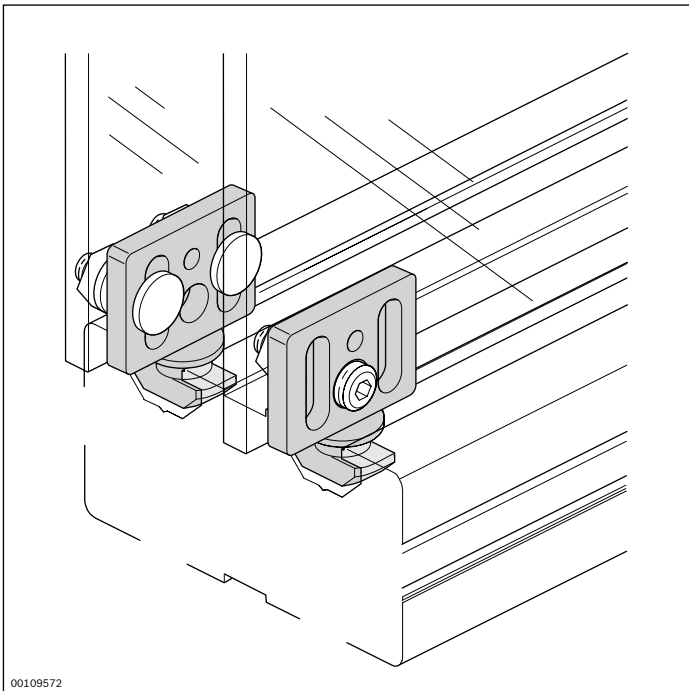
Slider for panel elements



- ▶ For the construction of sliding and lifting doors
- ▶ Good functional reliability
- ▶ For any thickness of the panel element or aluminum profile frame

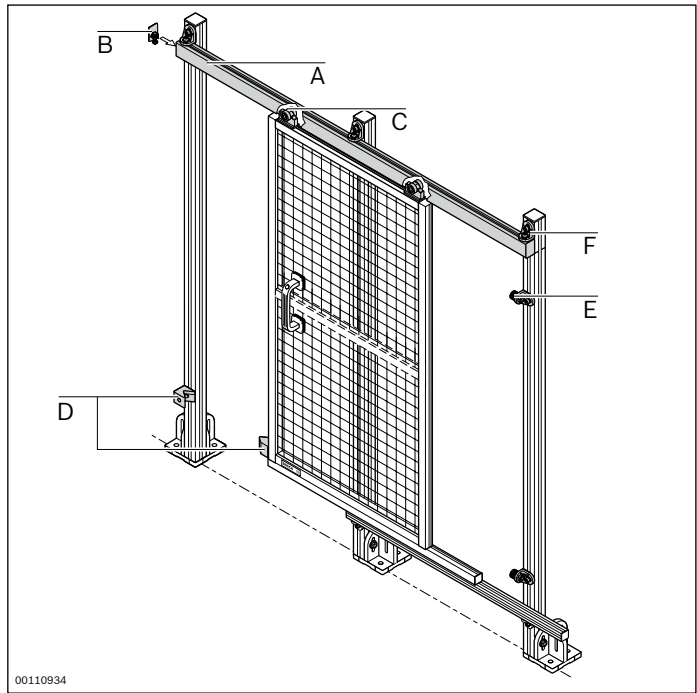
Required accessories:
Screws and nuts/sliding blocks for fastening the panel elements

Optional accessories:
Counterbalance in the case of lifting doors (p. 9-2)



Slider	No.
	10 3 842 555 226

Material: POM; signal gray RAL 7004



Components for sliding door



► Components for constructing sliding doors of different dimensions

A

A = 4,4 cm²
 $I_x = 10,3 \text{ cm}^4$
 $I_y = 5,6 \text{ cm}^4$
 $W_x = 4,2 \text{ cm}^3$
 $W_y = 3,7 \text{ cm}^3$
 m = 1,2 kg/m

30348

► Profile rail and trolley for movable mounting of parts, e.g. for use as a screwdriver hanger at work tables or for EcoSafe sliding doors (p. 10-15)

Profile rail 30x45C		L (mm)	No.
1 pc		50 ... 6070	3 842 992 946 / L
	20 pcs	6070	3 842 557 950

Material: Aluminum; anodized

B

00110936

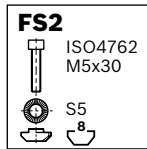
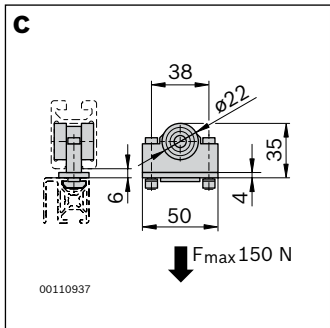
FS1

M8x20
M8

► Profile rail end piece for use for trolley as a cover cap with stop
 ► With screw protection

End piece 30x45C	Color	ESD		No.	FS
	Signal gray		20	3 842 554 710	FS1
	Black		20	3 842 554 711	FS1

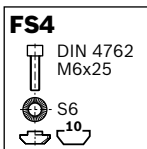
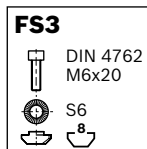
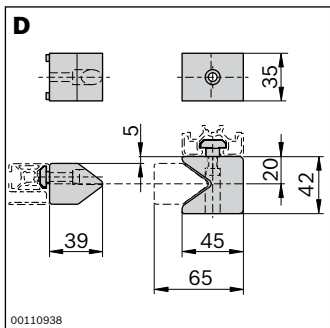
Material: End piece: PA
 Fastening material: Steel; zinc-plated
 Scope of delivery: Incl. fastening material (FS)



- ▶ Trolley with dust-proof ball bearings for smooth sliding motion
- ▶ For fastening profiles with a 8 mm slot

Trolley	No.	FS
	3 842 524 153	2xFS2

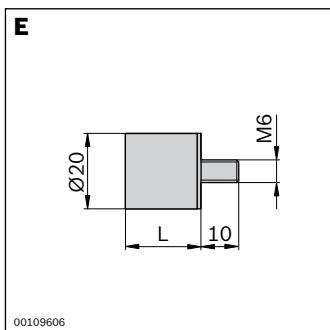
Material: PA; black / steel, zinc-plated
 Fastening material: Steel; zinc-plated
 Scope of delivery: Incl. fastening material (FS)



- ▶ Stop kit for damped closing of the sliding door

Stop kit	No.	FS
	3 842 524 490	FS3, FS4

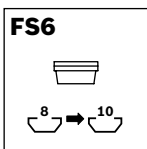
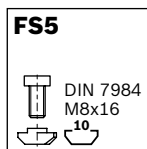
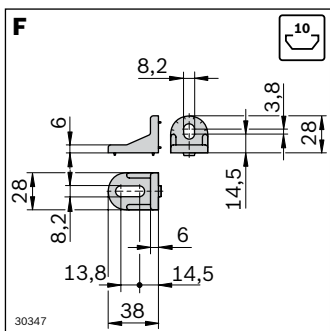
Material: PA; black
 Fastening material: Steel; zinc-plated
 Scope of delivery: Incl. fastening material (FS)



- ▶ Bumper for a damped stop

Bumper	No.
	10 3 842 510 462

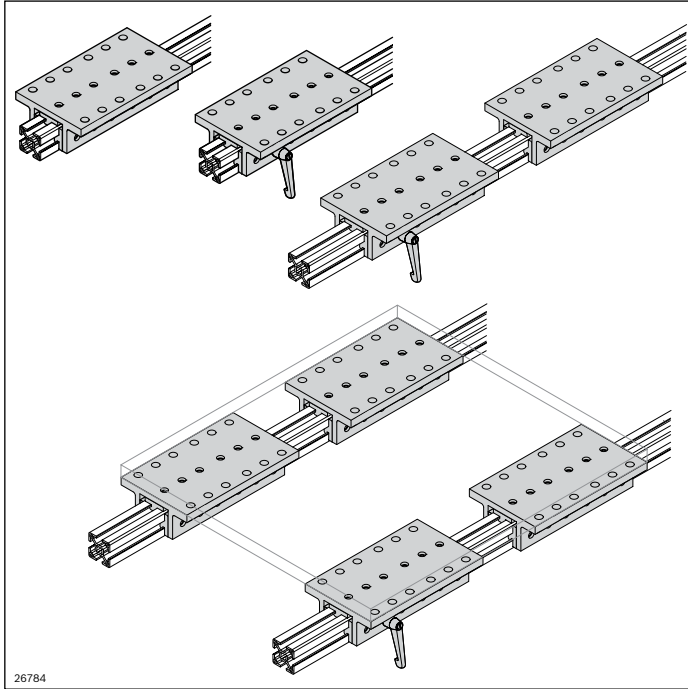
Material: Rubber; hardness 55° shore A
 Accessories: Bracket set R28x38 for fastening to strut profiles with 10 mm slot



- ▶ Bracket for fastening the profile rail to strut profiles with 10 mm slot

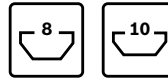
Bracket	Slot	ESD	No.	FS
R28x38 Set (standard)	10 / 10	⚠	3 842 521 580	2xFS5, 4xFS6

Material: Diecast zinc
 Fastening material: Steel; zinc-plated
 Scope of delivery: Incl. fastening material (FS)

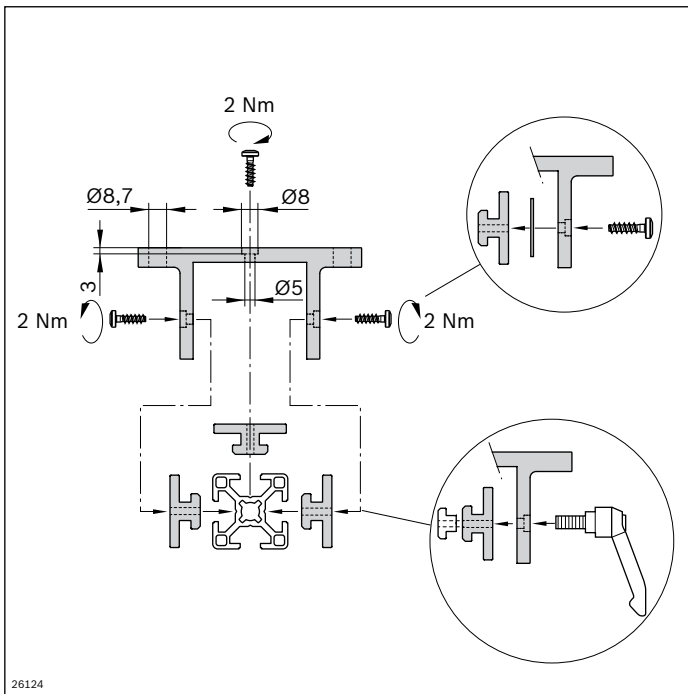


26784

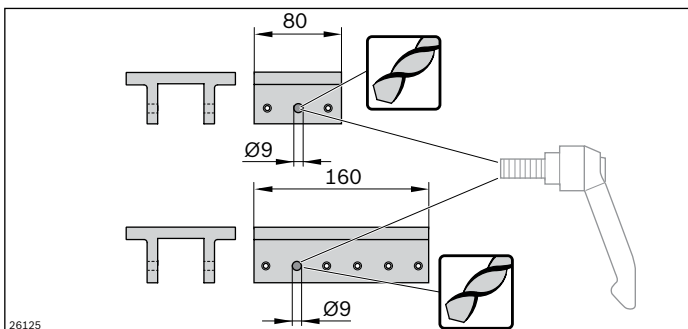
EcoSlide



- ▶ Economical linear sliding carriage for horizontal applications
- ▶ Runs on sliders for maximal load capacity
- ▶ Slider with low moisture absorption, suitable for rough application conditions
- ▶ Available for profile widths of 30/45/60/90
- ▶ Clamping lever (optional) for arresting in any position
- ▶ Easy to assemble
- ▶ Spacer washer for tolerance adjustment (carriage/profile)



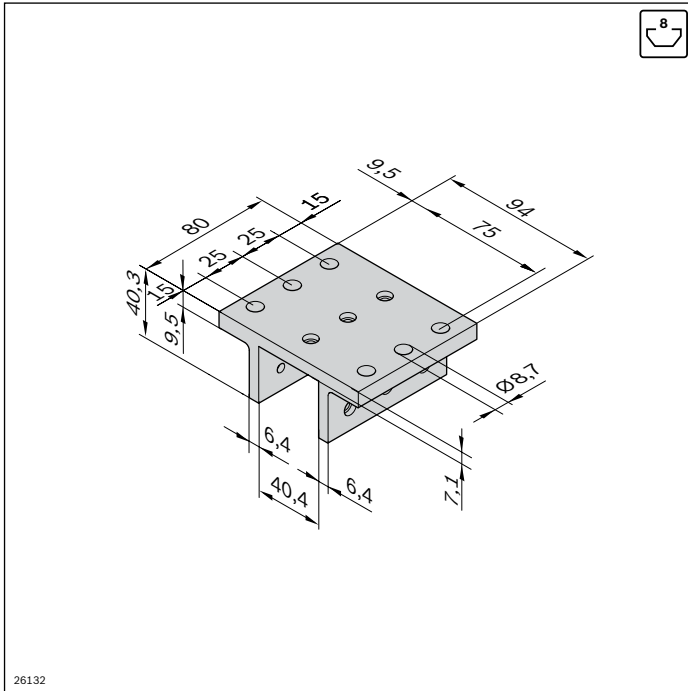
26124



26125

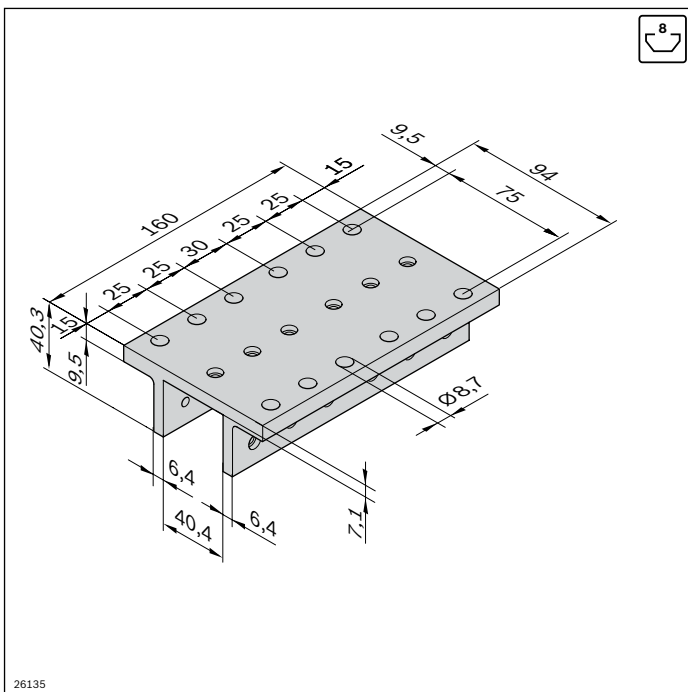
Machining tip

To install the clamping lever, the corresponding 9 mm hole must be drilled in the trolley.



26132

750 N	325 N	10 Nm	150 Nm



26135

1500 N	750 N	20 Nm	200 Nm

EcoSlide 30x30x80

- ▶ For use with profile width 30 mm
- ▶ Maximum sliding speed: 12 m/min

Trolley 30x30x80	No.
	1 8 981 535 476

Material: Aluminum; anodized

Accessories

No.		Pcs	Pcs	Page
10	3 842 523 212	3	2	12-13
1	3 842 552 423	–	1	12-11
4	8 981 535 891	X ¹⁾	X ¹⁾	12-11
10	3 842 510 156	9	8	–
1	3 842 516 846	–	1	4-14
100	3 842 514 931	–	1	3-9

¹⁾ If required

EcoSlide 30x30x160

- ▶ For use with profile width 30 mm
- ▶ Maximum sliding speed: 12 m/min

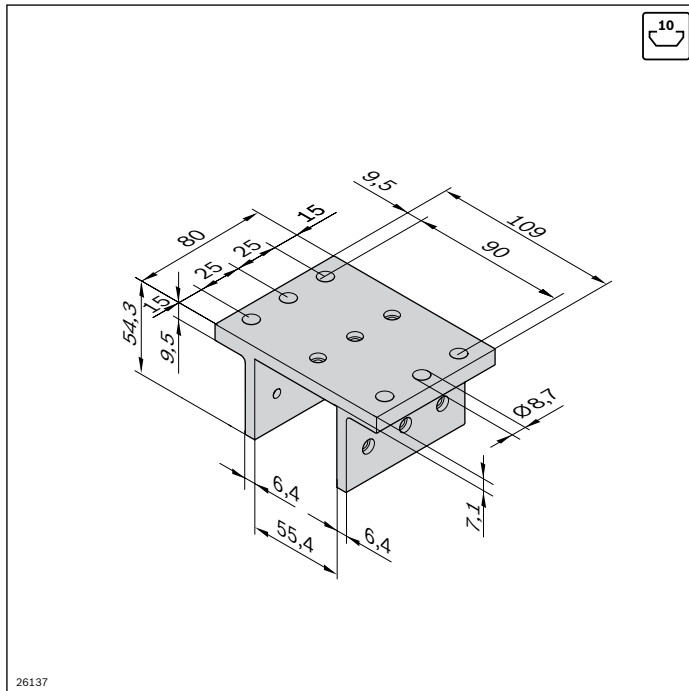
Trolley 30x30x160	No.
	1 8 981 535 477

Material: Aluminum; anodized

Accessories

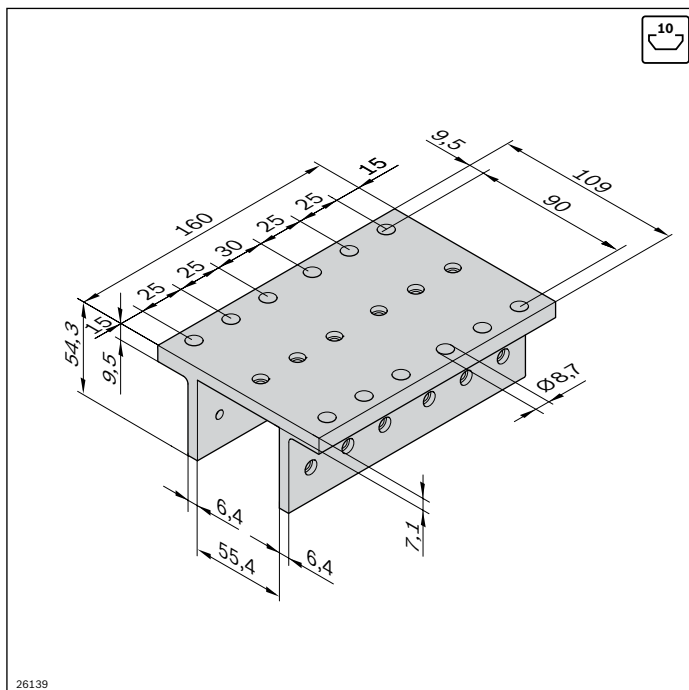
No.		Pcs	Pcs	Page
10	3 842 523 212	6	5	12-13
1	3 842 552 423	–	1	12-11
4	8 981 535 891	X ¹⁾	X ¹⁾	12-11
10	3 842 510 156	18	17	–
1	3 842 516 846	–	1	4-14
100	3 842 514 931	–	1	3-9

¹⁾ If required



26137

1250 N	625 N	40 Nm	150 Nm



26139

2500 N	1250 N	80 Nm	200 Nm

EcoSlide 45x45x80

- ▶ For use with profile width 45 mm
- ▶ Maximum sliding speed: 12 m/min

Trolley 45x45x80	No.
	1 8 981 535 323

Material: Aluminum; anodized

Accessories

No.		Pcs		Page
10	3 842 530 329	3	2	12-13
1	3 842 552 424	—	1	12-11
4	8 981 535 890	X ¹⁾	X ¹⁾	12-12
10	3 842 510 156	9	8	—
1	3 842 516 846	—	1	4-14
100	3 842 528 735	—	1	3-9

¹⁾ If required

EcoSlide 45x45x160

- ▶ For use with profile width 45 mm
- ▶ Maximum sliding speed: 12 m/min

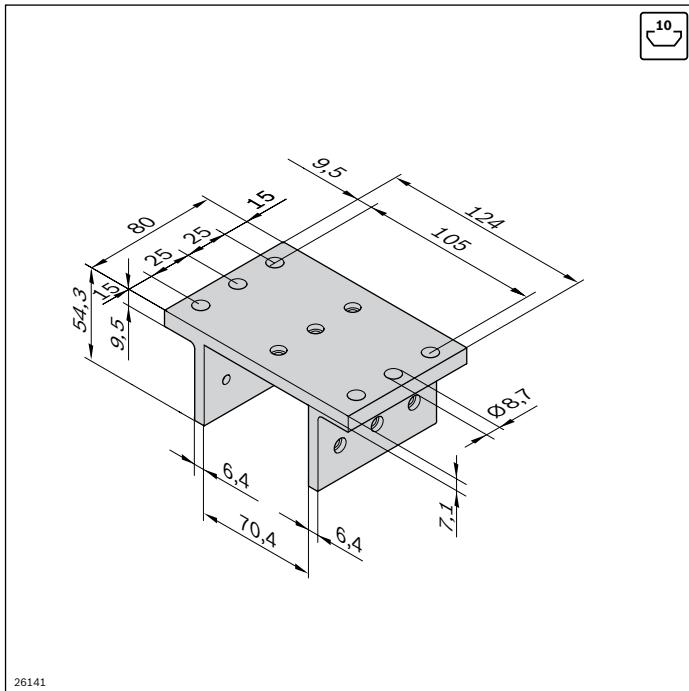
Trolley 45x45x160	No.
	1 8 981 535 324

Material: Aluminum; anodized

Accessories

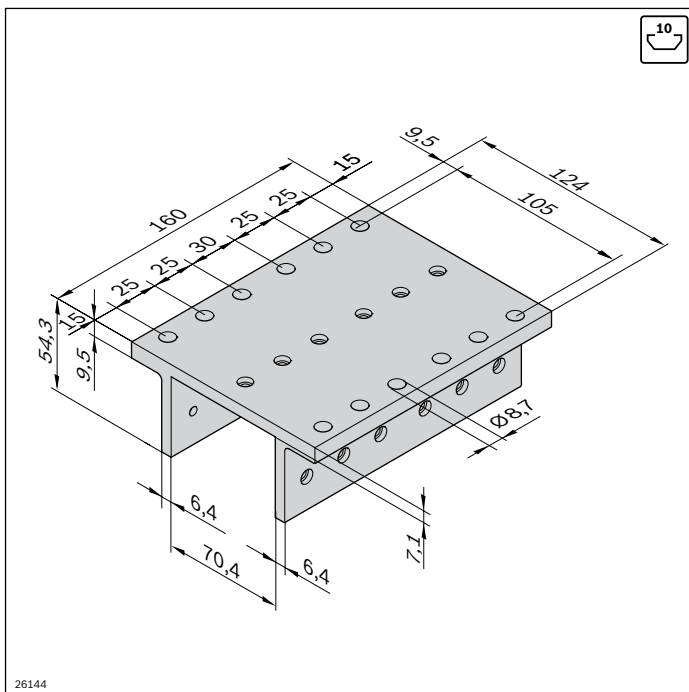
No.		Pcs		Page
10	3 842 530 329	6	5	12-13
1	3 842 552 424	—	1	12-11
4	8 981 535 890	X ¹⁾	X ¹⁾	12-12
10	3 842 510 156	18	17	—
1	3 842 516 846	—	1	4-14
100	3 842 528 735	—	1	3-9

¹⁾ If required



26141

1250 N	625 N	40 Nm	150 Nm



26144

2500 N	1250 N	80 Nm	200 Nm

EcoSlide 45x60x80

- ▶ For use with profile width 60 mm
- ▶ Maximum sliding speed: 12 m/min

Trolley 45x60x80	No.
	1 8 981 535 478

Material: Aluminum; anodized

Accessories

No.		Pcs	Pcs	Page
10	3 842 530 329	3	2	12-13
1	3 842 552 424	—	1	12-11
4	8 981 535 890	X ¹⁾	X ¹⁾	12-12
10	3 842 510 156	9	8	—
1	3 842 516 846	—	1	4-14
100	3 842 528 735	—	1	3-9

¹⁾ If required

EcoSlide 45x60x160

- ▶ For use with profile width 60 mm
- ▶ Maximum sliding speed: 12 m/min

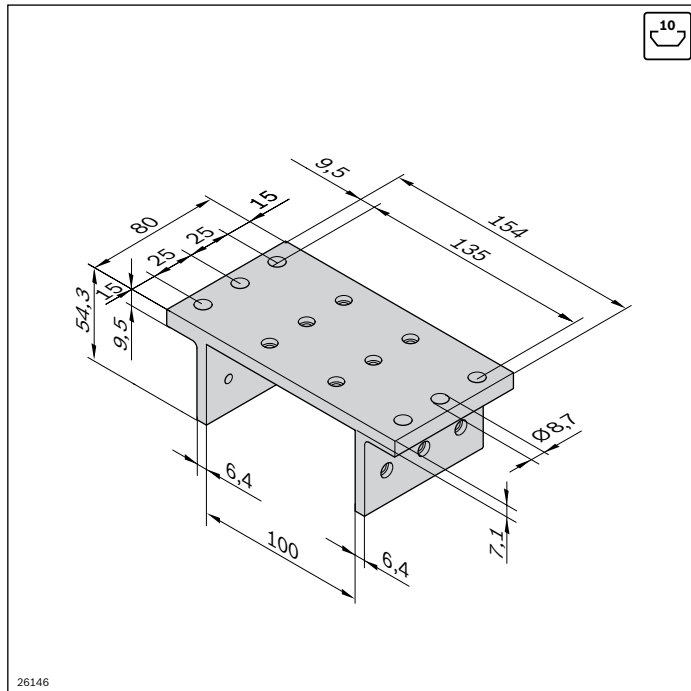
Trolley 45x60x160	No.
	1 8 981 535 479

Material: Aluminum; anodized

Accessories

No.		Pcs	Pcs	Page
10	3 842 530 329	6	5	12-13
1	3 842 552 424	—	1	12-11
4	8 981 535 890	X ¹⁾	X ¹⁾	12-12
10	3 842 510 156	18	17	—
1	3 842 516 846	—	1	4-14
100	3 842 528 735	—	1	3-9

¹⁾ If required



EcoSlide 45x90x80

- ▶ For use with profile width 90 mm
- ▶ Maximum sliding speed: 12 m/min

Trolley 45x90x80	No.
	1 8 981 535 325

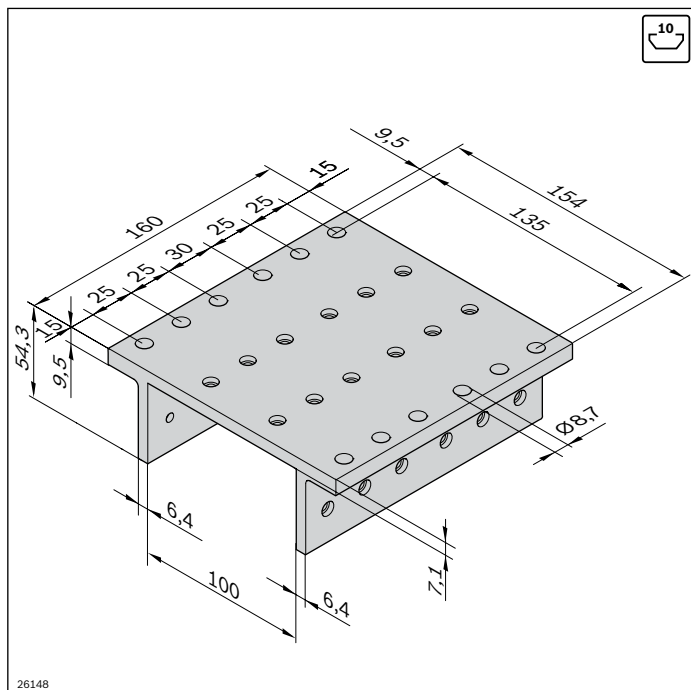
Material: Aluminum; anodized

Accessories

	No.		Pcs	Pcs	Page
Slider, slot 10 mm flat	10	3 842 530 329	4	3	12-13
Slider, slot 10 mm flat lockable	1	3 842 552 424	—	1	12-11
Spacer washer Slot 10 mm	4	8 981 535 890	X ¹⁾	X ¹⁾	12-12
M4x12 ISO 7380 BHC Screw	10	3 842 510 156	12	11	—
Clamping lever, 20 mm	1	3 842 516 846	—	1	4-14
Sliding block Slot 10 mm, M8	100	3 842 528 735	—	1	3-9

¹⁾ If required

2500 N	1250 N	50 Nm	150 Nm



EcoSlide 45x90x160

- ▶ For use with profile width 90 mm
- ▶ Maximum sliding speed: 12 m/min

Trolley 45x90x160	No.
	1 8 981 535 326

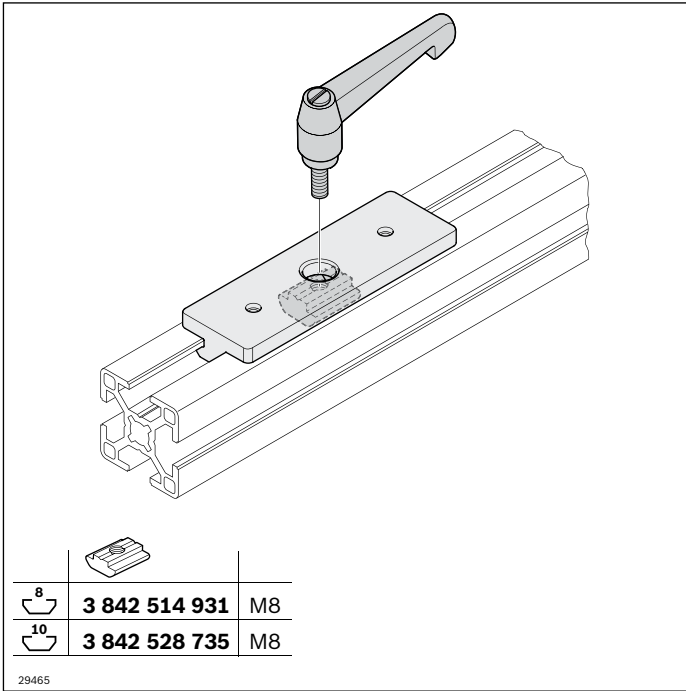
Material: Aluminum; anodized

Accessories

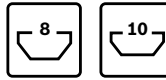
	No.		Pcs	Pcs	Page
Slider, slot 10 mm flat	10	3 842 530 329	8	7	12-13
Slider, slot 10 mm flat lockable	1	3 842 552 424	—	1	12-11
Spacer washer Slot 10 mm	4	8 981 535 890	X ¹⁾	X ¹⁾	12-12
M4x12 ISO 7380 BHC Screw	10	3 842 510 156	24	23	—
Clamping lever, 20 mm	1	3 842 516 846	—	1	4-14
Sliding block Slot 10 mm, M8	100	3 842 528 735	—	1	3-9

¹⁾ If required

5000 N	2500 N	100 Nm	200 Nm



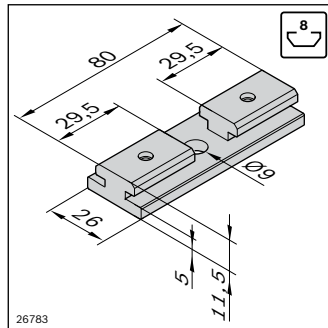
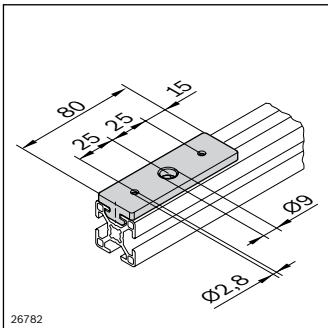
Slider, flat lockable



- ▶ Suitable for clamping using a sliding block and a clamping lever
- ▶ For constructing low-wear guides

Accessories:

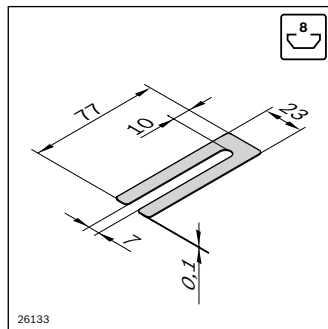
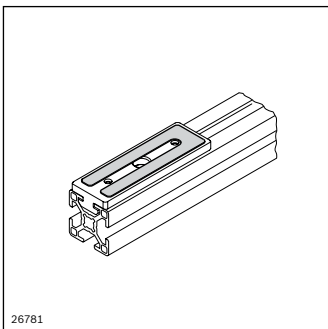
- ▶ Sliding blocks (p. 3-9)
- ▶ Clamping lever (p. 4-14)



Slider, flat lockable	Slot	No.
	8	1 3 842 552 423

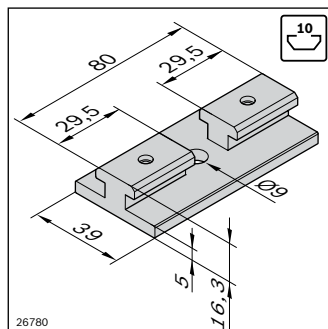
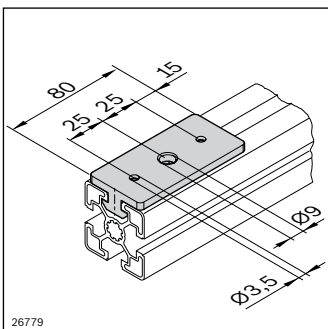
Material: POM; natural

Accessories: Sliding block, T-nut, slot 8 (M8), 3 842 514 931, p. 3-9



Spacer washer	Slot	No.
77x23	8	4 8 981 535 891

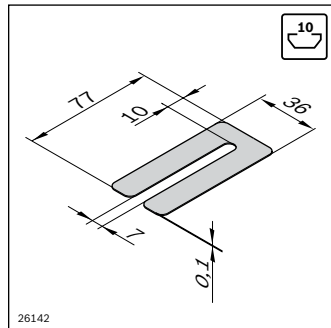
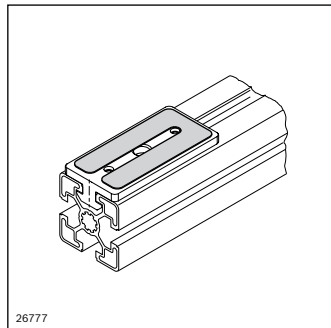
Material: Steel; plain



Slider, flat lockable	Slot	No.
	10	1 3 842 552 424

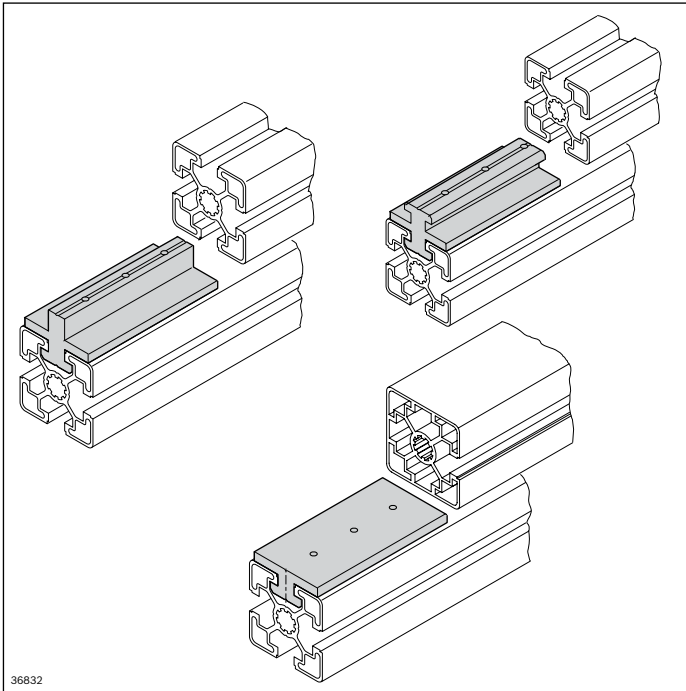
Material: POM; natural

Accessories: Sliding block, T-nut, slot 10 (M8), 3 842 528 735, p. 3-9



Spacer washer	Slot	No.
77x36	10 4	8 981 535 890

Material: Steel; plain



36832

Slider for profiles

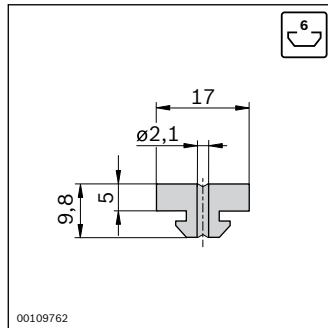
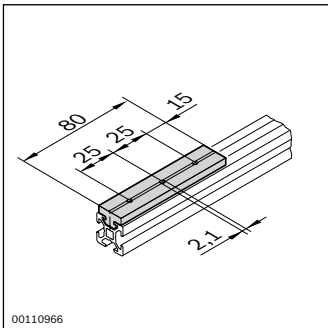


Slider


- For the construction of low-wear guides, e.g. for manual sliding and sliding and lifting doors, as well as drawer slides

Optional accessories:

Self-tapping screws for fastening the slider in a profile slot

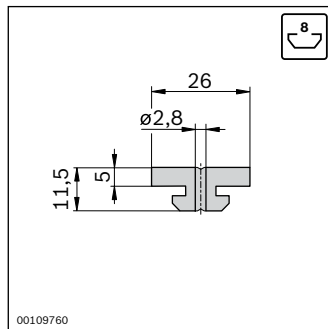
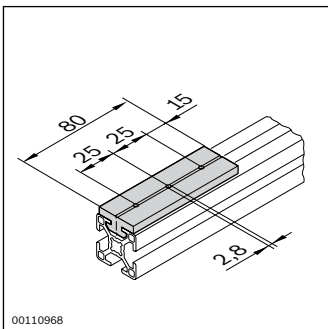


Slider, flat

 **No.**

10 **3 842 523 213**

Material: POM; natural

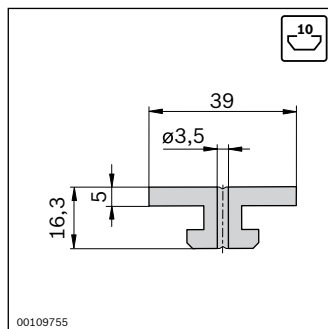
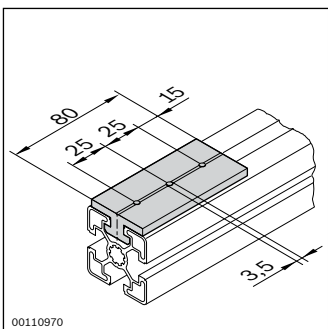


Slider, flat

 **No.**

10 **3 842 523 212**

Material: POM; natural

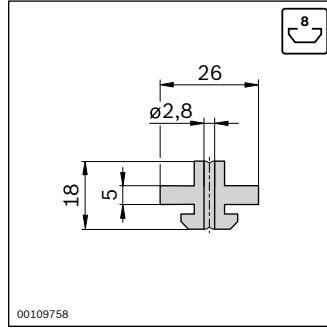
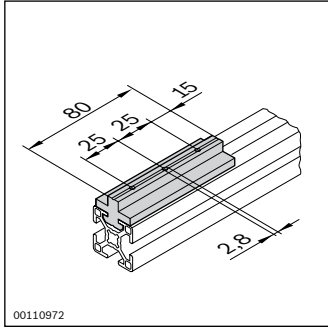


Slider, flat

 **No.**

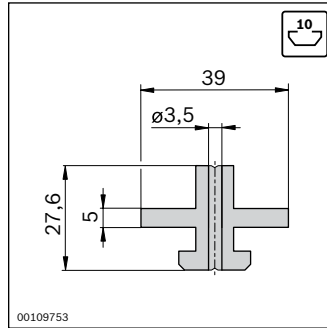
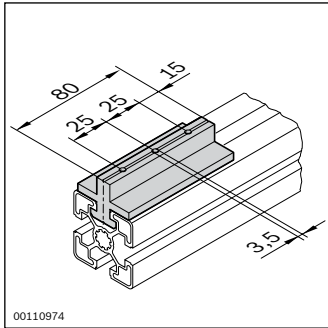
10 **3 842 530 329**

Material: POM; natural



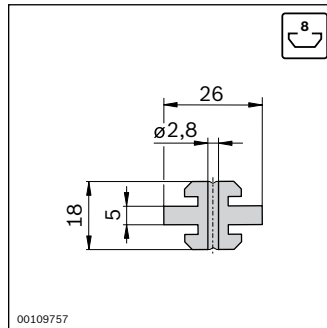
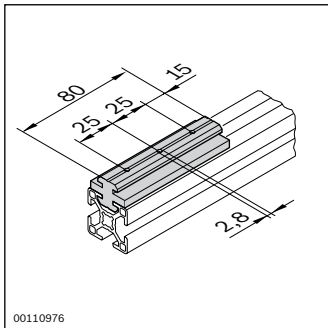
Slider, center	No.
	10 3 842 523 210

Material: POM; natural



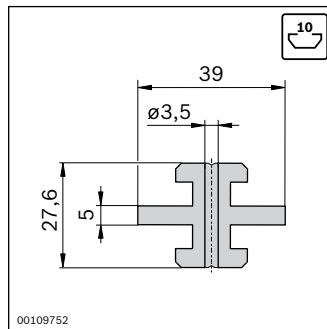
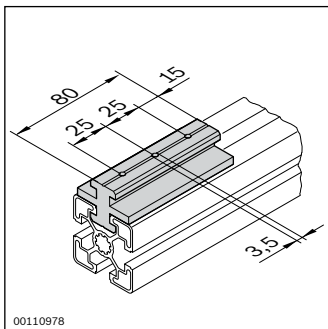
Slider, center	No.
	10 3 842 523 206

Material: POM; natural



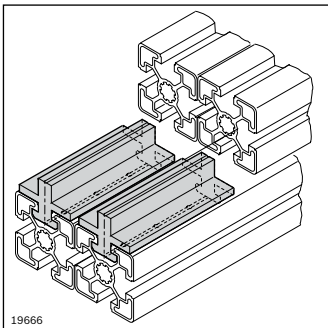
Slider, center	No.
	10 3 842 523 209

Material: POM; natural



Slider, center	No.
	10 3 842 523 205

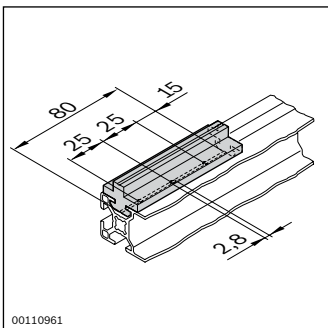
Material: POM; natural



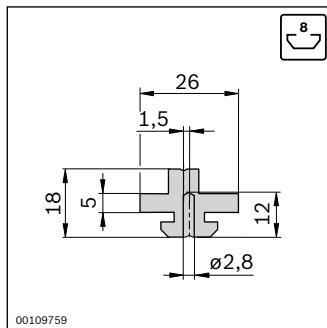
19666

Offset sliders

- For constructing multiple sliding doors



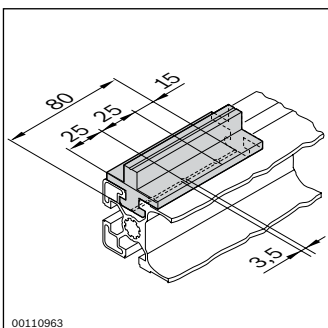
00110961



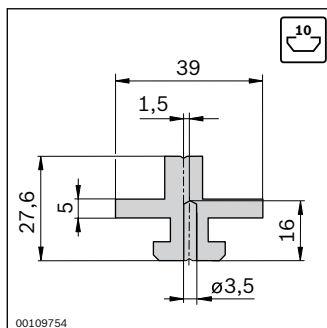
00109759

Slider, offset	No.
	10 3 842 523 211

Material: POM; natural



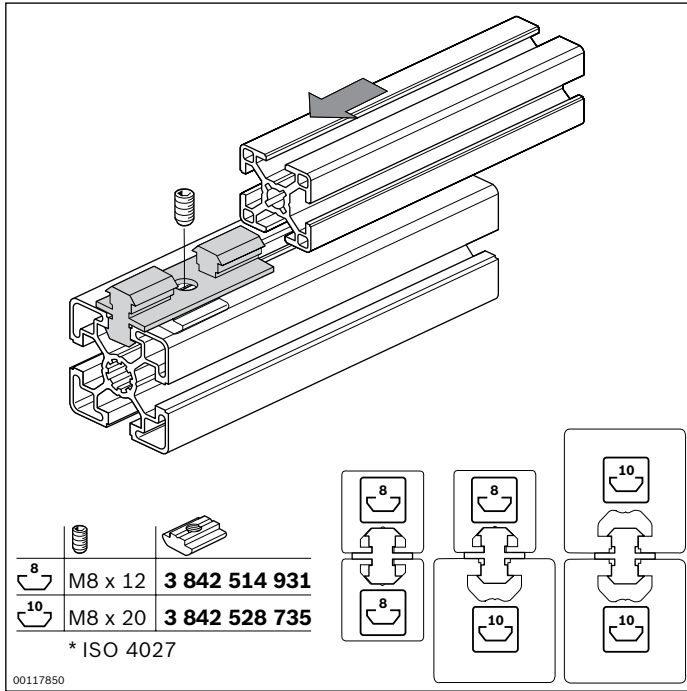
00110963



00109754

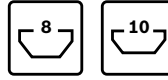
Slider, offset	No.
	10 3 842 523 207

Material: POM; natural



00117850

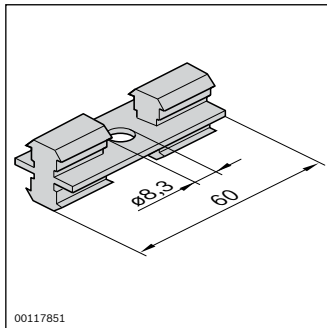
Multi-slider



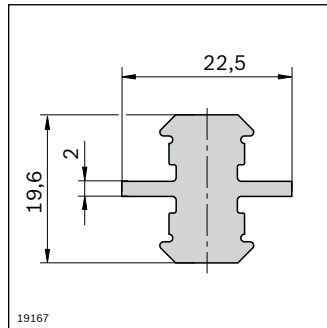
- ▶ Multi-slider for constructing low-wear guides
- ▶ Suitable for all profiles with 8 mm and 10 mm slot widths
- ▶ Combination of profiles with different slot widths possible

Accessories:

Headless setscrew (ISO 4027) and sliding block (p. 3-9) for fastening the slider in the profile slot



00117851



19167

Multi-slider 8/10



No.

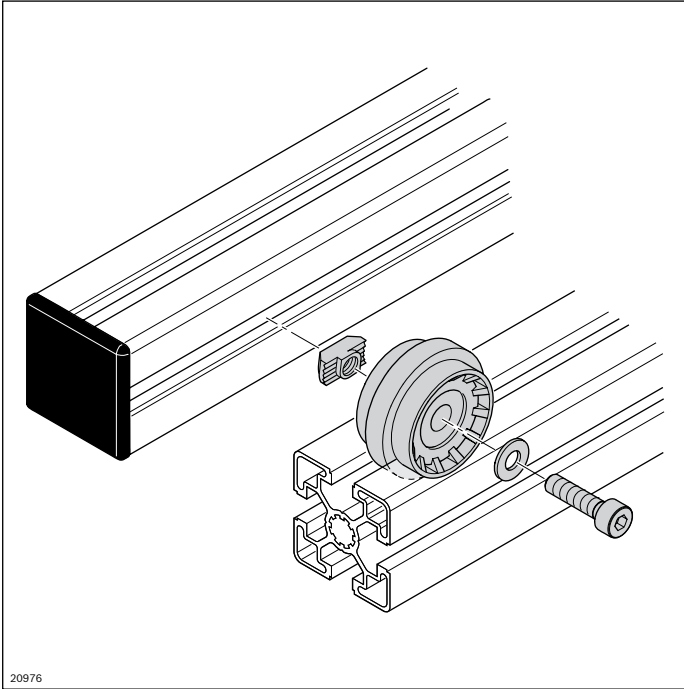
10 **3 842 513 517**

Material: POM; natural

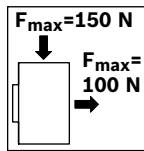
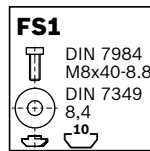
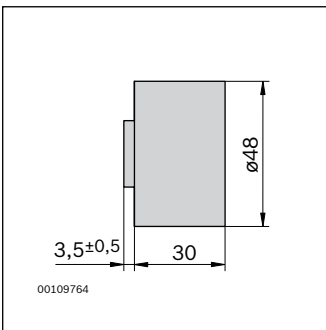
Support rollers



- ▶ Support roller for constructing trolleys or roller sections
- ▶ Mounted on profiles with 10 mm slot
- ▶ Good running characteristics thanks to deep-groove ball bearing with large diameter
- ▶ Support roller with shoulder can be guided in 10 mm slot
- ▶ ESD-conductive

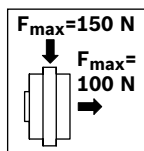
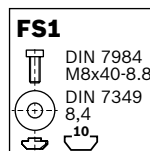
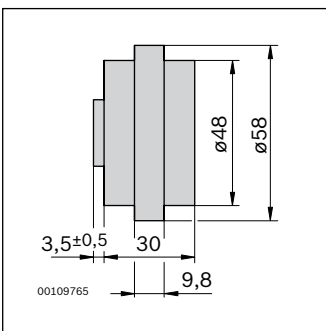


20976



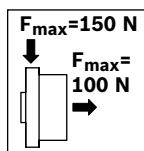
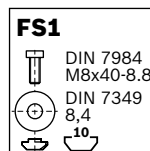
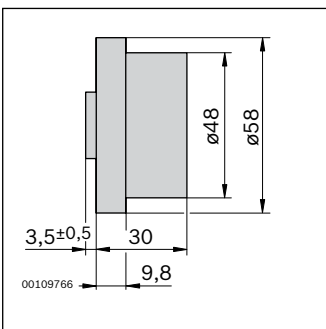
Support roller	ESD	No.	FS
		10 3 842 218 942	FS1

Material: Vestamid; black
 Fastening material: Steel; zinc-plated
 Scope of delivery: Incl. fastening material (FS)



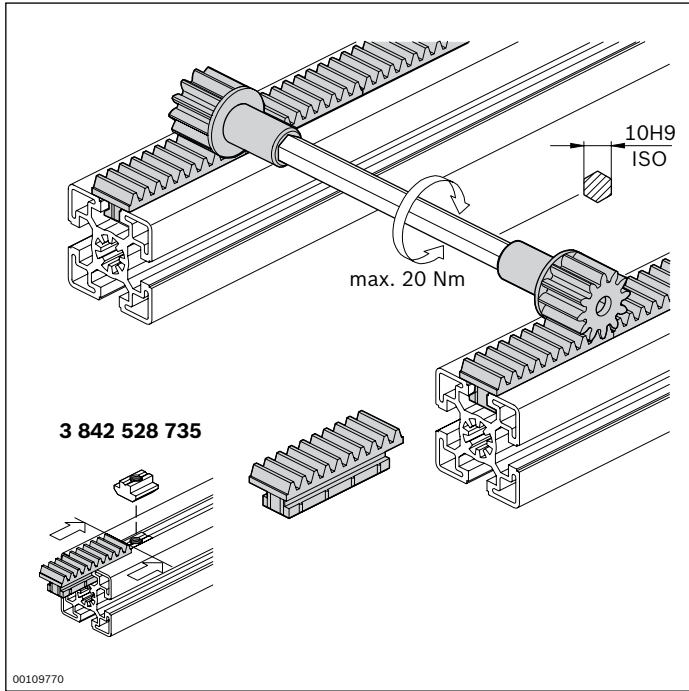
Support roller with center shoulder	ESD	No.	FS
		10 3 842 218 940	FS1

Material: Vestamid; black
 Fastening material: Steel; zinc-plated
 Scope of delivery: Incl. fastening material (FS)



Support roller with side shoulder	ESD	No.	FS
		10 3 842 218 941	FS1

Material: Vestamid; black
 Fastening material: Steel; zinc-plated
 Scope of delivery: Incl. fastening material (FS)



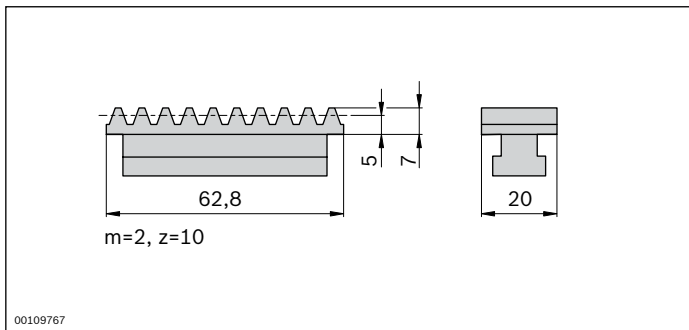
Rack Pinion



- For constructing synchronous shafts to prevent tilting in the case of large guide widths

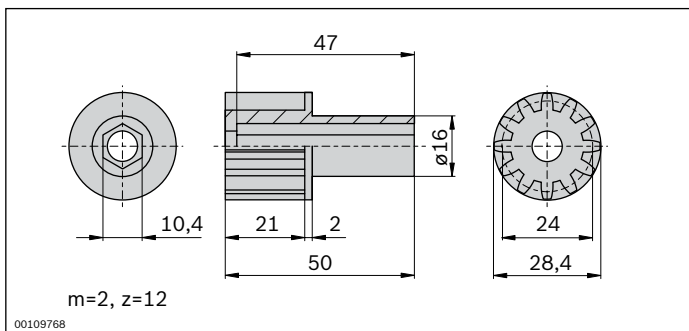
Required accessories:

- Standard commercially available hexagonal shaft 10H9
- Sliding block for fixing the rack in the slot (p. 3-9)



Rack	No.
	10 3 842 501 578

Material: PA; black



Pinion	No.
	3 842 501 576

Material: POM, white

Elements for the construction of conveyor track Lean



- ▶ Components for constructing manual conveyor sections
- ▶ Based on multi-functional U-profile
- ▶ Clip-in conveyor elements for all requirements:
 - Rollers with or without flange; four colors to visually identify inventories (kanban) or to differentiate between good/reject parts
 - Slide rails with or without integrated lateral guide (GSSK, GS)
 - Roller elements with and without roller flange (RE45SK, RE45)

Accessories:

Round tube D28 (p. 2-69)

- ▶ U-profile with 10 mm slot

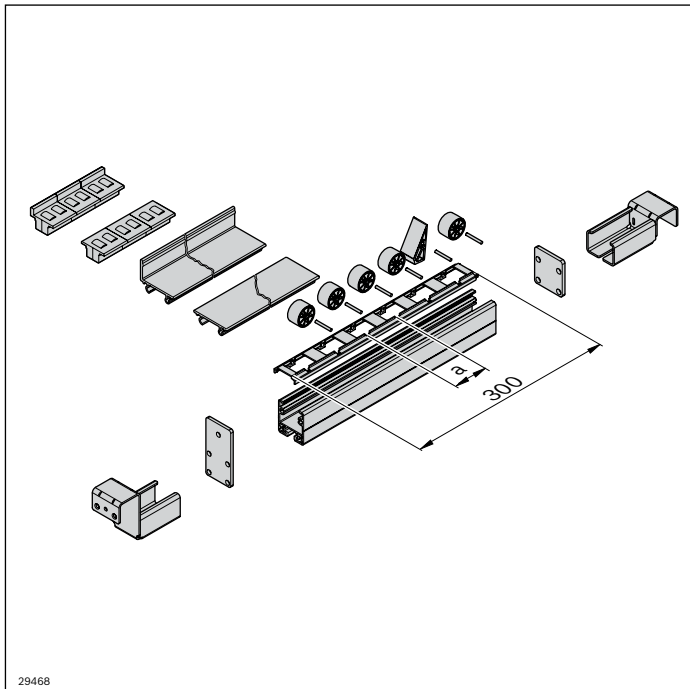
U-profile	L (mm)	ESD	No.
1 pc	30 ... 6070		3 842 993 316 / L
20 pcs	6070		3 842 535 115
1 pc	6070		3 842 535 116
1 pc	30 ... 6070		3 842 995 027 / L
20 pcs	6070		3 842 541 814
1 pc	6070		3 842 541 813

Material: U-profile: Aluminum, anodized
U-profile ESD: Aluminum, untreated

- ▶ Roller carrier for rollers D32 and D32SK (p. 12-20)

Roller carrier	a (mm)	ESD	No.
D32/37.5	37.5		3 842 537 944
			3 842 537 945
D32/50	50		3 842 532 887
			3 842 538 094
D 32SK/50	50		3 842 532 886
			3 842 537 947

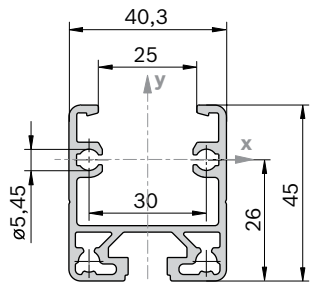
Material: ABS



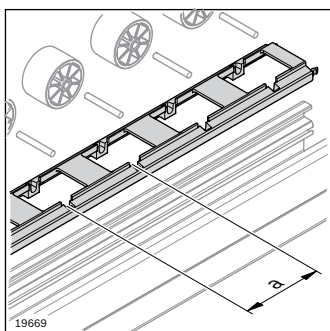
29468

U-profile

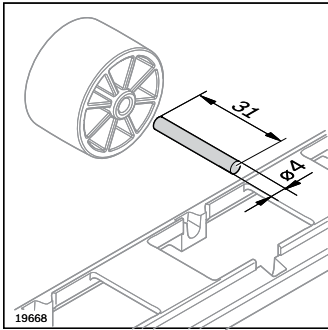
A = 4,4 cm²
I_x = 10,4 cm⁴
I_y = 8,3 cm⁴
W_x = 4,6 cm³
W_y = 4,1 cm³
m = 1,2 kg/m



19902



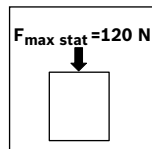
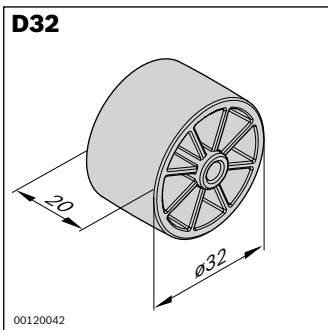
19669



► Steel axle for rollers D32, D32SK

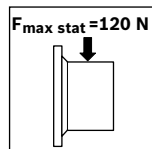
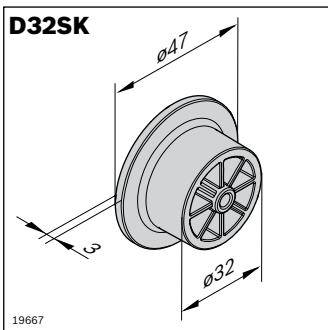
Steel axle	ESD	No.
	100	3 842 532 862

Material: Steel; stainless



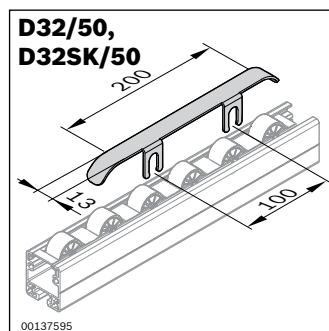
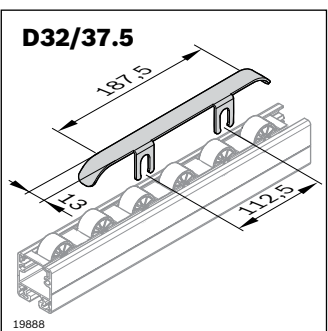
Roller	Color	ESD	No.
D32	Black	100	3 842 532 865
		100	3 842 537 961
	Red	100	3 842 532 866
		100	3 842 537 960
	Yellow	100	3 842 532 870
	100	3 842 537 959	
Green	100	3 842 532 752	
	100	3 842 537 958	

Material: PE; colored / ESD made of PA, colored



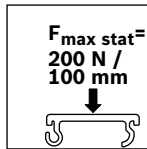
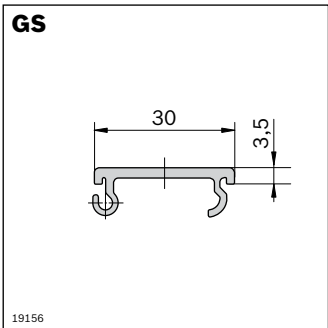
Roller	Color	ESD	No.
D32SK	Black	100	3 842 532 867
		100	3 842 537 965
	Red	100	3 842 532 883
		100	3 842 537 964
	Yellow	100	3 842 532 884
	100	3 842 537 963	
Green	100	3 842 532 880	
	100	3 842 537 962	

Material: PE; colored / ESD made of PA, colored



Brake	ESD	No.
D32/37.5	20	3 842 537 948
D32/50, D32SK/50	20	3 842 532 881

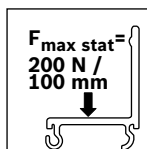
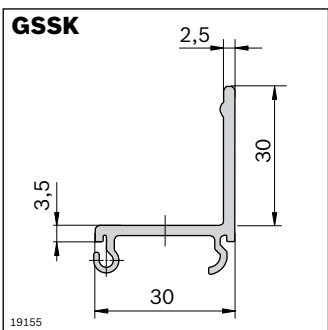
Material: Steel; zinc-plated



- ▶ Slide rail GS for constructing conveyor tracks with large gradients
- ▶ Slide rail for use with heavy containers

Slide rail	Color	L (mm)	ESD	No.
GS	Dust gray	3000	20	3 842 535 124
	Black	3000	20	3 842 537 803

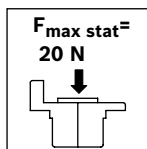
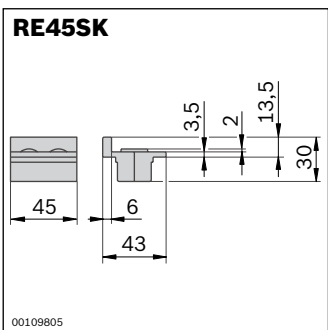
Material: PVC



- ▶ Slide rail with lateral guide GSSK for constructing conveyor tracks with large gradients
- ▶ Slide rail for use with heavy containers

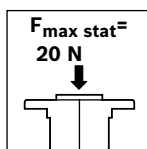
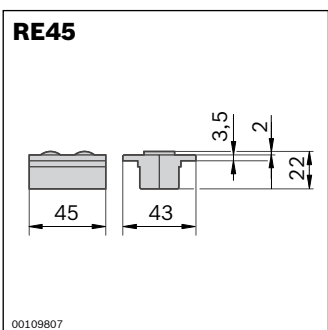
Slide rail	Color	L (mm)	ESD	No.
GSSK	Dust gray	3000	20	3 842 537 806
	Black	3000	20	3 842 537 807

Material: PVC



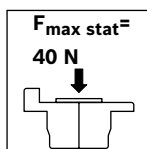
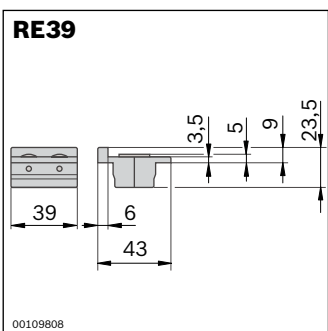
Roller element	Color	ESD	No.
RE45SK	Signal gray	100	3 842 554 748
	Black	100	3 842 538 065

Material: PA



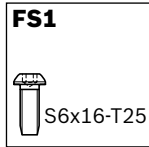
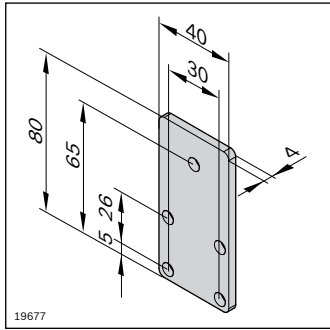
Roller element	Color	ESD	No.
RE45	Signal gray	100	3 842 554 746
	Black	100	3 842 538 064

Material: PA



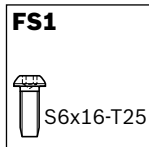
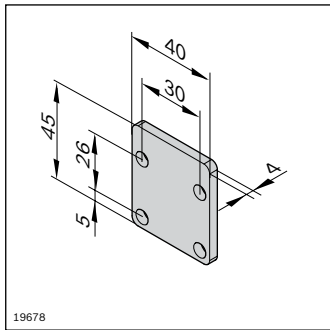
Roller element	Color	ESD	No.
RE39	Black	10	3 842 520 000
	Black	10	3 842 538 245

Material: PA



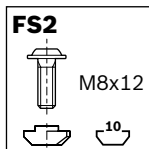
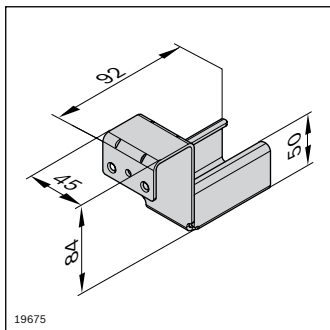
Stop plate with stop	ESD	No.	FS
40x80	⚠	20 3 842 535 121	4xFS1

Material: Steel; zinc-plated
 Scope of delivery: Incl. fastening material (FS)



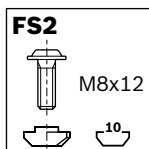
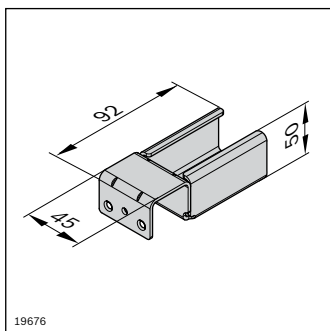
Stop plate without stop	ESD	No.	FS
40x45	⚠	20 3 842 535 122	4xFS1

Material: Steel; zinc-plated
 Scope of delivery: Incl. fastening material (FS)



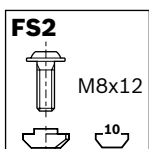
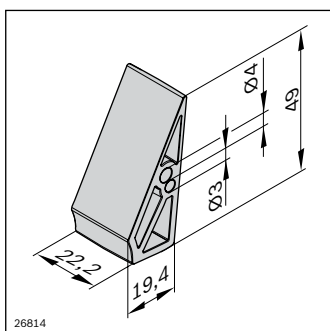
Rail holder with stop	ESD	No.	FS
	⚠	20 3 842 537 660	FS2

Material: Steel; zinc-plated
 Scope of delivery: Incl. fastening material (FS)



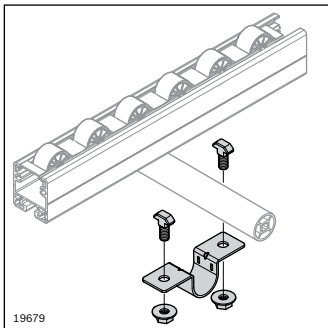
Rail holder without stop	ESD	No.	FS
	⚠	20 3 842 537 661	FS2

Material: Steel; zinc-plated
 Scope of delivery: Incl. fastening material (FS)



Stopper XLean/Lean	ESD	No.	FS
	⚠	10 3 842 552 151	FS2

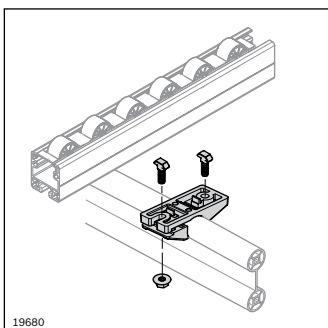
Material: PP
 Fastening material: Steel; zinc-plated
 Scope of delivery: Incl. fastening material (FS)



FS3
 HS10-M8x20
 M8

Tube clamp D28		No.	FS
	20	3 842 535 364	2xFS3

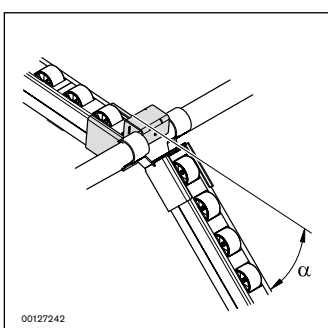
Material: Steel; zinc-plated
 Scope of delivery: Incl. fastening material (FS)



FS4
 HS10-M8x30
 EN 1661-M8-8.8

Holder for strut profile D28x55		No.	FS
	20	3 842 537 720	2xFS4

Material: Diecast aluminum
 Fastening material: Steel; zinc-plated
 Scope of delivery: Incl. fastening material (FS)

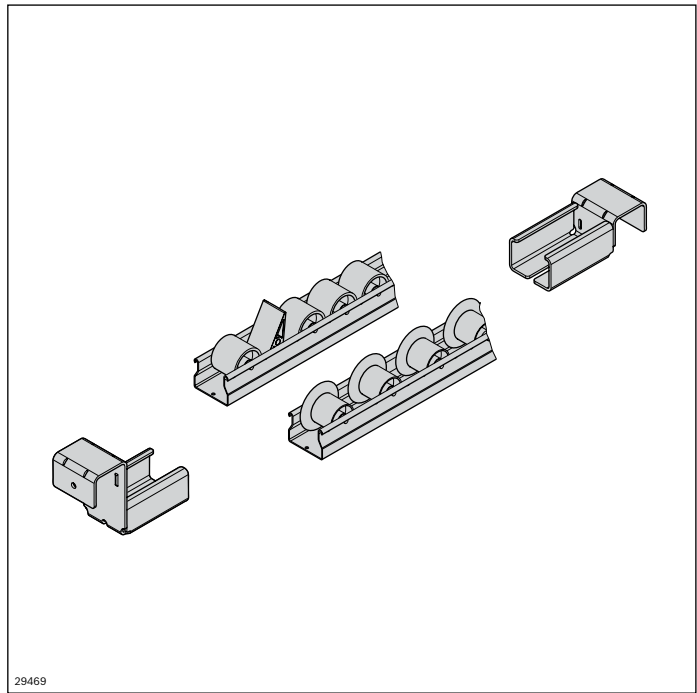


FS5
 M8x12-10.9-VZ
 10

- Flexible bridge with maximum tilt (α_{max}) from horizontal:
 - With round tube D28 (p. 2-69): $\alpha_{max} = 40^\circ$
 - With strut profile D28x55 (p 2-70): $\alpha_{max} = 30^\circ$

Flexible bridge		No.	FS
	20	3 842 537 951	FS5

Material: Steel; zinc-plated

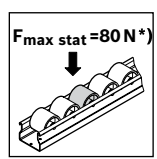
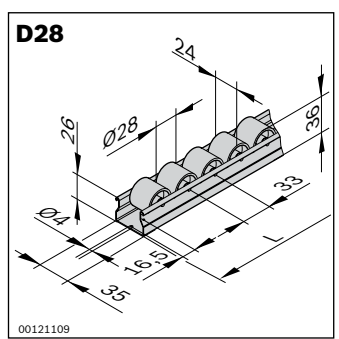


Elements for the construction of conveyor track XLean



- ▶ Conveyor track made of steel profiles with plastic rollers and optional roller flange
- ▶ Available as ESD-conductive version.
- ▶ Self-supporting roller section
- ▶ Roller section with drill holes for fastening

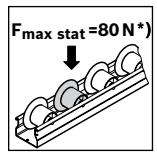
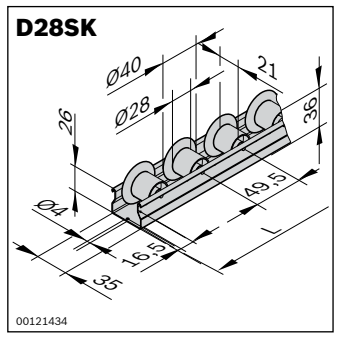
Accessories:
Round tube D28 (p. 2-69)



* per roller

Roller section	Color	L (mm)	ESD	No.
D28	Gray	100 ... 4500		1 3 842 993 321 / L
		4500		50 3 842 537 776
	Black	100 ... 4500	⚡	1 3 842 993 431 / L
		4500	⚡	50 3 842 537 778

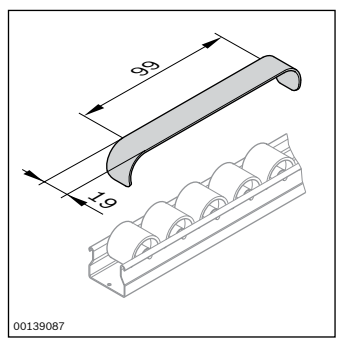
Material: Rail: Steel, zinc-plated
Roller: PP



* per roller

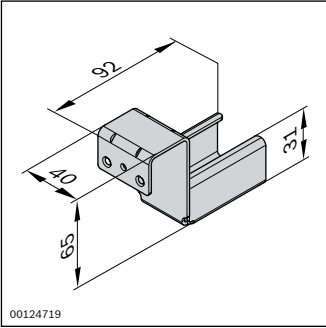
Roller section	Color	L (mm)	ESD	No.
D28SK	Gray	100 ... 4500		1 3 842 993 322 / L
		4500		50 3 842 537 777
	Black	100 ... 4500	⚡	1 3 842 993 432 / L
		4500	⚡	50 3 842 537 779

Material: Rail: Steel, zinc-plated
Roller: PP



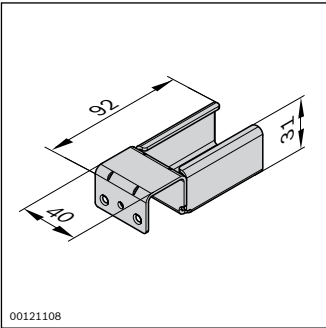
Brake	No.
	20 3 842 532 871

Material: Steel; zinc-plated



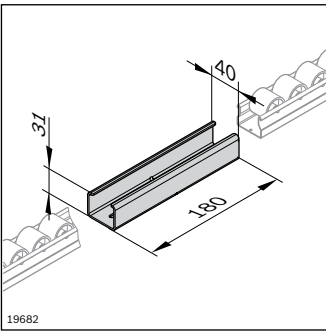
Rail holder with stop		No.
	20	3 842 538 372

Material: Steel; zinc-plated



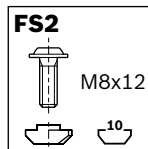
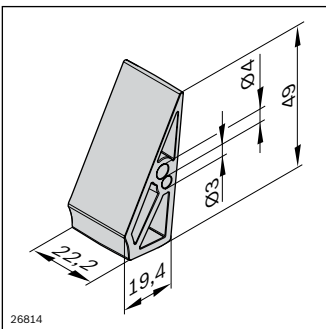
Rail holder without stop		No.
	20	3 842 537 687

Material: Steel; zinc-plated



Section link		No.
	20	3 842 536 722

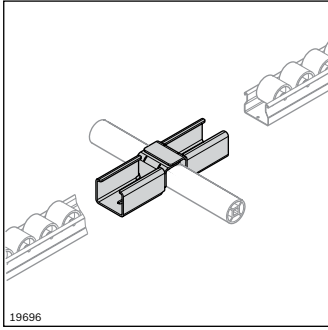
Material: Steel; zinc-plated



Stopper XLean/Lean	ESD		No.	FS
		10	3 842 552 151	FS2

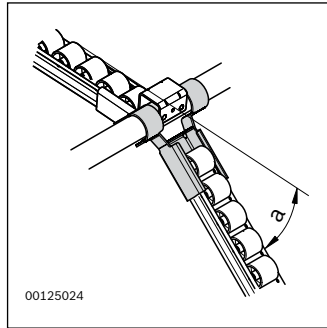
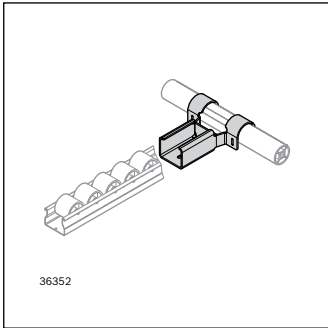
Material: PP
Fastening material: Steel; zinc-plated

Scope of delivery: Incl. fastening material (FS)



Bridge	No.
	20 3 842 536 724

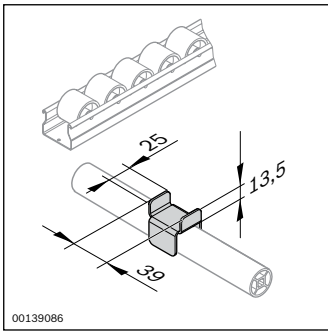
Material: Steel; zinc-plated



- ▶ Flexible bridge with maximum tilt (α_{max}) from horizontal:
 - With round tube D28 (p. 2-69): $\alpha_{max} = 40^\circ$
 - With strut profile D28x55 (p 2-70): $\alpha_{max} = 30^\circ$

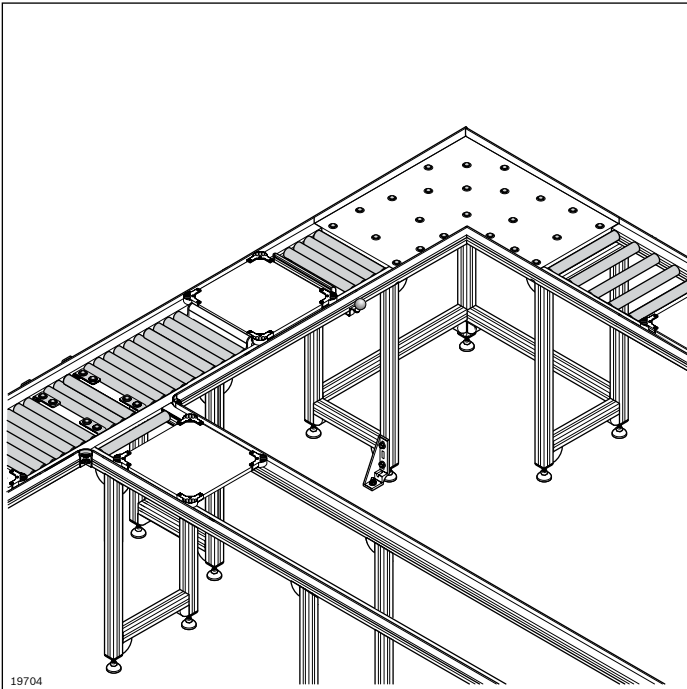
Flexible bridge	No.
	20 3 842 537 911

Material: Steel; zinc-plated



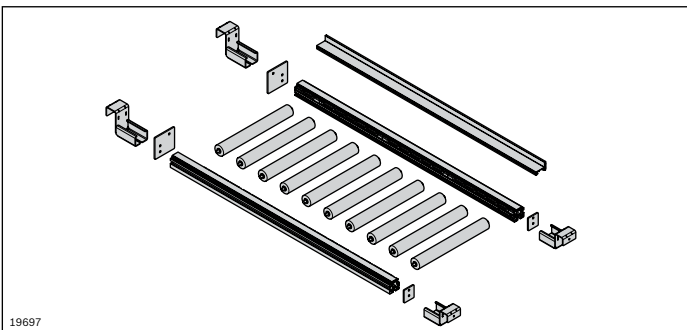
Mounting	No.
	20 3 842 537 657

Material: Steel; zinc-plated



Elements for the construction of conveyor track EcoFlow

- ▶ Based on EcoFlow section profile
- ▶ For manual slide sections with rollers
- ▶ Clip-in guide profiles with lateral guide and clip-in conveyor rollers



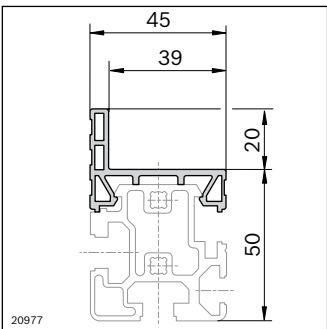
MV45x45

A = 6,2 cm²
 I_x = 11,8 cm⁴
 I_y = 10,5 cm⁴
 W_x = 5,3 cm³
 W_y = 4,7 cm³
 m = 1,7 kg/m

19698

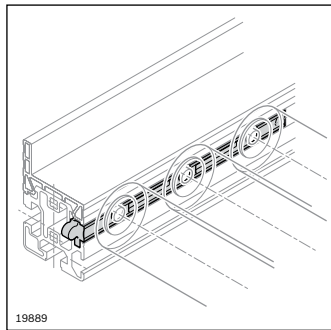
Section profile MV45x45		L (mm)	No.
1 pc		30 ... 6070	3 842 993 029 / L
20 pcs		6070	3 842 537 321
1 pc		6070	3 842 537 357

Material: Aluminum; anodized

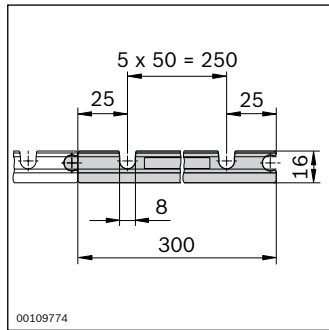


Guide profile MV45	Color	L (mm)	ESD		No.
	Dusty gray RAL 7037	30 ... 3000	1		3 842 993 511 / L
	Dusty gray RAL 7037	3000	10		3 842 525 443
	Black	30 ... 3000		1	3 842 993 512 / L
	Black	3000		10	3 842 526 034

Material: PVC



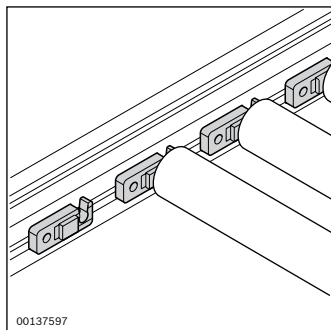
19889



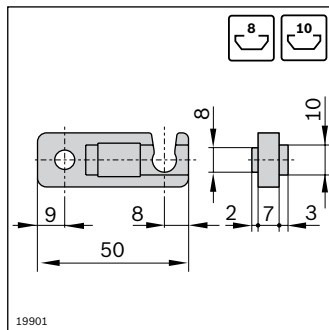
00109774

EcoFlow roller carrier	ESD	No.
	10	3 842 535 683

Material: ABS; black



00137597

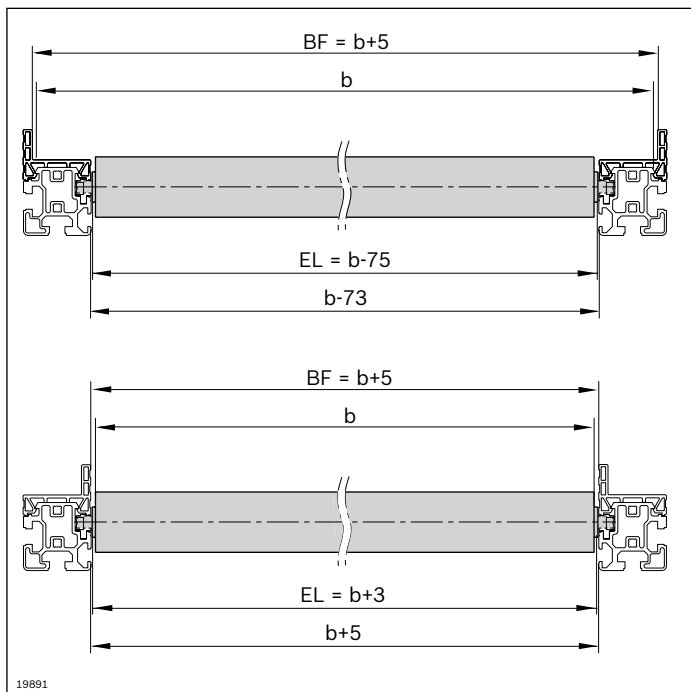
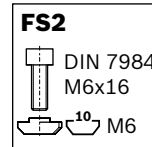
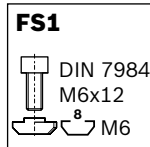


19901

Roller fixation	Slot	No.	FS
	8	10	3 842 535 667 FS1
	10	10	3 842 535 668 FS2

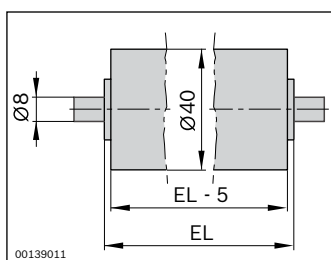
Material: Roller fixation: PA6, black
Fastening material: Steel; zinc-plated

Scope of delivery: Incl. fastening material (FS)

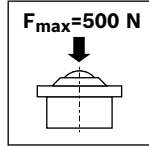
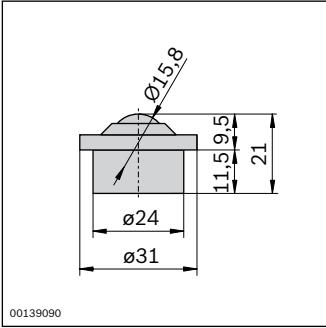


19891

EcoFlow roller	F _{max} (N)	EL (mm)	ESD	No.
Plastic, gray	150	105 ... 605		3 842 994 989 / L
		225		3 842 525 740
		325		3 842 525 741
		425		3 842 525 742
		525		3 842 537 164
Steel; zinc-plated	500	105 ... 1005		3 842 994 988 / L
		225		3 842 525 737
		325		3 842 525 738
		425		3 842 525 739
		525		3 842 537 163
Stainless steel	150	105 ... 1005		3 842 995 008 / L



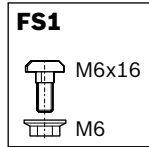
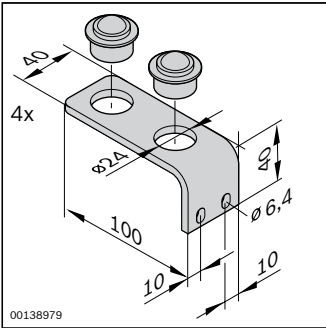
00139011



- Ball roller for smooth manual movement of goods with large-surfaces

Ball roller	ESD	No.
	20	3 842 541 008

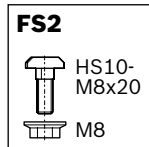
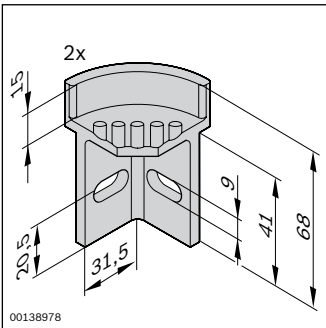
Material: Housing: Steel; zinc-plated
Ball: Stainless steel



Transverse conveying	ESD	No.	FS
	Set	3 842 536 055	8xFS1

Material: Bracket Steel; zinc-plated
Ball: Stainless steel

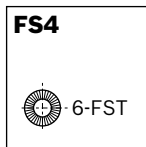
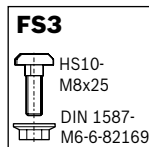
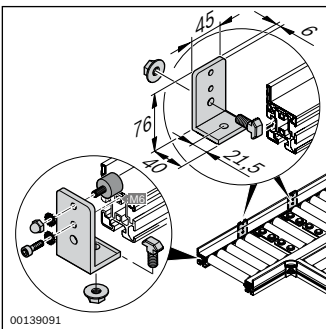
Scope of delivery: Incl. 4 x bracket plate, fastening material (FS) for 10 mm slot



Corner piece	ESD	No.	FS
	Set	3 842 536 056	4xFS2

Material: PA; black

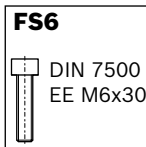
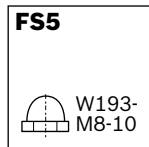
Scope of delivery: Incl. 2 x corner piece, fastening material (FS) for 10 mm slot

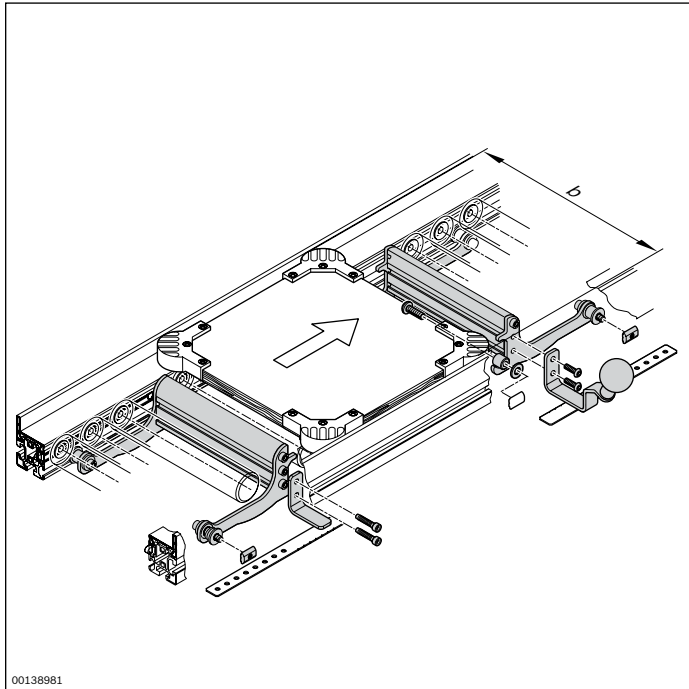


Stop	No.	FS
Set	3 842 536 057	2xFS3, 4xFS4, 2xFS5 2xFS6

Material: Aluminum; anodized

Scope of delivery: Incl. 2 x stop, fastening material (FS)

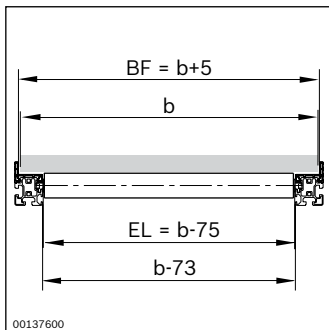




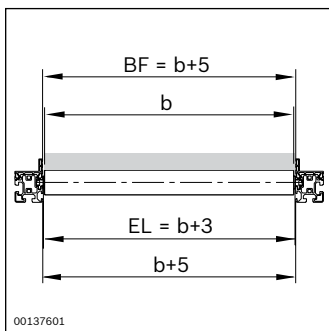
00138981

EcoFlow stop gates and return stops

- ▶ Stop gate and return stop for positioning workpiece pallets or containers
- ▶ At the planning stage remember to leave sufficient leg room. The stop gate and return stop require 45 mm more space below the bottom
- ▶ We recommend using a workpiece pallet with corner pieces (p. 12-31) to provide a defined stopping mechanism



00137600



00137601

Stop gate	EL (mm)	No.
	105 ... 1005	3 842 995 007 / EL
	225	3 842 537 894
	325	3 842 537 895
	425	3 842 537 896
	525	3 842 537 897

Scope of delivery: Incl. Fastening material

Condition on delivery: As components (pre-assembled)


Return stop	EL (mm)	No.
	105 ... 1005	3 842 995 017 / EL
	225	3 842 537 898
	325	3 842 537 899
	425	3 842 537 900
	525	3 842 537 901

Scope of delivery: Incl. Fastening material


Condition on delivery: As components (pre-assembled)

EcoFlow accessories


- ▶ Protective cover to protect the EcoFlow guide profile when loading the conveyor track

Protective cover		No.	FS
Outer slide rail	Set	3 842 537 583	4xFS1
Material:	Steel; zinc-plated		
Scope of delivery:	Incl. 2 x protective cover, fastening material (FS)		


- ▶ Protective cover to protect the EcoFlow guide profile when loading the conveyor track

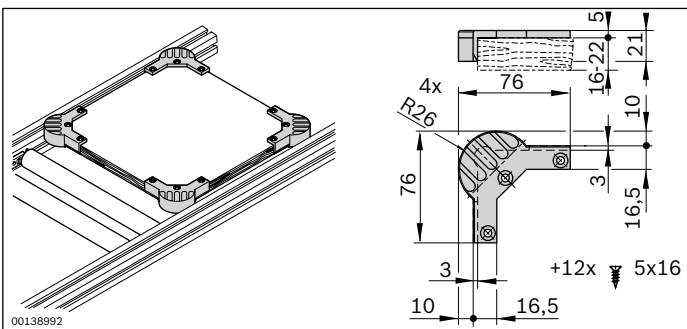
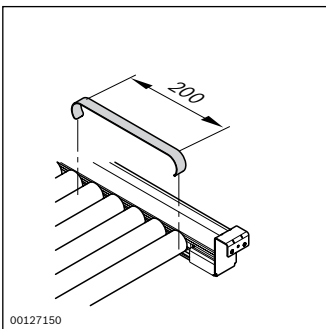
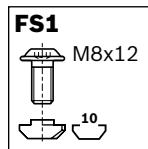
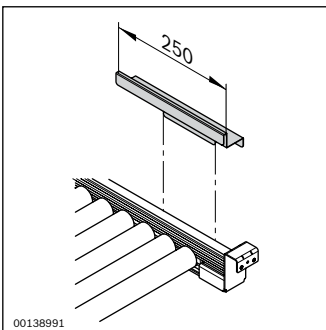
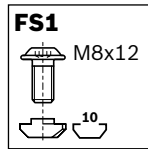
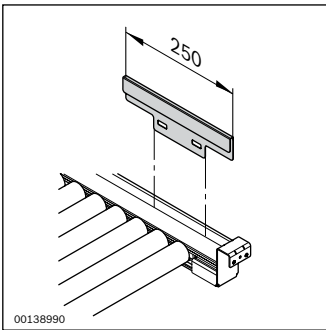
Protective cover		No.	FS
Inner slide rail	Set	3 842 537 584	4xFS1
Material:	Steel; zinc-plated		
Scope of delivery:	Incl. 2 x protective cover, fastening material (FS)		

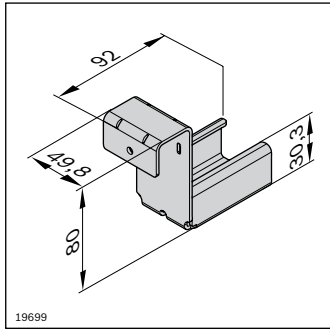
- ▶ Brake for bringing containers to a stop gently

Brake		No.
	20	3 842 537 740
Material:	Steel; zinc-plated	

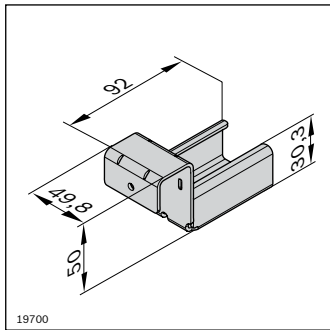
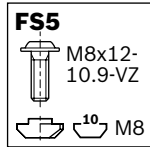
- ▶ Corner pieces for assembly of workpiece pallets
- ▶ For isolating parts from the pallet queue, well-defined guidance and stopping surfaces, good transition through curves and avoidance of edges where trapping may occur

Corner pieces for workpiece pallets	ESD		No.
		Set	3 842 536 054
Material:	PA; black		

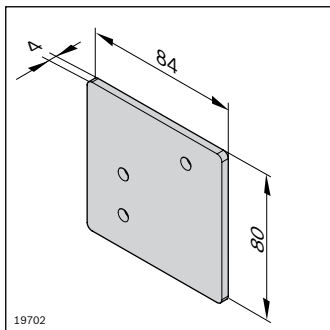
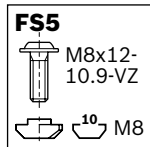




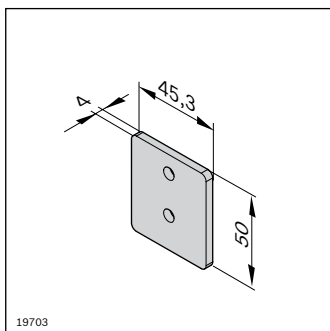
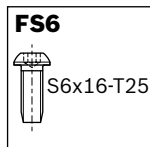
19699



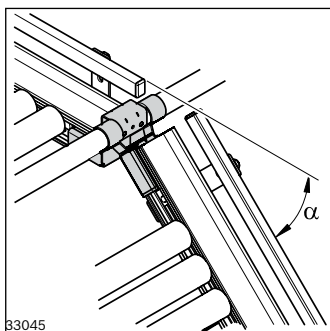
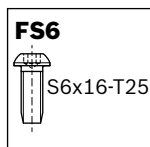
19700



19702



19703



33045

Rail holder with stop	No.	FS
	20	3 842 537 664 FS5

Material: Steel; zinc-plated
 Accessories: Round tube D28 (p. 2-69)
 Scope of delivery: Incl. fastening material (FS)

Rail holder without stop	No.	FS
	20	3 842 537 665 FS5

Material: Steel; zinc-plated
 Accessories: Round tube D28 (p. 2-69)
 Scope of delivery: Incl. fastening material (FS)

Stop plate with stop	No.	FS
	20	3 842 537 593 2xFS6

Material: Steel; zinc-plated
 Scope of delivery: Incl. fastening material (FS)

Stop plate without stop	No.	FS
	20	3 842 537 592 2xFS6

Material: Steel; zinc-plated
 Scope of delivery: Incl. fastening material (FS)

- Flexible bridge with maximum tilt (α_{max}) from horizontal:
 - With round tube D28 (p. 2-69): $\alpha_{max} = 40^\circ$
 - With strut profile D28x55 (p. 2-70): $\alpha_{max} = 30^\circ$

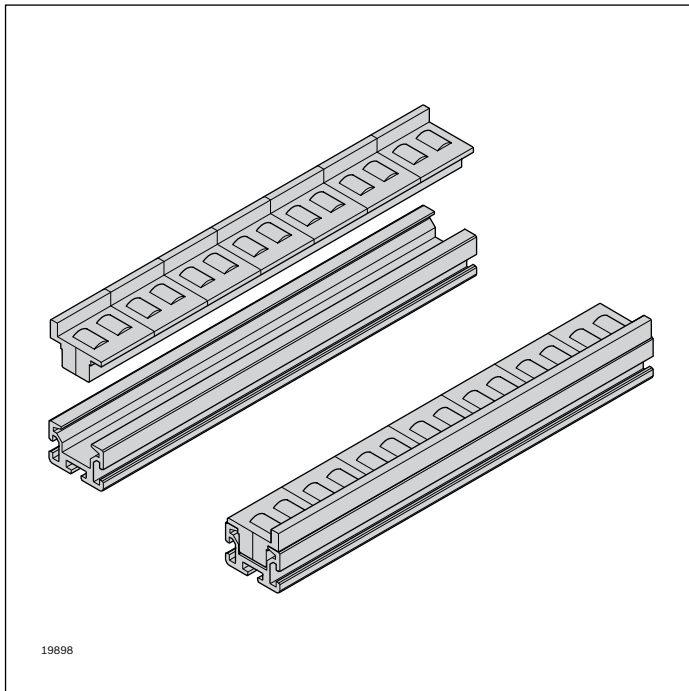
Flexible bridge	No.
	20 3 842 537 950

Material: Steel; zinc-plated

Conveyor track made of section profiles and roller elements

- ▶ Economical solution for manual slide sections
- ▶ Roller elements can be clipped in

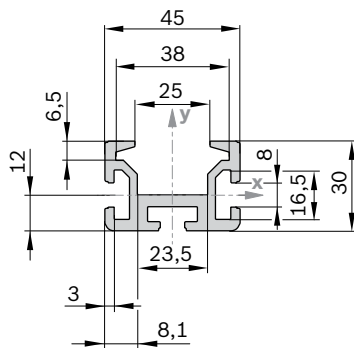
Accessories:
 Roller elements (p. 12-21)



19898

SP 2/R

A = 5,2 cm²
 I_x = 4,3 cm⁴
 I_y = 11,7 cm⁴
 W_x = 2,4 cm³
 W_y = 5,2 cm³
 m = 1,4 kg/m

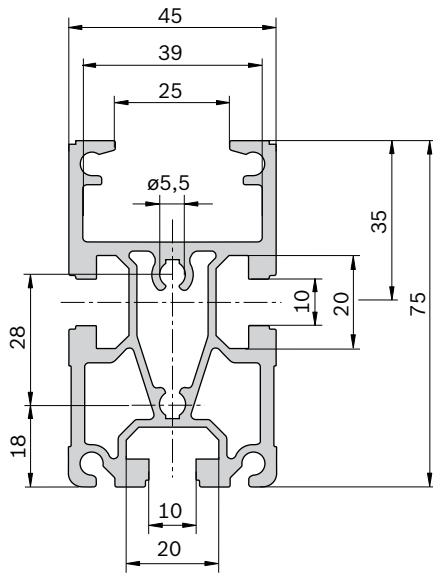


19893

Section profile SP 2/R	L (mm)	No.
	50 ... 6000	3 842 992 676 / L
Material:	Aluminum, natural-colored, anodized	

SP 2/B

A = 10,4 cm²
 I_x = 49,6 cm⁴
 I_y = 25,8 cm⁴
 W_x = 12,1 cm³
 W_y = 11,5 cm³
 m = 2,8 kg/m



19604

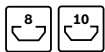
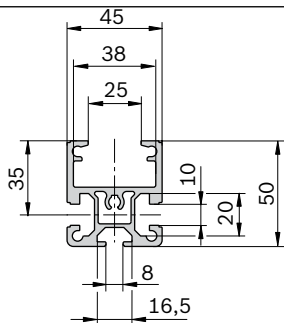
Section profile SP 2/B	Slot	L (mm)	No.
1 pc		10	200...6070 3 842 992 884 / L
16 pcs		10	6070 3 842 532 695
1 pc		10	6070 3 842 532 698

Material: Aluminum, natural-colored, anodized

Accessories: Cross connector QV 2 (p. 12-42)

SP 2/B-50

A = 6,9 cm²
 I_x = 46,2 cm⁴
 I_y = 16,9 cm⁴
 W_x = 5,3 cm³
 W_y = 7,5 cm³
 m = 1,9 kg/m



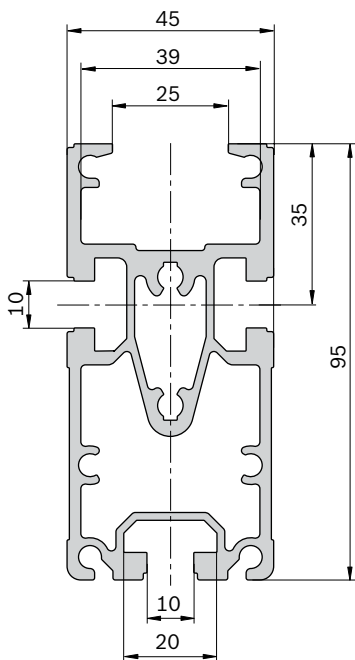
19605

Section profile SP 2/B-50	Slot	L (mm)	No.
1 pc		8 / 10	200...6070 3 842 992 903 / L
20 pcs		8 / 10	6070 3 842 532 697
1 pc		8 / 10	6070 3 842 532 670

Material: Aluminum, natural-colored, anodized

SP 2/B-100

A = 11,9 cm²
 I_x = 95,1 cm⁴
 I_y = 30,4 cm⁴
 W_x = 20,0 cm³
 W_y = 13,5 cm³
 m = 3,2 kg/m



19606

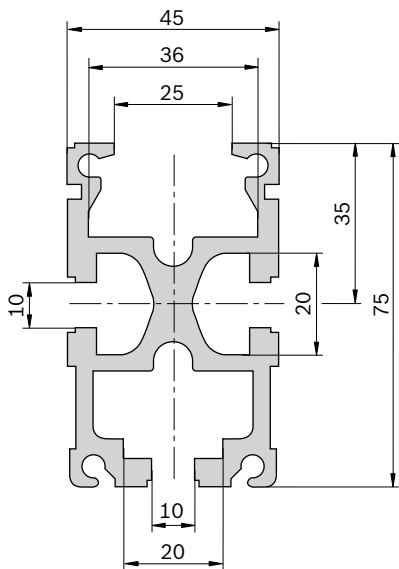
Section profile SP 2/B-100	Slot	L (mm)	No.
1 pc		10	200...6070 3 842 993 259 / L
16 pcs		10	6070 3 842 532 608
1 pc		10	6070 3 842 532 592

Material: Aluminum, natural-colored, anodized

Accessories: Cross connector QV 2 (p. 12-42)

SP 2/BH

A = 12,4 cm²
 I_x = 53,7 cm⁴
 I_y = 28,6 cm⁴
 W_x = 14,0 cm³
 W_y = 13,8 cm³
 m = 3,3 kg/m

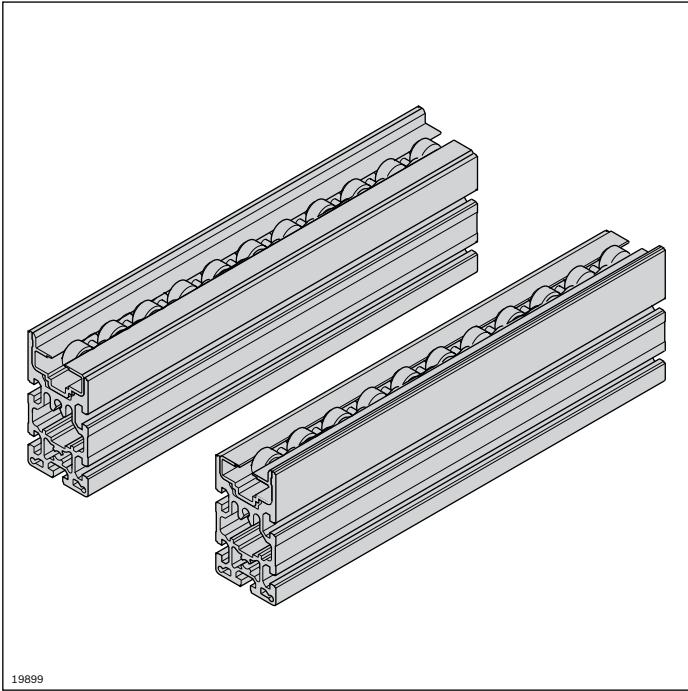


19607

Section profile SP 2/BH	Slot	L (mm)	No.
1 pc	10	200...6070	3 842 990 409 / L
16 pcs	10	6070	3 842 532 696
1 pc	10	6070	3 842 532 699

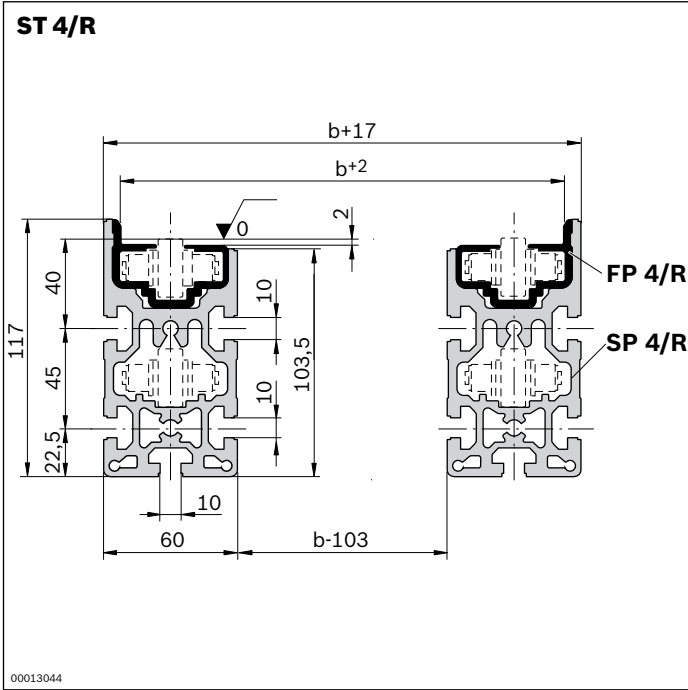
Material: Aluminum, natural-colored, anodized

Accessories: Cross connector QV 2 (p. 12-42)

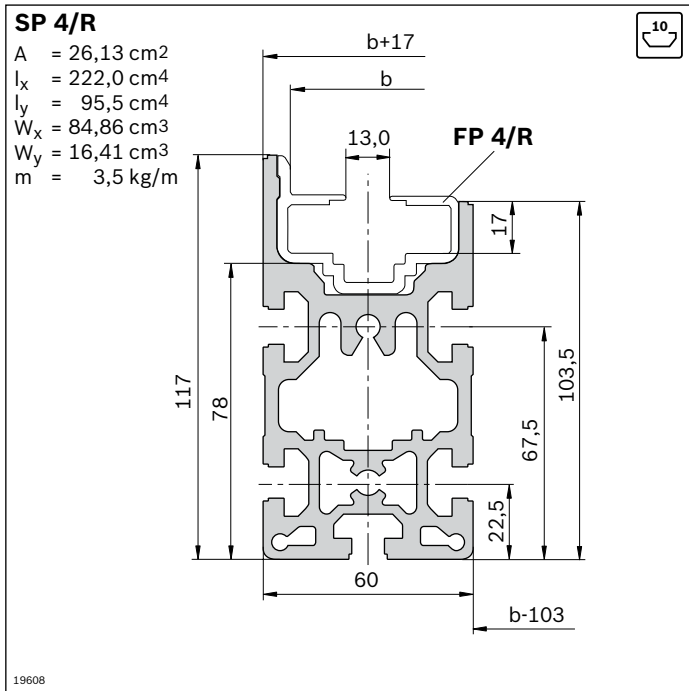


Conveyor sections made of SP 4/R section profiles and accumulation roller chains

- ▶ For constructing manual slide sections with high bearing loads (up to 2 kg/cm)
- ▶ For applications with and without workpiece pallets
- ▶ Low friction
- ▶ Steel chain with support wheels made of PA 12

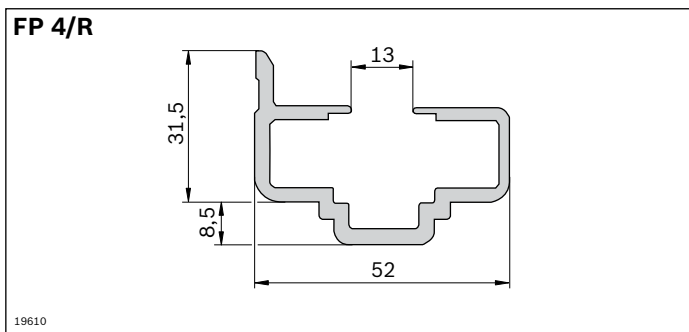


Section ST 4/R	L (mm)	No.
	200...6000	3 842 994 839 / L
Material:	Aluminum, natural-colored, anodized Guide profile: PA 12	
Scope of delivery:	2 x section profile SP 4/R 2 x guide profile FP 4/R	
Condition on delivery:	Assembled	
Accessories:	Accumulation roller chain (p. 12-38) Cross connector QV 4 (p. 12-38)	



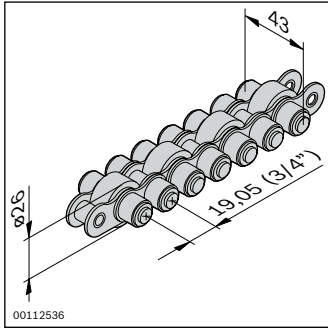
Section profile SP 4/R		L (mm)	No.
10 pcs		6070	3 842 532 505
1 pc		6070	3 842 532 703

Material: Aluminum, natural-colored, anodized
 Accessories: Guide profile FP 4/R
 Accumulation roller chain (p. 12-38)
 Cross connector QV 4 (p. 12-38)



Guide profile FP 4/R		L (mm)	ESD	No.
10 pcs		6070		3 842 532 508
1 pc		6070		3 842 532 704

Material: PA 12; black

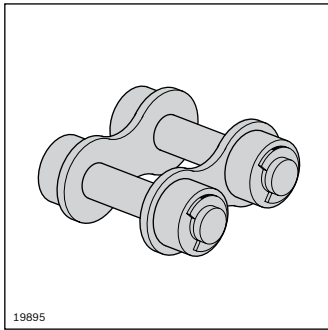


Accumulation roller chain	L (mm)	No.
Support wheel: PA 12	5000	3 842 508 967

Material: Accumulation roller chain: Steel
Support wheel: see ordering table

Scope of delivery: Incl. Chain lock

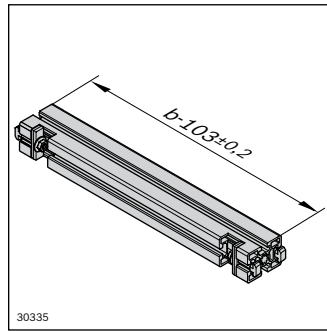
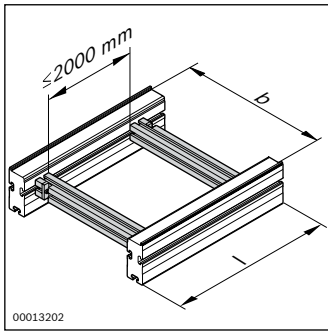
Accessories: Additional chain lock (**3 842 071 941**)



- ▶ Chain lock for extending accumulation roller chains

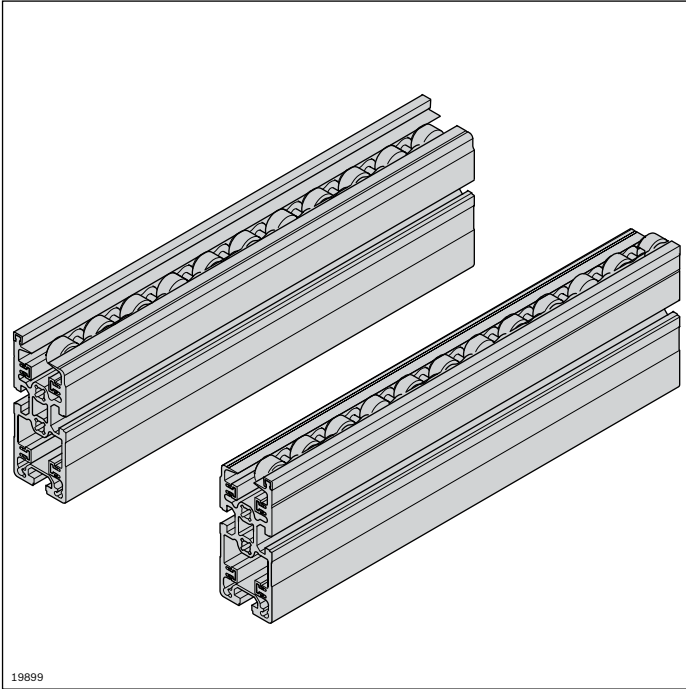
Chain lock	No.
	3 842 071 941

Material: Steel



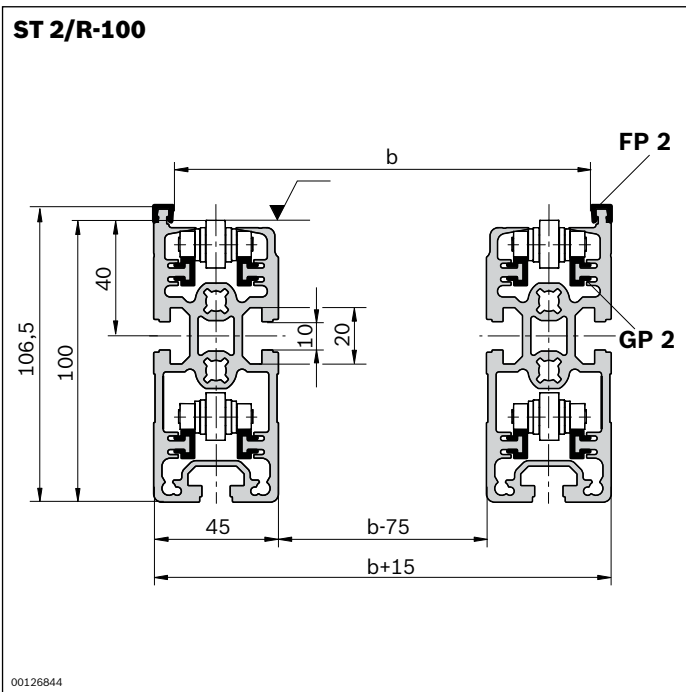
- ▶ Cross connector QV 4 for connecting two section profiles
- ▶ For defining the track width

Cross connector QV 4	b (mm)	No.
	443...1243	3 842 994 832 / b



Conveyor sections made of SP 2 section profiles and accumulation roller chains

- ▶ For constructing manual slide sections with high bearing loads (up to 2.0 kg/cm)
- ▶ For applications with and without workpiece pallets
- ▶ Accumulation roller chain with and without small parts protection

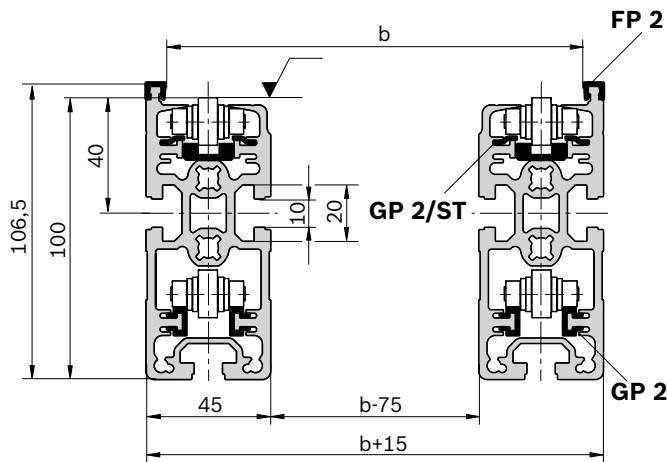


- ▶ Customizable section with plastic guide profile

Section ST 2/R-100	ESD	L (mm)	No.
		60 ... 6000	3 842 994 889 / L

Material:	Aluminum, natural-colored, anodized Glide profile, guide profile: PA 12
Scope of delivery:	2 x section profile SP 2/R-100 2 x guide profile FP 2 8 x glide profile GP 2
Condition on delivery:	Assembled
Accessories:	Accumulation roller chain (p. 12-42) Accumulation roller chain with small parts protection (p. 12-42) Cross connector QV 2, QV 2-H (p. 12-42)

ST 2/R-100-ST



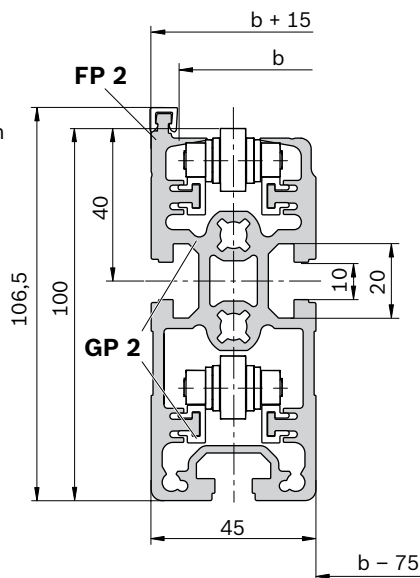
20801

Section ST 2/R-100 ST	ESD	L (mm)	No.
		60 ... 6000	3 842 994 907 / L

- Material: Aluminum, natural-colored, anodized
 Slide profile: Steel
 Guide profile: PA 12
 Accumulation roller chain guide profile PE
- Scope of delivery: 2 x section profile SP 2/R-100
 2 x guide profile FP 2
 4 x glide profile GP 2
 4 x glide profile GP 2/ST
 2 x guide profile for accumulation roller chain
- Condition on delivery: Assembled
- Accessories: Accumulation roller chain (p. 12-42)
 Accumulation roller chain with small parts protection (p. 12-42)
 Cross connector QV 2, QV 2-H (p. 12-42)

SP 2/R-100

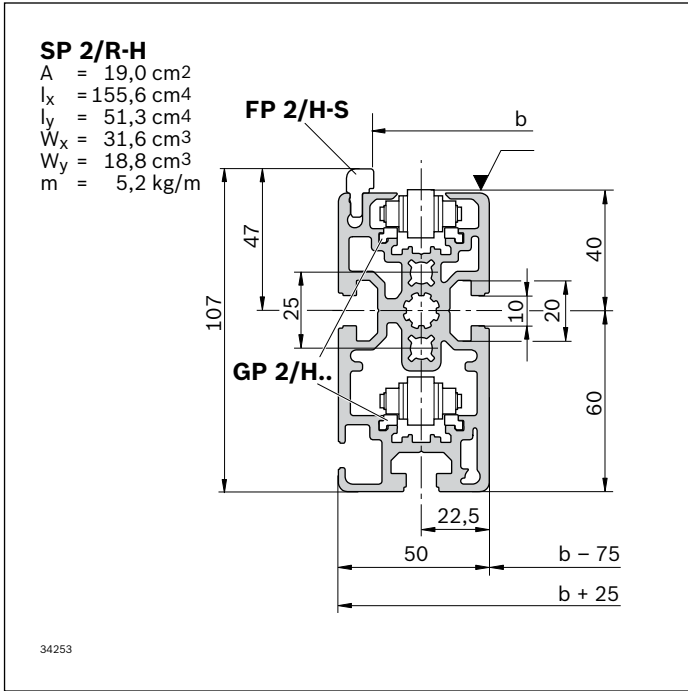
- A = 16,4 cm²
 I_x = 144,0 cm⁴
 I_y = 40,1 cm⁴
 W_x = 27,7 cm³
 W_y = 17,8 cm³
 m = 4,4 kg/m



34296

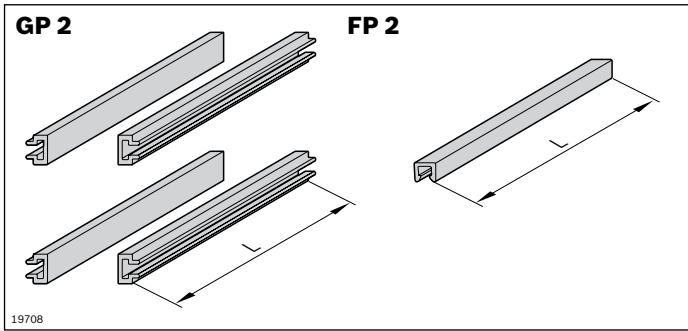
Section profile SP 2/R-100	L (mm)	No.
16 pcs	6070	3 842 529 931
1 pc	6070	3 842 529 935

- Material: Aluminum, natural-colored, anodized
- Accessories: PA guide and glide profile (p. 12-41)
 ST guide and glide profile (p. 12-41)



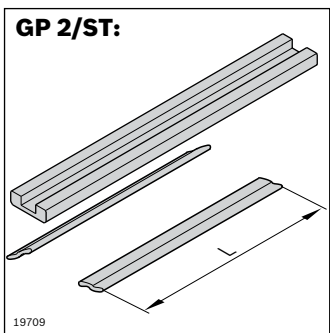
Section profile SP 2/R-H		L (mm)	No.
12 pcs		6070	3 842 536 792
1 pc		6070	3 842 536 767

Material: Aluminum, natural-colored, anodized
 Accessories: Guide profile FP 2/H-ST
 Glide profile GP 2/H-KST
 Glide profile GP 2/H-ST



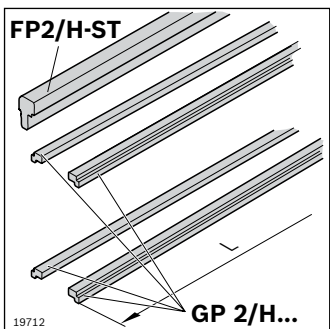
Guide and glide profile PA		ESD	No.
			3 842 529 933

Material: PA 12; black
 Scope of delivery: 64 x glide profile GP 2 (L = 6000 mm)
 16 x guide profile FP 2 (L = 6000 mm)



Guide and glide profile ST		ESD	No.
			3 842 532 676

Material: GP 2/ST: Steel; corrosion-resistant
 Accumulation roller chain guide profile PE
 Scope of delivery: 32 x glide profile GP 2/ST (L = 3000 mm)
 24 x guide profile for accumulation roller chain (L = 2000 mm)

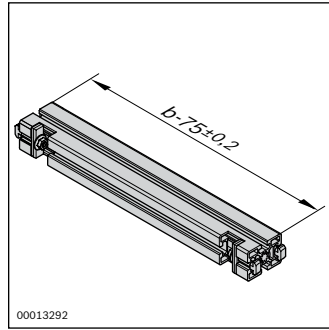
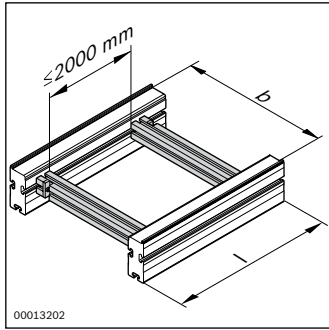


Guide profile		L (mm)	ESD	No.
FP 2/H-ST	24 pcs	3000		3 842 537 890

Material: Steel; corrosion-resistant

Glide profiles		L (mm)	ESD	No.
GP 2/H-ST	48 pcs	3000		3 842 537 888
GP 2/H-KST	48 pcs	3000		3 842 537 889

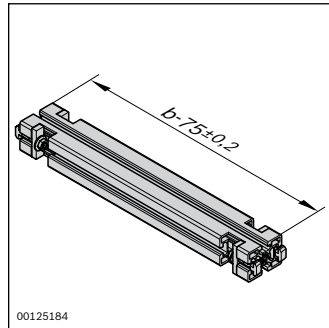
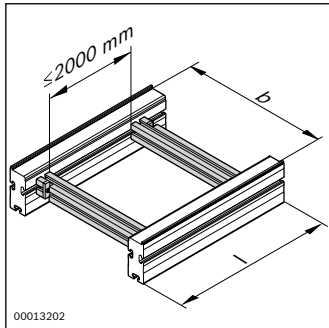
Material: H-KST: PA
 H-ST: Steel; corrosion-resistant



- ▶ Cross connector QV 2 for connecting two section profiles
- ▶ For defining the track width

Cross connector QV 2	b (mm)	No.
	160...1200	3 842 994 635 / b

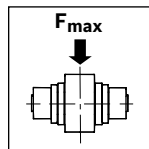
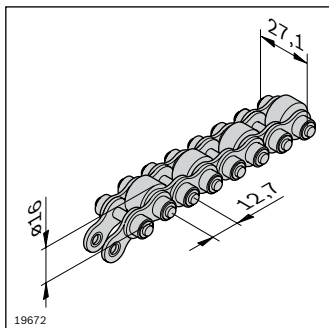
Material: Aluminum, natural-colored, anodized
Fastening material: Steel
Scope of delivery: Strut profile 45x60, 2 x Cross connector kit (p. 3-64)



- ▶ Cross connector QV 2-H for connecting two section profiles
- ▶ For heavy applications
- ▶ For defining the track width

Cross connector QV 2-H	b (mm)	No.
	160...1200	3 842 993 052 / b

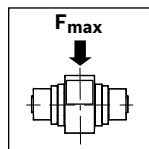
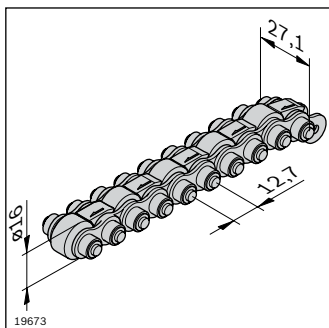
Material: Aluminum, natural-colored, anodized
Fastening material: Steel
Scope of delivery: Strut profile 45x60, 4 x Cross connector kit (p. 3-64)



Accumulation roller chain	F _{max} (kg/cm)	L (mm)	No.
Support wheel: PA 12	1.5	12000	3 842 523 918
Support wheel: Steel	2.0 ¹⁾ /1.5 ²⁾	12000	3 842 530 864

¹⁾ When using glide profile GP 2/ST
²⁾ When using glide profile GP 2

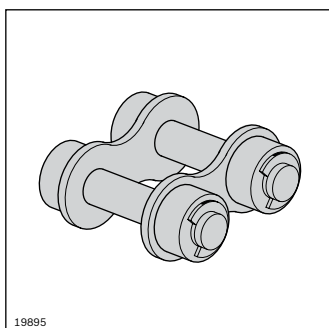
Material: Accumulation roller chain: Steel
Support wheel: see ordering table
Scope of delivery: Incl. Chain lock
Accessories: Additional chain lock (**3 842 530 417**)



Accumulation roller chain with small parts trap	F _{max} (kg/cm)	L (mm)	No.
Support wheel: PA 12	1.5	12000	3 842 536 268
Support wheel: Steel	2.0 ¹⁾ /1.5 ²⁾	12000	3 842 536 270

¹⁾ When using glide profile GP 2/ST
²⁾ When using glide profile GP 2

Material: Accumulation roller chain: Steel
Support wheel: see ordering table
Scope of delivery: Incl. Chain lock
Accessories: Additional chain lock (**3 842 530 417**)



- ▶ Chain lock for extending accumulation roller chains

Chain lock	No.
	3 842 530 417

Material: Steel

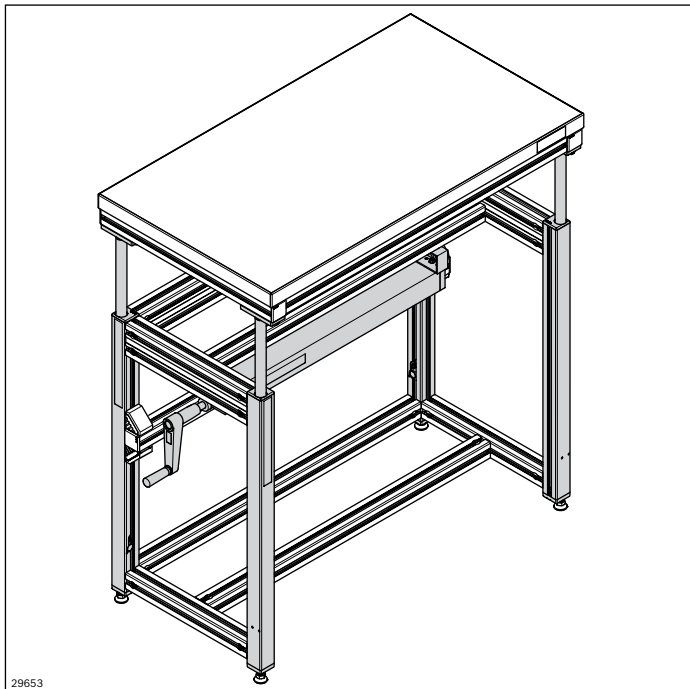
Components for height adjustment 45x45 and 45x60



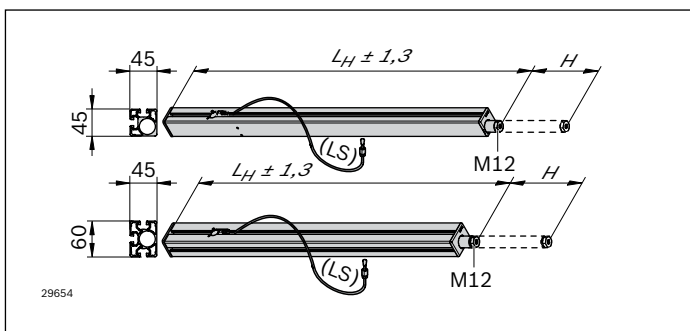
- ▶ Infinitely variable hydraulic height adjustment with a crank handle, e.g. for work benches, tables or frames
- ▶ Max. bearing load per lifting module 800 N
- ▶ Maximum lift 400 mm
- ▶ Simplest mounting system due to use of hydraulic hoses with quick-release couplings
- ▶ Variable or fixed lengths for lifting module and hoses
- ▶ Can be used for the implementation of EN 1570-1, taking other measures for integration into products into consideration

Optional accessories:

- ▶ Connection elements, e.g. bracket (p. 3-20),
- ▶ Leveling foot, e.g. **3 842 529 025** (p. 6-4)



29653



29654

Lifting module	L _H (mm)	L _S (mm)	No.
45x45 Adaptable	720 ... 2000 ¹⁾	1000 ... 4000 ²⁾	Set 3 842 994 000/L_H/L_S
Standard	770	2500	Set 3 842 552 131
45x60 Adaptable	720 ... 2000 ¹⁾	1000 ... 4000 ²⁾	Set 3 842 994 001/L_H/L_S
Standard	770	2500	Set 3 842 552 132

¹⁾ Lifting module length (L_H) can be ordered in 10 mm increments

²⁾ Hose length (L_S) can be ordered in 1000, 1500, 2000, 2500, 3000, 4000 mm

Scope of delivery: 2 x lifting module with integrated hydraulic cylinder incl. hose (bend radius min. 50 mm) and quick-release coupling; 2 x cover cap

Condition on delivery: Assembled, filled with food-safe HPL oil of class NSF H1

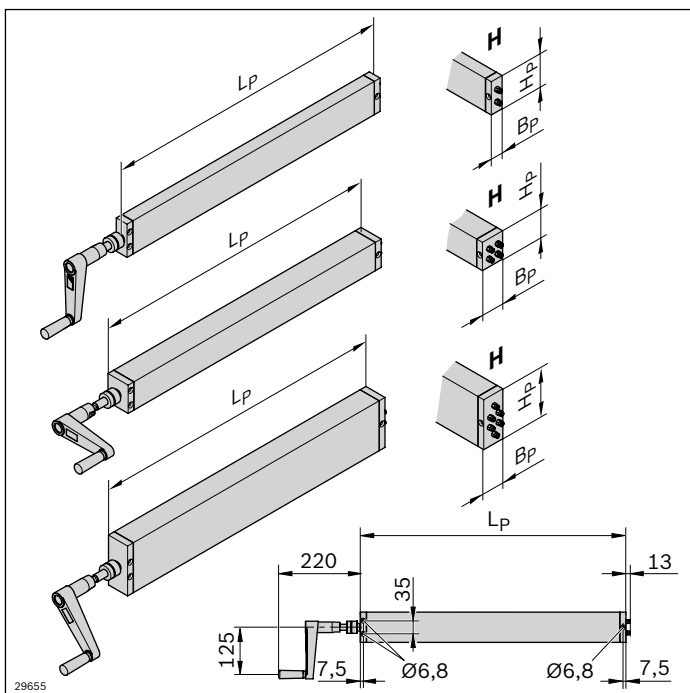
Pump and drive

- ▶ Synchronous activation of 2, 4 or 6 lifting modules
- ▶ Can be mounted in any position
- ▶ Incl. Friction clutch for load control
- ▶ 4 mm stroke per rotation
- ▶ Crank handle, retractable

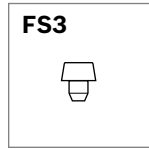
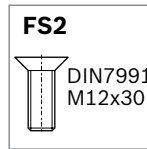
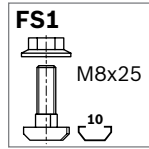
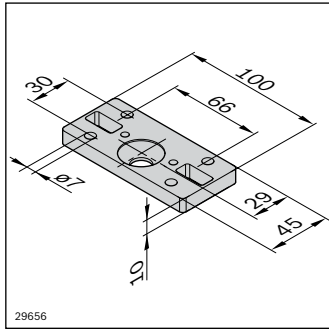
Pump	Max. Load (N)	No. Lift module	L _P (mm)	B _P (mm)	H _P (mm)	No.
	1600	2	702.5 ^{±2}	30	80	3 842 552 133
	3200	4	702.5 ^{±2}	56	68	3 842 552 134
	3200	6	714.5 ^{±2}	60	120	3 842 552 135

Scope of delivery: Pump incl. hand crank and quick-release coupling

Condition on delivery: Assembled, filled with food-safe HPL oil of class NSF H1



29655

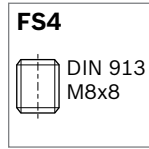
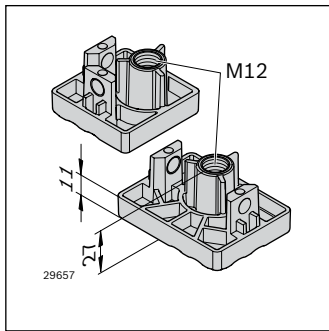


Connecting plate

- For mounting the lifting module on a foot, profile or table top

Connecting plate	No.	FS
	Set 3 842 552 176	4xFS1, 2xFS2, 4xFS3

Material: Aluminum
 Fastening material: Steel; zinc-plated
 Scope of delivery: 2 x connecting plate; incl. fastening material (FS)

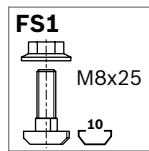
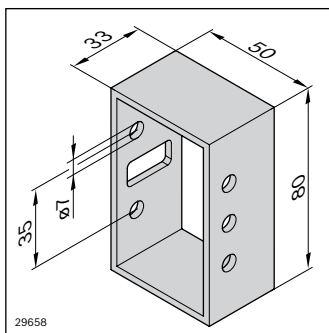


Adapter plate

- For mounting a leveling foot (e.g. **3 842 529 025**) to the lifting module
- Max. screw-in depth of the spindle with $L_H = 720 \text{ mm}$: ~ 50 mm

Adapter plate	No.	FS
45x45	Set 3 842 552 174	4xFS4
45x60	Set 3 842 552 175	4xFS4

Material: Diecast zinc
 Fastening material: Steel; zinc-plated,
 Scope of delivery: 2 x adapter plate; incl. fastening material (FS)

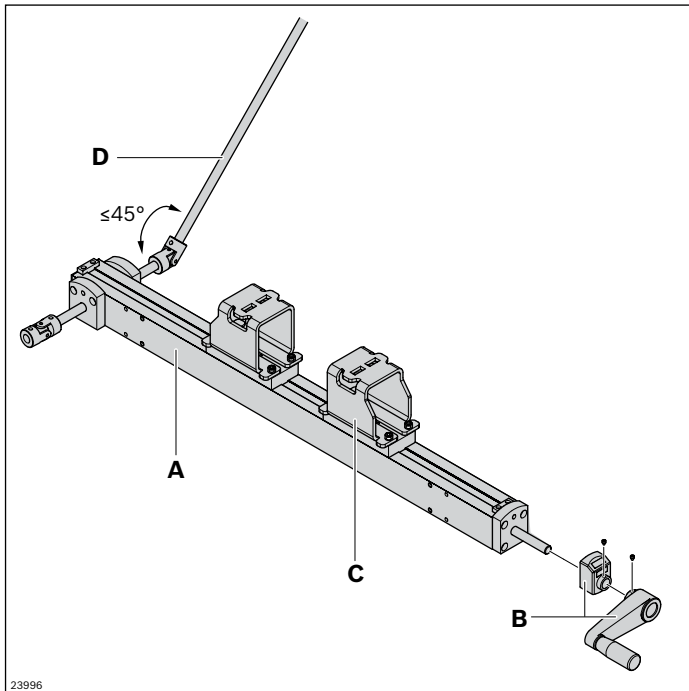


Connection adapter

- For mounting the pump on a profile or a table top
- Independent of the pump size, mounting requires 3 countersunk screws (ISO 10642, M6, 8.8) in 40 mm (pump for 2 lifting modules) or 70 mm (pump for 4 or 6 lifting modules)

Connection adapter	No.	FS
	Set 3 842 552 177	2xFS1

Material: Aluminum
 Fastening material: Steel; zinc-plated
 Scope of delivery: 2 x connection adapter; incl. fastening material (FS)



Adjustment unit

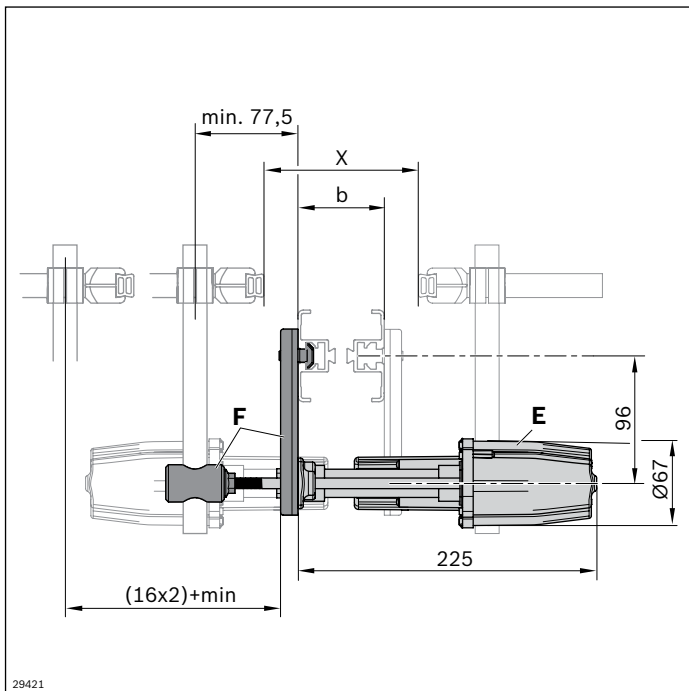
- Can be used for parallel width adjustment

Adjustment unit (A)	No.
	3 842 547 971

Crank handle (B)	No.
	3 842 547 990

Connection kit (C)	No.
	3 842 547 729

Profile rail D12 (D)	L (mm)	No.
1 pc	200 ... 3000	3 842 993 306 / L
6 pcs	3000	3 842 533 841

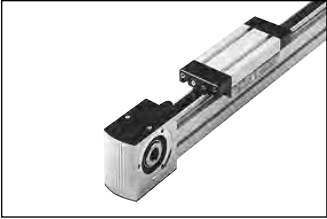


- Can be used for automatic (pneumatic) adjustment of lateral guides
- See also VarioFlow plus catalog (**R999000401**)

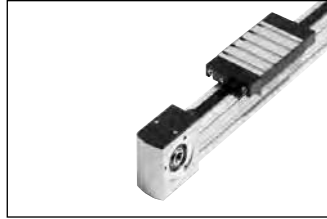
Adjustment unit (E)	No.
	3 842 547 707

Assembly kit (F)	No.
	3 842 547 718

Linear guides



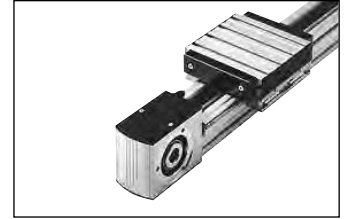
Cam roller guide LF6S
(p. 13-6)



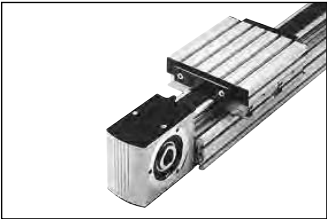
Cam roller guide LF6C
(p. 13-11)



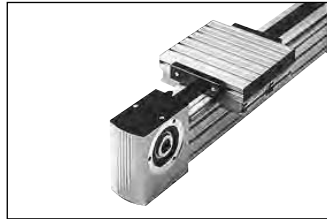
Cam roller guide LF12S
(p. 13-16)



Cam roller guide LF12C
(p. 13-23)



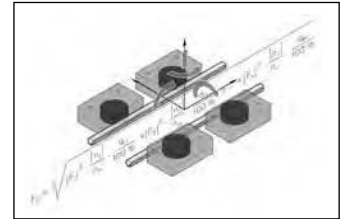
Cam roller guide LF20S
(p. 13-30)



Cam roller guide LF20C
(p. 13-37)



Plug-in shafts, synchronous shafts
(p. 13-47)

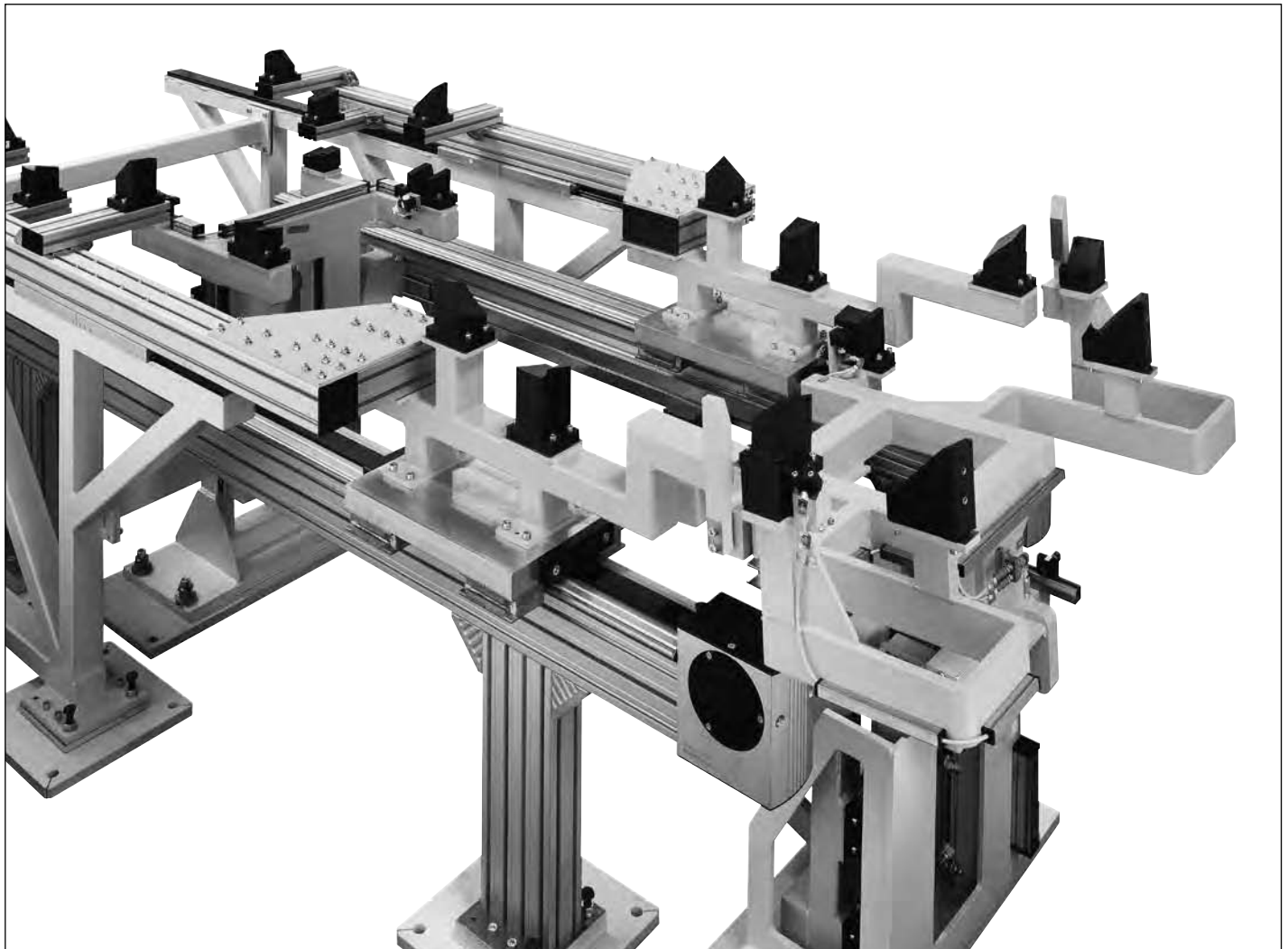


Design (p. 13-49)

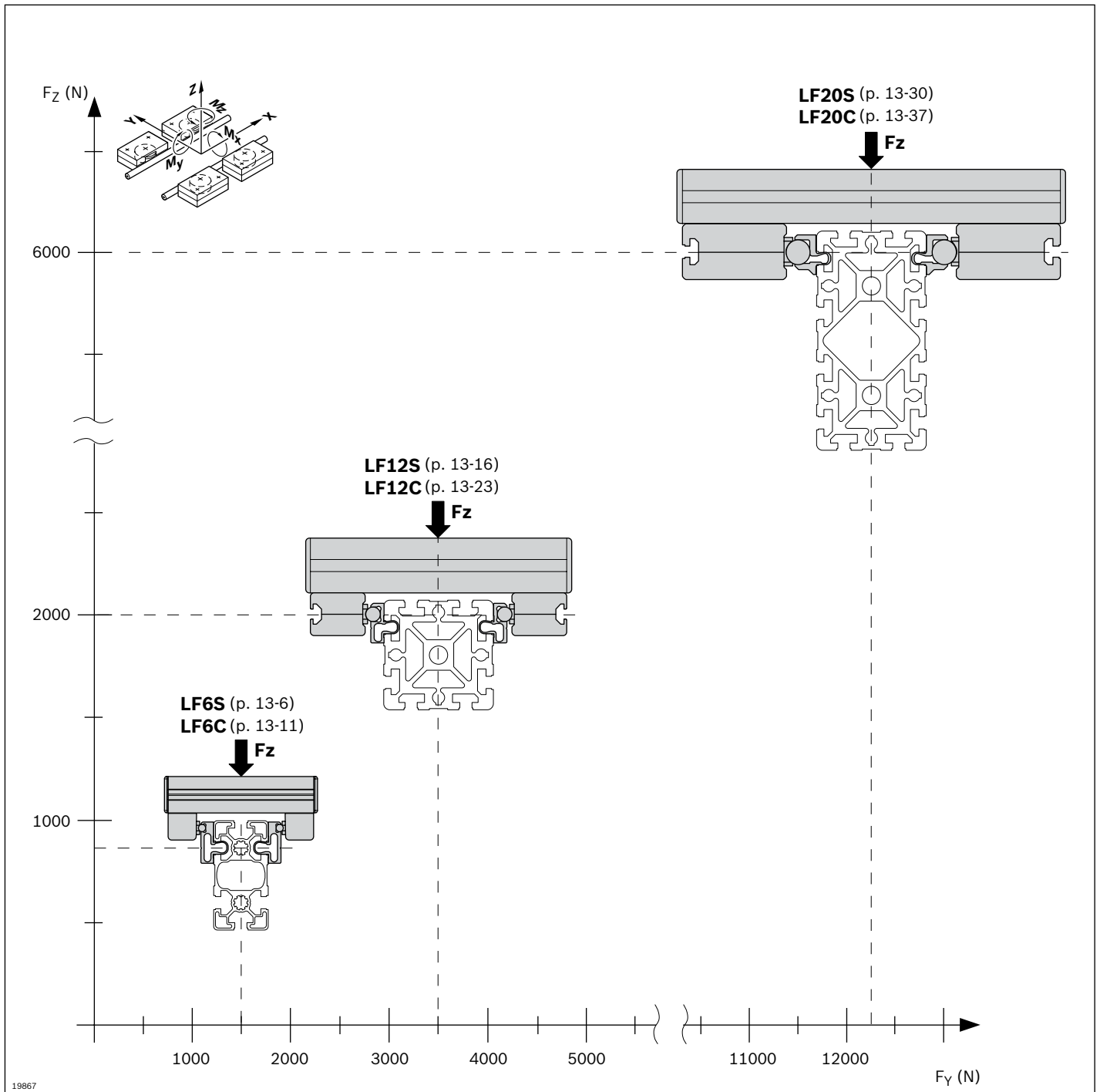


Linear guides

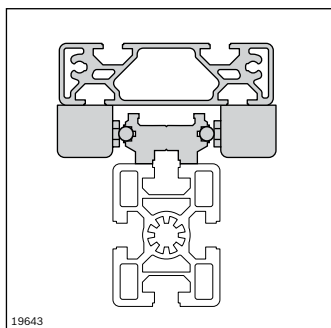
- ▶ For constructing linear guides based on cam roller guides
- ▶ Cam roller guides are suitable for applications with high speeds and medium loads, in particular for the construction of handling equipment, feed systems, guides in work machines, and many other applications
- ▶ Fully pre-assembled in any required length or as individual components for assembly on site
- ▶ Without drive or with toothed belt drive for attaching gears and motors



Linear guides – sizes, designs, and loads

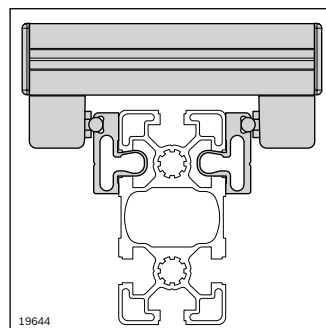


19867



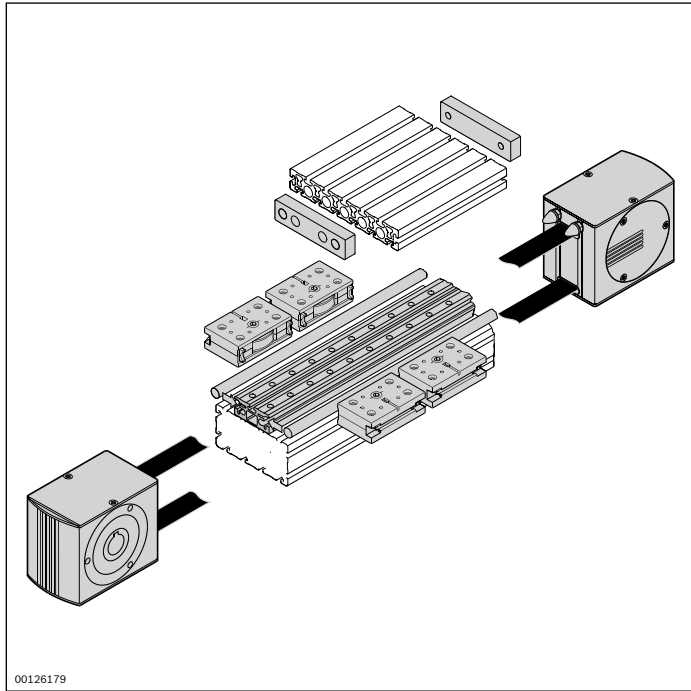
- LF...S**
- ▶ Compact construction
 - ▶ Fixed track width
 - ▶ $v_{max} = 5 \text{ m/s}$

19643



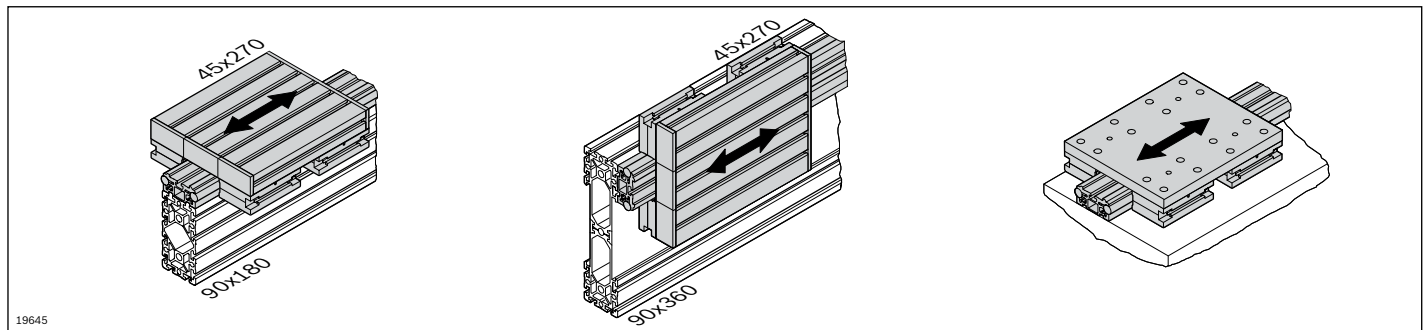
- LF...C**
- ▶ Freely selectable track width for greater torque absorption
 - ▶ $v_{max} = 5 \text{ m/s}$

19644



Cam roller guides LF...S

- ▶ Cam roller guide LF...S with fixed track widths
- ▶ Guide rail made of aluminum with hardened and polished VA guide rods
- ▶ Simple mounting on strut profile or directly on flat surface, e.g. on a machine
- ▶ High precision, dimensional stability and torsional rigidity
- ▶ Lighter and cheaper than steel guides
- ▶ Light trolley with good torsional rigidity
- ▶ Freely selectable trolley lengths
- ▶ Freely selectable stroke lengths possible
- ▶ High permissible speed

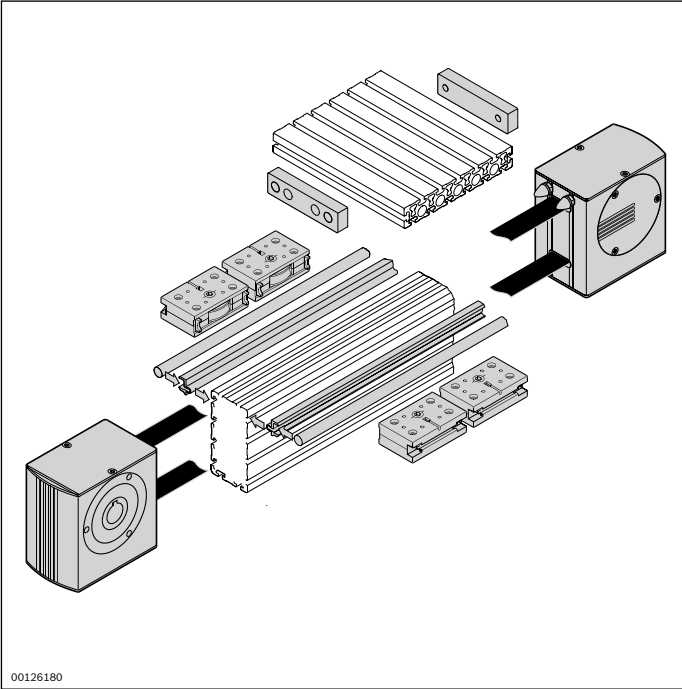


The support profiles shown here are examples

Model	Width	Height	F_y max	F_z max	M_x max	v_{max}
LF6S	90	110,5	1400 N	850 N	13,6 Nm	5 m/s
LF12S	180	172,5	3500 N	2000 N	78 Nm	5 m/s
LF20S	270	182,5	12500 N	6000 N	240 Nm	5 m/s

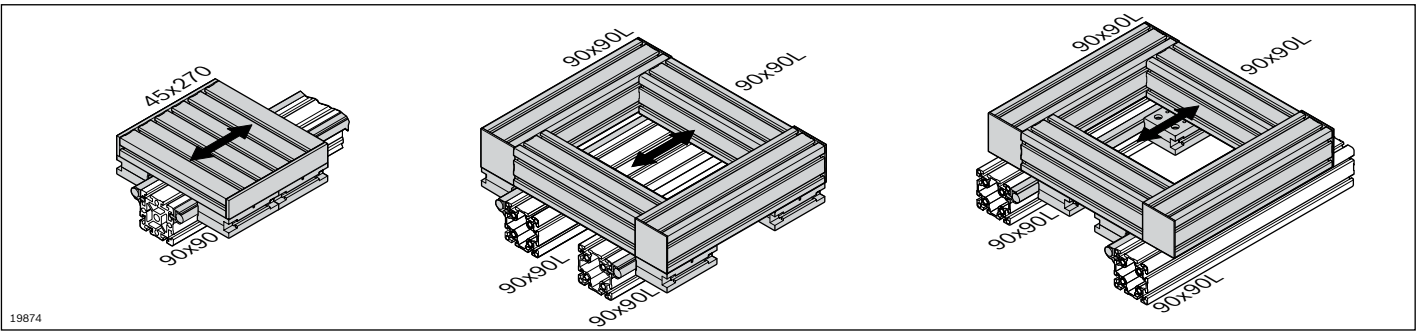
19646

Cam roller guides LF...C



- ▶ Cam roller guide LF...C for free choice of track widths and large track widths
- ▶ Clamping profile made of aluminum with hardened and polished VA guide rods
- ▶ Easy assembly through clipping the clamping profile into the slots of any Rexroth profile with 10 mm slot
- ▶ Optimally adjustable to different loads
- ▶ Greater torque absorption due to a C construction and free choice of track width
- ▶ Light trolley with good torsional rigidity
- ▶ Freely selectable trolley lengths and widths
- ▶ Freely selectable stroke lengths possible
- ▶ High permissible speed

00126180



19874

The support profiles shown here are examples

LF6C

$F_y \text{ max} = 1400 \text{ N}$
 $F_z \text{ max} = 850 \text{ N}$
 $M_x \text{ max} = 0,4 \times B \text{ Nm}$
 $M_x \text{ max} = 25,6 \text{ Nm (B=64mm)}$
 $v_{\text{max}} = 5 \text{ m/s}$

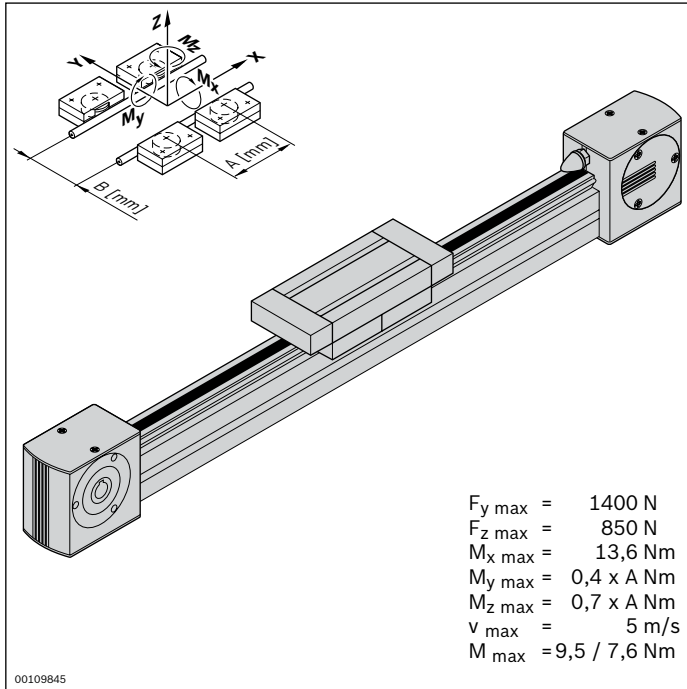
LF12C

$F_y \text{ max} = 3500 \text{ N}$
 $F_z \text{ max} = 2000 \text{ N}$
 $M_x \text{ max} = 1,0 \times B \text{ Nm}$
 $M_x \text{ max} = 108 \text{ Nm (B=108mm)}$
 $v_{\text{max}} = 5 \text{ m/s}$

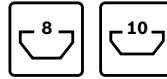
LF20C

$F_y \text{ max} = 12500 \text{ N}$
 $F_z \text{ max} = 6000 \text{ N}$
 $M_x \text{ max} = 3,0 \times B \text{ Nm}$
 $M_x \text{ max} = 360 \text{ Nm (B=120 mm)}$
 $v_{\text{max}} = 5 \text{ m/s}$

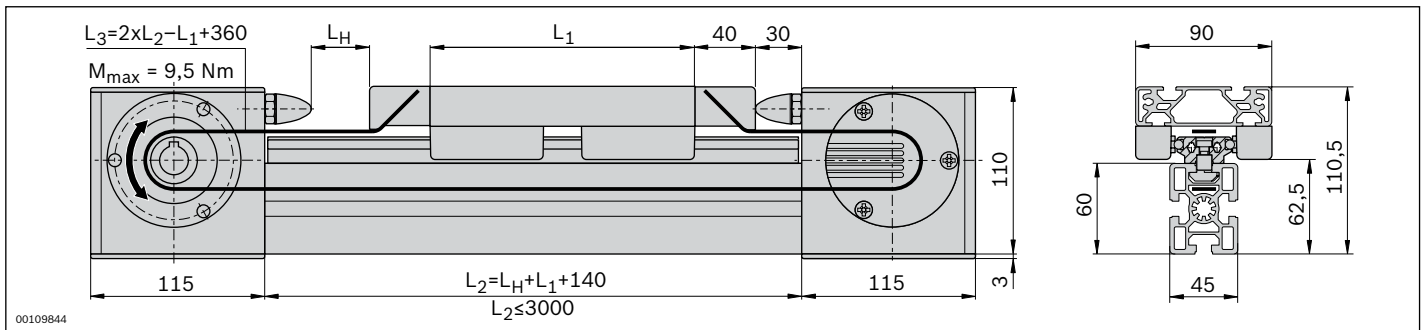
19647



Cam roller guide LF6S – complete axis



- ▶ Fully assembled cam roller guide
- ▶ Stroke and trolley length can be individually selected
- ▶ Rail profile screwed onto strut profile 45x60
- ▶ Incl. toothed belt drive; additional notes on the drive concept (p. 13-44)



Technical data

See pages 13-57 for notes on layout and drive

Complete axis LF6S	L_H / L_1 (mm)	No.
	$L_1 + 80 \leq L_H \leq 2710$	3 842 998 495 / L_H / L_1
	$150 \leq L_1 \leq 1000$	

Cam roller guide LF6S – components

- Components for the individual assembly of cam roller guides, with or without drive

Parts list for cam roller guide LF6S without drive

Component	No.	Pcs	Page
A Profile 45x60	3 842 990 570 / L ₂	1	2-39
B Guide profile LF6S	3 842 993 966 / L ₂	1	13-8
C Trolley profile LF6S	3 842 993 061 / L ₁	1	13-8
D Cover cap LF6S	3 842 535 645	2	13-9
E Guide bearing LF6	3 842 535 662	4	13-8
F Cover cap 45x60	3 842 548 755	2	2-39
K Cylinder bolt M6x20 – DIN 7984		n ¹⁾	
L T-nut M6, 10 mm slot	3 842 530 285	n ¹⁾	3-5
M Sliding block	3 842 146 877	n ¹⁾	13-8

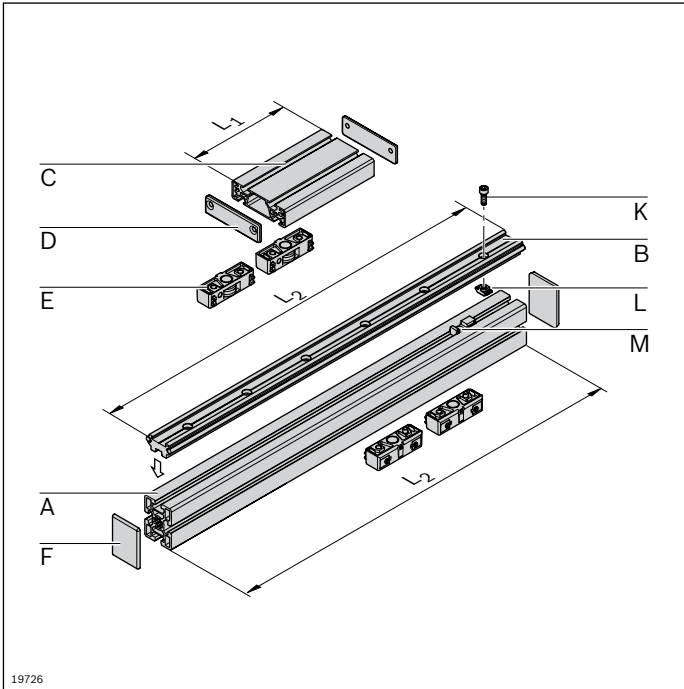
¹⁾ For identification see page 13-8

Parts list for cam roller guide LF6S with drive

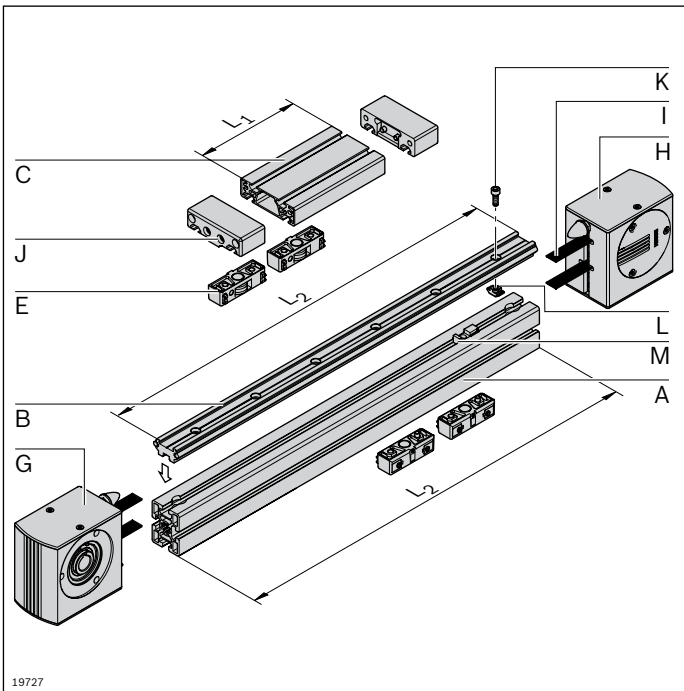
Component	No.	Pcs	Page
A Profile 45x60 LF6S	3 842 993 085 / L ₂	1	2-39
B Guide profile LF6S	3 842 993 966 / L ₂	1	13-8
C Trolley profile LF6S	3 842 993 061 / L ₁	1	13-8
E Guide bearing LF6	3 842 535 662	4	13-8
G Drive head LF6S	3 842 526 410	1	13-9
H Return head LF6S	3 842 526 411	1	13-10
I Toothed belt LF6S	3 842 994 659 / L ₃ ¹⁾	1	13-10
J Belt connector LF6S	3 842 535 682	2	13-10
K Cylinder bolt M6x20 – DIN 7984		n ²⁾	
L T-nut M6, 10 mm slot	3 842 530 285	n ²⁾	3-5
M Sliding block	3 842 146 877	n ²⁾	13-8

¹⁾ L₃ = 2xL₂ - L₁ + 360

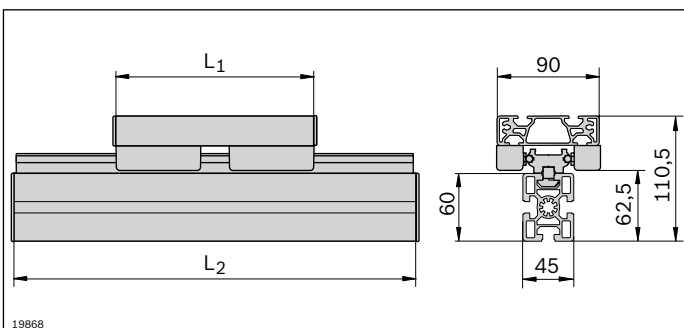
²⁾ For identification see page 13-8



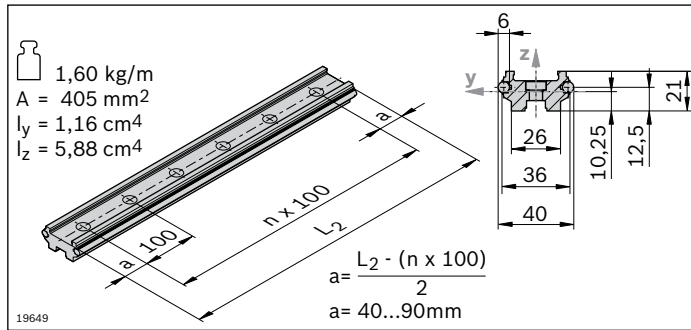
19726




19727



19868



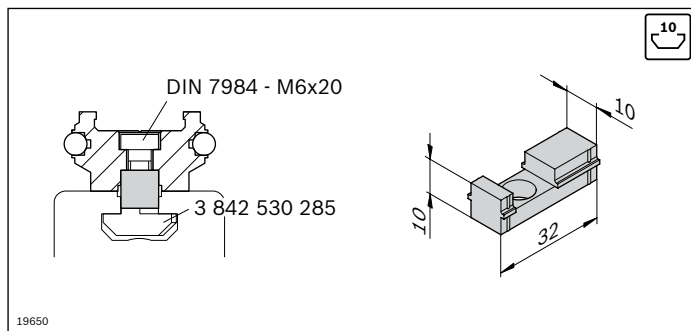
- ▶ Guide profile LF6S with integrated guide rods
- ▶ Installation on MGE strut profiles with 10 mm slot or directly on a flat surface

Guide profile	L ₂ (mm)	No.
LF6S	1 pc 150 ... 3000	3 842 993 966 / L₂
	10 pcs	3000 3 842 539 412
	1 pc	3000 3 842 539 413

Material: Guide profile: Aluminum; anodized
Guide rod: Solid shaft VA, induction hardened, polished

Condition on delivery: Ungreased guide rods; greasing according to assembly instructions **3 842 527 226**

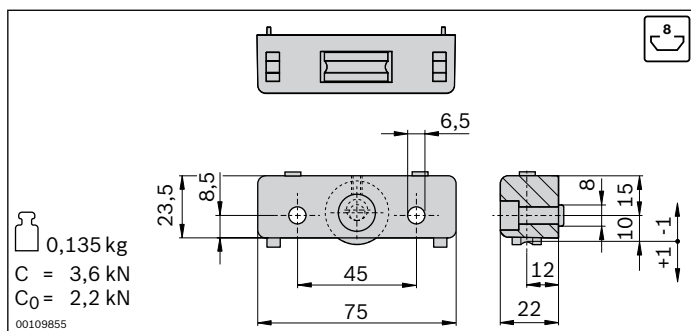
Required accessories: Cylinder bolt DIN 7984 – M6x20
T-nut M6, 10 mm slot **3 842 530 285** (p. 3-5)



- ▶ Sliding block as a centering aid for mounting the guide profile in a 10 mm profile slot

Sliding block	No.
	50 3 842 146 877

Material: PA; black



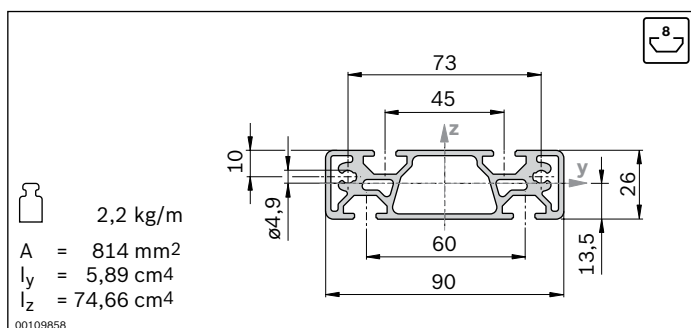
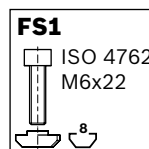
- ▶ Guide bearing for trolley construction
- ▶ Guiding via guide rod
- ▶ Cam rollers with ball bearings, permanently lubricated
- ▶ Lubricating felts with guide rod lubrication reservoir
- ▶ Play-free cam roller adjustment via eccentric bolts

Guide bearing	No.	FS
LF6	2 3 842 535 662	2xFS1

Material: Housing: Diecast aluminum
Cam roller: Steel, hardened, polished

Scope of delivery: Incl. fastening material (FS)

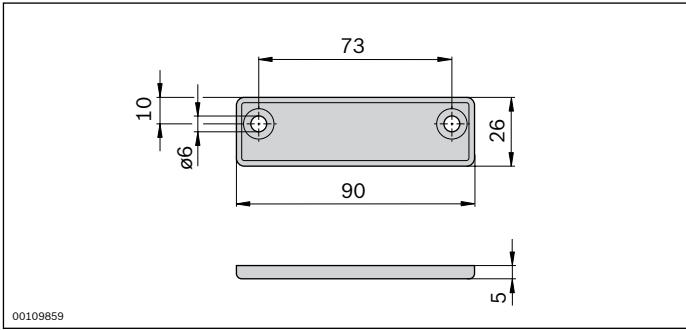
Condition on delivery: Lubricating felts ungreased; greasing according to assembly instructions **3 842 527 226**



- ▶ Trolley profile for the construction of trolley LF6S

Trolley profile	L ₁ (mm)	No.
LF6S	150 ... 3000	3 842 993 061 / L₁

Material: Aluminum; anodized

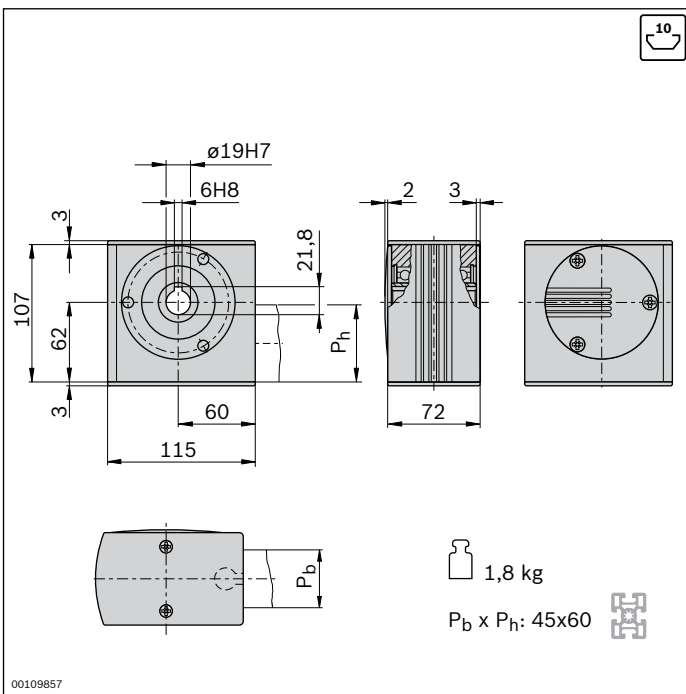
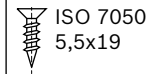


- ▶ Cover cap for trolley profile LF6S
- ▶ For use on trolleys which are not driven by a toothed belt

Cover cap	No.	FS
LF6S	2 3 842 535 645	2xFS2

Material: PA; black

FS2



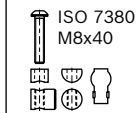
- ▶ Drive head for transferring drive torque to a toothed belt
- ▶ For direct mounting of a motor or (in conjunction with a plug-in shaft) for mounting a hollow shaft gear or a coupling (p. 13-46)
- ▶ Mounted with longitudinal end connector directly on profile 45x60
- ▶ Profile finishing: LF blind hole drilling for longitudinal end connector

Drive head	No.	FS
LF6S	3 842 526 410	2xFS3, FS4

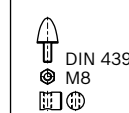
Material: Aluminum; anodized
Hollow shaft: Steel; zinc-plated
Cover caps: PA; black

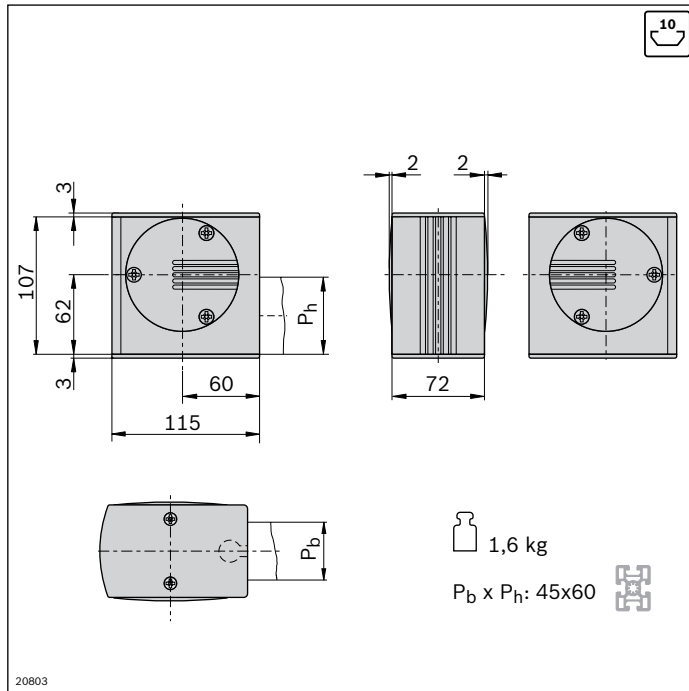
Scope of delivery: Incl. Fastening material (FS), cover caps

FS3



FS4



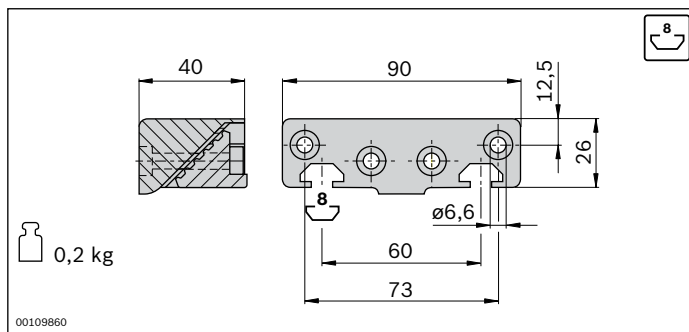
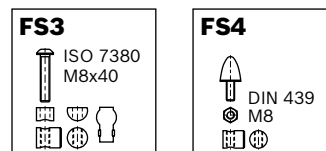


- ▶ Return head for tensioning the toothed belt and changing its direction
- ▶ Mounted directly on profile using longitudinal end connector
- ▶ Profile finishing: LF blind hole drilling for longitudinal end connector

Return head	No.	FS
LF6S	3 842 526 411	2xFS3, FS4

Material: Aluminum; anodized
Hollow shaft: Steel; zinc-plated
Cover caps: PA; black

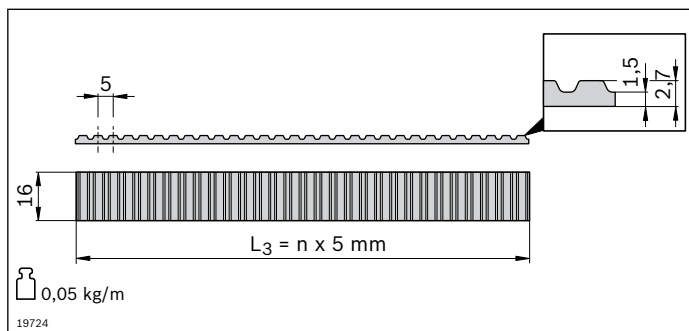
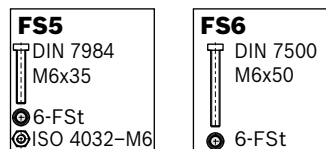
Scope of delivery: Incl. Fastening material (FS), cover caps



- ▶ Belt connector for fixing the toothed belt on the front of the trolley
- ▶ All connecting parts for mounting on the trolley profile LF6S are included

Belt connector	No.	FS
LF6S	2 3 842 535 682	2xFS5, 2xFS6

Material: Aluminum, painted black
Scope of delivery: Incl. fastening material (FS)

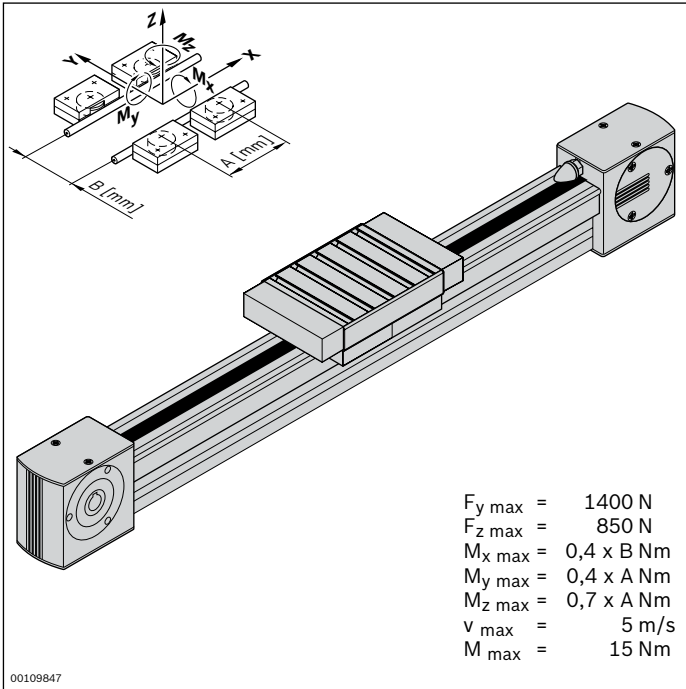


- ▶ Toothed belt as a trolley drive
- ▶ Pitch: AT5

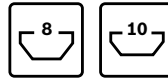
Toothed belt	L ₃ (mm)	No.
LF6S	300 ... 50000	3 842 994 659 / L ₃ ¹⁾
	50000	3 842 513 646

¹⁾ L₃ = 2xL₂ - L₁ + 360

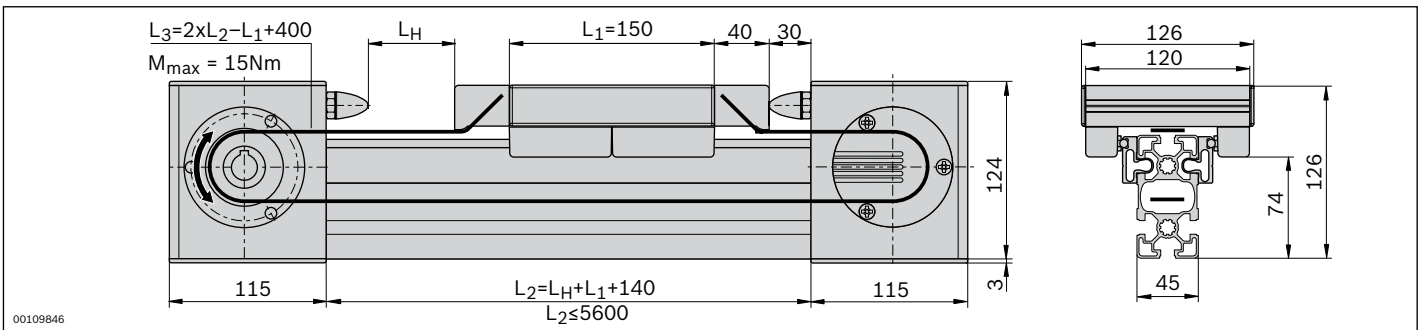
Material: PU with embedded steel wires



Cam roller guide LF6C – complete axis



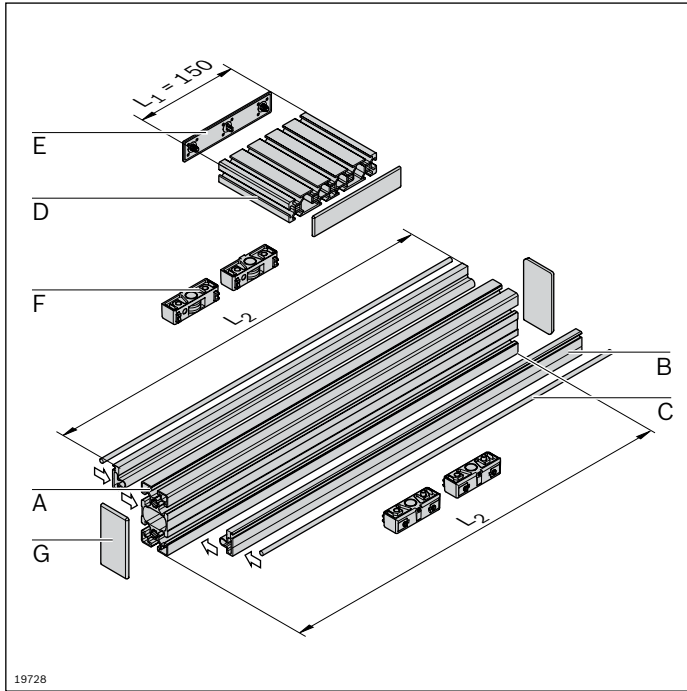
- ▶ Fully assembled cam roller guide
- ▶ Stroke can be individually selected
- ▶ Clamping profile clipped into strut profile 45x90L
- ▶ Incl. toothed belt drive; additional notes on the drive concept (p. 13-44)



Technical data

For notes on layout and drive, see page 13-50

Complete axis	L_H (mm)	No.
LF6C	50 ... 5310	3 842 998 496 / L_H

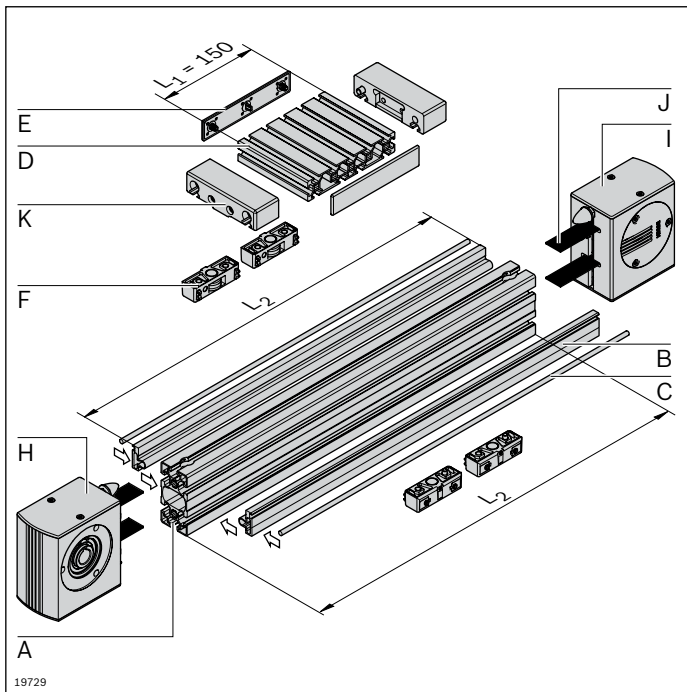


Cam roller guide LF6C – components

- Components for the individual assembly of cam roller guides, with or without drive

Parts list for cam roller guide LF6C without drive

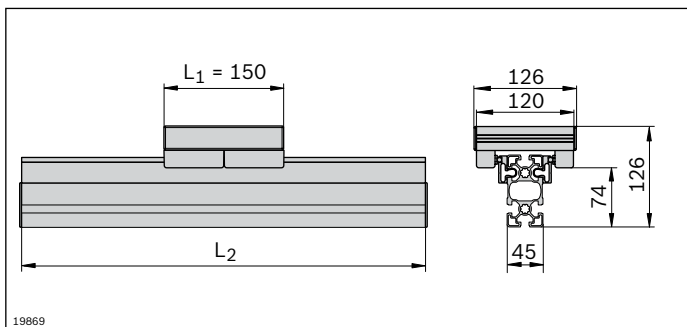
Component	No.	Pcs	Page
A Profile 45x90L	3 842 992 432 / L₂	1	2-40
B Clamping profile LF6C	3 842 992 925 / L₂	2	13-13
C Guide rod LF6	3 842 993 967 / L₂	2	13-13
D Trolley profile LF6C	3 842 993 952 / 120 mm	1	13-13
E Cover cap LF6C	3 842 539 120	2	13-14
F Guide bearing LF6	3 842 535 662	4	13-13
G Cover cap 45x90	3 842 548 757	2	2-40

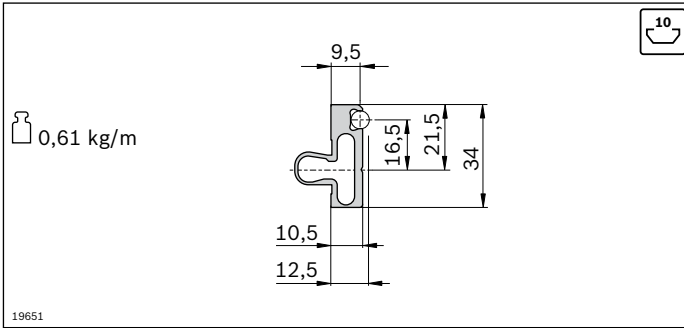


Parts list for cam roller guide LF6C with drive

Component	No.	Pcs	Page
A Profile 45x90L LF6C	3 842 993 084 / L₂	1	2-40
B Clamping profile LF6C	3 842 992 925 / L₂	2	13-13
C Guide rod LF6	3 842 993 967 / L₂	2	13-13
D Trolley profile LF6C	3 842 993 952 / 120 mm	1	13-13
E Cover cap LF6C	3 842 539 120	2	13-14
F Guide bearing LF6	3 842 535 662	4	13-13
H Drive head LF6C	3 842 526 416	1	13-14
I Return head LF6C	3 842 526 417	1	13-15
J Toothed belt LF6C	3 842 994 711 / L₃¹⁾	1	13-15
K Belt connector LF6C	3 842 535 681	2	13-15

¹⁾ L₃ = 2xL₂ - L₁ + 400

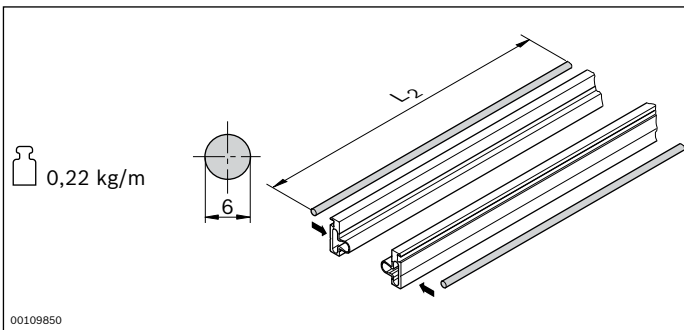




- ▶ The clamping profile is clipped into any 10 mm slot of the strut profile and it holds the guide rods

Clamping profile	L ₂ (mm)	No.
LF6C	1 pc 150 ... 3000	3 842 992 925 / L₂
20 pcs	3000	3 842 518 896
	1 pc	3 842 518 893

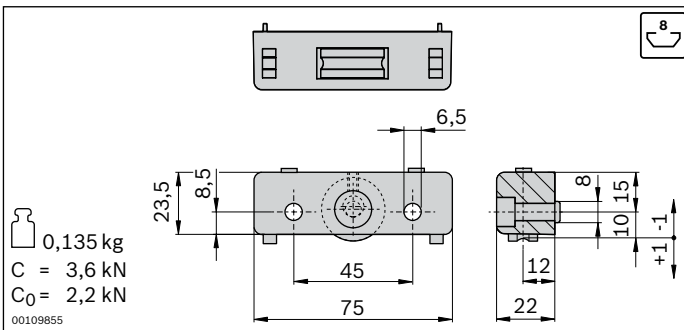
Material: Aluminum; anodized



- ▶ The guide rod is pressed into the clamping profile
- ▶ The guide rod guides the guide bearing

Guide rod	L ₂ (mm)	No.
LF6	150 ... 3000	1 3 842 993 967 / L₂
	3000	20 3 842 539 414
	3000	1 3 842 540 139

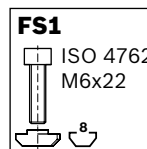
Material: Solid shaft VA, induction hardened, polished
 Condition on delivery: Ungreased; greasing according to assembly instructions **3 842 527 226**



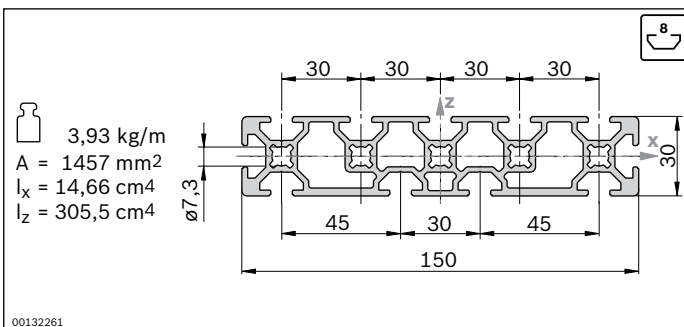
- ▶ Guide bearing for trolley construction
- ▶ Guiding via guide rod
- ▶ Cam rollers with ball bearings, permanently lubricated
- ▶ Lubricating felts with guide rod lubrication reservoir
- ▶ Play-free cam roller adjustment via eccentric bolts

Guide bearing	No.	FS
LF6	2	3 842 535 662 2xFS1

Material: Housing: Diecast aluminum
 Cam roller: Steel, hardened, polished
 Scope of delivery: Incl. fastening material (FS)
 Condition on delivery: Lubricating felts ungreased; greasing according to assembly instructions **3 842 527 226**

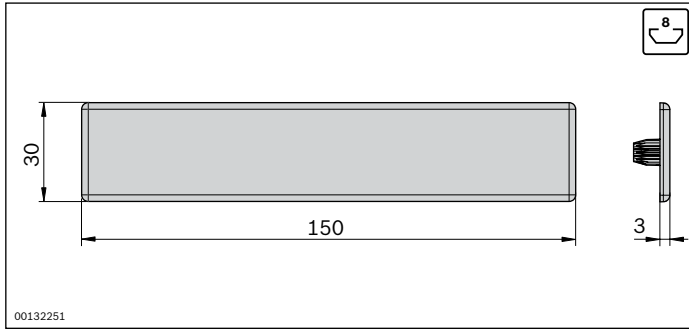


- ▶ Trolley profile for the construction of trolley LF6C



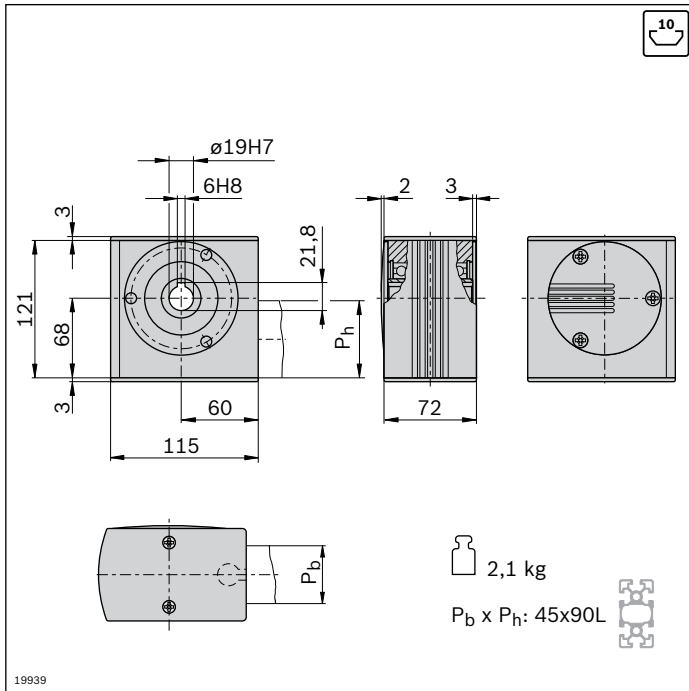
Trolley profile	L (mm)	No.
LF6C	150 ... 3000	3 842 993 952 / L

Material: Aluminum; anodized



- ▶ Cover cap for trolley profile LF6C
- ▶ For use on trolleys which are not driven by a toothed belt

Cover cap	No.
LF6C	2 3 842 539 120
Material:	PA; black



- ▶ Drive head for transferring drive torque to a toothed belt
- ▶ For direct mounting of a motor or (in conjunction with a plug-in shaft) for mounting a hollow shaft gear or a coupling (p. 13-46)
- ▶ Mounted directly on profile 45x90L using longitudinal end connector
- ▶ Profile finishing: LF blind hole drilling for longitudinal end connector

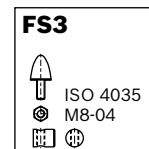
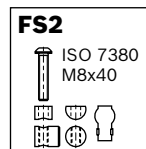
Drive head	No.	FS
LF6C	3 842 526 416	2xFS2, FS3

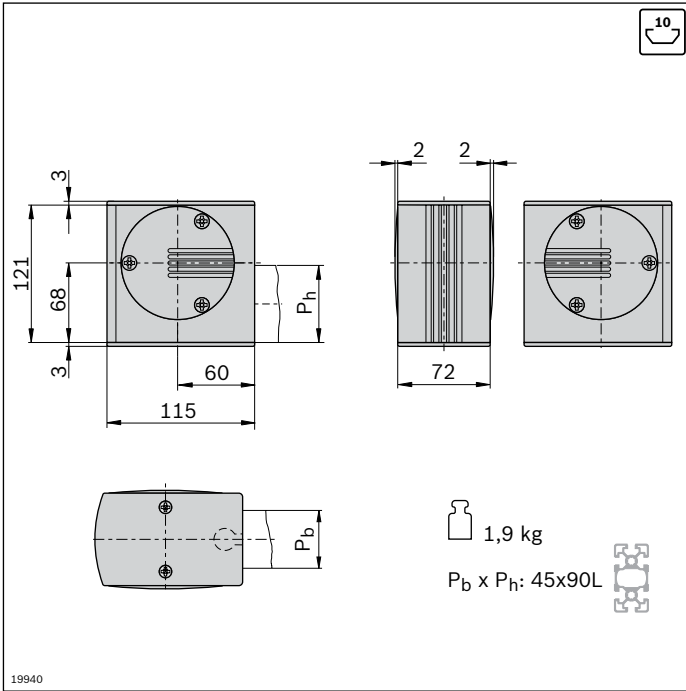
Material: Aluminum; anodized
 Hollow shaft: Steel; zinc-plated
 Cover caps: PA; black

Scope of delivery: Incl. Fastening material (FS), cover caps

2,1 kg

$P_b \times P_h$: 45x90L

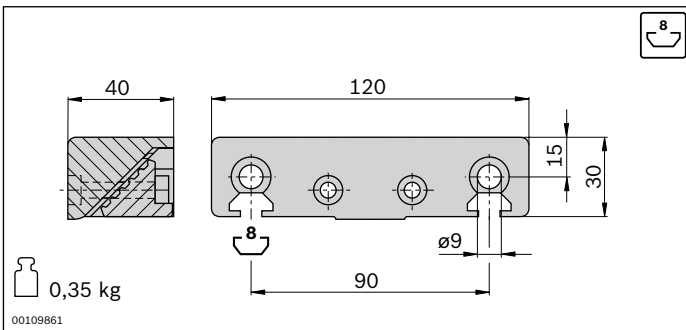
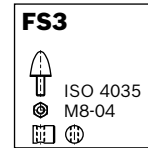
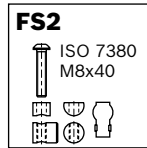




- ▶ Return head for tensioning the toothed belt and changing its direction
- ▶ Mounted directly on profile 45x90L using longitudinal end connector
- ▶ Profile finishing: LF blind hole drilling for longitudinal end connector

Return head	No.	FS
LF6C	3 842 526 417	2xFS2, FS3

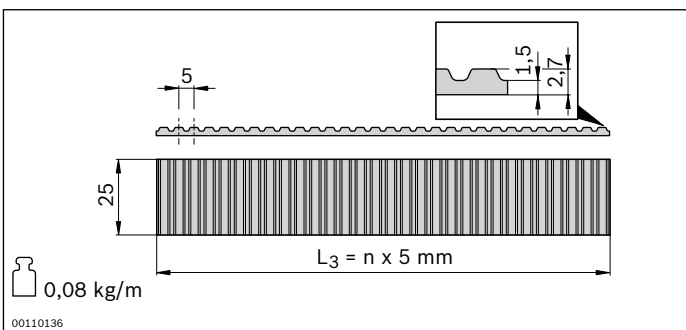
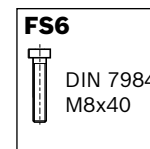
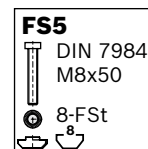
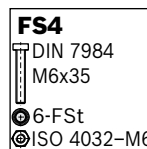
Material: Aluminum; anodized
Hollow shaft: Steel; zinc-plated
Cover caps: PA; black
Scope of delivery: Incl. Fastening material (FS), cover caps



- ▶ Belt connector for fastening the toothed belt to the trolley slot
- ▶ All connecting parts for mounting on the trolley profile LF6C are included

Belt connector	No.	FS
LF6C	2 3 842 535 681	2xFS4, 2xFS5, 2xFS6

Material: Aluminum, painted black
Scope of delivery: Incl. fastening material (FS)

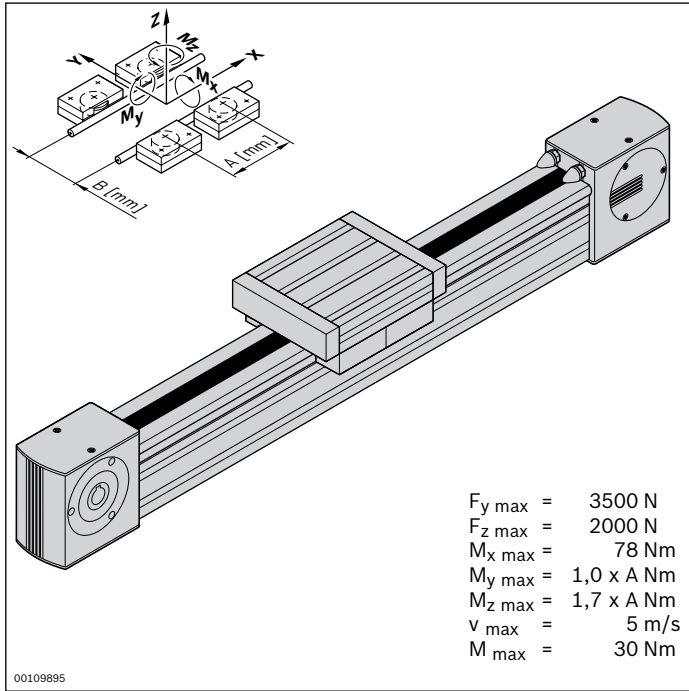


- ▶ Toothed belt as a trolley drive
- ▶ Pitch: AT5

Toothed belt	L ₃ (mm)	No.
LF6C	300 ... 50000	3 842 994 711 / L₃¹⁾
	50000	3 842 518 856

¹⁾ L₃ = 2xL₂ - L₁ + 400

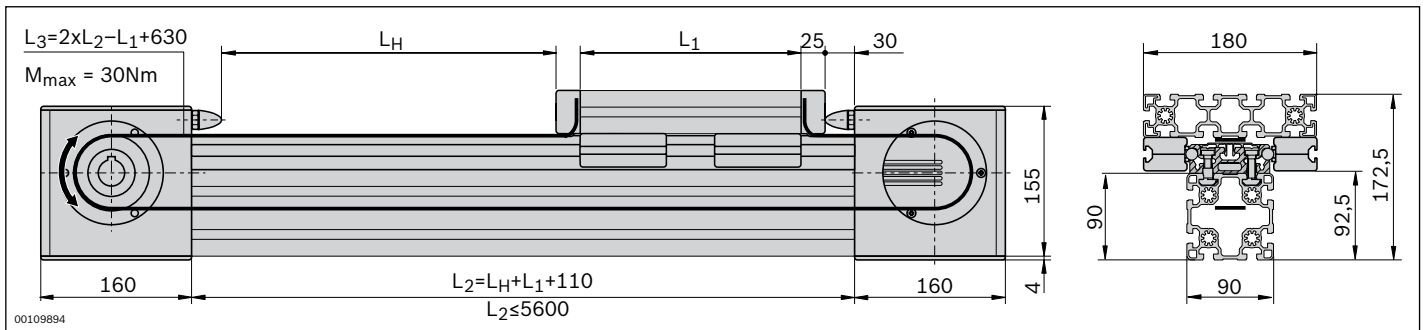
Material: PU with embedded steel wires



Cam roller guide LF12S – complete axis



- ▶ Fully assembled cam roller guide
- ▶ Stroke and trolley length can be individually selected
- ▶ Rail profile screwed onto strut profile 90x90L
- ▶ Incl. toothed belt drive; additional notes on the drive concept (p. 13-44)



Technical data


See pages 13-57 for notes on layout and drive

Complete axis	L_H / L_1 (mm)	No.
LF12S	$L_1 + 50 \leq L_H \leq 5310$ $180 \leq L_1 \leq 1000$	3 842 998 497 / L_H / L_1

Cam roller guide LF12S – components


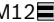
- Components for the individual assembly of cam roller guides, with or without drive

Parts list for cam roller guide LF12S without drive

Component	No.	Pcs	Page
A Profile 90x90L 	3 842 992 415 / L₂	1	2-44
B Guide profile LF12S	3 842 992 438 / L₂	1	13-18
C Guide rod LF12	3 842 993 968 / L₂	2	13-18
D Cover profile LF12S	3 842 993 062 / L₂	1	13-18
E Profile 45x180	3 842 990 335 / L₁	1	2-42
F Cover cap 45x180	3 842 548 795	2	2-42
G Guide bearing LF12	3 842 535 664	4	13-19
H Cover cap 90x90L	3 842 548 759	2	2-44
M Cylinder bolt DIN 7984 – M8x30		n ¹⁾	
N T-nut M8, 10 mm slot	3 842 530 287	n ¹⁾	3-5
O Sliding block	3 842 146 877	n ¹⁾	13-18

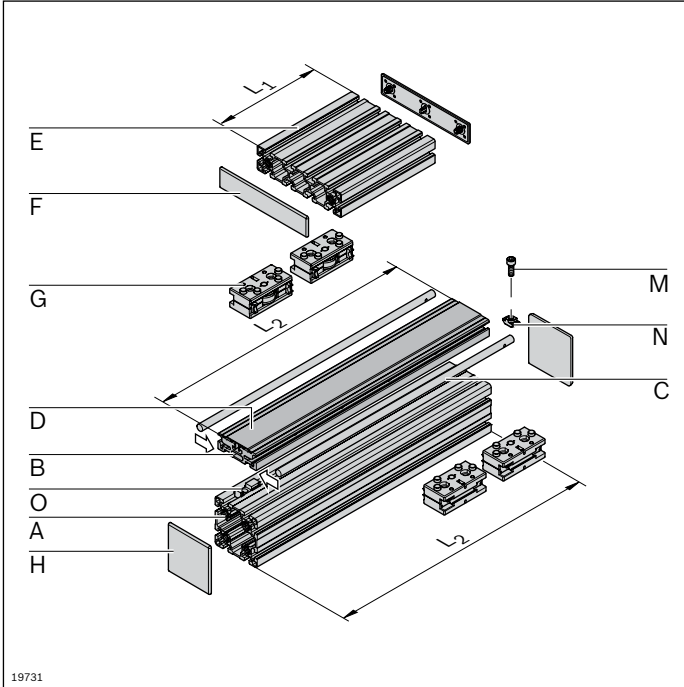
¹⁾ For identification see page 13-18

Parts list for cam roller guide LF12S with drive

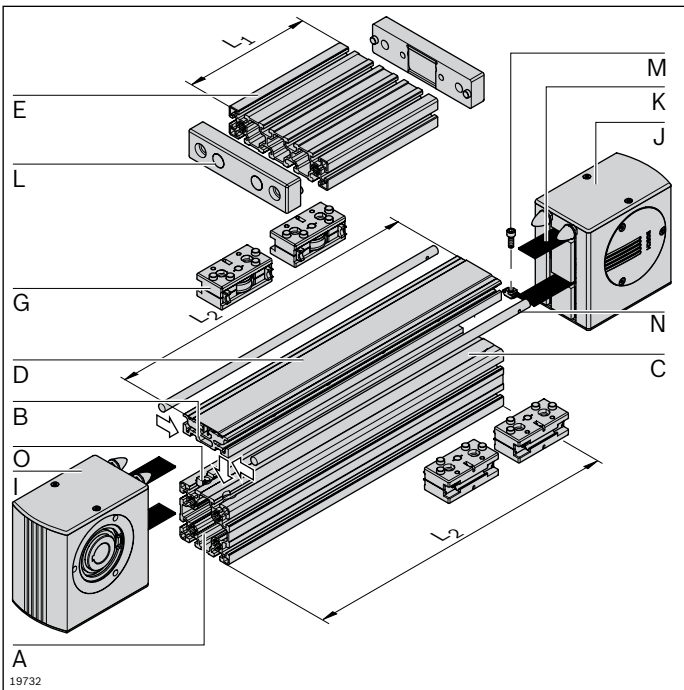
Component	No.	Pcs	Page
A Profile 90x90L LF  LF	3 842 992 418 / L₂	1	2-44
B Guide profile LF12S	3 842 992 438 / L₂	1	13-18
C Guide rod LF12	3 842 993 968 / L₂	2	13-18
D Cover profile LF12S	3 842 993 062 / L₂	1	13-18
E Profile 45x180 M12  M12	3 842 990 339 / L₁	1	2-42
G Guide bearing LF12	3 842 535 664	4	13-19
I Drive head LF12S	3 842 526 412	1	13-21
J Return head LF12S	3 842 526 413	1	13-21
K Toothed belt	3 842 994 821 / L₃¹⁾	1	13-22
L Belt connector	3 842 535 680	2	13-22
M Cylinder bolt DIN 7984 – M8x30		n ²⁾	
N T-nut M8, 10 mm slot	3 842 530 287	n ²⁾	3-5
O Sliding block	3 842 146 877	n ²⁾	13-18

¹⁾ $L_3 = 2xL_2 - L_1 + 630$

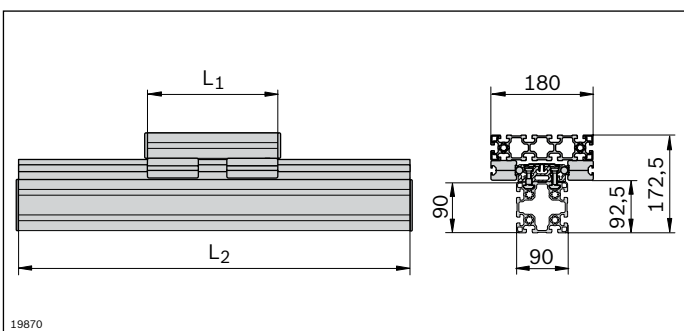
²⁾ For identification see page 13-18



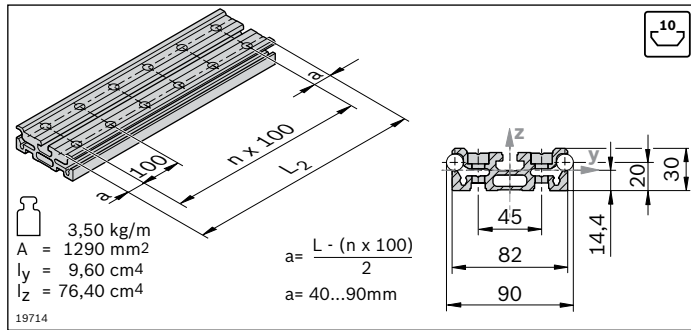
19731




19732



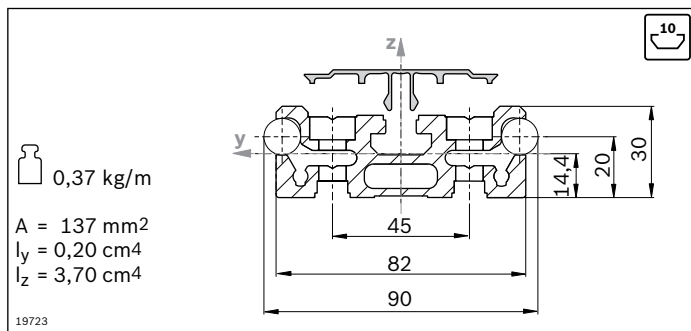
19870



- ▶ Guide profile LF12S to hold the guide rods
- ▶ Installation on MGE strut profiles with 10 mm slot or directly on a flat surface

Guide profile		L_2 (mm)	No.
LF12S	1 pc	180 ... 6070	3 842 992 438 / L_2
	 6 pcs	6070	3 842 557 945
	1 pc	6070	3 842 558 307

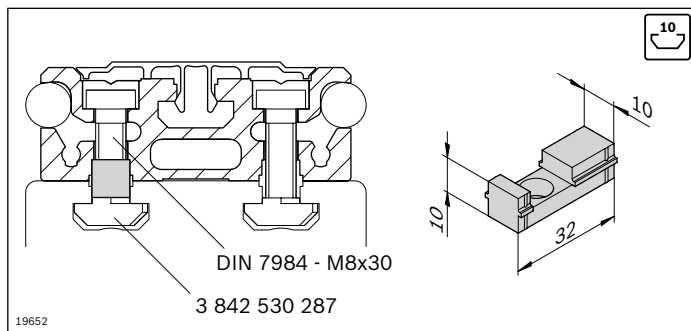
Material: Aluminum; anodized
 Accessories: Cylinder bolt DIN 7984 – M8x30
 T-nut M8, 10 mm slot, **3 842 530 287**
 Sliding block, cover profile, guide rod



- ▶ Cover profile to prevent contamination on threaded connections

Cover profile		L_2 (mm)	No.
LF12S		150 ... 5600	3 842 993 062 / L_2
		5600	3 842 526 500

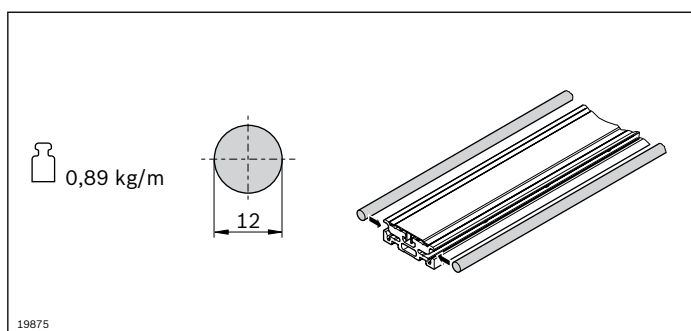
Material: Aluminum; anodized



- ▶ Sliding block as a centering aid for mounting the guide profile in a 10 mm profile slot

Sliding block		No.
	50	3 842 146 877

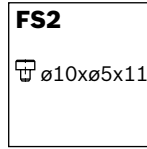
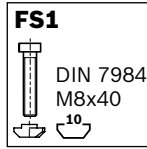
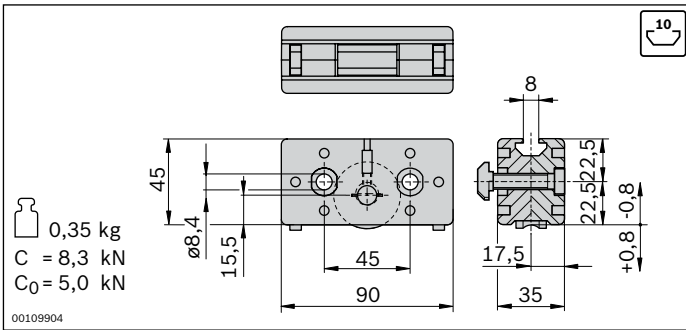
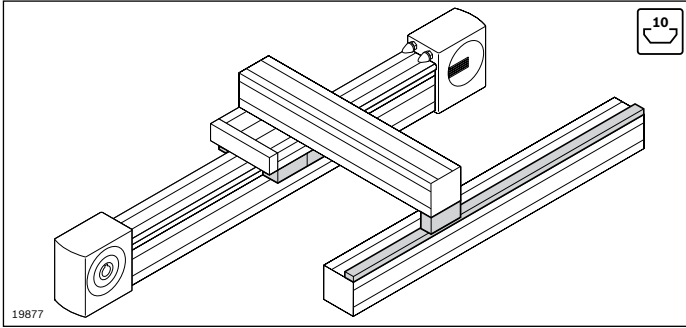
Material: PA; black



- ▶ The guide rod is pressed into the guide profile
- ▶ The guide rod guides the guide bearing

Guide rod		L_2 (mm)	No.
LF12		150 ... 2900	3 842 993 968 / L_2
		2900	3 842 539 415

Material: Solid shaft VA, induction hardened and polished
 Condition on delivery: Ungreased; greasing according to assembly instructions **3 842 527 226**



- ▶ Guide bearing for trolley construction
- ▶ Supporting bearing for brackets for bearing off-center forces
- ▶ Guide rail to hold supporting bearings (p. 13-20)

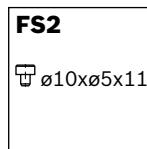
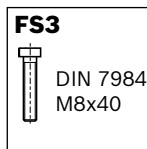
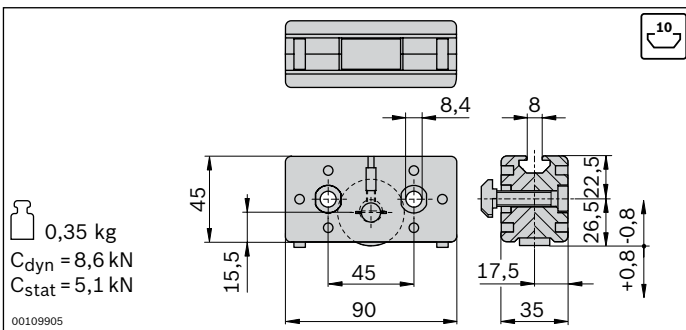
- ▶ Guide bearing for trolley construction
- ▶ Guiding via guide rod
- ▶ Cam rollers with ball bearings, permanently lubricated
- ▶ Lubricating felts with guide rod lubrication reservoir
- ▶ Play-free cam roller adjustment via eccentric bolts
- ▶ Replacement of the lubricating felts possible from rear in installed state

Guide bearing	No.	FS
LF12	2 3 842 535 664	2xFS1, 4xFS2

Material: Housing: Diecast aluminum
Cam roller: Steel, hardened, polished

Scope of delivery: Incl. fastening material (FS)

Condition on delivery: Lubricating felts ungreased; greasing according to assembly instructions
3 842 527 226



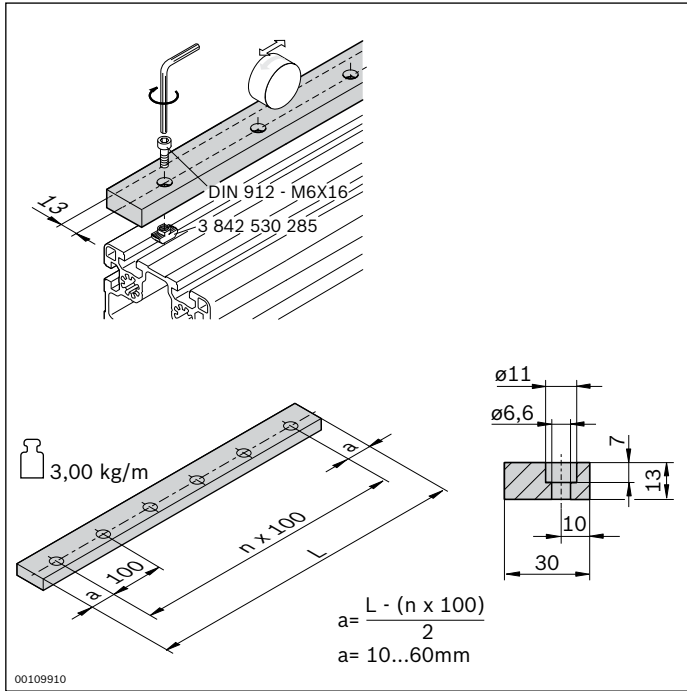
- ▶ Supporting bearing for brackets for bearing off-center forces
- ▶ For support on the guide rail
- ▶ Cam rollers with ball bearings, permanently lubricated
- ▶ Lubricating felts with guide rod lubrication reservoir
- ▶ Play-free cam roller adjustment via eccentric bolts
- ▶ Replacement of the lubricating felts possible from rear in installed state

Supporting bearing	No.	FS
LF12	2 3 842 535 666	2xFS3 4xFS2

Material: Housing: Diecast aluminum
Cam roller: Steel, hardened, polished

Scope of delivery: Incl. fastening material (FS)

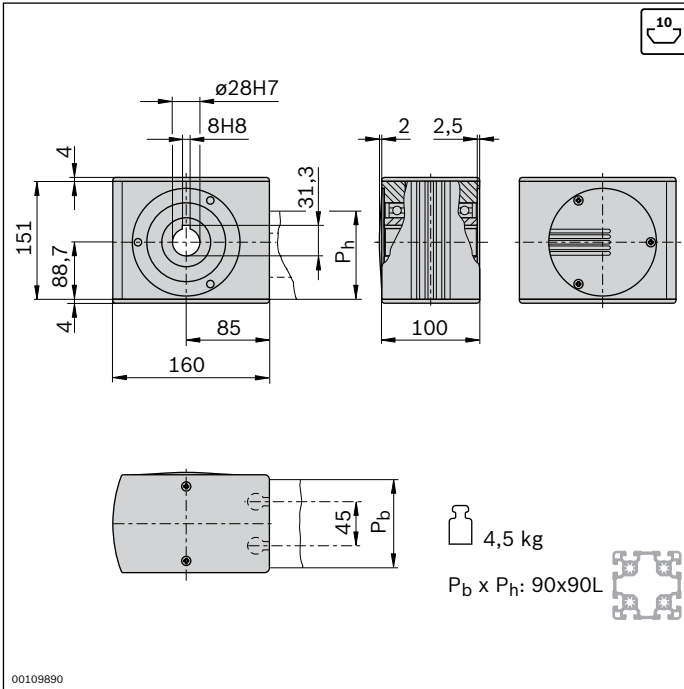
Condition on delivery: Lubricating felts ungreased; greasing according to assembly instructions
3 842 527 226



► Guide rail to hold supporting bearings

Guide rail	L (mm)	No.
LF12	120 ... 2000	3 842 994 702 / L
	2000	3 842 517 160

- Material: Steel, hardened, polished
 Condition on delivery: Ungreased; greasing according to assembly instructions **3 842 527 226**
 Accessories: Cylinder bolt DIN 912 – M6x16
 T-nut M6, 10 mm slot (**3 842 530 285**)

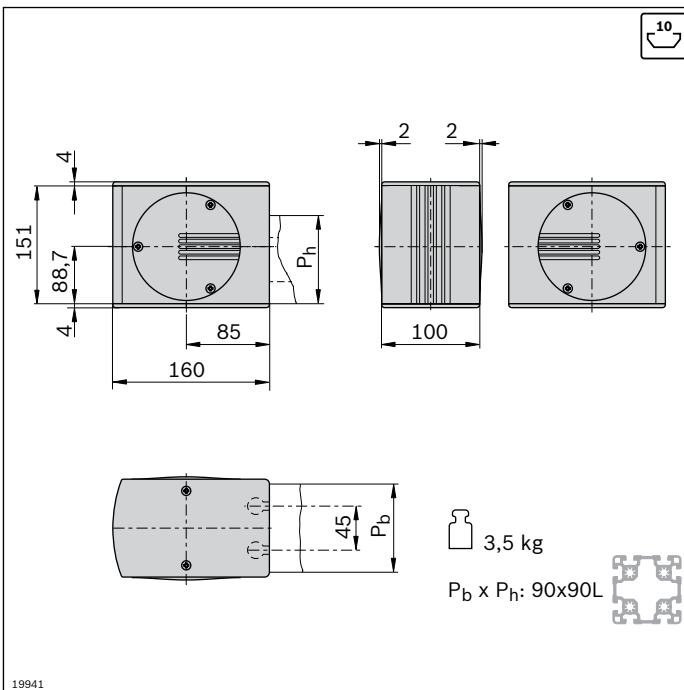
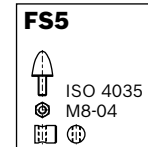
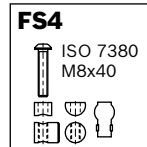


- ▶ Drive head for transferring drive torque to a toothed belt
- ▶ For direct mounting of a motor or (in conjunction with a plug-in shaft) for mounting a hollow shaft gear or a coupling (p. 13-46)
- ▶ Mounted directly on profile by using longitudinal end connector (connector included in scope of delivery)
- ▶ Profile finishing: LF blind hole drilling for longitudinal end connector

Drive head	No.	FS
LF12S	3 842 526 412	2xFS4, 2xFS5

Material: Drive head: Aluminum; anodized
Cover caps: PA; black
Hollow shaft: Steel; zinc-plated

Scope of delivery: Incl. Fastening material (FS), cover caps

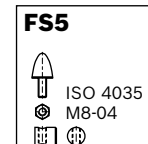
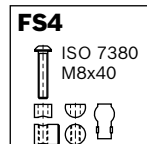


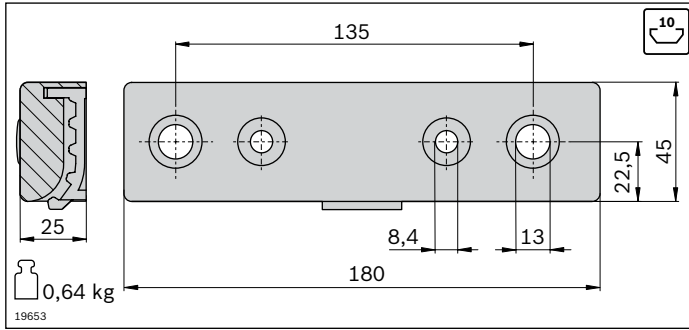
- ▶ Return head for tensioning the toothed belt and changing its direction
- ▶ Mounted directly on profile by using longitudinal end connector (connector included in scope of delivery)
- ▶ Profile finishing: LF blind hole drilling for longitudinal end connector

Return head	No.	FS
LF12S	3 842 526 413	2xFS4, 2xFS5

Material: Aluminum; anodized
Hollow shaft: Steel; zinc-plated
Cover caps: PA; black

Scope of delivery: Incl. Fastening material (FS), cover caps

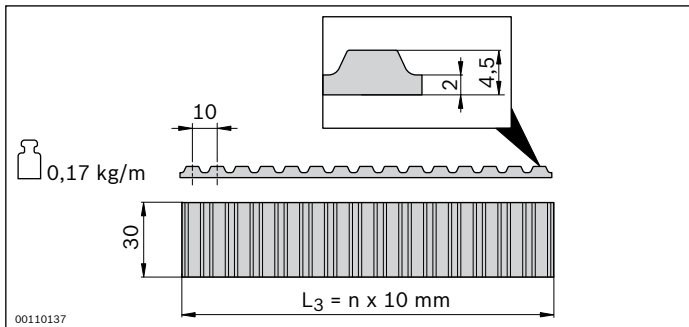
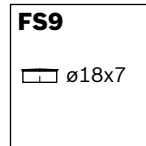
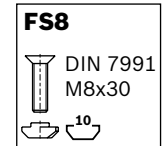
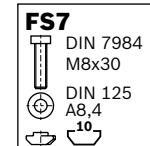
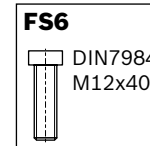
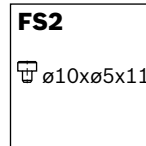




- ▶ Belt connector suitable for trolley built out of strut profiles 45x180
- ▶ All connecting parts included for mounting on the profile end (LF12S) or in the slot (LF12C)
- ▶ Profile finishing for strut profile 45x180 for trolley LF12S: M12

Belt connector	No.	FS
LF12	2 3 842 535 680	4xFS2, 2xFS6, 2xFS7, 2xFS8, 2xFS9

Material: Aluminum, painted black
 Scope of delivery: Incl. fastening material (FS)



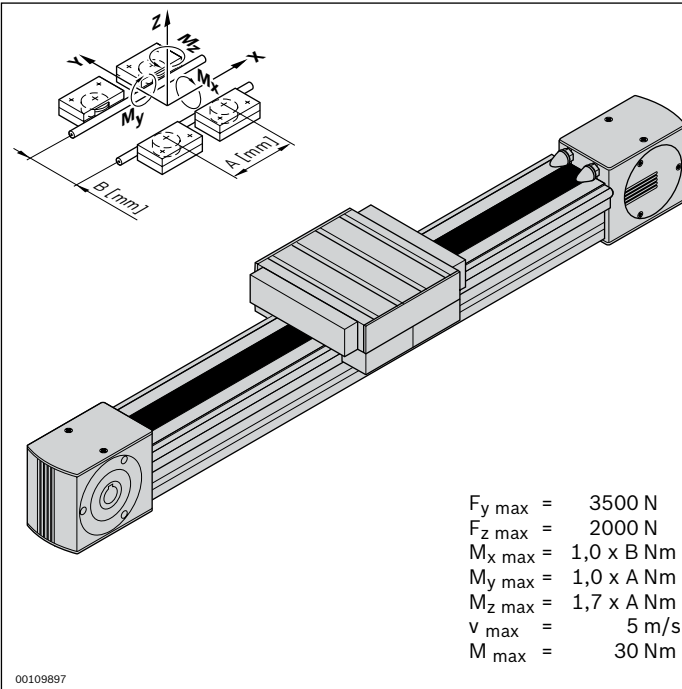
- ▶ Toothed belt as a trolley drive
- ▶ Pitch: AT10

Toothed belt	L ₃ (mm)	No.
LF12	300 ... 50000	3 842 994 821 / L ₃ ¹⁾
	50000	3 842 526 422

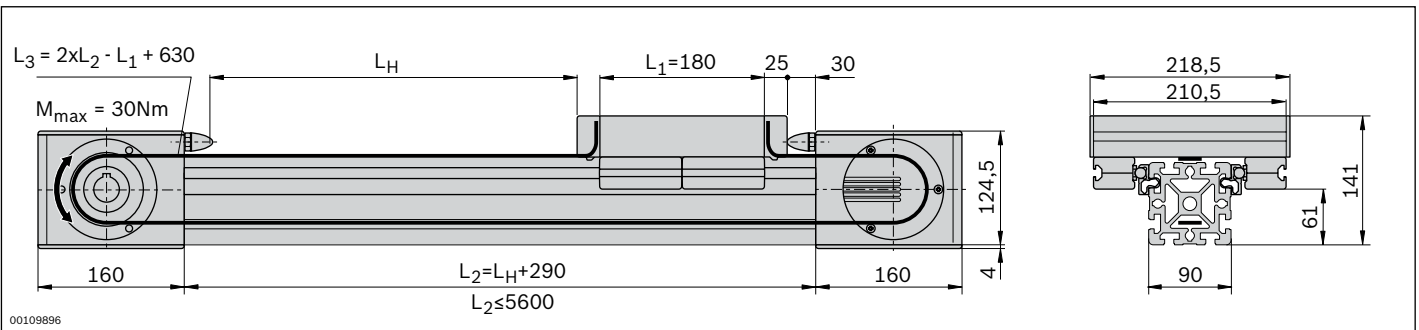
¹⁾ L₃ = 2xL₂ - L₁ + 630

Material: PU with embedded steel wires

Cam roller guide LF12C – complete axis



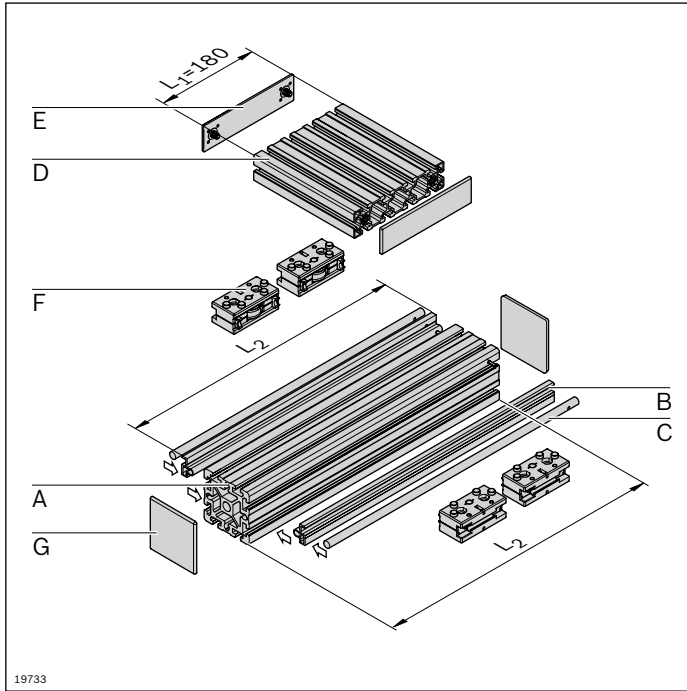
- ▶ Fully assembled cam roller guide
- ▶ Stroke can be individually selected
- ▶ Clamping profile clipped into strut profile 90x90
- ▶ Incl. toothed belt drive; additional notes on the drive concept (p. 13-44)



Technical data

For notes on layout and drive, see page 13-50

Complete axis	L_H (mm)	No.
LF12C	50 ... 5310	3 842 998 498 / L_H

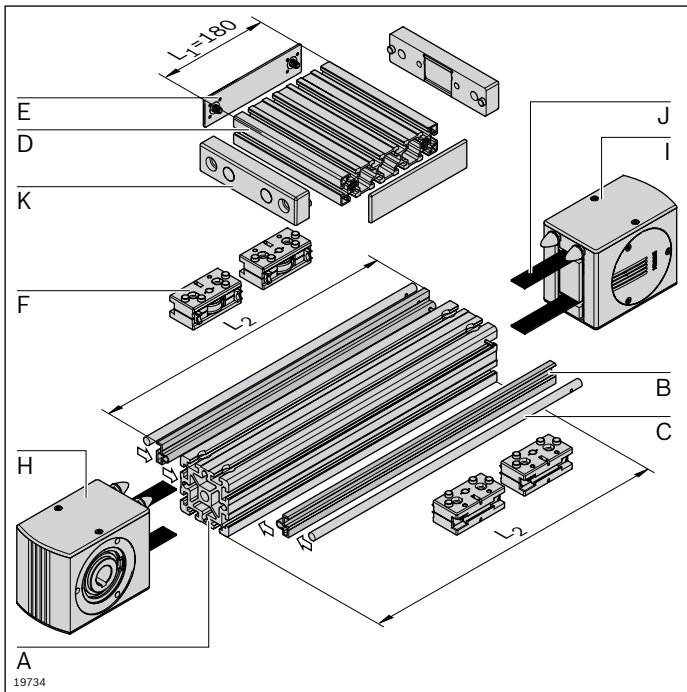


Cam roller guide LF12C – components

- Components for the individual assembly of cam roller guides, with or without drive

Parts list for cam roller guide LF12C without drive

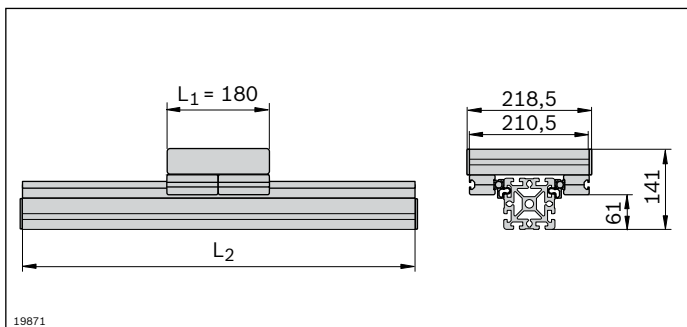
Component	No.	Pcs	Page
A Profile 90x90	3 842 990 500 / L₂	1	2-45
B Clamping profile LF12C	3 842 992 440 / L₂	2	13-25
C Guide rod LF12	3 842 993 968 / L₂	2	13-25
D Profile 45x180	3 842 990 335 / 210.5 mm	1	2-42
E Cover cap 45x180	3 842 548 795	2	2-42
F Guide bearing LF12	3 842 535 664	4	13-26
G Cover cap 90x90	3 842 548 761	2	2-45

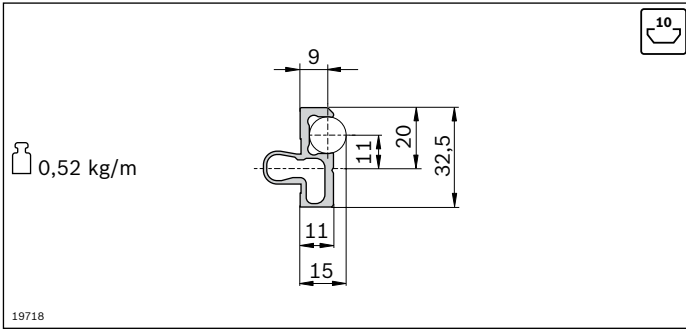


Parts list for cam roller guide LF12C with drive


Component	No.	Pcs	Page
A Profile 90x90 LF	3 842 993 082 / L₂	1	2-45
B Clamping profile LF12C	3 842 992 440 / L₂	2	13-25
C Guide rod LF12	3 842 993 968 / L₂	2	13-25
D Profile 45x180	3 842 990 335 / 210.5 mm	1	2-42
E Cover cap 45x180	3 842 548 795	2	2-42
F Guide bearing LF12	3 842 535 664	4	13-26
H Drive head LF12C	3 842 526 863	1	13-28
I Return head LF12C	3 842 526 865	1	13-28
J Toothed belt LF12	3 842 994 821 / L₃¹⁾	1	13-29
K Belt connector LF12	3 842 535 680	2	13-29

¹⁾ L₃ = 2xL₂ - L₁ + 630

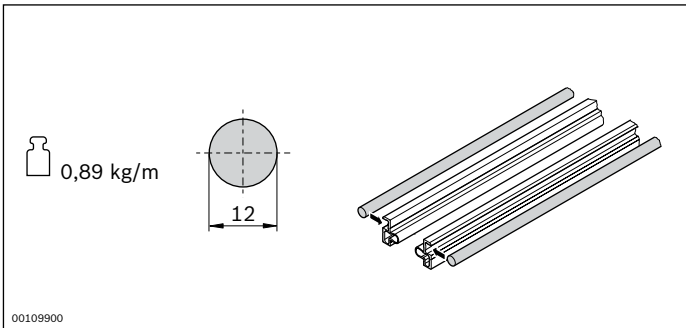




- ▶ The clamping profile is clipped into any chosen strut profile with a 10 mm slot and holds the guide rods

Clamping profile		L ₂ (mm)	No.
LF12C	1 pc	150 ... 3000	3 842 992 440 / L₂
	20 pcs	3000	3 842 518 897
	1 pc	3000	3 842 518 894

Material: Aluminum; anodized

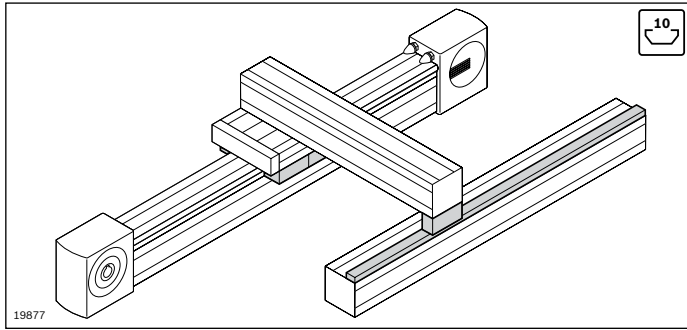


- ▶ The guide rod is pressed into the clamping profile
- ▶ The guide rod guides the guide bearing

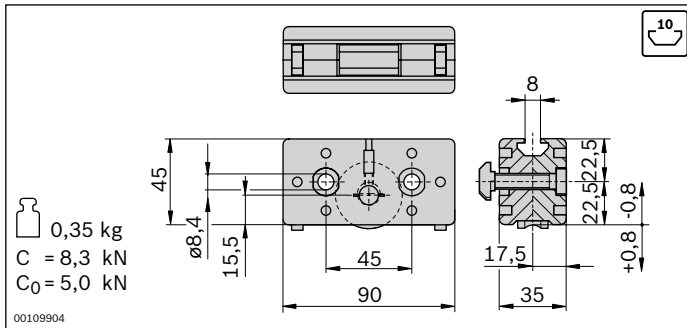
Guide rod		L ₂ (mm)	No.
LF12	150 ... 2900	1	3 842 993 968 / L₂
	2900	20	3 842 539 415
	2900	1	3 842 540 140

Material: Solid shaft VA, induction hardened and polished

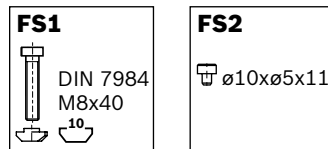
Condition on delivery: Ungreased; greasing according to assembly instructions **3 842 527 226**



- ▶ Guide bearing for trolley construction
- ▶ Supporting bearing for brackets for bearing off-center forces
- ▶ Guide rail to support supporting bearings (p. 13-27)



- ▶ Guide bearing for trolley construction
- ▶ Guiding via guide rod
- ▶ Cam rollers with ball bearings, permanently lubricated
- ▶ Lubricating felts with guide rod lubrication reservoir
- ▶ Play-free cam roller adjustment via eccentric bolts
- ▶ Replacement of the lubricating felts possible from rear in installed state

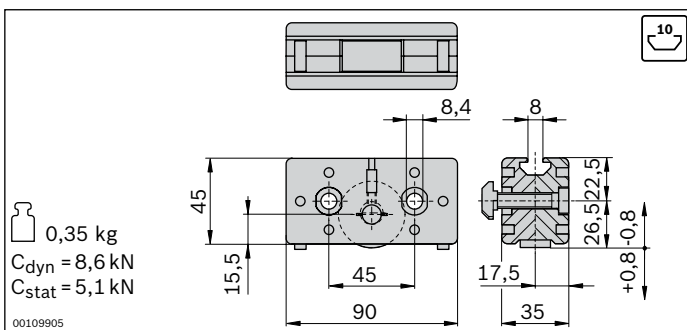


Guide bearing	No.	FS
LF12	2 3 842 535 664	2xFS1 4xFS2

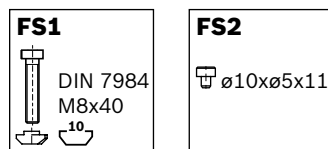
Material: Guide bearing: Diecast aluminum
Cam roller: Steel, hardened, polished

Scope of delivery: Incl. fastening material (FS)

Condition on delivery: Lubricating felts ungreased; greasing according to assembly instructions
3 842 527 226



- ▶ Supporting bearing for brackets for bearing off-center forces
- ▶ For support on the guide rail
- ▶ Cam rollers with ball bearings, permanently lubricated
- ▶ Lubricating felts with guide rod lubrication reservoir
- ▶ Play-free cam roller adjustment via eccentric bolts
- ▶ Replacement of the lubricating felts possible from rear in installed state

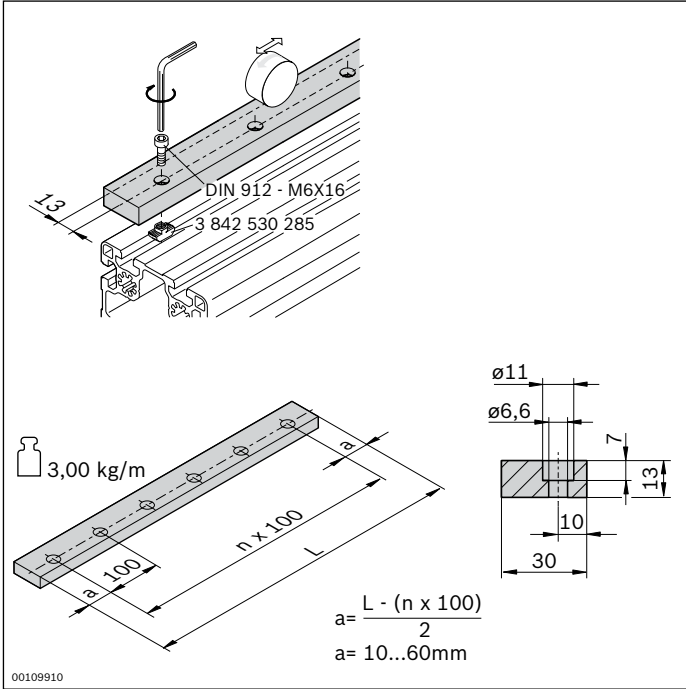


Supporting bearing	No.	FS
LF12	2 3 842 535 666	2xFS1 4xFS2

Material: Guide bearing: Diecast aluminum
Cam roller: Steel, hardened, polished

Scope of delivery: Incl. fastening material (FS)

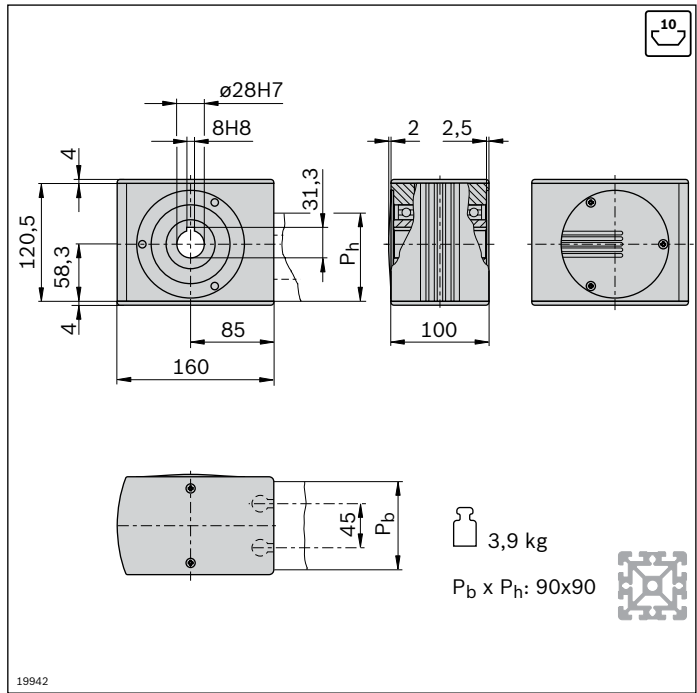
Condition on delivery: Lubricating felts ungreased; greasing according to assembly instructions
3 842 527 226



► Guide rail to hold supporting bearings

Guide rail	L (mm)	No.
LF12	120 ... 2000	3 842 994 702 / L
	2000	3 842 517 160

- Material: Steel, hardened, polished
 Condition on delivery: Ungreased; greasing according to assembly instructions **3 842 527 226**
 Accessories: Cylinder bolt DIN 912 – M6x16
 T-nut M6, 10 mm slot (**3 842 530 285**)

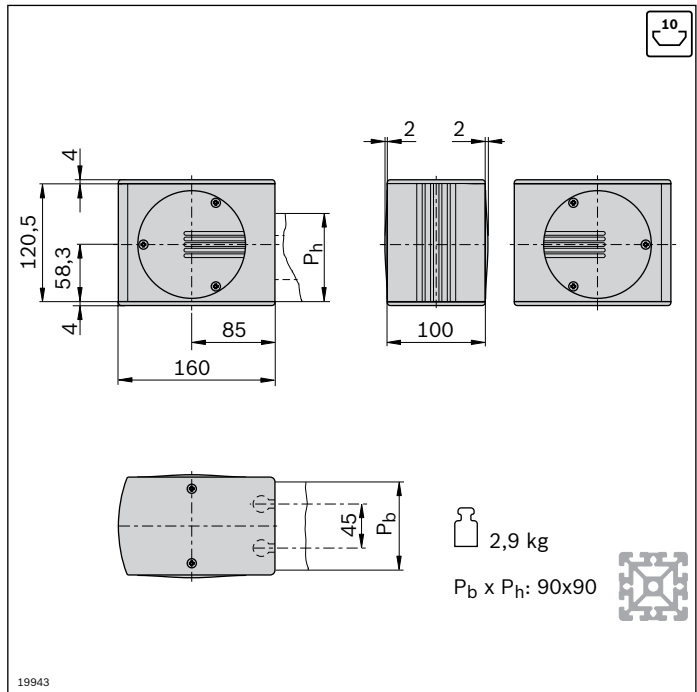
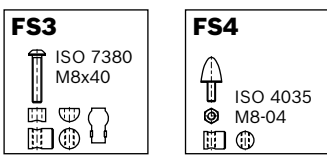


- ▶ Drive head for transferring drive torque to a toothed belt
- ▶ For direct mounting of a motor or (in conjunction with a plug-in shaft) for mounting a hollow shaft gear or a coupling (p. 13-46)
- ▶ Mounted directly on profile by using longitudinal end connector (connector included in scope of delivery)
- ▶ Profile finishing: LF blind hole drilling for longitudinal end connector

Drive head	No.	FS
LF12C	3 842 526 863	4xFS3, 2xFS4

Material: Drive head: Aluminum; anodized
 Hollow shaft: Steel; zinc-plated
 Cover caps: PA; black

Scope of delivery: Incl. Fastening material (FS), cover caps

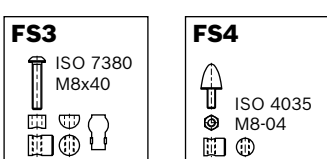


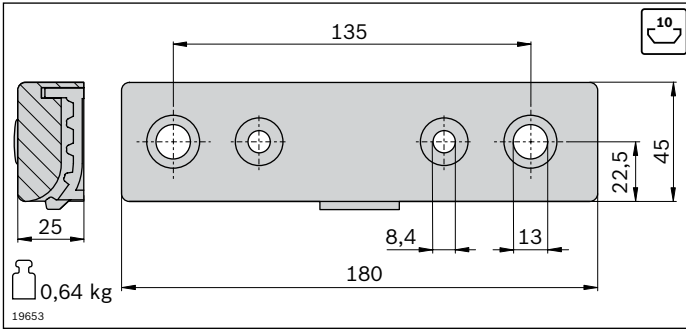
- ▶ Return head for tensioning the toothed belt and changing its direction
- ▶ Mounted directly on profile by using longitudinal end connector (connector included in scope of delivery)
- ▶ Profile finishing: LF blind hole drilling for longitudinal end connector

Return head	No.	FS
LF12C	3 842 526 865	4xFS3, 2xFS4

Material: Return head: Aluminum; anodized
 Hollow shaft: Steel; zinc-plated
 Cover caps: PA; black

Scope of delivery: Incl. Fastening material (FS), cover caps

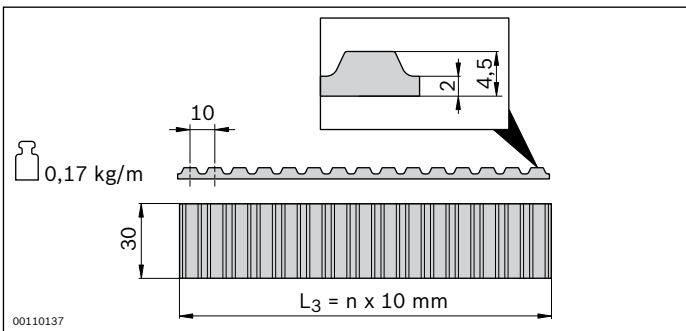
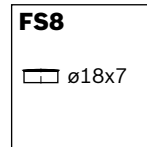
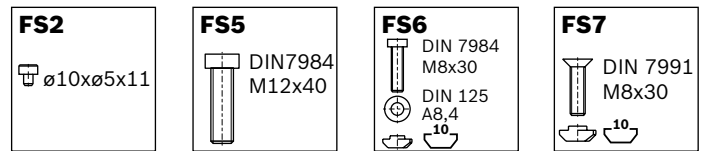




- ▶ Belt connector suitable for trolley built out of strut profiles 45x180
- ▶ All connecting parts included for mounting at the profile end (LF12S) or the slot (LF12C)
- ▶ Profile finishing for strut profile 45x180 for trolley LF12S: M12

Belt connector	No.	FS
LF12	2 3 842 535 680	4xFS2, 2xFS5, 2xFS6, 2xFS7, 2xFS8

Material: Aluminum, painted black
 Scope of delivery: Incl. fastening material (FS)

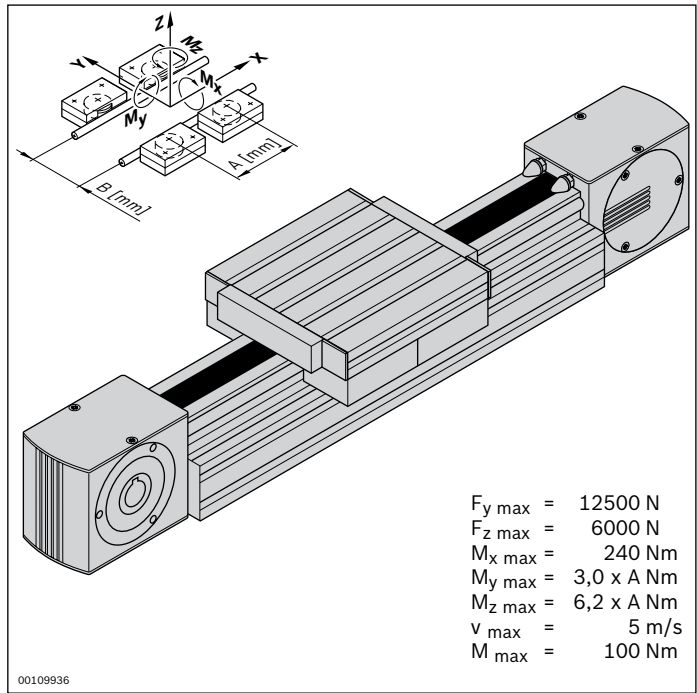


- ▶ Toothed belt as a trolley drive
- ▶ Pitch: AT10

Toothed belt	L_3 (mm)	No.
LF12	300 ... 50000	3 842 994 821 / $L_3$¹⁾
	50000	3 842 526 422

¹⁾ $L_3 = 2 \times L_2 - L_1 + 630$

Material: PU with embedded steel wires

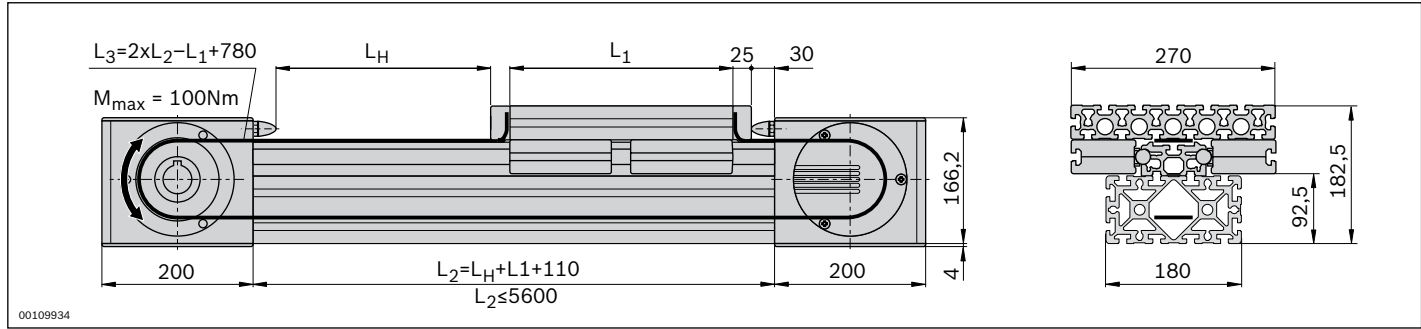


$F_y \text{ max} = 12500 \text{ N}$
 $F_z \text{ max} = 6000 \text{ N}$
 $M_x \text{ max} = 240 \text{ Nm}$
 $M_y \text{ max} = 3,0 \times A \text{ Nm}$
 $M_z \text{ max} = 6,2 \times A \text{ Nm}$
 $v \text{ max} = 5 \text{ m/s}$
 $M \text{ max} = 100 \text{ Nm}$

Cam roller guide LF20S – complete axis



- ▶ Fully assembled cam roller guide
- ▶ Stroke and trolley length can be individually selected
- ▶ Rail profile mounted on strut profile 90x180
- ▶ Incl. toothed belt drive; additional notes on the drive concept (p. 13-44)



Technical data

See pages 13-57 for notes on layout and drive

Complete axis	L_H / L_1 (mm)	No.
LF20S	$L_1 + 50 \leq L_H \leq 5220$ $270 \leq L_1 \leq 1000$	3 842 998 499 / L_H / L_1

Cam roller guide LF20S – components

- Components for the individual assembly of cam roller guides, with or without drive

Parts list for cam roller guide LF20S without drive

Component	No.	Pcs	Page
A Profile 90x180	3 842 990 416 / L ₂	1	2-46
B Guide profile LF20S	3 842 993 080 / L ₂	1	13-32
C Guide rod LF20	3 842 993 969 / L ₂	2	13-32
D Profile 45x270	3 842 992 927 / L ₁	1	2-43
E Cover cap 45x90	3 842 548 757	6	2-43
F Guide bearing LF20	3 842 535 663	4	13-33
G Cover cap 90x90	3 842 548 761	4	2-45
L Cylinder bolt DIN 7984 – M8x45		n ¹⁾	
M T-nut M8, 10 mm slot	3 842 530 287	n ¹⁾	3-5
N Sliding block	3 842 146 877	n ¹⁾	13-32

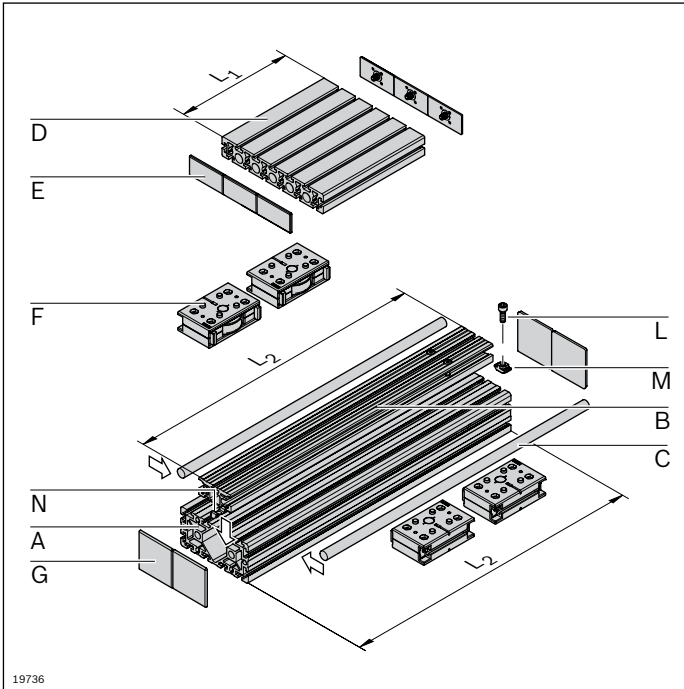
¹⁾ For identification see page 13-32

Parts list for cam roller guide LF20S with drive

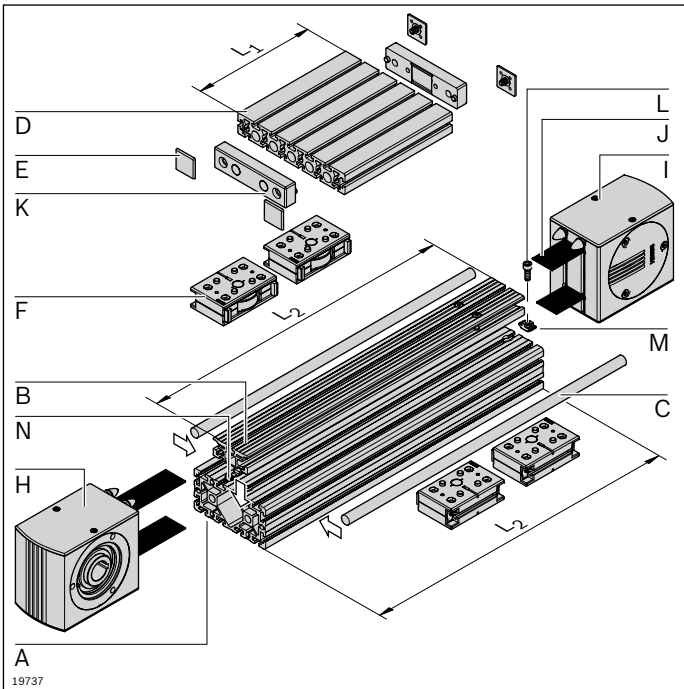
Component	No.	Pcs	Page
A Profile 90x180 LF-S	3 842 993 081 / L ₂	1	2-46
B Guide profile LF20S	3 842 993 080 / L ₂	1	13-32
C Guide rod LF20	3 842 993 969 / L ₂	2	13-32
D Profile 45x270 M12	3 842 992 928 / L ₁	1	2-43
E Cover cap 45x45	3 842 548 753	4	2-38
F Guide bearing LF20	3 842 535 663	4	13-33
H Drive head LF20S	3 842 526 414	1	13-35
I Return head LF20S	3 842 526 415	1	13-35
J Toothed belt LF20	3 842 994 662 / L ₃ ¹⁾	1	13-36
K Belt connector LF20	3 842 535 680	2	13-36
L Cylinder bolt DIN 7984 – M8x45		n ²⁾	
M T-nut M8, 10 mm slot	3 842 530 287	n ²⁾	3-5
N Sliding block	3 842 146 877	n ²⁾	13-32

¹⁾ L₃ = 2xL₂ - L₁ + 780

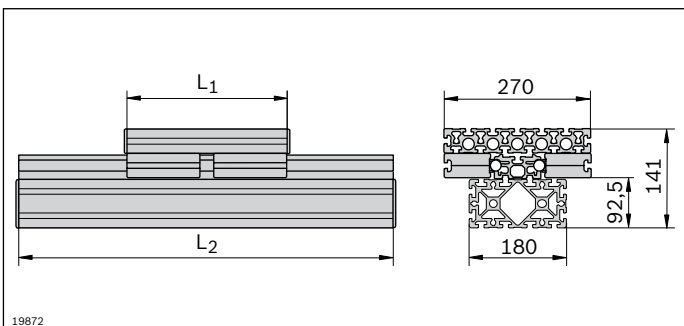
²⁾ For identification see page 13-32



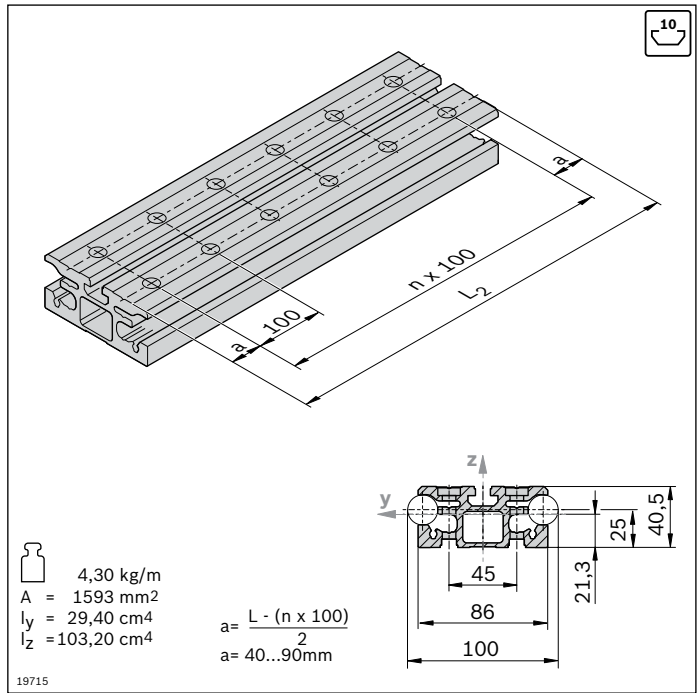
19736




19737



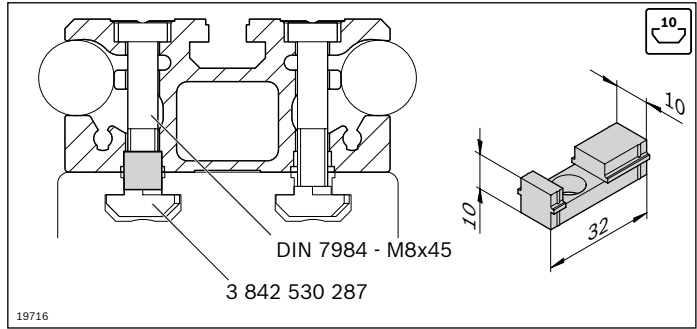
19872




- ▶ Guide profile LF20S to hold the guide rods
- ▶ Installation on MGE strut profiles with 10 mm slot or directly on a flat surface

Guide profile	L ₂ (mm)	No.
LF20S	1 pc 180 ... 6070	3 842 993 080 / L₂
	6 pcs	6070 3 842 557 958
	1 pc	6070 3 842 558 320

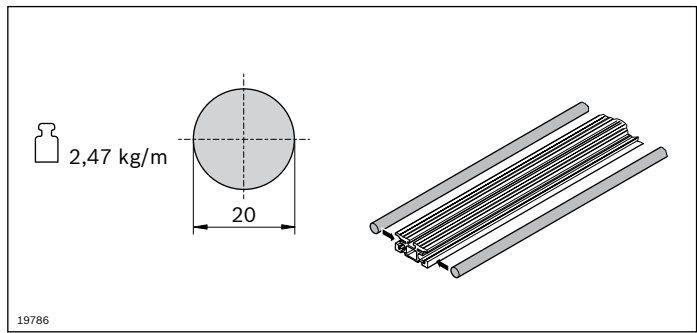
Accessories: Cylinder screw DIN 7984 M8x45
 T-nut M8, 10 mm slot (p. 3-5)
 Sliding block



- ▶ Sliding block as a centering aid for mounting the guide profile in a 10 mm profile slot

Sliding block	No.
	50 3 842 146 877

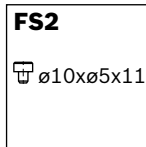
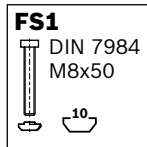
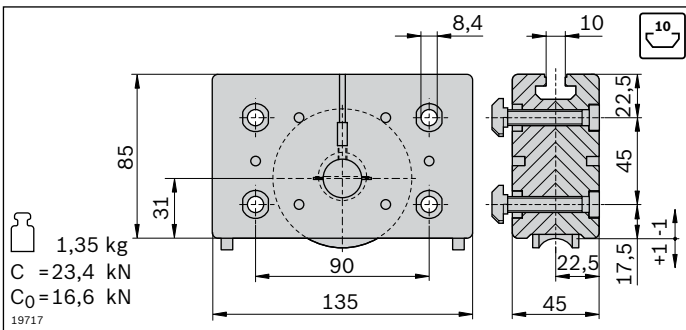
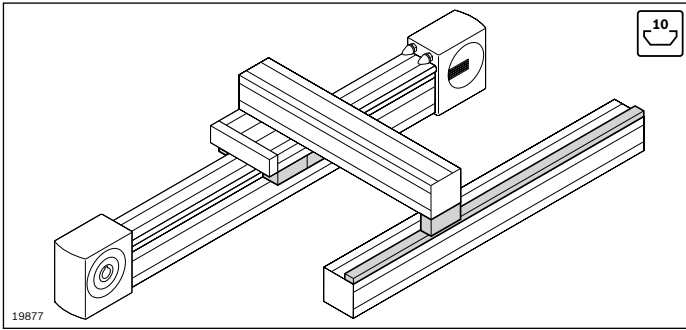
Material: PA; black



- ▶ The guide rod is pressed into the guide profile
- ▶ The guide rod guides the guide bearing

Guide rod	L ₂ (mm)	No.
LF20	150 ... 2900	1 3 842 993 969 / L₂
	2900	20 3 842 539 416
	2900	1 3 842 540 141

Material: Solid shaft VA, induction hardened, polished
 Condition on delivery: Ungreased; greasing according to assembly instructions **3 842 527 226**



- ▶ Guide bearing for trolley construction
- ▶ Supporting bearing for brackets for bearing off-center forces
- ▶ Guide rail to support supporting bearings (p. 13-34)

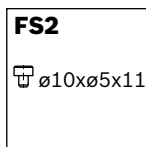
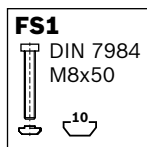
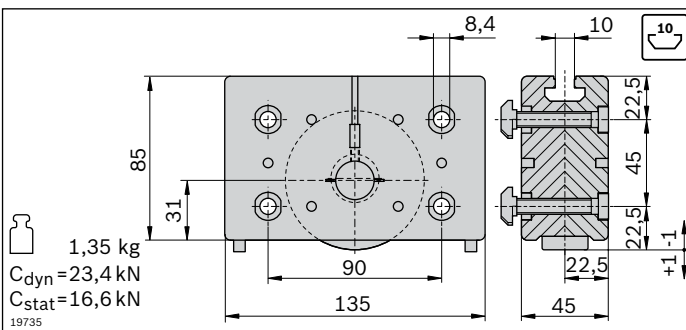
- ▶ Guide bearing for trolley construction
- ▶ Guiding via guide rod
- ▶ Cam rollers with ball bearings, permanently lubricated
- ▶ Lubricating felts with guide rod lubrication reservoir
- ▶ Play-free cam roller adjustment via eccentric bolts
- ▶ Replacement of the lubricating felts possible from rear in installed state

Guide bearing	No.	FS
LF20	2 3 842 535 663	4xFS1 4xFS2

Material: Housing: Diecast aluminum
Cam roller: Steel, hardened, polished

Scope of delivery: Incl. fastening material (FS)

Condition on delivery: Lubricating felts ungreased; greasing according to assembly instructions
3 842 527 226



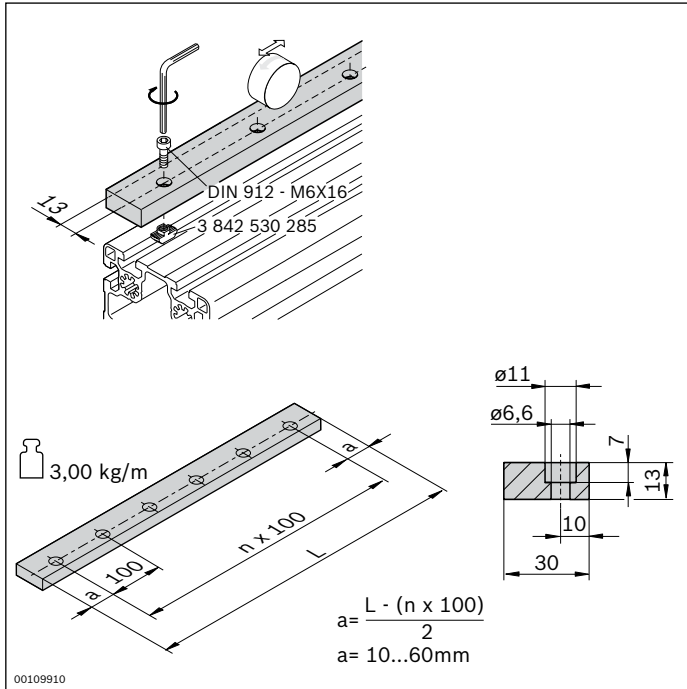
- ▶ Supporting bearing for brackets for bearing off-center forces
- ▶ For support on the guide rail
- ▶ Cam rollers with ball bearings, permanently lubricated
- ▶ Lubricating felts with guide rod lubrication reservoir
- ▶ Play-free cam roller adjustment via eccentric bolts
- ▶ Replacement of the lubricating felts possible from rear in installed state

Supporting bearing	No.	FS
LF20	2 3 842 535 665	4xFS1 4xFS2

Material: Housing: Diecast aluminum
Cam roller: Steel, hardened, polished

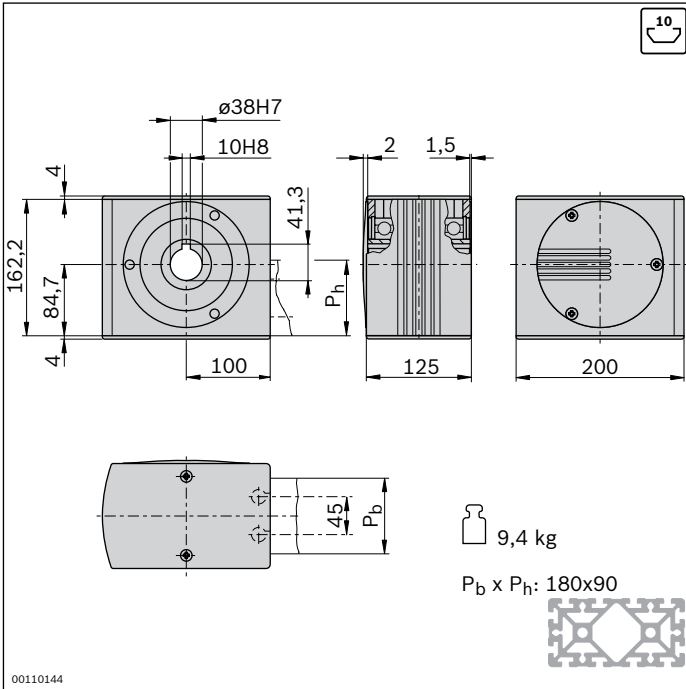
Scope of delivery: Incl. fastening material (FS)

Condition on delivery: Lubricating felts ungreased; greasing according to assembly instructions
3 842 527 226



► Guide rail to hold supporting bearings

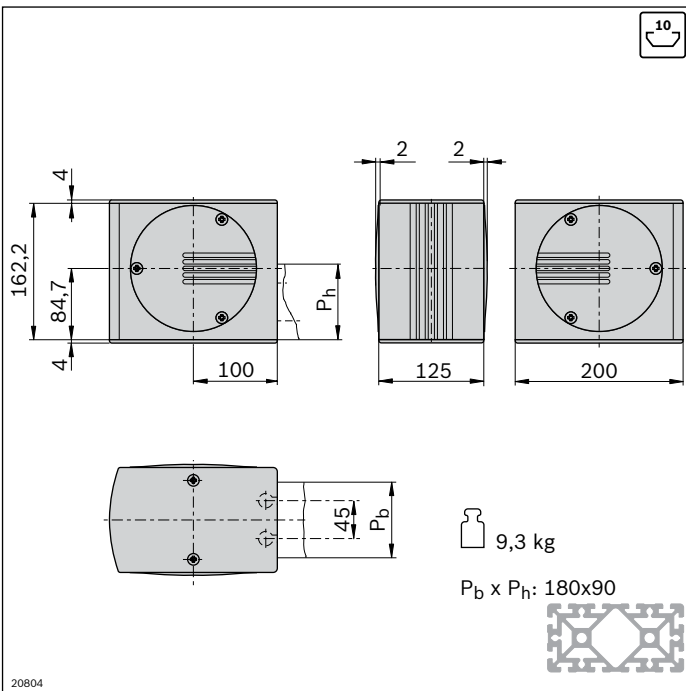
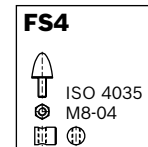
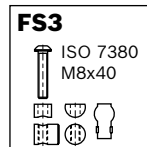
Guide rail	L (mm)	No.
LF20	120 ... 2000	3 842 994 702 / L
Material:	Steel, hardened, polished	
Condition on delivery:	Ungreased; greasing according to assembly instructions 3 842 527 226	
Accessories:	Cylinder bolt DIN 912 – M6x16 T-nut M6, 10 mm slot (3 842 530 285)	



- ▶ Drive head for transferring drive torque to a toothed belt
- ▶ For direct mounting of a motor or (in conjunction with a plug-in shaft) for mounting a hollow shaft gear or a coupling (p. 13-46)
- ▶ Mounted directly on profile by using longitudinal end connector (connector included in scope of delivery)
- ▶ Profile finishing: LF-S blind hole drilling for longitudinal end connector

Drive head	No.	FS
LF20S	3 842 526 414	4xFS3, 2xFS4

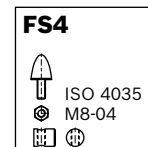
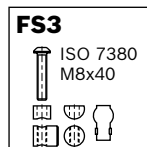
Material: Drive head: Aluminum; anodized
Hollow shaft: Steel; zinc-plated
Scope of delivery: Incl. Fastening material (FS), cover caps

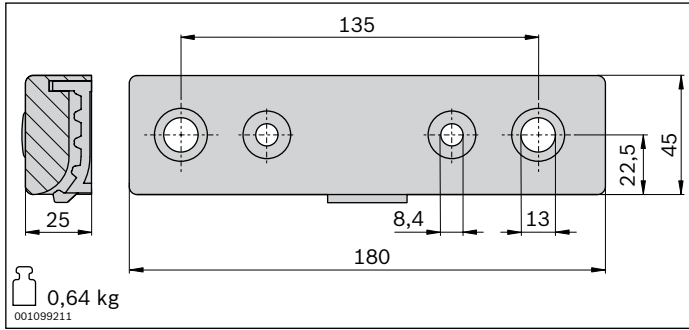


- ▶ Return head for tensioning the toothed belt and changing its direction
- ▶ Mounted directly on profile by using longitudinal end connector (connector included in scope of delivery)
- ▶ Profile finishing: LF-S blind hole drilling for longitudinal end connector

Return head	No.	FS
LF20S	3 842 526 415	4xFS3, 2xFS4

Material: Return head: Aluminum; anodized
Hollow shaft: Steel; zinc-plated
Cover caps: PA; black
Scope of delivery: Incl. Fastening material (FS), cover caps

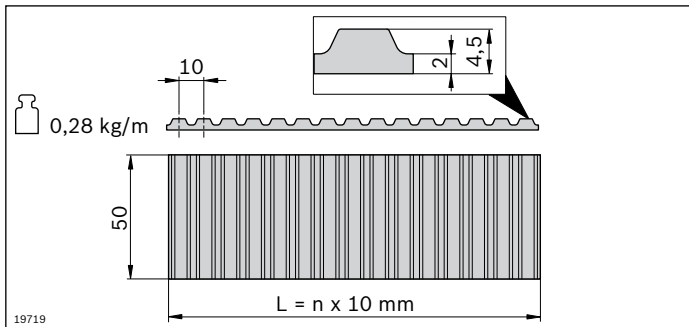
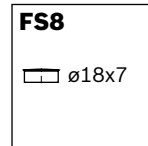
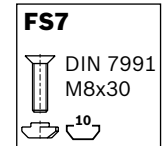
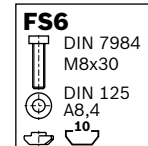
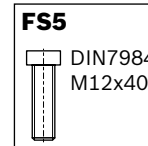
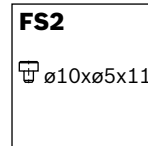




- ▶ Belt connector for fixing the toothed belt on the front of the trolley
- ▶ Profile finishing for strut profile 45x270 for trolley LF20S: M12
- ▶ All connecting parts included for mounting at the profile end (LF20S) or the slot (LF20C)

Belt connector	No.	FS
LF20	2 3 842 535 680	4xFS2, 2xFS5, 2xFS6, 2xFS7, 2xFS8

Material: Aluminum, painted black
 Scope of delivery: Incl. fastening material (FS)

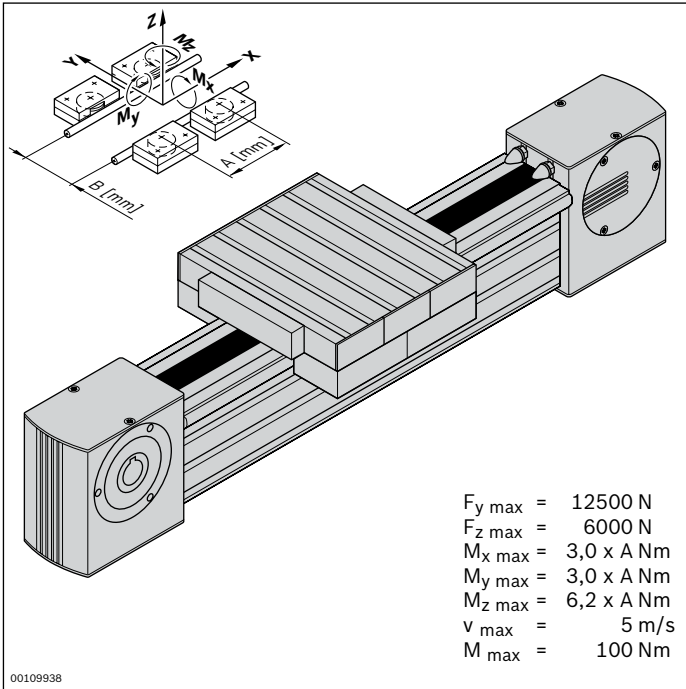


- ▶ Toothed belt as a trolley drive
- ▶ Pitch: AT10

Toothed belt	L_3 (mm)	No.
LF20	300 ... 50000	3 842 994 662 / $L_3^{1)}$
	50000	3 842 513 648

¹⁾ $L_3 = 2 \times L_2 - L_1 + 780$

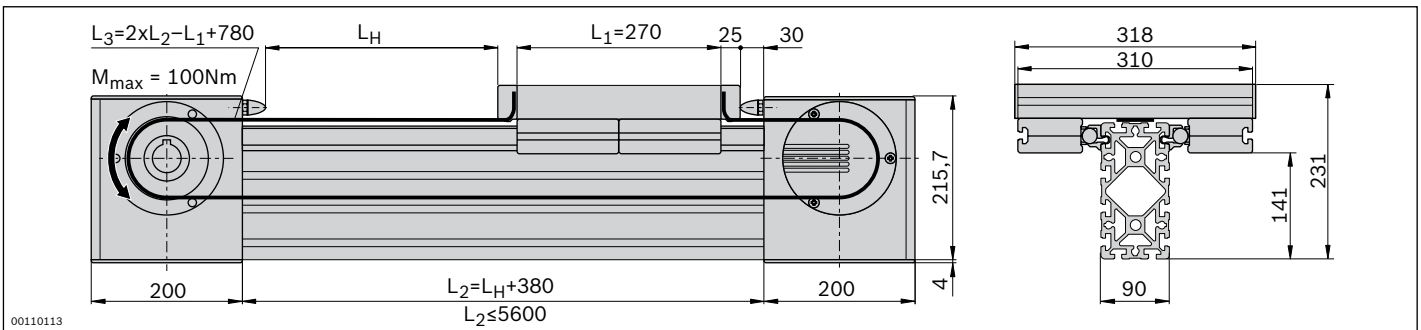
Material: PU with embedded steel wires



Cam roller guide LF20C – complete axis



- ▶ Fully assembled cam roller guide
- ▶ Stroke can be individually selected
- ▶ Clamping profile clipped into strut profile 90x180
- ▶ Incl. toothed belt drive; additional notes on the drive concept (p. 13-44)



Technical data

For notes on layout and drive, see page 13-50

Complete axis	L_H (mm)	No.
LF20C	50 ... 5220	3 842 998 500 / L_H

Cam roller guide LF20C – components

- Components for the individual assembly of cam roller guides, with or without drive

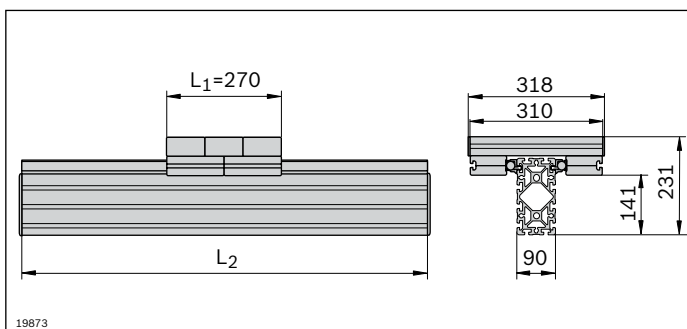
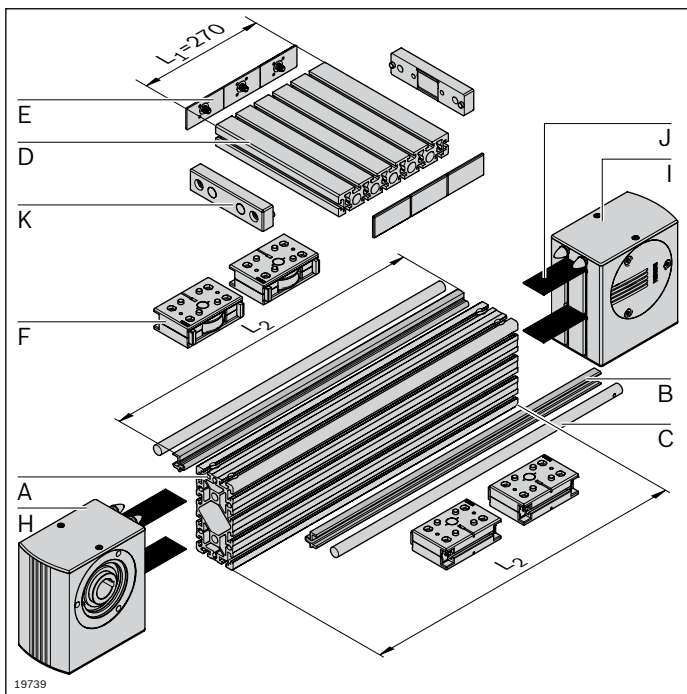
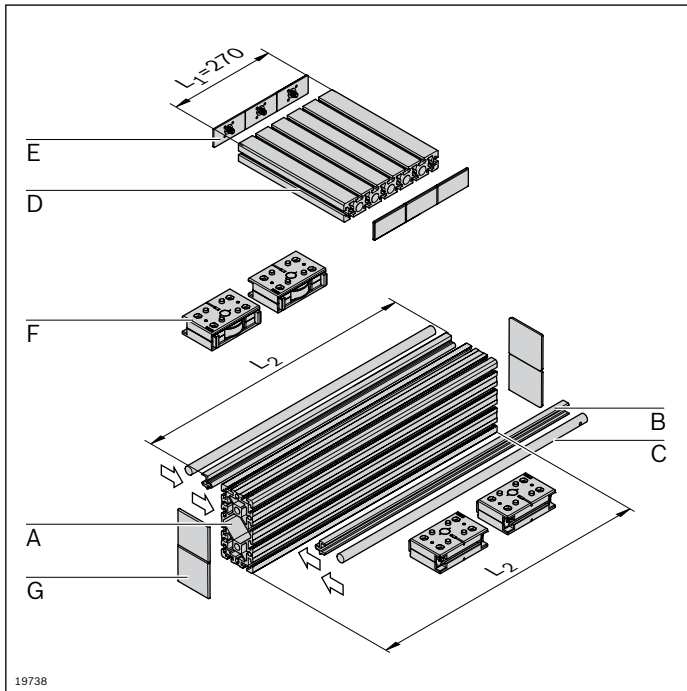
Parts list for cam roller guide LF20C without drive

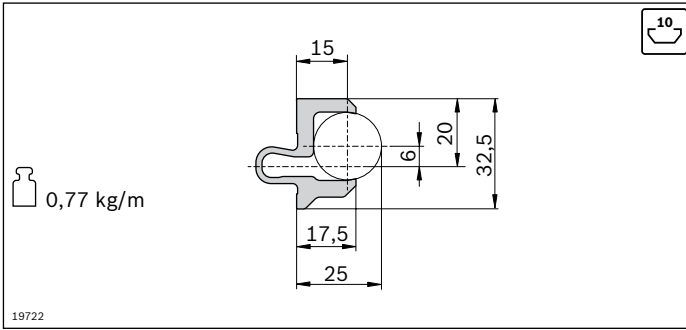
Component	No.	Pcs	Page
A Profile 90x180	3 842 990 416 / L₂	1	2-46
B Clamping profile LF20C	3 842 992 441 / L₂	2	13-39
C Guide rod LF20	3 842 993 969 / L₂	2	13-39
D Profile 45x270	3 842 992 927 / 310 mm	1	2-43
E Cover cap 45x90	3 842 548 757	6	2-43
F Guide bearing LF20	3 842 535 663	4	13-40
G Cover cap 90x90	3 842 548 761	4	2-46

Parts list for cam roller guide LF20C with drive


Component	No.	Pcs	Page
A Profile 90x180 LF LF	3 842 992 898 / L₂	1	2-46
B Clamping profile LF20C	3 842 992 441 / L₂	2	13-39
C Guide rod LF20	3 842 993 969 / L₂	2	13-39
D Profile 45x270	3 842 992 927 / 310 mm	1	2-43
E Cover cap 45x90	3 842 548 757	6	2-43
F Guide bearing LF20	3 842 535 663	4	13-40
H Drive head	3 842 526 867	1	13-42
I Return head	3 842 526 869	1	13-42
J Toothed belt	3 842 994 662 / L₃¹⁾	1	13-43
K Belt connector	3 842 535 680	2	13-43

¹⁾ L₃ = 2xL₂ - L₁ + 780

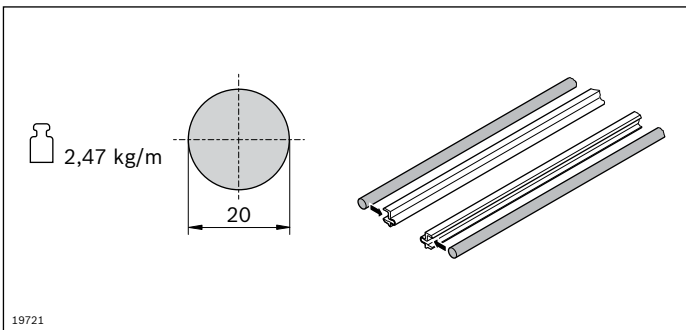





- ▶ The clamping profile is clipped into any chosen 10 mm strut profile slot and holds the guide rods

Clamping profile	L (mm)	No.
LF20C	1 pc 150 ... 3000	3 842 992 441 / L
 20 pcs	3000	3 842 518 898
	1 pc 3000	3 842 518 895

Material: Aluminum; anodized

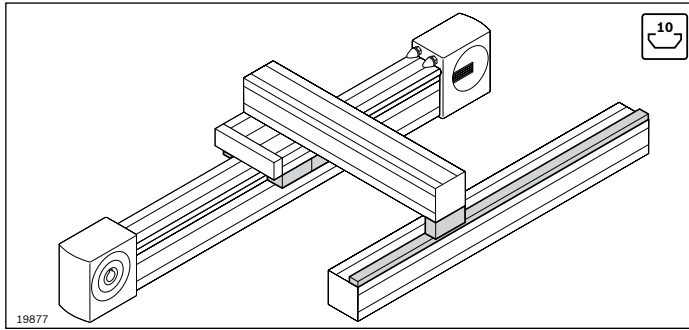


- ▶ The guide rod is pressed into the clamping profile
- ▶ The guide rod guides the guide bearing

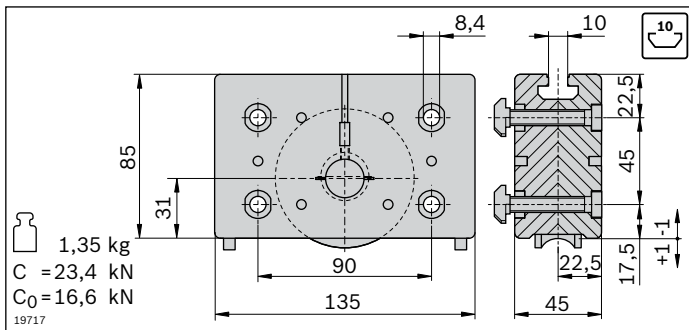
Guide rod	L (mm)	 No.
LF20	150 ... 2900	1 3 842 993 969 / L
	2900	20 3 842 539 416
	2900	1 3 842 540 141

Material: Solid shaft VA, induction hardened, polished

Condition on delivery: Ungreased; greasing according to assembly instructions **3 842 527 226**

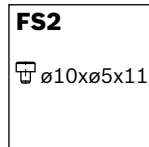
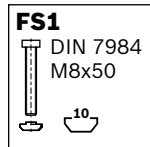


- ▶ Guide bearing for trolley construction
- ▶ Supporting bearing for brackets for bearing off-center forces
- ▶ Guide rail to support supporting bearings (p. 13-41)



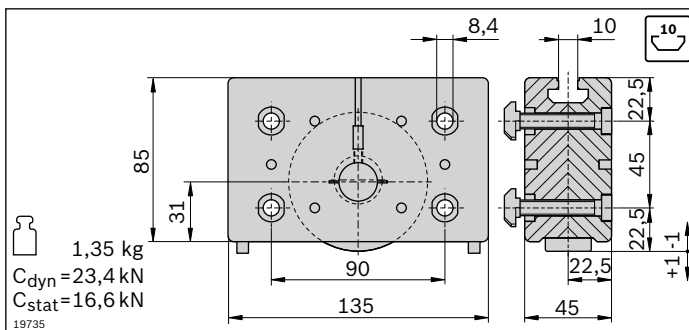
- ▶ Guide bearing for trolley construction
- ▶ Guiding via guide rod
- ▶ Cam rollers with ball bearings, permanently lubricated
- ▶ Lubricating felts with guide rod lubrication reservoir
- ▶ Play-free cam roller adjustment via eccentric bolts
- ▶ Replacement of the lubricating felts possible from rear in installed state

1,35 kg
 C = 23,4 kN
 C₀ = 16,6 kN
 19717



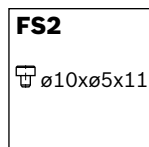
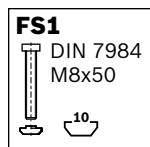
Guide bearing	No.	FS
LF20	2 3 842 535 663	4xFS1 4xFS2

Material: Housing: Diecast aluminum
 Cam roller: Steel, hardened, polished
 Scope of delivery: Incl. fastening material (FS)
 Condition on delivery: Lubricating felts ungreased; greasing according to assembly instructions
3 842 527 226



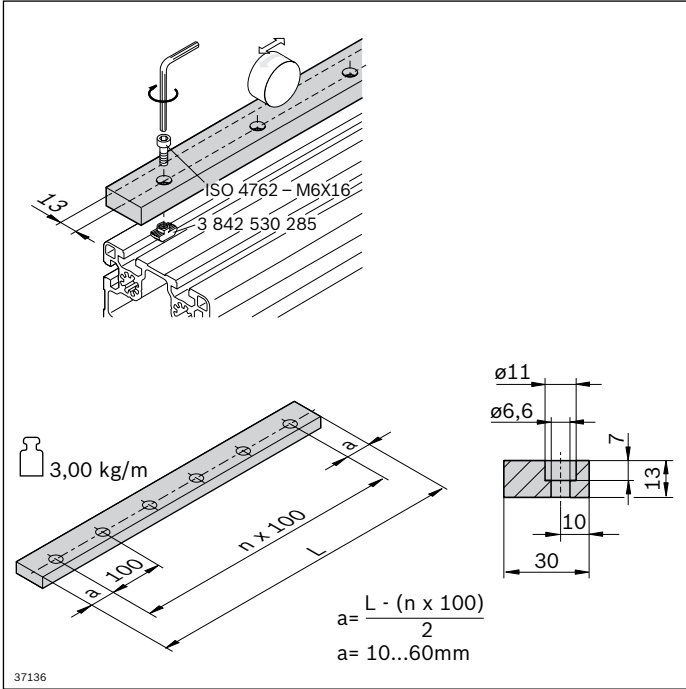
- ▶ Supporting bearing for brackets for bearing off-center forces
- ▶ For support on the guide rail
- ▶ Cam rollers with ball bearings, permanently lubricated
- ▶ Lubricating felts with guide rod lubrication reservoir
- ▶ Play-free cam roller adjustment via eccentric bolts
- ▶ Replacement of the lubricating felts possible from rear in installed state

1,35 kg
 C_{dyn} = 23,4 kN
 C_{stat} = 16,6 kN
 19735



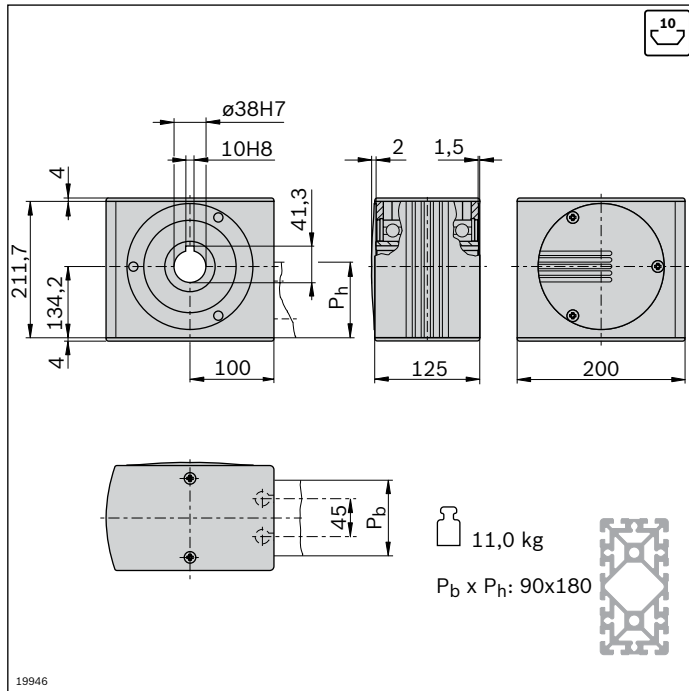
Supporting bearing	No.	FS
LF20	2 3 842 535 665	4xFS1 4xFS2

Material: Housing: Diecast aluminum
 Cam roller: Steel, hardened, polished
 Scope of delivery: Incl. fastening material (FS)
 Condition on delivery: Lubricating felts ungreased; greasing according to assembly instructions
3 842 527 226



► Guide rail to hold supporting bearings

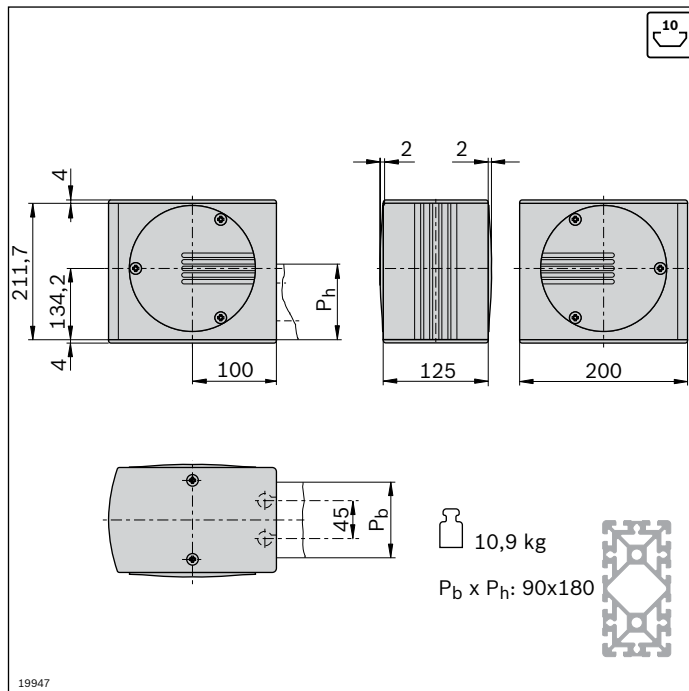
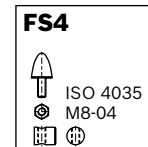
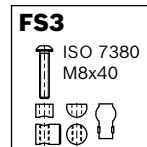
Guide rail	L (mm)	No.
LF20	120 ... 2000	3 842 994 702 / L
Material:	Steel, hardened, polished	
Accessories:	Cap screw ISO 4762 - M6x16 T-nut M6, 10 mm slot (3 842 530 285)	
Condition on delivery:	Ungreased; greasing according to assembly instructions 3 842 527 226	



- ▶ Drive head for transferring drive torque to a toothed belt
- ▶ For direct mounting of a motor or (in conjunction with a plug-in shaft) for mounting a hollow shaft gear or a coupling (p. 13-46)
- ▶ Mounted directly on profile by using longitudinal end connector (connector included in scope of delivery)
- ▶ Profile finishing: LF blind hole drilling for longitudinal end connector

Drive head	No.	FS
LF20C	3 842 526 867	4xFS3, 2xFS4

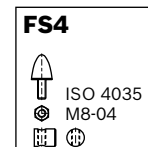
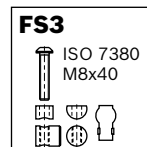
Material: Drive head: Aluminum; anodized
Hollow shaft: Steel; zinc-plated
Scope of delivery: Incl. Fastening material (FS), cover caps

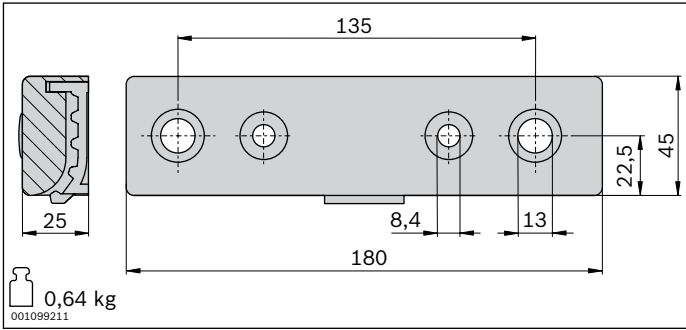


- ▶ Return head for tensioning the toothed belt and changing its direction
- ▶ Mounted directly on profile by using longitudinal end connector (connector included in scope of delivery)
- ▶ Profile finishing: LF blind hole drilling for longitudinal end connector

Return head	No.	FS
LF20C	3 842 526 869	4xFS3, 2xFS4

Material: Return head: Aluminum; anodized
Hollow shaft: Steel; zinc-plated
Cover caps: PA; black
Scope of delivery: Incl. Fastening material (FS), cover caps



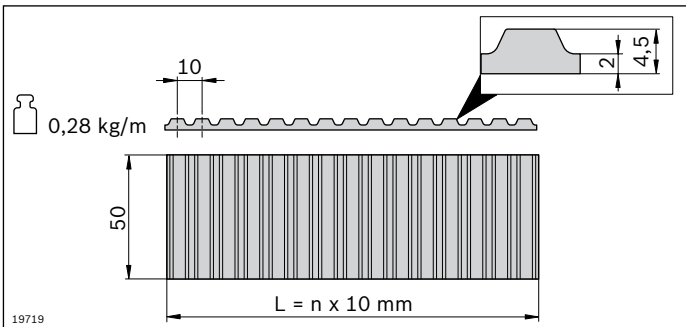


- ▶ Belt connector for fastening the toothed belt to the trolley slot
- ▶ Profile finishing for strut profile 45x270 for trolley LF20S: M12
- ▶ All connecting parts included for mounting at the profile end (LF20S) or the slot (LF20C)

Belt connector	No.	FS
LF20	2 3 842 535 680	4xFS2, 2xFS5, 2xFS6, 2xFS7, 2xFS8

Material: Aluminum, painted black
 Scope of delivery: Incl. fastening material (FS)

FS2 ø10xø5x11	FS5 DIN7984 M12x40	FS6 DIN 7984 M8x30 DIN 125 A8,4	FS7 DIN 7991 M8x30
FS8 ø18x7			

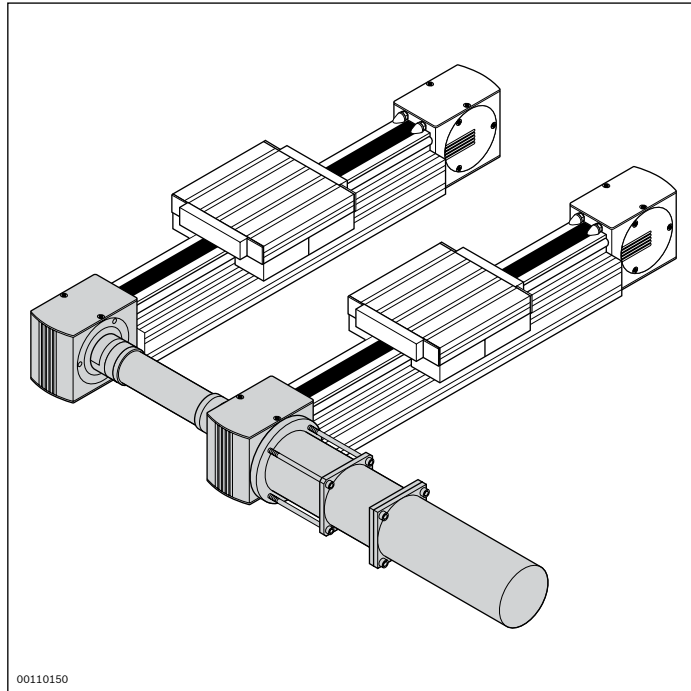


- ▶ Toothed belt as a trolley drive
- ▶ Pitch: AT10

Toothed belt	L (mm)	No.
LF20	300 ... 50000	3 842 994 662 / L₃¹⁾
	50000	3 842 513 648

¹⁾ L₃ = 2xL₂ - L₁ + 780

Material: PU with embedded steel wires



Linear guide drives

Drive concept

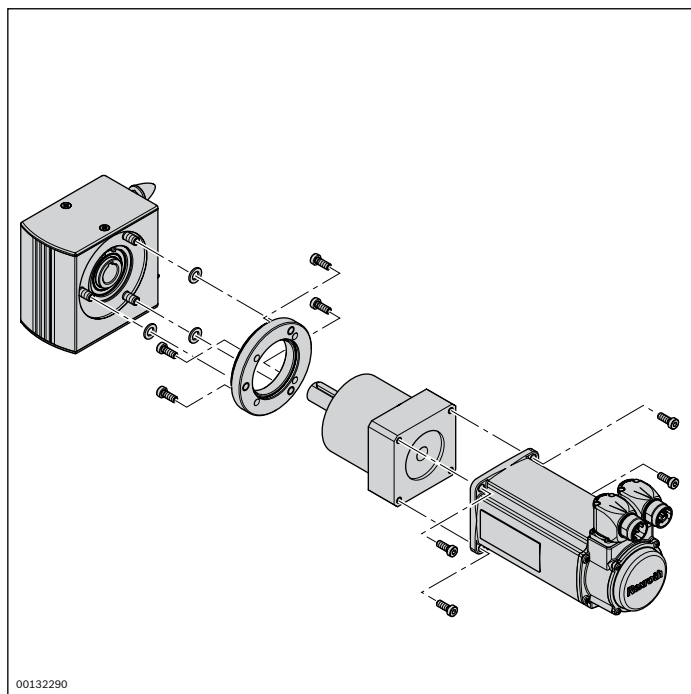
The linear guides are driven via the hollow shaft in the drive head. The drive head is used to directly install a motor or alternatively (in connection with a plug-in shaft) a hollow shaft gear or a coupling. Depending on the desired speeds of movement for the application, it is necessary to use various motor types in conjunction with intermediate gears. Due to the multitude of drive components available in the market, there are a large number of possible combinations.

The MGE modular profile system makes it easy to assemble Bosch Rexroth linear guides through the use of a standard shaft and simple connection dimensions.

Fastening

The drive head is directly secured on the profile by means of longitudinal end connectors.

The motor, or the intermediate gear flange, can be screwed to the drive head as a complete unit from the left- or right-hand side.

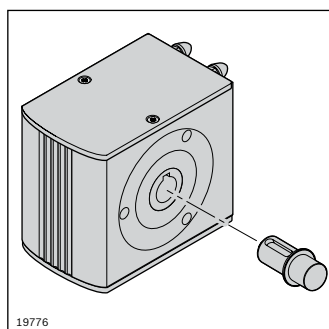


Synchronous shafts

The use of synchronous shafts (p. 13-47) enables several linear axes to be operated with one drive.

Connection dimensions (flanges)

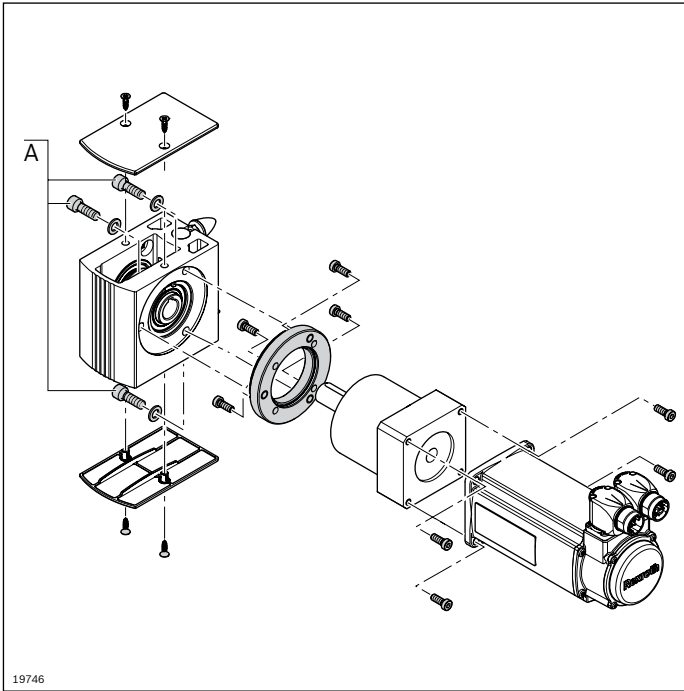
The connection dimensions for the size LF6, LF12 and LF20 linear guides are shown on pages 13-45.



Flange

A flange is generally required for fixing the motor/gear unit in place. The connection dimensions for connection to the drive head are shown below. The connection to the motor/gear unit depends on the model chosen in each case.

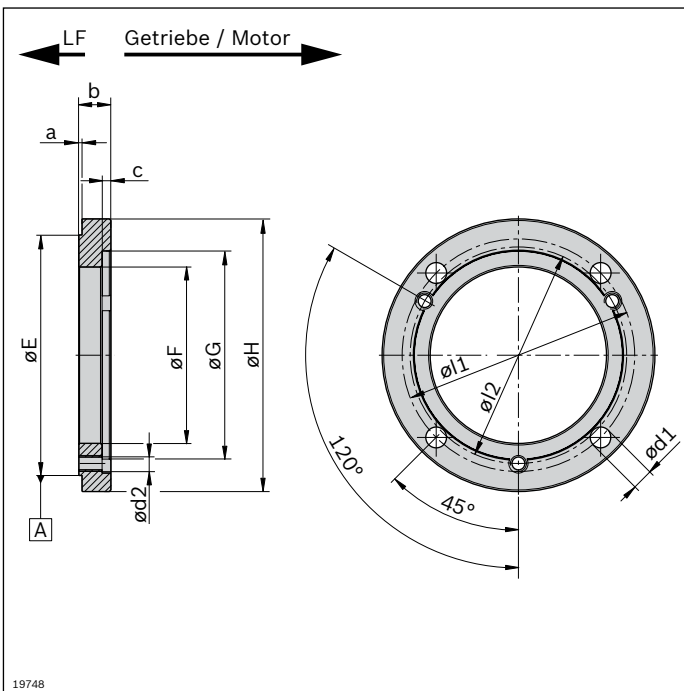
Also see connection dimensions of drive heads
 LF6S (p. 13-9), LF6C (p. 13-14),
 LF12C (p. 13-28), LF12S (p. 13-21),
 LF20C (p. 13-42), LF20S (p. 13-35)



Fastening material flange (A)

Note regarding flange in self-build version. Adapt fastening material to suit differing flange thicknesses.

	LF6 (b = 14.5 mm)	LF12 (b = 20 mm)	LF20 (b = 20 mm)
Drive head – flange	ISO 4762 – M8x22 (3x) ISO 7092 – 8 (3x)	ISO 4762 – M8x25 (3x) ISO 7092 – 8 (3x)	ISO 4762 – M10x30 (3x) ISO 7092 – 10 (3x)



Drawing and dimensions for flange in self-build version. Customer-specific adjustment is necessary, depending on the motor and gear unit. The fastening material must be self-sourced.

Flange

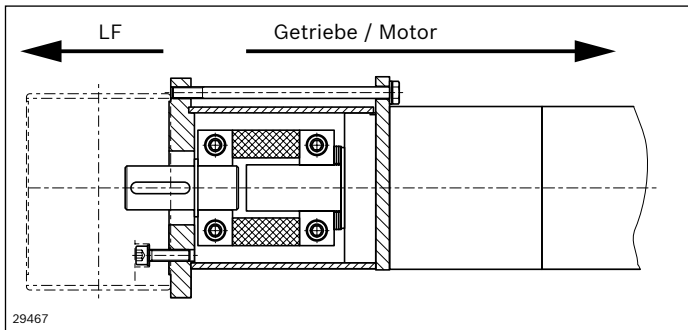
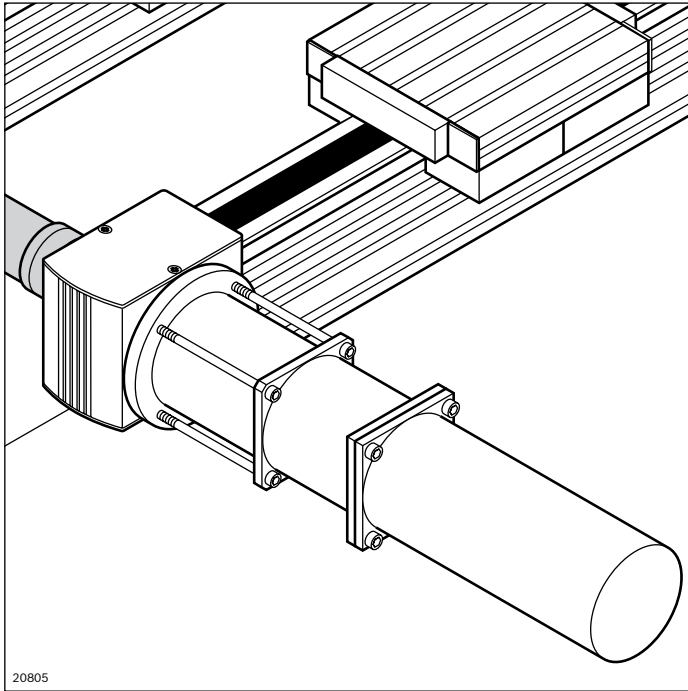
Dimension parameter	LF6 (mm)	LF12 (mm)	LF20 (mm)
a	3.5 ± 0.15	3.5 ± 0.15	2 ± 0.15
b _{min} ^{*)}	// 0.05	*)	*)
c ^{*)}	*)	*)	*)
E	∅ 88 -0.1/-0.3	∅ 111 -0.1/-0.3	∅ 150 -0.1/-0.3
F _{min} ^{*)}	∅ *)	∅ *)	∅ *)
G ^{*)}	⊙ 0.05 A	∅ *)	∅ *)
H ^{*)}	∅ *)	∅ *)	∅ *)
I1 ^{*)}	∅ *)	∅ *)	∅ *)
I2	∅ 78	∅ 100	∅ 135
d1 ^{*)}	∅ *)	∅ *)	∅ *)
d2	⊕ ∅ 0.25 M8	M8	M10

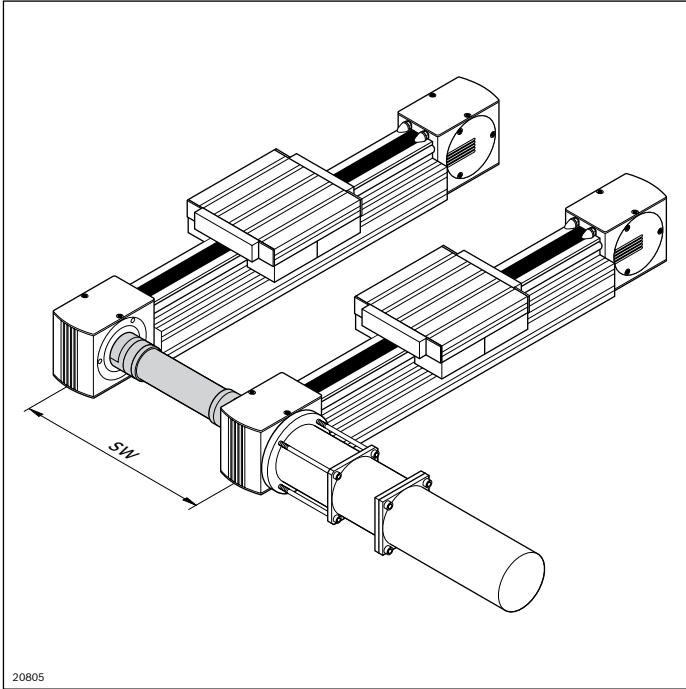
^{*)} Dimension according to customer drive.

Notice: The values must be checked by the user.

Alternative mounting with coupling

Instead of direct mounting over the section link, a coupling can be inserted. This allows any user truing errors to be rectified. The coupling must be designed and sourced by the customer.





20805

Plug-in shafts, synchronous shafts

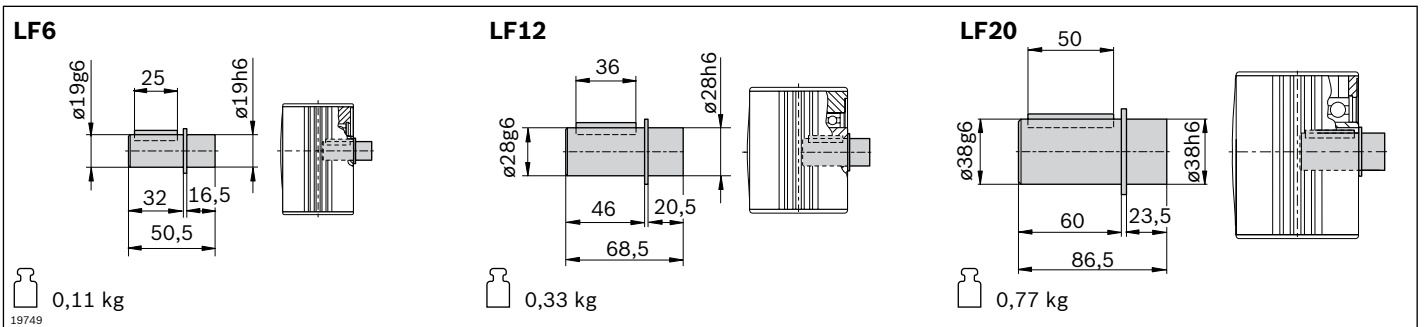
Plug-in shafts

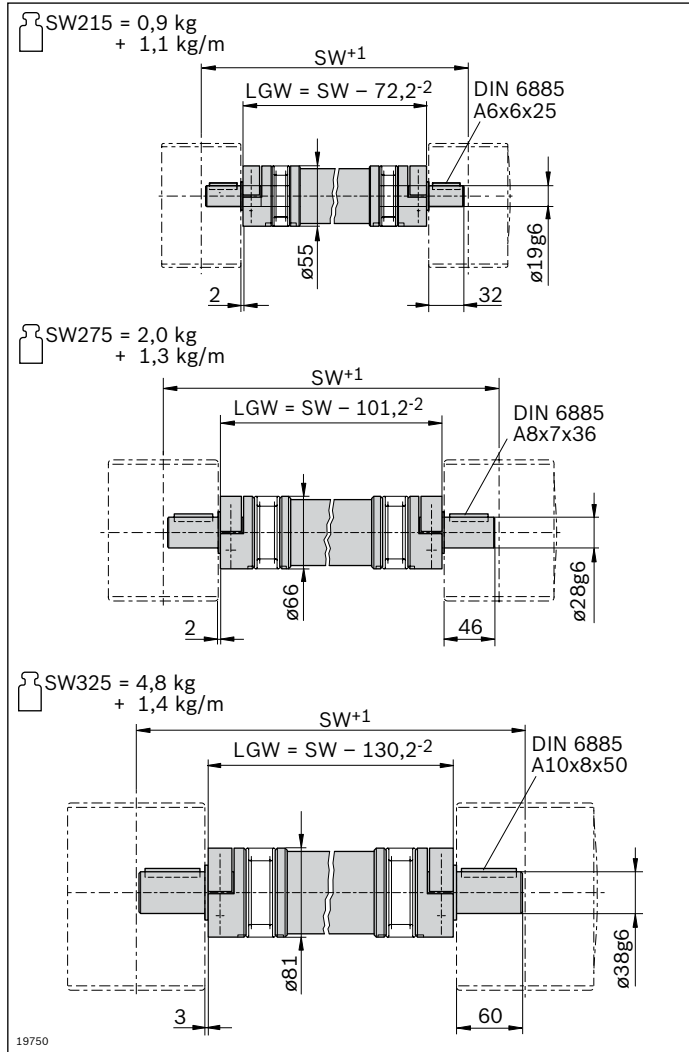
- ▶ Enable the installation of customized drive solutions

Plug-in shaft	No.
LF6	3 842 526 893
LF12	3 842 526 894
LF20	3 842 526 895

Material: Nickel-plated steel

SW = support separation





SW = support separation
 LGW = length of synchronous shaft

Synchronous shafts

- ▶ Allow several linear guides to be operated synchronously while being driven by a common motor
- ▶ The synchronous shaft can be replaced without the drive heads having to be disassembled

The selection diagrams on page 13-55, 13-56 specify maximum values without safety margins.

Synchronous shaft	SW (mm)	No.
LF6	215 ... 3000	3 842 994 811 / SW
LF12	275 ... 3500	3 842 994 812 / SW
LF20	325 ... 3500	3 842 994 813 / SW

Material: Steel/aluminum

Technical data for roller, design, mounting

General technical data and calculations

Speed

$$v_{\max} = 5 \text{ m/s}$$

Acceleration

$$a_{\max} = 15 \text{ m/s}^2$$

Temperature resistance

$$-10 \text{ °C} < \vartheta < 40 \text{ °C}$$

Lubrication

All cam roller guide bearings are delivered with built-in lubricating felts.

Condition on delivery

Ungreased (greasing with Klüber Isoflex Topas NCA 52; see assembly instructions **3 842 527 226**)

Lubricating felts with reservoir are not greased.

Guide rods are ungreased.

Definition of dynamic load rating C

The radial loading of constant magnitude and direction which a linear rolling bearing can theoretically withstand for a nominal service life of 100 km distance traveled (acc. to ISO 14728 Part 1).

Note regarding maximum load F_{\max}

The maximum loads apply to individual loads. Combining loads decreases the expected service life.

Definition and calculation of = nominal service life

The calculated service life which an individual linear rolling bearing – or a group of apparently identical rolling element bearings operating under the same conditions – can attain with a 90 % probability, based on the materials of normal manufacturing quality that are generally used today and under usual operating conditions (acc. to ISO 14728 Part 1) and optimal installation conditions.

Nominal service life at constant speed

$$L = \left(\frac{C}{F} \right)^3 \cdot 10^5$$

$$L_h = \left(\frac{L}{2 \cdot s \cdot n_s \cdot 60} \right)$$

L = nominal service life (m)

L_h = nominal service life (h)

C = dynamic load capacity (N)

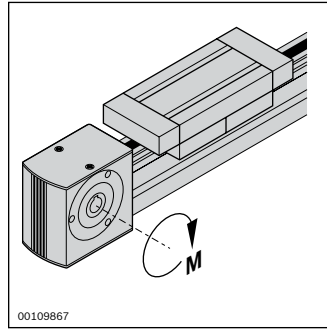
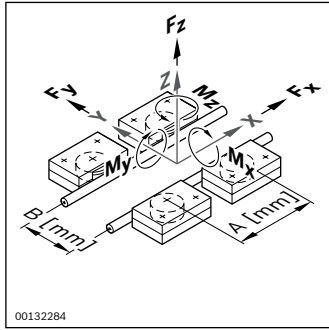
F = equivalent load (N)

s = length of stroke* (m)

n_s = stroke frequency (double stroke) (min^{-1})

*) For $s < 2 \cdot L_1$ (trolley length) load capacities are reduced.

Please consult us.



Load-dependent design

- The specified values are maximum single loads, which are reduced when loads are combined

Notice: If cumulative forces and moments arise in your application and load limits may be reached, please contact your Rexroth representative for consultation in design.

	$A_{min}^{1)}$ (mm)	F_z (N)	F_y (N)	M_x (Nm)	M_z (Nm)	M_y (Nm)	v_{max} (m/s)	M_{max} (Nm)
LF6S	75	850	1400	13.6	$0.7 \cdot A^2$	$0.4 \cdot A^2$	5	9.5 / 7.6
LF6C	75	850	1400	$0.4 \cdot B^2$	$0.7 \cdot A^2$	$0.4 \cdot A^2$	5	15
LF12S	90	2000	3500	78.0	$1.7 \cdot A^2$	$1.0 \cdot A^2$	5	30
LF12C	90	2000	3500	$1.0 \cdot B^2$	$1.7 \cdot A^2$	$1.0 \cdot A^2$	5	30
LF20S	135	6000	12500	240.0	$6.2 \cdot A^2$	$3.0 \cdot A^2$	5	100
LF20C³⁾	135	6000	12500	$3.0 \cdot B^2$	$6.2 \cdot A^2$	$3.0 \cdot A^2$	5	100

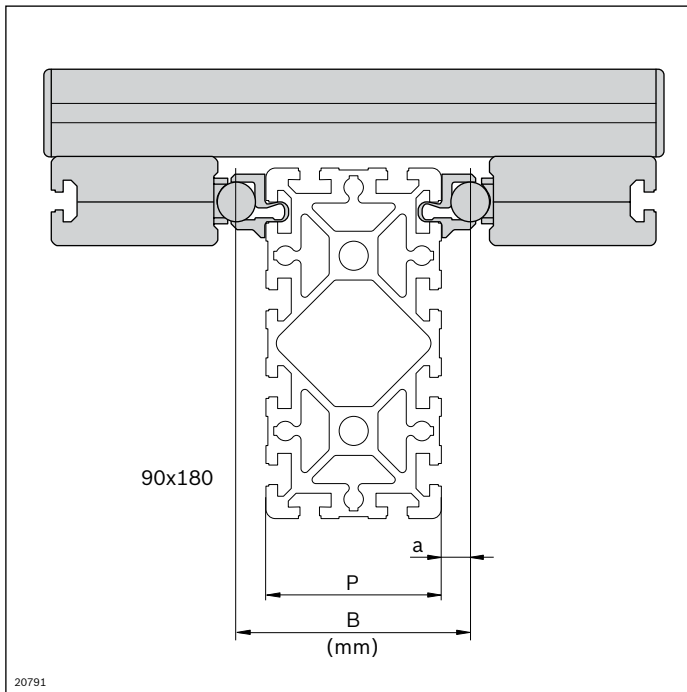
¹⁾ A_{min} = Length guide bearing

²⁾ Notice: A (spacing of support wheels, see image above) in mm; see below for calculation of B (track width)

³⁾ Maximum values (profile slot load-bearing capacity) are only reached with the following profiles: 45x270; 60x90; 90x90; 90x180; 90x360 (see p. 18-11)

Do not exceed the maximum loading of the screwed connections for rails, carriages and fastenings. Ensure sufficiently stable basic profile and respective substructure.

Take account of the general service life of lubricants!



Calculating the track width B

$$B = P + 2 \cdot a$$

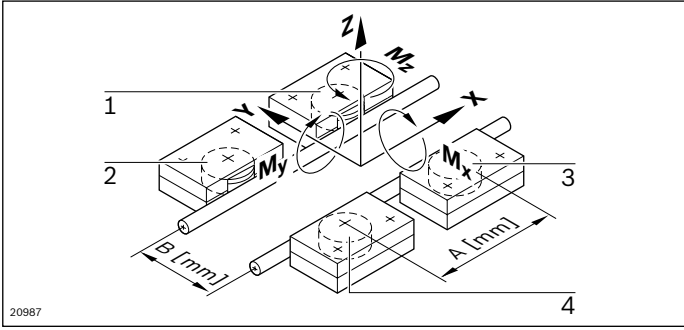
- B = track width (in mm)
- P = profile width (in mm)
- a = rod spacing (in mm)

LF ... C

- Values for a: for LF6C = 9.5 mm (p. 13-13)
- for LF12C = 9 mm (p. 13-25)
- for LF20C = 15 mm (p. 13-39)

LF ... S

- Values for a: for LF6S = 40 - 6 = 34 mm (p. 13-8)
- for LF12S = 90 - 12 = 78 mm (p. 13-18)
- for LF20S = 100 - 20 = 80 mm (p. 13-32)



Calculation of load on bearing for a trolley

Loading of the individual rollers

- ▶ A mm: Spacing of the rollers' rotational axes
- ▶ B mm: Center-to-center distance between the guide rods
- ▶ Only compressive forces can be transferred between cam rollers and guide rods in the radial direction. The following therefore applies in respect of radial forces:
 $F_r \leq 0: F_r = 0$
- ▶ Cam rollers can be loaded equally in both directions. Therefore force F_a is sufficient for calculating P and P_0

Cam roller 1:

$$F_r = -\left(\frac{F_y}{2}\right) - \left(\frac{M_z}{A}\right)$$

$$F_a = \left(\frac{F_z}{4}\right) + \left(\frac{M_x}{2 \cdot B}\right) - \left(\frac{M_y}{2 \cdot A}\right)$$

Cam roller 3:

$$F_r = +\left(\frac{F_y}{2}\right) + \left(\frac{M_z}{A}\right)$$

$$F_a = \left(\frac{F_z}{4}\right) - \left(\frac{M_x}{2 \cdot B}\right) - \left(\frac{M_y}{2 \cdot A}\right)$$

Cam roller 2:

$$F_r = -\left(\frac{F_y}{2}\right) + \left(\frac{M_z}{A}\right)$$

$$F_a = \left(\frac{F_z}{4}\right) + \left(\frac{M_x}{2 \cdot B}\right) + \left(\frac{M_y}{2 \cdot A}\right)$$

Cam roller 4:

$$F_r = +\left(\frac{F_y}{2}\right) - \left(\frac{M_z}{A}\right)$$

$$F_a = \left(\frac{F_z}{4}\right) - \left(\frac{M_x}{2 \cdot B}\right) + \left(\frac{M_y}{2 \cdot A}\right)$$

Table 1: Load factors for cam rollers

	Load case: $F_r \geq F_a $				Load case: $F_r < F_a $			
	x	y	x_0	y_0	x	y	x_0	y_0
LF6	1	3.1	1.2	3.5	0.5	3.6	1	3.7
LF12	1	4.2	1.2	5.2	0.5	4.7	1	5.4
LF20	1	4	1.2	4.9	0.5	4.5	1.1	5

Table 2: Cam rollers - load capacities

	C for 10^5 m (N)	C_0 (N)
LF6	3670	2280
LF12	8300	5000
LF20	23400	16600

Equivalent dynamic and static loads

To calculate the service life of a cam roller guide, the roller with the greatest load has to be considered.

The following must be determined:

$$P = \max(P_1, \dots, P_4)$$

$$P_0 = \max(P_{01}, \dots, P_{04})$$

Equivalent dynamic load P

$$P = x \cdot |F_r| + y \cdot |F_a|$$

Equivalent static load P_0

$$P_0 = x_0 \cdot |F_r| + y_0 \cdot |F_a|$$

F_r (N): radial load of the roller

The following applies: $F_r \leq 0: F_r = 0$

F_a (N): axial load of the roller

x, x_0 : Radial factor (table 1)

y, y_0 : Axial factor (table 1)

C: dynamic load capacity (table 2)

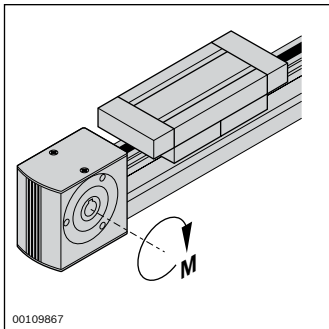
C_0 : static load capacity (table 2)

Static safety values:

$$S_0 = \left(\frac{C_0}{P_0}\right)$$

$S_0 \geq 4$ recommended!

Size selection



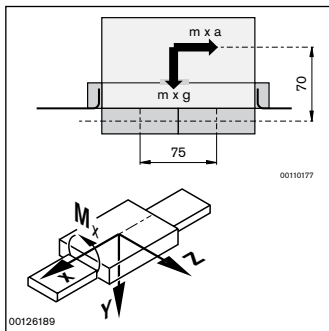
Determining the forces and moments which arise

$$\begin{matrix} F_{x \text{ dyn}}, F_{y \text{ dyn}}, F_{z \text{ dyn}}^{1)} \\ M_{x \text{ dyn}}, M_{y \text{ dyn}}, M_{z \text{ dyn}} \end{matrix}$$

¹⁾ $F_{z \text{ dyn}}$ includes the weight of the trolley

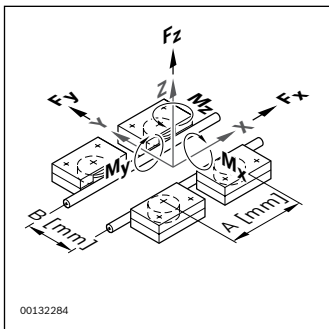
All the influences must be considered, e.g.:

- Net mass and load
- Acceleration forces and moments
- Process forces and moments
- Loads caused by dampers and/or stops



Determining the permissible forces and moments

For values see p. 13-51



Selection of the suitable size

$$\begin{matrix} F_{x, y, z \text{ dyn}} < F_{x, y, z \text{ dyn zul}} ! \\ M_{x, y, z \text{ dyn}} < M_{x, y, z \text{ dyn zul}} ! \end{matrix}$$

If F and M are cumulative:

In case of higher load, the next size is to be used. In case of doubt, please contact your Rexroth representative for consultation in design.

Example

$$\begin{aligned} m &= 30 \text{ kg} & a &= 2.5 \text{ m/s}^2; \\ L_1 &= 150 \text{ mm} & L_2 &= 5000 \text{ mm} \\ g &= 9.81 \text{ m/s}^2 \end{aligned}$$

$$F_{z \text{ dyn}} = m \cdot g = 294 \text{ N}$$

$$M_{y \text{ dyn}} = m \cdot a \cdot 70 \text{ mm} = 5.25 \text{ Nm}$$

Example of LF 6 S, LF 6 C

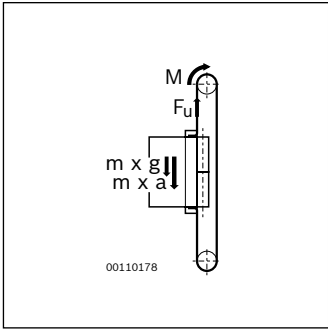
$$\begin{aligned} F_{z \text{ dyn zul}} &= 850 \text{ N} > F_{z \text{ dyn}} = 294 \text{ N} \\ M_{y \text{ dyn zul}} &= 0.4 \cdot A = 0.4 \cdot 75 \text{ mm} \\ &= 30 \text{ Nm} > M_{y \text{ dyn}} = 5.25 \text{ Nm} \end{aligned}$$

Example

$$F_{z \text{ dyn}} = 294 \text{ N} < F_{z \text{ dyn zul}} = 850 \text{ N} !$$

$$\begin{aligned} M_{y \text{ dyn}} &= 5.25 \text{ Nm} < M_{y \text{ dyn zul}} \\ &= 30 \text{ Nm} ! \end{aligned}$$

Calculating the drive

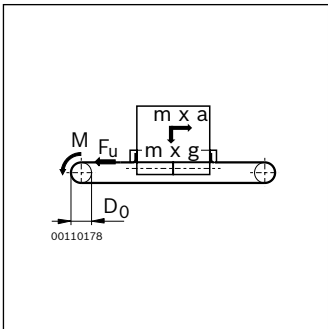


Peripheral force F_u

$$F_u = m \cdot a + m \cdot g + F_0 + \mu \cdot m \cdot g$$

$$F_u \leq F_{u\text{zul}} !$$

F_0 : frictional force on return units
 μ : coefficient of friction of the guide
 see table below.



Alternative calculation formula

$$F_u = m \cdot a + F_0 + \mu \cdot m \cdot g \leq F_{u\text{zul}} !$$

Example of LF6C

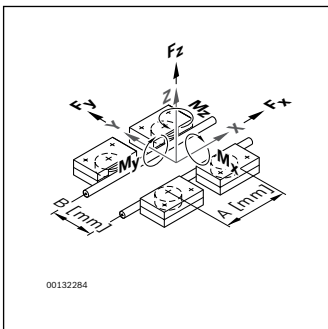
$$m = 30 \text{ kg}; \quad a = 2.5 \text{ m/s}^2$$

$$F_u = (30 \cdot 2.5) \text{ N} + 10 \text{ N}$$

$$+ (0.025 \cdot 30 \cdot 9.81) \text{ N}$$

$$F_u = 75 \text{ N} + 10 \text{ N} + 0.025 \cdot 294 \text{ N}$$

$$F_u = 92.35 \text{ N} < F_{u\text{zul}} = 600 \text{ N} !$$



Required drive torque M

$$M = \frac{1}{2} \cdot D_0 \cdot F_u \leq M_{\text{zul}} !$$

Example

$$M = \frac{1}{2} \cdot 50.94 \text{ mm} \cdot 92.35 \text{ N}$$

$$= 2.4 \text{ Nm}$$

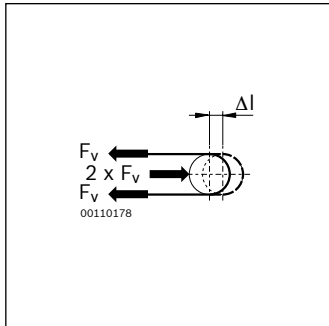
$$M = 2.35 \text{ Nm} \leq M_{\text{zul}}$$

$$= 15 \text{ Nm} !$$

	v (m/s)	$F_{u\text{zul}}$ (N)	M_{zul} (Nm)	F_0 (N)	μ	D_0 (mm)	$D_0 \times \pi$ (mm)
LF6S	≤ 2.0	500	9.5	10	0.025	38.21	120
LF6S	2.01 ... 5.0	400	7.6	10	0.025	38.21	120
LF6C	≤ 5.0	600	15.0	10	0.025	50.94	160
LF12S	≤ 5.0	820	30.0	30	0.020	73.20	230
LF12C	≤ 5.0	820	30.0	30	0.020	73.20	230
LF20S	≤ 5.0	2000	100.0	35	0.015	101.86	320
LF20C	≤ 5.0	2000	100.0	35	0.015	101.86	320

F_0 : frictional force on return units; μ : coefficient of friction

Checking the selected size



Preload force F_v of toothed belt

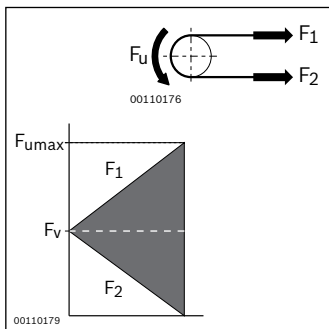
$$0.5 \cdot F_u \leq F_v \leq F_u$$

Recommendation: $F_v = 0.5 \cdot F_u$

Example

$$F_u = 92.35 \text{ N}$$

$$F_v = 50 \text{ N}$$



Maximum toothed belt force $F_{1 \max}$

$$F_{1 \max} = F_v + 0.5 \cdot F_u \leq F_{1 \text{zul}} !$$

$$F_{2 \min} = F_v - 0.5 \cdot F_u > 0 !$$

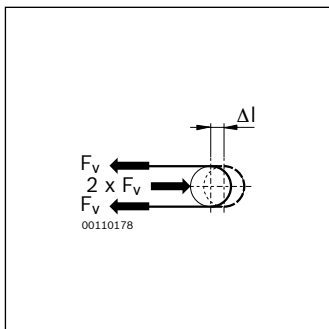
Example of LF6C

$$F_{1 \max} = 50 \text{ N} + 0.5 \cdot 92.35 \text{ N}$$

$$F_{1 \max} = 96.18 \text{ N} < F_{1 \text{zul}} = 900 \text{ N} !$$

$$F_{2 \min} = 50 \text{ N} - 0.5 \cdot 92.35 \text{ N}$$

$$F_{2 \min} = 3.825 \text{ N} > 0 !$$



Required preload length Δl

$$\Delta l = 0.5 \cdot F_v \cdot L / C_{\text{spez}} \leq \Delta l_{\max} !$$

Example

$$L = 2 \cdot L_2 - L_1 + 400 \text{ mm}$$

$$L = 10250 \text{ mm}$$

$$\Delta l = 0.5 \cdot 50 \text{ N} \cdot 10250 \text{ mm}$$

$$/ 420000 \text{ N}$$

$$\Delta l = 0.8 \text{ mm} < \Delta l_{\max} = 13 \text{ mm} !$$

	$F_{1 \text{zul}}$ (N)	C_{spez} (N)	Δl_{\max} (mm)	L (mm)	Page
LF6S	750	315000	11	$2 \cdot L_2 - L_1 + 360$	13-6
LF6C	900	420000	13	$2 \cdot L_2 - L_1 + 400$	13-11
LF12S	1230	1250000	16	$2 \cdot L_2 - L_1 + 630$	13-16
LF12C	1230	1250000	16	$2 \cdot L_2 - L_1 + 630$	13-23
LF20S	3000	1870000	23	$2 \cdot L_2 - L_1 + 780$	13-30
LF20C	3000	1870000	23	$2 \cdot L_2 - L_1 + 780$	13-37

C_{spez} : Belt stiffness;

L: Toothed belt,

see also LF6S (p. 13-6), LF6C (p. 13-11),

LF12S (p. 13-16), LF12C (p. 13-23),

LF20S (p. 13-30), LF20C (p. 13-37)

Dimensioning of synchronous shafts






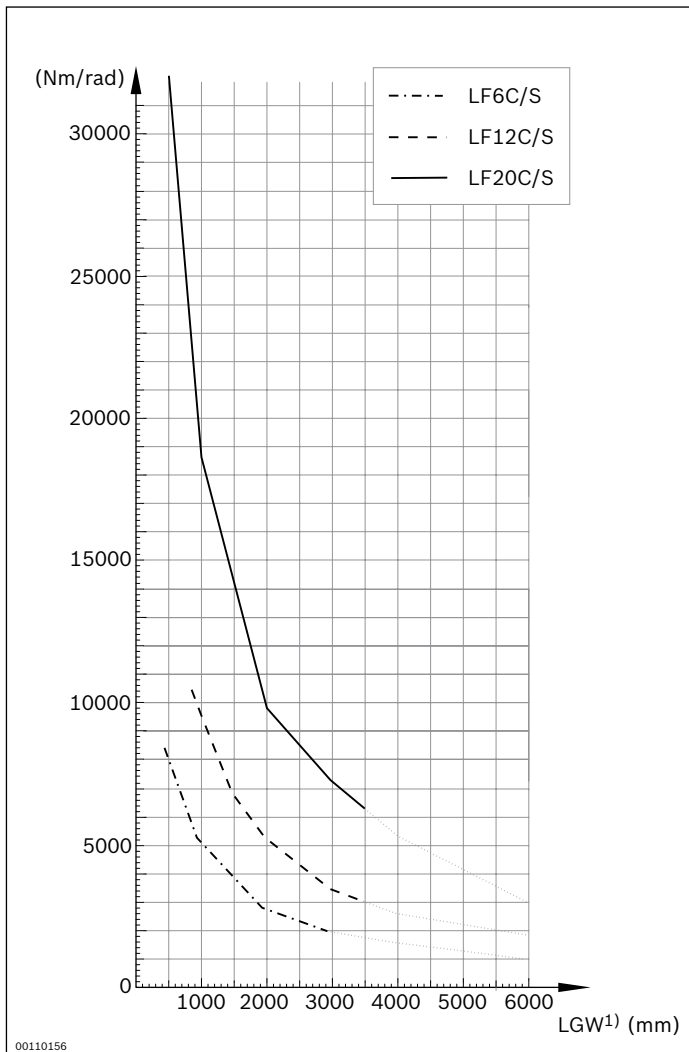
			LF6	LF12	LF20
Support separation SW	horizontal		215 ... 3000 mm	275 ... 3500 mm	325 ... 3500 mm
	vertical		215 ... 2000 mm	275 ... 2000 mm	325 ... 1100 mm
Nominal torque			max. 30 Nm	max. 60 Nm	max. 150 Nm
Permitted rpm			Diagram 3 (p. 13-56) max. 0.7 · n_k	Diagram 3 (p. 13-56) max. 0.7 · n_k	Diagram 3 (p. 13-56) max. 0.7 · n_k
Elasticity	axial		max. 2 mm	max. 3 mm	max. 4 mm
	lateral		Diagram 4 (p. 13-56)	Diagram 4 (p. 13-56)	Diagram 4 (p. 13-56)
	Rotation angle		Diagram 5 (p. 13-56)	Diagram 5 (p. 13-56)	Diagram 5 (p. 13-56)

Diagram 1: Torsion stiffness



1) Length synchronous shaft LGW

- LF6 LGW = SW - 72
- LF12 LGW = SW - 101
- LF20 LGW = SW - 130

Diagram 2: Mass inertia

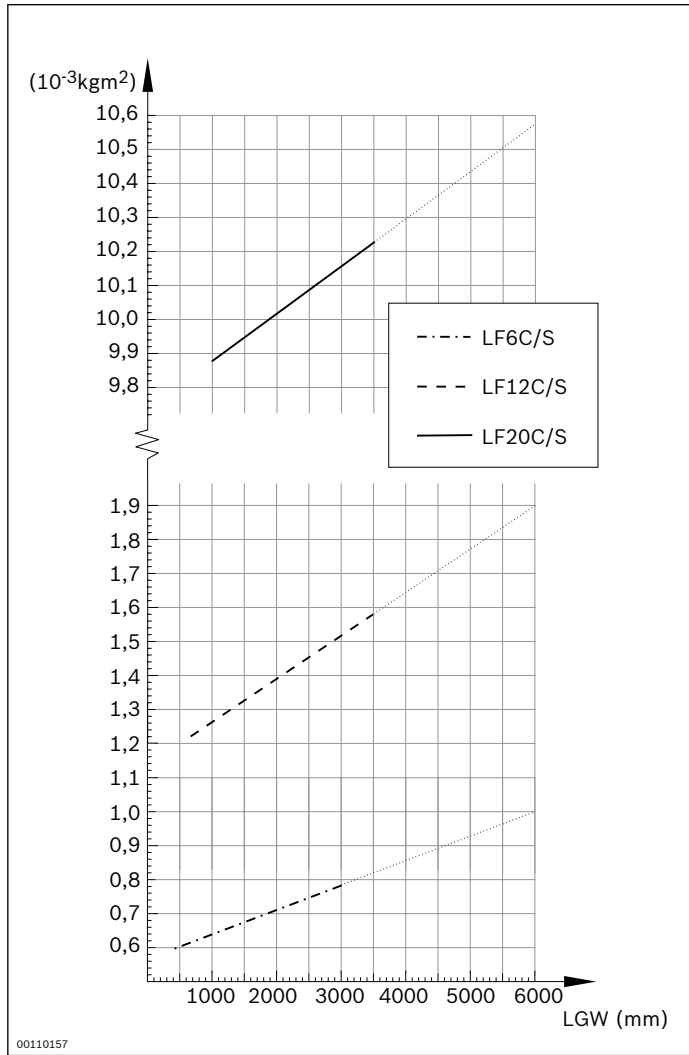


Diagram 3: Critical rpm due to bending n_k

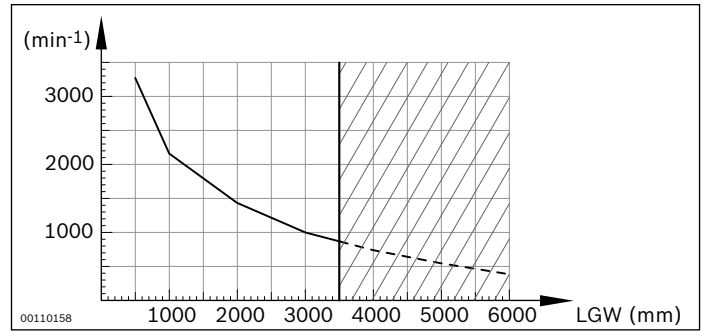
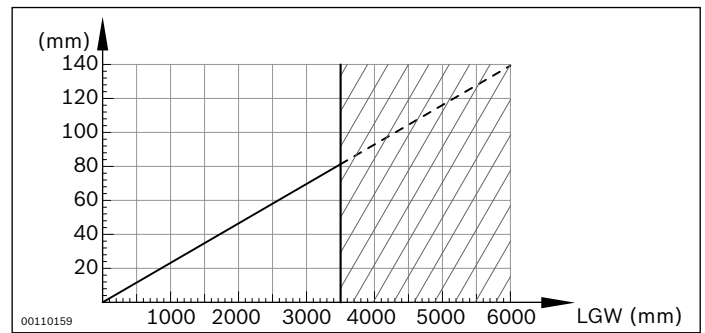
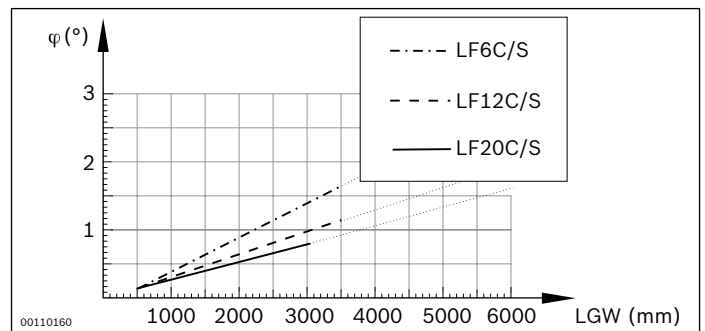


Diagram 4: Lateral offset

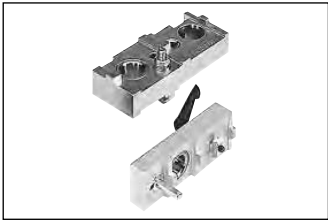


Aligned shafts are recommended.

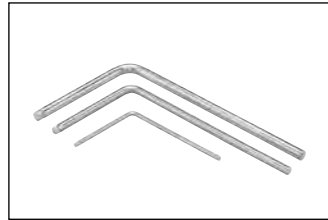
Diagram 5: Rotation angle



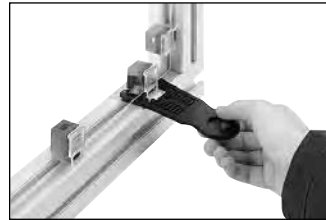
Tools



Drilling jigs (p. 14-2)



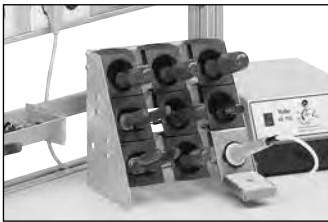
Torx® offset screwdriver
(p. 14-5)



Variofix remover,
Flexible grinder (p. 14-6)



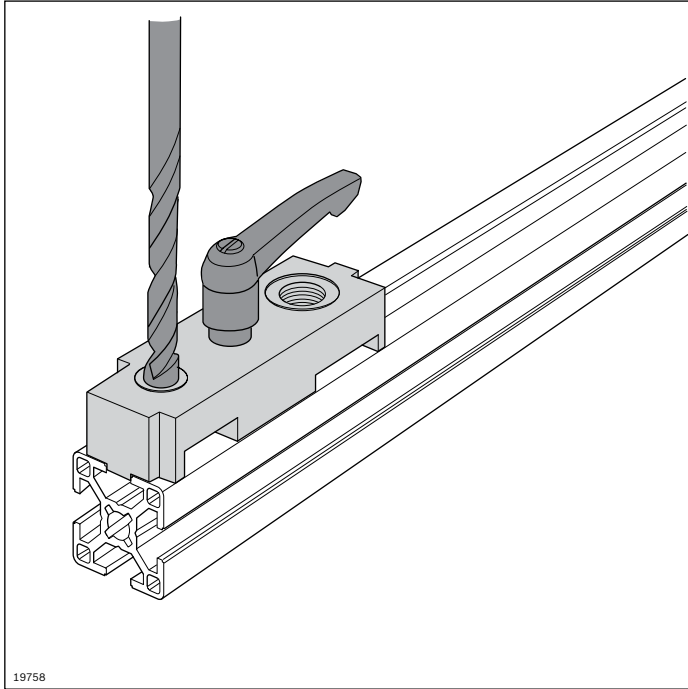
Beveling shears (p. 14-6)



Tool shelf,
tool holder (p. 14-7)

Let us send you information on the complete product range
of Bosch power tools!

Robert Bosch GmbH
Geschäftsbereich Elektrowerkzeuge
PO Box 10 01 56
D-70745 Leinfelden-Echterdingen
<http://www.bosch-pt.com>

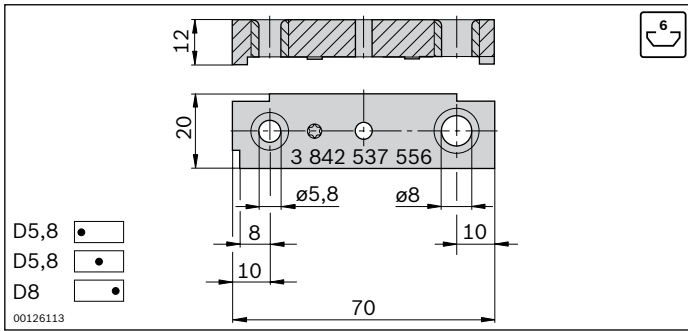


19758

Drilling jigs



- ▶ For simple drilling of standard holes for the Rexroth range of connectors
- ▶ Stopping surfaces and edges for precise hole positioning
- ▶ Lockable



- D5,8
- D5,8
- D8

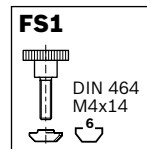
00126113

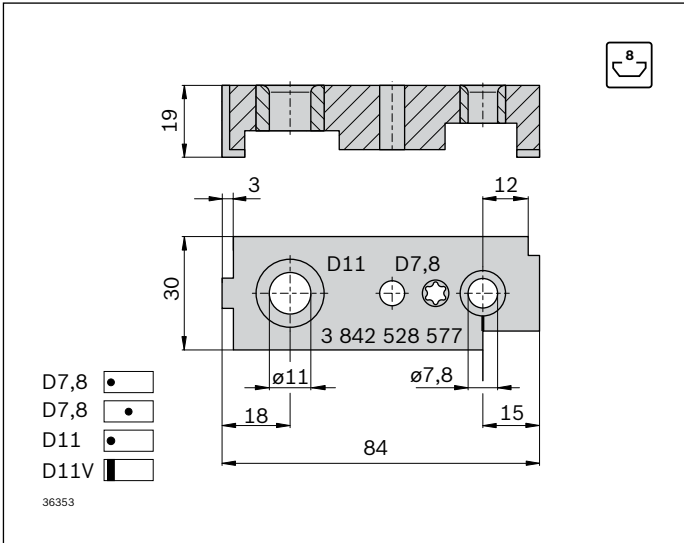
Drilling jigs - slot 6 mm

- ▶ For through-holes (ø5.8) for hexagonal-star socket screwdrivers T25
- ▶ For fastening holes (ø8) for quick connectors

Drilling jig	No.	FS
Slot 6 mm	3 842 537 556	FS1

Material: Aluminum
 Scope of delivery: Incl. fastening material (FS)

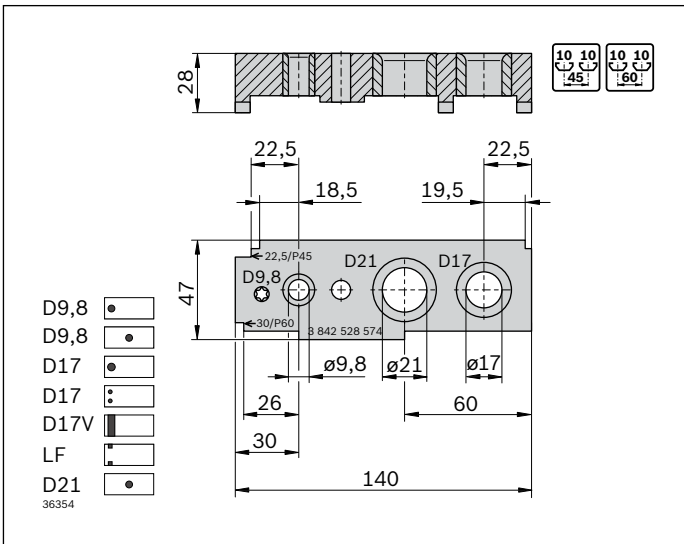
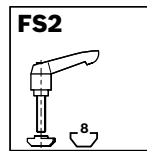




Drilling jigs - slot 8 mm

- ▶ For through-holes ($\varnothing 7.8$) for hexagonal-star socket screwdrivers T40
- ▶ For fastening holes ($\varnothing 11$) for quick connectors

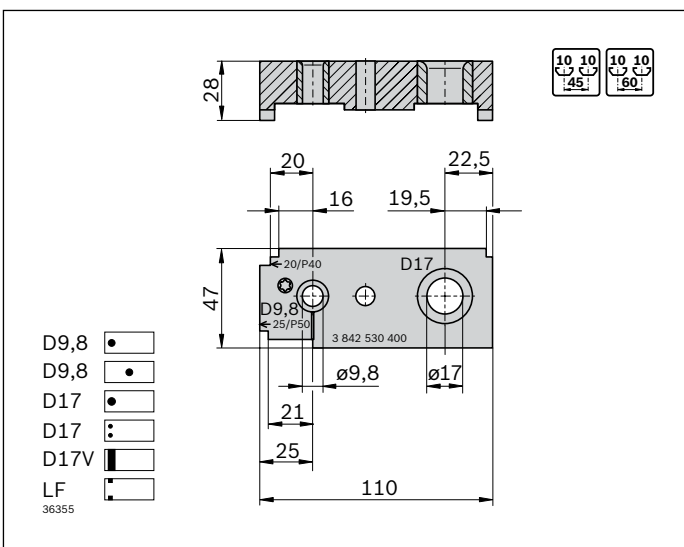
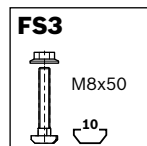
Drilling jig	No.	FS
Slot 8 mm	3 842 528 577	FS2
Material:	Steel; zinc-plated	
Scope of delivery:	Incl. fastening material (FS)	



Drilling jigs - slot 10 mm, modular dimensions 45, 60

- ▶ For fastening holes ($\varnothing 17$) for bolt connectors, quick connectors, and threaded sleeves
- ▶ For through-holes ($\varnothing 9.8$) for hexagonal-star socket screwdrivers T50
- ▶ For counterbores ($\varnothing 21$) for pneumatic connections

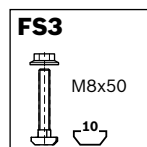
Drilling jig	No.	FS
Slot 10 mm, modular dimensions 45, 60	3 842 528 574	FS3
Material:	Steel; zinc-plated	
Scope of delivery:	Incl. fastening material (FS)	

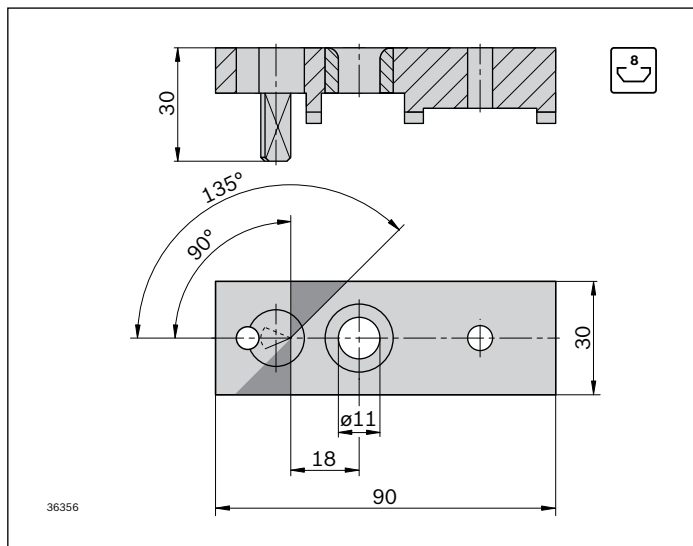


Drilling jigs - slot 10 mm, modular dimensions 40, 50

- ▶ For through-holes ($\varnothing 9.8$) for hexagonal-star socket screwdrivers T50
- ▶ For fastening holes ($\varnothing 17$) for bolt connectors, quick connectors, and threaded sleeves

Drilling jig	No.	FS
Slot 10 mm, modular dimensions 40, 50	3 842 530 400	FS3
Material:	Steel; zinc-plated	
Scope of delivery:	Incl. fastening material (FS)	



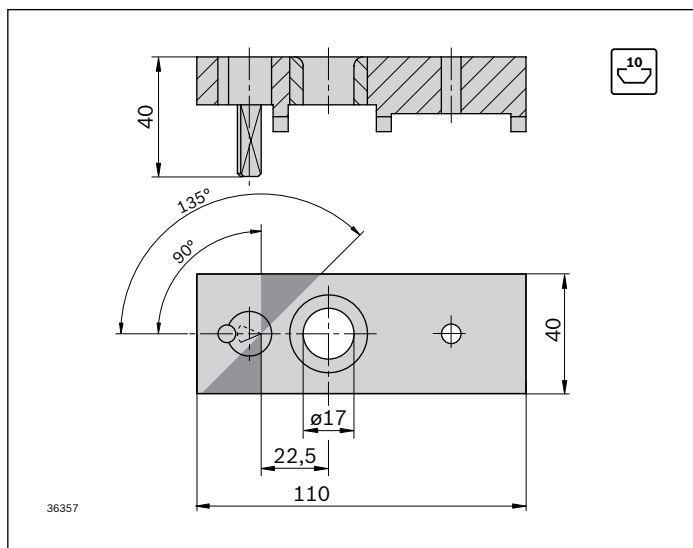
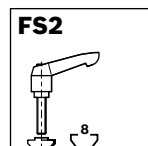


Drilling jig for diagonally sawn profiles – slot 8 mm

► For fastening holes (ø11) for bendable quick connectors

Drilling jig	No.	FS
Slot 8 mm – diagonally sawn profiles	3 842 516 729	FS2

Material: Aluminum
 Scope of delivery: Incl. fastening material (FS)
 Also see bendable quick connector (p. 3-59)

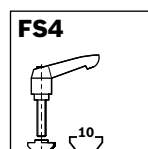


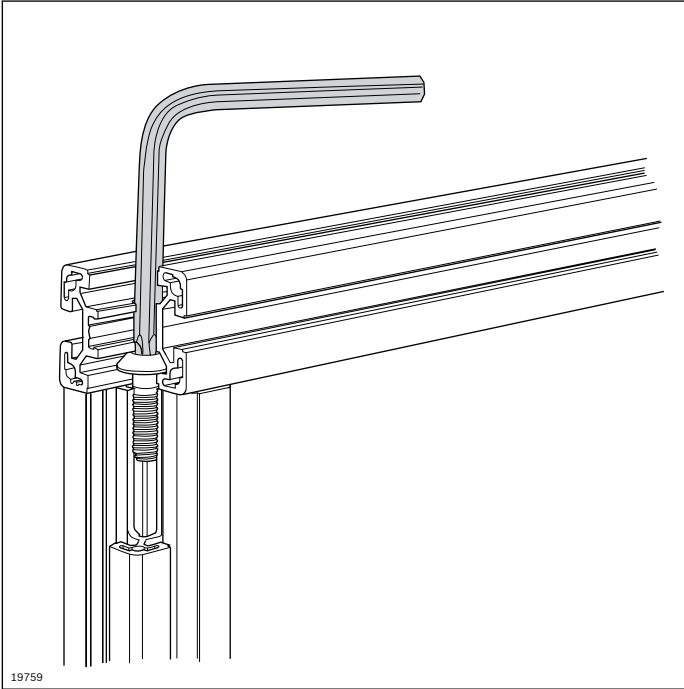
Drilling jig for diagonally sawn profiles – slot 10 mm

► For fastening holes (ø17) for bendable quick connectors

Drilling jig	No.	FS
Slot 10 mm – diagonally sawn profiles	3 842 516 731	FS4

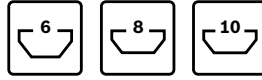
Material: Aluminum
 Scope of delivery: Incl. fastening material (FS)
 Also see bendable quick connector (p. 3-59)





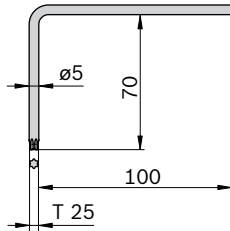
19759

Torx® offset screwdriver



- ▶ Offset screwdriver for the central bolts (p. 3-43):
 - S6x16-**T25**
 - S8x25-**T40**
 - S12x30-**T50**, M12x30-**T50**
- ▶ Long shank for easy screw head access

T25



00111397

Offset screwdriver T25

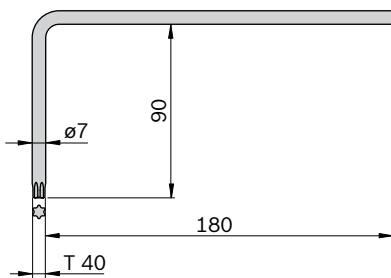


No.

5 3 842 528 590

Material: Chrome vanadium steel

T40



00111398

Offset screwdriver T40

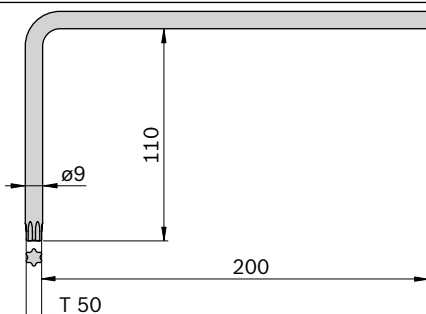


No.

5 3 842 528 588

Material: Chrome vanadium steel

T50



00111399

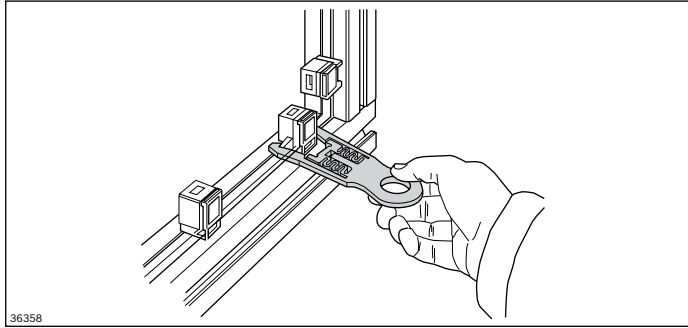
Offset screwdriver T50



No.

5 3 842 528 586

Material: Chrome vanadium steel

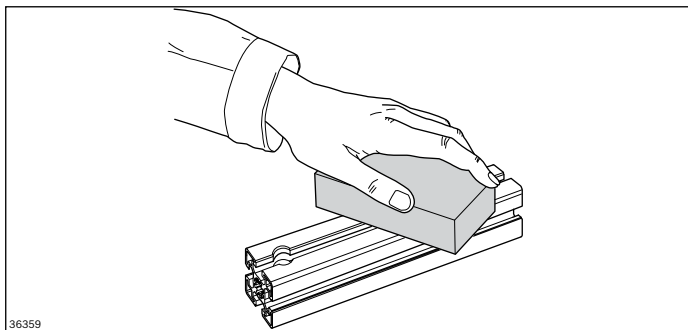


Variofix remover

- ▶ For fast, easy removal of the Variofix snap-in clip (p. 7-6), even in hard-to-reach places
- ▶ The Variofix remover is pushed onto the snap-in clip of the Variofix block so that it spreads the teeth of the clip and can then be removed together with the clip

Variofix remover	 No.
	10 3 842 526 589

Material: PA

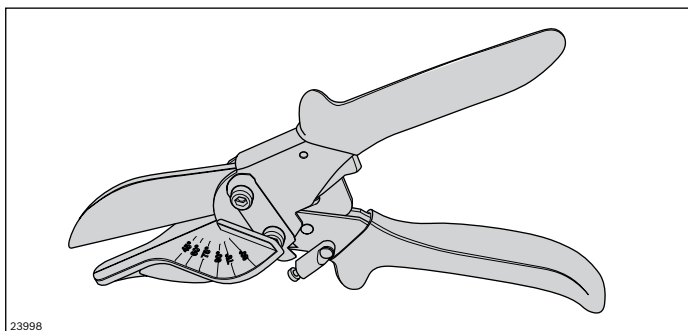


Flexible grinder for anodized surfaces

- ▶ Hand grinder for removing light soiling and minor scratches
- ▶ Handy grindstone made of flexible base material containing abrasive agents
- ▶ Long service life thanks to automatic, continual surface renewal, like an eraser
- ▶ Suitable for all natural-colored, anodized surfaces, e.g. also for aluminum windows and doors

Flexible grinder for anodized surfaces	No.
	3 842 518 650

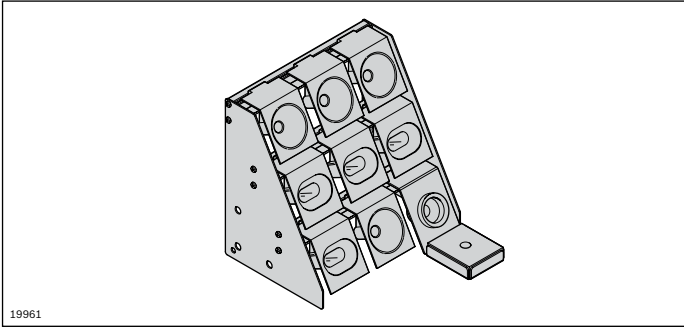
Material: Silicon carbide 60 %
polyurethane 40 %



Miter cutter

- ▶ For length-trimming of plastic profiles, e.g. slot cover profiles

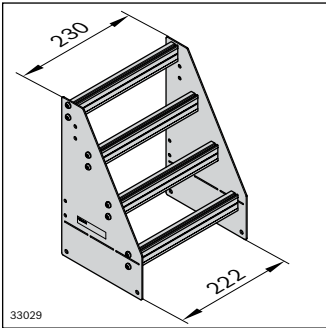
Miter cutter	No.
	3 842 547 982



Tool shelf Tool holder

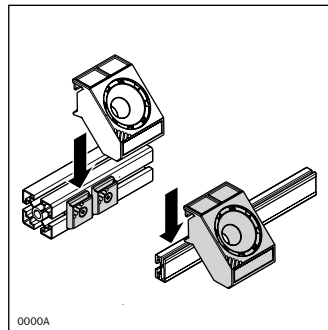
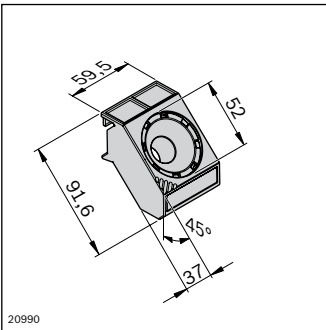


- ▶ Tool shelf and tool holder for ergonomic and handy positioning of tools at the workstation
- ▶ Tool shelf can be individually equipped
- ▶ Accessories: Container mount (p. 2-60)



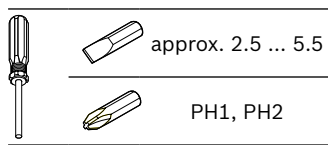
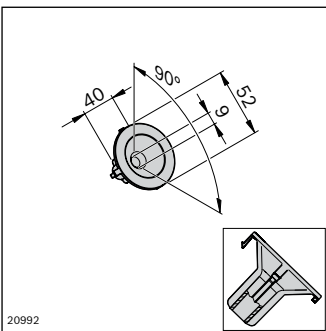
Tool shelf	ESD No.
	3 842 554 909

Material: Side parts: Sheet aluminum
Suspension profile: Aluminum; anodized

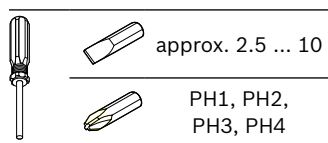
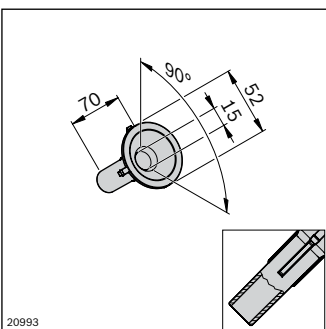


Tool holder D52 for bucket trays D52-9 and D52-15

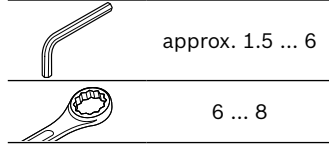
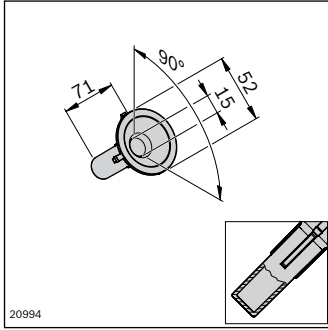
Tool holder D52	ESD No.
	3 842 544 832



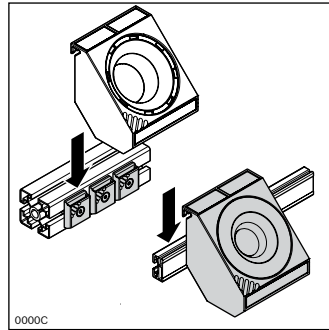
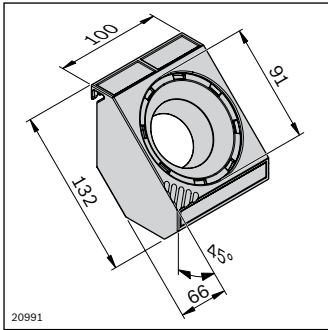
Bucket tray D52-9 (without base)	ESD No.
	3 842 544 834



Bucket-tray D52-15 (with base)	ESD No.
	3 842 544 835

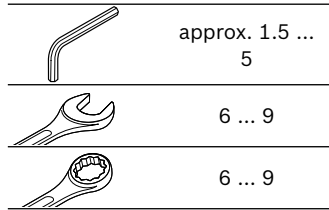
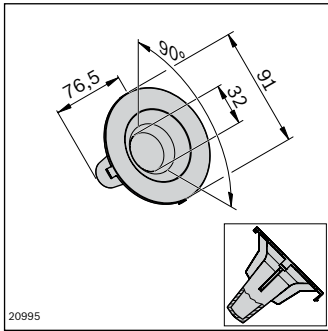


Bucket-tray D52-15 (with base)	ESD No.
	3 842 544 836

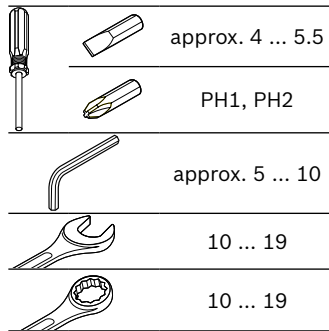
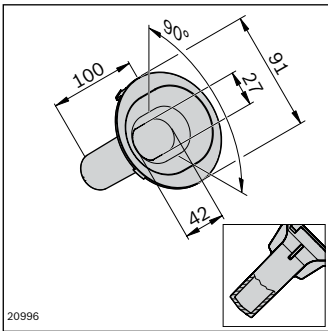


Tool holder D91 for bucket trays D91-32, D91 Oval53 L100 and D91 Oval53 L136

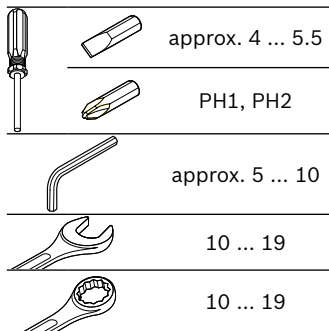
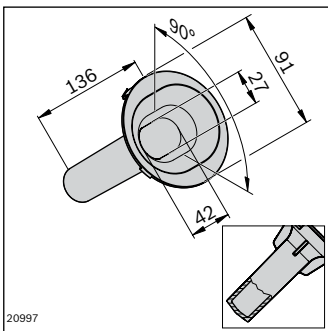
Tool holder D91	ESD No.
	3 842 544 833



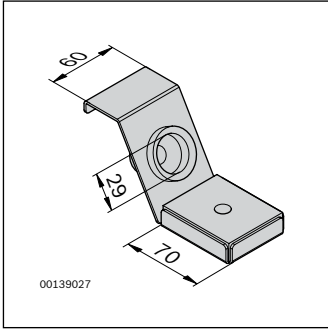
Bucket-tray D91-32 (with base)	ESD No.
	3 842 544 837



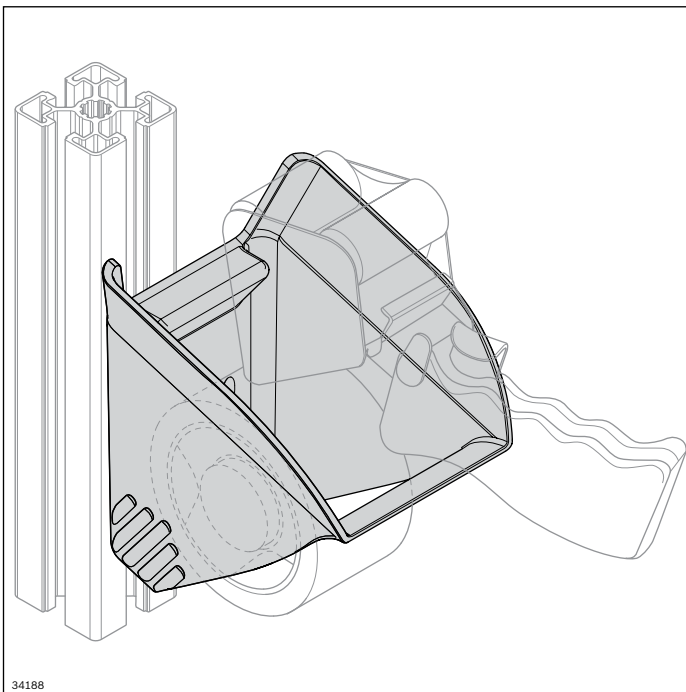
Bucket-tray D91 Oval53 L100 (with base)	ESD No.
	3 842 546 744



Bucket-tray D91 Oval53 L136 (with base)	ESD No.
	3 842 546 745



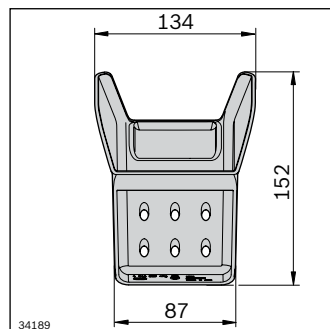
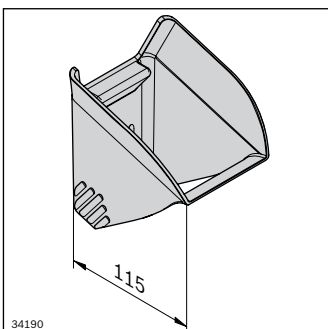
Tool holder for soldering irons	ESD No.
	 3 842 514 524



Tool holder TAPE 50 mm



- ▶ Tool holder for tape dispenser with a width of 50 mm
- ▶ Time savings of 10 % to 20 % based on MTM, achievable with
 - Defined place for faster reaching and picking
 - Docking aids for easy, ergonomic depositing
- ▶ Supports 5S principles for order and cleanliness at the workstation via defined place



Tool holder TAPE 50 mm	ESD No.
	 3 842 555 673

Material: PA 6; black
 Scope of delivery: Incl. fastening material for fastening in 8 mm or 10 mm slots

FiFo station



Guide rail (p. 15-2)



Adapter (p. 15-3)



Right end cap, small
(p. 15-3)



Left end cap, small
(p. 15-3)

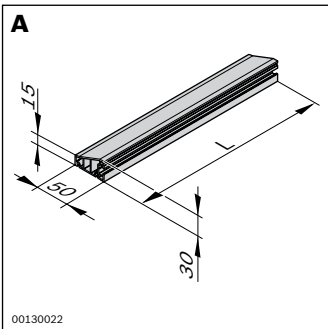
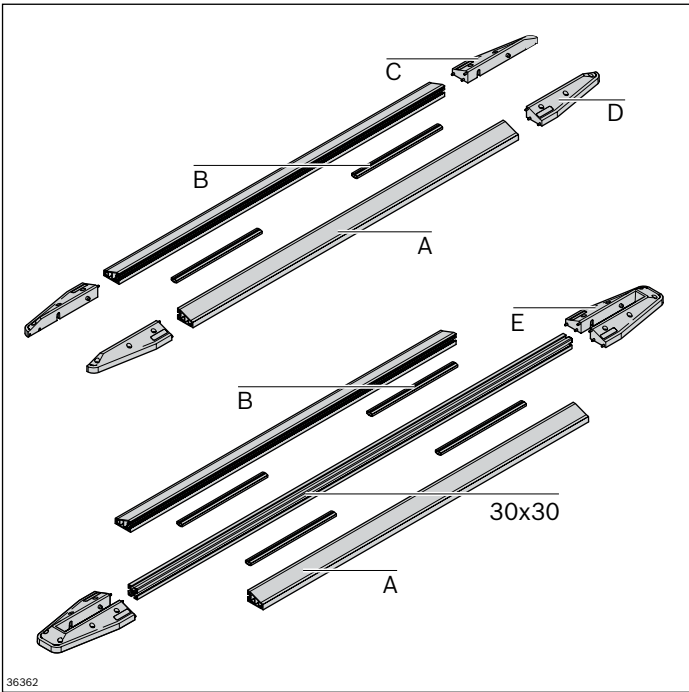


End cap, large (p. 15-3)



FiFo station

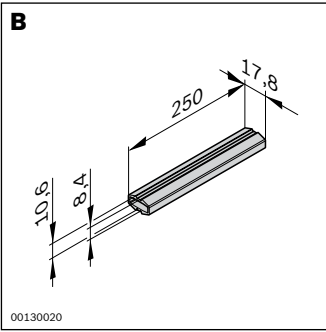
- ▶ Components for constructing a FiFo station for material shuttles
- ▶ Clearly organized and highly transparent production operations through having standardized delivery routes
- ▶ Modular system lets you adapt the layout to your needs and to your available space



- ▶ Adhesive strips for fastening to floor
- ▶ Screw fitting to floor possible at end caps

Guide rail	L (mm)	No.	No.
A	1200	10	3 842 540 012
	2400	10	3 842 539 894

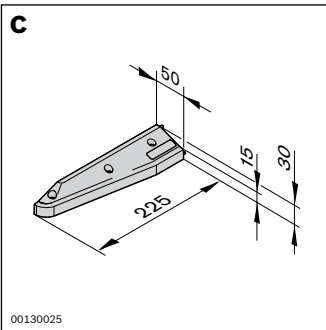
Material: PVC, yellow



- ▶ For the parallel connection of guide rails, or a guide rail with a 30x30 profile

Adapter	No.
B	20 3 842 539 898

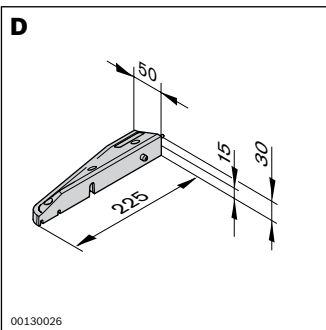
Material: PP



- ▶ For use as a jointing aid and for fastening the guide rails to the floor

Right-hand end cap, small	No.
C	10 3 842 539 895

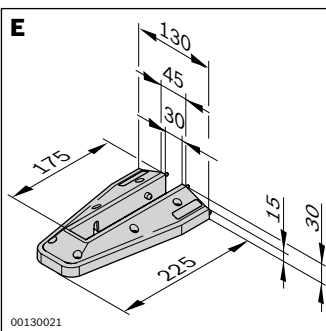
Material: PA 6; black



- ▶ For use as a jointing aid and for fastening the guide rails to the floor

Left-hand end cap, small	No.
D	10 3 842 539 896

Material: PA 6; black



- ▶ For installing a 30x30 profile between two guide rails
- ▶ The 30 mm profile can be used to construct flow rack systems, information boards, and height limits. Since the guide rails are flat-sided, setup can be done using a wide profile (40, 45, 50)

Required accessories:

- ▶ Profile 30x30 (p. 2-15)

End cap, large	No.
E	10 3 842 539 897

Material: PA 6; black

Components for lateral guides



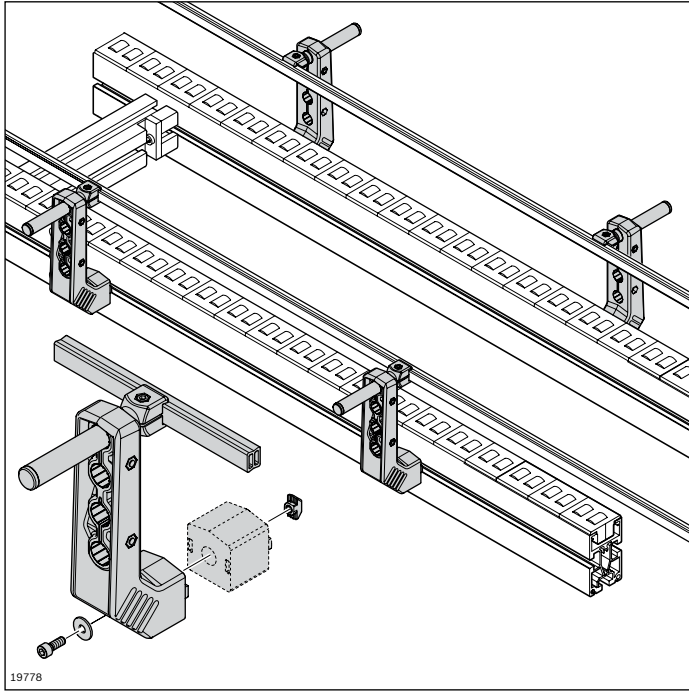
Profile rails, slide rails
(p. 16-3)



Holder, fixed (p. 16-6)

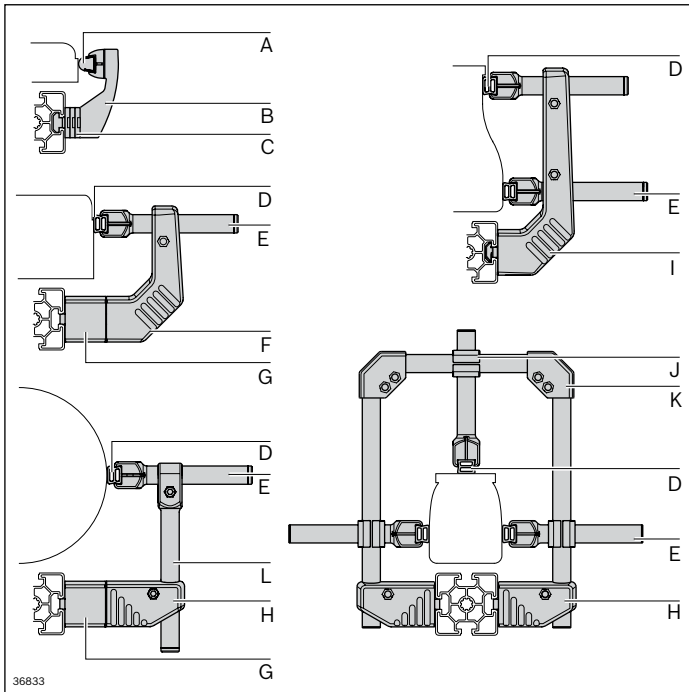


Holder, variable (p. 16-8)



Components for lateral guides

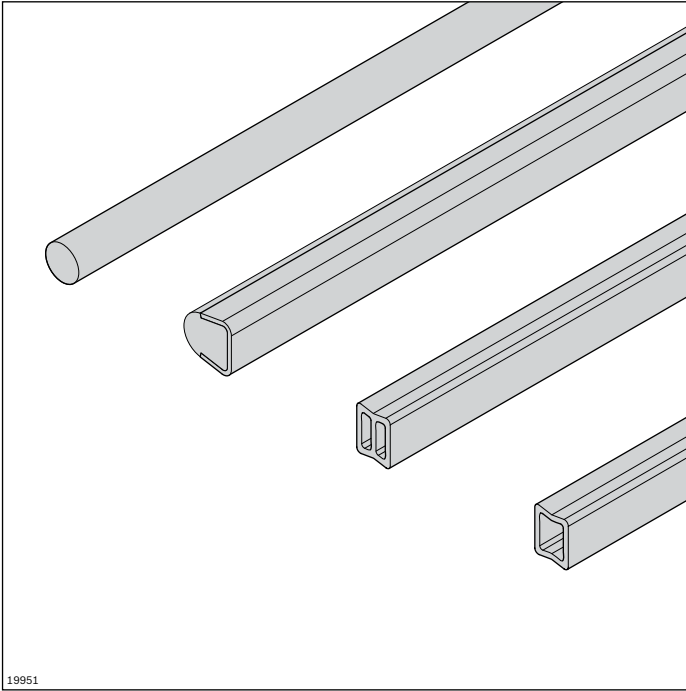
- ▶ Wide variety of profile rail and holder combinations for individual solutions
- ▶ Easy to clean
- ▶ Robust
- ▶ Only one tool required for adjustment
- ▶ Interface slot 10 mm



Components	Page
A Profile rail 17x17.5	16-4
B Holder, fixed	16-6
C Spacer plate	16-6
D Aluminum profile rail	16-3
E Clamping holder C L100	16-9
F Holder L134	16-10
G Spacer	16-11
H Holder L45	16-11
I Holder L204	16-10
J Cross piece	16-12
K Corner piece	16-12
L Vertical clamping holder D18 L160	16-11





Profile rails and accessories for lateral guides

- ▶ Profile rails for lateral guiding of transported material
- ▶ Suitable for fixed lateral guide holders (p. 16-6), and variable lateral guide holders (p. 16-8)
- ▶ Various materials and geometries for different applications (p. 16-3, 16-4)
- ▶ Slide rails for secure guiding of transport material (p. 16-4)
- ▶ Profile connector for profile rail extension (p. 16-5)



19951

- ▶ Aluminum profile rail for robust lateral guides

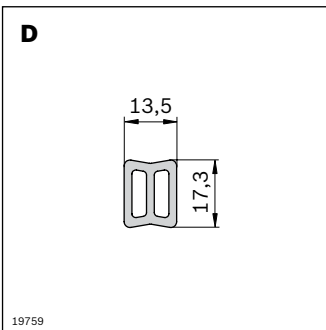
Aluminum profile rail		L (mm)	No.
1 pc		200 ... 3000	3 842 993 887 / L
 20 pcs		3000	3 842 538 829
1 pc		3000	3 842 538 830

Material: Aluminum; natural, anodized
 Accessories: Narrow slide rail; high slide rail; outer profile connector; inner profile connector; cover cap; clamping holder C L100; holder; clamping head

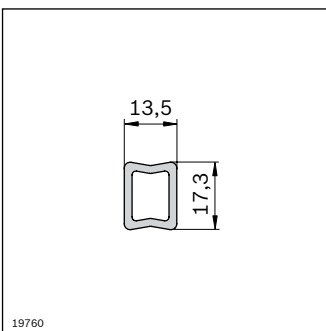
- ▶ HDPE profile rail for light applications
- ▶ Bendable

HDPE profile rail		L (mm)	No.
1 pc		3000	3 842 538 388

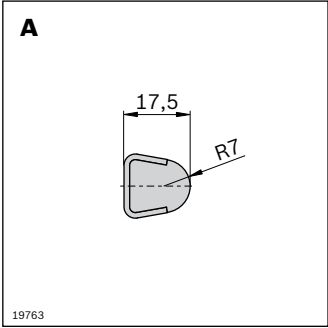
Material: HDPE; gray
 Accessories: Narrow slide rail; high slide rail; outer profile connector; inner profile connector; cover cap; clamping holder C L100; holder; clamping head



19759



19760

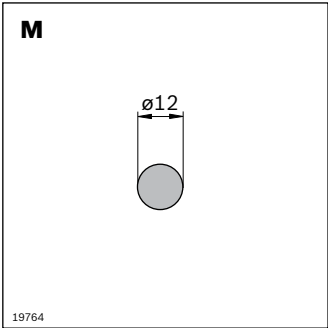


- ▶ Profile rail 17x17.5 in robust stainless steel version with PE guide for gentle product handling

Profile rail 17x17.5		L (mm)	No.
1 pc		200 ... 3000	3 842 994 863 / L
20 pcs		3000	3 842 529 850
1 pc		3000	3 842 526 576

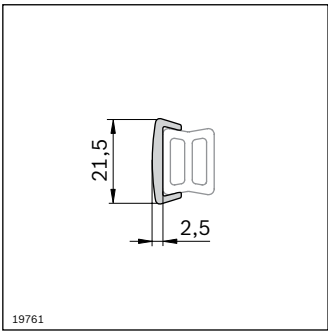
Material: Steel, stainless / PE; natural
 Accessories: Outer profile connector; clamping holder C L100; holder; clamping head; clamping head

- ▶ Profile rail D12 in robust stainless steel version



Profile rail D12		L (mm)	No.
1 pc		200 ... 3000	3 842 993 306 / L
6 pcs		3000	3 842 533 841
1 pc		3000	3 842 533 007

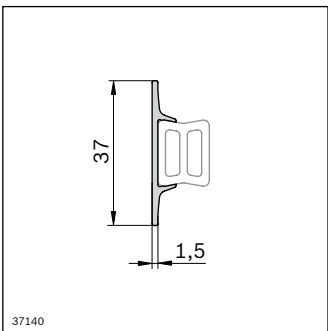
Material: Steel; stainless
 Accessories: Clamping holder D12 L100



- ▶ Clip-on slide rail for aluminum or HDPE profile rail
- ▶ For gentle product transport and minimum wear to HDPE profile rail

Slide rail, narrow		L (mm)	ESD	No.
1 pc		3000		3 842 538 209
1 pc		3000		3 842 539 340

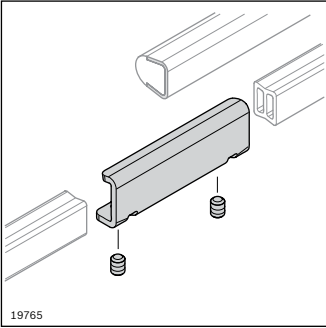
Material: HDPE; gray
 ESD: PE-UHMW, conductive, black



- ▶ Clip-on slide rail for aluminum or HDPE profile rail
- ▶ Wide guiding surface
- ▶ For gentle product transport and minimum wear to HDPE profile rail

Slide rail, high		L (mm)	No.
1 pc		3000	3 842 538 389

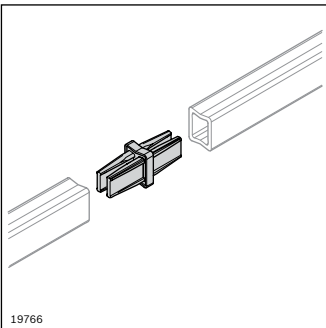
Material: HDPE; gray



- ▶ Outer profile connector for aluminum profile rails, HDPE profile rail, 17x17.5 profile rail

Outer profile connector	ESD	No.
	10	3 842 539 613

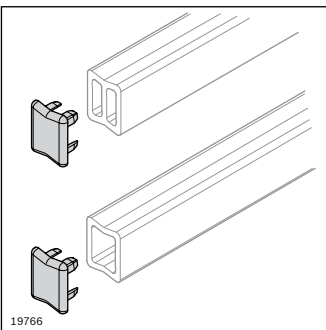
Material: Steel; stainless
 Scope of delivery: Incl. 2 x headless setscrew



- ▶ Inner profile connector for profile rail in aluminum, HDPE

Internal profile connector	ESD	No.
	10	3 842 539 345

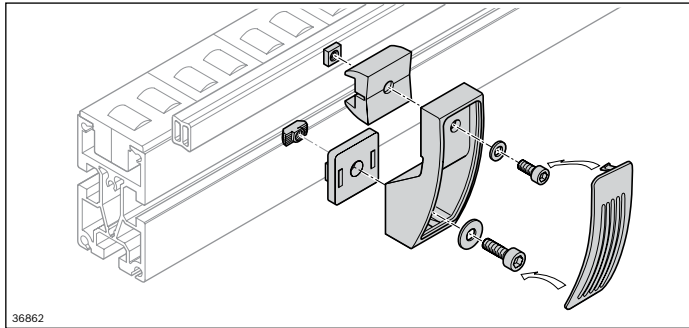
Material: PA; black, conductive



- ▶ Cover cap for profile rail in aluminum, HDPE

Cover cap	ESD	No.
	10	3 842 538 208

Material: PA; black, conductive

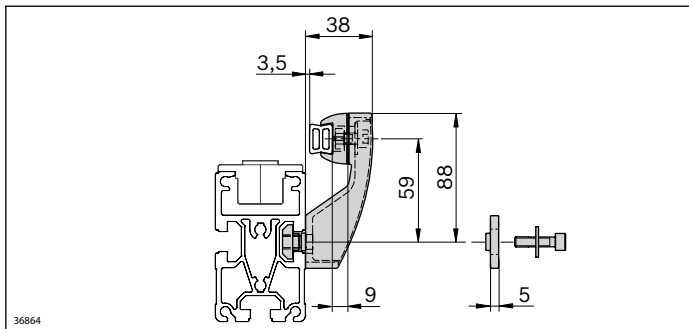


36862

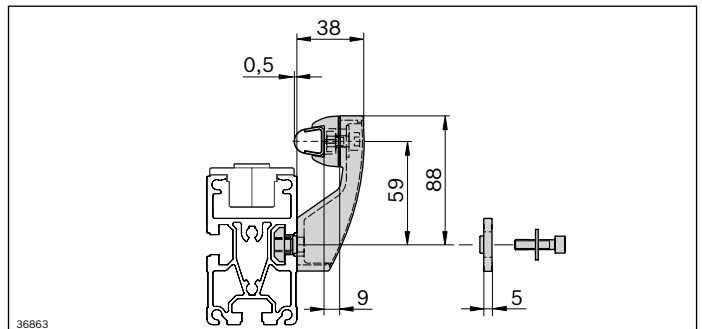
Holder for lateral guide, fixed



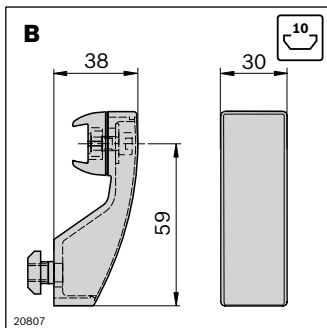
- ▶ Holders for lateral guides with fixed installation height and fixed guide width
- ▶ Easy to clean
- ▶ Robust



36864



36863



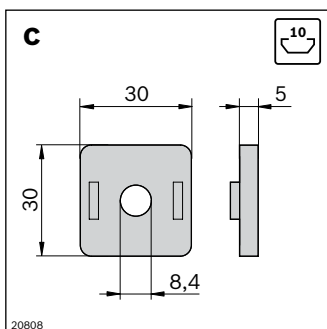
20807

FS1	ISO4762
	M8x16
	DIN 125
	A 8,4
	10

- ▶ Holder, fixed, for profile rail in aluminum, HDPE and 17x17.5
- ▶ For fixed guide width
- ▶ Spacer plate for guide width enlargement

Holder, fixed	No.	FS
Set	3 842 527 851	FS1

Material: PA; black
Fastening material: Steel; zinc-plated
Scope of delivery: Incl. clamping head, fastening material (FS)

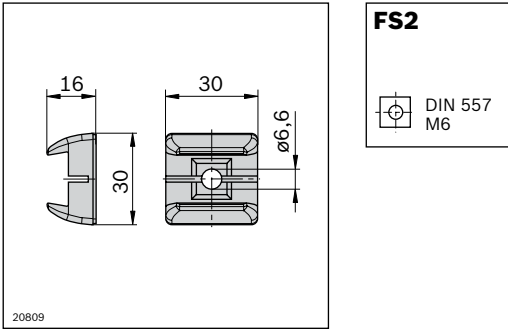


20808

- ▶ Spacer plate for holders, fixed, to enlarge the guide width

Spacer plate	No.
10	3 842 527 738

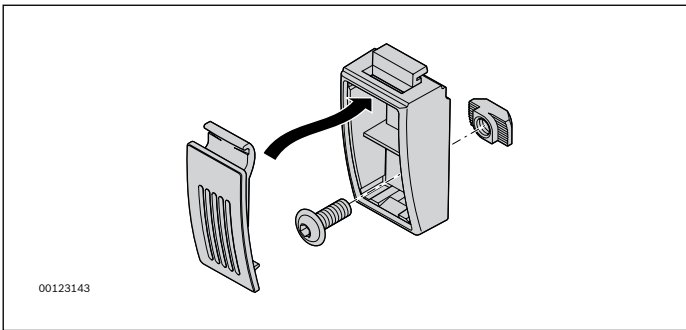
Material: PA; black



- ▶ Clamping head for on-site construction of supports for protruding transported material

Clamping head	No.	FS
Set	10	3 842 536 295 FS2

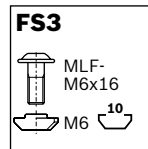
Material: PA; black
Fastening material: Steel; zinc-plated
Scope of delivery: Incl. fastening material (FS)



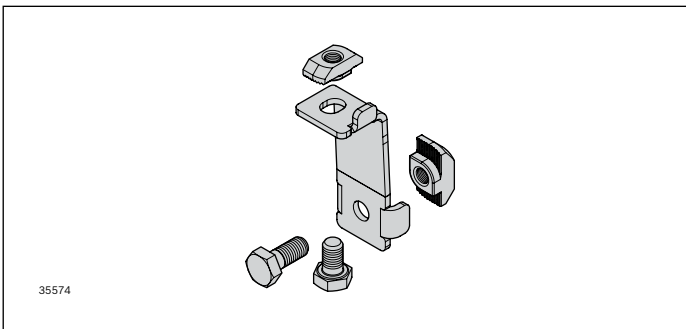
- ▶ Holder for simple installation in straight sections.

Holder for lateral guide	No.	FS
	10	3 842 531 552 FS3

Material: PA; black
Scope of delivery: Incl. fastening material (FS)

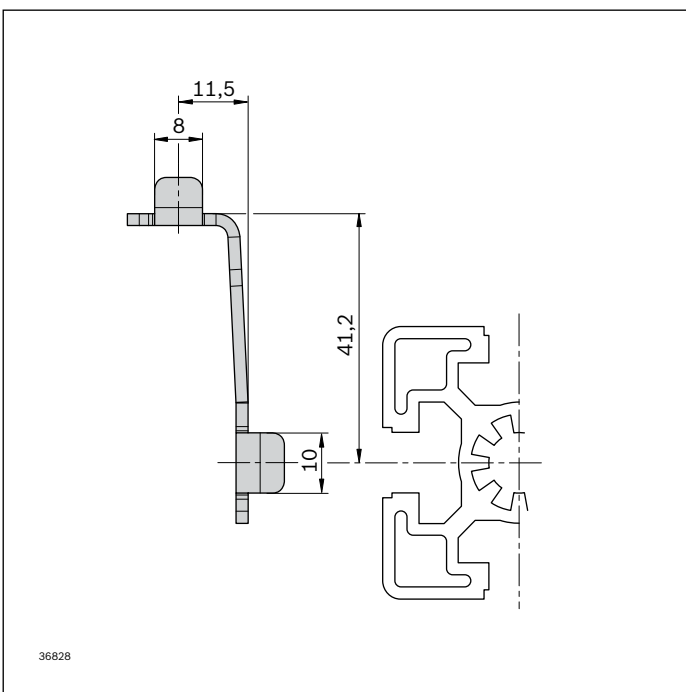
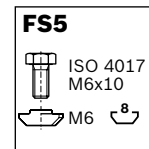
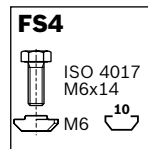


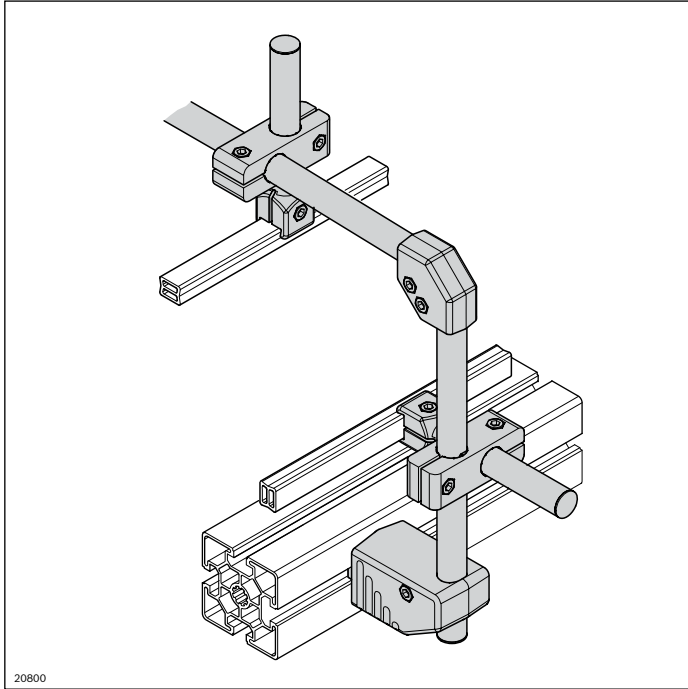
- ▶ Holder HD in sturdy design for straight sections and in the curve area



Lateral guide holder HD	No.	FS
	10	3 842 557 005 FS4, FS5

Material: Stainless steel
Fastening parts: Steel; zinc-plated
Scope of delivery: Incl. fastening material (FS)





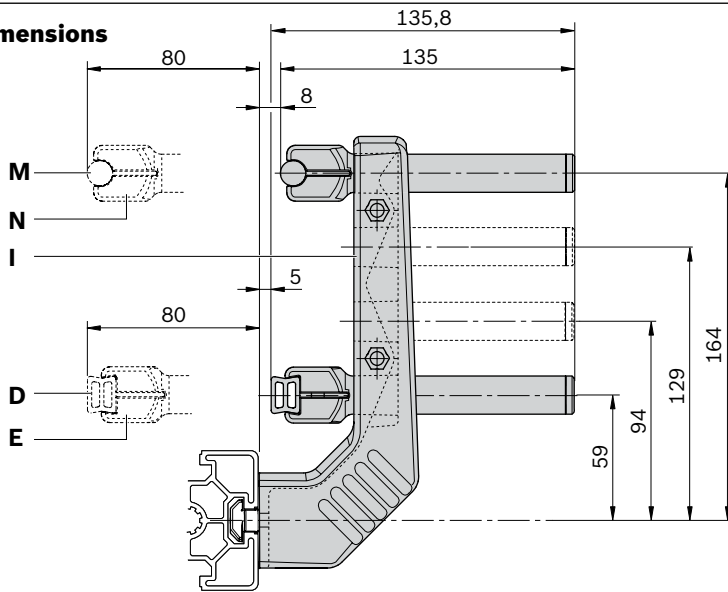
Holder for lateral guide, variable



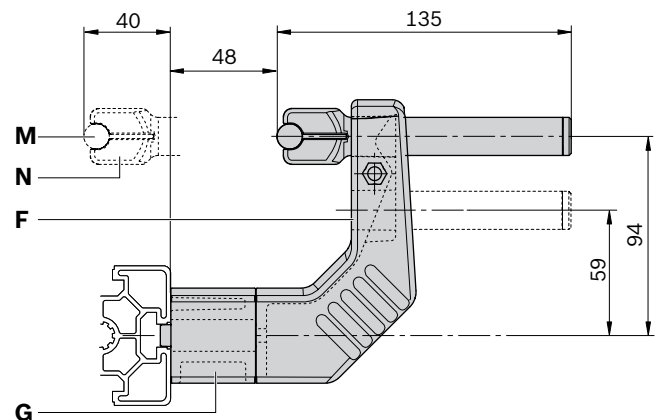
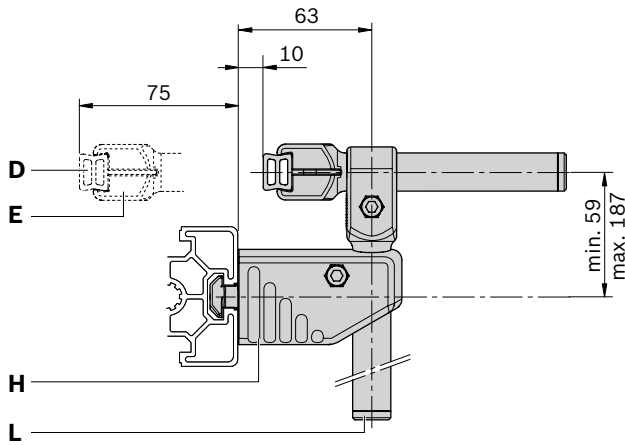
- ▶ Holder and clamping holder allow for the variable adjustment of the guide height and width
- ▶ Easy to clean

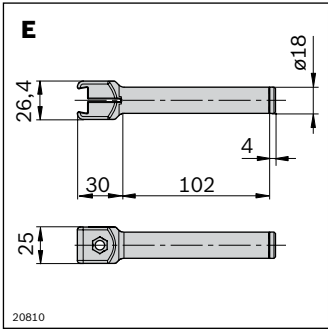
Notice: For stability in the rotational direction, at least 2 holders must be connected with a continuous profile rail.

System dimensions



Components	Page
D Aluminum profile rail	16-3
E Clamping holder C L100	16-9
F Holder L134	16-10
G Spacer	16-11
H Holder L45	16-11
I Holder L204	16-10
L Vertical clamping holder D18 L160	16-11
M Profile rail D12	16-4
N Clamping holder D12 L100	16-9

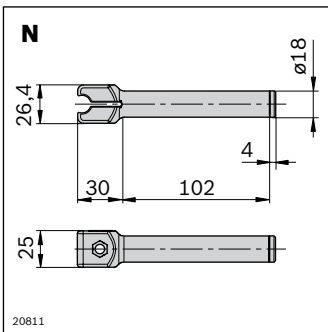




- ▶ Clamping holder C L100 for accommodating aluminum, HDPE, or 17x17.5 profile rails
- ▶ Scaling in mm and inch for simple alignment

Clamping holder C L100	No.
	10 3 842 539 499

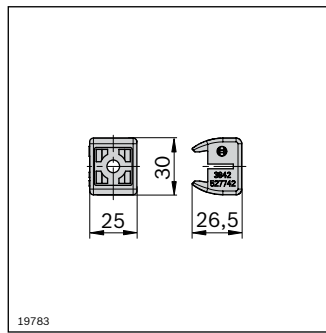
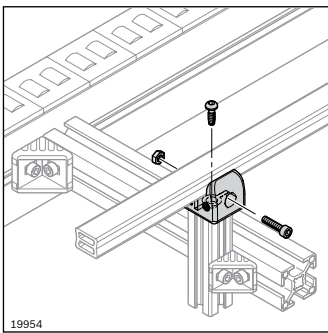
Material: Clamping holder: PA; black
Nut, screw: Steel; stainless
Accessories: Plug



- ▶ Clamping holder D12 for accommodating D12 profile rails
- ▶ Scaling in mm and inch for simple alignment

Clamping holder D12 L100	No.
	10 3 842 539 498

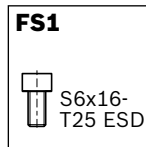
Material: Clamping holder: PA; black
Nut, screw: Steel; stainless
Accessories: Plug



- ▶ Clamping head for accommodating aluminum, HDPE, or stainless steel profile rails with PE guide
- ▶ Direct mounting on profiles with 10 mm slot

Clamping head	No.	FS
Set	10 3 842 528 009	FS1

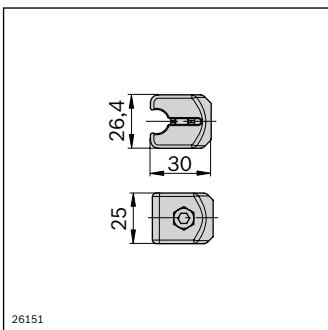
Material: Clamping holder: PA; black
Fastening material: Steel; zinc-plated
Scope of delivery: Incl. fastening material (FS)

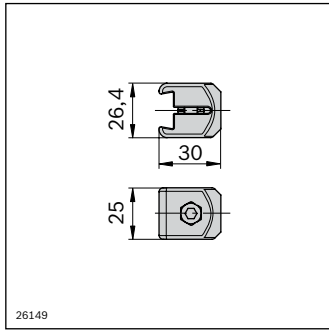


- ▶ Clamping holder D12 for accommodating D12 profile rails
- ▶ In conjunction with tube 18 for constructing longer clamping holders

Clamping holder D12	No.
	10 3 842 547 227

Material: Clamping holder: PA; black
Nut, screw: Steel; stainless
Accessories: Plug, tube D18



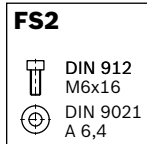
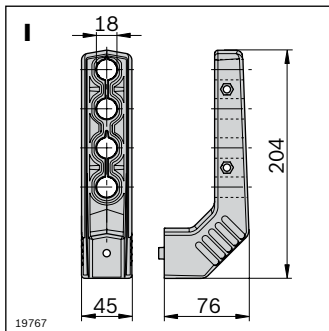


- ▶ Clamping holder C for accommodating aluminum, HDPE, or 17x17.5 profile rails
- ▶ In conjunction with tube D18 for constructing longer clamping holders

Clamping holder C	No.
	10 3 842 547 228

Material: Clamping holder: PA; black
Nut, screw: Steel; stainless

Accessories: Plug, tube D18



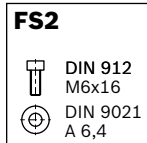
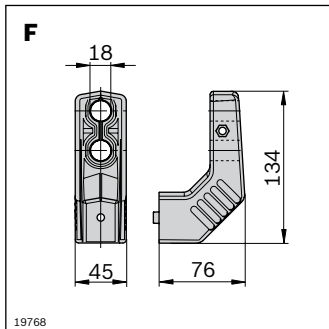
- ▶ Holder for fastening clamping holders C L100 or D12 L100
- ▶ Various installation heights possible for clamping holders
- ▶ Variable guide widths possible
- ▶ Additionally enlarge the guide width with the spacer
- ▶ Optional accessories: Clamping lever M6x40 (p. 4-14)

Holder L204	No.	FS
Set	3 842 539 494	FS2

Material: PA; black
Fastening material: Steel; stainless

Scope of delivery: Incl. fastening material (FS)

Accessories: T-nut M6, 10 mm slot (p. 3-5)
Spacer



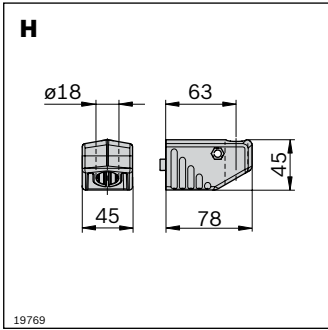
- ▶ Holder for fastening clamping holders C L100 or D12 L100
- ▶ Various installation heights possible for clamping holders
- ▶ Variable guide widths possible
- ▶ Additionally enlarge the guide width with the spacer
- ▶ Optional accessories: Clamping lever M6x40 (p. 4-14)

Holder L134	No.	FS
Set	3 842 539 495	FS2

Material: PA; black
Fastening material: Steel; stainless

Scope of delivery: Incl. fastening material (FS)

Accessories: T-nut M6, 10 mm slot (p. 3-5)
Spacer



FS2

DIN 912
M6x16

DIN 9021
A 6,4

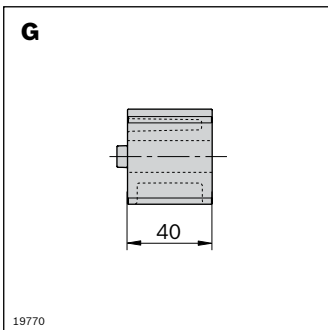
- ▶ Holder L45 for fastening vertical clamping holders or tube D18
- ▶ For infinitely height-adjustable lateral guides
- ▶ Enlarge the guide width with the spacer
- ▶ Optional accessories: Clamping lever M6x40 (p. 4-14)

Holder L45		No.	FS
Set	10	3 842 539 496	FS2

Material: PA; black
Fastening material: Steel; stainless

Scope of delivery: Incl. fastening material (FS)

Accessories: T-nut M6, 10 mm slot (p. 3-5)
Spacer



FS3

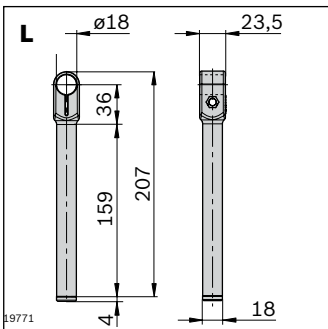
DIN 912
M6x55

DIN 9021
-A6,4

Spacer		No.	FS
Set	10	3 842 539 497	FS3

Material: PA; black
Fastening material: Steel; stainless

Scope of delivery: Incl. fastening material (FS)

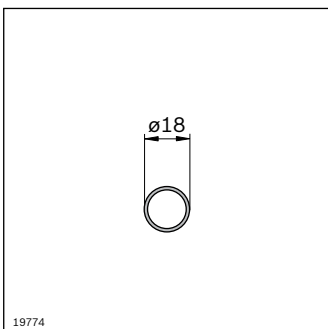


- ▶ Vertical clamping holder for constructing height-adjustable guides
- ▶ Optional accessories: Clamping lever M6x40 (p. 4-14)

Vertical clamping holder D18 L160		No.
	10	3 842 539 500

Material: PA; black
Nut, screw: Steel; stainless

Accessories: Plug

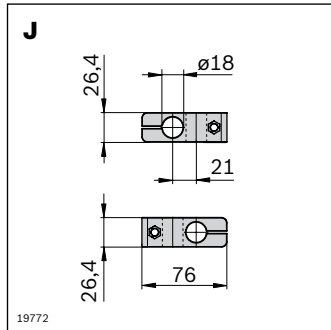


- ▶ Tube D18 for constructing height-adjustable vertical holders or cross members for upper guides

Tube D18	L (mm)	No.
	3000	3 842 539 339

Material: Stainless steel

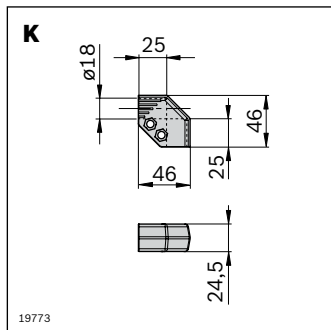
Accessories: Plug



- ▶ Cross piece for the intersecting, right-angled joining of tubes D18 and clamping holders C L100 or D12 L100
- ▶ Optional accessories: Clamping lever M6x40 (p. 4-14)

Cross piece	No.
	10 3 842 539 501

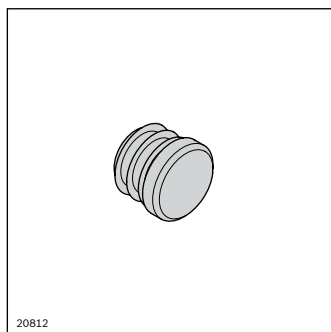
Material: Cross piece: PA; black
Nut, screw: Steel; stainless



- ▶ Corner piece for the end face, right-angled joining of tubes D18 and clamping holders C L100 or D12 L100

Corner piece	No.
	10 3 842 539 505

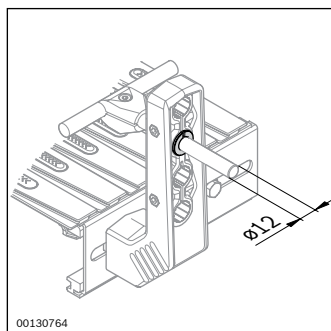
Material: Corner piece PA; black
Nut, screw: Steel; stainless



- ▶ Plug for sealing the clamping holder C L100, clamping holder D12 L100, vertical clamping holder D18 L160 or tube D18

Plug	No.
	10 3 842 539 826

Material: PE; black



- ▶ Reducing adapter for mounting round profiles $\varnothing 12$ in attachments D18

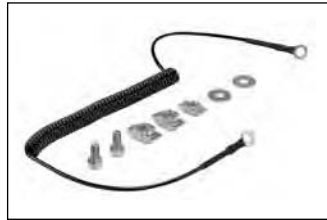
Reducing adapter	No.
	20 3 842 539 344

Material: PA; black

Components for ESD applications



Set of grounding components (p. 17-2)



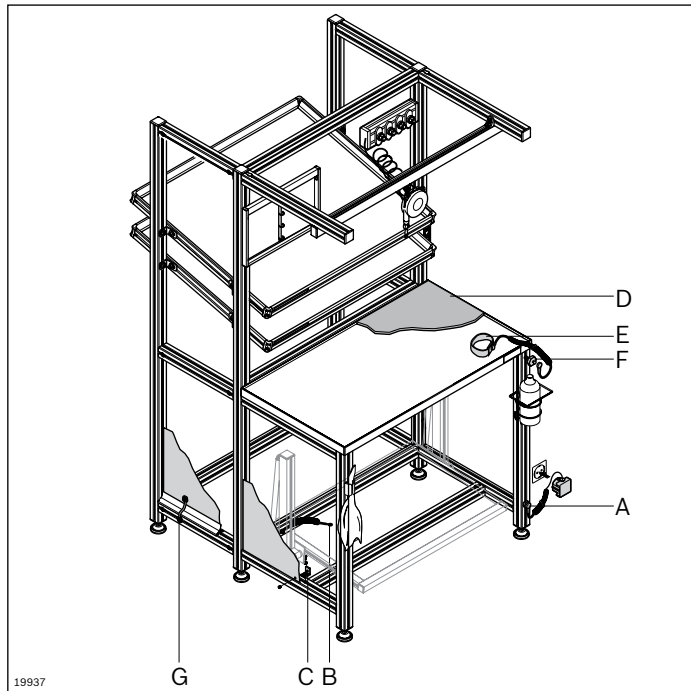
Grounding cable (p. 17-2)



Potentialfix (p. 17-3)



Wrist band, connection piece (p. 17-3)



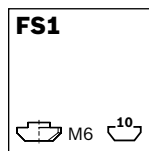
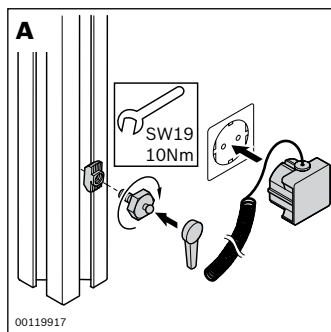
Components for ESD applications



ESD – Electro Static Discharge

Components which, due to their electrical properties and inner structure, are damaged or destroyed by static discharge also cause economic losses running into millions of euros each year.

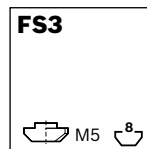
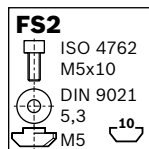
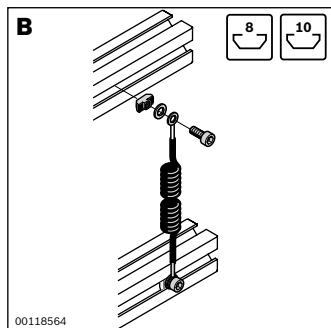
You can use Rexroth components for ESD applications to protect your products from this type of damage. Look for the ESD mark when selecting products (⚡).



- ▶ Set of grounding components for defined grounding of ESD workstations
- ▶ Conduction resistance $R = 1 \times 10^6 \Omega$

Accessories:

Damping ring or damping plate for insulation from conductive floors makes defined conduction possible (p. 6-4, 6-6)



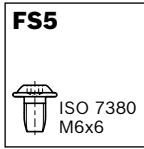
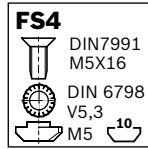
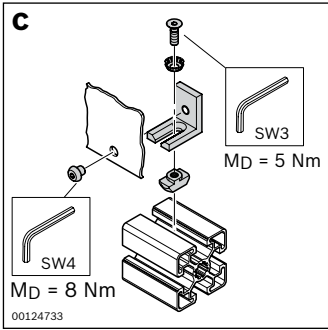
- ▶ Grounding cable to create defined conductive paths between strut profiles in order to protect ESD-sensitive components

Set of grounding components	ESD No.	FS
A	⚡ 3 842 522 087	FS1

Material: Fastening material: Steel; zinc-plated
Scope of delivery: Incl. fastening material (FS)

Grounding cable	ESD No.	FS
B	⚡ 3 842 519 465	2xFS2, FS3

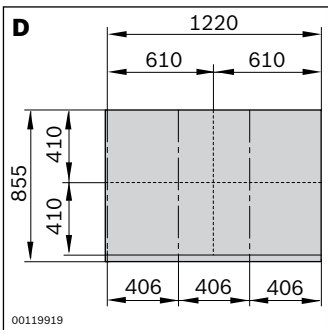
Material: Fastening material: Steel; zinc-plated
Scope of delivery: Incl. fastening material (FS)



- ▶ Potentialfix for defined grounding of panel elements such as side panels

Potentialfix	ESD No.	FS
C	3 842 536 320	FS4, FS5

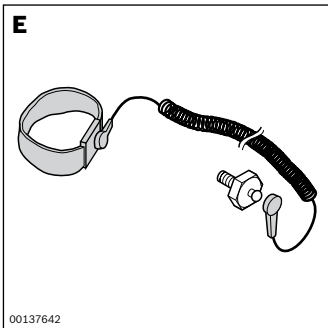
Material: Bracket: Aluminum
Fastening material: Steel; zinc-plated
Scope of delivery: Incl. fastening material (FS)



- ▶ ESD mat insert for protecting ESD-sensitive components
- ▶ To create a safe, conductive connection, e.g. to ESD material shelves, we recommend using adhesive copper tape
- ▶ Conduction resistance $R = 10^4 \dots 10^9 \Omega$

ESD mat insert	ESD No.
D 1220 mm x 855 mm	3 842 522 012

Material: Rubber (thickness: 2 mm)



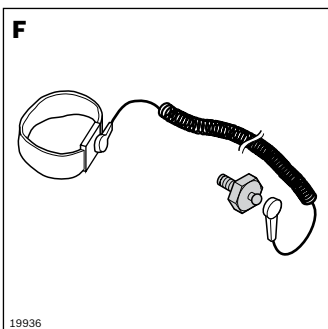
- ▶ Wrist band for defined grounding of people and protection of ESD-sensitive components

Required accessories:

- ▶ Connection piece
- ▶ T-nut M6, or swivel-in sliding block, with spring, M6

Wrist band	ESD No.
E	3 842 516 908

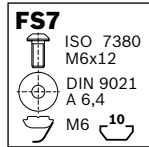
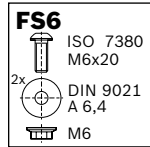
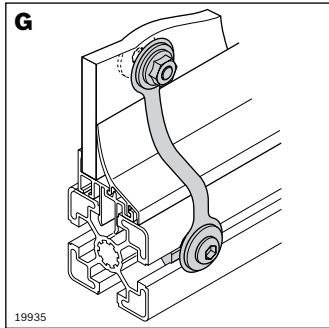
Material: Textile with woven-in conductive plastic; navy blue



- ▶ Connection piece for connecting the wrist band to the profile construction

Connection piece	ESD	No.
F	10	3 842 516 905

Material: Steel; zinc-plated



- Potential equalizer for creating electrostatic conduction between panel elements and strut profiles

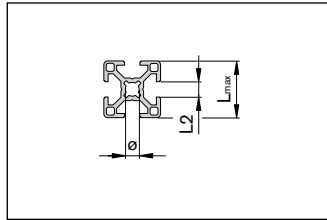
Potential equalizer	ESD	No.	FS
G		10 3 842 536 148	FS6, FS7

Material: Strip steel, stainless
 Fastening material: Steel; zinc-plated
 Scope of delivery: Incl. fastening material (FS)

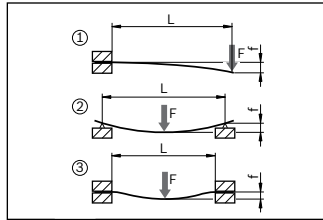
Technical data



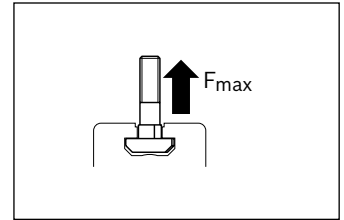
Standard profile finishing
(p. 18-2)



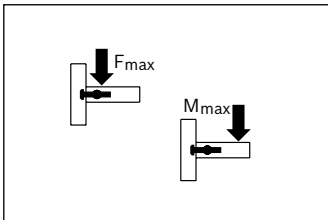
Technical data for strut
profiles (p. 18-8)



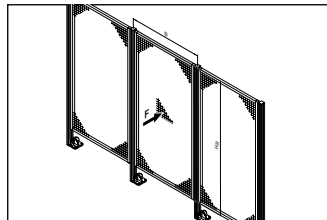
Profile deflection (p. 18-10)



Profile slot load-bearing
capacity (p. 18-11)



Load-bearing capacity
of profile connection
(p. 18-12)



Load-bearing capacity data
for EcoSafe protective
frame and EcoSafe support
(p. 18-17)

Standard profile finishing

Standard profile finishing is used for Rexroth connection technology and attachment of accessories:

- ▶ Central bolt (corner connection)
- ▶ Quick connector
- ▶ Bolt connector
- ▶ Cross connector
- ▶ Feet and wheels

It offers decisive advantages:

- ▶ One general material number for all finishing processes at profile cross-sections
- ▶ Available for all profiles
- ▶ Any combinations possible
- ▶ Drilling of blind holes possible

This opens up completely new possibilities!

The order key has a simple structure:
There are fixed specifications for the parameters for exact finishing of each profile. See table.


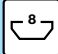
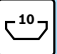

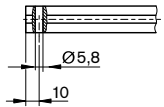
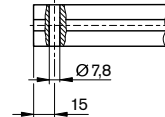
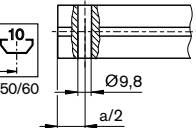

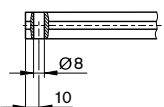
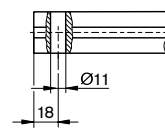
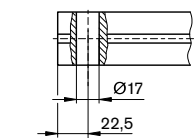
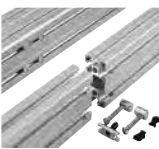
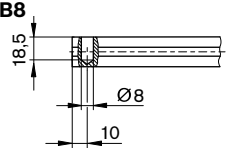
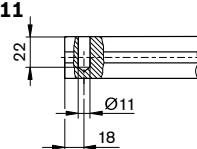
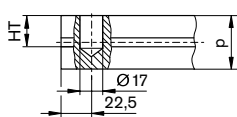

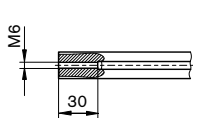
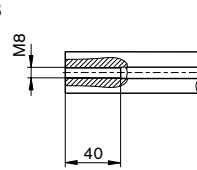
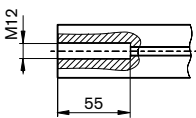
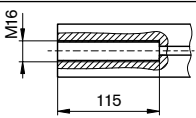

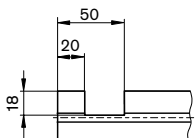
For information on slot designations and available standard profile finishing, please refer to chapter 2.

Order key for through-holes, blind holes, standard milling:

Material number / length / slot designation = finishing at profile start / finishing at profile end; ...

Order key for threads:

Material number / length / Z = Mx at profile start / Mx at profile end

Standard profile finishing													
Through-hole for corner connections with central bolt 	D5.8 	D7.8 	D9.8  $a = 40/45/50/60$ $a/2$										
Through-hole for bolt connectors and quick connectors 	D8 	D11 	D17 										
Blind hole For longitudinal end connectors and quick connectors in closed profiles 	DB8 	DB11 	DB17  <table border="1"> <tr> <td>p</td> <td>40</td> <td>45</td> <td>50</td> <td>60</td> </tr> <tr> <td>HT</td> <td>31</td> <td>34</td> <td>36</td> <td>41</td> </tr> </table>	p	40	45	50	60	HT	31	34	36	41
p	40	45	50	60									
HT	31	34	36	41									
Threads in all core holes for accessories 	M6 	M8 	M12  M16 										
Standard milling for cross connectors 			F1 										



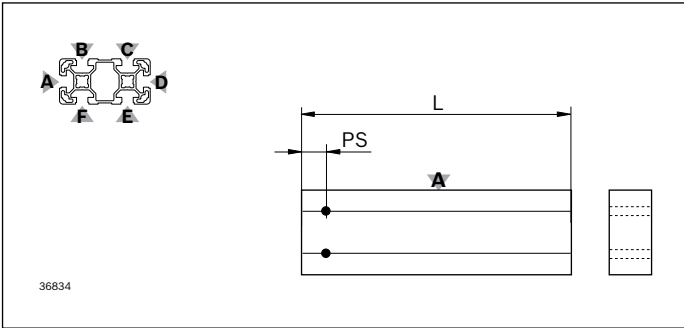
Through-hole Dx

Use:

- ▶ **D5.8; D7.8; D9.8** for corner connections with central bolt
- ▶ **D8; D11; D17** for bolt connectors and quick connectors

Fixed specifications:

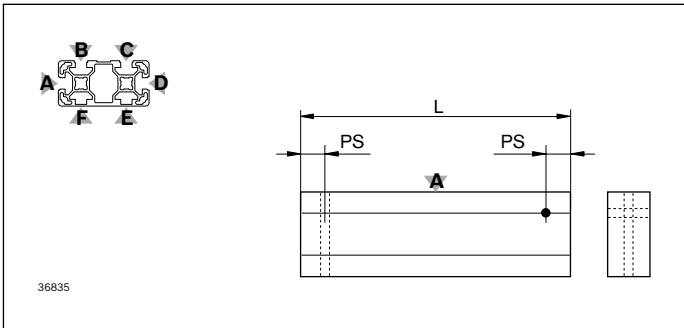
Distance from profile end (PS)



Example:

3 842 993 130 / 255 / B=D17/-; C=D17/-

Profile 40x80L / L = 255 mm /
 Slot B: Through-hole D17 at profile start /
 without finishing at profile end;
 Slot C: Through-hole D17 at profile start /
 without finishing at profile end
 Fixed: PS = 22.5 mm (p. 18-2)

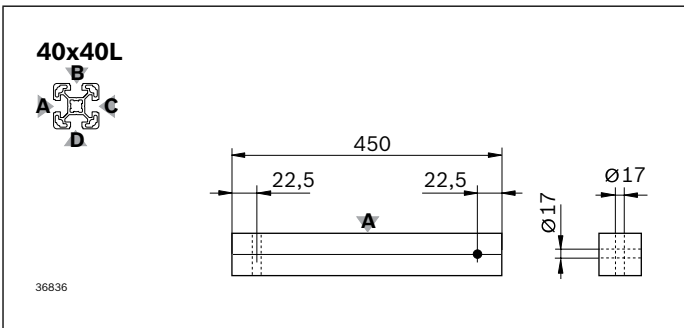


Example:

3 842 993 424 / 255 / B=-/D17; D=D17/-

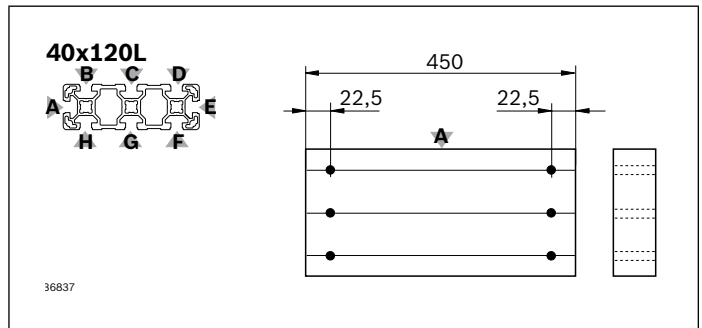
Profile 40x80L 4N / L = 255 mm /
 Slot B: Without finishing at profile start /
 Through-hole D17 at profile end;
 Slot D: Through-hole D17 at profile start /
 without finishing at profile end
 Fixed: PS = 22.5 mm (p. 18-2)

Other examples



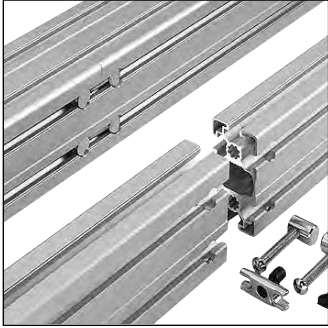
Example:

3 842 993 120 / 450 / A=D17/-; B=-/D17



Example:

3 842 993 139 / 450 / B=D17/D17; C=D17/D17; D=D17/D17



Blind hole DBx

Use:

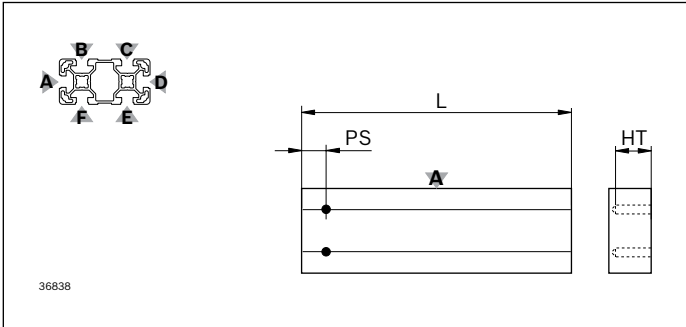
DB8; DB11; DB17 for quick connectors in closed profiles and longitudinal end connectors

Advantages:

In case of closed slots, the profile surface is not broken.

Fixed specifications:

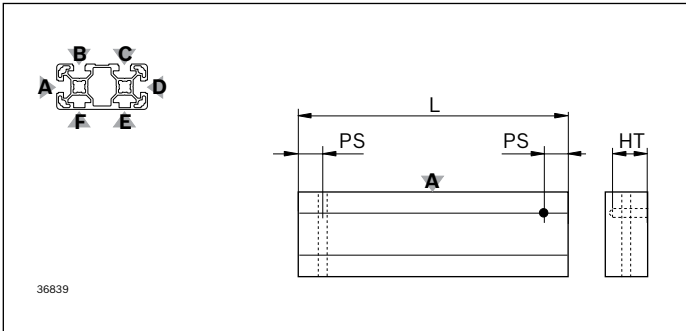
- ▶ Distance from profile end (PS)
- ▶ Depth of blind hole (HT)



Example:

3 842 993 130 / 255 / B=DB17/-; C=DB17/-

Profile 40x80L / L = 255 mm /
 Slot B: Blind hole DB17 at profile start /
 without finishing at profile end;
 Slot C: Blind hole DB17 at profile start /
 without finishing at profile end
 Fixed: PS = 22.5 mm, HT = 34 mm (p. 18-2)



Example:

3 842 993 424 / 255 / B=-/DB17; D=D17/-

Profile 40x80L 4N / L = 255 mm /
 Slot B: Without finishing at profile start /
 Blind hole DB17 at profile end;
 Slot D: Through-hole D17 at profile start /
 without finishing at profile end
 Fixed: PS = 22.5 mm, HT = 34 mm (p. 18-2)



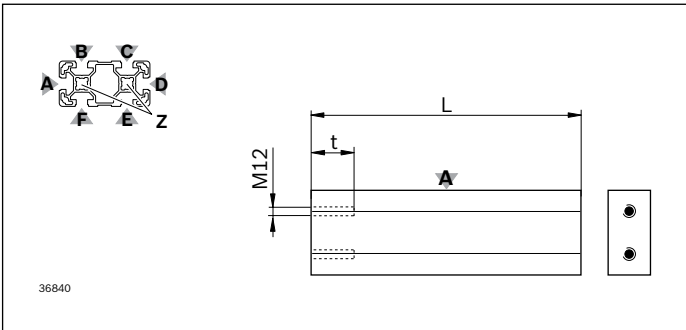
Thread Mx

Use:

M6; M8; M12; M16 in all core holes of the profile, e.g. for screw fitting of feet and wheels

Fixed specifications:

Thread depth



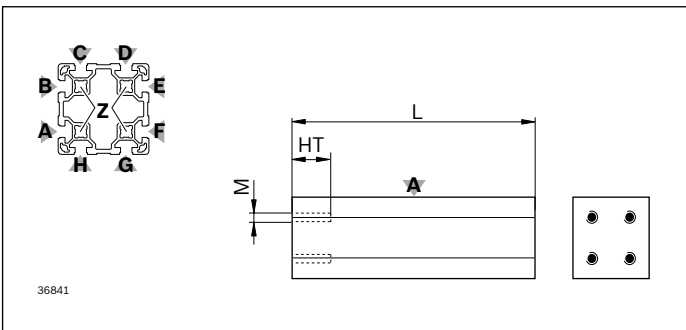
Example:

3 842 993 130 / 255 / Z=M12/-

Profile 40x80L / L = 255 mm /

Thread M12 in all core holes at profile start /
no finishing at profile end

Fixed: Thread depth HT = 55 mm (p. 18-2)



Example:

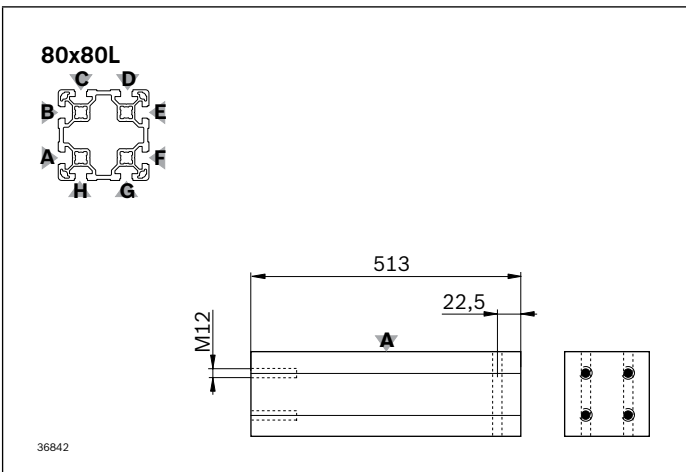
3 842 993 133 / 255 / Z=M12/-

Profile 80x80L / L = 255 mm /

Thread M12 in all core holes at profile start /
no finishing at profile end

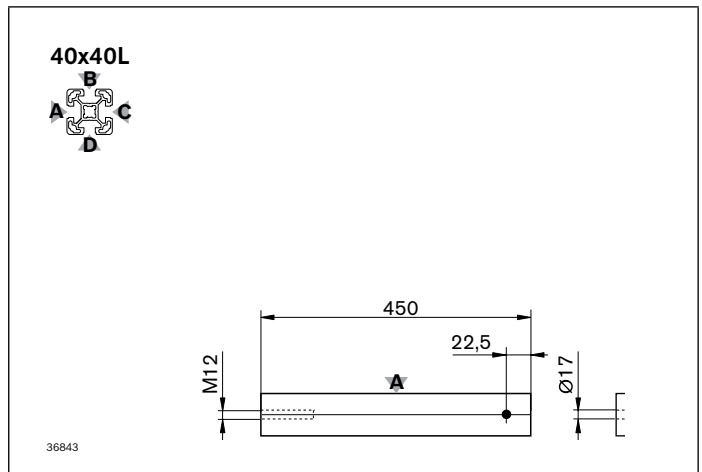
Fixed: Thread depth HT = 55 mm (p. 18-2)

Other examples



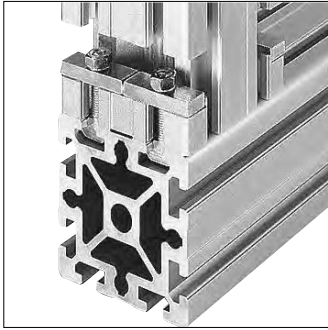
Example:

3 842 993 133 / 513 / Z=M12/-; A=-/D17; B=-/D17



Example:

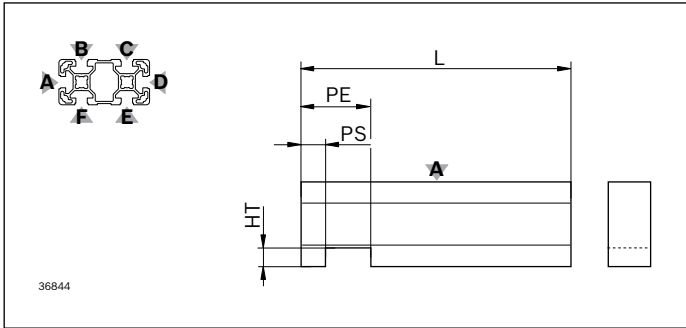
3 842 993 120 / 450 / Z=M12/-; B=-/D17



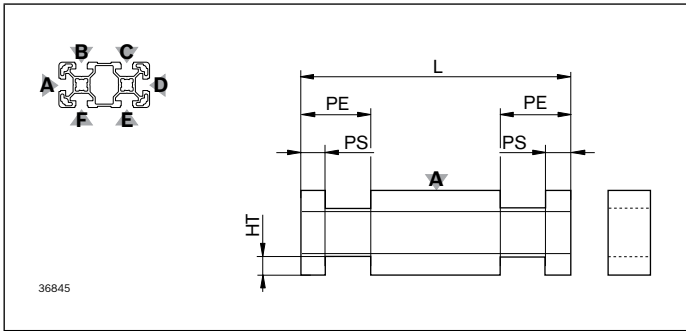
Standard milling F1

Use:
F1 for cross connectors

- Fixed specifications:
- ▶ Start point of milling (PS)
 - ▶ End point of milling (PE)
 - ▶ Depth of milling (HT)

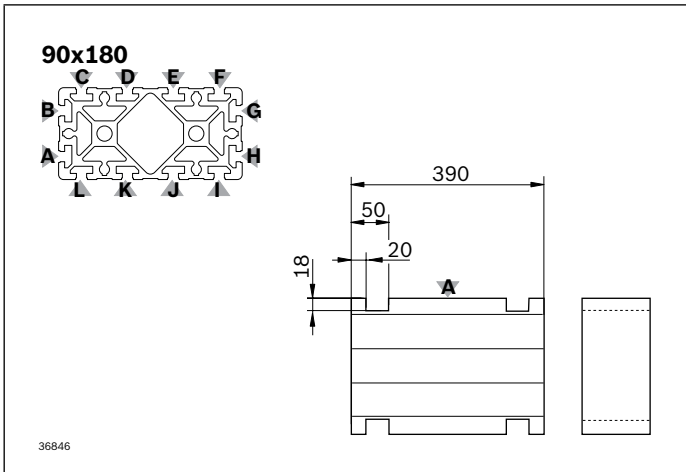


Example:
3 842 993 130 / 383 / D=F1/-
 Profile 40x80L / L = 383 mm /
 Slot D: Cross milling at profile start /
 without finishing at profile end
 Fixed: PS = 20 mm; PE = 50 mm; HT = 18 mm (p. 18-2)

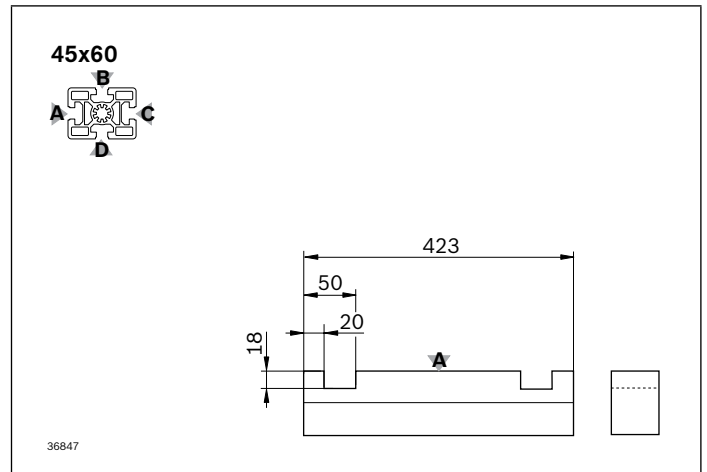


Example:
3 842 993 424 / 383 / A=F1/F1; D=F1/F1
 Profile 40x80L 4N / L = 383 mm /
 Slot A: Cross milling at profile start / cross milling at profile end
 Slot D: Cross milling at profile start / cross milling at profile end
 Fixed: PS = 20 mm; PE = 50 mm; HT = 18 mm (p. 18-2)

Other examples



Example:
3 842 990 416 / 390 / A=F1/F1; G=F1/F1



Example:
3 842 990 570 / 423 / A=F1/F1

Technical data for strut profiles

EN AW – Al MgSi		Material designation according to DIN EN 573 for Rexroth strut profiles
EN AW-6063 T66		Material number according to DIN EN 573
R_m	= 245 N/mm ²	Minimum tensile strength (in direction of pressure)
$R_{p0.2}$	= 195 N/mm ²	0.2 % proof stress (in direction of pressure)
A_5	= 10 %	Ductile yield A_5 or A_{10}
A_{10}	= 8 %	
E	= 70000 N/mm ²	Modulus of elasticity E
75 HB		Brinell hardness
$\alpha_{(-50...+20\text{ °C})}$	= 21.8 x 10 ⁻⁶ 1/K	Longitudinal expansion coefficient
$\alpha_{(+20...100\text{ °C})}$	= 23.4 x 10 ⁻⁶ 1/K	

μ = 0.34 Poisson's ratio

E6/EV1 – 12 μ m – 300 HV Anodizing process – layer thickness – layer hardness

L_{max}	11-20	22,5-30	40	45-60
t	± 0.15	± 0.2	+0.6	± 0.3

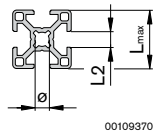
L_{max}	80	90	120	160
t	+0.8	± 0.4	+1.0	+1.6

L_{max}	180	270	360
t	± 0.6	± 1.0	± 1.5

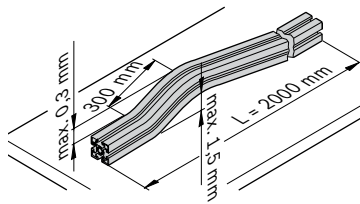
L2	6	8	10
t	+0.3	+0.3	+0.4

\emptyset	5.5	7.3	10	15
t	-0.1 +0.2	-0.1 +0.2	± 0.15	± 0.15

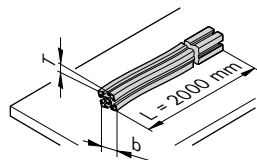
Permitted dimensional tolerance t (mm) for profiles from different deliveries



Deviation limits and form tolerances according to DIN EN 12020-2
Rexroth profiles generally fall well within the generally applicable tolerances specified in the standard. They are specifically defined for the individual products.



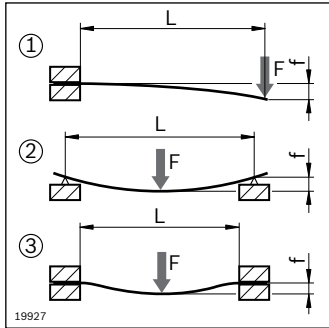
Longitudinal straightness tolerance of profile



Longitudinal torsional tolerance of profile

b (mm)	T (mm)
≤ 100	1.2
100 ... 150	1.5
150 ... 200	1.8
200 ... 350	2.5

Profile deflection



$$f_{\textcircled{1}} = \frac{F \times L^3}{3 E \times I \times 10^4}$$

Profile deflection due to force F for static load cases ①②③

$$f_{\textcircled{2}} = \frac{F \times L^3}{48 E \times I \times 10^4}$$

$$f_{\textcircled{3}} = \frac{F \times L^3}{192 E \times I \times 10^4}$$

$$f_{\textcircled{1}} = \frac{m' \times g \times L^4}{8 E \times I \times 10^4}$$

Profile deflection due to the profile's own weight

$$f_{\textcircled{2}} = \frac{5 \times m' \times g \times L^4}{384 E \times I \times 10^4}$$

$$f_{\textcircled{3}} = \frac{m' \times g \times L^4}{384 E \times I \times 10^4}$$

$$\sigma_{\textcircled{1}} = \frac{(m' \times g \times L + F) \times L}{W \times 10^3}$$

Control of max. occurring bending stress $\sigma_{b \max}$

$$\sigma_{\textcircled{2}} = \frac{(m' \times g \times L + F) \times L}{4 W \times 10^3}$$

$$\sigma_{\textcircled{3}} = \frac{(m' \times g \times L + F) \times L}{8 W \times 10^3}$$

$$\sigma_{b \max} < \sigma_{b \text{ zul.}}!$$

$S_{F \text{ req}}$: Safety value required to avoid deformation (flow)

$$\sigma_{b \text{ zul.}} = \frac{R_{p0,2}}{S_{F \text{ erf.}}}$$

$\sigma_{b \text{ zul.}}$: Max. permissible bending stress

f (mm)

W (cm³)

F (N)

E = 70000 N/mm²

L (mm)

m' (kg/mm); m' = m/1000; m (p. 2-3 ... 2-6)

I (cm⁴)

g = 9.81 m/s² ≈ 10 m/s²

Profile slot load-bearing capacity

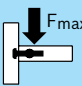
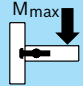
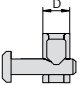




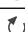
Static load limit values of slot (beginning of plastic deformation) **for connectors with the largest thread in each case**

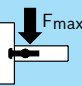
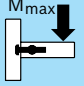

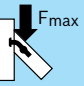

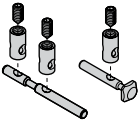





		T-bolt	T-nut	Central bolt	Swivel-in sliding block	Sliding block
	 20x20, 20x20R 10x40 20x40, 20x60 20x40x40	1700 N	1700 N	2000 N	–	3000 N
	 30x30, 30x30R 30x30°, 30x45°, 30x60° 11x20, 15x120 30x45, 30x60, 30x60x60 30x90, 30x120	4000 N	4000 N	5000 N	2200 N	6000 N
	 90x90SL 40x40L, 40x40L R 40x30°, 40x45°, 40x60° 40x80L, 40x120L, 40x160L 40x80x80L 80x80L 80x120L, 80x160L 45x45L, 45x45L R 45x30°, 45x45°, 45x60° 15x22.5, 15x180, 22.5x45 45x90L, 45x90x90L 50x50L, 50x50L R 50x100L, 50x150L 100x100L, 100x200L 60x60L	6000 N 7000 N	6000 N 7000 N	9000 N 10000 N	8000 N 9000 N	11000 N 12000 N
	 45x45 60x60 90x90L 22.5x180 45x60 45x90, 45x180 90x180L	12000 N	12000 N	15000 N	13000 N	17000 N
	 45x270 60x90 90x90 90x180 90x360	18000 N	18000 N	22000 N	18000 N	24000 N

Load-bearing capacity of profile connection

The specified tightening and loading limit values were determined as an example in (dry) trials. Safety factors and building regulations in accordance with the law and accepted engineering practices must be observed.



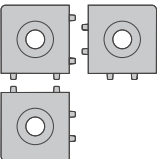










Static load limit values of the connection (beginning of plastic deformation)

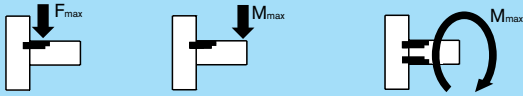




		D	Slot			
 Quick connector (p. 3-56)		8	6 / 6	 2.5 Nm	450 N	18 Nm
		11	8 / 8	 12 Nm	500 N	40 Nm
		11	8 / 10	 12 Nm	2000 N	70 Nm
		17	10 / 10	 25 Nm	4000 N	140 Nm
		9.8	10 / 10	 6 Nm	800 N	50 Nm

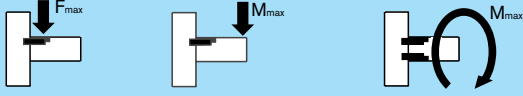
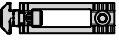



		Slot						
 Quick connector, bendable (p. 3-59)	30x30	8	 12 Nm	1100 N	35 Nm	24 Nm	650 N	40 Nm
	40x40L	10	 25 Nm	1500 N	110 Nm	100 Nm	1000 N	80 Nm
	45x45L	10	 25 Nm	1500 N	120 Nm	110 Nm	1000 N	95 Nm
	45x45	10	 25 Nm	1500 N	140 Nm	145 Nm	1100 N	180 Nm
	50x50L	10	 25 Nm	1500 N	150 Nm	160 Nm	1100 N	180 Nm





		Slot					
	ø11, L=30	8		6 Nm	2500 N	60 Nm	20 Nm
	ø17, L=40	10		25 Nm	4000 N	180 Nm	40 Nm
	ø17, L=45	10		25 Nm	4000 N	180 Nm	60 Nm
	ø17, L=50	10		25 Nm	4000 N	200 Nm	65 Nm
	ø17, L=60	10		25 Nm	4000 N	200 Nm	80 Nm
	ø17, L=80	10		25 Nm	5000 N	800 Nm	170 Nm
	ø17, L=90	10		25 Nm	5000 N	800 Nm	200 Nm
	ø17, L=100	10		25 Nm	5000 N	1000 Nm	480 Nm
Bolt connector (p. 3-62)	ø28, L=22.5	10		25 Nm	2000 N	-	-




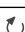

		Slot				
	S6	6		10 Nm	500 N	8 Nm
	S8	8		25 Nm	800 N	43 Nm
	S12	10		35 Nm	1300 N	80 Nm
	Central bolt (p. 3-43)	M12	10		35 Nm	3000 N

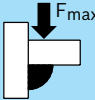
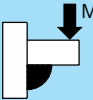
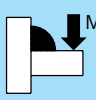
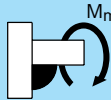
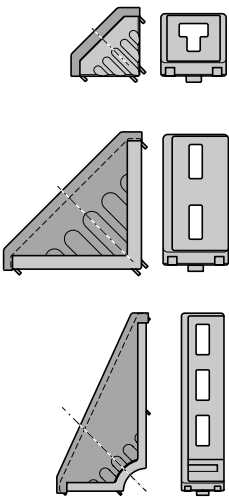
		Slot						
	20/2	6		10 Nm			18 Nm	
	20/3	6		10 Nm				23 Nm
	30/2	8		25 Nm			80 Nm	
	30/3	8		25 Nm				85 Nm
	40/2	10		35 Nm			60 Nm	
	40/3	10		35 Nm				70 Nm
	45/2	10		35 Nm	45x45L	150 Nm		
					45x45	200 Nm		
	45/3	10		35 Nm	45x45L		170 Nm	
					45x45		240 Nm	
Cubic connector (p. 3-45)	50/2	10		35 Nm			120 Nm	
	50/3	10		35 Nm				140 Nm

		Profile	Slot					
	SV8	30x...	8		6 Nm	1000 N	35 Nm	15 Nm
	SV 10L	45x... L	10		15 Nm	3500 N	110 Nm	30 Nm
	SV 10	40x..., 45x...	10		25 Nm (M8) 5 Nm (M5)	3500 N	110 Nm	30 Nm
Tensioning connector (p. 3-14)								

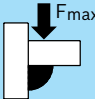
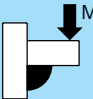
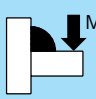
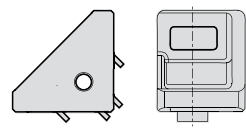
		Slot					
	Slot connector (p. 3-15)	8 / 8		2.5 Nm (M4) 10 Nm (M8)	1000 N	35 Nm	15 Nm
		8 / 10		2.5 Nm (M4) 10 Nm (M8)	1000 N	35 Nm	15 Nm
		10 / 10		7 Nm (M6) 12 Nm (M10)	3000 N	110 Nm	30 Nm

		Slot				
	Inner bracket (p. 3-16)	8 / 8		12 Nm	2200 N	50 Nm
		10 / 10		15 Nm	2800 N	100 Nm

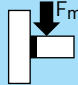
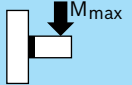
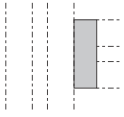
		Slot				
	Inner bracket R (p. 3-17)	6 / 6		3 Nm	600 N	10 Nm
		8 / 8		12 Nm	2500 N	50 Nm
		10 / 10		15 Nm	3000 N	100 Nm

		Slot						
		6	8	10				
	20/20	6	↻	3 Nm	700 N	6 Nm	25 Nm	–
	20/40	6	↻	3 Nm	1400 N	15 Nm	50 Nm	8 Nm
	30/30	8	↻	10 Nm	1250 N	25 Nm	75 Nm	–
	30/60	8	↻	10 Nm	2500 N	100 Nm	170 Nm	25 Nm
	30/120	8	↻	10 Nm	3750 N	100 Nm		47 Nm
	60/60-8	8	↻	10 Nm	5000 N	320 Nm	370 Nm	110 Nm
	60/60-10	10	↻	25 Nm	3000 N	125 Nm	150 Nm	–
	40/40	10	↻	25 Nm	3000 N	55 Nm	145 Nm	35 Nm
	40/80	10	↻	25 Nm	6000 N	180 Nm	400 Nm	60 Nm
	40/160	10	↻	25 Nm	9000 N	250 Nm		60 Nm
	80/80	10	↻	25 Nm	14000 N	500 Nm	1000 Nm	400 Nm
	45/45	10	↻	25 Nm	3000 N	60 Nm	160 Nm	–
	45/90	10	↻	25 Nm	6000 N	180 Nm	400 Nm	60 Nm
	45/180	10	↻	25 Nm	9000 N	250 Nm		65 Nm
	90/90	10	↻	25 Nm	12000 N	370 Nm	800 Nm	200 Nm
	43x42	10	↻	25 Nm	2000 N	–	160 Nm	–
	50/50	10	↻	25 Nm	4000 N	125 Nm	250 Nm	38 Nm
	50/100	10	↻	25 Nm	7500 N	300 Nm	600 Nm	73 Nm
	100/100	10	↻	25 Nm	15000 N	550 Nm	1100 Nm	480 Nm

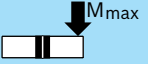
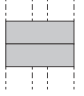
Bracket (p. 3-20)

		Slot					
		6	8	10			
	S 20x20	6	↻	2.5 Nm	700 N	3.6 Nm	25 Nm
	S 30x30	8	↻	8.5 Nm	1250 N	16 Nm	75 Nm
	S 40x40	10	↻	25 Nm	3000 N	36 Nm	160 Nm
	S 45x45	10	↻	25 Nm	3000 N	36 Nm	160 Nm

Bracket S (p. 7-8)

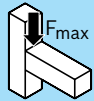
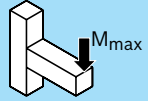
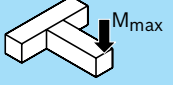

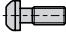

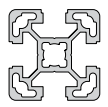
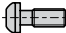

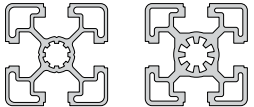


		Slot					
	30x30	8	↻	25 Nm (M8) / 5 Nm (M5)	4000 N	80 Nm	
	40x40	10	↻	35 Nm (S12) / 10 Nm (M6)	9000 N	150 Nm	
	45x45	10	↻	35 Nm (S12) / 10 Nm (M6)	9000 N	200 Nm	
	50x50	10	↻	35 Nm (S12) / 10 Nm (M6)	10000 N	170 Nm	

T-connector (p. 3-53)

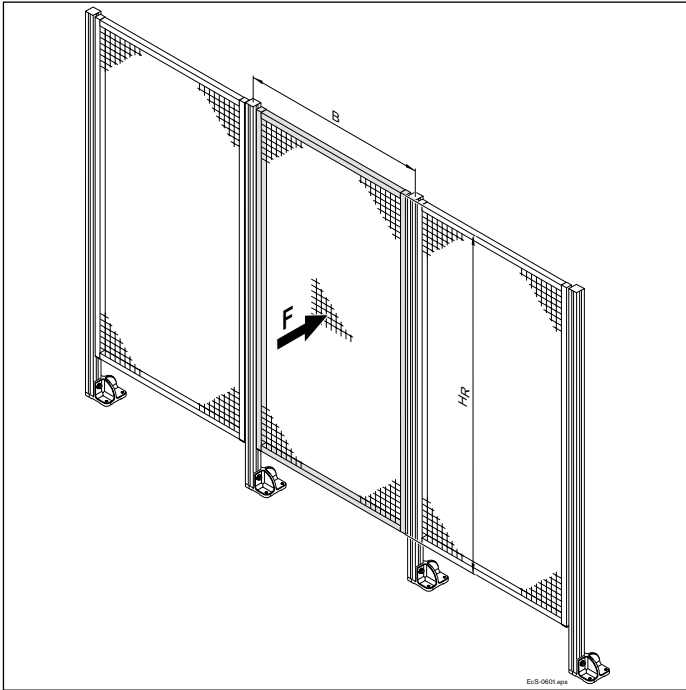
		Slot				
	30x30	8	↻	25 Nm (M8) / 5 Nm (M5)	81 Nm	
	40x40	10	↻	35 Nm (S12) / 10 Nm (M6)	170 Nm	
	45x45	10	↻	35 Nm (S12) / 10 Nm (M6)	200 Nm	
	50x50	10	↻	35 Nm (S12) / 10 Nm (M6)	180 Nm	

End connector (p. 3-51)

Profile connection load-bearing capacity with radial compensation (p. 2-84)

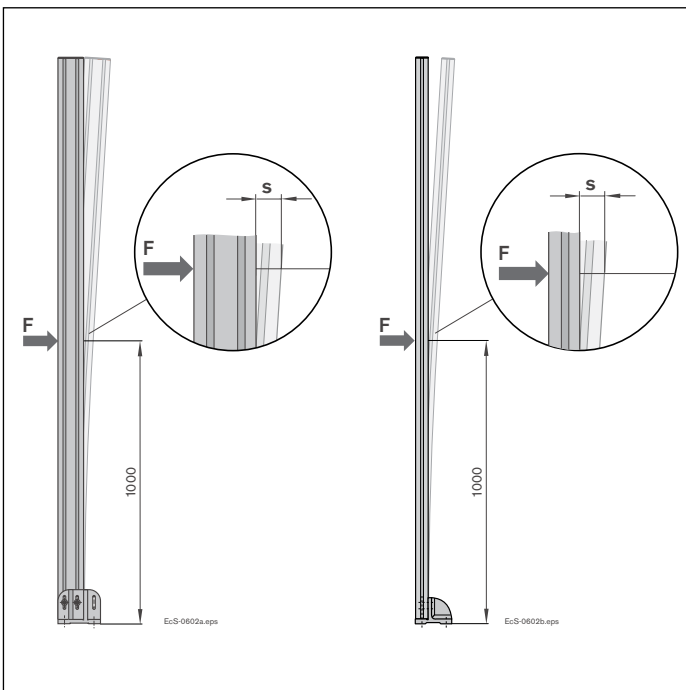
		Slot							
	30x30		S8	8	↻	25 Nm	600 N	37 Nm	28 Nm
				8 / 8	↻	12 Nm	600 N	37 Nm	28 Nm
	40x40		M12 S12	10	↻	30 Nm	1000 N	47 Nm	55 Nm
				10 / 10	↻	22 Nm	1000 N	47 Nm	55 Nm
	45x45		S12 M12	10	↻	35 Nm	1200 N	53 Nm	59 Nm
				10 / 10	↻	25 Nm	1200 N	53 Nm	59 Nm

Load-bearing capacity data for EcoSafe protective frame and EcoSafe support



EcoSafe protective frames withstand high loadings. The permissible forces which act on the protective grille have been determined in series of tests. Test structure: In the case of a protective fence consisting of 3 frames, the woven wire grille in the middle frame is exposed to a maximum load force acting on its center.

Protective frame	HR (mm)	B (mm)	F (N)	No.
	1800	750	1650	3 842 554 283
	1800	1000	1100	3 842 554 284
	1800	1500	800	3 842 554 285



The force required to deflect the EcoSafe system supports has been determined in series of tests. Test structure: A force acts on an installed system support at a height of 1 m (spring balance).

F (N)	100	150	300	450	600
s (mm) 45x45	4	6	13	21	31
45x90	2	3	6	12	18

Common metric – English conversion factors

Metric/English conversion chart

Measurement	Multiply	by	to get:
Linear	millimeters (mm)	0.03937	inches
	inches	25.4	millimeters (mm)
	kilometers (km)	0.6214	miles
	miles	1.6093	kilometers (km)
Area	millimeters ² (mm ²)	0.00155	inches ²
	inches ²	645.16	millimeters ² (mm ²)
Volume	centimeters ³ (cm ³)	0.06102	inches ³
	inches ³	16.387	centimeters ³ (cm ³)
	1 cm ³ = 1 milliliter (mL)		
Acceleration	meter/second ² (m/s ²)	39.37	inch/second ²
	inch/second ²	0.0254	meter/second ² (m/s ²)
Velocity	meter/second (m/s)	3.281	feet/second
	feet/second	0.3048	meter/second (m/s)
Mass	kilogram (kg)	2.2046	pounds
	pounds	0.4536	kilogram (kg)
Force	kilograms-f (kgf)	9.807	Newtons (N)
	Newtons (N)	0.10194	kilograms-f (kgf)
	pounds-f	4.448	Newtons (N)
	Newtons (N)	0.2248	pounds-f
Pressure	bar	14.5	PSI
	PSI	0.069	bar
Torque	Newton-Meters (Nm)	8.851	pound-inches
	pound-inches	0.11298	Newton-Meters (Nm)
Moment of Inertia	centimeters ⁴ (cm ⁴)	0.02403	inches ⁴
	inches ⁴	41.623	centimeters ⁴ (cm ⁴)

Metric tap/drill specifications

Tap	Thread	Drill size
M4	M4 x 0.7	3.3 mm
M5	M5 x 0.8	4.2 mm
M6	M6 x 1	5.0 mm
M8	M8 x 1.25	6.8 mm
M12	M12 x 1.75	10.2 mm
M16	M16 x 2	14.0 mm

Common tolerances referenced in this catalog

Tolerance	Max.	Min.
Ø10H8	+0.022	0
Ø19H7	+0.021	0
Ø28H7	+0.021	0
Ø38H7	+0.025	0
Ø6H8	+0.018	0
Ø8H8	+0.022	0
Ø6h6	0	-0.008
Ø12h6	0	-0.011
Ø19g6	-0.007	-0.020
Ø28g6	-0.007	-0.020
Ø38g6	-0.009	-0.025

Quick conversion chart

Millimeters	Inches	Feet
20	0.79	0.07
30	1.18	0.10
45	1.77	0.15
60	2.36	0.20
90	3.54	0.30
180	7.09	0.59
1000	39.37	3.28
2000	78.74	6.56
5600	220.47	18.37
6000	236.22	19.68

Temperature properties for key materials

Metric temperature conversion

Degrees Celsius	$\frac{5 \times (\text{degrees F} - 32)}{9}$
Degrees Fahrenheit	$\frac{(9 \times \text{degrees C})}{5} + 32$

Aluminum 6063-T6 alloy temperature characteristics

Characteristic	Temperature range	Observed events
creep/elongation	less than 100° C	No observed increase in the amount of creep. Creep, or plastic elongation, is typically observed at prolonged exposure to temperatures in excess of 100° C.
ultimate and yield strength	up to 100° C	Metal retains approximately 95% of its original and ultimate yield strength.
	down to -100° C	Metal typically undergoes an approximately 10% increase in both ultimate and yield strength.

NOTE: Repeated cycling of metal through this type of thermal cycle can lead to eventual fatigue and subsequent failure.

Temperature ranges for plastics

Material	Abrv.	Temperature range in °C	
		Low	High
Polycarbonate	PC	-40C	115C
Polyethylene	PE		100C
Polyvinyl Chloride	PVC	-5C	60C
Polyoxymethylene	POM	-40C	100C
Polypropylene	PP		100C
Buna N Nitrile	NBR	-40C	120C*
Polyurethane	PU		92C
Polyurethane Elastomer	PUR	-25C	80C
Delrin® 100	Delrin 100	NA	90C
Polyamide 6	PA6	-40C	80C
Polyamide 12	PA12	-40C	80C
Polyamide 66	PA66	-40C	90C
Thermoplastic Elastomer	TPE		60C
ABS	ABS	-40C	70C

* Dry air only

Technical specifications for key materials

Delrin[®] 100 technical specifications

Characteristic	Units	Specifications
Specific Gravity	g/cm	1.41 - 1.42
Rockwell Hardness		R119 - 112
Water Absorption	%	0.25
Shear Strength	psi	9,500
Compressive Strength	psi	18,000
Tensile Strength	psi	10,000
Dielectric Strength	v/mm	380 - 500
Flexural Modulus of Elasticity		375,000
Flexural Yield Strength	psi	14,300
Elongation	%	12 - 75
Max. Continuous Temp.	C (F)	90° (195°)
Melting Point	C (F)	175° (347°)
Density		88.6
Coefficient of Friction	%	0.12
Effect of Weak Acids		Resistant to Some
Effect of Strong Acids		Attacked
Effect of Weak Alkalies		Resistant to Some
Effect of Strong Alkalies		Attacked
Effect of Organic Solvents		Excellent Resistance
Key Words		Impact Resistant
Machinability		Excellent
Compliances		FDA and USDA

Material number overview

0 842 901 309	2-80, 12-2	3 842 514 524	14-9	3 842 519 657	2-11	3 842 523 567	3-27
1 845 719 000	2-86	3 842 514 567	6-10	3 842 519 658	2-11	3 842 523 570	3-27
3 842 071 941	12-38	3 842 514 568	6-5	3 842 520 000	12-21	3 842 523 575	3-28
3 842 146 813	3-35	3 842 514 928	3-9	3 842 520 802	3-54	3 842 523 578	3-28
3 842 146 815	3-36	3 842 514 929	3-9	3 842 520 922	2-61	3 842 523 583	3-27
3 842 146 848	3-36	3 842 514 930	3-9	3 842 521 216	3-41	3 842 523 587	3-23
3 842 146 877	13-7, 13-8, 13-17, 13-18, 13-31, 13-32	3 842 514 931	3-9, 12-7	3 842 521 510	2-64	3 842 523 593	3-26
3 842 146 920	11-11	3 842 515 244	7-13	3 842 521 580	3-32, 12-5	3 842 523 872	3-46
3 842 146 972	3-64	3 842 515 366	6-19	3 842 521 817	6-5	3 842 523 873	3-46
3 842 184 738	2-79, 7-6	3 842 515 367	6-19	3 842 522 012	17-3	3 842 523 874	3-48
3 842 191 175	3-52	3 842 515 457	6-16	3 842 522 087	17-2	3 842 523 875	3-45
3 842 191 182	2-83	3 842 515 459	6-16	3 842 522 124	4-14	3 842 523 876	3-46
3 842 191 194	8-31	3 842 515 473	3-32	3 842 522 301	6-5	3 842 523 877	3-47
3 842 218 940	12-17	3 842 515 531	10-23	3 842 522 303	6-5	3 842 523 918	12-42
3 842 218 941	12-17	3 842 515 547	3-32	3 842 522 345	10-8, 10-9, 10-10	3 842 523 920	3-7
3 842 218 942	12-17	3 842 515 863	10-23	3 842 522 475	10-21	3 842 523 921	3-7
3 842 218 953	12-2	3 842 516 175	6-10	3 842 522 476	10-21	3 842 523 922	3-7
3 842 259 790	6-24	3 842 516 598	8-26	3 842 522 477	10-21	3 842 523 925	3-7
3 842 259 791	6-24	3 842 516 669	3-11	3 842 522 479	8-12	3 842 523 968	3-43
3 842 259 792	6-24	3 842 516 685	3-11	3 842 522 481	10-11	3 842 523 970	3-43, 10-8, 10-9
3 842 259 793	6-24	3 842 516 694	8-28	3 842 523 014	11-2	3 842 524 012	3-5
3 842 259 794	6-24	3 842 516 715	8-10	3 842 523 092	5-4	3 842 524 025	7-5
3 842 305 766	7-12	3 842 516 729	14-4	3 842 523 093	5-6	3 842 524 027	7-5
3 842 305 767	7-12	3 842 516 731	14-4	3 842 523 094	5-6	3 842 524 058	2-54
3 842 305 768	7-12	3 842 516 837	7-11	3 842 523 097	5-3	3 842 524 061	2-54
3 842 311 950	6-5	3 842 516 838	7-11	3 842 523 098	5-3	3 842 524 064	2-54
3 842 311 951	6-5	3 842 516 845	4-14	3 842 523 102	5-6	3 842 524 067	2-54
3 842 311 956	6-5	3 842 516 846	4-14, 12-7, 12-8, 12-9, 12-10	3 842 523 135	3-4	3 842 524 153	2-64, 12-5
3 842 345 081	3-7	3 842 516 847	4-5, 4-14	3 842 523 140	3-9	3 842 524 163	10-15
3 842 348 526	3-28	3 842 516 848	4-14	3 842 523 142	3-9	3 842 524 164	10-15
3 842 352 009	3-28	3 842 516 848	4-14	3 842 523 145	3-11	3 842 524 165	10-16
3 842 352 061	6-5	3 842 516 849	4-15	3 842 523 165	10-13	3 842 524 166	10-16
3 842 352 085	5-4	3 842 516 850	4-15	3 842 523 166	10-13	3 842 524 469	6-11, 10-6
3 842 500 287	9-5	3 842 516 851	4-15	3 842 523 170	10-14	3 842 524 476	3-53
3 842 501 576	12-18	3 842 516 905	17-3	3 842 523 205	12-14	3 842 524 490	12-5
3 842 501 578	12-18	3 842 516 908	17-3	3 842 523 206	12-14	3 842 524 499	6-19
3 842 501 587	3-22	3 842 517 132	3-45, 3-46	3 842 523 207	12-15	3 842 524 500	6-19
3 842 501 751	3-4	3 842 517 160	13-20, 13-27	3 842 523 209	12-14	3 842 524 622	8-26
3 842 501 752	3-4	3 842 517 173	2-10	3 842 523 210	12-14	3 842 524 623	8-26
3 842 501 753	3-4	3 842 517 174	2-11	3 842 523 211	12-15	3 842 524 986	9-8
3 842 502 137	3-22	3 842 517 177	2-11	3 842 523 212	12-7, 12-13	3 842 525 014	10-22
3 842 502 257	6-4	3 842 517 178	2-12	3 842 523 213	12-13	3 842 525 443	12-27
3 842 502 683	4-4	3 842 517 179	2-10	3 842 523 241	2-12	3 842 525 481	8-23
3 842 502 684	4-7	3 842 517 180	2-11	3 842 523 243	8-11	3 842 525 737	12-28
3 842 502 687	4-8	3 842 517 183	2-11	3 842 523 243	2-83	3 842 525 738	12-28
3 842 502 688	4-8	3 842 517 543	3-46	3 842 523 254	2-83	3 842 525 739	12-28
3 842 502 695	2-48	3 842 518 204	2-15, 2-82	3 842 523 256	2-83	3 842 525 739	12-28
3 842 503 242	5-6	3 842 518 205	2-34, 2-82	3 842 523 258	2-83	3 842 525 740	12-28
3 842 504 760	3-33	3 842 518 205	2-83	3 842 523 308	10-20	3 842 525 741	12-28
3 842 504 790	6-7	3 842 518 367	2-83	3 842 523 320	8-12	3 842 525 742	12-28
3 842 505 144	4-7, 4-8, 4-14	3 842 518 368	2-83	3 842 523 438	3-9	3 842 525 767	8-23
3 842 508 087	5-5	3 842 518 369	2-83	3 842 523 493	7-3	3 842 525 780	10-18
3 842 508 088	5-5	3 842 518 424	3-33	3 842 523 494	7-3	3 842 525 781	10-17
3 842 508 553	2-65	3 842 518 427	3-41	3 842 523 508	3-21	3 842 525 782	10-17
3 842 508 967	12-38	3 842 518 492	8-26	3 842 523 511	3-21	3 842 525 821	8-11
3 842 510 078	3-9	3 842 518 650	14-6	3 842 523 516	3-21	3 842 525 822	8-11
3 842 510 145	5-5	3 842 518 738	8-23	3 842 523 517	3-21	3 842 525 823	8-11
3 842 510 156	12-7, 12-8, 12-9, 12-10	3 842 518 738	8-23	3 842 523 517	3-21	3 842 525 823	8-11
3 842 510 156	12-7, 12-8, 12-9, 12-10	3 842 518 743	6-4	3 842 523 520	3-21	3 842 525 833	10-19
3 842 510 165	9-5	3 842 518 797	9-3	3 842 523 525	3-22	3 842 525 946	8-13
3 842 510 462	9-5, 12-5	3 842 518 798	9-3	3 842 523 528	3-22	3 842 525 947	8-13
3 842 510 464	9-5	3 842 518 856	13-15	3 842 523 528	3-22	3 842 525 947	8-13
3 842 511 352	6-6	3 842 518 856	13-15	3 842 523 530	3-22	3 842 526 003	3-51
3 842 511 893	6-5	3 842 518 893	13-13	3 842 523 532	3-22	3 842 526 034	12-27
3 842 513 517	12-16	3 842 518 894	13-25	3 842 523 537	3-22, 3-23, 3-24	3 842 526 410	13-7, 13-9
3 842 513 581	2-20	3 842 518 895	13-39	3 842 523 538	3-23	3 842 526 411	13-7, 13-10
3 842 513 582	2-20	3 842 518 896	13-13	3 842 523 541	3-23	3 842 526 412	13-17, 13-21
3 842 513 646	13-10	3 842 518 897	13-25	3 842 523 546	3-24	3 842 526 413	13-17, 13-21
3 842 513 648	13-36, 13-43	3 842 518 898	13-39	3 842 523 546	3-24	3 842 526 413	13-17, 13-21
		3 842 518 898	13-39	3 842 523 549	3-24	3 842 526 414	13-31, 13-35
		3 842 519 318	3-49	3 842 523 551	3-24	3 842 526 415	13-31, 13-35
		3 842 519 319	3-49	3 842 523 553	3-24	3 842 526 416	13-12, 13-14
		3 842 519 321	3-50	3 842 523 558	3-26	3 842 526 417	13-12, 13-15
		3 842 519 465	17-2	3 842 523 561	3-26	3 842 526 422	13-22, 13-29

19-2 Aluminum Framing 9.0 | Material number overview

3 842 526 500	13-18	3 842 529 319	3-10	3 842 530 325	3-44	3 842 535 458	3-57
3 842 526 560	3-36, 6-12	3 842 529 320	3-10	3 842 530 326	3-44	3 842 535 459	3-57
3 842 526 561	6-12	3 842 529 321	3-10	3 842 530 329	12-8, 12-9	3 842 535 464	3-57
3 842 526 576	16-4	3 842 529 323	3-10		12-10, 12-13	3 842 535 465	3-58
3 842 526 589	14-6	3 842 529 324	3-10	3 842 530 352	8-14	3 842 535 466	3-58
3 842 526 626	2-63	3 842 529 325	3-10	3 842 530 353	8-14	3 842 535 571	3-18
3 842 526 627	2-63	3 842 529 327	3-10	3 842 530 360	3-26	3 842 535 572	3-16
3 842 526 628	2-63	3 842 529 339	2-24	3 842 530 361	3-30	3 842 535 573	3-17
3 842 526 660	2-63	3 842 529 340	2-24	3 842 530 381	3-29	3 842 535 574	3-16
3 842 526 665	2-63	3 842 529 341	2-28	3 842 530 382	3-29	3 842 535 575	3-17
3 842 526 671	2-62	3 842 529 342	2-28	3 842 530 400	14-3	3 842 535 576	3-18
3 842 526 672	2-62	3 842 529 344	2-30	3 842 530 417	12-42	3 842 535 577	3-18
3 842 526 673	2-62	3 842 529 345	2-30	3 842 530 460	3-30	3 842 535 578	3-16
3 842 526 786	10-18	3 842 529 346	2-30	3 842 530 864	12-42	3 842 535 617	3-63
3 842 526 787	10-18	3 842 529 347	2-31	3 842 531 552	16-7	3 842 535 619	3-63
3 842 526 816	2-13	3 842 529 348	2-31	3 842 532 195	3-53	3 842 535 625	3-19
3 842 526 817	2-13	3 842 529 349	2-33	3 842 532 196	3-51	3 842 535 626	3-19
3 842 526 818	2-21	3 842 529 350	2-33	3 842 532 198	3-54	3 842 535 627	3-19
3 842 526 863	13-24, 13-28	3 842 529 351	2-49	3 842 532 199	3-52	3 842 535 629	3-60
3 842 526 865	13-24, 13-28	3 842 529 352	2-49	3 842 532 239	2-12	3 842 535 630	3-59
3 842 526 867	13-38, 13-42	3 842 529 354	2-49	3 842 532 274	3-32	3 842 535 634	3-59
3 842 526 869	13-38, 13-42	3 842 529 355	2-50	3 842 532 363	11-2	3 842 535 635	3-60
3 842 526 893	13-47	3 842 529 356	2-50	3 842 532 505	2-67, 12-37	3 842 535 637	2-57
3 842 526 894	13-47	3 842 529 357	2-51	3 842 532 508	12-37	3 842 535 645	13-7, 13-9
3 842 526 895	13-47	3 842 529 358	2-51	3 842 532 592	2-66, 12-34	3 842 535 662	13-7, 13-8,
3 842 527 174	3-43	3 842 529 359	2-27	3 842 532 608	2-66, 12-34		13-12, 13-13
3 842 527 186	6-5	3 842 529 360	2-27	3 842 532 670	2-66, 12-34	3 842 535 663	13-31, 13-33,
3 842 527 553	6-11, 10-6	3 842 529 361	2-24	3 842 532 676	12-41		13-38, 13-40
3 842 527 738	16-6	3 842 529 362	2-24	3 842 532 695	2-66, 12-34	3 842 535 664	13-17, 13-19,
3 842 527 851	16-6	3 842 529 363	2-25	3 842 532 696	2-67, 12-35		13-24, 13-26
3 842 528 009	16-9	3 842 529 364	2-25, 8-22	3 842 532 697	2-66, 12-34	3 842 535 665	13-33, 13-40
3 842 528 189	6-13	3 842 529 365	2-25	3 842 532 698	2-66, 12-34	3 842 535 666	13-19, 13-26
3 842 528 191	6-13	3 842 529 366	2-25	3 842 532 699	2-67, 12-35	3 842 535 667	12-28
3 842 528 539	4-14	3 842 529 367	2-25	3 842 532 703	2-67, 12-37	3 842 535 668	12-28
3 842 528 540	4-14	3 842 529 368	2-25	3 842 532 704	12-37	3 842 535 669	6-16
3 842 528 574	14-3	3 842 529 370	2-29	3 842 532 752	12-20	3 842 535 670	6-16
3 842 528 577	14-3	3 842 529 371	2-26	3 842 532 862	12-20	3 842 535 676	11-2
3 842 528 586	14-5	3 842 529 372	2-26	3 842 532 865	12-20	3 842 535 680	13-17, 13-22, 13-24,
3 842 528 588	14-5	3 842 529 373	2-26	3 842 532 866	12-20		13-29, 13-31, 13-36,
3 842 528 590	14-5	3 842 529 374	2-26	3 842 532 867	12-20		13-38, 13-43
3 842 528 593	3-43	3 842 529 375	2-26	3 842 532 870	12-20	3 842 535 681	13-12, 13-15
3 842 528 715	3-7	3 842 529 376	2-26	3 842 532 871	12-24	3 842 535 682	13-7, 13-10
3 842 528 718	3-7	3 842 529 378	2-50	3 842 532 878	2-69	3 842 535 683	12-28
3 842 528 721	3-7	3 842 529 380	2-33	3 842 532 879	2-69	3 842 535 684	8-4
3 842 528 724	3-7	3 842 529 381	2-27	3 842 532 880	12-20	3 842 535 719	5-4
3 842 528 727	3-7	3 842 529 382	2-27	3 842 532 881	12-20	3 842 535 721	5-3
3 842 528 730	3-7	3 842 529 383	3-24	3 842 532 883	12-20	3 842 535 835	2-69, 2-70
3 842 528 735	3-9, 12-8, 12-9, 12-10	3 842 529 386	3-25	3 842 532 884	12-20	3 842 535 921	11-2
		3 842 529 404	3-50	3 842 532 886	12-19	3 842 536 002	2-69
3 842 528 738	3-9	3 842 529 416	6-6	3 842 532 887	12-19	3 842 536 054	12-31
3 842 528 741	3-9	3 842 529 417	6-6	3 842 533 007	16-4	3 842 536 055	12-29
3 842 528 744	3-9	3 842 529 761	7-5	3 842 533 306	6-15	3 842 536 056	12-29
3 842 528 746	3-42	3 842 529 850	16-4	3 842 533 307	6-14	3 842 536 057	12-29
3 842 528 967	3-24	3 842 529 881	3-42	3 842 533 308	6-14	3 842 536 119	3-35
3 842 529 005	3-25	3 842 529 931	12-40	3 842 533 309	6-14	3 842 536 120	3-35
3 842 529 006	3-25	3 842 529 933	12-41	3 842 533 310	6-5	3 842 536 121	3-35
3 842 529 010	3-47	3 842 529 935	12-40	3 842 533 841	12-45, 16-4	3 842 536 122	3-35
3 842 529 011	3-47	3 842 530 231	3-26	3 842 533 877	6-15	3 842 536 123	3-35
3 842 529 012	3-48	3 842 530 235	3-43	3 842 533 901	6-15	3 842 536 124	3-35
3 842 529 013	3-48	3 842 530 236	3-43, 3-47, 3-48	3 842 535 115	2-65, 12-19	3 842 536 125	3-35
3 842 529 020	3-32	3 842 530 241	9-7	3 842 535 116	2-65, 12-19	3 842 536 126	3-35
3 842 529 024	6-5	3 842 530 259	3-29	3 842 535 117	2-69	3 842 536 148	7-11, 17-4
3 842 529 025	6-4	3 842 530 260	3-29	3 842 535 118	2-69	3 842 536 207	6-9
3 842 529 294	3-11	3 842 530 281	3-5	3 842 535 121	12-22	3 842 536 268	12-42
3 842 529 295	3-11	3 842 530 283	3-5	3 842 535 122	12-22	3 842 536 270	12-42
3 842 529 296	3-11	3 842 530 285	3-5, 13-7	3 842 535 124	12-21	3 842 536 295	16-7
3 842 529 297	3-11	3 842 530 287	3-5, 13-17, 13-31	3 842 535 136	2-85	3 842 536 320	17-3
3 842 529 298	3-11	3 842 530 306	2-86	3 842 535 175	2-20	3 842 536 470	6-5
3 842 529 299	3-11	3 842 530 316	3-10	3 842 535 176	2-20	3 842 536 472	2-18
3 842 529 300	3-11	3 842 530 321	3-10	3 842 535 364	12-23	3 842 536 473	2-18

3 842 536 475	2-10	3 842 537 222	6-2	3 842 537 948	12-20	3 842 538 830	16-3
3 842 536 476	2-10	3 842 537 223	6-2	3 842 537 950	12-32	3 842 538 832	6-3
3 842 536 478	2-10	3 842 537 224	6-2	3 842 537 951	12-23	3 842 538 833	6-3
3 842 536 479	2-10	3 842 537 225	6-2	3 842 537 958	12-20	3 842 538 834	6-3
3 842 536 481	2-32	3 842 537 226	6-2	3 842 537 959	12-20	3 842 538 835	6-3
3 842 536 482	2-32	3 842 537 227	6-2	3 842 537 960	12-20	3 842 538 836	6-3
3 842 536 484	2-28	3 842 537 228	6-2	3 842 537 961	12-20	3 842 538 932	6-3
3 842 536 485	2-28	3 842 537 229	6-2	3 842 537 962	12-20	3 842 538 934	6-3
3 842 536 489	7-8	3 842 537 230	6-2	3 842 537 963	12-20	3 842 538 955	2-83
3 842 536 490	7-8	3 842 537 231	6-2	3 842 537 964	12-20	3 842 538 957	2-83
3 842 536 491	7-8	3 842 537 232	6-2	3 842 537 965	12-20	3 842 539 120	13-12, 13-14
3 842 536 531	8-29	3 842 537 321	12-27	3 842 538 064	12-21	3 842 539 339	16-11
3 842 536 532	8-29	3 842 537 357	12-27	3 842 538 065	12-21	3 842 539 340	16-4
3 842 536 533	8-32	3 842 537 476	2-70	3 842 538 093	2-85	3 842 539 344	16-12
3 842 536 534	8-32	3 842 537 477	2-70	3 842 538 094	12-19	3 842 539 345	16-5
3 842 536 536	8-32	3 842 537 556	14-2	3 842 538 208	16-5	3 842 539 412	13-8
3 842 536 537	8-32	3 842 537 583	12-31	3 842 538 209	16-4	3 842 539 413	13-8
3 842 536 538	8-32	3 842 537 584	12-31	3 842 538 245	12-21	3 842 539 414	13-13
3 842 536 540	8-32	3 842 537 592	12-32	3 842 538 252	2-32	3 842 539 415	13-18, 13-25
3 842 536 541	8-32	3 842 537 593	12-32	3 842 538 275	4-13	3 842 539 416	13-32, 13-39
3 842 536 560	6-6	3 842 537 650	2-85	3 842 538 276	4-13	3 842 539 494	16-10
3 842 536 562	6-6	3 842 537 651	2-85	3 842 538 287	2-32	3 842 539 495	16-10
3 842 536 564	6-6	3 842 537 652	2-85	3 842 538 296	2-45	3 842 539 496	16-11
3 842 536 566	6-6	3 842 537 657	12-26	3 842 538 297	2-45	3 842 539 497	16-11
3 842 536 581	6-8	3 842 537 660	12-22	3 842 538 298	2-41	3 842 539 498	16-9
3 842 536 599	3-4	3 842 537 661	12-22	3 842 538 299	2-40	3 842 539 499	16-9
3 842 536 600	3-4	3 842 537 664	12-32	3 842 538 300	2-45	3 842 539 500	16-11
3 842 536 601	3-4	3 842 537 665	12-32	3 842 538 301	2-45	3 842 539 501	16-12
3 842 536 602	3-4	3 842 537 679	2-59	3 842 538 302	2-41	3 842 539 505	16-12
3 842 536 603	3-5	3 842 537 680	2-59	3 842 538 303	2-40	3 842 539 519	2-47
3 842 536 604	3-5	3 842 537 687	12-25	3 842 538 329	2-29	3 842 539 613	16-5
3 842 536 605	3-5	3 842 537 718	2-69, 2-70	3 842 538 330	2-29	3 842 539 799	4-8
3 842 536 606	3-5	3 842 537 720	12-23	3 842 538 333	2-32	3 842 539 800	4-8
3 842 536 669	3-10	3 842 537 740	12-31	3 842 538 334	2-32	3 842 539 826	16-12
3 842 536 670	7-8	3 842 537 776	12-24	3 842 538 372	12-25	3 842 539 894	15-2
3 842 536 671	7-8	3 842 537 777	12-24	3 842 538 388	16-3	3 842 539 895	15-3
3 842 536 672	7-8	3 842 537 778	12-24	3 842 538 389	16-4	3 842 539 896	15-3
3 842 536 673	3-11	3 842 537 779	12-24	3 842 538 489	3-14	3 842 539 897	15-3
3 842 536 675	3-11	3 842 537 803	12-21	3 842 538 490	3-14	3 842 539 898	15-3
3 842 536 676	3-11	3 842 537 806	12-21	3 842 538 491	3-14	3 842 540 012	15-2
3 842 536 694	6-3	3 842 537 807	12-21	3 842 538 555	6-3	3 842 540 139	13-13
3 842 536 695	6-3	3 842 537 812	2-48	3 842 538 556	6-3	3 842 540 140	13-25
3 842 536 696	6-3	3 842 537 816	2-12	3 842 538 557	6-3	3 842 540 141	13-32, 13-39
3 842 536 701	6-21	3 842 537 818	2-12	3 842 538 558	6-3	3 842 540 173	6-12
3 842 536 722	12-25	3 842 537 819	2-12	3 842 538 559	6-3	3 842 540 668	6-12
3 842 536 724	12-26	3 842 537 821	2-21	3 842 538 607	4-2, 4-6, 4-14	3 842 540 954	2-24
3 842 536 729	3-34	3 842 537 823	2-43	3 842 538 656	3-51	3 842 540 955	2-34
3 842 536 730	2-70	3 842 537 824	2-30	3 842 538 657	3-51	3 842 540 956	2-24
3 842 536 746	6-9	3 842 537 825	2-49	3 842 538 658	3-52	3 842 540 957	2-34
3 842 536 767	12-41	3 842 537 826	2-50	3 842 538 673	6-3	3 842 541 008	12-29
3 842 536 787	3-41	3 842 537 827	2-29	3 842 538 674	6-3	3 842 541 173	2-74
3 842 536 792	12-41	3 842 537 828	2-33	3 842 538 675	6-3	3 842 541 175	2-74
3 842 536 811	6-2	3 842 537 846	2-43	3 842 538 676	6-3	3 842 541 178	2-75
3 842 536 812	6-2	3 842 537 861	3-34	3 842 538 677	6-3	3 842 541 181	2-75
3 842 536 889	8-29	3 842 537 862	3-34	3 842 538 678	6-3	3 842 541 183	2-74
3 842 536 890	8-29	3 842 537 888	12-41	3 842 538 679	6-3	3 842 541 185	2-73
3 842 536 891	8-32	3 842 537 889	12-41	3 842 538 680	6-3	3 842 541 187	2-77
3 842 537 013	3-56	3 842 537 890	12-41	3 842 538 683	4-4	3 842 541 190	2-77
3 842 537 100	2-44	3 842 537 894	12-30	3 842 538 684	4-5	3 842 541 193	2-78
3 842 537 101	2-44	3 842 537 895	12-30	3 842 538 685	4-5	3 842 541 226	6-19
3 842 537 102	2-39	3 842 537 896	12-30	3 842 538 686	4-6	3 842 541 228	6-19
3 842 537 103	2-39	3 842 537 897	12-30	3 842 538 687	4-6	3 842 541 230	6-19
3 842 537 113	2-85	3 842 537 898	12-30	3 842 538 696	3-53	3 842 541 232	6-19
3 842 537 116	2-85	3 842 537 899	12-30	3 842 538 697	3-53	3 842 541 234	6-19
3 842 537 119	2-85	3 842 537 900	12-30	3 842 538 698	3-54	3 842 541 236	6-19
3 842 537 135	2-86	3 842 537 901	12-30	3 842 538 703	3-32	3 842 541 238	6-19
3 842 537 163	12-28	3 842 537 911	12-26	3 842 538 704	3-32	3 842 541 240	6-19
3 842 537 164	12-28	3 842 537 944	12-19	3 842 538 705	3-32	3 842 541 242	6-19
3 842 537 206	6-3	3 842 537 945	12-19	3 842 538 706	3-33	3 842 541 244	6-19
3 842 537 220	6-2	3 842 537 947	12-19	3 842 538 829	16-3	3 842 541 246	3-6

19-4 Aluminum Framing 9.0 | Material number overview

3 842 541 296	2-78	3 842 546 564	4-2	3 842 548 707	3-48	3 842 548 795	2-42, 13-17, 13-24
3 842 541 393	3-11	3 842 546 625	3-37	3 842 548 708	3-49	3 842 548 796	2-34, 2-38
3 842 541 409	3-6	3 842 546 626	3-37	3 842 548 709	3-49	3 842 548 797	2-34, 2-38
3 842 541 410	3-58	3 842 546 627	3-37	3 842 548 710	3-50	3 842 548 798	2-37
3 842 541 412	3-57	3 842 546 628	3-38	3 842 548 711	3-50	3 842 548 799	2-37
3 842 541 807	2-24, 2-82	3 842 546 629	3-38	3 842 548 712	3-49	3 842 548 800	2-37
3 842 541 813	2-65, 12-19	3 842 546 630	3-38	3 842 548 713	3-49	3 842 548 801	2-37
3 842 541 814	2-65, 12-19	3 842 546 632	3-39	3 842 548 714	3-50	3 842 548 802	2-39
3 842 541 936	2-19	3 842 546 717	6-13	3 842 548 715	3-50	3 842 548 803	2-39
3 842 541 937	2-19	3 842 546 718	6-13	3 842 548 716	3-49	3 842 548 804	2-39, 2-40, 2-42
3 842 541 938	2-19	3 842 546 744	14-8	3 842 548 717	3-49	3 842 548 805	2-39, 2-40, 2-42
3 842 541 939	2-19	3 842 546 745	14-8	3 842 548 718	3-50	3 842 548 806	2-43
3 842 542 146	10-11	3 842 547 227	16-9	3 842 548 719	3-50	3 842 548 807	2-43
3 842 542 328	7-9	3 842 547 228	16-10	3 842 548 720	3-49	3 842 548 808	2-51, 2-52
3 842 542 329	7-9	3 842 547 461	3-40	3 842 548 721	3-49	3 842 548 809	2-51, 2-52
3 842 542 330	7-9	3 842 547 707	12-45	3 842 548 722	3-50	3 842 548 810	2-51, 2-52
3 842 542 667	6-8	3 842 547 718	12-45	3 842 548 723	3-50	3 842 548 811	2-51, 2-52
3 842 542 668	6-9	3 842 547 729	12-45	3 842 548 742	2-10, 2-12	3 842 548 812	2-52
3 842 542 669	6-9	3 842 547 806	3-11	3 842 548 743	2-10, 2-12	3 842 548 813	2-52
3 842 542 692	3-9	3 842 547 807	3-11	3 842 548 744	2-15, 2-18, 2-19	3 842 548 814	2-45, 2-46, 2-47
3 842 542 693	3-9	3 842 547 808	3-11	3 842 548 745	2-15, 2-18, 2-19	3 842 548 815	2-45, 2-46, 2-47
3 842 542 694	3-9	3 842 547 811	3-9	3 842 548 746	2-24, 2-30, 2-32	3 842 548 816	2-47
3 842 542 696	2-61	3 842 547 812	3-9	3 842 548 747	2-24, 2-30, 2-32	3 842 548 817	2-47
3 842 542 698	2-61	3 842 547 813	3-9	3 842 548 748	2-28, 2-30, 2-32	3 842 548 818	2-50
3 842 542 736	3-13	3 842 547 814	3-9	3 842 548 749	2-28, 2-30, 2-32	3 842 548 819	2-50
3 842 542 737	3-13	3 842 547 815	3-9	3 842 548 750	2-31, 2-33	3 842 548 820	2-49
3 842 543 272	2-77	3 842 547 816	3-9	3 842 548 751	2-31, 2-33	3 842 548 821	2-49
3 842 543 311	2-79	3 842 547 817	3-9	3 842 548 752	2-34, 2-38	3 842 548 822	2-49
3 842 543 321	8-7	3 842 547 821	3-11	3 842 548 753	2-34, 2-38,	3 842 548 823	2-49
3 842 543 322	8-7	3 842 547 822	3-11		10-6, 13-31	3 842 548 824	2-50, 2-51
3 842 543 323	8-7	3 842 547 823	3-11	3 842 548 754	2-39	3 842 548 825	2-50, 2-51
3 842 543 324	8-7	3 842 547 824	3-11	3 842 548 755	2-39, 13-7	3 842 548 826	2-11
3 842 543 325	8-7	3 842 547 825	3-10	3 842 548 756	2-39, 2-40, 2-42,	3 842 548 827	2-11
3 842 543 326	8-7	3 842 547 826	3-10		2-43, 10-6	3 842 548 828	2-12
3 842 543 327	8-7	3 842 547 827	2-44	3 842 548 757	2-39, 2-40, 2-42, 2-43,	3 842 548 829	2-12
3 842 543 328	8-7	3 842 547 828	2-44		13-12, 13-31, 13-38	3 842 548 830	2-48
3 842 543 329	8-7	3 842 547 835	6-19	3 842 548 758	2-44, 2-46	3 842 548 831	2-48
3 842 543 330	8-7	3 842 547 836	6-19	3 842 548 759	2-44, 2-46, 13-17	3 842 548 832	7-6
3 842 543 331	8-7	3 842 547 837	6-19	3 842 548 760	2-45, 2-46, 2-47	3 842 548 834	7-6
3 842 543 332	8-7	3 842 547 838	6-19	3 842 548 761	2-45, 2-46, 2-47,	3 842 548 836	7-7
3 842 543 333	8-7	3 842 547 839	6-19		13-24, 13-31, 13-38	3 842 548 838	7-7
3 842 543 334	8-7	3 842 547 840	6-19	3 842 548 766	2-13	3 842 548 840	7-7
3 842 543 371	8-3	3 842 547 868	4-12	3 842 548 767	2-13	3 842 548 842	3-21
3 842 543 372	8-3	3 842 547 869	4-12	3 842 548 768	2-21	3 842 548 843	3-21
3 842 543 401	4-5	3 842 547 890	6-22	3 842 548 769	2-21	3 842 548 844	3-21
3 842 543 402	4-5	3 842 547 892	6-15	3 842 548 770	2-48	3 842 548 845	3-21
3 842 543 403	4-6	3 842 547 971	12-45	3 842 548 771	2-48	3 842 548 846	3-22
3 842 543 404	4-6	3 842 547 982	14-6	3 842 548 772	2-48	3 842 548 847	3-22
3 842 543 480	2-75	3 842 547 990	12-45	3 842 548 773	2-48	3 842 548 848	3-23
3 842 543 494	2-80	3 842 548 117	2-73	3 842 548 774	2-15, 2-18, 2-19	3 842 548 849	3-23
3 842 544 525	8-6	3 842 548 118	2-74	3 842 548 775	2-15, 2-18, 2-19	3 842 548 850	3-23
3 842 544 526	8-6	3 842 548 119	2-74	3 842 548 776	2-17	3 842 548 851	3-23
3 842 544 527	8-6	3 842 548 120	2-78	3 842 548 777	2-17	3 842 548 852	3-24
3 842 544 528	8-6	3 842 548 121	2-76	3 842 548 778	2-20	3 842 548 853	3-24
3 842 544 529	8-6	3 842 548 122	2-76	3 842 548 779	2-20	3 842 548 854	3-24
3 842 544 530	8-6	3 842 548 123	2-75	3 842 548 780	2-18, 2-19	3 842 548 855	3-24
3 842 544 531	8-6	3 842 548 126	2-79	3 842 548 781	2-18, 2-19	3 842 548 856	3-25
3 842 544 562	8-9	3 842 548 127	2-79	3 842 548 782	2-24	3 842 548 857	3-25
3 842 544 637	2-80	3 842 548 128	2-80	3 842 548 783	2-24	3 842 548 858	3-25
3 842 544 661	8-3	3 842 548 129	2-73	3 842 548 784	2-27	3 842 548 859	3-25
3 842 544 797	2-60, 2-78	3 842 548 130	2-73	3 842 548 785	2-27	3 842 548 860	3-26
3 842 544 832	14-7	3 842 548 131	2-80	3 842 548 786	2-27	3 842 548 861	3-26
3 842 544 833	14-8	3 842 548 132	2-81	3 842 548 787	2-27	3 842 548 862	3-26
3 842 544 834	14-7	3 842 548 700	3-45, 3-46	3 842 548 788	2-28	3 842 548 863	3-26
3 842 544 835	14-7	3 842 548 701	3-46	3 842 548 789	2-28	3 842 548 864	3-27
3 842 544 836	14-8	3 842 548 702	3-47, 3-48	3 842 548 790	2-29	3 842 548 865	3-27
3 842 544 837	14-8	3 842 548 703	3-48	3 842 548 791	2-29	3 842 548 866	3-27
3 842 544 875	6-12	3 842 548 704	3-45, 3-46	3 842 548 792	2-33	3 842 548 867	3-27
3 842 546 519	9-4	3 842 548 705	3-46	3 842 548 793	2-33	3 842 548 868	3-28
3 842 546 560	10-12	3 842 548 706	3-47, 3-48	3 842 548 794	2-42	3 842 548 869	3-28

3 842 548 870	3-29	3 842 551 038	3-56	3 842 552 267	11-4	3 842 554 455	3-55
3 842 548 871	3-29	3 842 551 040	3-58	3 842 552 268	11-4	3 842 554 456	3-55
3 842 548 872	3-29	3 842 551 042	3-58	3 842 552 270	11-4	3 842 554 457	3-55
3 842 548 873	3-29	3 842 551 044	2-20	3 842 552 273	11-4	3 842 554 458	8-5
3 842 548 874	3-30	3 842 551 045	2-20	3 842 552 275	11-4	3 842 554 460	8-5
3 842 548 875	3-30	3 842 551 046	2-20	3 842 552 423	12-7, 12-11	3 842 554 462	8-5
3 842 548 876	2-83	3 842 551 047	2-20	3 842 552 424	12-8, 12-9, 12-10, 12-11	3 842 554 464	8-5
3 842 548 877	2-83	3 842 551 050	2-52			3 842 554 466	8-5
3 842 548 878	2-83	3 842 551 051	2-52	3 842 553 611	2-34	3 842 554 468	8-5
3 842 548 879	2-83	3 842 551 052	3-63	3 842 553 612	2-40	3 842 554 470	8-5
3 842 548 898	2-83	3 842 551 053	3-63	3 842 553 613	2-44	3 842 554 472	8-5
3 842 548 934	3-57	3 842 551 054	3-63	3 842 553 614	2-38	3 842 554 490	2-58
3 842 548 935	3-57	3 842 551 055	3-63	3 842 553 615	2-42	3 842 554 491	2-58
3 842 548 936	3-57	3 842 551 564	2-56	3 842 553 616	2-42	3 842 554 708	2-56
3 842 548 937	3-58	3 842 551 565	2-56	3 842 553 617	2-46	3 842 554 709	2-56
3 842 548 938	3-58	3 842 551 582	2-59	3 842 553 618	2-34	3 842 554 710	2-64, 12-4
3 842 548 955	3-31	3 842 551 583	2-59	3 842 553 619	2-40	3 842 554 711	2-64, 12-4
3 842 548 965	8-16	3 842 551 596	3-21	3 842 553 620	2-44	3 842 554 716	8-23
3 842 548 969	8-16	3 842 551 597	3-21	3 842 553 621	2-38	3 842 554 718	8-23
3 842 548 970	8-15	3 842 551 598	3-22	3 842 553 622	2-42	3 842 554 720	8-23
3 842 548 971	8-15	3 842 551 599	3-22	3 842 553 623	2-42	3 842 554 724	8-30
3 842 548 997	11-6	3 842 551 600	3-22	3 842 553 624	2-46	3 842 554 726	8-31
3 842 549 858	3-45	3 842 551 601	3-23	3 842 553 630	8-21	3 842 554 746	12-21
3 842 549 859	3-45	3 842 551 602	3-23	3 842 553 631	8-21	3 842 554 748	12-21
3 842 549 860	3-46	3 842 551 603	3-24	3 842 553 638	8-21	3 842 554 750	2-73
3 842 549 861	3-46	3 842 551 604	3-25	3 842 553 639	8-17	3 842 554 752	2-73
3 842 549 862	3-46	3 842 551 605	3-25	3 842 553 640	8-17	3 842 554 754	2-73
3 842 549 863	3-46	3 842 551 606	3-26	3 842 553 967	6-22	3 842 554 771	2-83
3 842 549 864	3-46	3 842 551 607	3-27	3 842 553 973	11-9	3 842 554 774	3-12
3 842 549 865	3-46	3 842 551 608	3-27	3 842 553 974	11-9	3 842 554 776	3-12
3 842 549 866	3-47	3 842 551 609	3-24	3 842 554 134	8-18	3 842 554 778	3-12
3 842 549 867	3-47	3 842 551 610	3-24	3 842 554 136	8-18	3 842 554 909	14-7
3 842 549 868	3-47	3 842 551 611	3-24	3 842 554 149	6-5	3 842 555 180	11-10
3 842 549 869	3-47	3 842 551 612	3-26	3 842 554 150	8-19	3 842 555 182	11-10
3 842 549 870	3-47	3 842 551 613	3-28	3 842 554 151	8-19	3 842 555 226	8-27, 12-3
3 842 549 871	3-47	3 842 551 662	8-31	3 842 554 152	8-20	3 842 555 260	8-28
3 842 549 872	3-48	3 842 552 131	12-43	3 842 554 156	2-59	3 842 555 262	8-28
3 842 549 873	3-48	3 842 552 132	12-43	3 842 554 157	2-59	3 842 555 268	2-83
3 842 549 874	3-48	3 842 552 133	12-43	3 842 554 283	18-17	3 842 555 270	7-2
3 842 549 876	3-48	3 842 552 134	12-43	3 842 554 284	18-17	3 842 555 272	7-2
3 842 549 877	2-83	3 842 552 135	12-43	3 842 554 285	18-17	3 842 555 274	7-2
3 842 549 878	2-83	3 842 552 151	12-22, 12-25	3 842 554 402	3-62	3 842 555 276	7-2
3 842 549 879	2-83	3 842 552 174	12-44	3 842 554 404	4-9	3 842 555 282	7-3
3 842 549 880	2-83	3 842 552 175	12-44	3 842 554 406	4-9	3 842 555 284	7-4
3 842 549 881	2-83	3 842 552 176	12-44	3 842 554 408	4-9	3 842 555 286	7-4
3 842 549 888	2-83	3 842 552 177	12-44	3 842 554 410	4-9	3 842 555 288	7-5
3 842 551 008	2-16	3 842 552 240	11-7	3 842 554 412	4-9	3 842 555 290	7-5
3 842 551 009	2-16	3 842 552 241	11-4	3 842 554 414	4-9	3 842 555 292	7-5
3 842 551 010	2-17	3 842 552 242	11-4	3 842 554 416	4-9	3 842 555 550	7-10
3 842 551 011	2-17	3 842 552 243	11-4	3 842 554 418	4-9	3 842 555 552	7-10
3 842 551 012	2-17	3 842 552 244	11-4	3 842 554 420	4-10	3 842 555 554	8-25
3 842 551 013	2-17	3 842 552 245	11-7	3 842 554 422	4-10	3 842 555 556	8-25
3 842 551 014	2-26	3 842 552 246	11-7	3 842 554 424	4-10	3 842 555 558	8-25
3 842 551 015	2-26	3 842 552 247	11-6	3 842 554 426	4-10	3 842 555 560	8-25
3 842 551 016	2-26	3 842 552 248	11-6	3 842 554 428	4-10	3 842 555 562	8-25
3 842 551 017	2-26	3 842 552 249	11-5	3 842 554 430	4-10	3 842 555 564	8-24
3 842 551 018	2-26	3 842 552 250	11-5	3 842 554 432	4-10	3 842 555 568	9-6
3 842 551 019	2-26	3 842 552 251	11-5	3 842 554 434	4-10	3 842 555 572	8-8
3 842 551 020	2-36	3 842 552 252	11-5	3 842 554 440	3-61	3 842 555 574	8-8
3 842 551 021	2-36	3 842 552 253	11-5	3 842 554 442	3-61	3 842 555 576	8-8
3 842 551 022	2-36	3 842 552 254	11-5	3 842 554 444	3-61	3 842 555 584	3-62
3 842 551 023	2-36	3 842 552 255	11-5	3 842 554 446	3-55	3 842 555 586	3-62
3 842 551 024	2-37	3 842 552 256	11-5	3 842 554 447	3-55	3 842 555 588	3-62
3 842 551 025	2-37	3 842 552 257	11-7	3 842 554 448	3-55	3 842 555 590	3-62
3 842 551 026	2-84	3 842 552 258	11-7	3 842 554 449	3-55	3 842 555 592	3-62
3 842 551 028	2-84	3 842 552 259	11-7	3 842 554 450	3-55	3 842 555 594	3-62
3 842 551 030	2-84	3 842 552 260	11-7	3 842 554 451	3-55	3 842 555 596	3-62
3 842 551 032	3-44	3 842 552 263	11-9	3 842 554 452	3-55	3 842 555 598	3-62
3 842 551 034	3-44	3 842 552 265	11-9	3 842 554 453	3-55	3 842 555 610	6-23
3 842 551 036	3-44	3 842 552 266	11-9	3 842 554 454	3-55	3 842 555 616	3-31

19-6 Aluminum Framing 9.0 | Material number overview

3 842 555 645	2-29	3 842 557 444	11-2	3 842 990 091	2-48	3 842 990 640	2-38
3 842 555 646	2-28	3 842 557 941	2-57	3 842 990 092	2-45	3 842 990 642	2-38
3 842 555 647	2-31	3 842 557 942	2-58	3 842 990 093	2-45	3 842 990 644	2-38
3 842 555 648	2-41	3 842 557 943	8-30	3 842 990 094	2-45	3 842 990 646	2-38
3 842 555 649	2-29	3 842 557 944	2-48	3 842 990 097	2-52	3 842 990 648	2-38
3 842 555 650	2-28	3 842 557 945	13-18	3 842 990 098	2-52	3 842 990 670	2-39
3 842 555 651	2-31	3 842 557 946	2-56	3 842 990 099	2-52	3 842 990 672	2-39
3 842 555 652	2-41	3 842 557 947	2-17	3 842 990 111	9-5	3 842 990 674	2-39
3 842 555 653	2-82, 6-16	3 842 557 948	2-37	3 842 990 115	8-30	3 842 990 688	2-39
3 842 555 659	4-3	3 842 557 949	2-43	3 842 990 116	8-30	3 842 990 690	2-39
3 842 555 665	4-3	3 842 557 950	2-64, 12-4	3 842 990 292	2-48	3 842 990 720	2-15
3 842 555 670	11-2	3 842 557 951	2-16	3 842 990 300	2-42	3 842 990 721	2-15
3 842 555 671	11-2	3 842 557 952	2-17	3 842 990 301	2-42	3 842 990 722	2-15
3 842 555 673	14-9	3 842 557 953	2-17	3 842 990 302	2-42	3 842 990 723	2-15
3 842 557 005	16-7	3 842 557 954	2-36	3 842 990 303	2-42	3 842 990 724	2-15
3 842 557 200	2-39	3 842 557 955	2-36	3 842 990 304	2-42	3 842 990 725	2-15
3 842 557 201	2-45	3 842 557 956	2-37	3 842 990 305	2-42	3 842 990 726	2-15
3 842 557 202	2-52	3 842 557 957	2-37	3 842 990 307	2-42	3 842 992 375	2-39
3 842 557 203	2-20	3 842 557 958	13-32	3 842 990 309	2-42	3 842 992 376	2-39
3 842 557 204	2-51	3 842 557 960	2-53	3 842 990 311	2-42	3 842 992 378	2-46
3 842 557 205	2-18	3 842 558 303	2-57	3 842 990 313	2-42	3 842 992 387	2-43
3 842 557 206	2-15	3 842 558 304	2-58	3 842 990 323	2-42	3 842 992 388	2-43
3 842 557 207	2-52	3 842 558 305	8-30	3 842 990 325	2-42	3 842 992 397	2-15
3 842 557 208	2-15	3 842 558 306	2-48	3 842 990 329	2-42	3 842 992 398	2-16
3 842 557 209	2-16	3 842 558 307	13-18	3 842 990 331	2-42	3 842 992 399	2-15
3 842 557 210	2-39	3 842 558 308	2-56	3 842 990 335	2-42, 13-17, 13-24	3 842 992 400	2-16
3 842 557 211	2-45	3 842 558 309	2-17	3 842 990 336	2-42	3 842 992 401	2-35
3 842 557 212	2-52	3 842 558 310	2-37	3 842 990 339	2-42, 13-17	3 842 992 402	2-35
3 842 557 213	2-20	3 842 558 311	2-43	3 842 990 342	2-42	3 842 992 403	2-35
3 842 557 214	2-51	3 842 558 312	2-64	3 842 990 344	2-42	3 842 992 404	2-36
3 842 557 215	2-18	3 842 558 313	2-16	3 842 990 345	2-48	3 842 992 411	2-57
3 842 557 216	2-15	3 842 558 314	2-17	3 842 990 350	2-52	3 842 992 412	2-58
3 842 557 217	2-52	3 842 558 315	2-17	3 842 990 351	2-52	3 842 992 415	2-44, 13-17
3 842 557 218	2-15	3 842 558 316	2-36	3 842 990 352	2-52	3 842 992 416	2-44
3 842 557 219	2-16	3 842 558 317	2-36	3 842 990 353	2-52	3 842 992 417	2-44
3 842 557 220	2-15	3 842 558 318	2-37	3 842 990 354	2-52	3 842 992 418	2-44, 13-17
3 842 557 221	2-16	3 842 558 319	2-37	3 842 990 355	2-52	3 842 992 419	2-44
3 842 557 222	2-35	3 842 558 320	13-32	3 842 990 357	2-52	3 842 992 420	2-44
3 842 557 223	2-35	3 842 558 321	2-53	3 842 990 359	2-52	3 842 992 421	2-44
3 842 557 224	2-35	3 842 558 323	9-6	3 842 990 370	2-52	3 842 992 422	2-44
3 842 557 225	2-36	3 842 558 328	2-63	3 842 990 373	2-52	3 842 992 423	2-44
3 842 557 226	2-46	3 842 558 329	2-63	3 842 990 409	2-67, 12-35	3 842 992 425	2-34, 10-6
3 842 557 227	10-10	3 842 558 330	2-63	3 842 990 416	2-46, 13-31, 13-38	3 842 992 426	2-34
3 842 557 228	10-10	3 842 558 331	2-63	3 842 990 417	2-46	3 842 992 427	2-34
3 842 557 229	10-10	3 842 558 332	2-62	3 842 990 418	2-46	3 842 992 430	2-20
3 842 557 230	2-15	3 842 558 333	2-62	3 842 990 419	2-46	3 842 992 431	2-20
3 842 557 231	2-16	3 842 558 334	2-62	3 842 990 421	2-46	3 842 992 432	2-40, 10-6, 13-12
3 842 557 232	2-35	3 842 558 566	3-15	3 842 990 450	2-52	3 842 992 433	2-40
3 842 557 233	2-35	3 842 558 567	3-15	3 842 990 453	2-52	3 842 992 435	2-40
3 842 557 234	2-35, 8-22	3 842 558 568	3-15	3 842 990 454	2-52	3 842 992 436	2-40
3 842 557 235	2-36	3 842 558 644	11-8	3 842 990 464	2-52	3 842 992 437	2-40
3 842 557 236	2-46	3 842 558 646	11-8	3 842 990 472	2-52	3 842 992 438	13-17, 13-18
3 842 557 240	10-10	3 842 558 648	11-8	3 842 990 478	2-52	3 842 992 440	13-24, 13-25
3 842 557 241	2-18	3 842 558 650	11-8	3 842 990 481	2-52	3 842 992 441	13-38, 13-39
3 842 557 242	2-48	3 842 558 651	11-8	3 842 990 500	2-45, 13-24	3 842 992 443	2-51
3 842 557 243	2-73	3 842 558 652	11-8	3 842 990 501	2-45	3 842 992 444	2-51
3 842 557 244	2-73	3 842 558 653	11-8	3 842 990 502	2-45	3 842 992 445	2-51
3 842 557 248	2-18	3 842 558 654	11-8	3 842 990 505	2-45	3 842 992 446	2-51
3 842 557 249	2-48	3 842 559 310	2-63	3 842 990 507	2-45	3 842 992 447	2-51
3 842 557 250	2-73	3 842 559 337	11-6	3 842 990 517	2-38	3 842 992 448	2-51
3 842 557 251	2-73	3 842 559 338	11-6	3 842 990 518	2-38	3 842 992 449	2-51
3 842 557 254	2-55	3 842 559 345	2-81	3 842 990 519	2-38	3 842 992 452	2-40
3 842 557 255	2-55	3 842 559 346	2-81	3 842 990 520	2-38	3 842 992 453	2-40
3 842 557 259	3-11	3 842 562 057	6-20	3 842 990 521	2-38	3 842 992 457	2-18
3 842 557 260	3-11	3 842 562 058	6-20	3 842 990 570	2-39, 13-7	3 842 992 458	2-18
3 842 557 261	3-11	3 842 562 059	6-20	3 842 990 571	2-39	3 842 992 459	2-18
3 842 557 262	3-11	3 842 563 231	2-47	3 842 990 572	2-39	3 842 992 460	2-18
3 842 557 298	2-76	3 842 563 232	2-47	3 842 990 573	2-39	3 842 992 462	2-18
3 842 557 299	2-76	3 842 990 087	2-48	3 842 990 575	2-39	3 842 992 463	2-18
3 842 557 443	11-2	3 842 990 090	2-48	3 842 990 584	2-39	3 842 992 473	2-47

3 842 992 474	2-47	3 842 993 077	2-13	3 842 993 182	2-51	3 842 993 512	12-27
3 842 992 475	2-47	3 842 993 078	2-21	3 842 993 183	2-51	3 842 993 517	2-62
3 842 992 476	2-20	3 842 993 079	2-48	3 842 993 184	2-27	3 842 993 527	2-62
3 842 992 493	2-56	3 842 993 080	13-31, 13-32	3 842 993 185	2-24	3 842 993 621	2-45
3 842 992 676	2-65, 12-33	3 842 993 081	2-46, 13-31	3 842 993 186	2-24	3 842 993 628	2-45
3 842 992 857	2-46	3 842 993 082	2-45, 13-24	3 842 993 187	2-25	3 842 993 635	2-41
3 842 992 858	2-46	3 842 993 084	2-40, 13-12	3 842 993 188	2-25	3 842 993 644	2-40
3 842 992 859	2-46	3 842 993 085	2-39, 13-7	3 842 993 189	2-25	3 842 993 653	2-32
3 842 992 860	2-46	3 842 993 120	2-24	3 842 993 190	2-25	3 842 993 654	2-29
3 842 992 861	2-46	3 842 993 121	2-24	3 842 993 191	2-25	3 842 993 658	2-32
3 842 992 864	2-46	3 842 993 122	2-24	3 842 993 192	2-25	3 842 993 887	16-3
3 842 992 884	2-66, 12-34	3 842 993 123	2-24	3 842 993 193	2-29	3 842 993 952	13-12, 13-13
3 842 992 888	2-10	3 842 993 124	2-24	3 842 993 194	2-50	3 842 993 966	13-7, 13-8
3 842 992 889	2-11	3 842 993 125	2-24	3 842 993 195	2-26	3 842 993 967	13-12, 13-13
3 842 992 890	2-11	3 842 993 126	2-24	3 842 993 196	2-50	3 842 993 968	13-17, 13-18,
3 842 992 891	2-12	3 842 993 127	2-33	3 842 993 197	2-26		13-24, 13-25
3 842 992 896	2-17	3 842 993 128	2-33	3 842 993 198	2-26	3 842 993 969	13-31, 13-32,
3 842 992 897	2-37	3 842 993 129	2-24	3 842 993 199	2-50		13-38, 13-39
3 842 992 898	2-46, 13-38	3 842 993 130	2-28	3 842 993 200	2-50	3 842 994 000	12-43
3 842 992 903	2-66, 12-34	3 842 993 131	2-28	3 842 993 201	2-33	3 842 994 001	12-43
3 842 992 913	2-53	3 842 993 132	2-28	3 842 993 202	2-33	3 842 994 635	12-42
3 842 992 924	2-11	3 842 993 133	2-31	3 842 993 203	2-33	3 842 994 659	13-7, 13-10
3 842 992 925	13-12, 13-13	3 842 993 134	2-31	3 842 993 204	2-33	3 842 994 662	13-31, 13-36,
3 842 992 926	2-18	3 842 993 135	2-28	3 842 993 225	2-30		13-38, 13-43
3 842 992 927	2-43, 13-31, 13-38	3 842 993 136	2-28	3 842 993 226	2-33	3 842 994 702	13-20, 13-27,
3 842 992 928	2-43, 13-31	3 842 993 137	2-28	3 842 993 229	2-33		13-34, 13-41
3 842 992 945	2-37	3 842 993 138	2-28	3 842 993 230	2-10	3 842 994 711	13-12, 13-15
3 842 992 946	2-64, 12-4	3 842 993 139	2-30	3 842 993 231	2-10	3 842 994 811	13-48
3 842 992 953	2-34	3 842 993 140	2-30	3 842 993 256	2-27	3 842 994 812	13-48
3 842 992 954	2-34	3 842 993 141	2-30	3 842 993 257	2-27	3 842 994 813	13-48
3 842 992 956	2-34	3 842 993 142	2-30	3 842 993 259	2-66, 12-34	3 842 994 821	13-17, 13-22,
3 842 992 960	2-34	3 842 993 143	2-30	3 842 993 306	12-45, 16-4		13-24, 13-29
3 842 992 961	2-45	3 842 993 144	2-30	3 842 993 308	6-15	3 842 994 832	12-38
3 842 992 962	2-52	3 842 993 145	2-30	3 842 993 316	2-65, 12-19	3 842 994 839	12-36
3 842 992 963	2-52	3 842 993 146	2-30	3 842 993 317	2-69	3 842 994 863	16-4
3 842 992 965	2-15	3 842 993 147	2-31	3 842 993 321	12-24	3 842 994 889	12-39
3 842 992 967	2-34	3 842 993 148	2-31	3 842 993 322	12-24	3 842 994 907	12-40
3 842 992 969	2-38	3 842 993 149	2-31	3 842 993 336	2-61	3 842 994 979	2-86
3 842 992 970	10-10	3 842 993 150	2-31	3 842 993 337	2-61	3 842 994 988	12-28
3 842 992 971	10-10	3 842 993 151	2-31	3 842 993 411	2-59	3 842 994 989	12-28
3 842 992 972	10-8, 10-10	3 842 993 152	2-33	3 842 993 420	2-18	3 842 995 007	12-30
3 842 992 973	10-9, 10-10	3 842 993 153	2-33	3 842 993 421	2-10	3 842 995 008	12-28
3 842 992 977	10-10	3 842 993 154	2-33	3 842 993 422	2-10	3 842 995 017	12-30
3 842 992 978	10-8, 10-9, 10-10	3 842 993 155	2-33	3 842 993 423	2-32	3 842 995 027	2-65, 12-19
3 842 992 984	10-9	3 842 993 156	2-49	3 842 993 424	2-28	3 842 996 191	2-73
3 842 992 985	10-9	3 842 993 157	2-49	3 842 993 425	8-29	3 842 996 192	2-73
3 842 992 991	2-12	3 842 993 158	2-49	3 842 993 426	8-29	3 842 998 495	13-6
3 842 992 992	2-12	3 842 993 159	2-49	3 842 993 427	8-32	3 842 998 496	13-11
3 842 992 999	2-37	3 842 993 160	2-49	3 842 993 428	8-32	3 842 998 497	13-16
3 842 993 001	2-37	3 842 993 161	2-49	3 842 993 429	8-32	3 842 998 498	13-23
3 842 993 010	2-16	3 842 993 162	2-49	3 842 993 430	8-32	3 842 998 499	13-30
3 842 993 011	2-17	3 842 993 163	2-49	3 842 993 431	12-24	3 842 998 500	13-37
3 842 993 012	2-17	3 842 993 164	2-49	3 842 993 432	12-24	8 981 016 122	3-4
3 842 993 013	2-36	3 842 993 165	2-49	3 842 993 434	2-47	8 981 016 123	3-4
3 842 993 014	2-36	3 842 993 166	2-49	3 842 993 435	2-47	8 981 016 124	3-4
3 842 993 015	2-37	3 842 993 167	2-49	3 842 993 436	2-47	8 981 019 448	3-65
3 842 993 016	2-18	3 842 993 168	2-49	3 842 993 446	2-62	8 981 019 449	3-65
3 842 993 017	2-54	3 842 993 169	2-49	3 842 993 449	2-44	8 981 019 450	3-65
3 842 993 018	2-54	3 842 993 170	2-49	3 842 993 450	2-39	8 981 019 452	3-65
3 842 993 019	2-54	3 842 993 171	2-50	3 842 993 489	2-70	8 981 019 455	3-65
3 842 993 020	2-54	3 842 993 172	2-50	3 842 993 493	2-10	8 981 019 457	3-65
3 842 993 029	12-27	3 842 993 173	2-50	3 842 993 494	2-10	8 981 019 458	3-65
3 842 993 033	2-20	3 842 993 174	2-50	3 842 993 495	2-10	8 981 019 461	3-65
3 842 993 052	12-42	3 842 993 175	2-50	3 842 993 496	2-10	8 981 019 573	4-11
3 842 993 061	13-7, 13-8	3 842 993 176	2-50	3 842 993 497	2-12	8 981 019 577	3-8
3 842 993 062	13-17, 13-18	3 842 993 177	2-50	3 842 993 498	2-12	8 981 019 578	3-8
3 842 993 063	2-59	3 842 993 178	2-51	3 842 993 499	2-12	8 981 019 579	3-8
3 842 993 071	2-62	3 842 993 179	2-51	3 842 993 500	2-12	8 981 021 301	3-43
3 842 993 072	2-62	3 842 993 180	2-51	3 842 993 501	2-12	8 981 021 302	3-43, 10-6
3 842 993 073	2-62	3 842 993 181	2-51	3 842 993 511	12-27	8 981 021 321	3-5

19-8 **Aluminum Framing 9.0** | Material number overview

8 981 021 322	3-5
8 981 021 323	3-5
8 981 021 324	3-5
8 981 021 342	3-8
8 981 021 343	3-8
8 981 021 344	3-8, 10-6
8 981 021 345	3-8
8 981 021 346	3-8
8 981 021 347	3-8
8 981 021 440	3-10
8 981 021 441	3-10
8 981 021 442	3-10
8 981 021 464	3-7
8 981 021 465	3-7
8 981 021 554	3-8
8 981 021 555	3-8
8 981 535 323	12-8
8 981 535 324	12-8
8 981 535 325	12-10
8 981 535 326	12-10
8 981 535 476	12-7
8 981 535 477	12-7
8 981 535 478	12-9
8 981 535 479	12-9
8 981 535 890	12-8, 12-9, 12-10, 12-12
8 981 535 891	12-7, 12-11
8 981 992 247	10-8, 10-9
R980 024 883	4-11

Index

- ▶ **A**
 - Accessories for protective devices 9-1
 - Adjustment unit 12-45
 - Air-supply elements 5-2
 - Al angle profile 19" 2-55
 - Angle profile 2-58
 - Anti-torsion element 3-43
 - Attachment kit for safety switch 10-21
 - ▶ **B**
 - Ball catch 9-8
 - Base plate
 - 120x120 6-11
 - 135x135 6-10
 - 150x150 6-11
 - 270x360 6-10
 - Steel 6-8
 - Bearing pedestal 4-12
 - Bearing ring 2-82
 - Bolt connector 3-62
 - Bow-type handle 8-23
 - Bracket 2-68, 3-20
 - R 3-32
 - S 7-8
 - Bumper 9-5
 - ▶ **C**
 - Cable bracket 11-10
 - Cable duct
 - AL 11-3
 - PA 11-2
 - Cam roller guide LF6C
 - Complete axis 13-11
 - Components 13-12
 - Cam roller guide LF6S
 - Complete axis 13-6
 - Components 13-7
 - Cam roller guide LF12C
 - Complete axis 13-23
 - Components 13-24
 - Cam roller guide LF12S
 - Complete axis 13-16
 - Components 13-17
 - Cam roller guide LF20C
 - Complete axis 13-37
 - Components 13-38
 - Cam roller guide LF20S
 - Complete axis 13-30
 - Components 13-31
 - Cam roller guides LF...C 13-5
 - Cam roller guides LF...S 13-4
 - Central bolt 3-43
 - Chamber lock for swing and sliding doors 8-19
 - Clamp bushing 7-13
 - Clamping element 10-20
 - Clamping lever 4-14
 - Clamping profile 2-54
 - Cloth holder 2-86
 - Collar screw 3-6
 - Common metric 18-18
 - Components
 - For ESD applications 17-1, 17-2
 - For height adjustment 45x45 and 45x60 12-43
 - For lateral guides 16-1, 16-2
 - Components for ESD applications 17-1
 - Components for lateral guides 16-1
 - Components for sliding door 12-4
 - Connection elements 3-1
 - Selection criteria 3-3
 - Connection piece 5-4
 - Connection screw fitting M12-1/4" 5-4
 - Connector 45° 3-55
 - Container mount 2-60
 - Conveyor media
 - Profiles for installing 2-65
 - Conveyor sections
 - Made of SP 2 section profiles and accumulation roller chains 12-39
 - Made of SP 4/R section profiles and accumulation roller chains 12-36
 - Conveyor track
 - EcoFlow 12-27
 - Lean 12-19
 - XLean 12-24
 - Conveyor track made of section profiles and roller elements 12-33
 - Corner bracket 3-49
 - Corner connector 7-12
 - Counterbalance 9-2
 - Cover cap 2-82, 3-43, 3-56, 3-58, 8-30
 - Made of diecast zinc 2-82
 - With hole 2-82
 - Cover profiles 2-83
 - Cross connector kit 3-64
 - Cubic connector 3-45
- ▶ **D**
 - Damping ring 6-4
 - Dimensioning of synchronous shafts 13-55
 - Door handle profile 8-32
 - Door lock 8-12
 - “Compact” for swing doors 8-17
 - For EcoSafe sliding doors 8-13
 - For swing and sliding doors 8-11
 - For swing doors 8-14
 - “Multi-use” for swing and sliding doors 8-15
 - Doors and fittings 8-1
 - Double ball stop latch 9-7
 - Double wheel 6-16
 - Drilling jigs 14-2
- ▶ **E**
 - EcoFlow 12-27
 - Accessories 12-31
 - Conveyor track 12-27
 - Stop gate and return stop 12-30
 - EcoFlow accessories 12-31
 - EcoFlow stop gates and return stops 12-30
 - EcoSafe assembly kit
 - Double door 10-17
 - Sliding door without superstructure 10-16
 - Sliding door with superstructure 10-15
 - System door 10-13
 - EcoSafe components for building protective fences 10-4
 - EcoSafe guarding components 10-7
 - EcoSafe protective frame
 - Load-bearing capacity data 18-17
 - EcoSafe support
 - Load-bearing capacity data 18-17
 - EcoShape tubular framing system 2-71
 - Retaining ring 2-76
 - Swivel bearing 2-76
 - EcoSlide 12-6
 - 30x30x80 12-7
 - 30x30x160 12-7
 - 45x45x80 12-8
 - 45x45x160 12-8
 - 45x60x80 12-9
 - 45x60x160 12-9
 - 45x90x80 12-10
 - 45x90x160 12-10
 - Edge protector 8-32
 - Elements for manual movement 12-1
 - End connector 3-51
 - End piece 8-30
 - ESD applications,
 - Components for 17-1
 - eShop 2-7
 - Expanding nut 3-12
- ▶ **F**
 - Feet and wheels 6-1
 - FiFo station 15-1
 - Flange 13-45
 - Flanged plate 5-3
 - Flange nut 3-7
 - Flat panel monitor 4-11
 - Flexible grinder for anodized surfaces 14-6
 - Floor dowel 6-12
 - Folding door element 8-10
 - Foot 6-4
 - AL 6-12
 - Stainless steel 6-14
 - Foundation bracket 3-36
 - Frame profile
 - 22.5x30 2-56
 - 22.5x45 2-57

► G					
Grab container base	2-62				
Grab ledge	2-62				
Ground terminal	10-19				
► H					
Handle bar	9-5				
Heavy-duty connector 180x180					
dynamic load	3-31				
Heavy-duty wheel	6-20				
Height adjustment	12-43				
Hinge	8-4				
– Adjustable	8-9				
– Aluminum	8-6				
– LIFTOFF	8-7				
– Plastic	8-5				
– Removable	8-8				
Hinge profile	8-3				
Holder					
– AL	3-37				
– For lateral guide, fixed	16-6				
– For lateral guide, variable	16-8				
► I					
Inner bracket	3-16				
– R	3-17				
Installation elements	11-1				
► J					
Joining plates	3-65				
Joint					
– 20x20	4-3				
– 30x30	4-4				
– 40x40	4-5, 4-7				
– 40x40 support	4-5				
– 45x45	4-5				
– 45x45 lockable	4-2				
– 45x45 support	4-5				
– 60x45	4-8				
– 60x60	4-8				
Joints	4-1				
► L					
Labeling clips	2-85				
Lateral guides					
– Components for	16-2				
– Holders for, fixed	16-6				
– Holders for, variable	16-8				
– Profile rails for	16-3				
Leveling foot	6-4				
Lifting wheel	6-22				
– Rotatable pedal	6-23				
Linear guide drives	13-44				
Linear guides	13-1				
– Sizes, designs, and loads	13-3				
– Technical data for roller, design, mounting	13-49				
		Load-bearing capacity data			
		– For EcoSafe protective frame	18-17		
		– For EcoSafe support	18-17		
		Load-bearing capacity of profile connection	18-12		
		Load-dependent design	13-50		
		Lock mechanism for double door	10-18		
		Longitudinal end connection	5-5		
		Longitudinal end connector	3-61		
		Longitudinal end connector 45 Pneu	5-6		
		► M			
		Magnet catch	9-6		
		Manual movement, – Elements for	12-1		
		Material chute	2-62		
		Material number overview	19-1		
		Metal bracket	3-35		
		Miter bracket	3-19		
		Miter cutter	14-6		
		Modular leveling feet	6-2		
		Mortise lock			
		– For swing doors	8-21		
		Mounting of panel elements	7-1		
		Mounting unit	4-11		
		Mounting with coupling	13-46		
		MTpro	2-7		
		Multi-slider	12-16		
		► P			
		Panel elements			
		– Mounting of	7-1		
		Panel support profile	7-2		
		– Cleanroom	7-3		
		Parallel connector	3-13		
		Pinion	12-18		
		Plate	6-6		
		Plug-in shafts	13-47		
		Potential equalizer	7-11		
		Profile connector	3-41		
		Profile deflection	18-10		
		Profile finishing	2-7, 2-8		
		Profile rail	2-64		
		Profile rails and accessories			
		– For lateral guides	16-3		
		Profiles for installing conveyor media	2-65		
		Profile slot load-bearing capacity	18-11		
		Protective devices, – Accessories for	9-1		
		Protective devices and EcoSafe partition walls	10-1		
		Protective fences, EcoSafe components for construction of	10-4		
		Protective frames	10-7		
		Protective grille profiles	7-12		
		Protective panel support profile	7-4		
		– Cleanroom	7-5		
		► Q			
		Quick connector			
		– Bendable – end-to-end	3-59		
		– Bendable – end-to-slot	3-60		
		– Slot 6 mm, 0°, 90°	3-56		
		– Slot 8/10 mm, 0°	3-57		
		– Slot 8/10 mm, 90°	3-58		
		Quick-lock	11-11		
		► R			
		Rack	12-18		
		Radial compensation	2-84		
		Rectangular tube	2-53		
		Refill end-piece	2-62		
		Refill end-piece and grab ledge	2-62		
		Retainer ring	7-9		
		Retaining ring D28L	2-76		
		Round tube D28	2-68		
		Rubber profile	2-86		
		► S			
		Safety catch	9-4		
		Safety handle	8-24		
		Safety strip safety kit	10-11		
		Screw bar profile	7-10		
		Seal	5-6		
		Sealing profile	8-26		
		Sealing strip	8-25		
		Selection guide			
		– Wheels	6-18		
		Slide hanger	12-2		
		Slider	8-27		
		– Flat lockable	12-11		
		– For panel element	12-3		
		– For profiles	12-13		
		Sliding block	3-9		
		Sliding block profile	3-9		
		Sliding door			
		– Components for	12-4		
		Sliding door profile			
		– Al 45	8-30		
		– Al clip-in	8-29		
		– PVC clip-in	8-28		
		Slot connector	3-15		
		Slotted plate 30x100	2-61		
		Snap hook	12-2		
		Spring	3-10		
		Spring clamping element	10-22		
		Standard profile finishing	18-2		
		– Blind hole DBx	18-4		
		– Standard milling F1	18-6		
		– Thread Mx	18-5		
		– Through-hole Dx	18-3		
		Standards for protective equipment	10-2		
		Star knob	4-14		
		Steel bracket	3-34		
		Strut profile D28x55	2-68		

Strut profiles	2-1	Tool holder	14-7
– Technical data	18-8	– TAPE 50 mm	14-9
– With slot 6 mm	2-9	Tools	14-1
– With slot 8 mm	2-14	Tool shelf	14-7
– With slot 10 mm	2-22	Torx® offset screwdriver	14-5
– With slot 10 mm, modular dimension 40 mm	2-24	Trolley	2-64
– With slot 10 mm, modular dimension 45 mm	2-34		
– With slot 10 mm, modular dimension 50 mm	2-49	► U	
– With slot 10 mm, modular dimension 60 mm	2-51	Universal plate	7-11
Supporting arm joint	4-10		
Supporting bracket	3-35	► V	
– AL	3-39	Variofix block	7-6
– AL, lateral	3-40	Variofix block S	7-7
Support post assemblies	10-6	Variofix remover	14-6
Support rollers	12-17		
Suspension bracket	10-11	► W	
Suspension piece for frames	10-23	Washer	6-12
Suspension profile	2-59	Wheel	6-17
Swivel bearing	4-9	– with mounting flange	6-24
Swivel-in sliding block	3-10		
Swivel-in sliding block profile	3-10		
Swivel mounting 180°	4-13		
Synchronous shafts	13-47		
► T			
T-bolt	3-7		
T-connector	3-53		
– 45 Pneu	5-6		
– D28	2-68		
Technical data	18-1		
– Common metric – English conversion factors	18-18		
– LF, layout, assembly	13-49		
– Load-bearing capacity data for EcoSafe protective frame and EcoSafe support	18-17		
– Load-bearing capacity of profile connection	18-12		
– Profile deflection	18-10		
– Profiles	2-3		
– Profile slot load-bearing capacity	18-11		
– Standard profile finishing	18-2		
– Strut profiles	18-8		
– Technical specifications for key materials	18-20		
– Temperature properties for key materials	18-19		
Tensioning connector	3-14		
Threaded sleeve	6-7		
Tilt lever	10-12		
T-nut	3-4		

Notes

Standard profile finishing


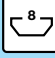


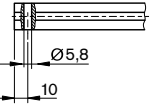
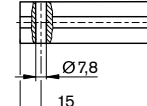
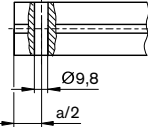

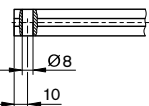
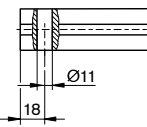
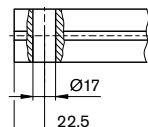
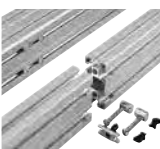
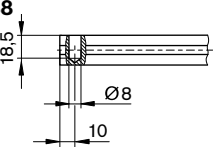
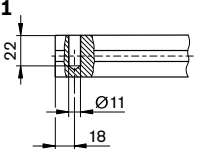
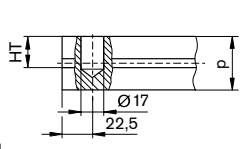

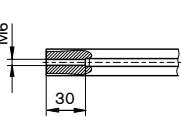
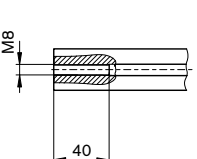
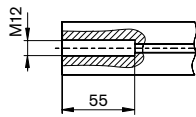
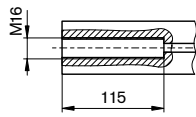
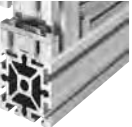
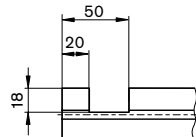
Order key for through-holes, blind holes, standard milling:

Material number / length / slot designation = finishing at profile start / finishing at profile end; ...


Order key for threads:


Material number / length / Z = Mx at profile start / Mx at profile end


Standard profile finishing

Standard profile finishing														
Through-hole for corner connections with central bolt 		D5.8  $\text{Ø}5.8$ 10	D7.8  $\text{Ø}7.8$ 15	D9.8  $\text{Ø}9.8$ $a = 40/45/50/60$ $a/2$										
Through-hole for bolt connectors and quick connectors 		D8  $\text{Ø}8$ 10	D11  $\text{Ø}11$ 18	D17  $\text{Ø}17$ 22.5										
Blind hole For longitudinal end connectors and quick connectors in closed profiles 		DB8  $\text{Ø}8$ 10 18.5	DB11  $\text{Ø}11$ 18 22	DB17  $\text{Ø}17$ 22.5 HT p <table border="1"> <tr> <td></td> <td>40</td> <td>45</td> <td>50</td> <td>60</td> </tr> <tr> <td>HT</td> <td>31</td> <td>34</td> <td>36</td> <td>41</td> </tr> </table>		40	45	50	60	HT	31	34	36	41
	40	45	50	60										
HT	31	34	36	41										
Threads in all core holes for accessories 		M6  M6 30	M8  M8 40	M12  M12 55 M16  M16 115										
Standard milling for cross connectors 				F1  50 20 18										

Minimum profile lengths (mm) for standard profile finishing on one or both sides

	-	M6	D5.8	D8/ DB8
-	50	50	50	50
M6	50	70	50	70
D5.8	50	50	50	50
D8/ DB8	50	50	50	50

	-	M8	D7.8	D11/ DB11
-	50	50	50	50
M8	50	80	62	70
D7.8	50	62	60	50
D11/ DB11	50	70	50	60

	-	M12	M16	D9.8	D17/ DB17	F1
-	50	60	120	50	60	60
M12	60	110	180	90	60	110
M16	120	180	240	150	170	170
D9.8	50	90	150	80	70	90
D17/ DB17	60	90	170	70	80	90
F1	60	110	170	90	90	80

Notice: In the case of clashes with the values in the order table, the larger value applies.

Bosch Rexroth Corporation

Corporate Headquarters
14001 South Lakes Drive
Charlotte, NC 28273
Telephone (800) REXROTH
(800) 739-7684
info@boschrexroth-us.com
www.boschrexroth-us.com

Find your local contact person here:

www.boschrexroth-us.com/contactus

The data specified above only serves to describe the product. No statements concerning a certain condition or suitability for a certain application can be derived from our information. The information given does not exempt the user from the obligation of own judgment and verification. It must be remembered that our products are subject to a natural process of wear and aging.