

## FMA-D3 fixed mount

### FMA mounts (pairs)

#### Part Number Mounted height

BKT6FMA6375-D3*	6-3/8"
BKT6FMA7375-D3*	7-3/8"
BKTFMA8375-D3	8-3/8"
BKTFMA9375-D3	9-3/8"
BKTFMA10375-D3	10-3/8"

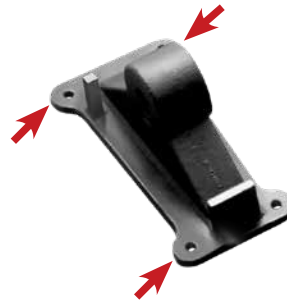
\*6-3/8 and 7-3/8 are the only heights that include the front rocker limit blocks.

### Compatible Plates

SLTPL6000
SLTPL7000
SLTPL7000CC

### Repair kits for FMA

Pins and bushings	KIT-PIN-191
Bushings	BSH-150



FMA-D3 models can be identified by the 4 bolt pattern.

The 6 bolt pattern FMA is now obsolete.



## PML plate mount

### PML mounts

#### Part # Mounted height

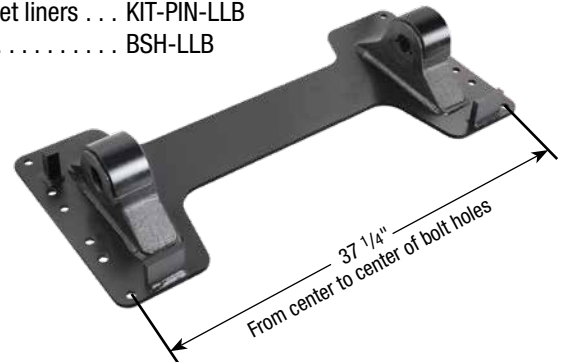
ASYPML6250	6-1/4"
ASYPML7250	7-1/4"
ASYPML8250	8-1/4"
ASYPML9250	9-1/4"
ASYPML10250	10-1/4"

### Compatible Plates

SLTPL6000
SLTPL7000
SLTPL7000CC

### Repair kits for PML

Pins, bushings and bracket liners	KIT-PIN-LLB
Bushings	BSH-LLB



## Stationary PS5 assembly

### PS5 Mounts

#### Part # Mounted height

ASYPS57375 <sup>1</sup>	7-3/8"
ASYPS58375	8-3/8"
ASYPS59375	9-3/8"
ASYPS510375	10-3/8"
ASYPS511375	11-3/8"

<sup>1</sup>Fontaine H7 heavy duty top plate (SLTPLH7) will not work with 7.375 height.

### Compatible Plates

SLTPL7000 <sup>2</sup>
SLTPLH7

<sup>2</sup>Use SLTPL7000 with 7-3/8" models. Use 8-3/8" to 11-3/8" models with SLTPLH7.

### Repair kits for PS5

Pins and bushings	KIT-PIN-191
Bushings	BSH-150



ASYPS58375 shown here.