



element14

EN - For pricing and availability in your local country please visit one of the below links:

DE - Informationen zu Preisen und Verfügbarkeit in Ihrem Land erhalten Sie über die unten aufgeführten Links:

FR - Pour connaître les tarifs et la disponibilité dans votre pays, cliquez sur l'un des liens suivants:

[KA34063A.](#)

EN

This Datasheet is presented by
the manufacturer

DE

Dieses Datenblatt wird vom
Hersteller bereitgestellt

FR

Cette fiche technique est
présentée par le fabricant

KA34063A

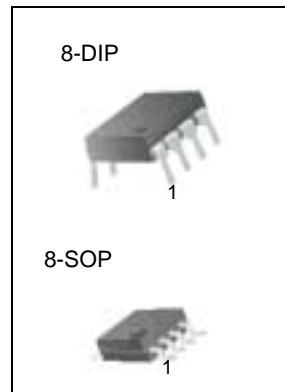
SMPS Controller

Features

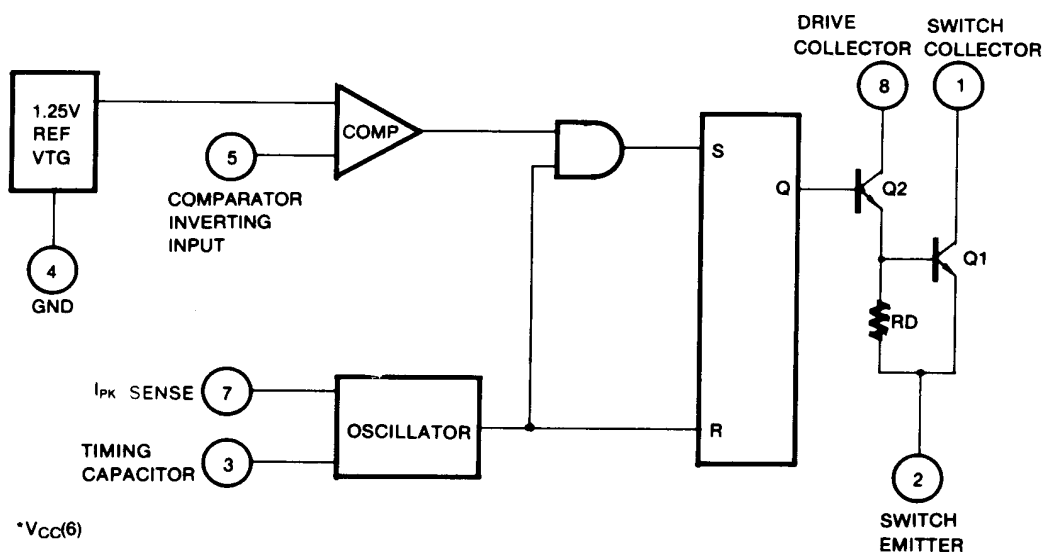
- Operation From 3.0 to 40V Input
- Short Circuit Current Limiting
- Low Standby Current
- Output Switch Current of 1.5A Without External Transistors
- Output Voltage Adjustable
- Frequency Of Operation From 100Hz to 100KHz
- Step-Up, Step-Down or Inverting Switching Regulators

Description

The KA34063A is a monolithic regulator sub System intended for use as DC to DC converter. This device contains a temperature compensated bandgap reference, a duty-cycle control oscillator, driver and high current output switch. It can be used for step down, step-up or inverting switching regulators as well as for series pass regulators.



Internal Block Diagram



Absolute Maximum Ratings

| Parameter | Symbol | Value | Unit |
|-------------------------------------|----------------------|--------------|------|
| Supply Voltage | V _{CC} | 40 | V |
| Comparator Input Voltage Range | V _{I(COMP)} | - 0.3 ~ + 40 | V |
| Switch Collector Voltage | V _{C(SW)} | 40 | V |
| Switch Emitter Voltage | V _{E(SW)} | 40 | V |
| Switch Collector To Emitter Voltage | V _{CE(SW)} | 40 | V |
| Driver Collector Voltage | V _{C(DR)} | 40 | V |
| Switch Current | I _{SW} | 1.5 | A |

Electrical Characteristics

(V_{CC} = 5.0V, T_A = 0°C to +70°C, unless otherwise specified)

| Parameter | Symbol | Conditions | Min. | Typ. | Max. | Unit |
|------------------------------------|-------------------------|---|------|------|------|------|
| OSCILLATOR | | | | | | |
| Charging Current | I _{CHG} | V _{CC} = 5 to 40V T _A = 25°C | 22 | 31 | 42 | μA |
| Discharging Current | I _{DISCHG} | V _{CC} = 5 to 40V T _A = 25°C | 140 | 190 | 260 | μA |
| Oscillator Amplitude | V _(OSC) | T _A = 25°C | | 0.5 | - | V |
| Discharge To Charge Current Ratio | K | V ₇ = V _{CC} T _A = 25°C | 5.2 | 6.1 | 7.5 | - |
| Current Limit Sense Voltage | V _{SENSE(C.L)} | I _{CHG} = I _{DISCHG} T _A = 25°C | 250 | 300 | 350 | mV |
| OUTPUT SWITCH | | | | | | |
| Saturation Voltage 1 (Note) | V _{CE(SAT)1} | I _{SW} = 1.0A V _{C(driver)} = V _{C(SW)} | - | 0.95 | 1.3 | V |
| Saturation Voltage 2 (Note) | V _{CE(SAT)2} | I _{SW} = 1.0A, V _{C(driver)} = 50mA | - | 0.45 | 0.7 | V |
| DC Current Gain (Note) | G _{I(DC)} | I _{SW} = 1.0A, V _{CE} = 5.0V, T _A = 25°C | 50 | 180 | - | - |
| Collector off State Current (Note) | I _{C(OFF)} | V _{CE} = 40V, T _A = 25°C | - | 10 | 100 | nA |
| COMPARATOR | | | | | | |
| Threshold Voltage | V _{TH} | - | 1.21 | 1.24 | 1.29 | V |
| Threshold Voltage Line Regulation | ΔV _{TH} | V _{CC} = 3 to 40V | - | 2.0 | 5.0 | mV |
| Input Bias Current | I _{BIAS} | V _I = 0V | | 50 | 400 | nA |
| TOTAL DEVICE | | | | | | |
| Supply Current | I _{CC} | V _{CC} = 5 to 40V C _T = 0.001μF V ₇ = V _{CC} , V ₅ > V _{TH} pin2 = GND | - | 2.7 | 4.0 | mA |

Note :

Output switch tests are performed under pulsed conditions to minimize power dissipation

Typical Performance Characteristics

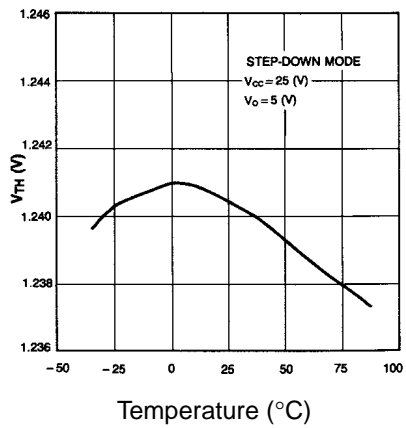


Figure 1. Temperature Drift (V_{TH})

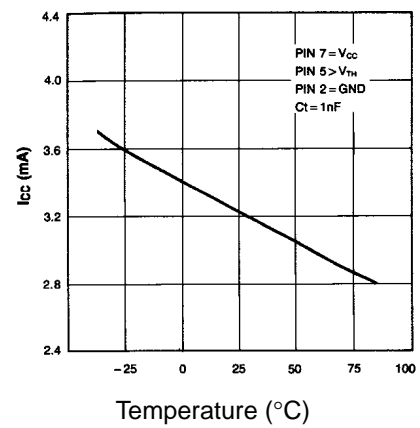
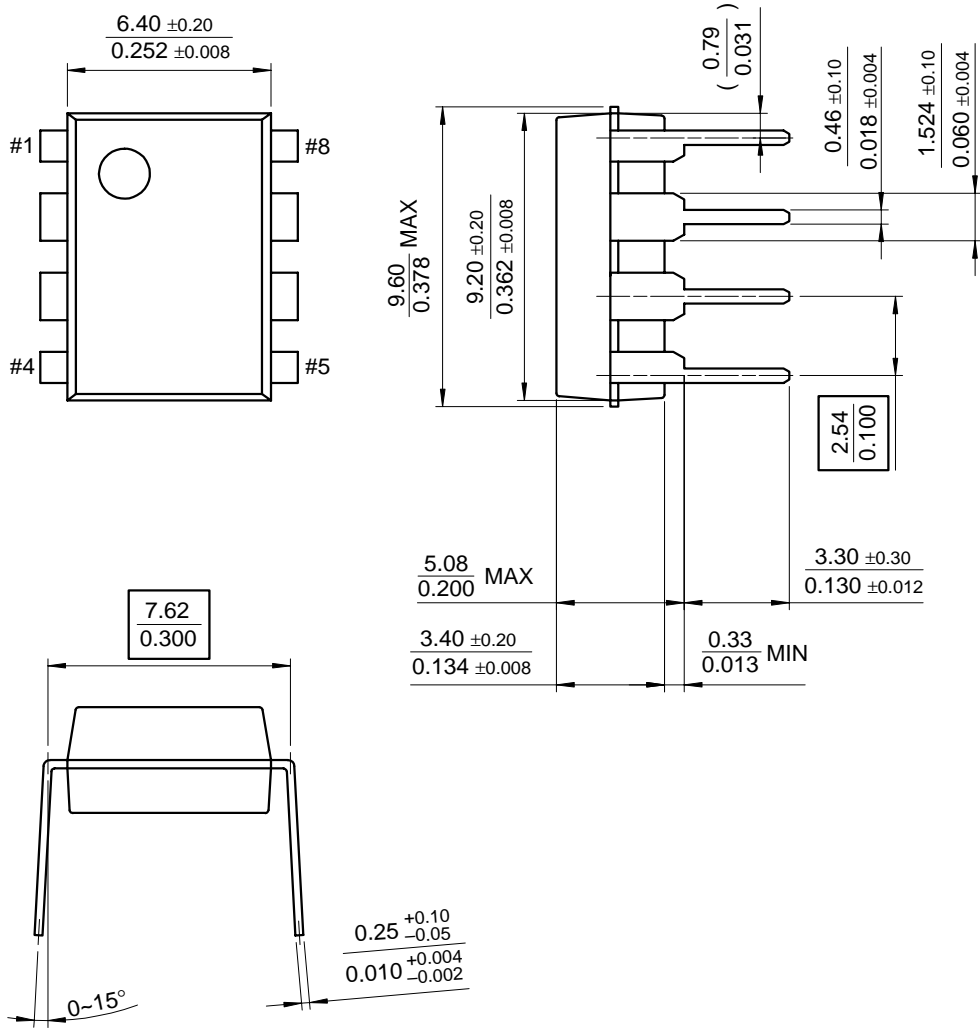


Figure 2. Temperature Drift (I_{OC})

Mechanical Dimensions

Package

8-DIP



Ordering Information

| Product Number | Package | Operating Temperature |
|----------------|---------|-----------------------|
| KA34063A | 8-DIP | 0 ~ + 70°C |
| KA34063AD | 8-SOP | |

LIFE SUPPORT POLICY

FAIRCHILD'S PRODUCTS ARE NOT AUTHORIZED FOR USE AS CRITICAL COMPONENTS IN LIFE SUPPORT DEVICES OR SYSTEMS WITHOUT THE EXPRESS WRITTEN APPROVAL OF THE PRESIDENT OF FAIRCHILD SEMICONDUCTOR INTERNATIONAL. As used herein:

1. Life support devices or systems are devices or systems which, (a) are intended for surgical implant into the body, or (b) support or sustain life, and (c) whose failure to perform when properly used in accordance with instructions for use provided in the labeling, can be reasonably expected to result in a significant injury of the user.
2. A critical component in any component of a life support device or system whose failure to perform can be reasonably expected to cause the failure of the life support device or system, or to affect its safety or effectiveness.



element14

EN - For pricing and availability in your local country please visit one of the below links:

DE - Informationen zu Preisen und Verfügbarkeit in Ihrem Land erhalten Sie über die unten aufgeführten Links:

FR - Pour connaître les tarifs et la disponibilité dans votre pays, cliquez sur l'un des liens suivants:

[KA34063A.](#)

EN

This Datasheet is presented by
the manufacturer

DE

Dieses Datenblatt wird vom
Hersteller bereitgestellt

FR

Cette fiche technique est
présentée par le fabricant