

EN - For pricing and availability in your local country please visit one of the below links:

DE - Informationen zu Preisen und Verfügbarkeit in Ihrem Land erhalten Sie über die unten aufgeführten Links:

FR - Pour connaître les tarifs et la disponibilité dans votre pays, cliquez sur l'un des liens suivants:

[78FR10M-RC](#)

[78FR12M-RC](#)

[78FR15M-RC](#)

[78FR18M-RC](#)

[PM1210-180J-RC](#)

[PM1210-270J-RC](#)

[PM1210-2R7J-RC](#)

[PM1210-330J-RC](#)

[PM1210-390J-RC](#)

[PM1210-3R9J-RC](#)

EN

This Datasheet is presented by
the manufacturer

DE

Dieses Datenblatt wird vom
Hersteller bereitgestellt

FR

Cette fiche technique est
présentée par le fabricant

Table of Contents

Miscellaneous

Tape and Reel Specifications	1.2
Color Code	1.4
Custom Inductors	1.6

Selector Guide

Fixed Inductor Selector Guide	2.1
Selector Guide	2.2
J.W. Miller to Bourns Cross Reference	2.38

Surface Mount

Chip Beads and Arrays

PMA	3.1
PMC	3.2
PMH	3.3
PM2000	3.4

Chip Inductors

PM0402	4.1
PM0402C	4.2
PM0402T	4.3
PM0603	4.4
PM0603G	4.5
PM0603H	4.6
PM0603T	4.7
PM0805	4.8
PM0805G	4.9
PM0805H	4.10
PM1008	4.11
PM1008M	4.12
PM1008S	4.13
PM1210	4.14
PM1210G	4.15
PM1210H	4.16
PM1812	4.17
PM1812G	4.18
PM1812H	4.19
PM20S	4.20

Power Inductors (Shielded)

PM104SH	5.1
PM105SB	5.2
PM124SH	5.3
PM12565S	5.4
PM125S	5.5
PM125SH	5.6
PM127SH	5.7
PM1608S	5.8
PM3316S	5.9
PM428S	5.10
PM42S	5.11
PM5022S	5.12
PM518S	5.13
PM528S	5.14
PM628S	5.15
PM638S	5.16
PM63SB	5.17
PM7032S	5.18
PM7232S/PM1038S/PM12639S/ PM12645S/PM12651S/PM13560S/ PM13656S/PM13666S	5.19
PM73SH	5.20
PM74SB	5.21
PM74SH	5.22

Common Mode Chokes

PM3700	6.1
--------------	-----

Common Mode Chip Inductors

PM0805CM/PM1206CM	7.1
-------------------------	-----

Inductors/Transformers

PM3602/PM3604	8.1
---------------------	-----

Power Inductors (Unshielded)

PM104	9.1
PM105	9.2
PM1355	9.3
PM1608	9.4
PM32	9.5
PM3308	9.6
PM3316	9.7
PM3316H	9.8
PM3340	9.9
PM43	9.10
PM5022	9.11
PM5022H	9.12
PM52	9.13
PM54	9.14
PM73	9.15
PM75	9.16
PM7518	9.17

High Current Toroid Inductors

PM2110	10.1
PM2120	10.2

CCFL Inverter Transformers

PM61300	11.1
---------------	------

Multi 6 Pack Inductors & Transformers

PM600/PM610/PM620	12.1
-------------------------	------

Through-Hole

Ferrite Beads

FB	13.1
----------	------

Wide-Band Chokes

FB2000	14.1
--------------	------

Radial Lead Chokes

6000	15.1
6100	15.2
RL110	15.3
RL181S	15.4
RL187	15.5
RL262	15.6
RL622	15.7
RL822	15.8
RL824	15.9
RL855	15.10
RL110S	15.11
RL875	15.12
RL875S	15.13
RL895	15.14

Flat RF Chokes

3500	16.1
------------	------

Conformal Coated Chokes

5300	17.1
77F	17.2
78F	17.3
79F	17.4
8230	17.5

Shielded RF Chokes

8250	18.1
------------	------

Molded Chokes

9220	19.1
9230	19.2
9250	19.3
9250A	19.4
9310	19.5

Varnished Chokes

4600	20.1
6300	20.2
70F	20.3
73F	20.5
74F	20.6

Hash Chokes

5200	21.1
------------	------

High Current Chokes

1110	22.1
1120	22.2
1130	22.3
1140	22.4
5500	22.5
5600	22.6
5800	22.7
5900	22.8

Toroid Inductors

2000	23.1
2100HT	23.2
2100LL	23.3
2100	23.4
2200HT	23.5
2200LL	23.6
2200	23.7
2300HT	23.8
2300LL	23.9
2300	23.10
5700	23.11
6700	23.12
7000	23.13

Adjustable Coil

4900	24.1
------------	------

Common Mode Chokes

7100	25.1
7300	25.2
7400/7500	25.3
8100	25.4

Current Sensors

7200	26.1
------------	------

Signal Transformers

3000	27.1
------------	------

EMI T Filters

EMI T	28.1
-------------	------

RoHS Notation: To order an RoHS compliant part, add -RC after part number.

BOURNS®

Tel. (877) 426-8767 • Fax (951) 781-5006

www.bourns.com

Tape and Reel Specifications

Series Number	Dim. A	Dim. B	Dim. C	Dim. D	Dim. P	Dim. W	Dim. T	Dim. H	Reel Size	Parts/Reel
Chip Beads and Arrays										
PMA	178	60	13.6	17.6	4	8	0.25	1.5	7"	3000
PMC0402	178	60	8	12	2	8	0.23	0.6	7"	10,000
PMC0603, PMH0603	178	60	8	12	4	8	0.23	1.1	7"	4000
PMC0805, PMH0805	178	60	8	12	4	8	0.23	1.2	7"	4000
PMC1206, PMH1206	178	60	8	12	4	8	0.23	1.2	7"	3000
PMC1806, PMH1806	178	60	12	14	4	12	0.3	1.9	7"	2000
PMC1812, PMH1812	178	60	12	14	8	12	0.3	1.8	7"	1000
PM2001	178	60	13.6	17.6	8	12	0.25	3.4	7"	1000
PM2002	178	60	13.7	17.6	8	12	0.25	3.4	7"	500
PM2003	178	60	13.7	17.6	8	16	0.25	3.4	7"	500
Chip Inductors										
PM0402	178	60	8	12	2	8	0.23	0.6	7"	10,000
PM0402C	178	75	8	13	2	8	0.1	0.7	7"	10,000
PM0402T	178	62	9	13	2	8	0.25	1	7"	10,000
PM0603	178	60	8	12	4	8	0.23	1.1	7"	3000
PM0603G, PM0603H	178	60	8	12	4	8	0.23	1.1	7"	4000
PM0603T	178	62	9	13	4	8	0.25	1.1	7"	5000
PM0805	178	75	8.4	12.5	4	8	0.25	1.5	7"	2000
PM00805G, PM0805H	178	60	8	12	4	8	0.23	1.2	7"	3000 / 4000
PM1008	178	75	8.4	12.5	4	8	0.25	2.3	7"	2000
PM1008M	178	62	9	13	4	8	0.25	2.3	7"	2000
PM1008S	178	75	12	17	8	12	0.3	2.5	7"	750
PM1210, PM1210H	178	60	10	12.5	4	8	0.3	2.5	7"	2000
PM1210G	178	60	9	13	4	8	0.22	1.6	7"	2500
PM1812, PM1812H	178	60	14	16.5	8	12	0.3	3.8	7"	500
PM1812G	178	60	13.5	17.5	8	12	0.24	1.9	7"	1000
PM20S	178	60	12	14	8	12	0.23	2.5	7"	2000
Power Inductors (Shielded)										
PM1038S	330	100	16.5	20.8	16	24	0.35	4.7	13"	800
PM104SH	328	80	25.5	29.5	16	24	0.4	4.3	13"	1000
PM105SB	328	80	24	28	12	24	0.5	6.9	13"	500
PM124SH	328	80	24.4	28.4	16	24	0.5	5.2	13"	500
PM12565S	330	75	24.5	28.5	16	24	0.35	7	13"	400
PM125S	328	80	24.4	28.4	16	24	0.5	6.9	13"	500
PM125SH	328	80	24.4	28.4	16	24	0.5	6.5	13"	500
PM12639S, PM12645S	330	100	24.5	28.5	16	24	0.3	5	13"	800
PM12651S	330	100	24.5	28.8	16	24	0.35	6.4	13"	800
PM127SH	330	80	24.4	28.4	16	24	0.5	8.4	13"	500
PM13560S, PM13656S	330	100	24.5	28.8	16	24	0.35	6.4	13"	500
PM13666S	330	100	24.5	28.8	16	24	0.4	7.6	13"	500
PM1608S	178	100	12.5	16.5	8	12	0.35	3	7"	750
PM3316S	330	100	24.5	28.5	12	24	0.35	5.6	13"	500
PM42S	178	60	13.5	17.5	8	12	0.4	2.7	7"	1000
PM428S	328	80	12.4	16.4	8	12	0.4	3.3	13"	2000
PM5022S	330	100	32.5	36.5	20	32	0.4	8.4	13"	250
PM518S	330	80	12.4	16.4	8	12	0.4	2.2	13"	2000
PM528S	330	80	16.4	20.4	8	16	0.4	3.4	13"	2000
PM628S	330	80	16.4	20.4	12	16	0.4	3.4	13"	1500
PM638S	330	80	16.4	20.4	12	16	0.4	4.4	13"	1000
PM635B	328	80	12.4	16.4	8	12	0.4	4.3	13"	1500
PM7032S	330	75	16.5	20.5	12	16	0.35	3.6	13"	1000
PM7232S	330	100	16.5	20.5	12	16	0.3	3.8	13"	1500
PM735H	330	75	16.4	20.4	12	16	0.4	3.6	13"	1000
PM745B	328	80	17.5	21.5	12	16	0.5	6	13"	1000
PM745H	330	75	16.4	20.4	12	16	0.4	4.5	13"	1000

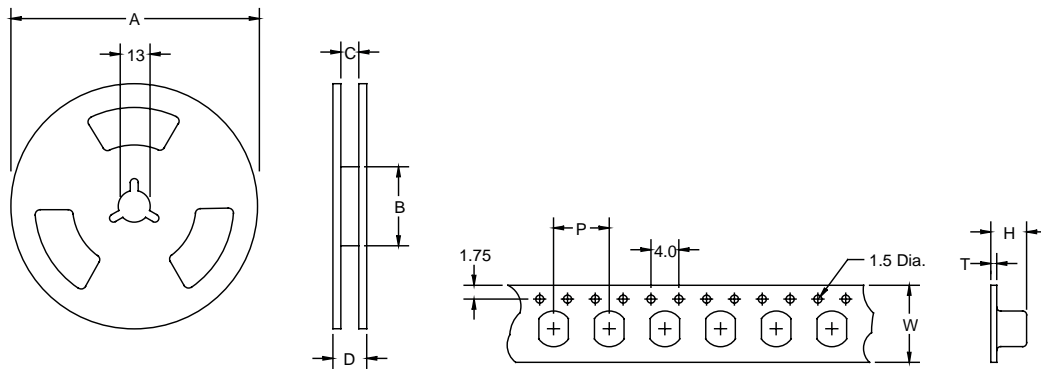
BOURNS®

Tel. (877) 426-8767 • Fax (951) 781-5006

www.bourns.com

Tape and Reel Specifications

Series Number	Dim. A	Dim. B	Dim. C	Dim. D	Dim. P	Dim. W	Dim. T	Dim. H	Reel Size	Parts/Reel
Common Mode Chokes										
PM3700	330	100	44.5	48.5	28	44	0.4	11.8	13"	200
Common Mode Chip Inductors										
PM0805CM	178	60	9	13	4	8	0.22	1.3	7"	2000
PM1206CM	178	62	9	13	4	8	0.25	1.4	7"	2000
Inductors / Transformers										
PM3602	330	100	24.5	28.5	16	24	0.35	5.9	13"	700
PM3604	330	100	24.5	28.5	20	24	0.35	7.3	13"	400
Power Inductors (Unshielded)										
PM104	330	50	26	30.4	12	24	0.35	4.4	13"	800
PM105	328	80	24	28	12	24	0.5	6.9	13"	500
PM1355	330	100	24.5	27.5	12	24	0.45	6.1	13"	800
PM1608	178	100	12.5	16.5	8	12	0.35	3	7"	750
PM32	330	50	14	18.4	8	12	0.35	2.3	13"	3000
PM3308	330	100	24.5	28.5	12	24	0.35	3.8	13"	1000
PM3316, PM3316H	330	100	24.5	28.5	12	24	0.35	5.6	13"	500
PM3340	330	100	32.5	36.5	24	32	0.4	11.8	13"	225
PM43	328	80	12.4	16.4	8	12	0.4	4.4	13"	1500
PM5022, PM5022H	330	100	32.5	36.5	20	32	0.4	8.4	13"	250
PM52	330	50	14	18.4	8	12	0.35	3.0	13"	2000
PM54	328	80	12.4	16.4	8	12	0.4	6	13"	1500
PM73	330	50	18	22.4	12	16	0.35	3.9	13"	1000
PM75	328	80	17.5	21.5	12	16	0.5	6.5	13"	500
Multi - 6 Pack Inductors/Transformers										
PM600	330	100	24.5	28.5	20	24	0.35	6.5	13"	600
PM610	330	100	32.5	36.5	24	32	0.35	7.8	13"	300
PM620	330	100	44.5	48.5	28	44	0.35	8.3	13"	200



Dimensions: mm

BOURNS®

Tel. (877) 426-8767 • Fax (951) 781-5006

www.bourns.com

Color Code Marking (MIL STD)

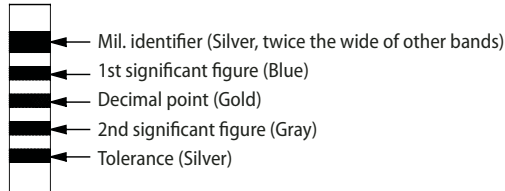
Applicable to series: 9130, 9210, 9220, 9230, 9250, 9310, 8250 with military identifier
8230 without military identifier

Color	1st & 2nd Significant Figure or Decimal Point	Multiplier	Tolerance
Black	0	1	
Brown	1	10	
Red	2	100	
Orange	3	1000	
Yellow	4		
Green	5		
Blue	6		
Violet	7		
Gray	8		
White	9		
Silver			± 10 %
Gold	Decimal Point		± 5 %

Example for L value less than 10 μH

6.8 μH

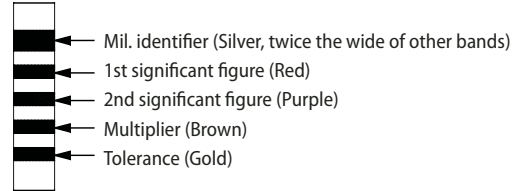
±10 %



Example for L value 10 μH and

higher 270 μH

±5 %



For cylindrical choke coils. Cylindrical choke coils shall be marked with five colored bands. A silver band MIL identifier of double the width of the other four bands, located near one end of the coil, identifies military radio frequency coils; four other bands of equal width, three indicating the inductance in microhenries and the fourth band indicating the tolerance in percent. Color coding shall be in accordance with the color code of table. When either the first or second band of the three bands is gold, this band shall represent the decimal point for inductance values less than 10, and the other two bands shall represent significant figures. For inductance values of 10 or more, the first two bands shall represent significant figures, and the third band shall represent the multiplier. For small units, dots may be used instead of bands, when specified. The diameter of the MIL-identifier dot shall be larger than the other dots. Typical color coding examples are shown above.

Numerical Marking

Applicable to series: 9130, 9210, 9220, 9230, 9250, 9310

Inductance and tolerance is laser marked to inductor body

Example: 6.8 μH , ± 10 % is marked: 6.8 μH
± 10 %

BOURNS®

Tel. (877) 426-8767 • Fax (951) 781-5006

www.bourns.com

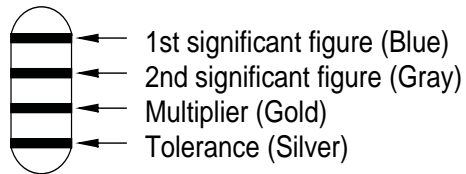
Color Code Marking (EIA STD)

Applicable to series: 5300, 77F, 78F, 79F

Color	1st & 2nd Significant Figure	Multiplier	Tolerance
Silver		0.01	± 10 %
Gold		0.1	± 5 %
Black	0	1	
Brown	1	10	
Red	2	100	
Orange	3	1000	
Yellow	4		
Green	5		
Blue	6		
Violet	7		
Gray	8		
White	9		

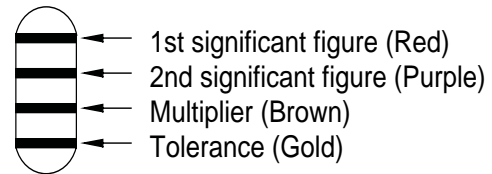
Example for L value less than 10 μH

6.8 μH
±10 %

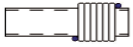
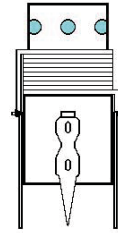
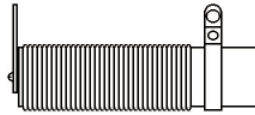
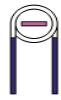
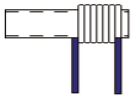


Example for L value 10 μH and higher

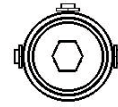
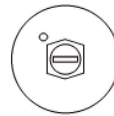
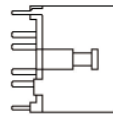
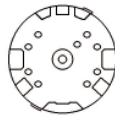
270 μH
±5 %



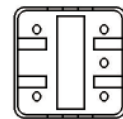
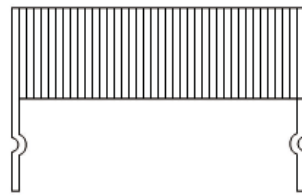
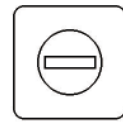
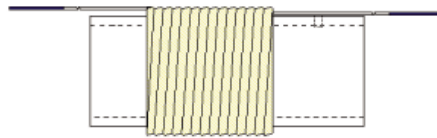
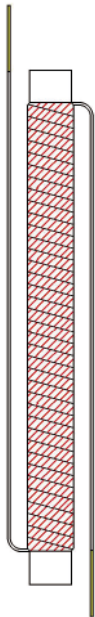
Custom Inductors



If you don't see what you're looking for...



In addition to the extensive listing of inductors and transformers shown in this catalog, we also manufacture custom magnetic components for a broad spectrum of customers.

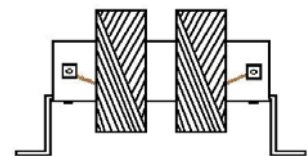
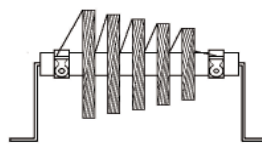
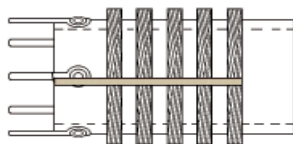
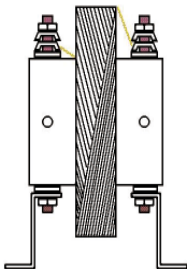


Send us your drawing or a sample of what you need and we will respond promptly to your request. If you need engineering assistance in the design of your components, we will be happy to provide this assistance. With multiple manufacturing facilities, Bourns can handle short or high volume production requirements.

Phone (877) 426-8767

E-Mail: techweb@bourns.com

FAX (951) 781-5006



BOURNS®

Tel. (877) 426-8767 • Fax (951) 781-5006

www.bourns.com

Fixed Inductor Selector Guide



The following guide is designed to help you find all Fixed Inductors and Chokes that are listed in the Bourns® Magnetics - J.W. Miller Product Selection Catalog.

First Column: Rated current, milliampere (mA)
1 mA = 0.001 A (ampere)

Second Column: Inductance, microhenry (μH)
1 μH = 1000 nH (nanohenry)
1 μH = 0.001 mH (millihenry)

Third Column: DC Resistance, ohms (Ω)

Fourth Column: Type of Construction
CC – Conformal coated
CM – Common mode
HD – Heavy duty
M – Molded
MS – Molded, shielded
R – Radial lead
SMC – Surface mount common mode
SMCH – Surface mount, chip
SMP – Surface mount, power
SMPS – Surface mount, power, shielded
SMT – Surface mount toroid
T – Toroid
TB – Toroid mounted on base
V – Varnished
VHD – Varnished heavy duty

Fifth Column: J.W. Miller part number

Sixth Column: Bourns part number

Example: 4.2 A, 10 μH , surface mount type
First, select rated current, 4200 (mA) or higher, at the first column
Second, select inductance, 10 at the second column
Third, select DC resistance (if specified) at the third column
Fourth, select type of construction, SMP or SMPS at the fourth column
Fifth, select P/N, PM5022-100M and PM1245H-100M match the descriptions
Sixth, find Bourns cross

BOURNS®

Tel. (877) 426-8767 • Fax (951) 781-5006

www.bourns.com

Selector Guide

Current (mA)	Inductance (µH)	Resistance (ohms)	Coil Type	Part Number	Current (mA)	Inductance (µH)	Resistance (ohms)	Coil Type	Part Number
5	15	0.8	SMCH	PM0805G-150M	20	82,000	212	R	RL622-823K-RC
5	18	0.9	SMCH	PM0805G-180M	20	100,000	235	R	RL622-104K-RC
5	22	1.1	SMCH	PM0805G-220M	21	18,000	17	R	RL1815-183J-RC
5	27	1.15	SMCH	PM0805G-270M	21	18,000	175	MS	9250-186
5	33	1.25	SMCH	PM0805G-330M	21	18,000	175	MS	9250A-186
8	120,000	97	R	RL1815-124J-RC	22	15,000	15	R	RL1815-153J-RC
9	100,000	82	R	RL1815-104J-RC	22	15,000	157	MS	9250-156
10	82,000	71	R	RL1815-823J-RC	22	15,000	157	MS	9250A-156
11	68,000	67	R	RL1815-683J-RC	22	100,000	484	CC	8250-104K
11	82,000	618	MS	9250-826	23	12,000	143	MS	9250-126
11	82,000	618	MS	9250A-826	23	12,000	143	MS	9250A-126
11	100,000	678	MS	9250-107	23	82,000	440	CC	8250-823K
11	100,000	678	MS	9250A-107	24	470	38	CC	79F471K-RC
12	56,000	58	R	RL1815-563J-RC	24	10,000	137	MS	9250-106
12	68,000	580	MS	9250-686	24	10,000	137	MS	9250A-106
12	68,000	580	MS	9250A-686	24	68,000	410	CC	8250-683K
13	47,000	52	R	RL1815-473J-RC	25	1	0.6	SMCH	PM0603G-1R0J
13	47,000	473	MS	9250-476	25	1.2	0.8	SMCH	PM0603G-1R2J
13	47,000	473	MS	9250A-476	25	1.5	0.8	SMCH	PM0603G-1R5J
13	56,000	512	MS	9250-566	25	1.8	0.95	SMCH	PM0603G-1R8J
13	56,000	512	MS	9250A-566	25	270	25	CC	79F271K-RC
15	2.2	1.15	SMCH	PM0603G-2R2J	25	330	30	CC	79F331K-RC
15	2.7	1.35	SMCH	PM0603G-2R7J	25	390	34	CC	79F391K-RC
15	3.3	1.55	SMCH	PM0603G-3R3K	25	10,000	12.1	R	RL1815-103J-RC
15	3.9	1.7	SMCH	PM0603G-3R9K	25	12,000	13	R	RL1815-123J-RC
15	4.7	2.1	SMCH	PM0603G-4R7K	25	56,000	362	CC	8250-563K
15	5.6	0.9	SMCH	PM0805G-5R6J	26	8200	119	MS	9250-825
15	5.6	1.55	SMCH	PM0603G-5R6K	26	8200	119	MS	9250A-825
15	6.8	1	SMCH	PM0805G-6R8J	27	6800	111	MS	9250-685
15	8.2	1.1	SMCH	PM0805G-8R2J	27	6800	111	MS	9250A-685
15	10	1.15	SMCH	PM0805G-100J	27	47000	317	CC	8250-473K
15	12	1.25	SMCH	PM0805G-120M	28	1000	72	M	9130-92
15	33,000	343	MS	9250-336	28	5600	98.9	MS	9250-565
15	33,000	343	MS	9250A-336	28	5600	98.9	MS	9250A-565
15	39,000	45	R	RL1815-393J-RC	29	820	65	M	9130-90
15	39,000	376	MS	9250-396	29	100,000	278	V	70F101AF
15	39,000	376	MS	9250A-396	30	2.2	0.65	SMCH	PM0805G-2R2J
16	27,000	308	MS	9250-276	30	2.7	0.75	SMCH	PM0805G-2R7J
16	27,000	308	MS	9250A-276	30	3.3	0.8	SMCH	PM0805G-3R3J
16	36,000	27	R	RL1815-363J-RC	30	3.9	0.9	SMCH	PM0805G-3R9J
17	22,000	274	MS	9250-226	30	4.7	1	SMCH	PM0805G-4R7J
17	22,000	274	MS	9250A-226	30	89.6	0.137	SMP	PM600-02
17	33,000	26	R	RL1815-333J-RC	30	160.6	0.094	SMP	PM620-01
18	27,000	22	R	RL1815-273J-RC	30	680	60	M	9130-88
20	201.6	0.324	SMP	PM600-01	30	820	35	SMCH	PM1812-821J
20	10,000	32.8	SMPS	PM1608S-103M	30	1000	40	SMCH	PM1812-102J
20	10,000	55	R	RL262-103J-RC	30	5600	36	R	RL262-562J-RC
20	12,000	65	R	RL262-123J-RC	30	6800	40	R	RL262-682J-RC
20	15,000	80	R	RL262-153J-RC	30	8200	10.4	R	RL1815-822J-RC
20	22,000	19.5	R	RL1815-223J-RC	30	8200	45	R	RL262-822J-RC
20	56,000	135	R	RL622-563K-RC	30	18,000	60	R	RL187-183J-RC
20	68,000	150	R	RL622-683K-RC	30	22,000	56	R	RL622-223K-RC

Coil Type

CC - Conformal coated

R - Radial lead

SMT - Surface mount toroid

CM - Common mode

SMC - Surface mount common mode

T - Toroid

HD - Heavy duty

SMCH - Surface mount, chip

TB - Toroid mounted on base

M - Molded

SMP - Surface mount, power

V - Varnished

MS - Molded, shielded

SMPS - Surface mount, power, shielded

VHD - Varnished heavy duty

BOURNS®

Tel. (877) 426-8767 • Fax (951) 781-5006

www.bourns.com

Selector Guide

Current (mA)	Inductance (µH)	Resistance (ohms)	Coil Type	Part Number	Current (mA)	Inductance (µH)	Resistance (ohms)	Coil Type	Part Number
30	22,000	80	R	RL187-223J-RC	40	820	65	M	9230-90
30	27,000	62	R	RL622-273K-RC	40	2700	47.3	MS	9250-275
30	27,000	80	R	RL187-273J-RC	40	2700	47.3	MS	9250A-275
30	33,000	70	R	RL622-333K-RC	40	3300	25	R	RL262-332J-RC
30	33,000	80	R	RL187-333J-RC	40	3300	53	MS	9250-335
30	39,000	80	R	RL622-393K-RC	40	3300	53	MS	9250A-335
30	47,000	99	R	RL622-473K-RC	40	3900	30	R	RL262-392J-RC
30	470,000	704	V	70F471AF	40	4700	7.5	R	RL1815-472J-RC
30	500,000	736	V	70F501AF	40	4700	32	R	RL262-472J-RC
31	4700	81.6	MS	9250-475	40	5600	8.4	R	RL1815-562J-RC
31	4700	81.6	MS	9250A-475	40	6800	25	SMPS	PM16085-682M
31	39,000	242	CC	8250-393K	40	8200	92.4	V	70F823AI
31	91,000	250	V	70F912AF	40	10,000	40	R	RL187-103J-RC
32	33,000	222	CC	8250-333K	40	10,000	80	V	3500-103K
32	82,000	238	V	70F822AF	40	12,000	33	R	RL622-123K-RC
33	75,000	222	V	70F752AF	40	12,000	40	R	RL187-123J-RC
33	390,000	617	V	70F391AF	40	15,000	37	R	RL622-153K-RC
34	27,000	195	CC	8250-273K	40	15,000	60	R	RL187-153J-RC
34	68,000	215	V	70F682AF	40	18,000	40	R	RL622-183K-RC
34	330,000	540	V	70F331AF	40	22,000	145	CC	8250-223K
35	0.33	0.85	SMCH	PM0603G-R33J	41	1000	26	CC	78F102J
35	0.39	1	SMCH	PM0603G-R39J	41	7500	85.2	V	70F753AI
35	0.47	1.35	SMCH	PM0603G-R47J	41	22,000	144	V	70F222AI
35	0.56	1.55	SMCH	PM0603G-R56J	41	39,000	147	V	70F392AF
35	0.68	1.7	SMCH	PM0603G-R68J	41	180,000	374	V	70F181AF
35	0.82	2.1	SMCH	PM0603G-R82J	42	120	13	CC	79F121K-RC
35	220	20	CC	79F221K-RC	42	680	60	CC	8230-88
35	560	46	M	9130-86	42	680	60	M	9230-88
35	3900	73.8	MS	9250-395	42	39,000	74.2	R	RL895-393K
35	3900	73.8	MS	9250A-395	43	820	23	CC	78F821J
35	6800	9.7	R	RL1815-682J-RC	43	6800	78	V	70F683AI
36	470	42	M	9130-84	43	33,000	134	V	70F332AF
36	56,000	189	V	70F562AF	44	100	12	CC	79F101K-RC
36	270,000	490	V	70F271AF	44	18,000	128	V	70F182AI
37	180	18	CC	79F181K-RC	44	150,000	328	V	70F151AF
37	50,000	175	V	70F502AF	45	82	10	SMCH	PM1210-820J
37	250,000	468	V	70F251AF	45	330	28	M	9130-80
38	1000	72	CC	8230-92	45	680	18	CC	78F681J
38	1000	72	M	9230-92	45	3900	7.2	R	RL1815-392J-RC
38	10,000	101	V	70F102AI	45	7500	55	V	3500-752K
38	47,000	96.4	R	RL895-473K	45	27,000	120	V	70F272AF
38	47,000	168	V	70F472AF	46	82	11	CC	79F820K-RC
39	150	16	CC	79F151K-RC	46	5600	69.6	V	70F563AI
39	9100	98.4	V	70F913AI	46	25,000	115	V	70F252AF
39	15,000	42.5	HD	5800-153	47	270	25	M	9130-78
39	18,000	48.3	HD	5800-183	47	15,000	113	V	70F152AI
39	220,000	424	V	70F221AF	48	560	46	CC	8230-86
40	77	0.065	SMP	PM620-02	48	560	46	M	9230-86
40	100	10	SMCH	PM1210-101J	48	4700	64.8	V	70F473AI
40	160	0.202	SMP	PM610-01	48	18,000	104	CC	8250-183K
40	390	35	M	9130-82	48	33,000	64.2	R	RL895-333K
40	820	65	CC	8230-90	48	120,000	288	V	70F121AF

Coil Type

CC - Conformal coated

R - Radial lead

SMT - Surface mount toroid

CM - Common mode

SMC - Surface mount common mode

T - Toroid

HD - Heavy duty

SMCH - Surface mount, chip

TB - Toroid mounted on base

M - Molded

SMP - Surface mount, power

V - Varnished

MS - Molded, shielded

SMPS - Surface mount, power, shielded

VHD - Varnished heavy duty

BOURNS®

Tel. (877) 426-8767 • Fax (951) 781-5006

www.bourns.com

Selector Guide

Current (mA)	Inductance (µH)	Resistance (ohms)	Coil Type	Part Number	Current (mA)	Inductance (µH)	Resistance (ohms)	Coil Type	Part Number
49	15,000	97	CC	8250-153K	52	10,000	75	CC	5300-49
50	0.047	0.3	SMCH	PM0603G-R047J	52	27,000	55.2	R	RL895-273K
50	0.068	0.3	SMCH	PM0603G-R068J	53	470	11.6	CC	78F471J
50	0.082	0.3	SMCH	PM0603G-R082J	53	3300	51.6	V	70F333AI
50	0.1	0.5	SMCH	PM0603G-R10J	53	12,000	84	CC	8250-123K
50	0.12	0.5	SMCH	PM0603G-R12J	54	8200	68	CC	5300-48
50	0.15	0.6	SMCH	PM0603G-R15J	55	56	8	SMCH	PM1210-560J
50	0.18	0.6	SMCH	PM0603G-R18J	55	390	35	CC	8230-82
50	0.22	0.8	SMCH	PM0603G-R22J	55	390	35	M	9230-82
50	0.27	0.8	SMCH	PM0603G-R27J	55	1500	26.5	MS	9250-155
50	1	0.4	SMCH	PM0805G-1R0J	55	1500	26.5	MS	9250A-155
50	1.2	0.5	SMCH	PM0805G-1R2J	55	2700	5.8	R	RL1815-272J-RC
50	1.5	0.5	SMCH	PM0805G-1R5J	57	180	17	M	9130-74
50	1.8	0.6	SMCH	PM0805G-1R8J	57	2200	45.6	V	70F223AI
50	4.7	0.2	SMP	PM32-4R7M	57	2500	45.6	V	70F253AI
50	68	9	SMCH	PM1210-680J	57	2700	45.6	V	70F273AI
50	220	21	SMCH	PM1210-221J	59	1800	42	V	70F183AI
50	470	42	CC	8230-84	59	6800	58	CC	5300-47
50	470	42	M	9230-84	59	22,000	44.9	R	RL895-223K
50	560	30	SMCH	PM1812-561J	60	47	7	SMCH	PM1210-470J
50	680	30	SMCH	PM1812-681J	60	78.4	0.094	SMP	PM610-02
50	820	7	R	RL262-821J-RC	60	100	21	SMCH	PM1008M-101K-RC
50	1000	8.4	SMP	PM3308-102M	60	180	17	SMCH	PM1210-181J
50	1000	9	R	RL262-102J-RC	60	390	10.5	CC	78F391J
50	1200	9	R	RL262-122J-RC	60	1200	22.1	MS	9250-125
50	1500	11	R	RL262-152J-RC	60	1200	22.1	MS	9250A-125
50	1800	12	R	RL262-182J-RC	60	2200	5.2	R	RL1815-222J-RC
50	1800	29.9	MS	9250-185	60	4700	13.9	SMPS	PM16085-472M
50	1800	29.9	MS	9250A-185	61	150	15	M	9130-72
50	2200	14	R	RL262-222J-RC	62	330	28	CC	8230-80
50	2200	33.8	MS	9250-225	62	330	28	M	9230-80
50	2200	33.8	MS	9250A-225	62	470	26	SMCH	PM1812-471J
50	2700	15	R	RL262-272J-RC	62	6800	62	CC	8250-682K
50	3300	6.1	R	RL1815-332J-RC	63	1500	37.2	V	70F153AI
50	3900	13	R	RL187-392J-RC	63	5600	50	CC	5300-46
50	4700	16	R	RL622-472K-RC	64	68	7.2	CC	79F680K-RC
50	4700	18	R	RL187-472J-RC	65	39	6.4	SMCH	PM1210-390J
50	5600	18	R	RL187-562J-RC	65	82	19	SMCH	PM1008M-820K-RC
50	5600	18	R	RL622-562K-RC	65	150	15	SMCH	PM1210-151J
50	6800	19	R	RL622-682K-RC	65	270	25	CC	8230-78
50	6800	26	R	RL187-682J-RC	65	270	25	M	9230-78
50	8200	21	R	RL622-822K-RC	65	330	9.5	CC	78F331J
50	8200	26	R	RL187-822J-RC	65	680	22.8	SMCH	PM1812H-681K
50	10,000	25	R	RL622-103K-RC	65	1800	4.5	R	RL1815-182J-RC
50	10,000	26.4	HD	5800-103	65	8200	20.8	HD	5800-822
50	10,000	93.1	CC	8250-103K	65	25,000	82	V	6308
50	12,000	29.9	HD	5800-123	65	50,000	127	V	6310
50	12,000	100	V	70F122AI	65	82,000	79.3	HD	5900-823
51	560	13	CC	78F561J	65	100,000	89.7	HD	5900-104
51	3900	57.6	V	70F393AI	66	120	13	M	9130-70
52	220	21	M	9130-76	66	1200	33.6	V	70F123AI
52	8200	86.6	CC	8250-822K	66	4700	29.9	V	3500-472K

Coil Type

CC - Conformal coated

R - Radial lead

SMT - Surface mount toroid

CM - Common mode

SMC - Surface mount common mode

T - Toroid

HD - Heavy duty

SMCH - Surface mount, chip

TB - Toroid mounted on base

M - Molded

SMP - Surface mount, power

V - Varnished

MS - Molded, shielded

SMPS - Surface mount, power, shielded

VHD - Varnished heavy duty

BOURNS®

Tel. (877) 426-8767 • Fax (951) 781-5006

www.bourns.com

Selector Guide

Current (mA)	Inductance (µH)	Resistance (ohms)	Coil Type	Part Number	Current (mA)	Inductance (µH)	Resistance (ohms)	Coil Type	Part Number
66	5600	54.6	CC	8250-562K	80	1800	6.4	R	RL622-182K-RC
66	18,000	38.9	R	RL895-183K	80	2200	6.8	R	RL622-222K-RC
68	56	6.4	CC	79F560K-RC	80	2700	7.7	R	RL622-272K-RC
68	4700	51.2	CC	8250-472K	80	3300	9	R	RL622-332K-RC
68	15,000	29.1	R	RL895-153K	80	3300	11	SMP	PM1608S-332M
70	0.022	2.6	SMCH	PM0402T-22NG-RC	80	3900	14	R	RL622-392K-RC
70	33	5.6	SMCH	PM1210-330J	80	3900	36.8	CC	8250-392K
70	33	5.6	SMCH	PM1210G-330K-RC	80	5600	25	V	73F563AF
70	47	5.8	CC	79F470K-RC	80	6800	29	V	73F683AF
70	68	16.6	SMCH	PM1008M-680K-RC	80	8200	30	V	73F823AF
70	120	11	SMCH	PM1210-121J	80	10,000	34	V	73F102AF
70	270	6.5	CC	78F271J	80	39,000	125.5	R	6000-393K
70	560	17	SMCH	PM1812H-561K	80	47,000	137.8	R	6000-473K
70	1000	13.8	SMP	PM1608-102M	81	820	15.1	M	9220-24
70	1000	17.5	MS	9250-105	81	8200	30.6	R	RL875S-822K
70	1000	17.5	MS	9250A-105	81	10,000	55.7	R	RL855-103K
70	1500	4	R	RL1815-152J-RC	82	2700	19.3	V	3500-272K
71	3900	26	V	3500-392K	82	5600	13.9	HD	5800-562
73	220	21	CC	8230-76	82	6800	16.3	HD	5800-682
73	220	21	M	9230-76	82	68,000	57.3	HD	5900-683
73	12,000	25	R	RL895-123K	83	750	14.4	M	9220-22
74	39	5.2	CC	79F390K-RC	83	3300	29	CC	5300-43
74	4700	37	CC	5300-45	84	100	8	M	9130-68
74	10,000	35	R	RL875S-103K	84	180	5	CC	78F181J
75	33	4.7	CC	79F330K-RC	84	8200	55	SMP	PM1355-822K
75	56	12.1	SMCH	PM1008M-560K-RC	84	10,000	33	R	RL875-103K
75	470	15	SMCH	PM1812H-471K	85	68	8.45	SMCH	PM1210H-680K
75	1200	3.7	R	RL1815-122J-RC	85	82	11	SMCH	PM20S-820K
76	220	5.7	CC	78F221J	85	100	12	SMCH	PM20S-101K
77	3300	21.7	V	3500-332K	85	150	15	CC	8230-72
77	3900	34	CC	5300-44	85	150	15	M	9230-72
78	1000	16.5	M	9220-28	85	330	14	SMCH	PM1812-331J
79	180	17	CC	8230-74	85	390	13.5	SMCH	PM1812H-391K
79	180	17	M	9230-74	85	680	13.7	M	9220-20
79	910	15.8	M	9220-26	85	3300	33.3	CC	8250-332K
79	910	24	V	70F914AI	86	2200	17.6	V	3500-222K
79	1000	24	V	70F103AI	87	680	19.8	V	70F684AI
79	10,000	62	SMP	PM1355-103K	88	82	7.3	M	9130-66
80	0.018	2	SMCH	PM0402T-18NG-RC	88	560	19.2	V	70F564AI
80	27	4.3	CC	79F270K-RC	88	620	13	M	9220-18
80	27	5	SMCH	PM1210-270J	88	8200	46.5	R	RL855-822K
80	27	5	SMCH	PM1210G-270K-RC	89	6800	23	R	RL875S-682K
80	47	11.1	SMCH	PM1008M-470K-RC	89	6800	49	SMP	PM1355-682K
80	131.8	0.094	SMP	PM620-03	89	10,000	22	R	RL895-103K
80	390	18	SMCH	PM1812-391J	90	0.012	1.8	SMCH	PM0402T-12NG-RC
80	680	11.8	MS	9250-684	90	0.015	2	SMCH	PM0402T-15NG-RC
80	680	11.8	MS	9250A-684	90	39	9.5	SMCH	PM1008M-390K-RC
80	750	22.9	V	70F754AI	90	68	10	SMCH	PM20S-680K
80	820	13	MS	9250-824	90	150	4.4	CC	78F151J
80	820	13	MS	9250A-824	90	330	13	SMCH	PM1812H-331K
80	820	22.9	V	70F824AI	90	470	12	SMP	PM32-471M
80	1500	6.1	R	RL622-152K-RC	90	560	10.5	MS	9250-564

Coil Type

CC - Conformal coated

R - Radial lead

SMT - Surface mount toroid

CM - Common mode

SMC - Surface mount common mode

T - Toroid

HD - Heavy duty

SMCH - Surface mount, chip

TB - Toroid mounted on base

M - Molded

SMP - Surface mount, power

V - Varnished

MS - Molded, shielded

SMPS - Surface mount, power, shielded

VHD - Varnished heavy duty

BOURNS®

Tel. (877) 426-8767 • Fax (951) 781-5006

www.bourns.com

Selector Guide

Current (mA)	Inductance (µH)	Resistance (ohms)	Coil Type	Part Number	Current (mA)	Inductance (µH)	Resistance (ohms)	Coil Type	Part Number
90	560	10.5	MS	9250A-564	100	2700	13	R	RL187-272J-RC
90	1000	3.4	R	RL1815-102J-RC	100	3300	13	R	RL187-332J-RC
90	2700	25	CC	5300-42	100	3900	8.63	HD	5800-392
90	33,000	91.5	R	6000-333K	100	4700	10.5	HD	5800-472
91	500	18	V	70F504AI	100	4700	21.5	V	73F473AF
91	560	12.3	M	9220-16	100	6200	37	V	4670
91	1800	15.8	V	3500-182K	100	6800	21.8	R	RL875-682K
92	68	6.7	M	9130-64	100	8200	15.3	R	RL895-822K
92	270	12	SMCH	PM1812-271J	100	8200	46	V	4671
92	470	9.5	MS	9250-474	100	10,000	31	V	6306
92	470	9.5	MS	9250A-474	100	10,000	50	V	4672
92	510	11.6	M	9220-15	100	27,000	82.7	R	6000-273K
93	500	11.6	M	9220-14	100	39,000	31.8	HD	5900-393
93	8200	28.7	R	RL875-822K	100	47,000	36.1	HD	5900-473
95	56	10	SMCH	PM205-560K	100	56,000	40.9	HD	5900-563
95	470	11.1	M	9220-12	101	240	7.8	M	9210-94
95	470	16.3	V	70F474AI	102	180	9.5	SMCH	PM1812-181J
97	120	13	CC	8230-70	102	350	14.4	V	70F354AI
97	120	13	M	9230-70	102	360	9.6	M	9220-06
97	390	15.8	V	70F394AI	103	220	7.45	M	9210-92
97	430	10.6	M	9220-10	103	330	13.9	V	70F334AI
97	2700	25.1	CC	8250-272K	103	2200	22	CC	8250-222K
98	6800	31.7	R	RL855-682K	105	39	5.9	SMCH	PM205-390K
99	5600	20.4	R	RL8755-562K	105	47	5.46	SMCH	PM1210H-470K
100	0.01	1.6	SMCH	PM0402T-10NG-RC	105	150	9	SMCH	PM1812-151J
100	18	7.5	V	74F185AP	105	330	9.1	M	9220-04
100	22	3.4	CC	79F220K-RC	105	390	7.4	MS	9250-394
100	47	8	SMCH	PM205-470K	105	390	7.4	MS	9250A-394
100	56	5.7	M	9130-62	105	820	10.5	CC	77F821J
100	100	6	V	74F104AI	106	200	7.1	M	9210-90
100	120	3.8	CC	78F121J	106	270	13.2	V	70F274AI
100	220	5.5	SMP	PM32-221M	106	300	13.2	V	70F304AI
100	220	10	SMCH	PM1812-221J	107	300	8.7	M	9220-02
100	270	6	SMP	PM32-271M	108	180	6.75	M	9210-88
100	270	11	SMCH	PM1812H-271K	110	0.0082	1.3	SMCH	PM0402T-8N2-RC
100	330	7	SMP	PM32-331M	110	22	3.7	SMCH	PM1210G-220K-RC
100	390	4	R	RL262-391J-RC	110	22	4	SMCH	PM1210-220J
100	390	8	SMP	PM32-391M	110	33	7.1	SMCH	PM1008M-330K-RC
100	390	10	M	9220-08	110	47	4.5	M	9130-60
100	470	5	R	RL262-471J-RC	110	100	8	SMCH	PM1812-101J
100	560	6	R	RL262-561J-RC	110	120	8	SMCH	PM1812-121J
100	680	5.3	SMP	PM3308-681M	110	270	8.2	M	9220-00
100	680	6	R	RL262-681J-RC	110	330	6.4	MS	9250-334
100	820	26	SMCH	PM1008S-821M	110	330	6.4	MS	9250A-334
100	1000	2	SMP	PM3340-103M	110	1200	10	V	3500-122K
100	1000	14	CC	77F102J	110	4700	14.7	R	RL8755-472K
100	1000	30	SMCH	PM1008S-102M	110	5600	18.7	R	RL875-562K
100	1500	14.3	V	3500-152K	110	5600	26.8	R	RL855-562K
100	1800	9	R	RL187-182J-RC	110	6800	13.2	R	RL895-682K
100	2200	8.5	SMPS	PM1608S-222M	110	22,000	59.3	R	6000-223K
100	2200	13	R	RL187-222J-RC	111	160	6.4	M	9210-86
100	2200	19	CC	5300-41	111	250	12.1	V	70F254AI

Coil Type

CC - Conformal coated

R - Radial lead

SMT - Surface mount toroid

CM - Common mode

SMC - Surface mount common mode

T - Toroid

HD - Heavy duty

SMCH - Surface mount, chip

TB - Toroid mounted on base

M - Molded

SMP - Surface mount, power

V - Varnished

MS - Molded, shielded

SMPS - Surface mount, power, shielded

VHD - Varnished heavy duty

BOURNS®

Tel. (877) 426-8767 • Fax (951) 781-5006

www.bourns.com

Selector Guide

Current (mA)	Inductance (µH)	Resistance (ohms)	Coil Type	Part Number	Current (mA)	Inductance (µH)	Resistance (ohms)	Coil Type	Part Number
111	1800	19.1	CC	8250-182K	126	470	7.7	CC	77F471J
113	680	9.4	CC	77F681J	128	110	4.9	M	9210-78
114	150	6.05	M	9210-84	130	0.0068	1.1	SMCH	PM0402T-6N8-RC
114	220	11.5	V	70F224AI	130	10	0.72	CC	78F100J
114	5600	30	SMP	PM1355-562K	130	10	3.7	M	9130-44
115	27	6.3	SMCH	PM1008M-270K-RC	130	15	2.8	SMCH	PM1210G-150K-RC
115	33	3.64	SMCH	PM1210H-330K	130	15	3.2	SMCH	PM1210-150J
115	33	5.1	SMCH	PM205-330K	130	18	4.8	SMCH	PM1008M-180K-RC
115	270	5.8	MS	9250-274	130	33	3.4	M	9130-56
115	270	5.8	MS	9250A-274	130	68	6	SMCH	PM1812-680J
119	1500	16.8	CC	8250-152K	130	82	7.3	CC	8230-66
120	18	3.3	SMCH	PM1210G-180K-RC	130	82	7.3	M	9230-66
120	18	3.6	SMCH	PM1210-180J	130	150	4	SMP	PM32-151M
120	63.2	0.065	SMP	PM620-04	130	560	18	SMCH	PM1008S-561M
120	82	7	SMCH	PM1812-820J	130	1000	5.74	SMPS	PM7032S-102M
120	180	5	SMP	PM32-181M	130	1200	4	R	RL622-122K-RC
120	180	7.5	SMCH	PM1812H-181K	130	1500	12	CC	5300-39
120	200	10.3	V	70F204AI	130	3300	9.74	R	RL875S-332K
120	220	9	SMCH	PM1812H-221K	130	3900	18	R	RL85S-392K
120	470	7	SMP	PMS2-471M	130	4700	7.89	R	RL89S-472K
120	560	8	SMP	PMS2-561M	130	8200	11.5	CM	3000-822
120	560	8.5	CC	77F561J	132	82	3.2	CC	78F820J
120	680	9.2	SMP	PM1608-681M	133	100	4.5	M	9210-76
120	680	24	SMCH	PM1008S-681M	133	390	7	CC	77F391J
120	1500	4.2	SMPS	PM1608S-152M	135	27	1.35	CC	78F270J
120	1800	14	CC	5300-40	135	27	3.5	M	9130-54
120	3900	12.9	R	RL875S-392K	135	56	5.5	SMCH	PM1812-560J
120	4700	16.7	R	RL87S-472K	135	68	6.7	CC	8230-64
120	4700	23.9	R	RL85S-472K	135	68	6.7	M	9230-64
120	5600	11.5	R	RL89S-562K	135	120	8.16	V	70F124AI
120	10,000	13.1	CM	3000-103	135	150	8.16	V	70F154AI
120	18,000	53.6	R	6000-183K	135	180	4.4	MS	9250-184
121	130	5.45	M	9210-82	135	180	4.4	MS	9250A-184
124	120	5.2	M	9210-80	135	180	8.16	V	70F184AI
125	22	5.5	SMCH	PM1008M-220K-RC	136	91	4.3	M	9210-74
125	27	3.3	SMCH	PM205-270K	136	3900	21	SMP	PM1355-392K
125	39	3.6	M	9130-58	137	68	2.9	CC	78F680J
125	100	3.5	CC	78F101J	137	330	6.4	CC	77F331J
125	100	8	CC	8230-68	139	100	7.68	V	70F104AI
125	100	8	M	9230-68	139	1000	12.1	CC	8250-102K
125	220	5	MS	9250-224	140	0.0056	0.9	SMCH	PM0402T-5N6-RC
125	220	5	MS	9250A-224	140	12	2.5	SMCH	PM1210G-120K-RC
125	1200	15.1	CC	8250-122K	140	12	2.8	SMCH	PM1210-120J
125	2700	5.9	HD	5800-272	140	15	4.4	SMCH	PM1008M-150K-RC
125	2700	13.5	V	73F273AF	140	18	3.1	CC	79F180K-RC
125	3300	6.56	HD	5800-332	140	22	1.2	CC	78F220J
125	3300	15.1	V	73F333AF	140	22	3.3	M	9130-52
125	3900	18	V	73F393AF	140	47	5	SMCH	PM1812-470J
125	4700	25	SMP	PM1355-472K	140	120	3.5	SMP	PM32-121M
125	22,000	21.8	HD	5900-223	140	150	4.1	MS	9250-154
125	27,000	22.7	HD	5900-273	140	150	4.1	MS	9250A-154
125	33,000	25.7	HD	5900-333	140	150	6.5	SMCH	PM1812H-151K

Coil Type

CC - Conformal coated

R - Radial lead

SMT - Surface mount toroid

CM - Common mode

SMC - Surface mount common mode

T - Toroid

HD - Heavy duty

SMCH - Surface mount, chip

TB - Toroid mounted on base

M - Molded

SMP - Surface mount, power

V - Varnished

MS - Molded, shielded

SMPS - Surface mount, power, shielded

VHD - Varnished heavy duty

BOURNS®

Tel. (877) 426-8767 • Fax (951) 781-5006

www.bourns.com

Selector Guide

Current (mA)	Inductance (µH)	Resistance (ohms)	Coil Type	Part Number	Current (mA)	Inductance (µH)	Resistance (ohms)	Coil Type	Part Number
140	180	4	SMPS	PM42S-181	150	1000	6	R	RL187-102J-RC
140	330	6	SMP	PMS2-331M	150	1000	7.5	V	73F103AF
140	390	6.5	SMP	PMS2-391M	150	1000	7.8	SMPS	PM735H-102M
140	820	6.33	V	3500-821K	150	1200	7.8	V	73F123AF
140	1000	7.31	V	3500-102K	150	1200	9	CC	5300-38
140	2700	8.54	R	RL875S-272K	150	1200	9	R	RL187-122J-RC
140	3300	15.9	R	RL85S-332K	150	1500	8.8	V	73F153AF
140	3900	6.84	R	RL89S-392K	150	1500	9	R	RL187-152J-RC
140	3900	1402	R	RL87S-392K	150	1800	11	V	73F183AF
140	6800	10.2	CM	3000-682	150	2200	12	V	73F223AF
140	15,000	48.9	R	6000-153K	150	3300	6.16	R	RL89S-332K
143	82	3.9	M	9210-72	150	3300	10.6	R	RL87S-332K
145	15	2.8	CC	79F150K-RC	150	5600	9.03	CM	3000-562
145	18	1	CC	78F180J	150	12,000	34.7	R	6000-123K
145	18	3.1	M	9130-50	151	820	10.4	CC	8250-821K
145	22	2.6	SMCH	PM1210H-220K	151	3300	17	SMP	PM135S-332K
145	56	5.7	CC	8230-62	155	8.2	0.55	CC	78F8R2J
145	56	5.7	M	9230-62	155	8.2	2.7	M	9130-42
145	270	5.8	CC	77F271J	155	10	2.95	SMCH	PM1008-100K
147	75	3.7	M	9210-70	155	10	3.5	SMCH	PM1008M-100K-RC
150	0.039	1.2	SMCH	PM0402-39NJ	155	12	0.8	CC	78F120J
150	0.047	0.83	SMCH	PM0402C-47NJ	155	12	2.7	M	9130-46
150	0.047	1.3	SMCH	PM0402-47NJ	155	18	2.7	SMCH	PM20S-180K
150	0.056	1.4	SMCH	PM0402-56NJ	155	220	5.1	CC	77F221J
150	0.056	5	SMCH	PM0603T-56NG-RC	156	68	3.3	M	9210-68
150	0.068	5	SMCH	PM0603T-68NG-RC	156	91	4.92	V	70F915AI
150	0.56	0.75	SMCH	PM0805G-R56J	156	2700	16	SMP	PM135S-272K
150	0.68	0.8	SMCH	PM0805G-R68J	158	82	4.8	V	70F825AI
150	0.82	1	SMCH	PM0805G-R82J	158	1500	3.45	HD	5800-152
150	10	2.1	SMCH	PM1210G-100K-RC	158	1800	4.03	HD	5800-182
150	10	2.5	SMCH	PM1210-100J	158	2200	4.48	HD	5800-222
150	12	2.5	CC	79F120K-RC	158	18,000	14.8	HD	5900-183
150	12	3.8	SMCH	PM1008M-120K-RC	160	0.0047	0.7	SMCH	PM0402T-4N7-RC
150	15	0.88	CC	78F150J	160	8.2	2.65	SMCH	PM1008-8R2K
150	15	2.8	M	9130-48	160	8.2	3.05	SMCH	PM1008M-8R2K-RC
150	15	6	V	74F155AP	160	10	2.4	CC	79F100K-RC
150	22	3.1	SMCH	PM20S-220K	160	33	4	SMCH	PM1812-330J
150	39	4.5	SMCH	PM1812-390J	160	33	4	SMCH	PM1812G-330K-RC
150	56	2.6	CC	78F560J	160	62	3.15	M	9210-66
150	100	3	SMP	PM32-101M	160	82	2.5	SMP	PM32-820M
150	120	3.6	MS	9250-124	160	100	3.12	MS	9250-104
150	120	3.6	MS	9250A-124	160	100	3.12	MS	9250A-104
150	150	2.67	SMPS	PM42S-151	160	100	5.4	V	4642
150	180	4	SMP	PMS2-181M	160	120	4.5	SMCH	PM1812H-121K
150	220	3	R	RL262-221J-RC	160	150	6.5	V	4644
150	220	4.5	SMP	PMS2-221M	160	240	8.5	V	4646
150	270	3	R	RL262-271J-RC	160	330	3.8	SMP	PM1608-331M
150	270	5	SMP	PMS2-271M	160	390	11	V	4648
150	330	4	R	RL262-331J-RC	160	470	5.29	V	3500-471K
150	470	5.06	SMP	PM1608-471M	160	470	16.5	SMCH	PM1008S-471M
150	680	5.93	V	3500-681K	160	550	13	V	4649
150	1000	3.4	SMPS	PM1608S-102M	160	560	5.41	V	3500-561K

Coil Type

CC - Conformal coated

R - Radial lead

SMT - Surface mount toroid

CM - Common mode

SMC - Surface mount common mode

T - Toroid

HD - Heavy duty

SMCH - Surface mount, chip

TB - Toroid mounted on base

M - Molded

SMP - Surface mount, power

V - Varnished

MS - Molded, shielded

SMPS - Surface mount, power, shielded

VHD - Varnished heavy duty

BOURNS®

Tel. (877) 426-8767 • Fax (951) 781-5006

www.bourns.com

Selector Guide

Current (mA)	Inductance (µH)	Resistance (ohms)	Coil Type	Part Number	Current (mA)	Inductance (µH)	Resistance (ohms)	Coil Type	Part Number
160	620	15	V	4650	175	6.8	0.45	CC	78F6R8J
160	750	16	V	4651	175	6.8	2	CC	79F6R8K-RC
160	1000	2.96	R	RL822-102K-RC	175	6.8	2	M	9130-40
160	1000	7.9	CC	5300-37	175	12	2.3	SMCH	PM205-120K
160	1000	8.6	V	4662	175	150	4.2	CC	77F151J
160	1000	19	V	4652	176	39	2.6	M	9210-56
160	1200	5.24	SMT	PM3602-300	176	56	3.84	V	70F565AI
160	1500	11	V	4664	180	3.9	2.1	SMCH	PM1008M-3R9K-RC
160	2200	7.56	R	RL8755-222K	180	5.6	1.9	CC	79F5R6K-RC
160	2400	15	V	4666	180	6.8	1.8	SMCH	PM1210G-6R8K-RC
160	2500	9	V	6302	180	6.8	2	SMCH	PM1210-6R8J
160	2700	8.72	R	RL875-272K	180	10	3.7	CC	8230-44
160	2700	13.1	R	RL855-272K	180	10	3.7	M	9230-44
160	3900	20	V	4668	180	15	1.69	SMCH	PM1210H-150K
160	5000	14	V	6304	180	22	3.2	SMCH	PM1812-220J
160	5500	25	V	4669	180	22	3.2	SMCH	PM1812G-220K-RC
160	18,000	34.1	R	6100-183K-RC	180	36	2.5	M	9210-54
162	75	4.56	V	70F755AI	180	39	3.6	CC	8230-58
163	680	8.85	CC	8250-681K	180	39	3.6	M	9230-58
164	56	3	M	9210-64	180	68	2	SMP	PM32-680M
165	6.8	2	SMCH	PM1008-6R8K	180	82	2.44	MS	9250-823
165	6.8	2.7	SMCH	PM1008M-6R8K-RC	180	82	2.44	MS	9250A-823
165	8.2	2.2	CC	79F8R2K-RC	180	100	4	SMCH	PM1812H-101K
165	15	2.5	SMCH	PM205-150K	180	120	2.39	SMPS	PM425-121
165	47	4.5	CC	8230-60	180	150	4	SMP	PM52-151M
165	47	4.5	M	9230-60	180	680	2.2	SMPS	PM1608S-681M
165	180	4.6	CC	77F181J	180	680	6.4	CC	5300-35
167	47	2.3	CC	78F470J	180	820	2.7	R	RL822-821K-RC
167	51	2.85	M	9210-62	180	820	5.34	SMPS	PM735H-821M
169	68	4.2	V	70F685AI	180	2200	6.25	R	RL875-222K
170	0.0039	0.6	SMCH	PM0402T-3N9-RC	180	2200	11.1	R	RL855-222K
170	0.27	2.3	SMCH	PM0603-R27J	180	2200	12	SMP	PM1355-222K
170	0.47	2.5	SMCH	PM0805-R47K	180	3300	4	R	RL824-332K-RC
170	0.56	3.5	SMCH	PM0805-R56K	180	3900	4.5	R	RL824-392K-RC
170	5.6	1.82	SMCH	PM1008-5R6K	180	4700	6.64	CM	3000-472
170	5.6	2.5	SMCH	PM1008M-5R6K-RC	180	8200	22.7	R	6000-822K
170	8.2	2	SMCH	PM1210G-8R2K-RC	185	3.3	1.9	SMCH	PM1008M-3R3K-RC
170	8.2	2.3	SMCH	PM1210-8R2J	185	5.6	0.4	CC	78F5R6J
170	27	3.6	SMCH	PM1812-270J	185	5.6	1.8	M	9130-38
170	27	3.6	SMCH	PM1812G-270K-RC	185	10	2	SMCH	PM205-100K
170	47	2.75	M	9210-60	185	27	3.5	CC	8230-54
170	68	2.7	MS	9250-683	185	27	3.5	M	9230-54
170	68	2.7	MS	9250A-683	185	39	1.7	CC	78F390J
170	820	7.1	CC	5300-36	185	120	3.7	CC	77F121J
170	1000	4.76	SMT	PM3602-250	187	33	3.4	CC	8230-56
170	1800	6.81	R	RL8755-182K	187	33	3.4	M	9230-56
170	2700	4.94	R	RL895-272K	188	39	3.36	V	70F395AI
170	10,000	25.1	R	6000-103K	188	47	3.36	V	70F475AI
170	15,000	30.4	R	6100-153K-RC	188	1800	11	SMP	PM1355-182K
172	43	2.7	M	9210-58	190	0.0033	0.5	SMCH	PM0402T-3N3-RC
174	560	8	CC	8250-561K	190	4.7	1.7	CC	79F4R7K-RC
175	4.7	2.3	SMCH	PM1008M-4R7K-RC	190	18	2.8	SMCH	PM1812-180J

Coil Type

CC - Conformal coated

R - Radial lead

SMT - Surface mount toroid

CM - Common mode

SMC - Surface mount common mode

T - Toroid

HD - Heavy duty

SMCH - Surface mount, chip

TB - Toroid mounted on base

M - Molded

SMP - Surface mount, power

V - Varnished

MS - Molded, shielded

SMPS - Surface mount, power, shielded

VHD - Varnished heavy duty

BOURNS®

Tel. (877) 426-8767 • Fax (951) 781-5006

www.bourns.com

Selector Guide

Current (mA)	Inductance (µH)	Resistance (ohms)	Coil Type	Part Number	Current (mA)	Inductance (µH)	Resistance (ohms)	Coil Type	Part Number
190	18	2.8	SMCH	PM1812G-180K-RC	200	180	3	R	RL187-181J-RC
190	22	3.3	CC	8230-52	200	180	3	R	RL262-181J-RC
190	22	3.3	M	9230-52	200	220	2.65	SMP	PM1608-221M
190	56	2.23	MS	9250-563	200	220	3	R	RL187-221J-RC
190	56	2.23	MS	9250A-563	200	270	3	R	RL187-271J-RC
190	390	3.45	V	3500-391K	200	330	1.4	SMPS	PM1608S-331M
190	470	1.8	SMPS	PM1608S-471M	200	330	3.34	V	3500-331K
190	680	3.78	SMPS	PM7032S-681M	200	330	4	R	RL187-331J-RC
190	1500	4.5	R	RL875S-152K	200	330	11.5	SMCH	PM1008S-331M
190	2200	4.21	R	RL895-222K	200	390	4	R	RL187-391J-RC
190	2700	3.35	R	RL824-272K-RC	200	470	4	SMP	PM3308-471M
190	12,000	23.2	R	6100-123K-RC	200	470	4	R	RL187-471J-RC
192	470	6.45	CC	8250-471K	200	470	4.8	V	73F474AF
195	2.7	1.7	SMCH	PM1008M-2R7K-RC	200	560	4	R	RL187-561J-RC
195	8.2	1.65	SMCH	PM205-8R2K	200	560	5.3	V	73F564AF
195	18	3.1	CC	8230-50	200	680	1.2	SMP	PM3340-681M
195	18	3.1	M	9230-50	200	680	4	R	RL187-681J-RC
195	33	1.5	CC	78F330J	200	680	4.55	SMPS	PM735H-681M
195	47	2.11	MS	9250-473	200	680	6	V	73F684AF
195	47	2.11	MS	9250A-473	200	800	3.36	SMT	PM3602-200
200	0.018	0.65	SMCH	PM0402-18NJ	200	820	1.96	HD	5800-821
200	0.022	0.8	SMCH	PM0402-22NJ	200	820	6	R	RL187-821J-RC
200	0.027	0.9	SMCH	PM0402-27NJ	200	820	6.8	V	73F824AF
200	0.033	1	SMCH	PM0402-33NJ	200	1000	2.3	HD	5800-102
200	0.039	3	SMCH	PM0603T-39NG-RC	200	1200	2.65	HD	5800-122
200	0.047	3	SMCH	PM0603T-47NG-RC	200	1800	5.05	R	RL875-182K
200	0.22	2.1	SMCH	PM0603-R22J	200	1800	8.26	R	RL855-182K
200	0.39	0.65	SMCH	PM0805G-R39J	200	3900	5.16	CM	3000-392
200	0.39	1.5	SMCH	PM0805-R39K	200	6800	20.7	R	6000-682K
200	0.47	0.65	SMCH	PM0805G-R47J	200	10,000	19.3	R	6100-103K-RC
200	2.2	1.55	SMCH	PM1008M-2R2K-RC	200	12,000	9.21	HD	5900-123
200	3.9	1.5	CC	79F3R9K-RC	200	15,000	10.5	HD	5900-153
200	5.6	1.4	SMCH	PM205-5R6K	204	1500	9.4	SMP	PM1355-152K
200	5.6	1.6	SMCH	PM1210G-5R6K-RC	205	6.8	1.6	SMCH	PM205-6R8K
200	5.6	1.8	SMCH	PM1210-5R6J	205	15	2.8	CC	8230-48
200	12	2	MS	9250-123	205	15	2.8	M	9230-48
200	12	2	MS	9250A-123	205	39	1.93	MS	9250-393
200	12	3.6	V	74F125AP	205	39	1.93	MS	9250A-393
200	15	2.5	SMCH	PM1812-150J	205	390	5.62	CC	8250-391K
200	15	2.5	SMCH	PM1812G-150K-RC	208	33	2.76	V	70F335AI
200	47	1.5	SMP	PM32-470M	210	1.8	1.45	SMCH	PM1008M-1R8K-RC
200	56	1.8	SMP	PM32-560M	210	3.3	1.4	CC	79F3R3K-RC
200	82	3.5	SMCH	PM1812H-820K	210	8.2	2.7	CC	8230-42
200	82	5.1	V	74F825AI	210	8.2	2.7	M	9230-42
200	100	1.73	SMPS	PM425-101	210	12	2.7	CC	8230-46
200	100	2	R	RL187-101J-RC	210	12	2.7	M	9230-46
200	100	2	R	RL262-101J-RC	210	100	2	SMP	PM52-101M
200	120	2	R	RL187-121J-RC	210	220	10	SMCH	PM1008S-221M
200	120	3	SMP	PM52-121M	210	560	4.7	CC	5300-34
200	120	3	R	RL262-121J-RC	210	680	2	R	RL822-681K-RC
200	150	2	R	RL187-151J-RC	210	1000	4.74	SMPS	PM745H-102M
200	150	3	R	RL262-151J-RC	210	1200	3.98	R	RL875S-122K

Coil Type

CC - Conformal coated

R - Radial lead

SMT - Surface mount toroid

CM - Common mode

SMC - Surface mount common mode

T - Toroid

HD - Heavy duty

SMCH - Surface mount, chip

TB - Toroid mounted on base

M - Molded

SMP - Surface mount, power

V - Varnished

MS - Molded, shielded

SMPS - Surface mount, power, shielded

VHD - Varnished heavy duty

BOURNS®

Tel. (877) 426-8767 • Fax (951) 781-5006

www.bourns.com

Selector Guide

Current (mA)	Inductance (µH)	Resistance (ohms)	Coil Type	Part Number	Current (mA)	Inductance (µH)	Resistance (ohms)	Coil Type	Part Number
210	1500	7.15	R	RL855-152K	240	600	2.4	SMT	PM3602-150
210	1800	3.21	R	RL895-182K	240	820	2.55	SMP	PM105-821K
210	3300	4.71	CM	3000-332	240	820	3.55	SMPS	PM745H-821M
213	25	2.64	V	70F255AI	240	1200	4.04	R	RL875-122K
213	27	2.64	V	70F275AI	240	1800	2.3	R	RL824-182K-RC
215	330	5.1	CC	8250-331K	240	2200	2.8	R	RL824-222K-RC
218	1200	8.3	SMP	PM1355-122K	240	4700	13.6	R	6000-472K
220	0.0022	0.3	SMCH	PM0402T-2N2-RC	240	6800	13.2	R	6100-682K-RC
220	0.0027	0.4	SMCH	PM0402T-2N7-RC	245	1	1.1	SMCH	PM1008M-1R0K-RC
220	1.5	1.3	SMCH	PM1008M-1R5K-RC	245	6.8	2	CC	8230-40
220	2.7	1.3	CC	79F2R7K-RC	245	6.8	2	M	9230-40
220	4.7	1.25	SMCH	PM205-4R7K	250	0.0068	0.32	SMCH	PM0402-6N8J
220	4.7	1.5	SMCH	PM1210G-4R7K-RC	250	0.0082	0.37	SMCH	PM0402-8N2J
220	4.7	1.7	SMCH	PM1210-4R7J	250	0.01	0.42	SMCH	PM0402-10NJ
220	10	1.11	SMCH	PM1210H-100K	250	0.012	0.5	SMCH	PM0402-12NJ
220	10	1.62	MS	9250-103	250	0.015	0.55	SMCH	PM0402-15NJ
220	10	1.62	MS	9250A-103	250	0.022	2	SMCH	PM0603T-22NG-RC
220	68	2.6	SMCH	PM1812H-680K	250	0.027	2	SMCH	PM0603T-27NG-RC
220	82	1.5	SMP	PM52-820M	250	0.033	2	SMCH	PM0603T-33NG-RC
220	82	1.56	SMPS	PM425-820	250	0.1	0.3	SMCH	PM0805G-R10J
220	150	7.5	SMCH	PM1008S-151M	250	0.12	0.3	SMCH	PM0805G-R12J
220	180	1.54	SMPS	PM4285-181	250	0.15	0.4	SMCH	PM0805G-R15J
220	220	0.77	SMPS	PM1608S-221M	250	0.18	0.4	SMCH	PM0805G-R18J
220	1500	4.7	R	RL875-152K	250	0.22	0.5	SMCH	PM0805G-R22J
220	5600	14.9	R	6000-562K	250	0.27	0.5	SMCH	PM0805G-R27J
220	8200	16	R	6100-822K-RC	250	0.33	0.55	SMCH	PM0805G-R33J
225	12	2	SMCH	PM1812-120J	250	1.5	1	CC	79F1R5K-RC
225	12	2	SMCH	PM1812G-120K-RC	250	3.9	0.32	CC	78F3R9J
225	390	4.2	V	73F394AF	250	3.9	1	M	9130-34
229	18	2.28	V	70F185AI	250	3.9	1.2	SMCH	PM205-3R9K
229	22	2.28	V	70F225AI	250	3.9	1.3	SMCH	PM1210-3R9J
230	1.2	1.2	SMCH	PM1008M-1R2K-RC	250	3.9	1.3	SMCH	PM1210G-3R9K-RC
230	2.2	1.2	CC	79F2R2K-RC	250	8.2	1.32	MS	9250-822
230	4.7	0.35	CC	78F4R7J	250	8.2	1.32	MS	9250A-822
230	4.7	1.2	M	9130-36	250	10	1.6	SMCH	PM1812-100J
230	270	2.53	V	3500-271K	250	10	1.6	SMCH	PM1812G-100K-RC
230	560	1.53	R	RL822-561K-RC	250	10	3	V	74F105AP
230	1000	2.72	R	RL8755-102K	250	15	1.92	V	70F155AI
230	1200	6.03	R	RL855-122K	250	33	1	SMP	PM32-330M
230	1500	2.8	R	RL895-152K	250	33	3	M	9310-52
230	2700	3.68	CM	3000-272	250	39	1.2	SMP	PM32-390M
231	270	4.55	CC	8250-271K	250	56	0.9	SMP	PM52-560M
240	0.18	1.25	SMCH	PM0603-R18J	250	68	1.2	SMP	PM52-680M
240	1.8	1.1	CC	79F1R8K-RC	250	68	4	V	74F685AI
240	33	1.37	MS	9250-333	250	100	2	V	73F104AF
240	33	1.37	MS	9250A-333	250	120	2.2	V	73F124AF
240	56	2.2	SMCH	PM1812H-560K	250	120	6.2	SMCH	PM1008S-121M
240	68	1.3	SMPS	PM425-680	250	150	2	SMP	PM1608-151M
240	150	1.35	SMPS	PM4285-151	250	150	2.5	V	73F154AF
240	220	2.19	V	3500-221K	250	180	2.07	V	3500-181K
240	470	2.46	SMPS	PM7032S-471M	250	180	2.9	V	73F184AF
240	470	3.4	CC	5300-33	250	220	3.2	V	73F224AF

Coil Type

CC - Conformal coated

R - Radial lead

SMT - Surface mount toroid

CM - Common mode

SMC - Surface mount common mode

T - Toroid

HD - Heavy duty

SMCH - Surface mount, chip

TB - Toroid mounted on base

M - Molded

SMP - Surface mount, power

V - Varnished

MS - Molded, shielded

SMPS - Surface mount, power, shielded

VHD - Varnished heavy duty

BOURNS®

Tel. (877) 426-8767 • Fax (951) 781-5006

www.bourns.com

Selector Guide

Current (mA)	Inductance (µH)	Resistance (ohms)	Coil Type	Part Number	Current (mA)	Inductance (µH)	Resistance (ohms)	Coil Type	Part Number
250	270	3.6	V	73F274AF	270	1500	2.1	R	RL824-152K-RC
250	330	3.8	V	73F334AF	270	3900	9.9	R	6000-392K
250	470	1.37	R	RL822-471K-RC	270	5600	9.45	R	6100-562K-RC
250	560	2.92	SMPS	PM735H-561M	270	22,000	4	CM	7356
250	680	1.61	HD	5800-681	275	8.2	1.9	V	74F826AP
250	1000	5.28	R	RL855-102K	275	100	1.8	CC	77F101J
250	2200	3.12	CM	3000-222	277	10	1.56	V	70F105AI
250	6800	5.69	HD	5900-682	277	180	3.08	CC	8250-181K
250	8200	6.32	HD	5900-822	280	0.0015	0.2	SMCH	PM0402T-1N5-RC
250	10,000	7.3	HD	5900-103	280	0.0018	0.2	SMCH	PM0402T-1N8-RC
251	220	3.48	CC	8250-221K	280	0.1	0.8	SMCH	PM1008M-R10M-RC
255	30	2.8	M	9310-50	280	0.15	0.92	SMCH	PM0603-R15J
260	0.33	1.2	SMCH	PM0805-R33K	280	0.27	1.1	SMCH	PM0805-R27K
260	0.82	1	SMCH	PM1008M-R82M-RC	280	3.9	2.3	M	9310-26
260	1.2	0.9	CC	79F1R2K-RC	280	6.8	0.65	SMCH	PM1210H-6R8M
260	3.3	1.2	SMCH	PM1210-3R3J	280	6.8	1.02	MS	9250-682
260	3.3	1.2	SMCH	PM1210G-3R3K-RC	280	6.8	1.02	MS	9250A-682
260	3.9	3.6	SMCH	PM1008-3R9K	280	18	2.25	M	9310-42
260	4.7	2.6	M	9310-28	280	39	1.6	SMCH	PM1812H-390K
260	4.7	4	SMCH	PM1008-4R7K	280	47	0.922	SMPS	PM425-470
260	5.6	1.8	CC	8230-38	280	82	4.2	SMCH	PM1008S-820M
260	5.6	1.8	M	9230-38	280	330	1.5	SMP	PM73-331K
260	27	1.19	MS	9250-273	280	390	1.2	R	RL822-391K-RC
260	27	1.19	MS	9250A-273	280	680	2.07	R	RL875S-681K
260	27	2.6	M	9310-48	280	680	2.25	SMP	PM105-681K
260	47	1.9	SMCH	PM1812H-470K	280	1200	1.8	R	RL824-122K-RC
260	56	1.08	SMPS	PM425-560	280	1500	2.47	CM	3000-152
260	100	5.8	SMCH	PM1008S-101M	285	6.8	1.2	SMCH	PM1812-6R8J
260	150	0.59	SMPS	PM1608S-151M	285	6.8	1.2	SMCH	PM1812G-6R8K-RC
260	150	1.96	V	3500-151K	288	9.1	1.44	V	70F916AI
260	330	2	SMPS	PM7032S-331M	288	820	4.7	SMP	PM1355-821K
260	390	2.58	SMPS	PM735H-391M	290	0.82	0.74	CC	79FR82M-RC
260	390	3	CC	5300-32	290	2.2	2.8	SMCH	PM1008-2R2K
260	470	2.75	SMPS	PM735H-471M	290	2.7	1	SMCH	PM20S-2R7K
260	820	2.33	R	RL875S-821K	290	2.7	1.1	SMCH	PM1210-2R7J
260	1200	2.92	SMT	PM3604-300	290	2.7	1.1	SMCH	PM1210G-2R7K-RC
260	1800	2.8	CM	3000-182	290	2.7	3.2	SMCH	PM1008-2R7K
265	22	2.5	M	9310-44	290	3.3	3.4	SMCH	PM1008-3R3K
265	24	2.5	M	9310-46	290	22	0.96	MS	9250-223
267	12	1.68	V	70F125AI	290	22	0.96	MS	9250A-223
269	1000	5.4	SMP	PM1355-102K	290	82	1.62	CC	77F820J
270	1	0.8	CC	79F1R0K-RC	290	100	1.02	SMPS	PM428S-101
270	3.3	0.34	CC	78F3R3J	290	100	1.5	V	3500-101K
270	3.3	0.85	M	9130-32	290	270	1.31	SMP	PM73-271K
270	3.3	1.1	SMCH	PM20S-3R3K	290	330	2.4	CC	5300-31
270	8.2	1.4	SMCH	PM1812-8R2J	290	400	1.6	SMT	PM3602-100
270	8.2	1.4	SMCH	PM1812G-8R2K-RC	290	1000	2.9	R	RL622-102K-RC
270	120	1.27	SMPS	PM428S-121	290	3300	9.1	R	6000-332K
270	120	1.73	V	3500-121K	290	4700	8.23	R	6100-472K-RC
270	680	2.9	SMPS	PM745H-681M	294	150	2.79	CC	8250-151K
270	1000	2.94	R	RL875-102K	300	0.001	0.12	SMCH	PM0402-1N0
270	1200	2.1	R	RL895-122K	300	0.0012	0.12	SMCH	PM0402-1N2

Coil Type

CC - Conformal coated

R - Radial lead

SMT - Surface mount toroid

CM - Common mode

SMC - Surface mount common mode

T - Toroid

HD - Heavy duty

SMCH - Surface mount, chip

TB - Toroid mounted on base

M - Molded

SMP - Surface mount, power

V - Varnished

MS - Molded, shielded

SMPS - Surface mount, power, shielded

VHD - Varnished heavy duty

BOURNS®

Tel. (877) 426-8767 • Fax (951) 781-5006

www.bourns.com

Selector Guide

Current (mA)	Inductance (µH)	Resistance (ohms)	Coil Type	Part Number	Current (mA)	Inductance (µH)	Resistance (ohms)	Coil Type	Part Number
300	0.0015	0.1	SMCH	PM0603H-1N5	300	0.027	0.55	SMCH	PM0805H-27NJ
300	0.0015	0.1	SMCH	PM0805H-1N5	300	0.033	0.55	SMCH	PM0603H-33NJ
300	0.0015	0.13	SMCH	PM0402-1N5	300	0.033	0.6	SMCH	PM0805H-33NJ
300	0.0018	0.1	SMCH	PM0603H-1N8	300	0.039	0.6	SMCH	PM0603H-39NJ
300	0.0018	0.1	SMCH	PM0805H-1N8	300	0.039	0.65	SMCH	PM0805H-39NJ
300	0.0018	0.14	SMCH	PM0402-1N8	300	0.047	0.2	SMCH	PM0805G-R047J
300	0.0018	0.2	SMCH	PM0603T-1N8-RC	300	0.047	0.7	SMCH	PM0603H-47NJ
300	0.0022	0.1	SMCH	PM0603H-2N2	300	0.047	0.7	SMCH	PM0805H-47NJ
300	0.0022	0.1	SMCH	PM0805H-2N2	300	0.056	0.75	SMCH	PM0603H-56NJ
300	0.0022	0.16	SMCH	PM0402-2N2	300	0.056	0.75	SMCH	PM0805H-56NJ
300	0.0022	0.2	SMCH	PM0603T-2N2-RC	300	0.068	0.2	SMCH	PM0805G-R068J
300	0.0027	0.1	SMCH	PM0603H-2N7	300	0.068	0.8	SMCH	PM0805H-68NJ
300	0.0027	0.1	SMCH	PM0805H-2N7	300	0.068	0.85	SMCH	PM0603H-68NJ
300	0.0027	0.17	SMCH	PM0402-2N7	300	0.082	0.2	SMCH	PM0805G-R082J
300	0.0027	0.2	SMCH	PM0603T-2N7-RC	300	0.082	0.75	SMCH	PM1008M-R082M-RC
300	0.0033	0.12	SMCH	PM0603H-3N3	300	0.082	0.9	SMCH	PM0805H-82NJ
300	0.0033	0.13	SMCH	PM0805H-3N3	300	0.082	0.95	SMCH	PM0603H-82NJ
300	0.0033	0.19	SMCH	PM0402-3N3	300	0.1	0.9	SMCH	PM0805H-100NJ
300	0.0033	0.2	SMCH	PM0603T-3N3-RC	300	0.1	1	SMCH	PM0603H-100NJ
300	0.0039	0.14	SMCH	PM0603H-3N9	300	0.12	0.65	SMCH	PM0603-R12J
300	0.0039	0.15	SMCH	PM0805H-3N9	300	0.12	0.95	SMCH	PM0805H-120NJ
300	0.0039	0.2	SMCH	PM0603T-3N9-RC	300	0.15	1	SMCH	PM0805H-150NJ
300	0.0039	0.22	SMCH	PM0402-3N9	300	0.18	1.1	SMCH	PM0805H-180NJ
300	0.0047	0.16	SMCH	PM0603H-4N7	300	0.22	1.2	SMCH	PM0805H-220NJ
300	0.0047	0.2	SMCH	PM0603T-4N7-RC	300	0.27	0.95	SMCH	PM0805H-270NJ
300	0.0047	0.2	SMCH	PM0805H-4N7	300	0.33	1	SMCH	PM0805H-330NJ
300	0.0047	0.24	SMCH	PM0402-4N7	300	0.39	1.1	SMCH	PM0805H-390NJ
300	0.0056	0.18	SMCH	PM0603H-5N6	300	0.47	1.2	SMCH	PM0805H-470NJ
300	0.0056	0.23	SMCH	PM0805H-5N6	300	0.68	0.85	SMCH	PM1008M-R68M-RC
300	0.0056	0.27	SMCH	PM0402-5N6	300	1.8	2.6	SMCH	PM1008-1R8K
300	0.0056	0.5	SMCH	PM0603T-5N6-RC	300	3.3	2	M	9310-24
300	0.0068	0.22	SMCH	PM0603H-6N8J	300	5.6	1.1	SMCH	PM1812-5R6J
300	0.0068	0.25	SMCH	PM0805H-6N8J	300	5.6	1.1	SMCH	PM1812G-5R6K-RC
300	0.0068	0.5	SMCH	PM0603T-6N8-RC	300	6.8	1.85	V	74F686AP
300	0.0082	0.24	SMCH	PM0603H-8N2J	300	15	0.5	SMP	PM32-150M
300	0.0082	0.28	SMCH	PM0805H-8N2J	300	18	0.55	SMP	PM32-180M
300	0.0082	0.5	SMCH	PM0603T-8N2-RC	300	18	0.89	MS	9250-183
300	0.01	0.26	SMCH	PM0603H-10NJ	300	18	0.89	MS	9250A-183
300	0.01	0.3	SMCH	PM0805H-10NJ	300	22	0.6	SMP	PM32-220M
300	0.01	1	SMCH	PM0603T-10NG-RC	300	27	0.7	SMP	PM32-270M
300	0.012	0.28	SMCH	PM0603H-12NJ	300	33	1.4	SMCH	PM1812H-330K
300	0.012	0.35	SMCH	PM0805H-12NJ	300	39	0.709	SMPS	PM425-390
300	0.012	1	SMCH	PM0603T-12NG-RC	300	47	0.8	SMP	PM52-470M
300	0.015	0.32	SMCH	PM0603H-15NJ	300	56	3.75	V	74F565AI
300	0.015	0.4	SMCH	PM0805H-15NJ	300	68	3.8	SMCH	PM1008S-680M
300	0.015	1	SMCH	PM0603T-15NG-RC	300	100	0.48	SMPS	PM1608S-101M
300	0.018	0.35	SMCH	PM0603H-18NJ	300	100	1.27	SMP	PM1608-101M
300	0.018	0.45	SMCH	PM0805H-18NJ	300	330	2.7	SMP	PM3308-331M
300	0.018	2	SMCH	PM0603T-18NG-RC	300	470	0.95	SMP	PM3340-471M
300	0.022	0.4	SMCH	PM0603H-22NJ	300	820	2.56	R	RL875-821K
300	0.022	0.5	SMCH	PM0805H-22NJ	300	1000	1.84	R	RL895-102K
300	0.027	0.45	SMCH	PM0603H-27NJ	300	1000	2.12	SMT	PM3604-250

Coil Type

CC - Conformal coated

R - Radial lead

SMT - Surface mount toroid

CM - Common mode

SMC - Surface mount common mode

T - Toroid

HD - Heavy duty

SMCH - Surface mount, chip

TB - Toroid mounted on base

M - Molded

SMP - Surface mount, power

V - Varnished

MS - Molded, shielded

SMPS - Surface mount, power, shielded

VHD - Varnished heavy duty

BOURNS®

Tel. (877) 426-8767 • Fax (951) 781-5006

www.bourns.com

Selector Guide

Current (mA)	Inductance (µH)	Resistance (ohms)	Coil Type	Part Number	Current (mA)	Inductance (µH)	Resistance (ohms)	Coil Type	Part Number
300	1000	3	SMP	PM3316-103M	330	220	1.26	SMPS	PM70325-221M
305	68	1.47	CC	77F680J	330	250	1.19	SMT	PM3602-250
308	680	4.1	SMP	PM1355-681K	330	270	1.3	SMPS	PM745B-271K
310	0.68	0.67	CC	79FR68M-RC	330	330	0.9	R	RL822-331K-RC
310	27.4	0.324	SMP	PM600-03	330	470	1.5	SMPS	PM1055B-471K
310	220	1.2	SMP	PM73-221K	330	470	1.85	SMPS	PM745H-471M
310	270	2.1	CC	5300-30	330	560	1.9	SMP	PM105-561K
310	330	1.84	SMPS	PM735H-331M	330	680	1.96	R	RL875-681K
310	560	1.61	R	RL8755-561K	330	800	1.88	SMT	PM3604-200
310	560	2.17	SMPS	PM745H-561M	335	5.6	0.72	MS	9250-562
310	820	3.82	R	RL855-821K	335	5.6	0.72	MS	9250A-562
310	1000	1.6	R	RL824-102K-RC	340	0.056	0.65	SMCH	PM1008M-R056M-RC
311	120	2.45	CC	8250-121K	340	1.2	2	SMCH	PM1008-1R2K
315	4.7	1	SMCH	PM1812-4R7J	340	47	1.22	CC	77F470J
315	4.7	1	SMCH	PM1812G-4R7K-RC	340	470	1.44	R	RL8755-471K
315	15	0.8	MS	9250-153	340	470	1.96	SMP	PM75-471K
315	15	0.8	MS	9250A-153	349	82	1.96	CC	8250-820K
315	470	1.15	HD	5800-471	350	0.39	0.51	CC	79FR39M-RC
315	560	1.27	HD	5800-561	350	0.47	0.68	SMCH	PM1008M-R47M-RC
315	5600	3.92	HD	5900-562	350	1	1	CC	8230-20
320	0.036	0.403	SMCH	PM0402C-36NJ	350	1	1	M	9230-20
320	0.04	0.438	SMCH	PM0402C-40NJ	350	1.8	0.85	SMCH	PM205-1R8K
320	0.068	0.7	SMCH	PM1008M-R068M-RC	350	1.8	0.9	SMCH	PM1210-1R8J
320	0.56	0.61	CC	79FR56M-RC	350	1.8	0.9	SMCH	PM1210G-1R8K-RC
320	2.2	0.9	SMCH	PM205-2R2K	350	3.9	1	CC	8230-34
320	2.2	1	SMCH	PM1210-2R2J	350	3.9	1	M	9230-34
320	2.2	1	SMCH	PM1210G-2R2K-RC	350	5.6	1.8	V	74F566AP
320	4.7	0.52	SMCH	PM1210H-4R7M	350	10	0.35	SMP	PM32-100M
320	4.7	1.2	CC	8230-36	350	12	0.4	SMP	PM32-120M
320	4.7	1.2	M	9230-36	350	27	0.441	SMPS	PM425-270
320	33	0.394	SMPS	PM425-330	350	39	0.7	SMP	PM52-390M
320	56	1.34	CC	77F560J	350	39	1.12	CC	77F390J
320	82	0.915	SMPS	PM4285-820	350	47	3.5	V	74F475AI
320	220	1.9	CC	5300-29	350	68	0.699	SMPS	PM4285-680
320	270	1.81	SMPS	PM735H-271M	350	220	1.5	SMPS	PM735H-221M
320	300	1.31	SMT	PM3602-300	350	220	1.57	SMP	PM54-221K
320	560	1.904	SMP	PM104-561K	350	270	0.8	R	RL822-271K-RC
320	680	3.25	R	RL855-681K	350	390	1.34	SMPS	PM1055B-391K
320	820	1.57	R	RL895-821K	350	470	1.526	SMP	PM104-471K
320	1200	1.89	CM	3000-122	350	560	2.83	R	RL855-561K
320	2700	8.2	R	6000-272K	350	680	1.18	R	RL895-681K
320	3900	6.62	R	6100-392K-RC	350	820	1.8	R	RL622-821K-RC
322	100	2.28	CC	8250-101K	350	3300	5.63	R	6100-332K-RC
325	0.56	0.75	SMCH	PM1008M-R56M-RC	350	10,000	2.2	CM	7355
325	15	2.3	CC	8250-150K	355	2.7	0.3	CC	78F2R7K
328	68	2.2	CC	8250-680K	355	2.7	0.55	M	9130-30
330	0.47	0.56	CC	79FR47M-RC	355	3.3	0.8	SMCH	PM1812-3R3J
330	1.5	2.3	SMCH	PM1008-1R5K	355	3.3	0.8	SMCH	PM1812G-3R3K-RC
330	3.9	0.9	SMCH	PM1812-3R9J	360	0.047	0.56	SMCH	PM1008M-R047M-RC
330	3.9	0.9	SMCH	PM1812G-3R9K-RC	360	23.3	0.094	SMP	PM620-05
330	27	1.2	SMCH	PM1812H-270K	360	100	1.2	SMPS	PM518S-101
330	82	1.2	V	3500-820K	360	180	1.02	SMP	PM73-181K

Coil Type

CC - Conformal coated

R - Radial lead

SMT - Surface mount toroid

CM - Common mode

SMC - Surface mount common mode

T - Toroid

HD - Heavy duty

SMCH - Surface mount, chip

TB - Toroid mounted on base

M - Molded

SMP - Surface mount, power

V - Varnished

MS - Molded, shielded

SMPS - Surface mount, power, shielded

VHD - Varnished heavy duty

BOURNS®

Tel. (877) 426-8767 • Fax (951) 781-5006

www.bourns.com

Selector Guide

Current (mA)	Inductance (µH)	Resistance (ohms)	Coil Type	Part Number	Current (mA)	Inductance (µH)	Resistance (ohms)	Coil Type	Part Number
360	220	1.18	SMPS	PM745B-221K	390	1.2	0.65	SMCH	PM205-1R2K
360	272	1.04	SMT	PM3602-68	390	1.2	0.75	SMCH	PM1210-1R2J
360	390	1.63	SMPS	PM745H-391M	390	1.2	0.75	SMCH	PM1210G-1R2K-RC
360	390	1.77	SMP	PM75-391K	390	1.8	0.65	SMCH	PM1812-1R8J
360	560	1.72	R	RL875-561K	390	1.8	0.65	SMCH	PM1812G-1R8K-RC
360	820	2	SMPS	PM1255-821M	390	27	0.94	CC	77F270K
360	2200	5.9	R	6000-222K	390	330	1.32	SMPS	PM745H-331M
368	12	1.76	CC	8250-120K	390	600	1.28	SMT	PM3604-150
370	0.33	0.48	CC	79FR33M-RC	390	1000	1.5	R	RL1105-102K
370	0.82	0.59	MS	9250-821	390	1800	5.3	R	6000-182K
370	0.82	0.59	MS	9250A-821	395	2.2	0.28	CC	78F2R2K
370	1	1.75	SMCH	PM1008-1R0K	395	2.2	0.4	M	9130-28
370	1.5	0.75	SMCH	PM205-1R5K	400	0.001	0.1	SMCH	PM0402T-1N0-RC
370	1.5	0.85	SMCH	PM1210-1R5J	400	0.023	0.214	SMCH	PM0402C-23NJ
370	1.5	0.85	SMCH	PM1210G-1R5K-RC	400	0.027	0.298	SMCH	PM0402C-27NJ
370	2.7	0.75	SMCH	PM1812-2R7J	400	0.033	0.46	SMCH	PM1008M-R033M-RC
370	2.7	0.75	SMCH	PM1812G-2R7K-RC	400	0.072	0.49	SMCH	PM0603-72NJ
370	15	1.4	M	9310-40	400	0.082	0.42	SMCH	PM0805-82NK
370	22	0.9	SMCH	PM1812H-220K	400	0.082	0.54	SMCH	PM0603-82NJ
370	33	1.03	CC	77F330J	400	0.1	0.46	SMCH	PM0805-R10K
370	68	1.117	SMP	PM43-680K	400	0.1	0.58	SMCH	PM0603-R10J
370	330	1.2	SMPS	PM1055B-331K	400	0.12	0.51	SMCH	PM0805-R12K
370	390	1.28	R	RL8755-391K	400	0.15	0.56	SMCH	PM0805-R15K
373	560	2.8	SMP	PM1355-561K	400	0.18	0.64	SMCH	PM0805-R18K
375	0.39	0.65	SMCH	PM1008M-R39M-RC	400	0.22	0.4	CC	79FR22M-RC
380	0.039	0.5	SMCH	PM1008M-R039M-RC	400	0.22	0.7	SMCH	PM0805-R22K
380	0.27	0.43	CC	79FR27M-RC	400	0.33	0.6	SMCH	PM1008M-R33M-RC
380	0.82	0.85	CC	8230-18	400	0.56	1.33	SMCH	PM1008-R56K
380	0.82	0.85	M	9230-18	400	0.68	1.47	SMCH	PM1008-R68K
380	2.2	0.7	SMCH	PM1812-2R2J	400	0.82	1.61	SMCH	PM1008-R82K
380	2.2	0.7	SMCH	PM1812G-2R2K-RC	400	1	0.6	SMCH	PM205-1R0K
380	3.3	0.85	CC	8230-32	400	1	0.7	SMCH	PM1210-1R0J
380	3.3	0.85	M	9230-32	400	1	0.7	SMCH	PM1210G-1R0K-RC
380	4.7	0.55	MS	9250-472	400	3.3	0.33	SMCH	PM1210H-3R3M
380	4.7	0.55	MS	9250A-472	400	4.7	1	V	74F476AP
380	56	1.64	CC	8250-560K	400	6.8	0.25	SMP	PM32-6R8M
380	68	0.888	V	3500-680K	400	8.2	0.3	SMP	PM32-8R2M
380	180	1.25	SMPS	PM735H-181M	400	18	0.8	SMCH	PM1812H-180K
380	180	1.38	SMP	PM54-181K	400	33	0.6	SMP	PM52-330M
380	180	1.4	CC	5300-28	400	39	2.6	V	74F395AI
380	200	0.88	SMT	PM3602-50	400	47	1.48	CC	8250-470K
380	220	0.68	R	RL822-221K-RC	400	47	2.5	SMCH	PM10085-470M
380	390	1.245	SMP	PM104-391K	400	68	0.29	SMPS	PM16085-680M
380	470	1.95	R	RL855-471K	400	68	0.86	SMP	PM1608-680M
380	470	2.7	SMP	PM1355-471K	400	100	3	V	4632
380	680	1.6	R	RL622-681K-RC	400	150	0.755	SMP	PM73-151K
380	1000	1.38	CM	3000-102	400	150	1.1	SMP	PM54-151K
380	2700	5.41	R	6100-272K-RC	400	180	0.6	R	RL822-181K-RC
385	1	0.15	CC	78F1R0K	400	180	1	SMPS	PM745B-181K
385	1	1	M	9130-20	400	200	0.84	SMT	PM3602-200
385	2.7	1.2	M	9310-22	400	220	1.9	SMP	PM3308-221M
390	0.0012	0.1	SMCH	PM0402T-1N2-RC	400	270	0.557	HD	5800-271

Coil Type

CC - Conformal coated

R - Radial lead

SMT - Surface mount toroid

CM - Common mode

SMC - Surface mount common mode

T - Toroid

HD - Heavy duty

SMCH - Surface mount, chip

TB - Toroid mounted on base

M - Molded

SMP - Surface mount, power

V - Varnished

MS - Molded, shielded

SMPS - Surface mount, power, shielded

VHD - Varnished heavy duty

BOURNS®

Tel. (877) 426-8767 • Fax (951) 781-5006

www.bourns.com

Selector Guide

Current (mA)	Inductance (µH)	Resistance (ohms)	Coil Type	Part Number	Current (mA)	Inductance (µH)	Resistance (ohms)	Coil Type	Part Number
400	330	0.665	HD	5800-331	430	820	1.34	SMPS	PM125SH-821M
400	330	1.26	SMP	PM75-331K	430	1500	3.8	R	6000-152K
400	390	0.772	HD	5800-391	435	2.2	0.95	M	9310-20
400	560	1.01	R	RL895-561K	436	390	2.05	SMP	PM1355-391K
400	680	1.78	SMPS	PM125S-681M	440	47	0.844	SMP	PM43-470K
400	680	2.02	SMP	PM3316-680M	440	56	0.687	V	3500-560K
400	820	0.86	R	RL824-821K-RC	440	150	0.94	SMPS	PM745B-151K
400	1000	1.53	SMPS	PM125SH-102M	440	270	1.08	SMPS	PM745H-271M
400	2700	2.06	HD	5900-272	440	330	1.47	R	RL855-331K
400	3300	2.53	HD	5900-332	440	390	1017	R	RL875-391K
400	3900	2.75	HD	5900-392	440	560	1.34	SMPS	PM125S-561M
400	4700	3.19	HD	5900-472	440	680	0.79	R	RL824-681K-RC
400	8000	2	CM	7354	445	10	0.9	M	9310-36
400	45,000	2.68	CM	7418-RC	450	0.01	0.13	SMCH	PM1210-R010K
404	12	1.1	M	9310-38	450	0.012	0.14	SMCH	PM1210-R012K
410	0.027	0.42	SMCH	PM1008M-R027M-RC	450	0.015	0.16	SMCH	PM1210-R015K
410	1.5	0.6	SMCH	PM1812-1R5J	450	0.018	0.18	SMCH	PM1210-R018K
410	1.5	0.6	SMCH	PM1812G-1R5K-RC	450	0.018	0.34	SMCH	PM1008M-R018M-RC
410	22	0.397	SMPS	PM425-220	450	0.022	0.2	SMCH	PM1210-R022K
410	22	0.84	CC	77F220K	450	0.027	0.22	SMCH	PM1210-R027K
410	56	0.625	SMPS	PM4285-560	450	0.033	0.24	SMCH	PM1210-R033J
410	82	0.978	SMPS	PMS185-820	450	0.039	0.27	SMCH	PM1210-R039J
410	150	1.2	CC	5300-27	450	0.047	0.3	SMCH	PM1210-R047J
410	270	0.87	SMPS	PM105SB-271K	450	0.056	0.33	SMCH	PM1210-R056J
410	330	0.97	R	RL875S-331K	450	0.068	0.36	SMCH	PM1210-R068J
410	390	1.67	R	RL855-391K	450	0.082	0.4	SMCH	PM1210-R082J
410	470	1.34	R	RL875-471K	450	0.1	0.44	SMCH	PM1210-R10J
410	560	1.4	R	RL622-561K-RC	450	0.1	0.5	SMCH	PM205-R10M
410	820	1.16	CM	3000-821	450	0.12	0.22	SMCH	PM1210G-R12K-RC
415	0.82	0.12	CC	78FR82K	450	0.12	0.22	SMCH	PM1210-R12J
415	0.82	0.85	M	9130-18	450	0.15	0.25	SMCH	PM1210G-R15K-RC
420	0.022	0.38	SMCH	PM1008M-R022M-RC	450	0.15	0.25	SMCH	PM1210-R15J
420	0.27	0.56	SMCH	PM1008M-R27M-RC	450	0.18	0.08	CC	78FR18M
420	0.68	0.45	MS	9250-681	450	0.18	0.28	SMCH	PM1210G-R18K-RC
420	0.68	0.45	MS	9250A-681	450	0.18	0.28	SMCH	PM1210-R18J
420	56	0.937	SMP	PM43-560K	450	0.22	0.32	SMCH	PM1210G-R22K-RC
420	68	0.82	SMPS	PM635B-680L	450	0.22	0.32	SMCH	PM1210-R22J
420	100	0.52	SMPS	PMS285-101	450	0.27	0.36	SMCH	PM1210G-R27K-RC
420	150	0.54	R	RL822-151K-RC	450	0.27	0.36	SMCH	PM1210-R27J
420	270	1.11	SMP	PM75-271K	450	0.33	0.4	SMCH	PM1210G-R33K-RC
420	330	1.1	SMP	PM104-331K	450	0.33	0.4	SMCH	PM1210-R33J
420	470	1.48	SMP	PM105-471K	450	0.33	1.05	SMCH	PM1008-R33K
420	2200	4.26	R	6100-222K-RC	450	0.39	0.45	SMCH	PM1210G-R39K-RC
429	39	1.28	CC	8250-390K	450	0.39	0.45	SMCH	PM1210-R39J
430	0.22	0.52	SMCH	PM1008M-R22M-RC	450	0.47	0.5	SMCH	PM1210G-R47K-RC
430	1.2	0.55	SMCH	PM1812-1R2J	450	0.47	0.5	SMCH	PM1210-R47J
430	1.2	0.55	SMCH	PM1812G-1R2K-RC	450	0.56	0.55	SMCH	PM1210G-R56K-RC
430	18	0.77	CC	77F180K	450	0.56	0.55	SMCH	PM1210-R56J
430	68	0.84	SMPS	PMS185-680	450	0.68	0.48	SMCH	PM205-R68M
430	150	0.78	SMPS	PM70325-151M	450	0.68	0.6	CC	8230-16
430	470	0.89	R	RL895-471K	450	0.68	0.6	M	9230-16
430	820	1.3	R	RL1105-821K	450	0.68	0.6	SMCH	PM1210G-R68K-RC

Coil Type

CC - Conformal coated

R - Radial lead

SMT - Surface mount toroid

CM - Common mode

SMC - Surface mount common mode

T - Toroid

HD - Heavy duty

SMCH - Surface mount, chip

TB - Toroid mounted on base

M - Molded

SMP - Surface mount, power

V - Varnished

MS - Molded, shielded

SMPS - Surface mount, power, shielded

VHD - Varnished heavy duty

BOURNS®

Tel. (877) 426-8767 • Fax (951) 781-5006

www.bourns.com

Selector Guide

Current (mA)	Inductance (µH)	Resistance (ohms)	Coil Type	Part Number	Current (mA)	Inductance (µH)	Resistance (ohms)	Coil Type	Part Number
450	0.68	0.6	SMCH	PM1210-R68J	480	3.3	0.35	MS	9250A-332
450	0.82	0.5	SMCH	PM205-R82M	480	12	0.63	CC	77F120K
450	0.82	0.65	SMCH	PM1210G-R82K-RC	480	18	0.338	SMPS	PM425-180
450	0.82	0.65	SMCH	PM1210-R82J	480	47	0.587	SMPS	PM4285-470
450	1	0.5	SMCH	PM1812-1R0J	480	120	0.93	SMP	PM54-121K
450	1	0.5	SMCH	PM1812G-1R0K-RC	480	390	0.69	R	RL895-391K
450	3.9	0.4	MS	9250-392	480	390	1	R	RL622-391K-RC
450	3.9	0.4	MS	9250A-392	480	390	1.3	SMP	PM105-391K
450	5.6	0.23	SMP	PM32-5R6M	480	470	0.62	R	RL824-471K-RC
450	15	0.7	SMCH	PM1812H-150K	480	470	1.2	SMPS	PM1255-471M
450	27	0.55	SMP	PM52-270M	480	680	1.2	SMPS	PM1255H-681M
450	27	1.85	V	74F275AI	480	1200	3.4	R	6000-122K
450	33	2	V	74F335AI	485	0.056	0.28	SMCH	PM205-R056M
450	39	1.85	SMCH	PM10085-390M	489	270	1.63	SMP	PM1355-271K
450	82	1.9	V	4631	490	0.56	0.33	MS	9250-561
450	270	0.86	R	RL8755-271K	490	0.56	0.33	MS	9250A-561
450	270	0.949	SMP	PM104-271K	490	120	0.536	SMP	PM73-121K
450	560	0.69	R	RL824-561K-RC	490	120	0.68	SMPS	PM745B-121K
455	0.56	0.45	SMCH	PM205-R56M	490	132	0.56	SMT	PM3602-33
455	1.8	0.25	CC	78F1R8K	490	220	0.96	SMP	PM75-221K
455	1.8	0.3	M	9130-26	490	270	1.28	R	RL855-271K
460	0.082	0.45	SMCH	PM205-R082M	490	400	0.84	SMT	PM3604-100
460	0.18	0.46	SMCH	PM1008M-R18M-RC	495	0.047	0.26	SMCH	PM205-R047M
460	0.47	0.44	SMCH	PM205-R47M	495	0.56	0.5	CC	8230-14
460	15	0.72	CC	77F150K	495	0.56	0.5	M	9230-14
460	56	0.72	SMPS	PM635B-560L	495	0.68	0.12	CC	78FR68K
460	82	0.463	SMPS	PM5285-820	495	0.68	0.6	M	9130-16
460	220	0.96	SMPS	PM745H-221M	495	2.7	0.5	CC	8230-30
460	330	1.05	R	RL875-331K	495	2.7	0.5	M	9230-30
460	470	1.1	R	RL622-471K-RC	500	0.012	0.27	SMCH	PM1008M-R012M-RC
463	330	1.82	SMP	PM1355-331K	500	0.022	0.22	SMCH	PM0805-22NM
465	0.39	0.4	SMCH	PM205-R39M	500	0.027	0.25	SMCH	PM0805-27NM
470	0.39	1.12	SMCH	PM1008-R39K	500	0.033	0.02	CC	78FR033M
470	0.47	1.19	SMCH	PM1008-R47K	500	0.033	0.27	SMCH	PM0805-33NM
470	12.2	0.137	SMP	PM600-04	500	0.039	0.29	SMCH	PM0805-39NM
470	120	0.9	CC	5300-26	500	0.047	0.31	SMCH	PM0805-47NM
470	150	0.6	SMT	PM3602-150	500	0.056	0.34	SMCH	PM0805-56NK
470	220	0.78	SMPS	PM1055B-221K	500	0.068	0.38	SMCH	PM0805-68NK
470	680	0.897	CM	3000-681	500	0.1	0.06	CC	78FR10M
470	680	1.2	R	RL1105-681K	500	0.12	0.06	CC	78FR12M
470	1800	3.65	R	6100-182K-RC	500	0.15	0.07	CC	78FR15M
475	0.068	0.35	SMCH	PM205-R068M	500	0.22	0.84	SMCH	PM1008-R22K
475	0.33	0.36	SMCH	PM205-R33M	500	0.27	0.33	SMCH	PM205-R27M
475	0.82	0.45	SMCH	PM1812G-R82K-RC	500	0.27	0.91	SMCH	PM1008-R27K
475	0.82	0.45	SMCH	PM1812-R82K	500	0.68	0.4	SMCH	PM1812G-R68K-RC
475	62	1.2	V	4630	500	0.68	0.4	SMCH	PM1812-R68K
480	0.01	0.195	SMCH	PM0402C-10NJ	500	3.9	0.2	SMP	PM32-3R9M
480	0.015	0.31	SMCH	PM1008M-R015M-RC	500	3.9	0.8	V	74F396AP
480	0.019	0.202	SMCH	PM0402C-19NJ	500	10	0.58	CC	77F100K
480	0.15	0.42	SMCH	PM1008M-R15M-RC	500	10	1.5	V	4612
480	2.2	0.26	SMCH	PM1210H-2R2M	500	12	0.6	SMCH	PM1812H-120K
480	3.3	0.35	MS	9250-332	500	15	0.24	SMPS	PM425-150

Coil Type

CC - Conformal coated

R - Radial lead

SMT - Surface mount toroid

CM - Common mode

SMC - Surface mount common mode

T - Toroid

HD - Heavy duty

SMCH - Surface mount, chip

TB - Toroid mounted on base

M - Molded

SMP - Surface mount, power

V - Varnished

MS - Molded, shielded

SMPS - Surface mount, power, shielded

VHD - Varnished heavy duty

BOURNS®

Tel. (877) 426-8767 • Fax (951) 781-5006

www.bourns.com

Selector Guide

Current (mA)	Inductance (µH)	Resistance (ohms)	Coil Type	Part Number	Current (mA)	Inductance (µH)	Resistance (ohms)	Coil Type	Part Number
500	18	0.45	SMP	PM52-180M	530	0.039	0.24	SMCH	PM20S-R039M
500	22	0.5	SMP	PM52-220M	530	8.2	0.52	CC	77F8R2K
500	22	2	V	74F225AI	530	39	0.47	SMPS	PM635B-390L
500	33	1.6	SMCH	PM1008S-330M	530	120	0.65	SMPS	PM735H-121M
500	39	0.384	SMPS	PM428S-390	530	220	0.721	SMP	PM104-221K
500	47	0.23	SMPS	PM1608S-470M	530	470	0.706	CM	3000-471
500	47	0.51	SMPS	PM635B-470L	530	1000	1.7	R	RL110-102K
500	47	0.64	SMP	PM1608-470M	530	1000	2.01	SMPS	PM5022S-102M
500	55	1	V	4629	532	10	1.27	CC	8250-100K
500	56	0.665	SMPS	PM518S-560	535	1.5	0.2	CC	78F1R5K
500	150	0.74	SMPS	PM735H-151M	535	1.5	0.22	M	9130-24
500	150	1.2	SMP	PM3308-151M	535	2.7	0.28	MS	9250-272
500	180	0.57	SMPS	PM1055B-181K	535	2.7	0.28	MS	9250A-272
500	220	0.76	R	RL875S-221K	535	8.2	0.828	CC	8250-8R2K
500	330	0.99	SMPS	PM1245H-331M	540	47	0.595	SMPS	PM518S-470
500	470	1.27	SMP	PM3316-471M	540	82	0.406	SMP	PM73-820K
500	2200	2	HD	5900-222	540	100	0.535	SMPS	PM628S-101
500	5000	1	CM	7353	540	180	0.69	SMPS	PM745H-181M
500	30,000	1.73	CM	7416-RC	540	220	1.04	R	RL855-221K
505	33	0.928	CC	8250-330K	540	330	0.85	R	RL622-331K-RC
508	120	0.283	HD	5800-121	540	560	0.86	SMPS	PM1255H-561M
508	150	0.34	HD	5800-151	545	0.47	0.32	SMCH	PM1812G-R47K-RC
508	180	0.362	HD	5800-181	545	0.47	0.32	SMCH	PM1812-R47K
508	220	0.43	HD	5800-221	545	0.56	0.11	CC	78FR56K
510	47	0.502	V	3500-470K	545	0.56	0.5	M	9130-14
510	100	0.481	SMP	PM73-101K	545	8.2	0.6	M	9310-34
510	100	0.54	SMPS	PM7032S-101M	550	2.2	0.4	CC	8230-28
510	180	0.71	SMP	PM75-181K	550	2.2	0.4	M	9230-28
510	270	0.88	R	RL875-271K	550	6.8	0.48	CC	77F6R8K
510	330	0.61	R	RL895-331K	550	10	0.5	SMCH	PM1812H-100K
510	1000	2.9	R	6000-102K	550	15	0.4	SMP	PM52-150M
510	1500	2.5	R	6100-152K-RC	550	100	0.49	SMPS	PM745B-101K
518	8.2	0.744	V	70F826AI	550	100	0.67	CC	5300-25
520	0.12	0.37	SMCH	PM1008M-R12M-RC	550	150	0.51	SMPS	PM1055B-151K
520	0.56	0.36	SMCH	PM1812G-R56K-RC	550	180	0.57	R	RL875S-181K
520	0.56	0.36	SMCH	PM1812-R56K	550	1000	1.82	SMPS	PM1275H-102M
520	11.2	0.065	SMP	PM620-06	560	0.015	0.172	SMCH	PM0402C-15NJ
520	39	0.587	SMP	PM43-390K	560	6.8	0.75	CC	8250-6R8K
520	47	0.833	SMT	PM7518-470M	560	12	0.21	SMPS	PM42S-120
520	47	0.833	SMT	PM7518-470M	560	33	0.378	SMPS	PM428S-330
520	68	0.355	SMPS	PM528S-680	560	33	0.54	SMP	PM43-330K
520	100	0.7	SMP	PM54-101K	560	100	0.58	SMPS	PM735H-101M
520	300	0.73	SMT	PM3604-300	560	120	0.32	R	RL822-121K-RC
520	330	1.09	SMPS	PM1045H-331	560	180	0.621	SMP	PM104-181K
520	330	1.15	SMP	PM105-331K	560	330	0.5	R	RL824-331K-RC
520	390	0.56	R	RL824-391K-RC	560	820	1.8	R	6000-821K
520	390	1.08	SMPS	PM1255-391M	560	1000	1.8	SMP	PM5022-102M
520	560	0.742	CM	3000-561	565	0.22	0.3	SMCH	PM20S-R22M
520	560	1.1	R	RL110S-561K	565	0.47	0.25	MS	9250-471
525	1.8	0.65	M	9310-18	565	0.47	0.25	MS	9250A-471
526	27	0.85	CC	8250-270K	565	22	0.742	CC	8250-220K
530	0.01	0.26	SMCH	PM1008M-R010M-RC	566	6.8	0.624	V	70F686AI

Coil Type

CC - Conformal coated

R - Radial lead

SMT - Surface mount toroid

CM - Common mode

SMC - Surface mount common mode

T - Toroid

HD - Heavy duty

SMCH - Surface mount, chip

TB - Toroid mounted on base

M - Molded

SMP - Surface mount, power

V - Varnished

MS - Molded, shielded

SMPS - Surface mount, power, shielded

VHD - Varnished heavy duty

BOURNS®

Tel. (877) 426-8767 • Fax (951) 781-5006

www.bourns.com

Selector Guide

Current (mA)	Inductance (µH)	Resistance (ohms)	Coil Type	Part Number	Current (mA)	Inductance (µH)	Resistance (ohms)	Coil Type	Part Number
566	7.5	0.624	V	70F756AI	600	3.3	0.15	SMP	PM32-3R3M
570	39	0.52	SMPS	PMS185-390	600	3.3	0.7	V	74F336AP
570	220	0.63	R	RL875-221K	600	6.8	0.35	SMCH	PM1812H-6R8K
570	270	0.53	R	RL895-271K	600	6.8	0.5	M	9310-32
570	270	0.75	R	RL622-271K-RC	600	8.2	0.4	SMCH	PM1812H-8R2K
570	270	0.97	SMP	PM105-271K	600	8.2	1.2	V	4611
570	330	0.8	SMPS	PM1255-331M	600	10	0.3	SMP	PM52-100M
570	470	0.98	R	RL1105-471K	600	12	0.35	SMP	PM52-120M
570	1200	2.2	R	6100-122K-RC	600	33	0.19	SMPS	PM16085-330M
575	0.39	0.3	SMCH	PM1812-R39K	600	33	0.51	SMP	PM1608-330M
575	0.39	30	SMCH	PM1812G-R39K-RC	600	39	0.65	V	4628
580	0.15	0.7	SMCH	PM1008-R15K	600	82	0.39	SMPS	PM6285-820
580	0.18	0.24	SMCH	PM205-R18M	600	100	0.84	SMP	PM3308-101M
580	1.5	0.2	SMCH	PM1210H-1R5M	600	150	0.51	R	RL8755-151K
580	14.7	0.324	SMP	PM600-05	600	250	0.53	SMT	PM3604-250
580	27	0.261	SMPS	PM4285-270	600	270	0.48	R	RL824-271K-RC
580	56	0.305	SMPS	PMS285-560	600	270	0.88	SMPS	PM1245H-271M
580	82	0.6	CC	5300-24	600	272	0.56	SMT	PM3604-68
580	82	0.6	SMP	PM54-820K	600	330	0.7	SMP	PM3340-331M
580	100	0.28	R	RL822-101K-RC	600	330	1.02	SMP	PM3316-331M
580	100	0.4	SMT	PM3602-100	600	820	1.64	SMPS	PM1275H-821M
580	150	0.64	SMP	PM75-151K	600	1200	1.04	HD	5900-122
580	220	1.16	SMP	PM1355-221K	600	1500	1.18	HD	5900-152
580	470	0.77	SMPS	PM1255H-471M	600	1800	1.56	HD	5900-182
585	0.033	0.18	SMCH	PM205-R033M	600	20,000	1.11	CM	7414-RC
590	0.47	0.35	CC	8230-12	605	0.33	0.28	SMCH	PM1812G-R33K-RC
590	0.47	0.35	M	9230-12	605	0.33	0.28	SMCH	PM1812-R33K
590	1.2	0.18	CC	78F1R2K	610	0.027	0.17	SMCH	PM205-R027M
590	1.2	0.18	M	9130-22	610	10	0.2	SMPS	PM425-100
590	5.6	0.43	CC	77F5R6K	610	33	0.346	V	3500-330K
590	39	0.371	V	3500-390K	610	33	0.41	SMPS	PM635B-330L
590	68	0.332	SMP	PM73-680K	610	68	0.46	SMP	PM54-680K
590	82	0.53	SMPS	PM735H-820M	610	68	0.53	CC	5300-23
590	100	0.39	SMT	PM3602-25	610	150	0.544	SMP	PM104-151K
590	680	1.6	R	6000-681K	612	180	1.04	SMP	PM1355-181K
590	820	1.3	R	RL110-821K	620	0.15	0.22	CC	79FR15M-RC
596	18	0.677	CC	8250-180K	620	0.18	0.77	SMCH	PM1008-R18K
600	0.0022	0.08	SMCH	PM0805-2N2M	620	4.7	0.39	CC	77F4R7K
600	0.0033	0.08	SMCH	PM0805-3N3M	620	27	0.522	SMP	PM43-270M
600	0.0068	0.11	SMCH	PM0805-6N8M	620	47	0.26	SMPS	PM5285-470
600	0.0082	0.12	SMCH	PM0805-8N2M	620	68	0.37	SMPS	PM7032S-680M
600	0.012	0.15	SMCH	PM0805-12NM	620	82	0.43	SMPS	PM745B-820L
600	0.015	0.17	SMCH	PM0805-15NM	620	150	0.54	SMPS	PM745H-151M
600	0.018	0.2	SMCH	PM0805-18NM	620	180	0.89	R	RL855-181K
600	0.033	0.23	SMCH	PM0603-33NJ	620	390	0.515	CM	3000-391
600	0.039	0.25	SMCH	PM0603-39NJ	620	390	0.69	R	RL1105-391K
600	0.047	0.28	SMCH	PM0603-47NJ	620	1000	1.55	R	6100-102K-RC
600	0.056	0.31	SMCH	PM0603-56NJ	630	0.12	0.2	SMCH	PM205-R12M
600	0.068	0.34	SMCH	PM0603-68NJ	630	80	0.34	SMT	PM3602-20
600	0.15	0.2	SMCH	PM205-R15M	630	120	0.37	SMPS	PM1055B-121K
600	0.18	0.24	CC	79FR18M-RC	630	270	0.7	SMPS	PM1255-271M
600	1.5	0.5	M	9310-16	632	100	0.208	HD	5800-101

Coil Type

CC - Conformal coated

R - Radial lead

SMT - Surface mount toroid

CM - Common mode

SMC - Surface mount common mode

T - Toroid

HD - Heavy duty

SMCH - Surface mount, chip

TB - Toroid mounted on base

M - Molded

SMP - Surface mount, power

V - Varnished

MS - Molded, shielded

SMPS - Surface mount, power, shielded

VHD - Varnished heavy duty

BOURNS®

Tel. (877) 426-8767 • Fax (951) 781-5006

www.bourns.com

Selector Guide

Current (mA)	Inductance (µH)	Resistance (ohms)	Coil Type	Part Number	Current (mA)	Inductance (µH)	Resistance (ohms)	Coil Type	Part Number
635	0.27	0.26	SMCH	PM1812G-R27K-RC	670	82	0.25	R	RL822-820K-RC
635	0.27	0.26	SMCH	PM1812-R27K	670	120	0.36	R	RL875S-121K
637	5.6	0.492	V	70F566AI	670	150	0.71	R	RL855-151K
640	0.011	0.12	SMCH	PM0402C-11NJ	670	680	1.46	SMPS	PM1275H-681M
640	0.012	0.12	SMCH	PM0402C-12NJ	680	0.0075	0.104	SMCH	PM0402C-7N5J
640	0.022	0.15	SMCH	PM205-R022M	680	0.0082	0.104	SMCH	PM0402C-8N2J
640	0.39	0.3	CC	8230-10	680	0.009	0.104	SMCH	PM0402C-9N0J
640	0.39	0.3	M	9230-10	680	5.6	0.511	CC	8250-5R6K
640	1.8	0.3	CC	8230-26	680	8.2	0.245	SMPS	PM425-8R2
640	1.8	0.3	M	9230-26	680	22	0.378	SMP	PM43-220M
640	3.9	0.37	CC	77F3R9K	680	47	0.252	SMP	PM73-470M
640	27	0.36	SMPS	PM635B-270M	680	56	0.42	SMP	PM54-560K
640	33	0.556	SMT	PM7518-330M	680	68	0.33	SMPS	PM745B-680L
640	33	0.556	SMT	PM7518-330M	680	330	0.51	SMPS	PM1255H-331M
640	56	0.282	SMP	PM73-560K	680	330	0.51	R	RL110S-331K
640	200	0.48	SMT	PM3604-50	680	470	1.1	R	6000-471K
640	220	0.38	R	RL895-221K	690	0.018	0.13	SMCH	PM205-R018M
640	220	0.65	R	RL622-221K-RC	690	100	0.43	SMPS	PM745H-101M
640	560	1.4	R	6000-561K	690	120	0.396	SMP	PM104-121K
640	680	1.4	SMPS	PM5022S-681M	690	180	0.58	R	RL622-181K-RC
650	0.1	0.56	SMCH	PM1008-R10K	690	330	0.415	CM	3000-331
650	0.12	0.68	SMCH	PM1008-R12K	690	820	1.44	R	6100-821K-RC
650	0.47	0.1	CC	78FR47K	700	0.0022	0.08	SMCH	PM0603-2N2
650	0.47	0.35	M	9130-12	700	0.0039	0.08	SMCH	PM0603-3N9
650	1.2	0.42	M	9310-14	700	0.0047	0.13	SMCH	PM0603-4N7
650	2.2	0.19	MS	9250-222	700	0.0068	0.11	SMCH	PM0603-6N8J
650	2.2	0.19	MS	9250A-222	700	0.0082	0.11	SMCH	PM0603-8N2J
650	4.7	0.27	SMCH	PM1812H-4R7K	700	0.01	0.15	SMCH	PM0603-10NJ
650	5.6	0.3	SMCH	PM1812H-5R6K	700	0.012	0.13	SMCH	PM0603-12NJ
650	8.2	0.15	SMP	PMS2-8R2M	700	0.015	0.17	SMCH	PM0603-15NJ
650	22	1.4	SMCH	PM1008S-220M	700	0.018	0.17	SMCH	PM0603-18NJ
650	33	0.386	SMPS	PMS18S-330	700	0.022	0.19	SMCH	PM0603-22NJ
650	56	0.47	CC	5300-22	700	0.027	0.23	SMCH	PM0603-27NJ
650	68	0.304	SMPS	PM628S-680	700	0.1	0.18	CC	79FR10M-RC
650	100	0.358	SMPS	PM638S-101	700	0.18	0.24	SMCH	PM1812G-R18K-RC
650	200	0.47	SMT	PM3604-200	700	0.18	0.24	SMCH	PM1812-R18K
650	390	0.69	SMPS	PM1255H-391M	700	0.39	0.09	CC	78FR39K
650	680	1.1	R	RL110-681K	700	0.39	0.3	M	9130-10
658	150	0.9	SMP	PM135S-151K	700	2.7	0.5	V	74F276AP
660	0.12	0.2	CC	79FR12M-RC	700	3.9	0.24	SMCH	PM1812H-3R9K
660	120	0.47	SMPS	PM745H-121M	700	6.2	0.83	V	4610
660	120	0.47	SMP	PM75-121K	700	6.8	0.14	SMP	PM52-6R8M
660	180	0.57	R	RL875-181K	700	15	1.15	SMCH	PM1008S-150M
660	220	0.73	SMP	PM105-221K	700	22	0.11	SMPS	PM1608S-220M
661	4.7	0.457	V	70F476AI	700	22	0.235	SMPS	PM428S-220
665	0.22	0.25	SMCH	PM1812G-R22K-RC	700	27	0.265	V	3500-270K
665	0.22	0.25	SMCH	PM1812-R22K	700	39	0.212	SMPS	PM528S-390
670	0.39	0.18	MS	9250-391	700	56	0.37	SMPS	PM735H-560M
670	0.39	0.18	MS	9250A-391	700	68	0.22	R	RL822-680K-RC
670	3.3	0.34	CC	77F3R3K	700	68	0.66	SMP	PM3308-680M
670	21.6	0.202	SMP	PM610-03	700	82	0.324	SMPS	PM638S-820
670	68	0.41	SMPS	PM735H-680M	700	220	0.44	SMP	PM3340-221M

Coil Type

CC - Conformal coated	CM - Common mode	HD - Heavy duty	M - Molded	MS - Molded, shielded
R - Radial lead	SMC - Surface mount common mode	SMCH - Surface mount, chip	SMP - Surface mount, power	SMPS - Surface mount, power, shielded
SMT - Surface mount toroid	T - Toroid	TB - Toroid mounted on base	V - Varnished	VHD - Varnished heavy duty



Tel. (877) 426-8767 • Fax (951) 781-5006

www.bourns.com

Selector Guide

Current (mA)	Inductance (µH)	Resistance (ohms)	Coil Type	Part Number	Current (mA)	Inductance (µH)	Resistance (ohms)	Coil Type	Part Number
700	220	0.52	SMPS	PM1255-221M	760	47	0.35	CC	5300-21
700	220	0.756	SMPS	PM1045H-221	760	56	0.2	R	RL822-560K-RC
700	45,000	1.18	CM	7518-RC	760	56	0.29	SMPS	PM745B-560L
710	4.7	0.168	CC	8250-4R7K	760	120	0.59	R	RL855-121K
710	47	0.29	SMPS	PM7032S-470M	760	270	0.345	CM	3000-271
710	180	0.31	R	RL895-181K	760	680	1.09	R	6100-681K-RC
710	560	1	R	RL110-561K	770	0.12	0.2	SMCH	PM1812G-R12K-RC
720	0.015	0.12	SMCH	PM205-R015M	770	0.12	0.2	SMCH	PM1812-R12K
720	2.7	0.3	CC	77F2R7K	770	1	0.16	SMCH	PM1210H-1R0M
720	18	0.166	SMPS	PM4285-180	770	180	0.48	SMPS	PM1255-181M
720	47	0.37	SMP	PM54-470L	775	1.8	0.14	MS	9250-182
720	68	0.26	SMT	PM3602-68	775	1.8	0.14	MS	9250A-182
720	100	0.34	SMPS	PM1055B-101K	780	0.33	0.13	MS	9250-331
720	100	0.43	SMP	PM75-101K	780	0.33	0.13	MS	9250A-331
720	150	0.42	R	RL875-151K	780	0.33	0.2	CC	8230-08
720	180	0.63	SMP	PM105-181K	780	0.33	0.2	M	9230-08
720	680	1.2	SMP	PM5022-681M	780	10	0.95	SMCH	PM1008S-100M
725	0.82	0.45	CC	8250-R82K	780	18	0.25	SMPS	PM635B-180M
730	0.15	0.22	SMCH	PM1812G-R15K-RC	780	50	0.22	SMT	PM3602-50
730	0.15	0.22	SMCH	PM1812-R15K	780	82	0.37	SMP	PM75-820K
730	56	0.277	SMPS	PM6285-560	780	150	0.32	SMT	PM3604-150
730	60	0.25	SMT	PM3602-15	780	150	0.47	SMP	PM105-151K
730	470	1.08	SMPS	PM5022S-471M	780	330	0.85	R	6000-331K
730	560	1.07	SMPS	PM1275H-561M	780	470	0.71	R	RL110-471K
740	18	0.338	SMP	PM43-180M	790	0.68	0.382	CC	8250-R68K
740	39	0.217	SMP	PM73-390M	790	1.8	0.25	CC	77F1R8K
740	100	0.32	R	RL875S-101K	790	47	0.17	R	RL822-470K-RC
740	100	0.344	SMP	PM104-101K	790	82	0.28	SMPS	PM1055B-820L
740	150	0.27	R	RL895-151K	790	220	0.316	CM	3000-221
740	390	1	R	6000-391K	790	470	0.98	SMPS	PM1275H-471M
745	1.5	0.22	CC	8230-24	793	100	0.62	SMP	PM1355-101K
745	1.5	0.22	M	9230-24	800	0.001	0.2	SMCH	PM0603T-1N0-RC
750	0.012	0.11	SMCH	PM205-R012M	800	0.0012	0.2	SMCH	PM0603T-1N2-RC
750	2.2	0.08	SMP	PM32-2R2M	800	0.0015	0.2	SMCH	PM0603T-1N5-RC
750	2.2	0.28	CC	77F2R2K	800	0.0051	0.083	SMCH	PM0402C-5N1J
750	2.7	0.1	SMP	PM32-2R7M	800	0.1	0.18	SMCH	PM1812G-R10K-RC
750	3.3	0.22	SMCH	PM1812H-3R3K	800	0.1	0.18	SMCH	PM1812-R10K
750	5.6	0.32	M	9310-30	800	1.8	0.06	SMP	PM32-1R8M
750	22	0.23	V	3500-220K	800	2.2	0.3	V	74F226AP
750	27	0.33	SMPS	PM518S-270	800	2.4	0.012	SMPS	PM1275H-2R4N
750	33	0.189	SMPS	PM528S-330	800	2.7	0.2	SMCH	PM1812H-2R7K
750	68	0.234	SMPS	PM638S-680	800	5.6	0.17	SMPS	PM425-5R6
750	150	0.37	R	RL622-151K-RC	800	15	0.09	SMPS	PM1608S-150M
750	270	0.36	R	RL110S-271K	800	22	0.29	SMPS	PM518S-220
750	270	0.46	SMPS	PM1255H-271M	800	22	0.36	SMT	PM7518-220M
755	120	0.684	SMP	PM1355-121K	800	22	0.36	SMT	PM7518-220M
760	0.0056	0.083	SMCH	PM0402C-5N6J	800	22	0.37	SMP	PM1608-220M
760	0.0062	0.083	SMCH	PM0402C-6N2J	800	24	0.34	V	4626
760	6.8	0.2	SMPS	PM425-6R8	800	39	0.32	SMP	PM54-390L
760	14.2	0.094	SMP	PM620-07	800	47	0.238	SMPS	PM628S-470
760	15	0.149	SMPS	PM428S-150	800	47	0.27	SMPS	PM745B-470L
760	22	0.32	SMPS	PM635B-220M	800	47	0.39	SMP	PM3308-470M

Coil Type

CC - Conformal coated

R - Radial lead

SMT - Surface mount toroid

CM - Common mode

SMC - Surface mount common mode

T - Toroid

HD - Heavy duty

SMCH - Surface mount, chip

TB - Toroid mounted on base

M - Molded

SMP - Surface mount, power

V - Varnished

MS - Molded, shielded

SMPS - Surface mount, power, shielded

VHD - Varnished heavy duty

BOURNS®

Tel. (877) 426-8767 • Fax (951) 781-5006

www.bourns.com

Selector Guide

Current (mA)	Inductance (µH)	Resistance (ohms)	Coil Type	Part Number	Current (mA)	Inductance (µH)	Resistance (ohms)	Coil Type	Part Number
800	47	0.472	SMPS	PM3316S-470M	850	6.8	0.6	SMCH	PM1008S-6R8M
800	132	0.31	SMT	PM3604-33	850	15	0.235	SMP	PM43-150M
800	220	0.4	SMPS	PM125SH-221M	850	18	0.18	V	3500-180K
800	220	0.61	SMP	PM3316-221M	850	18	0.21	SMPS	PM518S-180
800	220	0.7	SMPS	PM124SH-221M	850	27	0.175	SMPS	PM528S-270
800	470	0.636	HD	1110-471K	850	33	0.17	SMP	PM73-330M
800	560	0.696	HD	1110-561K	850	56	0.202	SMPS	PM638S-560
800	820	0.655	HD	5900-821	850	68	0.21	SMPS	PM105SB-680L
800	1000	0.844	HD	5900-102	850	68	0.28	SMP	PM75-680K
800	1200	1.14	HD	1120-122K	850	82	0.252	SMP	PM104-820K
800	1500	1.26	HD	1120-152K	850	150	0.4	SMPS	PM125S-151M
800	1800	1.39	HD	1120-182K	850	150	0.506	SMPS	PM104SH-151
800	2200	1.54	HD	1120-222K	850	180	0.25	R	RL824-181K-RC
800	10,000	0.5	CM	7412-RC	850	180	0.62	SMPS	PM124SH-181M
800	30,000	0.76	CM	7516-RC	850	2000	0.4	CM	7352
804	39	0.094	HD	5800-390	850	2500	2.04	HD	5609
804	47	0.109	HD	5800-470	855	0.27	0.11	MS	9250-271
804	56	0.14	HD	5800-560	855	0.27	0.11	MS	9250A-271
804	68	0.145	HD	5800-680	860	15	0.18	SMPS	PM635B-150M
804	82	0.152	HD	5800-820	860	39	0.21	SMPS	PM628S-390
810	0.01	0.1	SMCH	PM20S-R010M	860	330	0.78	SMPS	PM5022S-331M
810	82	0.27	R	RL875S-820K	860	390	0.65	R	RL110-391K
810	82	0.32	SMPS	PM745H-820M	870	0.75	0.264	V	70F757AP
810	100	0.52	R	RL85S-101K	870	3.9	0.264	V	70F396AI
810	120	0.36	R	RL875-121K	870	6.5	0.137	SMP	PM600-06
810	180	0.259	CM	3000-181	870	39	0.24	SMPS	PM73SH-390M
815	0.33	0.08	CC	78FR33K	870	68	0.27	SMPS	PM745H-680M
815	0.33	0.22	M	9130-08	875	0.27	0.16	CC	8230-06
815	1.5	0.12	MS	9250-152	875	0.27	0.16	M	9230-06
815	1.5	0.12	MS	9250A-152	880	1.2	0.21	CC	77F1R2K
815	3.9	0.354	CC	8250-3R9K	880	3.9	0.155	SMPS	PM42S-3R9
820	47	0.27	SMPS	PM735SH-470M	880	10.9	0.324	SMP	PM600-07
820	120	0.22	R	RL89S-121K	880	15	0.3	SMT	PM7518-150M
820	220	0.28	R	RL824-221K-RC	880	15	0.3	SMT	PM7518-150M
820	470	0.85	SMP	PM5022-471M	880	33	0.23	SMP	PM54-330L
825	1.2	0.18	CC	8230-22	880	39	0.26	CC	5300-20
825	1.2	0.18	M	9230-22	880	390	0.7	SMPS	PM127SH-391M
830	0.82	0.29	V	70F827AP	890	68	0.21	R	RL875S-680K
830	1	0.29	M	9310-12	890	100	0.28	R	RL875-101K
830	1.5	0.23	CC	77F1R5K	890	120	0.4	SMP	PM105-121K
830	220	0.29	R	RL110S-221K	895	1.2	0.1	MS	9250-122
830	560	0.87	R	6100-561K-RC	895	1.2	0.1	MS	9250A-122
840	0.0033	0.066	SMCH	PM0402C-3N3	900	0.56	0.29	CC	8250-R56K
840	0.0036	0.066	SMCH	PM0402C-3N6	900	0.82	0.22	M	9310-10
840	0.0039	0.066	SMCH	PM0402C-3N9	900	1.5	0.25	V	74F156AP
840	4.7	0.162	SMPS	PM42S-4R7	900	1.8	0.16	SMCH	PM1812H-1R8K
840	8.2	0.147	SMP	PM43-8R2M	900	22	0.122	SMPS	PM528S-220
840	12	0.132	SMPS	PM428S-120	900	33	0.22	SMPS	PM73SH-330M
840	120	0.32	R	RL622-121K-RC	900	100	0.19	R	RL89S-101K
850	1.8	0.28	V	74F186AP	900	150	0.34	SMP	PM3340-151M
850	2.2	0.18	SMCH	PM1812H-2R2K	900	180	0.29	SMPS	PM125SH-181M
850	5.5	0.67	V	4609	900	270	0.75	R	6000-271K

Coil Type

CC - Conformal coated

R - Radial lead

SMT - Surface mount toroid

CM - Common mode

SMC - Surface mount common mode

T - Toroid

HD - Heavy duty

SMCH - Surface mount, chip

TB - Toroid mounted on base

M - Molded

SMP - Surface mount, power

V - Varnished

MS - Molded, shielded

SMPS - Surface mount, power, shielded

VHD - Varnished heavy duty

BOURNS®

Tel. (877) 426-8767 • Fax (951) 781-5006

www.bourns.com

Selector Guide

Current (mA)	Inductance (µH)	Resistance (ohms)	Coil Type	Part Number	Current (mA)	Inductance (µH)	Resistance (ohms)	Coil Type	Part Number
900	470	0.77	R	6100-471K-RC	990	150	0.204	CM	3000-151
900	8000	0.44	CM	7410-RC	996	68	0.418	SMP	PM1355-680K
910	15	0.158	V	3500-150K	1000	0.01	0.08	SMCH	PM1008-10NM
910	33	0.24	CC	5300-19	1000	0.012	0.09	SMCH	PM1008-12NM
910	39	0.18	SMPS	PM745B-390L	1000	0.015	0.1	SMCH	PM1008-15NM
910	68	0.223	SMP	PM104-680K	1000	0.018	0.11	SMCH	PM1008-18NM
910	100	0.28	R	RL622-101K-RC	1000	0.022	0.12	SMCH	PM1008-22NM
912	3.3	0.24	V	70F336AI	1000	0.027	0.13	SMCH	PM1008-27NM
913	82	0.468	SMP	PM1355-820K	1000	0.033	0.14	SMCH	PM1008-33NM
920	1	0.17	CC	77F1R0K	1000	0.039	0.15	SMCH	PM1008-39NM
920	40	0.16	SMT	PM3602-10	1000	0.047	0.16	SMCH	PM1008-47NM
920	150	0.22	R	RL824-151K-RC	1000	0.056	0.18	SMCH	PM1008-56NK
920	180	0.26	R	RL1105-181K	1000	0.068	0.2	SMCH	PM1008-68NK
930	56	0.19	SMPS	PM1055B-560L	1000	0.082	0.22	SMCH	PM1008-82NK
930	56	0.24	SMPS	PM745H-560M	1000	0.68	0.2	V	70F687AP
930	82	0.4	R	RL855-820K	1000	1	0.2	V	74F106AP
930	330	0.52	R	RL110-331K	1000	1.2	0.12	SMCH	PM1812H-1R2K
935	0.22	0.14	CC	8230-04	1000	3.9	0.09	SMP	PM52-3R9M
935	0.22	0.14	M	9230-04	1000	3.9	0.45	V	4608
940	12	0.16	SMPS	PM635B-120M	1000	4.7	0.1	SMP	PM52-4R7M
940	27	0.153	SMP	PM73-270M	1000	4.7	0.35	SMCH	PM10085-4R7M
940	56	0.24	SMP	PM75-560K	1000	5.6	0.11	SMP	PM52-5R6M
940	120	0.19	R	RL824-121K-RC	1000	5.6	0.4	SMCH	PM10085-5R6M
950	0.27	0.08	CC	78FR27K	1000	10	0.075	SMPS	PM16085-100M
950	1.2	0.22	V	74F126AP	1000	10	0.12	V	3500-100K
950	1.5	0.15	SMCH	PM1812H-1R5K	1000	10	0.128	SMPS	PM4285-100
950	3.3	0.26	CC	8250-3R3K	1000	10	0.14	SMPS	PM635B-100M
950	6.8	0.132	SMP	PM43-6R8M	1000	15	0.17	V	4624
950	27	0.22	CC	5300-18	1000	18	0.11	SMPS	PM5285-180
950	32	0.15	SMT	PM3602-8	1000	22	0.13	SMPS	PM7032S-220M
950	47	0.155	SMPS	PM638S-470	1000	22	0.19	CC	5300-17
950	120	0.28	SMPS	PM125S-121M	1000	39	0.138	SMPS	PM638S-390
950	150	0.53	SMPS	PM1245H-151M	1000	47	0.14	SMPS	PM1055B-470L
950	330	0.64	SMPS	PM1275H-331M	1000	68	0.34	R	RL855-680K
960	0.0022	0.07	SMCH	PM0402C-2N2	1000	82	0.16	R	RL895-820K
960	0.27	0.16	M	9130-06	1000	82	0.24	R	RL875-820K
960	10.6	0.094	SMP	PM610-04	1000	82	0.25	SMP	PM105-820K
960	12	0.14	V	3500-120K	1000	150	0.23	SMPS	PM1255H-151M
960	100	0.22	SMT	PM3604-25	1000	150	0.23	R	RL1105-151K
970	12	0.21	SMP	PM43-120M	1000	150	0.4	SMP	PM3316-151M
970	15	0.196	SMPS	PM518S-150	1000	220	0.65	R	6000-221K
970	27	0.2	SMP	PM54-270M	1000	270	0.4	R	RL110-271K
970	33	0.165	SMPS	PM628S-330	1000	330	0.56	SMP	PM5022-331M
970	33	0.18	SMPS	PM745B-330L	1000	390	0.46	HD	1110-391K
970	100	0.35	SMP	PM105-101K	1000	390	0.64	R	6100-391K-RC
980	10	0.24	SMT	PM7518-100M	1000	560	0.42	HD	5900-561
980	10	0.24	SMT	PM7518-100M	1000	600	0.04	CM	7101
980	27	0.19	SMPS	PM735H-270M	1000	680	0.548	HD	5900-681
980	33	0.14	SMT	PM3602-33	1000	1000	0.06	CM	7102
980	100	0.21	SMT	PM3604-100	1000	1000	0.55	VHD	5258
990	5.6	0.126	SMP	PM43-5R6M	1000	1000	0.818	HD	1120-102K
990	56	0.19	R	RL875S-560K	1000	2000	0.07	CM	7103

Coil Type

CC - Conformal coated

R - Radial lead

SMT - Surface mount toroid

CM - Common mode

SMC - Surface mount common mode

T - Toroid

HD - Heavy duty

SMCH - Surface mount, chip

TB - Toroid mounted on base

M - Molded

SMP - Surface mount, power

V - Varnished

MS - Molded, shielded

SMPS - Surface mount, power, shielded

VHD - Varnished heavy duty

BOURNS®

Tel. (877) 426-8767 • Fax (951) 781-5006

www.bourns.com

Selector Guide

Current (mA)	Inductance (µH)	Resistance (ohms)	Coil Type	Part Number	Current (mA)	Inductance (µH)	Resistance (ohms)	Coil Type	Part Number
1000	2000	1.67	TB	7025	1100	18	0.16	CC	5300-16
1000	3000	0.1	CM	7104	1100	33	0.124	SMPS	PM638S-330
1000	3900	1.67	HD	1130-392K	1100	33	0.3	SMP	PM3308-330M
1000	4700	1.86	HD	1130-472K	1100	33	0.334	SMPS	PM3316S-330M
1000	5000	0.125	CM	7105	1100	39	0.12	SMPS	PM105SB-390L
1000	8000	3.34	T	5725	1100	39	0.16	SMP	PM75-390K
1000	8000	3.34	TB	6725	1100	47	0.17	SMP	PM104-470K
1000	20,000	0.25	SMC	PM3700-80	1100	47	0.17	R	RL875S-470L
1000	20,000	0.49	CM	7514-RC	1100	47	0.18	SMP	PM75-470K
1008	33	0.075	HD	5800-330	1100	56	0.31	R	RL85S-560K
1010	0.18	0.12	CC	8230-02	1100	60	0.16	SMT	PM3604-15
1010	0.18	0.12	M	9230-02	1100	68	0.14	R	RL89S-680K
1010	56	0.199	SMP	PM104-560K	1100	68	0.2	R	RL87S-680K
1010	80	0.2	SMT	PM3604-20	1100	82	0.23	R	RL622-820K-RC
1020	100	0.18	R	RL824-101K-RC	1100	120	0.17	SMPS	PM125SH-121M
1025	0.22	0.08	CC	78FR22K	1100	120	0.21	R	RL110S-121K
1025	0.22	0.14	M	9130-04	1100	120	0.38	SMPS	PM124SH-121M
1030	56	0.37	SMP	PM135S-560K	1100	220	0.34	R	RL110-221K
1040	0.002	0.07	SMCH	PM0402C-2N0	1100	220	0.47	SMPS	PM5022S-221M
1040	3.3	0.11	SMPS	PM42S-3R3	1100	330	0.6	R	6100-331K-RC
1040	8.2	0.118	SMPS	PM428S-8R2	1100	5000	0.28	CM	7408-RC
1040	10	0.182	SMP	PM43-100M	1105	0.18	0.12	M	9130-02
1040	82	0.14	R	RL824-820K-RC	1110	9.3	0.094	SMP	PM620-09
1050	1	0.11	SMCH	PM1812H-1R0K	1110	22	0.18	SMP	PM54-220M
1050	27	0.142	SMPS	PM628S-270	1110	39	0.17	SMPS	PM745H-390M
1050	100	0.25	SMPS	PM125S-101M	1110	68	0.22	SMP	PM10S-680K
1060	0.47	0.218	CC	8250-R47K	1120	6.8	0.109	SMPS	PM428S-6R8
1060	27	0.16	SMPS	PM745B-270M	1120	18	0.111	SMP	PM73-180M
1060	270	0.56	SMPS	PM127SH-271M	1120	22	0.13	SMPS	PM745B-220M
1070	1	0.07	MS	9250-102	1130	2.7	0.184	CC	8250-2R7K
1070	1	0.07	MS	9250A-102	1130	100	0.155	CM	3000-101
1070	22	0.129	SMP	PM73-220M	1132	2.2	0.156	V	70F226AI
1080	47	0.18	SMPS	PM745H-470M	1140	39	0.1	R	RL822-390K-RC
1080	180	0.58	R	6000-181K	1140	82	0.2	SMPS	PM125S-820M
1090	47	0.33	SMP	PM135S-470K	1150	4.7	0.109	SMP	PM43-4R7M
1090	120	0.166	CM	3000-121	1150	150	0.37	R	6000-151K
1091	2.7	0.168	V	70F276AI	1160	33	0.11	SMPS	PM105SB-330L
1100	0.1	0.07	CC	8230-94	1160	220	0.39	SMPS	PM127SH-221M
1100	0.1	0.07	M	9230-94	1170	5.6	0.101	SMPS	PM428S-5R6
1100	0.12	0.08	CC	8230-96	1170	22	0.13	SMPS	PM735H-220M
1100	0.12	0.08	M	9230-96	1170	25	0.098	SMT	PM3602-25
1100	0.15	0.1	CC	8230-00	1170	33	0.09	R	RL822-330K-RC
1100	0.15	0.1	M	9230-00	1170	56	0.19	SMP	PM10S-560K
1100	0.22	0.067	MS	9250-221	1180	4.7	0.18	SMT	PM7518-4R7M
1100	0.22	0.067	MS	9250A-221	1180	4.7	0.18	SMT	PM7518-4R7M
1100	0.68	0.15	M	9310-08	1180	270	0.52	R	6100-271K-RC
1100	6.8	0.065	SMP	PM620-08	1190	68	0.14	SMT	PM3604-68
1100	6.8	0.113	V	3500-6R8M	1200	0.15	0.1	M	9130-00
1100	8.2	0.116	V	3500-8R2M	1200	3.9	0.26	SMCH	PM1008S-3R9M
1100	10	0.16	SMP	PM1608-100M	1200	5.6	0.092	V	3500-5R6M
1100	12	0.153	SMPS	PMS18S-120	1200	6.8	0.065	SMPS	PM1608S-6R8M
1100	15	0.103	SMPS	PMS28S-150	1200	10	0.124	SMPS	PMS18S-100

Coil Type

CC - Conformal coated

R - Radial lead

SMT - Surface mount toroid

CM - Common mode

SMC - Surface mount common mode

T - Toroid

HD - Heavy duty

SMCH - Surface mount, chip

TB - Toroid mounted on base

M - Molded

SMP - Surface mount, power

V - Varnished

MS - Molded, shielded

SMPS - Surface mount, power, shielded

VHD - Varnished heavy duty

BOURNS®

Tel. (877) 426-8767 • Fax (951) 781-5006

www.bourns.com

Selector Guide

Current (mA)	Inductance (µH)	Resistance (ohms)	Coil Type	Part Number	Current (mA)	Inductance (µH)	Resistance (ohms)	Coil Type	Part Number
1200	12	0.076	SMPS	PM5285-120	1280	10	0.033	HD	5800-100
1200	15	0.09	SMPS	PM7032S-150M	1280	12	0.037	HD	5800-120
1200	15	0.15	CC	5300-15	1280	15	0.04	HD	5800-150
1200	15	0.23	SMP	PM1608-150M	1280	18	0.044	HD	5800-180
1200	20	0.092	SMT	PM3602-5	1280	22	0.05	HD	5800-220
1200	22	0.128	SMPS	PM6285-220	1280	27	0.058	HD	5800-270
1200	27	0.109	SMPS	PM6385-270	1280	47	0.17	SMP	PM105-470K
1200	33	0.13	SMP	PM75-330K	1280	50	0.12	SMT	PM3604-50
1200	39	0.15	R	RL875S-390L	1290	2.2	0.142	CC	8250-2R2K
1200	39	0.151	SMP	PM104-390M	1290	18	0.1	SMPS	PM745B-180M
1200	47	0.24	R	RL855-470K	1290	22	0.07	R	RL822-220K-RC
1200	56	0.11	R	RL895-560K	1290	47	0.11	R	RL824-470K-RC
1200	56	0.18	R	RL875-560K	1300	0.18	0.047	MS	9250-181
1200	68	0.17	SMP	PM3340-680M	1300	0.18	0.047	MS	9250A-181
1200	68	0.21	R	RL622-680K-RC	1300	2.7	0.14	SMCH	PM1008S-2R7M
1200	100	0.19	R	RL1105-101K	1300	10	0.065	SMPS	PM528S-100
1200	100	0.22	SMP	PM3340-101M	1300	11.6	0.202	SMP	PM610-05
1200	100	0.31	SMPS	PM1245H-101M	1300	15	0.14	SMP	PM54-150M
1200	220	0.328	SMPS	PM12565S-221M	1300	22	0.096	SMPS	PM638S-220
1200	220	0.38	SMP	PM5022-221M	1300	22	0.207	SMPS	PM3316S-220M
1200	470	0.38	HD	5900-471	1300	22	0.23	SMP	PM3308-220M
1200	1000	0.22	CM	7351	1300	27	0.12	SMP	PM75-270K
1220	0.39	0.161	CC	8250-R39K	1300	33	0.14	R	RL875S-330L
1220	0.56	0.135	M	9310-07	1300	39	0.14	R	RL875-390K
1220	27	0.08	R	RL822-270K-RC	1300	39	0.21	R	RL855-390K
1220	33	0.14	SMPS	PM745H-330M	1300	47	0.1	R	RL895-470K
1225	0.47	0.12	M	9310-06	1300	47	0.15	R	RL875-470K
1230	8.5	0.324	SMP	PM600-09	1300	58	0.18	R	RL622-560K-RC
1230	18	0.15	SMP	PM54-180M	1300	82	0.23	R	6000-820K
1230	27	0.14	SMPS	PM745H-270M	1300	82	0.26	SMPS	PM1245H-820M
1240	15	0.104	SMP	PM73-150M	1300	100	0.16	SMPS	PM1255H-101M
1240	68	0.13	R	RL824-680K-RC	1300	100	0.28	SMP	PM3316-101M
1250	8.9	0.116	SMPS	PM518S-8R9	1300	150	0.293	SMPS	PM5022S-151M
1250	20	0.086	SMT	PM3602-20	1300	180	0.31	R	RL110-181K
1250	39	0.25	SMP	PM1355-390K	1300	180	0.35	SMPS	PM1275H-181M
1250	56	0.12	R	RL824-560K-RC	1300	330	0.336	HD	1110-331K
1250	100	0.304	SMPS	PM1045H-101	1300	820	0.59	HD	1120-821K
1250	120	0.32	R	6000-121K	1300	1000	0.4	T	2124-
1250	1125	1.32	TB	7020	1300	1000	0.801	HD	5608
1250	4500	2.64	T	5720	1300	2200	1.02	HD	1130-222K
1250	4500	2.64	TB	6720	1300	2700	1.14	HD	1130-272K
1260	18	0.11	SMPS	PM735H-180M	1300	3300	1.27	HD	1130-332K
1260	33	0.12	SMP	PM104-330M	1300	10,000	2.76	HD	1140-103K
1260	68	0.17	SMPS	PM1255-680M	1300	12,000	3.04	HD	1140-123K
1264	0.47	0.125	V	70F477AP	1300	15,000	3.39	HD	1140-153K
1270	0.12	0.09	M	9130-96	1320	2.2	0.075	SMPS	PM425-2R2
1280	2.7	0.105	SMPS	PM425-2R7	1320	4.7	0.072	SMPS	PM428S-4R7
1280	3.9	0.019	HD	5800-3R9	1320	4.9	0.137	SMP	PM600-08
1280	4.7	0.022	HD	5800-4R7	1320	18	0.095	SMPS	PM628S-180
1280	5.6	0.024	HD	5800-5R6	1320	27	0.1	SMPS	PM1055B-270M
1280	6.8	0.026	HD	5800-6R8	1320	220	0.35	R	6100-221K-RC
1280	8.2	0.028	HD	5800-8R2	1330	3.9	0.094	SMP	PM43-3R9M

Coil Type

CC - Conformal coated

R - Radial lead

SMT - Surface mount toroid

CM - Common mode

SMC - Surface mount common mode

T - Toroid

HD - Heavy duty

SMCH - Surface mount, chip

TB - Toroid mounted on base

M - Molded

SMP - Surface mount, power

V - Varnished

MS - Molded, shielded

SMPS - Surface mount, power, shielded

VHD - Varnished heavy duty

BOURNS®

Tel. (877) 426-8767 • Fax (951) 781-5006

www.bourns.com

Selector Guide

Current (mA)	Inductance (µH)	Resistance (ohms)	Coil Type	Part Number	Current (mA)	Inductance (µH)	Resistance (ohms)	Coil Type	Part Number
1330	33	0.222	SMP	PM1355-330K	1500	1	0.03	SMP	PM52-1R0M
1350	0.1	0.08	M	9130-94	1500	1	0.04	SMP	PM32-1R0M
1350	15	0.099	SMPS	PM735H-150M	1500	1.4	0.04	SMP	PM52-1R4M
1350	40	0.11	SMT	PM3604-10	1500	1.4	0.05	SMP	PM32-1R4M
1360	0.001	0.045	SMCH	PM0402C-1N0	1500	1.8	0.05	SMP	PM52-1R8M
1360	68	0.21	R	6000-680K	1500	2.2	0.06	SMP	PM52-2R2M
1370	39	0.14	SMP	PM105-390M	1500	2.4	0.19	V	4606
1380	56	0.15	SMPS	PM1255-560M	1500	2.7	0.07	SMP	PM52-2R7M
1390	2.2	0.13	SMT	PM7518-2R2M	1500	3.3	0.08	SMP	PM52-3R3M
1390	2.2	0.13	SMT	PM7518-2R2M	1500	4.7	0.053	V	3500-4R7M
1390	12	0.09	SMP	PM73-120M	1500	4.7	0.09	SMP	PM1608-4R7M
1390	15	0.08	SMPS	PM745B-150M	1500	8.2	0.087	CC	5300-12
1400	0.33	0.09	M	9310-04	1500	10	0.064	SMPS	PM70325-100M
1400	0.33	0.122	CC	8250-R33K	1500	10	0.095	CC	5300-13
1400	4.7	0.06	SMPS	PM1608S-4R7M	1500	10	0.11	V	4622
1400	6.2	0.096	SMPS	PM518S-6R2	1500	15	0.15	SMP	PM3308-150M
1400	6.8	0.13	SMP	PM1608-6R8M	1500	15	0.15	SMPS	PM3316S-150M
1400	7.9	0.094	SMP	PM620-11	1500	18	0.092	SMPS	PM638S-180
1400	12	0.11	CC	5300-14	1500	22	0.11	SMP	PM75-220K
1400	12	0.12	SMP	PM54-120M	1500	32	0.096	SMT	PM3604-8
1400	15	0.084	SMPS	PM628S-150	1500	33	0.12	SMP	PM105-330M
1400	22	0.11	SMPS	PM745H-220M	1500	33	0.13	R	RL875-330K
1400	33	0.07	R	RL895-330K	1500	39	0.1	R	RL622-390K-RC
1400	33	0.17	R	RL855-330K	1500	47	0.12	SMPS	PM1255-470M
1400	39	0.08	R	RL895-390K	1500	68	0.12	SMPS	PM1255H-680M
1400	39	0.095	R	RL824-390K-RC	1500	68	0.15	R	RL110S-680K
1400	47	0.16	R	RL622-470K-RC	1500	68	0.2	SMP	PM3316-680M
1400	82	0.14	SMPS	PM1255H-820M	1500	68	0.22	SMPS	PM1245H-680M
1400	82	0.16	R	RL110S-820K	1500	112.5	0.245	TB	7005
1400	100	0.28	R	6000-101K	1500	120	0.2	R	RL110-121K
1400	150	0.23	R	RL110-151K	1500	150	0.25	SMP	PM5022-151M
1400	680	0.33	T	2122-	1500	250	0.47	TB	7010
1400	820	0.37	T	2123-	1500	400	0.64	TB	7015
1420	22	0.08	SMPS	PM1055B-220M	1500	450	0.49	T	5705
1420	68	0.213	SMPS	PM1045H-680	1500	450	0.49	TB	6705
1420	150	0.28	SMPS	PM1275H-151M	1500	500	0.12	CM	7350
1440	3.3	0.087	SMP	PM43-3R3M	1500	560	0.3	T	2121-
1440	3.9	0.065	SMPS	PM428S-3R9	1500	1000	0.284	T	2100LL-102
1440	10	0.081	SMP	PM73-100M	1500	1000	0.98	T	5710
1440	10	0.1	SMP	PM54-100M	1500	1000	0.98	TB	6710
1440	27	0.1	SMP	PM104-270M	1500	1600	1.27	T	5715
1443	1.5	0.096	V	70F156AI	1500	1600	1.27	TB	6715
1443	1.8	0.096	V	70F186AI	1500	5000	1.08	HD	5625
1450	15	0.063	SMT	PM3602-15	1500	10,000	0.15	SMC	PM3700-70
1450	180	0.31	R	6100-181K-RC	1500	10,000	0.22	CM	7512-RC
1470	0.15	0.037	MS	9250-151	1500	10,000	1.56	HD	5632
1470	0.15	0.037	MS	9250A-151	1510	27	0.17	SMP	PM1355-270K
1480	1.8	0.107	CC	8250-1R8K	1520	18	0.089	SMPS	PM745H-180M
1480	12	0.083	SMPS	PM735H-120M	1530	0.12	0.034	MS	9250-121
1480	56	0.18	R	6000-560K	1530	0.12	0.034	MS	9250A-121
1490	27	0.1	R	RL875S-270L	1540	18	0.061	R	RL822-180K-RC
1490	33	0.086	R	RL824-330K-RC	1550	12	0.07	SMPS	PM628S-120

Coil Type

CC - Conformal coated

R - Radial lead

SMT - Surface mount toroid

CM - Common mode

SMC - Surface mount common mode

T - Toroid

HD - Heavy duty

SMCH - Surface mount, chip

TB - Toroid mounted on base

M - Molded

SMP - Surface mount, power

V - Varnished

MS - Molded, shielded

SMPS - Surface mount, power, shielded

VHD - Varnished heavy duty

BOURNS®

Tel. (877) 426-8767 • Fax (951) 781-5006

www.bourns.com

Selector Guide

Current (mA)	Inductance (µH)	Resistance (ohms)	Coil Type	Part Number	Current (mA)	Inductance (µH)	Resistance (ohms)	Coil Type	Part Number
1560	1.5	0.096	CC	8250-1R5K	1625	0.27	0.09	CC	8250-R27K
1560	27	0.082	R	RL824-270K-RC	1650	10	0.07	SMPS	PM745B-100M
1570	3.3	0.049	SMPS	PM4285-3R3	1650	20	0.076	SMT	PM3604-5
1570	12	0.07	SMPS	PM745B-120M	1650	39	0.11	SMPS	PM1255-390M
1580	2.7	0.079	SMP	PM43-2R7M	1660	15	0.075	SMPS	PM745H-150M
1580	18	0.08	SMPS	PM105SB-180M	1666	1.2	0.072	V	70F126AI
1600	2.7	0.043	SMPS	PM4285-2R7	1670	1	0.103	SMT	PM7518-1R0M
1600	3.3	0.055	SMPS	PM16085-3R3M	1670	1	0.103	SMT	PM7518-1R0M
1600	3.9	0.05	V	3500-3R9M	1690	0.33	0.7	V	70F337AP
1600	4.5	0.065	SMP	PM620-10	1700	4.7	0.068	CC	5300-09
1600	5.4	0.076	SMPS	PM5185-5R4	1700	6.8	0.049	SMPS	PM7032S-6R8M
1600	5.6	0.074	CC	5300-10	1700	10	0.065	SMPS	PM6285-100
1600	6.8	0.08	CC	5300-11	1700	12	0.053	SMPS	PM6385-120
1600	8.2	0.053	SMPS	PM5285-8R2	1700	22	0.06	R	RL895-220K
1600	15	0.057	SMPS	PM6385-150	1700	22	0.12	R	RL855-220K
1600	18	0.1	SMP	PM75-180K	1700	27	0.08	R	RL622-270K-RC
1600	22	0.08	R	RL8755-220L	1700	27	0.11	R	RL875-270K
1600	22	0.088	SMP	PM104-220M	1700	56	0.11	SMPS	PM1255H-560M
1600	27	0.06	R	RL895-270K	1700	100	0.16	R	RL110-101K
1600	27	0.14	R	RL855-270K	1700	100	0.207	SMPS	PM5022S-101M
1600	33	0.078	SMT	PM3604-33	1700	100	0.22	SMPS	PM1275H-101M
1600	33	0.09	R	RL622-330K-RC	1700	330	0.23	T	2118-
1600	47	0.1	SMP	PM3340-470M	1700	390	0.25	T	2119-
1600	56	0.11	R	RL1105-560K	1700	820	0.39	T	2100HT-821
1600	100	0.09	HD	5900-101	1700	4000	0.173	CM	8101
1600	120	0.113	HD	5900-121	1700	4000	0.173	CM	8101
1600	120	0.25	SMPS	PM1275H-121M	1720	1	0.045	SMPS	PM425-1R0
1600	150	0.129	HD	5900-151	1720	10	0.061	SMPS	PM735H-100M
1600	150	0.181	HD	1110-151K	1720	15	0.07	SMPS	PM105SB-150M
1600	180	0.15	HD	5900-181	1720	22	0.076	R	RL824-220K-RC
1600	180	0.217	HD	1110-181K	1730	18	0.081	SMP	PM104-180M
1600	220	0.162	HD	5900-221	1750	2.2	0.072	SMP	PM43-2R2M
1600	220	0.24	HD	1110-221K	1750	15	0.058	R	RL822-150K-RC
1600	270	0.208	HD	5900-271	1750	200	0.32	TB	7009
1600	270	0.3	HD	1110-271K	1750	312.5	0.43	TB	7014
1600	330	0.212	HD	5900-331	1750	562.5	0.46	TB	7019
1600	330	0.305	HD	1120-331K	1750	800	0.64	T	5709
1600	390	0.281	HD	5900-391	1750	800	0.64	TB	6709
1600	390	0.32	HD	1120-391K	1750	1000	0.58	TB	7024
1600	470	0.28	T	2120-	1750	1250	0.85	T	5714
1600	470	0.355	HD	1120-471K	1750	1250	0.85	TB	6714
1600	560	0.388	HD	1120-561K	1750	2250	0.92	T	5719
1600	680	0.43	HD	1120-681K	1750	2250	0.92	TB	6719
1600	820	0.257	T	2100LL-821	1750	4000	1.16	T	5724
1600	1000	0.43	T	2100HT-102	1750	4000	1.16	TB	6724
1600	1800	0.705	HD	1130-182K	1760	27	0.11	SMP	PM105-270M
1600	2500	0.69	HD	5618	1770	18	0.071	R	RL824-180K-RC
1600	6800	1.76	HD	1140-682K	1770	47	0.16	R	6000-470K
1600	8000	0.2	CM	7510-RC	1790	0.1	0.025	MS	9250-101
1600	8200	1.95	HD	1140-822K	1790	0.1	0.025	MS	9250A-101
1610	22	0.15	SMP	PM1355-220K	1800	1.5	0.093	V	4604
1610	150	0.24	R	6100-151K-RC	1800	2.2	0.05	SMPS	PM16085-2R2M

Coil Type

CC - Conformal coated

R - Radial lead

SMT - Surface mount toroid

CM - Common mode

SMC - Surface mount common mode

T - Toroid

HD - Heavy duty

SMCH - Surface mount, chip

TB - Toroid mounted on base

M - Molded

SMP - Surface mount, power

V - Varnished

MS - Molded, shielded

SMPS - Surface mount, power, shielded

VHD - Varnished heavy duty

BOURNS®

Tel. (877) 426-8767 • Fax (951) 781-5006

www.bourns.com

Selector Guide

Current (mA)	Inductance (µH)	Resistance (ohms)	Coil Type	Part Number	Current (mA)	Inductance (µH)	Resistance (ohms)	Coil Type	Part Number
1800	3.9	0.06	CC	5300-08	2000	8.3	0.202	SMP	PM610-07
1800	4.7	0.043	SMPS	PM7032S-4R7M	2000	10	0.038	SMPS	PM638S-100
1800	6.2	0.045	SMPS	PM528S-6R2	2000	10	0.101	SMPS	PM3316S-100M
1800	15	0.09	SMP	PM75-150K	2000	10	0.11	SMP	PM3308-100M
1800	22	0.09	R	RL875-220K	2000	12	0.059	R	RL824-120K-RC
1800	33	0.1	SMPS	PM125S-330M	2000	12	0.08	SMP	PM75-120K
1800	47	0.075	SMPS	PM125SH-470M	2000	18	0.05	R	RL895-180K
1800	47	0.1	R	RL110S-470K	2000	18	0.1	R	RL855-180M
1800	47	0.14	SMP	PM3316-470M	2000	22	0.07	R	RL622-220K-RC
1800	56	0.19	SMPS	PM124SH-560M	2000	27	0.08	SMPS	PM125S-270M
1800	100	0.19	SMP	PM5022-101M	2000	33	0.08	SMP	PM3340-330M
1800	120	0.23	R	6100-121K-RC	2000	39	0.068	SMPS	PM125SH-390M
1800	270	0.21	T	2117-	2000	39	0.076	R	RL110S-390K
1800	680	0.35	T	2100HT-681	2000	68	0.138	SMPS	PM5022S-680M
1800	2000	0.11	CM	7406-RC	2000	68.75	0.12	TB	7004
1820	12	0.05	R	RL822-120K-RC	2000	82	0.06	HD	5900-820
1830	10	0.04	SMT	PM3602-10	2000	100	0.216	VHD	5250
1840	1.2	0.07	CC	8250-1R2K	2000	120	0.127	HD	1110-121K
1850	3.8	0.137	SMP	PM600-10	2000	270	0.213	HD	1120-271K
1850	8.6	0.058	SMPS	PM628S-8R6	2000	275	0.24	T	5704
1850	39	0.1	R	6000-390K	2000	275	0.24	TB	6704
1860	5.7	0.094	SMP	PM610-06	2000	470	0.29	T	2100HT-471
1860	12	0.06	SMPS	PM745H-120M	2000	500	0.26	VHD	5256
1870	15	0.07	SMP	PM104-150M	2000	500	0.378	HD	5607
1890	6.8	0.05	SMPS	PM735H-6R8M	2000	600	0.03	CM	7106
1890	18	0.109	SMP	PM135S-180K	2000	820	0.221	SMT	PM2110-821K
1900	0.22	0.055	M	9310-02	2000	820	0.26	T	2223-
1900	3.3	0.036	V	3500-3R3M	2000	820	0.44	T	2200HT-821
1900	3.3	0.054	CC	5300-07	2000	1000	0.04	CM	7107
1900	5.3	0.038	SMPS	PMS28S-5R3	2000	1000	0.05	CM	7112
1900	8	0.037	SMT	PM3602-8	2000	1000	0.426	HD	1130-102K
1900	18	0.08	R	RL875-180K	2000	1200	0.426	HD	1130-122K
1900	47	0.128	SMPS	PM104SH-470	2000	1500	0.518	HD	1130-152K
1900	47	0.15	SMPS	PM124SH-470M	2000	2000	0.06	CM	7108
1900	82	0.14	R	RL110-820K	2000	2000	0.075	CM	7113
1900	100	0.148	SMPS	PM12565S-101M	2000	3000	0.075	CM	7109
1900	560	0.32	T	2100HT-561	2000	3000	0.085	CM	7114
1900	1000	0.244	SMT	PM2110-102K	2000	4700	1.14	HD	1140-472K
1900	1000	0.28	T	2224-	2000	5000	0.07	SMC	PM3700-60
1900	1000	0.49	T	2200HT-102	2000	5000	0.11	CM	7115
1910	25	0.054	SMT	PM3604-25	2000	5600	1.6	HD	1140-562K
1930	15	0.065	R	RL824-150K-RC	2000	8000	0.2	CM	7116
1940	12	0.07	SMPS	PM105SB-120M	2000	50,000	0.2	CM	7121
1950	1.8	0.064	SMP	PM43-1R8M	2020	3.8	0.065	SMP	PM620-12
1950	4.1	0.057	SMPS	PMS18S-4R1	2020	20	0.049	SMT	PM3604-20
1950	82	0.16	SMPS	PM127SH-820M	2040	2.2	0.031	SMPS	PM428S-2R2
1960	10	0.045	R	RL822-100K-RC	2041	1	0.048	V	70F106AI
1960	22	0.1	SMP	PM105-220M	2050	0.22	0.056	CC	8250-R22K
1980	100	0.16	R	6100-101K-RC	2050	33	0.09	R	6000-330K
2000	1	0.05	V	4602	2060	10	0.06	SMPS	PM105SB-100M
2000	1.8	0.09	SMCH	PM1008S-1R8M	2080	1	0.054	CC	8250-1R0K
2000	3.3	0.08	SMP	PM1608-3R3M	2090	15	0.089	SMP	PM135S-150K

Coil Type

CC - Conformal coated

R - Radial lead

SMT - Surface mount toroid

CM - Common mode

SMC - Surface mount common mode

T - Toroid

HD - Heavy duty

SMCH - Surface mount, chip

TB - Toroid mounted on base

M - Molded

SMP - Surface mount, power

V - Varnished

MS - Molded, shielded

SMPS - Surface mount, power, shielded

VHD - Varnished heavy duty

BOURNS®

Tel. (877) 426-8767 • Fax (951) 781-5006

www.bourns.com

Selector Guide

Current (mA)	Inductance (µH)	Resistance (ohms)	Coil Type	Part Number	Current (mA)	Inductance (µH)	Resistance (ohms)	Coil Type	Part Number
2100	6.8	0.035	R	RL822-6R8K-RC	2300	10	0.07	SMP	PM75-100K
2100	7.3	0.054	SMPS	PM6285-7R3	2300	15	0.056	R	RL622-150K-RC
2100	15	0.05	R	RL895-150K	2300	27	0.051	SMPS	PM125SH-270M
2100	15	0.09	R	RL855-150M	2300	56	0.092	R	RL110-560K
2100	33	0.057	SMPS	PM125SH-330M	2300	68	0.13	SMP	PM5022-680M
2100	33	0.057	R	RL1105-330K	2300	470	0.124	T	2100LL-471
2100	33	0.1	SMP	PM3316-330M	2300	470	0.19	T	2220-
2100	39	0.13	SMPS	PM1245H-390M	2300	5000	0.1	CM	7508-RC
2100	68	0.12	R	RL110-680K	2300	30,000	0.33	CM	8109
2100	68	0.14	SMPS	PM1275H-680M	2300	30,000	0.33	CM	8109
2100	390	0.27	T	2100HT-391	2300	50,000	0.45	CM	8116
2100	680	0.147	T	2100LL-681	2300	50,000	0.45	CM	8116
2100	680	0.202	SMT	PM2110-681K	2330	6.3	0.038	SMPS	PM745H-6R3M
2100	680	0.23	T	2222-	2340	10	0.071	SMP	PM1355-100K
2130	12	0.061	SMP	PM104-120M	2350	56	0.11	SMPS	PM1275H-560M
2140	10	0.045	SMPS	PM745H-100M	2380	5.6	0.036	SMPS	PM745H-5R6M
2150	18	0.09	SMP	PM105-180M	2380	10	0.053	SMP	PM104-100M
2180	82	0.15	R	6100-820K-RC	2380	68	0.11	R	6100-680K-RC
2200	1.8	0.028	SMPS	PM4285-1R8	2400	2.2	0.07	SMP	PM1608-2R2M
2200	2.7	0.028	V	3500-2R7M	2400	3	0.024	SMPS	PM5285-3R0
2200	3.3	0.028	SMPS	PM7032S-3R3M	2400	5	0.031	SMPS	PM6285-5R0
2200	4.2	0.031	SMPS	PM5285-4R2	2400	12	0.08	R	RL855-120M
2200	6.8	0.075	SMPS	PM3316S-6R8M	2400	18	0.06	SMPS	PM125S-180M
2200	8.7	0.034	SMPS	PM6385-8R7	2400	22	0.07	R	6000-220K
2200	10	0.052	R	RL824-100K-RC	2400	27	0.045	R	RL1105-270M
2200	15	0.041	SMT	PM3604-15	2400	47	0.097	SMPS	PM5022S-470M
2200	15	0.07	R	RL875-150K	2400	68	0.094	SMPS	PM12565S-680M
2200	18	0.061	R	RL622-180K-RC	2400	100	0.13	T	2112-
2200	22	0.07	SMPS	PM125S-220M	2400	220	0.12	T	2116-
2200	33	0.093	SMPS	PM1045H-330	2400	390	0.112	T	2100LL-391
2200	120	0.15	T	2113-	2400	1000	0.049	CM	7404-RC
2200	560	0.134	T	2100LL-561	2400	1000	0.216	T	2200LL-102
2200	560	0.21	T	2221-	2400	1000	0.3	T	2324-
2200	2500	0.499	HD	5624	2400	2500	0.09	CM	8102
2200	5000	0.714	HD	5631	2400	2500	0.09	CM	8102
2220	12	0.079	SMP	PM1355-120K	2400	10,000	0.17	CM	8104
2220	27	0.08	R	6000-270K	2400	10,000	0.17	CM	8104
2240	4.7	0.036	SMPS	PM735H-4R7M	2410	5	0.023	SMT	PM3602-5
2250	6	0.035	SMPS	PM6285-6R0	2450	0.15	0.03	M	9310-00
2250	100	0.165	TB	7008	2450	12	0.07	SMP	PM105-120M
2250	175	0.21	TB	7013	2450	15	0.06	SMPS	PM125S-150M
2250	400	0.33	T	5708	2490	3.3	0.029	SMPS	PM735H-3R3M
2250	400	0.33	TB	6708	2500	1.8	0.02	V	3500-1R8M
2250	700	0.42	T	5713	2500	2.7	0.033	CC	5300-06
2250	700	0.42	TB	6713	2500	6.2	0.027	SMPS	PM6385-6R2
2270	4.7	0.03	R	RL822-4R7K-RC	2500	10	0.07	R	RL855-100M
2270	15	0.08	SMP	PM105-150M	2500	12	0.05	SMPS	PM125S-120M
2294	0.22	0.38	V	70F227AP	2500	12	0.06	R	RL875-120M
2300	0.18	0.044	CC	8250-R18K	2500	22	0.054	SMP	PM3340-220M
2300	2.2	0.025	V	3500-2R2M	2500	22	0.073	SMPS	PM1045H-220
2300	6.6	0.202	SMP	PM610-09	2500	25	0.04	T	5726
2300	7.4	0.031	SMPS	PM6385-7R4	2500	25	0.04	TB	6726

Coil Type

CC - Conformal coated

R - Radial lead

SMT - Surface mount toroid

CM - Common mode

SMC - Surface mount common mode

T - Toroid

HD - Heavy duty

SMCH - Surface mount, chip

TB - Toroid mounted on base

M - Molded

SMP - Surface mount, power

V - Varnished

MS - Molded, shielded

SMPS - Surface mount, power, shielded

VHD - Varnished heavy duty

BOURNS®

Tel. (877) 426-8767 • Fax (951) 781-5006

www.bourns.com

Selector Guide

Current (mA)	Inductance (µH)	Resistance (ohms)	Coil Type	Part Number	Current (mA)	Inductance (µH)	Resistance (ohms)	Coil Type	Part Number
2500	35	0.035	T	5727	2700	330	0.16	T	2100HT-331
2500	35	0.035	TB	6727	2700	560	0.23	T	2200HT-561
2500	47	0.083	R	RL110-470K	2700	680	0.176	T	2200LL-681
2500	47	0.1	SMPS	PM1275H-470M	2710	3.9	0.028	SMPS	PM745H-3R9M
2500	50	0.06	T	5728	2710	6.8	0.053	SMP	PM1355-6R8K
2500	50	0.06	TB	6728	2750	31.25	0.06	TB	7003
2500	68	0.047	HD	5900-680	2750	125	0.12	T	5703
2500	100	0.08	T	5729	2750	125	0.12	TB	6703
2500	100	0.08	TB	6729	2780	2.7	0.027	SMPS	PM745H-2R7M
2500	250	0.17	VHD	5254	2790	47	0.084	R	6100-470K-RC
2500	275	0.165	TB	7018	2800	1.5	0.045	SMPS	PM1608S-1R5M
2500	330	0.103	T	2100LL-331	2800	1.5	0.05	SMP	PM1608-1R5M
2500	390	0.18	T	2219-	2800	1.5	0.06	SMCH	PM1008S-1R5M
2500	450	0.24	TB	7023	2800	22	0.036	SMPS	PM1255H-220M
2500	560	0.146	SMT	PM2110-561K	2800	27	0.08	SMPS	PM1245H-270M
2500	820	0.194	T	2200LL-821	2800	33	0.075	SMPS	PM5022S-330M
2500	1000	0.215	SMT	PM2120-102K	2800	47	0.062	HD	1110-470K
2500	1000	0.279	HD	5617	2800	47	0.069	SMPS	PM12565S-470M
2500	1100	0.33	T	5718	2800	56	0.069	HD	1110-560K
2500	1100	0.33	TB	6718	2800	68	0.077	HD	1110-680K
2500	1800	0.55	T	5723	2800	82	0.083	HD	1110-820K
2500	1800	0.55	TB	6723	2800	100	0.095	HD	1110-101K
2520	1.4	0.057	SMP	PM43-1R4M	2800	220	0.15	HD	1120-221K
2560	1	0.049	SMP	PM43-1R0M	2800	270	0.14	T	2100HT-271
2560	1.2	0.024	SMPS	PM4285-1R2	2800	470	0.21	T	2200HT-471
2560	10	0.05	SMPS	PM1255-100M	2800	600	0.046	CM	7402-RC
2570	56	0.089	R	6100-560K-RC	2800	680	0.256	HD	1130-681K
2590	8.2	0.058	SMP	PM1355-8R2K	2800	820	0.288	HD	1130-821K
2600	0.15	0.034	CC	8250-R15K	2800	2500	0.464	HD	5630
2600	2.2	0.031	CC	5300-05	2800	3300	0.773	HD	1140-332K
2600	2.6	0.018	SMPS	PM5285-2R6	2800	3900	0.845	HD	1140-392K
2600	3.9	0.027	SMPS	PM6285-3R9	2800	7000	0.12	CM	8105
2600	10	0.04	R	RL895-100M	2800	7000	0.12	CM	8105
2600	10	0.06	SMP	PM105-100M	2828	0.15	0.25	V	70F157AP
2600	12	0.04	R	RL895-120M	2860	0.12	0.029	CC	8250-R12K
2600	22	0.042	R	RL110S-220M	2860	4.1	0.094	SMP	PM610-08
2600	47	0.087	SMP	PM5022-470M	2900	1	0.05	SMP	PM1608-1R0M
2600	180	0.11	T	2115-	2900	1.8	0.023	CC	5300-04
2600	470	0.133	SMT	PM2110-471K	2900	5	0.024	SMPS	PM638S-5R0
2600	680	0.27	T	2200HT-681	2900	10	0.05	R	RL875-100M
2600	820	0.27	T	2323-	2900	15	0.056	R	6000-150K
2640	4.7	0.03	SMPS	PM745H-4R7M	2900	18	0.039	R	RL110S-180M
2660	3.3	0.025	R	RL822-3R3K-RC	2900	22	0.066	SMPS	PM1245H-220M
2660	18	0.061	R	6000-180K	2900	33	0.055	R	RL110-330K
2700	4.7	0.054	SMPS	PM3316S-4R7M	2900	250	0.173	HD	5606
2700	10	0.028	SMT	PM3604-10	2900	820	0.157	SMT	PM2120-821K
2700	12	0.05	R	RL622-120K-RC	2900	1000	0.33	T	2300HT-102
2700	22	0.085	SMP	PM3316-220M	2900	2000	0.058	CM	7506-RC
2700	33	0.097	SMPS	PM1245H-330M	2900	20,000	0.21	CM	8110
2700	39	0.073	SMPS	PM1275H-390M	2900	20,000	0.21	CM	8110
2700	39	0.073	R	RL110-390K	2900	36,000	0.3	CM	8117
2700	270	0.093	T	2100LL-271	2900	36,000	0.3	CM	8117

Coil Type

CC - Conformal coated

R - Radial lead

SMT - Surface mount toroid

CM - Common mode

SMC - Surface mount common mode

T - Toroid

HD - Heavy duty

SMCH - Surface mount, chip

TB - Toroid mounted on base

M - Molded

SMP - Surface mount, power

V - Varnished

MS - Molded, shielded

SMPS - Surface mount, power, shielded

VHD - Varnished heavy duty

BOURNS®

Tel. (877) 426-8767 • Fax (951) 781-5006

www.bourns.com

Selector Guide

Current (mA)	Inductance (µH)	Resistance (ohms)	Coil Type	Part Number	Current (mA)	Inductance (µH)	Resistance (ohms)	Coil Type	Part Number
2910	5.6	0.046	SMP	PM1355-5R6K	3300	120	0.098	T	2213-
3000	0.1	0.026	CC	8250-R10K	3300	150	0.11	T	2100HT-151
3000	1	0.04	SMPS	PM1608S-1R0M	3300	270	0.16	T	2200HT-271
3000	1	0.05	SMCH	PM1008S-1R0M	3300	330	0.1	T	2218-
3000	1.5	0.014	V	3500-1R5M	3300	470	0.119	SMT	PM2120-471K
3000	3	0.024	SMPS	PM628S-3R0	3320	1.5	0.016	R	RL822-1R5K-RC
3000	4.7	0.043	SMP	PM1355-4R7K	3340	3.3	0.035	SMP	PM1355-3R3K
3000	8	0.024	SMT	PM3604-8	3390	33	0.059	R	6100-330K-RC
3000	10	0.045	R	RL622-100K-RC	3400	10	0.045	R	6000-100K
3000	15	0.042	SMP	PM3340-150M	3400	15	0.048	SMPS	PM5022S-150M
3000	18	0.034	SMPS	PM1255H-180M	3400	27	0.046	SMPS	PM1275H-270M
3000	33	0.065	SMPS	PM1275H-330M	3400	33	0.049	SMPS	PM12565S-330M
3000	33	0.066	SMP	PM5022-330M	3400	56	0.06	T	2110-
3000	40	0.082	VHD	5240	3400	150	0.062	T	2114-
3000	70	0.05	T	5730	3400	270	0.082	SMT	PM2110-271K
3000	70	0.05	TB	6730	3400	270	0.092	T	2217-
3000	220	0.13	T	2100HT-221	3400	560	0.24	T	2300HT-561
3000	390	0.19	T	2200HT-391	3400	680	0.15	T	2322-
3000	600	0.02	CM	7110	3480	1.5	0.015	SMPS	PM735H-1R5M
3000	680	0.142	SMT	PM2120-681K	3500	3.3	0.02	SMPS	PM638S-3R3
3000	1000	0.03	CM	7111	3500	10	0.033	SMP	PM3340-100M
3080	39	0.079	R	6100-390K-RC	3500	12	0.027	SMPS	PM1255H-120M
3100	1.5	0.02	CC	5300-03	3500	22	0.047	SMP	PM5022-220M
3100	12	0.05	R	6000-120K	3500	33	0.054	T	2000-330-
3100	15	0.046	SMP	PM3316-150M	3500	120	0.094	T	2100HT-121
3100	15	0.05	SMPS	PM1045H-150	3500	125	0.08	VHD	5252
3100	18	0.057	SMPS	PM1245H-180M	3500	220	0.053	T	2100LL-221
3100	22	0.059	SMPS	PM5022S-220M	3500	220	0.074	SMT	PM2110-221K
3100	150	0.11	T	2214-	3500	390	0.108	SMT	PM2120-391K
3100	180	0.12	T	2100HT-181	3500	560	0.101	T	2200LL-561
3100	330	0.18	T	2200HT-331	3500	1000	0.137	T	2300LL-102
3100	390	0.098	SMT	PM2110-391K	3500	1000	0.195	HD	5623
3100	820	0.3	T	2300HT-821	3500	2000	0.03	SMC	PM3700-50
3150	2.2	0.021	R	RL822-2R2K-RC	3600	1	0.01	V	3500-1R0M
3200	1.2	0.019	CC	5300-02	3600	12	0.024	R	RL110S-120M
3200	3.9	0.038	SMP	PM1355-3R9K	3600	22	0.037	R	RL110-220M
3200	15	0.036	R	RL110S-150M	3600	22	0.043	SMPS	PM1275H-220M
3200	15	0.05	SMPS	PM1245H-150M	3600	47	0.055	T	2109-
3200	47	0.064	T	2000-470-	3600	220	0.083	T	2216-
3200	56	0.037	HD	5900-560	3600	330	0.1	SMT	PM2120-331K
3200	330	0.09	SMT	PM2110-331K	3600	560	0.14	T	2321-
3200	560	0.13	SMT	PM2120-561K	3600	820	0.123	T	2300LL-821
3200	680	0.27	T	2300HT-681	3600	1000	0.033	CM	7504-RC
3290	3.2	0.094	SMP	PM610-10	3610	2.7	0.03	SMP	PM1355-2R7K
3300	1	0.018	CC	5300-01	3670	2.2	0.029	SMP	PM1355-2R2K
3300	1.2	0.012	V	3500-1R2M	3700	6.8	0.035	R	RL622-6R8K-RC
3300	3.3	0.039	SMPS	PM3316S-3R3M	3700	180	0.048	T	2100LL-181
3300	5	0.019	SMT	PM3604-5	3700	180	0.066	SMT	PM2110-181K
3300	15	0.03	SMPS	PM1255H-150M	3700	470	0.092	T	2200LL-471
3300	27	0.048	R	RL110-270M	3700	500	0.129	HD	5616
3300	39	0.059	T	2000-390-	3700	5000	0.07	CM	8106
3300	68	0.067	T	2111-	3700	5000	0.07	CM	8106

Coil Type

CC - Conformal coated

R - Radial lead

SMT - Surface mount toroid

CM - Common mode

SMC - Surface mount common mode

T - Toroid

HD - Heavy duty

SMCH - Surface mount, chip

TB - Toroid mounted on base

M - Molded

SMP - Surface mount, power

V - Varnished

MS - Molded, shielded

SMPS - Surface mount, power, shielded

VHD - Varnished heavy duty

BOURNS®

Tel. (877) 426-8767 • Fax (951) 781-5006

www.bourns.com

Selector Guide

Current (mA)	Inductance (µH)	Resistance (ohms)	Coil Type	Part Number	Current (mA)	Inductance (µH)	Resistance (ohms)	Coil Type	Part Number
3710	1	0.013	R	RL822-1R0K-RC	4000	560	0.103	T	2300LL-561
3750	27	0.047	R	6100-270K-RC	4000	560	0.205	HD	1130-561K
3750	225	0.088	TB	7022	4000	1000	0.02	SMC	PM3700-40
3750	900	0.175	T	5722	4000	2200	0.494	HD	1140-222K
3750	900	0.175	TB	6722	4000	2700	0.555	HD	1140-272K
3800	2.2	0.032	SMPS	PM3316S-2R2M	4000	5000	0.046	CM	7119
3800	10	0.035	SMPS	PM104SH-100	4000	8000	0.06	CM	7120
3800	22	0.038	SMPS	PM12565S-220M	4000	12,000	0.11	CM	8111
3800	180	0.075	T	2215-	4000	12,000	0.11	CM	8111
3800	390	0.084	T	2200LL-391	4000	30,000	0.13	CM	7122
3800	470	0.13	T	2320-	4020	0.56	0.011	SMPS	PM735H-R56M
3800	680	0.113	T	2300LL-681	4100	6.8	0.035	R	6000-6R8M
3900	1	0.012	SMPS	PM735H-1R0M	4100	27	0.039	T	2000-270-
3900	10	0.023	R	RL110S-100M	4100	120	0.039	T	2100LL-121
3900	10	0.038	SMP	PM3316-100M	4120	1.8	0.023	SMP	PM1355-1R8K
3900	10	0.04	SMPS	PM5022S-100M	4200	270	0.07	T	2200LL-271
3900	18	0.039	SMPS	PM1275H-180M	4200	270	0.072	SMT	PM2120-271K
3900	150	0.043	T	2100LL-151	4200	470	0.094	T	2300LL-471
3922	0.1	0.13	V	70F107AP	4300	4.7	0.03	R	RL622-4R7K-RC
4000	3.9	0.007	HD	5900-3R9	4300	10	0.032	SMP	PM5022-100M
4000	4.7	0.008	HD	5900-4R7	4300	22	0.035	T	2000-220-
4000	5.6	0.011	HD	5900-5R6	4300	100	0.036	T	2100LL-101
4000	6.8	0.011	HD	5900-6R8	4300	150	0.049	SMT	PM2110-151K
4000	8.2	0.013	HD	5900-8R2	4300	220	0.091	T	2200HT-221
4000	10	0.017	HD	5900-100	4400	6.8	0.027	SMP	PM3316-6R8M
4000	10	0.025	SMPS	PM1255H-100M	4400	15	0.026	R	RL110-150M
4000	12	0.019	HD	5900-120	4400	15	0.028	SMPS	PM12565S-150M
4000	12	0.038	SMPS	PM1245H-120M	4400	15	0.032	SMP	PM5022H-150M
4000	15	0.022	HD	5900-150	4400	100	0.056	T	2212-
4000	15	0.036	SMP	PM5022-150M	4400	220	0.063	T	2200LL-221
4000	18	0.023	HD	5900-180	4400	390	0.085	T	2300LL-391
4000	18	0.033	R	RL110-180M	4400	600	0.025	CM	7502-RC
4000	22	0.026	HD	5900-220	4400	1000	0.183	HD	5629
4000	27	0.027	HD	5900-270	4420	1.5	0.02	SMP	PM1355-1R5K
4000	33	0.032	HD	5900-330	4500	1.5	0.022	SMPS	PM3316S-1R5M
4000	33	0.04	HD	1110-330K	4500	7	0.027	SMPS	PM104SH-7R0
4000	39	0.033	HD	5900-390	4500	10	0.028	SMPS	PM1245H-100M
4000	39	0.046	HD	1110-390K	4500	15	0.027	SMPS	PM1275H-150M
4000	40	0.025	T	5731	4500	18	0.032	T	2000-180-
4000	40	0.025	TB	6731	4500	27	0.03	HD	1110-270K
4000	47	0.035	HD	5900-470	4500	100	0.072	HD	5605
4000	100	0.08	HD	1120-101K	4500	270	0.11	HD	1130-271K
4000	120	0.09	HD	1120-121K	4500	330	0.122	HD	1130-331K
4000	125	0.075	TB	7017	4500	470	0.14	T	2300HT-471
4000	150	0.098	HD	1120-151K	4500	1500	0.324	HD	1140-152K
4000	180	0.11	HD	1120-181K	4500	1800	0.36	HD	1140-182K
4000	250	0.089	HD	5507	4520	22	0.039	R	6100-220K-RC
4000	330	0.077	T	2200LL-331	4600	4.7	0.03	R	6000-4R7M
4000	390	0.169	HD	1130-391K	4600	8.2	0.026	SMPS	PM1245H-8R2M
4000	470	0.187	HD	1130-471K	4600	82	0.032	T	2100LL-820
4000	500	0.12	T	5717	4600	100	0.053	T	2100HT-101
4000	500	0.12	TB	6717	4600	150	0.069	HD	5506

Coil Type

CC - Conformal coated

R - Radial lead

SMT - Surface mount toroid

CM - Common mode

SMC - Surface mount common mode

T - Toroid

HD - Heavy duty

SMCH - Surface mount, chip

TB - Toroid mounted on base

M - Molded

SMP - Surface mount, power

V - Varnished

MS - Molded, shielded

SMPS - Surface mount, power, shielded

VHD - Varnished heavy duty

BOURNS®

Tel. (877) 426-8767 • Fax (951) 781-5006

www.bourns.com

Selector Guide

Current (mA)	Inductance (µH)	Resistance (ohms)	Coil Type	Part Number	Current (mA)	Inductance (µH)	Resistance (ohms)	Coil Type	Part Number
4600	180	0.082	T	2200HT-181	5200	47	0.024	T	2100LL-470
4600	250	0.083	HD	5615	5200	330	0.067	T	2318-
4600	330	0.079	T	2300LL-331	5280	15	0.024	R	6100-150K-RC
4700	15	0.029	T	2000-150-	5300	5.6	0.022	SMP	PM5022-5R6M
4700	68	0.03	T	2100LL-680	5300	10	0.022	R	RL110-100M
4700	180	0.057	T	2200LL-181	5300	27	0.026	T	2106-
4700	390	0.13	T	2300HT-391	5300	56	0.04	T	2100HT-560
4750	37.5	0.023	TB	7012	5300	100	0.061	T	2200HT-101
4750	150	0.046	T	5712	5300	180	0.047	SMT	PM2120-181K
4750	150	0.046	TB	6712	5400	3.3	0.015	SMP	PM3316-3R3M
4800	1.2	0.017	SMP	PM1355-1R2K	5400	5.2	0.022	SMPS	PM1045H-5R2
4800	4.7	0.018	SMP	PM3316-4R7M	5400	10	0.022	SMPS	PM1275H-100M
4800	4.7	0.018	SMP	PM3316H-4R7M	5400	100	0.032	SMT	PM2110-101K
4800	10	0.024	SMPS	PM125655-100M	5500	3.3	0.025	R	6000-3R3M
4800	18	0.027	R	6100-180K-RC	5500	3.3	0.025	R	RL622-3R3K-RC
4800	39	0.032	T	2108-	5500	3.8	0.013	SMPS	PM1045H-3R8
4800	68	0.053	HD	1120-680K	5500	4.2	0.018	SMPS	PM125655-4R2
4800	82	0.049	T	2100HT-820	5500	6	0.007	TB	7002
4800	82	0.06	HD	1120-820K	5500	22	0.02	HD	1110-220K
4800	150	0.075	T	2200HT-151	5500	25	0.014	T	5702
4800	180	0.078	T	2315-	5500	25	0.014	TB	6702
4800	270	0.07	T	2300LL-271	5500	27	0.026	HD	1120-270K
4800	1000	0.022	CM	8103	5500	33	0.029	HD	1120-330K
4800	1000	0.022	CM	8103	5500	39	0.03	HD	1120-390K
4900	6.8	0.023	SMPS	PM1245H-6R8M	5500	47	0.035	HD	1120-470K
4900	12	0.023	R	RL110-120M	5500	56	0.039	HD	1120-560K
4900	12	0.024	SMPS	PM1275H-120M	5500	150	0.043	SMT	PM2120-151K
4900	68	0.046	T	2211-	5500	150	0.064	HD	1130-151K
4900	100	0.061	HD	5505	5500	180	0.072	HD	1130-181K
4900	150	0.052	T	2200LL-151	5500	220	0.08	HD	1130-221K
4900	330	0.1	T	2300HT-331	5500	270	0.06	T	2317-
5000	1	0.021	SMPS	PM3316S-1R0M	5500	750	0.012	SMC	PM3700-30
5000	7	0.021	SMPS	PM125655-7R0	5500	1000	0.216	HD	1140-102K
5000	18.75	0.02	TB	7007	5500	1200	0.232	HD	1140-122K
5000	33	0.029	T	2107-	5600	47	0.036	T	2100HT-470
5000	56	0.026	T	2100LL-560	5600	50	0.045	HD	5504
5000	68	0.054	VHD	5248	5600	82	0.029	SMT	PM2110-820K
5000	75	0.04	T	5707	5600	82	0.055	T	2200HT-820
5000	75	0.04	TB	6707	5600	8000	0.055	CM	8112
5000	120	0.067	T	2200HT-121	5600	8000	0.055	CM	8112
5000	150	0.071	T	2314-	5700	4.7	0.018	SMPS	PM1245H-4R7M
5000	220	0.052	SMT	PM2120-221K	5750	12	0.022	R	6100-120K-RC
5000	390	0.072	T	2319-	5800	68	0.05	T	2200HT-680
5000	500	0.09	HD	5622	5800	120	0.039	SMT	PM2120-121K
5000	1000	0.035	CM	7117	5800	220	0.054	T	2316-
5000	2000	0.04	CM	7118	5900	3.3	0.014	SMP	PM3316H-3R3M
5000	11,000	0.072	CM	7123	5900	7.6	0.02	SMPS	PM1275H-7R6N
5100	1	0.015	SMP	PM1355-1R0K	5900	39	0.033	T	2100HT-390
5100	68	0.044	T	2100HT-680	5900	68	0.027	SMT	PM2110-680K
5100	120	0.035	SMT	PM2110-121K	6000	6.1	0.018	SMPS	PM1275H-6R1N
5100	120	0.047	T	2200LL-121	6000	10	0.026	SMP	PM5022H-100M
5100	220	0.063	T	2300LL-221	6000	500	0.01	SMC	PM3700-20

Coil Type

CC - Conformal coated

R - Radial lead

SMT - Surface mount toroid

CM - Common mode

SMC - Surface mount common mode

T - Toroid

HD - Heavy duty

SMCH - Surface mount, chip

TB - Toroid mounted on base

M - Molded

SMP - Surface mount, power

V - Varnished

MS - Molded, shielded

SMPS - Surface mount, power, shielded

VHD - Varnished heavy duty

BOURNS®

Tel. (877) 426-8767 • Fax (951) 781-5006

www.bourns.com

Selector Guide

Current (mA)	Inductance (µH)	Resistance (ohms)	Coil Type	Part Number	Current (mA)	Inductance (µH)	Resistance (ohms)	Coil Type	Part Number
6100	2.2	0.012	SMP	PM3316-2R2M	7100	82	0.024	T	2200LL-820
6100	2.5	0.01	SMPS	PM1045H-2R5	7200	6.8	0.013	T	2000-6R8-
6100	33	0.031	T	2100HT-330	7200	15	0.015	HD	1110-150K
6100	56	0.046	T	2200HT-560	7200	18	0.016	HD	1110-180K
6100	100	0.035	SMT	PM2120-101K	7200	18	0.018	HD	1120-180K
6200	2	0.014	SMPS	PM125655-2R0	7200	22	0.019	HD	1120-220K
6200	3.3	0.016	SMP	PMS022-3R3M	7200	120	0.046	HD	1130-121K
6200	56	0.024	SMT	PM2110-560K	7200	180	0.055	T	2300HT-181
6300	150	0.046	HD	5514	7200	470	0.114	HD	1140-471K
6330	10	0.02	R	6100-100K-RC	7200	560	0.125	HD	1140-561K
6400	1.5	0.01	SMP	PM3316-1R5M	7200	680	0.139	HD	1140-681K
6400	12	0.016	T	2000-120-	7200	820	0.154	HD	1140-821K
6400	27	0.028	T	2100HT-270	7300	27	0.012	T	2100LL-270
6400	47	0.042	T	2200HT-470	7300	68	0.034	HD	5512
6400	56	0.026	T	2210-	7400	2.2	0.011	SMP	PM3316H-2R2M
6400	82	0.032	SMT	PM2120-820K	7400	18	0.013	T	2104-
6400	250	0.059	HD	5621	7400	33	0.02	T	2207-
6500	1.5	0.008	SMPS	PM1045H-1R5	7400	120	0.03	T	2300LL-121
6500	2.2	0.021	R	6000-2R2M	7500	3.5	0.014	SMPS	PM1275H-3R5N
6500	2.2	0.021	R	RL622-2R2K-RC	7500	6	0.017	SMP	PMS022H-6R0M
6500	3.9	0.015	SMPS	PM1245H-3R9M	7500	7.8	0.018	SMP	PMS022H-7R8M
6500	47	0.022	SMT	PM2110-470K	7500	9	0.0149	SMPS	PM12651S-9R0M
6500	270	0.067	T	2300HT-271	7500	10	0.0149	SMPS	PM13560S-100M
6500	500	0.085	HD	5628	7500	22	0.012	T	2100LL-220
6600	2.7	0.012	SMP	PM3316H-2R7M	7500	150	0.05	T	2300HT-151
6600	10	0.015	T	2000-100-	7600	68	0.022	T	2200LL-680
6600	39	0.015	T	2100LL-390	7700	15	0.012	T	2103-
6600	50	0.034	HD	5604	7700	68	0.03	T	2311-
6600	2000	0.022	CM	8107	7750	31.25	0.016	TB	7016
6600	2000	0.022	CM	8107	7750	125	0.032	T	5716
6700	22	0.026	T	2100HT-220	7750	125	0.032	TB	6716
6700	47	0.024	T	2209-	7800	100	0.027	T	2300LL-101
6700	68	0.029	SMT	PM2120-680K	7900	56	0.021	SMT	PM2120-560K
6700	120	0.04	T	2313-	8000	4	0.012	VHD	5230
6700	180	0.037	T	2300LL-181	8000	25	0.023	HD	5603
6800	1	0.009	SMP	PM3316-1R0M	8000	50	0.028	HD	5511
6800	4.7	0.016	SMPS	PM1275H-4R7N	8000	62.5	0.021	TB	7021
6800	39	0.02	SMT	PM2110-390K	8000	120	0.045	T	2300HT-121
6800	100	0.027	T	2200LL-101	8000	250	0.041	T	5721
6800	100	0.038	HD	5513	8000	250	0.041	TB	6721
6800	220	0.061	T	2300HT-221	8100	39	0.026	T	2200HT-390
6900	33	0.014	T	2100LL-330	8100	82	0.025	T	2300LL-820
7000	8.2	0.014	T	2000-8R2-	8200	27	0.014	SMT	PM2110-270K
7000	22	0.015	T	2105-	8200	47	0.019	SMT	PM2120-470K
7000	27	0.03	HD	5503	8300	100	0.041	T	2300HT-101
7000	33	0.019	SMT	PM2110-330K	8400	4.7	0.014	SMP	PMS022H-4R7M
7000	100	0.034	HD	5614	8400	33	0.025	T	2200HT-330
7000	100	0.037	T	2312-	8500	1.5	0.016	R	6000-1R5M
7000	150	0.033	T	2300LL-151	8500	1.5	0.016	R	RL622-1R5K-RC
7000	200	0.008	SMC	PM3700-10	8500	68	0.023	T	2300LL-680
7100	2.2	0.014	SMP	PMS022-2R2M	8600	1	0.011	SMP	PMS022-1R0M
7100	39	0.022	T	2208-	8600	18	0.016	T	2100HT-180

Coil Type

CC - Conformal coated

R - Radial lead

SMT - Surface mount toroid

CM - Common mode

SMC - Surface mount common mode

T - Toroid

HD - Heavy duty

SMCH - Surface mount, chip

TB - Toroid mounted on base

M - Molded

SMP - Surface mount, power

V - Varnished

MS - Molded, shielded

SMPS - Surface mount, power, shielded

VHD - Varnished heavy duty

BOURNS®

Tel. (877) 426-8767 • Fax (951) 781-5006

www.bourns.com

Selector Guide

Current (mA)	Inductance (µH)	Resistance (ohms)	Coil Type	Part Number	Current (mA)	Inductance (µH)	Resistance (ohms)	Coil Type	Part Number
8600	33	0.19	SMPS	PM7032S-330M	9800	27	0.011	T	2206-
8800	82	0.037	T	2300HT-820	9800	56	0.013	T	2200LL-560
8900	27	0.022	T	2200HT-270	9800	100	0.027	HD	5620
8900	56	0.02	T	2300LL-560	9900	10	0.012	T	2100HT-100
8900	5000	0.022	CM	8113	10000	1	0.006	SMP	PM3316H-1R0M
8900	5000	0.022	CM	8113	10000	1	0.0084	SMPS	PM7232S-1R0M
9000	1	0.003	HD	1110-1R0M	10000	1	0.013	R	6000-1R0M
9000	1.2	0.003	HD	1110-1R2M	10,000	1	0.013	R	RL622-1R0K-RC
9000	1.5	0.004	HD	1110-1R5M	10000	3.3	0.0086	SMP	PM5022H-3R3M
9000	1.5	0.008	SMP	PM3316H-1R5M	10000	5	0.013	HD	5501
9000	1.5	0.0095	SMPS	PM7232S-1R5M	10000	8.8	0.021	VHD	5220
9000	1.8	0.004	HD	1110-1R8M	10000	47	0.028	T	2300HT-470
9000	2.2	0.005	HD	1110-2R2M	10000	50	0.017	HD	5613
9000	2.7	0.005	HD	1110-2R7M	10000	68	0.023	HD	5519
9000	3.3	0.005	HD	1110-3R3M	10000	100	0.027	HD	5520
9000	3.9	0.006	HD	1110-3R9M	10000	1000	0.01	CM	8108
9000	3.9	0.01	SMP	PM5022H-3R9M	10000	1000	0.01	CM	8108
9000	4.7	0.007	HD	1110-4R7M	10000	3000	0.02	CM	7124
9000	5.6	0.007	HD	1110-5R6M	10100	4.7	0.0064	T	2000-4R7-
9000	6.25	0.006	TB	7006	10100	18	0.007	T	2100LL-180
9000	6.8	0.008	HD	1110-6R8M	10100	33	0.013	SMT	PM2120-330K
9000	8.2	0.009	HD	1110-8R2M	10200	18	0.009	SMT	PM2110-180K
9000	10	0.01	HD	1110-100K	10200	56	0.017	T	2310-
9000	10	0.017	HD	5502	10200	12	0.007	T	2102-
9000	12	0.011	HD	1110-120K	10300	15	0.017	T	2200HT-150
9000	15	0.013	HD	1120-150K	10300	22	0.01	T	2205-
9000	25	0.012	T	5706	10300	47	0.012	T	2200LL-470
9000	25	0.012	TB	6706	10400	27	0.012	SMT	PM2120-270K
9000	27	0.022	HD	5510	10500	3.9	0.0059	T	2000-3R9-
9000	47	0.024	HD	1130-470K	10500	15	0.006	T	2100LL-150
9000	56	0.026	HD	1130-560K	10500	50	0.02	HD	5518
9000	68	0.029	HD	1130-680K	10700	15	0.008	SMT	PM2110-150K
9000	82	0.032	HD	1130-820K	10700	47	0.016	T	2309-
9000	100	0.034	HD	1130-101K	10800	10	0.006	T	2101-
9000	250	0.04	HD	5627	10800	18	0.009	T	2204-
9000	390	0.082	HD	1140-391K	10800	39	0.011	T	2200LL-390
9100	15	0.014	T	2100HT-150	10900	12	0.006	T	2100LL-120
9200	68	0.034	T	2300HT-680	10900	12	0.015	T	2200HT-120
9300	22	0.02	T	2200HT-220	11000	2.5	0.004	TB	7001
9300	7300	0.032	CM	8118	11000	10	0.008	T	5701
9300	7300	0.032	CM	8118	11000	10	0.008	TB	6701
9500	6	0.0107	SMPS	PM13560S-6R0M	11000	22	0.011	SMT	PM2120-220K
9500	12.5	0.006	TB	7011	11100	3.3	0.0053	T	2000-3R3-
9500	50	0.012	T	5711	11100	33	0.01	T	2200LL-330
9500	50	0.012	TB	6711	11200	10	0.014	T	2200HT-100
9600	12	0.013	T	2100HT-120	11200	39	0.014	T	2308-
9600	39	0.014	SMT	PM2120-390K	11300	12	0.007	SMT	PM2110-120K
9700	5.6	0.0069	T	2000-5R6-	11300	15	0.008	T	2203-
9700	18	0.018	T	2200HT-180	11400	1	0.003	HD	1120-1R0M
9700	22	0.01	SMT	PM2110-220K	11400	1.2	0.003	HD	1120-1R2M
9700	56	0.03	T	2300HT-560	11400	1.5	0.003	HD	1120-1R5M
9800	1.2	0.007	SMPS	PM1275H-1R2N	11400	1.8	0.003	HD	1120-1R8M

Coil Type

CC - Conformal coated

R - Radial lead

SMT - Surface mount toroid

CM - Common mode

SMC - Surface mount common mode

T - Toroid

HD - Heavy duty

SMCH - Surface mount, chip

TB - Toroid mounted on base

M - Molded

SMP - Surface mount, power

V - Varnished

MS - Molded, shielded

SMPS - Surface mount, power, shielded

VHD - Varnished heavy duty

BOURNS®

Tel. (877) 426-8767 • Fax (951) 781-5006

www.bourns.com

Selector Guide

Current (mA)	Inductance (µH)	Resistance (ohms)	Coil Type	Part Number	Current (mA)	Inductance (µH)	Resistance (ohms)	Coil Type	Part Number
11400	2.2	0.004	HD	1120-2R2M	13500	33	0.017	HD	1130-330K
11400	2.7	0.005	HD	1120-2R7M	13600	15	0.007	T	2200LL-150
11400	3.3	0.005	HD	1120-3R3M	13600	33	0.015	T	2300HT-330
11400	3.9	0.005	HD	1120-3R9M	13700	5.6	0.005	SMT	PM2110-5R6M
11400	4.7	0.005	HD	1120-4R7M	13700	6.8	0.006	T	2100HT-6R8
11400	5.6	0.006	HD	1120-5R6M	13900	10	0.007	SMT	PM2120-100K
11400	6.8	0.007	HD	1120-6R8M	14000	4.7	0.003	T	2100LL-4R7
11400	8.2	0.007	HD	1120-8R2M	14000	5	0.009	HD	5508
11400	10	0.005	T	2100LL-100	14000	10	0.008	HD	5602
11400	10	0.009	HD	1120-100K	14000	25	0.009	HD	5612
11400	12	0.009	HD	1120-120K	14000	50	0.012	HD	5619
11400	39	0.022	HD	1130-390K	14000	100	0.018	HD	5626
11400	150	0.04	HD	1140-151K	14200	12	0.006	T	2200LL-120
11400	180	0.045	HD	1140-181K	14300	5.6	0.006	T	2100HT-5R6
11400	220	0.05	HD	1140-221K	14300	10	0.006	T	2200LL-100
11400	270	0.056	HD	1140-271K	14300	27	0.014	T	2300HT-270
11400	330	0.074	HD	1140-331K	14400	4.7	0.004	SMT	PM2110-4R7M
11500	2.5	0.011	SMPS	PM1038S-2R5M	14400	47	0.018	HD	1140-470K
11700	8.2	0.005	T	2100LL-8R2	14400	56	0.019	HD	1140-560K
11700	10	0.007	SMT	PM2110-100K	14400	68	0.021	HD	1140-680K
11700	33	0.013	T	2307-	14400	82	0.023	HD	1140-820K
11800	18	0.009	SMT	PM2120-180K	14400	100	0.025	HD	1140-101K
11800	27	0.009	T	2200LL-270	14400	120	0.028	HD	1140-121K
11800	47	0.012	T	2300LL-470	14500	4000	0.012	CM	8119
12000	0.68	0.005	SMP	PM3316H-R68M	14500	4000	0.012	CM	8119
12000	2.2	0.0061	SMP	PM5022H-2R2M	14700	2.7	0.003	T	2000-2R7-
12000	4.7	0.0072	SMPS	PM12651S-4R7M	14700	6.8	0.006	SMT	PM2120-6R8M
12000	10	0.012	HD	5509	14700	8.2	0.006	SMT	PM2120-8R2M
12000	12	0.008	T	2202-	14900	4.7	0.006	T	2100HT-4R7
12200	15	0.009	SMT	PM2120-150K	15000	0.47	0.003	SMPS	PM7232S-R47M
12200	39	0.011	T	2300LL-390	15000	0.78	0.0026	SMP	PM5022H-R78M
12300	6.8	0.004	T	2100LL-6R8	15000	1.5	0.004	SMP	PM5022H-1R5M
12500	0.72	0.008	SMPS	PM7232S-R72M	15000	1.7	0.0079	SMPS	PM1038S-1R7M
12500	10	0.007	T	2201-	15000	4.9	0.016	VHD	5219
12500	27	0.014	HD	5517	15000	5	0.007	HD	5601
12500	2500	0.011	CM	8114	15000	27	0.01	HD	5523
12500	2500	0.011	CM	8114	15000	50	0.013	HD	5524
12600	8.2	0.006	SMT	PM2110-8R2M	15100	3.3	0.003	T	2100LL-3R3
12600	22	0.008	T	2200LL-220	15100	3.9	0.004	SMT	PM2110-3R9M
12700	12	0.008	SMT	PM2120-120K	15100	8.2	0.005	T	2200LL-8R2
13000	33	0.01	T	2300LL-330	15100	8.2	0.008	T	2200HT-8R2
13000	33	0.01	T	2300LL-330	15300	3.9	0.005	T	2100HT-3R9
13000	39	0.017	T	2300HT-390	15600	2	0.0027	T	2000-2R0-
13100	5.6	0.004	T	2100LL-5R6	15600	5.6	0.005	SMT	PM2120-5R6M
13100	6.8	0.005	SMT	PM2110-6R8M	15600	27	0.008	T	2306-
13100	18	0.007	T	2200LL-180	15700	6.8	0.007	T	2200HT-6R8
13200	8.2	0.007	T	2100HT-8R2	16000	0.25	0.0021	SMPS	PM7232S-R25M
13500	12	0.008	HD	1130-120K	16000	0.33	0.002	SMP	PM3316H-R33M
13500	15	0.009	HD	1130-150K	16000	2.7	0.004	SMT	PM2110-2R7M
13500	18	0.01	HD	1130-180K	16000	3.3	0.004	SMT	PM2110-3R3M
13500	22	0.011	HD	1130-220K	16000	6.8	0.005	T	2200LL-6R8
13500	27	0.012	HD	1130-270K	16000	10	0.008	HD	5516

Coil Type

CC - Conformal coated

R - Radial lead

SMT - Surface mount toroid

CM - Common mode

SMC - Surface mount common mode

T - Toroid

HD - Heavy duty

SMCH - Surface mount, chip

TB - Toroid mounted on base

M - Molded

SMP - Surface mount, power

V - Varnished

MS - Molded, shielded

SMPS - Surface mount, power, shielded

VHD - Varnished heavy duty

BOURNS®

Tel. (877) 426-8767 • Fax (951) 781-5006

www.bourns.com

Selector Guide

Current (mA)	Inductance (µH)	Resistance (ohms)	Coil Type	Part Number	Current (mA)	Inductance (µH)	Resistance (ohms)	Coil Type	Part Number
16000	1200	0.006	CM	8115	20200	18	0.007	T	2300HT-180
16000	1200	0.006	CM	8115	20300	1.2	0.002	SMT	PM2110-1R2M
16100	3.3	0.005	T	2100HT-3R3	20300	1.5	0.002	SMT	PM2110-1R5M
16100	5.6	0.007	T	2200HT-5R6	20300	2.7	0.003	T	2200LL-2R7
16400	22	0.007	T	2305-	20800	10	0.004	T	2300LL-100
16500	2.2	0.003	T	2100LL-2R2	20800	15	0.007	T	2300HT-150
16600	4.7	0.005	SMT	PM2120-4R7M	21000	1	0.003	HD	1130-1R0M
16900	4.7	0.006	T	2200HT-4R7	21000	1.2	0.003	HD	1130-1R2M
17000	0.22	0.0014	SMPS	PM7232S-R22M	21000	1.5	0.003	HD	1130-1R5M
17000	1.2	0.0047	SMPS	PM1038S-1R2M	21000	1.8	0.003	HD	1130-1R8M
17000	10	0.006	HD	5611	21000	2.2	0.003	HD	1130-2R2M
17000	10	0.006	HD	1130-100K	21000	2.7	0.003	HD	1130-2R7M
17000	27	0.006	T	2300LL-270	21000	3.3	0.003	HD	1130-3R3M
17000	2400	0.008	CM	8120	21000	3.9	0.003	HD	1130-3R9M
17000	2400	0.008	CM	8120	21000	4.7	0.003	HD	1130-4R7M
17100	2.7	0.004	T	2100HT-2R7	21000	5.6	0.003	HD	1130-5R6M
17100	4.7	0.004	T	2200LL-4R7	21000	6.8	0.004	HD	1130-6R8M
17200	2.2	0.003	SMT	PM2110-2R2M	21000	8.2	0.004	HD	1130-8R2M
17200	18	0.006	T	2304-	21000	22	0.009	HD	1140-220K
17700	22	0.005	T	2300LL-220	21000	27	0.01	HD	1140-270K
17800	3.9	0.006	T	2200HT-3R9	21000	33	0.011	HD	1140-330K
18000	2.7	0.0043	SMPS	PM12645S-2R7M	21000	39	0.012	HD	1140-390K
18000	3.3	0.004	SMT	PM2120-3R3M	21400	1	0.002	T	2100LL-1R0
18000	3.9	0.004	SMT	PM2120-3R9M	21700	1	0.003	T	2100HT-1R0
18000	15	0.006	T	2303-	21800	1.8	0.004	T	2200HT-1R8
18300	2.2	0.004	T	2100HT-2R2	22000	0.1	0.0009	SMPS	PM7232S-R10M
18500	1.5	0.002	T	2100LL-1R5	22000	1.2	0.0029	SMPS	PM12639S-1R2M
18500	1.8	0.003	SMT	PM2110-1R8M	22000	1.5	0.003	SMT	PM2120-1R5M
18500	3.9	0.004	T	2200LL-3R9	22000	1.8	0.003	SMT	PM2120-1R8M
18500	18	0.005	T	2300LL-180	22100	0.8	0.0014	T	2000-R8-
18600	15	0.005	T	2300LL-150	22300	8.2	0.003	T	2300LL-6R8
18700	1.5	0.002	T	2000-1R5-	22400	12	0.006	T	2300HT-120
18800	3.3	0.005	T	2200HT-3R3	22600	1.8	0.002	T	2200LL-1R8
19000	5	0.006	HD	5515	22700	1	0.002	SMT	PM2110-1R0M
19000	22	0.008	T	2300HT-220	23000	0.5	0.00148	SMPS	PM1038S-R50M
19100	12	0.005	T	2302-	23000	5	0.004	HD	5521
19600	12	0.004	T	2300LL-120	23300	10	0.006	T	2300HT-100
19600	12	0.004	T	2300LL-120	23800	1.2	0.003	T	2200HT-1R2
19700	2.2	0.003	SMT	PM2120-2R2M	24000	0.39	0.0015	SMPS	PM1038S-R39M
19700	2.7	0.003	SMT	PM2120-2R7M	24000	0.5	0.0011	SMPS	PM12651S-R50M
19800	1.5	0.003	T	2100HT-1R5	24000	5.6	0.003	T	2300LL-5R6
20000	0.11	0.0017	SMPS	PM7232S-R11M	24300	8.2	0.005	T	2300HT-8R2
20000	0.75	0.0035	SMPS	PM1038S-R75M	24500	6.8	0.005	T	2300HT-6R8
20000	1.8	0.0035	SMPS	PM12645S-1R8M	24700	0.5	0.0012	T	2000-R5-
20000	3.35	0.01	VHD	5218	25000	1	0.0144	SMPS	PM13666S-1R0M
20000	5	0.005	HD	5610	25400	1	0.002	SMT	PM2120-1R0M
20000	10	0.005	T	2301-	25400	1.2	0.002	SMT	PM2120-1R2M
20000	10	0.006	HD	5522	25800	5.6	0.005	T	2300HT-5R6
20000	1000	0.007	CM	8121	26100	1	0.002	T	2200LL-1R0
20000	1000	0.007	CM	8121	26300	3.9	0.002	T	2300LL-3R9
20100	2.2	0.005	T	2200HT-2R2	27000	1.2	0.002	SMPS	PM12645S-1R2M
20200	1.2	0.0017	T	2000-1R2-	27000	1.8	0.002	HD	1140-1R8M

Coil Type

CC - Conformal coated

R - Radial lead

SMT - Surface mount toroid

CM - Common mode

SMC - Surface mount common mode

T - Toroid

HD - Heavy duty

SMCH - Surface mount, chip

TB - Toroid mounted on base

M - Molded

SMP - Surface mount, power

V - Varnished

MS - Molded, shielded

SMPS - Surface mount, power, shielded

VHD - Varnished heavy duty

BOURNS®

Tel. (877) 426-8767 • Fax (951) 781-5006

www.bourns.com

J.W. Miller to Bourns Product Cross Reference

PMA

1206L	MA3216-xxxM4
1206H	MA3216-xxxT4
0402	MU1005

PMC

0603	MG,MU,MZ1608
0805	MG,MU,MZ2029
1206	MG,MU,MZ3261

PMH

0603	MH1608
0805	MH2029
1206	MH3261
1806	MH4516
1812	MH4532

Chip Inductors

PM0402	CI100505
PM0402T	CM100505
PM0603	CW160808
PM0603H	CM160808
PM0603T	CI160808
PM0805	CW201212
PM0805G	CV201210
PM0805H	CE201210
PM1008	CW252016
PM1008M	CM252016
PM1210	CM322522
PM1210G	CF322513
PM1812	CM453232
PM1812G	CF453215
PM1812H	CC453232*
PM205	CC322522*

Power Inductors (Shielded) (PCS)

PM1045H	SRU1038
PM1055B	SRR0905*
PM1245H	SRR1240
PM12565S	SRR1260*
PM1255H	SRR1260
PM1275H	SRR1208
PM1608S	SRR6603
PM3316S	SRR1005
PM428S	SRR4028*
PM42S	SRR4018*
PM5022S	SRR1806
PM518S	SRR5018*
PM528S	SRR5028*
PM628S	SRR6028*
PM638S	SRR6038*
PM7032S	SRR7032
PM7232S	SRP7030
PM12639S	SRP1235
PM12645S	SRP1250
PM12651S	SRP1250
PM745H	SRR7045

Common Mode Chip Inductors (CMC)

PM0805CM	SRF2012*
PM1206CM	SRF3216*

Power Inductors (Unshielded) (PCNS)

PM105	SDR1006
PM1608	SDR6603*
PM32	SDR0302
PM3316	SDR1005
PM43	SDR0403
PM5022	SDR1806
PM5022H	SDR2207
PM52	SDR0603*
PM54	SDR0604
PM75	SDR0805

* Closest alternative - these models are available on requests as projects only. Please consult a Bourns application engineer for the solution that best suits your needs.

BOURNS®

Tel. (877) 426-8767 • Fax (951) 781-5006

www.bourns.com

Multilayer Ferrite Chip Bead Arrays

Special Features

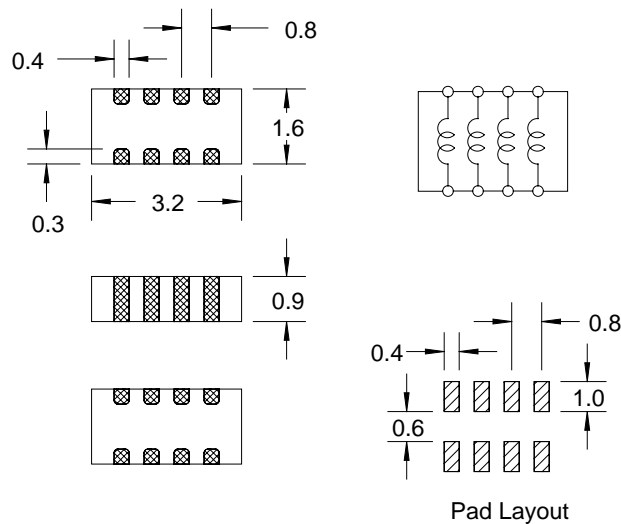
- Four ferrite beads in single package
- Magnetically shielded circuits avoid coupling
- Multilayer construction for high reliability
- Solder coated terminals for wave and reflow solder
- Available in Type L for low frequency and Type H for high frequency applications
- Operating temperature: -55 to +125 °C
- Tape & reel packaged, 3000/Reel

Typical Applications

- EMI suppression in multiple-line circuits
- Cell phones
- Pagers
- Hand-held organizers
- High-frequency wireless communication devices
- Notebook computers
- Printers
- Network cards
- Industrial electronics
- Entertainment electronic devices

PMA Series				
Part Number	Z (Ω) ± 25 % @100MHz	DCR (Ω) Max.	I, DC (mA)	Bourns Equivalent
Type L				
PMA1206L-300-RC	30	0.4	350	MA3212-xxxM4
PMA1206L-600-RC	60	0.4	250	
PMA1206L-121-RC	120	0.8	150	
PMA1206L-241-RC	240	0.8	150	
PMA1206L-301-RC	300	0.8	150	
PMA1206L-471-RC	470	1.0	100	
PMA1206L-601-RC	600	1.5	100	
PMA1206L-102-RC	1000	1.7	50	
Type H				
PMA1206H-600-RC	60	0.8	150	MA3215-xxxT4
PMA1206H-121-RC	120	0.8	150	
PMA1206H-221-RC	220	0.8	150	
PMA1206H-471-RC	470	1.0	150	
PMA1206H-601-RC	600	1.5	100	

Only available as RoHS compliant.



Dimensions: mm
Tolerance: +/- 0.2

BOURNS®

Tel. (877) 426-8767 • Fax (951) 781-5006

www.bourns.com

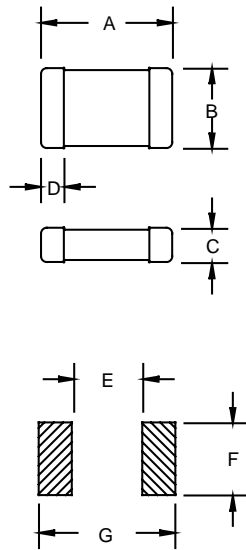
Multilayer Ferrite Chip Beads

Special Features

- High impedance
- Reduce high frequency noise interference
- Multilayer construction for high reliability
- Solder coated terminals for wave and reflow solder
- Operating temperature: -55 to +125 °C

Notes

- * Current to cause 20 °C max. temperature rise



Pad Layout

Also available as RoHS compliant

PMC						
Part Number	Z (Ω) ±25 %	Test Freq. (MHz)	DCR (Ω) Max.	I, DC* (mA)	Bourns Equivalen	
PMC0402-100-RC	10	100	0.10	500	MU1005	
PMC0402-300-RC	30	100	0.20	300		
PMC0402-600-RC	60	100	0.25	300		
PMC0402-121-RC	120	100	0.30	100		
PMC0402-241-RC	240	100	0.40	100		
PMC0402-301-RC	300	100	0.50	100		
PMC0402-601-RC	600	100	1.1	50		
PMC0402-102-RC	1000	100	1.5	50		
PMC0603-300-RC	30	100	0.2	200		MG, MU, MZ1608
PMC0603-600-RC	60	100	0.2	200		
PMC0603-101-RC	100	100	0.3	200		
PMC0603-121-RC	120	100	0.4	200		
PMC0603-151-RC	150	100	0.4	100		
PMC0603-221-RC	220	100	0.5	200		
PMC0603-301-RC	300	100	0.6	100		
PMC0603-601-RC	600	100	0.8	100		
PMC0603-102-RC	1000	100	1.0	100		
PMC0603-152-RC	1500	100	1.0	50		
PMC0603-202-RC	2000	100	1.0	50	MG, MU, MZ2029	
PMC0805-100-RC	10	100	0.2	500		
PMC0805-300-RC	30	100	0.3	400		
PMC0805-600-RC	60	100	0.3	400		
PMC0805-101-RC	100	100	0.4	400		
PMC0805-121-RC	120	100	0.3	300		
PMC0805-151-RC	150	100	0.5	200		
PMC0805-221-RC	220	100	0.5	200		
PMC0805-301-RC	300	100	0.5	200		
PMC0805-601-RC	600	100	1.0	100		
PMC0805-102-RC	1000	100	1.0	100		
PMC0805-152-RC	1500	100	1.0	100		
PMC0805-202-RC	2000	100	1.5	100	MG, MU, MZ3261	
PMC1206-300-RC	30	100	0.2	500		
PMC1206-600-RC	60	100	0.3	400		
PMC1206-750-RC	75	100	0.3	400		
PMC1206-101-RC	100	100	0.3	400		
PMC1206-121-RC	120	100	0.3	400		
PMC1206-151-RC	150	100	0.5	400		
PMC1206-221-RC	220	100	0.5	400		
PMC1206-301-RC	300	100	0.5	200		
PMC1206-601-RC	600	100	0.5	200		
PMC1206-102-RC	1000	50	1.0	100		
PMC1206-152-RC	1500	50	1.0	100		
PMC1206-202-RC	2000	30	0.6	100		

Only available as RoHS compliant.

Dimensions: mm

Chip Size	Dim. A	Dim. B	Dim. C	Dim. D	Dim. E	Dim. F	Dim. G	Reel Size
PMC0402	1.00	0.50	0.50	0.25	0.4	0.5	1.4	10,000
PMC0603	1.60	0.80	0.80	0.5	0.6	0.8	2.6	4000
PMC0805	2.00	1.25	0.90	0.5	1.0	1.0	3.0	4000
PMC1206	3.20	1.60	1.10	0.5	2.2	1.4	4.4	3000

BOURNS®

Tel. (877) 426-8767 • Fax (951) 781-5006

www.bourns.com

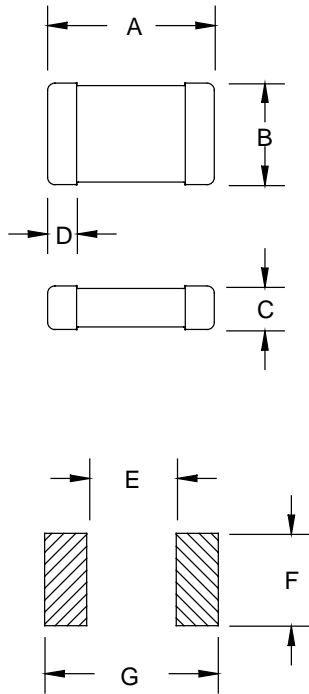
Multilayer High-Current Ferrite Chip Beads

Special Features

- High current capacity
- Reduce high frequency noise interference
- Multilayer construction for high reliability
- Solder coated terminals for wave and reflow solder
- Operating temperature: -55 to +125 °C

Notes

- * Current to cause 20 °C max. temperature rise



Pad Layout

PMH Series				
Part Number	Z (Ω) ±25 % @100MHz	DCR (Ω) Max.	I, DC* (A)	Bourns Equivalent
PMH0603-100-RC	10	0.01	5	MH1608
PMH0603-300-RC	30	0.03	3	
PMH0603-600-RC	60	0.04	3	
PMH0603-101-RC	100	0.05	2.5	
PMH0603-121-RC	120	0.05	2.5	
PMH0603-151-RC	150	0.1	2	
PMH0603-221-RC	220	0.1	2	
PMH0603-301-RC	300	0.1	2	
PMH0603-601-RC	600	0.2	1	
PMH0805-100-RC	10	0.01	6	
PMH0805-300-RC	30	0.015	6	
PMH0805-400-RC	40	0.02	5	
PMH0805-600-RC	60	0.02	5	
PMH0805-800-RC	80	0.02	5	
PMH0805-101-RC	100	0.02	5	
PMH0805-121-RC	120	0.02	5	
PMH0805-201-RC	200	0.04	3	
PMH0805-221-RC	220	0.04	3	
PMH0805-301-RC	300	0.15	1	
PMH0805-401-RC	400	0.1	2	
PMH0805-601-RC	600	0.1	2	
PMH0805-102-RC	1000	0.3	.5	
PMH1206-300-RC	30	0.03	4	MH3261
PMH1206-500-RC	50	0.03	4	
PMH1206-700-RC	70	0.03	4	
PMH1206-800-RC	80	0.03	4	
PMH1206-900-RC	90	0.04	3	
PMH1206-101-RC	100	0.04	3	
PMH1206-121-RC	120	0.03	3	
PMH1206-501-RC	500	0.1	1.5	
PMH1206-601-RC	600	0.10	1.5	

Only available as RoHS compliant.

Dimensions: mm

Chip Size	Dim. A	Dim. B	Dim. C	Dim. D	Dim. E	Dim. F	Dim. G	Reel
PMH0603	1.60	0.80	0.80	0.3	0.6	0.8	2.6	4000
PMH0805	2.00	1.25	0.90	0.5	1.0	1.0	3.0	4000
PMH1206	3.20	1.60	1.10	0.5	2.2	1.4	4.4	3000

BOURNS®

Tel. (877) 426-8767 • Fax (951) 781-5006

www.bourns.com

High Current Ferrite Chip Beads

Special Features

- High current capacity up to 5 A
- Low DC resistance
- Multiple sizes available
- Low cost
- Operating temperature: -55 to +125 °C
- Tape & reel packaged

Typical Applications

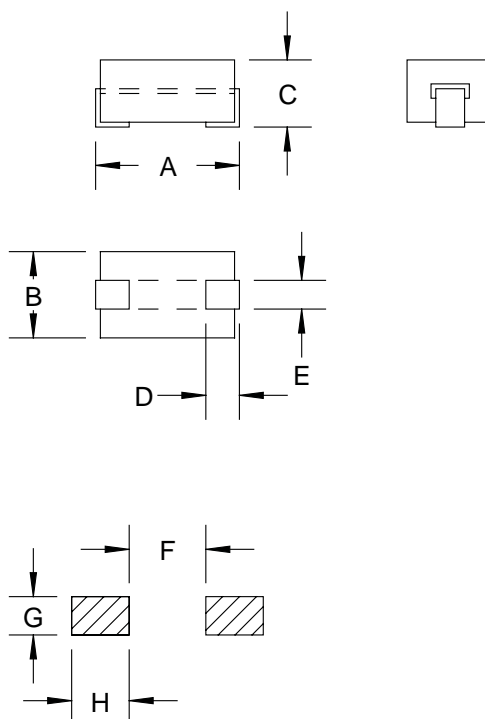
- EMI suppression
- Cordless phones
- Hand-held organizers
- High-frequency wireless communication devices
- Computer peripherals
- Notebook computers
- Printers
- Network cards
- Industrial electronics
- Entertainment electronic devices

PM2000 Series			
Part Number	Z (Ω)	Z (Ω)	DCR (Ω) Max.
	±25 % @25MHz	±25 % @100MHz	
PM2001-200-RC	20	30	0.0005
PM2002-300-RC	30	47	0.0006
PM2003-600-RC	60	90	0.0009

Only available as RoHS compliant.

Dimensions: mm

Chip Size	Dim. A	Dim. B	Dim. C	Dim. D	Dim. E	Dim. F (Ref)	Dim. G (Ref)	Dim. H (Ref)	Reel Size
PM2001-200-RC	±0.15	±0.10	±0.10	±0.20	±0.65	(Ref)	(Ref)	(Ref)	1000
PM2002-300-RC	4.60	3.10	2.84	1.35	1.35	1.0	2.0	2.5	500
PM2003-600-RC	9.10	3.10	2.84	1.35	1.35	4.5	2.0	3.0	500



Pad Layout

BOURNS®

Tel. (877) 426-8767 • Fax (951) 781-5006

www.bourns.com

Multilayer Chip Inductors

Special Features

- Monolithic construction provides high reliability
- High Q characteristic
- High frequency application
- Ceramic material construction provides very stable electrical characteristics
- Operating temperature -25 to +105 °C
- Tape & reel packaged 10,000/reel

Typical Applications

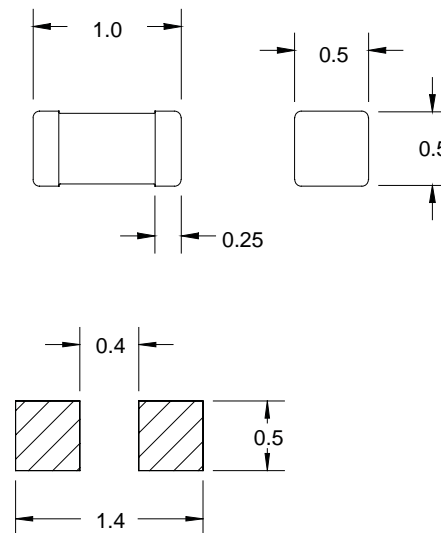
- Small cellular phones
- PDAs
- Pagers
- Handheld organizers
- High-frequency wireless communication devices
- Notebook computers
- Printers
- Network cards
- Industrial electronics
- Entertainment electronic devices

Notes

- * Current to cause 20 °C of temperature rise

PM0402 Series							
Part Number	L (nH) ±0.3nH @ 100MHz	Q Typ. @ 100MHz	Q Typ. @ 800MHz	SRF (MHz) Typ.	DCR (Ω) Max.	I _{DC} * (mA)*	Bourns Equivalent
PM0402-1N0-RC	1.0	9	32	12000	0.12	300	
PM0402-1N2-RC	1.2	9	32	12000	0.12	300	
PM0402-1N5-RC	1.5	10	32	12000	0.13	300	
PM0402-1N8-RC	1.8	10	29	10000	0.14	300	
PM0402-2N2-RC	2.2	10	28	9000	0.16	300	
PM0402-2N7-RC	2.7	10	28	8000	0.17	300	
PM0402-3N3-RC	3.3	10	27	7000	0.19	300	
PM0402-3N9-RC	3.9	10	27	6000	0.22	300	
PM0402-4N7-RC	4.7	10	27	5000	0.24	300	
PM0402-5N6-RC	5.6	10	27	4700	0.27	300	
	±5 %						
PM0402-6N8J-RC	6.8	10	27	4500	0.32	250	C1100505
PM0402-8N2J-RC	8.2	10	28	3900	0.37	250	
PM0402-10NJ-RC	10	10	28	3300	0.42	250	
PM0402-12NJ-RC	12	10	30	2900	0.50	250	
PM0402-15NJ-RC	15	10	28	2500	0.55	250	
PM0402-18NJ-RC	18	10	28	2100	0.65	200	
PM0402-22NJ-RC	22	10	28	1800	0.80	200	
PM0402-27NJ-RC	27	10	27	1600	0.90	200	
PM0402-33NJ-RC	33	11	25	1300	1.0	200	
PM0402-39NJ-RC	39	11	24	1200	1.2	150	
PM0402-47NJ-RC	47	11	23	1000	1.3	150	
PM0402-56NJ-RC	56	11	21	750	1.4	150	

Only available as RoHS compliant.



Pad Layout

Dimensions: mm
Tolerance: +/- 0.1

BOURNS®

Tel. (877) 426-8767 • Fax (951) 781-5006

www.bourns.com

Multilayer Chip Inductors

Special Features

- Ceramic core, wirewound for superior reliability
- High self resonant frequency
- Very stable electrical characteristic
- Flat top surface for automated pick & place
- Operating temperature -40 to +125 °C
- Tape & reel packaged 10,000/reel

Typical Applications

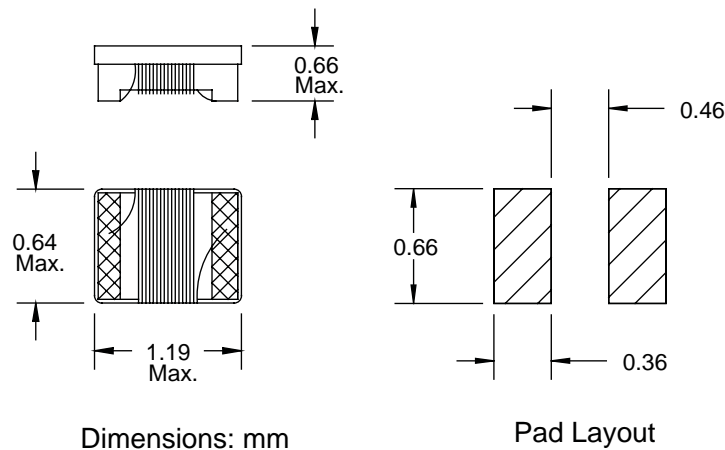
- Small cellular phones
- PDA
- Pagers
- Hand-held organizers
- High frequency wireless communication devices
- Laptop computers
- Network cards
- Industrial electronics
- Entertainment electronic devices

Notes

* Current to cause approx. 15 °C of temperature rise

PM0402C Series							
Part Number	L (nH) ±0.3 nH	Q Min	Test Freq. (MHz)	Q Typ. @900 (MHz)	SRF (MHz) Min.	DCR Ω Max.	I _{dc} * (mA)
PM0402C-1N0	1.0	16	250	77	6000	0.045	1360
PM0402C-2N0	2.0	16	250	54	6000	0.070	1040
PM0402C-2N2	2.2	19	250	59	6000	0.070	960
PM0402C-3N3	3.3	19	250	65	6000	0.066	840
PM0402C-3N6	3.6	19	250	45	6000	0.066	840
PM0402C-3N9	3.9	19	250	50	5800	0.066	840
±5 %							
PM0402C-5N1J	5.1	20	250	56	5800	0.083	800
PM0402C-5N6J	5.6	20	250	54	5800	0.083	760
PM0402C-6N2J	6.2	20	250	52	5800	0.083	760
PM0402C-7N5J	7.5	22	250	60	5800	0.104	680
PM0402C-8N2J	8.2	22	250	57	4400	0.104	680
PM0402C-9N0J	9.0	22	250	62	4160	0.104	680
PM0402C-10NJ	10	21	250	50	3900	0.195	480
PM0402C-11NJ	11	24	250	52	3680	0.120	640
PM0402C-12NJ	12	24	250	53	3600	0.120	640
PM0402C-15NJ	15	24	250	55	3280	0.172	560
PM0402C-19NJ	19	24	250	50	3040	0.202	480
PM0402C-23NJ	23	24	250	49	2720	0.214	400
PM0402C-27NJ	27	24	250	49	2480	0.298	400
PM0402C-36NJ	36	24	250	44	2320	0.403	320
PM0402C-40NJ	40	24	250	44	2240	0.438	320
PM0402C-47NJ	47	20	250	38	2100	0.830	150

For RoHS compliant version, add "-RC" to part number.



BOURNS®

Tel. (877) 426-8767 • Fax (951) 781-5006

www.bourns.com

Tight Tolerance High Frequency Chip Inductors

Special Features

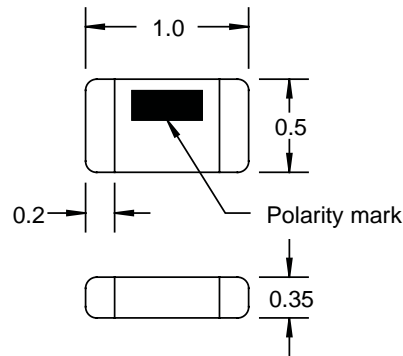
- Photolithographic design
- Tight inductance tolerance
- High self resonant frequency
- Excellent Q
- Stable characteristics
- Operating temperature: -55 to +125 °C
- Tape & reel packaged 10,000/reel

Typical Applications

- High frequency circuits
- Cell phone
- Bluetooth
- LAN and WAN

PM0402T Series							
Part Number	L (nH) ±0.2nH @ 100MHz	Q (Min)/ Test Freq.	SRF (Min) (GHz)	DCR (Ω) (Max)	Idc (mA)	Bourns Equivalent	
PM0402T-1N0-RC	1.0	13 / 500MHz	6	0.1	400	CM100505	
PM0402T-1N2-RC	1.2	13 / 500MHz	6	0.1	390		
PM0402T-1N5-RC	1.5	13 / 500MHz	6	0.2	280		
PM0402T-1N8-RC	1.8	13 / 500MHz	6	0.2	280		
PM0402T-2N2-RC	2.2	13 / 500MHz	6	0.3	220		
PM0402T-2N7-RC	2.7	13 / 500MHz	6	0.4	220		
PM0402T-3N3-RC	3.3	13 / 500MHz	6	0.5	190		
PM0402T-3N9-RC	3.9	13 / 500MHz	6	0.6	170		
PM0402T-4N7-RC	4.7	13 / 500MHz	6	0.7	160		
PM0402T-5N6-RC	5.6	13 / 500MHz	6	0.9	140		
PM0402T-6N8-RC	6.8	13 / 500MHz	6	1.1	130		
PM0402T-8N2-RC	8.2	13 / 500MHz	5.5	1.3	110		
±2 %							
PM0402T-10NG-RC	10	13 / 500MHz	4.5	1.6	100		
PM0402T-12NG-RC	12	13 / 500MHz	3.7	1.8	90		
PM0402T-15NG-RC	15	13 / 500MHz	3.3	2.0	90		
PM0402T-18NG-RC	18	13 / 500MHz	3.1	2.0	80		
PM0402T-22NG-RC	22	13 / 500MHz	2.8	2.6	70		

Only available as RoHS compliant.



Pad Layout

Dimensions: mm
Tolerance: -/+ 0.1

BOURNS®

Tel. (877) 426-8767 • Fax (951) 781-5006

www.bourns.com

Chip Inductors

Special Features

- Ceramic core, wirewound for superior reliability
- High self-resonant frequency
- Very stable electrical characteristics
- Flat top surface for automated pick & place
- Operating temperature -40 to +125 °C
- Tape & reel packaged 3000/reel

Typical Applications

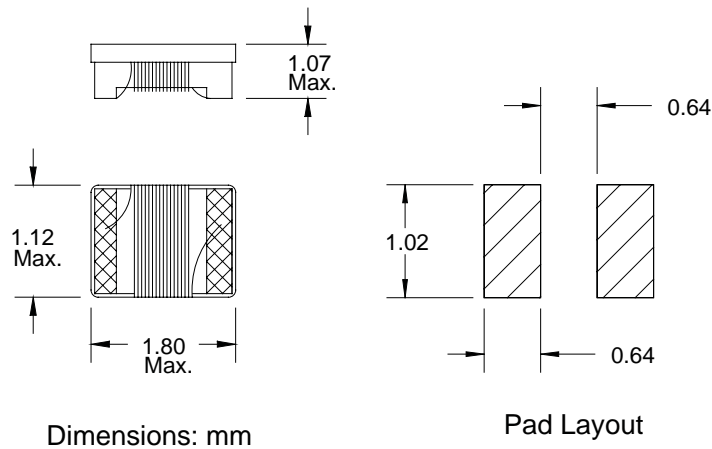
- Small cellular phones
- PDA
- Pagers
- Handheld organizers
- High frequency wireless communication devices
- Laptop computers
- Network cards
- Industrial electronics
- Entertainment electronic devices

Notes

- * Current to cause approx. 15 °C of temperature rise

PM0603 Series									
Part Number	L (nH) ± 0.3 nH	Q Min.	Text Freq. (MHz)	Q Typ. @ 900Mz	SRF (MHz) Min.	DCR (Ω) Max.	I _{dc} * (mA)	Bourns Equivalent	
PM0603-2N2	2.2	18	250	38	6900	0.08	700	CW160808	
PM0603-3N9	3.9	22	250	48	6900	0.08	700		
PM0603-4N7	4.7	20	250	47	5800	0.13	700		
	±5 %								
PM0603-6N8J	6.8	28	250	60	5800	0.11	700		
PM0603-8N2J	8.2	30	250	62	4600	0.11	700		
PM0603-10NJ	10	30	250	60	4800	0.15	700		
PM0603-12NJ	12	30	250	65	4000	0.13	700		
PM0603-15NJ	15	35	250	69	4000	0.17	700		
PM0603-18NJ	18	35	250	75	3100	0.17	700		
PM0603-22NJ	22	38	250	70	3000	0.19	700		
PM0603-27NJ	27	40	250	75	2800	0.23	700		
PM0603-33NJ	33	43	250	78	2300	0.23	600		
PM0603-39NJ	39	43	250	60	2200	0.25	600		
PM0603-47NJ	47	40	200	65	2000	0.28	600		
PM0603-56NJ	56	40	200	65	1900	0.31	600		
PM0603-68NJ	68	40	200	55	1700	0.34	600		
PM0603-72NJ	72	35	150	53	1700	0.49	400		
PM0603-82NJ	82	35	150	55	1700	0.54	400		
	(μH)								
PM0603-R10J	0.10	35	150	50	1400	0.58	400		
PM0603-R12J	0.12	35	150	40	1300	0.65	300		
PM0603-R15J	0.15	30	150	28	990	0.92	280		
PM0603-R18J	0.18	30	100	22	990	1.25	240		
PM0603-R22J	0.22	30	100	20	990	2.10	200		
PM0603-R27J	0.27	30	100	10	990	2.30	170		

For RoHS compliant version, add "-RC" to part number.



BOURNS®

Tel. (877) 426-8767 • Fax (951) 781-5006

www.bourns.com

Multilayer Chip Inductors, General Applications

Special Features

- Monolithic construction provides high reliability
- High Q characteristic
- High frequency application
- Ferrite material construction provides magnetic shielding to reduce radiation
- Operating temperature -25 to +105 °C
- Tape & reel packaged 4000/reel

Typical Applications

- Small cellular phones
- PDAs
- Pagers
- Hand-held organizers
- High frequency wireless communication devices
- Notebook computers
- Printers
- Network cards
- Industrial electronics
- Entertainment electronic devices

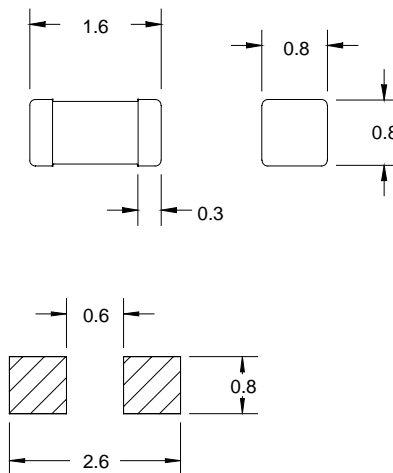
Notes

- * Current to cause 20 °C of temperature rise

PM0603G Series							
Part Number	L (μH) ±5 %	Q Typ.	Test Freq. (MHz)	SRF (MHz) Typ.	DCR (Ω) Max.	I, DC* (mA)	Bourns Equivalent
PM0603G-R047J-RC	0.047	10	50	260	0.30	50	
PM0603G-R068J-RC	0.068	10	50	250	0.30	50	
PM0603G-R082J-RC	0.082	10	50	245	0.30	50	
PM0603G-R10J-RC	0.10	15	25	240	0.50	50	
PM0603G-R12J-RC	0.12	15	25	205	0.50	50	
PM0603G-R15J-RC	0.15	15	25	180	0.60	50	
PM0603G-R18J-RC	0.18	15	25	165	0.60	50	
PM0603G-R22J-RC	0.22	15	25	150	0.80	50	
PM0603G-R27J-RC	0.27	15	25	136	0.80	50	
PM0603G-R33J-RC	0.33	15	25	125	0.85	35	
PM0603G-R39J-RC	0.39	15	25	110	1.00	35	
PM0603G-R47J-RC	0.47	15	25	105	1.35	35	
PM0603G-R56J-RC	0.56	15	25	95	1.55	35	
PM0603G-R68J-RC	0.68	15	25	80	1.70	35	
PM0603G-R82J-RC	0.82	15	25	75	2.10	35	
PM0603G-1R0J-RC	1.0	30	10	70	0.60	25	
PM0603G-1R2J-RC	1.2	30	10	60	0.80	25	
PM0603G-1R5J-RC	1.5	30	10	55	0.80	25	
PM0603G-1R8J-RC	1.8	30	10	50	0.95	25	
PM0603G-2R2J-RC	2.2	30	10	45	1.15	15	
PM0603G-2R7J-RC	2.7	30	10	40	1.35	15	
	± 10 %						
PM0603G-3R3K-RC	3.3	30	10	38	1.55	15	
PM0603G-3R9K-RC	3.9	30	10	36	1.70	15	
PM0603G-4R7K-RC	4.7	30	10	33	2.10	15	
PM0603G-5R6K-RC	5.6	30	4	22	1.55	15	

CS160808

Only available as RoHS compliant.



Pad Layout

Dimensions: mm
Tolerance: +/- 0.15

BOURNS®

Tel. (877) 426-8767 • Fax (951) 781-5006

www.bourns.com

Multilayer Chip Inductors, High Frequency Applications

Special Features

- Monolithic construction provides high reliability
- High Q characteristic
- High frequency application
- Ferrite material construction provides magnetic shielding to reduce radiation
- Operating temperature -25 to +105 °C
- Tape & reel packaged 4000/reel

Typical Applications

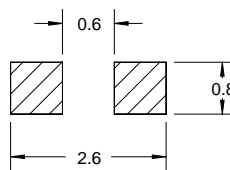
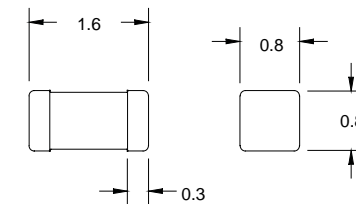
- Small cellular phones
- PDAs
- Pagers
- Hand-held organizers
- High frequency wireless communication devices
- Notebook computers
- Printers
- Network cards
- Industrial electronics
- Entertainment electronic devices

Notes

- * Current to cause 20 °C of temperature rise

PM0603H Series							
Part Number	L (nH)	Q	Q	SRF	DCR	I, DC*	Bourns Equivalent
	±0.3nH @100MHz	Typ. @ 100MHz	Typ. @ 800MHz	(MHz) Typ.	(Ω) Max.	(mA)	
PM0603H-1N5-RC	1.5	12	37	6000	0.10	300	CM160808
PM0603H-1N8-RC	1.8	12	37	6000	0.10	300	
PM0603H-2N2-RC	2.2	12	38	6000	0.10	300	
PM0603H-2N7-RC	2.7	13	41	6000	0.10	300	
PM0603H-3N3-RC	3.3	14	45	5700	0.12	300	
PM0603H-3N9-RC	3.9	13	43	5600	0.14	300	
PM0603H-4N7-RC	4.7	13	43	4800	0.16	300	
PM0603H-5N6-RC	5.6	14	42	4350	0.18	300	
	±5 %						
PM0603H-6N8J-RC	6.8	14	43	3750	0.22	300	
PM0603H-8N2J-RC	8.2	14	44	3300	0.24	300	
PM0603H-10NJ-RC	10	14	44	2850	0.26	300	
PM0603H-12NJ-RC	12	15	44	2700	0.28	300	
PM0603H-15NJ-RC	15	15	46	2400	0.32	300	
PM0603H-18NJ-RC	18	15	44	2050	0.35	300	
PM0603H-22NJ-RC	22	16	44	1850	0.40	300	
PM0603H-27NJ-RC	27	16	45	1750	0.45	300	
PM0603H-33NJ-RC	33	16	46	1500	0.55	300	
PM0603H-39NJ-RC	39	16	41	1350	0.60	300	
PM0603H-47NJ-RC	47	16	38	1200	0.70	300	
PM0603H-56NJ-RC	56	16	34	1150	0.75	300	
PM0603H-68NJ-RC	68	16	30	1050	0.85	300	
PM0603H-82NJ-RC	82	16	20	1000	0.95	300	
PM0603H-100NJ-RC	100	16	12	925	1.00	300	

Only available as RoHS compliant.



Pad Layout

Dimensions: mm
Tolerance: +/- 0.15

BOURNS®

Tel. (877) 426-8767 • Fax (951) 781-5006

www.bourns.com

PM0603T Tight Tolerance High Frequency Chip Inductors

Special Features

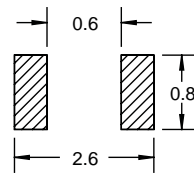
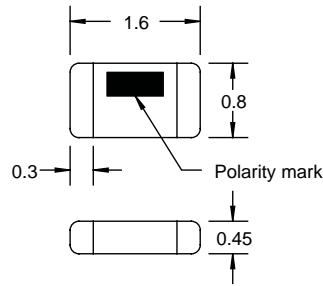
- Photolithographic design
- Tight inductance tolerance
- High self resonant frequency
- Excellent Q
- Stable characteristics
- Operating temperature: -55 to +125 °C
- Tape & reel packaged 5000/reel

Typical Applications

- High frequency circuits
- Cell phone
- Bluetooth
- LAN and WAN

PM0603T Series							
Part Number	L (nH) ±0.2nH @ 100MHz	Q (Min)/ Test Freq.	SRF (Min) (GHz)	DCR (Ω) (Max)	Idc (mA)	Bourns Equivalent	
PM0603T-1N0-RC	1.0	17 / 300MHz	6	0.2	800	CI160808	
PM0603T-1N2-RC	1.2	17 / 300MHz	6	0.2	800		
PM0603T-1N5-RC	1.5	17 / 300MHz	6	0.2	800		
PM0603T-1N8-RC	1.8	17 / 300MHz	6	0.2	300		
PM0603T-2N2-RC	2.2	17 / 300MHz	6	0.2	300		
PM0603T-2N7-RC	2.7	17 / 300MHz	6	0.2	300		
PM0603T-3N3-RC	3.3	17 / 300MHz	6	0.2	300		
PM0603T-3N9-RC	3.9	17 / 300MHz	6	0.2	300		
PM0603T-4N7-RC	4.7	17 / 300MHz	5	0.2	300		
PM0603T-5N6-RC	5.6	17 / 300MHz	5	0.5	300		
PM0603T-6N8-RC	6.8	17 / 300MHz	5	0.5	300		
PM0603T-8N2-RC	8.2	17 / 300MHz	4	0.5	300		
±2 %							
PM0603T-10NG-RC	10	15 / 300MHz	4	1.0	300		
PM0603T-12NG-RC	12	15 / 300MHz	3	1.0	300		
PM0603T-15NG-RC	15	15 / 300MHz	3	1.0	300		
PM0603T-18NG-RC	18	15 / 300MHz	2	2.0	300		
PM0603T-22NG-RC	22	15 / 300MHz	2	2.0	250		
PM0603T-27NG-RC	27	15 / 300MHz	2	2.0	250		
PM0603T-33NG-RC	33	15 / 300MHz	1.5	2.0	250		
PM0603T-39NG-RC	39	15 / 300MHz	1.5	3.0	200		
PM0603T-47NG-RC	47	15 / 300MHz	1.5	3.0	200		
PM0603T-56NG-RC	56	15 / 300MHz	1	5.0	150		
PM0603T-68NG-RC	68	15 / 300MHz	1	5.0	150		

Only available as RoHS compliant.



Pad Layout

Dimensions: mm
Tolerance: +/- 0.1

Chip Inductors

Special Features

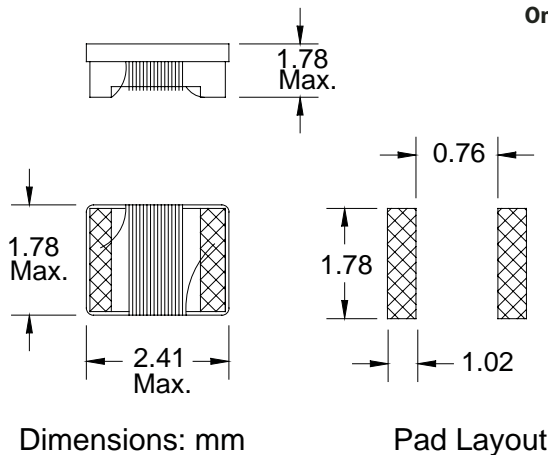
- Ceramic core, wirewound for superior reliability
- High self resonant frequency
- Very stable electrical characteristic
- Flat top surface for automated pick & place
- Operating temperature -55 to +125 °C
- Tape & reel packaged 2000/reel

Notes

- * Current to cause approx. 15 °C of temperature rise

PM0805 Series								
Part Number	L (nH) ±20 %	L Test Freq. (MHz)	Q Min	Q Test Freq. (MHz)	SRF (Mhz) Min.	DCR (Ω) Max.	I* (mA)	Bourns Equivalent
PM0805-2N2M-RC	2.2	250	15	1500	6000	0.08	600	
PM0805-3N3M-RC	3.3	250	50	1500	6000	0.08	600	
PM0805-6N8M-RC	6.8	250	50	1000	5500	0.11	600	
PM0805-8N2M-RC	8.2	250	50	500	4700	0.12	600	
PM0805-12NM-RC	12	250	50	500	4000	0.15	600	
PM0805-15NM-RC	15	250	50	500	3400	0.17	600	
PM0805-18NM-RC	18	250	50	500	3300	0.20	600	
PM0805-22NM-RC	22	250	55	500	2600	0.22	500	
PM0805-27NM-RC	27	250	55	500	2500	0.25	500	
PM0805-33NM-RC	33	250	60	500	2050	0.27	500	
PM0805-39NM-RC	39	250	60	500	2000	0.29	500	
PM0805-47NM-RC	47	200	60	500	1650	0.31	500	
±10 %								
PM0805-56NK-RC	56	200	60	500	1550	0.34	500	
PM0805-68NK-RC	68	200	60	500	1450	0.38	500	CW201212
PM0805-82NK-RC	82	150	65	500	1300	0.42	400	
L(μH) ±10 %								
PM0805-R10K-RC	0.10	150	65	500	1200	0.46	400	
PM0805-R12K-RC	0.12	150	50	250	1100	0.51	400	
PM0805-R15K-RC	0.15	100	50	250	920	0.56	400	
PM0805-R18K-RC	0.18	100	50	250	870	0.64	400	
PM0805-R22K-RC	0.22	100	50	250	850	0.70	400	
PM0805-R27K-RC	0.27	100	40	100	800	1.1	280	
PM0805-R33K-RC	0.33	100	40	100	750	1.2	260	
PM0805-R39K-RC	0.39	100	40	100	700	1.5	200	
PM0805-R47K-RC	0.47	100	40	100	650	2.5	170	
PM0805-R56K-RC	0.56	50	40	50	600	3.5	170	

Only available as RoHS compliant.



BOURNS®

Tel. (877) 426-8767 • Fax (951) 781-5006

www.bourns.com

Multilayer Chip Inductors, General Applications

Special Features

- Monolithic construction provides high reliability
- High Q characteristic
- High frequency application
- Ferrite material construction provides magnetic shielding to reduce radiation
- Operating temperature -25 to +105 °C
- Tape & reel packaged
3000/reel (0.047-8.2 μH)
4000/reel (10-30 μH)

Typical Applications

- Small cellular phones
- PDAs
- Pagers
- Hand-held organizers
- High frequency wireless communication devices
- Notebook computers
- Printers
- Network cards
- Industrial electronics
- Entertainment electronic devices

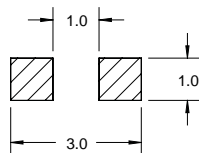
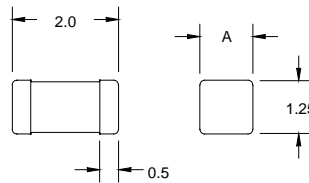
Notes

- * Current to cause 20 °C of temperature rise

PM0805G Series								
Part Number	L (μH) ±5 %	Q Typ.	Test Freq. (MHz)	SRF (MHz) Typ.	DCR (Ω) Max.	I, DC* (mA)	Thick Dim. A (mm)	Bourns Equivalent
PM0805G-R047J-RC	0.047	15	50	320	0.20	300	0.90	
PM0805G-R068J-RC	0.068	15	50	280	0.20	300	0.90	
PM0805G-R082J-RC	0.082	15	50	255	0.20	300	0.90	
PM0805G-R10J-RC	0.10	20	25	235	0.30	250	0.90	
PM0805G-R12J-RC	0.12	20	25	220	0.30	250	0.90	
PM0805G-R15J-RC	0.15	20	25	200	0.40	250	0.90	
PM0805G-R18J-RC	0.18	20	25	185	0.40	250	0.90	
PM0805G-R22J-RC	0.22	20	25	170	0.50	250	0.90	
PM0805G-R27J-RC	0.27	20	25	150	0.50	250	0.90	
PM0805G-R33J-RC	0.33	20	25	145	0.55	250	0.90	
PM0805G-R39J-RC	0.39	25	25	135	0.65	200	0.90	
PM0805G-R47J-RC	0.47	25	25	125	0.65	200	0.90	
PM0805G-R56J-RC	0.56	25	25	115	0.75	150	0.90	
PM0805G-R68J-RC	0.68	25	25	105	0.80	150	0.90	
PM0805G-R82J-RC	0.82	25	25	100	1.00	150	0.90	
PM0805G-1R0J-RC	1.0	45	10	75	0.40	50	0.90	
PM0805G-1R2J-RC	1.2	45	10	65	0.50	50	0.90	
PM0805G-1R5J-RC	1.5	45	10	60	0.50	50	0.90	
PM0805G-1R8J-RC	1.8	45	10	55	0.60	50	0.90	
PM0805G-2R2J-RC	2.2	45	10	50	0.65	30	0.90	
PM0805G-2R7J-RC	2.7	45	10	45	0.75	30	0.90	
PM0805G-3R3J-RC	3.3	45	10	41	0.80	30	0.90	
PM0805G-3R9J-RC	3.9	45	10	38	0.90	30	0.90	
PM0805G-4R7J-RC	4.7	45	10	35	1.00	30	0.90	
PM0805G-5R6J-RC	5.6	45	4	32	0.90	15	0.90	
PM0805G-6R8J-RC	6.8	45	4	29	1.00	15	0.90	
PM0805G-8R2J-RC	8.2	45	4	26	1.10	15	0.90	
PM0805G-10J-RC	10	45	2	24	1.15	15	1.25	
±20 %								
PM0805G-120M-RC	12	45	2	22	1.25	15	1.25	
PM0805G-150M-RC	15	30	1	19	0.80	5	1.25	
PM0805G-180M-RC	18	30	1	18	0.90	5	1.25	
PM0805G-220M-RC	22	30	1	16	1.10	5	1.25	
PM0805G-270M-RC	27	30	1	14	1.15	5	1.25	
PM0805G-330M-RC	33	30	0.4	13	1.25	5	1.25	

CV201210

Only available as RoHS compliant.



Pad Layout

Dimensions: mm
Tolerance: +/- 0.2

BOURNS®

Tel. (877) 426-8767 • Fax (951) 781-5006

www.bourns.com

Multilayer Chip Inductors, High Frequency Applications

Special Features

- Monolithic construction provides high reliability
- High Q characteristic
- High frequency application
- Ferrite material construction provides magnetic shielding to reduce radiation
- Operating temperature -25 to +105 °C
- Tape & reel packaged 4000/reel

Typical Applications

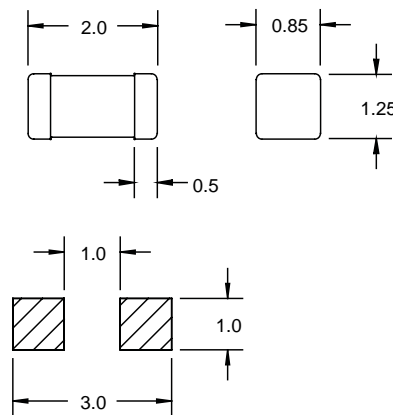
- Small cellular phones
- PDAs
- Pagers
- Hand-held organizers
- High frequency wireless communication devices
- Notebook computers
- Printers
- Network cards
- Industrial electronics
- Entertainment electronic devices

Notes

- * Current to cause 20 °C of temperature rise

PM0805H Series								
Part Number	L (nH) +/- 0.3nH	Q Typ	Test Freq. (MHz)	Q Typ. @ 800 MHz	SRF (MHz) Typ.	DCR (Ω) Max.	I _c DC* (mA)	Bourns Equivalent
PM0805H-1N5-RC	1.5	10	100	50	6000	0.10	300	
PM0805H-1N8-RC	1.8	10	100	52	6000	0.10	300	
PM0805H-2N2-RC	2.2	11	100	53	6000	0.10	300	
PM0805H-2N7-RC	2.7	12	100	56	6000	0.10	300	
PM0805H-3N3-RC	3.3	13	100	56	6000	0.13	300	
PM0805H-3N9-RC	3.9	13	100	58	5400	0.15	300	
PM0805H-4N7-RC	4.7	14	100	58	4500	0.20	300	
PM0805H-5N6-RC	5.6	14	100	60	4000	0.23	300	
	±5 %							
PM0805H-6N8J-RC	6.8	15	100	60	3650	0.25	300	
PM0805H-8N2J-RC	8.2	15	100	64	3000	0.28	300	
PM0805H-10NJ-RC	10	15	100	60	2500	0.30	300	
PM0805H-12NJ-RC	12	16	100	60	2450	0.35	300	
PM0805H-15NJ-RC	15	16	100	63	2200	0.40	300	
PM0805H-18NJ-RC	18	17	100	63	1750	0.45	300	
PM0805H-22NJ-RC	22	18	100	60	1700	0.50	300	
PM0805H-27NJ-RC	27	17	100	58	1550	0.55	300	CE201210
PM0805H-33NJ-RC	33	18	100	55	1350	0.60	300	
PM0805H-39NJ-RC	39	18	100	47	1300	0.65	300	
PM0805H-47NJ-RC	47	18	100	43	1200	0.70	300	
PM0805H-56NJ-RC	56	19	100	39	1150	0.75	300	
PM0805H-68NJ-RC	68	19	100	30	1000	0.80	300	
PM0805H-82NJ-RC	82	19	100	10	850	0.90	300	
PM0805H-100NJ-RC	100	23	100	-	700	0.90	300	
PM0805H-120NJ-RC	120	16	50	-	650	0.95	300	
PM0805H-150NJ-RC	150	16	50	-	550	1.00	300	
PM0805H-180NJ-RC	180	16	50	-	500	1.10	300	
PM0805H-220NJ-RC	220	16	50	-	430	1.20	300	
PM0805H-270NJ-RC	270	18	50	-	650	0.95	300	
PM0805H-330NJ-RC	330	18	50	-	550	1.00	300	
PM0805H-390NJ-RC	390	18	50	-	500	1.10	300	
PM0805H-470NJ-RC	470	16	50	-	430	1.20	300	

Only available as RoHS compliant.



Pad Layout

Dimensions: mm
Tolerance: +/- 0.2

BOURNS®

Tel. (877) 426-8767 • Fax (951) 781-5006

www.bourns.com

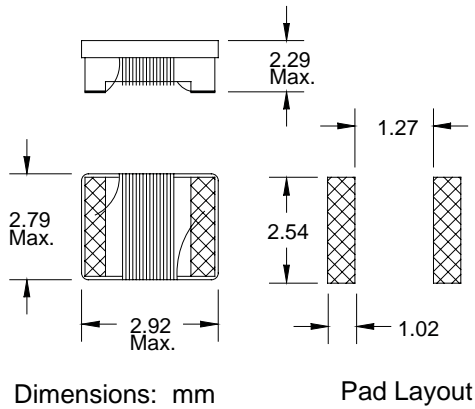
Chip Inductors

Special Features

- Ceramic core
- Wirewound for superior reliability
- High self-resonant frequency
- Very stable electrical characteristic on ceramic core
- Flat top surface for automated pick & place
- Operating temperature -55 to +125 °C
- Tape & reel packaged 2000/reel

Notes

- * Current to cause 15 °C max. temperature rise



PM1008 Series								
Part Number	L (nH) ±20 %	L Test Freq. (MHz)	Q Min.	Q Test Freq. (MHz)	SRF (MHz) Min.	DCR (Ω) Max.	I, DC* (mA)	Bourns Equivalent
PM1008-10NM	10	50	50	500	4100	0.08	1000	
PM1008-12NM	12	50	50	500	3300	0.09	1000	
PM1008-15NM	15	50	50	500	2500	0.10	1000	
PM1008-18NM	18	50	50	350	2500	0.11	1000	
PM1008-22NM	22	50	55	350	2400	0.12	1000	
PM1008-27NM	27	50	55	350	1600	0.13	1000	
PM1008-33NM	33	50	60	350	1600	0.14	1000	
PM1008-39NM	39	50	60	350	1500	0.15	1000	
PM1008-47NM	47	50	65	350	1500	0.16	1000	
±10 %								
PM1008-56NK	56	50	65	350	1300	0.18	1000	
PM1008-68NK	68	50	65	350	1300	0.20	1000	
PM1008-82NK	82	50	60	350	1000	0.22	1000	
(μH)								
±10 %								
PM1008-R10K	0.10	25	60	350	1000	0.56	650	
PM1008-R12K	0.12	25	60	350	950	0.68	650	
PM1008-R15K	0.15	25	45	100	850	0.70	580	
PM1008-R18K	0.18	25	45	100	750	0.77	620	
PM1008-R22K	0.22	25	45	100	700	0.84	500	
PM1008-R27K	0.27	25	45	100	600	0.91	500	
PM1008-R33K	0.33	25	45	100	570	1.05	450	
PM1008-R39K	0.39	25	45	100	500	1.12	470	
PM1008-R47K	0.47	25	45	100	450	1.19	470	
PM1008-R56K	0.56	25	45	100	415	1.33	400	
PM1008-R68K	0.68	25	45	100	375	1.47	400	
PM1008-R82K	0.82	25	45	100	350	1.61	400	
PM1008-1R0K	1.0	25	35	50	290	1.75	370	
PM1008-1R2K	1.2	7.9	35	50	250	2.00	340	
PM1008-1R5K	1.5	7.9	28	50	200	2.30	330	
PM1008-1R8K	1.8	7.9	28	50	160	2.60	300	
PM1008-2R2K	2.2	7.9	28	50	160	2.80	290	
PM1008-2R7K	2.7	7.9	22	25	140	3.20	290	
PM1008-3R3K	3.3	7.9	22	25	110	3.40	290	
PM1008-3R9K	3.9	7.9	20	25	100	3.60	260	
PM1008-4R7K	4.7	7.9	20	25	90	4.00	260	
PM1008-5R6K	5.6	7.9	20	25	55	7.00	200	
PM1008-6R8K	6.8	7.9	20	25	45	8.00	180	
PM1008-8R2K	8.2	7.9	20	25	35	9.50	150	
PM1008-100K	10	7.9	20	25	25	12.0	100	

CW252016

For RoHS compliant version, add "-RC" to part number.

Chip Inductors

Special Features

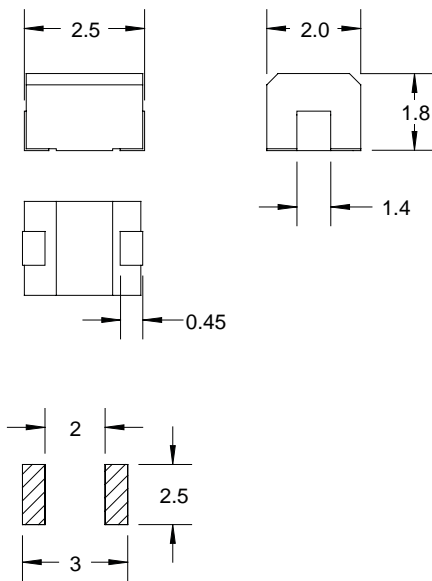
- Molded construction for high reliability and superior environmental protection
- High resistance to solder heat, moisture
- Ferrite bobbin core
- Operating temperature -25 to +85 °C
- Tape & reel packaged 2000/reel

Typical Applications

- Desktop, notebook computers, servers
- Network hubs, bridges, routers
- xDSL, PBX base stations
- Cell phones, pagers, GPS systems
- PDAs, MP3 players, digital cameras
- Digital TVs, DVDs, cable modems, DSS set-top boxes
- Battery chargers
- High frequency wireless communication devices
- Electronic game devices

Notes

- * Rated current to cause 20 °C temperature rise



Pad Layout

Dimensions: mm
Tolerance: +/-0.2

PM1008M Series							
Part Number	L (μH) ±20 %	Q Min	Test Freq. (MHz)	SRF (MHz) Min.	DCR (Ω) Max.	Idc* (mA)	Bourns Equivalent
PM1008M-R010M-RC	0.010	26	100	2150	0.26	530	
PM1008M-R012M-RC	0.012	26	100	2050	0.27	500	
PM1008M-R015M-RC	0.015	26	100	1850	0.31	480	
PM1008M-R018M-RC	0.018	26	100	1650	0.34	450	
PM1008M-R022M-RC	0.022	28	100	1550	0.38	420	
PM1008M-R027M-RC	0.027	29	100	1400	0.42	410	
PM1008M-R033M-RC	0.033	30	100	1250	0.46	400	
PM1008M-R039M-RC	0.039	30	100	1100	0.50	380	
PM1008M-R047M-RC	0.047	30	100	1050	0.56	360	
PM1008M-R056M-RC	0.056	31	100	950	0.65	340	
PM1008M-R068M-RC	0.068	31	100	900	0.70	320	
PM1008M-R082M-RC	0.082	32	100	850	0.75	300	
PM1008M-R10M-RC	0.10	32	100	700	0.80	280	
PM1008M-R12M-RC	0.12	30	25.2	600	0.37	520	
PM1008M-R15M-RC	0.15	30	25.2	550	0.42	480	
PM1008M-R18M-RC	0.18	30	25.2	500	0.46	460	
PM1008M-R22M-RC	0.22	30	25.2	450	0.52	430	
PM1008M-R27M-RC	0.27	30	25.2	425	0.56	420	
PM1008M-R33M-RC	0.33	30	25.2	400	0.60	400	
PM1008M-R39M-RC	0.39	30	25.2	375	0.65	375	
PM1008M-R47M-RC	0.47	30	25.2	350	0.68	350	
PM1008M-R56M-RC	0.56	30	25.2	300	0.75	325	
PM1008M-R68M-RC	0.68	30	25.2	270	0.85	300	
PM1008M-R82M-RC	0.82	30	25.2	250	1.00	260	
	±10 %						
PM1008M-1R0K-RC	1.0	30	7.96	220	1.10	245	CM252016
PM1008M-1R2K-RC	1.2	30	7.96	180	1.20	230	
PM1008M-1R5K-RC	1.5	30	7.96	135	1.30	220	
PM1008M-1R8K-RC	1.8	30	7.96	100	1.45	210	
PM1008M-2R2K-RC	2.2	30	7.96	75	1.55	200	
PM1008M-2R7K-RC	2.7	30	7.96	55	1.70	195	
PM1008M-3R3K-RC	3.3	30	7.96	48	1.90	185	
PM1008M-3R9K-RC	3.9	25	7.96	43	2.10	180	
PM1008M-4R7K-RC	4.7	25	7.96	40	2.30	175	
PM1008M-5R6K-RC	5.6	25	7.96	36	2.50	170	
PM1008M-6R8K-RC	6.8	25	7.96	33	2.70	165	
PM1008M-8R2K-RC	8.2	25	7.96	30	3.05	160	
PM1008M-100K-RC	10	25	2.52	27	3.50	155	
PM1008M-120K-RC	12	25	2.52	23	3.80	150	
PM1008M-150K-RC	15	25	2.52	20	4.40	140	
PM1008M-180K-RC	18	25	2.52	18	4.80	130	
PM1008M-220K-RC	22	25	2.52	17	5.50	125	
PM1008M-270K-RC	27	25	2.52	16	6.30	115	
PM1008M-330K-RC	33	25	2.52	15	7.10	110	
PM1008M-390K-RC	39	20	2.52	14	9.50	90	
PM1008M-470K-RC	47	20	2.52	13	11.1	80	
PM1008M-560K-RC	56	20	2.52	12	12.1	75	
PM1008M-680K-RC	68	20	2.52	11	16.6	70	
PM1008M-820K-RC	82	20	2.52	10	19.0	65	
PM1008M-101K-RC	100	15	0.796	9	21.0	60	

Only available as RoHS compliant.

BOURNS®

Tel. (877) 426-8767 • Fax (951) 781-5006

www.bourns.com

Shielded Chip Inductors

Special Features

- Magnetic shielded for low radiation
- Miniature size
- High heat resistance, ideal for reflow soldering
- High reliability
- Operating temperature -40 to +85 °C
- Tape & reel packaged 750/reel

Typical Applications

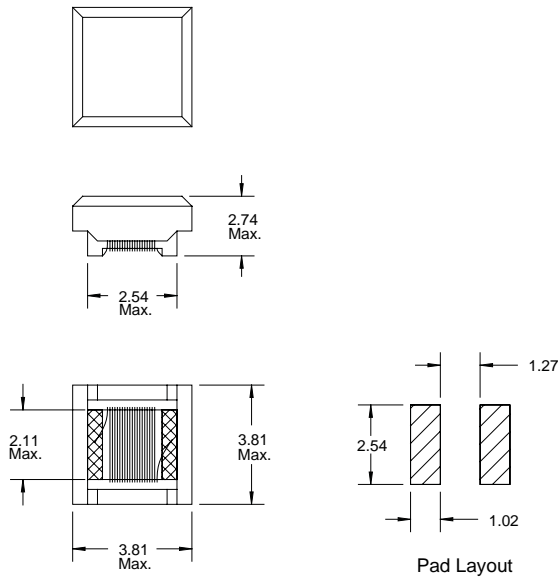
- PC cards
- PDA
- Hand-held organizers
- High frequency wireless communication devices
- Laptop computers
- Network cards
- Industrial electronics
- Entertainment electronic devices

Notes

* Current to cause 10 % inductance drop

PM1008S Series					
Part Number	L (µH) @ 100 KHz	Q @ 1MHz	SRF (MHz)	DCR (Ω)	I _{dc} * (mA)
	±20 %	Min.	Min.	Max.	
PM1008S-1R0M	1.0	35	344	0.05	3000
PM1008S-1R5M	1.5	35	260	0.06	2800
PM1008S-1R8M	1.8	35	225	0.09	2000
PM1008S-2R7M	2.7	38	185	0.14	1300
PM1008S-3R9M	3.9	38	175	0.26	1200
PM1008S-4R7M	4.7	38	160	0.35	1000
PM1008S-5R6M	5.6	38	150	0.40	1000
PM1008S-6R8M	6.8	38	120	0.60	850
PM1008S-100M	10	38	105	0.95	780
PM1008S-150M	15	38	35	1.15	700
PM1008S-220M	22	40	26	1.40	650
PM1008S-330M	33	45	20	1.60	500
PM1008S-390M	39	45	16	1.85	450
PM1008S-470M	47	45	14	2.50	400
PM1008S-680M	68	45	12	3.80	300
PM1008S-820M	82	45	9	4.20	280
PM1008S-101M	100	45	7	5.80	260
PM1008S-121M	120	50	6	6.20	250
PM1008S-151M	150	50	5.6	7.50	220
PM1008S-221M	220	55	4.5	10.0	210
PM1008S-331M	330	55	3.8	11.5	200
PM1008S-471M	470	55	3	16.5	160
PM1008S-561M	560	55	2.8	18.0	130
PM1008S-681M	680	55	2.5	24.0	120
PM1008S-821M	820	45	1.5	26.0	100
PM1008S-102M	1000	45	1.3	30.0	100

For RoHS compliant version, add "-RC" to part number.



Dimensions: mm

BOURNS®

Tel. (877) 426-8767 • Fax (951) 781-5006

www.bourns.com

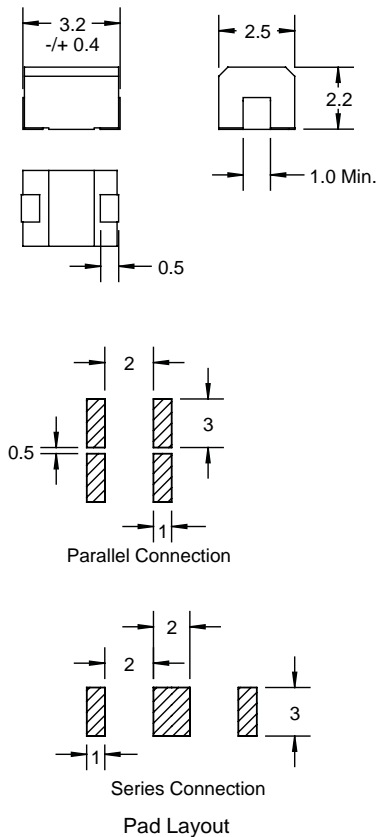
Chip Inductors

Special Features

- Molded construction for high reliability and superior environmental protection
- High resistance to solder heat, moisture
- Ferrite bobbin core
- Operating temperature -55 to +105 °C
- Tape & reel packaged 2000/reel

Notes

- * Current to cause 20 °C max. temperature rise



Dimensions: mm
Tolerance: +/-0.2

PM1210 Series							
Part Number	L (μH) ±10 %	Q Min	Test Freq. (MHz)	SRF (MHz) Min.	DCR (Ω) Max.	I, DC* (mA)	Bourns Equivalent
PM1210-R010K	0.010	15	100	2500	0.13	450	
PM1210-R012K	0.012	17	100	2300	0.14	450	
PM1210-R015K	0.015	19	100	2100	0.16	450	
PM1210-R018K	0.018	21	100	1900	0.18	450	
PM1210-R022K	0.022	23	100	1700	0.20	450	
PM1210-R027K	0.027	23	100	1500	0.22	450	
PM1210-R033K	0.033	25	100	1400	0.24	450	
PM1210-R039K	0.039	25	100	1300	0.27	450	
PM1210-R047K	0.047	26	100	1200	0.30	450	
PM1210-R056K	0.056	26	100	1100	0.33	450	
PM1210-R068K	0.068	27	100	1000	0.36	450	
PM1210-R082K	0.082	27	100	900	0.40	450	
±5 %							
PM1210-R10J	0.10	28	100	700	0.44	450	
PM1210-R12J	0.12	28	25.2	500	0.22	450	
PM1210-R15J	0.15	28	25.2	450	0.25	450	
PM1210-R18J	0.18	28	25.2	400	0.28	450	
PM1210-R22J	0.22	28	25.2	350	0.32	450	
PM1210-R27J	0.27	28	25.2	320	0.36	450	
PM1210-R33J	0.33	28	25.2	300	0.40	450	
PM1210-R39J	0.39	28	25.2	250	0.45	450	
PM1210-R47J	0.47	28	25.2	220	0.50	450	
PM1210-R56J	0.56	28	25.2	180	0.55	450	
PM1210-R68J	0.68	28	25.2	160	0.60	450	
PM1210-R82J	0.82	28	25.2	140	0.65	450	
PM1210-1R0J	1.0	28	7.96	120	0.70	400	
PM1210-1R2J	1.2	28	7.96	100	0.75	390	
PM1210-1R5J	1.5	28	7.96	85	0.85	370	
PM1210-1R8J	1.8	28	7.96	80	0.90	350	
PM1210-2R2J	2.2	30	7.96	75	1.0	320	
PM1210-2R7J	2.7	30	7.96	70	1.1	290	
PM1210-3R3J	3.3	30	7.96	60	1.2	260	
PM1210-3R9J	3.9	30	7.96	55	1.3	250	
PM1210-4R7J	4.7	30	7.96	50	1.7	220	
PM1210-5R6J	5.6	30	7.96	47	1.8	200	
PM1210-6R8J	6.8	30	7.96	43	2.0	180	
PM1210-8R2J	8.2	30	7.96	40	2.3	170	
PM1210-100J	10	30	2.52	36	2.5	150	
PM1210-120J	12	30	2.52	33	2.8	140	
PM1210-150J	15	30	2.52	30	3.2	130	
PM1210-180J	18	30	2.52	27	3.6	120	
PM1210-220J	22	30	2.52	25	4.0	110	
PM1210-270J	27	30	2.52	20	5.0	80	
PM1210-330J	33	30	2.52	17	5.6	70	
PM1210-390J	39	30	2.52	16	6.4	65	
PM1210-470J	47	30	2.52	15	7.0	60	
PM1210-560J	56	30	2.52	13	8.0	55	
PM1210-680J	68	30	2.52	12	9.0	50	
PM1210-820J	82	30	2.52	11	10	45	
PM1210-101J	100	20	0.796	10	10	40	
PM1210-121J	120	20	0.796	10	11	70	
PM1210-151J	150	20	0.796	8	15	65	
PM1210-181J	180	20	0.796	7	17	60	
PM1210-221J	220	20	0.796	7	21	50	

CM322522

For RoHS compliant version, add "-RC" to part number.

BOURNS®

Tel. (877) 426-8767 • Fax (951) 781-5006

www.bourns.com

Multilayer Chip Inductors

Special Features

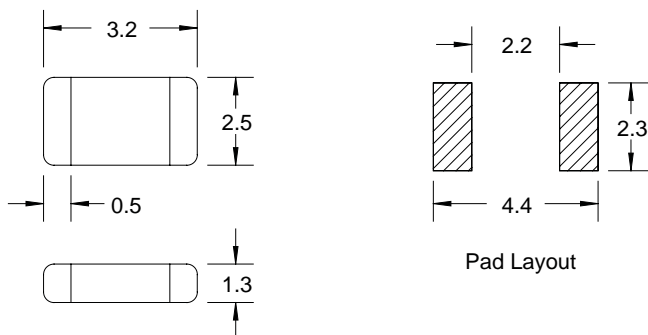
- Monolithic construction provides high reliability
- High Q characteristic
- High frequency application
- Ferrite material construction provides magnetic shielding to reduce radiation
- Low profile
- Operating temperature -25 to +125 °C
- Tape & reel packaged 2500 / reel

Typical Applications

- Personal computers
- Notebook computers
- Printers
- Hard disk drivers
- Computer peripherals
- Digital TVs, VCRs
- Consumer electronics

PM1210G Series							
Part Number	L (µH) ±10 %	Q Min	Test Freq. (MHz)	SRF (KHz) Min	DCR (Ω) Max	Idc (mA)	Bourns Equivalent
PM1210G-R12K-RC	0.12	30	25.2	500	0.22	450	
PM1210G-R15K-RC	0.15	30	25.2	450	0.25	450	
PM1210G-R18K-RC	0.18	30	25.2	400	0.28	450	
PM1210G-R22K-RC	0.22	30	25.2	350	0.32	450	
PM1210G-R27K-RC	0.27	30	25.2	320	0.36	450	
PM1210G-R33K-RC	0.33	30	25.2	300	0.40	450	
PM1210G-R39K-RC	0.39	30	25.2	250	0.45	450	
PM1210G-R47K-RC	0.47	30	25.2	220	0.50	450	
PM1210G-R56K-RC	0.56	30	25.2	180	0.55	450	
PM1210G-R68K-RC	0.68	30	25.2	160	0.60	450	
PM1210G-R82K-RC	0.82	30	25.2	140	0.65	450	
PM1210G-1R0K-RC	1.0	30	7.96	120	0.70	400	
PM1210G-1R2K-RC	1.2	30	7.96	100	0.75	390	
PM1210G-1R5K-RC	1.5	30	7.96	85	0.85	370	
PM1210G-1R8K-RC	1.8	30	7.96	80	0.90	350	
PM1210G-2R2K-RC	2.2	30	7.96	75	1.0	320	CF322513
PM1210G-2R7K-RC	2.7	30	7.96	70	1.1	290	
PM1210G-3R3K-RC	3.3	30	7.96	60	1.2	260	
PM1210G-3R9K-RC	3.9	30	7.96	55	1.3	250	
PM1210G-4R7K-RC	4.7	30	7.96	50	1.5	220	
PM1210G-5R6K-RC	5.6	30	7.96	47	1.6	200	
PM1210G-6R8K-RC	6.8	30	7.96	43	1.8	180	
PM1210G-8R2K-RC	8.2	30	7.96	40	2.0	170	
PM1210G-100K-RC	10	30	2.52	36	2.1	150	
PM1210G-120K-RC	12	30	2.52	33	2.5	140	
PM1210G-150K-RC	15	30	2.52	30	2.8	130	
PM1210G-180K-RC	18	30	2.52	27	3.3	120	
PM1210G-220K-RC	22	30	2.52	25	3.7	110	
PM1210G-270K-RC	27	30	2.52	20	5.0	80	
PM1210G-330K-RC	33	30	2.52	17	5.6	70	

Only available as RoHS compliant.



Dimensions: mm
Tolerance: +/- 0.2

BOURNS®

Tel. (877) 426-8767 • Fax (951) 781-5006

www.bourns.com

High Current Chip Inductors

Special Features

- High current
- Molded construction for high reliability and superior environmental protection
- High resistance to solder heat, moisture
- Ferrite bobbin core
- Operating temperature -20 to +100 °C
- Tape & reel packaged 2000/reel

Typical Applications

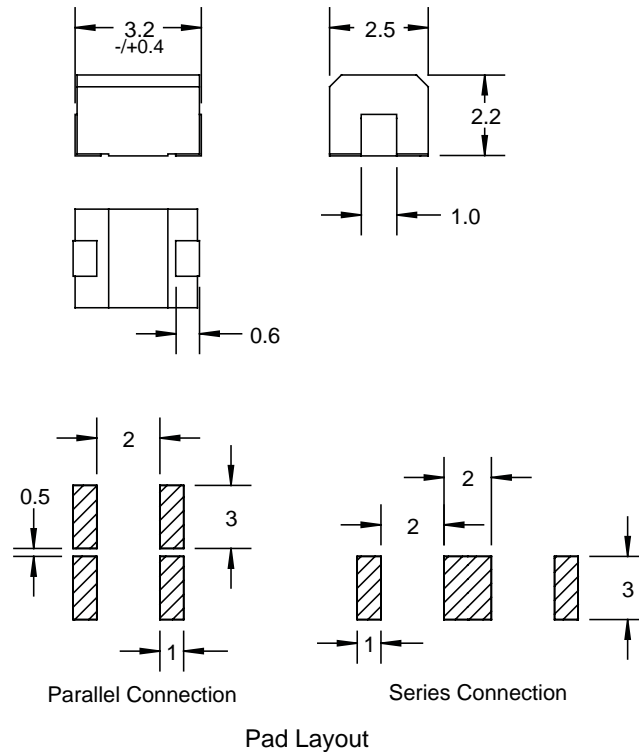
- Desktop, notebook computers, servers
- Network hubs, bridges, routers
- xDSL, PBX base stations
- Cell phones, pagers, GPS systems
- PDAs, MP3 players, digital cameras
- Digital TVs, DVDs, cable modems, DSS set-top boxes
- Battery chargers
- High frequency wireless communication devices
- Electronic game devices

Notes

* Rated current to cause 20 °C temperature rise

PM1210H Series						
Part Number	L (μH) ± 20 %	Q Min.	Test Freq. (MHz)	SRF (MHz) Max.	DCR (Ω) Max.	I, DC* (mA)
PM1210H-1R0M	1.0	10	7.96	100	0.16	770
PM1210H-1R5M	1.5	10	7.96	80	0.20	580
PM1210H-2R2M	2.2	10	7.96	65	0.26	480
PM1210H-3R3M	3.3	10	7.96	55	0.33	400
PM1210H-4R7M	4.7	10	7.96	45	0.52	320
PM1210H-6R8M	6.8	10	7.96	35	0.65	280
± 10 %						
PM1210H-100K	10	15	2.52	28	1.11	220
PM1210H-150K	15	15	2.52	25	1.69	180
PM1210H-220K	22	15	2.52	20	2.60	145
PM1210H-330K	33	15	2.52	15	3.64	115
PM1210H-470K	47	20	2.52	13	5.46	105
PM1210H-680K	68	20	2.52	10	8.45	85

For RoHS compliant version, add "-RC" to part number.



Dimensions: mm
Tolerance: -/+0.2

BOURNS®

Tel. (877) 426-8767 • Fax (951) 781-5006

www.bourns.com

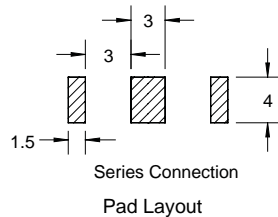
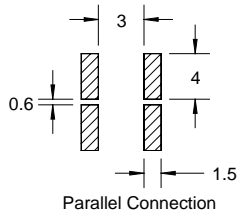
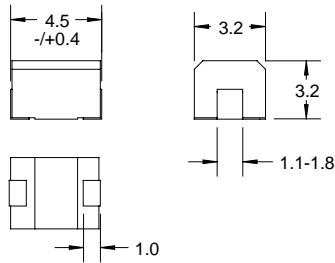
Chip Inductors

Special Features

- Molded construction for high reliability and superior environmental protection
- High resistance to solder heat and moisture
- Operating temperature -55 to +105 °C
- Tape & reel packaged 500/reel

Notes

- * Current to cause 20 °C max. temperature rise



Dimensions: mm
Tolerance: +/-0.2

PM1812 Series							
Part Number	L (μH)	Q	Test Freq. (MHz)	SRF (MHz)	DCR (Ω)	I, DC *	Bourns Equivalent
	± 10 %	Min.		Max.	Max.	(mA)	
PM1812-R10K	0.10	28	25.2	300	0.18	800	
PM1812-R12K	0.12	30	25.2	280	0.20	770	
PM1812-R15K	0.15	30	25.2	250	0.22	730	
PM1812-R18K	0.18	30	25.2	220	0.24	700	
PM1812-R22K	0.22	30	25.2	200	0.25	665	
PM1812-R27K	0.27	30	25.2	180	0.26	635	
PM1812-R33K	0.33	30	25.2	165	0.28	605	
PM1812-R39K	0.39	30	25.2	150	0.30	575	
PM1812-R47K	0.47	30	25.2	145	0.32	545	
PM1812-R56K	0.56	30	25.2	140	0.36	520	
PM1812-R68K	0.68	30	25.2	135	0.40	500	
PM1812-R82K	0.82	30	25.2	130	0.45	475	
±5 %							
PM1812-1R0J	1.0	50	7.96	100	0.50	450	
PM1812-1R2J	1.2	50	7.96	80	0.55	430	
PM1812-1R5J	1.5	50	7.96	70	0.60	410	
PM1812-1R8J	1.8	50	7.96	60	0.65	390	
PM1812-2R2J	2.2	50	7.96	55	0.70	380	
PM1812-2R7J	2.7	50	7.96	50	0.75	370	
PM1812-3R3J	3.3	50	7.96	45	0.80	355	
PM1812-3R9J	3.9	50	7.96	40	0.90	330	
PM1812-4R7J	4.7	50	7.96	35	1.0	315	
PM1812-5R6J	5.6	50	7.96	33	1.1	300	
PM1812-6R8J	6.8	50	7.96	27	1.2	285	
PM1812-8R2J	8.2	50	7.96	25	1.4	270	
PM1812-100J	10	50	2.52	20	1.6	250	CM453232
PM1812-120J	12	50	2.52	18	2.0	225	
PM1812-150J	15	50	2.52	17	2.5	200	
PM1812-180J	18	50	2.52	15	2.8	190	
PM1812-220J	22	50	2.52	13	3.2	180	
PM1812-270J	27	50	2.52	12	3.6	170	
PM1812-330J	33	50	2.52	11	4.0	160	
PM1812-390J	39	50	2.52	10	4.5	150	
PM1812-470J	47	50	2.52	10	5.0	140	
PM1812-560J	56	50	2.52	9	5.5	135	
PM1812-680J	68	50	2.52	9	6.0	130	
PM1812-820J	82	50	2.52	8	7.0	120	
PM1812-101J	100	40	0.796	7	8.0	110	
PM1812-121J	120	40	0.796	6	8.0	110	
PM1812-151J	150	40	0.796	5	9.0	105	
PM1812-181J	180	40	0.796	5	9.5	102	
PM1812-221J	220	40	0.796	4	10	100	
PM1812-271J	270	30	0.796	3	12	92	
PM1812-331J	330	30	0.796	3	14	85	
PM1812-391J	390	30	0.796	3	18	80	
PM1812-471J	470	30	0.796	3	26	62	
PM1812-561J	560	30	0.796	2	30	50	
PM1812-681J	680	30	0.796	2	30	50	
PM1812-821J	820	30	0.796	2	35	30	
PM1812-102J	1000	30	0.796	2	40	30	

For RoHS compliant version, add "-RC" to part number.

BOURNS®

Tel. (877) 426-8767 • Fax (951) 781-5006

www.bourns.com

Multilayer Chip Inductors

Special Features

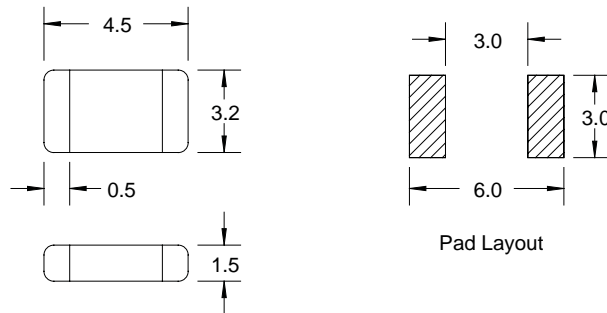
- Monolithic construction provides high reliability
- High Q characteristic
- High frequency application
- Ferrite material construction provides magnetic shielding to reduce radiation
- Low profile
- Operating temperature -25 to +125 °C
- Tape & reel packaged 1000 / reel

Typical Applications

- Personal computers
- Notebook computers
- Printers
- Hard disk drivers
- Computer peripherals
- Digital TVs, VCRs
- Consumer electronics

PM1812G Series							
Part Number	L (μH) ±10 %	Q Min	Test Freq. (MHz)	SRF (MHz) Min	DCR (Ω) Max	Idc (mA)	Bourns Equivalent
PM1812G-R10K-RC	0.10	35	25.2	300	0.18	800	
PM1812G-R12K-RC	0.12	35	25.2	280	0.20	770	
PM1812G-R15K-RC	0.15	35	25.2	250	0.22	730	
PM1812G-R18K-RC	0.18	35	25.2	220	0.24	700	
PM1812G-R22K-RC	0.22	40	25.2	200	0.25	665	
PM1812G-R27K-RC	0.27	40	25.2	180	0.26	635	
PM1812G-R33K-RC	0.33	40	25.2	165	0.28	605	
PM1812G-R39K-RC	0.39	40	25.2	150	0.30	575	
PM1812G-R47K-RC	0.47	40	25.2	145	0.32	545	
PM1812G-R56K-RC	0.56	40	25.2	140	0.36	520	
PM1812G-R68K-RC	0.68	40	25.2	135	0.40	500	
PM1812G-R82K-RC	0.82	40	25.2	130	0.45	475	
PM1812G-1R0K-RC	1.0	50	7.96	100	0.50	450	
PM1812G-1R2K-RC	1.2	50	7.96	80	0.55	430	
PM1812G-1R5K-RC	1.5	50	7.96	70	0.60	410	
PM1812G-1R8K-RC	1.8	50	7.96	60	0.65	390	CF453215
PM1812G-2R2K-RC	2.2	50	7.96	55	0.70	380	
PM1812G-2R7K-RC	2.7	50	7.96	50	0.75	370	
PM1812G-3R3K-RC	3.3	50	7.96	45	0.80	355	
PM1812G-3R9K-RC	3.9	50	7.96	40	0.90	330	
PM1812G-4R7K-RC	4.7	50	7.96	35	1.0	315	
PM1812G-5R6K-RC	5.6	50	7.96	33	1.1	300	
PM1812G-6R8K-RC	6.8	50	7.96	27	1.2	285	
PM1812G-8R2K-RC	8.2	50	7.96	25	1.4	270	
PM1812G-100K-RC	10	50	2.52	20	1.6	250	
PM1812G-120K-RC	12	50	2.52	18	2.0	225	
PM1812G-150K-RC	15	50	2.52	17	2.5	200	
PM1812G-180K-RC	18	50	2.52	15	2.8	190	
PM1812G-220K-RC	22	50	2.52	13	3.2	180	
PM1812G-270K-RC	27	50	2.52	12	3.6	170	
PM1812G-330K-RC	33	50	2.52	11	4.0	160	

Only available as RoHS compliant.



Dimensions: mm
Tolerance: -/+ 0.2

BOURNS®

Tel. (877) 426-8767 • Fax (951) 781-5006

www.bourns.com

High Current Chip Inductors

Special Features

- High current
- Molded construction for high reliability and superior environmental protection
- High resistance to solder heat, moisture
- Ferrite bobbin core
- Operating temperature -20 to +100 °C
- Tape & reel packaged 500/reel

Typical Applications

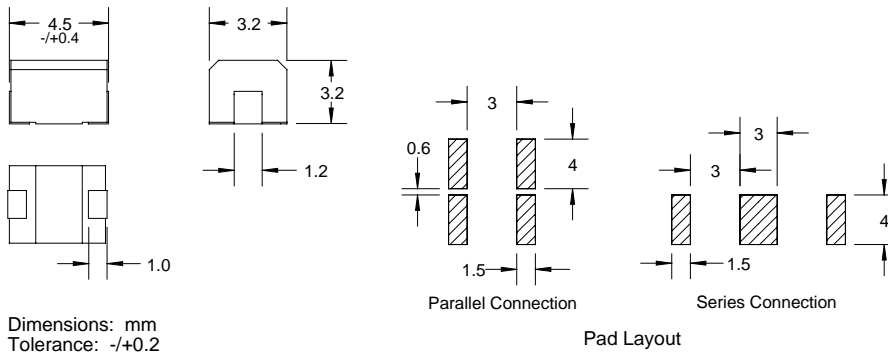
- Desktop, notebook computers, servers
- Network hubs, bridges, routers
- xDSL, PBX base stations
- Cell phones, pagers, GPS systems
- PDAs, MP3 players, digital cameras
- Digital TVs, DVDs, cable modems, DSS set-top boxes
- Battery chargers
- High frequency wireless communication devices
- Electronic game devices

Notes

- * Rated current to cause 20 °C temperature rise
- ** Closest alternative - these models are available on requests as projects only. Please consult a Bourns application engineer for the solution that best suits your needs.

PM1812H Series							
Part Number	L (μH) ±10 %	Q Min.	Test Freq. (MHz)	SRF (MHz) Min.	DCR (Ω) Max.	I, DC* (mA)	Bourns Equivalent
PM1812H-1R0K	1.0	10	7.96	180.0	0.11	1050	
PM1812H-1R2K	1.2	10	7.96	160.0	0.12	1000	
PM1812H-1R5K	1.5	10	7.96	130.0	0.15	950	
PM1812H-1R8K	1.8	10	7.96	100.0	0.16	900	
PM1812H-2R2K	2.2	10	7.96	80.0	0.18	850	
PM1812H-2R7K	2.7	10	7.96	60.0	0.20	800	
PM1812H-3R3K	3.3	10	7.96	45.0	0.22	750	
PM1812H-3R9K	3.9	10	7.96	40.0	0.24	700	
PM1812H-4R7K	4.7	10	7.96	35.0	0.27	650	
PM1812H-5R6K	5.6	10	7.96	30.0	0.30	650	
PM1812H-6R8K	6.8	10	7.96	28.0	0.35	600	
PM1812H-8R2K	8.2	10	7.96	25.0	0.40	600	
PM1812H-100K	10	10	2.52	22.0	0.50	550	
PM1812H-120K	12	10	2.52	21.0	0.60	500	
PM1812H-150K	15	10	2.52	20.0	0.70	450	
PM1812H-180K	18	10	2.52	19.0	0.80	400	
PM1812H-220K	22	10	2.52	18.0	0.90	370	
PM1812H-270K	27	10	2.52	16.0	1.2	330	CC453232**
PM1812H-330K	33	10	2.52	14.0	1.4	300	
PM1812H-390K	39	10	2.52	12.0	1.6	280	
PM1812H-470K	47	10	2.52	11.5	1.9	260	
PM1812H-560K	56	10	2.52	11.0	2.2	240	
PM1812H-680K	68	10	2.52	10.0	2.6	220	
PM1812H-820K	82	10	2.52	9.0	3.5	200	
PM1812H-101K	100	20	0.796	8.0	4.0	180	
PM1812H-121K	120	20	0.796	7.5	4.5	160	
PM1812H-151K	150	20	0.796	7.0	6.5	140	
PM1812H-181K	180	20	0.796	6.5	7.5	120	
PM1812H-221K	220	20	0.796	5.5	9.0	120	
PM1812H-271K	270	20	0.796	5.0	11.0	100	
PM1812H-331K	330	20	0.796	4.0	13.0	90	
PM1812H-391K	390	30	0.796	3.0	13.5	85	
PM1812H-471K	470	30	0.796	3.0	15.0	75	
PM1812H-561K	560	30	0.796	3.0	17.0	70	
PM1812H-681K	680	30	0.796	2.5	22.8	65	

For RoHS compliant version, add "-RC" to part number.



BOURNS®

Tel. (877) 426-8767 • Fax (951) 781-5006

www.bourns.com

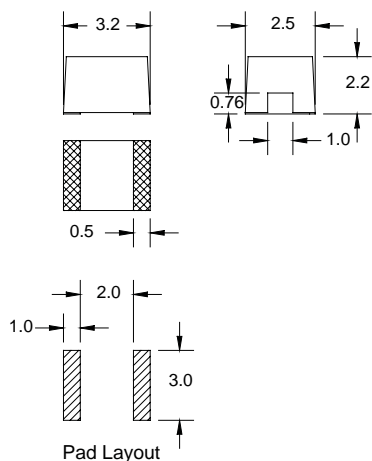
Shielded Chip Inductors

Special Features

- High Q
- Magnetic shielded for low radiation
- Molded construction for high reliability
- Superior environmental protection
- Large terminal surface for strong PCB bonding
- Standard EIA 1210 chip size
- Operating temperature -55 to +125 °C
- Tape & reel packaged 2000/reel

Notes

- * Current to cause 20 °C max. temperature rise
- ** Closest alternative - these models are available on requests as projects only. Please consult a Bourns application engineer for the solution that best suits your needs.



Dimensions: mm
Tolerance: +/-0.2

PM205 Series							
Part Number	L (μH) ±20 %	Q Min.	Test Freq. (MHz)	SRF (MHz) Min.	DCR (Ω) Max.	I _{DC} * (mA)	Bourns Equivalent
PM205-R012M-RC	0.012	50	50	1000	0.11	750	
PM205-R015M-RC	0.015	50	50	1000	0.12	720	
PM205-R018M-RC	0.018	50	50	1000	0.13	690	
PM205-R022M-RC	0.022	45	50	1000	0.15	640	
PM205-R027M-RC	0.027	45	50	1000	0.17	610	
PM205-R033M-RC	0.033	45	50	1000	0.18	585	
PM205-R039M-RC	0.039	40	50	1000	0.24	530	
PM205-R047M-RC	0.047	40	50	1000	0.26	495	
PM205-R056M-RC	0.056	40	50	1000	0.28	485	
PM205-R068M-RC	0.068	40	50	1000	0.35	475	
PM205-R082M-RC	0.082	38	50	900	0.45	460	
PM205-R10M-RC	0.10	36	50	700	0.50	450	
PM205-R12M-RC	0.12	40	25.2	500	0.20	630	
PM205-R15M-RC	0.15	40	25.2	470	0.20	600	
PM205-R18M-RC	0.18	40	25.2	400	0.24	580	
PM205-R22M-RC	0.22	40	25.2	330	0.30	565	
PM205-R27M-RC	0.27	40	25.2	310	0.33	500	
PM205-R33M-RC	0.33	40	25.2	280	0.36	475	
PM205-R39M-RC	0.39	40	25.2	230	0.40	465	
PM205-R47M-RC	0.47	40	25.2	220	0.44	460	
PM205-R56M-RC	0.56	40	25.2	200	0.45	455	
PM205-R68M-RC	0.68	40	25.2	180	0.48	450	
PM205-R82M-RC	0.82	40	25.2	160	0.50	450	
	±10 %						
PM205-1R0K-RC	1.0	30	7.96	120	0.60	400	CC322522**
PM205-1R2K-RC	1.2	30	7.96	110	0.65	390	
PM205-1R5K-RC	1.5	30	7.96	90	0.75	370	
PM205-1R8K-RC	1.8	30	7.96	85	0.85	350	
PM205-2R2K-RC	2.2	30	7.96	65	0.90	320	
PM205-2R7K-RC	2.7	30	7.96	60	1.00	290	
PM205-3R3K-RC	3.3	30	7.96	60	1.10	270	
PM205-3R9K-RC	3.9	30	7.96	58	1.20	250	
PM205-4R7K-RC	4.7	30	7.96	52	1.25	220	
PM205-5R6K-RC	5.6	30	7.96	50	1.40	200	
PM205-6R8K-RC	6.8	30	7.96	40	1.60	205	
PM205-8R2K-RC	8.2	30	7.96	35	1.65	195	
PM205-100K-RC	10	30	2.52	30	2.0	185	
PM205-120K-RC	12	30	2.52	24	2.3	175	
PM205-150K-RC	15	30	2.52	20	2.5	165	
PM205-180K-RC	18	30	2.52	17	2.7	155	
PM205-220K-RC	22	30	2.52	16	3.1	150	
PM205-270K-RC	27	30	2.52	14	3.3	125	
PM205-330K-RC	33	30	2.52	14	5.1	115	
PM205-390K-RC	39	30	2.52	14	5.9	105	
PM205-470K-RC	47	30	2.52	13	8.0	100	
PM205-560K-RC	56	30	2.52	11	10	95	
PM205-680K-RC	68	30	2.52	11	10	90	
PM205-820K-RC	82	30	2.52	11	11	85	
PM205-101K-RC	100	30	0.796	8	12	85	

Only available as RoHS compliant.

BOURNS®

Tel. (877) 426-8767 • Fax (951) 781-5006

www.bourns.com

Shielded, SMT Power Inductors

Special Features

- High current capacity
- Magnetic shielded
- Low DCR
- Ferrite bobbin core
- Low profile, compact size
- Operating temperature -40 to +100 °C
- Tape & reel packaged 1000/reel

Typical Applications

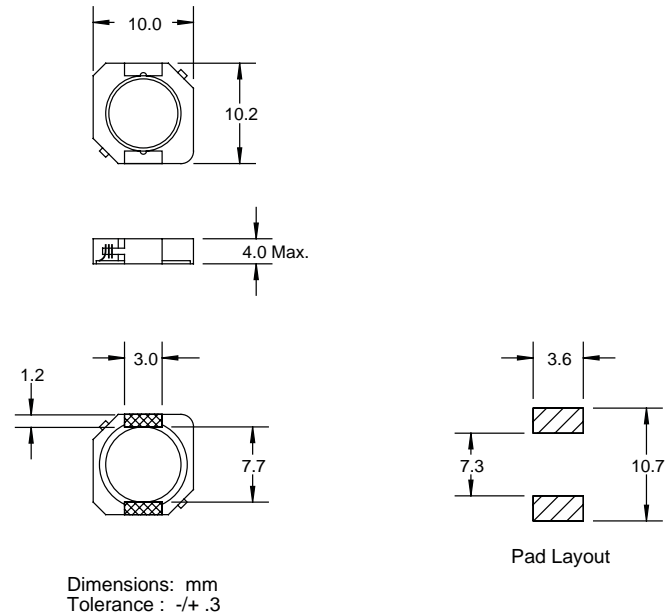
- Desktop, notebook computers, servers
- Network hubs, bridges, routers
- xDSL, PBX base stations
- GPS systems
- PDAs, MP3 players, digital cameras
- Digital TVs, DVDs, cable modems, DSS set-top boxes
- Battery chargers
- High frequency wireless communication devices
- Electronic game devices
- Industrial electronics
- Electronic game devices
- Onboard power supplies

Notes

- * Saturation current to cause 35 % inductance drop
- ** Rated current to cause 30 °C temperature rise

PM104SH Series					
Part Number	L (µH) ± 30 % @ 100 KHz Max.	DCR, (Ω) Max.	I _{sat} * (A)	I _{rated} ** (A)	Bourns Equivalent
PM104SH-1R5	1.5	0.008	10	6.5	SRU1038
PM104SH-2R5	2.5	0.01	7.5	6.1	
PM104SH-3R8	3.8	0.013	6.0	5.5	
PM104SH-5R2	5.2	0.022	5.5	5.4	
PM104SH-7R0	7.0	0.027	4.8	4.5	
PM104SH-100	10	0.035	4.4	3.8	
PM104SH-150	15	0.05	3.6	3.1	
PM104SH-220	22	0.073	2.9	2.5	
PM104SH-330	33	0.093	2.3	2.2	
PM104SH-470	47	0.128	2.1	1.9	
PM104SH-680	68	0.213	1.5	1.42	
PM104SH-101	100	0.304	1.35	1.25	
PM104SH-151	150	0.506	1.15	0.85	
PM104SH-221	220	0.756	0.92	0.7	
PM104SH-331	330	1.09	0.7	0.52	

For RoHS compliant version, add "-RC" to part number.



Shielded, SMT Power Inductors

Special Features

- High current capacity
- Magnetic shielded for low radiation
- Ferrite bobbin core
- Low core loss for high frequency power applications
- Compact size
- Large terminal surface for good PCB bonding
- Easy access for reflow soldering inspection
- Operating temperature -30 to +100 °C
- Tape & reel packaged 500/reel

Typical Applications

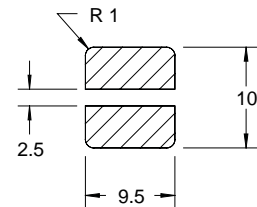
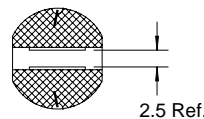
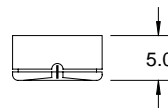
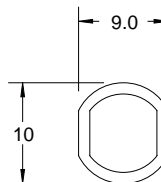
- Desktop, notebook computers, servers
- Network hubs, bridges, routers
- xDSL, PBX base stations
- PDAs, MP3 players
- Digital TVs, DVDs, cable modems, DSS set-top boxes
- Battery chargers
- High frequency wireless communication devices
- Electronic game devices
- Industrial electronics

Notes

- * Current to cause 10 % of inductance
- ** Closest alternative - these models are available on requests as projects only. Please consult a Bourns application engineer for the solution that best suits your needs.

PM105SB Series						
Part Number	L (μH) ±20 %	Test Freq.	SRF (MHz) Typ.	DCR (Ω) Max.	I, DC* (A)	Bourns Equivalent
PM105SB-100M	10	2.52MHz	29	0.06	2.06	
PM105SB-120M	12	2.52MHz	26	0.07	1.94	
PM105SB-150M	15	2.52MHz	24	0.07	1.72	
PM105SB-180M	18	2.52MHz	21	0.08	1.58	
PM105SB-220M	22	2.52MHz	18	0.08	1.42	
PM105SB-270M	27	2.52MHz	17	0.10	1.32	
± 15 %						
PM105SB-330L	33	2.52MHz	14	0.11	1.16	
PM105SB-390L	39	2.52MHz	14	0.12	1.10	
PM105SB-470L	47	2.52MHz	11	0.14	1.00	
PM105SB-560L	56	2.52MHz	11	0.19	0.93	
PM105SB-680L	68	2.52MHz	10	0.21	0.85	SRR0905**
PM105SB-820L	82	2.52MHz	9	0.28	0.79	
± 10 %						
PM105SB-101K	100	1 KHz	8	0.34	0.72	
PM105SB-121K	120	1 KHz	7	0.37	0.63	
PM105SB-151K	150	1 KHz	6	0.51	0.55	
PM105SB-181K	180	1 KHz	5	0.57	0.50	
PM105SB-221K	220	1 KHz	5	0.78	0.47	
PM105SB-271K	270	1 KHz	5	0.87	0.41	
PM105SB-331K	330	1 KHz	4	1.20	0.37	
PM105SB-391K	390	1 KHz	3	1.34	0.35	
PM105SB-471K	470	1 KHz	3	1.50	0.33	

For RoHS compliant version, add "-RC" to part number.



Dimensions: mm
Tolerance: +/- 0.5

Pad Layout

BOURNS®

Tel. (877) 426-8767 • Fax (951) 781-5006

www.bourns.com

Shielded, SMT Power Inductors

Special Features

- High current capacity
- Magnetic shielded for low radiation
- Ferrite bobbin core
- Low core loss for high frequency power applications
- Compact size, low profile
- Operating temperature -30 to +100 °C
- Tape & reel packaged 500/reel

Typical Applications

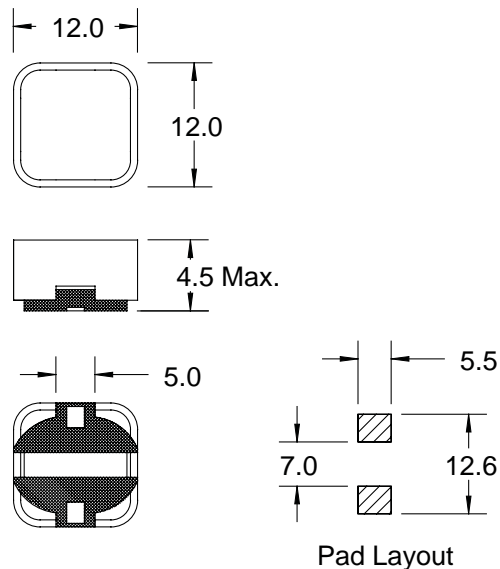
- Desktop, notebook computers, servers
- Network hubs, bridges, routers
- xDSL, PBX base stations
- GPS systems
- Digital TVs, DVDs, cable modems, DSS set-top boxes
- Battery chargers
- High frequency wireless communication devices
- Electronic game devices
- Industrial electronics
- Onboard power supplies

Notes

- * Rated current to cause max. 25 % of inductance drop and 40 °C temperature rise

PM124SH Series				
Part Number	L (µH) ± 20 % @ 100 KHz Max.	DCR (Ω) Max.	Idc* (A)	Bourns Equivalent
PM124SH-3R9M	3.9	0.015	6.5	
PM124SH-4R7M	4.7	0.018	5.7	
PM124SH-6R8M	6.8	0.023	4.9	
PM124SH-8R2M	8.2	0.026	4.6	
PM124SH-100M	10	0.028	4.5	
PM124SH-120M	12	0.038	4.0	
PM124SH-150M	15	0.050	3.2	
PM124SH-180M	18	0.057	3.1	
PM124SH-220M	22	0.066	2.9	
PM124SH-270M	27	0.080	2.8	
PM124SH-330M	33	0.097	2.7	
PM124SH-390M	39	0.13	2.1	SRR1240
PM124SH-470M	47	0.15	1.9	
PM124SH-560M	56	0.19	1.8	
PM124SH-680M	68	0.22	1.5	
PM124SH-820M	82	0.26	1.3	
PM124SH-101M	100	0.31	1.2	
PM124SH-121M	120	0.38	1.1	
PM124SH-151M	150	0.53	0.95	
PM124SH-181M	180	0.62	0.85	
PM124SH-221M	220	0.70	0.80	
PM124SH-271M	270	0.88	0.60	
PM124SH-331M	330	0.99	0.50	

For RoHS compliant version, add "-RC" to part number.



Dimensions: mm
Tolerance: +/-0.3

Shielded, SMT Power Inductors

Special Features

- High current capacity
- Magnetically shielded
- Low DCR
- Ferrite bobbin core
- Low profile, compact size
- High heat resistance, ideal for reflow soldering
- High reliability
- Test frequency 1 KHz
- Operating temperature -20 to +105 °C
- Tape & reel packaged 400/reel

Typical Applications

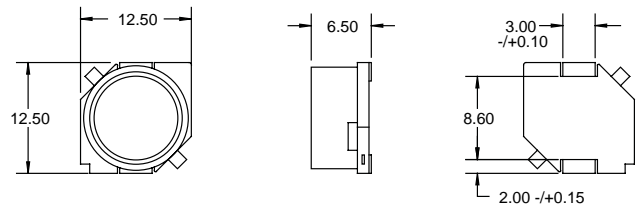
- High reliability, low magnetic coupling and densely packed board design
- Small cell phones
- PDAs
- Pagers
- Flash memory programmers
- Notebook computers
- Battery chargers
- DC/DC converters
- Network cards
- Switching boards
- Industrial electronics
- Entertainment electronic devices

Notes

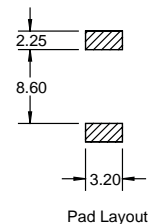
- * Saturation current to cause 10 % inductance drop
- ** Rated current to cause 40 °C temperature rise
- *** Closest alternative - these models are available on requests as projects only. Please consult a Bourns application engineer for the solution that best suits your needs.

PM12565S Series					
Part Number	L (μH) ± 30 %	DCR (Ω) Max.	I, sat.* (A)	I, rated** (A)	Bourns Equivalent
PM12565S-2R0	2	0.014	10.0	6.2	SRR1260***
PM12565S-4R2	4.2	0.018	7.3	5.5	
PM12565S-7R0	7	0.021	5.7	5	
	± 20 %				
PM12565S-100M	10	0.024	5.0	4.8	
PM12565S-150M	15	0.028	4.2	4.4	
PM12565S-220M	22	0.038	3.5	3.8	
PM12565S-330M	33	0.049	2.8	3.4	
PM12565S-470M	47	0.069	2.4	2.8	
PM12565S-680M	68	0.094	2.0	2.4	
PM12565S-101M	100	0.148	1.6	1.9	
PM12565S-221M	220	0.328	1.0	1.2	

For RoHS compliant version, add "-RC" to part number.



Dimensions: mm
Tolerance: +/-0.35



BOURNS®

Tel. (877) 426-8767 • Fax (951) 781-5006

www.bourns.com

Shielded, SMT Power Inductors

Special Features

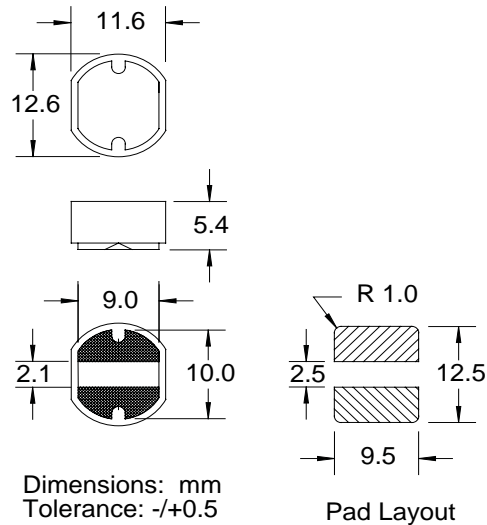
- High current capacity
- Magnetic shielded for low radiation
- Ferrite bobbin core
- Low core loss for high frequency power applications
- Compact size
- Large terminal surface for good PCB bonding
- Operating temperature -30 to +100 °C
- Tape & reel packaged 500/reel

Notes

- * Current to cause max. 25 % of inductance drop, or 40 °C temperature rise

PM125S Series					
Part Number	L (μH) ±20 %	Test Freq.	SRF (MHz) Typ.	DCR (Ω) Max.	I, DC* (A)
PM125S-100M	10	2.52 MHz	24	0.05	2.65
PM125S-120M	12	2.52 MHz	21	0.05	2.50
PM125S-150M	15	2.52 MHz	19	0.06	2.45
PM125S-180M	18	2.52 MHz	16	0.06	2.40
-15 %, +20 %					
PM125S-220M	22	2.52 MHz	15	0.07	2.20
PM125S-270M	27	2.52 MHz	14	0.08	2.00
PM125S-330M	33	2.52 MHz	13	0.10	1.80
PM125S-390M	39	2.52 MHz	12	0.11	1.65
PM125S-470M	47	2.52 MHz	10	0.12	1.50
PM125S-560M	56	2.52 MHz	9	0.15	1.38
PM125S-680M	68	2.52 MHz	9	0.17	1.26
PM125S-820M	82	2.52 MHz	8	0.20	1.14
PM125S-101M	100	1 KHz	7	0.25	1.05
PM125S-121M	120	1 KHz	6	0.28	0.95
PM125S-151M	150	1 KHz	6	0.40	0.85
PM125S-181M	180	1 KHz	5	0.48	0.77
PM125S-221M	220	1 KHz	5	0.52	0.70
PM125S-271M	270	1 KHz	4	0.70	0.63
PM125S-331M	330	1 KHz	4	0.80	0.57
PM125S-391M	390	1 KHz	4	1.08	0.52
PM125S-471M	470	1 KHz	3	1.20	0.48
PM125S-561M	560	1 KHz	3	1.34	0.44
PM125S-681M	680	1 KHz	3	1.78	0.40
PM125S-821M	820	1 KHz	2	2.00	0.36

For RoHS compliant version, add "-RC" to part number.



Shielded, SMT Power Inductors

Special Features

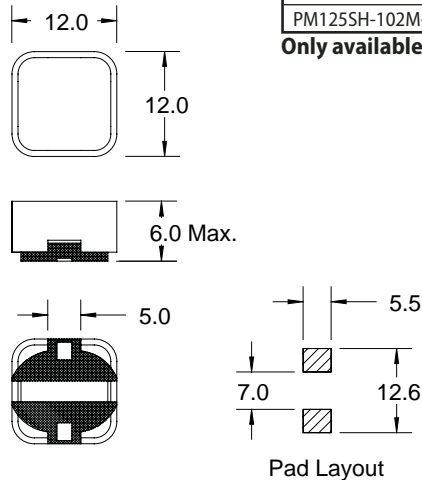
- High current capacity
- Magnetic shielded for low radiation
- Ferrite bobbin core
- Low core loss for high frequency power applications
- Compact size
- Large terminal surface for good PCB bonding
- Operating temperature -30 to +100 °C
- Tape & reel packaged 500/reel

Notes

- * Current to cause max. 25 % of inductance drop, or 40 °C temperature rise

PM125SH Series				
Part Number	L (μH) ±20 % @ 1 KHz	DCR (Ω) Max.	I, DC* (A)	Bourns Equivalent
PM125SH-100M-RC	10	0.025	4.0	
PM125SH-120M-RC	12	0.027	3.5	
PM125SH-150M-RC	15	0.030	3.3	
PM125SH-180M-RC	18	0.034	3.0	
PM125SH-220M-RC	22	0.036	2.8	
PM125SH-270M-RC	27	0.051	2.3	
PM125SH-330M-RC	33	0.057	2.1	
PM125SH-390M-RC	39	0.068	2.0	
PM125SH-470M-RC	47	0.075	1.8	
PM125SH-560M-RC	56	0.11	1.7	
PM125SH-680M-RC	68	0.12	1.5	
PM125SH-820M-RC	82	0.14	1.4	
PM125SH-101M-RC	100	0.16	1.3	SRR1260
PM125SH-121M-RC	120	0.17	1.1	
PM125SH-151M-RC	150	0.23	1.0	
PM125SH-181M-RC	180	0.29	0.90	
PM125SH-221M-RC	220	0.40	0.80	
PM125SH-271M-RC	270	0.46	0.75	
PM125SH-331M-RC	330	0.51	0.68	
PM125SH-391M-RC	390	0.69	0.65	
PM125SH-471M-RC	470	0.77	0.58	
PM125SH-561M-RC	560	0.86	0.54	
PM125SH-681M-RC	680	1.20	0.48	
PM125SH-821M-RC	820	1.34	0.43	
PM125SH-102M-RC	1000	1.53	0.40	

Only available as RoHS compliant.



Dimensions: mm
Tolerance: -/+0.3

BOURNS®

Tel. (877) 426-8767 • Fax (951) 781-5006

www.bourns.com

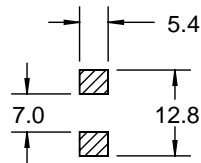
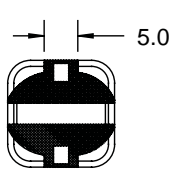
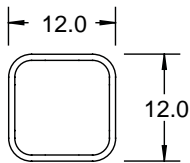
Shielded, SMT Power Inductors

Special Features

- High current capacity
- Magnetic shielded for low radiation
- Ferrite bobbin core
- Low core loss for high frequency power applications
- Compact size
- Large terminal surface for good PCB bonding
- Operating temperature -30 to +100 °C
- Tape & reel packaged 500/reel

Notes

- * Current to cause max. 25 % of inductance drop, or 40 °C temperature rise



Pad Layout

Dimensions: mm
Tolerance: +/-0.3

PM127SH Series						
Part Number	L (μH) +40/-20 %	Test Freq. (KHz)	DCR (Ω) Max.	I, DC* (A)	Bourns Equivalent	
PM127SH-1R2N-RC	1.2	100	0.007	9.8	SRR1208	
PM127SH-2R4N-RC	2.4	100	0.012	8.0		
PM127SH-3R5N-RC	3.5	100	0.014	7.5		
PM127SH-4R7N-RC	4.7	100	0.016	6.8		
PM127SH-6R1N-RC	6.1	100	0.018	6.6		
PM127SH-7R6N-RC	7.6	100	0.020	5.9		
±20 %						
PM127SH-100M-RC	10	1.0	0.022	5.40		
PM127SH-120M-RC	12	1.0	0.024	4.90		
PM127SH-150M-RC	15	1.0	0.027	4.50		
PM127SH-180M-RC	18	1.0	0.039	3.90		
PM127SH-220M-RC	22	1.0	0.043	3.60		
PM127SH-270M-RC	27	1.0	0.046	3.40		
PM127SH-330M-RC	33	1.0	0.065	3.00		
PM127SH-390M-RC	39	1.0	0.073	2.75		
PM127SH-470M-RC	47	1.0	0.10	2.50		
PM127SH-560M-RC	56	1.0	0.11	2.35		
PM127SH-680M-RC	68	1.0	0.14	2.10		
PM127SH-820M-RC	82	1.0	0.16	1.95		
PM127SH-101M-RC	100	1.0	0.22	1.70		
PM127SH-121M-RC	120	1.0	0.25	1.60		
PM127SH-151M-RC	150	1.0	0.28	1.42		
PM127SH-181M-RC	180	1.0	0.35	1.30		
PM127SH-221M-RC	220	1.0	0.39	1.16		
PM127SH-271M-RC	270	1.0	0.56	1.06		
PM127SH-331M-RC	330	1.0	0.64	0.95		
PM127SH-391M-RC	390	1.0	0.70	0.88		
PM127SH-471M-RC	470	1.0	0.98	0.79		
PM127SH-561M-RC	560	1.0	1.07	0.73		
PM127SH-681M-RC	680	1.0	1.46	0.67		
PM127SH-821M-RC	820	1.0	1.64	0.60		
PM127SH-102M-RC	1000	1.0	1.82	0.55		

Only available as RoHS compliant.

Shielded, SMT Power Inductors

Special Features

- High energy storage capacity
- Magnetically shielded
- Low DCR
- Ferrite bobbin core
- Low profile, miniature size
- High heat resistance, ideal for reflow soldering
- High reliability
- Test frequency 100 KHz
- Operating temperature -40 to +85 °C
- Tape & reel packaged 750/reel

Typical Applications

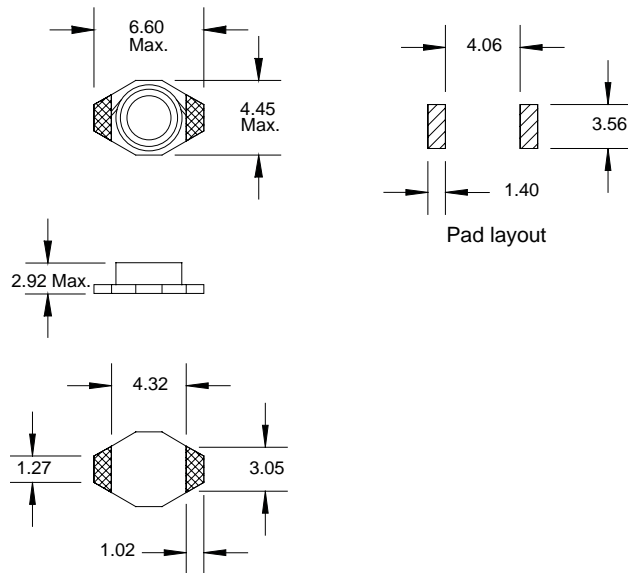
- High reliability, low magnetic coupling and densely packed board design
- Small cell phones
- PDAs
- Pagers
- Flash memory programmers
- Notebook computers
- Battery chargers
- DC/DC converters
- Network cards
- Switching boards
- Industrial electronics
- Entertainment electronic devices

Notes

- * Rms current to cause 30 °C temperature rise

PM1608S Series					
Part Number	L (μH) ± 20 %	DCR (Ω) Max.	SRF (MHz) Typ.	I _{rms} * (A)	Bourns Equivalent
PM1608S-1R0M	1.0	0.04	250	3.0	SRR6603
PM1608S-1R5M	1.5	0.04	5 125	2.8	
PM1608S-2R2M	2.2	0.05	120	1.8	
PM1608S-3R3M	3.3	0.055	120	1.6	
PM1608S-4R7M	4.7	0.06	105	1.4	
PM1608S-6R8M	6.8	0.065	50	1.2	
PM1608S-100M	10	0.075	38	1.0	
PM1608S-150M	15	0.09	33	0.8	
PM1608S-220M	22	0.11	25	0.7	
PM1608S-330M	33	0.19	20	0.6	
PM1608S-470M	47	0.23	20	0.5	
PM1608S-680M	68	0.29	15	0.4	
PM1608S-101M	100	0.48	10	0.3	
PM1608S-151M	150	0.59	9	0.26	
PM1608S-221M	220	0.77	6	0.22	
PM1608S-331M	330	1.4	5	0.2	
PM1608S-471M	470	1.8	4	0.19	
PM1608S-681M	680	2.2	3	0.18	
PM1608S-102M	1000	3.4	2	0.15	
PM1608S-152M	1500	4.2	2	0.12	
PM1608S-222M	2200	8.5	2	0.1	
PM1608S-332M	3300	11.0	1	0.08	
PM1608S-472M	4700	13.9	1	0.06	
PM1608S-682M	6800	25.0	1	0.04	
PM1608S-103M	10,000	32.8	0.8	0.02	

For RoHS compliant version, add "-RC" to part number.



Dimensions: mm

BOURNS®

Tel. (877) 426-8767 • Fax (951) 781-5006

www.bourns.com

Shielded, SMT Power Inductors

Special Features

- High current capacity
- Magnetically shielded
- Low DCR
- Ferrite bobbin core
- Compact size
- High heat resistance, ideal for reflow soldering
- High reliability
- Test frequency 100 KHz
- Operating temperature -40 to +85 °C
- Tape & reel packaged 500/reel

Typical Applications

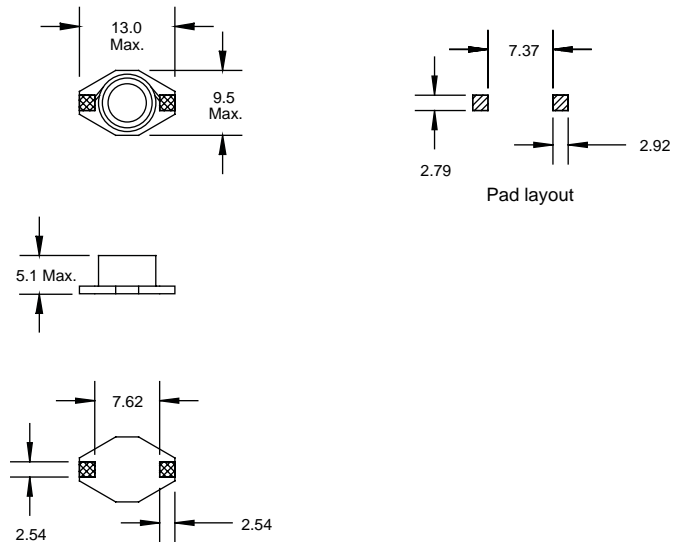
- High reliability, low magnetic coupling and densely packed board design
- Small cell phones
- PDAs
- Pagers
- Flash memory programmers
- Notebook computers
- Battery chargers
- DC/DC converters
- Network cards
- Switching boards
- Industrial electronics
- Entertainment electronic devices

Notes

- * Saturation current to cause 10 % inductance drop
- ** Rms current to cause 15 °C temperature rise

PM3316S Series					
Part Number	L (μH) ± 20 %	DCR	I, sat.* (A)	I, rms** (A)	Bourns Equivalent
		(Ω) Max.			
PM3316S-1R0M-RC	1.0	0.021	5.6	5.0	SRR1005
PM3316S-1R5M-RC	1.5	0.022	5.2	4.5	
PM3316S-2R2M-RC	2.2	0.032	5.0	3.8	
PM3316S-3R3M-RC	3.3	0.039	3.9	3.3	
PM3316S-4R7M-RC	4.7	0.054	3.2	2.7	
PM3316S-6R8M-RC	6.8	0.075	2.8	2.2	
PM3316S-100M-RC	10	0.101	2.4	2.0	
PM3316S-150M-RC	15	0.15	2.0	1.5	
PM3316S-220M-RC	22	0.207	1.6	1.3	
PM3316S-330M-RC	33	0.334	1.4	1.1	
PM3316S-470M-RC	47	0.472	1.0	0.8	

Only available as RoHS compliant.



Dimensions: mm

Shielded, SMT Power Inductors

Special Features

- Magnetic shielded for low radiation
- Ferrite bobbin core
- Low core loss for high frequency power applications
- Low profile, compact size
- Large terminal surface for good PCB bonding
- Operating temperature -30 to +100 °C
- Tape & reel packaged 2000/reel

Typical Applications

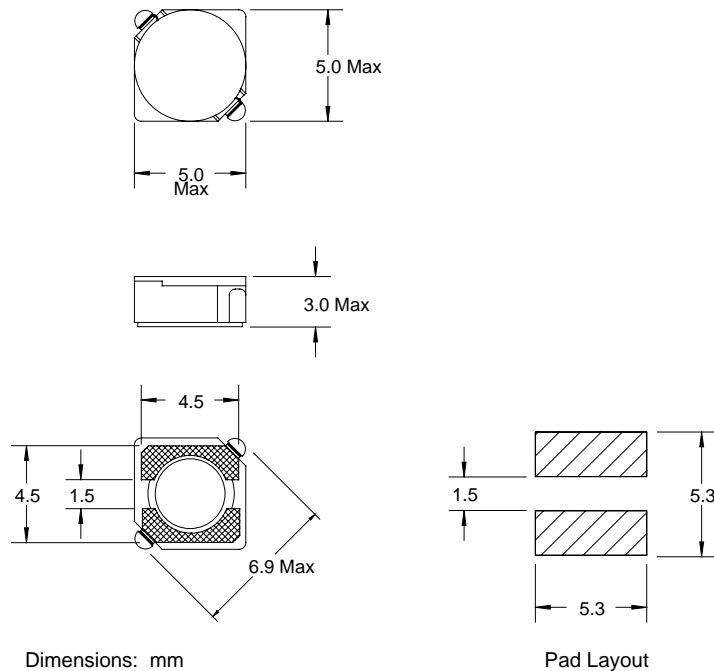
- Desktop, notebook computers, servers
- Network hubs, bridges, routers
- xDSL, PBX base stations
- Cell phones, pagers, GPS systems
- PDAs, MP3 players, digital cameras
- Digital TVs, DVDs, cable modems, DSS set-top boxes
- Battery chargers
- High frequency wireless communication devices
- Electronic game devices

Notes

- * Rated current to cause max. 35 % of inductance drop and 40 °C temperature rise
- ** Closest alternative - these models are available on requests as projects only. Please consult a Bourns application engineer for the solution that best suits your needs.

PM428S Series				
Part Number	L (μH) ± 30 % @ 100 KHz	DCR (Ω) Max.	I* (A)	Bourns Equivalent
PM428S-1R2	1.2	0.024	2.56	
PM428S-1R8	1.8	0.028	2.20	
PM428S-2R2	2.2	0.031	2.04	
PM428S-2R7	2.7	0.043	1.60	
PM428S-3R3	3.3	0.049	1.57	
PM428S-3R9	3.9	0.065	1.44	
PM428S-4R7	4.7	0.072	1.32	
PM428S-5R6	5.6	0.101	1.17	
PM428S-6R8	6.8	0.109	1.12	
PM428S-8R2	8.2	0.118	1.04	
PM428S-100	10	0.128	1.00	
PM428S-120	12	0.132	0.84	
PM428S-150	15	0.149	0.76	SRR4028**
PM428S-180	18	0.166	0.72	
PM428S-220	22	0.235	0.70	
PM428S-270	27	0.261	0.58	
PM428S-330	33	0.378	0.56	
PM428S-390	39	0.384	0.50	
PM428S-470	47	0.587	0.48	
PM428S-560	56	0.625	0.41	
PM428S-680	68	0.699	0.35	
PM428S-820	82	0.915	0.32	
PM428S-101	100	1.02	0.29	
PM428S-121	120	1.27	0.27	
PM428S-151	150	1.35	0.24	
PM428S-181	180	1.54	0.22	

For RoHS compliant version, add "-RC" to part number.



BOURNS®

Tel. (877) 426-8767 • Fax (951) 781-5006

www.bourns.com

Shielded, SMT Power Inductors

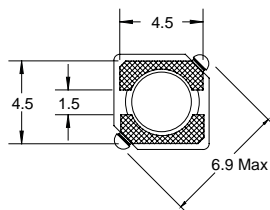
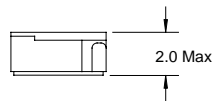
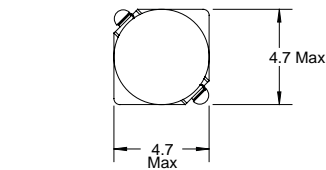
Special Features

- Ultra low profile
- Magnetic shielded for low radiation
- Ferrite bobbin core
- Low core loss for high frequency power applications
- Compact size
- Large terminal surface for good PCB bonding
- Operating temperature -30 to +100 °C
- Tape & reel packaged 1000/reel

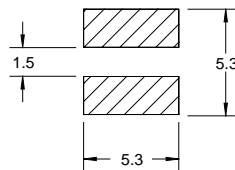
Notes

- * Current to cause max. 25 % of inductance drop, or 40 °C temperature rise
- ** Closest alternative - these models are available on requests as projects only. Please consult a Bourns application engineer for the solution that best suits your needs.

PM42S Series					
Part Number	L (μH) ±30 %	Test Freq. (MHz)	DCR (Ω) Max.	I, DC* (A)	Bourns Equivalent
PM42S-1R0	1.0	7.96	0.045	1.72	
PM42S-2R2	2.2	7.96	0.075	1.32	
PM42S-2R7	2.7	7.96	0.105	1.28	
PM42S-3R3	3.3	7.96	0.110	1.04	
PM42S-3R9	3.9	7.96	0.155	0.88	
PM42S-4R7	4.7	7.96	0.162	0.84	
PM42S-5R6	5.6	7.96	0.170	0.80	
PM42S-6R8	6.8	7.96	0.200	0.76	
PM42S-8R2	8.2	7.96	0.245	0.68	
PM42S-100	10	10 KHz	0.200	0.61	
PM42S-120	12	10 KHz	0.210	0.56	
PM42S-150	15	10 KHz	0.240	0.50	
PM42S-180	18	10 KHz	0.338	0.48	SRR4018**
PM42S-220	22	10 KHz	0.397	0.41	
PM42S-270	27	10 KHz	0.441	0.35	
PM42S-330	33	10 KHz	0.394	0.32	
PM42S-390	39	10 KHz	0.709	0.30	
PM42S-470	47	10 KHz	0.922	0.28	
PM42S-560	56	10 KHz	1.08	0.26	
PM42S-680	68	10 KHz	1.30	0.24	
PM42S-820	82	10 KHz	1.56	0.22	
PM42S-101	100	10 KHz	1.73	0.20	
PM42S-121	120	10 KHz	2.39	0.18	
PM42S-151	150	10 KHz	2.67	0.15	
PM42S-181	180	10 KHz	4.00	0.14	



Dimensions: mm



Pad Layout

For RoHS compliant version, add "-RC" to part number.

Shielded, SMT Power Inductors

Special Features

- High current capacity
- Magnetically shielded
- Low DCR
- Ferrite bobbin core
- Compact size
- High heat resistance, ideal for reflow soldering
- High reliability
- Test frequency 100 KHz
- Operating temperature -40 to +85 °C
- Tape & reel packaged 250/reel

Typical Applications

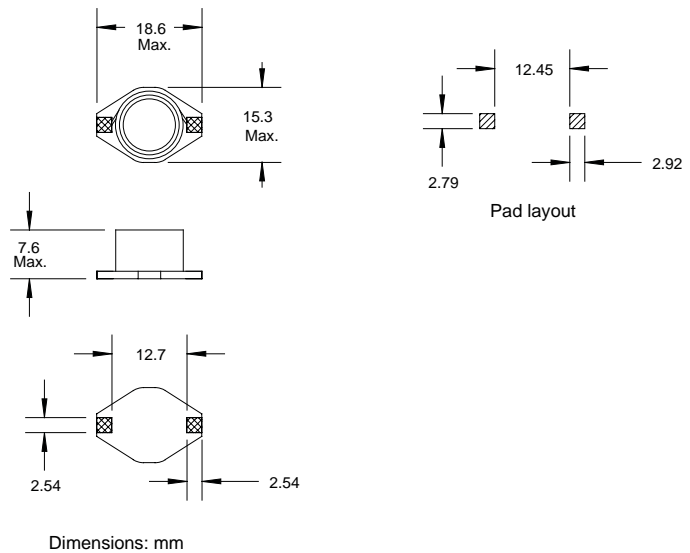
- High reliability, low magnetic coupling densely packed board design
- Small cell phones
- PDAs
- Pagers
- Flash memory programmers
- Notebook computers
- Battery chargers
- DC/DC converters
- Network cards
- Switching boards
- Industrial electronics
- Entertainment electronic devices

Notes

- * Saturation current to cause 10 % inductance drop
- ** Rms current to cause 40 °C temperature

PM5022S Series					
Part Number	L (μH) ± 20 %	DCR	I, sat.* (A)	I, rms** (A)	Bourns Equivalent
		(Ω) Max.			
PM5022S-100M	10	0.04	8.0	3.9	SRR1806
PM5022S-150M	15	0.048	7.0	3.4	
PM5022S-220M	22	0.059	6.0	3.1	
PM5022S-330M	33	0.075	5.0	2.8	
PM5022S-470M	47	0.097	4.0	2.4	
PM5022S-680M	68	0.138	3.0	2.0	
PM5022S-101M	100	0.207	2.4	1.7	
PM5022S-151M	150	0.293	2.1	1.3	
PM5022S-221M	220	0.47	1.9	1.1	
PM5022S-331M	330	0.78	1.1	0.86	
PM5022S-471M	470	1.08	1.1	0.73	
PM5022S-681M	680	1.4	0.96	0.64	
PM5022S-102M	1000	2.01	0.8	0.53	

For RoHS compliant version, add "-RC" to part number.



Shielded, SMT Power Inductors

Special Features

- Magnetic shielded for low radiation
- Ferrite bobbin core
- Low core loss for high frequency power applications
- Low profile, compact size
- Large terminal surface for good PCB bonding
- Operating temperature -40 to +85 °C
- Tape & reel packaged 2000/reel

Typical Applications

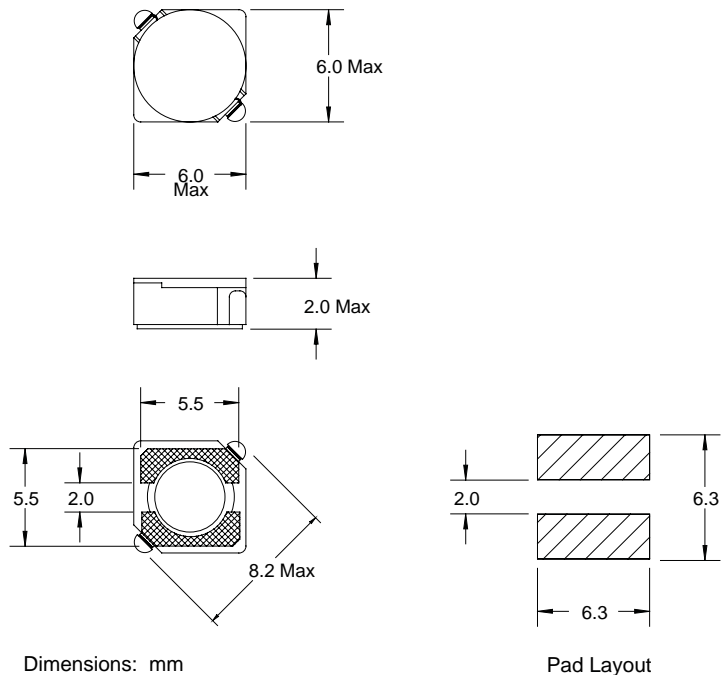
- Desktop, notebook computers, servers
- Network hubs, bridges, routers
- xDSL, PBX base stations
- Cell phones, pagers, GPS systems
- PDAs, MP3 players, digital cameras
- Digital TVs, DVDs, cable modems, DSS set-top boxes
- Battery chargers
- High frequency wireless communication devices
- Electronic game devices

Notes

- * Rated current to cause max. 35 % of inductance drop and 30 °C temperature rise
- ** Closest alternative - these models are available on requests as projects only. Please consult a Bourns application engineer for the solution that best suits your needs.

PM518S Series				
Part Number	L (μH) ± 30 % @ 10 KHz	DCR (Ω) Max.	I* (A)	Bourns Equivalent
PM518S-4R1	4.1	0.057	1.95	
PM518S-5R4	5.4	0.076	1.60	
PM518S-6R2	6.2	0.096	1.40	
PM518S-8R9	8.9	0.116	1.25	
PM518S-100	10	0.124	1.20	
PM518S-120	12	0.153	1.10	
PM518S-150	15	0.196	0.97	
PM518S-180	18	0.210	0.85	
PM518S-220	22	0.290	0.80	SRR5018**
PM518S-270	27	0.330	0.75	
PM518S-330	33	0.386	0.65	
PM518S-390	39	0.520	0.57	
PM518S-470	47	0.595	0.54	
PM518S-560	56	0.665	0.50	
PM518S-680	68	0.840	0.43	
PM518S-820	82	0.978	0.41	
PM518S-101	100	1.20	0.36	

For RoHS compliant version, add "-RC" to part number.



Shielded, SMT Power Inductors

Special Features

- Magnetic shielded for low radiation
- Ferrite bobbin core
- Low core loss for high frequency power applications
- Low profile, compact size
- Large terminal surface for good PCB bonding
- Operating temperature -40 to +85 °C
- Tape & reel packaged 2000/reel

Typical Applications

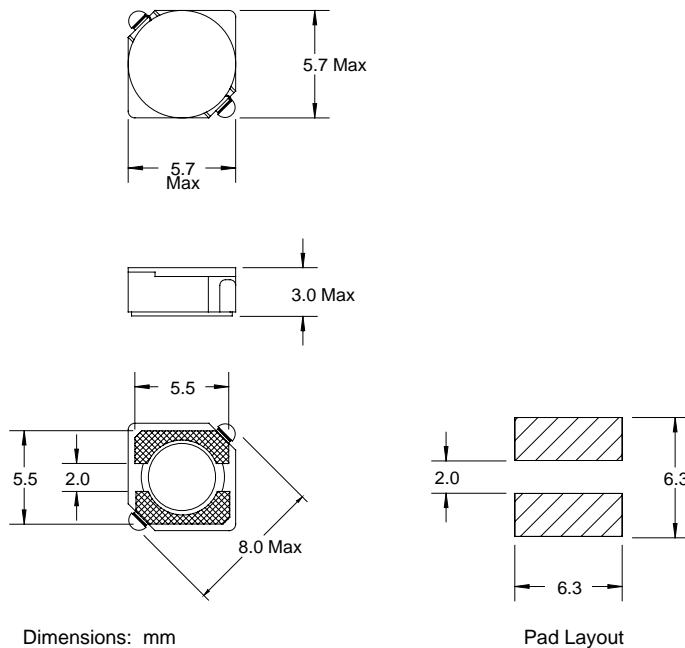
- Desktop, notebook computers, servers
- Network hubs, bridges, routers
- xDSL, PBX base stations
- Cell phones, pagers, GPS systems
- PDAs, MP3 players, digital cameras
- Digital TVs, DVDs, cable modems, DSS set-top boxes
- Battery chargers
- High frequency wireless communication devices
- Electronic game devices

Notes

- * Rated current to cause max. 35 % of inductance drop and 30 °C temperature rise
- ** Closest alternative - these models are available on requests as projects only. Please consult a Bourns application engineer for the solution that best suits your needs.

PM528S Series				
Part Number	L (μH) ± 30 % @ 10 KHz	DCR (Ω) Max.	I* (A)	Bourns Equivalent
PM528S-2R6	2.6	0.018	2.60	
PM528S-3R0	3.0	0.024	2.40	
PM528S-4R2	4.2	0.031	2.20	
PM528S-5R3	5.3	0.038	1.90	
PM528S-6R2	6.2	0.045	1.80	
PM528S-8R2	8.2	0.053	1.60	
PM528S-100	10	0.065	1.30	
PM528S-120	12	0.076	1.20	
PM528S-150	15	0.103	1.10	
PM528S-180	18	0.110	1.00	SRR5028**
PM528S-220	22	0.122	0.90	
PM528S-270	27	0.175	0.85	
PM528S-330	33	0.189	0.75	
PM528S-390	39	0.212	0.70	
PM528S-470	47	0.260	0.62	
PM528S-560	56	0.305	0.58	
PM528S-680	68	0.355	0.52	
PM528S-820	82	0.463	0.46	
PM528S-101	100	0.520	0.42	

For RoHS compliant version, add "-RC" to part number.



BOURNS®

Tel. (877) 426-8767 • Fax (951) 781-5006

www.bourns.com

Shielded, SMT Power Inductors

Special Features

- Magnetic shielded for low radiation
- Ferrite bobbin core
- Low core loss for high frequency power applications
- Low profile, compact size
- Large terminal surface for good PCB bonding
- Operating temperature -25 to +85 °C
- Tape & reel packaged 1500/reel

Typical Applications

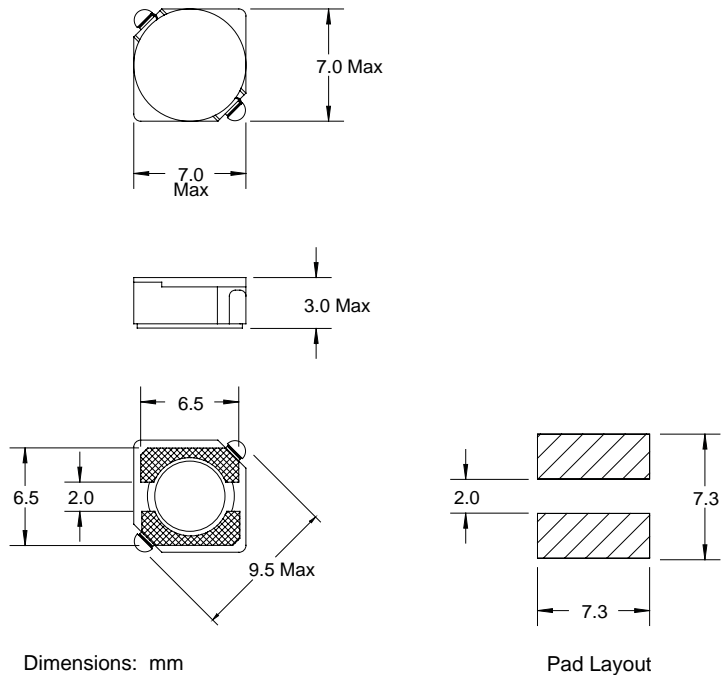
- Desktop, notebook computers, servers
- Network hubs, bridges, routers
- xDSL, PBX base stations
- GPS systems
- PDAs, MP3 players, digital cameras
- Digital TVs, DVDs, cable modems, DSS set-top boxes
- Battery chargers
- High frequency wireless communication devices
- Electronic game devices

Notes

- * Rated current to cause max. 35 % of inductance drop and 30 °C temperature rise
- ** Closest alternative - these models are available on requests as projects only. Please consult a Bourns application engineer for the solution that best suits your needs.

PM628S Series				
Part Number	L (μH) ± 30 % @ 10 KHz	DCR (Ω) Max.	I* (A)	Bourns Equivalent
PM628S-3R0	3.0	0.024	3.00	
PM628S-3R9	3.9	0.027	2.60	
PM628S-5R0	5.0	0.031	2.40	
PM628S-6R0	6.0	0.035	2.25	
PM628S-7R3	7.3	0.054	2.10	
PM628S-8R6	8.6	0.058	1.85	
PM628S-100	10	0.065	1.70	
PM628S-120	12	0.070	1.55	
PM628S-150	15	0.084	1.40	
PM628S-180	18	0.095	1.32	SRR6028**
PM628S-220	22	0.128	1.20	
PM628S-270	27	0.142	1.05	
PM628S-330	33	0.165	0.97	
PM628S-390	39	0.210	0.86	
PM628S-470	47	0.238	0.80	
PM628S-560	56	0.277	0.73	
PM628S-680	68	0.304	0.65	
PM628S-820	82	0.390	0.60	
PM628S-101	100	0.535	0.54	

For RoHS compliant version, add "-RC" to part number.



BOURNS®

Tel. (877) 426-8767 • Fax (951) 781-5006

www.bourns.com

Shielded, SMT Power Inductors

Special Features

- Magnetic shielded for low radiation
- Ferrite bobbin core
- Low core loss for high frequency power applications
- Low profile, compact size
- Large terminal surface for good PCB bonding
- Operating temperature -25 to +85 °C
- Tape & reel packaged 1000/reel

Typical Applications

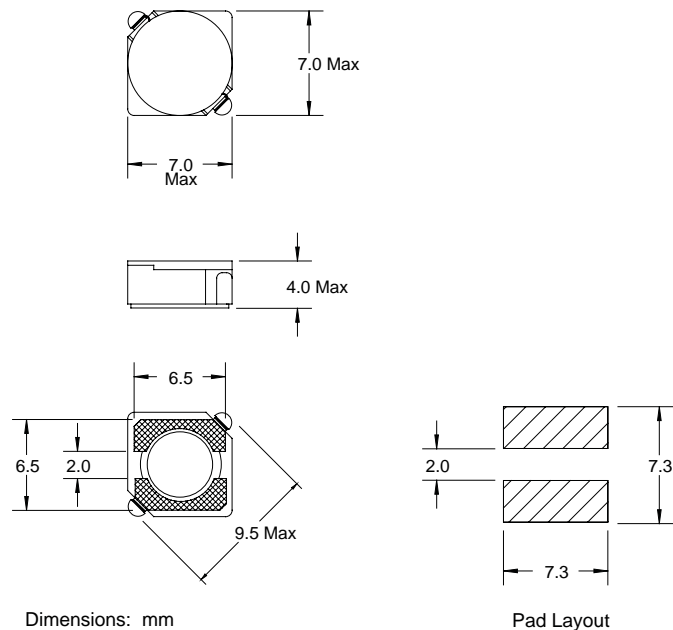
- Desktop, notebook computers, servers
- Network hubs, bridges, routers
- xDSL, PBX base stations
- GPS systems
- PDAs, MP3 players, digital cameras
- Digital TVs, DVDs, cable modems, DSS set-top boxes
- Battery chargers
- High frequency wireless communication devices
- Electronic game devices

Notes

- * Rated current to cause max. 35 % of inductance drop and 30 °C temperature rise
- ** Closest alternative - these models are available on requests as projects only. Please consult a Bourns application engineer for the solution that best suits your needs.

PM638S Series				
Part Number	L (μH) ± 30 % @ 10 KHz	DCR (Ω) Max.	I* (A)	Bourns Equivalent
PM638S-3R3	3.3	0.020	3.50	SRR6038**
PM638S-5R0	5.0	0.024	2.90	
PM638S-6R2	6.2	0.027	2.50	
PM638S-7R4	7.4	0.031	2.30	
PM638S-8R7	8.7	0.034	2.20	
PM638S-100	10	0.038	2.00	
PM638S-120	12	0.053	1.70	
PM638S-150	15	0.057	1.60	
PM638S-180	18	0.092	1.50	
PM638S-220	22	0.096	1.30	
PM638S-270	27	0.109	1.20	
PM638S-330	33	0.124	1.10	
PM638S-390	39	0.138	1.00	
PM638S-470	47	0.155	0.95	
PM638S-560	56	0.202	0.85	
PM638S-680	68	0.234	0.75	
PM638S-820	82	0.324	0.70	
PM638S-101	100	0.358	0.65	

For RoHS compliant version, add "-RC" to part number.



Shielded, SMT Power Inductors

Special Features

- High current capacity
- Magnetic shielded for low radiation
- Ferrite bobbin core
- Low core loss for high frequency power applications
- Compact size
- Large terminal surface for good PCB bonding
- Easy access for reflow soldering inspection
- Operating temperature -30 to +100 °C
- Tape & reel packaged 1500/reel

Typical Applications

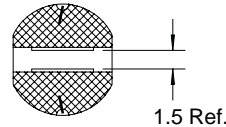
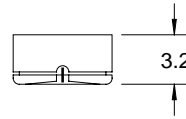
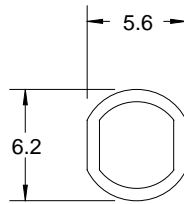
- Desktop, notebook computers, servers
- Network hubs, bridges, routers
- xDSL, PBX base stations
- PDAs, MP3 players
- Digital TVs, DVDs, cable modems, DSS set-top boxes
- Battery chargers
- High frequency wireless communication devices
- Electronic game devices
- Industrial electronics

Notes

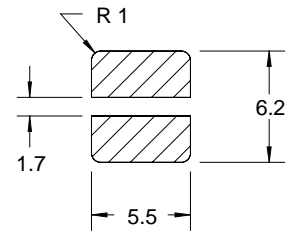
- * Current to cause 10 % of inductance drop, or 40 °C temperature rise

PM63SB Series					
Part Number	L (μH) ±20 %	Test Freq.	SRF (MHz) Typ.	DCR (Ω) Max.	I _{DC} * (A)
PM63SB-100M	10	2.52MHz	35	0.14	1.00
PM63SB-120M	12	2.52MHz	32	0.16	0.94
PM63SB-150M	15	2.52MHz	29	0.18	0.86
PM63SB-180M	18	2.52MHz	26	0.25	0.78
PM63SB-220M	22	2.52MHz	23	0.32	0.76
PM63SB-270M	27	2.52MHz	20	0.36	0.64
± 15 %					
PM63SB-330L	33	2.52MHz	18	0.41	0.61
PM63SB-390L	39	2.52MHz	17	0.47	0.53
PM63SB-470L	47	2.52MHz	15	0.51	0.50
PM63SB-560L	56	2.52MHz	14	0.72	0.46
PM63SB-680L	68	2.52MHz	12	0.82	0.42

For RoHS compliant version, add "-RC" to part number.



Dimensions: mm
Tolerance: +/- 0.3



Pad Layout

Shielded, SMT Power Inductors

Special Features

- High current capacity
- Magnetically shielded
- Low DCR
- Ferrite bobbin core
- Low profile, compact size
- High heat resistance, ideal for reflow soldering
- High reliability
- Test frequency 1 KHz
- Operating temperature -20 to +85 °C
- Tape & reel packaged 1000/reel

Typical Applications

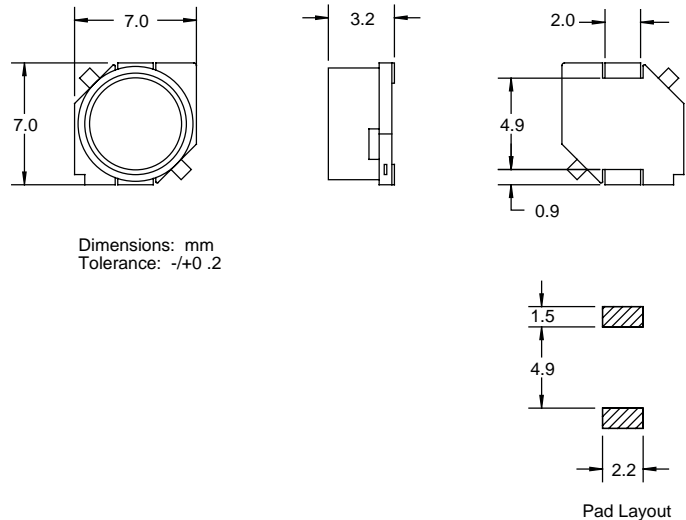
- High reliability, low magnetic coupling and densely packed board design
- Small cell phones
- PDAs
- Pagers
- Flash memory programmers
- Notebook computers
- Battery chargers
- DC/DC converters
- Network cards
- Switching boards
- Industrial electronics
- Entertainment electronic devices

Notes

- * Saturation current to cause 10 % inductance drop
- ** Rated current to cause 40 °C temperature rise
- *** Closest alternative - these models are available on requests as projects only. Please consult a Bourns application engineer for the solution that best suits your needs.

PM7032S Series						
Part Number	L (μH) ± 20 %	DCR (Ω)		I, sat.* (A)	I, rated ** (A)	Bourns Equivalent
			Max.			
PM7032S-3R3M	3.3	0.028		1.9	2.2	
PM7032S-4R7M	4.7	0.043		1.7	1.8	
PM7032S-6R8M	6.8	0.049		1.6	1.7	
PM7032S-100M	10	0.064		1.4	1.5	
PM7032S-150M	15	0.09		1.1	1.2	
PM7032S-220M	22	0.13		0.96	1.0	
PM7032S-330M	33	0.19		0.75	0.86	
PM7032S-470M	47	0.29		0.67	0.71	SRR7032***
PM7032S-680M	68	0.37		0.59	0.62	
PM7032S-101M	100	0.54		0.45	0.51	
PM7032S-151M	150	0.78		0.37	0.43	
PM7032S-221M	220	1.26		0.29	0.33	
PM7032S-331M	330	2.00		0.22	0.26	
PM7032S-471M	470	2.46		0.20	0.24	
PM7032S-681M	680	3.78		0.16	0.19	
PM7032S-102M	1000	5.74		0.13	0.13	

For RoHS compliant version, add "-RC" to part number.



Shielded, SMT High Current Power Inductors

Special Features

- Magnetically shielded for low radiation
- High saturation current
- Low DC resistance
- Low profile
- High temperature application environment
- Operating frequency up to 3 MHz
- Operating temperature: -40 to +150 °C
- Tape and reel packaging

Typical Applications

- Ideal for very high current DC/DC converter output inductors
- High-density, tight-board space designs
- High-speed notebook computers
- Video game machines
- Low-profile/high-current power supplies

Notes

* Rated DC current to cause 40 °C temperature rise

** Max. DC current to cause 100 °C temperature rise

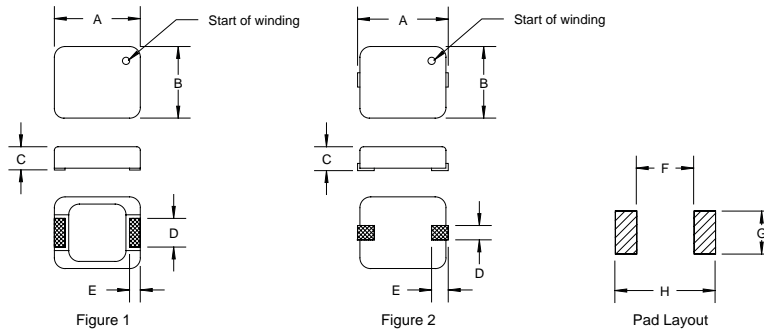
Test frequency: 100 KHz

PM7232S / PM1038S / PM12639S / PM12645S / PM12651S / PM13560S / PM13656S / PM13666S Series							
Part Number	L (μH) ±20 %	DCR (Ω) Max.	I _{rated} (A)*	L (μH) ±20 % @ I _{rated}	I _{max} (A)**	L (μH) ±20 % @ I _{max}	Bourns Equivalent
PM7232S-R10M	0.10	0.0011	22	0.09	32	0.08	SRP7030
PM7232S-R22M	0.22	0.0017	17	0.20	28	0.19	
PM7232S-R47M	0.47	0.0030	15	0.37	25	0.30	
PM7232S-R72M	0.72	0.0080	12.5	0.60	22	0.44	
PM7232S-1R0M	1.0	0.0084	10	0.85	15	0.72	
PM7232S-1R5M	1.5	0.0095	9.0	1.1	14	1.0	
PM1038S-R15M	0.15	0.00073	30	0.13	51	0.1	SRP1235
PM1038S-R39M	0.39	0.00145	24	0.33	40	0.28	
PM1038S-R50M	0.50	0.00148	23	0.41	37	0.34	
PM1038S-R75M	0.75	0.0035	20	0.63	25	0.58	
PM1038S-1R2M	1.2	0.0047	17	1.02	24.5	0.91	
PM1038S-1R7M	1.7	0.0079	15	1.42	22.5	1.17	
PM1038S-2R5M	2.5	0.0087	11.5	2.08	16.5	1.85	SRP1250
PM12639S-R67M	0.67	0.0014	23	0.54	35	0.5	
PM12639S-1R2M	1.2	0.0028	18.5	1.01	23.5	0.93	
PM12645S-1R2M	1.2	0.0018	21	1.0	35	0.81	
PM12645S-1R8M	1.8	0.0035	16	1.5	26	1.30	
PM12645S-2R7M	2.7	0.0044	15	2.14	24	1.81	
PM12651S-R50M	0.5	0.0011	24	0.42	32	0.37	SRP1250
PM12651S-4R7M	4.7	0.0072	12	3.64	17	3.3	
PM12651S-9R0M	9.0	0.0149	7.5	7.65	13	6.5	
PM13560S-6R0M	6.0	0.0107	9.5	5.0	16	4.2	
PM13560S-100M	10	0.0149	7.5	8.0	12	7.0	
PM13656S-R22M	0.22	0.00054	34	0.2	80	0.16	
PM13656S-R50M	0.5	0.00088	40	0.43	60	0.35	
PM13666S-1R0M	1.0	0.0012	25	0.8	38	0.7	

For RoHS compliant version, add "-RC" to part number.

Dimensions (mm), Tolerance: ±0.4 mm

Series Number	A	B	C	D	E	F (Ref)	G (Ref)	H (Ref)	Fig.	Reel Size
PM7232S	7.2	6.6	3.2	3.5	1.3	3.0	4.0	7.5	1	1500
PM1038S	10.5	10.0	3.8	2.0	2.4	4.5	5.0	11.5	2	800
PM12639S	12.6	12.6	3.9	5.8	2.4	6.0	6.5	13.0	1	800
PM12645S	12.6	12.6	4.5	5.8	2.4	6.0	6.5	13.0	1	800
PM12651S	12.6	12.6	5.1	5.8	2.4	6.0	6.5	13.0	1	800
PM13560S	13.0	12.6	5.6	5.8	2.4	6.4	6.5	13.4	1	500
PM13656S	13.6	12.6	5.6	2.4	3.5	5.3	5.0	14.7	2	500
PM13666S	13.6	12.6	6.6	2.4	3.5	5.3	5.0	14.7	2	500



BOURNS®

Tel. (877) 426-8767 • Fax (951) 781-5006

www.bourns.com

Shielded, SMT Power Inductors

Special Features

- Magnetic shielded for low radiation
- Ferrite bobbin core
- Low core loss for high frequency power applications
- Low profile, compact size
- Operating temperature -40 to +100 °C
- Tape & reel packaged 1000/reel

Typical Applications

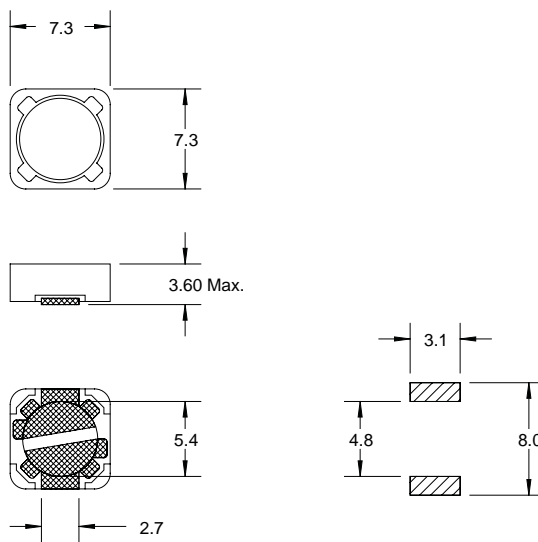
- Desktop, notebook computers, servers
- Network hubs, bridges, routers
- xDSL, PBX base stations
- GPS systems
- PDAs, MP3 players, digital cameras
- Digital TVs, DVDs, cable modems, DSS set-top boxes
- Battery chargers
- High frequency wireless communication devices
- Electronic game devices

Notes

- * Rated current to cause max. 20 % of inductance drop and 40 °C temperature rise.

PM73SH Series			
Part Number	L (μH) ±20 % @1 KHz	DCR (Ω) Max.	I* (A)
PM73SH-R56M	0.56	0.011	4.02
PM73SH-1R0M	1.0	0.012	3.90
PM73SH-1R5M	1.5	0.015	3.48
PM73SH-3R3M	3.3	0.029	2.49
PM73SH-4R7M	4.7	0.036	2.24
PM73SH-6R8M	6.8	0.050	1.89
PM73SH-100M	10	0.061	1.72
PM73SH-120M	12	0.083	1.48
PM73SH-150M	15	0.099	1.35
PM73SH-180M	18	0.11	1.26
PM73SH-220M	22	0.13	1.17
PM73SH-270M	27	0.19	0.98
PM73SH-330M	33	0.22	0.90
PM73SH-390M	39	0.24	0.87
PM73SH-470M	47	0.27	0.82
PM73SH-560M	56	0.37	0.70
PM73SH-680M	68	0.41	0.67
PM73SH-820M	82	0.53	0.59
PM73SH-101M	100	0.58	0.56
PM73SH-121M	120	0.65	0.53
PM73SH-151M	150	0.74	0.50
PM73SH-181M	180	1.25	0.38
PM73SH-221M	220	1.50	0.35
PM73SH-271M	270	1.81	0.32
PM73SH-331M	330	1.84	0.31
PM73SH-391M	390	2.58	0.26
PM73SH-471M	470	2.75	0.26
PM73SH-561M	560	2.92	0.25
PM73SH-681M	680	4.55	0.20
PM73SH-821M	820	5.34	0.18
PM73SH-102M	1000	7.80	0.15

For RoHS compliant version, add "-RC" to part number.



Dimensions: mm
Tolerance: -/+ 0.2

BOURNS®

Tel. (877) 426-8767 • Fax (951) 781-5006

www.bourns.com

Shielded, SMT Power Inductors

Special Features

- High current capacity
- Magnetic shielded for low radiation
- Ferrite bobbin core
- Low core loss for high frequency power applications
- Compact size
- Large terminal surface for good PCB bonding
- Easy access for reflow soldering inspection
- Operating temperature -30 to +100 °C
- Tape & reel packaged 1000/reel

Typical Applications

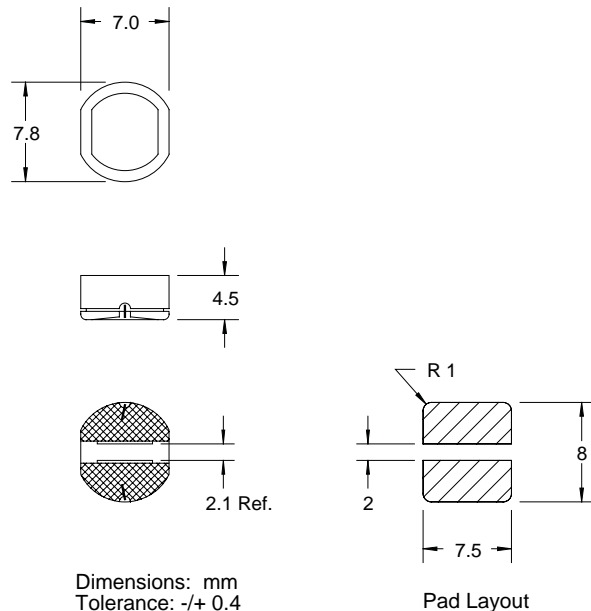
- Desktop, notebook computers, servers
- Network hubs, bridges, routers
- xDSL, PBX base stations
- PDAs, MP3 players
- Digital TVs, DVDs, cable modems, DSS set-top boxes
- Battery chargers
- High frequency wireless communication devices
- Electronic game devices
- Industrial electronics

Notes

- * Current to cause 10 % of inductance drop, or 40 °C temperature rise

PM745B Series					
Part Number	L (μH) ±20 %	Test Freq.	SRF (MHz) Typ.	DCR (Ω) Max.	I, DC* (A)
PM745B-100M	10	2.52MHz	26	0.07	1.65
PM745B-120M	12	2.52MHz	25	0.07	1.57
PM745B-150M	15	2.52MHz	20	0.08	1.39
PM745B-180M	18	2.52MHz	19	0.10	1.29
PM745B-220M	22	2.52MHz	18	0.13	1.12
PM745B-270M	27	2.52MHz	16	0.16	1.06
± 15 %					
PM745B-330L	33	2.52MHz	15	0.18	0.97
PM745B-390L	39	2.52MHz	14	0.18	0.91
PM745B-470L	47	2.52MHz	12	0.27	0.80
PM745B-560L	56	2.52MHz	11	0.29	0.76
PM745B-680L	68	2.52MHz	10	0.33	0.68
PM745B-820L	82	2.52MHz	9	0.43	0.62
± 10 %					
PM745B-101K	100	1 KHz	8	0.49	0.55
PM745B-121K	120	1 KHz	7	0.68	0.49
PM745B-151K	150	1 KHz	6	0.94	0.44
PM745B-181K	180	1 KHz	5	1.00	0.40
PM745B-221K	220	1 KHz	5	1.18	0.36
PM745B-271K	270	1 KHz	4	1.30	0.33

For RoHS compliant version, add "-RC" to part number.



Shielded, SMT Power Inductors

Special Features

- Magnetic shielded for low radiation
- Ferrite bobbin core
- Low core loss for high frequency power applications
- Low profile, compact size
- Operating temperature -40 to +100 °C
- Tape & reel packaged 1000/reel

Typical Applications

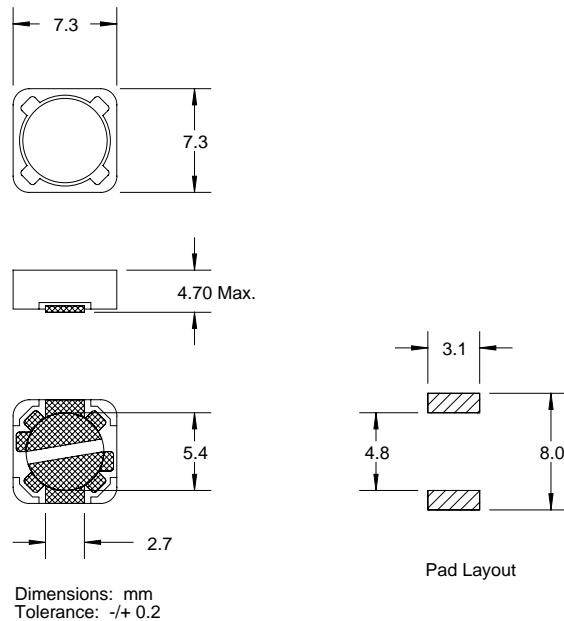
- Desktop, notebook computers, servers
- Network hubs, bridges, routers
- xDSL, PBX base stations
- GPS systems
- PDAs, MP3 players, digital cameras
- Digital TVs, DVDs, cable modems, DSS set-top boxes
- Battery chargers
- High frequency wireless communication devices
- Electronic game devices

Notes

- * Rated current to cause max. 20 % of inductance drop and 40 °C temperature rise

PM74SH Series				
Part Number	L (μH) ±20 % @ 1 KHz	DCR (Ω) Max.	I* (A)	Bourns Equivalent
PM74SH-2R7M	2.7	0.027	2.78	SRR7045
PM74SH-3R9M	3.9	0.028	2.71	
PM74SH-4R7M	4.7	0.030	2.64	
PM74SH-5R6M	5.6	0.036	2.38	
PM74SH-6R3M	6.3	0.038	2.33	
PM74SH-100M	10	0.045	2.14	
PM74SH-120M	12	0.060	1.86	
PM74SH-150M	15	0.075	1.66	
PM74SH-180M	18	0.089	1.52	
PM74SH-220M	22	0.11	1.40	
PM74SH-270M	27	0.14	1.23	
PM74SH-330M	33	0.14	1.22	
PM74SH-390M	39	0.17	1.11	
PM74SH-470M	47	0.18	1.08	
PM74SH-560M	56	0.24	0.93	
PM74SH-680M	68	0.27	0.87	
PM74SH-820M	82	0.32	0.81	
PM74SH-101M	100	0.43	0.69	
PM74SH-121M	120	0.47	0.66	
PM74SH-151M	150	0.54	0.62	
PM74SH-181M	180	0.69	0.54	
PM74SH-221M	220	0.96	0.46	
PM74SH-271M	270	1.08	0.44	
PM74SH-331M	330	1.32	0.39	
PM74SH-391M	390	1.63	0.36	
PM74SH-471M	470	1.85	0.33	
PM74SH-561M	560	2.17	0.31	
PM74SH-681M	680	2.90	0.27	
PM74SH-821M	820	3.55	0.24	
PM74SH-102M	1000	4.74	0.21	

For RoHS compliant version, add "-RC" to part number.



BOURNS®

Tel. (877) 426-8767 • Fax (951) 781-5006

www.bourns.com

SMT Common Mode Chokes

Special Features

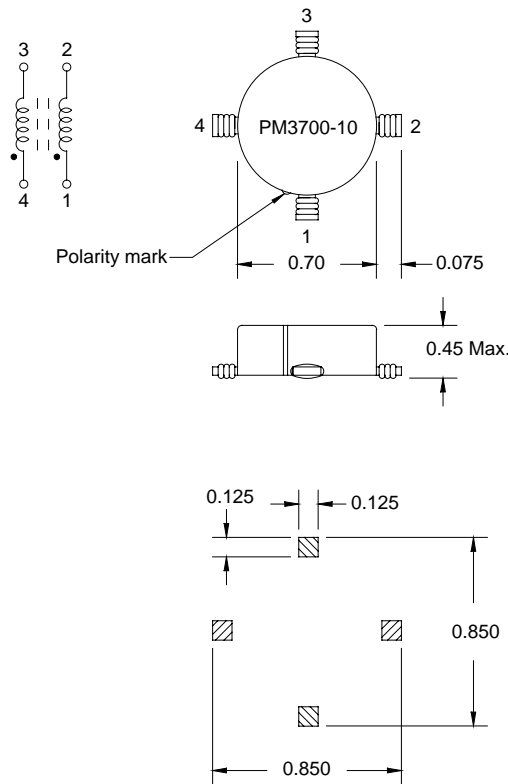
- Reduces conductive EMI emission
- Wide frequency range 10K to 100 MHz
- High current capacity
- Compact size
- Coil encapsulated in high-strength plastic case
- Suitable for wave & reflow solder
- Dielectric withstanding voltage 500 Vrms
- Operating temperature -55 to +105 °C
- Tape & reel packaged 200/reel

Notes

* Current to cause 35 °C max. temperature rise

PM3700 Series				
Part Number	L (mH)	DCR (Ω)	I* (A)	Typ. Freq. Range with 20dB Atten.
PM3700-10	0.2	0.008	7.0	5 - 55 MHz
PM3700-20	0.5	0.01	6.0	4 - 40 MHz
PM3700-30	0.75	0.012	5.5	1 - 20 MHz
PM3700-40	1.0	0.02	4.0	500 KHz - 40 MHz
PM3700-50	2.0	0.03	3.5	300 KHz - 20 MHz
PM3700-60	5.0	0.07	2.0	100 KHz - 10 MHz
PM3700-70	10	0.15	1.5	50 KHz - 5 MHz
PM3700-80	20	0.25	1.0	25 KHz - 4 MHz

For RoHS compliant version, add "-RC" to part number.



Dimensions: Inches

Pad Layout

BOURNS®

Tel. (877) 426-8767 • Fax (951) 781-5006

www.bourns.com



BOURNS®

Tel. (877) 426-8767 • Fax (951) 781-5006

www.bourns.com

Common Mode Chip Inductors

Special Features

- High common mode impedance
- Excellent noise suppression performance
- Small size, low profile
- Rated voltage: 50 VDC
- Withstanding voltage: 125 VDC
- Insulation resistance: 10M Ω min.
- Operating temperature: -55 to +125 °C

Typical Applications

- Common mode noise suppression for high speed signal lines
- USB 2.0 line for personal computers and peripheral devices
- IEEE 1394 line for PC, DVC and LVDS
- Panel link line for LCD

Notes

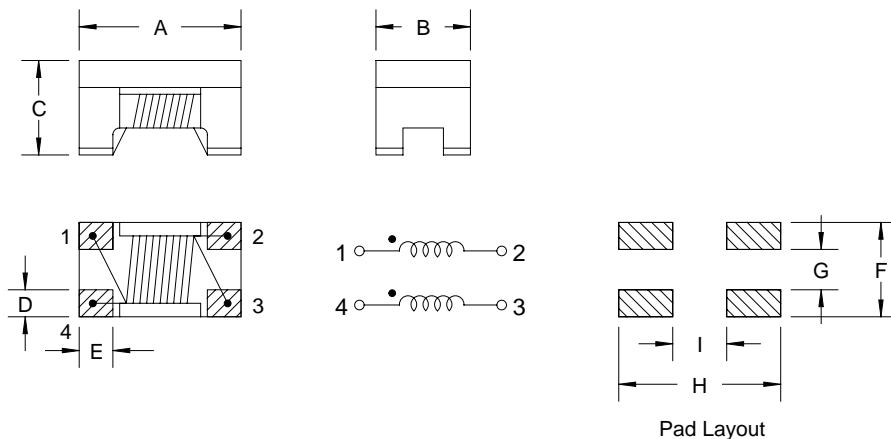
- * Rated I_{dc} causes a 30 °C temperature rise
- ** Closest alternative - these models are available on requests as projects only. Please consult a Bourns application engineer for the solution that best suits your needs.

PM0805CM/PM1206CM Series				
Part Number	Common mode Impedance (Ω) $\pm 25\%$ @ 100MHz	DCR (Ω) Max.	I_{dc}^* (mA)	Bourns Equivalent
PM0805CM-300-RC	30	0.20	400	SRF2012**
PM0805CM-670-RC	67	0.25	400	
PM0805CM-900-RC	90	0.30	400	
PM0805CM-121-RC	120	0.30	400	
PM0805CM-161-RC	160	0.35	350	
PM0805CM-181-RC	180	0.35	350	
PM0805CM-221-RC	220	0.40	300	
PM0805CM-261-RC	260	0.40	300	
PM0805CM-301-RC	300	0.45	300	
PM0805CM-361-RC	360	0.50	100	
PM0805CM-371-RC	370	0.50	100	SRF3216**
PM1206CM-900-RC	90	0.30	370	
PM1206CM-161-RC	160	0.40	340	
PM1206CM-221-RC	220	0.50	310	
PM1206CM-601-RC	600	0.80	260	
PM1206CM-102-RC	1000	1.00	230	
PM1206CM-222-RC	2200	1.20	200	

Only available as RoHS compliant.

Dimensions: mm, Tolerance: ± 0.2

Series Number	A	B	C	D	E	F	G	H	I	Reel Size
PM0805CM	2.0	1.2	1.2	0.4	0.45	1.25	0.45	2.6	1.1	2000
PM1206CM	3.2	1.6	2.0	0.6	0.6	1.6	0.4	3.7	1.9	2000



BOURNS®

Tel. (877) 426-8767 • Fax (951) 781-5006

www.bourns.com



BOURNS®

Tel. (877) 426-8767 • Fax (951) 781-5006

www.bourns.com

SMT Power Inductors & Transformers

Special Features

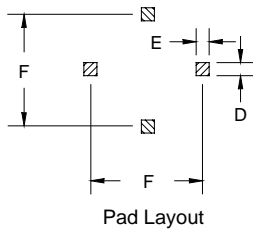
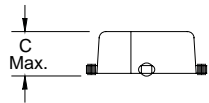
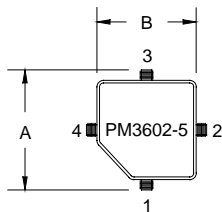
- Multiple applications: parallel, series, dualdiff. mode inductor & 1:1 ratio transformer
- Toroid core design for low radiation
- Low core loss
- High frequency response when used as transformer
- Coil encapsulated from harsh environments
- Dielectric strength 500 Vrms
- Operating temperature -55 to +125 °C
- Parallel & series connection are made externally
- Tape and reel packaged

Notes

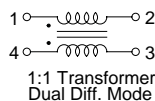
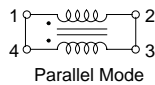
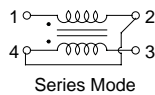
* Current to cause 35 °C max. temperature rise

PM3600 Series								
Part Number	Parallel				Series			
	L (μH) ±20 %	I* (A)	L (μH) ±20 % @rated I	DCR (Ω) Max.	L (μH) ±20 %	I* (A)	L (μH) ±20 % @rated I	DCR (Ω) Max.
PM3602-5-RC	5	2.41	3.8	0.023	20	1.20	15.2	0.092
PM3602-8-RC	8	1.90	6.1	0.037	32	0.95	23.2	0.15
PM3602-10-RC	10	1.83	7.4	0.040	40	0.92	29.6	0.16
PM3602-15-RC	15	1.45	11.1	0.063	60	0.73	44.4	0.25
PM3602-20-RC	20	1.25	15.2	0.086	80	0.63	60.8	0.34
PM3602-25-RC	25	1.17	18.5	0.098	100	0.59	74.0	0.39
PM3602-33-RC	33	0.98	24.8	0.14	132	0.49	99.2	0.56
PM3602-50-RC	50	0.78	37.5	0.22	200	0.38	150.0	0.88
PM3602-68	68	0.72	49.6	0.26	272	0.36	198.4	1.04
PM3602-100-RC	100	0.58	74.0	0.40	400	0.29	296	1.60
PM3602-150-RC	150	0.47	111	0.60	600	0.24	444	2.40
PM3602-200-RC	200	0.40	150	0.84	800	0.20	600	3.36
PM3602-250-RC	250	0.33	192.5	1.19	1000	0.17	770	4.76
PM3602-300-RC	300	0.32	225	1.31	1200	0.16	900	5.24
PM3604-5-RC	5	3.30	3.8	0.019	20	1.65	15.2	0.076
PM3604-8-RC	8	3.00	5.8	0.024	32	1.50	23.2	0.096
PM3604-10-RC	10	2.70	7.3	0.028	40	1.35	29.2	0.11
PM3604-15-RC	15	2.20	11.0	0.041	60	1.10	44.0	0.16
PM3604-20-RC	20	2.02	14.2	0.049	80	1.01	56.8	0.20
PM3604-25-RC	25	1.91	17.0	0.054	100	0.96	68.0	0.22
PM3604-33-RC	33	1.60	23.1	0.078	132	0.80	92.4	0.31
PM3604-50-RC	50	1.28	35.5	0.12	200	0.64	142	0.48
PM3604-68-RC	68	1.19	46.2	0.14	272	0.60	184.8	0.56
PM3604-100-RC	100	0.98	68.0	0.21	400	0.49	272	0.84
PM3604-150-RC	150	0.78	103.5	0.32	600	0.39	414	1.28
PM3604-200-RC	200	0.65	140	0.47	800	0.33	560	1.88
PM3604-250-RC	250	0.60	172.5	0.53	1000	0.30	690	2.12
PM3604-300-RC	300	0.52	213	0.73	1200	0.26	852	2.92

Only available as RoHS compliant.



Dimensions: Inches



Series Number	A	B	C	D	E	F	Reel Size
PM3602	0.452	0.354	0.225	0.10	0.10	0.385	700
PM3604	0.550	0.452	0.265	0.16	0.10	0.500	400

BOURNS®

Tel. (877) 426-8767 • Fax (951) 781-5006

www.bourns.com



BOURNS®

Tel. (877) 426-8767 • Fax (951) 781-5006

www.bourns.com

SMT Power Inductors

Special Features

- High current capacity
- Ferrite bobbin core
- Low core loss for high frequency power applications
- Compact size
- Large terminal surface for excellent PCB bonding
- Operating temperature -30 to +100 °C
- Tape & reel packaged 800/reel

Typical Applications

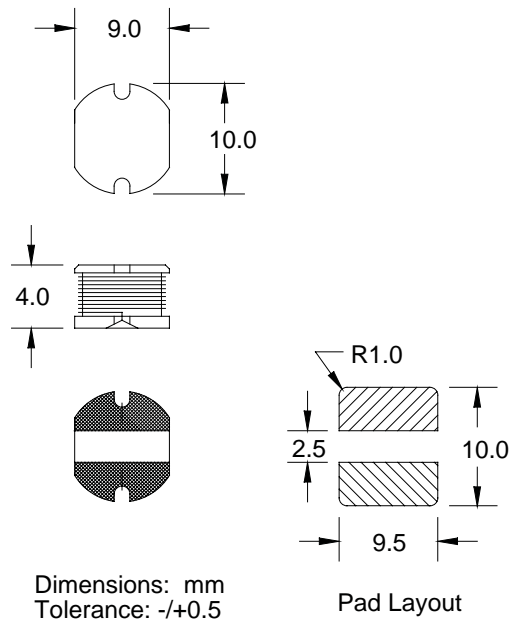
- Notebook computers
- Battery chargers
- DC/DC converters
- Network cards
- Switching boards
- Industrial electronics
- Entertainment electronics devices

Notes

- * Current to cause max. 10 % of inductance drop, or 40 °C temperature rise

PM104 Series				
Part Number	L (μH) ±20 %	Test Freq.	DCR (Ω) Max.	I, DC* (A)
PM104-100M	10	2.52MHz	0.053	2.38
PM104-120M	12	2.52MHz	0.061	2.13
PM104-150M	15	2.52MHz	0.070	1.87
PM104-180M	18	2.52MHz	0.081	1.73
PM104-220M	22	2.52MHz	0.088	1.60
PM104-270M	27	2.52MHz	0.100	1.44
PM104-330M	33	2.52MHz	0.120	1.26
PM104-390M	39	2.52MHz	0.151	1.20
±10 %				
PM104-470K	47	2.52MHz	0.170	1.10
PM104-560K	56	2.52MHz	0.199	1.01
PM104-680K	68	2.52MHz	0.223	0.91
PM104-820K	82	2.52MHz	0.252	0.85
PM104-101K	100	1 KHz	0.344	0.74
PM104-121K	120	1 KHz	0.396	0.69
PM104-151K	150	1 KHz	0.544	0.61
PM104-181K	180	1 KHz	0.621	0.56
PM104-221K	220	1 KHz	0.721	0.53
PM104-271K	270	1 KHz	0.949	0.45
PM104-331K	330	1 KHz	1.100	0.42
PM104-391K	390	1 KHz	1.245	0.38
PM104-471K	470	1 KHz	1.526	0.35
PM104-561K	560	1 KHz	1.904	0.32

For RoHS compliant version, add "-RC" to part number.



SMT Power Inductors

Special Features

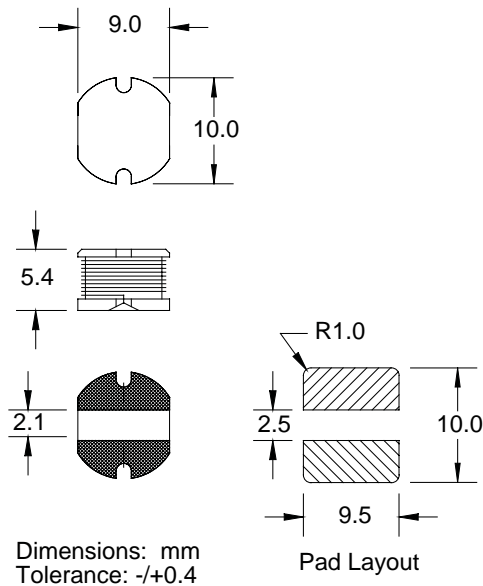
- High current capacity
- Ferrite bobbin core
- Low core loss for high frequency power applications
- Compact size
- Large terminal surface for good PCB bonding
- Operating temperature -30 to +100 °C
- Tape & reel packaged 500/reel

Notes

- * Current to cause max. 10 % of inductance drop, or 40 °C temperature rise

PM105 Series						
Part Number	L (μH) ±20 %	Test Freq.	SRF (MHz) Typ.	DCR Ω Max.	I, DC* (A)	Bourns Equivalent
PM105-100M	10	2.52 MHz	25	0.06	2.60	
PM105-120M	12	2.52 MHz	23	0.07	2.45	
PM105-150M	15	2.52 MHz	19	0.08	2.27	
PM105-180M	18	2.52 MHz	18	0.09	2.15	
PM105-220M	22	2.52 MHz	15	0.10	1.96	
PM105-270M	27	2.52 MHz	14	0.11	1.76	
PM105-330M	33	2.52 MHz	13	0.12	1.50	
PM105-390M	39	2.52 MHz	12	0.14	1.37	
±10 %						
PM105-470K	47	2.52 MHz	10	0.17	1.28	
PM105-560K	56	2.52 MHz	10	0.19	1.17	
PM105-680K	68	2.52 MHz	9	0.22	1.11	
PM105-820K	82	2.52 MHz	8	0.25	1.00	SDR1006
PM105-101K	100	1 KHz	7	0.35	0.97	
PM105-121K	120	1 KHz	6	0.40	0.89	
PM105-151K	150	1 KHz	5	0.47	0.78	
PM105-181K	180	1 KHz	5	0.63	0.72	
PM105-221K	220	1 KHz	5	0.73	0.66	
PM105-271K	270	1 KHz	4	0.97	0.57	
PM105-331K	330	1 KHz	4	1.15	0.52	
PM105-391K	390	1 KHz	3	1.30	0.48	
PM105-471K	470	1 KHz	3	1.48	0.42	
PM105-561K	560	1 KHz	3	1.90	0.33	
PM105-681K	680	1 KHz	2	2.25	0.28	
PM105-821K	820	1 KHz	2	2.55	0.24	

For RoHS compliant version, add "-RC" to part number.



BOURNS®

Tel. (877) 426-8767 • Fax (951) 781-5006

www.bourns.com

SMT Power Inductors

Special Features

- Molded construction for high reliability and superior environmental protection
- High resistance to solder heat, moisture
- High current capacity
- Low DCR
- Ferrite core
- Operating temperature -55 to +125 °C
- Test frequency 1 KHz
- Tape & reel packaged 800/reel

Typical Applications

- EMI filtering
- Laptop computers
- Battery chargers
- DC/DC converters
- Network cards
- Switching boards
- Industrial electronics
- Entertainment electronic devices

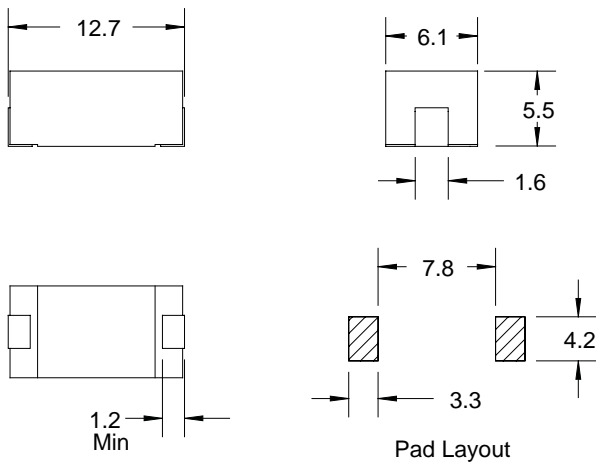
Notes

* Saturation current to cause approx. 5 % inductance drop

** Rated current to cause approx. 40 °C temperature rise

PM1355 Series				
Part Number	L (μH) ± 10 %	DCR (Ω) Max.	I sat.* (A)	I rated** (A)
PM1355-1R0K	1.0	0.015	7.4	5.10
PM1355-1R2K	1.2	0.017	6.4	4.80
PM1355-1R5K	1.5	0.020	6.0	4.42
PM1355-1R8K	1.8	0.023	5.6	4.12
PM1355-2R2K	2.2	0.029	5.2	3.67
PM1355-2R7K	2.7	0.030	4.6	3.61
PM1355-3R3K	3.3	0.035	4.0	3.34
PM1355-3R9K	3.9	0.038	3.8	3.20
PM1355-4R7K	4.7	0.043	3.6	3.00
PM1355-5R6K	5.6	0.046	3.2	2.91
PM1355-6R8K	6.8	0.053	2.8	2.71
PM1355-8R2K	8.2	0.058	2.7	2.59
PM1355-100K	10	0.071	2.4	2.34
PM1355-120K	12	0.079	2.2	2.22
PM1355-150K	15	0.089	2.0	2.09
PM1355-180K	18	0.109	1.8	1.89
PM1355-220K	22	0.150	1.6	1.61
PM1355-270K	27	0.170	1.5	1.51
PM1355-330K	33	0.222	1.4	1.33
PM1355-390K	39	0.250	1.2	1.25
PM1355-470K	47	0.330	1.1	1.09
PM1355-560K	56	0.370	1.0	1.03
PM1355-680K	68	0.418	0.96	0.996
PM1355-820K	82	0.468	0.90	0.913
PM1355-101K	100	0.620	0.80	0.793
PM1355-121K	120	0.684	0.70	0.755
PM1355-151K	150	0.900	0.62	0.658
PM1355-181K	180	1.04	0.56	0.612
PM1355-221K	220	1.16	0.52	0.580
PM1355-271K	270	1.63	0.45	0.489
PM1355-331K	330	1.82	0.41	0.463
PM1355-391K	390	2.05	0.39	0.436
PM1355-471K	470	2.7	0.36	0.380
PM1355-561K	560	2.8	0.33	0.373
PM1355-681K	680	4.1	0.29	0.308
PM1355-821K	820	4.7	0.26	0.288
PM1355-102K	1000	5.4	0.245	0.269
PM1355-122K	1200	8.3	0.22	0.218
PM1355-152K	1500	9.4	0.20	0.204
PM1355-182K	1800	11.0	0.19	0.188
PM1355-222K	2200	12.0	0.16	0.180
PM1355-272K	2700	16.0	0.15	0.156
PM1355-332K	3300	17.0	0.14	0.151
PM1355-392K	3900	21.0	0.13	0.136
PM1355-472K	4700	25.0	0.12	0.125
PM1355-562K	5600	30.0	0.11	0.114
PM1355-682K	6800	49.0	0.094	0.089
PM1355-822K	8200	55.0	0.088	0.084
PM1355-103K	10,000	62.0	0.080	0.079

For RoHS compliant version, add "-RC" to part number.



Dimensions: mm

BOURNS®

Tel. (877) 426-8767 • Fax (951) 781-5006

www.bourns.com

SMT Power Inductors

Special Features

- High energy storage capacity
- Low DCR
- Ferrite bobbin core
- Low profile, miniature size
- High heat resistance, ideal for reflow soldering
- High reliability
- Test frequency 100 KHz
- Operating temperature -40 to +85 °C
- Tape & reel packaged 750/reel

Typical Applications

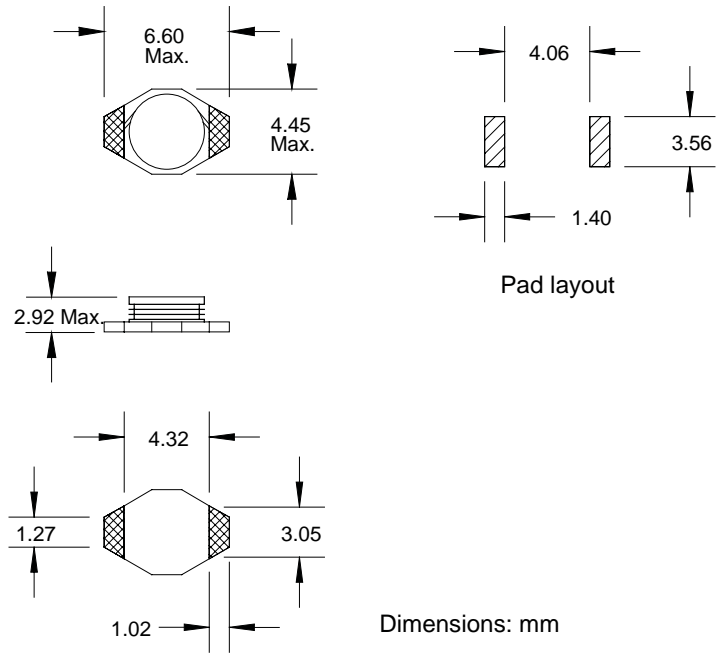
- Small cell phones
- PDAs
- Pagers
- Flash memory programmers
- Notebook computers
- Battery chargers
- DC/DC converters
- Network cards
- Switching boards
- Industrial electronics
- Entertainment electronic devices

Notes

- * Saturation current to cause 10 % inductance drop
- ** Rms current to cause 15 °C temperature rise
- *** Closest alternative - these models are available on requests as projects only. Please consult a Bourns application engineer for the solution that best suits your needs.

PM1608 Series						
Part Number	L (μH) ±20 %	DCR		I, sat* (A)	I, rms** (A)	Bourns Equivalent
		Ω	Max.			
PM1608-1R0M	1.0	0.05		2.90	2.90	
PM1608-1R5M	1.5	0.05		2.60	2.80	
PM1608-2R2M	2.2	0.07		2.30	2.40	
PM1608-3R3M	3.3	0.08		2.00	2.00	
PM1608-4R7M	4.7	0.09		1.50	1.50	
PM1608-6R8M	6.8	0.13		1.20	1.40	
PM1608-100M	10	0.16		1.10	1.10	
PM1608-150M	15	0.23		0.90	1.20	
PM1608-220M	22	0.37		0.70	0.80	
PM1608-330M	33	0.51		0.58	0.60	SDR6603***
PM1608-470M	47	0.64		0.50	0.50	
PM1608-680M	68	0.86		0.40	0.40	
PM1608-101M	100	1.27		0.31	0.30	
PM1608-151M	150	2.00		0.27	0.25	
PM1608-221M	220	2.65		0.22	0.20	
PM1608-331M	330	3.80		0.18	0.16	
PM1608-471M	470	5.06		0.16	0.15	
PM1608-681M	680	9.20		0.14	0.12	
PM1608-102M	1000	13.8		0.10	0.07	

For RoHS compliant version, add "-RC" to part number.



SMT Power Inductors

Special Features

- High current capacity
- Ferrite bobbin core
- Low core loss for high frequency power applications
- Compact size
- Large terminal surface for excellent PCB bonding
- Operating temperature -30 to +100 °C
- Tape & reel packaged 3000/reel

Typical Applications

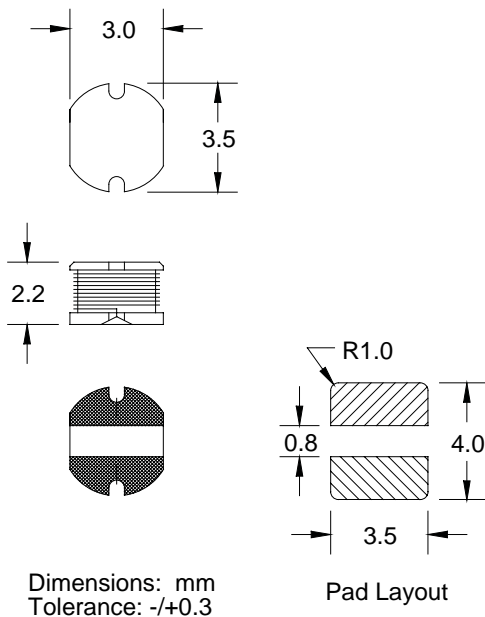
- Notebook computers
- Battery chargers
- DC/DC converters
- Network cards
- Switching boards
- Industrial electronics
- Entertainment electronics devices

Notes

- * Current to cause max. 10 % of inductance drop, or 40 °C temperature rise

PM32 Series					
Part Number	L (μH) ±20 %	Test Freq.	DCR (Ω) Max.	I, DC* (A)	Bourns Equivalent
PM32-1R0M	1.0	7.96MHz	0.040	1.50	
PM32-1R4M	1.4	7.96MHz	0.050	1.50	
PM32-1R8M	1.8	7.96MHz	0.060	0.80	
PM32-2R2M	2.2	7.96MHz	0.080	0.75	
PM32-2R7M	2.7	7.96MHz	0.10	0.75	
PM32-3R3M	3.3	7.96MHz	0.15	0.60	
PM32-3R9M	3.9	7.96MHz	0.20	0.50	
PM32-4R7M	4.7	7.96MHz	0.20	0.50	
PM32-5R6M	5.6	7.96MHz	0.23	0.45	
PM32-6R8M	6.8	7.96MHz	0.25	0.40	
PM32-8R2M	8.2	7.96MHz	0.30	0.40	
PM32-100M	10	2.52MHz	0.35	0.35	
PM32-120M	12	2.52MHz	0.40	0.35	
PM32-150M	15	2.52MHz	0.50	0.30	
PM32-180M	18	2.52MHz	0.55	0.30	
PM32-220M	22	2.52MHz	0.60	0.30	
PM32-270M	27	2.52MHz	0.70	0.30	SDR0302
PM32-330M	33	2.52MHz	1.00	0.25	
PM32-390M	39	2.52MHz	1.20	0.25	
PM32-470M	47	2.52MHz	1.50	0.20	
PM32-560M	56	2.52MHz	1.80	0.20	
PM32-680M	68	2.52MHz	2.00	0.18	
PM32-820M	82	2.52MHz	2.50	0.16	
PM32-101M	100	1 KHz	3.00	0.15	
PM32-121M	120	1 KHz	3.50	0.14	
PM32-151M	150	1 KHz	4.00	0.13	
PM32-181M	180	1 KHz	5.00	0.12	
PM32-221M	220	1 KHz	5.50	0.10	
PM32-271M	270	1 KHz	6.00	0.10	
PM32-331M	330	1 KHz	7.00	0.10	
PM32-391M	390	1 KHz	8.00	0.10	
PM32-471M	470	1 KHz	12.0	0.09	

For RoHS compliant version, add "-RC" to part number.



BOURNS®

Tel. (877) 426-8767 • Fax (951) 781-5006

www.bourns.com

SMT Power Inductors

Special Features

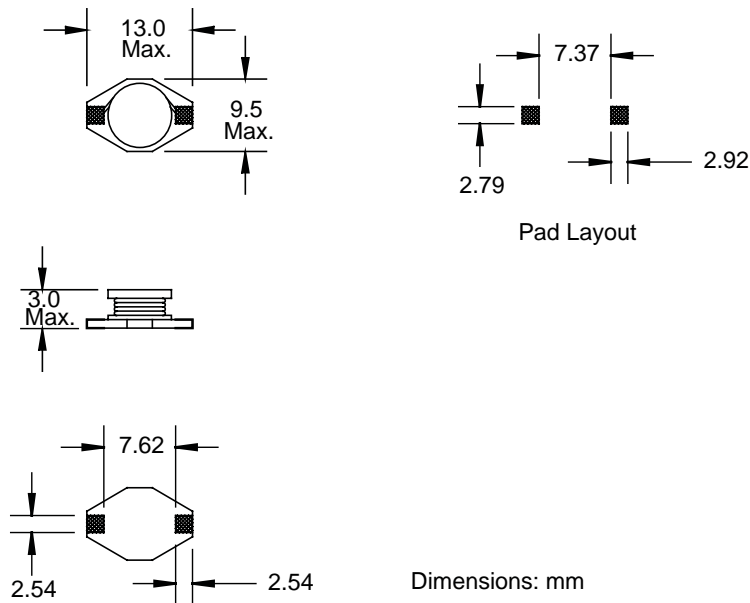
- High current capacity
- High reliability
- Low DCR
- Ferrite bobbin core
- Low profile, compact size
- High heat resistance, ideal for reflow soldering
- Test frequency 100 KHz
- Operating temperature -55 to +105 °C
- Tape & reel packaged 1000/reel

Notes

- * Saturation DC current to cause 10 % max. inductance drop
- ** Rms current to cause 30 °C max. temperature rise

PM3308 Series				
Part Number	L (μH) ±20 %	DCR (Ω) Max.	I, sat.* (A)	I, rms** (A)
PM3308-100M	10	0.11	2.4	2.0
PM3308-150M	15	0.15	2.0	1.5
PM3308-220M	22	0.23	1.6	1.3
PM3308-330M	33	0.30	1.4	1.1
PM3308-470M	47	0.39	1.0	0.8
PM3308-680M	68	0.66	0.9	0.7
PM3308-101M	100	0.84	0.7	0.6
PM3308-151M	150	1.2	0.6	0.5
PM3308-221M	220	1.9	0.5	0.4
PM3308-331M	330	2.7	0.4	0.3
PM3308-471M	470	4.0	0.3	0.2
PM3308-681M	680	5.3	0.2	0.1
PM3308-102M	1000	8.4	0.1	0.05

For RoHS compliant version, add "-RC" to part number.



SMT Power Inductors

Special Features

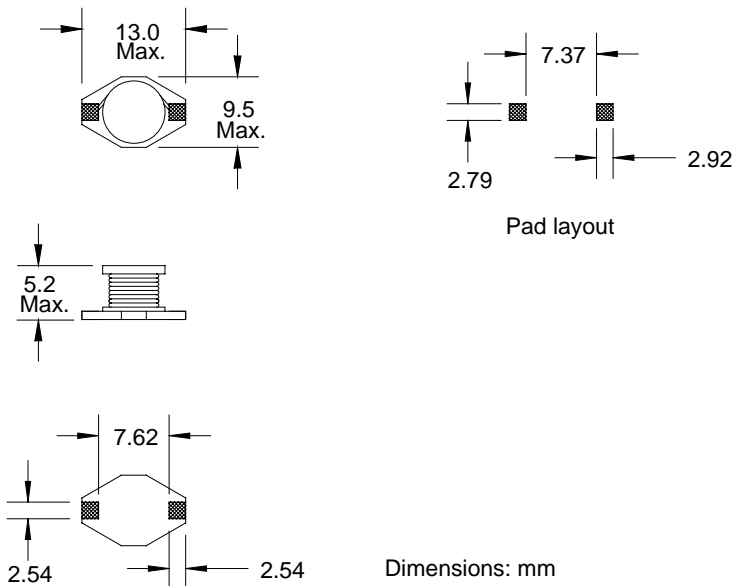
- High current capacity
- High reliability
- Low DCR
- Ferrite bobbin core
- Compact size
- High heat resistance, ideal for reflow soldering
- Test frequency 100 KHz
- Operating temperature -55 to +105 °C
- Tape & reel packaged 500/reel

Notes

- * Saturation DC current to cause 10 % max. inductance drop
- ** Rms current to cause 15 °C max. temperature rise

PM3316 Series						
Part Number	L (μH) ±20 %	DCR (Ω)		I, sat.* (A)	I, rms** (A)	Bourns Equivalent
			Max.			
PM3316-1R0M-RC	1.0	0.009		9.0	6.8	SDR1005
PM3316-1R5M-RC	1.5	0.010		8.0	6.4	
PM3316-2R2M-RC	2.2	0.012		7.0	6.1	
PM3316-3R3M-RC	3.3	0.015		6.4	5.4	
PM3316-4R7M-RC	4.7	0.018		5.4	4.8	
PM3316-6R8M-RC	6.8	0.027		4.6	4.4	
PM3316-100M-RC	10	0.038		3.8	3.9	
PM3316-150M-RC	15	0.046		3.0	3.1	
PM3316-220M-RC	22	0.085		2.6	2.7	
PM3316-330M-RC	33	0.10		2.0	2.1	
PM3316-470M-RC	47	0.14		1.6	1.8	
PM3316-680M-RC	68	0.20		1.4	1.5	
PM3316-101M-RC	100	0.28		1.2	1.3	
PM3316-151M-RC	150	0.40		1.0	1.0	
PM3316-221M-RC	220	0.61		0.8	0.8	
PM3316-331M-RC	330	1.02		0.6	0.6	
PM3316-471M-RC	470	1.27		0.5	0.5	
PM3316-681M-RC	680	2.02		0.4	0.4	
PM3316-102M-RC	1000	3.00		0.3	0.3	

Only available as RoHS compliant.



BOURNS®

Tel. (877) 426-8767 • Fax (951) 781-5006

www.bourns.com

SMT Power Inductors

Special Features

- Very high current capacity
- High reliability
- Low DCR
- Ferrite bobbin core
- Compact size
- Test frequency 100 KHz
- Operating temperature -40 to +85 °C
- Tape & reel packaged 500/reel

Typical Applications

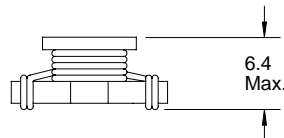
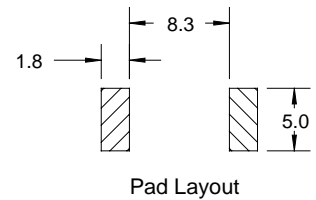
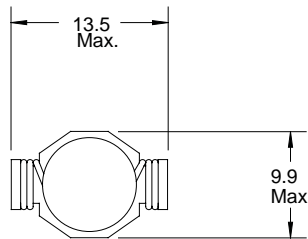
- High current, low voltage converters
- High-speed computers
- Video game machines
- Output chokes
- EMI filters

Notes

- * Saturation current to cause 10 % inductance drop
- ** Rms current to cause 40 °C temperature rise

PM3316H Series				
Part Number	L (μH)	DCR (Ω)	I _{sat} * (A)	I _{rms} ** (A)
	±20 %	Max.		
PM3316H-R33M	0.33	0.002	20	16
PM3316H-R68M	0.68	0.005	13	12
PM3316H-1R0M	1.0 0.	006	11	10
PM3316H-1R5M	1.5 0.	008	9	9
PM3316H-2R2M	2.2 0.	011	7.8	7.4
PM3316H-2R7M	2.7	0.012	7	6.6
PM3316H-3R3M	3.3	0.014	6.4	5.9
PM3316H-4R7M	4.7	0.018	5.4	4.8

For RoHS compliant version, add "-RC" to part number.



Dimensions: mm

SMT Power Inductors

Special Features

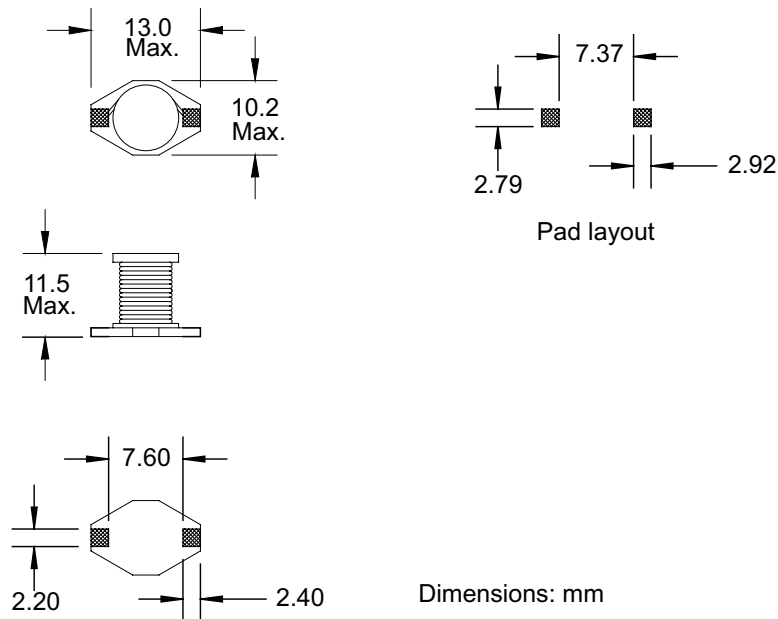
- High current capacity
- High reliability
- Low DCR
- Ferrite bobbin core
- High heat resistance, ideal for reflow soldering
- Test frequency 100 KHz
- Operating temperature -55 to +105 °C
- Tape & reel packaged 225/reel

Notes

- * Saturation DC current to cause 10 % max. inductance drop
- ** Rms current to cause 20 °C max. temperature rise

PM3340 Series				
Part Number	L (μH) ±20 %	DCR (Ω) Max.	I, sat.* (A)	I, rms** (A)
PM3340-100M	10	0.033	8.0	3.5
PM3340-150M	15	0.042	7.0	3.0
PM3340-220M	22	0.054	5.5	2.5
PM3340-330M	33	0.08	4.0	2.0
PM3340-470M	47	0.1	3.8	1.6
PM3340-680M	68	0.17	3.0	1.2
PM3340-101M	100	0.22	2.5	1.2
PM3340-151M	150	0.34	2.0	0.9
PM3340-221M	220	0.44	1.6	0.7
PM3340-331M	330	0.7	1.2	0.6
PM3340-471M	470	0.95	1.0	0.3
PM3340-681M	680	1.2	1.0	0.2
PM3340-102M	1000	2.0	0.8	0.1

For RoHS compliant version, add "-RC" to part number.



SMT Power Inductors

Special Features

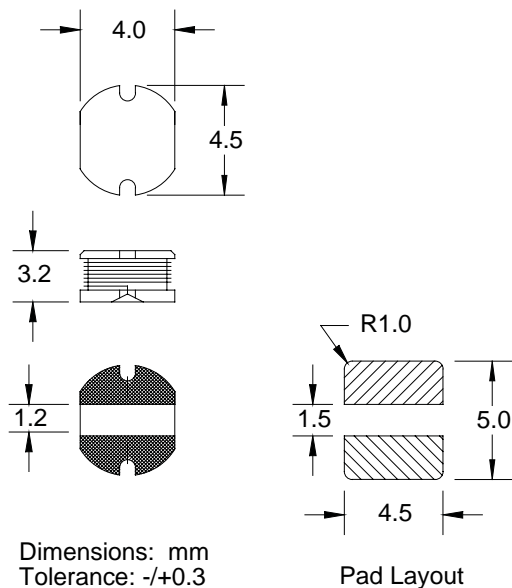
- High current capacity
- Ferrite bobbin core
- Low core loss for high frequency power applications
- Low profile
- Compact size
- Large terminal surface for good PCB bonding
- Operating temperature -40 to +100 °C
- Tape & reel packaged 1500/reel

Notes

- * Current to cause max. 10 % of inductance drop or 40 °C temperature rise

PM43 Series						
Part Number	L (μH) ±20 %	Test Freq. (MHz)	SRF (MHz) Typ.	DCR Ω Max.	I, DC* (A)	Bourns Equivalent
PM43-1R0M	1.0	7.96	113	0.049	2.56	
PM43-1R4M	1.4	7.96	101	0.057	2.52	
PM43-1R8M	1.8	7.96	92	0.064	1.95	
PM43-2R2M	2.2	7.96	76	0.072	1.75	
PM43-2R7M	2.7	7.96	66	0.079	1.58	
PM43-3R3M	3.3	7.96	63	0.087	1.44	
PM43-3R9M	3.9	7.96	53	0.094	1.33	
PM43-4R7M	4.7	7.96	49	0.109	1.15	
PM43-5R6M	5.6	7.96	43	0.126	0.99	
PM43-6R8M	6.8	7.96	41	0.132	0.95	
PM43-8R2M	8.2	7.96	35	0.147	0.84	
PM43-100M	10	2.52	35	0.182	1.04	SDR0403
PM43-120M	12	2.52	32	0.210	0.97	
PM43-150M	15	2.52	29	0.235	0.85	
PM43-180M	18	2.52	27	0.338	0.74	
PM43-220M	22	2.52	24	0.378	0.68	
PM43-270M	27	2.52	21	0.522	0.62	
	±10 %					
PM43-330K	33	2.52	19	0.540	0.56	
PM43-390K	39	2.52	18	0.587	0.52	
PM43-470K	47	2.52	15	0.844	0.44	
PM43-560K	56	2.52	14	0.937	0.42	
PM43-680K	68	2.52	13	1.117	0.37	

For RoHS compliant version, add "-RC" to part number.



BOURNS®

Tel. (877) 426-8767 • Fax (951) 781-5006

www.bourns.com

SMT Power Inductors

Special Features

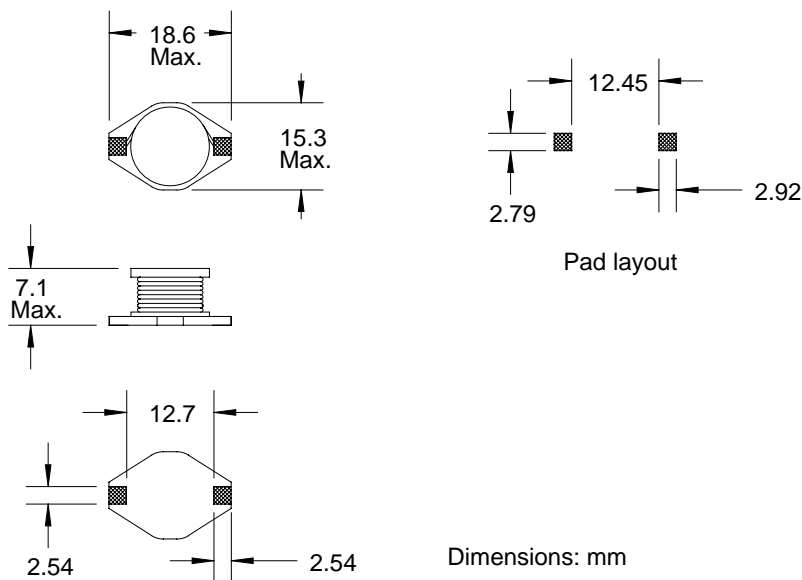
- Very high current capacity
- High reliability
- Low DCR
- Ferrite bobbin core
- Compact size
- High heat resistance, ideal for reflow soldering
- Test frequency 100 KHz
- Operating temperature -55 to +105 °C
- Tape & reel packaged 250/reel

Notes

- * Saturation DC current to cause 10 % max. inductance drop
- ** Rms current to cause 40 °C max. temperature rise

PM5022 Series						
Part Number	L (μH) ±20 %	DCR (Ω)		I, sat.* (A)	I, rms** (A)	Bourns Equivalent
			Max.			
PM5022-1R0M	1.0	0.011		20	8.6	SDR1806
PM5022-2R2M	2.2	0.014		16	7.1	
PM5022-3R3M	3.3	0.016		14	6.2	
PM5022-5R6M	5.6	0.022		12	5.3	
PM5022-100M	10	0.032		10	4.3	
PM5022-150M	15	0.036		8	4.0	
PM5022-220M	22	0.047		7	3.5	
PM5022-330M	33	0.066		5.5	3.0	
PM5022-470M	47	0.087		4.5	2.6	
PM5022-680M	68	0.13		3.5	2.3	
PM5022-101M	100	0.19		3.0	1.8	
PM5022-151M	150	0.25		2.6	1.5	
PM5022-221M	220	0.38		2.4	1.2	
PM5022-331M	330	0.56		1.9	1.0	
PM5022-471M	470	0.85		1.4	0.82	
PM5022-681M	680	1.2		1.2	0.72	
PM5022-102M	1000	1.8		1.0	0.56	

For RoHS compliant version, add "-RC" to part number.



BOURNS®

Tel. (877) 426-8767 • Fax (951) 781-5006

www.bourns.com

SMT Power Inductors

Special Features

- Very high current capacity
- High reliability
- Low DCR
- Ferrite bobbin core
- Compact size
- Test frequency 100 KHz
- Operating temperature -40 to +85 °C
- Saturation current to cause 10 % inductance drop
- Rms current to cause 40 °C temperature rise
- Tape & reel packaged 250/reel

Typical Applications

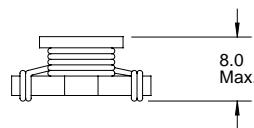
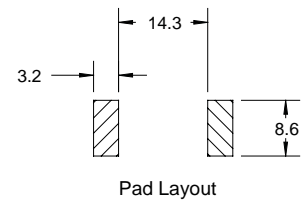
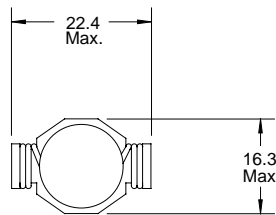
- High current, low voltage converters
- High-speed computers
- Video game machines
- Output chokes
- EMI filters

Notes

- * Saturation current to cause 10 % inductance drop
- ** Rms current to cause 40 °C temperature rise

PM5022H Series					
Part Number	L (μH) ±20 %	DCR	I, sat.* (A)	I, rms** (A)	Bourns Equivalent
		(Ω) Max.			
PM5022H-R78M	0.78	0.0026	30	15	SDR2207
PM5022H-1R5M	1.5	0.0040	25	15	
PM5022H-2R2M	2.2	0.0061	20	12	
PM5022H-3R3M	3.3	0.0086	17	10	
PM5022H-3R9M	3.9	0.010	15	9	
PM5022H-4R7M	4.7	0.014	13	8.4	
PM5022H-6R0M	6.0	0.017	12	7.5	
PM5022H-7R8M	7.8	0.018	11	7.5	
PM5022H-100M	10	0.026	10	6	
PM5022H-150M	15	0.032	8	4.4	

For RoHS compliant version, add "-RC" to part number.



Dimensions: mm

SMT Power Inductors

Special Features

- High current capacity
- Ferrite bobbin core
- Low core loss for high frequency power applications
- Compact size
- Large terminal surface for excellent PCB bonding
- Operating temperature -30 to +100 °C
- Tape & reel packaged 2000/reel

Typical Applications

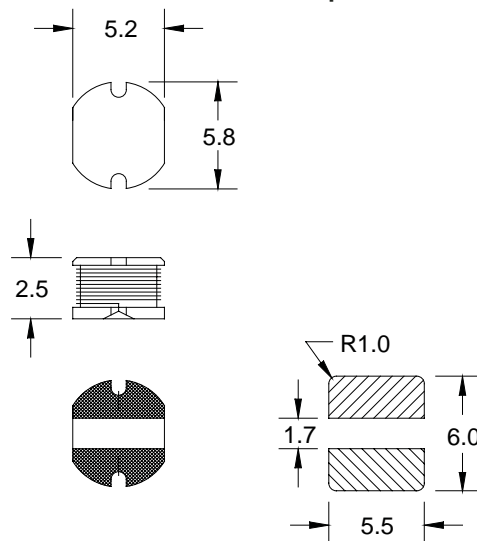
- Notebook computers
- Battery chargers
- DC/DC converters
- Network cards
- Switching boards
- Industrial electronics
- Entertainment electronics devices

Notes

- * Current to cause max. 10 % of inductance drop, or 40 °C temperature rise
- ** Closest alternative - these models are available on requests as projects only. Please consult a Bourns application engineer for the solution that best suits your needs.

PM52 Series					
Part Number	L (μH) ±20 %	Test Freq.	DCR (Ω) Max.	I, DC* (A)	Bourns Equivalent
PM52-1R0M	1.0	7.96MHz	0.030	1.50	
PM52-1R4M	1.4	7.96MHz	0.040	1.50	
PM52-1R8M	1.8	7.96MHz	0.050	1.50	
PM52-2R2M	2.2	7.96MHz	0.060	1.50	
PM52-2R7M	2.7	7.96MHz	0.070	1.50	
PM52-3R3M	3.3	7.96MHz	0.080	1.50	
PM52-3R9M	3.9	7.96MHz	0.090	1.00	
PM52-4R7M	4.7	7.96MHz	0.10	1.00	
PM52-5R6M	5.6	7.96MHz	0.11	1.00	
PM52-6R8M	6.8	7.96MHz	0.14	0.70	
PM52-8R2M	8.2	7.96MHz	0.15	0.65	
PM52-100M	10	2.52MHz	0.30	0.60	
PM52-120M	12	2.52MHz	0.35	0.60	
PM52-150M	15	2.52MHz	0.40	0.55	
PM52-180M	18	2.52MHz	0.45	0.50	
PM52-220M	22	2.52MHz	0.50	0.50	
PM52-270M	27	2.52MHz	0.55	0.45	SDR0603**
PM52-330M	33	2.52MHz	0.60	0.40	
PM52-390M	39	2.52MHz	0.70	0.35	
PM52-470M	47	2.52MHz	0.80	0.30	
PM52-560M	56	2.52MHz	0.90	0.25	
PM52-680M	68	2.52MHz	1.20	0.25	
PM52-820M	82	2.52MHz	1.50	0.22	
PM52-101M	100	1 KHz	2.00	0.21	
PM52-121M	120	1 KHz	3.00	0.20	
PM52-151M	150	1 KHz	4.00	0.18	
PM52-181M	180	1 KHz	4.00	0.15	
PM52-221M	220	1 KHz	4.50	0.15	
PM52-271M	270	1 KHz	5.00	0.15	
PM52-331M	330	1 KHz	6.00	0.14	
PM52-391M	390	1 KHz	6.50	0.14	
PM52-471M	470	1 KHz	7.00	0.12	
PM52-561M	560	1 KHz	8.00	0.12	

For RoHS compliant version, add "-RC" to part number.



Dimensions: mm
Tolerance: +/-0.35

Pad Layout

BOURNS®

Tel. (877) 426-8767 • Fax (951) 781-5006

www.bourns.com

SMT Power Inductors

Special Features

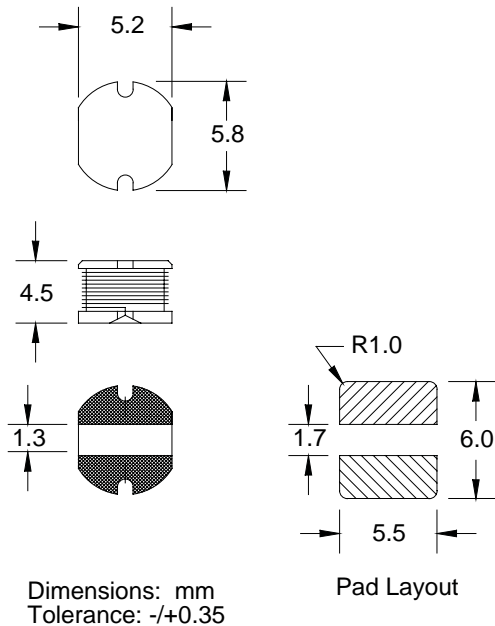
- High current capacity
- Ferrite bobbin core
- Low core loss for high frequency power application
- Compact size
- Large terminal surface for good PCB bonding
- Operating temperature -30 to +100 °C
- Tape & reel packaged 1500/reel

Notes

- * Current to cause max. 10 % of inductance drop, or 40 °C temperature rise

PM54 Series							
Part Number	L (μH) ±20 %	Test Freq.	SRF (MHz) Typ.	DCR Ω Max.	I, DC* (A)	Bourns Equivalent	
PM54-100M	10	2.52 MHz	30	0.10	1.44	SDR0604	
PM54-120M	12	2.52 MHz	27	0.12	1.40		
PM54-150M	15	2.52 MHz	25	0.14	1.30		
PM54-180M	18	2.52 MHz	23	0.15	1.23		
PM54-220M	22	2.52 MHz	19	0.18	1.11		
PM54-270M	27	2.52 MHz	17	0.20	0.97		
±15 %							
PM54-330L	33	2.52 MHz	16	0.23	0.88		
PM54-390L	39	2.52 MHz	15	0.32	0.80		
PM54-470L	47	2.52 MHz	13	0.37	0.72		
±10 %							
PM54-560K	56	2.52 MHz	12	0.42	0.68		
PM54-680K	68	2.52 MHz	11	0.46	0.61		
PM54-820K	82	2.52 MHz	10	0.60	0.58		
PM54-101K	100	1 KHz	9	0.70	0.52		
PM54-121K	120	1 KHz	8	0.93	0.48		
PM54-151K	150	1 KHz	8	1.10	0.40		
PM54-181K	180	1 KHz	6	1.38	0.38		
PM54-221K	220	1 KHz	5	1.57	0.35		

For RoHS compliant version, add "-RC" to part number.



BOURNS®

Tel. (877) 426-8767 • Fax (951) 781-5006

www.bourns.com

SMT Power Inductors

Special Features

- High current capacity
- Ferrite bobbin core
- Low core loss for high frequency power applications
- Compact size
- Large terminal surface for excellent PCB bonding
- Operating temperature -30 to +100 °C
- Tape & reel packaged 1000/reel

Typical Applications

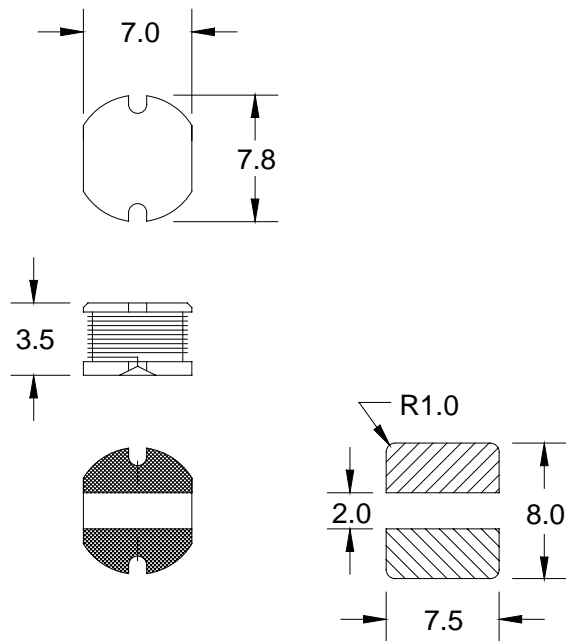
- Notebook computers
- Battery chargers
- DC/DC converters
- Network cards
- Switching boards
- Industrial electronics
- Entertainment electronics devices

Notes

- * Current to cause max. 10 % of inductance drop, or 40 °C temperature rise

PM73 Series				
Part Number	L (μH) ±20 %	Test Freq.	DCR (Ω) Max.	I, DC* (A)
PM73-100M	10	2.52MHz	0.081	1.44
PM73-120M	12	2.52MHz	0.090	1.39
PM73-150M	15	2.52MHz	0.104	1.24
PM73-180M	18	2.52MHz	0.111	1.12
PM73-220M	22	2.52MHz	0.129	1.07
PM73-270M	27	2.52MHz	0.153	0.94
PM73-330M	33	2.52MHz	0.170	0.85
PM73-390M	39	2.52MHz	0.217	0.74
PM73-470M	47	2.52MHz	0.252	0.68
	±10 %			
PM73-560K	56	2.52MHz	0.282	0.64
PM73-680K	68	2.52MHz	0.332	0.59
PM73-820K	82	2.52MHz	0.406	0.54
PM73-101K	100	1 KHz	0.481	0.51
PM73-121K	120	1 KHz	0.536	0.49
PM73-151K	150	1 KHz	0.755	0.40
PM73-181K	180	1 KHz	1.02	0.36
PM73-221K	220	1 KHz	1.20	0.31
PM73-271K	270	1 KHz	1.31	0.29
PM73-331K	330	1 KHz	1.50	0.28

For RoHS compliant version, add "RC" to part number.



Dimensions: mm
Tolerance: -/+0.5

Pad Layout

BOURNS®

Tel. (877) 426-8767 • Fax (951) 781-5006

www.bourns.com

SMT Power Inductors

Special Features

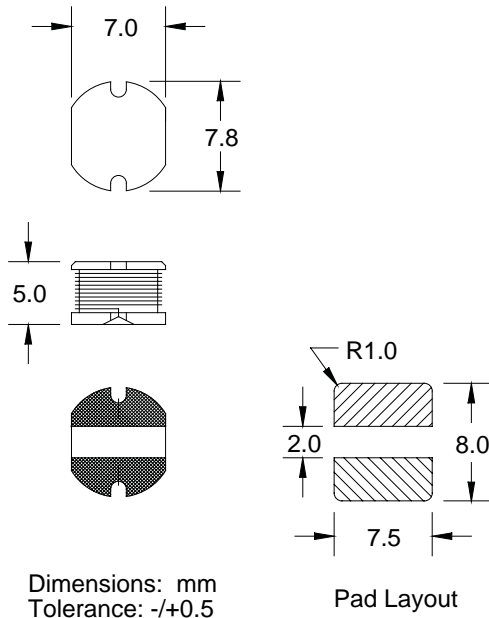
- High current capacity
- Ferrite bobbin core
- Low core loss for high frequency power applications
- Compact size
- Large terminal surface for good PCB bonding
- Operating temperature -30 to +100 °C
- Tape & reel packaged 500/reel

Notes

- * Current to cause max. 10 % of inductance drop, or 40 °C temperature rise

PM75 Series						
Part Number	L (μH) ±10 %	Test Freq.	SRF (MHz) Typ.	DCR Ω Max.	I, DC* (A)	Bourns Equivalent
PM75-100K	10	2.52 MHz	28	0.07	2.30	
PM75-120K	12	2.52 MHz	23	0.08	2.00	
PM75-150K	15	2.52 MHz	22	0.09	1.80	
PM75-180K	18	2.52 MHz	20	0.10	1.60	
PM75-220K	22	2.52 MHz	17	0.11	1.50	
PM75-270K	27	2.52 MHz	15	0.12	1.30	
PM75-330K	33	2.52 MHz	15	0.13	1.20	
PM75-390K	39	2.52 MHz	14	0.16	1.10	
PM75-470K	47	2.52 MHz	13	0.18	1.10	
PM75-560K	56	2.52 MHz	11	0.24	0.94	
PM75-680K	68	2.52 MHz	11	0.28	0.85	SDR0805
PM75-820K	82	2.52 MHz	10	0.37	0.78	
PM75-101K	100	1 KHz	9	0.43	0.72	
PM75-121K	120	1 KHz	7	0.47	0.66	
PM75-151K	150	1 KHz	6	0.64	0.58	
PM75-181K	180	1 KHz	5	0.71	0.51	
PM75-221K	220	1 KHz	5	0.96	0.49	
PM75-271K	270	1 KHz	4	1.11	0.42	
PM75-331K	330	1 KHz	4	1.26	0.40	
PM75-391K	390	1 KHz	4	1.77	0.36	
PM75-471K	470	1 KHz	3	1.96	0.34	

For RoHS compliant version, add "-RC" to part number.



BOURNS®

Tel. (877) 426-8767 • Fax (951) 781-5006

www.bourns.com

SMT Power Inductors

Special Features

- Low DCR
- Ferrite toroid core for low radiation
- Low loss
- High operating frequency
- Ultra-low profile and compact size
- Test frequency 100 KHz
- Operating temperature: -40 to +125 °C
- IC style tube packaged 66/tube

Typical Applications

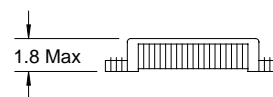
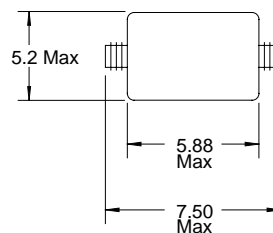
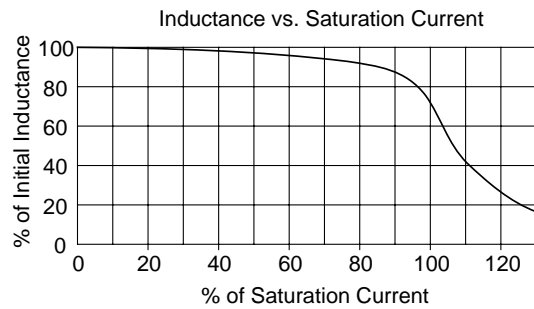
- Small cellular phones
- PDAs
- Pagers
- Hand-held organizers
- GPS
- High frequency wireless communication devices
- Laptop computers
- Network cards
- Cable modems
- Entertainment electronic devices

Notes

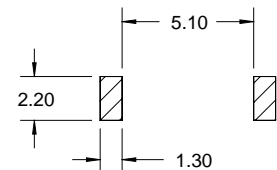
- * Saturation current to cause approx. 30 % inductance drop
- ** Rms current to cause approx. 40 °C temperature rise

PM7518 Series				
Part Number	L (μH) ±20 %	DCR (Ω) Max.	I, sat.* (A)	I, rms** (A)
PM7518-1R0M	1.0	0.103	2.1	1.67
PM7518-2R2M	2.2	0.130	1.4	1.39
PM7518-4R7M	4.7	0.180	1.0	1.18
PM7518-100M	10	0.240	0.68	0.98
PM7518-150M	15	0.300	0.54	0.88
PM7518-220M	22	0.360	0.45	0.80
PM7518-330M	33	0.556	0.37	0.64
PM7518-470M	47	0.833	0.31	0.52

For RoHS compliant version, add "-RC" to part number.



Dimensions: mm



Pad Layout

BOURNS®

Tel. (877) 426-8767 • Fax (951) 781-5006

www.bourns.com



BOURNS®

Tel. (877) 426-8767 • Fax (951) 781-5006

www.bourns.com

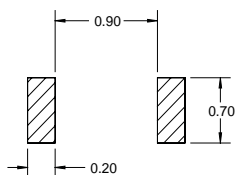
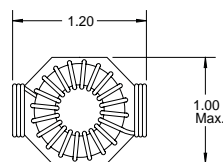
SMT High Current Toroid Inductors

Special Features

- DC/DC converter, EMI filter applications
- Low radiation
- Low core loss
- High current capacity
- Ideal for reflow soldering
- Low cost
- Operating temperature -55 to +105 °C

Notes

* Current to cause 30 °C max. temperature rise



Pad Layout



Dimensions: Inches

PM2110 Series					
Part Number	L (μH) @ 1 KHz ±20 %	Idc* (A)	L (μH) @ Rated I ±20 %	DCR (Ω) Max.	Dim. A Max.
PM2110-1R0M	1.0	22.7	0.8	0.002	0.57
PM2110-1R2M	1.2	20.3	1.0	0.002	0.57
PM2110-1R5M	1.5	20.3	1.2	0.002	0.57
PM2110-1R8M	1.8	18.5	1.4	0.003	0.57
PM2110-2R2M	2.2	17.2	1.7	0.003	0.57
PM2110-2R7M	2.7	16.0	2.0	0.004	0.57
PM2110-3R3M	3.3	16.0	2.5	0.004	0.57
PM2110-3R9M	3.9	15.1	2.8	0.004	0.57
PM2110-4R7M	4.7	14.4	3.4	0.004	0.57
PM2110-5R6M	5.6	13.7	3.9	0.005	0.57
PM2110-6R8M	6.8	13.1	4.6	0.005	0.57
PM2110-8R2M	8.2	12.6	5.5	0.006	0.57
	±10 %		±10 %		
PM2110-100K	10	11.7	6.5	0.007	0.57
PM2110-120K	12	11.3	7.6	0.007	0.57
PM2110-150K	15	10.7	9.2	0.008	0.57
PM2110-180K	18	10.2	10.7	0.009	0.57
PM2110-220K	22	9.7	12.7	0.010	0.57
PM2110-270K	27	8.2	16.0	0.014	0.54
PM2110-330K	33	7.0	20.1	0.019	0.52
PM2110-390K	39	6.8	23.2	0.020	0.62
PM2110-470K	47	6.5	27.2	0.022	0.62
PM2110-560K	56	6.2	31.6	0.024	0.62
PM2110-680K	68	5.9	37.1	0.027	0.62
PM2110-820K	82	5.6	43.4	0.029	0.62
PM2110-101K	100	5.4	51.4	0.032	0.62
PM2110-121K	120	5.1	59.6	0.035	0.62
PM2110-151K	150	4.3	77.3	0.049	0.59
PM2110-181K	180	3.7	96.3	0.066	0.53
PM2110-221K	220	3.5	113.8	0.074	0.60
PM2110-271K	270	3.4	134.9	0.082	0.60
PM2110-331K	330	3.2	159.5	0.090	0.60
PM2110-391K	390	3.1	182.9	0.098	0.60
PM2110-471K	470	2.6	230.4	0.133	0.57
PM2110-561K	560	2.5	266.0	0.146	0.57
PM2110-681K	680	2.1	337.1	0.202	0.54
PM2110-821K	820	2.0	394.1	0.221	0.60
PM2110-102K	1000	1.9	463.7	0.244	0.60

For RoHS compliant version, add "-RC" to part number.

BOURNS®

Tel. (877) 426-8767 • Fax (951) 781-5006

www.bourns.com

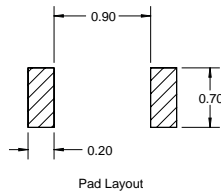
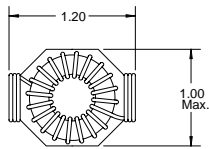
SMT High Current Toroid Inductors

Special Features

- DC/DC converter, EMI filter applications
- Low radiation
- Low core loss
- High current capacity
- Ideal for reflow soldering
- Low cost
- Operating temperature -55 to +105 °C

Notes

* Current to cause 30 °C max. temperature rise



Dimensions: Inches

PM2120 Series					
Part Number	L (μH) @ 1 KHz ±20 %	Idc* (A)	L (μH) @ Rated I ±20 %	DCR (Ω) Max.	Dim. A Max.
PM2120-1R0M	1.0	25.4	0.9	0.002	0.82
PM2120-1R2M	1.2	25.4	1.1	0.002	0.82
PM2120-1R5M	1.5	22.0	1.3	0.003	0.82
PM2120-1R8M	1.8	22.0	1.5	0.003	0.82
PM2120-2R2M	2.2	19.7	1.8	0.003	0.82
PM2120-2R7M	2.7	19.7	2.2	0.003	0.82
PM2120-3R3M	3.3	18.0	2.6	0.004	0.82
PM2120-3R9M	3.9	18.0	3.1	0.004	0.82
PM2120-4R7M	4.7	16.6	3.7	0.005	0.82
PM2120-5R6M	5.6	15.6	4.2	0.005	0.82
PM2120-6R8M	6.8	14.7	5.0	0.006	0.82
PM2120-8R2M	8.2	14.7	6.1	0.006	0.82
	±10 %		±10 %		
PM2120-100K	10	13.9	7.2	0.007	0.82
PM2120-120K	12	12.7	8.3	0.008	0.82
PM2120-150K	15	12.2	10.2	0.009	0.82
PM2120-180K	18	11.8	12.0	0.009	0.82
PM2120-220K	22	11.0	14.2	0.011	0.82
PM2120-270K	27	10.4	16.9	0.012	0.82
PM2120-330K	33	10.1	20.3	0.013	0.82
PM2120-390K	39	9.6	23.3	0.014	0.82
PM2120-470K	47	8.2	29.2	0.019	0.79
PM2120-560K	56	7.9	33.9	0.021	0.79
PM2120-680K	68	6.7	42.2	0.029	0.77
PM2120-820K	82	6.4	49.5	0.032	0.87
PM2120-101K	100	6.1	58.7	0.035	0.87
PM2120-121K	120	5.8	68.1	0.039	0.87
PM2120-151K	150	5.5	82.5	0.043	0.87
PM2120-181K	180	5.3	96.2	0.047	0.83
PM2120-221K	220	5.0	113.7	0.052	0.83
PM2120-271K	270	4.2	144.5	0.072	0.80
PM2120-331K	330	3.6	183.4	0.100	0.78
PM2120-391K	390	3.5	211.6	0.108	0.78
PM2120-471K	470	3.3	247.1	0.119	0.85
PM2120-561K	560	3.2	285.8	0.130	0.85
PM2120-681K	680	3.0	336.3	0.142	0.85
PM2120-821K	820	2.9	392.5	0.157	0.85
PM2120-102K	1000	2.5	499.7	0.215	0.82

For RoHS compliant version, add "-RC" to part number.

BOURNS®

Tel. (877) 426-8767 • Fax (951) 781-5006

www.bourns.com

SMT, CCFL Inverter Transformers

Special Features

- Power rating: 6 watts
- Operating frequency: 60 KHz \pm 25 %
- Operating ambient temperature: 0 to +75 °C
- Storage temperature: -40 to +105 °C
- Dielectric withstanding voltage: 1500 Vrms
- Packaged: Bulk

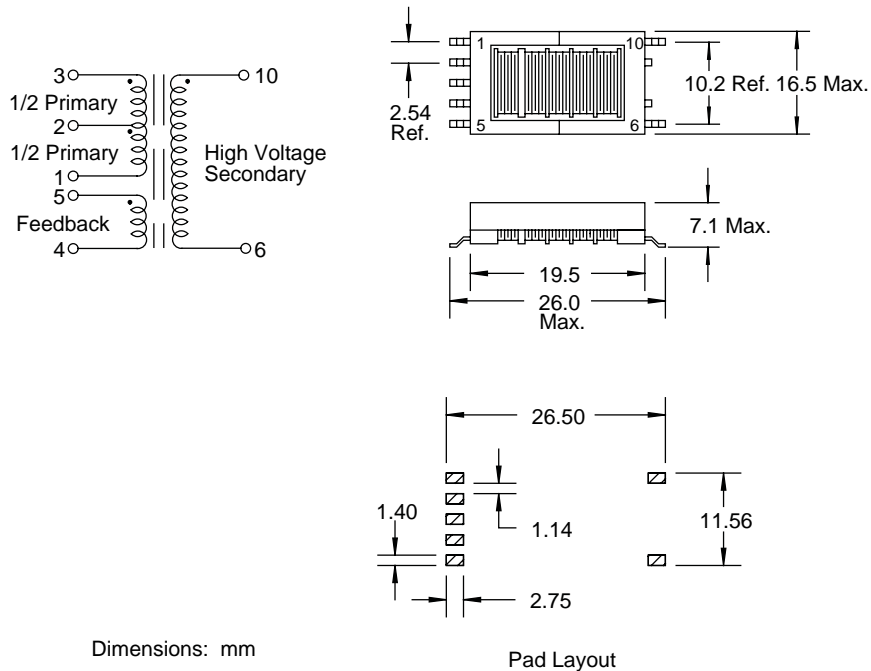
Typical Applications

- LCD flat panel displays
- Notebook / palmtop computers
- Portable instruments
- Retail terminals

Consult engineering for inverter circuit related inductors selection.

PM61300 Series							
Part Number	Primary			Secondary			Turns Ratio
	L (μ H) \pm 10 % @ 10 KHz	DCR Ω Max.	Voltage (V)	DCR Ω Max.	Voltage (V)	I _{rms} (mA)	
PM61300-1	44	0.61	25	132	1300	70	50
PM61300-2	44	0.82	20	175	1300	70	67
PM61300-3	27	1.10	15	175	1300	70	86
PM61300-4	20	1.88	13	175	1300	70	100
PM61300-5	20	2.34	10.5	290	1300	70	125

For RoHS compliant version, add "-RC" to part number.



BOURNS®

Tel. (877) 426-8767 • Fax (951) 781-5006

www.bourns.com



BOURNS®

Tel. (877) 426-8767 • Fax (951) 781-5006

www.bourns.com

Multi - 6 Pack, Inductors and Transformers

Special Features

- Six windings offer many inductor or transformer configurations
- High magnetic coupling
- Non-gapped and gapped core construction
- Low core loss at high frequency applications
- Low noise radiation
- Compact size and low profile
- Dielectric strength: 500 Vrms between windings
- Operating temperature: -40 to +105 °C
- Tape & Reel packaging:
PM600, 600/reel
PM610, 300/reel
PM620, 200/reel

Typical Applications

- Inductors: buck, boost, buck-boost, coupled, input, output, choke, filter, resonant, high-Q, EMI/RFI filtering, differential, forward, common mode
- Transformers: flyback, forward, push-pull, bridge, multiple outputs, inverter, step-up, step-down, gate drive, base drive, signal, wide band, pulse, impedance, isolation, converter

Notes

* Saturation current is rated to each winding that causes inductance to drop 30 % from its initial value.

** Rms current is rated to each winding that causes 40 °C temperature rise.

PM600-01, -02, PM610-01, -02 and PM620-01, -02 are non-gap core.

PM600/PM610/PM620 Series				
Part Number	L (μH) @ 100 KHz	DCR	Isat* (A)	Irms** (A)
		(Ω) Max.		
PM600-01	201.6 ±30 %	0.324	0.02	0.46
PM600-02	89.6 ±30 %	0.137	0.03	0.71
PM600-03	27.4 ±10 %	0.324	0.31	0.46
PM600-04	12.2 ±10 %	0.137	0.47	0.71
PM600-05	14.7 ±10 %	0.324	0.58	0.46
PM600-06	6.5 ±10 %	0.137	0.87	0.71
PM600-07	10.9 ±10 %	0.324	0.88	0.46
PM600-08	4.9 ±10 %	0.137	1.32	0.71
PM600-09	8.5 ±10 %	0.324	1.23	0.46
PM600-10	3.8 ±10 %	0.137	1.85	0.71
PM610-01	160.0 ±30 %	0.202	0.04	0.68
PM610-02	78.4 ±30 %	0.094	0.06	1.00
PM610-03	21.6 ±10 %	0.202	0.67	0.68
PM610-04	10.6 ±10 %	0.094	0.96	1.00
PM610-05	11.6 ±10 %	0.202	1.30	0.68
PM610-06	5.7 ±10 %	0.094	1.86	1.00
PM610-07	8.3 ±10 %	0.202	2.00	0.68
PM610-08	4.1 ±10 %	0.094	2.86	1.00
PM610-09	6.6 ±10 %	0.202	2.30	0.68
PM610-10	3.2 ±10 %	0.094	3.29	1.00
PM620-01	160.6 ±30 %	0.094	0.03	1.28
PM620-02	77.0 ±30 %	0.065	0.04	1.54
PM620-03	131.8 ±20 %	0.094	0.08	1.28
PM620-04	63.2 ±20 %	0.065	0.12	1.54
PM620-05	23.3 ±10 %	0.094	0.36	1.28
PM620-06	11.2 ±10 %	0.065	0.52	1.54
PM620-07	14.2 ±10 %	0.094	0.76	1.28
PM620-08	6.8 ±10 %	0.065	1.10	1.54
PM620-09	9.3 ±10 %	0.094	1.11	1.28
PM620-10	4.5 ±10 %	0.065	1.60	1.54
PM620-11	7.9 ±10 %	0.094	1.40	1.28
PM620-12	3.8 ±10 %	0.065	2.02	1.54

For RoHS compliant version, add "-RC" to part number.

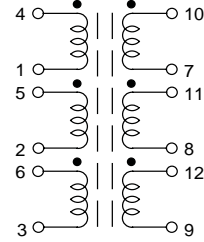
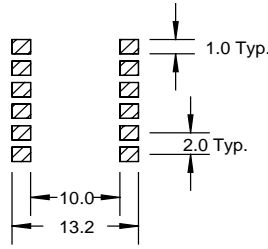
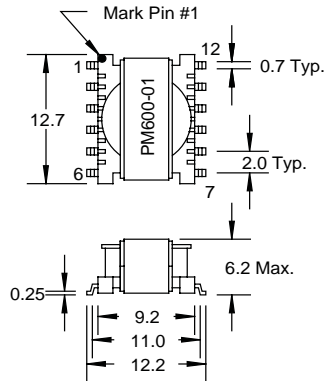
BOURNS®

Tel. (877) 426-8767 • Fax (951) 781-5006

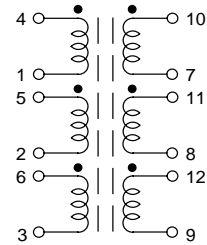
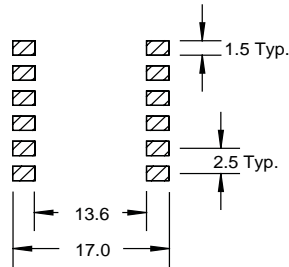
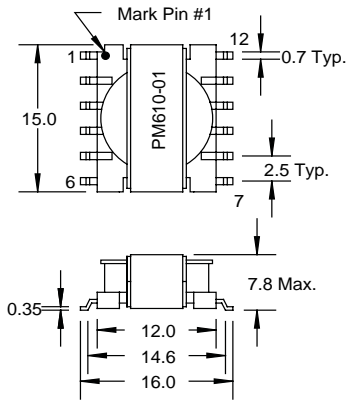
www.bourns.com

Multi - 6 Pack, Inductors and Transformers

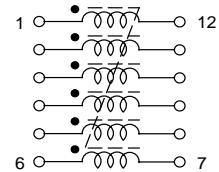
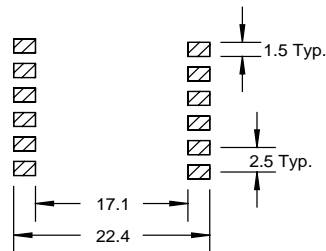
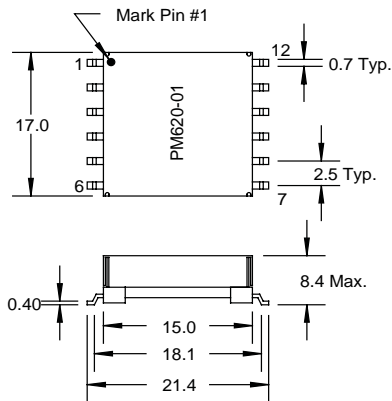
Dimensions (mm)



PM600 - XX



PM610 - XX

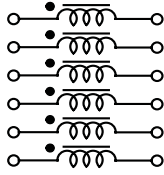


PM620 - XX

Multi - 6 Pack, Inductors and Transformers

Typical Configurations

Inductor:



Basic Diagram
Inductance: L
Current: I

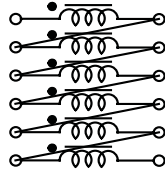


Figure 1
Inductance: $36 \times L$
Current: I

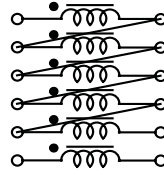


Figure 2
Inductance: $25 \times L$
Current: I

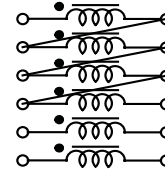


Figure 3
Inductance: $16 \times L$
Current: I

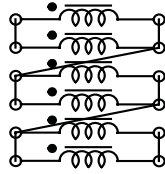


Figure 4
Inductance: $9 \times L$
Current: $2 \times I$

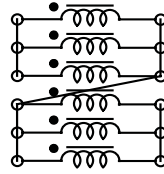


Figure 5
Inductance: $4 \times L$
Current: $3 \times I$

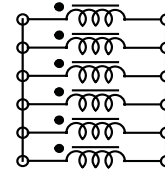
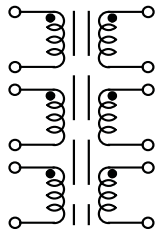


Figure 6
Inductance: L
Current: $6 \times I$

Transformer:



Basic Diagram
Turns ratio:
 $1:1:1:1:1:1$

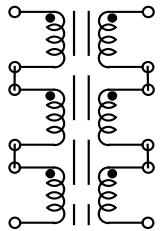


Figure 1
Turns ratio:
 $1:1$

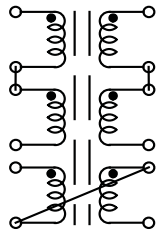


Figure 2
Turns ratio:
 $1:1:1$

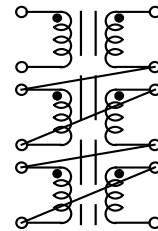


Figure 3
Turns ratio:
 $1:5$ or $5:1$

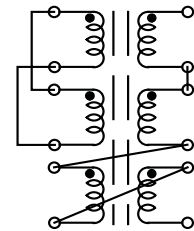


Figure 4
Turns ratio:
 $1:4$ or $4:1$

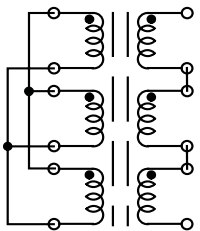


Figure 5
Turns ratio:
 $1:3$ or $3:1$

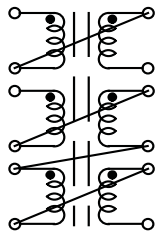


Figure 6
Turns ratio:
 $1:2$ or $2:1$

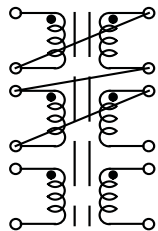


Figure 7
Turns ratio:
 $4:1:1$

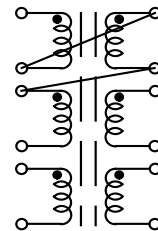


Figure 8
Turns ratio:
 $3:1:1:1$

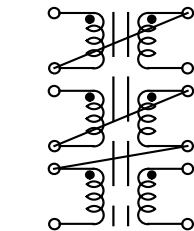


Figure 9
Turns ratio:
 $2:3$ or $3:2$



BOURNS®

Tel. (877) 426-8767 • Fax (951) 781-5006

www.bourns.com

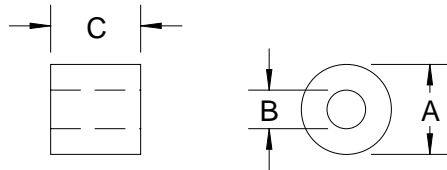
Ferrite Beads

Special Features

- Excellent EMI suppression capability at high frequency
- Very low cost
- Higher impedance can be achieved with 2 or more beads in series
- Wider frequency range can be achieved with 2 beads of different material grade in series

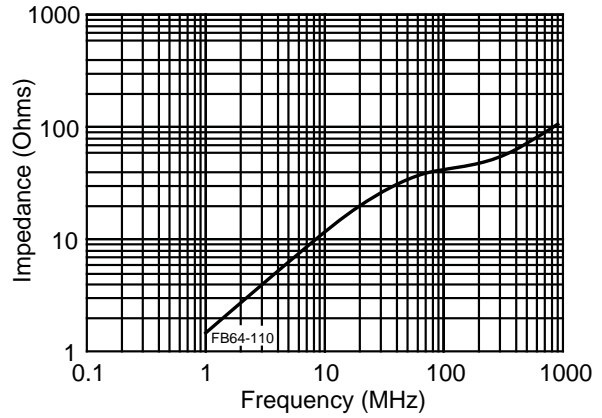
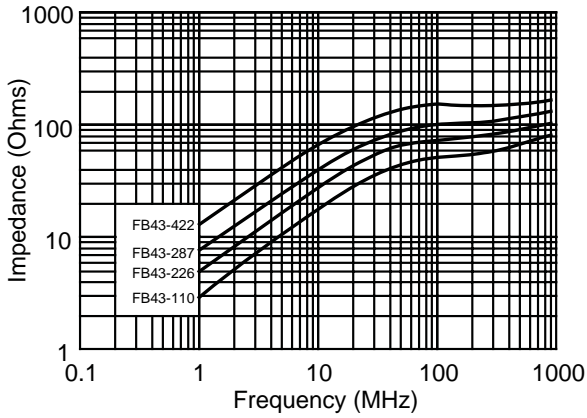
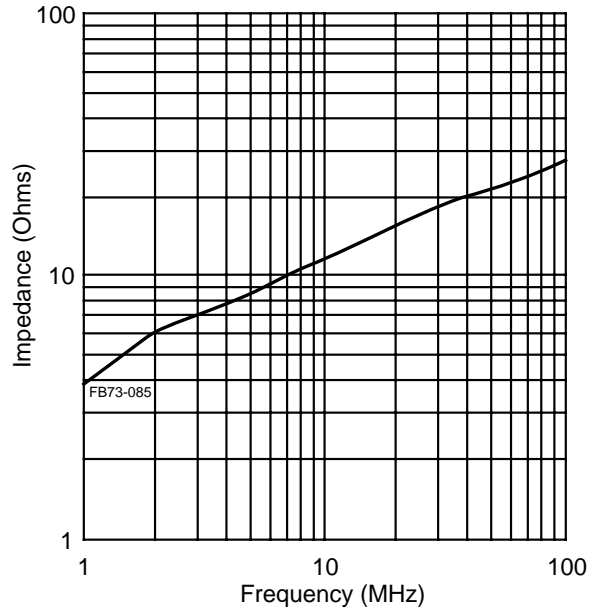
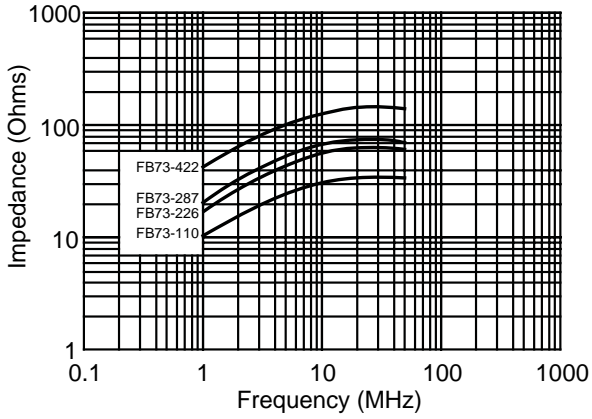
FB Series					
Part Number	Material	Suggest Freq. Range (MHz)	Dim. A (min/max)	Dim. B (min/max)	Dim. C (min/max)
FB73-085	73	Up to 40	0.052/0.056	0.027/0.031	0.085/0.095
FB43-226	43	40 - 200	0.123/0.153	0.040/0.060	0.221/0.251
FB73-226	73	Up to 40	0.125/0.155	0.040/0.060	0.221/0.251
FB43-110	43	40 - 200	0.125/0.155	0.040/0.060	0.113/0.143
FB64-110	64	200 and up	0.125/0.155	0.040/0.060	0.113/0.143
FB73-110	73	Up to 40	0.123/0.153	0.040/0.060	0.113/0.143
FB43-422	43	40 - 200	0.185/0.215	0.050/0.070	0.412/0.462
FB73-422	73	Up to 40	0.185/0.215	0.050/0.070	0.412/0.462
FB43-287	43	40 - 200	0.281/0.311	0.084/0.104	0.282/0.312
FB73-287	73	Up to 40	0.281/0.311	0.084/0.104	0.282/0.312

For RoHS compliant version, add "-RC" to part number.



Dimensions: Inches

Impedance vs. Frequency - Ferrite Beads



BOURNS®

Tel. (877) 426-8767 • Fax (951) 781-5006

www.bourns.com

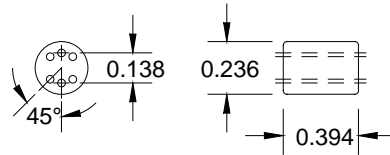
Wide-Band Chokes

Special Features

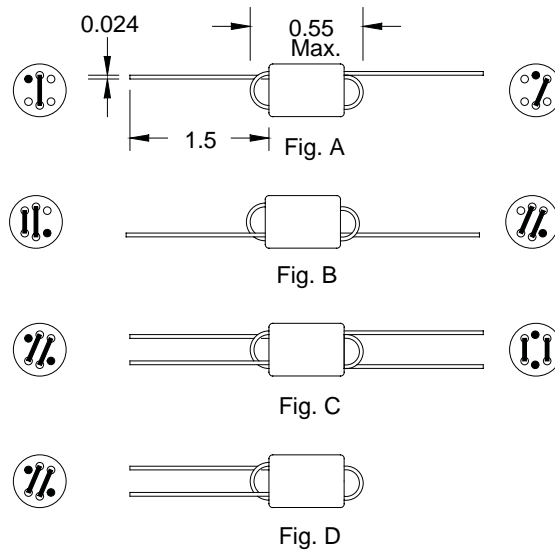
- High impedance
- Excellent EMI suppression capability at wide frequency range
- Low cost
- Differential & common mode configuration

FB2000 Series				
Part Number	No. of turns	Z (Ω)	Z (Ω)	Fig.
		$\pm 25\%$ @ 10MHz	$\pm 25\%$ @ 100MHz	
FB20009-3B	1 1/2	225	400	A
FB20019-4B	1 1/2	175	500	A
FB20010-3B	2 1/2	460	785	B
FB20020-4B	2 1/2	30	410	B
FB20011-3B	2 x 1 1/2	215	415	C
FB20021-4B	2 x 1 1/2	175	485	C
FB20022-4B	3	430	900	D

For RoHS compliant version, add "-RC" to part number.



Core Dimension



Dimensions: Inches

BOURNS®

Tel. (877) 426-8767 • Fax (951) 781-5006

www.bourns.com



BOURNS®

Tel. (877) 426-8767 • Fax (951) 781-5006

www.bourns.com

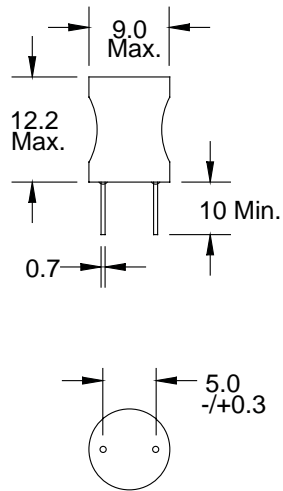
Radial Lead RF Chokes

Special Features

- High current capacity
- Ferrite bobbin core
- Low core loss at frequency
- High reliability, efficiency
- Winding covered with shrink tubing
- Fixed lead spacing
- Operating temperature -55 to +105 °C

Notes

* Current to cause 5 % max. inductance drop



Dimensions: mm

6000 Series						
Part Number	L (μH) ±20 %	Q Min.	Test Freq. (MHz)	SRF (MHz) Min.	DCR Ω Max.	I, DC* (A)
6000-1R0M	1.0	20	7.96	150	0.013	10
6000-1R5M	1.5	20	7.96	130	0.016	8.5
6000-2R2M	2.2	20	7.96	100	0.021	6.5
6000-3R3M	3.3	20	7.96	79	0.025	5.5
6000-4R7M	4.7	20	7.96	51	0.030	4.6
6000-6R8M	6.8	20	7.96	29	0.035	4.1
±10 %						
6000-100K	10	50	2.52	14	0.045	3.4
6000-120K	12	50	2.52	13	0.050	3.1
6000-150K	15	50	2.52	12	0.056	2.9
6000-180K	18	40	2.52	11	0.061	2.66
6000-220K	22	40	2.52	9.2	0.070	2.4
6000-270K	27	40	2.52	8.5	0.080	2.22
6000-330K	33	30	2.52	7.8	0.090	2.05
6000-390K	39	30	2.52	6.9	0.10	1.85
6000-470K	47	30	2.52	6.5	0.16	1.77
6000-560K	56	30	2.52	5.4	0.18	1.48
6000-680K	68	30	2.52	4.9	0.21	1.36
6000-820K	82	30	2.52	4.1	0.23	1.3
6000-101K	100	20	0.796	3.7	0.28	1.4
6000-121K	120	20	0.796	3.4	0.32	1.25
6000-151K	150	20	0.796	3.2	0.37	1.15
6000-181K	180	20	0.796	2.8	0.58	1.08
6000-221K	220	20	0.796	2.7	0.65	1.0
6000-271K	270	20	0.796	2.4	0.75	0.90
6000-331K	330	20	0.796	2.3	0.85	0.78
6000-391K	390	20	0.796	2.1	1.0	0.74
6000-471K	470	20	0.796	1.9	1.1	0.68
6000-561K	560	20	0.796	1.8	1.4	0.64
6000-681K	680	20	0.796	1.6	1.6	0.59
6000-821K	820	20	0.796	1.5	1.8	0.56
6000-102K	1000	20	0.252	1.3	2.9	0.51
6000-122K	1200	15	0.252	1.2	3.4	0.48
6000-152K	1500	15	0.252	1.1	3.8	0.43
6000-182K	1800	15	0.252	1.0	5.3	0.39
6000-222K	2200	15	0.252	0.8	5.9	0.36
6000-272K	2700	15	0.252	0.7	8.2	0.32
6000-332K	3300	15	0.252	0.6	9.1	0.29
6000-392K	3900	15	0.252	0.55	9.9	0.27
6000-472K	4700	15	0.252	0.5	13.6	0.24
6000-562K	5600	15	0.252	0.45	14.9	0.22
6000-682K	6800	15	0.252	0.4	20.7	0.20
6000-822K	8200	15	0.252	0.35	22.7	0.18
6000-103K	10,000	15	0.079	0.32	25.1	0.17
6000-123K	12,000	15	0.079	0.28	34.7	0.15
6000-153K	15,000	15	0.079	0.25	48.9	0.14
6000-183K	18,000	15	0.079	0.23	53.6	0.12
6000-223K	22,000	15	0.079	0.21	59.3	0.11
6000-273K	27,000	15	0.079	0.19	82.7	0.10
6000-333K	33,000	15	0.079	0.17	91.5	0.09
6000-393K	39,000	15	0.079	0.15	125.5	0.08
6000-473K	47,000	15	0.079	0.12	137.8	0.08

For RoHS compliant version, add "-RC" to part number.

BOURNS®

Tel. (877) 426-8767 • Fax (951) 781-5006

www.bourns.com

Radial Lead RF Chokes

Special Features

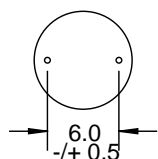
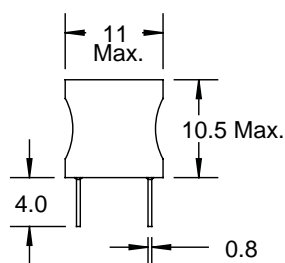
- High current capacity
- Ferrite bobbin core
- Low core loss
- High reliability, high efficiency
- Fixed lead spacing
- Winding covered with shrink tubing
- Operating temperature -40 to +105 °C

Typical Applications

- Switch mode power supplies
- DC/DC converters
- Desktop, notebook computers, servers
- Digital TVs, DVDs, cable modems, DSS set-top boxes
- Battery chargers
- Output chokes
- EMI filters

Note

* Rated current to cause 5 % max. inductance drop



Dimensions: mm

6100 Series				
Part Number	L (μH) ±10 % @100 KHz	SRF (MHz) Typ.	DCR Ω Max.	I, DC* (A)
6100-100K-RC	10	21.0	0.020	6.33
6100-120K-RC	12	18.3	0.022	5.75
6100-150K-RC	15	15.5	0.024	5.28
6100-180K-RC	18	13.8	0.027	4.80
6100-220K-RC	22	12.0	0.039	4.52
6100-270K-RC	27	11.3	0.047	3.75
6100-330K-RC	33	10.5	0.059	3.39
6100-390K-RC	39	9.4	0.079	3.08
6100-470K-RC	47	8.3	0.084	2.79
6100-560K-RC	56	7.6	0.089	2.57
6100-680K-RC	68	6.8	0.11	2.38
6100-820K-RC	82	6.3	0.15	2.18
6100-101K-RC	100	5.8	0.16	1.98
6100-121K-RC	120	5.0	0.23	1.80
6100-151K-RC	150	4.2	0.24	1.61
6100-181K-RC	180	3.9	0.31	1.45
6100-221K-RC	220	3.5	0.35	1.32
6100-271K-RC	270	3.2	0.52	1.18
6100-331K-RC	330	2.9	0.60	1.10
6100-391K-RC	390	2.8	0.64	1.00
6100-471K-RC	470	2.6	0.77	0.90
6100-561K-RC	560	2.3	0.87	0.83
6100-681K-RC	680	2.0	1.09	0.76
6100-821K-RC	820	1.8	1.44	0.69
6100-102K-RC	1000	1.6	1.55	0.62
6100-122K-RC	1200	1.4	2.20	0.57
6100-152K-RC	1500	1.3	2.50	0.51
6100-182K-RC	1800	1.2	3.65	0.47
6100-222K-RC	2200	1.1	4.26	0.42
6100-272K-RC	2700	1.0	5.41	0.38
6100-332K-RC	3300	1.0	5.63	0.35
6100-392K-RC	3900	0.9	6.62	0.32
6100-472K-RC	4700	0.8	8.23	0.29
6100-562K-RC	5600	0.7	9.45	0.27
6100-682K-RC	6800	0.6	13.2	0.24
6100-822K-RC	8200	0.5	16.0	0.22
6100-103K-RC	10,000	0.5	19.3	0.20
6100-123K-RC	12,000	0.4	23.2	0.19
6100-153K-RC	15,000	0.3	30.4	0.17
6100-183K-RC	18,000	0.3	34.1	0.16

Only available as RoHS compliant.

BOURNS®

Tel. (877) 426-8767 • Fax (951) 781-5006

www.bourns.com

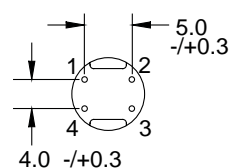
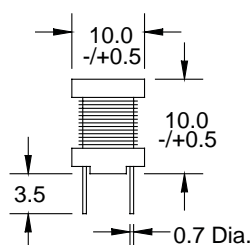
Radial Lead RF Chokes

Special Features

- High current capacity
- Ferrite bobbin core
- Low core loss at frequency
- High reliability, efficiency
- Fixed lead spacing
- Operating temperature -30 to +100 °C

Notes

* Current to cause max. 10 % of inductance drop, or 40 °C temperature rise



Connection:
10 - 33uH, Pin (1,4) & (2,3)
39 - 1000uH, Pin 2 & 4

Dimensions: mm

RL110 Series					
Part Number	L (μH) ±20 %	Test Freq.	SRF (MHz) Typ.	DCR Ω Max.	I, DC* (A)
RL110-100M	10	2.52 MHz	14	0.022	5300
RL110-120M	12	2.52 MHz	11	0.023	4900
RL110-150M	15	2.52 MHz	7.7	0.026	4400
RL110-180M	18	2.52 MHz	7.1	0.033	4000
RL110-220M	22	2.52 MHz	6.8	0.037	3600
RL110-270M	27	2.52 MHz	6.1	0.048	3300
	±10 %				
RL110-330K	33	2.52 MHz	6.0	0.055	2900
RL110-390K	39	2.52 MHz	8.6	0.073	2700
RL110-470K	47	2.52 MHz	8.1	0.083	2500
RL110-560K	56	2.52 MHz	7.6	0.092	2300
RL110-680K	68	2.52 MHz	6.3	0.12	2100
RL110-820K	82	2.52 MHz	6.0	0.14	1900
RL110-101K	100	1 KHz	5.7	0.16	1700
RL110-121K	120	1 KHz	4.8	0.20	1500
RL110-151K	150	1 KHz	4.2	0.23	1400
RL110-181K	180	1 KHz	3.9	0.31	1300
RL110-221K	220	1 KHz	3.8	0.34	1100
RL110-271K	270	1 KHz	3.4	0.40	1000
RL110-331K	330	1 KHz	2.8	0.52	930
RL110-391K	390	1 KHz	2.7	0.65	860
RL110-471K	470	1 KHz	2.5	0.71	780
RL110-561K	560	1 KHz	2.2	1.0	710
RL110-681K	680	1 KHz	2.1	1.1	650
RL110-821K	820	1 KHz	2.0	1.3	590
RL110-102K	1000	1 KHz	1.7	1.7	530

For RoHS compliant version, add "-RC" to part number.

Shielded, Radial Lead RF Chokes

Special Features

- Ferrite shield for low radiation
- High Q
- High reliability, high efficiency
- Fixed lead spacing
- Operating temperature -55 to +105 °C

Typical Applications

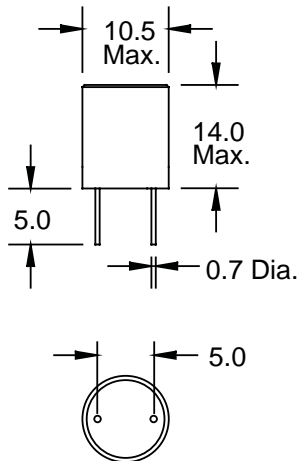
- Switch mode power supplies
- DC/DC converters
- Desktop, notebook computers, servers
- Digital TVs, DVDs, cable modems, DSS set-top boxes
- Battery chargers
- Output chokes
- EMI filters

Notes

- * Rated current to cause 10 % max. inductance drop

RL181S Series						
Part Number	L (μH) ±5 % @ 1 KHz	Q (Min.) @ 50 KHz	SRF (MHz) Min.	DCR (Ω) Max.	I, DC* (mA)	Bourns Equivalent
RL181S-102J-RC	1000	70	0.77	3.4	90	
RL181S-122J-RC	1200	70	0.70	3.7	75	
RL181S-152J-RC	1500	70	0.64	4.0	70	
RL181S-182J-RC	1800	70	0.57	4.5	65	
RL181S-222J-RC	2200	70	0.51	5.2	60	
RL181S-272J-RC	2700	70	0.48	5.8	55	
RL181S-332J-RC	3300	100	0.44	6.1	50	
RL181S-392J-RC	3900	100	0.41	7.2	45	
RL181S-472J-RC	4700	100	0.38	7.5	40	
RL181S-562J-RC	5600	100	0.35	8.4	40	
RL181S-682J-RC	6800	100	0.32	9.7	35	
RL181S-822J-RC	8200	100	0.28	10.4	30	
RL181S-103J-RC	10,000	100	0.25	12.1	25	
RL181S-123J-RC	12,000	100	0.22	13.0	25	FSR1013
RL181S-153J-RC	15,000	100	0.22	15.0	22	
RL181S-183J-RC	18,000	100	0.19	17.0	21	
RL181S-223J-RC	22,000	100	0.19	19.5	20	
RL181S-273J-RC	27,000	100	0.16	22.0	18	
RL181S-333J-RC	33,000	100	0.16	26.0	17	
RL181S-363J-RC	36,000	100	0.14	27.0	16	
RL181S-393J-RC	39,000	100	0.12	45.0	15	
RL181S-473J-RC	47,000	100	0.12	52.0	13	
RL181S-563J-RC	56,000	100	0.12	58.0	12	
RL181S-683J-RC	68,000	100	0.09	67.0	11	
RL181S-823J-RC	82,000	100	0.09	71.0	10	
RL181S-104J-RC	100,000	100	0.09	82.0	9	
RL181S-124J-RC	120,000	100	0.09	97	8	

Only available as RoHS compliant.



Dimensions: mm

BOURNS®

Tel. (877) 426-8767 • Fax (951) 781-5006

www.bourns.com

Radial Lead RF Chokes

Special Features

- High Q
- High reliability, high efficiency
- Fixed lead spacing
- Winding covered with shrink tubing
- Operating temperature -55 to +105 °C

Typical Applications

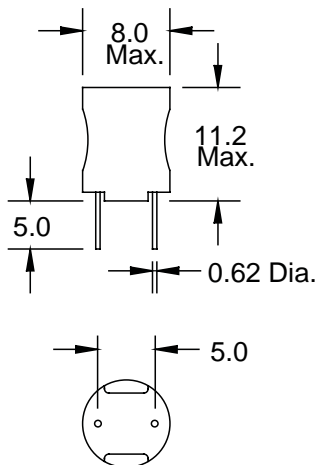
- Switch mode power supplies
- DC/DC converters
- Desktop, notebook computers, servers
- Digital TVs, DVDs, cable modems, DSS set-top boxes
- Battery chargers
- Output chokes
- EMI filters

Notes

- * Rated current to cause 10 % max. inductance drop

RL187 Series							
Part Number	L (µH) ±5 %	Q (Min.)	Test	SRF	DCR	I, DC* (mA)	Bourns Equivalent
			Freq. (KHz)	(MHz) Min.	(Ω) Max.		
RL187-101J-RC	100	80	796	5.3	2.0	200	RLB1014
RL187-121J-RC	120	80	796	4.5	2.0	200	
RL187-151J-RC	150	80	796	3.8	2.0	200	
RL187-181J-RC	180	80	796	3.3	3.0	200	
RL187-221J-RC	220	80	796	2.9	3.0	200	
RL187-271J-RC	270	80	796	2.6	3.0	200	
RL187-331J-RC	330	80	796	2.3	4.0	200	
RL187-391J-RC	390	80	796	2.1	4.0	200	
RL187-471J-RC	470	80	796	1.9	4.0	200	
RL187-561J-RC	560	80	796	1.7	4.0	200	
RL187-681J-RC	680	80	796	1.6	4.0	200	
RL187-821J-RC	820	80	796	1.4	6.0	200	
RL187-102J-RC	1000	90	252	1.3	6.0	150	
RL187-122J-RC	1200	90	252	1.2	9.0	150	
RL187-152J-RC	1500	90	252	1.1	9.0	150	
RL187-182J-RC	1800	90	252	1.0	9.0	100	
RL187-222J-RC	2200	90	252	0.9	13	100	
RL187-272J-RC	2700	90	252	0.8	13	100	
RL187-332J-RC	3300	90	252	0.7	13	100	
RL187-392J-RC	3900	90	252	0.6	13	50	
RL187-472J-RC	4700	90	252	0.6	18	50	
RL187-562J-RC	5600	90	252	0.5	18	50	
RL187-682J-RC	6800	90	252	0.5	26	50	
RL187-822J-RC	8200	90	252	0.4	26	50	
RL187-103J-RC	10000	100	79.6	0.4	40	40	
RL187-123J-RC	12000	100	79.6	0.4	40	40	
RL187-153J-RC	15000	100	79.6	0.4	60	40	
RL187-183J-RC	18000	100	79.6	0.3	60	30	
RL187-223J-RC	22000	100	79.6	0.3	80	30	
RL187-273J-RC	27000	100	79.6	0.3	80	30	
RL187-333J-RC	33000	100	79.6	0.3	80	30	

Only available as RoHS compliant.



Dimensions: mm

BOURNS®

Tel. (877) 426-8767 • Fax (951) 781-5006

www.bourns.com

Radial Lead RF Chokes

Special Features

- High Q
- High reliability, high efficiency
- Fixed lead spacing
- Winding covered with shrink tubing
- Operating temperature -55 to +105 °C

Typical Applications

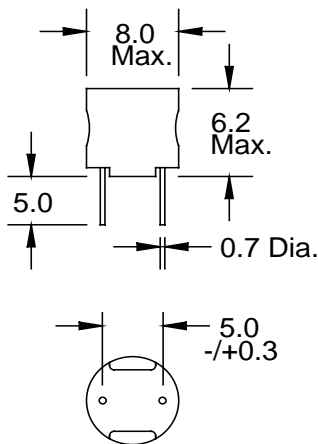
- Switch mode power supplies
- DC/DC converters
- Desktop, notebook computers, servers
- Digital TVs, DVDs, cable modems, DSS set-top boxes
- Battery chargers
- Output chokes
- EMI filters

Note

* Rated current to cause 10 % max. inductance

RL262 Series						
Part Number	L (μH) ±5 %	Q (Min.)	Test Freq. (KHz)	SRF (MHz) Min.	DCR (Ω) Max.	I, DC* (mA)
RL262-101J-RC	100	60	796	6.1	2.0	200
RL262-121J-RC	120	60	796	5.5	3.0	200
RL262-151J-RC	150	60	796	5.0	3.0	200
RL262-181J-RC	180	60	796	4.7	3.0	200
RL262-221J-RC	220	60	796	4.5	3.0	150
RL262-271J-RC	270	60	796	4.1	3.0	150
RL262-331J-RC	330	60	796	3.8	4.0	150
RL262-391J-RC	390	60	796	3.5	4.0	100
RL262-471J-RC	470	60	796	3.2	5.0	100
RL262-561J-RC	560	60	796	2.9	6.0	100
RL262-681J-RC	680	60	796	2.7	6.0	100
RL262-821J-RC	820	60	796	2.3	7.0	50
RL262-102J-RC	1000	80	252	2.1	9.0	50
RL262-122J-RC	1200	80	252	1.9	9.0	50
RL262-152J-RC	1500	80	252	1.8	11.0	50
RL262-182J-RC	1800	80	252	1.6	12.0	50
RL262-222J-RC	2200	80	252	1.5	14.0	50
RL262-272J-RC	2700	80	252	1.4	15.0	50
RL262-332J-RC	3300	80	252	0.9	25.0	40
RL262-392J-RC	3900	80	252	0.9	30.0	40
RL262-472J-RC	4700	80	252	0.8	32.0	40
RL262-562J-RC	5600	80	252	0.7	36.0	30
RL262-682J-RC	6800	80	252	0.7	40.0	30
RL262-822J-RC	8200	80	252	0.6	45.0	30
RL262-103J-RC	10000	60	79.6	0.6	55.0	20
RL262-123J-RC	12000	60	79.6	0.5	65.0	20
RL262-153J-RC	15000	60	79.6	0.5	80.0	20

Only available as RoHS compliant.



Dimensions: mm

BOURNS®

Tel. (877) 426-8767 • Fax (951) 781-5006

www.bourns.com

Radial Lead RF Chokes

Special Features

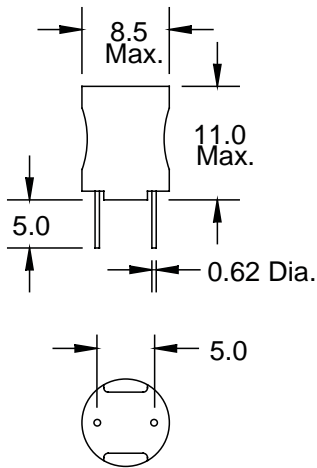
- High current capacity
- Ferrite bobbin core
- Low core loss
- High reliability, high efficiency
- Fixed lead spacing
- Winding covered with shrink tubing
- Operating temperature -55 to +105 °C

Typical Applications

- Switch mode power supplies
- DC/DC converters
- Desktop, notebook computers, servers
- Digital TVs, DVDs, cable modems, DSS set-top boxes
- Battery chargers
- Output chokes
- EMI filters

Note

* Rated current to cause 10 % max. inductance drop



Dimensions: mm

RL622							
Part Number	L (μH) ±10 %	Q (Min.)	Test Freq. (MHz)	SRF (MHz) Min.	DCR (Ω) Max.	I, DC* (A)	Bourns Equivalent
RL622-1R0K-RC	1.0	20	7.96	150	0.013	10	
RL622-1R5K-RC	1.5	20	7.96	130	0.016	8.5	
RL622-2R2K-RC	2.2	20	7.96	100	0.021	6.5	
RL622-3R3K-RC	3.3	20	7.96	79	0.025	5.5	
RL622-4R7K-RC	4.7	20	7.96	51	0.030	4.3	
RL622-6R8K-RC	6.8	20	7.96	29	0.035	3.7	
RL622-100K-RC	10	50	2.52	14	0.045	3.0	
RL622-120K-RC	12	50	2.52	13	0.050	2.7	
RL622-150K-RC	15	40	2.52	12	0.056	2.3	
RL622-180K-RC	18	40	2.52	11	0.061	2.2	
RL622-220K-RC	22	40	2.52	9.2	0.070	2.0	
RL622-270K-RC	27	30	2.52	8.5	0.080	1.7	
RL622-330K-RC	33	30	2.52	7.8	0.090	1.6	
RL622-390K-RC	39	30	2.52	6.9	0.10	1.5	
RL622-470K-RC	47	30	2.52	6.5	0.16	1.4	
RL622-560K-RC	58	30	2.52	5.4	0.18	1.3	
RL622-680K-RC	68	30	2.52	4.9	0.21	1.2	
RL622-820K-RC	82	30	2.52	4.1	0.23	1.1	
RL622-101K-RC	100	20	0.796	3.7	0.28	0.91	
RL622-121K-RC	120	20	0.796	3.4	0.32	0.84	
RL622-151K-RC	150	20	0.796	3.2	0.37	0.75	
RL622-181K-RC	180	20	0.796	2.8	0.58	0.69	
RL622-221K-RC	220	20	0.796	2.7	0.65	0.64	
RL622-271K-RC	270	20	0.796	2.4	0.75	0.57	
RL622-331K-RC	330	20	0.796	2.3	0.85	0.54	
RL622-391K-RC	390	20	0.796	2.1	1.0	0.48	
RL622-471K-RC	470	20	0.796	1.9	1.1	0.46	
RL622-561K-RC	560	20	0.796	1.8	1.4	0.41	
RL622-681K-RC	680	20	0.796	1.6	1.6	0.38	
RL622-821K-RC	820	20	0.796	1.5	1.8	0.35	
RL622-102K-RC	1000	50	0.252	1.3	2.9	0.29	
RL622-122K-RC	1200	50	0.252	1.1	4.0	0.13	
RL622-152K-RC	1500	20	0.252	1.0	6.1	0.08	
RL622-182K-RC	1800	20	0.252	1.0	6.4	0.08	
RL622-222K-RC	2200	20	0.252	0.9	6.8	0.08	
RL622-272K-RC	2700	20	0.252	0.9	7.7	0.08	
RL622-332K-RC	3300	20	0.252	0.7	9.0	0.08	
RL622-392K-RC	3900	20	0.252	0.6	14.0	0.08	
RL622-472K-RC	4700	20	0.252	0.5	16.0	0.05	
RL622-562K-RC	5600	20	0.252	0.4	18.0	0.05	
RL622-682K-RC	6800	20	0.252	0.4	19.0	0.05	
RL622-822K-RC	8200	20	0.252	0.3	21.0	0.05	
RL622-103K-RC	10,000	40	0.079	0.3	25.0	0.05	
RL622-123K-RC	12,000	40	0.079	0.3	33.0	0.04	
RL622-153K-RC	15,000	40	0.079	0.2	37.0	0.04	
RL622-183K-RC	18,000	30	0.079	0.2	40.0	0.04	
RL622-223K-RC	22,000	30	0.079	0.1	56.0	0.03	
RL622-273K-RC	27,000	30	0.079	0.1	62.0	0.03	
RL622-333K-RC	33,000	30	0.079	0.1	70.0	0.03	
RL622-393K-RC	39,000	30	0.079	0.1	80.0	0.03	
RL622-473K-RC	47,000	20	0.079	0.1	99.0	0.03	
RL622-563K-RC	56,000	20	0.079	0.1	135.0	0.02	
RL622-683K-RC	68,000	20	0.079	0.1	150.0	0.02	
RL622-823K-RC	82,000	20	0.079	0.1	212.0	0.02	
RL622-104K-RC	100,000	20	0.025	0.1	235.0	0.02	

RLB1014

Only available as RoHS compliant.

BOURNS®

Tel. (877) 426-8767 • Fax (951) 781-5006

www.bourns.com

Radial Lead RF Chokes

Special Features

- High current capacity
- Ferrite bobbin core
- Low core loss
- High reliability, high efficiency
- Fixed lead spacing
- Winding covered with shrink tubing
- Operating temperature -55 to +105 °C

Typical Applications

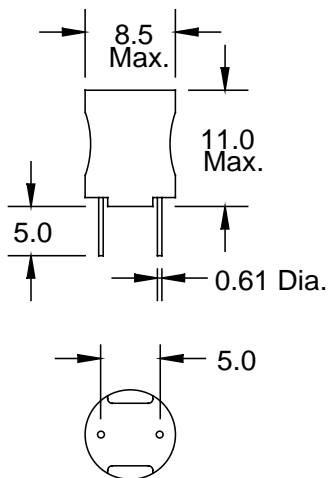
- Switch mode power supplies
- DC/DC converters
- Desktop, notebook computers, servers
- Digital TVs, DVDs, cable modems, DSS set-top boxes
- Battery chargers
- Output chokes
- EMI filters

Notes

* Rated current to cause 10 % max. inductance drop

RL822 Series				
Part Number	L (µH) ±10 % @1 KHz	SRF (MHz) Min.	DCR (Ω) Max.	I, DC* (A)
RL822-1R0K-RC	1.0	150	0.013	3.71
RL822-1R5K-RC	1.5	130	0.016	3.32
RL822-2R2K-RC	2.2	100	0.021	3.15
RL822-3R3K-RC	3.3	79	0.025	2.66
RL822-4R7K-RC	4.7	51	0.030	2.27
RL822-6R8K-RC	6.8	29	0.035	2.10
RL822-100K-RC	10	14	0.045	1.96
RL822-120K-RC	12	13	0.050	1.82
RL822-150K-RC	15	12	0.058	1.75
RL822-180K-RC	18	11	0.061	1.54
RL822-220K-RC	22	9.2	0.070	1.29
RL822-270K-RC	27	8.5	0.080	1.22
RL822-330K-RC	33	7.8	0.090	1.17
RL822-390K-RC	39	6.9	0.10	1.14
RL822-470K-RC	47	6.5	0.17	0.79
RL822-560K-RC	56	5.4	0.20	0.76
RL822-680K-RC	68	4.9	0.22	0.70
RL822-820K-RC	82	4.1	0.25	0.67
RL822-101K-RC	100	3.7	0.28	0.58
RL822-121K-RC	120	3.4	0.32	0.56
RL822-151K-RC	150	3.2	0.54	0.42
RL822-181K-RC	180	2.8	0.60	0.40
RL822-221K-RC	220	2.7	0.68	0.38
RL822-271K-RC	270	2.4	0.80	0.35
RL822-331K-RC	330	2.3	0.90	0.33
RL822-391K-RC	390	2.1	1.20	0.28
RL822-471K-RC	470	1.9	1.37	0.25
RL822-561K-RC	560	1.8	1.53	0.23
RL822-681K-RC	680	1.6	2.00	0.21
RL822-821K-RC	820	1.5	2.70	0.18
RL822-102K-RC	1000	1.3	2.96	0.16

Only available as RoHS compliant.



Dimensions: mm

BOURNS®

Tel. (877) 426-8767 • Fax (951) 781-5006

www.bourns.com

Radial Lead RF Chokes

Special Features

- High current capacity
- Ferrite bobbin core
- Low core loss
- High reliability, high efficiency
- Fixed lead spacing
- Winding covered with shrink tubing
- Operating temperature -55 to +105 °C

Typical Applications

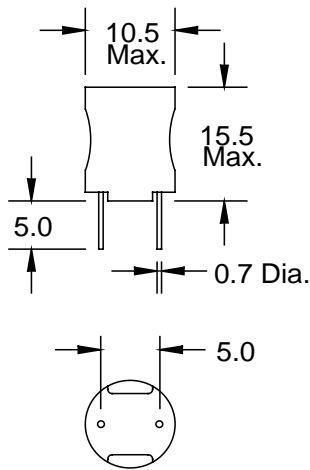
- Switch mode power supplies
- DC/DC converters
- Desktop, notebook computers, servers
- Digital TVs, DVDs, cable modems, DSS set-top boxes
- Battery chargers
- Output chokes
- EMI filters

Notes

* Rated current to cause 10 % max. inductance drop

RL824 Series				
Part Number	L (μH) ±10 % @1 KHz	SRF (MHz) Min.	DCR (Ω) Max.	I, DC* (A)
RL824-100K-RC	10	44	0.052	2.20
RL824-120K-RC	12	33	0.059	2.00
RL824-150K-RC	15	25	0.065	1.93
RL824-180K-RC	18	18	0.071	1.77
RL824-220K-RC	22	12	0.076	1.72
RL824-270K-RC	27	8.3	0.082	1.56
RL824-330K-RC	33	5.9	0.086	1.49
RL824-390K-RC	39	4.9	0.095	1.40
RL824-470K-RC	47	4.1	0.11	1.29
RL824-560K-RC	56	4.0	0.12	1.25
RL824-680K-RC	68	3.9	0.13	1.24
RL824-820K-RC	82	3.6	0.14	1.04
RL824-101K-RC	100	2.8	0.18	1.02
RL824-121K-RC	120	2.6	0.19	0.94
RL824-151K-RC	150	2.2	0.22	0.92
RL824-181K-RC	180	2.1	0.25	0.85
RL824-221K-RC	220	1.9	0.28	0.82
RL824-271K-RC	270	1.6	0.48	0.60
RL824-331K-RC	330	1.5	0.50	0.56
RL824-391K-RC	390	1.4	0.56	0.52
RL824-471K-RC	470	1.3	0.62	0.48
RL824-561K-RC	560	1.2	0.69	0.45
RL824-681K-RC	680	1.1	0.79	0.44
RL824-821K-RC	820	1.0	0.86	0.40
RL824-102K-RC	1000	0.87	1.60	0.31
RL824-122K-RC	1200	0.83	1.80	0.28
RL824-152K-RC	1500	0.77	2.10	0.27
RL824-182K-RC	1800	0.71	2.30	0.24
RL824-222K-RC	2200	0.66	2.80	0.24
RL824-272K-RC	2700	0.61	3.35	0.19
RL824-332K-RC	3300	0.52	4.00	0.18
RL824-392K-RC	3900	0.48	4.50	0.18

Only available as RoHS compliant.



Dimensions: mm

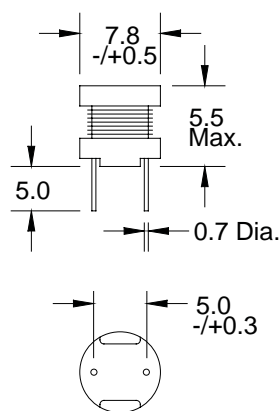
Radial Lead RF Chokes

Special Features

- High current capacity
- Ferrite bobbin core
- Low core loss at frequency
- High reliability, efficiency
- Small packaged size
- Fixed lead spacing
- Operating temperature -30 to +100 °C

Notes

- * Current to cause max. 10 % of inductance drop, or 40 °C temperature rise



Dimensions: mm

RL855 Series				
Part Number	L (μH) ±20 %	Test Freq.	DCR (Ω) Max.	I, DC* (mA)
RL855-100M	10	2.52 MHz	0.07	2500
RL855-120M	12	2.52 MHz	0.08	2400
RL855-150M	15	2.52 MHz	0.09	2100
RL855-180M	18	2.52 MHz	0.10	2000
	±10 %			
RL855-220K	22	2.52 MHz	0.12	1700
RL855-270K	27	2.52 MHz	0.14	1600
RL855-330K	33	2.52 MHz	0.17	1400
RL855-390K	39	2.52 MHz	0.21	1300
RL855-470K	47	2.52 MHz	0.24	1200
RL855-560K	56	2.52 MHz	0.31	1100
RL855-680K	68	2.52 MHz	0.34	1000
RL855-820K	82	2.52 MHz	0.40	930
RL855-101K	100	1 KHz	0.52	810
RL855-121K	120	1 KHz	0.59	760
RL855-151K	150	1 KHz	0.71	670
RL855-181K	180	1 KHz	0.89	620
RL855-221K	220	1 KHz	1.04	540
RL855-271K	270	1 KHz	1.28	490
RL855-331K	330	1 KHz	1.47	440
RL855-391K	390	1 KHz	1.67	410
RL855-471K	470	1 KHz	1.95	380
RL855-561K	560	1 KHz	2.83	350
RL855-681K	680	1 KHz	3.25	320
RL855-821K	820	1 KHz	3.82	310
RL855-102K	1000	1 KHz	5.28	250
RL855-122K	1200	1 KHz	6.03	230
RL855-152K	1500	1 KHz	7.15	210
RL855-182K	1800	1 KHz	8.26	200
RL855-222K	2200	1 KHz	11.1	180
RL855-272K	2700	1 KHz	13.1	160
RL855-332K	3300	1 KHz	15.9	140
RL855-392K	3900	1 KHz	18.0	130
RL855-472K	4700	1 KHz	23.9	120
RL855-562K	5600	1 KHz	26.8	110
RL855-682K	6800	1 KHz	31.7	98
RL855-822K	8200	1 KHz	46.5	88
RL855-103K	10,000	1 KHz	55.7	81

For RoHS compliant version, add "-RC" to part number.

BOURNS®

Tel. (877) 426-8767 • Fax (951) 781-5006

www.bourns.com

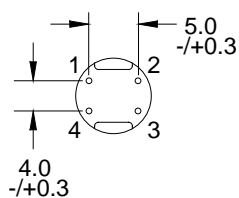
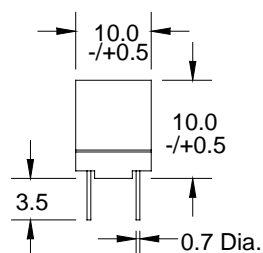
Shielded, Radial Lead RF Chokes

Special Features

- Magnetic shielded for low radiation
- High current capacity
- Ferrite bobbin core
- Low core loss at frequency
- High reliability, efficiency
- Small packaged size
- Fixed lead spacing
- Operating temperature -30 to +100 °C

Notes

- * Current to cause max. 10 % of inductance drop, or 40 °C temperature rise



Connection on Pin 2 & 4

Dimensions: mm

RL110S Series					
Part Number	L (μH) ±20 %	Test Freq.	SRF (MHz) Typ.	DCR Ω Max.	I, DC* (mA)
RL110S-100M	10	2.52 MHz	32	0.023	3900
RL110S-120M	12	2.52 MHz	26	0.024	3600
RL110S-150M	15	2.52 MHz	23	0.036	3200
RL110S-180M	18	2.52 MHz	20	0.039	2900
RL110S-220M	22	2.52 MHz	14	0.042	2600
RL110S-270M	27	2.52 MHz	12	0.045	2400
±15 %					
RL110S-330L	33	2.52 MHz	10	0.057	2100
RL110S-390L	39	2.52 MHz	8.5	0.076	2000
RL110S-470L	47	2.52 MHz	8.0	0.10	1800
RL110S-560L	56	2.52 MHz	7.5	0.11	1600
RL110S-680L	68	2.52 MHz	6.0	0.15	1500
RL110S-820L	82	2.52 MHz	4.7	0.16	1400
RL110S-101L	100	1 KHz	4.4	0.19	1200
RL110S-121L	120	1 KHz	4.2	0.21	1100
RL110S-151L	150	1 KHz	3.6	0.23	1000
RL110S-181L	180	1 KHz	3.3	0.26	920
RL110S-221L	220	1 KHz	3.1	0.29	830
RL110S-271L	270	1 KHz	2.9	0.36	750
RL110S-331L	330	1 KHz	2.7	0.51	680
RL110S-391L	390	1 KHz	2.4	0.69	620
RL110S-471L	470	1 KHz	2.2	0.98	570
RL110S-561L	560	1 KHz	2.0	1.1	520
RL110S-681L	680	1 KHz	1.8	1.2	470
RL110S-821L	820	1 KHz	1.6	1.3	430
RL110S-102L	1000	1 KHz	1.5	1.5	390

For RoHS compliant version, add "-RC" to part number.

BOURNS®

Tel. (877) 426-8767 • Fax (951) 781-5006

www.bourns.com

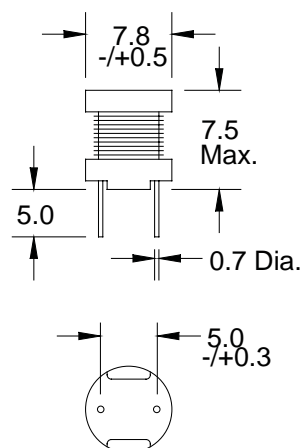
Radial Lead RF Chokes

Special Features

- High current capacity
- Ferrite bobbin core
- Low core loss at frequency
- High reliability, efficiency
- Small packaged size
- Fixed lead spacing
- Operating temperature -30 to +100 °C

Notes

- * Current to cause max. 10 % of inductance drop, or 40 °C temperature rise



Dimensions: mm

RL875 Series				
Part Number	L (μH) ±20 %	Test Freq.	DCR (Ω) Max.	I, DC* (mA)
RL875-100M	10	2.52 MHz	0.05	2900
RL875-120M	12	2.52 MHz	0.06	2500
	±10 %			
RL875-150K	15	2.52 MHz	0.07	2200
RL875-180K	18	2.52 MHz	0.08	1900
RL875-220K	22	2.52 MHz	0.09	1800
RL875-270K	27	2.52 MHz	0.11	1700
RL875-330K	33	2.52 MHz	0.13	1500
RL875-390K	39	2.52 MHz	0.14	1300
RL875-470K	47	2.52 MHz	0.15	1300
RL875-560K	56	2.52 MHz	0.18	1200
RL875-680K	68	2.52 MHz	0.20	1100
RL875-820K	82	2.52 MHz	0.24	1000
RL875-101K	100	1 KHz	0.28	890
RL875-121K	120	1 KHz	0.36	810
RL875-151K	150	1 KHz	0.42	720
RL875-181K	180	1 KHz	0.57	660
RL875-221K	220	1 KHz	0.63	570
RL875-271K	270	1 KHz	0.88	510
RL875-331K	330	1 KHz	1.05	460
RL875-391K	390	1 KHz	1.17	440
RL875-471K	470	1 KHz	1.34	410
RL875-561K	560	1 KHz	1.72	360
RL875-681K	680	1 KHz	1.96	330
RL875-821K	820	1 KHz	2.56	300
RL875-102K	1000	1 KHz	2.94	270
RL875-122K	1200	1 KHz	4.04	240
RL875-152K	1500	1 KHz	4.70	220
RL875-182K	1800	1 KHz	5.05	200
RL875-222K	2200	1 KHz	6.25	180
RL875-272K	2700	1 KHz	8.72	160
RL875-332K	3300	1 KHz	10.6	150
RL875-392K	3900	1 KHz	14.2	140
RL875-472K	4700	1 KHz	16.7	120
RL875-562K	5600	1 KHz	18.7	110
RL875-682K	6800	1 KHz	21.8	100
RL875-822K	8200	1 KHz	28.7	93
RL875-103K	10,000	1 KHz	33.0	84

For RoHS compliant version, add "-RC" to part number.

BOURNS®

Tel. (877) 426-8767 • Fax (951) 781-5006

www.bourns.com

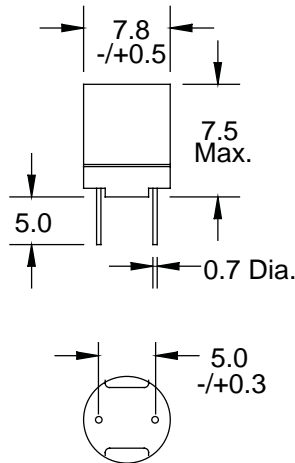
Shielded, Radial Lead RF Chokes

Special Features

- Magnetic shielded for low radiation
- Ferrite bobbin core
- Low core loss at frequency
- High reliability, efficiency
- Fixed lead spacing
- Operating temperature -30 to +100 °C

Notes

- * Current to cause max. 10 % of inductance drop, or 40 °C temperature rise



Dimensions: mm

RL875S Series				
Part Number	L (μH) ±15 %	Test Freq.	DCR Ω Max.	I, DC* (mA)
RL875S-220L	22	2.52 MHz	0.08	1600
RL875S-270L	27	2.52 MHz	0.10	1490
RL875S-330L	33	2.52 MHz	0.14	1300
RL875S-390L	39	2.52 MHz	0.15	1200
RL875S-470L	47	2.52 MHz	0.17	1100
±10 %				
RL875S-560K	56	2.52 MHz	0.19	990
RL875S-680K	68	2.52 MHz	0.21	890
RL875S-820K	82	2.52 MHz	0.27	810
RL875S-101K	100	1 KHz	0.32	740
RL875S-121K	120	1 KHz	0.36	670
RL875S-151K	150	1 KHz	0.51	600
RL875S-181K	180	1 KHz	0.57	550
RL875S-221K	220	1 KHz	0.76	500
RL875S-271K	270	1 KHz	0.86	450
RL875S-331K	330	1 KHz	0.97	410
RL875S-391K	390	1 KHz	1.28	370
RL875S-471K	470	1 KHz	1.44	340
RL875S-561K	560	1 KHz	1.61	310
RL875S-681K	680	1 KHz	2.07	280
RL875S-821K	820	1 KHz	2.33	260
RL875S-102K	1000	1 KHz	2.72	230
RL875S-122K	1200	1 KHz	3.98	210
RL875S-152K	1500	1 KHz	4.50	190
RL875S-182K	1800	1 KHz	6.81	170
RL875S-222K	2200	1 KHz	7.56	160
RL875S-272K	2700	1 KHz	8.54	140
RL875S-332K	3300	1 KHz	9.74	130
RL875S-392K	3900	1 KHz	12.9	120
RL875S-472K	4700	1 KHz	14.7	110
RL875S-562K	5600	1 KHz	20.4	99
RL875S-682K	6800	1 KHz	23.0	89
RL875S-822K	8200	1 KHz	30.6	81
RL875S-103K	10,000	1 KHz	35.0	74

For RoHS compliant version, add "-RC" to part number.

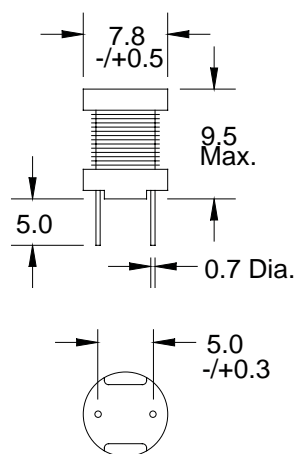
Radial Lead RF Chokes

Special Features

- High current capacity
- Ferrite bobbin core
- Low core loss at frequency
- High reliability, efficiency
- Fixed lead spacing
- Operating temperature -30 to +100 °C

Notes

* Current to cause max. 10 % of inductance drop, or 40 °C temperature rise



Dimensions: mm

RL895 Series				
Part Number	L (μH) ±20 %	Test Freq.	DCR (Ω) Max.	I, DC* (mA)
RL895-100M	10	2.52 MHz	0.04	2600
RL895-120M	12	2.52 MHz	0.04	2600
	±10 %			
RL895-150K	15	2.52 MHz	0.05	2100
RL895-180K	18	2.52 MHz	0.05	2000
RL895-220K	22	2.52 MHz	0.06	1700
RL895-270K	27	2.52 MHz	0.06	1600
RL895-330K	33	2.52 MHz	0.07	1400
RL895-390K	39	2.52 MHz	0.08	1400
RL895-470K	47	2.52 MHz	0.10	1300
RL895-560K	56	2.52 MHz	0.11	1200
RL895-680K	68	2.52 MHz	0.14	1100
RL895-820K	82	2.52 MHz	0.16	1000
RL895-101K	100	1 KHz	0.19	900
RL895-121K	120	1 KHz	0.22	820
RL895-151K	150	1 KHz	0.27	740
RL895-181K	180	1 KHz	0.31	710
RL895-221K	220	1 KHz	0.38	640
RL895-271K	270	1 KHz	0.53	570
RL895-331K	330	1 KHz	0.61	510
RL895-391K	390	1 KHz	0.69	480
RL895-471K	470	1 KHz	0.89	430
RL895-561K	560	1 KHz	1.01	400
RL895-681K	680	1 KHz	1.18	350
RL895-821K	820	1 KHz	1.57	320
RL895-102K	1000	1 KHz	1.84	300
RL895-122K	1200	1 KHz	2.10	270
RL895-152K	1500	1 KHz	2.80	230
RL895-182K	1800	1 KHz	3.21	210
RL895-222K	2200	1 KHz	4.21	190
RL895-272K	2700	1 KHz	4.94	170
RL895-332K	3300	1 KHz	6.16	150
RL895-392K	3900	1 KHz	6.84	140
RL895-472K	4700	1 KHz	7.89	130
RL895-562K	5600	1 KHz	11.5	120
RL895-682K	6800	1 KHz	13.2	110
RL895-822K	8200	1 KHz	15.3	100
RL895-103K	10,000	1 KHz	22.0	89
RL895-123K	12,000	1 KHz	25.0	73
RL895-153K	15,000	1 KHz	29.1	68
RL895-183K	18,000	1 KHz	38.9	66
RL895-223K	22,000	1 KHz	44.9	59
RL895-273K	27,000	1 KHz	55.2	52
RL895-333K	33,000	1 KHz	64.2	48
RL895-393K	39,000	1 KHz	74.2	42
RL895-473K	47,000	1 KHz	96.4	38

For RoHS compliant version, add "-RC" to part number.

BOURNS®

Tel. (877) 426-8767 • Fax (951) 781-5006

www.bourns.com

Flat RF Chokes

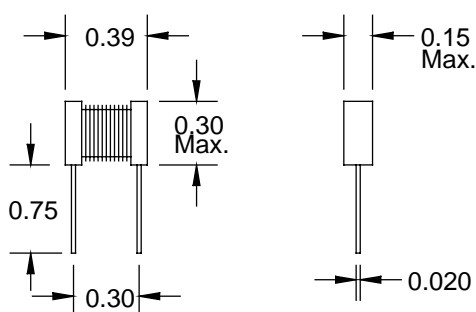
Special Features

- High Q
- Ferrite core
- Flat body construction to occupy small PCB area
- Low cost
- Varnish coated
- Operating temperature: -55 to +105 °C

Notes

* Saturation current to cause 5 % max. inductance drop

** Rated current to cause 35 °C max. temperature rise



Dimensions: Inches

3500 Series						
Part Number	L (μH) ±20 %	Q Min.	Test Freq. (MHz)	DCR Ω Max.	I sat.* (A)	I, DC** (A)
3500-1R0M	1.0	37	7.96	0.010	7.0	3.60
3500-1R2M	1.2	39	7.96	0.012	6.0	3.30
3500-1R5M	1.5	33	7.96	0.014	5.0	3.00
3500-1R8M	1.8	37	7.96	0.020	4.8	2.50
3500-2R2M	2.2	38	7.96	0.025	4.4	2.30
3500-2R7M	2.7	43	7.96	0.028	4.0	2.20
3500-3R3M	3.3	35	7.96	0.036	3.7	1.90
3500-3R9M	3.9	37	7.96	0.050	3.4	1.60
3500-4R7M	4.7	37	7.96	0.053	3.2	1.50
3500-5R6M	5.6	35	7.96	0.092	2.8	1.20
3500-6R8M	6.8	29	7.96	0.113	2.6	1.10
3500-8R2M	8.2	32	7.96	0.116	2.2	1.10
±10 %						
3500-100K	10	31	7.96	0.120	2.1	1.00
3500-120K	12	55	2.52	0.140	2.0	0.96
3500-150K	15	51	2.52	0.158	1.6	0.91
3500-180K	18	46	2.52	0.180	1.5	0.85
3500-220K	22	51	2.52	0.230	1.4	0.75
3500-270K	27	52	2.52	0.265	1.3	0.70
3500-330K	33	47	2.52	0.346	1.2	0.61
3500-390K	39	46	2.52	0.371	1.1	0.59
3500-470K	47	45	2.52	0.502	1.0	0.51
3500-560K	56	45	2.52	0.687	0.95	0.44
3500-680K	68	46	2.52	0.888	0.90	0.38
3500-820K	82	53	2.52	1.20	0.85	0.33
3500-101K	100	39	0.796	1.50	0.80	0.29
3500-121K	120	75	0.796	1.73	0.65	0.27
3500-151K	150	60	0.796	1.96	0.60	0.26
3500-181K	180	75	0.796	2.07	0.56	0.25
3500-221K	220	63	0.796	2.19	0.49	0.24
3500-271K	270	68	0.796	2.53	0.45	0.23
3500-331K	330	64	0.796	3.34	0.41	0.20
3500-391K	390	60	0.796	3.45	0.39	0.19
3500-471K	470	70	0.796	5.29	0.35	0.16
3500-561K	560	68	0.796	5.41	0.32	0.16
3500-681K	680	64	0.796	5.93	0.29	0.15
3500-821K	820	60	0.796	6.33	0.27	0.14
3500-102K	1000	40	0.796	7.31	0.25	0.14
3500-122K	1200	70	0.252	10.0	0.2	0.11
3500-152K	1500	72	0.252	14.3	0.19	0.10
3500-182K	1800	72	0.252	15.8	0.17	0.091
3500-222K	2200	72	0.252	17.6	0.15	0.086
3500-272K	2700	72	0.252	19.3	0.14	0.082
3500-332K	3300	72	0.252	21.7	0.13	0.077
3500-392K	3900	70	0.252	26.0	0.12	0.071
3500-472K	4700	63	0.252	29.9	0.11	0.066
3500-752K	7500	20	0.252	55.0	0.08	0.045
3500-103K	10,000	40	0.0796	80.0	0.07	0.040

For RoHS compliant version, add "-RC" to part number.

BOURNS®

Tel. (877) 426-8767 • Fax (951) 781-5006

www.bourns.com



BOURNS®

Tel. (877) 426-8767 • Fax (951) 781-5006

www.bourns.com

Conformal Coated RF Chokes

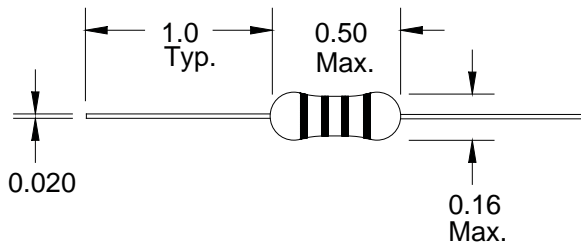
Special Features

- High current, high self resonant frequency
- Low DCR
- Ferrite bobbin core
- Epoxy coated to protect winding from harsh environments
- Low cost
- Color bands identification (Indicates Inductance Value)
- Dielectric strength 500 Vrms
- Operating temperature -55 to +105 °C
- Test frequency : 1 KHz, except 1.0 – 8.2 μ H @ 7.96 MHz

Notes

* Saturation current to cause 5 % max. inductance drop

** Rated current to cause 35 °C max. temperature rise



Dimensions: Inches

5300 Series					
Part Number	L (μ H) $\pm 10\%$	SRF	DCR	I sat.* (mA)	I rated** (mA)
		(MHz) Min.	Ω Max.		
5300-01	1.0	190	0.018	3000	3300
5300-02	1.2	170	0.019	2700	3200
5300-03	1.5	160	0.020	2500	3100
5300-04	1.8	150	0.023	2100	2900
5300-05	2.2	130	0.031	2000	2600
5300-06	2.7	120	0.033	1900	2500
5300-07	3.3	110	0.054	1700	1900
5300-08	3.9	100	0.060	1500	1800
5300-09	4.7	86	0.068	1400	1700
5300-10	5.6	64	0.074	1300	1600
5300-11	6.8	44	0.080	1200	1600
5300-12	8.2	32	0.087	1100	1500
5300-13	10	25	0.095	970	1500
5300-14	12	17	0.11	880	1400
5300-15	15	13	0.15	790	1200
5300-16	18	10	0.16	710	1100
5300-17	22	8.4	0.19	640	1000
5300-18	27	8.0	0.22	580	950
5300-19	33	7.6	0.24	530	910
5300-20	39	7.1	0.26	480	880
5300-21	47	6.0	0.35	430	760
5300-22	56	5.8	0.47	400	650
5300-23	68	4.3	0.53	370	610
5300-24	82	4.1	0.60	330	580
5300-25	100	3.9	0.67	300	550
5300-26	120	3.6	0.90	270	470
5300-27	150	3.2	1.2	250	410
5300-28	180	2.8	1.4	220	380
5300-29	220	2.3	1.9	200	320
5300-30	270	2.1	2.1	180	310
5300-31	330	1.9	2.4	170	290
5300-32	390	1.7	3.0	150	260
5300-33	470	1.4	3.4	140	240
5300-34	560	1.3	4.7	130	210
5300-35	680	1.2	6.4	110	180
5300-36	820	1.1	7.1	100	170
5300-37	1000	1.0	7.9	95	160
5300-38	1200	0.94	9.0	87	150
5300-39	1500	0.76	12.0	78	130
5300-40	1800	0.72	14.0	71	120
5300-41	2200	0.64	19.0	64	100
5300-42	2700	0.56	25.0	58	90
5300-43	3300	0.53	29.0	52	83
5300-44	3900	0.48	34.0	48	77
5300-45	4700	0.45	37.0	44	74
5300-46	5600	0.40	50.0	40	63
5300-47	6800	0.36	58.0	36	59
5300-48	8200	0.29	68.0	33	54
5300-49	10,000	0.27	75.0	30	52

For RoHS compliant version, add "-RC" to part number.

BOURNS®

Tel. (877) 426-8767 • Fax (951) 781-5006

www.bourns.com

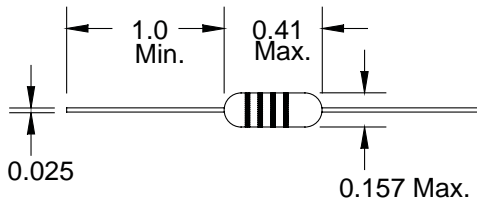
Conformal Coated RF Chokes

Special Features

- High current, Q & self resonant frequency
- Low DCR
- Ferrite bobbin core
- Epoxy coated to protect winding from harsh environments
- Low cost
- Color bands identification (Per EIA Standard)
- Dielectric strength 500 Vrms
- Operating temperature -55 to +105 °C

Notes

* Current to cause 35 °C max. temperature rise



Dimensions: Inches

77F Series						
Part Number	L (μH) ±10 %	Q Min.	Test Freq. (MHz)	SRF (MHz) Min.	DCR Ω Max.	I, (mA)* Max.
77F1R0K-RC	1.0	45	25.2	157	0.17	920
77F1R2K-RC	1.2	50	7.96	144	0.21	880
77F1R5K-RC	1.5	50	7.96	131	0.23	830
77F1R8K-RC	1.8	55	7.96	121	0.25	790
77F2R2K-RC	2.2	55	7.96	110	0.28	750
77F2R7K-RC	2.7	60	7.96	100	0.30	720
77F3R3K-RC	3.3	65	7.96	94	0.34	670
77F3R9K-RC	3.9	65	7.96	86	0.37	640
77F4R7K-RC	4.7	70	7.96	80	0.39	620
77F5R6K-RC	5.6	70	7.96	74	0.43	590
77F6R8K-RC	6.8	75	7.96	68	0.48	550
77F8R2K-RC	8.2	80	7.96	53	0.52	530
77F100K-RC	10	85	7.96	45	0.58	500
77F120K-RC	12	75	2.52	34	0.63	480
77F150K-RC	15	70	2.52	20	0.72	460
77F180K-RC	18	65	2.52	14	0.77	430
77F220K-RC	22	60	2.52	9.9	0.84	410
77F270K-RC	27	55	2.52	7.6	0.94	390
±5 %						
77F330J-RC	33	55	2.52	6.3	1.03	370
77F390J-RC	39	50	2.52	6.3	1.12	350
77F470J-RC	47	45	2.52	6.3	1.22	340
77F560J-RC	56	40	2.52	6.2	1.34	320
77F680J-RC	68	40	2.52	5.7	1.47	305
77F820J-RC	82	35	2.52	5.3	1.62	290
77F101J-RC	100	30	0.796	4.8	1.80	275
77F120J-RC	120	70	0.796	3.8	3.70	185
77F151J-RC	150	70	0.796	3.5	4.20	175
77F181J-RC	180	70	0.796	3.3	4.60	165
77F221J-RC	220	70	0.796	3.0	5.10	155
77F271J-RC	270	65	0.796	2.8	5.80	145
77F331J-RC	330	65	0.796	2.6	6.40	137
77F391J-RC	390	65	0.796	2.4	7.00	133
77F471J-RC	470	60	0.796	2.25	7.70	126
77F561J-RC	560	60	0.796	2.1	8.50	120
77F681J-RC	680	55	0.796	1.95	9.40	113
77F821J-RC	820	55	0.796	1.85	10.5	105
77F102J-RC	1000	50	0.796	1.40	14.0	100

Only available as RoHS compliant.

BOURNS®

Tel. (877) 426-8767 • Fax (951) 781-5006

www.bourns.com

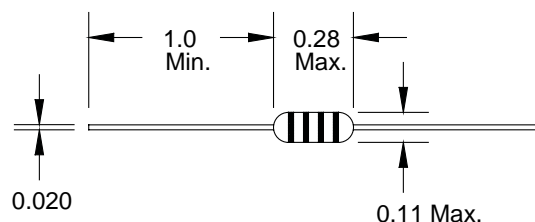
Conformal Coated RF Chokes

Special Features

- High Q & self resonant frequency
- Low DCR
- Ferrite bobbin core
- Epoxy coated to protect winding form harsh environments
- Low cost
- Color bands identification (Per EIA Standard)
- Dielectric strength 500 Vrms
- Operating temperature -55 to +105 °C

Notes

- * Current to cause 35 °C max. temperature rise



78F Series						
Part Number	L (μH) ±20 %	Q Min.	Test Freq. (MHz)	SRF (MHz) Min.	DCR Ω Max.	I, DC* (mA)
78FR033M-RC	0.033	50	50	400	0.02	500
78FR10M-RC	0.10	40	25	400	0.06	500
78FR12M-RC	0.12	40	25	400	0.06	500
78FR15M-RC	0.15	40	25	400	0.07	500
78FR18M-RC	0.18	40	25	400	0.08	450
±10 %						
78FR22K-RC	0.22	40	25	380	0.08	1025
78FR27K-RC	0.27	40	25	360	0.08	950
78FR33K-RC	0.33	40	25	350	0.08	815
78FR39K-RC	0.39	40	25	320	0.09	700
78FR47K-RC	0.47	40	25	330	0.10	650
78FR56K-RC	0.56	40	25	280	0.11	545
78FR68K-RC	0.68	40	25	250	0.12	495
78FR82K-RC	0.82	40	25	200	0.12	415
78F1R0K-RC	1.0	40	25	180	0.15	385
78F1R2K-RC	1.2	40	7.9	165	0.18	590
78F1R5K-RC	1.5	45	7.9	150	0.20	535
78F1R8K-RC	1.8	50	7.9	125	0.25	455
78F2R2K-RC	2.2	50	7.9	110	0.28	395
78F2R7K-RC	2.7	50	7.9	95	0.30	355
±5 %						
78F3R3J-RC	3.3	50	7.9	70	0.34	270
78F3R9J-RC	3.9	45	7.9	65	0.32	250
78F4R7J-RC	4.7	45	7.9	50	0.35	230
78F5R6J-RC	5.6	45	7.9	40	0.40	185
78F6R8J-RC	6.8	40	7.9	30	0.45	175
78F8R2J-RC	8.2	40	7.9	28	0.55	155
78F100J-RC	10	40	7.9	22	0.72	130
78F120J-RC	12	45	2.5	20	0.80	155
78F150J-RC	15	50	2.5	16	0.88	150
78F180J-RC	18	50	2.5	15	1.00	145
78F220J-RC	22	50	2.5	13	1.20	140
78F270J-RC	27	50	2.5	11	1.35	135
78F330J-RC	33	50	2.5	10	1.50	195
78F390J-RC	39	50	2.5	9.5	1.70	185
78F470J-RC	47	60	2.5	8.5	2.30	167
78F560J-RC	56	60	2.5	7.5	2.60	150
78F680J-RC	68	60	2.5	6.5	2.90	137
78F820J-RC	82	60	2.5	6.0	3.20	132
78F101J-RC	100	60	2.5	5.5	3.50	125
78F121J-RC	120	60	0.79	5.4	3.80	100
78F151J-RC	150	60	0.79	4.7	4.40	90
78F181J-RC	180	60	0.79	4.3	5.00	84
78F221J-RC	220	60	0.79	4.0	5.70	76
78F271J-RC	270	60	0.79	3.7	6.50	70
78F331J-RC	330	60	0.79	3.4	9.50	65
78F391J-RC	390	60	0.79	2.8	10.5	60
78F471J-RC	470	60	0.79	2.5	11.6	53
78F561J-RC	560	60	0.79	2.3	13.0	51
78F681J-RC	680	60	0.79	2.0	18.0	45
78F821J-RC	820	60	0.79	1.5	23.0	43
78F102J-RC	1000	60	0.79	1.2	26.0	41

Only available as RoHS compliant.

BOURNS®

Tel. (877) 426-8767 • Fax (951) 781-5006

www.bourns.com

Conformal Coated RF Chokes

Special Features

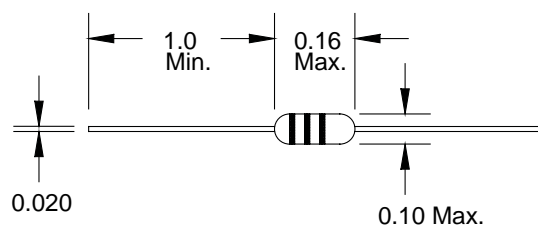
- Subminiature size
- High Q
- High self resonant frequency
- Ferrite bobbin core
- Epoxy coating
- Low cost
- Color bands identification (Per EIA STD)
- Dielectric strength 500 Vrms
- Operating temperature: -55 to +105 °C

Typical Applications

- Computers
- Computer peripherals
- TVs, VCRs and DVDs
- EMI filters

Notes

* Rated Idc causes 35 °C temperature rise



Dimensions: Inches

79F Series						
Part Number	L (μH) ±20 %	Q Min.	Test Freq. (MHz)	SRF (MHz) Min.	DCR Ω Max.	I, DC* (mA)
79FR10M-RC	0.10	35	25	300	0.18	700
79FR12M-RC	0.12	35	25	300	0.20	660
79FR15M-RC	0.15	35	25	300	0.22	620
79FR18M-RC	0.18	35	25	300	0.24	600
79FR22M-RC	0.22	35	25	150	0.40	400
79FR27M-RC	0.27	35	25	150	0.43	380
79FR33M-RC	0.33	35	25	150	0.48	370
79FR39M-RC	0.39	35	25	150	0.51	350
79FR47M-RC	0.47	35	25	150	0.56	330
79FR56M-RC	0.56	35	25	150	0.61	320
79FR68M-RC	0.68	35	25	150	0.67	310
79FR82M-RC	0.82	35	25	150	0.74	290
± 10 %						
79F1R0K-RC	1.0	35	25	150	0.80	270
79F1R2K-RC	1.2	40	7.9	110	0.90	260
79F1R5K-RC	1.5	40	7.9	70	1.0	250
79F1R8K-RC	1.8	40	7.9	60	1.1	240
79F2R2K-RC	2.2	40	7.9	45	1.2	230
79F2R7K-RC	2.7	40	7.9	40	1.3	220
79F3R3K-RC	3.3	40	7.9	38	1.4	210
79F3R9K-RC	3.9	40	7.9	36	1.5	200
79F4R7K-RC	4.7	40	7.9	30	1.7	190
79F5R6K-RC	5.6	40	7.9	28	1.9	180
79F6R8K-RC	6.8	40	7.9	26	2.0	175
79F8R2K-RC	8.2	40	7.9	24	2.2	165
79F100K-RC	10	40	2.5	22	2.4	160
79F120K-RC	12	40	2.5	20	2.5	150
79F150K-RC	15	40	2.5	18	2.8	145
79F180K-RC	18	40	2.5	17	3.1	140
79F220K-RC	22	40	2.5	16	3.4	100
79F270K-RC	27	40	2.5	14	4.3	80
79F330K-RC	33	40	2.5	13.5	4.7	75
79F390K-RC	39	40	2.5	13	5.2	74
79F470K-RC	47	40	2.5	12	5.8	70
79F560K-RC	56	40	2.5	11	6.4	68
79F680K-RC	68	40	2.5	10	7.2	64
79F820K-RC	82	40	2.5	9.5	11	46
79F101K-RC	100	40	2.5	9	12	44
79F121K-RC	120	40	0.79	8	13	42
79F151K-RC	150	40	0.79	6	16	39
79F181K-RC	180	40	0.79	5	18	37
79F221K-RC	220	40	0.79	5	20	35
79F271K-RC	270	40	0.79	4.6	25	25
79F331K-RC	330	40	0.79	4.2	30	25
79F391K-RC	390	40	0.79	3.8	34	25
79F471K-RC	470	40	0.79	3.5	38	24

Only available as RoHS compliant.

BOURNS®

Tel. (877) 426-8767 • Fax (951) 781-5006

www.bourns.com

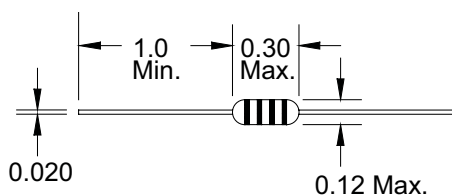
Conformal Coated RF Chokes

Special Features

- High Q & self resonant frequency
- Low DCR
- Epoxy coated to protect winding from harsh environments
- Low cost
- Color bands identification
- Dielectric strength 500 Vrms
- Operating temperature -55 to +105 °C
- RoHS compliant

Notes

* Current to cause 35 °C max. temperature rise



Dimensions: Inches

8230 Series							
Part Number	L (μH) ±10 %	Q Min.	Test Freq. (MHz)	SRF (MHz) Min.	DCR Ω Max.	I, DC* (mA)	Core Material
8230-94-RC	0.10	40	25	690	0.07	1100	Phenolic
8230-96-RC	0.12	40	25	650	0.08	1100	Phenolic
8230-00-RC	0.15	38	25	600	0.10	1100	Phenolic
8230-02-RC	0.18	35	25	550	0.12	1010	Phenolic
8230-04-RC	0.22	33	25	510	0.14	935	Phenolic
8230-06-RC	0.27	33	25	430	0.16	875	Phenolic
8230-08-RC	0.33	30	25	410	0.20	780	Phenolic
8230-10-RC	0.39	30	25	380	0.30	640	Phenolic
8230-12-RC	0.47	30	25	340	0.35	590	Phenolic
8230-14-RC	0.56	30	25	300	0.50	495	Phenolic
8230-16-RC	0.68	28	25	275	0.60	450	Phenolic
8230-18-RC	0.82	28	25	250	0.85	380	Phenolic
8230-20-RC	1.0	25	25	230	1.0	350	Phenolic
8230-22-RC	1.2	25	7.9	150	0.18	825	Iron
8230-24-RC	1.5	28	7.9	140	0.22	745	Iron
8230-26-RC	1.8	30	7.9	125	0.30	640	Iron
8230-28-RC	2.2	30	7.9	115	0.40	550	Iron
8230-30-RC	2.7	37	7.9	100	0.50	495	Iron
8230-32-RC	3.3	45	7.9	90	0.85	380	Iron
8230-34-RC	3.9	45	7.9	82	1.0	350	Iron
8230-36-RC	4.7	45	7.9	75	1.2	320	Iron
8230-38-RC	5.6	50	7.9	68	1.8	260	Iron
8230-40-RC	6.8	50	7.9	60	2.0	245	Iron
8230-42-RC	8.2	55	7.9	55	2.7	210	Iron
8230-44-RC	10	55	7.9	50	3.7	180	Ferrite
8230-46-RC	12	45	2.5	40	2.7	210	Ferrite
8230-48-RC	15	45	2.5	35	2.8	205	Ferrite
8230-50-RC	18	50	2.5	32	3.1	195	Ferrite
8230-52-RC	22	50	2.5	25	3.3	190	Ferrite
8230-54-RC	27	50	2.5	22	3.5	185	Ferrite
8230-56-RC	33	45	2.5	24	3.4	187	Ferrite
8230-58-RC	39	45	2.5	22	3.6	180	Ferrite
8230-60-RC	47	45	2.5	20	4.5	165	Ferrite
8230-62-RC	56	45	2.5	18	5.7	145	Ferrite
8230-64-RC	68	50	2.5	15	6.7	135	Ferrite
8230-66-RC	82	50	2.5	14	7.3	130	Ferrite
8230-68-RC	100	50	2.5	13	8.0	125	Ferrite
8230-70-RC	120	30	0.79	12	13	97	Ferrite
8230-72-RC	150	30	0.79	11	15	85	Ferrite
8230-74-RC	180	30	0.79	10	17	79	Ferrite
8230-76-RC	220	30	0.79	9	21	73	Ferrite
8230-78-RC	270	30	0.79	8	25	65	Ferrite
8230-80-RC	330	30	0.79	7	28	62	Ferrite
8230-82-RC	390	30	0.79	6.5	35	55	Ferrite
8230-84-RC	470	30	0.79	6	42	50	Ferrite
8230-86-RC	560	30	0.79	5	46	48	Ferrite
8230-88-RC	680	30	0.79	4.2	60	42	Ferrite
8230-90-RC	820	30	0.79	3.8	65	40	Ferrite
8230-92-RC	1000	30	0.79	3.4	72	38	Ferrite

Only available as RoHS compliant.

BOURNS®

Tel. (877) 426-8767 • Fax (951) 781-5006

www.bourns.com



BOURNS®

Tel. (877) 426-8767 • Fax (951) 781-5006

www.bourns.com

Shielded RF Chokes

Special Features

- Ferrite magnetic shielded for low radiation
- High Q, high reliability
- Epoxy end-fill to protect coil from extreme environments
- Consistent body diameter
- Dielectric strength 500 Vrms
- Operating temperature: -55 to +105 °C
- Color banded per MIL STD

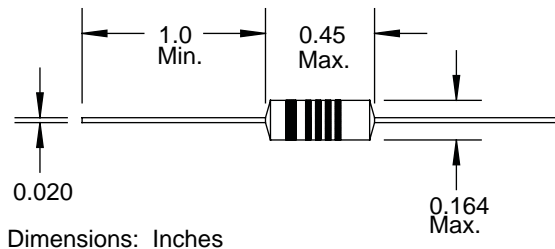
Typical Applications

- Telecommunications
- Signal processing
- High reliability, low magnetic coupling and densely packed board design

Notes

* Rated current to cause 35 °C temperature rise

** Incremental current to cause 5 % inductance



8250 Series							
Part Number	L (μH) ±10 %	Q Min.	Test	SRF	DCR	I, DC*	I, Incr.**
			Freq. (MHz)	(MHz) Min.	Ω Max.	(mA)	(mA)
8250-R10K	0.10	50	25.0	400	0.026	3000	3000
8250-R12K	0.12	50	25.0	400	0.029	2860	2860
8250-R15K	0.15	50	25.0	400	0.034	2600	2600
8250-R18K	0.18	50	25.0	400	0.044	2300	2300
8250-R22K	0.22	50	25.0	400	0.056	2050	2050
8250-R27K	0.27	50	25.0	400	0.09	1625	1625
8250-R33K	0.33	47	25.0	325	0.122	1400	1400
8250-R39K	0.39	47	25.0	390	0.161	1220	1220
8250-R47K	0.47	47	25.0	264	0.218	1060	1060
8250-R56K	0.56	45	25.0	249	0.29	900	900
8250-R68K	0.68	43	25.0	221	0.382	790	790
8250-R82K	0.82	41	25.0	200	0.45	725	725
8250-1R0K	1.0	42	25.0	156	0.054	2080	2080
8250-1R2K	1.2	43	7.9	144	0.07	1840	1840
8250-1R5K	1.5	41	7.9	128	0.096	1560	1560
8250-1R8K	1.8	42	7.9	121	0.107	1480	1480
8250-2R2K	2.2	42	7.9	108	0.142	1290	1290
8250-2R7K	2.7	41	7.9	96	0.184	1130	1130
8250-3R3K	3.3	41	7.9	88	0.26	950	950
8250-3R9K	3.9	41	7.9	84	0.354	815	815
8250-4R7K	4.7	42	7.9	72	0.168	710	710
8250-5R6K	5.6	42	7.9	69	0.511	680	680
8250-6R8K	6.8	42	7.9	62	0.75	560	560
8250-8R2K	8.2	46	7.9	58	0.828	535	535
8250-100K	10	46	7.9	53	1.27	532	532
8250-120K	12	50	2.5	47	1.76	368	368
8250-150K	15	50	2.5	41	2.3	325	325
8250-180K	18	50	2.5	43	0.677	596	235
8250-220K	22	50	2.5	38	0.742	565	220
8250-270K	27	50	2.5	36	0.85	526	200
8250-330K	33	50	2.5	33	0.928	505	190
8250-390K	39	50	2.5	29.4	1.28	429	180
8250-470K	47	55	2.5	26.5	1.48	400	175
8250-560K	56	55	2.5	25	1.64	380	160
8250-680K	68	55	2.5	23	2.2	328	150
8250-820K	82	55	2.5	14	1.96	349	140
8250-101K	100	65	2.5	12	2.28	322	120
8250-121K	120	65	0.79	11.2	2.45	311	95
8250-151K	150	65	0.79	10.5	2.79	294	90
8250-181K	180	65	0.79	10	3.08	277	85
8250-221K	220	65	0.79	9.4	3.48	251	80
8250-271K	270	65	0.79	8	4.55	231	70
8250-331K	330	65	0.79	7.3	5.1	215	65
8250-391K	390	65	0.79	6.9	5.62	205	60
8250-471K	470	70	0.79	6.5	6.45	192	58
8250-561K	560	70	0.79	6	8.0	174	55
8250-681K	680	75	0.79	5.6	8.85	163	50
8250-821K	820	70	0.79	4.8	10.4	151	45

For RoHS compliant version, add "-RC" to part number.

Continued next page.

Shielded RF Chokes

Special Features

- Ferrite magnetic shielded for low radiation
- High Q, high reliability
- Epoxy end-fill to protect coil from extreme environments
- Consistent body diameter
- Dielectric strength 500 Vrms
- Operating temperature: -55 to +105 °C
- Color banded per MIL STD

Typical Applications

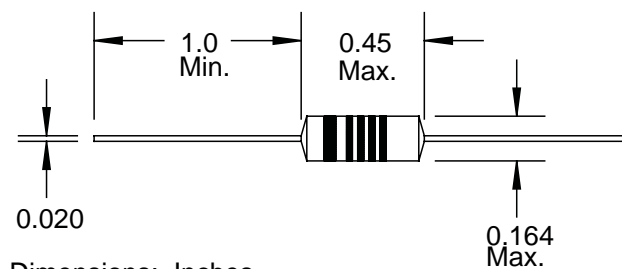
- Telecommunications
- Signal processing
- High reliability, low magnetic coupling and densely packed board design

Notes

- * Rated current to cause 35 °C temperature rise
- ** Incremental current to cause 5 % inductance

8250 Series cont.							
Part Number	L (μH) ±10 %	Q Min.	Test Freq. (MHz)	SRF (MHz) Min.	DCR Ω Max.	I, DC* (mA)	I, Incr.** (mA)
8250-102K	1000	65	0.79	4.5	12.1	139	40
8250-122K	1200	70	0.25	2.6	15.1	125	35
8250-152K	1500	70	0.25	2.5	16.8	119	33
8250-182K	1800	70	0.25	2.3	19.1	111	30
8250-222K	2200	70	0.25	2.2	22.0	103	27
8250-272K	2700	70	0.25	2.1	25.1	97	25
8250-332K	3300	70	0.25	2	33.3	85	22
8250-392K	3900	70	0.25	1.8	36.8	80	20
8250-472K	4700	70	0.25	1.7	51.2	68	19
8250-562K	5600	70	0.25	1.6	54.6	66	17
8250-682K	6800	70	0.25	1.5	62.0	62	16
8250-822K	8200	70	0.25	1.4	86.6	52	15
8250-103K	10,000	70	0.25	1.3	93.1	50	14
8250-123K	12,000	50	0.079	0.88	84.0	53	13
8250-153K	15,000	50	0.079	0.78	97.0	49	12
8250-183K	18,000	50	0.079	0.72	104.0	48	10
8250-223K	22,000	50	0.079	0.57	145.0	40	9
8250-273K	27,000	50	0.079	0.46	195.0	34	8
8250-333K	33,000	50	0.079	0.42	222.0	32	7.5
8250-393K	39,000	50	0.079	0.42	242.0	31	6
8250-473K	47,000	50	0.079	0.37	317.0	27	5.5
8250-563K	56,000	50	0.079	0.36	362.0	25	5
8250-683K	68,000	50	0.079	0.35	410.0	24	4
8250-823K	82,000	50	0.079	0.34	440.0	23	3.5
8250-104K	100,000	50	0.079	0.32	484.0	22	3

For RoHS compliant version, add "-RC" to part number.



BOURNS®

Tel. (877) 426-8767 • Fax (951) 781-5006

www.bourns.com

Molded Chokes

Special Features

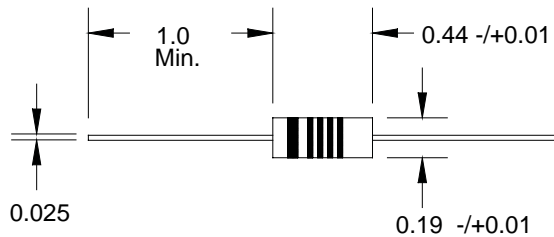
- High Q, high reliability
- Iron or ferrite core
- Injection molded to protect coil from extreme environments
- Flame retardant coating
- Consistent body dimension
- Color band or numerical marking identification
- Dielectric strength 1000 Vrms
- Operating temperature -55 to +105 °C

Notes

* Current to cause 35 °C max. temperature rise

9220 Series						
Part Number	L (μH) ±5 %	Q Min.	Test Freq. (MHz)	SRF (MHz) Min.	DCR Ω Max.	I, DC* (mA)
9220-00	270	65	7.9	5.6	8.2	110
9220-02	300	65	7.9	5.3	8.7	107
9220-04	330	65	7.9	5.0	9.1	105
9220-06	360	65	7.9	4.7	9.6	102
9220-08	390	65	7.9	4.5	10.0	100
9220-10	430	65	7.9	4.3	10.6	97
9220-12	470	65	7.9	4.0	11.1	95
9220-14	500	65	7.9	3.8	11.6	93
9220-15	510	65	7.9	3.8	11.6	92
9220-16	560	65	7.9	3.6	12.3	91
9220-18	620	60	7.9	3.5	13.0	88
9220-20	680	60	7.9	3.4	13.7	85
9220-22	750	60	7.9	3.3	14.4	83
9220-24	820	60	7.9	3.1	15.1	81
9220-26	910	60	7.9	2.9	15.8	79
9220-28	1000	60	7.9	2.8	16.5	78

For RoHS compliant version, add "-RC" to part number.



Dimensions: Inches

BOURNS®

Tel. (877) 426-8767 • Fax (951) 781-5006

www.bourns.com

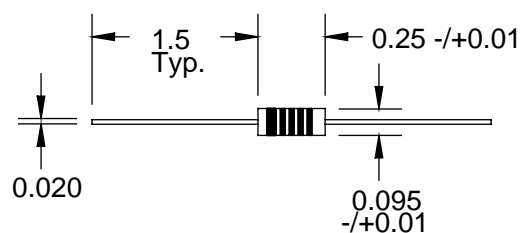
Molded Chokes

Special Features

- High Q, high reliability
- Miniature size
- Injection molded to protect coil from extreme environments
- Flame retardant coating
- Consistent body dimension
- Color band or numerical marking identification
- Dielectric strength 1000 Vrms
- Operating temperature: phenolic -55 to +125 °C; iron, ferrite -55° to 105 °C

Notes

* Current to cause 35 °C max. temperature rise



Dimensions: Inches

9230 Series							
Part Number	L (μH) ±10 %	Q Min.	Test Freq. (MHz)	SRF (MHz) Min.	DCR Ω Max.	I, DC* (mA)	Core Material
9230-94	0.10	40	25	690	0.07	1100	Phenolic
9230-96	0.12	40	25	650	0.08	1100	Phenolic
9230-00	0.15	38	25	600	0.10	1100	Phenolic
9230-02	0.18	35	25	550	0.12	1010	Phenolic
9230-04	0.22	33	25	10	0.14	935	Phenolic
9230-06	0.27	33	25	430	0.16	875	Phenolic
9230-08	0.33	30	25	410	0.20	780	Phenolic
9230-10	0.39	30	25	380	0.30	640	Phenolic
9230-12	0.47	30	25	340	0.35	590	Phenolic
9230-14	0.56	30	25	300	0.50	495	Phenolic
9230-16	0.68	28	25	275	0.60	450	Phenolic
9230-18	0.82	28	25	250	0.85	380	Phenolic
9230-20	1.0	25	25	230	1.0	350	Phenolic
9230-22	1.2	25	7.9	150	0.18	825	Iron
9230-24	1.5	28	7.9	140	0.22	745	Iron
9230-26	1.8	30	7.9	125	0.30	640	Iron
9230-28	2.2	30	7.9	115	0.40	550	Iron
9230-30	2.7	37	7.9	100	0.50	495	Iron
9230-32	3.3	45	7.9	90	0.85	380	Iron
9230-34	3.9	45	7.9	82	1.0	350	Iron
9230-36	4.7	45	7.9	75	1.2	320	Iron
9230-38	5.6	50	7.9	68	1.8	260	Iron
9230-40	6.8	50	7.9	60	2.0	245	Iron
9230-42	8.2	55	7.9	55	2.7	210	Iron
9230-44	10	55	7.9	50	3.7	180	Iron
9230-46	12	45	2.5	40	2.7	210	Iron
9230-48	15	45	2.5	35	2.8	205	Iron
9230-50	18	50	2.5	32	3.1	195	Iron
9230-52	22	50	2.5	25	3.3	190	Iron
9230-54	27	50	2.5	22	3.5	185	Iron
9230-56	33	45	2.5	24	3.4	187	Ferrite
9230-58	39	45	2.5	22	3.6	180	Ferrite
9230-60	47	45	2.5	20	4.5	165	Ferrite
9230-62	56	45	2.5	18	5.7	145	Ferrite
9230-64	68	50	2.5	15	6.7	135	Ferrite
9230-66	82	50	2.5	14	7.3	130	Ferrite
9230-68	100	50	2.5	13	8.0	125	Ferrite
9230-70	120	30	0.79	12	13	97	Ferrite
9230-72	150	30	0.79	11	15	85	Ferrite
9230-74	180	30	0.79	10	17	79	Ferrite
9230-76	220	30	0.79	9	21	73	Ferrite
9230-78	270	30	0.79	8	25	65	Ferrite
9230-80	330	30	0.79	7	28	62	Ferrite
9230-82	390	30	0.79	6.5	35	55	Ferrite
9230-84	470	30	0.79	6	42	50	Ferrite
9230-86	560	30	0.79	5	46	48	Ferrite
9230-88	680	30	0.79	4.2	60	42	Ferrite
9230-90	820	30	0.79	3.8	65	40	Ferrite
9230-92	1000	30	0.79	3.4	72	38	Ferrite

BOURNS®

Tel. (877) 426-8767 • Fax (951) 781-5006

www.bourns.com

Shielded, Molded Chokes

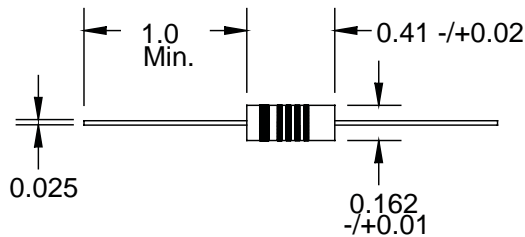
Special Features

- Ferrite magnetic shielded for low radiation
- High Q, high reliability
- Injection molded to protect coil from extreme environments
- Flame retardant coating
- Consistent body dimension
- Color band or numerical marking identification
- Dielectric strength 1000 Vrms
- Operating temperature -55 to +105 °C

Notes

- * Rated current to cause 35 °C max. temperature rise
- ** Incremental current to cause 5 % max. inductance drop

Bourns recommends using the 9250A Series as a replacement for the 9250 Series



Dimensions: Inches

9250 Series							
Part Number	L (µH) ±10 %	Q Min.	Test Freq. (MHz)	SRF (MHz) Min.	DCR Ω Max.	I, DC* (mA)	I, Incr.** (mA)
9250-101-RC	0.10	50	25	250	0.025	1790	1790
9250-121-RC	0.12	51	25	250	0.034	1530	1530
9250-151-RC	0.15	51	25	250	0.037	1470	1470
9250-181-RC	0.18	50	25	250	0.047	1300	1300
9250-221-RC	0.22	49	25	250	0.067	1100	1100
9250-271-RC	0.27	47	25	250	0.11	855	855
9250-331-RC	0.33	46	25	250	0.13	780	780
9250-391-RC	0.39	44	25	250	0.18	670	670
9250-471-RC	0.47	44	25	235	0.25	565	565
9250-561-RC	0.56	43	25	210	0.33	490	490
9250-681-RC	0.68	42	25	190	0.45	420	420
9250-821-RC	0.82	40	25	180	0.59	370	370
9250-102-RC	1.0	44	25	140	0.07	1070	1070
9250-122-RC	1.2	44	7.9	130	0.10	895	895
9250-152-RC	1.5	44	7.9	115	0.12	815	815
9250-182-RC	1.8	44	7.9	105	0.14	775	775
9250-222-RC	2.2	44	7.9	100	0.19	650	650
9250-272-RC	2.7	44	7.9	92	0.28	535	535
9250-332-RC	3.3	44	7.9	85	0.35	480	480
9250-392-RC	3.9	44	7.9	75	0.40	450	450
9250-472-RC	4.7	44	7.9	70	0.55	380	380
9250-562-RC	5.6	44	7.9	65	0.72	335	335
9250-682-RC	6.8	50	7.9	55	1.02	280	280
9250-822-RC	8.2	50	7.9	50	1.32	250	250
9250-103-RC	10	50	7.9	46	1.62	220	220
9250-123-RC	12	55	2.5	44	2.0	200	200
9250-153-RC	15	45	2.5	49	0.80	315	250
9250-183-RC	18	45	2.5	45	0.89	300	235
9250-223-RC	22	45	2.5	41	0.96	290	220
9250-273-RC	27	45	2.5	38	1.19	260	200
9250-333-RC	33	45	2.5	34	1.37	240	190
9250-393-RC	39	50	2.5	29	1.93	205	180
9250-473-RC	47	50	2.5	27	2.11	195	175
9250-563-RC	56	50	2.5	25	2.23	190	160
9250-683-RC	68	50	2.5	21	2.70	170	150
9250-823-RC	82	50	2.5	10.5	2.44	180	140
9250-104-RC	100	50	2.5	10.0	3.12	160	120
9250-124-RC	120	55	0.79	9.7	3.6	150	95
9250-154-RC	150	55	0.79	8.5	4.1	140	90
9250-184-RC	180	55	0.79	8.0	4.4	135	85
9250-224-RC	220	55	0.79	7.5	5.0	125	80
9250-274-RC	270	55	0.79	7.0	5.8	115	70
9250-334-RC	330	55	0.79	6.5	6.4	110	65
9250-394-RC	390	60	0.79	6.2	7.4	105	60
9250-474-RC	470	60	0.79	5.7	9.5	92	58
9250-564-RC	560	60	0.79	4.7	10.5	90	55
9250-684-RC	680	60	0.79	4.5	11.8	80	50
9250-824-RC	820	60	0.79	4.2	13.0	80	45

Only available as RoHS compliant.

Continued on next page.

Shielded, Molded Chokes

Special Features

- Ferrite magnetic shielded for low radiation
- High Q, high reliability
- Injection molded to protect coil from extreme environments
- Flame retardant coating
- Consistent body dimension
- Color band or numerical marking identification
- Dielectric strength 1000 Vrms
- Operating temperature -55 to +105 °C

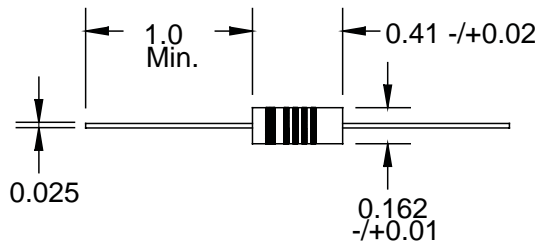
Notes

- * Rated current to cause 35 °C max. temperature rise
- ** Incremental current to cause 5 % max. inductance drop

Bourns recommends using the 9250A Series as a replacement for the 9250 Series

9250 Series continued							
Part Number	L (μH) ±10 %	Q Min.	Test Freq. (MHz)	SRF (MHz) Min.	DCR Ω Max.	I, DC* (mA)	I, Incr.** (mA)
9250-105-RC	1000	60	0.79	3.8	17.5	70	40
9250-125-RC	1200	45	0.25	1.5	22.1	60	35
9250-155-RC	1500	45	0.25	1.2	26.5	55	33
9250-185-RC	1800	45	0.25	1.0	29.9	50	30
9250-225-RC	2200	45	0.25	0.97	33.8	50	27
9250-275-RC	2700	45	0.25	0.92	47.3	40	25
9250-335-RC	3300	45	0.25	0.84	53.0	40	22
9250-395-RC	3900	45	0.25	0.80	73.8	35	20
9250-475-RC	4700	45	0.25	0.74	81.6	31	19
9250-565-RC	5600	44	0.25	0.73	98.9	28	17
9250-685-RC	6800	40	0.25	0.66	111	27	16
9250-825-RC	8200	40	0.25	0.54	119	26	15
9250-106-RC	10,000	40	0.25	0.47	137	24	14
9250-126-RC	12,000	30	0.079	0.33	143	23	13
9250-156-RC	15,000	30	0.079	0.29	157	22	12
9250-186-RC	18,000	30	0.079	0.28	175	21	10
9250-226-RC	22,000	27	0.079	0.25	274	17	9
9250-276-RC	27,000	27	0.079	0.21	308	16	8
9250-336-RC	33,000	27	0.079	0.19	343	15	7.5
9250-396-RC	39,000	27	0.079	0.17	376	15	6
9250-476-RC	47,000	23	0.079	0.16	473	13	5.5
9250-566-RC	56,000	23	0.079	0.14	512	13	5
9250-686-RC	68,000	23	0.079	0.13	580	12	4
9250-826-RC	82,000	21	0.079	0.12	618	11	3.5
9250-107-RC	100,000	18	0.079	0.11	678	11	3

Only available as RoHS compliant.



Dimensions: Inches

BOURNS®

Tel. (877) 426-8767 • Fax (951) 781-5006

www.bourns.com

Shielded, Molded Chokes

Special Features

- Magnetic shielded for low radiation
- High Q, high reliability
- Injection molded to protect coil from extreme environments
- Flame retardant coating
- Consistent body dimension
- Color band identification
- Dielectric strength 1000 Vrms
- Operating temperature -55 to +125 °C

Typical Applications

- Telecommunications
- Signal processing
- Computer peripherals
- Network routers
- Data switchers
- Consumer electronics
- Medical electronics

Notes

* Rated current to cause 35 °C max. temperature rise

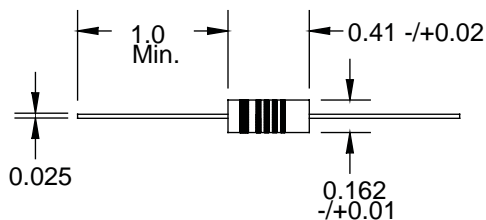
** Incremental current to cause 5 % max. inductance drop

Recommended replacement for the 9250 Series

9250A Series							
Part Number	L (μH) ±10 %	Q Min.	Test Freq. (MHz)	SRF (MHz) Min.	DCR Ω Max.	I, DC* (mA)	I, Incr.** (mA)
9250A-101	0.10	50	25	250	0.025	1790	1790
9250A-121	0.12	51	25	250	0.034	1530	1530
9250A-151	0.15	51	25	250	0.037	1470	1470
9250A-181	0.18	50	25	250	0.047	1300	1300
9250A-221	0.22	49	25	250	0.067	1100	1100
9250A-271	0.27	47	25	250	0.11	855	855
9250A-331	0.33	46	25	250	0.13	780	780
9250A-391	0.39	44	25	250	0.18	670	670
9250A-471	0.47	44	25	235	0.25	565	565
9250A-561	0.56	43	25	210	0.33	490	490
9250A-681	0.68	42	25	190	0.45	420	420
9250A-821	0.82	40	25	180	0.59	370	370
9250A-102	1.0	40	25	140	0.07	1070	1070
9250A-122	1.2	44	7.9	130	0.10	895	895
9250A-152	1.5	44	7.9	115	0.12	815	815
9250A-182	1.8	44	7.9	105	0.14	775	775
9250A-222	2.2	44	7.9	100	0.19	650	650
9250A-272	2.7	44	7.9	92	0.28	535	535
9250A-332	3.3	44	7.9	85	0.35	480	480
9250A-392	3.9	44	7.9	75	0.40	450	450
9250A-472	4.7	44	7.9	70	0.55	380	380
9250A-562	5.6	44	7.9	65	0.72	335	335
9250A-682	6.8	50	7.9	55	1.02	280	280
9250A-822	8.2	50	7.9	50	1.32	250	250
9250A-103	10	50	7.9	46	1.62	220	220
9250A-123	12	55	2.5	44	2.0	200	200
9250A-153	15	45	2.5	49	0.80	315	250
9250A-183	18	45	2.5	45	0.89	300	235
9250A-223	22	45	2.5	41	0.96	290	220
9250A-273	27	45	2.5	38	1.19	260	200
9250A-333	33	45	2.5	34	1.37	240	190
9250A-393	39	50	2.5	29	1.93	205	180
9250A-473	47	50	2.5	27	2.11	195	175
9250A-563	56	50	2.5	25	2.23	190	160
9250A-683	68	50	2.5	21	2.70	170	150
9250A-823	82	50	2.5	10.5	2.44	180	140
9250A-104	100	50	2.5	10.0	3.12	160	120
9250A-124	120	55	0.79	9.7	3.6	150	95
9250A-154	150	55	0.79	8.5	4.1	140	90
9250A-184	180	55	0.79	8.0	4.4	135	85
9250A-224	220	55	0.79	7.5	5.0	125	80
9250A-274	270	55	0.79	7.0	5.8	115	70
9250A-334	330	55	0.79	6.5	6.4	110	65
9250A-394	390	60	0.79	6.2	7.4	105	60
9250A-474	470	60	0.79	5.7	9.5	92	58
9250A-564	560	60	0.79	4.7	10.5	90	55
9250A-684	680	60	0.79	4.5	11.8	80	50
9250A-824	820	60	0.79	4.2	13.0	80	45
9250A-105	1000	60	0.79	3.8	17.5	70	40

For RoHS compliant version, add "-RC" to part number.

Continued next page.



Dimensions: Inches

Shielded, Molded Chokes

Special Features

- Magnetic shielded for low radiation
- High Q, high reliability
- Injection molded to protect coil from extreme environments
- Flame retardant coating
- Consistent body dimension
- Color band identification
- Dielectric strength 1000 Vrms
- Operating temperature -55 to +125 °C

Typical Applications

- Telecommunications
- Signal processing
- Computer peripherals
- Network routers
- Data switchers
- Consumer electronics
- Medical electronics

Notes

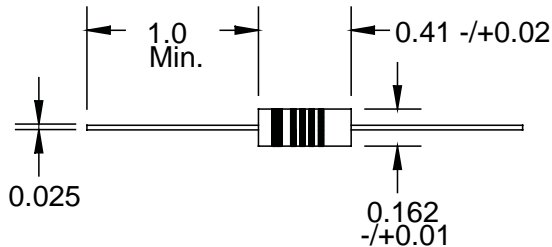
* Rated current to cause 35 °C max. temperature rise

** Incremental current to cause 5 % max. inductance drop

Recommended replacement for the 9250 Series

9250A Series continued							
Part Number	L (μH) ±10 %	Q Min.	Test Freq. (MHz)	SRF (MHz) Min.	DCR Ω Max.	I, DC* (mA)	I, Incr.** (mA)
9250A-125	1200	45	0.25	1.5	22.1	60	35
9250A-155	1500	45	0.25	1.2	26.5	55	33
9250A-185	1800	45	0.25	1.0	29.9	50	30
9250A-225	2200	45	0.25	0.97	33.8	50	27
9250A-275	2700	45	0.25	0.92	47.3	40	25
9250A-335	3300	45	0.25	0.84	53.0	40	22
9250A-395	3900	45	0.25	0.80	73.8	35	20
9250A-475	4700	45	0.25	0.74	81.6	31	19
9250A-565	5600	44	0.25	0.73	98.9	28	17
9250A-685	6800	40	0.25	0.66	111	27	16
9250A-825	8200	40	0.25	0.54	119	26	15
9250A-106	10,000	40	0.25	0.47	137	24	14
9250A-126	12,000	30	0.079	0.33	143	23	13
9250A-156	15,000	30	0.079	0.29	157	22	12
9250A-186	18,000	30	0.079	0.28	175	21	10
9250A-226	22,000	27	0.079	0.25	274	17	9
9250A-276	27,000	27	0.079	0.21	308	16	8
9250A-336	33,000	27	0.079	0.19	343	15	7.5
9250A-396	39,000	27	0.079	0.17	376	15	6
9250A-476	47,000	23	0.079	0.16	473	13	5.5
9250A-566	56,000	23	0.079	0.14	512	13	5
9250A-686	68,000	23	0.079	0.13	580	12	4
9250A-826	82,000	21	0.079	0.12	618	11	3.5
9250A-107	100,000	18	0.079	0.11	678	11	3

For RoHS compliant version, add "-RC" to part number.



Dimensions: Inches

BOURNS®

Tel. (877) 426-8767 • Fax (951) 781-5006

www.bourns.com

Molded Chokes

Special Features

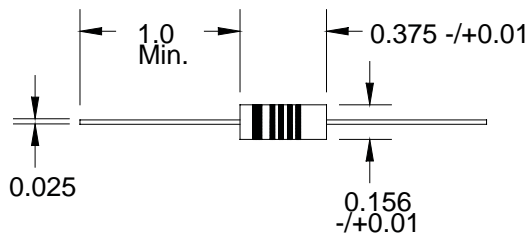
- High Q, high reliability
- Iron or ferrite core
- Injection molded to protect coil from extreme environments
- Flame retardant coating
- Consistent body dimension
- Color band or numerical marking identification
- Dielectric strength 1000 Vrms
- Operating temperature -55° to 105 °C

Notes

* Current to cause 35 °C max. temperature rise

9310 Series						
Part Number	L (μH) ±20 %	Q Min.	Test Freq. (MHz)	SRF (MHz) Min.	DCR Ω Max.	I, DC* (mA)
9310-00-RC	0.15	50	25	525	0.03	2450
9310-02-RC	0.22	50	25	450	0.055	1900
9310-04-RC	0.33	45	25	360	0.09	1400
9310-06-RC	0.47	45	5	310	0.12	1225
	±10 %					
9310-07-RC	0.56	50	25	280	0.135	1220
9310-08-RC	0.68	50	25	250	0.15	1100
9310-10-RC	0.82	50	25	220	0.22	900
9310-12-RC	1.0	50	25	200	0.29	830
9310-14-RC	1.2	33	7.9	180	0.42	650
9310-16-RC	1.5	33	7.9	160	0.50	600
9310-18-RC	1.8	33	7.9	150	0.65	525
9310-20-RC	2.2	33	7.9	135	0.95	435
9310-22-RC	2.7	33	7.9	120	1.2	385
9310-24-RC	3.3	33	7.9	110	2.0	300
9310-26-RC	3.9	33	7.9	100	2.3	280
9310-28-RC	4.7	33	7.9	90	2.6	260
9310-30-RC	5.6	45	7.9	60	0.32	750
9310-32-RC	6.8	50	7.9	55	0.50	600
9310-34-RC	8.2	50	7.9	50	0.60	545
9310-36-RC	10	55	7.9	45	0.90	445
9310-38-RC	12	65	2.5	42	1.1	404
9310-40-RC	15	65	2.5	40	1.4	370
9310-42-RC	18	75	2.5	34	2.25	280
9310-44-RC	22	75	2.5	30	2.5	265
9310-46-RC	24	60	2.5	26	2.5	265
9310-48-RC	27	60	2.5	25	2.6	260
9310-50-RC	30	65	2.5	19	2.8	255
9310-52-RC	33	65	2.5	19	3.0	250

Only available as RoHS compliant.



Dimensions: Inches

BOURNS®

Tel. (877) 426-8767 • Fax (951) 781-5006

www.bourns.com



BOURNS®

Tel. (877) 426-8767 • Fax (951) 781-5006

www.bourns.com

Varnished Chokes

Special Features

- High Q, high self-resonant frequency
- High voltage application on phenolic components
- Single layer or 3-pi universal wound
- Low cost
- Varnish coated
- Operating temperature:
phenolic -55 to +125 °C
iron & ferrite -55 to +105 °C

Notes

* Current to cause 35 °C max. temperature rise

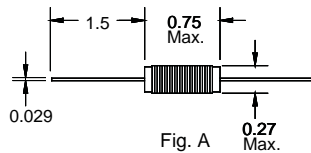


Fig. A

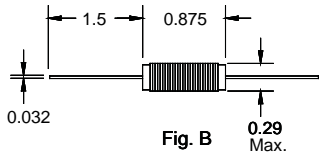


Fig. B

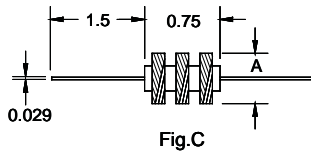


Fig. C

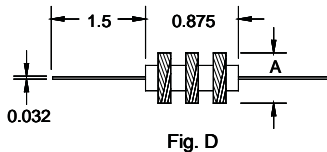


Fig. D

Dimensions: Inches

4600 Series										
Part Number	L (μH) ±20 %	Q Min.	Test Freq. (MHz)	SRF (MHz) Min.	DCR Ω Max.	I, DC* (mA)	Coil Diam. Max.	Core Matl.	Fig.	
4602	1.0	60	7.96	190	0.05	2000	0.27	Phenolic	A	
±10 %										
4604	1.5	58	7.96	149	0.093	1800	0.27	Phenolic	A	
4606	2.4	56	7.96	120	0.19	1500	0.27	Phenolic	A	
4608	3.9	60	7.96	93	0.45	1000	0.27	Phenolic	A	
4609	5.5	57	7.96	80	0.67	850	0.27	Phenolic	A	
4610	6.2	57	7.96	76	0.83	700	0.27	Phenolic	A	
4611	8.2	57	7.96	65	1.2	600	0.27	Phenolic	A	
4612	10	36	2.52	61	1.5	500	0.27	Phenolic	A	
±5 %										
4622	10	69	2.52	40	0.11	1500	0.29	Iron	B	
4624	15	62	2.52	33	0.17	1000	0.29	Iron	B	
4626	24	65	2.52	25	0.34	800	0.29	Iron	B	
4628	39	70	2.52	20	0.65	600	0.29	Iron	B	
4629	55	72	2.52	17	1.0	500	0.29	Iron	B	
4630	62	83	2.52	16	1.2	475	0.29	Iron	B	
4631	82	85	2.52	13	1.9	450	0.29	Iron	B	
4632	100	107	0.79	12	3.0	400	0.29	Iron	B	
4642	100	49	0.79	11	5.4	160	0.41	Phenolic	C	
4644	150	53	0.79	8.8	6.5	160	0.41	Phenolic	C	
4646	240	56	0.79	7.2	8.5	160	0.44	Phenolic	C	
4648	390	57	0.79	5.6	11.0	160	0.50	Phenolic	C	
4649	550	58	0.79	4.8	13.0	160	0.50	Phenolic	C	
4650	620	59	0.79	4.5	15.0	160	0.53	Phenolic	C	
4651	750	56	0.79	4.0	16.0	160	0.53	Phenolic	C	
4652	1000	59	0.252	3.7	19.0	160	0.56	Phenolic	C	
			L Test @1 KHz	Q Test Freq.						
4662		83	1000	0.252	2.6	8.6	160	0.47	Iron	D
4664		82	1500	0.252	2.1	11.0	160	0.47	Iron	D
4666		80	2400	0.252	1.7	15.0	160	0.53	Iron	D
4668		73	3900	0.252	1.4	20.0	160	0.56	Iron	D
4669		69	5500	0.252	1.1	25.0	160	0.59	Iron	D
4670		89	6200	0.252	1.0	37.0	100	0.53	Iron	D
4671		83	8200	0.252	0.94	46.0	100	0.56	Iron	D
4672		68	10,000	0.0796	0.82	50.0	100	0.59	Iron	D

For RoHS compliant version, add "-RC" to part number.

BOURNS®

Tel. (877) 426-8767 • Fax (951) 781-5006

www.bourns.com

Varnished Chokes

Special Features

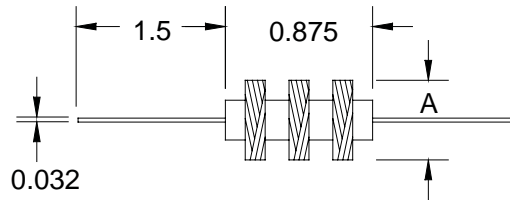
- High Q, high self-resonant frequency
- High voltage application
- 3-pi universal wound
- Low cost
- Varnish coated
- Ferrite core
- Operating temperature -55 to +105 °C

Notes

* Current to cause 35 °C max. temperature rise

6300 Series							
Part Number	L (μH) ±5 %	Q Min.	Test Freq. (MHz)	SRF (MHz) Min.	DCR Ω Max.	I, DC* (mA)	Dim. A Max
6302	2500	95	0.252	1.3	9.0	160	0.47
6304	5000	80	0.252	1.0	14.0	160	0.53
6306	10,000	95	0.0796	0.71	31.0	100	0.53
6308	25,000	90	0.0796	0.47	82.0	65	0.53
6310	50,000	100	0.0796	0.33	127.0	65	0.63

For RoHS compliant version, add "-RC" to part number.



Dimensions: Inches

BOURNS®

Tel. (877) 426-8767 • Fax (951) 781-5006

www.bourns.com

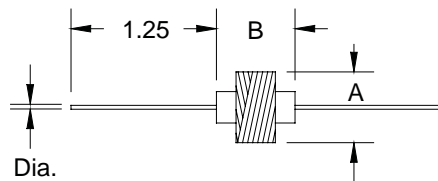
Varnished Chokes

Special Features

- High Q, high self-resonant frequency
- High voltage application on phenolic and ferrite components
- Universal wound
- Low cost
- Varnish coated
- Operating temperature:
phenolic -55 to +125 °C;
iron, ferrite -55 to +105 °C

Notes

* Current to cause 35 °C max. temperature rise



Dia.
0.025 for 0.1-22,000uh
0.032 for 25,000-500,000uh

Dimensions: Inches

70F Series									
Part Number	L (μH) ±20 %	Q Min.	Test Freq. (MHz)	SRF (MHz) Min.	DCR Ω Max.	I, DC* (mA)	Dim. A Max	Dim. B ±0.03	Core Material
70F107AP	0.10	49	25	600	0.13	3922	0.15	0.31	Phenolic
70F157AP	0.15	52	25	490	0.25	2828	0.14	0.31	Phenolic
70F227AP	0.22	48	25	400	0.38	2294	0.14	0.31	Phenolic
70F337AP	0.33	47	25	330	0.70	1690	0.12	0.31	Phenolic
70F477AP	0.47	46	25	280	0.125	1264	0.12	0.31	Phenolic
70F687AP	0.68	48	25	240	0.20	1000	0.12	0.31	Phenolic
70F757AP	0.75	48	25	224	0.264	870	0.12	0.31	Phenolic
70F827AP	0.82	48	25	216	0.29	830	0.12	0.31	Phenolic
70F106AI	1.0	41	25	118	0.048	2041	0.16	0.25	Iron
±10 %									
70F126AI	1.2	45	7.9	118	0.072	1666	0.16	0.25	Iron
70F156AI	1.5	42	7.9	102	0.096	1443	0.16	0.25	Iron
70F186AI	1.8	31	7.9	89	0.096	1443	0.16	0.25	Iron
70F226AI	2.2	43	7.9	87	0.156	1132	0.16	0.25	Iron
70F276AI	2.7	34	7.9	74	0.168	1091	0.16	0.25	Iron
70F336AI	3.3	40	7.9	66	0.24	912	0.15	0.25	Iron
70F396AI	3.9	35	7.9	61	0.264	870	0.15	0.25	Iron
70F476AI	4.7	43	7.9	53	0.457	661	0.15	0.25	Iron
70F566AI	5.6	41	7.9	49	0.492	637	0.15	0.25	Iron
70F686AI	6.8	40	7.9	49	0.624	566	0.15	0.25	Iron
70F756AI	7.5	32	7.9	44	0.624	566	0.15	0.25	Iron
70F826AI	8.2	37	7.9	41	0.744	518	0.15	0.25	Iron
70F916AI	9.1	41	7.9	21	1.44	288	0.16	0.25	Iron
70F105AI	10	36	7.9	19	1.56	277	0.16	0.25	Iron
70F125AI	12	52	2.5	19	1.68	267	0.16	0.25	Iron
70F155AI	15	52	2.5	16	1.92	250	0.16	0.25	Iron
±5 %									
70F185AI	18	52	2.5	15	2.28	229	0.16	0.25	Iron
70F225AI	22	51	2.5	13	2.28	229	0.16	0.25	Iron
70F255AI	25	48	2.5	13	2.64	213	0.17	0.25	Iron
70F275AI	27	49	2.5	12	2.64	213	0.17	0.25	Iron
70F335AI	33	50	2.5	10	2.76	208	0.17	0.25	Iron
70F395AI	39	48	2.5	9.3	3.36	188	0.17	0.25	Iron
70F475AI	47	44	2.5	9.1	3.36	188	0.17	0.25	Iron
70F565AI	56	45	2.5	8.6	3.84	176	0.18	0.25	Iron
70F685AI	68	42	2.5	8.1	4.2	169	0.18	0.25	Iron
70F755AI	75	38	2.5	7.2	4.56	162	0.18	0.25	Iron
70F825AI	82	41	2.5	6.7	4.8	158	0.18	0.25	Iron
70F915AI	91	41	2.5	6.7	4.92	156	0.18	0.25	Iron
70F104AI	100	25	2.5	3.6	7.68	139	0.16	0.25	Iron
70F124AI	120	40	0.79	3.2	8.16	135	0.16	0.25	Iron
70F154AI	150	47	0.79	3.0	8.16	135	0.16	0.25	Iron
70F184AI	180	48	0.79	2.8	8.16	135	0.17	0.25	Iron
70F204AI	200	47	0.79	2.7	10.3	120	0.17	0.25	Iron
70F224AI	220	46	0.79	2.5	11.5	114	0.17	0.25	Iron
70F254AI	250	49	0.79	2.5	12.1	111	0.17	0.25	Iron
70F274AI	270	46	0.79	2.5	13.2	106	0.17	0.25	Iron
70F304AI	300	46	0.79	2.2	13.2	106	0.17	0.25	Iron
70F334AI	330	41	0.79	2.0	13.9	103	0.17	0.25	Iron
70F354AI	350	46	0.79	2.0	14.4	102	0.18	0.25	Iron

For RoHS compliant version, add "-RC" to part number.

Continued next page.

BOURNS®

Tel. (877) 426-8767 • Fax (951) 781-5006

www.bourns.com

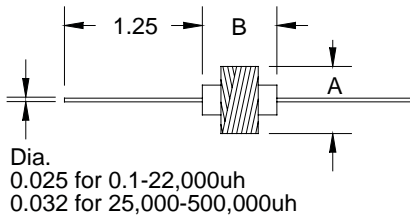
Varnished Chokes

Special Features

- High Q, high self-resonant frequency
- High voltage application on phenolic and ferrite components
- Universal wound
- Low cost
- Varnish coated
- Operating temperature:
phenolic -55 to +125 °C;
iron, ferrite -55 to +105 °C

Notes

- * Current to cause 35 °C max. temperature rise



Dimensions: Inches

70F Series continued									
Part Number	L (μH) ±5 %	Q Min.	Test Freq. (MHz)	SRF (MHz) Min.	DCR Ω Max.	I, DC* (mA)	Dim.	Dim.	Core Material
							A Max	B ±0.03	
70F394AI	390	45	0.79	2.0	15.8	97	0.18	0.25	Iron
70F474AI	470	35	0.79	1.8	16.3	95	0.18	0.25	Iron
70F504AI	500	49	0.79	1.8	18.0	91	0.19	0.25	Iron
70F564AI	560	41	0.79	1.7	19.2	88	0.19	0.25	Iron
70F684AI	680	37	0.79	1.6	19.8	87	0.2	0.25	Iron
70F754AI	750	40	0.79	1.6	22.9	80	0.21	0.25	Iron
70F824AI	820	33	0.79	1.6	22.9	80	0.21	0.25	Iron
70F914AI	910	32	0.79	1.4	24.0	79	0.22	0.25	Iron
70F103AI	1000	30	0.79	1.4	24.0	79	0.22	0.25	Iron
70F123AI	1200	34	0.25	1.2	33.6	66	0.22	0.25	Iron
70F153AI	1500	40	0.25	1.1	37.2	63	0.22	0.25	Iron
70F183AI	1800	40	0.25	0.96	42.0	59	0.23	0.25	Iron
70F223AI	2200	40	0.25	0.96	45.6	57	0.24	0.25	Iron
70F253AI	2500	48	0.25	0.96	45.6	57	0.26	0.38	Iron
70F273AI	2700	50	0.25	0.88	45.6	57	0.26	0.38	Iron
70F333AI	3300	52	0.25	0.80	51.6	53	0.26	0.38	Iron
70F393AI	3900	53	0.25	0.76	57.6	51	0.27	0.38	Iron
70F473AI	4700	49	0.25	0.68	64.8	48	0.28	0.38	Iron
70F563AI	5600	53	0.25	0.68	69.6	46	0.3	0.38	Iron
70F683AI	6800	51	0.25	0.64	78	43	0.31	0.38	Iron
70F753AI	7500	49	0.25	0.60	85.2	41	0.31	0.38	Iron
70F823AI	8200	48	0.25	0.60	92.4	40	0.33	0.38	Iron
70F913AI	9100	52	0.25	0.56	98.4	39	0.33	0.38	Iron
70F102AI	10,000	41	0.25	0.52	101	38	0.33	0.38	Iron
70F122AI	12,000	46	0.079	0.36	100	50	0.3	0.50	Iron
70F152AI	15,000	50	0.079	0.32	113	47	0.3	0.50	Iron
70F182AI	18,000	49	0.079	0.29	128	44	0.32	0.50	Iron
70F222AI	22,000	50	0.079	0.27	144	41	0.33	0.50	Iron
70F252AF	25,000	59	0.079	0.25	115	46	0.34	0.63	Ferrite
70F272AF	27,000	61	0.079	0.244	120	45	0.35	0.63	Ferrite
70F332AF	33,000	61	0.079	0.232	134	43	0.35	0.63	Ferrite
70F392AF	39,000	59	0.079	0.22	147	41	0.37	0.63	Ferrite
70F472AF	47,000	57	0.079	0.206	168	38	0.38	0.63	Ferrite
70F502AF	50,000	57	0.079	0.196	175	37	0.4	0.63	Ferrite
70F562AF	56,000	57	0.079	0.188	189	36	0.4	0.63	Ferrite
70F682AF	68,000	57	0.079	0.18	215	34	0.41	0.63	Ferrite
70F752AF	75,000	53	0.079	0.174	222	33	0.43	0.63	Ferrite
70F822AF	82,000	50	0.079	0.168	238	32	0.43	0.63	Ferrite
70F912AF	91,000	51	0.079	0.166	250	31	0.43	0.63	Ferrite
70F101AF	100,000	48	0.079	0.157	278	29	0.44	0.63	Ferrite
L tested @ 1 KHz									
70F121AF	120,000	46	0.025	0.084	288	48	0.48	0.88	Ferrite
70F151AF	150,000	49	0.025	0.077	328	44	0.50	0.88	Ferrite
70F181AF	180,000	51	0.025	0.075	374	41	0.52	0.88	Ferrite
70F221AF	220,000	51	0.025	0.07	424	39	0.54	0.88	Ferrite
70F251AF	250,000	52	0.025	0.065	468	37	0.55	0.88	Ferrite
70F271AF	270,000	53	0.025	0.062	490	36	0.57	0.88	Ferrite
70F331AF	330,000	54	0.025	0.06	540	34	0.58	0.88	Ferrite
70F391AF	390,000	54	0.025	0.056	617	33	0.6	0.88	Ferrite
70F471AF	470,000	55	0.025	0.054	704	30	0.61	0.88	Ferrite
70F501AF	500,000	53	0.025	0.052	736	30	0.63	0.88	Ferrite

For RoHS compliant version, add "-RC" to part number.

BOURNS®

Tel. (877) 426-8767 • Fax (951) 781-5006

www.bourns.com

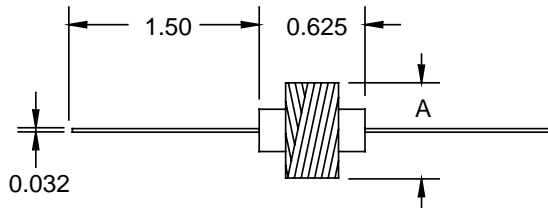
Varnished Chokes

Special Features

- High Q, high self-resonant frequency
- High voltage application
- Universal wound
- Ferrite core
- Low cost
- Varnish coated
- Operating temperature -55 to +105 °C

Notes

* Current to cause 35 °C max. temperature rise



Dimensions: Inches

73F Series							
Part Number	L (μH) ±5 %	Q Min.	Test Freq. (MHz)	SRF (MHz) Min.	DCR Ω Max.	I, DC* (mA)	Dim. A Max
73F104AF	100	140	0.79	7.7	2.0	250	0.33
73F124AF	120	140	0.79	7.0	2.2	250	0.33
73F154AF	150	160	0.79	6.3	2.5	250	0.33
73F184AF	180	160	0.79	6.0	2.9	250	0.34
73F224AF	220	160	0.79	5.6	3.2	250	0.36
73F274AF	270	160	0.79	5.1	3.6	250	0.36
73F334AF	330	160	0.79	4.8	3.8	250	0.37
73F394AF	390	160	0.79	4.4	4.2	225	0.39
73F474AF	470	160	0.79	3.9	4.8	200	0.39
73F564AF	560	160	0.79	3.6	5.3	200	0.40
73F684AF	680	160	0.79	3.4	6.0	200	0.40
73F824AF	820	150	0.79	3.1	6.8	200	0.44
73F103AF	1000	140	0.79	2.6	7.5	150	0.47
73F123AF	1200	140	0.25	2.2	7.8	150	0.54
73F153AF	1500	140	0.25	2.0	8.8	150	0.58
73F183AF	1800	140	0.25	1.8	11.0	150	0.61
73F223AF	2200	100	0.25	1.5	12.0	150	0.44
73F273AF	2700	100	0.25	1.4	13.5	125	0.47
73F333AF	3300	100	0.25	1.3	15.1	125	0.50
73F393AF	3900	95	0.25	1.2	18.0	125	0.51
73F473AF	4700	95	0.25	1.0	21.5	100	0.53
73F563AF	5600	95	0.25	1.0	25.0	80	0.56
73F683AF	6800	95	0.25	0.90	29.0	80	0.59
73F823AF	8200	70	0.25	0.91	30.0	80	0.54
73F102AF	10,000	65	0.25	0.85	34.0	80	0.58

For RoHS compliant version, add "-RC" to part number.

BOURNS®

Tel. (877) 426-8767 • Fax (951) 781-5006

www.bourns.com

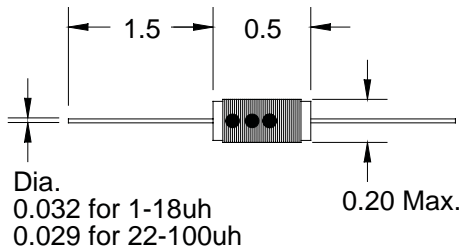
Varnished Chokes

Special Features

- High Q, high self-resonant frequency
- High voltage application on phenolic components
- Single layer wound
- Low cost
- Varnish coated
- Color dot identification
- Operating temperature: phenolic -55 to +125 °C; iron -55 to +105 °C

Notes

* Current to cause 35 °C max. temperature rise



Dimensions: Inches

74F Series							
Part Number	L (μH) ±20 %	Q Min.	Test Freq. (MHz)	SRF (MHz) Min.	DCR Ω Max.	I, DC* (mA)	Core Material
74F106AP	1.0	45	7.96	190	0.20	1000	Phenolic
74F126AP	1.2	45	7.96	174	0.22	950	Phenolic
74F156AP	1.5	45	7.96	160	0.25	900	Phenolic
74F186AP	1.8	45	7.96	144	0.28	850	Phenolic
74F226AP	2.2	45	7.96	132	0.30	800	Phenolic
±10 %							
74F276AP	2.7	45	7.96	119	0.50	700	Phenolic
74F336AP	3.3	45	7.96	108	0.70	600	Phenolic
74F396AP	3.9	45	7.96	101	0.80	500	Phenolic
74F476AP	4.7	50	7.96	91	1.0	400	Phenolic
74F566AP	5.6	50	7.96	83	1.8	350	Phenolic
74F686AP	6.8	50	7.96	75	1.85	300	Phenolic
74F826AP	8.2	50	7.96	68	1.9	275	Phenolic
74F105AP	10	50	7.96	62	3.0	250	Phenolic
74F125AP	12	30	2.52	57	3.6	200	Phenolic
74F155AP	15	30	2.52	51	6.0	150	Phenolic
74F185AP	18	30	2.52	46	7.5	100	Phenolic
74F225AI	22	85	2.52	28	2.0	500	Iron
74F275AI	27	80	2.52	26	1.85	450	Iron
74F335AI	33	80	2.52	24	2.0	450	Iron
74F395AI	39	90	2.52	21	2.6	400	Iron
74F475AI	47	90	2.52	19	3.5	350	Iron
74F565AI	56	90	2.52	18	3.75	300	Iron
74F685AI	68	90	2.52	17	4.0	250	Iron
74F825AI	82	100	2.52	15	5.1	200	Iron
74F104AI	100	100	2.52	14	6.0	100	Iron

For RoHS compliant version, add "-RC" to part number.

BOURNS®

Tel. (877) 426-8767 • Fax (951) 781-5006

www.bourns.com

Hash Chokes

Special Features

- Low cost, low DCR
- High current capacity
- Varnish coated
- Operating temperature -55 to +105 °C
- Ideal for use as EMI filter, output choke, smoothing coil

Notes

- * Current to cause 10 % max. inductance drop or 35 °C max. temperature rise

5200 Series								
Part Number	L (μH) ±20 %	Test. Freq.	DCR Ω Max.	I, DC* (A)	Coil Dia. Max.	Lead Wire Size	Core Material	Fig.
5218	3.35	7.96 MHz	0.01	20	0.6	12	Iron	A
5219	4.9	7.96 MHz	0.016	15	0.6	14	Iron	A
5220	8.8	7.96 MHz	0.021	10	0.56	16	Iron	A
5230	4.0	7.96 MHz	0.012	8	0.38	20	Ferrite	B
5240	40	1 KHz	0.082	3	0.31	20	Ferrite	D
5248	68	1 KHz	0.054	5	0.56	20	Ferrite	C
5250	100	1 KHz	0.216	2	0.38	20	Ferrite	E
5252	125	1 KHz	0.08	3.5	0.50	20	Ferrite	C
5254	250	1 KHz	0.17	2.5	0.44	20	Ferrite	C
5256	500	1 KHz	0.26	2	0.56	20	Ferrite	C
5258	1000	1 KHz	0.55	1	0.50	20	Ferrite	C

For RoHS compliant version, add "-RC" to part number.

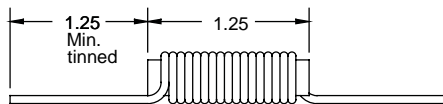


Fig. A

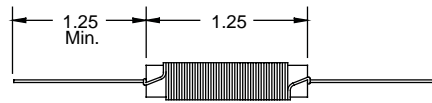


Fig. D

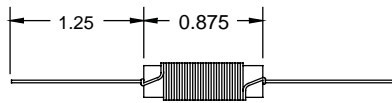


Fig. B

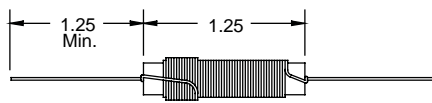


Fig. E

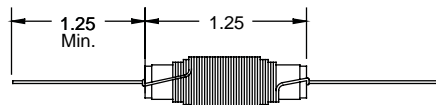


Fig. C

Dimensions: Inches

BOURNS®

Tel. (877) 426-8767 • Fax (951) 781-5006

www.bourns.com



BOURNS®

Tel. (877) 426-8767 • Fax (951) 781-5006

www.bourns.com

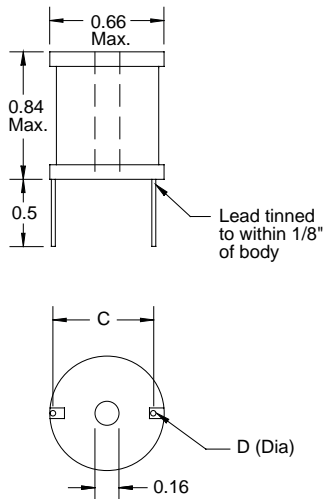
High Current Chokes

Special Features

- Very high current capacity
- Low DCR
- Epoxy coated ferrite bobbin core
- VW-1 rated shrink tubing to cover winding
- Self-leaded
- Fixed lead spacing
- Center hole for mechanical mounting
- Dielectric withstanding voltage:
2500 Vrms terminal to shrink tube cover;
1000 Vrms terminal to core
- Operating temperature -55 to +105 °C

Notes

- * Rated current to cause 50 °C max. temperature rise and 5 % max. inductance drop



Dimensions: Inches

1110 Series					
Part Number	L (μH) ±20 % @ 1 KHz	DCR Ω Max.	I, dc* (A)	Dim. C Approx.	Dim. D Nom.
1110-1R0M	1.0	0.003	9	0.55	0.051
1110-1R2M	1.2	0.003	9	0.55	0.051
1110-1R5M	1.5	0.004	9	0.55	0.051
1110-1R8M	1.8	0.004	9	0.55	0.051
1110-2R2M	2.2	0.005	9	0.55	0.051
1110-2R7M	2.7	0.005	9	0.55	0.051
1110-3R3M	3.3	0.005	9	0.55	0.051
1110-3R9M	3.9	0.006	9	0.55	0.051
1110-4R7M	4.7	0.007	9	0.55	0.051
1110-5R6M	5.6	0.007	9	0.55	0.051
1110-6R8M	6.8	0.008	9	0.55	0.051
1110-8R2M	8.2	0.009	9	0.55	0.051
	± 10 %				
1110-100K	10	0.010	9	0.55	0.051
1110-120K	12	0.011	9	0.55	0.051
1110-150K	15	0.015	7.2	0.53	0.045
1110-180K	18	0.016	7.2	0.53	0.045
1110-220K	22	0.020	5.5	0.53	0.045
1110-270K	27	0.030	4.5	0.53	0.040
1110-330K	33	0.040	4	0.53	0.040
1110-390K	39	0.046	4	0.53	0.040
1110-470K	47	0.062	2.8	0.53	0.036
1110-560K	56	0.069	2.8	0.53	0.036
1110-680K	68	0.077	2.8	0.50	0.032
1110-820K	82	0.083	2.8	0.50	0.032
1110-101K	100	0.095	2.8	0.50	0.032
1110-121K	120	0.127	2	0.50	0.029
1110-151K	150	0.181	1.6	0.50	0.029
1110-181K	180	0.217	1.6	0.50	0.025
1110-221K	220	0.240	1.6	0.50	0.025
1110-271K	270	0.300	1.6	0.47	0.020
1110-331K	330	0.336	1.3	0.47	0.020
1110-391K	390	0.460	1	0.47	0.020
1110-471K	470	0.636	0.8	0.47	0.020
1110-561K	560	0.696	0.8	0.47	0.020

For RoHS compliant version, add "-RC" to part number.

BOURNS®

Tel. (877) 426-8767 • Fax (951) 781-5006

www.bourns.com

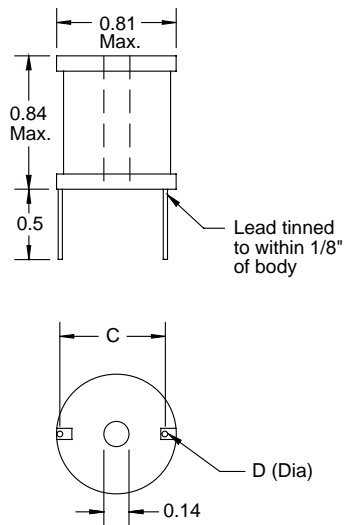
High Current Chokes

Special Features

- Very high current capacity
- Low DCR
- Epoxy coated ferrite bobbin core
- VW-1 rated shrink tubing to cover winding
- Self-leaded
- Fixed lead spacing
- Center hole for mechanical mounting
- Dielectric withstanding voltage:
2500 Vrms terminal to shrink tube cover;
1000 Vrms terminal to core
- Operating temperature -55 to +105 °C

Notes

- * Rated current to cause 50 °C max. temperature rise and 5 % max. inductance drop



Dimensions: Inches

1120 Series					
Part Number	L (μH) ±20 % @ 1 KHz	DCR Ω Max.	I, dc* (A)	Dim. C Approx.	Dim. D Nom.
1120-1R0M	1.0	0.003	11.4	0.63	0.072
1120-1R2M	1.2	0.003	11.4	0.63	0.072
1120-1R5M	1.5	0.003	11.4	0.63	0.072
1120-1R8M	1.8	0.003	11.4	0.63	0.072
1120-2R2M	2.2	0.004	11.4	0.63	0.072
1120-2R7M	2.7	0.005	11.4	0.63	0.064
1120-3R3M	3.3	0.005	11.4	0.63	0.064
1120-3R9M	3.9	0.005	11.4	0.63	0.064
1120-4R7M	4.7	0.005	11.4	0.63	0.064
1120-5R6M	5.6	0.006	11.4	0.63	0.064
1120-6R8M	6.8	0.007	11.4	0.63	0.064
1120-8R2M	8.2	0.007	11.4	0.63	0.064
	± 10 %				
1120-100K	10	0.009	11.4	0.63	0.064
1120-120K	12	0.009	11.4	0.63	0.057
1120-150K	15	0.013	9	0.63	0.057
1120-180K	18	0.018	7.2	0.63	0.051
1120-220K	22	0.019	7.2	0.63	0.051
1120-270K	27	0.026	5.5	0.63	0.051
1120-330K	33	0.029	5.5	0.60	0.045
1120-390K	39	0.030	5.5	0.60	0.045
1120-470K	47	0.035	5.5	0.62	0.045
1120-560K	56	0.039	5.5	0.62	0.040
1120-680K	68	0.053	4.8	0.62	0.040
1120-820K	82	0.060	4.8	0.62	0.040
1120-101K	100	0.080	4	0.62	0.036
1120-121K	120	0.090	4	0.62	0.036
1120-151K	150	0.098	4	0.62	0.032
1120-181K	180	0.110	4	0.62	0.032
1120-221K	220	0.150	2.8	0.62	0.032
1120-271K	270	0.213	2	0.60	0.029
1120-331K	330	0.305	1.6	0.60	0.029
1120-391K	390	0.320	1.6	0.60	0.025
1120-471K	470	0.355	1.6	0.60	0.025
1120-561K	560	0.388	1.6	0.60	0.025
1120-681K	680	0.430	1.6	0.60	0.025
1120-821K	820	0.590	1.3	0.60	0.023
1120-102K	1000	0.818	1	0.60	0.020
1120-122K	1200	1.14	0.8	0.60	0.020
1120-152K	1500	1.26	0.8	0.60	0.020
1120-182K	1800	1.39	0.8	0.60	0.018
1120-222K	2200	1.54	0.8	0.60	0.018

For RoHS compliant version, add "-RC" to part number.

BOURNS®

Tel. (877) 426-8767 • Fax (951) 781-5006

www.bourns.com

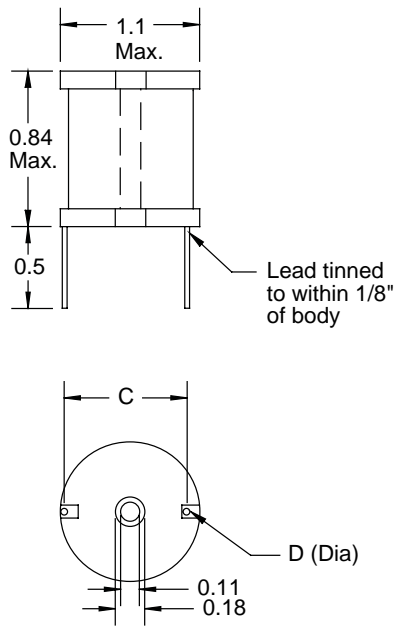
High Current Chokes

Special Features

- Very high current capacity
- Low DCR
- Epoxy coated ferrite bobbin core
- VW-1 rated shrink tubing to cover winding
- Self-leaded
- Fixed lead spacing
- Center hole for mechanical mounting
- Dielectric withstanding voltage:
2500 Vrms terminal to shrink tube cover;
1000 Vrms terminal to core
- Operating temperature -55 to +105 °C

Notes

- * Rated current to cause 50 °C max. temperature rise and 5 % max. inductance drop



Dimensions: Inches

1130 Series					
Part Number	L (μH) ±20 % @ 1 KHz	DCR Ω Max.	I _{dc} * (A)	Dim. C Approx.	Dim. D Nom.
1130-1R0M	1.0	0.003	21	0.80	0.081
1130-1R2M	1.2	0.003	21	0.80	0.081
1130-1R5M	1.5	0.003	21	0.80	0.081
1130-1R8M	1.8	0.003	21	0.80	0.081
1130-2R2M	2.2	0.003	21	0.80	0.081
1130-2R7M	2.7	0.003	21	0.80	0.081
1130-3R3M	3.3	0.003	21	0.80	0.081
1130-3R9M	3.9	0.003	21	0.80	0.081
1130-4R7M	4.7	0.003	21	0.80	0.081
1130-5R6M	5.6	0.003	21	0.82	0.081
1130-6R8M	6.8	0.004	21	0.82	0.081
1130-8R2M	8.2	0.004	21	0.82	0.081
	± 10 %				
1130-100K	10	0.006	17	0.82	0.081
1130-120K	12	0.008	13.5	0.80	0.072
1130-150K	15	0.009	13.5	0.80	0.072
1130-180K	18	0.010	13.5	0.80	0.072
1130-220K	22	0.011	13.5	0.79	0.064
1130-270K	27	0.012	13.5	0.79	0.064
1130-330K	33	0.017	13.5	0.79	0.064
1130-390K	39	0.022	11.4	0.79	0.057
1130-470K	47	0.024	9	0.79	0.057
1130-560K	56	0.026	9	0.79	0.057
1130-680K	68	0.029	9	0.79	0.057
1130-820K	82	0.032	9	0.79	0.051
1130-101K	100	0.034	9	0.79	0.051
1130-121K	120	0.046	7.2	0.79	0.051
1130-151K	150	0.064	5.5	0.77	0.045
1130-181K	180	0.072	5.5	0.77	0.045
1130-221K	220	0.080	5.5	0.77	0.040
1130-271K	270	0.110	4.5	0.77	0.040
1130-331K	330	0.122	4.5	0.77	0.040
1130-391K	390	0.169	4	0.77	0.036
1130-471K	470	0.187	4	0.77	0.036
1130-561K	560	0.205	4	0.77	0.032
1130-681K	680	0.256	2.8	0.77	0.032
1130-821K	820	0.288	2.8	0.77	0.032
1130-102K	1000	0.426	2	0.75	0.029
1130-122K	1200	0.426	2	0.75	0.029
1130-152K	1500	0.518	2	0.75	0.025
1130-182K	1800	0.705	1.6	0.75	0.025
1130-222K	2200	1.02	1.3	0.75	0.025
1130-272K	2700	1.14	1.3	0.75	0.023
1130-332K	3300	1.27	1.3	0.75	0.020
1130-392K	3900	1.67	1	0.75	0.020
1130-472K	4700	1.86	1	0.75	0.020

For RoHS compliant version, add "-RC" to part number.

BOURNS®

Tel. (877) 426-8767 • Fax (951) 781-5006

www.bourns.com

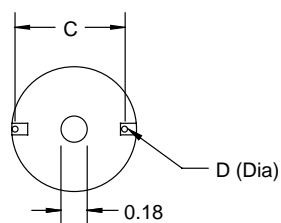
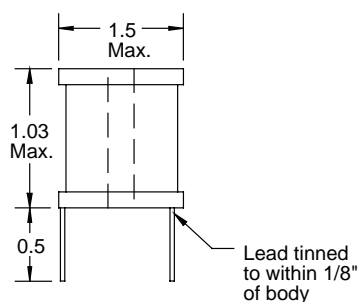
High Current Chokes

Special Features

- Very high current capacity
- Low DCR
- Epoxy coated ferrite bobbin core
- VW-1 rated shrink tubing to cover winding
- Self-leaded
- Fixed lead spacing
- Center hole for mechanical mounting
- Dielectric withstanding voltage:
2500 Vrms terminal to shrink tube cover;
1000 Vrms terminal to core
- Operating temperature -55 to +105 °C

Notes

- * Rated current to cause 50 °C max. temperature rise and 5 % max. inductance drop



Dimensions: Inches

1140 Series					
Part Number	L (μH) ±20 % @ 1 KHz	DCR Ω Max.	I, dc* (A)	Dim. C Approx.	Dim. D Nom.
1140-1R8M	1.8	0.002	27	1.11	0.081
1140-2R2M	2.2	0.002	27	1.11	0.081
1140-2R7M	2.7	0.003	27	1.11	0.081
1140-3R3M	3.3	0.003	27	1.11	0.081
1140-3R9M	3.9	0.003	27	1.11	0.081
1140-4R7M	4.7	0.003	27	1.11	0.081
1140-5R6M	5.6	0.004	27	1.11	0.081
1140-6R8M	6.8	0.004	27	1.15	0.081
1140-8R2M	8.2	0.004	27	1.15	0.081
	± 10 %				
1140-100K	10	0.005	27	1.15	0.081
1140-120K	12	0.005	27	1.15	0.081
1140-150K	15	0.006	27	1.15	0.081
1140-180K	18	0.008	27	1.15	0.081
1140-220K	22	0.009	21	1.15	0.081
1140-270K	27	0.010	21	1.15	0.081
1140-330K	33	0.011	21	1.15	0.072
1140-390K	39	0.012	21	1.15	0.072
1140-470K	47	0.018	14.4	1.15	0.072
1140-560K	56	0.019	14.4	1.15	0.064
1140-680K	68	0.021	14.4	1.15	0.064
1140-820K	82	0.023	14.4	1.15	0.064
1140-101K	100	0.025	14.4	1.15	0.064
1140-121K	120	0.028	14.4	1.15	0.057
1140-151K	150	0.040	11.4	1.15	0.057
1140-181K	180	0.045	11.4	1.15	0.057
1140-221K	220	0.050	11.4	1.15	0.051
1140-271K	270	0.056	11.4	1.15	0.051
1140-331K	330	0.074	11.4	1.15	0.051
1140-391K	390	0.082	9	1.15	0.045
1140-471K	470	0.114	7.2	1.15	0.045
1140-561K	560	0.125	7.2	1.15	0.040
1140-681K	680	0.139	7.2	1.15	0.040
1140-821K	820	0.154	7.2	1.15	0.040
1140-102K	1000	0.216	5.5	1.15	0.040
1140-122K	1200	0.232	5.5	1.14	0.036
1140-152K	1500	0.324	4.5	1.14	0.036
1140-182K	1800	0.360	4.5	1.14	0.036
1140-222K	2200	0.494	4	1.10	0.032
1140-272K	2700	0.555	4	1.12	0.032
1140-332K	3300	0.773	2.8	1.10	0.029
1140-392K	3900	0.845	2.8	1.10	0.029
1140-472K	4700	1.14	2	1.12	0.029
1140-562K	5600	1.60	2	1.09	0.025
1140-682K	6800	1.76	1.6	1.12	0.025
1140-822K	8200	1.95	1.6	1.09	0.023
1140-103K	10,000	2.76	1.3	1.11	0.023
1140-123K	12,000	3.04	1.3	1.08	0.020
1140-153K	15,000	3.39	1.3	1.10	0.020

For RoHS compliant version, add "-RC" to part number.

BOURNS®

Tel. (877) 426-8767 • Fax (951) 781-5006

www.bourns.com

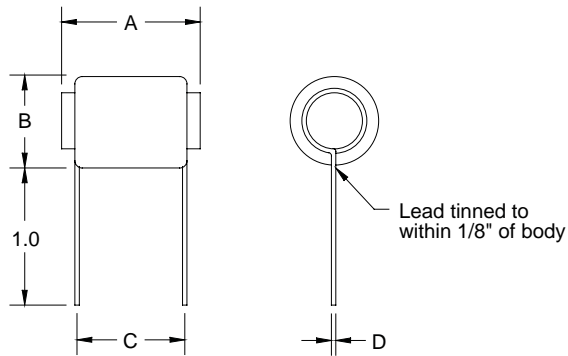
High Current Chokes

Special Features

- Very high current capacity
- Low DCR
- Ferrite core
- VW-1 rated shrink tubing to cover winding
- Fixed lead spacing
- Operating temperature: -55 to +105 °C

Notes

- * Current to cause 5 % max. inductance drop or 35 °C max. temperature rise



Dimensions: Inches

5500 Series							
Part Number	L (μH) ±20 % @ 1 KHz	DCR Ω Max.	I, DC* (A)	Dim. A Max.	Dim. B Max.	Dim. C ±.06	Dim. D ±.005
5501	5	0.013	10	0.88	0.63	0.50	0.042
5502	10	0.017	9	1.12	0.63	0.69	0.042
5503	27	0.030	7	0.88	0.81	0.44	0.042
5504	50	0.045	5.6	0.88	0.81	0.75	0.042
5505	100	0.061	4.9	1.12	0.81	0.94	0.042
5506	150	0.069	4.6	1.38	0.81	1.06	0.042
5507	250	0.089	4	1.62	0.81	1.31	0.042
5508	5	0.009	14	0.88	0.64	0.75	0.053
5509	10	0.012	12	1.12	0.64	1.00	0.053
5510	27	0.022	9	0.88	0.88	0.56	0.053
5511	50	0.028	8	1.12	0.88	0.75	0.053
5512	68	0.034	7.3	1.12	0.88	0.88	0.053
5513	100	0.038	6.8	1.38	0.88	1.00	0.053
5514	150	0.046	6.3	1.62	0.88	1.25	0.053
5515	5	0.006	19	1.12	0.69	0.81	0.065
5516	10	0.008	16	1.38	0.69	1.22	0.065
5517	27	0.014	12.5	1.12	0.94	0.69	0.065
5518	50	0.020	10.5	1.38	0.94	0.94	0.065
5519	68	0.023	10	1.38	0.94	1.12	0.065
5520	100	0.027	10	1.62	0.94	1.31	0.065
5521	5	0.004	23	1.38	0.72	0.94	0.082
5522	10	0.006	20	1.69	0.72	1.50	0.082
5523	27	0.010	15	1.38	1.00	0.94	0.082
5524	50	0.013	15	1.62	1.00	1.12	0.082

For RoHS compliant version, add "-RC" to part number.

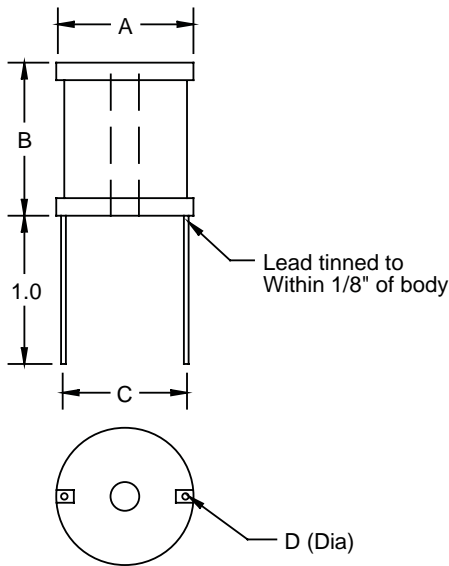
High Current Chokes

Special Features

- Very high current capacity
- Low DCR
- Ferrite bobbin core
- VW-1 rated shrink tubing to cover winding
- Fixed lead spacing
- Operating temperature -55 to +105 °C

Notes

- * Current to cause 5 % max. inductance drop or 35 °C max. temperature rise



Dimensions: Inches

5600 Series							
Part Number	L (μH) ±10 % @ 1 KHz	DCR Ω Max.	I, DC* (A)	Dim. A Max.	Dim. B Max.	Dim. C ±.06	Dim. D ±.005
5601	5	0.007	15	0.83	0.91	0.59	0.065
5602	10	0.008	14	0.83	0.91	0.60	0.065
5603	25	0.023	8	0.83	0.91	0.57	0.042
5604	50	0.034	6.6	0.83	0.91	0.65	0.042
5605	100	0.072	4.5	0.83	0.91	0.69	0.042
5606	250	0.173	2.9	0.83	0.91	0.65	0.042
5607	500	0.378	2	0.83	0.91	0.68	0.042
5608	1000	0.801	1.3	0.83	0.91	0.66	0.042
5609	2500	2.040	.85	0.83	0.91	0.71	0.042
5610	5	0.005	20	1.22	1.11	0.94	0.082
5611	10	0.006	17	1.22	1.11	0.95	0.082
5612	25	0.009	14	1.22	1.11	0.93	0.082
5613	50	0.017	10	1.22	1.11	0.99	0.065
5614	100	0.034	7	1.22	1.11	0.85	0.053
5615	250	0.083	4.6	1.22	1.11	0.97	0.053
5616	500	0.129	3.7	1.22	1.11	1.12	0.053
5617	1000	0.279	2.5	1.22	1.11	1.05	0.053
5618	2500	0.690	1.6	1.22	1.11	1.05	0.053
5619	50	0.012	14	1.50	1.11	1.23	0.082
5620	100	0.027	9.8	1.50	1.11	1.12	0.065
5621	250	0.059	6.4	1.50	1.11	1.10	0.053
5622	500	0.090	5	1.50	1.11	1.14	0.053
5623	1000	0.195	3.5	1.50	1.11	1.36	0.053
5624	2500	0.499	2.2	1.50	1.11	1.32	0.053
5625	5000	1.080	1.5	1.50	1.11	1.27	0.053
5626	100	0.018	14	1.50	1.50	1.18	0.082
5627	250	0.040	9	1.50	1.50	1.12	0.065
5628	500	0.085	6.5	1.50	1.50	1.06	0.053
5629	1000	0.183	4.4	1.50	1.50	1.23	0.053
5630	2500	0.464	2.8	1.50	1.50	1.21	0.053
5631	5000	0.714	2.2	1.50	1.50	1.63	0.053
5632	10,000	1.560	1.5	1.62	1.50	1.25	0.053

For RoHS compliant version, add "-RC" to part number.

BOURNS®

Tel. (877) 426-8767 • Fax (951) 781-5006

www.bourns.com

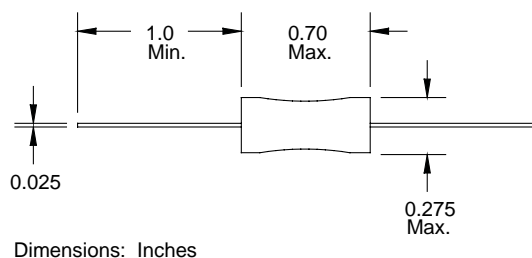
High Current Chokes

Special Features

- High current capacity
- Low DCR
- Ferrite bobbin core
- VW-1 rated shrink tubing to cover winding
- Dash No. marking for identification
- Dielectric strength 2500 Vrms
- Operating temperature -55 to +105 °C
- Test frequency 1 KHz

Notes

- * Saturation current to cause 10 % max. inductance drop
- ** Rated current to cause 35 °C max. temperature rise



5800 Series					
Part Number	L (μH) ±10 %	DCR		I rated** (A)	
		Ω	Max.		
5800-3R9	3.9	0.019		7.3	1.28
5800-4R7	4.7	0.022		6.3	1.28
5800-5R6	5.6	0.024		5.6	1.28
5800-6R8	6.8	0.026		5.3	1.28
5800-8R2	8.2	0.028		4.5	1.28
5800-100	10	0.033		4.1	1.28
5800-120	12	0.037		3.6	1.28
5800-150	15	0.040		3.3	1.28
5800-180	18	0.044		3.0	1.28
5800-220	22	0.050		2.7	1.28
5800-270	27	0.058		2.5	1.28
5800-330	33	0.075		2.2	1.008
5800-390	39	0.094		2.0	0.804
5800-470	47	0.109		1.8	0.804
5800-560	56	0.140		1.7	0.804
5800-680	68	0.145		1.5	0.804
5800-820	82	0.152		1.4	0.804
5800-101	100	0.208		1.2	0.632
5800-121	120	0.283		1.1	0.508
5800-151	150	0.34		1.0	0.508
5800-181	180	0.362		0.95	0.508
5800-221	220	0.43		0.86	0.508
5800-271	270	0.557		0.77	0.400
5800-331	330	0.665		0.70	0.400
5800-391	390	0.772		0.64	0.400
5800-471	470	1.15		0.59	0.315
5800-561	560	1.27		0.54	0.315
5800-681	680	1.61		0.49	0.250
5800-821	820	1.96		0.44	0.200
5800-102	1000	2.3		0.40	0.200
5800-122	1200	2.65		0.35	0.200
5800-152	1500	3.45		0.33	0.158
5800-182	1800	4.03		0.29	0.158
5800-222	2200	4.48		0.27	0.158
5800-272	2700	5.9		0.24	0.125
5800-332	3300	6.56		0.22	0.125
5800-392	3900	8.63		0.20	0.100
5800-472	4700	10.5		0.18	0.100
5800-562	5600	13.9		0.166	0.082
5800-682	6800	16.3		0.151	0.082
5800-822	8200	20.8		0.136	0.065
5800-103	10,000	26.4		0.125	0.050
5800-123	12,000	29.9		0.114	0.050
5800-153	15,000	42.5		0.098	0.039
5800-183	18,000	48.3		0.091	0.039

For RoHS compliant version, add "-RC" to part number.

BOURNS®

Tel. (877) 426-8767 • Fax (951) 781-5006

www.bourns.com

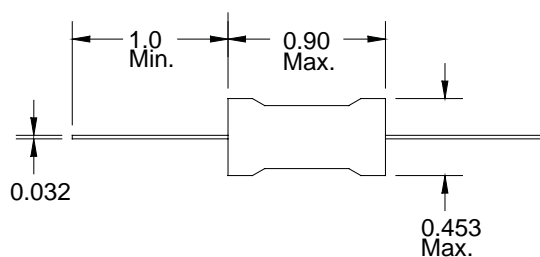
High Current Chokes

Special Features

- High current capacity
- Low DCR
- Ferrite bobbin core
- VW-1 rated shrink tubing to cover winding
- Dash No. marking for identification
- Dielectric strength 2500 Vrms
- Operating temperature -55 to +105 °C
- Test frequency 1 KHz

Notes

- * Saturation current to cause 10 % max. inductance drop
- ** Rated current to cause 35 °C max. temperature rise



5900 Series					
Part Number	L (μH) ±10 %	DCR		I sat.* (A)	I rated** (A)
		Ω	Max.		
5900-3R9	3.9	0.007		15.5	4.0
5900-4R7	4.7	0.008		13.9	4.0
5900-5R6	5.6	0.011		12.6	4.0
5900-6R8	6.8	0.011		11.6	4.0
5900-8R2	8.2	0.013		9.89	4.0
5900-100	10	0.017		8.70	4.0
5900-120	12	0.019		8.21	4.0
5900-150	15	0.022		7.34	4.0
5900-180	18	0.023		6.64	4.0
5900-220	22	0.026		6.07	4.0
5900-270	27	0.027		5.36	4.0
5900-330	33	0.032		4.82	4.0
5900-390	39	0.033		4.36	4.0
5900-470	47	0.035		3.98	4.0
5900-560	56	0.037		3.66	3.2
5900-680	68	0.047		3.31	2.5
5900-820	82	0.060		3.10	2.0
5900-101	100	0.090		2.79	1.6
5900-121	120	0.113		2.54	1.6
5900-151	150	0.129		2.22	1.6
5900-181	180	0.150		1.98	1.6
5900-221	220	0.162		1.89	1.6
5900-271	270	0.208		1.63	1.6
5900-331	330	0.212		1.51	1.6
5900-391	390	0.281		1.39	1.6
5900-471	470	0.380		1.24	1.2
5900-561	560	0.420		1.17	1.0
5900-681	680	0.548		1.05	1.0
5900-821	820	0.655		0.97	0.8
5900-102	1000	0.844		0.87	0.8
5900-122	1200	1.04		0.79	0.6
5900-152	1500	1.18		0.70	0.6
5900-182	1800	1.56		0.64	0.6
5900-222	2200	2.00		0.58	0.5
5900-272	2700	2.06		0.53	0.4
5900-332	3300	2.53		0.47	0.4
5900-392	3900	2.75		0.43	0.4
5900-472	4700	3.19		0.39	0.4
5900-562	5600	3.92		0.359	0.315
5900-682	6800	5.69		0.322	0.250
5900-822	8200	6.32		0.293	0.250
5900-103	10,000	7.30		0.266	0.250
5900-123	12,000	9.21		0.241	0.200
5900-153	15,000	10.5		0.214	0.200
5900-183	18,000	14.8		0.198	0.158
5900-223	22,000	21.8		0.180	0.125
5900-273	27,000	22.7		0.162	0.125
5900-333	33,000	25.7		0.146	0.125
5900-393	39,000	31.8		0.135	0.100
5900-473	47,000	36.1		0.122	0.100
5900-563	56,000	40.9		0.112	0.100
5900-683	68,000	57.3		0.101	0.082
5900-823	82,000	79.3		0.090	0.065
5900-104	100,000	89.7		0.081	0.065

For RoHS compliant version, add "-RC" to part number.

BOURNS®

Tel. (877) 426-8767 • Fax (951) 781-5006

www.bourns.com

High Current Toroid Inductors

Special Features

- Low radiation
- Low core loss
- High operation frequency
- High current capacity
- Low core saturation
- Horizontal or vertical mount
- Operating temperature: -55 to +105 °C

Typical Applications

- High current, low voltage converters
- High-speed computers
- Video game machines
- Output chokes
- EMI filters

Notes

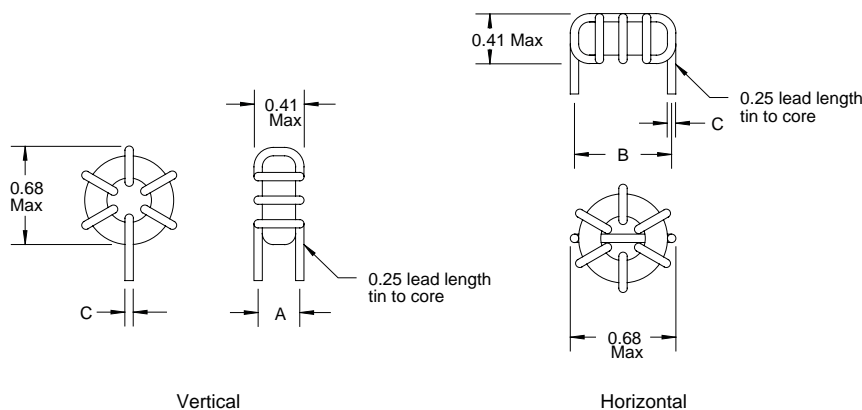
* Rated current to cause 40 °C temperature rise

Add -H or -V mounting style after P/N

Example : 2000-470-V

2000 Series							
Part Number	L (μH)	I _{dc} * (A)	L (μH)	DCR Ω	Dim.	Dim.	Dim.
	±20 %		±20 %		A	B	C
	@ 1 KHz		@ I rated	Max.	Nom.	Nom.	Nom.
2000-R3	0.3	28.5	0.24	0.0010	0.35	0.60	0.059
2000-R5	0.5	24.7	0.41	0.0012	0.35	0.60	0.059
2000-R8	0.8	22.1	0.62	0.0014	0.35	0.60	0.059
2000-1R2	1.2	20.2	0.86	0.0017	0.35	0.60	0.059
2000-1R5	1.5	18.7	1.14	0.0020	0.35	0.60	0.059
2000-2R0	2.0	15.6	1.5	0.0027	0.34	0.59	0.053
2000-2R7	2.7	14.7	1.9	0.0030	0.34	0.59	0.053
2000-3R3	3.3	11.1	2.5	0.0053	0.33	0.58	0.042
2000-3R9	3.9	10.5	3.0	0.0059	0.33	0.58	0.042
2000-4R7	4.7	10.1	3.5	0.0064	0.33	0.58	0.042
2000-5R6	5.6	9.7	4.0	0.0069	0.33	0.58	0.042
2000-6R8	6.8	7.2	5.7	0.013	0.31	0.56	0.034
	± 15 %		± 15 %				
2000-8R2	8.2	7.0	6.4	0.014	0.31	0.56	0.034
2000-100	10	6.6	7.9	0.015	0.31	0.56	0.034
2000-120	12	6.4	8.7	0.016	0.31	0.56	0.034
2000-150	15	4.7	12.4	0.029	0.29	0.53	0.027
2000-180	18	4.5	14.5	0.032	0.29	0.53	0.027
2000-220	22	4.3	16.7	0.035	0.29	0.53	0.027
2000-270	27	4.1	20.4	0.039	0.29	0.53	0.027
2000-330	33	3.5	25.4	0.054	0.29	0.53	0.024
2000-390	39	3.3	29.9	0.059	0.29	0.53	0.024
2000-470	47	3.2	34.6	0.064	0.29	0.53	0.024

For RoHS compliant version, add "-RC" to part number.



Dimensions: Inches

BOURNS®

Tel. (877) 426-8767 • Fax (951) 781-5006

www.bourns.com

High Temperature, High Current Toroid Inductors

Special Features

- High temperature rating-up to +200 °C
- Low magnetic radiation
- High current capacity
- Horizontal or vertical mount available
- Low cost
- Operating temperature: -55 to +200 °C

Typical Applications

- High operating temperature environments
- DC/DC converters
- Output chokes
- EMI filters

Notes

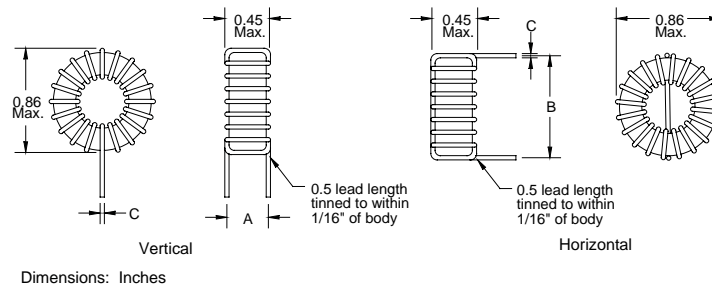
* Rated Idc causes a 50 °C temperature rise

Add -H or -V mounting style after P/N

Example : 2100HT-271-H

2100HT Series							
Part Number	L (μH) ± 15 % @ 1 KHz	Idc* (A)	L (μH) ± 15 % @ I rated	DCR (Ω) Max.	Dim. A Nom.	Dim. B Nom.	Dim. C Nom.
2100HT-1R0	1.0	21.7	0.8	0.003	0.34	0.77	0.053
2100HT-1R5	1.5	19.8	1.2	0.003	0.34	0.77	0.053
2100HT-2R2	2.2	18.3	1.8	0.004	0.34	0.77	0.053
2100HT-2R7	2.7	17.1	2.1	0.004	0.34	0.77	0.053
2100HT-3R3	3.3	16.1	2.6	0.005	0.34	0.77	0.053
2100HT-3R9	3.9	15.3	3.0	0.005	0.34	0.77	0.053
2100HT-4R7	4.7	14.9	3.5	0.006	0.34	0.77	0.053
2100HT-5R6	5.6	14.3	4.1	0.006	0.34	0.77	0.053
2100HT-6R8	6.8	13.7	4.9	0.006	0.34	0.77	0.053
2100HT-8R2	8.2	13.2	5.9	0.007	0.34	0.77	0.053
2100HT-100	10	9.9	7.6	0.012	0.33	0.76	0.042
2100HT-120	12	9.6	9.0	0.013	0.33	0.76	0.042
2100HT-150	15	9.1	11.0	0.014	0.33	0.76	0.042
2100HT-180	18	8.6	13.0	0.016	0.33	0.76	0.042
2100HT-220	22	6.7	16.6	0.026	0.32	0.75	0.034
2100HT-270	27	6.4	20.1	0.028	0.32	0.75	0.034
2100HT-330	33	6.1	24.0	0.031	0.35	0.79	0.034
2100HT-390	39	5.9	28.0	0.033	0.35	0.79	0.034
2100HT-470	47	5.6	33.1	0.036	0.35	0.79	0.034
2100HT-560	56	5.3	38.5	0.040	0.35	0.79	0.034
2100HT-680	68	5.1	46.0	0.044	0.35	0.79	0.034
2100HT-820	82	4.8	54.0	0.049	0.35	0.79	0.034
2100HT-101	100	4.6	64.5	0.053	0.35	0.79	0.034
2100HT-121	120	3.5	84.4	0.094	0.34	0.77	0.027
2100HT-151	150	3.3	102.8	0.11	0.34	0.77	0.027
2100HT-181	180	3.1	120.7	0.12	0.34	0.77	0.027
2100HT-221	220	3.0	144.2	0.13	0.35	0.79	0.027
2100HT-271	270	2.8	172.6	0.14	0.35	0.79	0.027
2100HT-331	330	2.7	206.0	0.16	0.35	0.79	0.027
2100HT-391	390	2.1	266.7	0.27	0.33	0.76	0.022
2100HT-471	470	2.0	314.4	0.29	0.35	0.79	0.022
2100HT-561	560	1.9	366.9	0.32	0.35	0.79	0.022
2100HT-681	680	1.8	435.1	0.35	0.35	0.79	0.022
2100HT-821	820	1.7	512.0	0.39	0.37	0.81	0.022
2100HT-102	1000	1.6	608.2	0.43	0.37	0.81	0.022

For RoHS compliant version, add "-RC" to part number.



BOURNS®

Tel. (877) 426-8767 • Fax (951) 781-5006

www.bourns.com

Low Core Loss, High Current Toroid Inductors

Special Features

- Low core loss
- Low magnetic radiation
- High current capacity
- Horizontal or vertical mount available
- Operating temperature: -55 to +125 °C

Typical Applications

- Switch mode power supplies
- DC/DC converters
- Output chokes
- EMI filters

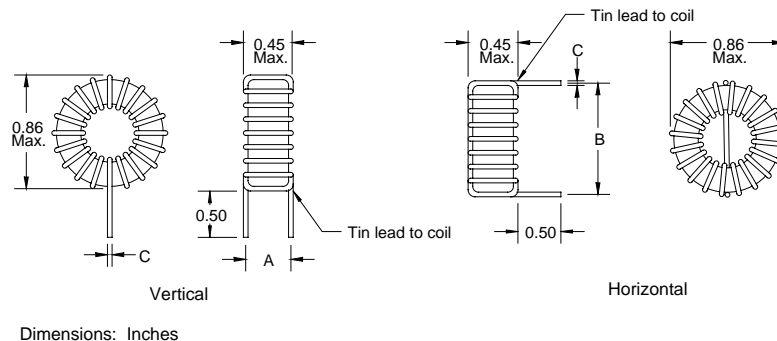
Notes

* Rated Idc causes a 30 °C temperature rise

** Insert -H or -V for mounting style before -RC

2100LL Series							
Part Number **	L (μH)	Idc* (A)	L (μH)	DCR (Ω)	Dim.	Dim.	Dim.
	± 20 % @ 1 KHz		± 20 % @ I rated		A	B	C
2100LL-1R0-RC	1.0	21.4	0.8	0.002	0.37	0.80	0.053
2100LL-1R5-RC	1.5	18.5	1.1	0.002	0.37	0.80	0.053
2100LL-2R2-RC	2.2	16.5	1.5	0.003	0.37	0.80	0.053
2100LL-3R3-RC	3.3	15.1	2.1	0.003	0.37	0.80	0.053
2100LL-4R7-RC	4.7	14.0	2.9	0.003	0.37	0.80	0.053
2100LL-5R6-RC	5.6	13.1	3.3	0.004	0.37	0.80	0.053
2100LL-6R8-RC	6.8	12.3	3.9	0.004	0.37	0.80	0.053
2100LL-8R2-RC	8.2	11.7	4.5	0.005	0.37	0.80	0.053
	± 15 %		± 15 %				
2100LL-100-RC	10	11.4	5.2	0.005	0.37	0.80	0.053
2100LL-120-RC	12	10.9	6.1	0.006	0.37	0.80	0.053
2100LL-150-RC	15	10.5	7.3	0.006	0.37	0.80	0.053
2100LL-180-RC	18	10.1	8.5	0.007	0.37	0.80	0.053
2100LL-220-RC	22	7.5	11.8	0.012	0.35	0.78	0.042
2100LL-270-RC	27	7.3	14.2	0.012	0.35	0.78	0.042
2100LL-330-RC	33	6.9	16.6	0.014	0.35	0.78	0.042
2100LL-390-RC	39	6.6	18.8	0.015	0.35	0.78	0.042
2100LL-470-RC	47	5.2	25.3	0.024	0.33	0.76	0.034
2100LL-560-RC	56	5.0	29.3	0.026	0.33	0.76	0.034
2100LL-680-RC	68	4.7	34.0	0.030	0.40	0.76	0.034
2100LL-820-RC	82	4.6	39.9	0.032	0.40	0.76	0.034
2100LL-101-RC	100	4.3	46.2	0.036	0.40	0.76	0.034
2100LL-121-RC	120	4.1	53.5	0.039	0.40	0.76	0.034
2100LL-151-RC	150	3.9	63.8	0.043	0.40	0.76	0.034
2100LL-181-RC	180	3.7	73.3	0.048	0.40	0.76	0.034
2100LL-221-RC	220	3.5	85.1	0.053	0.40	0.76	0.034
2100LL-271-RC	270	2.7	124.2	0.093	0.37	0.74	0.027
2100LL-331-RC	330	2.5	145.1	0.103	0.37	0.74	0.027
2100LL-391-RC	390	2.4	165.4	0.112	0.37	0.74	0.027
2100LL-471-RC	470	2.3	190.1	0.124	0.38	0.76	0.027
2100LL-561-RC	560	2.2	217.9	0.134	0.38	0.76	0.027
2100LL-681-RC	680	2.1	251.9	0.147	0.38	0.76	0.027
2100LL-821-RC	820	1.6	361.6	0.257	0.37	0.75	0.022
2100LL-102-RC	1000	1.5	421.5	0.284	0.37	0.75	0.022

Only available as RoHS compliant.



BOURNS®

Tel. (877) 426-8767 • Fax (951) 781-5006

www.bourns.com

High Current Toroid Inductors

Special Features

- DC/DC converter, EMI filter applications
- Low radiation
- Low core loss
- High current capacity
- Horizontal or vertical mount
- Low cost
- Operating temperature -55 to +105 °C

Notes

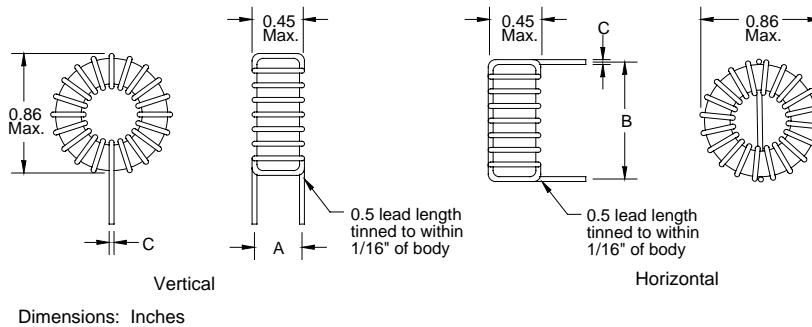
* Current to cause 30 °C max. temperature rise

Add -H or -V mounting style after P/N

Example : 2113-V

2100 Series							
Part Number	L (μH)	I _{dc} * (A)	L (μH)	DCR Ω	Dim.	Dim.	Dim.
	±15 % @ 1 KHz		±15 % @ I rated		A	B	C
				Max.	Nom.	Nom.	Nom.
2101-	10	10.8	6.3	0.006	0.34	0.77	0.053
2102-	12	10.3	7.4	0.007	0.34	0.77	0.053
2103-	15	7.7	10.2	0.012	0.33	0.76	0.042
2104-	18	7.4	11.9	0.013	0.33	0.76	0.042
2105-	22	7.0	14.2	0.015	0.33	0.76	0.042
2106-	27	5.3	19.1	0.026	0.32	0.75	0.034
2107-	33	5.0	22.8	0.029	0.32	0.75	0.034
2108-	39	4.8	26.4	0.032	0.32	0.75	0.034
2109-	47	3.6	34.7	0.055	0.31	0.75	0.027
2110-	56	3.4	40.6	0.060	0.31	0.75	0.027
2111-	68	3.3	48.3	0.067	0.31	0.75	0.027
2112-	100	2.4	75.2	0.13	0.31	0.74	0.022
2113-	120	2.2	88.5	0.15	0.31	0.74	0.022
2114-	150	3.4	84.3	0.062	0.35	0.79	0.034
2115-	180	2.6	113.1	0.11	0.34	0.77	0.027
2116-	220	2.4	134.4	0.12	0.34	0.77	0.027
2117-	270	1.8	181.6	0.21	0.33	0.76	0.022
2118-	330	1.7	216.3	0.23	0.33	0.76	0.022
2119-	390	1.7	250.1	0.25	0.33	0.76	0.022
2120-	470	1.6	293.8	0.28	0.35	0.76	0.022
2121-	560	1.5	341.5	0.30	0.35	0.79	0.022
2122-	680	1.4	403.2	0.33	0.35	0.79	0.022
2123-	820	1.4	472.8	0.37	0.35	0.79	0.022
2124-	1000	1.3	559.2	0.40	0.37	0.81	0.022

For RoHS compliant version, add "-RC" to part number.



BOURNS®

Tel. (877) 426-8767 • Fax (951) 781-5006

www.bourns.com

High Temperature, High Current Toroid Inductors

Special Features

- High temperature rating-up to +200 °C
- Low magnetic radiation
- High current capacity
- Horizontal or vertical mount available
- Low cost
- Operating temperature: -55 to +200 °C

Typical Applications

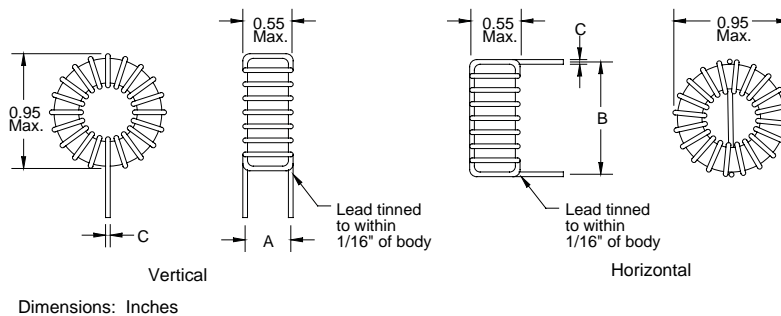
- High operating temperature environments
- DC/DC converters
- Output chokes
- EMI filters

Notes

* Rated Idc causes a 50 °C temperature rise
 Add -H or -V mounting style after P/N
 Example : 2200HT-390-H

2200HT Series							
Part Number	L (μH) ± 15 % @ 1 KHz	Idc* (A)	L (μH) ± 15 % @ I rated	DCR (Ω) Max.	Dim. A Nom.	Dim. B Nom.	Dim. C Nom.
2200HT-1R2	1.2	23.8	1.0	0.003	0.46	0.88	0.053
2200HT-1R8	1.8	21.8	1.5	0.004	0.46	0.88	0.053
2200HT-2R2	2.2	20.1	1.8	0.005	0.46	0.88	0.053
2200HT-3R3	3.3	18.8	2.7	0.005	0.46	0.88	0.053
2200HT-3R9	3.9	17.8	3.1	0.006	0.46	0.88	0.053
2200HT-4R7	4.7	16.9	3.7	0.006	0.46	0.88	0.053
2200HT-5R6	5.6	16.1	4.4	0.007	0.46	0.88	0.053
2200HT-6R8	6.8	15.7	5.2	0.007	0.46	0.88	0.053
2200HT-8R2	8.2	15.1	6.2	0.008	0.46	0.88	0.053
2200HT-100	10	11.2	7.9	0.014	0.46	0.88	0.053
2200HT-120	12	10.9	9.4	0.015	0.46	0.88	0.053
2200HT-150	15	10.3	11.5	0.017	0.46	0.88	0.053
2200HT-180	18	9.7	13.6	0.018	0.46	0.88	0.053
2200HT-220	22	9.3	16.3	0.020	0.45	0.87	0.042
2200HT-270	27	8.9	19.7	0.022	0.45	0.87	0.042
2200HT-330	33	8.4	23.5	0.025	0.45	0.87	0.042
2200HT-390	39	8.1	27.4	0.026	0.45	0.87	0.042
2200HT-470	47	6.4	34.9	0.042	0.44	0.86	0.034
2200HT-560	56	6.1	40.9	0.046	0.44	0.86	0.034
2200HT-680	68	5.8	48.8	0.050	0.44	0.86	0.034
2200HT-820	82	5.6	57.6	0.055	0.48	0.90	0.034
2200HT-101	100	5.3	68.9	0.061	0.48	0.90	0.034
2200HT-121	120	5.0	80.8	0.067	0.48	0.90	0.034
2200HT-151	150	4.8	98.4	0.075	0.48	0.90	0.034
2200HT-181	180	4.6	115.6	0.082	0.48	0.90	0.034
2200HT-221	220	4.3	137.5	0.091	0.48	0.90	0.034
2200HT-271	270	3.3	184.8	0.16	0.46	0.88	0.027
2200HT-331	330	3.1	220.7	0.18	0.46	0.88	0.027
2200HT-391	390	3.0	255.2	0.19	0.46	0.88	0.027
2200HT-471	470	2.8	300.5	0.21	0.49	0.91	0.027
2200HT-561	560	2.7	350.3	0.23	0.49	0.91	0.027
2200HT-681	680	2.6	414.8	0.27	0.49	0.91	0.027
2200HT-821	820	2.0	548.5	0.44	0.49	0.91	0.022
2200HT-102	1000	1.9	653.1	0.49	0.49	0.91	0.022

For RoHS compliant version, add "-RC" to part number.



BOURNS®

Tel. (877) 426-8767 • Fax (951) 781-5006

www.bourns.com

Low Core Loss, High Current Toroid Inductors

Special Features

- Low core loss
- Low magnetic radiation
- High current capacity
- Horizontal or vertical mount available
- Operating temperature: -55 to +125 °C

Typical Applications

- Switch mode power supplies
- DC/DC converters
- Output chokes
- EMI filters

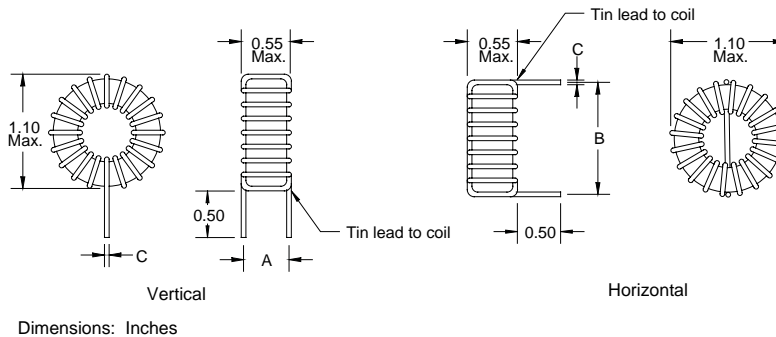
Notes

* Rated Idc causes a 30 °C temperature rise

** Insert -H or -V for mounting style before -RC

2200LL Series							
Part Number**	L (μH) ± 20 % @ 1 KHz	Idc* (A)	L (μH) ± 20 % @ I rated	DCR (Ω) Max.	Dim. A Nom.	Dim. B Nom.	Dim. C Nom.
2200LL-1R0-RC	1.0	26.1	0.8	0.002	0.47	1.05	0.053
2200LL-1R8-RC	1.8	22.6	1.4	0.002	0.47	1.05	0.053
2200LL-2R7-RC	2.7	20.3	1.9	0.003	0.47	1.05	0.053
2200LL-3R9-RC	3.9	18.5	2.7	0.004	0.47	1.05	0.053
2200LL-4R7-RC	4.7	17.1	3.1	0.004	0.47	1.05	0.053
2200LL-6R8-RC	6.8	16.0	4.4	0.005	0.47	1.05	0.053
2200LL-8R2-RC	8.2	15.1	5.1	0.005	0.47	1.05	0.053
	± 15 %		± 15 %				
2200LL-100-RC	10	14.3	6.0	0.006	0.47	1.05	0.053
2200LL-120-RC	12	14.2	6.9	0.006	0.47	1.05	0.053
2200LL-150-RC	15	13.6	8.3	0.007	0.47	1.05	0.053
2200LL-180-RC	18	13.1	9.7	0.007	0.47	1.05	0.053
2200LL-220-RC	22	12.6	11.5	0.008	0.47	1.05	0.053
2200LL-270-RC	27	11.8	13.5	0.009	0.47	1.05	0.053
2200LL-330-RC	33	11.1	15.7	0.010	0.47	1.05	0.053
2200LL-390-RC	39	10.8	18.1	0.011	0.47	1.05	0.053
2200LL-470-RC	47	10.3	20.9	0.012	0.47	1.05	0.053
2200LL-560-RC	56	9.8	23.9	0.013	0.47	1.05	0.053
2200LL-680-RC	68	7.6	33.9	0.022	0.45	1.03	0.042
2200LL-820-RC	82	7.1	39.0	0.024	0.45	1.03	0.042
2200LL-101-RC	100	6.8	45.6	0.027	0.45	1.03	0.042
2200LL-121-RC	120	5.1	63.4	0.047	0.43	1.01	0.034
2200LL-151-RC	150	4.9	76.0	0.052	0.43	1.01	0.034
2200LL-181-RC	180	4.7	88.5	0.057	0.43	1.01	0.034
2200LL-221-RC	220	4.4	103.1	0.063	0.43	1.01	0.034
2200LL-271-RC	270	4.2	121.1	0.070	0.43	1.01	0.034
2200LL-331-RC	330	4.0	141.9	0.077	0.43	1.01	0.034
2200LL-391-RC	390	3.8	161.2	0.084	0.43	1.01	0.034
2200LL-471-RC	470	3.7	185.7	0.092	0.43	1.01	0.034
2200LL-561-RC	560	3.5	212.0	0.101	0.43	1.01	0.034
2200LL-681-RC	680	2.7	307.6	0.176	0.47	0.99	0.027
2200LL-821-RC	820	2.5	355.5	0.194	0.47	0.99	0.027
2200LL-102-RC	1000	2.4	412.5	0.216	0.47	0.99	0.027

Only available as RoHS compliant.



BOURNS®

Tel. (877) 426-8767 • Fax (951) 781-5006

www.bourns.com

High Current Toroid Inductors

Special Features

- DC/DC converter, EMI filter applications
- Low radiation
- Low core loss
- High current capacity
- Horizontal or vertical mount
- Low cost
- Operating temperature -55 to +105 °C

Notes

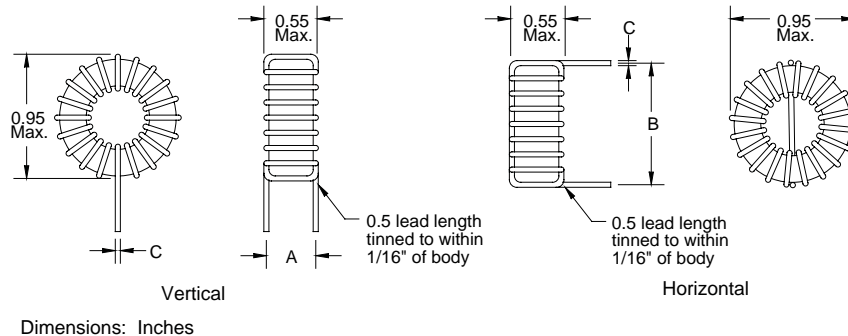
* Current to cause 30 °C max. temperature rise

Add -H or -V mounting style after P/N

Example : 2210-V

2200 Series							
Part Number	L (μH) ±15 % @ 1 KHz	Idc* (A)	L (μH) ±15 % @ I rated	DCR Ω Max.	Dim. A Nom.	Dim. B Nom.	Dim. C Nom.
2201-	10	12.5	6.7	0.007	0.46	0.88	0.053
2202-	12	12.0	7.9	0.008	0.46	0.88	0.053
2203-	15	11.3	9.6	0.008	0.46	0.88	0.053
2204-	18	10.8	11.3	0.009	0.46	0.88	0.053
2205-	22	10.3	13.4	0.010	0.46	0.88	0.053
2206-	27	9.8	16.0	0.011	0.46	0.88	0.053
2207-	33	7.4	21.6	0.020	0.45	0.87	0.042
2208-	39	7.1	25.0	0.022	0.45	0.87	0.042
2209-	47	6.7	29.3	0.024	0.45	0.87	0.042
2210-	56	6.4	34.1	0.026	0.45	0.87	0.042
2211-	68	4.9	45.7	0.046	0.44	0.86	0.034
2212-	100	4.4	64.0	0.056	0.44	0.86	0.034
2213-	120	3.3	84.4	0.098	0.44	0.86	0.027
2214-	150	3.1	102.7	0.11	0.44	0.86	0.027
2215-	180	3.8	105.9	0.075	0.48	0.9	0.034
2216-	220	3.6	125.6	0.083	0.48	0.9	0.034
2217-	270	3.4	149.4	0.092	0.48	0.9	0.034
2218-	330	3.3	176.8	0.10	0.48	0.9	0.034
2219-	390	2.5	235.3	0.18	0.46	0.88	0.027
2220-	470	2.3	275.9	0.19	0.46	0.88	0.027
2221-	560	2.2	320.1	0.21	0.46	0.88	0.027
2222-	680	2.1	377.2	0.23	0.49	0.91	0.027
2223-	820	2.0	441.5	0.26	0.49	0.91	0.027
2224-	1000	1.9	521.3	0.28	0.49	0.91	0.027

For RoHS compliant version, add "-RC" to part number.



BOURNS®

Tel. (877) 426-8767 • Fax (951) 781-5006

www.bourns.com

High Temperature, High Current Toroid Inductors

Special Features

- High temperature rating -up to +200 °C
- Low magnetic radiation
- High current capacity
- Horizontal or vertical mount available
- Low cost
- Operating temperature: -55 to +200 °C

Typical Applications

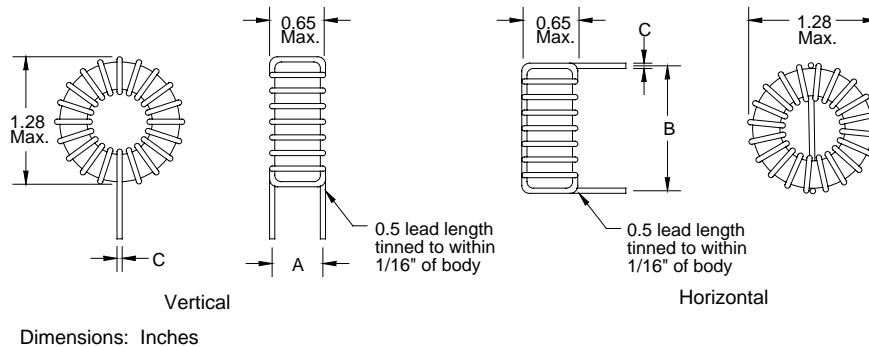
- High operating temperature environments
- DC/DC converters
- Output chokes
- EMI filters

Notes

* Rated I_{dc} causes a 50 °C temperature rise
 Add -H or -V mounting style after P/N
 Example : 2300HT-100-H

2300HT Series							
Part Number	L (μH) ± 15 % @ 1 KHz	I _{dc} * (A)	L (μH) ± 15 % @ I rated	DCR (Ω) Max.	Dim. A Nom.	Dim. B Nom.	Dim. C Nom.
2300HT-1R2	1.2	38.7	1.0	0.002	0.56	1.18	0.066
2300HT-1R8	1.8	34.6	1.5	0.003	0.56	1.18	0.066
2300HT-2R7	2.7	31.6	2.2	0.003	0.56	1.18	0.066
2300HT-3R9	3.9	29.2	3.1	0.004	0.56	1.18	0.066
2300HT-4R7	4.7	27.3	3.7	0.004	0.56	1.18	0.066
2300HT-5R6	5.6	25.8	4.3	0.005	0.56	1.18	0.066
2300HT-6R8	6.8	24.5	5.1	0.005	0.56	1.18	0.066
2300HT-8R2	8.2	24.3	6.0	0.005	0.56	1.18	0.066
2300HT-100	10	23.3	7.2	0.006	0.56	1.18	0.066
2300HT-120	12	22.4	8.5	0.006	0.56	1.18	0.066
2300HT-150	15	20.8	10.3	0.007	0.56	1.18	0.066
2300HT-180	18	20.2	12.2	0.007	0.56	1.18	0.066
2300HT-220	22	19.0	14.5	0.008	0.56	1.18	0.066
2300HT-270	27	14.3	19.2	0.014	0.53	1.14	0.053
2300HT-330	33	13.6	23.0	0.015	0.53	1.14	0.053
2300HT-390	39	13.0	26.7	0.017	0.53	1.14	0.053
2300HT-470	47	10.0	34.7	0.028	0.52	1.13	0.042
2300HT-560	56	9.7	40.8	0.030	0.52	1.13	0.042
2300HT-680	68	9.2	48.5	0.034	0.52	1.13	0.042
2300HT-820	82	8.8	57.4	0.037	0.52	1.13	0.042
2300HT-101	100	8.3	68.3	0.041	0.56	1.17	0.042
2300HT-121	120	8.0	80.5	0.045	0.56	1.17	0.042
2300HT-151	150	7.5	97.9	0.050	0.56	1.17	0.042
2300HT-181	180	7.2	114.5	0.055	0.56	1.17	0.042
2300HT-221	220	6.8	136.6	0.061	0.56	1.17	0.042
2300HT-271	270	6.5	163.2	0.067	0.56	1.17	0.042
2300HT-331	330	4.9	218.3	0.10	0.54	1.16	0.037
2300HT-391	390	4.7	252.8	0.13	0.54	1.16	0.037
2300HT-471	470	4.5	297.9	0.14	0.54	1.16	0.037
2300HT-561	560	3.4	389.1	0.24	0.53	1.14	0.027
2300HT-681	680	3.2	461.4	0.27	0.53	1.14	0.027
2300HT-821	820	3.1	545.2	0.30	0.53	1.14	0.027
2300HT-102	1000	2.9	648.2	0.33	0.58	1.17	0.027

For RoHS compliant version, add "-RC" to part number.



BOURNS®

Tel. (877) 426-8767 • Fax (951) 781-5006

www.bourns.com

Low Core Loss, High Current Toroid Inductors

Special Features

- Low core loss
- Low magnetic radiation
- High current capacity
- Horizontal or vertical mount available
- Operating temperature: -55 to +125 °C

Typical Applications

- Switch mode power supplies
- DC/DC converters
- Output chokes
- EMI filters

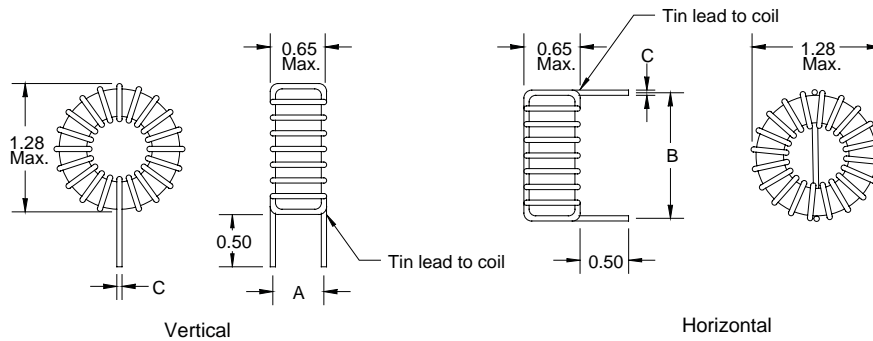
Notes

* Rated Idc causes a 30 °C temperature rise

** Insert -H or -V for mounting style before -RC

2300LL Series							
Part Number**	L (μH)	Idc* (A)	L (μH)	DCR (Ω)	Dim. A	Dim. B	Dim. C
	± 20 % @ 1 KHz		± 20 % @ I rated				
2300LL-1R5-RC	1.5	34.0	1.1	0.001	0.59	1.21	0.066
2300LL-2R7-RC	2.7	29.4	1.9	0.002	0.59	1.21	0.066
2300LL-3R9-RC	3.9	26.3	2.6	0.002	0.59	1.21	0.066
2300LL-5R6-RC	5.6	24.0	3.5	0.003	0.59	1.21	0.066
2300LL-8R2-RC	8.2	22.3	4.9	0.003	0.59	1.21	0.066
		± 15 %			± 15 %		
2300LL-100-RC	10	20.8	5.8	0.004	0.59	1.21	0.066
2300LL-120-RC	12	19.6	6.7	0.004	0.59	1.21	0.066
2300LL-150-RC	15	18.6	8.0	0.005	0.59	1.21	0.066
2300LL-180-RC	18	18.5	9.0	0.005	0.59	1.21	0.066
2300LL-220-RC	22	17.7	10.6	0.005	0.59	1.21	0.066
2300LL-270-RC	27	17.0	12.6	0.006	0.59	1.21	0.066
2300LL-330-RC	33	13.0	17.9	0.010	0.56	1.18	0.053
2300LL-390-RC	39	12.2	20.1	0.011	0.56	1.18	0.053
2300LL-470-RC	47	11.8	23.7	0.012	0.56	1.18	0.053
2300LL-560-RC	56	8.9	31.9	0.020	0.54	1.16	0.042
2300LL-680-RC	68	8.5	37.4	0.023	0.54	1.16	0.042
2300LL-820-RC	82	8.1	43.7	0.025	0.54	1.16	0.042
2300LL-101-RC	100	7.8	51.7	0.027	0.54	1.16	0.042
2300LL-121-RC	120	7.4	59.3	0.030	0.54	1.16	0.042
2300LL-151-RC	150	7.0	71.1	0.033	0.54	1.16	0.042
2300LL-181-RC	180	6.7	82.1	0.037	0.54	1.16	0.042
2300LL-221-RC	220	5.1	116.6	0.063	0.52	1.14	0.034
2300LL-271-RC	270	4.8	137.7	0.070	0.52	1.14	0.034
2300LL-331-RC	330	4.6	160.8	0.079	0.52	1.14	0.034
2300LL-391-RC	390	4.4	183.6	0.085	0.52	1.14	0.034
2300LL-471-RC	470	4.2	212.5	0.094	0.52	1.14	0.034
2300LL-561-RC	560	4.0	243.6	0.103	0.52	1.14	0.034
2300LL-681-RC	680	3.8	283.0	0.113	0.52	1.14	0.034
2300LL-821-RC	820	3.6	327.4	0.123	0.52	1.14	0.034
2300LL-102-RC	1000	3.5	378.9	0.137	0.52	1.14	0.034

Only available as RoHS compliant.



Dimensions: Inches

BOURNS®

Tel. (877) 426-8767 • Fax (951) 781-5006

www.bourns.com

High Current Toroid Inductors

Special Features

- DC/DC converter, EMI filter applications
- Low radiation
- Low core loss
- High current capacity
- Horizontal or vertical mount
- Low cost
- Operating temperature -55 to +105 °C

Notes

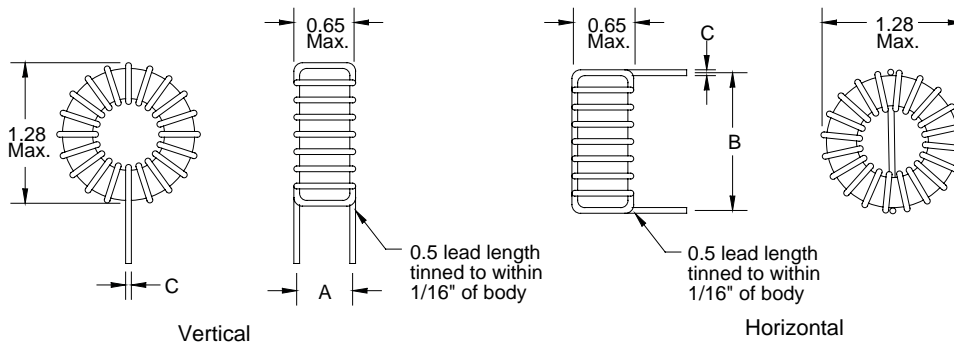
* Current to cause 30 °C max. temperature rise

Add -H or -V mounting style after P/N

Example : 2314-V

2300 Series							
Part Number	L (μH) ±15 % @ 1 KHz	I _{dc} * (A)	L (μH) ±15 % @ I rated	DCR Ω Max.	Dim. A Nom.	Dim. B Nom.	Dim. C Nom.
2301-	10	20.0	6.7	0.005	0.56	1.18	0.066
2302-	12	19.1	7.8	0.005	0.56	1.18	0.066
2303-	15	18.0	9.5	0.006	0.56	1.18	0.066
2304-	18	17.2	11.1	0.006	0.56	1.18	0.066
2305-	22	16.4	13.2	0.007	0.56	1.18	0.066
2306-	27	15.6	15.7	0.008	0.56	1.18	0.066
2307-	33	11.7	21.3	0.013	0.53	1.14	0.053
2308-	39	11.2	24.7	0.014	0.53	1.14	0.053
2309-	47	10.7	29.0	0.016	0.53	1.14	0.053
2310-	56	10.2	33.7	0.017	0.53	1.14	0.053
2311-	68	7.7	45.2	0.030	0.52	1.13	0.042
2312-	100	7.0	63.1	0.037	0.52	1.13	0.042
2313-	120	6.7	73.9	0.040	0.52	1.13	0.042
2314-	150	5.0	101.4	0.071	0.51	1.12	0.034
2315-	180	4.8	118.9	0.078	0.51	1.12	0.034
2316-	220	5.8	123.8	0.054	0.56	1.17	0.042
2317-	270	5.5	147.2	0.060	0.56	1.17	0.042
2318-	330	5.2	174.1	0.067	0.56	1.17	0.042
2319-	390	5.0	200.2	0.072	0.56	1.17	0.042
2320-	470	3.8	271.4	0.13	0.54	1.16	0.034
2321-	560	3.6	314.8	0.14	0.54	1.16	0.034
2322-	680	3.4	370.7	0.15	0.54	1.16	0.034
2323-	820	2.6	500.9	0.27	0.53	1.14	0.027
2324-	1000	2.4	593.6	0.30	0.53	1.14	0.027

For RoHS compliant version, add "-RC" to part number.



BOURNS®

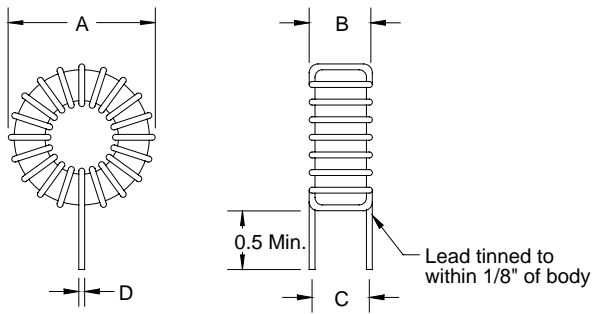
Tel. (877) 426-8767 • Fax (951) 781-5006

www.bourns.com

High Current Toroid Inductors

Features

- Low radiation
- High current capacity
- High inductance
- Increase inductance with AC excitation current to compensate reduced inductance with DC bias
- Low cost
- Operating temperature: -55 to 105 °C



Dimensions: Inches

5700 Series								
Part Number	L (μH) ±15 % @ 1 KHz	I (A) Max.	L (μH) ±15 % @ I rated	DCR Ω Max.	Dim. A Nom.	Dim. B Nom.	Dim. C Nom.	Dim. D Nom.
5701	10	11.00	5	0.008	0.875	0.437	0.32	0.064
5702	25	5.50	12	0.014	0.875	0.437	0.30	0.040
5703	125	2.75	70	0.12	0.875	0.437	0.30	0.020
5704	275	2.00	150	0.24	0.875	0.437	0.30	0.016
5705	450	1.50	250	0.49	0.875	0.437	0.30	0.012
5706	25	9.00	15	0.012	1.125	0.562	0.45	0.064
5707	75	5.00	40	0.04	1.125	0.562	0.42	0.036
5708	400	2.25	225	0.33	1.125	0.562	0.42	0.018
5709	800	1.75	475	0.64	1.125	0.562	0.42	0.015
5710	1000	1.50	575	0.98	1.125	0.562	0.40	0.012
5711	50	9.50	25	0.012	1.250	0.625	0.53	0.064
5712	150	4.75	85	0.046	1.250	0.625	0.50	0.036
5713	700	2.25	400	0.42	1.250	0.625	0.50	0.018
5714	1250	1.75	750	0.85	1.250	0.625	0.48	0.015
5715	1600	1.50	950	1.27	1.250	0.625	0.48	0.012
5716	125	7.75	65	0.032	1.812	0.750	0.68	0.064
5717	500	4.00	275	0.15	1.812	0.750	0.65	0.032
5718	1100	2.50	650	0.33	1.812	0.750	0.65	0.025
5719	2250	1.75	1350	0.92	1.812	0.750	0.65	0.018
5720	4500	1.25	2700	2.64	1.812	0.750	0.65	0.012
5721	250	8.00	125	0.041	2.125	0.937	0.79	0.062
5722	900	3.75	500	0.175	2.125	0.937	0.75	0.032
5723	1800	2.50	1000	0.55	2.125	0.937	0.75	0.023
5724	4000	1.75	2100	1.16	2.125	0.937	0.74	0.018
5725	8000	1.00	4500	3.34	2.125	0.937	0.74	0.012
5726	25	2.50	16	0.040	0.550	0.220	0.21	0.020
5727	35	2.50	29	0.035	0.700	0.320	0.30	0.025
5728	50	2.50	35	0.060	0.750	0.320	0.28	0.020
5729	100	2.50	70	0.080	0.850	0.360	0.33	0.020
5730	70	3.00	50	0.050	0.850	0.360	0.33	0.025
5731	40	4.00	30	0.025	0.850	0.360	0.34	0.032

For RoHS compliant version, add "-RC" to part number.

BOURNS®

Tel. (877) 426-8767 • Fax (951) 781-5006

www.bourns.com

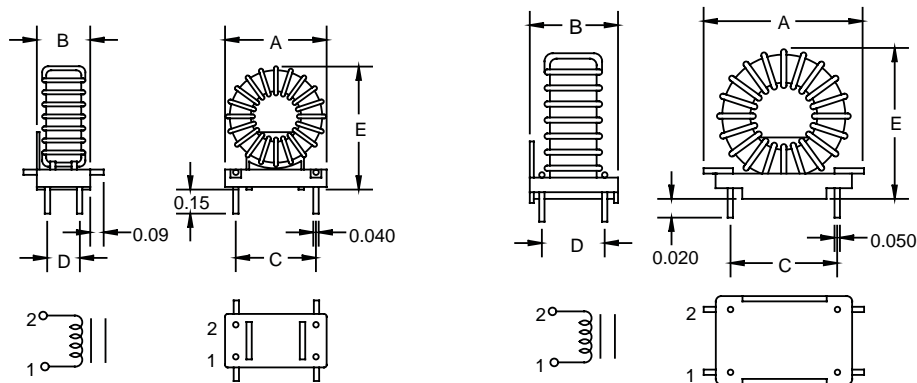
High Current Toroid Inductors (with header)

Special Features

- Low radiation
- High current capacity
- High inductance
- Mounted on VW-1 rated header
- Fixed pins for easy PCB insertion
- Operating temperature:
-55 to +105 °C

6700 Series									
Part Number	L (μH) ±15 % @ 1 KHz	I (A) Max.	L (μH) Min. @ I rated	DCR Ω Max.	Dim. A Max.	Dim. B Max.	Dim. C ±0.015	Dim. D ±0.015	Dim. E Max.
6701	10	11.0	5	0.008	0.875	0.425	0.600	0.250	1.00
6702	25	5.50	12	0.014	0.875	0.425	0.600	0.250	1.00
6703	125	2.75	70	0.12	0.875	0.425	0.600	0.250	1.00
6704	275	2.00	150	0.24	0.875	0.425	0.600	0.250	1.00
6705	450	1.50	250	0.49	0.875	0.425	0.600	0.250	1.00
6706	25	9.00	15	0.012	1.125	0.600	0.800	0.400	1.25
6707	75	5.00	40	0.04	1.125	0.600	0.800	0.400	1.25
6708	400	2.25	225	0.33	1.125	0.600	0.800	0.400	1.25
6709	800	1.75	475	0.64	1.125	0.600	0.800	0.400	1.25
6710	1000	1.50	675	0.98	1.125	0.600	0.800	0.400	1.25
6711	50	9.50	25	0.012	1.250	0.800	0.900	0.600	1.375
6712	150	4.75	85	0.046	1.250	0.800	0.900	0.600	1.375
6713	700	2.25	400	0.42	1.250	0.800	0.900	0.600	1.375
6714	1250	1.75	750	0.85	1.250	0.800	0.900	0.600	1.375
6715	1600	1.50	950	1.27	1.250	0.800	0.900	0.600	1.375
6716	125	7.75	65	0.032	1.812	0.900	1.200	0.700	1.95
6717	500	4.00	275	0.15	1.812	0.900	1.200	0.700	1.95
6718	1100	2.50	650	0.33	1.812	0.900	1.200	0.700	1.95
6719	2250	1.75	1350	0.92	1.812	0.900	1.200	0.700	1.95
6720	4500	1.25	2700	2.64	1.812	0.900	1.200	0.700	1.95
6721	250	8.00	125	0.041	2.125	1.100	1.500	0.900	2.25
6722	900	3.75	500	0.175	2.125	1.100	1.500	0.900	2.25
6723	1800	2.50	1000	0.55	2.125	1.100	1.500	0.900	2.25
6724	4000	1.75	2100	1.16	2.125	1.100	1.500	0.900	2.25
6725	8000	1.00	4500	3.34	2.125	1.100	1.500	0.900	2.25
6726	25	2.50	16	0.040	0.550	0.425	0.600	0.250	1.00
6727	35	2.50	29	0.035	0.700	0.425	0.600	0.250	1.00
6728	50	2.50	35	0.060	0.750	0.425	0.600	0.250	1.00
6729	100	2.50	70	0.080	0.850	0.425	0.600	0.250	1.00
6730	70	3.00	50	0.050	0.850	0.425	0.600	0.250	1.00
6731	40	4.00	30	0.025	0.850	0.425	0.600	0.250	1.00

For RoHS compliant version, add "-RC" to part number.



6701-6705 & 6726-6731

6706-6725

Dimensions: Inches

BOURNS®

Tel. (877) 426-8767 • Fax (951) 781-5006

www.bourns.com

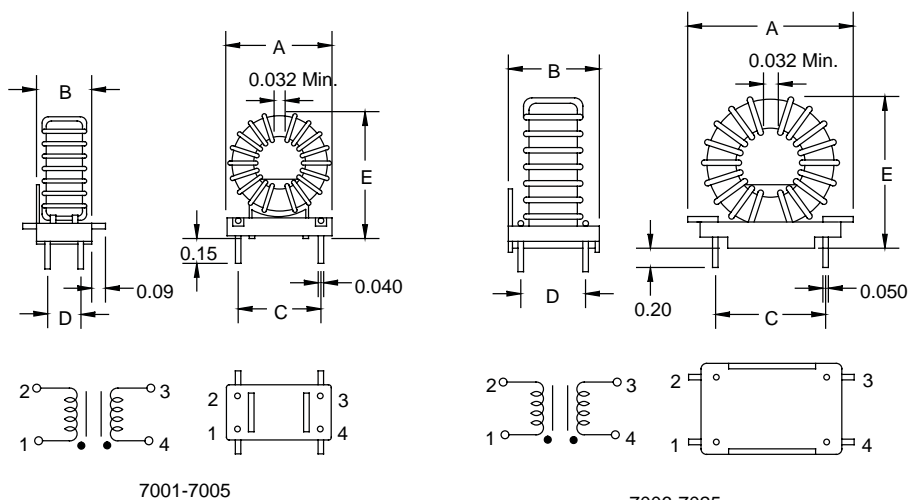
Dual-Line Toroid Inductors

Special Features

- Dual winding
- Low radiation
- High current capacity
- High inductance
- Dielectric strength 1000 Vrms
- Mounted on VW-1 rated header
- Fixed pins for easy PCB insertion
- Operating temperature -55 to +105 °C

7000 Series									
Part Number	L (μH) ±15 % @ 1 KHz	I _{dc} (A)	L (μH) ±15 % @ I rated	DCR Ω Max.	Dim. A Max.	Dim. B Max.	Dim. C ±0.015	Dim. D ±0.015	Dim. E Max.
7001	2.5	11.0	1.25	0.004	0.875	0.425	0.600	0.250	1.00
7002	6.0	5.50	3.0	0.007	0.875	0.425	0.600	0.250	1.00
7003	31.25	2.75	17.5	0.060	0.875	0.425	0.600	0.250	1.00
7004	68.75	2.00	37.5	0.120	0.875	0.425	0.600	0.250	1.00
7005	112.5	1.50	62.5	0.245	0.875	0.425	0.600	0.250	1.00
7006	6.25	9.00	3.75	0.006	1.125	0.600	0.800	0.400	1.25
7007	18.75	5.00	10	0.020	1.125	0.600	0.800	0.400	1.25
7008	100	2.25	56.25	0.165	1.125	0.600	0.800	0.400	1.25
7009	200	1.75	118.75	0.320	1.125	0.600	0.800	0.400	1.25
7010	250	1.50	143.75	0.470	1.125	0.600	0.800	0.400	1.25
7011	12.5	9.50	6.25	0.006	1.25	0.800	0.900	0.600	1.375
7012	37.5	4.75	21.25	0.023	1.25	0.800	0.900	0.600	1.375
7013	175	2.25	100	0.210	1.25	0.800	0.900	0.600	1.375
7014	312.5	1.75	187.5	0.430	1.25	0.800	0.900	0.600	1.375
7015	400	1.50	237.5	0.640	1.25	0.800	0.900	0.600	1.375
7016	31.25	7.75	16.25	0.016	1.812	0.900	1.20	0.700	1.95
7017	125	4.00	68.75	0.075	1.812	0.900	1.20	0.700	1.95
7018	275	2.50	162.5	0.165	1.812	0.900	1.20	0.700	1.95
7019	562.5	1.75	281.25	0.460	1.812	0.900	1.20	0.700	1.95
7020	1125	1.25	562.5	1.320	1.812	0.900	1.20	0.700	1.95
7021	62.5	8.00	31.75	0.021	2.125	1.10	1.50	0.900	2.25
7022	225	3.75	125	0.088	2.125	1.10	1.50	0.900	2.25
7023	450	2.50	250	0.240	2.125	1.10	1.50	0.900	2.25
7024	1000	1.75	525	0.580	2.125	1.10	1.50	0.900	2.25
7025	2000	1.00	1125	1.670	2.125	1.10	1.50	0.900	2.25

For RoHS compliant version, add "-RC" to part number.



Dimensions: Inches

BOURNS®

Tel. (877) 426-8767 • Fax (951) 781-5006

www.bourns.com



BOURNS®

Tel. (877) 426-8767 • Fax (951) 781-5006

www.bourns.com

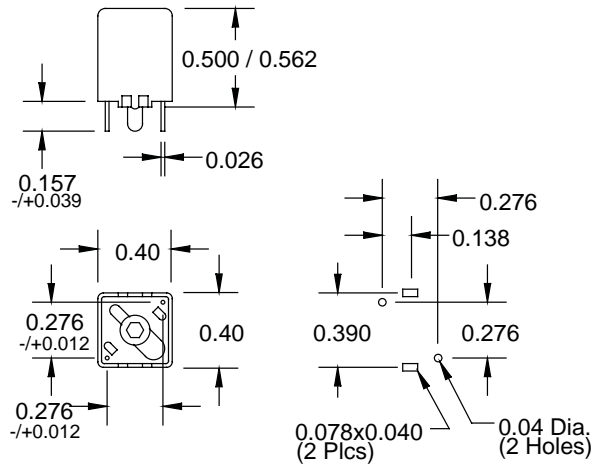
Adjustable RF Inductors

Special Features

- Precision molded in plastic
- Stable electrical characteristics
- High Q
- Low cost
- Fixed lead spacing
- Operating temperature -55 to +105 °C

4900 Series						
Part Number	L (μH)		Q		Test Freq. (MHz)	Style
	Min.	Max.	Min.	Max.		
4901-S	0.037	80	0.039	85	80	Shielded
4902-S	0.059	75	0.071	95	75	Shielded
4903-S	0.086	75	0.107	90	75	Shielded
4904-S	0.117	50	0.159	90	50	Shielded
4905-S	0.150	45	0.208	80	45	Shielded
4906-S	0.184	45	0.262	70	45	Shielded
4907-S	0.226	45	0.311	65	45	Shielded
4908-S	0.258	45	0.363	60	45	Shielded
4909-S	0.296	45	0.417	55	45	Shielded
4910-S	0.335	45	0.454	50	45	Shielded
4901	0.041	80	0.050	136	80	Unshielded
4902	0.070	75	0.100	139	75	Unshielded
4903	0.103	75	0.152	133	75	Unshielded
4904	0.148	50	0.252	162	50	Unshielded
4905	0.193	45	0.337	142	45	Unshielded
4906	0.238	45	0.417	122	45	Unshielded
4907	0.286	45	0.508	105	45	Unshielded
4908	0.339	45	0.600	89	45	Unshielded
4909	0.390	45	0.691	76	45	Unshielded
4910	0.460	45	0.788	72	45	Unshielded

For RoHS compliant version, add "-RC" to part number.



Dimensions: Inches

PCB layout

BOURNS®

Tel. (877) 426-8767 • Fax (951) 781-5006

www.bourns.com



BOURNS®

Tel. (877) 426-8767 • Fax (951) 781-5006

www.bourns.com

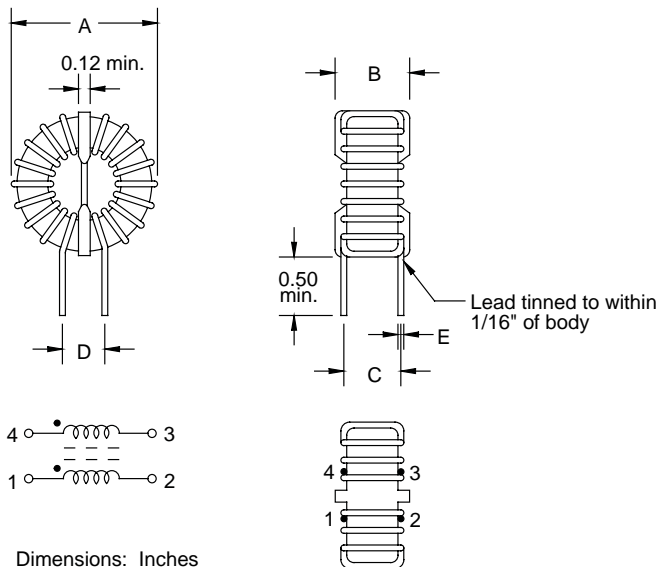
Common Mode EMI Chokes

Special Features

- Reduce conductive EMI emission
- High current capacity
- High impedance at low frequency
- Dielectric strength 3750 Vrms
- Coil wound on VW-1 rated plastic cased ferrite core
- Operating temperature -55 to +105 °C

7100 Series								
Part Number	L (mH) ±15 % @ 1 KHz	I, DC (A)	DCR (Ω) Max.	Dim. A Max.	Dim. B Max.	Im. C Nom.	Dim. D Nom.	Dim. E Nom.
7101	0.6	1.0	0.040	0.600	0.450	0.400	0.200	0.016
7102	1.0	1.0	0.060	0.600	0.450	0.400	0.200	0.016
7103	2.0	1.0	0.070	0.600	0.450	0.400	0.200	0.016
7104	3.0	1.0	0.100	0.600	0.450	0.400	0.200	0.016
7105	5.0	1.0	0.125	0.600	0.450	0.400	0.200	0.016
7106	0.6	2.0	0.030	0.600	0.450	0.400	0.200	0.020
7107	1.0	2.0	0.040	0.600	0.450	0.400	0.200	0.020
7108	2.0	2.0	0.060	0.600	0.450	0.400	0.200	0.020
7109	3.0	2.0	0.075	0.600	0.450	0.400	0.200	0.020
7110	0.6	3.0	0.020	0.600	0.450	0.400	0.200	0.023
7111	1.0	3.0	0.030	0.600	0.450	0.400	0.200	0.023
7112	1.0	2.0	0.050	0.800	0.550	0.500	0.300	0.023
7113	2.0	2.0	0.075	0.800	0.550	0.500	0.300	0.023
7114	3.0	2.0	0.085	0.800	0.550	0.500	0.300	0.023
7115	5.0	2.0	0.110	0.800	0.550	0.500	0.300	0.023
7116	8.0	2.0	0.200	0.800	0.550	0.500	0.300	0.023
7117	1.0	5.0	0.035	0.800	0.550	0.500	0.300	0.030
7118	2.0	5.0	0.040	1.20	0.800	0.700	0.400	0.030
7119	5.0	4.0	0.046	1.20	0.800	0.700	0.400	0.030
7120	8.0	4.0	0.060	1.20	0.800	0.700	0.400	0.030
7121	50	2.0	0.200	1.20	0.800	0.700	0.400	0.023
7122	30	4.0	0.130	1.20	0.800	0.700	0.400	0.030
7123	11	5.0	0.072	1.20	0.800	0.700	0.400	0.036
7124	3.0	10	0.020	1.20	0.800	0.700	0.400	0.046

For RoHS compliant version, add "-RC" to part number.



BOURNS®

Tel. (877) 426-8767 • Fax (951) 781-5006

www.bourns.com

Common Mode Inductors/EMI Filters

Special Features

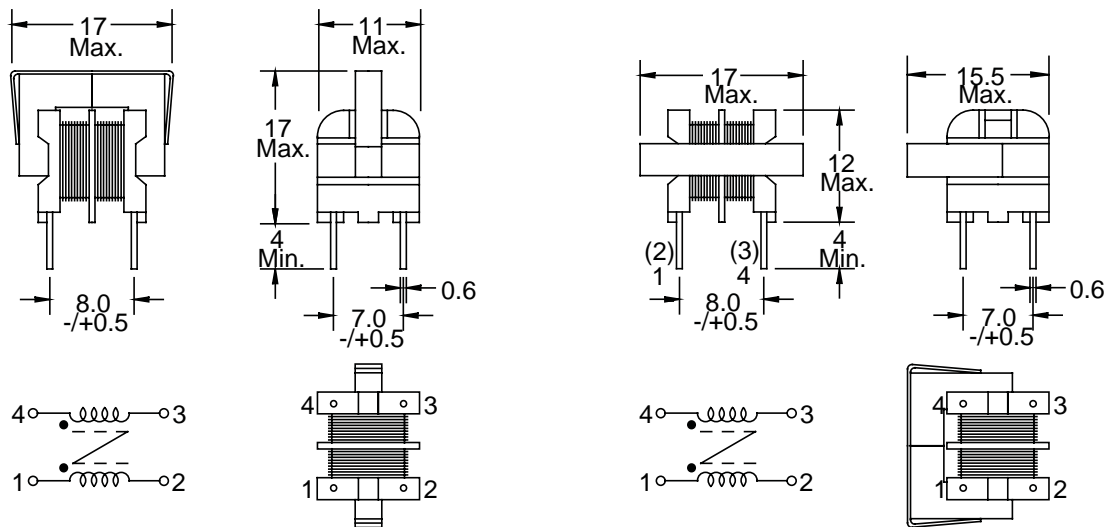
- Reduces conductive EMI emission
- High inductance, compact size
- High attenuation at low frequency
- Dielectric strength 3750 Vrms
- Coil wound on VW-1 rated plastic bobbin
- Core mounted horizontal or vertical
- Operating temperature -55 to +105 °C

Notes

* Rated current to cause 35 °C max. temperature rise
 Add -H or -V mounting style after P/N
 Example : 7355-V

7300 Series			
Part Number	L (mH)	I, DC* (A)	DCR (Ω) Max.
	Min. @ 1 KHz		
7350	0.5	1.5	0.12
7351	1	1.2	0.22
7352	2	0.85	0.4
7353	5	0.5	1.0
7354	8	0.4	2.0
7355	10	0.35	2.2
7356	22	0.27	4.0

For RoHS compliant version, add "-RC" to part number.



Vertical Core Mount

Horizontal Core Mount

Dimensions: mm

Common Mode Inductors/EMI Filters

Special Features

- Reduces conductive EMI emission
- High inductance, compact size
- High attenuation at low frequency
- Rated voltage: 250 VAC
- Dielectric strength: 3750 Vrms
- VW-1 rated plastic bobbin
- Operating temperature: -55 to +105 °C

Typical Applications

- Line filter for switch mode power supplies
- Desk top computers
- TV, VCR, DVD and audio equipment
- Battery chargers
- Office equipment
- Industrial electronics
- EMI filters

Notes

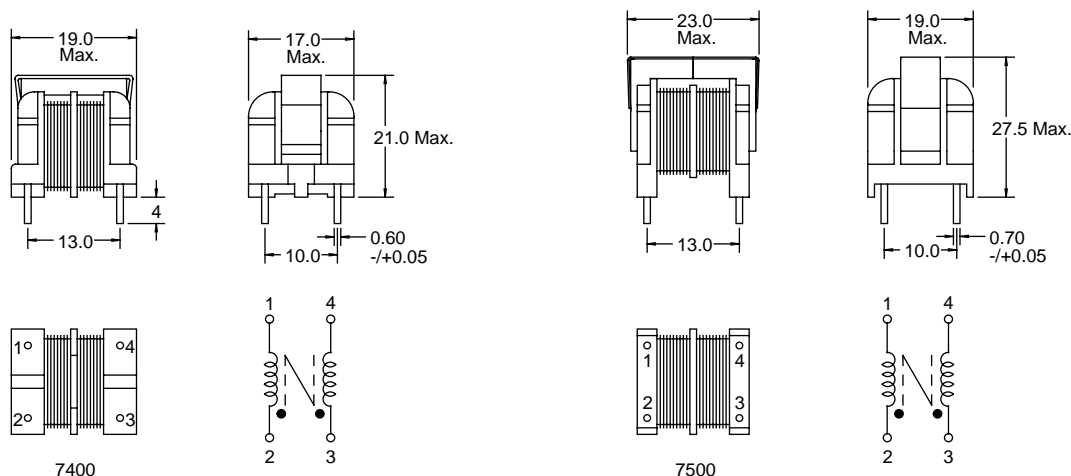
* Rated Idc causes a 35 °C temperature rise

7400 Series			
Part Number	L (mH) Min. @ 1 KHz	DCR (Ω) Max.	I (A)* Max.
7402-RC	0.6	0.046	2.8
7404-RC	1.0	0.049	2.4
7406-RC	2.0	0.11	1.8
7408-RC	5.0	0.28	1.1
7410-RC	8.0	0.44	0.9
7412-RC	10.0	0.50	0.8
7414-RC	20.0	1.11	0.6
7416-RC	30.0	1.73	0.5
7418-RC	45.0	2.68	0.4

Only available as RoHS compliant.

7500 Series			
Part Number	L (mH) Min. @ 1 KHz	DCR (Ω) Max.	I (A)* Max.
7502-RC	0.6	0.025	4.4
7504-RC	1.0	0.033	3.6
7506-RC	2.0	0.058	2.9
7508-RC	5.0	0.10	2.3
7510-RC	8.0	0.20	1.6
7512-RC	10.0	0.22	1.5
7514-RC	20.0	0.49	1.0
7516-RC	30.0	0.76	0.8
7518-RC	45.0	1.18	0.7

Only available as RoHS compliant.



Dimensions: mm
Tolerance: +/- 0.2

BOURNS®

Tel. (877) 426-8767 • Fax (951) 781-5006

www.bourns.com

Common Mode Inductors (with Header)

Special Features

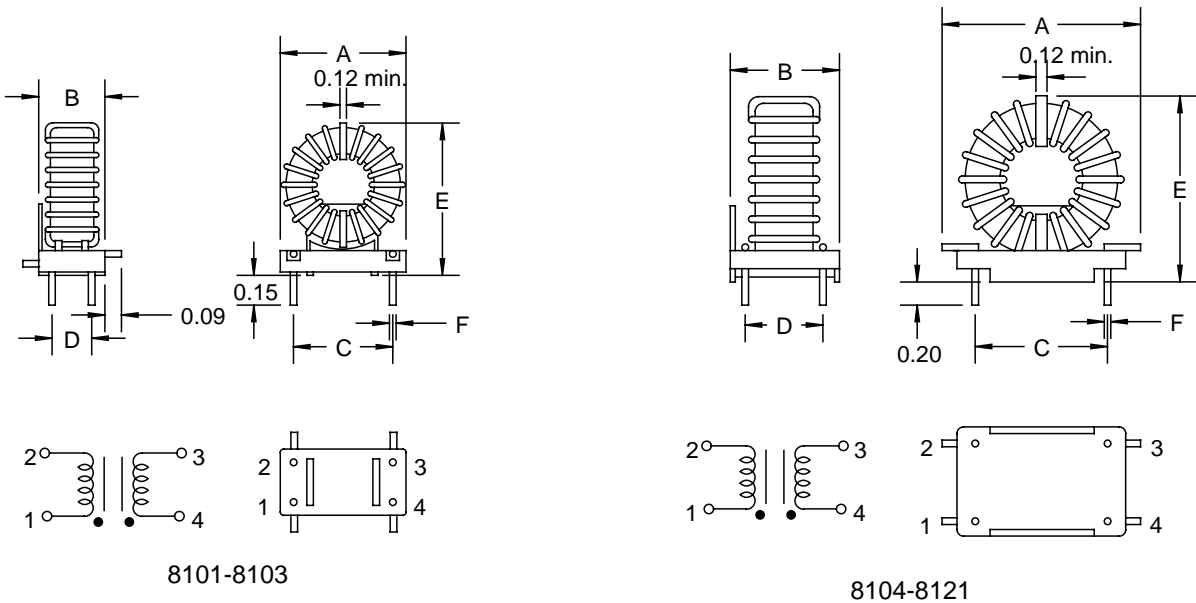
- Single layer wound
- Excellent EMI suppression capability over wide frequency spectrum
- High current capacity
- Dielectric strength: 1500 Vrms
- Coil mount on VW-1 rated plastic header
- Fixed pin spacing allow easy PCB insertion
- Operating temperature: -55 to +105 °C

Notes

* Rated current to cause approx. 35 °C temperature rise

8100 Series									
Part Number	L (mH)		DCR (Ω)	Dim. A	Dim. B	Dim. C	Dim. D	Dim. E	Dim. F
	Min. @ 1 KHz	I (A)* Max.							
8101	4	1.7	0.173	0.76	0.425	0.600	0.250	0.90	0.040
8102	2.5	2.4	0.09	0.76	0.425	0.600	0.250	0.90	0.040
8103	1	4.8	0.022	0.76	0.425	0.600	0.250	0.90	0.040
8104	10	2.4	0.17	1.20	0.60	0.800	0.400	1.20	0.050
8105	7	2.8	0.12	1.20	0.60	0.800	0.400	1.20	0.050
8106	5	3.7	0.07	1.20	0.60	0.800	0.400	1.20	0.050
8107	2	6.6	0.022	1.20	0.60	0.800	0.400	1.20	0.050
8108	1	10	0.01	1.20	0.60	0.800	0.400	1.20	0.050
8109	30	2.3	0.33	1.35	0.80	0.900	0.600	1.45	0.050
8110	20	2.9	0.21	1.35	0.80	0.900	0.600	1.45	0.050
8111	12	4	0.11	1.35	0.80	0.900	0.600	1.45	0.050
8112	8	5.6	0.055	1.35	0.80	0.900	0.600	1.45	0.050
8113	5	8.9	0.022	1.45	0.80	0.900	0.600	1.50	0.043
8114	2.5	12.5	0.011	1.45	0.80	0.900	0.600	1.50	0.053
8115	1.2	16	0.006	1.50	0.80	0.900	0.600	1.53	0.060
8116	50	2.3	0.45	1.55	0.80	0.900	0.600	1.65	0.050
8117	36	2.9	0.3	1.55	0.80	0.900	0.600	1.65	0.050
8118	7.3	9.3	0.032	1.65	0.80	0.900	0.600	1.65	0.043
8119	4	14.5	0.012	1.70	0.90	1.200	0.700	1.65	0.060
8120	2.4	17	0.008	1.70	0.90	1.200	0.700	1.65	0.067
8121	1	20	0.007	1.70	0.90	1.200	0.700	1.65	0.067

For RoHS compliant version, add "-RC" to part number.



Dimensions: Inches

BOURNS®

Tel. (877) 426-8767 • Fax (951) 781-5006

www.bourns.com

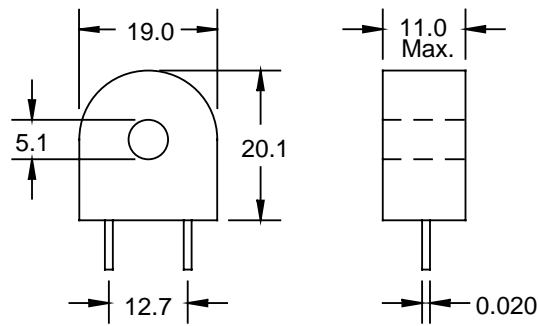
Current Sensors

Special Features

- High accuracy
- Coil encapsulated in plastic case
- Fixed lead spacing

7200 Series						
Part Number	I Range (A)	Freq. Range (KHz)	Load Resis. (Ω)	Sec. Turns	Sec. L (mH) Min.	Sec. DCR (Ω)
7201	2 - 10	5 - 50	50	50	5	0.7
7202	2 - 20	5 - 50	100	100	20	1.4
7203	2 - 35	1 - 100	200	200	80	3.8

For RoHS compliant version, add "-RC" to part number.



Dimensions: mm



BOURNS®

Tel. (877) 426-8767 • Fax (951) 781-5006

www.bourns.com

Signal Line Common Mode Inductors/Isolation Transformers

Special Features

- Excellent EMI suppression capability
- Excellent signal coupling
- Dielectric strength 500 Vrms
- Compact size
- Fixed pin spacing for easy PCB insertion
- Operating temperature -55 to +105 °C

Typical Applications

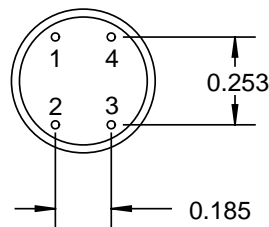
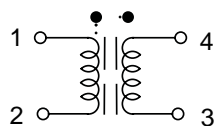
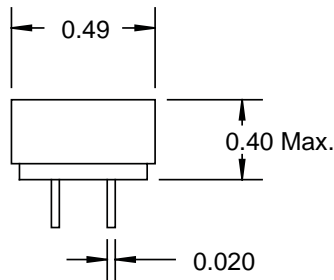
- Signal line EMI filtering
- Network switching boards
- Telephone systems
- Telecommunications

Notes

- Rated current to cause approx. 35 °C temperature rise

3000 Series			
Part Number	L (μH) ± 15 % @ 1 KHz	DCR (Ω) Max.	I, DC* (A)
3000-101	100	0.155	1.13
3000-121	120	0.166	1.09
3000-151	150	0.204	0.99
3000-181	180	0.259	0.81
3000-221	220	0.316	0.79
3000-271	270	0.345	0.76
3000-331	330	0.415	0.69
3000-391	390	0.515	0.62
3000-471	470	0.706	0.53
3000-561	560	0.742	0.52
3000-681	680	0.897	0.47
3000-821	820	1.16	0.41
	(mH)		
3000-102	1.0	1.38	0.38
3000-122	1.2	1.89	0.32
3000-152	1.5	2.47	0.28
3000-182	1.8	2.80	0.26
3000-222	2.2	3.12	0.25
3000-272	2.7	3.68	0.23
3000-332	3.3	4.71	0.21
3000-392	3.9	5.16	0.20
3000-472	4.7	6.64	0.18
3000-562	5.6	9.03	0.15
3000-682	6.8	10.2	0.14
3000-822	8.2	11.5	0.13
3000-103	10	13.1	0.12

For RoHS compliant version, add "-RC" to part number.



Dimensions: Inches

BOURNS®

Tel. (877) 426-8767 • Fax (951) 781-5006

www.bourns.com



BOURNS®

Tel. (877) 426-8767 • Fax (951) 781-5006

www.bourns.com

EMI T Network Filters

Special Features

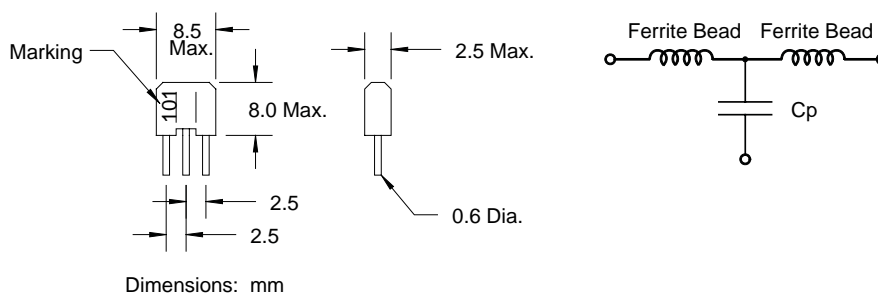
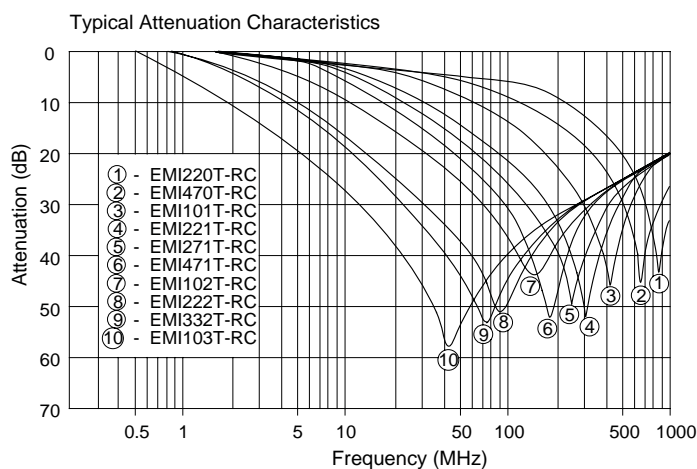
- Ferrite beads and chip capacitor T network EMI filters
- Excellent noise filtering capability at high frequency
- Taped packaged for automated insertion
- Rated current: 5 A
- Rated voltage: 50 VDC
- DC resistance: 0.05 Ohms max.
- Insulation resistance: 10 G Ohms @ 50 VDC
- Dielectric withstanding voltage: 125 VDC
- Operating temperature: -25 to +85 °C
- Ammo pack 2000 / Box

Typical Applications

- Personal computers, printers, hard drives and telecommunication equipment
- Digital audio and video equipment
- Switch power supplies and AC adapters
- Automotive electronics
- Industrial electronic devices

EMIT Series			
Part Number	Cp (pF) @ 1 KHz	25 dB Attenuation Frequency (MHz)	15 dB Attenuation Frequency (MHz)
EMI220T-RC	22 ±20 %	800 – 1000	200 – 800
EMI470T-RC	47 ±20 %	550 – 700	350 – 800
EMI101T-RC	100 ±20 %	350 – 500	200 – 800
EMI221T-RC	220 ±20 %	200 – 350	100 – 800
EMI271T-RC	270 ±20 %	200 – 300	80 – 800
EMI471T-RC	470 ±20 %	120 – 300	50 – 800
EMI102T-RC	1000 ±20 %	70 – 200	30 – 800
EMI222T-RC	2200 ±20 %	45 – 200	20 – 800
EMI332T-RC	3300 ±20 %	35 – 200	15 – 800
EMI103T-RC	10,000 -20 %, +80 %	15 - 200	6 - 800

Only available as RoHS compliant.



BOURNS®

Tel. (877) 426-8767 • Fax (951) 781-5006

www.bourns.com



BOURNS®

Tel. (877) 426-8767 • Fax (951) 781-5006

www.bourns.com



Worldwide Sales Offices

Country	Phone	Fax
Benelux:	+41 (0)41 768 5555	+41 (0)41 768 5510
Brazil:	+55 11 5505 0601	+55 11 5505 4370
China:	+86 21 64821250	+86 21 64821249
France:	+33 (0)2 5473 5151	+33 (0)2 5473 5156
Germany:	+49 (0)69 800 78212	+49 (0)69 800 78299
Ireland/UK:	+44 (0)1276 691087	+44 (0)1276 691088
Italy:	+41 (0)41 768 5555	+41 (0)41 768 5510
Japan:	+81 49 269 3204	+81 49 269 3297
Malaysia (KL Office):	+60 3 71183138	+60 3 71183139
Malaysia (Penang Office):	+60 4 6581771	+60 4 6582771
Singapore:	+65 63461933	+65 63461911
Switzerland:	+41 (0)41 768 5555	+41 (0)41 768 5510
Taiwan:	+886 2 25624117	+886 2 25624116
UK/Ireland:	+44 (0)1276 691087	+44 (0)1276 691088
USA:	+1-951-781-5500	+1-951-781-5006

Non-Listed European

Countries:	+41 (0)41 768 5555	+41 (0)41 768 5510
------------	--------------------	--------------------

Technical Assistance

Region	Phone	Fax
Asia-Pacific:	+886 2 25624117	+886 2 25624116
Europe:	+41 (0)41 768 5555	+41 (0)41 768 5510
North America:	+1-951-781-5500	+1-951-781-5700

www.bourns.com

Bourns® products are available through an extensive network of manufacturer's representatives, agents and distributors.

To obtain technical applications assistance, a quotation, or to place an order, contact a Bourns representative in your area.

Specifications subject to change without notice. Actual performance in specific customer applications may differ due to the influence of other variables. Customers should verify actual device performance in their specific applications.



Reliable Electronic Solutions

"Bourns" is a registered trademark of Bourns, Inc. in the U.S. and other countries.

COPYRIGHT © 2006, BOURNS, INC. • LITHO IN U.S.A. • CPS • 09/06 • 1M/IC0633

[PM1210-5R6J-RC](#)

[PM1210-680J-RC](#)

[PM1210-820J-RC](#)

EN - For pricing and availability in your local country please visit one of the below links:

DE - Informationen zu Preisen und Verfügbarkeit in Ihrem Land erhalten Sie über die unten aufgeführten Links:

FR - Pour connaître les tarifs et la disponibilité dans votre pays, cliquez sur l'un des liens suivants:

[78FR10M-RC](#)

[78FR12M-RC](#)

[78FR15M-RC](#)

[78FR18M-RC](#)

[PM1210-180J-RC](#)

[PM1210-270J-RC](#)

[PM1210-2R7J-RC](#)

[PM1210-330J-RC](#)

[PM1210-390J-RC](#)

[PM1210-3R9J-RC](#)

EN

This Datasheet is presented by
the manufacturer

DE

Dieses Datenblatt wird vom
Hersteller bereitgestellt

FR

Cette fiche technique est
présentée par le fabricant