



ActivBoard 100 Mount System with PRM-30a or PRM-35 projector



ActivBoard 100 Mount System with EST-P1 projector

THIS DOCUMENT CONTAINS SPECIFICATIONS FOR

ActivBoard
Projector Mount
Projector

DESCRIPTION

The ActivBoard 100 with Single-User technology (optional Dual-User upgrade) is available in 64" and 78"* versions. The Mount System includes a choice of Extreme Short Throw (78" only) or Short Throw projector. *Available in selected markets.

SYSTEM OVERVIEW

Installation

ActivBoard Mount System is suitable for self-installation. Promethean recommends that all Mount Systems should be installed by a Certified Promethean Installer. Please visit www.PrometheanWorld.com/ActivCare/installationtc. The Projector Mount and the ActivBoard mount directly to the wall. Refer to the User Manual for guidelines on fixing points. Components supplied and minimum specifications stated have been tested and are required for optimal performance. Use of components not supplied by Promethean or not meeting minimum specifications may impact performance and affect warranty. Contact your Promethean partner or visit www.PrometheanKB.com for more information. Operation of the ActivBoard 100 requires installation of the driver included with the ActivInspire software and one open USB computer port. Specifications and access to ActivInspire software is available at www.PrometheanPlanet.com/ActivInspire. User with administrator/privileged access rights required to install driver and software

Warranty

For Promethean Warranty Information please visit: www.PrometheanWorld.com/ActivCare

Support

Online Support for all Promethean Products available from: www.PrometheanKB.com

Complete System Weight (approx.)

ActivBoard 164 including;
PRM-30a Projector 38.3kg (84.3lb)
PRM-35 Projector 32.6kg (71.8lb)
ActivBoard 178 including;
PRM-30a Projector 42.6kg (93.8lb)
PRM-35 Projector 39.6kg (87.2lb)

ActivBoard 178 including;
EST-P1 Projector 44.8kg (98.7lb)

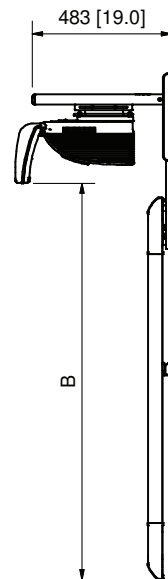
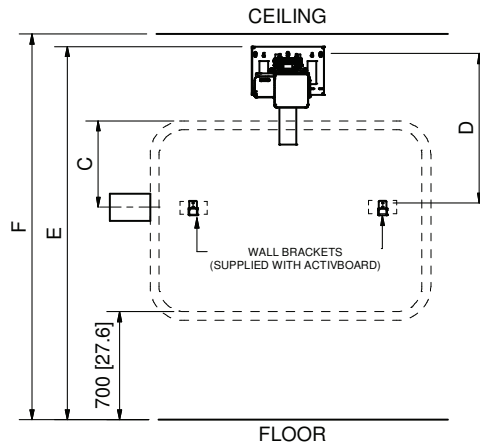
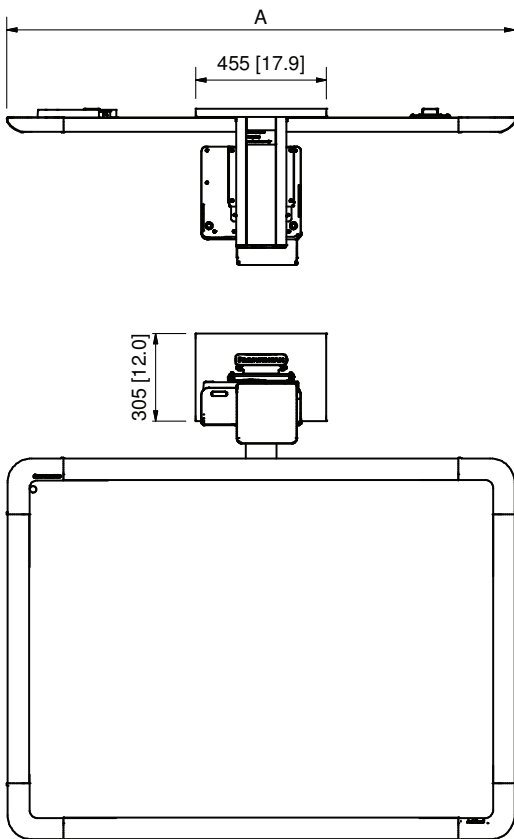
UPGRADE AND ACCESSORY OPTIONS

| | |
|--|---|
| Wireless Upgrade Pack 100 | Allows the ActivBoard 100 to connect to the computer wirelessly; includes an ActivHub (2.4 GHz), PSU (Power Supply Unit) and Quick Start Guide |
| Cable Wall Box | Connectivity box with inputs for 2 x fully wired VGA (to support VESA DDC) plus 3.5mm stereo jack audio inputs, USB-B input (for ActivBoard), S-Video, composite video plus auxiliary audio jack inputs, Cat 5e Ethernet input. Allows additional flexibility during installation, where the computer is located further away from the System |
| ActivArena 50 Upgrade Pack | Allows 2 users to work on the ActivBoard simultaneously; includes 2 Instructor and 2 Participant ActivPens, ActivArena Resources CD, ActivArena paper license, and ActivArena Quick Start Guide (requires ActivInspire Professional Edition) |
| ActivWand 50 | Wireless, battery-free and extended reach input device for the ActivBoard – 540mm (21.2in) in length; “left click”, cursor and hover, just like a mouse |
| ActivInspire Professional Edition | ActivInspire Professional Edition, providing additional features and functionality |

TECHNICAL DRAWING SPECIFICATIONS

ActivBoard 178 Mount System with EST-P1 projector

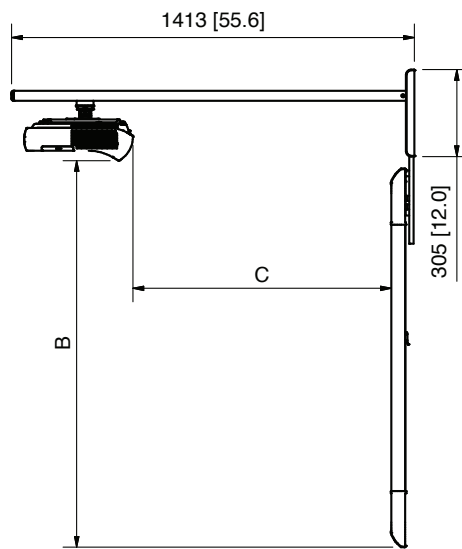
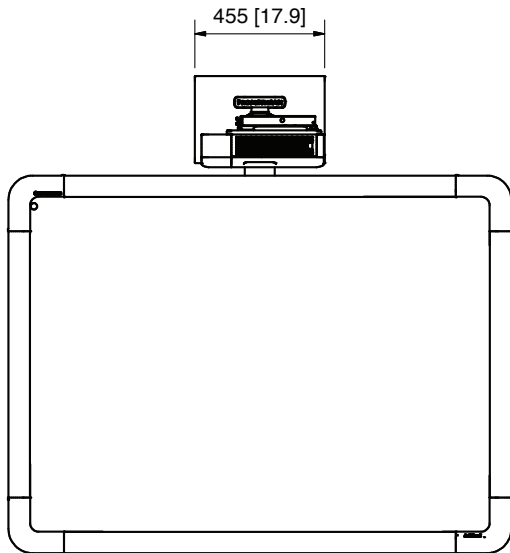
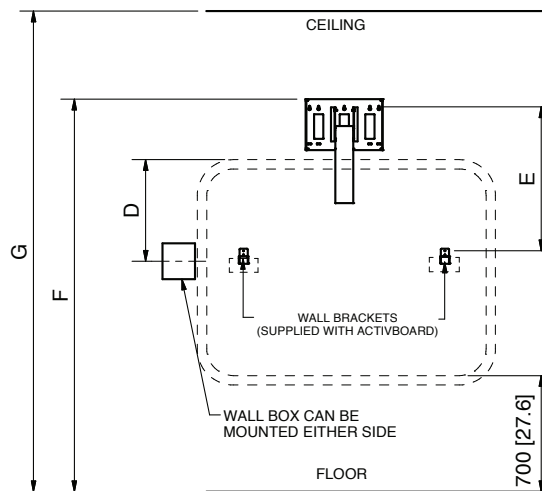
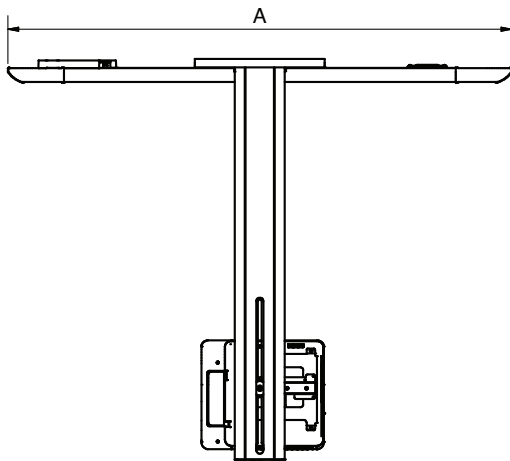
| DIMENSION | 178 |
|-----------------------|-------------|
| ACTIVBOARD 'A' | 1768 [69.6] |
| PROJECTOR 'B' | 1379 [54.3] |
| WALL BOX 'C' ±150 [6] | 660 [26.0] |
| FIXING HEIGHT 'D' | 920 [36.2] |
| TOTAL HEIGHT 'E' | 2380 [93.7] |
| MIN ROOM HEIGHT 'F' | 2390 [94.1] |



TECHNICAL DRAWING SPECIFICATIONS (CONTINUED)

ActivBoard 100 Mount System with PRM-30a or PRM-35 projector

| | PRM30a - 178 | PRM30a - 164 | PRM35 - 178 | PRM35 - 164 |
|------------------------------|--------------|--------------|-------------|-------------|
| ACTIVBOARD 'A' | 1768 [69.6] | 1426 [56.1] | 1768 [69.6] | 1426 [56.1] |
| PROJECTOR 'B' | 1357 [53.4] | 1120 [44.1] | 1362 [53.6] | 1135 [44.7] |
| THROW DISTANCE 'C' ±10 [0.4] | 906 [35.7] | 620 [24.4] | 985 [38.8] | 787 [31.0] |
| WALL BOX 'D' ±150 [6] | 660 [26.0] | 590 [23.2] | 660 [26.0] | 590 [23.2] |
| FIXING HEIGHT 'E' | 845 [33.3] | 610 [24.0] | 810 [31.9] | 580 [22.8] |
| TOTAL HEIGHT 'F' | 2295 [90.4] | 2060 [81.1] | 2260 [89.0] | 2030 [80.0] |
| MIN ROOM HEIGHT 'G' | 2305 [90.7] | 2070 [81.5] | 2270 [89.4] | 2040 [80.3] |



ACTIVBOARD GENERAL SPECIFICATIONS

| | |
|------------------------|---|
| Internal Resolution | 2730 points (lines) per inch |
| Output Resolution | 200 points (lines) per inch |
| Tracking Rate | 200 inches per second providing a fast response to pen commands |
| Output Rate | 120 coordinate pairs per second |
| User Input | Cordless battery-free pen incorporating tip switch and side switch for full mouse functionality (ActivPen) |
| Digitizing Technology | Passive Electromagnetic |
| Power Requirement | Mains Powered: 18V Power Supply Unit |
| Connection to Computer | USB 2.0, 1 x 5m USB data cable supplied |
| Screen Surface | Low Glare Melamine |
| Screen Format | 4:3 |
| Certifications | UL, CE, FCC |
| Operating Temperature | 0°C to +50°C (14°F to +122°F) |
| Storage Temperature | -20°C to +70°C (-4°F to +158°F) |
| Storage Humidity | 0% to 90% (non condensing) |
| Packed Contents List | ActivBoard, 2 ActivPens (Instructor), 5m (16ft) USB cable, Wall Mounting Brackets, Installation Guide, Access to ActivInspire Personal Edition via download from Promethean Planet (Also available on DVD on request) |

ACTIVBOARD SPECIFICATIONS BY MODEL

| Model | ActivBoard 164 | ActivBoard 178 |
|-----------------------------|--|--|
| Activboard Size | 64in | 78in |
| Surface Area Resolution | 10000 x 8000 | 12800 x 9200 |
| Active Area Dimension | 1271mm x 1012mm (50in x 40in) | 1614mm x 1175mm (64in x 46in) |
| Active Area Diagonal | 1617mm (63.6in) | 1988mm (78.3in) |
| Actual Image Diagonal (4:3) | 1590mm (62.6in) | 1959mm (77.1in) |
| Overall Dimension | 1426mm x 1166mm (56.2in x 45.9in) | 1768mm x 1329mm (69.6in x 52.3in) |
| Board Weight | 18kg (39.7lb) | 25kg (55.1lb) |
| Packed Weight | 30kg (66.1lb) | 39kg (92.6lb) |
| Packed Dimensions | 1580mm x 1330mm x 110mm (62.6in x 52.6in x 4.3in) | 1920mm x 1500mm x 110mm (75.6in x 58.9in x 4.3in) |

ActivBoard Systems/Boards SS 11/11 V2.0 US

©2011 Promethean Limited. All rights reserved. Promethean Ltd. is owner of a number of trademarks in several jurisdictions across the world. Any third-party product and company names are mentioned for identification purposes only and may be trademarks of their respective owners. ¹Applicable Terms and Conditions for warranty and support available at www.PrometheanWorld.com/ActivCare. All dimensions +/- 5mm (0.2in). All weights +/- 0.9kg (2lb). Product Specifications are subject to change without notice. www.PrometheanWorld.com

MINIMUM SYSTEM REQUIREMENTS

| | |
|--------------------------|--|
| Operating Systems | Windows XP SP3 and above (XP/Vista/7); Mac OSX 10.4.11 – 10.6.4 (Tiger/Leopard/Snow Leopard); Linux Ubuntu 9.10 or 10.04; Debian Lenny; Linex Colegios 2010; Linkat 3; ALT_Linux |
| PC | 2.0 GHz Intel Core 2 Duo or faster for HD-quality videos, 1 GB of RAM is required to play HD-quality videos, 1024 x 768 resolution, 1.5 GB of free disk space |
| Mac | 2.0 GHz Intel Core 2 Duo, 512 MB of RAM, 1024 x 768 resolution, 3.0 GB of free disk space |

Product Specifications

MOUNT SPECIFICATIONS

| | | |
|--------------------------------------|---|---|
| Projector Mount | For use with Short Throw Projector, aluminum arm extends 1415mm (55.7in) from the wall | For use with Extreme Short Throw Projector, aluminum arm extends 485mm (19.1in) from the wall |
| Room Height | Minimum room height 2400mm (94.5in) | Minimum room height 2400mm (94.5in) |
| Power | Power Outlets required for the projector, computer and ActivBoard | Power Outlets required for the projector, computer and ActivBoard |
| Weight (approx.) | Frame only: Approx. 9.9kg (22lb) excluding projector and cabling | Frame only: Approx. 8.8kg (22lb) excluding projector and cabling |
| Cable Management | Cables directed through the projector mount, mounting plate and behind the ActivBoard | Cables directed through the projector mount, mounting plate and behind the ActivBoard |
| Pack Weights & Dimensions | Box 1 of 1: 11.9kg (26.3lb) Dimensions: 1430mm x 325mm x 100mm (56.3in x 12.8in x 3.9in) | Box 1 of 1: 9.9kg (21.9lb) Dimensions: 715mm x 320mm x 120mm (28.1in x 12.6in x 4.7in) |
| Packed Contents List | Wall Plate, Cover, Projector Mount and Mounting Plate, VGA Cable plus Fixings | Wall Plate, Cover, Projector Mount and Mounting Plate, VGA Cable plus Fixings |

ActivBoard Systems/Boards SS 11/11 V2.0 US

©2011 Promethean Limited. All rights reserved. Promethean Ltd. is owner of a number of trademarks in several jurisdictions across the world. Any third-party product and company names are mentioned for identification purposes only and may be trademarks of their respective owners. ¹Applicable Terms and Conditions for warranty and support available at www.PrometheanWorld.com/ActivCare. All dimensions +/- 5mm (0.2in). All weights +/- 0.9kg (2lb). Product Specifications are subject to change without notice. www.PrometheanWorld.com



Product Specifications

PROJECTOR SPECIFICATIONS

| Model | EST-P1 (DLP) | PRM-35 (DLP) | PRM-30a (LCD) |
|--------------------------|--|---|--|
| Native Resolution | WXGA (1280 x 800) | WXGA (1280 x 800) | WXGA (1280 x 800) |
| Compressed Resolution | up to 1080i | up to 1080i | up to 1080i |
| Typical Colors | 16.77 million colors | 16.77 million colors | 16.77 million colors |
| Brightness (ANSI lumens) | 2200 ANSI (normal) 2500 ANSI (high) | 2100 ANSI (normal) 2500 ANSI (high) | 1900 ANSI (normal) 2500 ANSI (high) |
| Contrast Ratio | 2000:1 | 2000:1 | 500:1 |
| Noise Level | 27dB (normal) 31dB (high brightness mode) | 32dB (normal) 36dB (high brightness mode) | 29dB (normal) 36dB (high brightness mode) |
| Dimensions (w x d x h) | 354mm x 319mm x 157mm (13.9in x 12.6in x 6.1in) not including lens 354mm x 411mm x 219mm (13.9in x 16.1in x 8.6in) including lens | 306mm x 275mm x 97mm (12in x 3.8in x 10.1in) | 382mm x 430mm x 129mm (15in x 16.9in x 5in) |
| Weight | 9kg (19.8lb) | 2.7kg (6lb) | 5.7kg (12.5lb) |
| Aspect Ratio | 16:10 (native), 4:3, 16:9 | 16:10 (native), 4:3, 16:9 | 16:10 (native), 4:3, 16:9 |
| Power Consumption | 290W (<1W standby) | 230W (<1W standby) | 317W (<0.8W standby) |
| Device Type | DLP Technology | DLP Technology | LCD Technology |
| Focus | Manual Focus | Manual Focus | Manual Focus |
| Zoom | N/A | Digital Zoom | Digital Zoom |
| Focal Length | F=2.4 | F=2.86 | Fixed |
| Projection Distance | 0.39m ~ 0.56m (15in ~ 22in) | 0.54m ~ 1.22m (21.3in ~ 48in) | 0.54m ~ 1.22m (21.3in ~ 48in) |
| Projection Screen Size | 1.98m ~ 2.79m (78in ~ 110in) | 1.27m ~ 2.79m (50in ~ 110in) | 1.27m ~ 2.79m (50in ~ 110in) |
| Lamp Type | 220W lamp | 230W lamp | 230W lamp |
| Lamp Life | 6000hrs (normal), 4000hrs (high) | 6000hrs (normal), 4000hrs (high) | 4000 hrs (normal), 3000 hrs (high) |
| Keystone Correction | Vertical: max ±15° | Vertical: max ±15° | Vertical: max ±20° |
| Operating Temperature | 5°C ~ 35°C (41°F ~ 95°F) | 5°C ~ 35°C (41°F ~ 95°F) | 5°C ~ 35°C (41°F ~ 95°F) |
| Power Supply Voltage | 100 - 240V AC, 50/60Hz | 100 ~ 240V AC, 50/60Hz | 100 ~ 240V AC, 50/60Hz |
| Horizontal Scan Rate | 15Hz ~ 90kHz | 15Hz ~ 90kHz | 15Hz ~ 90kHz |
| Vertical Scan Rate | 43Hz ~ 85Hz | 50Hz ~ 85Hz | 50Hz ~ 85Hz |

CONTINUED ON NEXT PAGE

ActivBoard Systems/Boards SS 11/11 V2.0 US

©2011 Promethean Limited. All rights reserved. Promethean Ltd. is owner of a number of trademarks in several jurisdictions across the world. Any third-party product and company names are mentioned for identification purposes only and may be trademarks of their respective owners. ¹Applicable Terms and Conditions for warranty and support available at www.PrometheanWorld.com/ActivCare. All dimensions +/- 5mm (0.2in). All weights +/- 0.9kg (2lb). Product Specifications are subject to change without notice. www.PrometheanWorld.com



PROJECTOR SPECIFICATIONS (CONTINUED)

| | | | |
|------------------------------------|---|---|---|
| Computer Compatibility | IBM PC and Compatibles; Apple Macintosh, iMac, and VESA Standards WSXGA+ (1,680 x 1,050), WXGA+ (1,440 x 900), WXGA (1,280 x 800, 1,280 x 768), UXGA (1,600 x 1,200), SXGA+ (1,400 x 1,050), SXGA (1,280 x 1,024), XGA (1,024 x 768), SVGA (800 x 600), VGA (640 x 480) | IBM PC and Compatibles; Apple Macintosh, iMac, and VESA Standards WSXGA+ (1,680 x 1,050), WXGA+ (1,440 x 900), WXGA (1,280 x 800, 1,280 x 768), UXGA (1,600 x 1,200), SXGA+ (1,400 x 1,050), SXGA (1,280 x 1,024), XGA (1,024 x 768), SVGA (800 x 600), VGA (640 x 480) | IBM PC and Compatibles; Apple Macintosh, iMac, and VESA Standards WSXGA+ (1,680 x 1,050), WXGA+ (1,440 x 900), WXGA (1,280 x 800, 1,280 x 768), UXGA (1,600 x 1,200), SXGA+ (1,400 x 1,050), SXGA (1,280 x 1,024), XGA (1,024 x 768), SVGA (800 x 600), VGA (640 x 480) |
| Video Compatibility | NTSC (3.58/4.43), PAL (B/D/G/H/I/M/N), SECAM (B/D/G/K/K1/L), HDTV (720p, 1080i, 1035i), EDTV (480p, 575i), SDTV (480i, 576i) | NTSC (3.58/4.43), PAL (B/D/G/H/I/M/N), SECAM (B/D/G/K/K1/L), HDTV (720p, 1080i, 1035i), EDTV (480p, 575i), SDTV (480i, 576i) | NTSC (3.58/4.43), PAL (B/D/G/H/I/M/N), SECAM (B/D/G/K/K1/L), HDTV (720p, 1080i, 1035i), EDTV (480p, 575i), SDTV (480i, 576i) |
| Inputs/Outputs | D-sub 15 (RGB) x 2 D-sub 15 (Monitor out) x 1 HDMI V1.3 only for Video x 1 S-Video x 1 Composite Video (RCA) x 1 USB control x 1 Networking LAN (RJ45) x 1 RS-232C (D-sub 9) x 1 | D-sub 15 (RGB) x 2 D-sub 15 (Monitor out) x 1 HDMI V.1.3 only for Video x 1 S-Video x 1 Composite Video (RCA) x 1 USB control x1 Networking LAN (RJ45) x 1 RS-232C (D-sub 9) x 1 | D-sub 15 (RGB) x 1 D-sub 15 (RGB) selectable x 1 HDMI (Digital RGB) x 1 S-Video x 1 Composite Video (RCA) x 1 RCA (white/red) x 1 Networking LAN (RJ45) x 1 RS-232C (D-sub 9) x 1 Stereo mini-jack x 1 |
| Color | Silver | Silver | Silver |
| Security | Kensington Lock, Security cable bar option, pin code security, remote control operated only | Kensington Lock, Security cable bar option, pin code security, remote control operated only | Kensington Lock, Security cable bar option, pin code security, remote control operated only |
| On-screen Menu | Arabic, Chinese (Simplified), Chinese (Traditional), Czech, Dutch, English, Finnish, French, German, Greek, Hungarian, Italian, Japanese, Korean, Norwegian, Polish, Portuguese, Russian, Spanish, Swedish, Thai, Turkish | Arabic, Chinese (Simplified), Chinese (Traditional), Czech, Dutch, English, Finnish, French, German, Greek, Hungarian, Italian, Korean, Norwegian, Polish, Portuguese, Russian, Spanish, Swedish, Turkish | Arabic, Chinese (Simplified), Chinese (Traditional), Danish, Dutch, English, Finnish, French, German, Hungarian, Italian, Japanese, Kazak, Korean, Norwegian, Polish, Portuguese, Portuguese (Brazilian), Romanian, Russian, Spanish, Swedish, Turkish |
| Advanced Features | Filter-less 3D Ready Crestron RoomView Express Quick Lamp Access Direct power on/off Closed Caption | Filter-less 3D Ready Crestron RoomView Express Quick Lamp Access Direct power on/off Closed Caption | Long Life Filter – 4000hrs Crestron RoomView Express Cable Management Cover Quick Lamp Access Direct power on/off Closed Caption |
| Packed Contents List | Projector, Power cord, computer cable (D-sub15 – D-sub15), wireless remote, owner's manual (CD - ROM & Quick Start Guide) | Projector, Power cord, computer cable (D-sub15 – D-sub15), wireless remote, owner's manual (CD - ROM & Quick Start Guide) | Projector, Power cord, computer cable (D-sub15 – D-sub15), wireless remote, owner's manual (CD - ROM & Quick Start Guide) |
| Pack Weights and Dimensions | Box 1 of 1: 13.5kg (29.7lb) Dimensions: 572mm x 496mm x 310mm (22.5in x 19.5in x 12.2in) Contents: Projector | Box 1 of 1: 4.9kg (10.8lb) Dimensions: 396mm x 341mm x 181mm (15.5in x 13.4in x 7.1in) Contents: Projector | Box 1 of 1: 9.5kg (20.9lb) Dimensions: 510mm x 470mm x 240mm (20in x 18.5in x 9.4in) Contents: Projector |

ActivBoard Systems/Boards SS 11/11 V2.0 US

©2011 Promethean Limited. All rights reserved. Promethean Ltd. is owner of a number of trademarks in several jurisdictions across the world. Any third-party product and company names are mentioned for identification purposes only and may be trademarks of their respective owners. ¹Applicable Terms and Conditions for warranty and support available at www.PrometheanWorld.com/ActivCare. All dimensions +/- 5mm (0.2in). All weights +/- 0.9kg (2lb). Product Specifications are subject to change without notice. www.PrometheanWorld.com

