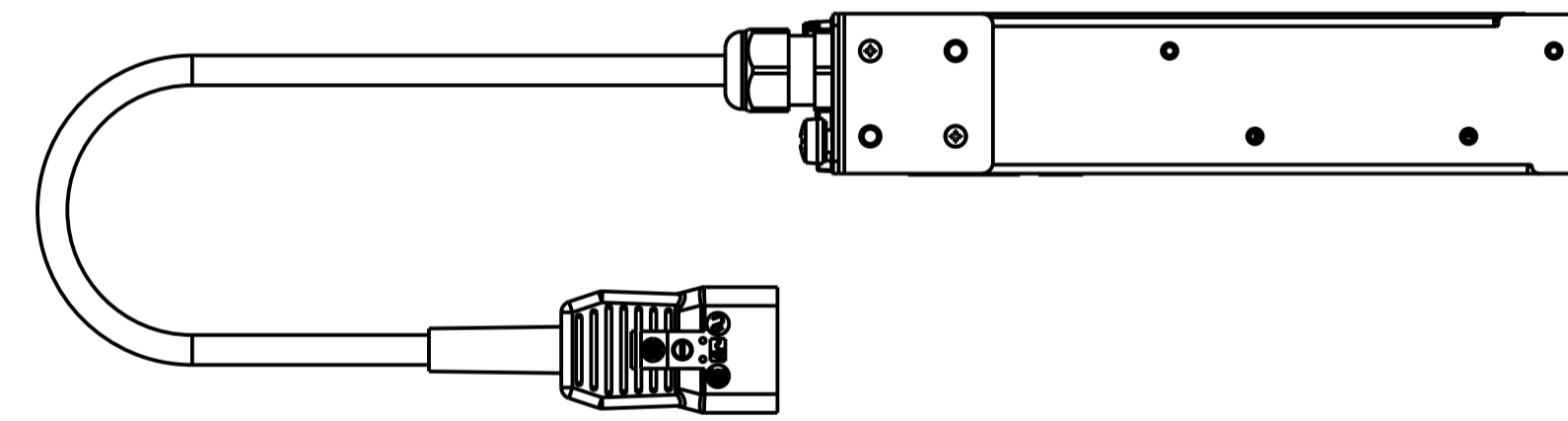
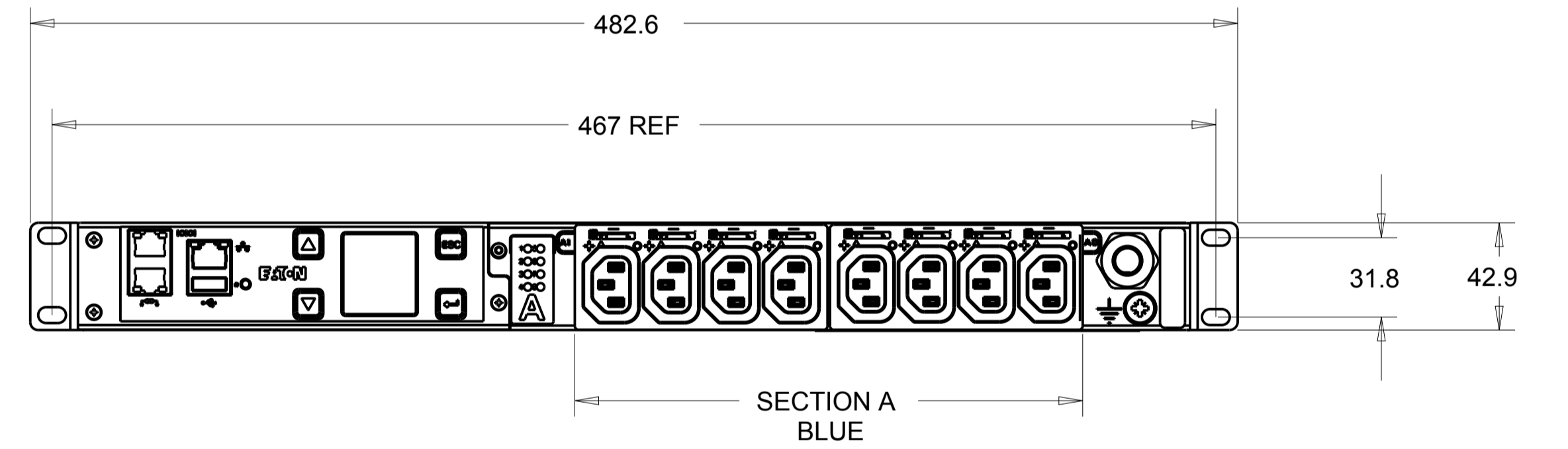
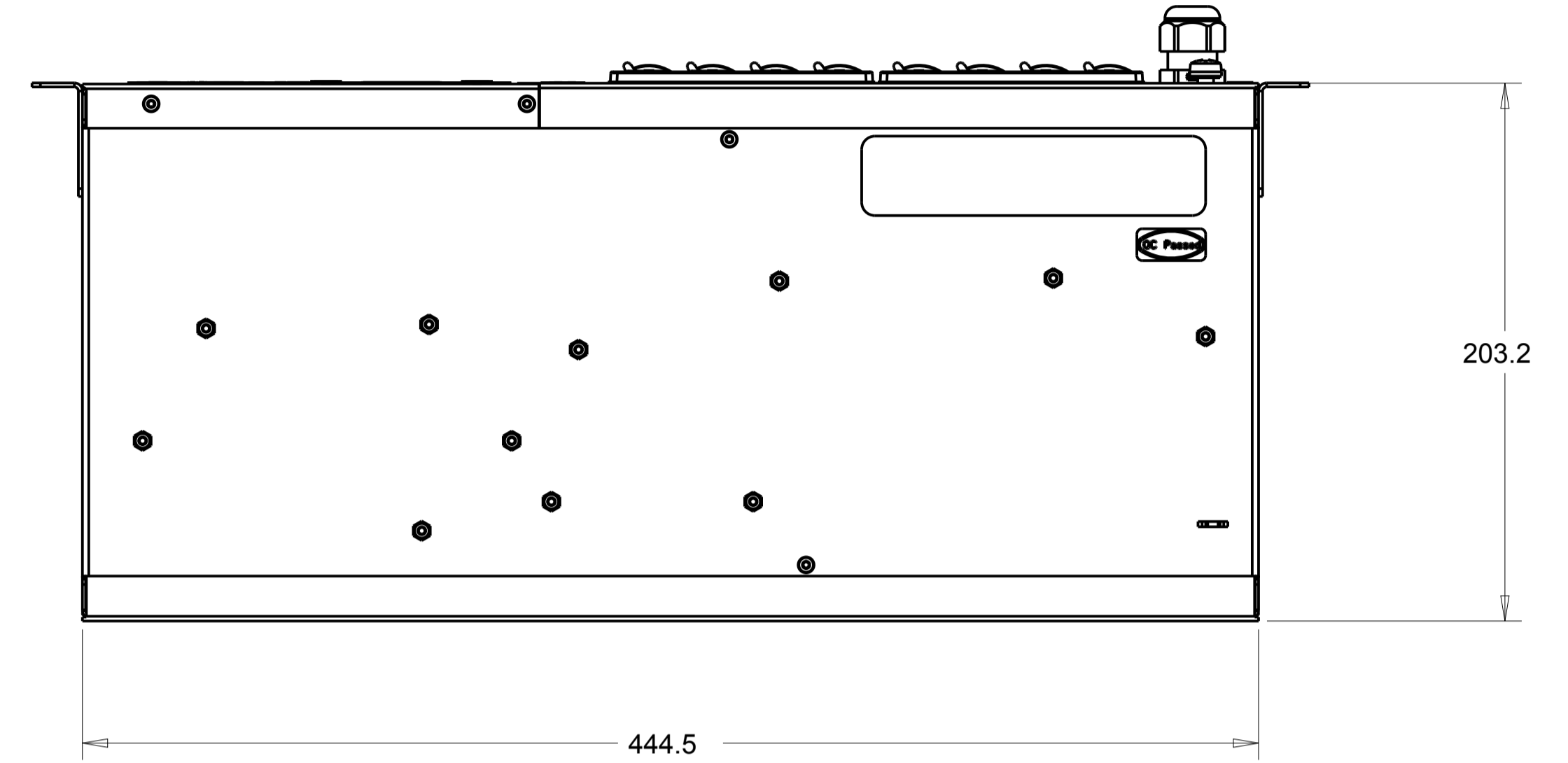
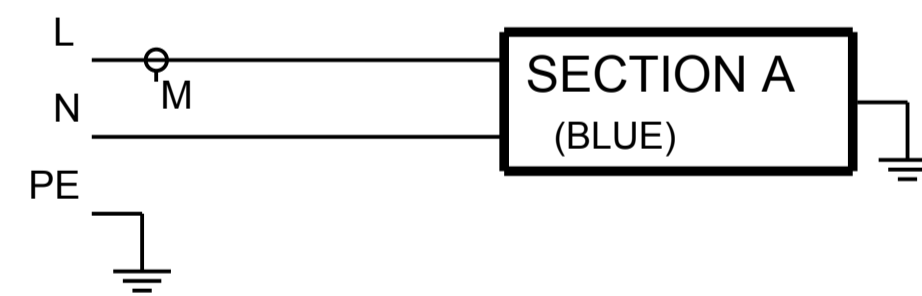


PICTORIAL VIEW
REFERENCE ONLY



CABLE SHOWN NOT TO SCALE

CIRCUIT SCHEMATIC



ESWH28 G3 SWITCHED

FUNCTIONALITY	INPUT	OUTPUT	ENVIRONMENTAL
CURRENT POWER AND ENERGY METERING FOR INPUT, BRANCH AND OUTLETS. INDIVIDUAL OUTLET CONTROL	IEC 60309 C20 16A 230V~ W+N+PE 1.5MM HO5 POWER CORD CABLE LENGTH: 3.0 M	(8) IEC 60320 C13 GRIP	0 TO 60 °C
MECHANICAL	INPUT RATING	OUTPUT RATING	CERTIFICATIONS
LENGTH: 203.2MM WIDTH: 444.5 MM DEPTH: 42.9MM ALUMINIUM CHASSIS, BLACK 19 INCH RACK MOUNT	1Ø; 200-240V~;W+N+PE 50/60HZ 16A	200-240V~;50/60HZ 10A PER C13 10A MAX TOTAL	CE, CB
CIRCUIT BREAKERS	FILTER AND SPIKE/SURGE	ACCESSORIES	CONFIGURATION
NONE	NONE	STANDARD KSP011 - 1U INSTALL NETWORK PACK OPTIONAL EMP001 - ENVIRONMENTAL PROBE	ESW6CXHFABB13AM

00 INITIAL RELEASE		12.12.2016	VV	MB
REV	MODIFICATION	DATE	DESIGNER	VERIF
HEINEMANN PRODUCTS		VUE/VIEW EUROPE	ECHELLE / SCALE 1/2	N° MAG ESWH28
CH-1345 LE LIEU SWITZERLAND		DESSINE LE / DRAWN THE 12.12.2016		PAR / BY VV
TOLERANCE GENERALE / GENERAL TOLERANCE ± 0.1 ± 0.5°		VERIFIE PAR / VERIFIED BY MB		
TRAITEMENT / FINISH NA		MATERIE / MATERIAL NA		
NIVEAU DU CERTIFICAT DE SOUMISSION REQUIS / SAMPLES APPROVAL PROCESS REPORT X		DIMENSIONS AND TOLERANCES IN MILLIMETERS		
DESIGNATION EPDU SW 1U (C20 16A 1P)C13X8		SK-86819-Y1	00	
COTES A CONTROLER / INSPECTION DIMENSIONS	XX.XX	COTES FONCTIONNELLES / FUNCTIONAL DIMENSIONS	# XX.XX	NUMERO DU PLAN / PLAN NUMBER
Ce document est propriété de Eaton Industries Manufacturing GmbH. Duplication interdite sans autorisation. This document is Eaton Industries Manufacturing GmbH property. Duplication forbidden without authorization.				