



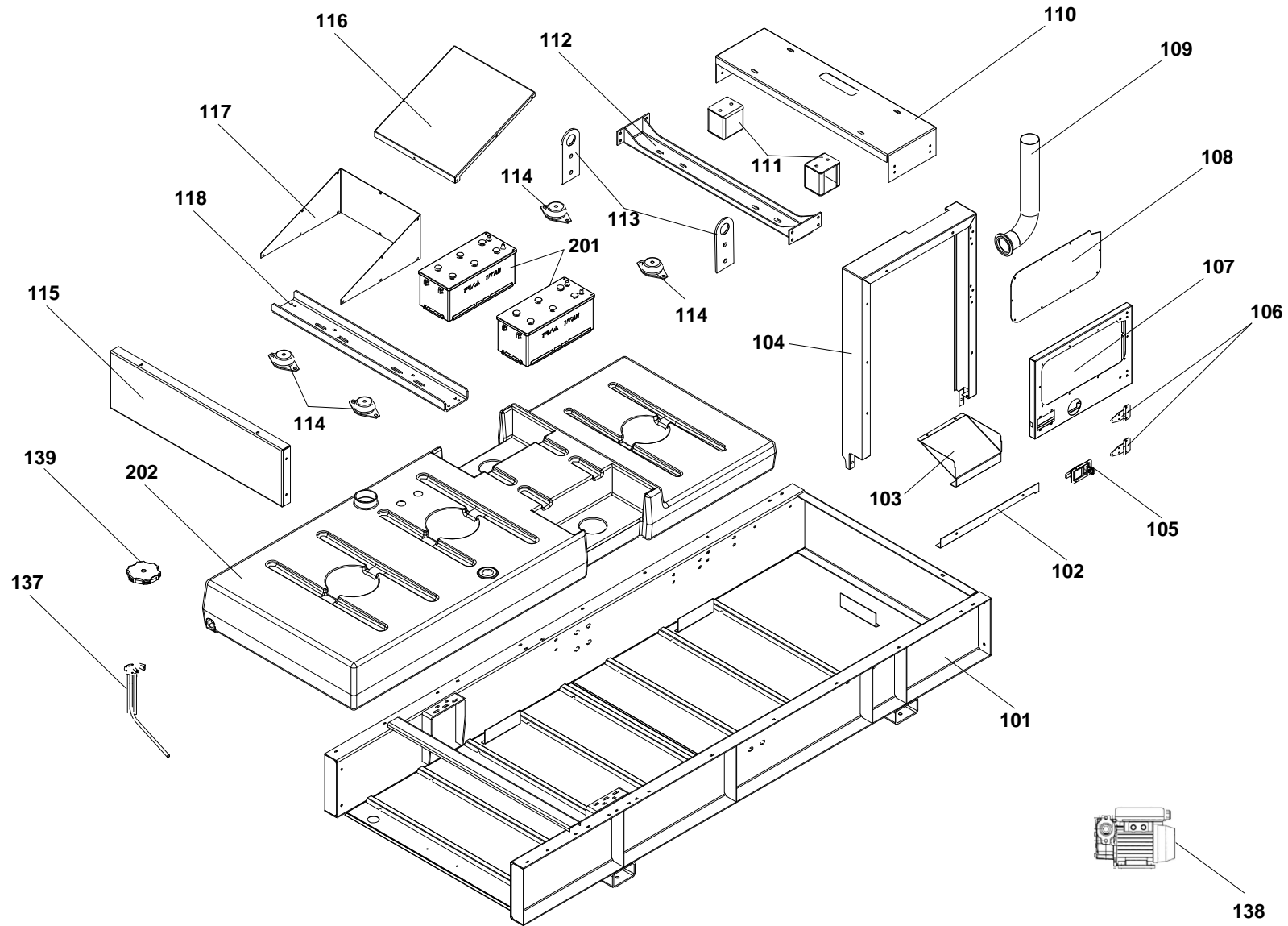
Spare Parts Catalogue








ESE560VW-2012-OPEN-(ALT.M)-ACP+PHS

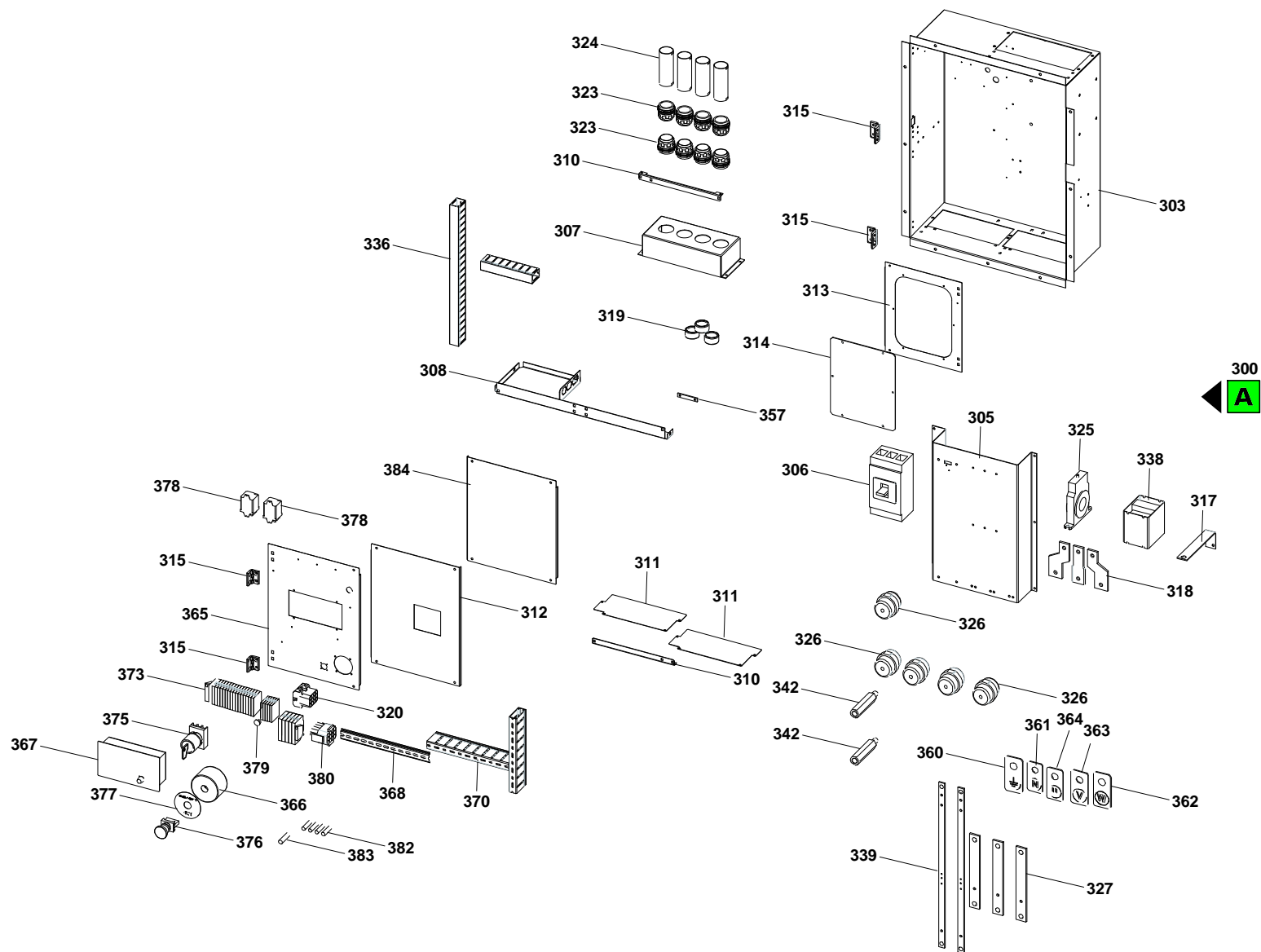
Generating sets

Valid for machine code: **SG501TWAR0E**

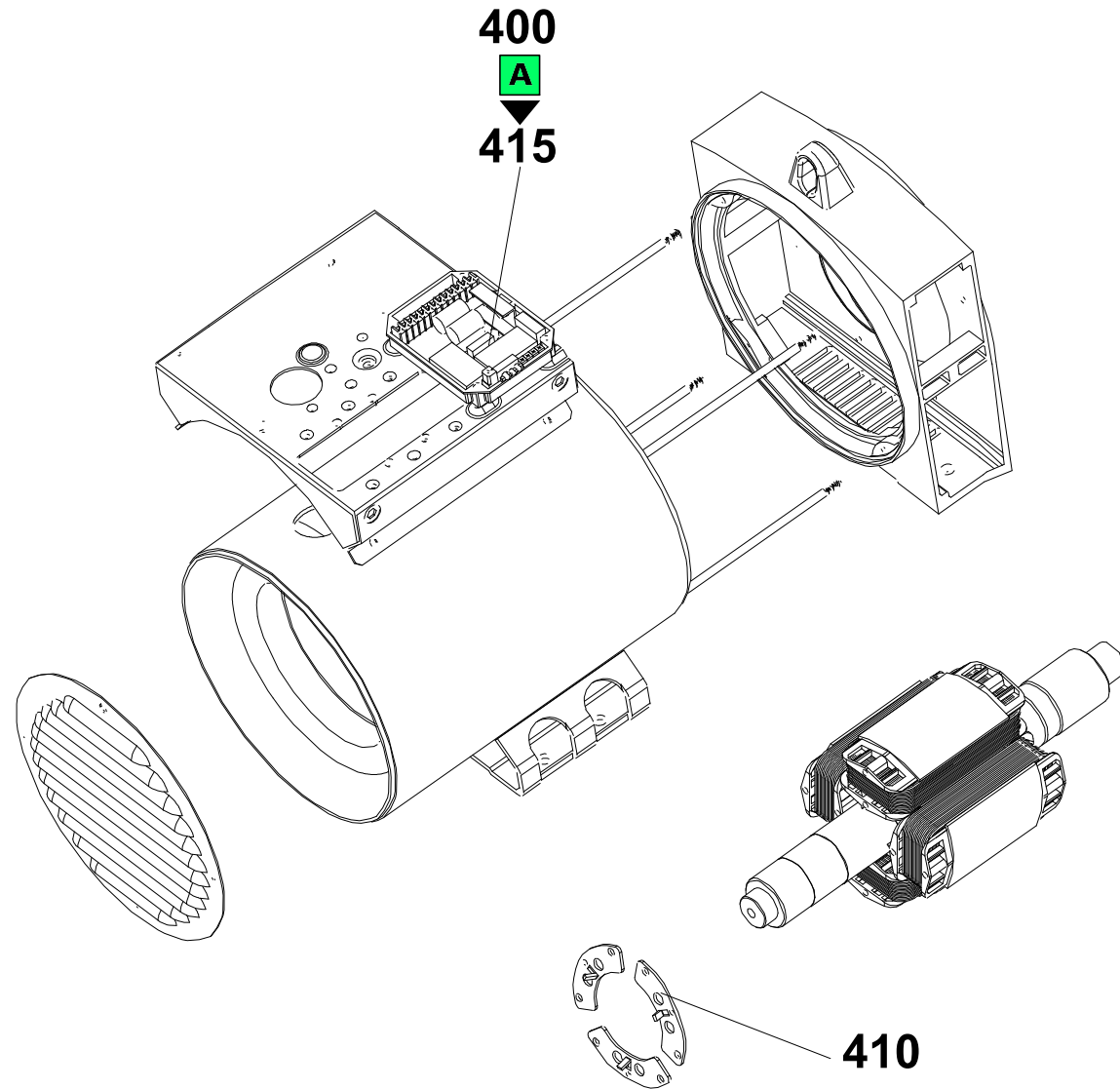
Revision: **0 (6/2017)**



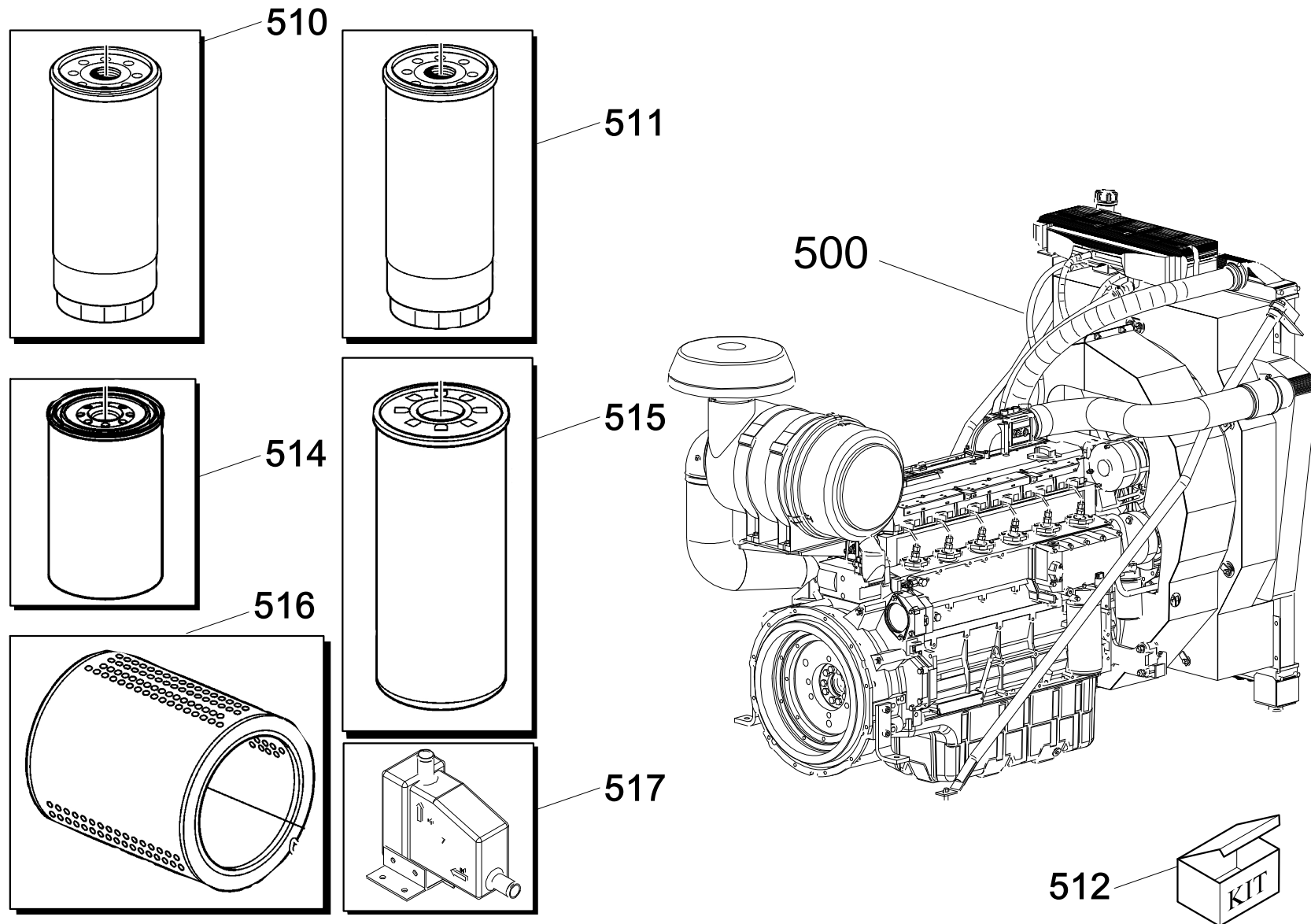
Position	Part Number	Description	Notes
101	 VV70019024-9005B	Basamento Canopy H Verniciato	Valid for products manufactured from 12/11/2015
	 VV70010028-9005B	Basamento Gsw560-630 Volvo Verniciato Con Pred. Piede Basso	Valid for products manufactured from 12/11/2015 to 09/10/2013
	 VV70003090-9005B	Painted Base Frame Gsw510-590 Volvo	Valid for products manufactured until 09/10/2013
102	VV7388-3000B	Painted Bottom Crossbar Of Electric Panel Frame Open Version Double Cables Passage	-
104	VV70001007-3000B	Painted Electric Panel Frame Open Version Gsw275-650	-
109	SV70003934	Collettore Di Scarico Gsw510v/560v/590v Per Versione Aperta	-
110	GV7218	Radiator Crossbar Gsw510-590	-
111	VV70003004-9005B	Painted Engine Rear Support Bracket Gsw510-590	-
112	VV70003001-9005B	Painted Front Engine Crossbar Gsw510-590	-
113	VV7203-9005B	Punto Di Sollevamento Verniciato Per Versione Aperta	-
114	G052194	Silent-block Campana Irhd 60 M16 Mod. Cfbmh	-
115	VV70003003-9005B	Painted Base Frame Head Alternator Side Gsw510-590	-
116	 VV70015068-9005B	Alternator Cover For Eco40a Painted	Valid for products manufactured from 08/05/2015
	 VV70001717-9005B	Alternator Cover For Eco40 Painted	Valid for products manufactured until 08/05/2015
117	 VV70001718-9005B	Lateral Panel For Eco40 Alternator Painted	Valid for products manufactured from 08/05/2015
	 VV70015069-9005B	Lateral Panel For Eco40a Alternator Painted	Valid for products manufactured from 08/05/2015
118	VV70019062-9005B	Traversa Alternatore Verniciata Gsw560v-600v-650v	-
137	SV70015921	Capacitive Fuel Level Control Mod. Fozmula T/II 130 - Length Sensor 285 Mm 0-180 Ohm - Switch With Maximum	-
138	G088413	Panther Pump 230v 56 / 50hz Single Phase	-
139	G052194	Silent-block Campana Irhd 60 M16 Mod. Cfbmh	-
201	G089118	Battery 185ah 12v 1200a	-
202	SV70013096	Fuel Tank Kit 650 L Polyethylene With Capacitive Fuel Sender + Cap	-
203	G052224	Cap Ø113mm Whit Gasket	-



Position	Part Number	Description	Notes
300	SV70008040	Quadro Completo 800a Tripolare Motore Volvo Can Bus Pred. Ac03 (schema Elettrico Gve116)	-
303	SV70005050	Welded Back Panel	-
306	G075934	Circuit Breaker 800a 3p Tmax T6n800	-
307	GV7362	Support For Protective Covering D. 50 Mm	-
308	GV7359	Horizontal Separator	-
310	GV7363	Panels Bracket	-
311	GV7358	Passage Cables Cap	-
312	GV7600	Circuit Breaker Panel Abb Tmax T6	-
313	GV7364	Terminal Door	-
314	SV70005929	Pmma Panel For Terminal Door	-
315	G040000	Hinge 40x40 M5 Black Polyamide Stainless Pin	-
317	GV7361	Differential Toroid Bracket	-
319	G079286	Curr't Trans Ring 800/5 5va	-
320	G079735	12 Ways Male Connector	-
323	G070221	Pressaguaina Pg50	-
324	G072559	Spiraled Sheath D50 75°c	-
325	G077753	Toroidal Revalco 1/500 Din 22mm Tor30	-
327	G006955	Copper Bar 40x10	-
336	G000535	Trunking Open Slot 25x60mm	-
337	G070837	Logline Slited 40x60	-
338	G076815	Battery Charger 115-277v/24v 3a 50/60hz	-
339	G079695	Copper Bar 40x5 Sharp Edge 1.78kg/m	-
341	G041904	Plain Washer 6592 10.5x21 Zn	-
342	G041440	Hex Spacer In Zinced Steel 6ma X 40 Mm M-f	-
357	G078632	Copper Bar 20x10 1,78 Kg/m	-
360	G078629	Aluminium Label 15x30 With Hole Ø6 (yellow) Ground	-
361	G078628	Aluminium Label 15x30 With Hole Ø6 (azure) Neutral	-
362	G078627	Aluminium Label 15x30 With Hole Ø6 (white) W Fase	-
363	G078626	Aluminium Label 15x30 With Hole Ø6 (white) V Fase	-
364	G078625	Aluminium Label 15x30 With Hole Ø6 (white) U Fase	-
366	GV7369	Emergency Button Support	-
367	G076907	Control Card Ac03 Acp Can Bus Without Connectors + Communication Module Rs232 (il-nt Rs232) + Residual	-
368	G070822	Omega Support 7,5x35	-
375	G001408	Block Key 2 Pos.	-
376	G075150	Emergency Stopzb2-be101c (common Use)	-
377	G075151	Emergency Plate D.78mm English Ref.179536	-



Position	Part Number	Description	Notes
400	AMX500FSU000X	Alternator Eco40 3s 500/462/800/50-60/1500/12m - Form Md35 - Sae 1 - Joint 14" - Connected Yy 400 - Low Cower	-
410	G70334	Rotating Bridge T-18	-
415	G70629	Electr. Governor Uvr6	-



Position	Part Number	Description	Notes
500	EWV6430DSH8Z	Engine Volvo Tad1641ge Water_1500/1800_electr_sae1-14" _24vdc__ver/sp:	-
510	PEW00101	Oil Filter	-
511	PEW00102	Oil Filter	-
512	P3KI00362	Filters Kit Gsw330v-gsw360v-gsw370v-gsw405v-gsw415v-gsw420v-gsw455v-gsw460v-gsw510v-gsw560v-gsw600v-	-
514	PEW00081	Fuel Filter	-
515	PEW00080	Fuel Filter	-
516	PEW00025	Air Filter	-
517	G079930	Engine Coolant Heater 1500w/230v/monof. With Cable 1.5	-