



PRESENTS

Deluxe heat

Replacement Parts Manual

Ordering Instructions

Order Parts through your nearest supplier.

When ordering parts, obtain Model Number and Serial Number

from data plate on your unit.

Include following information when ordering.

Part Number _____

Part Description _____

Unit Model Number _____

Unit Serial Number _____

Deluxe Heat Series Model Decoding

Single Zone Heat Pump Condenser Decoding

Model		Single Zone			Nominal Rated Capacity		Voltage	Product Revision
1	2	3	4	5	6	7	8	9
D	H	S	Z	1			D	A
Deluxe Heat Series Heat Pump					09 - 9,000 Btuh 12 - 12,000 Btuh 18 - 18,000 Btuh 24 - 24,000 Btuh		D - 208-230V/1/60	

Indoor Unit Compatibility
DHWAL (High Wall) and CASH (Ceiling Cassette)

Multi - Zone Heat Pump Condenser Decoding

Model		Multi Zone		# of Zones	Nominal Rated Capacity		Voltage	Product Revision
1	2	3	4	5	6	7	8	9
D	H	M	Z				D	A
Deluxe Heat Series Heat Pump				2 3 4	18 - 18,000 Btuh 27 - 27,000 Btuh 36 - 36,000 Btuh		D - 208-230V/1/60	

Indoor Unit Compatibility
DHWAL (High Wall) and CASH (Ceiling Cassette)

Single and Multi Zone Wall Air Handler Decoding

Model		Wall Air Handler			Capacity		Voltage	Product Revision
1	2	3	4	5	6	7	8	9
D	H	W	A	L			D	A
Deluxe Heat Series Heat Pump					09 - 9,000 Btuh 12 - 12,000 Btuh 18 - 18,000 Btuh 24 - 24,000 Btuh		D - 208-230V/1/60	

Outdoor Condenser Compatibility
DHSZ (Single Zone) and DHMZ (Multi-Zone)

Table of Contents

Deluxe Heat Series - Models

DHSZ1-09DA: 9,000 Btuh 208/230v Heat Pump.....	4
DHSZ1-12DA: 12,000 Btuh 208/230v Heat Pump.....	6
DHSZ1-18DA: 18,000 Btuh 208/230v Heat Pump.....	8
DHSZ1-24DA: 24,000 Btuh 208/230v Heat Pump.....	10
DHMZ2-18DA: 18,000 Btuh 208/230v Heat Pump.....	12
DHMZ3-27DA: 27,000 Btuh 208/230v Heat Pump.....	14
DHMZ4-36DA: 36,000 Btuh 208/230v Heat Pump.....	16

DHWAL-09DA: 9,000 Btuh 208/230v Single and Multi Wall Air Handler.....	18
DHWAL-12DA: 12,000 Btuh 208/230v Single and Multi Wall Air Handler.....	20
DHWAL-18DA: 18,000 Btuh 208/230v Single and Multi Wall Air Handler.....	22
DHWAL-24DA: 24,000 Btuh 208/230v Single and Multi Wall Air Handler.....	24

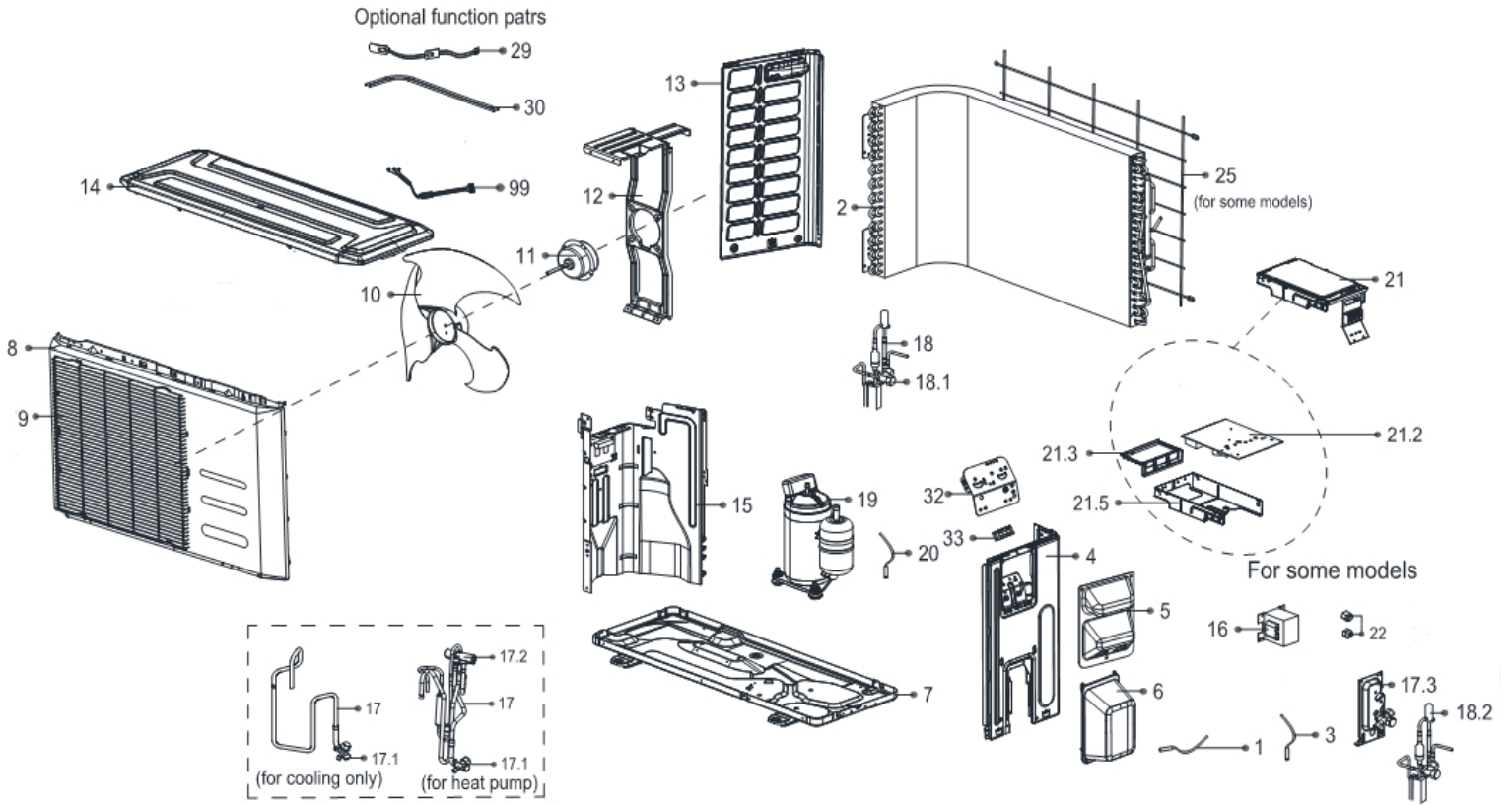
Information and specifications outlined in this manual in effect at the time of printing of this manual. ECR International reserves the right to discontinue, change specifications or system design at any time without notice and without incurring any obligation, whatsoever.

[EMI Limited Warranty](#) applies, 1-year parts and 5-year compressor.

Consult Factory for availability, lead times and minimum order quantities.

Deluxe Heat Ductless System

Deluxe Heat Series 9,000 Btuh 230v Single Zone Heat Pump



Deluxe Heat Ductless System

Deluxe Heat Series 9,000 Btuh 230v Single Zone Heat Pump

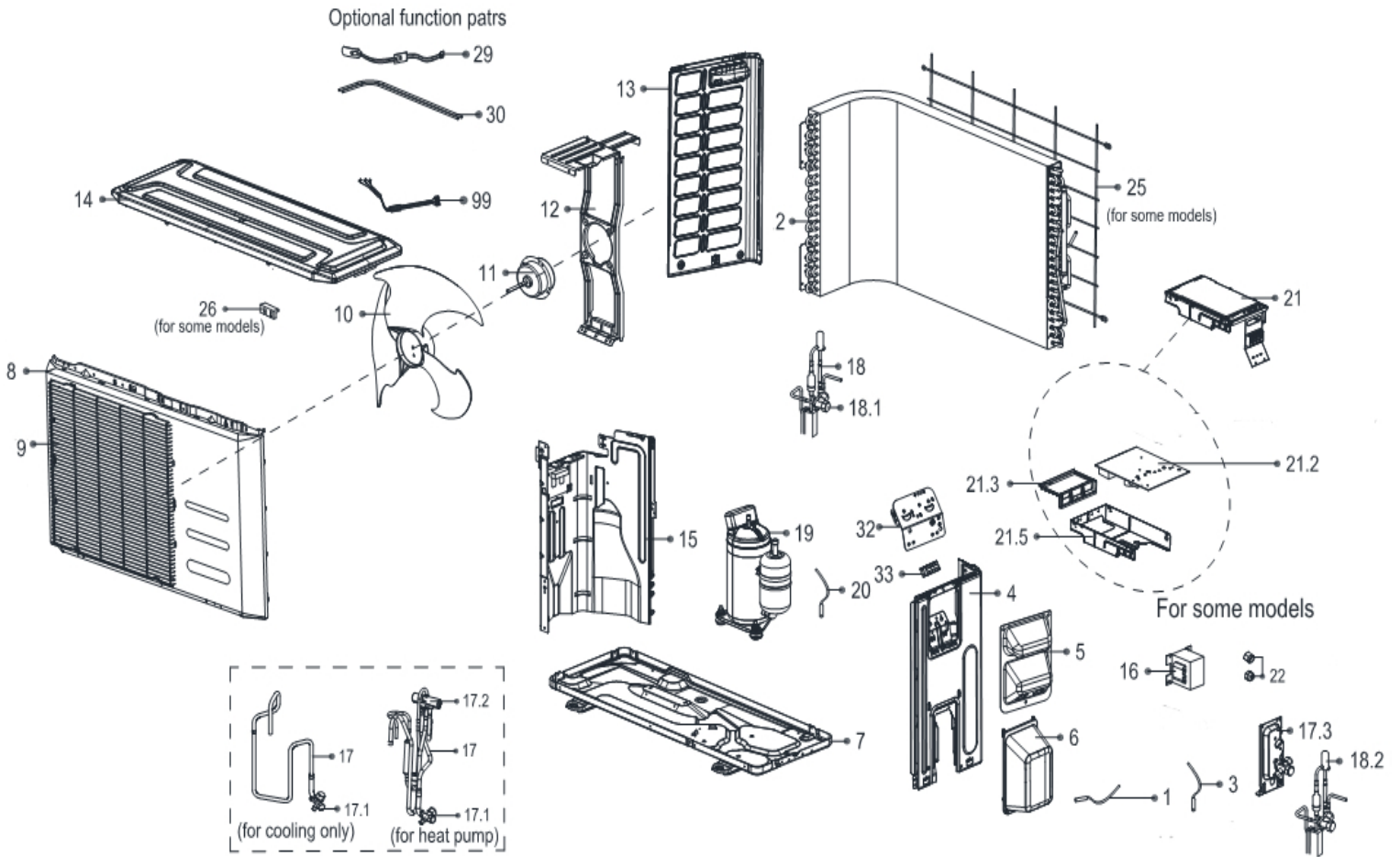
Ref#	Part Number	Description	Qty
1	11201007002020	Room temperature sensor	1
3	11201007000069	Pipe temperature sensor	1
10	12100105000051	Axial flow fan	1
11	11002015008264	Brushless DC Motor	1
16	17400306000053	Reactor	1
17	15422000016672	4-way valve assembly	1
17.1	15500204000021	Gas valve	1
17.2	15500216000028	4-way valve	1
18	15422000015392	Liquid valve assembly	1
18.1	15500208000028	Liquid valve	1
18.2	15500213000178	Electronic expansion valve	1
19	11103020000215	DC Inverter Rotary Compressor	1
20	11201007000005	Discharge temperature sensor	1
21.2	17122000017248	Outdoor main control board subassembly	1
99	17401203000802	Compressor wire subassembly	1

NOTE: *Items listed below are non-stocking and are subject to availability*

Ref#	Part Number	Description	Qty
*2	15822000008263	Condenser assembly	1
*4	12222000005745	Right clapboard assembly	1
*5	12222000010966	Big handle assembly	1
*6	12122000007150	Water collector	1
*7	12222000004326	Chassis assembly	1
*8	12222000004463	Front panel assembly	1
*9	12222000007424	Air outlet grille	1
*12	12222200002154	Supporter subassembly of fan motor	1
*13	12222000008484	Left side plate assembly of cabinet	1
*14	12222000002451	Top cover assembly	1
*15	12222200001146	Partition board assembly	1
*17.3	12222000002571	Valve plate	1
*NS	15122000021914	Muffler subassembly	1
*21	17222000008508	Electronic control box subassembly	1
*NS	12122000006856	Electronic installing box subassembly	1
*21.3	12122000014683	Support of electronic control box	1
*21.5	12222000001325	Electronic installing box subassembly	1
*22	15500406000010	Copper nut	1
	15500406000016	Copper nut	1
*25	12222000003622	Rear net	1
*29	17402001000008	Crankcase electric heating strip	1
*30	17402002000042	Electric heating tube	1
*32	12222000002259	Terminal board	1
*33	17400401000075	Terminal	1

NS- Not Shown

Deluxe Heat Series 12,000 Btuh 230v Single Zone Heat Pump



Deluxe Heat Ductless System

Deluxe Heat Series 12,000 Btuh 230v Single Zone Heat Pump

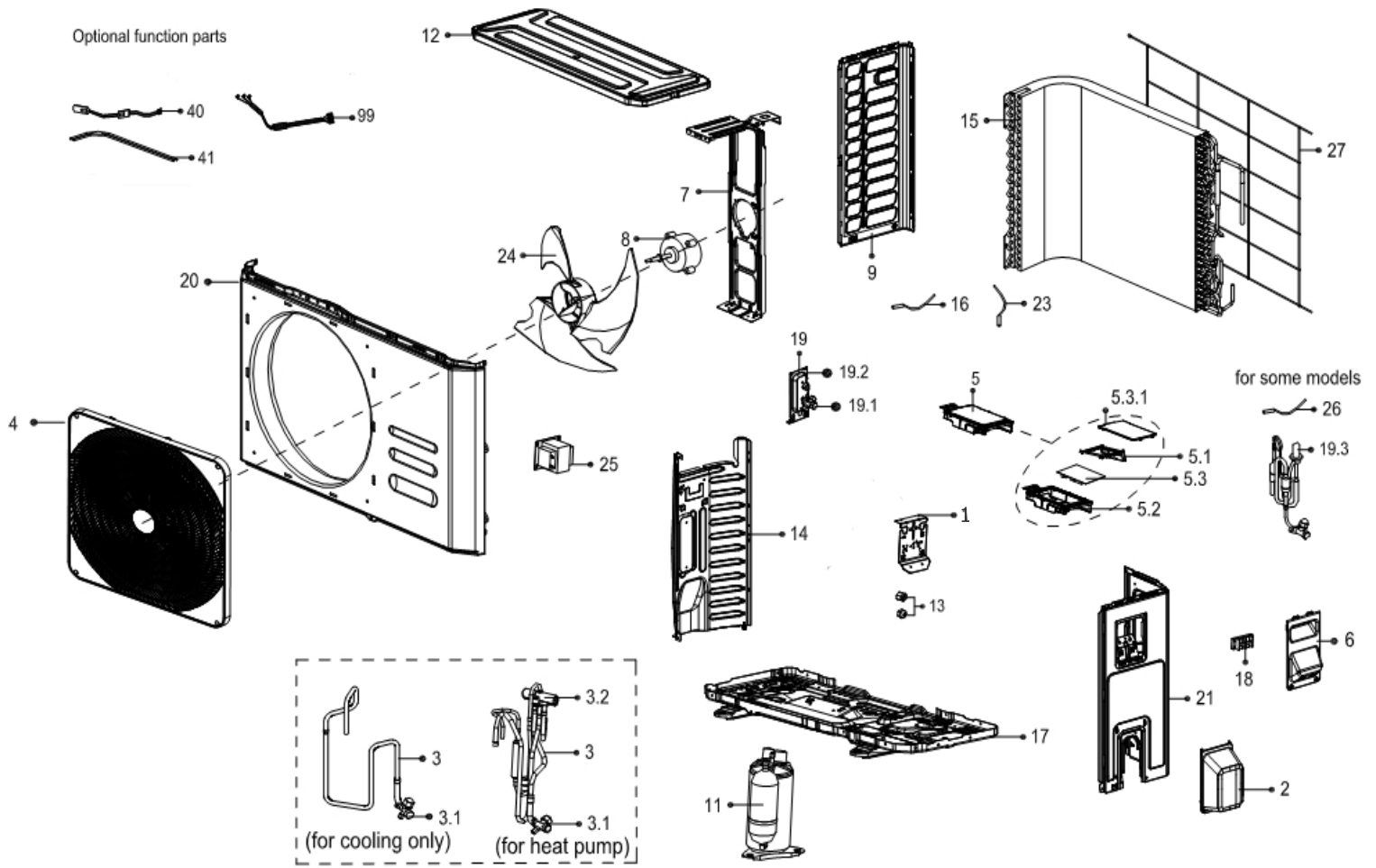
Ref#	Part Number	Description	Qty
1	11201007002020	Room temperature sensor	1
3	11201007000069	Pipe temperature sensor	1
10	12100105000051	Axial flow fan	1
11	11002015008264	Brushless DC Motor	1
16	17400306000053	Reactor	1
17	15422000016636	4-way valve assembly	1
17.1	15500204000058	Gas valve	1
17.2	15500216000028	4-way valve	1
18	15422000015392	Liquid valve assembly	1
18.1	15500208000028	Liquid valve	1
18.2	15500213000178	Electronic expansion valve	1
19	11103020000215	DC Inverter Rotary Compressor	1
20	11201007000005	Discharge temperature sensor	1
21.2	17122000017250	Outdoor main control board subassembly	1
99	17401203000802	Compressor wire subassembly	1

NOTE: Items listed below are non-stocking and are subject to availability

Ref#	Part Number	Description	Qty
*2	15822000008263	Condenser assembly	1
*4	12222000005745	Right clapboard assembly	1
*5	12222000010966	Big handle assembly	1
*6	12122000007150	Water collector	1
*7	12222000004326	Chassis assembly	1
*8	12222000004463	Front panel assembly	1
*9	12222000007424	Air outlet grille	1
*12	12222200002154	Supporter subassembly of fan motor	1
*13	12222000008484	Left side plate assembly of cabinet	1
*14	12222000002451	Top cover assembly	1
*15	12222200001146	Partition board assembly	1
*17.3	12222000002571	Valve plate	1
*NS	15122000024525	Muffler subassembly	1
*21	17222000008509	Electronic control box subassembly	1
*NS	12122000006856	Electronic installing box subassembly	1
*21.3	12122000014683	Support of electronic control box	1
*21.5	12222000001325	Electronic installing box subassembly	1
*22	15500406000012	Copper nut	1
	15500406000016	Copper nut	1
*25	12222000003622	Rear net	1
*29	17402001000008	Crankcase electric heating strip	1
*30	17402002000042	Electric heating tube	1
*32	12222000002259	Terminal board	1
*33	17400401000075	Terminal	1

NS- Not Shown

Deluxe Heat Series 18,000 Btuh 230v Single Zone Heat Pump



Deluxe Heat Ductless System

Deluxe Heat Series 18,000 Btuh 230v Single Zone Heat Pump

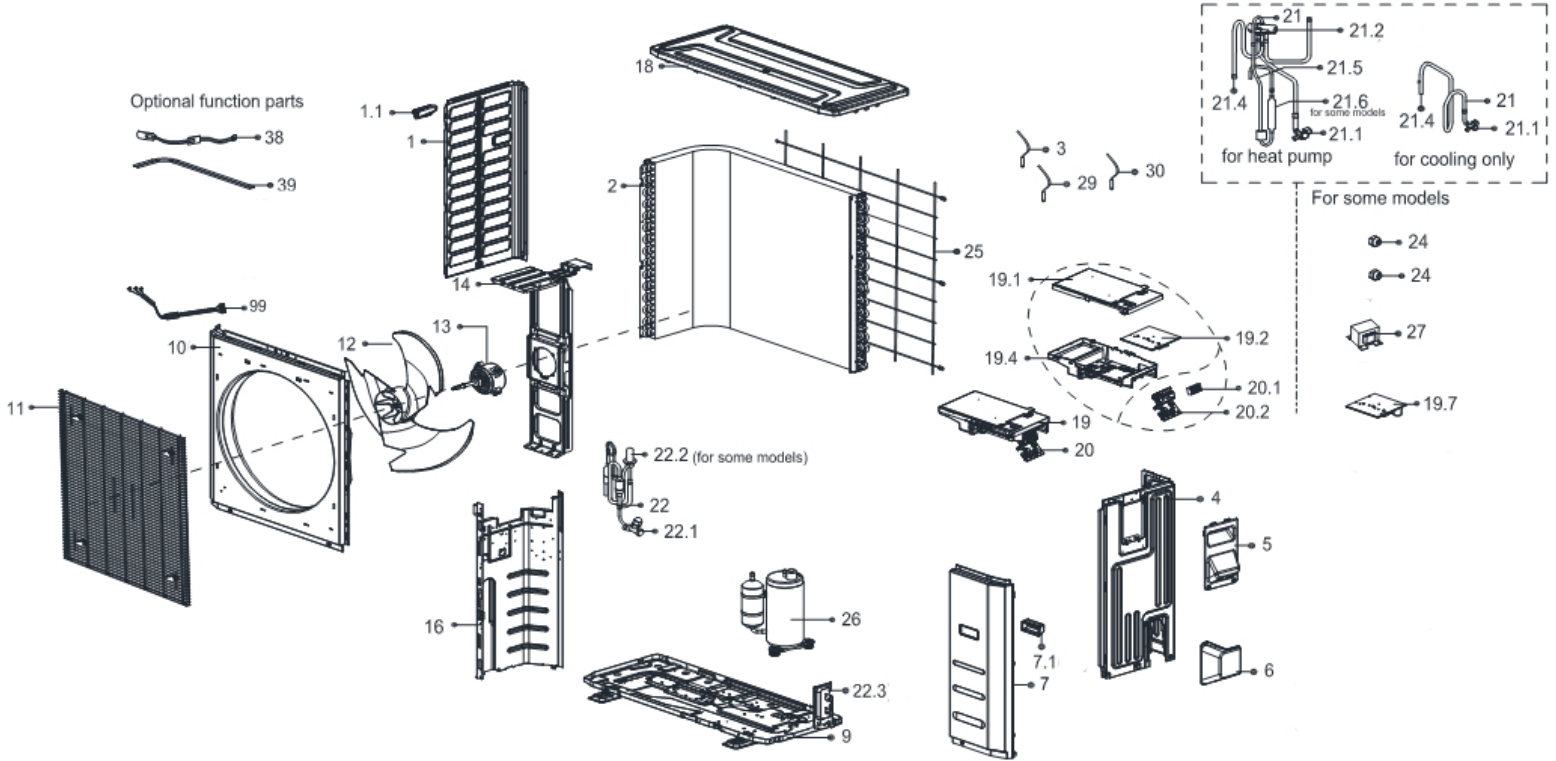
Ref#	Part Number	Description	Qty
3	15422000004795	4-way valve assembly	1
3.1	15500204000046	Gas valve	1.0
3.2	15500216000026	4-way Valve	1.0
5.3	17122000018581	Outdoor main control board subassembly	1.0
8	11002015008365	Brushless DC Motor	1
11	11103020000179	DC Inverter rotary compressor	1
16	11201007002020	Room temperature sensor	1
19	15422000004796	Liquid valve assembly	1
19.1	15500208000028	Liquid valve	1.0
19.3	15500213000178	Electronic expansion valve	1.0
24	12100105000181	Axial flow fan	1
25	17400306000058	Reactor	1
26	11201007000005	Discharge temperature sensor	1
40	17402001000119	Crankcase electric heater	1
99	17401203000939	Compressor wire subassembly	1

NOTE: *Items listed below are non-stocking and are subject to availability*

Ref#	Part Number	Description	Qty
*1	12222000004782	Terminal installation subassembly	1
*2	12122000007150	Water collector	1
*4	12222000011145	Air outlet grille	1
*5	17222000009213	Electronic control box subassembly	1
*5.1	12122000014683	Support of electronic control box	1.0
*5.2	12222000004827	Electronic installing box subassembly	1.0
*5.3.1	12122000006856	Electronic installing box subassembly	1.0
*6	12222000010966	Big handle assembly	1
*7	12222000004884	Supporter subassembly of fan motor	1
*9	12222000004831	Left side plate assembly of cabinet	1
*12	12222000004835	Top cover assembly	1
*13	15500406000012	Copper nut	1
	15500406000016	Copper nut	1
*14	12222000004784	Partition board assembly	1
*15	15822000008240	Condenser assembly	1
16	11201007002020	Room temperature sensor	1
*17	12222000004824	Chassis assembly	1
*18	17400401000075	Terminal	1
*19.2	12222000002571	Valve plate	1.0
*20	12222000006304	Front panel assembly	1
*21	12222000004830	Right side plate	1
*23	11201007000069	Pipe temperature sensor	1
*27	12222000004833	Rear net	1
*41	17402002000043	Electric heating tube	1

NS- Not Shown

Deluxe Heat Series 24,000 Btuh 230v Single Zone Heat Pump



Deluxe Heat Ductless System

Deluxe Heat Series 24,000 Btuh 230v Single Zone Heat Pump

Ref#	Part Number	Description	Qty
3	11201007000136	Pipe temperature sensor	1
12	12100105000084	Axial flow fan	1
13	11002015000247	Brushless DC Motor	1
19.2	17122000016001	Main control board subassembly	1
19.7	17122000039750	Inverter module subassembly	1
20.2	12222200001476	Terminal board	1
21	15422000003952	4-way valve assembly	1
21.1	15500204000025	Gas valve	1
21.2	15500216000361	4-way valve	1
21.4	15122000010254	Suction pipe	1
21.5	15122000010256	Discharge pipe	1
22	15422000012293	Liquid valve assembly	1
22.1	15500204000021	Gas valve	1
22.2	15500213000265	Electronic expansion valve body	1
26	11103020000179	DC Inverter rotary compressor	1
27	11201101000017	PFC inductor	1
29	11201007000157	Discharge temperature sensor	1
30	11201007000039	Room temperature sensor	1
38	17402001000119	Crankcase electric heater	1
99	17401203000909	Compressor wire subassembly	1

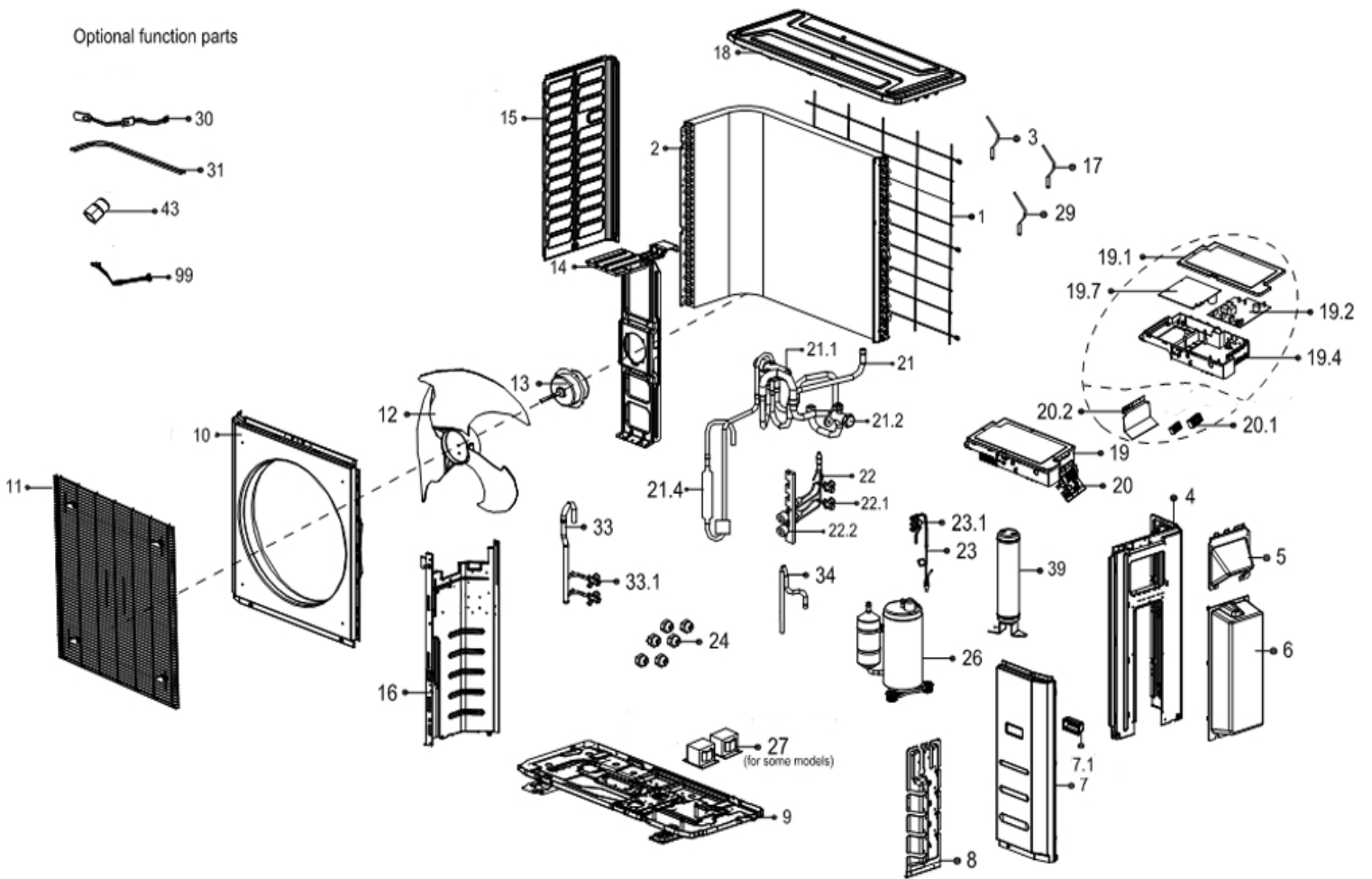
NOTE: *Items listed below are non-stocking and are subject to availability*

Ref#	Part Number	Description	Qty
*1	12222000006665	Left side plate assembly of cabinet	1
*1.1	12100701000033	Small handle	1
*2	15822000009576	Condenser assembly	1
*4	12222000006664	Rear right clapboard assembly	1
*5	12222000011086	Big handle assembly	1
*6	12122200002695	Water collector	1
*7	12222500A00135	Front right clapboard assembly	1
*7.1	12100702000038	Handle	1
*9	12222000004018	Chassis assembly	1
*10	12222000A01431	Front panel	1
*11	12222000007904	Air outlet grille	1
*14	12222000005162	Supporter subassembly of fan motor	1
*16	12222200001158	Partition board assembly	1
*18	12222500000587	Top cover assembly	1
*19	17222000025708	Electronic control box subassembly	1
*19.1	12122200002719	Electronic installing box subassembly	1
*19.4	12122200002715	Electronic installing box subassembly	1
*20	17222000014908	Terminal board subassembly	1
*20.1	17400401000037	Terminal	1
*21.6	15500506000007	Muffler	1
*22.3	12222200002110	Valve plate	1
*24	15500406000003	Copper nut	1
	15500406000010	Copper nut	1
*25	12222000006604	Rear net	1
*39	17402002000043	Electric heating tube	1

NS- Not Shown

Deluxe Heat Ductless System

Deluxe Heat Series 18,000 Btuh 230v Multi Zone 2 Heat Pump



Deluxe Heat Ductless System

Deluxe Heat Series 18,000 Btuh 230v Multi Zone 2 Heat Pump

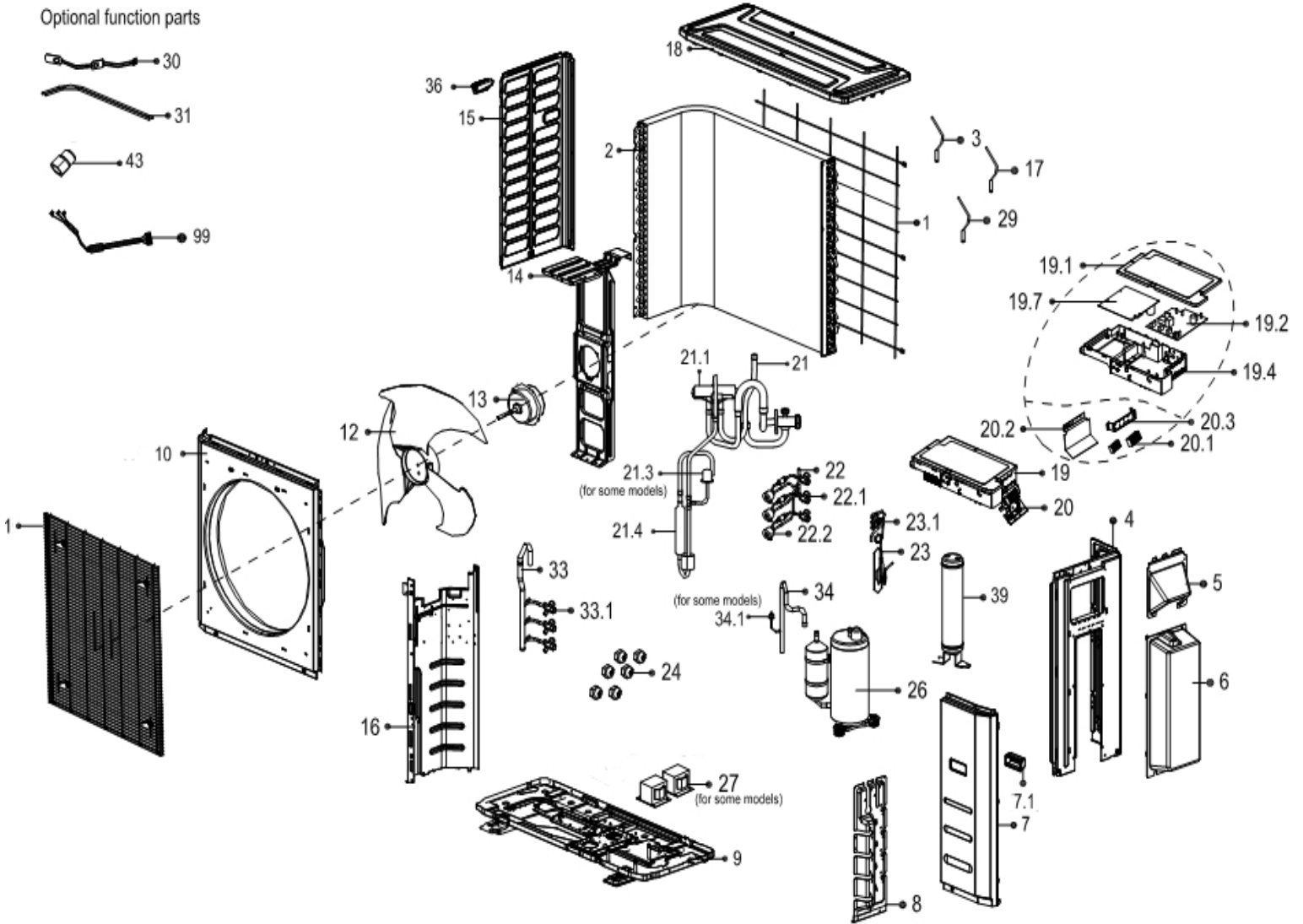
Ref#	Part Number	Description	Qty
3	11201007000136	Pipe temperature sensor	1
	11201007000259	Pipe temperature sensor	1
12	12100105000084	Axial flow fan	1
13	11002015000247	Brushless DC Motor	1
17	11201007000039	Room temperature sensor	1
19.2	17122300003176	Main control board subassembly	1.0
19.7	17122000042147	Inverter control board subassembly	1.0
20.2	12222300000033	Terminal board	1.0
21	15422000008933	4-way Valve Assembly	1
21.1	15500216000361	4-way valve	1.0
21.2	15500204000049	Gas valve	1.0
NS	17400516000020	Pressure switch	1.0
22	15422000A01491	Liquid valve Assembly	1
22.1	15500208000028	Liquid valve	2.0
22.2	15500213000046	Electronic expansion valve subassembly	2.0
23	15422000016292	Liquid valve assembly	1
26	11103020000179	DC Inverter rotary compressor	1
27	17400306000058	Reactor	1
29	11201007003124	Discharge Temperature Sensor	1
31	17402001000119	Crankcase electric heater	1
NS	17400516000008	Pressure switch	1.0
39	15500508000315	Accumulator cylinder	1
99	174012030000939	Compressor wire subassembly	1

NOTE: Items listed below are non-stocking and are subject to availability

Ref#	Part Number	Description	Qty
*1	12222000006604	Rear net	1
*2	15822000009577	Condenser assembly	1
*4	12222000012226	Rear right clapboard assembly	1
*5	12222000011085	Big handle assembly	1
*6	12122300000110	Water collector	1
*7	12222500A00135	Front right clapboard assembly	1
*7.1	12100702000038	Handle	1.0
*8	12222000005282	Valve plate	1
*9	12222000005267	Chassis assembly	1
*10	12222000A01431	Front panel	1
*11	12222000007904	Air outlet grille	1
*14	12222000005162	Supporter subassembly of fan motor	1
*15	12222000006665	Left side plate assembly of cabinet	1
*16	12222200001156	Partition board assembly	1
*18	12222500000587	Top cover assembly	1
*19	17222300002130	Electronic control box subassembly	1
*19.1	12122000006905	Cover of electronic control box	1.0
*19.4	12122300000170	Electronic installing box	1.0
*20	17222000027833	Terminal board subassembly	1
*20.1	17400401000084	Terminal	1.0
*21.4	15500506000007	Muffler	1.0
*23.1	155002080000047	Liquid valve	1.0
*24	15500406000010	Copper nut	2
	15500406000012	Copper nut	2
	15500406000016	Copper nut	2
*30	17402002000043	Electric heating tube	1
*33	15422000A01487	Gas valve assembly	1
*33.1	15500204000021	Gas valve	2.0
*34	15122300001065	Suction pipe assembly	1
*43	15500307000001	Transfer connecter	2

NS- Not Shown

Deluxe Heat Series 27,000 Btuh 230v Multi Zone 3 Heat Pump



Deluxe Heat Series 27,000 Btuh 230v Multi Zone 3 Heat Pump

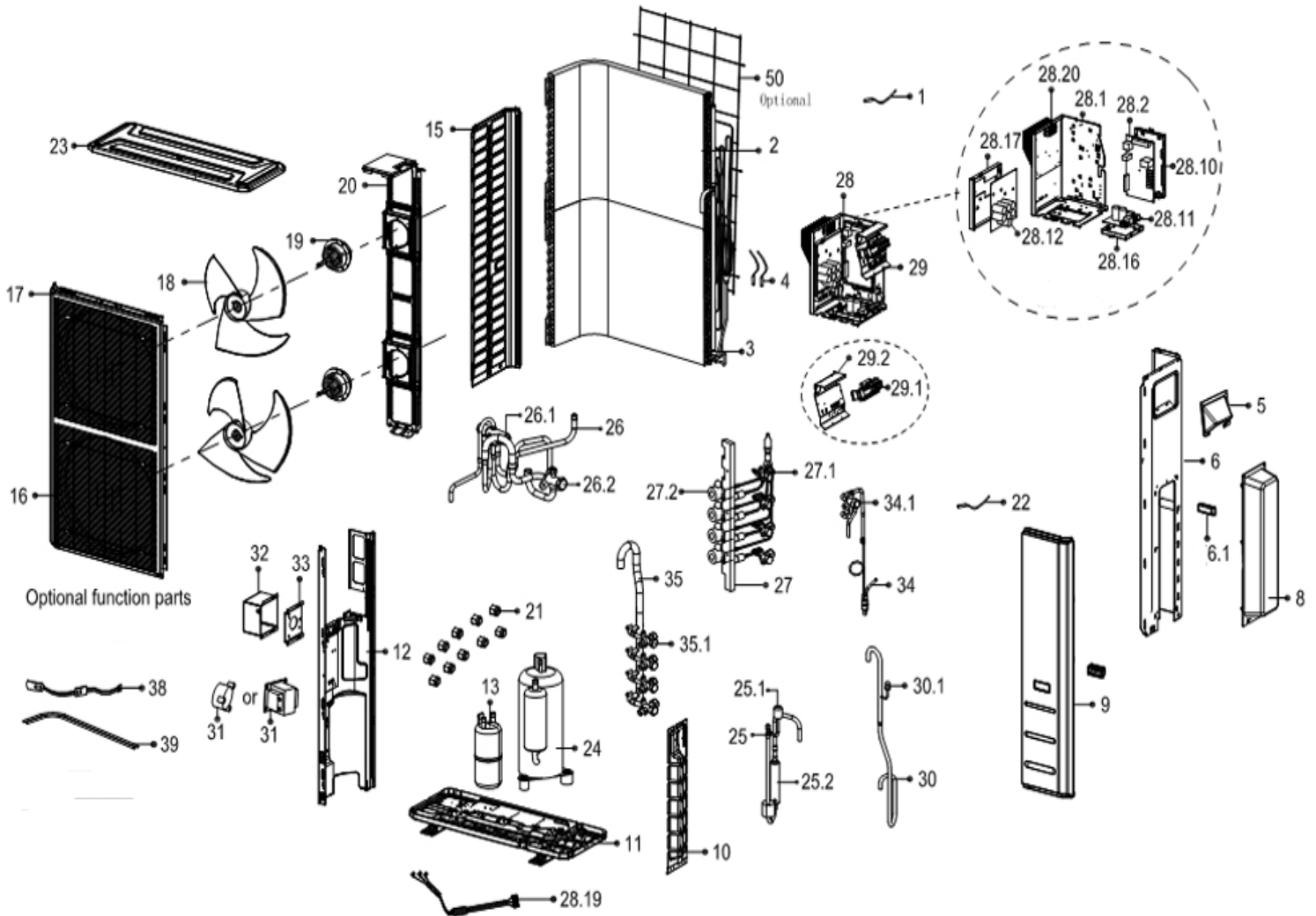
Ref#	Part Number	Description	Qty
3	11201007000044	Pipe temperature sensor	1
	11201007000136	Pipe temperature sensor	1
12	12100105000084	Axial flow fan	1
13	11002015000247	Brushless DC Motor	1
17	11201007000039	Room temperature sensor	1
19.2	17122000042148	Outdoor main control board subassembly	1
19.7	17122000045728	Inverter module subassembly	1
20.1	17400401000135	Terminal	2
20.2	12222300000033	Terminal board	1
20.3	12222300000032	Terminal board	1
21	15422300000347	4-way valve assembly	1
21.1	15500216000361	4-way valve	1
NS	15500204000049	Gas valve	1
21.3	17400516000020	Pressure switch	1
22	15422000A01490	Liquid valve Assembly	1
22.1	15500208000028	Liquid valve	3
22.2	15500213000046	Electronic expansion valve subassembly	3
23	15422000016293	Liquid valve assembly	1
23.1	15500208000047	Liquid valve	1
26	11103020000439	DC Inverter Rotary Compressor	1
27	11201101000017	PFC inductor	1
29	11201007000157	Discharge temperature sensor	1
31	17402001000119	Crankcase electric heater	1
33	15422000A01486	Gas valve assembly	1
	15500204000021	Gas valve	2
33.1	15500204000058	Gas valve	1
	15122300001024	Suction pipe assembly	1
34	15122300001024	Suction pipe assembly	1
34.1	17400516000008	Pressure switch	1
39	15500508000315	Accumulator cylinder	1
99	174012030000939	Compressor wire subassembly	1

NOTE: Items listed below are non-stocking and are subject to availability

Ref#	Part Number	Description	Qty
*1	12222000006604	Rear net	1
*2	15822000009577	Condenser assembly	1
*4	12222000012226	Rear right clapboard assembly	1
*5	12222000011085	Big handle assembly	1
*6	12122300000110	Water collector	1
*7	12222500A00135	Front right clapboard assembly	1
*7.1	12100702000038	Handle	1
*8	12222000005282	Valve plate	1
*9	12222000005267	Chassis assembly	1
*10	12222000A01431	Front panel	1
*11	12222000007904	Air outlet grille	1
*14	12222000005162	Supporter subassembly of fan motor	1
*15	12222000006665	Left side plate assembly of cabinet	1
*16	12222200001156	Partition board assembly	1
*18	12222500000587	Top cover assembly	1
*19	17222300002130	Electronic control box subassembly	1
*19.1	12122000006905	Cover of electronic control box	1
*19.4	12122300000170	Electronic installing box	1
*20	17222000027833	Terminal board subassembly	1
*20.1	17400401000084	Terminal	1
*21.4	15500506000007	Muffler	1
*23.1	15500208000047	Liquid valve	1
	15500406000010	Copper nut	2
	15500406000012	Copper nut	2
*24	15500406000016	Copper nut	2
	17402002000043	Electric heating tube	1
*30	17402002000043	Electric heating tube	1
*33	15422000A01487	Gas valve assembly	1
*33.1	15500204000021	Gas valve	2
*34	15122300001065	Suction pipe assembly	1
*43	15500307000001	Transfer connector	2

NS- Not Shown

Deluxe Heat Series 36,000 Btuh 230v Multi Zone 4 Heat Pump



Deluxe Heat Ductless System

Deluxe Heat Series 36,000 Btuh 230v Multi Zone 4 Heat Pump

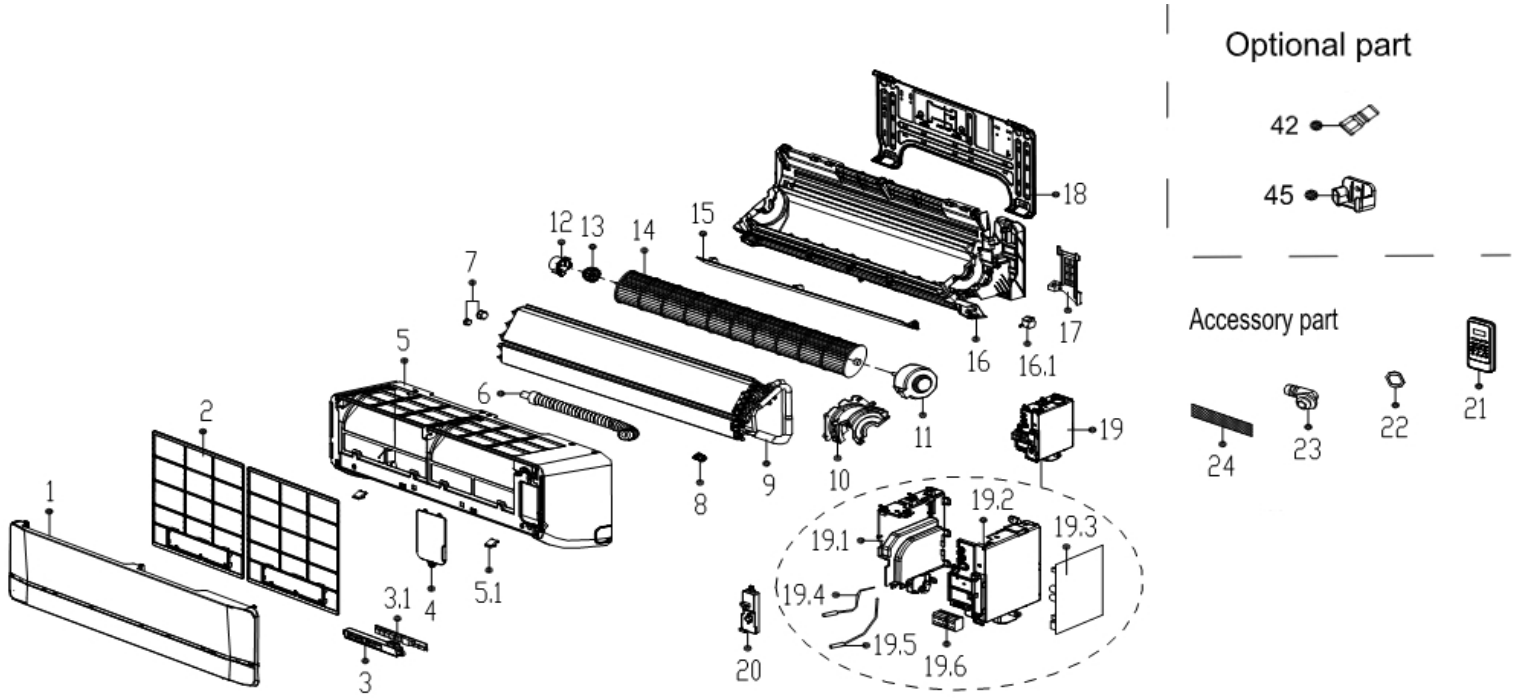
Ref#	Part Number	Description	Qty
1	11201007000039	Room temperature sensor	1
4	11201007000007	Pipe temperature sensor	1
	11201007000136	Pipe temperature sensor	1
18	12100105000022	Axial flow fan	2
19	11002015002241	Brushless DC Motor	2
22	11201007003124	Discharge Temperature Sensor	1
24	11103020000619	DC Inverter Rotary Compressor	1
25	15122000013594	Discharge pipe assembly	1
25.1	17400516000020	Pressure switch	1
26	15422000007214	4-way Valve Assembly	1
26.1	15500216000681	4-way valve	1
26.2	15500204000049	Gas valve	1
27	15422000A01488	Liquid valve Assembly	1
27.1	15500208000028	Liquid valve	4
27.2	15500213000565	Electronic expansion valve	4
28	17222300002069	Electronic control box subassembly	1
28.2	17122300003052	Main control board subassembly	1
28.11	17122000042142	Inverter module subassembly	1
28.12	17122000042141	Inverter module subassembly	1
28.19	17401203000936	Compressor wire subassembly	1
28.20	11201418000002	Rectifier bridge	1
29	17222000027837	Terminal board subassembly	1
29.2	12222300000288	Terminal board	1
30.1	17400516000008	Pressure switch	1
31	11201101000002	PFC inductor	1
34	15422000007212	Liquid valve Assembly	1
34.1	15500208000047	Liquid valve	1
35	15422000A01489	Gas valve assembly	1
35.1	15500204000021	Gas valve	2
	15500204000058	Gas valve	2
38	17402001000003	Crankcase electric heater	1

NOTE: Items listed below are non-stocking and are subject to availability

Ref#	Part Number	Description	Qty
*2	15822000008305	Condenser Assembly	1
*3	15822000008314	Condenser Assembly	1
*5	12222300000039	Big Handle Assembly	1
*6	12222000012227	Rear right clapboard assembly	1
*6.1	12100702000038		1
*8	12122000014341	Water collector	1
*9	12222000006287	Front right clapboard assembly	1
*10	12222000006744	Valve plate	1
*11	12222000006290	Chassis assembly	1
*12	12222000005733	Partition board assembly	1
*13	15500508000009	Liquid-storage tank	1
*15	12222200002363	Left side plate assembly of cabinet	1
*16	12222000007904	Air outlet grille	2
*17	12222000007564	Front panel	1
*20	12222000006288	Supporter subassembly of fan motor	1
*21	15500406000010	Copper nut	2
	15500406000012	Copper nut	4
	15500406000016	Copper nut	4
*23	12222200002359	Top cover assembly	1
*25.2	15500506000012	Muffler	1
*28.1	12222000006289	Installation plate of electric parts sub-assembly	1
*28.10	12122000014342	Electronic installing box	1
*28.16	12122000014182	Electronic installing box	1
*28.17	12122000014343	Electronic installing box	1
*29.1	17400401003456	Wire joint	1
	17400401000135	Terminal	2
*30	15122000013597	Suction pipe assembly	1
*32	12222000006284	Inductor Box subassembly	1
*33	12222000006286	Installation base of inductance	1
*39	17402002000043	Electric heating tube	1
*NS	12100509000061	Drain hose	1
*NS	12600701000039	Seal ring	1
*50	12222000007944	Rear net	1

NS- Not Shown

Deluxe Heat Series 9,000 Btuh 230v Single and Multi Wall Air Handler



Deluxe Heat Ductless System

Deluxe Heat Series 9,000 Btuh 230v Single and Multi Wall Air Handler

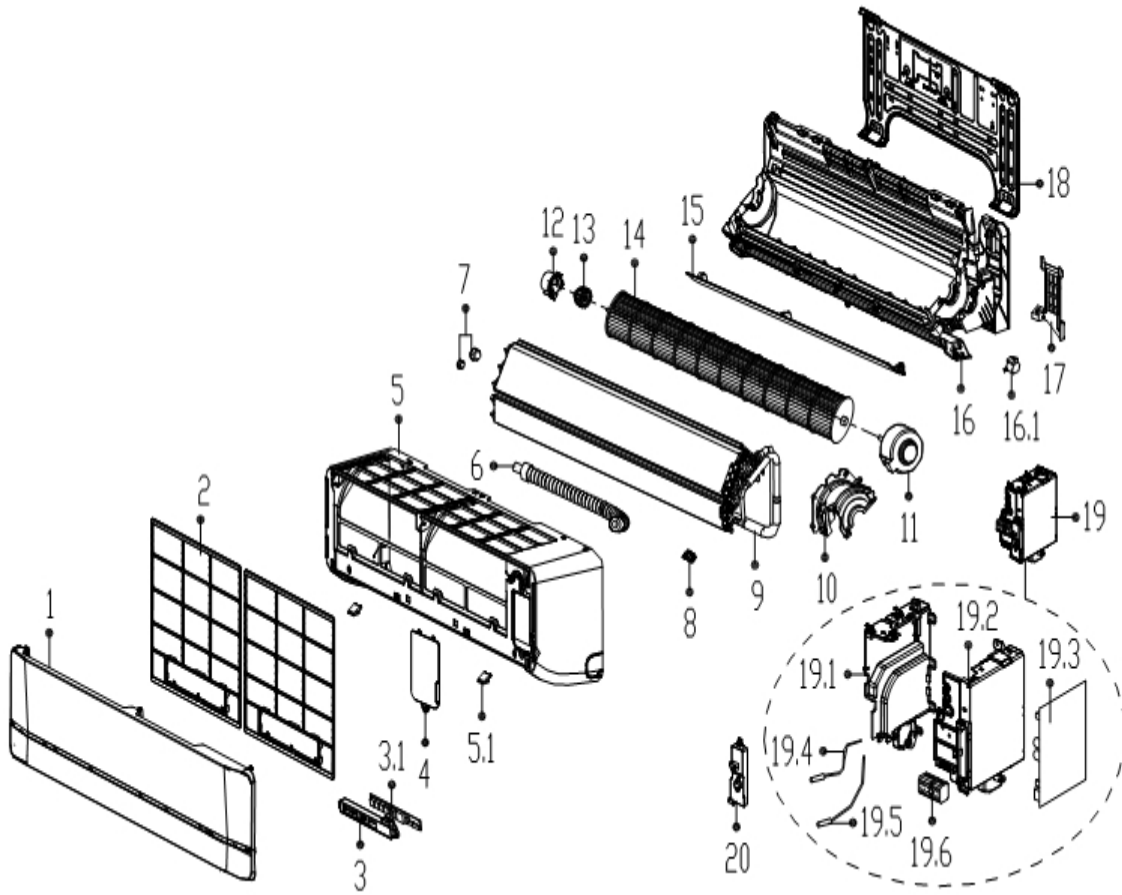
Ref#	Part Number	Description	Qty
2	12100204000466	Air filter	2
3	17222000A56054	Display box subassembly	1
3.1	17122000A35780	Display board subassembly	1
8	12122000024323	Fixed clamp of temperature sensor	1
11	11002015000051	Brushless DC Motor	1
14	12100102000074	Cross flow fan	1
15	12122000A54652	Horizontal louver assembly	1
16.1	11002010000143	Stepper motor	1
19	17222000028262	Electronic control box subassembly (Mid-and low-end)	1
19.3	17122000044836	Main control board subassembly	1
19.4	11201007003424	Room temperature sensor	1
19.5	11201007003447	Pipe Temperature Sensor	1
21	17317000A50307	Remote controller	1
45	12117000002114	Bracket of remote Controller	1

NOTE: *Items listed below are non-stocking and are subject to availability*

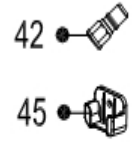
Ref#	Part Number	Description	Qty
*1	12122000A72614	Panel assembly	1
*4	12122000006694	Cover of electrical equipment	1
*5	12122000A50699	Panel frame assembly	1
*5.1	12122000006272	Screw Cap	2
*6	12100501000032	Drain hose	1
*7	15500404000002	Pipe Nut	1
	15500406000010	Copper nut	1
	15500406000016	Copper nut	1
*9	15822000008163	Evaporator assembly	1
*10	12122000019981	Fan motor cover	1
*12	12122000000350	Bearing holder	1
*13	12622000000006	Bearing base	1
*16	12122000A61795	Chassis assembly	1
*17	12122000000455	Pipe clamp board	1
*18	12222000000031	Installation plate	1
*19.1	12122000004639	Left cover of electronic control box	1
*19.2	12122000004632	Right cover of electronic control box	1
*19.6	17400401000006	Terminal	1
*NS	12122000004577	Electronic control box	1
*20	12122000005020	Cover of electronic control box	1
*22	12600701000039	Seal ring	1
*23	12100509000061	Drain hose	1
*24	12100206000056	Air freshening filter	1
*42	15500209000001	Check valve	1

NS- Not Shown

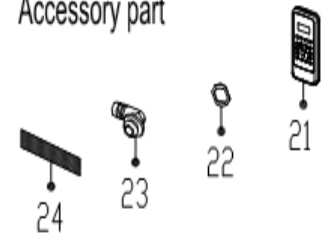
Deluxe Heat Series 12,000 Btuh 230v Single and Multi Wall Air Handler



Optional part



Accessory part



Deluxe Heat Series 12,000 Btuh 230v Single and Multi Wall Air Handler

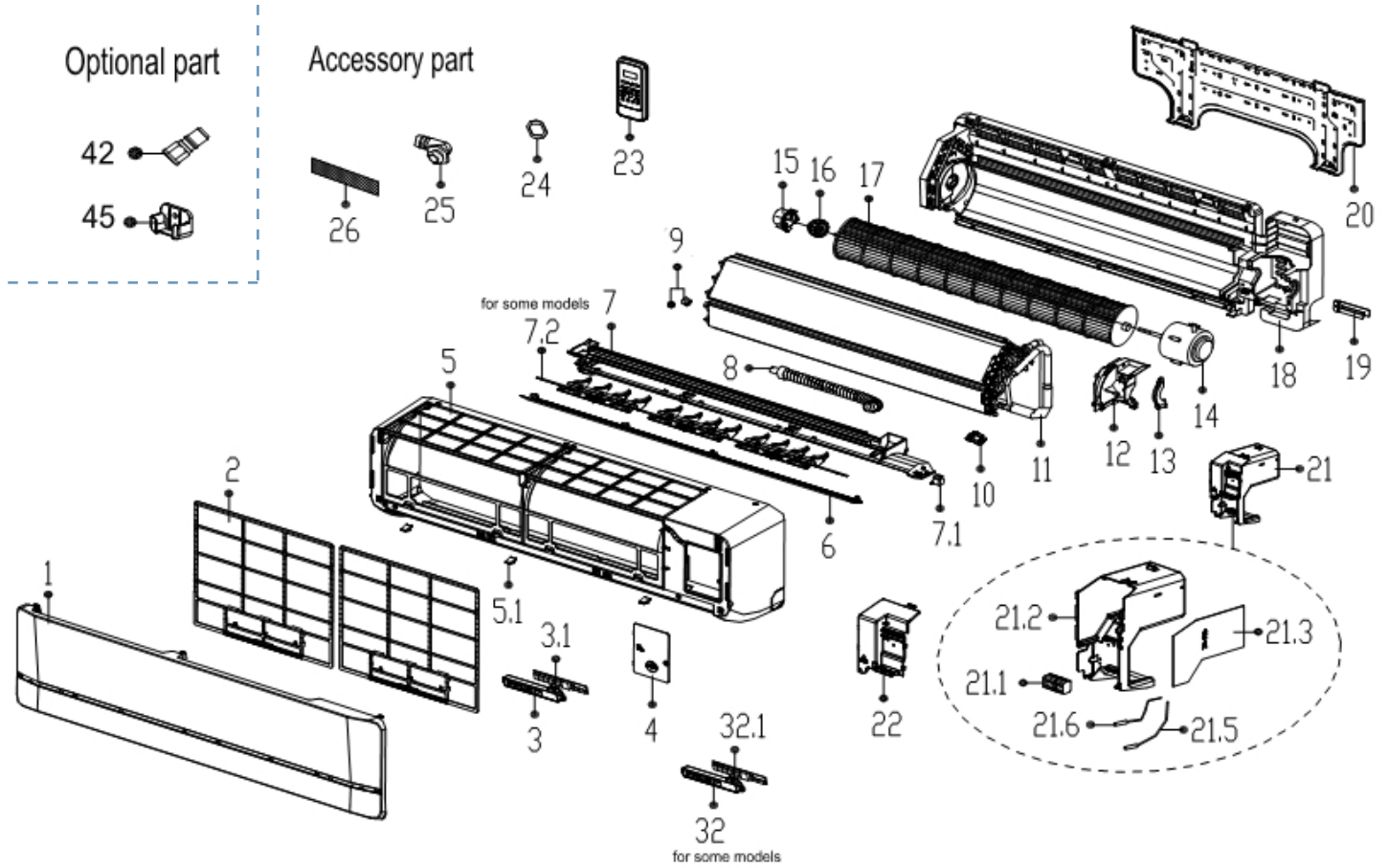
Ref#	Part Number	Description	Qty
2	12100204000466	Air filter	2
3	17222000A56054	Display box subassembly	1
3.1	17122000A35780	Display board subassembly	1
8	12122000024323	Fixed clamp of temperature sensor	1
11	11002015000051	Brushless DC Motor	1
14	12100102000074	Cross flow fan	1
15	12122000A54652	Horizontal louver assembly	1
16.1	11002010000143	Stepper motor	1
19	17222000028267	Electronic control box subassembly (Mid-and low-end)	1
19.3	17122000044844	Main control board subassembly	1
19.4	11201007003424	Room temperature sensor	1
19.5	11201007003447	Pipe Temperature Sensor	1
21	17317000A50307	Remote controller	1
45	12117000002114	Bracket of remote Controller	1

NOTE: *Items listed below are non-stocking and are subject to availability*

Ref#	Part Number	Description	Qty
*1	12122000A72614	Panel assembly	1
*4	12122000006694	Cover of electrical equipment	1
*5	12122000A50699	Panel frame assembly	1
*5.1	12122000006272	Screw Cap	2
*6	12100501000032	Drain hose	1
*7	15500406000012	Copper nut	1
	15500406000016	Copper nut	1
*9	15822000008184	Evaporator assembly	1
*10	12122000019981	Fan motor cover	1
*12	12122000000350	Bearing holder	1
*13	12622000000006	Bearing base	1
*16	12122000A61795	Chassis assembly	1
*17	12122000000455	Pipe clamp board	1
*18	12222000000031	Installation plate	1
*19.1	12122000004639	Left cover of electronic control box	1
*19.2	12122000004632	Right cover of electronic control box	1
*19.6	17400401000006	Terminal	1
*NS	12122000004577	Electronic control box	1
*20	12122000005020	Cover of electronic control box	1
*22	12600701000039	Seal ring	1
*23	12100509000061	Drain hose	1
*24	12100206000056	Air freshening filter	1
*42	15500209000001	Check valve	1

NS- Not Shown

Deluxe Heat Series 18,000 Btuh 230v Single and Multi Wall Air Handler



Deluxe Heat Ductless System

Deluxe Heat Series 18,000 Btuh 230v Single and Multi Wall Air Handler

Ref#	Part Number	Description	Qty
2	12100204000400	Air filter	2
3	17222000A56054	Display box subassembly	1
3.1	17122000A35780	Display board subassembly	1
6	12122000005707	Horizontal louver	1
7.1	11002010000015	Stepper motor	1
7.2	12122000008276	Horizontal louver	3
10	12122000024323	Fixed clamp of temperature sensor	1
14	11002015008646	Brushless DC Motor	1
17	12100102000007	Cross flow fan	1
*18	12122000A08689	Chassis Assembly	1
21	17222000028265	Electronic control box subassembly (Mid-and low-end)	1
21.3	17122000044851	Main control board subassembly	1
21.5	11201007003425	Room temperature sensor	1
21.6	11201007003445	Pipe Temperature Sensor	1
23	17317000A50307	Remote controller	1
45	12117000002114	Bracket of remote Controller	1

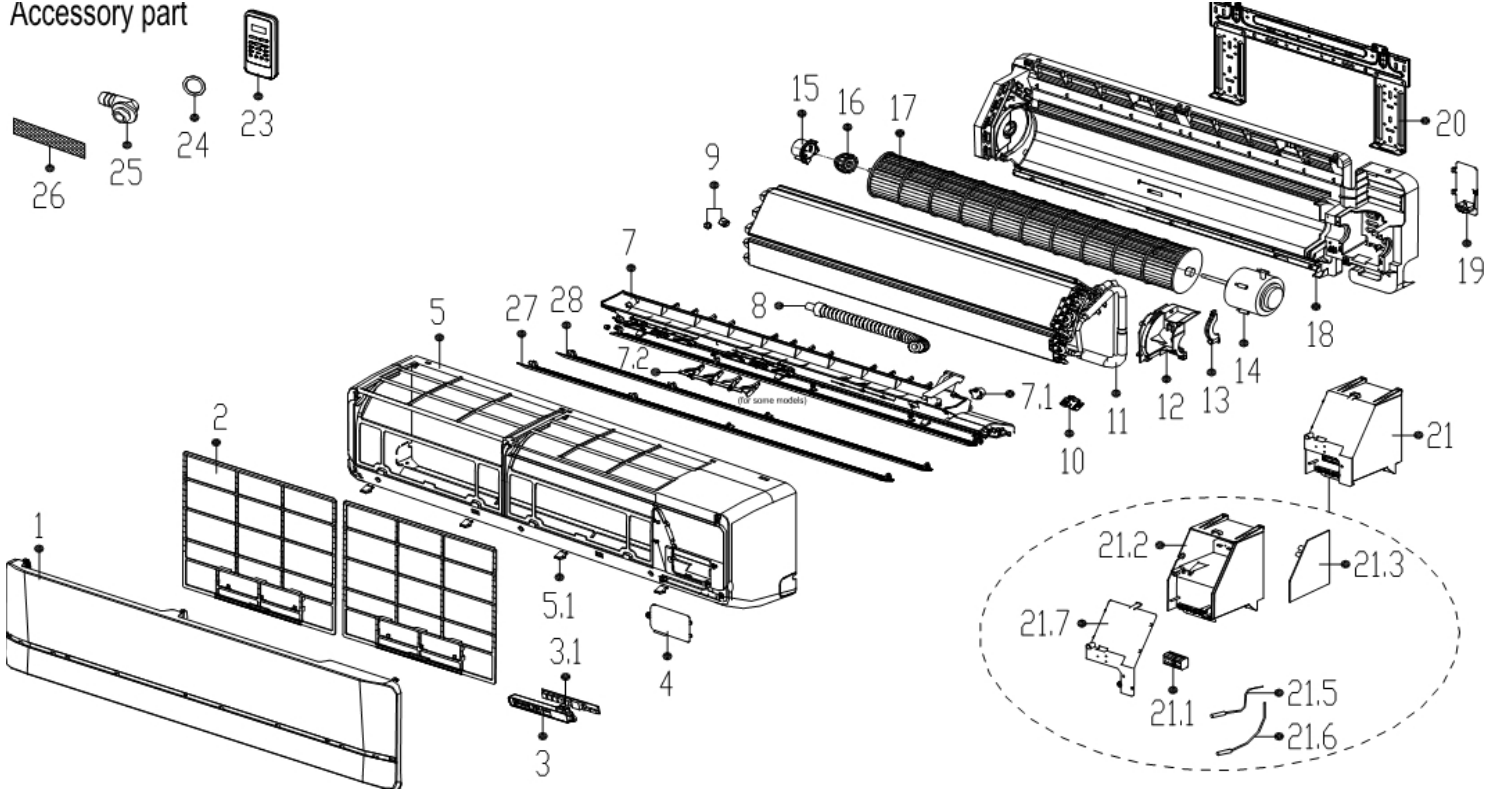
NOTE: *Items listed below are non-stocking and are subject to availability*

Ref#	Part Number	Description	Qty
*1	12122000A72613	Panel assembly	1
*4	12122000006693	Cover of electrical equipment	1
*5	12122000001746	Panel frame assembly	1
*5.1	12122000006272	Screw Cap	3
*7	12122000008962	Air outlet assembly	1
*8	12100501000021	Drain hose	1
*9	15500406000012	Copper nut	1
	15500406000016	Copper nut	1
*11	15822000008156	Evaporator assembly	1
*12	12122000005516	Fan motor cover	1
*13	12122000006772	Fixing board of fan motor	1
*15	12122000000350	Bearing holder	1
*16	12622000000006	Bearing base	1
*18	12122000A08689	Chassis Assembly	1
*19	12222000000054	Pipe clamp board	1
*20	12222000000020	Installation Plate	1
*21.1	17400401000006	Terminal	1
*21.2	12122000004609	Electronic control box	1
*22	12122000005029	Cover of electronic control box	1
*24	12600701000039	Seal Ring	1
*25	12100509000061	Drain hose	1
*26	12100204000685	Air freshening filter	1
	12100206A00018	Air fresh filter	1
*42	15500209000001	Check valve	1

NS- Not Shown

Deluxe Heat Series 24,000 Btuh 230v Single and Multi Wall Air Handler

Accessory part



Deluxe Heat Ductless System

Deluxe Heat Series 24,000 Btuh 230v Single and Multi Wall Air Handler

Ref#	Part Number	Description	Qty
2	12100204000651	Air filter	2
3	17222000A56054	Display box subassembly	1
3.1	17122000A35780	Display board subassembly	1
7.1	11002010000047	Stepper motor	1
7.2	12122000008276	Horizontal louver	3
10	12122000024323	Fixed clamp of temperature sensor	1
14	11002015000056	Brushless DC Motor	1
17	12100102000001	Cross flow fan	1
21.2	12122000004617	Electronic control box	1
21.3	17122000044839	Main control board subassembly	1
21.5	11201007003424	Room temperature sensor	1
21.6	11201007003447	Pipe Temperature Sensor	1
21.7	12122000005040	Cover of electronic control box	1
23	17317000A50307	Remote controller	1
NS	12117000002114	Bracket of remote Controller	1

NOTE: Items listed below are non-stocking and are subject to availability

Ref#	Part Number	Description	Qty
*1	12122000A72612	Panel assembly	1
*4	12122000006694	Cover of electrical equipment	1
*5	12122000A08690	Panel frame assembly	1
*5.1	12122000006272	Screw Cap	4
*7	12122000008963	Air outlet assembly	1
*8	12100501000021	Drain hose	1
*9	15500406000003	Copper nut	1
	15500406000010	Copper nut	1
*11	15822000A16159	Evaporator assembly	1
*12	12122000005509	Fan motor cover	1
*13	12122000006772	Fixing board of fan motor	1
*15	12122000000350	Bearing holder	1
*16	12622000000006	Bearing base	1
17	12100102000001	Cross flow fan	1
*18	12122000A08691	Chassis Assembly	1
*19	12122000000460	Pipe clamp board	1
*20	12222000000048	Installation Plate	1
*21	17222000028268	E-Box subassembly	1
*21.1	17400401000006	Terminal	1
*24	12600701000039	Seal ring	1
*25	12100509000061	Drain hose	1
*26	12100204000685	Air freshening filter	1
	12100206A00018	Air fresh filter	1
*27	12122000006181	Horizontal louver	1
*28	12122000008085	Horizontal louver	1
*NS	15500209000002	Detection valve	1

NS- Not Shown



2201 Dwyer Avenue, Utica, NY 13501
Tel. 800 253 7900
www.ecrinternational.com

All specifications subject to change without notice.
©2019 ECR International, Inc.