



Emcor[®] 10 Series[®] Product Catalog

www.emcorenclosures.com | 507-287-3535



Our objective is to define our customer's quality requirements, and to produce products and services that meet or exceed those expectations. We are committed to continuous improvement through education, process advancements and problem prevention.

Engineering Drawings

The dimensional drawings that are shown on the following pages are for reference only. Detailed engineering drawings are available upon request and are subject to change without notice.

Emcor® 10 Series® Product Line

10 Series® is an extremely heavy-duty product line capable of handling 3,500 lbs. It is a configure-to-order product allowing users to select from a variety of standard components to build exactly what is required for their specific application. The entire product will ship as configured so there is no assembly required. Modified or custom designs are available by contacting your local sales representative or us directly.

Platinum Delivery Program

Get your product shipped one – or even two – weeks faster than normal lead times, for a nominal fee. Ask for either the Platinum or Diamond option with your quote.



Table of Contents

- Overview 1-3
- Frames 4-15
- Mounting Rails 16-19
- Base/Casters 20-25
- Wedges/Turrets 26-29
- Power 30-31
- Grounding 32-33
- Cable Management 34-37
- Lighting 38-39
- Shelves/Drawers 40-51
- Work Surfaces 52-53
- Articulating Monitor Arms 54-58
- Airflow Management 59-62
- Panels 63-68
- Top/Bottom..... 69-73
- Doors 74-81
- Side Panels 82-88
- Hardware 89-90
- Ordering Guide 92-105

How to Order

Emcor Enclosures are configure to order, meaning each component of the enclosure is ordered separately. This process allows the most versatility in the final appearance and function of the enclosure or console. Simply follow the steps listed below.

- 1** DETERMINE THE FRAME PART NUMBER
Because the basic building block is the frame it will be your first selection.
- 2** REVIEW THE ORDERING GUIDE (LOCATED IN THE BACK OF THE CATALOG)
Once you have selected a frame part number, locate it in the ordering guide. Note that the ordering guide is organized so that compatible accessories are listed to the right of the frame part numbers.
- 3** ISSUE ORDERS TO
All correspondence and PO's should be addressed to:

Emcor Enclosures
2900 37th St. NW, Bldg. 003
Rochester, MN 55901

Submit the Purchase Order (PO) to the Sales Representative indicated on the quote.
Be sure to include a copy of the quote.

Paint

Paint/Finish

Our products are finished in textured powder paint. Powder coating provides a durable high-quality finish. Select from one of nine proprietary color options. Sample kits are available upon request.

Part Numbers

Color	
White	TX-WHP
Neutral	TX-NUP
Graystone	TX-GSP
Caribbean Blue	TX-CRBP
Fawn	TX-FNP
Steel	TX-STP
Putty	TX-PTP
Black	TX-BKP
Hi-Tech Gray	TX-HTGP



Custom Paint/Finish

Custom paint colors or finishes can be accommodated. Please contact us with your requirement. Additional charges may apply.

Touch Up Paint Pens

We offer our proprietary paint colors in a Paint Pen.

Part Numbers

Color	Paint Pen
White	PEN-WH
Neutral	PEN-NU
Graystone	PEN-GS
Caribbean Blue	PEN-CRB
Fawn	PEN-FN
Steel	PEN-ST
Putty	PEN-PT
Black	PEN-BK
Hi-Tech Gray	PEN-HTG



Modifications and Customizations

Modifications and Customizations

In many instances, the customer can best be served by tailoring the enclosure to their individual specifications. Below is a sampling of the most common modifications.

Overall Foot-print

The chart below shows typical ranges to which this product line can be modified in terms of usable height, depth and width. Standard* sizes are indicated.

U's Inches	1U 1.75	3U 5.25	5U 8.75	7U 12.25	9U 15.75	11U 19.25	13U 22.75	15U 26.25	17U 29.75	19U 33.25	21U 36.75	23U 40.25	25U 43.75	27U 47.25	29U 50.75	31U 54.25	33U 57.75	35U 61.25	37U 64.75	39U 68.25	41U 71.75	43U 75.25	45U 78.75	47U 82.25	49U 85.75	
Usable Height								15U	19U 20U	23U	28U	30U	35U 36U	40U	42U	45U	48U									
Overall Depth								26.312	31.562	36.875	42.125	47.375														
Overall Width								22.562	27.562																	

to 54U

*Modifications to the standard foot-print may affect static load ratings, center of gravity and other performance.

Strut Locations:

Struts can be relocated to meet specific customer application needs.

Cut-Outs & Holes:

Cut-outs and holes are available in multiple sizes, shapes and locations on doors, panels, and some frames.

Multiple Doors:

Cabinets can accept multiple doors to segregate / secure select components inside.

Casters:

Specialty casters can accommodate heavy loads, terrains and shock absorption needs.

Ground Studs:

Ground studs may be placed in any location, as needed.

Assembly / Wiring:

Pre-assembly or pre-wiring can be performed during the manufacturing process.

Paint / Decals:

Custom color, texture, ink stamping or silk screen can be applied or incorporated as necessary.

Cable Management:

Wire management accessories can be designed or procured to ease integration and wiring.

Service Panels:

Additional panels can be added to complement customer's routine service needs.

Frames

Frame Overview

The following types and sizes of frames are available. Dimensions are overall.

Vertical Frames



2 Widths	22.562" (19" EIA Rack Width)
	27.562" (24" EIA Rack Width)
5 Depths	26.312" (26)
	31.562" (31)
	36.875" (36)
	42.125" (42)
	47.375" (47)
12 Heights	29.875" (15U Usable Rack Space)
	36.875" (19U Usable Rack Space)
	38.625" (20U Usable Rack Space)
	43.875" (23U Usable Rack Space)
	52.625" (28U Usable Rack Space)
	56.125" (30U Usable Rack Space)
	64.875" (35U Usable Rack Space)
	66.625" (36U Usable Rack Space)
	73.625" (40U Usable Rack Space)
	77.125" (42U Usable Rack Space)
	82.375" (45U Usable Rack Space)
	87.625" (48U Usable Rack Space)

Wedge frames available.

-WT Style Vertical Frames



2 Widths	22.562" (19" EIA Rack Width)
	27.562" (24" EIA Rack Width)
3 Depths	26.312" (26)
	31.562" (31)
	36.875" (36)
2 Heights	29.875" (14U Usable Rack Space)
	36.875" (18U Usable Rack Space)

Wedge frames available.

Slope Front Frames



2 Widths	22.562" (19" EIA Rack Width)
	27.562" (24" EIA Rack Width)
3 Base Depths	26.312" (26)
	31.562" (31)
2 Slope Heights	20.388" (10U Usable Rack Space)
	24.089" (12U Usable Rack Space)

Wedge frames available.

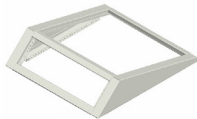
-WT Style Slope Front Frames



2 Widths	22.562" (19" EIA Rack Width)
	27.562" (24" EIA Rack Width)
3 Base Depths	26.312" (26)
	31.562" (31)
2 Slope Heights	20.388" (10U Usable Rack Space)
	24.089" (12U Usable Rack Space)

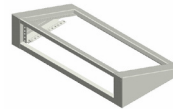
Wedge frames available.

45° Turrets



2 Widths	22.562" (19" EIA Rack Width)
	27.562" (24" EIA Rack Width)
4 Depths	13.970" (4U & 3U Usable Rack Space)
	17.470" (6U & 3U Usable Rack Space)
	20.970" (8U & 3U Usable Rack Space)
	24.470" (10U & 3U Usable Rack Space)

90° Turrets

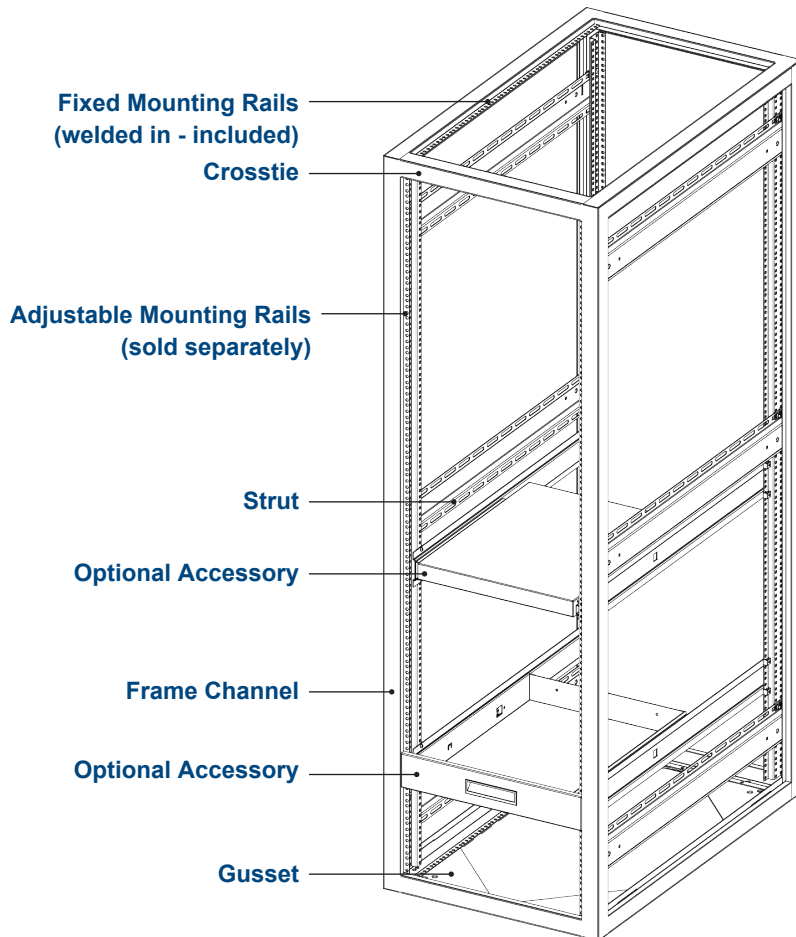


2 Widths	22.562" (19" EIA Rack Width)
	27.562" (24" EIA Rack Width)
2 Depths	8.750" (4U & 2U Usable Rack Space)
	12.250" (6U & 2U Usable Rack Space)

3500 lb. Static Load Capacity

10 Series frames are fully welded and can handle 3,500 lbs. of equipment evenly distributed in the frame.

- 14-gauge steel - Crosstie
- 14-gauge steel - Frame Channel
- 11-gauge steel - Gussets
- 16-gauge steel - Other Components



Frame Joining Hardware (sold separately)



Extra Mounting Hardware (sold separately)



Part Number Seismic Tie Down Kit (IBC)

XTDK-IBC

10 Series® frames can be adapted to withstand the seismically induced vibrations of earthquake activity. With the addition of a seismic tie down kit, these enclosures meet International Building Code (IBC) guidelines for non-essential buildings. For more information and test results visit our website.

15U Vertical Frames

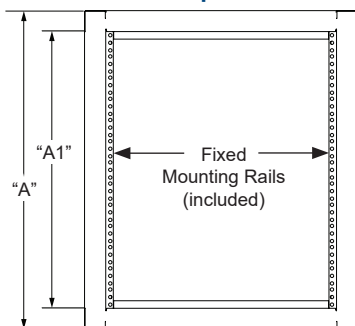
15U Vertical Frames

These vertical frames allow for mounting of standard EIA electronic components. They can be used as a stand alone frame, joined together in a row, or used in combination with wedge frames. Accessories such as shelves, drawers, power, and cable managers can be added per application requirements. The use of a work surface in conjunction with this frame is not recommended. There are purpose built frames with the proper provisions for mounting a work surface available.

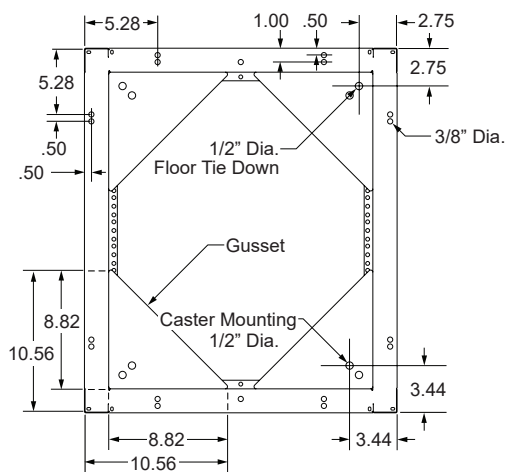
Part Numbers

19" EIA Rack Width		24" EIA Rack Width		"A"	"A1"	"B"	"B1"	Struts	"G"		
	"C" Overall Width		"C" Overall Width	Overall Depth	Top Panel Opening	Overall Height	Usable Height				
XFR-262619	22.562	XFR-262624	27.562	26.312	22.750	13U	29.875	26.250	15U	2	11.000
XFR-312619	22.562	XFR-312624	27.562	31.562	28.000	16U	29.875	26.250	15U	2	11.000
XFR-362619	22.562	XFR-362624	27.562	36.875	33.250	19U	29.875	26.250	15U	2	11.000

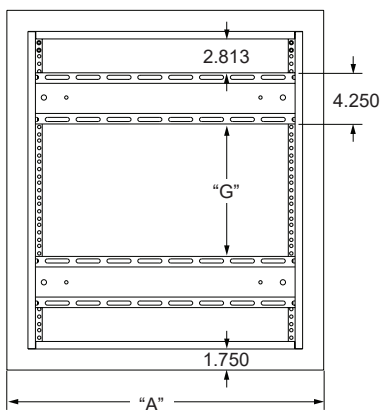
Top View



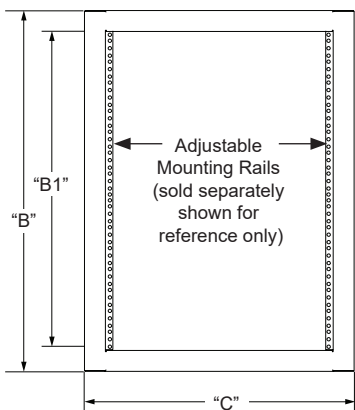
Bottom View



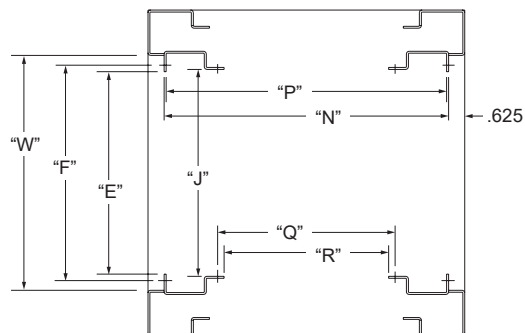
Side View



Front View



Section View



Section View Dimensions

	"W"	"F"	"E"	"J"	"P"	"N"	"Q"	"R"
26.312" Overall Depth					24.912	25.125	20.936	20.436
31.562" Overall Depth					30.162	30.375	26.186	25.686
36.875" Overall Depth					35.475	35.625	31.499	30.999
19" EIA Width	19.062	18.310	17.810	17.984				
24" EIA Width	24.062	23.310	22.810	22.984				

14U “Desk Height” Vertical Frames with Work Surface Mounting Provisions

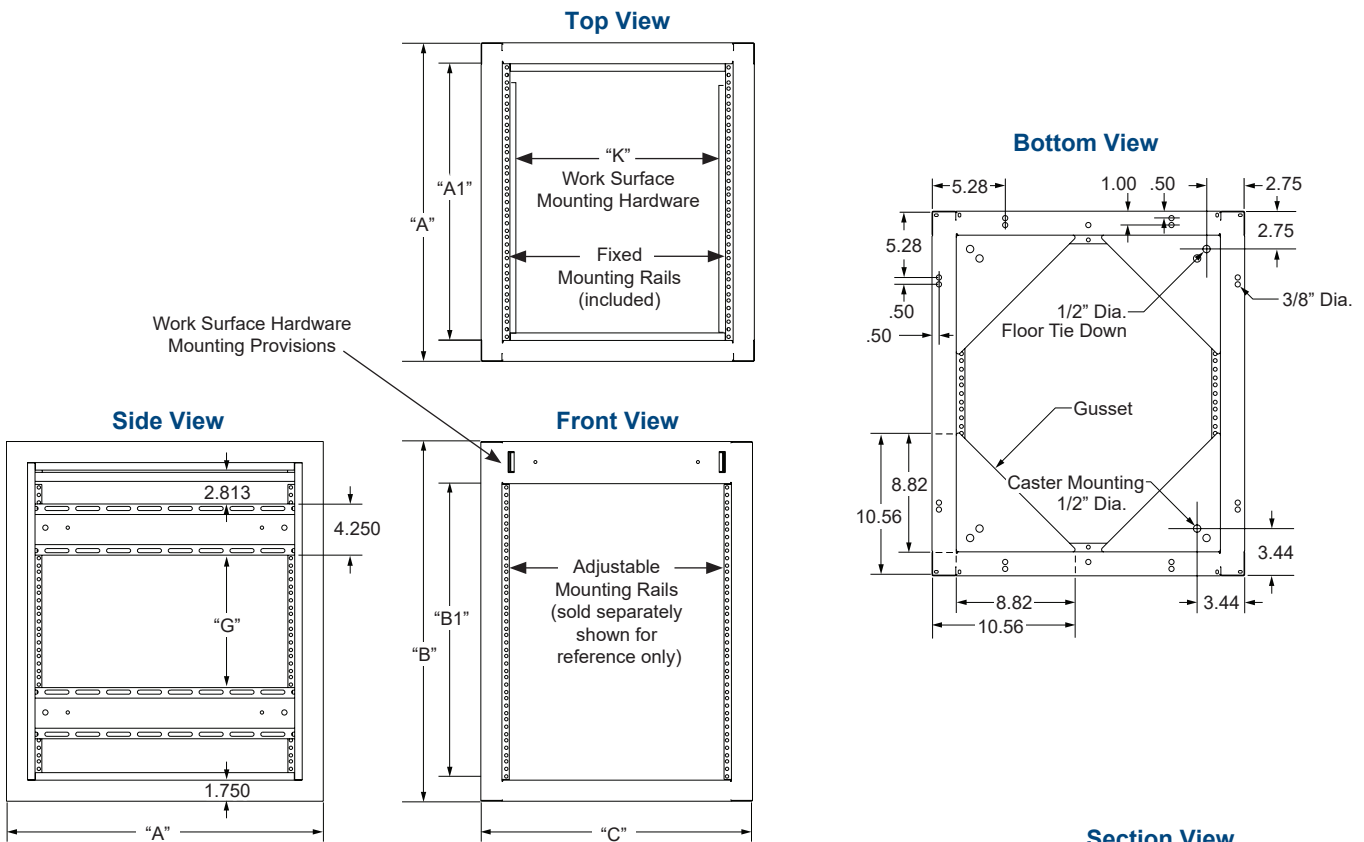
14U “Desk Height” Vertical Frames with Work Surface Mounting Provisions

These vertical frames allow for mounting of standard EIA electronic components and include work surface mounting hardware provisions. They can be used individually, joined together in a row (joining hardware included), or used in combination with wedge frames to create “desk height” work station configurations. Accessories such as shelves, drawers, power, and cable managers can be added per application requirements. Don’t forget the work surface, which is sold separately.

Part Numbers

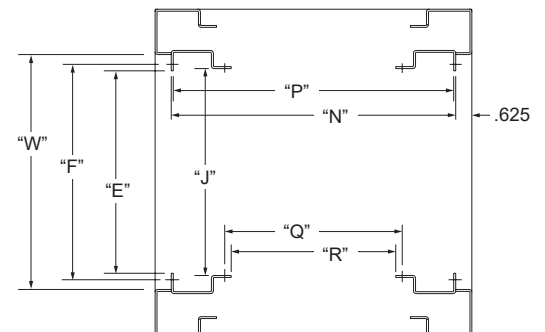
19" EIA Rack Width		24" EIA Rack Width				Struts	"G"				
	"C" Overall Width		"C" Overall Width	"A" Overall Depth	"A1" Top Panel Opening			"B" Overall Height	"B1" Usable Height		
XFR-262419-WT	22.562	XFR-262424-WT	27.562	26.312	22.750	13U	29.875	24.500	14U	2	11.000
XFR-312419-WT	22.562	XFR-312424-WT	27.562	31.562	28.000	16U	29.875	24.500	14U	2	11.000
XFR-362419-WT	22.562	XFR-362424-WT	27.562	36.875	33.250	19U	29.875	24.500	14U	2	11.000

"K" Clearance is reduced 5.720" due to work surface mounting hardware.



Section View Dimensions

	"W"	"F"	"E"	"J"	"P"	"N"	"Q"	"R"
26.312" Overall Depth					24.912	25.125	20.936	20.436
31.562" Overall Depth					30.162	30.375	26.186	25.686
36.875" Overall Depth					35.475	35.625	31.499	30.999
19" EIA Width	19.062	18.310	17.810	17.984				
24" EIA Width	24.062	23.310	22.810	22.984				



19U Vertical Frames

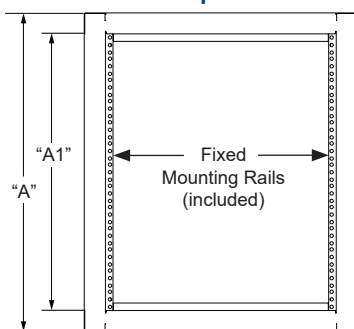
19U Vertical Frames

These vertical frames allow for mounting of standard EIA electronic components. They can be used as a stand alone frame, joined together in a row (joining hardware included), or used in combination with wedge frames. Accessories such as shelves, drawers, power, and cable managers can be added per application requirements. The use of a work surface in conjunction with this frame is not recommended. There are purpose built frames with the proper provisions for mounting a work surface available.

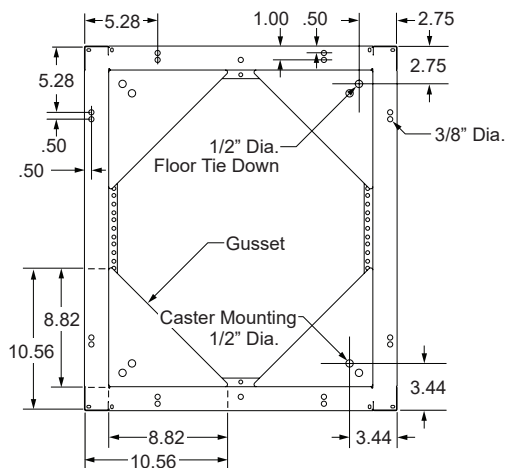
Part Numbers

19" EIA Rack Width		24" EIA Rack Width		"A" Overall Depth	"A1" Top Panel Opening	"B" Overall Height	"B1" Usable Height	19U	Struts	"G"	
	"C" Overall Width		"C" Overall Width								
XFR-263319	22.562	XFR-263324	27.562	26.312	22.750	13U	36.875	33.250	19U	2	18.000
XFR-313319	22.562	XFR-313324	27.562	31.562	28.000	16U	36.875	33.250	19U	2	18.000
XFR-363319	22.562	XFR-363324	27.562	36.875	33.250	19U	36.875	33.250	19U	2	18.000

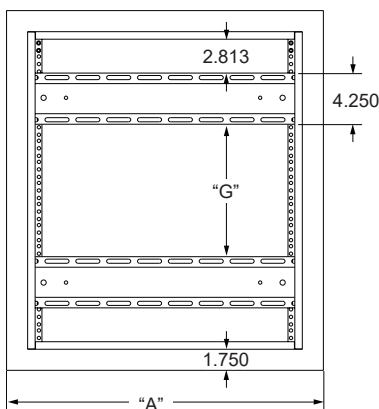
Top View



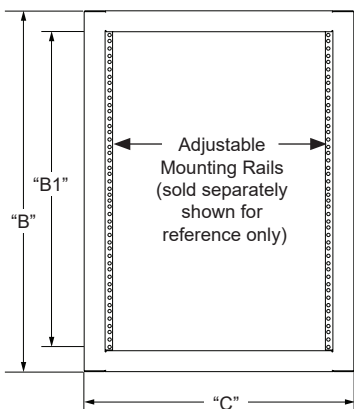
Bottom View



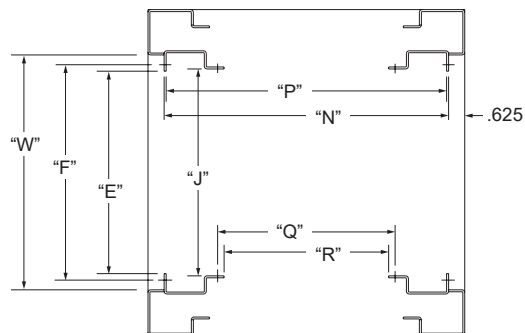
Side View



Front View



Section View



Section View Dimensions

	"W"	"F"	"E"	"J"	"P"	"N"	"Q"	"R"
26.312" Overall Depth					24.912	25.125	20.936	20.436
31.562" Overall Depth					30.162	30.375	26.186	25.686
36.875" Overall Depth					35.475	35.625	31.499	30.999
19" EIA Width	19.062	18.310	17.810	17.984				
24" EIA Width	24.062	23.310	22.810	22.984				

18U “Counter Height” Vertical Frames with Work Surface Mounting Provisions

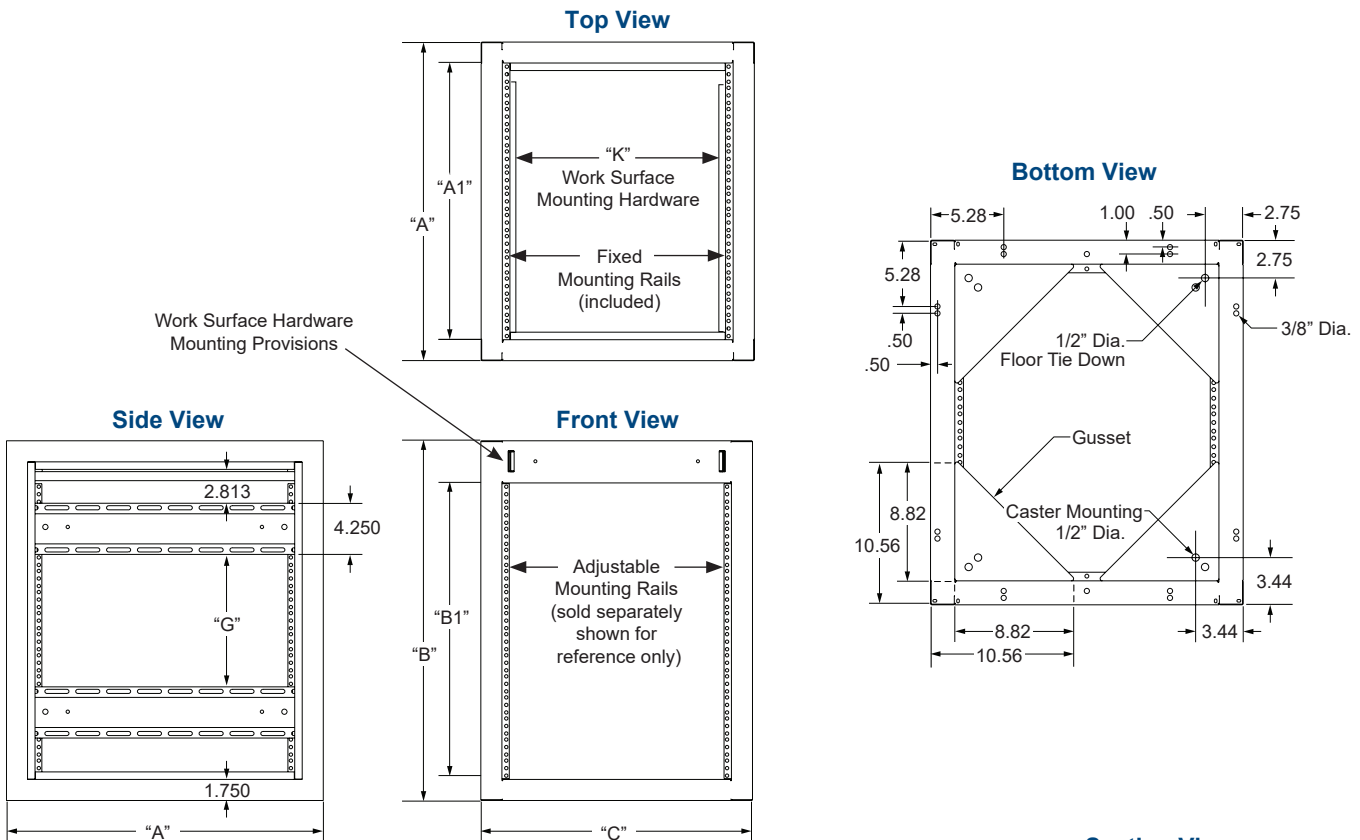
18U “Counter Height” Vertical Frames with Work Surface Mounting Provisions

These vertical frames allow for mounting of standard EIA electronic components and include work surface mounting hardware provisions. They can be used individually, joined together in a row (joining hardware included), or used in combination with wedge frames to create “counter height” work station configurations. Accessories such as shelves, drawers, power, and cable managers can be added per application requirements. Don’t forget the work surface, which is sold separately.

Part Numbers

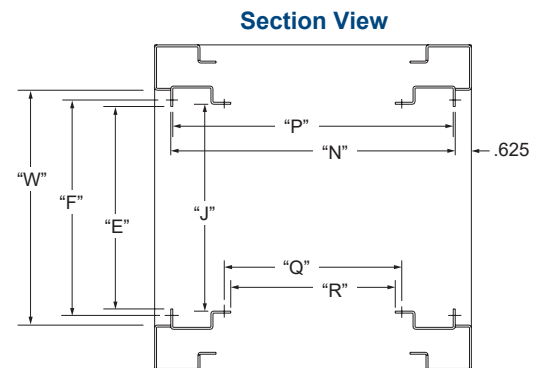
19" EIA Rack Width		24" EIA Rack Width		"A" Overall Depth	"A1" Top Panel Opening	"B" Overall Height	"B1" Usable Height	18U	Struts	"G"
	"C" Overall Width		"C" Overall Width							
XFR-263119-WT	22.562	XFR-263124-WT	27.562	26.312	22.750	13U	36.875	31.500	2	18.000
XFR-313119-WT	22.562	XFR-313124-WT	27.562	31.562	28.000	16U	36.875	31.500	2	18.000
XFR-363119-WT	22.562	XFR-363124-WT	27.562	36.875	33.250	19U	36.875	31.500	2	18.000

"K" Clearance is reduced 5.720" due to work surface mounting hardware.



Section View Dimensions

	"W"	"F"	"E"	"J"	"P"	"N"	"Q"	"R"
26.312" Overall Depth					24.912	25.125	20.936	20.436
31.562" Overall Depth					30.162	30.375	26.186	25.686
36.875" Overall Depth					35.475	35.625	31.499	30.999
19" EIA Width	19.062	18.310	17.810	17.984				
24" EIA Width	24.062	23.310	22.810	22.984				



20U, 23U, 28U, 30U 35U, 36U, 40U, 42U, 45U, 48U Vertical Frames

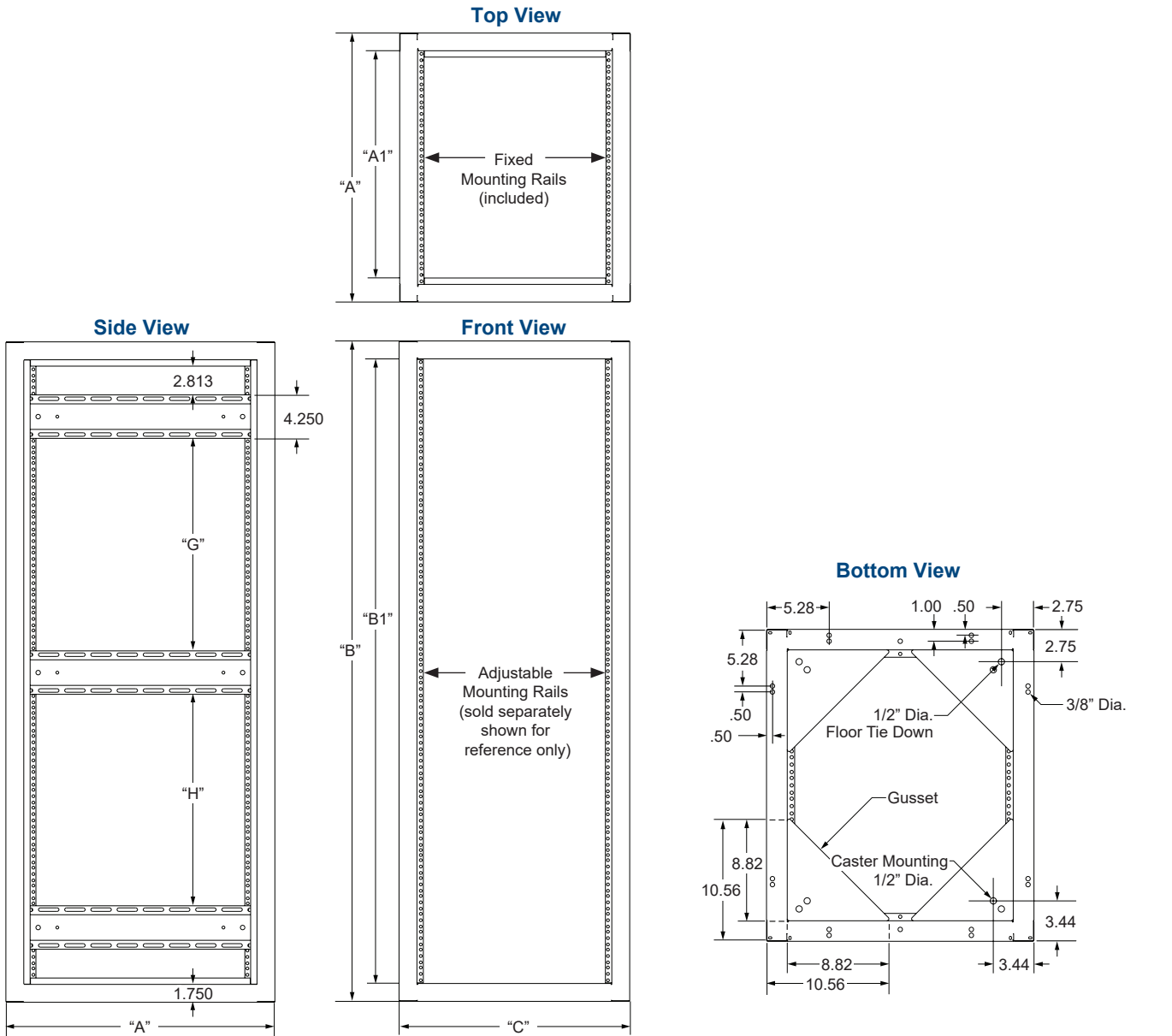
Vertical Frames

These vertical frames allow for mounting of standard EIA electronic components. They can be used as a stand alone frame, joined together in a row (joining hardware included), or used in combination with wedge frames to create console or work station configurations. Accessories such as shelves, drawers, power, cable managers, or even a work surface can be added per application requirements.

Part Numbers

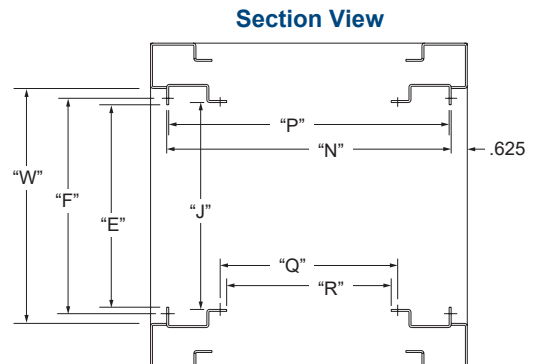
19" EIA Rack Width		24" EIA Rack Width		"A" Overall Depth	"A1" Top Panel Opening	"B" Overall Height	"B1" Usable Height	Struts	"G"	"H"		
	"C" Overall Width		"C" Overall Width									
XFR-263519	22.562	XFR-263524	27.562	26.312	22.750	13U	38.625	35.000	20U	3	8.000	7.500
XFR-313519	22.562	XFR-313524	27.562	31.562	28.000	16U	38.625	35.000	20U	3	8.000	7.500
XFR-363519	22.562	XFR-363524	27.562	36.875	33.250	19U	38.625	35.000	20U	3	8.000	7.500
XFR-264019	22.562	XFR-264024	27.562	26.312	22.750	13U	43.875	40.250	23U	3	10.375	10.375
XFR-314019	22.562	XFR-314024	27.562	31.562	28.000	16U	43.875	40.250	23U	3	10.375	10.375
XFR-364019	22.562	XFR-364024	27.562	36.875	33.250	19U	43.875	40.250	23U	3	10.375	10.375
XFR-264919	22.562	XFR-264924	27.562	26.312	22.750	13U	52.625	49.000	28U	3	15.000	14.500
XFR-314919	22.562	XFR-314924	27.562	31.562	28.000	16U	52.625	49.000	28U	3	15.000	14.500
XFR-364919	22.562	XFR-364924	27.562	36.875	33.250	19U	52.625	49.000	28U	3	15.000	14.500
XFR-265219	22.562	XFR-265224	27.562	26.312	22.750	13U	56.125	52.500	30U	3	16.750	16.250
XFR-315219	22.562	XFR-315224	27.562	31.562	28.000	16U	56.125	52.500	30U	3	16.750	16.250
XFR-365219	22.562	XFR-365224	27.562	36.875	33.250	19U	56.125	52.500	30U	3	16.750	16.250
XFR-266119	22.562	XFR-266124	27.562	26.312	22.750	13U	64.875	61.250	35U	3	20.875	20.875
XFR-316119	22.562	XFR-316124	27.562	31.562	28.000	16U	64.875	61.250	35U	3	20.875	20.875
XFR-366119	22.562	XFR-366124	27.562	36.875	33.250	19U	64.875	61.250	35U	3	20.875	20.875
XFR-426119	22.562	XFR-426124	27.562	42.125	38.500	22U	64.875	61.250	35U	3	20.875	20.875
XFR-266319	22.562	XFR-266324	27.562	26.312	22.750	13U	66.625	63.000	36U	3	22.000	21.500
XFR-316319	22.562	XFR-316324	27.562	31.562	28.000	16U	66.625	63.000	36U	3	22.000	21.500
XFR-366319	22.562	XFR-366324	27.562	36.875	33.250	19U	66.625	63.000	36U	3	22.000	21.500
XFR-426319	22.562	XFR-426324	27.562	42.125	38.500	22U	66.625	63.000	36U	3	22.000	21.500
XFR-476319	22.562	XFR-476324	27.562	47.375	43.750	25U	66.625	63.000	36U	3	22.000	21.500
XFR-267019	22.562	XFR-267024	27.562	26.312	22.750	13U	73.625	70.000	40U	3	25.500	25.000
XFR-317019	22.562	XFR-317024	27.562	31.562	28.000	16U	73.625	70.000	40U	3	25.500	25.000
XFR-367019	22.562	XFR-367024	27.562	36.875	33.250	19U	73.625	70.000	40U	3	25.500	25.000
XFR-427019	22.562	XFR-427024	27.562	42.125	38.500	22U	73.625	70.000	40U	3	25.500	25.000
XFR-477019	22.562	XFR-477024	27.562	47.375	43.750	25U	73.625	70.000	40U	3	25.500	25.000
XFR-267319	22.562	XFR-267324	27.562	26.312	22.750	13U	77.124	73.500	42U	3	27.250	26.750
XFR-317319	22.562	XFR-317324	27.562	31.562	28.000	16U	77.124	73.500	42U	3	27.250	26.750
XFR-367319	22.562	XFR-367324	27.562	36.875	33.250	19U	77.124	73.500	42U	3	27.250	26.750
XFR-427319	22.562	XFR-427324	27.562	42.125	38.500	22U	77.124	73.500	42U	3	27.250	26.750
XFR-477319	22.562	XFR-477324	27.562	47.375	43.750	25U	77.124	73.500	42U	3	27.250	26.750
XFR-267819	22.562	XFR-267824	27.562	26.312	22.750	13U	82.375	78.750	45U	3	29.625	29.625
XFR-317819	22.562	XFR-317824	27.562	31.562	28.000	16U	82.375	78.750	45U	3	29.625	29.625
XFR-367819	22.562	XFR-367824	27.562	36.875	33.250	19U	82.375	78.750	45U	3	29.625	29.625
XFR-427819	22.562	XFR-427824	27.562	42.125	38.500	22U	82.375	78.750	45U	3	29.625	29.625
XFR-477819	22.562	XFR-477824	27.562	47.375	43.750	25U	82.375	78.750	45U	3	29.625	29.625
XFR-268419	22.562	XFR-268424	27.562	26.312	22.750	13U	87.625	84.000	48U	3	32.250	32.250
XFR-318419	22.562	XFR-318424	27.562	31.562	28.000	16U	87.625	84.000	48U	3	32.250	32.250
XFR-368419	22.562	XFR-368424	27.562	36.875	33.250	19U	87.625	84.000	48U	3	32.250	32.250
XFR-428419	22.562	XFR-428424	27.562	42.125	38.500	22U	87.625	84.000	48U	3	32.250	32.250
XFR-478419	22.562	XFR-478424	27.562	47.375	43.750	25U	87.625	84.000	48U	3	32.250	32.250

20U, 23U, 28U, 30U 35U, 36U, 40U, 42U, 45U, 48U Vertical Frames



Section View Dimensions

	"W"	"F"	"E"	"J"	"P"	"N"	"Q"	"R"
26.312" Overall Depth					24.912	25.125	20.936	20.436
31.562" Overall Depth					30.162	30.375	26.186	25.686
36.875" Overall Depth					35.475	35.625	31.499	30.999
42.125" Overall Depth					40.725	40.875	36.749	36.249
47.375" Overall Depth					45.975	46.125	41.999	41.499
19" EIA Width	19.062	18.310	17.810	17.984				
24" EIA Width	24.062	23.310	22.810	22.984				



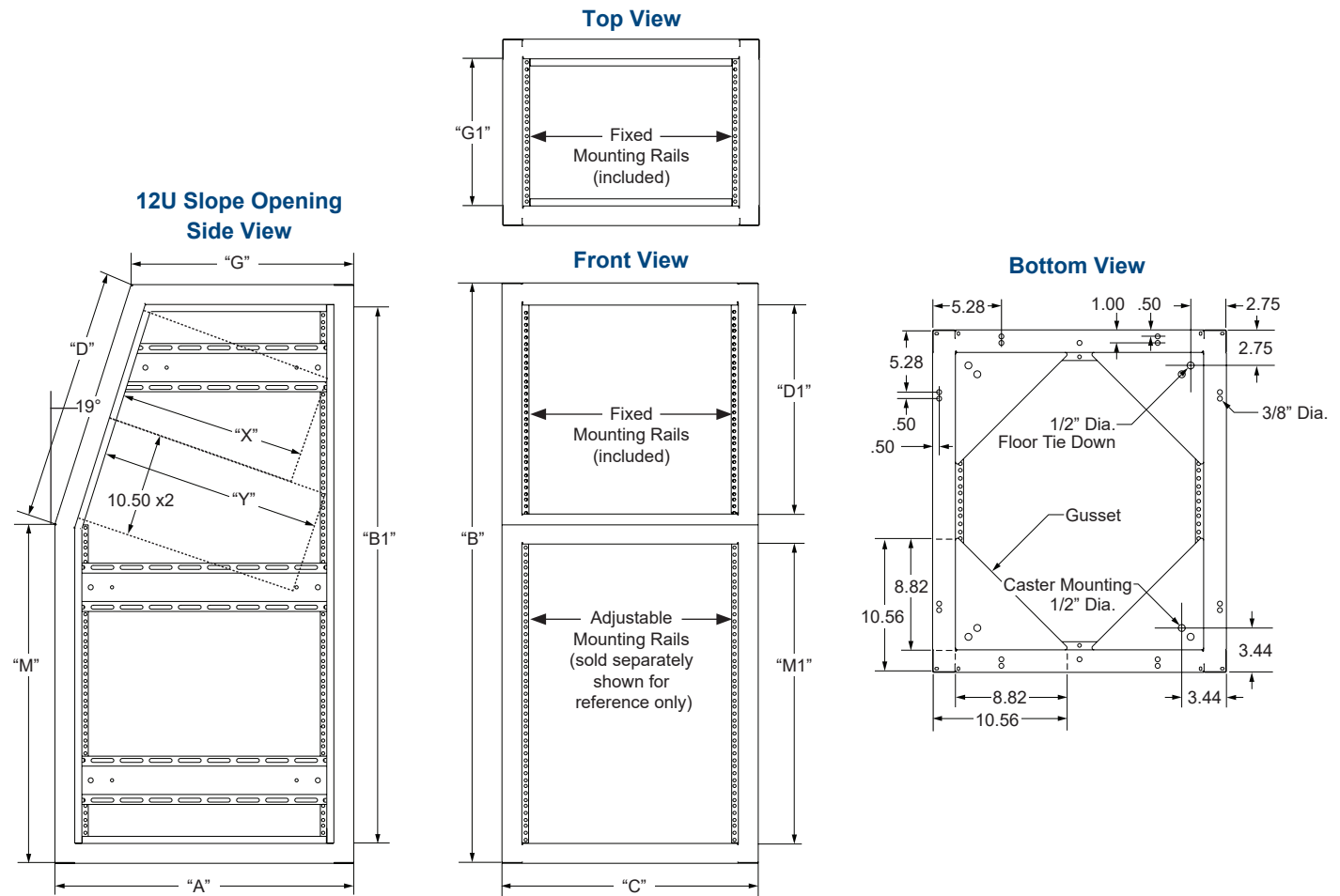
Slope Front Frames (12U Slope Opening)

Slope Front Frames with a 12U Slope Opening

Slope front frames allow for mounting of standard EIA electronic components, controls, or interface equipment. They can be used as a stand alone frame, joined together in a row (joining hardware included), or used in combination with wedge frames. Accessories such as shelves, drawers, power, and cable managers can be added per application requirements. The use of a work surface in conjunction with this frame is not recommended. There are purpose built frames with the proper provisions for mounting a work surface available.

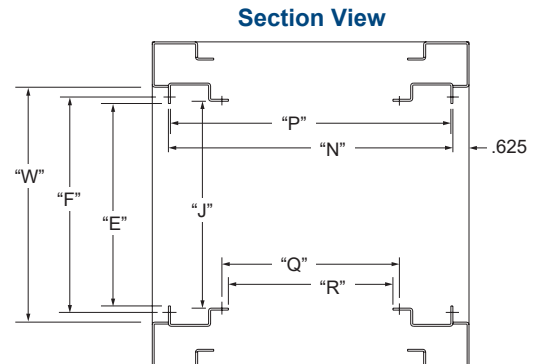
Part Numbers

12U Slope Opening				Depth				Height				Slope Area			
19" EIA Rack Width		24" EIA Rack Width		"A" Overall Base	"G" Overall Slope	"G1" Top Panel Opening		"M" Overall Front	"M1" Usable Front	"B" Overall Rear	"B1" Usable Rear	"D" Overall Height	"D1" Usable Height	"X" Max Depth	"Y" Max Depth
XFRS-262119A	22.562	XFRS-262124A	27.562	26.312	18.393	14.000	8U	29.875	26.250	52.625	49.000	24.089	21.000	18.688	22.344
XFRS-312119A	22.562	XFRS-312124A	27.562	31.562	23.643	19.250	11U	29.875	26.250	52.625	49.000	24.089	21.000	24.250	27.906



Section View Dimensions

	"W"	"F"	"E"	"J"	"P"	"N"	"Q"	"R"
26.312" Overall Depth					24.912	25.125	20.936	20.436
31.562" Overall Depth					30.162	30.375	26.186	25.686
19" EIA Width	19.062	18.310	17.810	17.984				
24" EIA Width	24.062	23.310	22.810	22.984				



Slope Front Frames (12U Slope Opening) with Work Surface Mounting Provisions

Slope Front Frames (12U Slope Opening) with Work Surface Mounting Provisions

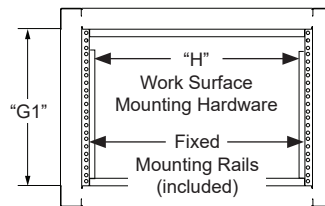
These slope front frames allow for mounting of standard EIA electronic components, controls, or interface equipment and include work surface mounting hardware provisions. They can be used individually, joined together in a row (joining hardware included), or used in combination with wedge frames to create “desk height” work station configurations. Accessories such as shelves, drawers, power, and cable managers can be added per application requirements. Don’t forget the work surface, which is sold separately.

Part Numbers

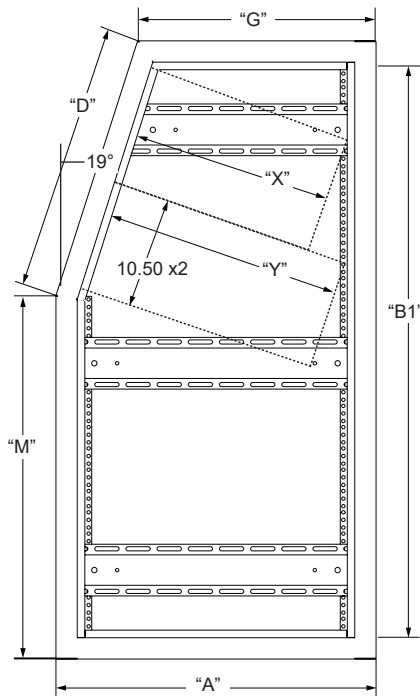
12U Slope Opening				Depth				Height				Slope Area						
19" EIA Rack Width		24" EIA Rack Width		"A" Overall Base	"G" Overall Slope	"G1" Top Panel Opening		"M" Overall Front	"M1" Usable Front	"B" Overall Rear	"B1" Usable Rear	"D" Overall Height	"D1" Usable Height	"X" Max Depth	"Y" Max Depth			
XFRS-262119-WT	22.562	XFRS-262124-WT	27.562	26.312	18.393	14.000	8U	29.875	24.500	14U	52.625	49.000	28U	24.089	21.000	12U	18.688	22.344
XFRS-312119-WT	22.562	XFRS-312124-WT	27.562	31.562	23.643	19.250	11U	29.875	24.500	14U	52.625	49.000	28U	24.089	21.000	12U	24.250	27.906

"H" Clearance is reduced 5.720" due to work surface mounting hardware.

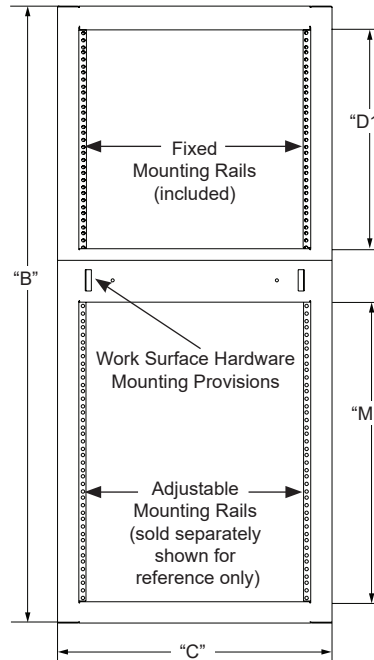
Top View



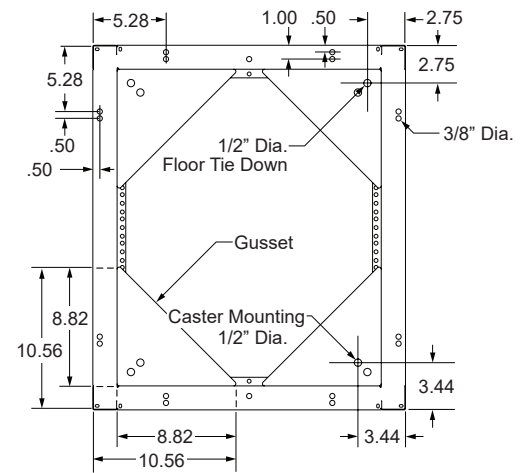
12U Slope Opening Side View



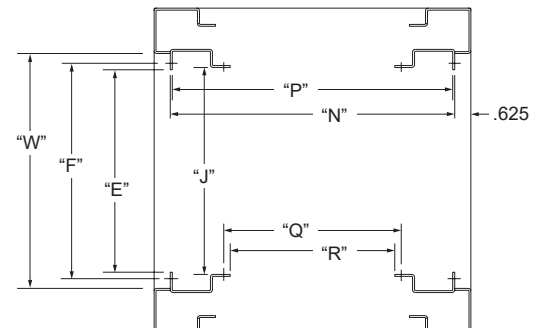
Front View



Bottom View



Section View



Section View Dimensions

	"W"	"F"	"E"	"J"	"P"	"N"	"Q"	"R"
26.312" Overall Depth					24.912	25.125	20.936	20.436
31.562" Overall Depth					30.162	30.375	26.186	25.686
19" EIA Width	19.062	18.310	17.810	17.984				
24" EIA Width	24.062	23.310	22.810	22.984				

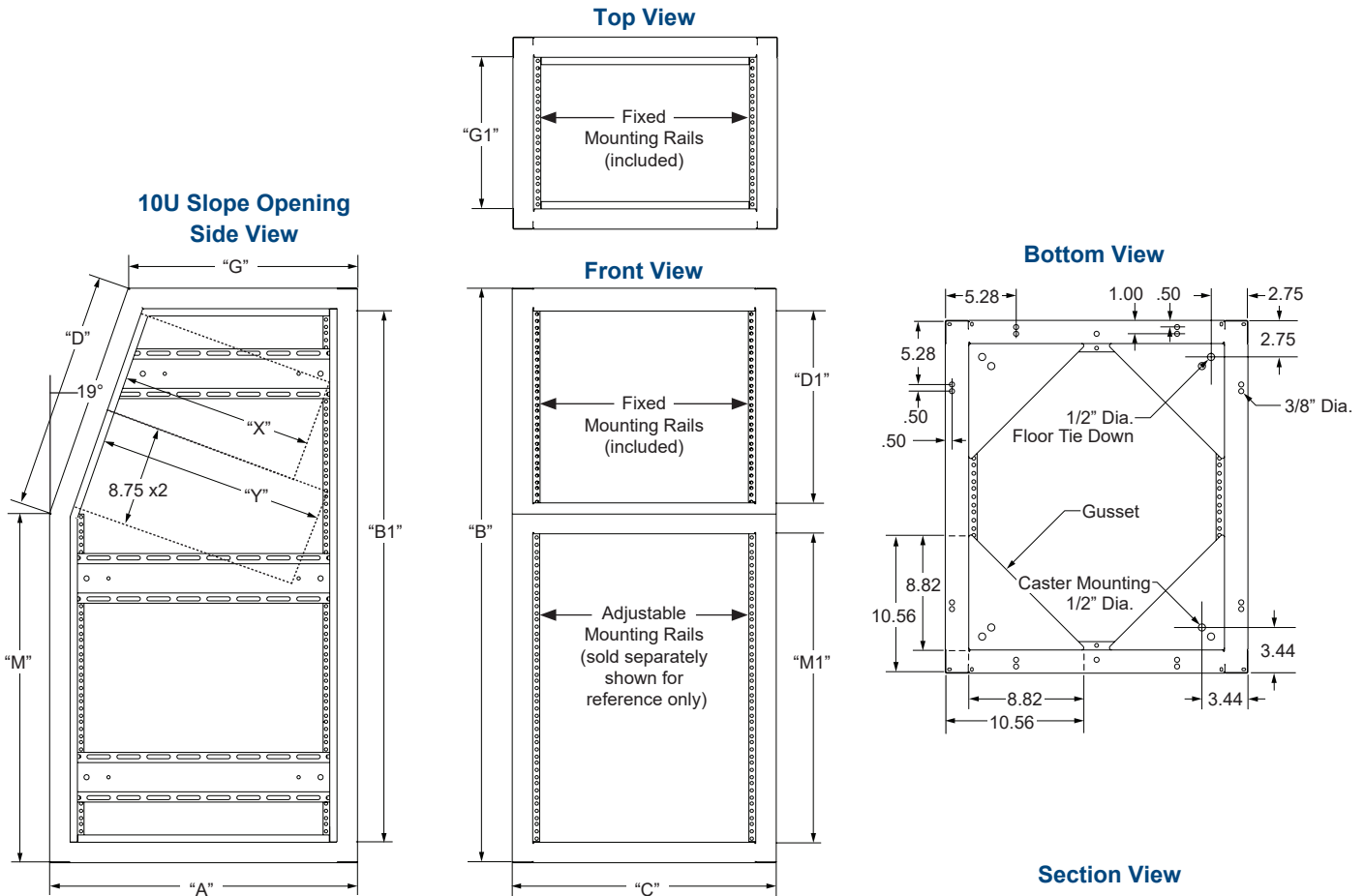
Slope Front Frames (10U Slope Opening)

Slope Front Frames with a 10U Slope Opening

Slope front frames allow for mounting of standard EIA electronic components, controls, or interface equipment. They can be used as a stand alone frame, joined together in a row (joining hardware included), or used in combination with wedge frames. Accessories such as shelves, drawers, power, and cable managers can be added per application requirements. The use of a work surface in conjunction with this frame is not recommended. There are purpose built frames with the proper provisions for mounting a work surface available.

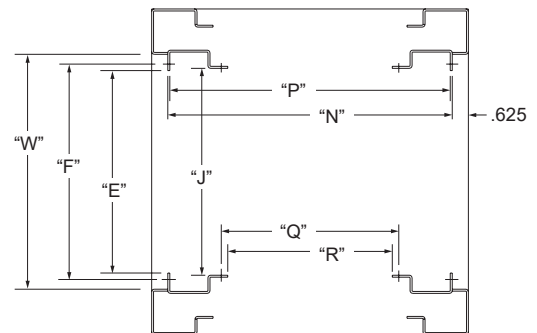
Part Numbers

10U Slope Opening				Depth				Height				Slope Area						
19" EIA Rack Width		24" EIA Rack Width		"A" Overall Base	"G" Overall Slope	"G1" Top Panel Opening		"M" Overall Front	"M1" Usable Front	"B" Overall Rear	"B1" Usable Rear	"D" Overall Height	"D1" Usable Height	"X" Max Depth	"Y" Max Depth			
XFRS-261719A	22.562	XFRS-261724A	27.562	26.312	19.597	15.750	9U	29.875	26.250	15U	49.125	45.500	26U	20.388	17.500	10U	19.969	23.016
XFRS-311719A	22.562	XFRS-311724A	27.562	31.562	24.847	21.000	12U	29.875	26.250	15U	49.125	45.500	26U	20.388	17.500	10U	25.531	28.578



Section View Dimensions

	"W"	"F"	"E"	"J"	"P"	"N"	"Q"	"R"
26.312" Overall Depth					24.912	25.125	20.936	20.436
31.562" Overall Depth					30.162	30.375	26.186	25.686
19" EIA Width	19.062	18.310	17.810	17.984				
24" EIA Width	24.062	23.310	22.810	22.984				



Slope Front Frames (10U Slope Opening) with Work Surface Mounting Provisions

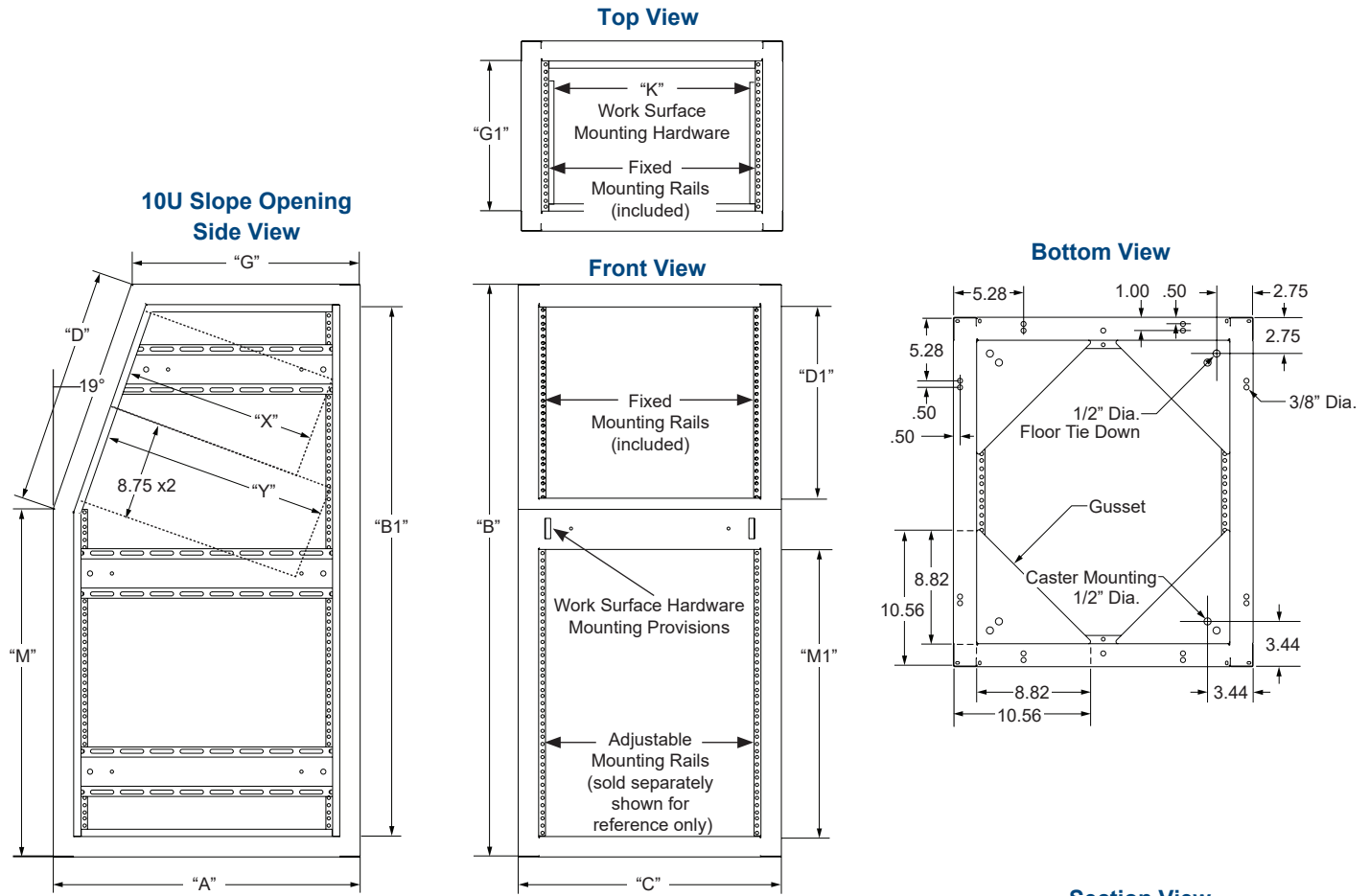
Slope Front Frames (10U Slope Opening) with Work Surface Mounting Provisions

These slope front frames allow for mounting of standard EIA electronic components, controls, or interface equipment and include work surface mounting hardware provisions. They can be used individually, joined together in a row (joining hardware included), or used in combination with wedge frames to create “desk height” work station configurations. Accessories such as shelves, drawers, power, and cable managers can be added per application requirements. Don't forget the work surface, which is sold separately.

Part Numbers

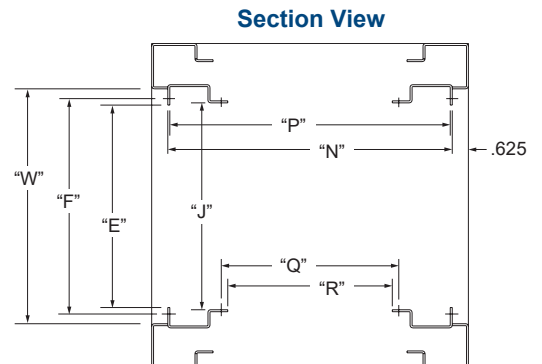
10U Slope Opening				Depth				Height				Slope Area						
19" EIA Rack Width		24" EIA Rack Width		"A" Overall Base	"G" Overall Slope	"G1" Top Panel Opening	"M" Overall Front	"M1" Usable Front	"B" Overall Rear	"B1" Usable Rear	"D" Overall Height	"D1" Usable Height	"X" Max Depth	"Y" Max Depth				
	"C" Overall Width		"C" Overall Width															
XFRS-261719-WT	22.562	XFRS-261724-WT	27.562	26.312	19.597	15.750	9U	29.875	24.500	14U	49.125	45.500	26U	20.388	17.500	10U	19.969	23.016
XFRS-311719-WT	22.562	XFRS-311724-WT	27.562	31.562	24.847	21.000	12U	29.875	24.500	14U	49.125	45.500	26U	20.388	17.500	10U	25.531	28.578

"K" Clearance is reduced 5.720" due to work surface mounting hardware.



Section View Dimensions

	"W"	"F"	"E"	"J"	"P"	"N"	"Q"	"R"
26.312" Overall Depth					24.912	25.125	20.936	20.436
31.562" Overall Depth					30.162	30.375	26.186	25.686
19" EIA Width	19.062	18.310	17.810	17.984				
24" EIA Width	24.062	23.310	22.810	22.984				



Mounting Rails

Mounting Rails

Choose from three styles of mounting rails. "Round/Round".281" diameter round holes on both flanges of the mounting rail, "Tapped/Round".159" diameter tapped holes (10-32 NF2) on the front flange, and .281" diameter round holes on the side flange of the mounting rail, or "Tapped/Tapped".159" diameter tapped holes (10-32 NF2) on both flanges of the mounting rail. The rails are processed to specification ASTM-B633 which calls for electro-deposited zinc plating with a clear chromate conversion coating.

Square Hole/Dell® Mounting Rails

These mounting rails allow Dell® rack mountable components to be installed in all 10 Series® frames. Hole to hole spacing is EIA standard. These rails do not have a side flange. Only front flange mount accessories can be mounted to this item.

Mounting Straps

Mounting straps are used when there is a mix of different depth accessories in a frame. Straps allow full depth items that require a rear attach point to pass by the strap and attach to the rail behind it. The straps are processed to specification ASTM-B633 which calls for electro-deposited zinc plating with a clear chromate conversion coating and include rack unit markings. Only accessories that are side mount style can be mounted to a strap.

Part Numbers

Round/Round	Tapped/Round	Tapped/Tapped	Square Hole/Dell®	Mounting Strap	Use in frames with this usable height
-------------	--------------	---------------	-------------------	----------------	---------------------------------------

For use with Frames with work surface provisions.

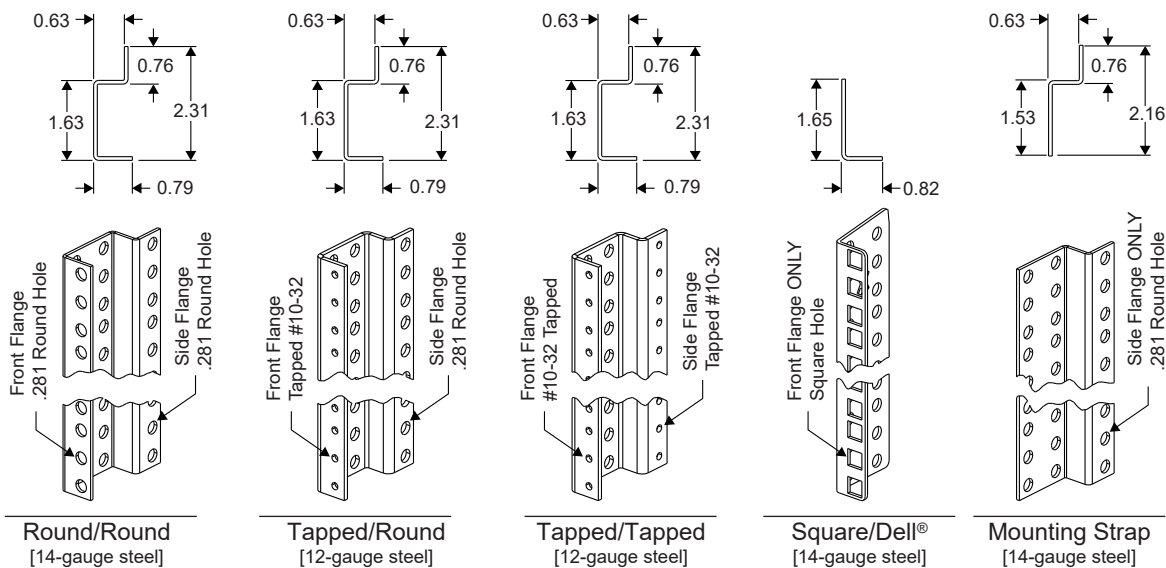
XMA-24	XMA-24-T	XMA-24-T2	DXMA-24	XMS-24	24.500 14U
XMA-31	XMA-31-T	XMA-31-T2	DXMA-31	XMS-31	31.500 18U

For use with Vertical frames.

XMA-26	XMA-26-T	XMA-26-T2	DXMA-26	XMS-26	26.250 15U
XMA-33	XMA-33-T	XMA-33-T2	DXMA-33	XMS-33	33.250 19U
XMA-35	XMA-35-T	XMA-35-T2	DXMA-35	XMS-35	35.000 20U
XMA-40	XMA-40-T	XMA-40-T2	DXMA-40	XMS-40	40.250 23U
XMA-49	XMA-49-T	XMA-49-T2	DXMA-49	XMS-49	49.000 28U
XMA-52	XMA-52-T	XMA-52-T2	DXMA-52	XMS-52	52.500 30U
XMA-61	XMA-61-T	XMA-61-T2	DXMA-61	XMS-61	61.250 35U
XMA-63	XMA-63-T	XMA-63-T2	DXMA-63	XMS-63	63.000 36U
XMA-70	XMA-70-T	XMA-70-T2	DXMA-70	XMS-70	70.000 40U
XMA-73	XMA-73-T	XMA-73-T2	DXMA-73	XMS-70	73.500 42U
XMA-78	XMA-78-T	XMA-78-T2	DXMA-78	XMS-78	78.750 45U
XMA-84	XMA-84-T	XMA-84-T2	DXMA-84	XMS-84	84.000 48U

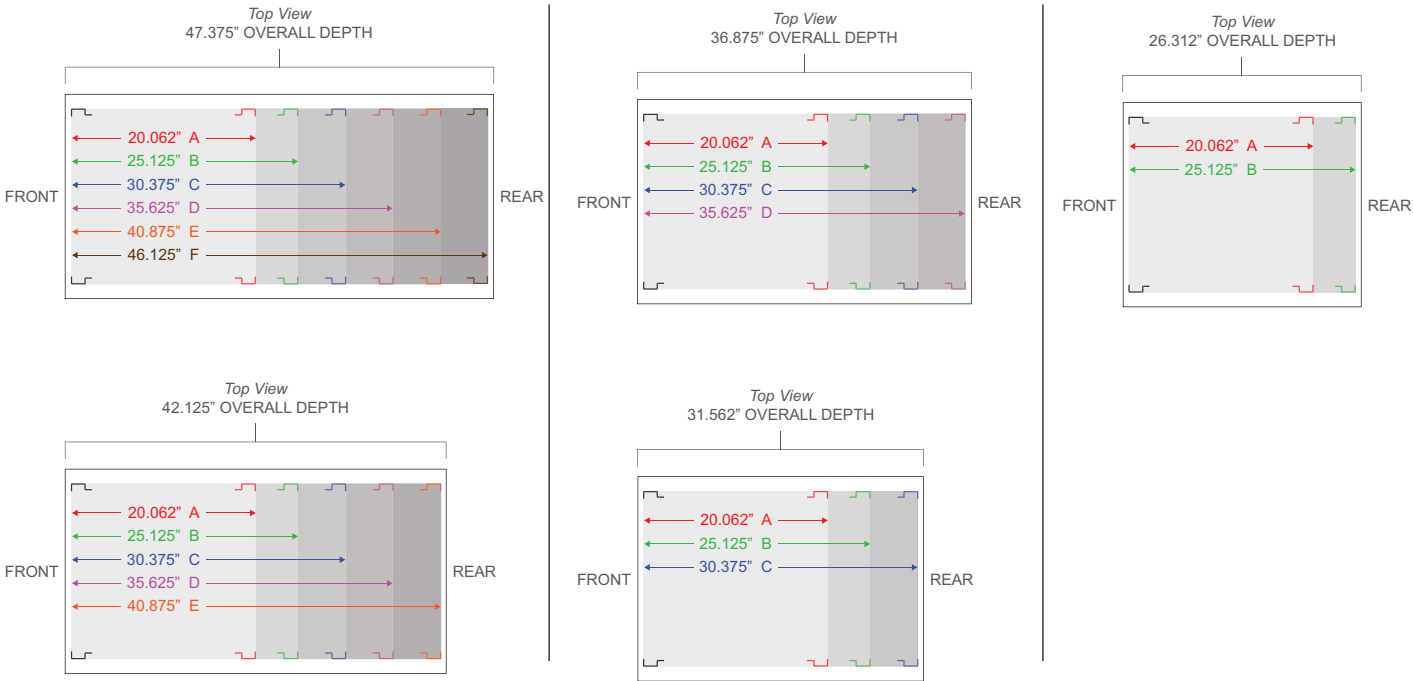
For Use with Slope Front frames.

XMA-24 (front)	XMA-24-T (front)	XMA-24-T2 (front)	DXMA-24 (front)	XMS-24 (front)	24.500 14U
XMA-26 (front)	XMA-26-T (front)	XMA-26-T2 (front)	DXMA-26 (front)	XMS-26 (front)	26.250 15U
XMA-45 (rear)	XMA-45-T (rear)	XMA-45-T2 (rear)	contact factory	XMS-45 (rear)	45.500 26U
XMA-49 (rear)	XMA-49-T (rear)	XMA-49-T2 (rear)	DXMA-49 (rear)	XMS-49 (rear)	49.000 28U



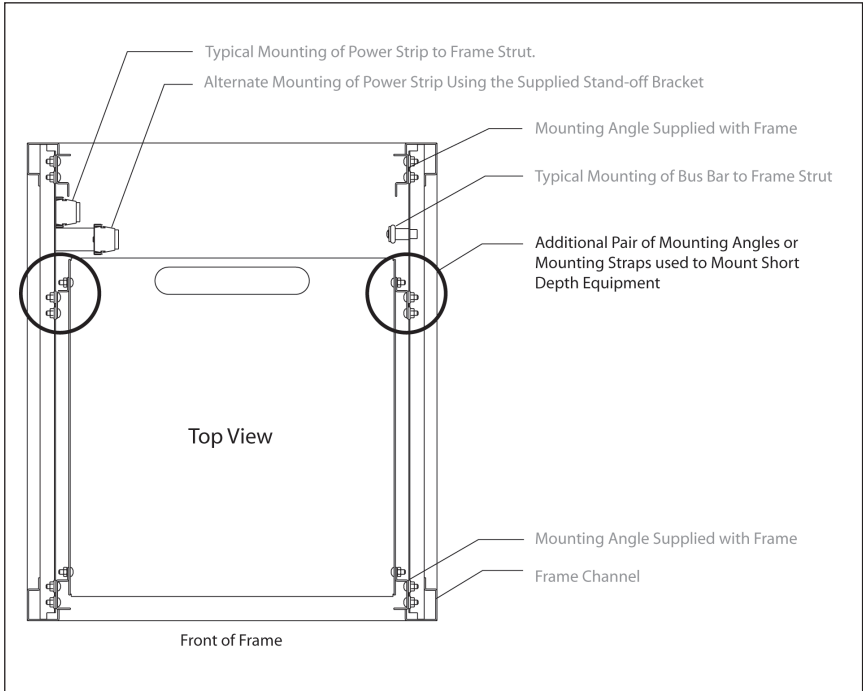
Rail to Rail Settings

The rear mounting rails inside of a frame can be positioned in multiple locations, or multiple sets of rails may be used. The following images indicate standard rail locations that will allow Emcor components to be properly positioned based on frame depth.



Short Depth Equipment

When full height items are mounted in the rear of a frame and internal components such as fixed equipment shelves, chassis guides, work surface drawers, pull out shelves, and work surface hardware is also required, these items must be ordered in a shorter depth so as not to interfere with the full height item. In most cases an extra pair of mounting rails or straps will need to be ordered to facilitate mounting of the shorter depth items. Refer to the example below.



Example

A customer requests a frame that has a 19" panel width, a depth of 31.562" and 40U of usable rack space. (XFR-317019) The customer requires a power strip and a bus bar, as well as a pull out shelf in the enclosure. What do you do?

Simply order a shorter depth shelf and an extra pair of mounting rails or straps.

In this case you would order:

- XCSQ-2619 - solid pull out shelf
- XMS-70 - extra pair mounting straps

Panel Width Reducers

Panel Width Adapter Kits and Optional Filler Panels

Panel width adapter kits provide a means of reducing the entire panel width from 24" to 19" adding approximately 2.5" of available space between the frame and rails on each side of the frame. Order one kit per pair of rails. If both the front and rear openings are to be reduced, then two of the appropriate kits must be ordered. The appropriate kit to be specified is determined by the number of struts on the frame.

Optional Filler Panels

Add optional filler panel to close off the 2.5" wide opening between the frame and mounting rails. Closing off the opening aids in airflow management. It also provides a finished appearance. Sold as pairs, the filler panels are a painted item.

Part Numbers

Panel Width Adapter Kit	Optional Cover Panel Sold as a pair	Use in frames with this usable height
-------------------------	--	---

For use with Frames with work surface provisions.

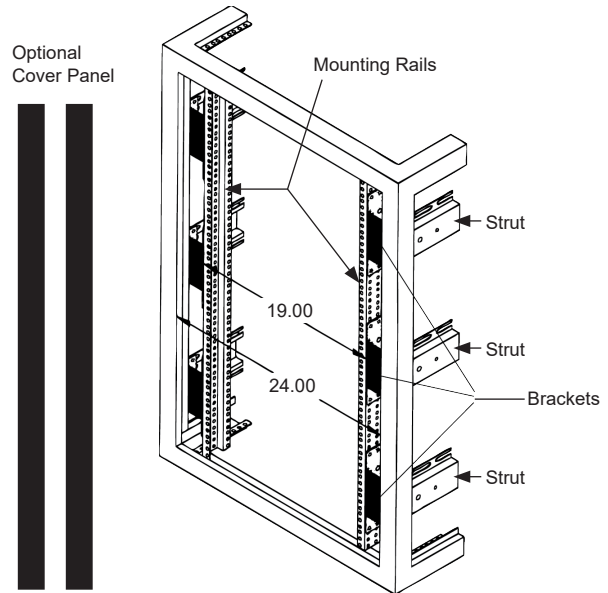
XPWAK-02	contact factory	24.500	14U
XPWAK-02	contact factory	31.500	18U

For use with Vertical frames.

XPWAK-02	XPWAK-262419-FP	26.250	15U
XPWAK-02	XPWAK-332419-FP	33.250	19U
XPWAK-03	XPWAK-352419-FP	35.000	20U
XPWAK-03	XPWAK-402419-FP	40.250	23U
XPWAK-03	XPWAK-492419-FP	49.000	28U
XPWAK-03	XPWAK-522419-FP	52.500	30U
XPWAK-03	XPWAK-612419-FP	61.250	35U
XPWAK-03	XPWAK-632419-FP	63.000	36U
XPWAK-03	XPWAK-702419-FP	70.000	40U
XPWAK-03	XPWAK-732419-FP	73.500	42U
XPWAK-03	XPWAK-782419-FP	78.750	45U
XPWAK-03	XPWAK-842419-FP	84.000	48U

For Use with Slope Front frames.

XPWAK-02 (front)	contact factory	24.500	14U
XPWAK-02 (front)	XPWAK-262419-FP (front)	26.250	15U
XPWAK-03 (rear)	contact factory	45.500	26U
XPWAK-03 (rear)	XPWAK-492419-FP (rear)	49.000	28U



	Number of Frame Struts per Side	Number of Brackets in Kit
XPWAK-02	2	4
XPWAK-03	3	6

Note

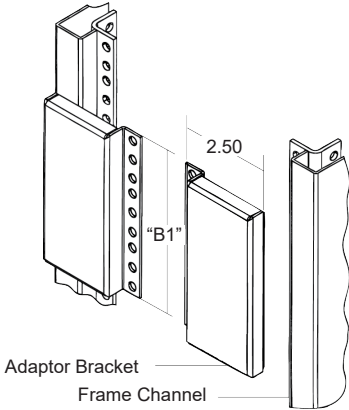
Kit does not include the mounting rails, they are shown for reference only. Optional cover panels sold as pairs.

Panel Width Adapter Brackets

Adapter Brackets provide a means of reducing portions of the panel width from 24" to 19" while maintaining a finished appearance. If the equipment that is being mounted to the brackets has adequate rear supports within the frame the recommended load rating is 300 pounds. The recommended load rating for equipment that is front mounted is 150 pounds.

Part Numbers

	"B1" # of Rack Units Used	
ABA-05	5.250	3U
ABA-07	7.000	4U
ABA-08	8.750	5U
ABA-10	10.500	6U
ABA-12	12.250	7U



Adapter Brackets
[14-gauge steel]

Riser Base (Pontoon Base)

Riser Base (Pontoon Base)

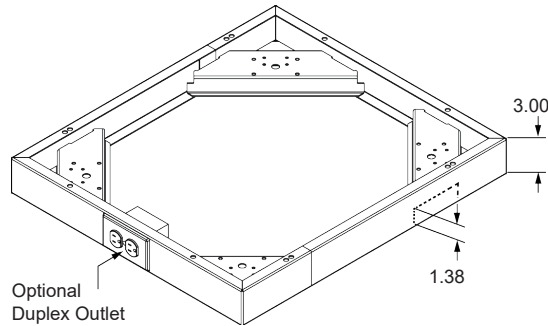
A Riser is a versatile base that can be used in many ways including: as a toe kick, as storage space for extra bundles of cables, to mount casters, or flipped over and used for floor tie down applications. It is recessed .50" at the front of the frame. Risers are mounted at the factory.

Part Numbers

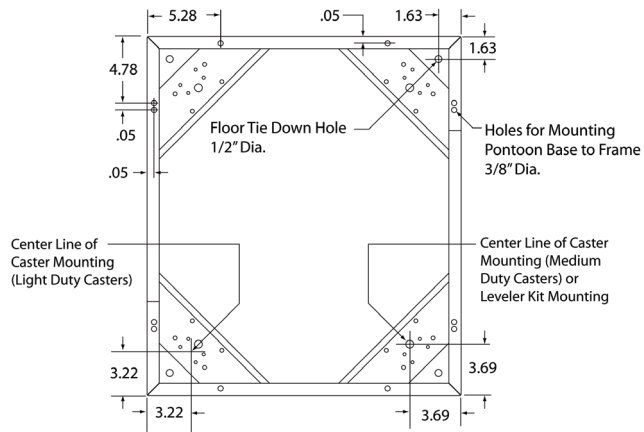
19" EIA Width		
No Outlet	With Outlet	Use w/ frames w/ this depth
XPB-2619	XPB-2619-DO	26.312
XPB-3119	XPB-3119-DO	31.562
XPB-3619	XPB-3619-DO	36.875
XPB-4219	XPB-4219-DO	42.125
XPB-4719	XPB-4719-DO	47.375

24" EIA Width		
No Outlet	With Outlet	Use w/ frames w/ this depth
XPB-2624	XPB-2624-DO	26.312
XPB-3124	XPB-3124-DO	31.562
XPB-3624	XPB-3624-DO	36.875
XPB-4224	XPB-4224-DO	42.125
XPB-4724	XPB-4724-DO	47.375

Note: If a duplex outlet is desired in the riser indicate if it is to be located in the front or rear. Example XPB-2624-DO (front)



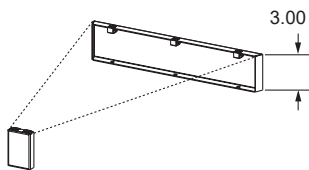
Riser (Pontoon Base)
[14-gauge steel]



Riser Bottom View Detail

Part Numbers

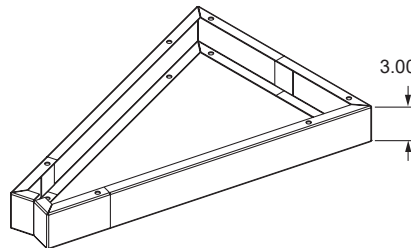
For use with Vertical Wedge Frames		
30° Wedge	45° Wedge	Use w/ frames w/ this depth
WBK-2630	WBK-2645	26.312
WBK-3130	WBK-3145	31.562
WBK-3630	WBK-3645	36.875



Plinth for Vertical Wedge Frames
[16-gauge steel]

Part Numbers






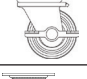
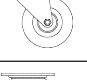
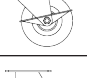
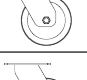

For use with Slope Front Wedge Frames		
30° Wedge	45° Wedge	Use w/ frames w/ this depth
XPB-2630-SFW	XPB-2645-SFW	26.312
XPB-3130-SFW	XPB-3145-SFW	31.562



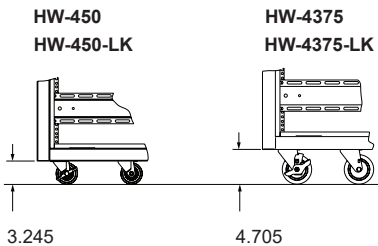
Plinth for Slope Front Wedge Frames
[14-gauge steel]

Casters

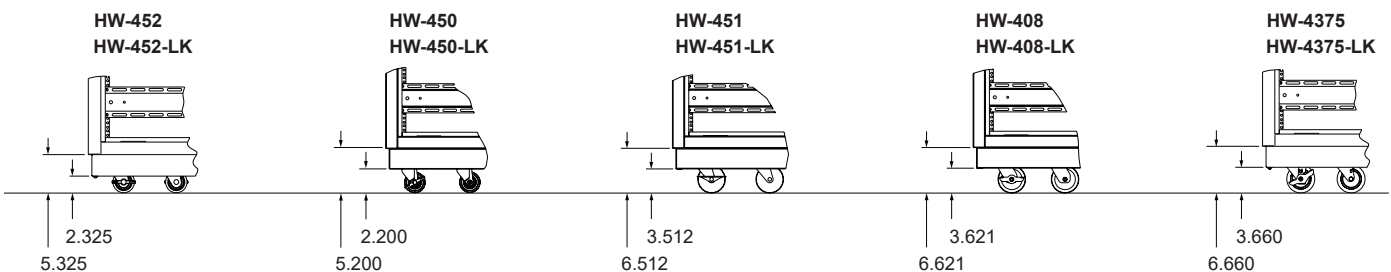
A variety of casters are available for use directly on the Frame or in conjunction with a Riser Base. Select from the options below.

Part Number	Image	Load Rating	Caster Style						Description	Sold As	Where Used
			Swivel Style	Rigid Style	Locking	Non-Locking	Single Wheel	Dual Wheel			
HW-450		350 lbs. per caster	x			x	x		3" Polypropylene	Each (1)	Directly on Frame Directly on Riser Base (pontoon base)
HW-450-LK		350 lbs. per caster	x		x		x		3" Polypropylene	Each (1)	Directly on Frame Directly on Riser Base (pontoon base)
HW-4375		375 lbs. per caster	x			x	x		4" Polyolefin	Each (1)	Directly on Frame Directly on Riser Base (pontoon base)
HW-4375-LK		375 lbs. per caster	x		x		x		4" Polyolefin	Each (1)	Directly on Frame Directly on Riser Base (pontoon base)
HW-452		500 lbs. per caster	x			x	x		3" Phenolic	Each (1)	Directly on Riser Base (pontoon base) Only
HW-452-LK		500 lbs. per caster	x		x		x		3" Phenolic	Each (1)	Directly on Riser Base (pontoon base) Only
HW-451		375 lbs. per caster	x			x	x		4" Hard Rubber	Each (1)	Directly on Riser Base (pontoon base) Only
HW-451-LK		375 lbs. per caster	x		x		x		4" Hard Rubber	Each (1)	Directly on Riser Base (pontoon base) Only
HW-408		200 lbs. per caster	x			x	x		4" Soft Rubber	Each (1)	Directly on Riser Base (pontoon base) Only
HW-408-LK		200 lbs. per caster	x		x		x		4" Soft Rubber	Each (1)	Directly on Riser Base (pontoon base) Only

Height added when mounted to the Frame.



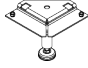
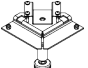
Height added when mounted to the Riser Base.





Caster/Leveler Combination Kits

Caster/Leveler Combination Kits

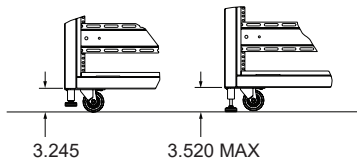
Caster/Leveler Combination kits can be used directly on the Frame or in conjunction with a Riser Base. The kits include the levelers. The casters are sold separately, choose from locking or non-locking casters.

Leveler Kits - Caster Combo		Description	Sold As	Where Used
Part Number XLK-01		Leveler Kit - Casters Optional Includes Leveling Legs: HW-405 Casters sold separately: HW-450 or HW-450-LK	Set (4)	Directly on Frame Only
Part Number UPLK-01		Leveler Kit - Casters Optional Includes Leveling Legs: HW-405 Casters Sold Separately: HW-450 or HW-450-LK	Set (4)	Directly on Riser Base (pontoon base) Only

Optional Casters		Load Rating	Caster Style						Description	Sold As	Where Used
Part Number HW-450		350 lbs. per caster	x			x	x		3" Polypropylene	Each (1)	In Conjunction with XLK-01 Leveler Kit In Conjunction with UPLK-01 Leveler Kit
Part Number HW-450-LK		350 lbs. per caster	x		x		x		3" Polypropylene	Each (1)	In Conjunction with XLK-01 Leveler Kit In Conjunction with UPLK-01 Leveler Kit
			Swivel Style	Rigid Style	Locking	Non-Locking	Single Wheel	Dual Wheel			

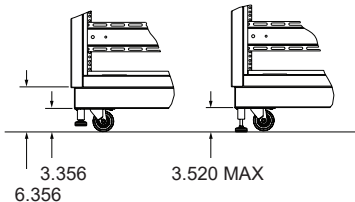
Height added when mounted to the Frame.

XLK-01 (shown w/ caster)



Height added when mounted to the Riser Base.

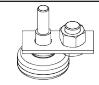
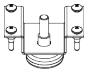
UPLK-01 (shown w/ caster)



Leveler Kit - Levelers Only

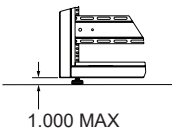
Leveling legs help stabilize an enclosure. Select the proper kit for where it is being used; on the Frame or Riser Base. The kits include the levelling leg and all mounting hardware.

Leveler Kits - Leveler Only

Part Number	Image	Load Rating	Description	Sold As	Where Used
XLK-02		375 lbs. per leveler	Leveler Kit - Levelers Only Includes Leveling Legs: HW-405	Set (4)	Directly on Frame Only
ALDX-XXX-180019		375 lbs. per leveler	Leveler Kit - Levelers Only Includes Leveling Legs: HW-405	Set (4)	Directly on Riser Base (pontoon base) Only

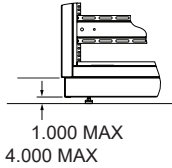
Height added when mounted to the Frame.

XLK-02



Height added when mounted to the Riser Base.

ALDX-XXX-180019



Anti-tip/Caster Dolly Base

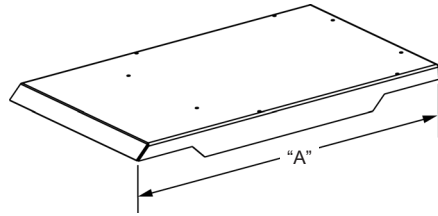
Anti-tip/Caster Dolly

This base is most commonly used for anti-tip requirements. The base mounts flush to sides of the frame which it is mounted to. It is designed to overhang the depth of the frame 12 inches. Casters are required and sold separately.

Part Numbers

19" EIA Width	"A" Overall Depth	Use w/ frames w/ this depth
XPB-2619-AT	36.832	26.312
XPB-3119-AT	42.082	31.562
XPB-3619-AT	47.395	36.875

24" EIA Width	"A" Overall Depth	Use w/ frames w/ this depth
XPB-2624-AT	36.832	26.312
XPB-3124-AT	42.082	31.562
XPB-3624-AT	47.395	36.875

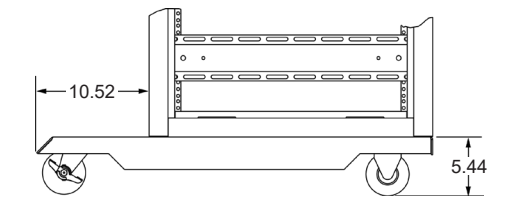


Anti-tip/Caster Dolly Base
[11-gauge steel]

Casters for Anti-tip / Caster Dolly

Choose from rigid or swivel casters. The casters (which must be ordered separately) are positioned by the outer edge of the base at each corner. The base is notched so the locking mechanism on the locking casters -if used- can be accessed keeping the enclosure firmly in place when activated.

Casters	Part Number	Image	Load Rating	Caster Style						Description	Sold As	Where Used
				Swivel Style	Rigid Style	Locking	Non-Locking	Single Wheel	Dual Wheel			
	HW-4989		300 lbs. per caster		x		x	x		4" Polypropylene	Pair (2)	Anti Tip / Caster Dolly Only
	HW-4999		300 lbs. per caster	x			x	x		4" Polypropylene	Pair (2)	Anti Tip / Caster Dolly Only
	HW-4999-LK		300 lbs. per caster	x		x		x		4" Polypropylene	Pair (2)	Anti Tip / Caster Dolly Only



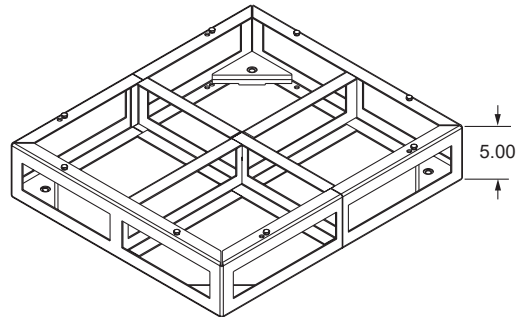
Frame with Base and Casters Installed.

Fork Lift Base

This functional base has been designed for those applications where movement of the frame unit by a fork-lift is necessary. The base provides for front, rear, and side access.

Part Numbers

19" EIA Width	
No Outlet	Use w/ frames w/ this depth
XPB-2619-FL	26.312
XPB-3119-FL	31.562
XPB-3619-FL	36.875
24" EIA Width	
No Outlet	Use w/ frames w/ this depth
XPB-2624-FL	26.312
XPB-3124-FL	31.562
XPB-3624-FL	36.875



Fork Lift Base
[11-gauge steel]

Wedge Frames for use with Vertical Style Frames

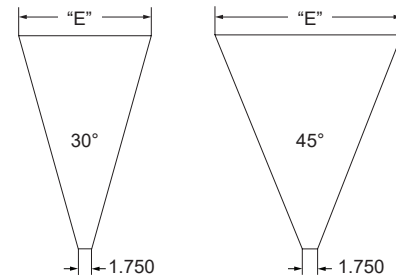
Vertical Wedge Frames

Vertical wedge frames, referred to as “flat pack wedge kits” due to the way they ship, can be used with vertical frames to create console or work station configurations. Vertical wedge frames come with the hardware necessary to bolt to the side of vertical frames. The height and depth of both the vertical frame and the wedge frame must be the same to be compatible.

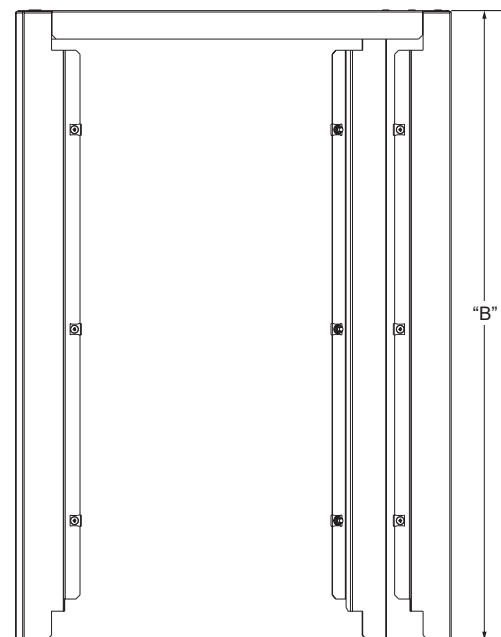
Part Numbers

30° Wedge		45° Wedge		"B" Overall Height	Use w/ frames w/ this usable height	Use w/ frames w/ this depth
	"E" Overall Width		"E" Overall Width			
WKV-262630	15.370	WKV-262645	21.888	29.875	26.250 15U	26.312
WKV-312630	18.088	WKV-312645	25.907	29.875	26.250 15U	31.562
WKV-362630	20.838	WKV-362645	29.973	29.875	26.250 15U	36.875
WKV-263330	15.370	WKV-263345	21.888	36.875	33.250 19U	26.312
WKV-313330	18.088	WKV-313345	25.907	36.875	33.250 19U	31.562
WKV-363330	20.838	WKV-363345	29.973	36.875	33.250 19U	36.875
WKV-263530	15.370	WKV-263545	21.888	38.625	35.000 20U	26.312
WKV-313530	18.088	WKV-313545	25.907	38.625	35.000 20U	31.562
WKV-363530	20.838	WKV-363545	29.973	38.625	35.000 20U	36.875
WKV-264030	15.370	WKV-264045	21.888	43.875	40.250 23U	26.312
WKV-314030	18.088	WKV-314045	25.907	43.875	40.250 23U	31.562
WKV-364030	20.838	WKV-364045	29.973	43.875	40.250 23U	36.875
WKV-264930	15.370	WKV-264945	21.888	52.625	49.000 28U	26.312
WKV-314930	18.088	WKV-314945	25.907	52.625	49.000 28U	31.562
WKV-364930	20.838	WKV-364945	29.973	52.625	49.000 28U	36.875
WKV-265230	15.370	WKV-265245	21.888	56.125	52.500 30U	26.312
WKV-315230	18.088	WKV-315245	25.907	56.125	52.500 30U	31.562
WKV-365230	20.838	WKV-365245	29.973	56.125	52.500 30U	36.875
WKV-266130	15.370	WKV-266145	21.888	64.875	61.250 35U	26.312
WKV-316130	18.088	WKV-316145	25.907	64.875	61.250 35U	31.562
WKV-366130	20.838	WKV-366145	29.973	64.875	61.250 35U	36.875
WKV-266330	15.370	WKV-266345	21.888	66.625	63.000 36U	26.312
WKV-316330	18.088	WKV-316345	25.907	66.625	63.000 36U	31.562
WKV-366330	20.838	WKV-366345	29.973	66.625	63.000 36U	36.875
WKV-267030	15.370	WKV-267045	21.888	73.625	70.000 40U	26.312
WKV-317030	18.088	WKV-317045	25.907	73.625	70.000 40U	31.562
WKV-367030	20.838	WKV-367045	29.973	73.625	70.000 40U	36.875
WKV-267330	15.370	WKV-267345	21.888	77.125	73.500 42U	26.312
WKV-317330	18.088	WKV-317345	25.907	77.125	73.500 42U	31.562
WKV-367330	20.838	WKV-367345	29.973	77.125	73.500 42U	36.875
WKV-267830	15.370	WKV-267845	21.888	82.375	78.750 45U	26.312
WKV-317830	18.088	WKV-317845	25.907	82.375	78.750 45U	31.562
WKV-367830	20.838	WKV-367845	29.973	82.375	78.750 45U	36.875

Top View



Side View



Note: Standard side panels will not mount to wedge frames.

Wedge Frames for use with Slope Front Style Frames

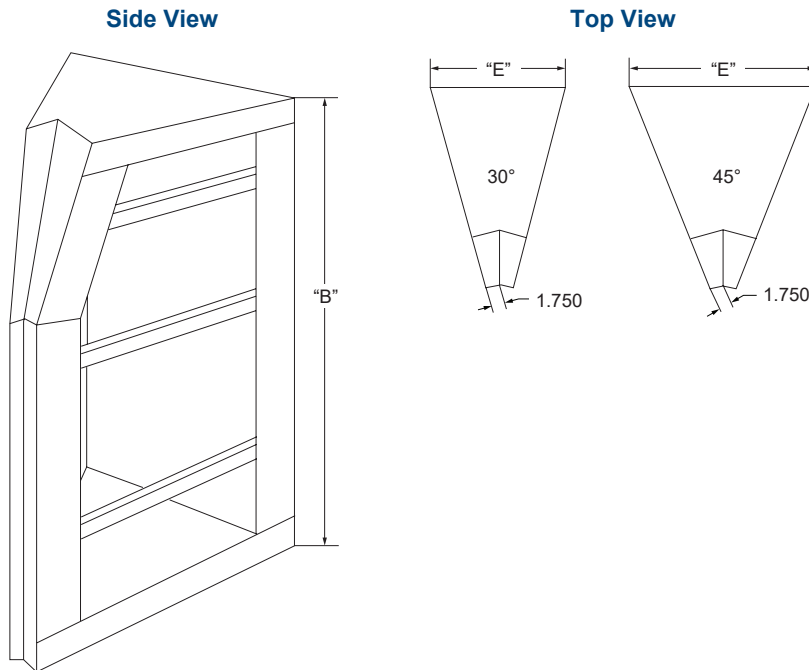
Slope Front Wedge Frames

Slope front wedge frames can be used with slope front frames to create console or work station configurations. Slope front wedge frames come with the hardware necessary to bolt to the side of slope front frames. The height and depth of both the slope front frame and the wedge frame must be the same to be compatible. Slope front wedge frames are fully welded with solid non-removable front, top, and rear panels.

Part Numbers

30° Wedge		45° Wedge		"B" Overall Height	Use w/ frames w/ this usable height	Use w/ frames w/ this depth	
	"E" Overall Width		"E" Overall Width				
XWFR-261730A	17.001	XWFR-261745A	23.372	49.125	45.500	26U	26.312
XWFR-311730A	19.719	XWFR-311745A	27.390	49.125	45.500	26U	31.562
XWFR-262130A	17.001	XWFR-262145A	23.372	52.625	49.000	28U	26.312
XWFR-312130A	19.719	XWFR-312145A	27.390	52.625	49.000	28U	31.562

Note: Standard side panels will not mount to wedge frames.



45° Turret Frames

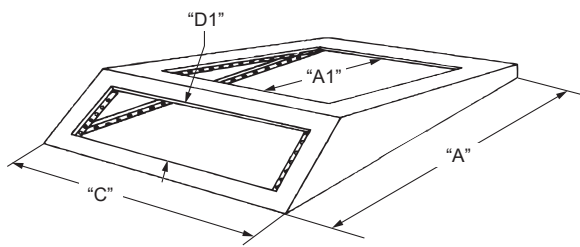
Turret – 45°

Turret frames assist in providing proper viewing angles of electronic equipment and instrumentation. Turret frames are supplied with welded in-place mounting rails. Only front flange mounting accessories can be mounted inside of Turret frames.

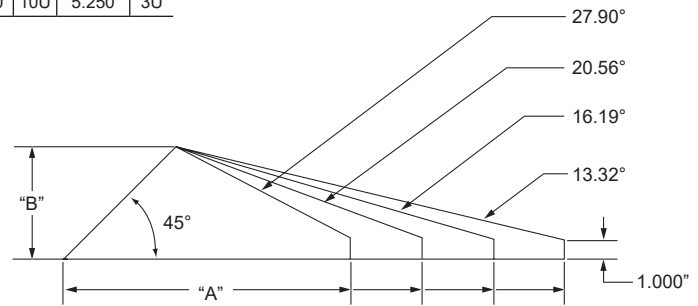
30° & 45° wedge shaped turrets are available by contacting the factory. Includes a kit with joining hardware and rubber bumpers to avoid abrasion when joining.

45° Turret Part Numbers

19" EIA Rack Width		24" EIA Rack Width		"A" Overall Depth	"B" Overall Height	"A1" Panel Opening	"D1" Panel Opening		
	"C" Overall Width		"C" Overall Width						
XFRT-0719-45	22.562	XFRT-0724-45	27.562	13.969	5.500	7.000	4U	5.250	3U
XFRT-1019-45	22.562	XFRT-1024-45	27.562	17.469	5.500	10.500	6U	5.250	3U
XFRT-1419-45	22.562	XFRT-1424-45	27.562	20.969	5.500	14.000	8U	5.250	3U
XFRT-1719-45	22.562	XFRT-1724-45	27.562	24.469	5.500	17.500	10U	5.250	3U

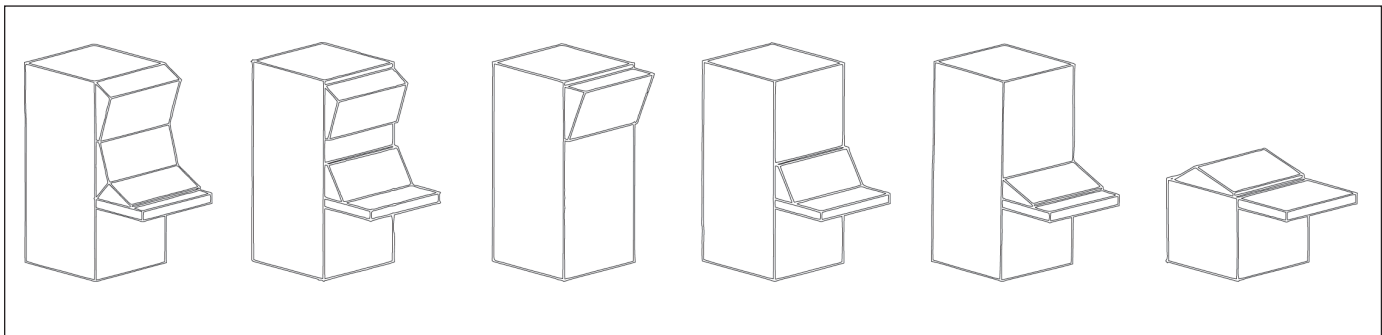


Isometric View



Side View

Example of how a turret frame can be used.



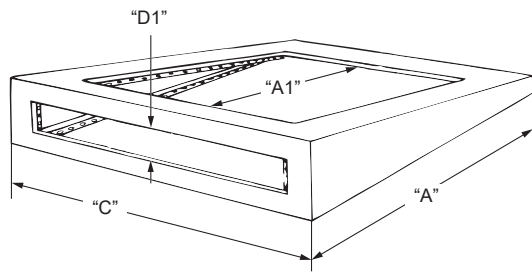
Turret – 90°

Turret frames assist in providing proper viewing angles of electronic equipment and instrumentation. Turret frames are supplied with welded in-place mounting rails. Only front flange mounting accessories can be mounted inside of Turret frames.

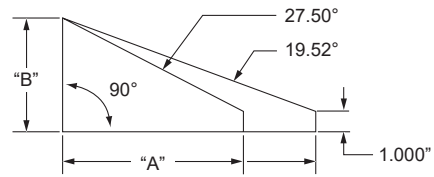
30° & 45° wedge shaped turrets are available by contacting the factory. Includes a kit with joining hardware and rubber bumpers to avoid abrasion when joining.

90° Turret Part Numbers

19" EIA Rack Width		24" EIA Rack Width		"A" Overall Depth	"B" Overall Height	"A1" Panel Opening		"D1" Panel Opening	
	"C" Overall Width		"C" Overall Width						
XFRT-0719-90	22.562	XFRT-0724-90	27.562	8.750	5.470	7.000	4U	3.500	2U
XFRT-1019-90	22.562	XFRT-1024-90	27.562	12.250	5.344	10.500	6U	3.500	2U

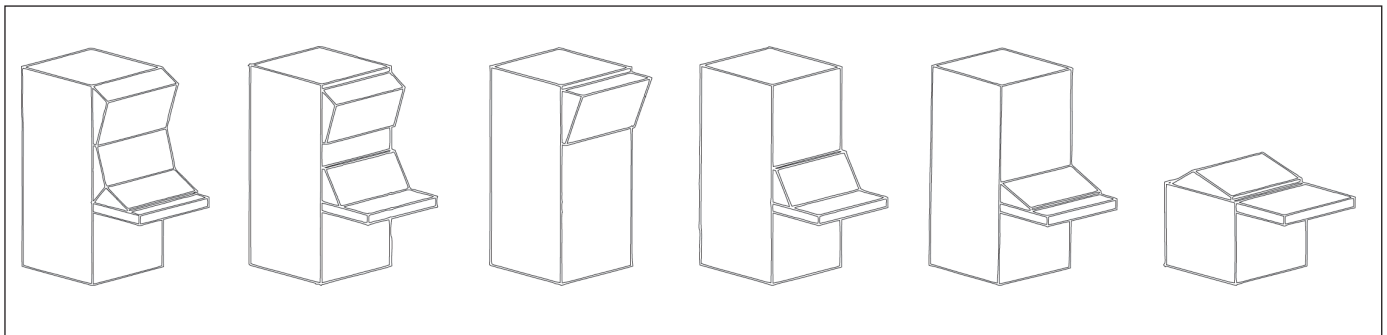


Isometric View



Side View

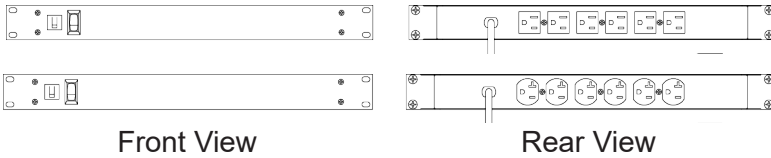
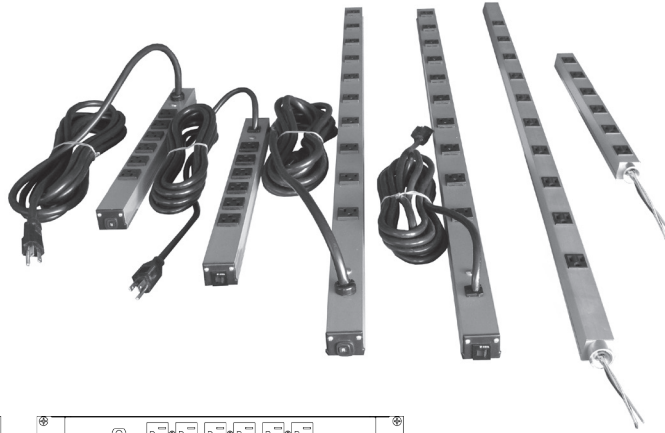
Example of how a turret frame can be used.



Power





Power

Available in a range of power capacities and configurations, basic PDUs provide reliable power distribution. They are the best value for simple power distribution in server cabinets and racks.





Front View

Rear View

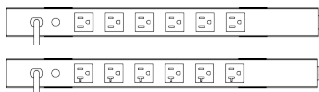
Part Numbers	Receptacles Type / QTY	Breaker Amperage / QTY	Plug / Inlet Type	Monitoring	Dimensions W x H x D (")
PDU-615R-PC Amps: 15 (Single Phase) Volts: 120 kW: 1.4	5-15R / 6 (on rear) 	15 / 1	5-15P Straight-Blade 15' Cord 	N/A	1U 19" Horizontal 19.00 x 1.75 x 2.57
		On-Off Switch			
		Yes			
PDU-620R-PC Amps: 20 (Single Phase) Volts: 120 kW: 1.4	5-20R / 6 (on rear) 	20 / 1	5-20P Straight Blade 15' Cord 	N/A	1U 19" Horizontal 19.00 x 1.75 x 2.57
		On-Off Switch			
		Yes			





Includes mounting hardware.



Part Numbers	Receptacles Type / QTY	Breaker Amperage / QTY	Plug / Inlet Type	Monitoring	Dimensions W x H x D (")
WM-180615-DW Amps: 15 (Single Phase) Volts: 120 kW: 1.4	5-15R / 6 	N/A	6" Direct Wire Leads Threaded for 3/4" conduit fitting.	N/A	0U 18" Vertical 1.43 x 18.00 x 1.13
		On-Off Switch			
		No			
WM-481015-DW Amps: 15 (Single Phase) Volts: 120 kW: 1.4	5-15R / 10 	N/A	6" Direct Wire Leads Threaded for 3/4" conduit fitting.	N/A	0U 48" Vertical 1.43 x 48.00 x 1.13
		On-Off Switch			
		No			





Includes Spring Clips and mounting hardware.



Part Numbers	Receptacles Type / QTY	Breaker Amperage / QTY	Plug / Inlet Type	Monitoring	Dimensions W x H x D (")
WM-180615-PC Amps: 15 (Single Phase) Volts: 120 kW: 1.4	5-15R / 6 	15 / 1	5-15P Straight-Blade 15' Cord 	N/A	0U 18" Vertical 1.62 x 18.00 x 1.21
		On-Off Switch			
		No			
WM-180620-PC Amps: 20 (Single Phase) Volts: 120 kW: 1.4	5-20R / 6 	20 / 1	5-20P Straight Blade 15' Cord 	N/A	0U 18" Vertical 1.62 x 18.00 x 1.21
		On-Off Switch			
		No			

Includes Spring Clips and mounting hardware.

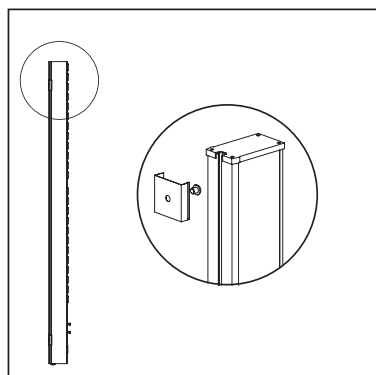


Part Numbers	Receptacles Type / QTY	Breaker Amperage / QTY	Plug / Inlet Type	Monitoring	Dimensions W x H x D (")
WM-481015-PC Amps: 15 (Single Phase) Volts: 120 kW: 1.4	5-15R / 10 	15 / 1	5-15P Straight-Blade 15' Cord 	N/A	0U 48" Vertical 1.62 x 48.00 x 1.21
		On-Off Switch			
		No			
WM-481020-PC Amps: 20 (Single Phase) Volts: 120 kW: 1.4	5-20R / 10 	20 / 1	5-20P Straight Blade 15' Cord 	N/A	0U 48" Vertical 1.62 x 48.00 x 1.21
		On-Off Switch			
		No			

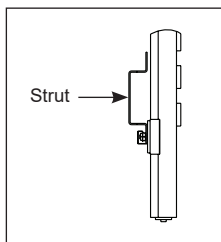
Includes Spring Clips and mounting hardware.

Mounting

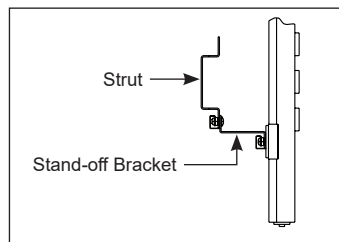
Spring clips are included with each 18" and 48" vertical unit. Attach the spring clips to the strut, making sure the top clip is no more than one inch from the top of the unit. Once the spring clips are secure, snap the PDU into position. Stand off brackets are included.



Spring Clip Detail



Standard Mounting Detail



Mounting Detail Using Stand-off Bracket

Grounding

Bus Bars

Insulated copper bus bars attach to the top flange of the upper and lower frame struts. The bus bar is supplied with #10-32 tapped holes on 3.5" centers. **Only full height bus bars will mount to frames. Short height bus bars will not align with frame mounting struts.**

Part Numbers

	Use in frames with this usable height	
--	---------------------------------------	--

For use with Frames with work surface provisions.

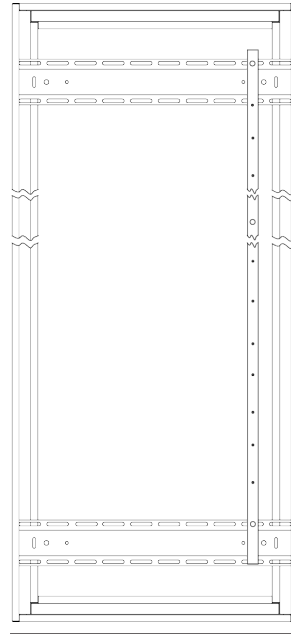
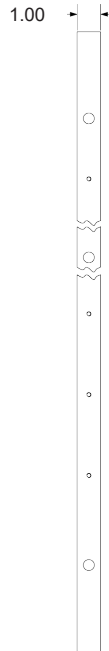
XBB-24	24.500	14U
XBB-31	31.500	18U

For use with Vertical frames.

XBB-26	26.250	15U
XBB-33	33.250	19U
XBB-35	35.000	20U
XBB-40	40.250	23U
XBB-49	49.000	28U
XBB-52	52.500	30U
XBB-61	61.250	35U
XBB-63	63.000	36U
XBB-70	70.000	40U
XBB-73	73.500	42U
XBB-78	78.750	45U
XBB-84	84.000	48U

For use with Slope Front frames.

XBB-24 (front)	24.500	14U
XBB-26 (front)	26.250	15U
XBB-45 (rear)	45.500	26U
XBB-49 (rear)	49.000	28U



Mounting Detail

Note

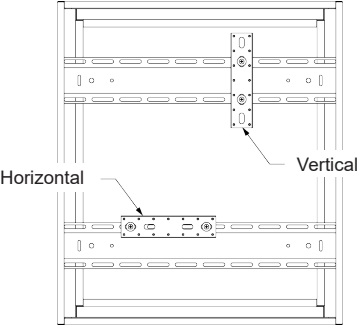
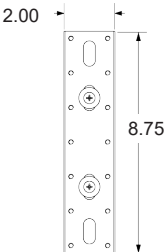
When equipment support items such as shelving or drawers are being mounted in the same frame as a bus bar, the items must be ordered short depth.

Ground Bus Plate

Ground bus plates provide equipment grounding capabilities that are unique when compared to the full length bus bars. The copper ground bus plate provides fourteen (14) #10-32 tapped grounding points and mounts directly to the frame strut in a vertical or horizontal position. The designed-in mounting flexibility allows for attachment of the ground bus plate in locations that are much less likely to interfere with full depth internal frame equipment and accessories such as mounting brackets, equipment shelves, chassis guides and others.

Part Number

XGBP-0208



Mounting Detail

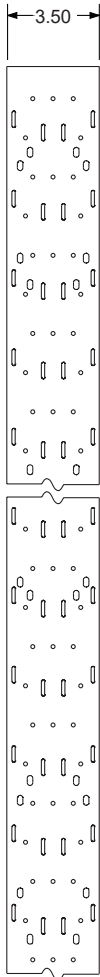
Vertical Cable Managers

3.5" Wide Vertical Lacing Panel

Material: Aluminum

Accepts accessory style B or C.

Slots allow Velcro or other cable straps to neatly organize cable bundles.



Part Numbers

Use in frames with this usable height

For use with Frames with work surface provisions.

WMP-24	24.500	14U
WMP-31	31.500	18U

For use with Vertical frames.

WMP-26	26.250	15U
WMP-33	33.250	19U
WMP-35	35.000	20U
WMP-40	40.250	23U
WMP-49	49.000	28U
WMP-52	52.500	30U
WMP-61	61.250	35U
WMP-63	63.000	36U
WMP-70	70.000	40U
WMP-73	73.500	42U
WMP-78	78.750	45U
WMP-84	84.000	48U

For use with Slope Front frames.

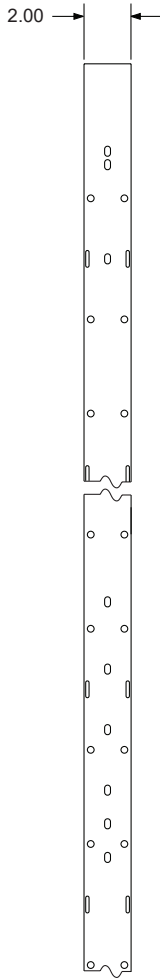
WMP-24	24.500	14U
WMP-26	26.500	15U
WMP-45	45.500	26U
WMP-49	49.000	28U

2" Wide Vertical Lacing Panel

Material: Steel

Accepts accessory style A or C.

Slots allow Velcro or other cable straps to neatly organize cable bundles.



Part Numbers

Use in frames with this usable height

For use with Vertical frames.

CMV-52-LP1	52.500	30U
CMV-61-LP1	61.250	35U
CMV-63-LP1	63.000	36U
CMV-70-LP1	70.000	40U
CMV-73-LP1	73.500	42U
CMV-78-LP1	78.750	45U

Vertical Cable Organizer with Finger Duct

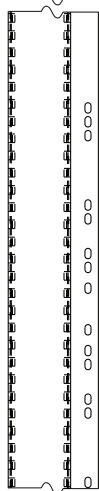
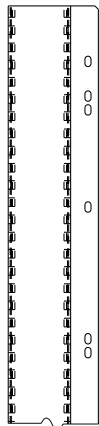
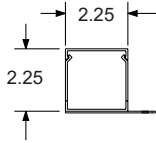
Finger duct size: 2.25 x 2.25

Accepts accessory style C.

Smooth edges protect wires/cables from abrasion.

V shaped slot lead in speeds installation.

Includes snap-on cover.



Part Numbers

Use in frames with this usable height

For use with Vertical frames.

CMV-52-FD1	52.500	30U
CMV-61-FD1	61.250	35U
CMV-63-FD1	63.000	36U
CMV-70-FD1	70.000	40U
CMV-73-FD1	73.500	42U
CMV-78-FD1	78.750	45U

Vertical Cable Organizer with Dual Finger Duct

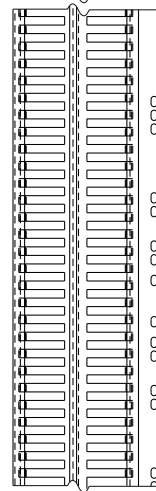
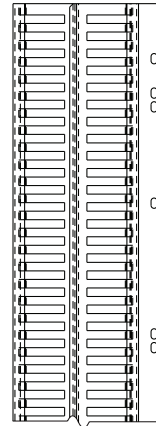
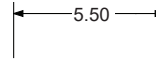
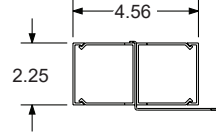
Finger duct size: 2.25 x 2.25

Accepts accessory style C.

Smooth edges protect wires/cables from abrasion.

V shaped slot lead in speeds installation.

Includes snap-on covers.



Part Numbers

Use in frames with this usable height

For use with Vertical frames.

CMV-52-FD2	52.500	30U
CMV-61-FD2	61.250	35U
CMV-63-FD2	63.000	36U
CMV-70-FD2	70.000	40U
CMV-73-FD2	73.500	42U
CMV-78-FD2	78.750	45U

Cable Manager Accessories

Cable Management Accessories

The following accessories are for use in conjunction with the overhead, vertical and horizontal cable management products.

Style A: Snaps into .250 diameter hole

Nylon Cable Saddle

Part Number

CMA-002-A

QTY: 25



Nylon Arrowhead Cable Tie

Part Number

CMA-003-A

QTY: 100



Nylon Arrowhead Cable Tie Mount

Part Number

CMA-004-A

QTY: 100



Bevel Entry Clip

Part Number

CMA-007-A

QTY: 25



Style B: Screws in with self tapping screws

Cable Ring

Part Number

DCR-2375

QTY: 1

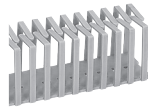


Finger Duct

Part Number

DFD-22

QTY: 1



Velcro Cable Ties w/ Bracket

Part Number

DVS-11

QTY: 10



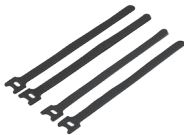
Style C: Universal

Velcro Cable Ties

Part Number

CMA-001-C

QTY: 20



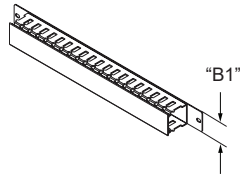
Cable Organizer with Finger Duct

A simple and convenient method of organizing and routing cabling. Includes hinged cover panel. Accepts accessory style C.

Part Numbers

19" EIA Width	"B1" # of Rack Units Used	
CMH-1U-19-FD1	1.750	1U
CMH-2U-19-FD1	3.500	2U

24" EIA Width	"B" # of Rack Units Used	
CMH-1U-24-FD1	1.750	1U
CMH-2U-24-FD1	3.500	2U

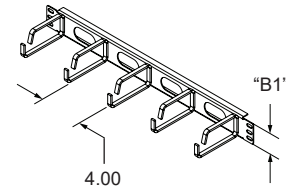


Cable Organizer with 5 D Rings

A simple and convenient method of organizing cabling. Accepts accessory style C.

Part Number

19" EIA Width	"B1" # of Rack Units Used	
CMH-1U-19	1.750	1U



Lacing Bar

Support cables as they exit the back of equipment preventing stress to expensive ports. Accepts accessory style C.

Part Number

19" EIA Width	"B" # of Rack Units Used	
CMH-1U-19-LB1	1.750	1U



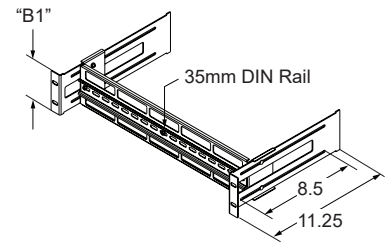
DIN Rail

Rail is 35mm DIN type 3. 8.5" of front-to-rear adjustment. Accepts accessory style C.

Part Numbers

19" EIA Width	"B1" # of Rack Units Used	
CMH-2U-19-DIN	3.500	2U

24" EIA Width	"B1" # of Rack Units Used	
CMH-2U-24-DIN	3.500	2U



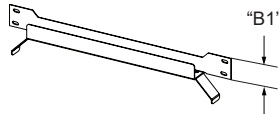
Cable Trough

A simple and convenient method of routing cabling. Accepts accessory style A or C.

Part Numbers

19" EIA Width	"B1" # of Rack Units Used	
CMH-1U-19-T	1.750	1U

24" EIA Width	"B1" # of Rack Units Used	
CMH-1U-24-T	1.750	1U

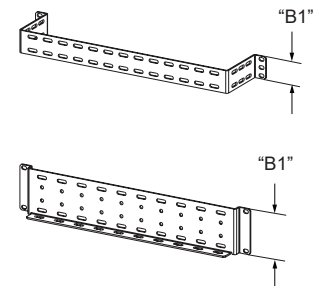


Lacing Panels

A simple and convenient method of organizing cabling. Accepts accessory style A or C.

Part Numbers

19" EIA Width	"B1" # of Rack Units Used	
CMH-1U-19-LP1	1.750	1U
CMH-2U-19-LP2	3.500	2U



Lighting

Racklights

Racklights provide illumination for an entire rack of electronic equipment and enable the user to adjust illumination for patching or general rack service. Available in both 5-Watt halogen or low intensity LED, the racklights only occupy 1U of rack space. All racklights include 12-Volt power supply and mounting hardware.



Part Number

ELIGHT RL-10-S

1U rack mount panel with one 12" high intensity (5-Watt halogen) gooseneck permanently attached. The gooseneck is recessed into the panel for transport and is controlled by a dimmer switch. Includes 12-Volt power supply with 6ft. cord and 5-Watt halogen bulb.

Part Number

ELIGHT RL-10-S-LED

1U rack mount panel with one 12" low intensity LED gooseneck permanently attached. The gooseneck is recessed into the panel for transport. A three-way rotary switch enables the user to toggle between white light and red light output. Includes 12-Volt power supply with 6ft. cord.



Part Number

ELIGHT RL-10-D

1U rack mount panel with two 12" high intensity (5-Watt halogen) gooseneck permanently attached. The goosenecks are recessed into the panel for transport and are controlled by dimmer switches. Includes 12-Volt power supply with 6ft. cord and 5-Watt halogen bulb.

Part Number

ELIGHT RL-10-D-LED

1U rack mount panel with two 12" low intensity LED gooseneck permanently attached. The goosenecks are recessed into the panel for transport. A three-way rotary switch enables the user to toggle between white light and red light output. Includes 12-Volt power supply with 6ft. cord.

Product Selector

	Part #	Bulb Type	Bulb Life / *MTBF	Gooseneck
Lampset	ELIGHT L-3/12	Dimmable 5-Watt Halogen	2,000 Hours	12" Permanent
	ELIGHT L-3/18	Dimmable 5-Watt Halogen	2,000 Hours	18" Permanent
	ELIGHT L-12-LED	Switchable Red/White LED	10,000 Hours	12" Permanent
	ELIGHT L-18-LED	Switchable Red/White LED	10,000 Hours	18" Permanent
Racklight	ELIGHT RL-10-S	Dimmable 5-Watt Halogen	2,000 Hours	12" Permanent
	ELIGHT RL-10-D	Dimmable 5-Watt Halogen	2,000 Hours	12" Permanent
	ELIGHT RL-10-S-LED	Switchable Red/White LED	10,000 Hours	12" Permanent
	ELIGHT RL-10-D-LED	Switchable Red/White LED	10,000 Hours	12" Permanent
	ELIGHT 12X-HI	Dimmable 5-Watt Halogen	2,000 Hours	12" Removable
	ELIGHT 18X-HI	Dimmable 5-Watt Halogen	2,000 Hours	18" Removable
	ELIGHT 12X-LED	Switchable Red/White LED	10,000 Hours	12" Removable
	ELIGHT 18X-LED	Switchable Red/White LED	10,000 Hours	18" Removable

*Mean Time Before Failure

Build Your Own Racklight



Part Number

ELIGHT RLX

1U rack mount panel with two 3-pin XLR connectors for use with 3-pin goosenecks. Includes 12-Volt power supply with 6ft. cord. Gooseneck(s) sold separately.



Part Number

ELIGHT 12X-HI

12" high intensity (5-Watt halogen) gooseneck for use with any standard 3-pin XLR connector.

Part Number

ELIGHT 18X-HI

18" high intensity (5-Watt halogen) gooseneck for use with any standard 3-pin XLR connector.

Part Number

ELIGHT 12X-LED

12" low intensity LED gooseneck with 3-pin XLR connector. Light output is white.

Part Number

ELIGHT 18X-LED

18" low intensity LED gooseneck with 3-pin XLR connector. Light output is white.

Lampsets

Lampsets shed light exactly where you need it. Lampsets are available with 12" or 18" gooseneck lengths and include bulb, chassis and fully adjustable dimmer. Each lampset includes a 12-Volt power supply, a snap mount set^(SM) for easy removable mounting and screws for permanent mounting.



Part Number

ELIGHT L-3/12

High intensity (5-Watt halogen) lampset with a 12" gooseneck permanently attached. The gooseneck is controlled by a dimmer switch. Includes 12-Volt power supply with 6ft. cord and 5-Watt halogen bulb.

Part Number

ELIGHT L-3/18

High intensity (5-Watt halogen) lampset with an 18" gooseneck permanently attached. The gooseneck is controlled by a dimmer switch. Includes 12-Volt power supply with 6ft. cord and 5-Watt halogen bulb.

Part Number

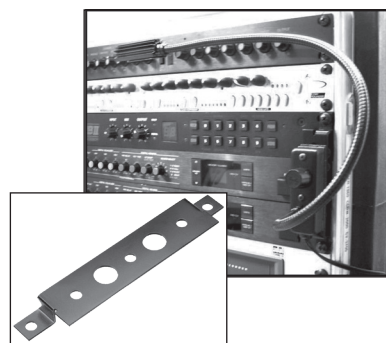
ELIGHT L-12-LED

Low intensity LED lampset with a 12" gooseneck permanently attached. A three-way rotary switch enables user to toggle between white light and red light output. Includes 12-Volt power supply with 6ft. cord.

Part Number

ELIGHT L-18-LED

Low-intensity LED lampset with an 18" gooseneck permanently attached. A three-way rotary switch enables the user to toggle between white light and red light output. Includes 12-Volt power supply with 6ft. cord.



Part Number

ELIGHT RAKIT

This bracket allows you to mount a lampset to your rack without using any rack space. The bracket spans a 3U rack space and will not interfere with rack mounted equipment controls.



Part Number

ELIGHT CWB

Turn your lampset into a desk light with a Cast Weighted Base. This design features four rubber feet for maximum stability.

General Accessories

Use these accessories with either Racklights or Lampsets



Part Number

ELIGHT WYE

This splitter cable connects multiple goosenecks to a single power supply.

Use WYE with halogen lights.



Part Number

ELIGHT PYE

This splitter cable connects multiple goosenecks to a single power supply.

Use PYE with LED lights.



Part Number

ELIGHT Q5

5-Watt halogen replacement bulb.

Light Duty Shelf

Light Duty Shelf

Light Duty shelves provide an easy method of storing non-rack mount style equipment in a frame. The shelf attaches to the front flange of the mounting rails and require no rear attachment point. An adjustable backstop is provided for alignment.

- Load capacity: 50-lbs. evenly distributed.

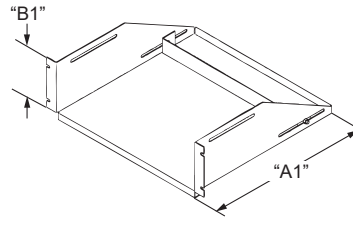
Note

The bottom flange of this shelf intrudes .750" on the rack space below. Items that take up internal space cannot be mounted directly below this shelf.

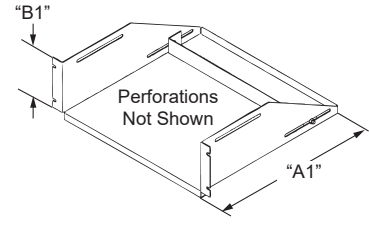
Part Numbers

19" EIA Width		"A1" Shelf Depth	"B1" # of Rack Units Used	
Solid	Perforated			
XES-1619	XES-1619-PA	16.500	5.250	3U

24" EIA Width		"A1" Shelf Depth	"B1" # of Rack Units Used	
Solid	Perforated			
XES-1624	XES-1624-PA	16.500	5.250	3U



Solid
[14-gauge steel]



Perforated
[14-gauge steel]

Enclosed Shelf

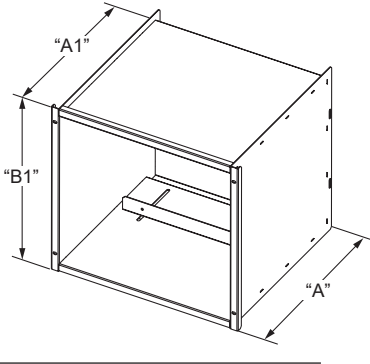
Using this sturdy enclosed shelf, non-rack mounted equipment can be safely positioned within the enclosure. The shelf attaches to the front flange of the mounting rails and require no rear attachment point. An adjustable backstop is provided for alignment.

- Load capacity: 50-lbs. evenly distributed.

Part Numbers

19" EIA Width				
Solid	"A" Overall Depth	"A1" Shelf Depth	"B1" # of Rack Units Used	
ME-1719	17.750	17.000	17.500	10U
ME-2419	17.750	17.000	24.500	14U

24" EIA Width				
Solid	"A" Overall Depth	"A1" Shelf Depth	"B1" # of Rack Units Used	
ME-1724	17.750	17.000	17.500	10U
ME-2424	17.750	17.000	24.500	14U



Enclosed Shelf
[16-gauge steel]

Book Shelf

Book Shelf

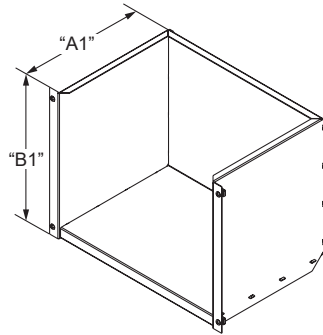
Available in two heights, book shelves are perfect for storing binders, service manuals, and other non-rack mount items. The shelf attaches to the front flange of the mounting rails and require no rear attachment point.

- Load capacity: 50-lbs. evenly distributed.

Part Numbers

19" EIA Width			
Solid	"A1" Shelf Depth	"B1" # of Rack Units Used	
FP2-BS 1019	12.700	10.500	6U
FP2-BS 1419	12.700	14.000	8U

24" EIA Width			
Solid	"A1" Shelf Depth	"B1" # of Rack Units Used	
FP2-BS 1024	12.700	10.500	6U
FP2-BS 1424	12.700	14.500	8U



Book Shelf
[16-gauge steel]

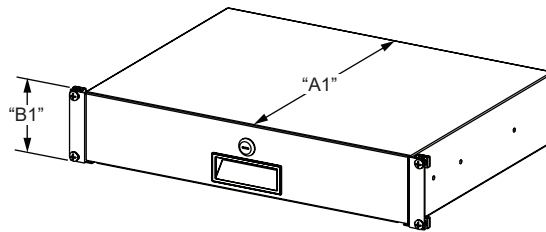
Light Duty Locking Drawer

The light duty locking drawer is perfect for applications where securely storing small items is required. The drawer attaches to the front flange of the mounting rails and require no rear attachment point. It is finished in a black powder coat paint. This drawer is keyed differently than doors/side panels.

- Load capacity: 20-lbs. evenly distributed.
- Drawer extension: 11.77" from front of the enclosure.

Part Numbers

19" EIA Width	"A1" Drawer Depth	"B1" # of Rack Units Used	
LKD-0319	13.320	3.500	2U



Light Duty Locking Drawer
[16-gauge steel]

1U Sliding Shelf

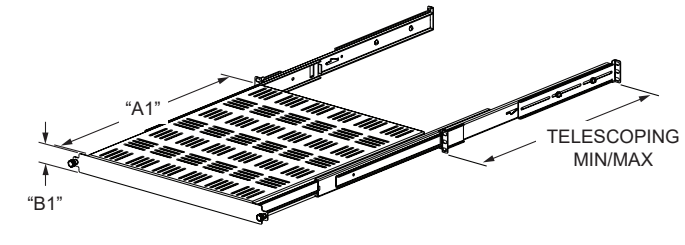
1U Sliding Shelf

Sliding shelves make it possible to slide equipment in and out of the enclosure for fast, easy accessibility. Heavy-duty ball bearing slides allow for ease of movement and feature a lock open option. The shelf can be flipped over and used as a tray if desired and comes with captive fasteners to lock the tray in the closed position. The vents aid in air flow management and are sized for #10 hardware. The 1U sliding shelf comes in a black power coat.

- SHS-1U-20 load capacity: 112-lbs. evenly distributed.
- SHS-1U-28 load capacity: 90-lbs. evenly distributed.

Part Numbers

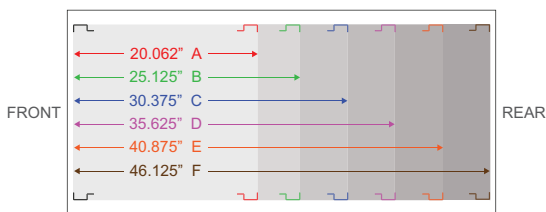
19" EIA Width	"A1" Shelf Depth	"B1" # of Rack Units Used	Telescoping Min/Max Depth
Vented			
SHS-1U-20	20.000	1.750	1U 22.000" - 26.000"
SHS-1U-28	28.000	1.750	1U 26.000" - 34.000"



1U Sliding Shelf
[14-gauge steel]

Rail to Rail Settings (mounts to rails only)

This item requires both a front and rear attach point. Since the rear rails inside of a frame can be positioned in multiple locations, or multiple sets of rails may be used, be to double check that the telescoping Max/Min depth is within the constraints of your rail settings.



1U Fixed Adjustable Depth Shelf

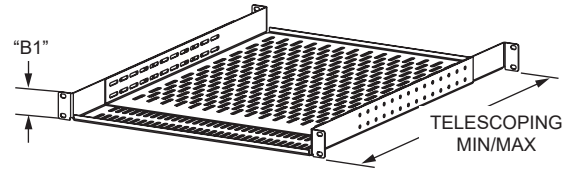
1U Fixed Adjustable Depth Shelf

Why lock your rail settings, as determined by the depth of the shelf? This shelf has telescopic rear mount for increased versatility, while providing the stability of 4-point mounting. The side lip prevents item or equipment from sliding off the shelf. Vents aid in airflow management. The shelf comes in black powder coat finish.

- Load capacity: 250-lbs. evenly distributed.

Part Numbers

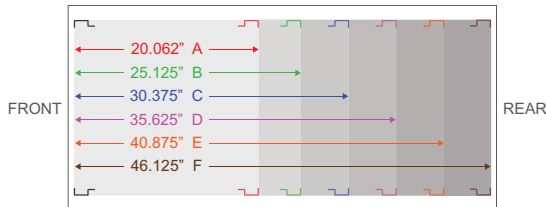
19" EIA Width	"B1"		Telescoping
Vented	# of Rack Units Used		Min/Max Depth
SHF-1U-22-36	1.750	1U	22.000" - 36.000"



1U Fixed Shelf
[14-gauge steel]

Rail to Rail Settings (mounts to rails only)

This item requires both a front and rear attach point. Since the rear rails inside of a frame can be positioned in multiple locations, or multiple sets of rails may be used, be to double check that the telescoping Max/Min depth is within the constraints of your rail settings.



Retractable Keyboard Tray

Retractable Keyboard Tray

Retractable keyboard trays provide the flexibility to incorporate a full size keyboard within a 19" EIA width frame. The keyboard tray is housed within the enclosure in a "front-to-rear" orientation. To access the keyboard, simply pull the tray outward until it locks into the open position. The keyboard tray can then be rotated 90° and affixed into position for operator use. A low profile mouse pad is incorporated onto the front of the tray across its entire width. In order to stow the keyboard back into the enclosure, rotate the tray 90°, unlatch the locking slide, and retract the tray back into the frame.

Part Number

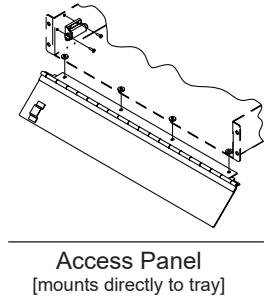
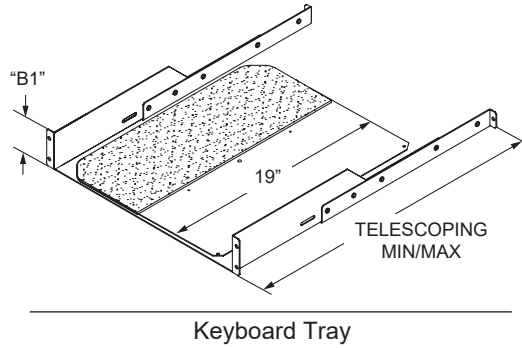
19" EIA Width	"B1" # of Rack Units Used		Telescoping Min/Max Depth
RKT-0319-S	3.500	2U	17.000" - 30.375"

Optional Hinged Access Panel

An optional hinged access panel is available for those users that wish to close off the 2U opening when the keyboard is stowed.

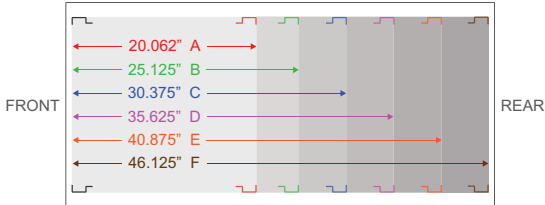
Part Number

KTAP-0319



Rail to Rail Settings (mounts to rails only)

This item requires both a front and rear attach point. Since the rear rails inside of a frame can be positioned in multiple locations, or multiple sets of rails may be used, be to double check that the telescoping Max/Min depth is within the constraints of your rail settings.



Heavy Duty Chassis Guides

Heavy Duty Chassis guides (sold as pairs) are used to support heavy equipment by means of angular steel support members, leaving the bottom of the mounted equipment exposed for cooling or servicing. Chassis guides are mounted flange side down, unless otherwise specified.

- Load capacity: 200-lbs. evenly distributed.

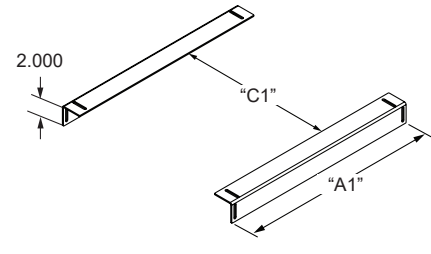
Note

Due to the thickness of the material, chassis guides interfere .125" on both the rack space above and below where this item is mounted. Items that take up internal space cannot be mounted directly above or below chassis guides.

Part Numbers

	"A1" Chassis Guide Depth	# of Rack Units Used		Fits w/ this Rail to Rail Setting	"C1" 19" EIA Width	"C1" 24" EIA Width
XCG-20	16.688	1.750	1U	A 20.062"	14.016	19.016
XCG-26	21.680	1.750	1U	B 25.125"	14.016	19.016
XCG-31	26.930	1.750	1U	C 30.375"	14.016	19.016
XCG-36	32.243	1.750	1U	D 35.625"	14.016	19.016
XCG-42	37.493	1.750	1U	E 40.875"	14.016	19.016

"C1" Distance Between Chassis Guides



Chassis Guide
[11-gauge steel]

Light Duty Chassis Guides

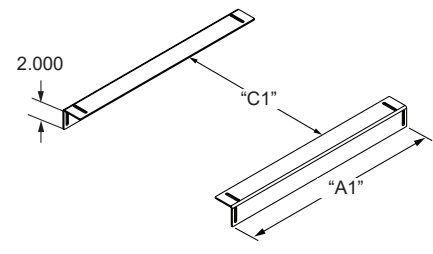
Light Duty Chassis guides (sold as pairs) are used to support heavy equipment by means of angular steel support members, leaving the bottom of the mounted equipment exposed for cooling or servicing. Chassis guides are mounted flange side down, unless otherwise specified.

- Load capacity: 75-lbs. evenly distributed.

Part Numbers

	"A1" Chassis Guide Depth	# of Rack Units Used		Fits w/ this Rail to Rail Setting	"C1" 19" EIA Width	"C1" 24" EIA Width
XCG-20-LD	16.688	1.750	1U	A 20.062"	14.016	19.016
XCG-26-LD	21.680	1.750	1U	B 25.125"	14.016	19.016
XCG-31-LD	26.930	1.750	1U	C 30.375"	14.016	19.016
XCG-36-LD	32.243	1.750	1U	D 35.625"	14.016	19.016
XCG-42-LD	37.493	1.750	1U	E 40.875"	14.016	19.016

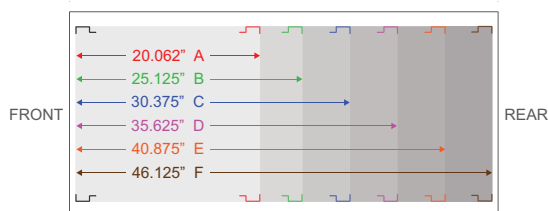
"C1" Distance Between Chassis Guides



Chassis Guide
[16-gauge steel]

Rail to Rail Settings (mounts to rails or straps - not square hole rails)

This item requires both a front and rear attach point. Since the rear rails inside of a frame can be positioned in multiple locations, or multiple sets of rails may be used, be sure to select the proper part number based on the rail settings. The following image indicates standard rail locations that will allow this item to be properly positioned.



Heavy Duty Shelves

Heavy Duty Shelves

Heavy duty shelves are designed to fit anywhere within the usable rack space of an enclosure to house non-rack mounted equipment.

- Solid style load capacity: 350-lbs. evenly distributed.
- Perforated style load capacity: 200-lbs. evenly distributed.

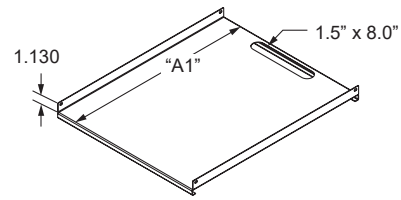
Note

The bottom flange of this shelf intrudes .613" on the rack space below. Items that take up internal space cannot be mounted directly below this shelf.

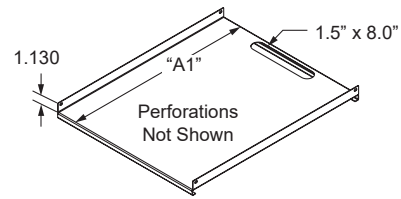
Part Numbers

19" EIA Width		"A1" Shelf Depth	# of Rack Units Used		Fits w/ this Rail to Rail Setting
Solid	Perforated				
XES-2019	XES-2019-PA	18.632	1.750	1U	A 20.062"
XES-2619	XES-2619-PA	23.624	1.750	1U	B 25.125"
XES-3119	XES-3119-PA	28.874	1.750	1U	C 30.375"
XES-3619	XES-3619-PA	34.187	1.750	1U	D 35.625"
XES-4219	XES-4219-PA	39.437	1.750	1U	E 40.875"

24" EIA Width		"A1" Shelf Depth	# of Rack Units Used		Fits w/ this Rail to Rail Setting
Solid	Perforated				
XES-2024	XES-2024-PA	18.632	1.750	1U	A 20.062"
XES-2624	XES-2624-PA	23.624	1.750	1U	B 25.125"
XES-3124	XES-3124-PA	28.874	1.750	1U	C 30.375"
XES-3624	XES-3624-PA	34.187	1.750	1U	D 35.625"
XES-4224	XES-4224-PA	39.437	1.750	1U	E 40.875"



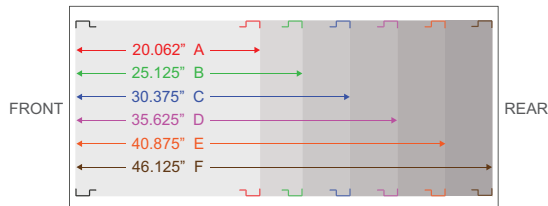
Solid
[14-gauge steel]



Perforated
[14-gauge steel]

Rail to Rail Settings (mounts to rails or straps - not square hole rails)

This item requires both a front and rear attach point. Since the rear rails inside of a frame can be positioned in multiple locations, or multiple sets of rails may be used, be sure to select the proper part number based on the rail settings. The following image indicates standard rail locations that will allow this item to be properly positioned.



2U Sliding Shelves

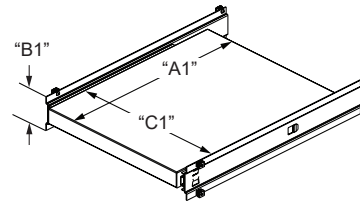
Sliding, or Pull-out shelves make it possible to slide equipment in and out of the enclosure for fast, easy accessibility. Heavy-duty ball bearing slides allow for ease of movement and have a quick disconnect feature. Upon request, the shelf can be flipped over and used as a tray if desired (1.625" thick)

- Load capacity: 90-lbs. evenly distributed.
- Shelf extension: 17" from front of the enclosure.

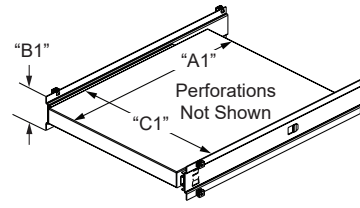
Part Numbers

19" EIA Width		"A1" Shelf Depth	"C1" Shelf Width	"B1" # of Rack Units Used	Fits w/ this Rail to Rail Setting
Solid	Perforated				
XCSQ-2019	contact factory	20.250	16.320	3.500 2U	A 20.062"
XCSQ-2619	XCSQ-2619-PA	20.250	16.320	3.500 2U	B 25.125"
XCSQ-3119	XCSQ-3119-PA	20.250	16.320	3.500 2U	C 30.375"
XCSQ-3619	XCSQ-3619-PA	20.250	16.320	3.500 2U	D 35.625"

24" EIA Width		"A1" Shelf Depth	"C1" Shelf Width	"B1" # of Rack Units Used	Fits w/ this Rail to Rail Setting
Solid	Perforated				
XCSQ-2024	contact factory	20.250	21.320	3.500 2U	A 20.062"
XCSQ-2624	XCSQ-2624-PA	20.250	21.320	3.500 2U	B 25.125"
XCSQ-3124	XCSQ-3124-PA	20.250	21.320	3.500 2U	C 30.375"
XCSQ-3624	XCSQ-3624-PA	20.250	21.320	3.500 2U	D 35.625"



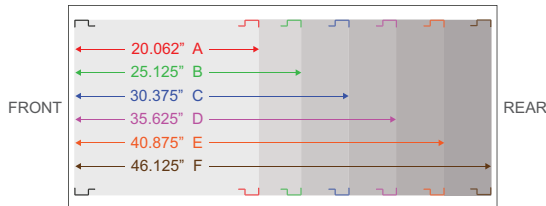
Solid
[18-gauge steel]



Perforated
[16-gauge steel]

Rail to Rail Settings (mounts to rails or straps - not square hole rails)

This item requires both a front and rear attach point. Since the rear rails inside of a frame can be positioned in multiple locations, or multiple sets of rails may be used, be sure to select the proper part number based on the rail settings. The following image indicates standard rail locations that will allow this item to be properly positioned.

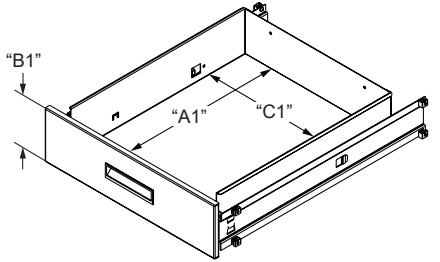


Drawers

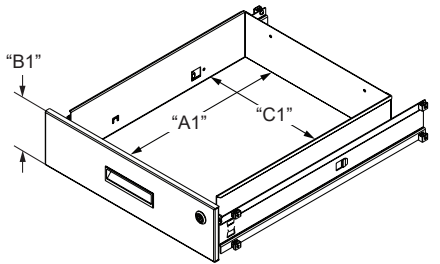
Drawers

Drawers provide for efficient storage and easy access of system support materials. Heavy-duty ball bearing slides allow for ease of movement and have a quick disconnect feature.

- Load capacity: 90-lbs. evenly distributed.
- Drawer extension: 17" from front of the enclosure.



Non-Locking Drawer

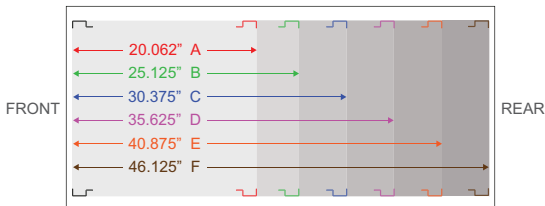


Locking Drawer

Rail to Rail Settings

(mounts to rails or straps - not square hole rails)

This item requires both a front and rear attach point. Since the rear rails inside of a frame can be positioned in multiple locations, or multiple sets of rails may be used, be sure to select the proper part number based on the rail settings. The following image indicates standard rail locations that will allow this item to be properly positioned.



Part Numbers

19" EIA Width		"A1" Drawer Depth	"C1" Drawer Width	"B1" # of Rack Units Used		Fits w/ this Rail to Rail Setting
Non-Locking	Locking					
XDRQ-200319	XDRQ-200319-LK	20.473	16.224	3.500	2U	A 20.062"
XDRQ-260319	XDRQ-260319-LK	20.473	16.224	3.500	2U	B 25.125"
XDRQ-310319	XDRQ-310319-LK	20.473	16.224	3.500	2U	C 30.375"
XDRQ-360319	XDRQ-360319-LK	20.473	16.224	3.500	2U	D 35.625"
XDRQ-200519	XDRQ-200519-LK	20.473	16.224	5.250	3U	A 20.062"
XDRQ-260519	XDRQ-260519-LK	20.473	16.224	5.250	3U	B 25.125"
XDRQ-310519	XDRQ-310519-LK	20.473	16.224	5.250	3U	C 30.375"
XDRQ-360519	XDRQ-360519-LK	20.473	16.224	5.250	3U	D 35.625"
XDRQ-200719	XDRQ-200719-LK	20.473	16.224	7.000	4U	A 20.062"
XDRQ-260719	XDRQ-260719-LK	20.473	16.224	7.000	4U	B 25.125"
XDRQ-310719	XDRQ-310719-LK	20.473	16.224	7.000	4U	C 30.375"
XDRQ-360719	XDRQ-360719-LK	20.473	16.224	7.000	4U	D 35.625"
XDRQ-200819	XDRQ-200819-LK	20.473	16.224	8.750	5U	A 20.062"
XDRQ-260819	XDRQ-260819-LK	20.473	16.224	8.750	5U	B 25.125"
XDRQ-310819	XDRQ-310819-LK	20.473	16.224	8.750	5U	C 30.375"
XDRQ-360819	XDRQ-360819-LK	20.473	16.224	8.750	5U	D 35.625"
XDRQ-201019	XDRQ-201019-LK	20.473	16.224	10.500	6U	A 20.062"
XDRQ-261019	XDRQ-261019-LK	20.473	16.224	10.500	6U	B 25.125"
XDRQ-311019	XDRQ-311019-LK	20.473	16.224	10.500	6U	C 30.375"
XDRQ-361019	XDRQ-361019-LK	20.473	16.224	10.500	6U	D 35.625"
XDRQ-201419	XDRQ-201419-LK	20.473	16.224	14.000	8U	A 20.062"
XDRQ-261419	XDRQ-261419-LK	20.473	16.224	14.000	8U	B 25.125"
XDRQ-311419	XDRQ-311419-LK	20.473	16.224	14.000	8U	C 30.375"
XDRQ-361419	XDRQ-361419-LK	20.473	16.224	14.000	8U	D 35.625"

24" EIA Width		"A1" Drawer Depth	"C1" Drawer Width	"B1" # of Rack Units Used		Fits w/ this Rail to Rail Setting
Non-Locking	Locking					
XDRQ-200324	XDRQ-200324-LK	20.473	21.224	3.500	2U	A 20.062"
XDRQ-260324	XDRQ-260324-LK	20.473	21.224	3.500	2U	B 25.125"
XDRQ-310324	XDRQ-310324-LK	20.473	21.224	3.500	2U	C 30.375"
XDRQ-360324	XDRQ-360324-LK	20.473	21.224	3.500	2U	D 35.625"
XDRQ-200524	XDRQ-200524-LK	20.473	21.224	5.250	3U	A 20.062"
XDRQ-260524	XDRQ-260524-LK	20.473	21.224	5.250	3U	B 25.125"
XDRQ-310524	XDRQ-310524-LK	20.473	21.224	5.250	3U	C 30.375"
XDRQ-360524	XDRQ-360524-LK	20.473	21.224	5.250	3U	D 35.625"
XDRQ-200724	XDRQ-200724-LK	20.473	21.224	7.000	4U	A 20.062"
XDRQ-260724	XDRQ-260724-LK	20.473	21.224	7.000	4U	B 25.125"
XDRQ-310724	XDRQ-310724-LK	20.473	21.224	7.000	4U	C 30.375"
XDRQ-360724	XDRQ-360724-LK	20.473	21.224	7.000	4U	D 35.625"
XDRQ-200824	XDRQ-200824-LK	20.473	21.224	8.750	5U	A 20.062"
XDRQ-260824	XDRQ-260824-LK	20.473	21.224	8.750	5U	B 25.125"
XDRQ-310824	XDRQ-310824-LK	20.473	21.224	8.750	5U	C 30.375"
XDRQ-360824	XDRQ-360824-LK	20.473	21.224	8.750	5U	D 35.625"
XDRQ-201024	XDRQ-201024-LK	20.473	21.224	10.500	6U	A 20.062"
XDRQ-261024	XDRQ-261024-LK	20.473	21.224	10.500	6U	B 25.125"
XDRQ-311024	XDRQ-311024-LK	20.473	21.224	10.500	6U	C 30.375"
XDRQ-361024	XDRQ-361024-LK	20.473	21.224	10.500	6U	D 35.625"
XDRQ-201424	XDRQ-201424-LK	20.473	21.224	14.000	8U	A 20.062"
XDRQ-261424	XDRQ-261424-LK	20.473	21.224	14.000	8U	B 25.125"
XDRQ-311424	XDRQ-311424-LK	20.473	21.224	14.000	8U	C 30.375"
XDRQ-361424	XDRQ-361424-LK	20.473	21.224	14.000	8U	D 35.625"

Drawer with Lid

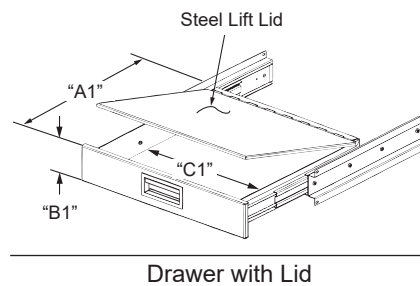
These drawers can be used for storing equipment which requires easy access, or as a pull-out writing shelf. Heavy-duty ball bearing slides allow for ease of movement and have a quick disconnect feature. Both paint and laminate color selection is necessary at time of order placement.

- Load capacity: 90-lbs. evenly distributed.
- Drawer extension: 17" from front of the enclosure.

Part Numbers

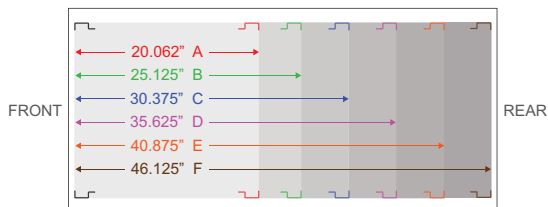
19" EIA Width					
Non-Locking	"A1" Drawer Depth	"C1" Drawer Width	"B1" # of Rack Units Used		Fits w/ this Rail to Rail Setting
XRSQ-2019	16.960	16.224	3.5000	2U	A 20.062"
XRSQ-2619	16.960	16.224	3.5000	2U	B 25.125"
XRSQ-3119	16.960	16.224	3.5000	2U	C 30.375"
XRSQ-3619	16.960	16.224	3.5000	2U	D 35.625"

24" EIA Width					
Non-Locking	"A1" Drawer Depth	"C1" Drawer Width	"B1" # of Rack Units Used		Fits w/ this Rail to Rail Setting
XRSQ-2024	16.960	21.224	3.5000	2U	A 20.062"
XRSQ-2624	16.960	21.224	3.5000	2U	B 25.125"
XRSQ-3124	16.960	21.224	3.5000	2U	C 30.375"
XRSQ-3624	16.960	21.224	3.5000	2U	D 35.625"



Rail to Rail Settings (mounts to rails or straps - not square hole rails)

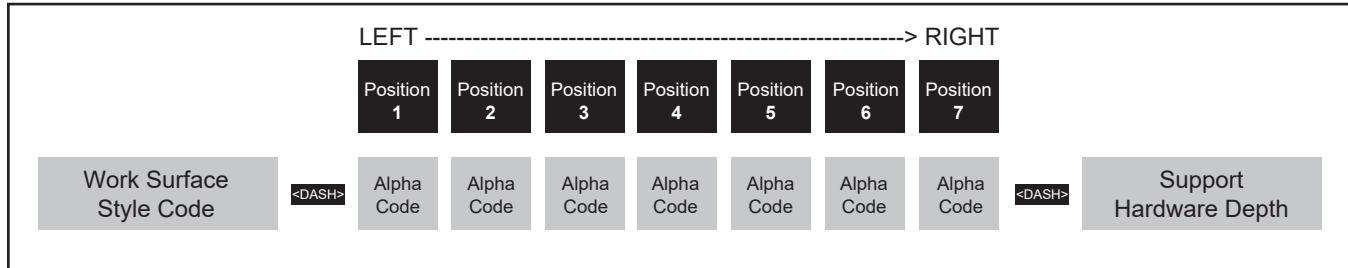
This item requires both a front and rear attach point. Since the rear rails inside of a frame can be positioned in multiple locations, or multiple sets of rails may be used, be sure to select the proper part number based on the rail settings. The following image indicates standard rail locations that will allow this item to be properly positioned.



Work Surfaces

The following procedure allows the most common work surfaces to be configured without vendor or factory assistance.

- Begin by determining which work surface style is to be ordered
- Insert the appropriate work surface style code.
- <DASH>
- Beginning in the left position of the configuration and continuing to the right, insert the appropriate alpha code.
- <DASH>
- Insert the depth of the support hardware needed.



Work Surface Style Code Options

- XWSL** = laminate edge
- XWST** = t edge
- XWSB** = bull nose edge
- XWSO** = oak edge

Configuration Alpha Code Options

- A** = 19" panel width frame
- C** = 24" panel width frame
- G** = 30° wedge (slope front)
- H** = 45° wedge (slope front)
- J** = 30° wedge (vertical front)
- K** = 45° wedge (vertical front)

*Rail to Rail Settings

- 20** = 20.062 (A)
- 26** = 25.125 (B)
- 31** = 30.375 (C)
- 36** = 35.625 (D)

Laminate

The following laminate colors are available for the XWSL, XWST, XWSB and XWSO work surface styles. Sample kits are available.

Part Numbers		Part Numbers	
260	Warm Cherry	256	Onyx
258	Vintage Oak	262	Speckle Gray
259	Butternut	255	Granite
250	Antique White	263	Birch
264	String	252	Sandstone



Static Dissipative Laminate

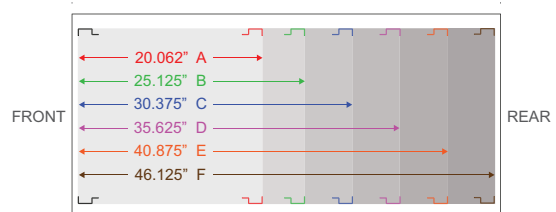
Static dissipative laminate available upon request. Ask about color availability and lead time.

Corian®

The ultimate in seamless elegance and durability, Corian solid surface writing surfaces are available in a wide range of patterns and colors. Some installations may require a local licensed Corian® contractor to finalize the install. Contact the factory for layout, edge style, lead time and pricing.

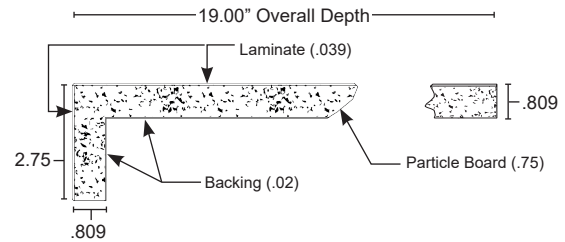
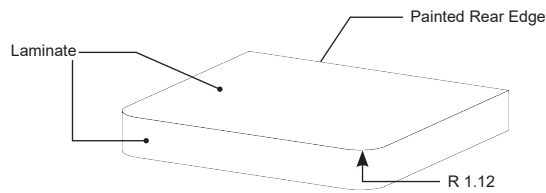
*Rail to Rail Settings

This item requires both a front and rear attach point. Since the rear rails inside of a frame can be positioned in multiple locations, or multiple sets of rails may be used, be sure to select the proper part number based on the rail settings. The following image indicates standard rail locations that will allow this item to be properly positioned.



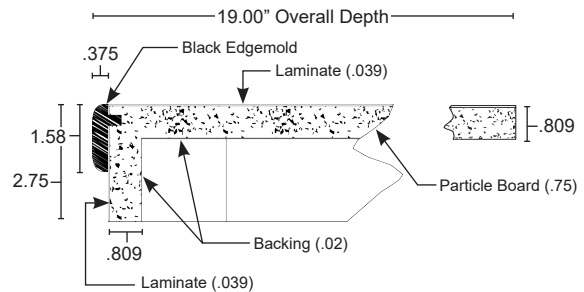
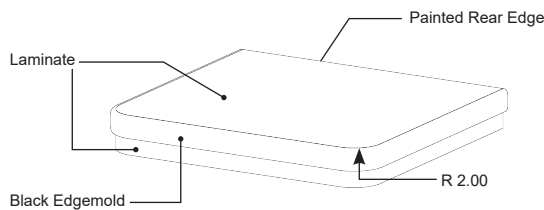
XWSL: Laminate Edge Section View

One-piece laminated writing surface constructed of high quality plastic laminate bonded to a substrate of wood particle board. Rounded front corners provide a clean and aesthetically pleasing user interface.



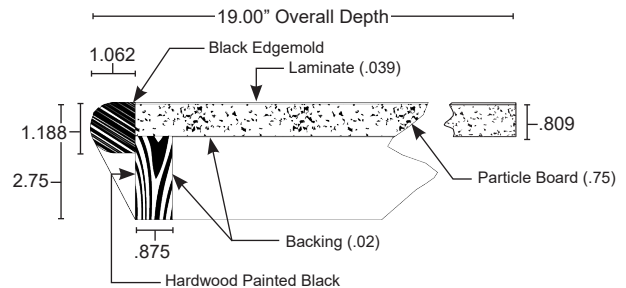
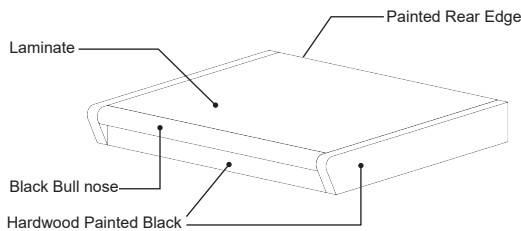
XWST: T-edge Section View

Designed for high usage work areas, this writing surface style includes edge molding that adds durability and beauty to your work surface. The black colored edging is permanently adhered to the front and sides of the writing surface. The writing surface is constructed of high-quality laminate bonded to a wood particle board substrate.



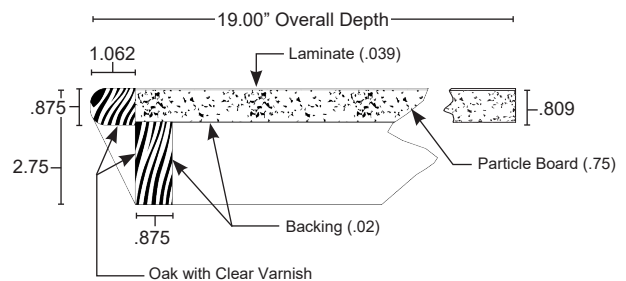
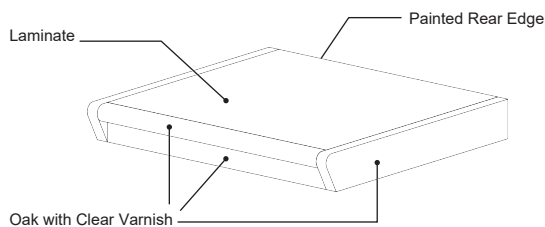
XWSB: Bull Nose Edge Section View

This style writing surface combines a laminated top surface with hardwood sides and rubber front edge. The wood sides are painted black to match the front rubber edging. The combination of wood, laminate, and edging provides a pleasing contrast of materials and textures. The edging is semi-soft to touch and textured finish.



XWSO: Oak Edge Section View

One-piece laminated writing surface constructed of high quality plastic laminate bonded to a substrate of wood particle board. Front rounded edges and sides are real oak, providing a rich appearance.



Articulating Monitor Arms

Step 1: Choose the Monitor Set-Up

Select from horizontal or vertical monitor set-ups with up to four monitors on one pole.



Horizontal Set-Ups

Choose from set-ups with one, two, or three monitors aligned horizontally. Each arm configuration comes with an 18" tall pole that fits into the base options available.

1 Monitor Set-Up



2 Monitor Set-Up



3 Monitor Set-Up



Vertical Set-Ups

Choose from set-ups with two or four monitors aligned vertically. Each arm configuration comes with a 24" tall pole that fits into the base options available.

2 Monitor Set-Up

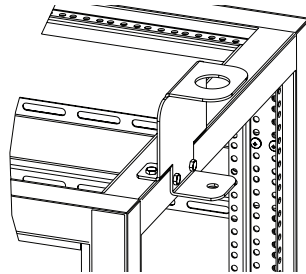


4 Monitor Set-Up



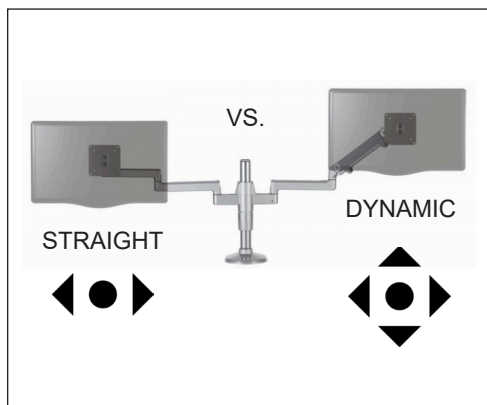
Step 2: Choose the Mounting Base

Select from three mounting options. These bases allow the Articulating Monitor Arms to be mounted on a work surface or to the frame.



Step 3: Choose the Arm Style

Select from arms that allow horizontal or both horizontal and vertical movement.



Straight Link Style Articulating Monitor Arms

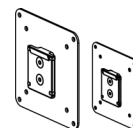
Straight link style arms allow for horizontal monitor movement. The arms allow the user to adjust the monitor left or right as needed. At the end of each arm is a ball joint, allowing the tilt of the monitor to be adjusted as well.

Dynamic Link Style Articulating Monitor Arms

Dynamic link style arms allow for both horizontal and vertical monitor adjustment via the use of extension spring technology located on the second link of the arm. At the end of each arm is a ball joint, allowing the tilt of the monitor to be adjusted as well.

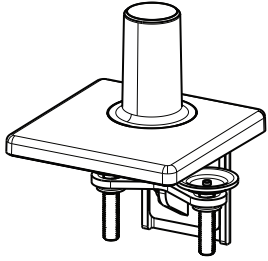
VESA Mounting Plates

Every arm comes with two VESA mounting plates sized 100mm and 75mm. These will accommodate most monitors.



Mounting Base Options for Articulating Arms

The following base options can be used in conjunction with a work surface or frame to mount an articulating arm to. These base options accept monitor arm configuration that come with a pole. All mounting hardware is included.

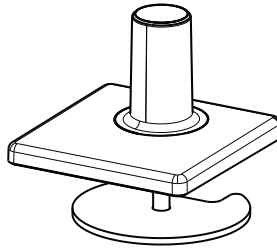


Part Number

HS-B-C

Clamp Style Mount

NOTE: This mount requires a square edge to clamp to.

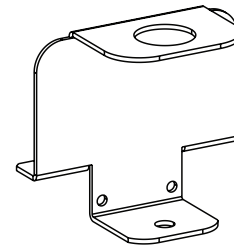


Part Number

HS-B-G

Grommet Style Mount

NOTE: This mount requires a grommet hole to be drilled in the work surface.



Part Number

MFBASE-F

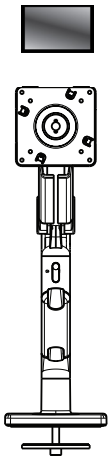
Frame Style Mount

NOTE: This mount requires the frame to be drilled

Heavy Duty Mount - All In One

The following option can be used to support monitors weighing up to 25 lbs. This set-up includes the Grommet style mount and does not require a mount to be ordered separately.

1 Monitor Set-Up



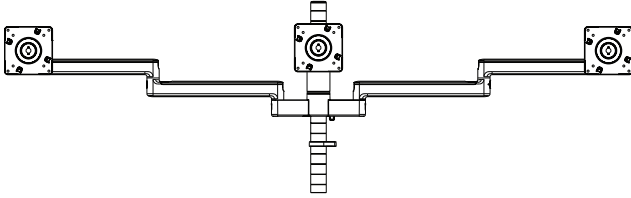
Part Number

HS-G1-AD-M8

Straight Link Style Articulating Arms

Straight Link Style Articulating Monitor Arms

Straight link style arms allow the user to adjust the monitor left or right as needed. At the end of each arm is a ball joint, allowing the tilt of the monitor to be adjusted as well. The monitor arms are free of harmful Red List chemicals and include a built-in Counterbalance Indicator allowing the installer to counterbalance the monitor weight without a monitor. Each arm is black in color and can support one monitor weighing up to 15 lbs. Mounting base sold separately.

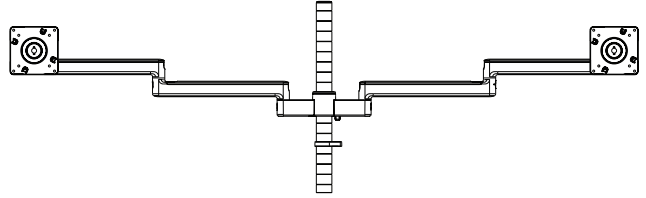


3 Monitor | Horizontal Set-Up

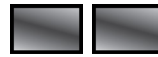


Part Number

HS-P3-S12S12-N-S12S12

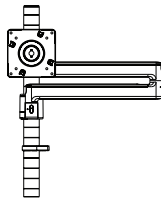


2 Monitor | Horizontal Set-Up



Part Number

HS-P2H-S12S12



1 Monitor | Horizontal Set-Up



Part Number

HS-P1-S12S12



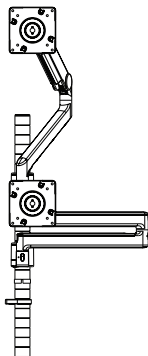
1 Monitor | Horizontal Set-Up



Part Number

HS-P1-N

Note: This set-up utilizes a ball joint, no arm, allowing only the tilt of the monitor to be adjusted.

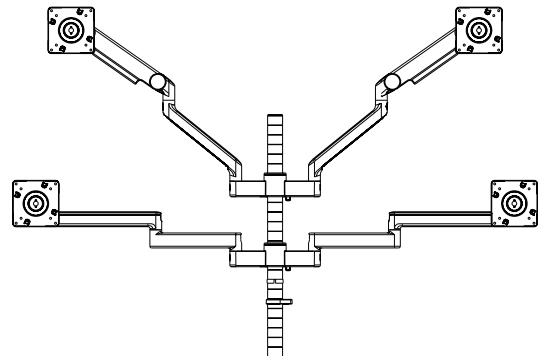


2 Monitor | Vertical Set-Up



Part Number

HS-P2V-S12S12-AD



4 Monitor | Vertical Set-Up



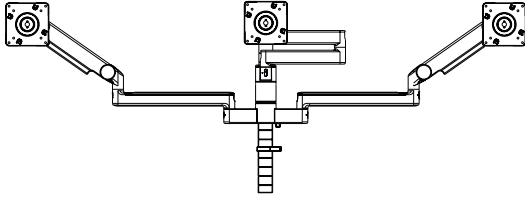
Part Number

HS-P4-S12S12-AD

Dynamic Link Style Articulating Arms

Dynamic Link Style Articulating Monitor Arms

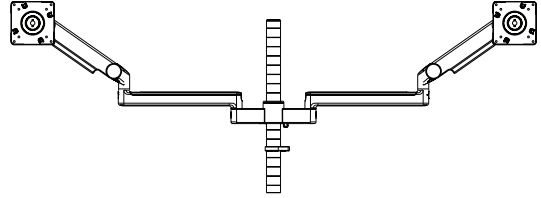
Dynamic link style arms allow for both horizontal and vertical monitor adjustment via the use of extension spring technology located on the second link of the arm. At the end of each arm is a ball joint, allowing the tilt of the monitor to be adjusted as well. The monitor arms are free of harmful Red List chemicals and include a built-in Counterbalance Indicator allowing the installer to counterbalance the monitor weight without a monitor. Each arm is black in color and can support one monitor weighing up to 15 lbs. Mounting base sold separately.



3 Monitor | Horizontal Set-Up



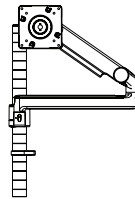
Part Number
HS-P3-S12D-S8S8-S12D



2 Monitor | Horizontal Set-Up



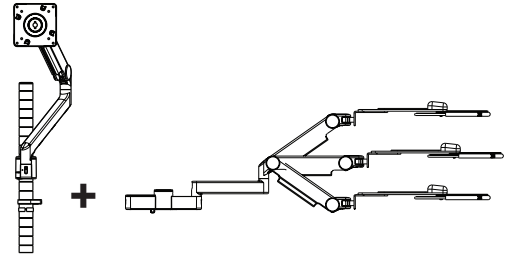
Part Number
HS-P2H-S12D



1 Monitor | Horizontal Set-Up



Part Number
HS-P1-S12D



1 Monitor and Keyboard | Horizontal Set-Up

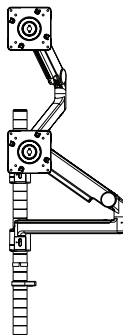


Part Number
HS-P1-AD



Part Number
HS-P1-S8D-K

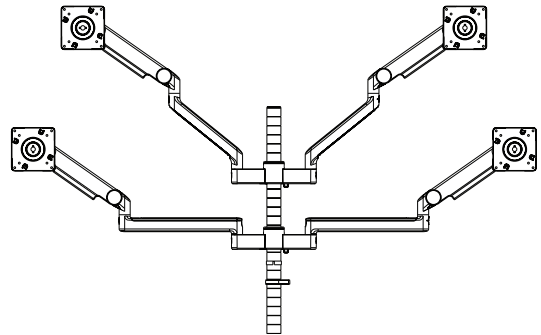
Note: This set-up utilizes an angled first link. Commonly used in conjunction with a keyboard.



2 Monitor | Vertical Set-Up



Part Number
HS-P2V-S12D-AD



4 Monitor | Vertical Set-Up



Part Number
HS-P4-S12D-AD

Dual Fan Panels

Dual Fan Panel

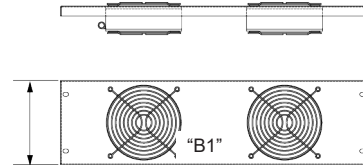
Dual fan panels are designed to mount in the front, rear, and top panel openings and are primarily used to help protect rack-mount equipment from overheating, performance issues, and shortened lifespan.

- 115 Volt AC power or 230 Volt AC Power.
- Fan Motors are UL component recognized; CSA certified.
- Fan size: 4.625" square x 1.5" deep.
- Operating temperature range: -4°F to +158°F.

Part Numbers

19" EIA Width									
	Airflow	# of Fans	CFM	Watts	Volts	dBA	"B1" # of Rack Units Used		Plug
XPN-0519-FP-2I	Intake	2	204	40	115	43	5.250	3U	yes
XPN-0519-FP-2E	Exhaust	2	204	40	115	43	5.250	3U	yes
XPN-0519-FP-2I-220	Intake	2	204	40	230	43	5.250	3U	no
XPN-0519-FP-2E-220	Exhaust	2	204	40	230	43	5.250	3U	no

Air delivery based on operating at 60 HZ, single phase power.



24" EIA Width									
	Airflow	# of Fans	CFM	Watts	Volts	dBA	"B1" # of Rack Units Used		Plug
XPN-0524-FP-2I	Intake	2	204	40	115	43	5.250	3U	yes
XPN-0524-FP-2E	Exhaust	2	204	40	115	43	5.250	3U	yes
XPN-0524-FP-2I-220	Intake	2	204	40	230	43	5.250	3U	no
XPN-0524-FP-2E-220	Exhaust	2	204	40	230	43	5.250	3U	no

Air delivery based on operating at 60 HZ, single phase power.

Note:

115 Volt includes a 6' power cord with molded 5-15P plug.
230 Volt has no plug.

Note

If the fans are set to **intake** cooler air they should be positioned near the bottom of the rack.

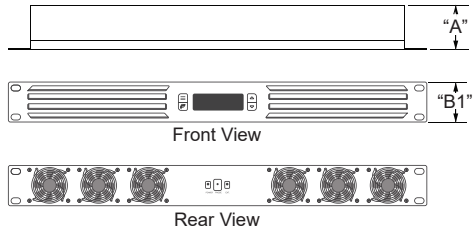
If the fans are set to **exhaust** out heated air they should be positioned near the top of the rack.

Thermostatically Controlled Rack Fan Panels

Thermostatically Controlled Rack Fan Panels

Thermostatically controlled rack fans panels are designed to mount in the front or rear panel openings and are primarily used to help protect rack-mount equipment from overheating, performance issues, and shortened lifespan.

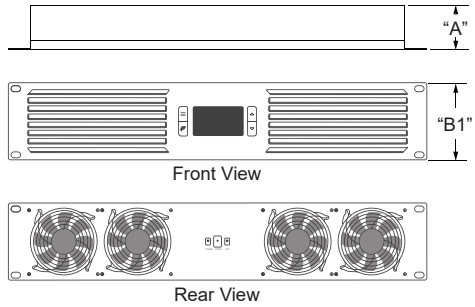
- 115 Volt AC power.
- Operating temperature range: 14°F to 230°F.
- Programmable thermostat controller with automated speed control, alarm warnings, and backup memory.
- PWM-controlled motor features precise speed control, reduced rotor noise, and runs on energy efficient DC voltage.
- Fan Motors are UL component recognized; CSA certified.
- Fans contain long-life ball bearings rated at 67,000 hours and are certified by CE, UL, and RoHS.
- Corded precision sensor probe constructed of stainless steel.
- Supplied with a 72" 18/3 SJT power cord with a NEMA 5-15P plug.
- Each unit contains a DC connector port which can be used to control another rack fan.



Part Numbers

	Airflow	# of Fans	CFM	Watts	Volts	dBA	"A" Fan Depth	"B1" # of Rack Units Used	
PN-0119-060I-FP	Intake	6	20-60	8	12	8-28	1.50	1.75	1U
PN-0119-060E-FP	Exhaust	6	20-60	8	12	8-28	1.50	1.75	1U

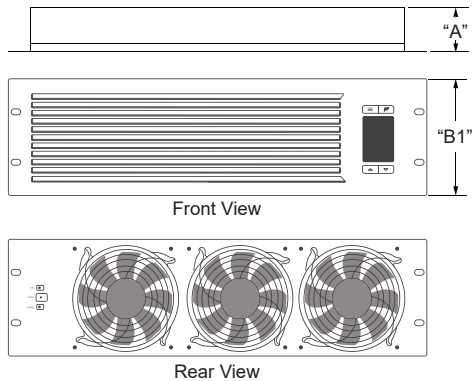
Air delivery based on operating at 115 volts, 60 HZ, single phase power.



Part Numbers

	Airflow	# of Fans	CFM	Watts	Volts	dBA	"A" Fan Depth	"B1" # of Rack Units Used	
PN-0319-130I-FP	Intake	3	50-220	10	12	10-36	1.50	3.50	2U
PN-0319-130E-FP	Exhaust	3	50-220	10	12	10-36	1.50	3.50	2U

Air delivery based on operating at 115 volts, 60 HZ, single phase power.



Part Numbers

	Airflow	# of Fans	CFM	Watts	Volts	dBA	"A" Fan Depth	"B1" # of Rack Units Used	
PN-0519-300I-FP	Intake	3	60-300	12	12	12-38	2.00	5.25	3U
PN-0519-300E-FP	Exhaust	3	60-300	12	12	12-38	2.00	5.25	3U

Air delivery based on operating at 115 volts, 60 HZ, single phase power.

Note

If the fans are set to **intake** cooler air they should be positioned near the bottom of the rack.
 If the fans are set to **exhaust** out heated air they should be positioned near the top of the rack.

Fan Trays

Fan Trays

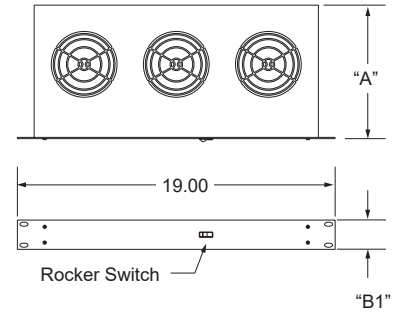
Fan trays mount to the front flange of the mounting rails and are primarily used for spot cooling within a frame.

- 115 Volt and 230 Volt AC power options.
- Fan Motors are UL component recognized; CSA certified.
- Exhaust guards on the top and bottom.
- Rear support brackets.
- Supplied with a 72" power cord with a NEMA 5-15P plug.

Part Numbers

19" EIA Width	# of Fans	CFM	Watts	Volts	dBA	"A" Fan Tray Depth	"B1" # of Rack Units Used		Rear Support Bracket Max Depth
FT-3-115V-300-NT	3	310	45	115	53	8.00	1.75	1U	-
FT-3-230V-300-NT	3	310	45	230	53	8.00	1.75	1U	-

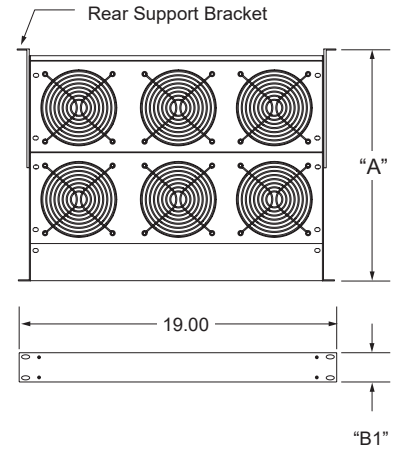
Air delivery based on operating at 60 HZ, single phase power.



Part Numbers

19" EIA Width	# of Fans	CFM	Watts	Volts	dBA	"A" Fan Tray Depth	"B1" # of Rack Units Used		Rear Support Bracket Max Depth
FT-6-115V-660	6	660	90	115	47	14.00	1.75	1U	21.00"
FT-6-115/230V-660	6	660	90	115/230	47	14.00	1.75	1U	21.00"

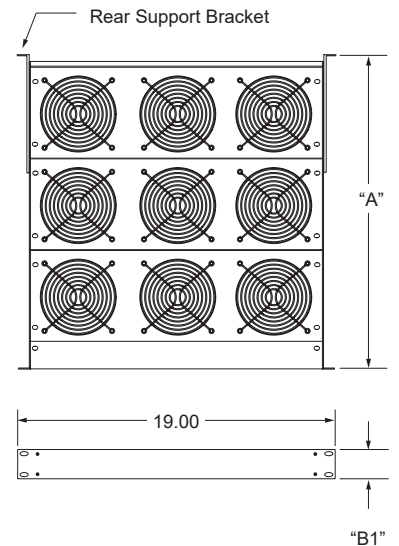
Air delivery based on operating at 60 HZ, single phase power.



Part Numbers

19" EIA Width	# of Fans	CFM	Watts	Volts	dBA	"A" Fan Tray Depth	"B1" # of Rack Units Used		Rear Support Bracket Max Depth
FT-9-115V-990	9	990	135	115	47	19.00	1.75	1U	26.00"
FT-9-230V-990	9	990	135	230	47	19.00	1.75	1U	26.00"

Air delivery based on operating at 60 HZ, single phase power.



Thermostatically Controlled Fan Trays

Thermostatically Controlled Fan Trays

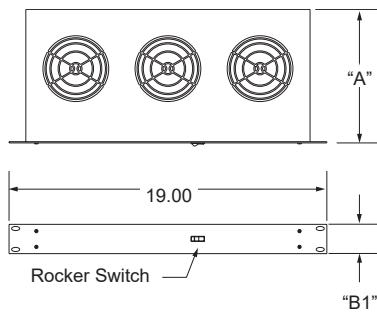
Fan trays mount to the front flange of the mounting rails and are primarily used for spot cooling within a frame. The thermostat senses the ambient temperature and adjusts its fan speed accordingly.

- 115 Volt and 230 Volt AC power options.
- Hub mounted or remote detachable thermistor.
- 600,000 hour life expectancy.
- Fan Motors are UL component recognized; CSA certified.
- Supplied with a 72" power cord with a NEMA 5-15P plug.

Part Numbers

19" EIA Width	Thermistor Location	# of Fans	CFM	Watts	Volts	dBA	"A" Fan Tray Depth	"B1" # of Rack Units Used	
FT-3-115V-300-HMT	Hub Mounted	3	190-300	45	115	37-45	8.00	1.75	1U
FT-3-230V-300-HMT	Hub Mounted	3	190-300	45	230	37-45	8.00	1.75	1U
FT-3-115V-300-RDT	Remote / Detachable	3	190-300	45	115	37-45	8.00	1.75	1U

Air delivery based on operating at 60 HZ, single phase power.

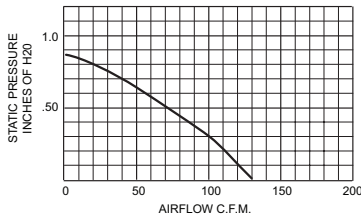


Blowers

Packaged Blowers

Packaged blowers effectively cool critical electronic components within an enclosure by means of clean positive air pressure.

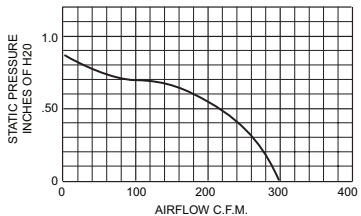
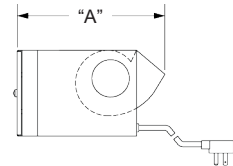
- 115 and 230 Volt AC power.
- Permanent washable filter which can be serviced without removing the blower from the rack.
- Operating temperature range: 20°F to 250°F.
- Fan motors are UL component recognized; CSA certified.
- Motor: Shaded-pole, rust resistant shaft, double shielded ball bearings and permanently lubricated.
- Includes exhaust guards and 65% open stainless-steel grille with captive fasteners.



Part Number - 115 Volt | Part Number - 230 Volt

BL-130				BL-130-230			
CFM	Watts	AMPS		dBA	"A" Blower Depth	"B1" # of Rack Units Used	
		RUN	L.R.				
130	65	0.8	1.3	66.0	7.690	5.250	3U

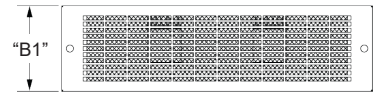
Adapter bracket part number **ABA-05** | Weight 13 lbs.
 Replacement filter part number **FI-130-300**



Part Number - 115 Volt | Part Number - 230 Volt

BL-300				BL-300-230			
CFM	Watts	AMPS		dBA	"A" Blower Depth	"B1" # of Rack Units Used	
		RUN	L.R.				
300	95	1.4	1.9	64.5	7.690	5.250	3U

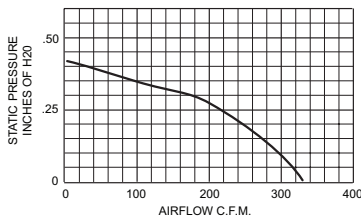
Adapter bracket part number **ABA-05** | Weight 13 lbs.
 Replacement filter part number **FI-130-300**



Blower Detail

Note:

115 Volt includes a 3' power cord with molded 5-15P plug.
 230 Volt includes a 3' power cord with no plug.



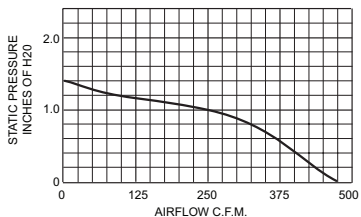
Part Number - 115 Volt | Part Number - 230 Volt

BL-330				BL-330-230			
CFM	Watts	AMPS		dBA	"A" Blower Depth	"B1" # of Rack Units Used	
		RUN	L.R.				
330	85	1.1	1.6	60.2	10.060	7.000	4U

Adapter bracket part number **ABA-07** | Weight 18 lbs.
 Replacement filter part number **FI-330-470**

Note:

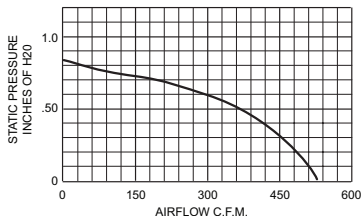
Blowers fit 19" EIA panel openings. When the blower is to be installed in a 24" EIA panel opening, an adapter bracket is required. The correct adapter bracket number is listed in each table and must be ordered separately.



Part Number - 115 Volt | Part Number - 230 Volt

BL-470				BL-470-230			
CFM	Watts	AMPS		dBA	"A" Blower Depth	"B1" # of Rack Units Used	
		RUN	L.R.				
470	185	1.7	3.1	66.7	10.250	7.000	4U

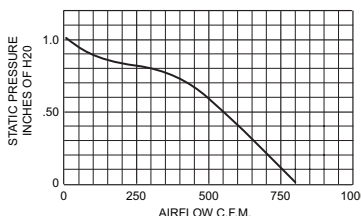
Adapter bracket part number **ABA-07** | Weight 18 lbs.
 Replacement filter part number **FI-33-470**



Part Number - 115 Volt

BL-525							
CFM	Watts	AMPS		dBA	"A" Blower Depth	"B1" # of Rack Units Used	
		RUN	L.R.				
525	140	1.3	1.9	63.6	11.560	8.750	5U

Adapter bracket part number **ABA-08** | Weight 28 lbs.
 Replacement filter part number **FI-525**



Part Number - 115 Volt | Part Number - 230 Volt

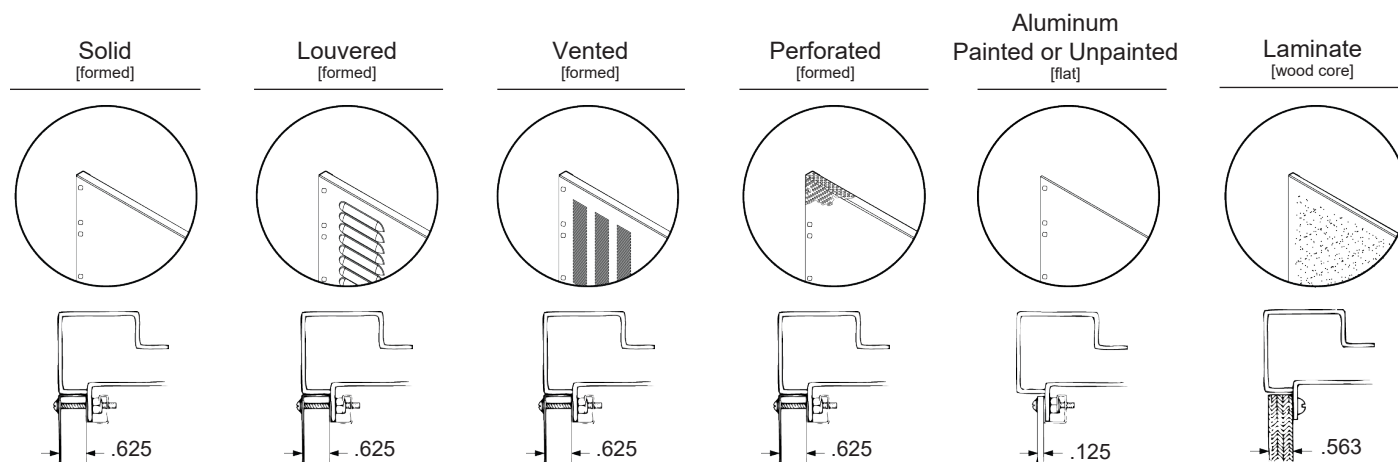
BL-800*				BL-800-230*			
CFM	Watts	AMPS		dBA	"A" Blower Depth	"B1" # of Rack Units Used	
		RUN	L.R.				
800	260	2.5	5.1	71.2	13.130	10.500	6U

Adapter bracket part number **ABA-10** | Weight 35 lbs.
 Replacement filter part number **FI-800**
 *6 week lead time item

Air delivery based on operating at 60 HZ, single phase power.

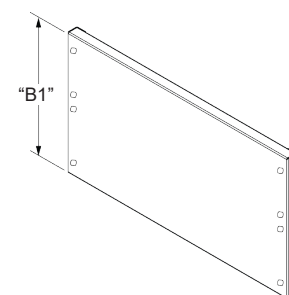
Filler Panels

Available in 6 different styles, filler panels are designed to close off all, or portions of, the top, front, rear, and slope opening areas of the frame.



Part Numbers

Solid	Louvered	Vented	Perforated	Aluminum**	Laminate	"B1" # of Rack Units Used
XPN-0119				XPN-0119-A	XPN-0119-F	1.750 1U
XPN-0319			XPN-0319-PA	XPN-0319-A	XPN-0319-F	3.500 2U
XPN-0519	XPN-0519-LV	XPN-0519-V	XPN-0519-PA	XPN-0519-A	XPN-0519-F	5.250 3U
XPN-0719	XPN-0719-LV	XPN-0719-V	XPN-0719-PA	XPN-0719-A	XPN-0719-F	7.000 4U
XPN-0819	XPN-0819-LV	XPN-0819-V	XPN-0819-PA	XPN-0819-A	XPN-0819-F	8.750 5U
XPN-1019	XPN-1019-LV	XPN-1019-V	XPN-1019-PA	XPN-1019-A	XPN-1019-F	10.500 6U
XPN-1219	XPN-1219-LV	XPN-1219-V	XPN-1219-PA	XPN-1219-A	XPN-1219-F	12.250 7U
XPN-1419	XPN-1419-LV	XPN-1419-V	XPN-1419-PA	XPN-1419-A	XPN-1419-F	14.000 8U
XPN-1519	XPN-1519-LV	XPN-1519-V	XPN-1519-PA	XPN-1519-A	XPN-1519-F	15.750 9U
XPN-1719	XPN-1719-LV	XPN-1719-V	XPN-1719-PA	XPN-1719-A	XPN-1719-F	17.500 10U
XPN-1919	XPN-1919-LV	XPN-1919-V	XPN-1919-PA	XPN-1919-A	XPN-1919-F	19.250 11U
XPN-2119	XPN-2119-LV	XPN-2119-V	XPN-2119-PA	XPN-2119-A	XPN-2119-F	21.000 12U
XPN-2219	XPN-2219-LV	XPN-2219-V	XPN-2219-PA	XPN-2219-A	XPN-2219-F	22.750 13U
XPN-2419	XPN-2419-LV	XPN-2419-V	XPN-2419-PA	XPN-2419-A	XPN-2419-F	24.500 14U
XPN-2619	XPN-2619-LV	XPN-2619-V	XPN-2619-PA	XPN-2619-A	XPN-2619-F	26.250 15U
XPN-2819	XPN-2819-LV	XPN-2819-V	XPN-2819-PA	XPN-2819-A	XPN-2819-F	28.000 16U
XPN-2919	XPN-2919-LV	XPN-2919-V	XPN-2919-PA	contact factory	contact factory	29.750 17U
XPN-3119	XPN-3119-LV	contact factory	contact factory	contact factory	contact factory	31.500 18U
XPN-3319	XPN-3319-LV	XPN-3319-V	XPN-3319-PA	contact factory	XPN-3319-F	33.250 19U
XPN-3519	XPN-3519-LV	contact factory	contact factory	contact factory	contact factory	35.000 20U
XPN-3619	XPN-3619-LV	contact factory	contact factory	contact factory	contact factory	36.750 21U
XPN-3819	XPN-3819-LV	XPN-3819-V	XPN-3819-PA	contact factory	XPN-3819-F	38.500 22U
XPN-4019	XPN-4019-LV	contact factory	contact factory	contact factory	contact factory	40.250 23U
XPN-4219	XPN-4219-LV	contact factory	contact factory	contact factory	contact factory	42.000 24U
XPN-4319	XPN-4319-LV	XPN-4319-V	XPN-4319-PA	contact factory	contact factory	43.750 25U
XPN-4519	XPN-4519-LV	contact factory	contact factory	contact factory	contact factory	45.500 26U
XPN-4719	XPN-4719-LV	contact factory	contact factory	contact factory	contact factory	47.250 27U
XPN-4919	XPN-4919-LV	contact factory	contact factory	contact factory	contact factory	49.000 28U
XPN-5219	XPN-5219-LV	contact factory	contact factory	contact factory	contact factory	52.500 30U
XPN-5419	XPN-5419-LV	contact factory	contact factory	contact factory	contact factory	54.250 31U
XPN-5619	XPN-5619-LV	contact factory	contact factory	contact factory	contact factory	56.000 32U
XPN-6119	XPN-6119-LV	contact factory	contact factory	contact factory	contact factory	61.250 35U
XPN-6319	XPN-6319-LV	contact factory	contact factory	contact factory	contact factory	63.000 36U
XPN-6419	XPN-6419-LV	contact factory	contact factory	contact factory	contact factory	64.750 37U
XPN-7019	XPN-7019-LV	contact factory	contact factory	contact factory	contact factory	70.000 40U
XPN-7119	XPN-7119-LV	contact factory	contact factory	contact factory	contact factory	71.750 41U
XPN-7319	XPN-7319-LV	contact factory	contact factory	contact factory	contact factory	73.500 42U
XPN-7819	XPN-7819-LV	contact factory	contact factory	contact factory	contact factory	78.750 45U



Material

Aluminum:
1/8" Aluminum.

Laminate:
Wood core with
laminated surface.

Solid:
16-gauge steel.

Louvered:
16-gauge steel.

Vented:
16-gauge steel.

Perforated:
16-gauge steel.

For 24" EIA width, change "19" to "24" in part number. Example: XPN-2119-LV becomes XPN-2124-LV.

**Add "U" to the end of the part number for the un-painted version. Example: XPN-2219-A becomes XPN-2219-AU.

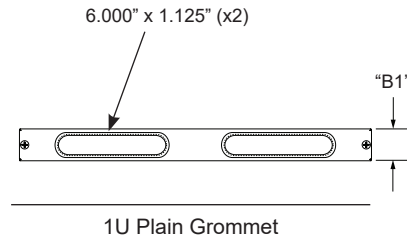
Cable Pass Through Panels

Cable Pass Through Panels

Cable pass through panels can be mounted in the front, rear or top opening of a frame allowing cables to enter and exit the cabinet in an organized fashion.

Part Numbers

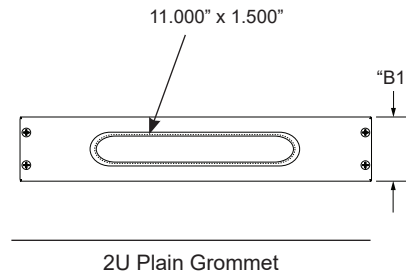
19" EIA Width	"B1"	
Plain Grommet	# of Rack Units Used	
XPN-0119-CAP	1.750	1U



24" EIA Width	"B1"	
Plain Grommet	# of Rack Units Used	
XPN-0124-CAP	1.750	1U

Part Numbers

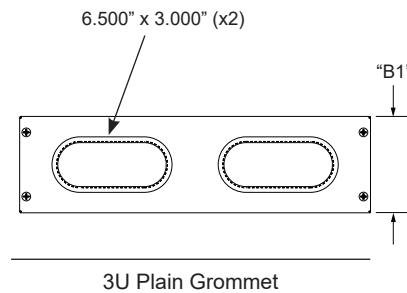
19" EIA Width	"B1"	
Plain Grommet	# of Rack Units Used	
XPN-0319-CAP	3.500	2U



24" EIA Width	"B1"	
Plain Grommet	# of Rack Units Used	
XPN-0324-CAP	3.500	2U

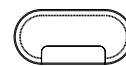
Part Numbers

19" EIA Width	"B1"	
Plain Grommet	# of Rack Units Used	
XPN-0519-CAP	5.250	3U



24" EIA Width	"B1"	
Plain Grommet	# of Rack Units Used	
XPN-0524-CAP	5.250	3U

Grommet cap (6.5" x 3.0") available for use with the 3U cable pass through panels. Sold as each.



Part Number

XPN-05-CAP-GC

Additional plain grommet material is available.
Sold by the foot.

Part Number

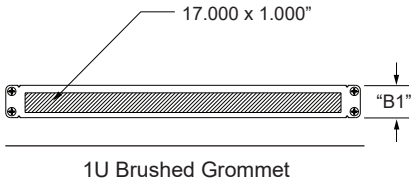
GMT-0012

Cable Pass Through Panels

Cable pass through panels can be mounted in the front, rear or top opening of a frame allowing cables to enter and exit the cabinet in an organized fashion.

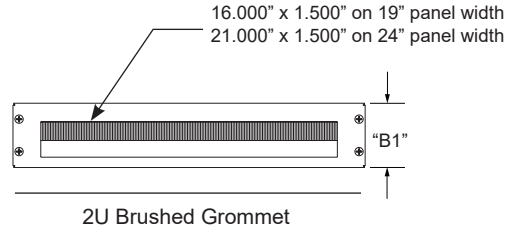
Part Numbers

19" EIA Width		
Brushed Grommet	"B1"	
	# of Rack Units Used	
CMH-1UBGR	1.750	1U



Part Numbers

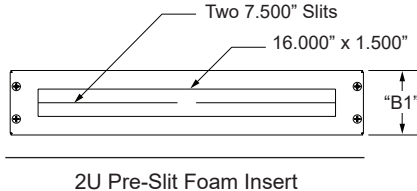
19" EIA Width		
Brushed Grommet	"B1"	
	# of Rack Units Used	
XPN-0319-BGP	3.500	2U



24" EIA Width		
Brushed Grommet	"B1"	
	# of Rack Units Used	
XPN-0324-BGP	3.500	2U

Part Numbers

19" EIA Width		
Foam	"B1"	
	# of Rack Units Used	
XPN-0319-FGP	3.500	2U



24" EIA Width		
Foam	"B1"	
	# of Rack Units Used	
XPN-0324-FGP	3.500	2U

Vent Panels

Vent Grille

Aluminum vent grilles provide an effective means to fulfill your venting requirements.

Part Numbers

19" EIA Width			
	"B1" # of Rack Units Used		% Opening
AVGX-XXX-000319	3.500	2U	45.0
AVGX-XXX-000519	5.250	3U	50.0
AVGX-XXX-000719	7.000	4U	52.5
AVGX-XXX-000819	8.750	5U	54.0

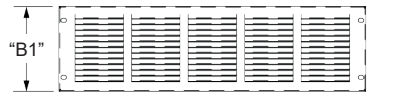


Vent Panel

Steel vent panels provide an effective means to fulfill your venting requirements.

Part Numbers

19" EIA Width			
	"B1" # of Rack Units Used		% Opening
XPN-0319-VP	3.500	2U	33.8
XPN-0519-VP	5.250	3U	45.1
XPN-0719-VP	7.000	4U	47.9
XPN-0819-VP	8.750	5U	49.6



24" EIA Width			
	"B1" # of Rack Units Used		% Opening
XPN-0324-VP	3.500	2U	32.1
XPN-0524-VP	5.250	3U	42.9
XPN-0724-VP	7.000	4U	45.5
XPN-0824-VP	8.750	5U	41.1

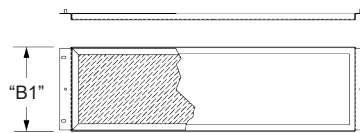
Filter

These filters mount behind aluminum vent grilles, providing protection of airborne particles.

Filters are washable and permanent.

Part Numbers

19" EIA Width			
	"B1" # of Rack Units Used		% Opening
ARFA-XXX-000319	3.500	2U	47.2
ARFA-XXX-000519	5.250	3U	52.5
ARFA-XXX-000719	7.000	4U	55.1
ARFA-XXX-000819	8.750	5U	56.6



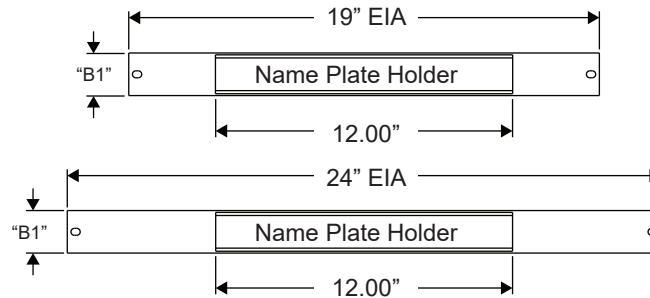
Name Plates

Name plates provide product or system identification. The name plate consists of an aluminum panel with a 12" length extrusion that can be labeled with a protective insert. Name plates mount to the mounting rail utilizing 1U of the available rack space in a frame. The name plate holder itself is 12" in length for both the 19" and 24" EIA Width versions.

Part Numbers

19" EIA Width	"B1" # of Rack Units Used	
APNA-0119-NP	1.750	1U

24" EIA Width	"B1" # of Rack Units Used	
APNA-0124-NP	1.750	1U



Plexiglas Panels

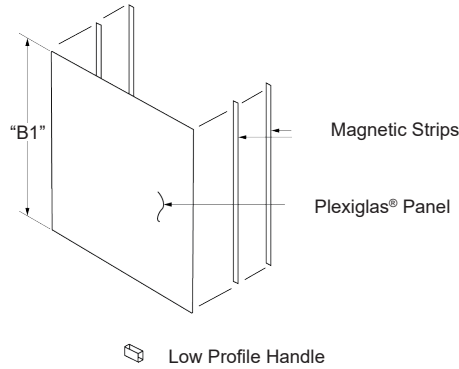
Plexiglas® Panels

Plexiglas® panels are designed to provide an attractive solution for closing off open rack units, yet allowing you to see in to view controls or other monitoring devices. The panels are constructed of .236" thick Plexiglas® and mount to the frame's mounting rails via magnetic strips. Choose from two color choices; smoked gray or bronze.

Part Numbers

19" EIA Width	"B1" # of Rack Units Used		Color
MM-1519-B	15.750	9U	Bronze
MM-1519-G	15.750	9U	Gray
MM-1719-B	17.500	10U	Bronze
MM-1719-G	17.500	10U	Gray
MM-2119-B	21.000	12U	Bronze
MM-2119-G	21.000	12U	Gray

24" EIA Width	"B1" # of Rack Units Used		Color
MM-1524-B	15.750	9U	Bronze
MM-1524-G	15.750	9U	Gray
MM-1724-B	17.500	10U	Bronze
MM-1724-G	17.500	10U	Gray
MM-2124-B	21.000	12U	Bronze
MM-2124-G	21.000	12U	Gray



Low Profile Handle

Add a low profile handle to the panel. The handle is black polished acrylic.

Part Number

MMP-01

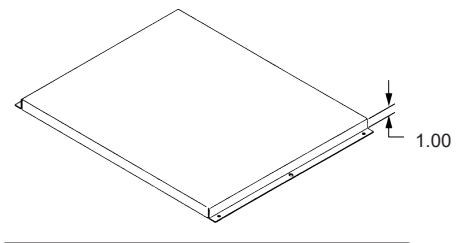
Bottom Panels

Bottom panels are designed to mount in the bottom of the frame.

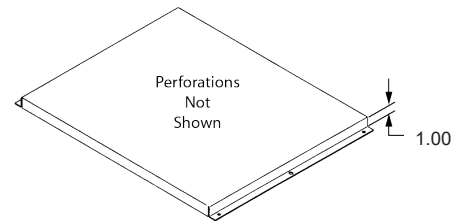
Part Numbers

19" EIA Width		
Solid	Perforated	Used in frames with this depth
XBP-2619	XBP-2619-PA	26.312
XBP-3119	XBP-3119-PA	31.562
XBP-3619	XBP-3619-PA	36.875
XBP-4219	XBP-4219-PA	42.125
XBP-4719	XBP-4719-PA	47.375

24" EIA Width		
Solid	Perforated	Used in frames with this depth
XBP-2624	XBP-2624-PA	26.312
XBP-3124	XBP-3124-PA	31.562
XBP-3624	XBP-3624-PA	36.875
XBP-4224	XBP-4224-PA	42.125



Solid
[14-gauge steel]



Perforated
[14-gauge steel]

Single Fan Panels



Single Fan Panel

Single Fan Panels are designed to mount in the top panel opening of a frame.

- 115 Volt AC power or 230 Volt AC Power.
- Fan Motors are UL component recognized; CSA certified.
- 10" diameter fan size with 2 finger guards.
- The life expectancy of the fan @ 104°F is 60,000 hours.
- Operating temperature range: -22°F to +140°F.
- The fan has a Feathered Edge™ blade for better noise control.

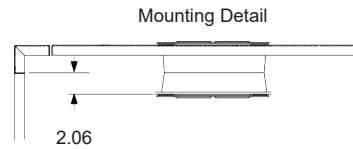
Part Numbers

19" EIA Width								
	# of Fans	CFM	Watts	Volts	dBA	"A1" Panel Depth		Plug
XPN-1719-FP	1	550	35	115	55	17.500	10U	yes
XPN-1719-FP-230	1	550	35	230	55	17.500	10U	no
XPN-2119-FP	1	550	35	115	55	21.000	12U	yes
XPN-2119-FP-230	1	550	35	230	55	21.000	12U	no
XPN-2219-FP	1	550	35	115	55	22.750	13U	yes
XPN-2219-FP-230	1	550	35	230	55	22.750	13U	no
XPN-2619-FP	1	550	35	115	55	26.250	15U	yes
XPN-2619-FP-230	1	550	35	230	55	26.250	15U	no
XPN-2819-FP	1	550	35	115	55	28.000	16U	yes
XPN-2819-FP-230	1	550	35	230	55	28.000	16U	no
XPN-3319-FP	1	550	35	115	55	33.250	19U	yes
XPN-3319-FP-230	1	550	35	230	55	33.250	19U	no
XPN-3819-FP	1	550	35	115	55	38.500	22U	yes
XPN-3819-FP-230	1	550	35	230	55	38.500	22U	no

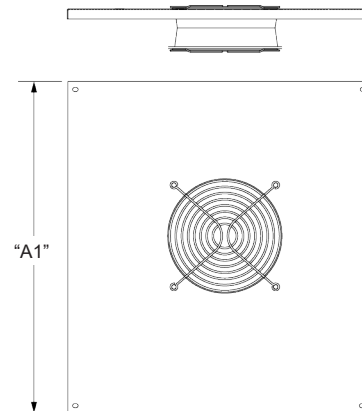
Air delivery based on operating at 60 HZ, single phase power.

24" EIA Width								
	# of Fans	CFM	Watts	Volts	dBA	"A1" Panel Depth		Plug
XPN-1724-FP	1	550	35	115	55	17.500	10U	yes
XPN-1724-FP-230	1	550	35	230	55	17.500	10U	no
XPN-2124-FP	1	550	35	115	55	21.000	12U	yes
XPN-2124-FP-230	1	550	35	230	55	21.000	12U	no
XPN-2224-FP	1	550	35	115	55	22.750	13U	yes
XPN-2224-FP-230	1	550	35	230	55	22.750	13U	no
XPN-2624-FP	1	550	35	115	55	26.250	15U	yes
XPN-2624-FP-230	1	550	35	230	55	26.250	15U	no
XPN-2824-FP	1	550	35	115	55	28.000	16U	yes
XPN-2824-FP-230	1	550	35	230	55	28.000	16U	no
XPN-3324-FP	1	550	35	115	55	33.250	19U	yes
XPN-3324-FP-230	1	550	35	230	55	33.250	19U	no
XPN-3824-FP	1	550	35	115	55	38.500	22U	yes
XPN-3824-FP-230	1	550	35	230	55	38.500	22U	no

Air delivery based on operating at 60 HZ, single phase power.



Note: When mounted as a top panel, the fan housing assembly extends into the frame opening by 2.06".



Note:
115 Volt includes a 6' power cord with molded 5-15P plug.
230 Volt has no plug.

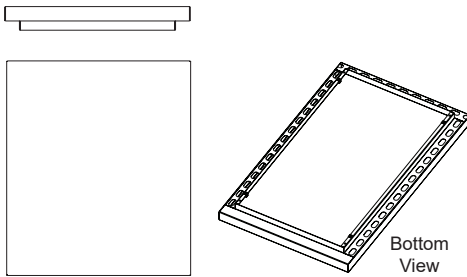
Pagoda Vents

Available in three types, plain, fan and impeller, pagoda vents assist in proper thermal management of enclosures. Designed to mount on top of the frame, adding 2.27" to the overall height, these vents allow air to exhaust out the top of the cabinet with out taking up any valuable rack space.

Part Numbers

19" EIA Width					
Plain	Fan	Impeller	Impeller w/ temp control set at 90°	Impeller w/ temp control set at 110°	Use w/ frames w/ this depth
XPT-2619	XPT-2619-FP	XPT-2619-I	XPT-2619-IT90	XPT-2619-IT110	26.312
XPT-3119	XPT-3119-FP	XPT-3119-I	XPT-3119-IT90	XPT-3119-IT110	31.562
XPT-3619	XPT-3619-FP	XPT-3619-I	XPT-3619-IT90	XPT-3619-IT110	36.875
XPT-4219	XPT-4219-FP	XPT-4219-I	XPT-4219-IT90	XPT-4219-IT110	42.125

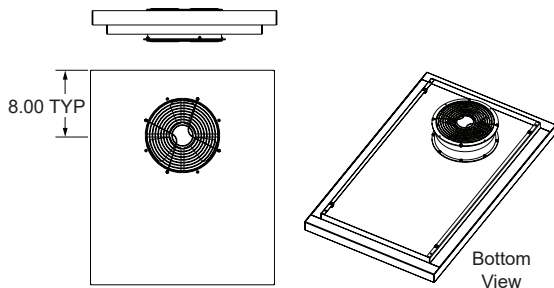
24" EIA Width					
Plain	Fan	Impeller	Impeller w/ temp control set at 90°	Impeller w/ temp control set at 110°	Use w/ frames w/ this depth
XPT-2624	XPT-2624-FP	XPT-2624-I	XPT-2624-IT90	XPT-2624-IT110	26.312
XPT-3124	XPT-3124-FP	XPT-3124-I	XPT-3124-IT90	XPT-3124-IT110	31.562
XPT-3624	XPT-3624-FP	XPT-3624-I	XPT-3624-IT90	XPT-3624-IT110	36.875
XPT-4224	XPT-4224-FP	XPT-4224-I	XPT-4224-IT90	XPT-4224-IT110	42.125



Plain Pagoda

Provides air circulation in a populated enclosure.

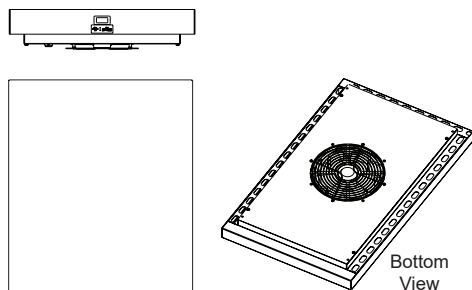
- Natural Convection.



Fan Pagoda

Provides active air circulation in a populated enclosure.

- 550 CFM, 60 Hz, 55 dBA.
- 115 Volt AC power.
- Fan Motors are UL component recognized; CSA certified.
- 10" diameter fan size with 2 finger guards.
- Operating temperature range: -22°F to +140°F.
- Supplied with a 72" 18/3 SJ power cord with a NEMA 5-15P plug.



Impeller Pagoda

Equalizes static air pressure in a populated enclosure.

- 770 CFM, 60 Hz, 71 dBA.
- 160 W power draw at 60 Hz.
- Fan Motors are UL component recognized; CSA certified.
- 8.86" diameter impeller size, thermally protected.
- Maximum operating temperature is 122°F.
- Permanently lubricated ball bearing motor.
- Static pressure draw of up to 2.6" H2O
- Supplied with a 72" 18/3 SJ power cord with a NEMA 5-15P plug.

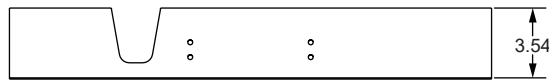
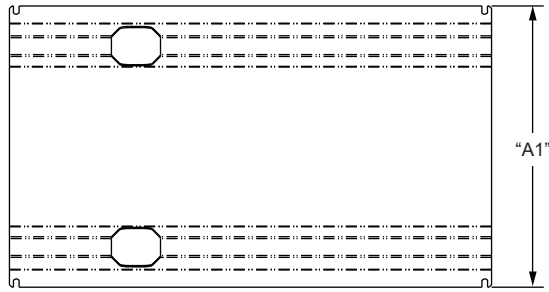
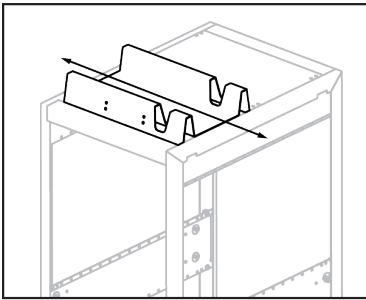
Overhead Cable Trays

Overhead Cable Tray

Allows cables to run left to right on top of a cabinet.

Accepts accessory styles A or C.

Use in conjunction with the appropriate filler panel to cover entire top opening.



Part Numbers

19" EIA Width	"A1" Tray Depth	
CMO-1419-LR	14.00	8U

24" EIA Width	"A1" Tray Depth	
CMO-1424-LR	14.00	8U

Lift Kit Assembly

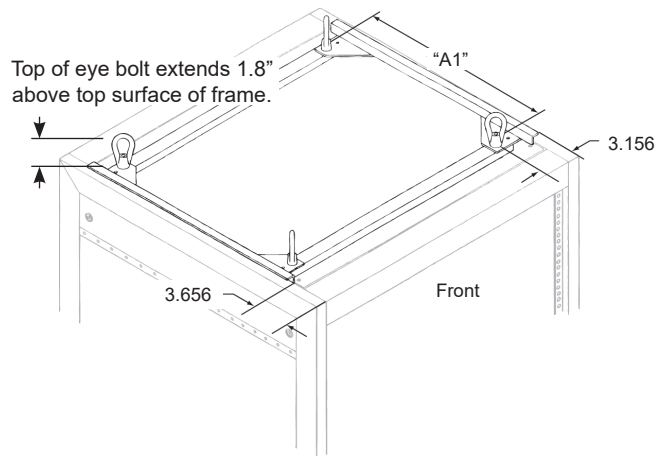
The lift kit can be bolted into the top of any vertical frame at any time. The kit includes all necessary hardware.

- Total load capacity including the frame is approximately 1,500 lbs. This rating assumes it is rigged for a straight up lift.

Part Numbers

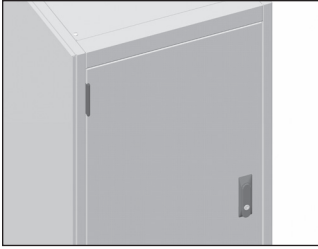
19" EIA Width			
Solid	Perforated	"A1" Kit Depth	
XLA-2619	XLA-2619-PA	22.750	13U
XLA-3119	XLA-3119-PA	28.000	16U
XLA-3619	XLA-3619-PA	33.250	19U

24" EIA Width			
Solid	Perforated	"A1" Kit Depth	
XLA-2624	XLA-2624-PA	22.750	13U
XLA-3124	XLA-3124-PA	28.000	16U
XLA-3624	XLA-3624-PA	33.250	19U



Lift Kit
 [Panel: 16-gauge steel]
 [Cross Bars: 18-gauge steel]

Flush Mount Doors



Flush Mount Doors

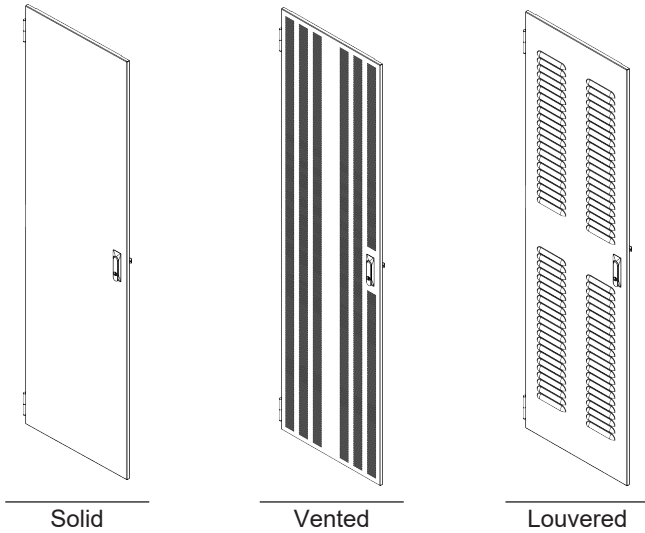
Flush mount doors fit into the vertical panel opening of the frame. The doors utilize the mounting rails for an attachment point. Lift-off hinges, in a stylish black finish, allow for quick removal. The low-profile single point lockable handle provides the security your system may need.

Note Flush doors mount to the front flange of the mounting rails and can fill all or portions of the usable space in the front or rear of a frame. Be aware of possible interference if other rack mount equipment that utilizes the front flange of the rail is used in conjunction with flush mount doors.

How to configure the door part number. Example: DF-HSL-7024

PREFIX	STYLE	HINGE SIDE	HEIGHT (FILLS THE OPENING)			WIDTH (EIA SPACING)
DF-H	<input type="checkbox"/> S (Solid)	<input type="checkbox"/> L (Left Hinge)	<input type="checkbox"/> -84 (48U)	<input type="checkbox"/> -49 (28U)	<input type="checkbox"/> -28 (16U)	<input type="checkbox"/> 24
	<input type="checkbox"/> V (Vented)	<input type="checkbox"/> R (Right Hinge)	<input type="checkbox"/> -78 (45U)	<input type="checkbox"/> -47 (27U)	<input type="checkbox"/> -26 (15U)	<input type="checkbox"/> 19
	<input type="checkbox"/> L (Louvered)		<input type="checkbox"/> -73 (42U)	<input type="checkbox"/> -45 (26U)	<input type="checkbox"/> -24 (14U)	
			<input type="checkbox"/> -71 (41U)	<input type="checkbox"/> -43 (25U)	<input type="checkbox"/> -22 (13U)	
			<input type="checkbox"/> -70 (40U)	<input type="checkbox"/> -42 (24U)	<input type="checkbox"/> -21 (12U)	
			<input type="checkbox"/> -64 (37U)	<input type="checkbox"/> -40 (23U)	<input type="checkbox"/> -19 (11U)	
			<input type="checkbox"/> -63 (36U)	<input type="checkbox"/> -38 (22U)	<input type="checkbox"/> -17 (10U)	
			<input type="checkbox"/> -61 (35U)	<input type="checkbox"/> -36 (21U)	<input type="checkbox"/> -15 (9U)	
			<input type="checkbox"/> -56 (32U)	<input type="checkbox"/> -35 (20U)	<input type="checkbox"/> -14 (8U)	
			<input type="checkbox"/> -54 (31U)	<input type="checkbox"/> -33 (19U)	<input type="checkbox"/> -12 (7U)	
			<input type="checkbox"/> -52 (30U)	<input type="checkbox"/> -31 (18U)	<input type="checkbox"/>	

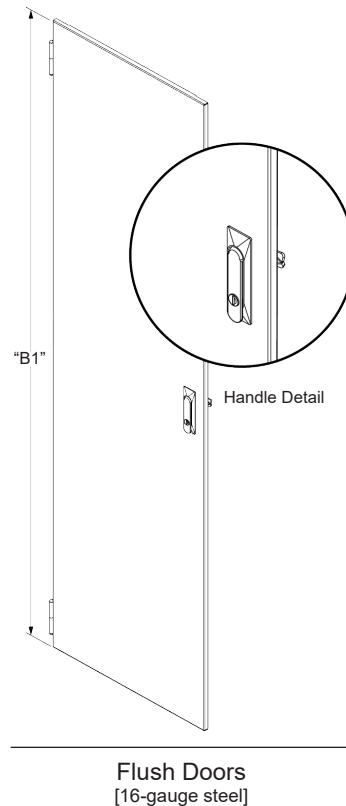
Door Styles Available



Solid

Vented

Louvered



Flush Doors
[16-gauge steel]

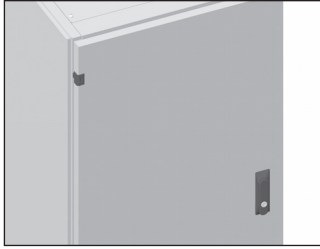
Part Numbers

19" EIA Width	24" EIA Width	
<p>[1] Block Indicate: [S] = Solid [V] = Vented [L] = Louvered</p> <p>[2] Block Indicate: [R] = Right Hinge [L] = Left Hinge</p>	<p>[1] Block Indicate: [S] = Solid [V] = Vented [L] = Louvered</p> <p>[2] Block Indicate: [R] = Right Hinge [L] = Left Hinge</p>	"B1" # of Rack Units Used

Fills all, or portions of, the usable height in all frames.

DF-H[1][2]-1219	DF-H[1][2]-1224	12.250	7U
DF-H[1][2]-1419	DF-H[1][2]-1424	14.000	8U
DF-H[1][2]-1519	DF-H[1][2]-1524	15.750	9U
DF-H[1][2]-1719	DF-H[1][2]-1724	17.500	10U
DF-H[1][2]-1919	DF-H[1][2]-1924	19.250	11U
DF-H[1][2]-2119	DF-H[1][2]-2124	21.000	12U
DF-H[1][2]-2219	DF-H[1][2]-2224	22.750	13U
DF-H[1][2]-2419	DF-H[1][2]-2424	24.500	14U
DF-H[1][2]-2619	DF-H[1][2]-2624	26.250	15U
DF-H[1][2]-2819	DF-H[1][2]-2824	28.000	16U
DF-H[1][2]-3119	DF-H[1][2]-3124	31.500	18U
DF-H[1][2]-3319	DF-H[1][2]-3324	33.250	19U
DF-H[1][2]-3519	DF-H[1][2]-3524	35.000	20U
DF-H[1][2]-3619	DF-H[1][2]-3624	36.750	21U
DF-H[1][2]-3819	DF-H[1][2]-3824	38.500	22U
DF-H[1][2]-4019	DF-H[1][2]-4024	40.250	23U
DF-H[1][2]-4219	DF-H[1][2]-4224	42.000	24U
DF-H[1][2]-4319	DF-H[1][2]-4324	43.750	25U
DF-H[1][2]-4519	DF-H[1][2]-4524	45.500	26U
DF-H[1][2]-4719	DF-H[1][2]-4724	47.250	27U
DF-H[1][2]-4919	DF-H[1][2]-4924	49.000	28U
DF-H[1][2]-5219	DF-H[1][2]-5224	52.500	30U
DF-H[1][2]-5419	DF-H[1][2]-5424	54.250	31U
DF-H[1][2]-5619	DF-H[1][2]-5624	56.000	32U
DF-H[1][2]-6119	DF-H[1][2]-6124	61.250	35U
DF-H[1][2]-6319	DF-H[1][2]-6324	63.000	36U
DF-H[1][2]-6419	DF-H[1][2]-6424	64.750	37U
DF-H[1][2]-7019	DF-H[1][2]-7024	70.000	40U
DF-H[1][2]-7119	DF-H[1][2]-7124	71.750	41U
DF-H[1][2]-7319	DF-H[1][2]-7324	73.500	42U
DF-H[1][2]-7819	DF-H[1][2]-7824	78.750	45U
DF-H[1][2]-8419	DF-H[1][2]-8424	78.750	48U

Surface Mount Doors (Steel)



Surface Mount Doors

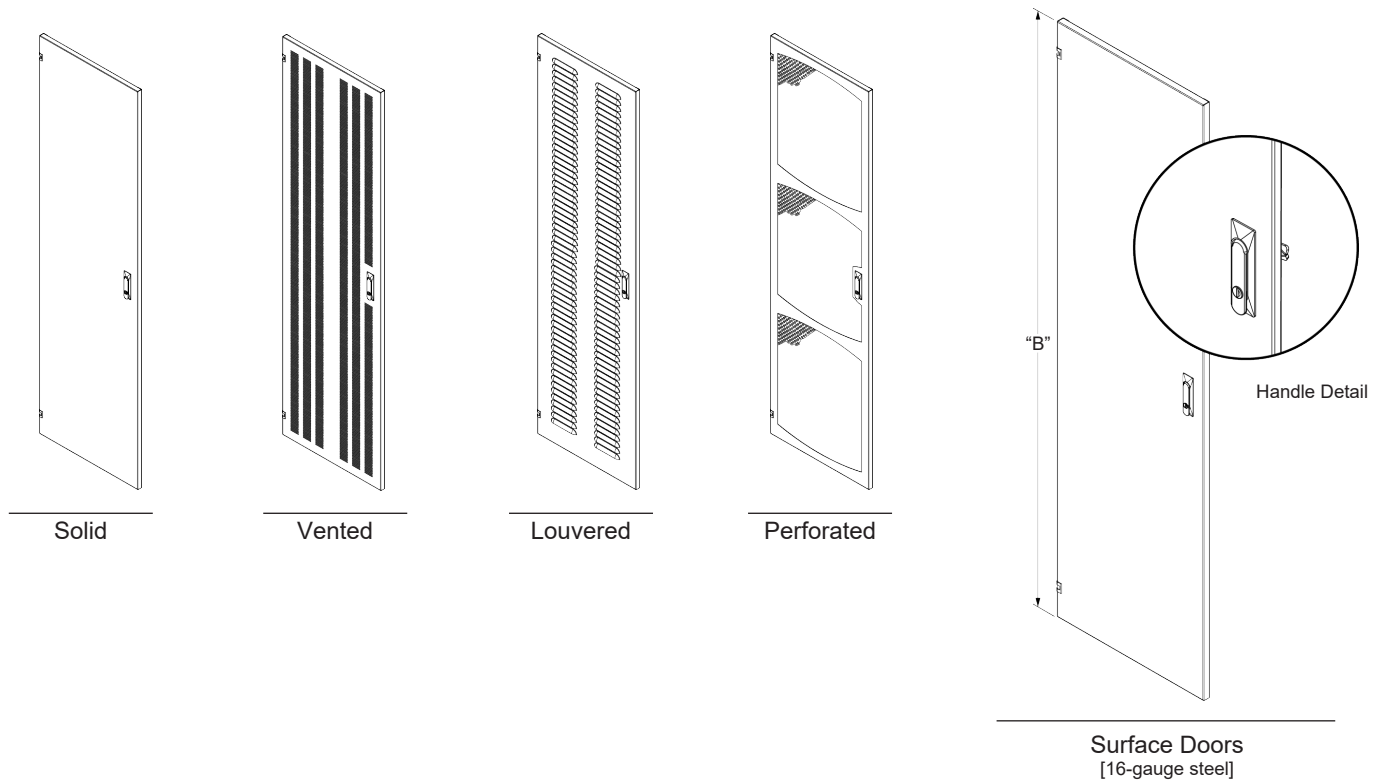
Surface mount doors cover the panel opening of the frame providing the space necessary to mount equipment and accessories behind the door panel. Available in four styles, the doors feature a low-profile lockable single point latch handle and stylized black hinges that allow for 120° of rotation. When mounted, these doors add 1.00" to the overall depth.

Note The frame must be drilled to accept surface doors, therefore door mounting location must be supplied at the time of order placement.

How to configure the door part number. Example: DS-XPR-6119

PREFIX	STYLE	HINGE SIDE	HEIGHT (COVERS THE OPENING)		WIDTH (EIA SPACING)
DS-X	<input type="checkbox"/> S (Solid)	<input type="checkbox"/> L (Left Hinge)	<input type="checkbox"/> -84 (48U)	<input type="checkbox"/> -45 (26U)	<input type="checkbox"/> 24
	<input type="checkbox"/> V (Vented)	<input type="checkbox"/> R (Right Hinge)	<input type="checkbox"/> -78 (45U)	<input type="checkbox"/> -40 (23U)	<input type="checkbox"/> 19
	<input type="checkbox"/> L (Louvered)		<input type="checkbox"/> -73 (42U)	<input type="checkbox"/> -35 (20U)	
	<input type="checkbox"/> P (Perforated)		<input type="checkbox"/> -70 (40U)	<input type="checkbox"/> -33 (19U)	
			<input type="checkbox"/> -63 (36U)	<input type="checkbox"/> -31 (18U)	
			<input type="checkbox"/> -61 (35U)	<input type="checkbox"/> -26 (15U)	
			<input type="checkbox"/> -52 (30U)	<input type="checkbox"/> -24 (14U)	
			<input type="checkbox"/> -49 (28U)	<input type="checkbox"/>	

Door Styles Available



Part Numbers

19" EIA Width	24" EIA Width		"B" Overall Height	Covers opening in frames w/ this usable height
[1] Block Indicate: [S] = Solid [V] = Vented [L] = Louvered [P] = Perforated [2] Block Indicate: [R] = Right Hinge [L] = Left Hinge	[1] Block Indicate: [S] = Solid [V] = Vented [L] = Louvered [P] = Perforated [2] Block Indicate: [R] = Right Hinge [L] = Left Hinge			
Note: P only available in 20U - 45U sizes.				

Covers the entire opening on 15U "Desk Height" & 19U "Counter Height" Frames with work Surface Provisions

DS-X[1][2]-2419	DS-X[1][2]-2424	26.625	covers	14U
DS-X[1][2]-3119	DS-X[1][2]-3124	33.625	covers	18U

Covers the entire opening on Vertical frames

DS-X[1][2]-2619	DS-X[1][2]-2624	29.125	covers	15U
DS-X[1][2]-3319	DS-X[1][2]-3324	36.125	covers	19U
DS-X[1][2]-3519	DS-X[1][2]-3524	37.875	covers	20U
DS-X[1][2]-4019	DS-X[1][2]-4024	43.125	covers	23U
DS-X[1][2]-4919	DS-X[1][2]-4924	51.875	covers	28U
DS-X[1][2]-5219	DS-X[1][2]-5224	55.375	covers	30U
DS-X[1][2]-6119	DS-X[1][2]-6124	64.125	covers	35U
DS-X[1][2]-6319	DS-X[1][2]-6324	65.875	covers	36U
DS-X[1][2]-7019	DS-X[1][2]-7024	72.875	covers	40U
DS-X[1][2]-7319	DS-X[1][2]-7324	76.375	covers	42U
DS-X[1][2]-7819	DS-X[1][2]-7824	81.625	covers	45U
DS-X[1][2]-8419	DS-X[1][2]-8424	86.875	covers	48U

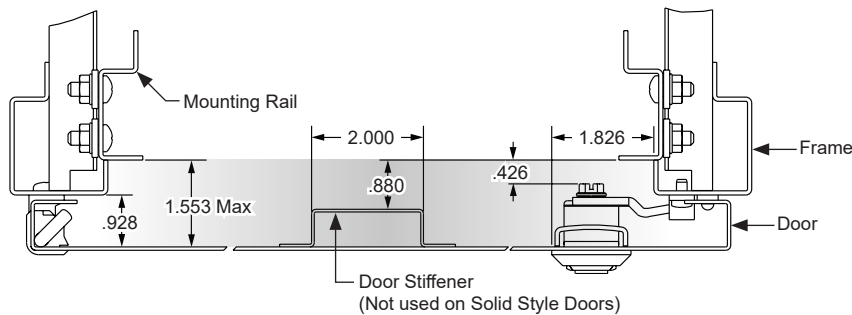
Covers the entire opening on Slope Front frames

DS-X[1][2]-2619 (front)	DS-X[1][2]-2624 (front)	29.125	covers	15U
DS-X[1][2]-4519 (rear)	DS-X[1][2]-4524 (rear)	48.375	covers	26U
DS-X[1][2]-4919 (rear)	DS-X[1][2]-4924 (rear)	51.875	covers	28U

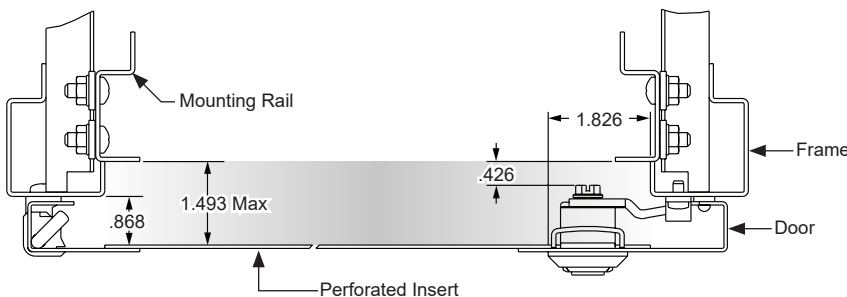
Covers the entire opening on Slope Front frames with work Surface Provisions

DS-X[1][2]-2419 (front)	DS-X[1][2]-2424 (front)	26.625	covers	14U
DS-X[1][2]-4519 (rear)	DS-X[1][2]-4524 (rear)	48.375	covers	26U
DS-X[1][2]-4919 (rear)	DS-X[1][2]-4924 (rear)	51.875	covers	28U

Solid, Vented, Louvered Section View



Perforated Section View



Surface Mount Doors (Aluminum Framed Window)

Aluminum Framed Window Doors

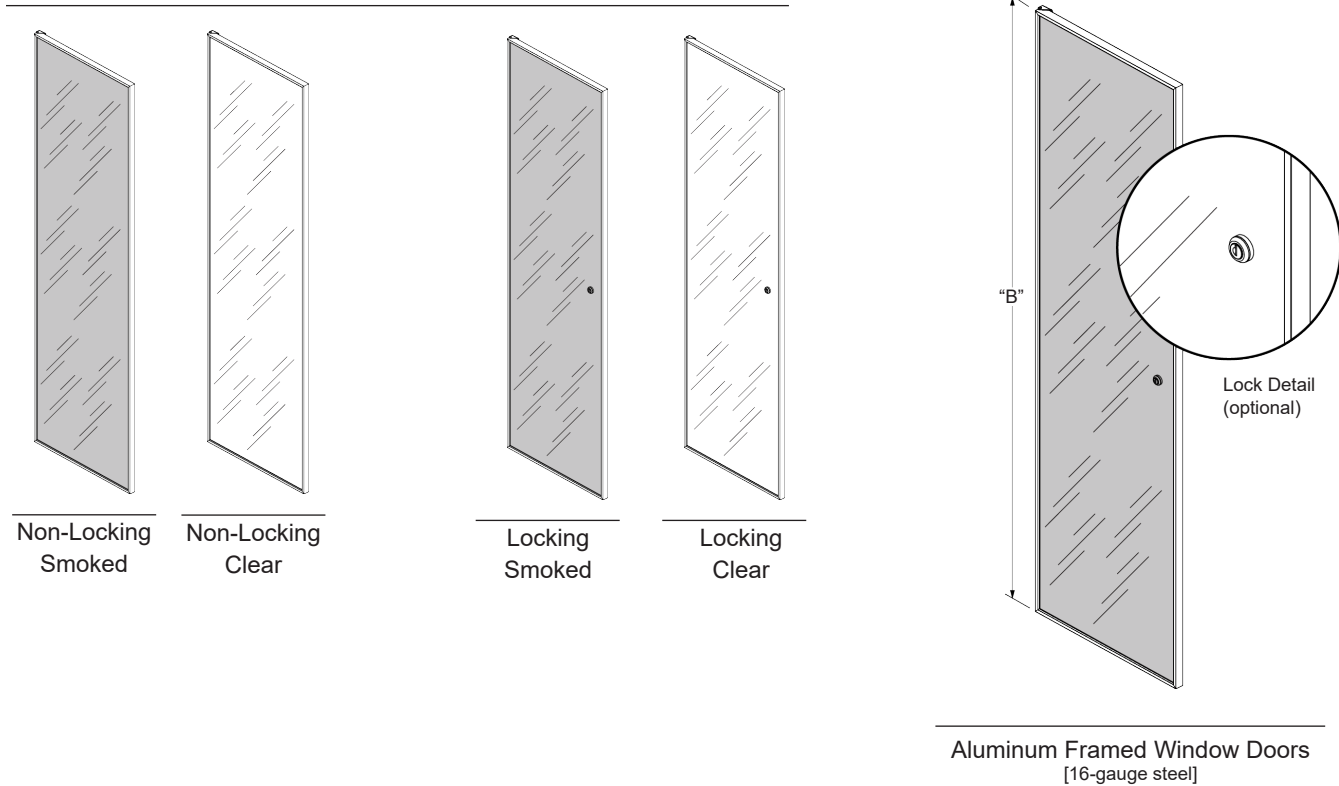
Window doors allow visibility of indicator lights and other operating equipment. The clear anodized aluminum extruded frame is supplied with an 1/8" thick tinted (smoked) plexiglass window panel and a magnetic latching system. The doors are available in either locking or non-locking versions. When mounted, these doors add 1.28" to the overall depth.

Note The frame must be drilled to accept surface doors, therefore door mounting location must be supplied at the time of order placement.

How to configure the door part number. Example: XWDA-5224-LH

PREFIX	HEIGHT (COVERS THE OPENING)		WIDTH (EIA SPACING)	HINGE SIDE	SUFFIX	WINDOW COLOR
XWDA	<input type="checkbox"/> -84 (48U)	<input type="checkbox"/> -49 (28U)	<input type="checkbox"/> 24	<input type="checkbox"/> -LH (Left Hinge) <input type="checkbox"/> -RH (Right Hinge)	<input type="checkbox"/> Blank (Non-Locking)	<input type="checkbox"/> Blank (Smoked)
	<input type="checkbox"/> -78 (45U)	<input type="checkbox"/> -40 (23U)	<input type="checkbox"/> 19		<input type="checkbox"/> -LK (Locking)	<input type="checkbox"/> -WC (Clear)
	<input type="checkbox"/> -70 (40U)	<input type="checkbox"/> -35 (20U)				
	<input type="checkbox"/> -63 (36U)	<input type="checkbox"/> -33 (19U)				
	<input type="checkbox"/> -61 (35U)	<input type="checkbox"/> -26 (15U)				
	<input type="checkbox"/> -52 (30U)	<input type="checkbox"/>				

Door Styles Available



Surface Mount Doors (Aluminum Framed Window)

Part Numbers

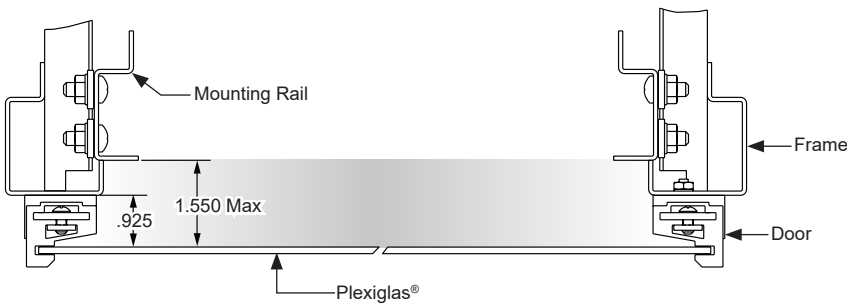
19" EIA Width	24" EIA Width		
<p>[1] Block Indicate: [-LH] = Left Hinge [-RH] = Right Hinge</p> <p>[2] Block Indicate: Blank = Non Locking [-LK] = Locking</p> <p>[3] Block Indicate: [blank] = Window w/ Smoked Plexiglas® [-WC] = Window w/ Clear Plexiglas®</p>	<p>[1] Block Indicate: [-LH] = Left Hinge [-RH] = Right Hinge</p> <p>[2] Block Indicate: Blank = Non Locking [-LK] = Locking</p> <p>[3] Block Indicate: [blank] = Window w/ Smoked Plexiglas® [-WC] = Window w/ Clear Plexiglas®</p>	"B" Overall Height	Covers opening in frames w/ this usable height

Covers the entire opening on Vertical frames.

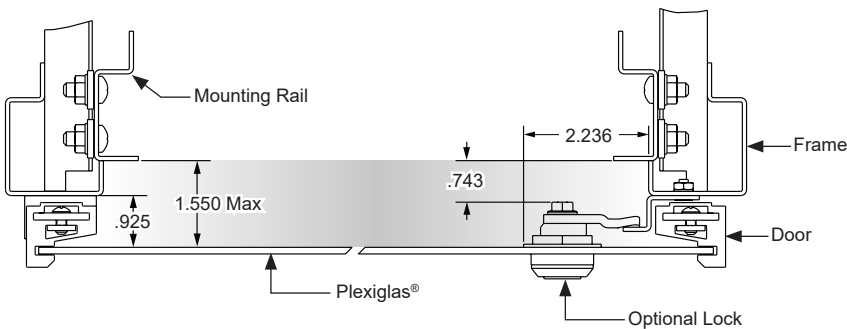
XWDA-2619[1][2][3]	XWDA-2624[1][2][3]	29.125	covers 15U
XWDA-3319[1][2][3]	XWDA-3324[1][2][3]	36.125	covers 19U
XWDA-3519[1][2][3]	XWDA-3524[1][2][3]	37.875	covers 20U
XWDA-4019[1][2][3]	XWDA-4024[1][2][3]	43.125	covers 23U
XWDA-4919[1][2][3]	XWDA-4924[1][2][3]	51.875	covers 28U
XWDA-5219[1][2][3]	XWDA-5224[1][2][3]	55.375	covers 30U
XWDA-6119[1][2][3]	XWDA-6124[1][2][3]	64.125	covers 35U
XWDA-6319[1][2][3]	XWDA-6324[1][2][3]	65.875	covers 36U
XWDA-7019[1][2][3]	XWDA-7024[1][2][3]	72.875	covers 40U
XWDA-7819[1][2][3]	XWDA-7824[1][2][3]	81.625	covers 45U
XWDA-8419[1][2][3]	XWDA-8424[1][2][3]	86.125	covers 48U

Not available for Frames with Work Surface Provisions or for Slope Front frames.

Non-Locking Section View



Locking Section View



Surface Mount Doors (Contour)

Contour Doors

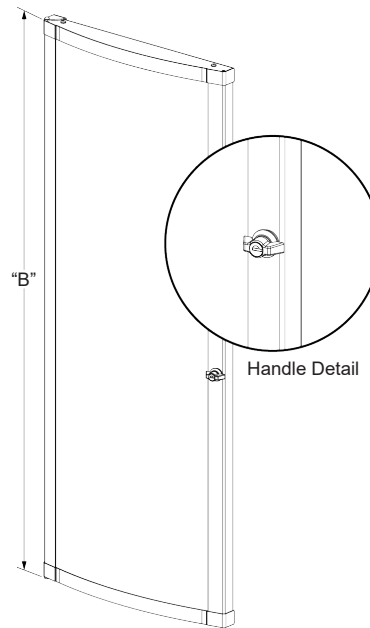
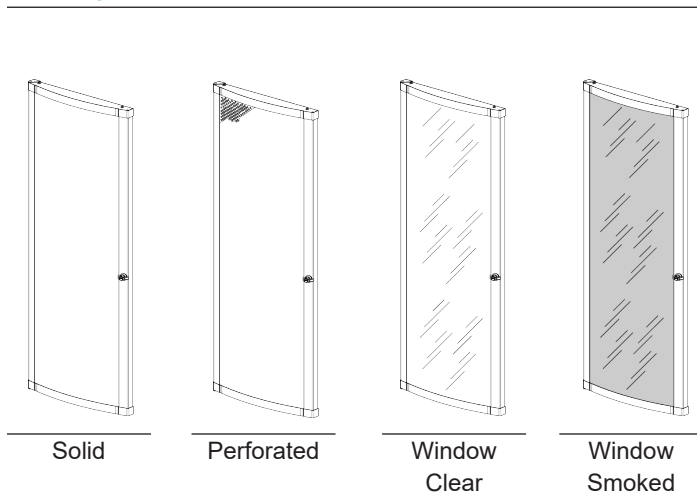
Contour doors feature a contour, rather than a flat front, adding a unique aesthetic as well as additional space behind the door for bulky equipment. The door frame is supplied with one of 4 insert options, solid steel, perforated steel, 1/16" thick clear plexiglass or 1/16" thick tinted (smoked) plexiglass. When mounted, these doors add 3.11" to the overall depth.

Note These doors are only available for 19" EIA width frames. The frame must be drilled to accept surface doors, therefore door mounting location must be supplied at the time of order placement.

How to configure the door part number. Example: DS-XRL-P-7019

PREFIX	HINGE SIDE	STYLE	HEIGHT (COVERS THE OPENING)	WIDTH (EIA SPACING)
DS-XR	<input type="checkbox"/> L (Left Hinge) <input type="checkbox"/> R (Right Hinge)	<input type="checkbox"/> -S (Solid) <input type="checkbox"/> -P (Perforated) <input type="checkbox"/> -WC (Window Clear) <input type="checkbox"/> -WS (Window Smoked)	<input type="checkbox"/> -78 (45U) <input type="checkbox"/> -73 (42U) <input type="checkbox"/> -70 (40U) <input type="checkbox"/> -63 (36U) <input type="checkbox"/> -61 (35U) <input type="checkbox"/> -52 (30U) <input type="checkbox"/> -49 (28U) <input type="checkbox"/> -40 (23U) <input type="checkbox"/> -35 (20U) <input type="checkbox"/> -33 (19U) <input type="checkbox"/> -26 (15U)	<input type="checkbox"/> 19

Door Styles Available



Part Numbers

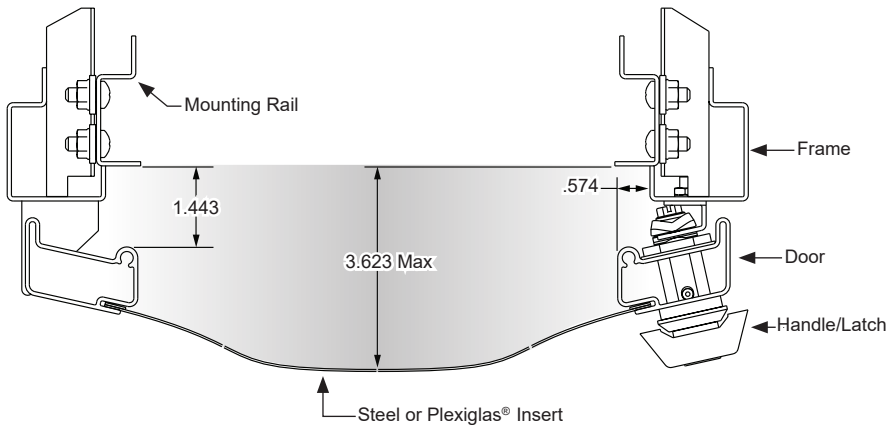
19" EIA Width		
<p>[1] Block Indicate: [R] = Right Hinge [L] = Left Hinge</p> <p>[2] Block Indicate: [S] = Solid [P] = Perforated [WC] = Window Clear [WS] = Window Smoked</p>	"B" Overall Height	Covers opening in frames w/ this usable height

Covers the entire opening on Vertical frames.

DS-XR[1]-[2]-2619	28.875	covers 15U
DS-XR[1]-[2]-3319	35.875	covers 19U
DS-XR[1]-[2]-3519	37.625	covers 20U
DS-XR[1]-[2]-4019	42.875	covers 23U
DS-XR[1]-[2]-4919	51.625	covers 28U
DS-XR[1]-[2]-5219	55.125	covers 30U
DS-XR[1]-[2]-6119	63.875	covers 35U
DS-XR[1]-[2]-6319	65.625	covers 36U
DS-XR[1]-[2]-7019	72.625	covers 40U
DS-XR[1]-[2]-7319	76.125	covers 42U
DS-XR[1]-[2]-7819	81.375	covers 45U

Not available for Frames with Work Surface Provisions or for Slope Front frames.

Section View



Side Panels

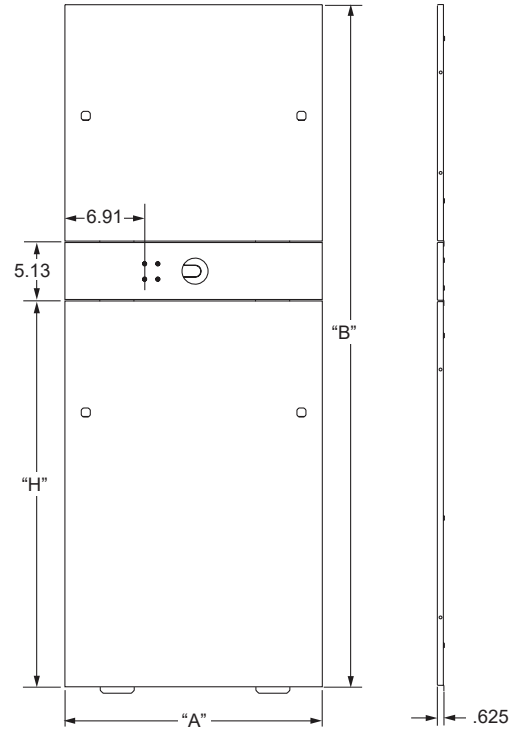
Side Panel Kit with Articulating Arm Provisions for Vertical Frames 30U - 48U

Each kit contains three panels that fill the opening on the side of a frame. The middle panel (which is installed and secured in place first) has provisions for one articulating arm and a hole with a grommet to route cables. The top and bottom panels can then be removed from the outside; independent of each other. Formed tabs lock the side panels into place at the bottom while external fasteners near the top secure the panels in place. Select from one of three fastener choices. Articulating arm and fasteners sold separately.

Part Numbers

Solid	"A" Overall Depth	"B" Overall Height	Use w/ frames w/ this overall depth	Use w/ frames w/ this usable height	"H" Panel Height	"M" Monitor Placement	
XSP-MM-DIV-2652	22.750	52.531	26.312	52.500	30U	38.625	H+14.2 +/-5
XSP-MM-DIV-3152	28.000	52.531	31.562	52.500	30U	38.625	H+14.2 +/-5
XSP-MM-DIV-3652	33.250	52.531	36.875	52.500	30U	38.625	H+14.2 +/-5
XSP-MM-DIV-2661	22.750	61.281	26.312	61.250	35U	43.875	H+14.2 +/-5
XSP-MM-DIV-3161	28.000	61.281	31.562	61.250	35U	43.875	H+14.2 +/-5
XSP-MM-DIV-3661	33.250	61.281	36.875	61.250	35U	43.875	H+14.2 +/-5
XSP-MM-DIV-2663	22.750	63.031	26.312	63.000	36U	43.875	H+14.2 +/-5
XSP-MM-DIV-3163	28.000	63.031	31.562	63.000	36U	43.875	H+14.2 +/-5
XSP-MM-DIV-3663	33.250	63.031	36.875	63.000	36U	43.875	H+14.2 +/-5
XSP-MM-DIV-2670	22.750	70.031	26.312	70.000	40U	43.875	H+14.2 +/-5
XSP-MM-DIV-3170	28.000	70.031	31.562	70.000	40U	43.875	H+14.2 +/-5
XSP-MM-DIV-3670	33.250	70.031	36.875	70.000	40U	43.875	H+14.2 +/-5
XSP-MM-DIV-2673	22.750	73.531	26.312	73.500	42U	43.875	H+14.2 +/-5
XSP-MM-DIV-3173	28.000	73.531	31.562	73.500	42U	43.875	H+14.2 +/-5
XSP-MM-DIV-3673	33.250	73.531	36.875	73.500	42U	43.875	H+14.2 +/-5
XSP-MM-DIV-2678	22.750	78.781	26.312	78.750	45U	43.875	H+14.2 +/-5
XSP-MM-DIV-3178	28.000	78.781	31.562	78.750	45U	43.875	H+14.2 +/-5
XSP-MM-DIV-3678	33.250	78.781	36.875	78.750	45U	43.875	H+14.2 +/-5
XSP-MM-DIV-2684	22.750	84.031	26.312	84.000	48U	46.625	H+14.2 +/-5
XSP-MM-DIV-3184	28.000	84.031	31.562	84.000	48U	46.625	H+14.2 +/-5
XSP-MM-DIV-3684	33.250	84.031	36.875	84.000	48U	46.625	H+14.2 +/-5

Recommended Arm = HS-W1-AD | Max reach is 20" | Adds 4.5" to width when stowed



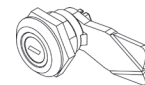
Note: In order for this side panel kit to work, a pair of mounting rails must be located in the rear most position.

Fastener Options (4 per side panel required)

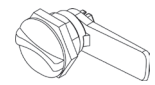
Identify the fastener that meets your requirement. The fastener will be assembled prior to shipment.



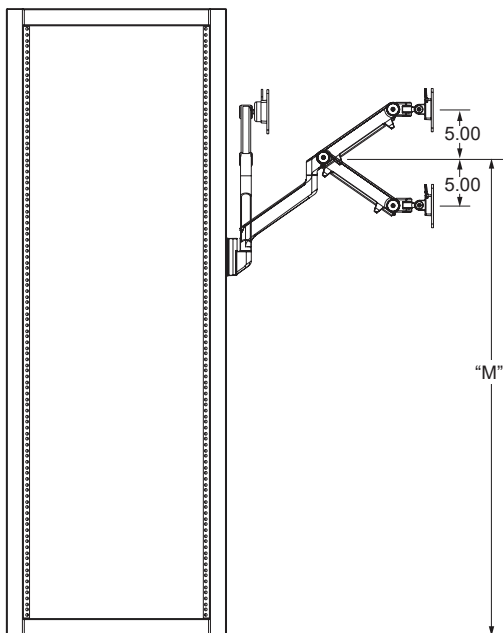
Part Number
LATCH/SLOTTED



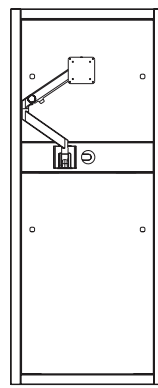
Part Number
LATCH/KEYED



Part Number
LATCH/WING



Front View
[HS-W1-AD monitor arm shown]



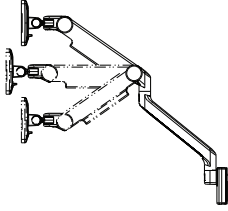
Side View
[HS-W1-AD monitor arm shown]

Articulating Arm Options for Panel Style Side Panel Kits

Articulating Arms that Fit Divider Style Side Panel Kits

These wall mount style articulating arms work with the Divider Style side panel kits. Choose one arm per side panel. Each arm is black in color and can support one item weighing up to 15 lbs.

Dynamic Style Articulating



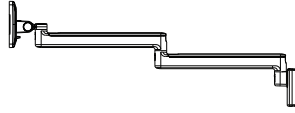
**Recommended*

Part Number

HS-W1-AD

15 lb. Capacity

Straight Style Articulating

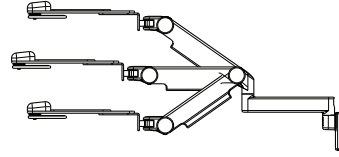


Part Number

HS-W1-S12S12

15 lb. Capacity

Keyboard Tray



Part Number

HS-W1-S8D-K

15 lb. Capacity

Tilt



Part Number

HS-W1-N

15 lb. Capacity

Side Panels

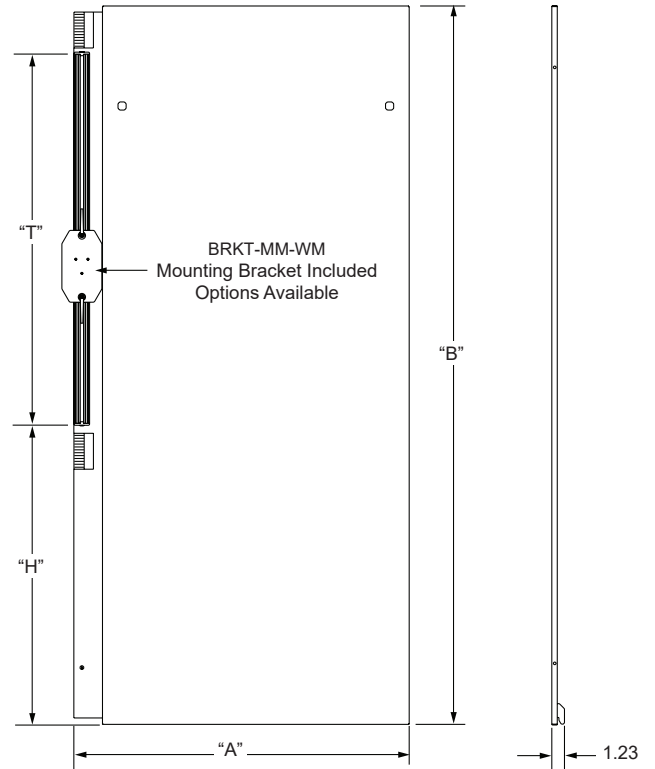
Side Panel Kit with Track Style Articulating Arm Provisions for Vertical Frames 30U - 48U

Each kit contains a panel and a track that fill the opening on the side of a frame. The track comes with a mount for one articulating arm. There are grommet holes above and below the track to route cables. Due to how the track is installed, it allows the side panel to be removed from the outside; independent of the track. External fasteners near the top of the panel secure it in place. Select from one of three fastener choices. Articulating arms, additional mounting brackets, and side panel fasteners sold separately.

Part Numbers

Solid	"A" Overall Depth	"B" Overall Height	Use w/ frames w/ this overall depth	Use w/ frames w/ this usable height	"H" Height to Track	"T" Track Length
XSP-MM-2652	22.128	52.531	26.312	52.500	30U	17.600
XSP-MM-3152	27.378	52.531	31.562	52.500	30U	17.600
XSP-MM-3652	32.691	52.531	36.875	52.500	30U	17.600
XSP-MM-2661	22.128	61.281	26.312	61.250	35U	20.443
XSP-MM-3161	27.378	61.281	31.562	61.250	35U	20.443
XSP-MM-3661	32.691	61.281	36.875	61.250	35U	20.443
XSP-MM-2663	22.128	63.031	26.312	63.000	36U	20.099
XSP-MM-3163	27.378	63.031	31.562	63.000	36U	20.099
XSP-MM-3663	32.691	63.031	36.875	63.000	36U	20.099
XSP-MM-2670	22.128	70.031	26.312	70.000	40U	29.099
XSP-MM-3170	27.378	70.031	31.562	70.000	40U	29.099
XSP-MM-3670	32.691	70.031	36.875	70.000	40U	29.099
XSP-MM-2673	22.128	73.531	26.312	73.500	42U	32.599
XSP-MM-3173	27.378	73.531	31.562	73.500	42U	32.599
XSP-MM-3673	32.691	73.531	36.875	73.500	42U	32.599
XSP-MM-2678	22.128	78.781	26.312	78.750	45U	37.849
XSP-MM-3178	27.378	78.781	31.562	78.750	45U	37.849
XSP-MM-3678	32.691	78.781	36.875	78.750	45U	37.849
XSP-MM-2684	22.128	84.031	26.312	84.000	48U	41.250
XSP-MM-3184	27.378	84.031	31.562	84.000	48U	41.250
XSP-MM-3684	32.691	84.031	36.875	84.000	48U	41.250

Recommended Arm = HS-W1-AD | Max reach is 20" | Adds 4.5" to width when stowed



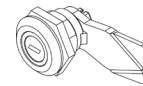
Note: Optional mounts and articulating arms available. Select from keyboard trays, monitor and keyboard tray combos. Don't see what you need, ask about getting a custom mounting bracket made.

Fastener Options (2 per side panel required)

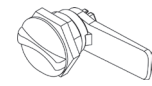
Identify the fastener that meets your requirement. The fastener will be assembled prior to shipment.



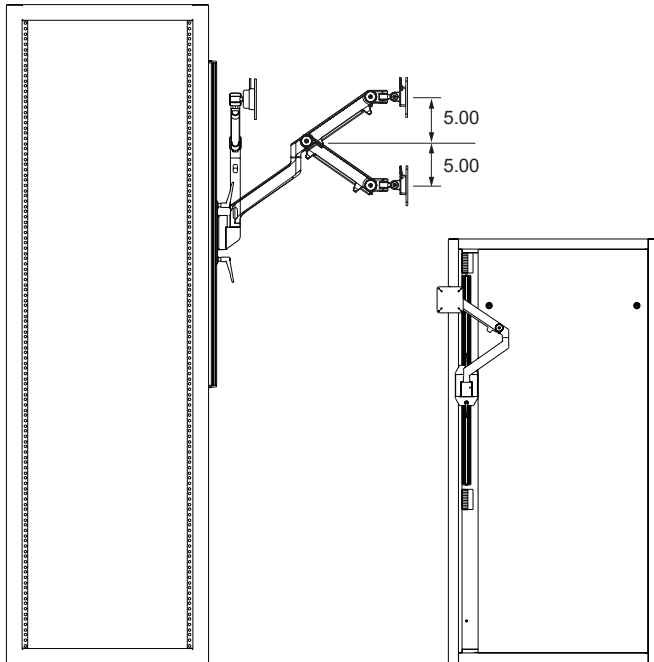
Part Number
LATCH/SLOTTED



Part Number
LATCH/KEYED



Part Number
LATCH/WING



Front View
[HS-W1-AD monitor arm shown]

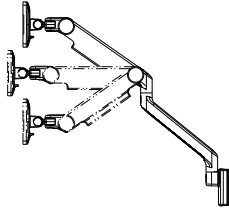
Side View
[HS-W1-AD monitor arm shown]

Articulating Arm Options for Track Style Side Panel Kits

Articulating Arms that Fit Track Style Side Panel Kits

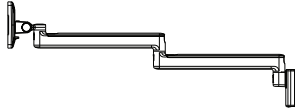
These wall mount style articulating arms work with the standard mounting bracket that comes with Track Style Side Panel Kit. Additional brackets can be added to the track to mount more than one Articulating Arm. Each arm is black in color and can support one item weighing up to 15 lbs.

Dynamic Style Articulating



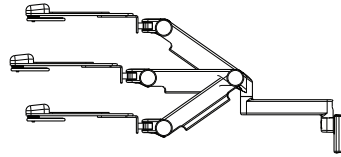
**Recommended*
Part Number
HS-W1-AD
 15 lb. Capacity

Straight Style Articulating



Part Number
HS-W1-S12S12
 15 lb. Capacity

Keyboard Tray



Part Number
HS-W1-S8D-K
 15 lb. Capacity

Tilt



Part Number
HS-W1-N
 15 lb. Capacity

Optional Brackets that Fit Track Style Side Panel Kits

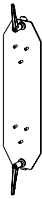
These brackets can be added to the track to mount additional Articulating Arms.

Single Arm Bracket



Part Number
BRKT-MM-WM
 QTY 1 included in kit

Dual Arm Bracket

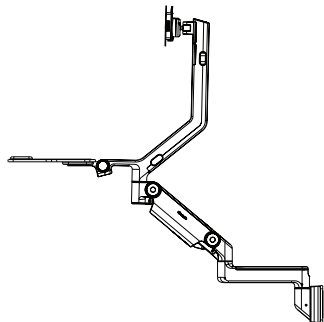


Part Number
BRKT-MM-KB-WM

Keyboard and Monitor Articulating Arm Combo

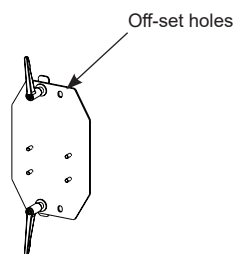
This arm incorporates both a keyboard tray and monitor mount in one. It requires a special mounting bracket to be used with the track. The bracket has off-set holes for left or right side mounting so as to not infringe on removable panel. This keyboard and monitor combo is grey/white in color and can support up to 40 lbs.

Monitor / Keyboard Combo



Part Number
M8-COMBO-WM
 40 lb. Capacity

Bracket for Monitor / Keyboard Combo



Part Number
BRKT-MM-WM-M8

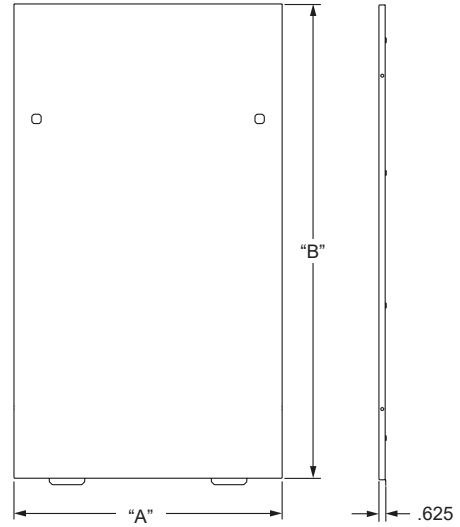
Side Panels

Side Panels for 26", 31", and 36" Deep Vertical Frames

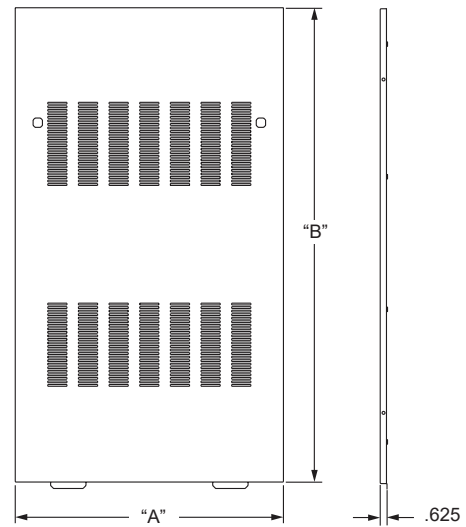
Available in solid or vented versions, these side panels can be removed from the outside of the frame after it has been populated. Formed tabs lock the side panels into place at the bottom while external fasteners near the top secure the panel in place. Select from one of three fastener choices, sold separately.

Part Numbers

Solid	Vented	"A" Overall Depth	"B" Overall Height	Use w/ frames w/ this overall depth	Use w/ frames w/ this usable height
XSP-2626-S	XSP-2626-V	22.750	26.281	26.312	26.250 15U
XSP-3126-S	XSP-3126-V	28.000	26.281	31.562	26.250 15U
XSP-3626-S	XSP-3626-V	33.250	26.281	36.875	26.250 15U
XSP-2633-S	XSP-2633-V	22.750	33.281	26.312	33.250 19U
XSP-3133-S	XSP-3133-V	28.000	33.281	31.562	33.250 19U
XSP-3633-S	XSP-3633-V	33.250	33.281	36.875	33.250 19U
XSP-2635-S	XSP-2635-V	22.750	35.031	26.312	35.000 20U
XSP-3135-S	XSP-3135-V	28.000	35.031	31.562	35.000 20U
XSP-3635-S	XSP-3635-V	33.250	35.031	36.875	35.000 20U
XSP-2640-S	XSP-2640-V	22.750	40.281	26.312	40.250 23U
XSP-3140-S	XSP-3140-V	28.000	40.281	31.562	40.250 23U
XSP-3640-S	XSP-3640-V	33.250	40.281	36.875	40.250 23U
XSP-2649-S	XSP-2649-V	22.750	49.031	26.312	49.000 28U
XSP-3149-S	XSP-3149-V	28.000	49.031	31.562	49.000 28U
XSP-3649-S	XSP-3649-V	33.250	49.031	36.875	49.000 28U
XSP-2652-S	XSP-2652-V	22.750	52.531	26.312	52.500 30U
XSP-3152-S	XSP-3152-V	28.000	52.531	31.562	52.500 30U
XSP-3652-S	XSP-3652-V	33.250	52.531	36.875	52.500 30U
XSP-2661-S	XSP-2661-V	22.750	61.281	26.312	61.250 35U
XSP-3161-S	XSP-3161-V	28.000	61.281	31.562	61.250 35U
XSP-3661-S	XSP-3661-V	33.250	61.281	36.875	61.250 35U
XSP-2663-S	XSP-2663-V	22.750	63.031	26.312	63.000 36U
XSP-3163-S	XSP-3163-V	28.000	63.031	31.562	63.000 36U
XSP-3663-S	XSP-3663-V	33.250	63.031	36.875	63.000 36U
XSP-2670-S	XSP-2670-V	22.750	70.031	26.312	70.000 40U
XSP-3170-S	XSP-3170-V	28.000	70.031	31.562	70.000 40U
XSP-3670-S	XSP-3670-V	33.250	70.031	36.875	70.000 40U
XSP-2673-S	XSP-2673-V	22.750	73.531	26.312	73.500 42U
XSP-3173-S	XSP-3173-V	28.000	73.531	31.562	73.500 42U
XSP-3673-S	XSP-3673-V	33.250	73.531	36.875	73.500 42U
XSP-2678-S	XSP-2678-V	22.750	78.781	26.312	78.750 45U
XSP-3178-S	XSP-3178-V	28.000	78.781	31.562	78.750 45U
XSP-3678-S	XSP-3678-V	33.250	78.781	36.875	78.750 45U
XSP-2684-S	XSP-2684-V	22.750	84.031	26.312	84.000 48U
XSP-3184-S	XSP-3184-V	28.000	84.031	31.562	84.000 48U
XSP-3684-S	XSP-3684-V	33.250	84.031	36.875	84.000 48U



Solid
[18-gauge steel]



Vented
[18-gauge steel]

Fastener Options (2 per side panel required)

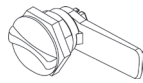
Identify the fastener that meets your requirement. The fastener will be assembled prior to shipment.



Part Number
LATCH/SLOTTED



Part Number
LATCH/KEYED



Part Number
LATCH/WING

Side Panels for 42" and 47" Deep Vertical Frames

Available in solid or vented versions, these side panels can be removed from the outside of the frame after it has been populated. Formed tabs lock the side panels into place at the bottom while external fasteners near the top secure the panel in place. Select from one of three fastener choices, sold separately.

Due to the large surface area, 42" and 47" deep side panels for vertical frames have been split in half. By ordering one part number you get two panels and the side panel channel. For this reason, these side panels require 4 fasteners per side.

Part Numbers

Solid	Vented	"A" Overall Depth	"B" Overall Height	Use w/ frames w/ this overall depth	Use w/ frames w/ this usable height
XSP-4261-S	XSP-4261-V	38.500	61.281	42.125	61.250 35U
XSP-4263-S	XSP-4263-V	38.500	63.031	42.125	63.000 36U
XSP-4763-S	XSP-4763-V	43.750	63.031	47.375	63.000 36U
XSP-4270-S	XSP-4270-V	38.500	70.031	42.125	70.000 40U
XSP-4770-S	XSP-4770-V	43.750	70.031	47.375	70.000 40U
XSP-4273-S	XSP-4273-V	38.500	73.531	42.125	73.500 42U
XSP-4773-S	XSP-4773-V	43.750	73.531	47.375	73.500 42U
XSP-4278-S	XSP-4278-V	38.500	78.781	42.125	78.750 45U
XSP-4778-S	XSP-4778-V	43.750	78.781	47.375	78.750 45U
XSP-4284-S	XSP-4284-V	38.500	84.031	42.125	84.000 48U
XSP-4784-S	XSP-4784-V	43.750	84.031	47.375	84.000 48U

Fastener Options (4 per side panel required)

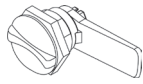
Identify the fastener that meets your requirement. The fastener will be assembled prior to shipment.



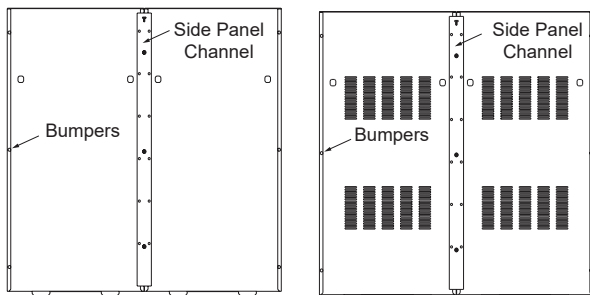
Part Number
LATCH/SLOTTED



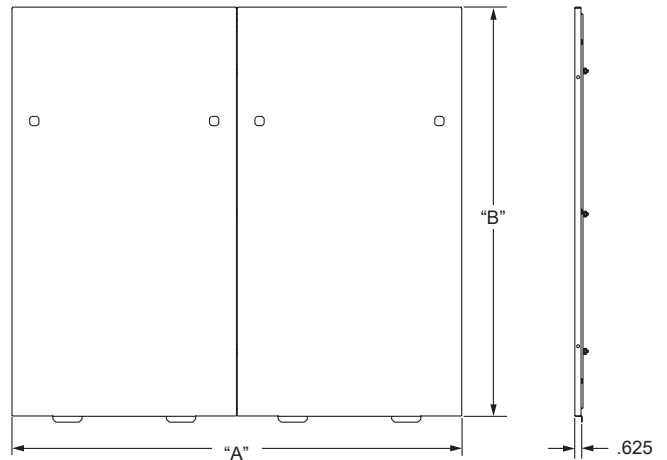
Part Number
LATCH/KEYED



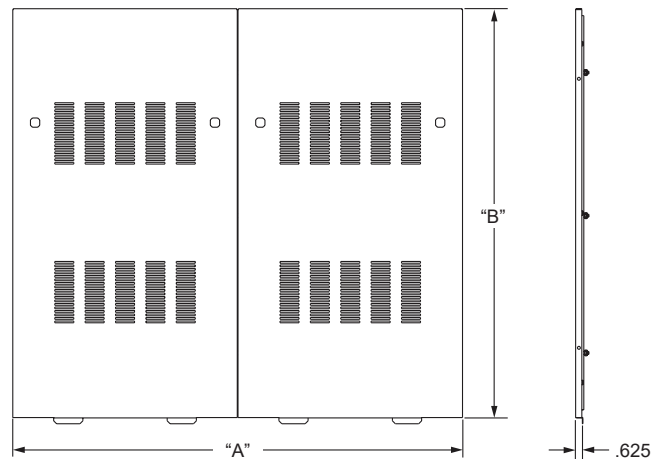
Part Number
LATCH/WING



Inside View Showing Side Panel Channel



Solid
[18-gauge steel]



Vented
[18-gauge steel]

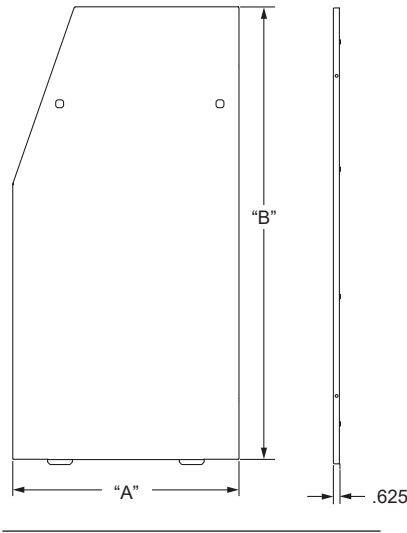
Side Panels

Side Panels for Slope Front Frames

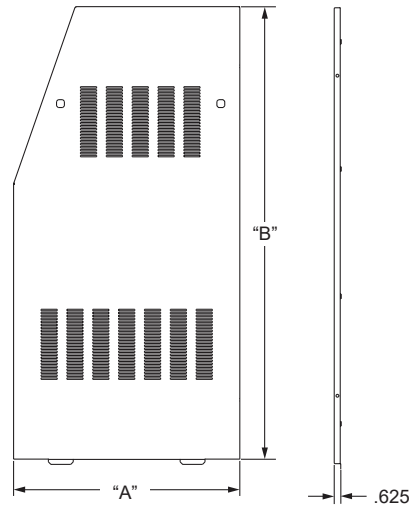
Available in solid or vented versions, these side panels can be removed from the outside of the frame after it has been populated. Formed tabs lock the side panels into place at the bottom while external fasteners near the top secure the panel in place. Select from one of three fastener choices, sold separately.

Part Numbers

Solid		Vented		"A" Overall Depth	"B" Overall Height	Use w/ frames w/ this overall depth	Use w/ frames w/ this usable height
Left	Right	Left	Right				
XSP-2617A-S-LH	XSP-2617A-S-RH	XSP-2617A-V-LH	XSP-2617A-V-RH	22.750	45.531	26.312	45.500 26U
XSP-3117A-S-LH	XSP-3117A-S-RH	XSP-3117A-V-LH	XSP-3117A-V-RH	28.000	45.531	31.562	45.500 26U
XSP-2621A-S-LH	XSP-2621A-S-RH	XSP-2621A-V-LH	XSP-2621A-V-RH	22.750	49.031	26.312	49.000 28U
XSP-3121A-S-LH	XSP-3121A-S-RH	XSP-3121A-V-LH	XSP-3121A-V-RH	28.000	49.031	31.562	49.000 28U



Solid
[18-gauge steel]



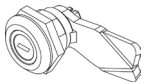
Vented
[18-gauge steel]

Fastener Options (2 per side panel required)

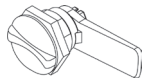
Identify the fastener that meets your requirement. The fastener will be assembled prior to shipment.

















Part Number
LATCH/SLOTTED



Part Number
LATCH/KEYED



Part Number
LATCH/WING

		Part Numbers	Description	Where Used
Mounting Panels, Electronics and Other Equipment		HW-092 (AHWX-092-003219)	#10-32 Clip Nut	Use when mounting 5/8" or 1/8" thick filler/closure panels or other rack-mountable equipment/electronics to thru hole mounting rails. Use with HW-103, HW-104, HW-303 or HW-304 panel screws.
		HW-104	#10-32 x .500" Panel Screw	Used when mounting 1/8" thick filler/closure panels or other rack-mountable equipment/electronics to tapped mounting rails or in conjunction with clip nut HW-092 on thru-hole rails. Comes with polyethylene washer.
		HW-304	#10-32 x .500" Panel Screw - Black	Used when mounting 1/8" thick filler/closure panels or other rack-mountable equipment/electronics to tapped mounting rails or in conjunction with clip nut HW-092 on thru-hole rails. Comes with polyethylene washer.
		HW-103	#10-32 x 1.125" Panel Screw	Used for mounting 5/8" formed filler/closure panels or other rack-mountable equipment/electronics to tapped mounting rails or in conjunction with clip nut HW-092 on thru-hole rails. Comes with polyethylene washer.
		HW-303	#10-32 x 1.125" Panel Screw - Black	Used for mounting 5/8" formed filler/closure panels or other rack-mountable equipment/electronics to tapped mounting rails or in conjunction with clip nut HW-092 on thru-hole rails. Comes with polyethylene washer.
		HW-110	#10 self-tapping screw "A" threads.	Used for mounting laminated filler/closure panels.
	HW-1032	#10-32 Panel Stand-off	Used for mounting 1/8" thick filler/closure panels to bring them flush with front of frame. Use with HW-154 keps nut and HW-104 or HW-304 panel screws.	
Joining Frames		XJK-LO-HI	Joining Kit	Used to join two different height vertical frames side by side. Kit consists of Joining Clip, Clip Nut and Screw.
		XJCX-F10-000000	Joining Kit	Sold in pairs. Used to join vertical or slope front frames side by side. Kit consists of Joining Clip, Clip Nut and Screw.
		AJCX-HDX-000100	Joining Kit	Sold in pairs. Used to bolt turret frames to a vertical or slope front frames. Kit consists of Joining Clip, Clip Nut and Screw.
Lift Kits		AHWX-272-161637	3/8-16 Lift Eye	Part of the lift kit assembly. Use with AHWX-510-000037 lock washer and AHWX-022-201637 hex head screw.
		AHWX-510-000037	3/8 Lock Washer	Part of the lift kit assembly. Use with AHWX-272-161637 lift eye nut and AHWX-022-201637 hex head screw.
		AHWX-022-201637	3/8-16 x 1-1/4" Hex Head Screw	Part of the lift kit assembly. Use with AHWX-272-161637 lift eye nut and AHWX-510-000037 lock washer.
Other		AHWX-110-220016	Floor Tie Down Spacer	This spacer is used when bolting a frame to the floor. The spacer is placed between the frame or corner gusset plate and the floor before the tie down bolt is applied.
		AHWX-192-002025	1/4-20 Clip Nut	Used for mounting plinth (pontoon) bases to frames with AHWX-722-102025 screw.
		AHWX-722-102025	1/4-20 x 5/8" Screw	Used for mounting plinth (pontoon) bases to frames with AHWX-192-002025 clip nut.

Work Surface Hardware

Work Surface Support Hardware

The following hardware is supplied with all work surfaces. These parts do not need to be ordered separately unless there is a unique application that requires you do so. The Top Adapter Panel requires a color choice while the balance of the support hardware is provided in a black finish.

These parts fit together in the following manner:

- The Top Mounting Brackets are bolted securely to the inside legs of the mounting rails directly behind the work surface.
- The Top Mounting Brackets support the work surface by holding the Top Bar Supports which are fastened to the One-piece Top Angle mounted to the underside of the work surface.

Note

If protection is required around the cable access cutout in the top adapter panel, grommet material can be ordered as an optional item under part number GMT-0012. Each cutout requires 1' of material. (Sold by the foot)

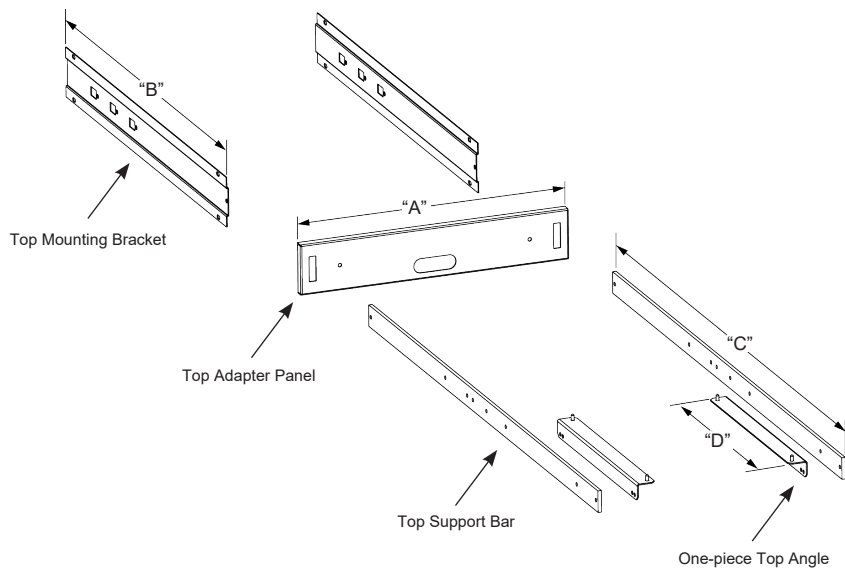
Part Numbers

Adapter Panel "A"	Use in Frames with this Overall Width	Sold As
TAPN-60	22.562	Each
TAPN-60-24	27.562	Each

Bracket "B"	Overall Depth	Sold As
XTMB-2000	18.882	Pair
XTMB-2600	23.875	Pair
XTMB-3100	29.125	Pair
XTMB-3600	34.438	Pair

Support Bar "C"	Overall Depth	Sold As
XTSB-1820	36.601	Pair
XTSB-2631	41.593	Pair

Angle "D"	Overall Depth	Sold As
OPTA-18A	14.500	Each



Ordering Guide - Vertical Frames

Frame Options	Full Height Mounting Rail Options		
	Mounting Rails	Mounting Straps	Square Hole/Dell® Rails
	<p>[1] Block Indicate: [blank] = Round/Round [-T] = Tapped/Round [-T2] = Tapped/Tapped</p> <p>Note: Mounting rails are sold as pairs.</p>	<p>Note: Mounting straps are sold as pairs.</p> <p>Note: Front flange mount accessories, are not compatible with mounting straps.</p>	<p>Note: Mounting rails are sold as pairs.</p> <p>Note: Side flange mount accessories, such as chassis guides and drawers, are not compatible with these rails.</p>

Vertical Frames 15U 19U 20U, 23U 28U
 30U 35U 36U 40U 42U 45U 48U

	Front/Rear	Intermediate	Front/Rear
XFR-262619	XMA-26[1]	XMS-26	DXMA-26
XFR-312619	XMA-26[1]	XMS-26	DXMA-26
XFR-362619	XMA-26[1]	XMS-26	DXMA-26
XFR-263319	XMA-33[1]	XMS-33	DXMA-33
XFR-313319	XMA-33[1]	XMS-33	DXMA-33
XFR-363319	XMA-33[1]	XMS-33	DXMA-33
XFR-263519	XMA-35[1]	XMS-35	DXMA-35
XFR-313519	XMA-35[1]	XMS-35	DXMA-35
XFR-363519	XMA-35[1]	XMS-35	DXMA-35
XFR-264019	XMA-40[1]	XMS-40	DXMA-40
XFR-314019	XMA-40[1]	XMS-40	DXMA-40
XFR-364019	XMA-40[1]	XMS-40	DXMA-40
XFR-264919	XMA-49[1]	XMS-49	DXMA-49
XFR-314919	XMA-49[1]	XMS-49	DXMA-49
XFR-364919	XMA-49[1]	XMS-49	DXMA-49
XFR-265219	XMA-52[1]	XMS-52	DXMA-52
XFR-315219	XMA-52[1]	XMS-52	DXMA-52
XFR-365219	XMA-52[1]	XMS-52	DXMA-52
XFR-266119	XMA-61[1]	XMS-61	DXMA-61
XFR-316119	XMA-61[1]	XMS-61	DXMA-61
XFR-366119	XMA-61[1]	XMS-61	DXMA-61
XFR-426119	XMA-61[1]	XMS-61	DXMA-61
XFR-266319	XMA-63[1]	XMS-63	DXMA-63
XFR-316319	XMA-63[1]	XMS-63	DXMA-63
XFR-366319	XMA-63[1]	XMS-63	DXMA-63
XFR-426319	XMA-63[1]	XMS-63	DXMA-63
XFR-476319	XMA-63[1]	XMS-63	DXMA-63
XFR-267019	XMA-70[1]	XMS-70	DXMA-70
XFR-317019	XMA-70[1]	XMS-70	DXMA-70
XFR-367019	XMA-70[1]	XMS-70	DXMA-70
XFR-427019	XMA-70[1]	XMS-70	DXMA-70
XFR-477019	XMA-70[1]	XMS-70	DXMA-70
XFR-267319	XMA-73[1]	XMS-73	DXMA-73
XFR-317319	XMA-73[1]	XMS-73	DXMA-73
XFR-367319	XMA-73[1]	XMS-73	DXMA-73
XFR-427319	XMA-73[1]	XMS-73	DXMA-73
XFR-477319	XMA-73[1]	XMS-73	DXMA-73
XFR-267819	XMA-78[1]	XMS-78	DXMA-78
XFR-317819	XMA-78[1]	XMS-78	DXMA-78
XFR-367819	XMA-78[1]	XMS-78	DXMA-78
XFR-427819	XMA-78[1]	XMS-78	DXMA-78
XFR-477819	XMA-78[1]	XMS-78	DXMA-78
XFR-268419	XMA-84[1]	XMS-84	DXMA-84
XFR-318419	XMA-84[1]	XMS-84	DXMA-84
XFR-368419	XMA-84[1]	XMS-84	DXMA-84
XFR-428419	XMA-84[1]	XMS-84	DXMA-84
XFR-478419	XMA-84[1]	XMS-84	DXMA-84

For 24" EIA width, change "19" to "24" in part number.
 (i.e. XFR-427819 becomes XFR-427824)

Part number valid for 24" EIA width.

Part number valid for 24" EIA width.

Part number valid for 24" EIA width.

Ordering Guide - Vertical Frames

Frame Options	Side Panel Options		
	Plain Panels	With Monitor Arm Provisions	Latches
	[1] Block Indicate: [-S] = Solid [-V] = Vented	[1] Block Indicate: [blank] = Track Style [-DIV] = Divider Style	[1] Block Indicate: [/WING] = Wing Style [/SLOTTED] = Slotted Style [/KEYED] = Keyed Style Note: Quantity per side panel varies. Double check quantity needed 2 or 4.

Vertical Frames 15U 19U 20U, 23U 28U 30U 35U 36U 40U 42U 45U 48U	Left/Right	Left/Right	
XFR-262619	XSP-2626[1]	contact factory	LATCH[1]
XFR-312619	XSP-3126[1]	contact factory	LATCH[1]
XFR-362619	XSP-3626[1]	contact factory	LATCH[1]
XFR-263319	XSP-2633[1]	contact factory	LATCH[1]
XFR-313319	XSP-3133[1]	contact factory	LATCH[1]
XFR-363319	XSP-3633[1]	contact factory	LATCH[1]
XFR-263519	XSP-2635[1]	contact factory	LATCH[1]
XFR-313519	XSP-3135[1]	contact factory	LATCH[1]
XFR-363519	XSP-3635[1]	contact factory	LATCH[1]
XFR-264019	XSP-2640[1]	contact factory	LATCH[1]
XFR-314019	XSP-3140[1]	contact factory	LATCH[1]
XFR-364019	XSP-3640[1]	contact factory	LATCH[1]
XFR-264919	XSP-2649[1]	contact factory	LATCH[1]
XFR-314919	XSP-3149[1]	contact factory	LATCH[1]
XFR-364919	XSP-3649[1]	contact factory	LATCH[1]
XFR-265219	XSP-2652[1]	XSP-MM[1]-2652	LATCH[1]
XFR-315219	XSP-3152[1]	XSP-MM[1]-3152	LATCH[1]
XFR-365219	XSP-3652[1]	XSP-MM[1]-3652	LATCH[1]
XFR-266119	XSP-2661[1]	XSP-MM[1]-2661	LATCH[1]
XFR-316119	XSP-3161[1]	XSP-MM[1]-3161	LATCH[1]
XFR-366119	XSP-3661[1]	XSP-MM[1]-3661	LATCH[1]
XFR-426119	XSP-4261[1]	XSP-MM[1]-4261	LATCH[1]
XFR-266319	XSP-2663[1]	XSP-MM[1]-2663	LATCH[1]
XFR-316319	XSP-3163[1]	XSP-MM[1]-3163	LATCH[1]
XFR-366319	XSP-3663[1]	XSP-MM[1]-3663	LATCH[1]
XFR-426319	XSP-4263[1]	XSP-MM[1]-4263	LATCH[1]
XFR-476319	XSP-4763[1]	XSP-MM[1]-4763	LATCH[1]
XFR-267019	XSP-2670[1]	XSP-MM[1]-2670	LATCH[1]
XFR-317019	XSP-3170[1]	XSP-MM[1]-3170	LATCH[1]
XFR-367019	XSP-3670[1]	XSP-MM[1]-3670	LATCH[1]
XFR-427019	XSP-4270[1]	XSP-MM[1]-4270	LATCH[1]
XFR-477019	XSP-4770[1]	XSP-MM[1]-4770	LATCH[1]
XFR-267319	XSP-2673[1]	XSP-MM[1]-2673	LATCH[1]
XFR-317319	XSP-3173[1]	XSP-MM[1]-3173	LATCH[1]
XFR-367319	XSP-3673[1]	XSP-MM[1]-3673	LATCH[1]
XFR-427319	XSP-4273[1]	XSP-MM[1]-4273	LATCH[1]
XFR-477319	XSP-4773[1]	XSP-MM[1]-4773	LATCH[1]
XFR-267819	XSP-2678[1]	XSP-MM[1]-2678	LATCH[1]
XFR-317819	XSP-3178[1]	XSP-MM[1]-3178	LATCH[1]
XFR-367819	XSP-3678[1]	XSP-MM[1]-3678	LATCH[1]
XFR-427819	XSP-4278[1]	XSP-MM[1]-4278	LATCH[1]
XFR-477819	XSP-4778[1]	XSP-MM[1]-4778	LATCH[1]
XFR-268419	XSP-2684[1]	XSP-MM[1]-2684	LATCH[1]
XFR-318419	XSP-3184[1]	XSP-MM[1]-3184	LATCH[1]
XFR-368419	XSP-3684[1]	XSP-MM[1]-3684	LATCH[1]
XFR-428419	XSP-4284[1]	XSP-MM[1]-4284	LATCH[1]
XFR-478419	XSP-4784[1]	XSP-MM[1]-4784	LATCH[1]

For 24" EIA width, change "19" to "24" in part number.
(i.e. XFR-427819 becomes XFR-427824)

Part number valid for 24" EIA width.

Part number valid for 24" EIA width.

Part number valid for 24" EIA width.

Ordering Guide - Vertical Frames

Frame Options	Full Height Door Options	
	Flush Doors	Surface Doors
	<p>[1] Block Indicate: [S] = Solid [V] = Vented [L] = Louvered</p> <p>[2] Block Indicate: [R] = Right Hinge [L] = Left Hinge</p>	<p>[1] Block Indicate: [S] = Solid [V] = Vented [L] = Louvered [P] = Perforated</p> <p>[2] Block Indicate: [R] = Right Hinge [L] = Left Hinge</p> <p>Note: -P only available in 20U - 45U sizes.</p>

Vertical Frames 15U 19U 20U, 23U 28U
 30U 35U 36U 40U 42U 45U 48U

	Front/Rear	Front/Rear
XFR-262619	DF-H[1][2]-2619	DS-X[1][2]-2619
XFR-312619	DF-H[1][2]-2619	DS-X[1][2]-2619
XFR-362619	DF-H[1][2]-2619	DS-X[1][2]-2619
XFR-263319	DF-H[1][2]-3319	DS-X[1][2]-3319
XFR-313319	DF-H[1][2]-3319	DS-X[1][2]-3319
XFR-363319	DF-H[1][2]-3319	DS-X[1][2]-3319
XFR-263519	DF-H[1][2]-3519	DS-X[1][2]-3519
XFR-313519	DF-H[1][2]-3519	DS-X[1][2]-3519
XFR-363519	DF-H[1][2]-3519	DS-X[1][2]-3519
XFR-264019	DF-H[1][2]-4019	DS-X[1][2]-4019
XFR-314019	DF-H[1][2]-4019	DS-X[1][2]-4019
XFR-364019	DF-H[1][2]-4019	DS-X[1][2]-4019
XFR-264919	DF-H[1][2]-4919	DS-X[1][2]-4919
XFR-314919	DF-H[1][2]-4919	DS-X[1][2]-4919
XFR-364919	DF-H[1][2]-4919	DS-X[1][2]-4919
XFR-265219	DF-H[1][2]-5219	DS-X[1][2]-5219
XFR-315219	DF-H[1][2]-5219	DS-X[1][2]-5219
XFR-365219	DF-H[1][2]-5219	DS-X[1][2]-5219
XFR-266119	DF-H[1][2]-6119	DS-X[1][2]-6119
XFR-316119	DF-H[1][2]-6119	DS-X[1][2]-6119
XFR-366119	DF-H[1][2]-6119	DS-X[1][2]-6119
XFR-426119	DF-H[1][2]-6119	DS-X[1][2]-6119
XFR-266319	DF-H[1][2]-6319	DS-X[1][2]-6319
XFR-316319	DF-H[1][2]-6319	DS-X[1][2]-6319
XFR-366319	DF-H[1][2]-6319	DS-X[1][2]-6319
XFR-426319	DF-H[1][2]-6319	DS-X[1][2]-6319
XFR-476319	DF-H[1][2]-6319	DS-X[1][2]-6319
XFR-267019	DF-H[1][2]-7019	DS-X[1][2]-7019
XFR-317019	DF-H[1][2]-7019	DS-X[1][2]-7019
XFR-367019	DF-H[1][2]-7019	DS-X[1][2]-7019
XFR-427019	DF-H[1][2]-7019	DS-X[1][2]-7019
XFR-477019	DF-H[1][2]-7019	DS-X[1][2]-7019
XFR-267319	DF-H[1][2]-7319	DS-X[1][2]-7319
XFR-317319	DF-H[1][2]-7319	DS-X[1][2]-7319
XFR-367319	DF-H[1][2]-7319	DS-X[1][2]-7319
XFR-427319	DF-H[1][2]-7319	DS-X[1][2]-7319
XFR-477319	DF-H[1][2]-7319	DS-X[1][2]-7319
XFR-267819	DF-H[1][2]-7819	DS-X[1][2]-7819
XFR-317819	DF-H[1][2]-7819	DS-X[1][2]-7819
XFR-367819	DF-H[1][2]-7819	DS-X[1][2]-7819
XFR-427819	DF-H[1][2]-7819	DS-X[1][2]-7819
XFR-477819	DF-H[1][2]-7819	DS-X[1][2]-7819
XFR-268419	DF-H[1][2]-8419	DS-X[1][2]-8419
XFR-318419	DF-H[1][2]-8419	DS-X[1][2]-8419
XFR-368419	DF-H[1][2]-8419	DS-X[1][2]-8419
XFR-428419	DF-H[1][2]-8419	DS-X[1][2]-8419
XFR-478419	DF-H[1][2]-8419	DS-X[1][2]-8419

For 24" EIA width, change "19" to "24" in part number.
 (i.e. XFR-427819 becomes XFR-427824)

For 24" EIA width, change "19" to "24" in part number.
 (i.e. DF-H[1][2]-7819 becomes DF-H[1][2]-7824)

For 24" EIA width, change "19" to "24" in part number.
 (i.e. DS-X[1][2]-7819 becomes DS-X[1][2]-7824)

Ordering Guide - Vertical Frames

Frame Options	Full Height Door Options Continued	
	Window Doors	Contour Doors
	<p>[1] Block Indicate: [LH] = Left Hinge [RH] = Right Hinge</p> <p>[2] Block Indicate: [blank] = Non-Locking [-LK] = Locking</p> <p>[3] Block Indicate: [blank] = Window w/ Smoked Plexiglas® [-WC] = Window w/ Clear Plexiglas®</p>	<p>[1] Block Indicate: [L] = Left Hinge [R] = Right Hinge</p> <p>[2] Block Indicate: [S] = Solid [P] = Perforated [WC] = Window w/ Clear Plexiglas® [WS] = Window w/ Smoked Plexiglas®</p>
Vertical Frames 15U 19U 20U, 23U 28U 30U 35U 36U 40U 42U 45U 48U	Front/Rear	Front/Rear
XFR-262619	XWDA-2619-[1][2][3]	DS-XR[1]-[2]-2619
XFR-312619	XWDA-2619-[1][2][3]	DS-XR[1]-[2]-2619
XFR-362619	XWDA-2619-[1][2][3]	DS-XR[1]-[2]-2619
XFR-263319	XWDA-3319-[1][2][3]	DS-XR[1]-[2]-3319
XFR-313319	XWDA-3319-[1][2][3]	DS-XR[1]-[2]-3319
XFR-363319	XWDA-3319-[1][2][3]	DS-XR[1]-[2]-3319
XFR-263519	XWDA-3519-[1][2][3]	DS-XR[1]-[2]-3519
XFR-313519	XWDA-3519-[1][2][3]	DS-XR[1]-[2]-3519
XFR-363519	XWDA-3519-[1][2][3]	DS-XR[1]-[2]-3519
XFR-264019	XWDA-4019-[1][2][3]	DS-XR[1]-[2]-4019
XFR-314019	XWDA-4019-[1][2][3]	DS-XR[1]-[2]-4019
XFR-364019	XWDA-4019-[1][2][3]	DS-XR[1]-[2]-4019
XFR-264919	XWDA-4919-[1][2][3]	DS-XR[1]-[2]-4919
XFR-314919	XWDA-4919-[1][2][3]	DS-XR[1]-[2]-4919
XFR-364919	XWDA-4919-[1][2][3]	DS-XR[1]-[2]-4919
XFR-265219	XWDA-5219-[1][2][3]	DS-XR[1]-[2]-5219
XFR-315219	XWDA-5219-[1][2][3]	DS-XR[1]-[2]-5219
XFR-365219	XWDA-5219-[1][2][3]	DS-XR[1]-[2]-5219
XFR-266119	XWDA-6119-[1][2][3]	DS-XR[1]-[2]-6119
XFR-316119	XWDA-6119-[1][2][3]	DS-XR[1]-[2]-6119
XFR-366119	XWDA-6119-[1][2][3]	DS-XR[1]-[2]-6119
XFR-426119	XWDA-6119-[1][2][3]	DS-XR[1]-[2]-6119
XFR-266319	XWDA-6319-[1][2][3]	DS-XR[1]-[2]-6319
XFR-316319	XWDA-6319-[1][2][3]	DS-XR[1]-[2]-6319
XFR-366319	XWDA-6319-[1][2][3]	DS-XR[1]-[2]-6319
XFR-426319	XWDA-6319-[1][2][3]	DS-XR[1]-[2]-6319
XFR-476319	XWDA-6319-[1][2][3]	DS-XR[1]-[2]-6319
XFR-267019	XWDA-7019-[1][2][3]	DS-XR[1]-[2]-7019
XFR-317019	XWDA-7019-[1][2][3]	DS-XR[1]-[2]-7019
XFR-367019	XWDA-7019-[1][2][3]	DS-XR[1]-[2]-7019
XFR-427019	XWDA-7019-[1][2][3]	DS-XR[1]-[2]-7019
XFR-477019	XWDA-7019-[1][2][3]	DS-XR[1]-[2]-7019
XFR-267319	contact factory	DS-XR[1]-[2]-7319
XFR-317319	contact factory	DS-XR[1]-[2]-7319
XFR-367319	contact factory	DS-XR[1]-[2]-7319
XFR-427319	contact factory	DS-XR[1]-[2]-7319
XFR-477319	contact factory	DS-XR[1]-[2]-7319
XFR-267819	XWDA-7819-[1][2][3]	DS-XR[1]-[2]-7819
XFR-317819	XWDA-7819-[1][2][3]	DS-XR[1]-[2]-7819
XFR-367819	XWDA-7819-[1][2][3]	DS-XR[1]-[2]-7819
XFR-427819	XWDA-7819-[1][2][3]	DS-XR[1]-[2]-7819
XFR-477819	XWDA-7819-[1][2][3]	DS-XR[1]-[2]-7819
XFR-268419	XWDA-8419-[1][2][3]	contact factory
XFR-318419	XWDA-8419-[1][2][3]	contact factory
XFR-368419	XWDA-8419-[1][2][3]	contact factory
XFR-428419	XWDA-8419-[1][2][3]	contact factory
XFR-478419	XWDA-8419-[1][2][3]	contact factory

For 24" EIA width, change "19" to "24" in part number.
(i.e. XFR-427819 becomes XFR-427824)

For 24" EIA width, change "19" to "24" in part number.
(i.e. XWDA-7819-[1][2][3] becomes XWDA-7824-[1][2][3])

For 24" EIA width, change "19" to "24" in part number.
(i.e. DS-XR[1]-[2]-7819 becomes DS-XR[1]-[2]-7824)

Ordering Guide - Vertical Frames

Frame Options	Full Depth Top Panel Options		
	Panels	Pagoda Vents	Lift Kits
	<p>[1] Block Indicate: [blank] = Solid [-V] = Vented [-PA] = Perforated [-LV] = Louvered [-F] = Laminate [-FP] = 115 Volt Single Fan Panel [-FP-230] = 230 Volt Single Fan Panel</p> <p>Note: -FP option is Not Available with -WT frames</p>	<p>[1] Block Indicate: [blank] = Plain [-FP] = Fan Panel [-I] = Adjustable Thermostat [-IT90] = 90° F Set Thermostat [-IT110] = 110° F Set Thermostat</p>	<p>[1] Block Indicate: [blank] = Solid [-PA] = Perforated</p>

Vertical Frames 15U 19U 20U, 23U 28U
 30U 35U 36U 40U 42U 45U 48U

XFR-262619	XPN-2219[1]	XPT-2619[1]	XLA-2619[1]
XFR-312619	XPN-2819[1]	XPT-3119[1]	XLA-3119[1]
XFR-362619	XPN-3319[1]	XPT-3619[1]	XLA-3619[1]
XFR-263319	XPN-2219[1]	XPT-2619[1]	XLA-2619[1]
XFR-313319	XPN-2819[1]	XPT-3119[1]	XLA-3119[1]
XFR-363319	XPN-3319[1]	XPT-3619[1]	XLA-3619[1]
XFR-263519	XPN-2219[1]	XPT-2619[1]	XLA-2619[1]
XFR-313519	XPN-2819[1]	XPT-3119[1]	XLA-3119[1]
XFR-363519	XPN-3319[1]	XPT-3619[1]	XLA-3619[1]
XFR-264019	XPN-2219[1]	XPT-2619[1]	XLA-2619[1]
XFR-314019	XPN-2819[1]	XPT-3119[1]	XLA-3119[1]
XFR-364019	XPN-3319[1]	XPT-3619[1]	XLA-3619[1]
XFR-264919	XPN-2219[1]	XPT-2619[1]	XLA-2619[1]
XFR-314919	XPN-2819[1]	XPT-3119[1]	XLA-3119[1]
XFR-364919	XPN-3319[1]	XPT-3619[1]	XLA-3619[1]
XFR-265219	XPN-2219[1]	XPT-2619[1]	XLA-2619[1]
XFR-315219	XPN-2819[1]	XPT-3119[1]	XLA-3119[1]
XFR-365219	XPN-3319[1]	XPT-3619[1]	XLA-3619[1]
XFR-266119	XPN-2219[1]	XPT-2619[1]	XLA-2619[1]
XFR-316119	XPN-2819[1]	XPT-3119[1]	XLA-3119[1]
XFR-366119	XPN-3319[1]	XPT-3619[1]	XLA-3619[1]
XFR-426119	XPN-3819[1]	XPT-4219[1]	contact factory
XFR-266319	XPN-2219[1]	XPT-2619[1]	XLA-2619[1]
XFR-316319	XPN-2819[1]	XPT-3119[1]	XLA-3119[1]
XFR-366319	XPN-3319[1]	XPT-3619[1]	XLA-3619[1]
XFR-426319	XPN-3819[1]	XPT-4219[1]	contact factory
XFR-476319	XPN-4319[1]	contact factory	contact factory
XFR-267019	XPN-2219[1]	XPT-2619[1]	XLA-2619[1]
XFR-317019	XPN-2819[1]	XPT-3119[1]	XLA-3119[1]
XFR-367019	XPN-3319[1]	XPT-3619[1]	XLA-3619[1]
XFR-427019	XPN-3819[1]	XPT-4219[1]	contact factory
XFR-477019	XPN-4319[1]	contact factory	contact factory
XFR-267319	XPN-2219[1]	XPT-2619[1]	XLA-2619[1]
XFR-317319	XPN-2819[1]	XPT-3119[1]	XLA-3119[1]
XFR-367319	XPN-3319[1]	XPT-3619[1]	XLA-3619[1]
XFR-427319	XPN-3819[1]	XPT-4219[1]	contact factory
XFR-477319	XPN-4319[1]	contact factory	contact factory
XFR-267819	XPN-2219[1]	XPT-2619[1]	XLA-2619[1]
XFR-317819	XPN-2819[1]	XPT-3119[1]	XLA-3119[1]
XFR-367819	XPN-3319[1]	XPT-3619[1]	XLA-3619[1]
XFR-427819	XPN-3819[1]	XPT-4219[1]	contact factory
XFR-477819	XPN-4319[1]	contact factory	contact factory
XFR-268419	XPN-2219[1]	XPT-2619[1]	XLA-2619[1]
XFR-318419	XPN-2819[1]	XPT-3119[1]	XLA-3119[1]
XFR-368419	XPN-3319[1]	XPT-3619[1]	XLA-3619[1]
XFR-428419	XPN-3819[1]	XPT-4219[1]	contact factory
XFR-478419	XPN-4319[1]	contact factory	contact factory

For 24" EIA width, change "19" to "24" in part number.
 (i.e. XFR-427819 becomes XFR-427824)

For 24" EIA width, change "19" to "24" in part number.
 (i.e. XPN-3119[1] becomes XPN-3124[1])

For 24" EIA width, change "19" to "24" in part number.
 (i.e. XPT-3619[1] becomes XPT-3624[1])

For 24" EIA width, change "19" to "24" in part number.
 (i.e. XLA-3619[1] becomes XLA-3624[1])

Ordering Guide - Vertical Frames

Frame Options	Bottom/Base Options	
	Panels	Bases
	<p>[1] Block Indicate: [blank] = Solid [-PA] = Perforated</p>	<p>[1] Block Indicate: [blank] = Riser Base [-DO] = Riser Base w/ Duplex Outlet [-FL] = Fork Lift Base [-AT] = Anti-Tip Base</p> <p>Note: Fork Lift and Anti-Tip base options are Not Available with 42" and 47" deep frames.</p> <p>Note: Casters sold separately</p>

Vertical Frames 15U 19U 20U, 23U 28U
 30U 35U 36U 40U 42U 45U 48U

XFR-262619	XBP-2619[1]	XPB-2619[1]
XFR-312619	XBP-3119[1]	XPB-3119[1]
XFR-362619	XBP-3619[1]	XPB-3619[1]
XFR-263319	XBP-2619[1]	XPB-2619[1]
XFR-313319	XBP-3119[1]	XPB-3119[1]
XFR-363319	XBP-3619[1]	XPB-3619[1]
XFR-263519	XBP-2619[1]	XPB-2619[1]
XFR-313519	XBP-3119[1]	XPB-3119[1]
XFR-363519	XBP-3619[1]	XPB-3619[1]
XFR-264019	XBP-2619[1]	XPB-2619[1]
XFR-314019	XBP-3119[1]	XPB-3119[1]
XFR-364019	XBP-3619[1]	XPB-3619[1]
XFR-264919	XBP-2619[1]	XPB-2619[1]
XFR-314919	XBP-3119[1]	XPB-3119[1]
XFR-364919	XBP-3619[1]	XPB-3619[1]
XFR-265219	XBP-2619[1]	XPB-2619[1]
XFR-315219	XBP-3119[1]	XPB-3119[1]
XFR-365219	XBP-3619[1]	XPB-3619[1]
XFR-266119	XBP-2619[1]	XPB-2619[1]
XFR-316119	XBP-3119[1]	XPB-3119[1]
XFR-366119	XBP-3619[1]	XPB-3619[1]
XFR-426119	XBP-4219[1]	XPB-4219[1]
XFR-266319	XBP-2619[1]	XPB-2619[1]
XFR-316319	XBP-3119[1]	XPB-3119[1]
XFR-366319	XBP-3619[1]	XPB-3619[1]
XFR-426319	XBP-4219[1]	XPB-4219[1]
XFR-476319	XBP-4719[1]	XPB-4719[1]
XFR-267019	XBP-2619[1]	XPB-2619[1]
XFR-317019	XBP-3119[1]	XPB-3119[1]
XFR-367019	XBP-3619[1]	XPB-3619[1]
XFR-427019	XBP-4219[1]	XPB-4219[1]
XFR-477019	XBP-4719[1]	XPB-4719[1]
XFR-267319	XBP-2619[1]	XPB-2619[1]
XFR-317319	XBP-3119[1]	XPB-3119[1]
XFR-367319	XBP-3619[1]	XPB-3619[1]
XFR-427319	XBP-4219[1]	XPB-4219[1]
XFR-477319	XBP-4719[1]	XPB-4719[1]
XFR-267819	XBP-2619[1]	XPB-2619[1]
XFR-317819	XBP-3119[1]	XPB-3119[1]
XFR-367819	XBP-3619[1]	XPB-3619[1]
XFR-427819	XBP-4219[1]	XPB-4219[1]
XFR-477819	XBP-4719[1]	XPB-4719[1]
XFR-268419	XBP-2619[1]	XPB-2619[1]
XFR-318419	XBP-3119[1]	XPB-3119[1]
XFR-368419	XBP-3619[1]	XPB-3619[1]
XFR-428419	XBP-4219[1]	XPB-4219[1]
XFR-478419	XBP-4719[1]	XPB-4719[1]

For 24" EIA width, change "19" to "24" in part number.
 (i.e. XFR-427819 becomes XFR-427824)

For 24" EIA width, change "19" to "24" in part number.
 (i.e. XBP-4219[1] becomes XBP-4224[1])

For 24" EIA width, change "19" to "24" in part number.
 (i.e. XPB-4219[1] becomes XPB-4224[1])

Ordering Guide - Vertical Frames

Frame Options	Shelves		
	Chassis Guides	Fixed Shelf	Pull Out Shelves
	<p>[R] Block Indicate: [20] = 20.062" A Rail to Rail Setting [26] = 25.125" B Rail to Rail Setting [31] = 30.375" C Rail to Rail Setting [36] = 35.625" D Rail to Rail Setting [42] = 40.875" E Rail to Rail Setting</p> <p>[1] Block Indicate: [blank] = Heavy Duty [-LD] = Light Duty</p>	<p>[R] Block Indicate: [20] = 20.062" A Rail to Rail Setting [26] = 25.125" B Rail to Rail Setting [31] = 30.375" C Rail to Rail Setting [36] = 35.625" D Rail to Rail Setting [42] = 40.875" E Rail to Rail Setting</p> <p>[1] Block Indicate: [blank] = Solid [-PA] = Perforated</p>	<p>[R] Block Indicate: [20] = A - 20.062" Rail Setting [26] = B - 25.125" Rail Setting [31] = C - 30.375" Rail Setting [36] = D - 35.625" Rail Setting</p> <p>[1] Block Indicate: [blank] = Solid [-PA] = Perforated</p>

Vertical Frames 15U 19U 20U, 23U 28U
 30U 35U 36U 40U 42U 45U 48U

XFR-262619	XCG-[R] [1]	XES-[R]19[1]	XCSQ-[R]19[1]
XFR-312619	XCG-[R] [1]	XES-[R]19[1]	XCSQ-[R]19[1]
XFR-362619	XCG-[R] [1]	XES-[R]19[1]	XCSQ-[R]19[1]
XFR-263319	XCG-[R] [1]	XES-[R]19[1]	XCSQ-[R]19[1]
XFR-313319	XCG-[R] [1]	XES-[R]19[1]	XCSQ-[R]19[1]
XFR-363319	XCG-[R] [1]	XES-[R]19[1]	XCSQ-[R]19[1]
XFR-263519	XCG-[R] [1]	XES-[R]19[1]	XCSQ-[R]19[1]
XFR-313519	XCG-[R] [1]	XES-[R]19[1]	XCSQ-[R]19[1]
XFR-363519	XCG-[R] [1]	XES-[R]19[1]	XCSQ-[R]19[1]
XFR-264019	XCG-[R] [1]	XES-[R]19[1]	XCSQ-[R]19[1]
XFR-314019	XCG-[R] [1]	XES-[R]19[1]	XCSQ-[R]19[1]
XFR-364019	XCG-[R] [1]	XES-[R]19[1]	XCSQ-[R]19[1]
XFR-264919	XCG-[R] [1]	XES-[R]19[1]	XCSQ-[R]19[1]
XFR-314919	XCG-[R] [1]	XES-[R]19[1]	XCSQ-[R]19[1]
XFR-364919	XCG-[R] [1]	XES-[R]19[1]	XCSQ-[R]19[1]
XFR-265219	XCG-[R] [1]	XES-[R]19[1]	XCSQ-[R]19[1]
XFR-315219	XCG-[R] [1]	XES-[R]19[1]	XCSQ-[R]19[1]
XFR-365219	XCG-[R] [1]	XES-[R]19[1]	XCSQ-[R]19[1]
XFR-266119	XCG-[R] [1]	XES-[R]19[1]	XCSQ-[R]19[1]
XFR-316119	XCG-[R] [1]	XES-[R]19[1]	XCSQ-[R]19[1]
XFR-366119	XCG-[R]	XES-[R]19[1]	XCSQ-[R]19[1]
XFR-426119	XCG-[R] [1]	XES-[R]19[1]	XCSQ-[R]19[1]
XFR-266319	XCG-[R] [1]	XES-[R]19[1]	XCSQ-[R]19[1]
XFR-316319	XCG-[R] [1]	XES-[R]19[1]	XCSQ-[R]19[1]
XFR-366319	XCG-[R] [1]	XES-[R]19[1]	XCSQ-[R]19[1]
XFR-426319	XCG-[R]	XES-[R]19[1]	XCSQ-[R]19[1]
XFR-476319	XCG-[R]	XES-[R]19[1]	XCSQ-[R]19[1]
XFR-267019	XCG-[R] [1]	XES-[R]19[1]	XCSQ-[R]19[1]
XFR-317019	XCG-[R] [1]	XES-[R]19[1]	XCSQ-[R]19[1]
XFR-367019	XCG-[R] [1]	XES-[R]19[1]	XCSQ-[R]19[1]
XFR-427019	XCG-[R]	XES-[R]19[1]	XCSQ-[R]19[1]
XFR-477019	XCG-[R]	XES-[R]19[1]	XCSQ-[R]19[1]
XFR-267319	XCG-[R] [1]	XES-[R]19[1]	XCSQ-[R]19[1]
XFR-317319	XCG-[R] [1]	XES-[R]19[1]	XCSQ-[R]19[1]
XFR-367319	XCG-[R] [1]	XES-[R]19[1]	XCSQ-[R]19[1]
XFR-427319	XCG-[R]	XES-[R]19[1]	XCSQ-[R]19[1]
XFR-477319	XCG-[R]	XES-[R]19[1]	XCSQ-[R]19[1]
XFR-267819	XCG-[R] [1]	XES-[R]19[1]	XCSQ-[R]19[1]
XFR-317819	XCG-[R] [1]	XES-[R]19[1]	XCSQ-[R]19[1]
XFR-367819	XCG-[R] [1]	XES-[R]19[1]	XCSQ-[R]19[1]
XFR-427819	XCG-[R]	XES-[R]19[1]	XCSQ-[R]19[1]
XFR-477819	XCG-[R]	XES-[R]19[1]	XCSQ-[R]19[1]
XFR-268419	XCG-[R] [1]	XES-[R]19[1]	XCSQ-[R]19[1]
XFR-318419	XCG-[R] [1]	XES-[R]19[1]	XCSQ-[R]19[1]
XFR-368419	XCG-[R] [1]	XES-[R]19[1]	XCSQ-[R]19[1]
XFR-428419	XCG-[R]	XES-[R]19[1]	XCSQ-[R]19[1]
XFR-478419	XCG-[R]	XES-[R]19[1]	XCSQ-[R]19[1]

For 24" EIA width, change "19" to "24" in part number.
 (i.e. XFR-427819 becomes XFR-427824)

Part number valid for 24" EIA width.

For 24" EIA width, change "19" to "24" in part number.
 (i.e. XES-[R]19[1] becomes XES-[R]24[1])

For 24" EIA width, change "19" to "24" in part number.
 (i.e. XCSQ-[R]19[1] becomes XCSQ-[R]24[1])

Ordering Guide - Vertical Frames

Frame Options	Drawers		
	Non-Locking Drawers	Locking Drawers	Drawer with Lid
	<p>[R] Block Indicate: [20] = 20.062" A Rail to Rail Setting [26] = 25.125" B Rail to Rail Setting [31] = 30.375" C Rail to Rail Setting [36] = 35.625" D Rail to Rail Setting</p> <p>[1] Block Indicate: [03] = 3.50" Drawer Front [05] = 5.25" Drawer Front [07] = 7.00" Drawer Front [08] = 8.75" Drawer Front [10] = 10.50" Drawer Front [14] = 14.00" Drawer Front</p>	<p>[R] Block Indicate: [20] = 20.062" A Rail to Rail Setting [26] = 25.125" B Rail to Rail Setting [31] = 30.375" C Rail to Rail Setting [36] = 35.625" D Rail to Rail Setting</p> <p>[1] Block Indicate: [05] = 5.25" Drawer Front [07] = 7.00" Drawer Front [08] = 8.75" Drawer Front [10] = 10.50" Drawer Front [14] = 14.00" Drawer Front</p>	<p>[R] Block Indicate: [20] = 20.062" A Rail to Rail Setting [26] = 25.125" B Rail to Rail Setting [31] = 30.375" C Rail to Rail Setting [36] = 35.625" D Rail to Rail Setting</p> <p>Note: Laminate color must be selected.</p>

Vertical Frames 15U 19U 20U, 23U 28U
 30U 35U 36U 40U 42U 45U 48U

XFR-262619	XDRQ-[R][1]19	XDRQ-[R][1]19-LK	XRSQ-[R]19
XFR-312619	XDRQ-[R][1]19	XDRQ-[R][1]19-LK	XRSQ-[R]19
XFR-362619	XDRQ-[R][1]19	XDRQ-[R][1]19-LK	XRSQ-[R]19
XFR-263319	XDRQ-[R][1]19	XDRQ-[R][1]19-LK	XRSQ-[R]19
XFR-313319	XDRQ-[R][1]19	XDRQ-[R][1]19-LK	XRSQ-[R]19
XFR-363319	XDRQ-[R][1]19	XDRQ-[R][1]19-LK	XRSQ-[R]19
XFR-263519	XDRQ-[R][1]19	XDRQ-[R][1]19-LK	XRSQ-[R]19
XFR-313519	XDRQ-[R][1]19	XDRQ-[R][1]19-LK	XRSQ-[R]19
XFR-363519	XDRQ-[R][1]19	XDRQ-[R][1]19-LK	XRSQ-[R]19
XFR-264019	XDRQ-[R][1]19	XDRQ-[R][1]19-LK	XRSQ-[R]19
XFR-314019	XDRQ-[R][1]19	XDRQ-[R][1]19-LK	XRSQ-[R]19
XFR-364019	XDRQ-[R][1]19	XDRQ-[R][1]19-LK	XRSQ-[R]19
XFR-264919	XDRQ-[R][1]19	XDRQ-[R][1]19-LK	XRSQ-[R]19
XFR-314919	XDRQ-[R][1]19	XDRQ-[R][1]19-LK	XRSQ-[R]19
XFR-364919	XDRQ-[R][1]19	XDRQ-[R][1]19-LK	XRSQ-[R]19
XFR-265219	XDRQ-[R][1]19	XDRQ-[R][1]19-LK	XRSQ-[R]19
XFR-315219	XDRQ-[R][1]19	XDRQ-[R][1]19-LK	XRSQ-[R]19
XFR-365219	XDRQ-[R][1]19	XDRQ-[R][1]19-LK	XRSQ-[R]19
XFR-266119	XDRQ-[R][1]19	XDRQ-[R][1]19-LK	XRSQ-[R]19
XFR-316119	XDRQ-[R][1]19	XDRQ-[R][1]19-LK	XRSQ-[R]19
XFR-366119	XDRQ-[R][1]19	XDRQ-[R][1]19-LK	XRSQ-[R]19
XFR-426119	XDRQ-[R][1]19	XDRQ-[R][1]19-LK	XRSQ-[R]19
XFR-266319	XDRQ-[R][1]19	XDRQ-[R][1]19-LK	XRSQ-[R]19
XFR-316319	XDRQ-[R][1]19	XDRQ-[R][1]19-LK	XRSQ-[R]19
XFR-366319	XDRQ-[R][1]19	XDRQ-[R][1]19-LK	XRSQ-[R]19
XFR-426319	XDRQ-[R][1]19	XDRQ-[R][1]19-LK	XRSQ-[R]19
XFR-476319	XDRQ-[R][1]19	XDRQ-[R][1]19-LK	XRSQ-[R]19
XFR-267019	XDRQ-[R][1]19	XDRQ-[R][1]19-LK	XRSQ-[R]19
XFR-317019	XDRQ-[R][1]19	XDRQ-[R][1]19-LK	XRSQ-[R]19
XFR-367019	XDRQ-[R][1]19	XDRQ-[R][1]19-LK	XRSQ-[R]19
XFR-427019	XDRQ-[R][1]19	XDRQ-[R][1]19-LK	XRSQ-[R]19
XFR-477019	XDRQ-[R][1]19	XDRQ-[R][1]19-LK	XRSQ-[R]19
XFR-267319	XDRQ-[R][1]19	XDRQ-[R][1]19-LK	XRSQ-[R]19
XFR-317319	XDRQ-[R][1]19	XDRQ-[R][1]19-LK	XRSQ-[R]19
XFR-367319	XDRQ-[R][1]19	XDRQ-[R][1]19-LK	XRSQ-[R]19
XFR-427319	XDRQ-[R][1]19	XDRQ-[R][1]19-LK	XRSQ-[R]19
XFR-477319	XDRQ-[R][1]19	XDRQ-[R][1]19-LK	XRSQ-[R]19
XFR-267819	XDRQ-[R][1]19	XDRQ-[R][1]19-LK	XRSQ-[R]19
XFR-317819	XDRQ-[R][1]19	XDRQ-[R][1]19-LK	XRSQ-[R]19
XFR-367819	XDRQ-[R][1]19	XDRQ-[R][1]19-LK	XRSQ-[R]19
XFR-427819	XDRQ-[R][1]19	XDRQ-[R][1]19-LK	XRSQ-[R]19
XFR-477819	XDRQ-[R][1]19	XDRQ-[R][1]19-LK	XRSQ-[R]19
XFR-268419	XDRQ-[R][1]19	XDRQ-[R][1]19-LK	XRSQ-[R]19
XFR-318419	XDRQ-[R][1]19	XDRQ-[R][1]19-LK	XRSQ-[R]19
XFR-368419	XDRQ-[R][1]19	XDRQ-[R][1]19-LK	XRSQ-[R]19
XFR-428419	XDRQ-[R][1]19	XDRQ-[R][1]19-LK	XRSQ-[R]19
XFR-478419	XDRQ-[R][1]19	XDRQ-[R][1]19-LK	XRSQ-[R]19

For 24" EIA width, change "19" to "24" in part number.
 (i.e. XFR-427819 becomes XFR-427824)

For 24" EIA width, change "19" to "24" in part number.
 (i.e. XDRQ-[R][1]19 becomes XDRQ-[R][1]24)

For 24" EIA width, change "19" to "24" in part number.
 (i.e. XDRQ-[R][1]19-LK becomes XDRQ-[R][1]24-LK)

For 24" EIA width, change "19" to "24" in part number.
 (i.e. XRSQ-[R]19 becomes XRSQ-[R]24)

Ordering Guide - Frames with Work Surface Provisions & Slope Front Frames

-WT Frame Options	Full Height Mounting Rail Options		
	Mounting Rails	Mounting Straps	Square Hole/Dell® Rails
	<p>[1] Block Indicate: [blank] = Round/Round [-T] = Tapped/Round [-T2] = Tapped/Tapped</p> <p>Note: Mounting rails are sold as pairs.</p>	<p>Note: Mounting straps are sold as pairs.</p> <p>Note: Front flange mount accessories, are not compatible with these straps.</p>	<p>Note: Mounting rails are sold as pairs.</p> <p>Note: Side flange mount accessories, such as chassis guides and drawers, are not compatible with these rails.</p>
Vertical Frames - Work Surface Provisions 15U "Desk Height" 19U "Counter Height"	Front/Rear	Intermediate	Front/Rear
XFR-262419-WT	XMA-24[1]	XMS-24	DXMA-24
XFR-312419-WT	XMA-24[1]	XMS-24	DXMA-24
XFR-362419-WT	XMA-24[1]	XMS-24	DXMA-24
XFR-263119-WT	XMA-31[1]	XMS-31	DXMA-31
XFR-313119-WT	XMA-31[1]	XMS-31	DXMA-31
XFR-363119-WT	XMA-31[1]	XMS-31	DXMA-31
For 24" EIA width, change "19" to "24" in part number. (i.e. XFR-427819 becomes XFR-427824)	Part number valid for 24" EIA width.	Part number valid for 24" EIA width.	Part number valid for 24" EIA width.

Slope Frame Options	Full Height Mounting Rail Options			
	Mounting Rails		Mounting Straps	
	<p>[1] Block Indicate: [blank] = Round/Round [-T] = Tapped/Round [-T2] = Tapped/Tapped</p> <p>Note: Mounting rails are sold as pairs.</p>		<p>Note: Mounting straps are sold as pairs.</p> <p>Note: Front flange mount accessories, are not compatible with these straps.</p>	
Slope Front Frames 10U 12U Slope Opening	Front	Rear	Intermediate	
XFRS-262119A	XMA-26[1]	XMA-49[1]	XMS-26 (front)	XMS-49 (rear)
XFRS-312119A	XMA-26[1]	XMA-49[1]	XMS-26 (front)	XMS-49 (rear)
XFRS-261719A	XMA-26[1]	XMA-45[1]	XMS-26 (front)	XMS-45 (rear)
XFRS-311719A	XMA-26[1]	XMA-45[1]	XMS-26 (front)	XMS-45 (rear)
Slope Frames - Work Surface Provisions 10U 12U Slope Opening				
XFRS-262119-WT	XMA-28[1]	XMA-49[1]	XMS-28 (front)	XMS-49 (rear)
XFRS-312119-WT	XMA-28[1]	XMA-49[1]	XMS-28 (front)	XMS-49 (rear)
XFRS-261719-WT	XMA-28[1]	XMA-45[1]	XMS-28 (front)	XMS-45 (rear)
XFRS-311719-WT	XMA-28[1]	XMA-45[1]	XMS-28 (front)	XMS-45 (rear)
For 24" EIA width, change "19" to "24" in part number. (i.e. XFRS-311719-WT becomes XFRS-311724-WT)	Part number valid for 24" EIA width.		Part number valid for 24" EIA width.	

Ordering Guide - Frames with Work Surface Provisions & Slope Front Frames

-WT Frame Options	Side Panel Options	
	Panels	Latches
	<p>[1] Block Indicate: [S] = Solid [V] = Vented</p>	<p>[1] Block Indicate: [WING] = Wing Style [SLOTTED] = Slotted Style [KEYED] = Keyed Style</p> <p>Note: Order 2 per side panel.</p>
Vertical Frames - Work Surface Provisions 15U "Desk Height" 19U "Counter Height"	Left/Right	
XFR-262419-WT	XSP-2626 [1]	LATCH [1]
XFR-312419-WT	XSP-3126 [1]	LATCH [1]
XFR-362419-WT	XSP-3626 [1]	LATCH [1]
XFR-263119-WT	XSP-2633 [1]	LATCH [1]
XFR-313119-WT	XSP-3133 [1]	LATCH [1]
XFR-363119-WT	XSP-3633 [1]	LATCH [1]

For 24" EIA width, change "19" to "24" in part number.
(i.e. XFR-427819 becomes XFR-427824)

Part number valid for 24" EIA width.

Part number valid for 24" EIA width.

Slope Frame Options	Side Panel Options	
	Panels	Latches
	<p>[1] Block Indicate: [S] = Solid [V] = Vented</p> <p>[2] Block Indicate: [-LH] = Left Side Panel [-RH] = Right Side Panel</p>	<p>[1] Block Indicate: [WING] = Wing Style [SLOTTED] = Slotted Style [KEYED] = Keyed Style</p> <p>Note: Order 2 per side panel.</p>
Slope Front Frames 10U 12U Slope Opening	Left/Right	
XFRS-262119A	XSP-2621A- [1][2]	LATCH [1]
XFRS-312119A	XSP-3121A- [1][2]	LATCH [1]
XFRS-261719A	XSP-2617A- [1][2]	LATCH [1]
XFRS-311719A	XSP-3117A- [1][2]	LATCH [1]
Slope Frames - Work Surface Provisions 10U 12U Slope Opening		
XFRS-262119-WT	XSP-2621A- [1][2]	LATCH [1]
XFRS-312119-WT	XSP-3121A- [1][2]	LATCH [1]
XFRS-261719-WT	XSP-2617A- [1][2]	LATCH [1]
XFRS-311719-WT	XSP-3117A- [1][2]	LATCH [1]

For 24" EIA width, change "19" to "24" in part number.
(i.e. XFRS-311719-WT becomes XFRS-311724-WT)

Part number valid for 24" EIA width.

Part number valid for 24" EIA width.

Ordering Guide - Frames with Work Surface Provisions & Slope Front Frames

-WT Frame Options	Full Height Door Options	
	Flush Doors	Surface Doors
	<p>[1] Block Indicate: [S] = Solid [V] = Vented [L] = Louvered</p> <p>[2] Block Indicate: [R] = Right Hinge [L] = Left Hinge</p>	<p>[1] Block Indicate: [S] = Solid [V] = Vented [L] = Louvered</p> <p>[2] Block Indicate: [R] = Right Hinge [L] = Left Hinge</p>
Vertical Frames - Work Surface Provisions 15U "Desk Height" 19U "Counter Height"	Front/Rear	Front/Rear
XFR-262419-WT	DF-H[1][2]-2419	DS-X[1][2]-2419
XFR-312419-WT	DF-H[1][2]-2419	DS-X[1][2]-2419
XFR-362419-WT	DF-H[1][2]-2419	DS-X[1][2]-2419
XFR-263119-WT	DF-H[1][2]-3119	DS-X[1][2]-3119
XFR-313119-WT	DF-H[1][2]-3119	DS-X[1][2]-3119
XFR-363119-WT	DF-H[1][2]-3119	DS-X[1][2]-3119
For 24" EIA width, change "19" to "24" in part number. (i.e. XFR-427819 becomes XFR-427824)	For 24" EIA width, change "19" to "24" in part number. (i.e. DF-H[1][2]-7819 becomes DF-H[1][2]-7824)	For 24" EIA width, change "19" to "24" in part number. (i.e. DS-X[1][2]-7819 becomes DS-X[1][2]-7824)

Slope Frame Options	Full Height Door Options					
	Flush Doors		Surface Doors		Window Doors	
	<p>[1] Block Indicate: [H] = Handle with Lock [T] = Twist Latch w/o Lock</p> <p>[2] Block Indicate: [S] = Solid [V] = Vented [L] = Louvered</p> <p>[3] Block Indicate: [R] = Right Hinge [L] = Left Hinge</p>		<p>[1] Block Indicate: [S] = Solid [V] = Vented [L] = Louvered [P] = Perforated</p> <p>[2] Block Indicate: [R] = Right Hinge [L] = Left Hinge</p>		<p>[1] Block Indicate: [LH] = Left Hinge [RH] = Right Hinge</p> <p>[2] Block Indicate: [blank] = Non-Locking [-LK] = Locking</p> <p>[3] Block Indicate: [blank] = Window w/ Smoked Plexiglas® [-WC] = Window w/ Clear Plexiglas®</p>	
Slope Front Frames 10U 12U Slope Opening	Front	Rear	Front	Rear	Front	Rear
XFRS-262119A	DF-[1][2][3]-2619	DF-[1][2][3]-4919	DS-X[1][2]-2619	DS-X[1][2]-4919	XWDA-2619-[1][2][3]	XWDA-4919-[1][2][3]
XFRS-312119A	DF-[1][2][3]-2619	DF-[1][2][3]-4919	DS-X[1][2]-2619	DS-X[1][2]-4919	XWDA-2619-[1][2][3]	XWDA-4919-[1][2][3]
XFRS-261719A	DF-[1][2][3]-2619	DF-[1][2][3]-4519	DS-X[1][2]-2619	DS-X[1][2]-4519	XWDA-2619-[1][2][3]	contact factory
XFRS-311719A	DF-[1][2][3]-2619	DF-[1][2][3]-4519	DS-X[1][2]-2619	DS-X[1][2]-4519	XWDA-2619-[1][2][3]	contact factory
Slope Frames - Work Surface Provisions 10U 12U Slope Opening						
XFRS-262119-WT	DF-[1][2][3]-2419	DF-[1][2][3]-4919	DS-X[1][2]-2419	DS-X[1][2]-4919	contact factory	XWDA-4919-[1][2][3]
XFRS-312119-WT	DF-[1][2][3]-2419	DF-[1][2][3]-4919	DS-X[1][2]-2419	DS-X[1][2]-4919	contact factory	XWDA-4919-[1][2][3]
XFRS-261719-WT	DF-[1][2][3]-2419	DF-[1][2][3]-4519	DS-X[1][2]-2419	DS-X[1][2]-4519	contact factory	contact factory
XFRS-311719-WT	DF-[1][2][3]-2419	DF-[1][2][3]-4519	DS-X[1][2]-2419	DS-X[1][2]-4519	contact factory	contact factory
For 24" EIA width, change "19" to "24" in part number. (i.e. XFRS-311719-WT becomes XFRS-311724-WT)	For 24" EIA width, change "19" to "24" in part number. (i.e. DF-[1][2][3]-2419 becomes DF-[1][2][3]-2424)	For 24" EIA width, change "19" to "24" in part number. (i.e. DS-X[1][2]-2419 becomes DS-X[1][2]-2424)	For 24" EIA width, change "19" to "24" in part number. (i.e. DS-X[1][2]-2419 becomes DS-X[1][2]-2424)	For 24" EIA width, change "19" to "24" in part number. (i.e. XWDA-2619-[1][2][3] becomes XWDA-2624-[1][2][3])		

Ordering Guide - Frames with Work Surface Provisions & Slope Front Frames

-WT Frame Options	Bottom/Base Options		Full Depth Top Panel Options
	Panels	Bases	Panels
	[1] Block Indicate: [blank] = Solid [-PA] = Perforated	[1] Block Indicate: [blank] = Riser Base [-DO] = Riser Base w/ Duplex Outlet [-FL] = Fork Lift Base [-AT] = Anti-Tip Base	[1] Block Indicate: [blank] = Solid [-V] = Vented [-PA] = Perforated [-LV] = Louvered [-F] = Laminate

Vertical Frames - Work Surface Provisions 15U "Desk Height" 19U "Counter Height"

XFR-262419-WT	XBP-2619[1]	XPB-2619[1]	XPN-2219[1]
XFR-312419-WT	XBP-3119[1]	XPB-3119[1]	XPN-2819[1]
XFR-362419-WT	XBP-3619[1]	XPB-3619[1]	XPN-3319[1]
XFR-263119-WT	XBP-2619[1]	XPB-2619[1]	XPN-2219[1]
XFR-313119-WT	XBP-3119[1]	XPB-3119[1]	XPN-2819[1]
XFR-363119-WT	XBP-3619[1]	XPB-3619[1]	XPN-3319[1]

For 24" EIA width, change "19" to "24" in part number.
(i.e. XFR-427819 becomes XFR-427824)

For 24" EIA width, change "19" to "24" in part number.
(i.e. XBP-4219[1] becomes XBP-4224[1])

For 24" EIA width, change "19" to "24" in part number.
(i.e. XPB-4219[1] becomes XPB-4224[1])

For 24" EIA width, change "19" to "24" in part number.
(i.e. XPN-3119[1] becomes XPN-3124[1])

Slope Frame Options	Bottom/Base Options		Full Depth Top Panel Options
	Panels	Bases	Panels
	[1] Block Indicate: [blank] = Solid [-PA] = Perforated	[1] Block Indicate: [blank] = Riser Base [-DO] = Riser Base w/ Duplex Outlet [-FL] = Fork Lift Base [-AT] = Anti-Tip Base	[1] Block Indicate: [blank] = Solid [-V] = Vented [-PA] = Perforated [-LV] = Louvered [-F] = Laminate

Slope Front Frames 10U 12U Slope Opening

XFRS-262119A	XBP-2619[1]	XPB-2619[1]	XPN-1419[1]
XFRS-312119A	XBP-3119[1]	XPB-3119[1]	XPN-1919[1]
XFRS-261719A	XBP-2619[1]	XPB-2619[1]	XPN-1519[1]
XFRS-311719A	XBP-3119[1]	XPB-3119[1]	XPN-2119[1]

Slope Frames - Work Surface Provisions 10U 12U Slope Opening

XFRS-262119-WT	XBP-2619[1]	XPB-2619[1]	XPN-1419[1]
XFRS-312119-WT	XBP-3119[1]	XPB-3119[1]	XPN-1919[1]
XFRS-261719-WT	XBP-2619[1]	XPB-2619[1]	XPN-1519[1]
XFRS-311719-WT	XBP-3119[1]	XPB-3119[1]	XPN-2119[1]

For 24" EIA width, change "19" to "24" in part number.
(i.e. XFRS-311719-WT becomes XFRS-311724-WT)

For 24" EIA width, change "19" to "24" in part number.
(i.e. XBP-3119[1] becomes XBP-3124[1])

For 24" EIA width, change "19" to "24" in part number.
(i.e. XPB-3119[1] becomes XPB-3124[1])

For 24" EIA width, change "19" to "24" in part number.
(i.e. XPN-2119[1] becomes XPN-2124[1])

Ordering Guide - Frames with Work Surface Provisions & Slope Front Frames

-WT Frame Options	Shelves		
	Chassis Guides	Fixed Shelves	Pull Out Shelves
	<p>[R] Block Indicate: [20] = 20.062" A Rail to Rail Setting [26] = 25.125" B Rail to Rail Setting [31] = 30.375" C Rail to Rail Setting</p> <p>[1] Block Indicate: [blank] = Heavy Duty [-LD] = Light Duty</p>	<p>[R] Block Indicate: [20] = 20.062" A Rail to Rail Setting [26] = 25.125" B Rail to Rail Setting [31] = 30.375" C Rail to Rail Setting</p> <p>[1] Block Indicate: [blank] = Solid [-PA] = Perforated</p>	<p>[R] Block Indicate: [20] = 20.062" A Rail to Rail Setting [26] = 25.125" B Rail to Rail Setting [31] = 30.375" C Rail to Rail Setting</p> <p>[1] Block Indicate: [blank] = Solid [-PA] = Perforated</p>
Vertical Frames - Work Surface Provisions 15U "Desk Height" 19U "Counter Height"			
XFR-262419-WT	XCG-[R] [1]	XES-[R]19[1]	XCSQ-[R]19[1]
XFR-312419-WT	XCG-[R] [1]	XES-[R]19[1]	XCSQ-[R]19[1]
XFR-362419-WT	XCG-[R] [1]	XES-[R]19[1]	XCSQ-[R]19[1]
XFR-263119-WT	XCG-[R] [1]	XES-[R]19[1]	XCSQ-[R]19[1]
XFR-313119-WT	XCG-[R] [1]	XES-[R]19[1]	XCSQ-[R]19[1]
XFR-363119-WT	XCG-[R] [1]	XES-[R]19[1]	XCSQ-[R]19[1]

For 24" EIA width, change "19" to "24" in part number.
(i.e. XFR-427819 becomes XFR-427824)

Part number valid for 24" EIA width.

For 24" EIA width, change "19" to "24" in part number.
(i.e. XES-[R]19[1] becomes XES-[R]24[1])

For 24" EIA width, change "19" to "24" in part number.
(i.e. XCSQ-[R]19[1] becomes XCSQ-[R]24[1])

Slope Frame Options	Shelves		
	Chassis Guides	Fixed Shelves	Pull Out Shelves
	<p>[R] Block Indicate: [20] = 20.062" A Rail to Rail Setting [26] = 25.125" B Rail to Rail Setting [31] = 30.375" C Rail to Rail Setting</p> <p>[1] Block Indicate: [blank] = Heavy Duty [-LD] = Light Duty</p>	<p>[R] Block Indicate: [20] = 20.062" A Rail to Rail Setting [26] = 25.125" B Rail to Rail Setting [31] = 30.375" C Rail to Rail Setting</p> <p>[1] Block Indicate: [blank] = Solid [-PA] = Perforated</p>	<p>[R] Block Indicate: [20] = 20.062" A Rail to Rail Setting [26] = 25.125" B Rail to Rail Setting [31] = 30.375" C Rail to Rail Setting</p> <p>[1] Block Indicate: [blank] = Solid [-PA] = Perforated</p>
Slope Front Frames 10U 12U Slope Opening			
XFRS-262119A	XCG-[R] [1]	XES-[R]19[1]	XCSQ-[R]19[1]
XFRS-312119A	XCG-[R] [1]	XES-[R]19[1]	XCSQ-[R]19[1]
XFRS-261719A	XCG-[R] [1]	XES-[R]19[1]	XCSQ-[R]19[1]
XFRS-311719A	XCG-[R] [1]	XES-[R]19[1]	XCSQ-[R]19[1]
Slope Frames - Work Surface Provisions 10U 12U Slope Opening			
XFRS-262119-WT	XCG-[R] [1]	XES-[R]19[1]	XCSQ-[R]19[1]
XFRS-312119-WT	XCG-[R] [1]	XES-[R]19[1]	XCSQ-[R]19[1]
XFRS-261719-WT	XCG-[R] [1]	XES-[R]19[1]	XCSQ-[R]19[1]
XFRS-311719-WT	XCG-[R] [1]	XES-[R]19[1]	XCSQ-[R]19[1]

For 24" EIA width, change "19" to "24" in part number.
(i.e. XFRS-311719-WT becomes XFRS-311724-WT)

Part number valid for 24" EIA width.

For 24" EIA width, change "19" to "24" in part number.
(i.e. XES-[R]19[1] becomes XES-[R]24[1])

For 24" EIA width, change "19" to "24" in part number.
(i.e. XCSQ-[R]19[1] becomes XCSQ-[R]24[1])

Ordering Guide - Frames with Work Surface Provisions & Slope Front Frames

-WT Frame Options	Drawers		
	Non-Locking Drawers	Locking Drawers	Drawer with Lid
	<p>[R] Block Indicate: [20] = 20.062" A Rail to Rail Setting [26] = 25.125" B Rail to Rail Setting [31] = 30.375" C Rail to Rail Setting</p> <p>[1] Block Indicate: [03] = 3.50" Drawer Front [05] = 5.25" Drawer Front [07] = 7.00" Drawer Front [08] = 8.75" Drawer Front [10] = 10.5" Drawer Front [14] = 14.0" Drawer Front</p>	<p>[R] Block Indicate: [20] = 20.062" A Rail to Rail Setting [26] = 25.125" B Rail to Rail Setting [31] = 30.375" C Rail to Rail Setting</p> <p>[1] Block Indicate: [05] = 5.25" Drawer Front [07] = 7.00" Drawer Front [08] = 8.75" Drawer Front [10] = 10.5" Drawer Front [14] = 14.0" Drawer Front</p>	<p>[R] Block Indicate: [20] = 20.062" A Rail to Rail Setting [26] = 25.125" B Rail to Rail Setting [31] = 30.375" C Rail to Rail Setting</p> <p>Note: Laminate color must be selected.</p>
Vertical Frames - Work Surface Provisions 15U "Desk Height" 19U "Counter Height"			
XFR-262419-WT	XDRQ-[R][1]19	XDRQ-[R][1]19-LK	XRSQ-[R]19
XFR-312419-WT	XDRQ-[R][1]19	XDRQ-[R][1]19-LK	XRSQ-[R]19
XFR-362419-WT	XDRQ-[R][1]19	XDRQ-[R][1]19-LK	XRSQ-[R]19
XFR-263119-WT	XDRQ-[R][1]19	XDRQ-[R][1]19-LK	XRSQ-[R]19
XFR-313119-WT	XDRQ-[R][1]19	XDRQ-[R][1]19-LK	XRSQ-[R]19
XFR-363119-WT	XDRQ-[R][1]19	XDRQ-[R][1]19-LK	XRSQ-[R]19
For 24" EIA width, change "19" to "24" in part number. (i.e. XFR-427819 becomes XFR-427824)	For 24" EIA width, change "19" to "24" in part number. (i.e. XDRQ-[R][1]19 becomes XDRQ-[R][1]24)	For 24" EIA width, change "19" to "24" in part number. (i.e. XDRQ-[R][1]19-LK becomes XDRQ-[R][1]24-LK)	For 24" EIA width, change "19" to "24" in part number. (i.e. XRSQ-[R]19 becomes XRSQ-[R]24)

Slope Frame Options	Drawers		
	Non-Locking Drawers	Locking Drawers	Drawer with Lid
	<p>[R] Block Indicate: [20] = 20.062" A Rail to Rail Setting [26] = 25.125" B Rail to Rail Setting [31] = 30.375" C Rail to Rail Setting</p> <p>[1] Block Indicate: [03] = 3.50" Drawer Front [05] = 5.25" Drawer Front [07] = 7.00" Drawer Front [08] = 8.75" Drawer Front [10] = 10.5" Drawer Front [14] = 14.0" Drawer Front</p>	<p>[R] Block Indicate: [20] = 20.062" A Rail to Rail Setting [26] = 25.125" B Rail to Rail Setting [31] = 30.375" C Rail to Rail Setting</p> <p>[1] Block Indicate: [05] = 5.25" Drawer Front [07] = 7.00" Drawer Front [08] = 8.75" Drawer Front [10] = 10.5" Drawer Front [14] = 14.0" Drawer Front</p>	<p>[R] Block Indicate: [20] = 20.062" A Rail to Rail Setting [26] = 25.125" B Rail to Rail Setting [31] = 30.375" C Rail to Rail Setting</p> <p>Note: Laminate color must be selected.</p>
Slope Front Frames 10U 12U Slope Opening			
XFRS-262119A	XDRQ-[R][1]19	XDRQ-[R][1]19-LK	XRSQ-[R]19
XFRS-312119A	XDRQ-[R][1]19	XDRQ-[R][1]19-LK	XRSQ-[R]19
XFRS-261719A	XDRQ-[R][1]19	XDRQ-[R][1]19-LK	XRSQ-[R]19
XFRS-311719A	XDRQ-[R][1]19	XDRQ-[R][1]19-LK	XRSQ-[R]19
Slope Frames - Work Surface Provisions 10U 12U Slope Opening			
XFRS-262119-WT	XDRQ-[R][1]19	XDRQ-[R][1]19-LK	XRSQ-[R]19
XFRS-312119-WT	XDRQ-[R][1]19	XDRQ-[R][1]19-LK	XRSQ-[R]19
XFRS-261719-WT	XDRQ-[R][1]19	XDRQ-[R][1]19-LK	XRSQ-[R]19
XFRS-311719-WT	XDRQ-[R][1]19	XDRQ-[R][1]19-LK	XRSQ-[R]19
For 24" EIA width, change "19" to "24" in part number. (i.e. XFRS-311719-WT becomes XFRS-311724-WT)	For 24" EIA width, change "19" to "24" in part number. (i.e. XDRQ-[R][1]19 becomes XDRQ-[R][1]24)	For 24" EIA width, change "19" to "24" in part number. (i.e. XDRQ-[R][1]19-LK becomes XDRQ-[R][1]24-LK)	For 24" EIA width, change "19" to "24" in part number. (i.e. XRSQ-[R]19 becomes XRSQ-[R]24)

Table of Contents

• Overview	1-3	• Work Surfaces	52-53
• Frames	4-15	Radius Edge	
15U - 48U Vertical		T-Edge	
Slope Front		Bull Nose Edge	
Frames with Built in Work Surface Provisions		Oak Edge	
• Mounting Rails	16-19	• Articulating Monitor Arms	54-57
Round/Round (.281 diameter) (.281 diameter)		Horizontal Monitor Configurations	
Tapped/Round (#10-32) (.281 diameter)		Vertical Monitor Configurations	
Tapped/Tapped (#10-32) (#10-32)		Mounting Options	
Mounting Straps		• Airflow Management	58-62
Panel Width Reducer Kits (entire EIA opening)		Dual Fan Panels	
Panel Width Reducer Brackets (portion of EIA opening)		Rack Fan Panels	
• Base/Casters	20-25	Fan Trays	
Single Wheel Casters		Blowers	
Dual Wheel Casters		Filters and Other Accessories	
Riser (pontoon base)		• Panels	63-68
Anti-Tip Bases		Cable Pass Through Panels	
Fork Lift Bases		Formed Steel Filler Panels	
• Wedges/Turrets	26-29	Plexiglas® Panels	
30° & 45° Wedges		Flat Aluminum Filler Panels	
45° & 90° Turrets		Laminate Filler Panels	
• Power	30-31	Name Plates	
15 Amp		• Top/Bottom	66-73
20 Amp		Overhead Cable Trays	
Direct Wire		Lift Kits	
• Grounding	32-33	Pagoda Vents	
Bus Bar (entire vertical opening)		Top Fan Panels	
Bus Plate (specific locations)		Solid Bottom Panels	
• Cable Management	34-37	Perforated Bottom Panels	
Vertical Lacing Panels		• Doors	74-81
Vertical Cable Organizer with Finger Duct		Flush Mount	
Horizontal Cable organizer with D-Rings		Surface Mount	
Din Rail		Aluminum Framed Surface Mount	
Horizontal Lacing Bars/Panels		Contour Style Surface Mount	
Cable Trough		• Side Panels	82-88
Cable Ties / Velcro		Outside Removable Solid	
• Lighting	38-39	Outside Removable Vented	
Rack Lights		Divider Style Kit for Monitor Arms	
Lampsets		Track Style Kit for Monitor Arms	
Task Lighting		Latches and Articulating Arm Options	
• Shelves/Drawers	40-51	• Hardware	89-90
Sliding Shelves		• Ordering Guide	92-105
Fixed Shelves			
Monitor Shelves			
Work Surface Drawers			
Retractable Keyboard Tray			
Chassis Guides			
Equipment Drawers			

Rack Units (U) / Inches Conversion Table

Rack Units	Inches
48 U	84.00"
46 U	80.50"
45 U	78.75"
44 U	77.00"
43 U	75.25"
42 U	73.50"
41 U	71.75"
40 U	70.00"
39 U	68.25"
38 U	66.50"
37 U	64.75"
36 U	63.00"
35 U	61.25"
34 U	59.50"
33 U	57.75"
32 U	56.00"
31 U	54.25"
30 U	52.50"
29 U	50.75"
28 U	49.00"
27 U	47.25"
26 U	45.50"
25 U	43.75"
24 U	42.00"
23 U	40.25"
22 U	38.50"
21 U	36.75"
20 U	35.00"
19 U	33.25"
18 U	31.50"
17 U	29.75"
16 U	28.00"
15 U	26.25"
14 U	24.50"
13 U	22.75"
12 U	21.00"
11 U	19.25"
10 U	17.50"
9 U	15.75"
8 U	14.00"
7 U	12.25"
6 U	10.50"
5 U	8.75"
4 U	7.00"
3 U	5.25"
2 U	3.50"
1 U	1.75"



Emcor Product Portfolio

Cabinets and Enclosures

This standard product lineup includes a range of vertical racks and cabinets, which can be configured or modified with numerous accessories and sizes to meet your diverse needs.



ESQ®



10 Series®



Seismic



Data Center

Consoles and Workstations

This standard product lineup includes a range of modular security consoles and workstations that can be configured to meet the space constraints of any room.



FP1



FP2



ESQ®



Air Traffic Control

Custom Solutions

For those needs that fall outside of Emcor's standard products, we can build completely custom solutions to meet the needs of any customer.



Outdoor Enclosures



Cages



Air Conditioned