



25200 Series

Electric, Gasoline & Hydraulic Powered
Double Diaphragm, Plastic, Transfer Pumps
1 1/2" - 25 GPM



Model 25200

Model 25260
w/ Electric MotorModel 25235
w/ Gas Engine

Model 25270

*All models can be ordered with the optional wheels and handle shown on the pumps above.

Performance Features

- Pumps Liquids With Large Suspended Solids
- Self-Priming from a Dry Start
- Powerful Suction Lift
- Pump Can Run Dry Indefinitely
- Very Low Emulsifying Action
- Non-Shear Pumping Action

Design Features

- Electric, Gasoline & Hydraulic Powered Models
- Chemical Resistant Plastic Pump Bodies
- Extended-Life Reinforced Diaphragms
- Non-Clogging Flow-Thru Design
- Easy to Install, Clean & Maintain
- Options for Portability
- Industrial Grade for Years of Reliable Service

Flexibility in a simple to understand and maintain package, the 25200s can do just about any pumping task you need done at suction lifts up to 25 ft, discharge heads up to 25 ft and volumes up to 25 gpm.

The Model 25200 is a variable speed, inverter controlled version that includes a VFD mounted to a 3/4 hp integral gear motor.

The Models 25260, 25250, 25240, 25230 & 25220 are fixed speed versions each built with a different ratio gear reducer to which you can mount any 3/4 Hp (.55kw), 56C frame motor to create a pump that meets the speed and electrical specifications needed for your application. There is a 150CC Honda Gas Engine available for the Model 25230 for customers that need a gas powered pump.

See page 4 for details.

The Model 25270 is the hydraulic powered version and is built with a Char-Lynn Motor.

Specifications

Performance:

Static Suction Lift	25 ft./7.62m
Dry Suction Lift	12 ft./3.65m
Discharge Head	25 ft./7.62m
Continuous Duty Discharge Head	25 ft./7.62m
Max Volume	25 gpm* / 94.6 lpm* / 5.8 m ph*

*Volume at 60 cycles per minute. Actual volume will depend on pump cycle speed & application conditions.

Construction:

Pump Bases	Polypropylene	3
Inlet & Discharge Check Valves	Polypropylene	
Diaphragms.....	Viton® or Neoprene ^R	
Flapper Valves.....	Viton® or Neoprene ^R	
Mounting Frame	Powder Coated Aluminum	
Hardware Material	Stainless Steel	

Drives:

Model 25200 - Variable Speed Version Includes a .75 hp/.55 kw, 60/50 hz, TEFC Gear Motor with Lenze VFD* Installed.

*VFDs are available to match any voltage and frequency input.

Models 25260, 25250, 25240, 25230 & 25220 - Fixed Speed Versions are built with 1 of 5 different ratio gear reducers:

Model 25260 is built with a 30 to 1 ratio gear reducer.

Model 25250 is built with a 34 to 1 ratio gear reducer.

Model 25240 is built with a 43 to 1 ratio gear reducer.

Model 25230 is built with a 60 to 1 ratio gear reducer.

Model 25220 is built with a 83 to 1 ratio gear reducer.

Motors and Gas Engine are ordered separately for these models.

Motors are available to match any voltage and frequency power. See page 4.

Motor rpm and gear reducer ratio will determine the fixed cycle speed.

Model 25270 - Hydraulic Version is built with a Char Lynn H Series Hydraulic Motor

Target Applications

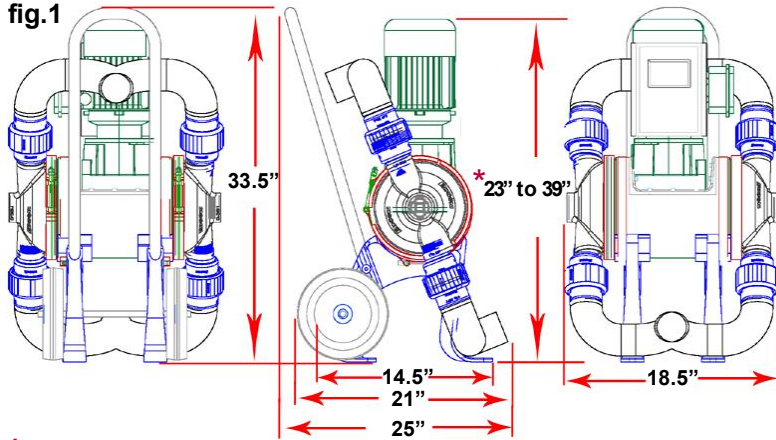
MARINE INDUSTRIAL ENVIRONMENTAL MUNICIPAL

- Sump Pumping
- Sewage Collection & Transfer
- Cooking Oil Collection and Transfer
- Oil Water Separation
- Groundwater Remediation
- Dewatering
- Small Boat Bilge & Waste Pumps
- Mining Operations
- Marina Pump Out
- Campground Pump Out
- Waste Oil Collection
- Oil Spill Clean Up
- Wash-Down Operations
- Liquids With Abrasive Solids
- Industrial Waste Water Processing
- Facility Maintenance All Purpose

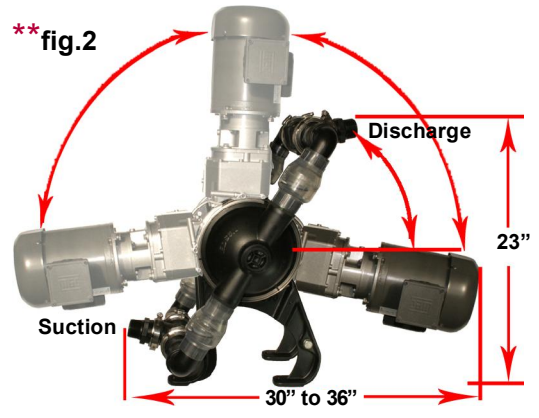


DIMENSIONS

fig.1



** fig.2



* The height of a 25200 Series Pump will vary due to the drive of the model ordered. The Model 25200 has a height of 39" and the Model 25270 is 23" high while the height of the Models 25260, 25250, 25240, 25230 and 25220 will vary between 35" and 40" based on the motor or gas engine ordered.

** As shown in fig.2 the dimensions can change because the pump drive and mounting assembly can be rotated forward or backwards on the support legs and because the pump chambers which includes the suction and discharge plumbing can also be rotated on the pump frame.

WEIGHT

The weight of a 25200 will vary because of the drive of the model ordered.
Model 25200 - 89 lb / 40 kg • Models 25260 to 25220 - 75 to 80 lb / 34 to 36 kg • Model 25270 - 44 lb / 20 kg

APPLICATIONS & CONFIGURATIONS

What Can You Do With A 25200? Clean out a process tank? Test and pump remediation site wells? Transfer liquid? Pump liquids with suspended solids? Suck out a sump? Transfer waste water from wash down stations? Transfer contaminated liquids with very low emulsive pumping action? Sewage transfer or collection? Transfer or collect all types of liquids?

Need Versatility? The 25200 version with its' VFD lets you match the pump performance to the application at hand. See the Performance Charts on page 3. You can get the pump performance you need with just the push of a button. The Variable Frequency Drive also allows for remote start-stop stations, float switch control, setting run times and a variety of other capabilities.

Want To Just Keep It Simple? The 25260, 25250, 25240, 25230, 25220 versions are built to run at a fixed speed determined by the model and the motor combination. If your application calls for the pump to perform at just one cycle rate, we can supply the pump with the gear reducer and motor combination to meet just that performance rate. See Pump Cycles Per Minute Chart on page 3.

Need 1 Pump To Do 2 Jobs? The inlet and discharge of a 25200 Series pump can be reconfigured so each of the 2 pump bodies has individual suction and/or discharge lines. One 25200 can be used as two pumps with a common drive.

Need High Suction Lift For A Dry Hose Start? Add the optional high suction lift plumbing. Prime the pump and keep it primed even when the suction line runs dry. In factory tests, the vacuum gauge recorded 25"hg when this optional plumbing was used on the inlet of the pump.

Pump Dimensions Not Right? Consider rotating the drive modular from vertical to horizontal.



25200 SERIES PUMP PERFORMANCE CHARTS

The following charts are a guide in determining which version of the 25200 is best for a specific application. Each of the charts show the gallons per minute (**gpm**) performance of a 25200 pump operating at a different speeds (**Cycle/Minute**) under 25 different combinations of suction pressure in inches of mercury (**hg**) and discharge pressure in pounds per square inch (**psi**). These suction and discharge pressures are also displayed as suction and discharge head in both feet and meters. **The cycle rate** of the pump and the suction and discharge pressures created by a specific application will determine the actual volume performance of the pump being used.

Results In Gallon Per Minute
1 Gallon Per Min. = 3.785 Liters Per Min. = .2271 Cubic Meters Per Hour

		Discharge Head				
		5 ft / 1.52 m	10 ft / 3.04 m	20 ft / 6.09 m	25 ft / 7.62 m	
60 Cycles / Min.		0	2.2 psi	4.4 psi	8.7 psi	10.8 psi
Suction Head	0	25.0 gpm	21.4 gpm	20.0 gpm	16.7 gpm	12.5 gpm
5 ft / 1.52 m	4.5 hg	25.0 gpm	21.4 gpm	20.0 gpm	16.7 gpm	12.5 gpm
10 ft / 3.04 m	9.1 hg	21.4 gpm	16.7 gpm	14.3 gpm	11.5 gpm	11.1 gpm
20 ft / 6.09 m	18.2 hg	18.8 gpm	16.7 gpm	12.5 gpm	10.7 gpm	10.3 gpm
25 ft / 7.62 m	22.7 hg	15.0 gpm	14.3 gpm	11.5 gpm	10.7 gpm	10.0 gpm
40 Cycles / Min.		0	2.2 psi	4.4 psi	8.7 psi	10.8 psi
Suction Head	0	15.8 gpm	12.5 gpm	11.5 gpm	10.0 gpm	9.4 gpm
5 ft / 1.52 m	4.5 hg	15.0 gpm	12.5 gpm	11.5 gpm	10.0 gpm	9.4 gpm
10 ft / 3.04 m	9.1 hg	13.6 gpm	11.5 gpm	10.3 gpm	8.8 gpm	8.8 gpm
20 ft / 6.09 m	18.2 hg	12.5 gpm	11.1 gpm	9.4 gpm	6.3 gpm	5.0 gpm
25 ft / 7.62 m	22.7 hg	10.0 gpm	9.4 gpm	6.0 gpm	5.0 gpm	4.4 gpm
30 Cycles / Min.		0	2.2 psi	4.4 psi	8.7 psi	10.8 psi
Suction Head	0	12.0 gpm	10.7 gpm	10.0 gpm	8.3 gpm	7.9 gpm
5 ft / 1.52 m	4.5 hg	10.7 gpm	10.7 gpm	7.5 gpm	5.6 gpm	5.0 gpm
10 ft / 3.04 m	9.1 hg	10.0 gpm	8.8 gpm	6.7 gpm	5.0 gpm	4.5 gpm
20 ft / 6.09 m	18.2 hg	8.3 gpm	7.1 gpm	5.0 gpm	4.2 gpm	3.8 gpm
25 ft / 7.62 m	22.7 hg	7.1 gpm	6.0 gpm	4.3 gpm	3.8 gpm	3.5 gpm
20 Cycles / Min.		0	2.2 psi	4.4 psi	8.7 psi	10.8 psi
Suction Head	0	6.3 gpm	6.0 gpm	4.7 gpm	4.3 gpm	4.1 gpm
5 ft / 1.52 m	4.5 hg	6.0 gpm	4.7 gpm	4.1 gpm	3.3 gpm	3.0 gpm
10 ft / 3.04 m	9.1 hg	6.0 gpm	4.1 gpm	3.5 gpm	3.0 gpm	2.9 gpm
20 ft / 6.09 m	18.2 hg	5.0 gpm	3.3 gpm	3.0 gpm	2.6 gpm	2.4 gpm
25 ft / 7.62 m	22.7 hg	4.4 gpm	3.0 gpm	2.3 gpm	2.1 gpm	1.9 gpm

CYCLE RATES

The **Model 25200** is built with a variable speed, programable control (VFD-Variable Frequency Drive) wired to a 60 rpm gear motor that allows the operator to just dial in the cycle rate of the pump to meet the performance requirements of the application. Cycle rates from 0 to 60 at the push of a button.

The **Models 25260 25250 25240 25230 and 25220** are built with specific ratio gear reducers. Since each can be ordered with a variety of motors, the actual cycle per minute rate of the pump will be determined by the combination of the pump and the rpm of the motor ordered. Use the following chart to determine the best combination for your application.

Example:

The Model 25260 pump is built with a 30 to 1 ratio gear reducer.

The Motor 161-A-1432 is 12 volt, dc motor with a speed of 1800 rpm.

The cycle rate of the pump with this combination will be 60 cycles/min.
1800 divided by 30

$$\frac{\text{Motor RPM}}{\text{Gear Reducer Ratio}} = \text{Pump Cycle Rate}$$

		Pump Model No. and Gear Reducer Ratio				
		25260	25250	25240	25230	25220
		30 to 1	34 to 1	43 to 1	60 to 1	83 to 1
Typical Motor RPMs	1150	38.3	33.8	26.7	19.2	13.9
	1425	47.5	41.9	33.1	23.8	17.2
	1725	57.5	50.7	40.1	28.7	20.8
	1745	58	51.3	40.6	29.1	21
	1800	60	52.9	41.8	30	21.7
	2850				47.5	34.3
3450				57.5	41.5	

Pump Cycle Rates Per Minute



***PARTIAL LIST OF MOTORS AND ENGINE
AVAILABLE FOR THE 25260 25250 25240 25230 & 25220 PUMPS
(Motors are ordered separately with these pumps.)***



60 Hertz Totally Enclosed Fan Cooled Motors

Order No.	Description
161-A-161	3/4Hp 115/208-230V 60Hz 1745Rpm 1Ph TEFC Motor
161-A-1429	3/4Hp 208-230/460V 60Hz 1745Rpm 3Ph TEFC Motor



12 Volt Totally Enclosed Fan Cooled Motors

Order No.	Description
161-A-1432	3/4Hp 12 Volt DC 1800Rpm TEFC Motor
161-A-1433	3/4Hp 24 Volt DC 1800Rpm TEFC Motor



Explosion Proof Motors

Order No.	Description
161-A-1430	3/4Hp 115/208-230V 60Hz 1725Rpm 1Ph Explosion Proof Mtr
161-A-1431	3/4Hp 208-230/460V 60Hz 1725Rpm 3Ph Explosion Proof Mtr
161-A-1500	3/4Hp 115/208-230V 50Hz 1425Rpm 1Ph Explosion Proof Mtr
161-A-1557	3/4Hp 208-230/460V 50Hz 1425Rpm 3Ph Explosion Proof Mtr



50 Hertz Totally Enclosed Fan Cooled Motors

Order No.	Description
161-A-1501	3/4Hp 115/208-230V 50Hz 2850Rpm 1Ph TEFC Motor
161-A-1558	3/4Hp 115/208-230V 50Hz 1425Rpm 1Ph TEFC Motor
161-A-1559	3/4Hp 208-230/460V 50Hz 2850Rpm 3Ph TEFC Motor
161-A-1560	3/4hp 208-230/460V 50hz 1425Rpm 3Ph TEFC Motor



150CC Gasoline Engine W/ Mounting Plates

Order No.	Description
23044	150CC Honda Vertical Gas Engine With Mounting Kit Installed