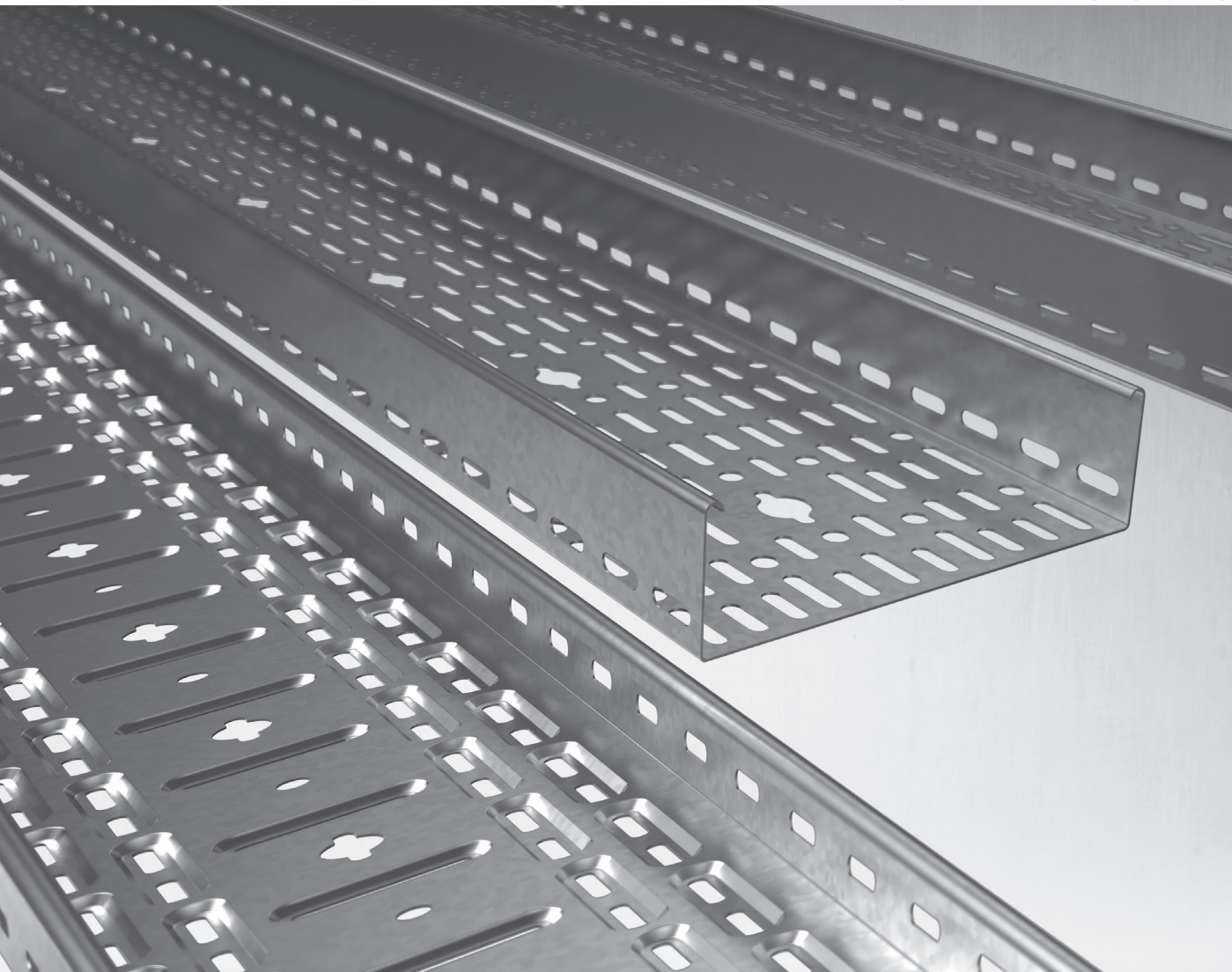




E-LINE CT

CABLE TRAY SYSTEMS



CT

E-LINE CT

Please visit our website for the updated version of our catalogues.
www.eaelectric.com



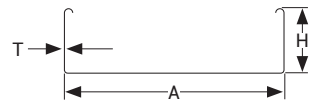
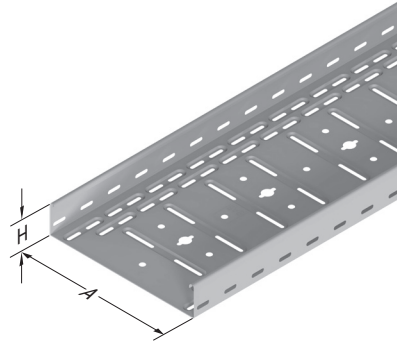
CONTENTS

CT

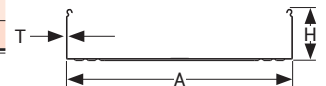
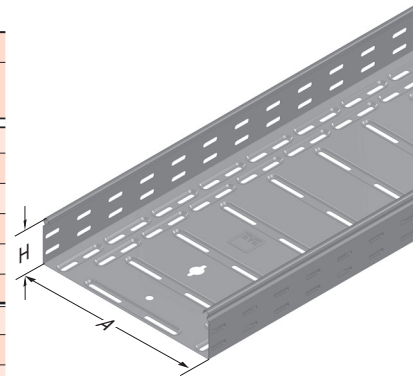
▶▶ E-LINE CT

Cable Tray	2-6
CTE Tray Cover, Joint Fitting	7-9
Cable Tray Deflection Values	10-11
CTE Omega Clamp	12
Cable Tray Modules	13-20
Bend Covers	21-24
Bends	25-38
Bend Cover	39-45
CTE Adjustable Vertical Inside Bend	46
CTE Expansion Set, CTE Notched Joint Fitting	47
CTE Flexible Bend, CTE Flexible Bend Cover	48
CTE Add-On Tee	49
CTE Level Adaptation Bend	50
CTE Level Adaptation Cover, CTE Add-On Tee Cover	51
CTE Blind End	52
CTE Level Adaptation Joint Set, CTE SDE Bend Protection Plate	53
CTE Reduction Fitting	54-55

Description	H (mm)	A (mm)	T=0,7		T=0,8		T=0,9		T=1		T=1,2	
			Weight (kg/m)	HDG Code	Weight (kg/m)	HDG Code	Weight (kg/m)	HDG Code	Weight (kg/m)	HDG Code	Weight (kg/m)	HDG Code
040 CTHF-E 100	40	100	1,111	3109046	1,269	3127183	-	-	-	-	-	-
040 CTHF-E 200	40	200	1,637	3109047	1,871	3127184	-	-	-	-	-	-
040 CTHF-E 300	40	300	2,234	3109048	-	-	-	-	3,192	3127185	-	-
040 CTHF-E 400	40	400	-	-	-	-	3,578	3125791	3,976	3127186	-	-
040 CTHF-E 500	40	500	-	-	-	-	4,309	3125792	-	-	5,747	3127187
040 CTHF-E 600	40	600	-	-	-	-	5,053	3125793	-	-	6,737	3127188
050 CTHF-E 100	50	100	1,229	3109049	1,426	3127189	-	-	-	-	-	-
050 CTHF-E 200	50	200	1,754	3109050	2,009	3127190	-	-	-	-	-	-
050 CTHF-E 300	50	300	2,324	3109051	-	-	-	-	3,328	3127191	-	-
050 CTHF-E 400	50	400	-	-	-	-	3,717	3109052	4,149	3127192	-	-
050 CTHF-E 500	50	500	-	-	-	-	4,447	3109053	-	-	5,954	3127193
050 CTHF-E 600	50	600	-	-	-	-	5,188	3109054	-	-	6,944	3127194
060 CTHF-E 100	60	100	1,415	3109055	1,618	3127195	-	-	-	-	-	-
060 CTHF-E 200	60	200	1,879	3109056	2,147	3127196	-	-	-	-	-	-
060 CTHF-E 300	60	300	2,450	3109057	-	-	-	-	3,500	3127197	-	-
060 CTHF-E 400	60	400	-	-	-	-	3,889	3109058	4,321	3127198	-	-
060 CTHF-E 500	60	500	-	-	-	-	4,621	3109059	-	-	6,161	3127199
060 CTHF-E 600	60	600	-	-	-	-	5,363	3109060	-	-	7,151	3127200



Description	H (mm)	A (mm)	T=0,7		T=0,8		T=0,9		T=1		T=1,2	
			Weight (kg/m)	HDG Code	Weight (kg/m)	HDG Code	Weight (kg/m)	HDG Code	Weight (kg/m)	HDG Code	Weight (kg/m)	HDG Code
075 CTHF-E 100	75	100	1,496	3299944	-	-	-	-	-	-	-	-
075 CTHF-E 200	75	200	2,017	3299945	-	-	-	-	-	-	-	-
075 CTHF-E 300	75	300	2,591	3299946	-	-	-	-	-	-	-	-
075 CTHF-E 400	75	400	-	-	-	-	4,060	3299947	-	-	-	-
075 CTHF-E 500	75	500	-	-	-	-	4,789	3299948	-	-	-	-
075 CTHF-E 600	75	600	-	-	-	-	5,530	3299949	-	-	-	-
100 CTHF-E 100	100	100	1,761	3299950	-	-	-	-	-	-	-	-
100 CTHF-E 200	100	200	2,283	3299951	-	-	-	-	-	-	-	-
100 CTHF-E 300	100	300	2,856	3299952	-	-	-	-	-	-	-	-
100 CTHF-E 400	100	400	-	-	-	-	4,401	3299953	-	-	-	-
100 CTHF-E 500	100	500	-	-	-	-	5,131	3299954	-	-	-	-
100 CTHF-E 600	100	600	-	-	-	-	5,872	3299955	-	-	-	-

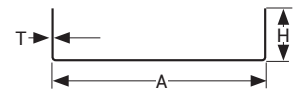
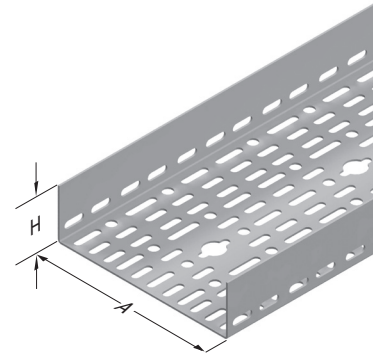


- Standard length of tray is 3000mm.
- Please contact us for special dimensions.
- Material weights may vary by ± 10%

- Please indicate order code in your orders.
- All dimensions are given as in mm

- PG= Pre-Galvanized
- HDG= Hot Dip Galvanized

Description	H (mm)	A (mm)	T=0,8		T=1		T=1,2		T=1,5		T=2	
			Weight (kg/m)	HDG Code	Weight (kg/m)	HDG Code	Weight (kg/m)	HDG Code	Weight (kg/m)	HDG Code	Weight (kg/m)	HDG Code
040 CTN-E	40	50	0,733	3305370	0,916	3250200	1,099	3250210	1,336	3250226	1,767	3250252
040 CTN-E	40	100	0,946	3305371	1,183	3250201	1,420	3250211	1,726	3250227	2,284	3250253
040 CTN-E	40	150	1,221	3305372	1,527	3250202	1,832	3250212	2,228	3250228	2,954	3250254
040 CTN-E	40	200	1,420	3305373	1,775	3250203	2,131	3250213	2,592	3250229	3,438	3250255
040 CTN-E	40	250	-	-	-	-	2,543	3250214	3,092	3250230	4,107	3250256
040 CTN-E	40	300	-	-	-	-	2,842	3250215	3,456	3250231	4,591	3250257
040 CTN-E	40	400	-	-	-	-	-	-	4,322	3250232	5,745	3250258
040 CTN-E	40	500	-	-	-	-	-	-	5,186	3250233	6,898	3250259
040 CTN-E	40	600	-	-	-	-	-	-	6,052	3250234	8,052	3250260
050 CTN-E	50	50	0,878	3305374	1,098	3305601	1,228	3305604	1,576	3250235	2,101	3250261
050 CTN-E	50	100	1,105	3305375	1,382	3250204	1,648	3250216	1,990	3250236	2,638	3250262
050 CTN-E	50	150	1,373	3305376	1,716	3250205	2,060	3250217	2,492	3250237	3,306	3250263
050 CTN-E	50	200	1,580	3305377	1,975	3250206	2,360	3250218	2,856	3250238	3,791	3250264
050 CTN-E	50	250	-	-	-	-	2,771	3250219	3,357	3250239	4,460	3250265
050 CTN-E	50	300	-	-	-	-	3,070	3250220	3,720	3250240	4,944	3250266
050 CTN-E	50	400	-	-	-	-	-	-	4,586	3250241	6,098	3250267
050 CTN-E	50	500	-	-	-	-	-	-	5,451	3250242	7,251	3250268
050 CTN-E	50	600	-	-	-	-	-	-	6,316	3250243	8,405	3250269
060 CTN-E	60	100	1,243	3305378	1,554	3250207	1,855	3250221	2,243	3250244	2,974	3250270
060 CTN-E	60	150	1,518	3305379	1,898	3250208	2,267	3250222	2,743	3250245	3,642	3250271
060 CTN-E	60	200	1,718	3305380	2,147	3250209	2,566	3250223	3,107	3250246	4,127	3250272
060 CTN-E	60	250	-	-	-	-	2,979	3250224	3,609	3250247	4,796	3250273
060 CTN-E	60	300	-	-	-	-	3,278	3250225	3,973	3250248	5,280	3250274
060 CTN-E	60	400	-	-	-	-	-	-	4,837	3250249	6,434	3250275
060 CTN-E	60	500	-	-	-	-	-	-	5,703	3250250	7,587	3250276
060 CTN-E	60	600	-	-	-	-	-	-	6,568	3250251	8,741	3250277



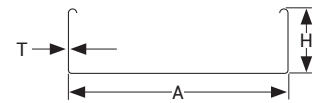
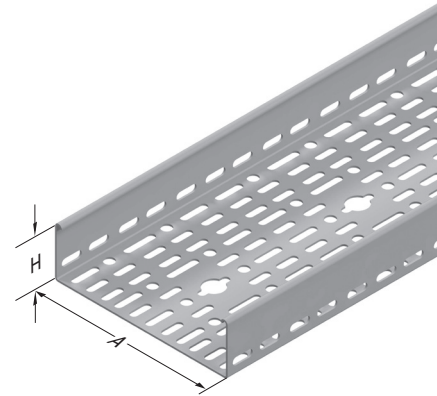
CT

- Standard length of tray is 3000mm.
- Please contact us for special dimensions.
- Material weights may vary by ± 10%

- Please indicate order code in your orders.
- All dimensions are given as in mm

- PG= Pre-Galvanized
- HDG= Hot Dip Galvanized

Description	H (mm)	A (mm)	T=0,8		T=1		T=1,2		T=1,5		T=2	
			Weight (kg/m)	HDG Code	Weight (kg/m)	HDG Code	Weight (kg/m)	HDG Code	Weight (kg/m)	HDG Code	Weight (kg/m)	HDG Code
040 CTE 050	40	50	0,850	3240854	1,063	3240858	1,279	3299942	1,596	3240686	2,082	3240728
040 CTE 100	40	100	1,071	3240855	1,398	3240859	1,647	3240864	1,986	3240687	2,601	3240729
040 CTE 150	40	150	1,339	3240856	1,741	3240860	2,059	3240865	2,488	3240688	3,270	3240730
040 CTE 200	40	200	1,539	3240857	1,991	3240861	2,358	3240866	2,852	3240689	3,755	3240731
040 CTE 250	40	250	-	-	2,334	3240862	2,771	3240867	3,352	3240690	4,423	3240732
040 CTE 300	40	300	-	-	2,584	3240863	3,070	3240868	3,716	3240691	4,908	3240733
040 CTE 400	40	400	-	-	-	-	-	-	4,582	3240692	6,062	3240734
040 CTE 500	40	500	-	-	-	-	-	-	5,446	3240693	7,215	3240735
040 CTE 600	40	600	-	-	-	-	-	-	6,312	3240694	8,368	3240736
050 CTE 050	50	50	0,988	3240869	1,235	3240873	1,486	3299943	1,849	3240695	2,418	3240737
050 CTE 100	50	100	1,202	3240870	1,571	3240874	1,855	3240879	2,238	3240696	2,937	3240738
050 CTE 150	50	150	1,477	3240871	1,914	3240875	2,266	3240880	2,739	3240697	3,606	3240739
050 CTE 200	50	200	1,676	3240872	2,164	3240876	2,565	3240881	3,103	3240698	4,091	3240740
050 CTE 250	50	250	-	-	2,507	3240877	2,978	3240882	3,605	3240699	4,759	3240741
050 CTE 300	50	300	-	-	2,757	3240878	3,277	3240883	3,969	3240700	5,244	3240742
050 CTE 400	50	400	-	-	-	-	-	-	4,833	3240701	6,398	3240743
050 CTE 500	50	500	-	-	-	-	-	-	5,699	3240702	7,551	3240744
050 CTE 600	50	600	-	-	-	-	-	-	6,563	3240703	8,704	3240745
060 CTE 100	60	100	1,340	3240884	1,744	3240887	2,061	3240892	2,490	3240704	3,273	3240746
060 CTE 150	60	150	1,615	3240885	2,087	3240888	2,474	3240893	2,992	3240705	3,942	3240747
060 CTE 200	60	200	1,814	3240886	2,336	3240889	2,773	3240894	3,356	3240706	4,427	3240748
060 CTE 250	60	250	-	-	2,680	3240890	3,186	3240895	3,856	3240707	5,095	3240749
060 CTE 300	60	300	-	-	2,929	3240891	3,485	3240896	4,220	3240708	5,580	3240750
060 CTE 400	60	400	-	-	-	-	-	-	5,086	3240709	6,734	3240751
060 CTE 500	60	500	-	-	-	-	-	-	5,950	3240710	7,887	3240752
060 CTE 600	60	600	-	-	-	-	-	-	6,816	3240711	9,040	3240753
075 CTE 100	75	100	-	-	1,898	3323783	2,267	3323773	2,739	3240712	3,606	3240754
075 CTE 150	75	150	-	-	2,242	3323784	2,680	3323774	3,369	3240713	4,274	3240755
075 CTE 200	75	200	-	-	2,490	3323785	2,979	3323775	3,605	3240714	4,759	3240756
075 CTE 250	75	250	-	-	2,835	3323786	3,391	3323776	4,234	3240715	5,427	3240757
075 CTE 300	75	300	-	-	3,083	3323787	3,691	3323777	4,469	3240716	5,913	3240758
075 CTE 400	75	400	-	-	-	-	-	-	5,335	3240717	7,066	3240759
075 CTE 500	75	500	-	-	-	-	-	-	6,200	3240718	8,220	3240760
075 CTE 600	75	600	-	-	-	-	-	-	7,065	3240719	9,373	3240761
100 CTE 100	100	100	-	-	2,224	3323788	2,669	3323778	3,241	3240720	4,274	3240762
100 CTE 150	100	150	-	-	2,585	3323789	3,102	3323779	4,000	3240721	4,713	3240763
100 CTE 200	100	200	-	-	2,835	3323790	3,401	3323780	4,106	3240722	5,427	3240764
100 CTE 250	100	250	-	-	3,178	3323791	3,803	3323781	4,864	3240723	6,096	3240765
100 CTE 300	100	300	-	-	3,428	3323792	4,102	3323782	4,971	3240724	6,581	3240766
100 CTE 400	100	400	-	-	-	-	-	-	5,836	3240725	7,734	3240767
100 CTE 500	100	500	-	-	-	-	-	-	6,701	3240726	8,887	3240768
100 CTE 600	100	600	-	-	-	-	-	-	7,566	3240727	10,041	3240769

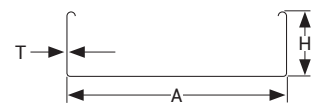
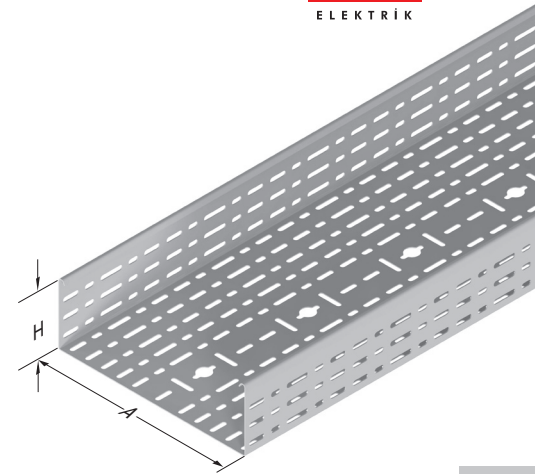


- Standard length of tray is 3000mm.
- Please contact us for special dimensions.
- Material weights may vary by ± 10%

- Please indicate order code in your orders.
- All dimensions are given as in mm

- PG= Pre-Galvanized
- HDG= Hot Dip Galvanized

Description	H (mm)	A (mm)	T=1,5	
			Weight (kg/m)	HDG Code
125 CTH 150	125	150	4,583	3003130
125 CTH 200	125	200	5,203	3003131
125 CTH 250	125	250	5,741	3003132
125 CTH 300	125	300	6,382	3003133
125 CTH 400	125	400	7,575	3003134
125 CTH 500	125	500	8,813	3003135
125 CTH 600	125	600	10,051	3003136
150 CTH 200	150	200	5,644	3003137
150 CTH 250	150	250	6,313	3003138
150 CTH 300	150	300	6,922	3003139
150 CTH 400	150	400	8,216	3003140
150 CTH 500	150	500	9,561	3003141
150 CTH 600	150	600	10,902	3003142



CT

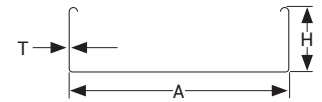
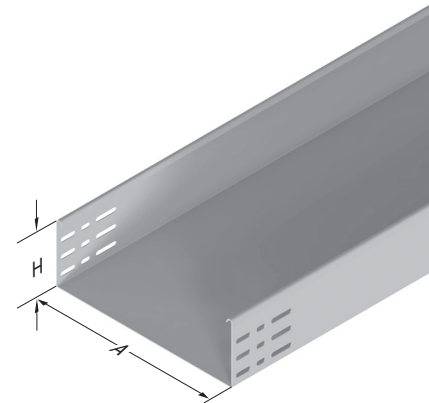
Description	H (mm)	A (mm)	T=2	
			Weight (kg/m)	HDG Code
125 CTA 150	125	150	6,086	3003156
125 CTA 200	125	200	6,794	3003157
125 CTA 250	125	250	7,502	3003158
125 CTA 300	125	300	8,210	3003159
125 CTA 400	125	400	9,636	3003160
125 CTA 500	125	500	11,037	3003161
125 CTA 600	125	600	12,453	3003162
150 CTA 200	150	200	7,501	3003163
150 CTA 250	150	250	8,209	3003164
150 CTA 300	150	300	8,918	3003165
150 CTA 400	150	400	10,344	3003166
150 CTA 500	150	500	11,745	3003167
150 CTA 600	150	600	13,160	3007921

- Standard length of tray is 3000mm.
- Please contact us for special dimensions.
- Material weights may vary by ± 10%

- Please indicate order code in your orders.
- All dimensions are given as in mm

- PG= Pre-Galvanized
- HDG= Hot Dip Galvanized

Description	H (mm)	A (mm)	T=0,8		T=1		T=1,2		T=1,5		T=2	
			Weight (kg/m)	HDG Code	Weight (kg/m)	HDG Code	Weight (kg/m)	HDG Code	Weight (kg/m)	HDG Code	Weight (kg/m)	HDG Code
040 CTD 050	40	50	0,959	3305351	1,209	3001243	1,445	3001253	1,835	3001269	2,458	3001311
040 CTD 100	40	100	1,306	3305352	1,640	3001244	1,963	3001254	2,482	3001270	3,321	3001312
040 CTD 150	40	150	1,650	3305353	2,072	3001245	2,481	3001255	3,143	3001271	4,185	3001313
040 CTD 200	40	200	1,995	3305354	2,504	3001246	2,999	3001256	3,817	3001272	5,066	3001314
040 CTD 250	40	250	-	-	2,971	3305480	3,517	3001257	4,464	3001273	5,929	3001315
040 CTD 300	40	300	-	-	3,351	3305481	4,036	3001258	5,112	3001274	6,793	3001316
040 CTD 400	40	400	-	-	-	-	-	-	6,407	3001275	8,520	3001317
040 CTD 500	40	500	-	-	-	-	-	-	7,702	3001276	10,247	3001318
040 CTD 600	40	600	-	-	-	-	-	-	8,998	3001277	11,974	3001319
050 CTD 050	50	50	1,097	3305355	1,365	3194813	1,754	3197816	2,068	3001278	2,769	3001320
050 CTD 100	50	100	1,595	3305356	1,813	3001247	2,170	3001259	2,754	3001279	3,667	3001321
050 CTD 150	50	150	1,976	3305357	2,245	3001248	2,688	3001260	3,402	3001280	4,547	3001322
050 CTD 200	50	200	2,356	3305358	2,677	3001249	3,207	3001261	4,076	3001281	5,411	3001323
050 CTD 250	50	250	-	-	3,144	3305482	3,746	3001262	4,723	3001282	6,274	3001324
050 CTD 300	50	300	-	-	3,575	3305483	4,243	3001263	5,371	3001283	7,138	3001325
050 CTD 400	50	400	-	-	-	-	-	-	6,666	3001284	8,865	3001326
050 CTD 500	50	500	-	-	-	-	-	-	7,961	3001285	10,592	3001327
050 CTD 600	50	600	-	-	-	-	-	-	9,257	3001286	12,319	3001328
060 CTD 100	60	100	1,748	3305359	1,986	3001250	2,377	3001264	2,980	3001287	4,012	3001329
060 CTD 150	60	150	2,128	3305360	2,418	3001251	2,896	3001265	3,661	3001288	4,876	3001330
060 CTD 200	60	200	2,507	3305361	2,849	3001252	3,414	3001266	4,335	3001289	5,755	3001331
060 CTD 250	60	250	-	-	3,317	3305484	3,932	3001267	4,982	3001290	6,823	3001332
060 CTD 300	60	300	-	-	3,678	3305485	4,450	3001268	5,630	3001291	7,483	3001333
060 CTD 400	60	400	-	-	-	-	-	-	6,925	3001292	9,210	3001334
060 CTD 500	60	500	-	-	-	-	-	-	8,220	3001293	10,937	3001335
060 CTD 600	60	600	-	-	-	-	-	-	9,516	3001294	12,664	3001336
075 CTD 100	75	100	-	-	2,263	3323823	2,705	3323813	3,394	3001295	4,536	3001337
075 CTD 150	75	150	-	-	2,695	3323824	3,223	3323814	4,067	3001296	5,400	3001338
075 CTD 200	75	200	-	-	3,126	3323825	3,741	3323815	4,715	3001297	6,263	3001339
075 CTD 250	75	250	-	-	3,559	3323826	4,259	3323816	5,362	3001298	7,127	3001340
075 CTD 300	75	300	-	-	3,990	3323827	4,777	3323817	6,010	3001299	7,990	3001341
075 CTD 400	75	400	-	-	-	-	-	-	7,305	3001300	9,717	3001342
075 CTD 500	75	500	-	-	-	-	-	-	8,601	3001301	11,444	3001343
075 CTD 600	75	600	-	-	-	-	-	-	9,896	3001302	13,171	3001344
100 CTD 100	100	100	-	-	2,677	3323828	3,203	3323818	4,059	3001303	5,371	3001345
100 CTD 150	100	150	-	-	3,110	3323829	3,721	3323819	4,706	3001304	6,248	3001346
100 CTD 200	100	200	-	-	3,541	3323830	4,239	3323820	5,354	3001305	7,115	3001347
100 CTD 250	100	250	-	-	3,973	3323831	4,758	3323821	6,001	3001306	7,979	3001348
100 CTD 300	100	300	-	-	4,404	3323832	5,276	3323822	6,649	3001307	8,842	3001349
100 CTD 400	100	400	-	-	-	-	-	-	7,944	3001308	10,569	3001350
100 CTD 500	100	500	-	-	-	-	-	-	9,240	3001309	12,296	3001351
100 CTD 600	100	600	-	-	-	-	-	-	10,535	3001310	14,023	3001352



- Standard length of tray is 3000mm.
- Please contact us for special dimensions.
- Material weights may vary by ± 10%

- Please indicate order code in your orders.
- All dimensions are given as in mm

- PG= Pre-Galvanized
- HDG= Hot Dip Galvanized

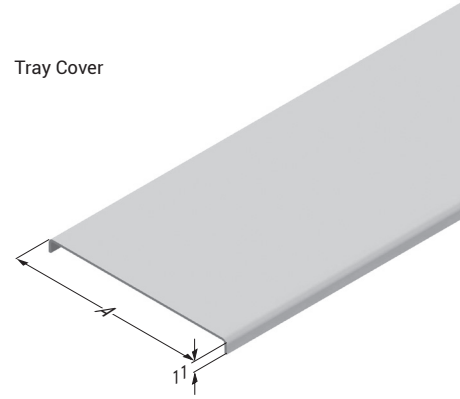
▶▶ CABLE TRAYS

▶ CTE Tray Cover, Joint Fitting

Hot Dip Galvanized (TS EN ISO 1461)

Description	A (mm)	T=0,8		T=1		T=1,2		T= 1,5		T= 2	
		Weight (kg/m)	HDG Code	Weight (kg/m)	HDG Code	Weight (kg/m)	HDG Code	Weight (kg/m)	HDG Code	Weight (kg/m)	HDG Code
CTE 050 COVER	55	0,498	3240955	0,624	3005426	0,748	3197817	0,938	3203667	1,250	3005458
CTE 100 COVER	105	0,851	3240956	1,059	3006907	1,270	3270643	1,602	3087651	2,118	3005698
CTE 150 COVER	155	1,197	3240957	1,492	3006905	1,792	3270644	2,240	3203669	2,985	3005696
CTE 200 COVER	205	1,542	3240958	1,927	3006903	2,312	3270645	2,905	3087650	3,853	3005694
CTE 250 COVER	255	-	-	2,371	3240959	2,832	3270647	3,541	3006901	4,721	3005692
CTE 300 COVER	305	-	-	2,891	3299283	3,353	3270648	4,191	3006899	5,589	3005690
CTE 400 COVER	405	-	-	3,681	3225909	4,416	3270649	5,493	3006897	7,325	3005688
CTE 500 COVER	505	-	-	-	-	5,436	3275580	6,795	3006895	9,061	3005686
CTE600 COVER	605	-	-	-	-	6,478	3275584	8,097	3006893	10,797	3005684

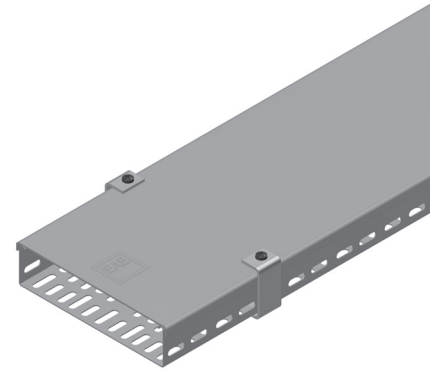
Tray Cover



▶ Bolted Cover Clamp

Hot Dip Galvanized (TS EN ISO 1461)

Description	H (mm)	T=3	
		Weight (kg/pcs)	HDG Code
BOLT COVER CLAMP H: 040	41	0,077	3290060
BOLT COVER CLAMP H: 050	51	0,085	3290061
BOLT COVER CLAMP H: 060	61	0,092	3290062
BOLT COVER CLAMP H: 075	76	0,103	3290063
BOLT COVER CLAMP H: 100	101	0,123	3290064
BOLT COVER CLAMP H: 125	126	0,143	3290065
BOLT COVER CLAMP H: 150	151	0,162	3290066



CT

▶ Cable Tray Cover Clamps

Description	Weight (kg/pcs)	PG Code
040 COVER CLAMP (OUTWARD)	0,010	1004254
050 COVER CLAMP (OUTWARD)	0,013	1004184
060 COVER CLAMP (OUTWARD)	0,015	1004253
075 COVER CLAMP (OUTWARD)	0,019	1004183
100 COVER CLAMP (OUTWARD)	0,026	1004182
125 COVER CLAMP (OUTWARD)	0,035	1004180
150 COVER CLAMP (OUTWARD)	0,042	1004181



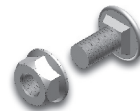
Spiked Structure



Cover Clamp (outward)
(Alkaline Lacquer Coated)

▶ Cable Tray Joint Bolt & Nut Set

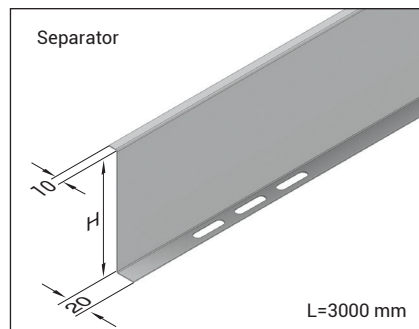
Description	Weight (kg/pcs)	PG Code
JOINT BOLT SET M6	0,009	1004314



▶ CTE Separator

Hot Dip Galvanized (TS EN ISO 1461)

Description	H (mm)	T (mm)	Weight (kg/m)	HDG Code
040 CTE Separator	35	0,8	0,416	3005834
050 CTE Separator	45	0,8	0,485	3006954
060 CTE Separator	55	0,8	0,540	3005833
075 CTE Separator	70	1	0,814	3006953
100 CTE Separator	95	1	1,047	3006952
125 CTE Separator	120	1	1,220	3003330
150 CTE Separator	145	1	1,478	3003331



- Standard length of tray is 3000mm.
- Please contact us for special dimensions.
- Material weights may vary by $\pm 10\%$

- Please indicate order code in your orders.
- All dimensions are given as in mm

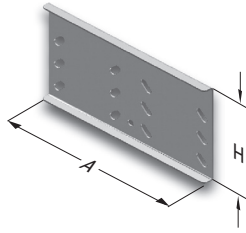
- PG= Pre-Galvanized
- HDG= Hot Dip Galvanized

►► CTE JOINT FITTINGS

► CTE Joint Fitting

Hot Dip Galvanized (TS EN ISO 1461)

Description	L (mm)	T (mm)	Weight (kg/pcs)	HDG Code
040 CTE JOINT FITTING	210	1	0,102	3240945
040 CTE JOINT FITTING	200	1,2	0,117	3127207
040 CTE JOINT FITTING	200	1,5	0,146	3006167
040 CTE JOINT FITTING	210	2	0,207	3006945
050 CTE JOINT FITTING	210	1	0,121	3240946
050 CTE JOINT FITTING	200	1,2	0,138	3127208
050 CTE JOINT FITTING	200	1,5	0,173	3006165
050 CTE JOINT FITTING	210	2	0,243	3006943
060 CTE JOINT FITTING	210	1	0,139	3240947
060 CTE JOINT FITTING	200	1,2	0,158	3127209
060 CTE JOINT FITTING	200	1,5	0,198	3006163
060 CTE JOINT FITTING	210	2	0,279	3006941
075 CTE JOINT FITTING	210	1	0,162	3292988
075 CTE JOINT FITTING	200	1,2	0,184	3292990
075 CTE JOINT FITTING	200	1,5	0,231	3006161
075 CTE JOINT FITTING	210	2	0,325	3006939
100 CTE JOINT FITTING	210	1	0,207	3293279
100 CTE JOINT FITTING	200	1,2	0,237	3293277
100 CTE JOINT FITTING	200	1,5	0,296	3006159
100 CTE JOINT FITTING	210	2	0,417	3006937
125 CTE JOINT FITTING	192	2	0,453	3003311
150 CTE JOINT FITTING	210	2	0,586	3003312

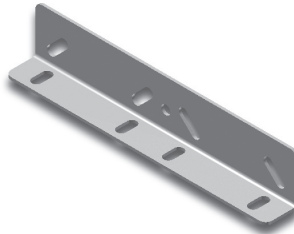


See next page for technical drawings.

► CTN-E Joint Fitting

Hot Dip Galvanized (TS EN ISO 1461)

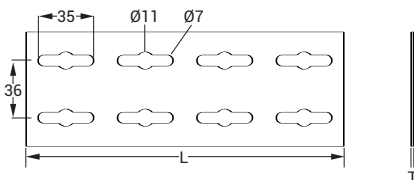
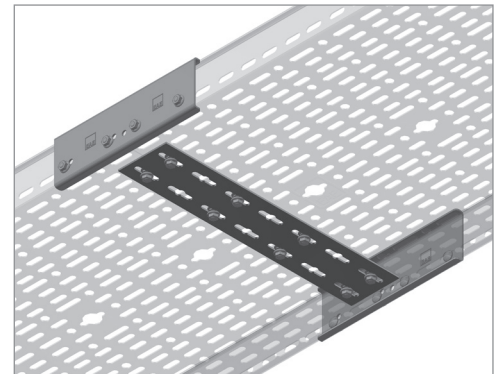
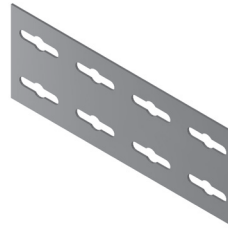
Description	H (mm)	T (mm)	Weight (kg/pcs)	HDG Code
CTN-E JOINT FITTING	40-50-60	1,5	0,146	3002182
CTN-E JOINT FITTING	40-50-60	2	0,191	3001965



► CT Fish Plate

Hot Dip Galvanized (TS EN ISO 1461)

Description	L (mm)	T=1,5		T=2	
		Weight (kg/pcs)	HDG Code	Weight (kg/pcs)	HDG Code
CT 100 Fish Plate	50	0,040	3264825	0,053	3264837
CT 150 Fish Plate	100	0,080	3264826	0,107	3264838
CT 200 Fish Plate	150	0,120	3264827	0,160	3264839
CT 250 Fish Plate	200	0,160	3264828	0,213	3264840
CT 300 Fish Plate	250	0,200	3264829	0,267	3264841
CT 400 Fish Plate	350	0,279	3264830	0,373	3264842
CT 500 Fish Plate	450	0,360	3264832	0,480	3264844
CT 600 Fish Plate	550	0,439	3264833	0,585	3264845

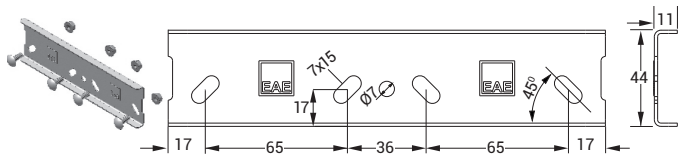


■ Please contact us for special dimensions.
 ■ Material weights may vary by ± 10%

■ Please indicate order code in your orders.
 ■ All dimensions are given as in mm

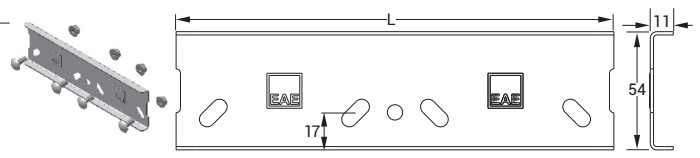
■ PG= Pre-Galvanized
 ■ HDG= Hot Dip Galvanized

40 CTE JOINT FITTING



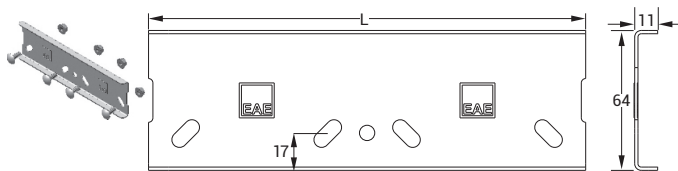
1 pcs H=40 joint;
4 M6x12 bolts should be used.

50 CTE JOINT FITTING



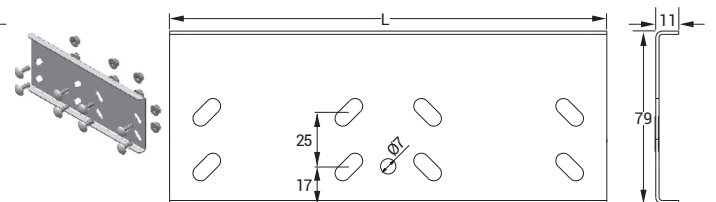
1 pcs H=50 Joint;
4 M6x12 bolts should be used.

60 CTE JOINT FITTING



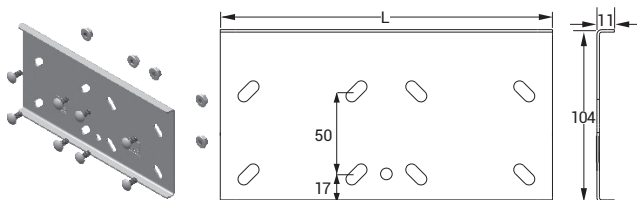
1 pcs H=60 Joint;
4 M6x12 bolts should be used.

75 CTE JOINT FITTING



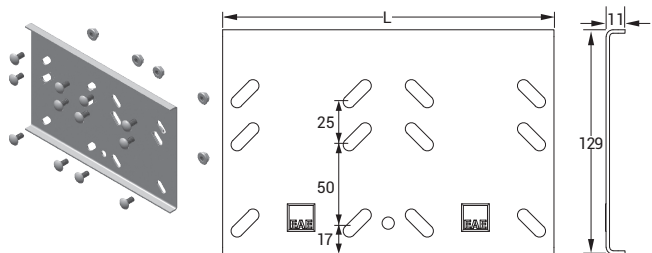
1 pcs H=75 Joint;
8 pcs M6x12 Bolts should be used.

100 CTE JOINT FITTING



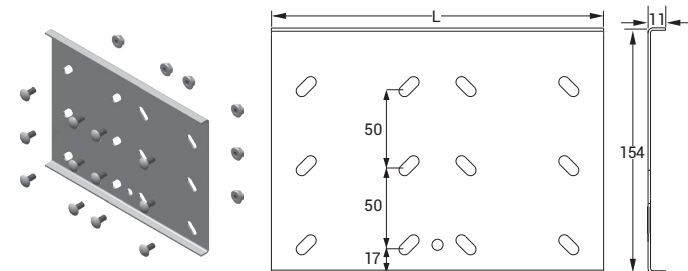
1 pcs H=100 Joint;
8 pcs M6x12 Bolts should be used.

125 CTE JOINT FITTING



1 pcs H=125 Joint;
12 pcs M6x12 Bolts should be used.

150 CTE JOINT FITTING

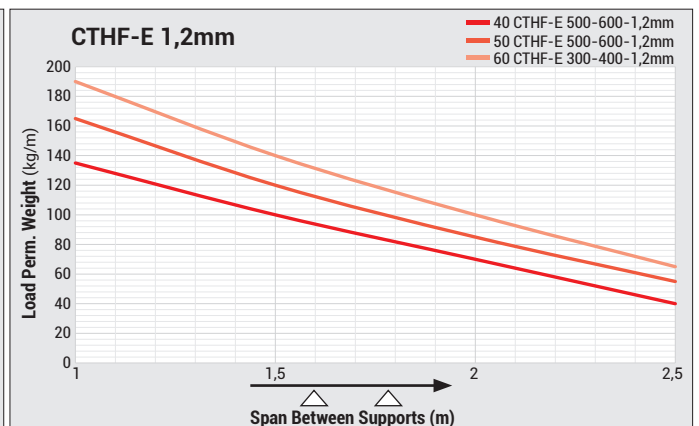
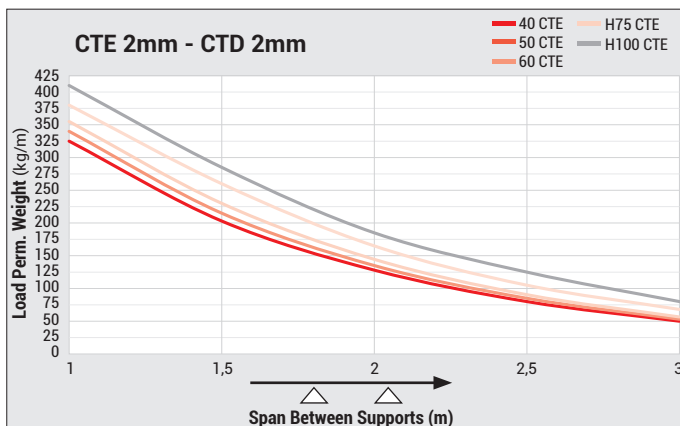
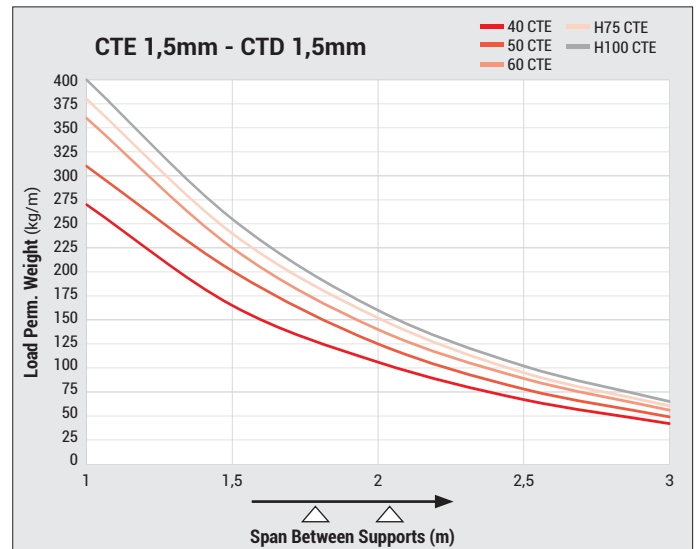
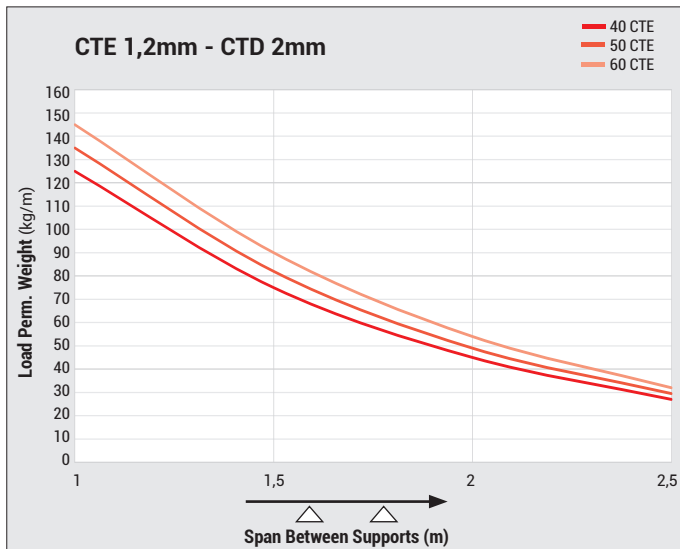
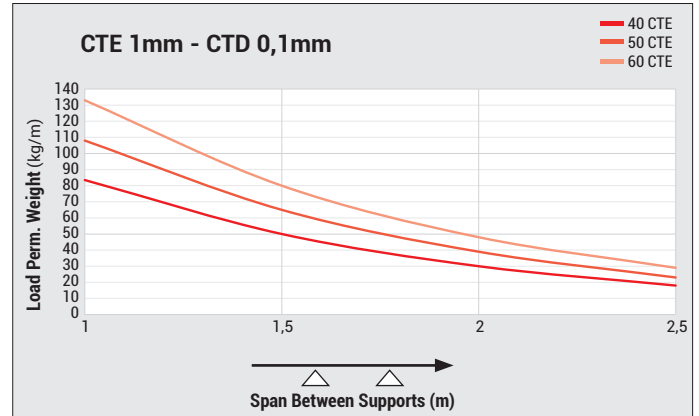
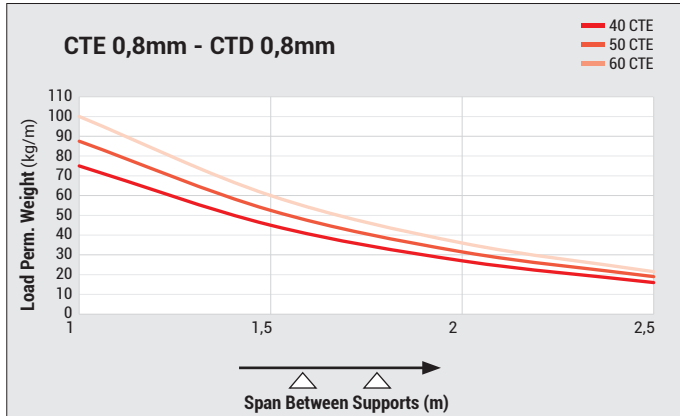


1 pcs H=150 Joint;
12 pcs M6x12 Bolts should be used.

■ Please contact us for special dimensions.
■ Material weights may vary by ± 10%

■ Please indicate order code in your orders.
■ All dimensions are given as in mm

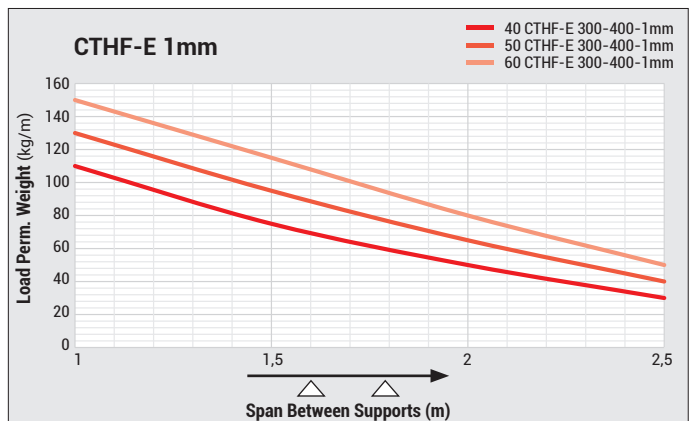
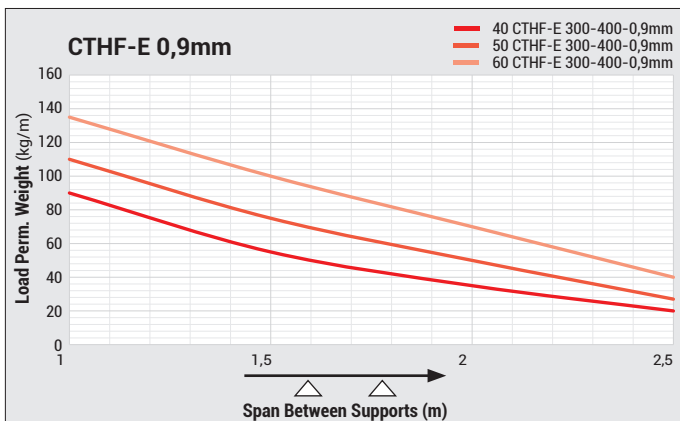
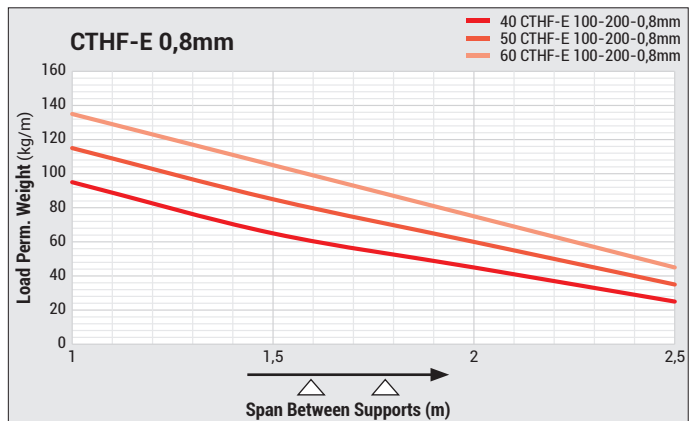
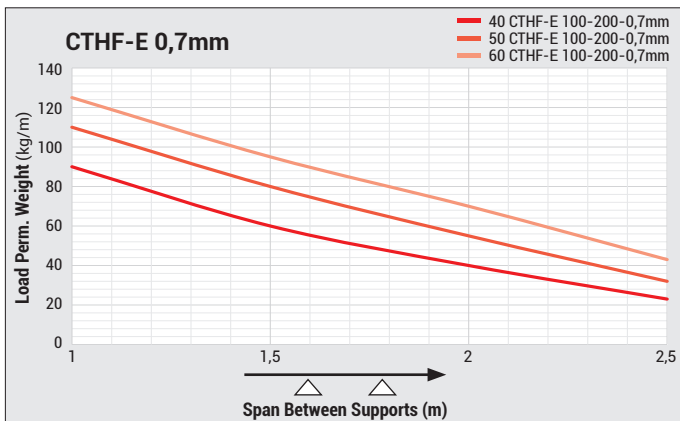
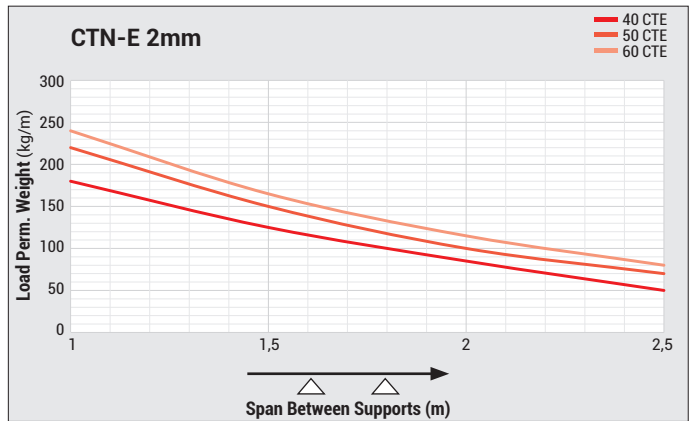
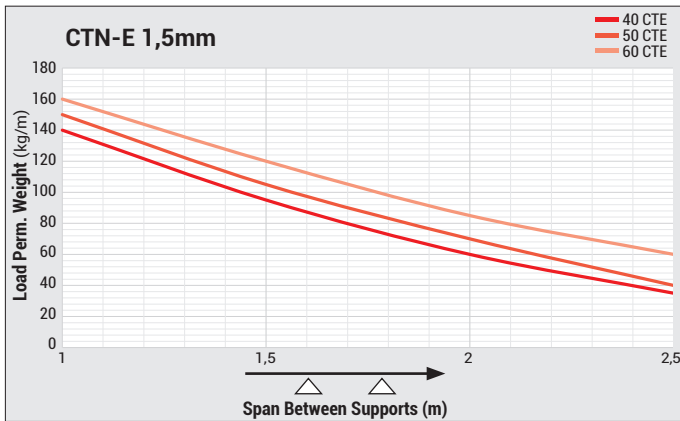
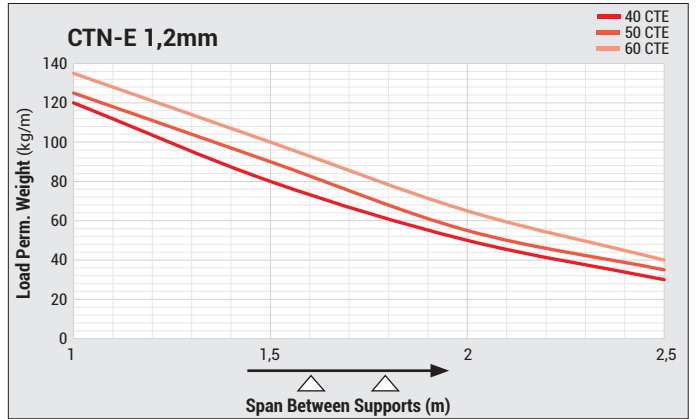
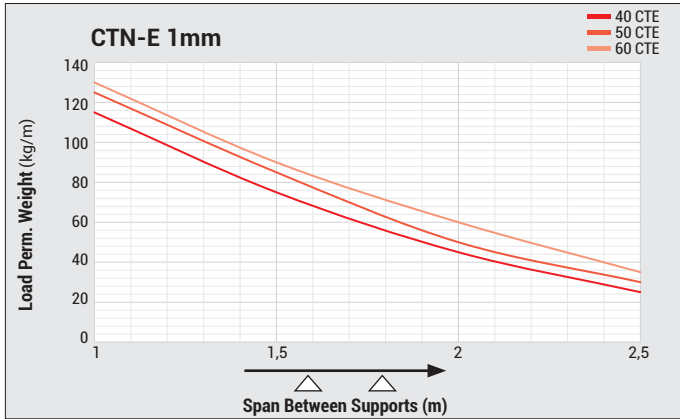
■ PG= Pre-Galvanized
■ HDG= Hot Dip Galvanized



■ Please contact us for special dimensions.
 ■ Material weights may vary by ± 10%

■ Please indicate order code in your orders.
 ■ All dimensions are given as in mm

■ PG= Pre-Galvanized
 ■ HDG= Hot Dip Galvanized



■ Please contact us for special dimensions.
 ■ Material weights may vary by ± 10%

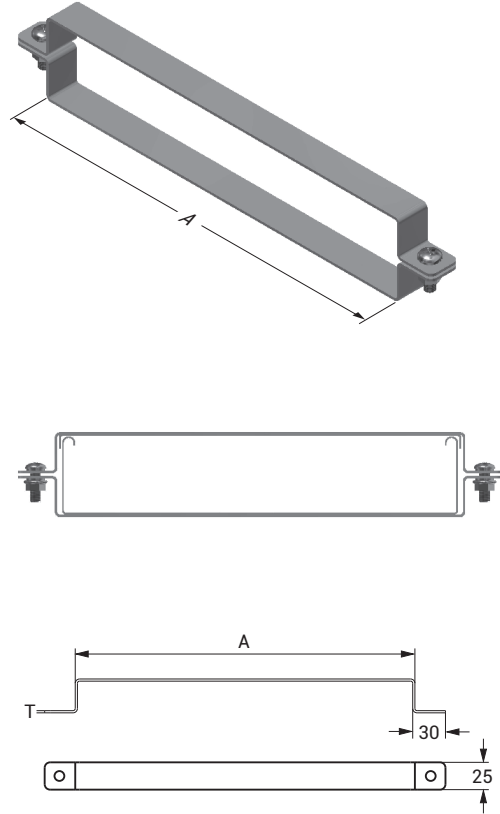
■ Please indicate order code in your orders.
 ■ All dimensions are given as in mm

■ PG= Pre-Galvanized
 ■ HDG= Hot Dip Galvanized

CT

Description	A (mm)	T (mm)	Weight (kg/tk)	HDG Code
040 CTE OMEGA CLAMP 050	61	2	0,123	3137730
040 CTE OMEGA CLAMP 100	111	2	0,167	3137731
040 CTE OMEGA CLAMP 150	161	2	0,211	3137732
040 CTE OMEGA CLAMP 200	211	2	0,253	3137733
040 CTE OMEGA CLAMP 250	261	2	0,297	3137734
040 CTE OMEGA CLAMP 300	311	2	0,341	3137735
040 CTE OMEGA CLAMP 400	411	2	0,427	3137736
040 CTE OMEGA CLAMP 500	511	2	0,513	3137737
040 CTE OMEGA CLAMP 600	611	2	0,598	3137738
050 CTE OMEGA CLAMP 050	61	2	0,132	3137739
050 CTE OMEGA CLAMP 100	111	2	0,176	3137740
050 CTE OMEGA CLAMP 150	161	2	0,22	3137741
050 CTE OMEGA CLAMP 200	211	2	0,262	3137742
050 CTE OMEGA CLAMP 250	261	2	0,306	3137743
050 CTE OMEGA CLAMP 300	311	2	0,350	3137744
050 CTE OMEGA CLAMP 400	411	2	0,436	3137745
050 CTE OMEGA CLAMP 500	511	2	0,521	3137747
050 CTE OMEGA CLAMP 600	611	2	0,607	3137748
060 CTE OMEGA CLAMP 100	111	2	0,185	3137795
060 CTE OMEGA CLAMP 150	161	2	0,229	3137796
060 CTE OMEGA CLAMP 200	211	2	0,271	3137797
060 CTE OMEGA CLAMP 250	261	2	0,315	3137798
060 CTE OMEGA CLAMP 300	311	2	0,356	3137799
060 CTE OMEGA CLAMP 400	411	2	0,444	3137800
060 CTE OMEGA CLAMP 500	511	2	0,530	3137801
060 CTE OMEGA CLAMP 600	611	2	0,616	3137802
075 CTE OMEGA CLAMP 100	111	2	0,198	3137803
075 CTE OMEGA CLAMP 150	161	2	0,240	3137804
075 CTE OMEGA CLAMP 200	211	2	0,284	3137805
075 CTE OMEGA CLAMP 250	261	2	0,328	3137806
075 CTE OMEGA CLAMP 300	311	2	0,370	3137807
075 CTE OMEGA CLAMP 400	411	2	0,458	3137808
075 CTE OMEGA CLAMP 500	511	2	0,543	3137809
075 CTE OMEGA CLAMP 600	611	2	0,629	3137811
100 CTE OMEGA CLAMP 100	111	2	0,22	3137812
100 CTE OMEGA CLAMP 150	161	2	0,262	3137813
100 CTE OMEGA CLAMP 200	211	2	0,306	3137814
100 CTE OMEGA CLAMP 250	261	2	0,350	3137815
100 CTE OMEGA CLAMP 300	311	2	0,392	3137816
100 CTE OMEGA CLAMP 400	411	2	0,477	3137817
100 CTE OMEGA CLAMP 500	511	2	0,565	3137818
100 CTE OMEGA CLAMP 600	611	2	0,651	3137819
125 CTE OMEGA CLAMP 100	111	2	0,240	3137820
125 CTE OMEGA CLAMP 150	161	2	0,284	3137821
125 CTE OMEGA CLAMP 200	211	2	0,328	3137822
125 CTE OMEGA CLAMP 250	261	2	0,370	3137823
125 CTE OMEGA CLAMP 300	311	2	0,414	3137824
125 CTE OMEGA CLAMP 400	411	2	0,499	3137825
125 CTE OMEGA CLAMP 500	511	2	0,585	3137826
125 CTE OMEGA CLAMP 600	611	2	0,673	3137827
150 CTE OMEGA CLAMP 100	111	2	0,262	3137828
150 CTE OMEGA CLAMP 150	161	2	0,306	3137829
150 CTE OMEGA CLAMP 200	211	2	0,350	3137830
150 CTE OMEGA CLAMP 250	261	2	0,392	3137831
150 CTE OMEGA CLAMP 300	311	2	0,436	3137832
150 CTE OMEGA CLAMP 400	411	2	0,521	3137833
150 CTE OMEGA CLAMP 500	511	2	0,607	3137834
150 CTE OMEGA CLAMP 600	611	2	0,695	3137835

CTE Duct Cover Omega Clamp



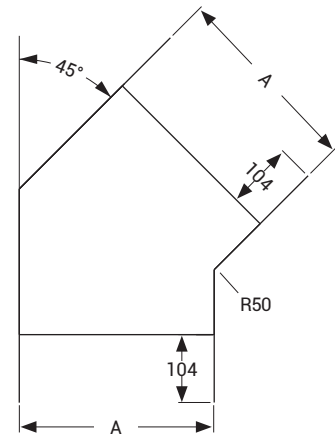
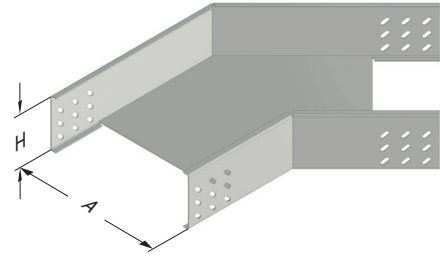
Note: Bolt set is included in the product delivered.

■ Please contact us for special dimensions.
 ■ Material weights may vary by ± 10%

■ Please indicate order code in your orders.
 ■ All dimensions are given as in mm

■ PG= Pre-Galvanized
 ■ HDG= Hot Dip Galvanized

Description	H (mm)	A (mm)	T=1,2		T=1,5		T=2	
			Weight (kg/pcs)	HDG Code	Weight (kg/pcs)	HDG Code	Weight (kg/pcs)	HDG Code
040 CTE 050 YD 45°	40	50	0,451	3273643	0,564	3273577	0,751	3264975
040 CTE 100 YD 45°	40	100	0,553	3273644	0,693	3273578	0,922	3264976
040 CTE 150 YD 45°	40	150	0,678	3273645	0,848	3273579	1,130	3264977
040 CTE 200 YD 45°	40	200	0,824	3273646	1,031	3273580	1,406	3264978
040 CTE 250 YD 45°	40	250	0,991	3273647	1,239	3273581	1,651	3264979
040 CTE 300 YD 45°	40	300	1,179	3273648	1,474	3273582	1,966	3264980
040 CTE 400 YD 45°	40	400	1,620	3273649	2,027	3273583	2,701	3264981
040 CTE 500 YD 45°	40	500	2,148	3273650	2,685	3273584	3,581	3264982
040 CTE 600 YD 45°	40	600	2,761	3273651	3,453	3273585	4,602	3264983
050 CTE 050 YD 45°	50	50	0,515	3273652	0,646	3273586	0,859	3264984
050 CTE 100 YD 45°	50	100	0,622	3273653	0,781	3273587	1,037	3264985
050 CTE 150 YD 45°	50	150	0,750	3273654	0,941	3273588	1,252	3264986
050 CTE 200 YD 45°	50	200	0,901	3273655	1,129	3273589	1,503	3264987
050 CTE 250 YD 45°	50	250	1,073	3273656	1,342	3273590	1,789	3264988
050 CTE 300 YD 45°	50	300	1,265	3273657	1,584	3273591	2,110	3264989
050 CTE 400 YD 45°	50	400	1,715	3273658	2,147	3273592	2,859	3264990
050 CTE 500 YD 45°	50	500	2,251	3273659	2,817	3273593	3,752	3264991
050 CTE 600 YD 45°	50	600	2,872	3273660	3,595	3273594	4,789	3264992
060 CTE 100 YD 45°	60	100	0,692	3273661	0,867	3273595	1,152	3264993
060 CTE 150 YD 45°	60	150	0,824	3273662	1,032	3273596	1,374	3264994
060 CTE 200 YD 45°	60	200	0,979	3273663	1,225	3273597	1,630	3264995
060 CTE 250 YD 45°	60	250	1,155	3273664	1,444	3273598	1,924	3264996
060 CTE 300 YD 45°	60	300	1,352	3273665	1,691	3273599	2,253	3264997
060 CTE 400 YD 45°	60	400	1,810	3273666	2,265	3273600	3,016	3264998
060 CTE 500 YD 45°	60	500	2,355	3273667	2,946	3273601	3,924	3264999
060 CTE 600 YD 45°	60	600	2,984	3273668	3,735	3273602	4,975	3265000
075 CTE 100 YD 45°	75	100	-	-	0,979	3273603	1,301	3265001
075 CTE 150 YD 45°	75	150	-	-	1,153	3273604	1,533	3265002
075 CTE 200 YD 45°	75	200	-	-	1,354	3273605	1,802	3265003
075 CTE 250 YD 45°	75	250	-	-	1,582	3273606	2,105	3265004
075 CTE 300 YD 45°	75	300	-	-	1,836	3273607	2,445	3265005
075 CTE 400 YD 45°	75	400	-	-	2,427	3273608	3,230	3265006
075 CTE 500 YD 45°	75	500	-	-	3,123	3273609	4,159	3265007
075 CTE 600 YD 45°	75	600	-	-	3,928	3273610	5,232	3265008
100 CTE 100 YD 45°	100	100	-	-	1,177	3273611	1,566	3265009
100 CTE 150 YD 45°	100	150	-	-	1,363	3273612	1,816	3265010
100 CTE 200 YD 45°	100	200	-	-	1,579	3273613	2,102	3265011
100 CTE 250 YD 45°	100	250	-	-	1,819	3273614	2,424	3265012
100 CTE 300 YD 45°	100	300	-	-	2,087	3273615	2,781	3265013
100 CTE 400 YD 45°	100	400	-	-	2,705	3273616	3,603	3265014
100 CTE 500 YD 45°	100	500	-	-	3,428	3273617	4,567	3265015
100 CTE 600 YD 45°	100	600	-	-	4,259	3273618	5,675	3265016
125 CTE 150 YD 45°	125	150	-	-	1,575	3273619	2,098	3265017
125 CTE 200 YD 45°	125	200	-	-	1,804	3273620	2,401	3265018
125 CTE 250 YD 45°	125	250	-	-	2,058	3273621	2,741	3265019
125 CTE 300 YD 45°	125	300	-	-	2,340	3273622	3,116	3265020
125 CTE 400 YD 45°	125	400	-	-	2,983	3273623	3,973	3265021
125 CTE 500 YD 45°	125	500	-	-	3,733	3273624	4,974	3265022
125 CTE 600 YD 45°	125	600	-	-	4,591	3273625	6,118	3265023
150 CTE 200 YD 45°	150	200	-	-	2,030	3273626	2,703	3265024
150 CTE 250 YD 45°	150	250	-	-	2,297	3273627	3,060	3265025
150 CTE 300 YD 45°	150	300	-	-	2,592	3273628	3,453	3265026
150 CTE 400 YD 45°	150	400	-	-	3,263	3273629	4,345	3265027
150 CTE 500 YD 45°	150	500	-	-	4,039	3273630	5,382	3265028
150 CTE 600 YD 45°	150	600	-	-	4,925	3273631	6,562	3265029



■ Please contact us for special dimensions.
 ■ Material weights may vary by ± 10%

■ Please indicate order code in your orders.
 ■ All dimensions are given as in mm

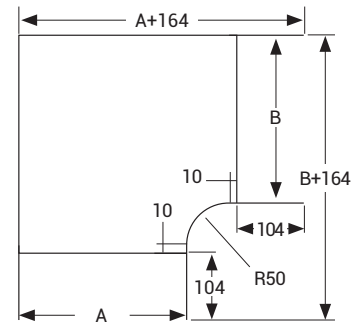
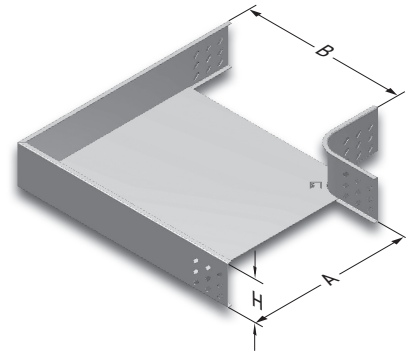
■ PG= Pre-Galvanized
 ■ HDG= Hot Dip Galvanized

►► BENDS

► CTE YD Horizontal 90° Degree Bend

Hot Dip Galvanized (TS EN ISO 1461)

Description	H (mm)	AB (mm)	T=1,2		T=1,5		T=2	
			Weight (kg/pcs)	HDG Code	Weight (kg/pcs)	HDG Code	Weight (kg/pcs)	HDG Code
040 CTE 050 YD 90°	40	50	0,567	3000290	0,707	3273758	0,946	3265334
040 CTE 100 YD 90°	40	100	0,772	3000291	0,966	3273759	1,290	3265335
040 CTE 150 YD 90°	40	150	1,032	3000292	1,289	3273760	1,720	3265336
040 CTE 200 YD 90°	40	200	1,341	3000293	1,676	3273761	2,237	3265337
040 CTE 250 YD 90°	40	250	1,703	3000294	2,130	3273762	2,841	3265338
040 CTE 300 YD 90°	40	300	2,116	3273720	2,647	3273763	3,531	3265339
040 CTE 400 YD 90°	40	400	3,099	3273721	3,875	3273764	5,169	3265340
040 CTE 500 YD 90°	40	500	4,289	3273722	5,364	3273765	7,153	3265341
040 CTE 600 YD 90°	40	600	5,686	3273723	7,109	3273766	9,483	3265342
050 CTE 050 YD 90°	50	50	0,641	3000299	0,803	3273767	1,073	3265343
050 CTE 100 YD 90°	50	100	0,858	3000300	1,074	3273768	1,434	3265344
050 CTE 150 YD 90°	50	150	1,128	3000301	1,410	3273769	1,882	3265345
050 CTE 200 YD 90°	50	200	1,448	3000302	1,811	3273770	2,416	3265346
050 CTE 250 YD 90°	50	250	1,819	3000303	2,277	3273771	3,037	3265347
050 CTE 300 YD 90°	50	300	2,244	3273724	2,806	3273772	3,744	3265348
050 CTE 400 YD 90°	50	400	3,247	3273725	4,061	3273773	5,418	3265349
050 CTE 500 YD 90°	50	500	4,457	3273726	5,575	3273774	7,435	3265350
050 CTE 600 YD 90°	50	600	5,875	3273727	7,347	3273775	9,800	3265351
060 CTE 100 YD 90°	60	100	0,945	3000309	1,183	3273776	1,579	3265352
060 CTE 150 YD 90°	60	150	1,224	3000310	1,531	3273777	2,043	3265353
060 CTE 200 YD 90°	60	200	1,554	3000311	1,945	3273778	2,595	3265354
060 CTE 250 YD 90°	60	250	1,937	3000312	2,423	3273779	3,233	3265355
060 CTE 300 YD 90°	60	300	2,372	3273728	2,967	3273780	3,958	3265356
060 CTE 400 YD 90°	60	400	3,396	3273729	4,247	3273781	5,665	3265357
060 CTE 500 YD 90°	60	500	4,628	3273730	5,786	3273782	7,718	3265358
060 CTE 600 YD 90°	60	600	6,065	3273731	7,585	3273783	10,117	3265359
075 CTE 100 YD 90°	75	100	-	-	1,327	3273784	1,781	3265360
075 CTE 150 YD 90°	75	150	-	-	1,695	3273785	2,273	3265361
075 CTE 200 YD 90°	75	200	-	-	2,129	3273786	2,852	3265362
075 CTE 250 YD 90°	75	250	-	-	2,627	3273787	3,518	3265363
075 CTE 300 YD 90°	75	300	-	-	3,189	3273788	4,270	3265364
075 CTE 400 YD 90°	75	400	-	-	4,509	3273789	6,032	3265365
075 CTE 500 YD 90°	75	500	-	-	6,086	3273790	8,140	3265366
075 CTE 600 YD 90°	75	600	-	-	7,923	3273791	10,594	3265367
100 CTE 100 YD 90°	100	100	-	-	1,580	3273792	2,119	3265368
100 CTE 150 YD 90°	100	150	-	-	1,980	3273793	2,654	3265369
100 CTE 200 YD 90°	100	200	-	-	2,446	3273794	3,277	3265370
100 CTE 250 YD 90°	100	250	-	-	2,977	3273795	3,985	3265371
100 CTE 300 YD 90°	100	300	-	-	3,572	3273796	4,781	3265372
100 CTE 400 YD 90°	100	400	-	-	4,956	3273797	6,630	3265373
100 CTE 500 YD 90°	100	500	-	-	6,599	3273798	8,824	3265374
100 CTE 600 YD 90°	100	600	-	-	8,501	3273799	11,364	3265375
125 CTE 150 YD 90°	125	150	-	-	2,266	3273800	3,034	3265376
125 CTE 200 YD 90°	125	200	-	-	2,764	3273801	3,699	3265377
125 CTE 250 YD 90°	125	250	-	-	3,326	3273802	4,452	3265378
125 CTE 300 YD 90°	125	300	-	-	3,953	3273803	5,291	3265379
125 CTE 400 YD 90°	125	400	-	-	5,403	3273804	7,226	3265380
125 CTE 500 YD 90°	125	500	-	-	7,110	3273805	9,506	3265381
125 CTE 600 YD 90°	125	600	-	-	9,077	3273806	12,133	3265382
150 CTE 200 YD 90°	150	200	-	-	3,081	3273807	4,061	3265383
150 CTE 250 YD 90°	150	250	-	-	3,677	3273808	4,848	3265384
150 CTE 300 YD 90°	150	300	-	-	4,336	3273809	5,721	3265385
150 CTE 400 YD 90°	150	400	-	-	5,850	3273810	7,725	3265386
150 CTE 500 YD 90°	150	500	-	-	7,623	3273811	10,075	3265387
150 CTE 600 YD 90°	150	600	-	-	9,654	3273812	12,771	3265388

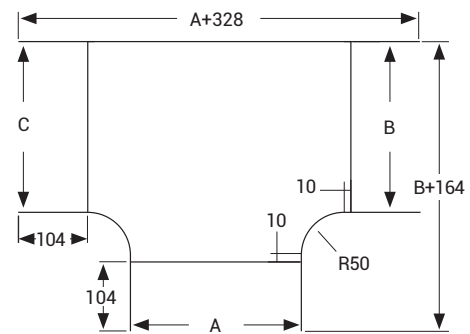
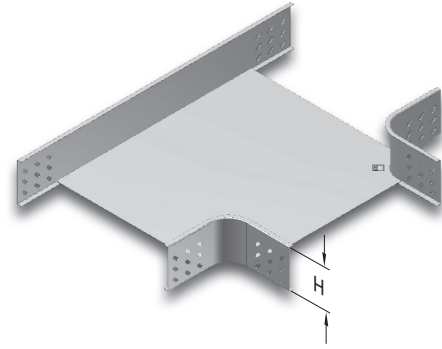


■ Please contact us for special dimensions.
 ■ Material weights may vary by ± 10%

■ Please indicate order code in your orders.
 ■ All dimensions are given as in mm

■ PG= Pre-Galvanized
 ■ HDG= Hot Dip Galvanized

Description	H (mm)	ABC (mm)	T=1,2		T=1,5		T=2	
			Weight (kg/pcs)	HDG Code	Weight (kg/pcs)	HDG Code	Weight (kg/pcs)	HDG Code
040 CTE 050 YT	40	50	0,572	3000333	0,963	3274200	1,286	3265437
040 CTE 100 YT	40	100	0,777	3000334	1,218	3274201	1,626	3265438
040 CTE 150 YT	40	150	1,032	3000335	1,538	3274202	2,053	3265439
040 CTE 200 YT	40	200	1,340	3000336	1,923	3274203	2,565	3265440
040 CTE 250 YT	40	250	1,700	3000337	2,372	3274204	3,166	3265441
040 CTE 300 YT	40	300	2,111	3274160	2,886	3274205	3,851	3265442
040 CTE 400 YT	40	400	3,090	3274161	4,109	3274206	5,480	3265443
040 CTE 500 YT	40	500	4,275	3274162	5,590	3274207	7,457	3265444
040 CTE 600 YT	40	600	5,667	3274163	7,332	3274208	9,777	3265445
050 CTE 050 YT	50	50	0,641	3000342	1,091	3274209	1,459	3265446
050 CTE 100 YT	50	100	0,851	3000343	1,352	3274210	1,808	3265447
050 CTE 150 YT	50	150	1,112	3000344	1,679	3274211	2,244	3265448
050 CTE 200 YT	50	200	1,426	3000345	2,070	3274212	2,765	3265449
050 CTE 250 YT	50	250	1,791	3000346	2,526	3274213	3,375	3265450
050 CTE 300 YT	50	300	2,208	3274164	3,047	3274214	4,069	3265451
050 CTE 400 YT	50	400	3,196	3274165	4,282	3274215	5,717	3265452
050 CTE 500 YT	50	500	4,391	3274166	5,777	3274216	7,711	3265453
050 CTE 600 YT	50	600	5,795	3274167	7,531	3274217	10,049	3265454
060 CTE 100 YT	60	100	0,928	3000352	1,487	3274218	1,988	3265455
060 CTE 150 YT	60	150	1,194	3000353	1,819	3274219	2,432	3265456
060 CTE 200 YT	60	200	1,513	3000354	2,219	3274220	2,962	3265457
060 CTE 250 YT	60	250	1,882	3274168	2,680	3274221	3,579	3265458
060 CTE 300 YT	60	300	2,305	3274169	3,207	3274222	4,283	3265459
060 CTE 400 YT	60	400	3,303	3274170	4,455	3274223	5,948	3265460
060 CTE 500 YT	60	500	4,509	3274171	5,963	3274224	7,960	3265461
060 CTE 600 YT	60	600	5,922	3274172	7,730	3274225	10,315	3265462
075 CTE 100 YT	75	100	-	-	1,663	3274226	2,221	3265463
075 CTE 150 YT	75	150	-	-	2,005	3274227	2,679	3265464
075 CTE 200 YT	75	200	-	-	2,413	3274228	3,222	3265465
075 CTE 250 YT	75	250	-	-	2,884	3274229	3,852	3265466
075 CTE 300 YT	75	300	-	-	3,422	3274230	4,568	3265467
075 CTE 400 YT	75	400	-	-	4,689	3274231	6,259	3265468
075 CTE 500 YT	75	500	-	-	6,217	3274232	8,296	3265469
075 CTE 600 YT	75	600	-	-	8,003	3274233	10,678	3265470
100 CTE 100 YT	100	100	-	-	1,965	3274234	2,637	3265471
100 CTE 150 YT	100	150	-	-	2,323	3274235	3,116	3265472
100 CTE 200 YT	100	200	-	-	2,748	3274236	3,681	3265473
100 CTE 250 YT	100	250	-	-	3,235	3274237	4,333	3265474
100 CTE 300 YT	100	300	-	-	3,788	3274238	5,071	3265476
100 CTE 400 YT	100	400	-	-	5,089	3274239	6,805	3265477
100 CTE 500 YT	100	500	-	-	6,648	3274240	8,885	3265478
100 CTE 600 YT	100	600	-	-	8,467	3274241	11,309	3265479
125 CTE 150 YT	125	150	-	-	2,659	3274242	3,551	3265480
125 CTE 200 YT	125	200	-	-	3,100	3274243	4,137	3265481
125 CTE 250 YT	125	250	-	-	3,603	3274244	4,811	3265482
125 CTE 300 YT	125	300	-	-	4,172	3274245	5,570	3265483
125 CTE 400 YT	125	400	-	-	5,506	3274246	7,347	3265484
125 CTE 500 YT	125	500	-	-	7,097	3274247	9,471	3265485
125 CTE 600 YT	125	600	-	-	8,947	3274248	11,938	3265486
150 CTE 200 YT	150	200	-	-	3,442	3274249	4,596	3265487
150 CTE 250 YT	150	250	-	-	3,962	3274250	5,291	3265488
150 CTE 300 YT	150	300	-	-	4,547	3274251	6,072	3265489
150 CTE 400 YT	150	400	-	-	5,913	3274252	7,893	3265490
150 CTE 500 YT	150	500	-	-	7,537	3274253	10,060	3265491
150 CTE 600 YT	150	600	-	-	9,420	3274254	12,571	3265492

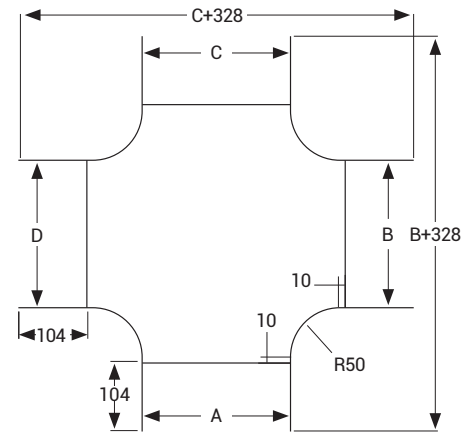
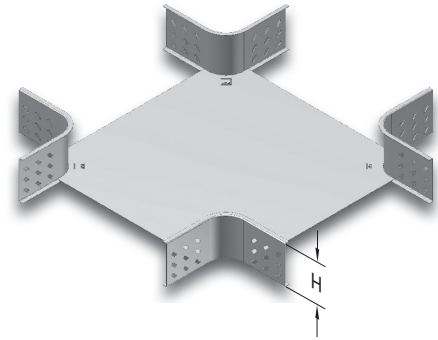


■ Please contact us for special dimensions.
 ■ Material weights may vary by ± 10%

■ Please indicate order code in your orders.
 ■ All dimensions are given as in mm

■ PG= Pre-Galvanized
 ■ HDG= Hot Dip Galvanized

Description	H (mm)	ABCD (mm)	T=1,2		T=1,5		T=2	
			Weight (kg/pcs)	HDG Code	Weight (kg/pcs)	HDG Code	Weight (kg/pcs)	HDG Code
040 CTE 050 AD	40	50	0,965	3000376	1,206	3272340	1,612	3265541
040 CTE 100 AD	40	100	1,166	3000377	1,459	3272341	1,948	3265542
040 CTE 150 AD	40	150	1,420	3000378	1,775	3272342	2,372	3265543
040 CTE 200 AD	40	200	1,726	3000379	2,157	3272343	2,881	3265544
040 CTE 250 AD	40	250	2,083	3000380	2,605	3272344	3,477	3265545
040 CTE 300 AD	40	300	2,493	3272303	3,116	3272345	4,159	3265546
040 CTE 400 AD	40	400	3,467	3272304	4,334	3272346	5,783	3265547
040 CTE 500 AD	40	500	4,649	3272305	5,810	3272347	7,752	3265548
040 CTE 600 AD	40	600	6,057	3272306	7,546	3272348	10,065	3265549
050 CTE 050 AD	50	50	1,088	3000385	1,364	3272349	1,823	3265550
050 CTE 100 AD	50	100	1,289	3000386	1,617	3272350	2,159	3265551
050 CTE 150 AD	50	150	1,543	3000387	1,934	3272351	2,583	3265552
050 CTE 200 AD	50	200	1,849	3000388	2,316	3272352	3,092	3265553
050 CTE 250 AD	50	250	2,207	3000389	2,763	3272353	3,688	3265554
050 CTE 300 AD	50	300	2,616	3272307	3,275	3272354	4,370	3265555
050 CTE 400 AD	50	400	3,590	3272308	4,492	3272355	5,994	3265556
050 CTE 500 AD	50	500	4,772	3272309	5,969	3272356	7,963	3265557
050 CTE 600 AD	50	600	6,180	3272310	7,704	3272357	10,276	3265558
060 CTE 100 AD	60	100	1,417	3000395	1,775	3272358	2,371	3265559
060 CTE 150 AD	60	150	1,671	3000396	2,092	3272359	2,794	3265560
060 CTE 200 AD	60	200	1,977	3000397	2,474	3272360	3,303	3265561
060 CTE 250 AD	60	250	2,334	3000398	2,922	3272361	3,900	3265562
060 CTE 300 AD	60	300	2,743	3272311	3,433	3272362	4,582	3265563
060 CTE 400 AD	60	400	3,718	3272312	4,651	3272363	6,205	3265564
060 CTE 500 AD	60	500	4,899	3272313	6,127	3272364	8,174	3265565
060 CTE 600 AD	60	600	6,307	3272314	7,863	3272365	10,487	3265566
075 CTE 100 AD	75	100	-	-	1,978	3272366	2,639	3265567
075 CTE 150 AD	75	150	-	-	2,295	3272367	3,062	3265568
075 CTE 200 AD	75	200	-	-	2,676	3272368	3,572	3265569
075 CTE 250 AD	75	250	-	-	3,124	3272369	4,168	3265570
075 CTE 300 AD	75	300	-	-	3,636	3272370	4,850	3265571
075 CTE 400 AD	75	400	-	-	4,853	3272371	6,474	3265572
075 CTE 500 AD	75	500	-	-	6,329	3272372	8,443	3265573
075 CTE 600 AD	75	600	-	-	8,065	3272373	10,756	3265574
100 CTE 100 AD	100	100	-	-	2,339	3272374	3,123	3265575
100 CTE 150 AD	100	150	-	-	2,655	3272375	3,546	3265576
100 CTE 200 AD	100	200	-	-	3,037	3272376	4,056	3265577
100 CTE 250 AD	100	250	-	-	3,485	3272377	4,652	3265578
100 CTE 300 AD	100	300	-	-	3,996	3272378	5,334	3265579
100 CTE 400 AD	100	400	-	-	5,214	3272379	6,958	3265580
100 CTE 500 AD	100	500	-	-	6,690	3272380	8,927	3265581
100 CTE 600 AD	100	600	-	-	8,426	3272381	11,240	3265582
125 CTE 150 AD	125	150	-	-	3,016	3003220	4,026	3265583
125 CTE 200 AD	125	200	-	-	3,398	3003221	4,535	3265584
125 CTE 250 AD	125	250	-	-	3,846	3003222	5,132	3265585
125 CTE 300 AD	125	300	-	-	4,357	3003223	5,814	3265586
125 CTE 400 AD	125	400	-	-	5,575	3003224	7,437	3265587
125 CTE 500 AD	125	500	-	-	7,051	3003225	9,406	3265588
125 CTE 600 AD	125	600	-	-	8,787	3003226	11,719	3265589
150 CTE 200 AD	150	200	-	-	3,759	3003227	5,019	3265590
150 CTE 250 AD	150	250	-	-	4,206	3003228	5,616	3265591
150 CTE 300 AD	150	300	-	-	4,718	3003229	6,298	3265592
150 CTE 400 AD	150	400	-	-	5,936	3003230	7,921	3265593
150 CTE 500 AD	150	500	-	-	7,412	3003231	9,890	3265594
150 CTE 600 AD	150	600	-	-	9,148	3003232	12,203	3265595



■ Please contact us for special dimensions.
 ■ Material weights may vary by ± 10%

■ Please indicate order code in your orders.
 ■ All dimensions are given as in mm

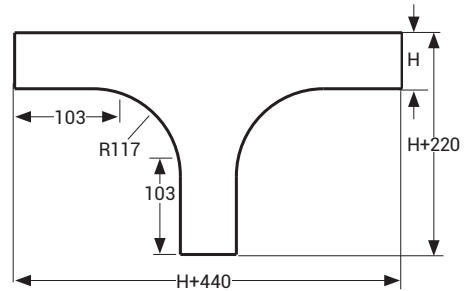
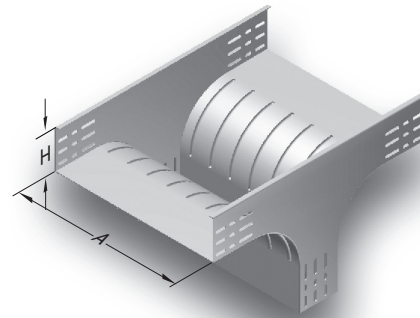
■ PG= Pre-Galvanized
 ■ HDG= Hot Dip Galvanized

►► BENDS

► CTE Centre Descent Bend R=117

Hot Dip Galvanized (TS EN ISO 1461)

Description	H (mm)	A (mm)	T=1,5		T=2	
			Weight (kg/pcs)	HDG Code	Weight (kg/pcs)	HDG Code
040 CTE 050 TO	40	50	1,645	3005814	2,079	3005738
040 CTE 100 TO	40	100	2,193	3005927	2,794	3005794
040 CTE 150 TO	40	150	2,701	3005925	3,470	3005728
040 CTE 200 TO	40	200	3,209	3005923	4,148	3005726
040 CTE 250 TO	40	250	3,718	3005921	4,824	3005724
040 CTE 300 TO	40	300	4,226	3005919	5,501	3005722
040 CTE 400 TO	40	400	5,242	3005720	6,855	3005917
040 CTE 500 TO	40	500	6,259	3005718	8,209	3005915
040 CTE 600 TO	40	600	7,275	3005716	9,563	3005913
050 CTE 050 TO	50	50	1,842	3001167	2,100	3001174
050 CTE 100 TO	50	100	2,350	3007546	2,782	3007514
050 CTE 150 TO	50	150	2,858	3007242	3,465	3007256
050 CTE 200 TO	50	200	3,367	3007544	4,147	3007512
050 CTE 250 TO	50	250	3,875	3007240	4,829	3007254
050 CTE 300 TO	50	300	4,383	3007542	5,610	3007510
050 CTE 400 TO	50	400	5,399	3007540	6,875	3007508
050 CTE 500 TO	50	500	6,416	3007538	8,240	3007506
050 CTE 600 TO	50	600	7,432	3007536	9,604	3007504
060 CTE 100 TO	60	100	2,591	3005911	3,053	3005714
060 CTE 150 TO	60	150	3,099	3005909	3,735	3005712
060 CTE 200 TO	60	200	3,608	3005907	4,417	3005710
060 CTE 250 TO	60	250	4,116	3005905	5,099	3005708
060 CTE 300 TO	60	300	4,624	3005903	5,782	3005706
060 CTE 400 TO	60	400	5,640	3005704	7,146	3005901
060 CTE 500 TO	60	500	6,653	3005702	8,510	3005899
060 CTE 600 TO	60	600	7,673	3005700	9,874	3005897
075 CTE 100 TO	75	100	2,865	3007238	3,383	3007252
075 CTE 150 TO	75	150	3,373	3007236	4,065	3007250
075 CTE 200 TO	75	200	3,881	3007534	4,747	3007502
075 CTE 250 TO	75	250	4,390	3007234	5,430	3007248
075 CTE 300 TO	75	300	4,898	3007532	6,112	3007500
075 CTE 400 TO	75	400	5,914	3007530	7,476	3007498
075 CTE 500 TO	75	500	6,931	3007528	8,840	3007496
075 CTE 600 TO	75	600	7,947	3007526	10,205	3007494
100 CTE 100 TO	100	100	3,372	3001168	4,081	3001175
100 CTE 150 TO	100	150	3,881	3007232	4,763	3007246
100 CTE 200 TO	100	200	4,390	3007524	5,446	3007492
100 CTE 250 TO	100	250	4,897	3007230	6,128	3007244
100 CTE 300 TO	100	300	5,405	3007522	6,810	3007490
100 CTE 400 TO	100	400	6,421	3007520	8,174	3007488
100 CTE 500 TO	100	500	7,438	3007518	9,538	3007486
100 CTE 600 TO	100	600	8,454	3007516	10,903	3007484
125 CTE 150 TO	125	150	4,461	3003233	5,829	3003568
125 CTE 200 TO	125	200	5,007	3003234	6,663	3003569
125 CTE 250 TO	125	250	5,612	3003235	7,499	3003570
125 CTE 300 TO	125	300	6,102	3003236	8,335	3003571
125 CTE 400 TO	125	400	7,195	3003237	9,957	3003572
125 CTE 500 TO	125	500	8,290	3003238	11,670	3003573
125 CTE 600 TO	125	600	9,383	3003239	13,339	3003574
150 CTE 200 TO	150	200	5,427	3003240	7,323	3003575
150 CTE 250 TO	150	250	5,675	3003241	8,241	3003576
150 CTE 300 TO	150	300	6,521	3003242	9,160	3003577
150 CTE 400 TO	150	400	7,615	3003243	10,942	3003578
150 CTE 500 TO	150	500	8,709	3003244	12,825	3003579
150 CTE 600 TO	150	600	10,511	3003245	14,659	3003580



■ Please contact us for special dimensions.
 ■ Material weights may vary by ± 10%

■ Please indicate order code in your orders.
 ■ All dimensions are given as in mm

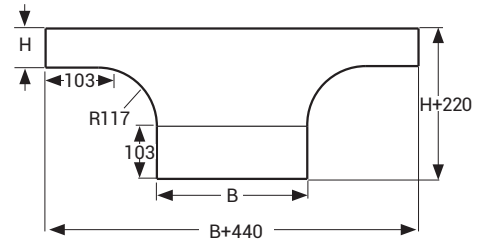
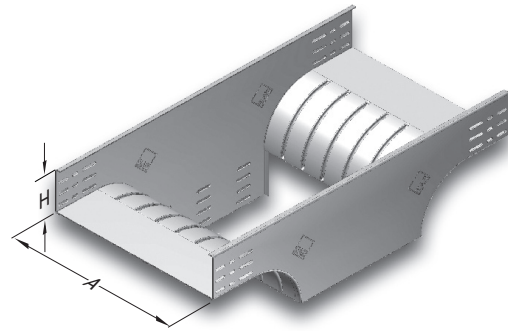
■ PG= Pre-Galvanized
 ■ HDG= Hot Dip Galvanized

►► BENDS

► CTE Wall Mounted Bend R=50

Hot Dip Galvanized (TS EN ISO 1461)

Description	H (mm)	A (mm)	B (mm)	T=1,5		T=2	
				Weight (kg/pcs)	HDG Code	Weight (kg/pcs)	HDG Code
040 CTE 050 TD	40	50	50	1,509	3005812	1,992	3005736
040 CTE 100 TD	40	100	100	2,201	3005959	2,911	3005810
040 CTE 150 TD	40	150	150	2,871	3005957	3,534	3005808
040 CTE 200 TD	40	200	200	3,544	3005955	4,398	3005806
040 CTE 250 TD	40	250	250	4,264	3005953	5,900	3005804
040 CTE 300 TD	40	300	300	4,943	3005951	6,842	3005802
040 CTE 400 TD	40	400	300	5,764	3005800	7,950	3005949
040 CTE 500 TD	40	500	300	6,585	3005798	8,578	3005947
040 CTE 600 TD	40	600	300	7,409	3005796	9,649	3005945
050 CTE 050 TD	50	50	50	1,637	3001169	2,105	3001214
050 CTE 100 TD	50	100	100	2,341	3007482	3,029	3007450
050 CTE 150 TD	50	150	150	3,045	3007270	3,955	3007284
050 CTE 200 TD	50	200	200	3,738	3007480	4,863	3007448
050 CTE 250 TD	50	250	250	4,442	3007268	5,788	3007282
050 CTE 300 TD	50	300	300	5,135	3007478	6,697	3007446
050 CTE 400 TD	50	400	300	5,955	3007476	7,766	3007444
050 CTE 500 TD	50	500	300	6,776	3007474	8,834	3007442
050 CTE 600 TD	50	600	300	7,600	3007472	9,904	3007440
060 CTE 100 TD	60	100	100	2,481	3005943	3,216	3005776
060 CTE 150 TD	60	150	150	3,199	3005941	4,159	3005774
060 CTE 200 TD	60	200	200	3,904	3005939	5,084	3005772
060 CTE 250 TD	60	250	250	4,621	3005937	6,027	3005770
060 CTE 300 TD	60	300	300	5,326	3005935	6,953	3005768
060 CTE 400 TD	60	400	300	6,148	3005766	8,021	3005933
060 CTE 500 TD	60	500	300	6,969	3005764	9,089	3005931
060 CTE 600 TD	60	600	300	7,791	3005762	10,161	3005929
075 CTE 100 TD	75	100	100	2,665	3007266	3,462	3007280
075 CTE 150 TD	75	150	150	3,402	3007264	4,430	3007278
075 CTE 200 TD	75	200	200	4,127	3007470	5,382	3007438
075 CTE 250 TD	75	250	250	4,863	3007262	6,350	3007276
075 CTE 300 TD	75	300	300	5,588	3007468	7,302	3007436
075 CTE 400 TD	75	400	300	6,140	3007466	8,371	3007434
075 CTE 500 TD	75	500	300	7,230	3007464	9,439	3007432
075 CTE 600 TD	75	600	300	8,053	3007462	10,509	3007430
100 CTE 100 TD	100	100	100	2,990	3001426	3,894	3001215
100 CTE 150 TD	100	150	150	3,759	3007260	4,906	3007274
100 CTE 200 TD	100	200	200	4,516	3007460	5,900	3007428
100 CTE 250 TD	100	250	250	5,284	3007258	6,911	3007272
100 CTE 300 TD	100	300	300	6,042	3007458	7,907	3007426
100 CTE 400 TD	100	400	300	6,863	3007456	8,975	3007424
100 CTE 500 TD	100	500	300	7,784	3007454	10,044	3007422
100 CTE 600 TD	100	600	300	8,507	3007452	11,114	3007420
125 CTE 150 TD	125	150	150	4,115	3003246	5,446	3003581
125 CTE 200 TD	125	200	200	4,905	3003247	6,488	3003582
125 CTE 250 TD	125	250	250	5,706	3003248	7,545	3003583
125 CTE 300 TD	125	300	300	6,496	3003249	8,587	3003584
125 CTE 400 TD	125	400	300	7,317	3003250	9,661	3003585
125 CTE 500 TD	125	500	300	8,138	3003251	10,736	3003586
125 CTE 600 TD	125	600	300	8,961	3003252	11,770	3003587
150 CTE 200 TD	150	200	200	5,293	3003253	6,896	3003588
150 CTE 250 TD	150	250	250	6,127	3003254	7,987	3003589
150 CTE 300 TD	150	300	300	6,950	3003255	9,064	3003590
150 CTE 400 TD	150	400	300	7,770	3003256	10,139	3003591
150 CTE 500 TD	150	500	300	8,591	3003257	11,213	3003592
150 CTE 600 TD	150	600	300	9,961	3003258	12,288	3003593

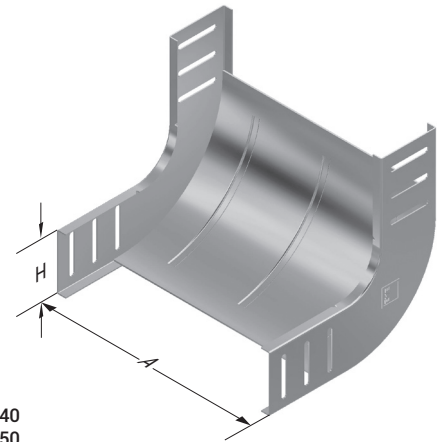


■ Please contact us for special dimensions.
 ■ Material weights may vary by ± 10%

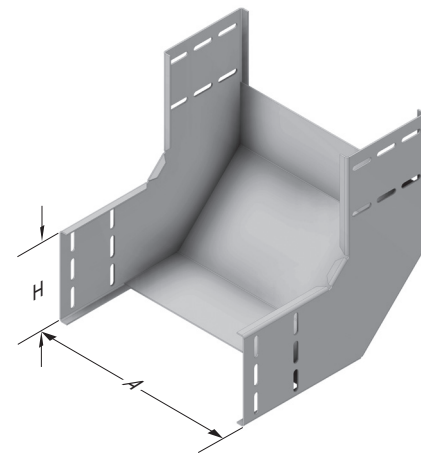
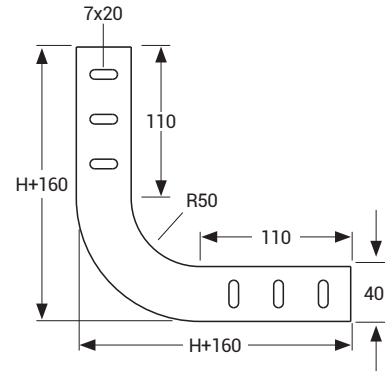
■ Please indicate order code in your orders.
 ■ All dimensions are given as in mm

■ PG= Pre-Galvanized
 ■ HDG= Hot Dip Galvanized

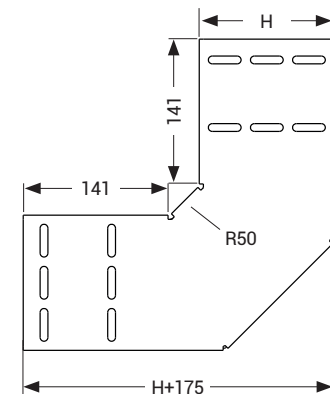
Description	H (mm)	A (mm)	T=1,2		T=1,5		T=2	
			Weight (kg/pcs)	HDG Code	Weight (kg/pcs)	HDG Code	Weight (kg/pcs)	HDG Code
040 CTE 050 ID	40	50	0,509	3273141	0,635	3273077	0,846	3265279
040 CTE 100 ID	40	100	0,590	3273142	0,736	3273078	0,981	3265280
040 CTE 150 ID	40	150	0,671	3273143	0,837	3273079	1,117	3265281
040 CTE 200 ID	40	200	0,751	3273144	0,937	3273080	1,250	3265282
040 CTE 250 ID	40	250	0,833	3273145	1,038	3273081	1,385	3265283
040 CTE 300 ID	40	300	0,912	3273146	1,139	3273082	1,517	3265284
040 CTE 400 ID	40	400	1,074	3273147	1,340	3273083	1,785	3265285
040 CTE 500 ID	40	500	1,234	3273148	1,540	3273084	2,054	3265286
040 CTE 600 ID	40	600	1,395	3273149	1,740	3273085	2,319	3265287
050 CTE 050 ID	50	50	0,587	3273150	0,735	3273086	0,980	3265288
050 CTE 100 ID	50	100	0,677	3273151	0,847	3273087	1,130	3265289
050 CTE 150 ID	50	150	0,767	3273152	0,958	3273088	1,279	3265290
050 CTE 200 ID	50	200	0,855	3273153	1,068	3273089	1,426	3265291
050 CTE 250 ID	50	250	0,944	3273154	1,180	3273090	1,574	3265292
050 CTE 300 ID	50	300	1,032	3273155	1,290	3273091	1,720	3265293
050 CTE 400 ID	50	400	1,209	3273156	1,511	3273092	2,016	3265294
050 CTE 500 ID	50	500	1,387	3273157	1,734	3273093	2,312	3265295
050 CTE 600 ID	50	600	1,563	3273158	1,954	3273094	2,605	3265296
060 CTE 100 ID	60	100	0,770	3273159	0,961	3273095	1,283	3265297
060 CTE 150 ID	60	150	0,868	3273160	1,084	3273096	1,445	3265298
060 CTE 200 ID	60	200	0,965	3273161	1,205	3273097	1,606	3265299
060 CTE 250 ID	60	250	1,063	3273162	1,327	3273098	1,769	3265300
060 CTE 300 ID	60	300	1,158	3273163	1,447	3273099	1,928	3265301
060 CTE 400 ID	60	400	1,352	3273164	1,689	3273100	2,252	3265302
060 CTE 500 ID	60	500	1,547	3273165	1,931	3273101	2,575	3265303
060 CTE 600 ID	60	600	1,739	3273166	2,171	3273102	2,894	3265304
075 CTE 100 ID	75	100	-	-	1,140	3273103	1,521	3265305
075 CTE 150 ID	75	150	-	-	1,249	3273104	1,706	3265306
075 CTE 200 ID	75	200	-	-	1,414	3273105	1,887	3265307
075 CTE 250 ID	75	250	-	-	1,551	3273106	2,070	3265308
075 CTE 300 ID	75	300	-	-	1,686	3273107	2,251	3265309
075 CTE 400 ID	75	400	-	-	1,959	3273108	2,615	3265310
075 CTE 500 ID	75	500	-	-	2,232	3273109	2,979	3265311
075 CTE 600 ID	75	600	-	-	2,503	3273110	3,340	3265312
100 CTE 100 ID	100	100	-	-	1,460	3273111	1,947	3265313
100 CTE 150 ID	100	150	-	-	1,624	3273112	2,166	3265314
100 CTE 200 ID	100	200	-	-	1,784	3273113	2,379	3265315
100 CTE 250 ID	100	250	-	-	1,948	3273114	2,599	3265316
100 CTE 300 ID	100	300	-	-	2,109	3273115	2,813	3265317
100 CTE 400 ID	100	400	-	-	2,433	3273116	3,246	3265318
100 CTE 500 ID	100	500	-	-	2,758	3273117	3,680	3265319
100 CTE 600 ID	100	600	-	-	3,079	3273118	4,107	3265320
125 CTE 150 ID	125	150	-	-	2,192	3273119	2,923	3265321
125 CTE 200 ID	125	200	-	-	2,402	3273120	3,203	3265322
125 CTE 250 ID	125	250	-	-	2,613	3273121	3,484	3265323
125 CTE 300 ID	125	300	-	-	2,822	3273122	3,763	3265324
125 CTE 400 ID	125	400	-	-	3,242	3273123	4,323	3265325
125 CTE 500 ID	125	500	-	-	3,662	3273124	4,883	3265326
125 CTE 600 ID	125	600	-	-	4,082	3273125	5,443	3265327
150 CTE 200 ID	150	200	-	-	2,862	3273126	3,816	3265328
150 CTE 250 ID	150	250	-	-	3,099	3273127	4,132	3265329
150 CTE 300 ID	150	300	-	-	3,335	3273128	4,447	3265330
150 CTE 400 ID	150	400	-	-	3,809	3273129	5,079	3265331
150 CTE 500 ID	150	500	-	-	4,283	3273130	5,710	3265332
150 CTE 600 ID	150	600	-	-	4,756	3273131	6,342	3265333



H40
H50
H60
H75
H100



H125
H150



■ Please contact us for special dimensions.
■ Material weights may vary by ± 10%

■ Please indicate order code in your orders.
■ All dimensions are given as in mm

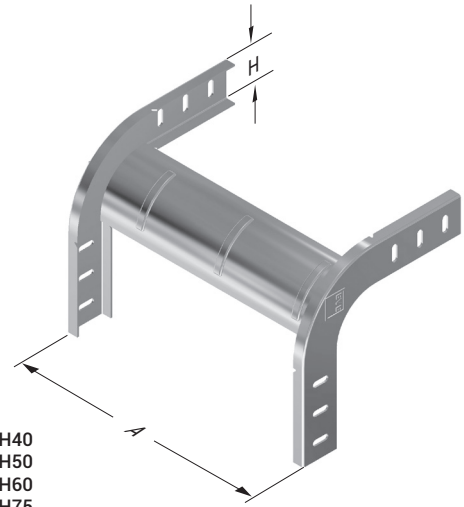
■ PG= Pre-Galvanized
■ HDG= Hot Dip Galvanized

►► BENDS

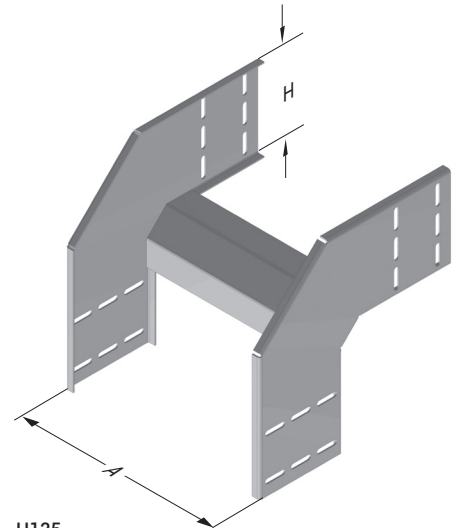
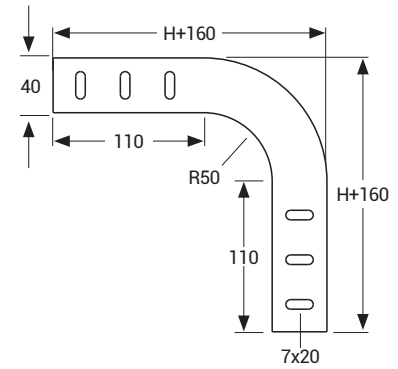
► CTE DD Vertical Outside Bend

Hot Dip Galvanized (TS EN ISO 1461)

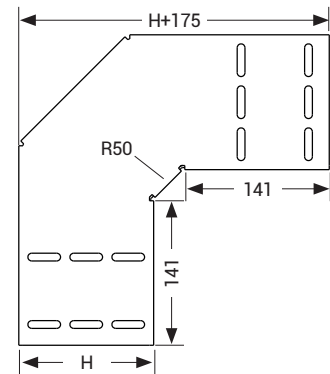
Description	H (mm)	A (mm)	T=1,2		T=1,5		T=2	
			Weight (kg/pcs)	HDG Code	Weight (kg/pcs)	HDG Code	Weight (kg/pcs)	HDG Code
040 CTE 050 DD	40	50	0,491	3272962	0,596	3272850	0,794	3265078
040 CTE 100 DD	40	100	0,526	3272963	0,656	3272851	0,875	3265079
040 CTE 150 DD	40	150	0,574	3272964	0,716	3272852	0,956	3265080
040 CTE 200 DD	40	200	0,622	3272965	0,776	3272853	1,035	3265081
040 CTE 250 DD	40	250	0,671	3272966	0,837	3272854	1,118	3265082
040 CTE 300 DD	40	300	0,718	3272967	0,897	3272855	1,197	3265083
040 CTE 400 DD	40	400	0,814	3272968	1,018	3272856	1,359	3265084
040 CTE 500 DD	40	500	0,911	3272969	1,139	3272857	1,519	3265085
040 CTE 600 DD	40	600	1,005	3272970	1,257	3272858	1,679	3265086
050 CTE 050 DD	50	50	0,561	3272971	0,686	3272859	0,915	3265087
050 CTE 100 DD	50	100	0,596	3272972	0,746	3272860	0,996	3265088
050 CTE 150 DD	50	150	0,645	3272973	0,806	3272861	1,077	3265089
050 CTE 200 DD	50	200	0,692	3272974	0,866	3272862	1,156	3265090
050 CTE 250 DD	50	250	0,741	3272975	0,927	3272863	1,239	3265091
050 CTE 300 DD	50	300	0,789	3272976	0,987	3272864	1,318	3265092
050 CTE 400 DD	50	400	0,884	3272977	1,108	3272865	1,480	3265093
050 CTE 500 DD	50	500	0,981	3272978	1,229	3272866	1,640	3265094
050 CTE 600 DD	50	600	1,076	3272979	1,348	3272867	1,800	3265095
060 CTE 100 DD	60	100	0,673	3272980	0,840	3272868	1,121	3265096
060 CTE 150 DD	60	150	0,722	3272981	0,901	3272869	1,202	3265097
060 CTE 200 DD	60	200	0,769	3272982	0,960	3272870	1,282	3265098
060 CTE 250 DD	60	250	0,818	3272983	1,022	3272871	1,364	3265099
060 CTE 300 DD	60	300	0,866	3272984	1,081	3272872	1,443	3265100
060 CTE 400 DD	60	400	0,961	3272985	1,202	3272873	1,605	3265101
060 CTE 500 DD	60	500	1,058	3272986	1,323	3272874	1,766	3265102
060 CTE 600 DD	60	600	1,153	3272987	1,442	3272875	1,925	3265103
075 CTE 100 DD	75	100	-	-	0,988	3272876	1,319	3265104
075 CTE 150 DD	75	150	-	-	1,048	3272877	1,400	3265105
075 CTE 200 DD	75	200	-	-	1,108	3272878	1,480	3265106
075 CTE 250 DD	75	250	-	-	1,169	3272879	1,562	3265107
075 CTE 300 DD	75	300	-	-	1,229	3272880	1,641	3265108
075 CTE 400 DD	75	400	-	-	1,350	3272881	1,803	3265109
075 CTE 500 DD	75	500	-	-	1,471	3272882	1,964	3265110
075 CTE 600 DD	75	600	-	-	1,590	3272883	2,123	3265111
100 CTE 100 DD	100	100	-	-	1,256	3272884	1,675	3265112
100 CTE 150 DD	100	150	-	-	1,317	3272885	1,757	3265113
100 CTE 200 DD	100	200	-	-	1,376	3272886	1,836	3265114
100 CTE 250 DD	100	250	-	-	1,438	3272887	1,918	3265115
100 CTE 300 DD	100	300	-	-	1,497	3272888	1,998	3265116
100 CTE 400 DD	100	400	-	-	1,618	3272889	2,159	3265117
100 CTE 500 DD	100	500	-	-	1,739	3272890	2,320	3265118
100 CTE 600 DD	100	600	-	-	1,858	3272891	2,479	3265119
125 CTE 150 DD	125	150	-	-	1,796	3272892	2,395	3265120
125 CTE 200 DD	125	200	-	-	1,874	3272893	2,498	3265121
125 CTE 250 DD	125	250	-	-	1,951	3272894	2,602	3265122
125 CTE 300 DD	125	300	-	-	2,029	3272895	2,705	3265123
125 CTE 400 DD	125	400	-	-	2,185	3272896	2,913	3265124
125 CTE 500 DD	125	500	-	-	2,340	3272897	3,120	3265125
125 CTE 600 DD	125	600	-	-	2,496	3272898	3,328	3265126
150 CTE 200 DD	150	200	-	-	2,226	3272899	2,968	3265127
150 CTE 250 DD	150	250	-	-	2,303	3272900	3,071	3265128
150 CTE 300 DD	150	300	-	-	2,381	3272901	3,175	3265129
150 CTE 400 DD	150	400	-	-	2,537	3272902	3,383	3265130
150 CTE 500 DD	150	500	-	-	2,692	3272903	3,589	3265131
150 CTE 600 DD	150	600	-	-	2,848	3272904	3,797	3265132



H40
H50
H60
H75
H100



H125
H150



■ Please contact us for special dimensions.
■ Material weights may vary by ± 10%

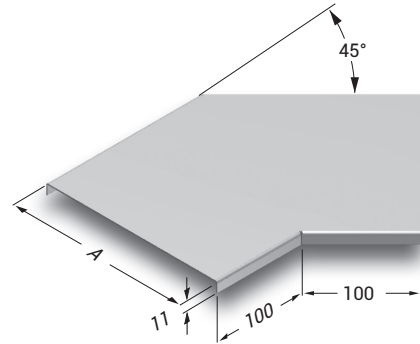
■ Please indicate order code in your orders.
■ All dimensions are given as in mm

■ PG= Pre-Galvanized
■ HDG= Hot Dip Galvanized

►► BEND COVER

► CTE Horizontal Degree Bend (45°) R=50 Hot Dip Galvanized (TS EN ISO 1461)

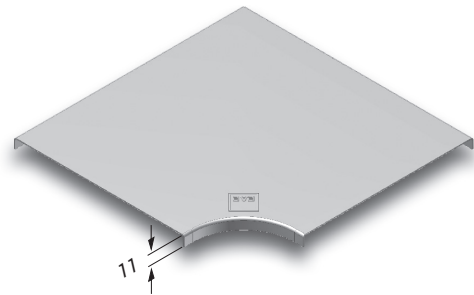
Description	A (mm)	T=1,2		T=1,5		T=2	
		Weight (kg/pcs)	HDG Code	Weight (kg/pcs)	HDG Code	Weight (kg/pcs)	HDG Code
CTE 050 YD45° COVER	50	0,079	3273699	0,101	3273633	0,138	3265030
CTE 100 YD45° COVER	100	0,160	3273700	0,201	3273634	0,273	3265031
CTE 150 YD45° COVER	150	0,261	3273701	0,329	3273635	0,444	3265032
CTE 200 YD45° COVER	200	0,384	3273702	0,483	3273636	0,651	3265033
CTE 250 YD45° COVER	250	0,529	3273703	0,664	3273637	0,893	3265034
CTE 300 YD45° COVER	300	0,695	3273704	0,872	3273638	1,172	3265035
CTE 400 YD45° COVER	400	1,091	3273705	1,370	3273639	1,835	3265036
CTE 500 YD45° COVER	500	1,574	3273706	1,973	3273640	2,642	3265037
CTE 600 YD45° COVER	600	2,142	3273707	2,684	3273641	3,592	3265038



► CTE Horizontal Degree Bend (90°) R=50

Hot Dip Galvanized (TS EN ISO 1461)

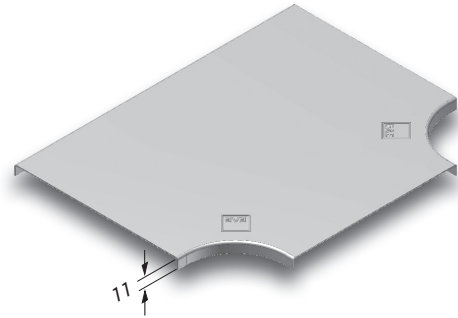
Description	A (mm)	T=1,2		T=1,5		T=2	
		Weight (kg/pcs)	HDG Code	Weight (kg/pcs)	HDG Code	Weight (kg/pcs)	HDG Code
CTE 050 YD90° COVER	50	0,133	3000462	0,166	3273814	0,222	3265389
CTE 100 YD90° COVER	100	0,285	3000463	0,356	3273815	0,477	3265390
CTE 150 YD90° COVER	150	0,490	3000464	0,612	3273816	0,817	3265391
CTE 200 YD90° COVER	200	0,745	3000465	0,932	3273817	1,244	3265392
CTE 250 YD90° COVER	250	1,053	3000466	1,317	3273818	1,758	3265393
CTE 300 YD90° COVER	300	1,412	3273753	1,767	3000467	2,357	3265394
CTE 400 YD90° COVER	400	2,287	3273754	2,860	3000468	3,816	3265395
CTE 500 YD90° COVER	500	3,368	3273755	4,212	3000469	5,620	3265396
CTE 600 YD90° COVER	600	4,657	3273756	5,823	3273819	7,768	3265397



► CTE YT Tee Bend Cover R=50

Hot Dip Galvanized (TS EN ISO 1461)

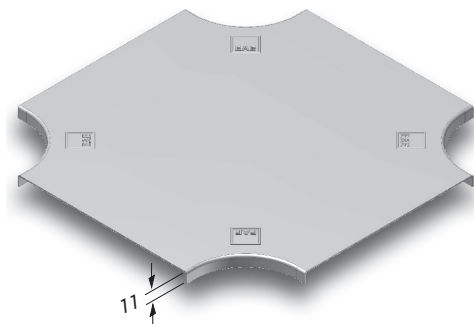
Description	A (mm)	T=1,2		T=1,5		T=2	
		Weight (kg/pcs)	HDG Code	Weight (kg/pcs)	HDG Code	Weight (kg/pcs)	HDG Code
CTE 050 YT COVER	50	0,176	3000471	0,220	3274255	0,293	3265493
CTE 100 YT COVER	100	0,354	3000472	0,442	3274256	0,589	3265494
CTE 150 YT COVER	150	0,583	3000473	0,728	3274257	0,970	3265495
CTE 200 YT COVER	200	0,865	3000474	1,080	3274258	1,439	3265496
CTE 250 YT COVER	250	1,198	3000475	1,496	3274259	1,993	3265497
CTE 300 YT COVER	300	1,582	3274196	1,977	3000476	2,633	3265498
CTE 400 YT COVER	400	2,512	3274197	3,139	3000477	4,183	3265499
CTE 500 YT COVER	500	3,652	3274198	4,564	3000478	6,082	3265500
CTE 600 YT COVER	600	4,994	3274199	6,241	3274260	8,317	3265501



► CTE Cross Over Bend Cover R=50

Hot Dip Galvanized (TS EN ISO 1461)

Description	A (mm)	T=1,2		T=1,5		T=2	
		Weight (kg/pcs)	HDG Code	Weight (kg/pcs)	HDG Code	Weight (kg/pcs)	HDG Code
CTE 050 AD COVER	50	0,220	3000480	0,275	3272382	0,367	3265596
CTE 100 AD COVER	100	0,422	3000481	0,528	3272383	0,704	3265597
CTE 150 AD COVER	150	0,675	3000482	0,845	3272384	1,126	3265598
CTE 200 AD COVER	200	0,981	3000483	1,227	3272385	1,637	3265599
CTE 250 AD COVER	250	1,339	3000484	1,674	3272386	2,232	3265600
CTE 300 AD COVER	300	1,748	3272336	2,186	3000485	2,914	3265601
CTE 400 AD COVER	400	2,723	3272337	3,403	3000486	4,538	3265602
CTE 500 AD COVER	500	3,904	3272338	4,880	3000487	5,715	3265603
CTE 600 AD COVER	600	5,292	3272339	6,615	3272387	8,821	3265604



■ Please contact us for special dimensions.
 ■ Material weights may vary by ± 10%

■ Please indicate order code in your orders.
 ■ All dimensions are given as in mm

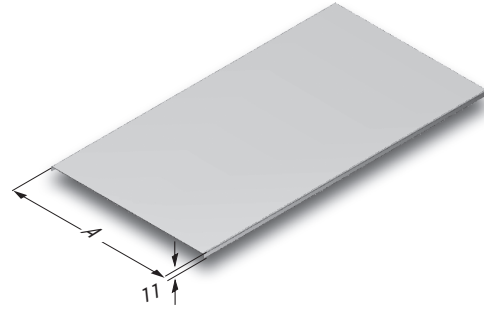
■ PG= Pre-Galvanized
 ■ HDG= Hot Dip Galvanized

►► BEND COVER

► CTE Centre Descent Bend Cover

Hot Dip Galvanized (TS EN ISO 1461)

Description	A (mm)	T=1,5		T=2	
		Weight (kg/m)	HDG Code	Weight (kg/m)	HDG Code
040 CTE 050 TO COVER	55	0,469	3005406	0,625	3005446
040 CTE 100 TO COVER	105	0,781	3006811	1,042	3005548
040 CTE 150 TO COVER	155	1,093	3006809	1,459	3005546
040 CTE 200 TO COVER	205	1,406	3006807	1,874	3005544
040 CTE 250 TO COVER	255	1,718	3006805	2,291	3005542
040 CTE 300 TO COVER	305	2,031	3006803	2,708	3005540
040 CTE 400 TO COVER	405	2,655	3006801	3,541	3005538
040 CTE 500 TO COVER	505	3,280	3006799	4,375	3005536
040 CTE 600 TO COVER	605	3,906	3006797	5,207	3005534
050 CTE 050 TO COVER	55	0,479	3001188	0,638	3001170
050 CTE 100 TO COVER	105	0,798	3005895	1,064	3005532
050 CTE 150 TO COVER	155	1,117	3005893	1,488	3005530
050 CTE 200 TO COVER	205	1,436	3005891	1,914	3005528
050 CTE 250 TO COVER	255	1,755	3005889	2,339	3005526
050 CTE 300 TO COVER	305	2,074	3005887	2,764	3005524
050 CTE 400 TO COVER	405	2,712	3005885	3,615	3005522
050 CTE 500 TO COVER	505	3,350	3005883	4,465	3005520
050 CTE 600 TO COVER	605	3,986	3005881	5,316	3005518
060 CTE 100 TO COVER	105	0,814	3005879	1,085	3005516
060 CTE 150 TO COVER	155	1,140	3005877	1,519	3005514
060 CTE 200 TO COVER	205	1,464	3005875	1,953	3005512
060 CTE 250 TO COVER	255	1,790	3005873	2,387	3005510
060 CTE 300 TO COVER	305	2,115	3005871	2,820	3005508
060 CTE 400 TO COVER	405	2,767	3005869	3,688	3005506
060 CTE 500 TO COVER	505	3,418	3005867	4,556	3005504
060 CTE 600 TO COVER	605	4,068	3005865	5,424	3005502
075 CTE 100 TO COVER	105	0,838	3005863	1,118	3005500
075 CTE 150 TO COVER	155	1,174	3005404	1,564	3005434
075 CTE 200 TO COVER	205	1,508	3005861	2,012	3005498
075 CTE 250 TO COVER	255	1,844	3005402	2,459	3005432
075 CTE 300 TO COVER	305	2,179	3005859	2,905	3005496
075 CTE 400 TO COVER	405	2,849	3005857	3,799	3005494
075 CTE 500 TO COVER	505	3,520	3005855	4,694	3005492
075 CTE 600 TO COVER	605	4,190	3005853	5,587	3005490
100 CTE 100 TO COVER	105	0,879	3001189	1,172	3001171
100 CTE 150 TO COVER	155	1,230	3005400	1,640	3005430
100 CTE 200 TO COVER	205	1,582	3005851	2,109	3005488
100 CTE 250 TO COVER	255	1,933	3005398	2,577	3005428
100 CTE 300 TO COVER	305	2,285	3005849	3,046	3005486
100 CTE 400 TO COVER	405	2,988	3005847	3,984	3005484
100 CTE 500 TO COVER	505	3,691	3005845	4,921	3005482
100 CTE 600 TO COVER	605	4,393	3005843	5,859	3005480
125 CTE 150 TO COVER	155	1,282	3003298	1,702	3003711
125 CTE 200 TO COVER	205	1,647	3003299	2,190	3003712
125 CTE 250 TO COVER	255	2,013	3003300	2,677	3003713
125 CTE 300 TO COVER	305	2,379	3003301	3,166	3003714
125 CTE 400 TO COVER	405	3,111	3003302	4,142	3003715
125 CTE 500 TO COVER	505	3,842	3003303	5,117	3003716
125 CTE 600 TO COVER	605	4,575	3003304	6,093	3003717
150 CTE 200 TO COVER	205	1,720	3003305	2,287	3003718
150 CTE 250 TO COVER	255	2,102	3003306	2,796	3003719
150 CTE 300 TO COVER	305	2,484	3003307	3,306	3003720
150 CTE 400 TO COVER	405	3,248	3003308	4,324	3003721
150 CTE 500 TO COVER	505	4,013	3003309	5,344	3003722
150 CTE 600 TO COVER	605	4,777	3003310	6,362	3003723

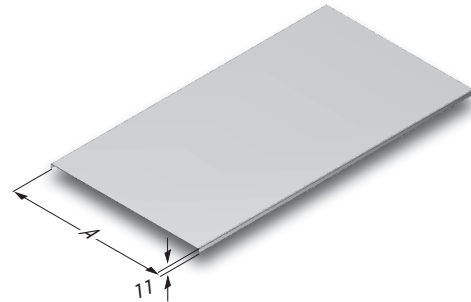


■ Please contact us for special dimensions.
 ■ Material weights may vary by ± 10%

■ Please indicate order code in your orders.
 ■ All dimensions are given as in mm

■ PG= Pre-Galvanized
 ■ HDG= Hot Dip Galvanized

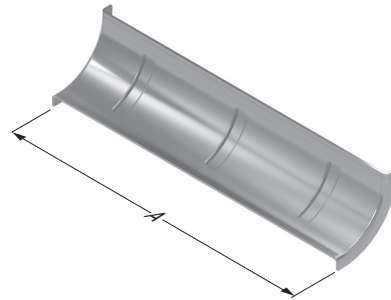
Description	A (mm)	T=1,5		T=2	
		Weight (kg/m)	HDG Code	Weight (kg/m)	HDG Code
CTE 050 TD COVER	55	0,479	3005396	0,638	3005444
CTE 100 TD COVER	105	0,879	3006795	1,172	3005478
CTE 150 TD COVER	155	1,344	3006793	1,792	3005476
CTE 200 TD COVER	205	1,728	3006791	2,305	3005474
CTE 250 TD COVER	255	2,291	3006789	3,055	3005472
CTE 300 TD COVER	305	3,131	3006787	4,175	3005470
CTE 400 TD COVER	405	4,094	3006785	5,459	3005468
CTE 500 TD COVER	505	5,058	3006783	6,744	3005466
CTE 600 TD COVER	605	6,021	3006781	8,028	3005464



► CTE Vertical Inside Bend (90°)

Hot Dip Galvanized (TS EN ISO 1461)

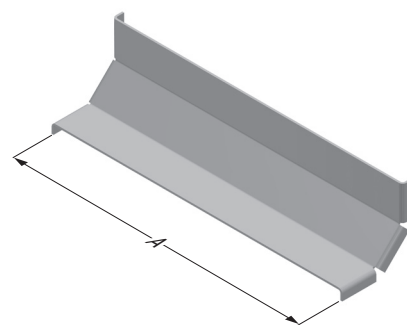
Description	A (mm)	T=1,2		T=1,5		T=2	
		Weight (kg/pcs)	HDG Code	Weight (kg/pcs)	HDG Code	Weight (kg/pcs)	HDG Code
CTE 050 ID90° COVER	50	0,067	3273196	0,084	3273132	0,111	3265740
CTE 100 ID90° COVER	100	0,112	3273197	0,140	3273133	0,185	3265266
CTE 150 ID90° COVER	150	0,156	3273198	0,195	3273134	0,257	3265741
CTE 200 ID90° COVER	200	0,200	3273199	0,250	3273135	0,331	3265267
CTE 250 ID90° COVER	250	0,244	3273200	0,305	3273136	0,404	3265742
CTE 300 ID90° COVER	300	0,289	3273201	0,360	3273137	0,477	3265268
CTE 400 ID90° COVER	400	0,377	3273202	0,471	3273138	0,624	3265269
CTE 500 ID90° COVER	500	0,466	3273203	0,581	3273139	0,770	3265270
CTE 600 ID90° COVER	600	0,556	3273204	0,691	3273140	0,916	3265271



► CTE Vertical Inside Bend (90°)

Hot Dip Galvanized (TS EN ISO 1461)

Description	A (mm)	T=1,5		T=2	
		Weight (kg/pcs)	HDG Code	Weight (kg/pcs)	HDG Code
125-150 CTE 150 ID90° COVER	150	0,257	3305486	0,343	3265272
125-150 CTE 200 ID90° COVER	200	0,332	3305487	0,442	3265273
125-150 CTE 250 ID90° COVER	250	0,406	3305488	0,541	3265274
125-150 CTE 300 ID90° COVER	300	0,479	3305489	0,639	3265275
125-150 CTE 400 ID90° COVER	400	0,628	3305490	0,837	3265276
125-150 CTE 500 ID90° COVER	500	0,776	3305491	1,034	3265277
125-150 CTE 600 ID90° COVER	600	0,924	3305492	1,232	3265278

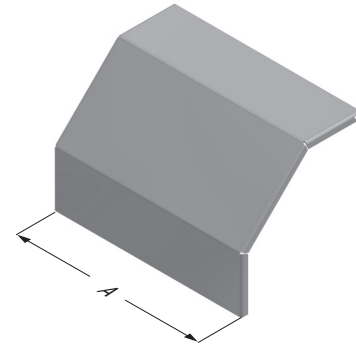
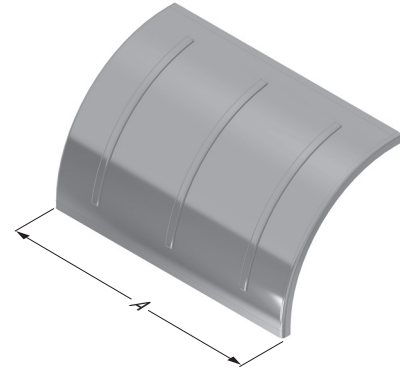


►► BEND COVER

► CTE Vertical Outside Bend (90°)

Hot Dip Galvanized (TS EN ISO 1461)

Description	A (mm)	T=1,2		T=1,5		T=2	
		Weight (kg/pcs)	HDG Code	Weight (kg/pcs)	HDG Code	Weight (kg/pcs)	HDG Code
40 CTE DD90° COVER 050	50	0,123	3273017	0,155	3272907	0,207	3265133
40 CTE DD90° COVER 100	100	0,207	3273018	0,259	3272908	0,345	3265134
40 CTE DD90° COVER 150	150	0,292	3273019	0,354	3272909	0,487	3265135
40 CTE DD90° COVER 200	200	0,375	3273020	0,469	3272910	0,626	3265136
40 CTE DD90° COVER 250	250	0,460	3273021	0,575	3272911	0,768	3265137
40 CTE DD90° COVER 300	300	0,543	3273022	0,680	3272912	0,908	3265138
40 CTE DD90° COVER 400	400	0,712	3273023	0,890	3272913	1,188	3265139
40 CTE DD90° COVER 500	500	0,880	3273024	1,100	3272914	1,469	3265140
40 CTE DD90° COVER 600	600	1,045	3273025	1,308	3272915	1,746	3265141
50 CTE DD90° COVER 050	50	0,136	3273026	0,171	3272916	0,228	3265142
50 CTE DD90° COVER 100	100	0,227	3273027	0,284	3272917	0,381	3265143
50 CTE DD90° COVER 150	150	0,321	3273028	0,402	3272918	0,536	3265144
50 CTE DD90° COVER 200	200	0,413	3273029	0,515	3272919	0,688	3265145
50 CTE DD90° COVER 250	250	0,506	3273030	0,633	3272920	0,844	3265146
50 CTE DD90° COVER 300	300	0,597	3273031	0,746	3272921	0,997	3265147
50 CTE DD90° COVER 400	400	0,782	3273032	0,978	3272922	1,305	3265148
50 CTE DD90° COVER 500	500	0,967	3273033	1,209	3272923	1,613	3265149
50 CTE DD90° COVER 600	600	1,148	3273034	1,437	3272924	1,917	3265150
60 CTE DD90° COVER 100	100	0,248	3273035	0,310	3272925	0,414	3265151
60 CTE DD90° COVER 150	150	0,350	3273036	0,438	3272926	0,584	3265152
60 CTE DD90° COVER 200	200	0,449	3273037	0,562	3272927	0,749	3265153
60 CTE DD90° COVER 250	250	0,551	3273038	0,690	3272928	0,920	3265154
60 CTE DD90° COVER 300	300	0,650	3273039	0,814	3272929	1,086	3265155
60 CTE DD90° COVER 400	400	0,853	3273040	1,065	3272930	1,421	3265156
60 CTE DD90° COVER 500	500	1,054	3273041	1,317	3272931	1,757	3265157
60 CTE DD90° COVER 600	600	1,252	3273042	1,565	3272932	2,089	3265158
75 CTE DD90° COVER 100	100	-	-	0,349	3272933	0,465	3265159
75 CTE DD90° COVER 150	150	-	-	0,492	3272934	0,656	3265160
75 CTE DD90° COVER 200	200	-	-	0,631	3272935	0,842	3265161
75 CTE DD90° COVER 250	250	-	-	0,774	3272936	1,032	3265162
75 CTE DD90° COVER 300	300	-	-	0,914	3272937	1,219	3265163
75 CTE DD90° COVER 400	400	-	-	1,197	3272938	1,595	3265164
75 CTE DD90° COVER 500	500	-	-	1,480	3272939	1,972	3265165
75 CTE DD90° COVER 600	600	-	-	1,759	3272940	2,345	3265166
100 CTE DD90° COVER 100	100	-	-	0,413	3272941	0,550	3265167
100 CTE DD90° COVER 150	150	-	-	0,582	3272942	0,776	3265168
100 CTE DD90° COVER 200	200	-	-	0,747	3272943	0,997	3265169
100 CTE DD90° COVER 250	250	-	-	0,916	3272944	1,222	3265170
100 CTE DD90° COVER 300	300	-	-	1,081	3272945	1,442	3265171
100 CTE DD90° COVER 400	400	-	-	1,416	3272946	1,888	3265172
100 CTE DD90° COVER 500	500	-	-	1,751	3272947	2,333	3265173
100 CTE DD90° COVER 600	600	-	-	2,080	3272948	2,774	3265174
125 CTE DD90° COVER 150	150	-	-	0,747	3272949	0,996	3265175
125 CTE DD90° COVER 200	200	-	-	0,961	3272950	1,282	3265176
125 CTE DD90° COVER 250	250	-	-	1,175	3272951	1,566	3265177
125 CTE DD90° COVER 300	300	-	-	1,389	3272952	1,852	3265178
125 CTE DD90° COVER 400	400	-	-	1,817	3272953	2,422	3265179
125 CTE DD90° COVER 500	500	-	-	2,245	3272954	2,993	3265180
125 CTE DD90° COVER 600	600	-	-	2,673	3272955	3,564	3265181
150 CTE DD90° COVER 200	200	-	-	1,082	3272956	1,442	3265182
150 CTE DD90° COVER 250	250	-	-	1,322	3272957	1,763	3265183
150 CTE DD90° COVER 300	300	-	-	1,563	3272958	2,085	3265184
150 CTE DD90° COVER 400	400	-	-	2,045	3272959	2,727	3265185
150 CTE DD90° COVER 500	500	-	-	2,527	3272960	3,369	3265186
150 CTE DD90° COVER 600	600	-	-	3,009	3272961	4,012	3265187



■ Please contact us for special dimensions.
 ■ Material weights may vary by ± 10%

■ Please indicate order code in your orders.
 ■ All dimensions are given as in mm

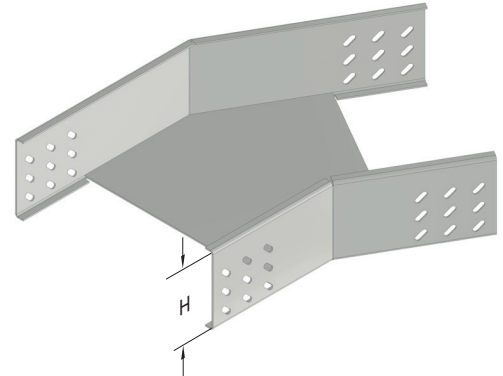
■ PG= Pre-Galvanized
 ■ HDG= Hot Dip Galvanized

►► BENDS

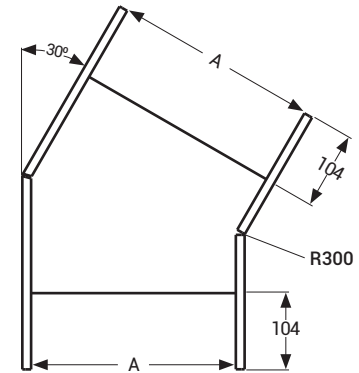
► CTE YD 30° Horizontal Degree Bend (R300, R450, R600)

Hot Dip Galvanized (TS EN ISO 1461)

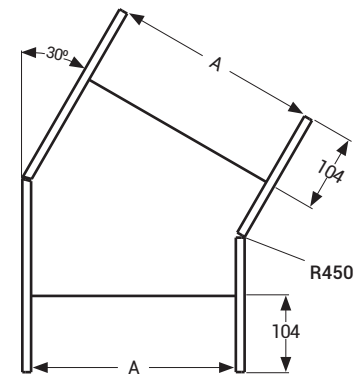
Description	H (mm)	A (mm)	T (mm)	R300		R450		R600	
				Weight (kg/pcs)	HDG Code	Weight (kg/pcs)	HDG Code	Weight (kg/pcs)	HDG Code
040 CTE 050 YD30°	40	50	2	0,950	3269191	1,192	3269192	1,436	3269193
040 CTE 100 YD30°	40	100	2	1,153	3269197	1,465	3269198	1,778	3269199
040 CTE 150 YD30°	40	150	2	1,379	3269203	1,761	3269204	2,143	3269205
040 CTE 200 YD30°	40	200	2	1,629	3269209	2,080	3269210	2,531	3269211
040 CTE 250 YD30°	40	250	2	1,902	3269215	2,422	3269216	2,943	3269217
040 CTE 300 YD30°	40	300	2	2,197	3269221	2,786	3269222	3,377	3269223
040 CTE 400 YD30°	40	400	2	2,858	3269227	3,586	3269228	4,315	3269229
040 CTE 500 YD30°	40	500	2	3,611	3269233	4,478	3269234	5,346	3269235
040 CTE 600 YD30°	40	600	2	4,457	3269239	5,463	3269240	6,469	3269241
050 CTE 050 YD30°	50	50	2	1,082	3269245	1,353	3269246	1,624	3269247
050 CTE 100 YD30°	50	100	2	1,290	3269251	1,630	3269252	1,97	3269253
050 CTE 150 YD30°	50	150	2	1,521	3269257	1,931	3269258	2,34	3269259
050 CTE 200 YD30°	50	200	2	1,775	3269263	2,254	3269264	2,732	3269265
050 CTE 250 YD30°	50	250	2	2,053	3269269	2,600	3269270	3,148	3269271
050 CTE 300 YD30°	50	300	2	2,353	3269275	2,970	3269276	3,588	3269277
050 CTE 400 YD30°	50	400	2	3,023	3269281	3,779	3269282	4,535	3269283
050 CTE 500 YD30°	50	500	2	3,785	3269287	4,681	3269288	5,576	3269289
050 CTE 600 YD30°	50	600	2	4,64	3269293	5,674	3269294	6,708	3269295
060 CTE 100 YD30°	60	100	2	1,428	3269299	1,795	3269300	2,163	3269301
060 CTE 150 YD30°	60	150	2	1,663	3269305	2,100	3269306	2,537	3269307
060 CTE 200 YD30°	60	200	2	1,922	3269311	2,428	3269312	2,935	3269313
060 CTE 250 YD30°	60	250	2	2,203	3269317	2,779	3269318	3,355	3269319
060 CTE 300 YD30°	60	300	2	2,508	3269323	3,154	3269324	3,798	3269325
060 CTE 400 YD30°	60	400	2	3,188	3269329	3,971	3269330	4,755	3269331
060 CTE 500 YD30°	60	500	2	3,959	3269335	4,882	3269336	5,805	3269337
060 CTE 600 YD30°	60	600	2	4,824	3269341	5,885	3269342	6,948	3269343
075 CTE 100 YD30°	75	100	2	1,609	3269347	2,019	3269348	2,428	3269349
075 CTE 150 YD30°	75	150	2	1,851	3269353	2,331	3269354	2,809	3269355
075 CTE 200 YD30°	75	200	2	2,118	3269359	2,665	3269360	3,213	3269361
075 CTE 250 YD30°	75	250	2	2,406	3269365	3,024	3269366	3,641	3269367
075 CTE 300 YD30°	75	300	2	2,718	3269371	3,405	3269372	4,092	3269373
075 CTE 400 YD30°	75	400	2	3,411	3269377	4,237	3269378	5,062	3269379
075 CTE 500 YD30°	75	500	2	4,197	3269383	5,161	3269384	6,126	3269385
075 CTE 600 YD30°	75	600	2	5,074	3269389	6,179	3269390	7,282	3269391
100 CTE 100 YD30°	100	100	2	1,928	3269395	2,407	3269396	2,885	3269397
100 CTE 150 YD30°	100	150	2	2,182	3269401	2,730	3269402	3,278	3269403
100 CTE 200 YD30°	100	200	2	2,46	3269407	3,077	3269408	3,695	3269409
100 CTE 250 YD30°	100	250	2	2,76	3269413	3,446	3269414	4,134	3269415
100 CTE 300 YD30°	100	300	2	3,083	3269419	3,839	3269420	4,596	3269421
100 CTE 400 YD30°	100	400	2	3,799	3269425	4,695	3269426	5,59	3269427
100 CTE 500 YD30°	100	500	2	4,608	3269431	5,642	3269432	6,676	3269433
100 CTE 600 YD30°	100	600	2	5,51	3269437	6,683	3269438	7,855	3269439
125 CTE 150 YD30°	125	150	2	2,512	3269443	3,131	3269444	3,748	3269445
125 CTE 200 YD30°	125	200	2	2,802	3269449	3,488	3269450	4,176	3269451
125 CTE 250 YD30°	125	250	2	3,113	3269455	3,870	3269456	4,627	3269457
125 CTE 300 YD30°	125	300	2	3,449	3269461	4,275	3269462	5,100	3269463
125 CTE 400 YD30°	125	400	2	4,188	3269467	5,152	3269468	6,117	3269469
125 CTE 500 YD30°	125	500	2	5,019	3269473	6,123	3269474	7,227	3269475
125 CTE 600 YD30°	125	600	2	5,944	3269479	7,186	3269480	8,428	3269481
150 CTE 200 YD30°	150	200	2	3,144	3269485	3,900	3269486	4,656	3269487
150 CTE 250 YD30°	150	250	2	3,467	3269491	4,293	3269492	5,118	3269493
150 CTE 300 YD30°	150	300	2	3,814	3269497	4,709	3269498	5,605	3269499
150 CTE 400 YD30°	150	400	2	4,576	3269503	5,610	3269504	6,644	3269505
150 CTE 500 YD30°	150	500	2	5,431	3269509	6,604	3269510	7,777	3269511
150 CTE 600 YD30°	150	600	2	6,379	3269515	7,690	3269516	9,002	3269517



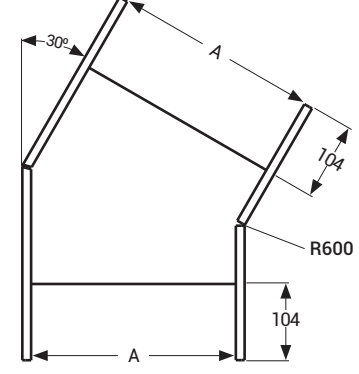
R300



R450



R600



■ Please contact us for special dimensions.
 ■ Material weights may vary by ± 10%

■ Please indicate order code in your orders.
 ■ All dimensions are given as in mm

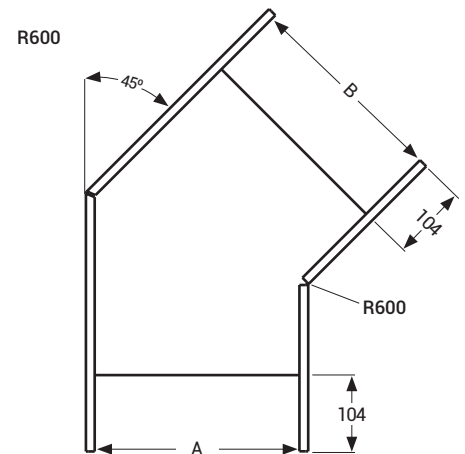
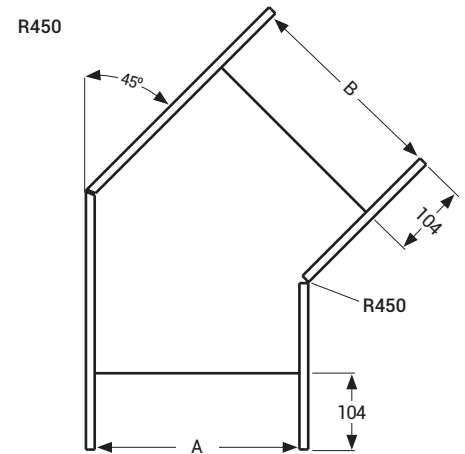
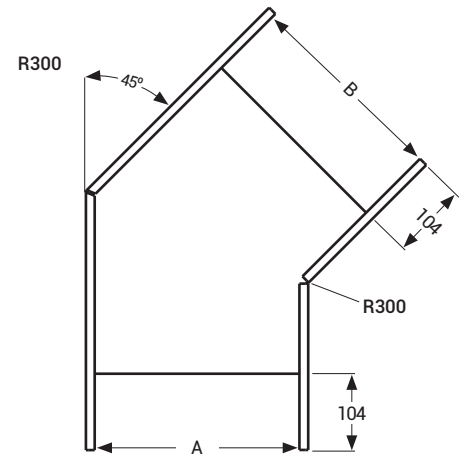
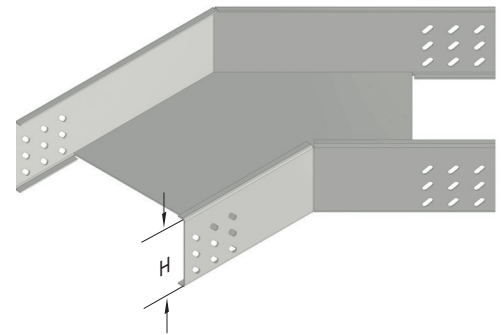
■ PG= Pre-Galvanized
 ■ HDG= Hot Dip Galvanized

►► BENDS

► CTE YD Horizontal 45° Degree Bend (R300, R450, R600)

Hot Dip Galvanized (TS EN ISO 1461)

Description	H (mm)	AB (mm)	T (mm)	R300		R450		R600	
				Weight (kg/pcs)	HDG Code	Weight (kg/pcs)	HDG Code	Weight (kg/pcs)	HDG Code
040 CTE 050 YD45°	40	50	2	1,238	3006965	1,613	3007007	1,988	3007049
040 CTE 100 YD45°	40	100	2	1,552	3006966	2,034	3007008	2,517	3007050
040 CTE 150 YD45°	40	150	2	1,902	3006967	2,492	3007009	3,081	3007051
040 CTE 200 YD45°	40	200	2	2,287	3006968	2,984	3007010	3,682	3007052
040 CTE 250 YD45°	40	250	2	2,708	3006969	3,512	3007011	4,318	3007053
040 CTE 300 YD45°	40	300	2	3,166	3006970	4,077	3007012	4,989	3007054
040 CTE 400 YD45°	40	400	2	4,187	3006971	5,313	3007013	6,439	3007055
040 CTE 500 YD45°	40	500	2	5,352	3006972	6,692	3007014	8,033	3007056
040 CTE 600 YD45°	40	600	2	6,658	3006973	8,215	3007015	9,770	3007057
050 CTE 050 YD45°	50	50	2	1,404	3006974	1,822	3007016	2,240	3007058
050 CTE 100 YD45°	50	100	2	1,725	3006975	2,250	3007017	2,775	3007059
050 CTE 150 YD45°	50	150	2	2,081	3006976	2,714	3007018	3,346	3007060
050 CTE 200 YD45°	50	200	2	2,474	3006977	3,214	3007019	3,955	3007061
050 CTE 250 YD45°	50	250	2	2,902	3006978	3,750	3007020	4,597	3007062
050 CTE 300 YD45°	50	300	2	3,366	3006979	4,321	3007021	5,276	3007063
050 CTE 400 YD45°	50	400	2	4,402	3006980	5,572	3007022	6,741	3007064
050 CTE 500 YD45°	50	500	2	5,581	3006981	6,965	3007023	8,349	3007065
050 CTE 600 YD45°	50	600	2	6,903	3006982	8,501	3007024	10,100	3007066
060 CTE 100 YD45°	60	100	2	1,896	3006983	2,465	3007025	3,034	3007067
060 CTE 150 YD45°	60	150	2	2,261	3006984	2,937	3007026	3,612	3007068
060 CTE 200 YD45°	60	200	2	2,661	3006985	3,444	3007027	4,226	3007069
060 CTE 250 YD45°	60	250	2	3,097	3006986	3,986	3007028	4,877	3007070
060 CTE 300 YD45°	60	300	2	3,567	3006987	4,565	3007029	5,563	3007071
060 CTE 400 YD45°	60	400	2	4,618	3006988	5,830	3007030	7,042	3007072
060 CTE 500 YD45°	60	500	2	5,811	3006989	7,238	3007031	8,665	3007073
060 CTE 600 YD45°	60	600	2	7,147	3006990	8,788	3007032	10,430	3007074
075 CTE 100 YD45°	75	100	2	2,132	3006991	2,765	3007033	3,398	3007075
075 CTE 150 YD45°	75	150	2	2,507	3006992	3,247	3007034	3,988	3007076
075 CTE 200 YD45°	75	200	2	2,917	3006993	3,765	3007035	4,612	3007077
075 CTE 250 YD45°	75	250	2	3,364	3006994	4,319	3007036	5,273	3007078
075 CTE 300 YD45°	75	300	2	3,846	3006995	4,908	3007037	5,970	3007079
075 CTE 400 YD45°	75	400	2	4,917	3006996	6,194	3007038	7,470	3007080
075 CTE 500 YD45°	75	500	2	6,133	3006997	7,623	3007039	9,115	3007081
075 CTE 600 YD45°	75	600	2	7,490	3006998	9,195	3007040	10,901	3007082
100 CTE 100 YD45°	100	100	2	2,540	3006999	3,280	3007041	4,021	3007083
100 CTE 150 YD45°	100	150	2	2,933	3007000	3,780	3007042	4,628	3007084
100 CTE 200 YD45°	100	200	2	3,362	3007001	4,315	3007043	5,270	3007085
100 CTE 250 YD45°	100	250	2	3,826	3007002	4,887	3007044	5,949	3007086
100 CTE 300 YD45°	100	300	2	4,325	3007003	5,495	3007045	6,664	3007087
100 CTE 400 YD45°	100	400	2	5,433	3007004	6,817	3007046	8,201	3007088
100 CTE 500 YD45°	100	500	2	6,683	3007005	8,282	3007047	9,880	3007089
100 CTE 600 YD45°	100	600	2	8,076	3007006	9,889	3007048	11,703	3007090
125 CTE 150 YD45°	125	150	2	3,358	3003373	4,313	3003386	5,268	3003399
125 CTE 200 YD45°	125	200	2	3,805	3003374	4,866	3003387	5,929	3003400
125 CTE 250 YD45°	125	250	2	4,287	3003375	5,456	3003388	6,625	3003401
125 CTE 300 YD45°	125	300	2	4,805	3003376	6,081	3003389	7,358	3003402
125 CTE 400 YD45°	125	400	2	5,948	3003377	7,439	3003390	8,930	3003403
125 CTE 500 YD45°	125	500	2	7,234	3003378	8,940	3003391	10,646	3003404
125 CTE 600 YD45°	125	600	2	8,663	3003379	10,583	3003392	12,504	3003405
150 CTE 200 YD45°	150	200	2	4,248	3003380	5,418	3003393	6,587	3003406
150 CTE 250 YD45°	150	250	2	4,749	3003381	6,025	3003394	7,302	3003407
150 CTE 300 YD45°	150	300	2	5,284	3003382	6,668	3003395	8,052	3003408
150 CTE 400 YD45°	150	400	2	6,463	3003383	8,062	3003396	9,660	3003409
150 CTE 500 YD45°	150	500	2	7,785	3003384	9,598	3003397	11,411	3003410
150 CTE 600 YD45°	150	600	2	9,250	3003385	11,277	3003398	13,306	3003411



■ Please contact us for special dimensions.
 ■ Material weights may vary by ± 10%

■ Please indicate order code in your orders.
 ■ All dimensions are given as in mm

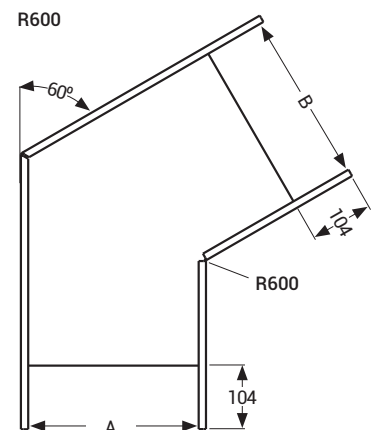
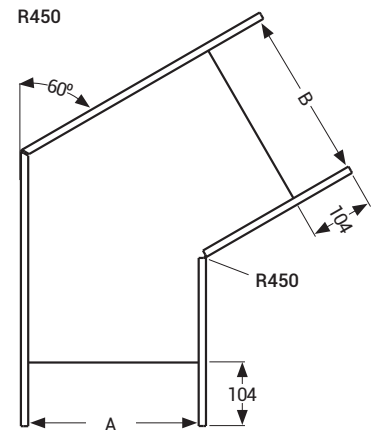
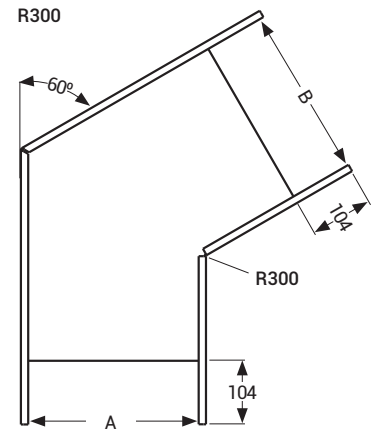
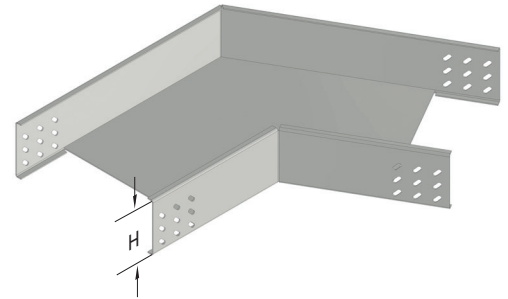
■ PG= Pre-Galvanized
 ■ HDG= Hot Dip Galvanized

►► BENDS

► CTE YD 60° Horizontal Degree Bend (R300, R450, R600)

Hot Dip Galvanized (TS EN ISO 1461)

Description	H (mm)	AB (mm)	T (mm)	R300		R450		R600	
				Weight (kg/pcs)	HDG Code	Weight (kg/pcs)	HDG Code	Weight (kg/pcs)	HDG Code
040 CTE 050 YD60°	40	50	2	1,559	3269194	2,081	3269195	2,605	3269196
040 CTE 100 YD60°	40	100	2	1,997	3269200	2,669	3269201	3,341	3269202
040 CTE 150 YD60°	40	150	2	2,484	3269206	3,306	3269207	4,128	3269208
040 CTE 200 YD60°	40	200	2	3,021	3269212	3,993	3269213	4,964	3269214
040 CTE 250 YD60°	40	250	2	3,608	3269218	4,729	3269219	5,851	3269220
040 CTE 300 YD60°	40	300	2	4,245	3269224	5,517	3269225	6,787	3269226
040 CTE 400 YD60°	40	400	2	5,668	3269230	7,239	3269231	8,809	3269232
040 CTE 500 YD60°	40	500	2	7,292	3269236	9,161	3269237	11,030	3269238
040 CTE 600 YD60°	40	600	2	9,115	3269242	11,283	3269243	13,451	3269244
050 CTE 050 YD60°	50	50	2	1,761	3269248	2,343	3269249	2,926	3269250
050 CTE 100 YD60°	50	100	2	2,208	3269254	2,940	3269255	3,673	3269256
050 CTE 150 YD60°	50	150	2	2,706	3269260	3,588	3269261	4,469	3269262
050 CTE 200 YD60°	50	200	2	3,253	3269266	4,285	3269267	5,316	3269268
050 CTE 250 YD60°	50	250	2	3,850	3269272	5,031	3269273	6,213	3269274
050 CTE 300 YD60°	50	300	2	4,497	3269278	5,828	3269279	7,159	3269280
050 CTE 400 YD60°	50	400	2	5,941	3269284	7,570	3269285	9,200	3269286
050 CTE 500 YD60°	50	500	2	7,583	3269290	9,513	3269291	11,442	3269292
050 CTE 600 YD60°	50	600	2	9,426	3269296	11,655	3269297	13,882	3269298
060 CTE 100 YD60°	60	100	2	2,420	3269302	3,213	3269303	4,005	3269304
060 CTE 150 YD60°	60	150	2	2,928	3269308	3,870	3269309	4,811	3269310
060 CTE 200 YD60°	60	200	2	3,485	3269314	4,576	3269315	5,668	3269316
060 CTE 250 YD60°	60	250	2	4,092	3269320	5,333	3269321	6,575	3269322
060 CTE 300 YD60°	60	300	2	4,750	3269326	6,140	3269327	7,531	3269328
060 CTE 400 YD60°	60	400	2	6,213	3269332	7,902	3269333	9,592	3269334
060 CTE 500 YD60°	60	500	2	7,876	3269338	9,865	3269339	11,854	3269340
060 CTE 600 YD60°	60	600	2	9,738	3269344	12,026	3269345	14,314	3269346
075 CTE 100 YD60°	75	100	2	2,715	3269350	3,597	3269351	4,479	3269352
075 CTE 150 YD60°	75	150	2	3,237	3269356	4,269	3269357	5,301	3269358
075 CTE 200 YD60°	75	200	2	3,809	3269362	4,991	3269363	6,172	3269364
075 CTE 250 YD60°	75	250	2	4,432	3269368	5,763	3269369	7,093	3269370
075 CTE 300 YD60°	75	300	2	5,104	3269374	6,585	3269375	8,064	3269376
075 CTE 400 YD60°	75	400	2	6,598	3269380	8,377	3269381	10,156	3269382
075 CTE 500 YD60°	75	500	2	8,291	3269386	10,369	3269387	12,448	3269388
075 CTE 600 YD60°	75	600	2	10,183	3269392	12,560	3269393	14,938	3269394
100 CTE 100 YD60°	100	100	2	3,222	3269398	4,254	3269399	5,286	3269400
100 CTE 150 YD60°	100	150	2	3,770	3269404	4,951	3269405	6,131	3269406
100 CTE 200 YD60°	100	200	2	4,367	3269410	5,697	3269411	7,028	3269412
100 CTE 250 YD60°	100	250	2	5,014	3269416	6,494	3269417	7,974	3269418
100 CTE 300 YD60°	100	300	2	5,710	3269422	7,340	3269423	8,971	3269424
100 CTE 400 YD60°	100	400	2	7,253	3269428	9,183	3269429	11,112	3269430
100 CTE 500 YD60°	100	500	2	8,997	3269434	11,224	3269435	13,453	3269436
100 CTE 600 YD60°	100	600	2	10,938	3269440	13,466	3269441	15,993	3269442
125 CTE 150 YD60°	125	150	2	4,301	3269446	5,632	3269447	6,963	3269448
125 CTE 200 YD60°	125	200	2	4,924	3269452	6,404	3269453	7,884	3269454
125 CTE 250 YD60°	125	250	2	5,596	3269458	7,225	3269459	8,855	3269460
125 CTE 300 YD60°	125	300	2	6,317	3269464	8,097	3269465	9,876	3269466
125 CTE 400 YD60°	125	400	2	7,910	3269470	9,989	3269471	12,067	3269472
125 CTE 500 YD60°	125	500	2	9,703	3269476	12,080	3269477	14,458	3269478
125 CTE 600 YD60°	125	600	2	11,695	3269482	14,372	3269483	17,049	3269484
150 CTE 200 YD60°	150	200	2	5,480	3269488	7,110	3269489	8,740	3269490
150 CTE 250 YD60°	150	250	2	6,178	3269494	7,956	3269495	9,736	3269496
150 CTE 300 YD60°	150	300	2	6,923	3269500	8,853	3269501	10,782	3269502
150 CTE 400 YD60°	150	400	2	8,567	3269506	10,795	3269507	13,023	3269508
150 CTE 500 YD60°	150	500	2	10,409	3269512	12,937	3269513	15,464	3269514
150 CTE 600 YD60°	150	600	2	12,451	3269518	15,278	3269519	18,104	3269520



■ Please contact us for special dimensions.
 ■ Material weights may vary by ± 10%

■ Please indicate order code in your orders.
 ■ All dimensions are given as in mm

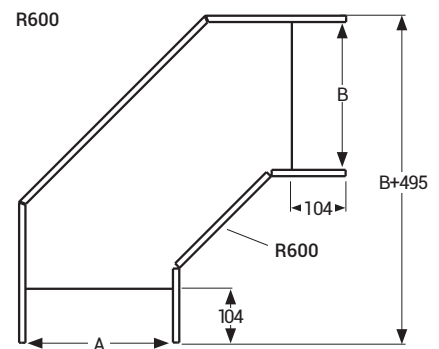
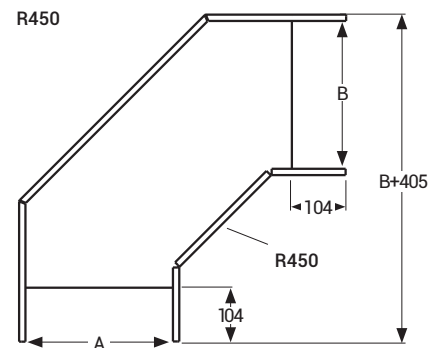
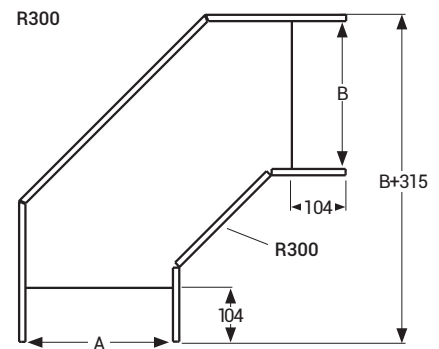
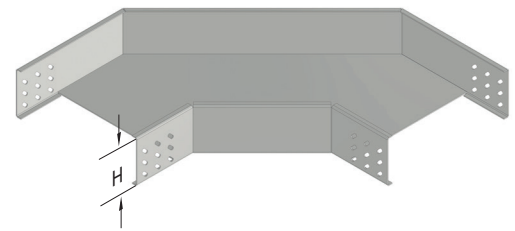
■ PG= Pre-Galvanized
 ■ HDG= Hot Dip Galvanized

►► BENDS

► CTE YD Horizontal 90° Degree Bend (R300, R450, R600)

Hot Dip Galvanized (TS EN ISO 1461)

Description	H (mm)	AB (mm)	T (mm)	R300		R450		R600	
				Weight (kg/pcs)	HDG Code	Weight (kg/pcs)	HDG Code	Weight (kg/pcs)	HDG Code
040 CTE 050 YD90°	40	50	2	1,528	3002500	1,903	3002542	2,278	3002584
040 CTE 100 YD90°	40	100	2	2,009	3002501	2,490	3002543	2,973	3002585
040 CTE 150 YD90°	40	150	2	2,560	3002502	3,149	3002544	3,740	3002586
040 CTE 200 YD90°	40	200	2	3,183	3002503	3,881	3002545	4,577	3002587
040 CTE 250 YD90°	40	250	2	3,879	3002504	4,683	3002546	5,487	3002588
040 CTE 300 YD90°	40	300	2	4,644	3002505	5,556	3002547	6,468	3002589
040 CTE 400 YD90°	40	400	2	6,392	3002506	7,519	3002548	8,645	3002590
040 CTE 500 YD90°	40	500	2	8,426	3002507	9,767	3002549	11,108	3002591
040 CTE 600 YD90°	40	600	2	10,746	3002508	12,301	3002550	13,857	3002592
050 CTE 050 YD90°	50	50	2	1,726	3002509	2,144	3002551	2,563	3002593
050 CTE 100 YD90°	50	100	2	2,221	3002510	2,747	3002552	3,271	3002594
050 CTE 150 YD90°	50	150	2	2,787	3002511	3,420	3002553	4,052	3002595
050 CTE 200 YD90°	50	200	2	3,424	3002512	4,165	3002554	4,905	3002596
050 CTE 250 YD90°	50	250	2	4,134	3002513	4,981	3002555	5,829	3002597
050 CTE 300 YD90°	50	300	2	4,915	3002514	5,870	3002556	6,824	3002598
050 CTE 400 YD90°	50	400	2	6,690	3002515	7,860	3002557	9,029	3002599
050 CTE 500 YD90°	50	500	2	8,753	3002516	10,137	3002558	11,520	3002600
050 CTE 600 YD90°	50	600	2	11,101	3002517	12,700	3002559	14,298	3002601
060 CTE 100 YD90°	60	100	2	2,433	3002518	3,002	3002560	3,571	3002602
060 CTE 150 YD90°	60	150	2	3,014	3002519	3,689	3002561	4,366	3002603
060 CTE 200 YD90°	60	200	2	3,666	3002520	4,450	3002562	5,232	3002604
060 CTE 250 YD90°	60	250	2	4,389	3002521	5,280	3002563	6,170	3002605
060 CTE 300 YD90°	60	300	2	5,184	3002522	6,182	3002564	7,180	3002606
060 CTE 400 YD90°	60	400	2	6,989	3002523	8,202	3002565	9,414	3002607
060 CTE 500 YD90°	60	500	2	9,081	3002524	10,507	3002566	11,934	3002608
060 CTE 600 YD90°	60	600	2	11,458	3002525	13,099	3002567	14,740	3002609
075 CTE 100 YD90°	75	100	2	2,730	3002526	3,363	3002568	3,995	3002610
075 CTE 150 YD90°	75	150	2	3,332	3002527	4,072	3002569	4,813	3002611
075 CTE 200 YD90°	75	200	2	4,005	3002528	4,853	3002570	5,700	3002612
075 CTE 250 YD90°	75	250	2	4,751	3002529	5,706	3002571	6,659	3002613
075 CTE 300 YD90°	75	300	2	5,567	3002530	6,629	3002572	7,691	3002614
075 CTE 400 YD90°	75	400	2	7,415	3002531	8,691	3002573	9,968	3002615
075 CTE 500 YD90°	75	500	2	9,548	3002532	11,040	3002574	12,531	3002616
075 CTE 600 YD90°	75	600	2	11,968	3002533	13,674	3002575	15,380	3002617
100 CTE 100 YD90°	100	100	2	3,240	3002534	3,980	3002576	4,720	3002618
100 CTE 150 YD90°	100	150	2	3,878	3002535	4,725	3002577	5,572	3002619
100 CTE 200 YD90°	100	200	2	4,587	3002536	5,541	3002578	6,496	3002620
100 CTE 250 YD90°	100	250	2	5,367	3002537	6,430	3002579	7,491	3002621
100 CTE 300 YD90°	100	300	2	6,219	3002538	7,389	3002580	8,558	3002622
100 CTE 400 YD90°	100	400	2	8,139	3002539	9,523	3002581	10,907	3002623
100 CTE 500 YD90°	100	500	2	10,344	3002540	11,943	3002582	13,541	3002624
100 CTE 600 YD90°	100	600	2	12,836	3002541	14,649	3002583	16,462	3002625
125 CTE 150 YD90°	125	150	2	4,422	3003425	5,377	3003438	6,331	3003451
125 CTE 200 YD90°	125	200	2	5,167	3003426	6,228	3003439	7,291	3003452
125 CTE 250 YD90°	125	250	2	5,983	3003427	7,152	3003440	8,322	3003453
125 CTE 300 YD90°	125	300	2	6,872	3003428	8,148	3003441	9,425	3003454
125 CTE 400 YD90°	125	400	2	8,862	3003429	10,353	3003442	11,844	3003455
125 CTE 500 YD90°	125	500	2	11,139	3003430	12,845	3003443	14,550	3003456
125 CTE 600 YD90°	125	600	2	13,702	3003431	15,622	3003444	17,543	3003457
150 CTE 200 YD90°	150	200	2	5,749	3003432	6,918	3003445	8,087	3003458
150 CTE 250 YD90°	150	250	2	6,601	3003433	7,877	3003446	9,154	3003459
150 CTE 300 YD90°	150	300	2	7,524	3003434	8,908	3003447	10,292	3003460
150 CTE 400 YD90°	150	400	2	9,587	3003435	11,185	3003448	12,783	3003461
150 CTE 500 YD90°	150	500	2	11,935	3003436	13,748	3003449	15,561	3003462
150 CTE 600 YD90°	150	600	2	14,570	3003437	16,597	3003450	18,625	3003463



■ Please contact us for special dimensions.
 ■ Material weights may vary by ± 10%

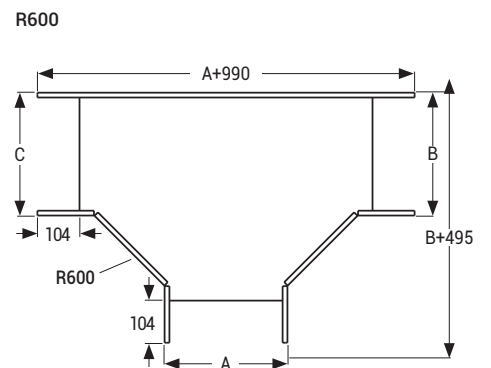
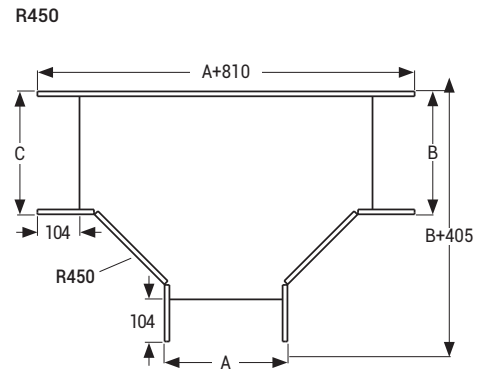
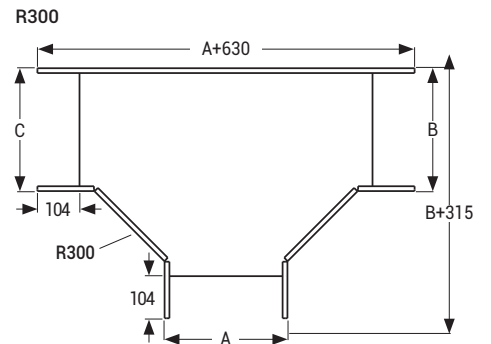
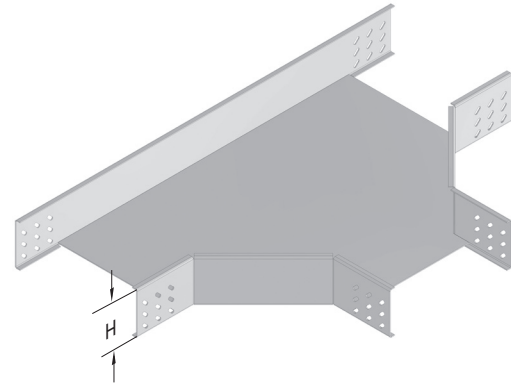
■ Please indicate order code in your orders.
 ■ All dimensions are given as in mm

■ PG= Pre-Galvanized
 ■ HDG= Hot Dip Galvanized

►► BENDS

► CTE YT Tee Bend (R300, R450, R600)
Hot Dip Galvanized (TS EN ISO 1461)

Description	H (mm)	ABC (mm)	T (mm)	R300		R450		R600	
				Weight (kg/pcs)	HDG Code	Weight (kg/pcs)	HDG Code	Weight (kg/pcs)	HDG Code
040 CTE 050 YT	40	50	2	2,988	3002626	4,344	3002668	5,968	3002710
040 CTE 100 YT	40	100	2	3,727	3002627	5,311	3002669	7,161	3002711
040 CTE 150 YT	40	150	2	4,552	3002628	6,364	3002670	8,441	3002712
040 CTE 200 YT	40	200	2	5,464	3002629	7,503	3002671	9,809	3002713
040 CTE 250 YT	40	250	2	6,461	3002630	8,729	3002672	11,262	3002714
040 CTE 300 YT	40	300	2	7,546	3002631	10,040	3002673	12,801	3002715
040 CTE 400 YT	40	400	2	9,974	3002632	12,923	3002674	16,139	3002716
040 CTE 500 YT	40	500	2	12,747	3002633	16,151	3002675	19,823	3002717
040 CTE 600 YT	40	600	2	15,864	3002634	19,725	3002676	23,851	3002718
050 CTE 050 YT	50	50	2	3,290	3002635	4,719	3002677	6,415	3002719
050 CTE 100 YT	50	100	2	4,037	3002636	5,695	3002678	7,619	3002720
050 CTE 150 YT	50	150	2	4,871	3002637	6,756	3002679	8,908	3002721
050 CTE 200 YT	50	200	2	5,792	3002638	7,904	3002680	10,283	3002722
050 CTE 250 YT	50	250	2	6,798	3002639	9,138	3002681	11,745	3002723
050 CTE 300 YT	50	300	2	7,890	3002640	10,459	3002682	13,292	3002724
050 CTE 400 YT	50	400	2	10,336	3002641	13,358	3002683	16,649	3002725
050 CTE 500 YT	50	500	2	13,126	3002642	16,603	3002684	20,349	3002726
050 CTE 600 YT	50	600	2	16,261	3002643	20,195	3002685	24,395	3002727
060 CTE 100 YT	60	100	2	4,348	3002644	6,079	3002686	8,075	3002728
060 CTE 150 YT	60	150	2	5,190	3002645	7,149	3002687	9,373	3002729
060 CTE 200 YT	60	200	2	6,119	3002646	8,305	3002688	10,757	3002730
060 CTE 250 YT	60	250	2	7,135	3002647	9,548	3002689	12,228	3002731
060 CTE 300 YT	60	300	2	8,236	3002648	10,877	3002690	13,784	3002732
060 CTE 400 YT	60	400	2	10,698	3002649	13,794	3002691	17,157	3002733
060 CTE 500 YT	60	500	2	13,506	3002650	17,057	3002692	20,875	3002734
060 CTE 600 YT	60	600	2	16,658	3002651	20,654	3002693	24,938	3002735
075 CTE 100 YT	75	100	2	4,780	3002652	6,620	3002694	8,727	3002736
075 CTE 150 YT	75	150	2	5,635	3002653	7,703	3002695	10,038	3002737
075 CTE 200 YT	75	200	2	6,577	3002654	8,873	3002696	11,435	3002738
075 CTE 250 YT	75	250	2	7,605	3002655	10,129	3002697	12,918	3002739
075 CTE 300 YT	75	300	2	8,720	3002656	11,471	3002698	14,488	3002740
075 CTE 400 YT	75	400	2	11,208	3002657	14,413	3002699	17,886	3002741
075 CTE 500 YT	75	500	2	14,040	3002658	17,702	3002700	21,630	3002742
075 CTE 600 YT	75	600	2	17,219	3002659	21,325	3002701	25,719	3002743
100 CTE 100 YT	100	100	2	5,522	3002660	7,546	3002702	9,836	3002744
100 CTE 150 YT	100	150	2	6,400	3002661	8,650	3002703	11,168	3002745
100 CTE 200 YT	100	200	2	7,362	3002662	9,842	3002704	12,587	3002746
100 CTE 250 YT	100	250	2	8,413	3002663	11,119	3002705	14,092	3002747
100 CTE 300 YT	100	300	2	9,548	3002664	12,483	3002706	15,683	3002748
100 CTE 400 YT	100	400	2	12,079	3002665	15,468	3002707	19,125	3002749
100 CTE 500 YT	100	500	2	14,956	3002666	18,800	3002708	22,912	3002750
100 CTE 600 YT	100	600	2	18,178	3002667	22,477	3002709	27,045	3002751
125 CTE 150 YT	125	150	2	7,163	3003477	9,598	3003490	12,299	3003503
125 CTE 200 YT	125	200	2	8,148	3003478	10,810	3003491	13,739	3003504
125 CTE 250 YT	125	250	2	9,219	3003479	12,109	3003492	15,266	3003505
125 CTE 300 YT	125	300	2	10,377	3003480	13,495	3003493	16,878	3003506
125 CTE 400 YT	125	400	2	12,951	3003481	16,524	3003494	20,363	3003507
125 CTE 500 YT	125	500	2	15,871	3003482	19,899	3003495	24,193	3003508
125 CTE 600 YT	125	600	2	19,137	3003483	23,619	3003496	28,369	3003509
150 CTE 200 YT	150	200	2	8,934	3003484	11,779	3003497	14,891	3003510
150 CTE 250 YT	150	250	2	10,027	3003485	13,100	3003498	16,438	3003511
150 CTE 300 YT	150	300	2	11,206	3003486	14,507	3003499	18,073	3003512
150 CTE 400 YT	150	400	2	13,824	3003487	17,579	3003500	21,602	3003513
150 CTE 500 YT	150	500	2	16,786	3003488	20,997	3003501	25,475	3003514
150 CTE 600 YT	150	600	2	20,095	3003489	24,761	3003502	29,693	3003515



■ Please contact us for special dimensions.
■ Material weights may vary by ± 10%

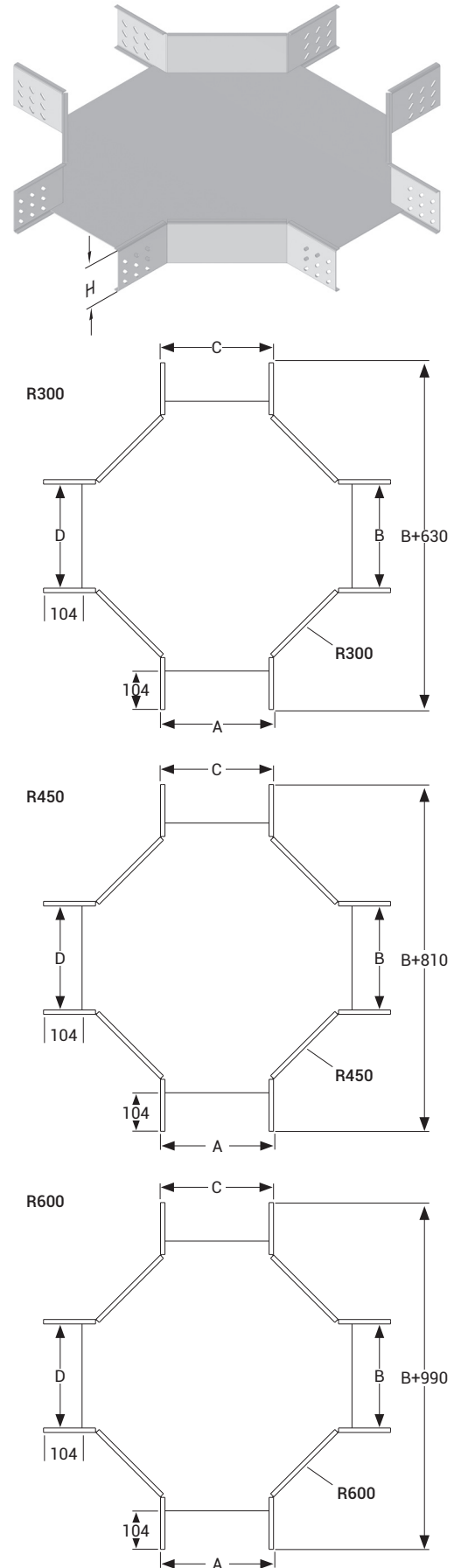
■ Please indicate order code in your orders.
■ All dimensions are given as in mm

■ PG= Pre-Galvanized
■ HDG= Hot Dip Galvanized

►► BENDS

► CTE Cross Over Bend (R300, R450, R600)
Hot Dip Galvanized (TS EN ISO 1461)

Description	H (mm)	ABCD (mm)	T (mm)	R300		R450		R600	
				Weight (kg/pcs)	HDG Code	Weight (kg/pcs)	HDG Code	Weight (kg/pcs)	HDG Code
040 CTE 050 AD	40	50	2	4,100	3002752	6,279	3002794	8,990	3002836
040 CTE 100 AD	40	100	2	5,925	3002753	8,711	3002796	10,467	3002837
040 CTE 150 AD	40	150	2	4,969	3002754	7,451	3002795	12,030	3002838
040 CTE 200 AD	40	200	2	6,967	3002755	10,056	3002797	13,679	3002839
040 CTE 250 AD	40	250	2	8,096	3002756	11,488	3002798	15,414	3002840
040 CTE 300 AD	40	300	2	9,310	3002757	13,006	3002799	17,237	3002841
040 CTE 400 AD	40	400	2	12,000	3002758	16,303	3002800	21,140	3002842
040 CTE 500 AD	40	500	2	15,034	3002759	19,944	3002801	25,388	3002843
040 CTE 600 AD	40	600	2	18,413	3002760	23,931	3002802	29,982	3002844
050 CTE 050 AD	50	50	2	4,466	3002761	6,731	3002803	9,529	3002845
050 CTE 100 AD	50	100	2	5,336	3002762	7,904	3002804	11,006	3002846
050 CTE 150 AD	50	150	2	6,291	3002763	9,163	3002805	12,569	3002847
050 CTE 200 AD	50	200	2	7,334	3002764	10,508	3002806	14,218	3002848
050 CTE 250 AD	50	250	2	8,462	3002765	11,941	3002807	15,953	3002849
050 CTE 300 AD	50	300	2	9,677	3002766	13,460	3002808	17,775	3002850
050 CTE 400 AD	50	400	2	12,366	3002767	16,755	3002809	21,678	3002851
050 CTE 500 AD	50	500	2	15,400	3002768	20,396	3002810	25,926	3002852
050 CTE 600 AD	50	600	2	18,780	3002769	24,383	3002811	30,520	3002853
060 CTE 100 AD	60	100	2	5,702	3002770	8,356	3002812	11,543	3002854
060 CTE 150 AD	60	150	2	6,658	3002771	9,615	3002813	13,107	3002855
060 CTE 200 AD	60	200	2	7,700	3002772	10,962	3002814	14,755	3002856
060 CTE 250 AD	60	250	2	8,829	3002773	12,394	3002815	16,491	3002857
060 CTE 300 AD	60	300	2	10,044	3002774	13,912	3002816	18,313	3002858
060 CTE 400 AD	60	400	2	12,733	3002775	17,207	3002817	22,216	3002859
060 CTE 500 AD	60	500	2	15,766	3002776	20,848	3002818	26,464	3002860
060 CTE 600 AD	60	600	2	19,147	3002777	24,836	3002819	31,057	3002861
075 CTE 100 AD	75	100	2	6,207	3002778	8,990	3002820	12,306	3002862
075 CTE 150 AD	75	150	2	7,163	3002779	10,249	3002821	13,869	3002863
075 CTE 200 AD	75	200	2	8,205	3002780	11,595	3002822	15,518	3002864
075 CTE 250 AD	75	250	2	9,334	3002781	13,027	3002823	17,254	3002865
075 CTE 300 AD	75	300	2	10,549	3002782	14,545	3002824	19,075	3002866
075 CTE 400 AD	75	400	2	13,237	3002783	17,841	3002825	22,978	3002867
075 CTE 500 AD	75	500	2	16,271	3002784	21,482	3002826	27,226	3002868
075 CTE 600 AD	75	600	2	19,652	3002785	25,469	3002827	31,820	3002869
100 CTE 100 AD	100	100	2	7,079	3002786	10,076	3002828	13,607	3002870
100 CTE 150 AD	100	150	2	8,034	3002787	11,336	3002829	15,169	3002871
100 CTE 200 AD	100	200	2	9,076	3002788	12,681	3002830	16,819	3002872
100 CTE 250 AD	100	250	2	10,205	3002789	14,113	3002831	18,554	3002873
100 CTE 300 AD	100	300	2	11,420	3002790	15,631	3002832	20,376	3002874
100 CTE 400 AD	100	400	2	14,109	3002791	18,927	3002833	24,279	3002875
100 CTE 500 AD	100	500	2	17,144	3002792	22,569	3002834	28,527	3002876
100 CTE 600 AD	100	600	2	20,523	3002793	26,555	3002835	33,121	3002877
125 CTE 150 AD	125	150	2	8,906	3003529	12,421	3003542	16,470	3003555
125 CTE 200 AD	125	200	2	9,948	3003530	13,767	3003543	18,119	3003556
125 CTE 250 AD	125	250	2	11,076	3003531	15,199	3003544	19,855	3003557
125 CTE 300 AD	125	300	2	12,291	3003532	16,717	3003545	21,677	3003558
125 CTE 400 AD	125	400	2	14,980	3003533	20,013	3003546	25,579	3003559
125 CTE 500 AD	125	500	2	18,015	3003534	23,654	3003547	29,828	3003560
125 CTE 600 AD	125	600	2	21,394	3003535	27,641	3003548	34,421	3003561
150 CTE 200 AD	150	200	2	10,820	3003536	14,853	3003549	19,419	3003562
150 CTE 250 AD	150	250	2	11,948	3003537	16,284	3003550	21,155	3003563
150 CTE 300 AD	150	300	2	13,163	3003538	17,804	3003551	22,977	3003564
150 CTE 400 AD	150	400	2	15,851	3003539	21,099	3003552	26,880	3003565
150 CTE 500 AD	150	500	2	18,886	3003540	24,740	3003553	31,128	3003566
150 CTE 600 AD	150	600	2	22,265	3003541	28,727	3003554	35,721	3003567



■ Please contact us for special dimensions.
■ Material weights may vary by ± 10%

■ Please indicate order code in your orders.
■ All dimensions are given as in mm

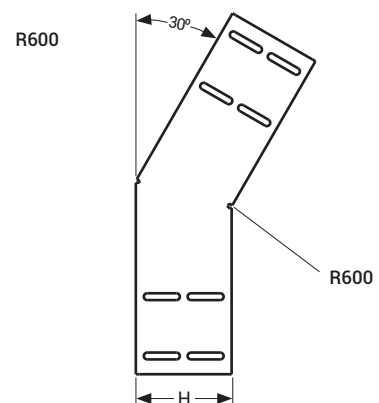
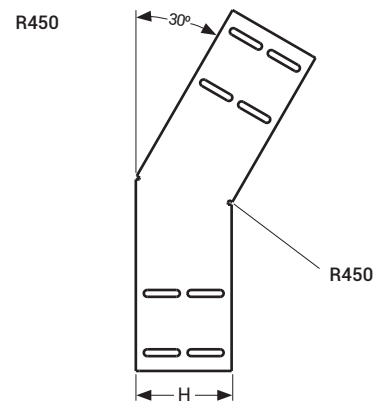
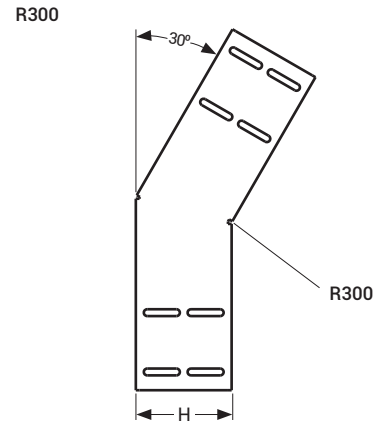
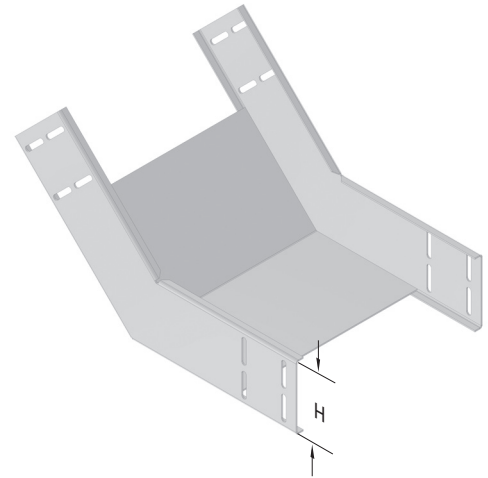
■ PG= Pre-Galvanized
■ HDG= Hot Dip Galvanized

►► BENDS

► CTE ID 30° Vertical Inside Bend (R300, R450, R600)

Hot Dip Galvanized (TS EN ISO 1461)

Description	H (mm)	A (mm)	T (mm)	R300		R450		R600	
				Weight (kg/pcs)	HDG Code	Weight (kg/pcs)	HDG Code	Weight (kg/pcs)	HDG Code
040 CTE 050 ID30°	40	50	2	0,926	3268696	1,165	3268750	1,404	3268805
040 CTE 100 ID30°	40	100	2	1,084	3268697	1,392	3268751	1,700	3268806
040 CTE 150 ID30°	40	150	2	1,241	3268698	1,619	3268752	1,997	3268807
040 CTE 200 ID30°	40	200	2	1,398	3268699	1,846	3268753	2,292	3268808
040 CTE 250 ID30°	40	250	2	1,555	3268700	2,072	3268754	2,588	3268809
040 CTE 300 ID30°	40	300	2	1,714	3268701	2,299	3268755	2,884	3268810
040 CTE 400 ID30°	40	400	2	2,028	3268702	2,752	3268756	3,477	3268811
040 CTE 500 ID30°	40	500	2	2,343	3268703	3,205	3268757	4,069	3268812
040 CTE 600 ID30°	40	600	2	2,658	3268695	3,660	3268758	4,662	3268813
050 CTE 050 ID30°	50	50	2	1,059	3268704	1,326	3268759	1,592	3268814
050 CTE 100 ID30°	50	100	2	1,221	3268705	1,557	3268760	1,892	3268815
050 CTE 150 ID30°	50	150	2	1,383	3268706	1,788	3268761	2,193	3268816
050 CTE 200 ID30°	50	200	2	1,544	3268707	2,020	3268762	2,494	3268817
050 CTE 250 ID30°	50	250	2	1,706	3268708	2,251	3268763	2,794	3268818
050 CTE 300 ID30°	50	300	2	1,869	3268709	2,482	3268764	3,095	3268819
050 CTE 400 ID30°	50	400	2	2,192	3268710	2,945	3268765	3,697	3268820
050 CTE 500 ID30°	50	500	2	2,516	3268711	3,407	3268766	4,298	3268821
050 CTE 600 ID30°	50	600	2	2,840	3268712	3,870	3268767	4,899	3268822
060 CTE 100 ID30°	60	100	2	1,360	3268713	1,723	3268768	2,087	3268823
060 CTE 150 ID30°	60	150	2	1,526	3268714	1,959	3268769	2,391	3268824
060 CTE 200 ID30°	60	200	2	1,693	3268715	2,195	3268770	2,697	3268825
060 CTE 250 ID30°	60	250	2	1,859	3268716	2,431	3268771	3,002	3268826
060 CTE 300 ID30°	60	300	2	2,025	3268717	2,666	3268772	3,308	3268827
060 CTE 400 ID30°	60	400	2	2,358	3268718	3,138	3268773	3,918	3268828
060 CTE 500 ID30°	60	500	2	2,692	3268719	3,610	3268774	4,530	3268829
060 CTE 600 ID30°	60	600	2	3,025	3268720	4,082	3268775	5,140	3268830
075 CTE 100 ID30°	75	100	2	1,571	3268721	1,976	3268776	2,380	3268831
075 CTE 150 ID30°	75	150	2	1,744	3268722	2,219	3268777	2,693	3268832
075 CTE 200 ID30°	75	200	2	1,917	3268723	2,462	3268778	3,005	3268833
075 CTE 250 ID30°	75	250	2	2,091	3268724	2,705	3268779	3,318	3268834
075 CTE 300 ID30°	75	300	2	2,265	3268725	2,947	3268780	3,630	3268835
075 CTE 400 ID30°	75	400	2	2,611	3268726	3,433	3268781	4,255	3268836
075 CTE 500 ID30°	75	500	2	2,959	3268727	3,919	3268782	4,880	3268837
075 CTE 600 ID30°	75	600	2	3,306	3268728	4,404	3268783	5,504	3268838
100 CTE 100 ID30°	100	100	2	1,933	3268729	2,408	3268784	2,882	3268839
100 CTE 150 ID30°	100	150	2	2,118	3268730	2,662	3268785	3,207	3268840
100 CTE 200 ID30°	100	200	2	2,303	3268731	2,916	3268786	3,530	3268841
100 CTE 250 ID30°	100	250	2	2,488	3268732	3,171	3268787	3,853	3268842
100 CTE 300 ID30°	100	300	2	2,673	3268733	3,425	3268788	4,178	3268843
100 CTE 400 ID30°	100	400	2	3,044	3268734	3,935	3268789	4,826	3268844
100 CTE 500 ID30°	100	500	2	3,413	3268735	4,443	3268790	5,474	3268845
100 CTE 600 ID30°	100	600	2	3,784	3268736	4,952	3268791	6,122	3268846
125 CTE 150 ID30°	125	150	2	2,506	3268737	3,120	3268792	3,732	3268847
125 CTE 200 ID30°	125	200	2	2,703	3268738	3,385	3268793	4,068	3268848
125 CTE 250 ID30°	125	250	2	2,899	3268739	3,651	3268794	4,403	3268849
125 CTE 300 ID30°	125	300	2	3,095	3268740	3,917	3268795	4,739	3268850
125 CTE 400 ID30°	125	400	2	3,489	3268741	4,450	3268796	5,410	3268851
125 CTE 500 ID30°	125	500	2	3,882	3268742	4,982	3268797	6,081	3268852
125 CTE 600 ID30°	125	600	2	4,276	3268743	5,513	3268798	6,752	3268853
150 CTE 200 ID30°	150	200	2	3,124	3268744	3,875	3268799	4,628	3268854
150 CTE 250 ID30°	150	250	2	3,332	3268745	4,154	3268800	4,975	3268855
150 CTE 300 ID30°	150	300	2	3,540	3268746	4,431	3268801	5,322	3268856
150 CTE 400 ID30°	150	400	2	3,957	3268747	4,986	3268802	6,016	3268857
150 CTE 500 ID30°	150	500	2	4,373	3268748	5,542	3268803	6,710	3268858
150 CTE 600 ID30°	150	600	2	4,789	3268749	6,096	3268804	7,404	3268859



■ Please contact us for special dimensions.
 ■ Material weights may vary by ± 10%

■ Please indicate order code in your orders.
 ■ All dimensions are given as in mm

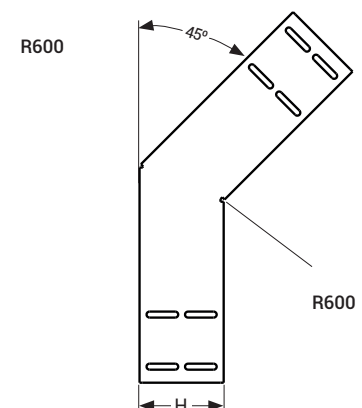
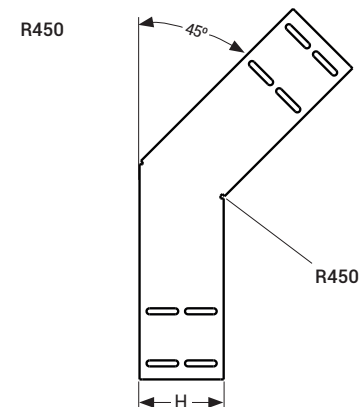
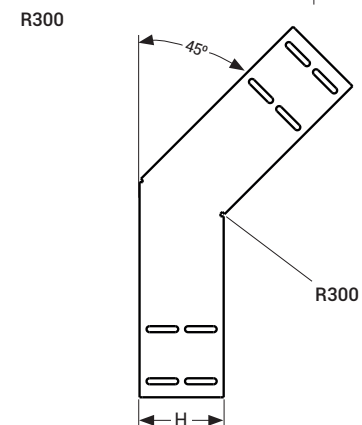
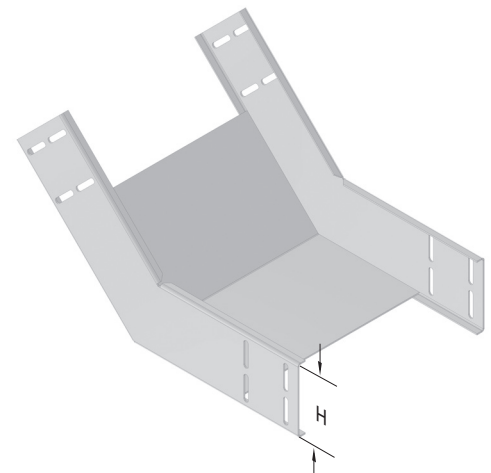
■ PG= Pre-Galvanized
 ■ HDG= Hot Dip Galvanized

►► BENDS

► CTE ID 45° Vertical Inside Bend (R300, R450, R600)

Hot Dip Galvanized (TS EN ISO 1461)

Description	H (mm)	A (mm)	T (mm)	R300		R450		R600	
				Weight (kg/pcs)	HDG Code	Weight (kg/pcs)	HDG Code	Weight (kg/pcs)	HDG Code
040 CTE 050 ID45°	40	50	2	1,210	3268860	1,579	3268915	1,947	3268970
040 CTE 100 ID45°	40	100	2	1,453	3268861	1,928	3268916	2,405	3268971
040 CTE 150 ID45°	40	150	2	1,696	3268862	2,279	3268917	2,862	3268972
040 CTE 200 ID45°	40	200	2	1,939	3268863	2,630	3268918	3,320	3268973
040 CTE 250 ID45°	40	250	2	2,182	3268864	2,980	3268919	3,779	3268974
040 CTE 300 ID45°	40	300	2	2,457	3268865	3,330	3268920	4,252	3268975
040 CTE 400 ID45°	40	400	2	2,912	3268866	4,032	3268921	5,151	3268976
040 CTE 500 ID45°	40	500	2	3,398	3268867	4,732	3268922	6,067	3268977
040 CTE 600 ID45°	40	600	2	3,884	3268868	5,433	3268923	6,982	3268978
050 CTE 050 ID45°	50	50	2	1,381	3268869	1,792	3268924	2,203	3268979
050 CTE 100 ID45°	50	100	2	1,630	3268870	2,149	3268925	2,669	3268980
050 CTE 150 ID45°	50	150	2	1,881	3268871	2,507	3268926	3,133	3268981
050 CTE 200 ID45°	50	200	2	2,131	3268872	2,864	3268927	3,598	3268982
050 CTE 250 ID45°	50	250	2	2,382	3268873	3,222	3268928	4,063	3268983
050 CTE 300 ID45°	50	300	2	2,664	3268874	3,579	3268929	4,578	3268984
050 CTE 400 ID45°	50	400	2	3,132	3268875	4,294	3268930	5,457	3268985
050 CTE 500 ID45°	50	500	2	3,632	3268876	5,009	3268931	6,388	3268986
050 CTE 600 ID45°	50	600	2	4,133	3268877	5,726	3268932	7,317	3268987
060 CTE 100 ID45°	60	100	2	1,811	3268878	2,373	3268933	2,935	3268988
060 CTE 150 ID45°	60	150	2	2,068	3268879	2,738	3268934	3,407	3268989
060 CTE 200 ID45°	60	200	2	2,325	3268880	3,102	3268935	3,879	3268990
060 CTE 250 ID45°	60	250	2	2,583	3268881	3,467	3268936	4,351	3268991
060 CTE 300 ID45°	60	300	2	2,873	3268882	3,831	3268937	4,873	3268992
060 CTE 400 ID45°	60	400	2	3,355	3268883	4,562	3268938	5,767	3268993
060 CTE 500 ID45°	60	500	2	3,870	3268884	5,291	3268939	6,711	3268994
060 CTE 600 ID45°	60	600	2	4,385	3268885	6,020	3268940	7,655	3268995
075 CTE 100 ID45°	75	100	2	2,087	3268886	2,714	3268941	3,340	3268996
075 CTE 150 ID45°	75	150	2	2,355	3268887	3,089	3268942	3,823	3268997
075 CTE 200 ID45°	75	200	2	2,624	3268888	3,464	3268943	4,305	3268998
075 CTE 250 ID45°	75	250	2	2,892	3268889	3,840	3268944	4,788	3268999
075 CTE 300 ID45°	75	300	2	3,193	3268890	4,215	3268945	5,322	3269000
075 CTE 400 ID45°	75	400	2	3,696	3268891	4,967	3268946	6,236	3269001
075 CTE 500 ID45°	75	500	2	4,233	3268892	5,717	3268947	7,202	3269002
075 CTE 600 ID45°	75	600	2	4,769	3268893	6,468	3268948	8,168	3269003
100 CTE 100 ID45°	100	100	2	2,563	3268894	3,297	3268949	4,030	3269004
100 CTE 150 ID45°	100	150	2	2,849	3268895	3,691	3268950	4,531	3269005
100 CTE 200 ID45°	100	200	2	3,135	3268896	4,083	3268951	5,031	3269006
100 CTE 250 ID45°	100	250	2	3,421	3268897	4,477	3268952	5,532	3269007
100 CTE 300 ID45°	100	300	2	3,746	3268898	4,917	3268953	6,088	3269008
100 CTE 400 ID45°	100	400	2	4,279	3268899	5,656	3268954	7,035	3269009
100 CTE 500 ID45°	100	500	2	4,851	3268900	6,444	3268955	8,036	3269010
100 CTE 600 ID45°	100	600	2	5,423	3268901	7,230	3268956	9,037	3269011
125 CTE 150 ID45°	125	150	2	3,363	3268902	4,311	3268957	5,259	3269012
125 CTE 200 ID45°	125	200	2	3,666	3268903	4,722	3268958	5,777	3269013
125 CTE 250 ID45°	125	250	2	3,971	3268904	5,134	3268959	6,296	3269014
125 CTE 300 ID45°	125	300	2	4,322	3268905	5,553	3268960	6,833	3269015
125 CTE 400 ID45°	125	400	2	4,882	3268906	6,367	3268961	7,852	3269016
125 CTE 500 ID45°	125	500	2	5,490	3268907	7,190	3268962	8,889	3269017
125 CTE 600 ID45°	125	600	2	6,098	3268908	8,012	3268963	9,925	3269018
150 CTE 200 ID45°	150	200	2	4,226	3268909	5,389	3268964	6,552	3269019
150 CTE 250 ID45°	150	250	2	4,549	3268910	5,818	3268965	7,088	3269020
150 CTE 300 ID45°	150	300	2	4,906	3268911	6,261	3268966	7,631	3269021
150 CTE 400 ID45°	150	400	2	5,513	3268912	7,106	3268967	8,698	3269022
150 CTE 500 ID45°	150	500	2	6,157	3268913	7,964	3268968	9,770	3269023
150 CTE 600 ID45°	150	600	2	6,800	3268914	8,822	3268969	10,843	3269024



■ Please contact us for special dimensions.
 ■ Material weights may vary by ± 10%

■ Please indicate order code in your orders.
 ■ All dimensions are given as in mm

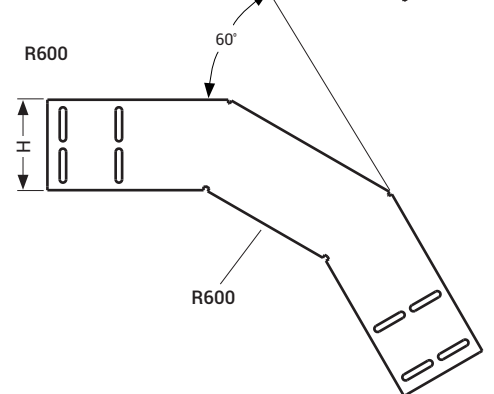
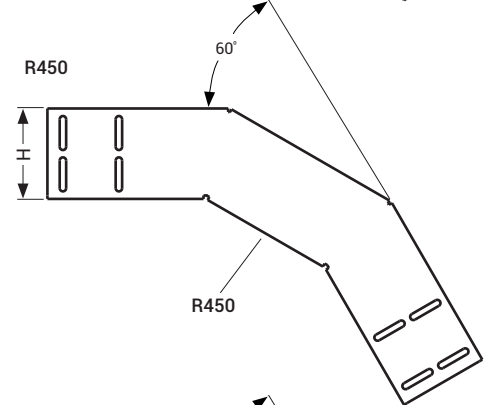
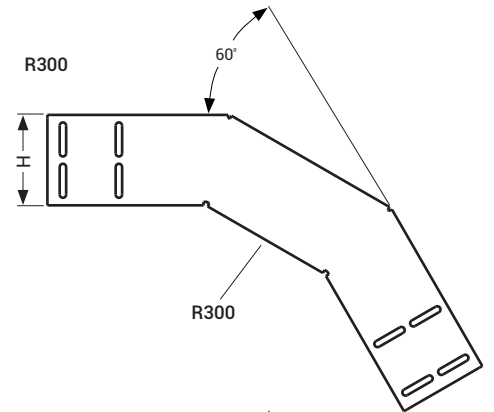
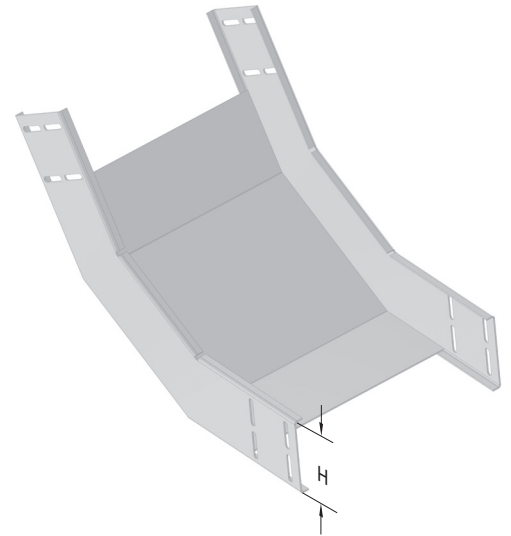
■ PG= Pre-Galvanized
 ■ HDG= Hot Dip Galvanized

►► BENDS

► CTE ID 60° Vertical Inside Bend (R300, R450, R600)

Hot Dip Galvanized (TS EN ISO 1461)

Description	H (mm)	A (mm)	T (mm)	R300		R450		R600	
				Weight (kg/pcs)	HDG Code	Weight (kg/pcs)	HDG Code	Weight (kg/pcs)	HDG Code
040 CTE 050 ID60°	40	50	2	1,443	3269026	1,921	3269081	2,398	3269135
040 CTE 100 ID60°	40	100	2	1,758	3269027	2,374	3269082	2,990	3269136
040 CTE 150 ID60°	40	150	2	2,072	3269028	2,828	3269083	3,583	3269137
040 CTE 200 ID60°	40	200	2	2,387	3269029	3,281	3269084	4,175	3269138
040 CTE 250 ID60°	40	250	2	2,702	3269030	3,735	3269025	4,767	3269139
040 CTE 300 ID60°	40	300	2	3,016	3269031	4,188	3269085	5,359	3269140
040 CTE 400 ID60°	40	400	2	3,645	3269032	5,095	3269086	6,544	3269141
040 CTE 500 ID60°	40	500	2	4,275	3269033	6,002	3269087	7,729	3269142
040 CTE 600 ID60°	40	600	2	4,904	3269034	6,908	3269088	8,912	3269143
050 CTE 050 ID60°	50	50	2	1,647	3269035	2,179	3269089	2,712	3269144
050 CTE 100 ID60°	50	100	2	1,970	3269036	2,641	3269090	3,313	3269145
050 CTE 150 ID60°	50	150	2	2,294	3269037	3,104	3269091	3,915	3269146
050 CTE 200 ID60°	50	200	2	2,618	3269038	3,567	3269092	4,516	3269147
050 CTE 250 ID60°	50	250	2	2,941	3269039	4,029	3269093	5,117	3269148
050 CTE 300 ID60°	50	300	2	3,266	3269040	4,492	3269094	5,719	3269149
050 CTE 400 ID60°	50	400	2	3,913	3269041	5,418	3269095	6,922	3269150
050 CTE 500 ID60°	50	500	2	4,561	3269042	6,343	3269096	8,125	3269151
050 CTE 600 ID60°	50	600	2	5,209	3269043	7,269	3269097	9,328	3269152
060 CTE 100 ID60°	60	100	2	2,186	3269044	2,913	3269098	3,640	3269153
060 CTE 150 ID60°	60	150	2	2,519	3269045	3,385	3269099	4,250	3269154
060 CTE 200 ID60°	60	200	2	2,852	3269046	3,857	3269100	4,861	3269155
060 CTE 250 ID60°	60	250	2	3,185	3269047	4,329	3269101	5,471	3269156
060 CTE 300 ID60°	60	300	2	3,518	3269048	4,800	3269102	6,083	3269157
060 CTE 400 ID60°	60	400	2	4,184	3269049	5,744	3269103	7,304	3269158
060 CTE 500 ID60°	60	500	2	4,851	3269050	6,688	3269104	8,526	3269159
060 CTE 600 ID60°	60	600	2	5,517	3269051	7,632	3269105	9,747	3269160
075 CTE 100 ID60°	75	100	2	2,516	3269052	3,326	3269106	4,136	3269161
075 CTE 150 ID60°	75	150	2	2,863	3269053	3,812	3269107	4,761	3269162
075 CTE 200 ID60°	75	200	2	3,210	3269054	4,298	3269108	5,386	3269163
075 CTE 250 ID60°	75	250	2	3,557	3269055	4,784	3269109	6,010	3269164
075 CTE 300 ID60°	75	300	2	3,904	3269056	5,269	3269110	6,635	3269165
075 CTE 400 ID60°	75	400	2	4,598	3269057	6,241	3269111	7,885	3269166
075 CTE 500 ID60°	75	500	2	5,292	3269058	7,213	3269112	9,133	3269167
075 CTE 600 ID60°	75	600	2	5,986	3269059	8,184	3269113	10,383	3269168
100 CTE 100 ID60°	100	100	2	3,090	3269060	4,039	3269114	4,989	3269169
100 CTE 150 ID60°	100	150	2	3,461	3269061	4,549	3269115	5,636	3269170
100 CTE 200 ID60°	100	200	2	3,830	3269062	5,057	3269116	6,284	3269171
100 CTE 250 ID60°	100	250	2	4,201	3269063	5,566	3269117	6,932	3269172
100 CTE 300 ID60°	100	300	2	4,571	3269064	6,075	3269118	7,580	3269173
100 CTE 400 ID60°	100	400	2	5,311	3269065	7,093	3269119	8,875	3269174
100 CTE 500 ID60°	100	500	2	6,051	3269066	8,111	3269120	10,171	3269175
100 CTE 600 ID60°	100	600	2	6,791	3269067	9,129	3269121	11,466	3269176
125 CTE 150 ID60°	125	150	2	4,084	3269068	5,308	3269122	6,534	3269177
125 CTE 200 ID60°	125	200	2	4,477	3269069	5,840	3269123	7,205	3269178
125 CTE 250 ID60°	125	250	2	4,871	3269070	6,372	3269124	7,876	3269179
125 CTE 300 ID60°	125	300	2	5,264	3269071	6,904	3269125	8,547	3269180
125 CTE 400 ID60°	125	400	2	6,050	3269072	7,968	3269126	9,889	3269181
125 CTE 500 ID60°	125	500	2	6,837	3269073	9,032	3269127	11,231	3269182
125 CTE 600 ID60°	125	600	2	7,623	3269074	10,097	3269128	12,573	3269183
150 CTE 200 ID60°	150	200	2	5,139	3269075	6,647	3269129	8,152	3269184
150 CTE 250 ID60°	150	250	2	5,555	3269076	7,203	3269130	8,846	3269185
150 CTE 300 ID60°	150	300	2	5,970	3269077	7,758	3269131	9,540	3269186
150 CTE 400 ID60°	150	400	2	6,801	3269078	8,868	3269132	10,929	3269187
150 CTE 500 ID60°	150	500	2	7,632	3269079	9,979	3269133	12,316	3269188
150 CTE 600 ID60°	150	600	2	8,463	3269080	11,089	3269134	13,704	3269189



■ Please contact us for special dimensions.
 ■ Material weights may vary by ± 10%

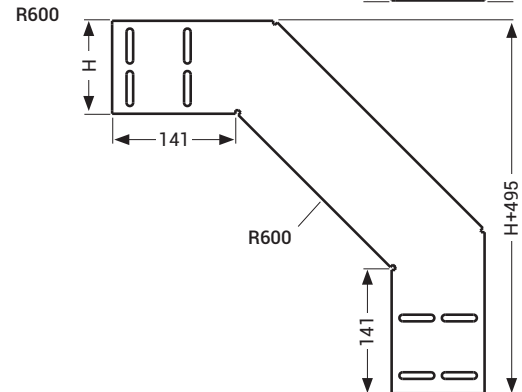
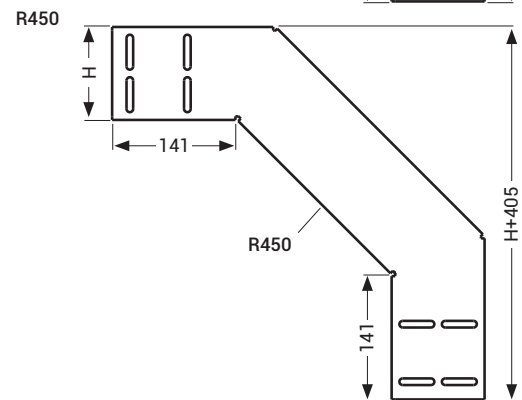
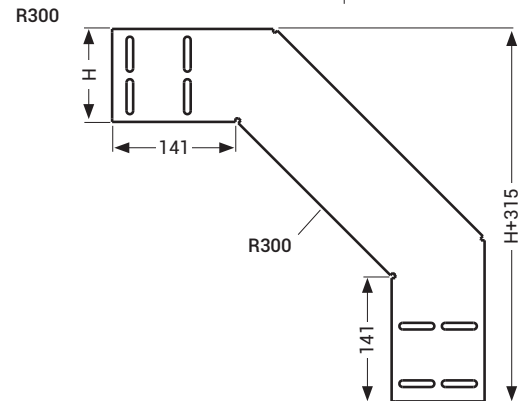
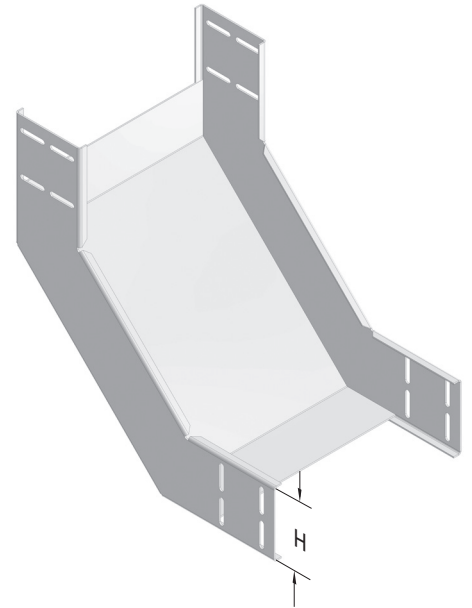
■ Please indicate order code in your orders.
 ■ All dimensions are given as in mm

■ PG= Pre-Galvanized
 ■ HDG= Hot Dip Galvanized

►► BENDS

► CTE ID 90° Vertical Inside Bend (R300, R450, R600)
Hot Dip Galvanized (TS EN ISO 1461)

Description	H (mm)	A (mm)	T (mm)	R300		R450		R600	
				Weight (kg/pcs)	HDG Code	Weight (kg/pcs)	HDG Code	Weight (kg/pcs)	HDG Code
040 CTE 050 ID90°	40	50	2	1,508	3002878	1,883	3002920	2,259	3002962
040 CTE 100 ID90°	40	100	2	1,846	3002879	2,329	3002921	2,811	3002963
040 CTE 150 ID90°	40	150	2	2,184	3002880	2,773	3002922	3,363	3002964
040 CTE 200 ID90°	40	200	2	2,520	3002881	3,218	3002923	3,915	3002965
040 CTE 250 ID90°	40	250	2	2,858	3002882	3,662	3002924	4,466	3002966
040 CTE 300 ID90°	40	300	2	3,194	3002883	4,106	3002925	5,018	3002967
040 CTE 400 ID90°	40	400	2	3,869	3002884	4,995	3002926	6,122	3002968
040 CTE 500 ID90°	40	500	2	4,544	3002885	5,885	3002927	7,226	3002969
040 CTE 600 ID90°	40	600	2	5,218	3002886	6,774	3002928	8,329	3002970
050 CTE 050 ID90°	50	50	2	1,729	3002887	2,147	3002929	2,565	3002971
050 CTE 100 ID90°	50	100	2	2,080	3002888	2,606	3002930	3,132	3002972
050 CTE 150 ID90°	50	150	2	2,432	3002889	3,065	3002931	3,697	3002973
050 CTE 200 ID90°	50	200	2	2,783	3002890	3,523	3002932	4,264	3002974
050 CTE 250 ID90°	50	250	2	3,135	3002891	3,982	3002933	4,830	3002975
050 CTE 300 ID90°	50	300	2	3,487	3002892	4,441	3002934	5,396	3002976
050 CTE 400 ID90°	50	400	2	4,190	3002893	5,359	3002935	6,529	3002977
050 CTE 500 ID90°	50	500	2	4,893	3002894	6,277	3002936	7,660	3002978
050 CTE 600 ID90°	50	600	2	5,596	3002895	7,194	3002937	8,792	3002979
060 CTE 100 ID90°	60	100	2	2,321	3002896	2,889	3002938	3,457	3002980
060 CTE 150 ID90°	60	150	2	2,686	3002897	3,363	3002939	4,038	3002981
060 CTE 200 ID90°	60	200	2	3,053	3002898	3,836	3002940	4,619	3002982
060 CTE 250 ID90°	60	250	2	3,419	3002899	4,309	3002941	5,199	3002983
060 CTE 300 ID90°	60	300	2	3,784	3002900	4,782	3002942	5,779	3002984
060 CTE 400 ID90°	60	400	2	4,516	3002901	5,728	3002943	6,940	3002985
060 CTE 500 ID90°	60	500	2	5,247	3002902	6,675	3002944	8,102	3002986
060 CTE 600 ID90°	60	600	2	5,980	3002903	7,621	3002945	9,262	3002987
075 CTE 100 ID90°	75	100	2	2,692	3002904	3,325	3002946	3,958	3002988
075 CTE 150 ID90°	75	150	2	3,079	3002905	3,819	3002947	4,560	3002989
075 CTE 200 ID90°	75	200	2	3,466	3002906	4,314	3002948	5,161	3002990
075 CTE 250 ID90°	75	250	2	3,854	3002907	4,808	3002949	5,763	3002991
075 CTE 300 ID90°	75	300	2	4,242	3002908	5,303	3002950	6,366	3002992
075 CTE 400 ID90°	75	400	2	5,016	3002909	6,292	3002951	7,569	3002993
075 CTE 500 ID90°	75	500	2	5,790	3002910	7,282	3002952	8,773	3002994
075 CTE 600 ID90°	75	600	2	6,565	3002911	8,271	3002953	9,977	3002995
100 CTE 100 ID90°	100	100	2	3,324	3002912	4,065	3002954	4,805	3002996
100 CTE 150 ID90°	100	150	2	3,748	3002913	4,595	3002955	5,443	3002997
100 CTE 200 ID90°	100	200	2	4,171	3002914	5,125	3002956	6,080	3002998
100 CTE 250 ID90°	100	250	2	4,594	3002915	5,656	3002957	6,718	3002999
100 CTE 300 ID90°	100	300	2	5,017	3002916	6,186	3002958	7,356	3003000
100 CTE 400 ID90°	100	400	2	5,863	3002917	7,247	3002959	8,631	3003001
100 CTE 500 ID90°	100	500	2	6,709	3002918	8,307	3002960	9,907	3003002
100 CTE 600 ID90°	100	600	2	7,555	3002919	9,369	3002961	11,182	3003003
125 CTE 150 ID90°	125	150	2	4,469	3003607	4,787	3003620	6,379	3003633
125 CTE 200 ID90°	125	200	2	4,929	3003608	5,991	3003621	7,052	3003634
125 CTE 250 ID90°	125	250	2	5,388	3003609	6,557	3003622	7,726	3003635
125 CTE 300 ID90°	125	300	2	5,847	3003610	7,123	3003623	8,400	3003636
125 CTE 400 ID90°	125	400	2	6,764	3003611	8,256	3003624	9,746	3003637
125 CTE 500 ID90°	125	500	2	7,681	3003612	9,387	3003625	11,094	3003638
125 CTE 600 ID90°	125	600	2	8,600	3003613	10,519	3003626	12,440	3003639
150 CTE 200 ID90°	150	200	2	5,732	3003614	6,901	3003627	8,071	3003640
150 CTE 250 ID90°	150	250	2	6,227	3003615	7,504	3003628	8,780	3003641
150 CTE 300 ID90°	150	300	2	6,722	3003616	8,106	3003629	9,490	3003642
150 CTE 400 ID90°	150	400	2	7,711	3003617	9,309	3003630	10,908	3003643
150 CTE 500 ID90°	150	500	2	8,700	3003618	10,514	3003631	12,327	3003644
150 CTE 600 ID90°	150	600	2	9,690	3003619	11,717	3003632	13,745	3003645



■ Please contact us for special dimensions.
■ Material weights may vary by ± 10%

■ Please indicate order code in your orders.
■ All dimensions are given as in mm

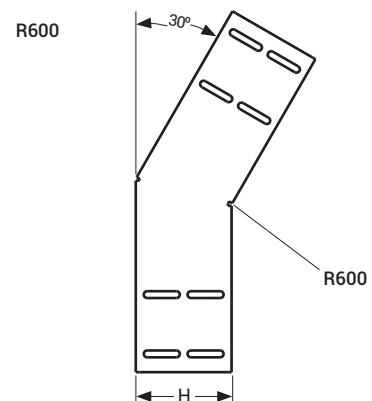
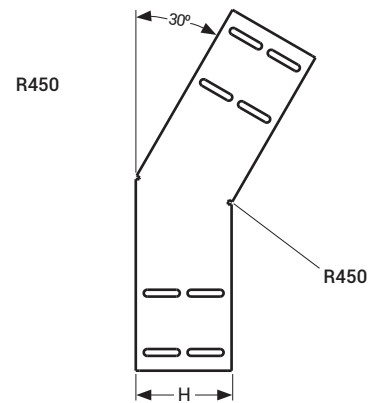
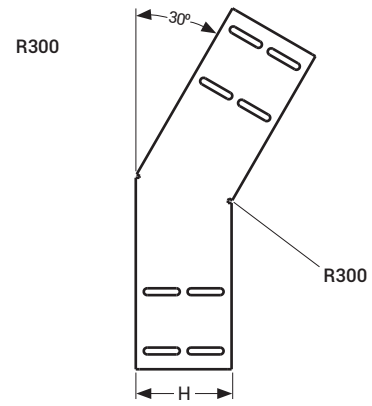
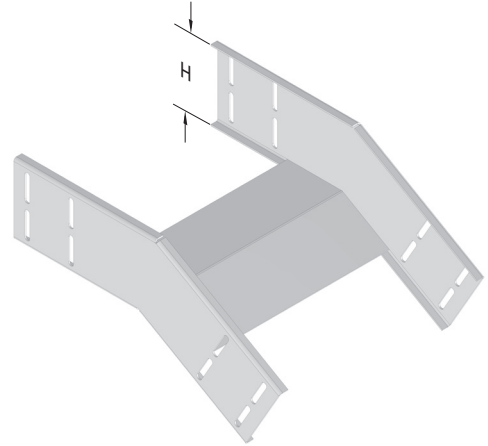
■ PG= Pre-Galvanized
■ HDG= Hot Dip Galvanized

►► BENDS

► CTE DD 30° Vertical Outside Bend (R300, R450, R600)

Hot Dip Galvanized (TS EN ISO 1461)

Description	H (mm)	A (mm)	T (mm)	R300		R450		R600	
				Weight (kg/pcs)	HDG Code	Weight (kg/pcs)	HDG Code	Weight (kg/pcs)	HDG Code
040 CTE 050 DD30°	40	50	2	0,909	3268196	1,147	3268250	1,316	3268307
040 CTE 100 DD30°	40	100	2	1,048	3268195	1,356	3268251	1,525	3268308
040 CTE 150 DD30°	40	150	2	1,188	3268197	1,565	3268252	1,734	3268309
040 CTE 200 DD30°	40	200	2	1,328	3268198	1,774	3268253	1,943	3268310
040 CTE 250 DD30°	40	250	2	1,467	3268199	1,984	3268254	2,152	3268311
040 CTE 300 DD30°	40	300	2	1,607	3268200	2,193	3268255	2,361	3268312
040 CTE 400 DD30°	40	400	2	1,887	3268201	2,611	3268256	2,779	3268313
040 CTE 500 DD30°	40	500	2	2,166	3268202	3,029	3268257	3,198	3268314
040 CTE 600 DD30°	40	600	2	2,445	3268203	3,447	3268258	3,616	3268315
050 CTE 050 DD30°	50	50	2	1,036	3268204	1,302	3268259	1,498	3268316
050 CTE 100 DD30°	50	100	2	1,176	3268205	1,511	3268260	1,707	3268317
050 CTE 150 DD30°	50	150	2	1,316	3268206	1,720	3268261	1,916	3268318
050 CTE 200 DD30°	50	200	2	1,455	3268207	1,929	3268262	2,125	3268319
050 CTE 250 DD30°	50	250	2	1,595	3268208	2,140	3268263	2,334	3268320
050 CTE 300 DD30°	50	300	2	1,735	3268209	2,349	3268264	2,543	3268321
050 CTE 400 DD30°	50	400	2	2,014	3268210	2,767	3268265	2,962	3268322
050 CTE 500 DD30°	50	500	2	2,294	3268211	3,185	3268266	3,380	3268323
050 CTE 600 DD30°	50	600	2	2,573	3268212	3,603	3268267	3,798	3268324
060 CTE 100 DD30°	60	100	2	1,305	3268213	1,669	3268268	1,892	3268325
060 CTE 150 DD30°	60	150	2	1,444	3268214	1,878	3268269	2,101	3268326
060 CTE 200 DD30°	60	200	2	1,584	3268215	2,087	3268270	2,310	3268327
060 CTE 250 DD30°	60	250	2	1,724	3268216	2,296	3268271	2,519	3268328
060 CTE 300 DD30°	60	300	2	1,863	3268217	2,505	3268272	2,728	3268329
060 CTE 400 DD30°	60	400	2	2,143	3268218	2,924	3268273	3,147	3268330
060 CTE 500 DD30°	60	500	2	2,423	3268219	3,342	3268274	3,565	3268331
060 CTE 600 DD30°	60	600	2	2,703	3268220	3,760	3268275	3,983	3268332
075 CTE 100 DD30°	75	100	2	1,503	3268221	1,907	3268276	2,173	3268333
075 CTE 150 DD30°	75	150	2	1,642	3268222	2,116	3268277	2,382	3268334
075 CTE 200 DD30°	75	200	2	1,782	3268223	2,325	3268278	2,591	3268335
075 CTE 250 DD30°	75	250	2	1,922	3268224	2,534	3268279	2,800	3268336
075 CTE 300 DD30°	75	300	2	2,061	3268225	2,743	3268280	3,009	3268337
075 CTE 400 DD30°	75	400	2	2,341	3268226	3,163	3268281	3,428	3268338
075 CTE 500 DD30°	75	500	2	2,620	3268227	3,581	3268282	3,846	3268339
075 CTE 600 DD30°	75	600	2	2,900	3268228	3,999	3268283	4,264	3268340
100 CTE 100 DD30°	100	100	2	1,841	3268229	2,316	3268284	2,650	3268341
100 CTE 150 DD30°	100	150	2	1,981	3268230	2,526	3268285	2,859	3268342
100 CTE 200 DD30°	100	200	2	2,121	3268231	2,735	3268288	3,069	3268343
100 CTE 250 DD30°	100	250	2	2,261	3268232	2,944	3268289	3,278	3268344
100 CTE 300 DD30°	100	300	2	2,400	3268233	3,153	3268290	3,487	3268345
100 CTE 400 DD30°	100	400	2	2,680	3268234	3,571	3268291	3,905	3268346
100 CTE 500 DD30°	100	500	2	2,959	3268235	3,989	3268292	4,323	3268347
100 CTE 600 DD30°	100	600	2	3,238	3268236	4,408	3268293	4,742	3268348
125 CTE 150 DD30°	125	150	2	2,334	3268237	2,947	3268294	3,351	3268349
125 CTE 200 DD30°	125	200	2	2,474	3268238	3,156	3268295	3,561	3268350
125 CTE 250 DD30°	125	250	2	2,614	3268239	3,366	3268296	3,770	3268351
125 CTE 300 DD30°	125	300	2	2,753	3268240	3,575	3268297	3,979	3268352
125 CTE 400 DD30°	125	400	2	3,033	3268241	3,993	3268298	4,397	3268353
125 CTE 500 DD30°	125	500	2	3,312	3268242	4,411	3268299	4,815	3268354
125 CTE 600 DD30°	125	600	2	3,592	3268243	4,829	3268300	5,233	3268355
150 CTE 200 DD30°	150	200	2	2,848	3268244	3,600	3268301	4,073	3268356
150 CTE 250 DD30°	150	250	2	2,988	3268245	3,809	3268302	4,282	3268357
150 CTE 300 DD30°	150	300	2	3,127	3268246	4,018	3268303	4,491	3268358
150 CTE 400 DD30°	150	400	2	3,407	3268247	4,437	3268304	4,910	3268359
150 CTE 500 DD30°	150	500	2	3,686	3268248	4,855	3268305	5,328	3268360
150 CTE 600 DD30°	150	600	2	3,966	3268249	5,273	3268306	5,746	3268361



■ Please contact us for special dimensions.
 ■ Material weights may vary by ± 10%

■ Please indicate order code in your orders.
 ■ All dimensions are given as in mm

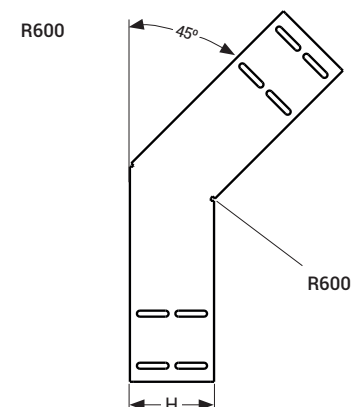
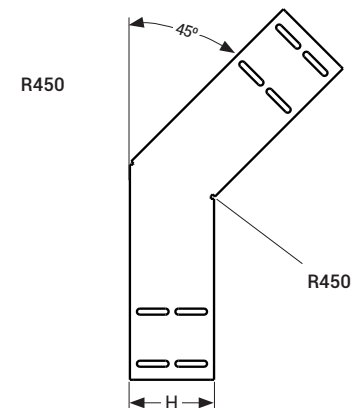
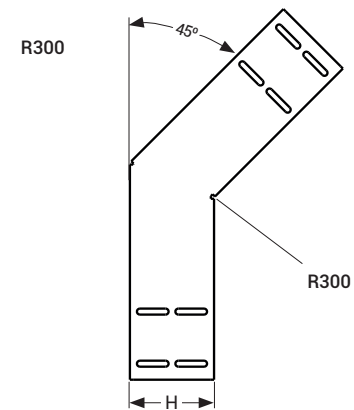
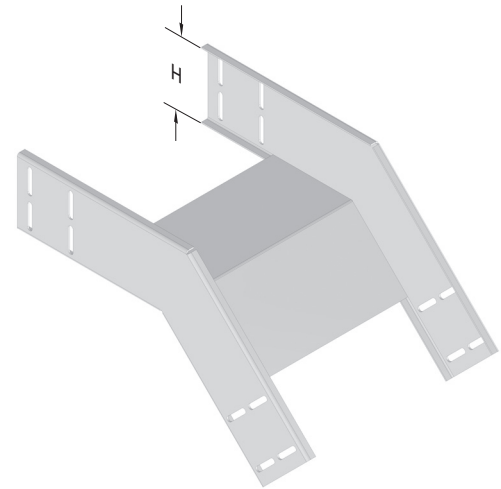
■ PG= Pre-Galvanized
 ■ HDG= Hot Dip Galvanized

►► BENDS

► CTE DD 45° Vertical Outside Bend (R300, R450, R600)

Hot Dip Galvanized (TS EN ISO 1461)

Description	H (mm)	A (mm)	T (mm)	R300		R450		R600	
				Weight (kg/pcs)	HDG Code	Weight (kg/pcs)	HDG Code	Weight (kg/pcs)	HDG Code
040 CTE 050 DD45°	40	50	2	1,181	3268362	1,551	3268417	1,810	3268472
040 CTE 100 DD45°	40	100	2	1,398	3268363	1,874	3268418	2,133	3268473
040 CTE 150 DD45°	40	150	2	1,614	3268364	2,197	3268419	2,456	3268474
040 CTE 200 DD45°	40	200	2	1,829	3268365	2,520	3268420	2,780	3268475
040 CTE 250 DD45°	40	250	2	2,046	3268366	2,844	3268421	3,103	3268476
040 CTE 300 DD45°	40	300	2	2,262	3268367	3,167	3268422	3,427	3268477
040 CTE 400 DD45°	40	400	2	2,693	3268368	3,814	3268423	4,072	3268478
040 CTE 500 DD45°	40	500	2	3,125	3268369	4,459	3268424	4,719	3268479
040 CTE 600 DD45°	40	600	2	3,557	3268370	5,106	3268425	5,366	3268480
050 CTE 050 DD45°	50	50	2	1,345	3268371	1,757	3268426	2,059	3268481
050 CTE 100 DD45°	50	100	2	1,561	3268372	2,080	3268427	2,383	3268482
050 CTE 150 DD45°	50	150	2	1,777	3268373	2,404	3268428	2,706	3268483
050 CTE 200 DD45°	50	200	2	1,993	3268374	2,727	3268429	3,028	3268484
050 CTE 250 DD45°	50	250	2	2,209	3268375	3,049	3268430	3,352	3268485
050 CTE 300 DD45°	50	300	2	2,424	3268376	3,373	3268431	3,675	3268486
050 CTE 400 DD45°	50	400	2	2,857	3268377	4,019	3268432	4,322	3268487
050 CTE 500 DD45°	50	500	2	3,288	3268378	4,666	3268433	4,968	3268488
050 CTE 600 DD45°	50	600	2	3,720	3268379	5,312	3268434	5,614	3268489
060 CTE 100 DD45°	60	100	2	1,727	3268380	2,289	3268435	2,635	3268490
060 CTE 150 DD45°	60	150	2	1,943	3268381	2,613	3268436	2,958	3268491
060 CTE 200 DD45°	60	200	2	2,159	3268382	2,936	3268437	3,280	3268492
060 CTE 250 DD45°	60	250	2	2,375	3268383	3,259	3268438	3,604	3268493
060 CTE 300 DD45°	60	300	2	2,591	3268384	3,582	3268439	3,927	3268494
060 CTE 400 DD45°	60	400	2	3,023	3268385	4,228	3268440	4,574	3268495
060 CTE 500 DD45°	60	500	2	3,455	3268386	4,875	3268441	5,221	3268496
060 CTE 600 DD45°	60	600	2	3,886	3268387	5,521	3268442	5,866	3268497
075 CTE 100 DD45°	75	100	2	1,982	3268388	2,608	3268443	3,017	3268498
075 CTE 150 DD45°	75	150	2	2,198	3268389	2,932	3268444	3,341	3268499
075 CTE 200 DD45°	75	200	2	2,413	3268390	3,255	3268445	3,664	3268500
075 CTE 250 DD45°	75	250	2	2,629	3268391	3,577	3268446	3,988	3268501
075 CTE 300 DD45°	75	300	2	2,846	3268392	3,901	3268447	4,311	3268502
075 CTE 400 DD45°	75	400	2	3,277	3268393	4,547	3268448	4,957	3268503
075 CTE 500 DD45°	75	500	2	3,709	3268394	5,194	3268449	5,603	3268504
075 CTE 600 DD45°	75	600	2	4,142	3268395	5,840	3268450	6,250	3268505
100 CTE 100 DD45°	100	100	2	2,421	3268396	3,155	3268451	3,672	3268506
100 CTE 150 DD45°	100	150	2	2,638	3268397	3,478	3268452	3,995	3268507
100 CTE 200 DD45°	100	200	2	2,853	3268398	3,802	3268453	4,319	3268508
100 CTE 250 DD45°	100	250	2	3,069	3268399	4,125	3268454	4,642	3268509
100 CTE 300 DD45°	100	300	2	3,285	3268400	4,448	3268455	4,964	3268510
100 CTE 400 DD45°	100	400	2	3,717	3268401	5,094	3268456	5,611	3268511
100 CTE 500 DD45°	100	500	2	4,149	3268402	5,741	3268457	6,258	3268512
100 CTE 600 DD45°	100	600	2	4,580	3268403	6,388	3268458	6,905	3268513
125 CTE 150 DD45°	125	150	2	3,097	3268404	4,046	3268459	4,670	3268514
125 CTE 200 DD45°	125	200	2	3,313	3268405	4,368	3268460	4,993	3268515
125 CTE 250 DD45°	125	250	2	3,529	3268406	4,692	3268461	5,316	3268516
125 CTE 300 DD45°	125	300	2	3,744	3268407	5,015	3268462	5,639	3268517
125 CTE 400 DD45°	125	400	2	4,177	3268408	5,662	3268463	6,285	3268518
125 CTE 500 DD45°	125	500	2	4,609	3268409	6,307	3268464	6,932	3268519
125 CTE 600 DD45°	125	600	2	5,040	3268410	6,954	3268465	7,579	3268520
150 CTE 200 DD45°	150	200	2	3,801	3268411	4,963	3268466	5,695	3268521
150 CTE 250 DD45°	150	250	2	4,017	3268412	5,287	3268467	6,018	3268522
150 CTE 300 DD45°	150	300	2	4,233	3268413	5,610	3268468	6,342	3268523
150 CTE 400 DD45°	150	400	2	4,664	3268414	6,257	3268469	6,988	3268524
150 CTE 500 DD45°	150	500	2	5,096	3268415	6,903	3268470	7,634	3268525
150 CTE 600 DD45°	150	600	2	5,529	3268416	7,549	3268471	8,281	3268526



■ Please contact us for special dimensions.
 ■ Material weights may vary by ± 10%

■ Please indicate order code in your orders.
 ■ All dimensions are given as in mm

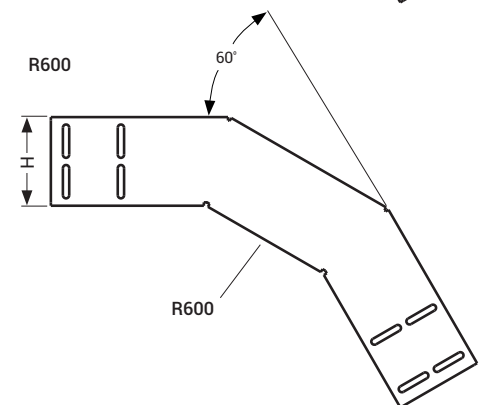
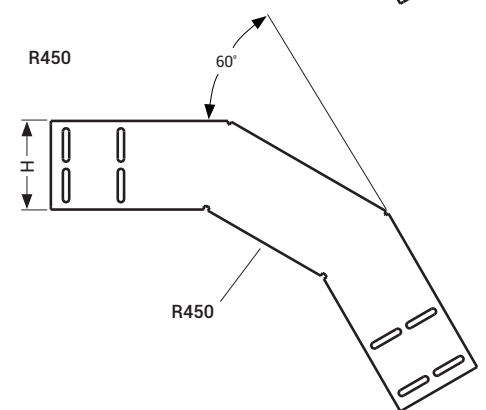
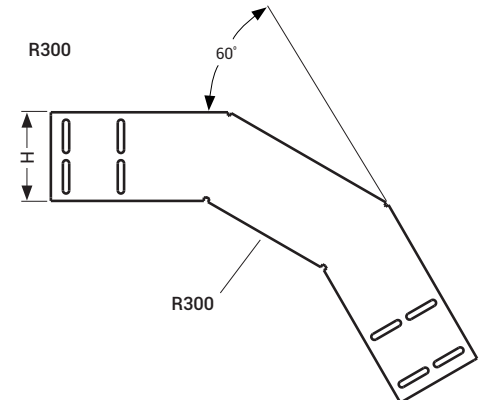
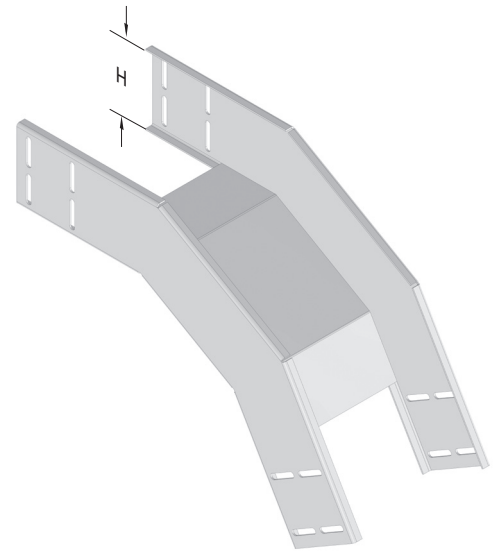
■ PG= Pre-Galvanized
 ■ HDG= Hot Dip Galvanized

►► BENDS

► CTE DD 60° Vertical Outside Bend (R300, R450, R600)

Hot Dip Galvanized (TS EN ISO 1461)

Description	H (mm)	A (mm)	T (mm)	R300		R450		R600	
				Weight (kg/pcs)	HDG Code	Weight (kg/pcs)	HDG Code	Weight (kg/pcs)	HDG Code
040 CTE 050 DD60°	40	50	2	1,408	3268528	1,884	3268583	2,362	3268638
040 CTE 100 DD60°	40	100	2	1,687	3268529	2,303	3268584	2,919	3268639
040 CTE 150 DD60°	40	150	2	1,967	3268530	2,721	3268585	3,476	3268640
040 CTE 200 DD60°	40	200	2	2,246	3268531	3,139	3268586	4,034	3268641
040 CTE 250 DD60°	40	250	2	2,526	3268532	3,557	3268587	4,590	3268642
040 CTE 300 DD60°	40	300	2	2,805	3268533	3,977	3268588	5,147	3268643
040 CTE 400 DD60°	40	400	2	3,364	3268534	4,813	3268589	6,261	3268644
040 CTE 500 DD60°	40	500	2	3,923	3268535	5,650	3268590	7,376	3268645
040 CTE 600 DD60°	40	600	2	4,481	3268536	6,486	3268591	8,490	3268646
050 CTE 050 DD60°	50	50	2	1,601	3268537	2,134	3268592	2,666	3268647
050 CTE 100 DD60°	50	100	2	1,880	3268538	2,552	3268593	3,223	3268648
050 CTE 150 DD60°	50	150	2	2,159	3268539	2,970	3268594	3,781	3268649
050 CTE 200 DD60°	50	200	2	2,439	3268540	3,388	3268595	4,337	3268650
050 CTE 250 DD60°	50	250	2	2,718	3268541	3,807	3268596	4,895	3268651
050 CTE 300 DD60°	50	300	2	2,998	3268542	4,225	3268597	5,452	3268652
050 CTE 400 DD60°	50	400	2	3,557	3268543	5,061	3268598	6,566	3268653
050 CTE 500 DD60°	50	500	2	4,116	3268544	5,898	3268599	7,680	3268654
050 CTE 600 DD60°	50	600	2	4,675	3268545	6,734	3268600	8,795	3268655
060 CTE 100 DD60°	60	100	2	2,077	3268546	2,804	3268601	3,531	3268656
060 CTE 150 DD60°	60	150	2	2,356	3268547	3,222	3268602	4,089	3268657
060 CTE 200 DD60°	60	200	2	2,636	3268548	3,641	3268603	4,645	3268658
060 CTE 250 DD60°	60	250	2	2,915	3268549	4,059	3268604	5,203	3268659
060 CTE 300 DD60°	60	300	2	3,194	3268550	4,477	3268605	5,760	3268659
060 CTE 400 DD60°	60	400	2	3,754	3268551	5,314	3268606	6,874	3268660
060 CTE 500 DD60°	60	500	2	4,313	3268552	6,150	3268607	7,988	3268661
060 CTE 600 DD60°	60	600	2	4,872	3268553	6,987	3268608	9,103	3268662
075 CTE 100 DD60°	75	100	2	2,379	3268554	3,190	3268609	4,000	3268663
075 CTE 150 DD60°	75	150	2	2,659	3268555	3,608	3268610	4,557	3268664
075 CTE 200 DD60°	75	200	2	2,938	3268556	4,026	3268611	5,114	3268665
075 CTE 250 DD60°	75	250	2	3,218	3268557	4,444	3268612	5,672	3268666
075 CTE 300 DD60°	75	300	2	3,497	3268558	4,863	3268613	6,228	3268667
075 CTE 400 DD60°	75	400	2	4,056	3268559	5,699	3268614	7,343	3268668
075 CTE 500 DD60°	75	500	2	4,615	3268560	6,536	3268615	8,457	3268669
075 CTE 600 DD60°	75	600	2	5,173	3268561	7,372	3268616	9,571	3268670
100 CTE 100 DD60°	100	100	2	2,907	3268562	3,857	3268617	4,805	3268671
100 CTE 150 DD60°	100	150	2	3,187	3268563	4,275	3268618	5,363	3268672
100 CTE 200 DD60°	100	200	2	3,466	3268564	4,693	3268619	5,919	3268673
100 CTE 250 DD60°	100	250	2	3,746	3268565	5,111	3268620	6,477	3268674
100 CTE 300 DD60°	100	300	2	4,025	3268566	5,529	3268621	7,033	3268675
100 CTE 400 DD60°	100	400	2	4,584	3268567	6,366	3268622	8,148	3268676
100 CTE 500 DD60°	100	500	2	5,143	3268568	7,202	3268623	9,262	3268677
100 CTE 600 DD60°	100	600	2	5,701	3268569	8,039	3268624	10,376	3268678
125 CTE 150 DD60°	125	150	2	3,740	3268570	4,964	3268625	6,191	3268679
125 CTE 200 DD60°	125	200	2	4,019	3268571	5,382	3268626	6,747	3268680
125 CTE 250 DD60°	125	250	2	4,299	3268572	5,800	3268627	7,305	3268681
125 CTE 300 DD60°	125	300	2	4,578	3268573	6,218	3268628	7,862	3268682
125 CTE 400 DD60°	125	400	2	5,137	3268574	7,055	3268629	8,976	3268683
125 CTE 500 DD60°	125	500	2	5,696	3268575	7,891	3268630	10,090	3268684
125 CTE 600 DD60°	125	600	2	6,255	3268576	8,729	3268631	11,205	3268685
150 CTE 200 DD60°	150	200	2	4,593	3268577	6,096	3268632	7,601	3268686
150 CTE 250 DD60°	150	250	2	4,872	3268578	6,515	3268633	8,159	3268687
150 CTE 300 DD60°	150	300	2	5,151	3268579	6,933	3268634	8,715	3268688
150 CTE 400 DD60°	150	400	2	5,710	3268580	7,769	3268635	9,830	3268689
150 CTE 500 DD60°	150	500	2	6,269	3268581	8,606	3268636	10,944	3268690
150 CTE 600 DD60°	150	600	2	6,828	3268582	9,442	3268637	12,058	3268691



■ Please contact us for special dimensions.
 ■ Material weights may vary by ± 10%

■ Please indicate order code in your orders.
 ■ All dimensions are given as in mm

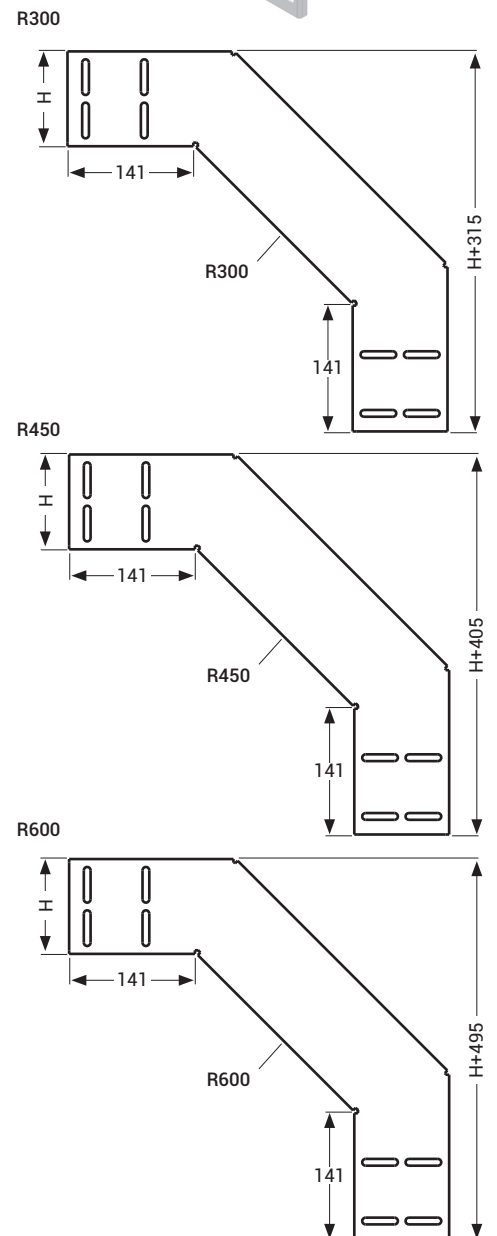
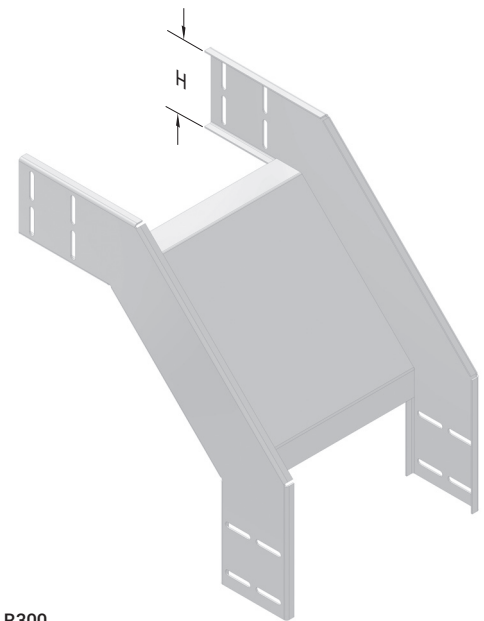
■ PG= Pre-Galvanized
 ■ HDG= Hot Dip Galvanized

►► BENDS

► CTE DD 90° Vertical Outside Bend (R300, R450, R600)

Hot Dip Galvanized (TS EN ISO 1461)

Description	H (mm)	A (mm)	T (mm)	R300		R450		R600	
				Weight (kg/pcs)	HDG Code	Weight (kg/pcs)	HDG Code	Weight (kg/pcs)	HDG Code
040 CTE 050 DD90°	40	50	2	1,454	3003004	1,829	3003046	2,204	3003088
040 CTE 100 DD90°	40	100	2	1,736	3003005	2,219	3003047	2,702	3003089
040 CTE 150 DD90°	40	150	2	2,019	3003006	2,608	3003048	3,199	3003090
040 CTE 200 DD90°	40	200	2	2,301	3003007	2,999	3003049	3,696	3003091
040 CTE 250 DD90°	40	250	2	2,584	3003008	3,388	3003050	4,193	3003092
040 CTE 300 DD90°	40	300	2	2,867	3003009	3,779	3003051	4,689	3003093
040 CTE 400 DD90°	40	400	2	3,431	3003010	4,557	3003052	5,684	3003094
040 CTE 500 DD90°	40	500	2	3,996	3003011	5,337	3003053	6,678	3003095
040 CTE 600 DD90°	40	600	2	4,562	3003012	6,117	3003054	7,673	3003096
050 CTE 050 DD90°	50	50	2	1,660	3003013	2,078	3003055	2,496	3003097
050 CTE 100 DD90°	50	100	2	1,943	3003014	2,467	3003056	2,993	3003098
050 CTE 150 DD90°	50	150	2	2,225	3003015	2,873	3003057	3,490	3003099
050 CTE 200 DD90°	50	200	2	2,523	3003016	3,264	3003058	3,988	3003100
050 CTE 250 DD90°	50	250	2	2,806	3003017	3,638	3003059	4,485	3003101
050 CTE 300 DD90°	50	300	2	3,072	3003018	4,027	3003060	4,982	3003102
050 CTE 400 DD90°	50	400	2	3,638	3003019	4,807	3003061	5,976	3003103
050 CTE 500 DD90°	50	500	2	4,202	3003020	5,586	3003062	6,970	3003104
050 CTE 600 DD90°	50	600	2	4,767	3003021	6,366	3003063	7,964	3003105
060 CTE 100 DD90°	60	100	2	2,154	3003022	2,723	3003064	3,291	3003106
060 CTE 150 DD90°	60	150	2	2,437	3003023	3,112	3003065	3,788	3003107
060 CTE 200 DD90°	60	200	2	2,719	3003024	3,502	3003066	4,286	3003108
060 CTE 250 DD90°	60	250	2	3,002	3003025	3,892	3003067	4,782	3003109
060 CTE 300 DD90°	60	300	2	3,285	3003026	4,281	3003068	5,279	3003110
060 CTE 400 DD90°	60	400	2	3,849	3003027	5,061	3003069	6,273	3003111
060 CTE 500 DD90°	60	500	2	4,414	3003028	5,841	3003070	7,268	3003112
060 CTE 600 DD90°	60	600	2	4,980	3003029	6,621	3003071	8,262	3003113
075 CTE 100 DD90°	75	100	2	2,483	3003030	3,132	3003072	3,748	3003114
075 CTE 150 DD90°	75	150	2	2,765	3003031	3,505	3003073	4,245	3003115
075 CTE 200 DD90°	75	200	2	3,047	3003032	3,895	3003074	4,742	3003116
075 CTE 250 DD90°	75	250	2	3,330	3003033	4,285	3003075	5,239	3003117
075 CTE 300 DD90°	75	300	2	3,612	3003034	4,674	3003076	5,737	3003118
075 CTE 400 DD90°	75	400	2	4,178	3003035	5,454	3003077	6,731	3003119
075 CTE 500 DD90°	75	500	2	4,742	3003036	6,234	3003078	7,725	3003120
075 CTE 600 DD90°	75	600	2	5,308	3003037	7,014	3003079	8,719	3003121
100 CTE 100 DD90°	100	100	2	3,044	3003038	3,784	3003080	4,523	3003122
100 CTE 150 DD90°	100	150	2	3,326	3003039	4,173	3003081	5,020	3003123
100 CTE 200 DD90°	100	200	2	3,608	3003040	4,563	3003082	5,518	3003124
100 CTE 250 DD90°	100	250	2	3,891	3003041	4,953	3003083	6,015	3003125
100 CTE 300 DD90°	100	300	2	4,173	3003042	5,343	3003084	6,512	3003126
100 CTE 400 DD90°	100	400	2	4,739	3003043	6,123	3003085	7,506	3003127
100 CTE 500 DD90°	100	500	2	5,303	3003044	6,903	3003086	8,501	3003128
100 CTE 600 DD90°	100	600	2	5,869	3003045	7,681	3003087	9,495	3003129
125 CTE 150 DD90°	125	150	2	3,941	3003659	4,940	3003672	5,850	3003685
125 CTE 200 DD90°	125	200	2	4,223	3003660	5,286	3003673	6,347	3003686
125 CTE 250 DD90°	125	250	2	4,506	3003661	5,675	3003674	6,844	3003687
125 CTE 300 DD90°	125	300	2	4,788	3003662	6,065	3003675	7,341	3003688
125 CTE 400 DD90°	125	400	2	5,354	3003663	6,844	3003676	8,336	3003689
125 CTE 500 DD90°	125	500	2	5,918	3003664	7,624	3003677	9,330	3003690
125 CTE 600 DD90°	125	600	2	6,483	3003665	8,404	3003678	10,325	3003691
150 CTE 200 DD90°	150	200	2	4,884	3003666	6,053	3003679	7,223	3003692
150 CTE 250 DD90°	150	250	2	5,167	3003667	6,444	3003680	7,720	3003693
150 CTE 300 DD90°	150	300	2	5,449	3003668	6,833	3003681	8,217	3003694
150 CTE 400 DD90°	150	400	2	6,015	3003669	7,613	3003682	9,211	3003695
150 CTE 500 DD90°	150	500	2	6,579	3003670	8,392	3003683	10,206	3003696
150 CTE 600 DD90°	150	600	2	7,145	3003671	9,172	3003684	11,200	3003697

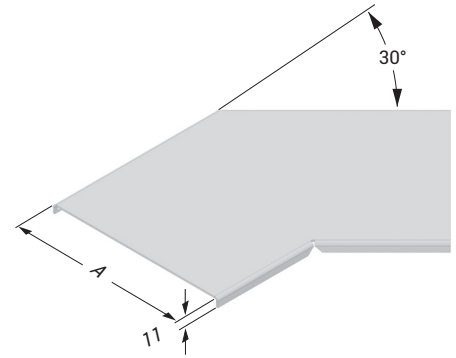


■ Please contact us for special dimensions.
 ■ Material weights may vary by ± 10%

■ Please indicate order code in your orders.
 ■ All dimensions are given as in mm

■ PG= Pre-Galvanized
 ■ HDG= Hot Dip Galvanized

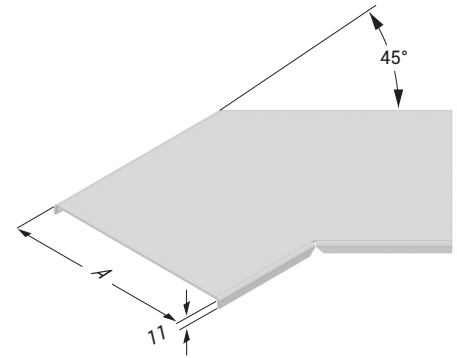
Description	A (mm)	T (mm)	R300		R450		R600	
			Weight (kg/pcs)	HDG Code	Weight (kg/pcs)	HDG Code	Weight (kg/pcs)	HDG Code
CTE 050 YD30° COVER	55	2	0,226	3268032	0,330	3268041	0,436	3268050
CTE 100 YD30° COVER	105	2	0,406	3268033	0,580	3268042	0,755	3268051
CTE 150 YD30° COVER	155	2	0,609	3268034	0,853	3268043	1,097	3268052
CTE 200 YD30° COVER	205	2	0,836	3268035	1,150	3268044	1,462	3268053
CTE 250 YD30° COVER	255	2	1,086	3268036	1,469	3268045	1,850	3268054
CTE 300 YD30° COVER	305	2	1,359	3268037	1,811	3268046	2,263	3268055
CTE 400 YD30° COVER	405	2	1,975	3268038	2,564	3268047	3,155	3268056
CTE 500 YD30° COVER	505	2	2,682	3268039	3,411	3268048	4,140	3268057
CTE 600 YD30° COVER	605	2	3,482	3268040	4,351	3268049	5,218	3268058



► CTE YD 45° Horizontal Degree Bend Cover (R300, R450, R600)

Hot Dip Galvanized (TS EN ISO 1461)

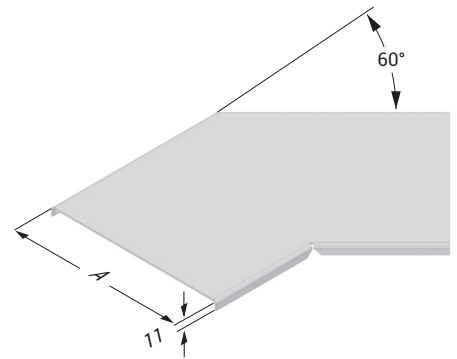
Description	A (mm)	T (mm)	R300		R450		R600	
			Weight (kg/pcs)	HDG Code	Weight (kg/pcs)	HDG Code	Weight (kg/pcs)	HDG Code
CTE 050 YD45° COVER	55	2	0,350	3005004	0,512	3005013	0,674	3005022
CTE 100 YD45° COVER	105	2	0,629	3005005	0,898	3005014	1,167	3005023
CTE 150 YD45° COVER	155	2	0,944	3005006	1,320	3005015	1,696	3005024
CTE 200 YD45° COVER	205	2	1,294	3005007	1,778	3005016	2,262	3005025
CTE 250 YD45° COVER	255	2	1,680	3005008	2,270	3005017	2,862	3005026
CTE 300 YD45° COVER	305	2	2,102	3005009	2,801	3005018	3,498	3005027
CTE 400 YD45° COVER	405	2	3,053	3005010	3,966	3005019	4,879	3005028
CTE 500 YD45° COVER	505	2	4,147	3005011	5,275	3005020	6,402	3005029
CTE 600 YD45° COVER	605	2	5,383	3005012	6,727	3005021	8,069	3005030



► CTE YD 60° Horizontal Degree Bend Cover (R300, R450, R600)

Hot Dip Galvanized (TS EN ISO 1461)

Description	A (mm)	T (mm)	R300		R450		R600	
			Weight (kg/pcs)	HDG Code	Weight (kg/pcs)	HDG Code	Weight (kg/pcs)	HDG Code
CTE 050 YD60° COVER	55	2	0,488	3268059	0,713	3268068	0,941	3268077
CTE 100 YD60° COVER	105	2	0,878	3268060	1,253	3268069	1,628	3268078
CTE 150 YD60° COVER	155	2	1,316	3268061	1,840	3268070	2,365	3268079
CTE 200 YD60° COVER	205	2	1,804	3268062	2,478	3268071	3,153	3268080
CTE 250 YD60° COVER	255	2	2,342	3268063	3,166	3268072	3,990	3268081
CTE 300 YD60° COVER	305	2	2,930	3268064	3,904	3268073	4,877	3268082
CTE 400 YD60° COVER	405	2	4,256	3268065	5,529	3268074	6,801	3268083
CTE 500 YD60° COVER	505	2	5,781	3268066	7,352	3268075	8,924	3268084
CTE 600 YD60° COVER	605	2	7,505	3268067	9,376	3268076	11,246	3268085



► CTE YD 90° Horizontal Degree Bend Cover (R300, R450, R600)

Hot Dip Galvanized (TS EN ISO 1461)

Description	A (mm)	T (mm)	R300		R450		R600	
			Weight (kg/pcs)	HDG Code	Weight (kg/pcs)	HDG Code	Weight (kg/pcs)	HDG Code
CTE 050 YD90° COVER	55	2	0,438	3005031	0,600	3005040	0,761	3005049
CTE 100 YD90° COVER	105	2	0,837	3005032	1,106	3005041	1,375	3005050
CTE 150 YD90° COVER	155	2	1,307	3005033	1,683	3005042	2,060	3005051
CTE 200 YD90° COVER	205	2	1,849	3005034	2,332	3005043	2,816	3005052
CTE 250 YD90° COVER	255	2	2,462	3005035	3,054	3005044	3,644	3005053
CTE 300 YD90° COVER	305	2	3,147	3005036	3,846	3005045	4,544	3005054
CTE 400 YD90° COVER	405	2	4,731	3005037	5,644	3005046	6,557	3005055
CTE 500 YD90° COVER	505	2	6,602	3005038	7,730	3005047	8,857	3005056
CTE 600 YD90° COVER	605	2	8,758	3005039	10,101	3005048	11,443	3005057



■ Please contact us for special dimensions.
 ■ Material weights may vary by ± 10%

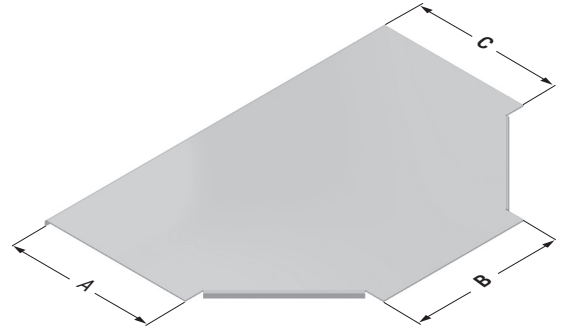
■ Please indicate order code in your orders.
 ■ All dimensions are given as in mm

■ PG= Pre-Galvanized
 ■ HDG= Hot Dip Galvanized

►► BEND COVER

► CTE YT Tee Bend Cover (R300, R450, R600) Hot Dip Galvanized (TS EN ISO 1461)

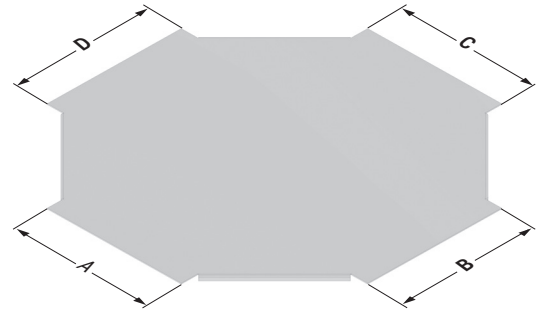
Description	A (mm)	T (mm)	R300		R450		R600	
			Weight (kg/pcs)	HDG Code	Weight (kg/pcs)	HDG Code	Weight (kg/pcs)	HDG Code
CTE 050 YT COVER	55	2	1,287	3005058	2,343	3005067	3,489	3005076
CTE 100 YT COVER	105	2	2,032	3005059	3,265	3005068	4,631	3005077
CTE 150 YT COVER	155	2	2,745	3005060	4,272	3005069	5,858	3005078
CTE 200 YT COVER	205	2	3,603	3005061	5,367	3005070	7,171	3005079
CTE 250 YT COVER	255	2	4,547	3005062	6,426	3005071	8,571	3005080
CTE 300 YT COVER	305	2	5,578	3005063	7,685	3005072	10,057	3005081
CTE 400 YT COVER	405	2	7,899	3005064	10,461	3005073	13,289	3005082
CTE 500 YT COVER	505	2	10,566	3005065	13,582	3005074	16,865	3005083
CTE 600 YT COVER	605	2	13,577	3005066	17,049	3005075	20,788	3005084



► CTE AD Cross Over Bend (R300, R450, R600)

Hot Dip Galvanized (TS EN ISO 1461)

Description	A (mm)	T (mm)	R300		R450		R600	
			Weight (kg/pcs)	HDG Code	Weight (kg/pcs)	HDG Code	Weight (kg/pcs)	HDG Code
CTE 050 AD COVER	55	2	2,105	3005085	3,868	3005094	6,162	3005103
CTE 100 AD COVER	105	2	2,976	3005086	5,040	3005095	7,638	3005104
CTE 150 AD COVER	155	2	3,951	3005087	6,326	3005096	9,233	3005105
CTE 200 AD COVER	205	2	4,995	3005088	7,674	3005097	10,885	3005106
CTE 250 AD COVER	255	2	6,125	3005089	9,107	3005098	12,623	3005107
CTE 300 AD COVER	305	2	7,341	3005090	10,627	3005099	14,445	3005108
CTE 400 AD COVER	405	2	10,034	3005091	13,926	3005100	18,352	3005109
CTE 500 AD COVER	505	2	13,071	3005092	17,571	3005101	22,604	3005110
CTE 600 AD COVER	605	2	16,455	3005093	21,561	3005102	27,201	3005111

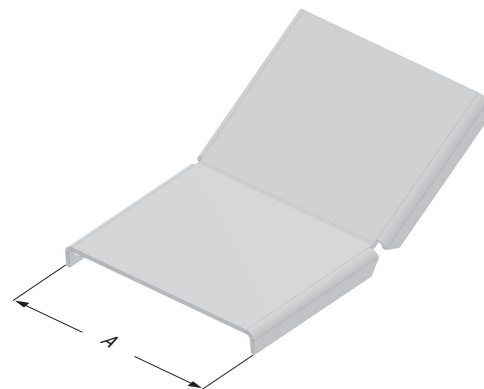


■ Please contact us for special dimensions.
 ■ Material weights may vary by ± 10%

■ Please indicate order code in your orders.
 ■ All dimensions are given as in mm

■ PG= Pre-Galvanized
 ■ HDG= Hot Dip Galvanized

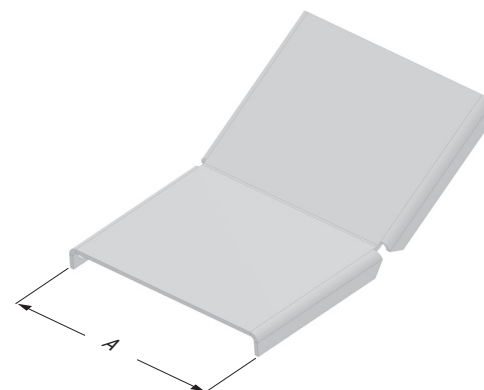
Description	A (mm)	T (mm)	R300		R450		R600	
			Weight (kg/pcs)	HDG Code	Weight (kg/pcs)	HDG Code	Weight (kg/pcs)	HDG Code
CTE 050 ID30° COVER	55	2	0,199	3268086	0,301	3268087	0,404	3268088
CTE 100 ID30° COVER	105	2	0,338	3268089	0,509	3268090	0,681	3268091
CTE 150 ID30° COVER	155	2	0,476	3268092	0,717	3268093	0,958	3268094
CTE 200 ID30° COVER	205	2	0,615	3268095	0,925	3268096	1,235	3268097
CTE 250 ID30° COVER	255	2	0,752	3268098	1,133	3268099	1,513	3268100
CTE 300 ID30° COVER	305	2	0,891	3268101	1,340	3268102	1,790	3268103
CTE 400 ID30° COVER	405	2	1,168	3268104	1,756	3268105	2,344	3268106
CTE 500 ID30° COVER	505	2	1,444	3268107	2,171	3268108	2,897	3268109
CTE 600 ID30° COVER	605	2	1,721	3268110	2,587	3268111	3,452	3268112



► CTE ID 45° Vertical Inside Bend Cover (R300, R450, R600)

Hot Dip Galvanized (TS EN ISO 1461)

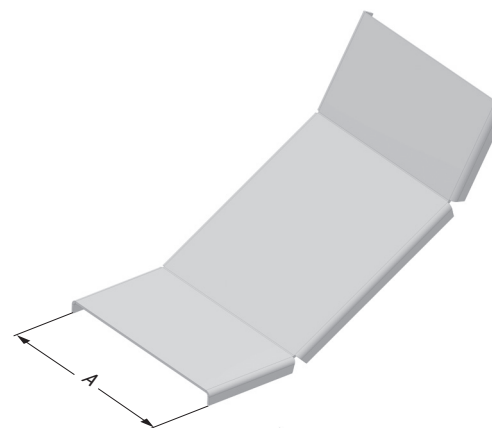
Description	A (mm)	T (mm)	R300		R450		R600	
			Weight (kg/pcs)	HDG Code	Weight (kg/pcs)	HDG Code	Weight (kg/pcs)	HDG Code
CTE 050 ID45° COVER	55	2	0,311	3268113	0,469	3268114	0,626	3268115
CTE 100 ID45° COVER	105	2	0,525	3268116	0,790	3268117	1,055	3268118
CTE 150 ID45° COVER	155	2	0,738	3268119	1,111	3268120	1,483	3268121
CTE 200 ID45° COVER	205	2	0,953	3268122	1,432	3268123	1,911	3268124
CTE 250 ID45° COVER	255	2	1,166	3268125	1,752	3268126	2,340	3268127
CTE 300 ID45° COVER	305	2	1,379	3268128	2,074	3268129	2,768	3268130
CTE 400 ID45° COVER	405	2	1,807	3268131	2,716	3268132	3,625	3268133
CTE 500 ID45° COVER	505	2	2,235	3268134	3,358	3268135	4,481	3268136
CTE 600 ID45° COVER	605	2	2,662	3268137	4,001	3268138	5,338	3268139



► CTE ID 60° Vertical Inside Bend Cover (R300, R450, R600)

Hot Dip Galvanized (TS EN ISO 1461)

Description	A (mm)	T (mm)	R300		R450		R600	
			Weight (kg/pcs)	HDG Code	Weight (kg/pcs)	HDG Code	Weight (kg/pcs)	HDG Code
CTE 050 ID60° COVER	55	2	0,410	3268140	0,617	3268141	0,824	3268142
CTE 100 ID60° COVER	105	2	0,691	3268143	1,036	3268144	1,382	3268145
CTE 150 ID60° COVER	155	2	0,970	3268146	1,454	3268147	1,938	3268148
CTE 200 ID60° COVER	205	2	1,250	3268149	1,872	3268150	2,496	3268151
CTE 250 ID60° COVER	255	2	1,529	3268152	2,290	3268153	3,053	3268154
CTE 300 ID60° COVER	305	2	1,808	3268155	2,709	3268156	3,609	3268157
CTE 400 ID60° COVER	405	2	2,367	3268158	3,545	3268159	4,723	3268160
CTE 500 ID60° COVER	505	2	2,926	3268161	4,381	3268162	5,838	3268163
CTE 600 ID60° COVER	605	2	3,485	3268164	5,218	3268165	6,952	3268166



► CTE ID 90° Vertical Inside Bend Cover (R300, R450, R600)

Hot Dip Galvanized (TS EN ISO 1461)

Description	A (mm)	T (mm)	R300		R450		R600	
			Weight (kg/pcs)	HDG Code	Weight (kg/pcs)	HDG Code	Weight (kg/pcs)	HDG Code
CTE 050 ID90° COVER	55	2	0,411	3005112	0,574	3005121	0,736	3005130
CTE 100 ID90° COVER	105	2	0,690	3005113	0,958	3005122	1,228	3005131
CTE 150 ID90° COVER	155	2	0,967	3005114	1,343	3005123	1,719	3005132
CTE 200 ID90° COVER	205	2	1,244	3005115	1,728	3005124	2,212	3005133
CTE 250 ID90° COVER	255	2	1,521	3005116	2,113	3005125	2,704	3005134
CTE 300 ID90° COVER	305	2	1,800	3005117	2,498	3005126	3,197	3005135
CTE 400 ID90° COVER	405	2	2,354	3005118	3,267	3005127	4,180	3005136
CTE 500 ID90° COVER	505	2	2,910	3005119	4,037	3005128	5,165	3005137
CTE 600 ID90° COVER	605	2	3,464	3005120	4,807	3005129	6,149	3005138



■ Please contact us for special dimensions.
 ■ Material weights may vary by ± 10%

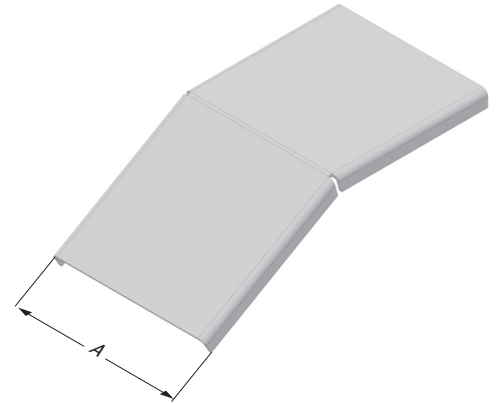
■ Please indicate order code in your orders.
 ■ All dimensions are given as in mm

■ PG= Pre-Galvanized
 ■ HDG= Hot Dip Galvanized

►► BEND COVER

► CTE DD 30° Vertical Outside Bend Cover (R300, R450, R600)
Hot Dip Galvanized (TS EN ISO 1461)

Description	H (mm)	A (mm)	T (mm)	R300		R450		R600	
				Weight (kg/pcs)	HDG Code	Weight (kg/pcs)	HDG Code	Weight (kg/pcs)	HDG Code
040 CTE 050 DD30°	40	50	2	0,230	3269921	0,331	3269922	0,433	3269923
040 CTE 100 DD30°	40	100	2	0,388	3269924	0,559	3269925	0,730	3269926
040 CTE 150 DD30°	40	150	2	0,546	3269927	0,787	3269928	1,027	3269929
040 CTE 200 DD30°	40	200	2	0,704	3269930	1,014	3269931	1,324	3269932
040 CTE 250 DD30°	40	250	2	0,862	3269933	1,242	3269934	1,621	3269935
040 CTE 300 DD30°	40	300	2	1,021	3269936	1,470	3269937	1,918	3269938
040 CTE 400 DD30°	40	400	2	1,338	3269939	1,925	3269940	2,512	3269941
040 CTE 500 DD30°	40	500	2	1,653	3269942	2,380	3269943	3,106	3269944
040 CTE 600 DD30°	40	600	2	1,970	3269945	2,836	3269946	3,702	3269947
050 CTE 050 DD30°	50	50	2	0,237	3269948	0,339	3269949	0,441	3269950
050 CTE 100 DD30°	50	100	2	0,399	3269951	0,571	3269952	0,741	3269953
050 CTE 150 DD30°	50	150	2	0,562	3269954	0,803	3269955	1,044	3269956
050 CTE 200 DD30°	50	200	2	0,725	3269957	1,035	3269958	1,345	3269959
050 CTE 250 DD30°	50	250	2	0,888	3269960	1,267	3269961	1,647	3269962
050 CTE 300 DD30°	50	300	2	1,051	3269963	1,499	3269964	1,949	3269965
050 CTE 400 DD30°	50	400	2	1,376	3269966	1,965	3269967	2,552	3269968
050 CTE 500 DD30°	50	500	2	1,702	3269969	2,429	3269970	3,156	3269971
050 CTE 600 DD30°	50	600	2	2,027	3269972	2,893	3269973	3,759	3269974
060 CTE 100 DD30°	60	100	2	0,410	3269975	0,582	3269976	0,754	3269977
060 CTE 150 DD30°	60	150	2	0,579	3269978	0,818	3269979	1,059	3269980
060 CTE 200 DD30°	60	200	2	0,746	3269981	1,056	3269982	1,366	3269983
060 CTE 250 DD30°	60	250	2	0,913	3269984	1,293	3269985	1,672	3269986
060 CTE 300 DD30°	60	300	2	1,080	3269987	1,530	3269988	1,979	3269989
060 CTE 400 DD30°	60	400	2	1,416	3269990	2,003	3269991	2,592	3269992
060 CTE 500 DD30°	60	500	2	1,750	3269993	2,477	3269994	3,204	3269995
060 CTE 600 DD30°	60	600	2	2,086	3269996	2,951	3269997	3,816	3269998
075 CTE 100 DD30°	75	100	2	0,428	3269999	0,600	3270000	0,770	3270001
075 CTE 150 DD30°	75	150	2	0,602	3270002	0,843	3270003	1,084	3270004
075 CTE 200 DD30°	75	200	2	0,777	3270005	1,087	3270006	1,397	3270007
075 CTE 250 DD30°	75	250	2	0,952	3270008	1,331	3270009	1,711	3270010
075 CTE 300 DD30°	75	300	2	1,125	3270011	1,574	3270012	2,024	3270013
075 CTE 400 DD30°	75	400	2	1,474	3270014	2,063	3270015	2,650	3270016
075 CTE 500 DD30°	75	500	2	1,823	3270017	2,550	3270018	3,277	3270019
075 CTE 600 DD30°	75	600	2	2,173	3270020	3,037	3270021	3,903	3270022
100 CTE 100 DD30°	100	100	2	0,457	3270023	0,628	3270024	0,799	3270025
100 CTE 150 DD30°	100	150	2	0,642	3270026	0,883	3270027	1,124	3270028
100 CTE 200 DD30°	100	200	2	0,828	3270029	1,139	3270030	1,449	3270031
100 CTE 250 DD30°	100	250	2	1,014	3270032	1,394	3270033	1,773	3270034
100 CTE 300 DD30°	100	300	2	1,200	3270035	1,649	3270036	2,099	3270037
100 CTE 400 DD30°	100	400	2	1,572	3270038	2,160	3270039	2,748	3270040
100 CTE 500 DD30°	100	500	2	1,945	3270041	2,671	3270042	3,398	3270043
100 CTE 600 DD30°	100	600	2	2,317	3270044	3,182	3270045	4,047	3270046
125 CTE 150 DD30°	125	150	2	0,682	3270047	0,923	3270048	1,164	3270049
125 CTE 200 DD30°	125	200	2	0,880	3270050	1,190	3270051	1,500	3270052
125 CTE 250 DD30°	125	250	2	1,078	3270053	1,458	3270054	1,837	3270055
125 CTE 300 DD30°	125	300	2	1,275	3270056	1,724	3270057	2,174	3270058
125 CTE 400 DD30°	125	400	2	1,670	3270059	2,258	3270060	2,846	3270061
125 CTE 500 DD30°	125	500	2	2,066	3270062	2,792	3270063	3,519	3270064
125 CTE 600 DD30°	125	600	2	2,461	3270065	3,326	3270066	4,191	3270067
150 CTE 200 DD30°	150	200	2	0,932	3270068	1,242	3270069	1,552	3270070
150 CTE 250 DD30°	150	250	2	1,141	3270071	1,520	3270072	1,900	3270073
150 CTE 300 DD30°	150	300	2	1,350	3270074	1,799	3270075	2,248	3270076
150 CTE 400 DD30°	150	400	2	1,769	3270077	2,356	3270078	2,944	3270079
150 CTE 500 DD30°	150	500	2	2,187	3270080	2,913	3270081	3,640	3270082
150 CTE 600 DD30°	150	600	2	2,605	3270083	3,471	3270084	4,336	3270085

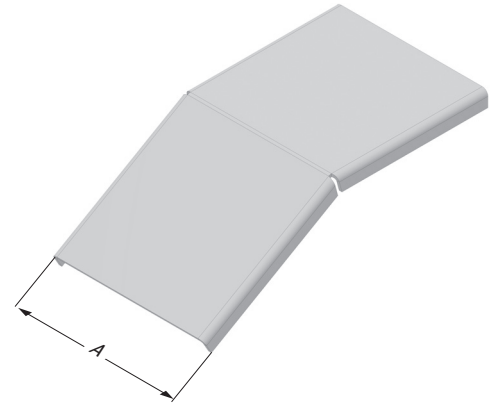


■ Please contact us for special dimensions.
■ Material weights may vary by ± 10%

■ Please indicate order code in your orders.
■ All dimensions are given as in mm

■ PG= Pre-Galvanized
■ HDG= Hot Dip Galvanized

Description	H (mm)	A (mm)	T (mm)	R300		R450		R600	
				Weight (kg/pcs)	HDG Code	Weight (kg/pcs)	HDG Code	Weight (kg/pcs)	HDG Code
040 CTE 050 DD45°	40	50	2	0,355	3270086	0,514	3270087	0,671	3270088
040 CTE 100 DD45°	40	100	2	0,601	3270089	0,865	3270090	1,130	3270091
040 CTE 150 DD45°	40	150	2	0,845	3270092	1,217	3270093	1,590	3270094
040 CTE 200 DD45°	40	200	2	1,089	3270095	1,569	3270096	2,048	3270097
040 CTE 250 DD45°	40	250	2	1,334	3270098	1,921	3270099	2,507	3270100
040 CTE 300 DD45°	40	300	2	1,579	3270101	2,273	3270102	2,967	3270103
040 CTE 400 DD45°	40	400	2	2,068	3270104	2,977	3270105	3,885	3270106
040 CTE 500 DD45°	40	500	2	2,556	3270107	3,680	3270108	4,804	3270109
040 CTE 600 DD45°	40	600	2	3,046	3270110	4,384	3270111	5,721	3270112
050 CTE 050 DD45°	50	50	2	0,366	3270113	0,524	3270114	0,681	3270115
050 CTE 100 DD45°	50	100	2	0,618	3270116	0,883	3270117	1,147	3270118
050 CTE 150 DD45°	50	150	2	0,870	3270119	1,242	3270120	1,614	3270121
050 CTE 200 DD45°	50	200	2	1,121	3270122	1,601	3270123	2,080	3270124
050 CTE 250 DD45°	50	250	2	1,373	3270125	1,960	3270126	2,547	3270127
050 CTE 300 DD45°	50	300	2	1,625	3270128	2,319	3270129	3,013	3270130
050 CTE 400 DD45°	50	400	2	2,129	3270131	3,037	3270132	3,946	3270133
050 CTE 500 DD45°	50	500	2	2,631	3270134	3,754	3270135	4,879	3270136
050 CTE 600 DD45°	50	600	2	3,135	3270137	4,473	3270138	5,810	3270139
060 CTE 100 DD45°	60	100	2	0,636	3270140	0,901	3270141	1,165	3270142
060 CTE 150 DD45°	60	150	2	0,894	3270143	1,266	3270144	1,639	3270145
060 CTE 200 DD45°	60	200	2	1,153	3270146	1,632	3270147	2,112	3270148
060 CTE 250 DD45°	60	250	2	1,412	3270149	1,999	3270150	2,586	3270151
060 CTE 300 DD45°	60	300	2	1,671	3270152	2,365	3270153	3,059	3270154
060 CTE 400 DD45°	60	400	2	2,189	3270155	3,098	3270156	4,006	3270157
060 CTE 500 DD45°	60	500	2	2,706	3270158	3,829	3270159	4,953	3270160
060 CTE 600 DD45°	60	600	2	3,224	3270161	4,562	3270162	5,899	3270163
075 CTE 100 DD45°	75	100	2	0,662	3270164	0,927	3270165	1,191	3270166
075 CTE 150 DD45°	75	150	2	0,932	3270167	1,304	3270168	1,676	3270169
075 CTE 200 DD45°	75	200	2	1,201	3270170	1,681	3270171	2,160	3270172
075 CTE 250 DD45°	75	250	2	1,471	3270173	2,058	3270174	2,644	3270175
075 CTE 300 DD45°	75	300	2	1,740	3270176	2,434	3270177	3,128	3270178
075 CTE 400 DD45°	75	400	2	2,279	3270179	3,188	3270180	4,096	3270181
075 CTE 500 DD45°	75	500	2	2,818	3270182	3,942	3270183	5,066	3270184
075 CTE 600 DD45°	75	600	2	3,358	3270185	4,696	3270186	6,034	3270187
100 CTE 100 DD45°	100	100	2	0,706	3270188	0,971	3270189	1,236	3270190
100 CTE 150 DD45°	100	150	2	0,993	3270191	1,366	3270192	1,738	3270193
100 CTE 200 DD45°	100	200	2	1,282	3270194	1,761	3270195	2,240	3270196
100 CTE 250 DD45°	100	250	2	1,569	3270197	2,155	3270198	2,742	3270199
100 CTE 300 DD45°	100	300	2	1,856	3270200	2,550	3270201	3,244	3270202
100 CTE 400 DD45°	100	400	2	2,431	3270203	3,340	3270204	4,248	3270205
100 CTE 500 DD45°	100	500	2	3,006	3270206	4,129	3270207	5,253	3270208
100 CTE 600 DD45°	100	600	2	3,581	3270209	4,919	3270210	6,257	3270211
125 CTE 150 DD45°	125	150	2	1,056	3270212	1,428	3270213	1,800	3270214
125 CTE 200 DD45°	125	200	2	1,361	3270215	1,840	3270216	2,320	3270217
125 CTE 250 DD45°	125	250	2	1,667	3270218	2,253	3270219	2,840	3270220
125 CTE 300 DD45°	125	300	2	1,971	3270221	2,665	3270222	3,359	3270223
125 CTE 400 DD45°	125	400	2	2,583	3270224	3,491	3270225	4,401	3270226
125 CTE 500 DD45°	125	500	2	3,193	3270227	4,316	3270228	5,440	3270229
125 CTE 600 DD45°	125	600	2	3,804	3270230	5,141	3270231	6,480	3270232
150 CTE 200 DD45°	150	200	2	1,441	3270233	1,921	3270234	2,400	3270235
150 CTE 250 DD45°	150	250	2	1,764	3270236	2,351	3270237	2,938	3270238
150 CTE 300 DD45°	150	300	2	2,088	3270239	2,782	3270240	3,476	3270241
150 CTE 400 DD45°	150	400	2	2,734	3270242	3,642	3270243	4,551	3270244
150 CTE 500 DD45°	150	500	2	3,380	3270245	4,503	3270246	5,627	3270247
150 CTE 600 DD45°	150	600	2	4,027	3270248	5,365	3270249	6,702	3270250



■ Please contact us for special dimensions.
 ■ Material weights may vary by ± 10%

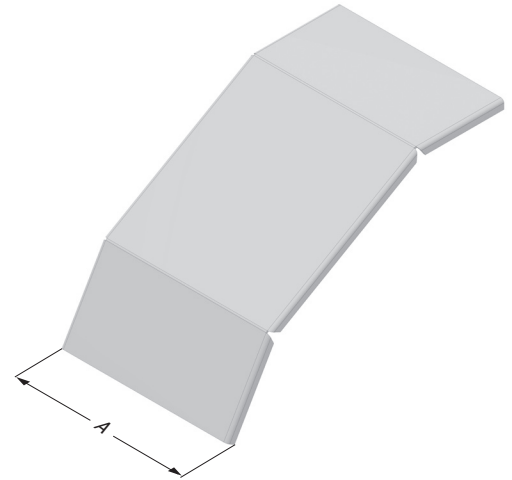
■ Please indicate order code in your orders.
 ■ All dimensions are given as in mm

■ PG= Pre-Galvanized
 ■ HDG= Hot Dip Galvanized

►► BEND COVER

► CTE DD 60° Vertical Outside Bend Cover (R300, R450, R600)
Hot Dip Galvanized (TS EN ISO 1461)

Description	H (mm)	A (mm)	T (mm)	R300		R450		R600	
				Weight (kg/pcs)	HDG Code	Weight (kg/pcs)	HDG Code	Weight (kg/pcs)	HDG Code
040 CTE 050 DD60°	40	50	2	0,460	3269754	0,667	3269755	0,873	3269756
040 CTE 100 DD60°	40	100	2	0,774	3269757	1,120	3269758	1,465	3269759
040 CTE 150 DD60°	40	150	2	1,089	3269760	1,574	3269761	2,058	3269762
040 CTE 200 DD60°	40	200	2	1,404	3269763	2,027	3269764	2,650	3269765
040 CTE 250 DD60°	40	250	2	1,718	3269766	2,481	3269767	3,243	3269768
040 CTE 300 DD60°	40	300	2	2,033	3269769	2,934	3269770	3,835	3269771
040 CTE 400 DD60°	40	400	2	2,662	3269772	3,841	3269773	5,019	3269774
040 CTE 500 DD60°	40	500	2	3,291	3269775	4,748	3269776	6,204	3269777
040 CTE 600 DD60°	40	600	2	3,920	3269778	5,654	3269779	7,388	3269780
050 CTE 050 DD60°	50	50	2	0,474	3269781	0,681	3269782	0,887	3269783
050 CTE 100 DD60°	50	100	2	0,798	3269784	1,143	3269785	1,488	3269786
050 CTE 150 DD60°	50	150	2	1,122	3269787	1,606	3269788	2,090	3269789
050 CTE 200 DD60°	50	200	2	1,445	3269790	2,068	3269791	2,692	3269792
050 CTE 250 DD60°	50	250	2	1,769	3269793	2,531	3269794	3,293	3269795
050 CTE 300 DD60°	50	300	2	2,093	3269796	2,994	3269797	3,895	3269798
050 CTE 400 DD60°	50	400	2	2,741	3269799	3,919	3269800	5,097	3269801
050 CTE 500 DD60°	50	500	2	3,389	3269802	4,844	3269803	6,301	3269804
050 CTE 600 DD60°	50	600	2	4,036	3269805	5,770	3269806	7,504	3269807
060 CTE 100 DD60°	60	100	2	0,821	3269808	1,166	3269809	1,511	3269810
060 CTE 150 DD60°	60	150	2	1,154	3269811	1,638	3269812	2,122	3269813
060 CTE 200 DD60°	60	200	2	1,487	3269814	2,110	3269815	2,734	3269816
060 CTE 250 DD60°	60	250	2	1,821	3269817	2,582	3269818	3,344	3269819
060 CTE 300 DD60°	60	300	2	2,153	3269820	3,054	3269821	3,955	3269822
060 CTE 400 DD60°	60	400	2	2,819	3269823	3,997	3269824	5,177	3269825
060 CTE 500 DD60°	60	500	2	3,486	3269826	4,941	3269827	6,398	3269828
060 CTE 600 DD60°	60	600	2	4,151	3269829	5,886	3269830	7,620	3269831
075 CTE 100 DD60°	75	100	2	0,856	3269832	1,201	3269833	1,547	3269834
075 CTE 150 DD60°	75	150	2	1,202	3269835	1,686	3269836	2,171	3269837
075 CTE 200 DD60°	75	200	2	1,549	3269838	2,173	3269839	2,795	3269840
075 CTE 250 DD60°	75	250	2	1,896	3269841	2,659	3269842	3,420	3269843
075 CTE 300 DD60°	75	300	2	2,243	3269844	3,144	3269845	4,045	3269846
075 CTE 400 DD60°	75	400	2	2,937	3269847	4,116	3269848	5,294	3269849
075 CTE 500 DD60°	75	500	2	3,631	3269850	5,088	3269851	6,544	3269852
075 CTE 600 DD60°	75	600	2	4,325	3269853	6,059	3269854	7,792	3269855
100 CTE 100 DD60°	100	100	2	0,913	3269856	1,258	3269857	1,604	3269858
100 CTE 150 DD60°	100	150	2	1,283	3269859	1,768	3269860	2,252	3269861
100 CTE 200 DD60°	100	200	2	1,653	3269862	2,276	3269863	2,900	3269864
100 CTE 250 DD60°	100	250	2	2,023	3269865	2,785	3269866	3,548	3269867
100 CTE 300 DD60°	100	300	2	2,394	3269868	3,295	3269869	4,195	3269870
100 CTE 400 DD60°	100	400	2	3,134	3269871	4,312	3269872	5,490	3269873
100 CTE 500 DD60°	100	500	2	3,874	3269874	5,330	3269875	6,786	3269876
100 CTE 600 DD60°	100	600	2	4,615	3269877	6,348	3269878	8,082	3269879
125 CTE 150 DD60°	125	150	2	1,364	3269880	1,848	3269881	2,332	3269882
125 CTE 200 DD60°	125	200	2	1,757	3269883	2,380	3269884	3,003	3269885
125 CTE 250 DD60°	125	250	2	2,151	3269886	2,912	3269887	3,674	3269888
125 CTE 300 DD60°	125	300	2	2,543	3269889	3,444	3269890	4,345	3269891
125 CTE 400 DD60°	125	400	2	3,330	3269892	4,509	3269893	5,687	3269894
125 CTE 500 DD60°	125	500	2	4,116	3269895	5,573	3269896	7,029	3269897
125 CTE 600 DD60°	125	600	2	4,903	3269898	6,637	3269899	8,371	3269900
150 CTE 200 DD60°	150	200	2	1,857	3269901	2,484	3269902	3,108	3269903
150 CTE 250 DD60°	150	250	2	2,273	3269904	3,039	3269905	3,802	3269906
150 CTE 300 DD60°	150	300	2	2,687	3269907	3,595	3269908	4,496	3269909
150 CTE 400 DD60°	150	400	2	3,519	3269910	4,705	3269911	5,883	3269912
150 CTE 500 DD60°	150	500	2	4,349	3269913	5,816	3269914	7,271	3269915
150 CTE 600 DD60°	150	600	2	5,181	3269916	6,926	3269917	8,659	3269918

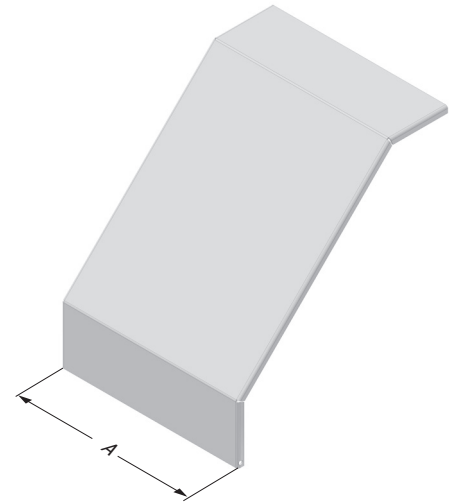


■ Please contact us for special dimensions.
■ Material weights may vary by ± 10%

■ Please indicate order code in your orders.
■ All dimensions are given as in mm

■ PG= Pre-Galvanized
■ HDG= Hot Dip Galvanized

Description	H (mm)	A (mm)	T (mm)	R300		R600		R600	
				Weight (kg/pcs)	HDG Code	Weight (kg/pcs)	HDG Code	Weight (kg/pcs)	HDG Code
040 CTE 050 DD90°	40	50	2	0,512	3005139	0,673	3005194	0,835	3005249
040 CTE 100 DD90°	40	100	2	0,854	3005140	1,123	3005195	1,393	3005250
040 CTE 150 DD90°	40	150	2	1,197	3005141	1,573	3005196	1,949	3005251
040 CTE 200 DD90°	40	200	2	1,539	3005142	2,023	3005197	2,507	3005252
040 CTE 250 DD90°	40	250	2	1,882	3005143	2,473	3005198	3,064	3005253
040 CTE 300 DD90°	40	300	2	2,224	3005144	2,923	3005199	3,621	3005254
040 CTE 400 DD90°	40	400	2	2,910	3005145	3,823	3005200	4,736	3005255
040 CTE 500 DD90°	40	500	2	3,595	3005146	4,722	3005201	5,850	3005256
040 CTE 600 DD90°	40	600	2	4,280	3005147	5,622	3005202	6,964	3005257
050 CTE 050 DD90°	50	50	2	0,534	3005148	0,695	3005203	0,857	3005258
050 CTE 100 DD90°	50	100	2	0,890	3005149	1,159	3005204	1,428	3005259
050 CTE 150 DD90°	50	150	2	1,247	3005150	1,624	3005205	2,000	3005260
050 CTE 200 DD90°	50	200	2	1,604	3005151	2,088	3005206	2,572	3005261
050 CTE 250 DD90°	50	250	2	1,960	3005152	2,552	3005207	3,143	3005262
050 CTE 300 DD90°	50	300	2	2,318	3005153	3,016	3005208	3,715	3005263
050 CTE 400 DD90°	50	400	2	3,032	3005154	3,945	3005209	4,858	3005264
050 CTE 500 DD90°	50	500	2	3,746	3005155	4,873	3005210	6,001	3005265
050 CTE 600 DD90°	50	600	2	4,459	3005156	5,801	3005211	7,143	3005266
060 CTE 100 DD90°	60	100	2	0,926	3005157	1,195	3005212	1,464	3005267
060 CTE 150 DD90°	60	150	2	1,297	3005158	1,673	3005213	2,050	3005268
060 CTE 200 DD90°	60	200	2	1,669	3005159	2,152	3005214	2,636	3005269
060 CTE 250 DD90°	60	250	2	2,039	3005160	2,630	3005215	3,222	3005270
060 CTE 300 DD90°	60	300	2	2,411	3005161	3,109	3005216	3,807	3005271
060 CTE 400 DD90°	60	400	2	3,153	3005162	4,066	3005217	4,979	3005272
060 CTE 500 DD90°	60	500	2	3,895	3005163	5,023	3005218	6,151	3005273
060 CTE 600 DD90°	60	600	2	4,638	3005164	5,981	3005219	7,323	3005274
075 CTE 100 DD90°	75	100	2	0,980	3005165	1,249	3005220	1,518	3005275
075 CTE 150 DD90°	75	150	2	1,373	3005166	1,749	3005221	2,125	3005276
075 CTE 200 DD90°	75	200	2	1,766	3005167	2,248	3005222	2,732	3005277
075 CTE 250 DD90°	75	250	2	2,158	3005168	2,749	3005223	3,340	3005278
075 CTE 300 DD90°	75	300	2	2,551	3005169	3,248	3005224	3,947	3005279
075 CTE 400 DD90°	75	400	2	3,335	3005170	4,248	3005225	5,161	3005280
075 CTE 500 DD90°	75	500	2	4,121	3005171	5,248	3005226	6,377	3005281
075 CTE 600 DD90°	75	600	2	4,906	3005172	6,249	3005227	7,591	3005282
100 CTE 100 DD90°	100	100	2	1,069	3005173	1,339	3005228	1,608	3005283
100 CTE 150 DD90°	100	150	2	1,498	3005174	1,874	3005229	2,251	3005284
100 CTE 200 DD90°	100	200	2	1,926	3005175	2,410	3005230	2,894	3005285
100 CTE 250 DD90°	100	250	2	2,355	3005176	2,946	3005231	3,537	3005286
100 CTE 300 DD90°	100	300	2	2,783	3005177	3,482	3005232	4,180	3005287
100 CTE 400 DD90°	100	400	2	3,640	3005178	4,553	3005233	5,466	3005288
100 CTE 500 DD90°	100	500	2	4,497	3005179	5,624	3005234	6,752	3005289
100 CTE 600 DD90°	100	600	2	5,354	3005180	6,696	3005235	8,038	3005290
125 CTE 150 DD90°	125	150	2	1,624	3005181	2,000	3005236	2,376	3005291
125 CTE 200 DD90°	125	200	2	2,088	3005182	2,572	3005237	3,055	3005292
125 CTE 250 DD90°	125	250	2	2,552	3005183	3,143	3005238	3,733	3005293
125 CTE 300 DD90°	125	300	2	3,016	3005184	3,715	3005239	4,413	3005294
125 CTE 400 DD90°	125	400	2	3,945	3005185	4,858	3005240	5,771	3005295
125 CTE 500 DD90°	125	500	2	4,873	3005186	6,001	3005241	7,128	3005296
125 CTE 600 DD90°	125	600	2	5,801	3005187	7,143	3005242	8,485	3005297
150 CTE 200 DD90°	150	200	2	2,248	3005188	2,732	3005243	3,216	3005298
150 CTE 250 DD90°	150	250	2	2,749	3005189	3,340	3005244	3,931	3005299
150 CTE 300 DD90°	150	300	2	3,248	3005190	3,947	3005245	4,645	3005300
150 CTE 400 DD90°	150	400	2	4,248	3005191	5,161	3005246	6,074	3005301
150 CTE 500 DD90°	150	500	2	5,248	3005192	6,377	3005247	7,504	3005302
150 CTE 600 DD90°	150	600	2	6,249	3005193	7,591	3005248	8,933	3005303



CT

■ Please contact us for special dimensions.
 ■ Material weights may vary by ± 10%

■ Please indicate order code in your orders.
 ■ All dimensions are given as in mm

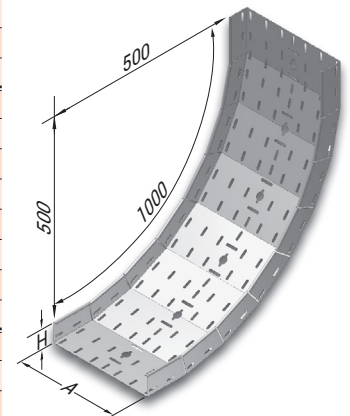
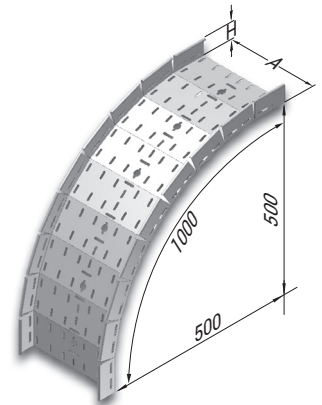
■ PG= Pre-Galvanized
 ■ HDG= Hot Dip Galvanized

▶▶ ADJUSTABLE CONCAVE BEND

▶ CTE Adjustable Vertical Inside Bend

Hot Dip Galvanized (TS EN ISO 1461)

Description	H (mm)	A (mm)	T=1		T=1,2		T=1,5		T=2	
			Weight (kg/pcs)	HDG Code	Weight (kg/pcs)	HDG Code	Weight (kg/pcs)	HDG Code	Weight (kg/pcs)	HDG Code
040 CTE 050 ADJ. CONCAVE	40	50	1,040	3004340	1,228	3301417	1,574	3300413	2,155	3300427
040 CTE 100 ADJ. CONCAVE	40	100	1,437	3004342	1,770	3301418	2,134	3300414	2,878	3300428
040 CTE 150 ADJ. CONCAVE	40	150	1,791	3004344	2,195	3301419	2,664	3300415	3,585	3300429
040 CTE 200 ADJ. CONCAVE	40	200	2,144	3300358	2,619	3004346	3,196	3300416	4,292	3300430
040 CTE 250 ADJ. CONCAVE	40	250	2,498	3300359	3,044	3004348	3,726	3300417	5,001	3300431
040 CTE 300 ADJ. CONCAVE	40	300	2,852	3300360	3,468	3301420	4,257	3004350	5,708	3300432
040 CTE 400 ADJ. CONCAVE	40	400	-	-	-	-	5,319	3004352	7,117	3300433
040 CTE 500 ADJ. CONCAVE	40	500	-	-	-	-	6,379	3004354	8,485	3300434
040 CTE 600 ADJ. CONCAVE	40	600	-	-	-	-	7,440	3004356	9,900	3300435
050 CTE 050 ADJ. CONCAVE	50	50	1,191	3004376	1,447	3301421	1,807	3300418	2,419	3300436
050 CTE 100 ADJ. CONCAVE	50	100	1,587	3004378	1,951	3301422	2,361	3300419	3,126	3300437
050 CTE 150 ADJ. CONCAVE	50	150	1,942	3004380	2,376	3301423	2,891	3300420	3,834	3300438
050 CTE 200 ADJ. CONCAVE	50	200	2,296	3300361	2,748	3004382	3,422	3300421	4,542	3300439
050 CTE 250 ADJ. CONCAVE	50	250	2,649	3004384	3,172	3301424	3,952	3300422	5,249	3300440
050 CTE 300 ADJ. CONCAVE	50	300	3,003	3300362	3,597	3301425	4,484	3004386	5,957	3300441
050 CTE 400 ADJ. CONCAVE	50	400	-	-	-	-	5,544	3004388	7,372	3300442
050 CTE 500 ADJ. CONCAVE	50	500	-	-	-	-	6,606	3004390	8,787	3300443
050 CTE 600 ADJ. CONCAVE	50	600	-	-	-	-	7,667	3004392	10,203	3300444
060 CTE 100 ADJ. CONCAVE	60	100	1,736	3004360	2,076	3301426	2,582	3300423	3,422	3300445
060 CTE 150 ADJ. CONCAVE	60	150	2,090	3004362	2,500	3301427	3,113	3300424	4,129	3300446
060 CTE 200 ADJ. CONCAVE	60	200	2,443	3300363	2,925	3004364	3,643	3300425	4,837	3300447
060 CTE 250 ADJ. CONCAVE	60	250	2,797	3300364	3,350	3004366	4,175	3300426	5,544	3300448
060 CTE 300 ADJ. CONCAVE	60	300	3,150	3300365	3,774	3301428	4,705	3004368	6,252	3300449
060 CTE 400 ADJ. CONCAVE	60	400	-	-	-	-	5,766	3004370	7,667	3300450
060 CTE 500 ADJ. CONCAVE	60	500	-	-	-	-	6,828	3004372	9,083	3300451
060 CTE 600 ADJ. CONCAVE	60	600	-	-	-	-	7,889	3004374	10,497	3300452
075 CTE 100 ADJ. CONCAVE	75	100	-	-	-	-	2,868	3004394	3,802	3300453
075 CTE 150 ADJ. CONCAVE	75	150	-	-	-	-	3,398	3004358	4,509	3300454
075 CTE 200 ADJ. CONCAVE	75	200	-	-	-	-	3,929	3004396	5,216	3300455
075 CTE 250 ADJ. CONCAVE	75	250	-	-	-	-	4,459	3004398	5,925	3300456
075 CTE 300 ADJ. CONCAVE	75	300	-	-	-	-	4,990	3004400	6,632	3300457
075 CTE 400 ADJ. CONCAVE	75	400	-	-	-	-	6,051	3004402	8,047	3300458
075 CTE 500 ADJ. CONCAVE	75	500	-	-	-	-	7,113	3004404	9,462	3300459
075 CTE 600 ADJ. CONCAVE	75	600	-	-	-	-	8,174	3004406	10,877	3300460
100 CTE 100 ADJ. CONCAVE	100	100	-	-	-	-	3,344	3004408	4,437	3300461
100 CTE 150 ADJ. CONCAVE	100	150	-	-	-	-	3,875	3004410	5,145	3300462
100 CTE 200 ADJ. CONCAVE	100	200	-	-	-	-	4,406	3234606	5,852	3300463
100 CTE 250 ADJ. CONCAVE	100	250	-	-	-	-	4,937	3234607	6,559	3300464
100 CTE 300 ADJ. CONCAVE	100	300	-	-	-	-	5,467	3234608	7,268	3300465
100 CTE 400 ADJ. CONCAVE	100	400	-	-	-	-	6,529	3234609	8,682	3300466
100 CTE 500 ADJ. CONCAVE	100	500	-	-	-	-	7,590	3234610	10,098	3300467
100 CTE 600 ADJ. CONCAVE	100	600	-	-	-	-	8,652	3234611	11,513	3300468
125 CTE 150 ADJ. CONCAVE	125	150	-	-	-	-	4,360	3234613	5,792	3300469
125 CTE 200 ADJ. CONCAVE	125	200	-	-	-	-	4,892	3234614	6,499	3300470
125 CTE 250 ADJ. CONCAVE	125	250	-	-	-	-	5,422	3234615	7,206	3300471
125 CTE 300 ADJ. CONCAVE	125	300	-	-	-	-	5,953	3234616	7,913	3300472
125 CTE 400 ADJ. CONCAVE	125	400	-	-	-	-	7,014	3234617	9,329	3300473
125 CTE 500 ADJ. CONCAVE	125	500	-	-	-	-	8,075	3234618	10,744	3300474
125 CTE 600 ADJ. CONCAVE	125	600	-	-	-	-	9,137	3234619	12,159	3300475
150 CTE 200 ADJ. CONCAVE	150	200	-	-	-	-	5,347	3234622	7,106	3300476
150 CTE 250 ADJ. CONCAVE	150	250	-	-	-	-	5,877	3234623	7,813	3300477
150 CTE 300 ADJ. CONCAVE	150	300	-	-	-	-	6,409	3234624	8,521	3300478
150 CTE 400 ADJ. CONCAVE	150	400	-	-	-	-	7,470	3234625	9,936	3300479
150 CTE 500 ADJ. CONCAVE	150	500	-	-	-	-	8,531	3234626	11,351	3300480
150 CTE 600 ADJ. CONCAVE	150	600	-	-	-	-	9,592	3234627	12,767	3300481



■ Please contact us for special dimensions.
 ■ Material weights may vary by ± 10%

■ Please indicate order code in your orders.
 ■ All dimensions are given as in mm

■ PG= Pre-Galvanized
 ■ HDG= Hot Dip Galvanized

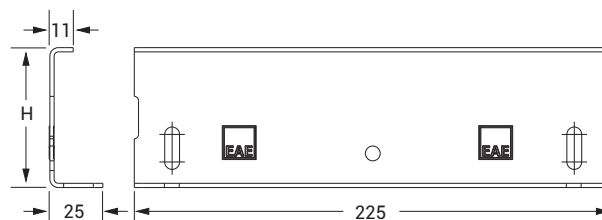
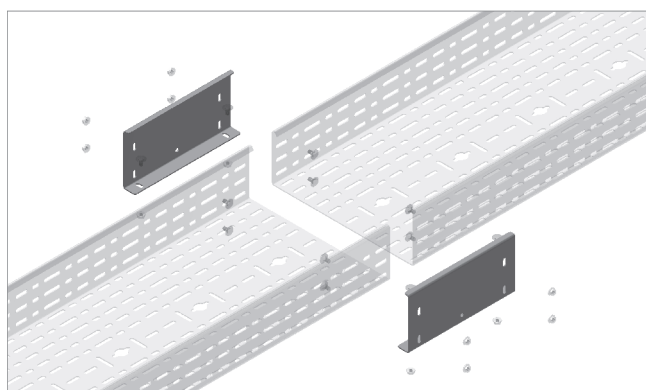
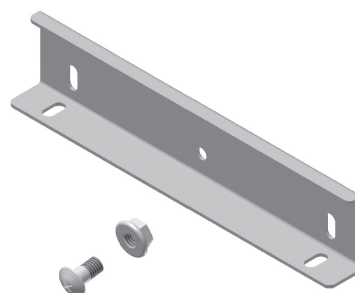
E-LINECT

►► CTE EXPANSION SET

Hot Dip Galvanized (TS EN ISO 1461)



Description	Joining Ladder Thickness (mm)	H (mm)	T (mm)	Weight (kg/pcs)	HDG Code
40 CTE EXPANSION SET	1 - 1,2	40	2	0,627	3006612
40 CTE EXPANSION SET	1,5 - 2	40	2	0,627	3006615
50 CTE EXPANSION SET	1 - 1,2	50	2	0,706	3006613
50 CTE EXPANSION SET	1,5 - 2	50	2	0,706	3006616
60 CTE EXPANSION SET	1 - 1,2	60	2	0,783	3006614
60 CTE EXPANSION SET	1,5 - 2	60	2	0,783	3006617
75 CTE EXPANSION SET	1 - 1,2	75	2	0,900	3006618
100 CTE EXPANSION SET	1,5 - 2	100	2	1,087	3006619
125 CTE EXPANSION SET	1 - 1,2	125	2	1,164	3006620
150 CTE EXPANSION SET	1,5 - 2	150	2	1,334	3006621

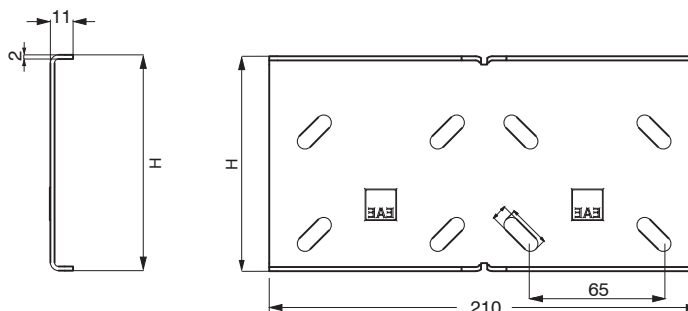
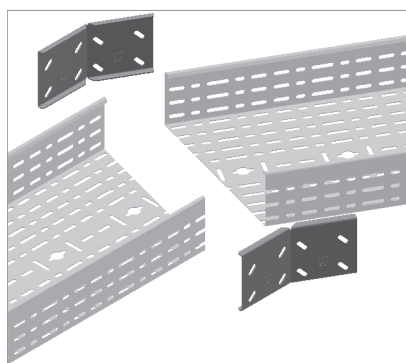
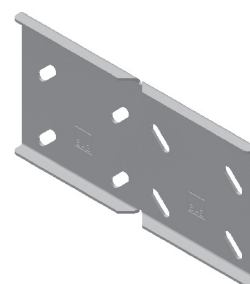


- Expansion set allows 35mm expansion.
- Expansion set includes 2 pcs expansion unit and 8 pcs bolts&nuts for 40-50-60-75-100mm height.
- Expansion set includes 2 pcs expansion unit and 12 pcs bolts&nuts for 125&150mm height.

► CTE Notched Joint Fitting

Hot Dip Galvanized (TS EN ISO 1461)

Description	H (mm)	Weight (kg/pcs)	HDG Code
040 CTE HINGED JOINT FITTING	45	0,205	3187841
050 CTE HINGED JOINT FITTING	55	0,241	3187842
060 CTE HINGED JOINT FITTING	65	0,278	3187843
075 CTE HINGED JOINT FITTING	80	0,322	3187844
100 CTE HINGED JOINT FITTING	105	0,413	3187845
125 CTE HINGED JOINT FITTING	130	0,484	3187846
150 CTE HINGED JOINT FITTING	155	0,584	3187847

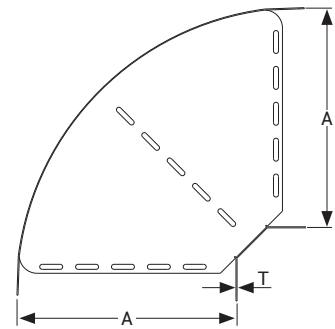
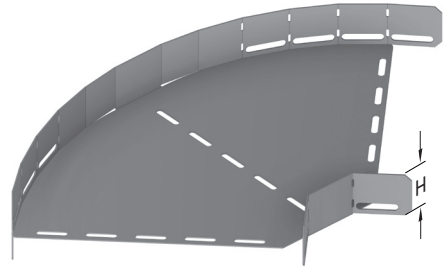


- Please contact us for special dimensions.
- Material weights may vary by $\pm 10\%$

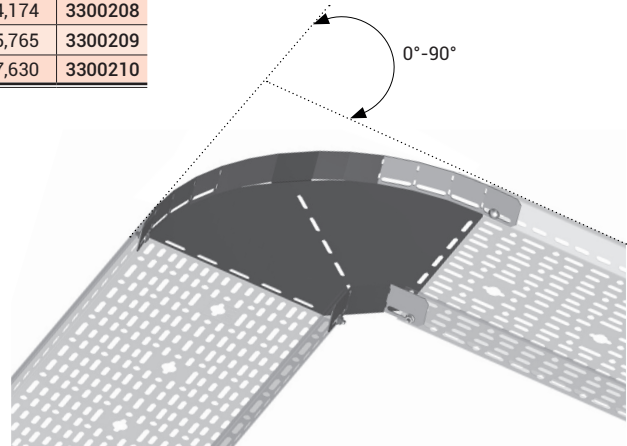
- Please indicate order code in your orders.
- All dimensions are given as in mm

- PG= Pre-Galvanized
- HDG= Hot Dip Galvanized

Description	H (mm)	A (mm)	T=1,2		T=1,5		T=2	
			Weight (kg/pcs)	HDG Code	Weight (kg/pcs)	HDG Code	Weight (kg/pcs)	HDG Code
40 CTE 100 FLEXIBLE BEND	40	100	0,301	3300151	0,376	3134535	0,502	3300181
40 CTE 200 FLEXIBLE BEND	40	200	0,673	3300152	0,842	3134540	1,122	3300182
40 CTE 300 FLEXIBLE BEND	40	300	1,193	3300153	1,492	3134541	1,989	3300183
40 CTE 400 FLEXIBLE BEND	40	400	1,914	3300154	2,393	3134542	3,190	3300184
40 CTE 500 FLEXIBLE BEND	40	500	2,775	3300155	3,468	3134543	4,624	3300185
40 CTE 600 FLEXIBLE BEND	40	600	3,799	3300156	4,749	3134544	6,332	3300186
50 CTE 100 FLEXIBLE BEND	50	100	0,356	3300157	0,446	3134545	0,594	3300187
50 CTE 200 FLEXIBLE BEND	50	200	0,750	3300158	0,937	3134547	1,250	3300188
50 CTE 300 FLEXIBLE BEND	50	300	1,280	3300159	1,601	3134548	2,134	3300189
50 CTE 400 FLEXIBLE BEND	50	400	2,032	3300160	2,540	3134549	3,387	3300190
50 CTE 500 FLEXIBLE BEND	50	500	2,914	3300161	3,642	3134550	4,856	3300191
50 CTE 600 FLEXIBLE BEND	50	600	3,958	3300162	4,948	3134551	6,597	3300192
60 CTE 100 FLEXIBLE BEND	60	100	0,411	3300163	0,514	3134552	0,685	3300193
60 CTE 200 FLEXIBLE BEND	60	200	0,824	3300164	1,030	3134554	1,373	3300194
60 CTE 300 FLEXIBLE BEND	60	300	1,365	3300165	1,706	3134555	2,275	3300195
60 CTE 400 FLEXIBLE BEND	60	400	2,145	3300166	2,682	3134556	3,576	3300196
60 CTE 500 FLEXIBLE BEND	60	500	3,047	3300167	3,808	3134557	5,078	3300197
60 CTE 600 FLEXIBLE BEND	60	600	4,110	3300168	5,138	3134558	6,851	3300198
75 CTE 100 FLEXIBLE BEND	75	100	0,474	3300169	0,593	3134559	0,791	3300199
75 CTE 200 FLEXIBLE BEND	75	200	0,905	3300170	1,131	3134561	1,508	3300200
75 CTE 300 FLEXIBLE BEND	75	300	1,461	3300171	1,826	3134562	2,435	3300201
75 CTE 400 FLEXIBLE BEND	75	400	2,269	3300172	2,836	3134563	3,781	3300202
75 CTE 500 FLEXIBLE BEND	75	500	3,186	3300173	3,983	3134564	5,311	3300203
75 CTE 600 FLEXIBLE BEND	75	600	4,268	3300174	5,335	3134565	7,113	3300204
100 CTE 100 FLEXIBLE BEND	100	100	0,592	3300175	0,740	3134566	0,987	3300205
100 CTE 200 FLEXIBLE BEND	100	200	1,060	3300176	1,324	3134568	1,766	3300206
100 CTE 300 FLEXIBLE BEND	100	300	1,641	3300177	2,052	3134569	2,735	3300207
100 CTE 400 FLEXIBLE BEND	100	400	2,504	3300178	3,131	3134570	4,174	3300208
100 CTE 500 FLEXIBLE BEND	100	500	3,459	3300179	4,324	3134571	5,765	3300209
100 CTE 600 FLEXIBLE BEND	100	600	4,578	3300180	5,722	3134572	7,630	3300210



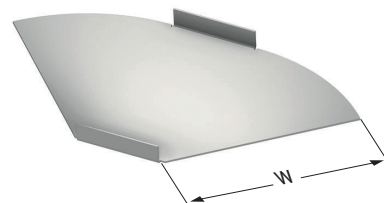
* M6 x 12 bolt set can be selected with the product.



► CTE Flexible Bend Cover

Hot Dip Galvanized (TS EN ISO 1461)

Description	W (mm)	T (mm)	Weight (kg)	HDG Code
100 CTE Flexible Bend Cover	105	1	0,127	3253947
150 CTE Flexible Bend Cover	155	1	0,235	3253948
200 CTE Flexible Bend Cover	205	1	0,378	3253949
300 CTE Flexible Bend Cover	305	1,2	0,919	3253950
400 CTE Flexible Bend Cover	405	1,2	1,547	3253951
500 CTE Flexible Bend Cover	505	1,5	2,921	3253952
600 CTE Flexible Bend Cover	605	1,5	4,112	3253953

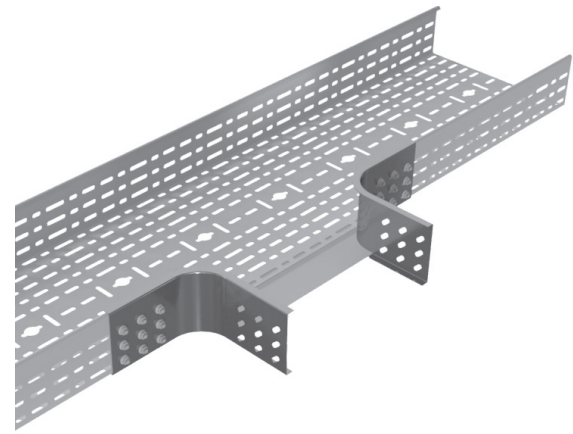
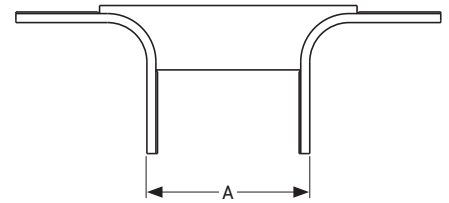
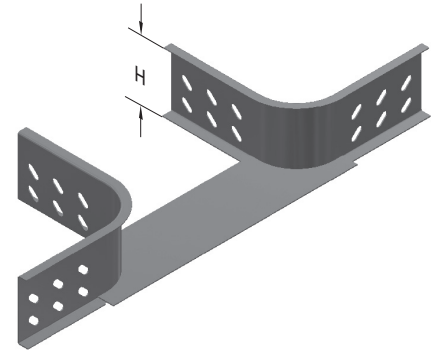


■ Please contact us for special dimensions.
 ■ Material weights may vary by ± 10%

■ Please indicate order code in your orders.
 ■ All dimensions are given as in mm

■ PG= Pre-Galvanized
 ■ HDG= Hot Dip Galvanized

Description	H (mm)	A (mm)	T=1,2		T=1,5		T=2	
			Weight (kg/pcs)	HDG Code	Weight (kg/pcs)	HDG Code	Weight (kg/pcs)	HDG Code
040 CTE 050 ADD-ON TEE	40	50	0,470	3086483	0,578	3300771	0,771	3300826
040 CTE 100 ADD-ON TEE	40	100	0,508	3086484	0,625	3300772	0,834	3300827
040 CTE 150 ADD-ON TEE	40	150	0,545	3086485	0,672	3300773	0,897	3300828
040 CTE 200 ADD-ON TEE	40	200	0,584	3086486	0,720	3300774	0,960	3300829
040 CTE 250 ADD-ON TEE	40	250	0,621	3086487	0,767	3300775	1,023	3300830
040 CTE 300 ADD-ON TEE	40	300	0,659	3086488	0,814	3300776	1,086	3300831
040 CTE 400 ADD-ON TEE	40	400	0,735	3086489	0,909	3300777	1,212	3300832
040 CTE 500 ADD-ON TEE	40	500	0,810	3086490	1,003	3300778	1,338	3300833
040 CTE 600 ADD-ON TEE	40	600	0,886	3086491	1,098	3300779	1,464	3300834
050 CTE 050 ADD-ON TEE	50	50	0,534	3086492	0,658	3300780	0,877	3300835
050 CTE 100 ADD-ON TEE	50	100	0,572	3086493	0,705	3300781	0,939	3300836
050 CTE 150 ADD-ON TEE	50	150	0,609	3086494	0,752	3300782	1,002	3300837
050 CTE 200 ADD-ON TEE	50	200	0,647	3086495	0,799	3300783	1,066	3300838
050 CTE 250 ADD-ON TEE	50	250	0,685	3086496	0,846	3300784	1,129	3300839
050 CTE 300 ADD-ON TEE	50	300	0,723	3086497	0,893	3300785	1,191	3300840
050 CTE 400 ADD-ON TEE	50	400	0,799	3086498	0,988	3300786	1,318	3300841
050 CTE 500 ADD-ON TEE	50	500	0,874	3086499	1,082	3300787	1,443	3300842
050 CTE 600 ADD-ON TEE	50	600	0,950	3086500	1,177	3300788	1,570	3300843
060 CTE 100 ADD-ON TEE	60	100	0,635	3086501	0,784	3300789	1,045	3300844
060 CTE 150 ADD-ON TEE	60	150	0,673	3086502	0,831	3300790	1,108	3300845
060 CTE 200 ADD-ON TEE	60	200	0,711	3086503	0,879	3300791	1,172	3300846
060 CTE 250 ADD-ON TEE	60	250	0,749	3086504	0,926	3300792	1,234	3300847
060 CTE 300 ADD-ON TEE	60	300	0,787	3086505	0,973	3300793	1,297	3300848
060 CTE 400 ADD-ON TEE	60	400	0,862	3086506	1,068	3300794	1,423	3300849
060 CTE 500 ADD-ON TEE	60	500	0,938	3086507	1,162	3300795	1,549	3300850
060 CTE 600 ADD-ON TEE	60	600	1,014	3086508	1,256	3300796	1,675	3300851
075 CTE 100 ADD-ON TEE	75	100	0,717	3086509	0,886	3300797	1,181	3300852
075 CTE 150 ADD-ON TEE	75	150	0,754	3086510	0,933	3300798	1,244	3300853
075 CTE 200 ADD-ON TEE	75	200	0,793	3086511	0,981	3300799	1,308	3300854
075 CTE 250 ADD-ON TEE	75	250	0,830	3086512	1,028	3300800	1,371	3300855
075 CTE 300 ADD-ON TEE	75	300	0,868	3086513	1,075	3300801	1,433	3300856
075 CTE 400 ADD-ON TEE	75	400	0,944	3086514	1,170	3300802	1,560	3300857
075 CTE 500 ADD-ON TEE	75	500	1,019	3086515	1,264	3300803	1,685	3300858
075 CTE 600 ADD-ON TEE	75	600	1,095	3086516	1,359	3300804	1,812	3300859
100 CTE 100 ADD-ON TEE	100	100	0,862	3086517	1,066	3300805	1,421	3300860
100 CTE 150 ADD-ON TEE	100	150	0,900	3086518	1,113	3300806	1,484	3300861
100 CTE 200 ADD-ON TEE	100	200	0,938	3086519	1,161	3300807	1,548	3300862
100 CTE 250 ADD-ON TEE	100	250	0,975	3086520	1,208	3300808	1,610	3300863
100 CTE 300 ADD-ON TEE	100	300	1,013	3086521	1,255	3300809	1,673	3300864
100 CTE 400 ADD-ON TEE	100	400	1,089	3086522	1,350	3300810	1,800	3300865
100 CTE 500 ADD-ON TEE	100	500	1,164	3086523	1,444	3300811	1,925	3300866
100 CTE 600 ADD-ON TEE	100	600	1,240	3086524	1,539	3300812	2,052	3300867
125 CTE 150 ADD-ON TEE	125	150	-	-	1,294	3086525	1,726	3300868
125 CTE 200 ADD-ON TEE	125	200	-	-	1,342	3086526	1,790	3300869
125 CTE 250 ADD-ON TEE	125	250	-	-	1,389	3086527	1,852	3300870
125 CTE 300 ADD-ON TEE	125	300	-	-	1,436	3086528	1,915	3300871
125 CTE 400 ADD-ON TEE	125	400	-	-	1,531	3086529	2,042	3300872
125 CTE 500 ADD-ON TEE	125	500	-	-	1,625	3086530	2,167	3300873
125 CTE 600 ADD-ON TEE	125	600	-	-	1,720	3086531	2,294	3300874
150 CTE 200 ADD-ON TEE	150	200	-	-	1,523	3086532	2,030	3300875
150 CTE 250 ADD-ON TEE	150	250	-	-	1,570	3086533	2,092	3300876
150 CTE 300 ADD-ON TEE	150	300	-	-	1,617	3086534	2,155	3300877
150 CTE 400 ADD-ON TEE	150	400	-	-	1,712	3086535	2,281	3300878
150 CTE 500 ADD-ON TEE	150	500	-	-	1,806	3086536	2,407	3300879
150 CTE 600 ADD-ON TEE	150	600	-	-	1,901	3086537	2,533	3300880



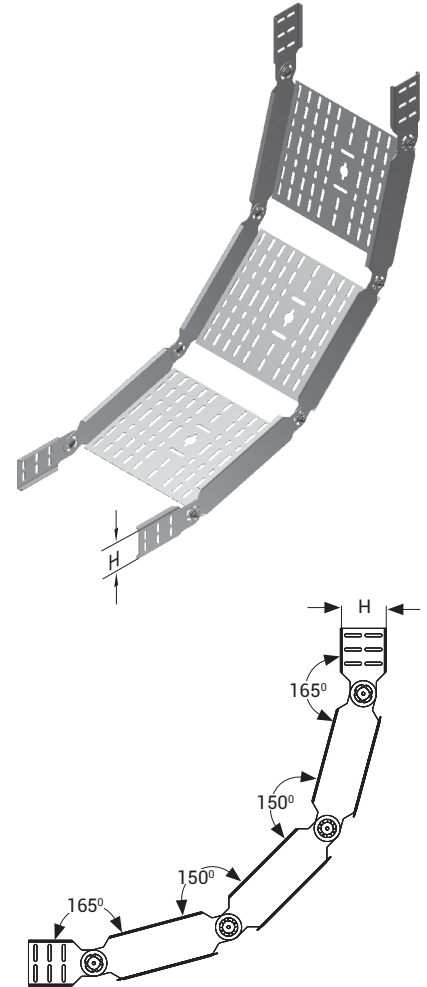
CT

■ Please contact us for special dimensions.
 ■ Material weights may vary by ± 10%

■ Please indicate order code in your orders.
 ■ All dimensions are given as in mm

■ PG= Pre-Galvanized
 ■ HDG= Hot Dip Galvanized

Description	H (mm)	A (mm)	T=1,2		T=1,5		T=2	
			Weight (kg/pcs)	HDG Code	Weight (kg/pcs)	HDG Code	Weight (kg/pcs)	HDG Code
040 CTE 050 SDM	40	50	1,323	3301109	1,803	3301151	2,405	3005390
040 CTE 100 SDM	40	100	1,555	3301110	2,121	3301152	2,828	3005388
040 CTE 150 SDM	40	150	1,789	3301111	2,440	3301153	3,253	3005386
040 CTE 200 SDM	40	200	2,023	3301112	2,758	3301154	3,677	3005384
040 CTE 250 SDM	40	250	2,256	3301113	3,076	3301155	4,102	3005382
040 CTE 300 SDM	40	300	2,490	3301114	3,395	3301156	4,527	3005380
040 CTE 400 SDM	40	400	2,957	3301115	4,032	3301157	5,376	3005378
040 CTE 500 SDM	40	500	3,424	3301116	4,669	3301158	6,225	3005376
040 CTE 600 SDM	40	600	3,891	3301117	5,306	3301159	7,074	3005374
050 CTE 050 SDM	50	50	1,473	3301118	2,008	3301160	2,677	3001193
050 CTE 100 SDM	50	100	1,706	3301119	2,327	3301161	3,102	3006707
050 CTE 150 SDM	50	150	1,940	3301120	2,645	3301162	3,527	3006705
050 CTE 200 SDM	50	200	2,173	3301121	2,963	3301163	3,951	3006703
050 CTE 250 SDM	50	250	2,407	3301122	3,282	3301164	4,376	3006701
050 CTE 300 SDM	50	300	2,640	3301123	3,600	3301165	4,800	3006699
050 CTE 400 SDM	50	400	3,107	3301124	4,237	3301166	5,650	3006697
050 CTE 500 SDM	50	500	3,574	3301125	4,873	3301167	6,498	3006695
050 CTE 600 SDM	50	600	4,041	3301126	5,510	3301168	7,347	3006693
060 CTE 100 SDM	60	100	1,909	3301127	2,603	3301169	3,471	3005372
060 CTE 150 SDM	60	150	2,142	3301128	2,921	3301170	3,895	3005370
060 CTE 200 SDM	60	200	2,376	3301129	3,240	3301171	4,320	3005368
060 CTE 250 SDM	60	250	2,609	3301130	3,558	3301172	4,744	3005366
060 CTE 300 SDM	60	300	2,843	3301131	3,877	3301173	5,169	3005364
060 CTE 400 SDM	60	400	3,310	3301132	4,514	3301174	6,018	3005362
060 CTE 500 SDM	60	500	3,776	3301133	5,150	3301175	6,866	3005360
060 CTE 600 SDM	60	600	4,243	3301134	5,787	3301176	7,715	3005358
075 CTE 100 SDM	75	100	1,992	3301135	2,717	3301177	3,622	3006691
075 CTE 150 SDM	75	150	2,148	3301136	2,930	3301178	3,906	3006689
075 CTE 200 SDM	75	200	2,304	3301137	3,142	3301179	4,190	3006687
075 CTE 250 SDM	75	250	2,460	3301138	3,354	3301180	4,473	3006685
075 CTE 300 SDM	75	300	2,616	3301139	3,567	3301181	4,756	3006683
075 CTE 400 SDM	75	400	2,928	3301140	3,992	3301182	5,323	3006681
075 CTE 500 SDM	75	500	3,240	3301141	4,418	3301183	5,891	3006679
075 CTE 600 SDM	75	600	3,551	3301142	4,843	3301184	6,457	3006677
100 CTE 100 SDM	100	100	2,281	3301143	3,110	3301185	4,147	3001194
100 CTE 150 SDM	100	150	2,437	3301144	3,323	3301186	4,431	3006675
100 CTE 200 SDM	100	200	2,592	3301145	3,535	3301187	4,714	3006673
100 CTE 250 SDM	100	250	2,749	3301146	3,748	3301188	4,997	3006671
100 CTE 300 SDM	100	300	2,905	3301147	3,961	3301189	5,281	3006669
100 CTE 400 SDM	100	400	3,216	3301148	4,386	3301190	5,848	3006667
100 CTE 500 SDM	100	500	3,528	3301149	4,811	3301191	6,414	3006665
100 CTE 600 SDM	100	600	3,840	3301150	5,236	3301192	6,982	3006663
125 CTE 150 SDM	125	150	-	-	3,623	3301193	4,830	3003313
125 CTE 200 SDM	125	200	-	-	3,759	3301194	5,012	3003314
125 CTE 250 SDM	125	250	-	-	3,895	3301195	5,193	3003315
125 CTE 300 SDM	125	300	-	-	4,031	3301196	5,375	3003316
125 CTE 400 SDM	125	400	-	-	4,302	3301197	5,737	3003317
125 CTE 500 SDM	125	500	-	-	4,575	3301198	6,100	3003318
125 CTE 600 SDM	125	600	-	-	4,847	3301199	6,463	3003319
150 CTE 200 SDM	150	200	-	-	4,037	3301200	5,382	3003320
150 CTE 250 SDM	150	250	-	-	4,173	3301201	5,564	3003321
150 CTE 300 SDM	150	300	-	-	4,309	3301202	5,745	3003322
150 CTE 400 SDM	150	400	-	-	4,581	3301203	6,108	3003323
150 CTE 500 SDM	150	500	-	-	4,853	3301204	6,470	3003324
150 CTE 600 SDM	150	600	-	-	5,125	3301205	6,833	3003325



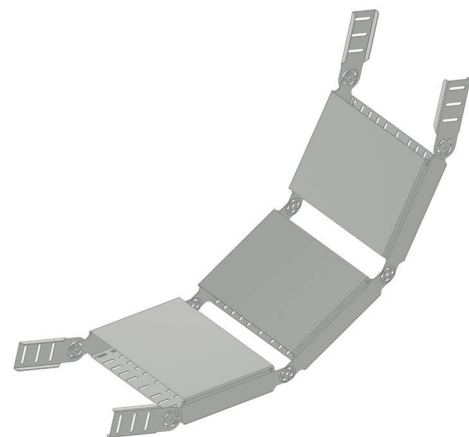
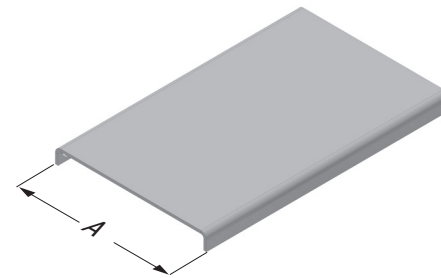
Includes:
 1 Unit of Level Adaptation Bend,
 16 Units of M6x12 Bolts,
 16 Units of M6 Bolt Nuts and
 4 Units of SDE.

■ Please contact us for special dimensions.
 ■ Material weights may vary by ± 10%

■ Please indicate order code in your orders.
 ■ All dimensions are given as in mm

■ PG= Pre-Galvanized
 ■ HDG= Hot Dip Galvanized

Description	A (mm)	T=1,2		T=1,5		T=2	
		Weight (kg/pcs)	HDG Code	Weight (kg/pcs)	HDG Code	Weight (kg/pcs)	HDG Code
040-050-060 CTE SDM COVER 50	50	0,148	3301015	0,185	3301056	0,246	3253425
040-050-060 CTE SDM COVER 100	100	0,251	3301016	0,314	3301057	0,419	3253426
040-050-060 CTE SDM COVER 150	150	0,355	3301017	0,444	3301058	0,592	3253427
040-050-060 CTE SDM COVER 200	200	0,459	3301018	0,573	3301059	0,765	3253428
040-050-060 CTE SDM COVER 250	250	0,562	3301019	0,703	3301060	0,937	3253429
040-050-060 CTE SDM COVER 300	300	0,666	3301020	0,832	3301061	1,110	3253430
040-050-060 CTE SDM COVER 400	400	0,873	3301021	1,091	3301062	1,455	3253431
040-050-060 CTE SDM COVER 500	500	1,080	3301022	1,351	3301063	1,801	3253432
040-050-060 CTE SDM COVER 600	600	1,288	3301023	1,610	3301064	2,146	3253433
075 CTE SDM COVER 100	100	0,214	3301024	0,267	3301065	0,356	3253435
075 CTE SDM COVER 150	150	0,302	3301025	0,378	3301066	0,504	3253436
075 CTE SDM COVER 200	200	0,390	3301026	0,488	3301067	0,650	3253437
075 CTE SDM COVER 250	250	0,478	3301027	0,597	3301068	0,796	3253439
075 CTE SDM COVER 300	300	0,566	3301028	0,708	3301069	0,944	3253441
075 CTE SDM COVER 400	400	0,743	3301029	0,928	3301070	1,238	3253442
075 CTE SDM COVER 500	500	0,919	3301030	1,148	3301071	1,531	3253443
075 CTE SDM COVER 600	600	1,095	3301031	1,369	3301072	1,825	3253444
100-125-150 CTE SDM COVER 100	100	0,189	3302054	0,236	3302053	0,315	3302052
100-125-150 CTE SDM COVER 150	150	0,267	3301032	0,333	3301073	0,444	3253445
100-125-150 CTE SDM COVER 200	200	0,344	3301033	0,430	3301074	0,573	3253446
100-125-150 CTE SDM COVER 250	250	0,422	3301034	0,527	3301075	0,703	3253447
100-125-150 CTE SDM COVER 300	300	0,500	3301035	0,625	3301076	0,833	3253448
100-125-150 CTE SDM COVER 400	400	0,655	3301036	0,818	3301077	1,091	3253449
100-125-150 CTE SDM COVER 500	500	0,810	3301037	1,013	3301078	1,351	3253450
100-125-150 CTE SDM COVER 600	600	0,966	3301038	1,207	3301079	1,609	3253451

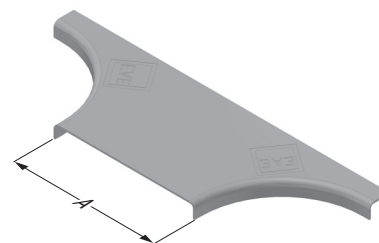


CT

►►CTE Add-On Tee Cover

Hot Dip Galvanized (TS EN ISO 1461)

Description	A (mm)	T=1,2		T=1,5		T=2	
		Weight (kg/pcs)	HDG Code	Weight (kg/pcs)	HDG Code	Weight (kg/pcs)	HDG Code
CTE 050 Add-On Tee Cover	50	0,097	3300905	0,121	3300914	0,161	3300923
CTE 100 Add-On Tee Cover	100	0,139	3300906	0,173	3300915	0,231	3300924
CTE 150 Add-On Tee Cover	150	0,179	3300907	0,224	3300916	0,299	3300925
CTE 200 Add-On Tee Cover	200	0,221	3300908	0,276	3300917	0,369	3300926
CTE 250 Add-On Tee Cover	250	0,263	3300909	0,329	3300918	0,438	3300927
CTE 300 Add-On Tee Cover	300	0,304	3300910	0,380	3300919	0,506	3300928
CTE 400 Add-On Tee Cover	400	0,387	3300911	0,484	3300920	0,645	3300929
CTE 500 Add-On Tee Cover	500	0,470	3300912	0,587	3300921	0,783	3300930
CTE 600 Add-On Tee Cover	600	0,552	3300913	0,690	3300922	0,920	3300931

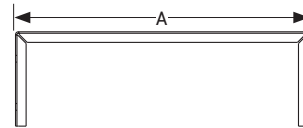
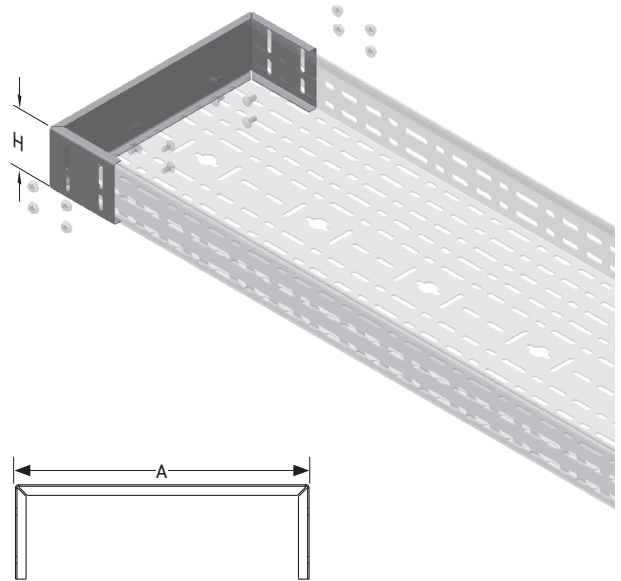


■ Please contact us for special dimensions.
 ■ Material weights may vary by ± 10%

■ Please indicate order code in your orders.
 ■ All dimensions are given as in mm

■ PG= Pre-Galvanized
 ■ HDG= Hot Dip Galvanized

Description	H (mm)	A (mm)	T (mm)	Weight (kg/pcs)	HDG Code
040 CTE 050	40	50	2	0,229	3030318
040 CTE 100	40	100	2	0,282	3030319
040 CTE 150	40	150	2	0,334	3030320
040 CTE 200	40	200	2	0,391	3030321
040 CTE 250	40	250	2	0,438	3030322
040 CTE 300	40	300	2	0,491	3030323
040 CTE 400	40	400	2	0,593	3030324
040 CTE 500	40	500	2	0,701	3030325
040 CTE 600	40	600	2	0,803	3030326
050 CTE 050	50	50	2	0,271	3030327
050 CTE 100	50	100	2	0,333	3030328
050 CTE 150	50	150	2	0,393	3030329
050 CTE 200	50	200	2	0,454	3030330
050 CTE 250	50	250	2	0,515	3030331
050 CTE 300	50	300	2	0,576	3030332
050 CTE 400	50	400	2	0,697	3030333
050 CTE 500	50	500	2	0,818	3030334
050 CTE 600	50	600	2	0,941	3030335
060 CTE 100	60	100	2	0,381	3030336
060 CTE 150	60	150	2	0,449	3030337
060 CTE 200	60	200	2	0,519	3030338
060 CTE 250	60	250	2	0,588	3030339
060 CTE 300	60	300	2	0,657	3030340
060 CTE 400	60	400	2	0,797	3030341
060 CTE 500	60	500	2	0,935	3030342
060 CTE 600	60	600	2	1,074	3030343
075 CTE 100	75	100	2	0,449	3030344
075 CTE 150	75	150	2	0,532	3030345
075 CTE 200	75	200	2	0,614	3030346
075 CTE 250	75	250	2	0,697	3030347
075 CTE 300	75	300	2	0,779	3030348
075 CTE 400	75	400	2	0,944	3030349
075 CTE 500	75	500	2	1,109	3030350
075 CTE 600	75	600	2	1,273	3030351
100 CTE 100	100	100	2	0,568	3030352
100 CTE 150	100	150	2	0,671	3030353
100 CTE 200	100	200	2	0,776	3030354
100 CTE 250	100	250	2	0,879	3030355
100 CTE 300	100	300	2	0,984	3030356
100 CTE 400	100	400	2	1,192	3030357
100 CTE 500	100	500	2	1,411	3030358
100 CTE 600	100	600	2	1,608	3030359
125 CTE 150	125	150	2	0,822	3030360
125 CTE 200	125	200	2	0,943	3030361
125 CTE 250	125	250	2	1,069	3030362
125 CTE 300	125	300	2	1,194	3030363
125 CTE 400	125	400	2	1,445	3030364
125 CTE 500	125	500	2	1,697	3030365
125 CTE 600	125	600	2	1,947	3030366
150 CTE 200	150	200	2	1,103	3030367
150 CTE 250	150	250	2	1,251	3030368
150 CTE 300	150	300	2	1,396	3030369
150 CTE 400	150	400	2	1,691	3030370
150 CTE 500	150	500	2	1,985	3030371
150 CTE 600	150	600	2	2,281	3030372



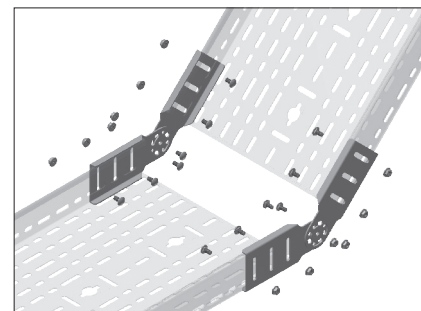
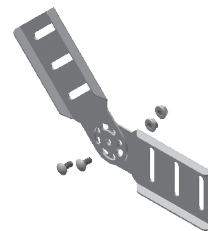
■ Please contact us for special dimensions.
 ■ Material weights may vary by ± 10%

■ Please indicate order code in your orders.
 ■ All dimensions are given as in mm

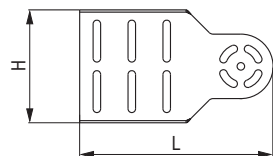
■ PG= Pre-Galvanized
 ■ HDG= Hot Dip Galvanized

Description	H (mm)	Paket Adedi (ad)	T=1,2		T=1,5		T=2	
			Weight (kg/pcs)	HDG Code	Weight (kg/pcs)	HDG Code	Weight (kg/pcs)	HDG Code
040 SDE	40	10	0,344	3300945	0,420	3300950	0,548	3005394
050 SDE	50	10	0,396	3300946	0,484	3300951	0,636	3006951
060 SDE	60	10	0,428	3300947	0,524	3300952	0,688	3005392
075 SDE	75	10	0,548	3300948	0,676	3300953	0,888	3006949
100 SDE	100	10	0,652	3300949	0,804	3300954	1,060	3006947
125 SDE	125	10	-	-	1,072	3300955	1,412	3003326
150 SDE	150	10	-	-	1,176	3300956	1,556	3003327

Level Adaptation Joint Set



Includes: 4 Units of Level Adaptation Joint, 4 Units of M6x12 Bolts, 4 Units of M6 Bolt Nuts.

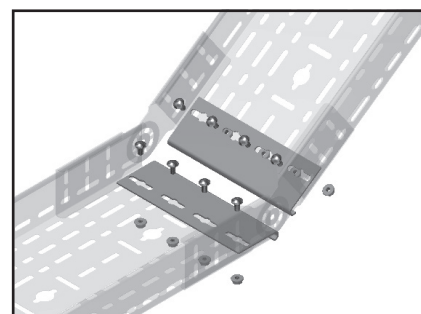
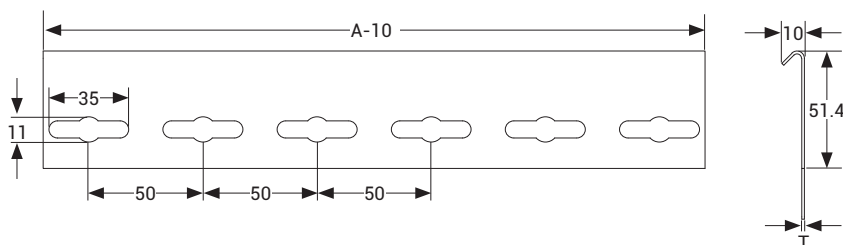
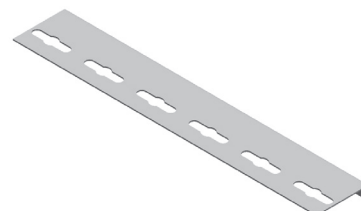


40/50/60 CTE-SDE L=160
75/100 CTE-SDE L=180

►► CTE SDE Bend Protection Plate

Hot Dip Galvanized (TS EN ISO 1461)

Description	A (mm)	T (mm)	Weight (kg/pcs)	HDG Code
CTE SDE ELBOW PROTECTION PLATE	100	1,2	0,059	3135694
CTE SDE ELBOW PROTECTION PLATE	150	1,2	0,091	3135695
CTE SDE ELBOW PROTECTION PLATE	200	1,2	0,125	3135696
CTE SDE ELBOW PROTECTION PLATE	250	1,2	0,156	3135697
CTE SDE ELBOW PROTECTION PLATE	300	1,2	0,190	3135698
CTE SDE ELBOW PROTECTION PLATE	400	1,2	0,256	3135699
CTE SDE ELBOW PROTECTION PLATE	500	1,2	0,321	3135700
CTE SDE ELBOW PROTECTION PLATE	600	1,2	0,387	3135701

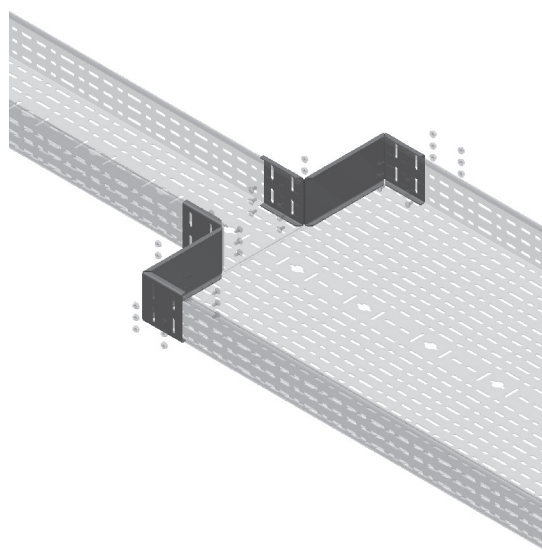


■ Please contact us for special dimensions.
■ Material weights may vary by ± 10%

■ Please indicate order code in your orders.
■ All dimensions are given as in mm

■ PG= Pre-Galvanized
■ HDG= Hot Dip Galvanized

Description	H (mm)	A (mm)	T (mm)	Weight (kg/pcs)	HDG Code
40 CTE RD 025	40	25	2	0,411	3006059
40 CTE RD 050	40	50	2	0,464	3006057
40 CTE RD 100	40	100	2	0,568	3006055
40 CTE RD 150	40	150	2	0,673	3006053
40 CTE RD 200	40	200	2	0,777	3006051
40 CTE RD 250	40	250	2	0,882	3006049
40 CTE RD 300	40	300	2	0,986	3006047
50 CTE RD 025	50	25	2	0,488	3006045
50 CTE RD 050	50	50	2	0,550	3006043
50 CTE RD 100	50	100	2	0,671	3006041
50 CTE RD 150	50	150	2	0,792	3006039
50 CTE RD 200	50	200	2	0,913	3006037
50 CTE RD 250	50	250	2	1,036	3006035
50 CTE RD 300	50	300	2	1,157	3006033
60 CTE RD 025	60	25	2	0,548	3006031
60 CTE RD 050	60	50	2	0,616	3006029
60 CTE RD 100	60	100	2	0,755	3006027
60 CTE RD 150	60	150	2	0,893	3006025
60 CTE RD 200	60	200	2	1,034	3006023
60 CTE RD 250	60	250	2	1,173	3006021
60 CTE RD 300	60	300	2	1,311	3006019
75 CTE RD 025	75	25	2	0,647	3006935
75 CTE RD 050	75	50	2	0,730	3006933
75 CTE RD 100	75	100	2	0,895	3006931
75 CTE RD 150	75	150	2	1,060	3006929
75 CTE RD 200	75	200	2	1,223	3006927
75 CTE RD 250	75	250	2	1,388	3006925
75 CTE RD 300	75	300	2	1,553	3006923
100 CTE RD 025	100	25	2	0,838	3006921
100 CTE RD 050	100	50	2	0,944	3006919
100 CTE RD 100	100	100	2	1,151	3006917
100 CTE RD 150	100	150	2	1,360	3006915
100 CTE RD 200	100	200	2	1,566	3006913
100 CTE RD 250	100	250	2	1,775	3006911
100 CTE RD 300	100	300	2	1,982	3006909
125 CTE RD 025	125	25	2	1,021	3003346
125 CTE RD 050	125	50	2	1,146	3003347
125 CTE RD 100	125	100	2	1,397	3003348
125 CTE RD 150	125	150	2	1,650	3003349
125 CTE RD 200	125	200	2	1,901	3003350
125 CTE RD 250	125	250	2	2,152	3003351
125 CTE RD 300	125	300	2	2,402	3003352
150 CTE RD 025	150	25	2	1,192	3003353
150 CTE RD 050	150	50	2	1,340	3003354
150 CTE RD 100	150	100	2	1,635	3003355
150 CTE RD 150	150	150	2	1,927	3003356
150 CTE RD 200	150	200	2	2,222	3003357
150 CTE RD 250	150	250	2	2,517	3003358
150 CTE RD 300	150	300	2	2,812	3003359

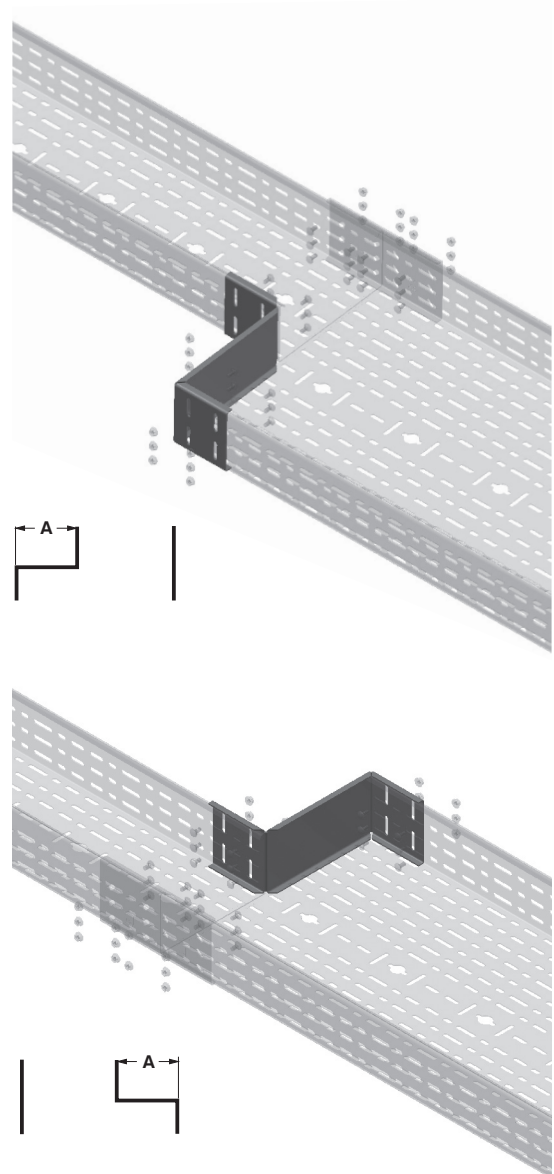


■ Please contact us for special dimensions.
 ■ Material weights may vary by ± 10%

■ Please indicate order code in your orders.
 ■ All dimensions are given as in mm

■ PG= Pre-Galvanized
 ■ HDG= Hot Dip Galvanized

Description	H (mm)	A (mm)	T (mm)	Weight (kg/pcs)	HDG Code
40 CTE RD025	40	25	2	0,206	3002260
40 CTE RD050	40	50	2	0,232	3002262
40 CTE RD100	40	100	2	0,284	3002264
40 CTE RD150	40	150	2	0,337	3002266
40 CTE RD200	40	200	2	0,388	3002268
40 CTE RD250	40	250	2	0,441	3002270
40 CTE RD300	40	300	2	0,493	3002272
50 CTE RD025	50	25	2	0,244	3002274
50 CTE RD050	50	50	2	0,275	3002276
50 CTE RD100	50	100	2	0,336	3002278
50 CTE RD150	50	150	2	0,396	3002280
50 CTE RD200	50	200	2	0,457	3002282
50 CTE RD250	50	250	2	0,518	3002284
50 CTE RD300	50	300	2	0,579	3002286
60 CTE RD025	60	25	2	0,274	3002288
60 CTE RD050	60	50	2	0,308	3002290
60 CTE RD 100	60	100	2	0,377	3002292
60 CTE RD150	60	150	2	0,447	3002294
60 CTE RD200	60	200	2	0,517	3002296
60 CTE RD250	60	250	2	0,586	3002298
60 CTE RD300	60	300	2	0,656	3002300
75 CTE RD025	75	25	2	0,323	3002302
75 CTE RD050	75	50	2	0,365	3002304
75 CTE RD100	75	100	2	0,448	3002306
75 CTE RD150	75	150	2	0,530	3002308
75 CTE RD200	75	200	2	0,612	3002310
75 CTE RD250	75	250	2	0,694	3002312
75 CTE RD300	75	300	2	0,777	3002314
100 CTE RD025	100	25	2	0,419	3002316
100 CTE RD050	100	50	2	0,472	3002318
100 CTE RD100	100	100	2	0,575	3002320
100 CTE RD150	100	150	2	0,680	3002322
100 CTE RD200	100	200	2	0,783	3002324
100 CTE RD250	100	250	2	0,888	3002326
100 CTE RD300	100	300	2	0,991	3002328
125 CTE RD025	125	25	2	0,510	3003332
125 CTE RD050	125	50	2	0,573	3003333
125 CTE RD100	125	100	2	0,699	3003334
125 CTE RD150	125	150	2	0,825	3003335
125 CTE RD200	125	200	2	0,950	3003336
125 CTE RD250	125	250	2	1,076	3003337
125 CTE RD300	125	300	2	1,201	3003338
150 CTE RD025	150	25	2	0,596	3003339
150 CTE RD050	150	50	2	0,670	3003340
150 CTE RD100	150	100	2	0,817	3003341
150 CTE RD150	150	150	2	0,964	3003342
150 CTE RD200	150	200	2	1,111	3003343
150 CTE RD250	150	250	2	1,258	3003344
150 CTE RD300	150	300	2	1,406	3003345



CT

■ Please contact us for special dimensions.
 ■ Material weights may vary by ± 10%

■ Please indicate order code in your orders.
 ■ All dimensions are given as in mm

■ PG= Pre-Galvanized
 ■ HDG= Hot Dip Galvanized

▶▶ PROJECT DESIGN FORM

	Component List						
Item	Component	Quantity					
			Company: Project: Project No:			Name : Date : Signature :	
			Prepared by				
(This area contains a grid pattern for drawing or calculations)							

Please duplicate this page for your own use.

▶▶ PROJECT DESIGN FORM

Component List	Component	Quantity	Company: Project: Project No:	Name : Date : Signature : Prepared by
Please duplicate this page for your own use.				

CT



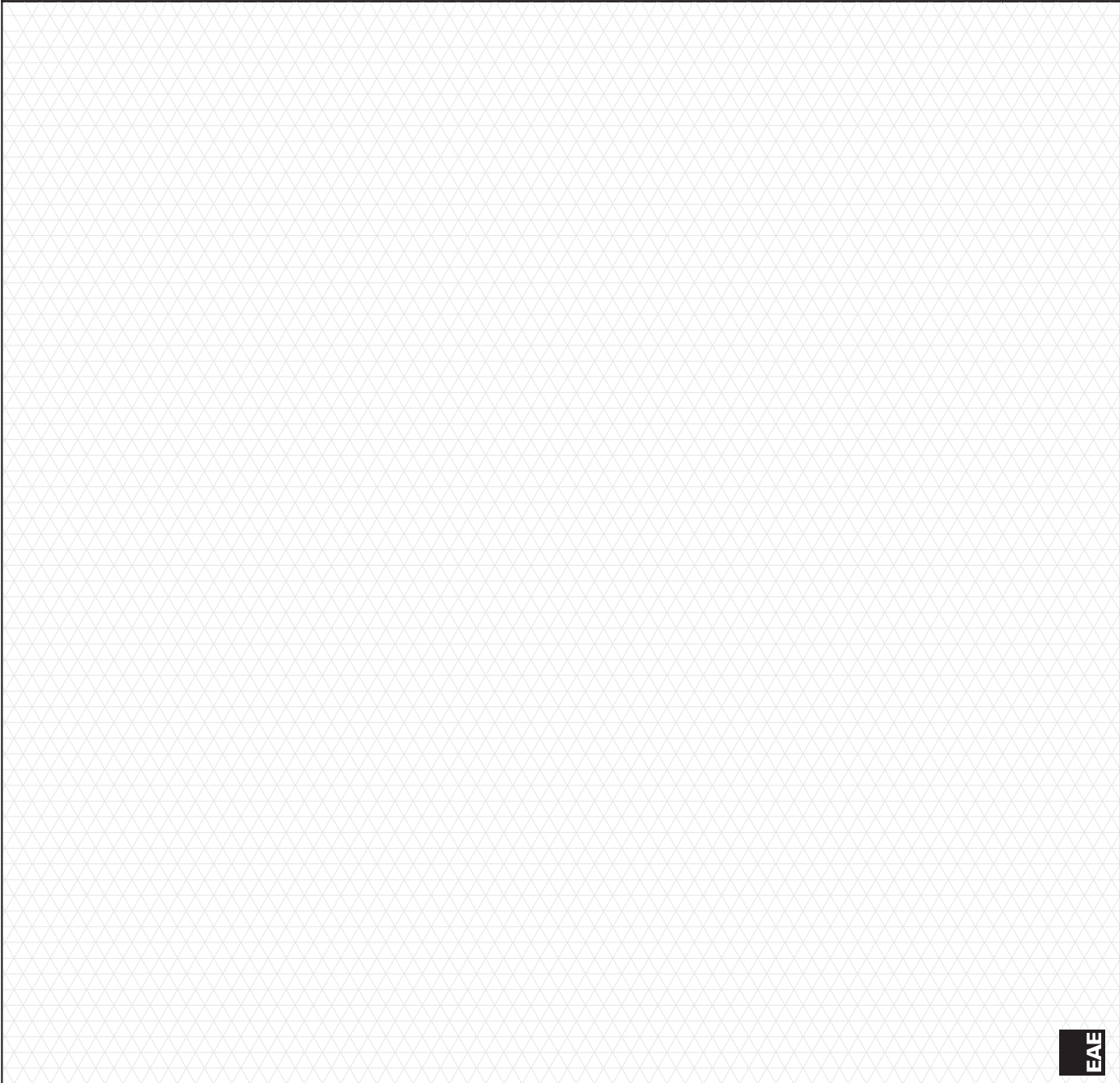
▶▶ PROJECT DESIGN FORM

Component List		Quantity
Item	Component	

Company: _____
 Project: _____
 Project No: _____

Name : _____
 Date : _____
 Signature : _____

Prepared by _____



Please duplicate this page for your own use.