



# Control Valve Parts and Accessories

est. 1947

# DUFF<sup>CO.</sup>

**When you need it now... or don't know how**

PLUMBING & HEATING • PUMPS • WATER CONDITIONING  
MULTIFAMILY HOUSING SUPPLIES



CATALOG

610-275-4453

[duffcompany.com](http://duffcompany.com)

FLECK TIMERS



	Electro-mechanical	LXT S	XT	XTR	XTR2	XT	NXT
Display Type	Time or volume based program wheels	Large LCD display with blue backlit	Large LCD display with blue backlit	2 Line, 16 characters full text LCD backlit	Large color LCD touch screen	2 Line, 16 characters full text LCD backlit	2 Line, 16 characters full text LCD backlit
Adjustable Cycles	•		•	•	•	•	•
Super Capacitor Time of Day		•	•	•	•	•	•
Programmable Auxiliary Relay			•	2	Relays	•	•
Programmable Remote Start				•	•	•	
Remote Lockout					•		•
LED Status Indicator				•		•	•
Diagnostics		•	•	•	•	•	•
Usage History		•	•		•		
Auxiliary Switch	•						



**FLECK®**  
Pentair Water



## AUTOTROL® 263 & 268L PERFORMA VALVES



Backwash capability accommodates softener tanks up to 16" and filter up to 18" in diameter

### OPTIONS

- Filter or softener control valves
- Fiber-reinforced polymer bypass valve
- Plumbing connections in .75"-1.25" NPT, BSP, and sweat
- Internal Autotrol turbine
- Variable reserve for increased efficiency
- Auxiliary switch kits
- Timer wall mount kits

DIMENSIONS	
Riser Tube Dia.	1.050" (27 mm)
FLOW RATE	
Service 5 psi (1.03 bar) drop	25.0 gpm (5.7 m3/h)
Backwash 25psi (1.72 Bar) drop	20.0 gpm (4.5 m3/h)
Service	Cv = 6.50 (Kv = 5.6)
Backwash	Cv = 4.00 (Kv = 3.5)

- 740** - Simple economic electronic time clock control.
- 764** - Professional level metered control with fully programmable cycle times and salt amount for multiple tank applications.
- 760** - Simple economic electronic meter control.
- 742** - Professional level time clock control with fully programmable cycle times and salt amount.
- 762** - Professional level metered control with fully programmable cycle times and salt amount.
- 460i** - 3 settings for metered control
- 460TC** - 3 settings for time clock control

## AUTOTROL® 255 VALVE



Backwash capability accommodates softener tanks up to 14" and filter up to 10" GPM in diameter

### OPTIONS

- Filter or softener control valves
- Fiber-reinforced polymer bypass valve
- Plumbing connections in .75"-1.25" NPT, BSP, and sweat
- Internal Autotrol turbine
- Variable reserve for increased efficiency
- Auxiliary switch kits
- Timer wall mount kits

DIMENSIONS	
Riser Tube Dia.	1.050" (27 mm) or 0.8125" (20.6 mm)
FLOW RATE	
Service 5 psi (1.03 bar) drop	15.5 gpm (3.52 m3/h)
Backwash 25psi (1.72 Bar) drop	6.0 gpm (1.36 m3/h)
Service	Cv = 3.99 (Kv = 3.4)
Backwash	Cv = 1.20 (Kv = 1.0)

- 460TC** - Three simple settings for time clock control.
- 460i** - Three simple settings for metered control.
- 740** - Simple economic electronic time clock control.
- 760** - Simple economic electronic meter control.
- 742** - Professional level time clock control with fully programmable cycle times and salt amount.
- 762** - Professional level metered control with fully programmable cycle times and salt amount.
- 764** - Professional level metered control with fully programmable cycle times and salt amount for multiple tank applications.

AUTOTROL CONTROLLERS

**AUTOTROL® 460TC TIMER**  
TIME CLOCK CONTROL  
FEATURES/BENEFITS



- Two digit LED display
- Easy electronic programming
- Programming stored in memory and will not be lost due to power outages
- 12- volt AC operation
- Filter or conditioner control
- Calendar override



**AUTOTROL® 740 TIMER**  
SIMPLE ECONOMIC ELECTRONIC TIME CLOCK CONTROL  
FEATURES/BENEFITS

- LCD displays time of day
- Large LCD display for simplified programming
- Time of day super capacitor backup for power loss
- Queued regeneration is indicated by a flashing icon
- Easy installation with plug-in wiring harnesses
- Easy electronic programming
- Displays regeneration step and time remaining during regeneration
- Programming stored in memory and will not be lost due to power outages
- Adjustable Time of Regeneration
- History: Initial Setting Value
- System capacity and cycle step are calculated by the controller.
- Day of Week or up to 99-days regeneration setting
- 12- volt AC operation
- Filter or conditioner setting in on control
- Calendar override



**AUTOTROL® 742 TIMER**  
TIME CLOCK CONTROL WITH FULLY PROGRAMMABLE CYCLE TIMES AND SALT AMOUNT  
FEATURES/BENEFITS

- LCD displays time of day
- Large LCD display for simplified programming
- Time of day super capacitor backup for power loss
- Queued regeneration is indicated by a flashing icon
- Remote regeneration start
- Easy installation with plug-in wiring harnesses
- Easy electronic programming
- Displays regeneration step and time remaining during regeneration
- Programming stored in memory and will not be lost due to power outages
- Adjustable Time of Regeneration
- History
  - Initial Setting Value
  - Days since last regeneration
  - Average service cycle
  - Number of regenerations since last serviced
- System capacity and cycle step are calculated by the controller.
- Day of Week or up to 99-days regeneration setting
- 12- volt AC operation
- Filter or conditioner setting in on control
- Fully programmable cycle times
- Salt setting in 1-lb/Cuft increments
- Calendar override



## AUTOTROL CONTROLLERS

### AUTOTROL® 760 TIMER

SIMPLE ECONOMIC ELECTRONIC METER CONTROL



#### FEATURES/BENEFITS

- LCD display alternates between time of day and volume remaining
- Large LCD display for simplified programming
- Time of day super capacitor backup for power loss
- Queued regeneration is indicated by a flashing icon
- Easy installation with plug-in wiring harnesses
- Easy electronic programming
- Displays regeneration step and time remaining during regeneration
- Programming stored in memory and will not be lost due to power outages
- Adjustable Time of Regeneration
- History
  - Initial Setting Value
    - Days since last regeneration
    - Current Flow Rate
    - Water used today since Time of Regeneration
    - Water used since last regeneration
    - Total water used since reset
    - Average usage for each day of week
    - Average service cycle
    - Peak Flow Rate
    - Day and Time of Peak Flow Rate
    - Months since service
    - Water used since last regeneration
    - Number of regenerations since last serviced
- System capacity and cycle step are calculated by the controller.
- 12- volt AC operation
- Filter or conditioner control
- Calendar override
- 28- day variable reserve

### AUTOTROL® 762 TIMER

METERED CONTROL WITH FULLY PROGRAMMABLE CYCLE TIMES AND SALT AMOUNT



#### FEATURES/BENEFITS

- LCD display alternates between current flow rate and volume remaining
- Large LCD display for simplified programming
- Time of day super capacitor backup for power loss
- Queued regeneration is indicated by a flashing icon
- Easy installation with plug-in wiring harnesses
- Easy electronic programming
- Displays regeneration step and time remaining during regeneration
- Programming stored in memory and will not be lost due to power outages
- Adjustable Time of Regeneration
- History
  - Initial Setting Value
  - Days since last regeneration
  - Current Flow Rate
  - Water used today since Time o Regeneration
  - Water used since last regeneration
  - Total water used since reset
  - Average usage for each day of week
  - Average service cycle
  - Peak Flow Rate
  - Day and Time of Peak Flow Rate
  - Months since service
  - Water used since last regeneration
  - Number of regenerations since last serviced

## CLACK VALVES

- Four methods to initiate regeneration; meter immediate, meter delayed, time clock delayed or pressure differential
- Fully adjustable cycle times with 6-cycle control delivers controlled backwash, downflow brining/slow rinse, second backwash, fast rinse, refill and downflow service
- Backwash and brining ability to 21" diameter tanks
- Downflow or upflow brining regeneration



Water Specialist 1" EE Control Specifications	
Inlet/Outlet (1)	¾" to 1.5" NPS
Cycles	Up to 6
Valve Material	Noryl (1) or equivalent
Regeneration	Downflow
Control Valve Flow Rates	
Service @15 psi drop (includes meter)	27 gpm
Backwash @ 25 psi drop	27 gpm
Cv Service	7.0
Cv Backwash	5.4gs
Dimensions & Weight	
Distributor Pilot	1.050" OD Pipe (¾" NPS)
Drain Line	¾" or 1" Male NPT
Brine Line	3/8" or ½" OD Poly Tube Compression
Mounting Base	2½" - 8 NPSM
Tank Applications	
Water Softener.	6" – 21" diameter
Water Filter (3)	6" – 21" diameter



WS1EE

- Four methods to initiate regeneration; meter immediate, meter delayed, time clock delayed or pressure differential
- Fully adjustable cycle times with 6-cycle control delivers controlled backwash, downflow brining slow rinse, second backwash, fast rinse, refill and downflow service
- Backwash and brining ability to 21" diameter tanks
- Downflow or upflow brining regeneration



Water Specialist 1.25" EE Control Specifications	
Inlet/Outlet (1)	¾" to 1.5" NPS
Cycles	Up to 6
Valve Material	Noryl (1) or equivalent
Regeneration	Downflow
Control Valve Flow Rates	
Service @15 psi drop (includes meter)	34 gpm
Backwash @ 25 psi drop	32 gpm (2)
Cv Service	8.8
Cv Backwash	6.4
Dimensions & Weight	
Distributor Pilot	1.32" OD Pipe (1" NPS) or 32mm OD
Drain Line	¾" or 1" Male NPT
Brine Line	3/8" or ½" OD Poly Tube
Mounting Base	2 ½" - 8 NPSM
Tank Applications	
Water Softener.	6" – 21" diameter (4)
Water Filter (3)	6" – 24" diameter



WS1.25EE

- 1.5" top mount control valve suited for mid-size commercial/ industrial applications
- Four methods to initiate regeneration; meter immediate, meter delayed, time clock delayed or pressure differential

## WS1.5EE



**Clack™** 

Optional 1.5" Meter

### CLACK VALVES

Water Specialist 1.5" EE Control Specifications	
Inlet/Outlet (1)	1.5" Female NPT
Cycles	Up to 6
Valve Material	Epoxy coated brass
Regeneration	Downflow
Control Valve Flow Rates	
Service @15 psi drop (includes meter)	70 gpm
Backwash @ 25 psi drop	52 gpm
Cv Service	18.1
Cv Backwash	10.4
Dimensions & Weight	
Distributor Pilot Valve bodies with 2" Female NPT Inlet & Outlet.	1.90" OD (1.5" NPS)
Drain Line Connection (2) Adapter Included	1.25" Female NPT 3/4" Male NPT Elbow
Brine Line Connection Adapter Included	3/4" Female NPT 1/2" OD Poly Tube Compression
Mounting Base	4" - 8 UN
Tank Applications	
Water Softener.	12" - 30" diameter (4)
Water Filter (3)	12" - 30" diameter

## WS2H



- 2" top mount or side mount control valve suited for commercial and industrial applications
- Epoxy coated lead free brass valve body
- Built-in Internal Flow Meter standard with all valves
- Solid state microprocessor with easy access front removable POD
- Fully programmable regeneration cycle sequences (maximum 9)
- Fully programmable regeneration cycle times

**Clack™** 

Water Specialist 2" EE Control Specifications	
Inlet/Outlet (1)	2" Female NPT or BSPT/ 2.5" Groove Lock
Cycles	Up to 9
Valve Material	Lead free brass
Regeneration	Downflow
Control Valve Flow Rates	
Service @15 psi drop (includes meter)	125 gpm (473 lpm) (28.4 m3/h)
Backwash @ 25 psi drop	125 gpm (473 lpm) (28.4 m3/h)
Cv Service	32.3
Cv Backwash	25.0
Dimensions & Weight	
Distributor Pilot Valve bodies with 2" Female NPT Inlet & Outlet Valve Bodies with 2" Female BSPT Inlet & Outlet.	2.375" OD (2" NPS) 63mm OD
Drain Line Connection	2" Female NPT/ BSPT/2.5" Groove Lock
Brine Line Adapter Included	1" Male NPT elbow and 3/4" x 1" solvent weld elbow
Optional Adapters	1/2" or 5/8" OD Poly Tube Compression
Mounting Base	4" - 8 UN, 6" Flange or Side Mount
Tank Applications	
Water Softener.	18" - 63" diameter
Water Filter (2)	18" - 48" diameter

CLACK VALVES

- 3" top mount or side mount control valve suited for commercial and industrial applications
- Epoxy coated lead free brass valve body
- Economical stainless steel optional meter assembly  
220 gpm (833 lpm) (50.0 m3/h)
- Solid state microprocessor with easy access front removable POD
- Fully programmable regeneration cycle sequences (maximum 9)
- Fully programmable regeneration cycle times



WS3



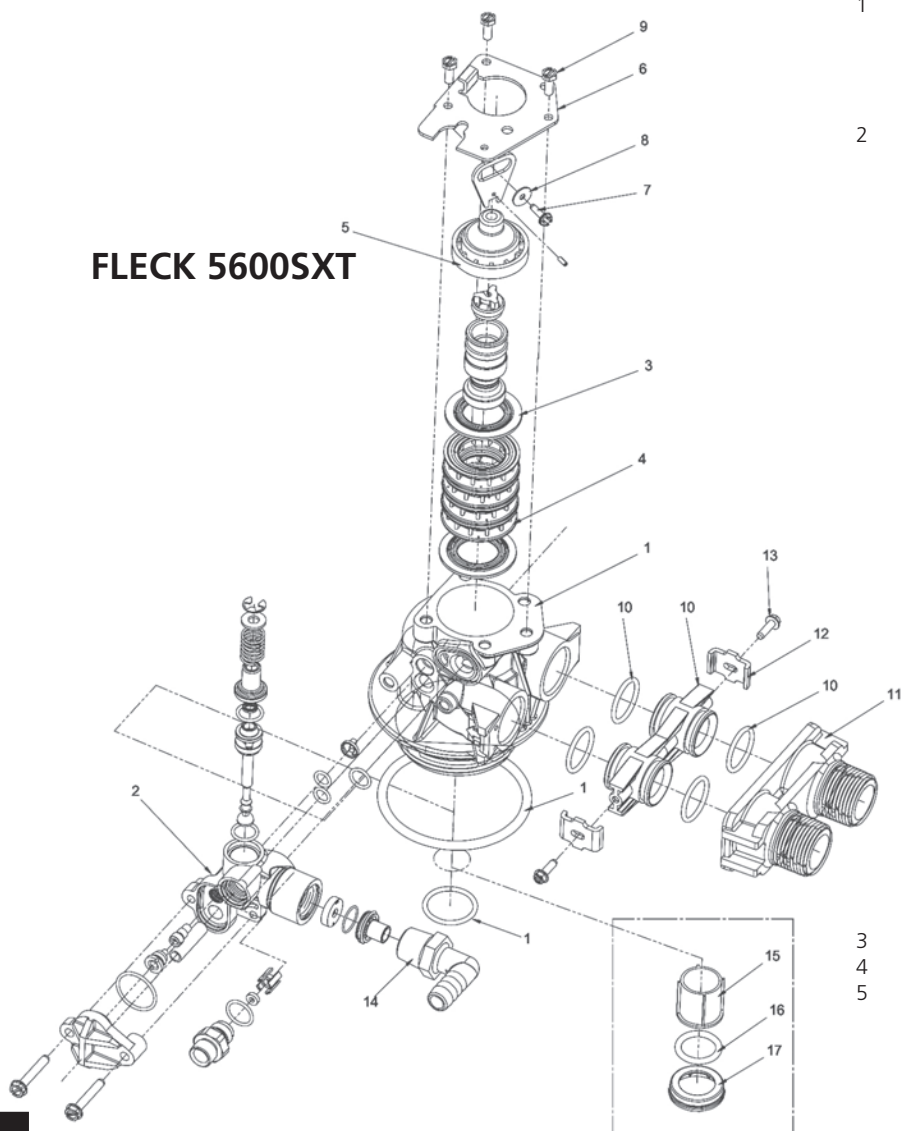
Water Specialist 2" EE Control Specifications	
Inlet/Outlet (1)	3" Female NPT or BSPT/
Cycles	Up to 9
Valve Material	Lead free brass
Regeneration	Downflow
Control Valve Flow Rates	
Service @ 15 psi/1 bar drop	250 gpm (946 lpm) (56.8 m3/h)
Backwash @ 25 psi/1.7 bar drop	220 gpm (833 lpm) (50.0 m3/h)
Cv Service	64.6
Cv Backwash	44.0
Dimensions & Weight	
Distributor Pilot Valve bodies with 3" Female NPT Inlet & Outlet Valve Bodies with 3" Female BSPT Inlet & Outlet	3.5" OD (3" NPS) 90mm OD
Drain Line Connection	3" Female NPT/BSPT "No Groove Lock"
Brine Line Adapters Included	1" Male NPT elbow and 3/4" x 1" solvent weld elbow
Mounting Base	6" Flange or Side Mount
Tank Applications	
Water Softener. Water Filter (2)	18" – 63" diameter with standard injectors, to 96" with Brine Pump 18" – 63" diameter





## CONTROL VALVES PARTS EXPLOSIONS

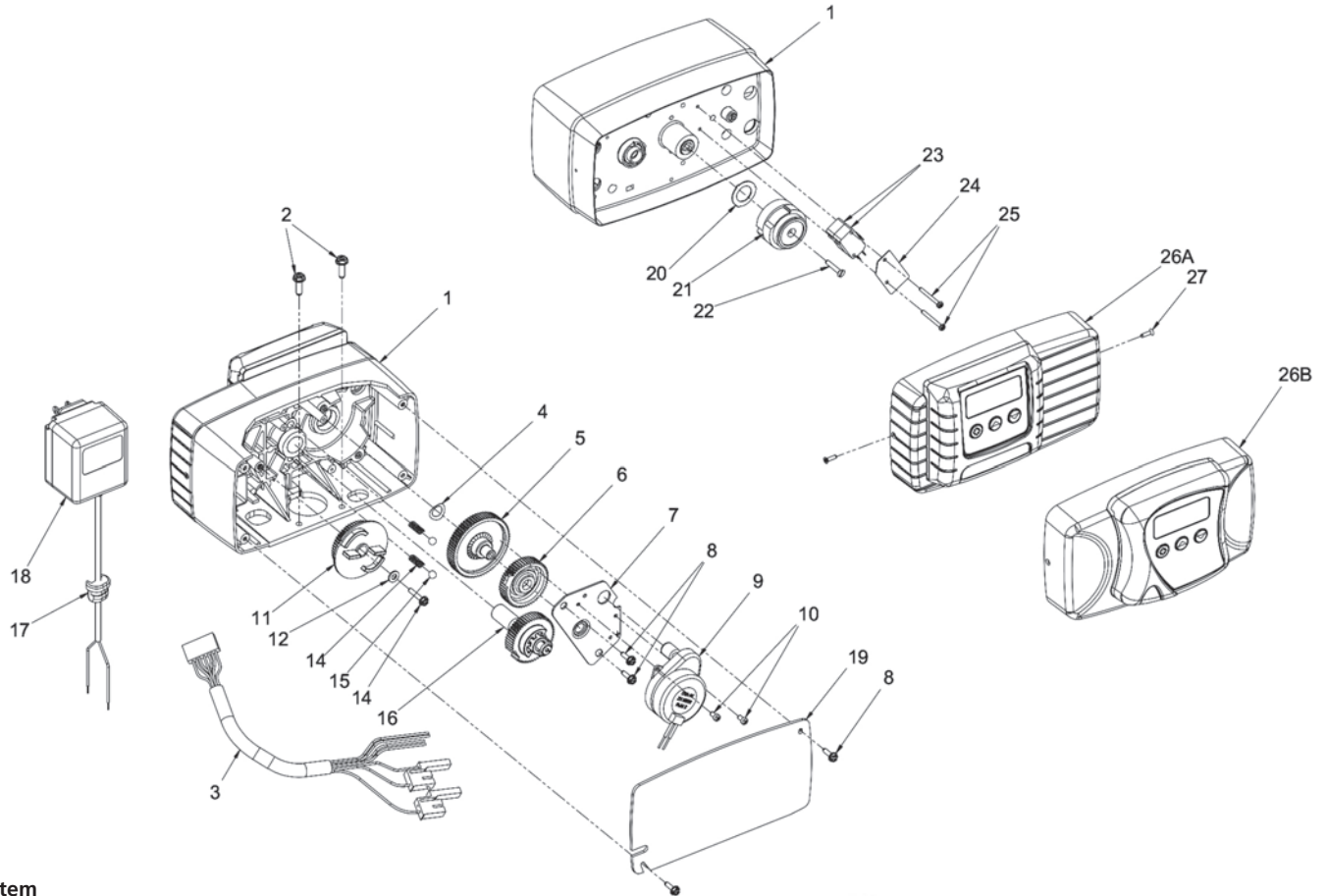
### FLECK 5600SXT



Item No.	QTY	Part No.	Description
1	1	61400-12	Valve Body Assy, 5600, Downflow, w/TOT O-ring
	1	19700-10	Valve Body, 5600, Downflow
	1	12281	O-ring, -338
	1	13304	O-ring, -121
2	1	60084	Injector, Drain Assy, 5600
	1	13163	Housing, Injector and Drain
	2	13301	O-ring, 011
	1	12638	O-ring, 013
	1	10227	Screen, Injector
	1	10913-1	Nozzle, Injector, #1, Natural
	1	10914-1	Throat, Injector, #1, White
	1	13166	Cap, Injector, 5600
	1	13303	O-ring, -021
	2	3315	Screw, Hx Washer Head, #10-24 x 1-3/16-"
	1	15348	O-ring, -563
	1	13173	Retainer, DLFC Button
	1	12088	Washer Flow, 2.4 gpm
	1	13172	Brine Valve Stem
	1	12626	Seat, Brine Valve
	1	13167	Spacer, Brine Valve
	1	13165	Cap, Brine Valve
	1	11973	Spring, Brine Valve
	1	11981-01	E-ring
	1	16098	Washer, Nylon
	1	12977	O-ring, 015
	1	13245	Retainer, BLFC
	1	12095	Washer, Flow Control, .50 gpm
	1	12550	Quad Ring, -009
	2	13302	O-ring, -014
	1	13244	Brine Line Flowcontrol Adapter
	1	13497	Dispenser, Air, 5600
	1	13333	Label, Injector, Blank
	1	BR10760	Label, 1 gpm, 3 lbs. Salt/min.
	3	5	13242 Seal, 5600
	4	4	14241 Spacer, 5600
	5	1	60102-71 Piston Assy, 6600, Downflow
		1	17218 Piston, 6600 Downflow
		1	14309 Retainer, Piston Rod
		1	13306 Pin, Roll, 3/32 x 1/4
		1	13003 Link, Piston Rod, 5600
		1	13243-40 Plug, End, 6600, Green
		1	13008 Retainer, End Plug Seal
		1	10209 Quad Ring, -010
6	1	13546	Retainer, End Plug
7	1	13296	Screw, Hex Washer, 6-20 x 1/2
8	1	13363	Washer, Plain, .145 ID SS
9	3	BR12112	Screw, Slotted Hex Head, #10-24 x .50
10	2	19228-01	Adapter Assy, Coupling, 5600 w/O-ring
	1	19228	Coupling, Adapter
	2	13305	O-ring, -199
11	1	18706	Yoke, 1-", NPT, Plastic
12	2	13255	Clip, Mounting
13	2	BR13314	Screw, Hx Washer Head, 8-18 x .60
14	1	12338	Fitting, Elbow, 90 deg.
15	1	13634	Distributor, Pilot, Sleeve
16	1	10244	O-ring, -211
17	1	13633	Distributor, Pilot Ring, 13/16-"



CONTROL VALVES PARTS EXPLOSIONS

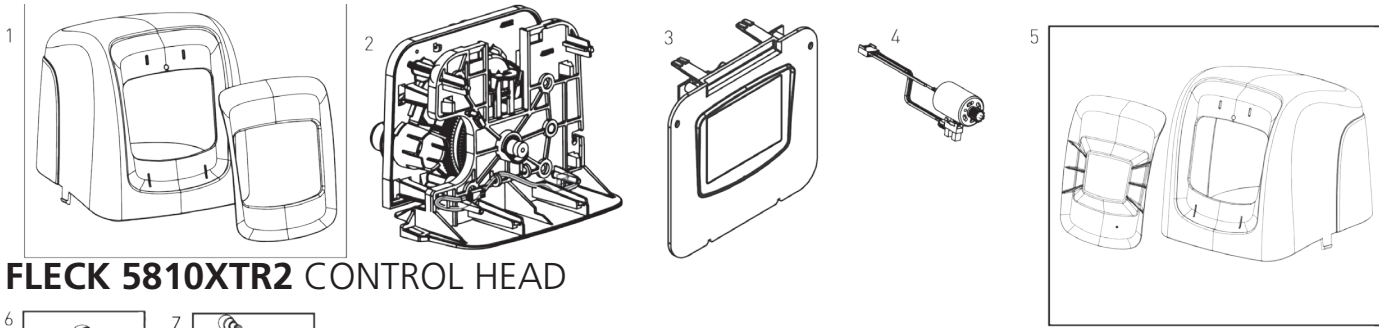


Item No.	QTY	Part No.	Description
1	1	14448-100	Drive Housing Assy, with Pin, 56SXT
2	2	12473	Screw, Hex Wsh 10-24 x 5/8
3	1	19474	Harness, Power, 56SXT, Elect
4	1	13299	Washer, Spring, 3/8
5	1	13017	Gear, Idler
6	1	23045	Gear, Drive, 6700
7	1	13175	Plate, Motor Mounting
8	4	13296	Screw, Hex Wsh, 6-20 x 1/2
9	1	16944	Motor, Drive, 24V 60 Hz 2 rpm
10	2	11384	Screw, Phil, 6-32 x 1/4 Zinc
11	1	18722	Cam, Brine Valve, 56SXT/6700
12	1	12037	Washer, Plain, #10 18-8 Stainless Steel
13	1	40214	Screw, Hex Wsh, #6-20 x 3/4
14	2	19080	Spring, Compression, 6700
15	2	13300	Ball, 1/4- <sup>1</sup> / <sub>2</sub> Stainless Steel
16	1	42933	Gear, Main Drive, Downflow
17	1	13547	Strain Relief, Flat Cord

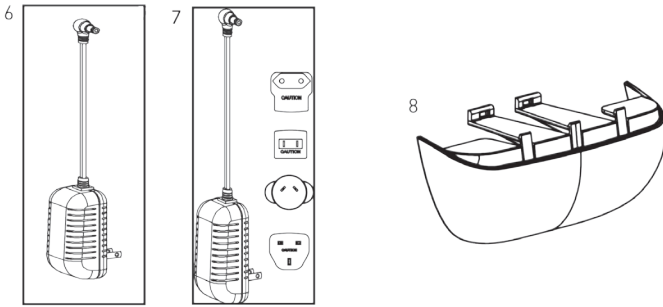
Item No.	QTY	Part No.	Description
18	1	19674	Transformer, 24V, 9.6VA, Residential Valves 41475
19	1	40338	Transformer, 24V, 9.6VA, European
20	1	19079	Cover, Back Drive Housing
21	1	17438	Washer, Friction
		40609	Cam, 56SXT/6700, Downflow
22	1	15151	Cam, Double Backwash, Downflow
23	2	10218	Screw, Flat Hd St, 6-20 x 3/4
24	1	10302	Switch, Micro
25	2	17876	Insulator, Limit Switch
26A	1	61672-0201	Screw, Phil, Pan, 4-40 x 1-1/8
26B	1	61673-0201	Front Panel Assy, 56SXT, Square, Black
27	2	13898	Front Panel Assy, 56SXT, Curved, Black
			Screw, Flat Hd, Phil Steel
Not Shown:			
4	40422		Wire, Nut, Beige



## CONTROL VALVES PARTS EXPLOSIONS

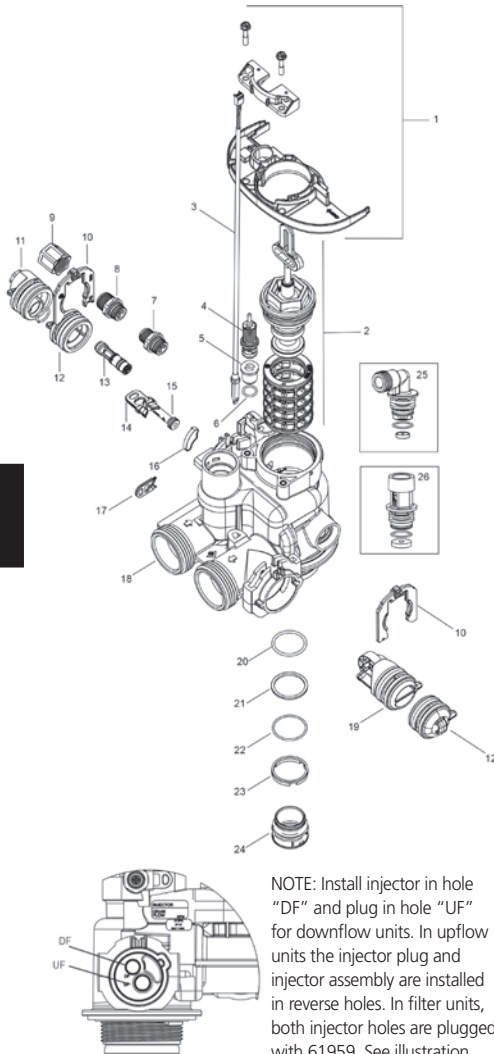


### FLECK 5810XTR2 CONTROL HEAD



Item No.	QTY	Part No.	Description
1	1	61832-01	Cover Assembly, Black/Black
2	1	61957-02SB	Panel Gear Assembly, Upflow/Downflow
3	1	61931-01	Timer Assy, XTR2 Touch, w/ Logo
		61931-02	Timer Assy, XTR2 Touch, w/o Logo
4	1	61835	Motor Assembly
5	1	61994	Cover Assembly, Environmental
6	1	43291	Transformer 12V UL
7	1	43318	Transformer, Intl, 12V UL
8	1	43715	Cover, Lower, 5800 Series

### FLECK 5810XTR2 VALVE



NOTE: Install injector in hole "DF" and plug in hole "UF" for downflow units. In upflow units the injector plug and injector assembly are installed in reverse holes. In filter units, both injector holes are plugged with 61959. See illustration.

Item No.	QTY	Part No.	Description	Item No.	QTY	Part No.	Description
1	1	61961	Kit, Mounting, 5810/5812	18	1	61983-01	Valve Body Assy, 5810*
2	1	61956-01	Kit, Piston, Seal, and Spacer, 5810/5812, Downflow			61983-02	Valve Body Assy, 5810, Mixing*
		61956-02	Kit, Piston, Seal, and Spacer, 5810/5812, Upflow			61983-03	Valve Body Assy, 5810, AIO*
		61956-03	Kit, Piston, Seal, and Spacer, 5810/5812, Filter	19	1	61919	Meter Assy, 1-1/4", 5810/5812
3	1	19791-01	Assy, Meter Cable	20	1	19054	O-ring, -124
4	1	60016	Brine Valve, 7000	21	1	40538	Retainer, 32mm, O-ring Dist, 7000
5	1	40947	Plug, Brine Valve	22	1	19877	O-ring, -027
6	1	13302	O-ring, -014	23	1	43726	Retainer, 1" Dist Tube, O-ring
7	1	61450-00	BLFC Assy 3/8", Blank	24	1	61419	Kit, 1.05" Distributor Adapter
		61450-12	BLFC Assy 3/8", .12 GPM	25	1	61455-00	DLFC 3/4", Blank
		61450-25	BLFC Assy 3/8", .25 GPM			61455-17	DLFC 3/4", 1.7 gpm
		61450-50	BLFC Assy 3/8", .50 GPM			61455-20	DLFC 3/4", 2.0 gpm
		61450-100	BLFC Assy 3/8", 1.0 GPM			61455-24	DLFC 3/4", 2.4 gpm
8	1	61451-00	BLFC Assy 1/2", Blank			61455-30	DLFC 3/4", 3.0 gpm
		61451-12	BLFC Assy 1/2", .12 GPM			61455-35	DLFC 3/4", 3.5 gpm
		61451-25	BLFC Assy 1/2", .25 GPM			61455-40	DLFC 3/4", 4.0 gpm
		61451-50	BLFC Assy 1/2", .50 GPM			61455-45	DLFC 3/4", 4.5 gpm
		61451-100	BLFC Assy 1/2", 1.0 GPM			61455-50	DLFC 3/4", 5.0 gpm
9	1	41056	Nut Assy, 1/2"			61455-60	DLFC 3/4", 6.0 gpm
10	2	40576	Clip, H, Plastic			61455-70	DLFC 3/4", 7.0 gpm
11	1	61923-20	Cap, Regulated Injector, 20 PSI	26		61456-00	DLFC 1", Blank
		61923-30	Cap, Regulated Injector, 30 PSI			61456-8.0	DLFC 1", 8.0 gpm
12	2	61958	Injector Cap Assy, w/O-ring			61456-9.0	DLFC 1", 9.0 gpm
13	1	61454-00	Injector Assy, #00, Violet			61456-10	DLFC 1", 10.0 gpm
		61454-0	Injector Assy, #0, Red			61456-12	DLFC 1", 12.0 gpm
		61454-1	Injector Assy, #1, White			61456-15	DLFC 1", 15.0 gpm
		61454-2	Injector Assy, #2, Blue			61456-20	DLFC 1", 20.0 gpm
		61454-3	Injector Assy, #3, Yellow			61456-25	DLFC 1", 25.0 gpm
		61454-4	Injector Assy, #4, Green			61456-30	DLFC 1", 30.0 gpm
		61454-5	Injector Assy, #5, Gray				
14	1	40945	Clip, Drain Retaining				
15	1	61959	Injector Plug, w/O-rings				
16	1	43719	Screen, Injector 5810/5812				
17	1	40946	Clip, Brine Retaining				

\* Includes items 20, 21, 22, 23, and 24. Each valve body is packaged with distributor adapter kits for 32 mm (items 20 and 21), 1" (items 22 and 23), and 1.05" (item 24) distributors.

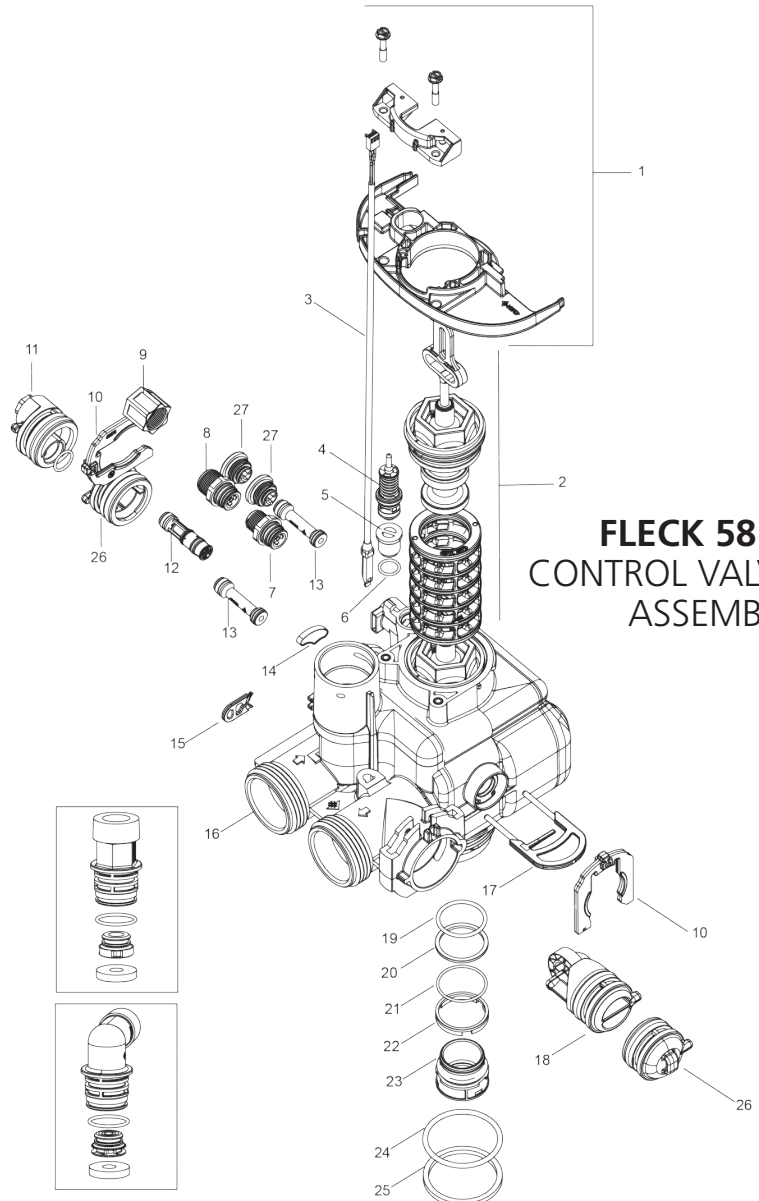


CONTROL VALVES PARTS EXPLOSIONS

Item No.	QTY	Part No.	Description
1	1	61961	Kit, Mounting, 5810/5812
2	1	61956-01	Kit, Piston, Seal, and Spacer, 5810/5812, Downflow
		61956-02	Kit, Piston, Seal, and Spacer, 5810/5812, Upflow
		61956-03	Kit, Piston, Seal, and Spacer, 5810/5812, Filter
3	1	19791-01	Assy, Meter Cable
4	1	60016	Brine Valve, 7000
5	1	40947	Plug, Brine Valve
6	1	13302	O-ring, -014
7	1	61450-00	BLFC Assy 3/8", Blank
		61450-12	BLFC Assy 3/8", .12 GPM
		61450-25	BLFC Assy 3/8", .25 GPM
		61450-50	BLFC Assy 3/8", .50 GPM
		61450-100	BLFC Assy 3/8", 1.0 GPM
8	1	61451-00	BLFC Assy 1/2", Blank
		61451-12	BLFC Assy 1/2", .12 GPM
		61451-25	BLFC Assy 1/2", .25 GPM
		61451-50	BLFC Assy 1/2", .50 GPM
		61451-100	BLFC Assy 1/2", 1.0 GPM
9	1	41056	Nut Assy, 1/2"
10	2	40576	Clip, H, Plastic
11	1	61923-20	Cap, Regulated Injector, 20 PSI
		61923-30	Cap, Regulated Injector, 30 PSI
12	1	61454-00	Injector Assy, #00, Violet
		61454-0	Injector Assy, #0, Red
		61454-1	Injector Assy, #1, White
		61454-2	Injector Assy, #2, Blue
		61454-3	Injector Assy, #3, Yellow
		61454-4	Injector Assy, #4, Green
		61454-5	Injector Assy, #5, Gray
13	1	61959	Injector Plug, w/O-rings
14	1	43719	Screen, Injector 5810/5812
15	1	40946	Clip, Brine Retaining
16	1	61984-01	Valve Body Assy, 5812, 2-1/2" Base*
		61984-11	Valve Body Assy, 5812, 4" Base**
		61984-02	Valve Body Assy, 5812, 2-1/2" Base, Mixing*
		61984-12	Valve Body Assy, 5812, 4" Base, Mixing**
17	1	43596	Clip, Drain Retaining
18	1	61919	Meter Assy, 1-1/4", 5810/5812
19	1	19877	O-ring, -027
20	1	40538	Retainer, 32mm, O-ring Dist, 7000
21	1	19054	O-ring, -124
22	1	43726	Retainer, 1" Dist Tube, O-ring
23	1	61419	Kit, 1.05" Distributor Adapter
24	1	13577-01	O-ring, -226, 560CD
25	1	41747	Retainer, Distributor, 1.5"
26	2	61958	Injector Cap Assy, w/O-ring
27	2	1000269	Cap Assembly, Blank

\* Includes items 19, 20, 21, 22, and 23. Each valve body is installed with adapters for a 2.5" tank base and packaged with distributor adapter kits for 32 mm (items 19 and 20), 1" (items 21 and 22), and 1.05" (item 23) distributors.

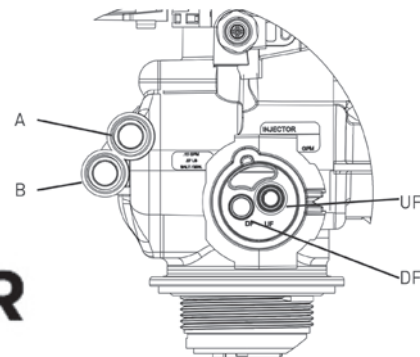
\*\* Includes items 24 and 25. Each valve body is installed with adapters for a 4" tank base and packaged with distributor adapter kits for 1.5" distributors (items 24 and 25).



**FLECK 5812 CONTROL VALVE ASSEMBLY**

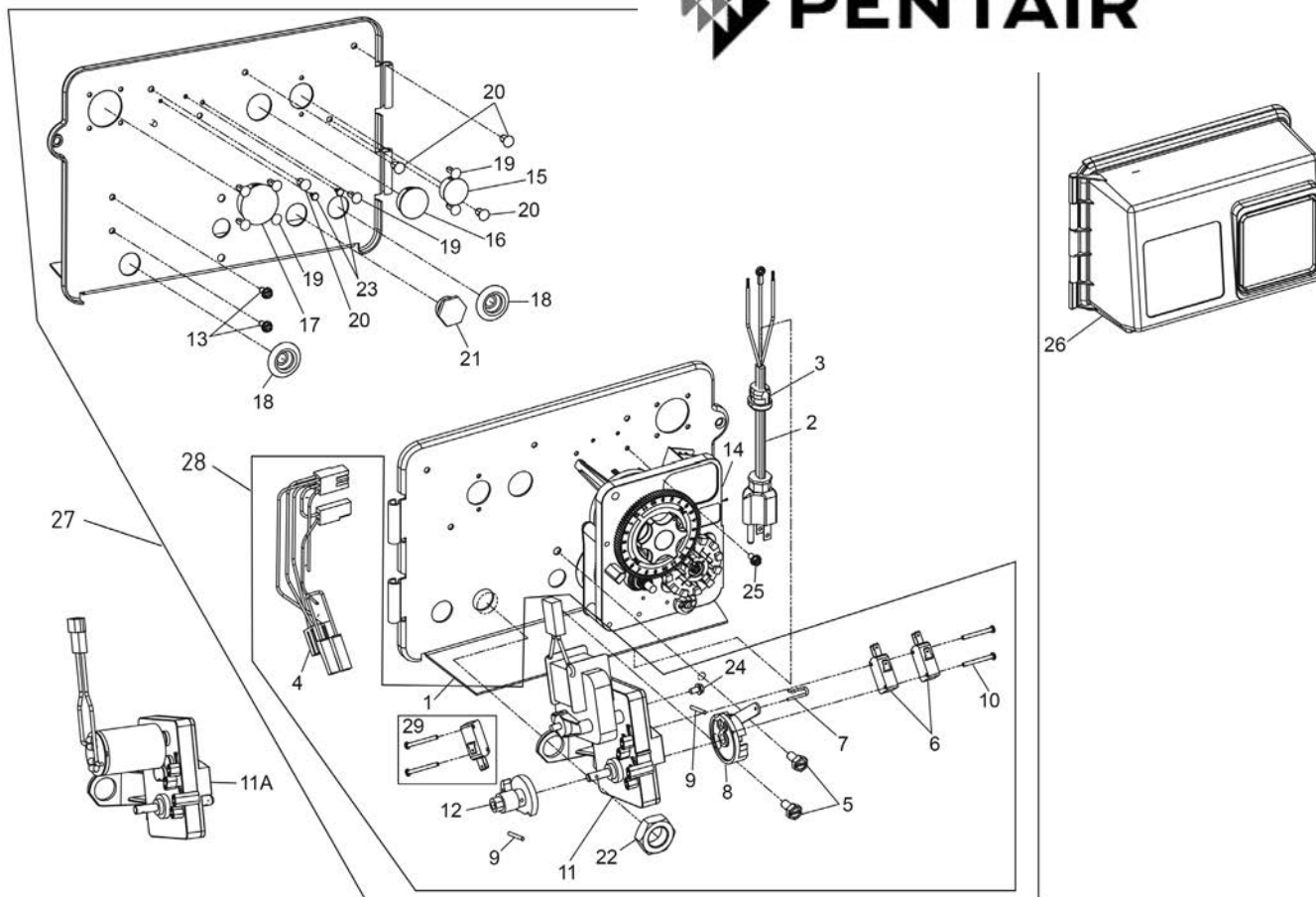
**NOTE:** Install injector in hole "DF" and plug in hole "UF" for downflow units. In upflow units the plug and injector are installed in reverse holes. In filter units, both injector holes are plugged with 61959. See illustration below.

**NOTE:** Install plug in hole "A" for units that allow hard water to flow during regeneration. For no hard water bypass (downflow only), install plug in hole "B". See illustration below.



## CONTROL VALVES PARTS EXPLOSIONS

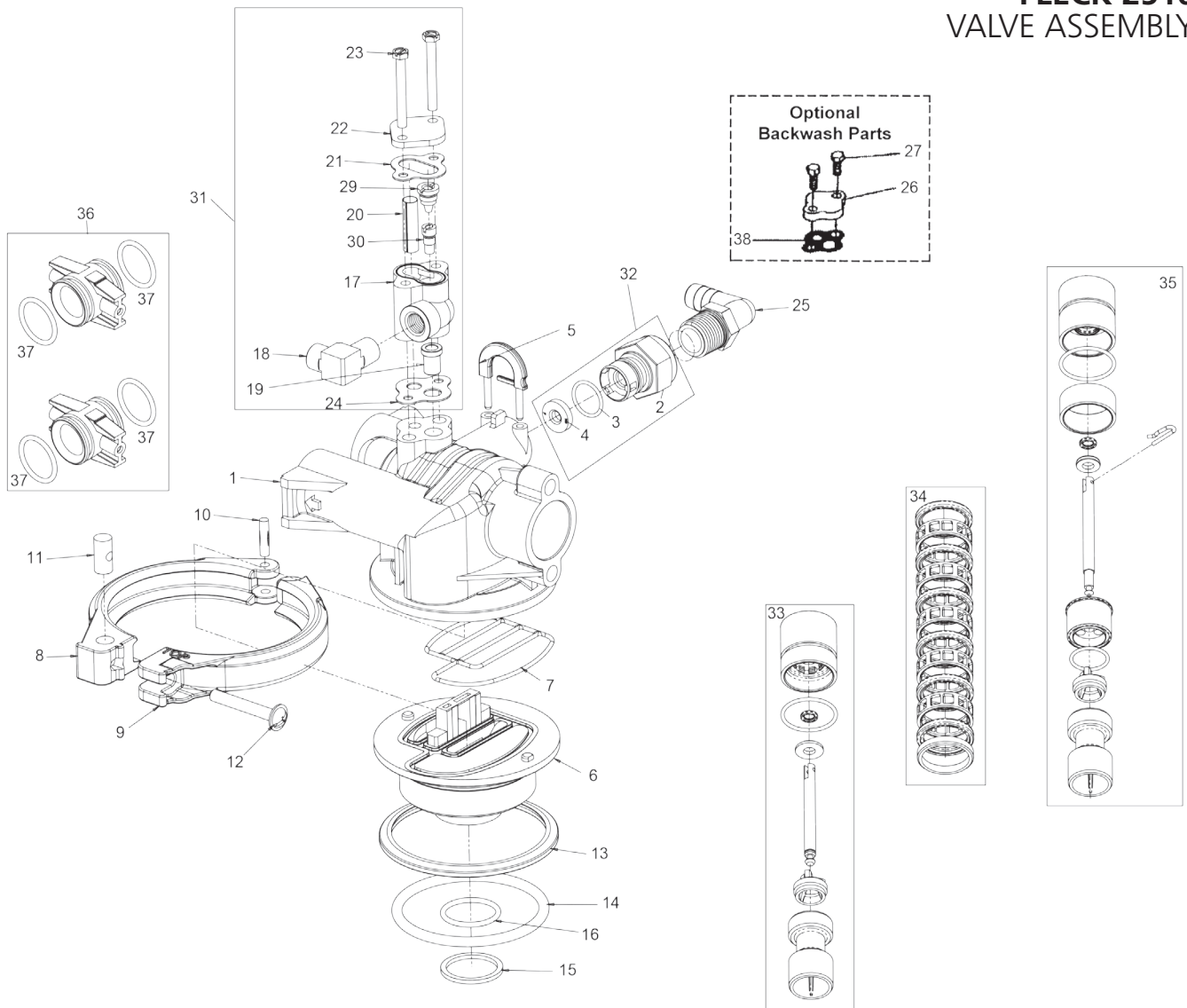
### FLECK 2510 CONTROL HEAD



Item No.	QTY	Part No.	Description	Item No.	QTY	Part No.	Description
1	1	18697-15	Backplate, Hinged	16	1	16493	Plug, Hole, HeyCo, .88 Dia
2	1	11838	Power Cord, 6-feet, North American, Flat	17	1	17421	Plug, 1.20 Hole
		19303-01	Power Cord, 6-feet, Australian	18	2	19691	Plug, .750 Dia. Hole, Flush
		19885-01	Power Cord, 6-feet, Japanese	19	7	19800	Plug (Hole Size: Dia .140)
		11545-01	Power Cord, 6-feet, European	20	4	19801	Plug, Dia .190
3	1	13547	Strain Relief, Cord	21	1	43560	Fitting, Brine Valve (Used on Filter Valves)
4	1	40400	Harness, Drive Designr/Envirmtl	22	1	10269	Nut, Jam, 3/4-16 (Used on Filter Valves)
5	2	10231	Screw, Slot Hex 1/4-20 x 1/2 35 in-lbs ±20%				Wrench Tighten
6	2	10218	Switch, Micro	23	2	41581	Plug, Hole .125 Dia, White
7	1	10909	Pin, Connecting Rod Spring	24	1	10872	Screw, Hex WSH, 8-32 x 5/16 20 IN-LBS ±20%
8	1	60160-15	Drive Cam Assy, STF, Blue, 2900	25	1	14202-01	Screw, Hex Washer #8-32 x 5/16 Hand Tighten
9	2	10338	Pin, Roll, 3/32 x 7/8	26	1	60219-02	Cover Assy, Environmental, Black, Clear Window
10	2	14923	Screw, Pan Hd MACH, 4-40 x 1 5.0 in-lbs ±10%			60219-12	Assy, Environmental, Black, Black Window
11	1	41543	Motor, Drive, 115V/60 Hz	27	1	*Powerhead Assembly	
		41545	Motor, Drive, 220V, 50-60Hz, SP, Fam 1	28	1	60050-23	Drive Motor Assy, 24 VAC/DC, 50-60 Hz FAM 1
11A		42579	Motor, Drive, 24 VAC/DC, 50-60 Hz, Fam 1			60050-21	Drive Motor Assy, 115V/60 Hz
12	1	12777	Cam, Shut-off Valve			60050-22	Drive Motor Assy, 220V, 50-60 Hz SP FAM1
13	2	10300	Screw, Hx Wash Head, 8 x 3/8 20 in-lbs ±20%	29		60320-12	Switch Kit, 1500-2850 Drive Motor Not Shown:
14	1	3200	Timer Assy, 3200 7 or 12 Day		1	15441	Cable Guide Assy, 2510
		3210	Meter Delay		1	15495	Meter Cable, 13.87 "es
		3220	Meter Immediate				
15	1	15806	Hole Plug, (HeyCo)				

CONTROL VALVES PARTS EXPLOSIONS

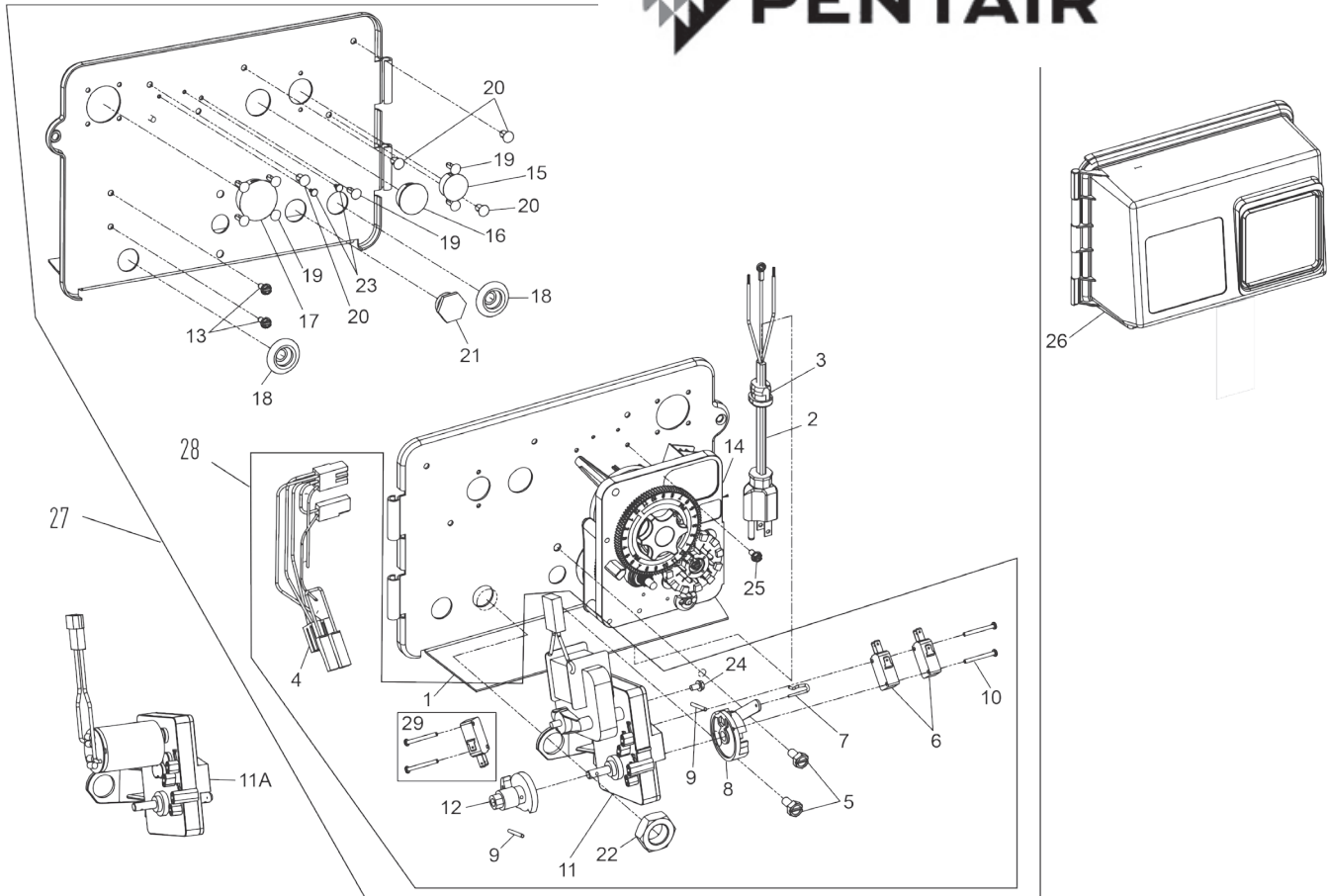
FLECK 2510  
VALVE ASSEMBLY



Item No.	QTY	Part No.	Description	Item No.	QTY	Part No.	Description
1	1	19328	Valve Body, 2510	14	1	18303	O-ring, -336
2	1	11385-01	Housing, Flow Control, Plastic	15	1	13030	Retainer, Dist Tube, O-ring
3	1	11183	O-ring, -017	16	1	13304	O-ring, -121
4	1	12408	Washer, Flow, 7.0 GPM	17	1	17776	Body, Injector, 1600
5	1	18312	Retainer, Drain	18	1	10328	Fitting, Elbow, 90 Deg. 1/4-\" NPT x 3/8\" Tube
6	1	19322	Adapter Base, 2510	19	1	16221	Disperser, Air
7	1	19936	Seal, 2510, Base	20	1	10227	Screen, Injector
8	1	19899	Clamp, Female, 2510	21	1	10229	Gasket, Injector Cap, 1600
9	1	19900	Clamp, Male, 2510	22	1	11893	Cap, Injector, SS
10	1	40000	Pin, Hinge, Clamp	23	2	10692	Screw, Slot Hex Hd, 10-24 x 1-5/8\"
11	1	19998	Pivot, Clamp, 2510	24	1	14805	Gasket, Injector Body, 1600/1700
12	1	40057	Screw, Comb Hd, 114-20, 2-\"				
13	1	19197	Ring, Slip				

## CONTROL VALVES PARTS EXPLOSIONS

### FLECK 2750 CONTROL HEAD

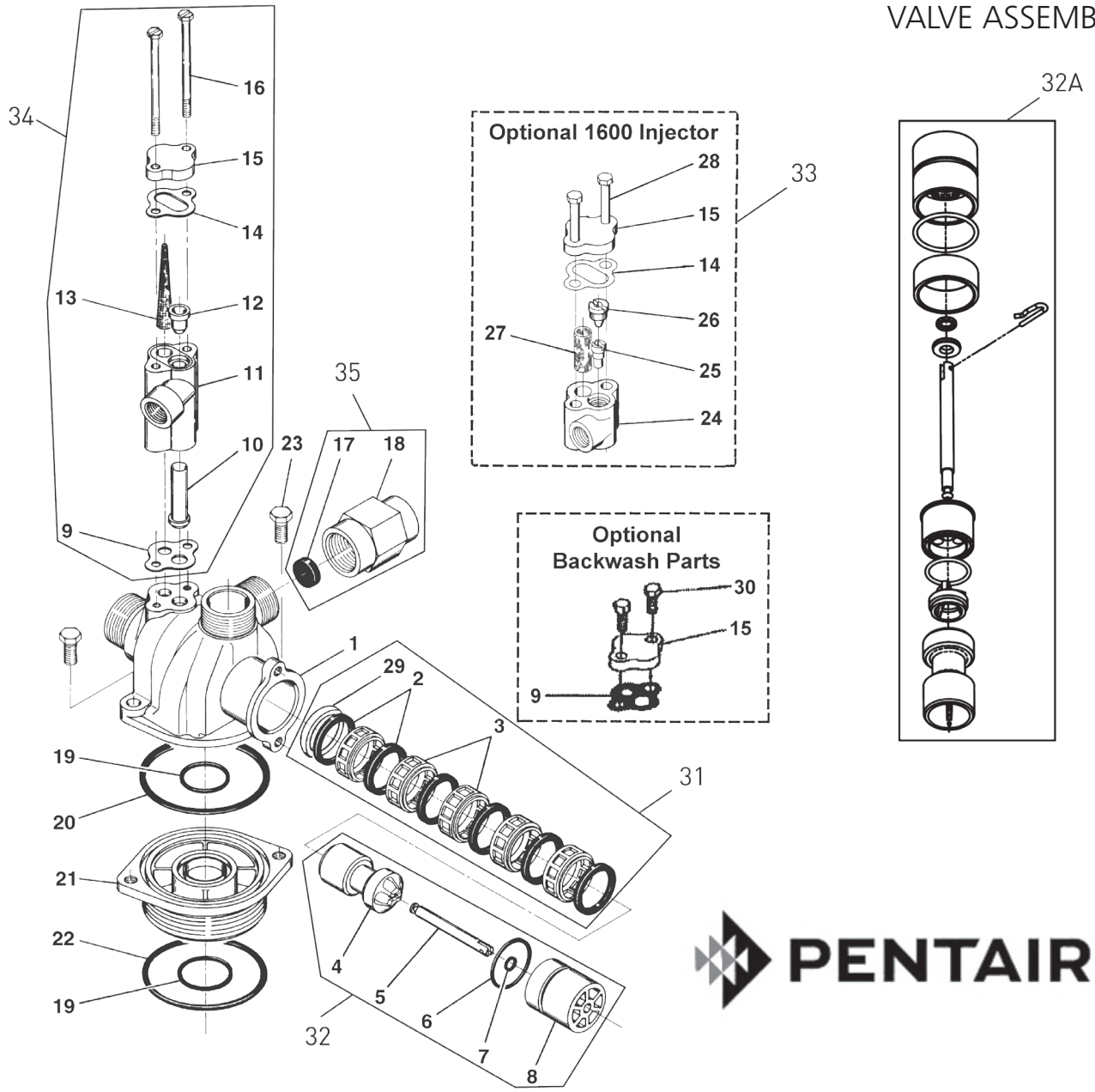


Item No.	QTY	Part No.	Description
1	1	18697-15	Backplate, Hinged
2	1	11838	Power Cord, 6-foot, North American, Flat
		9303-01	Power Cord, 6-foot, Australian
		19885-01	Power Cord, 6-foot, Japanese
		11545-01	Power Cord, 6-foot, European
3	1	13547	Strain Relief, Cord
4	1	40400	Harness, Drive Designr/Envirmtl
5	2	10231	Screw, Slot Hex 1/4-20 x 1/2 35 in-lbs ±20%
6	2	10218	Switch, Micro
7	1	10909	Pin, Connecting Rod Spring
8	1	60160-15	Drive Cam Assy, STF, Blue, 2900
9	2	10338	Pin, Roll, 3/32 x 7/8
10	2	14923	Screw, Pan Hd MACH, 4-40 x 1 5.0 in-lbs ±10%
11	1	41543	Motor, Drive, 115V/60 Hz
		41545	Motor, Drive, 220V, 50-60Hz, SP, Fam 1
11A		42579	Motor, Drive, 24 VAC/DC, 50-60 Hz, Fam 1
12	1	12777	Cam, Shut-off Valve
13	2	10300	Screw, Hx Wash Head, 8 x 3/8 20 in-lbs ±20%
14	1	3200	Timer Assy, 3200 7 or 12 Day
		3210	Meter Delay
		3220	Meter Immediate
15	1	15806	Hole Plug, (HeyCo)
16	1	16493	Plug, Hole, HeyCo, .88 Dia

Item No.	QTY	Part No.	Description
17	1	17421	Plug, 1.20 Hole
18	2	19691	Plug, .750 Dia. Hole, Flush
19	7	19800	Plug (Hole Size: Dia .140)
20	4	19801	Plug, Dia .190
21	1	43560	Fitting, Brine Valve (Used on Filter Valves)
22	1	10269	Nut, Jam, 3/4-16 (Used on Filter Valves)
			Wrench Tighten
23	2	41581	Plug, Hole .125 Dia, White
24	1	10872	Screw, Hex WSH, 8-32 x 5/16 20 in-lbs ±20%
25	1	14202-01	Screw, Hex Washer #8-32 x 5/16 Hand Tighten
26	1	60219-02	Cover Assy, Environmental, Black, Clear Window
		60219-12	Cover Assy, Environmental, Black, Black Window
27	1		*Powerhead Assembly
28	1	60050-23	Drive Motor Assy, 24 VAC/DC, 50-60 Hz FAM 1
		60050-21	Drive Motor Assy, 115V/60 Hz
		60050-22	Drive Motor Assy, 220V, 50-60 Hz SP FAM1
29		60320-12	Switch Kit, 1500-2850 Drive Motor
<i>Not Shown:</i>			
1		17470	Cable Guide Assy, 2850
1		17741	Meter Cable, 16.50 "es

CONTROL VALVES PARTS EXPLOSIONS

FLECK 2750 VALVE ASSEMBLY



Item No.	QTY	Part No.	Description	
1	1	14749	Valve Body, 2750	
2	6	10545	Seal, Piston	
3	5	11451	Spacer, 12 Hole	
		16589	Spacer, HW	
4	1	14451	Piston, 2750	
5	1	14452	Rod, Piston	
6	1	10234-01	O-Ring, -024, 560CD	
7	1	10209	Quad Ring, -010	
8	1	10598	End Plug Assembly	
		10598-01	End Plug Assembly, Hot Water	
9	1	14805	Gasket, Injector Body, 1600/1700	
10		14802-03C	Throat, Injector, #3C, Yellow	
		14802-04C	throat, Injector, #4C, Green	
		14802-05C	Throat, Injector, #5C, White	
		14802-06C	Throat, Injector, #6C, Red	
		17777	Body, Injector, 1700	
		12	14801-03C Nozzle, Injector, #3C, Yellow	
			14801-04C Nozzle, Injector, #4C, Green	
			14801-05C Nozzle, Injector, #5C, White	
			14801-06C Nozzle, Injector, #6C, Red	
		13	14803 Screen, Injector	
		14	10229 Gasket, Injector Cap, 1600	
		15	11893 Cap, Injector, Stainless Steel	
			10228 Cap, Injector, Brass	
		16	2	14804 Screw, Hex Hd Mach, 10-24 x 2-3/4
		17	1	17 Washer - Flow Control (specify size)
		18	1	60365-00 Housing, DLFC, 1/2-" F x 3/4-" F, Blank
		19	2	11710 O-ring, -215



## CONTROL VALVES PARTS EXPLOSIONS

### FLECK 2750 VALVE ASSEMBLY (Continued)



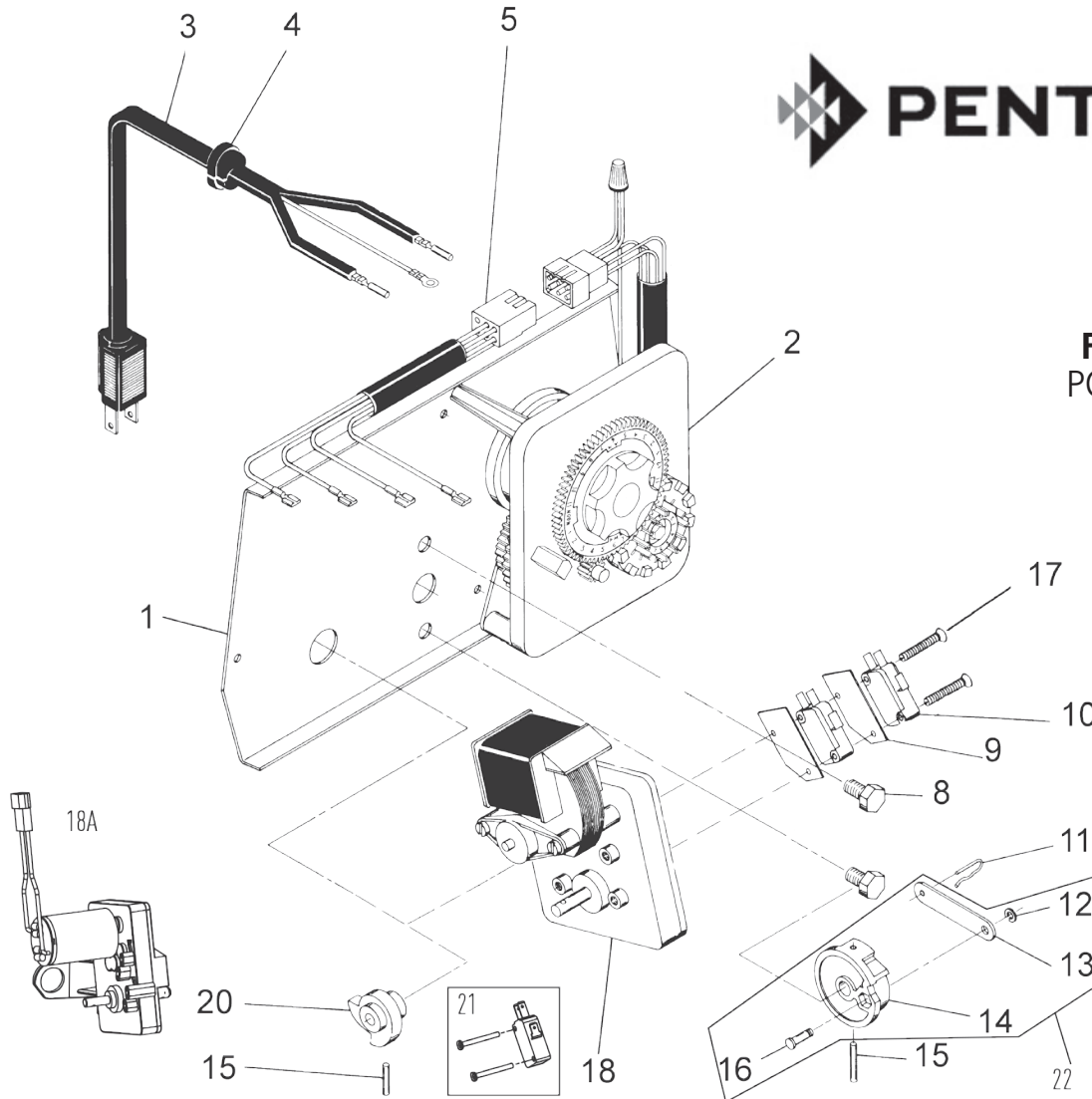
20	1	11208	O-ring, -232	32	1	60090-HF	Piston Assy, 2750
21	1	12461-01	Adapter Base, 1-1/2" 2-1/2" - 8 Quick Connect	32A	1	60101-01	Piston Assy, NHWB, DF 1500, 2510, 2750
22	1	10381	O-ring, -231	33	1	60480-000	Injector Assy, 1600 #00, Plastic
23	2	11224	Screw, Hex Hd, 5/16 - 18 x 5/8			60480-00	Injector Assy, 1600 #0, Plastic
24	1	17776	Body, Injector			60480-01	Injector Assy, 1600 #1, Plastic
25		10914-000	Throat, Injector #000, Brown			60480-02	Injector Assy, 1600 #2, Plastic
		10914-00	Throat, Injector, #00, Violet			60480-03	Injector Assy, 1600 #3, Plastic
		10914-0	Throat, Injector, #0, Red			60480-04	Injector Assy, 1600 #4, Plastic
		10914-1	Throat, Injector, #1, White			60481-21	Injector Assy, 1600, #1, S.S. Complete, Brass
		10914-2	Throat, Injector, #2, Blue			60481-22	Injector Assy, 1600, #2, S.S. Complete, Brass
		10914-3	Throat, Injector, #3, Yellow			60481-23	Injector Assy, 1600, #3, S.S. Complete, Brass
		10914-4	Throat, Injector, #4, Green			60080-11	Injector Assy, 1600, #1, PVC
		12974-0	Throat, Injector, #0, PVC, Grey			60080-12	Injector Assy, 1600, #2, PVC
		12974-1	Throat, Injector, #1, PVC, Grey			60080-14	Injector Assy, 1600, #4, PVC
		12974-2	Throat, Injector, #2, PVC, Grey	34	1	60381-03	Injector Assy, 1700, 3C
		12974-3	Throat, Injector, #3, PVC, Grey			60381-04	Injector Assy, 1700, 4C
		12974-4	Throat, Injector, #4, PVC, Grey			60381-05	Injector Assy, 1700, 5C
		10226-0	Throat, Injector, #0, Stainless Steel			60381-06	Injector Assy, 1700, 6C
		10226-1	Throat, Injector, #1, Stainless Steel	35	1	60365-06	DLFC, 3/4-1/2" F, NPT 0.6 gpm
		10226-2	Throat, Injector, #2, Stainless Steel			60365-08	DLFC, 3/4-1/2" F, NPT 0.8 gpm
		10226-3	Throat, Injector, #3, Stainless Steel			60365-10	DLFC, 3/4-1/2" F, NPT 1.0 gpm
		10226-4	Throat, Injector, #4, Stainless Steel			60365-12	DLFC, 3/4-1/2" F, NPT 1.2 gpm
26	1	10913-000	Nozzle, Injector #000, Brown			60365-13	DLFC, 3/4-1/2" F, NPT 1.3 gpm
		10913-00	Nozzle, Injector #00, Violet			60365-15	DLFC, 3/4-1/2" F, NPT 1.5 gpm
		10913-0	Nozzle, Injector #0, Red			60365-17	DLFC, 3/4-1/2" F, NPT 1.7 gpm
		10913-1	Nozzle, Injector #1, White			60365-20	DLFC, 3/4-1/2" F, NPT 2.0 gpm
		10913-2	Nozzle, Injector #2, Blue			60365-24	DLFC, 3/4-1/2" F, NPT 2.4 gpm
		10913-3	Nozzle, Injector #3, Yellow			60365-30	DLFC, 3/4-1/2" F, NPT 3.0 gpm
		10913-4	Nozzle, Injector #4, Green			60365-35	DLFC, 3/4-1/2" F, NPT 3.5 gpm
		12973-0	Nozzle, Injector #0, PVC, Grey			60365-40	DLFC, 3/4-1/2" F, NPT 4.0 gpm
		12973-1	Nozzle, Injector #1, PVC, Grey			60365-45	DLFC, 3/4-1/2" F, NPT 4.5 gpm
		12973-2	Nozzle, Injector #2, PVC, Grey			60365-50	DLFC, 3/4-1/2" F, NPT 5.0 gpm
		12973-3	Nozzle, Injector #3, PVC, Grey			60365-60	DLFC, 3/4-1/2" F, NPT 6.0 gpm
		12973-4	Nozzle, Injector #4, PVC, Grey			60365-70	DLFC, 3/4-1/2" F, NPT 7.0 gpm
		10225-0	Nozzle, Injector #0, Stainless Steel			60700-00	DLFC, 3/4-3/4" F, NPT Blank
		10225-1	Nozzle, Injector #1, Stainless Steel			60700-8.0	DLFC, 3/4-3/4" F, NPT 8.0 gpm
		10225-2	Nozzle, Injector #2, Stainless Steel			60700-9.0	DLFC, 3/4-3/4" F, NPT 9.0 gpm
		10225-3	Nozzle, Injector #3, Stainless Steel			60700-10	DLFC, 3/4-3/4" F, NPT 10.0 gpm
		10225-4	Nozzle, Injector #4, Stainless Steel			60700-12	DLFC, 3/4-3/4" F, NPT 12.0 gpm
27	1	10227	Screen, Injector			60700-15	DLFC, 3/4-3/4" F, NPT 15.0 gpm
28	2	10692	Screw, Slot Hex Hd, 10-24 x 18-8 Stainless Steel			60700-20	DLFC, 3/4-3/4" F, NPT 20.0 gpm
29	1	10757	Spacer, End			60700-25	DLFC, 3/4-3/4" F, NPT 25.0 gpm
		10757B	Spacer, End, Brass	Not Shown			
30	1	15137	Screw, Hex Wsh Mach, 10-24 x 3/8	1	16221		Disperser, Air, 1600
31	1	60121	Seal Kit, 1500, 2510, 2750	1	17996		Disperser, Air, 1700



CONTROL VALVES PARTS EXPLOSIONS



FLECK 2850 POWERHEAD

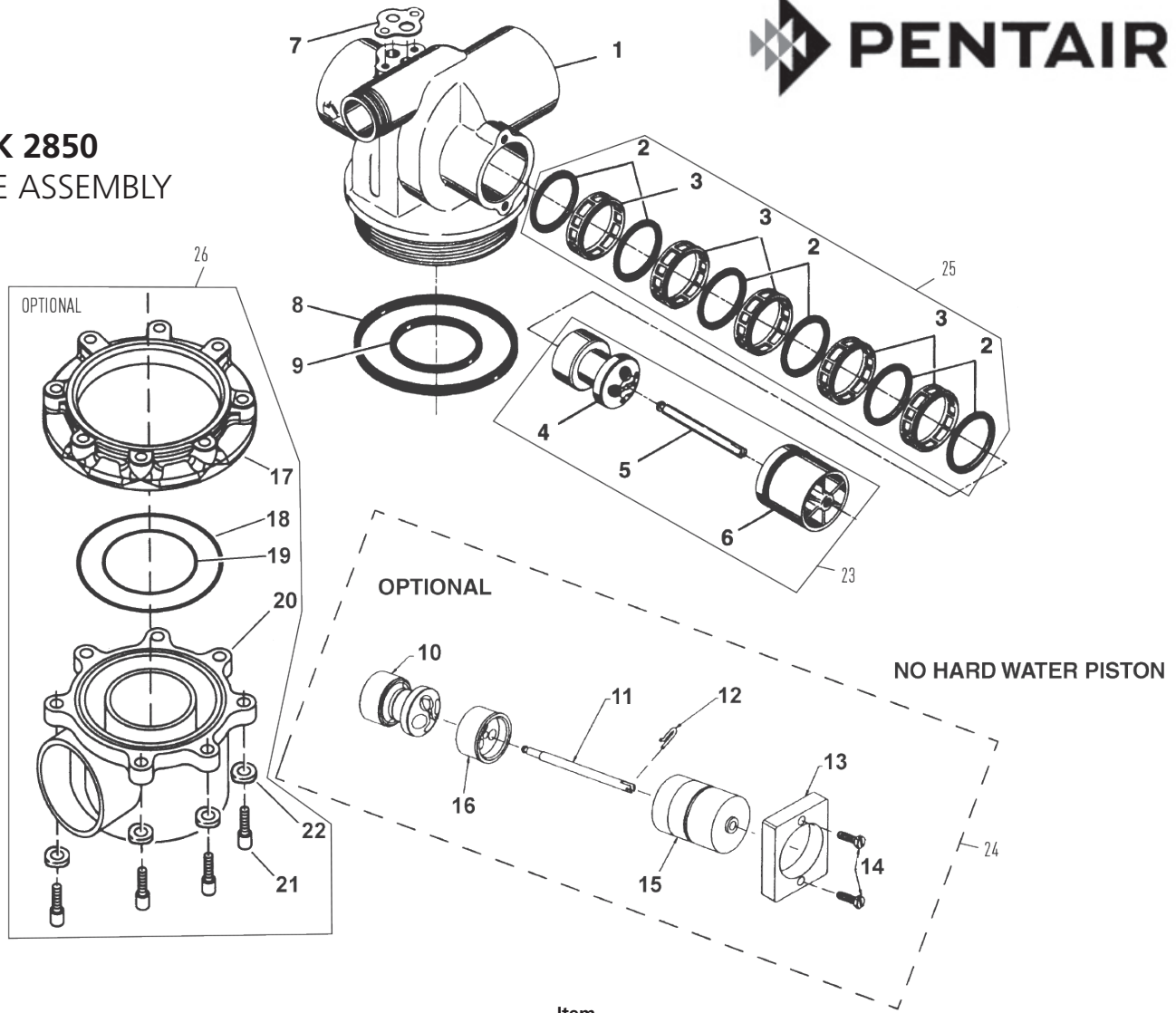


Item No.	QTY	Part No.	Description	Item No.	QTY	Part No.	Description
1	1	40264	Backplate, SS/Service Valve Operator, W-T Screws	41545*			Motor, Drive, 230V, 50/60Hz
2	1	3200,	Timer 7 or 12 Day	18A	1	42579**	Motor, Drive, 24VAC/DC, 50/60Hz
3	1	11838	Power Cord, North America	20	1	12777	Brine Valve Cam - Separate Time Fill (Black)
		19303-01	Austrailian Cord	21		***	Switch Kit, 1500 thru 2850, Optional
		19885-01	Japanese Cord	22	1	60160-15	Drive Cam Assy STF, Blue
		11545-01	European Cord	23		***	Powerhead Assy
4	1	13547	Strain Relief	<i>Not Shown:</i>			
5	1	40400	Harness, Drive, Designer/Environmental	2		10300	Screw - Timer Mounting
8	2	10231	Screw - Drive Mounting	1		13741	Hole Plug
9	2	10302	Insulator	1		17904	Hole Plug
10	2	10218	Switch	2		19367	Screw, Thumb
11	1	10909	Connecting Link Pin	1		17470	Cable Guide Assy, 2850
12	1	10250	Retaining Ring	1		17741	Meter Cable, 16.50-"
13	1	10621	Connecting Link	1		60232-110	Cover, Designer, 1 Pc. Black
14	1	12576	Drive Cam - STF (Black)	* Bracket is integrated into the motor.			
15	2	10338	Roll Pin	** Bracket is integrated into the motor and picture may not reflect actual component.			
16	1	13366	Drive Bearing	***Call your distributor for Part Number			
17	2	14923	Screw - Switch Mounting	Motor drawing may not resemble actual.			
18	1	41543*	Motor, Drive, 115V, 50/60Hz	For Service Assembly Numbers, See the Back of this Manual			

## CONTROL VALVES PARTS EXPLOSIONS



### FLECK 2850 VALVE ASSEMBLY



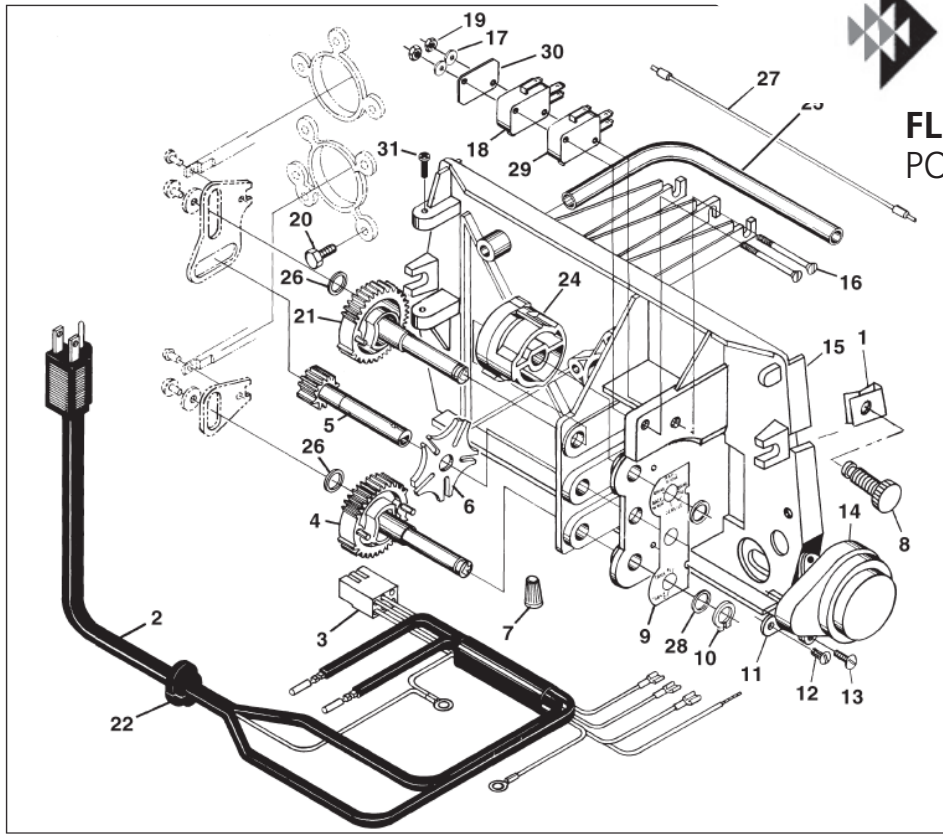
Item No.	QTY	Part No.	Description
1	1	18697-15	Backplate, Hinged
2	1	11838	Power Cord, 6-foot, North American, Flat
		9303-01	Power Cord, 6-foot, Australian
		19885-01	Power Cord, 6-foot, Japanese
		11545-01	Power Cord, 6-foot, European
3	1	13547	Strain Relief, Cord
4	1	40400	Harness, Drive Designr/Envirmtl
5	2	10231	Screw, Slot Hex 1/4-20 x 1/2 35 in-lbs ±20%
6	2	10218	Switch, Micro
7	1	10909	Pin, Connecting Rod Spring
8	1	60160-15	Drive Cam Assy, STF, Blue, 2900
9	2	10338	Pin, Roll, 3/32 x 7/8
10	2	14923	Screw, Pan Hd MACH, 4-40 x 1 5.0 in-lbs ±10%
11	1	41543	Motor, Drive, 115V/60 Hz
		41545	Motor, Drive, 220V, 50-60Hz, SP, Fam 1
11A	1	42579	Motor, Drive, 24 VAC/DC, 50-60 Hz, Fam 1
12	1	12777	Cam, Shut-off Valve
13	2	10300	Screw, Hx Wash Head, 8 x 3/8 20 in-lbs ±20%
14	1	3200	Timer Assy, 3200 7 or 12 Day
		3210	Meter Delay
		3220	Meter Immediate
15	1	15806	Hole Plug, (HeyCo)
16	1	16493	Plug, Hole, HeyCo, .88 Dia

Item No.	QTY	Part No.	Description
17	1	17421	Plug, 1.20 Hole
18	2	19691	Plug, .750 Dia. Hole, Flush
19	7	19800	Plug (Hole Size: Dia .140)
20	4	19801	Plug, Dia .190
21	1	43560	Fitting, Brine Valve (Used on Filter Valves)
22	1	10269	Nut, Jam, 3/4-16 (Used on Filter Valves)
			Wrench Tighten
23	2	41581	Plug, Hole .125 Dia, White
24	1	10872	Screw, Hex WSH, 8-32 x 5/16 20 in-lbs ±20%
25	1	14202-01	Screw, Hex Washer #8-32 x 5/16 Hand Tighten
26	1	60219-02	Cover Assy, Environmental, Black, Clear Window
		60219-12	Cover Assy, Environmental, Black, Black Window
			*Powerhead Assembly
27	1	60050-23	Drive Motor Assy, 24 VAC/DC, 50-60 Hz FAM 1
28	1	60050-21	Drive Motor Assy, 115V/60 Hz
		60050-22	Drive Motor Assy, 220V, 50-60 Hz SP FAM1
29		60320-12	Switch Kit, 1500-2850 Drive Motor
<i>Not Shown:</i>			
1		17470	Cable Guide Assy, 2850
1		17741	Meter Cable, 16.50 "es

CONTROL VALVES PARTS EXPLOSIONS



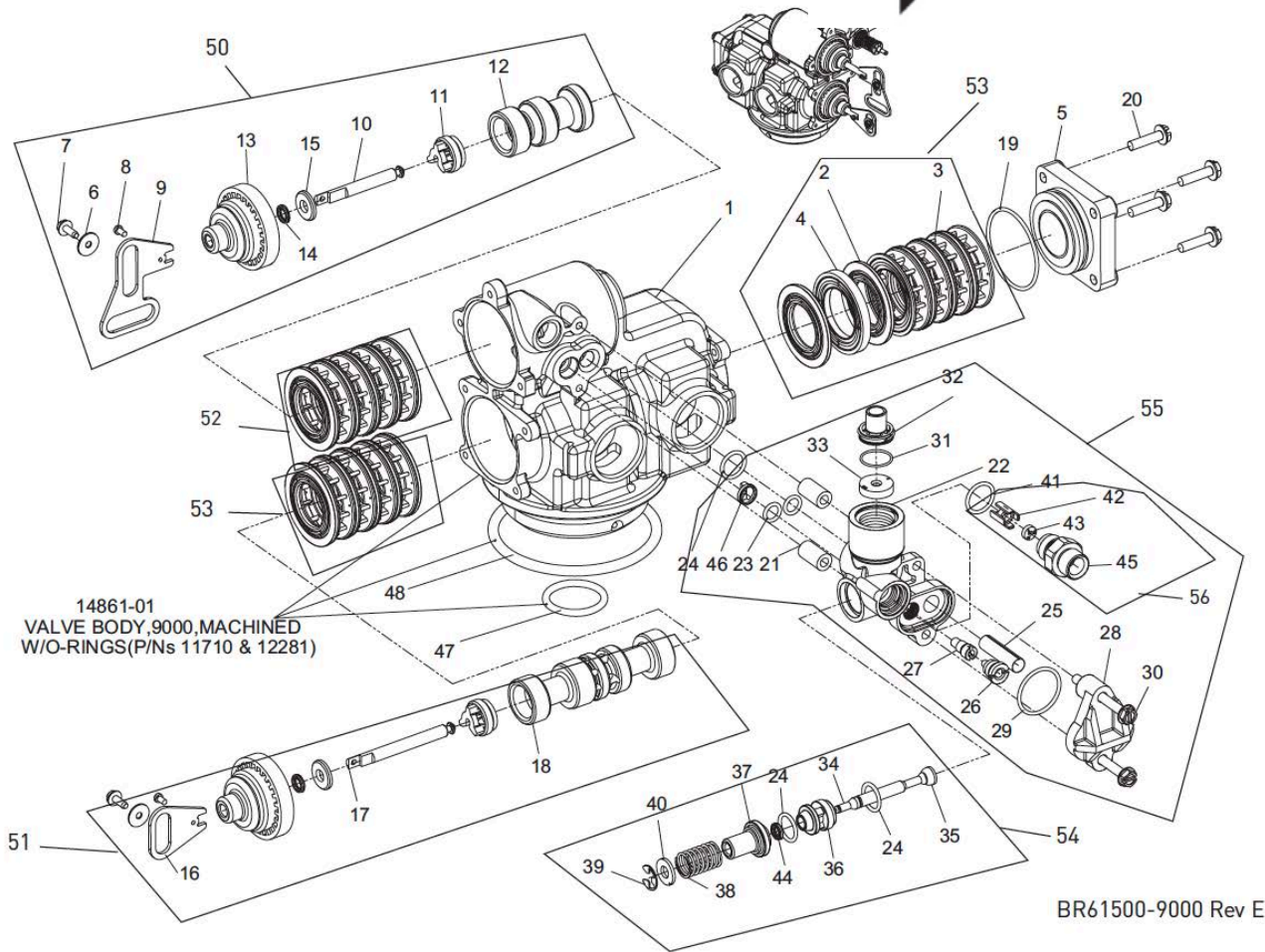
FLECK 9000, 9100, 9500 POWERHEAD



Item No.	QTY	Part No.	Description	Item No.	QTY	Part No.	Description
1	2	18728	Nut, Tinnerman, U Type, 8-32	16	2	15172	Screw, Flt Hd Mach, 4-40 x 1 3/8 Steel Zinc Plate
2	1	11838	Power Cord, 6' Fleck	17	2	10340	Washer, Lock #4, Zinc
		11839	Power Cord, 12' Fleck	18	2	16433	Switch, Miniature
		40084-12	Power Cord, 12' U.S., Round, 120V Sys 5, 6, 7 & 2900/3150/3900 #4	19	1	10339	Nut, Hex, 4-40 Zinc Plated
		19885-01	Power Cord Assy, Japanese	20	1	15331	Screw, Hex Washer Mach, 10-24 x 3/4 410 S.S.
		11545-01	Power Cord Assy, 4' Black, Euro w/Terminals	21	1	15133	Gear Assy, Drive, 3/4-inch Stroke
		14678	Power Cord, U.S., 220/60	22	1	13547	Strain Relief, Flat Cord Heyco #30-1
		19303-01	Power Cord Assy, Australian w/Terminals			13547-01	Strain Relief, Round Cord
		40085-12	Power Cord, 12' US, Round, 240V	23	1	15810	Ring, Retaining
		19674	Transformer, 24V, 9.6VA Residential Valves	24	1	17331	Cam, 9000, 9100, 9500
		41475	ransformer, 24V, 9.6VA, European			17765	Cam Assy, Aux Switch, 9000, 9100, 9500
3	1	15202	Harness, 9000/9500, Drive	25	1	15368	Tube, Cable Guide, 2-Tank, 9000/9100
		14822	Harness, 2900			17337	Tube, Cable Guide, 9500
4	1	15134	Gear Assy, Drive, 1/2-inch Stroke 9000/9500	26	2	15372	Washer, Thrust, 3/8
5	1	15135	Gear, Drive, 9000	27	1	15425	Meter Cable Assy, 13.25 inches 9000/9100
6	1	14896	Wheel, Geneva			15216	Meter Cable Assy, 15.25 inches 9000/9100
7	2	40422	Nut, Wire, Tan			17744	Meter Cable Assy, 20.75 inches 9500
8	2	19367	Screw, Designer Cover, Thumb 8-32 Blank UV Stable Material	28	2	15692	Washer, Plain, 3/8-inch
9	1	15175	Label, Shaft Position	30	1	10302	Insulator, Limit Switch
10	2	14917	Ring, Retaining	31	2	15173	Screw, Slot Rd Hd Mach, 5-20 x 3/8
11	1	42296	Plate, Ground, 9000/9500	32	*		Complete 9000/9100/9500 Powerhead Assy
12	1	14430	Screw, Hex Washer St, 6 x 1/4 Type "B"	<i>Not Shown</i>			
13	2	19160	Screw, Phil Pan, Thread 6-32 x 3/8 Type 23 Zinc	1		60232-110	Cover, Designer, 1 Pc Black
14	1	18737	Motor, 24V, 50/60 Hz, 1 RPM	1		60232-112	Cover, Designer, 1 Pc Black w/Left Window, Electric
		18738	Motor, 120V, 50/60 Hz 1 RPM	1		60320-10	Switch Assy, Drive Cam, 9000, 9100, 9500
		18739	Motor, 220V, 50/60 Hz 1 RPM	*Call your distributor for Part Number			
15	1	15131	Backplate, 9000, Mechanical, SXT				
		17784-05	Panel, Control, 9000/9500 XT				
		17784-02	Panel, Control, 9000, 9500 w/Terminal Block				

## CONTROL VALVES PARTS EXPLOSIONS

### FLECK 9000 VALVE ASSEMBLY



Item No.	QTY	Part No.	Description
1	1	14861	Valve Body, 9000
2	16	13242-02	Seal, 5600,9000, 9100
3	12	14241	Spacer, 5600,9000, 9100
4	1	16595	Spacer, 9000, 9100
5	1	43458	End Cap, Plastic, 9000/9100
6	2	13363	Washer, Plain
7	2	17020	Screw, STL. Hex Washer, 6-20 x 3/8
8	2	11335	Screw, #4-40
9	1	14921	Link, Piston Rod
10	1	14919	Piston, Rod, Upper
11	2	14309	Retainer, Piston Rod
12	1	14914	Piston, 9000, 9100 Upper
13	2	13243	Plug, End, 5600, 9000, 9100
14	2	10209	Quad Ring, -010
15	2	13008	Retainer, End Plug Seal
16	1	15019	Link, Piston Rod, 9000/9500, 9100
17	1	14920	Rod, Piston, Lower, 9000, 9100
18	1	14905	Piston, 9000, 9100 Lower
19	1	40952	O-ring, -030
20	4	15331	Screw, Hex Washer Head
21	2	13361	Spacer, 4600, 9000, 9100
22	1	15215	Body, Injector, 9000, 9100

Item No.	QTY	Part No.	Description
23	2	13301	O-ring, -011
24	3	13302	O-ring, -014
25	1	10227	Screen, Injector
26	1	10913-000	Nozzle, Injector, #000, Brown
		10913-00	Nozzle, Injector, #00, Violet
		10913-0	Nozzle, Injector, #0, Red
		10913-1	Nozzle, Injector, #1, White
		10913-2	Nozzle, Injector, #2, Blue
		10913-3	Nozzle, Injector, #3, Yellow
		10913-4	Nozzle, Injector, #4, Green
27	1	10914-000	Throat, Injector, #000, Brown
		0914-00	Throat, Injector, #00, Violet
		10914-0	Throat, Injector, #0, Red
		10914-1	Throat, Injector, #1, White
		10914-2	Throat, Injector, #2, Blue
		10914-3	Throat, Injector, #3, Yellow
		10914-4	Throat, Injector, #4, Green
28	1	13166	Cap, Injector, 5600, 9000, 9100
29	1	13303	O-ring, -021
30	2	13387	Screw, Hex Washer Head
31	1	15348	O-ring, -563
32	1	13173	Retainer, DLFC Button

CONTROL VALVES PARTS EXPLOSIONS



FLECK 9000  
VALVE ASSEMBLY  
continued

9000 CONTROL VALVE ASSEMBLY CONTINUED

Item No.	QTY	Part No.	Description	Item No.	QTY	Part No.	Description	
33	1	19153	Washer, Flow, 0.6 GPM	55		60385-0011	Injector Drain, 9000, 9100, 0.25 BLFC #0 INJ, 1.2 DLFC	
		19152	Washer, Flow, 0.8 GPM			60385-0111	Injector Drain, 9000, 9100, 0.25 BLFC #1 INJ, 1.2 DLFC	
		12097	Washer, Flow, 1.0 GPM			60385-0121	Injector Drain, 9000, 9100, 0.25 BLFC #1 INJ, 1.5 DLFC	
		12085	Washer, Flow, 1.2 GPM			60385-0131	Injector Drain, 9000, 9100, 0.25 BLFC #1 INJ, 2.0 DLFC	
		19150	Washer, Flow, 1.3 GPM			60385-0141	Injector Drain, 9000, 9100, 0.25 BLFC #1 INJ, 2.4 DLFC	
		12086	Washer, Flow, 1.5 GPM			60385-0012	Injector Drain, 9000, 9100, 0.50 BLFC #0 INJ, 1.2 DLFC	
		19149	Washer, Flow, 1.7 GPM			60385-0112	Injector Drain, 9000, 9100, 0.50 BLFC #1 INJ, 1.2 DLFC	
		12087	Washer, Flow, 2.0 GPM			60385-0122	Injector Drain, 9000, 9100, 0.50 BLFC #1 INJ, 1.5 DLFC	
		12088	Washer, Flow, 2.4 GPM			60385-0132	Injector Drain, 9000, 9100, 0.50 BLFC #1 INJ, 2.0 DLFC	
		12089	Washer, Flow, 3.0 GPM			60385-0142	Injector Drain, 9000, 9100, 0.50 BLFC #1 INJ, 2.4 DLFC	
		12090	Washer, Flow, 3.5 GPM			60385-0182	Injector Drain, 9000, 9100, 0.50 BLFC #1 INJ, 5.0 DLFC	
		12091	Washer, Flow, 4.0 GPM			60385-0222	Injector Drain, 9000, 9100, 0.50 BLFC #2 INJ, 1.5 DLFC	
		19147	Washer, Flow, 4.5 GPM			60385-0242	Injector Drain, 9000, 9100, 0.50 BLFC #2 INJ, 2.4 DLFC	
		12092	Washer, Flow, 5.0 GPM			60385-0252	Injector Drain, 9000, 9100, 0.50 BLFC #2 INJ, 3.0 DLFC	
		17814	Washer, Flow, 6.0 GPM			60385-0262	Injector Drain, 9000, 9100, 0.50 BLFC #2 INJ, 3.5 DLFC	
		12408	Washer, Flow, 7.0 GPM			60385-0272	Injector Drain, 9000, 9100, 0.50 BLFC #2 INJ, 4.0 DLFC	
34	1	14925	Brine Valve Stem, 9000, 9100			60385-0282	Injector Drain, 9000, 9100, 0.50 BLFC #2 INJ, 5.0 DLFC	
35	1	12626	Seat, Brine Valve			60385-02A2	Injector Drain, 9000, 9100, 0.50 BLFC #2 INJ, 6.0 DLFC	
36	1	13167	Spacer, Brine Valve			60385-0202	Injector Drain, 9000, 9100, 0.50 BLFC #2 INJ, Blank DLFC	
37	1	13165	Cap, Brine Valve			60385-0372	Injector Drain, 9000, 9100, 0.50 BLFC #3 INJ, 4.0 DLFC	
38	1	11973	Spring, Brine Valve			60385-0382	Injector Drain, 9000, 9100, 0.50 BLFC #3 INJ, 5.0 DLFC	
39	1	11981-01	Ring, Retaining, SS			60385-0482	Injector Drain, 9000, 9100, 0.50 BLFC #4 INJ, 5.0 DLFC	
40	1	16098	Washer, Nylon Brine			60385-0133	Injector Drain, 9000, 9100, 1.0 BLFC #1 INJ, 2.0 DLFC	
41	1	12977	O-ring, -015			60385-0143	Injector Drain, 9000, 9100, 1.0 BLFC #1 INJ, 2.4 DLFC	
42	1	13245	Retainer, BLFC			60385-0163	Injector Drain, 9000, 9100, 1.0 BLFC #1 INJ, 3.5 DLFC	
43	1	17307	Washer, Flow, 0.125 GPM			60385-0233	Injector Drain, 9000, 9100, 1.0 BLFC #2 INJ, 2.0 DLFC	
		12094	Washer, Flow, 0.25 GPM			60385-0243	Injector Drain, 9000, 9100, 1.0 BLFC #2 INJ, 2.4 DLFC	
		12095	Washer, Flow, 0.50 GPM			60385-0253	Injector Drain, 9000, 9100, 1.0 BLFC #2 INJ, 3.0 DLFC	
		12097	Washer, Flow, 1.0 GPM			60385-0263	Injector Drain, 9000, 9100, 1.0 BLFC #2 INJ, 3.5 DLFC	
44	1	12550	Quad Ring, -009			60385-0273	Injector Drain, 9000, 9100, 1.0 BLFC #2 INJ, 4.0 DLFC	
45	1	13244	Adapter, BLFC			60385-0353	Injector Drain, 9000, 9100, 1.0 BLFC #3 INJ, 3.0 DLFC	
46	1	13497	Air Dispenser, Injector			60385-0373	Injector Drain, 9000, 9100, 1.0 BLFC #3 INJ, 4.0 DLFC	
47	1	11710	O-ring, -215			60385-0383	Injector Drain, 9000, 9100, 1.0 BLFC #3 INJ, 5.0 DLFC	
48	1	12281	O-ring, -338			60385-0393	Injector Drain, 9000, 9100, 1.0 BLFC #3 INJ, 7.0 DLFC	
50		60400	Piston Assy, 9000, 9100 Upper			60385-0120	Injector Drain, 9000, 9100, Blank BLFC #1 INJ, 1.5 DLFC	
		60400-01	Piston Assy, 9000 Upper, HW			56	60022-12	BLFC, 0.125 GPM, 5000/5600/9000/9100
		60400-001	Piston Assy, 9000, 9100 Upper, 560CD				60022-25	BLFC, 0.25 GPM, 5000/5600/9000/9100
51		60401	Piston Assy, 9000, 9100 Lower				60022-50	BLFC, 0.50 GPM, 5000/5600/9000/9100
		60401-01	Piston Assy, 9000 Lower, HW				60022-100	BLFC, 1.0 GPM, 5000/5600/9000/9100
		60401-001	Piston Assy, 9000, 9100 Lower, 560CD			Not Shown		
52		60125	Seal & Spacer Kit, 5600/9000/9100 Upper		1	12128	Label, 0.25 GPM BLFC	
		60125-15	Seal & Spacer Kit, 5600/9000/9100 Upper Blue		1	13333	Label, Injector	
		60125HW	Seal & Spacer Kit, 9000 Upper		1	10760	Label, 1 GPM, 3 lbs salt/min	
53		60421	Seal & Spacer Kit, 9000/9100 Lower			10759	Label, 0.5 GPM, 1.5 lbs Salt	
		60421HW	Seal & Spacer Kit, 9000 Lower			19654	Label, 0.125 GPM Brine Refill Flow	
		60421-50	Seal & Spacer Kit, 9000/9100 Lower, 559PE					
54		60350	Brine Valve Assy, 9000, 9100					
		60350-01	Brine Valve Assy, 9000, 560CD, Hot Water					

est. 1947

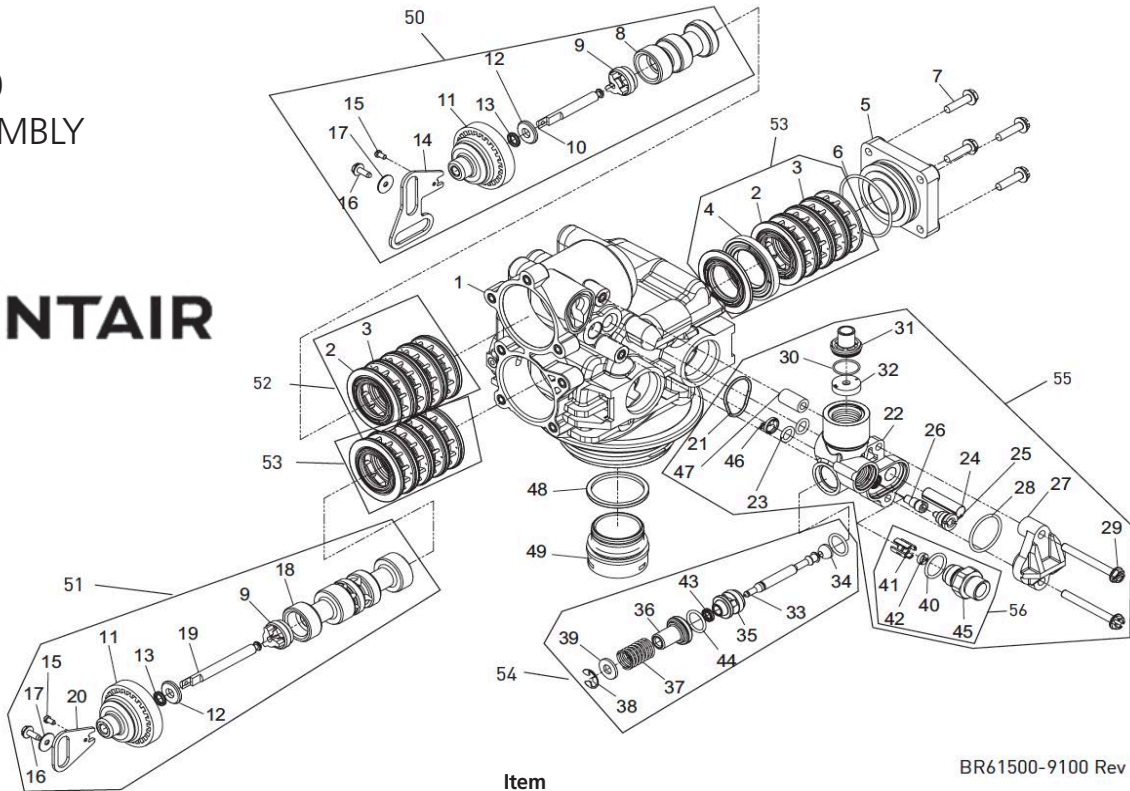
**DUFF** CO.

When you need it now... or don't know how



## CONTROL VALVES PARTS EXPLOSIONS

### FLECK 9100 VALVE ASSEMBLY



BR61500-9100 Rev E

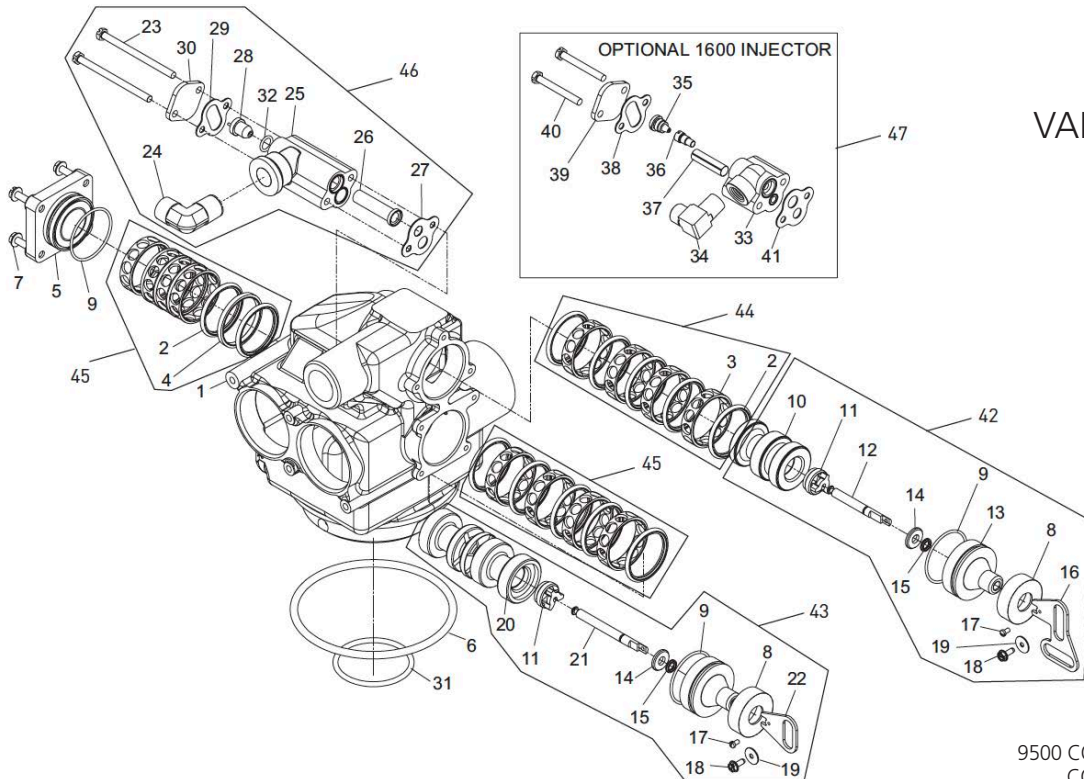
Item No.	QTY	Part No.	Description	Item No.	QTY	Part No.	Description
1	1	18697-15	Backplate, Hinged	26	1	10914-4	Throat, Injector, #4, Green
1	1	40688	Valve Body Assy, 9100	27	1	13166	Cap, Injector, 5600, 9000, 9100
2	16	13242-02	Seal, 5600,9000, 9100	28	1	13303	O-ring, -021
3	12	14241	Spacer, 5600,9000, 9100	29	2	13387	Screw, Hex Washer Head
4	1	16595	Spacer, 9000, 9100	30	1	15348	O-ring, -563
5	1	43458	End Cap, Plastic, 9000/9100	31	1	13173	Retainer, DLFC Button
6	1	40952	JO-ring, -030	32	1	19153	Washer, Flow, 0.6 GPM
7	4	15331	Screw, Hex Washer Head			19152	Washer, Flow, 0.8 GPM
8	1	14914	Piston, 9000, 9100 Upper			12097	Washer, Flow, 1.0 GPM
9	2	14309	Retainer, Piston Rod			12085	Washer, Flow, 1.2 GPM
10	1	14919	Piston, Rod, Upper			19150	Washer, Flow, 1.3 GPM
11	2	13243	Plug, End, 5600, 9000, 9100			12086	Washer, Flow, 1.5 GPM
12	2	13008	Retainer, End Plug Seal			19149	Washer, Flow, 1.7 GPM
13	2	10209	Quad Ring, -010			12087	Washer, Flow, 2.0 GPM
14	1	14921	Link, Piston Rod			12088	Washer, Flow, 2.4 GPM
15	2	1335	Screw, #4-40			12089	Washer, Flow, 3.0 GPM
16	2	17020	Screw, STL. Hex Washer, 6-20 x 3/8			12090	Washer, Flow, 3.5 GPM
17	2	13363	Washer, Hague Drive			12091	Washer, Flow, 4.0 GPM
18	1	14905	Piston, 9000, 9100 Lower			19147	Washer, Flow, 4.5 GPM
19	1	14920	Rod, Piston, Lower, 9000, 9100			12092	Washer, Flow, 5.0 GPM
20	1	15019	Link, Piston, Rod, 9000/9500			17814	Washer, Flow, 6.0 GPM
21	1	41500	O-ring, 9100 Drain			12408	Washer, Flow, 7.0 GPM
22	1	15215	Body, Injector, 9000, 9100	33	1	14925	Brine Valve Stem, 9000, 9100
23	2	13301	O-ring, -011	34	1	12626	Seat, Brine Valve
24	1	10227	Screen, Injector	35	1	13167	Spacer, Brine Valve
25	1	10913-000	Nozzle, Injector, #000, Brown	36	1	13165	Cap, Brine Valve
		10913-00	Nozzle, Injector, #00, Violet	37	1	11973	Spring, Brine Valve
		10913-0	Nozzle, Injector, #0, Red	38	1	11981-01	Ring, Retaining, SS
		10913-1	Nozzle, Injector, #1, White	39	1	16098	Washer, Nylon Brine
		10913-2	Nozzle, Injector, #2, Blue	40	1	12977	O-ring, -015
		10913-3	Nozzle, Injector, #3, Yellow	41	1	13245	Retainer, BLFC
		10913-4	Nozzle, Injector, #4, Green	42	1	17307	Washer, Flow, 0.125 GPM
26	1	10914-000	Throat, Injector, #000, Brown			12094	Washer, Flow, 0.25 GPM
		10914-00	Throat, Injector, #00, Violet			12095	Washer, Flow, 0.50 GPM
		10914-0	Throat, Injector, #0, Red			12097	Washer, Flow, 1.0 GPM
		10914-1	Throat, Injector, #1, White	43	1	12550	Quad Ring, -009
		10914-2	Throat, Injector, #2, Blue	44	2	13302	O-ring, -014
		10914-3	Throat, Injector, #3, Yellow	45	1	13244	Adapter, BLFC



CONTROL VALVES PARTS EXPLOSIONS

FLECK 9100 VALVE ASSEMBLY continued

Item No.	QTY	Part No.	Description	Item No.	QTY	Part No.	Description
46	1	13497	Air Disperser, Injector	55		60385-02A2	Injector Drain, 9000, 9100, 0.50 BLFC #2 INJ, 6.0 DLFC
47	1	13361	Spacer, 4600, 9100			60385-0202	Injector Drain, 9000, 9100, 0.50 BLFC #2 INJ, Blank DLFC
48	1	40538	Retainer, 32 mm, O-ring DIST, 7000			60385-0372	Injector Drain, 9000, 9100, 0.50 BLFC #3 INJ, 4.0 DLFC
49	1	61419	Kit, 1.05-inch Distributor Adapter			60385-0382	Injector Drain, 9000, 9100, 0.50 BLFC #3 INJ, 5.0 DLFC
50		60400	Piston Assy, 9000, 9100 Upper			60385-0482	Injector Drain, 9000, 9100, 0.50 BLFC #4 INJ, 5.0 DLFC
		60400-001	Piston Assy, 9000, 9100 Upper, 560CD			60385-0133	Injector Drain, 9000, 9100, 1.0 BLFC #1 INJ, 2.0 DLFC
51		60401	Piston Assy, 9000, 9100 Lower			60385-0143	Injector Drain, 9000, 9100, 1.0 BLFC #1 INJ, 2.4 DLFC
		60401-01	Piston Assy, 9000 Lower, HW			60385-0163	Injector Drain, 9000, 9100, 1.0 BLFC #1 INJ, 3.5 DLFC
		60401-001	Piston Assy, 9000, 9100 Lower, 560CD			60385-0233	Injector Drain, 9000, 9100, 1.0 BLFC #2 INJ, 2.0 DLFC
52		60125	Seal & Spacer Kit, 5600/9000/9100 Upper			60385-0243	Injector Drain, 9000, 9100, 1.0 BLFC #2 INJ, 2.4 DLFC
		60125-15	Seal & Spacer Kit, 5600/9000/9100 Upper Blue Silicone			60385-0253	Injector Drain, 9000, 9100, 1.0 BLFC #2 INJ, 3.0 DLFC
53		60421	Seal & Spacer Kit, 9000/9100 Lower			60385-0263	Injector Drain, 9000, 9100, 1.0 BLFC #2 INJ, 3.5 DLFC
		60421-50	Seal & Spacer Kit, 9000/9100 Lower, 559PE			60385-0273	Injector Drain, 9000, 9100, 1.0 BLFC #2 INJ, 4.0 DLFC
54		60350	Brine Valve Assy, 9000, 9100			60385-0353	Injector Drain, 9000, 9100, 1.0 BLFC #3 INJ, 3.0 DLFC
55		60385-0011	Injector Drain, 9000, 9100, 0.25 BLFC #0 INJ, 1.2 DLFC			60385-0373	Injector Drain, 9000, 9100, 1.0 BLFC #3 INJ, 4.0 DLFC
		60385-0111	Injector Drain, 9000, 9100, 0.25 BLFC #1 INJ, 1.2 DLFC			60385-0383	Injector Drain, 9000, 9100, 1.0 BLFC #3 INJ, 5.0 DLFC
		60385-0121	Injector Drain, 9000, 9100, 0.25 BLFC #1 INJ, 1.5 DLFC			60385-0393	Injector Drain, 9000, 9100, 1.0 BLFC #3 INJ, 7.0 DLFC
		60385-0131	Injector Drain, 9000, 9100, 0.25 BLFC #1 INJ, 2.0 DLFC			60385-0120	Injector Drain, 9000, 9100, Blank BLFC #1 INJ, 1.5 DLFC
		60385-0141	Injector Drain, 9000, 9100, 0.25 BLFC #1 INJ, 2.4 DLFC	56		60022-12	BLFC, 0.125 GPM, 5000/5600/9000/9100
		60385-0012	Injector Drain, 9000, 9100, 0.50 BLFC #0 INJ, 1.2 DLFC			60022-25	BLFC, 0.25 GPM, 5000/5600/9000/9100
		60385-0112	Injector Drain, 9000, 9100, 0.50 BLFC #1 INJ, 1.2 DLFC			60022-50	BLFC, 0.50 GPM, 5000/5600/9000/9100
		60385-0122	Injector Drain, 9000, 9100, 0.50 BLFC #1 INJ, 1.5 DLFC			60022-100	BLFC, 1.0 GPM, 5000/5600/9000/9100
		60385-0132	Injector Drain, 9000, 9100, 0.50 BLFC #1 INJ, 2.0 DLFC	Not Shown			
		60385-0142	Injector Drain, 9000, 9100, 0.50 BLFC #1 INJ, 2.4 DLFC	1		13333	Label, Injector
		60385-0182	Injector Drain, 9000, 9100, 0.50 BLFC #1 INJ, 5.0 DLFC	1		10759	Label, 0.5 GPM, 1.5 lbs salt/min
		60385-0222	Injector Drain, 9000, 9100, 0.50 BLFC #2 INJ, 1.5 DLFC			18569	Retainer, Tank Seal
		60385-0242	Injector Drain, 9000, 9100, 0.50 BLFC #2 INJ, 2.4 DLFC			18303	O-ring, -336, Top of Tank
		60385-0252	Injector Drain, 9000, 9100, 0.50 BLFC #2 INJ, 3.0 DLFC			12128	Label, 0.25 GPM BLFC
		60385-0262	Injector Drain, 9000, 9100, 0.50 BLFC #2 INJ, 3.5 DLFC			10760	Label 1 GPM, 3 lbs Salt
		60385-0272	Injector Drain, 9000, 9100, 0.50 BLFC #2 INJ, 4.0 DLFC			19654	Label, 0.125 GPM Brine Refill
		60385-0282	Injector Drain, 9000, 9100, 0.50 BLFC #2 INJ, 5.0 DLFC				



FLECK 9500 VALVE ASSEMBLY

9500 CONTROL VALVE ASSEMBLY CONTINUED ON NEXT PAGE



## CONTROL VALVES PARTS EXPLOSIONS

### FLECK 9500

### VALVE ASSEMBLY continued



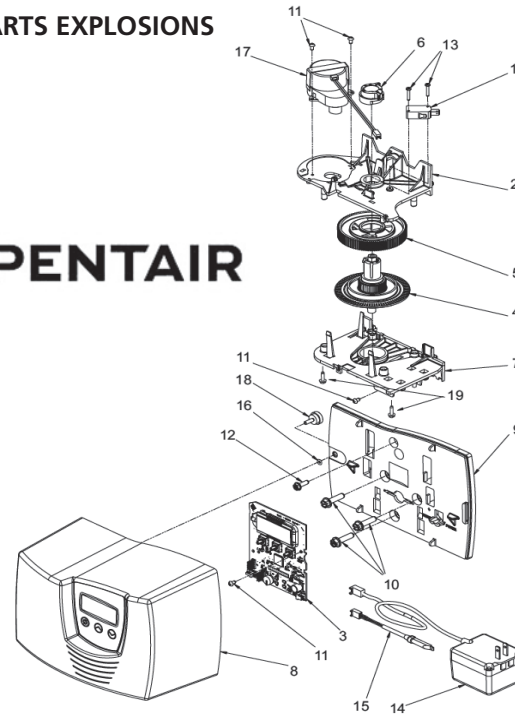
Item No.	QTY	Part No.	Description
1	1	16919-01	Valve Body, 9500, Machining
2	16	16101	Seal, 2850, 4500
		41113	Seal, 2850, 559PE
3	12	16638	Spacer, 9500/2850, Cold & Hot Water
		16638-02	Spacer, 9500/2850, MS1050, Plastic
4	1	17092	Spacer, Disc, 9500
5	1	43458-01	End Cap, Plastic, 9500
6	1	16455	O-ring, -347
7	4	15331	Screw, Hex Washer Head
8	2	17558	Disc, Spacer, End Plug
9	3	16394	O-ring, -029
10	1	17110	Piston, 9500, Upper
11	2	14309	Retainer, Piston Rod
12	1	16957	Rod, Piston, 9500
13	2	16954	Plug, End, 9500
14	2	13008	Retainer, End Plug Seal
15	2	10209	Quad Ring, -010
16	1	14921	Link, Piston Rod
17	2	11335	Screw, #4-40
18	2	17020	Screw, STL. Hex Washer, 6-20 x 3/8
19	2	13363	Washer, Plain, .145 ID S.S.
20	1	17111	Piston, 9500, Lower
21	1	16956	Rod, Piston, Lower, 9500
22	1	15019	Link, Piston Rod, 9000/9500, 9100
23	2	14804	Screw, Slotted Hex Head
24	1	15413	Fitting, Elbow, Male, 1/2 TX 3/8 NPT
25	1	17777-03	Body, Injector, 1700
26	1	14802-03C	Throat, Injector, #3C, Yellow
		14802-04C	Throat, Injector, #4C, Green
		14802-05C	Throat Injector, #5C, White
		14802-06C	Throat Injector, #6C, Red
27	1	14805	Gasket, Injector Body
28	1	14801-03C	Nozzle, Injector, 3C, Yellow
	1	4801-04C	Nozzle, Injector, 4C, Green
		14801-05C	Nozzle, Injector, 5C, White
		14801-06C	Nozzle, Injector, 6C, Red
29	1	10229	Gasket, Injector Body
30	1	11893	Cap, Injector
31	1	13577	O-ring, -226
32	1	13771	O-ring, -012
<b>Optional (1600) Injector Part Number</b>			
33		17776	Body, Injector, 1600
34		10328	Fitting, Elbow, 90 Deg.
35		10913-1	Nozzle, Injector, #1, Natural
36		10914	Throat, Injector
37		10227	Screen, Injector
38		10229	Gasket, Injector Body
39		11893	Cap, Injector
40		10692	Screw, Slot, Indented Hex Head
		14805	Gasket, Injector Body
41		14805	Gasket, Injector Body
42		60108	Piston Assy, 9500, Upper
		60108-01	Piston Assy, 9500, Upper, HW
		60108-02	Piston Assy, 9500, Upper, 560CD
43		60109	Piston Assy, 9500, Lower
		60109-01	Piston Assy, 9500, HW, Lower

Item No.	QTY	Part No.	Description
43		60109-02	Piston Assy, 9500, Lower, 560CD
44		60134	Seal & Spacer Kit, 9500, Upper, Hot & Cold
		60134-20	Seal & Spacer Kit, 9500, Upper, Plastic Spacers
		60134-30	Seal & Spacer Kit, 9500, Upper, Plastic Spacers, Chemical Resistent Seals
45		60133-01	Seal & Spacer Kit, 9500, Lower, Hot & Cold
		60133-201	Seal & Spacer Kit, 9500, Lower, Plastic Spacers
		60133-30	Seal & Spacer Kit, 9500, Upper, Plastic Spacers, Chemical Resistent Seals
46		60381-03	Injector Assy, 1700, #3C
		60381-04	Injector Assy, 1700, #4C
		60381-05	Injector Assy, 1700, #5C
		60381-06	Injector Assy, 1700, #6C
47		60480-00	Injector Assy, 1600, #0, Plastic
		60480-01	Injector Assy, 1600, #1, Plastic
		60480-02	Injector Assy, 1600, #2, Plastic
		60480-03	Injector Assy, 1600, #3, Plastic
		60480-04	Injector Assy, 1600, #4, Plastic
		60481-21	Injector Assy, 1600, #1, S.S. Brass, HW
		60481-22	Injector Assy, 1600, #2, S.S. Brass, HW
		60481-23	Injector Assy, 1600, #3, S.S. Brass, HW
		60080-11	Injector Assy, 1600, #1, PVC
		60080-12	Injector Assy, 1600, #2, PVC
		60080-14	Injector Assy, 1600, #4, PVC
<i>NOT SHOWN</i>			
		60366-00	DLFC, 1" F x 3/4" F, NPT, No Button
		60366-06	DLFC, 1" F x 3/4" F, NPT, 0.6 GPM
		60366-08	DLFC, 1" F x 3/4" F, NPT, 0.8 GPM
		60366-10	DLFC, 1" F x 3/4" F, NPT, 1.0 GPM
		60366-12	DLFC, 1" F x 3/4" F, NPT, 1.2 GPM
		60366-13	DLFC, 1" F x 3/4" F, NPT, 1.3 GPM
		60366-15	DLFC, 1" F x 3/4" F, NPT, 1.5 GPM
		60366-17	DLFC, 1" F x 3/4" F, NPT, 1.7 GPM
		60366-20	DLFC, 1" F x 3/4" F, NPT, 2.0 GPM
		60366-24	DLFC, 1" F x 3/4" F, NPT, 2.4 GPM
		60366-30	DLFC, 1" F x 3/4" F, NPT, 3.0 GPM
		60366-35	DLFC, 1" F x 3/4" F, NPT, 3.5 GPM
		60366-40	DLFC, 1" F x 3/4" F, NPT, 4.0 GPM
		60366-45	DLFC, 1" F x 3/4" F, NPT, 4.5 GPM
		60366-50	DLFC, 1" F x 3/4" F, NPT, 5.0 GPM

Item No.	QTY	Part No.	Description	5.0 GPM
		60366-60	DLFC, 1" F x 3/4" F, NPT, 6.0 GPM	
		60366-70	DLFC, 1" F x 3/4" F, NPT, 7.0 GPM	
		60708-00	DLFC, 1" F x 3/4" F, NPT, No Button	
		60708-8.0	DLFC, 1" F x 3/4" F, NPT, 8.0 GPM	
		60708-9.0	DLFC, 1" F x 3/4" F, NPT, 9.0 GPM	
		60708-10	DLFC, 1" F x 3/4" F, NPT, 10.0 GPM	
		60708-12	DLFC, 1" F x 3/4" F, NPT, 12.0 GPM	
		60708-15	DLFC, 1" F x 3/4" F, NPT, 15.0 GPM	
		60721-00	DLFC, 1" F x 1" F, NPT, No Button	
		60721-06	DLFC, 1" F x 1" F, NPT, 0.06 GPM	
		60721-08	DLFC, 1" F x 1" F, NPT, 0.08 GPM	
		60721-10	DLFC, 1" F x 1" F, NPT, 1.0 GPM	
		60721-12	DLFC, 1" F x 1" F, NPT, 1.2 GPM	
		60721-13	DLFC, 1" F x 1" F, NPT, 1.3 GPM	
		60721-15	DLFC, 1" F x 1" F, NPT, 1.5 GPM	
		60721-00	DLFC, 1" F x 1" F, NPT, No Button	
		60721-17	DLFC, 1" F x 1" F, NPT, 1.7 GPM	
		60721-20	DLFC, 1" F x 1" F, NPT, 2.0 GPM	
		60721-24	DLFC, 1" F x 1" F, NPT, 2.4 GPM	
		60721-30	DLFC, 1" F x 1" F, NPT, 3.0 GPM	
		60721-35	DLFC, 1" F x 1" F, NPT, 3.5 GPM	
		60721-40	DLFC, 1" F x 1" F, NPT, 4.0 GPM	
		60721-45	DLFC, 1" F x 1" F, NPT, 4.5 GPM	
		60721-50	DLFC, 1" F x 1" F, NPT, 5.0 GPM	
		60721-60	DLFC, 1" F x 1" F, NPT, 6.0 GPM	
		60721-70	DLFC, 1" F x 1" F, NPT, 7.0 GPM	
		60702-00	DLFC, 1" M x 1" F, NPT, Brass, No Button	
		60702-8.0	DLFC, 1" M x 1" F, NPT, 8.0 GPM	
		60702-9.0	DLFC, 1" M x 1" F, NPT, 9.0 GPM	
		60702-10	DLFC, 1" M x 1" F, NPT, 10 GPM	
		60702-12	DLFC, 1" M x 1" F, NPT, 12 GPM	
		60702-15	DLFC, 1" M x 1" F, NPT, 15 GPM	

## CONTROL VALVES PARTS EXPLOSIONS

Item No.	QTY	Part No.	Description
1	1	10218	Switch, Micro (Optional)
2	1	40978	Support, Upper Bearing
3	1	61696	Circuit Board
4	1	40702	Shaft, Drive/Encoder
5	1	40703	Gear, Main Drive
6	1	40704	Cam, Brine, Downflow
7	1	40979	Plate, Lower Support
8	1	61693-01	Cover Assy, 7000 SXT gray
	1	61693-02	Cover Assy, 7000 SXT black
9	1	40980	Back Plate
10	3	40967	Screw, Slotted Hx Wshr Hd, 1/4-20 x 1 LG
11	5	13602	Screw, Phil Rd Hd, 6-32 x 5/16
12	1	12473	Screw, Hx Wshr Hd, #10-24 x .625
13	2	11805	Screw, Rd Hd, 4-40 x 5/8 Type 1
14	1	40981	Transformer, US 24V, 9.6 VA
14	1	41086	Transformer, European, 230/24V
15	2	9791-01	Meter Cable Assy, Turbine
16	1	41122	O-ring, -007
17	1	42349	Motor, 24V, 2 rpm, 7000
18	1	19367-01	Screw, Designer Cover, Thumb
19	2	13296	Screw, Hex, Washer, 6-20 x 1/2



**FLECK 7000 POWERHEAD (DISCONTINUED)**

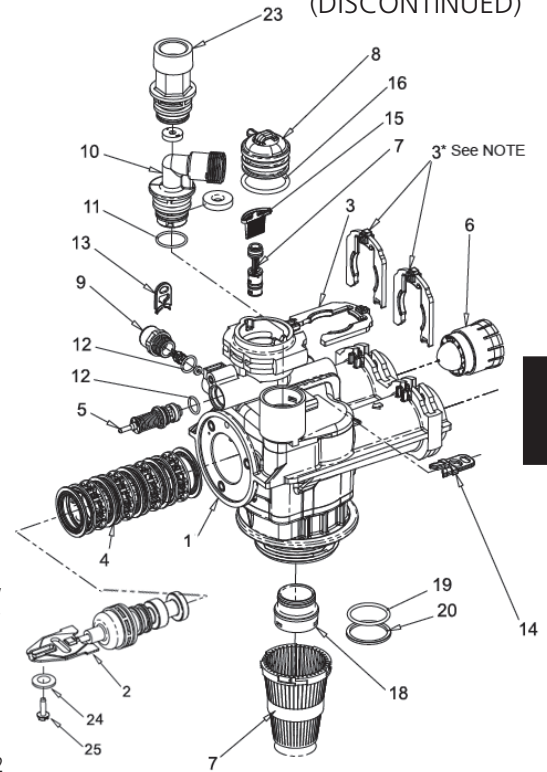
Item No.	QTY	Part No.	Description
1	1	61050	Valve Body Assembly, 7000, 32 mm Dist
2	1	61452-10	Piston Assembly, 7000, Softener, D/F 35 gpm
		61453-10	Piston Assembly, 7000, Softener, D/F 28 gpm
		61452-20	Piston Assembly, 7000, Filter 35 gpm
3	3	40576	Clip, H, Plastic, 7000 (see NOTE)
4	1	61438	Seal & Spacer Kit, 7000, D/F
5	1	60016-01	Brine Valve Assembly, 7000, 560CD
6	1	40577	Turbine Meter Assembly, 7000
7		61454-000	Injector Assembly, 7000, #000
		61454-00	Injector - Brown
		61454-00	Injector Assembly, 7000, #00
		61454-0	Injector - Violet
		61454-0	Injector Assembly, 7000, #0
		61454-0	Injector - Red
		61454-1	Injector Assembly, 7000, #1
		61454-1	Injector - White
		61454-2	Injector Assembly, 7000, #2
		61454-2	Injector - Blue
		61454-3	Injector Assembly, 7000, #3
		61454-3	Injector - Yellow
		61454-4	Injector Assembly, 7000, #4
		61454-4	Injector - Green
		61454-5	Injector Assembly, 7000, #5
		61454-5	Injector - Gray
8	1	40556	Cap, Injector
9		61450-00	BLFC 3/8", Blank
		61450-12	BLFC 3/8", 0.125 gpm
		61450-25	BLFC 3/8", 0.25 gpm
		61450-50	BLFC 3/8", 0.50 gpm
		61450-100	BLFC 3/8", 1.0 gpm
		61451-00	BLFC 1/2", Blank
		61451-12	BLFC 1/2", 0.125 gpm
		61451-25	BLFC 1/2", 0.25 gpm
		61451-50	BLFC 1/2", 0.50 gpm
		61451-100	BLFC 1/2", 1.0 gpm

Item No.	QTY	Part No.	Description
10		61455-00	DLFC 3/4", Blank
		61455-17	DLFC 3/4", 1.7 gpm
		61455-20	DLFC 3/4", 2.0 gpm
		61455-24	DLFC 3/4", 2.4 gpm
		61455-30	DLFC 3/4", 3.0 gpm
		61455-35	DLFC 3/4", 3.5 gpm
		61455-40	DLFC 3/4", 4.0 gpm
		61455-45	DLFC 3/4", 4.5 gpm
		61455-50	DLFC 3/4", 5.0 gpm
		61455-60	DLFC 3/4", 6.0 gpm
		61455-70	DLFC 3/4", 7.0 gpm
		61456-00	DLFC 1", Blank
		61456-8.0	DLFC 1", 8.0 gpm
		61456-9.0	DLFC 1", 9.0 gpm
		61456-10	DLFC 1", 10.0 gpm
		61456-12	DLFC 1", 12.0 gpm
		61456-15	DLFC 1", 15.0 gpm
		61456-20	DLFC 1", 20.0 gpm
		61456-25	DLFC 1", 25.0 gpm
		61456-30	DLFC 1", 30.0 gpm
11	1	43376	O-ring, -021, 7000, CSTM
12	2	13302-01	O-ring, -014, 560CD
13	1	40946	Clip, Brine Retaining
14	1	40945	Clip, Drain Retaining
15	1	40950	Screen, Injector, 7000
16	1	40951	O-ring, -220
17	1	18280	Collector, Top, 1" x .011, Gray
18	1	61419	Kit, 1.05" Distributor, Adapter
19	1	19054	O-ring, -124
20	1	40538	Retainer, 32 mm, O-ring Dist, 7000
23	1	61XXX	DLFC Kits
24	1	13363	Washer, Plain, .145 ID SS
25	1	13296	Screw, Hex, Washer, 6-20 x 1/2

Not Shown:

18569	Retainer Tank Seal
40677	Tube, Distributor, 32 mm
40697-02	Collector, 32 mm Bayonet
12763-10	Stuffer Tool Assy, 7000
18303	O-ring, -336, Top of Tank

**FLECK 7000 VALVE ASSEMBLY (DISCONTINUED)**



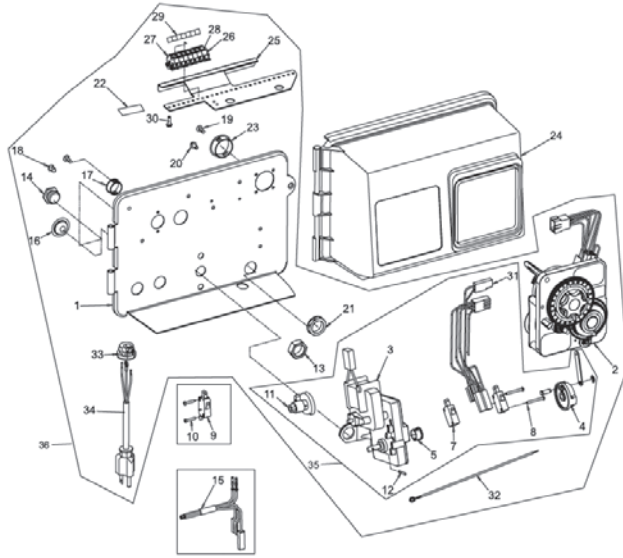
Item No.	QTY	Part No.	Description
18569			Retainer Tank Seal
40677			Tube, Distributor, 32 mm
40697-02			Collector, 32 mm Bayonet
12763-10			Stuffer Tool Assy, 7000
18303			O-ring, -336, Top of Tank

Filter Valves:

40947-01	Plug, Brine Valve, w/O-ring
40990-01	Plug, Injector, w/O-ring

## FLECK 2900s UPPER POWERHEAD

### CONTROL VALVES PARTS EXPLOSIONS



Item No.	QTY	Part No.	Description
1	1	18697-15	Backplate, Hinged
2	1	3200	Clock Timer Assembly
		3200	Meter Timer Assembly
3	1	41543	Motor, Drive, 115V, 50/60 Hz
		42579	Motor, Drive, 24VAC/DC, 50/60 Hz
		41545	Motor, Drive, 230V, 50/60 Hz
4	1	60160-15	Drive Cam Assembly, STF, Blue, 2900
		60160-30*	Drive Cam Assembly, Upflow
		60160-31*	Drive Cam Assembly, Upflow, Variable
5	1	17904	Bushing, Heyco 1/2, Heyco #2073
7	2	10218	Switch, Micro
8	2	14923	Screw, Pan Hd Mach, 4-40 X 1 MS Steel Zinc
9	1	10896	Switch, Micro
10	2	11805	Screw, Rd Hd, 4-40 X 5/8 TYPE 1 Steel Zinc
11	1	12472	Cam Assy, Tri-Stack, After RR
		12777	Cam, Shut-Off Valve
		15770	Cam Assy, Special Tri-Stack, After Brine Fill
		15805	Cam, SVO

12	2	19887*	Cam, Brine, 2750 U/F, Std
		10338	Pin, Roll 3/32 x 7/8
13	1	10269	Nut, Jam, 3/4-16
14	1	43560	Fitting, Brine Valve
15	1	14822	Harness, 2900
16	2	19691	Plug, .750 Dia Recessed, Black
17	1	15806	Plug, Hole, Heyco #2693
18	1	19801	Plug, .190 Dia, White Heyco 0307
19	7	19800	Plug, .140 Dia, White Heyco 0304
20	4	10300	Screw, Slot Hex Wsh, 8-18 X 3/8 Type "B" RC 44-47
21	1	18691-02	Nut, Conduit Fitting 1/2-inch
22	1	40038-03	Label, Voltage, 120V, 3200ET
23	1	17421	Plug, 1.20 Hole Heyco #2733
24	1	60219-02	Cover Assembly, Environmental, Black w/Clear Window
25	1	19772	Bracket, Terminal Block
26	1	40174	Terminal Block, Green/Yellow Commercial, 809-260/141
27	6	41084	Terminal Block, Segment, Gray
28	1	41085	Endplate, Terminal Block, Gray
29	2	15250	Label, Terminal Strip
30	2	13296	Screw, Hex Wsh, 6-20 6-20 x 1/2 Type 25 Steel Zinc
31	1	40400	Harness, Drive, Designer/Environmental
32	1	40175-01	Wire, Ground, Commercial Valves
33	1	13547	Strain Relief, Flat Cord Heyco #30-1
		13547-01	Strain Relief, Euro Round Cord
		13547-02	Strain Relief, U.S. Round
34	1	11545	Powercord, 4-foot European, Black
		19303	Powercord, 8-foot, Australian
		40084-12	Powercord, 12-foot US, Round, 120V, Sys 5, 6, 7 & 2900/3150/3900
		40085-12	Powercord, 12-foot US, Round, 240V
35	1	60050-23	Drive Assy, 2750, STF, 24V 50/60 Hz, Downflow Less Lower Drive Brine Cam Switch, Item 9 & 10
		60050-22	Drive Assy, 2750, STF, 220V 50/60 Hz, Downflow Less Lower Drive Brine Cam Switch, Item 9 & 10
		60052-21	Upper Drive Assy, 2900, STF 120V, Downflow
		60052-217	Upper Drive Assy, 2900, STF 120V, System 7, Downflow
		**	Upper Powerhead Assembly

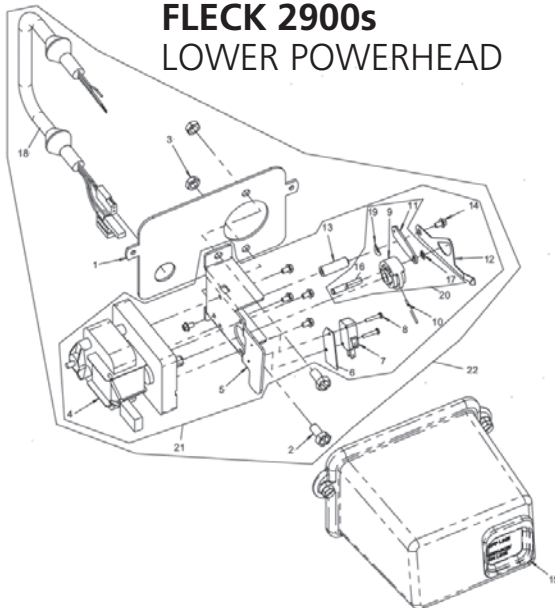
Not Shown:

1	1	15216	Meter Cable Assembly, 15.25-inch
1	1	15879	Cable Guide Assembly, 2900

\*Upflow Only

\*\*Call your distributor for Part Number

## FLECK 2900s LOWER POWERHEAD



Item No.	QTY	Part No.	Description
1	1	18709	Backplate, Lower
2	2	11224	Screw, Slotted Hex Head
3	2	16346	Nut, Hex, Jam, 5/16-18, 18-8-SS (only used for shipping)
4	1	40387	Motor, Drive, 115V, 60 Hz, SP FAM
		42580	Motor, Drive, 24 Vac/Dc, 50-60 Hz, Fam 2
		40389	Motor, Drive, 220V, 50/60 Hz, SP
5	1	14769	Bracket, Motor, 2900
6	1	10302	Insulator, Limit Switch
7	1	10218	Switch, Micro
8	2	19849	Screw, Pan HD, 4-40 x 5/8
9	1	14775	Cam, Main Drive, 2900 Lower
10	1	41022	Pin, Roll 2900 Lower
11	1	14759	Link, Piston Rod
12	1	18725	Indicator, Service/Standby
13	1	18726	Spacer, Indicator
14	6	10872	Screw, Hex WSH, 8-32 x 5/16
15	1	60217-02	Cover Assy, 2900, Lower, Black
16	1	42979	Bearing, Connecting Rod
17	1	42980	Ring, Retaining
18	1	42446	Harness, Lower Drive SYS4, ENV
		40405	Harness, Lower Drive, Sys 4 Remote Start
		40406	Harness, Lower Drive, Sys 5 & 6, Duplex, Environmental
		40405	Harness, Lower Drive Syst 5 Multiple, Environmental

2900s LOWER POWERHEAD  
CONTINUED ON NEXT PAGE



CONTROL VALVES PARTS EXPLOSIONS

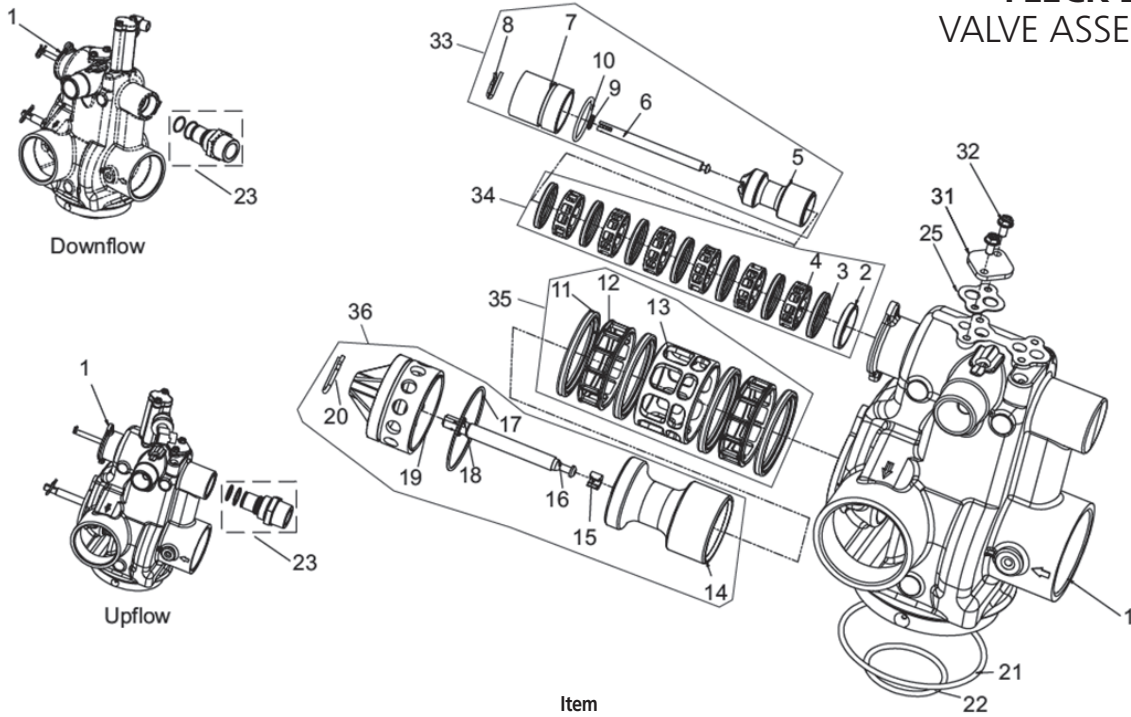
FLECK 2900s  
LOWER POWERHEAD  
continued

Item No.	QTY	Part No.	Description
		40405	Harness, Lower Drive Syst 6 Multiple, Lead, Enviromental
		40406	Harness, Lower Drive, Sys 6, Multiple, Middle/Lag, Enviromental
		40407	Harness, Lower Drive, Syst #7, Duplex, Lead, Enviromental
		40408	Harness, Lower Drive, Syst 7, Duplex, Lag, Enviromental
		40398	Harness, Lower Drive, Syst #7, Multiple, Enviromental
19	1	18727	Washer, Curved Spring, /265 ID
20		60160-22	Drive Cam Assy, Link, Enviromental, 2900 Lower Drive
21		60055-53	Lower Drive Assy, 2900, 24/60, System #4
		60055-51	Lower Drive Assy, 2900, 120, System #4

Item No.	QTY	Part No.	Description
21		60055-52	Lower Drive Assy, 2900, 220, System #4
		60255-51	Lower Drive Assy, 2900, 120, System #5 and #6, Lead/Lag
		60056-51	Lower Drive Assy, 2900, 120, System #7, Lead
		60056-61	Lower Drive Assy, 2900, 120, System #7, Lag
22	*	2900	Lower Powerhead Assembly
Not Shown:			
1		14044	Tie, Cable, HeyCo VNT # 4-18
1		43062	Grease, Lubriplate, 630-2
		60320-11	Switch Kit, 2900 Lower Drive, Adding Second Switch
		60320-08	Switch Kit, 2900 Lower Drive, Adding Third Switch

\*Call your distributor for Part Number

FLECK 2900s  
VALVE ASSEMBLY



Item No.	QTY	Part No.	Description
1	1	41428-01	Valve Body, 2900s, Machd, NPT U.S. Tap
		41428-09	Valve Body, 2900s, Machined, w/Soft Water Adapter
		41428-01NP	Valve Body, 2900s, MCHD, NPT, NP, U.S. Tap, Top Coll
		41428-03	Valve Body, 2900s, MACHD, NPT, U.S. Tap, Aux Tap, Top Coll
		41428-03NP	Valve Body, 2900s, MCHD, NPT, NP, U.S. Tap, Aux Tap, Top Coll
		41428-05	Valve Body, 2900s, NPT, U.S. Tap, SVO, Top Coll
		41428-07	Valve Body, 2900s, MACHD, NPT, U.S. Tap, Aux Tap, SVO, Top Coll
		41428-09	Valve Body, 2900s, MACHD, NPT, U.S. Tap, Soft ADAPT, Top Coll
		41428-09NP	Valve Body, 2900s, MCHD, NPT, NP, U.S. Tap, Soft ADAPT, Top Coll
		41428-11	Valve Body, 2900S, NPT, U.S. Tap, Aux Tap, SFT ADPT, Top Coll
		41428-13	Valve Body, 2900S, MACHD, NPT, U.S. Tap, SVO, Soft ADAPT, Top Coll
		41428-15	Valve Body, 2900S, MACHD, NPT, U.S. Tap, SVO, SFT ADPT, AX TP Top
		41428-21	Valve Body, 2900S, MACHD, BSP, Metric Tap, Top Coll
		41428-21NP	Valve Body, 2900S, MCHD, BSP, NP, Metric Tap, Top Coll

Item No.	QTY	Part No.	Description
2	1	10757	Spacer, End
		10757B	Spacer, End, Brass, HW
3	7	10545	Seal, Piston
		10545-01	Seal, Piston, Viton
		0545-02	Seal, Piston, Silicone
4	6	11451	Spacer, 12 Hole
		16589	Spacer, Hot Water
5	1	14451	Piston, 2750
		19454*	Piston, 2750, Upflow
6	1	41424	Rod, Piston, 2900S, Upper
7	1	41131	Plug, End
1		10212	Plug, End, 1500/2750, Brass
8	1	10909	Pin, Link
9	1	10209	Quad Ring,-010
10	1	40078	O-ring, 28mm X 2mm
		10234-01	O-ring, -024, Hot Water
11	4	11720	Seal, Piston, 2900/3150
		10545-02	Seal, Piston, Silicone
12	2	10369	Spacer, 2-inch, 2900/3150
		14241-01	Spacer, Hot Water
13	1	14753	Spacer, 2900
		16589	Spacer, Hot Water

2900s VALVE ASSEMBLY  
CONTINUED ON NEXT PAGE

## FLECK 2900s

## CONTROL VALVES PARTS EXPLOSIONS

### VALVE ASSEMBLY continued

Item No.	QTY	Part No.	Description	Item No.	QTY	Part No.	Description
14	1	14757	Piston, HWBP	60366-24			DLFC, 1-inch F x 3/4-inch F, NPT, 2.4 gpm
		14752	Piston, 2900, NHWBP	60366-30			DLFC, 1-inch F x 3/4-inch F, NPT, 3.0 gpm
15	1	14818	Ring, Piston Rod, Snap	60366-35			DLFC, 1-inch F x 3/4-inch F, NPT, 3.5 gpm
16	1	14758	Rod, Piston, 2900	60366-40			DLFC, 1-inch F x 3/4-inch F, NPT, 4.0 gpm
17	1	14922	O-ring, -035, Piston	60366-45			DLFC, 1-inch F x 3/4-inch F, NPT, 4.5 gpm
18	1	14926	Quad Ring, -012	60366-50			DLFC, 1-inch F x 3/4-inch F, NPT, 5.0 gpm
19	1	14754-00	End Plug Assy, 2900	60366-60			DLFC, 1-inch F x 3/4-inch F, NPT, 6.0 gpm
		14754-01	Plug, End, White, Machined	60366-70			DLFC, 1-inch F x 3/4-inch F, NPT, 7.0 gpm
		14754-10	End Plug Assembly, 2900/2930, NHWBP	60708-00			DLFC, 1-inch F x 3/4-inch F, NPT, No Button
		19276-01	End Plug Assembly, 2900S, Brass, HW	60708-8.0			DLFC, 1-inch F x 3/4-inch F, NPT, 8.0 gpm
		41427-01	Plug, End, 2900S, Lower, White	60708-9.0			DLFC, 1-inch F x 3/4-inch F, NPT, 9.0 gpm
		41427-11	Plug, End, 2900S, Lower, Black	60708-10			DLFC, 1-inch F x 3/4-inch F, NPT, 10.0 gpm
20	1	14813	Pin, Spring, Connecting Rod	60708-12			DLFC, 1-inch F x 3/4-inch F, NPT, 12.0 gpm
21	1	13575	O-ring, -240	60708-15			DLFC, 1-inch F x 3/4-inch F, NPT, 15.0 gpm
		15210	O-ring, -343, Park Tank	60708-20			DLFC, 1-inch F x 3/4-inch F, NPT, 20.0 gpm
22	1	13577	O-ring, -226	60708-25			DLFC, 1-inch F x 3/4-inch F, NPT, 25.0 gpm
23	1	61525	Softwater Adapter Kit, 2900S	60721-00			DLFC, 1-inch F x 1-inch F, NPT, No Button
25	2	19925	Gasket, Injector Body, 1700	60721-06			DLFC, 1-inch F x 1-inch F, NPT, 0.06 gpm
31	1	11893	Cap, Injector, Stainless Steel	60721-08			DLFC, 1-inch F x 1-inch F, NPT, 0.08 gpm
32	2	15137	Screw, Hex Wsh Mach, 10 - 24 x 3/8	60721-10			DLFC, 1-inch F x 1-inch F, NPT, 1.0 gpm
33		61540	Piston Assy, 2900S Downflow, Upper	60721-12			DLFC, 1-inch F x 1-inch F, NPT, 1.2 gpm
		61540-01	Piston Assy, 2900S, Downflow, Upper, Hot Water	60721-13			DLFC, 1-inch F x 1-inch F, NPT, 1.3 gpm
		61545	Piston Assy, 2900S, Upflow, Upper	60721-15			DLFC, 1-inch F x 1-inch F, NPT, 1.5 gpm
		61545-01	Piston Assy, 2900S, Upflow, Upper, Hot Water	60721-00			DLFC, 1-inch F x 1-inch F, NPTE, No Button
34		61530	Seal & Spacer Kit, 2900S, Upper	60721-17			DLFC, 1-inch F x 1-inch F, NPTE, 1.7 gpm
		61530-01	Seal & Spacer Kit, 2900S, Upper, Hot Water	60721-20			DLFC, 1-inch F x 1-inch F, NPTE, 2.0 gpm
		61530-02	Seal & Spacer Kit, 2900S, Upper, VITON, Chemical Resistent	60721-24			DLFC, 1-inch F x 1-inch F, NPTE, 2.4 gpm
35		60128	Seal & Spacer Kit, 2900, Lower	60721-30			DLFC, 1-inch F x 1-inch F, NPTE, 3.0 gpm
		60128-01	Seal & Spacer Kit, 2900, Lower, Hot Water	60721-35			DLFC, 1-inch F x 1-inch F, NPTE, 3.5 gpm
		60128-10	Seal & Spacer Kit, 2900, Lower, Silicone	60721-40			DLFC, 1-inch F x 1-inch F, NPTE, 4.0 gpm
36		61550	Piston Assy, 2900S, HWBP, Lower	60721-45			DLFC, 1-inch F x 1-inch F, NPTE, 4.5 gpm
		61550-03	Piston Assy, 2900S, HWBP, Lower, Hot Water	60721-50			DLFC, 1-inch F x 1-inch F, NPTE, 5.0 gpm
		61555	Piston Assy, 2900S, NHWBP, Lower	60721-60			DLFC, 1-inch F x 1-inch F, NPTE, 6.0 gpm
		61555-03	Piston Assy, 2900S, NHWBP, Lower, Hot Water	60721-70			DLFC, 1-inch F x 1-inch F, NPTE, 7.0 gpm
<i>Not Shown:</i>				60702-00			DLFC, 1-inch M x 1-inch F, NPT, Brass, No Button
		60366-00	DLFC, 1-inch F x 3/4-inch F, NPT, No Button	60702-8.0			DLFC, 1-inch M x 1-inch F, NPT, 8.0 gpm
		60366-06	DLFC, 1-inch F x 3/4-inch F, NPT, 0.6 gpm	60702-9.0			DLFC, 1-inch M x 1-inch F, NPT, 9.0 gpm
		60366-08	DLFC, 1-inch F x 3/4-inch F, NPT, 0.8 gpm	60702-10			DLFC, 1-inch M x 1-inch F, NPT, 10 gpm
		60366-10	DLFC, 1-inch F x 3/4-inch F, NPT, 1.0 gpm	60702-12			DLFC, 1-inch M x 1-inch F, NPT, 12 gpm
		60366-12	DLFC, 1-inch F x 3/4-inch F, NPT, 1.2 gpm	60702-15			DLFC, 1-inch M x 1-inch F, NPT, 15 gpm
		60366-13	DLFC, 1-inch F x 3/4-inch F, NPT, 1.3 gpm	60702-20			DLFC, 1-inch M x 1-inch F, NPT, 20 gpm
		60366-15	DLFC, 1-inch F x 3/4-inch F, NPT, 1.5 gpm	60702-25			DLFC, 1-inch M x 1-inch F, NPT, 25 gpm
		60366-17	DLFC, 1-inch F x 3/4-inch F, NPT, 1.7 gpm	13640			Flow Control, Dole, 30 gpm
		60366-20	DLFC, 1-inch F x 3/4-inch F, NPT, 2.0 gpm	60711-35			DLFC, 2-inch NPT, 35 gpm

\*Upflow Only

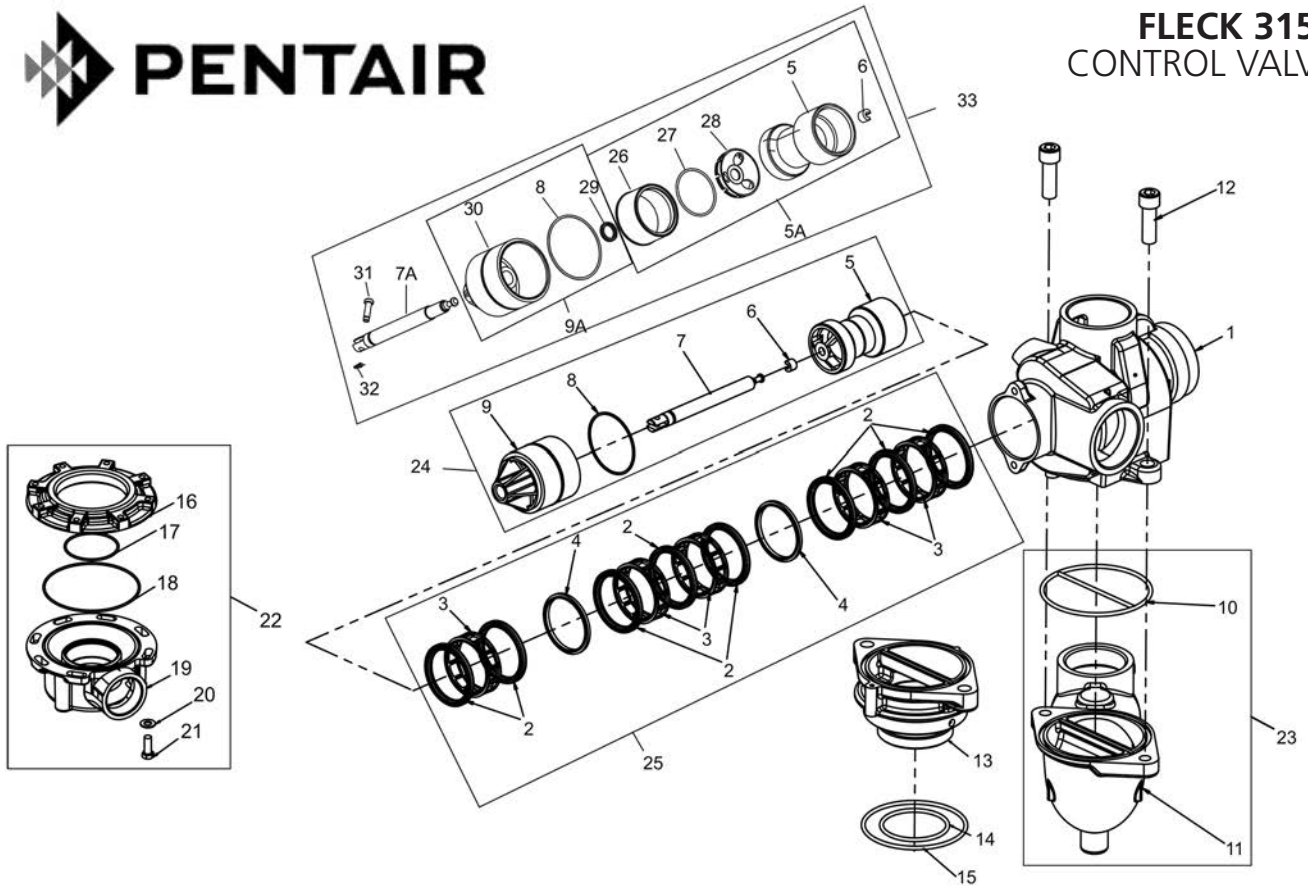


**DUFF has all  
the valve and  
control head parts  
you'll ever need.  
Call us today!**

CONTROL VALVES PARTS EXPLOSIONS



FLECK 3150 CONTROL VALVE



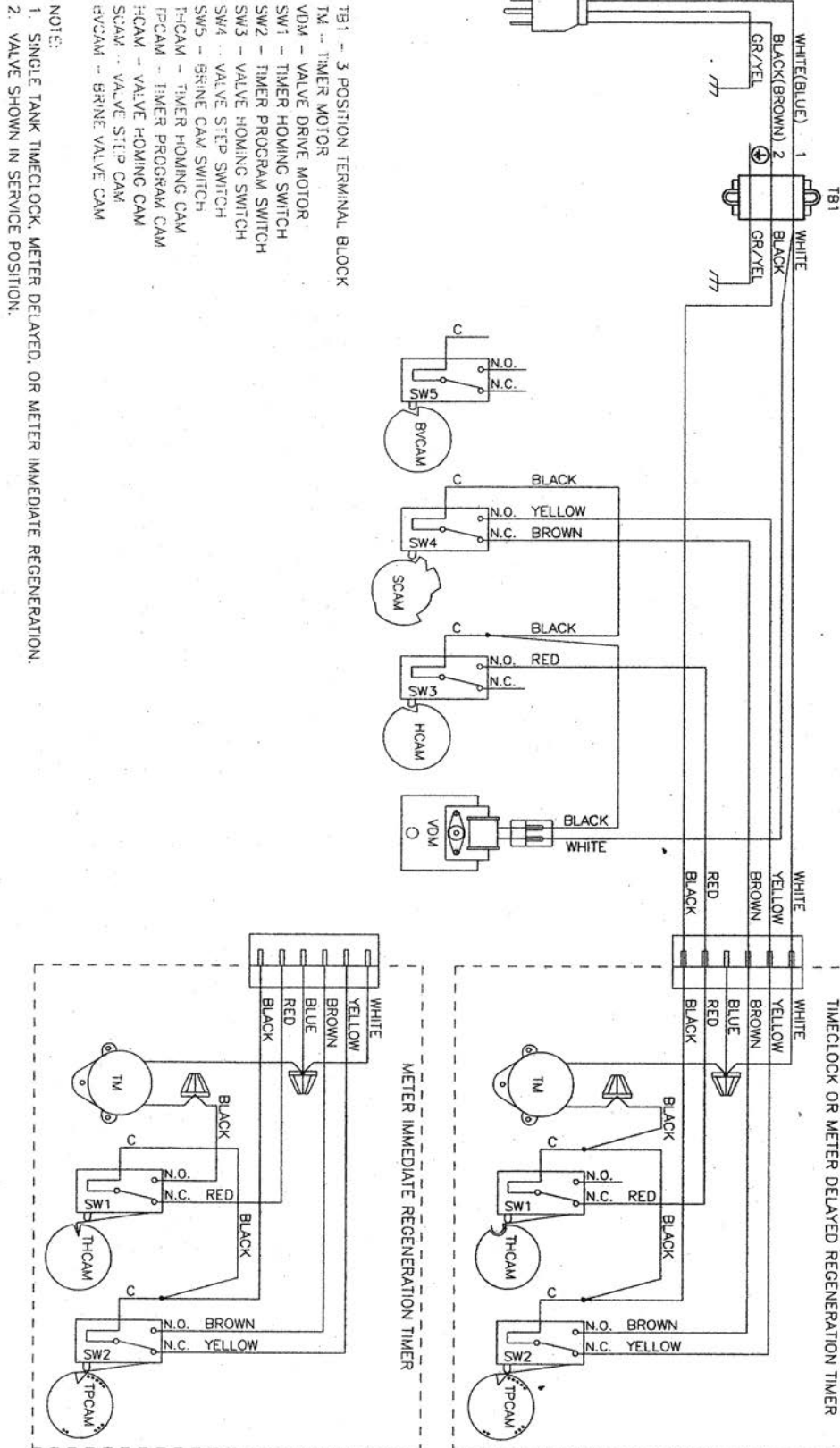
Item No.	QTY	Part No.	Description
1	1	15114	Valve Body, 3150
		15114NP	Valve Body, 3150, Nickel Plated
		15114-20	Valve Body, 3150, BSP/Metric
		15114-20NP	Valve Body, 3150, BSP/Metric, Nickel Plated
2	8	11720	Seal, 2900/3150
		11720-02	Seal, 1-1/2 inch, Silicone
3	5	10369	Spacer, 2-inch, 2900/3150
		16141	Spacer, Port Ring, HW, 180°
4	2	10368	Spacer, Narrow, 3150/3900
		10368-01	Spacer, Quad Ring, Brass, HW, 180°
5	1	16130	Piston, High Backwash
5A	1	19611-01	Piston Assy, 3150, NHWBP, O-ring
6	1	14818	Ring, Piston Rod, Snap
7	1	15125	Rod, Piston, 3150
7A	1	19708	Rod, Piston, 3150 NHWBP
8	1	14922	O-ring, -035, Piston
9	1	16398-01	End Plug Assy, 3150, White, HWBP
9A	1	16398-11	End Plug Assy, 3150, Black, NHWBP
10	1	15112	Seal, 3150 Adapter Base
11	1	17407-02	Adapter, 3150, Sidemount, Aux Tap
		17407-02NP	Adapter, 3150, Sidemount, Aux, Nickel Plated
		17407-22	Adapter, 3150, Sidemount, Aux Tap, BSP, Metric
		17407-22NP	Adapter, 3150, Sidemount, Aux Tap, BSP/MTRC, Nickle Plated
12	2	40118	Screw, Sckt Hd, 1/2 - 13 Unc
		17122	Screw, Socket HD, M12 x 35, 18-8, SS, Metric
13	1	15117-01	Adapter, 3150, Machined (Not used with a fixed sidemount)
		15117-01NP	Adapter, 3150, Machined, Nickel Plated
		15117-21	Adapter, 3150, Metric, Machined
14	1	15247	O-ring, -229 (Not used with a rotating or fixed sidemount)

Item No.	QTY	Part No.	Description
15	1	13575	O-ring, -240 (Not used with a fixed sidemount)
		15210	O-ring, -343, Park Tank
16	1	19608-20	Disperser, Commercial, 2-inch, 3150 (Not used with a rotating or fixed sidemount)
16	1	40316	Adapter, Sidemount
17	1	16804-01	O-ring, -150
18	1	40368	O-ring, -160, Sidemount, Flange
19	1	40365	Base, 3130/3150, Rotating
20	7	40375	Washer, Flat, 3/8, Type A
21	7	19768	Screw, Hex Hd, 3/8 - 16 x 1, Cap 18-8
22	1	61414	Adapter Assy, Sidemount, 3150, Rotating
		61414NP	Adapter Assy, SDMNT, 3150, Nickel Plated, Rotating
23	1	61418	Adapter Assy, Sidemount, 3150, Fixed
		61418-22	Adapter Assy, SDMNT, 3150, BSP/Metric
24	1	60106-00	Piston Assy, 3900/3150 STD
		60106-01	Assy, 3900/3150, HWBP, Hot Water 180 degrees
		60106-10	Piston Assy 3900/3150, HWBP, Upflow
25		60131	Seal & Spacer Kit, 3900/3150, Upper
		60131-01	Seal & Spacer Kit, Hot Water, 180 Degrees, 3150
		60131-10	Seal & Spacer Kit, Silicone, 3150/3900 Upper
26	1	BR42008	Piston, 3150, NHWBP
27	1	BR40952	O-ring, -030
28	1	BR42009	Retainer, 3150 NHWBP O-ring
29	1	BR11242	Quad, Ring, -112, 560CD
30	1	BR15118-11	Plug, End, 3150, Black, Machined
31	1	BR1170	Pin, Connecting Rod
32	1	BR11898	0.35 M.B. Spring Wire
33	1	60113-01	Piston Assy, 3150, NHWBP, D/Flow Conversion/Replacement

## CONTROL VALVES PARTS EXPLOSIONS

### SYSTEM #4

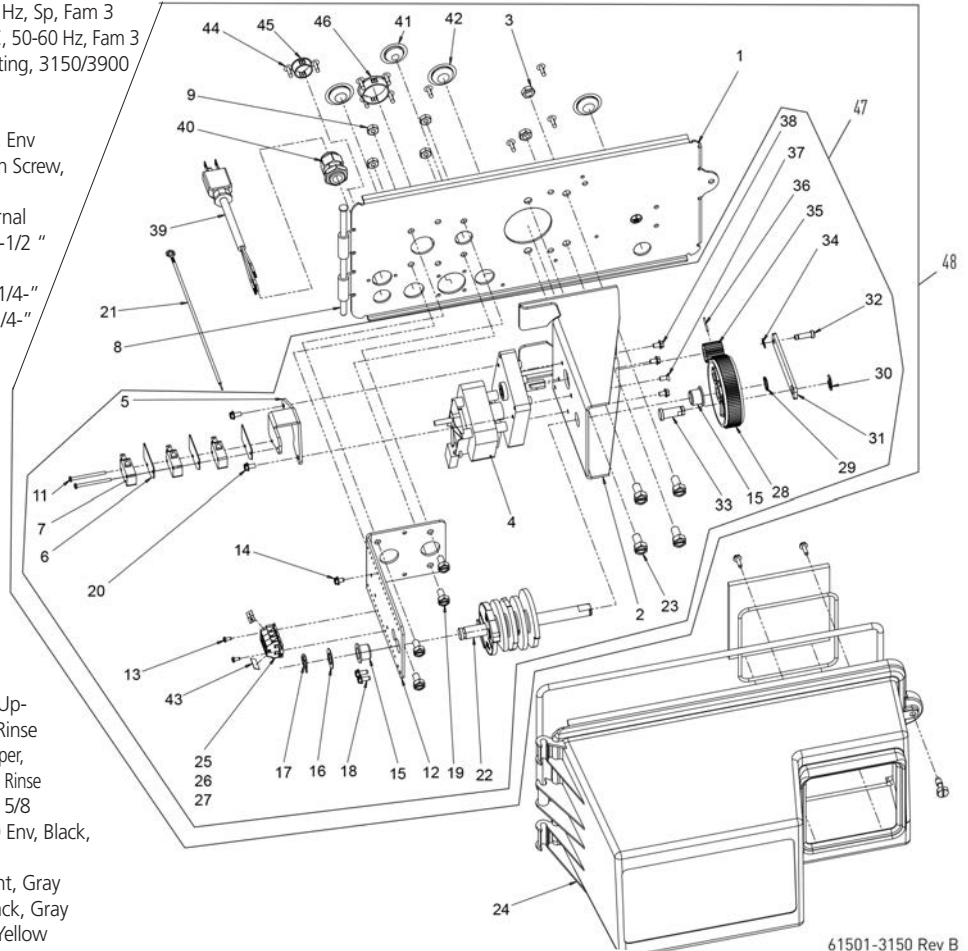
### IMMEDIATE/DELAYED REGENERATION VALVE WIRING



CONTROL VALVES PARTS EXPLOSION!



Item No.	QTY	Part No.	Description
1	1	19304-04	Backplate, 3150/3900, Upper, NEMA 3R
2	1	15120-01	Bracket, Motor Mtg, 3150/3900 Environmental
3	2	16346	Nut, Hex, Jam, 5/16 - 18
4	1	40392	Motor, Drive, 115V, 50/60 Hz, Sp
		40390	Motor, Drive, 220V, 50 Hz, Sp, Fam 3
		42581	Motor, Drive, 24VAC/DC, 50-60 Hz, Fam 3
5	1	17797	Bracket, Switch Mounting, 3150/3900
6	4	10302	Insulator, Limit Switch
7	3	10218	Switch, Micro
8	1	17845-03	Pin, Hinge, 3150/3900, Env
9	4	11235	Nut, Hex, 1/4 -20, Mach Screw, Zinc
		13365	Washer, Lock, #4, External
11	2	40080	Screw, Rd Hd, 4-40 x 1-1/2 "
12	1	16053	Bracket, Brine Side
13	2	40133	Screw, Pan Hd, 4-40 x 1/4-"
14	2	40133	Screw Pan HD, 4-40 x 1/4-"
15	2	16052	Bushing, 3150/3900
16	1	16059	Washer, SS, .88, 3150/3900
17	1	16051	Ring, Retaining, Bowed
18	2	10300	Screw, Slot Hex Wsh, 18-8 x 3/8
19	4	10231	Screw, Slot Hex, 1/4 - 20 x 1/2
20	2	14202-01	Screw, Hex Wsh Hd, 8 x 5/16
21	1	10475-01	Wire, Ground
22	1	16494-03	Cam Assy, 3150/3900 Signal After Brine Fill
		16494-05	Cam Assy, 3150/3900 Upper Signal After Rapid Rinse
		16494-06	Cam Assy, 3150/3900, Upper, Upflow, Signal After Rapid Rinse
23	4	11224	Screw, Hex Hd, 5/16 - 18 x 5/8
24	1	60240-02	Cover Assy, 3150/3900 Env, Black, NEMA 3R
25	5	41084	Terminal Block, Segment, Gray
26	1	41085	Endplate, Terminal Block, Gray
27	1	40174	Terminal Block, Green/Yellow
28	1	16046	Gear, Drive
29	1	16050	Ring, Retaining
30	1	11774	Ring, Retaining
31	1	16047	Link, Drive
32	1	11709	Pin, Drive Link
33	1	16048	Bearing, Drive Link
34	1	11898	Clip, 3150/3900
35	1	16045	Pinion, Drive
36	1	11381	Pin, Roll, 2900/3900
37	1	11080	Screw, Flt Hd Mach, 8-32 x 3/8
38	3	10872	Screw, Hex Wsh, 8-32 x 17/64
39	1	40084-12	Power Cord, 12 feet US, Round, 120V
		40085-12	Power Cord, 12 feet US, Round, 240V
		11545	Power Cord, 4 feet European, Black
		19303	Power Cord, 8 feet, Australian
		19885	Power Cord, Japanese, 110V/120V
40	1	17967	Fitting Assy, Liquid Tight, Blk
41	1	19691	Plug, .750 Dia, Recessed, Black
42	3	19591	Plug, .8750 Hole, Recessed, Black
43	2	15250	Label, Terminal Strip
44	10	19800	Plug, .140 Dia, White
45	1	15806	Plug, Hole, Heyco #2693
46	1	17421	Plug, 1.20 Hole



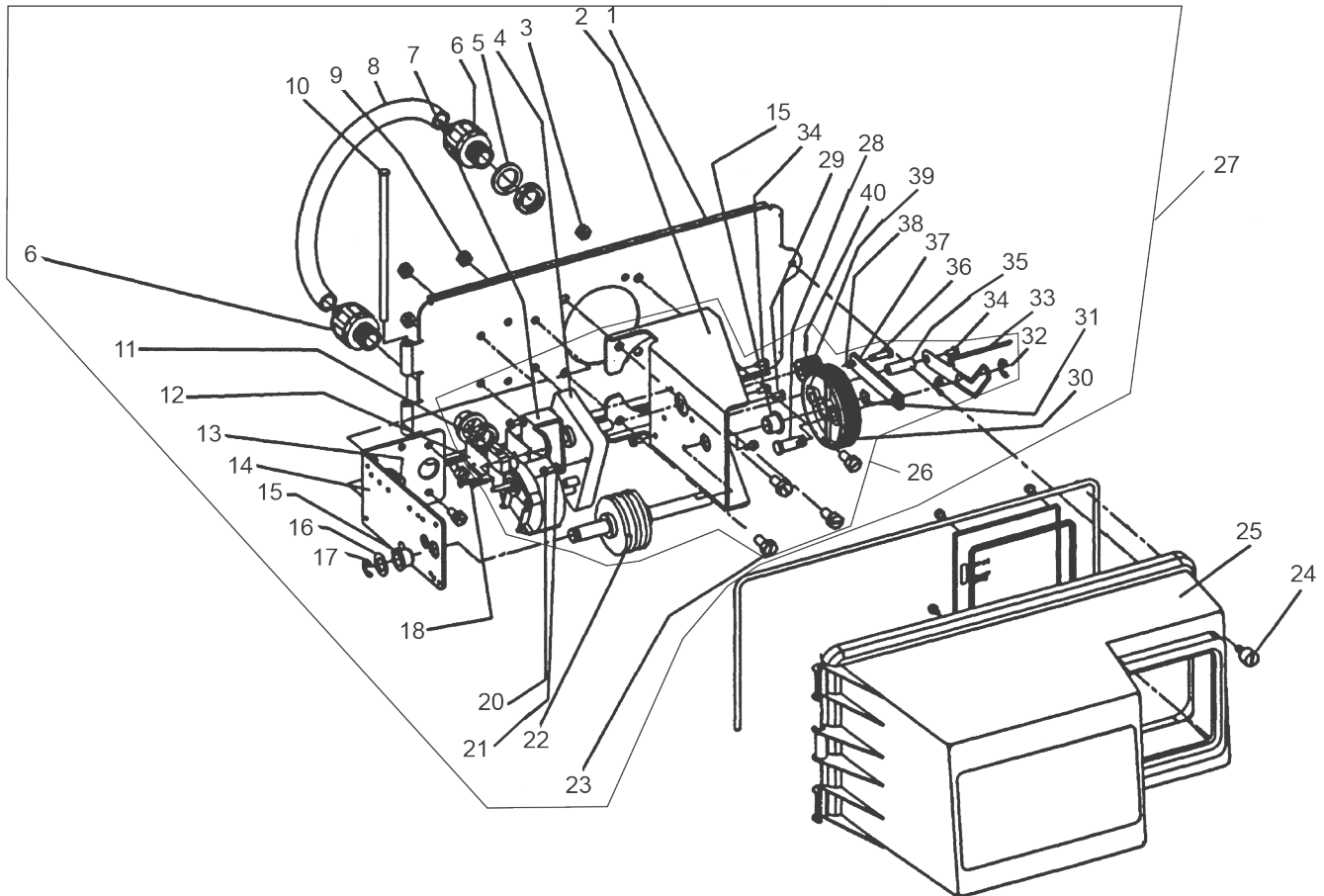
Item No.	QTY	Part No.	Description
47		60057-01	Drive Assy, 3150, 120V, SYS 5 & 7, Signal After Brine Tank Fill
		60057-03	Drive Assy, 3150, 24V, 3900 Upper, SYS #5 or SYS #7
		60057-11	Drive Assy, 3150, 120V, 3900 Upper, SYS #4 or SYS #6
		60057-21	Drive Assy, 3150, 120V, Upflow, 3900 Upper, SYS 5 or SYS 7, Brine Draw First
48	*	3150	Powerhead Assembly
<i>Not Shown</i>			
	1	17470	Cable Guide Assy, 2850/3150
	1	19856	Ring, Retaining (Used on Cover)
	1		Timer (See Timer Section)
	1	16427-04	Wire, Lead, 12 ", White
	1	40396	Harness, Drive, Environmental
	1	14924	Strain Relief Heyco #1247
	1	15513	Meter Cable, 17.5 ", 2 "es
	1	15216	Meter Cable, 15.25 ", 1.5 "es
	1	18585	Harness, 3900, Aux Switch

\*Call your distributor for Part Number



## CONTROL VALVES PARTS EXPLOSIONS

### FLECK 3900 CONTROL DRIVE ASSERMBLY



Item No.	QTY	Part No.	Description
1	1	19305	Back Plate, 3900 Lower, Enviromental
2	1	16086	Bracket - Motor Mounting
3	2	16346	Nut
4	1	40392	Drive Motor - 115 V. 50/60 Hz.
		40390	Drive Motor - 220 V. 50/60 Hz.
		42581	Drive Motor - 24 VAC/DC 50/60 Hz.
5	2	18692	Washer, Sealing
6	2	18691	Connector, Conduit
7	1	17797	Bracket - Switch Mounting
8	1	18693	Conduit, Interdrive
9	4	11235	Nut, 1/4-20
10	1	17845-03	Pin, Hinge
11	1	10218	Switch
12	2	10302	Insulator - Switch
13	4	10231	Screw - Hex Head, 1/4-20 x 1/2, 18-8 S.S.
14	1	6053	Bracket - Brine Side
15	2	16052	Bushing
16	1	16059	Washer
17	1	16051	Retaining Ring - Bowed "E"
18	2	11805	Screw, RD HD, 4-40 x 5/8-inch, Type 1, Steel/ Zinc
20	2	17567	Screw - Hex Head, WSH, 8 x 1/2, Type B, 18-8, S.S.
21	2	12288	Washer, Lock, Internal #8
22	1	16495	Cam Assembly
23	4	11224	Screw - Hex Head, 5/16-18 x 5/8, S.S.

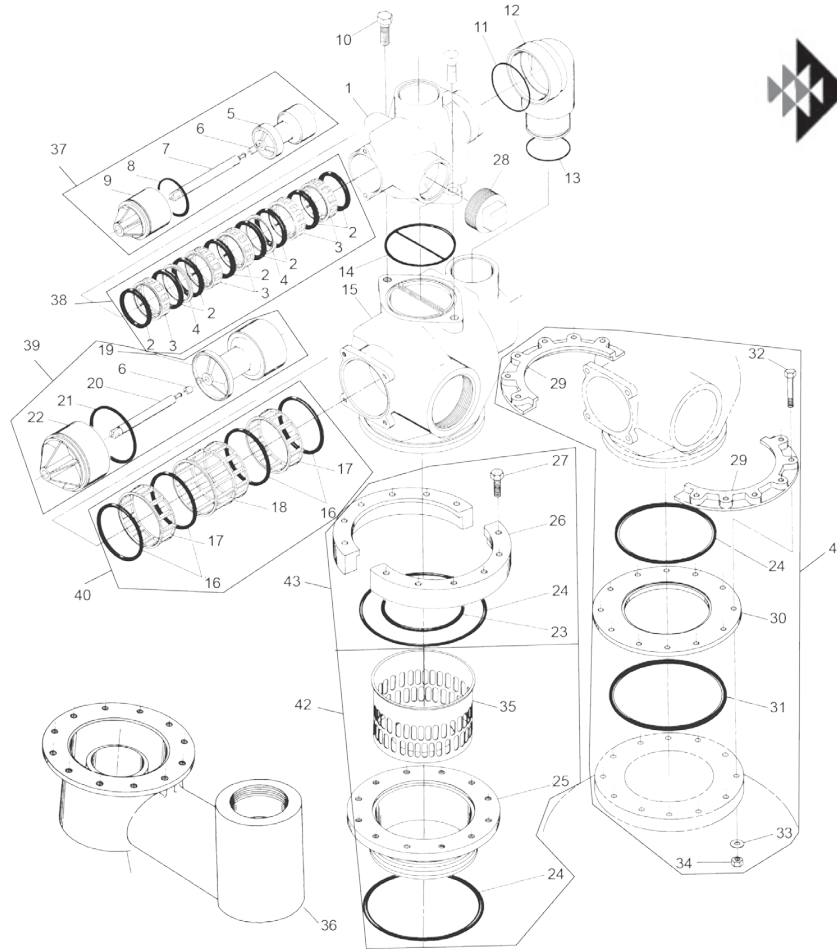
Item No.	QTY	Part No.	Description
24	1	19813/41536	Screw O-ring, Cover
25	1	60240-22	Cover, Black, Lower, Environmental
26	Includes Item No: 2, 4, 7, 11, 12, 15, 18, 20, 21, 22, 23, 28, 29, 30, 31, 32, 33, 34, 35, 36, 37, 38, 39, 40		
		60058-01	Lower Drive Assy, 3900, 120V
		60058-03	Lower Drive Mtr Assy, 3900, 24V
27	*		3900 Lower Powerhead Assy
28	1	16048-01	Bearing - Drive Link
29	2	11080	Screw - Flt HD Mach, 8-32 x 3/8, Steel Zinc
30	1	16046	Drive Gear
31	1	16050	Retaining Ring
32	2	11774	Retaining Ring - "E"
33	1	19315	Indicator
34	4	10872	Screw - Hex Head, 8-32 x 17/64, Steel/Trivalent Zinc
35	1	18726	Space, Indicator
36	1	11709	Pin - Drive Link
37	1	16047	Drive Link
38	1	11898	Clip
39	1	16045	Drive Pinion
40	1	11381	Roll Pin
<i>Not Shown</i>			
	1	40405	Wire Harness, Environmental, System 4, Lower

\*Call your distributor for Part Number

CONTROL VALVES PARTS EXPLOSIONS



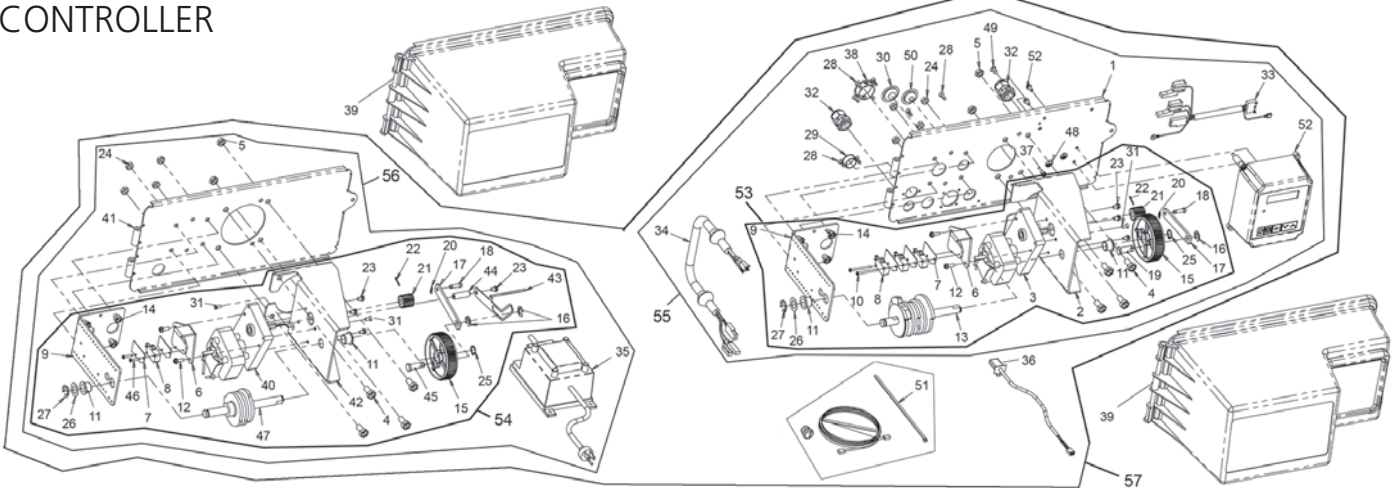
FLECK 3900 VALVE ASSERMBLY



Item No.	QTY	Part No.	Description	Item No.	QTY	Part No.	Description
11	1	15114	Valve Body	25	1	16255	Tank Adapter - 6-inch -8
2	8	11720	Seal	26	2	16257	Flange Segment
		11720-02	Seal, Silicone	27	12	11238	Screw - Hex Head
3	5	10369	Spacer - Port	28	1	16088	Pipe Plug - 2-inch NPT
4	2	10368	Spacer	35	1	16258	Flow Disperser
5	1	16130	Piston	37		60106-00	Piston Assy, 3900/3150 STD
6	2	14818	Clip - Piston Rod			60106-10	Piston Assy, 3150, Upflow
7	1	15125	Piston Rod	38		60131	Seal & Spacer Kit, 3900 Upper, 3150
8	1	14922	O-ring -035			60131-10	Seal & Spacer Kit, Silicone, Chemical Resistant, 3900 Upper, 3150
9	1	16398-01	End Plug Assembly	39		60107-00	Piston Assy, 3900, HWBP, Lower
10	2	40118	Screw - Hex Head			60107-10	Piston Assy, 3900, NHWBP, Lower
11	1	16078	O-ring - 149	40		60132	Seal & Spacer Kit, 3900, Lower
12	1	16074	Coupling			60132-10	Seal & Spacer Kit, 3900, 558BP Chemical Resistant, Lower
13	1	16077	O-ring - 140	41		60190	Flange Kit, Park & Structural, 09/05 and After
14	1	15112	Seal			60191	Flange Kit, Park, 08/05 and Prior
15	1	16067-02	3-inch Adapter Body	42		60193	Flange Kit, 6-inch Thread
16	4	16068	Seal	43		60192	Flange Kit, Welded
		41534	Seal, 3900, 558 BP	<i>Options</i>			
17	2	16069	Spacer - Narrow	29	2	16482	Flange Segment
18	1	16070	Spacer - Wide	30	1	16483	Flange Ring
19	1	16071	Piston	31	1	16484	O-Ring -442
		16082	Piston - No Hard Water Bypass	32	12	16517	Screw, Park Tank
20	1	16072	Piston Rod			19592	Screw, Structural Tank
21	1	16076	O-ring - 042	33	12	18619	Washer
22	1	16399-01	End Plug Assy - White	34	12	16346	Nut
		16399-11	End Plug Assy - Black, NHWB-P	36	1	18584	Adapter, Side Mount
23	1	16800	O-ring - 238				
24	2	16345	O-ring - 362				

## FLECK 3200NXT CONTROLLER

### FLECK CONTROLLER PARTS EXPLOSIONS



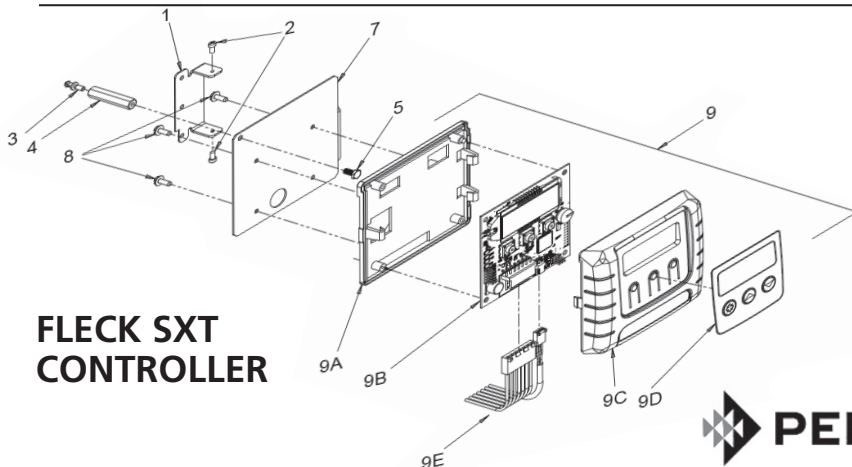
Item No.	QTY	Part No.	Description
1	1	18697-15	Backplate, Hinged
2	1	60219-02	Cover Assy, Environmental, Black
3	1	60160-15	Drive Cam Assy, Stf, Blue
4	1	10909	Pin, Link
5	2	14923	Screw, Pan Hd Mach, 4-40 X 1
6	5	10302	Insulator, Limit Switch
7	3	10218	Switch, Micro
8	2	10231	Screw, Slot Hex, 1/4 - 20 X 1/2
9	1	42579	Motor, Drive, 24V, 50/60 Hz
10	1	12777	Cam, Shut-Off Valve
11	2	10338	Pin, Roll, 3/32 X 7/8
12	1	42469	Transformer, Us, 120V, 24V, 40VA
		41049	Transformer, Euro, 230V/24V 108VA
		41050	Transformer, Aust, 230V/24V, 108VA
13	1	19691	Plug, .750 Dia, Recessed, Black
14	2	19800	Plug, .140 Dia, White
15	1	15806	Plug, Hole, Heyco #2693
16	9	19801	Plug, .190 Dia, White, Heyco #0307
17	1	17967	Fitting Assy, Liquid Tight, Blk
18	1	10896	Switch, Micro
19	4	11805	Screw, Rd Hd, 4-40 X 5/8 Type 1
20	1	40943	Wire Harness, Lower Drive, W/Molded Strain Relief
21	1	13547	Strain Relief, Flat Cord, Heyco #30-1
22	1	19121	Meter Cable Assy, 3200NT
		19121-08	Meter Cable Assy, NT, 35-inch W/Connector
		19121-09	Meter Cable Assy, NT, 99.5-inch W/Connector
		19121-10	Meter Cable Assy, NT, 303.5-inch W/Connector
23	1	14202-01	Screw, Hex Wsh Mach, 8-32 X 5/16
24	1	40941	Wire Harness, Upper Drive
25	1	17421	Plug, 1.20 Hole, Heyco #2733

Item No.	QTY	Part No.	Description
26	2	41581	Plug, Hole, .125 Dia, White
27	1	60217-02	Cover Assy, 2900, Lower, Black, Environmental
28	1	18626	Spacer, Indicator
29	1	18746	Bearing, Connecting Rod
30	2	11224	Screw, Hex Hd 5/16 - 18 X 5/8, SS
31	1	10250	Ring, Retaining
32	7	10872	Screw, Hex Wsh, 8-32 X 17/64
33	1	18709	Backplate, Lower
34	1	11381	Pin, Roll, 2900/3900
35	1	14759	Link, Piston Rod
36	1	14769	Bracket, Motor, 2900
37	1	14775	Cam, Drive, 2900
38	2	16346	Nut, Hex, Jam, 5/16-18, 18-8-SS
39	1	18725	Indicator, Service/Standby
40	1	42580	Motor, Drive, 24V, 50/60 Ohz, SP
41	1	14813	Pin, Spring, Connecting Rod
42	1	41102	Label, 3200NT, Ground
43	1	10269	Nut, Jam, 3/4 - 16
44	1	10712	Fitting, Brine Valve
45	1	61763	Kit, Can Communication Cable
46	1	42466-11	Timer Assy, Nxt, Right Hand
47	1	60050-23	Drive Assy, 2750, 2850, 2900S Upper, STF, 24V 50/60 Hz
		60050-26	Drive Assy, 2850S, STF, 24V 50/60 Hz
48	*		Powerhead Assy, 2750, 2850, 2900S Upper
	*		Powerhead Assy, 2850S
49	*		Powerhead Assy, Lower 2900S
50	*		Powerhead Assy, Upper and Lower 2900S
51	1	60055-53	Lower Drive Assy, 2900, 24/60

\*Call you distributor for a Part Number

NOTE: For all other service part numbers, see the Service Manual that accompanies the control valve.

## FLECK SXT CONTROLLER



Item No.	QTY	Part No.	Description
1	1	13881	Bracket, Hinge Timer
3	1	14265	Clip, Spring
4	1	27172	Stand-off, Timer, 2510SXT, 2750SXT
5	1	21363	Screw, Hex HD, M4 X 12 MM
7	1	27168	Bracket, Timer, 2510SE/2750SXT
8	3	13296	Screw, Hex Washer, 6-20 X 1/2
9	1	42778	Timer, SXT, 2510/2750, DF
9A	1	19889	Housing, Circuit Board
9B	1	42196	Circuit Board, SXT
9C	1	42635-01	Cover, Front, SXT, Square
9D	1	42637	Label, Display, SXT
9E	1	42864	Wire Harness, SXT

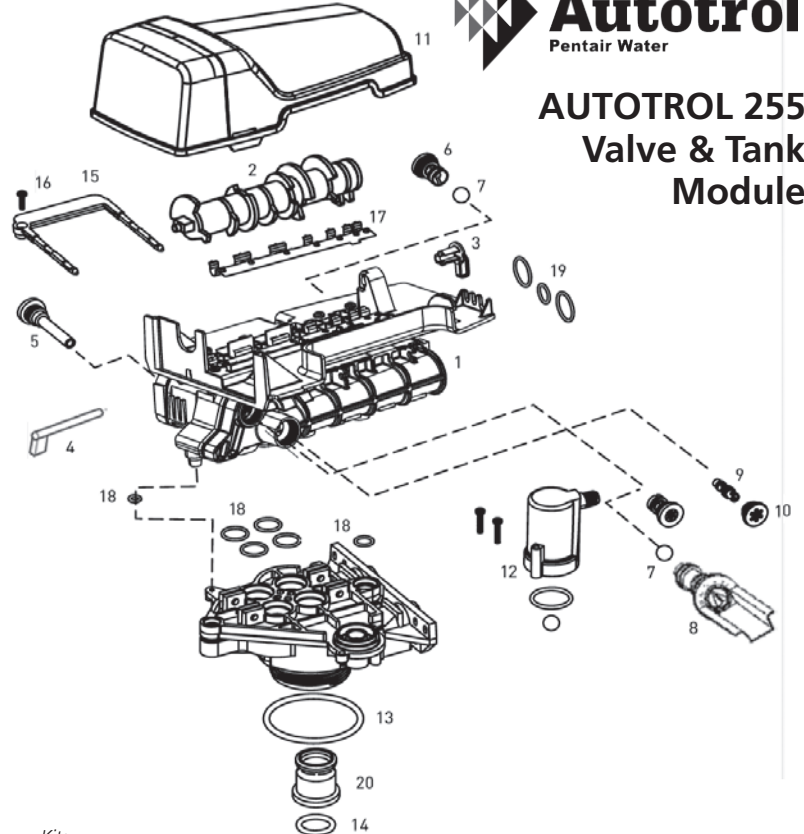


## AUTOTROL VALVES PARTS EXPLOSIONS



### AUTOTROL 255 Valve & Tank Module

Item No.	QTY	Part No.	Description
1	1	1000232	Valve Assembly, w/o Flow Controls
2	1		Camshaft:
		1031950	Standard, One-Piece
		1033024	Standard, Segmented
		1033025	Extra Salt, Segmented
		1033026	Long Rinse, Segmented
		1032969	Water Saver, Segmented
3	1	3019873	Lever, Locking Cam
4	1	1031391	Timer Locking Pin
5	1	1000226	Screen/Cap Assembly w/O-Ring
6	1		Drain Control Assembly w/O-Rings:
		1000209	No. 7 (1.2 gpm; 4.5 Lpm)
		1000210	No. 8 (1.6 gpm; 6.1 Lpm)
		1000211	No. 9 (2.0 gpm; 7.6 Lpm)
		1000212	No. 10 (2.5 gpm; 9.5 Lpm)
		1000213	No. 12 (3.5 gpm; 13.2 Lpm)
		1000214	No. 13 (4.1 gpm; 15.5 Lpm)**
		1000215	No. 14 (4.8 gpm; 18.2 Lpm)**
7	2	1030502	Ball, Flow control
8	1		Brine Refill Control:
		1034261	1 to 10 lbs Salt
		1034263	3 to 19 lbs Salt
9	1		Injector Assembly with O-Rings:
		1032970	"A" Injector - White
		1032971	"B" Injector - Blue
		1032972	"C" Injector - Red
10	1	1000269	Injector Cap with O-Ring
11	1	3019870	i-Lid Cover
12	1	1032416	Air Check Kit
13	1	1010154	O-Ring EPDM
14	1	1232370	O-Ring EP
15	1		Locking Bar:
		1031402	English Language
		1031403	French Language
		1031404	German Language
		1031405	Italian Language
		1031406	Japanese Language
		1031407	Spanish Language
16	1	1006093	Screw, No. 8 x 9/16 inch
17	1	1235341	Spring, one pc 255

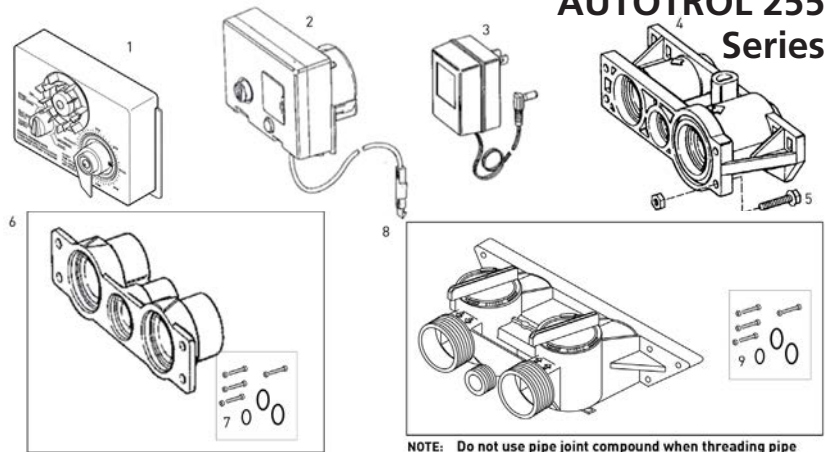


<i>Kits</i>		
18	1001404	O-Ring Group: Tank Adapter, 1010117 (1), 1010407 (1), 1010410 (4)
19	1040459	O-Ring Group: Piping Boss 1010431 (1), 1010411 (2)
20	1041010	13/16 inch Rubber Insert (Optional)
<i>Valve Discs Not Shown</i>		

1000250 Standard

\*\*Flow control does not use Flow Control Ball (1030502).

Item No.	QTY	Part No.	Description
1	1		440i Assembly (obsolete)
2	1		460i/460TC Assembly
3	1		Transformer:
		1000810	Japanese
		1000811	North American
		1000812	Australian
		1000813	British
		1000814	European
	1	1030234	Transformer Extension Cord 15'
	1	1007776	Jumper Meter Adapter
4	1	1032350	Kit, Meter Adapter
5	1	1032351	Meter Install Kit Piping Boss
6	1		Piping Boss Kit (incl Hardware):
		3023763	3/4" NPT, S.S. 3/8" NPT Drain
		3023749	1" NPT, S.S. 1/2" NPT Drain
		3023761	3/4" BSPT, S.S. 3/8" BSPT Drain
		3023747	1" BSPT, S.S. 1/2" BSPT Drain
		1040279	3/4" NPT, Noryl 1/2" NPT Drain
		1040280	1" NPT, Noryl 1/2" NPT Drain
		1040283	3/4" BSPT, Noryl 1/2-inch BSPT Drain
		1040284	1" BSPT, Noryl 1/2" BSPT Drain
7	1	1040339	Piping Boss installation Kit Bypass Valve
8	1	1040769	Bypass Body Assembly with Install Kit
9	1	1040524	Bypass Installation Kit Tube Adapter Kits
*	1	1001606	3/4" Copper Tube Adapter Kit
*	1	1001670	1" Copper Tube Adapter Kit
*	1	1041210	1-1/4 inch Copper Tube Adapter Kit
*	1	1040547	90 degree Elbow Adapter Kit *
*	1	1001608	22 mm Copper Tube Adapter Kit



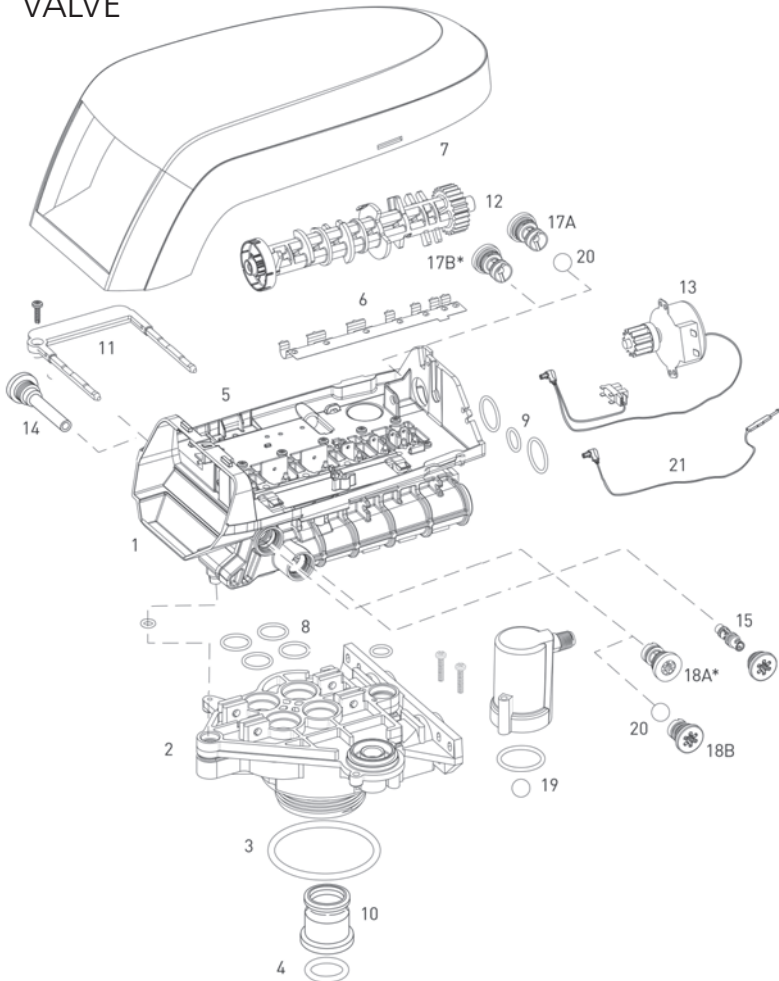
**NOTE:** Do not use pipe joint compound when threading pipe into the Noryl piping boss. Use only plumber pipe tape. Do not overtighten pipe into Noryl piping boss.

*	1	1001613	3/4" CPVC Tube Adapter Kit
*	1	1001614	1" CPVC Tube Adapter Kit
*	1	1001615	25 mm CPVC Tube Adapter Kit
*	1	1001769	3/4" NPT Plastic Pipe Adapter Kit
*	1	1001603	1" NPT Plastic Pipe Adapter Kit
*	1	1001604	3/4" BSPT Plastic Pipe Adapter Kit
*	1	1001605	1" BSPT Plastic Pipe Adapter Kit
*	1	3023824	3/4" BSPT S.S. Pipe
*	1	3023828	1" NPT S.S. Pipe Adapter Kit
*	1	3023807	1" BSPT S.S. Pipe Adapter Kit

\*Not Shown

## AUTOTROL 255 VALVE

## AUTOTROL VALVES PARTS EXPLOSIONS



Item No.	QTY	Part No.	Description
1	1	1244650	255 Valve Assembly, w/o Flow Controls
2	1	1033784	255 Tank Adapter New Style
3	1	1010154	O-ring, Tank Seal -388, EP
4	1	1232370	O-ring Riser Tube -318 EP
5	1	1235340	Top Plate, 255 Valve, Logix Series Controller
*	12	1234170	Screw, Top Plate, 8-18 x 0.56-inch Self Tap
6	1	1235341	Spring, One Piece, 255 Valve
7	1	1236246	Cover, Valve, 255/Performa, Logix Series Controller
8	1	1001404	O-ring Kit: Tank Adapter
9	1	1040459	O-ring Kit: Piping Boss
10	1	1001986	13/16 inch Rubber Insert (Optional)
*	1	1000250	Valve Disk Kit - Standard
*	1	1239760	Blending Valve Kit 900/700 Series
11	1		Locking Bar
		1031402	English Language Locking Bar
		1031403	French Language Locking Bar
		1031404	German Language Locking Bar
		1031405	Italian Language Locking/Bar
		1031406	Japanese Language Locking Bar
		1031407	Spanish Language Locking Bar
		1234170	Locking Bar Screw - No. 8-9/16 inch
12	1	1235353	Cam 255/70 Series Valve, STD, Black
13	1	3019221	Motor/Optical Cable Assembly
14	1	1000226	Screen/Cap Assembly w/ O-ring
15	1		Injector (High Efficiency) Options
		1035730	"E" Injector (High Efficiency) - Yellow (6-inch tank)
		1035731	"F" Injector (High Efficiency) - Peach (7-inch tank)
		1035732	"G" Injector (High Efficiency) - Tan (8-inch tank)
		1035733	"H" Injector (High Efficiency) - Lt Purple (9-inch tank)

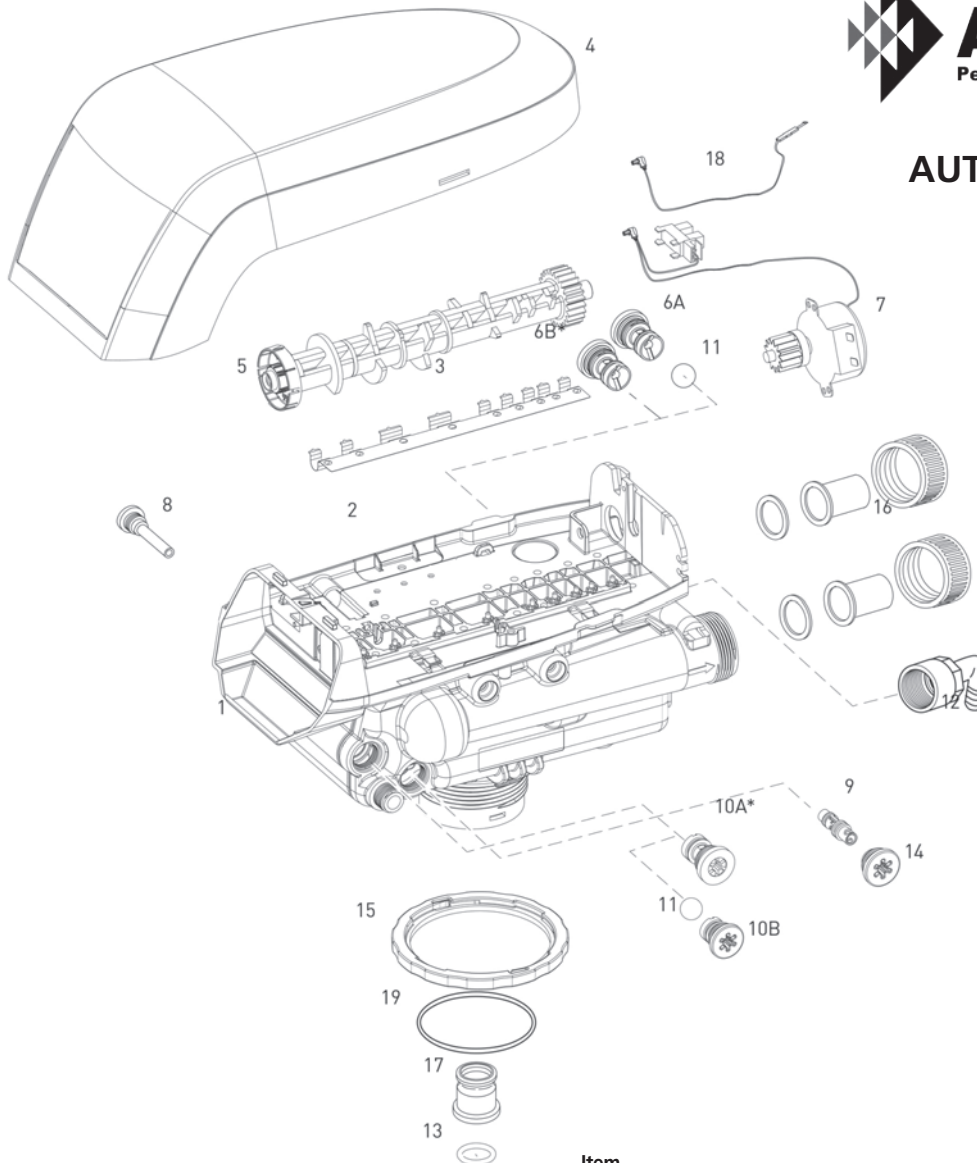
Item No.	QTY	Part No.	Description
		1035734	"J" Injector (High Efficiency) - Lt Blue (10-inch tank)
		1035735	"K" Injector (High Efficiency) - Pink (12-inch tank)
		1035736	"L" Injector (High Efficiency) - Orange (13 - 14-inch tank)
16	1	1000269	Injector Cap with O-ring
17A	1		Drain Control Assembly with O-ring:
		1000209	No. 7 (1.3 gpm; 4.9 Lpm)
		1000210	No. 8 (1.7 gpm; 6.4 Lpm)
		1000211	No. 9 (2.2 gpm; 8.3 Lpm)
		1000212	No. 10 (2.7 gpm; 10.2 Lpm)
		1000213	No. 12 (3.9 gpm; 14.76 Lpm)
17B	1		Drain Control Assembly:
		1000214	No. 13 (4.5 gpm; 17 Lpm)
		1000215	No. 14 (5.3 gpm; 20 Lpm)
18A	1	1000222	Regenerant Refill Controller, No Ball, 0.33 gal
18B	*	1243510	Regenerant Refill Controller
*		1030334	Plugged Refill Flow Control - for 253 Valves
19	1		Air Check Kit
		1032416	Air Check Kit 3/8-inch male
		1032417	Air Check Kit 1/4-inch male
20	1	1030502	Ball, Flow Control
*	1	1033066	New to Old Style Aircheck Adapter
21	1	1235446	Turbine Cable
*		1233187	Motor Locking Pin
*		1268102	No Salt Detector/Refill Control
*		1242411	Extension Cord for Cabinet
*		1239711	Service Kit, Front Mount, 0.1 amp
*		1239752	Service Kit, Front Mount, 5 amp
*		1239753	Service Kit, Top Plate Mount, 0.1 amp
*		1239754	Service Kit, Top Plate Mount, 5 amp
*		1239979	Cable Harness, Remote Regen 742
*			Piping Boss Kit (includes hardware):
		3023763	3/4-inch NPT, SS 3/8-inch NPT Drain
		3023749	1-inch NPT, SS 1/2-inch NPT Drain
		3023761	3/4-inch BSPT, SS 3/8-inch BSPT Drain
		3023747	1-inch BSPT, SS 1/2-inch BSPT Drain
		1040279	3/4-inch NPT, Noryl 1/2-inch NPT Drain
		1234254	1-inch NPT, Noryl 1/2-inch NPT Drain
		1040283	3/4-inch BSPT, Noryl 1/2-inch BSPT Drain
		1234255	1-inch BSPT, Noryl 1/2-inch BSPT Drain
*	1	1040339	Piping Boss Installation Kit
*	1	1032350	Kit, Meter Adapter
*	1		Bypass Valve
		1040769	Bypass Body Assembly with Install Kit
		1040524	Bypass Installation Kit
			Tube Adapter Kits
*	1	1001606	3/4-inch Copper Tube Adapter Kit
*	1	1001670	1-inch Copper Tube Adapter Kit
*	1	1001608	22-mm Copper Tube Adapter Kit
*	1	1001613	3/4-inch CPVC Tube Adapter Kit
*	1	1001614	1-inch CPVC Tube Adapter Kit
*	1	1001615	25-mm CPVC Tube Adapter Kit
*	1	1001769	3/4-inch NPT Plastic Pipe Adapter Kit
*	1	1001603	1-inch NPT Plastic Pipe Adapter Kit
*	1	1001604	3/4-inch BSPT Plastic Pipe Adapter Kit
*	1	1001605	1-inch BSPT Plastic Pipe Adapter Kit
*	1	3023807	3/4-inch BSPT SS Pipe Adapter Kit
*	1	3023828	1-inch NPT SS Pipe Adapter Kit
*	1	3023824	1-inch BSPT SS Pipe Adapter Kit

\*Not Shown

AUTOTROL VALVES PARTS EXPLOSIONS



**AUTOTROL 740-760  
PERFORMA  
VALVE**



Item No.	QTY	Part No.	Description
1	1	1244651	Valve Assembly w/o Flow Controls
*	18	1234170	Screw, Top Plate, 8-18 x 0.56-inch Self Tap
2	1	1235338	Top Plate, 268/700 Series Valves
3	1	1235339	Valve Disc Spring, One Piece, Performa Valve
4	1	1236246	Cover, Valve, 255/Performa Logix Series Controller
5	1	1235352	Cam, 263-268/700 Series Valve, STD, Black
6A	1		Drain Control Assembly:
		1000209	No. 7 (1.3 gpm; 4.9 Lpm)
		1000210	No. 8 (1.7 gpm; 6.4 Lpm)
		1000211	No. 9 (2.2 gpm; 8.3 Lpm)
		1000212	No. 10 (2.7 gpm; 10.2 Lpm)
		1000213	No. 12 (3.9 gpm; 14.76 Lpm)
6B	1		Drain Control Assembly:
		1000214	No. 13 (4.5 gpm; 17 Lpm)
		1000215	No. 14 (5.3 gpm; 20 Lpm)
		1239760	Blending Valve Kit 900/700 Series Top Plate
*	1		Drain Line Flow Control (External):
		1030355	Drain Line Flow Control, 5 gpm (19 Lpm)
		1030356	Drain Line Flow Control, 6 gpm (22.5 Lpm)
		1030357	Drain Line Flow Control, 7 gpm (26.5 Lpm)
		1030358	Drain Line Flow Control, 8 gpm (30 Lpm)
		1030359	Drain Line Flow Control, 9 gpm (34 Lpm)
		1030360	Drain Line Flow Control, 10 gpm (38 Lpm)

Item No.	QTY	Part No.	Description
7	1	3019221	Motor/Optical Cable Assembly
8	1	1000226	Screen/Cap Assembly w/ O-Ring
9	1		Injector (High Efficiency) Options:
		1035730	"E" Injector (High Efficiency) - Yellow (6-inch tank)
		1035731	"F" Injector (High Efficiency) - Peach (7-inch tank)
		1035732	"G" Injector (High Efficiency) - Tan (8-inch tank)
		1035733	"H" Injector (High Efficiency) - Lt Purple (9-inch tank)
		1035734	"J" Injector (High Efficiency) - Lt Blue (10-inch tank)
		1035735	"K" Injector (High Efficiency) - Pink (12-inch tank)
		1035736	"L" Injector (High Efficiency) - Orange (13 & 14-inch tanks)
		1032985	Plugged Injector Cap
10A	1	1000222	Regenerant Refill Controller, No Bal, 0.33 gpm
10B	1	1243510	Regenerant Refill Controller
11	1	1030502	Ball, Refill Flow Control
*	1	1030334	Plugged Refill Flow Control - for 263 Valve
12	1	1002449	Drain Fitting Elbow (3/4-inch hose barbed)
13	1	1232370	O-ring Riser Tube -318, EP
14	1	1000269	Injector Cap with O-ring
15	1	1035622	Tank Ring
*	1	1041174	Valve Disc Kit: Standard

## AUTOTROL 742-762 255 VALVE

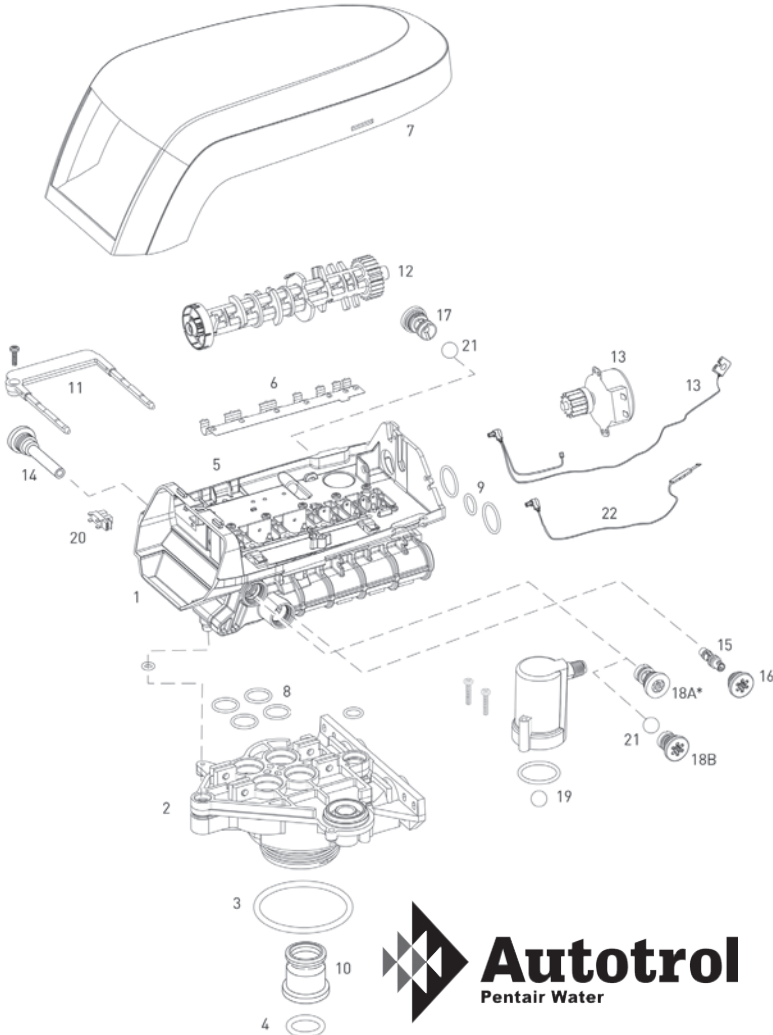
### AUTOTROL VALVES PARTS EXPLOSIONS

Item No.	QTY	Part No.	Description
1	1	1244650	255 Valve Assembly, w/o Flow Controls
2	1	033784	255 Tank Adapter New Style
3	1	1010154	O-Ring EPDM
4	1	1232370	O-Ring EP
5	1	1235340	Top Plate, 255 Valve, Logix Series Controller
6	1	1235341	Spring, One Piece, 255 Valve
7	1	1236246	Cover, Valve, 255/Performa, 700/860 Series Controller
8	1	1001404	O-ring Kit: Tank Adapter
9	1	1040459	O-ring Kit: Piping Boss
10	1	1001986	13/16 inch Rubber Insert (Optional)
*	1	1000250	Valve Disk Kit - Standard
*	1	1239760	Blending Valve Kit 900/700 Series Locking Bar
11	1	1031402	English Language Locking Bar
		1031403	French Language Locking Bar
		1031404	German Language Locking Bar
		1031405	Italian Language Locking Bar
		1031406	Japanese Language Locking Bar
		1031407	Spanish Language Locking Bar
		1006093	Locking Bar Screw - No. 8-9/16 inch
12	1		Camshaft Options:
		1235353	Cam 255/700-860 Series Valve, STD, Black
		1236251	Cam 255/700-860 Series Valve, TWIN, Tan (insert)
13	1	1235361	Motor/Optical Cable Assembly
14	1	1000226	Screen/Cap Assembly w/ O-ring

Item No.	QTY	Part No.	Description
15	1		Injector (High Efficiency) Options:
		1035730	"E" Injector (High Efficiency) - Yellow (6-inch tank)
		1035731	"F" Injector (High Efficiency) - Peach (7-inch tank)
		1035732	"G" Injector (High Efficiency) - Tan (8-inch tank)
		1035733	"H" Injector (High Efficiency) - Lt Purple (9-inch tank)
		1035734	"J" Injector (High Efficiency) - Lt Blue (10-inch tank)
		1035735	"K" Injector (High Efficiency) - Pink (12-inch tank)
		1035736	"L" Injector (High Efficiency) - Orange (13 - 14-inch tank)
16	1	1000269	Injector Cap with O-ring
17	1		Drain Control Assembly with O-ring:
		1000209	No. 7 (1.3 gpm; 4.9 Lpm)
		1000210	No. 8 (1.7 gpm; 6.4 Lpm)
		1000211	No. 9 (2.2 gpm; 8.3 Lpm)
		1000212	No. 10 (2.7 gpm; 10.2 Lpm)
		1002130	No. 12 (3.9 gpm; 14.76 Lpm)
		1000214	No. 13 (4.5 gpm; 17 Lpm)
		1000215	No. 14 (5.3 gpm; 20 Lpm)
18A	1	1000222	Regenerant Refill Controller, No Ball, 0.33 gal
18B		1243510	Regenerant Refill Controller
19	1		Air Check Kit
		1032416	Air Check Kit 3/8-inch male
		1032417	Air Check Kit 1/4-inch male
20	1	1235373	Module, Sensor, Photo Interrupter
21	1	1030502	Ball, Flow Control
*	1	1033066	New to Old Style Aircheck Adapter
22	1	1235446	Turbine Cable
*		1233187	Motor Locking Pin
*		1244336	Chlorine Generator Kit, 0.33 gpm
*		1242411	Extension Cord for Cabinet
*		1239711	Service Kit, Front Mount, 0.1 amp
*		1239752	Service Kit, Front Mount, 5 amp
*		1239753	Service Kit, Top Plate Mount, 0.1 amp
*		1239754	Service Kit, Top Plate Mount, 5 amp
*		1239979	Cable Harness, Remote Regen 742 Piping Boss Kit (includes hardware):

Item No.	QTY	Part No.	Description
		1040277	3/4-inch NPT, Brass 3/8-inch NPT Drain
		1040278	1-inch NPT, Brass 1/2-inch NPT Drain
		1040281	3/4-inch BSPT, Brass 3/8-inch BSPT Drain
		1040282	1-inch BSPT, Brass 1/2-inch BSPT Drain
		1040279	3/4-inch NPT, Plastic 1/2-inch NPT Drain
		1040280	1-inch NPT, Plastic 1/2-inch NPT Drain
		1040283	3/4-inch BSPT, Plastic 1/2-inch BSPT Drain
		1040284	1-inch BSPT, Plastic 1/2-inch BSPT Drain
*	1	1040339	Piping Boss Installation Kit
*	1	1032350	Kit, Meter Adapter
*	1	1032351	Meter Install Kit
*	1		Bypass Valve
		1040769	Bypass Body Assembly with Install Kit
		1040524	Bypass Installation Kit
<i>Tube Adapter Kits</i>			
*	1	1001606	3/4-inch Copper Tube Adapter Kit
*	1	1001670	1-inch Copper Tube Adapter Kit
*	1	1001608	22-mm Copper Tube Adapter Kit
*	1	1001613	3/4-inch CPVC Tube Adapter Kit
*	1	1001614	1-inch CPVC Tube Adapter Kit
*	1	1001615	25-mm CPVC Tube Adapter Kit
*	1	1001769	3/4-inch NPT Plastic Pipe Adapter Kit
*	1	1001603	1-inch NPT Plastic Pipe Adapter Kit
*	1	1001604	3/4-inch BSPT Plastic Pipe Adapter Kit
*	1	1001605	1-inch BSPT Plastic Pipe Adapter Kit
*	1	1001610	1-inch NPT Brass Pipe Adapter Kit
*	1	1001612	1-inch BSPT Brass Pipe Adapter Kit

\*Not Shown



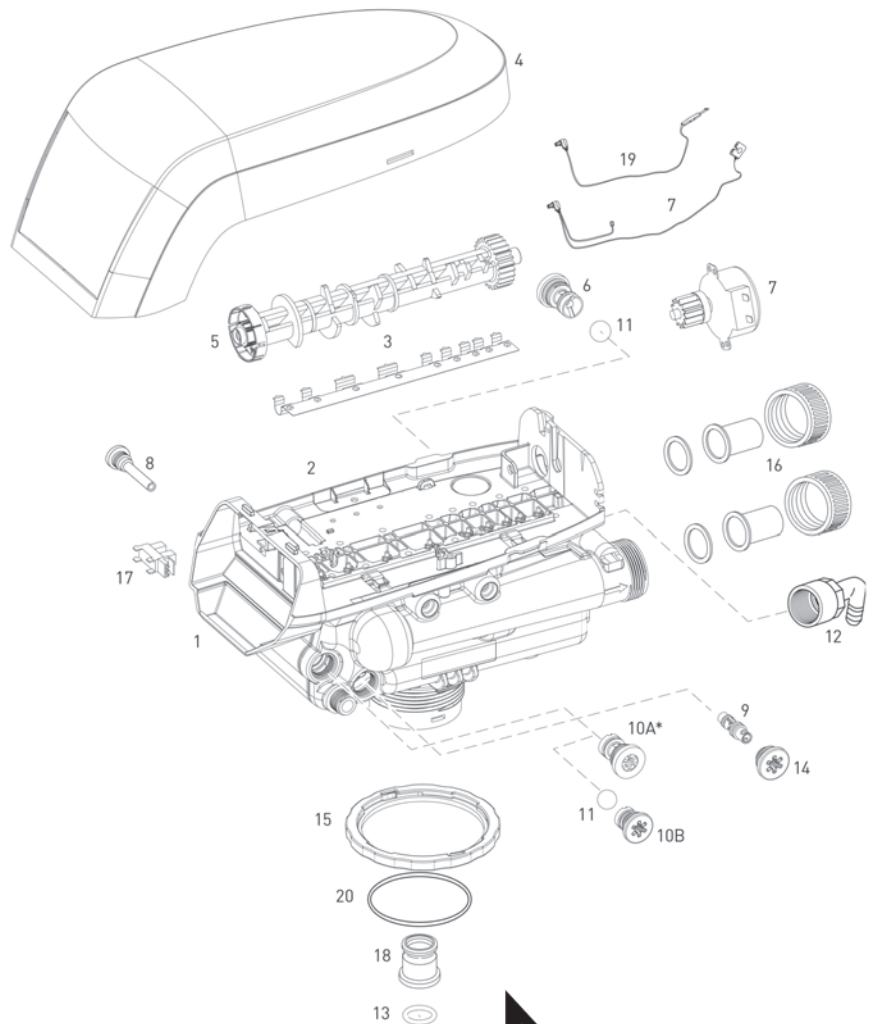
## AUTOTROL VALVES PARTS EXPLOSIONS

Item No.	QTY	Part No.	Description
1	1	1244651	Valve Assembly w/o Flow Controls
2	1	1235338	Top Plate, 268/700 Series Valves
3	1	1235339	Valve Disc Spring, One Piece, Performa Valve
4	1	1236246	Cover, Valve, 255/Performa 700/860 Series Controller
5	1		Performa Logix Camshafts
		1235352	Cam, 263-268/700-860 Series Valve, STD, Black
		1237402	Cam, 269/700-860 Series Valve, STD, Green
		1237403	Cam, 273/700-860 Series Valve, STD, Gray
		1237404	Cam, 273/700-860 Series Valve, TWIN (insert)
		1237405	Cam, 278/700-860 Series Valve, STD, Brown
		1237406	Cam, 278/700-860 Series Valve, TWIN, Tan (insert)
6	1		Drain Control Assembly:
		1000209	No. 7 (1.3 gpm; 4.9 Lpm)
		1000210	No. 8 (1.7 gpm; 6.4 Lpm)
		1000211	No. 9 (2.2 gpm; 8.3 Lpm)
		1000212	No. 10 (2.7 gpm; 10.2 Lpm)
		1000213	No. 12 (3.9 gpm; 14.76 Lpm)
		1000214	No. 13 (4.5 gpm; 17 Lpm)
		1000215	No. 14 (5.3 gpm; 20 Lpm)
		1239760	Blending Valve Kit 900/700 Series Top Plate
*	1		Drain Line Flow Control (External):
		1030355	Drain Line Flow Control, 5 gpm (19 Lpm)
		1030356	Drain Line Flow Control, 6 gpm (22.5 Lpm)
		1030357	Drain Line Flow Control, 7 gpm (26.5 Lpm)
		1030358	Drain Line Flow Control, 8 gpm (30 Lpm)
		1030359	Drain Line Flow Control, 9 gpm (34 Lpm)
		1030360	Drain Line Flow Control, 10 gpm (38 Lpm)
7	1	1235361	Motor/Optical Cable Assembly
8	1	1000226	Screen/Cap Assembly w/ O-ring
9	1		Injector (High Efficiency) Options:
		1035730	"E" Injector (High Efficiency) - Yellow (6-inch tank)
		1035731	"F" Injector (High Efficiency) - Peach (7-inch tank)
		1035732	"G" Injector (High Efficiency) - Tan (8-inch tank)
		1035733	"H" Injector (High Efficiency) - Lt Purple (9-inch tank)
		1035734	"J" Injector (High Efficiency) - Lt Blue (10-inch tank)
		035735	"K" Injector (High Efficiency) - Pink (12-inch tank)
		1035736	"L" Injector (High Efficiency) - Orange (13 & 14-inch tanks)
		1032978	Plugged Injector for 263 Filter
		1032985	Plugged Injector Cap
10A	1	1000222	Regenerant Refill Controller, No Ball, 0.33 gpm
10B		1243510	Regenerant Refill Controller
11		1030502	Ball, Refill Flow Control
*		1030334	Plugged Refill Flow Control - for 263 Valve
12	1	1002449	Drain Fitting Elbow (3/4-inch hose barbed)
13	1	1010428	O-ring
14	1	1000269	Injector Cap with O-ring
15	1	1035622	Tank Ring
*		1041174	Valve Disc Kit: Standard
16	1		Plumbing Adapter Kits:
		1001606	3/4-inch Copper Tube Adapter Kit
		1001670	1-inch Copper Tube Adapter Kit
		1001608	22-mm Copper Tube Adapter Kit
		1001613	3/4-inch CPVC Tube Adapter Kit
		1001614	1-inch CPVC Tube Adapter Kit
		1001615	25-mm CPVC Tube Adapter Kit
		1001769	3/4-inch NPT Plastic Pipe Adapter Kit
		1001603	1-inch NPT Plastic Pipe Adapter Kit
		1001604	3/4-inch BSPT Plastic Pipe Adapter Kit
		1001605	1-inch BSPT Plastic Pipe Adapter Kit
		1001611	3/4-inch BSPT Brass Pipe Adapter Kit
		1001610	1-inch NPT Brass Pipe Adapter Kit
		1001612	1-inch BSPT Brass Pipe Adapter Kit

Item No.	QTY	Part No.	Description
17	1	1235373	Module, Sensor, Photo Interrupter
18	1	1001986	13/16-inch Rubber Insert (Optional)
19	1	1235446	Turbine Cable
20	1	1010154	Tank O-ring
*		1033444	Internal Turbine Meter
*		1233187	Motor Locking Pin
*		1299336	Chlorine Generator Kit
*		1033444	Turbine Assembly
*		1041174	Valve Disc Kit, Standard
*		1239979	Cable Harness, Remote Regen 740F
*		1239711	Switch Kit, Front Mount, 0.1 amp
*		1239752	Switch Kit, Front Mount 5 amp
*		1239753	Switch Kit, Top Plate Mount, 0.1 amp
*		1239754	Switch Kit, Top Plate Mount, 5 amp

\*Not Shown

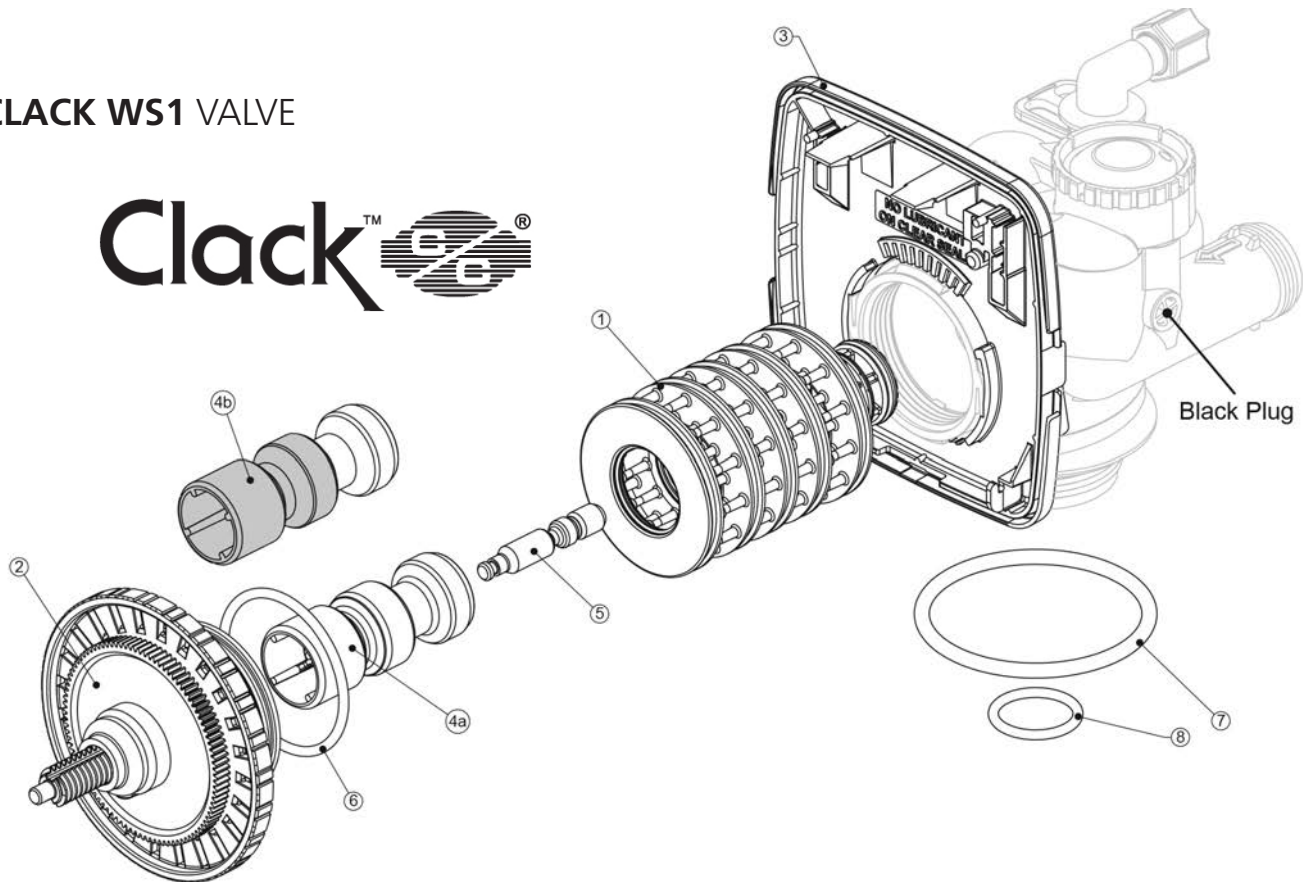
## AUTOTROL 742-762 PERFORMA VALVE



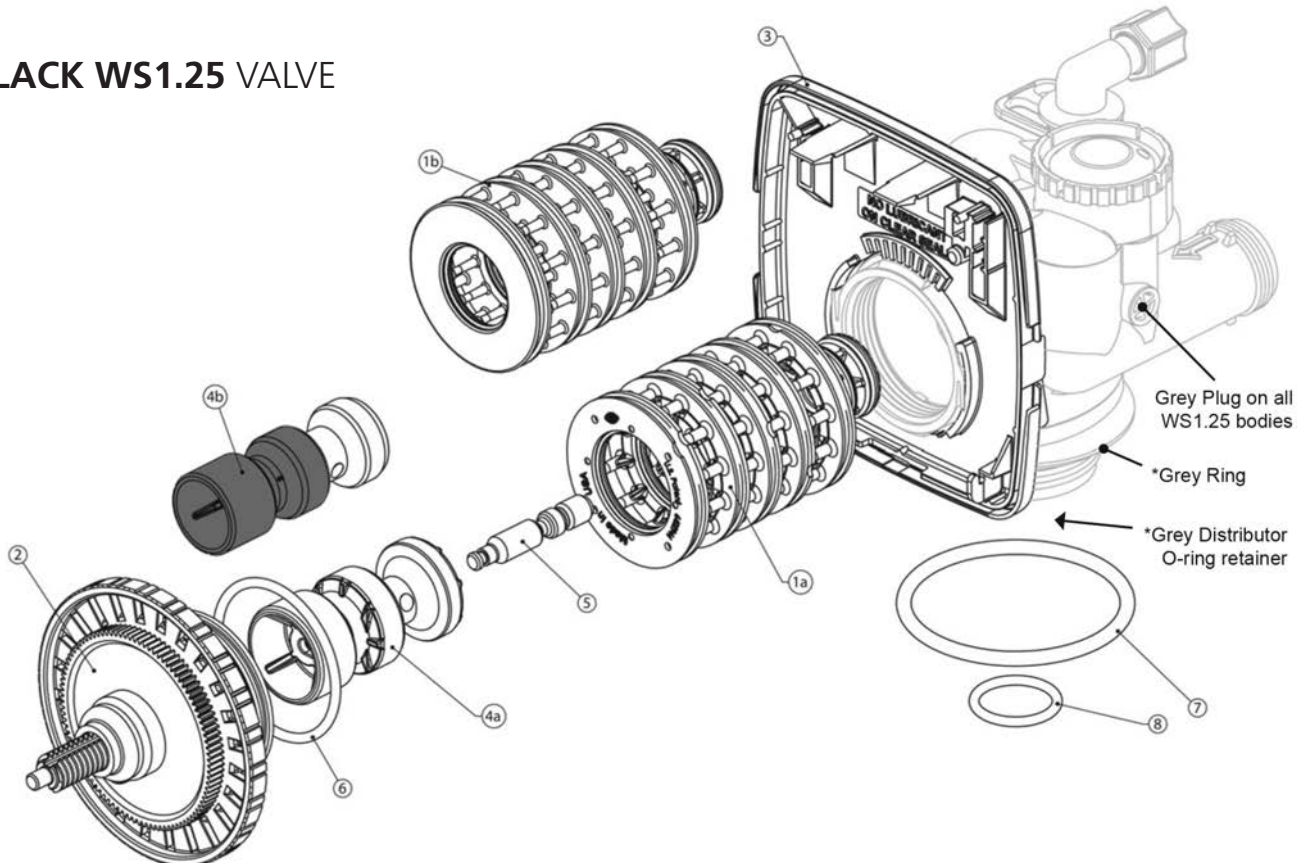


## CLACK VALVES PARTS EXPLOSIONS

### CLACK WS1 VALVE



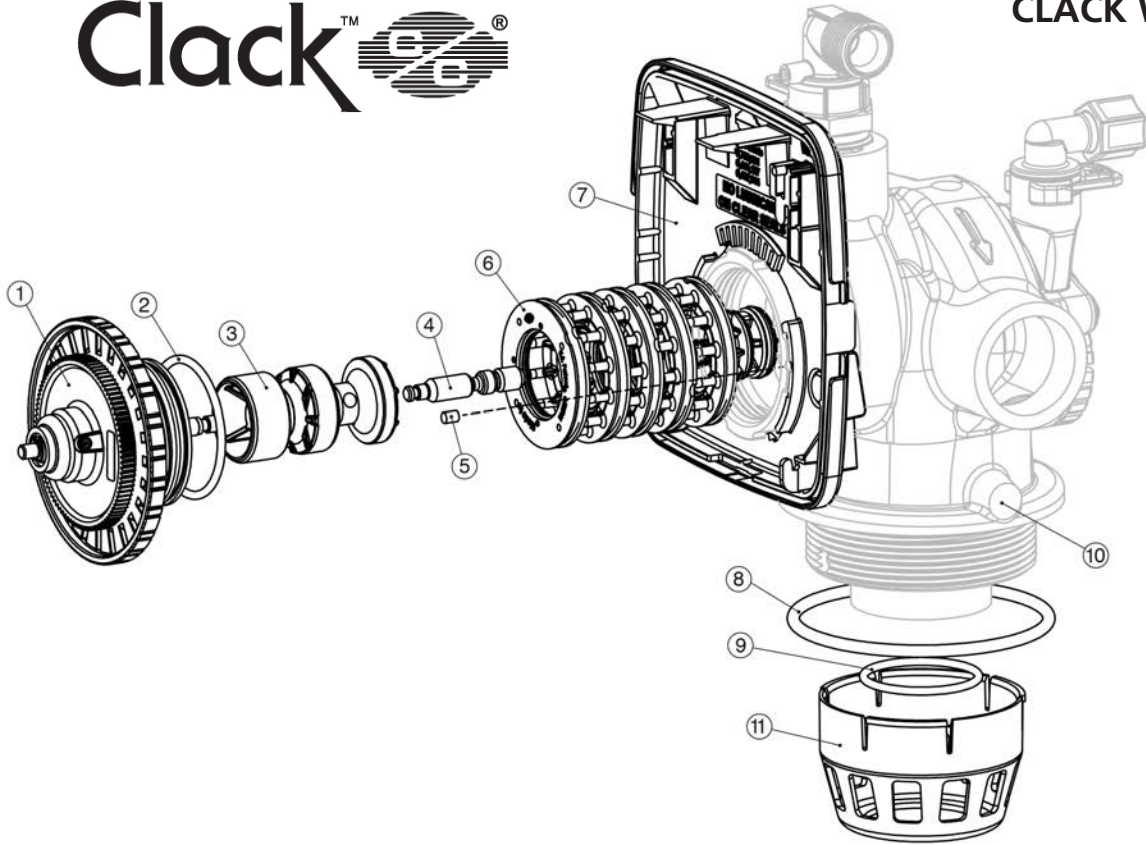
### CLACK WS1.25 VALVE



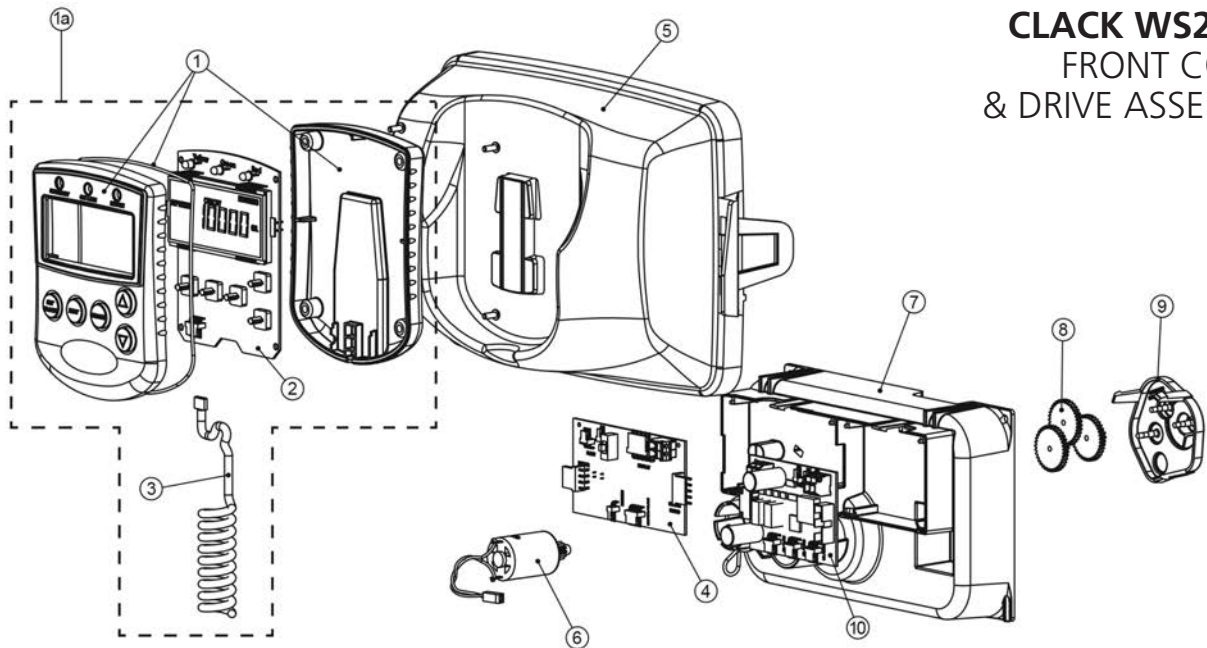
CLACK VALVES PARTS EXPLOSIONS



CLACK WS1.5+2  
VALVE

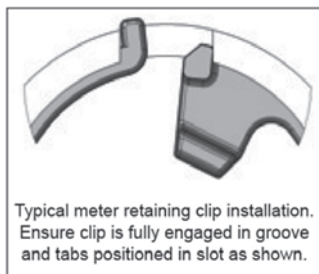


CLACK WS2H +3  
FRONT COVER  
& DRIVE ASSEMBLY

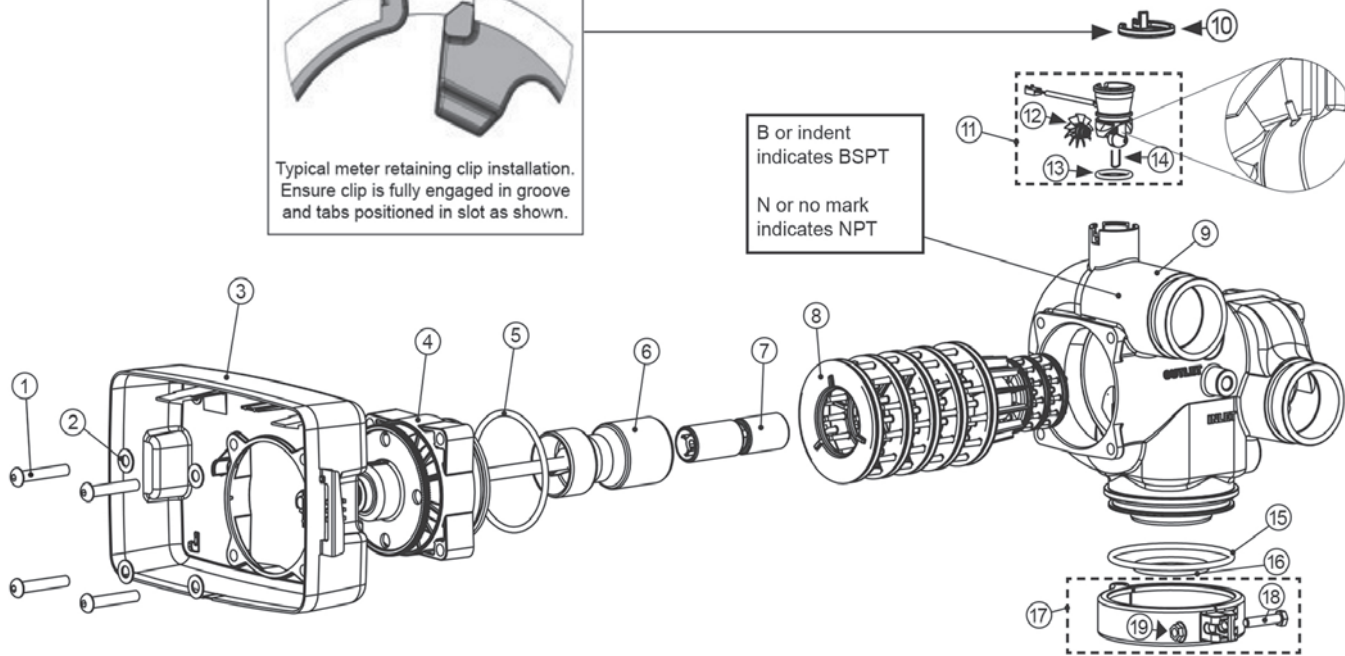


## CLACK VALVES PARTS EXPLOSIONS

### CLACK WS2H DRIVE CAP ASSEMBLY

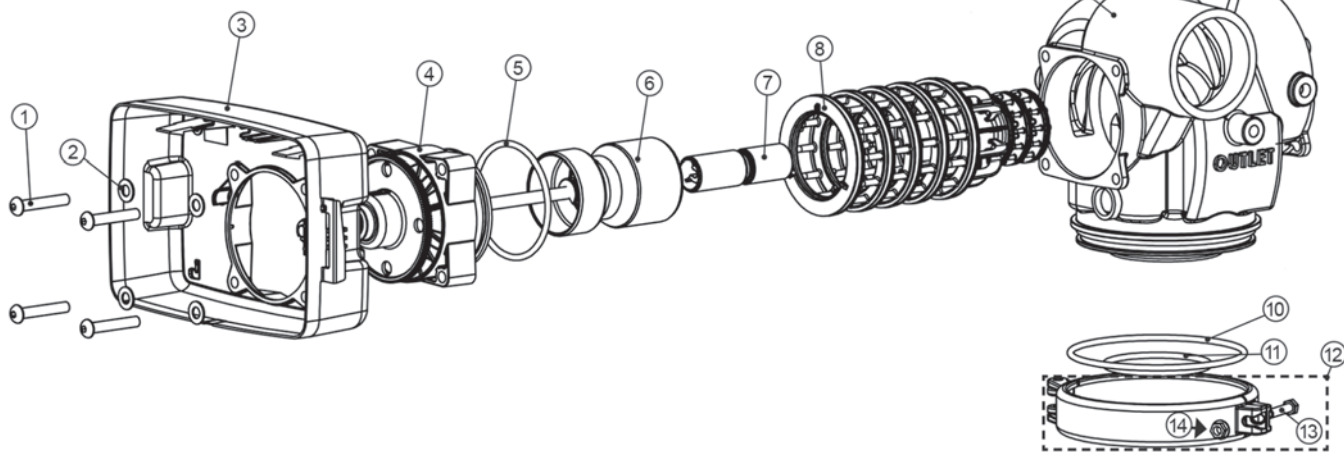


B or indent indicates BSPT  
N or no mark indicates NPT



### CLACK WS3 DRIVE CAP ASSEMBLY

B Indicates BSPT  
N Indicates NPT



est. 1947

# DUFF CO.

When you need it now... or don't know how

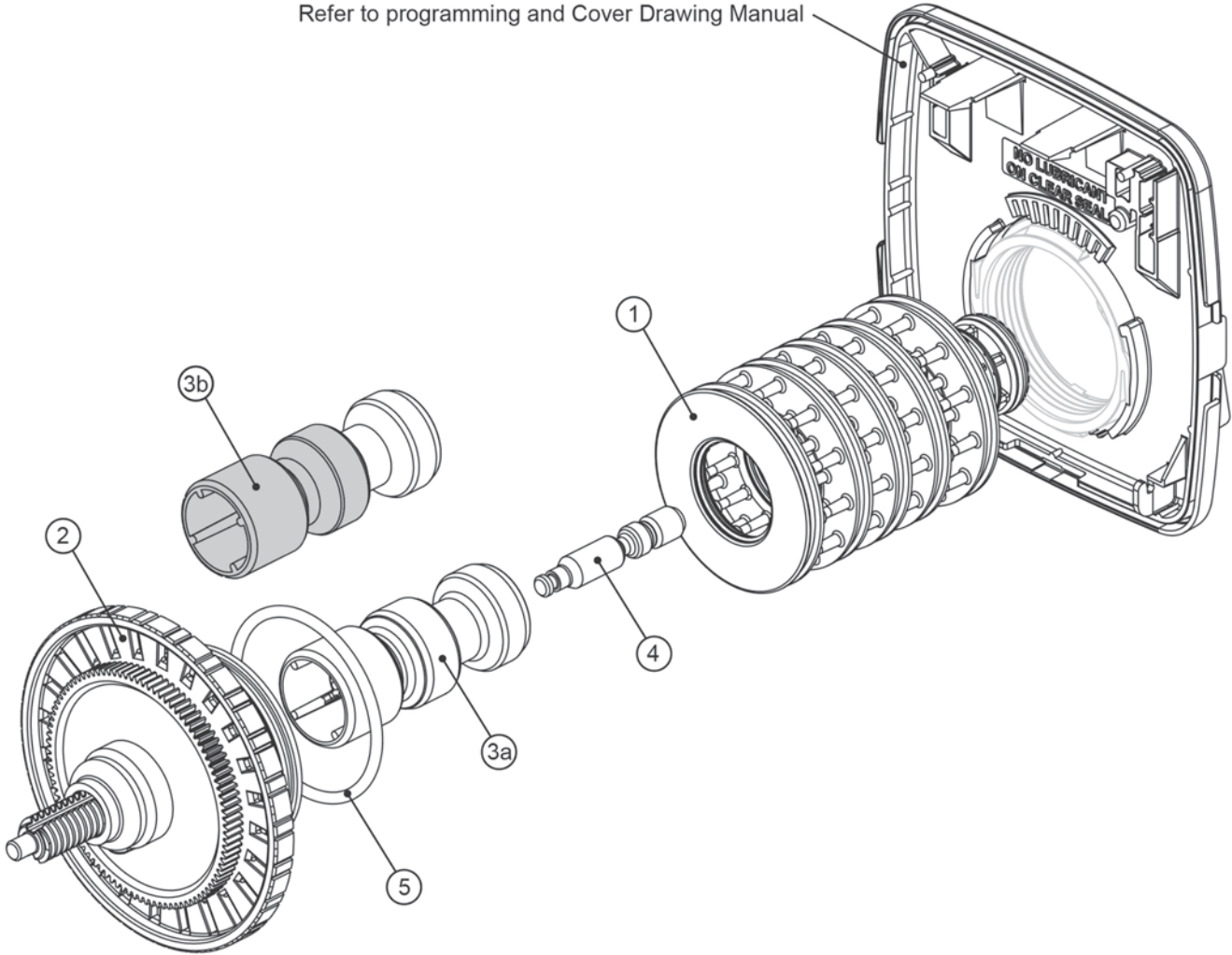


OVER  
**65**  
YEARS OF  
SERVICE

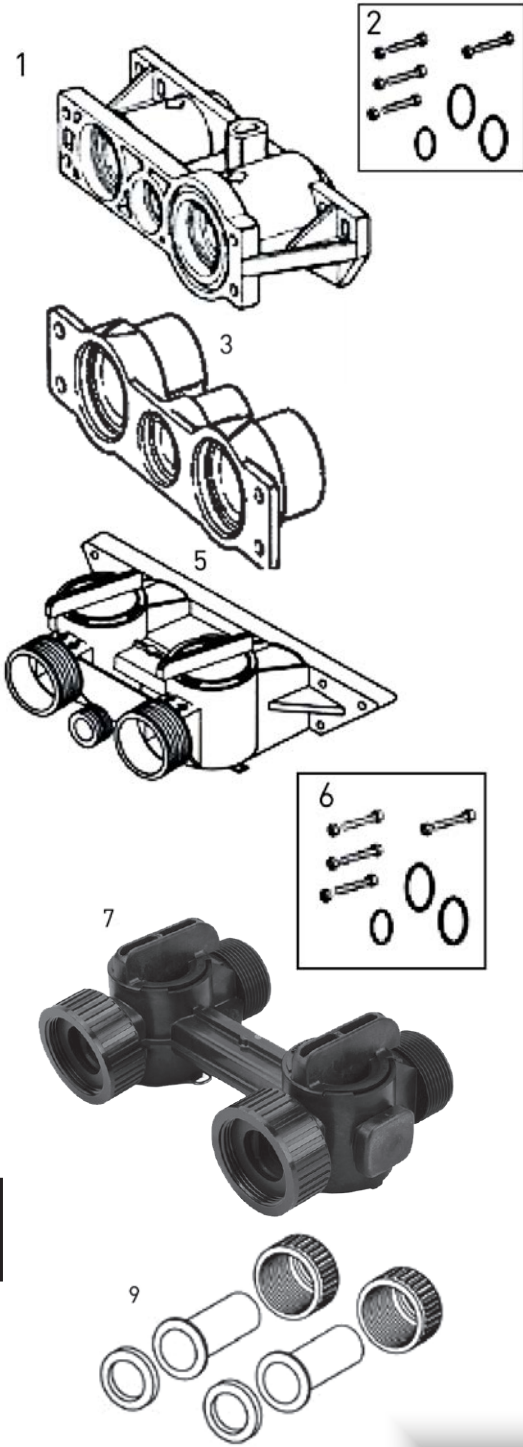


CLACK WS1TWIN-VALVE

Refer to programming and Cover Drawing Manual



## AUTOTROL VALVE ACCESSORIES



Item #	Fig. No.	Description
1	34079	106F 255 MP Turbine
2	34045	Meter Install Kit
3	27373	3/4" S/S Boss, 255 Valve
3	27374	3/4" Noryl Boss, 255 Valve
4	34043	Piping Boss Install Kit (used w/ Item #6)
5	86442	1265 Bypass Body Assy w/Install Kit (used on any 253 or 255 Valves)
<i>Complete Bypass Ass'y with Tailpieces, Nuts, Gaskets &amp; Adapters</i>		
	66455	255 BYPASS KIT 3/4" COPPER
	108597	255 BYPASS KT 3/4 W/DRAIN ELBW
	108598	255 BYPASS KT PVC3/4 W/DRNELBW
	66460	255 BYPASS KIT 1" COPPER TAILS
	108596	255 BYPASS 1" W/DRAIN ELBOW
	108599	255 BYPASS KT PVC1" W/DRNELBW
	98091	256 BYPASS W/3/4" PVC STUB
	98093	256 BYPASS 1" PVC STUBS
6	<i>Piping Boss, 255 Valve</i>	
	34045	256 Bypass Installation Kit
	176257	Bypass Repair Kit (2 seals, 2 clips, 4 O-rings)
	152805	Rotor Clips (24-pack)
7	95144	1265 Bypass Valve (used with all Performa Valves)
9	<i>Tube Adapter Kits (used with 256, 1265 Bypass Valves and all Performa Valves)</i>	
	66290	3/4" COP TUBE KIT
	66358	3/4" PVC TUBE KIT
	66359	1" PVC TUBE KIT
	66291	1" COP TUBE KIT
	118063	1-1/4" COP TUBE KIT

**Looking for  
Parts &  
Accessories?**

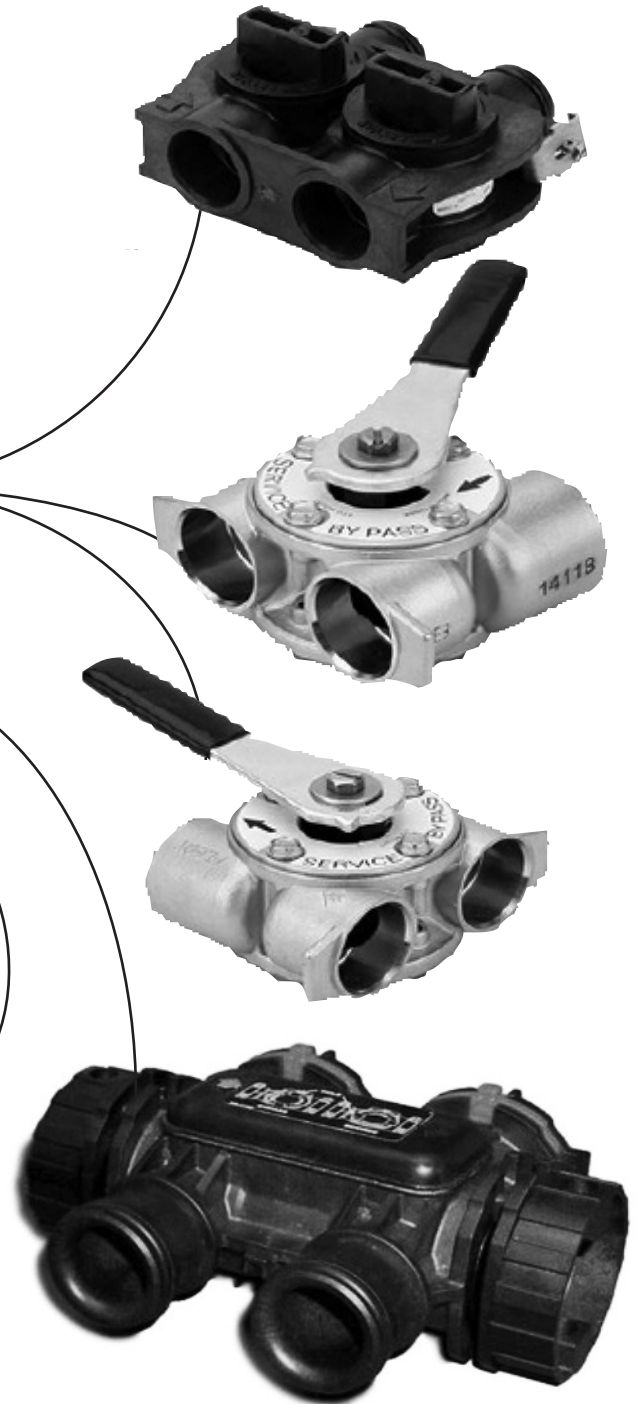


**DUFF's  
got 'em!  
Call our Specialists  
610-275-4453**

FLECK VALVE ACCESSORIES

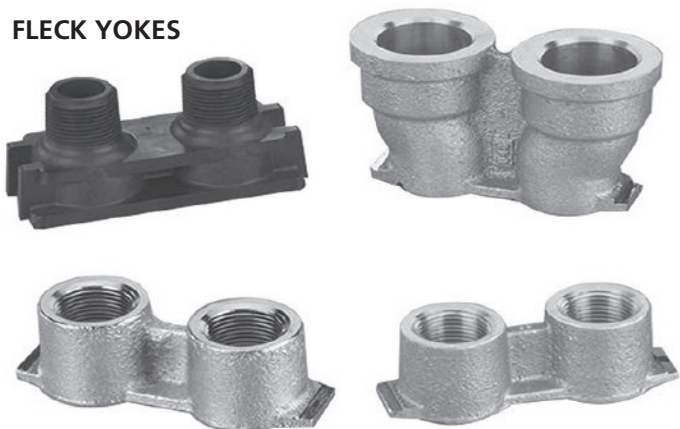


Fleck Bypass Valves	
FIG. NO.	DESCRIPTION
<b>Bypasses - 2510, 4650, 5000, 5600, 5800, 6700, 9000, 9100 Valves</b>	
54129	Bypass, Plastic
317790	Bypass Wrench (Used on Plastic Bypass)
36464	Bypass, S/S, 3/4"
42632	Bypass, S/S, 1"
<b>Bypass - 7000 Valve</b>	
158108	Bypass, Plastic, 7000, w/Clips
158005	Clip, Red Plastic, for 7000 Bypass
<b>Bypass - 5810, 5812 Valves</b>	
327011	Bypass, Plastic, 5810/5812



## FLECK VALVE ACCESSORIES

### FLECK YOKES



Used for 2510, 5600, 56SXT, 5800, 6700, 9000, 9100 Valves	
FIG. NO.	DESCRIPTION
42634	Yoke, 3/4" S/S
91262	Yoke, 3/4" R/Angle, 90 Deg w/ O-Rings, Clip & Screws
163375	Yoke, 1-1/4", SWT
75497	Yoke, 1" NPT, Plastic
45523	Yoke, 1" NPT, SWT
318241	Yoke, 3/4", Quick Connect
318242	Yoke, 1", Quick Connect

### FLECK SEALS & SPACERS



Fleck Seal & Spacer Kits	
FIG. NO.	DESCRIPTION
<b>1500, 2510, 2750 Valves</b>	
38964	SEALS & SPACER, KIT, 1500, 2510, 2750
36267	SEAL & SPACER KIT, 1500, 2750, HW
<b>2850 Valve</b>	
44761	SEAL & SPACER KIT, 1500, 2750, HW
237768	SEAL & SPACER KIT, 2850, PLASTIC SPACER
249449	SEAL & SPACER KIT, 2850, PLASTIC SPACER, CHEM RESISTENT SEAL
<b>2850S Valve</b>	
268279	SEAL & SPACER KIT, 2850S, HW
<b>2900 Valve</b>	
197235	SEAL & SPACER KIT, 2900S, UPPER
38964	SEALS & SPACER,, 1500, 2510, 2750
<b>2900S Valve</b>	
197235	SEAL & SPACER KIT, 2900S, UPPER
42680	SEAL & SPACER KIT, 2900, 2900S LWR, HW
<b>3150 Valve, 3900 Upper Piston</b>	
45594	SEAL & SPACER KIT, 3150, 3900 UPPER
116330	SEAL & SPACER KIT, HW, 180 DEGREES, 3150, 3900 UPPER
<b>3900 Valve</b>	
146877	SEAL & SPACER KIT, 3900, LOWER
42679	SEAL & SPACER KIT, 5600, 56SXT, 6700
279001	SEAL & SPACER KIT, 5600, 56SXT, 6700, BLUE SILICONE CHEM RESISTENT SEAL

Fleck Seal & Spacer Kits	
FIG. NO.	DESCRIPTION
<b>5000 Valve</b>	
168593	SEAL & SPACER KIT, 5000
<b>5810, 5812 Valves</b>	
327020	Kit, Piston, Seal and Spacer, 5810, Down-flow
--	Kit, Piston, Seal and Spacer, 5810, Upflow
327021	Kit, Piston, Seal and Spacer, 5810, Filter
--	PISTON SEAL ASSY, 5812, D/F
--	PISTON SEAL ASSY, 5812, U/F
<b>7000 Valve</b>	
158010	SEAL & SPACER KIT, 7000
<b>9000, 9100 Valves</b>	
42679	SEAL & SPACER KIT, 5600, 56SXT, 6700
42681	SEAL & SPACER KIT, 9000/9100, BOTTOM
180929	SEAL & SPACER KIT, 9000, BOTTOM HW
180928	SEAL & SPACER KIT, 9000 UPPER HW
279001	SEAL & SPACER KIT, 5600, 56SXT, 6700, BLUE SILICONE CHEM RESISTENT SEAL
<b>9500 Valve</b>	
304076	SEAL & SPACER KIT, 9500, LOWER, BRASS SPACER, HOT & COLD WATER
306961	SEAL & SPACER KIT, 9500, LOWER, PLASTIC SPACER
49036	SEAL & SPACER KIT, 9500, UPPER, BRASS SPACER, HOT & COLD WATER
306963	SEAL & SPACER KIT, 9500, UPPER, PLASTIC SPACER

FLECK VALVE ACCESSORIES  
STUFFER & PULLER TOOLS



Puller Tools	
56923	PULLER 2850 9500
45492	PULLER 2900 3150
36269	PULLER 2510 2750
42682	HOOK, SEAL

Stuffer Tools	
32628	STUFFER TOOL ASSY, 1500, 2510, 2750, 2900 UPPER
45493	STUFFER TOOL ASSY, 2900 LOWER, 3150, 3900 UPPER
45494	STUFFER TOOL ASSY, 5000, 5600, 6700, 9000, 9100
45491	STUFFER ASSY, 2850/9500

PART NO.	DESCRIPTION
<b>1500, 2510</b>	
HWBP = Hard water bypass (untreated water during regeneration) - white end plug NHWBP = No hard water bypass (no service water during regeneration) - black end plug	
60090	PISTON ASSY, 1500/2510 HWBP, COLD WATER
60101-01	PISTON ASSY, 1500/2510/2750 NHWBP, DOWNFLOW, COLD WATER
60101-02	PISTON CONVERSION, NHWBP, 1600, 1650 1500/2510/2750, D/Flow
60091-HF	PISTON ASSY, 1500/2750 HOT WATER
<b>2750, 2900 UPPER (NOT 2900S)</b>	
60090-HF	PISTON ASSY, 2750/2900, HWBP, COLD WATER
60101-01	PISTON ASSY, 1500/2510/2750 NHWBP, DOWNFLOW, COLD WATER
60101-02	PISTON CONVERSION, NHWBP, 1600, 1650 1500/2510/2750, D/Flow
60101-03	PISTON CONVERSION, 2750 NHWBP 1700 D/Flow
60091-HF	PISTON ASSY, 1500-2750 HOT WATER
60090-10	PISTON ASSY, 2750/2900 UPFLOW
60101-00	PISTON ASSY, 2750, FILTER, D/F CONVERSION, NHWBP
<b>2850 (NOT 2850S)</b>	
60105	PISTON ASSY, 2850, HWBP, COLD WATER
60114-01	PISTON ASSY, 2850, NHWBP, COLD WATER
60114-00	PISTON ASSY, FILTER, 2850 CONVERSION, NHWBP
60114-03	PISTON ASSY, 2850, 1700/1710 CONVERSION, NHWBP
60105-01	PISTON ASSY, 2850, HOT WATER
<b>2850S (NOT 2850)</b>	
61630-00	PISTON ASSY, 2850S, HWBP, COLD WATER
61631-00	PISTON CONVERSION, 2850S, NHWBP
<b>2900</b>	
60090-HF	PISTON ASSY, 2750/2900 UPPER, HWBP, COLD WATER
60103	PISTON ASSY, 2900, HWBP LOWER (2900S SEPARATE SOURCE REGEN)
60104	PISTON ASSY, 2900, NHWBP LOWER (2900S SEPARATE SOURCE REGEN)
60091-HF	PISTON ASSY, 1500/2750/2900 UPPER HOT WATER
60103-01	PISTON ASSY, 2900, HWBP, HOT WATER LOWER
60104-01	PISTON ASSY, 2900, NHWBP, HOT WATER LOWER

PISTONS



60101-02



60105



61630-00



61631-00



60090-HF



60103



60104



## FLECK VALVE ACCESSORIES

### PISTONS



60106-00



60115-00



60102-71



60102-00



61452-20



60400



60401



60109



# PENTAIR

9500	
60109	PISTON ASSY, 9500, LOWER 4
60109-01	PISTON ASSY, 9500, HW, LOWER
60108	PISTON ASSY, 9500, UPPER
60108-01	PISTON ASSY, 9500, UPPER, HW

PART NO.	DESCRIPTION
<b>2900S</b>	
61540	PISTON ASSY, 2900S UPPER
61550	PISTON ASSY, 2900S, HWBP LOWER
61540-01	PISTON ASSY, 2900S, DOWN FLOW, UPPR, HOT WATER
61550-03	PISTON ASSY, 2900S, HWBP, LOWER, HOT WATER
61555-03	PISTON ASSY, 2900S, NHWBP, LOWER, HOT WATER
61545	PISTON ASSY, 2900S, UP FLOW, UPPER
61545-01	PISTON ASSY, 2900S, UP FLOW, UPPER, HOT WATER
<b>3150</b>	
60106-00	PISTON ASSY, 3150/3900 UPPER HWBP, COLD WATER
60113-01	PISTON ASSY, 3150, NHWBP, D/FLOW
60106-01	PISTON ASSY, 3150, HWBP, HOT WATER 180 DEGREES
60106-10	PISTON ASSY, 3150, UPFLOW
<b>3900</b>	
60106-00	PISTON ASSY, 3900 UPPER/3150 STD
60107-00	PISTON ASSY, 3900, HWBP, LOWER
60102-00	60107-10 PISTON ASSY, 3900, NHWBP, LOWER
<b>5000</b>	
60115-00	PISTON ASSY, 5000, STD, DOWNFLOW
60115-10	PISTON ASSY, 5000, UPFLOW
<b>4650, 5600</b>	
60102-00	PISTON ASSY, 5600, STD, WHITE ENDPLUG
60102-10	PISTON ASSY, 5600, GREENSAND/FILTER, BLACK ENDPLUG
60102-20	PISTON ASSY, 5600, LOW WATER, GRAY ENDPLUG
60102-031	PISTON ASSY, 4650, 560CD, HOT WATER, BRASS ENDPLUG
60102-60	PISTON ASSY, 5600, UPFLOW, WHITE ENDPLUG
<b>56SXT, 6700</b>	
60102-71	PISTON ASSY, 6600, DOWNFLOW, GREEN ENDPLUG
60102-62	PISTON ASSY, 56SXT / 6700, UPFLOW, WHITE ENDPLUG
<b>5800</b>	
61837	KIT , PISTON, SEAL ASSY, DOWNFLOW, 58003
61838	KIT, PISTON, SEAL ASSY, UPFLOW, 5800
<b>5810, 5812</b>	
61956-01	KIT, PISTON, SEAL AND SPACER, 5810, DOWNFLOW
61956-02	KIT, PISTON, SEAL AND SPACER, 5810, UPFLOW
61956-03	KIT, PISTON, SEAL AND SPACER, 5810, FILTER
61960-01	PISTON SEAL ASSY, 5812, D/F
61960-02	PISTON SEAL ASSY, 5812, U/F
<b>7000</b>	
61452-20	PISTON ASSY, 7000, FILTER, 35 GPM
61453-10	PISTON ASSY, 7000, SOFTENER, D/F, 28 GPM
61452-10	PISTON ASSY, 7000, SOFTENER, D/F, 35 GPM
<b>9000, 9100</b>	
60400	PISTON ASSY, 9000, TOP
60400-01	PISTON ASSY, 9000, TOP, HW
60401	PISTON ASSY, 9000, LOWER
60401-01	PISTON ASSY, 9000, LOWER, HW

CLACK VALVE ACCESSORIES  
FITTING KITS FOR 1191 AND 1190FP IN-OUT HEADS AND CLACK 1" AND 1.25" CONTROL VALVES






## CLACK VALVE ACCESSORIES FITTING KITS FOR 1191 AND 1190FP IN-OUT HEADS AND CLACK 1" AND 1.25" CONTROL VALVES



INLINE FLOW METERS  
NPT AND BSPT



<b>V3040-15 or V3040BSPT-15</b> <b>1.5" Meter</b>	<b>V3094-15 or V3094BSPT-15</b> <b>2" Meter</b>	<b>V3095-15 or V3095BSPT-15</b> <b>3" Meter</b>
		
<ul style="list-style-type: none"> <li>• <b>1.5" In-line meter suited for commercial/ industrial applications</b></li> <li>• <b>Stainless Steel construction</b></li> <li>• <b>Service flow range 0.5 to 75 gpm (2-284 lpm)</b></li> <li>• <b>Meter accuracy ±5%</b></li> <li>• <b>Reliable and proven turbine design</b></li> <li>• <b>15-foot cable included</b></li> <li>• <b>1.5" Male x Female NPT or BSPT connections</b></li> </ul>	<ul style="list-style-type: none"> <li>• <b>2" In-line meter suited for commercial/ industrial applications</b></li> <li>• <b>Stainless Steel construction</b></li> <li>• <b>Service flow range 1.5 to 150 gpm (5.7-568 lpm)</b></li> <li>• <b>Meter accuracy ±5%</b></li> <li>• <b>Reliable and proven turbine design</b></li> <li>• <b>15-foot cable included</b></li> <li>• <b>2" Male x Female NPT or BSPT connection</b></li> </ul>	<ul style="list-style-type: none"> <li>• <b>3" In-line meter suited for commercial/ industrial applications</b></li> <li>• <b>Stainless Steel construction</b></li> <li>• <b>Service flow range 3.5 to 350 gpm (13-1,325 lpm)</b></li> <li>• <b>Meter accuracy ±5%</b></li> <li>• <b>Reliable and proven turbine design</b></li> <li>• <b>15-foot cable included</b></li> <li>• <b>3" Male x Female NPT or BSPT connection</b></li> </ul>



## PENTAIR WATER PURIFICATION



Part Number	Description
61932-10	1" NPT Stainless Steel Meter Assembly, Standard Range
61932-11	1" NPT Stainless Steel Meter Assembly, Extended Range
61932-20	1" BSP Stainless Steel Meter Assembly, Standard Range
61932-21	1" BSP Stainless Steel Meter Assembly, Extended Range
61933-10	1-1/2" NPT Stainless Steel Meter Assembly, Standard Range
61933-11	1-1/2" NPT Stainless Steel Meter Assembly, Extended Range
61933-20	1-1/2" BSP Stainless Steel Meter Assembly, Standard Range
61933-21	1-1/2" BSP Stainless Steel Meter Assembly, Extended Range
61934-10	2" NPT Stainless Steel Meter Assembly, Standard Range
61934-11	2" NPT Stainless Steel Meter Assembly, Extended Range
61934-20	2" BSP Stainless Steel Meter Assembly, Standard Range
61934-21	2" BSP Stainless Steel Meter Assembly, Extended Range
61935-10	3" NPT Stainless Steel Meter Assembly, Standard Range
61935-11	3" NPT Stainless Steel Meter Assembly, Extended Range
61935-20	3" BSP Stainless Steel Meter Assembly, Standard Range
61935-21	3" BSP Stainless Steel Meter Assembly, Extended Range
44022	1" NPT Stainless Steel Union, Male x Female
44023	1" BSP Stainless Steel Union, Male x Female
44024	1-1/2" NPT Stainless Steel Union, Male x Female
44025	1-1/2" BSP Stainless Steel Union, Male x Female
44026	2" NPT Stainless Steel Union, Male x Female
44027	2" BSP Stainless Steel Union, Male x Female
62072	Meter Sleeve, 1-1/2" to 1"
62073	Meter Sleeve, 2" to 1-1/2"
62049-01	Service Kit, 1" & 1-1/2" Meter, Standard Range
62049-02	Service Kit, 1" & 1-1/2" Meter, Extended Range
62048-01	Service Kit, 2" Meter, Standard Range
62048-02	Service Kit, 2" Meter, Extended Range
62078-01	Service Kit, 3" Meter, Standard Range
62078-02	Service Kit, 3" Meter, Extended Range

- HOT WATER RATED
- LEAD-FREE MATERIAL
- ELECTRONIC & MECHANICAL FLOW

**FORWARD THINKING**

PENTAIR WATER PURIFICATION



**WHY STAINLESS STEEL?**

- Truly lead-free material
- Rust resistant
- Maintains shiny finish
- Widely used in commercial and industrial environments



**FEATURES & BENEFITS**

- All-in-one electronic and mechanical flow sensing
- 1", 1-1/2", and 2" models are hot water rated to 150°F
- No tools needed to install sensor
- Simplified service and reduced inventory

**PLEASE NOTE:**

The following changes will affect your meter applications:

- Meter dimensions
- Plumbing dimensions
- Meter cable assembly

METER PIPE SIZE	CURRENT BRASS METER PART NUMBER	NEW STAINLESS STEEL METER & ACCESSORIES	
		SS Meter Part Number	SS Union Part Number
 1 Inch	60391	61932-10	44022
	60391HW		
	60391NP		
	60613	61932-11	
	60613NP		
	60392		
 1-1/2 Inch	60392NP	61933-10	44024
	60610-01		
	60610-01HW		
	60610-01 NP		
	60610-011		
	60611-01*		
	60611-01 HW*		
	60611-01 NP*		
	60614		
	60614-01*		
	6Q614NP		
	60614-01 NP*		
	60610-02	61933-11	
	60610-02HW		
	60610-02NP		
60611-02*			
60611-02NP*			
 2 Inch	60393	61934-10	44026
	60393NP		
	60399**		
	60399NP**		
	60399-02**		
	60615**		
	60615NP**		
	60616		
	60616NP		
	60394	61934-11	
	60394NP		
	60607NP**		

## IN/OUT HEADS - MOLDED & MACHINED



**1**

Fig. No.	OEM No.	Type
95673	XTA-45-3-1IS-SS	HEAD 4.5 1" SS I/O 1R 1FP W/SCR

Park XTA-45-3-1-IS/SS for tanks with 4.5" openings. 1" Inlet/Outlet with Fillport and Inlet Screen. For 1" diameter riser tubes. Stainless steel rings.

**2**

Fig. No.	OEM No.	Type
120275	D1400	HEAD 2.5 1" I/O 1191 D1400

Designed for downflow filter applications or upflow pH neutralization. Features 1/4" FPT air vent port which can be drilled out to accept an air relief valve. The 1" Head is fully ported to provide maximum flow rates. 1.05mm O.D. pipe. Works with Clack WS1 Bypass Assembly, other accessories.

**3**

Fig. No.	OEM No.	Type
120276	D1220-01	HEAD 2.5 1" I/O FP D1220-01

Removable fill port cap for easy access to media bed; removable upper distributor basket for access to top of riser pipe, and easy draining of tank when replacing media. Includes utility wrench to be used with removable cap.

**4**

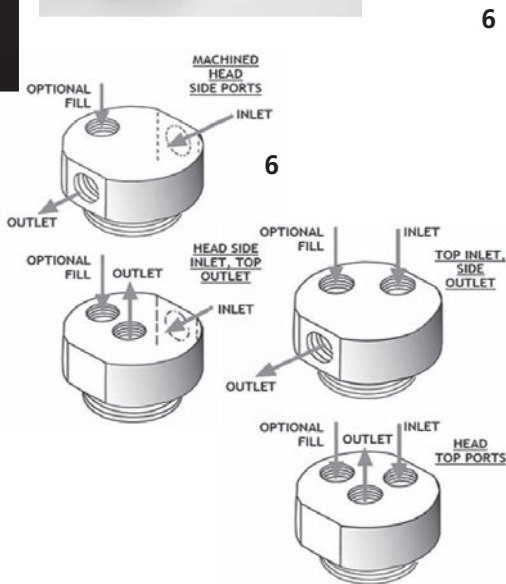
Fig. No.	OEM No.	Type
43569	D7171	MOLDED HEAD 2.5" X 3/4" X 13/16"
46853	D1226	MOLDED HEAD 2.5" X 1" X 1.05"

For tanks threaded 2-1/2" - 8 NPSM, no side port. Composite plastic, designed for single in-out applications on filters. Tapered riser port simplifies insulation of the riser pipe. Available for riser pipe sizes 1.05" (1" FIP inlet/outlet) and 13/16" (3/4" FIP inlet/outlet).

**5**

Fig. No.	OEM No.	Type
44665	CXWPE81ISOR	HEAD 2.5 3/4 I/O 13/16R P W/SC

Park tank head for tanks with 2.5" openings. Horizontal .75" inlet/outlet with screen and fillport. Made for 13/16" diameter riser tubes.



**6**

Machined PVC Tank Heads		
Mattson/Witt tank heads are machined from solid PVC bar stock for maximum reliability in the field. Common applications include DI units, carbon filters and softeners. Tank heads are available in plastics other than PVC, including CPVC, polypropylene, Teflon and PVDF. While the below represent our most popular machined tank heads, please contact your Duff water treatment expert to discuss other standard options, as well as custom sizes, configurations and materials.		
Fig. No.	OEM No.	Description
Tank Heads for 2.5" Openings		
48748	Q8044-DS	1/8" Horizontal in/out; 13/16" riser; no fillport
269201	Q8056	1/2" Top in/out; 13/16" riser; w/fillport
41018	Q8044-.75	3/4" Horizontal in/out; 13/16" riser; w/fillport
Tank Heads for 4" Openings		
77034	Q8062	1" Horizontal in/out; 1.05" riser; no fillport
Tank Heads for 4.5" Openings		
57684	Q8065	3/4" Horizontal in/out; 1.05" riser; no fillport
171718	Q8066-1.0A	1" Top in/out; 1.05" riser; w/fillport

# How to Order

Submit your order online

or

email [info@duffco.com](mailto:info@duffco.com)

**Be sure to include**

product numbers

descriptions

quantities

**Don't forget to include your name!**







Contact name \_\_\_\_\_ Contact Date \_\_\_\_\_

	<h2 style="margin: 0;">DUFF COMPANY</h2> <p style="margin: 0;">201 East Lafayette Street Norristown, PA 19401</p> <p style="margin: 0;">Phone: <b>610-275-4453</b> Fax: <b>610-279-6761</b></p>	
---	---	---

Legal Name \_\_\_\_\_

Name in which business is conducted \_\_\_\_\_

Billing Address \_\_\_\_\_

City \_\_\_\_\_ State \_\_\_\_\_ Zip \_\_\_\_\_

Purchasing Phone \_\_\_\_\_ A/P Phone \_\_\_\_\_ Fax \_\_\_\_\_



Principal's Name \_\_\_\_\_

Principal's Address \_\_\_\_\_

City \_\_\_\_\_ State \_\_\_\_\_ Zip \_\_\_\_\_

Phone (Office) \_\_\_\_\_ (Cell) \_\_\_\_\_ E-mail address \_\_\_\_\_

Website address (If applicable) \_\_\_\_\_

Primary Contact \_\_\_\_\_ Title \_\_\_\_\_



**SHIPPING ADDRESS - IF DIFFERENT**

Shipping Address \_\_\_\_\_ Phone \_\_\_\_\_

City \_\_\_\_\_ State \_\_\_\_\_ Zip \_\_\_\_\_

Tax Exempt Number \_\_\_\_\_ Provide a copy of Certificate. We CAN NOT set up a Tax Exempt Account without certification.



**TYPE OF BUSINESS**

Plumbing \_\_\_\_\_ Pumps \_\_\_\_\_ Heating \_\_\_\_\_ Municipality \_\_\_\_\_ Hotel or Apts. \_\_\_\_\_ Well Drilling \_\_\_\_\_  
 Hospital \_\_\_\_\_ Factory (OEM) \_\_\_\_\_ Factory (Mtn) \_\_\_\_\_ Office Building \_\_\_\_\_ Shopping Center \_\_\_\_\_  
 Golf Course \_\_\_\_\_ Water Treatment \_\_\_\_\_ Environmental \_\_\_\_\_ Other (Please name) \_\_\_\_\_

Have you been contacted by one of our salesman? \_\_\_\_\_ Name \_\_\_\_\_

If YES, please explain \_\_\_\_\_

Name of person authorized to pick up \_\_\_\_\_

D&B Rating \_\_\_\_\_ Check one: Corporation \_\_\_\_\_ Partnership \_\_\_\_\_ Individual Proprietor \_\_\_\_\_

If division of another company, name parent company and relationship \_\_\_\_\_

# DUFF COMPANY

201 East Lafayette Street, Norristown, PA 19401

## TRADE REFERENCES

Name \_\_\_\_\_ Type of business \_\_\_\_\_

Address \_\_\_\_\_

City \_\_\_\_\_ State \_\_\_\_\_ Zip \_\_\_\_\_

Phone \_\_\_\_\_ Fax \_\_\_\_\_



Name \_\_\_\_\_ Type of business \_\_\_\_\_

Address \_\_\_\_\_

City \_\_\_\_\_ State \_\_\_\_\_ Zip \_\_\_\_\_

Phone \_\_\_\_\_ Fax \_\_\_\_\_



Name \_\_\_\_\_ Type of business \_\_\_\_\_

Address \_\_\_\_\_

City \_\_\_\_\_ State \_\_\_\_\_ Zip \_\_\_\_\_

Phone \_\_\_\_\_ Fax \_\_\_\_\_



Bank reference \_\_\_\_\_

Branch Address \_\_\_\_\_

City \_\_\_\_\_ State \_\_\_\_\_ Zip \_\_\_\_\_

Branch officer who handles account \_\_\_\_\_

In consideration of your opening the above account and/or extended credit, the undersigned hereby agrees that all information supplied in this application is correct, that all accounts are to be paid in full to Duff Company monthly by the tenth day of the month following the invoice date, that a 1% service charge and a 1% interest charge will be made on any balance open at the end of the month following invoice date, and that in the event that legal action or lien be taken, or the service of a collection agency are used to collect this account, the undersigned shall pay all expenses incurred by the Duff company, such as, but not limited to, collection fees, costs and legal fees.

Applicant (Name of Account) \_\_\_\_\_

By \_\_\_\_\_ Title \_\_\_\_\_

The undersigned \_\_\_\_\_ and \_\_\_\_\_ for good and valuable consideration, hereby jointly, severally and personally unconditionally guarantee, warrant and promise the full and prompt (within terms) payments of all bills and other obligations (as set forth above) of the applicant in connection with any credit extended to the applicant by Duff Company.\*

Principal \_\_\_\_\_ Witness \_\_\_\_\_ Principal's Spouse \_\_\_\_\_ Witness \_\_\_\_\_

Principal \_\_\_\_\_ Witness \_\_\_\_\_ Principal's Spouse \_\_\_\_\_ Witness \_\_\_\_\_

We routinely fax invoices to our customers. Please provide a fax number where we can send invoices \_\_\_\_\_

**PLEASE FAX FORM TO 610-275-6761**

\*As appropriate, we may also require the guarantee of a principal and, in some cases, the principal's spouse.

### For Duff Company Use Only

Credit Limit: _____	Contact: _____	Certificate Recd: _____
Tax Jurisdiction: _____	General Manager _____	Type: _____
Salesman: _____	Class: _____	Controller: _____
	Date Approved: _____	