



# **SPECIFICATIONS**

STATE OF TEXAS

SCHOOL BUSES

NO. 070 - SB - 89

# **1989**

EFFECTIVE

JANUARY 1, 1989

PREPARED JOINTLY

BY

STATE PURCHASING AND GENERAL SERVICES COMMISSION  
TEXAS EDUCATION AGENCY  
DEPARTMENT OF PUBLIC SAFETY

GENERAL INDEX

STATE OF TEXAS SCHOOL BUS SPECIFICATIONS  
1989

ITEM	PAGE NO.
ACCESS PORT, FUEL.....	61
ACCESSORIES.....	30, 61
ACCESSORY WIRING.....	20, 48
AIR BRAKES.....	68
AIR COMPRESSORS (FOR AIR BRAKES).....	68
AIR CONDITIONER WARRANTY.....	7
AIR CONDITIONING.....	11, 12, 14, 92
AIR FILTER (CLEANER).....	36, 70
AIR TANKS (FOR AIR BRAKES).....	68
aisle width.....	17, 28, 40, 56, 90
ALTERNATOR.....	11, 12, 37, 71
AMMETER.....	37, 72
ANTISQUEAK MATERIAL.....	22, 52
APPLICABLE SPECIFICATIONS AND STANDARDS.....	2, 3
ATTACHMENT, BODY-CHASSIS.....	22, 50
AUTOMATIC MOISTURE EJECTORS (FOR AIR BRAKES).....	68
AUTOMATIC SLACK ADJUSTERS.....	68
AUTOMATIC TRANSMISSION.....	36, 71
AUTOMATIC TRANSMISSION WARRANTY.....	7
AXLE CAPACITIES.....	34, 67
AXLES.....	36, 67, 70
AXLES AND REAR AXLE RATIOS.....	33, 64, 70
AUXILIARY HEATER.....	31, 63
AWARDS.....	5
BACKUP ALARM.....	30, 61
BACKUP LAMPS.....	20, 46
BARRIERS.....	29, 61
BATTERY.....	37, 72
BATTERY WARRANTY.....	7
BATTERY, MOUNTING AND COMPARTMENT.....	37, 55, 72
BELT, SEAT.....	2, 14, 29, 61, 66, 91
BIDDER'S CERTIFICATION.....	4
BODY FRAME.....	23, 53
BODY SIZES.....	1, 17, 43
BODY SPECIFICATIONS.....	17-33, 43-66
BOLTS, COWL.....	52
BOLTS, SEAT.....	28, 59
BOLTS, U.....	22, 50, 52
BOLTS AND RIVETS.....	22, 52
BOWS, ROOF.....	22, 23, 50, 51
BRACKETS, MIRROR.....	31, 32, 64, 65
BRAKES, AIR AND HYDRAULIC.....	12, 34, 68
BUMPER, FRONT.....	21, 34, 67
BUMPER, REAR.....	17, 21, 34, 43
BUS BODY WORK ORDER.....	4
BUZZER, EMERGENCY DOOR.....	25, 26, 56
CAPACITY, PASSENGER.....	1, 4, 17, 38-43, 73-87
CAULKING.....	23, 52
CEILING.....	17, 27, 43, 50
CERTIFICATES OF ORIGIN.....	4, 8, 10
CERTIFICATION AND COMPLIANCE.....	4
CHASSIS COWL ATTACHMENT.....	52
CHASSIS PRODUCTION ORDER.....	4
CHASSIS SPECIFICATIONS.....	34-37, 67-72
CLEARANCE LAMPS.....	46
CLUTCH.....	71
COLORS, BUMPERS, CHASSIS, WHEELS.....	21, 34, 67
COLORS, EXTERIOR.....	21, 34, 49
COLORS, EXTERIOR REARVIEW MIRRORS.....	32, 65
COLORS, INTERIOR.....	21, 49
COLORS, LETTERING.....	21, 49
COLORS, RUB RAILS.....	21, 49
COLORS, TRIM.....	21, 49

INDEX (continued)

ITEM	PAGE NO.
COMPARTMENT, BATTERY MOUNTING.....	37, 55
COMPLIANCE.....	4, 5
COMPONENTS, MAJOR.....	101
CONSTRUCTION.....	22-30, 50-61
CONTRACTOR'S RESPONSIBILITY.....	6
COOLING SYSTEM.....	36, 70
CUSHION, SEAT.....	28, 59, 60
DEFECTIVE MATERIAL AND WORKMANSHIP.....	6
DEFINITIONS.....	1, 2
DEFROSTERS.....	30, 63
DELAYED WARRANTIES.....	7
DELIVERY.....	5
DIESEL ENGINE.....	11, 12, 15, 35, 38-42, 69, 73-87
DIESEL ENGINE WARRANTY.....	7
DIFFERENTIAL, NON-SPIN.....	12, 14
DOOR BUZZER.....	25, 26, 56
DOOR HINGES.....	24, 26, 55, 56
DOORS.....	24-26, 40-42, 49, 50, 55-57, 88, 89
DOORS, SERVICE (OPTION).....	11
DOORS, VAN, SIDE.....	26
DRAIN HOLES, RUB RAIL.....	24, 54
DRAWINGS (FOR CERTIFICATION & COMPLIANCE).....	4, 5
DRIP RAILS (FOR WHEELCHAIR-EQUIPPED BUSES).....	88
DRIVER'S SEAT.....	29, 61
DRIVE SHAFT GUARDS.....	36, 71
ELECTRICAL SYSTEM.....	37, 71, 72
EMERGENCY DOORS.....	25, 26, 56, 67
EMERGENCY DOOR GLASS.....	25, 26, 57, 58
ENGINES.....	11, 12, 35, 36, 69, 70
ENTRANCE (SERVICE) DOOR.....	24, 55
ENTRYWAY, SERVICE.....	25, 55
EQUIPMENT INSTALLATION.....	4
EQUIPMENT, OPTIONAL.....	11-15
EXEMPT LICENSE PLATES.....	10
EXHAUST PIPE EXTENSION.....	52
EXHAUST SYSTEM.....	36, 70
EXTERIOR LAMPS, LIGHTING.....	17-20, 43-47
EXTERIOR MIRRORS.....	31, 32, 64, 65
EXTERIOR PANELS.....	23, 53, 54
FENDERS, FRONT.....	21, 22, 50
FIGURE 1 - EXTERIOR LAMP REQUIREMENTS (15- THROUGH 20-PASSENGER BUSES).....	18
FIGURE 2 - EXTERIOR LAMP REQUIREMENTS (15- THROUGH 20-PASSENGER BUSES).....	19
FIGURE 3 - EXTERIOR LAMP REQUIREMENTS (24- THROUGH 83-PASSENGER BUSES).....	44
FIGURE 4 - EXTERIOR LAMP REQUIREMENTS (24- THROUGH 83-PASSENGER BUSES).....	45
FIGURE 5 - PASSENGER SEAT CUSHION ASSEMBLY.....	62
FILTER, AIR (CLEANER).....	36, 70
FILTER, FUEL.....	70
FILTER, OIL.....	36, 70
FINISH.....	21, 48, 49
FIRE EXTINGUISHER.....	30, 63
FIRST AID KIT.....	31, 63
FLASHING SIGNALS.....	17-20, 43, 47
FLOOR COVERINGS.....	27, 58, 59, 91
FLOOR MOLDING.....	27, 59
FLOOR PANELS.....	27, 58
FLOOR SYSTEM.....	27, 58, 59
FORWARD CONTROL, DEFINITION.....	1
FRAME, BODY.....	23, 53
FRAME, CHASSIS.....	34, 67
FRAME, SEAT.....	27, 28, 59
FUEL FILTER.....	70
FUEL TANK.....	34, 67
FUEL TANK FILLER NECK COVER.....	53, 54
FUEL TANK FILLER OPENING.....	53
FUEL TANK, INCREASED CAPACITY.....	11, 12, 14, 34, 67
FUSES.....	48

INDEX (continued)

ITEM	PAGE NO.
GAUGES, INSTRUMENT PANEL.....	37,72
GENERAL INFORMATION AND REQUIREMENTS.....	1-8
GENERAL TERMS OF WARRANTIES.....	6,7
GLASS, EMERGENCY DOOR.....	25,26,56,57
GLASS, SERVICE DOOR.....	24,26,55
GLASS, WINDOW.....	26,27,57,58
GLASS, WINDSHIELD.....	26,27,57,58
GLAZING.....	11,12,14,26,57,58
GOVERNOR, ENGINE SPEED.....	70
GROSS VEHICLE WEIGHT RATING.....	4,38,73
GUARD, DRIVE SHAFT.....	36,71
GUARD RAILS.....	29,30
GVWR SELECTION.....	4
HANDRAILS.....	30,56,61
HANDICAP SYMBOLS.....	91
HANDLE, EMERGENCY DOOR.....	25,56
HAZARD WARNING SIGNALS.....	20,37,47
HEAD LAMPS.....	22,37,50,72
HEADER BOARDS.....	24,26,55,57
HEATER HOSE.....	31,63,64
HEATER VALVES.....	31,64
HEATERS, AUXILIARY (REAR).....	11,12,14,31,63,64
HEATERS, STANDARD.....	31,63,64
HINGES, DOOR.....	24,26,55,56
HOLDER, LICENSE PLATE.....	20,48
HOOD, TILTING.....	67
HORNS.....	37,72
HOSE, HEATER.....	31,63,64
HUBODOMETER.....	35,68
HYDRAULIC BRAKES.....	12,34,68
IDENTIFICATION LAMPS.....	20,46
IDENTIFICATION PLATES.....	53
INSPECTION.....	5
INSPECTION REPORTS.....	8
INSTRUCTIONS FOR ORDERING.....	9-15
INSTRUMENTS AND INSTRUMENT PANEL.....	37,72
INSULATION AND INSULATING.....	22,50,92
INTERIOR LAMPS.....	20,46,47
INTERIOR WIDTHS.....	17,38-42,90
INTERIOR PANELS.....	27,58
INVOICE, VENDOR'S.....	8
KNEE SPACE.....	11,12,14,17,30,43,59
KNEE SPACE, DEFINITION.....	17,43
LAMPS, BACKUP.....	20,46
LAMPS, CLEARANCE.....	46
LAMPS, HEAD.....	22,37,50,72
LAMPS, INTERIOR.....	20,46,47
LAMPS, LICENSE PLATE.....	20,47
LAMPS, SIDE-MARKER.....	46
LAMPS, SIGNALS, AND WARNING DEVICES.....	17-20,43-48
LAMPS, STEPWELL.....	20,46,47
LAMPS, STOP.....	20,47
LAMPS, TAIL.....	20,47
LAMPS, TURN-SIGNAL.....	20,47
LATCH, EMERGENCY DOOR.....	25,56
LATE DELIVERIES.....	6
LATE DELIVERY NOTIFICATION (BY VENDOR).....	6
LENGTH, OVERALL.....	43
LETTERING.....	21,49
LICENSE PLATE HOLDER.....	20,48
LICENSE PLATE LAMPS.....	20,47
LICENSE TAGS AND PLATES.....	5,10
LIFT, WHEELCHAIR.....	88-91
LITERATURE AND DRAWINGS.....	5,91
LOCALIZED-VIEWING MIRRORS.....	31,64,65
LOCOS.....	21,49

INDEX (continued)

ITEM	PAGE NO.
LONGITUDINAL FRAME MEMBERS, BODY.....	23,53
LONG WHEELBASE CHASSIS.....	12,15
LOOM, WIRING.....	47
LUGGAGE RACK.....	12,14,64
MAJOR COMPONENTS CHART.....	101
MANUALS, SERVICE OR SHOP.....	9
MANUFACTURER'S STATEMENT OF ORIGIN (MSO).....	4
METAL THICKNESS REQUIREMENTS.....	51
MIRROR BRACKETS.....	31,32,64,65
MIRROR, CROSSOVER.....	31,64,65
MIRRORS, REARVIEW, EXTERIOR.....	30,31,64,65
MIRRORS, REARVIEW, INTERIOR.....	32,65
MODESTY PANELS.....	29,30
MOISTURE EJECTORS, AUTOMATIC (FOR AIR BRAKES).....	68
MOLDING, FLOOR COVERING.....	27,59
MUD FLAPS AND BRACKETS.....	12,14,65
NAMEPLATE.....	4,21
NEW ENGINE EVALUATION FORM.....	99
NOTIFICATION OF LATE DELIVERIES.....	6
NUTS, SEAT BOLT.....	28,59
OIL FILTER.....	36,70
OPENINGS.....	20,48
OPTIONAL EQUIPMENT.....	11-15
ORDERING INFORMATION.....	9-16
ORDER, PRODUCTION, CHASSIS.....	4
ORDER, WORK, BUS BODY.....	4
PADDING, SEAT.....	28,29,59-62
PAINTING, FINISH COAT.....	21,48,49
PAINTING, LETTERING AND TRIM.....	21,49
PAINTING, LUGGAGE RACK.....	64
PAINTING, MIRROR BACKS.....	31,65
PAINTING, PREPARATION AND CLEANING.....	48
PAINTING, PRIMER COAT.....	48
PAINTING, RUB RAILS.....	21,49
PAINTING, SEAT FRAME AND PEDESTALS.....	28,59
PANELS, EXTERIOR.....	23,53,54
PANELS, FLOOR.....	27,58
PANELS, INTERIOR.....	27,58
PASSENGER CAPACITY, DEFINITION.....	9
PASSENGER CAPACITY, REDUCED.....	9
PASSENGER SEATING.....	27-29,59-61
PEDESTALS, SEAT.....	27,29,59,61
PENALTIES.....	6
PHYSICAL REQUIREMENTS TABLES.....	17,43
PLATFORM, WHEELCHAIR.....	88
PLYWOOD, USE OF.....	11,12,14,27,28,53,92
POSTS, DOOR.....	23,51,53
POSTS, SIDE.....	23,51,53
POWER STEERING.....	34,67
PRE-DELIVERY SERVICE.....	5
PREPARATION OF THE REQUISITION.....	9
PRIMING (OF SURFACES).....	48
PRODUCTION ORDER, CHASSIS.....	4
RACKS, LUGGAGE.....	12,14,60,64
RADIATOR.....	36,70
RAILS, RUB.....	23,24,54
REAR AXLE RATIOS.....	36,67,70
REAR BUMPER.....	17,21,34,43
REARVIEW MIRRORS.....	30-32,64-65
REFLECTORS.....	18,19,44,45,47
REGULAR OPTIONS.....	11-15
REQUIREMENTS, GENERAL, BODY.....	17,43
REQUISITION FORM.....	15
REQUISITION, PREPARATION OF.....	9-16
RUB RAILS.....	23,24,54

INDEX (continued)

ITEM	PAGE NO.
SCHOOL NAME LETTERING.....	11, 12, 14, 15, 21, 49
SCOPE.....	1
SCREWS, SHEET METAL.....	22, 23, 52
SEAT BARRIERS.....	29, 61
SEAT BELTS.....	12, 14, 29, 61, 66, 91
SEAT RETENTION SYSTEM.....	27, 59
SEATS AND SEAT CUSHIONS.....	27-29, 59-62
SECURITY LOCKS.....	11, 12, 14
SEMI-FORWARD CONTROL, DEFINITION.....	2
SERVICE DOOR.....	24, 55
SERVICE DOOR WINDOWS.....	24, 55
SERVICE DOORS, WHEELCHAIR-EQUIPPED BUS.....	88
SERVICE ENTRYWAY.....	25, 55
SERVICE MANUALS.....	9, 91, 94
SERVICE, PRE-DELIVERY.....	5
SERVICING AND EQUIPPING.....	4
SHEET METAL SCREWS.....	22, 23, 52
SHOCK ABSORBERS.....	34, 68
SHOP MANUALS.....	9
SIDE MARKER LAMPS.....	46
SIDE POSTS.....	23, 51, 53
SIDE WINDOWS, DRIVER'S.....	26, 57
SIDE WINDOWS, PASSENGER.....	26, 57, 58
SIGNALS.....	17-20, 43-48
SIGNAL LAMPS.....	17, 43
SIZES, BODY.....	1, 17, 43
SKIRT REINFORCEMENT.....	24, 55
SLACK ADJUSTERS (FOR AIR BRAKES).....	12, 14, 68
SOUND ABATEMENT INSULATION.....	11, 12, 14
SPACE, KNEE.....	11, 12, 14, 17, 30, 43, 59
SPARE WHEEL OR RIM AND CARRIER.....	11, 13, 14, 35, 68
SPECIAL EDUCATION BUSES.....	1
SPECIAL OPTIONS.....	9, 16
SPECIFICATIONS AND STANDARDS.....	2, 3
SPRINGS, CHASSIS.....	34, 68
STANCHIONS.....	29
STEEL, TYPE 1.....	51
STEERING, POWER.....	34, 67
STEPS.....	25, 55, 56
STEPWELL LAMPS.....	20, 46, 47
STEPWELL RISERS.....	55
STIRRUP STEPS.....	66
STOP ARMS.....	11, 12, 14, 32, 66
STOP LAMPS.....	20, 47
STRAINERS.....	23, 50
STROBE LAMPS.....	11, 12, 14, 32, 65, 66
SUN VISOR.....	33, 66
SUSPENSION COMPONENTS.....	34, 67
SWITCH, BUZZER.....	25, 26, 56
TABLE NO. 1 - PHYSICAL REQUIREMENTS (15- THROUGH 20-PASSENGER SCHOOL BUSES).....	17
TABLE NO. 2 - UPHOLSTERY (15- THROUGH 20-PASSENGER SCHOOL BUSES).....	28
TABLE NOS. 3-7 15- THROUGH 20-PASSENGER BUS SPECIFICATION TABLES.....	38-42
TABLE NO. 8 - PHYSICAL REQUIREMENTS (24- THROUGH 83-PASSENGER SCHOOL BUSES).....	43
TABLE NO. 9 - METAL THICKNESSES.....	51
TABLE NO. 10 - UPHOLSTERY (24- THROUGH 83-PASSENGER SCHOOL BUSES).....	61
TABLE NOS. 11-25 24- THROUGH 83-PASSENGER SCHOOL BUSES).....	73-87
TABLE NO. 26 - AIR CONDITIONING REQUIREMENTS.....	93
TACHOGRAPH.....	11, 12, 14, 36, 70
TAIL LAMPS (LIGHTS).....	20, 47
TAIL PIPE.....	36, 70
TAIL PIPE EXIT.....	36, 70
TANK, FUEL, STANDARD AND AUXILIARY.....	34, 67
TEMPORARY LICENSE PLATES.....	10
TERMS, INVOICING, AND PAYMENT.....	8
THREAD, UPHOLSTERY.....	28, 60
TILTING HOOD.....	67
TIME OF DELIVERY.....	5
TINTING.....	26, 27, 58

INDEX (continued)

ITEM	PAGE NO.
TIRE WARRANTY.....	7
TIRES AND TUBES.....	13,14,15,35,68
TIRES, MUD AND SNOW.....	13,14,15
TOOL COMPARTMENT AND TOOLS.....	11,13,14,15,33,66
TRANSMISSIONS.....	15,71
TURN SIGNALS.....	37
TURN-SIGNAL LAMPS.....	20,47
U-BOLTS.....	22,50,52
UNDERCOATING, BODY.....	21,49,50
UNDERCOATING, EXTERIOR PANELS.....	54
UNDERCOATING, FLOOR PANELS.....	21,49,50
UNDERCOATING, WHEELHOUSING.....	21,49,50,58
UPBOLSTERY, SEAT.....	28,60,61
URETHANE FOAM.....	28,60,61
VALVES, HEATER.....	31,64
VEHICLE WEIGHTS, GROSS.....	4,38,73
VOLTMETER.....	37,72
VENTILATION.....	30,61
WARNING DEVICES, TRIANGULAR.....	20,47
WARNING DEVICES, DIESEL ENGINES.....	70
WARRANTY AND SERVICE.....	6,7
WASHER, SEAT BOLT.....	28,59
WASHERS, WINDSHIELD.....	33,66
WEEP (DRAIN) HOLES, RUB RAILS.....	24,54
WELTING, UPHOLSTERY.....	28,60
WHEELBASE REQUIREMENTS.....	38,73
WHEELCHAIR LIFT.....	11,13,88,91
WHEELCHAIR LIFT RESTRAINTS.....	11,13,90,91
WHEELCHAIR LIFT WARRANTY.....	7
WHEELHOUSING.....	30,61
WHEELS AND TIRES.....	11,13,14,15,35,68,101
WIDTH, AISLE.....	17,28,40,56,90
WIDTH, BODY.....	17,43
WINDOWS.....	26,27,57,58
WINDSHIELD.....	26,27,57,58
WINDSHIELD WIPERS AND WASHERS.....	33,66
WIRING, ELECTRICAL.....	20,47
WOOD, USE OF.....	53
WORKMANSHIP.....	3,4,6
WORK ORDER - BUS BODY.....	4
ZONE SERVICE MANAGERS AND REPRESENTATIVES (FOR CHASSIS WARRANTY).....	6,7

TEXAS SCHOOL BUSES

A. GENERAL INFORMATION, REQUIREMENTS, AND CONDITIONS

A.1. SCOPE -

- 1.1 **SIIZES OF BUSES** - This school bus specification includes the minimum requirements for fourteen sizes of school buses used by Texas Schools participating in the Foundation School Program. This specification covers the purchase of bus bodies and chassis separately as well as the purchase of complete school buses. The bus sizes shall be designated in terms of passenger capacity (exclusive of the driver) as listed below for regular seating\*:

15 Passenger	19 Passenger	35 Passenger	59 Passenger	71 Passenger (Long WB)
16 Passenger	20 Passenger	47 Passenger	65 Passenger	77 Passenger
18 Passenger	24 Passenger	53 Passenger	71 Passenger (Short WB)	83 Passenger

\*NOTE: Seating capacity may necessarily be reduced from the above whenever wheelchair positions and/or maximum seat spacing are specified for a given size bus (see Par. A.1.3 and Par. B.1.).

- 1.2. **TYPES OF BUSES** - Each bus shall have seating arrangements for the capacities designated:

- 1.2.1. 15-passenger bus may be the van conversion or commercial cutaway semi-forward control type.
- 1.2.2. 16-passenger bus is the commercial cutaway semi-forward control type.
- 1.2.3. 18-passenger bus is the van conversion.
- 1.2.4. 19-passenger bus is the commercial outaway semi-forward control type.
- 1.2.5. 20-passenger bus is the stripped chassis semi-forward control type.
- 1.2.6. 24-passenger bus is the stripped chassis semi-forward control type.
- 1.2.7. 35-passenger bus may be the conventional or semi-forward control type.
- 1.2.8. 47-passenger bus may be the conventional, forward\*, or semi-forward control type.
- 1.2.9. 53-passenger bus may be the conventional, forward\*, or semi-forward control type.
- 1.2.10. 59-passenger bus may be the conventional, forward\*, or semi-forward control type.
- 1.2.11. 65-passenger bus may be the conventional, forward\*, or semi-forward control type.
- 1.2.12. 71-passenger bus may be the conventional, forward\*, or semi-forward control type.
- 1.2.13. 77-passenger bus may be the conventional, forward\*, or semi-forward control type.
- 1.2.14. 83-passenger bus is the forward control\* transit type.

\*Diesel only.

- 1.3. **SPECIAL EDUCATION BUSES** - Special education buses for impaired passengers may contain less than 15 passenger and wheelchair positions combined, but not less than 10 passenger positions combined or they cannot be certified as school buses. These vehicles, used for transporting special education school children, that contain fewer than 10 passenger positions are classified as Multipurpose Passenger Vehicles (MPV's) by the Federal Government. They will be designated by the State of Texas as "school buses" for the purposes of this specification. We require that MPV's used as school buses here shall meet the same standards they would meet if built to accommodate 10 or more passengers even though they must be certified as Multipurpose Passenger Vehicles.

A.2. DEFINITIONS -

- 2.1. ASHRAE means American Society of Heating, Refrigeration and Air Conditioning Engineers.
- 2.2. ANSI means American National Standards Institute.
- 2.3. ASTM means American Society for Testing and Materials.
- 2.4. BCI means Battery Council International.
- 2.5. Commission and SPGSC mean Texas State Purchasing and General Services Commission.
- 2.6. Conventional Bus means a school bus with all of the engine in front of the windshield and the service or entrance door behind the front wheels. Note: For purposes of this specification, semi-forward control buses (see Par. A.2.16. below) are also considered "conventional" school buses.
- 2.7. Department of Public Safety and DPS mean Texas Department of Public Safety.
- 2.8. Education Agency and TEA mean Texas Education Agency.
- 2.9. EPA means United States Environmental Protection Agency.
- 2.10. FMVSS means Federal Motor Vehicle Safety Standards.
- 2.11. Federal Standard No.17 means Federal Highway Safety Program Standard Number 17.
- 2.12. Forward Control Bus means a school bus with the steering wheel, pedals, instruments, and other driver controls mounted as far forward as possible, usually just behind the windshield. All of the engine is located behind the windshield, either at the front of the bus, or at the rear of the bus, or in between these positions. The service door is located forward of the front axle.



**A. GENERAL INFORMATION, REQUIREMENTS AND CONDITIONS**

- 2.13. **Knee Space** means the horizontal distance from the front center of a seat back to the rear center of the seat back (or barrier) immediately ahead, measured at approximately 4 inches above the seat cushion.
- 2.14. **Manufacturer** means a fabricator of school buses, bodies, chassis, or components.
- 2.15. **MPV** means a multipurpose passenger vehicle accommodating ten or less people.
- 2.16. **SAE** means Society of Automotive Engineers.
- 2.17. **SEMI** means School Bus Manufacturer's Institute.
- 2.18. **Semi-forward Control Bus** means a bus in which part of the engine is beneath and/or behind the windshield and beside the driver's seat.
- 2.19. **Vendor** means a manufacturer's representative or dealer authorized to make sales and supply parts and services in Texas.
- 2.20. **VESC** means Vehicle Equipment Safety Commission.

**A.3. APPLICABLE SPECIFICATIONS AND STANDARDS -**

- 3.1 **FEDERAL HIGHWAY SAFETY PROGRAM STANDARD** - School bus bodies and chassis shall meet or exceed the minimum requirements of this specification and shall also meet all applicable requirements of the Highway Safety Program Standard No. 17. All requirements of this specification must be met unless they are in conflict with Standard No. 17 as it applies to school buses:
  - 3.1.1. Federal Highway Safety Program Standard No. 17, Pupil Transportation Safety - Superintendent of Documents, U.S. Government Printing Office, Washington, D.C. 20402.
- 3.2. **FEDERAL MOTOR VEHICLE SAFETY STANDARDS** - School bus bodies and chassis shall meet or exceed the minimum requirements of this specification and shall also meet all applicable requirements of the Federal Motor Vehicle Safety Standards (FMVSS). All requirements of this specification must be met unless they are in conflict with the FMVSS as they apply to school buses:
  - 3.2.1. Federal Motor Vehicle Safety Standards (Public Law 89-563) - Superintendent of Documents, U.S. Government Printing Office, Washington, D.C. 20402.
    - (1) FMVSS No. 103 - Windshield Defrosting and Defogging Systems.
    - (2) FMVSS No. 105 - Brakes, Hydraulic Service, Emergency and Parking.
    - (3) FMVSS No. 108 - Lamps, Reflective Devices, and Associated Equipment.
    - (4) FMVSS No. 111 - Rearview Mirrors - Passenger Cars and Multipurpose Passenger Vehicles.
    - (5) FMVSS No. 121 - Air Brake Systems - Buses and Trailers.
    - (6) FMVSS No. 125 - Warning Devices.
    - (7) FMVSS No. 205 - Glazing Materials.
    - (8) FMVSS No. 208 - Occupant Crash Protection.
    - (9) FMVSS No. 209 - Seat Belt Assemblies - Passenger Cars, Multipurpose Passenger Vehicles, Trucks and Buses.
    - (10) FMVSS No. 210 - Seat Belt Assembly Anchorages.
    - (11) FMVSS No. 217 - Bus Window Retention and Release.
    - (12) FMVSS No. 220 - School Bus Rollover Protection.
    - (13) FMVSS No. 221 - School Bus Body Joint Strength.
    - (14) FMVSS No. 222 - School Bus Seating and Crash Protection.
    - (15) FMVSS No. 301 - Fuel System Integrity.
    - (16) FMVSS No. 302 - Flammability of Interior Materials - Passenger Cars, Multipurpose Passenger Vehicles, Trucks, and Buses.
- 3.3. **NATIONAL MINIMUM STANDARDS** - School bus bodies and chassis shall also meet or exceed the current National Minimum Standards for School Buses except when those requirements are in conflict with the requirements of this specification. In such cases, the requirements specified herein shall prevail:
  - 3.3.1. National Minimum Standards for School Buses, 1985 Revised Edition, National Standards Conference (May, 1985), National Safety Council, 425 North Michigan Avenue, Chicago, Illinois 60611.
- 3.4. **OTHER REFERENCES** - References to other specifications, standards, and test methods shall be to those in effect on the date of the Invitation for Bid. The following publications form a part of this specification to the extent specified here:
  - 3.4.1. American National Standards Institute, Inc., 1430 Broadway, New York, NY 10018:
    - (1) ANSI Z26.1 - Safety Glazing Materials for Glazing Motor Vehicles Operating on Land Highways, Safety Code for, including Supplement Z26.1a - 1969.
  - 3.4.2. American Plywood Association, P.O. Box 11700, Tacoma, Washington 98411:
    - (1) U.S. Plywood Standard PS 1-83.

A. GENERAL INFORMATION, REQUIREMENTS AND CONDITIONS

3.4.3. American Society for Testing and Materials, 1916 Race Street, Philadelphia, PA 19103:

- (1) ASTM A 446 - Standard Specification for Sheet Steel, Zinc Coated (Galvanized) by the Hot Dip Process, Structural (Physical) Quality.
- (2) ASTM A 525 - Standard Specification for General Requirements for Steel Sheet, Zinc Coated (Galvanized) by the Hot-Dip Process.
- (3) ASTM D 3574 - Standard Specification for Standard Test Method for Testing Cellular Materials - Slab Bonded and Molded Urethane Foam.

3.4.4. American Society of Heating, Refrigeration and Air Conditioning Engineers, Inc., Circulation Department, 345 East 47th Street, New York, NY 10017:

- (1) ASHRAE 16-69 - Methods of Testing for Rating of Room Air Conditioners.

3.4.5. Federal Specifications - Superintendent of Documents, U.S. Government Printing Office, Washington, D.C. 20402:

- (1) TT-C-490B - Cleaning Methods and Pretreatment of Ferrous Surfaces For Organic Coating.
- (2) TT-C-520B - Coatings Compound, Bituminous, Solvent Type Underbody, (For Motor Vehicles).
- (3) TT-E-489 - Enamel, Alkyd, Gloss (For Exterior and Interior Surfaces).
- (4) V-T-295D - Thread, Nylon.
- (5) ZE-M-71D - Matting, Rubber and Vinyl.

3.4.6. Federal Standards - Superintendent of Documents, U.S. Government Printing Office, Washington, D.C. 20402:

- (1) No. 595a - Colors.

3.4.7. School Bus Manufacturers' Institute, Engineering Committee, 7508 Ben Avon Road, Bethesda, Maryland 20817:

- (1) SEMI Standard No. 001 - Standard Code for Testing and Rating Automotive Bus Hot Water Heating and Ventilating Equipment.

3.4.8. Society of Automotive Engineers, Inc., 400 Commonwealth Drive, Warrendale, Pennsylvania 15096:

- (1) SAE J20e - Coolant System Hoses.
- (2) SAE J377 - Performance of Vehicle Traffic Horns.
- (3) SAE J383 - Motor Vehicle Seat Belt Anchorages - Design Recommendations.
- (4) SAE J514 - Hydraulic Tube Fittings.
- (5) SAE J516 - Hydraulic Hose Fittings.
- (6) SAE J517 - Hydraulic Hose.
- (7) SAE J561 - Electrical Terminals - Eyelet and Spade Type.
- (8) SAE J588 - Turn Signal Lamps for use on motor vehicles less than 2032 mm in overall width.
- (9) SAE J639 - Safety Practices for Mechanical Vapor Compression Refrigeration Equipment or Systems Used to Cool Passenger Compartments of Motor Vehicles.
- (10) SAE J887 - School Bus Warning Lamps.
- (11) SAE J994 - Alarm - Backup - Electric - Performance, Test, and Application.
- (12) SAE J1133 - School Bus Stop Arm.

3.4.9. United States Environmental Protection Agency, Waterside Mall, 401 M Street, S.W., Washington, D.C. 20460:

- (1) EPA - Noise Emission Standards.

3.4.10. Vehicle Equipment Safety Commission, Suite 908, 1030 15th Street, N.W., Washington, D.C. 20005:

- (1) VESC - Regulation 6.
- (2) VESC - Regulation 10.

A.4. GENERAL INFORMATION AND REQUIREMENTS -

- 4.1. NEW MODELS - Each bus body and bus chassis furnished under this specification shall be new school bus of the current year's production or the latest improved model in current production. The bidder represents that all units offered under this specification shall meet or exceed the minimum requirements specified here.

**A. GENERAL INFORMATION, REQUIREMENTS AND CONDITIONS**

- 4.2. SERVICING AND EQUIPPING** - All bus bodies, chassis, or complete school bus units shall be completely assembled, adjusted, and all equipment installed. All parts not specifically mentioned herein which are necessary to provide a complete school bus, bus body, or chassis shall be furnished by the successful bidder and said parts shall conform in strength, quality of materials, and workmanship to recognized industry engineering practices.
- 4.3. EQUIPMENT INSTALLATION** - Requirements and accessories, either standard or optional, under this specification shall be installed by body, chassis, or product manufacturer except air conditioners, tachographs, tachometers, and wheelchair lifts may be installed by authorized service Representatives. Installation of such items shall conform in strength, quality, and workmanship to the accepted standards of the industry.
- 4.4. VENDOR GVMR SELECTION** - The requirements for gross vehicle weight ratings, gross axle weight ratings (front and rear), and tire size and load range for each size chassis are specified in Table Nos. 3-7 and 11-25, and are minimum requirements. These requirements are for small type school bus (15- through 20-passenger), conventional type school bus (24- through 77-passenger), forward control type school bus (47- through 77-passenger), and a transit type school bus (83-passenger) with standard equipment. The added weights of optional equipment such as air conditioning, luggage racks, lifts for the physically impaired and other heavy accessories were not considered in establishing the capacity ratings to be certified for the chassis. If additional optional equipment is ordered, which necessitates increased capacity ratings of either axles, springs, or tires, it is the responsibility of the vendor to furnish them so that proper certification can be made on the vehicle.

**NOTE:** Par. A.4.4. is not applicable for chassis only which are used by the State of Texas for remounting of bus bodies.

**A.5. CERTIFICATION AND COMPLIANCE -**

- 5.1. BIDDER CERTIFICATION** - By signing the bid, the bidder certifies that the equipment being offered meets or exceeds all requirements and conditions of this specification. Failure to comply with all the requirements and conditions of this specification will subject the bid to rejection.
- 5.2. SUCCESSFUL BIDDER CERTIFICATION** - The vendor (successful bidder) must certify on the face of the invoice that the equipment delivered meets or exceeds the requirements and conditions of this specification and that the equipment was manufactured in accordance with this specification. The burden of proof for compliance with this specification shall be the responsibility of the vendor, manufacturer, or both.
- 5.3. MANUFACTURER'S CERTIFICATE OF ORIGIN** - The vendor (successful bidder) shall furnish the Commission with the manufacturer's Certificate of Origin (Certificate of Title will not meet this requirement). The manufacturer's New Vehicle Warranty and major component parts warranties (see Par. A.10.4.) shall be furnished to the receiving school district. (See Par. A.8. for Pre-delivery Service requirements.) The odometer statement required by law shall include the mileage accrued at the time of delivery to the school district.
- 5.4. CHASSIS PRODUCTION ORDER -**
- 5.4.1. Attachment** - One copy of the production order (line setting ticket) listing both standard and optional equipment installed on the chassis must accompany the chassis to which it pertains upon delivery of the chassis to the bus body manufacturer and to the final destination (receiving School District). The copy of this production order should be contained in a waterproof envelope and placed in the glove compartment, or it may be secured by other means which will assure positive attachment to the chassis (see Par. A.5.4.2. below). The production order shall be a printed form and not machine coded.
- 5.4.2. Alternative Plate** - In lieu of the production order, the information required above may be stamped on a metal plate, either on the truck identification plate regularly furnished or on an additional plate. The identification plate(s) shall be attached to the chassis in a conspicuous place and in an accessible position in order that it may be easily read.
- 5.4.3. Removal/Obliteration** - The production order (line setting ticket) or truck identification plate referred to above shall not be removed from the chassis by the body manufacturer since it is for the information of the receiving school district. The truck identification plate shall not be obliterated when undercoating or paint is applied to the area where the plate is mounted. The plate shall not be mutilated or covered when installing equipment such as the heater, heater hose, or electrical cables.
- 5.5. BUS BODY WORK ORDER** - The work order which accompanies the bus body through the production line during the process of manufacture must show the related Commission Purchase Order Number that was issued to the bus body company or the distributor. The work order must also show the appropriate item number of the purchase order or the name of the school. One copy of the work order must accompany the bus to its final destination.

**A. GENERAL INFORMATION, REQUIREMENTS AND CONDITIONS**

**5.6. LITERATURE AND DRAWINGS - Each bidder shall furnish the following:**

- 5.6.1. Literature - The bidder shall have on file with both the State Purchasing and General Services Commission and the Education Agency the latest pamphlets, brochures, and printed literature on the equipment the bidder proposes to furnish to this specification.
- 5.6.2. Drawings - The bidder shall have on file with the Commission, detailed isometric drawings of the bus body showing floor panels, side posts, roof bows, bow-frames, strainers, longitudinal frame members, exterior panels, and front and rear end framing. Each component shall be identified in block form showing (first) the item number, (second) the type of steel, and (third) the decimal thickness of steel used in the construction. (Refer to Table No. 9 for steel requirements on 24-passenger and larger capacity buses.)
- 5.6.3. Number of Drawings - On construction items, one drawing will suffice; however, additional drawings shall be furnished on special items and changes or deviations from common construction whenever such change affects any size bus. All drawings submitted will be treated as confidential information. Drawings must be approved by the Commission.

**5.7. TEMPORARY LICENSE TAGS - Temporary (Red) License Tags shall be issued by the vendor for use with each new bus delivered (see Par. B.4.1.).**

**A.6. AWARDS -** The Commission reserves the right to accept or reject any and all bids, in whole or in part, and to waive all technicalities when these actions are determined by the Commission to be in the best interest of Texas. Failure to receive a satisfactory chassis or body bid shall not prohibit the awarding of contracts to others by the Commission, when in the best interest of the State.

**A.7. INSPECTION -** Inspection shall be by and at the discretion of this Commission or its designated agent and may be performed either at the place of manufacture, at the vendor's facility in Texas, or at the final destination, or a combination of these. The authorized State Inspector shall have access to the manufacturer's plant during all normal working hours in order to make all necessary inspections during the process of manufacture and assembly. This does not preclude the school districts' personnel from making inspections during manufacture or after acceptance of delivery. The school district's personnel are urged to make detailed inspections, especially upon delivery, and report any discrepancy or discrepancies to the Commission. Any such discrepancies found during or after manufacturing shall be immediately corrected to the satisfaction of the Commission, at no charge, by the manufacturer or distributor.

**A.8. PRE-DELIVERY SERVICE -** The vendor or the vendor's representative who is responsible for the final delivery shall attach a signed certificate to the bus stating that the following service was performed and that inspection indicates the bus is in good condition and ready for delivery. The following service on the chassis and body shall be performed before the bus is delivered to the receiving school district:

- 8.1. Pre-delivery inspection and service on chassis.
- 8.2. Complete chassis lubrication.
- 8.3. Check all fluid levels and maintain proper grade and types of fluids.
- 8.4. Clean and wash interior and exterior of bus.

**A.9. DELIVERY -**

**9.1. DELIVERY PROCEDURE -** The delivery of a bus to any specified destination may be made by any normal delivery procedure which the manufacturer or distributor utilizes (see NOTE below). The bus body distributor must guarantee the equipment to be free of damage as a result of the type of delivery. If any damage is caused by or during delivery that can be established within six months after delivery to any school, then the school must be compensated for such damage by the contractor. It shall be the obligation and responsibility of each body manufacturer to check and inspect each chassis delivered to the body manufacturer's plant to ascertain that the chassis is free of any damage which might have occurred as a result of the type of delivery.

**NOTE:** Under no circumstances shall a bus be used as towing vehicle prior to or during delivery to its destination.

**9.2. TIME OF DELIVERY -** Buses may be delivered to the receiving school districts only between the hours of 8:00 A.M. and 4:00 P.M. Monday through Friday, excluding holidays. Deliveries at other times are not to be made without at least 24 hours notice and only then with the expressed consent and approval of the receiving school district. The person delivering the bus shall present the Inspection Report Forms to the responsible school personnel and obtain that school official's signature before delivery is considered complete. (See Par. A.8.)

**9.3. DELIVERY ON SCHEDULE -** Delivery on schedule is critical. The ability to deliver as specified in the Invitation for Bids will be a factor in making awards. A vendor who fails to make delivery in accordance with terms of the purchase order may be liable for actual damage suffered by the State. The amount of such damages shall be determined by the Commission.

**A. GENERAL INFORMATION, REQUIREMENTS AND CONDITIONS**

**9.4. LATE DELIVERIES** - Failure by the successful bidder to deliver buses, caused directly by Natural Disaster, War, Civil Disturbance, Federal Law and Regulations, or Labor Disputes, which is beyond control of the contractor, will not cause the damages described in Par. A.9.3. above to be assessed.

**9.5. NOTIFICATION OF LATE DELIVERY** - At least 20 days in advance of the final delivery date, the successful, complete unit bidder shall notify the Commission and the receiving school district in writing, when a known delay precludes delivery of a unit on time.

**A.10. WARRANTY AND SERVICE -**

**10.1. CONTRACTOR'S RESPONSIBILITY** - Each successful bidder is ultimately responsible for and must assure the State that any warranty service shall be performed to the satisfaction of the Commission, regardless of whether the successful bidder or the bidder's agent performs the warranty work on school buses (see Par. A.10.4.). If there is a question of whether it is the responsibility of the body or the chassis manufacturer to repair a given defect, then it shall automatically become the prime contractor's and/or successful bidder's responsibility to see that the repair(s) is made to the satisfaction of the receiving school district and this Commission.

**10.2. DEFECTIVE WORKMANSHIP** - In the event that an error is discovered or conclusive proof of defective workmanship and/or materials is found on any body or chassis after acceptance and payment has been made, the successful bidder shall make such repairs as required at the vendor's own expense.

**10.3. PENALTIES** - Upon refusal of the prime contractor and/or successful bidder to make satisfactory adjustment(s), the Commission reserves the right to claim and recover from said prime contractor and/or successful bidder by due process of law, such sums as may be sufficient to correct the error or make good the defect in material and/or workmanship.

**10.4. WARRANTY WORK AND GENERAL TERMS OF WARRANTIES** - The Commission's purchase orders for school buses are issued to a single distributor or vendor. This distributor or vendor has the ultimate responsibility of insuring the delivery of a bus that meets Texas specifications in all details and is free of defects in materials and workmanship. In addition, the bus body and chassis are warranted against defects in materials and workmanship by the bus body manufacturing company and the chassis manufacturer, respectively. The warranty on a school bus is thus a dual warranty. The following are general terms of the warranties; however, for specific coverage of any item on a school bus, please refer to the warranty literature provided at time of vehicle delivery.

**NOTE: WARRANTY REGISTRATIONS MUST BE COMPLETED AND MAILED TO INITIATE WARRANTY.**

**10.4.1. Bus Body** - A minimum of 12 months beginning on the date of delivery to the user. For service contact the vendor identified on the school bus purchase order issued by the Commission.

**10.4.2. Bus Chassis** - 12 months or 12,000 miles, whichever occurs first, beginning on the date of delivery (see delayed chassis warranty, Par. A.10.4.3., below). For warranty service and repairs on the bus chassis:

**10.4.2.1. First**, contact the chassis dealer recommended by the vendor (as shown on the school bus purchase order issued by the Commission) or any other convenient chassis dealer. If the problems are not satisfactorily resolved,

**10.4.2.2. Second**, call the Zone Service Manager, Representative, or Engineer listed below for assistance (the dealer Principal may be asked to assist in this contact):

**CHEVROLET**

Conrad Tupper  
Light-Duty Fleet Service Manager  
713-460-7333

**FORD**

DALLAS ZONE  
John Lyle  
Heavy Truck Service Engineer  
214-323-6302

HOUSTON ZONE  
Ron Canal  
Heavy Truck Service  
Engineer  
713-680-4269

**GMC**

Jim Gresham  
Medium-Duty Fleet Zone Service Manager  
214-541-5150

A. GENERAL INFORMATION, REQUIREMENTS AND CONDITIONS

NIC

Ray T. Barton  
Regional Service Manager  
214-881-3545

10.4.2.3. Third, if the problems are still not satisfactorily resolved, notify the vendor by letter with a copy to:

Purchaser "U"  
State Purchasing and General Services Commission  
P. O. Box 13047  
Austin, Texas 78711-3047

10.4.2.4. Last, if the above action does not resolve the problem, you may use the form provided on the next to last page of this specification to contact the Commission.

10.4.3. Delayed Chassis Warranty - In case the bus is delivered during the summer months and is not to be placed in service or used until the start of the fall term, the school district can obtain a delayed warranty by:

- (1) Making application for the delayed warranty (which is the responsibility of the school district and must be done within 15 working days after the date the bus is delivered or the warranty starts at time of delivery) by,
- (2) Contacting the local chassis dealer for a delayed starting date for warranty service (e.g., start of school or date bus placed in service). Your local dealer will verify the chassis mileage and record the starting date for bus use.

However, if the bus is used before the starting date, then the delayed warranty date is voided and the warranty date automatically becomes the delivery date.

Any questions should be addressed to your local chassis dealer or to the Specification Section of the Commission.

10.4.4. Air Conditioner - Basic coverage for chassis and body parts is for 12 months as specified in manufacturer's warranty pamphlet. (For service on units provided by chassis manufacturer, contact local chassis dealer; for service on other makes, contact the vendor.)

10.4.5. Automatic Transmission - Basic coverage is for 12 months, 12,000 miles, whichever occurs first, and as more specifically defined in the manufacturer's warranty pamphlet included with delivery of the vehicle. (For service, contact the chassis or transmission dealer, or authorized service outlet as specified in the warranty pamphlet.)

- (1) Allison Transmission Division (ATD) transmissions (see below) are warranted for 50,000 miles or 12 months at 100% cost of parts and labor; 50,001 miles to 62,500 miles or 15 months at 80% cost of parts; 62,501 to 75,000 miles or 18 months at 60%; 75,001 to 87,500 miles or 21 months at 40%; and 87,501 to 100,000 miles or 24 months at 20%. An extended warranty is available at extra cost.
- (2) ATD transmissions on school buses delivered from 9-1-85 to 8-31-89 are warranted for 3 years and unlimited mileage at 100% cost of parts and labor.

10.4.6. Batteries - 12 months or 12,000 miles, whichever occurs first. (For service contact the local dealer as specified in the battery warranty pamphlet.) Battery warranties are included with the chassis warranty.

10.4.7. Mid-Range Diesel Engines (35-83 passenger) - 5 years or 50,000 miles, whichever occurs first. (For service contact the chassis dealer.)

10.4.8. Tires - Tires and tubes are covered by the tire manufacturer's adjustment policies as specified in the manufacturer's pamphlet included with the vehicle delivery.

10.4.9. Wheelchair Lifts - All component parts including frame welds, gear box, and motor are warranted for 12 months and are specifically defined in the manufacturer's pamphlet included with the vehicle delivery. Warranty on wheelchair lifts with frames manufactured of aluminum shall be a minimum of 24 months on the frame rails and a minimum of 18 months on the gear box and motor; all other components shall be warranted for 12 months (see Par. C.1.2.1.).

A. GENERAL INFORMATION, REQUIREMENTS AND CONDITIONS

A.11. TERMS, INVOICING, AND PAYMENT -

11.1. ISSUANCE OF WARRANT - A warrant (check) will be issued within four to six days after the Accounting Office of the Commission has received the following:

11.1.1. Vendor's Invoice - Five copies for all buses delivered at the same time to a school district on a single purchase order. This invoice must certify that the buses delivered meet or exceed the requirements and conditions of this specification. (See Par. A.5.2.)

11.1.2. Certificate of Origin - (not Certificate of Title) from the vendor made out in the name of the receiving school district.

11.1.3. Inspection Report - Completed Inspection Report from the School District indicating the buses were delivered.

11.1.4. School District Check - Check for payment of the bus or buses from the school district.

NOTE: A warrant (check) will not be issued until all four of the above are received in the Accounting Office at the following address:

Accounting Office  
State Purchasing and General Services Commission  
P. O. Box 13047  
Austin, Texas 78711-3047  
Telephone: 512 - 463-3399

11.2. PAYMENTS - Payments shall be made by the Commission from the School Bus Revolving Fund as reappropriated by H.B. 133, 55th Legislature, Regular Session, after the school's check has been received and deposited into this account.

B. ORDERING INFORMATION

B.1. GENERAL INFORMATION -

- 1.1. **PASSENGER CAPACITY** - The definition of passenger capacity as used in this specification, has reference to seat space (width) allotted for each pupil. Based on national height and weight percentile averages specified in Federal Highway Safety Program Standard No. 17, approximately 13 inches per pupil has been established for designating bus body passenger capacities.
- 1.2. **REDUCED PASSENGER CAPACITY** - The 13-inch figure must be considered when ordering school buses since passenger capacity may be reduced when junior high, high school or adult students are primary passengers.

B.2. **ORDERING** - Complete school buses, school bus bodies, or school bus chassis shall be requisitioned using the Texas Education Agency School Bus Requisition Form furnished by TEA. Please refer to the facsimile requisition on the page following the options. More than one bus may be requisitioned on one form provided all are the same size. "Chassis or Bodies only" should be ordered on separate requisitions from complete school buses:

2.1. **PREPARATION OF THE REQUISITION** -

- 2.1.1. **COMPLETE UPPER SECTION** - All of the information requested in the upper portion of the requisition form should be completed by the ordering school with the exception of the space provided for the Commission Requisition Number. This space is for Commission use only. Note that automatic or manual transmission must be checked (vendor's choice otherwise). State quantity and the size of buses desired and specify the table number from which the bus is to be ordered.
- 2.1.2. **SELECT REGULAR OPTIONS** - Select from the list of regular options for the size bus being ordered, the Option(s) desired by making a check mark or X next to the number.
- 2.1.3. **COMPLETE LOWER SECTION** - The certification and approval on the lower portion of the requisition form must be completed before submitting to TEA.

2.2. **SPECIAL OPTIONS** - List, on the back of the requisition, or on a separate sheet of paper with the Requisitioning agency or school district letterhead, any optional equipment required that does not appear on the list of Regular Options. This second sheet should be dated and identified with your School Requisition Number.

2.3. **MAILING ADDRESS** - Mail the original and one copy to:

Texas Education Agency  
School Transportation Division  
1701 North Congress Avenue  
Austin, Texas 78701

B.3. **SERVICE OR SHOP MANUALS** - School districts desiring chassis service or shop manuals may obtain them separately from school buses ordered by corresponding directly with the following manufacturers:

ATD TRANSMISSIONS

Stewart & Stevenson  
P. O. Box 1637  
Houston, Texas 77001

FORD MOTOR COMPANY

Service Publications  
7388 North End Station  
Detroit, Michigan 48202

BLUE BIRD

Bridges-Hemphill  
1807 North Elm, Suite 120  
Denton, Texas 76201

CHEVROLET MOTOR DIVISION

General Motors Corporation  
P. O. Box 40911  
Houston, Texas 77040

GMC TRUCK AND COACH DIVISION

Service Department  
31 Judson  
Pontiac, MI 48038

THOMAS

Longhorn Bus Sales  
6921 Homestead Road  
Houston, Texas 77028

DODGE DIVISION

Chrysler Motor Corporation  
P. O. Box 551  
Dallas, Texas 75234

NAVISTAR INTERNATIONAL COMPANY

P.O. Box 655334  
Dallas, Texas 75265



**B. ORDERING INFORMATION**

**B.4. TEMPORARY LICENSE TAGS AND EXEMPT LICENSE PLATES -**

- 4.1. **TEMPORARY LICENSE TAGS** - The vendor will issue with each bus delivered, temporary (red) license tags (see Par. A.5.7.). **THESE TEMPORARY TAGS ARE LEGAL TO USE FOR A PERIOD OF 20 DAYS ONLY.**
- 4.2. **EXEMPT LICENSE PLATES** - The following forms are required to obtain these plates at the address shown:
  - 4.2.1. **MFO (Manufacturer's Statement of Origin) or Title.**
  - 4.2.2. **Form 130 U, "Application for Title."**
  - 4.2.3. **Form 62A, "Application for Exempt Plates."**

**Exempt license plates must be obtained from:**

**Texas Department of Highways  
and Public Transportation (TDHPT)  
Division of Motor Vehicles  
P.O. Box 26480  
Chimney Corners Station  
Austin, Texas 78755**

**ATTN: Special Plates Section**

B. ORDERING INFORMATION

B.5. REGULAR OPTIONS -

15- THROUGH 20-PASSENGER BUSES

REGULAR  
OPTION NO.

DESCRIPTION

- 1. Air Conditioning, Standard Cooling (see Par. H.).
  - 2. Air Conditioning, Extra Cooling (see Par. H.).
- NOTE: Special Requirements - Options 1 and 2 require Option 3 and 5/8" nominal thickness plywood be installed over the steel floor.
- 3. Alternator - 100 ampere minimum. (Required with Option 1 or 2 or 34).
  - 7. Diesel Engine (see Tables 3 through 7).
  - 9. Fuel Tank, Increased Capacity - (30-gallon minimum capacity; see Par. D.2.3.).
  - 10. Glazing, Dark Tint, Minimum Light Transmittance of 30% and maximum Light Transmittance of 40%.
  - 11. Heater, Auxiliary (see Par. C.3.5.).
  - 15. Door, Service - Automotive Sedan Type (for 18- and 19-passenger buses only).
  - 16. Knee Spacing - Maximum allowed by FMVSS No. 222. Requires deleting some seats which will reduce seating capacity.

Regular Seating Capacity	15	16	18	19	20
Rows of Seats	3	3	4/5	3	3
Minimum Knee Space, inches	27	27	27	28	28

- 17. School Name Lettering, both sides of bus (see Par. C.1.8.4.).
  - 20. Sound Abatement Insulation - shall reduce interior noise 4 dB(A), minimum.
  - 21. Stop Arm, left side of bus (see Par. C.3.9.).
  - 22. Strobe Light, Roof-mounted (see Par. C.3.8.).
  - 23. System, Security Lock, All doors - with ignition disconnect on emergency door.
  - 24. Tachograph - 0-80 mph, 12 volt, with 7-day 4-7/8 inch disc chart and electronic clock/speedometer/recorder (see Par. D.4.6.).
  - 26. Laminated Safety Plate Glass, AS-2 or better (See Par. C.2.10.2.4.).
  - 31. Tool Compartment - (see Par. C.3.11.).
  - 32. Wheel, Spare (without carrier, tire or tube).
  - 34. Wheelchair Lift, Folding Platform Type - Floor-mounted on curb side of bus (in front of or behind the rear wheelwell, at manufacturer's option; see Par. G.).
- NOTE: For option 34, the school district must specify number of wheelchair positions required on bus.
- 37. Wheelchair Restraints, Webbed-belt Type - for unusual wheelchairs which cannot otherwise be restrained (See Par. G.2.1.2)

B. ORDERING INFORMATION

REGULAR OPTIONS

24- THROUGH 77-PASSENGER BUSES

REGULAR  
OPTION NO.

DESCRIPTION

1. Air Conditioning, Standard Cooling (see Par. H.).  
  
NOTE: Special Requirements - Option 1 requires a minimum 130 ampere alternator and 5/8" nominal thickness plywood be installed over the steel floor.
3. Alternator - 105 ampere minimum. (Required with Option 35 or 36.)
4. Axle, Rear, Two-speed.
5. Brakes, Hydraulic (for 59-, 65-, 71-, and 77-passenger buses only).
6. Chassis, Long Wheelbase - (requires minimum 274-inch wheelbase for 71-passenger bus only; or 157-inch wheelbase for 24-passenger bus only).
7. Diesel Engine (for 24- through 77-passenger buses; see conventional buses in Tables 11 through 22).
8. Differential, No-spin.
9. Fuel Tank, Increased Capacity (for 24-passenger buses only; see Par. F.2.3.2.).
10. Glazing, Dark Tint - Minimum Light Transmittance of 30% and maximum Light Transmittance of 40%.
11. Heater, Rear (see Par. E.3.6. for size and installation).
12. Luggage Rack - Mounted on top of the bus (see Par. E.3.7.).
13. Moisture Ejectors, Automatic (for 59- through 77-passenger buses with air brakes only; see Par. F.3.2.1.3.).
14. Mud Flaps, with Brackets, Mounted (see Par. E.3.10.). There shall be no advertisement on the mud flaps.
16. Knee Spacing - Maximum allowed by FMVSS No. 222. Requires deleting some seats which will reduce seating capacity.

Regular Seating Capacity	24	35	47	53	59	65	71-8	71-L	77
Rows of Seats	4	5	7	8	9	10	11	11	12
Minimum Knee Space, inches	27	28	28	27.75	28	27.75	27.5	27.75	27.5

17. School Name Lettering, both sides of bus (see Par. E.1.9.4.).
18. Seat Belts (for each passenger position; see Par. E.3.12.).
19. Slack Adjusters, Automatic, Two at front and two at rear (for buses with air brakes only; see Par. F.3.2.1.4.).
20. Sound Abatement Insulation - shall reduce interior noise by 4 dB(A), minimum.
21. Stop Arm, left side of bus (see Par. E.3.14.).
22. Strobe Light, Roof-mounted (see Par. E.3.11.).
23. System, Security Lock, All Doors - with ignition disconnect on emergency door.
24. Tachograph - 0-80 mph, 12 volt, with 7-day 4-7/8 inch disc chart and electronic clock/speedometer/recorder (see Par. F.4.9.).
25. Tachometer (to indicate engine RPM).
26. Laminated Safety Plate Glass, AS-2 or better (see Par. E.2.10.2.4.).

B. ORDERING INFORMATION

- 27. Tires, Tube-Type, Steel Belted Radial.
- 28. Tires, Tubeless-Type, Bias Belted (Standard on 24-passenger buses).
- 29. Tires, Tube-type, Bias Belted.
- NOTE: Options 28 and 29 may reduce the GVWR of the bus.
- 30. Tires, Mud and Snow Tread - (for Rear Wheels only).
- 31. Fuel Compartment (see Par. E.3.16.).
- 32. Wheel, Spare (without carrier, tire, or tube).
- 33. Wheel, Spare, Mounted (with carrier but not tire and tube; carrier not available on 24-passenger bus; see Par. F.3.5.).
- 35. Wheelchair Lift, Folding Platform Type, Front Curb Side Mounted (for 24- through 71-passenger bus only; see Par. G.).
- 36. Wheelchair Lift, Folding Platform Type, Rear Curb Side Mounted - Same as Option 35 above except floor-mounted on rear curb side of bus (see Par. G.). This option is only recommended for buses which will have a regular attendant in addition to the driver.
- NOTE: For option Nos. 35 and 36, the school district must specify the number of wheelchair positions required on bus.
- 37. Wheelchair Restraints, Webbed-belt Type - for unusual wheelchairs which cannot otherwise be restrained (see Par. G.2.1.2.).
- 39. Wheels, Cast Spoke, All wheels.
- 40. Air-applied Emergency/parking Brake Activator (NOTE: May void warranty.)

B. ORDERING INFORMATION

REGULAR OPTIONS

83-PASSENGER BUSES

REGULAR  
OPTION NO.

DESCRIPTION

1. Air Conditioning, Standard Cooling (See Par. H.).  
**NOTE:** Special Requirements - Option 1 requires a minimum 130 ampere alternator and 5/8" nominal thickness plywood be installed over the steel floor.
8. Differential, No-Spin.
9. Fuel Tank, Increased Capacity - (90 gallon minimum capacity; see Par. F.2.3.2.).
10. Glazing Dark Tint - Minimum Light Transmittance of 30% and maximum Light Transmittance of 40%.
11. Heater, Rear (see Par. E.3.5. for size and installation).
12. Luggage Rack - Mounted on top of the bus (see Par. E.3.7.).
13. Moisture Ejectors, Automatic - (see Par. F.3.2.1.3.).
14. Mud Flaps, with Brackets, Mounted, (see Par. E.3.10.). There shall be no advertisement on the mud flaps.
16. Knee spacing - Maximum allowed by FMVSS No. 222. Requires deleting some seats which will reduce seating capacity.

<u>Regular Seating Capacity</u>	<u>83</u>
<u>Rows of seats</u>	<u>13</u>
<u>Minimum Knee Space, inches</u>	<u>27</u>
17. School Name Lettering, both sides of bus (see Par. E.1.9.4.).
18. Seat Belts (for each passenger position; see Par. E.3.12.).
19. Slack Adjusters, Automatic, Two at front and two at rear (see Par. F.3.2.1.4.).
20. Sound Abatement Insulation - shall reduce interior noise by 4 dB(A), minimum.
21. Stop Arm, left side of bus (see Par. E.3.14.).
22. Strobe Light, Roof-mounted (see Par. E.3.11.).
23. System, Security Lock, All Doors - with ignition disconnect on emergency door.
24. Tachograph - 0-80 mph, 12 volt, with 7-day 4-7/8 inch disc chart and electronic clock/speedometer/recorder (see Par. F.4.9.).
26. Laminated Safety Plate Glass, AS-2 or better (see Par. E.2.10.2.4.)
30. Tires, Mud and Snow Tread (for Rear Wheels only).
31. Tool Compartment (see Par. E.3.15.).
33. Wheel, Spare, Mounted (with carrier but not tire and tube; see Par. F.3.5.).
40. Air-applied Emergency/Parking Brake Activator (**NOTE:** May void warranty.)

**TEXAS EDUCATION AGENCY**

Transportation Division

District Name \_\_\_\_\_

County-District No. \_\_\_\_\_

**School Bus  
Purchase Requisition**

Contact Person \_\_\_\_\_

Telephone \_\_\_\_\_

County Name \_\_\_\_\_

Mailing Address \_\_\_\_\_

City \_\_\_\_\_

State \_\_\_\_\_

Zip \_\_\_\_\_

School Requisition Number \_\_\_\_\_

Bus Delivery Address if Different From Above \_\_\_\_\_

State Requisition No. \_\_\_\_\_

Quantity \_\_\_\_\_

Size \_\_\_\_\_

\_\_\_\_\_ Passenger School Bus Complete

Automatic Transmission \_\_\_\_\_ Yes \_\_\_\_\_ No

(Check YES or NO for 24- thru 77-passenger)

Type: \_\_\_\_\_ Conventional \_\_\_\_\_ Semi-forward control

\_\_\_\_\_ Forward control

**Regular Options**

Refer to options found in current Texas School Bus Specification. Check only those options you want to order.

- |   |  |
|---|--|
| <p>_____ 1. Air conditioning, standard</p> <p>_____ 2. Air conditioning, extra cooling (15- thru 20-passenger only)</p> <p>_____ 3. Alternator, minimum 100 ampere</p> <p>_____ 4. Axle, rear, two-speed (24- thru 71-passenger only)</p> <p>_____ 5. Brakes, hydraulic (59- thru 77-passenger only)</p> <p>_____ 6. Chassis, long wheelbase (24- and 71-passenger only)</p> <p>_____ 7. Diesel engine</p> <p>_____ 8. Differential, no-spin (24- thru 71-passenger only)</p> <p>_____ 9. Fuel tank, increased capacity (15- thru 24- and 83-passenger only)</p> <p>_____ 10. Glazing material, deep tint (min. 30% max. 40% light transmittance.)</p> <p>_____ 11. Heater, auxiliary</p> <p>_____ 12. Luggage rack (24- thru 83-passenger only)</p> <p>_____ 13. Moisture ejectors, automatic (with air brakes only)</p> <p>_____ 14. Mud flaps, mounted (with brackets)</p> <p>_____ 15. Door, Service-Automotive Sedan Type (18- and 19-passenger only)</p> <p>_____ 16. Knee spacing, maximum</p> <p>_____ 17. School name lettering (type EXACTLY as required)</p> <hr/> <p>_____ 18. Seat belts (standard on all 15- thru 20-passenger)</p> <p>_____ 19. Slack adjusters, automatic (with air brakes only)</p> <p>_____ 20. Sound abatement insulation</p> <p>_____ 21. Stop arm, left side</p> | <p>_____ 22. Strobe light, roof-mounted</p> <p>_____ 23. Security lock system, all doors</p> <p>_____ 24. Tachograph</p> <p>_____ 25. Tachometer</p> <p>_____ 26. Laminated safety plate glass</p> <p>_____ 27. Tires, tube-type, steel belted radial</p> <p>_____ 28. Tires, tubeless-type, bias belted (standard on 24-passenger bus)</p> <p>_____ 29. Tires, tube-type, bias belted</p> <p>_____ 30. Tires, mud and snow tread, rear wheels</p> <p>_____ 31. Tool compartment</p> <p>_____ 32. Wheel, spare (without carrier, tire, or tube)</p> <p>_____ 33. Wheel, spare, mounted (with carrier but not tire or tube; 35- thru 83-passenger only)</p> <p>_____ 34. Wheelchair lift, folding platform type, right curb side mounted (for 15- thru 20-passenger only; with _____ wheelchair positions)</p> <p>_____ 35. Wheelchair lift, folding platform type, front curb side mounted (for 24- thru 71-passenger only; with _____ wheelchair positions)</p> <p>_____ 36. Wheelchair lift, folding platform type, rear curb side mounted (for 24- thru 71-passenger only; with _____ wheelchair positions)</p> <p>_____ 37. Wheelchair restraints, webbed-belt type (for 15- thru 71-passenger only)</p> <p>_____ 39. Wheels, chassis, cast spoke (all wheels)</p> <p>_____ 40. Air-applied emergency/parking brake actuator (NOTE: MAY VOID WARRANTY)</p> |
|---|--|

NOTES: Discard all previous editions of this form. Use only this form to order 1989 school buses. NA means Not Available/Not Applicable.

This is to certify that there will be sufficient unencumbered funds to pay for this equipment when invoiced.		
Typed Name of District Superintendent or County Superintendent	Date	Telephone

Signature

**MAIL ORIGINAL AND ONE COPY TO:**  
Texas Education Agency  
Transportation Division  
1701 North Congress Avenue  
Austin, Texas 78701

TEA Approval _____	Date _____
--------------------	------------

**Special Options:**

The following lines are to be used for additional options requested by the school district that do not appear in current state specifications.

A. \_\_\_\_\_

B. \_\_\_\_\_

C. \_\_\_\_\_

D. \_\_\_\_\_

E. \_\_\_\_\_

F. \_\_\_\_\_

G. \_\_\_\_\_

H. \_\_\_\_\_

I. \_\_\_\_\_

J. \_\_\_\_\_

K. \_\_\_\_\_

L. \_\_\_\_\_

M. \_\_\_\_\_

N. \_\_\_\_\_

O. \_\_\_\_\_

P. \_\_\_\_\_

Q. \_\_\_\_\_

R. \_\_\_\_\_

C. 15- THROUGH 20-PASSENGER BODY SPECIFICATIONS

C.1. GENERAL REQUIREMENTS -

1.1. **BODY PHYSICAL REQUIREMENTS** - The physical requirements for 15- through 20-passenger school bus bodies shall conform to the following table (see Option No. 16 and Par. A.1.3.):

TABLE NO. 1

PHYSICAL REQUIREMENTS

MINIMUM SIZE	OVERALL BODY WIDTH	KNEE SPACINGS	SEAT WIDTH LEFT-RIGHT	CENTER AISLE WIDTH	FLOOR-TO-CEILING HEIGHT
Number of Passengers	Inches, Maximum	Inches, Minimum	Inches, Minimum	Inches, Minimum	Inches, Minimum
15	96	24	30* - 30	12	62
16	96	25	30* - 30	12	72
18	96	26	30 - 30	12	63
19	96	25	39* - 26	12	62
20	96	25	39 - 26	12	72

NOTES: COLUMN (3) - Knee space is defined as the horizontal distance from the front center of a seat back to the rear center of the seat back or barrier immediately ahead, measured at approximately 4 inches above the seat cushion.  
 Column (4) - \*Left rear seat shall have minimum width of 26 inches.  
 Column (6) - Floor-to-ceiling height shall be measured in the center of the body between the No. 2 pillar and the last side body pillar ahead of the rear roof slope.

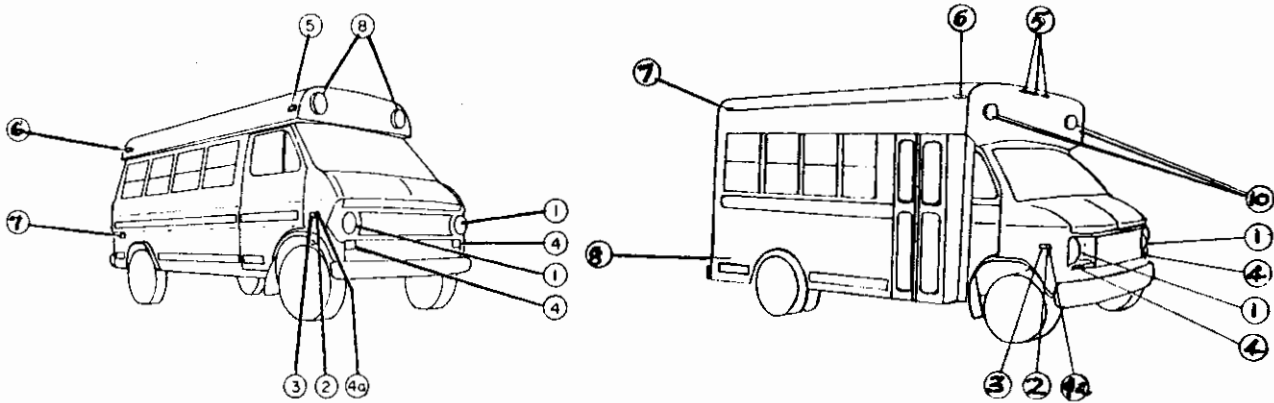
- 1.1.1. Interior Width - 15- through 20-passenger school buses shall have a minimum interior width of 70 inches at the shoulder level of a seated 90 percentile male passenger.
- 1.2. **REAR BUMPER** - The rear bumper shall be either the chassis manufacturer's standard bumper or it shall be furnished by the body manufacturer. It shall be secured to rear chassis frame and it shall be designed so as to prevent "hitching of rides" by obtaining a toe-hold thereon. The bumper shall not be permanently attached to the bus body. The bumper fabricated by the bus body manufacturer shall be of pressed steel channel at least 3/16-inch thick by 5 inches high and shall wrap around the body, extending forward for at least 12 inches on each side. It must be bolted to the chassis frame and braced with material of at least equal impact ratio as the material in the bumper.
- 1.3. **CEILING** - The ceiling shall be free of all projections likely to cause injury to passengers. (See table above for ceiling height requirements and Paragraph C.2.11. for other ceiling requirements.)
- 1.4. **LAMPS, SIGNALS, AND WARNING DEVICES** - Each bus shall be furnished with the lamps listed below (see locations on Figures 1 and 2):
- 1.4.1. **Alternately Flashing Signal Lamps** - Each school bus shall be equipped with eight warning signal lamps, four red and four amber, working in an automatic non-sequential integrated system. The signal lamps shall conform to the design, installation, location and operating requirements in Paragraph 54.1.4. of FMVSS No. 108:
- "54.1.4. Each school bus shall be equipped with a system of...:
- ... (b) Four red signal lamps designed to conform to SAE Standard J887, 'School Bus Red Signal Lamps', July 1964, and four amber signal lamps designed to conform to that standard, except for their color, and except that their candlepower shall be at least 2-1/2 times that specified for red signal lamps. Both red and amber lamps shall be installed in accordance with SAE Standard J887, except that:
- (i) Each amber signal lamp shall be located near each red signal lamp, at the same level, but closer to the vertical centerline of the bus; and
- (ii) The system shall be wired so that the amber signal lamps are activated only by manual or foot operation, and if activated, are automatically deactivated and the red signal lamps automatically activated when the bus entrance door is opened."
- NOTE: The lamps shall be wired independently and not wired through the ignition switch. This will allow removal of the ignition key without affecting operation of the alternately flashing eight warning signal lamps.
- 1.4.1.1. **Band** - Each set of amber and red lamps shall have a minimum 3-inch black band around the set and a 3-inch band between the lamps in each set. The color of this band shall be black enamel (Color No. 17038 of Federal Standard No. 595a).



C. 15 - THROUGH 20-PASSENGER BODY SPECIFICATION

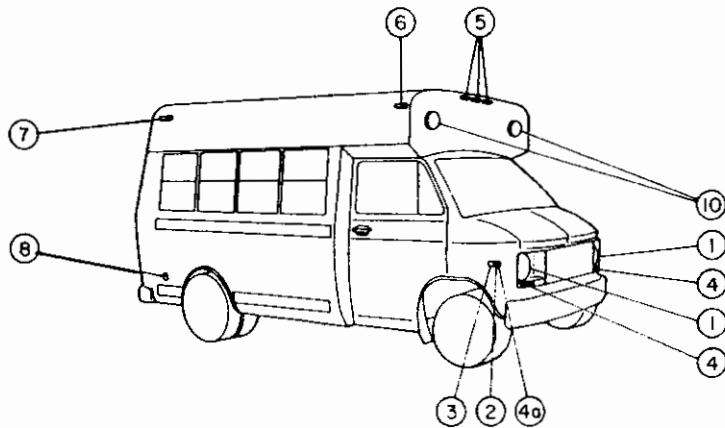
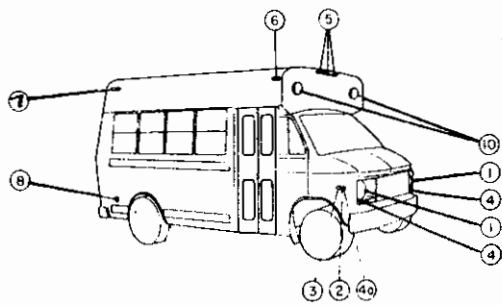
Figure 1

Texas School Buses require an 8-lamp Warning System and 2 White Backup Lamps in addition to the requirements listed below and in Figure 2.



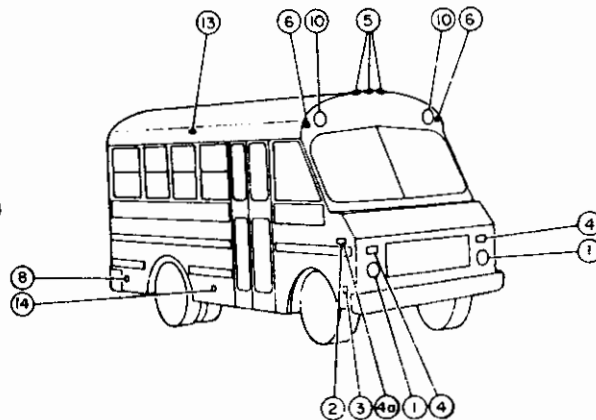
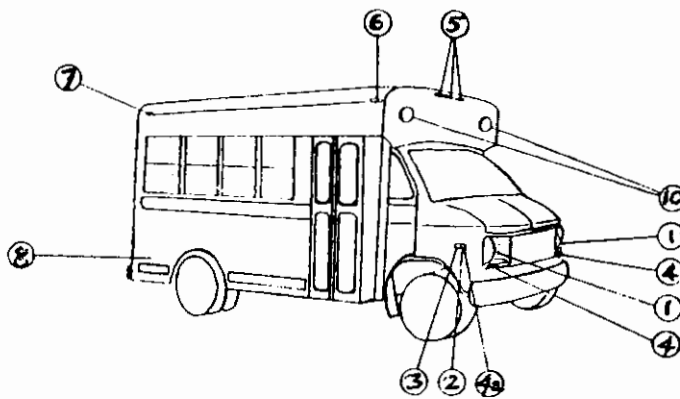
15-passenger Bus - Front Quarter View

16-passenger Bus - Front Quarter View



18-passenger Buses - Front Quarter View

19-passenger Bus - Front Quarter View



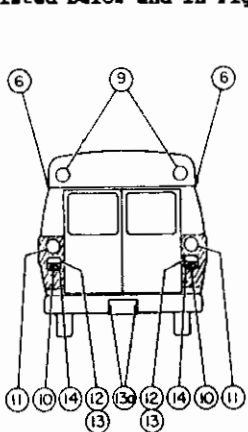
19-passenger Bus - Front Quarter View

20-passenger Bus - Front Quarter View

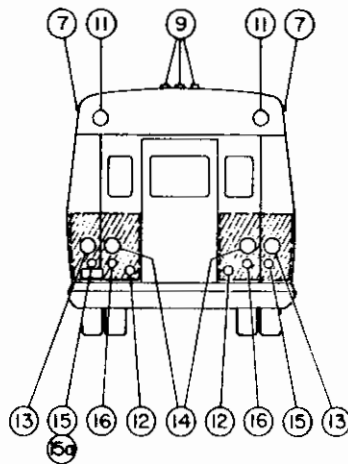
C. 15 - THROUGH 20-PASSENGER BODY SPECIFICATION

Figure 2

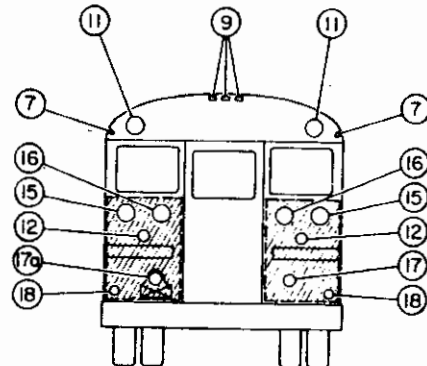
Texas School Buses require an 8-lamp Warning System and 2 White Backup Lamps in addition to the requirements listed below and in Figure 1.



Narrow Body - Rear View  
(Type A Bus - 80 in or Less in Overall Width - Van)



Wide Body - Rear View  
(Type A Bus - 80 in or more in Overall Width - Cutaway Van)



Wide Body - Rear View  
(P-type Chassis - 80 in or more in Overall Width)

Numbers

Legend:

Narrow Body

Wide Body

Type A      Type A      P-type

1	1	1	2 White Headlamps (4 Optional)
2	2	2	2 Amber Front Side Marker Lamps
3	3	3	2 Amber Front Side Reflectors
4	4	4	2 Amber Front Turn Signal Lamps
4a	4a	4a	2 Amber Front Turn Signal Lamps (Optional Location)
-	5	5	3 Amber Front Identification Lamps
5	6	-	2 Amber Front Clearance Lamps
-	-	6	2 Amber Combination Front Clearance & Side Marker Lamps (May be 4 Separate Lamps (See S4.4 of FMVSS No. 108))
6	7	7	2 Red Combination Rear Clearance & Side Marker Lamps (May be 4 Separate Lamps (See S4.4 of FMVSS No. 108))
7	8	8	2 Red Side Reflectors
-	9	9	3 Red Identification Lamps
8	10	10	2 Red Front School Bus Warning Lamps and 2 Amber (not shown)
9	11	11	2 Red Rear School Bus Warning Lamps and 2 Amber (not shown)
10	12	12	2 Rear White Backup Lamps
--	--	13	2 Amber Intermediate Side Marker Lamps (If Vehicle is 30 Feet or more in length)
--	--	14	2 Amber Intermediate Side Reflectors (If Vehicle is 30 Feet or more in length)

THE FOLLOWING SHALL BE MOUNTED WITHIN THE DASHED AREA PER MANUFACTURER'S DESIGN:

11	13	15	2 Red or Amber Rear Turn Signal Lamps
12	14	16	2 Red Rear Stop Lamps
13	15	17	2 Red Rear Tail Lamps
13a	15a	17a	1 White Rear License Plate Lamp Combined with Tail Lamp (Optional)
14	16	18	2 Rear Red Reflectors

C. 15- THROUGH 20-PASSENGER BODY SPECIFICATION

If it is not possible to provide a 3-inch band between the lamps in the set, the manufacturer will then provide a band as wide as possible. Any visor or hood used to shade the lights and improve visibility shall not interfere with the intensity and photometric performance of the warning lights (see Figures 1 and 2).

- 1.4.1.2. Mounting - If exterior panels are cut to provide an opening for installation of flush mounted signal lamps, the lamps must have a closed cell sponge flange gasket with a minimum thickness of 3/16 inch. The gasket shall be the full width of the flange on the lamp. Proper installation of the lamps shall be made in order to prevent seepage of moisture into the opening.
- 1.4.1.3. Operating Instructions - Complete instructions for the detailed operation of the warning signal lamp system shall be furnished with each school bus.
- 1.4.2. Backup Lamps - The color, requirements, and mounting of backup lamps shall be in accordance with FMVSS No. 108, except two backup lamps are required by Texas Specifications.
- 1.4.3. Identification Lamps - Each bus with an overall width of 80 or more inches shall be furnished with identification lamps installed on the front and rear - three amber lamps in the front and three red lamps in the rear. The lamps shall be installed as close as practicable to the top and vertical centerline with lamp centers spaced not less than six inches or more than twelve inches apart. Each identification lamp shall be the armored flush mounting type for protection of the lens from damage during normal operation. Armored protectors shall in no way interfere with the intended purpose of the lamps. The armored type protectors shall be Grote Manufacturing Company, Madison, Indiana 47250, Model Nos. 45012 and 45013, or KD Lamp Company, 1910 Elm Street, Cincinnati, Ohio 45210, Model Nos. 38469-901 and 40268-301, or approved equal. (See Figures 1 and 2 for the proper location of these lamps.) Example of an approved equal: Peterson Model - PM 122.
- 1.4.4. Interior and Stepwell Lamps - A minimum of two interior dome lamps shall be installed to properly and adequately illuminate the entire aisle and emergency passageway. The stepwell shall be illuminated by a separate lamp activated by opening the service door. The stepwell lamp shall have a metal bezel.
- 1.4.5. License Plate Lamp - The color, requirements, and mounting of the license plate lamp shall be in accordance with FMVSS No. 108.
- 1.4.6. Operating Units and Flashers - The operating units and flashers for turn-signals and vehicular hazard warning signals shall meet the requirements of FMVSS No. 108.
- 1.4.7. Tail and Stop Lamps - The quantities, colors, requirements, and mounting of tail and stop lamps shall be in accordance with FMVSS No. 108.
- 1.4.8. Turn-Signal/Hazard Warning Lamps - The quantities, colors, requirements, and mountings of turn-signal/hazard warning lamps shall be in accordance with FMVSS No. 108.
- 1.4.9. Warning Devices - Each school bus shall be equipped with three triangular warning devices meeting the requirements of FMVSS No. 125. The devices shall be packed three per metal or heavy-duty plastic box, or they may be individually packed in metal or heavy-duty plastic boxes with the three boxes contained within a carrier. Warning devices shall be securely mounted either in the driver's compartment or under the rearmost row of seats. Triangular warning devices furnished shall be approved by the Texas Department of Public Safety.
- 1.5. WIRING - All wiring shall conform to the current standards of the SAE. Wiring as arranged in the circuits to manufacturer specifications are acceptable; however, the addition of another circuit for the alternately flashing signal lamps shall be provided.
  - 1.5.1. Color and Number Coding - Each body circuit shall be coded by a color and number.
  - 1.5.2. Accessory Wiring - Body-installed accessories shall be wired from the battery through a low voltage solenoid cut-off switch operated by the ignition key except for the sight light warning system and hazard warning lights.
- 1.6. LICENSE PLATE HOLDER - A license plate holder shall be mounted on the rear of the bus body. The holder shall be designed so that the license plate will receive illumination from the clear lens on the underneath side of the tail light, or by a separate lamp.
- 1.7. OPENINGS - All openings in the floorboard or firewall between chassis and passenger-carrying compartment, such as for gearshift lever, steering column, and auxiliary brake lever, shall be sealed. All openings between chassis and passenger-carry compartment made due to alterations by the body manufacturer must be sealed.

C. 15- THROUGH 20-PASSENGER BODY SPECIFICATION

- 1.8. **COLORS and LETTERING** - A first quality black enamel (Color No. 17038 of Federal Standard No. 595a) or decals shall be used for lettering and trim. The properties of the black enamel shall be equal to those of the finish coat enamel. Pressure-sensitive tape or decals are acceptable for trim or lettering (e.g., **EMERGENCY DOOR**, **EMERGENCY EXIT**, **SCHOOL NAME LETTERING**, etc. signs) provided they are made from faison R 200, 3M Series 180, or approved equal material.
- 1.8.1. **Interior** - Unless otherwise specified in the Invitation for Bids, the interior of the complete bus body shall be finished in the manufacturer's standard color except where clear-coated galvanized steel or aluminum is required (see Par. C.2.11.)
- 1.8.2. **Exterior** - The exterior of the complete bus except for rub rails shall be finished in school bus yellow (Color No. 13432 of Federal Standard No. 595a). The hood may be coated with non-reflective school bus yellow paint.
- 1.8.3. **School Bus Lettering** - The school bus bodies shall have the words "SCHOOL BUS" in neat, clearly defined block letters on the front, rear, and on both sides of the bus body using decals or with black paint (Color No. 17038 of Federal Standard No. 595a). The letters shall be 8 inches high and shall have 1-inch wide strokes.
- 1.8.4. **School Name Lettering** - When so specified in the Invitation for Bids, the school district name shall be provided in black letters on both sides of the bus near the belt line using decals or with black paint. Lettering shall be minimum 5 inches high with minimum 5/8-inch block strokes. Paint, if used shall be equal in quality to that of the bus body paint; decals shall meet or exceed the requirements in Par. C.1.8. Maximum number of characters in one line of the name is limited to thirty. The school district should list in the space provided on the School Bus Requisition Form (see sample form on page 15), the name to be placed on the bus. Characters should be typed or printed plainly on this form to ensure accurate spelling (see Option 17).
- 1.8.5. **Emergency Door Lettering** - The rear emergency door exit shall be marked "**EMERGENCY DOOR**"<sup>1</sup> or "**EMERGENCY EXIT**", both on the outside and on the inside with at least two-inch high lettering placed on top of, or directly above the exit.
- 1.8.6. **Logos** - No logo, trademark, insignia, or letters shall be placed on bumpers or mud flaps. A small metal or plastic plate designating body manufacturer's name may be attached to the bus body. A logo of reasonable size which has been approved by the Specification Section may be placed on the exterior bus body.
- 1.8.7. **Bumpers** - Bumpers shall be finished in black (Color No. 17038).
- 1.8.8. **Rub Rails** - All rub rails, except the pressed-in type window level rub rails, shall be painted black (Color No. 17038). The pressed-in type rub rails shall be painted either black (Color No. 17038) or school bus yellow (Color No. 13432) at the option of the manufacturer.
- 1.8.9. **Wheels** - Both sides of all wheels, including the spare, shall be finished in black (Color No. 17038).
- 1.8.10. **Wheel Covers** - Wheel covers may be bright metal.
- 1.8.11. **Grilles** - Grilles may be painted either the same color as the exterior of the bus body or they may be argent, gray, or a bright finish (chrome or anodized aluminum).
- 1.8.12. **Exterior Mirror Backs** - The metal backs of all exterior mirrors, if painted, shall be finished in lusterless black (Color No. 37038; see Par. C.3.6.3.5.).
- 1.9 **UNDERCOATING** - Undercoating is required to provide for insulation, sound deadening, protection from road minerals, and rust prevention, as applicable, and shall meet the following:
- 1.9.1. **Material** - Insulating and undercoating materials shall be an asphalt base underbody coating conforming to Federal Specification TT-C-520B, such as R-477-139, manufactured by Daubert Chemical Co., Chicago, Illinois 60638 or Lion Nokorode Emulsion 331 as manufactured by Lion Oil Company, El Dorado, Arkansas 71730, or an approved equal. An example of an approved equal is Tectyl MC121B, manufactured by Ashland Petroleum Company, Box 391, Ashland, Kentucky 41101, applied to a dry film thickness greater than 20 mils.
- 1.9.2. **Application** - The entire underside of the bus body, including floor members, wheelwells, side panels below the floor level, and all metal fenders or fenders with metal liners shall be coated with 1/8-inch thick material as specified above. The undercoating shall be applied in accordance with the undercoating manufacturer's instructions. Do not cover up or obliterate the truck identification plate (see Par. A.3.4.3.)

C. 15- THROUGH 20-PASSENGER BODY SPECIFICATION

1.10. **INSULATION** - The ceilings and sidewalls shall be thermally insulated with a fire-resistant material approved by the Underwriters Laboratories Inc. to adequately reduce the noise level and to minimize vibrations. Buses shall have the equivalent of 1.5 inches of fiberglass or other insulation in the ceilings and walls including the interior of hat-shaped bows. Any insulation used shall have a minimum R-factor value of 5.77.

C.2. **CONSTRUCTION** -

2.1. **GENERAL REQUIREMENTS** -

2.1.1. **Components** - All components shall be of adequate design and shall be of sufficient strength and safety factor to support the entire weight of a complete bus when fully loaded, on its sides or top, without undue damage to the body structure. The body shall have sufficient frame members in the roof structure and corners to provide adequate safety and to resist damage on impact. Construction shall be such as to provide a reasonable dustproof and watertight unit.

2.1.2. **Front Body Section** - The front body section of the school bus from the windshield forward shall be of the bus body manufacturer's or chassis manufacturer's standard design and shall contain, but not be limited to, the following components:

2.1.2.1. **Grille** - A sufficiently reinforced grille assembly.

2.1.2.2. **Lamps** - Headlamps and parking/turn-signal lamps as required by FMVSS No. 108.

2.1.2.3. **Hood** - Hood cover with latching mechanism providing access to the forward part of the engine.

2.1.2.4. **Fenders** - Properly braced fenders with the total spread of the outer edges exceeding the total spread of the front tires when the front wheels are in the straight-ahead position.

2.1.3. **Body-Chassis Attachment** -

2.1.3.1. **Chassis Manufacturer's Body** - The body shall be attached to the chassis frame by the manufacturer's standard clip unless the chassis is provided with the manufacturer's unitized metal floor.

2.1.3.2. **Other Bodies** - If other than chassis manufacturer's standard metal floor is furnished, the body shall be attached to the chassis by the chassis manufacturer's standard clips and, in addition, the following:

(i) **U-bolts** - A minimum of two U-bolts shall also be used on each frame rail to attach the body to the chassis frame. The four U-bolts shall be fitted with lock washers and nuts and, after the nuts have been securely tightened, the threads of each U-bolt shall extend a minimum of 1/2 inch past the nuts. Minimum diameter of the U-bolt threads shall be 0.4375 inch.

(ii) **Body-Chassis Insulation** - Anti-squeak material in continuous strips or rubber pads shall be permanently and firmly attached to the frame rails or cross members to insulate the chassis from the body.

**NOTE:** School buses with floors installed by the body manufacturer and equipped with any combination of wheelchair lift positions and conventional seats shall have a minimum of four U-bolts (2 installed on each frame rail).

2.1.4. **Bolts and Rivets** - All bolts and rivets used in the manufacture of the school bus body shall be high strength metal. All bolts shall be equipped with lock washers or other acceptable devices to prevent loosening under vibration. All bolts, nuts, and washers except U-bolts, their nuts and washers, shall be parkerized, cadmium-plated, or otherwise rustproofed.

2.1.5. **Other Fasteners** - Sheet metal screws or self-tapping bolts of any type shall not be used in the construction of bodies except:

2.1.5.1. For alignment\* of doors or in conjunction with rivets, welds, or bolts for compliance with FMVSS No. 221, as applicable, or,

2.1.5.2. Seat construction (see Par. C.2.14), or,

2.1.5.3. For interior panels which must be removed to give accessibility to other interior or concealed components, or,

2.1.5.4. For attachment of exterior mirrors in certain cases (see Par. C.3.6.3.4.), or,

2.1.5.5. In the installation of rub rails or emergency door handles and latches where it is impossible to use rivets or bolts, nuts, and lock washers and then only when these fasteners are used in conjunction with the manufacturer's standard metal adhesive which is used to meet joint strength requirements, or,

2.1.5.6. In window frames when applied with the metal adhesive, or,

2.1.5.7. In the installation of header pads over the doors, or

2.1.5.8. For electrical wire moldings and light fixtures.

C. 15- THROUGH 20-PASSENGER BODY SPECIFICATION

\*When self-tapping bolts are used to align doors, they shall be tack-welded at the head or applied with the metal adhesive and shall not exceed the number of rivets, or bolts, nuts, and washers installed in the door hinges.

- 2.1.6. Caulking - A flexible, tenacious, high quality caulking compound or adhesive shall be applied to the top of all rub rails, all unwelded metal joints, and to any place where moisture could enter through the exterior panels. This does not include the fresh air intake or the heater or the drain openings at the bottom of the rub rails. The compound shall be applied to the required areas in a neat and workmanlike manner without voids or skips.

2.2. BODY FRAME -

- 2.2.1. Longitudinal Frame Members - The body frame shall contain as a minimum, the following longitudinal frame members at the locations shown:

- 2.2.1.1. Shoulder Level - There shall be one longitudinal side strainer (or impact rail) mounted at shoulder level (window sill level) and extending at least from the front post (excluding the front door entrance) to the rear corner reinforcement. This member shall be attached to each vertical structural member. Such strainer shall be a formed (not a flat) strip of metal.
- 2.2.1.2. Other Side Longitudinal Frame Member - There shall be one longitudinal side strainer installed in the area between the bottom of the window and the bottom of the seat frame and extending from the front post to the rear corner reinforcement. This strainer may also be used as a means to fasten the angle used for the wall end seat support at the wheelhousing. Such strainer shall be formed and attached to each vertical structural member by huck-bolting, welding, or thread-forming bolts which are tack-welded to prevent bolts from vibrating loose. A backup channel for the exterior rub rails shall be provided and fastened to each vertical structural member. In lieu of a separate backup channel, the seat level longitudinal strainer may serve as a backup channel for the seat level rub rail.
- 2.2.1.3. Roof Longitudinal Members - Two or more longitudinal members (or roof strainers) shall be provided to connect and space the roof bows and to reinforce the flattest portion of the roof skin. They shall be applied either externally or internally. They shall extend from the windshield header and shall function as continuous longitudinal members. These roof strainers shall be attached to other structural components by means of welding, riveting, or bolting. The completed roof shall meet the requirements of FMVSS No. 220.
- 2.2.1.4. Rear Corner Frame - The rear corner framing between the floor and roof and between the emergency door posts and the body corner shall be applied horizontally or vertically, or in other combinations, to provide additional impact and penetration resistance equal to that provided by frame members in body side areas. Such structural members shall be securely attached at each end.

- 2.3. EXTERIOR PANELS - Exterior panels shall be steel; however, front door farrings and front end rear endcaps only may be fiberglass or heavy-duty plastic.

- 2.3.1. Attachment and Installation - All exterior panels shall be attached to bow frames and strainers so as to act as an integral part of the structural frame. They shall be installed by lapping and riveting, lapping and bolting, or by flanging and bolting and in such a manner as to form watertight joints.

- 2.3.2. Joints - Joints shall meet the requirements of FMVSS No. 221.

- 2.4. RUB RAILS - Two separate, one-piece continuous rub rails of the type, grade, and thickness of steel specified in Table No. 9 (or approved equal), shall be installed on the body as described below. The minimum finished width of all rub rails shall be 4 inches:

- 2.4.1. Location - One rub rail shall be installed at or near the floor level, and the other at the seat level, or at the window level, or in between the seat and window level.

- 2.4.2. Construction - The rub rails shall be of ample strength to resist impact and to prevent crushing of the bus body and shall be a flanged-formed channel, longitudinally fluted, or corrugated rib surface. Ends shall be (1) smoothly closed, or (2) closed by a rounded or beveled metal end cap which shall be butt- or flash-welded to the rub rail, or (3) closed by a rounded or beveled metal end cap inserted with an approximate one-inch sleeve inside of the rub rail and riveted in position at the top and bottom of the rub rail, or riveted in position at the top and bottom of the rub rail flange, or riveted in the center of the end cap, and sealed in the same manner as the top flange of the rub rails.

- 2.4.3. Installation - All rub rails shall be bolted or riveted on top and bottom to each side post and riveted on top and bottom to the exterior paneling between the side posts (see exception in Par. C.2.1.5.5.). Provisions for one-piece rails may be accomplished by butt- or flash-welding. All welds, including those for the end caps, shall be dressed, sanded, and buffed.

Both rub rails shall be installed the full outside length of the body on the right side from the service door to the point of curvature at the rear of the bus and on the left side from the point of curvature near the outside cowl to the point of curvature at the rear of the bus. When the upper rub rail is extended to the rear of the bus and joining is by lapping or fastening with a sleeve, the joint shall be located at the rearmost body side post or preferably, the second post from the rear. Rub rails are not required on the left (driver's) door if this door is furnished by the chassis manufacturer.

- 2.4.4. Drainage - The bottom edge of each rub rail (except the pressed-in-type which may be used near the window line) shall have provisions for drainage of accumulated moisture. One of the following drainage methods shall be used:

2.4.4.1. Slots - The bottom flange of the rub rail shall be a minimum of one inch by 0.032 inch formed slots spaced on not more than 12-inch centers, or

2.4.4.2. Holes or Slots - One 0.25-inch diameter hole or slot per foot in the lowest part of the rub rail drilled prior to the priming, painting, and installation of the rub rail shall be provided. Holes drilled after rub rail installation or after priming and painting are not acceptable. Formed slots are preferred over drilled or cut holes.

- 2.4.5. Sealing - The top joint of the rub rail shall be sealed with a caulking compound or adhesive as specified in Par. C.2.1.6.

- 2.5. SKIRT REINFORCEMENT - Side skirts of 15-through 20-passenger buses, if on commercial outaway or stripped chassis, shall be gusseted or braced where required for rigidity and to prevent undue vibration.

- 2.6. SERVICE OR ENTRANCE DOORS - 15- through 20-passenger buses shall be equipped with either a Style 1 or a Style 2 service or entrance door which shall be located on the right side near the front of the bus and in direct view of the driver (see Tables 3 through 7 and Option 15):

2.6.1. Style 1 Service Door - This service or entrance door shall be of one piece and shall have a minimum horizontal opening of approximately 28 inches and a minimum vertical opening of approximately 54 inches. The door shall be manually operated. The door control must be the hand lever type, driver-operated, and shall be designed to afford easy release and to prevent accidental opening. When so specified in the Invitation for Bids (see Option 15), 18- and 19-passenger buses shall be furnished with (sedan type) style 1 service doors.

2.6.2. Style 2 (Tall) Service Doors - This service or entrance door shall be the two-piece or folding type and shall have a minimum horizontal opening of approximately 24 inches and a minimum vertical opening of approximately 68 inches. The doors shall be operated from controls at or near the bus driver's seated position. The doors shall be either operated manually or actuated electrically or by air pressure or vacuum and shall allow manual opening in case of an emergency. To prevent accidental opening while the bus is in motion, the door opening system shall require at least a 125-pound force applied to its center in order to manually open the door. Both vertical closing edges of the door shall be equipped with rubber or rubberized materials to protect passenger's fingers.

2.6.3. Driver's Visibility - Service or entrance doors shall have lower and upper glass panels, or a system of mirrors to provide the driver a clear view of entering passengers as well as the passenger landing area. (See Par. C.2.10.2. for installation requirements of glass panels.) Whichever style of door is used, provision shall be made using either glass panels or mirrors to give the seated driver a view of at least the upper 7 1/2 inches of a 30-inch rod placed upright on the ground at any point along a line one foot outboard from the service door entrance and between the front and rear of the service door.

2.6.4. Attachment - The hinges for the service entrance doors shall be attached with rivets or bolts, nuts, and lock washers. Metal screws or self-tapping bolts are not acceptable. Metal screws may be used for alignment of doors while installing rivets. Self-tapping bolts may be used for alignment if the bolt heads are tack-welded to the hinges (see Par. C.2.1.5.1.).

2.6.5. Header Board - The head impact area on the inside top of the service or entrance door shall be protected by an energy-absorbing, padded header board of sufficient size (width, depth, and length) to prevent injury when accidentally impacted.

C. 15- THROUGH 20-PASSENGER BODY SPECIFICATION

2.7. **SERVICE ENTRYWAY** - The entrance door steps shall be designed so that the first step shall not be more than 14 inches from the ground when the bus is unloaded. Steps of adequate width and length shall be fabricated and installed outside or inside the body to meet this requirement. Provisions shall be made to prevent road splash from the wheel from accumulating on steps installed outside the body. The surface of all entrance steps shall have a nonskid material applied. (See Par. C.2.16.3. for handrail installation requirement in the service entryway.)

2.8. **EMERGENCY DOORS** - Buses furnished to this specification shall be equipped with emergency doors meeting the description below. 15- and 18-passenger buses shall be equipped with emergency doors meeting the requirements of either Style 1 (two-door type) or Style 2 (single door type). 16-, 19-, and 20-passenger buses shall be furnished with Style 2 door only; double rear emergency doors will not be accepted. Either style emergency door shall be furnished with upper glass panels, permanently closed, set in rubber or sealed against rubber. (See Par. C.2.10. for glazing requirements and Par. C.1.8.5. for lettering.) No seat or other object shall be placed in the body that restricts the passageway to the emergency door to less than 12 inches. There shall be no steps leading to the emergency door.

2.8.1. **Style 1 Emergency Door (Two Door Type - 15- and 18-passenger buses only)** - Both of the rear doors shall be for emergency exit use and provided with the following:

2.8.1.1. **Latch** - Both the key type and/or the inside push-pull type rear cargo door locks, as installed by the original vehicle manufacturer, shall be either completely removed or shall be made inoperable. If made inoperable, precautions shall be taken to assure that the lock mechanism(s) cannot, through vibration or other means, cause the emergency exit door to become locked either from the inside or the outside of the bus.

2.8.1.2. **Fastening** - The two-door emergency exit, located at the rear of the bus, shall be equipped with a fastening device that will secure each door at the top and at the bottom. The fastening device on the first-opened door shall permit opening of the door from both the inside and the outside of the bus. The fastening device shall permit opening of the other door from the inside of the bus. Both fastening devices shall be designed to be quickly released but shall offer protection against accidental release. A suitable instruction sign shall be located on the inside of the door near the fastening device on the first-opened door, to indicate its method of operation. The outside handle when in the closed position, shall extend vertically downward from its pivot center.

2.8.1.3. **Switch** - The emergency door shall be equipped with an electrical switch connected to an audible signal automatically operated and located in the driver's compartment which shall indicate the unlatching of this door and the switch shall be enclosed to prevent tampering. Wires leading from the switch shall be concealed in the walls. No out-off switch shall be installed in the circuit.

2.8.2. **Style 2 Emergency Door (Single Door Type)** -

2.8.2.1. **Design** - The emergency door shall be located in the center rear of the body and shall have a minimum horizontal opening of 30 inches and a minimum vertical opening of 48 inches measured from the floor level. It shall be properly sealed against moisture and dust.

2.8.2.2. **Latch** - The emergency door shall be equipped with a slidebar rack and pinion (cam) operated latch. The slidebar shall be approximately 1.25 inches wide and 0.375 inch thick and shall have a minimum stroke of 1.125 inches. The slidebar shall be spring loaded so as to retain the bar in the closed position and have a minimum of one inch of horizontal bearing surface beyond the edge of the door frame when the door lock is in a latched position.

2.8.2.3. **Latch Handle** - The movement of the latch handle through its full arc of operation shall not be obstructed by, or extended into the area behind the rear seats at the emergency door. The handle, when in the closed position, shall meet the requirements of FMVSS No. 217. The design of the latch handle shall allow quick release, but shall offer protection against accidental release. Control of the fastening devices from the driver's seat shall not be permitted. A pull handle shall be installed on the inside of the emergency door so that the door can be securely closed for positive fastening. Provisions for opening from the outside shall consist of a handle (device) designed to prevent "hitching a ride" yet allowing the door to be opened when necessary. The outside handle, when in the closed position, shall extend vertically downward from its pivot center.



C. 15- THROUGH 20-PASSENGER BODY SPECIFICATION

2.8.2.4. Switch - The emergency door latch shall be equipped with a heavy-duty electric plunger type switch connected to a warning buzzer located in the driver's compartment. The switch shall be enclosed in an adequately protected case, and wires leading from switch shall be concealed in the walls. The switch shall be installed so that the buzzer will sound before the door handle is turned far enough to permit the door to open. The switch shall be Cole-Hersee's No. 9118 having an upset end (knob) on the plunger head.

2.8.2.5. Attachment - The emergency door may be hinged on the right or left side of the body, shall open outward, and shall be designed to permit opening from both inside and outside of the bus. It shall be properly sealed against moisture and dust.

2.8.3. Header Board - The head impact area on the inside at the top of the emergency door shall be protected by an energy-absorbing, padded header board of sufficient size (width, depth, and length) to prevent injury when accidentally impacted.

2.9. SIDE DOORS OF CONVERTED VANS - The side doors of converted van shall be made inoperable by one of the following:

2.9.1. Removal - The cargo doors on the side of converted vans shall be removed and the area reinforced and covered with riveted-on exterior and interior paneling.

2.9.2. Other Means - The doors may be left in place but shall be reinforced and made permanently inoperable by means other than the use of rub rails on the outside of the body.

2.10. WINDSHIELD AND WINDOWS -

2.10.1. General Design -

2.10.1.1. Windshield - The maximum width of the windshield center post shall not exceed 2.5 inches.

2.10.1.2. Passenger Side Windows - There shall be one vertical opening side window for each passenger seat. These windows shall open from the top only and shall operate freely. All side windows except the driver's and the service door window, shall be the split sash type with positive latch. Side windows that can be latched in an uneven position are not acceptable. They shall be furnished with a latching mechanism which will allow each window to be latched in a position not more than six inches from the top. The passenger side windows shall provide an unobstructed opening 22 inches wide and between 9 and 10 inches high.

2.10.1.3. Service Door and Emergency Door Windows - The windows of either style emergency door (see Par. C.2.8.) and Style 2 service doors (see Par. C.2.6.2.) shall be furnished with upper glass panels permanently closed and set in rubber or sealed in rubber.

2.10.2. Glazing - Glass shall be installed in rubber channel gasket material or approved equivalent material. The glass shall be mounted so that the permanent identification mark is visible from either inside or outside of the bus. All safety glazing materials shall be approved by the Department of Public Safety. All exposed edges of glass shall be beveled. The glass shall be as follows:

2.10.2.1. Windshield - The windshield shall be minimum 0.21875-inch thick safety plate glass and shall be heat-absorbent, laminated AS-1 safety glass meeting ANSI Standard Z26.1, as amended.

2.10.2.2. Passenger Side Windows - The glass in all passenger side windows shall be a minimum of 0.125-inch safety plate glass and shall be AS-2 grade or better, as specified in ANSI Safety Code Z26.1.

2.10.2.3. Other Windows - The glass in all other window including the driver's side windows, emergency door windows, and rear (side) windows shall be a minimum of 0.125-inch safety plate glass and shall be AS-2 grade or better as specified in ANSI Safety Code Z26.1.

2.10.2.4. When so specified in the Invitations for Bids (see Option 26), all windows shall be AS-2 grade or better laminated safety plate glass.

2.10.3. Tinting -

2.10.3.1. Windshield - The windshield shall have a horizontal gradient band (tinted) starting slightly above the driver's line of vision with approximately 90% light

C. 15- THROUGH 20-PASSENGER BODY SPECIFICATION

transmittance and gradually decreasing to a minimum of 70% light transmittance at the top of the windshield, or the entire windshield shall be tinted to meet the requirements of FMVSS No. 205.

- 2.10.3.2. All Windows - When so specified in the Invitation for Bids (see Option 10), all windows shall be tinted to minimum 30%, maximum 40% light transmittance. This is defined as "dark tinting."

Note: All safety glazing materials must be approved by the Department of Public Safety.

- 2.11. INTERIOR PANELS - All interior panels shall be steel and of the body manufacturer's standard design except the panels beneath the windows shall be clear-coated galvanized embossed steel meeting ASTM A446. Also the stepwall and riser panels in the service door entryway shall be clear-coated galvanized steel (embossing not required). Galvalume, aluminized steel, and aluminum over steel panels are acceptable for use beneath the windows and in the entryway. Interior panels made of 0.032-inch, 3105-H14 aluminum may be used in 15-passenger buses only.

2.11.1. Design - Front and rear panels shall be formed to present a smooth, pleasing appearance. Roof panels shall be continuous from header to header. If the ceiling is constructed so as to contain lapped joints, the forward panel shall be lapped by the rear panel and all exposed edges shall be beaded, hemmed, flanged, or otherwise treated to minimize sharp edges.

2.11.2. Attachment - All interior panels shall be attached to the frame structure by bolts, rivets, or by any well-designed method utilizing self-locking panels, locking panel strips, or clips. Regardless of the method used, the panels shall be attached so that vibration, rumbly, and popping shall be at a minimum.

- 2.12. FLOOR - The standard floor construction of the bus body manufacturer shall be used if a steel floor is not furnished with the bus chassis. If the floor is furnished with the chassis, then the floor shall be covered with material as described below:

2.12.1. Material - The floor shall be covered with plywood securely attached to the existing steel floor. The plywood shall be 5/8-inch nominal thickness, A-C or B-B Exterior grade manufactured in conformance with U.S. Product Standard PS 1-83. CDX interior grade plywood with exterior glue is acceptable when all surfaces including the edges of the wood are covered or sealed against the exterior environment.

2.12.2. Installation - Plywood shall be installed in the areas under all seats including the driver's seat. It may be cut to fit around any permanently-attached driver's seat provided by the chassis manufacturer.

2.13. FLOOR COVERING -

2.13.1. Aisle Material - Floor covering in the aisle shall be the aisle-type, fire-resistant rubber or equivalent, and shall be nonskid, wear-resistant, and ribbed. Minimum overall thickness shall be 0.1875 inch measured from tops of ribs. Rubber aisle floor covering shall meet Federal Specification ZZ-M-71D.

2.13.2. Undersat Material - The floor in the undersat area (including wheelwells, and the areas under the driver's seat and wheelchairs) shall be covered with fire-resistant, rubber floor covering or equivalent having minimum overall thickness of 0.125 inch.

2.13.3. Installation - Floor covering (except that on the toe board) shall be permanently bonded to the floor with waterproof adhesive material and shall not crack when subjected to sudden temperature changes. All seams shall be sealed with waterproof sealer.

2.13.4. Trim - Seams shall be covered with the bus body manufacturer's standard aluminum trim using countersunk flat or oval screws.

- 2.14. PASSENGER SEATING REQUIREMENTS - The bus passenger seats shall meet or exceed the knee spacing and crash protection requirements of FMVSS No. 222 and shall conform to the following:

2.14.1. Seat Frames -

2.14.1.1. Design and Material - The seat frames shall be constructed of steel of the type, size, and gauge necessary to meet the seat load deflection requirements of FMVSS No. 222. Seat frames legs shall be two, four, or six pedestal type. The seat backs shall slope backward to provide a comfortable seating angle. Seat backs that are set in a vertical plane or tilt forward are not acceptable.

2.14.1.2. **Painting Requirements** - The entire seat frame, except that section of the back frame which is padded and upholstered, shall be thoroughly cleaned, primed, and painted. The paint shall have adhesive qualities which will not permit the removal of the paint by means of the thumbnail-scratch method without first chipping a starting place.

2.14.2. **Seat Installation** -

2.14.2.1. **Aisle Width** - The minimum aisle width between rows of seats shall be 12 inches. (See Par. G.2.1.1.3 for aisle width requirements on wheelchair lift-equipped buses.)

2.14.2.2. **Attachment** - Each leg shall be attached to the floor with at least 2 bolts, flat washers, lock washers, and nuts, or approved equal. Where it is impossible to use bolts and nuts at certain floor points due to main cross members or floor sill interference, thread-forming or cutting bolts and lock washers may be used.

2.14.2.3. **Knee Spacing** - The seats shall provide knee spacing as normally furnished by the manufacturer for this seating capacity but not less than 24 inches for the 15-passenger bus. (See Par. A.2.13. for the definition of knee space.) Knee spacing for the 16- through 20-passenger bus shall be not less than 25 inches (see Table No. 1 and Option 16).

2.14.3. **Seat Cushions** - All seat cushion units 30 inches wide or less shall be designed to adequately support two passengers of 125 pounds each. All seat cushions over 30 inches wide shall be designed to adequately support three passengers of 125 pounds each. The seat cushion shall consist of a base, foam cushion, and upholstery meeting the following requirements:

2.14.3.1. **Base** - The base shall be nominal 1/2-inch thick, interior grade, C-D plywood with exterior grade glue, identification index 32/16, manufactured in conformance with U.S. Product Standard PS 1-83 and identified as to veneer grade and glue bond type by the trademarks of an approved testing agency. Plywood with blue stain in sapwood is not acceptable.

Alternatively, the base may be made of "Donnite" material, manufactured by the Donnite Corporation, Flora & Harrison, Plymouth, Indiana 45563, of equal or better strength and thickness.

2.14.3.2. **Foam Cushion** - The bus body manufacturer's standard full dimension urethane foam material shall be used for the seat cushion material.

2.14.3.3. **Upholstery** - The seat cushion unit shall be covered on top and four sides with a vinyl resin-coated upholstering material as follows:

- (i) **Material** - These materials shall have a regular fire-resistant treatment and shall be artificial leather equal to the coated fabrics listed in Table No. 2.
- (ii) **Wetling** - There shall be wetting on exposed seams of the seat back and cushion.
- (iii) **Thread** - The upholstery material shall be securely sewn with a thread meeting the requirements of Federal Specification V-T-295d. The thread in the needle and the thread in the looper (bobbin) of double-thread machines shall be size F, Type II (Twisted Bonded Multiple Cord), and size E, Type I (Twisted Soft Multiple Cord), respectively. The thread used in the needle and through the looper shall be Size F (Monofilament), Type III, for single thread machines.

TABLE NO. 2  
UPHOLSTERY

MANUFACTURER	FABRIC	WEIGHT		BACKING
		OZ/YD <sup>2</sup>	OZ/LIN YD	
Naugahyde	1037R	28.0	42.0	1.06 broken twill
Athol	1042FR	28.0	42.0	polyester cotton knit
Masland-Dura	6042 MKP-076	25.5	38.0	polyester cotton twill
General Tire*	2.73	24.0	38.0	polyester drill
Unikooyal*	E 7097-1	25.5	38.0	polyester knit
Athol*	536FR	25.5	38.0	polyester twill

\*Approved equal

C. 15- THROUGH 20-PASSENGER BODY SPECIFICATION

2.14.4. Seat Belts, Passenger - Seat belts conforming to FMVSS Nos. 209 and 210 shall be provided for each passenger position on 15- through 20-passenger school buses, including those with GVWR of more than 10,000 lbs. The seat belts shall meet the following requirements:

2.14.4.1. Design - Seat belts shall have a buckle end and an attaching end which are adjustable to fit passenger sizes as required by FMVSS 208 and 209. Buckles shall be of the plastic-covered push button design. Long and short ends shall be mounted alternately with the short end on the aisle. If possible, the design shall prevent fastening the belts across the aisle.

2.14.4.2. Colors - The belt assemblies shall be alternately color coded with contrasting colors. All aisle seats on the same side of the bus shall have belts with the same color. Two-position seats shall use two colors; three-position seats may use two or three colors.

2.15. SEATING REQUIREMENTS, DRIVER'S -

2.15.1. Seat Design - The base of the driver's seat shall be of the adjustable pedestal type or the platform type having an adjustment range of approximately 4 inches "Fore and Aft". The back of the driver's seat shall be heavily padded and formfitted.

2.15.2. Installation - The driver's seat, when installed by the body manufacturer, shall be mounted with bolts, flat washers, lock washers, and nuts except where it is impossible to use bolts and nuts at certain floor points due to main cross members or floor sill interference. Thread-forming or cutting bolts and lock washers may be used at these points.

2.15.3. Seat Belts and Seat Belt Assembly - A seat belt assembly conforming with FMVSS No. 209 shall be provided for the driver. The belt assembly shall be equipped with a reel-type locking retractor incorporated into the assembly. The location of the seat belt anchorage shall conform to SAE Standard J383 with the driver's seat adjusted to its rearmost position. A Type 2 seat belt with a standard shoulder harness, when provided, does not require a retractor at the stationary fastening bracket; however, this mounting bracket must be within easy reach of the seated driver. The seat belt assembly shall be anchored in such a manner or guided at the seat frame so as to prevent the driver from sliding sideways from under the belt.

2.16. SEAT BARRIERS AND PANELS - Barriers, or a system of padded guard rails, stanchions, and modesty panels, or a combination padded stanchion-guard rail with padded modesty panel, shall be installed in front of each front passenger seat or in front of any wheelchair position. The requirements for these barriers and modesty panels are as follows:

2.16.1. Buses (with GVWR > 10,000 lbs) - Buses with GVWR of more than 10,000 pounds shall have restraining barriers installed in front of each front passenger seat in accordance with the requirements of FMVSS No. 222.

2.16.2. Other Buses - Buses with GVWR of 10,000 pounds or less shall have one of the following: (a) a restraining barrier similar to that required by FMVSS No. 222, (2) a padded stanchion, a padded guard rail, and a padded modesty panel, or (3) a combination padded stanchion-guard rail with padded modesty panel as follows:

2.16.2.1. Material - All stanchions and guard rails or combination stanchions and guard rails shall be of steel or equivalent strength tubing having a minimum outside diameter of 1 inch. These stanchions and guard rails shall be padded.

2.16.2.2. Stanchions or Stanchion/Guard Rails - Stanchion(s) or combination stanchions and guard rails shall be installed at the rear of the entrance stepwell and at the rear of the driver's seat. The placement of stanchions shall neither restrict the entrance passageway at any level to less than 24 inches nor aisle width to less than 12 inches.

2.16.2.3. Guard Rail or Guard Rail/Stanchion - One guard rail or combination guard rail-stanchion shall be installed from the stepwell stanchion to the right-hand wall and a similar guard rail or combination guard rail stanchion shall be installed from the driver's side stanchion to the left-hand wall. These guard rails shall be positioned approximately 28 inches above the floor. The right-hand guard rail shall not restrict the entrance passageway to less than 24 inches at any level. The left-hand guard rail (behind the driver's seat) shall not restrict rearward travel of the driver's seat.

C. 15- THROUGH 20-PASSENGER BODY SPECIFICATION

2.16.2.4. Padded Modesty Panel -

- (i) General - A padded modesty panel shall be installed beneath each of the two guard rails and shall extend down from each guard rail to within one inch or less of the bus floor and from approximately one inch from the outside wall to within approximately one inch of the stanchion or vertical portion of the guard rail-stanchion. These modesty panels shall be securely attached to the guard rails and other supports in a manner so that rattles and loosening will not occur. The modesty panels shall be padded on both sides.
- (ii) Right-Hand Modesty Panel- If the right-hand modesty panel extends over or into the entrance stepwell opening, it must be flanged at the floor line so as to close any opening between this panel and the floor. The right-hand modesty panel shall not restrict the entrance passageway to less than 24 inches.
- (iii) Left-Hand Modesty Panel - The left-hand modesty panel shall neither interfere with the rearward travel of the driver's seat nor with the placement of required safety and operating equipment.

2.16.3. Handrail - A grab handle or handrail of sufficient length to assist entering and exiting passengers shall be installed on the forward side of the right barrier or modesty panel. The outside surface of this handle shall be stainless steel, polished aluminum, or chrome-plated steel.

2.16.4. Knee Space - Knee space between these modesty panels and the front of each front passenger seat shall be at least 24 inches for 15-passenger and 25 inches for 16- through 20-passenger buses when measured from the modesty panel to the front of the seat back at the center of the seat approximately 4 inches above the seat cushion.

2.17. WHEELHOUSING - The wheelhousing shall be the manufacturer's standard design. (See Par. C.1.9. for undercoating requirements.)

2.18. VENTILATION - The bus body shall be equipped with a suitable, controlled ventilation system of sufficient capacity to maintain a satisfactory ratio of outside to inside air under normal operating conditions without opening windows except in warm weather.

C.3. ACCESSORIES, REQUIRED AND OPTIONAL -

3.1. BACKUP ALARM - An automatic, audible backup warning alarm meeting the requirements of type C, 97 dB(A), SAE J994b (except for 12-volt system) shall be installed behind the rear axle.

3.2. DEFROSTERS - Defrosting equipment shall keep the windshield, the window to the left of the driver, and the glass in the service door clear of fog, frost, and snow, using heat from the heater and circulation from fans. All defrosting equipment shall meet the requirements of FMVSS No. 103. Any circulating fan used in defogging and installed on the curb side of the bus front shall be mounted on the windshield header so as to protect the fingers, hair, and clothing of entering and departing passengers.

3.3. FIRE EXTINGUISHERS - School buses shall be equipped with one of the fire extinguishers listed below:

3.3.1. Standard Fire Extinguisher - Each bus shall be equipped with at least one refillable stored pressure Multi-purpose Dry Chemical type (or approved equal) fire extinguisher of minimum 5-pounds capacity, mounted in extinguisher manufacturer's automotive type bracket, and located in driver's compartment in full view of and readily accessible to driver. The fire extinguisher shall bear the Underwriters Laboratory Listing Mark of no less than 2A 10-B:C rating. Extinguishers shall be furnished with a hose, pressure gauge, and metal head.

3.3.2. Halon Type Fire Extinguisher - An approved equal fire extinguisher is the American Safety Products (ASP) Model 13000, 2A 40-B:C Rating. (For those who prefer this type, this fire extinguisher is available with a 13-pound charge of combined halon gas. It is not permissible to transport these units after refilling, therefore the manufacturer offers a five-year warranty and replacement of discharged units with a new unit at half price.)

C. 15- THROUGH 20-PASSENGER BODY SPECIFICATION

- 3.4. **FIRST AID KIT** - Buses shall have a removable metal first aid kit container mounted in an accessible place within the driver's compartment. The compartment shall be marked to indicate the location of the kit. Number of units and contents for each kit shall be as follows:

- 2 - 1 in. x 2 1/2 yds. adhesive tape rolls
- 24 - sterile gauze pads 3 in. x 3 in.
- 100 - 3/4 in. x 3 in. adhesive bandages
- 12 - 2 in. bandage compress
- 12 - 3 in. bandage compress
- 2 - 2 in. x 6 yds. sterile gauze roller bandages
- 2 - nonsterile triangular bandage approx. 40 in. x 54 in., 2 safety pins
- 3 - sterile gauze pads 36 in. x 36 in.
- 3 - sterile eye pads
- 1 - rounded end scissors

3.5. **HEATERS AND ASSOCIATED COMPONENTS** -

- 3.5.1. **Standard Heater** - Each bus shall be equipped with a factory-installed fresh air type heater regularly offered as standard vehicle manufacturer's accessory for this type of vehicle. Controls shall be mounted on the dash.
- 3.5.2. **Auxiliary Heater** - When so specified in the Invitation for Bids (see Option 11), an auxiliary hot water type heater shall be furnished and installed in the passenger compartment of the bus (see Option 11). Heated conduits inside the bus shall be insulated or shielded to prevent injury to the driver or passengers.
- 3.5.3. **Bleeder Valves** - Any heater(s) installed by the body manufacturer shall have accessible air bleeder valves installed in the return lines.
- 3.5.4. **Service Accessibility** - Heater motors, cores, and fans shall be readily accessible for service. Access panels (removable without removing driver's seat) shall be provided as required for maintenance.

- 3.6. **EXTERIOR MIRRORS** - Exterior mirrors shall conform to the requirements of FMVSS No. 111. Each 15-through 20-passenger school bus shall be provided with exterior mirrors and brackets as described below:

- 3.6.1. **Crossover Mirrors** - An exterior wide angle (crossview) mirror (minimum 40 square inches of surface area) shall be installed on the left front of the bus and shall comply with the requirements of Section IV B.1.e of Federal Safety Standard No. 17, or as amended. This mirror shall have a tripod bracket assembly. Mirror mounting and backing shall be of steel or a high-impact plastic such as a polycarbonate/polyethylene terephthalate blend, or approved equal.
- 3.6.2. **Localized Viewing Mirror** - A minimum 40 square inch convex mirror shall be installed on the right front of each bus to provide localized viewing.
- 3.6.3. **Rearview Mirrors** - Exterior rearview mirrors shall be adjustable to allow any driver to have visibility beyond the rear wheels at ground level. Mirrors and brackets shall be provided for the various size buses as follows:
  - 3.6.3.1. **15-passenger Buses (Below Eye-level Mirrors)** - 15-passenger buses shall have the following mirrors and brackets furnished:
    - 3.6.3.1.1. **Mirrors** - Two metal-backed exterior clear-vision below eye-level rear-view mirrors with unit magnification and not less than fifty square inches of reflective surface shall be mounted outside, one to the left and one to the right of the driver. The right-side rearview mirror shall be the split view (dual view) type made up of a minimum 50 square inches flat mirror and a convex mirror. The convex mirror shall have approximate minimum of 19 square inches reflective surface.
    - 3.6.3.1.2. **Bracket** - Each mirror shall be mounted on tripod type mounting brackets, such as K-D Lamp Company, Model 112-7308, or approved equal. General Motors bracket number D-44 is approved as an equal.
  - 3.6.3.2. **16- through 20-passenger Buses (with Bodies Extending Laterally Beyond the Bus Cab)** - These buses shall have mirrors and brackets meeting Par. C.3.6.3.1. above in the dual view configuration, e.g., mirrors on each side made up of a minimum 50 square inch flat mirror and one minimum 19 square inch convex mirror in the dual view configuration.

C. 15- THROUGH 20-PASSENGER BODY SPECIFICATION

- 3.6.3.3. 16- through 20-passenger Buses (with Bodies Not Extended Laterally Beyond the Bus Cab) - These buses shall have mirrors and brackets meeting either Par. C.3.6.3.2. above or the following:
- 3.6.3.3.1. Mirrors - Two metal-backed, exterior, clear-vision rearview mirrors not less than 6 inches wide by 16 inches long shall be mounted outside, one to the left and one to the right of the driver. The right-side rearview mirror shall be the split view (dual view) type, such as the Grote Model 16041, or the Duplex "T" No. T-616 as manufactured by Elmsford Diecasting Company, 4 Vernon Lane, Elmsford, New York 10523; or a split view mirror with a prefocused convex (blind spot) mirror such as Sure-View Model 7002, manufactured by Sure-View, Inc., 1337 North Meridian Street, Wichita, Kansas 67203, or approved equal.
- 3.6.3.3.2. Bracket - Each exterior mirror shall be mounted in the brackets and assemblies shown on Texas State Purchasing and General Services Commission Drawings Numbered 040-35(a), 040-35(3), 040-35(4), 040-35(5), 040-35(6) and 040-35(7), dated November 15, 1968. The brackets shall be mounted on the left front and right front of the bus body and cowl. The parts, as shown on Drawings Numbered 040-35(2) and 040-35(3), must be formed to fit the individual configuration of each manufacturer's body and cowl design. Long dimensions of Texas mirror brackets may be adjusted as required to fit the configurations of buses. General Motors bracket number D-44 is an approved equal.
- 3.6.3.4. Mounting - Mounting of exterior mirrors to the bus body shall be by means of bolts, nuts, and lock washers, where possible; otherwise No. 10 hexagon head sheet metal bolts with star lock washers or No. 10 hexagon head sheet metal screws with serrated surface shall be used.
- 3.6.3.5. Painting Requirements - Brackets and assemblies of all exterior rearview and crossover mirrors shall be cleaned and prepared for painting in accordance with Federal Specification TT-C-490B, Type I or II. The metal backs of stainless steel, aluminum, and chrome-plated exterior and crossover mirrors, if painted, and the backs of all other metal-backed exterior and crossover mirrors shall be finished in black (Color No. 37038 of Federal Standard No. 595a).

NOTE: Care must be exercised to guard against reducing exterior mirror sizes below minimums. The required field of view shall not be impaired.

- 3.7. Interior Mirror - A clear-vision interior rearview mirror conforming to FMVSS No. 111, with at least 6" x 16" size vision area, affording a good view of the road to the rear as well as of the passengers, shall be furnished and installed. The mirror shall be made of safety glass and have rounded corners and protected edges.
- 3.8. REVOLVING STROBE LIGHT - When so specified on Invitation for Bids (see Option 22), an optional white flashing strobe light meeting the following requirements shall be provided:
- 3.8.1. Design - The lamp shall have a single clear lens emitting light revolving 360 degrees around a vertical axis. The light source shall be minimum of 50 candlepower and flash 60-120 times per minute. The base of the lamp shall be metal or approved equal and installed by a method which seals out dust and moisture. A manual switch is required for operation and a pilot light to indicate when the light is in operation shall be included. Wiring shall be installed inside the bus walls.
- 3.8.2. Mounting - The strobe light shall be permanently installed near the centerline on the school bus roof and not more than one-third of the body length forward of the rear edge of the bus roof. It shall not extend above the roof more than approximately 6.5 inches.
- 3.9. STOP ARM - When so specified on Invitation for Bids (see Option 21), a school bus stop arm meeting SAE J1133 and the following requirements shall be provided:
- 3.9.1. Design - The sign shall be octagon-shaped, constructed of zinc-coated steel or aluminum and painted with a polyurethane finish. It shall have a minimum 1/2-inch wide white border and the word "STOP" in white letters at least 6 inches high against a red background on both sides. Double-faced red, alternately flashing lamps, one each at the top and bottom (visible from each side of the structure) shall be connected to, and flash with the required school bus red flashing signal lamp circuit when the arm is extended. The arm mechanism may be activated by air pressure, electricity, or by vacuum. The school may specify a reflectorized surface if desired.
- 3.9.2. Mounting - The stop arm shall be installed on the left side of the school bus near the front cowl section.

C. 15- THROUGH 20-PASSENGER BODY SPECIFICATION

- 3.10 **SUN VISOR** - An adjustable sun visor with a minimum size of 5 inches by 16 inches shall be installed above the interior windshield on the driver's side. The sun visor shall not interfere with the driver's full view of the rearview mirrors. A right sun visor is manufacturer's option.
- 3.11. **TOOL COMPARTMENT** - When so specified in the Invitation for Bids (see Option 31), a metal container of adequate strength and capacity shall be provided for storage of tire chains, tow chains, and such tools as may be necessary for minor emergency repairs. This storage container shall be located either inside or outside the passenger compartment. However, if it is located inside the passenger compartment, it shall be provided with a separate cover; a seat cushion shall not be used as this cover. This tool compartment shall be capable of being securely latched and shall be fastened to the floor in the right front or the right rear of the bus.
- 3.12 **WINDSHIELD WIPERS AND WASHERS** -
- 3.12.1. **Wipers** - Each bus shall be equipped with two, 2-speed or variable speed, electric motor-driven windshield wipers.
- 3.12.2. **Washers** - A vacuum- or electrical-operated windshield washer shall be furnished and installed. The washer shall have a minimum reservoir capacity of one quart of water and shall direct a stream of water into the path of travel of each windshield wiper blade each time the actuating button is operated.



## D. CHASSIS SPECIFICATIONS

### D.1. GENERAL REQUIREMENTS -

- 1.1. **GENERAL SPECIFICATIONS** - The requirements for gross vehicle weight ratings, gross axle weight ratings (front and rear) and tire sizes and load ranges, as specified in Table Nos. 3 through 7 for each size chassis are minimum requirements (see Par. A.4.4.). The requirements are for school buses with standard equipment. The added weights of optional equipment, such as air conditioning, luggage racks, lifts for the physically impaired, or other heavy accessories were not considered in establishing the capacity ratings to be certified for the chassis. If additional optional equipment is ordered which necessitates increased capacity ratings of either axles, springs or tires, it is the responsibility of the vendor to furnish them so that proper certification can be made on the vehicle.
- 1.2. **COLOR** - The chassis, including bumpers and wheels, shall be painted black (Color 17038); cowl, fenders, and hood shall be painted school bus yellow (Color 13432).

### D.2. CHASSIS FRAME AND RELATED COMPONENTS -

- 2.1. **CHASSIS FRAME SIDE MEMBERS** - Each frame side member shall be of one-piece construction. If the frame side members are extended, such extension shall be designed, furnished, and guaranteed by the installing manufacturer. The installation shall be made by either the chassis or body manufacturer. Extensions of frame lengths are permissible only when such alterations are welded on behind the hanger of the rear spring. This specification does not permit wheelbase extensions. Any welding, heating (for frame straightening or repairs), or the drilling of holes in chassis frame members shall be in accordance with chassis manufacturer's recommendations.
- 2.2. **BUMPERS, FRONT AND REAR** - Front and rear bumpers shall be chassis manufacturer's standard except the rear bumper furnished by body manufacturer shall be of the size and type and attached to frame as described in Paragraph C.1.2. The bumpers shall be painted black (Color No. 17038).
- 2.3. **FUEL TANKS** - Standard and auxiliary fuel tanks shall meet FMVSS No. 301-75 as applicable to school buses and shall meet the current design objectives of the SEMI:
  - 2.3.1. **Standard Fuel Tanks** - The standard fuel tank shall have a minimum capacity of 21 gallons. The tank shall be mounted, filled, and vented entirely outside the body (see Section D.4.4.2.)
  - 2.3.2. **Auxiliary Fuel Tank(s)** - When so specified in the Invitation for Bids, (see Option 9), the bus shall be furnished with a minimum capacity 30-gallon fuel tank or tanks furnished and installed by the chassis manufacturer.
- 2.4. **STEERING, POWER** - The bus shall be furnished with the chassis manufacturer's standard power steering which will provide safe and accurate performance at maximum load and speed.

### D.3. AXLES, SUSPENSION, AND RELATED COMPONENTS -

- 3.1. **AXLES** - Axle capacities and gross axle weight ratings (GAWR's) shall be as specified in Table Nos. 3 through 7 for each make of vehicle. Increased axle capacities shall be furnished to accommodate optional equipment such as diesel engines or other heavy accessories as required (see Paragraphs A.4.4., D.1.1., and G.1.7.2.)
- 3.2. **BRAKES AND RELATED COMPONENTS-**
  - 3.2.1. **Service Brakes** - Service brakes shall be manufacturer's standard front power disc brakes and rear disc or drum brakes meeting FMVSS No. 105-83 as applicable to school buses.
  - 3.2.2. **Low Fluid Warning** - Hydraulic assist-boosters shall audibly and visually warn of fluid or power loss.
- 3.3. **SHOCK ABSORBERS** - Two front and two rear heavy-duty, double-acting shock absorbers shall be installed.
- 3.4. **SPRINGS** - The ground ratings for the front and rear springs shall be as specified in Table Nos. 3 through 7 for each make of vehicle (see Paragraphs A.4.4., D.1.1., and G.1.8.2.)

D. 15- THROUGH 20-PASSENGER CHASSIS SPECIFICATIONS

3.5. TIRES AND WHEELS -

3.5.1. Tires - All standard tires shall be the steel belted radial tubless type. All tires shall be new and the tread style furnished shall be the tire manufacturer's standard design and the brand normally furnished on regular production orders unless otherwise specified in the Invitation for Bids. All tires shall be "Original Equipment Line Quality." For tire size and load range for each size chassis, see Table Nos. 3 through 7 and the major components chart.

3.5.2. Spare Wheel - When so specified in the Invitation for Bids (see Option 32), the bus shall have a spare wheel; however carrier for spare wheel will not be provided under this option.

3.6. HUBODOMETERS - Each chassis shall be equipped with one hubodometer with standard mounting bracket which shall be calibrated in miles and installed by the manufacturer. The preferred mounting location is on the right rear axle drive wheel. The hubodometer shall be one of the following:

3.6.1. Acou-Trak, Standard Car Truck, Park Ridge, IL 60068.

3.6.2. Engler Instruments, 250 Culver Ave., Jersey City, NJ 07305.

3.6.3. Veeder-Root, Hartford, CT 06102.

D.4. ENGINE AND RELATED COMPONENTS -

4.1. ENGINES - Approved engines listed in each table for the various size buses are the engines for which the vendor has requested approval and are usually the smallest engine in terms of performance that will meet the requirements listed below. Other approved engines which the vendor may provide with a given chassis will be listed also in an Approved Products List (APL). The APL will be updated as new engines or additional versions of current engines are approved. Please note that only those engines approved as specified below and listed either in the Texas School Bus Specification or in the Class 070-SB-APL will be acceptable for school buses.

4.1.1. Gasoline Engines - Engines for the 15- through 20-passenger buses shall be of the gasoline type unless otherwise specified in the Invitation for Bids. Approved engines are listed in Tables Nos. 3 through 7 and in the Class 070-SB-APL.

4.1.2. Diesel Engines - When so specified in the Invitation for Bids, the 15-, 16-, 18-, 19-, or 20-passenger school bus chassis shall be furnished with a 4-cycle diesel engine (see Option 7).

4.1.3. Power Requirements - Each bus shall be furnished with an engine that meets or exceeds the following minimum criteria (see second note at the end of Paragraph D.4.1.4.8.), when tested at or above the GVWR required for a given bus capacity and with all accessories except air conditioning compressor on and operating:

4.1.3.1. Acceleration from 0 to 50 mph in 60 seconds or less.

4.1.3.2. Gradeability of 1.5% minimum at 50 mph.

4.1.3.3. Gradeability of 5.0% minimum at 25 mph.

4.1.3.4. Startability of 20% minimum.

4.1.3.5. Top speed of 55 mph minimum at the Manufacturer's rated rpm for the governed engine.

4.1.4. Approval of New Engines - Procedures for approving new school bus engines for 15- through 20-passenger school buses shall be as follows:

4.1.4.1. Submit to the Specification Section, a letter certifying that the proposed engine meets or exceeds each requirement of Par. D.4.1.3. when installed in the largest size bus for which approval is requested.

4.1.4.2. The Specification Section will review the request and advise the vendor or manufacturer by letter that their request for engine approval and their statement on engine performance have been received. Copies will be furnished to the School Bus Committee.

4.1.4.3. After receipt of this letter, the vendor or manufacturer shall contact the SPGSC Purchaser to arrange for the testing of the engine in the largest size school bus for which approval is requested. The Purchaser will consult with the TEA Representative and inform the vendor of the name(s) of the school district(s) from which to select a participating school district.

D. 15- THROUGH 20-PASSENGER CHASSIS SPECIFICATIONS

- 4.1.4.4. The vendor must obtain the cooperation of one of the named school districts in agreeing to test the bus and to provide a report to the SPGSC Specification Section on the form provided. (See copy of the Form entitled, "Three Month Test of New School Bus Engines", on page 99.)
- 4.1.4.5. The vendor or manufacturer shall then contact the SPGSC Purchaser and TEA School Bus Committee Representative about ordering the school bus with the subject engine.
- 4.1.4.6. The bus shall be tested for a period of not less than three months during the regular nine-months school term, preferably on a variety of routes and on activity trips.
- 4.1.4.7. Upon receipt of the school district's report, the Specification Section will make a recommendation at the next meeting of the School Bus Committee that the engine be accepted or rejected.
- 4.1.4.8. The School Bus Committee will act on this recommendation and, if approved, the engine will be added to the Class 070-SB APL.

**NOTES:** Once an engine is approved in one horsepower and torque version, other power versions of this same engine need not be tested in a school bus prior to approval. For approval, the vendor or manufacturer shall follow Per. D.4.1.4.1., and, in addition, state the rear end ratio recommended for the size bus for which approval is requested. Then the engine will be added to the Class 070-SB-APL which will show the net horsepower and torque as well as the rear end ratio for the particular application.

THE VALUES OF DISPLACEMENT, HORSEPOWER, AND TORQUE LISTED IN THE FOLLOWING TABLES UNDER EACH MANUFACTURER ARE NOT MINIMUM VALUES AND SHOULD NOT BE CONSTRUED AS SUCH. THE ONLY MINIMUM REQUIREMENTS FOR THE PERFORMANCE OF ENGINES IN 15- THROUGH 20-PASSENGER SCHOOL BUSES IN THE STATE OF TEXAS ARE THE FIVE REQUIREMENTS LISTED IN PARAGRAPH D.4.1.3. (There are additional requirements for engines, either implied or specified, separate from the above performance requirements.)

- 4.2. **AIR CLEANER** - Each chassis shall be equipped with a factory-installed maximum capacity, replaceable dry element type air cleaner.
- 4.3. **COOLING SYSTEM** - The cooling system radiator shall be of sufficient capacity to cool the engine at all speeds in all gears. The cooling system fan shall be the heavy-duty reinforced type.
- 4.4. **EXHAUST SYSTEM** -
  - 4.4.1. **Component Placement** - The exhaust pipe, muffler, and tailpipe shall be mounted under the bus and attached to the chassis frame.
  - 4.4.2. **Tailpipe Exit** - The tailpipe of a gasoline-powered bus shall not exit the side of the bus anywhere within 12 inches of a vertical plane through the center of the fuel filler opening and perpendicular to the side of the bus, unless protected with a metal shield to divert spilled fuel away from tailpipe.
  - 4.4.3. **Noise Level** - The noise level shall neither exceed EPA "Noise Emission Standards" nor 90 dB(A) at the ear of the occupant in the bus nearest the noise source.
- 4.5. **OIL FILTER** - Each chassis shall be equipped with a factory-installed, minimum one-quart capacity oil filter with a replaceable filter element.
- 4.6. **TACHOGRAPH** - When so specified in the Invitation for Bids (see Option 24), a tachograph containing a combination clock/speedometer/recorder shall be installed on the dashboard. The tachograph shall be Argo Model 1310-6, Veeder-Root Model 1407, or approved equal.

D.5. **TRANSMISSION AND RELATED COMPONENTS** -

- 5.1. **AUTOMATIC TRANSMISSION, STANDARD** - The standard automatic transmission shall be the 3- or 4-forward speed automatic type, and shall be one of the following:
  - 5.1.1. - Chrysler Motor Corporation's "A727 LoadFlite",
  - 5.1.2. - Ford Motor Company's "SelectShift" or,
  - 5.1.3. - General Motors Corporation's "Turbo Hydramatic."
- 5.2. **DRIVE SHAFT GUARD** - Each drive shaft section shall be equipped with protective metal guard or guards to prevent the shaft from whipping through the floor or dropping to the ground when broken.

D. 15- THROUGH 20-PASSENGER CHASSIS SPECIFICATIONS

D.6. ELECTRICAL SYSTEM AND RELATED COMPONENTS -

- 6.1. **ALTERNATOR** - The electrical output of the alternator in amperes shall be as listed in Table Nos. 3 through 7. A minimum 75 ampere alternator is required for gasoline engines; a minimum 60 ampere alternator is required with the optional diesel engine. A minimum 100 ampere alternator is required with air conditioning or wheelchair lift with either engine.
- 6.2. **BATTERY AND RELATED COMPONENTS** - The storage battery furnished on each chassis shall have sufficient capacity to supply current for adequate operation of the engine starter, lights, signals, heater, and all other electrical equipment. The batteries furnished for 15- through 20-passenger school buses shall have a potential of 12 volts and meet the following:
- 6.2.1. **Battery (Gasoline Engines)** - The minimum performance level shall be a BCI cold cranking capacity of no less than 360 amperes @ 0° F with a minimum 100-minute reserve capacity.
- 6.2.2. **Battery (Diesel Engines)** - The batteries furnished with diesel engines shall be as specified by the chassis manufacturer. When two batteries are provided, they shall both be installed under the hood or one shall be installed under the hood and the other shall be installed in a battery box having outside access. Single batteries shall be installed under the hood.
- 6.3. **HORNS** - Each bus shall be equipped with horn or horns of standard make. Each horn shall be capable of producing audible sounds in a range between 82 and 102 decibels. The sound level measurements shall be made at a distance of 50 feet directly in front of the vehicle in accordance with SAE J377.
- 6.4. **INSTRUMENTS AND INSTRUMENT PANEL** - The bus shall be equipped with the following nonglare illuminated instruments (controlled by an independent rheostat\*), and gauges mounted for easy maintenance and repairs and clearly visible to the seated driver. Indicator warning lights in lieu of gauges are permissible as shown below:
- (1) Speedometer
  - (2) Odometer
  - (3) Fuel Gauge
  - (4) Oil Pressure Gauge and/or Warning Light
  - (5) Water Temperature Gauge and/or Warning Light
  - (6) Ammeter or Voltmeter with graduated charge and discharge indications
  - (7) Vehicle manufacturer's standard Keyed Ignition Switch
  - (8) Glow Plug Indicator Light (for diesel buses with glow plugs only).
- \*Note: If the intensity of the body-installed panel lamps is controlled, then the intensity control shall not be accomplished by the same rheostat that controls the chassis instrument lamps, unless the body company designs and installs the rheostat to accomplish both.
- 6.5. **LAMPS** - Each bus shall be equipped with at least two white headlamps meeting the requirements of FMVSS No. 108 and a dimmer switch located at the far left of steering column. Adequate parking lamps operated by a switch in common with the headlamps shall be provided.
- 6.6. **TURN-SIGNAL AND VEHICULAR WARNING SIGNAL OPERATING UNITS AND FLASHERS** - The operating units and flashers for turn-signals and vehicular hazard warning signals shall meet the requirements of FMVSS No. 108 (see Paragraphs C.1.4. and C.1.5.).

D. 15- THROUGH 20-PASSENGER CHASSIS SPECIFICATIONS

TABLE 3  
15-PASSENGER BUS

Refer to General Requirements, Page 3

ITEM	1989	Chevrolet/GMC	Dodge	Ford
	Minimum Rqmts.	G3130/G31303	B 350	F 350**
GVWR, lbs.	8510	8600/10000	8510	9500
Front Axle Capacity, lbs.	3600	3900	3600	4200
Rear Axle Capacity, lbs.	5500	7500	5500	7800
Front GAWR, lbs.	3170	3900	3170	4200
Rear GAWR, lbs.	5340	5360/7200	5340	6084
Wheelbase, in.	125.0	125.0	127.6	138
Front Track, in.	67.4	69.02/69.34	67.4	68.4
Rear Track, in.	64.0	67.36/74.01	64.0	66.0
Chassis Length, in.	as required	202.2/197.6	222.9	226.8
Engine CID	*	350-V8	360-V8	**
SAE Gross Horsepower	*	185	205	**
SAE Gross Torque, lb-ft.	*	285	305	**
Transmission	Auto	Auto	Auto	Auto
Radial Truck Type Tires	Single Rear	Tubeless	Tubeless	Tubeless
Tire Size & Load Range	Steel Belt as shown	8.75R-16.5E/ 8.00R-16.5E	LT225/ 75R-16E	LT235/ 85R16E
Alternator, amperes	75	85	75	100

\*See minimum power requirements in Par. D.4.1.3.

\*\*Furnished with diesel engine only, Option 7.

The following bodies are available on van conversion or commercial cutaway chassis:

15-passenger ITEM	1989 Minimum Rqmts.	Blue Bird Micro	Collins Bantam/Econo	Lewis Reddi-Bus	Van-Con	Wayne Busette
Interior Headroom, in.	62	74	63	65.0	63.5	63
Interior Width:						
Floor Line, in.	72	90.5	75	75.0	77.0	89.25
Shoulder Line, in.	70	90.5	75	75.0	70.0	87.42
Service Door	as shown	Tall	Sedan	Tall	Sedan	Sedan
Rear Wheels	as shown	Dual	Single	Single	Single	Dual
Chassis	as shown	Cutaway	Van	Van	Van	Cutaway

Diesel Engine (Option 7)

15-passenger ITEM	1989 Minimum Rqmts.	Chevrolet/GMC G31305/G31303	Ford F 350
Engine Displacement, l.	*	6.2N-V8	7.3N-V8
SAE Gross Horsepower	*	155	180
SAE Gross Torque, lb-ft.	*	265	345
Alternator, amperes	60	66	100

\*See minimum power requirements in Par. D.4.1.3.

Engines listed on this page are approved to meet or exceed power requirements under normal operating conditions. Other engines must be submitted for approval by the School Bus Committee (see Par. D.4.1.3.).

D. 15- THROUGH 20-PASSENGER CHASSIS SPECIFICATIONS

TABLE 4  
16-PASSENGER BUS  
(Wide Body, Straight Side, Style 2 Service Door\*)

Refer to General Requirements, Page 3

ITEM	1989	Chevrolet/GMC	Ford
	Minimum Rqmts.	G31303	E 350***
GVMR, lbs.	10000	10000	10000
Front Axle Capacity, lbs.	3900	3900	4200
Rear Axle Capacity, lbs.	7400	7500	7400
Front GAWR, lbs.	3550	3900	3550
Rear GAWR, lbs.	7200	7200	7370
Wheelbase, in.	125	125	138
Front Track, in.	68.44	69.34	68.44
Rear Track, in.	73.22	74.01	73.22
Chassis Length, in.	as required	197.6	226.8
Engine CID	**	350-V8	***
SAE Gross Horsepower	**	185	***
SAE Gross Torque, lb-ft.	**	285	***
Transmission	Auto	Auto	Auto
Radial Truck Type Tires	Dual Rear	Tubeless	Tubeless
Tire Size &	Steel Belt		LT215/
Load Range	as shown	8.00R-16.5E	85R16D
Alternator, amperes	75	85	100

\*Conventional Bus Door - minimum 68" tall and 24" wide, folds or separates in the middle to open.

\*\*See minimum power requirements in Par. D.4.1.3.

\*\*\*Furnished with diesel engine only, Option 7.

The following bodies are available on commercial cutaway chassis in this configuration:

16-Passenger ITEM	1989 Minimum Rqmts.	Amtran Ward V8S16	Blue Bird Micro Bird	Carpenter SCL	Thomas Minotour****	Wayne Chaperone
Interior Headroom, in.	72	74	74	74	72	72
Interior Width, in.	90	90	90.5	90	90	90.75

\*\*\*\*Not available with a diesel engine except as a wheelchair equipped bus (14-passenger).

DIESEL ENGINE (Option 7)

16-Passenger ITEM	1989 Minimum Rqmts.	Chevrolet/GMC G31303	Ford E 350
Engine Displacement, l.	**	6.2N-V8	7.3N-V8
SAE Gross Horsepower	**	155	180
SAE Gross Torque, lb-ft.	**	265	345
Alternator, amperes	60	66	100

\*\*See minimum power requirements in Par. D.4.1.3.

Engines listed on this page are approved to meet or exceed power requirements under normal operating conditions. Other engines must be submitted for approval by the School Bus Committee (see Par. D.4.1.3.).

D. 15- THROUGH 20-PASSENGER CHASSIS SPECIFICATIONS

**TABLE 5**  
**Extended 18-Passenger Diesel School Bus**  
**(With Dual Rear Emergency Door)**

Refer to General Requirements, Page 3

ITEM	1989 Minimum Rqmts.	Ford E 350	
GWR, lbs	9500	9500	
Front Axle Cap., lbs.	4200	4200	
Rear Axle Cap., lbs	6340	6340	
Front GAWR, lb	4200	4200	
Rear GAWR, lb	6080	6080	
Wheelbase, in.	138	138	
Engine, l.	*	7.3N-V8	
SAE Gross HP	*	180	
SAE Gross Torque, lb-ft.	*	345	
Transmission	Auto	Auto	
Radial Truck Type Tires	Single Rear	Tubeless	
Tire Size & Load Range	Steel Belt as shown	LT235/ 85R15E	
Alternator, amperes	60	60	

\*See minimum power requirements in Par. D.4.1.3.

The following bodies are available on van conversion chassis:

18-Passenger ITEM	1989 Minimum Rqmts.	Collins Super Bantam	Lewis Reddi Bus
Overall Length	245.0	246.8	245.0
Interior Height	64	64	65
Interior Width	75	75	75
Entrance Door Height	70	74	70
Passenger Seats (30" Benches):			
Left Side	5 rows	5	5
Curb Side	4 rows	4	4
Knee Space	26"	26	26
Aisle Width	15"	15	15

Engines listed on this page are approved to meet or exceed power requirements under normal operating conditions. Other engines must be submitted for approval by the School Bus Committee (see Par. D.4.1.3.)

D. 15- THROUGH 20-PASSENGER CHASSIS SPECIFICATIONS

TABLE 6  
19-PASSENGER BUS

Refer to General Requirements, Page 3

ITEM	1989	Chevrolet/GMC	
	Minimum Rqmts.	G31303	
GVWR, lbs.	10000	10000	
Front Axle Capacity, lbs.	3900	3900	
Rear Axle Capacity, lbs.	7400	750	
Front GAWR, lbs.	3550	3900	
Rear GAWR, lbs.	7200	7200	
Wheelbase, in.	125	125	
Front Track, in.	68.4	69.34	
Rear Track, in.	73.2	74.01	
Chassis Length, in.	as required	197.6	
Engine CID	*	350-V8	
SAE Gross Horsepower	*	185	
SAE Gross Torque, lb-ft.	*	285	
Transmission	Auto	Auto	
Radial Truck Type Tires	Dual Rear	Tubeless	
Tire Size &	Steel Belt		
Load Range	as shown	8.00R-16.5E	
Alternator, amperes	75	85	

\*See minimum power requirements in Par. D.4.1.3.

The following bodies are available on commercial cutaway chassis:

19-Passenger ITEM	1989 Minimum Rqmts.	Amfran-Ward Vanguard**/ V8S 19	Blue Bird Micro Bird	Carpenter SCL Clipper	Thomas Minotour	Wayne Busette**/ Chaperone
Interior Headroom, in.	62	74	74	74	72	63/72
Interior Width, in.	87	90	90.5	90	90	87.42/90.75
Service Door	as shown	Sedan/Tall	Tall	Tall	Tall	Sedan**/Tall

\*\* Available only with Option 15, Sedan type service door

DIESEL ENGINE (Option 7)

19-Passenger ITEM	1989 Minimum Rqmts.	Chevrolet/GMC G31303
Engine Displacement, l.	*	6.2N-V8
SAE Gross Horsepower	*	155
SAE Gross Torque, lb-ft.	*	265
Transmission	Auto	Auto
Alternator, amperes	60	66

\*See minimum power requirements in Par. D.4.1.3.

Engines listed on this page are approved to meet or exceed power requirements under normal operating conditions. Other engines must be submitted for approval by the School Bus Committee (see Par. D.4.1.3.).



D. 15- THROUGH 20-PASSENGER CHASSIS SPECIFICATIONS

**TABLE 7**  
**20-PASSENGER BUS**  
 (Straight Side, Style 2 Service Door\*)

Refer to General Requirements, Page 3

ITEM	1989	Chevrolet/GMC	
	Minimum Rqmts.	F30842	
GWR, lbs.	11500	11500	
Front Axle Capacity, lbs.	5000	5000	
Rear Axle Capacity, lbs.	11000	11000	
Front GAWR, lbs.	4400	4400	
Rear GAWR, lbs.	7900	7900	
Wheelbase, in.	125	125	
Front Track, in.	66.7	66.7	
Rear Track, in.	65.7	65.7	
Chassis Length, in.	as required	214.8	
Engine CID	**	350-V8	
SAE Gross Horsepower	**	185	
SAE Gross Torque, lb-ft.	**	285	
Transmission	Auto	Auto	
Radial Truck Type Tires	Dual Rear	Tubeless	
Tire Size & Load Range	Steel Belt as shown	8.00R-19.5E	
Alternator, amperes	75	105	

\*Conventional bus door - minimum 68" tall and 24" wide, folds or separates in the middle to open.

\*\*See minimum power requirements in Par. D.4.1.3.

The following bodies are available on stripped chassis:

20-Passenger ITEM	1989 Minimum Rqmts.	Blue Bird Mini Bird	Carpenter Cadet	Thomas Mighty Mite
Interior Headroom, in.	72	77	77	73
Interior Width, in.	78	90.5	90.0	78
Service Door	as shown	Tall	Tall	Tall

**DIESEL ENGINE (Option 7)**

20-Passenger ITEM	1989	Chevrolet/GMC	
	Minimum Rqmts.	F30842	
Engine Displacement, l.	**	6.2N-V8	
SAE Gross Horsepower	**	155	
SAE Gross Torque, lb-ft.	**	265	
Transmission	Auto	Auto	
Alternator, Amperes	60	66	

\*\*See minimum power requirements in Par. D.4.1.3.

Engines listed on this page are approved to meet or exceed power requirements under normal operating conditions. Other engines must be submitted for approval by the School Bus Committee (see Par. D.4.1.3.)

D. 15- THROUGH 20-PASSENGER CHASSIS SPECIFICATIONS

E. 24- THROUGH 83-PASSENGER BODY SPECIFICATIONS

E.1. GENERAL REQUIREMENTS -

1.1. BODY PHYSICAL REQUIREMENTS - Physical requirements for the 24- through 83-passenger school buses shall conform to the following table (see Option No. 16 and Par. A.1.3.):

TABLE NO. 8

PHYSICAL REQUIREMENTS

(1) MINIMUM SIZE	(2) OVERALL BODY WIDTH	(3) ROWS OF SEATS	(4) KNEE SPACINGS	(5) SEAT WIDTH LEFT RIGHT	(6) CENTER AISLE WIDTH	(7) FLOOR-TO- CEILING HEIGHT
Number of Passengers	Inches, Maximum	Each	Inches, Minimum	Inches, Minimum	Inches, Minimum	Inches, Minimum
24	96	5	24	39* 26	12	72
35	102	6	25	39* 39	12	72
47	102	8	25	39* 39	12	72
53	102	9	25	39* 39	12	72
59	102	10	25	39* 39	12	72
65	102	11	25	39* 39	12	72
71-S	102	12	24-3/4	39* 39	12	72
71-L	102	12	25	39* 39	12	72
77	102	13	25	39* 39	12	72
83	102	14	24-3/4	39* 39	12	72

NOTES: Column (4) - Knee space is defined as the horizontal distance from the front center of a seat back to the rear center of the seat back or barrier immediately ahead, measured at approximately 4 inches above the seat cushion. Knee space may be reduced to 24 3/8 inches, only on those 83-passenger bus seats where it is impossible to achieve 24 3/4 inch space.

Column (5) - \*Left rear seat shall have minimum width of 26 inches.

Column (6) - Floor-to-ceiling height shall be measured in the center of the body between the No. 2 pillar and the last side body pillar ahead of the rear roof slope.

1.1.1. Overall Length - The overall length of a complete school bus shall not exceed 40 feet.

1.2. BUMPER, REAR - The rear bumper shall be furnished by the body manufacturer. It shall be secured to rear chassis frame and it shall be designed so as to prevent "hitching of rides" by obtaining a toe-hold thereon. The bumper shall not be permanently attached to the bus body, but shall wrap around the body, extending forward for at least 12 inches on each side. The bumper shall be of pressed steel channel at least 3/16-inch thick by 6 inches high. It must be bolted to the chassis frame and braced with material of at least equal impact ratio as the material in the bumper.

1.3. CEILING - The ceiling shall be free of all projections likely to cause injury to passengers. (See table above for ceiling height requirements and Par. E.2.11. for other ceiling requirements.)

1.4. LAMPS, SIGNALS, AND WARNING DEVICES - Each bus shall be furnished with the lamps listed below (see locations on Figures 3 and 4):

1.4.1. Alternately Flashing Signal Lamps - Each school bus shall be equipped with eight warning signal lamps, four red and four amber, working in an automatic non-sequential integrated system. The signal lamps shall conform to the design, installation location and operating requirements of Paragraph S4.1.4. of FMVSS No. 108:

"S4.1.4. Each school bus shall be equipped with a system of ...:

... (b) Four red signal lamps designed to conform to SAE Standard J887, 'School Bus Red Signal Lamps', July 1964, and four amber signal lamps designed to conform to that standard, except for their color, and except that their candlepower shall be at least 2-1/2 times that specified for red signal lamps. Both red and amber lamps shall be installed in accordance with SAE Standard J887, except that:

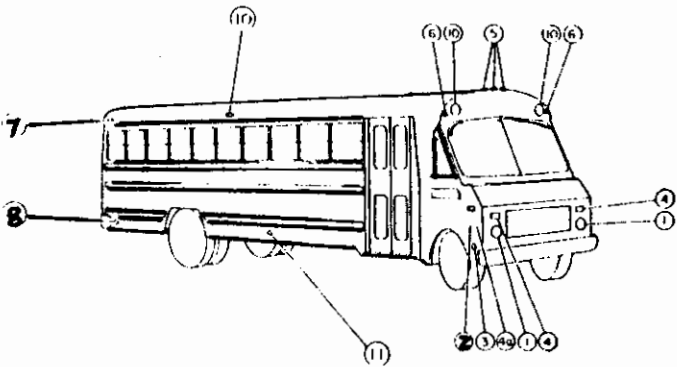
(i) Each amber signal lamps shall be located near each red signal lamp at the same level, but closer to the vertical centerline of the bus; and

(ii) The system shall be wired so that the amber signal lamps are activated only by manual or foot operation, and if activated, are automatically deactivated and the red signal lamps automatically activated when the bus entrance door is opened."

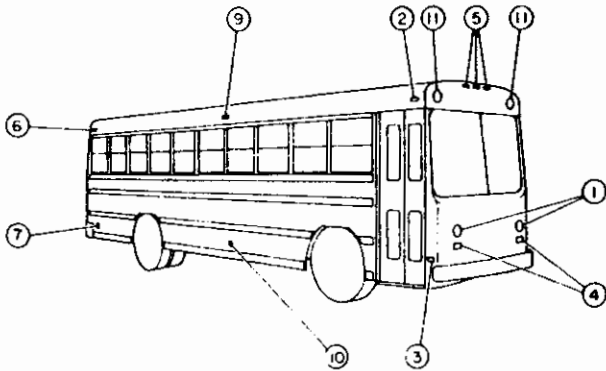
E. 24- THROUGH 93-PASSENGER BODY SPECIFICATIONS

Figure 3

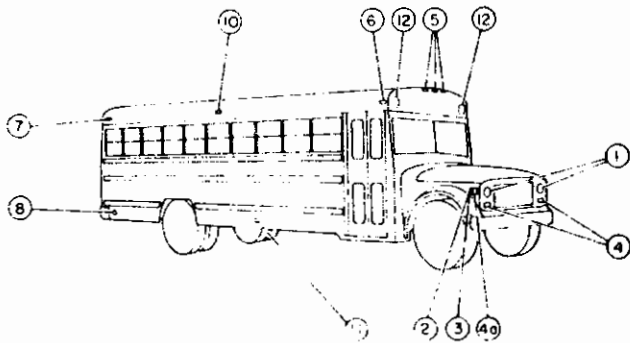
Texas School Buses require an 8-lamp Warning System and 2 White Backup Lamps in addition to the requirements listed below and in Figure 4.



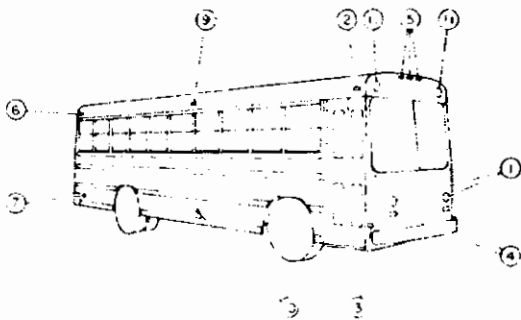
24- THRU 77-PASSENGER SEMI-FORWARD CONTROL SCHOOL BUS - Front Quarter View



47- THRU 77-PASSENGER FORWARD CONTROL SCHOOL BUS - Front Quarter View



83- THRU 93-PASSENGER CONVENTION SCHOOL BUS - Front Quarter View

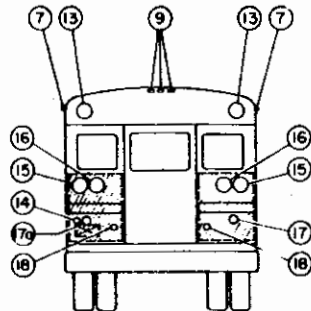


93-PASSENGER TRANSIT TYPE SCHOOL BUS - Front Quarter View

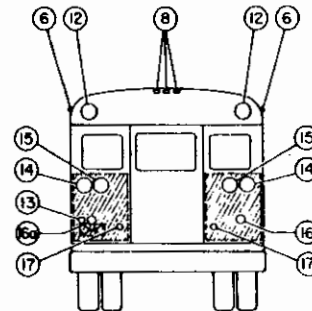
**R. 24- THROUGH 83-PASSENGER BODY SPECIFICATIONS**

**Figure 4**

Texas School Buses require an 8-lamp Warning System and 2 White Backup Lamps in addition to the requirements listed below and in Figure 3.



**Rear View**  
Conv., SFC, & FC



**Rear View**  
Transit type

**Numbers**

**Legend:**

Conv., SFC, and FC

Transit Type

1	1	2 White Headlamps (4 Optional)
2	--	2 Amber Front Side Marker Lamps
--	2	2 Amber Combination Front Clearance & Side Marker Lamps (May be 4 Separate Lamps (See S4.4 of FMVSS No. 108))
3	3	2 Amber Front Side Reflectors
4	4	2 Amber Front Turn Signal Lamps
4a	--	2 Amber Front Turn Signal Lamps (Optional Location)
5	5	3 Amber Front Identification Lamps
6	--	2 Amber Front Clearance Lamps
7	6	2 Red Combination Rear Clearance & Side Marker Lamps (May be 4 Separate Lamps (See S4.4 of FMVSS No. 108))
8	7	2 Red Rear Side Reflectors
9	8	3 Red Rear Identification Lamps
10	9	2 Amber Intermediate Side Marker Lamps (If Vehicle is 30 Feet or more in length)
11	10	2 Amber Intermediate Side Reflectors (If Vehicle is 30 Feet or more in length)
12	11	2 Red Front School Bus Warning Lamps <u>and</u> 2 Amber (not shown)
13	12	2 Red Rear School Bus Warning Lamps <u>and</u> 2 Amber (not shown)
14	13	2 Rear White Backup Lamps

**THE FOLLOWING SHALL BE MOUNTED WITHIN THE DASHED AREA PER MANUFACTURER'S DESIGN:**

15	14	2 Red or Amber Rear Turn Signal Lamps
16	15	2 Red Rear Stop Lamps
17	16	2 Red Rear Tail Lamps
17a	16a	1 White Rear License Plate Lamp Combined with Tail Lamp (Optional)
18	17	2 Rear Red Reflectors

E. 24- THROUGH 83-PASSENGER BODY SPECIFICATIONS

**NOTE:** The lamps shall be wired independently and not wired through the ignition switch. This will allow removal of the ignition key without affecting operation of the alternately flashing eight warning signal lamps.

- 1.4.1.1. Band - Each set of amber and red lamps shall have a minimum 3-inch black band around the set and a 3-inch band between the lamps in each set. The color of this band shall be black (Color No. 17038, Black Enamel of Federal Standard 595a). If it is not possible to provide a 3-inch band between the lamps in the set, the manufacturer will then provide a band as wide as possible. Any visor or hood used to shade the lights and improve visibility will not interfere with the intensity and photometric performance of the warning lights (see Figures 3 and 4).
- 1.4.1.2. Mounting - If exterior panels are cut to provide an opening for installation of flush mounted signal lamps, the lamps must have a closed cell sponge flange gasket with a minimum thickness of 3/16 inch. The gasket shall be the full width of the flange on the lamp. Proper installation of the lamps shall be made in order to prevent seepage of moisture into the opening.
- 1.4.2. Backup Lamps - The color, requirements, and mounting of backup lamps shall be in accordance with FMVSS No. 108, except two backup lamps are required by Texas Specifications.
- 1.4.3. Clearance, Identification and Side Marker Lamps - Each bus shall be furnished with the lamps listed below. The quantities, colors, requirements, and mountings shall be in accordance with FMVSS No. 108. Each identification, clearance, and side marker lamp installed to indicate school bus height and/or width shall be the armored flush mounting type for protection of lens from damage during normal operation. The armored protectors shall in no way interfere with the intended purpose of the lamps. The armored type protectors shall be Grote Manufacturing Company, Madison, Indiana 47250, Model Nos. 45012 and 45013, or KD Lamp Company, 1910 Elm Street, Cincinnati, Ohio 45210, Model Nos. 38469-901 and 40268-301, or Weldon Model No. 5050, or approved equal. (See Figures 3 and 4 for the proper location of these lamps.)

Example of an approved equal: Peterson Model - FM122.

- 1.4.3.1. Clearance Lamps.
- 1.4.3.2. Identification Lamps.
- 1.4.3.3. Intermediate Side Marker Lamps (not required on buses less than 30 feet long).
- 1.4.3.4. Side Marker Lamps.
- 1.4.4. Interior and Stepwell Lamps - Interior lamps shall be installed to properly and adequately illuminate the entire aisle and emergency passageway. The stepwell shall be illuminated with a separate lamp activated by opening the service door. The fixtures shall have white or clear plastic lenses attached to metal receptacles. The stepwell lamp shall also have a metal bezel. The lamps shall be designed for a 12-volt electrical system and shall have installed a minimum 15 candlepower lamp bulb. The fixtures shall be mounted so as to provide adequate illumination of the passenger and driver's compartment. Spacing of the lamp fixtures shall be the option of the bus body manufacturer.
- 1.4.4.1. Quantity - The quantity of interior lamps required for each bus shall be as listed below:

<u>SCHOOL BUS SIZE</u> (Number of Passengers)	<u>INTERIOR CEILING LAMPS</u> (Minimum Required per Bus)
24 and 35	3
47 and 53	4
59 and 65	5
71, 77, and 83	6

E. 24- THROUGH 83-PASSENGER BODY SPECIFICATIONS

1.4.4.2 Approved interior and stepwell lamps are as follows:

Manufacturer	Catalog Number	
	<u>Dome Lamps</u>	<u>Stepwell Lamps</u>
Arrow Safety Device Co.	043, 036	(Equivalent lamps
Cardinal Mfg. Co.	1271-G1	with metal bezels)
Grote Mfg. Co.	230 (61031)	
K-D Lamp Co.	KD530-12	
Waldon Inc.	8005	

1.4.5. License Plate Lamp - The color, requirements, and mounting of the license plate lamp shall be in accordance with FMVSS No. 108.

1.4.6. Reflex Reflectors and Intermediate Reflex Reflectors - The quantities, colors, requirements, and mounting of reflex and intermediate reflex reflectors shall be in accordance with FMVSS No. 108, except one amber reflex reflector on the front, one amber intermediate reflex reflector on buses 30 feet or longer, and one red reflex reflector on the rear shall be mounted on each side of the bus body. The amber reflex reflectors mounted near the front and on each side of the chassis are required on Texas buses in addition to the reflectors required by FMVSS No. 108.

1.4.7. Tail and Stop Lamps - The quantities, colors, requirements, and mounting of tail and stop lamps shall be in accordance with FMVSS No. 108, except stop lamps shall be 7 inches in diameter and mounted at approximately the belt line level of the bus. A set of minimum 4-inch tail/stop lamps shall be installed below the 7-inch set. Base of lamps shall be metal or durable plastic preferably with screw lens. Lenses shall be secured to lamps by a fastening method which requires a tool to remove the lens. The lamps shall be Grote 78002 or 78102 taillight, KD Lamp Company Models 258-2601 or 258-2605, or approved equal.

Example of an approved equal: Truck-Lite Model 90-91.

1.4.8. Turn-Signal/Hazard Warning Lamps - The quantities, colors, requirements, and mountings of turn-signal/hazard warning lamps shall be in accordance with FMVSS No. 108, except rear turn-signal lamps shall be 7 inches in diameter. The front turn-signal lamps shall be the double-face pedestal type or they shall be of the "wrap-around type" (except single-faced type on forward control buses). They shall be mounted in such a manner so as to be capable of withstanding all normal vibrations. On double-faced pedestals, the front lens shall be amber; the rear lens shall be red or amber, or a shade between red and amber. (See Figures 3 and 4 for mounting locations of front turn-signal lamps.) The operating units and flasher for turn-signals and vehicular hazard warning signals shall meet the requirements of FMVSS No. 108.

1.4.8.1. Installation - If exterior panels are cut to provide an opening for installation of flush-mounted turn-signal lamps, the lamps must have a closed cell sponge flange gasket with a minimum thickness of 3/16 inch. The gasket shall be the full width of the flange on the lamp. Proper installation of the lamp shall be made in order to prevent seepage of moisture into the opening.

1.4.8.2. Wiring - The exposed wiring to the signal lamps shall be enclosed in a one-piece waterproof loom, or equivalent, leading directly from the lamp body to the interior of the bus body. The wiring shall be supported at the lamp body and at intervals of not more than 6 inches until it enters the bus body.

1.4.9. Warning Devices - Each school bus shall be equipped with three triangular warning devices meeting the requirements of FMVSS No. 125. The devices shall be packed three per metal or heavy-duty plastic box, or they may be individually packed in metal or heavy-duty plastic boxes with the three boxes contained within a carrier. Warning devices shall be securely mounted either in the driver's compartment or under the rearmost row of seats. Triangular warning devices furnished shall be approved by the Texas Department of Public Safety.

1.5. WIRING - All wiring shall conform to the current standards of the SAE. All connections shall be made by soldering or by an industry-approved connector. All wires shall be insulated and all wiring shall be enclosed in a fibrous loom, or equal, for protection from external damage and short circuits. The wires shall be securely attached to the body and chassis at intervals of 24 inches or less.

**E. 24- THROUGH 83-PASSENGER BODY SPECIFICATIONS**

1.5.1. Main Circuits - The electrical system wiring shall have at least nine main circuits as follows:

- (1) Head, tail, stop (brake), and instrument panel lamps.
- (2) Clearance and stepwell lamps.
- (3) Dome lamps.
- (4) Starter motor.
- (5) Ignition and emergency door signal.
- (6) Turn-signal (directional).
- (7) Alternately flashing signal lamps.
- (8) Horn.
- (9) Heater and defroster.

1.5.2. Fusing - Each circuit, except starting and ignition, shall be fused separately or shall have an adequate circuit breaker. Two extra fuses for each size of fuse installed on the bus by the body manufacturers, shall be conveniently mounted on the bus body.

1.5.3. Color and Number Coding - Each body circuit shall be coded by a color and number, and a diagram of the circuits shall be attached to the body in a readily accessible location.

1.5.4. Accessory Wiring - Body-installed accessories shall be wired from the battery through a low voltage solenoid cut-off switch operated by the ignition key except for the eight light warning system and hazard warning lights.

1.6. LICENSE PLATE HOLDER - A recessed license plate holder shall be mounted on the left rear of the bus body. The recess shall be minimum of 3/8-inch deep at the top and shall be located so that the license plate will receive illumination from the clear lens on the underneath side of the tail light, or by a separate lamp.

1.7. OPENINGS - All openings in the floorboard or firewall between chassis and passenger-carrying compartment, such as for gearshift lever, steering column, and auxiliary brake lever, shall be sealed. All openings between chassis and passenger-carrying compartment made due to alterations by the body manufacturer must be sealed.

**1.8. PAINTING -**

1.8.1. Surface Preparation and Cleaning -

1.8.1.1. Surface Preparation - The method used in the cleaning and preparation of all surfaces to be primed shall be equal to that specified by Federal Specification TT-C-490B for equivalent use. The final preparation for priming shall include a careful inspection to make certain that all surfaces to be primed will permit optimum adhesion of all paint films.

1.8.1.2. Surface Cleaning - All interior and exterior panels and rub rails to be painted or coated shall be thoroughly cleaned to remove all rust, grease, weld slag, and other foreign material prior to priming. Any welds on the components for the bus body or chassis shall be dressed, sanded, buffed, and thoroughly cleaned to remove any slag and to properly prepare the welds for priming. After proper cleaning, these components shall be thoroughly rinsed. Neither the cleaning process nor the rinses shall impair the zinc phosphate coating of the panels or rub rails.

1.8.2. Primer Coat - After the components have been thoroughly cleaned and prepared as described above, they shall be totally primed and dried. These components may be primed and dried either prior to or after installation. All components such as rivet or bolt heads and damaged areas shall be thoroughly cleaned and primed.

**NOTES:** Components of the body frame system need not be primed, except for welds. All processes and methods used in the priming operation shall be in accordance with the best recognized industrial practices. Primers shall be those recommended by the paint manufacturer supplying the finish coat enamels. Primers may be any color.

Clear-coated panels are required below the passenger windows and in the stepwell (see Par. E.2.11.).

1.8.3. Finish Coat - After all interior and exterior panels and rub rails have been prepared, cleaned, and primed as specified above, they shall be finished with a first quality baking enamel, applied and baked according to the paint manufacturer's instructions. These enamels, when applied over the paint manufacturer's recommended primer, shall have properties equal to or better than those specified by Federal Specification TT-E-489F, Class B. Both

E. 24- THROUGH 83-PASSENGER BODY SPECIFICATIONS

interior and exterior enamel finish coats shall have a minimum dry film thickness of 2 mils, when tested with a "dry film thickness gauge" (such as the "Elcometer Dry Film Thickness Gauge", Gardner Laboratory, Inc., Bethesda, Maryland 20014) conforming to Federal Specification TT-C-490B. All processes and methods used in the enamel finish coat operation shall be in accordance with the best recognized industrial practices. In no instance shall the enamel finish coat be applied over an unprimed surface.

**NOTE:** Alternate methods for preparing metal surfaces and painting procedures will be considered on an individual basis. Manufacturers shall submit their procedural data to the Specification Section of the Commission for approval where methods are used that differ from those specified above.

- 1.9. **COLORS and LETTERING** - A first quality black enamel (Color No. 17038 of Federal Standard No. 595a) or decals shall be used for lettering and trim. The properties of the black enamel shall be equal to those of the finish coat enamel. Pressure-sensitive tape or decals are acceptable for trim or lettering (e.g., **EMERGENCY DOOR**, **EMERGENCY EXIT**, etc. signs), provided they are made from FAISON R 200, 3M Series 580, or approved equal material.
- 1.9.1. Interior - Unless otherwise specified in the Invitation for Bids, the interior of the complete bus body shall be finished in the manufacturer's standard color except where clear-coated galvanized steel is required (see E.2.11.).
- 1.9.2. Exterior - The exterior of the complete bus except for rub rails shall be finished in school bus yellow (Color No. 13432 of Federal Standard No. 595a). The hood may be coated with non-reflective school bus yellow paint.
- 1.9.3. School bus Lettering - The school bus bodies shall have the words "SCHOOL BUS" painted in neat, clearly defined block letters on the front, rear, and on both sides of the bus body with black paint (Color No. 17038 of Federal Standard No. 595a). The letters shall be 8 inches high and shall have 1-inch wide strokes.
- 1.9.4. School Name Lettering - When so specified in the Invitation for Bids, the school district name shall be provided in black letters on both sides of the bus near the belt line. Lettering shall be minimum 5 inches high with minimum 5/8-inch block strokes. Paint, if used shall be equal in quality to that of the bus body paint; decals shall meet or exceed the requirements in Par. E.1.9. Maximum number of characters in one line of the name is limited to the bus length. The school district should list in the space provided on the School Bus Requisition Form (see sample form on page 15), the name to be placed on the bus. Characters should be typed or printed plainly on this form to ensure accurate spelling (see Option 17).
- 1.9.5. Emergency Door Lettering - The rear emergency door exit shall be marked "EMERGENCY DOOR" or "EMERGENCY EXIT", both on the outside and on the inside with at least two-inch high lettering placed on top of, or directly above the exit.
- 1.9.6. Logos - No logo, trademark, insignia, or letters shall be placed on bumpers or mud flaps. A small metal or plastic plate designating body manufacturer's name may be attached to the bus body. A logo of reasonable size which has been approved by the Specification Section may be placed on the exterior bus body.
- 1.9.7. Bumpers - Bumpers shall be finished in black (Color No. 17038).
- 1.9.8. Rub Rails - All rub rails except the pressed-in type window level rub rails, shall be painted black (Color No. 17038). The pressed-in type rub rails shall be painted either black (Color No. 17038) or school bus yellow (Color No. 13432) at the option of the manufacturer.
- 1.9.9. Exterior Mirror Backs - The metal backs of all exterior mirrors, if painted, shall be finished in lusterless black (Color No. 37038; see Par. E.3.8.4.4.).
- 1.10. **UNDERCOATING** - Undercoating is required to provide for insulation, sound deadening, protection from road minerals, and rust prevention, as applicable, and shall meet the following:
- 1.10.1 **Material** - Insulating and undercoating materials shall be an asphalt base underbody coating conforming to Federal Specification TT-C-520B, such as R-477-139, manufactured by Daubert Chemical Co., Chicago, Illinois 60638 or Lion Nokorode Emulsion 331 as manufactured by Lion Oil Company, El Dorado, Arkansas 71730, or an approved equal. An example of an approved equal is Tectyl MC121B, manufactured by Ashland Petroleum Company, Box 391, Ashland, Kentucky 41101, applied to a dry film thickness greater than 20 mils.



E. 24- THROUGH 83-PASSENGER BODY SPECIFICATIONS

1.10.2. Application - The entire underside of the bus body, including floor members, wheelwells, side panels below the floor level, and all metal fenders or fenders with metal liners shall be coated with 1/8-inch thick material as specified above. The undercoating shall be applied in accordance with the undercoating manufacturer's instructions. Do not cover up or obliterate the truck identification plate (see Par. A.3.4.3.).

1.11. INSULATION - The ceilings and sidewalls shall be thermally insulated with a fire-resistant material approved by the Underwriters Laboratories Inc. to adequately reduce the noise level and to minimize vibrations. Buses shall have the equivalent of 1.5 inches of fiberglass or other insulation in the ceilings and walls including the interior of hat-shaped bows. Any insulation used shall have a minimum R-factor value of 5.77.

E.2. CONSTRUCTION -

2.1. GENERAL REQUIREMENTS - The bodies shall be reasonable dustproof and watertight. The main steel components are listed below and their requirements are listed in Table 9. They shall be constructed of Type 1 steel except as noted there:

2.1.1. Components - The main structural components of the body shall consist of:

2.1.1.1. The Body Frame System - posts, bow frames, strainers, front and rear framing, longitudinal frame members, and emergency door posts.

2.1.1.2. The Floor System - floor panels, main cross members, auxiliary cross members, wheelhousing, steps, and stepwell bracing.

2.1.1.3. The Exterior Paneling - side panels, rub rails, service doors, emergency doors, skirts, roof panels, window jambs (post caps), window sills, and front and rear panels including front cowl.

2.1.1.4. The Interior Paneling - side and ceiling panels.

2.1.2. Chassis Frame Alterations - The body manufacturer shall not in any manner alter the 24-through 83-passenger chassis frame except to cut off the rear portion of the frame where necessary to weld bumper braces, and to lengthen the frame in order to comply with the requirements of Par. F.2.1. None of the rivets in the chassis frame shall be cut flush with the frame or removed. The body manufacturer may alter the chassis frame to adapt standard chassis to forward control. (Any change must have body manufacturer's warranty.)

2.1.3. Bus Body Length - The bus body shall extend to, or farther than, the end of the chassis frame so that all main cross members and auxiliary cross members will rest upon the chassis frame. The distance from the end of the chassis frame and the rear of the body shall not exceed 6 inches.

2.1.4. Front Body Section, Semi-forward Control Bodies - On semi-forward control 24- through 71-passenger buses, the front body section of the school bus from the windshield forward shall be of the bus body manufacturer's standard design and shall contain, but not be limited to, the following components:

2.1.4.1. Grille - A sufficiently reinforced grille assembly.

2.1.4.2. Lamps - Headlamps and parking/turn-signal lamps as required by FMVSS No. 108.

2.1.4.3. Hood - Hood cover with latching mechanism providing access to the forward part of engine.

2.1.4.4. Fenders - Properly braced fenders with the total spread of the outer edges exceeding the total spread of the front tires when the front wheels are in the straight-ahead position.

2.1.5. Body-Chassis Attachment - The body shall be attached to the chassis frame by means of U-bolts with 7/16" diameter threads and a minimum 10,000 lbs. tensile pull strength per arm, and the manufacturer's standard clips to prevent slippage between the chassis frame and the bus body. The U-bolts shall be fitted with lock washers and nuts and, after the nuts have been securely tightened, the threads of each U-bolt shall extend a minimum of 1/2 inch past the nuts. Each bus shall be furnished with the following as indicated:

E. 24- THROUGH 83-PASSENGER BODY SPECIFICATIONS

TABLE NO. 9

STEEL COMPONENTS  
NOMINAL METAL THICKNESSES AND ZINC COATING DESIGNATIONS

ITEM NUMBER	COMPONENTS	THICKNESS, in.	METAL ZINC-COATING DESIGNATION
1	Bows, Frames	.0635	G60
2	Bows, Roof	.0635	G60
3	Cowl, Front	.0635	G60
4	Doors, Emergency and Service:		G60
4a	Exterior Panel	.0396	G60
4b	Interior Panel	.0336	G60
5	Door Posts:		
5a	Emergency Door	.0785	G60
6	Floor Panels	.0785	G60
7	Longitudinal Frame Members:		
7a	Floor Line	.0635	G60
7b	Seat Line	.0635	G60
7c	Belt Line	.0635	G60
7d	Window Header Line	.0635	G60
8	Panels, Exterior:		
8a	Front	.0396	G60
8b	Rear	.0396	G60
8c	Roof	.0396	G60 or A60
8d	Side	.0396	G60 or A60
8e	Skirts	.0396	G60
9	Panels, Interior:		
9a	Headlining	.0336	G60 or A60
9b	Front Lap	.0336	G60 or A60
9c	Rear Lap	.0336	G60 or A60
9d	Lower (below windows)	.0336	G60 or A60*
10	Posts, Side	.0635	G60
11	Rub Rails:		
11a	Skirt Line	.0635	G60
11b	Floor Line	.0635	G60
11c	Seat Line	.0635	G60
11d	Window Line	.0396	G60
12	Wheel Housing	.0635	G60
13	Window Sills	.0396	G60**

\*NOTE: Lower interior embossed panels (Item No. 9d) and stepwell wall panels shall be clear-coated galvanized steel, ASTM designation A446-76, or Galvalume, aluminized steel, or aluminum over steel.

\*\*NOTE: It is mandatory that all components listed in Table No. 9 be of the following types of steel, unless otherwise specified, and except Item No. 13 may be of aluminum alloy 6063-T6 having a minimum thickness of 0.062 inch. Any and all other metal components not listed in Table No. 9 may also be zinc-coated steel:

TYPE I (Regular) - ASTM Specification A525, coating designation G60, as specified, mill zinc-coated steel. Coated steel, except components not to be primed and painted, shall have a smooth minimized spangle surface which has been zinc phosphate treated by the steel mill or by the bus body manufacturer.

TYPE II (Alloyed) - ASTM Specification A525, coating designation A60, mill zinc-coated steel which has been zinc phosphate treated by the steel mill or by the bus manufacturer.

Standard A.I.S.I. tolerances allowed for metal thickness requirements.

E. 24- THROUGH 83-PASSENGER BODY SPECIFICATIONS

2.1.5.1. U-Bolt number and placement shall be as follows:

BUS SIZE*	NO. OF U-BOLTS, MIN.*	PLACEMENT
24	4 (2 on each frame rail)	1/3 and 2/3 length of bus
35, 47, & 53	6 (3 on each frame rail)	1 at each end; one in center
59, 65, 71, 77, & 83	8 (4 on each frame rail).	1 at each end; one about one-third and one about two-thirds of length of bus.

\*NOTE: School buses equipped with any combination of wheelchair lift positions and conventional seats shall have as a minimum, the number of U-bolts as if the bus were equipped with all conventional seating (e.g., a 71-passenger school bus body equipped with any combination of wheelchair positions and conventional seats shall have at least 8 U-bolts (four installed on each frame rail)).

2.1.5.2. Other Devices - All other main cross members on all sizes of bodies shall be attached to the chassis with the manufacturer's standard fastening devices where possible. Shear bolts or other equally effective devices approved by the Specification Section of the Commission, may be used in addition to U-bolts and standard clips to eliminate slippage.

2.1.5.3. Body-Chassis Insulation - Anti-squeak material in continuous strips or rubber pads shall be permanently and firmly attached to the frame rails or cross members to insulate chassis from the body.

2.1.6. Body-Cowl Attachment - Buses equipped with chassis manufacturer's cowl shall be furnished with the body securely attached to the rear face of the chassis cowl with a minimum of 9 bolts, nuts, and lock washers. On all such buses the junction between cowl and body shall be sealed to form a gastight and watertight seam. The sealant used shall be either the best grade of molded or extruded rubber weather stripping or a good quality, pressure applied, silicone elastomer sealant.

2.1.7 Bolts and Rivets - All bolts and rivets used in the manufacture of the school bus body shall be high strength metal. All bolts shall be equipped with lock washers or other acceptable devices to prevent loosening under vibration. All bolts, nuts, and washers except U-bolts, their nuts and washers, shall be parkerized, cadmium-plated, or otherwise rustproofed.

2.1.8. Other Fasteners - Sheet metal screws or self-tapping bolts of any type shall not be used in the construction of bodies except:

- 2.1.8.1. For alignment\* of doors or in conjunction with rivets, welds, or bolts for compliance with FMVSS No. 221, as applicable, or,
- 2.1.8.2. Seat construction (See Par. E.2.14), or,
- 2.1.8.3. For interior panels which must be removed to give accessibility to other interior or concealed components, or,
- 2.1.8.4. For attachment of exterior mirrors in certain cases (see Par. E.3.8.4.3.), or,
- 2.1.8.5. In the installation of rub rails or emergency door handles and latches where it is impossible to use rivets or bolts, nuts, and lock washers and then only when these fasteners are used in conjunction with the manufacturer's standard metal adhesive which is used to meet joint strength requirements, or,
- 2.1.8.6. In window frames when applied with the metal adhesive, or,
- 2.1.8.7. In the installation of header pads over the doors, or
- 2.1.8.8. For electrical wire moldings and light fixtures.

\*When self-tapping bolts are used to align doors, they shall be tack-welded at the head or applied with the metal adhesive and shall not exceed the number of rivets, or bolts, nuts, and washers installed in the door hinges.

2.1.9 Caulking - A flexible, tenacious, high quality caulking compound or adhesive shall be applied to the top of all rub rails, all unwelded metal joints, and to any place where moisture could enter through the exterior panels. This does not include the fresh air intake or the heater or the drain openings at the bottom of the rub rails. The compound shall be applied to the required areas in a neat and workmanlike manner without voids or skips.

2.1.10. Exhaust Pipe Extension - The body manufacturer shall furnish and install an exhaust pipe extension when necessary in order to insure compliance with the chassis requirements of the exhaust system (see Par. F.4.3.). The tail pipe shall not extend beyond the rear bumper.

## **E. 24- THROUGH 83-PASSENGER BODY SPECIFICATIONS**

- 2.1.11. Fuel Filler Opening - The body manufacturer will provide an opening in the body panel of sufficient size to allow easy access and entry of fuel nozzle to the fuel tank filler neck opening. This opening in the panel must be so positioned that the filler neck, when viewed at right angles from the side, is approximately centered in the out-out. This opening shall be provided with a hinged cover so designed and constructed to remain open when fueling is in progress and remain in a totally closed position at all other times (See Par. E.2.4.3.3. for other requirements for filler opening.)
- 2.1.12. Identification Plate - Each body shall bear in a prominent place a permanently attached plate showing the name of the manufacturer and the body serial number (see Par. A.3.4.2.).
- 2.1.13. Wood - The use of wood shall be limited to the construction of passenger seats, seat backs, or header pads, and the bottom of any tool compartment or to insulate floors.
- 2.2. BODY FRAME - The complete body frame shall be formed, welded, riveted, or lock bolted, assembled and constructed in accordance with recognized engineering practices within the bus body industry.
- 2.2.1. Material - The body frame system (see Par. E.2.1.1.) shall be of the type, grade, and thickness of steel specified in Table No. 9 or approved equal, and shall meet the requirements of FMVSS No. 220.
- 2.2.2. Design - The frame shall have a formed shape with a minimum cross sectional depth of 1.25 inches. Frame members, running from one side main cross member to the other side main cross member, may be continuous bow frames, or they may consist of side posts and roof bows. If side posts and roof bows are used, every pair of side posts must be connected by a roof bow to form the equivalent of a continuous bow frame. The side posts shall be set on not more than 30-inch centers, except that one side post and bow or one bow frame may be set on a maximum of 38.75-inch center, or three bow frame sections not exceeding 36.5 inches may be used in any one body. Each of the side posts or bow frames shall be securely welded, riveted or lock bolted to the floor system at each main cross member or to the longitudinal frame member which is located at the floor line. Each side post and/or bow frame must also be attached, as specified above, to the remaining longitudinal frame members.
- 2.2.3. Longitudinal Frame Members - The body frame shall have not less than four individual side longitudinal frame members extending the full length of the body (except as interrupted by side posts or when cut for an opening for the wheelhousing). One each shall be located at the floor line, the seat line, the belt line, and at the window header line. The belt line longitudinal member may be replaced by an exterior rub rail, a.g., an extra rub rail in the belt line area. This rub rail shall meet requirements specified under RUB RAILS, Par. E.2.4.
- 2.2.4. Front Frame Section - The front frame shall be a unitized framework of formed sections designed with the necessary stress members required to withstand the torsional stresses set up by or in the chassis. The corner posts shall extend from the bottom of the body to the windshield header and shall not cause or produce a "blind spot" for the driver. The front assembly shall be securely attached to the floor system by lock bolting, welding, or riveting and shall be securely bolted to the chassis cowl in such a manner as to cause no undue strain (see E.2.2.2.).
- 2.2.5. Rear Frame Section - The rear frame shall consist of a formed sill, two posts (one on either side of the emergency door, extending from the sill to the roof bow and intersected by a rear header at the proper point), and suitable strainers to form a rigid framework. This framework shall be assembled and attached to the floor system by welding, riveting, or lock bolting.
- 2.3. EXTERIOR PANELS -
- 2.3.1. Material - All exterior panels (see Par E.2.1.1.3.) shall be of the type, grade, and thickness of steel specified in Table No. 9 or approved equal.
- 2.3.2. Design - The front and rear exterior panels shall be formed into the desired contours to give a smooth, pleasing appearance to the bus. The front and rear exterior roof panels shall be of not more than three pieces welded or riveted together to form a continuous piece over the front and rear frame.
- 2.3.3. Attachment and Installation - All exterior panels shall be attached to bow frames and strainers so as to act as an integral part of the structural frame. They shall be installed by lapping and riveting, lapping and bolting, or by flanging and bolting and in such a manner as to form watertight joints. The exterior side panels shall be installed either vertically or longitudinally. Vertical panels shall be one-piece and shall extend from the window line to or below the floor line. Longitudinal panels shall be installed starting at or below the floor line and extending upward to the window line with each ascending panel overlapping the preceding panel. Rub rails shall not be considered as part of the paneling for covering the side except for pressed-in window rails.

**E. 24- THROUGH 83-PASSENGER BODY SPECIFICATIONS**

2.3.4. Undercoating - All exterior panels shall be completely sprayed on the inside of the main exposed surfaces, and shall featheredge to the edge of the attaching members, with 1/16-inch thick material conforming to that specified in Par. E.1.10. The spraying shall be done after the panels are installed.

2.3.5. Joints - Joints shall meet the requirements of FMVSS No. 221.

2.4. RUB RAILS - Four separate, one-piece, continuous rub rails of the type, grade, and thickness of steel specified in Table No. 9 or approved equal, shall be installed on the body as described below. The minimum finished width of all rub rails shall be 4 inches:

2.4.1. Location - One rub rail shall be installed at the skirt level, one at or near the floor, one at or near the seat level, and one near the window line. One additional rub rail may be furnished in lieu of one longitudinal frame member (see Par. E.2.2.3.).

2.4.2. Construction - The rub rails shall be of ample strength to resist impact and to prevent crushing of the bus body and shall be a flanged-formed channel, longitudinally fluted or corrugated rib surface. Ends shall be (1) smoothly closed, or (2) closed by a rounded end cap which shall be butt- or flash-welded to the rub rail, or (3) closed by a rounded end cap inserted with an approximate one-inch sleeve inside of the rub rail, riveted in position at the top and bottom of the rub rail flange, and sealed in the same manner as the top flange of the rub rails.

2.4.3. Installation - All rub rails shall be bolted or riveted on top and bottom to each side post and riveted on top and bottom to the exterior paneling between the side posts (see Exception in Par. E.2.1.8.5.). Provisions for one-piece rails may be accomplished by butt- or flash-welding. All welds, including those for the end caps, shall be dressed, sanded, and buffed. These rub rails shall be installed on both sides of the bus body as follows:

2.4.3.1. Window Level - The window level rub rail shall be installed the full outside length of the body on the right side from the service door to the rear corner radius and on the left side from the point of curvature near the outside cowl to the rear corner radius. The splice, if necessary, shall be located at the body post behind the rear wheelhouse, by lapping the full width of the supporting part of the post.

2.4.3.2. Seat Level - The seat level rub rail shall be installed from the service door completely around the bus body (except for emergency door and rear engine bus) to the point of curvature near the outside cowl on left side. The rails may be two-piece with the joint being near the rear side of the bus body. The rail extension shall be joined to the continuous side rail by one of the following (1) butt welding, (2) jogged lapped by not less than one inch and riveted, or (3) butted with a sleeve riveted over the joint. When joining is by lapping or fastening with a sleeve, the joint must be made at the rearmost body side post or preferably, the second post from the rear.

2.4.3.3. Floor and Skirt Level - The floor and skirt level rub rails and the additional rub rail furnished in lieu of one longitudinal frame member shall be installed the full outside length of the body (except at wheelhousings) on the right side from the service door to the rear corner radius and on the left side from the point of curvature near the outside cowl to the rear corner radius. One of the floor level rails may be cut to provide an opening for the gas tank filler neck only if fuel tank furnished to meet FMVSS No. 301-75 requires the opening to be enlarged, or to meet the requirements in E.2.1.11.

2.4.4. Drainage - The bottom edge of each rub rail (except the pressed-in-type which may be used near the window line) shall have provisions for drainage of accumulated moisture. One of the following drainage methods shall be used:

2.4.4.1. Slots - The bottom flange of the rub rail shall be a minimum of one inch by 0.32 inch formed slots spaced on not more than 12-inch centers, or

2.4.4.2. Holes or Slots - One 0.25-inch diameter hole or slot per foot in the lowest part of the rub rail drilled prior to the priming, painting, and installation of the rub rail shall be provided. Holes drilled after rub rail installation or after priming and painting are not acceptable. Formed slots are preferred over drilled or cut holes.

2.4.5. Sealing - The top joint of the rub rail shall be sealed with a caulking compound or adhesive as specified in Par. E.2.1.9.

**E. 24- THROUGH 83-PASSENGER BODY SPECIFICATIONS**

- 2.5. SKIRT REINFORCEMENTS** - Side skirts shall be gusseted or braced on not more than 30-inch centers and wherever required for rigidity and to prevent vibration. If the body sections are authorized to be longer than 30 inches, no more than three sections of skirt reinforcement shall be on centers up to a maximum of 36 inches, or no more than one section shall be on centers up to a maximum of 38 3/4 inches.
- 2.6 BATTERY COMPARTMENT** - If the battery is mounted on the chassis frame (which is required on diesel-powered buses), the bus body manufacturer shall provide a battery compartment beneath the floor of the bus body. This compartment shall be a skirt type container, reinforced and equipped with a pullout receptacle and an outside access door. The battery compartment shall provide complete weather protection for the battery as well as total access for servicing (see Par. F.6.2.3.). Battery cables of sufficient length shall be provided to accommodate the mounting of the battery in this compartment, and the body manufacturer shall mount the battery in the compartment. This compartment is not available on rear engine buses.
- 2.7. SERVICE OR ENTRANCE DOORS** - The service door shall be of the type, grade, and thickness of steel specified in Table No. 9 or approved equal:
- 2.7.1. Design** - The service doors may be the folding type (e.g., open in the middle) or the folding (or jackknife) type. These doors shall have a minimum horizontal opening of approximately 24 inches and a minimum vertical opening of about 68 inches. The service door shall have lower and upper glass panels to permit the driver to see entering passengers as well as the passenger landing area. These glass panels shall be set in rubber. Vertical closing edge or edges of these doors shall be equipped with rubber or rubberized material to protect passengers' fingers. There shall be no door on the left of the driver.
- 2.7.2. Location and Operation** -
- 2.7.2.1. Conventional Bus Doors** - The entrance door for conventional buses shall be operated manually. The door control shall be the hand lever type, driver-operated, and shall be designed to afford easy release and to prevent accidental opening. The two-piece or folding type service door shall be located on the right side near the front of the bus in direct view of the driver.
- 2.7.2.2. Semi-forward Control Bus Doors** - On semi-forward control buses, the entrance door shall be operated from controls at or near the bus driver's seated position. The doors shall be operated manually, or actuated electrically or by air pressure or vacuum and shall allow manual opening in case of an emergency. To prevent accidental opening while the bus is in motion, the system shall require at least a 125-pound force applied to its center in order to manually open the door.
- 2.7.2.3. Forward Control Bus Doors** - The doors on forward control buses shall be operated either manually or actuated electrically or by air pressure or vacuum. If manually operated, the door control shall be the hand lever type, driver-operated, and shall be designed to afford easy release and to prevent accidental opening. The service door shall be located on the right side near the front of the bus. At least two-thirds of its opening width shall be ahead of the point opposite the back of the driver's seat.
- 2.7.3. Attachment** - The hinges for the service or entrance doors shall be attached with rivets or bolts, nuts, and lock washers. Metal screws or self-tapping bolts are not acceptable. Metal screws may be used for alignment of doors while installing rivets. Self-tapping bolts may be used for alignment if the bolts heads are tack-welded to the hinges (see Par. E.2.1.8.1.).
- 2.7.4. Header Board** - The head impact area on the inside at the top of the service or entrance door shall be protected by an energy-absorbing, padded header board of sufficient size (width, depth, and length) to prevent injury when accidentally impacted.
- 2.8. SERVICE ENTRYWAY** -
- 2.8.1. Step Design** - The entrance door steps shall be designed so that the first step shall be not less than 12 inches and not more than 16 inches from the ground when the bus is unloaded. Service door entrance may be equipped with two-step or three-step entrance. Risers in each case shall be approximately equal. (See Par. E.2.11. for material requirements.) The step-well shall not protrude beyond the side body line and shall be fully enclosed to prevent accumulation of ice, snow, and dust.

E. 24- THROUGH 83-PASSENGER BODY SPECIFICATIONS

2.8.2. Floor Material - All steps and the floor line platform area shall be covered with 0.1875 inch rubber metal-backed treads with at least 1.5 inch white nosing as an integral piece without any joint. A three-inch white rubber step edge with metal back may be substituted in the floor line platform area. Step tread minimum overall thickness shall be 0.1875 inch ribbed design similar to the ribbed design of the aisle rubber. Metal back of tread, minimum 24-gauge cold rolled steel, shall be permanently bonded to ribbed rubber. Grooved design shall be such that said grooves run at 90-degree angle to long dimension of step tread. The rubber portion of the step treads shall have the following characteristics:

2.8.2.1. Special compounding for good abrasion resistance and high coefficient of friction.

2.8.2.2. Sufficient flexibility so that it can be bent around a 0.5-inch mandrel both at 130°F and 20°F without breaking, cracking, or crazing.

2.8.2.3. Shore A Duremeter or equivalent hardness of 85 to 95.

2.8.3. Handrails - A grab handle not less than 20 inches in length shall be provided and placed in an unobstructed location inside the doorway. The outside surface of this handle shall be stainless steel, polished aluminum, or chrome-plated steel.

2.9. EMERGENCY DOORS - The emergency door shall be of the type, grade, and thickness of steel specified in Table No. 9 or approved equal. Emergency doors on buses furnished to this specification shall be equipped with doors meeting the requirements below. Emergency doors shall be furnished with upper glass panels, permanently closed, set in rubber or sealed against rubber. (See Par. E.2.10.2. for glazing requirements and Par. E.1.9.5. for lettering.) No seat or other object shall be placed in the body that restricts the passageway to the emergency door to less than 12 inches. There shall be no steps leading to the emergency door.

2.9.1. Design - The emergency door on all except rear-engine buses\* shall be located in the center of the rear of the body and shall have a minimum horizontal opening of 30 inches and a minimum vertical opening of 48 inches measured from the floor level. The door shall be hinged on the right side of the body (forward side for rear engine buses), shall open outward, and shall be designed to permit opening from both inside and outside of the bus. It shall be properly sealed against moisture and dust.

\*A left rear emergency door meeting the requirements of FMVSS No. 217, shall be provided on rear engine buses.

2.9.2. Latch - The emergency door shall be equipped with a slidebar rack and pinion (cam) operated latch. The slidebar shall be approximately 1.25 inches wide and 0.375 inch thick and shall have a minimum stroke of 1.125 inches. The slidebar shall be spring loaded so as to retain the bar in the closed position and have a minimum of one inch of horizontal bearing surface beyond the edge of the door frame when the door lock is in a latched position.

2.9.3. Latch, Handle - The movement of the lock handle through its full arc of operation shall not be obstructed by, or extended into the area behind the rear seats at the emergency door. The handle, when in the closed position, shall meet the requirements of FMVSS No. 217. The design of the latch handle shall allow quick release, but shall offer protection against accidental release. Control of the fastening devices from the driver's seat shall not be permitted. A pull handle shall be installed on the inside of the emergency door so that the door can be securely closed for positive fastening. Provisions for opening from the outside shall consist of a handle (device) designed to prevent "hitching a ride" yet allowing the door to be opened when necessary. The outside handle, when in the closed position, shall extend vertically downward from its pivot center.

2.9.4. Switch - The emergency door latch shall be equipped with a heavy-duty electric plunger-type switch connected to a warning buzzer located in the driver's compartment. The switch shall be enclosed in an adequately protected case, and wires leading from the switch shall be concealed in the walls. The switch shall be mounted plumb, parallel, and perpendicular to the striker plate of the lock slidebar. The switch shall be installed so that the buzzer will sound before the door handle is turned far enough to permit the door to open. The switch shall be Cole-Morse's No. 9118, having an upset end (knob) on the plunger head.

2.9.5. Attachment - The hinges for the emergency doors shall be attached with rivets or bolts, nuts, and lock washers. Metal screws or self-tapping bolts are not acceptable. Metal screws may be used for alignment of doors while installing rivets. Self-tapping bolts may be used for alignment if the bolts heads are tack-welded to the hinges (see Par. E.2.1.8.1.).

2.9.6. Glass Panels - The glass in the emergency door shall have an area of not less than 299 square inches and shall be set solid in a waterproof manner (see Par. E.2.10.1.3.). The installation of glass in the lower portion of the door is required and shall meet the same requirements (lower glass panels not required in the emergency doors of rear engine buses). The lower glass panels shall be the body manufacturer's standard size. These glass panels shall be installed securely to prevent removal by hand.

**E. 24- THROUGH 83-PASSENGER BODY SPECIFICATIONS**

2.9.7. **Header Board** - The head impact area on the inside at the top of the emergency door shall be protected by an energy-absorbing, padded header board of sufficient size (width, depth, and length) to prevent injury when accidentally impacted.

**2.10. WINDSHIELD AND WINDOWS -**

**2.10.1. General Design -**

2.10.1.1. **Windshield** - The maximum width of the windshield center post shall not exceed 2.5 inches.

2.10.1.2. **Passenger Side Windows** - There shall be one vertical opening side window for each passenger seat. These windows shall open from the top only and shall operate freely. All side windows except the driver's and the service door window, shall be the split sash type with positive latch. Side windows that can be latched in an uneven position are not acceptable. They shall be furnished with a latching mechanism which will allow each window to be latched in a position not more than six inches from the top. The passenger side windows shall provide an unobstructed opening 22 inches wide and between 9 and 10 inches high.

NOTE: 77-passenger and 83-passenger rear-engine buses may have one less set of passenger windows than rows of seats.

2.10.1.3. **Emergency Door Windows** - The emergency door shall be furnished with an upper and lower glass panels (see Par. E.2.9.6.) permanently closed, and set in rubber or sealed against rubber.

2.10.1.4. **Driver's Side Window** - The driver's window shall be a 2-piece window of either of the following types:

- (i) **Two-piece Sliding-sash Type** - This type will be acceptable only when the bus is equipped with an adequate air scoop to draw outside air into the driver's compartment. When the driver's ventilation is drawn through the heater system, this air shall be shielded from the heat sources and a hot water cut-off valve shall be provided in the driver's compartment.
- (ii) **Other Type** - This type of window shall have the front part opening either in or out and rear part lowering and raising by use of a regulating handle.

2.10.1.5. **Rear Window** - Rear windows (not emergency door windows)\* shall be installed on each side of the rear emergency door. Each rear window glass shall have a minimum area of 140 square inches and shall be set solid in a waterproof manner. These windows shall be installed securely to prevent removal by hand.

\*A rear "push-out" window, meeting the requirements of FMVSS No. 217, shall be provided on rear engine buses.

2.10.2. **Glazing** - Glass shall be installed in rubber channel gasket material or approved equivalent material. The glass shall be mounted so that the permanent identification mark is visible from either inside or outside of the bus. All safety glazing materials shall be approved by the Department of Public Safety. All exposed edges of glass shall be banded. The glass shall be as follows:

2.10.2.1. **Windshield** - The windshield shall be minimum 0.21875-inch thick safety plate glass and shall be heat-absorbent, laminated AS-1 safety glass meeting ANSI Standard Z26.1, as amended.

2.10.2.2. **Passenger Side Windows** - The glass in all passenger side windows shall be a minimum of 0.125-inch safety plate glass and shall be AS-2 grade or better, as specified in ANSI Safety Code Z26.1 (see Par. E.2.10.2.4.).

2.10.2.3. **Other Windows** - The glass in all other window including the driver's side windows, emergency door windows, and rear (side) windows shall be a minimum of 0.125-inch safety plate glass and shall be AS-2 grade or better as specified in ANSI Safety Code Z26.1.

2.10.2.4. **When so specified in the Invitation for Bids (see Option 26), all windows shall have AS-2 grade or better grade laminated safety plate glass.**



**E. 24- THROUGH 83-PASSENGER BODY SPECIFICATIONS**

**2.10.3. Tinting -**

2.10.3.1. Windshield - The windshield shall have a horizontal gradient band (tinted) starting slightly above the driver's line of vision with approximately 90% light transmittance and gradually decreasing to a minimum of 70% light transmittance at the top of the windshield, or the entire windshield shall be tinted to meet the requirements of FMVSS No. 205.

2.10.3.2. All Windows - When so specified in the Invitation for Bids (see Option 10), all windows shall be tinted to minimum 30%, maximum 40% light transmittance. This is defined as "dark tinting."

Note: All safety glazing materials must be approved by the Department of Public Safety.

2.11. INTERIOR PANELS - All interior panels shall be steel and of the body manufacturer's standard design except the panels beneath the windows shall be clear-coated galvanized embossed steel meeting ASTM A446. Also the stepwell and riser panels in the service door entryway shall be clear-coated galvanized steel (embossing not required). Galvalume, aluminized steel, and aluminum over steel panels are acceptable for use beneath the windows and in the entryway.

2.11.1. Design - Front and rear panels shall be formed to present a smooth, pleasing appearance. Roof panels shall be continuous from header to header. If the ceiling is constructed so as to contain lapped joints, the forward panel shall be lapped by the rear panel and all exposed edges shall be beaded, hemmed, flanged, or otherwise treated to minimize sharp edges.

2.11.2. Attachment - All interior panels shall be attached to the frame structure by bolts, rivets, or by any well-designed method utilizing self-locking panels, locking panel strips, or clips. Regardless of the method used, the panels shall be attached so that vibration, rumbly, and popping will be at a minimum.

2.12. FLOOR - The floor system (see Par. E.2.1.1.2.) shall be of the type, grade, and thickness of steel specified in Table No. 9 or approved equal (see Par. E.3.1. for requirements for access port to fuel sending unit).

2.12.1. Construction and Installation - The floor panels shall run the full width of the floor and shall be supported on all outside edges by a longitudinal frame member. The floor panels shall be welded, riveted, or bolted to the main and auxiliary cross members and shall be joined so as to form a leakproof and dustproof floor. The main and auxiliary cross members shall extend the full interior width of the floor panels. The side posts or bow frames shall be securely welded, riveted, or bolted to the floor system and to the longitudinal frame members or gussets.

2.12.2. Cross Members - The cross members shall be spaced not more than 10 inches center-to-center. The floor panels and cross members shall be designed so as to completely and adequately support all fixed and changeable loads under all operating conditions without deformation of the underbody structure, strains to body, or fractures of member joints. The design and strength of the understructure shall be sufficient to eliminate the necessity of installing outriggers attached to the chassis except at the front entrance. The undersurface of the entire floor structure, including wheelhousing and stepwell, shall be sprayed with material at least 1/8-inch thick conforming to that specified in Par. E.1.10.

2.12.3. Insulation - When air conditioned is ordered (see Option Nos. 1 and 2 and Par. H.1.2) the floor shall be covered with 5/8-inch nominal thickness A-C or B-B exterior grade plywood manufactured in accordance with U.S. Product Standard PS 1-83. (See Par. C.2.12.2. for installation requirements.) CDX interior grade plywood with exterior glue is acceptable when all surfaces including the edges of the wood are covered or sealed against the exterior environment.

**2.13. FLOOR COVERING -**

2.13.1. Aisle Material - Floor covering in the aisle shall be the aisle type, fire-resistant rubber or equivalent, and shall be nonskid, wear-resistant, and ribbed. Minimum overall thickness shall be 0.1875 inch measured from tops of ribs. Rubber aisle floor covering shall meet Federal Specification ZZ-M-71D.

2.13.2. Underseat Material - The floor in the underseat area (including wheelwells, and the areas under the driver's seat, wheelchairs, and toeboard except transmission inspection plate) shall be covered with fire-resistant rubber floor covering or equivalent having minimum overall thickness of 0.125 inch. Floor covering on toeboard shall be held in place by trim strip or molding.

**E. 24- THROUGH 83-PASSENGER BODY SPECIFICATIONS**

2.13.3. Installation - Floor covering (except that on the toeboard) shall be permanently bonded to the floor with waterproof adhesive material and shall not crack when subjected to sudden temperature changes. All seams shall be sealed with waterproof sealer.

2.13.4. Trim - Seams shall be covered with extruded aluminum metal strips of a minimum 0.1875 inch high and 1 inch wide that shall be installed on each side of the aisle, the full length of the aisle, so as to secure both the edges of the aisle covering and adjoining edges of the undersent covering. Each aisle strip shall consist of not more than three pieces of the metal stripping. The strips shall be secured to the flooring with flush-mounted flat or low profile oval head screws; holes for the screws shall be countersunk. The screws shall be placed not more than 9-inches apart for the full length of the metal strips except that the ends of each piece of stripping shall have screws placed at not more than 0.75 inch from each end. Screws may be placed 9.5 inches apart only to avoid interference with floor sill members.

2.14. PASSENGER SEATING REQUIREMENTS - The bus passenger seats shall meet or exceed the knee spacing and crash protection requirements of FMVSS No. 222 and shall conform to the following:

2.14.1. Seat Frames -

2.14.1.1. Design and Material - The seat frames shall be constructed of steel of the type, size, and gauge necessary to meet the seat load deflection requirements of FMVSS No. 222. Seat frames legs shall be two, four, or six pedestal type. The seat backs shall slope backward to provide a comfortable seating angle. Seat backs that are set in a vertical plane or tilt forward are not acceptable.

2.14.1.2. Painting Requirements - The entire seat frame, except that section of the back frame which is padded and upholstered, shall be thoroughly cleaned, primed, and painted. The paint shall have adhesive qualities which will not permit the removal of the paint by means of the thumbnail-scratch method without first chipping a starting place.

2.14.2. Seat Installation -

2.14.2.1. Aisle Width - The minimum aisle width between rows of seats shall be 12 inches. (See Par. G.2.1.1.3. for aisle width requirements on wheelchair lift-equipped buses.)

2.14.2.2. Attachment - Each leg shall be attached to the floor with at least 2 bolts, flat washers, lock washers, and nuts, or approved equal. Where it is impossible to use bolts and nuts at certain floor points due to main cross members or floor sill interference, thread-forming or cutting bolts and lock washers may be used.

2.14.2.3. Knee Spacing - Allowing for manufacturing tolerances, Texas requires the maximum allowable knee space on buses consistent with the overall standard body lengths (see Par. A.2.13. for the definition of knee spacing and Option No. 16 for increased knee space on all 24- through 71-passenger buses). These minima are generally not less than the following (see Table No.8):

- (i) 24 inches for the 24-passenger bus
- (ii) 24 3/4 inches for the short wheelbase 71- and the 83-passenger bus.
- (iii) 25 inches for all other 35- through 77-passenger buses.

2.14.3. Seat Cushions - All 26-inch and all 39-inch seat cushions shall be designed to adequately support, respectively, two and three passenger of 125 pounds each. All seat cushion materials shall meet or exceed the requirements of FMVSS No. 302. The seat cushion shall be either of one-piece construction or may be constructed of more than one piece at the manufacturer's option. The seat cushion unit shall consist of a base, a one- or two-piece polyurethane foam cushion, and upholstery, meeting the following requirements:

2.14.3.1. Base - The base shall be nominal 1/2-inch thick, interior grade, C-D plywood with exterior grade glue, identification index 32/16, manufactured in conformance with U.S. Product Standard PS 1-83 and identified as to veneer grade and glue bond type by the trademarks of an approved testing agency. Plywood with blue stain in sapwood is not acceptable.

Alternatively, the base may be made of "Donnite" material, manufactured by the Donnite Corporation, Flora & Harrison, Plymouth, Indiana 45563, of equal or better strength and thickness.

E. 24- THROUGH 83-PASSENGER BODY SPECIFICATIONS

2.14.3.2. Two-piece Polyurethane Foam Cushion Assembly -

- (1) Design - The two-piece foam cushion assembly shall be constructed of unfilled polyurethane foam conforming to the following physical requirements (rebonded polyurethane foams are not acceptable for seat cushion or seat stiffeners):

**TWO-PIECE CUSHION ASSEMBLY  
PHYSICAL PROPERTIES  
(ASTM D 3574)**

ITEM	SEAT CUSHION	SEAT STIFFENERS
Density, lbs/cubic foot, Min.	1.8	2.4
Load Deflection, 4" thick @ 25% Indentation Min.	38	80
Indentation Load, Ratio, 65%/25%, Min.	1.9	2.5
Compression Set, 50% Deflection (22 hrs @ 158°F), Max	20	20
Tensile Strength, lbs/square inch, Min.	12	12
Tensile Elongation, %, Min.	225	75
Tear Resistance, lbs/inch, Min.	2.0	1.5

- (ii) Construction - The seat cushion assembly shall be fabricated in accordance with the nominal dimensional requirements as shown in Figure 5. In the two-piece assembly, the top 1.5 inches of the cushion shall be of one continuous foam piece. All parts of the seat cushion and the seat stiffeners shall be securely cemented or otherwise bonded together to form the seat cushion assembly shown in Fig. 5.

2.14.3.3. One-Piece Polyurethane Foam Cushion -

- (1) Design - The one-piece foam cushion shall be solid polyurethane foam conforming to the following physical requirements (rebonded or molded polyurethane foams are not acceptable for seat cushion):

**ONE-PIECE CUSHION  
PHYSICAL PROPERTIES  
(ASTM D 3574)**

ITEM	ONE-PIECE SEAT CUSHION
Density, lbs/cubic foot, Min.	3.0
Load Deflection, 4" thick @ 25% Indentation, Min.	50
Indentation Load, Ratio, 65%/25%, Min.	2.3
Compression Set, 50% Deflection (22 hrs @ 158°F), Max.	20
Tensile Strength, lbs/square inch, Min.	7.5
Tensile Elongation, %, Min.	110
Tear Resistance, lbs/inch, Min.	1.5

- (ii) Construction - The seat cushion dimensions shall be in accordance with the nominal dimensional requirements as shown in Figure 5.

2.14.3.4. Upholstery - The seat cushion unit shall be covered on top and four sides with a vinyl resin-coated upholstering material as follows:

- (i) Material - These materials shall have a regular fire-resistant treatment and shall be artificial leather equal to the coated fabrics listed in Table No. 10.
- (ii) Welting - There shall be welting on exposed seams of the seat back and cushion.
- (iii) Thread - The upholstery material shall be securely sewn with a thread meeting the requirements of Federal Specification V-I-295d. The thread in the needle and the thread in the looper (bobbin) of double thread machines shall be size F, Type II (Twisted Bonded Multiple Cord), and size E, Type I (Twisted Soft Multiple Cord), respectively. The thread used in the needle and through the looper shall be Size F (Monofilament), Type III, for single thread machines.

E. 24- THROUGH 63-PASSENGER BODY SPECIFICATIONS

TABLE NO. 10  
UPHOLSTERY

MANUFACTURER/ BRAND NAME	FABRIC	BACKING	WEIGHT	
			Oz./yd <sup>2</sup>	Oz./lin.yd.
Naugahyde	1037R	1.06 Broken Twill	28.0	42.0
Athol	1042FR	Polyester Cotton Knit	28.0	42.0
Masland-Dura	6042 MKP-076	Polyester Cotton Twill	25.5	38.0
*General Tire	2.73	Polyester Drill	24.0	38.0
*Uniroyal	E 7097-1	Polyester Knit	25.5	38.0
*Athol	536FR	Polyester Twill	25.5	38.0

\*Approved equal

2.14.4. Passenger Seat Belts, Optional - (see Par. E.3.12.).

2.15. SEATING REQUIREMENTS, DRIVER'S -

2.15.1. Seat Design - The base of the driver's seat shall be of the adjustable pedestal type or the platform type having an adjustment range of approximately 4 inches "Fore and Aft", and a separate minimum one-inch vertical adjustment. The back of the driver's seat shall be heavily padded and formfitted.

2.15.2. Installation - The pedestal or platform shall be mounted with bolts, flat washers, lock washers, and nuts except where it is impossible to use bolts and nuts at certain floor points due to main cross members or floor sill interference. Thread-forming or cutting bolts and lock washers may be used at these points.

2.15.3. Seat Belts and Seat Belt Assembly - A type 1 or 2 seat belt assembly conforming to FMVSS No. 209 shall be provided for the driver. The belt assembly shall be equipped with at least one reel-type locking retractor incorporated into the mounting bracket. The location of the seat belt anchorage shall conform to SAE Standard J383 with the driver's seat adjusted to its rearmost position. The anchored ends of the belt assembly shall be fitted with a minimum 8-inch semirigid plastic boot which will prevent that portion of the belt between the buckle and the retractor reel from contacting the floor and to keep the belt from hitting the feet of the passengers in the front seat directly behind the driver. The seat belt assembly shall be anchored in such a manner or guided at the seat frame so as to prevent the driver from sliding sideways from under the belt.

2.16. SEAT BARRIERS - Seat barriers shall be furnished and installed in accordance with FMVSS No. 222. The front barriers shall not infringe upon the area required for safety and operating equipment. The seat barrier on the right front shall have a hand rail installed on its front side for use by passengers entering or exiting the bus (see Par. E.2.8.5.). These grab handles shall be stainless steel, polished aluminum, or chrome-plated steel. Method of attachment shall be the body manufacturer's option.

2.17. WHEELHOUSING - The wheelhousing shall be of the type, grade, and thickness of steel specified in Table No. 9 or approved equal. The wheelhousing shall be constructed of a maximum of three pieces and of arched design and shall be attached in such a manner so as to form a waterproof and dustproof seam. The size of the wheelhousing shall be such that tire chains will have proper clearance. The edges inside the bus shall be rounded to prevent injury to the passengers. The wheelhousing shall be such that when attached to the body, the strength of the resulting structure shall be equivalent to or greater than that section of body that has been removed to receive the wheelhousing. (See Par. E.1.10. for undercoating requirements.)

2.18. VENTILATION - The bus shall be equipped with a suitable, controlled ventilation system of sufficient capacity to maintain a satisfactory ratio of outside to inside air under normal operating conditions without opening windows except in warm weather. A static-type, noncloseable exhaust ventilator shall be installed in the low-pressure area of roof.

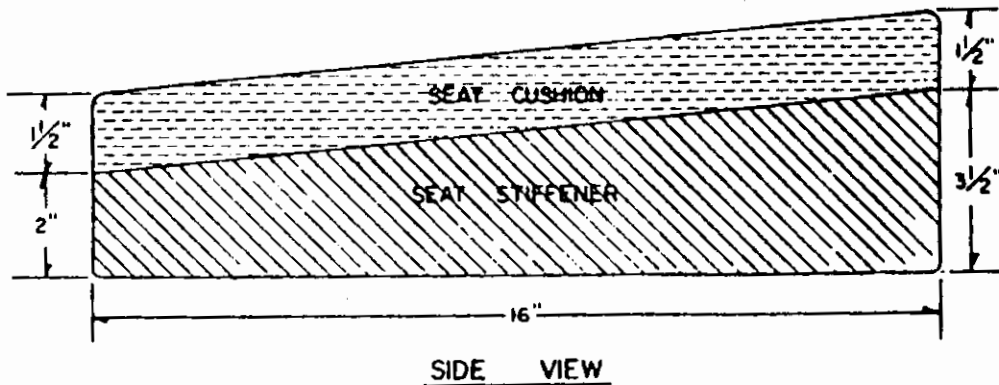
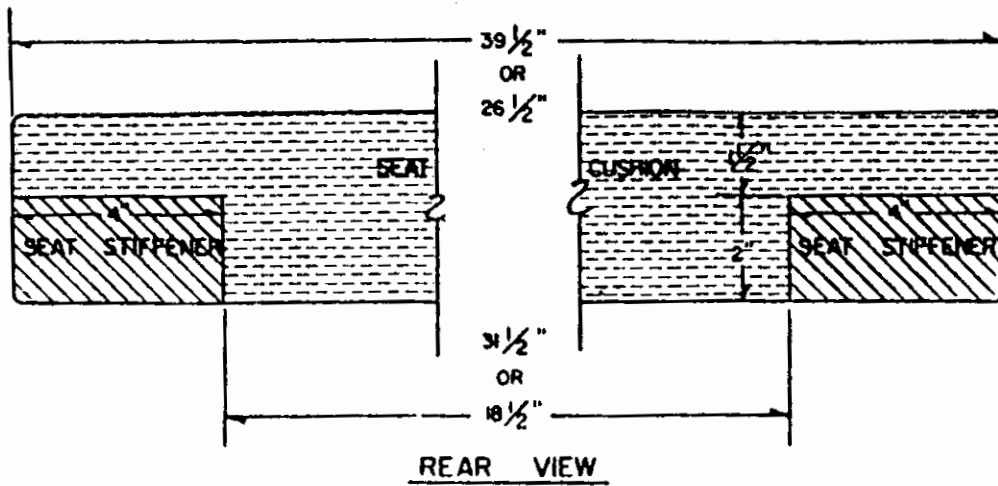
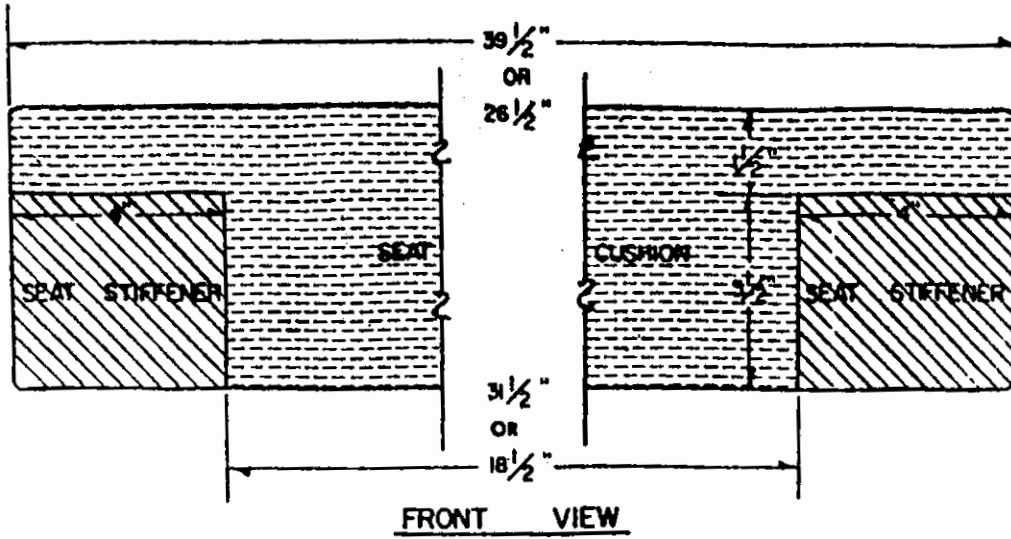
E.3. ACCESSORIES, REQUIRED AND OPTIONAL -

3.1. ACCESS PORT - An access port with cover plate shall be installed above the fuel sending unit. It shall be of sufficient size to service fuel sending units and fuel pumps installed in the fuel tank. An access port is not required on the 24-passenger bus or on buses with front-mounted wheel-chair lifts (see G.1.8.3.).

3.2. BACKUP ALARM - An automatic, audible backup warning alarm meeting the requirements of type C, 97 dB(A), SAE J994 (except for 12-volt system) shall be installed behind the rear axle.

Fig. 5

SEAT CUSHION ASSEMBLY



**E. 24- THROUGH 83-PASSENGER BODY SPECIFICATIONS**

**3.3. DEFROSTERS** - Defrosting equipment shall keep the windshield, the window to the left of the driver, and the glass in the service door clear of fog, frost, and snow, using heat from the heater and circulation from fans. All defrosting equipment shall meet the requirements of FMVSS No. 103. Any circulating fan used in defogging and installed on the curb side of the bus front shall be mounted on the windshield header so as to protect the fingers, hair, and clothing of entering and departing passengers.

**3.4. FIRE EXTINGUISHERS** - School buses shall be equipped with one of the fire extinguishers listed below:

**3.4.1. Standard Fire Extinguishers** - Each bus shall be equipped with at least one refillable stored pressure Multipurpose Dry Chemical type (or approved equal) fire extinguisher of minimum 5-pounds capacity, mounted in an extinguisher manufacturer's automotive type bracket, and located in the driver's compartment in full view of and readily accessible to the driver. The fire extinguisher shall bear the Underwriters Laboratory Listing Mark of not less than 2A 20-B:C rating. Extinguishers shall be furnished with a hose, pressure gauge, and metal head.

**3.4.2. Halon type Fire Extinguisher** - An approved equal fire extinguisher is the American Safety Products (ASP) Model 13000, 2A 40-B:C Rating. (For those who prefer this type, this fire extinguisher is available with a 13-pound charge of combined halon gas. It is not permissible to transport these units after refilling, therefore the manufacturer offers a five-year warranty and replacement of discharged units with a new unit at half price.)

**3.5. FIRST AID KIT** - Buses shall have a removable metal first aid kit container mounted in an accessible place within the driver's compartment. The compartment shall be marked to indicate the location of the kit. Number of units and contents for each kit shall be as follows:

- 2 - 1 in. x 2 1/2 yds. adhesive tape rolls
- 24 - sterile gauze pads 3 in. x 3 in.
- 100 - 3/4 in. x 3 in. adhesive bandages
- 12 - 2 in. bandage compress
- 12 - 3 in. bandage compress
- 2 - 2 in. x 6 yds. sterile gauze roller bandages
- 2 - nonsterile triangular bandage approx. 40 in. x 54 in., 2 safety pins
- 3 - sterile gauze pads 36 in. x 36 in.
- 3 - sterile eye pads
- 1 - rounded end scissors

**3.6. HEATERS AND RELATED COMPONENTS -**

**3.6.1. Standard Heater** - Each bus shall be equipped with a heavy-duty combination fresh air and recirculating air heater(s). The heater(s) shall be a hot water type. The BTU/hr rating shall be in accordance with Standard SEMI No. 001. These standard heaters shall have minimum free flow output ratings as follows:

3.6.1.1. 24- and 35-passenger Buses - 45,000 Btu/hr.

3.6.1.2. 47-passenger and Larger Buses - 80,000 Btu/hr.

**3.6.2. Auxiliary Heater** - When so specified in the Invitation for Bids (see Option 11), a second recirculating heater shall be furnished. It shall be mounted near the rear of the bus and in such a manner so as not to interfere with the securing of seats to the floor, as specified in Par. E.2.14.2.2. The BTU/hr rating shall be in accordance with SEMI Standard No. 001. Heated conduits inside the buses shall be insulated or shielded to prevent injury to the driver or passengers. The heater shall have a minimum output rating (recirculating air rating - not fresh air intake rating) as follows:

3.6.2.1. 24- and 35-passenger Buses - 40,000 Btu/hr.

3.6.2.2. 47-passenger and Larger Buses - 60,000 Btu/hr.

**NOTE:** Auxiliary heaters on diesel-powered buses shall be furnished with a water circulating pump.

**3.6.3. Installation** - The standard heater shall be installed near the front of the bus body with the controls readily accessible to the driver; the auxiliary heater shall be installed near the rear of the bus. Heater hose connections shall be installed above the floor of the bus body and through the fire wall to the engine compartment. Heated conduits inside the bus shall be insulated or shielded to prevent injury to the driver or passengers. The length of the hot water hoses shall be as short as possible consistent with good installation practices; however, the hoses shall not be installed in such a manner so as to interfere with normal engine maintenance operations, such as the removal of the engine air cleaner.

E. 24- THROUGH 83-PASSENGER BODY SPECIFICATIONS

The hoses shall not dangle or rub against the chassis or sharp edges and shall not interfere with or restrict the operation of any motor function, such as the spark advance of an automatic distributor. Heater hose shall conform to SAE 20R3, Class C, as defined in SAE Standard J20e. Each heater installation shall include two all brass shutoff valves or cocks. Installation of the shutoff valves or cocks shall be as close as possible to the water pump and motor block outlets. The hoses shall be adequately supported to guard against excessive wear due to vibration. These cutoff valves or cocks shall be installed as follows:

3.6.3.1. One between the heater hose connection and the water pump outlet, and

3.6.3.2. One between the heater hose connection and the engine block.

3.6.4. Bleeder Valves - Any heater(s) installed by the body manufacturer shall have accessible air bleeder valves installed in the return lines.

3.6.5. Service Accessibility - Heater motors, cores, and fans shall be readily accessible for service. Access panels (removable without removing driver's seat) shall be provided as required for maintenance.

3.7. LUGGAGE RACK - When so specified in the Invitation for Bids (see Option 12), a luggage rack shall be mounted on top of the bus meeting the following requirements:

3.7.1. Design and Material - The floor or bottom of the luggage rack shall consist of minimum 19-gauge steel stiffened by the application of spot-welded pressed channels or pressed-in panels. The bottom shall be flat and shall be adequately perforated for water drainage. The side rails shall be a minimum of 0.75 inch O.D. steel tubing having a wall thickness of at least 0.0625 inches or channels of equal strength. The rack shall have a minimum of three side rails on all four sides. The top rail shall be approximately 12 inches above the flat bottom floor of the rack. The right and left sides of the rack shall have a minimum of four footman loops each to accommodate tarpaulin tie downs straps. The vertical posts shall not extend above the top rail. The ends and sides from the flat bottom floor to the roof of the bus shall be enclosed with metal flashing. The rack shall have no sharp or rough edges to cause excessive tarpaulin wear. A metal ladder mounted at the rear of the bus shall provide access to the luggage rack. (Folding steps are not acceptable.) The minimum width shall be 60 inches and the length dimensions of the rack furnished for the various sizes of buses shall be:

3.7.1.1. 53-passenger Bus or Less - Minimum of 81 inches, and

3.7.1.2. 59-passenger Bus and Larger - Minimum of 135 inches.

3.7.2. Installation - The luggage rack shall be mounted to the roof with rivets or bolts, nuts, and lockwashers attached to each roof bow under the rack and where required by standard industry practices.

3.7.3. Color - The complete luggage rack shall be painted either black or yellow in accordance with the manufacturer's standard practice.

3.8. EXTERIOR MIRRORS - Exterior mirrors shall conform to the requirements of FMVSS No. 111. Each school bus shall be provided with exterior mirrors and brackets as described below:

3.8.1. Crossover Mirrors - An exterior wide angle (crossview) mirror (minimum 40 square inches of surface area) shall be installed on the left front of the bus and shall comply with the requirements of Section IV B.1.e of Federal Safety Standard No. 17, or as amended. This mirror shall have a tripod bracket assembly. Mirror mounting and backing shall be metal or a high-impact plastic such as a polycarbonate/polyethylene terephthalate blend, or approved equal.

3.8.2. Localized Viewing Mirror (all Buses) - A minimum 40 square inch convex mirror shall be installed on a tripod bracket assembly on the right front fender of each bus (right front of forward control buses; see Par. E.3.8.3.). This mirror shall provide localized viewing of the total front area and right-side area back to the service door. This mirror shall be one of the following or approved equal:

3.8.2.1. Grote Model No. 12182/3, or

3.8.2.2. Sure Plus Model No. 1010.

**E. 24- THROUGH 83-PASSENGER BODY SPECIFICATIONS**

- 3.8.3. **Localized Viewing Mirror (Forward-control Buses Only)** - At the option of the body manufacturer, in lieu of the above localized viewing mirror, one or two convex mirrors may be furnished on the right side only, either mounted securely to the bracket of the exterior rearview mirror, or on a separate tripod bracket with the following provisions: 1) the mirror(s) shall be adjusted to provide for localized viewing of the area from the front right corner of the bus back to the rear of the service door, and 2) the mirror(s) shall also provide a view of the front of the bus which is not within the direct view of the driver. The mirrors shall be the type described in Par. E.3.8.2. above.
- 3.8.4. **Rearview Mirrors - Exterior rearview mirrors shall be adjustable to allow any driver to have visibility beyond the rear wheels at ground level. Mirrors and brackets shall be provided as follows:**
- 3.8.4.1. **Mirrors** - Two metal-backed, exterior, clear-vision rearview mirrors not less than 6 inches wide by 16 inches long shall be mounted outside, one to the left and one to the right of the driver. The right-side rearview mirror shall be the split view (dual view) type, such as the Grote Model 16041, or the Duplex "T" No. T-616 as manufactured by Elmsford Diecasting Company, 4 Vernon Lane, Elmsford, New York 10523; or a split view mirror with a prefocused convex (blind spot) mirror such as Sure-View Model 7002, manufactured by Sure-View, Inc., 1337 North Meridian Street, Wichita, Kansas 67203, or approved equal. Comparable models in flat mirror configuration of the same brands are approved for use on the left side.
- 3.8.4.2. **Bracket** - Each exterior mirror shall be mounted in the brackets and assemblies shown on Texas State Purchasing and General Services Commission Drawings numbered 040-35(a), 040-35(3), 040-35(4), 040-35(5), 040-35(6) and 040-35(7), dated November 15, 1968. The brackets shall be mounted on the left front and right front of the bus body and cowl. The parts, as shown on Drawings numbered 040-35(2) and 040-35(3), must be formed to fit the individual configuration of each manufacturer's body and cowl design. Long dimensions of Texas mirror brackets may be adjusted as required to fit the configurations of buses.
- 3.8.4.3. **Mounting** - Mounting of exterior mirrors to the bus body shall be by means of bolts, nuts, and lock washers, where possible; otherwise No. 10 hexagon head sheet metal bolts with star lock washers or No. 10 hexagon head sheet metal screws with serrated surface shall be used.
- 3.8.4.4. **Painting Requirements** - Brackets and assemblies of all exterior rearview and crossover mirrors shall be cleaned and prepared for painting in accordance with Federal Specification TT-C-490B, Type I or II. The metal backs of stainless steel, aluminum, and chrome-plated exterior and crossover mirrors, if painted, and the backs of all other metal-backed exterior and crossover mirrors shall be finished in black (Color No. 37038 of Federal Standard No. 595a).

**NOTE:** Care must be exercised to guard against reducing exterior mirror sizes below minimums. The required field of view shall not be impaired.

- 3.9. **Interior Mirror** - A clear-vision, interior rearview mirror conforming to FMVSS No. 111, with at least 6"x 30" size vision area, affording a good view of the road to the rear as well as of the passengers, shall be furnished and installed. The mirror shall be made of safety glass and have rounded corners and protected edges.
- 3.10. **MUD FLAPS** - When so specified in the Invitation for Bids, (see Option 14), mud flaps of durable, heavy-duty rubberized construction, complete with brackets, shall be installed behind each set of rear wheels. The mud flaps shall be comparable in size to the width of rear wheelhousing and shall reach within approximately 8 inches of the ground when the bus is empty. They shall be mounted at a distance from the wheels that will permit free access to spring hangers for lubrication, and to prevent their being pulled off when the bus is moving in reverse. There shall be no advertisement on the mud flaps.
- 3.11. **REVOLVING STROBE LIGHT** - When so specified on Invitation for Bids (see Options 22), an optional white flashing strobe light meeting the following requirements shall be provided:
- 3.11.1. **Design** - The lamp shall have a single clear lens emitting light revolving 360 degrees around a vertical axis. The light source shall be minimum of 50 candlepower and flash 60-120 times per minute. The base of the lamp shall be metal or approved equal and installed by a method which seals out dust and moisture. A manual switch is required for operation and a pilot light to indicate when the light is in operation shall be included. Wiring shall be installed inside the bus walls.



E. 24- THROUGH 83-PASSENGER BODY SPECIFICATIONS

- 3.11.2. Mounting - The strobe light shall be permanently installed near the centerline on the school bus roof and not more than one-third of the body length forward from the rear edge of the bus roof. It shall not extend above the roof more than approximately 6.5 inches.
- 3.12. SEAT BELTS, PASSENGER - When so specified in the Invitation for Bids (see Option 18), seat belts conforming to FMVSS Nos. 209 and 210 shall be provided for each passenger position. The seat belts shall meet the following requirements:
- 3.12.1. Design - Seat belts shall have a buckle end and an attaching end which are adjustable to fit passenger sizes as required by FMVSS Nos. 208 and 209. Buckles shall be of the plastic-covered push button design. Long and short ends shall be mounted alternately with the short end on the aisle. If possible, the design shall prevent fastening the belts across the aisle.
- 3.12.2. Colors - The belt assemblies shall be alternately color coded with contrasting colors. All aisle seats on the same side of the bus shall have belts with the same color. Two-position seats shall use two colors; three-position seats may use two or three colors.
- 3.13. STIRRUP STEPS - There shall be one stirrup step and a suitably located handle on each side of the bus body front for easy accessibility in cleaning the windshield and lamps. The stirrup step on forward-control buses shall be on or in the bumper. Stirrup steps are not required on the 24-passenger bus unless necessary to clean windshield and windows.
- 3.14. STOP ARM - When so specified on Invitation for Bids (see Option 21), a school bus stop arm meeting SAE J1133 and the following requirements shall be provided:
- 3.14.1. Design - The sign shall be octagon-shaped, constructed of zinc-coated steel or aluminum and painted with a polyurethane finish. It shall have a minimum 1/2-inch wide white border and the word "STOP" in white letters at least 6 inches high against a red background on both sides. Double-faced red, alternately flashing lamps, one each at the top and bottom (visible from each side of the structure) shall be connected to, and flash with the required school bus red flashing signal lamp circuit when the arm is extended. The arm mechanism may be activated by air pressure, electricity, or by vacuum. The school may specify a reflectorized surface if desired.
- 3.14.2. Mounting - The stop arm shall be installed on the left side of the school bus near the front cowl section.
- 3.15. SUN VISOR - A two-post, adjustable sun visor with a minimum size of 6 inch by 30 inches and a minimum thickness of 0.125 inches and constructed of tinted plexiglass shall be furnished on each bus. Means shall be provided for tension adjustment. It shall be installed above the interior windshield on the driver's side or it may be mounted to the inside rearview mirror at each end using lock type nuts. If this type of mounting is used, the mirror shall have an adjustable reinforcing bracket at each end to reduce any vibration distortion caused by the weight of the sun visor.
- 3.16. TOOL COMPARTMENT - When so specified in the Invitation for Bids (see Option 31), a metal container of adequate strength and capacity shall be provided for storage of tire chains, tow chains, and such tools as may be necessary for minor emergency repairs. This storage container shall be located either inside or outside the passenger compartment. However, if it is located inside the passenger compartment, it shall be provided with a separate cover; a seat cushion shall not be used as this cover. This tool compartment shall be capable of being securely latched and shall be fastened to the floor in the right front or the right rear of the bus.
- 3.17. WINDSHIELD WIPERS AND WASHERS -
- 3.17.1. Wipers - Each bus shall be equipped with two, 2-speed electric motor-driven heavy-duty windshield wipers. The arms and blades shall be of sufficient size to provide clear vision for the driver during a heavy rain. The motors furnished shall be guaranteed to operate the wipers under all driving conditions and shall be American Bosch Model MWC, or approved equal.
- 3.17.2. Washers - A vacuum-, electric-, or air-operated windshield washer shall be furnished and installed. The washer shall have a minimum reservoir capacity of one quart of water and shall direct a stream of water into the path of travel of each windshield wiper blade each time the actuating button is operated.

## F. 24- THROUGH 83-PASSENGER CHASSIS SPECIFICATIONS

### F.1. GENERAL REQUIREMENTS -

- 1.1. **GENERAL SPECIFICATIONS** - The requirements for gross vehicle weight ratings, gross axle weight ratings (front and rear) and tire sizes and load ranges, as specified in Table Nos. 10 through 24 for each size chassis are minimum requirements (see Par. A.4.4.). The requirements are for school buses with standard equipment. The added weights of optional equipment, such as air conditioning, luggage racks, lifts for the physically impaired or other heavy accessories were not considered in establishing the capacity ratings to be certified for the chassis. If additional optional equipment is ordered which necessitates increased capacity ratings of either axles, springs or tires, it is the responsibility of the vendor to furnish them so that proper certification can be made on the vehicle.
- 1.2. **COLOR** - The chassis, including bumpers and wheels, shall be painted black (Color 17038); cowl, fenders, and hood shall be painted school bus yellow (Color 13432).

### F.2. CHASSIS FRAME AND RELATED COMPONENTS -

- 2.1. **CHASSIS FRAME SIDE MEMBERS** - Each frame side member shall be of one-piece construction. If the frame side members are extended, such extension shall be designed, furnished, and guaranteed by the installing manufacturer. The installation shall be made by either the chassis or body manufacturer. Extensions of frame lengths are permissible only when such alterations are welded on behind the hanger of the rear spring. This specification does not permit wheelbase extensions. Any welding, heating (for frame straightening or repairs), or the drilling of holes in chassis frame members shall be in accordance with chassis manufacturer's recommendations.
- 2.2. **BUMPER, FRONT** - The front bumper shall be furnished by the chassis manufacturer and must extend to the outer edges of the body at the bumper top line (to assure maximum fender protection). The front bumper on the 83-passenger bus shall be heavy duty transit type, not less than 0.1875 inch by 9.75 inch steel. It must be of sufficient strength to permit pushing a vehicle of equal gross weight without permanent distortion to the bumper, or vehicle. The bumper shall be painted black (color No. 17038).
- 2.3. **FUEL TANKS** - Standard and auxiliary fuel tanks shall meet FMVSS No. 301-75 as applicable to school buses and shall meet the current design objectives of the SEMI:
  - 2.3.1. **Standard Fuel Tanks** - The standard fuel tank for 47- through 83-passenger school buses shall have a minimum capacity of 60 gallons. The 24- and the 35-passenger buses shall have fuel tanks with minimum capacities of 20 and 30 gallons, respectively. The tank shall be mounted, filled, and vented entirely outside the body (see Par. F.4.5.3.).
  - 2.3.2. **Auxiliary Fuel Tank(s)** - When so specified in the Invitation for Bids (see Option 9), the 24- and the 83-passenger buses shall be furnished with minimum capacity fuel tank or tanks of 30 and 90 gallons, respectively. The auxiliary fuel tank for the 24-passenger bus shall be furnished and installed by the chassis manufacturer. The 35- through 77-passenger buses do not have auxiliary fuel tanks available.
  - 2.3.3. **Material** - Each tank (including auxiliary fuel tanks) shall be constructed of 16-gauge terneplate or equivalent and shall be equipped with baffles. Each tank may be mounted on either the right or left side of the chassis.
- 2.4. **HOOD, TILTING** - A forward-tilting hood, giving access to the engine compartment shall be furnished on conventional bus chassis (except 24- and 83-passenger buses).
- 2.5. **STEERING, POWER** - The bus shall be furnished with the chassis manufacturer's standard power steering which will provide safe and accurate performance at maximum load and speed. The mechanism must provide for easy adjustment for lost motion unless the unit doesn't require adjustment due to design. No changes shall be made in the power steering apparatus which are not approved by the chassis manufacturer.

### F.3. AXLES, SUSPENSION, AND RELATED COMPONENTS -

#### 3.1. AXLES -

- 3.1.1. **Axle Capacities** - Axle capacities and gross axle weight ratings (GAWR's) shall be as specified in Table Nos. 11 through 25 for each make of vehicle. Increased axle capacities shall be furnished to accommodate optional equipment such as diesel engines or other heavy accessories as required (see Paragraphs A.4.4., F.1.1., and G.1.7.2.).
- 3.1.2. **Rear Axle Ratios** - Rear axle ratios shall be compatible with the required engines and gradeability requirements for school buses driven at governed top rated road speeds of 55 MPH minimum (see Par. F.4.1.4.).

F. 24- THROUGH 83-PASSENGER CHASSIS SPECIFICATIONS

3.2. BRAKES AND RELATED COMPONENTS -

3.2.1. Air Brakes and Associated Equipment - Each 59-, 65-, 71-, 77- and 83-passenger chassis shall be equipped with full air brake and parking brake systems as standard equipment. Full air brake systems shall meet the requirements of FMVSS No. 121 as applicable to school buses. The following equipment shall be furnished as follows:

3.2.1.1. Air Compressor - The air compressor on 83-passenger buses shall have a minimum 12 cu.ft. capacity. Other sizes of buses equipped with air brakes shall have an air compressor of sufficient capacity to provide adequate air pressure for the air brake system.

3.2.1.2. Air Tanks - The air tank(s) for 83-passenger buses shall be equipped with automatic valves to drain condensation from the tanks.

3.2.1.3. Automatic Moisture Ejectors - When so specified in the Invitation for Bids (see Option 13), automatic moisture ejectors shall be furnished and installed (for air brake equipped buses only - not applicable to 83-passenger buses).

3.2.1.4. Automatic Slack Adjusters - When so specified in the Invitation for Bids (see Option 19), four automatic slack adjusters shall be furnished and installed, two at the front and two at the rear (for air brake equipped buses only).

3.2.2. Hydraulic Brakes - The 24-, 35-, 47- and 53- passenger school bus chassis shall have as standard, hydraulic service brakes, emergency stopping system, and parking brakes meeting the requirements of FMVSS No. 105-83. If so specified in the Invitation for Bids (see Option 5), the 59-, 65-, 71-, and 77-passenger school buses shall be equipped with hydraulic brakes.

3.3. SHOCK ABSORBERS - Two front heavy-duty, double-acting shock absorbers shall be installed.

3.4. SPRINGS - Springs or suspension assemblies shall be of ample resiliency under all load conditions and of adequate strength to sustain the loaded bus without evidence of overload. Springs or suspension assemblies shall be designed to carry their proportional share of the gross vehicle weight as shown in Tables Nos. 11 through 25. Rear springs shall be of the progressive type. If leaf type front springs are used, stationary eyes shall be protected by a fullwrapper leaf in addition to the main leaf.

3.5. TIRES AND WHEELS -

3.5.1. Tires - All standard tires shall be the steel belted radial tubeless type except the 24-passenger bus shall have bias belted tires as standard. All tires and tubes shall be new and the tread style furnished shall be the tire manufacturer's standard design and the brand normally furnished on regular production orders unless otherwise specified in the Invitation for Bids (see Options 27, 28, 29, and 30). All tires shall be "Original Equipment Line Quality". Schools may order tube type steel belted radial, or tubeless-type bias belted, or tube-type bias belted tires as optional equipment on 35- through 77-passenger buses by selecting Option Nos. 27, or 28, or 29, respectively, on their bid requisition. For tire size and load range for each size chassis, see Table Nos. 11 through 25 and the major components chart.

3.5.2. Wheels - Each chassis shall be equipped with 6 standard steel disc type wheels. When so specified in the Invitation for Bids (see Options 32, 33, and 39), the following optional wheels and carrier shall be furnished on the chassis as indicated:

3.5.2.1. Wheel, Spare, (without Carrier, Tire, or Tube) - (for 24- through 77-passenger buses; see Option No. 32).

3.5.2.2. Wheel, Spare, Mounted (with Carrier but not tire or tube; for 35- through 83-passenger only; see Option No. 33). NOTE: Carrier not available for 24-passenger bus; spare wheel only is available on this option.

3.5.2.3. Wheels, Chassis, Cast Spoke (All Wheels) - (for 35- through 77-passenger bus - See Option No. 39).

3.6. HUBODOMETERS - Each chassis shall be equipped with one hubodometer with standard mounting bracket which shall be calibrated in miles and installed by the manufacturer. The preferred mounting location is on the right rear axle drive wheel. The hubodometer shall be one of the following:

3.6.1. Accu-Trak, Standard Car Truck, Park Ridge, IL 60068.

3.6.2. Engler Instruments, 250 Culver Ave., Jersey City, NJ 07305.

3.6.3. Veeder-Root, Hartford, CT 06102.

F. 24- THROUGH 83-PASSENGER CHASSIS SPECIFICATIONS

F.4. ENGINE AND RELATED COMPONENTS -

4.1. ENGINES - Approved engines listed in each table for the various size buses are the engines for which the vendor has requested approval and are usually the smallest engine in terms of performance that will meet the requirements listed below. Other approved engines which the vendor may provide with a given chassis will be listed also in an Approved Products List (APL). The APL will be updated as new engines or additional versions of current engines are approved. Please note that only those engines approved as specified below and listed either in the Texas School Bus Specification or in the Class 070-SB-APL will be acceptable for school buses.

4.1.1. Gasoline Engines - Engines for the 24- through 71-passenger conventional (and semi-forward control) and the 77-passenger school buses shall be of the gasoline type unless otherwise specified in the Invitation for Bids. Approved engines are listed in Tables Nos. 11 through 23 and in the Class 070-SB APL.

4.1.2. Diesel Engines - When so specified in the Invitation for Bids (see Option 7), a bus chassis having a gasoline engine listed as standard, shall be furnished with a 4-cycle diesel engine. (Diesel engines are standard in forward control buses for 47- through 77-passenger and the 83-passenger buses).

4.1.3. Power Requirements - Each bus shall be furnished with an engine that meets or exceeds the following minimum criteria (see second note at the end of Paragraph F.4.1.4.8.), when tested at or above the GVWR required for a given bus capacity and with all accessories except air conditioning compressor on and operating :

4.1.3.1. Acceleration from 0 to 50 mph in 60 seconds or less.

4.1.3.2. Gradeability of 1.5% minimum at 50 mph.

4.1.3.3. Gradeability of 5.0% minimum at 25 mph.

4.1.3.4. Startability of 20% minimum.

4.1.3.5. Top speed of 55 mph minimum at the manufacturer's rated rpm for the governed engine.

4.1.4. Approval of New Engines - Procedures for approving new school bus engines for 24- through 83- passenger school buses shall be as follows:

4.1.4.1. Submit to the Specification Section, a recent computer scan (not the typed results of a scan) showing that the proposed engine meets or exceeds each requirement of Par. F.4.1.3. under the following conditions:

- (i) GVWR equal to or greater than that of the largest bus for which approval is requested.
- (ii) Minimal frontal area of 75 square feet, or actual frontal area, if different.
- (iii) AT-545, MT-643, or chassis manufacturer's standard automatic transmission, as applicable (see Par. F.5.).
- (iv) Radial tires of the size specified in the table for the particular bus capacity (Bias belted required for 24-passenger.)
- (v) Air resistance coefficient = 0.550 or relative drag coefficient of 88, whichever the manufacturer uses.
- (vi) All engine accessories on and operating including fan clutch, alternator, power steering pump, air compressor, and any other powered accessory except air conditioning compressors.
- (vii) Other parameters shall be of the manufacturer's standard values for the coefficient of friction on smooth concrete, driveline efficiency, etc.

4.1.4.2. The Specification Section will review the scan and advise the vendor or manufacturer by letter of the results of this review. Copies will be furnished to the School Bus Committee.

4.1.4.3. If this review verifies the engine meets the requirements of this specification, the vendor or manufacturer shall contact the SPGSC Purchaser to arrange for the testing of the engine in the largest size school bus for which approval is requested. The Purchaser will consult with the TEA Representative and inform the vendor of the name(s) of the school district(s).

4.1.4.4. The vendor must obtain the cooperation of one of the named school districts in agreeing to test the bus and to provide a report to the SPGSC Specification Section on the form provided (see copy of the Form entitled, "Three Month Test of New School Bus Engines", on page ).

4.1.4.5. The vendor or manufacturer shall then contact the SPGSC Purchaser and TEA School Bus Committee Representative about ordering the school bus with the subject engine.

F. 24- THROUGH 83-PASSENGER CHASSIS SPECIFICATIONS

- 4.1.4.6. The bus shall be tested for a period of not less than three months during the regular nine-months school term, preferably on a variety of routes and on activity trips.
- 4.1.4.7. Upon receipt of the school district's report, the Specification Section will make a recommendation at the next meeting of the School Bus Committee that the engine be accepted or rejected.
- 4.1.4.8. The School Bus Committee will act on this recommendation and, if approved, the engine will be added to the Class 070-SB APL.

**NOTES:** Once an engine is approved in one horsepower and torque version, other power versions of this same engine need not be tested in a school bus prior to approval. For approval, the vendor or manufacturer shall follow Par. F.4.1.4.1. If the Specification Section finds the scan shows conformance with the "five criteria", the engine will be added to the APL which will show the SAE gross horsepower and SAE gross torque as well as the rear end ratio used in the scan.

THE VALUES OF DISPLACEMENT, HORSEPOWER, AND TORQUE LISTED IN THE FOLLOWING TABLES UNDER EACH MANUFACTURER ARE NOT MINIMUM VALUES AND SHOULD NOT BE CONSTRUED AS SUCH. THE ONLY MINIMUM REQUIREMENTS FOR THE PERFORMANCE OF ENGINES IN 24- THROUGH 83-PASSENGER SCHOOL BUSES IN THE STATE OF TEXAS ARE THE FIVE REQUIREMENTS LISTED IN PARAGRAPHS F.4.1.3. (There are additional requirements for engines, either implied or specified, separate from the above performance requirements.)

- 4.2. **AIR CLEANER** - Each chassis shall be equipped with a factory-installed maximum capacity, heavy-duty replaceable dry element type air cleaner.
- 4.3. **COOLING SYSTEM** - The cooling system radiator shall be heavy-duty with increased capacity to cool the engine at all speeds in all gears. The cooling system fan shall be the heavy-duty reinforced type with a fan clutch. Thin pressed fan blades are not acceptable.
- 4.4. **ENGINE WARNING SYSTEM** - An engine warning system shall be provided for the 35- through 83-passenger diesel-powered buses and shall be chassis factory-installed. Audible (which may be also be visual) signals shall indicate to the driver when the oil pressure is too low and/or the engine temperature is too high for safe operation. These signals shall begin within 8 seconds or less after the condition begins in order that the engine can be shut down before permanent damage occurs. A manual engine shut-down device is preferred.
- 4.5. **EXHAUST SYSTEM** -
  - 4.5.1. **Component Placement** - The exhaust pipe, muffler, and tailpipe shall be mounted under the bus and attached to the chassis frame.
  - 4.5.2. **Tailpipe** - The tailpipe shall be constructed of seamless or electrically welded tubing of 16-gauge steel or equivalent, and shall extend at least 5 inches beyond the chassis frame. The size of the tailpipe shall not be reduced after it leaves the muffler.
  - 4.5.3. **Tailpipe Exit** - The tailpipe of a gasoline-powered bus shall not exit the side of the bus anywhere within 12 inches of a vertical plane through the center of the fuel filler opening and perpendicular to the side of the bus, unless protected with a metal shield to divert spilled fuel away from tailpipe.
  - 4.5.4. **Noise Level** - The noise level shall neither exceed EPA "Noise Emission Standards" nor 90 dB(A) at the ear of the occupant nearest to the noise source in the bus. When so specified in the Invitation for Bids, (see Option No. 20), the bus shall be furnished with the noise level not exceeding 86 dB(A) measured at the same place.
- 4.6. **FUEL FILTER** - Each diesel engine shall be equipped with a full-flow fuel filter and a primary and a separate secondary fuel filter installed between the fuel tank and the injector pumps.
- 4.7. **GOVERNOR** - A governor set to the manufacturer's recommended maximum engine speed (RPM) shall be installed by the chassis manufacturer.
- 4.8. **OIL FILTER** - Each chassis shall be equipped with a factory-installed, minimum one-quart capacity oil filter with a replaceable element or cartridge type. It shall be connected by flexible oil lines if it is not of the built-in or engine-mounted design.
- 4.9. **TACHOGRAPH** - When so specified in the Invitations for Bids (see Option 24), a tachograph containing a combination clock/speedometer/recorder shall be installed on the dashboard. The tachograph shall be Argo Model 1310-6, Veeder-Root Model AB-1407, or approved equal.

**F. 24- THROUGH 83-PASSENGER CHASSIS SPECIFICATIONS**

**F.5. TRANSMISSION AND RELATED COMPONENTS** - The 24- through 77-passenger school buses shall be equipped with a manual or an automatic transmission, ~~WHICHEVER IS SELECTED BY THE SCHOOL DISTRICT ON THE SCHOOL BUS REQUISITION FORM.~~

- 5.1. **AUTOMATIC TRANSMISSION, CHASSIS MANUFACTURER'S** (Standard on the 24-passenger bus) - Unless otherwise specified in the Invitation for Bids, the 24-passenger bus shall be furnished with a minimum three forward speed automatic transmission which shall be the chassis manufacturer's standard automatic transmission for this type of chassis.
- 5.2. **AUTOMATIC TRANSMISSION**, (for 35- through 71-Passenger and 77-Passenger Conventional Bus) - Unless otherwise specified in the Invitation for Bids, 35- through 71-passenger and the 77-passenger conventional buses shall be furnished with a minimum four forward speed automatic transmission. The transmission shall be the ATD Model AT 545, or approved equal (see Par. F.5. above).
- 5.3. **AUTOMATIC TRANSMISSION**, (for 77- and 83-Passenger forward control buses) - Unless otherwise specified in the Invitation for Bids, 77-passenger buses shall be furnished with a minimum four forward speed automatic transmission. Each 83-passenger forward control bus shall be furnished with an automatic transmission with a minimum of 4 forward speeds. The transmission shall be the ATD Model MT-643 or approved equal.
- 5.4. **MANUAL TRANSMISSIONS** - Unless otherwise specified in the Invitation for Bids, the manual type transmission shall be furnished on all 24- through 77-passenger buses (but not the 83-passenger bus which requires an automatic transmission). The transmission shall be the synchromesh (all gears except first and reverse) type. It shall be of sturdy construction, and the input torque capacity shall be at least 10 percent above the maximum net torque developed by the engine. Its design shall provide for four or five forward and one reverse speeds for 24-, 35-, 47, and 53-passenger chassis, and five forward (direct in fifth) and one reverse speeds for 59-, 65-, 71-, and 77-passenger chassis.
- 5.5. **CLUTCH, MANUAL TRANSMISSION** - The clutch in buses equipped with manual transmissions shall have a torque capacity not less than 10 percent in excess of the maximum net torque output of engine. The diameter of the clutches for the various sizes of buses equipped with manual transmissions shall be as follows:
  - 5.5.1. 12-Inch Clutch - All chassis for the 24-, 35-, 47-, 53-, and 59-passenger buses with manual transmissions shall be equipped with a minimum 12-inch diameter clutch..
  - 5.5.2. 13-Inch Clutch - All chassis for 65-, 71-, and 77-passenger buses with manual transmissions shall be equipped with a minimum 13-inch diameter clutch or a clutch with equivalent performance.
- 5.6. **DRIVE SHAFT GUARD** - Each drive shaft section shall be equipped with protective metal guard or guards to prevent the shaft from whipping through the floor or dropping to the ground when broken.

**NOTE:** Drive shaft guard is not required on rear engine, rear-drive bus.

**F.6. ELECTRICAL SYSTEM AND RELATED COMPONENTS** -

- 6.1. **ALTERNATORS** - The 12-volt alternators with rectifier shall have the electrical outputs and the minimum charging rates shown below when tested in accordance with SAE rating at the manufacturer's recommended engine idle speed. These alternators shall be ventilated and voltage controlled end, if necessary, current controlled. Dual belt drive or a single serpentine belt shall be used with the alternators provided on the 35- through 83-passenger buses:
  - 6.1.1. **Standard Alternator** - The 24- through 77-passenger buses shall have a standard alternator with a minimum electrical output of 90 amperes and a minimum charging rate of 40 amperes at idle. The 83-passenger bus shall have a standard alternator with a minimum electrical output of 100 amperes and a minimum charging rate of 50 amperes at idle.
  - 6.1.2. **Optional Alternator** - When so specified in the Invitation for Bids, (see Option 3), the 24- through 77-passenger chassis shall have an alternator with a minimum electrical output of 100 amperes and a minimum charging rate of 50 amperes at idle.
  - 6.1.3. **Other Alternators** - School buses equipped with the following equipment shall have alternators meeting the following requirements:
    - 6.1.3.1. **Air-conditioned Buses** - Buses equipped with air conditioning shall have alternators with a minimum electrical output of 130 amperes and a minimum charging rate of 58 amperes at idle.
    - 6.1.3.2. **Wheelchair Lift-equipped Buses** - Buses equipped with wheelchair lifts shall have alternators with a minimum electrical output of 105 amperes and a minimum charging rate of 50 amperes at idle.

F. 24- THROUGH 83-PASSENGER CHASSIS SPECIFICATIONS

6.2. BATTERY AND RELATED COMPONENTS - The storage batteries furnished on each chassis shall have sufficient capacity to supply current for adequate operation of the engine starter, lights, signals, heater, and all other electrical equipment. The batteries for 24- through 83-passenger school buses shall have an potential of 12 volts and meet the following:

- 6.2.1. Battery (Gasoline Engines) - The minimum performance level shall be a BCI cold cranking capacity of no less than 360 amperes @ 0° F with a minimum 100-minute reserve capacity.
- 6.2.2. Batteries (Diesel Engines) - The batteries furnished with diesel engines shall be single or dual 12 volt or dual 6 volt as specified by the chassis manufacturer. The minimum performance level shall be a BCI cold cranking capacity (CCA) of no less than 450 amperes @ 0° F with a minimum 130-minute reserve capacity except for the 24-passenger bus which shall have 360 CCA and 100-minute reserve capacity.
- 6.2.3. Mounting - The preferred battery mounting location for gasoline-powered buses is outside the body shell under the hood in an adequate carrier and readily accessible for maintenance and removal from above or outside. (See Par. E.2.6. for requirements of diesel-powered buses and other battery mounting locations.)
- 6.2.4. Cables - The battery cables shall be one piece and of sufficient length to allow pull out or lift out of the battery for servicing or removal and arranged so as to prevent damage to the battery posts when removed.

6.3. HORNS - Each bus shall be equipped with horn or horns of standard make. Each horn shall be capable of producing audible sounds in a range between 82 and 102 decibels. The sound level measurements shall be made at a distance of 50 feet directly in front of the vehicle in accordance with SAE J377.

6.4. INSTRUMENTS AND INSTRUMENT PANEL - The bus shall be equipped with the following nonglare illuminated instruments (controlled by an independent rheostat\*), and gauges mounted for easy maintenance and repair and clearly visible to the seated driver. Indicator warning lights in lieu of gauges are not acceptable.

- ( 1) Speedometer
- ( 2) Odometer
- ( 3) Fuel Gauge
- ( 4) Oil Pressure Gauge
- ( 5) Water Temperature Gauge
- ( 6) Ammeter or Voltmeter with graduated charge and discharge indications
- ( 7) Vehicle manufacturer's standard Keyed Ignition Switch
- ( 8) High Beam Headlamp Indicator
- ( 9) Air Pressure Gauge (where air brakes are used)
- (10) Glow Plug Indicator Light (for diesel buses with glow plugs only)

\*Note: If the intensity of the body-installed panel lamps is controlled, then the intensity control shall not be accomplished by the same rheostat that controls the chassis instrument lamps, unless the body company designs and installs the rheostat to accomplish both.

6.5. LAMPS - Each bus shall be equipped with at least two white headlamps meeting the requirements of FMVSS No. 108 and a dimmer switch located at the far left of steering column. Adequate parking lamps operated by a switch in common with the headlamps shall be provided.

F. 24- THROUGH 83-PASSENGER CHASSIS SPECIFICATIONS

TABLE 11  
24-PASSENGER BUS

Refer to General Requirements, Page 3

ITEM	1989	GMC/Chevrolet
	Minimum Rqmts.	P31042/P31442
GVWR, lbs.	14500	14500
Front Axle Capacity, lbs.	5000	5000
Rear Axle Capacity, lbs.	11000	11000
Front GAWR, lbs.	5000	5000
Rear GAWR, lbs.	11000	11000
Wheelbase, in.	133	133/157
Front Track, in.	65.22	66.7
Rear Track, in.	62.81	65.7
Chassis Length, in.	as shown	238.8/262.8
Engine CID*	**	350-V8
SAE Gross Horsepower	**	185
SAE Gross Torque, lb-ft.	**	285
Transmission:		
Automatic, Gears	3 spd	3
Manual, Fwd. Gears	4 spd	4
Truck Type Tires	Dual Rear	Tube
Tire Size &	Bias Belt	
Load Range	as shown	8.00-19.5E
Alternator, amperes	90	105

\*See diesel engine Option 7.

\*\*See minimum power requirements in Par. F.4.1.3.

DIESEL ENGINES (Option 7)

24-Passenger ITEM	1989	GMC/CHEVROLET
	Minimum Rqmts.	P31042/P31442
Engine Displacement, l.	**	6.2N-V8
SAE Gross Horsepower	**	155
SAE Gross Torque, lb-ft.	**	265

\*\*See minimum power requirements in Par. F.4.1.3.

Engines listed on this page are approved to meet or exceed power requirements under normal operating conditions. Other engines must be submitted for approval by the School Bus Committee (see Par. F.4.1.3.).



TABLE 12  
35-PASSENGER CONVENTIONAL BUS

Refer to General Requirements, Page 3

ITEM	1989	Ford	GMC/CHEVROLET	NIC
	Minimum Reqs.	B 600*	B6P042	3700*
GVMR, lbs.	21000	21000	22000	21500
Front Axle Capacity, lbs.	6000	6000	7500	6000
Rear Axle Capacity, lbs.	15000	15000	15000	15500
Front GAWR, lbs.	6000	6000	7000	6000
Rear GAWR, lbs.	15000	15000	15000	15500
Wheelbase, in.	149	151	149	152
Cowl-to-Axle, in.	125	127	125	127
Cowl-to-Frame End, in.	217	231	228	217
Engine CID**	***	*	350-V8	*
SAE Gross Horsepower	***	*	181	*
SAE Gross Torque, lb-ft.	***	*	294	*
Transmission:				
Automatic, Gears/Model	4 spd	AT-545	AT-545	AT-545
Manual, Fwd. Gears	4 spd	5	4	5
Front Disc Brake Rotor, in.	as shown	14.75 x 1.33	14.75 x 1.31	15 x 1.43
Brake Lining, in.	as shown	15.00 x 5.00	14.75 x 1.31	15 x 1.43
Radial Truck Type Tires	Dual Rear	Tubeless	Tubeless	Tubeless
Tire Size &	Steel Belt			
Load Range	9R-22.5F	9R-22.5F	9R-22.5F	9R-22.5F
Rim Size, in.	6.75	6.75	6.75	6.75

\*Furnished with diesel engine only, Option 7.

\*\*See diesel engine option 7.

\*\*\*See minimum power requirements in Par. F.4.1.3.

DIESEL ENGINES (Option 7)

35-Passenger ITEM	1989 Minimum Reqs.	Ford B600	GMC/Chevrolet B6P042	NIC 3700
Engine Displacement, l.	***	6.6T-16	8.2N-V8	7.3N-V8
SAE Gross Horsepower	***	165	170	170
SAE Gross Torque, lb-ft.	***	400	390	332
Front GAWR	6000	8000	7500	6000

\*\*\*See minimum power requirements in Par. F.4.1.3.

Engines listed on this page are approved to meet or exceed power requirements under normal operating conditions. Other engines must be submitted for approval by the School Bus Committee (see Par. F.4.1.3.).

TABLE 13  
47-PASSENGER BUS

Refer to General Requirements, Page 3

ITEM	1989 Minimum Rqmts.	Blue Bird TC2000*	Ford B 600*	GMC/Chevrolet B6P042	NIC 3700*
GVWR, lbs.	21000	26500	21000	22000	21500
Front Axle Capacity, lbs.	6000	10800	6000	7500	6000
Rear Axle Capacity, lbs.	15000	17000	15000	15000	15500
Front GAWR, lbs.	6000	10800	6000	7000	6000
Rear GAWR, lbs.	15000	17000	15000	15000	15500
Wheelbase, in.	132	132	193	189	193
Cowl-to-Axle, in.	165	N/A	169	165	168
Cowl-to-Frame End, in.	268	N/A	280	268	274
Engine CID**	***	*	*	350-V8	*
SAE Gross Horsepower	***	*	*	181	*
SAE Gross Torque, lb-ft.	***	*	*	294	*
Transmission:					
Automatic, Gears/Model	4 Spd	AT-545	AT-545	AT-545	AT 545
Manual, Fwd. Gears	4 Spd	5	5	4	4
Front Disc Brake Rotor, in.	as shown	15 x 1.438	14.75 x 1.33	14.75 x 1.31	15 x 1.43
Rear Brake Lining, in.	as shown	15 x 1.438	15.00 x 5.00	14.75 x 1.31	15 x 1.43
Radial Truck Type Tires	Dual Rear	Tubeless	Tubeless	Tubeless	Tubeless
Tire Size & Load Range	Steel Belt 9R-22.5F	11R-22.5F	9R-22.5F	9R-22.5F	9R-22.5F
Rim Size, in.	6.75	7.5	6.75	6.75	6.75
Chassis Type	as shown	FC	Conv.	Conv.	Conv.

\*Furnished with diesel engine only, Option 7.

\*\*See diesel engine option 7.

\*\*\*See minimum power requirements in Par. F.4.1.3.

DIESEL ENGINES (Option 7)

47-Passenger ITEM	1989 Minimum Rqmts.	Blue Bird TC2000	Ford B600	GMC/Chevrolet B6P042	NIC 3700
Engine Displacement, l.	***	5.9T-I6	6.6T-I6	8.2N-V8	7.3N-V8
SAE Gross Horsepower	***	180	165	170	170
SAE Gross Torque, lb-ft.	***	445	400	390	332
Front GAWR	6000	10800	8000	7000	6000

\*\*\*See minimum power requirements in Par. F.4.1.3.

Engines listed on this page are approved to meet or exceed power requirements under normal operating conditions. Other engines must be submitted for approval by the School Bus Committee (see Par. F.4.1.3.).

NOTE: Buses order in this capacity (47-passenger) may be regular conventional, semi-forward, or forward control configuration at the option of the manufacturer, unless conventional buses are specified.

TABLE 14  
53-PASSENGER BUSES

Refer to General Requirements, Page 3

ITEM	1989 Minimum Rqmts.	Blue Bird TC2000*	Ford B 600*	GMC/Chevrolet B6P042	NIC 3700*
GVWR, lbs.	21000	26500	21000	22000	21500
Front Axle Capacity, lbs.	6000	10800	6000	7000	6000
Rear Axle Capacity, lbs.	15000	17000	15000	15000	15500
Front GAWR, lbs.	6000	10800	6000	7500	6000
Rear GAWR, lbs.	15000	17000	15000	15000	15500
Wheelbase, in.	146	146	217	218	218
Cowl-to-Axle, in.	193	NA	193	194	193
Cowl-to-Frame End, in.	295	NA	323	295	305
Engine CID**	***	*	*	350-V8	*
SAE Gross Horsepower	***	*	*	181	*
SAE Gross Torque, lb-ft.	***	*	*	294	*
Transmission:					
Automatic, Gears/Model	4 Spd	AT-545	AT-545	AT-545	AT-545
Manual, Fwd. Gears	4 Spd	5	5	4	5
Front Disc Brake Rotor, in.	as shown	15 x 1.438	14.75 x 1.33	14.75 x 1.31	15 x 1.43
Rear Brake Lining, in.	as shown	15 x 1.438	15.00 x 5.00	14.75 x 1.31	15 x 1.43
Radial Truck Type Tires	Dual Rear	Tubeless	Tubeless	Tubeless	Tubeless
Tire Size & Load Range	Steel Belt 9R-22.5F	11R-22.5F	9R-22.5F	9R-22.5F	9R-22.5F
Rim Size, in.	6.75	7.5	6.75	6.75	6.75
Chassis Type	as shown	FC	Conv.	Conv.	Conv.

\*Furnished with diesel engine only, Option 7.

\*\*See diesel engine option 7.

\*\*\*See minimum power requirements in Par. F.4.1.3.

DIESEL ENGINES (Option 4)

53-Passenger ITEM	1989 Minimum Rqmts.	Blue Bird TC2000	Ford B 600	GMC/Chevrolet B6P042	NIC 3700
Engine Displacement, l.	***	5.9T-16	6.6T-16	8.2N-V8	7.3N-V8
SAE Gross Horsepower	***	180	165	170	170
SAE Gross Torque, lb-ft.	***	445	400	390	332
Front GAWR	6000	10800	8000	7000	6000

\*\*\*See minimum power requirements in Par. F.4.1.3.

Engines listed on this page are approved to meet or exceed power requirements under normal operating conditions. Other engines must be submitted for approval by the School Bus Committee (see Par. F.4.1.3.).

NOTE: Buses ordered in this capacity (53-passenger) may be regular conventional, semi-forward, or forward control configuration at the option of the manufacturer, unless conventional buses are specified.

TABLE 15  
59-PASSENGER CONVENTIONAL BUS  
(Full Air Brake Standard)

Refer to General Requirements, Page 3

ITEM	1989 Minimum Reqs.	Ford	GMC/Chevrolet	NIC
		B 700*	B6P042	3700*
GWR, lbs.	25500	25500	25580	25500
Front Axle Capacity, lbs.	7500	8000	7500	8000
Rear Axle Capacity, lbs.	17000	17500	19000	17500
Front GAWR, lbs.	7500	8000	7500	8000
Rear GAWR, lbs.	17000	17500	18080	17500
Wheelbase, in.	235	237	235	236
Cowl-to-Axle, in.	211	213	211	211
Cowl-to-Frame End, in.	323	345	323	329
Engine CID**	***	*	350-V8	*
SAE Gross Horsepower	***	*	181	*
SAE Gross Torque, lb-ft.	***	*	294	*
Transmissions:****				
Automatic, Gears/Model	4 spd	AT-545	AT-545	AT 549
Manual, Fwd. Gears	5 spd	5	5	5
Front Brake Lining, in.	15.0 x 3.5	15.0 x 4.0	15.0 x 4.0	15.0 x 3.5
Rear Brake Lining, in.	16.5 x 6.0	16.5 x 7.0	16.5 x 7.0	16.5 x 6.0
Radial Truck Type Tires	Dual Rear	Tubeless	Tubeless	Tubeless
Tire Size &	Steel Belt			
Load Range	10R-22.5F	10R-22.5F	10R-22.5F	10R-22.5F
Rim Size, in.	7.5	7.5	7.5	7.5
Chassis Type	as shown	Conv.	Conv.	Conv.

\*Furnished with diesel engine only, Option 7.

\*\*See diesel engine option 7.

\*\*\*See minimum power requirements in Par. F.4.1.3.

\*\*\*\*Direct in fourth gear (automatic); direct in fifth gear (manual).

DIESEL ENGINES (Option 7)

59-Passenger ITEM	1989 Minimum Reqs.	Ford	GMC/Chevrolet	NIC
		B 600	B6P042	3700
Engine Displacement, l.	***	6.6T-16	8.2N-V8	7.3N-V8
SAE Gross Horsepower	***	165	170	170
SAE Gross Torque, lb-ft.	***	400	390	332
Front GAWR	7500	9000	7500	8000

\*\*\* See minimum power requirements in Par. F.4.1.3.

Engines listed on this page are approved to meet or exceed power requirements under normal operating conditions. Other engines must be submitted for approval by the School Bus Committee (see Par. F.4.1.3.).

TABLE 16  
59-PASSENGER FORWARD CONTROL DIESEL BUS  
(Full Air Brake Standard)

Refer to General Requirements, Page 3

ITEM	1989 Minimum Rqmts.	Blue Bird TC2000	GMC/Chevrolet S7T042	NIC 1953FC	Thomas SAF-T-LINKER MVP 3189***
GVWR, lbs.	26500	26500	28380	26500	28380
Front Axle Capacity, lbs.	10800	10800	12000	10800	11000
Rear Axle Capacity, lbs.	17000	17000	19000	17000	19000
Front GAWR, lbs.	10300	10800	10300	10300	10300
Rear GAWR, lbs.	17000	17000	18080	17000	18080
Wheelbase, in.	160	160	170	160	184
Engine Displacement, l.	*	5.9T-I6	6.2N-V8	5.9T-I6	6.2T-V8
SAE Gross Horsepower	*	180	170	180	180
SAE Gross Torque, lb-ft.	*	445	390	400	406
Transmission:**					
Automatic, Gears/Model	4 Spd	AT-545	AT-545	AT-545	AT-545
Manual, Fwd. gears	5 Spd	5	5	5	5
Front Brake Lining, in.	15.0 X 4	15.0 X 4	16.5 X 5	15.0 X 4	15.0 X 4
Rear Brake Lining, in.	16.5 X 6	16.5 X 6	16.5 X 7	16.5 X 6	16.5 X 7
Radial Truck Type Tires	Dual Rear	Tubeless	Tubeless	Tubeless	Tubeless
Tire Size &	Steel Belt				
Load Range	10R-22.5F	11R-22.5F	10R-22.5F	10R-22.5F	10R-22.5F
Rim Size, in.	7.5	7.5	7.5	7.5	7.5

\*See minimum power requirements in Par. F.4.1.3.

\*\*Direct in fourth gear (automatic); direct in fifth gear (manual).

\*\*\*Rear Engine.

Engines listed on this page are approved to meet or exceed power requirements under normal operating conditions. Other engines must be submitted for approval by the School Bus Committee (see Par. F.4.1.3.).

NOTE: The NIC 5.9T is the model DEA-360 diesel engine.

TABLE 17  
65-PASSENGER CONVENTIONAL BUS  
(Full Air Brake Standard)

Refer to General Requirements, Page 3

ITEM	1989	Ford	GMC/Chevrolet	NIC
	Minimum Repts.	B 700*	B6P042	3700*
GVMR, lbs.	25500	25500	25580	27500
Front Axle Capacity, lbs.	7500	8000	7500	10000
Rear Axle Capacity, lbs.	17500	17500	19000	17500
Front GAWR, lbs.	7500	8000	7500	10000
Rear GAWR, lbs.	17500	17500	18080	17500
Wheelbase, in.	254	255	254	254
Cowl-to-Axle, in.	229	231	230	229
Cowl-to-Frame End, in.	349	377	349	359
Engine CID**	***	*	350-V8	*
SAE Gross Horsepower	***	*	181	*
SAE Gross Torque, lb-ft.	***	*	294	*
Transmission:****				
Automatic, Gears/Model	4 Spd	AT-545	AT-545	AT-545
Manual, Fwd. Gears	5 Spd	5	5	5
Front Brake Lining, in.	15.0 x 3.5	15.0 x 4.0	15.0 x 4.0	15.0 x 3.5
Rear Brake Lining, in.	16.5 x 6.0	16.5 x 7.0	16.5 x 7.0	16.5 x 6.0
Radial Truck Type Tires	Dual Rear	Tubeless	Tubeless	Tubeless
Tire Size &	Steel Belt			
Load Range	10R-22.5F	10R-22.5F	10R-22.5F	10R-22.5F
Rim Size, in.	7.5	7.5	7.5	7.5

\*Furnished with diesel engine only, Option 7.

\*\*See diesel engine option 7.

\*\*\*See minimum power requirements in Par. F.4.1.3.

\*\*\*\*Direct in fourth gear (automatic); direct in fifth gear (manual).

DIESEL ENGINES (Option 7)

65-Passenger ITEM	1989	Ford	GMC/Chevrolet	NIC
	Minimum Repts.	B 600	B6P042	3700
Engine Displacement, l.	***	6.6T-16	8.2N-V8	7.3N-V8
SAE Gross Horsepower	***	165	170	170
SAE Gross Torque, lb-ft.	***	400	390	332
Front GAWR, lbs	9000	9000	9000	10000

\*\*\* See minimum power requirements in Par. F.4.1.3.

Engines listed on this page are approved to meet or exceed average power requirements under normal operating conditions. Other engines must be submitted for approval by the School Bus Committee (see Par. F.4.1.3.).

F. 24- THROUGH 83-PASSENGER CHASSIS SPECIFICATIONS

TABLE 18  
63-PASSENGER FORWARD CONTROL DIESEL BUS  
(Full Air Brake Standard)

Refer to General Requirements, Page 3

ITEM	1989 Minimum Rqmts.	Blue Bird TC2000	GMC/ Chevrolet S7T042	NIC 1859 FC	Thomas SAF-T-LINER MVP 3189***
GVWR, lbs.	26500	26500	28380	26500	28380
Front Axle Capacity, lbs.	10800	10800	12000	10800	11000
Rear Axle Capacity, lbs.	17000	17000	19000	17000	19000
Front GAWR, lbs.	10300	10800	10300	10300	10300
Rear GAWR, lbs.	17000	17000	18080	17000	18080
Wheelbase, in.	174	174	187	174	184
Engine Displacement, l.	*	5.9T-16	8.2N-V8	5.9T-16	8.2T-V8
SAE Gross Horsepower	*	180	170	180	180
SAE Gross Torque, lb-ft.	*	445	390	400	406
Transmission:**					
Automatic, Gears/Model	4 Spd	AT-545	AT-545	AT-545	AT-545
Manual, Fwd. Gears	5 Spd	5	5	5	5
Front Brake Lining, in.	15 X 4	15.0 X 4	16.5 X 5	15.0 X 4	15.0 X 4
Rear Brake Lining, in.	16.5 X 6	16.5 X 6	16.5 X 7	16.5 X 6	16.5 X 7
Radial Truck Type Tires	Dual Rear	Tubeless	Tubeless	Tubeless	Tubeless
Tire Size & Load Range	Steel Belt 10R-22.5F	11R-22.5F	10R-22.5F	10R-22.5F	10R-22.5F
Rim Size, in.	7.5	7.5	7.5	7.5	7.5

\*See minimum power requirements in Par. F.4.1.3.

\*\*Direct in fourth gear (automatic); direct in fifth gear (manual).

\*\*\*Rear Engine.

Engines listed on this page are approved to meet or exceed power requirements under normal operating conditions. Other engines must be submitted for approval by the School Bus Committee (see Par. F.4.1.3.).

NOTE: The NIC 5.9T is the Model DTA-360 diesel engine.

**TABLE 19**  
**71-PASSENGER CONVENTIONAL BUS**  
 (Short Wheelbase, Full Air Brake Standard)

Refer to General Requirements, Page 3

ITEM	1989 Minimum Reqs.	Ford B 700*	GMC/Chevrolet B6P042	NIC 3700*
GWR, lbs.	26500	27000	26500	28000
Front Axle Capacity, lbs.	7500	8000	7500	9000
Rear Axle Capacity, lbs.	19000	21000	19000	9000
Front GAWR, lbs.	7500	8000	7500	10000
Rear GAWR, lbs.	19000	19000	19000	19000
Wheelbase, in.	254	255	254	254
Cowl-to-Axle, in.	229	231	230	229
Cowl-to-Frame End, in.	349	377	349	349
Engine CID**	***	*	366-V8	*
SAE Gross Horsepower	***	*	217	*
SAE Gross Torque, lb-ft.	***	*	336	*
Transmission:****				
Automatic, Gears/Model	4 Spd	AT-545	AT-545	AT-545
Manual, Fwd. Gears	5 Spd	5	5	5
Front Brake Lining, in.	15.0 x 4	15.0 x 4	15.0 x 4	15.0 x 4
Rear Brake Lining, in.	16.5 x 7	16.5 x 7	16.5 x 7	16.5 x 7
Radial Truck Type Tires	Dual Rear	Tubeless	Tubeless	Tubeless
Tire Size &	Steel Belt			
Load Range	11R-22.5G	11R-22.5G	11R-22.5G	11R-22.5G
Rim Size, in.	7.5	7.5	7.5	7.5

\*Furnished with diesel engine only, Option 7.

\*\*See diesel engine option 7.

\*\*\*See minimum power requirements in Par. F.4.1.3.

\*\*\*\*Direct in fourth gear (automatic); direct in fifth gear (manual).

**DIESEL ENGINES (Option 7)**

71-Passenger (Short W.B.) ITEM	1989 Minimum Reqs.	Ford B 700	GMC/Chevrolet B6P042	NIC 3700
Engine Displacement, l.	***	6.6T-16	8.2N-V8	7.3N-V8
SAE Gross Horsepower	***	170	170	170
SAE Gross Torque, lb-ft.	***	412	390	332
Front GAWR, lbs.	9000	9000	9000	9000

\*\*\* See minimum power requirements in Par. F.4.1.3.

Engines listed on this page are approved to meet or exceed power requirements under normal operating conditions. Other engines must be submitted for approval by the School Bus Committee (see Par. F.4.1.3.).



F. 24- THROUGH 83-PASSENGER CHASSIS SPECIFICATIONS

**TABLE 20**  
**71-PASSENGER CONVENTIONAL BUS**  
 (Long Wheelbase, Full Air Brake Standard)

Refer to General Requirements, Page 3

ITEM	1989	Ford	GMC/Chevrolet	NIC
	Minimum Rqmts.	B 700*	B6P042	3700*
GVWR, lbs.	28000	28000	28000	28000
Front Axle Capacity, lbs.	9000	9000	9000	9000
Rear Axle Capacity, lbs.	19000	21000	19000	19000
Front GAWR, lbs.	9000	9000	9000	9000
Rear GAWR, lbs.	19000	21000	19000	19000
Wheelbase, in.	274	275	274	276
Cowl-to-Axle, in.	250	251	250	251
Cowl-Frame-End, in.	368	387	368	387
Engine CID**	***	*	366-V8	*
SAE Gross Horsepower	***	*	217	*
SAE Gross Torque, lb-ft.	***	*	336	*
Transmission:****				
Automatic, Gears/Model	4 Spd	AT-545	AT-545	AT-545
Manual, Fwd. Gears	5 Spd	5	5	5
Front Brake Lining, in.	15.0 x 4	15.0 x 4	15.0 x 4	15.0 x 4
Rear Brake Lining, in.	16.5 x 7	16.5 x 7	16.5 x 7	16.5 x 7
Radial Truck Type Tires	Dual Rear	Tubeless	Tubeless	Tubeless
Tire Size &	Steel Belt			
Load Range	11R-22.5G	11R-22.5G	11R-22.5G	11R-22.5G
Rim Size, in.	7.5	7.5	7.5	7.5

\*Furnished with diesel engine only, Option 7.

\*\*See diesel engine option 7.

\*\*\*See minimum power requirements in Par. F.4.1.3.

\*\*\*\*Direct in fourth gear (automatic); direct in fifth gear (manual).

**DIESEL ENGINES (Option 7)**

ITEM	1989	Ford	GMC/Chevrolet	NIC
	Minimum Rqmts.	B 700	B6P042	1753
71-Passenger (Long W.B.)				
Engine Displacement, l.	***	6.6T-16	8.2N-V8	7.3N-V8
SAE Gross Horsepower	***	170	170	170
SAE Gross Torque, lb-ft.	***	412	390	332
Front GAWR, lbs.	9000	9000	9000	9000

\*\*\*See minimum power requirements in Par. F.4.1.3.

Engines listed on this page are approved to meet or exceed power requirements under normal operating conditions. Other engines must be submitted for approval by the School Bus Committee (see Par. F.4.1.3.).

F. 24- THROUGH 83-PASSENGER CHASSIS SPECIFICATIONS

TABLE 21  
71-PASSENGER FORWARD CONTROL DIESEL BUS  
(Full Air Brake Standard)

Refer to General Requirements, Page 3

ITEM	1989 Minimum Eqmts.	Blue Bird FC2000	GMC/Chevrolet S72042	NIC 1833FC	Thomas SAF-T-LINER MVP 3399 T80***
GVWR, lbs.	26500	26500	29840	26500	28380
Front Axle Capacity, lbs.	10800	10800	12000	10800	11000
Rear Axle Capacity, lbs.	17000	17000	19000	17000	19000
Front GAWR, lbs.	10800	10800	11340	10800	11000
Rear GAWR, lbs.	17000	17000	18500	17000	18080
Wheelbase, in.	195	195	206	195	212
Engine Displacement, l.	*	5.9T-16	8.2T-V8	5.9T-16	8.2T-V8
SAE Gross Horsepower	*	180	180	180	180
SAE Gross Torque, lb-ft.	*	445	406	400	406
Transmission:**					
Automatic, Gears/Model	4 Spd	AT-545	AT-545	AT-545	AT-545
Manual, Fwd. Gears	5 Spd	5	5	5	5
Front Brake Lining, in.	15.0 X 4	15.0 X 4	16.5 X 5	15.0 X 6	15.0 X 4
Rear Brake Lining, in.	16.5 X 6	16.5 X 6	16.5 X 7	16.5 X 6	16.5 X 7
Radial Truck Type Tires	Dual Rear	Tubeless	Tubeless	Tubeless	Tubeless
Tire Size & Load Range	Steel Belt 11R-22.5F	11R-22.5F	11R-22.5G	11R-22.5G	10R-22.5G
Rim Size, in.	7.5	7.5	7.5	7.5	7.5

\*See minimum power requirements in Par. F.4.1.3.

\*\*Direct in fourth gear (automatic); direct in fifth gear (manual).

\*\*\*Rear Engine.

Engines listed on this page are approved to meet or exceed power requirements under normal operating conditions. Other engines must be submitted for approval by the School Bus Committee (see Par. F.4.1.3.).

NOTE: The NIC 5.9T is the Model DTA-360 diesel engine.

F. 24- THROUGH 83-PASSENGER CHASSIS SPECIFICATIONS

TABLE 22  
77-PASSENGER CONVENTIONAL BUS  
(Full Air Brake Standard)

Refer to General Requirements, Page 3

BODIES	Amtran/Ward	Blue Bird	Carpenter	Thomas	Wayne
Model	3306	3310	3310	3310	3403
Type Configuration	Conv.	Conv.	Conv.	Conv.	Conv.

CHASSIS	1989 Minimum Rqmts.	Ford B 700*	GMC/Chevrolet B6P042	NIC 3700*
GVWR, lbs.	28000	28000	28000	28000
Front Axle Capacity, lbs.	9000	9000	9000	9000
Rear Axle Capacity, lbs.	19000	21000	19000	19000
Front GAWR, lbs.	9000	9000	9000	9000
Rear GAWR, lbs.	19000	21000	19000	19000
Wheelbase, in.	274	275	274	276
Engine CID**	***	*	366-V8	*
SAE Gross Horsepower	***	*	217	*
SAE Gross Torque, lb-ft.	***	*	336	*
Transmission:****				
Automatic, Gears/Model	4 Spd	AT-545	AT-545	AT-545
Manual, Fwd. Gears	5 Spd	5	5	5
Front Brake Lining, in.	15.0 X 4	15.0 X 4	15.0 X 4	15.0 X 4
Rear Brake Lining, in.	16.5 X 7	16.5 X 7	16.5 X 7	16.5 X 7
Radial Truck Type Tires	Dual Rear Steel Belt	Tubeless	Tubeless	Tubeless
Tire Size & Load Range	11R-22.5G	11R-22.5G	11R-22.5G	11R-22.5G
Rim Size, in.	7.5	7.5	7.5	7.5

\*Furnished with diesel engine only, Option 7.

\*\*See diesel engine Option 7.

\*\*\*See minimum power requirements in Par. F.4.1.3.

\*\*\*\*Direct in fourth gear (automatic); direct in fifth gear (manual).

DIESEL ENGINES (Option 7)

77-Passenger ITEM	1989 Minimum Rqmts.	Ford B 700	GMC/Chevrolet B6P042	NIC 3700
Engine Displacement, l.	***	6.6T-I6	8.2N-V8	7.3N-V8
SAE Gross Horsepower	***	170	170	170
SAE Gross Torque, lb-ft.	***	412	390	332

\*\*\*See minimum power requirements in Par. F.4.1.3.

Engines listed on this page are approved to meet or exceed power requirements under normal operating conditions. Other engines must be submitted for approval by the School Bus Committee (see Par. F.4.1.3.).

F. 24- THROUGH 83-PASSENGER CHASSIS SPECIFICATIONS

TABLE 23  
77-PASSENGER FORWARD CONTROL DIESEL BUS  
(Full Air Brake Standard)

Refer to General Requirements, Page 3

BODIES	Astran	Blue Bird	Carpenter	Wayne
Models Available	3708	3611	3700	3803
Chassis Available	G, N	B	G, N	G, N

CHASSIS	1989 Minimum Rqmts.	B Blue Bird 3611	G GMC/Chevrolet #77042	H NIC 1853FC
GVWR, lbs.	28000	34000	30500	28000
Front Axle Capacity, lbs.	9000	13200	12000	9000
Rear Axle Capacity, lbs.	19000	23000	19000	19000
Front GAWR, lbs.	9000	13200	12000	9000
Rear GAWR, lbs.	18500	23000	18500	18500
Wheelbase, in.	205	223	226	205
Engine Displacement, l.	*	8.2T-V8	8.2T-V8	5.9T-I6
SAE Gross Horsepower	*	210	180	180
SAE Gross Torque, lb-ft.	*	468	406	400
Transmission:**				
Automatic, Gears/Model	4 Spd	MT643	MT643	MT643
Manual, Fwd. Gears	5 Spd	5	5	5
Front Brake Lining, in.	15.0 X 4	16.5 X 5	16.5 X 5	15.0 X 4
Rear Brake Lining, in.	16.5 X 7	16.5 X 7	16.5 X 7	16.5 X 7
Radial Truck Type Tires	Dual Rear	Tubeless	Tubeless	Tubeless
Tire Size &	Steel Belt			
Load Range	11R-22.5G	11R-22.5H	11R-22.5G	11R-22.5G
Rim Size, in.	7.5	8.25	7.5	7.5

\* See minimum power requirements in Par. F.4.1.3.

\*\* Direct in fourth gear (automatic); direct in fifth gear (manual).

NOTE: The 5.9T-I6 is the NIC DIA-360 diesel engine.

Engines listed on this page are approved to meet or exceed power requirements under normal operating conditions. Other engines must be submitted for approval by the School Bus Committee (see Par. F.4.1.3.).

## G. WHEELCHAIR LIFTS SPECIFICATIONS

- 1.8. **MOUNTING AND INSTALLATION** - Installation shall be such that vibrations will be minimal. The wheelchair lift shall be installed by the bus body manufacturer or authorized dealer of lift manufacturers.
- 1.8.1. **Mounting** - The lift shall be mounted on the front right (curb) side (see Option No. 35) or front or rear (see Option 34) of the school bus body floor and securely bolted in place (see Note below). Floor frame shall be reinforced as required to support the lift and load. Lift shall be positioned approximately 36 inches behind the main entrance door for the 24- through 77-passenger buses leaving sufficient space for one regular bus seat or one wheelchair. If the body is designed so space specified above is not available, the lift shall be mounted as far forward as practical to minimize floor space loss. (Tail pipe may be routed anywhere between the frame rails to provide sufficient clearance for the lift.)
- NOTE:** School District may specify rear curb side mounting of lift and wheelchair positions for the 24- through the 77-passenger buses only and mounted as above (see Option 36) in order to place the required minimum 30-inch wide aisle in the rear portion of the bus. This will increase the seating capacity for regular passengers in the front section since a narrower aisle (minimum 12 inches) may be used in this area. This option is recommended only for those buses which will have a regular attendant in addition to the driver.
- 1.8.2. **Level Test** - The sides of any bus provided with a wheelchair lift shall be within  $\pm 2$  inches of each other when measured from comparable points on each side to the ground with the bus empty and parked on a level hard surface (such as concrete). Chassis springs and suspension shall be adjusted as necessary to provide a level bus when the additional weight of a wheelchair lift is installed (see Paragraphs A.4.4., D.1.1., and E.1.1.).
- 1.8.3. **Fuel Access Port** (see E.3.1.) - A fuel access port is required on all 35- through 83-passenger buses except front wheelchair equipped buses.

## G.2. PASSENGER SAFETY AND WHEELCHAIR RETENTION DEVICES -

### 2.1. WHEELCHAIR LOCKS AND RETAINERS -

- 2.1.1. **Steel Wheelchair Locks** - Standard wheelchair locks shall be made from heavy-duty steel and designed to permit quick locking and/or release of chair wheels. The lock(s) may be designed to lock each chair wheel individually or both wheels simultaneously by means of a lever control or other device located between the two wheel locks. The devices shall meet the following requirements:
- 2.1.1.1. **Opening Force** - Each wheelchair lock combination shall be capable of withstanding a minimum force of 5000 pounds.
- 2.1.1.2. **Adjustable Width** - Wheelchair locks shall be the adjustable type to lock wheelchair wheels with widths ranging from 13 inches to 30 inches.
- 2.1.1.3. **Placement** - Wheelchair locks shall be positioned in the various size buses so as to provide an aisle width sufficient for moving large wheelchairs from their locking locations to the wheelchair lift and to the emergency door. In no case shall the aisle width in this area be less than 30 inches. The locks shall be positioned as shown below:
- (i) **Front Section** - Preferred placement of wheelchair lock(s), which may provide for side facing wheelchairs, is in the front section of bus body, securely mounted to the side of the body.
  - (ii) **Rear Section** - When so specified in the Invitation for Bids, the wheelchair locks (as well as the wheelchair lift) shall be placed in the rear section of the bus (see Option No. 36).
  - (iii) **Other Sections** - Wheelchair lock(s) placed in other than the front section of the bus shall be as recommended by the body manufacturer to provide the number of wheelchair spaces which are specified in the Invitation for Bids. Conventional seat widths may be as follows to provide the 30-inch aisle width:
    - (a) **30 Inch Seats** - In buses which have an interior width of at least 90 inches, 30-inch minimum width seats may be used on either or both sides where necessary to provide the required 30-inch aisle.
    - (aa) **26 Inch Seats** - For buses with less than 90-inch interior widths, 26-inch minimum width seats may be used where necessary to provide the required 30-inch minimum aisle if this cannot be done with 30-inch minimum width seats.

**G. WHEELCHAIR LIFTS SPECIFICATIONS**

- 2.1.2. **Webbed Belts Tie-downs** - When so specified in the Invitation for Bids (see Option 37), wheelchair retention devices shall be the webbed-belt type to accommodate those wheelchairs which cannot be locked in conventional (steel) restraining devices because of unusual sizes and types of wheels, etc. These belt type wheelchair tie-downs shall meet the above strength requirements and shall be Aeroquip Series E/A FF865, Q'Straint 5000, or approved equal.
- 2.2. **SEAT BELTS** - Seat belts shall be provided for each wheelchair position. The number shall be the same as the number of wheelchair positions specified in the Invitation for Bids. The seat belt assemblies shall conform to FMVSS No. 209 for school buses. The assemblies furnished shall be equipped with reel-type retractors incorporated as a part of each mounting bracket.
- G.3. **OTHER REQUIREMENTS** - Wheelchair lift-equipped school buses shall also be provided with the following:
- 3.1. **FLOOR COVERING** - The floor in the wheelchair area and the area in the lift entryway shall be smooth and free of projections. Aisle floor covering shall be the same as required in Par. E.2.13.
- 3.2. **INTERIOR LAMP, LIFT COMPARTMENT** - The lift compartment shall have one interior lamp installed in the roof panel above the center of the lift compartment; or one lamp shall be installed in the roof panels on each side of the lift door to illuminate the platform entryway area. The lamp(s) shall be minimum 15 candlepower each and shall be one of the approved lamps listed in Par.E.1.4.4.2.
- 3.3. **PAINTING** - The interior and exterior of the special service doors lifts shall be primed and painted in accordance with the painting requirements in Par. E.1.8. as follows:
- 3.3.1. **Interior** - The interior of the special service door(s) of wheelchair lifts shall be painted to match the manufacturer's standard interior color of the bus on which it is installed.
- 3.3.2. **Exterior** - The exterior of special service doors shall be primed and painted in accordance with painting requirements in Par. E.1.8.
- 3.4. **UNIVERSAL HANDICAP SYMBOLS** - School buses with wheelchair lifts shall display the universal handicapped symbols on the front of one side and the rear of the other side below the window line of the bus. These emblems shall be white on blue, shall not exceed 12 inches in size, and may be reflectorized.
- 3.5. **LITERATURE** - Repair manual, parts list, and instructions for adjustment of hydraulic valves, mechanical parts, and electrical equipment shall be furnished with each lift.

**H. AIR CONDITIONING SPECIFICATIONS**

**H.1. SPECIAL REQUIREMENTS** - Any school buses ordered with air conditioning (see Options 1 and 2) shall be furnished with the following:

- 1.1. **ALTERNATOR** - Each 15- through 20-passenger bus and each 24- through 83-passenger bus equipped with an air conditioning system shall be furnished with alternators having a minimum output rating of 100 and 130 amperes, respectively. All air-conditioned buses shall have alternators with a minimum charging rate of 50 amperes (15- through 20-passenger) and 58 amperes (24- through 83-passenger) at the chassis manufacturer's recommended engine idle speed.
- 1.2. **INSULATION** - Minimum 5/8-inch nominal thickness plywood shall be installed over the existing or manufacturer's standard steel floor for insulation (see Paragraph C.2.12. for plywood requirements). Air-conditioned buses shall have the equivalent of 1.5 inches of fiberglass or other insulation in the ceilings and walls including the interior of hat-shaped bows. The insulation shall have a minimum R-factor value of 5.77 for air-conditioned buses.
- 1.3. **TINTING** - The windshield and all windows of air-conditioned school buses shall be tinted to reduce the heat load of the system. (See Option No. 10 for dark tinting.)

**H.2. GENERAL AND PERFORMANCE REQUIREMENTS** - Air-conditioning systems furnished to meet the requirements of this specification shall be the mechanical vapor compression refrigeration type. Each air conditioning system shall have sufficient power for simultaneous cooling, circulating, cleaning, and dehumidifying the air. The refrigerant for the system must be nontoxic, nonflammable, and nonexplosive. The air conditioning system shall be manufactured to conform to the requirements of SAE J639. Air conditioning units furnished under this specification shall be of the current year's production. Details not specifically defined herein shall be in accordance with the manufacturer's standard commercial practice for products of this type. This following describes the components, type of system, and the performance requirements for the efficient air conditioning of school buses:

**2.1. PERFORMANCE REQUIREMENTS, LARGE BUSES** - Table No. 26 lists the approximate air flow rates (in CFM) and cooling capacities (in Btu/hr) required for each of the large (e.g., 24- through 83-passenger school buses). Note that these values are not the minimum required values but are approximate and are included only for use by the ordering school district. The vendor or manufacturer shall provide an air conditioning system meeting the performance requirements listed below and the approximate values listed in Table No. 26. The air conditioning system furnished for any large size school bus under Option 1 shall be capable of cooling the interior to 80°F when measured at the center of the bus under the following conditions:

- 2.1.1. Outside Ambient Temperature - Minimum of 100°F.
- 2.1.2. Relative Humidity - Minimum of 50%.
- 2.1.3. Cooling Time - Maximum of 30 minutes.
- 2.1.4. Engine Speed - 1000 rpm.

**2.2. PERFORMANCE REQUIREMENTS, SMALL BUSES** - Small buses (e.g., 15- through 20-passenger) equipped with either Option 1 (standard cooling) or Option 2 (extra cooling) shall have the following values of air flow rate and cooling capacity with values either approximate (standard cooling) or minimum values (for extra cooling) as indicated. Air conditioners installed on small buses to meet Option 1 (standard cooling) shall meet the performance requirements of Par. H.2.1. above and shall have the approximate flow rates and cooling capacities as shown below. Air conditioners installed on small buses to meet Option 2 (extra cooling) shall meet or exceed the minimum air flow rate and cooling capacities listed below:

PASSENGER CAPACITY	STANDARD COOLING*		EXTRA COOLING**	
	COOLING CAPACITY Btu/hr	AIR FLOW RATE CFM	COOLING CAPACITY Btu/hr	AIR FLOW RATE CFM
15	19,245	450	33,500	900
16-20	25,660	900	40,000	1200

\*Approximate values (Option 1)  
 \*\*Minimum values (Option 2)

The approximate volumes are 614 cubic feet for the 15-passenger bus and about 790 cubic feet for the other small buses.

TABLE 26

AIR CONDITIONERS WITH SEIBT-MOUNTED CONDENSERS

MANUFACTURER	ITEM	PASSENGER CAPACITY										
		24	35	47	53	59	65	71-5	71-3	77	83	
MINIMUM REQUIREMENTS	Btu/hr	35000	43000	48000	52000	58000	69000	74000	74800	74800	90000	
	Air flow, CFM	900	1000	1100	1200	1350	1450	1500	1550	1550	2000	
AC Industries	Model	AC552*	AC552*	AC552*	663	663	862	863	863	863	1072	
	Btu/hr	48000	48000	48000	60000	60000	72000	80000	80000	80000	96000	
	Air flow, CFM	1330	1330	1330	1985	1985	1985	1985	1985	1985	2660	
Bergstrom Manufacturing	Model	SBAC*	72102	72102	72102	72018	72000	72301	72301	72301	72115	
	Btu/hr	36000	52000	52000	52000	58500	69255	74880	74880	74880	90000	
	Air flow, CFM	1650	1200	1200	1200	2400	1500	3000	3000	3000	2400	
Scott Air	Model	BE420*	BE480*	BE480*	624	624	723	ECA-75	ECA-75	ECA-75		
	Btu/hr	42000	48000	48000	60000	60000	72000	75000	75000	75000		
	Air flow, CFM	1200	1650	1650	2000	2000	2000	2500	2500	2500		
Thermo King	Model	B3*	D3*	E2*	(Diesel)	(Diesel)	(Diesel)					
	Btu/hr	40000	45000	49400								
	Air flow, CFM	1750	1500	1400								
Trans Aire	Model	TA73RCD*	TA73RCD*	TA73RCD*	TA94D4	TA94D4	TA94D4	TA97D4	TA97D4	TA97D4	TA97DH	
	Btu/hr	45000	53000	53000	72000	72000	72000	85000	85000	85000	106000	
	Air flow, CFM	1050	1600	1600	1740	1740	1740	3200	3200	3200	3200	

\*Powered by vehicle engine.

ALL AIR CONDITIONERS ON TEXAS SCHOOL BUSES SHALL REDUCE AN AMBIENT TEMPERATURE OF 100 DEGREES F TO AT LEAST 80 DEGREES F INSIDE THE LOADED BUS WITHIN 30 MINUTES WHEN TESTED AT 1000 RPM AND A RELATIVE HUMIDITY OF 50% MINIMUM. The temperature shall be measured in the center of the bus.



#### H. AIR CONDITIONING SPECIFICATIONS

2.3. **CONTROLS** - A control box or panel, which shall be located in the driver's compartment, shall be permanently installed to house inside temperature and fan speed(s) controls.

#### 2.4. **INSTALLATION** -

2.4.1. **Installing Dealer** - Installation of the air conditioning system(s) shall be by the bus body company or by an authorized factory air conditioning dealer who normally stocks, sells, installs, and services a unit of the type being furnished.

2.4.2. **Workmanship** - Poor, shoddy installation will be grounds for immediate rejection of the complete bus.

H.3. **COMPONENTS** - The following is a list of the components required for these air conditioning systems (see Par. H.2. above). Any parts or components not specifically mentioned below, but which are required to provide a complete operating unit, or which are standard for the model bid, shall be included:

3.1. **BLOWER UNIT** - The blower unit shall be of heavy-duty design and shall circulate air over the evaporator to cool the passenger compartment. Fans may be of the centrifugal or axial type and quiet in operation. Fan motor(s) shall have bearings of the permanent lubrication type and designed to operate on the 12 VDC system of the school bus.

3.2. **COMPRESSOR** - The compressor for the 15- through the 20-passenger may be the chassis engine mount type and compatible with the engine RPM. Compressors for all sizes of buses shall be of the air conditioning or chassis manufacturer's standard design. Lubrication of all moving parts shall be accomplished automatically. An automatic (electric) clutch shall be provided on the compressor. The compressor size shall be as required to meet the performance requirements above or the minimum values listed for the extra cooling air conditioner for the small bus.

Compressors for the 24-passenger through 83-passenger school bus may be installed in an independent skirt mounted unit or they may be driven by the vehicle engine. If the engine driven unit requires more than one compressor to meet the performance requirements, then the installer shall use a double strength serpentine belt to drive both compressors or furnish us a copy of a written authorization from the chassis manufacturer to use dual belts on the compressors. No installation of any air conditioning units or systems shall void the chassis manufacturer's engine warranty under any circumstances.

3.3. **CONDENSER** - The condenser shall be as recommended by the manufacturer of the unit but shall be skirt mounted on the 24-passenger and larger buses. (A condenser constructed of nonferrous metal tubes and metal fins, securely bonded to the condenser tubing with brazed fittings and joints, is preferred.) However, the air conditioning manufacturer shall use his standard condenser and fabrication and installation practices.

3.4. **EVAPORATOR (COOLING COIL)** - The air conditioning manufacturer shall use his standard cooling coil and fabrication and installation practices. (However, an evaporator of the copper-tube, metal-fin type with the fins securely bonded to the tubes with brazed or welded fittings and joints, is preferred.)

3.5. **REFRIGERANT DRYER** - An adequate dryer shall be installed in the refrigerating circuit.

#### H.4. **OTHER REQUIREMENTS** -

4.1. **AVAILABILITY OF SERVICE AND REPAIR PARTS** - An adequate supply of repair parts must be carried in stock within the State of Texas. Bidder shall include with each bid, or have on file with the Purchasing Division of this Commission, a list of companies or individuals, and their addresses, who stock repair parts and who can perform service on the products furnished.

4.2. **LABELING** - Each air conditioning unit shall have affixed a legible and durable nameplate with the following information:

4.2.1. Name and address of the manufacturer.

4.2.2. Cooling Capacity of the installed unit (in Btu/hr) based on the smallest rating of any component in the system.

4.2.3. Recirculation and ventilation of air quantity (in CFM).

4.3. **INSTRUCTION BOOKS** - The supplier shall furnish one copy of complete installation, maintenance, and operating instructions for each different model, size, and type of equipment furnished to each shipping destination. The instructions shall accompany the equipment when shipped. If a parts list is required by the ordering agency, the agency should contact the vendor supplying the equipment.

**AVAILABILITY OF SPECIFICATIONS**

Copies of this specification may be obtained from:

**SPECIFICATION SECTION**  
State Purchasing and General Services Commission  
P. O. Box 13047  
Austin, Texas 78711-3047  
Phone (512) 463-3411

(THIS PAGE INTENTIONALLY LEFT BLANK)



THIS PAGE INTENTIONALLY LEFT BLANK



### THREE MONTH TEST OF NEW SCHOOL BUS ENGINES

**Note to School District:** It would be helpful in our deliberation on approval of school bus engines if the attached form could be completed at the end of the test period on the bus engine you have agreed to test and evaluate. Please add any information that you think may be significant. In this test we believe that different drivers should be allowed to drive the bus and give their opinions of its suitability for school bus use.

#### New Engine Evaluation

(Please check or complete appropriate item)

#### Description

Engine size: \_\_\_\_\_ CID \_\_\_\_\_ Liters, \_\_\_\_\_ Rear Axle Ratio, \_\_\_\_\_ Gas \_\_\_\_\_ Diesel  
 Manufacturer \_\_\_\_\_, \_\_\_\_\_ Turbocharged \_\_\_\_\_ Naturally Aspirated  
                     Dodge, Ford, GMC, NIC

\_\_\_\_\_ Automatic \_\_\_\_\_ Manual Transmission, \_\_\_\_\_ Air conditioner, \_\_\_\_\_ Wheelchair lift  
 \_\_\_\_\_ Air or \_\_\_\_\_ Hydraulic Brakes, \_\_\_\_\_ Tire Size, Luggage Rack \_\_\_\_\_ Top \_\_\_\_\_ Bottom  
 Installed in \_\_\_\_\_ passenger \_\_\_\_\_ bus body  
   Blue Bird, Carpenter, Thomas, Ward, Wayne

BEGIN DATE \_\_\_\_\_ DISTRICT \_\_\_\_\_ END DATE \_\_\_\_\_

#### Tests

Loaded with approximately 125 pounds for each passenger space with an approximate 150-pound driver, please conduct the following five tests if possible:

(We will need to know if criteria different from that recommended are used.)

1. Acceleration - 0 to 50 MPH in 60 seconds or less: From a standing start on a level stretch of asphalt or concrete highway, record with a stop watch the time required to reach 50 MPH. \_\_\_\_\_ Time in seconds rounded to the nearest 0.1 second.
2. \* Grade of 1.5% minimum @ 50 MPH: From a running start, drive the bus at 50 MPH up a grade of approximately 1.5%. Most federal highways have maximum grades of 3.0% except overpasses which are steeper. Record the speed at the summit \_\_\_\_\_ Miles per hour.
3. \* Grade of 5.0% minimum - @ 25 MPH: From a running start, drive the bus at 25 MPH up a grade of approximately 5.0%. Most state highways have maximum grades of 7.0%. Record the speed at the summit \_\_\_\_\_ Miles per hour.
4. Startability - 20.0%: If possible locate a grade of approximately 20.0 degrees. (Your local Highway Department engineering may be able to help you locate grades.) Park the bus on the foot of the hill facing upward then start the engine and drive up the hill. If no 20.0% grade is available, use the steepest hill in the district. Est. grade \_\_\_\_\_ %.  
 \* Grades of 1.5% and 5.0% rise 1.5 and 5.0 feet, respectively, in a 100 foot distance.
5. Speed - 55 MPH: With the engine speed governor connected and operating, determine if the bus will reach a minimum of 55 MPH on a level stretch of asphalt or concrete highway.  
 Complies: \_\_\_\_\_ Yes \_\_\_\_\_ No

#### Documentation

6. Record the hubodometer reading at the beginning and end of a 2- or 3-month period and the amount of fuel used. Calculate the overall fuel consumption \_\_\_\_\_ Miles per gallon.
7. Document any warranty work or other repairs required on the test bus. \_\_\_\_\_  
 \_\_\_\_\_
8. Note regular maintenance performed and any unusual problems such as excessive oil consumption or fluid leaks. \_\_\_\_\_  
 \_\_\_\_\_

**Operation on a Regular Route**

Average daily mileage: \_\_\_\_\_ Miles Starting: \_\_\_\_\_ O.K. \_\_\_\_\_ Hard to start  
Acceleration: \_\_\_\_\_ Adequate \_\_\_\_\_ Poor, Comments: \_\_\_\_\_

Temperature: Runs \_\_\_\_\_ O.K. \_\_\_\_\_ Hot Adequate power fully loaded? \_\_\_\_\_ Yes \_\_\_\_\_ No  
Oil Consumption: \_\_\_\_\_ Miles/qt. Regular Route Fuel Consumption: \_\_\_\_\_ Miles/gal.

**Operation on an Activity Trip**

Maintain 50 mph Loaded? \_\_\_\_\_ Yes \_\_\_\_\_ No Comments: \_\_\_\_\_

Oil Consumption: \_\_\_\_\_ Miles/qt. Activity Trip Fuel Consumption: \_\_\_\_\_ Miles/gal.

Maximum Lawful Speed up Steepest Hill: \_\_\_\_\_ MPH Power: \_\_\_\_\_ O.K \_\_\_\_\_ Need more

List any problems or comments concerning operation on an Activity Trip: \_\_\_\_\_

Is this engine suitable for transportation needs in your District? \_\_\_\_\_ Yes \_\_\_\_\_ No

Signatures \_\_\_\_\_ Date \_\_\_\_\_  
Superintendent Transportation Director

We thank you for your cooperation and assistance in providing written results of this engine test and the recommendations of your Administration, Drivers and Mechanics.

Jack Edwards  
TEA

Pat Martin  
SPGSC

Buddy Means  
DPS

TEXAS SCHOOL BUS COMMITTEE  
April 9, 1987

ADDITIONAL REMARKS:

Return To: **Specification/Inspection Section**  
**State Purchasing and General Services Commission**  
P.O. Box 13047  
Austin, TX 78711-3047

MAJOR COMPONENTS CHECKS

MAJOR COMPONENTS	PASSENGER CAPACITY													PAGE NO.
	15	16	18	19	20	24	35	47	53	59	65	71	77	
ALTERNATOR, Amps, Min: Std	75	75	75	75	75	90	90	90	90	90	90	90	90	100
Opt	100	100	100	100	100	100	100	100	100	100	100	100	100	105
w Wheelchair Lift	100	100	100	100	100	103	103	103	103	105	105	105	105	105
v Air Conditioning	100	100	100	100	100	130	130	130	130	130	130	130	130	130
BATTERY, Diesel: CCA, Amp, Min	MS	MS	MS	MS	MS	450	450	450	450	450	450	450	450	450
Reserve, Minutes, Min	MS	MS	MS	MS	MS	130	130	130	130	130	130	130	130	130
Gas: CCA, Amp, Min	360	340	360	360	360	360	360	360	360	360	360	360	360	NA
Regrets, Minutes, Min	100	100	100	100	100	100	100	100	100	100	100	100	100	NA
SEATBELT: Standard	Hyd	Hyd	Hyd	Hyd	Ryd	Hyd	Hyd	Hyd	Hyd	Air	Air	Air	Air	Air
Optional	NA	NA	NA	NA	NA	NA	NA	NA	NA	Hyd	Hyd	Hyd	Hyd	NA
ENGINES: Diesel	Opt	Opt	Opt	Opt	Opt	Opt	Opt	Opt	Opt	Opt	Opt	Opt	Opt	Std
Gasoline	Std	Std	Std	Std	Std	Std	Std	Std	Std	Std	Std	Std	Std	NA
FUEL TANK, Gal, Min: Std	21	21	21	21	21	30	30	30	30	60	60	60	60	60
Opt	30	30	30	30	30	NA	NA	NA	NA	NA	NA	NA	NA	90
HEATER, Stu/hr: Std	MS	MS	MS	MS	MS	45,000	45,000	45,000	45,000	80,000	80,000	80,000	80,000	80,000
: Opt. Aux.	MS	MS	MS	MS	MS	40,000	40,000	40,000	40,000	60,000	60,000	60,000	60,000	60,000
COOLING, Min: Std	24	25	25	25	25	25	25	25	25	25	25	24-3/4"	25	24-3/4"
Opt	27	27	27	28	28	27	28	28	27-3/4"	28	27-3/4"	27-1/2"	27-3/4"	27-3/4"
TIRES, Steel Radial:	MS	MS	MS	MS	MS	NA	NA	NA	NA	Std	Std	Std	Std	Std
Tubeless	MS	MS	MS	MS	MS	800R-19.5E	800R-19.5E	800R-19.5E	800R-19.5E	900R-22.5F	900R-22.5F	900R-22.5F	900R-22.5F	11R-22.5G
Size	NA	NA	NA	NA	NA	NA	NA	NA	NA	Opt	Opt	Opt	Opt	11R-22.5G
Tube Type	NA	NA	NA	NA	NA	NA	NA	NA	NA	Opt	Opt	Opt	Opt	Opt
Size	NA	NA	NA	NA	NA	NA	NA	NA	NA	900R-20F	900R-20F	900R-20F	900R-20F	1000R-20G
Bias Belt:	NA	NA	NA	NA	NA	Std	Std	Std	Std	Opt	Opt	Opt	Opt	1000R-20G
Tubeless	NA	NA	NA	NA	NA	NA	NA	NA	NA	Opt	Opt	Opt	Opt	1000R-20G
Size	NA	NA	NA	NA	NA	800-19.5E	800-19.5E	800-19.5E	800-19.5E	9.00-20F	9.00-20F	9.00-20F	9.00-20F	10.00-20G
Tube Type	NA	NA	NA	NA	NA	Opt	Opt	Opt	Opt	Opt	Opt	Opt	Opt	Opt
Size	NA	NA	NA	NA	NA	8.25-20E	8.25-20E	8.25-20E	8.25-20E	9.00-20F	9.00-20F	9.00-20F	9.00-20F	10.00-20G
TRANSMISSIONS: Automatic	Std	Std	Std	Std	Std	Opt	Opt	Opt	Opt	Opt	Opt	Opt	Opt	Opt
Model	MS	MS	MS	MS	MS	AT 545	AT 545	AT 545	AT 545	AT 545	AT 545	AT 545	AT 545	MT 643
Standard, Fwd. Gears	NA	NA	NA	NA	NA	4 Spd	4 Spd	4 Spd	4 Spd	5 Spd	5 Spd	5 Spd	5 Spd	NA
Clutch Size, in, Min	NA	NA	NA	NA	NA	12	12	12	12	12	12	13	13	NA
D-ROCKERS, NO. Min	NA	NA	NA	NA	NA	4	4	4	4	6	6	8	8	8
WHEELS: Steel Disc	Std	Std	Std	Std	Std	Std	Std	Std	Std	Std	Std	Std	Std	Std
Cast Spoke	NA	NA	NA	NA	NA	Opt	Opt	Opt	Opt	Opt	Opt	Opt	Opt	NA

LEGEND: Hyd = Hydraulic; Min = Minimum; MS = Manufacturer's Standard; NA = Not Available; Opt = Optional; Std = Standard  
 \*Diesel Engine Only for 53- to 71-passenger Forward Control Buses  
 N "MS" = a = 25" on 71-passenger Long Wheelbase School Bus.  
 b = 27-3/4" on 71-passenger Long Wheelbase School Bus.  
 c = MT 643 on 77-passenger Forward-control School Bus.



(THIS PAGE INTENTIONALLY LEFT BLANK)