



PARTS MANUAL

MODEL: 3613-0

**SERIAL NO: 244-65101 to 244-68192
278-68101 to 278-77825**

BAND SAWING MACHINE

MACHINE SPECIFICATIONS

MODEL SERIAL NO.

VOLTAGE CYCLE PHASE

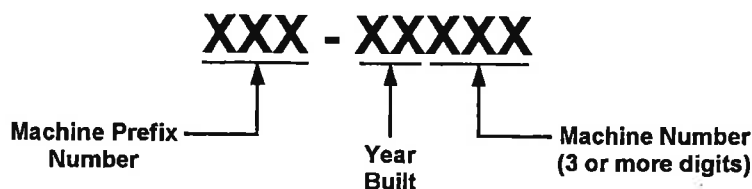
For your information and future reference, insert pertinent data concerning your machine in the spaces provided above. This information is stamped on the data plate attached to the machine frame.

Always specify machine model and serial number on all parts orders and correspondence concerning your machine. This will help avoid unnecessary delays and inconvenience during processing.

The specifications contained herein were in effect at the time this manual was approved for printing. The DoALL Company, whose policy is one of continuous product improvement, reserves the right, however, to change specifications or design at any time without notice and without incurring obligations.

How to read your serial number:

Example: 500-001234



DoALL COMPANY
254 NORTH LAUREL AVENUE
DES PLAINES, ILLINOIS 60016 U.S.A.

YOUR SERVICE REPRESENTATIVE:

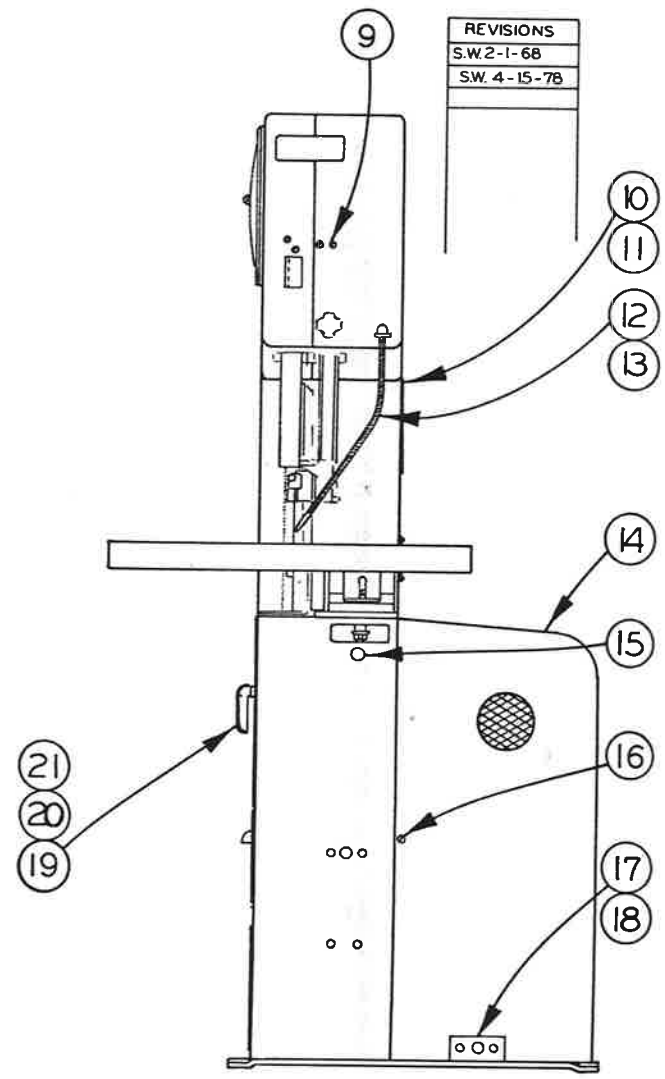
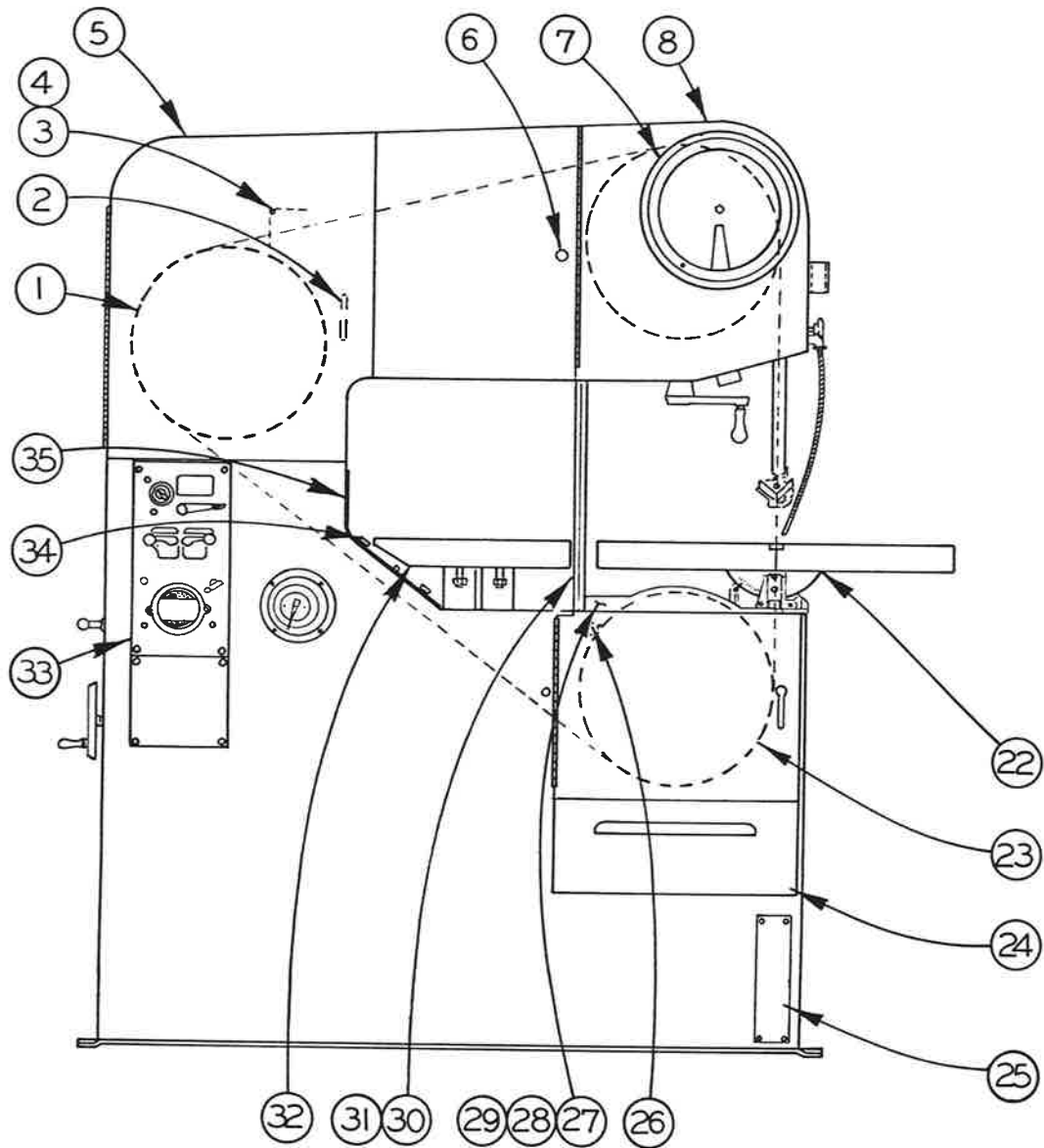
INDEX A-3 SERIAL NO. 244-65101 TO 244-68192
 FICHE NO. A-42 & 43 CLASS Contour MODEL 3613-0 SERIAL NO. 278-68101 TO 278-77825

PAGE NO.	DESCRIPTION	FIRST SERIAL	LAST SERIAL	FRAME NO.		FICHE NO.
				DWG.	P.LIST	
C-1-25	Final Assembly	244-65101	to 244-68192	A-5	A-6	A-42
C-1-31	Final Assembly	278-68101	to END	A-7	A-8	A-42
C-8-57	Air Compressor	ALL		A-9	A-10	A-42
C-8-54	Air Pump	ALL		A-11	A-12	A-42
C-7-26	Band Filer	ALL		A-13	A-14	A-42
C-7-26	Band Polisher	ALL		A-13	A-14	A-42
H1-19.0	Blade Shear	See Butt welders		F-9	F-10	H-2
C-1-25	Chip Brush	244-65101	to 244-68192	A-5	A-6	A-42
C-1-31	Chip Brush	278-68101	to END	A-7	A-8	A-42
C-3-75	Contour Feed for Air Table	278-68101	to END	B-1	B-2	A-42
C-3-76	Contour Feed for Air Table	278-68101	to END	B-3	B-4	A-42
C-3-77	Contour Feed Work Clamp	278-68101	to END	B-5	B-6	A-42
C-10-33	Coolant, Metal Tank	244-65101	to 244-68192	B-7	B-8	A-42
C-10-33	Coolant, Metal Tank	278-68101	to 278-71300	B-7	B-8	A-42
C-10-39	Coolant, Plastic Tank	278-71301	to END	B-9	B-10	A-42
C-8-56	Coolant, Mist, with Air Compressor	278-68101	to 278-69170	B-13	B-14	A-42
C-8-63	Coolant, Mist, with Air Compressor	278-69171	to END	C-1	C-2	A-42
C-10-7	Cutoff Attach. #1 All Purpose	ALL		C-3	C-4	A-42
C-10-28	Cutoff Attach. #2 Side Mount	ALL		C-5	C-6	A-42
C-10-2	Disc Cutter	ALL		C-7	C-8	A-42
C-1-25	Door Handles & Latches	244-65101	to 244-68192	A-5	A-6	A-42
C-1-31	Door Handles & Latches	278-68101	to END	A-7	A-8	A-42
C-5-41	Drive	244-65101	to 244-67151	C-9	C-10	A-42
C-5-42	Drive	244-65101	to 244-67151	C-11	C-12	A-42
C-5-46	Drive	244-67152	to 244-68192	C-13	C-14	A-42
C-5-48	Drive	244-67152	to 244-68192	D-1	D-2	A-42
C-5-46	Drive	278-68101	to END	C-13	C-14	A-42
C-5-48	Drive	278-68101	to END	D-1	D-2	A-42
C-5-43	Drive, 4 Step Fixed Speed	244-65101	to 244-68192	D-3	D-4	A-42
C-6-57	Electrical, Magnetic Starter	278-68101	to 278-73409	D-5	D-6	A-42
C-6-65	Electrical, Magnetic Starter	278-73410	to END	D-7	D-8	A-42
H1-20.0	Etching Pencil	See Butt welders		F-11	F-12	H-2
C-2-134	Extra Work Height	278-68101	to END	D-9	D-10	A-42
C-2-130	Extra Work Height, Aux. Post	278-68101	to END	D-11	D-12	A-42
C-7-26	Filing Fixture for Small Parts	ALL		A-13	A-14	A-42
C-2-52	Head	244-65101	to 244-68192	D-13	D-14	A-42
C-2-52	Head	278-68101	to 278-70286	D-13	D-14	A-42
C-2-72	Head	278-70287	to END	E-5	E-6	A-42
C-2-65	Head	278-70287	to END	E-7	E-8	A-42
C-10-22	Heavy Work Clamps	244-65101	to 244-68192	E-9	E-10	A-42
C-10-38	Heavy Work Clamps	278-68101	to END	E-11	E-12	A-42
C-10-23	Heavy Work Slides	ALL		E-13	E-14	A-42
C-9-62	Hydraulic Contour Feed	ALL		F-1	F-2	A-42
C-9-60	Hydraulic Contour Feed	ALL		F-3	F-4	A-42
C-8-104	Job Selector	ALL		F-5	F-6	A-42
C-8-8	Lamp	ALL		F-7	F-8	A-42
C-10-15	Magnifier	ALL		F-9	F-10	A-42
C-2-65	Post Elevating Mechanism	278-70287	to END	E-7	E-8	A-42
CM-10-7	Protractor Work Stop	ALL		F-11	F-12	A-42

INDEX NO. A-4SERIAL NO. 244-65101TO 244-68192FICHE NO. A-42 & 43 CLASS ContourMODEL 3613-0SERIAL NO. 278-68101TO 278-77825

FRAME NO.

PAGE NO.	DESCRIPTION	FIRST SERIAL	LAST SERIAL	DWG.	P. LIST	FICHE NO.
C-10-20	Ratchet Feed	ALL		A-5	A-6	A-43
C-10-27	Rip Fence	ALL		A-7	A-8	A-43
C-10-6	Rip Fence	ALL		A-9	A-10	A-43
C-10-39	Saw Eez Attachment	ALL		B-9	B-10	A-42
C-7-18	Saw Guides, Insert Type	ALL		A-11	A-12	A-43
C-7-20	Saw Guides, Insert Type	ALL		A-13	A-14	A-43
C-7-19	Saw Guides, Roller Type	ALL		B-1	B-2	A-43
	Saw Lubricator	See Coolant				
C-1-31	Saw Guard, Intermediate	ALL		A-7	A-8	A-42
C-10-29	Screw Feed	ALL		B-3	B-4	A-43
C-5-105	Speed Indicator	ALL		B-5	B-6	A-43
C-4-37	Spindle Assembly	ALL		B-7	B-8	A-43
C-3-41	Table & Trunnion, 2 Way Tilt	ALL		B-9	B-10	A-43
C-3-35	Table, Gliding	1 of 2		B-11	B-12	A-43
C-3-36	Table, Gliding	2 of 2		B-13	B-14	A-43
C-3-78	Table, Air Powered	1 of 3		C-1	C-2	A-43
C-3-79	Table, Air Powered	2 of 3		C-3	C-4	A-43
C-3-80	Table, Air Powered	3 of 3		C-5	C-6	A-43
C-10-32	Table & Trunnion, 4 Way Tilt	ALL		C-7	C-8	A-43
C-3-38	Table, Secondary	ALL		C-9	C-9	A-43
C-9-107	Table Supports	ALL		C-11	C-12	A-43
C-4-40	Transmission, 2 Speed	ALL		C-13	C-14	A-43
C-4-37	Transmission, Single Speed	ALL		B-7	B-8	A-43
CM-10-9	Universal Cal. Work Fixture	ALL		D-1	D-2	A-43
CM-10-1	Universal Vise Assembly	ALL		D-3	D-4	A-43
C-5-36	Variable Speed Pulley	ALL		D-5	D-6	A-43
C-9-5	Weight Feed Assembly	1 of 2		D-7	D-8	A-43
C-9-9	Weight Feed Assembly	2 of 2		D-9	D-10	A-43
C-5-41	Wheel, Lower	244-65101	to 244-67151	C-9	C-10	A-42
C-5-46	Wheel, Lower	244-67152	to 244-68192	C-13	C-14	A-42
C-5-46	Wheel, Lower	278-68101	to END	C-13	C-14	A-42
C-2-28	Wheel, Third	ALL		D-11	D-12	A-43
C-2-52	Wheel, Upper	244-65101	to 244-68192	D-13	D-14	A-42
C-2-52	Wheel, Upper	278-68101	to 278-70286	D-13	D-14	A-42
C-2-72	Wheel, Upper	278-70287	to END	E-5	E-6	A-42
C-10-16	Work Holding Jaws	ALL		D-13	D-14	A-43



MODEL FIRST MACH. LAST MACH.
 3613-0 244-66101 244-68192

FINAL ASSEMBLY

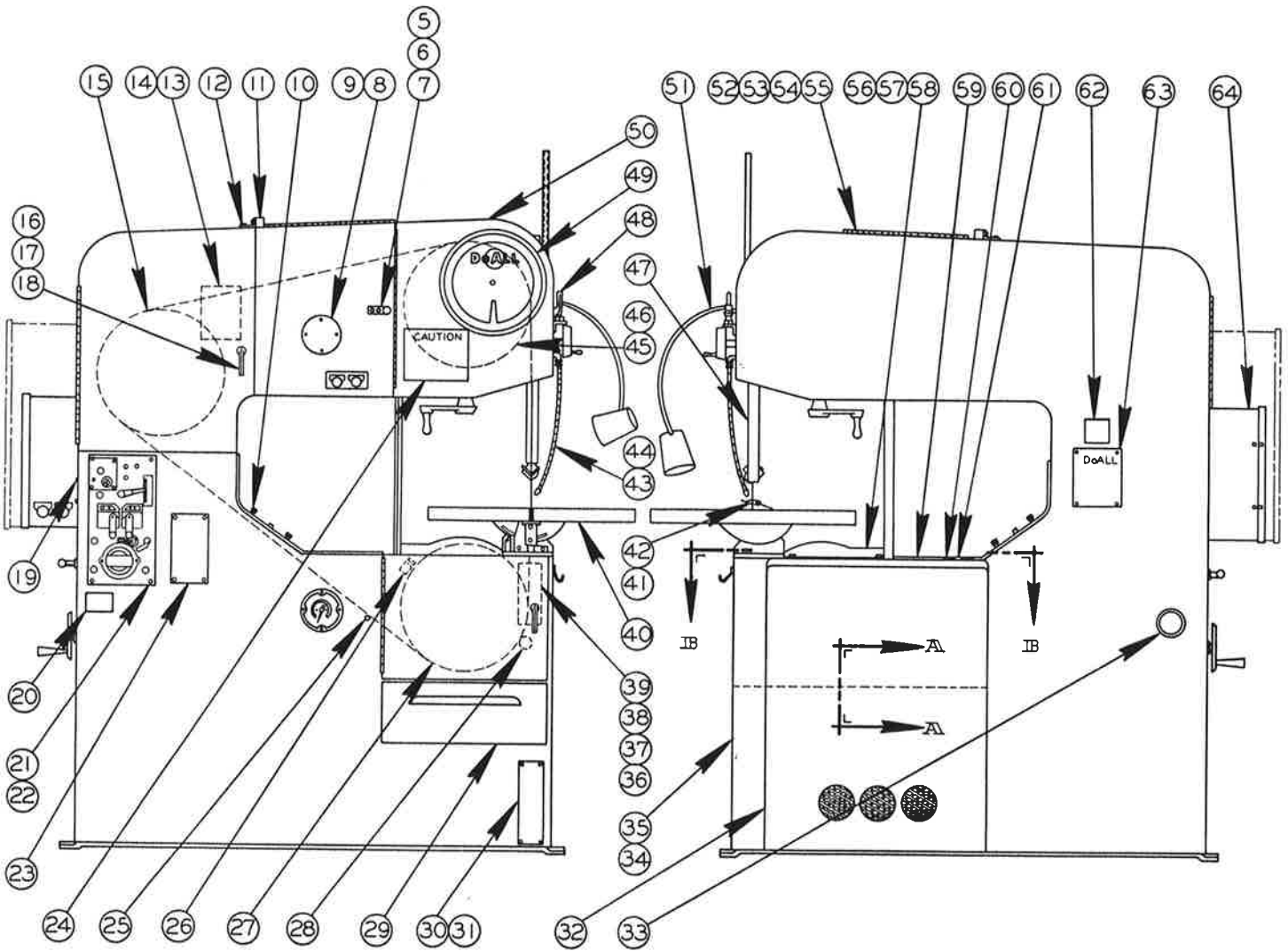
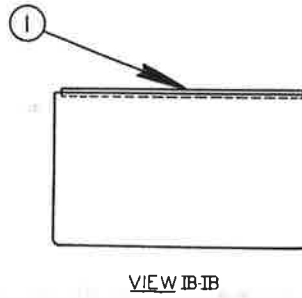
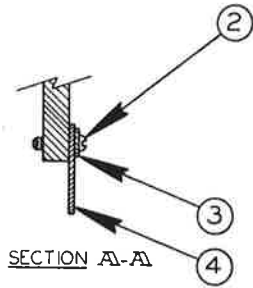
C - 1 - 25
 A-5

PRINTED IN U.S.A.

FINAL ASSEMBLY

INDEX NO.	CATALOG NO.	DESCRIPTION	UNITS PER ASS'Y
Ref.	57677	Final Assembly	
1	090-413436	. Third Wheel Assembly (See Detail)	1
2	135-089068	. Cabinet Pull	1
3	091-988386	. Screw, Rd. Hd. Mach. #6-32NC x 1/4	4
4	090-061805	. Cover Plate	1
5	090-576752	. Frame	1
6	090-122359	. Door Stop	2
7	090-468174	. Job Selector Assembly (See Detail)	1
8	56249	. Head Assembly (See Detail)	1
9	090-313057	. Door Latch Assembly	3
10	091-993972	. Drive Screw	14
11	090-218314	. DoAll Data Plate	1
12	090-040973	. Air Hose	1
13	105-045207	. Straight Elbow	1
14	090-517624	. Rear Cover	1
15	090-031170	. Plug Button	1
16	091-990051	. Screw, Truss Hd. Mach. 6-32NC x 1/4	2
17	090-033259	. Plug Button	2
18	090-135526	. Plug Button	6
19	090-168428	. Lower Door Latch Assembly	1
20	095-021010	. Door Latch	1
21	091-984229	. Screw, Soc. Set 1/4-20NC x 1/4	1
22	090-553066	. Table and Trunion Assembly (See Detail)	1
23	58486	. Drive Assembly (See Detail)	1
24	090-447988	. Chip Box Assembly	1
25	135-008324	. Cover	2
26	090-274077	. Wheel Brush Assembly	1
27	090-410762	. Lower Wheel Cover	1
28	091-980052	. Screw, Hex. Hd. Mach. 1/4-20NC x 3/8	2
29	091-993212	. Washer, Lock 1/4" Std.	4
30	090-288259	. Blade Guard Assembly	1
31	091-990200	. Screw, Truss Hd. Mach. 1/4-20NC x 1/2	1
32	090-503699	. Secondary Table Assembly (See Detail)	1
33	090-563396	. DBW#12B Buttwelder Assembly (See Welder Manual)	1
34	111-024014	. Thumbscrew	2
35	090-086885	. Cover Plate Assembly	1
Following Items Not Shown:			
	091-056952	. Seal Strip	1
	091-056960	. Clamp Strip	1
	091-988576	. Screw, Rd. Hd. Mach. #8-32NC x 3/4	3
	091-991091	. Nut, Hex. #8-32NC	3

NEW DRG.
S.W. 2-1-68
REVISIONS
S.W. 3-15-77



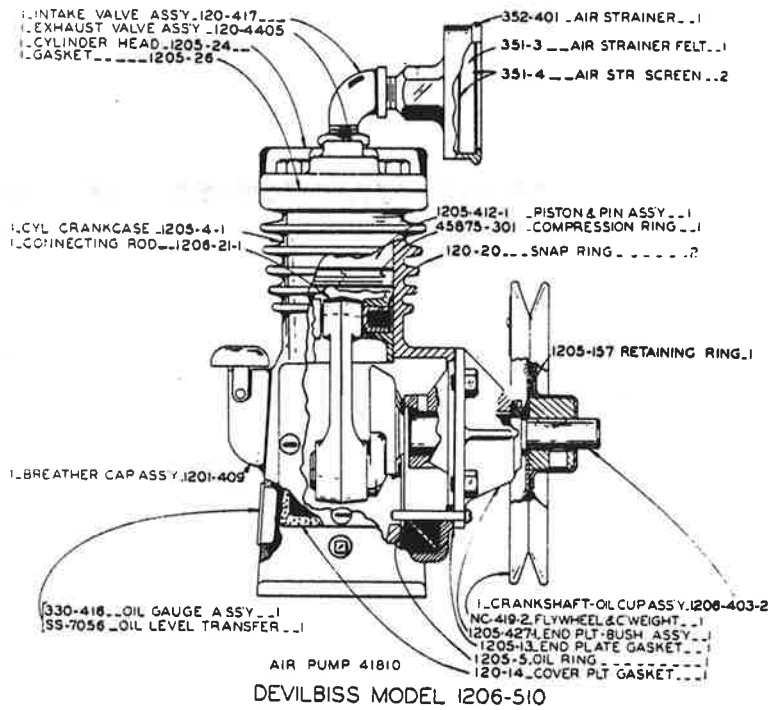
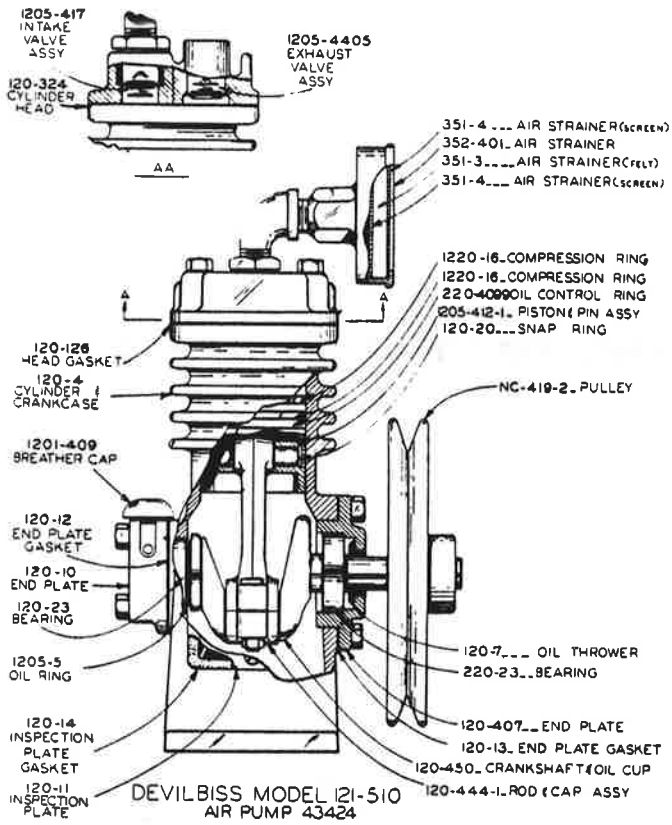
MODEL 3613-0 FIRST MACH 278-68101 LAST MACH 278-77825

FINAL ASSEMBLY

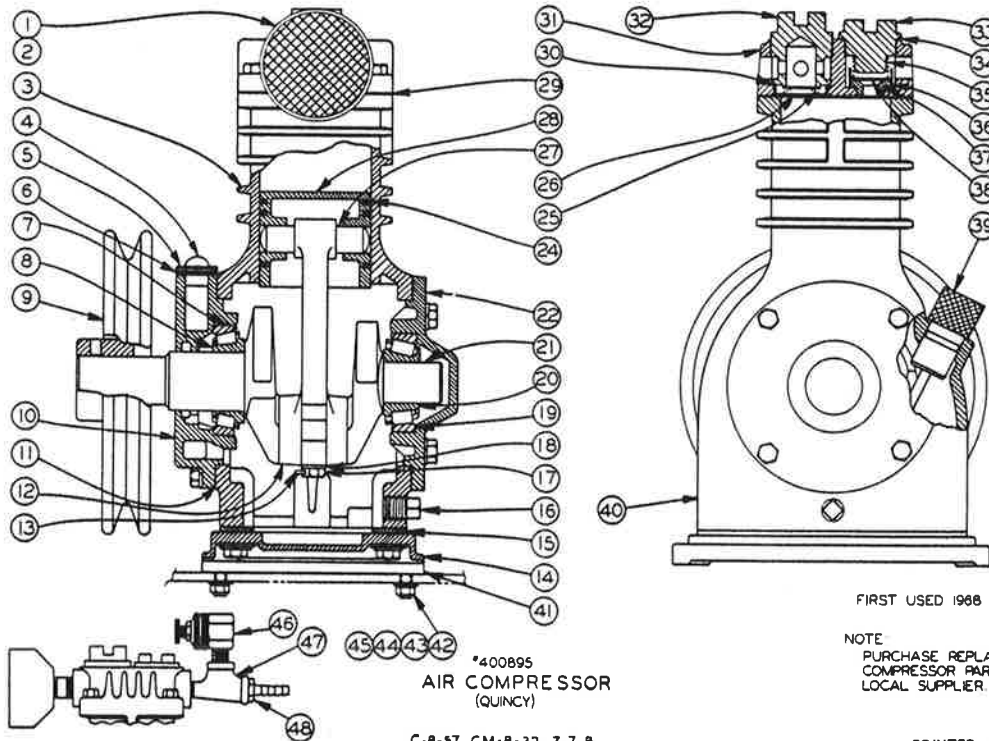
CODE NO. C-1-31

FINAL ASSEMBLY

INDEX NO.	CATALOG NO.	DESCRIPTION	UNITS PER ASS'Y	INDEX NO.	CATALOG NO.	DESCRIPTION	UNITS PER ASS'Y
REF.	290008	Final Assembly (3613-0)					
1	091-057018	. Seal Strip	1	36	091-238907	. Cover Plate	1
2	091-988568	. Scr., Rd. Hd. Mach., #8-32NC x 5/8"	3	37	091-988972	. Scr., Rd. Hd. Mach., 1/4-20NC x 3/4"	4
3	091-056960	. Clamp Strip	1	38	091-993212	. Washer, Lock, 1/4" Std.	4
4	091-056952	. Seal Strip	1	39	091-991158	. Nut, Hex., 1/4-20NC	4
5	090-060641	. Door Stop Bracket	1	40	090-524356	. Table & Trunnion Ass'y (See Detail)	1
6	091-988675	. Scr., Rd. Hd. Mach., #10-24NC x 3/8"	2	41	091-408344	. Saw Band	1
7	091-993196	. Washer, Lock, #10 Std.	2	42	093-045250	. Band Tag	1
8	135-014918	. Cover	1	43	090-040973	. Air Hose	1
9	091-988675	. Scr., Rd. Hd. Mach., #10-24NC x 3/8"	4	44	105-045207	. 90° Street Elbow	1
10	111-024014	. Thumb Screw	2	45	095-003729	. Head Assembly (See Detail)	1
11	090-000613	. Felt	1	46	090-070384	. Escutcheon	1
12	091-201418	. Bracket Assembly	1	47	094-063963	. Saw Band Guard Assembly	1
13	090-061805	. Cover Plate	1	48	090-234147	. Door Latch Assembly	1
14	091-988386	. Scr., Rd. Hd. Mach., #6-32NC x 1/4"	4	49	090-468174	. Job Selector Ass'y (See Detail) ..	1
15	090-413436	. Third Wheel Ass'y (See Detail) .	1	50	090-594896	. Frame Assembly	1
16	090-168428	. Handle Assembly	2	51	094-061413	. Work Lamp Ass'y (See Detail) ...	1
17	105-021018	. Door Latch	2	52	090-382227	. Cover Weldment	1
18	091-984227	. Scr., Soc. Set, 1/4-20NC x 1/4"	2	53	091-988691	. Scr., Rd. Hd. Cap, #10-24NC x 1/2"	5
19	090-074368	. Plug Button	2	54	091-991117	. Nut, Hex., #10-24NC	5
20	091-369023	. Escutcheon	1	55	090-010190	. Washer	1
21	091-322725	. DBW-15Butt Welder (See Welder Manual)	1	56	090-410762	. Lower Wheel Cover	1
22	091-990208	. Scr., Truss Hd. Mach., 1/4-20 NC x 1/2"	12	57	091-980052	. Scr., Hex. Hd. Mach., 1/4-20 NC x 3/8"	2
23	091-187037	. Cover	1	58	091-993212	. Washer, Lock, 1/4" Std.	4
24	094-044763	. Escutcheon	1	59	090-375015	. Cover Plate Assembly	1
25	090-122357	. Grommet	2	60	090-062910	. Plug Button	4
26	090-274075	. Wheel Brush Assembly	1	61	091-086017	. Plug Button	1
	090-166842	. . Brush	1	62	091-292730	. Escutcheon	1
	090-166644	. . Brush Holder Weldment	1	63	093-020568	. Escutcheon	1
	091-982205	. . Scr., Soc. Hd. Cap, #10-24 NC x 1/2"	2	64	095-035424	. Electrical Assembly (See Detail) .	1
	091-992584	. . Washer, #10 Std.	2		Not Shown:		
27	090-584869	. Drive Assembly (See Detail) ...	1		094-068715	. Tag	1
28	135-045250	. Plug Button	1				
29	091-447987	. Chip Drawer Assembly	1				
30	135-008324	. Cover	1				
31	091-993972	. Drive Screw, #2 x 1/4" Type "U"	12				
32	090-517624	. Rear Cover Assembly	1				
33	090-008509	. Grommet	1				
34	090-033259	. Plug Button	2				
35	090-135526	. Plug Button	6				



NOTE: TO REPLACE COMPLETE UNIT
ORDER #400895.
PURCHASE INDIVIDUAL PARTS LOCALLY.
NUMBERS SHOWN ARE DEVILBISS NUMBERS.



NEW DRG.	9-22-87
REVISIONS	
RMV	1-31-68
DE	7-1-68
BW	9-6-68
SW	2-28-69
SW	4-24-72
SCL	11-14-74

FIRST USED 1968

NOTE:
PURCHASE REPLACEMENT
COMPRESSOR PARTS FROM
LOCAL SUPPLIER.

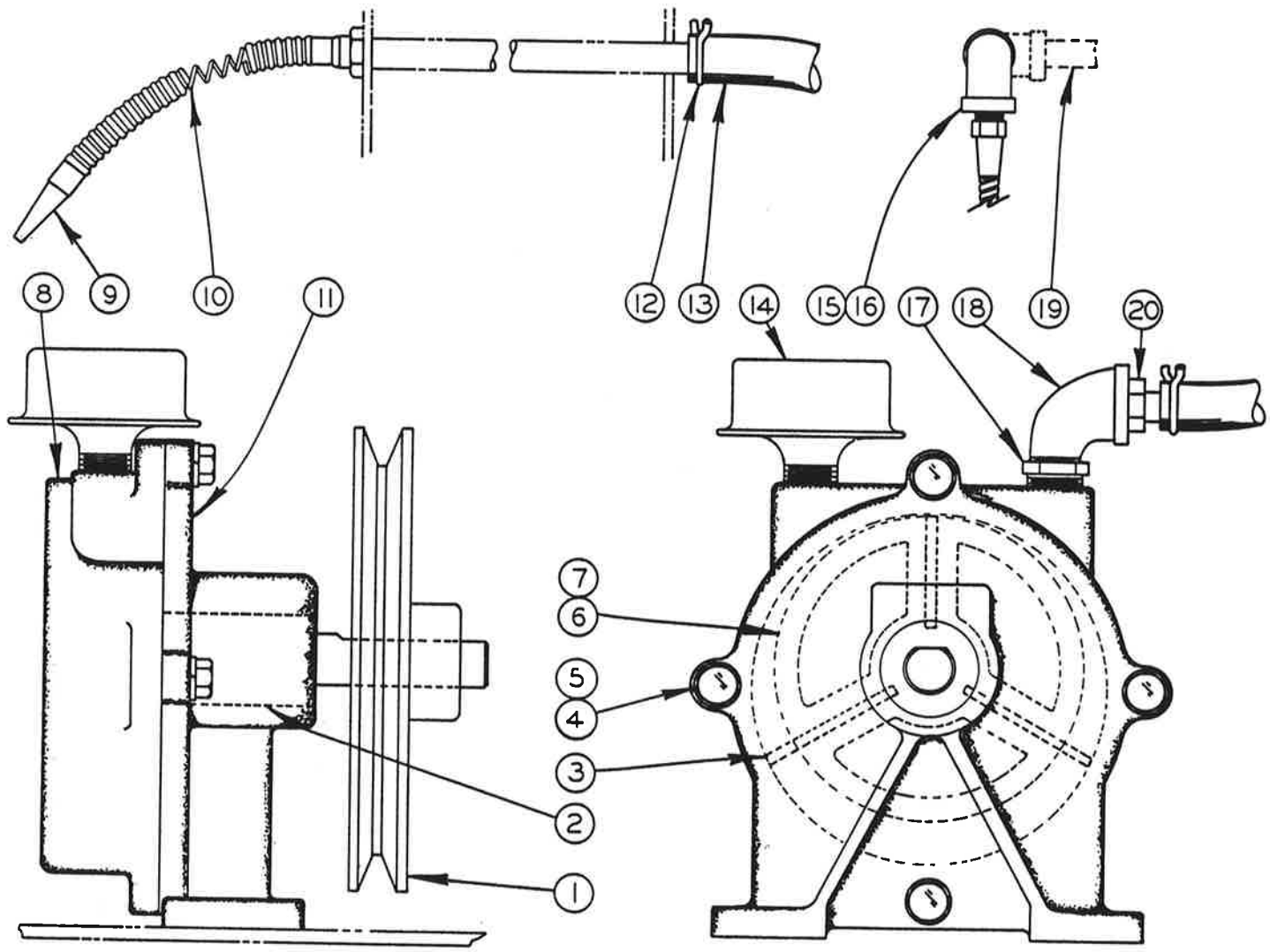
PRINTED IN U.S.A.

CODE NO. C-8-57
CM-8-32
Z-7-8

AIR COMPRESSOR

INDEX NO.	CATALOG NO.	DESCRIPTION	QUINCY CO. PART NO.	UNITS PER ASS'Y
Ref.	094-008950	Air Compressor (Quincy)		
1	091-186395	. Breather Assembly	2151-X	1
2	091-186403	. Replacement Felt	2149	1
3	091-186015	. Cylinder	2101	1
4	091-186023	. Stud Breather	7178	1
5	091-186031	. Breather Valve Bumper	2118	2
6	091-186049	. Breather Valve	2117	1
7	091-186056	. Bearing Cup	6553	1
8	091-186064	. Bearing Cone	6554	1
9	091-186411	. 6" Pulley For X-2 Compressor		Use
	091-186429	. 8" Pulley For X-2 Compressor		One
10	091-186072	. Bearing Carrier	6972	1
11	091-186080	. Bearing Plate Gasket	2115	2
12	091-186098	. Connecting Rod Assembly	2105	1
13	091-186106	. Connecting Rod Bolt Wire	2830	1
14	091-186114	. Oil Pan	2122	1
15	091-186122	. Oil Pan Gasket	2123	1
16	091-186130	. Oil Drain Plug	2140	1
17	091-186148	. Connecting Rod Bolt	2120	1
18	091-186155	. Connecting Rod Bolt Lockwasher	2121	1
19	091-186163	. Bearing Cup	6551	1
20	091-186171	. Bearing Cone	6552	1
21	091-186189	. Crank Shaft	6975	1
22	091-186197	. Bearing Carrier	6973	1
24	091-209437	. Piston Compressor Ring	6489	3
25	091-186262	. Suction Valve Spring	2132	1
26	091-186270	. Suction Valve Bumper	2131	1
27	091-186239	. Piston Pin Assembly	2126-X	1
28	091-186247	. Piston	2104	1
29	091-186254	. Head Gasket	2124	1
30	091-186288	. Suction Valve Bumper Gasket	2130	1
31	091-186304	. Cylinder Head	2100	1
32	091-186312	. Suction Valve Seat	2129	1
33	091-186320	. Discharge Valve Bumper	2133	1
34	091-186338	. Intercooler Gasket	2134	1
35	091-186346	. Discharge Valve Spring	1780	1
36	091-186296	. Valve	1194	2
37	091-186361	. Discharge Valve Guide	2136	1
38	091-186379	. Discharge Valve Guide	2137	1
39	091-186387	. Oil Gauge Assembly	2316-X	1
40	094-008356	. Air Compressor (6" Pulley)		Use
	094-019577	. Air Compressor (8" Pulley)		One
41	090-372525	. Adapter Plate Weldment		1
42	091-980276	. Screw, Hex. Hd. Cap 5/16-18NC x 3/4		4
43	091-992628	. Washer, Flat 5/16 Std.		4
44	091-991224	. Nut, Hex. 5/16-18NC		4
45	091-993238	. Washer, Lock 5/16 Std.		4
46	090-021031	. Relief Valve		1
47	135-008472	. Service Tee		1
48	090-020041	. Barbed Insert		1

REVISED
AND REDRAWN
1-25-66
D.E. 7-29-66
S.W. 4-24-72
S.C.L. 11-14-74



AIR PUMP ASSEMBLY

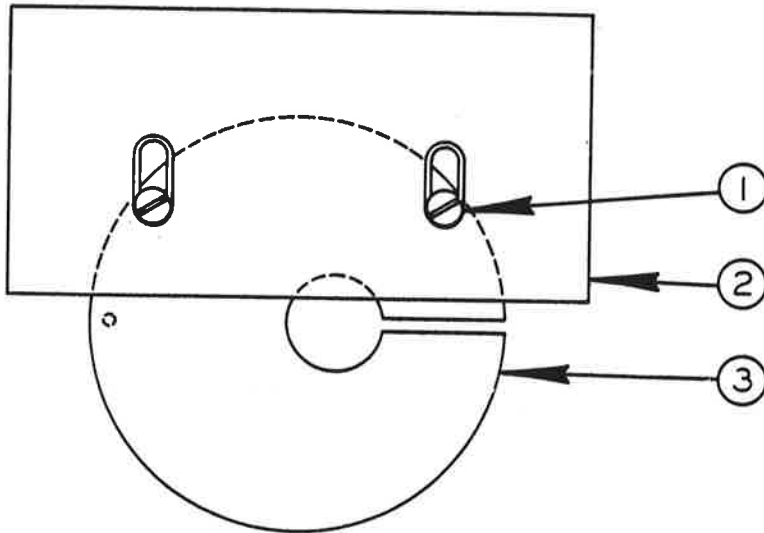
CODE NO. C-8-54
CM-8-35

AIR PUMP ASSEMBLY

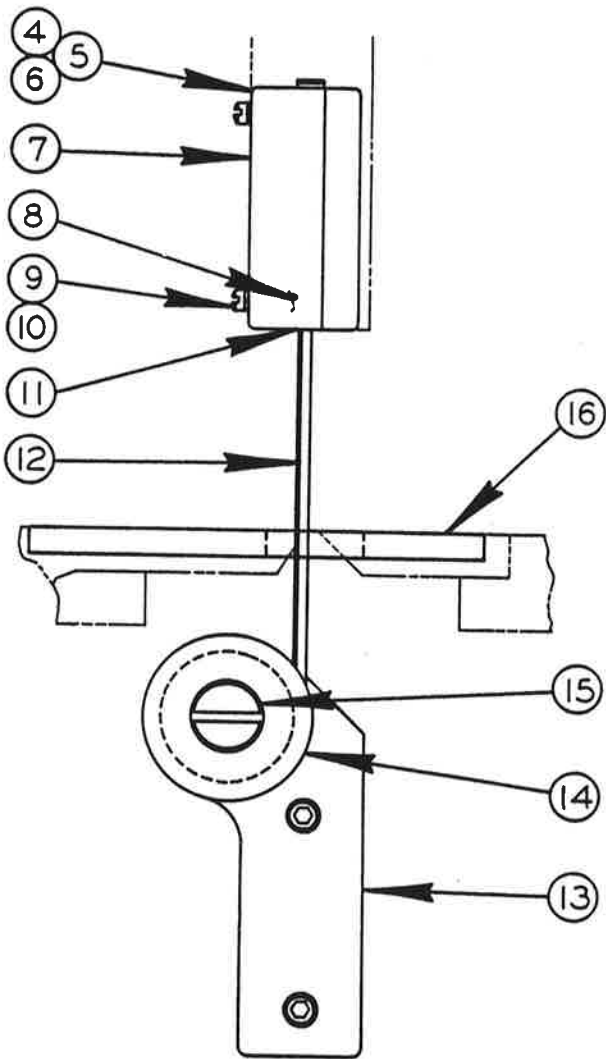
INDEX NO.	CATALOG NO.	DESCRIPTION	UNITS PER ASS'Y
Ref.	094-071594	Air Pump Assembly (Clockwise Rotation)	
Ref.	090-427089	Air Pump Assembly (Counter-Clockwise Rotation)	
*1	105-113161	. Pulley	1
2	105-114052	. Bearing	1
3	105-113195	. Vane	3
4	091-980086	. Screw, Hex. Hd. Cap 1/4-20NC x 3/4	4
5	091-993741	. Washer, Lock 1/4" I.D. Shakeproof Ext.	4
6	105-111041	. Air Pump Rotor	1
7	091-984252	. Screw, Soc. Set 1/4-20NC x 1/2"	2
8	135-067361	. Air Pump Body	1
*9	090-060732	. Air Hose (1612-1)	1
	090-040973	. Air Hose (1612-U, 3012-U, 3613-1, 1612-0)	1
*10	090-046582	. Wire Insert	1
11	135-067353	. Air Pump Cover	1
*12	090-179029	. Hose Clamp	2
*13	090-000084	. Hose	A.R.
14	105-115109	. Air Cleaner	1
*15	135-036473	. 90° Elbow (1612-U & 3012-U)	2
*16	114-145287	. Close Nipple (1612-U & 3012-U)	1
17	105-115174	. Reducer	1
18	117-135210	. Street Elbow 1/4" Std.	1
*19	090-083866	. Nipple (1612-U & 3012-U)	1
20	090-020041	. Barbed Insert	1

*NOTE: Single Starred Items Are Not Part Of Air Pump Assembly.

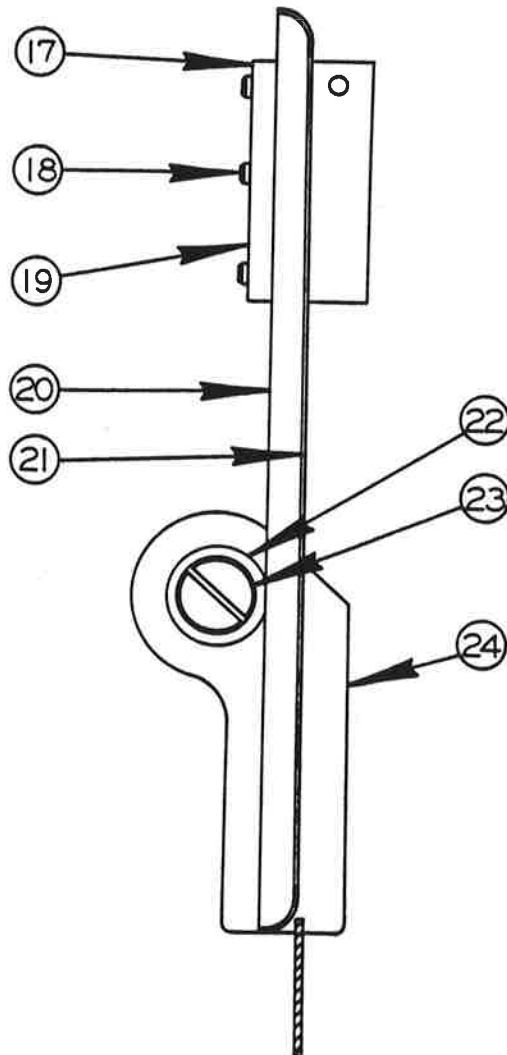
REVISED AND REDRAWN
S.C.L. 1-2-75



SMALL PARTS FILING ASSEMBLY



BAND FILING ASSEMBLY



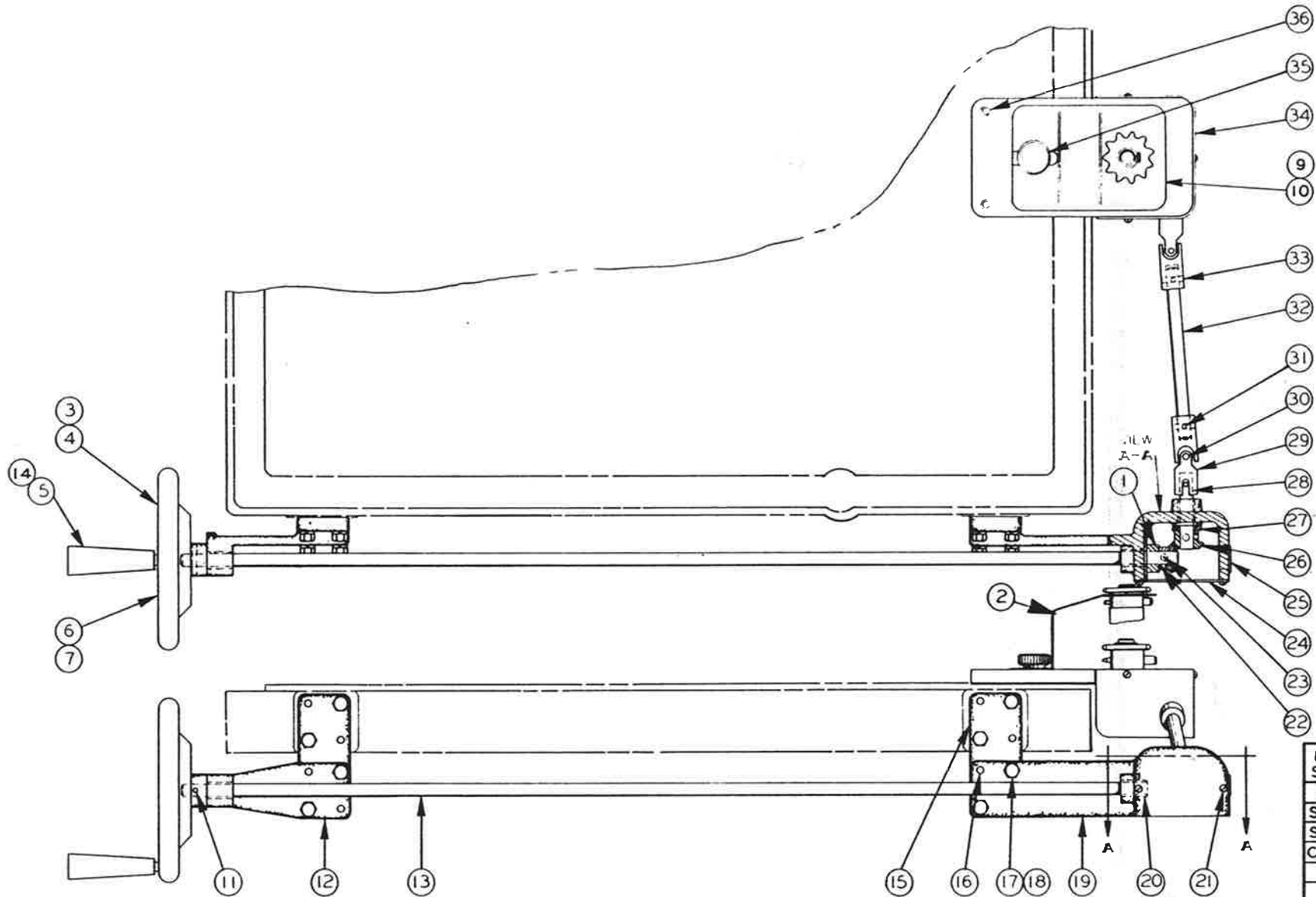
BAND POLISHING ASSEMBLY

BAND FILING & POLISHING ASSEMBLIES

INDEX NO.	CATALOG NO.	DESCRIPTION	UNITS PER ASS'Y	INDEX NO.	CATALOG NO.	DESCRIPTION	UNITS PER ASS'Y
Ref.	090-076456	Small Parts Filing Ass'y (1612, 1612-0, 1612-H, 1612-1, 2013, 2013-1, 2013-0, 2013-10, 2012-1A, 2012-A, 2012-AT, 2012-1AT, 2612-H, 2612-1, 3612, 3613-0, 3612-H, 3613-1)		9	091-986885	.. Screw, Fil. Hd. Mach. #4-40NC x 5/8 (Ass'ys #27487, #27490, #34096, #34099)	2
1	091-987487	. Screw, Fil. Hd. Mach. #10-24NC x 3/8	2		091-986992	... Screw, Fil. Hd. Mach. #10-24 NC x 5/8 (Ass'y #37488, #27491, #34097, #34103, #27489, #27492, #34098, #34104)	2
2	090-120460	. Small Part Plate	1	10	091-993154	.. Washer, Lock #4 Std. (Ass'ys #27490, #34099)	2
3	090-120452	. Center Plate	1		091-993196	.. Washer, Lock #10 Std. (Ass'ys #27488, #27491, #34097, #34103, #27489, #27492, #34098, #34104)	2
Ref.	090-447806	Band Filing Ass'y (1612, 1612-0, 1612-H, 1612-1, 1613-2, 1612-3, 2013, 2013-1, 2013-0, 2013-10, 2012-A, 2012-1A, 2012-AT, 2012-1AT, 2612-2H, 2613-3, 3612-H, 3613-1, 3612-3, 6013-3)		11	106-093073	.. Insert (Ass'ys #27487, #34096) ..	1
Ref.	091-119487	Band Filing Ass'y (1612, 1612-0, 1612-H, 1612-1, 1612-3, 2013, 2013-1, 2013-0, 2013-10, 2012-A, 2012-1A, 2012-AT, 2012-1AT, 2612-2H, 2613-3, 3612-H, 3613-1, 3612-3, 6013-3)		11	106-093032	.. Insert (Ass'ys #27490, #34099) ..	1
Ref.	091-327734	Band Filing Ass'y (1612, 1612-0, 2013, 2013-1, 2013-0, 2013-10, 2012-A, 2012-AT, 2612-H, 2612-1, 3612, 3613-0)		11	106-093016	.. Insert (Ass'ys #27488, #34097) ..	1
Ref.	094-049947	Band Filing Ass'y (1612, 1612-0, 2013, 2013-1, 2013-0, 2013-10, 2012-A, 2012-AT, 2612-H, 2612-1, 3612, 3613-0)		11	106-093057	.. Insert (Ass'ys #27491, #34103) ..	1
Ref.	090-485327	Band Filing Ass'y (1612-3, 2612-2H, 2613-3, 3612-3, 6013-3)		11	106-093099	.. Insert (Ass'ys #27489, #34098) ..	1
Ref.	094-014388	Band Filing Ass'y (1613-3, 2612-2H, 2613-3, 3612-3, 6013-3)		12	106-093115	.. Insert (Ass'ys #27492, #34104) ..	1
Ref.	090-447814	Band Filing Ass'y (2613-2, 3613-2, 6013-2)		12	106-093081	.. File Guide (Ass'ys #27487, #34096) ..	1
Ref.	090-455973	Band Filing Ass'y (3613-2, 6013-2)		12	106-093040	.. File Guide (Ass'ys #27490, #34099) ..	1
4	090-274879	. 1/4" File Guide Ass'y (Ass'ys #44780, #404994, #44781)	1	13	106-093024	.. File Guide (Ass'ys #27488, #34097) ..	1
	090-274903	. 1/4" File Guide Ass'y (Ass'ys #111948, #132773, #45597)	1	13	106-093065	.. File Guide (Ass'ys #27491, #34103) ..	1
	090-340969	. 1/4" File Guide Ass'y. (Ass'y #48532) ..	1	14	106-093107	.. File Guide (Ass'ys #27489, #34098) ..	1
	090-340993	. 1/4" File Guide Ass'y (Ass'y #401438) ..	1	14	106-093123	.. File Guide (Ass'ys #27492, #34104) ..	1
5	090-274887	. 3/8" File Guide Ass'y (Ass'ys #44780, #404994, #43781)	1	14	134-093137	.. Guide Plates (Not Shown) (Ass'ys #27490, #34099)	2
	090-274911	. 3/8" File Guide Ass'y (Ass'ys #111948, #132773, #45597)	1	14	134-094028	.. Pin (Not Shown) (Ass'ys #27490, #34099)	2
	090-340977	. 3/8" File Guide Ass'y (Ass'y #48532) ..	1	13	090-013715	.. Adapter	1
	090-341033	. 3/8" File Guide Ass'y (Ass'y #401438) ..	1	14	134-093129	.. File Guide Back-up (Ass'ys #44780, #111948, #132773, #404994, #44781, #45597)	1
6	090-274895	. 1/2" File Guide Ass'y (Ass'ys #44780, #404994, #44781)	1	15	091-109314	.. File Guide Back-up (Ass'ys #48532, #401438)	1
	090-274929	. 1/2" File Guide Ass'y (Ass'ys #111948, #132773, #45597)	1	15	134-090018	.. Screw Assembly	1
	090-340985	. 1/2" File Guide Ass'y (Ass'ys #48532)	1	15	090-038019	.. Head	1
	090-341041	. 1/2" File Guide Ass'y (Ass'y #401438)	1	15	090-038027	.. Screw	1
7	090-274176	.. Bracket (Ass'y #27487)	1	16	090-106279	.. Center Plate (Ass'ys #44780, #111948, #48532, #401438)	1
	090-274184	.. Bracket (Ass'y #27490)	1	16	091-201285	.. Center Plate (Ass'ys #132773, #404994)	1
	090-340951	.. Bracket (Ass'y #34096)	1	Ref.	091-069575	Band Polishing Ass'y (1611-H, 1611-U, 1612, 1612-0, 1612-H, 1612-1, 2013, 2013-1, 2013-0, 2013-10, 2012-A, 2012-1A, 2012-AT, 2012-1AT, 2612-H, 2612-1, 3612-U, 3612, 3613-0, 3612-H, 3613-1)	
	090-340944	.. Bracket (Ass'y #34099)	1	Ref.	090-290230	Band Polishing Ass'y (1612-1, 1613-2, 1612-3, 3613-1, 3613-2, 3612-3)	
	090-274200	.. Bracket (Ass'y #27488)	1	Ref.	090-274853	Band Polishing Ass'y (26-2, 60-2, 2612-2H, 2613-2, 6013-2)	
	090-274218	.. Bracket (Ass'y #27491)	1	Ref.	090-274846	Band Polishing Ass'y (16-2, 16-3, 36-2, 36-3)	
	090-340936	.. Bracket (Ass'y #34097)	1	Ref.	090-274861	Band Polishing Ass'y (26-3, 60-3, 2613-3, 6013-3)	
	090-340928	.. Bracket (Ass'y #34103)	1	Ref.	091-069583	Band Polishing Ass'y (2612-1)	
	090-274192	.. Bracket (Ass'y #27489)	1	17	090-166869	. Band Polishing Sub-Ass'y (Ass'ys #106957, #29023, #27485, #27484, #106958)	1
	090-274226	.. Bracket (Ass'y #27492)	1		090-274143	. Band Polishing Sub-Ass'y (Ass'y #27486) ..	1
	090-340910	.. Bracket (Ass'y #34098)	1	18	091-986968	.. Screw, Fil. Hd. Mach. #10-24 NC x 3/8	3
	090-340902	.. Bracket (Ass'y #34104)	1		106-103013	.. Backup Plate (Ass'y #16686) ...	1
8	106-093149	.. Washer (Ass'ys #27487, #27490, #34096, #34099)	2		135-099232	.. Backup Plate (Ass'y #27414) ...	1
	106-093131	.. Washer (Ass'ys #27488, #27491, #34097, #34103, #27489, #27492, #34098, #34104)	2	19	134-105055	.. Backup Cloth	1
				20	134-104025	.. Guide Backup	1
				21	134-090018	.. Screw Assembly	1
				22	090-038019	.. Head	1
				23	090-038027	.. Screw	1
				24	090-013715	.. Adapter	1
					090-105701	.. Center Plate (Not Shown) (Ass'ys #106957, #106958)	1

C-3-75

PRINTED IN U.S.A.



NEW DRG.
S.W. 4-17-72
REVISIONS
SCL. 11-6-74
SW.5-30-78
C.A.K. 5-5-78

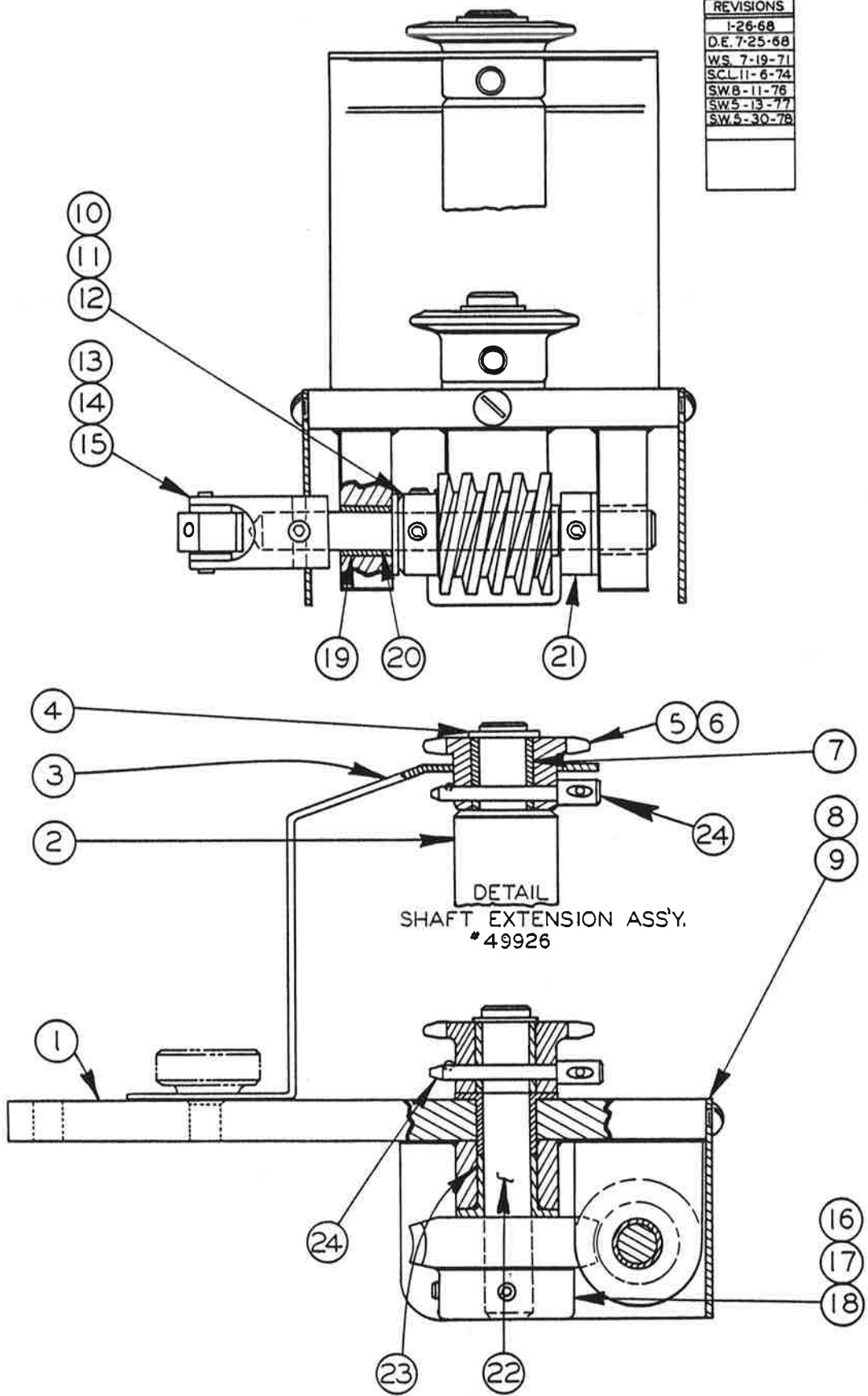
MODEL	FIRST MACH.	LAST MACH.
1612-0	277-711094	277-751728
2012-A	320-72101	320-74333
2012-1A	340-74101	
2012-2A	389-77101	

501517
CONTOUR FEED ATTACHMENT

CONTOUR FEED ATTACHMENT

INDEX NO.	CATALOG NO.	DESCRIPTION	UNITS PER ASS'Y
Ref.	501517	Contour Feed Assembly	
1	091-253591	. Spacer	1
2	090-499138	. Chain Guide	1
3	094-033693	. Handwheel Sub-Assembly	1
4	090-486432	. . Handwheel	1
5	091-181164	. . Handle	1
6	091-256297	. . Name Plate	1
7	091-993972	. . Screw , Drive Type "U" #2 x 1/4"	2
9	090-499260	. Shaft Extension Assembly	1
10	135-050136	. Chain Assembly	1
11	090-042615	. Rollpin	1
12	090-202052	. Bracket	1
13	091-253443	. Shaft	1
14	091-181172	. Pin	1
15	091-086231	. Adaptor	2
16	090-042714	. Roll pin	8
17	091-980300	. Screw, Hex. Hd. Cap 5/16-18NC x 1 1/4"	8
18	091-993238	. Washer, Lock 5/16" Std.	8
19	090-202045	. Gearbox	1
20	135-006476	. Bearing	3
21	091-988386	. Screw, Rd. Hd. Mach. #6-32NC x 1/4	2
22	091-984104	. Screw, Soc. Set #10-24NC x 1/4"	2
23	090-042409	. Rollpin	2
24	090-016965	. Cover	1
25	090-033259	. Plug Button	1
26	091-253583	. Gear	2
27	091-253609	. Washer	1
28	091-253450	. Shaft	1
29	091-095547	. Universal Joint.....	1
30	090-042441	. Rollpin	1
31	091-984229	. Screw, Soc. Set 1/4-20NC x 1/4"	2
32	091-087601	. Shaft	1
33	090-042573	. Rollpin	2
34	090-479312	. Contour Attachment Sub-Assembly (See Detail).....	1
35	091-087288	. Thumb Screw	1
36	090-107269	. Dowel Pin	2
Not Shown:	094-033107	. Contour Clamp Ring Assembly (See Detail).....	1

REVISIONS
1-26-68
D.E. 7-25-68
W.S. 7-19-71
SCL 11-6-74
SW.B-11-76
SW.5-13-77
SW.5-30-78



CONTOUR FEED ATTACHMENT

C-3-76 CM-3-72

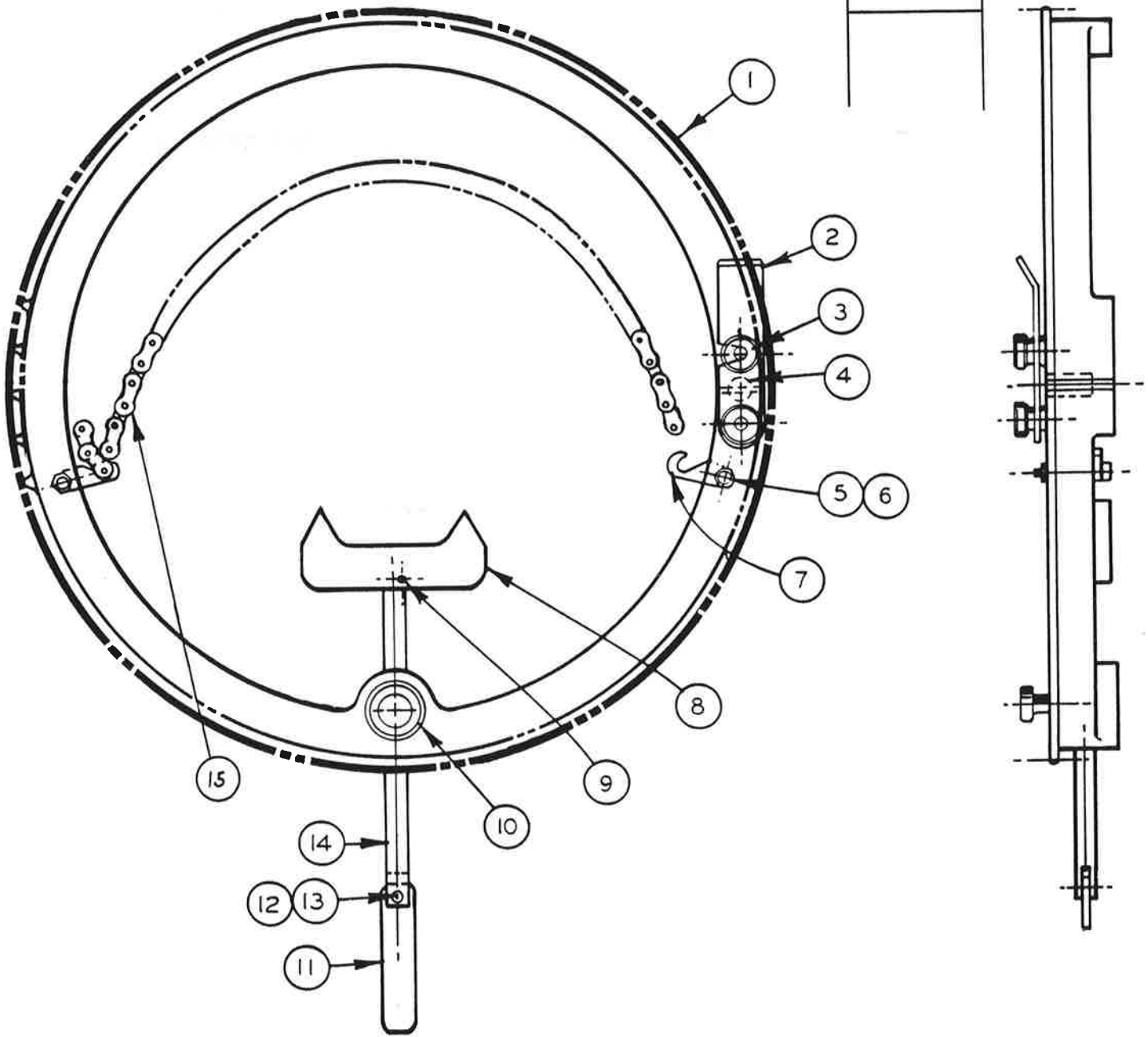
PRINTED IN U.S.A.

CONTOUR FEED ATTACHMENT

INDEX NO. Ref.	CATALOG NO.	DESCRIPTION	UNITS PER ASS'Y.
	47931	Contour Attachment Sub-Assembly	
1	090-333295	. Bracket Weldment	1
*2	090-362385	. Sprocket Shaft Extension	1
*3	090-499187	. Chain Guide	1
4	135-064269	. Snap Ring	1
5	091-085357	. Sprocket Assembly	1
6	091-085332	. . Sprocket	1
7	091-085340	. . Bearing	1
8	090-333055	. Guard	1
9	091-990150	. Scr. Truss Hd. Mach. #10-24NC x 3/8	3
10	091-085274	. Worm	1
11	091-083923	. Bearing	2
12	090-042599	. Roll Pin	2
13	134-055243	. Universal Joint	1
14	090-042573	. Roll Pin	1
15	091-984229	. Scr. Soc. Hd. Set 1/4-20NC x 1/4	3
16	091-085266	. Worm Gear	1
17	090-042631	. Roll Pin	1
18	091-984245	. Scr. Soc. Hd. Set 1/4-20NC x 3/8	1
19	091-081463	. Bearing	2
20	091-087577	. Shaft	1
21	134-054105	. Collar	1
22	091-087296	. Axle	1
23	091-007955	. Oilite Bearing	2
24	091-085365	. Pin	1

*NOTE: Items 2 and 3 are used only on Shaft Extension Assembly #090-499260.

NEW DRG
S.W. 4-17-72
REVISIONS
SCL. 11-14-74
S.W.5 - 13 - 77
S.W.5-30-78



#403310
 CONTOUR FEED
 WORK HOLDING FIXTURE

C-3-77 CM - 3 - 75

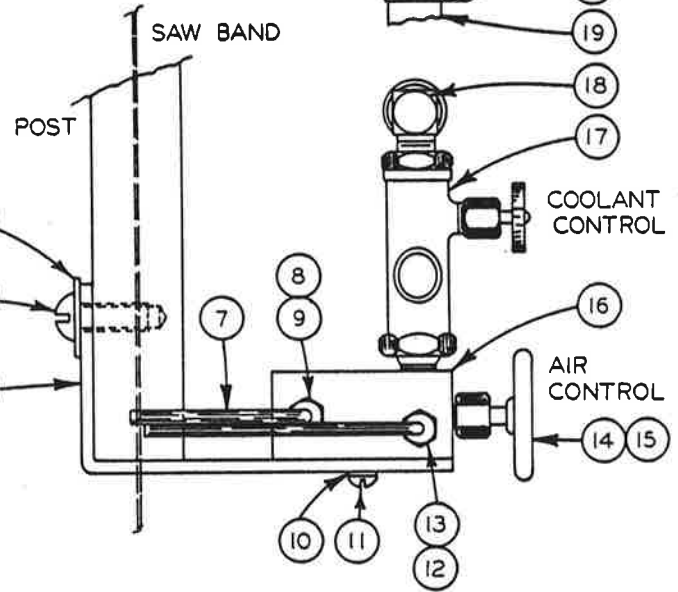
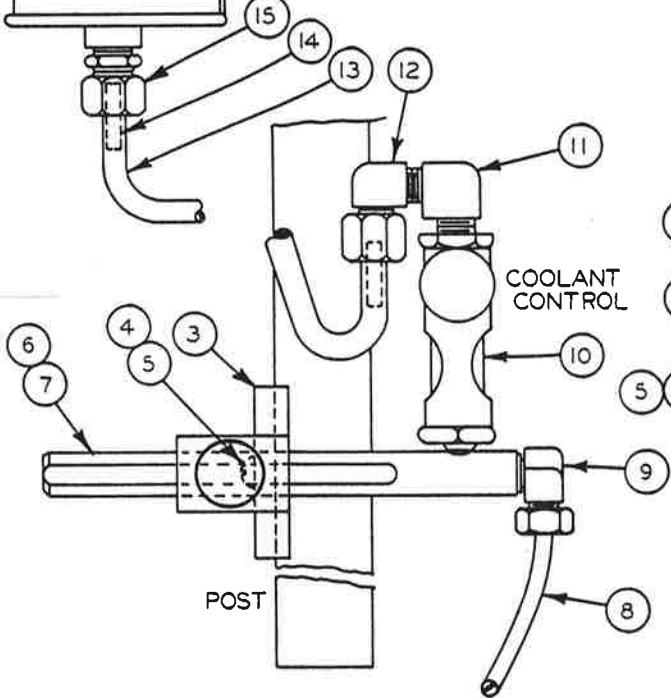
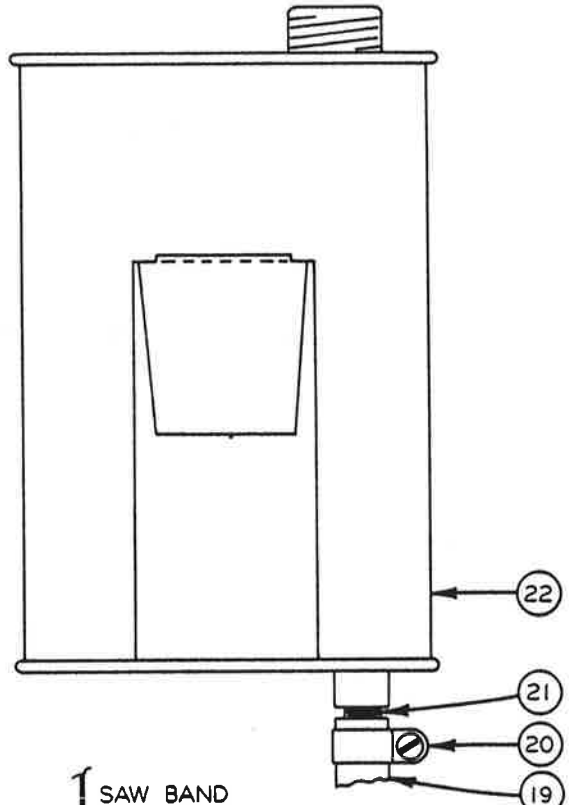
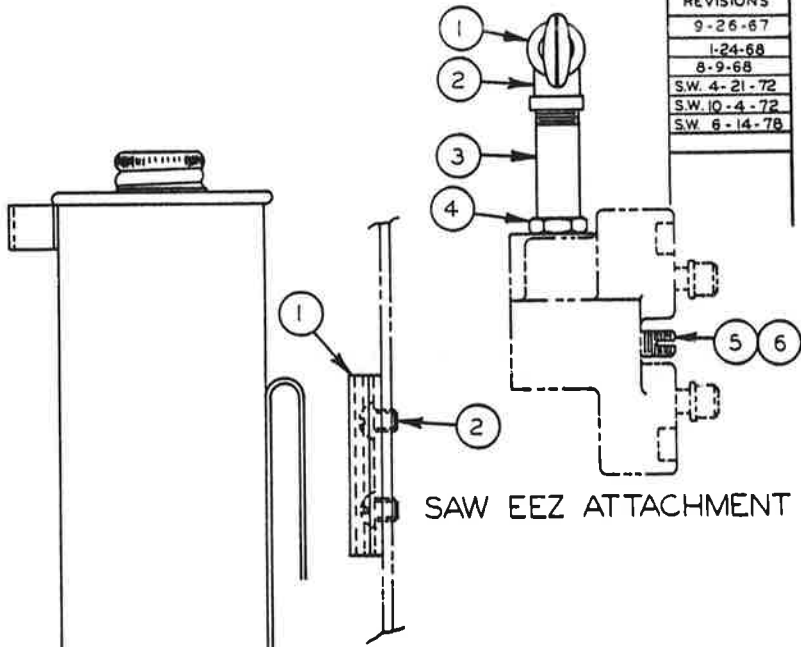
PRINTED IN U.S.A.

CODE NO. C-3-77
CM-3-75

CONTOUR FEED WORK HOLDING FIXTURE

INDEX NO.	CATALOG NO.	DESCRIPTION	UNITS PER ASS'Y
Ref.	094-033107	Contour Feed Work Holding Fixture	
1	095-015160	. Clamping Ring	1
2	091-253328	. Clamp	1
3	091-339705	. Clamp Screw	2
4	090-130428	. Dowel	1
5	091-991117	. Nut, Hex. #10-24NC	2
6	091-982272	. Screw, Soc. Hd. Cap #10-24NC x 1 1/2	2
7	135-003291	. Chain Connector	2
8	091-253351	. Jaw	1
9	090-042557	. Roll Pin	1
10	091-253377	. Screw Feed Sub-Assembly	1
11	091-253385	. Handle	1
12	091-052639	. Belleville Washer	1
13	090-042516	. Roll Pin	1
14	091-253344	. Screw	1
15	091-253336	. Chain	1
	091-253401	. Chain Assembly (Not Shown)	1

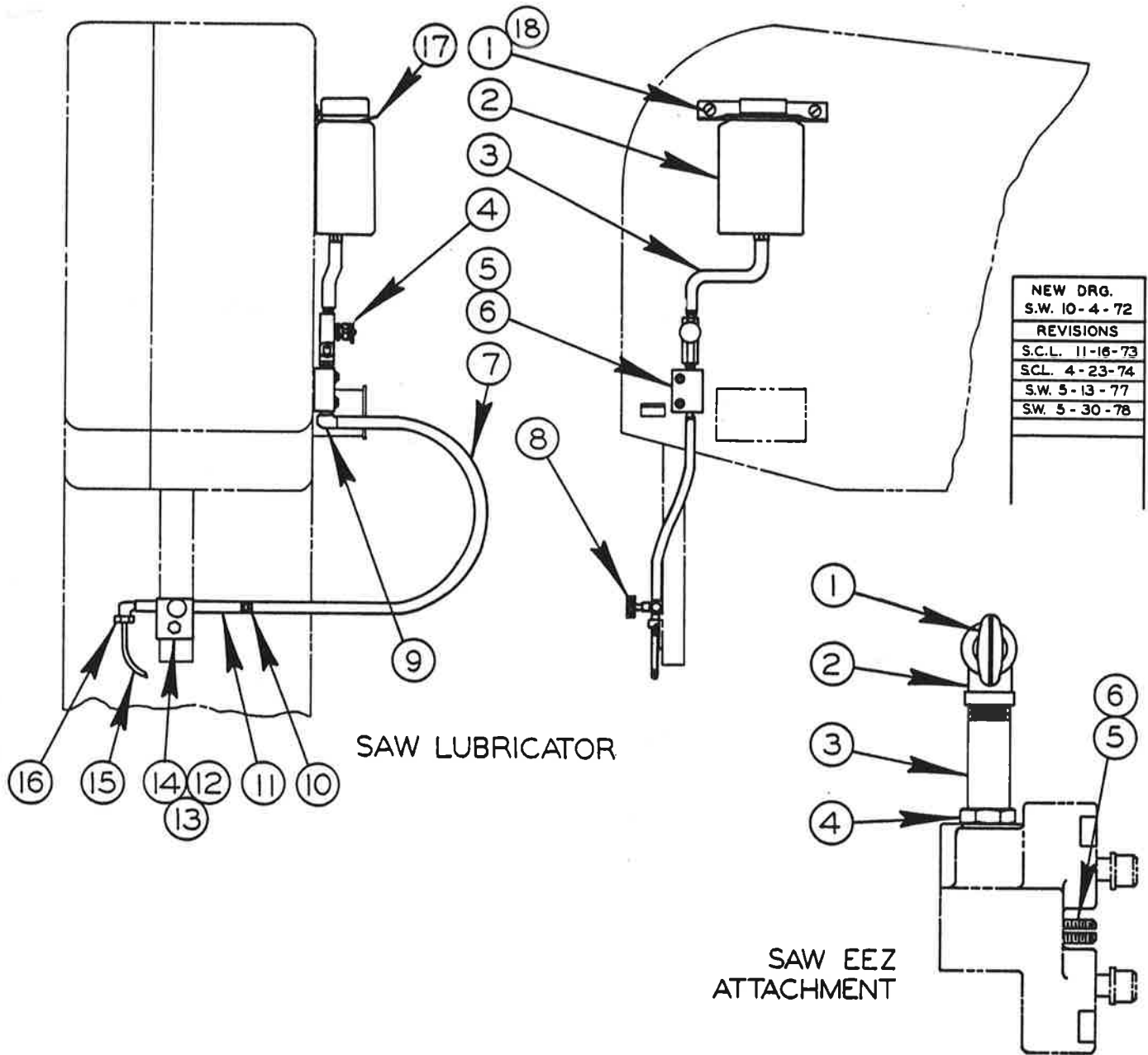
REVISIONS	
9-26-67	
1-24-68	
8-9-68	
S.W. 4-21-72	
S.W. 10-4-72	
S.W. 6-14-78	



COOLANT ASSEMBLIES

COOLANT LUBRICATOR ASSEMBLIES

INDEX NO.	CATALOG NO.	DESCRIPTION	UNITS PER ASS'Y
Ref.	135-073286	Saw Lubricator Assembly (Drip)	
1	105-273049	. Holder	1
2	091-988907	. Screw, Rd. Hd. Mach. 1/4-20NC x 1/4	2
3	135-073294	. Post Holder	1
4	091-988691	. Screw, Rd. Hd. Mach. 10-24NC x 1/2	1
5	091-993196	. Washer, Lock #10Std.	1
6	135-052462	. Saw Lubricator Assembly	1
7	091-213108	. . Adjustable Slide Rod	1
8	105-273015	. . Tubing	1
9	091-140632	. . 90° Male Elbow	1
10	105-275077	. . Sight Feed Valve	1
11	091-081166	. . 90° Barbed Insert	1
12	105-045207	. . 90° Street Elbow	1
13	090-002213	. . Hose	1
14	135-021392	. . Insert	2
15	090-014002	. . Male Connector	1
16	094-027513	. . Tank Assembly	1
Ref.	135-068864	Spray Lubricator Assembly (Spray)	
1	105-273049	. Holder	1
2	091-988907	. Screw, Rd. Hd. Mach. 1/4-20NC x 1/4	2
3	091-992628	. Washer 5/16" Std.	1
4	091-989061	. Screw, Rd. Hd. Mach. 5/16-18NC x 1/2	1
5	090-406901	. Spray Lubricator Assembly	1
6	135-068906	. . Bracket	1
7	135-068930	. . Spray Tube Sub-Assembly	1
8	090-144460	. . Compression Sleeve	1
9	090-148255	. . Compression Bushing	1
10	091-993196	. . Washer, Lock #10 Std.	2
11	091-988675	. . Screw, Rd. Hd. Mach. #10-24NC x 3/8	2
12	135-068989	. . Compression Sleeve	1
13	135-068997	. . Compression Bushing	1
14	135-068914	. . Globe Valve	1
15	114-006059	. . Long Nipple	1
16	135-068922	. . Spray Head	1
17	105-275077	. . Sight Feed Valve	1
18	091-081166	. . 90° Barbed Insert	1
19	090-002213	. . Neoprene Hose 1/4" I.D.	1
20	135-068880	. . Hose Clamp	2
21	135-068872	. . Long Nipple	2
22	094-027513	. . Tank Assembly	1
Ref.	090-310442	Saw Eez Attachment	
1	135-081495	. Saw Eez Tube	1
2	135-036473	. Elbow	1
3	135-013514	. Nipple	1
4	107-015104	. Pipe Nut	1
5	135-004554	. Saw Lubricator Pin (For Bands 5/8" to 1"	Use
6	135-004513	. Saw Lubricator Pin (For Bands 1/16" to 1/2")	One



SAW LUBRICATOR ATTACHMENTS

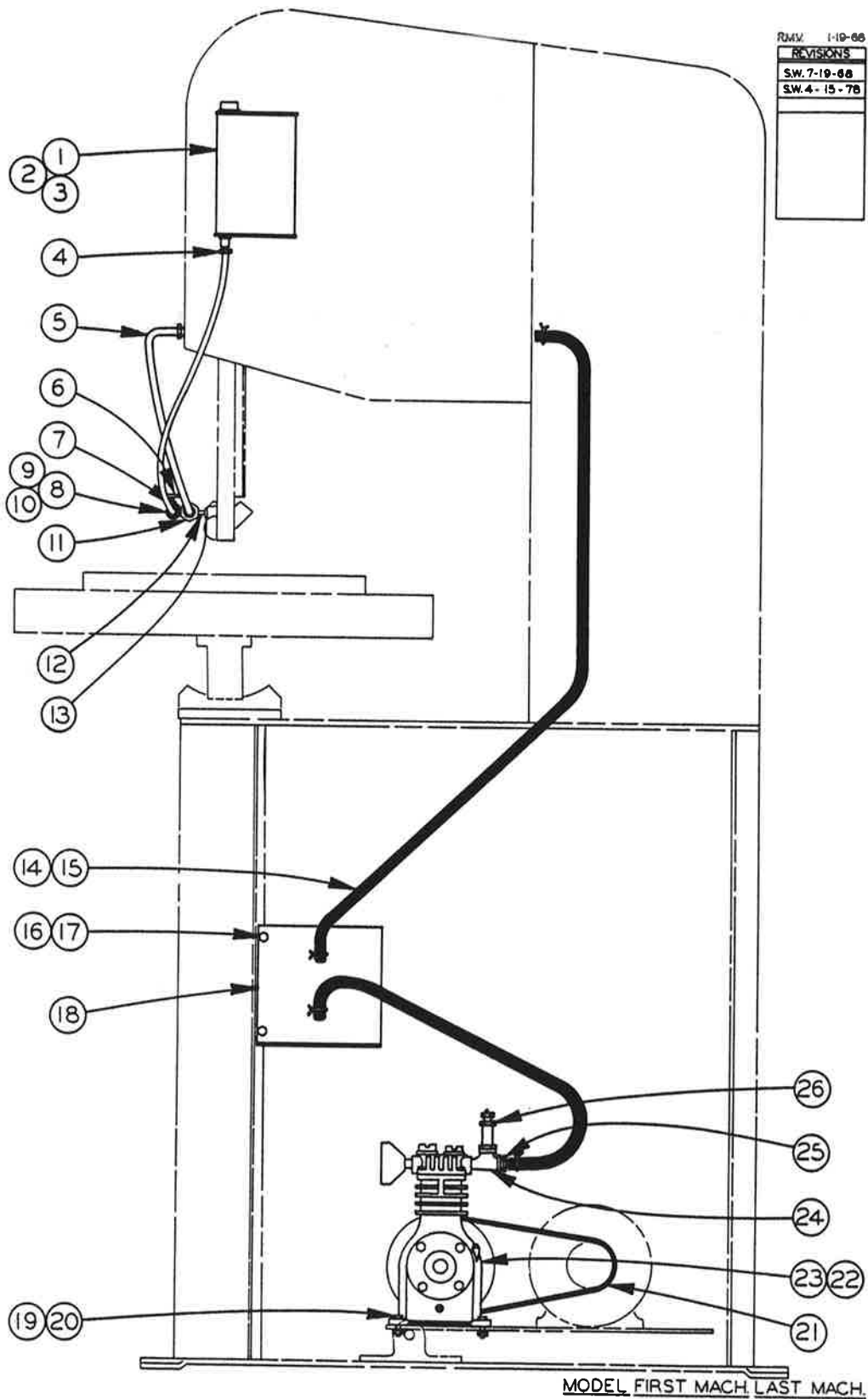
CODE NO. C-10-39

SAW LUBRICATOR ATTACHMENTS

INDEX NO.	CATALOG NO.	DESCRIPTION	UNITS PER ASS'Y
Ref.	095-051959	90° Saw Guide & Saw Lubricator Ass'y	
Ref.	095-028122	Saw Lubricator (2612-1)	
Ref.	135-073286	Saw Lubricator (All Other Models)	
1	091-988931	. Screw, Rd. Hd. Mach. 1/4-20NC x 3/8	2
*2	091-369181	. Bottle Assembly	1
3	091-971440	. Plastic Tubing 1/4"	A.R.
4	105-275077	. Sight Feed Valve	1
5	090-120643	. Manifold	1
6	091-988782	. Screw, Rd. Hd. Mach. #10-24NC x 11/2	2
7	091-971440	. Plastic Tubing 1/4"	A.R.
8	134-174010	. Thumb Screw	1
9	091-081166	. 90° Barbed Insert	1
10	090-160011	. Barbed Insert	2
11	091-213108	. Adjustable Slide Rod	1
12	105-271027	. Post Lubricator Holder	1
13	091-980268	. Screw, Hex. Hd. Mach. 5/16-18NC x 5/8	1
14	091-993238	. Washer, Lock 5/16" Std.	1
15	091-971192	. Tube	A.R.
16	091-140632	. 90° Male Elbow	1
17	093-039568	. Bracket	1
18	091-993212	. Washer, Lock 1/4" Med.	2
19	090-448044	. 90° Saw Guide Ass'y (Ass'y#095-051959 only)(See Detail)	1
Ref.	090-310442	Saw Eez Attachment	
1	135-081495	. Saw Eez	1
2	135-036473	. Elbow	1
3	135-013514	. Nipple	1
4	107-015104	. Pipe Nut	1
5	135-004554	. Saw Lub. Pin (Bands 5/8" To 1")	Use
6	135-004513	. Saw Lub. Pin (Bands 1/16 To 1/2")	One

*NOTE: To Replace Other Preceding Style Coolant Tanks, Metal or Plastic, Order 090-851577 Coolant Tank Service Kit.

RMV	1-19-66
REVISIONS	
SW	7-19-68
SW	4-15-78



MODEL FIRST MACH. LAST MACH.

59492	{ 1611-H	258-68102	258-68231
	{ 2612-H	269-68101	269-68102
	{ 3612-H	272-68101	272-68115
59537	{ 1612-O	277-68101	277-69450
	{ 3613-O	278-68101	278-69170

AIR COMPRESSOR & MIST COOLANT ATTACHMENT

CODE NO. C-8-56
CM-8-34

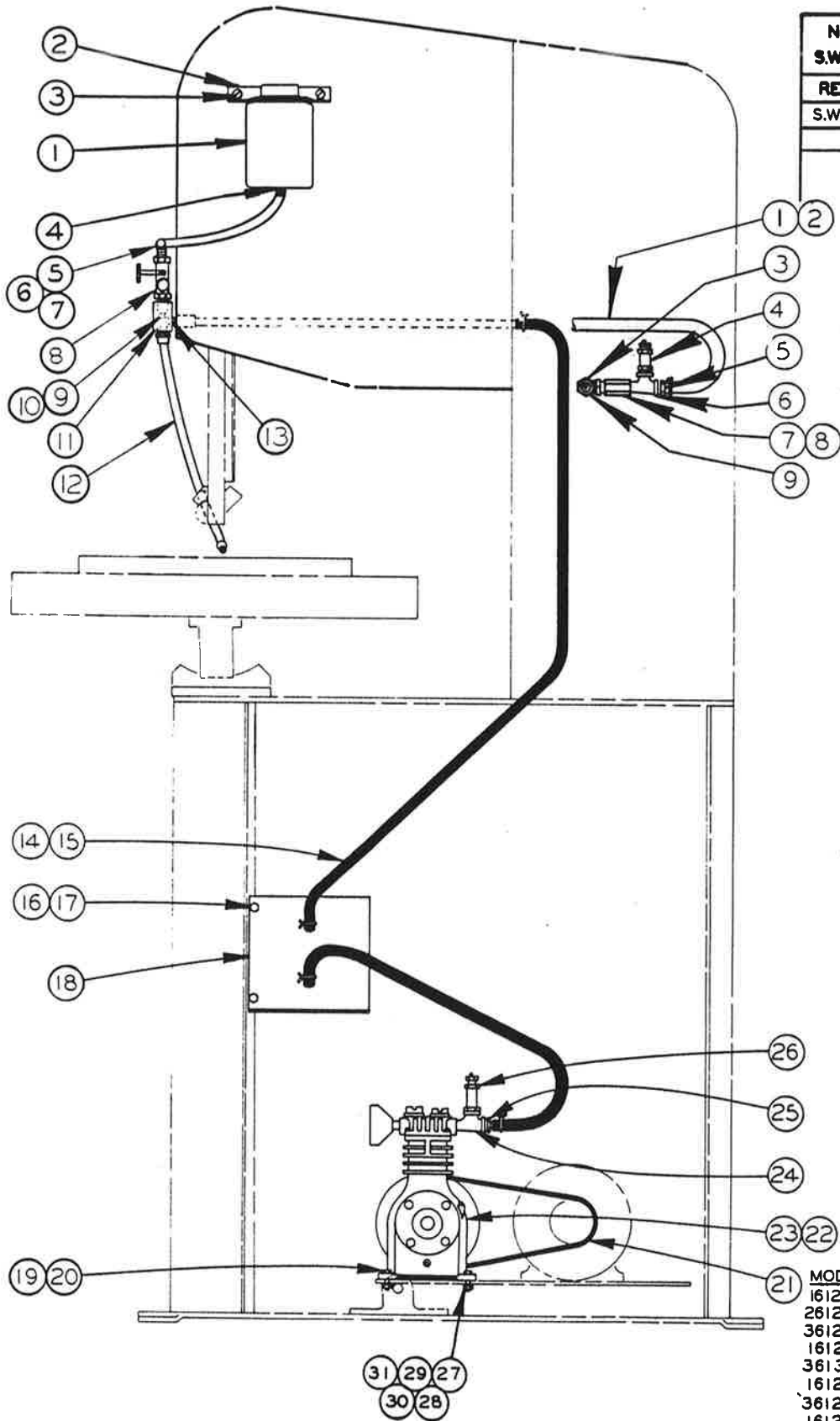
AIR COMPRESSOR & MIST COOLANT ATTACHMENT

INDEX NO.	CATALOG NO.	DESCRIPTION	UNITS PER ASS'Y
Ref.	59537	Air & Coolant Attachment	
Ref.	59492	Air Compressor & Mist Coolant Attachment	
1	135-050334	. Lubricator Can Sub-Assembly	1
2	105-273049	. Can Holder	1
3	091-988907	. Screw, Rd. Hd. Mach. 1/4-20NC x 1/4	2
4	090-160011	. Barbed Insert	4
5	090-002213	. Plastic Hose 1/4" I.D. x 3/8" O.D.	A.R.
6	091-187732	. Shut-off Valve	1
7	135-069896	. Street Elbow (Brass)	2
8	090-335092	. Coolant Nozzle	1
9	091-191643	. Socket	2
10	091-191650	. Plug	2
11	091-189506	. Venturi	1
12	114-006059	. Pipe Nipple	1
13	107-051047	. Nut, Hex. Pipe	1
*14	090-000084	. Hose 3/8" I.D. x 5/8" O.D.	A.R.
*15	090-179029	. Hose Clamp	4
*16	091-980250	. Screw, Hex. Hd. Cap 5/16-18NC x 1/2	2
*17	091-993238	. Washer, Lock 5/16" Std.	4
*18	090-374901	. Air Dome Sub-Assembly	1
*19	091-980326	. Screw, Hex. Hd. Cap 5/16-18NC x 1 3/4	2
*20	091-991224	. Nut, Hex. 5/16-18NC	2
*21	105-115026	. V-Belt	1
*22	090-372699	. Air Compressor Sub-Assembly	1
*23	094-008356	. . Air Compressor Sub-Assembly (See Detail)	1
*24	135-008472	. . Service Tee	1
*25	090-020041	. . Barbed Insert	1
*26	091-180885	. . Safety Valve	1

* NOTE: Starred Items 14 thru 26 Used only on Assembly #59492.

NEW DRG.
S.W. 2-26-69

REVISIONS
S.W. 5-13-77



FOR PLANT AIR CONNECTION.

AIR COMPRESSOR & MIST COOLANT ATTACHMENT

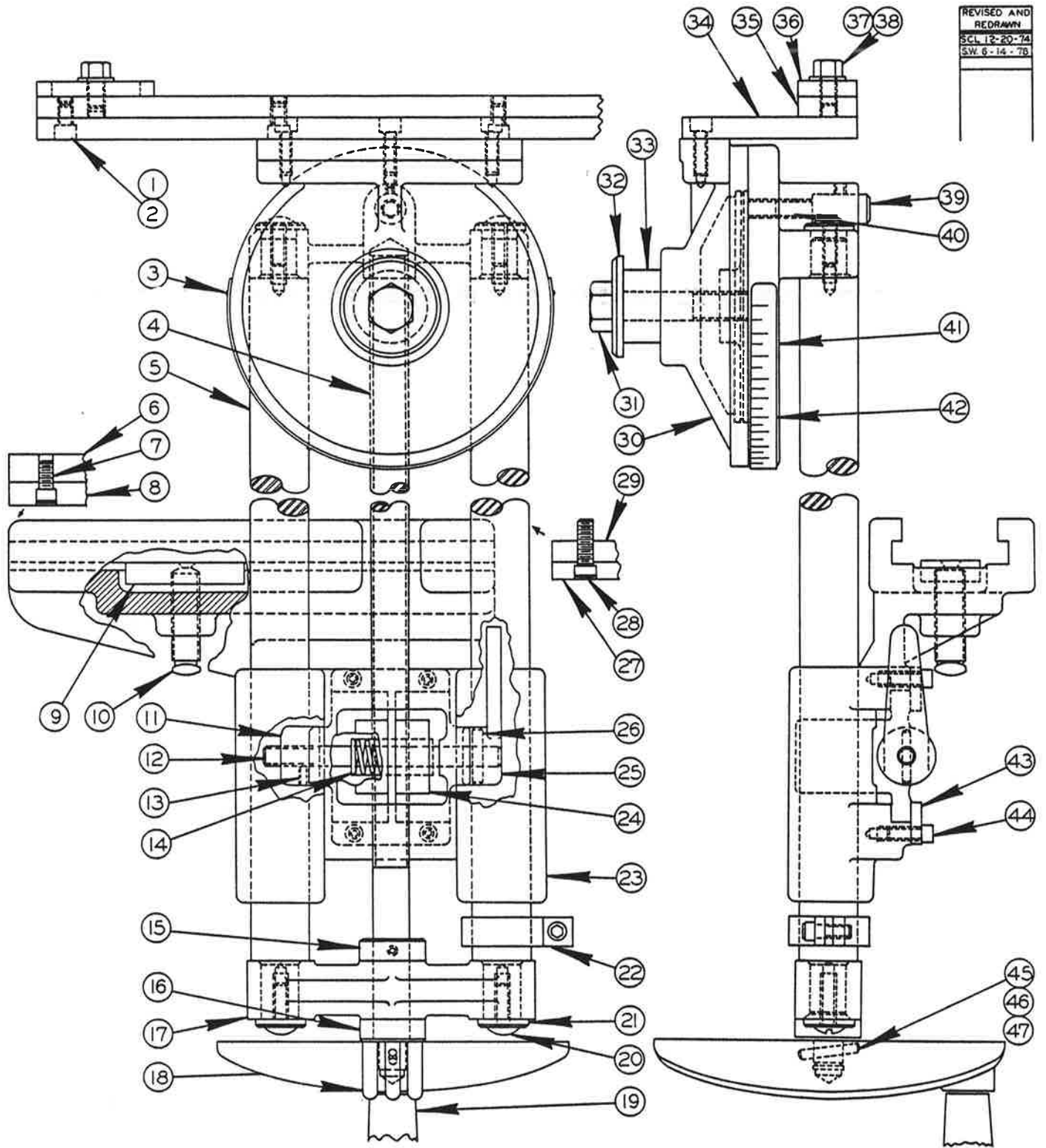
MODEL	FIRST MACH.	LAST MACH.
1612-H	288-69171	288-75436
2612-H	284-69132	284-76223
3612-H	272-69142	272-77373
1612-I	148-691385	148-731539
3613-I	149-69622	149-73706
1612	287-69158	287-76450
3612	291-69114	291-77235
1612-O	277-69451	277-751728
3613-O	278-69171	278-77825
2612-I	285-68101	285-76200
3612-I	380-77101	
3613-10	381-77101	
3612-1H	382-77101	

AIR COMPRESSOR & MIST COOLANT ATTACHMENT

INDEX NO.	CAT ALOG NO.	DESCRIPTION	UNITS PER ASS'Y
Ref.	500190	Air Compressor & Mist Coolant Attach. (2612-H, 50 Hertz Operation	
Ref.	500183	Air Compressor & Mist Coolant Attach. (1612-H, 3612-H, 1612, 3612, 1612-0, 3613-0)	
Ref.	500666	Air Compressor & Mist Coolant Attach. (2612-1, 2612-H)	
Ref.	504166	Air Compressor & Mist Coolant Attach. (3612, 3612-H) (50 Cycle)	
*1	091-369181	. Bottle Assembly	1
2	093-039568	. Bracket	1
3	091-988931	. Screw, Rd. Hd. Mach. 1/4-20NC x 3/8"	2
4	090-160011	. Barbed Insert	1
5	090-381245	. Coolant Manifold Assembly (For Standard Mach.)	USE
	090-385121	. Coolant Manifold Assembly (For Extra Work Height)	ONE
6	090-002114	. . Hose 1/4 I.D. x 3/8 O.D.	A.R.
7	091-081166	. . 90° Barbed Insert	1
8	105-275077	. . Sight Feed Valve	1
9	091-199778	. . Coolant Tube Sub-Ass'y (For Standard Machine)	USE
10	091-199117	. . Coolant Tube Sub-Ass'y (For Extra Work Height)	ONE
11	091-199109	. . Manifold	1
12	090-040973	. . Air Hose 22" (For Standard Mach.)	USE
	090-060732	. . Air Hose 26" (For Extra Work Height)	ONE
13	114-145287	. Close Nipple	1
14	090-000035	. Hose	A.R.
15	090-179029	. Hose Clamp	2
16	091-980250	. Screw, Hex. Hd. Cap 5/16-18NC x 1/2	2
17	091-993238	. Washer, Lock 5/16" Std.	4
18	090-374901	. Air Dome Sub-Assembly (Use on Ass'y #500190)	USE
	090-389347	. Air Dome Sub-Assembly (Use on Ass'y #500183, #500666, #504166) ..	ONE
19	091-980276	. Screw, Hex. Hd. Cap 5/16-18NC x 3/4	2
20	091-991224	. Nut, Hex. 5/16-18NC	5
21	105-115026	. V-Belt (Use on Ass'y #500190)	USE
	135-023083	. V-Belt (Use on Ass'y #500183)	
	135-024164	. V-Belt (Use on Ass'y #500666)	
	135-003408	. V-Belt (Use on Ass'y #500666)	
	090-039546	. V-Belt (Use on Ass'y #504166) (50 Cycle)	ONE
22	090-372699	. Air Compressor Sub-Ass'y (Use on Ass'y #500190)	USE
	090-389339	. Air Compressor Sub-Ass'y (Use on Ass'y #500183)	ONE
23	094-008356	. . Air Compressor Sub-Ass'y (Use on 090-372699)(See Detail)	USE
	094-019577	. . Air Compressor Sub-Ass'y (Use on 090-389339)(See Detail)	ONE
24	135-008472	. . Service Tee	1
25	090-020041	. . Barbed Insert	1
26	091-180885	. . Safety Valve	1
27	091-980342	. Screw, Hex. Hd. Cap 5/16-18NC x 2-1/2	2
28	091-980276	. Screw, Hex. Hd. Cap 5/16-18NC x 3/4	2
29	091-992628	. Washer 5/16 S.A.E.	6
30	091-211607	. Spacer	2
31	091-211615	. Spacer	1
Ref.	503546	Mist Coolant Attachment (Plant Air) (1612, 3612, 1612-0, 3613-0, 2612-1	
1	090-000035	. Hose 5/8 O.D.	A.R.
2	090-179029	. Hose Clamp	2
3	091-256735	. Bulk Head Adapter	1
4	091-180885	. Safety Valve	1
5	090-020041	. Barbed Insert	1
6	135-008472	. Service Tee	2
7	093-034171	. Orifice	1
8	114-145287	. Close Nipple	2
9	105-046122	. Pipe Plug	1

*NOTE: To Replace other preceding style coolant tanks, metal or plastic, order 090-851577 Coolant Tank Service Kit.

REVISED AND
 REDRAWN
 SCL 12-20-74
 SW 6-14-78

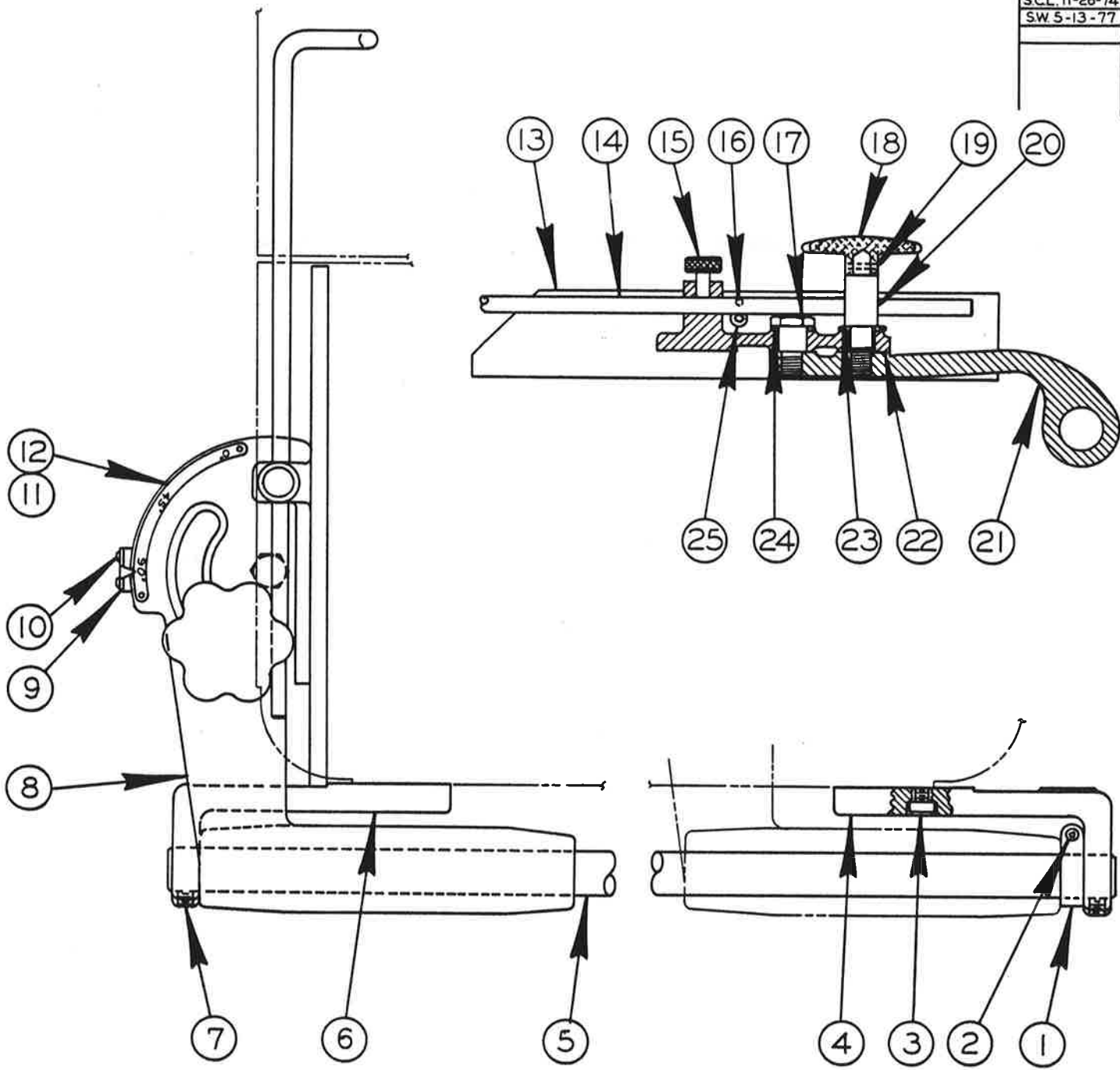


ALL PURPOSE MITRE ATTACHMENT ASSEMBLY

No. 1 ALL PURPOSE CUT-OFF, RIPPING AND MITERING ATTACHMENT

INDEX NO.	CATALOG NO.	DESCRIPTION	UNITS PER ASS'Y
Ref.	090-504937	No. 1 All Purpose Cut-off, Ripping & Mitering Attachment(24 x 24 Table)	
Ref.	111-280046	No. 1 All Purpose Cut-off, Ripping & Mitering Attachment(30 x 30 Table)	
Ref.	135-054278	No. 1 All Purpose Cut-off, Ripping & Mitering Attachment(36 x 36 Table)	
1	135-051852	. All Purpose Mitre Attachment Sub-Assembly	1
2	091-982355	. . Screw, Soc. Hd. Cap 1/4-20NC x 3/8	7
3	091-993972	. . Screw, Rd. Hd. Drive #2 x 1/4 P.K.	4
4	111-284162	. . Feed Screw	1
5	111-284154	. . Slide Rod	2
6	106-283013	. L.H. Table Guide Spacer (24" Table)	Use
	111-283032	. L.H. Table Guide Spacer (30" Table)	
	135-047256	. L.H. Table Guide Spacer (36" Table)	One
7	091-982363	. Screw, Soc. Hd. Cap 1/4-20NC x 1/2	2
8	106-283021	. L.H. Table Guide(24" Table)	Use
	111-283024	. L.H. Table Guide(30" Table)	
	135-047264	. L.H. Table Guide(36" Table)	One
9	111-283040	. . Locking Pad	1
10	111-284097	. . Locking Pad Set Screw	1
11	111-281101	. . Split Nut Adjusting Nut	1
12	111-284170	. . Split Nut Adjusting Pin	1
13	091-984104	. . Screw, Soc. Set #10-24NC x 1/4	3
14	111-285086	. . Split Nut Spring	1
15	111-284188	. . Screw Collar	1
16	111-284196	. . Screw Handwheel Collar	1
17	111-291084	. . Slide Rod & Handle Bracket	1
18	134-051036	. . Handwheel	1
19	091-181164	. . Speed Change Handle	1
20	091-990192	. . Screw, Truss Hd. Mach. 1/4-20NC x 3/4	4
21	111-284204	. . Slide Rod Washer	4
22	111-281093	. . Feed Stop Collar	1
23	111-281077	. . Table Slide Casting	1
24	111-281119	. . Split Nut	1
25	111-281127	. . Split Nut Adjusting Handle	1
26	090-042334	. . Roll Pin	1
27	106-283039	. R.H. Table Guide (24" Table)	Use
	111-283081	. R.H. Table Guide (30" Table)	
	135-047280	. R.H. Table Guide (36" Table)	One
28	091-982421	. Screw, Soc. Hd. Cap 1/4-20NC x 1	6
29	106-283047	. R.H. Table Guide Spacer (24" Table)	Use
	111-283073	. R.H. Table Guide Spacer (30" Table)	
	135-047272	. R.H. Table Guide Spacer (36" Table)	One
30	111-281028	. . Mitre Head	1
31	091-980714	. . Screw, Hex. Hd. Cap 1/2-13NC x 2-1/2.....	1
32	111-284055	. . Power Feed Chain Washer	1
33	111-284105	. . Power Feed Chain Collar	1
34	111-283016	. . Mitre Bar Support	1
35	111-283065	. . Mitre Bar	1
36	111-283057	. . Work Stop	1
37	091-992628	. . Washer, 5/16" Std.	1
38	091-980250	. . Screw, Hex. Hd. Cap 5/16-18NC x 1/2	1
39	111-284139	. . Mitre Head Support Pin	1
40	091-984385	. . Screw, Soc. Hd. Set 5/16-18NC x 5/8	1
41	111-281069	. . Mitre Head Base	1
42	111-285052	. . Mitre Head Graduated Plate	1
43	111-283099	. . Split Nut Side Plate	1
44	091-982215	. . Screw, Soc. Hd. Cap #10-24NC x 5/8	5
45	090-042599	. . Roll Pin	1
46	091-164426	. . Screw, Soc. Hd. Shoulder	1
47	091-156323	. . Washer	1
	091-181172	. . Pin (Not Shown)	1

REVISED AND REDRAWN
SCL 11-26-74
SW 5-13-77

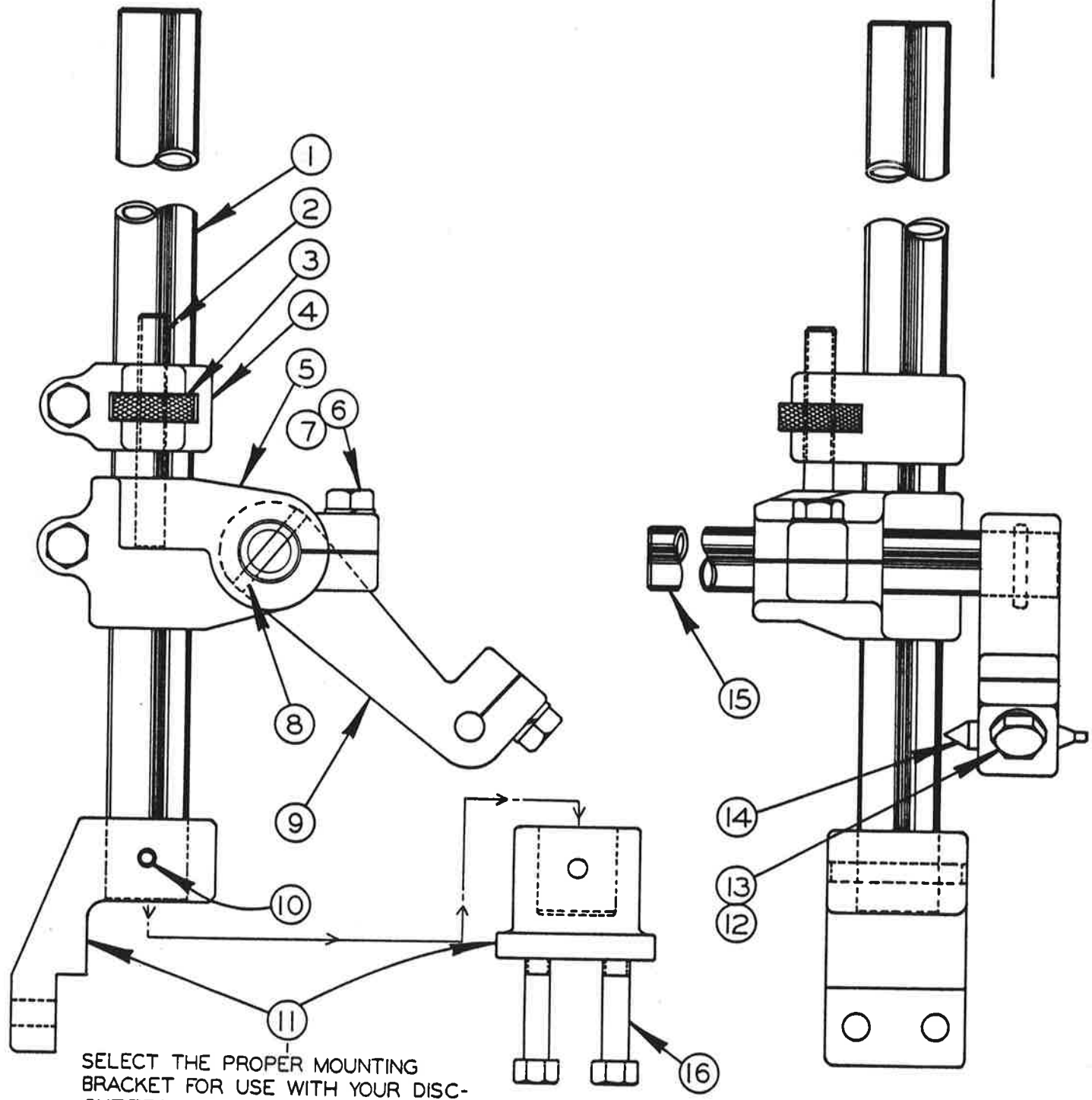


NO. 2
STANDARD CUT-OFF & MITERING ATTACHMENT
(SIDE MOUNT)

NO. 2 STD. CUT-OFF & MITERING ATTACHMENT

INDEX NO.	CATALOG NO.	DESCRIPTION	UNITS PER ASS'Y.
Ref.	090-504192	No. 2 Std. Cut-off & Mitering Attachment (20" x 20" Table)	
Ref.	090-552902	No. 2 Std. Cut-off & Mitering Attachment (24" x 24" Table)	
Ref.	090-553058	No. 2 Std. Cut-off & Mitering Attachment (26" x 26" Table)	
Ref.	090-505116	No. 2 Std. Cut-off & Mitering Attachment (30" x 30" Table)	
1	111-281093	.. Stop	1
2	091-982207	.. Screw, Soc. Hd. Cap, No.10-24NC x 1/2" (20" & 24" Tables)	1
	091-983783	.. Screw, Soc. Hd. Cap No.10-24NC x 5/16" (26" Table)	1
	091-984237	.. Screw, Soc. Hd. Set, 1/4-20NC x 5/16" (30" Table)	1
3	091-982769	.. Screw, Soc. Hd. Cap, 3/8-16NC x 1/2" (20" & 30" Tables)	4
	091-982785	.. Screw, Soc. Hd. Cap, 3/8-16NC x 3/4" (24" & 26" Tables)	4
4	090-036823	.. Rear Slide Rod Bracket (20" Table)	1
	090-295833	.. Rear Slide Rod Bracket (24", 26", & 30" Tables)	1
5	103-204061	.. Slide Rod (20" Table)	1
	104-204011	.. Slide Rod (24" Table)	1
	091-019356	.. Slide Rod (26" Table)	1
	091-019315	.. Slide Rod (30" Table)	1
6	090-036815	.. Front Slide Rod Bracket (20" Table)	1
	090-295841	.. Front Slide Rod Bracket (24", 26", & 30" Table)	1
7	091-984237	.. Screw, Soc. Hd. Set 1/4-20NC x 5/16"	2
8	090-507112	.. Miter Attachment Sub-Assembly (20" Table)	1
	090-507104	.. Miter Attachment Sub-Assembly (24" Table)	1
	090-553041	.. Miter Attachment Sub-Assembly (26" Table)	1
	090-507120	.. Miter Attachment Sub-Assembly (30" Table)	1
9	090-036765	.. Pointer	1
10	091-990085	.. Screw, Oven Hd. Mach. No.8-32NC x 1/4" (Cad. Pltd.)	2
11	090-036724	.. Degree Plate	1
12	091-993998	.. Screw, Rd. Hd. Drive, Pk. No.4 x 1/4 Type "U"	4
13	103-203063	.. Miter Bar (20" Table)	1
	104-203013	.. Miter Bar (24" Table)	1
	091-029447	.. Miter Bar (26" Table)	1
	111-203014	.. Miter Bar (30" Table)	1
14	104-203021	.. Gauge Rod	1
15	134-174010	.. Thumb Screw	1
16	090-042540	.. Roll Pin	2
17	134-204072	.. Miter Head Pivot	1
18	090-051319	.. Handwheel	1
19	090-042292	.. Roll Pin	1
20	090-036773	.. Stud	1
21	090-405986	.. Slide Arm	1
22	090-209412	.. Miter Head	1
23	134-204106	.. Locking Stud Washer	1
24	134-204098	.. Pivot Washer	1
25	091-982363	.. Screw, Soc. Hd. Cap, 1/4-20NC x 1/2"	2

NEW DRG. S.W. 8-22-69
REVISIONS



SELECT THE PROPER MOUNTING BRACKET FOR USE WITH YOUR DISC-CUTTER.

DISC CUTTER ASSEMBLY

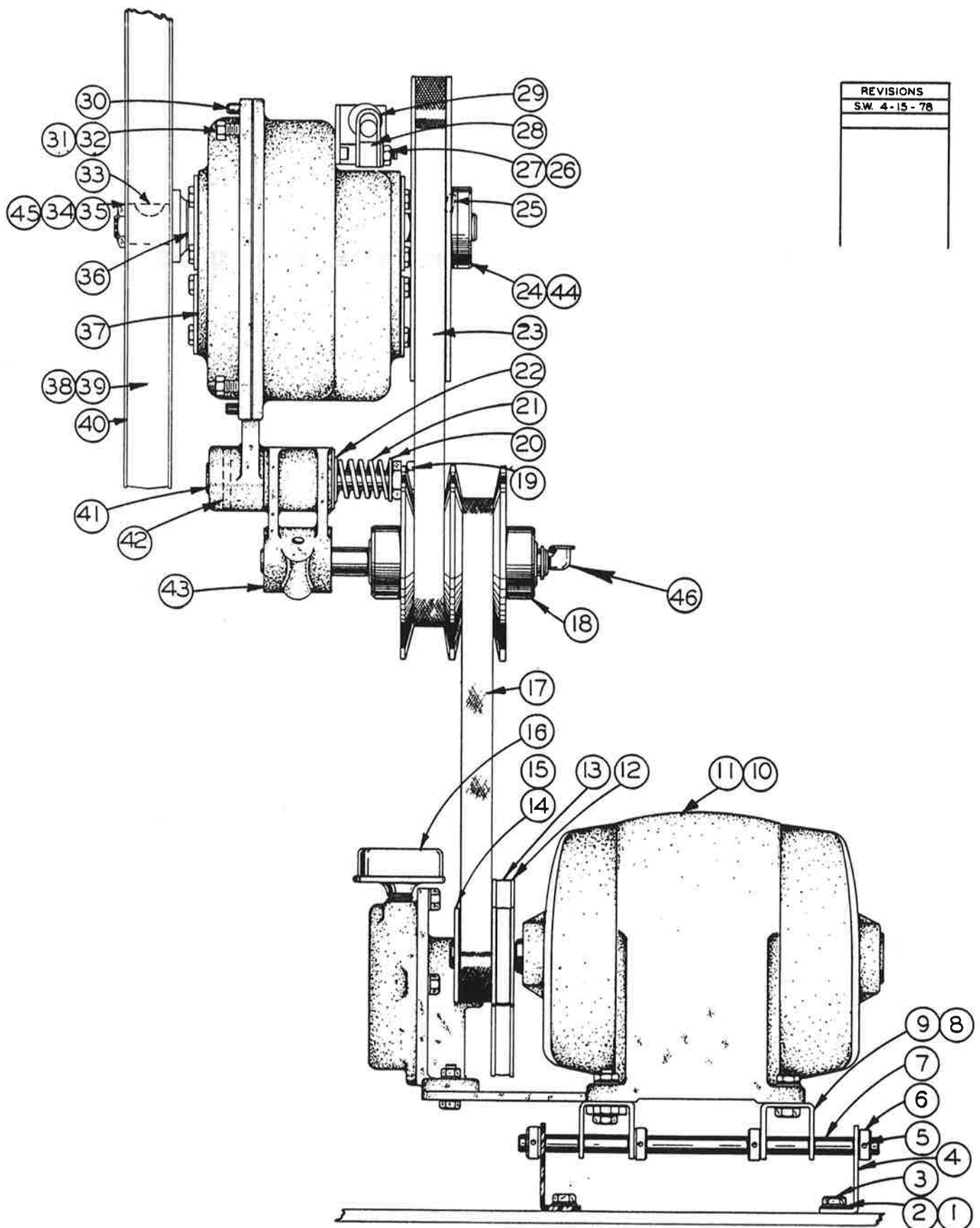
CODE NO. C-10-2

CM-9-1

Z-9-4

DISC CUTTER ASSEMBLY

INDEX NO.	CATALOG NO.	DESCRIPTION	UNITS PER ASS'Y
REF.	094-020807	Disc Cutter Assembly (Contour & Contour-Matic Machines)	
REF	090-400441	Disc Cutter Assembly (Zephyr, 6013-3, 6013-H3)	
1	135-033991	. Radius Arm	1
2	105-154132	. Adjustment Screw	1
3	105-154124	. Adjustment Wheel	1
4	105-151096	. Adjustment Housing	1
5	135-034007	. Radius Arm Clamp	1
6	091-980466	. Screw, Hex. Hd. Cap 3/8-16NC x 1	3
7	091-993329	. Washer, Lock 3/8 Std.	3
8	090-042615	. Roll Pin	1
9	135-034023	. Center Pin Clamp	1
10	090-042763	. Roll Pin (Used on Ass'y #094-020807)	1
	090-042755	. Roll Pin (Used on Ass'y #090-400441)	1
11	090-390196	. Bracket (Used on Ass'y #094-020807)	1
	090-200452	. Bracket (Used on Ass'y #090-400441)	1
12	091-980292	. Screw, Hex. Hd. Cap 5/16-18NC x 1	3
13	091-993238	. Washer, Lock 5/16 Std.	3
14	105-154157	. Center Pin	1
15	135-034015	. Center Adjustment Tube	1
16	091-980334	. Screw, Hex. Hd. Cap 5/16-18NC x 2(DZ-36 Only) ..	2
	091-980318	. Screw, Hex. Hd. Cap 5/16-18NC x 11/2 (All other Models)	2
Following Items Not Shown:			
	134-203082	. Wrench	1
	091-980284	. Screw, Hex. Hd. Cap 5/16-18NC x 7/8 (Used Only on Ass'y #094-020807)	



DRIVE ASSEMBLY
#56338

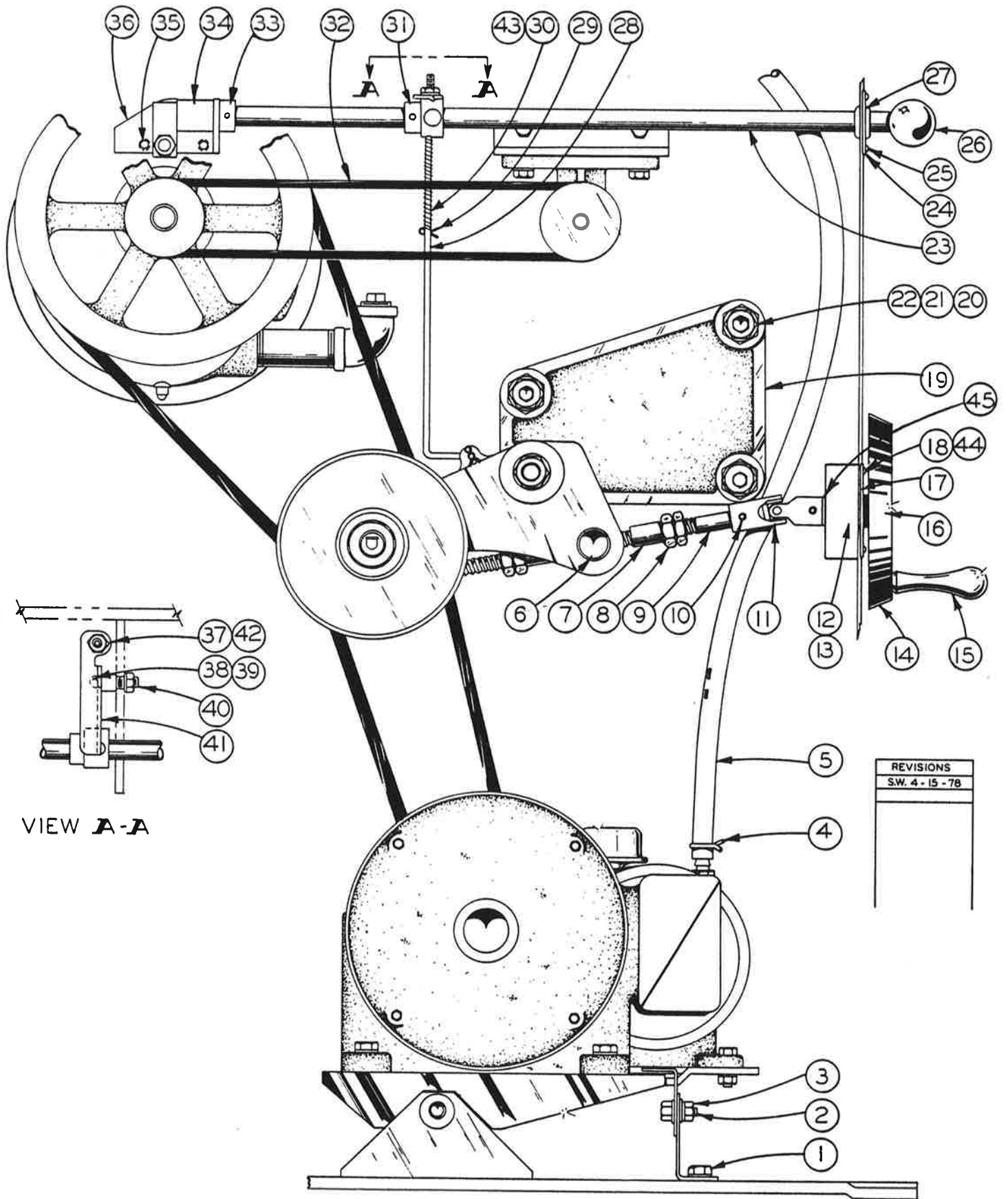
MODEL	FIRST MACH.	LAST MACH.
1612-0	209-62101	209-671447
3613-0	244-65101	244-67151

C-5-41

PRINTED IN U.S.A.

DRIVE ASSEMBLY

INDEX NO.	CATALOG NO.	DESCRIPTION	UNITS PER ASS'Y
Ref.	56338	Drive Assembly	
1	091-993329	. Washer, Lock 3/8 Std.	11
2	091-992628	. Washer 5/16 SAE Std. Flat	7
3	091-980433	. Screw, Hex. Hd. Cap 3/8-16NC x 5/8	5
4	090-314550	. Hinge Bracket	2
5	091-984229	. Screw, Soc. Set 1/4-20NC x 1/4	10
6	134-054105	. Collar	4
7	135-079655	. Shaft	1
8	090-474438	. Motor and Base Sub-Assembly	1
9	135-079648	. . Motor Base Bracket	2
10	090-166356	. . Motor (60 cycle)	Use
11	090-166364	. . Motor (50 cycle)	One
12	105-113161	. . Pulley	1
13	105-115208	. . Belt	1
14	090-182841	. . Pulley (60 cycle)	Use
15	090-182726	. . Pulley (50 cycle)	One
16	090-427089	. . Air Pump Assembly (See Detail)	1
17	091-072785	. Belt	1
18	090-454232	. 6P-A Speed Master Assembly (See Detail)	1
19	091-991380	. Nut, Hex. Jam 5/8-18NF	2
20	091-992677	. Washer, Flat 5/8 SAE Std.	2
21	090-058454	. Spring	1
22	091-992701	. Washer 1" SAE Std. Flat	1
23	091-006411	. Belt	1
24	090-454208	. Input Pulley	1
25	091-984377	. Screw, Soc. Set 5/16-18NC x 1/2	2
26	091-991265	. Nut, Hex. 3/8-16NC	2
27	091-993329	. Washer, Lock 3/8 Shakeproof External	1
28	135-065639	. Spacer	1
29	135-065621	. Shifter Segment	1
30	135-066959	. Dowel Pin	1
31	091-980300	. Screw, Hex. Hd. Cap 5/16-18NC x 1 1/4	4
32	091-993238	. Washer, Lock 5/16 Std.	7
33	105-046049	. Key	1
34	091-991406	. Nut, Jam 3/4-10NC	1
35	091-992685	. Washer, Flat 3/4 SAE Std.	1
36	105-043046	. Spacer	A.R.
37	090-559972	. 2 Speed Transmission Assembly (See Detail)	1
38	090-294539	. Lower Wheel Sub-Assembly	1
39	135-022705	. . Tire	1
40	090-217266	. . Wheel	1
41	091-090621	. Pin	1
42	Comm.	. Screw Set	1
43	090-454216	. Arm	1
44	107-013450	. Key	1
45	091-993782	. Washer, Shakeproof External 3/4 Dia.	1
46	090-108614	. Oiler	1



REVISIONS	
S.W.	4-15-78

VIEW A-A

DRIVE ASSY.
•56338

MODEL	FIRST MACH.	LAST MACH.
1612-0	209-62101	209-671447
3613-0	244-65101	244-67151

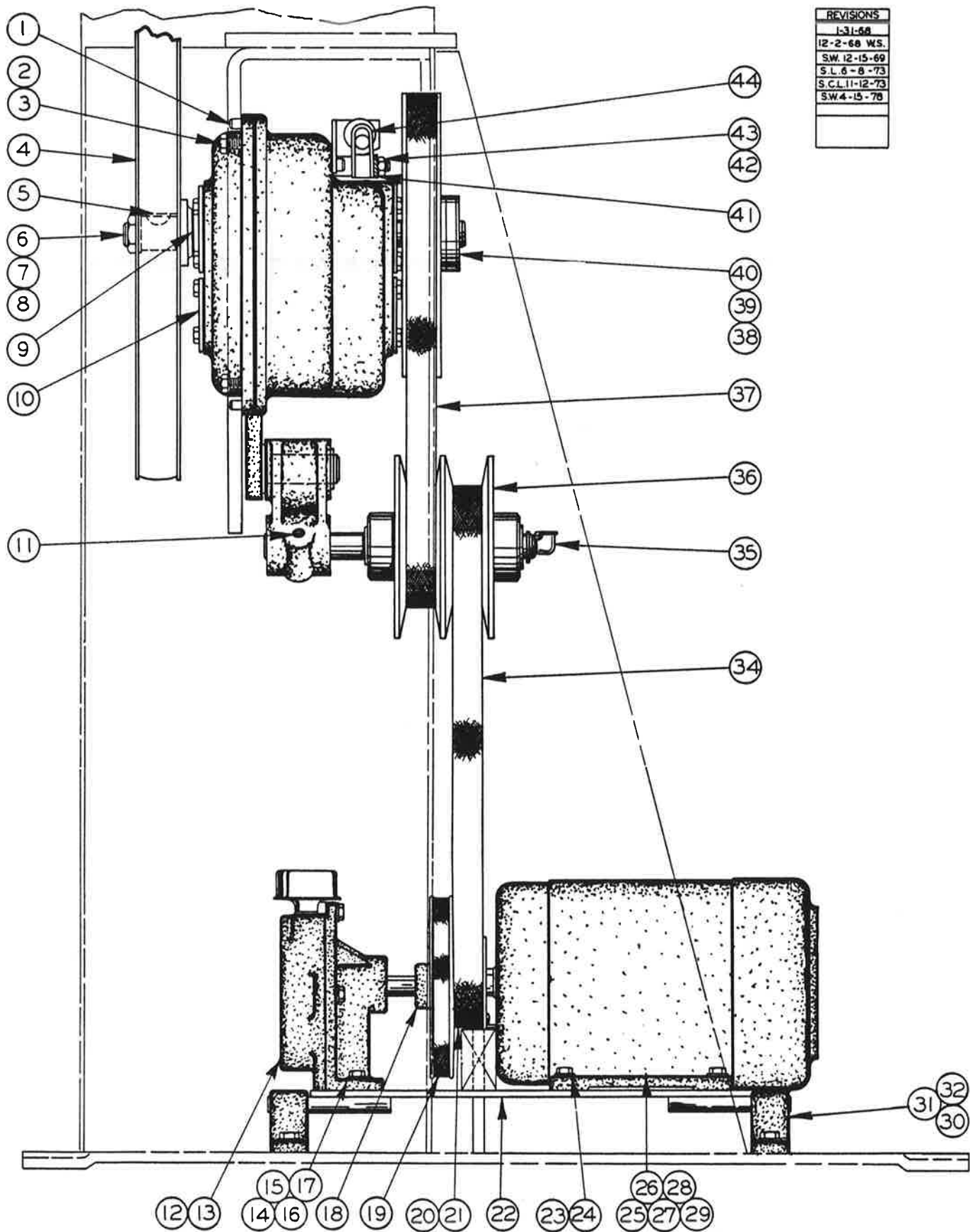
C-5-42

PRINTED IN U.S.A.

DRIVE ASSEMBLY

INDEX NO.	CATALOG NO.	DESCRIPTION	UNITS PER ASS'Y
Ref.	56338	Drive Assembly	
1	090-288267	. Bracket	2
2	091-980276	. Screw, Hex. Hd. Cap 5/16-18NC x 3/4	3
3	091-991224	. Nut, Hex. 5/16-18NC Std.	1
4	090-179029	. Hose Clamp	2
5	090-000084	. Hose 5/8 O. D. x 3/8 I. D.	1
Ref.	090-475831	. Variable Linkage Sub-Assembly	1
6	090-061755	. . Trunion Pin	1
7	090-079799	. . Spacer	2
8	105-134100	. . Screw Stop Nut	4
9	090-325309	. . Variable Screw	1
10	090-042573	. . Roll Pin	4
11	134-055243	. . Universal Joint	1
12	091-078683	. . Mounting Block	1
13	091-072801	. . Shaft (1612-0)	1
	091-136929	. . Shaft (3613-0)	1
14	090-425356	. . Handwheel	1
15	091-181164	. . Handle	1
16	090-042599	. . Roll Pin	4
17	105-051049	. . Handwheel Bearing	1
18	091-988956	. Screw, Rd. Hd. Mach. 1/4-20NC x 1/2	3
19	093-025435	. . Base	1
20	091-991422	. . Nut, Hex. Jam 3/4-16NF	3
21	090-059569	. . Adjusting Screw	3
22	091-980532	. Screw, Hex. Hd. Cap 3/8-16NC x 2 3/4	3
23	091-072793	. Shifter Lever (1612-0)	1
	091-136911	. Shifter Lever (3613-0)	1
24	091-993972	. Drive Screw, PKU #2 x 1/4	4
25	091-006445	. Escutcheon	1
26	134-135086	. Ball	1
27	090-075060	. Grommet	1
28	090-325283	. Shift Lock Operating Rod	1
29	091-076828	. Grip Ring	2
30	106-043086	. Spring	1
31	106-044126	. Shift Lever Lock	1
32	135-076321	. Belt (1612-0)	1
	111-055083	. Belt (3613-0)	1
33	106-044159	. Collar	1
34	106-044043	. Eccentric	1
35	091-982363	. Screw, Soc. Hd. Cap 1/4-20NC x 1/2	2
36	090-040338	. Bracket	1
37	091-984096	. Screw, Soc. Set, #10-24NC x 3/16	1
38	091-988667	. Screw, Rd. Hd. Mach. #10-24NC x 5/16	1
39	091-992586	. Washer, Flat #10 Std.	1
40	106-044092	. Shift Lock Stud	1
41	106-043060	. Shift Lock Plate	1
42	135-064707	. Collar	1
43	091-992586	. Washer #10 Std.	1
44	091-993741	. Washer, Lock Shakeproof 1/4" External	3
45	135-009934	. Shim	A.R.

REVISIONS
1-31-68
12-2-68 W.S.
SW. 12-15-69
S.L. 6-8-73
S.C.L. 11-12-73
SW. 4-15-78



DRIVE ASSEMBLY

MODEL	FIRST MACH.	LAST MACH.
1612-OM	218-63101	218-68179
1612-0	209-671448	209-681820
3613-0	244-67152	244-68192
1612-OM	283-68101	283-69156
1612-0	277-68101	277-751728
3613-0	278-68101	278-77825

C-5-46

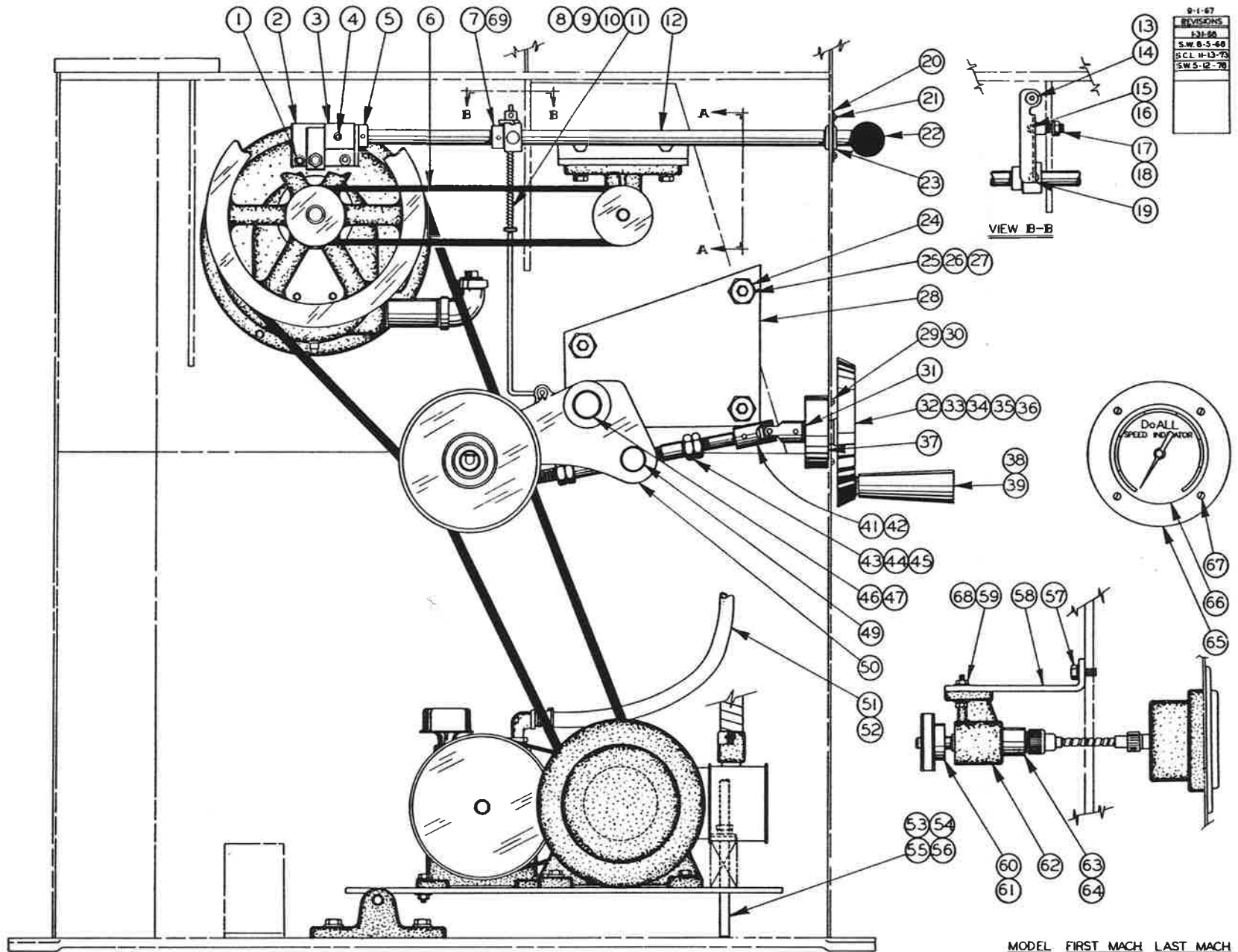
PRINTED IN U.S.A.

DRIVE ASSEMBLY

INDEX NO.	PART NO.	DESCRIPTION	UNITS PER ASS'Y
Ref.	503539	Drive Assembly (50 Cycle) 3613-0	
Ref.	58486	Drive Assembly (60 Cycle) 3613-0	
Ref.	58483	Drive Assembly (60 Cycle) 1612-OM, 1612-0	
Ref.	503538	Drive Assembly (50 Cycle) 1612-OM, 1612-0	
1	135-066959	. Dowel Pin	1
2	091-980300	. Screw, Hex. Hd. Cap 5/16-18NC x 1 1/4	6
3	091-993238	. Washer, Lock 5/16" Std.	6
4	090-294539	. Lower Wheel Sub- Assembly	1
	135-022705	. . Tire (Gates #9990-104)	1
	090-217266	. . Wheel	1
5	105-046049	. Key	1
6	091-991406	. Nut, Jam 3/4-10NC	1
7	091-992685	. Washer, Plain 3/4 Std.	1
8	091-993782	. Washer, Lock Shakeproof 3/4 Dia. Ext.	1
9	091-318147	. Spacer Option List	1
10	090-559972	. 2-Speed Transmission Sub-Assembly (See Detail)	1
11	091-984377	. Screw, Soc. Hd. Set 5/16-18NC x 1/2	2
12	094-023025	. Motor and Base Assembly (60 Cycle)	Use
	094-049186	. Motor and Base Assembly (50 Cycle)	One
13	090-427089	. . Air Pump Assembly (See Detail)	1
14	091-980110	. . Screw, Hex. Hd. Cap 1/4-20NC x 1 1/4	2
15	091-993212	. . Washer, Lock 1/4 Std.	2
16	091-992602	. . Washer, 1/4 Std.	2
17	091-991158	. . Nut, Hex. 1/4-20NC	2
18	105-113161	. . Pulley	1
19	105-115208	. . Belt	1
20	091-984245	. . Screw, Soc. Set 1/4-20NC x 3/8	1
21	090-182726	. . Pulley (50 Cycle)	Use
	090-182841	. . Pulley (60 Cycle)	One
22	094-019221	. . Base Plate Weldment	1
23	091-980292	. . Screw, Hex. Hd. Cap 5/16-18NC x 3/8	4
24	091-993238	. . Washer, Lock 5/16 Std.	4
25	090-005539	. . Wire Markers Brady T1-T3	A.R.
26	090-007212	. . Wire, Stranded #12 Black	A.R.
27	090-005208	. . Sealtite Conduit 1/2	A.R.
28	090-084377	. . Conduit Connector Stb #50	2
29	091-162438	. . Motor (50 Cycle)	Use
	091-161844	. . Motor (60 Cycle)	One
30	091-980466	. Screw, Hex. Hd. Cap 3/8-16NC x 1	4
31	091-993329	. Washer, Lock 3/8 Std.	10
32	090-220385	. Hinge	2
34	090-162199	. Belt (50 Cycle) (Durkee Atwood 1626V356)	Use
	091-006429	. Belt (60 Cycle) (Gates RVS-308)	One
35	090-108614	. Oiler	1
36	090-454232	. 6P-A Speedmaster (See Detail)	1
37	091-006411	. Belt (Gates RVS-617)	1
38	107-013450	. Key	1
39	091-984377	. Screw, Soc. Hd. Set 5/16-18NC x 1/2	1
40	090-454208	. Input Pulley	1
41	135-065639	. Spacer	1
42	091-991265	. Nut, Hex. 3/8-16NC	2
43	091-983767	. Washer, Lock 3/8 Shakeproof Ext.	1
44	135-065621	. Shifter Segment	1

C-5-48

PRINTED IN USA



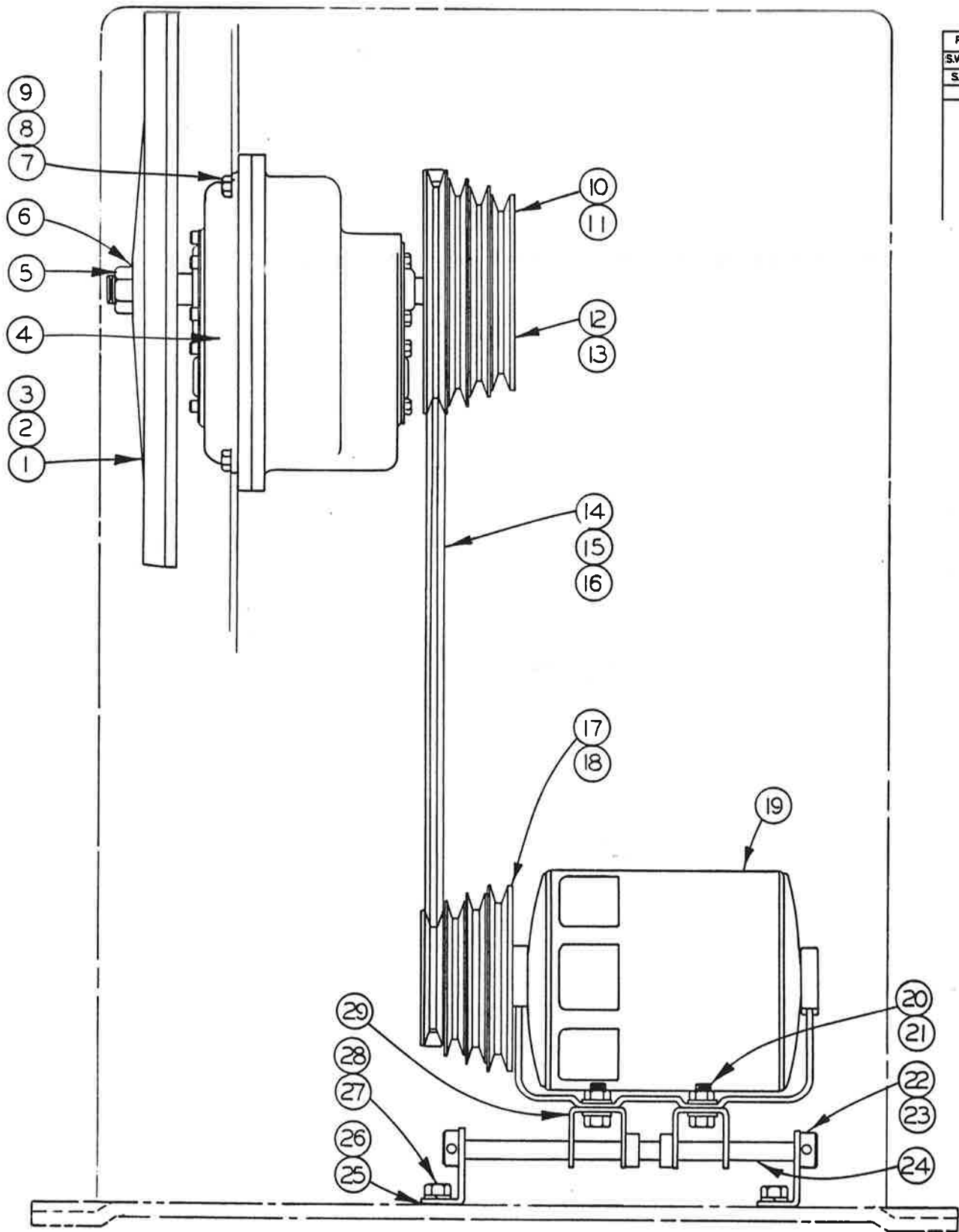
MODEL	FIRST MACH	LAST MACH
1612-0M	218-63101	218-
1612-0	209-671448	209-681820
3613-0	244-67152	244-68192
1612-0	277-68101	277-751728
3613-0	278-68101	278-77825

DRIVE ASSEMBLY

DRIVE ASSEMBLY

INDEX NO.	CATALOG NO.	DESCRIPTION	UNITS PER ASS'Y	INDEX NO.	CATALOG NO.	DESCRIPTION	UNITS PER ASS'Y
Ref.	503538	Drive Assembly(50Cycle)(1612-0, 1612-OM)					
Ref.	58483	Drive Assembly(60Cycle)(1612-0, 1612-OM)					
Ref.	58486	Drive Assembly(60Cycle)(3613-0)					
Ref.	503539	Drive Assembly(50Cycle)(3613-0)					
1	091-982363	. Screw, Soc. Hd. Cap 1/4-20NC x 1/2	2	34	090-425356	. Handwheel.....	1
2	090-040338	. Bracket	1	35	106-235211	. Bearing(1612-0, 1612-OM)....	1
3	106-044043	. Eccentric	1	36	105-051049	. Handwheel Bearing (3613-0)....	1
4	090-042599	. Roll Pin	4	37	091-078683	. Mounting Block(1612-0, 1612-OM)	1
5	106-044159	. Collar	1	38	091-181164	. Handle	1
6	090-072778	. Belt (Gates #1400) Before Ser. #218-68179, on 1612-OM and 209-681820 on 1612-0, Belt was #135-076321 (Gates #1320)	1	39	091-181172	. Pin	1
				41	134-055243	. Universal Joint	1
				42	090-042573	. Roll Pin	1
				43	090-325309	. Variable Screw	1
	111-055083	. Belt(Gates#1440)(3613-0)	1	44	105-134100	. Screw Stop Nut	4
7	106-044126	. Shift Lever Lock	1	45	090-079799	. Spacer	3
8	090-325283	. Shift Lever Operating Rod	1	46	090-029158	. Spacer	1
9	106-043086	. Spring	1	47	135-075588	. Retaining Ring	1
10	091-076828	. Grip Ring	2	49	090-061755	. Trunnion Pin	1
11	091-982587	. Washer 3/16 Std.	1	50	090-454216	. Arm	1
12	091-072793	. Shift Lever (1612-0, 1612-OM)...	1	51	090-000084	. Hose 5/8 O.D. x 3/8 I.D. x 5' ..	1
	091-136911	. Shift Lever (3612-0)	1	52	090-179029	. Hose Clamp	2
13	135-064707	. Collar	1	53	135-087658	. Stud	1
14	091-984096	. Screw, Soc. Set #10-24NC x 3/16 .	1	54	135-087591	. Spring	1
15	091-988667	. Screw, Rd. Hd. Mach. 10-24NC x 5/16	1	55	091-991273	. Nut, Jam 3/8-16NC	1
16	091-992586	. Washer, Flat #10 Std.	1	56	091-992644	. Washer, 3/8 Std.	1
17	106-044092	. Shift Lock Stud	1	57	091-980441	. Screw, Hex. Hd. Cap 3/8-16NC x 3/4	1
18	091-991265	. Nut, Hex. 3/8-16NC	2	58	090-374885	. Bracket(Before Ser. #218-68179 on 1612-OM and #209-681620 on 1612-0 and #244-68192 on 3613-0, Bracket was #090-288119.....	1
19	106-043060	. Shift Lock Plate	1				
20	091-006445	. Escutcheon	1	59	091-992628	. Washer 5/16" Std.	7
21	091-993972	. Screw, Drive PK-U #2 x 1/4	4	60	106-055056	. Pulley	1
22	134-135086	. Ball	1	61	091-984377	. Screw, Soc. Hd. Set 5/16-18NC x 1/2	1
23	090-075060	. Grammet	1	62	106-050016	. Speed Indicator Bracket	1
24	091-980532	. Screw, Hex. Hd. Cap 3/8-16NC x 3/4	3	63	090-078320	. Speed Indicator Cable Key.....	1
25	090-475831	. Variable Linkage Sub-Assembly(1612-0, 1612-OM)	Use	64	091-186932	. Speed Indicator Cable Assembly(Before 218-68179 on 1612-OM and 209-681820 on 1612-0 and 244-68192 on 3613-0, Replace with #135-008928	1
	090-491291	. Variable Linkage Sub-Assembly(3613-0)One					
26	091-991422	. Nut, Hex. Jam 3/4-16NC	3	65	090-174780	. Bezel	1
27	090-059569	. Adjustable Screw.....	3	66	090-454257	. Speed Indicator Head(See Detail) ..	1
28	093-025435	. Base	1	67	091-988717	. Screw, Rd. Hd. Mach. 10-24NC x 5/8	4
29	091-988956	. Screw, Rd. Hd. Mach. 1/4-20NC x 1/2	3	68	091-991224	. Nut, Hex. 5/16-18NC	2
30	091-993741	. Washer, Lock 1/4 Shakeproof External	3	69	091-984229	. Screw, Soc. Hd. Set 1/4-20NC x 1/4	6
31	091-318139	. Shim Option List	1				
32	090-042599	. Roll Pin	1				
33	091-072801	. Shaft (1612-0 and 1612-OM) ..	1				
	091-136929	. Shaft(3613-0)	1				

REVISIONS
SW. 2-1-66
SW. 4-15-78



FOUR SPEED FIXED DRIVE

C - 5 - 43

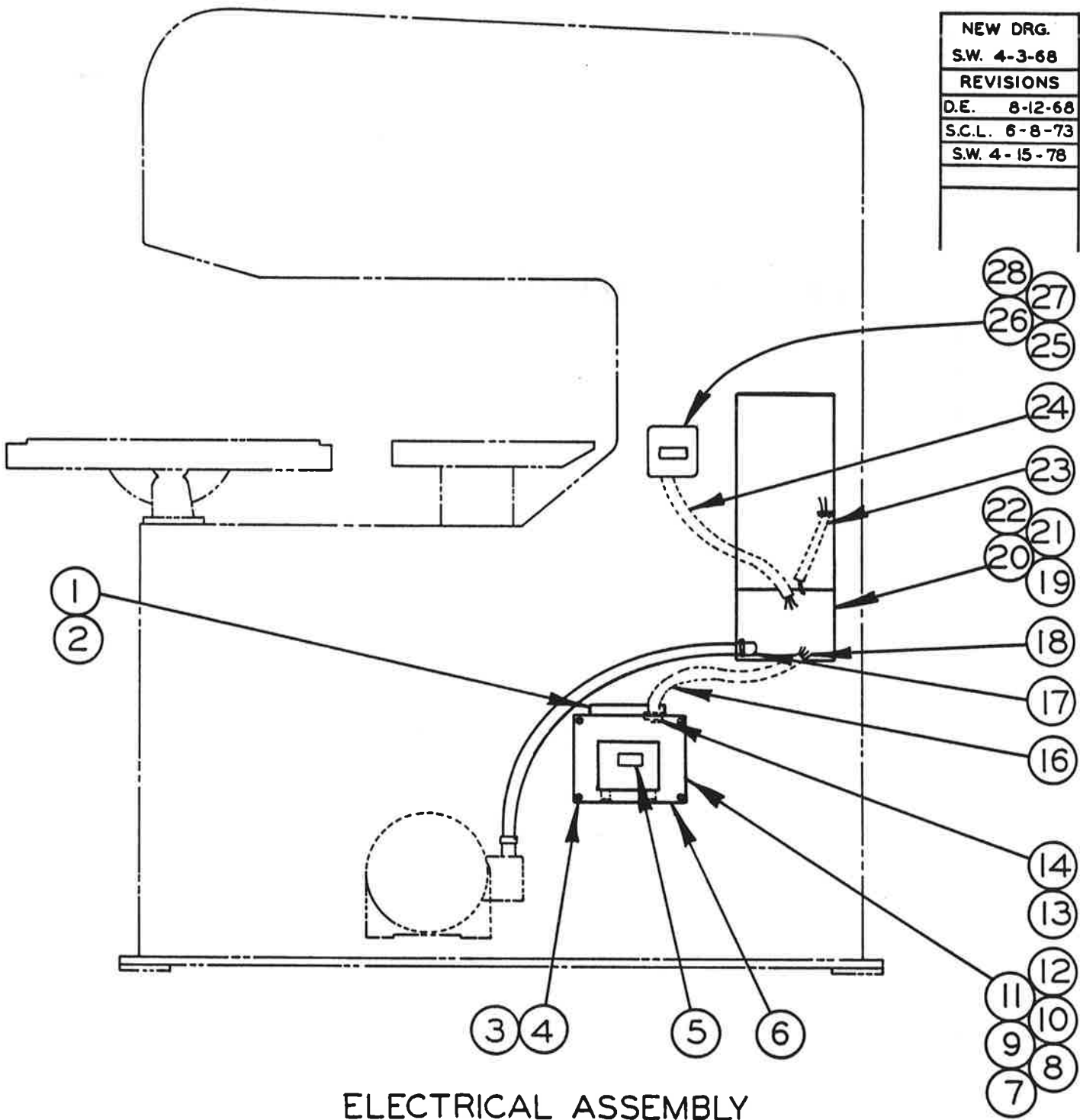
MODEL	FIRST MACH.	LAST MACH.
3613-0	244-65101	244-68192
1612-0	209-62101	209-681820
1612-U	146-59101	146-682367
3012-U	147-59101	147-681104

PRINTED IN U.S.A.

FIXED DRIVE ASSEMBLY

INDEX NO.	CATALOG NO.	DESCRIPTION	UNITS PER ASS'Y
Ref.	54601	MULTI SPEED FIXED DRIVE ASSEMBLY	
1	090-294539	. Lower Wheel Sub-Assembly(1612-0)	1
2	090-218645	. Wheel Assembly (3613-0)	1
3	105-046049	. Key	1
4	090-545963	. Spindle Assembly (See Detail)	1
5	091-991406	. Nut, Hex. Jam 3/4-10NC	1
6	091-993063	. Washer 3/4 Std.	1
7	091-980300	. Screw, Hex. Hd. Cap 5/16-18NC x 1 1/4	4
8	091-993014	. Washer 5/16 Std.	8
9	105-043137	. Shim	A.R.
10	105-046023	. Woodruff Key	2
11	091-982421	. Screw, Soc. Hd. Cap 1/4-20NC x 1	2
12	090-451139	. Input Pulley (Multi-Speed)	1
13	090-183708	. Input Pulley (Fixed Speed)	1
14	090-028614	. Belt (Multi-Speed)	1
15	135-073484	. Belt (Fixed Speed 1612-0)	1
16	135-090454	. Belt (Fixed Speed 3613-0)	1
17	090-451121	. Motor Pulley (Multi-Speed)	1
18	090-083007	. Motor Pulley (Fixed Speed)	1
19		. Motor (Specify Make, Model, hp,v, etc.)	1
20	091-980276	. Screw, Hex. Hd. Cap 5/16-18NC x 3/4	4
21	091-993238	. Washer, Lock 5/16 Std.	4
22	134-054105	. Collar	4
23	091-984252	. Screw, Soc. Set 1/4-20NC x 1/2	4
24	135-079655	. Shaft	1
25	090-325325	. Spacer (1612-0)	2
26	090-314550	. Hinge	2
27	091-993329	. Washer, Lock 3/8 Std.	4
28	091-980441	. Screw, Hex. Hd. Cap 3/8-16NC x 3/4	4
29	135-079648	. Motor Bracket	1

NEW DRG.
S.W. 4-3-68
REVISIONS
D.E. 8-12-68
S.C.L. 6-8-73
S.W. 4-15-78



ELECTRICAL ASSEMBLY
(WITH MAGNETIC STARTER)

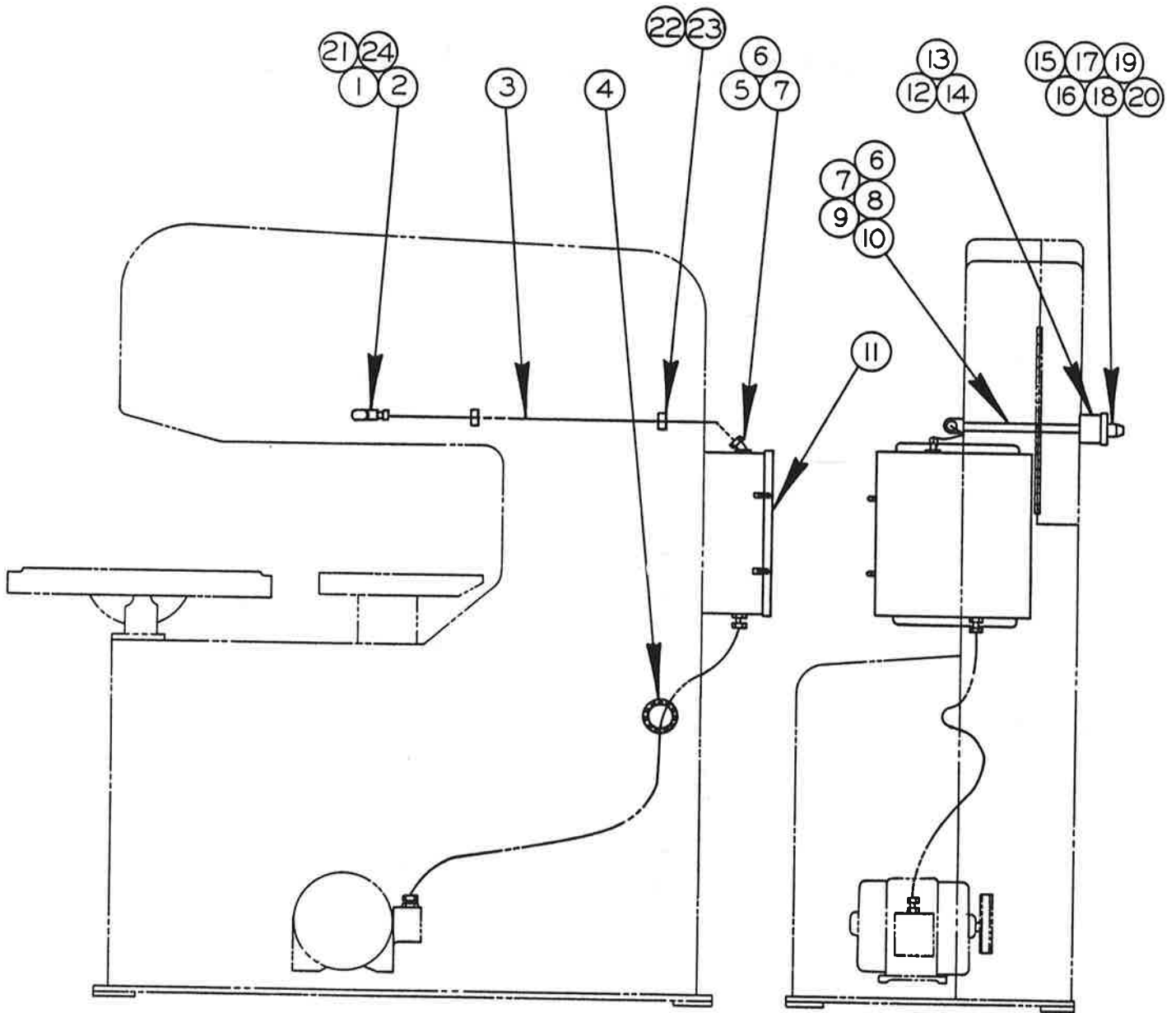
MODEL	FIRST MACH.	LAST MACH.
3613-0	278-68101	278-73409
3612-H	272-68101	272-73271
3612-U	271-68110	271-68131
3612	291-68101	291-73180

ELECTRICAL ASSEMBLY

INDEX NO.	CATALOG NO.	DESCRIPTION	UNITS PER ASS'Y
Ref.	57431	Electrical Assembly(Used only with Magnetic Starter)	
*1	094-016557	. Transformer 120V	Use
	090-461963	. Transformer 220V	
*2	090-420175	. Transformer 380/440/550-V	One
3	091-988691	. Screw, Rd. Hd. Mach. #10-24NC x 1/2	9
4	091-993550	. Washer, Lock Shakeproof #10 Internal	9
5	090-161563	. Escutcheon	2
6	090-065988	. Cover	1
7	091-980029	. Screw, Hex. Hd. Cap #10-24NC x 7/8	4
*8	091-980094	. Screw, Hex. Hd. Cap 1/4-20NC x 7/8	4
9	091-993196	. Washer, Lock #10 Std.	4
*10	091-993212	. Washer, Lock 1/4 Std.	4
11	091-991117	. Nut, Hex. #10-24NC Std.	4
*12	091-991158	. Nut, Hex. 1/4-20NC Std.	4
13	091-047209	. Fusetron 250-V	1
14	090-075060	. Rubber Grommet	3
16	090-183427	. Cable Assembly	1
17	135-096170	. Conduit Anchor	1
18	090-195082	. Connector, Greenfield	1
19	091-237594	. Magnetic Starter (G.E. #CR106-A0-02)	Use
20	090-179615	. Magnetic Starter (G.E. #CR106-Bo-02)	One
21	091-240432	. Cover	1
22	091-067629	. Pushbutton Kit (G.E. #CR105 x 120N)	1
23	091-237529	. Cable Assembly	1
24	091-236034	. Cable Assembly	1
25	090-195041	. Pushbutton Switch	1
26	090-157652	. Box Connector	1
27	091-037648	. Wire Connectors	A.R.
28	090-005521	. Wire Markers (Brady Type)	A.R.

*Note: Starred Items used only when Voltage is other than 220 Volt.

NEW DRG.
S.C.L. 6-21-73
REVISIONS
S.C.L. 4-23-74
S.W. 4-15-78



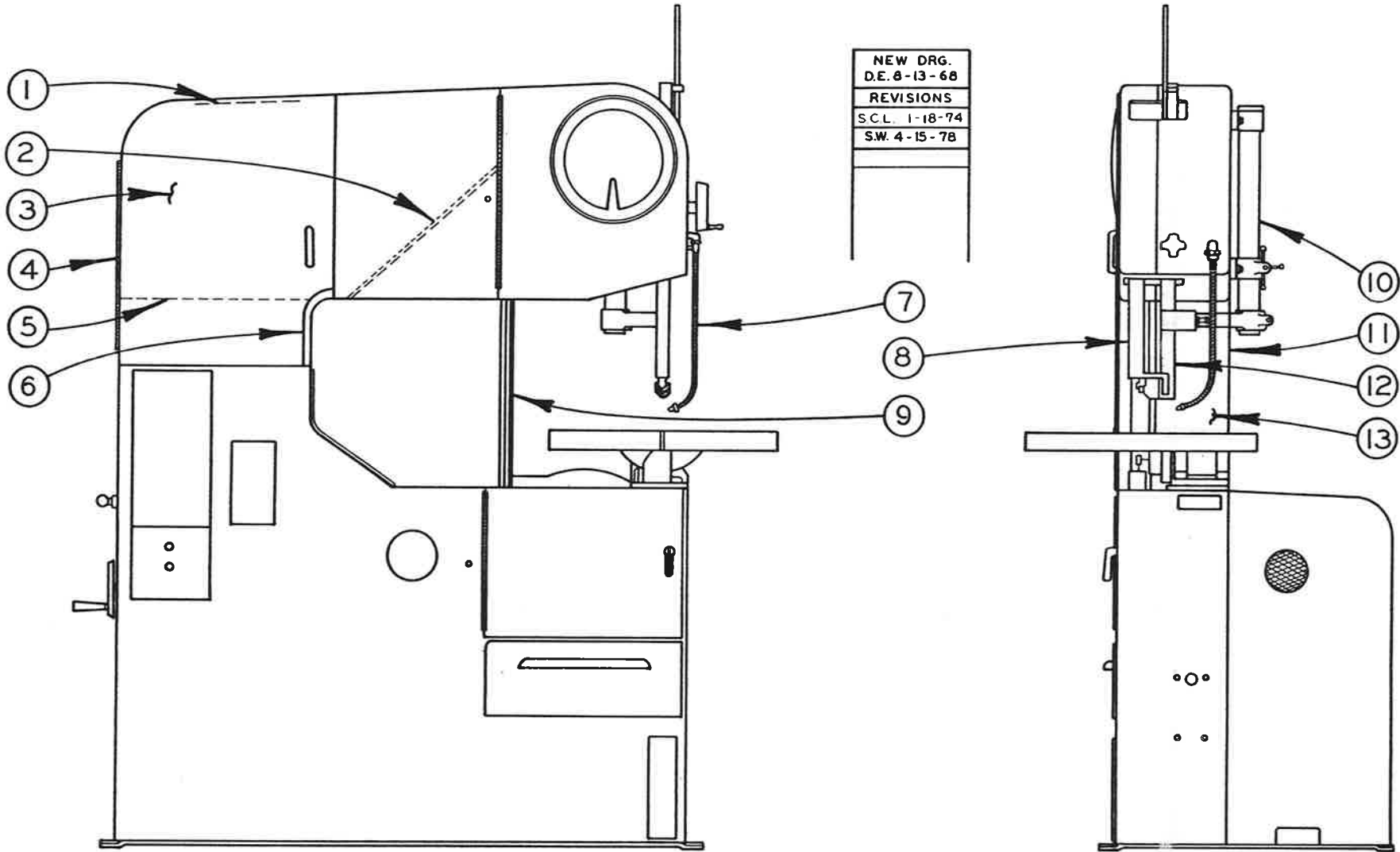
MODEL	FIRST MACH.	LAST MACH.
3612	291-7318	291-77235
3613-O	278-73410	278-77825
3612-H	272-73272	272-77373

ELECTRICAL ASSEMBLY

CODE NO. C-6-65
CM-6-55

ELECTRICAL ASSEMBLY

INDEX NO.	CATALOG NO.	DESCRIPTION	UNITS PER ASS'Y
Ref.	502500	Electrical Assembly (3612)	
Ref.	503542	Electrical Assembly (3613-0 & 3612-H)	
1	090-165143	. Cover	1
2	090-145459	. Sealtite Connector	1
3	091-971564	. Sealtite Conduit 1/2".....	A.R.
4	090-008509	. Grommet	A.R.
5	090-144114	. Flange Washer	2
6	090-145053	. "O"-Ring	2
7	090-145079	. Sealtite Connector	1
8	090-195439	. Bond Nut	1
9	091-305409	. Conduit Pipe	1
10	090-157454	. Plastic Bushing	1
11	091-302265	. Control Box Assembly (3612)	Use
	091-327668	. Control Box Assembly (Above 240V W/Welder)(3613-0 & 3612-H)	
	091-327676	. Control Box Assembly (Std. Welder)(3613-0 & 3612-H)	One
12	091-371666	. Pushbutton Box	1
13	091-988691	. Screw, Rd. Hd. Mach. #10-24NC x 1/2	4
14	091-993196	. Washer, Lock #10 Std.	4
15	090-149592	. Pushbutton Operator (Black)	1
16	090-149618	. Pushbutton Operator (Red Mushroom)	1
17	091-048207	. Contact Block (1-NO)	1
18	091-048215	. Contact Block (1-NC)	1
19	091-080036	. Legend Plate (Large) "Drive Start"	1
20	091-124867	. Legend Plate (Large) "Stop"	1
21	090-086141	. 1/2" Unilet	1
22	091-338871	. Jiffy Strap	2
23	091-990135	. Screw, Truss Hd. Mach. #10-24NC x 1/4	2
24	090-158213	. Gasket	1



C-2-134

<u>MODEL</u>	<u>FIRST MACH.</u>	<u>LAST MACH.</u>
3612	291-68101	291-77235
3613-0	278-68101	278-77825
3612-H	272-68101	272-77373

EXTRA WORK HEIGHT ASSEMBLY

CODE NO. C-2-134

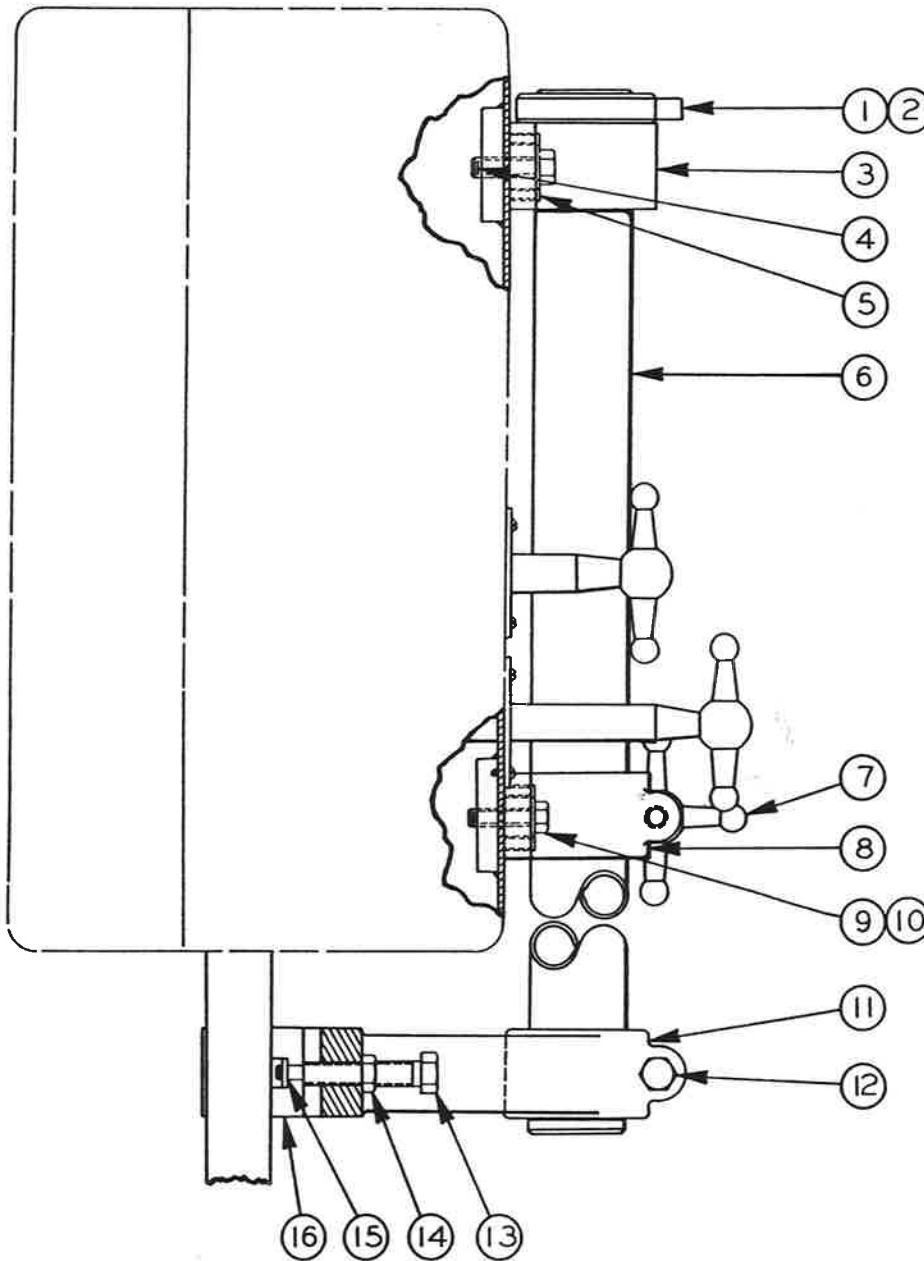
EXTRA WORK HEIGHT ASSEMBLY

INDEX NO.	CATALOG NO.	DESCRIPTION	UNITS PER ASS'Y
Ref.	094-011970	Extra Work Height Assembly	
1	090-550005	. Upper Sheet	1
2	091-101147	. Baffle	1
3	090-595711	. Cover	1
4	090-377763	. Hinge	1
5	090-296690	. Third Wheel Mounting Pad	1
6	090-377755	. Insert	1
7	091-023648	. Air Hose (3612-H & 3613-0 only)	1
8	090-377607	. Post Guard Assembly	1
9	093-039840	. Guard	1
10	090-550039	. Auxiliary Post	1
11	090-595109	. Panel	1
12	090-375072	. Post	1
13	090-296666	. Throat Piece	1
14	091-101675	. Angle	1
15	091-028035	. Door Latch Weldment	1
16	091-248658	. Screw	1

NOTE: Specify the Work Height of your Machine When Ordering the Above Replacement Parts.

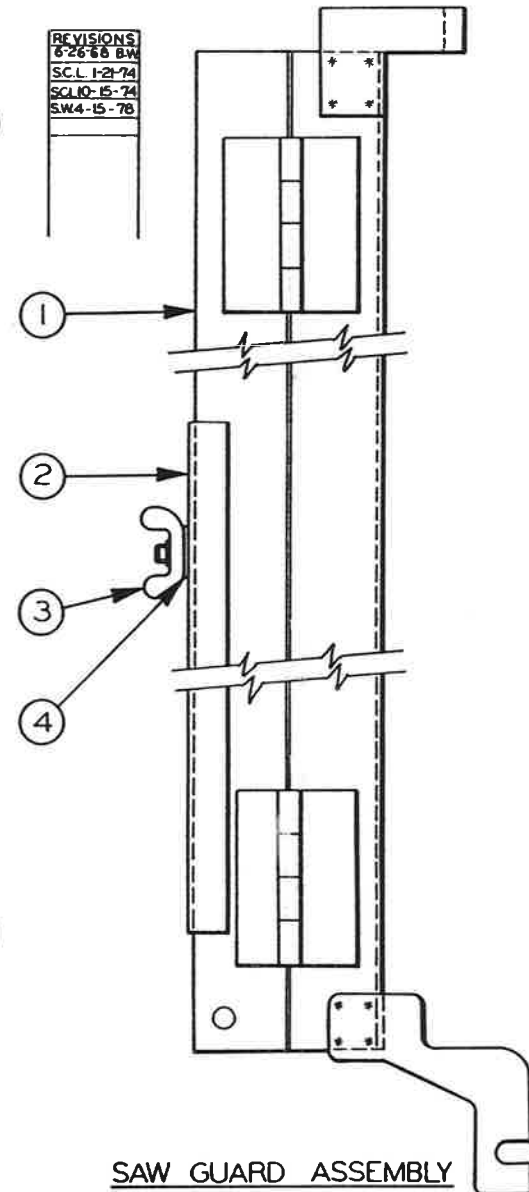
C-2-130 CM-2-51

PRINTED IN U.S.A.



AUXILIARY POST ASSEMBLY

REVISIONS
6-26-68 B.W.
SCL 1-21-74
SCL 10-15-74
SW4-15-76



SAW GUARD ASSEMBLY

MODEL	FIRST MACH	LAST MACH
1612-3	152-59101	152-751144
3613-1	149-59101	149-73706
3612-U	271-68101	271-68131
1611-U	270-68101	270-68156
1612-0	277-68101	277-751728
1611-H	258-68102	258-68231
1612-H	288-69101	288-75436
3612	291-68101	291-77235
1612	287-68101	287-76450
3612-H	272-68101	272-77373

CODE NO. C-2-130

CM-2-51

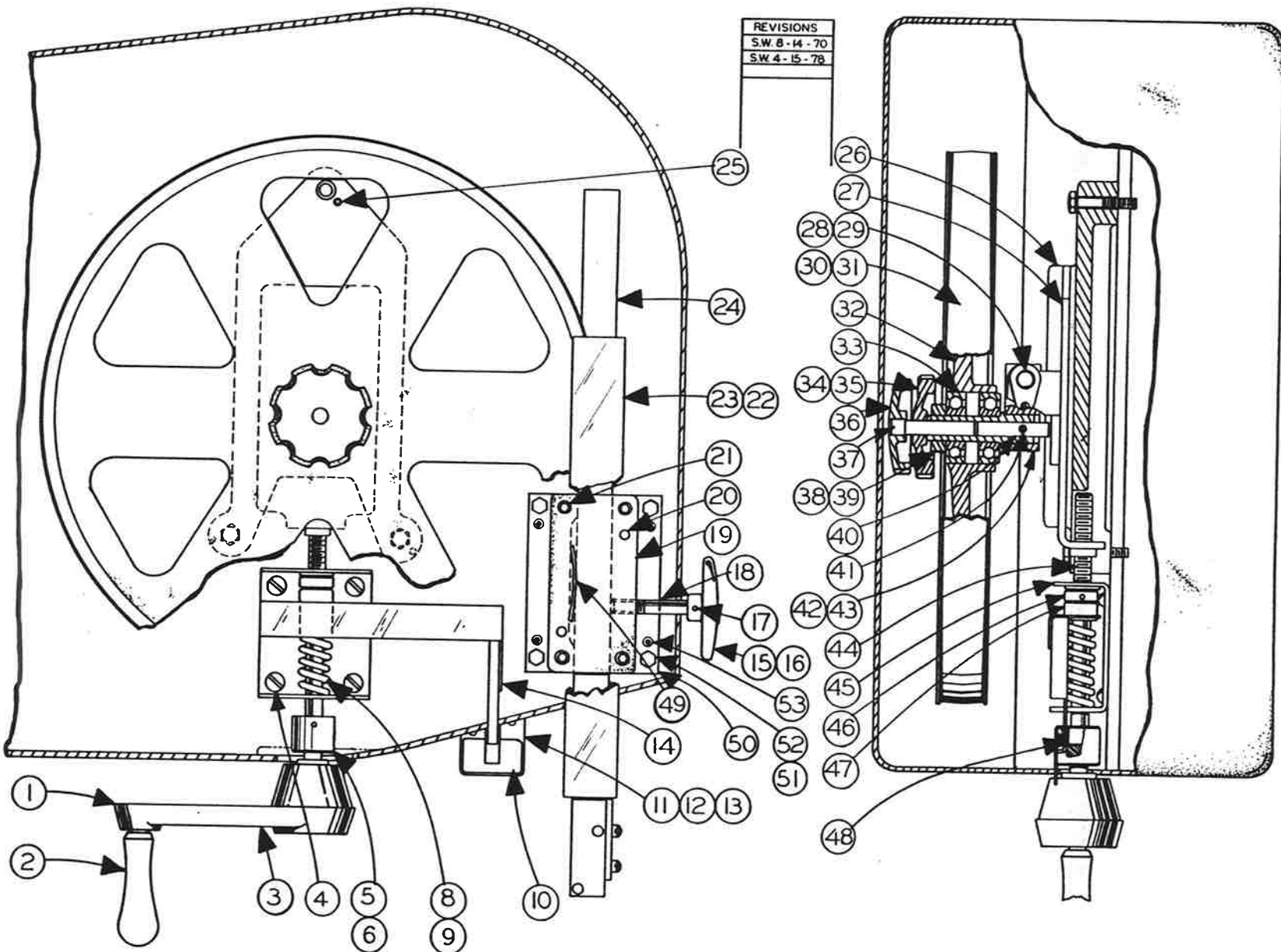
EXTRA WORK HEIGHT ACCESSORY

INDEX NO.	CATALOG NO.	DESCRIPTION	UNITS PER ASS'Y
Ref.		Extra Work Height Accessory	
Ref.	090-550039	. Auxiliary Post Assembly 1612-3, 1611-U, 1612-O, 1611-H, 1612-H, 1612)	
Ref.	090-522392	. Auxiliary Post Assembly 3613-1, 3612-U, 3612, 3612-H)...	
1	113-014237	. . Post Collar	1
2	091-982884	. . Screw, Soc. Hd. Cap 3/8-16NC x 3 1/4	1
3	090-324633	. . Upper Post Guide	1
4	Comm.	. . Pad 1/2 x 2 5/8 x 6 1/4	2
5	091-984393	. . Screw, Soc. Hd. Set 5/16-18NC x 3/4	8
6	113-014203	. . Auxiliary Post	1
7	090-076290	. . Star Wheel Sub-Assembly	1
8	090-324625	. . Lower Post Guide	1
9	091-993329	. . Washer, Lock 3/8 Std.	4
10	091-980482	. . Screw, Hex. Hd. Cap 3/8-16NC x 1 1/2	4
11	090-243379	. . Post Support Arm	1
12	091-980672	. . Screw, Hex. Hd. Mach. 1/2-13NC x 1 1/2	1
13	113-014195	. . Back-Up Pad Screw	1
14	091-991323	. . Nut, Jam 1/2-13NC	1
15	135-096162	. . Retaining Ring	1
16	113-013098	. . Post Back-Up Pad	1
Ref.	094-022001	. Saw Guard Assembly 1612-3 Only	
1	090-459413	. . Saw Guard Sub-Assembly	1
2	090-427725	. . Slide Guard Section	1
3	135-020162	. . Wing Nut	2
4	091-992602	. . Washer 1/4 Std.	2

NOTE: Specify the work height of your machine when ordering the above replacement parts.

C-2-52 CM-2-57

PRINTED IN USA.



REVISIONS	
SW 6-14-70	
SW 4-15-78	

HEAD ASSEMBLY

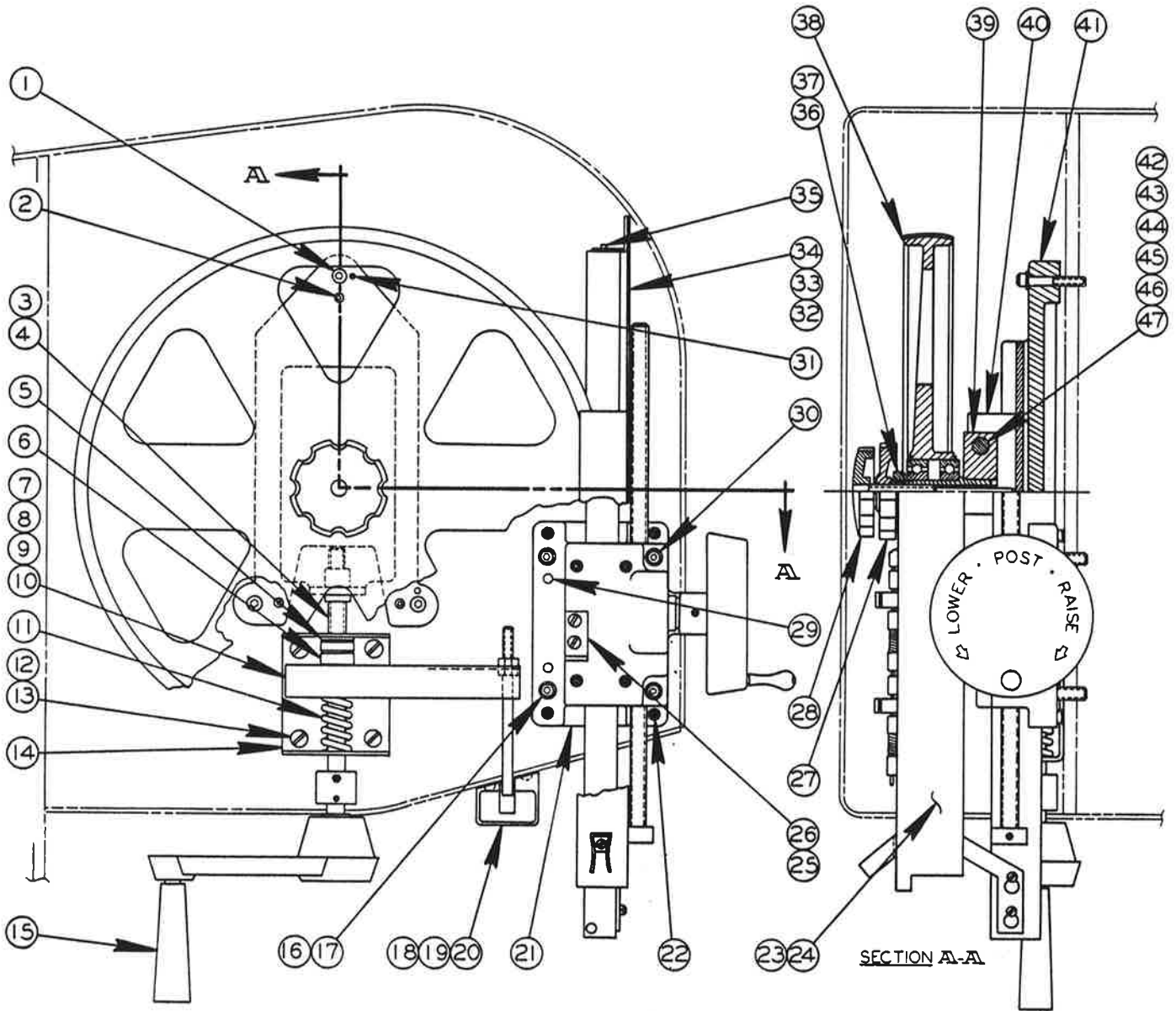
	MODEL	FIRSTMACH	LASTMACH
56249	1612-0	209-62101	209-681820
	3613-0	244-65101	244-68192
59048	1611-H	258-68102	258-68231
	1612-0	277-68101	277-70829
	3613-0	278-68101	278-70286
	3612-H	272-68101	272-70207
	1612-H	288-69101	288-70309

HEAD ASSEMBLY

INDEX NO.	CATALOG NO.	DESCRIPTION	UNITS PER ASS'Y
Ref.	59048	Head Assembly	
Ref.	56249	Head Assembly	
1	090-285271	. Handle Assembly.....	1
2	134-055136	. . Handle	1
3	090-453309	. . Handle Assembly	1
4	091-990226	. Screw, Truss Hd. Mach. 1/4-20NC x 5/8	4
	091-993212	. Washer, Lock 1/4 Std.	7
*5	091-003970	. Adaptor	1
*6	090-042615	. Roll Pin	1
8	135-087617	. Spring	1
9	091-992669	. Washer, 1/2" Std.	2
10	091-177378	. Escutcheon	1
11	091-069195	. Bracket	1
12	091-988535	. Screw, Rd. Hd. Mach. 8-32NC x 3/8	2
13	091-993188	. Washer, Lock #8 Std.	2
14	090-322041	. Pointer Sub-Assembly	1
15	091-069203	. Lock Screw Sub-Assembly	1
16	090-051319	. . Handwheel	1
17	090-042292	. . Roll Pin	1
18	091-069211	. . Stud	1
19	090-322033	. Post Guide Block.....	1
20	135-033587	. Dowel Pin	2
21	091-980136	. Screw, Hex. Hd. Cap 1/4-20NC x 1 3/4	3
22	090-278417	. Post Guard Assembly	1
23	091-986984	. Screw, Fil. Hd. Mach. #10-24NC x 1/2	2
24	090-277153	. Post	1
25	090-042375	. Roll Pin	2
26	090-562463	. Head Casting	1
27	094-018157	. Slide Sub-Assembly	1
28	091-206276	. Pin Retainer	2
29	135-096139	. Retaining Ring	2
30	135-051274	. Upper Saw Wheel Assembly	1
31	135-022705	. . Wheel Tire	1
32	135-022648	. . Upper Saw Wheel	1
33	105-015085	. . Upper Wheel Bearing	2
34	090-387150	. Wheel Hinge Sub-Assembly	1
35	105-011092	. . Tilting Locknut	1
36	105-011084	. . Tilting Screw Knob	1
37	091-206268	. . Tilting Screw	1
38	105-015069	. . Nut, Lock	1
39	105-015077	. . Washer, Lock	1
40	105-014245	. . Stud	1
41	091-984245	. . Screw, Soc. Set 1/4-20NC x 3/8	1
42	135-038529	. . Pin	2
43	091-206243	. . Block	1
*44	091-177113	. Screw	1
45	090-322058	. Bracket	1
*46	134-054105	. Collar	1
47	135-028108	. Bearing	1
*48	090-073511	. Bearing	1
49	105-013064	. Spring	1
50	091-186908	. Adjustment Block	1
51	091-993329	. Washer, Lock 3/8 Std.	4
52	091-982819	. Screw, Soc. Hd. Cap 3/8-16NC x 1 1/2.....	4
53	091-188656	. Screw, Nyloc Soc. Set 5/16-18NC x 1	4

*NOTE: Starred Items #5, 6, 44, 46 & 48 are part of tension Shaft Sub-Assembly #091-181198.

NEW DRG.
S.C.L. 10-25-74
REVISIONS
CAK. 1-12-77
CAK. 4-21-77

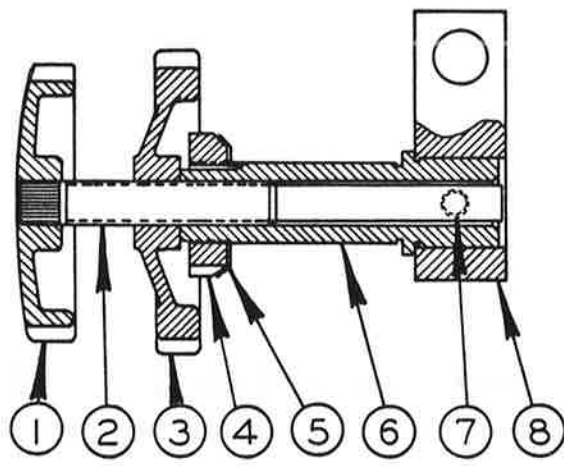


MODEL	FIRST MACH	LAST MACH
1612-0	277-70830	277-751728
3613-0	278-70287	278-77825
1612-H	288-70310	288-75436
3612-H	272-70208	272-77373
3612-IH	382-77101	
3613-10	381-77101	
3613-20	399-78101	
3612-2H	400-78101	

HEAD ASSEMBLY

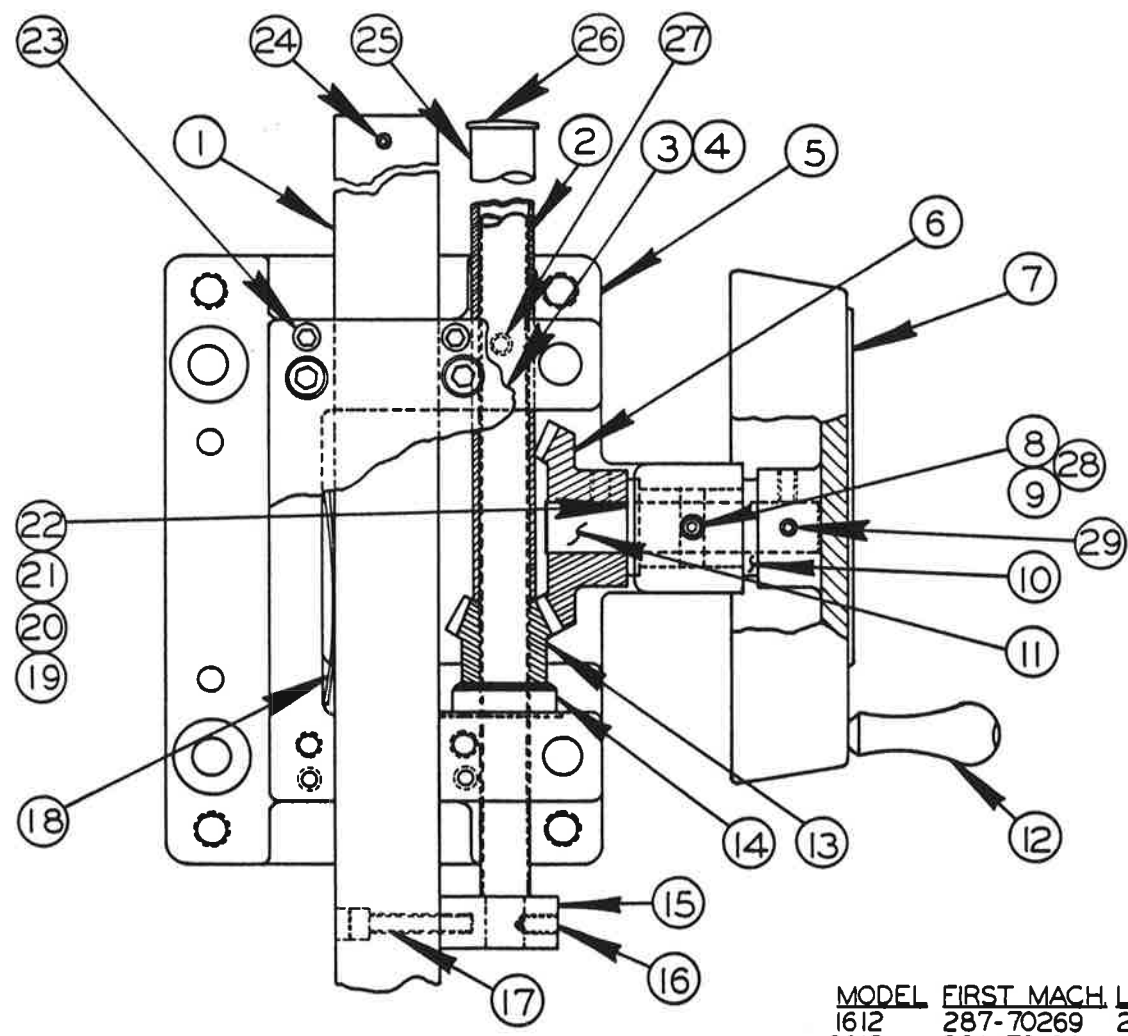
HEAD ASSEMBLY

INDEX NO.	CATALOG NO.	DESCRIPTION	UNITS PER ASS'Y
Ref.	500372	Head Assembly	
1	091-982637	. Screw, Soc. Hd. Cap, 5/16-18NC x 1-3/4"	3
2	091-986133	. Screw, Soc. Set, 5/16-18NC x 1"	3
3	091-181198	. Tension Shaft Sub-Assembly	1
4	090-042599	. Roll Pin	1
5	091-992669	. Washer, Flat 1/2" Std.	2
6	135-028108	. Bearing	1
7	091-422501	. Band Tension Pointer	1
8	091-440610	. Angle	1
9	091-991232	. Nut, Hex. Jam 5/16-18NC	2
10	091-318089	. Loctite, Grade HV	A.R.
11	135-087617	. Spring	1
12	091-990226	. Screw, Truss Hd. Mach., 1/4-20NC x 5/8"	4
13	091-993212	. Washer, Lock 1/4 Std.	7
14	093-059442	. Bracket	1
15	090-285271	. Handle Assembly	1
16	091-982819	. Screw, Soc. Hd. Cap, 3/8-16NC x 1-1/2"	2
17	091-993329	. Washer, Lock 3/8 Std.	4
18	091-069195	. Bracket	1
19	091-988519	. Screw, Rd. Hd. Mach., #8-32NC x 1/4"	2
20	091-993188	. Washer, Lock #8 Std.	2
21	090-390550	. Post Elevating Sub-Assembly (See Detail)	1
22	091-218719	. Screw, Soc. Set, (Self-Locking)	4
23	094-065117	. Post Saw Band Guard Assembly	1
24	091-986984	. Screw, Fillet Hd. Mach., #10-24NC x 1/2"	2
25	091-398115	. Stop	1
26	091-988667	. Screw, Rd. Hd. Mach., #10-24NC x 5/16"	2
27	105-011092	. Upper Wheel Tilting Locknut	1
28	091-306761	. Tilting Screw Sub-Assembly	1
29	135-004455	. Dowel Pin	2
30	091-982876	. Screw, Soc. Hd. Cap, 3/8-16NC x 3"	2
31	090-042631	. Roll Pin	2
32	093-051357	. Guard Bracket Assembly	1
33	091-988519	. Screw, Rd. Hd. Mach., #8-32NC x 1/4" (Plated)	2
34	091-992578	. Washer #8 Std.	2
35	091-053041	. Roll Pin	1
36	105-015069	. Bearing Locknut	1
37	105-015077	. Bearing Lockwasher	1
38	135-051274	. Upper Saw Wheel Assembly	1
	135-022648	. . Upper Saw Wheel	1
	135-022705	. . Wheel Tire	1
	105-015085	. . Ball Bearing	2
39	093-023463	. Wheel Hinge (See Detail)	1
40	094-018157	. Slide Sub-Assembly	1
41	095-046215	. Head Casting	1
42	091-206276	. Pin	1
43	135-096139	. Retaining Ring	2
44	091-333104	. Shim	A.R.
45	091-333112	. Shim	A.R.
46	091-333120	. Shim	A.R.
47	091-333138	. Shim	A.R.



NEW DRG.
S.W. 4-3-70
REVISIONS
S.C.L. 6-8-73
S.C.L. 10-25-74
C.A.K. 1-14-77
C.A.K. 3-8-78

WHEEL HINGE ASSEMBLY



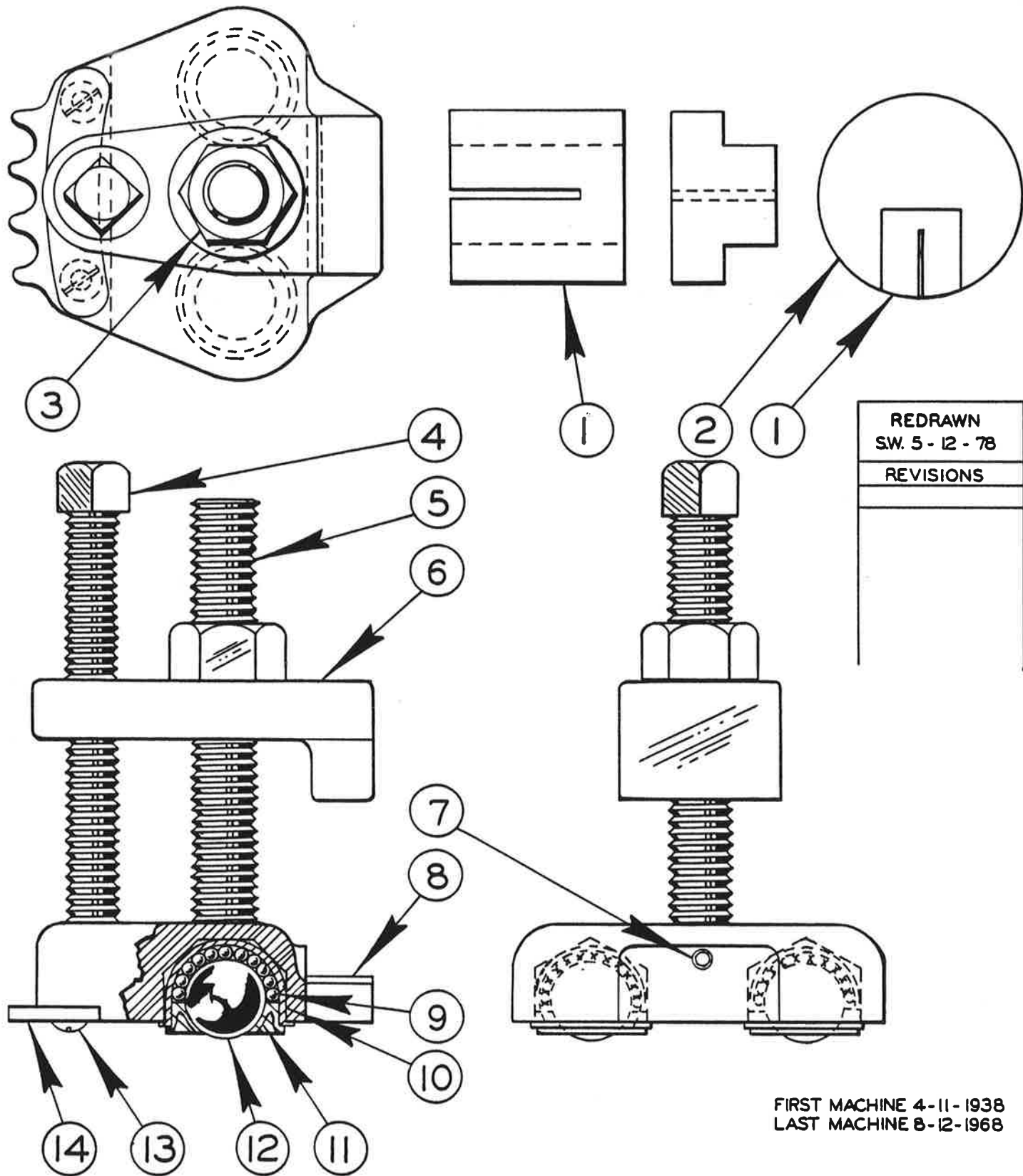
POST ELEVATING MECHANISM

MODEL	FIRST MACH.	LAST MACH.
1612	287-70269	287-76450
3612	291-70150	291-77235
1612-0	277-70830	277-751728
3613-0	278-70287	278-77825
1612-H	288-70310	288-75436
3612-H	272-70208	272-77373
3612-1	380-77101	
3613-10	381-77101	
3612-1H	382-77101	
3612-2	398-78101	
3613-20	399-78101	
3612-2H	400-78101	

CODE NO. C-2-65
CM-2-79

POST ELEVATING MECHANISM

INDEX NO.	CATALOG NO.	DESCRIPTION	UNITS PER ASS'Y
Ref.	090-390550	Post Elevating Sub-Assembly	
1	090-391186	. Post	1
2	091-209247	. Screw	1
3	090-386442	. Cover	1
4	091-982363	. Screw, Soc. Hd. Cap, 1/4-20NC x 1/2"	4
5	094-017688	. Housing	1
6	090-144353	. Gear	1
7	090-386434	. Handwheel	1
8	091-407650	. Friction Plug	1
9	090-039710	. Spring	1
10	091-209221	. Bearing	2
11	091-209239	. Shaft	1
12	091-046904	. Handle	1
13	091-209254	. Gear	1
14	135-028108	. Thrust Bearing	1
15	091-209205	. Block	1
16	091-154278	. Screw, Soc. Set (Nyllok) #10-24NC x 1/4"	3
17	091-982256	. Screw, Soc. Hd. Cap, #10-24NC x 1"	2
18	105-013064	. Spring	1
19	091-333104	. Shim 20 Ga.	A. R.
20	091-333112	. Shim 28 Ga.	A. R.
21	091-333120	. Shim .005 Thk.	A. R.
22	091-333138	. Shim .003 Thk.	A. R.
23	091-985903	. Screw, Soc. Set, 1/4-20NC x 1/2" (Half Dog)	4
24	090-042250	. Roll Pin	1
25	091-235804	. Tube	1
26	091-235812	. Plug Button	1
27	091-984096	. Screw, Soc. Set #10-24NC x 3/16"	1
28	091-984229	. Screw, Soc. Set 1/4-20NC x 1/4"	1
29	090-042599	. Roll Pin	1
Ref.		Wheel Hinge Assembly	
1	105-011084	. Tilting Screw Knob	1
2	091-206268	. Tilting Screw	1
3	105-011092	. Tilting Locknut	1
4	105-015069	. Locknut	1
5	105-015077	. Washer, Lock	1
6	105-014245	. Stud	1
7	091-984237	. Screw, Soc. Hd. Set 1/4-20NC x 5/16	1
8	091-206243	. Block	1



REDRAWN SW. 5 - 12 - 78
REVISIONS

FIRST MACHINE 4-11-1938
LAST MACHINE 8-12-1968

HEAVY PARALLEL WORK CLAMP ASSEMBLY

CODE NO. C-10-22

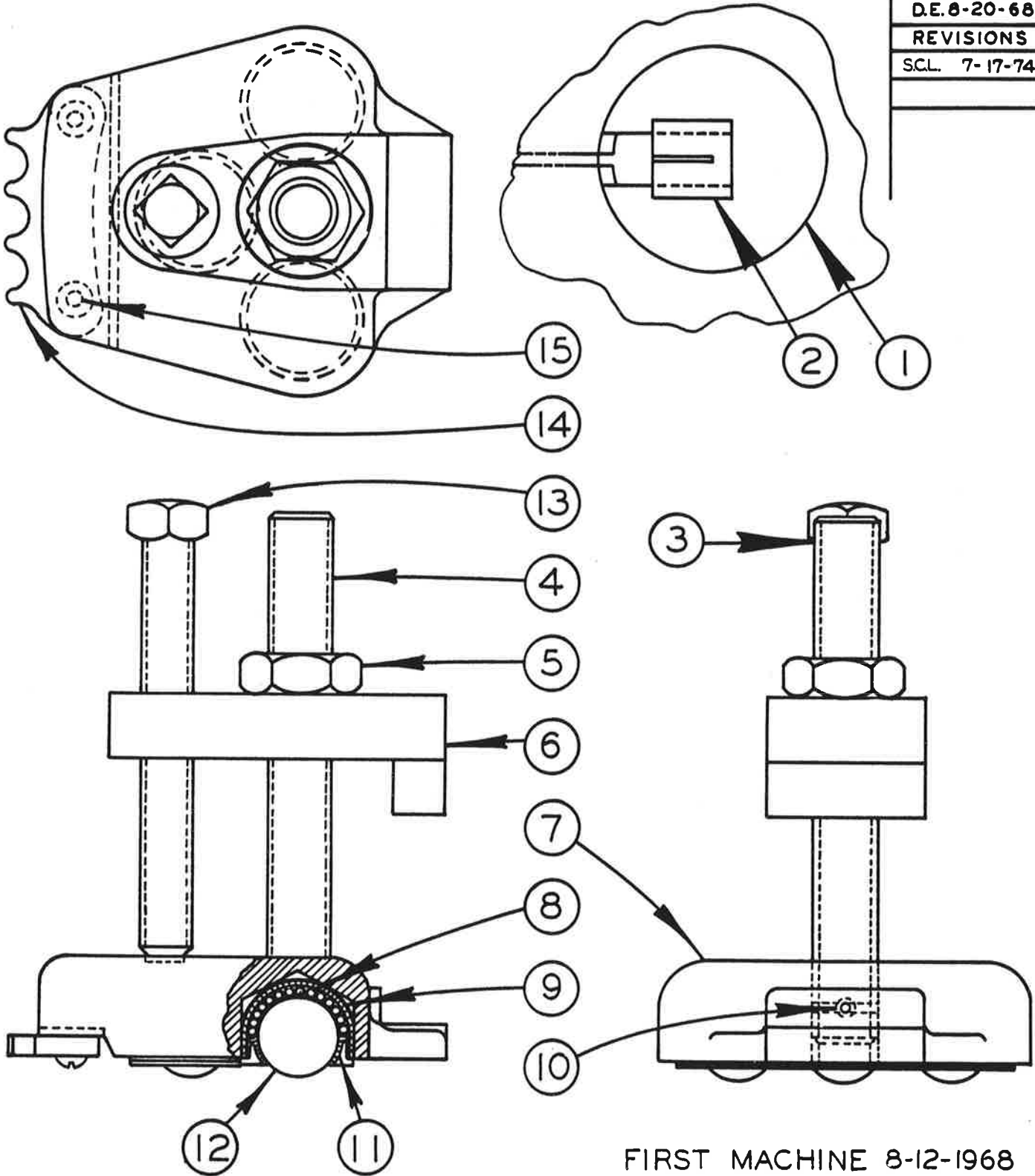
CM-10-13

Z-10-11

HEAVY
PARALLEL WORK CLAMP ASSEMBLY

INDEX NO.	CATALOG NO.	DESCRIPTION	UNITS PER ASS'Y
Ref.	106-240047	Parrallel Work Clamp Assembly	
1	106-244130	. Center Support (1" Slot)	Use
	135-008787	. Center Support (1-1/4"Slot)	One
2	090-279506	. Center Plate (4-1/2" Dia.)	1
Ref.	135-051746	. Parallel Work Clamp Sub-Assembly	4
3	091-991356	. . Nut, Hex. 5/8-11NC	1
4	106-245087	. . Screw, Sq. Hd. Set	1
5	106-244155	. . Clamp Stud	1
6	106-243074	. . Parallel Arm Weldment	1
7	091-984112	. . Screw, Soc. Hd. Set #10-24NC x 3/8.....	1
8	106-241078	. . Clamp Body	1
9	106-245053	. . Ball	130
10	106-243066	. . Ball Cup	2
11	135-037976	. . Ball Retaining Ring	2
12	106-245046	. . Ball	2
13	091-988691	. . Screw, Rd. Hd. Mach. #10-24NC x 1/2	2
14	105-133136	. . Work Holding Jaw Sprocket (1/2" Pitch)	Use
	106-233372	. . Work Holding Jaw Sprocket (3/16" Pitch)	One

NEW DRG.
D.E. 8-20-68
REVISIONS
SCL. 7-17-74



FIRST MACHINE 8-12-1968

HEAVY
PARALLEL WORK CLAMP

C-10-38 CM-10-31 Z-10-17

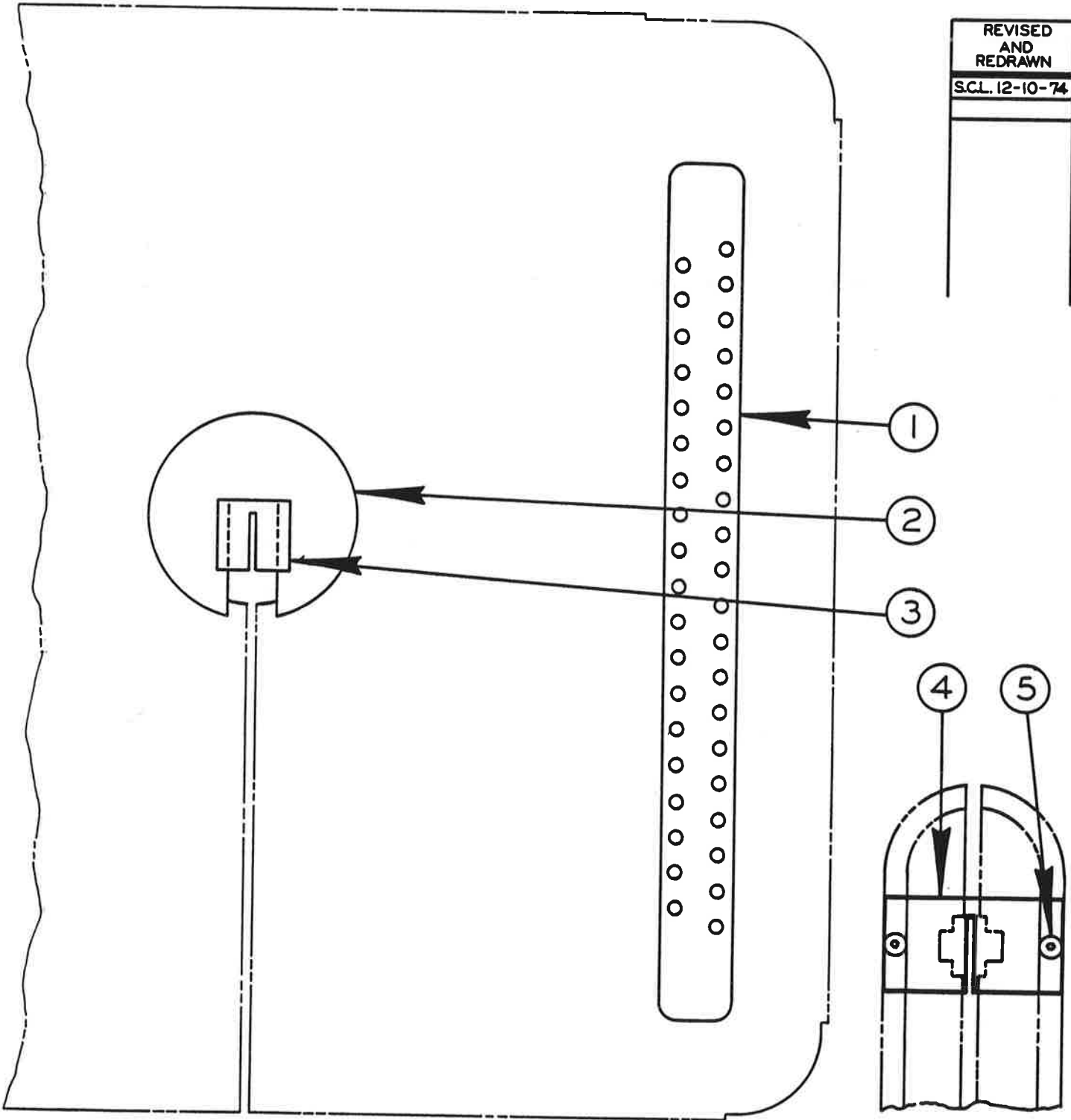
PRINTED IN U.S.A.

CODE NO. C-10-38
CM-10-31
Z-10-17

HEAVY
 PARALLEL WORK CLAMP ASSEMBLY

INDEX NO.	CATALOG NO.	DESCRIPTION	UNITS PER ASS'Y
REF.	090-450099	Parallel Work Clamp Assembly	
1	090-279506	. Center Plate	1
2	106-244130	. Center Support	1
3	090-376294	. Parallel Work Clamp Sub-Assembly	4
4	106-244155	. . Clamp Stud	1
5	091-991356	. . Nut, Hex. 5/8-11NC	1
6	106-243074	. . Parallel Arm	1
7	090-376286	. . Clamp Body	1
8	106-245053	. . Steel Ball	195
9	106-243062	. . Ball Cup	3
10	091-984112	. . Screw, Soc. Set #10-24NC x 3/8	1
11	135-037976	. . Ball Retainer Ring	3
12	106-245046	. . Steel Ball	3
13	106-245087	. . Set Screw	1
14	105-133136	. . Work Holding Jaw Sprocket	1
15	091-986893	. . Screw, Rd. Hd. Mach. #10-24NC x 1/2	4

REVISED
AND
REDRAWN
S.C.L. 12-10-74

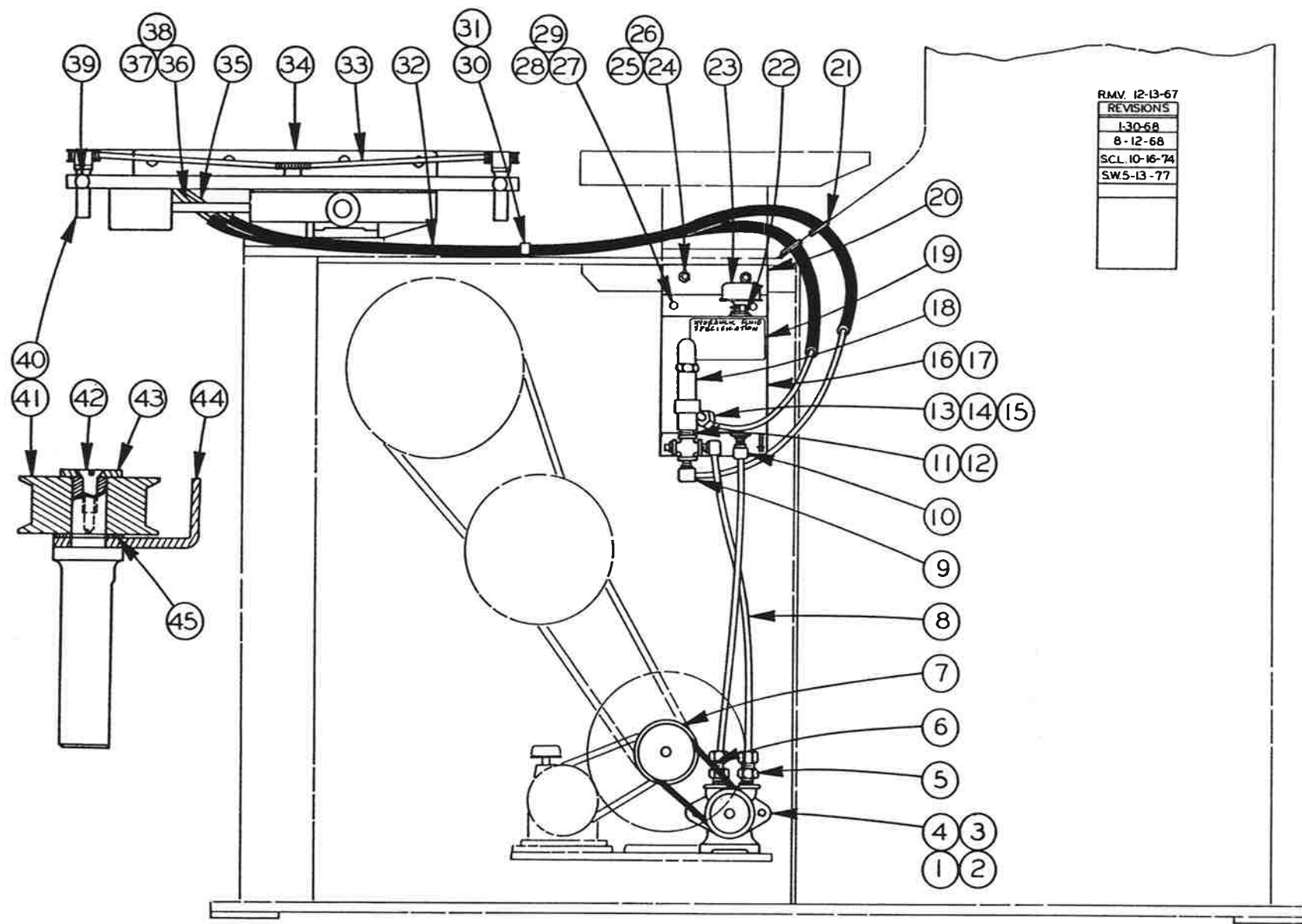


HEAVY WORK SLIDES

CODE NO. C-10-23
CM-10-33
Z-10-12

HEAVY WORK SLIDES

INDEX NO.	CATALOG NO.	DESCRIPTION	UNITS PER ASS'Y
Ref.	090-450040	Heavy Work Support Assembly (1612, 1612-0, 1612-1, 2013, 2013-0, 2013-10, 2612-1, 2614-1, 3612, 3612-1, 3613-0, 3613-10, 3613-1, 2013-1)	
Ref.	135-052470	Heavy Work Support Assembly (1613-2, 2613-2, 3613-2, 6013-2, ZS-3620, ZV-3620, ZW-3620)	
Ref.	094-006921	Heavy Work Slide Assembly (2612-2H)	
1	106-233190	. Work Transport Bar	2
2	090-279506	. Center Plate (Assembly #090-450040 Only)	1
3	106-234529	. Center Support (Assemblies #090-450040 & 135-052470)	1
4	091-178145	. Center Support (Assembly #094-006921 Only)	1
5	091-983205	. Screw, Fl Hd. Soc. Cap 1/4-20NC x 3/4 (Assembly #094-006921 Only)	2



C-9-62

PRINTED IN USA

HYDRAULIC CONTOUR FEED ASSEMBLY

MODEL	FIRST MACH	LAST MACH
3612-U	271-68101	271-68156
3613-0	278-68101	278-77825
3612	291-68101	291-77235
3613-1	149-61196	149-73706
3613-2	151-62213	151-756083
3613-10	381-77101	
3612-1	380-77101	

HYDRAULIC CONTOUR FEED ASSEMBLY

INDEX NO.	CATALOG NO.	DESCRIPTION	UNITS PER ASS'Y
Ref.	51742	Hydraulic Contour Feed Assembly (3613-2)	
Ref.	59663	Hydraulic Contour Feed Assembly (3613-1, 3613-10)	
Ref.	55601	Hydraulic Contour Feed Assembly (3612, 3613-0, 3612-1)	
1	090-118761	. Pump (3613-2, 3612, 3612-1, 3613-0)	Use
	090-022815	. Pump (3613-1, 3613-10)	One
2	090-020520	. Pulley	1
3	091-980326	. Screw, Hex. Hd. Cap 5/16-18NC x 1-3/4	2
4	091-992628	. Washer 5/16" Std.	2
5	091-071084	. Male Connector (3613-2)	Use
	090-014010	. Male Connector (3613-1, 3613-10)	
	090-081381	. Male Connector (3612, 3613-0, 3612-1)	One
6	090-052093	. "A" Belt (50 Cycle)	Use
	091-066951	. "A" Belt (60 Cycle)	One
7	091-055707	. Pulley (50 Cycle)	Use
	091-042226	. Pulley (60 Cycle)	One
8	090-002114	. Nylon Tube 3/8 O.D.	A.R.
9	091-071084	. 90° Male Elbow	1
10	090-014036	. 90° Male Elbow	1
11	090-095456	. Cross	1
12	105-046122	. Pipe Plug	1
13	090-133836	. Female To Male Run Tee	1
14	114-035074	. Nipple	2
15	091-135848	. 45° Male Elbow	1
16	090-403296	. Tank Assembly	1
17	090-023334	. Cap	1
18	117-135053	. Relief Valve (Ass'y #51742)	Use
	091-236554	. Relief Valve (Ass'y #59663)	
	091-236539	. Relief Valve (Ass'y #55601)	One
19	091-160739	. Escutcheon	1
20	090-484098	. Bracket	1
21	090-058470	. Grommet	2
22	090-212127	. Dip Stick Sub-Assembly	1
23	105-115109	. Breather	1
24	091-980466	. Screw, Hex. Hd. Cap 3/8-16NC x 1	6
25	091-991265	. Nut, Hex. 3/8-16NC	2
26	091-993329	. Washer, Lock 3/8 Std.	6
27	091-980268	. Screw, Hex. Hd. Mach. 5/16-18NC x 5/8	4
28	091-991224	. Nut, Hex. 5/16-18NC	6
29	091-993238	. Washer, Lock 5/16" Std.	4
30	090-195090	. Jiffy Strap	2
31	091-988931	. Screw, Rd. Hd. Mach. 1/4-20NC x 3/8	1
32	090-000019	. Rubber Hose 1/2" I.D. x 3/4" O.D.	A.R.
33	135-050136	. Chain Assembly	1
34	135-052140	. Contour Feed Ass'y (3613-2, 3613-1, 3613-10) (See Detail)	Use
	135-052124	. Contour Feed Ass'y (3612, 3613-0, 3612-1) (See Detail)	One
35	090-002114	. Nylon Tube 3/8" O.D.	A.R.
36	090-002114	. Nylon Tube 3/8" O.D.	A.R.
37	090-172479	. Clamp	4
38	091-988543	. Screw, Rd. Hd. Mach. 8-32NC x 1/2	2
39	134-174010	. Thumb Screw	2
40	135-006716	. Horizontal Roller Ass'y (3613-1, 3613-2, 3613-10)	Use
	091-066639	. Horizontal Roller Ass'y (3612, 3613-0, 3612-1)	One
41	135-075919	. Roller	1
42	091-988857	. Screw, Rd. Hd. Mach. 10-32NF x 1/2 (3613-1, 3613-2, 3613-10)	Use
	091-987560	. Screw, Flat Hd. Mach. 10-32NF x 1/2 (3612, 3613-0, 3612-1)	One
43	091-038455	. Washer (3612, 3613-0, 3612-1)	Use
	135-075927	. Washer (3613-1, 3613-2, 3613-10)	One
44	135-020055	. Guide & Post Assembly	1
45	106-233380	. Washer	A.R.

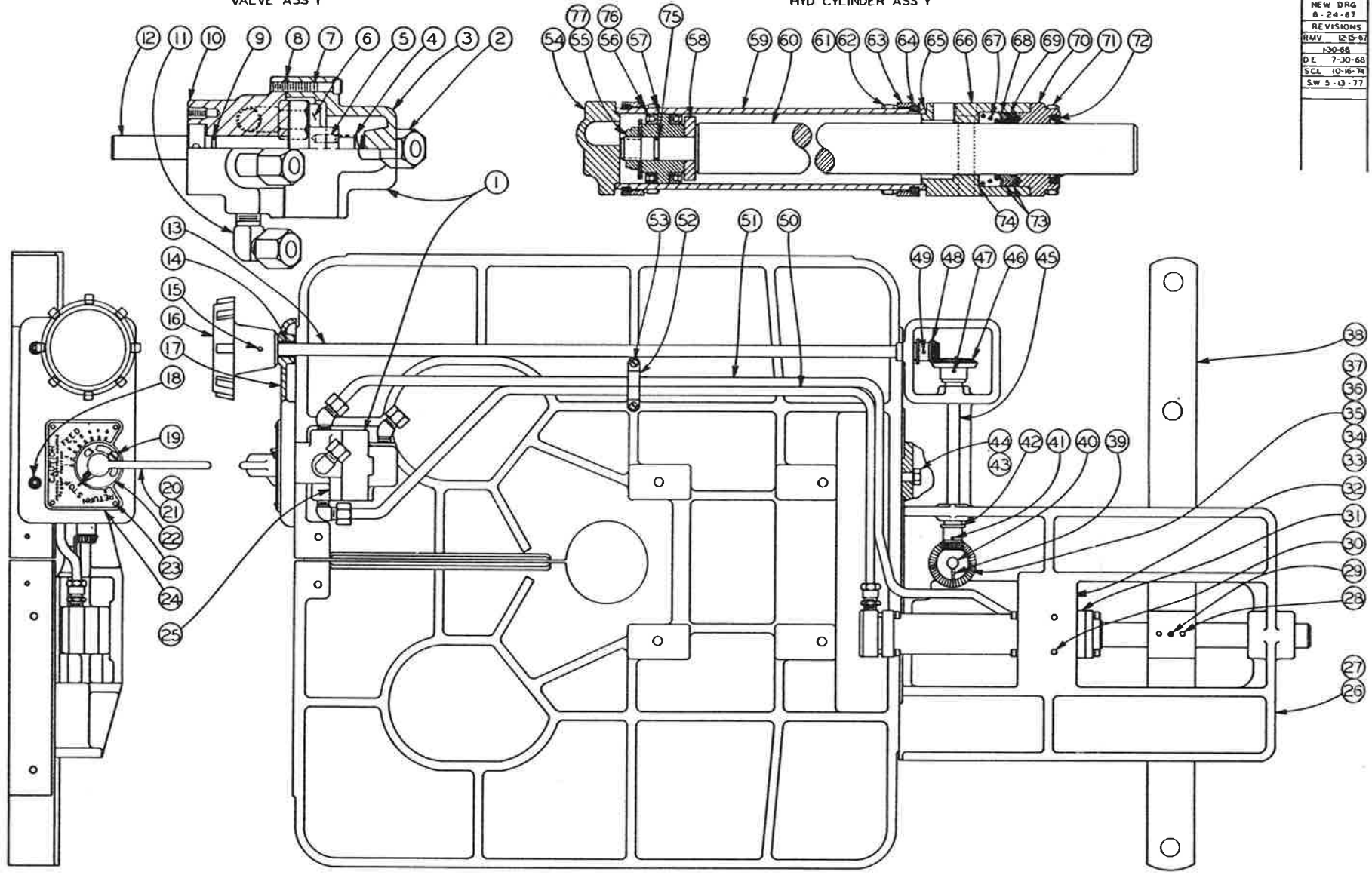
Following Items Not Shown:

135-008324	. Cover	1
091-993964	. Drive Screw	4

VALVE ASS'Y

HYD CYLINDER ASS'Y

NEW DRG	8-24-67
REVISIONS	
RMV	12-5-67
	1-30-68
DE	7-30-68
SCL	10-16-74
SW	5-13-77



C-9-60

MADE IN U.S.A.

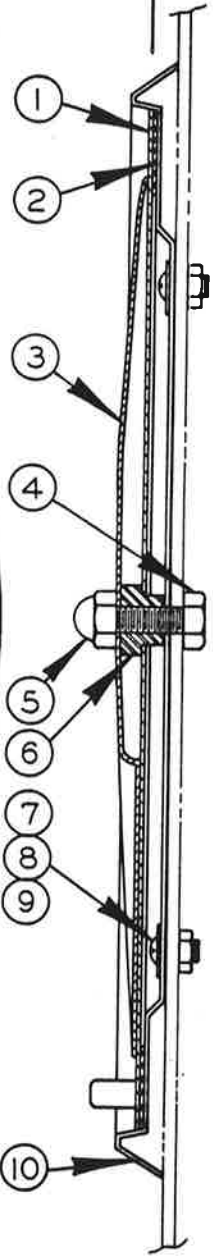
MODEL FIRST MACH LAST MACH

HYD. CONTOUR FEED ASS'Y

3612-1	380-77101	
1612-1	148-62487	148-731539
2612-1	172-60101	172-68229
1611-U	270-68101	270-68156
3612-U	271-68101	271-68131
1612-0	277-68101	277-751728
3613-0	278-68101	278-77825
2612-1	285-68101	285-76200
1612	287-68101	287-76450
3612	291-68101	291-77235

HYDRAULIC CONTOUR FEED ASSEMBLY							
INDEX NO.	CATALOG NO.	DESCRIPTION	UNITS PER ASS'Y	INDEX NO.	CATALOG NO.	DESCRIPTION	UNITS PER ASS'Y
Ref.	35-5212	Hydraulic Contour Feed Ass'y(1612-0,3613-0, 1611-U,1612-1, 1612,3612,3612-1)		37	135-006724	. . Sprocket	1
Ref.	55472	Hydraulic Contour Feed Ass'y 3612-U & 2612-1		38	135-007946	. . Guide Roller Bar Sub-assembly.	1
1	090-244062	. Valve Sub-Ass'y	1	39	091-984104	. . Scr. Soc. Hd. Set #10-24 x 1/4"	3
2	091-135848	. . 45° Elbow	2	40	135-004786	. . Sprocket Shaft	1
3	135-008266	. . Valve Cap	1	41	090-042433	. . Roll Pin	1
4	135-008357	. . Spring Muehlhausen #M105 ...	1	42	106-235211	. . Bearing	3
5	135-083715	. . Pin Baumbach #PD51	2	43	091-980466	. Scr. Hex. Hd. Cap 3/8-16NC x 1"	4
6	090-210998	. . Disc & Pin Ass'y	1	44	091-993329	. Washer, Lock 3/8 Std.	4
7	091-982264	. . Scr. Skt. Hd. Cap #10-24NC x 1-1/4"	8	45	135-004992	. . Gear Shift	1
8	135-008241	. . Gasket	1	46	090-144353	. . Bevel Gear	2
9	135-091767	. . "O"-Ring	1	47	090-042607	. . Roll Pin	3
10	090-210246	. . Valve Body	1	48	090-144346	. . Bevel Gear	2
11	091-071084	. . 90° Elbow	2	49	090-042557	. Roll Pin	1
12	090-210261	. . Control Shaft & Collar Ass'y ..	1	50	090-002114	. Nylon Tube 3/8 O.D.	A.R.
13	091-038604	. Shaft (Used on Ass'y #55472) ...	1	51	090-002114	. Nylon Tube 3/8 O.D.	A.R.
14	135-003234	. Shaft (Used on Ass'y #35-5212) .	1	52	090-172479	. Clamp	2
15	106-235195	. Bearing	1	53	091-988543	. Scr. Rd. Hd. Mach. #8-32NC x 1/2"	2
16	090-042599	. Roll Pin	1	Ref.	135-007995	. . Hydraulic Cylinder Ass'y	
17	090-239542	. Handwheel	1	54	135-004778	. . Rear Cap	1
18	135-008290	. Control Panel	1	55	090-014010	. . Male Connector (Not Shown)	1
19	091-982579	. Scr. Soc. Hd. Cap 5/16-18NC x 5/8"	2	56	090-127762	. . Nut, Lock	1
20	091-988931	. Scr. Rd. Hd. Mach. 1/4-20NC x 3/8"	1	57	091-101238	. . U-Cup	2
21	135-008225	. Control Handle	1	58	091-076463	. . Piston	1
22	090-042573	. Roll Pin	1	59	091-076612	. . Spacer	1
23	135-008282	. Selector Plate	1	60	091-076687	. . Cylinder	1
24	091-993998	. Scr. Drive, #4 x 1/4	4	61	090-259904	. . Piston Rod	1
25	135-008274	. Indicator Plate	1	62	091-982421	. . Scr. Soc. Hd. Cap 1/4-20 x 1"	8
26	091-982397	. Scr. Soc. Hd. Cap 1/4-20NC x 3/4" (Not Shown)	4	63	090-035593	. . Washer, Lock 1/4" Hi-Collar	12
27	135-051241	. Hydraulic Table Bracket Sub-Ass'y	1	64	135-004653	. . Collar	2
28	135-007987	. . Table Bracket	1	65	135-004661	. . Snap Ring	4
29	135-004984	. . Taper Pin	2	66	135-004638	. . Gasket	2
30	091-984229	. . Scr. Soc. Hd. Set 1/4-20NC x 1/4"	1	67	090-259888	. . Front Block	1
31	091-982652	. . Scr. Soc. Hd. Cap 5/16-18NC x 2-1/4"	2	68	091-031856	. . Spring	1
32	135-007995	. . Hydraulic Cylinder (See Section)	1	69	091-031864	. . Adaptor Ring	1
33	135-002988	. . Shim	A.R.	70	091-098855	. . Packing Ring Fab. Chevron .	1
34	135-006732	. . Sprocket Retainer	1	71	090-310590	. . End Cap	1
35	091-990192	. . Scr. Oven Hd. Mach. 1/4-20 NC x 3/8"	3	72	091-982389	. . Scr. Soc. Hd. Cap, 1/4-20 NC x 5/8"	4
36	091-333104	. . Shim	A.R.	73	091-408500	. . Scraper Ring	1
	091-333112	. . Shim	A.R.	74	091-071084	. . 90° Male Elbow (Not Shown)	1
	091-333120	. . Shim	A.R.	75	091-098863	. . Packing Ring, Homo. Chevron	2
	091-333138	. . Shim	A.R.	76	091-336883	. . Shim	A.R.
	090-040700	. . Bearing	2	77	091-336891	. . Shim	A.R.
					135-091767	. . O-Ring	1
					090-022781	. . O-Ring	2
					091-025247	. . Washer	1

REVISED AND REDRAWN
S.W. 12-16-74



JOB SELECTOR ASSEMBLY

C-8-104 CM-8-53 Z-6-54

PRINTED IN U.S.A.

CODE NO. C-8-104
CM-8-53
Z-6-54

INDEX NO.	CATALOG NO.	JOB SELECTOR DESCRIPTION	UNITS PER ASS'Y
Ref.	090-468174	Job Selector (1612-U, 3012-U, 1611-H, 2612-1H, 2013, 2013-0, 2012-A, 2012-AT, 1612-0, 3613-0, 1612, 3612, 2013-1, 2013-10, 2012-1A, 2012-1AT, 3612-1H, 3612-1, 3613-10)	
*Ref.	090-435603	Job Selector (1612-1, 3613-1, 2612-1, 2613-2, 6013-2, 2618-4, HS-6013, ZW-3620, ZV-3620, ZS-3620)	
1	090-220781	. Job Selector Dial	1
2	106-143043	. Outer Edge Felt	4
3	094-008380	. Job Selector Plate	1
4	091-990283	. Screw, Truss Hd. Mach. 5/16-18NC x 3/4	1
	*091-980276	. Screw, Hex. Hd. Cap 5/16-18NC x 3/4	1
5	090-044496	. Acorn Nut 5/16-18NC	1
6	106-144017	. Bushing	Use
	*090-027012	. Bushing	One
*7	091-988907	. Screw, Rd. Hd. Mach. 1/4-20NC x 1/4	4
*8	091-993741	. Washer, Lock Shakeproof 1/4 Internal	4
*9	091-991141	. Nut, Hex. Jam 1/4-20NC	4
*10	090-426727	. Job Selector Frame	1

NOTE: Job Selectors #090-468174 & #090-435603, First Used 9/17/62. Before This Date #094-008380 Plate and #090-220781 Dial, Must Be Replaced Together As A Unit.

*NOTE: Starred Items Used Only On Assembly #090-435603.

*NOTE: Last Used On Models:

MODEL	LAST MACH.
<u>1613-2</u>	<u>150-69593</u>
3613-2	151-69515
1612-3	152-691017
2613-3	198-69361
3612-3	153-691054
6013-3	199-70125
1612-H	288-69204
2612-H	284-69135
2612-2H	206-69308
3612-H	272-69152

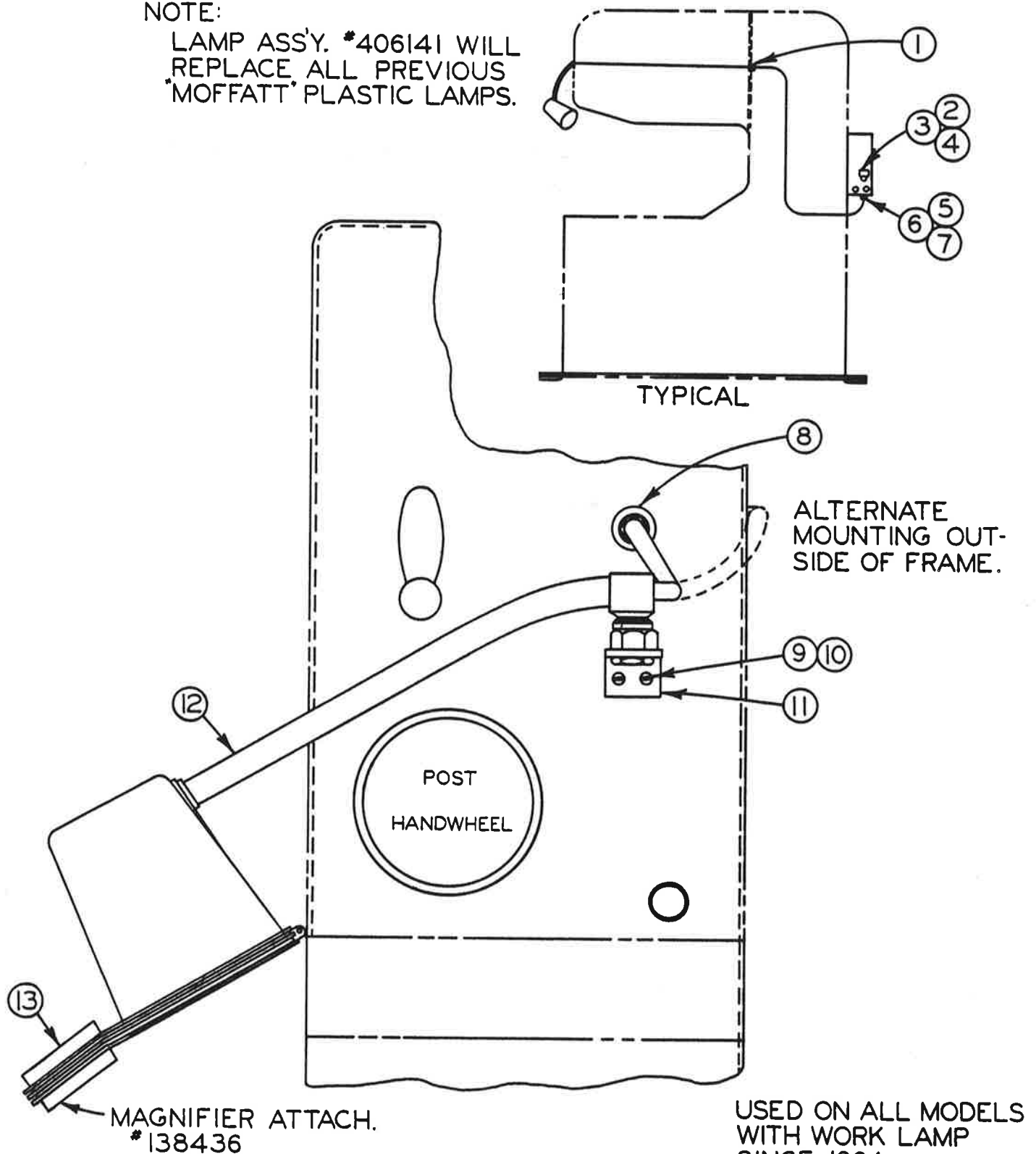
O.S.H.A. REQUIREMENT:

WIRE WORK LAMP DIRECT TO CONTROL BOX. MOUNT LAMP SWITCH ON SIDE OF CONTROL BOX OR THE CONTROL PANEL.

REVISIONS
REDRN.
5-23-75 W.S.

NOTE:

LAMP ASS'Y. #406141 WILL REPLACE ALL PREVIOUS 'MOFFATT' PLASTIC LAMPS.

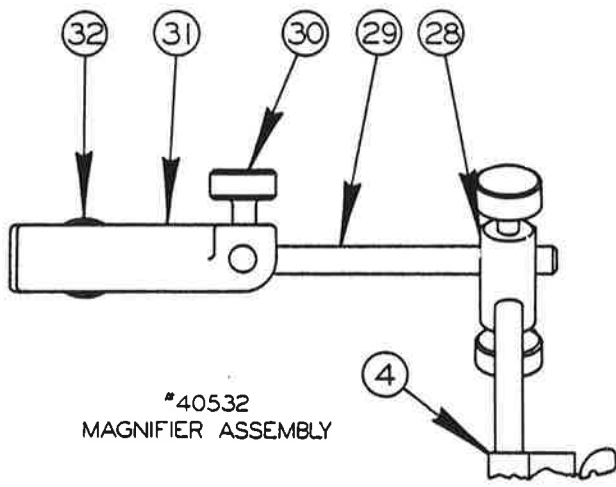


LAMP & MAGNIFIER ASSEMBLIES

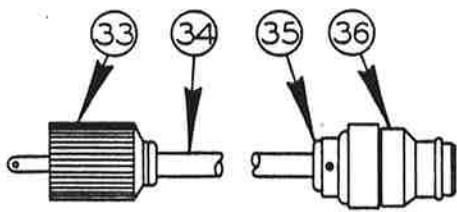
	C-8-8
	CM-8-31
	PS-8-103
CODE NO.	TF-4-100
	F9-6.1
	Z-7-61

LAMP & MAGNIFIER

INDEX NO.	CATALOG NO.	DESCRIPTION	UNITS PER ASS'Y
Ref.	094-061413	Lamp Assembly	
1	090-157454	. Bushing	1
2	090-152455	. Selector Switch, 2-Position	1
3	091-048207	. Contact Block	1
4	091-333591	. Legend Plate	1
5	090-145459	. Cord Grip Connector	1
6	090-144114	. Washer	1
7	090-145053	. "O"-Ring	1
8	090-151390	. Cord Grip	1
9	091-988659	. Screw, Rd. Hd. Mach. #10-24NC x 1/4"	2
10	091-993196	. Washer, Lock #10 Std.	2
11	091-025049	. Bracket	1
12	091-384529	. Lamp Sub-Assembly, 19" Flexible Cable, 11'-1/2" Connecting Cord	1
13	091-384362	. Magnifier Attachment, Mounts to Lampshade on Lamp Part #091-384529.....	1

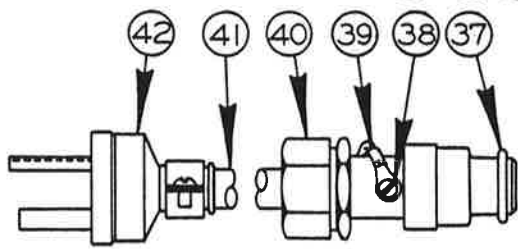
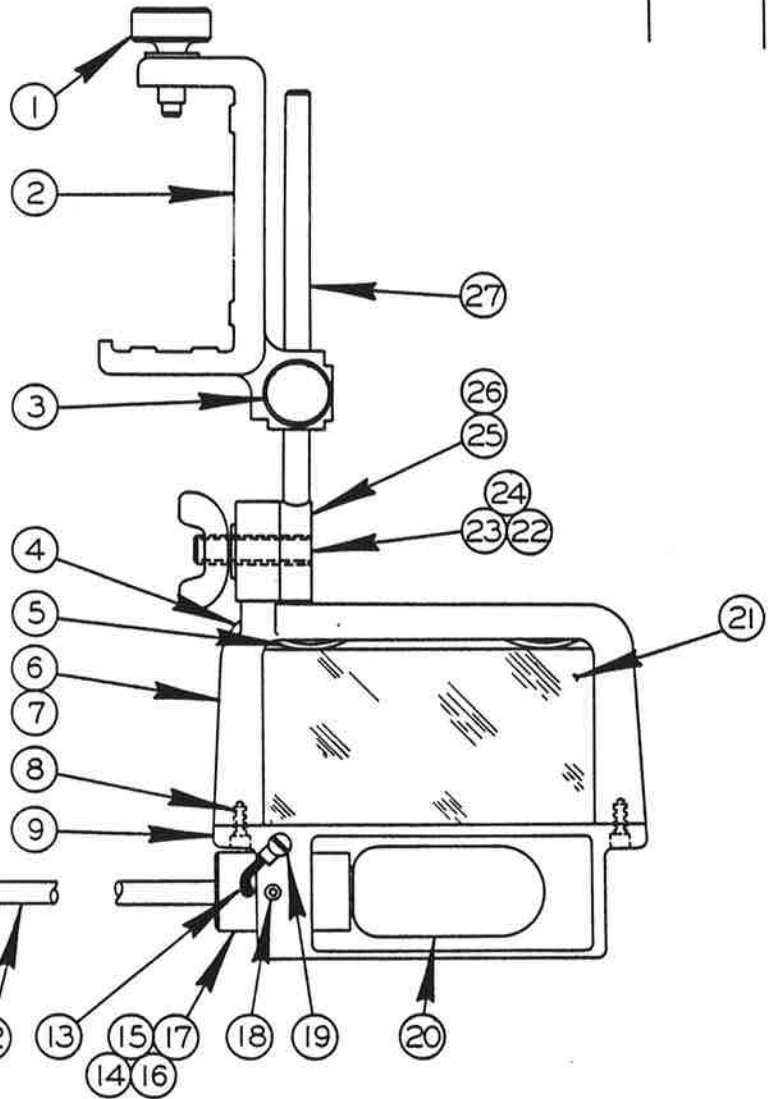


#40532
MAGNIFIER ASSEMBLY



#20826
LAMP SOCKET ASSEMBLY

ZEPHYRS ONLY



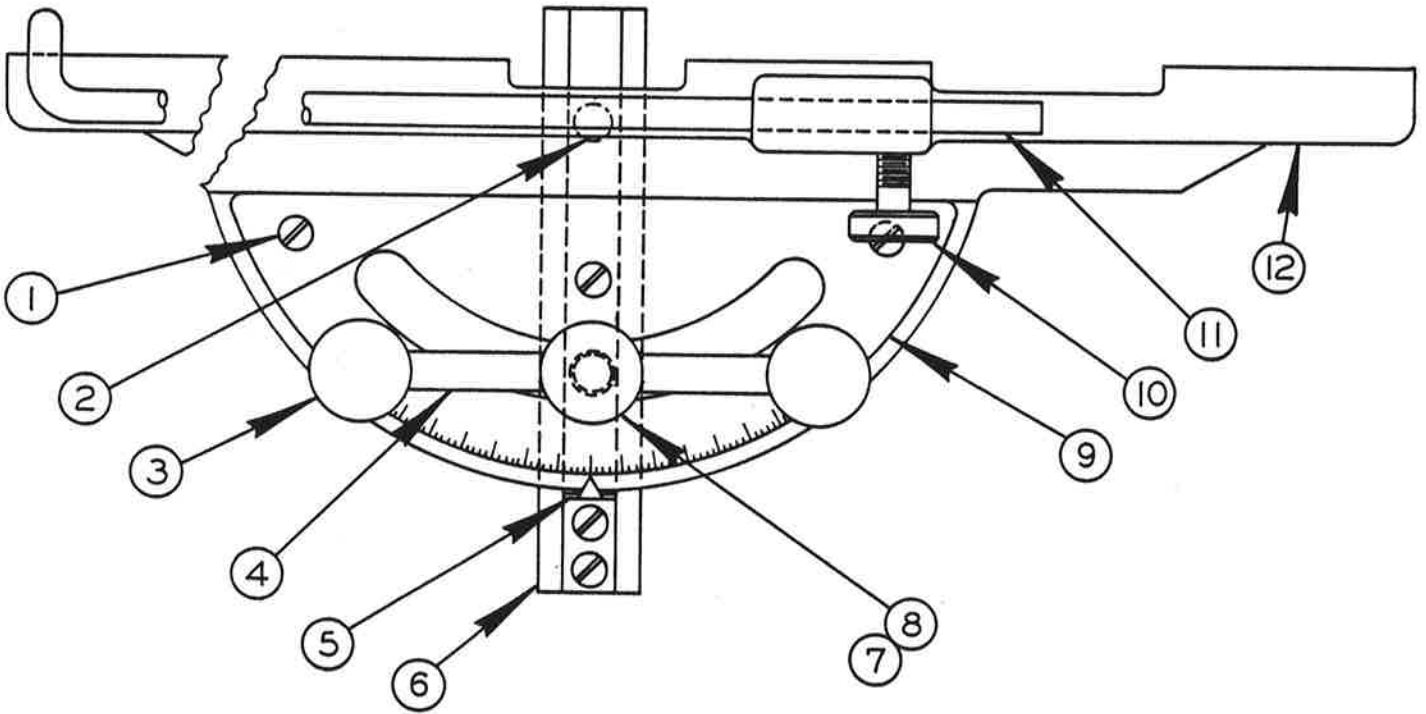
#17987, #107026
LAMP SOCKET ASSEMBLY
(2618-4 ONLY)

MAGNIFIER ATTACHMENT
ASSEMBLY

MAGNIFIER ATTACHMENT ASSEMBLY

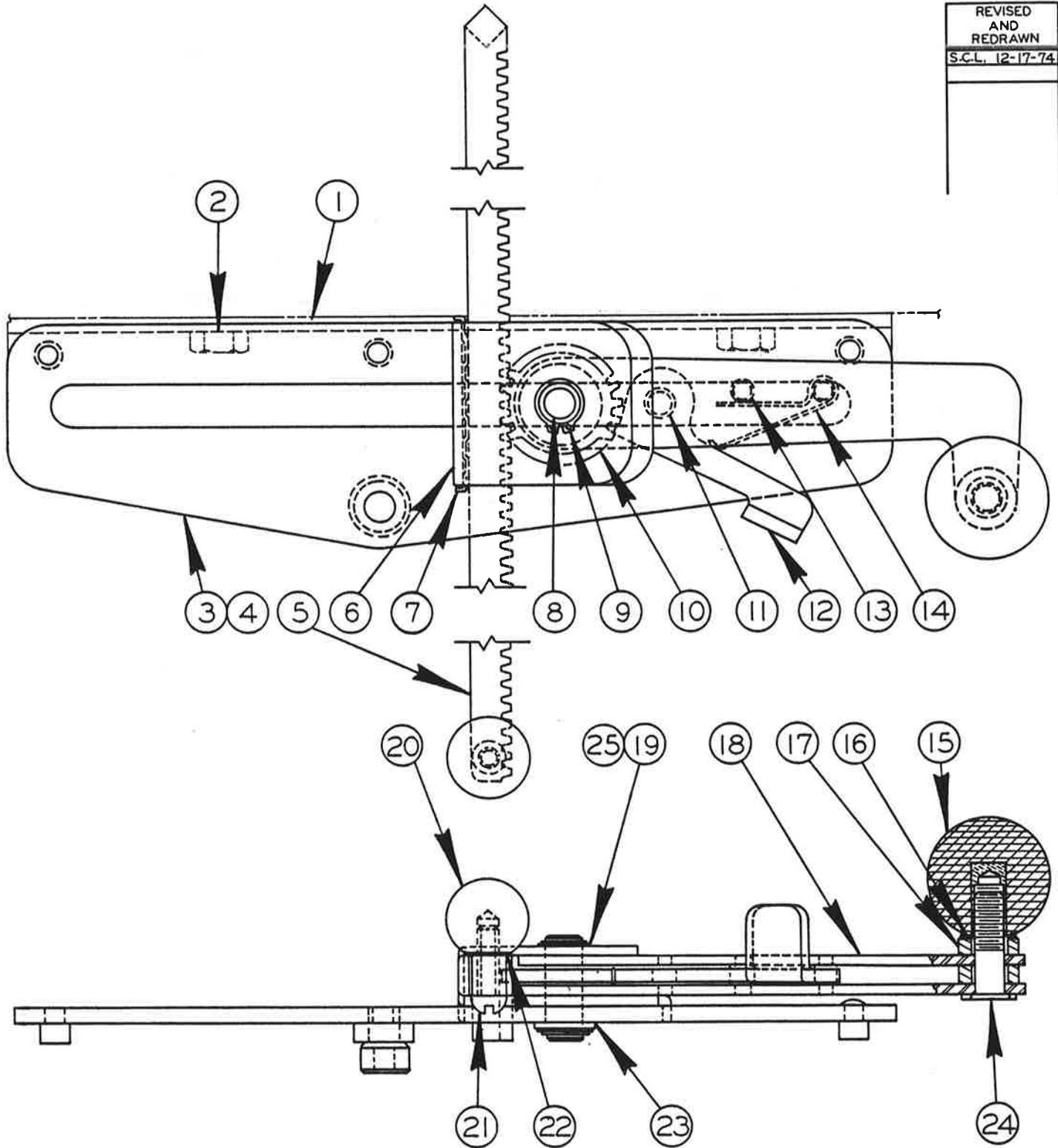
INDEX NO.	CATALOG NO.	DESCRIPTION	UNITS PER ASS'Y
Ref.	135-005551	Magnifier Attachment Assembly(1612, 1612-0, 1612-H, 1612-1, 1613-2, 1612-3, 2012-A, 2012-AT, 2013, 2013-0, 2012-1A, 2012-1AT, 2013-1, 2013-10, 2612-H, 2612-1, 3612, 3613-0, 3612-H, 3613-1, 3613-2, 3612-3, 2614-1, 2012-1H, 2012-2H, 2012-1H3, 2012-2H3, 3612-1H3, 3612-2H3)	
Ref.	090-428723	Magnifier Attachment Assembly(2613-2, 2613-3, 6013-2, 6013-3, 6013-H3, 2612-1H3)	
Ref.	090-477670	Magnifier Attachment Assembly(2618-4)	
Ref.	090-405325	Magnifier Attachment Assembly(ZS-3620, ZV-3620, ZW-3620)	
1	134-174010	Thumbnut(Ass'ys #135-005551, #090-428723, #090-477670)	1
	091-982421	Screw, Soc. Hd. Mach. 1/4-20NC x 1	2
2	093-001899	Post Clamp(Assembly #135-005551)(1-1/2" Post)	Use
	090-243932	Post Clamp(Assembly #090-428723)(2-3/4" Post)	
	090-477639	Post Clamp(Assembly #090-477670)(3-1/4" Post)	
	094-000734	Post Clamp(Assembly #090-477670)(Extra Work Height)	One
3	135-005544	Thumb Nut	1
4	090-451055	Magnifier Sub-Assembly (Assembly #135-005551, #090-428723)	Use
	090-477688	Magnifier Sub-Assembly (Assembly #090-477670)	
	090-412529	Magnifier Sub-Assembly (Assembly #090-405325)	One
5	135-021046	Lens Spring	2
6	135-052694	Magnifier Housing Sub-Assembly	1
7	135-005528	Frame	1
8	091-986901	Screw, Fil. Hd. Mach. #6-32NC x 3/8	2
9	135-005536	Housing	1
10	093-021681	Lamp Socket Assembly (Assembly #090-451055 Only)	1
11	091-305383	Electrical Cord	1
12	091-038372	Wire Terminal	2
13	091-038349	Wire Terminal	1
14	091-035360	Socket Bushing	1
15	091-338848	Socket 75-W, 125-V	1
16	091-305375	Strain Relief	1
17	091-984062	Screw, Soc. Set #8-32NC x 1/4	1
18	091-984104	Screw, Soc. Set #10-24NC x 1/4	1
19	091-988519	Screw, Rd. Hd. Mach. #8-32NC x 1/4	1
20	091-338749	Lamp (Assembly #090-451055, #090-412529)	Use
	090-195124	Lamp (Assembly #090-477688)	One
21	134-175017	Magnifying Lens	1
22	135-005593	Pivot Stud	1
23	091-992628	Washer 5/16" SAE Std.	1
24	135-005627	Wing Nut	1
25	135-005601	Post Arm Swivel Sub-Assembly (Assembly #090-451055)	Use
	091-070250	Arm Assembly (Assembly #090-477688)	
	135-008761	Post Arm Swivel Sub-Assembly(Assembly #090-477688, 36" Zephyrs)	
	090-183757	Post Arm Swivel Sub-Assembly(Assembly #090-412529)	One
26	135-005585	Swivel (Assembly #135-005601, #091-070250)	Use
	135-008720	Swivel (Assembly #135-008761, #090-183757)	One
27	135-005569	Arm (Assembly #135-005601)	Use
	091-070243	Arm (Assembly #091-070250)	
	135-008712	Arm (Assembly #135-008761)	
	091-363440	Rod (Assembly #090-183757)	One
Ref.	090-405325	Magnifier Attachment Assembly(ZS-3620, ZV-3620, ZW-3620)	
28	090-031089	Joint	1
29	090-031071	Arm	1
30	135-005544	Thumb Nut	3
31	090-229030	Post Clamp	1
32	134-174010	Thumb Nut	1
Ref.	090-208265	Lamp Socket Assembly (Zephyrs)	1
33	091-353946	Midget Cord Connector	1
34	090-007923	Rubber Cord	A.R.
35	091-353888	Bushing	2
36	091-353912	Socket	1
Ref.	090-179870	Lamp Socket Assembly (2618-4 L.A. Machines)	1
Ref.	091-070268	Lamp Socket Assembly (2618-4)	1
37	090-183476	Socket	1
38	091-988519	Screw, Rd. Hd. Mach. #8-32NC x 1/4	1
39	091-038349	Wire Terminal	1
40	090-183468	Cord Grip Connector	1
41	090-007956	Rubber Cord	A.R.
42	090-162132	Plug U-Ground	1

REVISED
AND
REDRAWN
SCL 11-22-74



PROTRACTOR WORK STOP
AND
ALIGNMENT GAGE ASSEMBLY

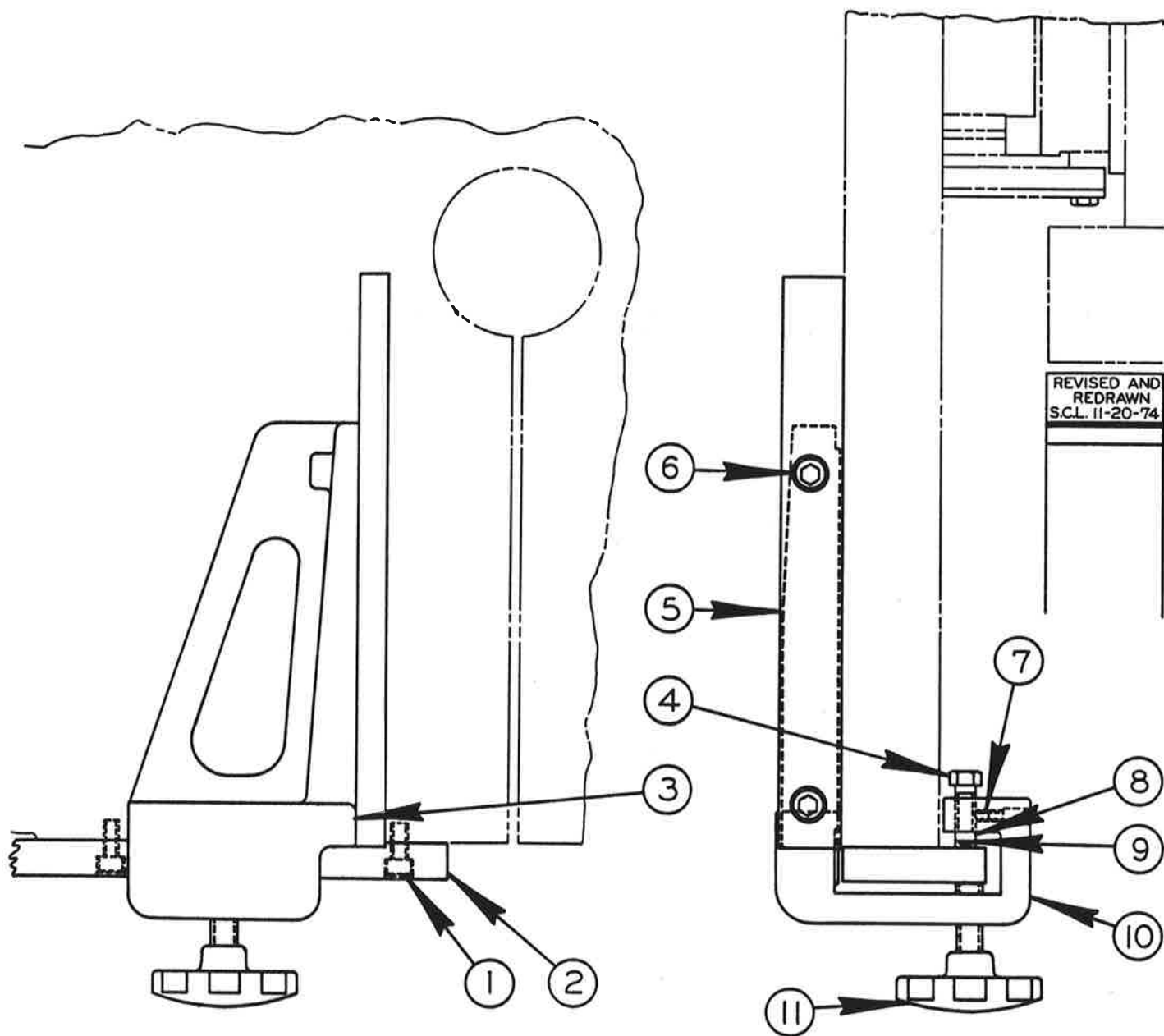
REVISED
AND
REDRAWN
S.C.L. 12-17-74



RATCHET TABLE FEED ASSEMBLY

RATCHET TABLE FEED ASSEMBLY

INDEX NO.	CATALOG NO.	DESCRIPTION	UNITS PER ASS'Y
Ref.	090-429788	Table Feed Assembly	
1	090-429770	. Table Feed Bracket	1
2	091-980433	. Screw, Hex. Hd. Cap 3/8-16NC x 5/8	2
3	090-400615	. Table Feed Assembly	1
4	090-408253	. . Base Plate Assembly	1
5	090-200973	. . Rack Weldment	1
6	090-013434	. . Bracket	1
7	090-013491	. . Spring	1
8	090-013442	. . Center Pin	1
9	135-096139	. . Retaining Ring	2
10	090-013459	. . Gear	1
11	090-013327	. . Spacer Pin	1
12	090-013467	. . Thumb Lever	1
13	090-013319	. . Spacer Pin	2
14	090-013509	. . Spring	1
15	134-135086	. . Knob	1
16	091-993584	. . Washer, Lock 3/8 Shakeproof Int.	1
17	090-013426	. . Spacer	2
18	090-013475	. . Arm	2
19	091-334805	. . Shim	1
20	091-339713	. . Knob	1
21	091-988980	. . Screw, Rd. Hd. Mach. 1/4-20NC x 7/8	1
22	091-993568	. . Washer, Lock 1/4" Shakeproof Internal	1
23	090-055591	. . Washer, Flat	1
24	090-044173	. . Screw	1
25	091-334813	. . Shim	1

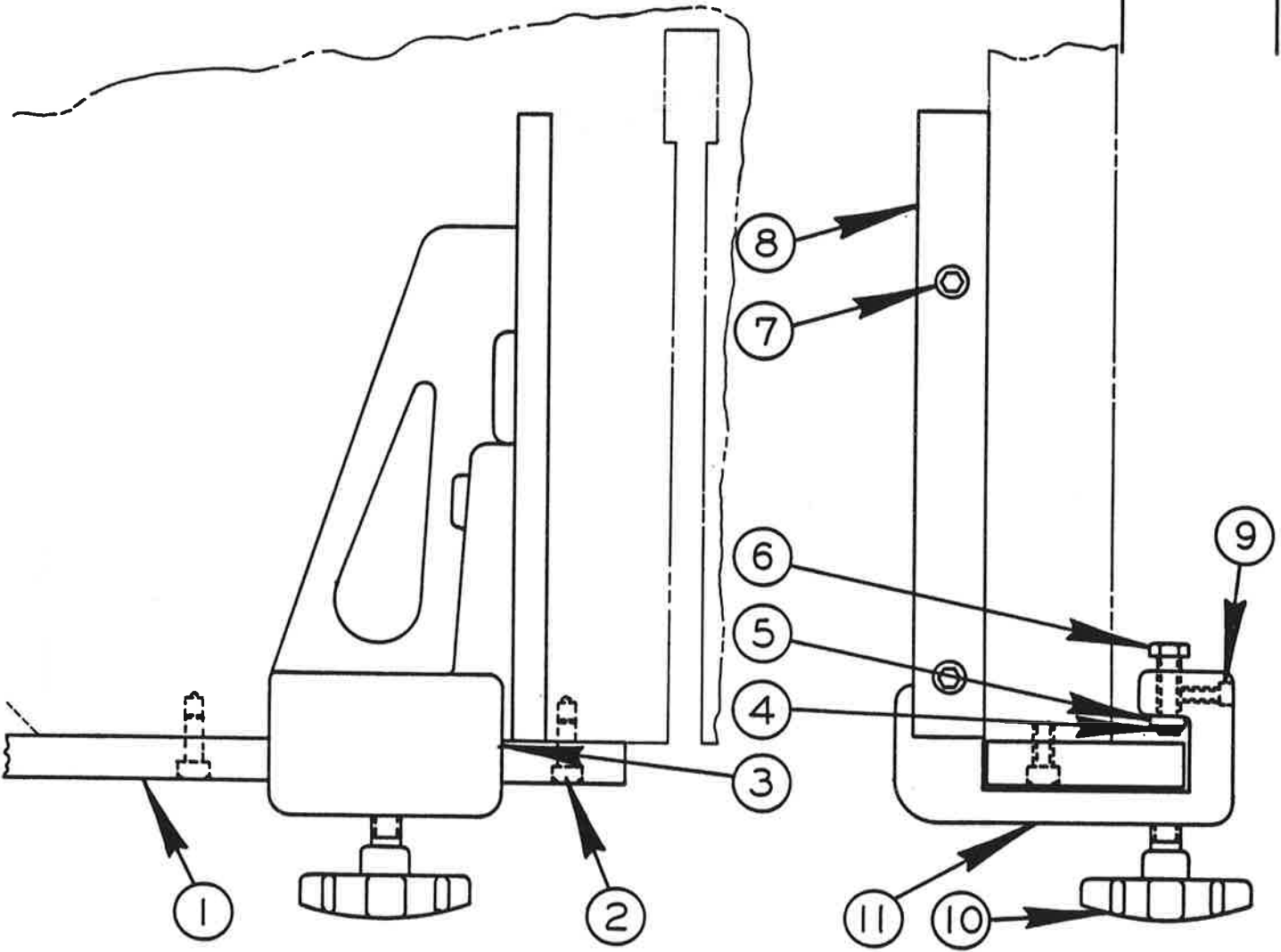


RIP FENCE ASSEMBLY

RIP FENCE ASSEMBLY

INDEX NO.	CATALOG NO.	DESCRIPTION	UNITS PER ASS'Y
Ref.	090-468976	Rip Fence Assembly	
1	091-982785	. Screw, Soc. Hd. Cap 3/8-16NC x 3/4	2
2	090-314493	. Clamp Guide	1
3	090-314501	. Rip Fence Sub-Assembly	1
4	105-164032	. . Clamp Bar Screw	2
5	135-005486	. . Work Guide	1
6	091-982785	. . Screw, Soc. Hd. Cap 3/8-16NC x 3/4	2
7	091-984252	. . Screw, Soc. Hd. Set 1/4-20NC x 1/2	2
8	105-163034	. . Clamp Bar	1
9	134-065044	. . Spring Clip	2
10	090-468968	. . Rip Fence Clamp	1
11	105-160048	. . Handwheel Sub-Assembly	1

REVISED
AND
REDRAWN
S.C.L. 11-25-74



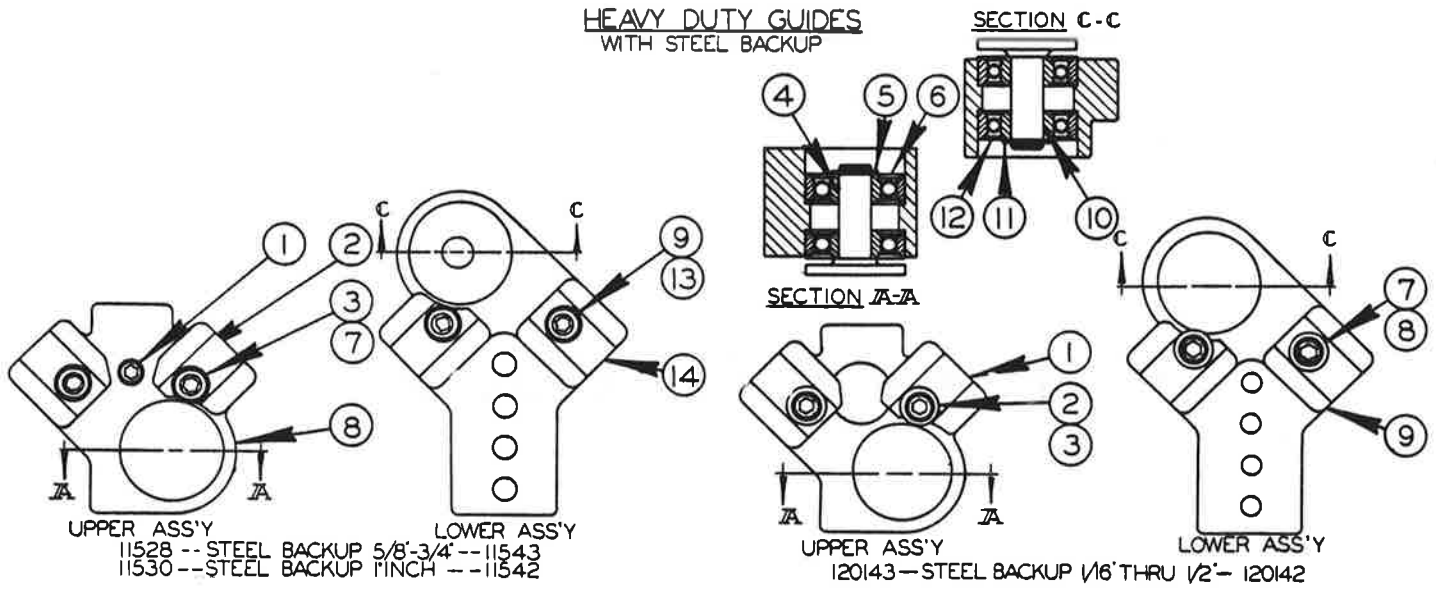
RIP FENCE ASSEMBLY

CODE NO. C-10-6
Z-9-5

RIP FENCE ASSEMBLY

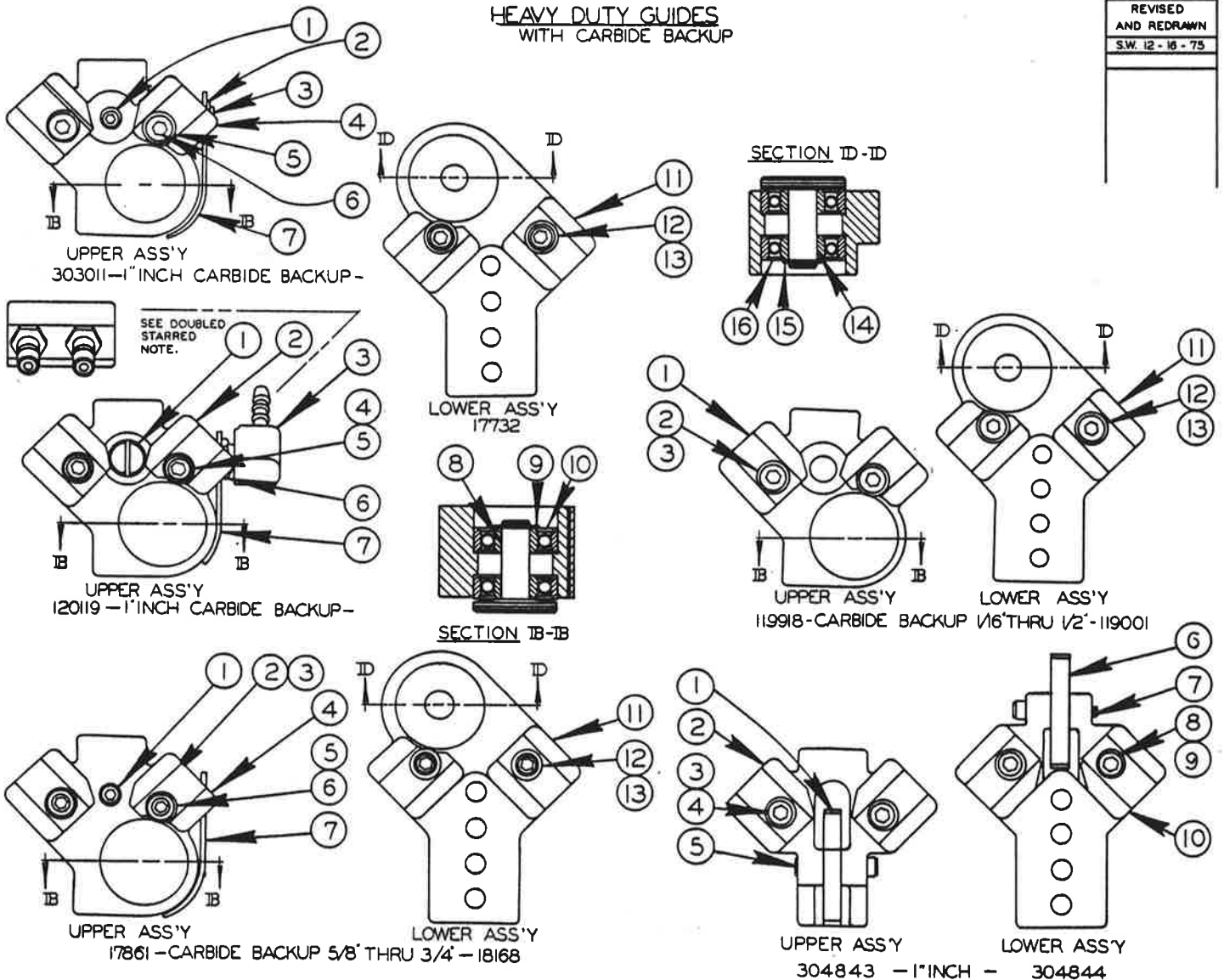
INDEX NO.	CATALOG NO.	DESCRIPTION	UNITS PER ASS'Y
Ref.	090-477795	Rip Fence Assembly (26" Table)	
Ref.	135-005429	Rip Fence Assembly (30" Table)	
Ref.	135-005437	Rip Fence Assembly (24" Table)	
1	105-163026	. Clamp Guide (090-477795 & 135-005437)	1
	111-163028	. Clamp Guide (135-005429)	1
2	091-982785	. Screw, Soc. Hd. Cap 3/8-16NC x 3/4	2
3	135-051787	. Rip Fence Sub-Assembly (090-477795 & 135-005429) .	1
	135-052512	. Rip Fence Sub-Assembly (135-005437)	1
4	134-065044	. . Spring Clip	2
5	105-163034	. . Clamp Bar	1
6	105-164032	. . Clamp Bar Screw	2
7	091-982785	. . Screw, Soc. Hd. Cap 3/8-16NC x 3/4	2
8	135-005460	. . Work Guide (135-051787)	1
	135-005486	. . Work Guide (135-052512)	1
9	091-984252	. . Screw, Soc. Set 1/4-20NC x 1/2	2
10	105-160048	. . Handwheel Assembly	1
11	135-005445	. . Clamp (135-051787)	1
	135-005452	. . Clamp (135-052512)	1

**HEAVY DUTY GUIDES
WITH STEEL BACKUP**



**HEAVY DUTY GUIDES
WITH CARBIDE BACKUP**

REVISED AND REDRAWN S.W. 12-16-75



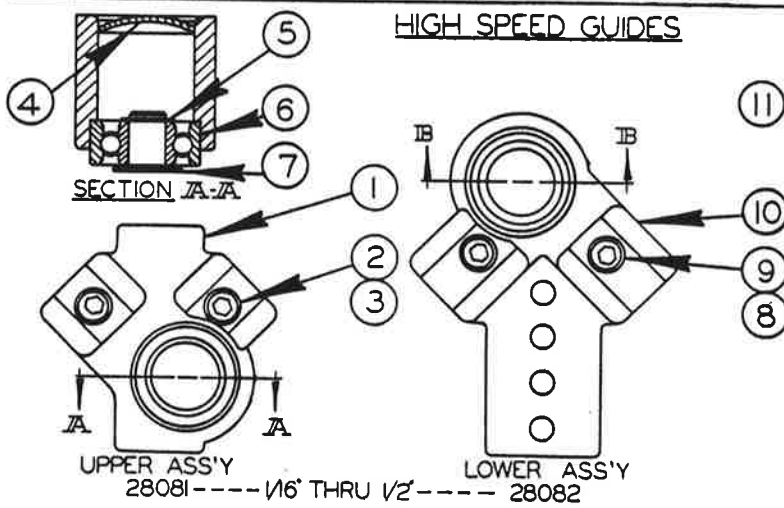
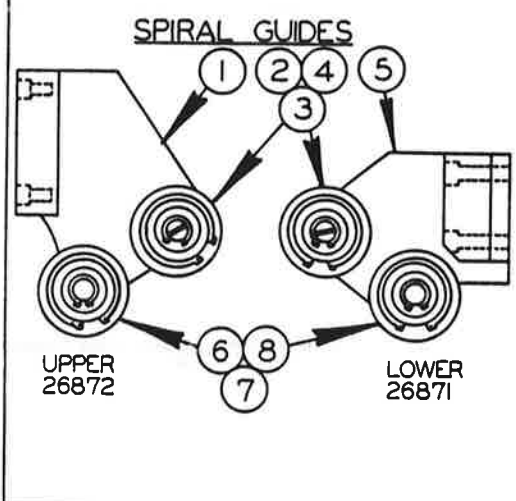
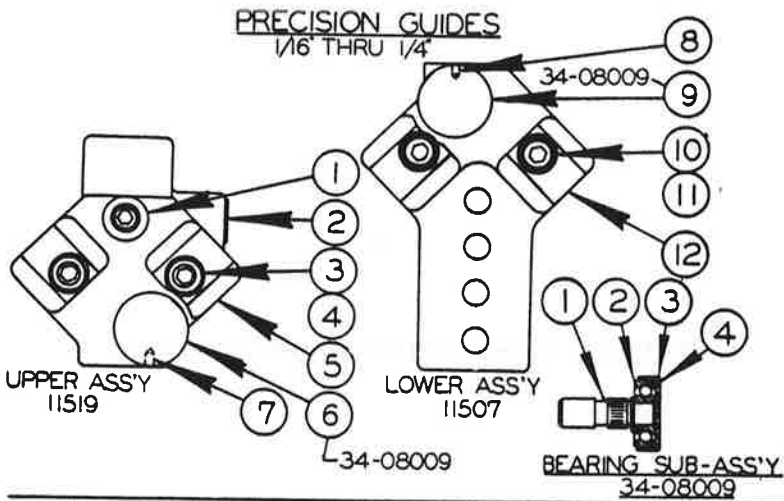
SAW GUIDE SELECTION
• 121230

#121230

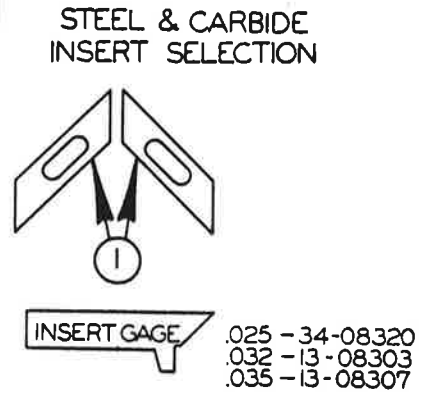
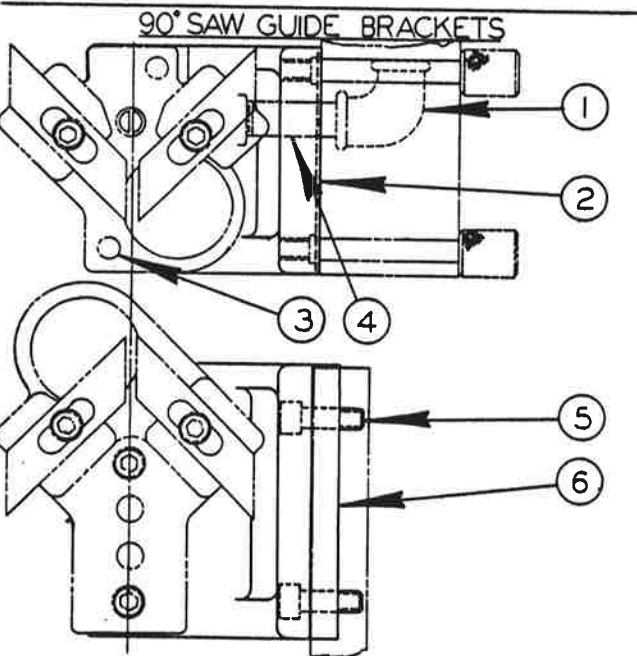
SAW GUIDE SELECTION

INDEX NO.	CATALOG NO.	DESCRIPTION	UNITS PER ASS'Y.	INDEX NO.	CATALOG NO.	DESCRIPTION	UNITS PER ASS'Y.
HEAVY DUTY GUIDES (STEEL BACKUP)							
Ref.	091-201434	Upper Saw Guide Ass'y. (1/16" to 1/2")		15	090-115411	. Retaining Ring	1
1	090-380767	. Upper Saw Guide Block	1	16	090-115296	. Bearing	2
2	091-982447	. Screw, Soc. Hd. Cap 1/4-20NC x 1-1/4	2	Ref.	090-178617	Upper Saw Guide Ass'y. (5/8" to 3/4")	
3	134-085026	. Washer	2	1	091-984450	. Screw, Soc. Hd. Set 5/16-24NF x 1/2	1
4	090-115403	. Bearing Cap	1	2	091-332023	. Pipe Plug	1
5	090-115411	. Retaining Ring	1	3	091-354415	. Locknut	1
6	090-115296	. Bearing	2	4	090-252529	. Upper Saw Guide Block	1
Ref.	091-201426	Lower Saw Guide Ass'y. (1/16" to 1/2")		5	091-982421	. Screw, Soc. Hd. Cap 1/4-20NC x 1	2
7	091-982447	. Screw, Soc. Hd. Cap 1/4-20NC x 1-1/4	2	6	134-085026	. Washer	2
8	134-085026	. Washer	2	7	090-183377	. Guide Guard	1
9	090-377383	. Lower Saw Guide Block	1	8	090-172180	. Bearing Cap	1
10	090-115403	. Bearing Cap	1	9	090-115411	. Retaining Ring	1
11	090-115411	. Retaining Ring	1	10	090-115296	. Bearing	2
12	090-115296	. Bearing	2	Ref.	090-181686	Lower Saw Guide Ass'y. (5/8" to 3/4")	
Ref.	090-115288	Upper Saw Guide Ass'y. (5/8" to 3/4")		11	090-252586	. Lower Saw Guide Block	1
Ref.	090-115304	Upper Saw Guide Ass'y. (1")		12	091-982421	. Screw, Soc. Hd. Cap 1/4-20NC x 1	2
1	091-984450	. Screw, Soc. Hd. Set 5/16-24NF x 1/2	1	13	134-085026	. Washer	2
2	091-203695	. Soc. Hd. Pipe Plug	1	14	090-172180	. Bearing Cap	1
3	091-982421	. Screw, Soc. Hd. Cap 1/4-20NC x 1 (5/8" to 3/4")	2	15	090-115411	. Retaining Ring	1
	091-982447	. Screw, Soc. Hd. Cap 1/4-20NC x 1-1/4 (1")	2	16	090-115296	. Bearing	2
4	090-115403	. Bearing Cap	1	Ref.	093-030112	Upper Saw Guide Ass'y. (1")	
5	090-115411	. Retaining Ring	1	1	091-984450	. Screw, Soc. Set 5/16-24NF x 1/2"	1
6	090-115296	. Bearing	2	2	091-354415	. Locknut	1
7	134-085026	. Washer	2	3	091-332023	. Pipe Plug	1
8	090-252529	. Upper Saw Guide Block (5/8" to 3/4")	USE	4	090-252537	. Upper Saw Guide Block	1
	090-252537	. Upper Saw Guide Block (1")	ONE	5	134-085026	. Washer	2
Ref.	090-115437	Lower Saw Guide Ass'y. (5/8" to 3/4")		6	091-982421	. Screw, Soc. Hd. Cap 1/4-20NC x 1	2
Ref.	090-115429	Lower Saw Guide Ass'y. (1")		7	090-183377	. Guide Guard	1
9	091-982421	. Screw, Soc. Hd. Cap 1/4-20NC x 1 (5/8" to 3/4")	2	8	090-172180	. Bearing Cap	1
	091-982447	. Screw, Soc. Hd. Cap 1/4-20NC x 1-1/4" (1")	2	9	090-115411	. Retaining Ring	1
10	090-115403	. Bearing Cap	1	10	090-115296	. Bearing	2
11	090-115411	. Retaining Ring	1	Ref.	091-201194	Upper Saw Guide Ass'y. (1")	
12	090-115296	. Bearing	2	1	090-335092	. Coolant Nozzle	1
13	134-085026	. Washer	2	2	090-336314	. Upper Saw Guide Block	1
14	090-252586	. Lower Saw Guide Block (5/8" to 3/4")	USE	3	091-081166	. 90° Barbed Insert	1
	090-252578	. Lower Saw Guide Block (1")	ONE	4	091-982447	. Screw, Soc. Hd. Cap 1/4-20NC x 1-1/4	2
HEAVY DUTY GUIDES (CARBIDE BACKUP)							
Ref.	091-199182	Upper Saw Guide Ass'y. (1/16" to 1/2")		5	134-085026	. Washer	2
1	090-380767	. Upper Saw Guide Block	1	6	091-354415	. Locknut	1
2	091-982389	. Screw, Soc. Hd. Cap 1/4-20NC x 5/8	2	7	090-183377	. Guide Guard	1
3	134-085026	. Washer	2	8	090-172180	. Bearing Cap	1
8	090-172180	. Bearing Cap	1	9	090-115411	. Retaining Ring	1
9	090-115411	. Retaining Ring	1	10	090-115296	. Bearing	2
10	090-115296	. Bearing	2	Ref.	090-177320	Lower Saw Guide Block (1")	
Ref.	091-190017	Lower Saw Guide Ass'y. (1/16" to 1/2")		11	090-252578	. Lower Saw Guide Block	1
11	090-377383	. Lower Saw Guide Block	1	12	091-982447	. Screw, Soc. Hd. Cap 1/4-20NC x 1-1/4	2
12	091-982389	. Screw, Soc. Hd. Cap 1/4-20NC x 5/8	2		134-085026	. Washer	2
13	134-085026	. Washer	2	13	090-172180	. Bearing Cap	1
14	090-172180	. Bearing Cap	1	14	090-172180	. Bearing Cap	1
				15	090-115411	. Retaining Ring	1
				16	090-115296	. Bearing	2
				Ref.	093-048437	. 1 Inch Upper Saw Guide Block Sub-Assembly	
				1	091-212100	. Back-Up Insert	1
				2	094-064300	. Upper Saw Guide Block	1
				3	091-982447	. Scr. Soc. Hd. Cap 1/4-20NC x 1-1/4	2
				4	134-085026	. Washer	2
				5	091-402040	. Pivot Bolt	1
				Ref.	093-048445	. 1 Inch Lower Saw Guide Block Sub-Assembly	
				6	091-212100	. Back-Up Insert	1
				7	091-402040	. Pivot Bolt	1
				8	091-982447	. Scr. Soc. Hd. Cap 1/4-20NC x 1-1/4	2
				9	134-085026	. Washer	2
				10	094-067683	. Lower Saw Guide Block	1

**NOTE: If Your Machine Was Equipped With Two Coolant Lines to the Upper Saw Guide, Order Additional Parts 091-094524 Swivel Joint, Qty. 1, 090-160011 Barbed Insert Qty. 2 and Delete 091-081166 90° Barbed Insert, Qty. 1.



REVISED AND REDRAWN SW. 12 - 17 - 75



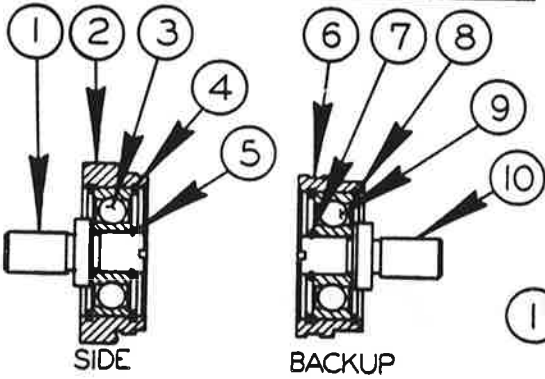
* 44804
ACCESSORY

SAW GUIDE SELECTION
* 121230

#121230
 SAW GUIDE SELECTION

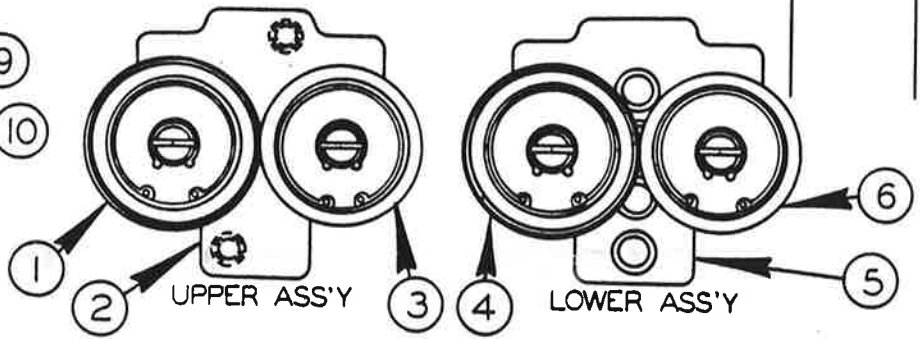
INDEX NO.	CATALOG NO.	DESCRIPTION	UNITS PER ASS'Y.
PRECISION GUIDES			
Ref.	090-115197	Upper Saw Guide Assembly (1/16" to 1/4")	
1	091-984450	. Screw, Soc. Set 5/16-24NF x 1/2	1
2	091-203695	. Soc. Hd. Pipe Plug	1
3	091-982389	. Screw, Soc. Hd. Cap 1/4-20NC x 5/8	2
4	134-085026	. Washer	2
5	090-252495	. Upper Saw Guide Block	1
6	134-080092	. Bearing Sub-Assembly (See Detail)	1
7	091-985010	. Screw, Soc. Set #8-32NC x 1/4	1
Ref.	090-115072	Lower Saw Guide Assembly (1/16" to 1/4")	
8	091-985010	. Screw, Soc. Set #8-32NC x 1/4	1
9	134-080092	. Bearing Sub-Assembly (See Detail)	1
10	091-982389	. Screw, Soc. Hd. Cap 1/4-20NC x 5/8	2
11	134-085026	. Washer	2
12	090-252479	. Lower, Saw Guide Block	1
Ref.	134-080092	Bearing Sub-Assembly	
1	134-084185	. Shaft	1
2	135-090439	. Bearing	1
3	134-083096	. Roller Seal	1
4	134-083120	. Washer	1
SPIRAL GUIDES			
1	090-268723	Spiral Saw Guide Assembly (Upper)	
2	135-069532	. Eccentric Guide	1
3	NA Alone	. Tire Only	1
4	NA Alone	. Rim Only	1
5	090-268715	Spiral Saw Guide Assembly (Lower)	
6	135-069524	. Plain Guide	1
7	NA Alone	. Tire Only	1
8	NA Alone	. Rim Only	1
HIGH SPEED GUIDES			
Ref.	090-280819	Upper Saw Guide Assembly (1/16" to 1/2")	
1	090-279811	. Upper Saw Guide Block	1
2	091-982389	. Screw, Soc. Hd. Cap 1/4-20NC x 5/8	2
3	134-085026	. Washer	2
4	091-373399	. Plug	1
5	090-115411	. Retaining Ring	1
6	135-022804	. Bearing	1
7	090-184151	. Bearing Cap	1
Ref.	090-282827	Lower Saw Guide Assembly (1/16" to 1/2")	
8	091-982389	. Screw, Soc. Hd. Cap 1/4-20NC x 5/8	2
9	134-085026	. Washer	2
10	090-279837	. Lower Saw Guide Block	1
11	091-373399	. Plug	1
12	090-184151	. Bearing Cap	1
13	135-022804	. Ball Bearing	1
14	090-115411	. Retaining Ring	1
90° SAW GUIDE BRACKETS			
Ref.	090-448044	90° Saw Guide Assembly	
1	135-036473	. 90° Elbow	1
2	090-275975	. Upper Angle Block	1
3	091-982421	. Screw, Soc. Hd. Cap 1/4-20NC x 1	2
4	090-116583	. Nipple	1
5	091-982397	. Screw, Soc. Hd. Cap 1/4-20NC x 3/4	2
6	090-275966	. Lower Angle Block	1
	090-292616	. Center Plate 24 x 24 Table (Not Shown)	USE
	093-021780	. Center Plate 30 x 30 Table (Not Shown)	ONE
STEEL AND CARBIDE INSERT SELECTION			
1	Ref.	Steel Insert (4 Req'd)	Ref. Carbide Insert (4 Req'd)
	090-044991	1/16"	090-161688 1/4"
	090-044983	3/32"	090-161704 3/8"
	090-044975	1/8"	090-132911 1/2"
	090-044967	3/16"	091-058941 5/8"
	090-044959	1/4"	090-132929 3/4"
	090-039603	3/8"	090-089822 1"
	090-039595	1/2"	
	090-039587	5/8"	
	090-039579	3/4"	
	090-039561	1"	

TYPE I
ROLLER & SPINDLE ASSEMBLY

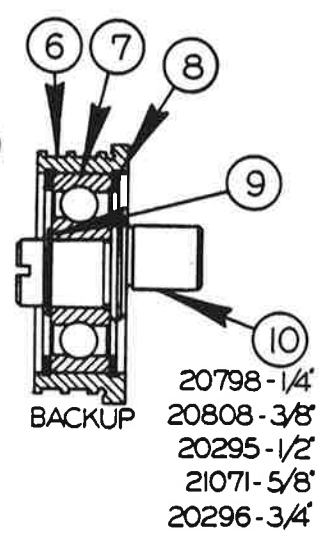
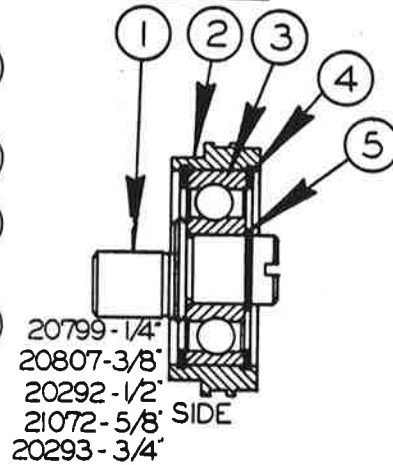
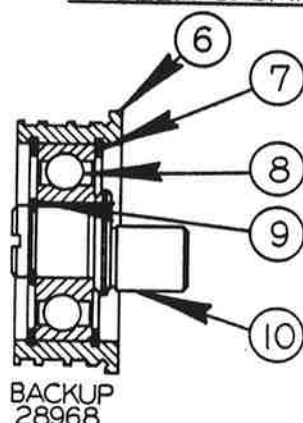
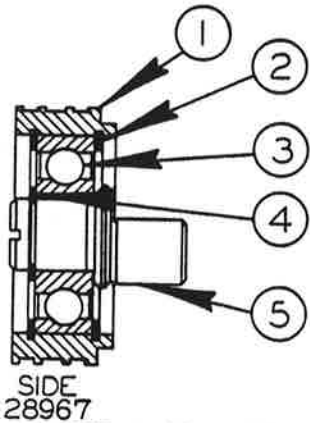


TYPE IA
ROLLER SAW GUIDES W/ROLLERS

NEW DRG.
SCLIO-24-73
REVISIONS



TYPE II
ROLLER & SPINDLE ASSEMBLY



SIDE
28967

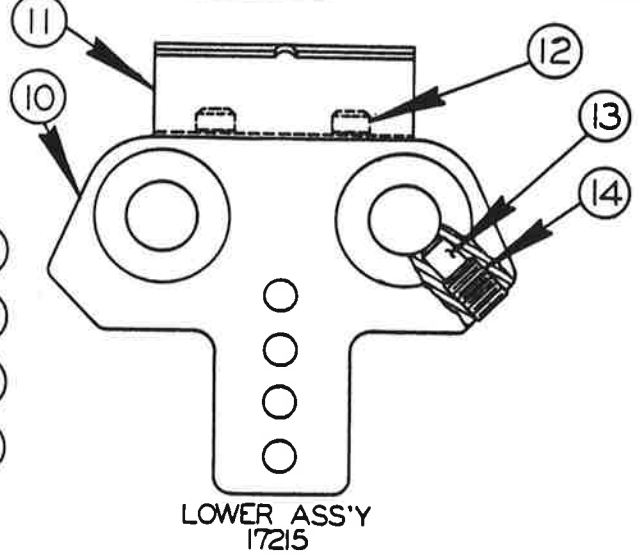
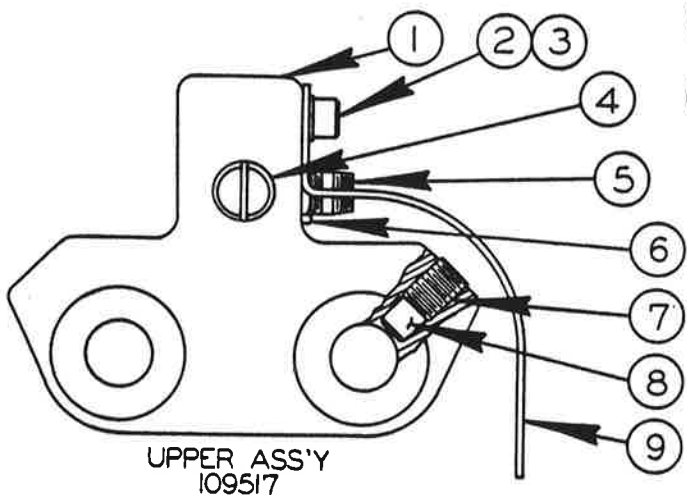
BACKUP
28968

20799-1/4"
20807-3/8"
20292-1/2"
21072-5/8"
20293-3/4"

20798-1/4"
20808-3/8"
20295-1/2"
21071-5/8"
20296-3/4"

NOTE: ALSO USED FOR 1/4, 1/2, 3/4 BANDS WITH FLANGED WHEELS.

ROLLER GUIDE BLOCK ASSEMBLY



UPPER ASS'Y
109517

LOWER ASS'Y
17215

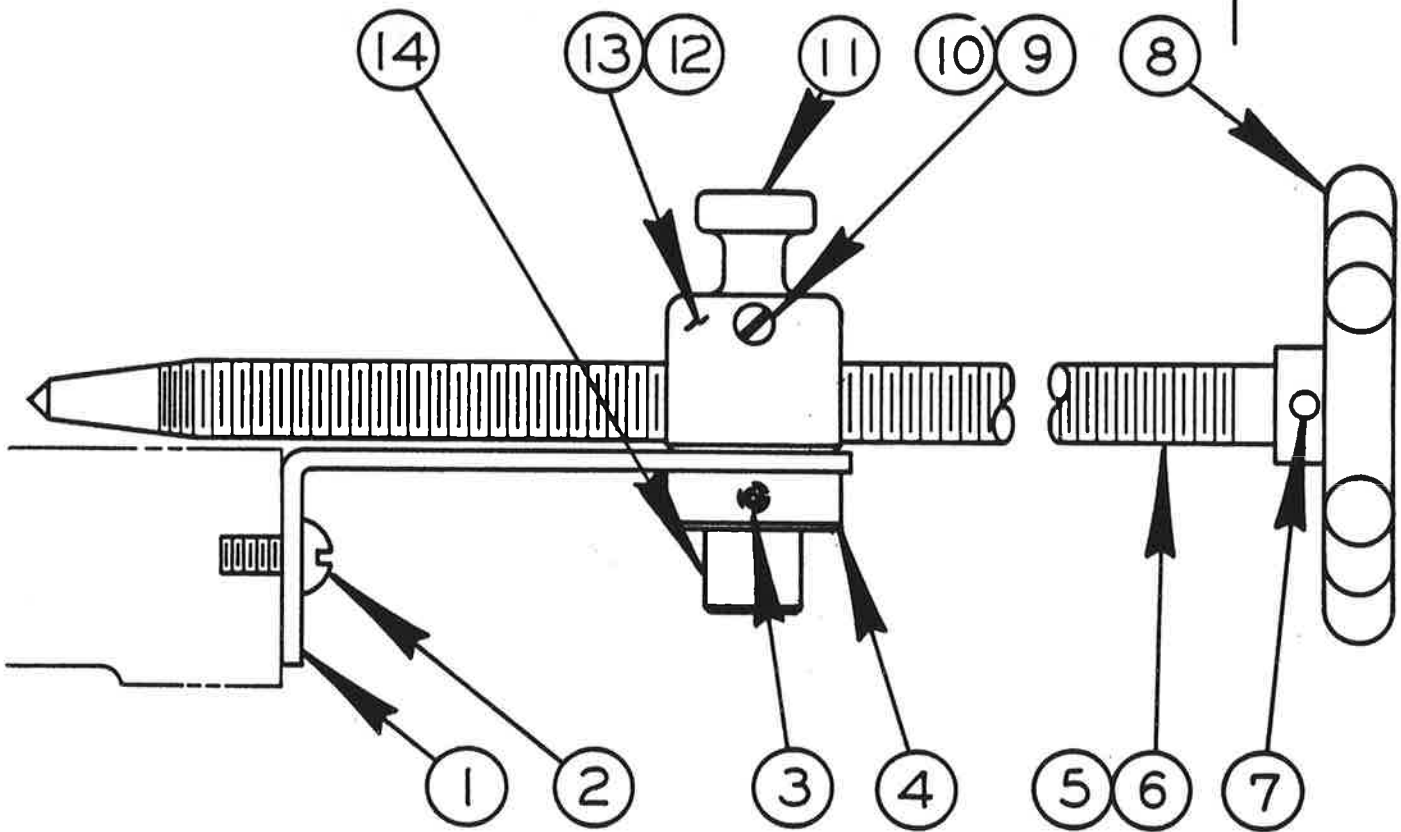
121230
SAW GUIDE SELECTION

CODE NO. C-7-19
CM-7-27

SAW GUIDE SELECTION

INDEX NO.	CATALOG NO.	DESCRIPTION	UNITS PER ASSY	INDEX NO.	CATALOG NO.	DESCRIPTION	UNITS PER ASSY
TYPE I - ROLLER AND SPINDLE ASSEMBLY							
REF.	090-289844	Roller Sub-Assembly 1/4" Side		REF.	090-289687	Backup Roller Guide Assembly	
REF.	090-289802	Roller Sub-Assembly 3/8" Side		6	091-007583	. Guide Roller 1"	1
REF.	090-289745	Roller Sub-Assembly 1/2" Side		7	090-013038	. Retaining Ring	2
1	090-182965	. Bearing Shaft	1	8	090-017799	. Bearing	1
2	090-289851	. Roller 1/4"	Use	9	090-015686	. Retaining Ring	1
	090-289810	. Roller 3/8"		10	090-135302	. Spindle	1
	090-289752	. Roller 1/2"	One	Ref.	090-207994	Guide Roller Ass'y 1/4" Side	
3	090-115296	. Bearing (N.D. Z99500XRIE) ...	1	Ref.	090-208075	Guide Roller Ass'y 3/8" Side	
4	091-000463	. Internal Ring	2	Ref.	090-202920	Guide Roller Ass'y 1/2" Side	
5	090-115411	. Snap Ring	1	Ref.	090-210725	Guide Roller Ass'y 5/8" Side	
REF.	090-289828	Flanged Roller Sub-Assembly 1/4" Backup		Ref.	090-202938	Guide Roller Ass'y 3/4" Side	
REF.	090-289786	Flanged Roller Sub-Assembly 3/8" Backup		1	090-135302	. Spindle	1
REF.	090-289760	Flanged Roller Sub-Assembly 1/2" Backup		2	090-135310	. Guide Roller 1/4"	Use
6	090-289836	. Flanged Roller 1/4"	Use		090-135401	. Guide Roller 3/8"	
	090-289794	. Flanged Roller 3/8"			090-135336	. Guide Roller 1/2"	
	090-289778	. Flanged Roller 1/2"	One		090-135427	. Guide Roller 5/8"	
7	090-115411	. Snap Ring	1		090-135351	. Guide Roller 3/4"	One
8	091-000463	. Internal Ring	2	3	090-017799	. Bearing	1
9	090-115296	. Bearing (N.D. Z99500XRIE) ...	1	4	090-013038	. Retaining Ring	2
10	090-182965	. Bearing Shaft	1	5	090-015686	. Retaining Ring	1
TYPE IA - ROLLER SAW GUIDES WITH ROLLERS							
REF.	090-292566	Upper Roller Saw Guide Assembly 1/4"		Ref.	090-207986	Backup Roller Guide Ass'y 1/4"	
REF.	090-292582	Upper Roller Saw Guide Assembly 3/8"		Ref.	090-208083	Backup Roller Guide Ass'y 3/8"	
REF.	090-295064	Upper Roller Saw Guide Assembly 1/2"		Ref.	090-202953	Backup Roller Guide Ass'y 1/2"	
1	Ref.	Select flanged backup roller sub-ass'y from type 1 detail and parts list.		Ref.	090-210717	Backup Roller Guide Ass'y 5/8"	
2	090-289604	. Upper Saw Guide Block	1	Ref.	090-202961	Backup Roller Guide Ass'y 3/4"	
3	Ref.	Select side roller sub-ass'y from type 1 detail and parts list.		6	090-135328	. Backup Roller 1/4"	Use
	091-982397	. Scr., Soc. Hd. Cap 1/4-20NC x 3/4 (Not Shown)	2		090-135419	. Backup Roller 3/8"	
	091-993212	. Washer, Lock 1/4 Std. (Not Shown)	2		090-135344	. Backup Roller 1/2"	
REF.	090-292574	Lower Roller Saw Guide Ass'y 1/4"			090-135435	. Backup Roller 5/8"	
REF.	090-292590	Lower Roller Saw Guide Ass'y 3/8"			090-135369	. Backup Roller 3/4"	One
REF.	090-295056	Lower Roller Saw Guide Ass'y 1/2"		7	090-017799	. Bearing	1
4	Ref.	Select flanged backup roller sub-ass'y from type 1 detail and parts list.		8	090-013038	. Retaining Ring	2
5	090-289612	. Lower Saw Guide Block	1	9	090-015686	. Retaining Ring	1
6	Ref.	Select side roller sub-ass'y from type 1 detail and parts list.		10	090-135302	. Spindle	1
	091-982397	. Scr., Soc. Hd. Cap 1/4-20NC x 3/4 (Not Shown)	2	Ref.	091-095174	Roller Guide Block Assembly	
	091-993212	. Washer, Lock 1/4 Std.	2	1	090-335175	Upper Guide Sub-Assembly	
TYPE II - ROLLER AND SPINDLE ASSEMBLY							
REF.	090-289679	Side Roller Guide Assembly		2	091-982363	. Upper Guide Block	1
1	091-007583	. Guide Roller 1"	1			. Scr., Soc. Hd. Cap 1/4-20NC x 1/2	1
2	090-013038	. Retaining Ring	2		091-993212	. Washer, Lock 1/4 Std.	1
3	090-017799	. Bearing	1	3	090-335092	. Coolant Nozzle	1
4	090-015686	. Retaining Ring	1	4	114-145287	. Close Nipple	1
5	090-135302	. Spindle	1	5	107-0151045	. Hex. Pipe Nipple	1
				6	091-984484	. Scr., Soc. Hd. Set 3/8-16NC x 3/8	2
				7		. Plug	2
				8	090-017419	. Coolant Guard	1
				9	090-336363	. Cloth Bag (Not Shown)	1
				Ref.	090-172156	Lower Guide Sub-Assembly	
				10	090-277435	. Lower Guide Block	1
				11	090-021403	. Chip Deflector	1
				12	091-982355	. Scr., Soc. Hd. Cap 1/4-20NC x 3/8	2
				13	090-017419	. Plug	2
				14	091-984492	. Scr., Soc. Hd. Set 3/8-16NC x 1/2	2

REVISED
AND
REDRAWN
SCL 12-10-74



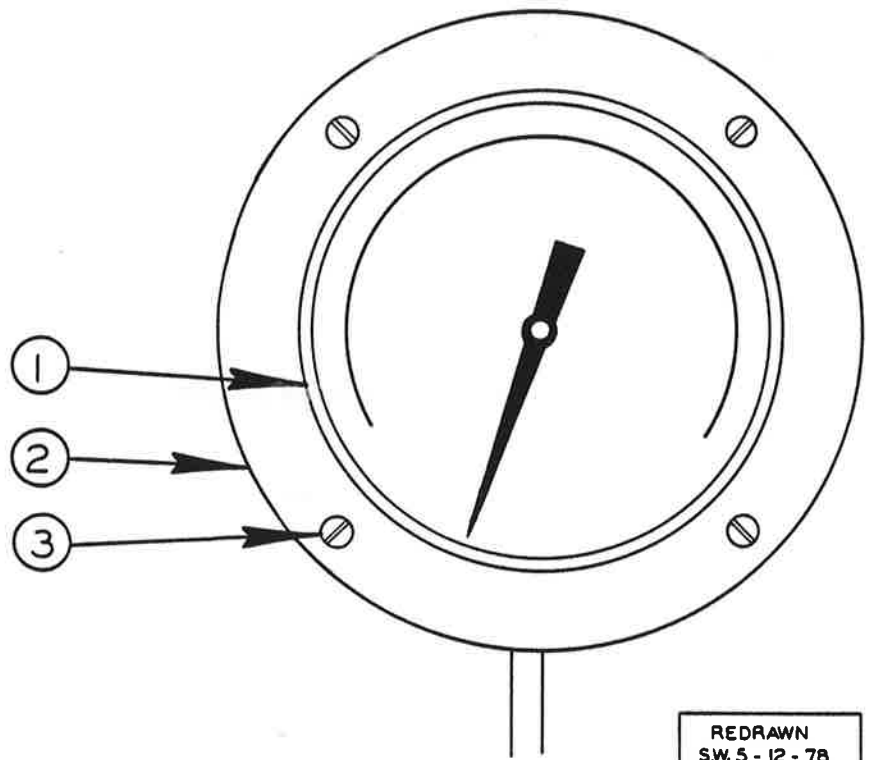
SCREW FEED ASSEMBLY

CODE NO. C-10-29
CM-10-17

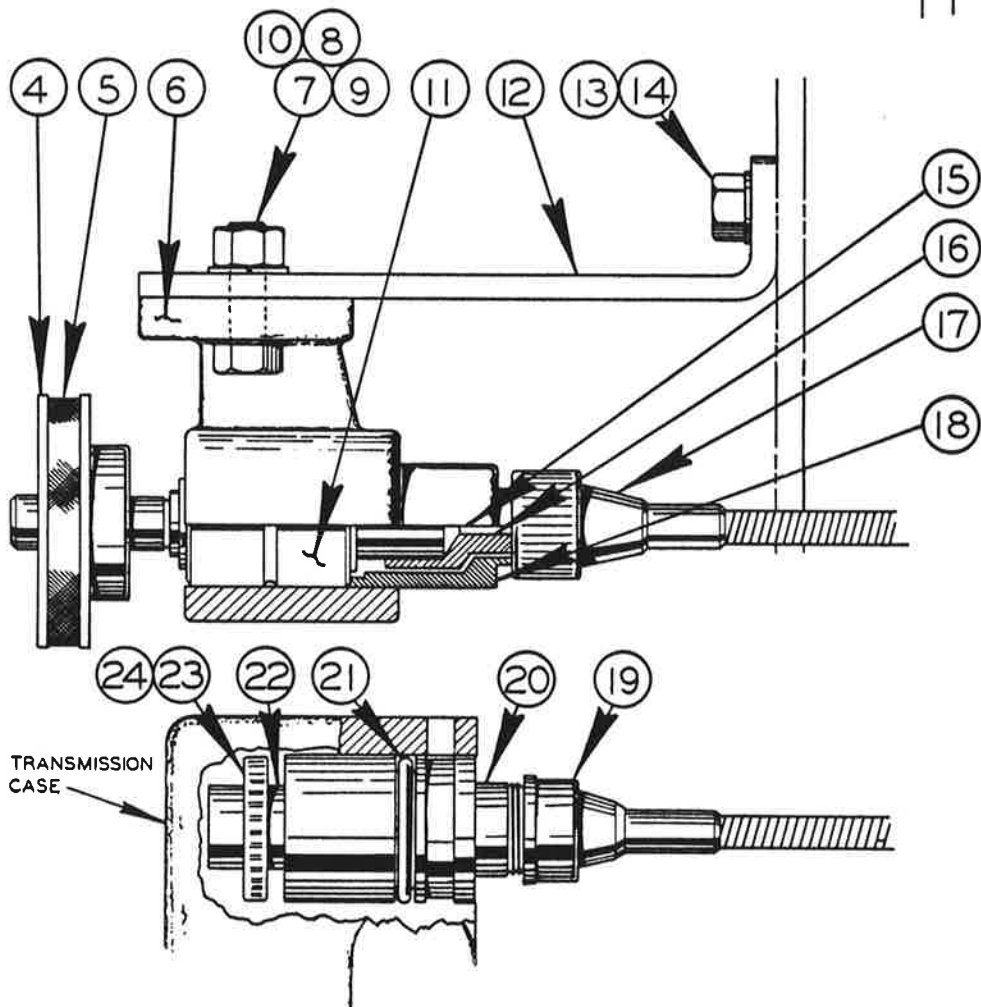
SCREW FEED ASSEMBLY

INDEX NO.	CATALOG NO.	DESCRIPTION	UNITS PER ASS'Y
REF.	135-062123	Screw Feed Assembly (1612, 1612-0, 1612-1, 2013, 2013-0, 2013-1, 2013-10, 2012-1A, 2012-1AT, 2612-1, 3612, 3613-1)	
REF.	090-454679	Screw Feed Assembly (1613-2, 2613-2, 3613-2, 6013-2)	
1	135-062115	. Feed Screw Bracket	1
2	091-988956	. Screw, Rd. Hd. Mach. 1/4-20NC x 1/2	2
3	091-984104	. Screw, Soc. Set #10-24NC x 1/4	1
4	111-284188	. Collar	1
*5	111-030078	. Screw Feed Handle & Screw Sub-Assembly	1
6	111-034013	. . Screw Feed Screw	1
7	090-042557	. . Roll Pin	1
8	134-031061	. . Screw Feed Handle	1
*9	135-052249	. Screw Feed Swivel Sub-Assembly	1
10	091-988386	. . Screw, Rd. Hd. Mach. #6-32NC x 1/4	1
11	105-034029	. . Screw Feed Key	1
12	105-035026	. . Steel Ball	2
13	105-035018	. . Detent Spring	1
14	105-034011	. . Screw Feed Swivel	1

*NOTE: Starred Items Used Only On Assembly #090-454679.



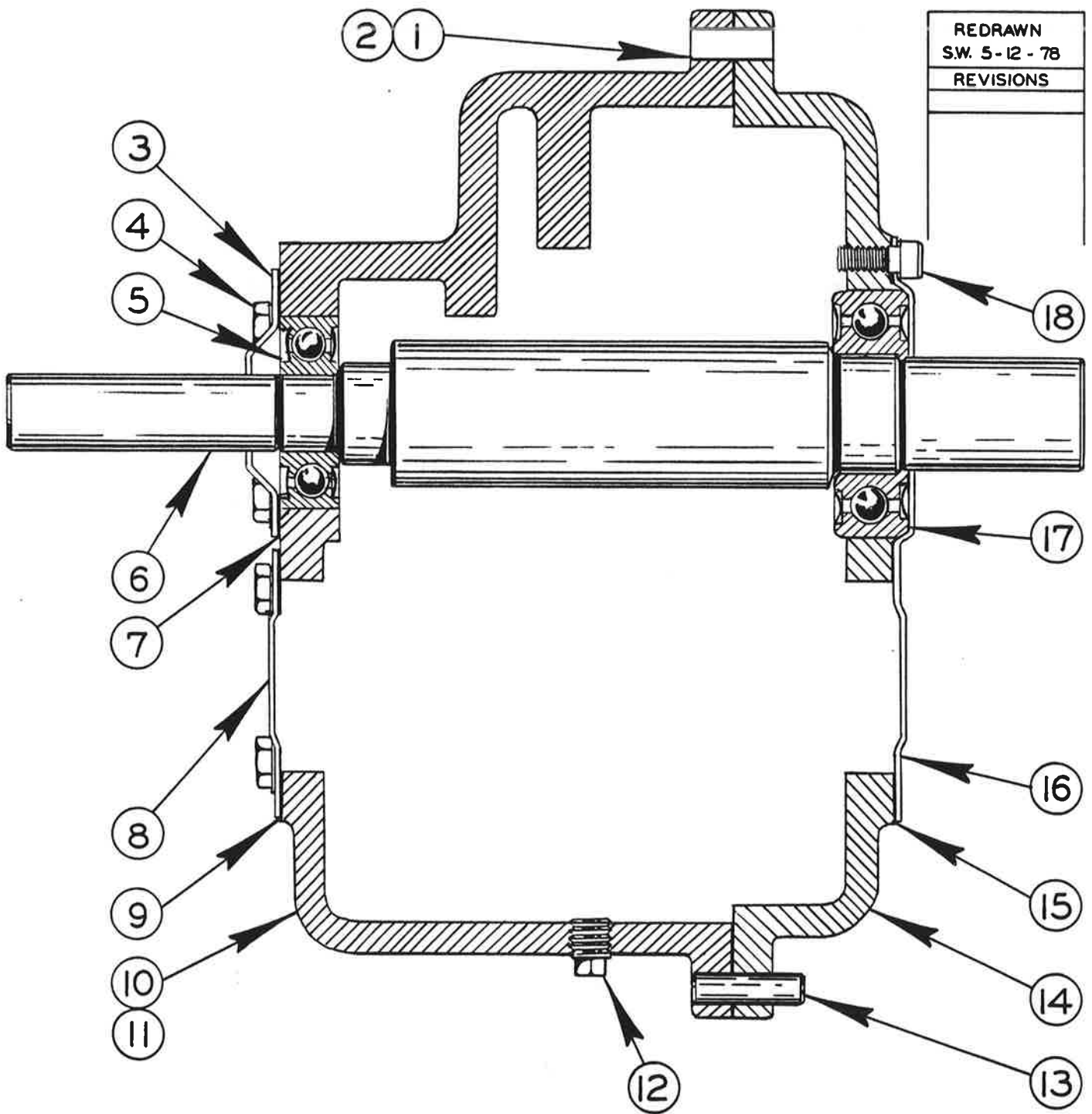
REDRAWN
S.W. 5 - 12 - 78
REVISIONS



SPEED INDICATOR ASSEMBLY

SPEED INDICATOR ASSEMBLY

INDEX NO.	CATALOG NO.	DESCRIPTION	UNITS PER ASS'Y
Ref.		Speed Indicator Assembly	
1	090-275199	. Speed Indicator Head (3 Speed Trans.)(2613-2, 6013-2, 2612-1H, 2612-2H, 2612-H, 2613-1H, 2612-1H3, 2614-1)	
	090-447897	. Speed Indicator Head (1 Speed Trans.)(2613-2, 6013-2)	
	090-454257	. Speed Indicator Head (1612-1, 3613-1, 1612-0, 3613-0, 1611-H, 1612-H, 3612-H, 3613-10, 3612-1H)	
	090-210956	. Speed Indicator Head (1612-3, 3612-3, 1613-2, 3613-2, 3612-1H3)	
	090-419680	. Speed Indicator Head (2613-3, 6013-3, 6013-H3)	
	090-448770	. Speed Indicator Head (Used on all 6013-3 Before Ser.#199-70130)	
	090-449646	. Speed Indicator Head (2612-1)	
2	090-174780	. Speed Indicator Bezel(1612-0,3613-0,1612-1,3613-1,1613-2,3613-2,2612-1,2613-2,2614-1,3613-10,6013-2,1612-3,3612-3,1611-H,1612-H,3612-H,2612-H,2612-2H,2613-1H,2612-1H3,3612-1H3,3612-1H,6013-3,6013-H3)	1
	106-054026	. Speed Indicator Bezel(2613-3,2612-1H,(used with #090-448770 on old 6013-3))	1
3	091-988717	. Screw, Rd. Hd. Mach. #10-24NC x 5/8	4
4	106-055056	. Pulley	1
	091-984377	. Screw, Soc. Set 5/16-18NC x 1/2	1
5	135-076321	. Belt (1612-1, 1612-0)	1
	090-072778	. Belt (1611-H, 1612-H)	1
	111-055083	. Belt (3613-1,3613-0,3613-10,3612-H,3612-1H)	1
6	134-051085	. Bracket	1
7	091-980300	. Screw, Hex. Hd. Cap 5/16-18NC x 1 1/4	2
8	091-991224	. Nut, Hex. 5/16-18NC	2
9	091-993238	. Washer, Lock 5/16" Std.	1
10	091-993014	. Washer 5/16" Std.	2
11	106-054067	. Shaft & Bearing	1
12	090-374885	. Bracket	1
13	091-980441	. Screw, Hex. Hd. Cap 3/8-16NC x 3/4	2
14	091-993329	. Washer, Lock 3/8 Std.	2
15	090-078320	. Cable Key	1
16	106-054042	. Bearing Coupling	1
17	134-055086	. Speed Indicator Cable (1612-1)	1
	090-102104	. Speed Indicator Cable (3613-1,1613-2,3613-2,3612-3,3612-1H3)	1
	091-186932	. Speed Indicator Cable (1612-0,3613-0,1611-H,1612-H,3612-H)	1
	091-433292	. Speed Indicator Cable (3613-10,3612-1H)	1
18	106-054059	. Coupling Housing	1
19	090-094970	. Speed Indicator Cable (3 Speed Trans.)(6013-2,6013-3,6013-H3)	1
	090-220401	. Speed Indicator Cable (1 Speed Trans.)(6013-2)	1
	090-298126	. Speed Indicator Cable (2613-2)	1
	135-008928	. Speed Indicator Cable (1612-0,3613-0,1613-2,2613-2,1612-3,2612-1H,2612-2H,2612-1,2612-H,2614-1,2613-1H,2612-1H3)	1
	090-102112	. Speed Indicator Cable (2613-3)	1
20	090-112731	Tachometer Drive Assembly (See Transmission Page)	
21	090-022781	. "O"-Ring	1
22	090-022716	. Spacer	1
23	090-105404	. Helical Gear	1
24	090-042292	. Roll Pin	1



REDRAWN
S.W. 5-12-78
REVISIONS

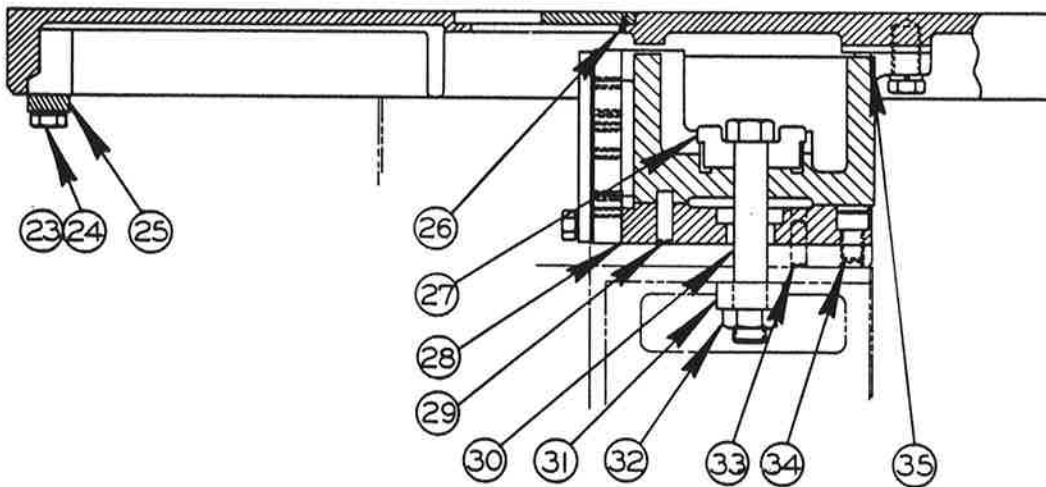
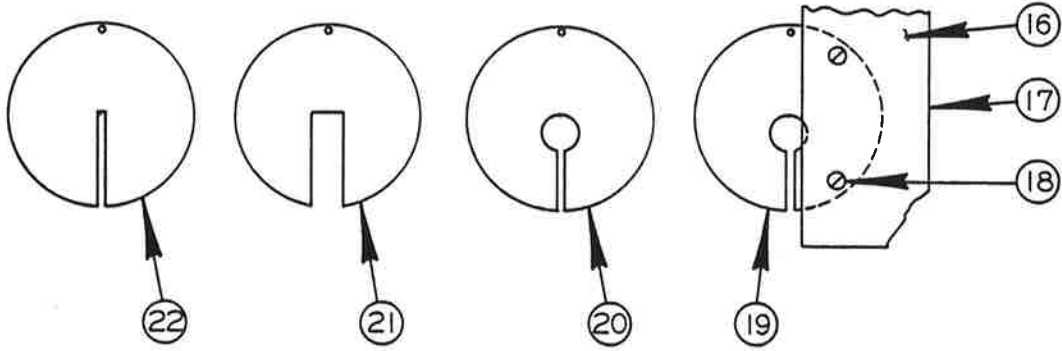
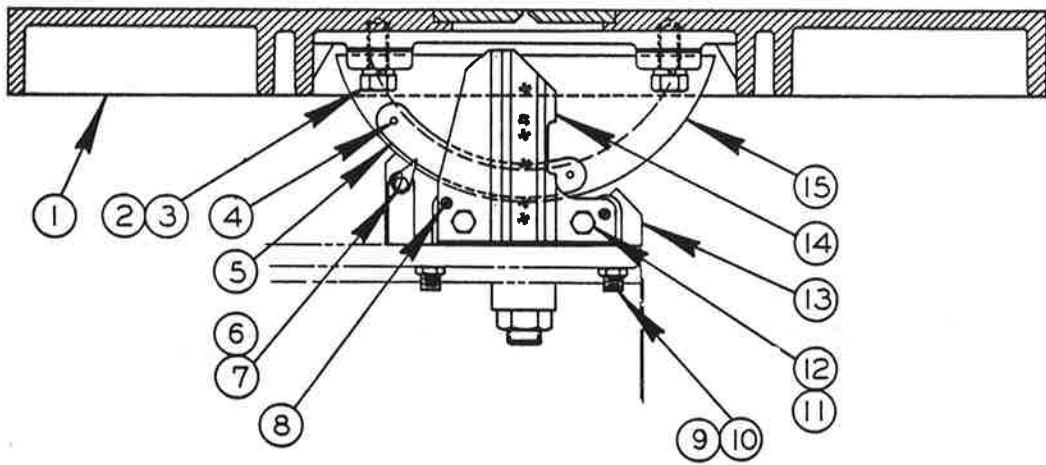
SPINDLE ASSEMBLY

CODE NO. C-4-37

SPINDLE ASSEMBLY

INDEX NO.	CATALOG NO.	DESCRIPTION	UNITS PER ASS'Y
Ref.	090-545963	Spindle Assembly	
1	105-044150	. Dowel Pin	1
2	091-987685	. Screw, Flat Hd. Mach. 5/16-18NC x 3/4	4
3	105-043020	. Cover	1
4	091-982355	. Screw, Soc. Hd. Cap 1/4-20NC x 3/8	8
5	091-001222	. Bearing	1
6	090-285693	. Shaft	1
7	135-018992	. Spacer	A.R.
8	105-043038	. Cover	1
9	105-043095	. Gasket	2
10	135-005502	. Case	1
11	105-046189	. Pipe Plug	1
12	105-046122	. Pipe Plug	2
13	105-044127	. Dowel Pin	2
14	105-041099	. Cover	1
15	105-043087	. Gasket	1
16	135-027597	. Cover	1
17	090-048463	. Bearing	1
18	091-982355	. Screw, Soc. Hd. Cap 1/4-20NC x 3/8	9

REVISED AND
REDRAWN
SCL 10-30-74
S.W.5-13-77



MODEL	FIRST MACH	LAST MACH
16M	134-58101	134-60590
30M	135-58101	135-59218
1612-U	146-59101	146-682364
3012-U	147-59101	147-681104
1611-U	270-68101	270-68156
3612-U	271-68101	271-68131
2612-1	172-60101	172-68229
1612-0	209-62101	209-681820
3613-0	244-66101	244-68192
1612-1	148-59101	148-731539
3613-1	149-60134	149-73706
1612-0	277-68101	277-751728
3613-0	278-68101	278-77825
2612-1	285-68101	285-76200
1612	287-68101	287-76450
3612	291-68101	291-77235
3612-1	380-77101	
3613-10	381-77101	

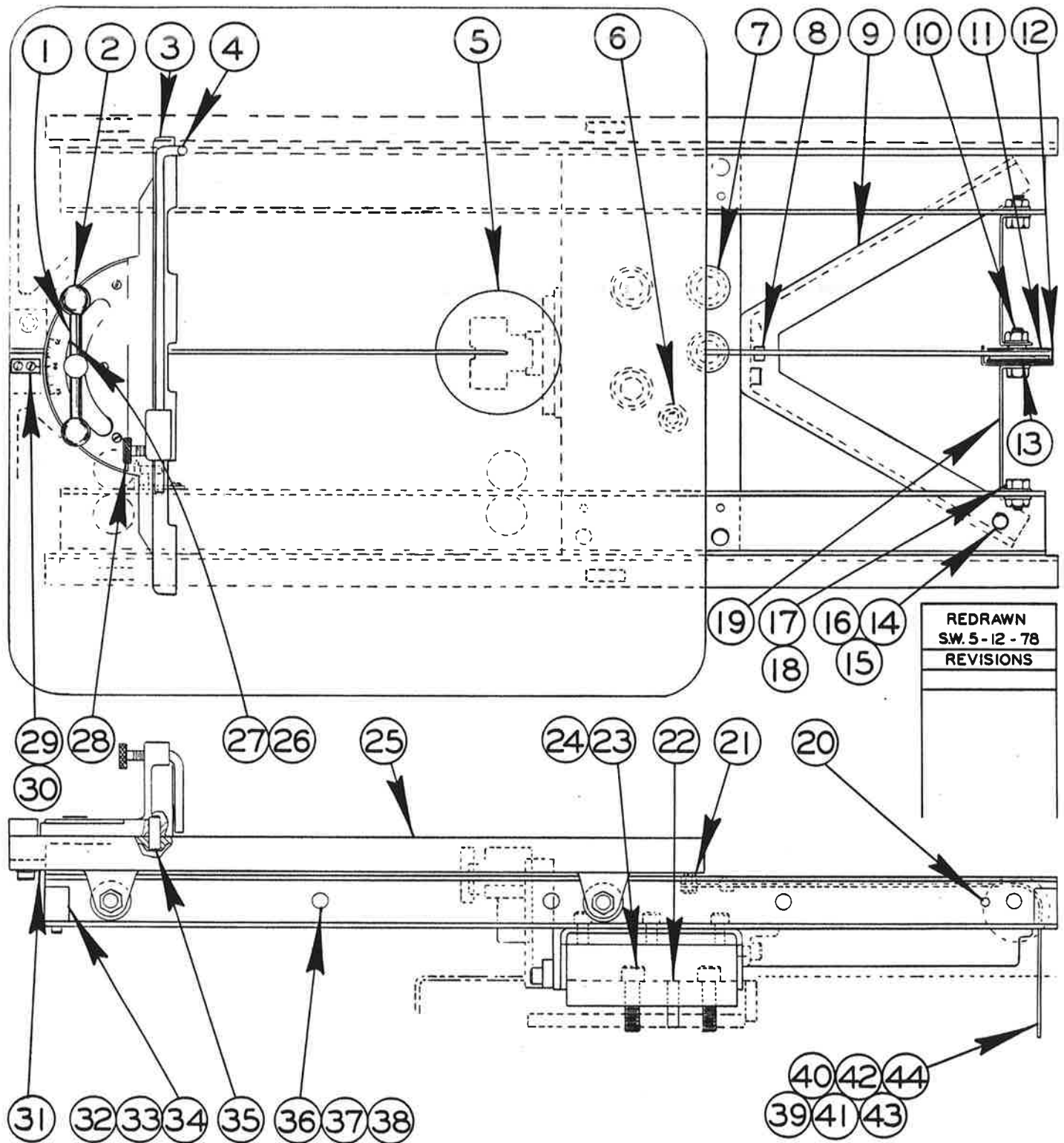
TABLE AND TRUNNION ASSEMBLY

TABLE AND TRUNNION ASSEMBLY

INDEX NO.	CATALOG NO.	DESCRIPTION	UNITS PER ASS'Y
REF.	090-524356	Table And Trunnion Assembly (16M & 30M, 1611-U, 3012-U, 1612-U, 3612-U, 1612-0, 3613-0, 1612, 3612, 3612-1, 3613-10)	
REF.	090-549353	Table And Trunnion Assembly (1612-1)	
REF.	090-553066	Table And Trunnion Assembly (2612-1, 3613-1)	
REF.	090-598624	Table And Trunnion Assembly (2612-1, 3613-1)	
1	090-541855	. Table (24" x 24" Specify Size)	USE
	090-553033	. Table (26" x 26" Specify Size)	
	090-598269	. Table (30" x 30" Specify Size)	ONE
2	091-980656	. Screw, Hex. Hd. Cap 1/2-13NC x 1	4
3	091-993774	. Washer, Lock 1/2" Shakeproof Ext.	4
4	091-994012	. Screw, Rd. Hd. Drive PK #6 x 3/8 Type "U"	2
5	090-038613	. Escutcheon	1
6	134-033158	. Pointer	1
7	091-988378	. Screw, Rd. Hd. Mach. #6-32NC x 3/16	1
8	135-005163	. Dowel Pin	2
9	091-985788	. Screw, Soc. Set 3/8-16NC x 3/4 Flat Point (090-524356 Only)	5
10	091-991273	. Nut, Jam 3/8-16NF (090-524356 Only)	5
11	091-980458	. Screw, Hex. Hd. Cap 3/8-16NC x 7/8 (090-524356 Only)	2
	091-980474	. Screw, Hex. Hd. Cap 3/8-16NC x 11/4 (090-549353, 090-598624 Only)	2
12	091-993329	. Washer, Lock 3/8 Std.	A.R.
13	090-406497	. Cradle	1
14	090-242447	. Lower Post Block	1
15	090-406455	. Trunnion	1
*16	090-076456	. Small Parts Filing Assembly	1
*17	090-120460	. . Plate	1
*18	091-987487	. . Screw, Flat Hd. Cap #10-24NC x 3/8	2
*19	090-120452	. . Center Plate	1
*20	090-106279	. Center Plate (Used on Band Filing Assembly)	1
*21	090-105701	. Center Plate (Used on Band Polishing Assembly)	1
22	090-104902	. Center Plate	1
23	091-980466	. Screw, Hex. Hd. Cap 3/8-16NC x 1	2
24	091-992644	. Washer, Flat 3/8 Std.	1
25	090-045998	. Clamp	1
26	090-042094	. Roll Pin	1
**27	090-394644	. Head	1
28	091-333203	. Shim (090-524356 Only)	A.R.
	091-333211	. Shim (090-524356 Only)	A.R.
29	114-004732	. Dowel Pin	2
30	091-981068	. Screw, Hex. Hd. Cap 3/4-16NC x 5	USE
	091-981233	. Screw, Hex. Hd. Cap 3/4-16NC x 43/4	ONE
31	090-105016	. Spacer	1
32	091-991414	. Nut, Hex. 3/4-16NF	1
33	134-134071	. Dowel Pin	2
34	091-982918	. Screw, Soc. Hd. Cap 1/2-13NC x 3/4	4
35	091-333104	. Shim (090-598624, 090-524356 Only)	A.R.
	091-333112	. Shim (090-598624, 090-524356 Only)	A.R.
	091-333120	. Shim (090-598624, 090-524356 Only)	A.R.
	091-333138	. Shim (090-598624, 090-524356 Only)	A.R.
	135-009934	. Shim (090-549353 Only)	A.R.
	090-108531	. Wrench (Not Shown) (090-524356 Only)	1

*Note: Items #16 thru #21 Are Not Part of Assemblies 090-524356, 090-549353, 090-553066, 090-598624.

**Note: Before Ser. #287-70259 on 1612, Before Ser. #277-70778 on 1612-0, Before Ser. #148-701464 on 1612-1, And Before Ser. #278-70253 on 3613-0, 090-394644 Head Was 090-107566.



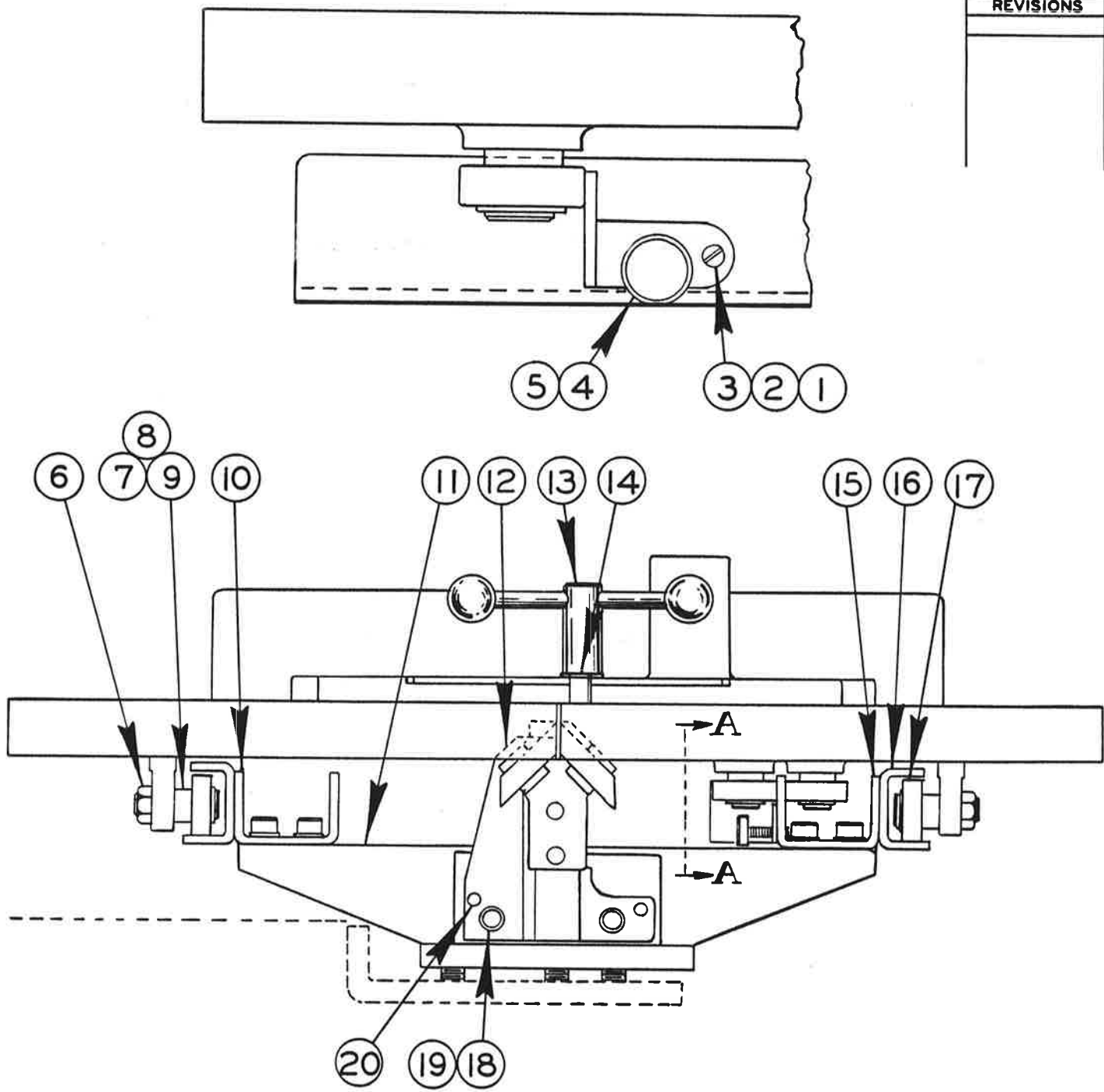
SLIDING TABLE ASSEMBLY

MODEL	FIRST MACH.	LAST MACH.
1612-UGT	186-60101	
3012-U	147-61186	147-681104
1612-1	148-61382	148-731539
3613-1	149-61169	149-73706

SLIDING TABLE ASSEMBLY

INDEX NO.	CATALOG NO.	DESCRIPTION	UNITS PER ASS'Y
Ref.	54745	Sliding Table Assembly	1
1	090-116344	. Shaft	2
2	114-115183	. Knob	1
3	090-514969	. Miter Head	1
4	135-019768	. Gage Rod	1
5	090-104902	. Center Plate	2
6	090-135245	. Plug Button ..	4
7	135-045284	. Plug Button	2
8	135-092526	. Cable Clamp	1
9	090-460213	. Brace	1
10	091-982454	. Screw, Hex. Hd. Cap 1/4-20NC x 1 1/2	1
11	134-135045	. Power Feed Pulley	1
12	134-133016	. Pulley Cap	2
13	105-133094	. Washer	10
14	091-982785	. Screw, Soc. Hd. Cap 3/8-16NC x 3/4	8
15	091-992644	. Washer 3/8 Std. SAE.	2
16	091-991265	. Nut, Hex. 3/8-16NC Std.	2
17	091-982421	. Screw, Hex. Hd. Cap 1/4-20NC x 1	3
18	091-991158	. Nut, Hex. 1/4-20NC	2
19	091-040154	. Bracket-Pulley	4
20	090-163528	. Dowel	1
21	091-040162	. Cable Stud	2
22	135-004455	. Dowel	4
23	091-982967	. Screw, Soc. Hd. Cap 1/2-13NC x 1 3/4	4
24	091-993279	. Washer, Lock 1/2 Std.	1
25	090-547472	. Table	1
26	135-016145	. Protractor Plate	3
27	091-988675	. Screw, Rd. Hd. Mach. #10-24NC x 3/8	1
28	134-174010	. Thumbscrew	1
29	091-040113	. Pointer	2
30	091-982249	. Screw, Soc. Hd. Cap #10-24NC x 7/8	1
31	091-017541	. Lock Bar	4
32	091-023978	. Bumper Sub-Assembly	8
33	091-982215	. Screw, Soc. Hd. Cap #10-24NC x 5/8	8
34	091-993196	. Washer, Lock #10 Std.	1
35	114-004732	. Dowel	10
36	091-987628	. Screw, Flat Hd. Mach. 1/4-20NC x 3/4	10
37	091-991158	. Nut, Hex. 1/4-20NC Std.	13
38	091-993212	. Washer, Lock 1/4" Std.	A.R.
39	135-052884	. Power Feed Cord	1
40	135-074979	. Equalizer Pulley Assembly	1
41	091-980292	. Screw, Hex. Hd. Cap 5/16-18NC x 1	1
42	091-993022	. Washer 3/8 Wrought	1
43	091-993238	. Washer, Lock 5/16"	1
44	091-991224	. Nut, Hex. 5/16-18NC	1
	091-043950	. Cable Beam (Not Shown)	1

REDRAWN S.W.5 - 12 - 78
REVISIONS

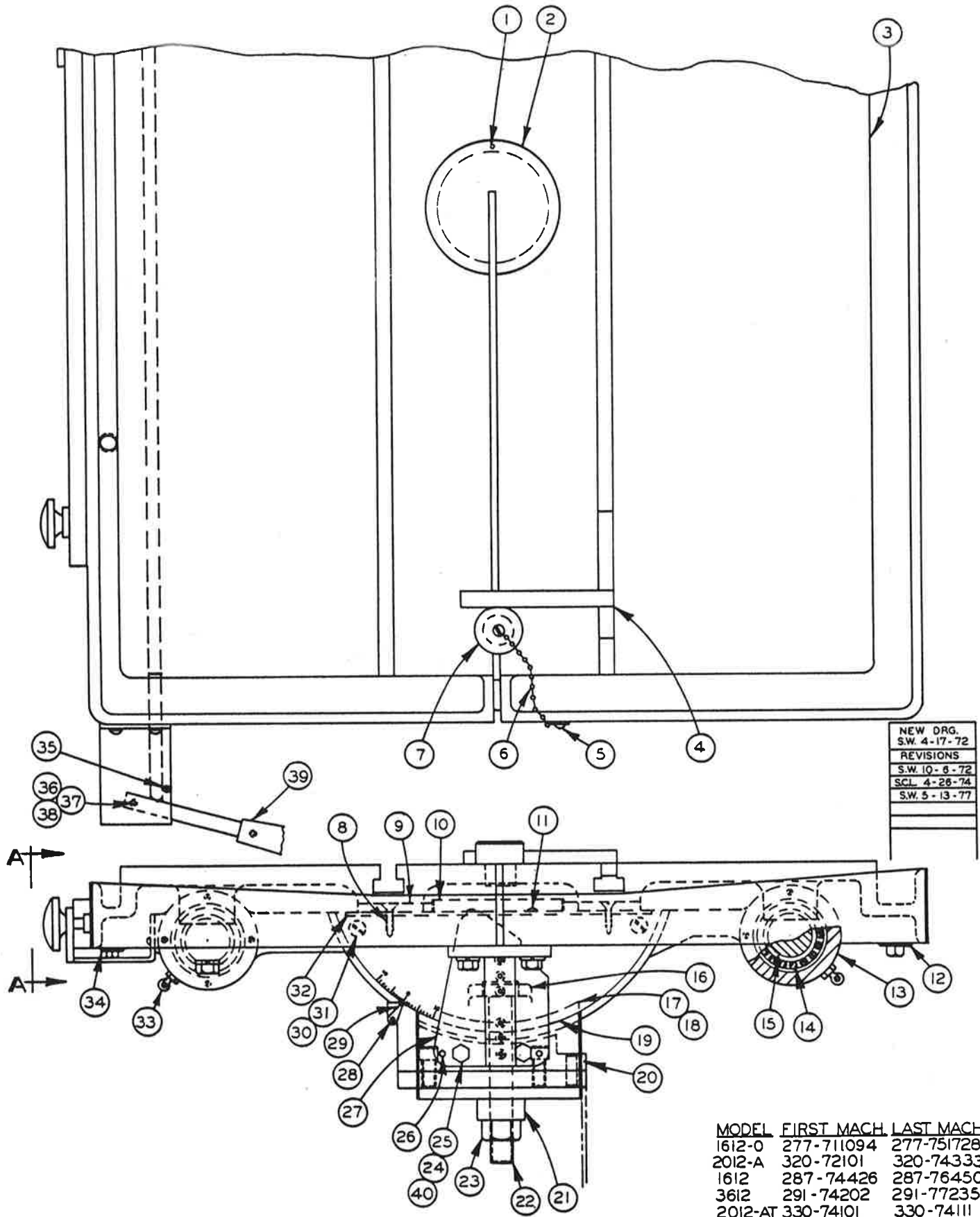


SLIDING TABLE ASSEMBLY

MODEL	FIRST MACH.	LAST MACH.
1612-UGT	186-60101	
3012-U	147-61186	147-681104
1612-1	148-61382	148-731539
3613-1	149-61169	149-73706

SLIDING TABLE ASSEMBLY

INDEX NO.	CATALOG NO.	DESCRIPTION	UNITS PER ASS'Y
Ref.	54745	Sliding Table Assembly	
1	090-150350	. Screw, Fil. Hd. Mach. 1/4-20NC x 5/8	1
2	091-991141	. Nut, Jam 1/4-20NC	2
3	091-992602	. Washer SAE. 1/4" Std.	11
4	111-024014	. Thumbscrew	1
5	091-040170	. Stop Bracket	1
6	090-127051	. Nut, Flex Loc.	4
7	091-023952	. Stud	8
8	091-023960	. Plug	8
9	135-064269	. Retaining Ring	8
10	090-460155	. Channel	1
11	090-460163	. Base Weldment	1
12	090-242447	. Lower Post Block	1
13	090-116351	. Stud	1
14	091-993030	. Washer, Plain 7/16 S.A.E.	1
15	090-460148	. Channel	1
16	090-460189	. Track	2
17	091-012682	. Bearing	8
18	091-983718	. Screw, Soc. Hd. Cap 3/8-16NC x 1	4
19	091-993329	. Washer, Lock 3/8 Std.	12
20	135-032185	. Dowel	6



NEW DRG.	S.W. 4-17-72
REVISIONS	
S.W. 10-6-72	
SCL. 4-26-74	
S.W. 5-13-77	

MODEL	FIRST MACH.	LAST MACH.
1612-0	277-711094	277-751728
2012-A	320-72101	320-74333
1612	287-74426	287-76450
3612	291-74202	291-77235
2012-AT	330-74101	330-74111
2012-IA	340-74101	
2012-IAT	341-74101	
2614-1	364-76101	
3612-1	380-77101	
3613-10	381-77101	

SLIDING TABLE ASS'Y.
AIR FEED
C-3-78

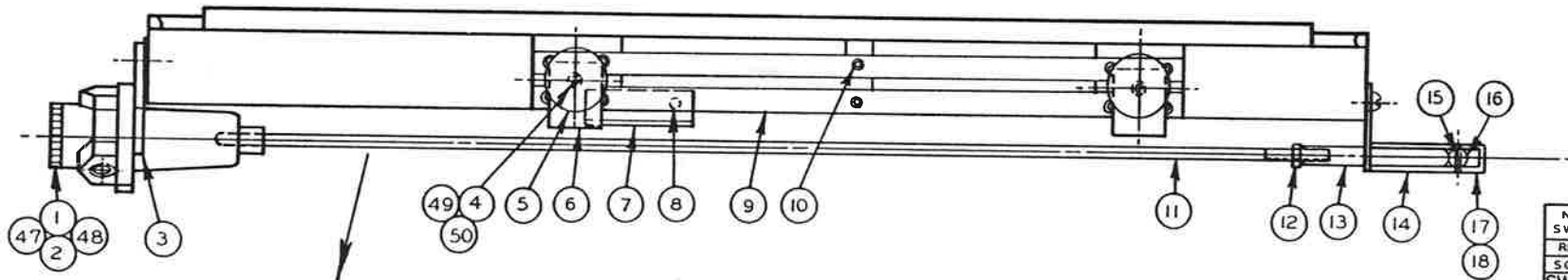
PRINTED IN U.S.A.

SLIDING TABLE ASSEMBLY
(AIR FEED)

INDEX NO.	CATALOG NO.	DESCRIPTION	UNITS PER ASS'Y
Ref.	501532	Sliding Table Assembly (1612-0, 1612, 3612, 2614-1, 3612-1, 3613-10)	
Ref.	503826	Sliding Table Assembly (2012-A, 2012-1A, 2012-AT, 2012-1AT)	
1	090-042094	. Roll Pin	1
2	090-104902	. Center Plate	1
3	095-013801	. Table	1
4	091-253617	. Square Weldment	1
5	091-988519	. Screw, Rd. Hd. Mach. #8-32NC x 1/4	2
6	091-295907	. Chain	1
7	091-253930	. Plug	1
8	091-990192	. Screw, Truss Hd. Mach. 1/4-20NC x 3/8	6
10	095-030458	. Pan	1
11	091-988675	. Screw, Rd. Hd. Mach. #10-24NC x 3/8	16
12	135-065803	. Pipe Plug	1
13	090-507914	. Trunnion	1
14	090-036476	. Ball Bushing	4
15	090-051806	. Spacer	2
16	090-394644	. Head	1
17	090-410937	. Chip Guard Assembly (#501532)	1
18	090-450800	. Chip Cover Assembly (#501532)	1
19	090-216219	. Trunnion Plate	1
20	090-409038	. Cradle	1
21	090-105016	. Spacer	1
22	091-981068	. Screw, Hex. Hd. Cap 3/4-16NF x 5	1
23	091-991414	. Nut, Hex. 3/4-16NF	1
24	091-980474	. Screw, Hex. Hd. Cap 3/8-16NC x 1-1/4	4
25	091-993329	. Washer, Lock 3/8 Std.	10
26	135-003283	. Dowel Pin	2
27	090-242413	. Keeper Block	1
28	091-988386	. Screw, Rd. Hd. Mach. #6-32NC x 1/4"	1
29	134-033158	. Pointer	1
30	091-988931	. Screw, Rd. Hd. Mach. 1/4-20NC x 3/8 (#501532)	2
	091-988220	. Screw, Pan Hd. Mach. 1/4-20NC x 3/8 (#503826)	2
31	091-993568	. Washer, Lock 1/4 Shakeproof Int.	8
32	090-342122	. Cover	1
33	090-087909	. Lube Fitting 90°	2
34	106-335185	. Pipe Plug	1
35	090-042441	. Roll Pin	1
36	091-046326	. Belleville Washer	6
37	091-982520	. Screw, Soc. Hd. Cap 1/4-28NF x 1-1/4	1
38	091-156604	. Locknut	1
39	091-310110	. Handle Sub-Assembly	1
40	091-992644	. Washer, Flat 3/8 Std. S.A.E.	2

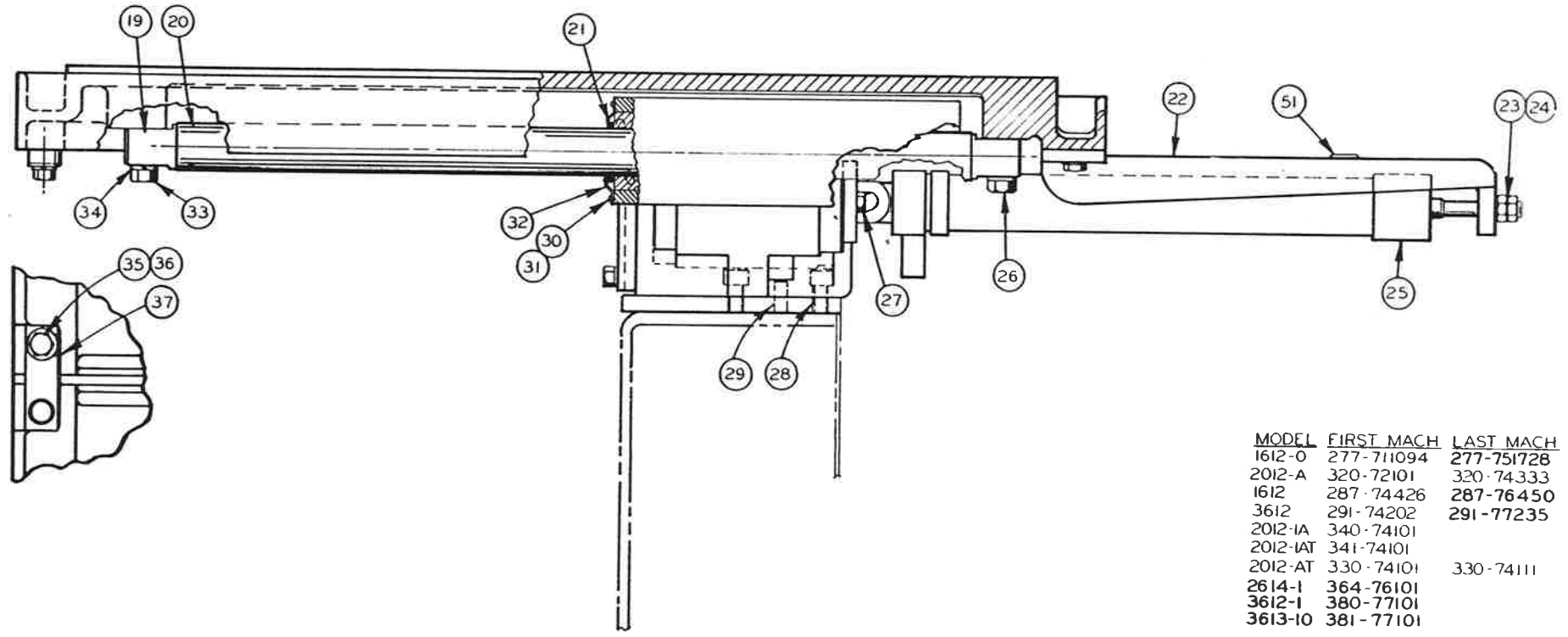
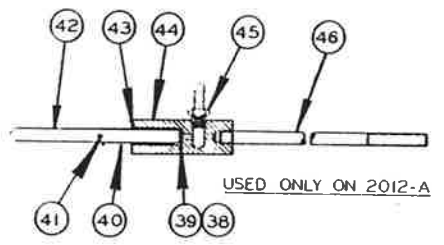
Following Items Not Shown:

091-319483	. Guard Assembly (#503826)	1
111-055091	. Pipe Plug (#503826)	1
090-285271	. Handle Assembly	1
091-294470	. Screw Assembly	1



NEW DRG
SW 4-17-72
REVISIONS
SCL 4-25-74
SW5-7-76
SW5-13-77

VIEW A - A



MODEL	FIRST MACH	LAST MACH
1612-0	277-711094	277-751728
2012-A	320-72101	320-74333
1612	287-74426	287-76450
3612	291-74202	291-77235
2012-1A	340-74101	
2012-1AT	341-74101	
2012-AT	330-74101	330-74111
2614-1	364-76101	
3612-1	380-77101	
3613-10	381-77101	

SLIDING TABLE ASS'Y.
AIR FEED

C-3-79

PRINTED IN USA

SLIDING TABLE ASSEMBLY
(AIR FEED)

INDEX NO.	CATALOG NO.	DESCRIPTION	UNITS PER ASS'Y
Ref.	501532	Sliding Table Assembly (1612-0, 1612, 3612, 2614-1, 3612-1, 3613-10)	
Ref.	503826	Sliding Table Assembly (2012-A, 2012-1A, 2012-AT, 2012-1AT)	
1	091-256743	. Regulating Valve	1
2	091-987107	. Screw, Fil. Hd. Mach. #12-24NC x 3/4	2
3	091-253864	. Mounting Plate (#503826)	1
4	090-093923	. T-Bolt	2
5	090-149097	. Knob	2
6	090-095043	. Dog	2
7	090-095035	. Stop	1
8	091-988956	. Screw, Rd. Hd. Mach. 1/4-20NC x 1/2	5
9	090-239674	. Slide Bar	2
10	091-982215	. Screw, Soc. Hd. Mach. #10-24NC x 5/8	10
11	091-253872	. Actuator Rod	1
12	091-991273	. Nut, Hex. Jam 3/8-16NC	1
13	091-253880	. Shaft	1
14	091-253898	. Bracket Weldment	1
15	090-042557	. Roll Pin	1
16	091-253922	. Shaft	1
17	091-181164	. Tapered Handle	1
18	090-042425	. Roll Pin	1
19	091-333104	. Shim	A.R.
	091-333112	. Shim	A.R.
	091-333120	. Shim	A.R.
	091-333138	. Shim	A.R.
20	090-216128	. Guide Rod	2
21	090-051772	. Scraper Ring	4
22	094-045465	. Cylinder Bracket	1
23	091-193649	. Grip Ring (#501532)	1
24	091-991349	. Nut, Hex. Jam 1/2-20NC (#503826)	2
25	094-033206	. Table Cylinder Assembly (See Detail)	1
26	091-980441	. Screw, Hex. Hd. Cap 3/8-16NC x 3/4	4
27	091-980276	. Screw, Hex. Hd. Cap 5/16-18NC x 3/4	2
28	091-982918	. Screw, Soc. Hd. Cap 1/2-13NC x 3/4	4
29	134-134071	. Dowel Pin (#501532)	2
	090-163510	. Dowel Pin (#503826)	2
30	091-993196	. Washer, Lock #10 Std.	16
31	091-988659	. Screw, Rd. Hd. Mach. #10-24NC x 1/4	2
32	090-051764	. Retainer	4
33	091-980698	. Screw, Hex. Hd. Cap 1/2-13NC x 2	4
34	091-993279	. Washer, Lock 1/2 Std.	7
35	091-980466	. Screw, Hex. Hd. Cap 3/8-16NC x 1	2
36	091-992644	. Washer 3/8 Std.	A.R.
37	090-045998	. Clamp	1
	093-013712	. Release Valve Assembly (2012-A Only)	
38	091-282319	. Seal Disc	1
39	134-015031	. Adhesive	A.R.
40	090-017906	. Spring	1
41	090-042151	. Roll Pin	1
42	091-282152	. Plunger	1
43	114-065535	. Bearing	1
44	093-013720	. Valve Body	1
45	090-160011	. Barbed Insert	1
46	091-282160	. Actuator Rod	1
47	091-980094	. Screw, Hex. Hd. Mach. 1/4-20NC x 7/8	2
48	091-227488	. Pipe Plug	1
49	091-982181	. Screw, Soc. Hd. Cap #10-24NC x 1/4	2
50	091-991224	. Nut, Hex. 5/16-18NC	2
51	090-062910	. Plug Button	1

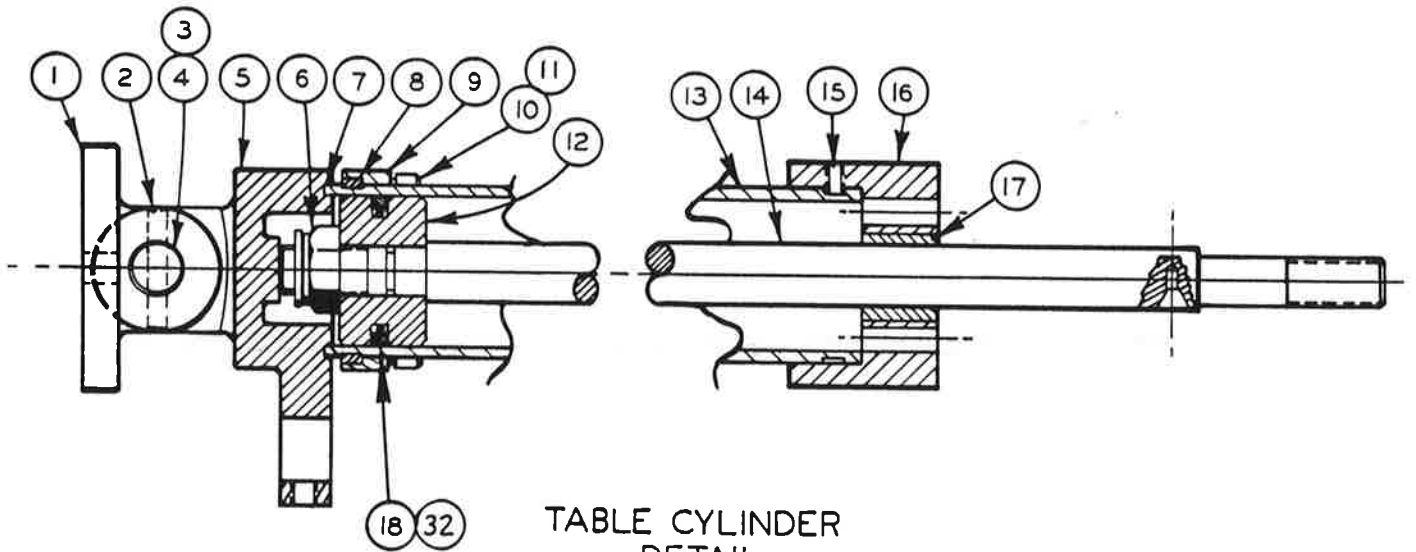
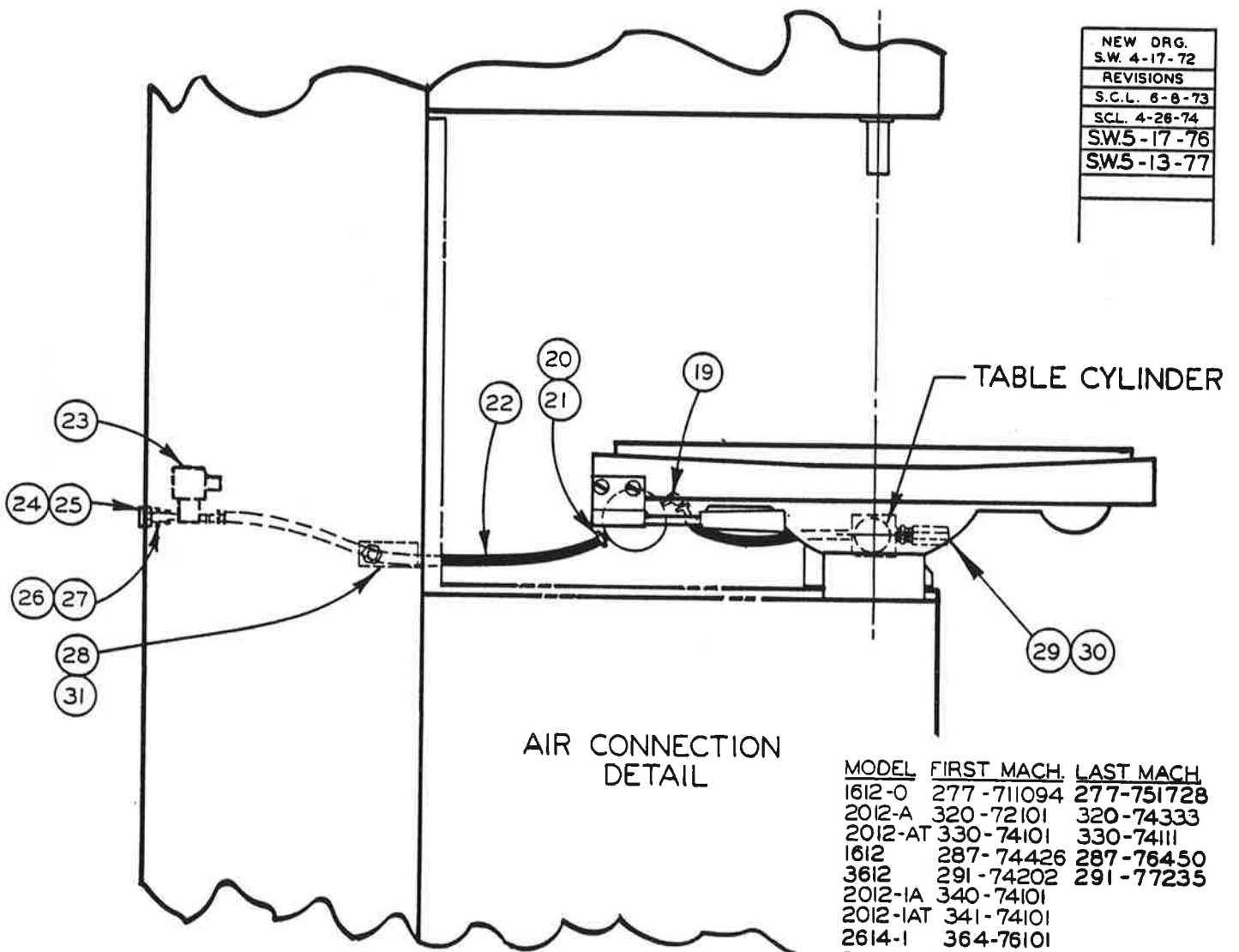


TABLE CYLINDER
DETAIL

NEW ORG.
S.W. 4-17-72
REVISIONS
S.C.L. 6-8-73
SCL. 4-26-74
SW5-17-76
SW5-13-77



AIR CONNECTION
DETAIL

TABLE CYLINDER

AIR FEED
SLIDING TABLE ASS'Y.

MODEL	FIRST MACH.	LAST MACH.
1612-0	277-711094	277-751728
2012-A	320-72101	320-74333
2012-AT	330-74101	330-74111
1612	287-74426	287-76450
3612	291-74202	291-77235
2012-1A	340-74101	
2012-1AT	341-74101	
2614-1	364-76101	
3612-1	380-77101	
3613-10	381-77101	

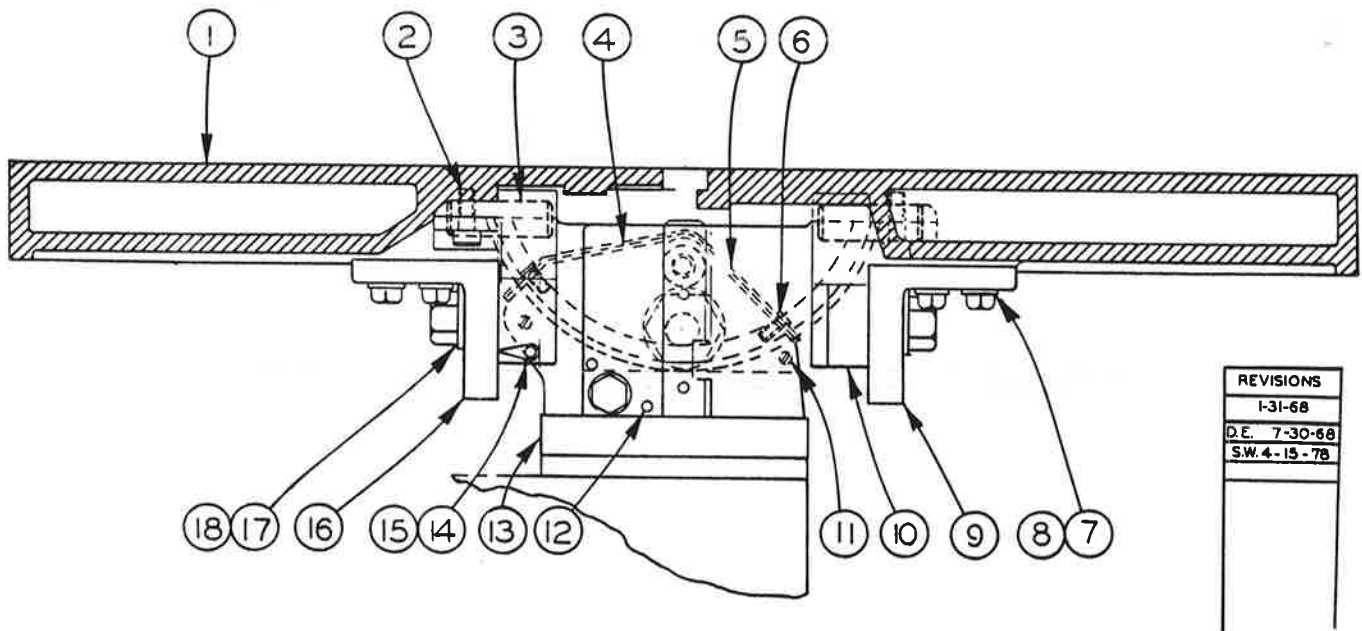
C-3-80

PRINTED IN U.S.A.

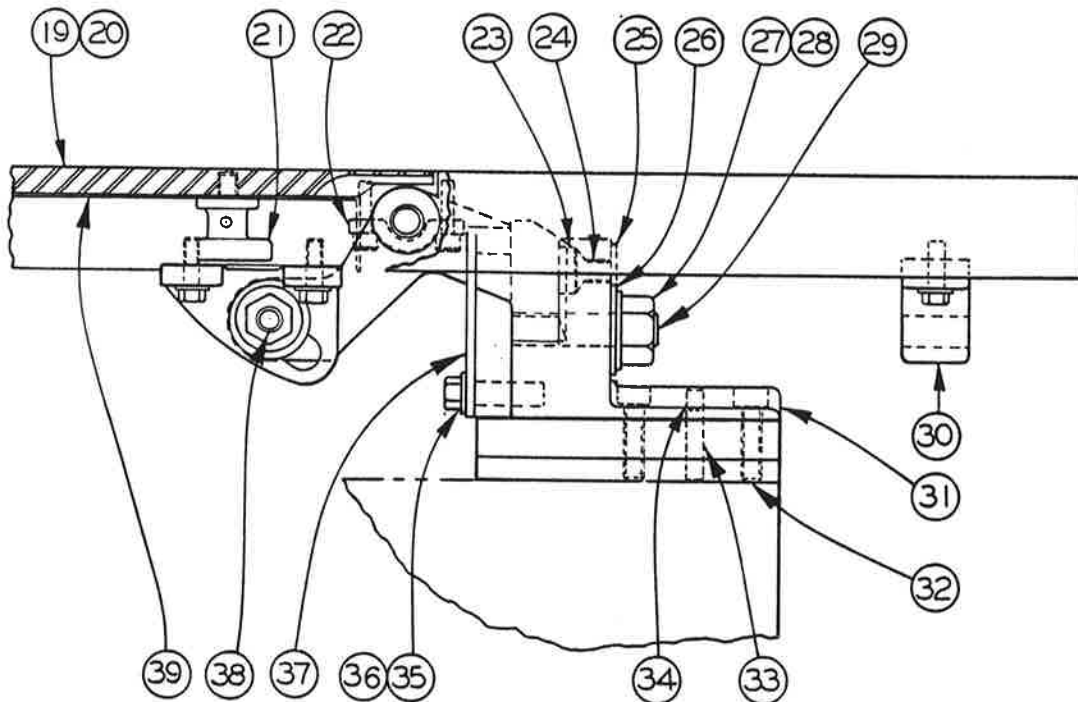
SLIDING TABLE ASSEMBLY
(AIR FEED)

INDEX NO.	CATALOG NO.	DESCRIPTION	UNITS PER ASS'Y
Ref.	501532	Sliding Table Assembly (1612-0, 1612, 3612, 2614-1, 3612-1, 3613-10)	
Ref.	503826	Sliding Table Assembly (2012-A, 2012-1A, 2012-AT, 2012-1AT)	
Ref.	094-033206	. Table Cylinder Assembly	1
1	090-215948	. . Swivel	1
2	090-042615	. . Roll Pin	1
3	135-008910	. . Shim	2
4	090-051301	. . Swivel Pin	1
5	090-256553	. . Rear Cylinder Cap	1
6	090-127762	. . Locknut	1
7	135-004638	. . Cylinder Gasket	1
8	135-004661	. . Snap Ring	2
9	135-004653	. . Cylinder Collar	1
10	091-982421	. . Screw, Soc. Hd. Cap 1/4-20NC x 1	4
11	090-035593	. . Washer, Lock 1/4-Hi-Collar	4
12	091-256859	. . Piston	1
13	091-278218	. . Cylinder	1
14	093-023273	. . Piston Rod	1
15	091-154278	. . Screw, Soc. Set Self-Locking	3
16	093-004687	. . End Cap	1
17	090-051236	. . Bearing	1
18	091-277749	. . Seal Ring	1
19	117-135210	. 90° Street Elbow	1
20	091-044784	. Hose Clamp (#501532)	6
	135-068880	. Hose Clamp (#503826)	4
21	090-020041	. Barbed Insert	6
22	090-000035	. Hose 3/8 O.D. (#501532)	A.R.
	090-000084	. Hose 5/8 O.D. (#503826)	A.R.
*23	091-194019	. Solenoid Valve 120V 60 Hz	Use
	091-194043	. Solenoid Valve 240V 60 Hz	
	091-194084	. Solenoid Valve 380V 60 Hz	
	091-194076	. Solenoid Valve 480V 60 Hz	One
*24	091-256735	. Bulkhead Adapter	1
*25	114-035074	. Close Nipple	2
*26	090-038183	. Reducing Coupling	2
*27	114-145287	. Close Nipple	3
*28	091-281485	. Manifold	1
*29	091-059964	. Reducer Bushing	1
*30	093-034171	. Orifice	1
*31	091-203695	. Pipe Plug	1
*	091-029181	. Oil Lubricator (Not Shown)	1
32	091-128066	. . "O"-Ring	1

*NOTE: Starred Items Used Only On Assembly #501532.



REVISIONS	
1-31-68	
D.E. 7-30-68	
S.W. 4-15-78	

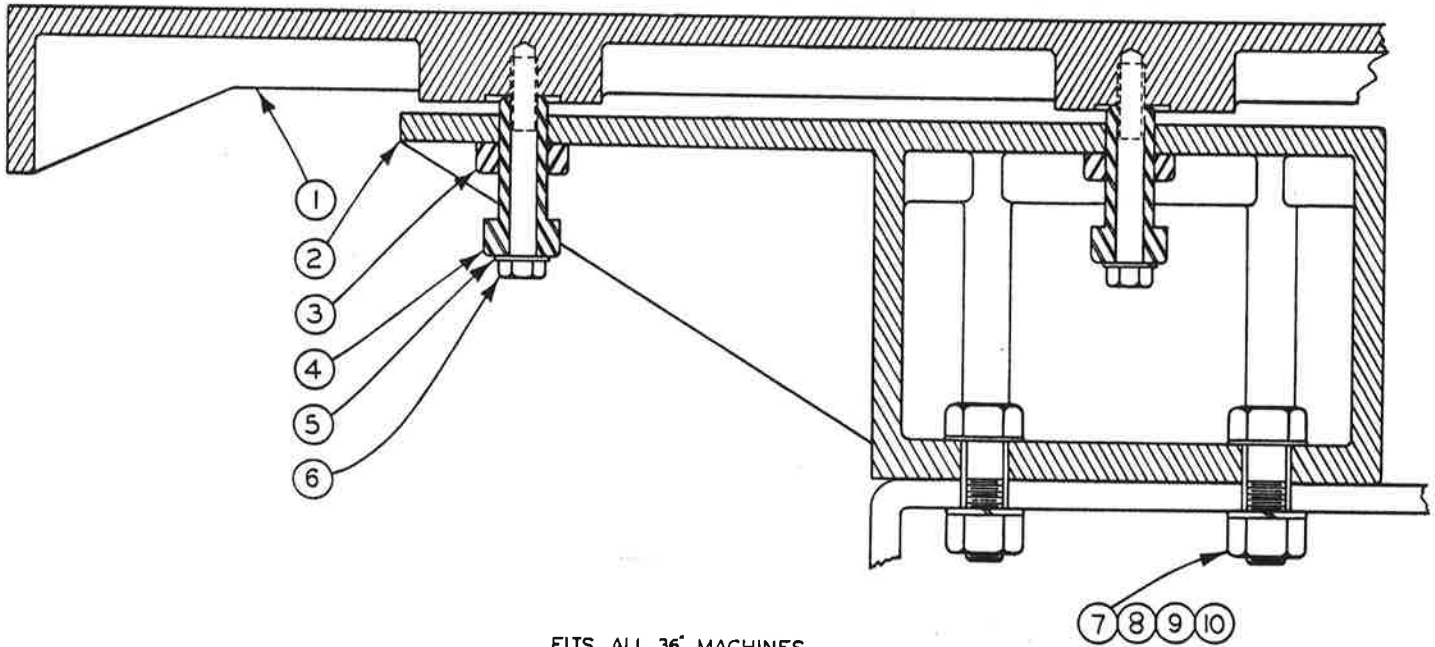


4 WAY TABLE TILT ASSEMBLY

MODEL	FIRST MACH.	LAST MACH.
2612-1	172-60101	172-68229
3613-1	149-59101	149-73706
2613-2	127-60139	127-72297
3613-2	151-59101	151-756083
3613-0	278-68101	278-77825
2612-1	285-68101	285-76200

4-WAY TABLE TILT ASSEMBLY

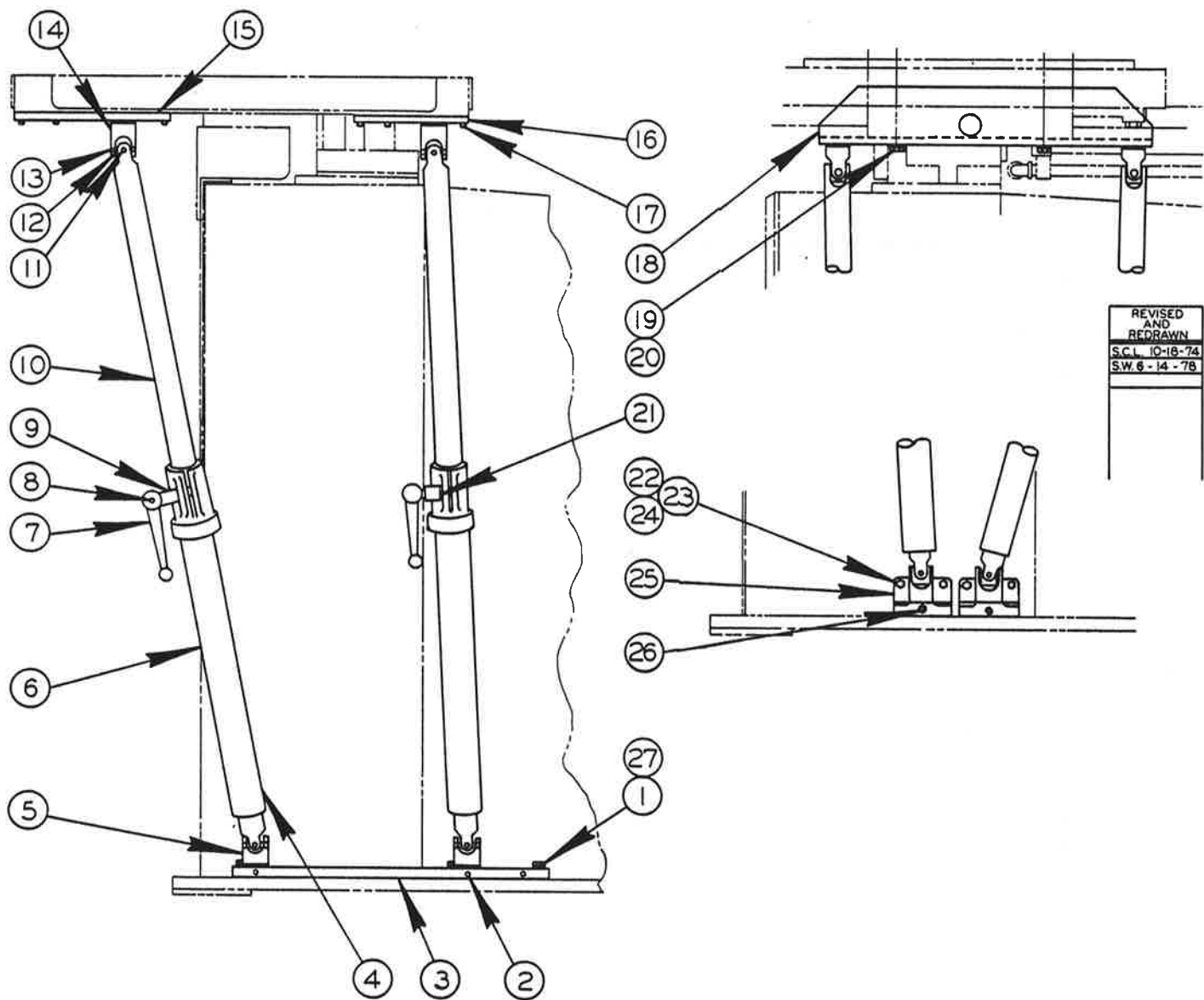
INDEX NO.	CATALOG NO.	DESCRIPTION	UNITS PER ASS'Y
Ref.	54592	4-Way Table Tilt Assembly	
1	111-031050	. Table	1
2	091-982785	. Screw, Soc. Hd. Cap 3/8-16NC x 3/4	4
3	134-034230	. Axis Pin	2
4	111-033056	. Wiper	1
5	111-033080	. Wiper Clamp	1
6	091-993998	. Drive Screw #4 x 1/4 "	2
7	091-992644	. Washer 3/8" Std.	10
8	091-980466	. Screw, Hex. Hd. Cap 3/8-16NC x 1	10
9	111-031035	. Secondary Trunnion Spec.	1
10	111-031100	. Trunnion	1
11	091-988956	. Screw, Rd. Hd. Cap 1/4-20NC x 1/2	2
12	135-003283	. Dowel Pin	2
13	090-279779	. Spacer	1
14	091-988386	. Screw, Rd. Hd. Cap 6-32NC x 1/4	1
15	134-033158	. Tilt Indicator Pointer	1
16	103-031167	. Secondary Trunnion Std.	1
17	134-034065	. Washer	2
18	091-991356	. Nut, Hex. 5/8-11NC Std.	2
19	090-367780	. Filler Plate Sawing	1
20	135-073211	. Filler Plate Filing	1
21	105-030050	. Handwheel Assembly	6
22	134-033059	. Bearing Cap	2
23	111-034054	. Adjustment Plug	1
24	111-035028	. Screw, Soc. Set	1
25	111-033064	. Protractor Pointer	1
26	111-033072	. Trunnion Protractor	1
27	091-991414	. Nut, Hex. 3/4-16NF	1
28	111-034039	. Trunnion Washer	1
29	111-034021	. Stud 3/4" x 3 1/8	1
30	111-031118	. Wrench Bracket	1
31	111-031092	. Trunnion Cradle	1
32	091-982967	. Screw, Soc. Hd. Cap 1/2-13NC x 1 3/4	4
33	135-004455	. Dowel Pin	1
34	090-059189	. Dowel Pin	1
35	134-134022	. Washer	1
36	091-980680	. Screw, Hex. Hd. Cap 1/2-13NC x 1 3/4	1
37	091-001172	. Keeper Block	1
38	134-034057	. Stud	2
39	134-033166	. Filler Plate Guard	1
	Following Items Not Shown:		
40	091-020115	Trunnion Wrench Socket 1"	1
41	134-035021	Trunnion Wrench Extension	1
42	134-035021	Trunnion Wrench Handle	1
43	091-027391	Trunnion Wrench Socket 1 1/8	1
44	091-027433	Spacer on Secondary Table (3613-1 & 3613-2).....	1



FITS ALL 36" MACHINES
 *50369
 SECONDARY TABLE MOUNTING ASS'Y.

SECONDARY TABLE ASSEMBLY

INDEX NO.	CATALOG NO.	DESCRIPTION	UNITS PER ASS'Y.
Ref.	50369	Secondary Table Assembly	
Ref.	48046	Secondary Table Assembly (3612-3)	
Ref.	503536	Secondary Table Assembly (3612-1H3)	
1	111-031068	. Secondary Table	1
2	090-208273	. Secondary Table Support (Use on Ass'y. #50369)	USE
	090-480450	. Secondary Table Support (Use on Ass'y. #48046 & 503536)	ONE
3	091-991364	. Nut, Jam 5/8-11NC	4
4	111-034047	. Secondary Table Support Stud	4
5	091-995589	. Washer, Lock 3/8" Shakeproof Int.	4
6	091-980532	. Screw, Hex. Hd. Cap 3/8-16NC x 2-3/4	4
7	091-980672	. Screw, Hex. Hd. Cap 1/2-13NC x 1-1/2	4
8	091-993048	. Washer, Wrought 1/2" Std.	4
9	091-991315	. Nut, Hex. 1/2-13NC	4
10	091-993279	. Washer, Lock 1/2" Std.	4
	090-086885	. Cover Plate Assembly (Not Shown) (Ass'y. #503536) ..	1



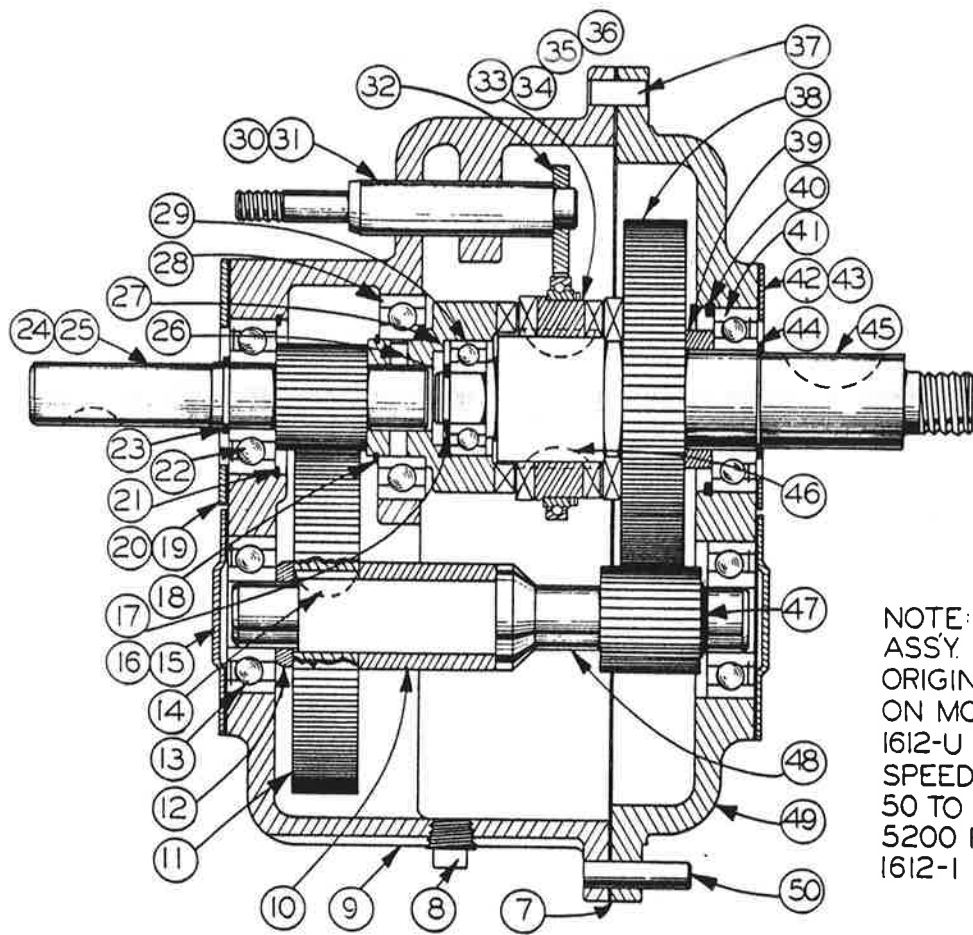
REVISED
 AND
 REDRAWN
 S.C.L. 10-18-74
 S.W. 6-14-76

TABLE SUPPORT ASSEMBLY

TABLE SUPPORT ASSEMBLY

INDEX NO.	CATALOG NO.	DESCRIPTION	UNITS PER ASS'Y
*Ref.	090-554361	Table Support Assembly (1612, 3612, 1612-0, 3613-0, 1612-1, 2612-1, 3613-1, 1613-2, 3613-2, HS6013, 2013-1, 2013-10, 2012-1A, 2012-1AT)	
*Ref.	090-508268	Table Support Assembly (1611-H, 1612-H, 3612-H, 2612-H, 2612-1H, 2612-2H, 1612-3, 3612-3, 2012-1H, 2012-1H3, 2612-1H3, 2614-1)	
*Ref.	090-512161	Table Support Assembly (2613-2, 6013-2)	
*Ref.	090-529926	Table Support Assembly (2613-3, 6013-3, 6013-H3)	
*Ref.	117-030031	Table Support Assembly (Zephyrs, ZS-3620, ZV-3620, ZW-3620)	
1	091-980466	. Screw, Hex. Hd. Cap 3/8-16NC x 1	Use
2	091-984104	. Screw, Soc. Hd. Set #10-24NC x 1/4	One
3	090-295924	. Plate	1
*4	135-052397	. Table Support and Rod Assembly	2
5	135-008779	. . Universal Joint	1
6	135-052389	. . Table Support Tube Sub-Assembly	1
7	117-031054	. . Lock Lever	1
8	090-042599	. . Roll Pin	1
9	117-034066	. . Lock Shaft	1
10	117-034041	. . Support Rod	1
11	091-331850	. . Universal Joint Pin	2
12	091-331835	. . Universal Joint Swivel	2
13	091-331843	. . Universal Joint Swivel Pin	2
14	093-026789	. . Universal Joint Threaded End	1
15	090-304403	. Left Table Support Plate (Used on Assembly #090-554361) ..	1
16	090-304411	. Right Table Support Plate (Used on Assembly #090-554361) ..	1
17	091-982207	. Screw, Soc. Hd. Cap #10-24NC x 1/2	8
18	090-222977	. Angle Bracket (Used on Assembly #090-508268)	1
19	091-980441	. Screw, Hex. Hd. Cap 3/8-16NC x 3/4	2
20	091-992644	. Washer 3/8" Std.	6
21	091-322875	. Spacer Option List	A.R.
	135-077089	. Spacer (Used only on Assembly #090-512161)	A.R.
22	091-980458	. Screw, Hex. Hd. Cap 3/8-16NC x 7/8	4
	091-980466	. Screw, Hex. Hd. Cap 3/8-16NC x 1	4
23	091-991265	. Nut, Hex. 3/8-16NC	4
24	091-992644	. Washer 3/8" Std.	4
	091-993329	. Washer, Lock 3/8" Std.	4
25	117-031047	. Bottom Bracket	2
26	091-984237	. Screw, Soc. Set 1/4-20NC x 5/16	2
27	091-993329	. Washer, Lock 3/8" Std.	A.R.
	091-992685	. Washer 3/4" Std.	2

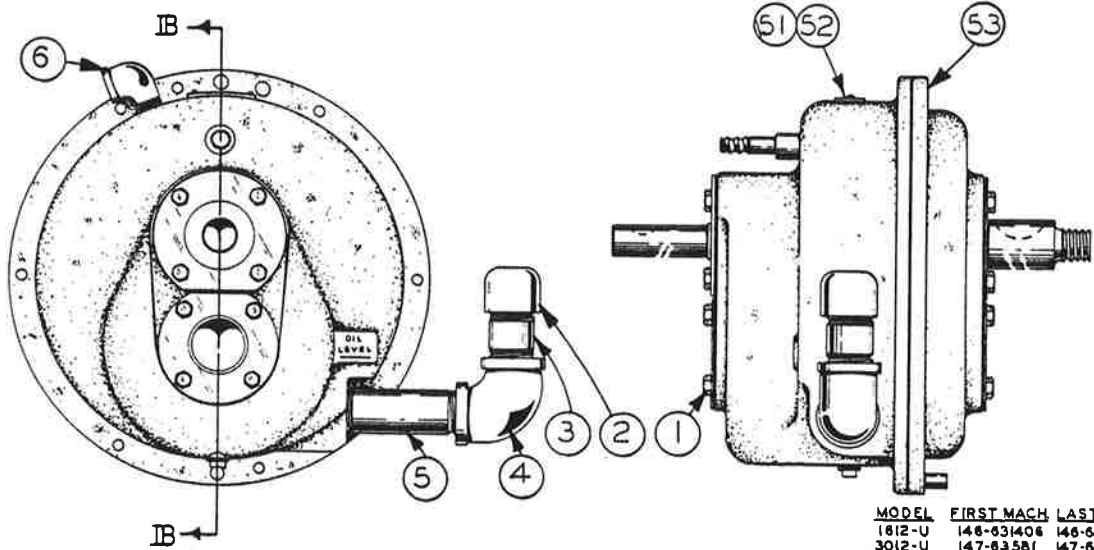
*NOTE: All Table Support Assemblies use Table Support and Rod Sub-Assembly #135-052397. However, Different Upper and Lower Connecting Brackets are Used. Locate on the Drawing the Brackets Used on Your Machine.



REVISIONS	
9-11-67	WS
RMV	1-30-68
S.W.	8-16-68
S.W.	4-21-72
S.C.L.	11-16-73
S.C.L.	10-15-74
S.W.	5-13-77

NOTE: THIS TRANS. ASSY. REPLACES ORIGINAL EQUIPMENT ON MODELS 16-M, 30-M, 1612-U & 3012-U WITH SPEED RANGES OF 50 TO 300 & 850 TO 5200 F.P.M., ALSO THE 1612-I AND 3613-I.

SECTION IB-IB



TRANSMISSION ASSY.

C-4-40 CM-4-18

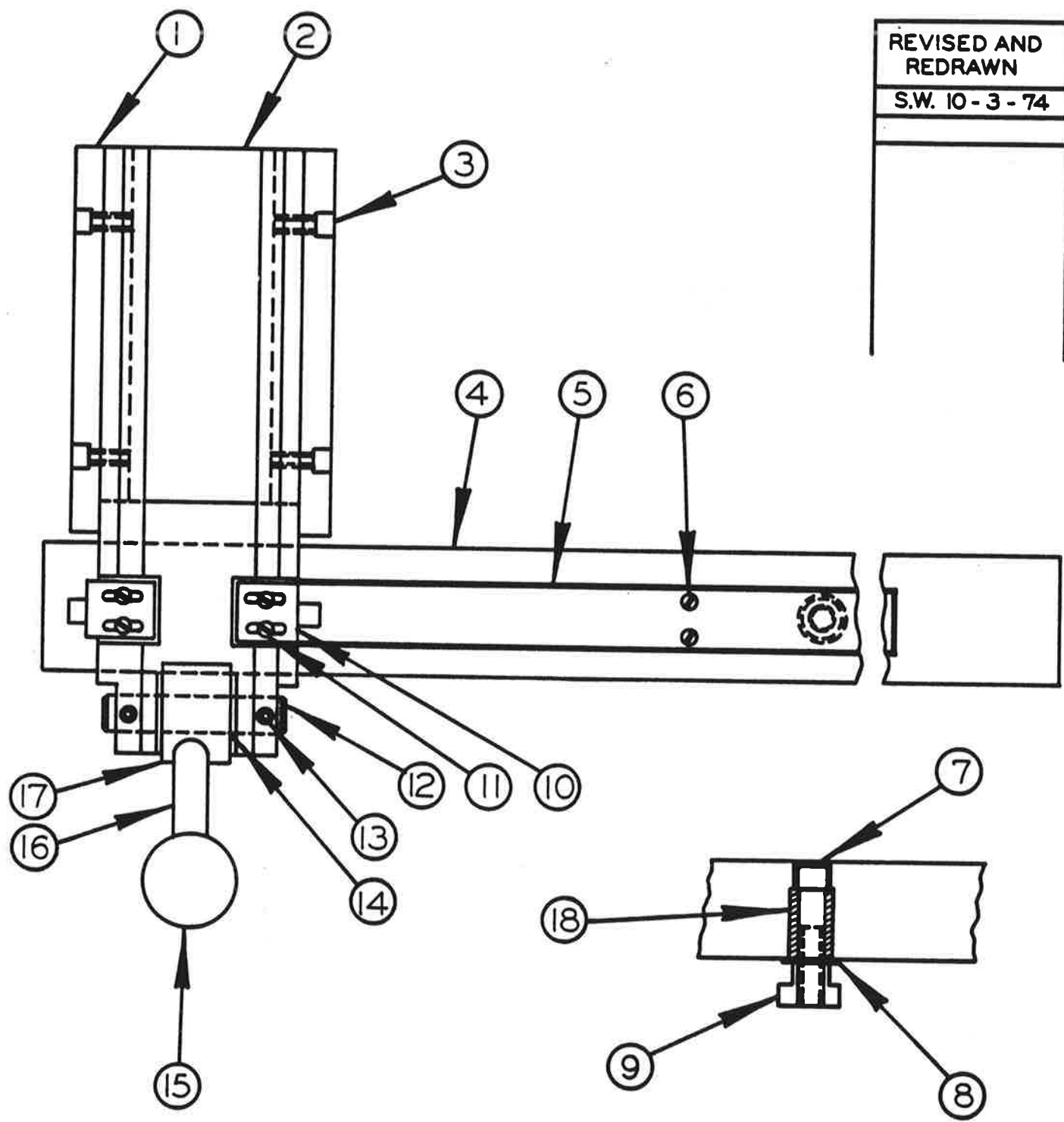
MODEL	FIRST MACH	LAST MACH
1612-U	146-631406	146-682364
3012-U	147-63581	147-68104
1612-O	209-63147	209-68620
1612-I	146-63636	146-73539
3613-I	149-63268	149-73706
1611-H	258-68102	258-68231
1611-U	270-68101	270-68156
3612-U	271-68101	271-68131
162-O	277-68101	277-751726
3613-O	278-68101	278-77625
3612-H	272-68101	272-77373
1612	287-68101	287-76450
3612	291-68101	291-77235
1612-H	288-69101	288-75436
2013	301-71101	301-74165
2012-A	320-72101	320-74333
2013-O	321-72101	321-74357
2012-AT	330-74101	330-74111
2013-I	338-74101	
2013-10	339-74101	
2012-1A	340-74101	
2012-1AT	341-74101	
2012-1H	348-75101	
3612-I	360-77101	
3613-10	361-77101	
3612-1H	362-77101	

TRANSMISSION ASSEMBLY

INDEX NO.	CATALOG NO.	DESCRIPTION	UNITS PER ASS'Y
Ref.	090-559972	2 Speed Transmission Assembly	
1	091-980052	. Screw, Hex. Hd. Cap 1/4-20NC x 3/8	16
2	090-110693	. Pipe Cap	1
3	090-059056	. Nipple	1
4	105-046171	. 90° Elbow	1
5	091-001875	. Nipple	1
6	117-135210	. 90° St. Elbow	1
7	105-043111	. Gasket	1
8	105-046122	. Pipe Plug	1
9	090-548710	. Transmission Case	1
10	091-027268	. Spacer	1
11	105-044242	. Gear	1
12	091-032359	. Spacer	1
13	091-085571	. Bearing	2
14	105-046023	. Key	1
15	105-043038	. Cover	2
16	105-043095	. Gasket	2
17	091-041640	. Ext. Retaining Ring (Waldes Kohinoor #5100-59)	1
18	135-075380	. Ext. Retaining Ring (Waldes Kohinoor #5100-137)	1
19	091-056887	. Cover Plate	1
20	091-056895	. Gasket	1
21	135-081891	. Int. Retaining Ring (Waldes Kohinoor #N5000-181)	1
22	091-001222	. Bearing #3000 (New Departure #Z99504 X1C)	1
23	135-086643	. Ext. Retaining Ring (Waldes Kohinoor #5100-78)	1
24	090-317389	. Input Shaft Sub-Assembly	1
25	090-317371	. . Input Shaft and Pinion	1
26	090-042615	. . Roll Pin	1
27	090-317355	. . Clutch	1
28	090-022732	. Bearing #3L00 (New Departure #3L07 X1A)	1
29	091-057497	. Ball Bearing #3000 (New Departure #3202 X1A)	1
*30	091-114496	. Shifter Fork Assembly	1
31	091-114462	. . Shifter Shaft	1
32	091-114488	. . Yoke Weldment	1
*33	091-114512	. Shifter Clutch Assembly	1
34	090-486218	. . Shifter Clutch	1
35	091-114504	. . Ball Bearing (Fafnir Bearing #B-546)	1
36	090-042094	. . Roll Pin	3
37	105-044150	. Dowel Pin	1
38	106-044217	. Clutch Gear	1
39	091-056861	. Spacer	1
40	091-057091	. Int. Retaining Ring (Waldes Kohinoor #N5000-218)	1
41	091-056994	. Bearing #3L00 (New Departure #93L06 X1A)	1
42	091-056911	. Gasket	1
43	091-056903	. Cover Plate	1
44	091-090662	. Inverter Ext. Retaining Ring (Waldes Kohinoor #5108-112)	1
45	090-317330	. Output Shaft	1
46	135-071926	. Key	2
47	091-057000	. Shim	A. R.
48	090-292699	. Countershaft	1
49	090-470469	. Transmission Cover	1
50	105-044127	. Dowel Pin	1
51	091-364455	. Escutcheon	1
52	091-993964	. Screw, Rd. Hd. Drive #2 x 3/16 Type "U"	2
53	091-987685	. Screw, Fl. Hd. Mach., 5/16-18NC x 3/4	4
	091-384453	. Oil (1 Qt.) (Not Shown)	1

*NOTE: Shifter Fork Assembly was 135-050268 and Clutch Assembly was 106-045057 To replace order #091-114496 Shifter Fork Assembly and #091-114512 Shifter Clutch Assembly.

REVISED AND REDRAWN
S.W. 10-3-74

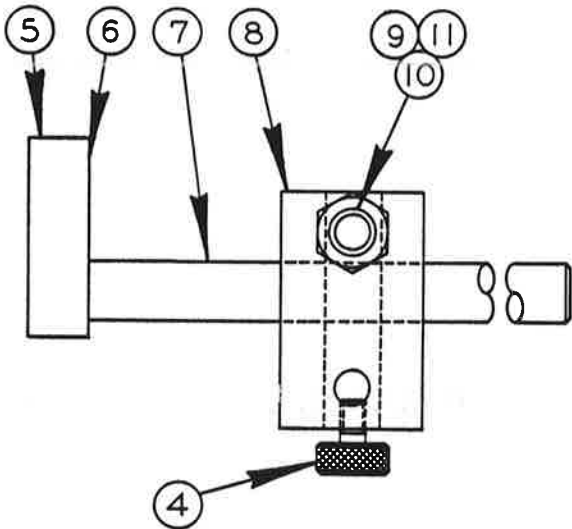


UNIVERSAL CAL. WORK FIXTURE
(USE WITH T-SLOT TABLE ONLY)

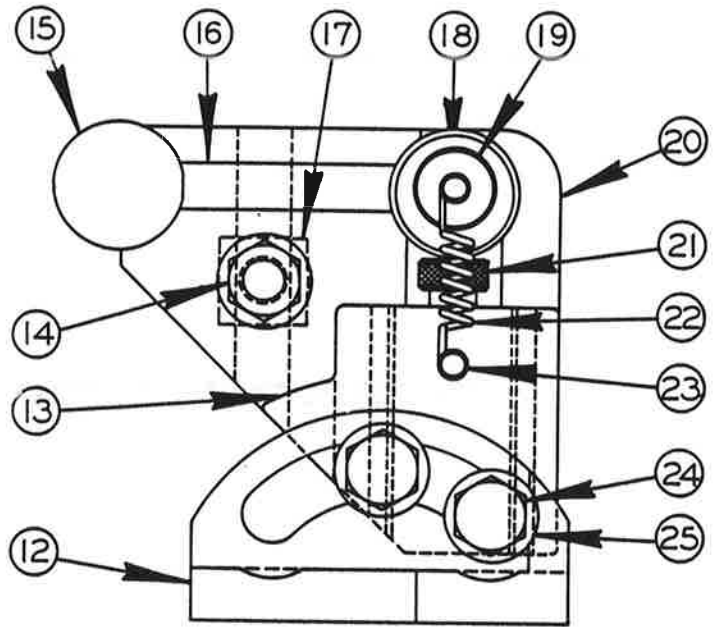
FITS ALL CONTOUR-
MATIC MACHINES

UNIVERSAL CALIBRATED WORK FIXTURE

INDEX NO.	CATALOG NO.	DESCRIPTION	UNITS PER ASS'Y
REF.	090-450842	Universal Calibrated Work Fixture (English) 26-3, 60-3, 2612-H, 2613-3, 2618-4, 6013-3, 6013-H3	
REF.	090-450834	Universal Calibrated Work Fixture (English) 16-2, 36-3, 1612-H, 1612-3, 2012-A, 2012-AT, 2012-1AT, 3612-H, 3612-3, 3612-1H, 3612-1, 3613-10	
REF.	094-049079	Universal Calibrated Work Fixture (Metric) 2012-A, 2012-AT, 2012-1A, 2012-1AT, 3612-1H, 3612-1, 3613-10	
REF.	094-048170	Universal Calibrated Work Fixture (Metric) 2612-H	
1	090-183906	. Wear Strip	2
2	090-450859	. Head	1
3	091-982363	. Screw, Soc. Hd. Cap 1/4-20NC x 1/2	4
4	090-450875	. Bar (Used on Ass'y #094-048170 & 090-450842)	1
	090-450867	. Bar (Used on Ass'y #094-049079 & #090-450834)	1
5	090-450891	. Scale (Used on Ass'y #090-450842)	USE
	090-450883	. Scale (Used on Ass'y #090-450834)	
	090-475005	. Scale (Used on Ass'y #094-049079)	
	090-474990	. Scale (Used on Ass'y #094-048170)	ONE
6	091-988337	. Screw, Rd. Hd. Mach. #5-40NC x 1/8	10
7	091-982819	. Screw, Soc. Hd. Cap 3/8-16NC x 1 1/2	USE
	091-982827	. Screw, Soc. Hd. Cap 3/8-16NC x 1 3/4	TWO
8	091-992644	. Washer, Flat 3/8 S.A.E.	2
9	090-038555	. T-Nut	2
10	090-183922	. Pointer	2
11	091-990051	. Screw, Truss Hd. Mach. #6-32NC x 1/4 Plated	4
12	090-183914	. Pin	1
13	091-984179	. Screw, Soc. Set #10-32NF x 1/4	2
14	090-288929	. Cam Assembly	1
15	134-135086	. Ball	1
16	090-025792	. . Handle	1
17	091-007021	. . Cam	1
18	091-011171	. Collar	1

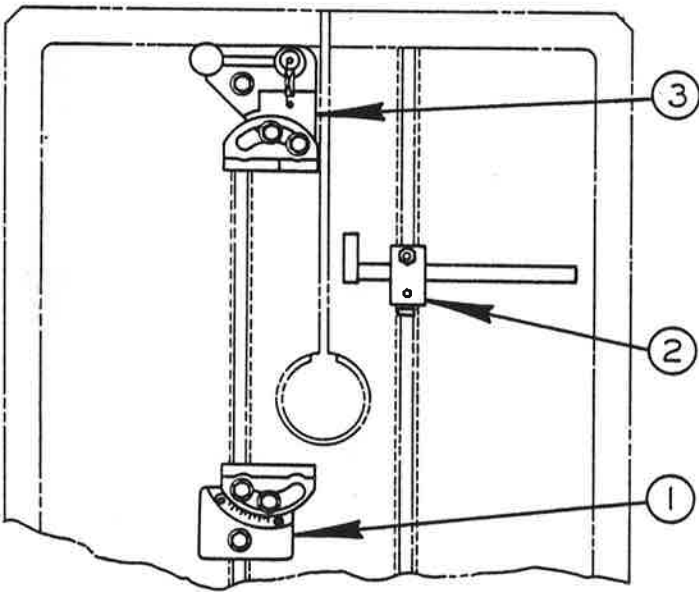


*20453
CUTOFF GAUGE ASSEMBLY

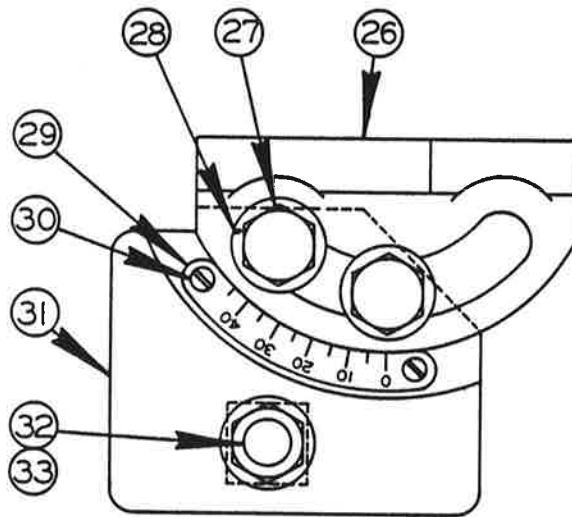


*40364
FRONT VISE ASSEMBLY

REVISED AND
REDRAWN
SCL 11-21-74



UNIVERSAL VISE ASSEMBLY



*40365
REAR VISE ASSEMBLY

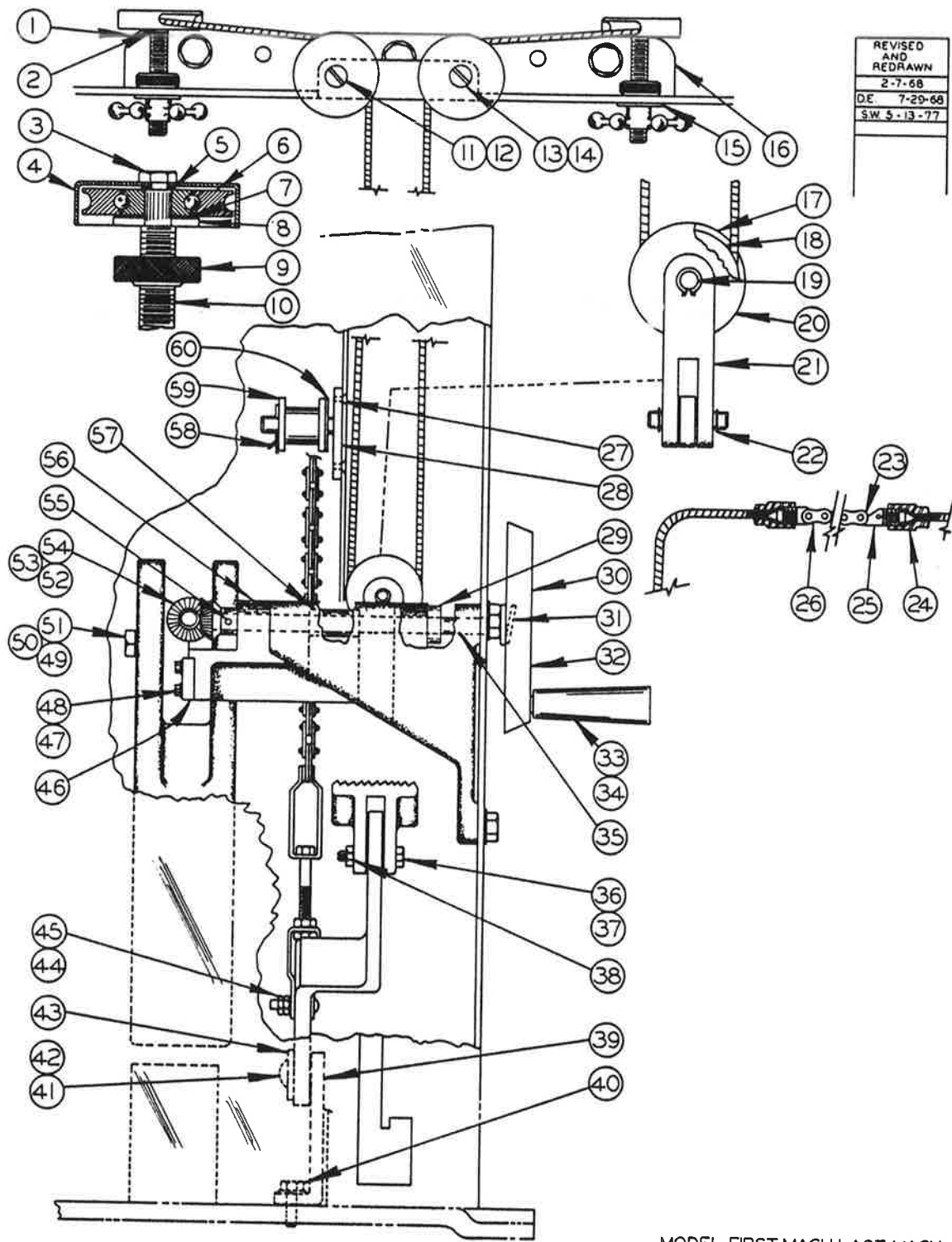
UNIVERSAL VISE ASSEMBLY

INDEX NO.	CATALOG NO.	DESCRIPTION	UNITS PER ASS'Y
REF.	090-403635	Universal Vise Assembly	
1	090-403650	. Rear Vise Assembly (See Below)	1
2	090-204538	. Cut Off Gauge Assembly (See Below)	1
3	090-403643	. Front Vise Assembly (See Below)	1
	090-025818	. Offset Socket Wrench (Not Shown)	1
REF.	090-204538	Cutoff Gauge Assembly	
4	135-005544	. Thumb Nut	1
5	090-204544	. Gauge Bar Assembly	1
6	090-023359	. . Head	1
7	090-023342	. . Pin	1
8	090-023367	. Body	1
9	090-025800	. T-Slot Bolt	1
10	090-033671	. Nut, Hex. 1/2-13NC	1
11	091-992669	. Washer 1/2 S.A.E. Std.	1
REF.	090-403643	Front Vise Assembly	
12	090-205618	. Jaw	1
13	090-205634	. Jaw Support	1
14	090-033671	. Nut, Hex. 1/2-13NC	1
15	134-135086	. Knob	1
16	090-205600	. Cam Assembly	1
17	090-025842	. T-Slot Bolt	1
18	091-984229	. Screw, Soc. Hd. Set 1/4-20NC x 1/4 Cup Pt.	1
19	090-025834	. Pivot Pin	1
20	090-205626	. Body	1
21	090-023227	. Adjusting Screw	1
22	090-025826	. Spring	1
23	090-023201	. Spring Stud	2
24	091-980664	. Screw, Hex. Hd. Cap 1/2-13NC x 1-1/4	2
25	091-992669	. Washer 1/2 S.A.E. Std.	3
REF.	090-403650	Rear Vise Assembly	
26	090-205592	. Jaw	1
27	091-980664	. Screw, Hex. Hd. Cap 1/2-13NC x 11/4	2
28	091-992669	. Washer 1/2 S.A.E. Std.	3
29	090-025768	. Escutcheon	1
30	091-988386	. Screw, Rd. Hd. Mach. #6-32NC x 1/4	2
31	090-205584	. Jaw and Body	1
32	090-093675	. T-Slot Bolt	1
33	090-033671	. Nut, Hex. 1/2-13NC	1

CODE NO. C-5-36
CM-5-38
G7-4.2.1

6P & 6P-A
VARIABLE SPEED PULLEY

INDEX NO.	CATALOG NO.	DESCRIPTION	UNITS PER ASS'Y
Ref.	090-431461	6P Speedmaster Variable (16-M, 30-M, 1612-UM, BF, CM-16, 1612-U & 3012-U)	
Ref.	090-454232	6P-A Speedmaster Variable (1612-O, 3613-O, 1612-U, 3612-U, 3612-H, 1611-H, 1612-1, 3613-1, 1612, 3612, 1612-H)	
1	090-248840	. Sheave Sub-Assembly	1
2	090-248816	. . End Sheave	2
3	090-248824	. . Center Sheave	1
4	090-108572	. . Sleeve	1
5	091-984369	. . Screw, Soc. Set 5/16-18NC x 3/8	4
6	090-225087	. 6P Shaft Sub-Assembly	1
	090-288127	. 6P-A Shaft Sub-Assembly.....	1
7	090-225079	. 6P Shaft	1
	090-288135	. 6P-A Shaft	1
8	090-108598	. Plug	1
9	090-104969	. Oil Wick	3
10	090-011396	. Retaining Ring	1
11	090-108614	Oiler (Not Part of Variable Assembly)	1



REVISED AND REDRAWN
2-7-68
DE 7-29-68
SW 5-13-77

WEIGHT FEED ASS'Y

MODEL	FIRST MACH	LAST MACH
2612-1	172-60101	172-68229
2613-2	127-60139	127-72297
6013-2	129-60105	129-70118
3613-2	151-59101	151-756083
1613-2	150-59101	150-75655
3613-1	149-59101	149-73706
1612-1	148-59101	148-731539
1612-0	209-62101	209-681820
1611-U	270-68101	270-68156
3612-U	271-68101	271-68131
1612-0	277-68101	277-751728
3613-0	244-66101	244-68192
3613-0	278-68101	278-77825
2612-1	285-68101	285-70115
1612	287-68101	287-76450
3612	291-68101	291-77235
3612-1	380-77101	
3613-10	381-77101	

C-9-5

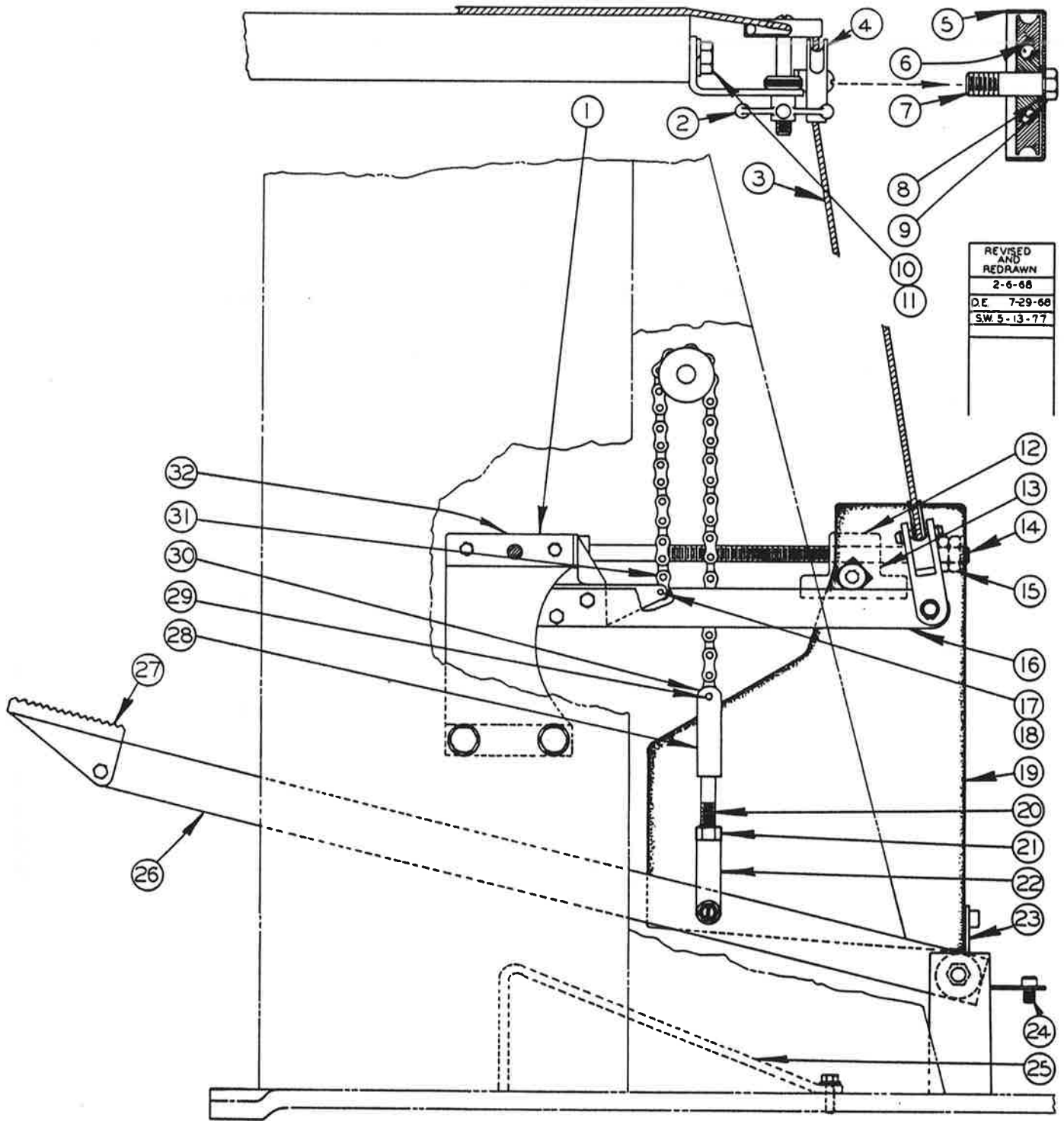
D-7

PRINTED IN U.S.A.

WEIGHT FEED ASSEMBLY

INDEX NO. REF.	CATALOG NO.	DESCRIPTION	UNITS PER ASS'Y
	090-540980	Weight Feed Ass'y (1611-U, 3612-U, 1612, 3612, 1612-0, 3613-0 1612-1, 3613-1, 2612-1)	
REF.	090-593310	Weight Feed Ass'y (1613-2, 3613-2, 2613-2, 6013-2)	
1	135-053221	. Bracket and Cable Assembly	1
2	135-063956	. . . Horizontal Pulley Assembly	2
3	091-980052	. . . Screw, Hex. Hd. Mach. 1/4-20NC x 3/8	1
4	134-133016	. . . Cap	1
5	091-993741	. . . Washer, Shakeproof #1214	1
6	134-135045	. . . Pulley	1
7	105-133094	. . . Spacer	1
8	134-054147	. . . Washer	1
9	134-134188	. . . Thumbnut	1
10	135-063980	. . . Pulley Screw	1
11	134-054147	. . . Washer	2
12	105-133094	. . . Spacer	2
13	091-993329	. . . Washer, Lock 3/8" Std.	2
14	091-991273	. . . Nut, Hex. Jam 3/8-16NC	2
15	091-992669	. . . Washer, 1/2" Plain	2
16	135-063972	. . . Cable Carrier	1
17	135-074979	. . . Equalizer Pulley Assembly	1
18	134-135045	. . . Pulley	1
19	090-032756	. . . Pulley Axis	2
20	134-133115	. . . Cap	1
21	090-032749	. . . Clevis	1
22	090-032764	. . . Retaining Ring	4
23	135-050110	. . . Power Feed Chain Sub-Assembly	1
24	105-134175	. . . Housing	2
25	105-134183	. . . Hook	1
26	106-135015	. . . Feed Chain	1
27	091-987677	. . . Screw, Flat Hd. Mach. 5/16-18NC x 1/2	4
28	091-186957	. . . Roller Bracket Weldment	1
*29	134-054105	. . . Collar	2
*30	090-275272	. . . Handwheel Assembly (Assembly #090-540980)	Use
	090-372988	. . . Handwheel Assembly (Assembly #090-593310)	One
*31	090-042599	. . . Roll Pin	1
*32	090-425489	. . . Handwheel	1
*33	091-181164	. . . Handle (Assembly #090-275272)	Use
	134-055136	. . . Handle (Assembly #090-372988)	One
*34	091-181172	. . . Pin	1
*35	090-167958	. . . Shaft	1
36	091-980128	. . . Screw, Hex. Hd. Cap 1/4-20NC x 11/2	1
37	091-993212	. . . Washer, Lock 1/4" Std.	1
38	091-991158	. . . Nut, Hex. 1/4-20NC	1
39	091-188649	. . . Bracket Weldment	1
40	091-980458	. . . Screw, Hex. Hd. Cap 3/8-16NC x 7/8	2
41	091-990200	. . . Screw, Oven Hd. Mach. 1/4-20NC x 1/2	1
42	091-992685	. . . Washer 3/4" Std.	1
43	105-133177	. . . Washer	1
44	091-990325	. . . Screw, Oven Hd. Mach. 3/8-16NC x 11/4	1
45	091-991273	. . . Nut, Jam 3/8-16NC Std.	2
*46	090-168717	. . . Weight Beam	1
*47	091-980458	. . . Screw, Hex. Hd. Cap 3/8-16NC x 7/8	6
*48	091-993329	. . . Washer, Lock 3/8" Std.	6
49	091-991315	. . . Nut, Hex. 1/2-13NC	1
50	091-993279	. . . Washer, Lock 1/2" Std.	1
51	091-980748	. . . Bolt, Hex. Hd. Mach., 1/2-13NC x 31/2	1
*52	090-099714	. . . Miter Gear	2
*53	091-984104	. . . Screw, Soc. Set 10-24NC x 1/4	2
*54	091-984229	. . . Screw, Soc. Set 1/4-20NC x 1/4	2
*55	090-042599	. . . Roll Pin	2
*56	090-540998	. . . Power Feed Hinge	1
*57	090-168725	. . . Hinge Bushing	1
58	091-995142	. . . Cotter Pin, 3/32 Dia. x 11/2	1
59	090-168766	. . . Chain Roller	1
60	091-993048	. . . Washer, Wrought 1/2" Std.	1

*NOTE: Starred items are part of Hinge Assembly #090-447962 & #090-4009487.



WEIGHT FEED ASS'Y

MODEL	FIRST MACH.	LAST MACH.
2612-1	172-60101	172-68229
2613-2	127-60139	127-72297
6013-2	129-60105	129-70118
3613-2	151-59101	151-756083
1613-2	150-59101	150-75655
3613-1	149-59101	149-73706
1612-1	148-59101	148-731539
1612-0	209-62101	209-681820
1611-U	270-68101	270-68101
3612-U	271-68101	271-68101
1612-0	277-68101	277-751728
3613-0	244-66101	244-68192
3613-0	278-68101	278-77825
2612-1	285-68101	285-70115
1612	287-68101	287-76450
3612	291-68101	291-77235
3612-1	380-77101	
3613-10	381-77101	

C-9-9

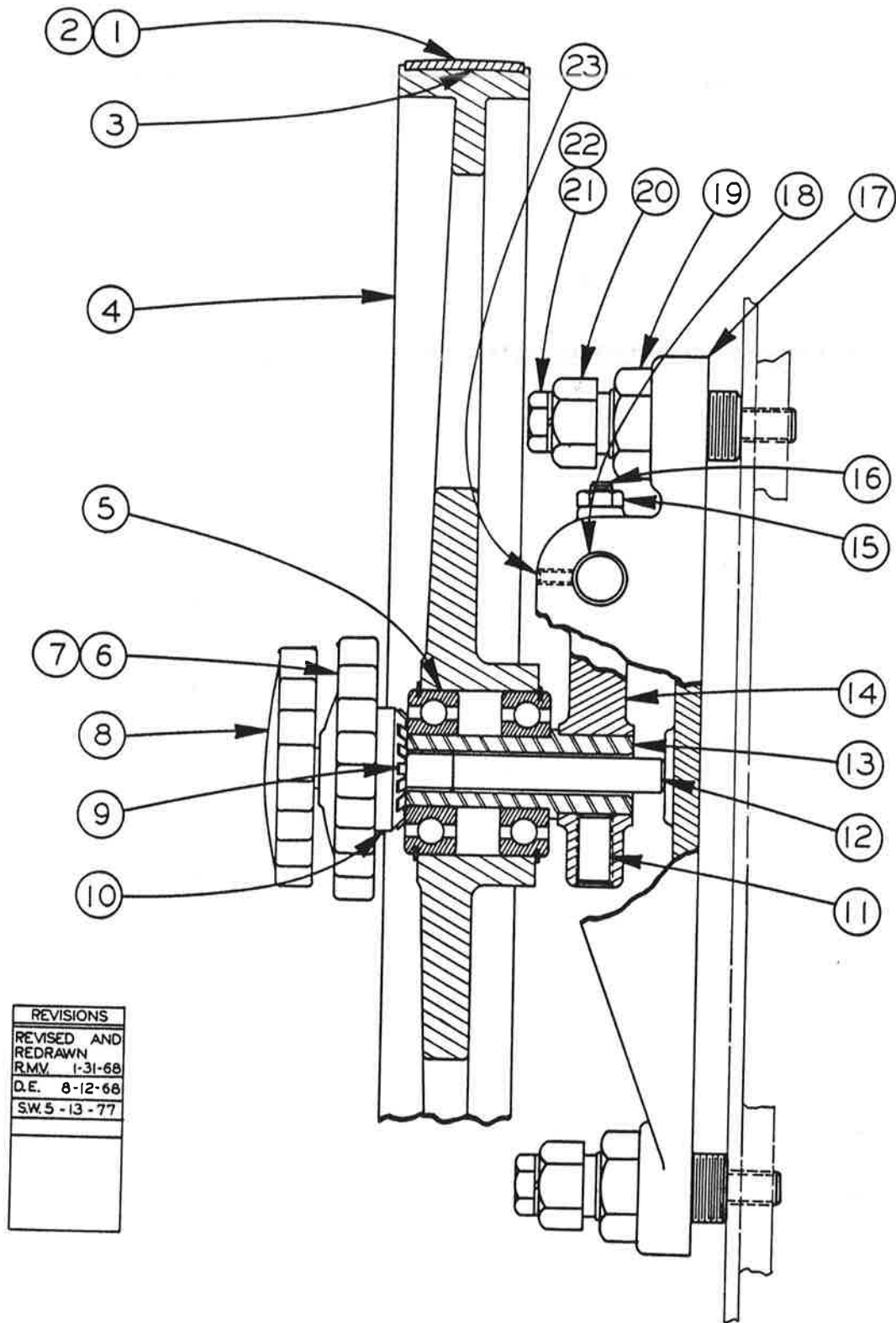
CODE NO. C-9-9

WEIGHT FEED ASSEMBLY

INDEX NO.	CATALOG NO.	DESCRIPTION	UNITS PER ASS'Y
REF.	090-540980	Weight Feed Assembly (1611-U, 3612-U, 1612, 3612, 1612-0, 3613-0, 1612-1, 3613-1, 2612-1)	
REF.	090-593310	Weight Feed Assembly (1613-2, 3613-2, 2613-2, 6013-2)	
1	090-447962	. Hinge Assembly (Assembly #090-540980)	Use
	094-009487	. Hinge Assembly (Assembly #090-593310)	One
*2	134-131069	. Handwheel	2
*3	105-135099	. Cord	1
*4	135-063964	. Vertical Pulley Sub-Assembly	2
*5	134-133016	. . Cap	1
*6	134-135045	. . Pulley	1
*7	135-063998	. . Stud	1
*8	091-993741	. . Washer, Shakeproof #1214	1
*9	091-980052	. . Screw, Hex. Hd. Mach. 1/4-20NC x 3/8	1
10	091-980441	. Screw, Hex. Hd. Cap 3/8-16NC x 3/4	8
11	091-993329	. Washer, Lock 3/8" Std.	10
**12	090-213448	. . Weight Bracket Screw Assembly	1
**13	105-131056	. . . Weight Bracket	1
**14	105-134019	. . . Weight Adjusting Screw	1
**15	105-134100	. . Stop Nut	2
**16	090-167966	. . Cable Beam	1
17	105-134118	. Pin	1
18	090-046178	. Retaining Ring	2
19	105-131122	. Weight	1
20	091-980524	. Screw, Hex. Hd. Mach. 3/8-16NC x 21/2	1
21	091-991265	. Nut, Hex. 3/8-16NC	2
22	105-133169	. Chain Anchor	1
23	105-133086	. Weight Bracket	1
24	091-980425	. Screw, Hex. Hd. Cap 3/8-16NC x 1/2	2
25	094-010352	. Weight and Safety Bracket	1
26	090-275264	. Release Lever	1
27	105-131130	. Foot Pedal	1
28	135-050128	. Chain Assembly	1
29	091-995472	. . Rd. Hd. Rivet 3/16 Dia. x 5/8	1
30	105-133144	. . Chain Anchor	1
31	105-135107	. . Chain	1
**32	090-275256	. . Hinge Bracket	1

*NOTE: Single starred items #2 through #9 are part of Bracket and Cable Assembly #135-053221.

**NOTE: Double starred items are part of Hinge Assembly #090-447962 & #094-009487.



REVISIONS
REVISED AND REDRAWN R.M.V. 1-31-68
D.E. 8-12-68
SW.5-13-77

THIRD WHEEL ASSEMBLY

MODEL	FIRST MACH	LAST MACH
36-2	52-53101	52-58451
3613-1	149-59101	149-73706
CS-36	111-55101	111-65116
3613-0	278-68101	278-77825
3612-U	271-68101	271-68131
3612-H	272-68101	272-77373
3612	291-68101	291-77235
3612-1	380-77101	
3613-10	381-77101	
3612-1H	382-77101	

C-2-28 CM-2-66

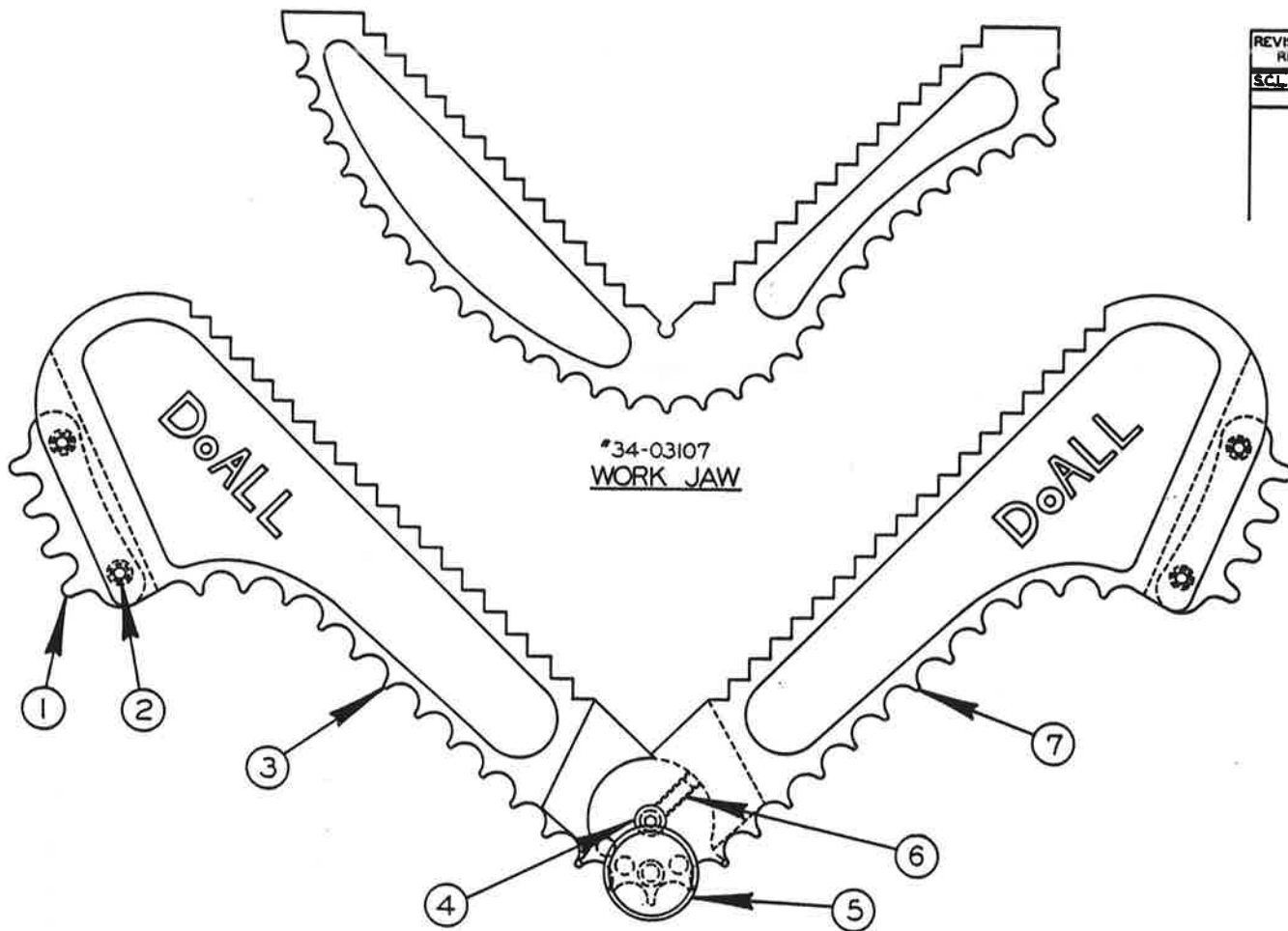
THIRD WHEEL ASSEMBLY

INDEX NO.	CATALOG NO.	DESCRIPTION	UNITS PER ASS'Y
REF.	135-071124	Third Wheel Assembly (CS-36 Only)	
REF.	090-413436	Third Wheel Assembly	
1	135-051258	. Wheel Assembly (36-2 Only)	1
	135-051274	. Wheel Assembly	1
2	105-015028	. . Wheel Tire (36-2 Only)	1
	135-022705	. . Wheel Tire	1
3	134-015031	. . DoAll Tire Cement	A.R.
4	135-022648	. . Saw Wheel	1
5	105-015085	. . Wheel Bearing	2
6	*135-051894	. Upper Wheel Hinge Assembly (CS-36 Only)	1
	**090-215476	. Upper Wheel Hinge Assembly	1
7	105-011092	. Upper Wheel Tilting Locknut	1
8	105-011084	. Tilting Screw Knob	1
9	105-015077	. Lock Washer	1
10	105-015069	. Locknut	1
11	*091-984492	. Screw, Soc. Hd. Set 3/8-16NC x 1/2	1
	**091-984518	. Screw, Soc. Hd. Set 3/8-16NC x 3/4	1
12	105-014252	. Upper Wheel Tilt Screw	1
13	105-014245	. Upper Wheel Axis Stud	1
14	*135-093516	. Wheel Hinge	1
	**090-215468	. Wheel Hinge	1
15	091-991141	. Nut, Jam 1/4-20NC	1
16	090-038621	. Set Screw Dog Pt.	1
17	*090-012394	. Third Wheel Bracket	1
	**090-412644	. Third Wheel Bracket	1
18	*090-012782	. Hinge Pin	1
	**135-086106	. Hinge Pin	1
19	091-991422	. Nut, Jam 3/4-16NF	3
20	090-059569	. Adjustable Screw	3
21	**091-980532	. Screw, Hex. Hd. Cap 3/8-16NC x 2-3/4	3
	*091-980482	. Screw, Hex. Hd. Cap 3/8-16NC x 1-1/2	3
22	091-993329	. Washer, Lock 3/8 Std.	3
23	**091-984245	. Screw, Soc. Hd. Set 1/4-20NC x 3/8	2
	*091-984252	. Screw, Soc. Hd. Set 1/4-20NC x 1/2	2
24	*111-013082	. Hinge Bracket Spacers (Not Shown)	A.R.

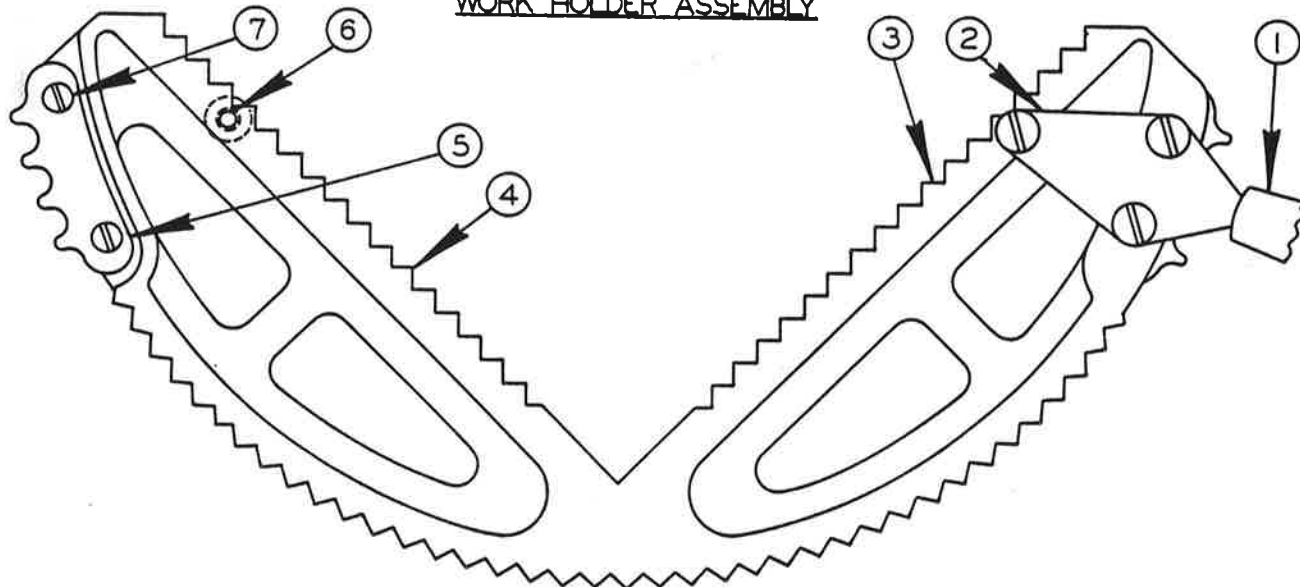
*NOTE: Items With One Star Are Parts of Assembly #135-071124.

**NOTE: Items With Two Stars Are Parts of Assembly #090-413436.

REVISED AND
REDRAWN
SCL 12-27-74



**#40262
WORK HOLDER ASSEMBLY**



**#5-13007
WORK HOLDING JAW ASSEMBLY**

CODE NO. C-10-16

CM-9-5

Z-9-9

WORK HOLDING JAW

INDEX NO.	CATALOG NO.	DESCRIPTION	UNITS PER ASS'Y
REF.	134-031079	Work Jaw	
REF.	090-402629	Work Holder Assembly	
*1	105-133136	. Sprocket	2
2	091-986984	. Screw, Fil. Hd. Mach. #10-24NC x 1/2	4
3	090-203860	. Left Arm	1
4	091-982355	. Screw, Soc. Hd. Cap 1/4-20NC x 3/8	1
5	090-021627	. Knurled Screw	1
6	091-984104	. Screw, Soc. Hd. Set #10-24NC x 1/4	2
7	090-203852	. Right Arm	1
REF.	105-130074	Work Holding Jaw Assembly	
1	105-135123	. Handle	2
2	105-133185	. Handle Bracket	2
3	090-406786	. Work Holding Jaw Sub-Assembly	1
4	105-131106	. . Work Holding Jaw	1
*5	105-133136	. . Sprocket	2
6	091-988923	. . Screw, Rd. Hd. Mach. 1/4-20NC x 5/16	6
7	091-990150	. . Screw, Truss Hd. Mach. #10-24NC x 3/8	4

*NOTE: Before 2/12/44 On Hydraulic Machines Use #106-233372 Sprocket With 3/16" Pitch, Specify Pitch Of Chain When Ordering.

