

H3

H SERIES



A VERSATILE FIREPLACE
WITH A BIG FIRE



Perfecting Warmth
Since 1890™



THE SCIENCE OF WARMTH™

Since 1890, we've been pioneering and perfecting radiant heat technology that generates constant, comfortable warmth within your home.

ON FRONT:
3" BRUSHED CHAMPAGNE FRONT (1041FSCB)
BACKING PLATE (1040BPB-RC)

Proudly Made
in North America

RADIANT HEAT

We put radiant warmth into every fire. In fact, the H3 produces 20% more radiant heat than the previous generation. You can feel it.

EFFICIENCY

Radiant heat and zone heating technology are up to 30% more efficient than central forced air systems.

ENHANCED FLAME

Our fires create realistic, soothing flames and ambient glowing embers that radiate heat.

V-CLASS BURNER

The high temperature precision stainless steel of our new V-Class burner creates a new level of radiant fire and aesthetics.

CONVECTIVE HEAT

Secondary heat exchanger naturally improve convective heat—without a fan.

ADJUSTABLE HEAT

Adjustable flame for constant, even warmth without having to cycle the fire on and off.

REALISTIC LOGS

High definition, low mass fiber ceramic logs heat up and glow quickly, radiating warmth.

CERAMIC GLASS

Durable and robust ceramic glass improves radiant performance.

ALUMINIZED STEEL

Lightweight, high temperature aluminized steel firebox and heat exchanger deliver efficient warmth.

SAFETY

Our fires are put through rigorous safety testing in our in-house CSA approved lab.

BIRCH LOGS

ZERO CLEARANCE (ZC)
Always a great addition to
your new home or major
renovation.



1 LOGS

We designed these expertly crafted logs as realistic-looking as possible, and engineered them to harness radiant heat from the flames and glowing embers.



BIRCH



CLEAN INSTALL BLACK (1030CIK)



DRIFTWOOD



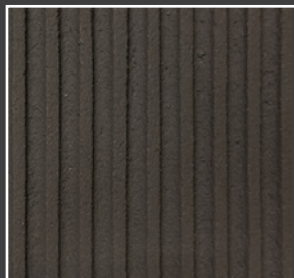
TRADITIONAL LOGS



2

LINERS

Choose a firebox liner to complement your trim as well as your logs. We have three popular designs as well as four new looks.



BLACK FLUTED



PLAIN BLACK

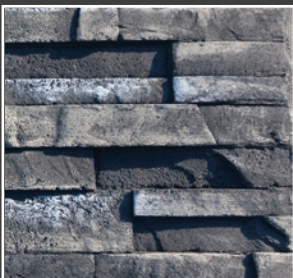


REFLECTIVE GLASS

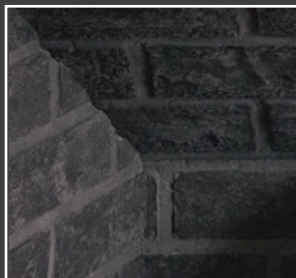
REDUCED CLEARANCE (RC)
A great way to replace your existing gas or wood fireplace with a ZC fireplace.



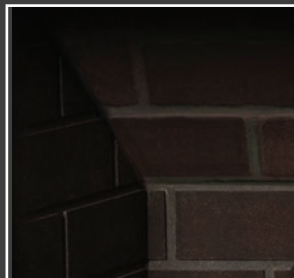
CLEARVIEW VINTAGE IRON FRONT (1045CFV)
BACKING PLATE (1035BPB-RC)



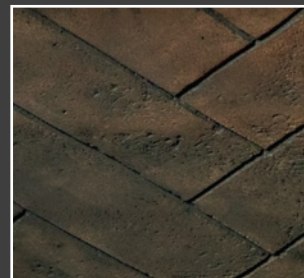
LEDGESTONE



CHARCOAL BRICK



RED BRICK



HERRINGBONE



CLEAN INSTALL BLACK (1030CIK)

3 FRONTS

Select from four stylish fronts. Your Valor dealer will help you choose the best backing plate for your installation.

FRONT: 1" CLEAN INSTALL BLACK



FRONT: CLEARVIEW VINTAGE IRON
BACKING PLATE: 1035BPB





FRONT: CLEARVIEW VINTAGE IRON
BACKING PLATE: 1035BPB-RC



FRONT: 3" 4-SIDED VINTAGE IRON
BACKING PLATE: 1040BPP



FRONT: 3" 4-SIDED BRUSHED CHAMPAGNE
BACKING PLATE: 1040BPB-RC





CLEAN INSTALL BLACK (1030CIK)



FINISHES

The H3 features three finishes: the versatile Vintage Iron and elegant Black, both powder-coated for longevity; or, our new finish, Champagne, a plated brushed brass. If available, ask your dealer to see an example in person.

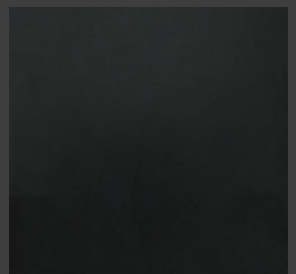
PLATED BRUSHED
CHAMPAGNE



POWDER-COATED
VINTAGE IRON



POWDER-COATED
BLACK



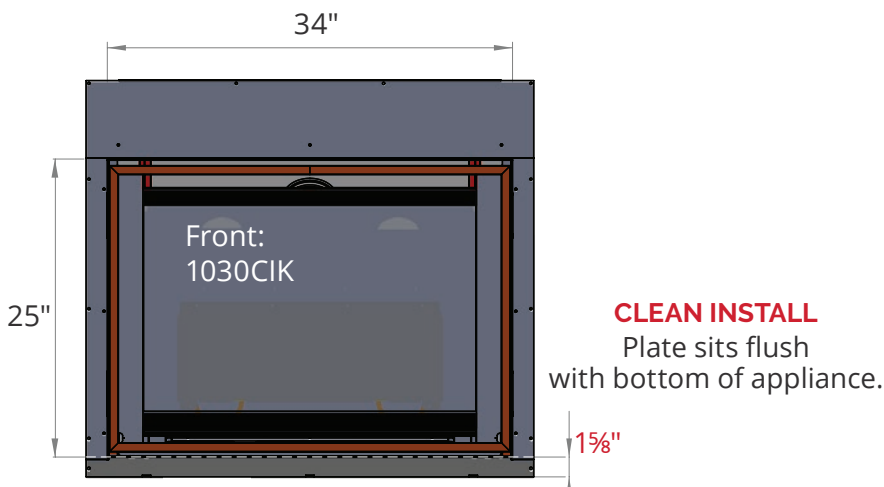
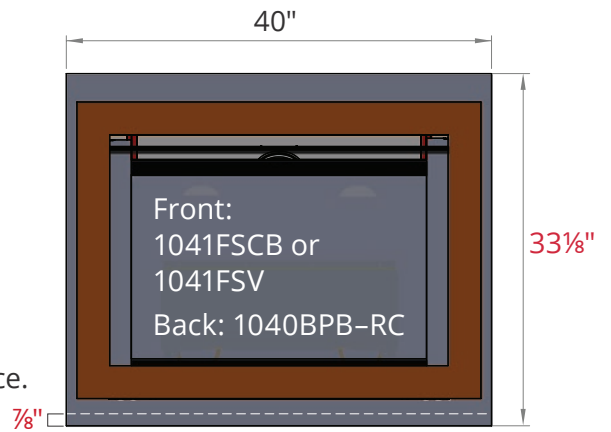
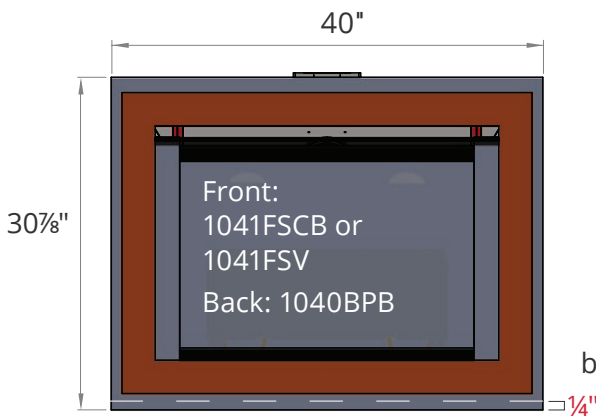
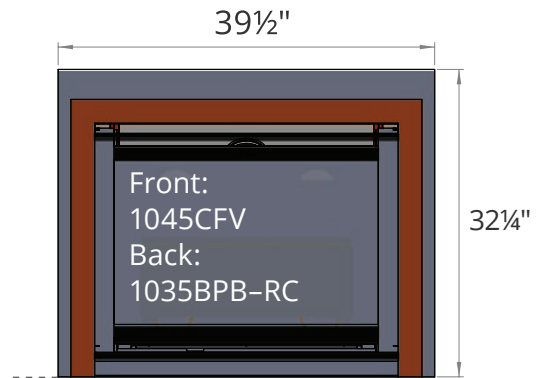
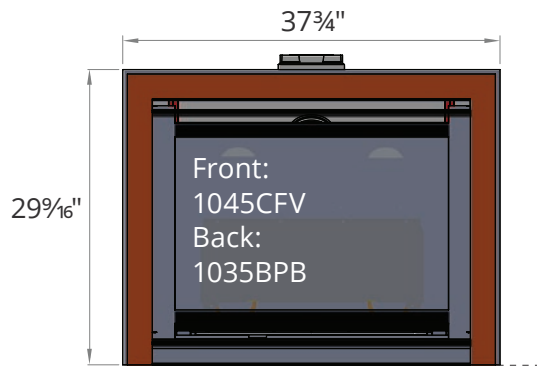
BACKING PLATES

ZC

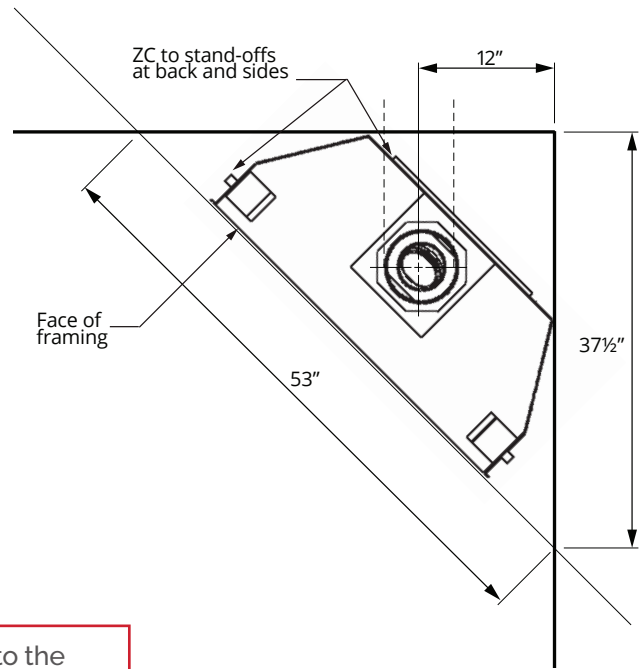
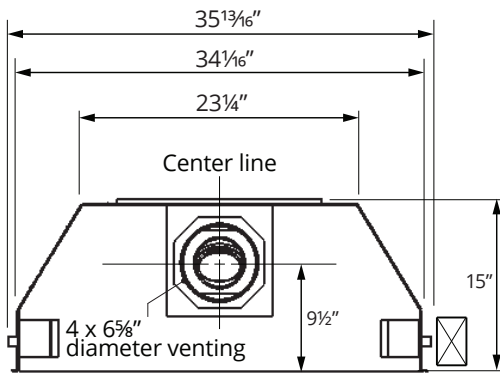
These standard Zero Clearance (ZC) backing plates are typically smaller and made for framing a new fireplace where non-combustible materials are required directly above the unit.

RC

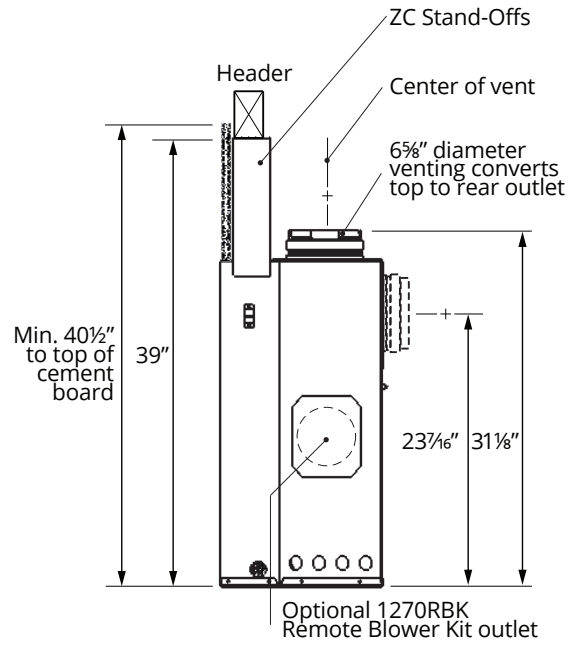
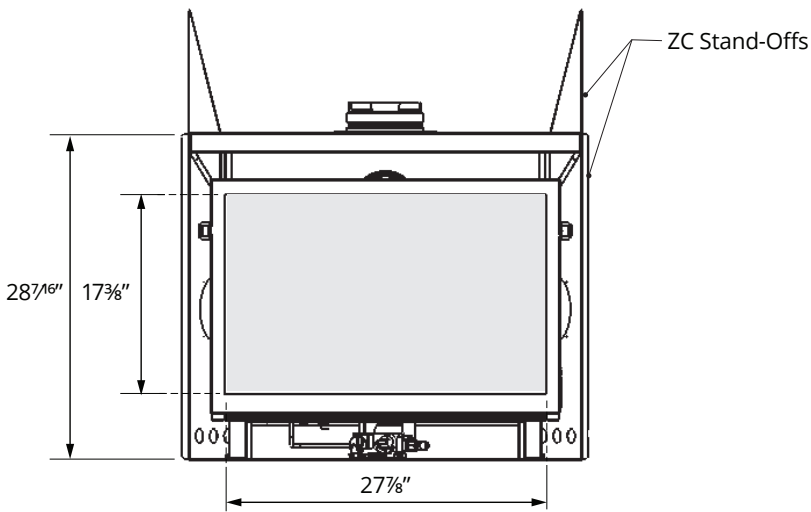
These larger ventilated reduced clearance (RC) backing plates allow tighter framing dimensions than standard ZC plates— ideal when replacing wood or gas fireplaces or preserving existing wall finishes or framing.



DIMENSIONS



Always refer to the H3 manual for complete installation instructions.



Shallow depth for easy install.

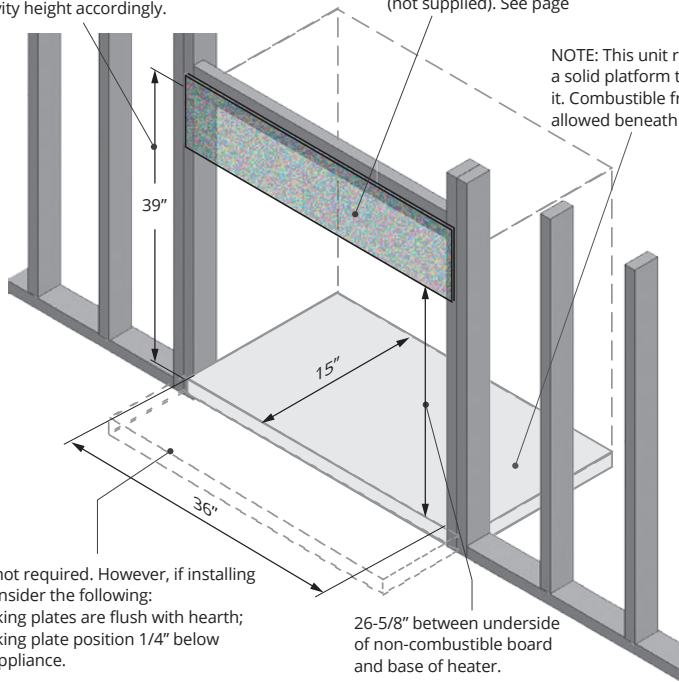
FRAMING AND VENTING

ZC

Between underside of header and base of heater.
Base of heater must be at finished hearth height.
However, please note that the 1040BPB 4-sided backing plate extend 1/4" below the base of heater.
Increase cavity height accordingly.

1/2" thick non-combustible board required above engine (not supplied). See page

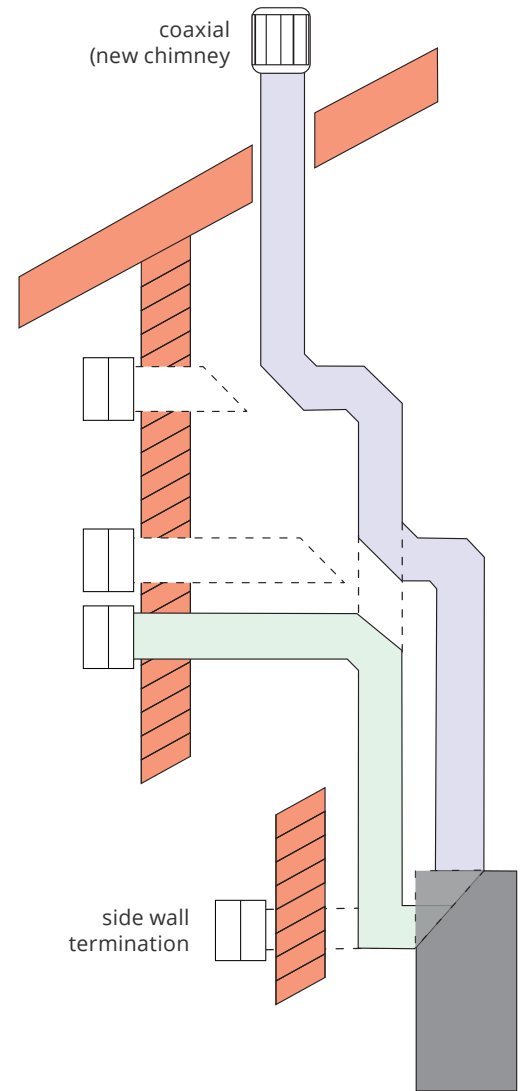
NOTE: This unit requires a solid platform to support it. Combustible framing allowed beneath fireplace.



A hearth is not required. However, if installing a hearth, consider the following:
3-sided backing plates are flush with hearth;
4-sided backing plate position 1/4" below bottom of appliance.

Always refer to the H3 manual for complete installation instructions.

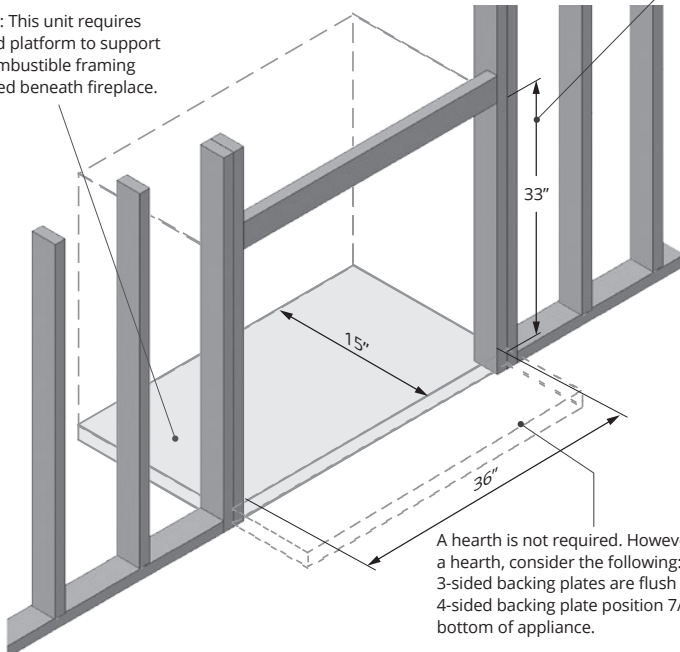
The maximum vertical vent run on an H3 cannot exceed 40 feet in total length. The engine can be either top or rear vented.



RC

Between underside of header and base of heater.
Base of heater must be at finished hearth height.
However, please note that the 1040BPB-RC 4-sided backing plate extend 7/8" below the base of heater.
Increase cavity height accordingly.

NOTE: This unit requires a solid platform to support it. Combustible framing allowed beneath fireplace.



A hearth is not required. However, if installing a hearth, consider the following:
3-sided backing plates are flush with hearth;
4-sided backing plate position 7/8" below bottom of appliance.



CLEARVIEW VINTAGE IRON FRONT (1041CFV)
BACKING PLATE (1040BPB-RC)

OPTIONS

<u>GAS + EFFICIENCY</u>		<u>MAX INPUT</u>	<u>MIN INPUT</u>	<u>MAX. OUTPUT* (w/o fan)</u>	<u>ENERGUIDE %*</u>
Natural Gas	1000JN	25,000	12,000	19,098	72.05
Propane	1000JP	24,000	11,000	18,523	73.13

*EnerGuide Ratings and outputs have been determined without a fan/blower, using the CSA P4.1-15 test method (2015)

1 LOGS

Birch	1000BLK
Driftwood	1000DWK
Traditional	1000LSK

2 LINERS

Ledgestone Grey	1015LSL
Herringbone	1075HBL
Brick Charcoal	1065CBL
Red Brick	1010VRL
Black Fluted	1025FBL
Plain Black	1060PBL
Reflective Glass	1070RGL

3 CHOOSE A FRONT:

Clean Install Black*	4-sided	1030CIK
Clearview Vintage Iron	3-sided	1045CFV
3" Brushed Champagne	4-sided	1041FSCB
3" Vintage Iron	4-sided	1041FSV

*no backing plate required

ACCESSORIES

Circulating fan	1095CFK
Outdoor conversion kit	GV60CKO
Power adapter	GV60PAK

4 CHOOSE BACKING PLATE:

	ZC		RC
+	1035BPB	or	1035BPB-RC
+	1040BPB	or	1040BPB-RC
+	1040BPB	or	1040BPB-RC

About our efficiency ratings

While the North American fireplace industry is largely self-regulated, at Valor we use recognized Canadian and US government testing methods to determine our energy efficiencies, and ensure our products perform in your home as rated.

Visit valorfireplaces.com/efficiency for more information.

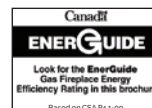
⚠ WARNING

This product can expose you to chemicals including Benzene, which is known to the State of California to cause cancer and birth defects or other reproductive harm.

For more information go to www.P65Warnings.ca.gov.

Note: Natural gas, in its original state, contains Benzene.

Copyright Miles Industries Ltd. 2019
Designed and manufactured by Miles Industries Ltd.



Certified to ANSI Z21.88-2017/CSA 2.33-2017
Vented Gas Fireplace Heater American National Standard.
CGA-2.17-91 Gas Fired Appliances for use at High Altitudes.



CLEARVIEW VINTAGE IRON FRONT
BACKING PLATE (1035BPB)