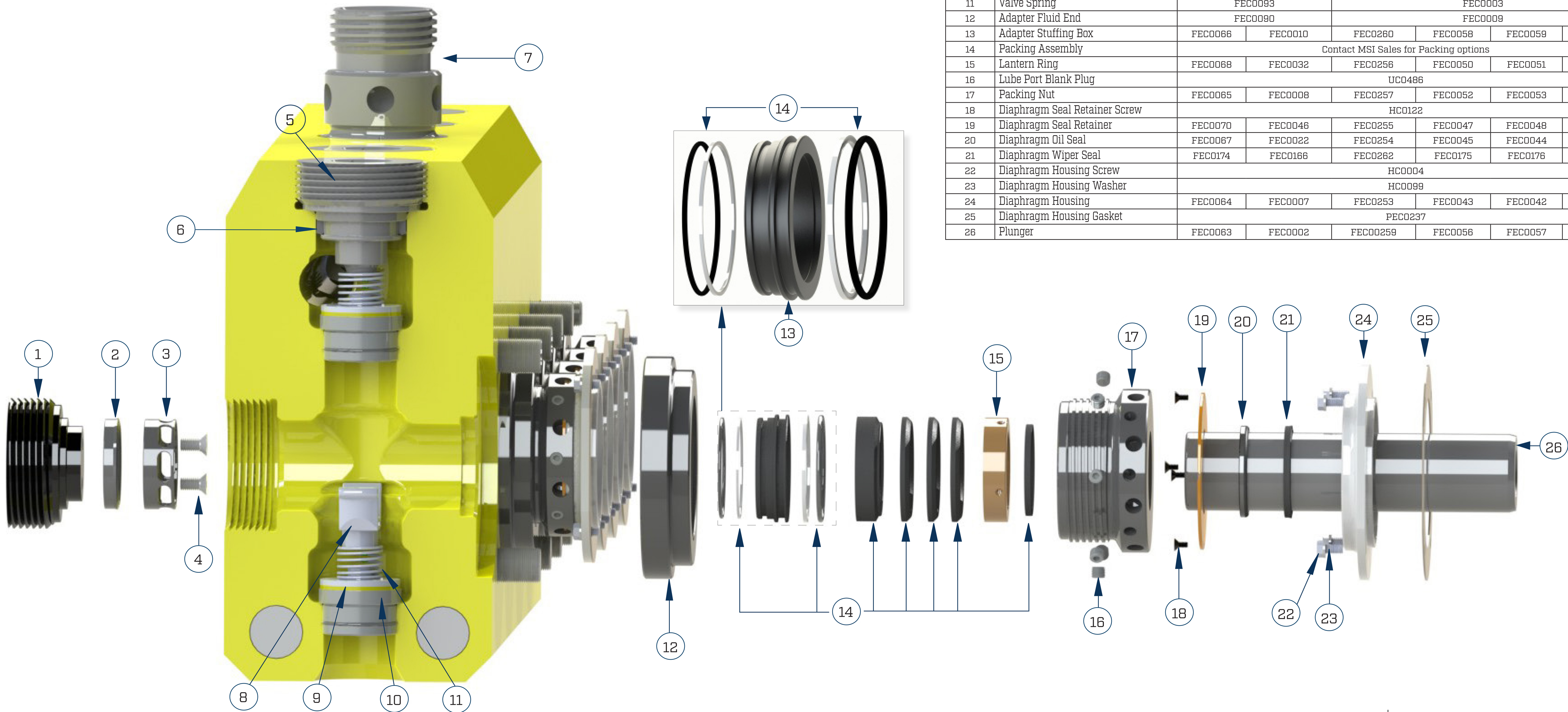




Fluid End Components

Fluid End Parts		Small Fluid End		Large Fluid End			
Item	DESCRIPTION	2.75"	3.00"	3.25"	3.50"	4.00"	4.50"
1	Suction Cover	FEC0088		FEC0006			
2	Suction Cover Seal	FEC0095		FEC0013			
3	Suction Cover Cage	FEC0252		N/A			
4	Suction Cover Cage Screw	HC0132					
5	Discharge Cover (Triplex)	FEC0089		FEC0005			
5	Discharge Cover (Quintuplex)	FEC0149					
6	Discharge Cover Seal	FEC0095		FEC0015			
7	Gage Connection (Triplex)	FEC0096		Connection FEC0011 Nut FEC0012			
7	Gage Connection (Quintuplex)	FEC0151					
8	Valve Stop	FEC0094		FEC0019			
9	Valve	FEC0504		FEC0472			
10	Valve Seat	FEC0453		FEC0473			
11	Valve Spring	FEC0093		FEC0003			
12	Adapter Fluid End	FEC0090		FEC0009			
13	Adapter Stuffing Box	FEC0066	FEC0010	FEC0260	FEC0058	FEC0059	FEC0036
14	Packing Assembly	Contact MSI Sales for Packing options					
15	Lantern Ring	FEC0068	FEC0032	FEC0256	FEC0050	FEC0051	FEC0039
16	Lube Port Blank Plug	UC0486					
17	Packing Nut	FEC0065	FEC0008	FEC0257	FEC0052	FEC0053	FEC0037
18	Diaphragm Seal Retainer Screw	HC0122					
19	Diaphragm Seal Retainer	FEC0070	FEC0046	FEC0255	FEC0047	FEC0048	FEC0049
20	Diaphragm Oil Seal	FEC0067	FEC0022	FEC0254	FEC0045	FEC0044	FEC0041
21	Diaphragm Wiper Seal	FEC0174	FEC0166	FEC0262	FEC0175	FEC0176	FEC0177
22	Diaphragm Housing Screw	HC0004					
23	Diaphragm Housing Washer	HC0099					
24	Diaphragm Housing	FEC0064	FEC0007	FEC0253	FEC0043	FEC0042	FEC0035
25	Diaphragm Housing Gasket	PEC0237					
26	Plunger	FEC0063	FEC0002	FEC00259	FEC0056	FEC0057	FEC0038



361.664.6597
sales@diwmsi.com