

REPLACEMENT PARTS GUIDE

4024TF280 PowerTech 2.4L OEM Engine 4024



OIL FILTER

[RE519626](#) (8801)

500 Hours of Operation or Every 12 Months.

ALTERNATOR

[RE529377](#) (12V, 70A) (3102)

[AH165975](#) (12V, 120A) (3103)

[RE522401](#) (24V, 50A) (3104)

[RE509080](#) (12V, 65A) (3105)



FUEL FILTER

[RE508202](#) (3501, 3505, 3508)

500 Hours of Operation or Every 12 Months.

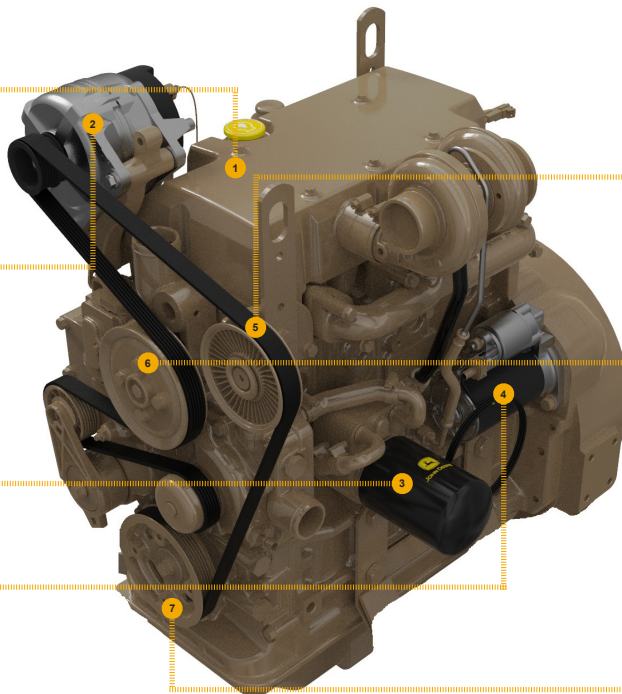
STARTER

[RE540304](#) (12V, 12.2KW) (3002)

[RE540305](#) (24V, 3.0KW) (3003)

[RE540303](#) (12V, 2.6KW) (3007)

Including Safety Sign, Label, Cover, Solenoid



FAN BELT

[R505810](#) (LGTH = 2340 mm)
(2402, 2404, 2418)

[R515222](#) (LGTH = 2270 mm) (2401, 2409)

[R515217](#) (LGTH = 2300 mm) (2403, 2411)

[DZ119646](#) (LGTH = 2415 mm) (2405)

[R517012](#) (LGTH = 2465 mm) (2406)

[R517039](#) (LGTH = 2435 mm) (2413)



FAN PULLEY

[R505808](#) (OD = 140 mm) (8601)

[R516401](#) (OD = 127 mm) (8602)

[R516400](#) (OD = 160 mm) (8603)

[R520415](#) (OD = 140 mm) (8604)

[R520414](#) (OD = 160 mm) (8605)

[R520462](#) (OD = 127 mm) (8606)



CRANKSHAFT PULLEY

[RE520244](#) (OD = 140 mm) (1301, 1302)



JOHN DEERE

Genuine Parts and Service

REPLACEMENT PARTS GUIDE

4024TF280 PowerTech 2.4L OEM Engine 4024



ALTERNATOR



[SE501343](#) (REMAN FOR [AH165975](#))
(12V, 120A) (3103)

[SE501831](#) (REMAN FOR [RE529377](#))
(12V, 70A) (3102)

STARTER



[RM100157](#) (REMAN FOR [RE540304](#))
(12V, 2.2KW) (3002)

[RM100034](#) (REMAN FOR [RE540303](#))
(24V, 3.0KW) (3003)

WATER PUMP



[SE502115](#) (REMAN FOR [RE545572](#))
(S250) (2002)

CONNECTING RODS



[SE501898](#) (REMAN FOR [RE504544](#))
(4809)

CYLINDER HEAD

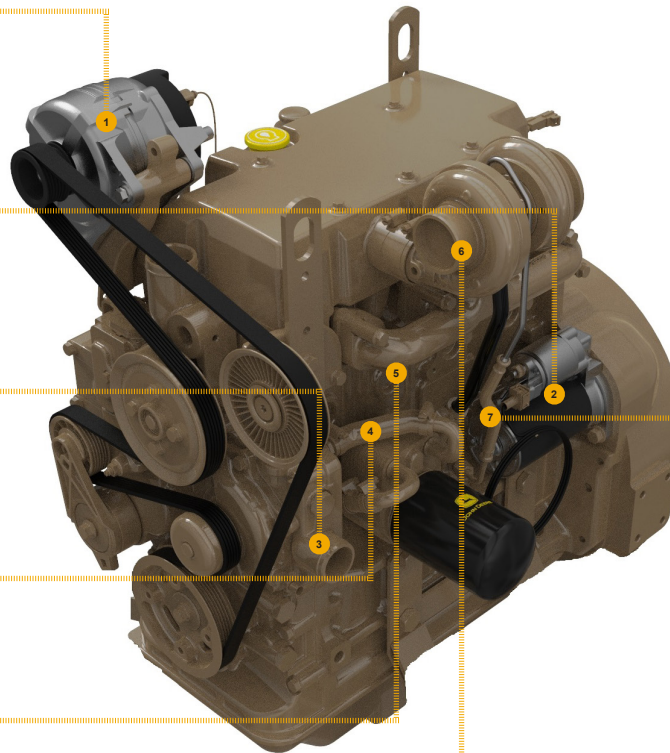


[SE501605](#) (REMAN FOR [RE506335](#))
(5101)

TURBOCHARGER



[SE501678](#) (REMAN FOR [RE518228](#))
(6511)



COMPLETE BLOCK ASSEMBLY

[SE502092](#) (REMAN FOR [RE543441](#))
W/O BALANCER SHAFTS,
W/ PISTON CODE 4809.

[SE501601](#) (REMAN FOR [RE528291](#))
W/O BALANCE SHAFTS,
W/ PISTON CODE 4802.

[SE501600](#) (REMAN FOR [RE528289](#))
W/ PISTON CODE 4802.

[SE501599](#) (REMAN FOR [RE528292](#))
W/O BALANCE SHAFTS,
W/ PISTON CODE 4806.

[SE501598](#) (REMAN FOR [RE528290](#))
W/ PISTON CODE 4806.

[SE501597](#) (REMAN FOR [RE543447](#))
W/ PISTON CODE 4809.

[SE502097](#) (REMAN FOR [RE543441](#))
BALANCER SHAFT CODE 4599,
PISTON CODE 4806 AND FUEL
SYSTEM CODE 1632.

[SE502096](#) (REMAN FOR [RE543441](#))
BALANCER SHAFT CODE 4501,
PISTON CODE 4802 AND
FUEL SYSTEM CODE 1601.

[SE502095](#) (REMAN FOR [RE543441](#))
BALANCER SHAFT CODE 4501,
PISTON CODE 4809 AND FUEL
SYSTEM CODE 1654.

[SE502094](#) (REMAN FOR [RE543441](#))
BALANCER SHAFT CODE 4599,
PISTON CODE 4809 AND FUEL
SYSTEM CODE 1654.

[SE502093](#) (REMAN FOR [RE543441](#))
BALANCER SHAFT CODE 4599,
PISTON CODE 4802 AND FUEL
SYSTEM CODE 1601.



JOHN DEERE

Genuine Parts and Service