

REPLACEMENT PART GUIDE

3029WG401 PowerTech™ EWX 2.9L Wirtgen OEM Engine(CEV Stage IV)



ALTERNATOR

[DZ122603](#) (70A) (31A6)



STARTER MOTOR

[RE560183](#) (12V, 3KW) (30CG)

Including Safety Sign, Label, Cover, Solenoid



OCV FILTER

[RE553871](#) (29FX)



PRIMARY FUEL FILTER

[DZ122832](#) (35LT)

Replace 500 Hours of Operation or Every 12 Months.



SECONDARY FUEL FILTER

[DZ122831](#) (35LT)

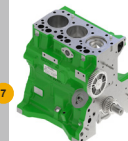
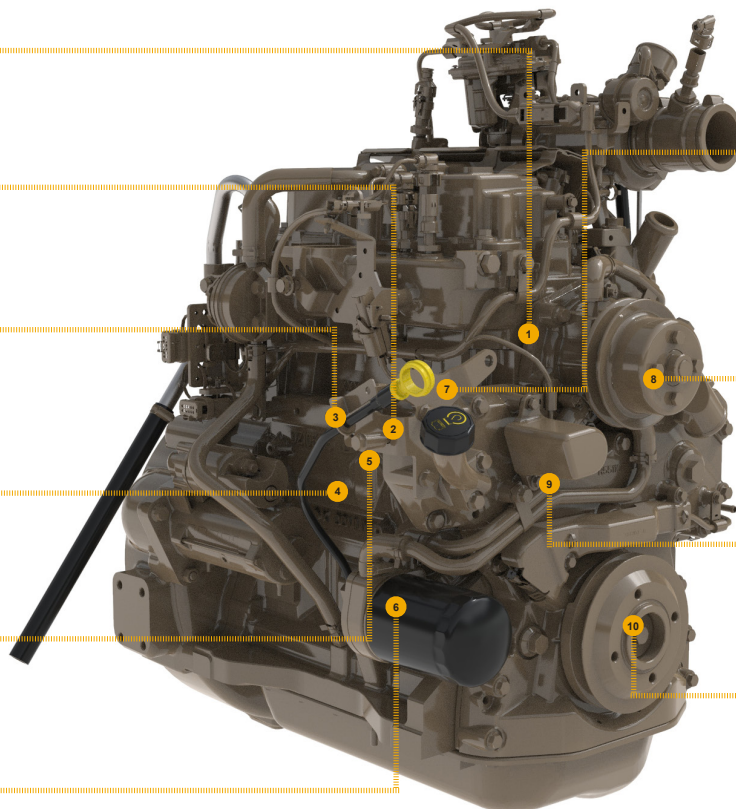
Replace 500 Hours of Operation or Every 12 Months.



OIL FILTER

[DZ114256](#) (59AT)

Replace 500 Hours of Operation or Every 12 Months.



SHORT BLOCK ASSEMBLY

[DZ121728](#)

Also Order Engine Gasket Kit, (1) R1210143 Valve, (1) R111137 Spring, Cylinder Head Bolt Kit, Timing Wheel And Parts From The Short Block Hardware Kit As Needed. For 5E Applications Only Also Order (1) R123396 Plate And (2) RE66334 Screws.



FAN PULLEY

[R543944](#) (OD = 110 mm) (23B6)



FAN BELT

[SU63793](#) (LGTH = 1340 mm) (24NX)SUB FOR APPL R73784

Replace 500 Hours of Operation or Every 12 Months.



CRANKSHAFT PULLEY

[DZ108451](#) (OD = 140 mm) (1350)

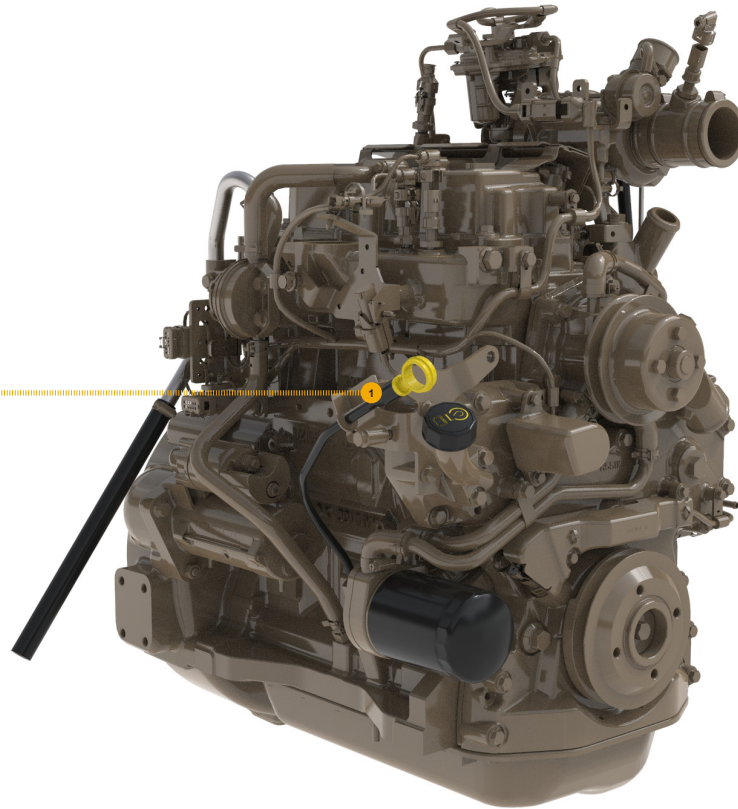


JOHN DEERE

Genuine Parts and Service

REMAN PART GUIDE

3029WG401 PowerTech™ EWX 2.9L Wirtgen OEM Engine(CEV Stage IV)



ENGINE CONTROLLER

[SE503035](#) (REMAN FOR [RE551416](#))
(LEVEL 23) (84QZ)