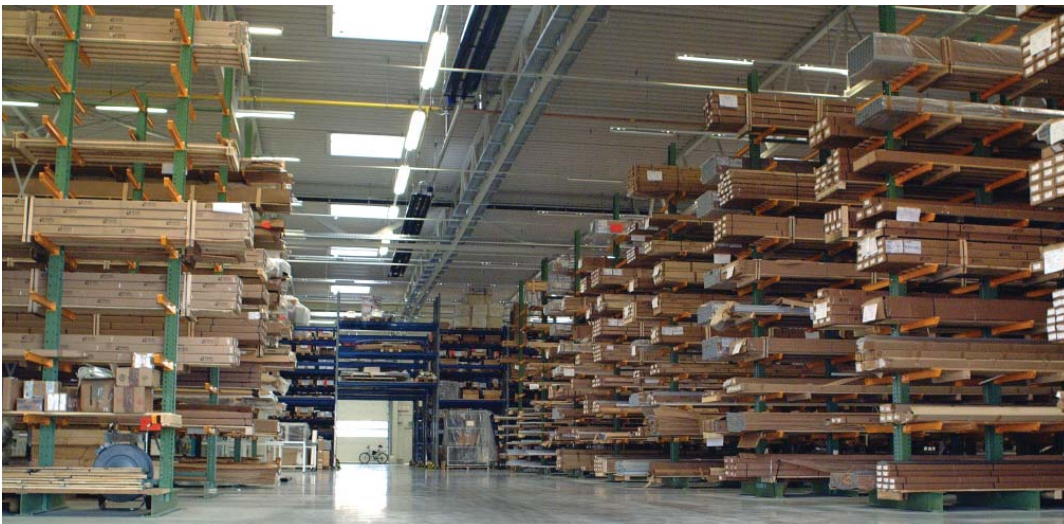


The Profile System



MayTec GmbH plant in Dachau



Stock of aluminium profiles



Small parts store



	Introduction	1.0	0
Profiles	Summary		
	Profiles	1.1	
	Profile machining	1.1A	
	- Coding examples	1.1B	1
	Technical data	1.1C	
	Profile selection range	1.1D	
	Profile applications	1.1E	
Connection system	Summary		
	Connector selection	1.2	
	Connectors	1.2A	
	- Cross bushings	1.2B	
	- Single parts	1.2C	2
	- Special cases	1.2D	
	Connection possibilities	1.2E	
	Strength values	1.2F	
	Connection elements	1.2G	
Accessories	Summary		3
	Fastening elements	1.3	4
	Installation accessories	1.4	5
	Pneumatic accessories	1.5	6
	Additional accessories	1.6	7
	Electrical accessories	1.7	8
	Panel elements	1.8	9
	Tools	1.9	A
General information			B
	CAD-Library (<i>in preparation</i>)	1.A	C
	Application samples	1.B	
	Technical Information	1.C	

Article number group	Page	Article number group	Page
Introduction	4	Connection system	70
1.01 MayTec System Technology	4	1.2 Summary: Connectors	72
1.02 Symbols, Abbreviations, Special characters	5	1.2 Connector selection	73
1.03 Slot system	6	1.2A Connectors	74
1.04 Numerical key for articles	7	1.2A for profiles with core hole-Ø 6 mm	74
		1.2A für profiles with core hole-Ø 12 mm	74
Profiles	8	1.2B Connector - Cross bushings	78
Summary:		1.2C Connector - Components	79
1.05 Profiles - plain	8	1.2D Connector - Special cases	82
1.05 Profiles - with grooves	9	1.2D Parallel connector for profile 30×30, soft	82
1.06 Special profiles	10	1.2D Universal connector for profile 30×150	82
1.09 Profile group 16 mm, E3-slot, P	12	1.2D SE-Connector	83
1.10 Profile group 16 mm, F-slot, P	12	1.2D ST-Connector	84
1.10 Profile group 20 mm, H-slot, P	13	1.2E Connection possibilities	85
1.11 Profile group 20 mm, F-slot, P	15	1.2E for 0-slot profiles	85
1.11 Profile group 30 mm, F / E4-slot, P	16	1.2E for profiles 40, round	91
1.11 Profile group 40 mm, E3-slot, P	18	1.2E Special cases	92
1.11 Profile group 45 mm, E4-slot, P	24	1.2E Other profile systems	93
1.11 Profile group 50 mm, E4-slot, P	27	1.2F Connector-strength values	94
1.11 Profile group 60 mm, E4-slot, P	28	1.29 Connection elements	95
1.11 Special profiles, P	29	1.29 Anti-twist devices	96
1.11 Profile group 30 mm, F-slot	30	1.29 Clamping lever	98
1.11 Profile group 40 mm, E3-slot	32		
1.11 Profile group 45 mm, E4-slot	36	Accessories	99
1.11 Profile group 50 mm, E4-slot	38	Summary: Accessories	99
1.11 Profile group 60 mm, E4-slot	40		
1.19 Special profiles	41	1.3 Fastening elements	102
1.19 Profile pre-cut lids	41	1.31 Threaded plates	102
1.19 Hollow profiles	41	1.32 T-Nuts	104
1.19 Base profiles	41	1.33 Spring-nuts	106
1.19 Angle profiles	42	1.34 T-Slot nuts	107
1.19 Wire net mounting profiles	42	1.34 Rhomboid T-Slot nuts	108
1.19 Grab handle profile	42	1.34 T-Bolts	109
1.19 U-profiles	42	1.35 Threaded inserts	110
1.19 C-track	42	1.35 Press-fit threaded inserts	112
1.19 Sliding profiles	43		
1.19 Panel framing profile	43	1.4 Installation accessories	113
1.19 Tubes	43	1.41 Cover profiles	113
1.19 Hinge profiles	44	1.41 Reducing profiles PVC	114
1.19 T-Slot profiles	45	1.41 Combination profiles PVC	115
1.19 Slide-slot profiles	45	1.41 Guide profile PVC	118
1.19 19" profiles	46	1.41 Framing profiles	119, 122
1.1A Profile machining	47	1.41 Sponge rubber round cords	120
1.1A Summary	47	1.41 Rubber cover-profiles	123
1.1A Order description	47	1.42 Cover caps for profiles	124
1.1A Saw cut	48	1.42 Cover plugs for cross bushings	126
1.1A Cross bushing bore	49	1.42 Cover caps for tubes	128
1.1A Bores	49	1.42 Cover caps for screw bores	128
1.1A Cross bore	49	1.43 Radius covers	129
1.1A Thread	49	1.43 Radius compensations	131
1.1B Profile machining: Coding examples	50	1.44 Floor levelling screws	132
1.1B for price group 1	50	1.44 Levelling feet	132, 134
1.1B for price group 2	51	1.44 Hand adjustable feet	133
1.1B for price group 3	52	1.44 Levelling furniture foot	134
1.1C Technical data	53	1.44 Adjustable tilt feet	135
1.1D Profile selection range	56	1.44 Angular adjusting feet	140
1.1E Profile applications	60	1.44 Base feet	141
1.1E.01 Profile combinations	60	1.44 Base angle	142
1.1E.01 Special slits	60	1.44 Stacking foot	142
1.1E.02 Slot plates	61	1.45 Castors	143
1.1E.03 Hand rail	64	1.45 Fixed castors	143
1.1E.04 U-Profile 40	65	1.45 Swivel castors	144
1.1E.05 Profiles for cable guide	66	1.45 Swivel castors lockable	144
1.1E.06 Profiles for cable guide, Profile pre-cut lid	67	1.46 Angles	145

Article number group	Page	Article number group	Page
1.46	Swivel angle	1.74	Electrical installation trunking
1.47	Cross connection plates	1.74	Electrical installation trunking - Accessories
1.47	Base plates		
1.47	Mounting plates	1.8	Panel elements
1.47	Floor plate	1.81	Corner elements
1.47	Connection plates	1.81	Corner element 33
1.47	Fastening plate	1.81	Mounting sockets
1.47	Eye bolt	1.82	Panel elements
1.48	Corner pieces	1.82	Chipboards, coated
		1.83	Solid plastic panels
1.5	Pneumatic accessories	1.84	Magnetic panels
1.51	Profiles for pneumatic applications	1.85	Alu-plastic composite panels
1.51	Pneumatic end plates	1.86	Acrylic
1.52	Pneumatic connection plates	1.87	Polycarbonate (Makrolon)
1.54	Pneumatic extension sets	1.88	Wire net, Alu
1.55	Pneumatic 90° - connection sets		
1.59	Pneumatic accessories	1.9	Tools
		1.99	Drill Jigs
1.6	Additional accessories	1.99	Milling cutters
1.61	Handles	1.99	Drills
1.61	Handle system	1.99	Screw taps
1.61	Grab handles		
1.62	Hinges	1.A	CAD-Library
1.62	Double hinge		<i>in preparation</i>
1.63	Joints		
1.64	Mounting blocks	1.B	Application samples
1.64	Mounting clamp blocks		
1.64	Quick locks	1.C	Technical Information
1.65	Bullet catches	1.C1	Beat the competition
1.65	Magnetic lock	1.C2	Stability S-Class
1.65	Cylinder locks	1.C3	Metric and English Conversion Table
1.65	Flap-lock countersunk	1.C4	Metric / U.S. Customary Unit
1.65	Cylinder locks flush		
1.65	Mortise deadlocks		Application samples, index
1.65	Bar locks		Subject index
1.65	Latch locks		
1.66	Rollers		
1.66	Roller fastening sets		
1.66	Mounting adaptor for roller		
1.66	Edge roller		
1.66	Roller fitting for suspended doors		
1.66	Stopper for suspended doors		
1.66	Accessories for suspended doors		
1.67	Sliding blocks		
1.67	T-Nut sliding blocks		
1.67	Slot rollers		
1.68	Hanging bracket		
1.69	Suspended glider		
1.69	Carabine swivel		
1.7	Electrical accessories		
1.70	Potential equalisation, Ground-connectors		
1.70	Ground connections		
1.71	Cable and hose clamp		
1.71	Block for cable binder		
1.71	Cross-blocks for cable binder		
1.71	Cable binder		
1.71	Installation rings		
1.72	Mounting set for 19" profile		
1.73	Safety switches		
1.73	Guard locking device		
1.73	Safety interlocking-mountings		
1.73	Contact bracket-mounting		
1.73	Sensor brackets		

Solutions with Innovative Profile
The ideal profile system

MayTec offers a comprehensive, harmonised profile system. All profiles can be combined in any way imaginable.

The accessories provide functional and aesthetic solutions for a wide range of applications:

- machine bases
- machine enclosures
- machine guarding
- work stations
- assembly and inspection stations
- transfer and supply trolleys
- partitions and protective walls
- protective and work cabins
- special shelves
- plant equipment
- display systems
- exhibition cabinets and stands


Service

The MayTec service is as versatile as the MayTec profile system.

You may choose:

- delivery of standard elements ex factory
- delivery of profiles and accessories cut to size according to parts list for customer's assembly
- delivery of pre-fitted modular
- delivery of completely assembled units
- assembly at your premises


Implementation

The MayTec profile system is easy to process and quick to assemble. Its flexible and modular construction means it can be easily modified and is reusable at any time.

An experienced team will support you in implementing the MayTec system, tailored to your individual applications, taking into consideration your required dimensions, loading capacity and stability.



Challenge us !

General

Profile group

16 mm, 20 mm, 30 mm, 40 mm, 45 mm, 50 mm, 60 mm

The profiles of the MayTec Profile System are divided into seven **profile groups (PG)**. They can be determined by the basic measure of each profile.

Slot

H-slot, F-slot, E-slot

In order to connect the profiles or to mount accessories the profiles have slots. The MayTec Slot System (↗ 1.03) distinguishes between the three slot types H-slot, F-slot and E-slot, whereas E-slot exists as **E3-slot** and **E4-slot** (3 or 4 mm wall thickness).

Symbols

Many articles (fastening elements, accessories and tools) can only be used especially for individual profile groups or slot types.

In this case these articles are marked with the corresponding symbols.



Profile group

dark symbol: suitable for the corresponding profile group

light symbol: not suitable

Slot type

dark symbol: suitable for the corresponding slot type

light symbol: not suitable

Remark

The symbol for the E-slot is used, if the article is (un)suitable for the two slot types E3 and E4.



Cut

These articles are offered with cut.



Stainless steel

These articles are made of stainless steel.



Cleanroom

These articles are suitable for the use in and around cleanrooms.





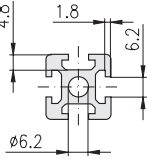




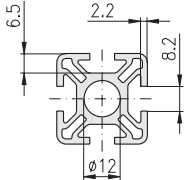




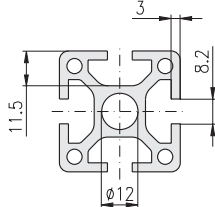




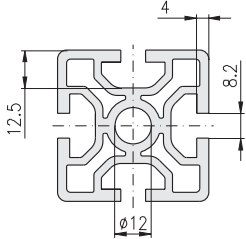
Abbreviations

PG	profile group	e.g.: PG 30 = profile group 30 mm
L	light	profile characteristic: light type of construction
S	heavy	profile characteristic: heavy type of construction
P	plain	profile characteristic: no ornamental slots

Special characters

<input type="checkbox"/>	Placeholder Article-No.	Example 1.41.5□□□	identifies the articles: 1.41.5F0.1 1.41.5F0.2 1.41.5E0.1 1.41.5E0.2
--------------------------	-----------------------------------	-----------------------------	---

	Example	Reference
↗	117	to catalogue page
	1.41	to article number group
	1.41.710.2	to single article
	1.41.5□□□	to group of articles

Cross section of slots		Core hole-Ø	Slot width	Slot depth	Wall thickness	PG		
H-slot    		6.2	6.2	4.8	1.8	20		
F-slot    		6.2	8.2	6.5	2.2	16		
		12.0	8.2	6.5	2.2	20		
								30
E3-slot    		5.0	8.2	11.5	3.0	16		
		12.0	8.2	11.5	3.0	40		
E4-slot    		12.0	8.2	12.5	4.0	30		
								45
								50
								60

Profiles

1.□□ . □□□□□□ . □□□□
 1.□□ . □□□□□□ . □□□□
 1.□□ . □□□□□□ . □□□□
 1.□□ . □□□□□□ . □□□□
 1.□□ . □□□□ R □□ . □□□□
 1.□□ . □□□□ k t . □□□□
 1.□□ . □□□□□□ . □□□□
 1.□□ . □□□□□□ . □□□□
 1.□□ . □□□□□□ . □□ L
 1.□□ . □□□□□□ . □□ B
 1.□□ . □□□□□□ . □□ L B
 1.□□ . □□□□□□ . □□ P

Key
 Core hole-Ø ¹⁾
 Profile width
 Profile height (all, but special profiles)
 Number of degrees (round profiles)
 Number of edges (special profiles)
 Slot quantity ²⁾
 Contour ³⁾
 Version light
 Type B
 Version light, Type B
 Plain

- ¹⁾ 09 = 5 mm
- 10 = 6.2 mm
- 11 = 12 mm
- ²⁾ 2-digit off 10 slots
- ³⁾ 0 = Round
- 1 = Soft
- 2 = Corner
- 3 = Cubic
- 4 = Rectangle
- 5 = Pneumatic
- 7 = Angle
- 8 = Oblique
- 9 = Special

Connector - general

1.2 □ . □□□□□□
 1.2 □ . □□□□□□
 1.2 □ . □□□□□□
 1.2 □ . □□□□□□
 1.2 □ . □□□□□□
 1.2 □ . □□□□ V □
 1.2 □ . □□□□ E
 □/□
 □/□
 □/□

Special cases: Parallel-connector across and high
 Profile width for cross bushing
 Profile width for anchor

Key
 Core hole ¹⁾
 Profile width ²⁾
 Head-variant ³⁾
 Connection-variant ⁴⁾
 Stainless
 Ground

- ¹⁾ 0 = 6.2 mm
- 1 = 12 mm
- ²⁾ 2 = 20 mm
- 3 = 30 mm
- 4 = 40 mm
- 45 = 45 mm
- 5 = 50 mm
- 6 = 60 mm
- ³⁾ E = E-head
- F = F-head
- H = H-head
- V = Extension
- ⁴⁾ 0 = Neutral
- 1 = Standard
- 2 = Standard 90°
- 5 = Parallel

-Oblique-hinge

1.2 □ . □□□□□□
 1.2 □ . □□ K □□
 1.2 □ . □□□□□□
 1.2 □ . □□□□ V

Key
 Oblique-connector, hinge
 Connection-variant ¹⁾
 Stainless

- ¹⁾ 1 = Standard
- 2 = Standard 90°

-Oblique-bent anchor

1.2 □ . □□□□□□ / □□□□
 1.2 □ . □□ B □□ / □□□□
 1.2 □ . □□□□□□ / □□□□
 1.2 □ . □□□□□□ / □□□□
 1.2 □ . □□□□□□ / □□□□
 1.2 □ . □□□□□□ / □□ V □
 1.2 □ . □□□□□□ / □□□□ E

Key
 Oblique-connector, bent anchor
 Connection-variant ¹⁾
 Design L/R
 Angle
 Stainless
 Ground

- ¹⁾ 1 = Standard
- 2 = Standard 90°

-Miter-hinge

1.2 □ . □□□□□□
 1.2 □ . □ G □□
 1.2 □ . □□□□□□
 1.2 □ . □□□□ V

Key
 Miter-connector, hinge
 Connection-variant ¹⁾
 Stainless

- ¹⁾ 1 = Standard
- 2 = Standard 90°

-Miter-bent anchor

1.2 □ . □□□□□□ / □□□□
 1.2 □ . □ G □□ / □□□□
 1.2 □ . □□ B □□ / □□□□
 1.2 □ . □□□□□□ / □□□□
 1.2 □ . □□□□□□ / □□□□
 1.2 □ . □□□□□□ / □□ V

Key
 Miter-connector
 Bent design
 Connection-variant ¹⁾
 Angle
 Stainless

- ¹⁾ 1 = Standard
- 2 = Standard 90°

-Screw-type

1.2 □ . □□□□□□ / □□
 1.2 □ . □ S □□□□ / □□
 1.2 □ . □□□□□□ / □□
 1.2 □ . □□□□ M □ / □□
 1.2 □ . □□□□□□ / □□
 1.2 □ . □□□□□□ / □□
 □/□
 □/□
 □/□

Special cases: Screw-type connector parallel across and high
 Profile width for cross bushing
 Profile width for anchor

Key
 Screw-type-connector
 Type of anchor ¹⁾
 Thread
 Thread-Ø
 Screw special length

- ¹⁾ 1 = Standard
- 2 = Parallel 20 mm
- 3 = Parallel 30 mm
- 4 = Parallel 40 mm
- 5 = Parallel 50 mm

16

plain

plain

without grooves

16

16x40

L 1F LP

S 1F P

↔ 12

E 16x40 16x80 16x160

L 1E LP 2E LP 4E LP

S 1E P 2E P

↔ 12

20

20x20 20x40 40x40

L 2H LP 4H LP 6H LP 8H LP

S 2H s. P 2H c. P 3H P 4H P 4H P 6H P

↔ 13 ↔ 14

F 20x10 20x30

L 1F LP 1F LP 2F LP

S 2F P

↔ 15

30

30x30 30x60 30x100 30x150 60x60

L 2F s. P 0F P 1F P 2F c. BP 2F P 3F P 4F P 0F P 8F P 9F P 10F P 8F P 0F P

S 2F s. P 0F P 1F P 2F c. BP 2F P 3F P 4F P 0F P 8F P 9F P 10F P 8F P 0F P

↔ 16 ↔ 17 ↔ 16 ↔ 17

F 30x100

E 30x150

5E 2F P 8E P

↔ 16 ↔ 17

40

40x40 40x80 40x160 80x80 80x160

L 2E s. LP 0E LP 1E LP 2E c. LP 2E LP 3E LP 4E LP 0E LP 3E c. LP 4E LP 4E LBP 5E LP 6E LP 6E LP 0E LP 4E c. LP 6E LP 8E LP 8E LP

S 4E P 6E P 7E P 8E P 10E P

↔ 18 ↔ 19 ↔ 20 ↔ 21 ↔ 22

E 80x120

8E LP

↔ 22

40

40 R.45° 40 R.90°

L 2E LP 2E LP

↔ 23

E 40x40 80x80

L 2E 45° LP 3E 45° LP 7E 45° LP

↔ 23

45

45x45 45x60 45x90 90x90

L 2E s. LP 0E LP 1E LP 2E c. LP 2E LP 3E LP 4E LP 4E LP 0E LP 6E LP 8E LP

S 4E P 4E P 0E P 6E P 8E P

↔ 24 ↔ 25 ↔ 26

50

100x200 100x300

L 12E P 16E P

S 12E P 16E P

↔ 27

60

60x60

L 2E LP 4E LP

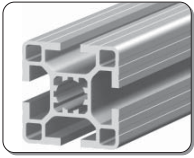
S 2E P 4E P

↔ 28

S 48 round 30 hexag. 30 octag. 40 hexag. 40 octag.

L 1E P 2E c. P 2E P 6F P 8F P 6E P 8E P

↔ 29



with grooves

16 20 30 40 45 50 60	profile group
S	special profiles
H F E	slot type
plain	plain

L	light
S	heavy
P	plain
B	type B
hexag.	hexagonal
octag.	octagonal
c.	corner
r.	round
s.	soft
angle	angle

30

F 30x30 30x50 30x60 30x100 60x60

L 2F c. L 2F L 3F L 4F L 4F L 6F L 5F L 8F L

S 2F s. 2F c. 2F c. B 3F 4F 4F 6F 8F angle

30 31

40

E 40x40 40x80 40x120 40x160 80x80 80x160

L 2E s. L 2E c. L 2E L 3E L 4E L 4E L 6E L 8E L 10E L 8E L 8E LB 12E L

S 2E c. 3E 4E 6E 8E 8E angle 12E

40 r.30° 40 r.45° 40 r.60° 40 r.90°

F 2F L 2E L 2E L 2E L

32 33 34 35

45

E 45x45 45x60 45x90 90x90

L 4E L 4E L 6E L 8E L

S 4E 4E 6E 8E

36

50

E 50x50 50x100 50x150 100x100

L 2E c. L 2E L 3E L 4E L 6E L 8E L 8E L 8E L

S 2E s. 2E c. 3E 4E 6E 8E 8E 8E

38 39

60

E 60x60 60x90

L 4E L 6E L

S 4E 6E

40



Profile pre-cut lids

➤ 41 Profile pre-cut lid 30 Profile pre-cut lid 40 Profile pre-cut lid 50

Tubes

➤ 43 Tube Ø20x2 Tube Ø30x3 Tube Ø40x4

Hollow profiles

➤ 41 Hollow profile Ø20 Hollow profile Ø30 Hollow profile Ø40

Hinge profiles 1.5 mm

➤ 44 Type A, PG 20 - 1.5 Type A, PG 30 - 1.5 Type A, PG 40 - 1.5 Type A, PG 50 - 1.5

Base profiles

➤ 41 Base profile Ø20 Base profile Ø30 Base profile Ø40

Hinge profiles 2.0 mm / 5.0 mm

➤ 44 Type B, 50 mm - 2.0 Type C, 30 mm - 2.0 Ø12

Angle profiles

➤ 42 Angle profile 48x48 Angle profile 60x60 Angle profile 100x100

Hinge profiles 3.0 mm

➤ 44 Type A, PG 30 - 3.0 Type A, PG 40 - 3.0 Type A, PG 50 - 3.0 Type B, 50 mm - 3.0

Wire net mounting profiles, Grab handle profile

➤ 42 Wire net mounting profile Wire net mounting profile 33x10 Grab handle profile

T-Slot profiles steel

➤ 45 T-Slot profile, steel, F T-Slot profile, steel, E T-Slot profile, steel, subs. ins. F T-Slot profile, steel, subs. ins. E

U-profile, C-track

➤ 42 U-profile 25x25x2 U-profile 40 C-track

T-Slot profiles PVC

➤ 45 T-Slot profile, PVC, F T-Slot profile, PVC, E

Sliding profiles

➤ 43 Sliding profile 30x14 Sliding profile 30x26 Sliding profile 50x14

Slide-slot profiles PVC

➤ 45 Slide-slot profile, PVC, F Slide-slot profile, PVC, E3 Slide-slot profile, PVC, E4

Panel framing profile

➤ 43 Panel framing profile 30x8.5

19" profiles

➤ 46 19" profile, PG 30 19" profile, PG 40 19" profile, PG 50

light				
Description	Profile 16×40, 1F, LP	Profile 16×40, 1E, LP	Profile 16×80, 2E, LP	Profile 16×160, 4E, LP
bar, 6 m	1.10.016040.14LP.60	1.09.016040.14LP.60	1.09.016080.24LP.60	1.09.016160.44LP.60
packing unit (number)	1.10.016040.14LP.61 (20)	1.09.016040.14LP.61 (20)	1.09.016080.24LP.61 (10)	1.09.016160.44LP.61 (5)
moment of inertia cm ⁴	$I_x = 4.4$ $I_y = 0.8$	$I_x = 4.3$ $I_y = 0.8$	$I_x = 30.7$ $I_y = 1.6$	$I_x = 238.3$ $I_y = 3.3$
moment of resistance cm ³	$W_x = 2.2$ $W_y = 0.8$	$W_x = 2.2$ $W_y = 0.8$	$W_x = 7.7$ $W_y = 1.6$	$W_x = 29.8$ $W_y = 3.3$
weight kg/m	$G = 0.87$	$G = 0.75$	$G = 1.49$	$G = 3.0$

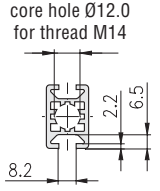



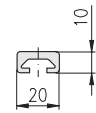
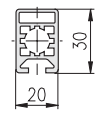
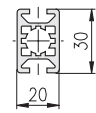
heavy				
Description	Profile 16×40, 1F, P	Profile 16×40, 1E, P	Profile 16×80, 2E, P	
bar, 6 m	1.10.016040.14P.60	1.09.016040.14P.60	1.09.016080.24P.60	
packing unit (number)	1.10.016040.14P.61 (20)	1.09.016040.14P.61 (20)	1.09.016080.24P.61 (10)	
moment of inertia cm ⁴	$I_x = 5.3$ $I_y = 1.0$	$I_x = 7.2$ $I_y = 1.1$	$I_x = 48.3$ $I_y = 2.2$	
moment of resistance cm ³	$W_x = 2.7$ $W_y = 1.0$	$W_x = 3.6$ $W_y = 1.1$	$W_x = 12.0$ $W_y = 2.2$	
weight kg/m	$G = 1.0$	$G = 1.14$	$G = 2.11$	

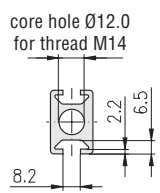

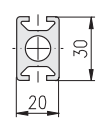
light				
<p>core hole Ø6.2 for thread M8</p>				
Description			Profile 20×20, 2H, LP	
bar, 6 m			1.10.020020.23LP.60	
packing unit (number)			1.10.020020.23LP.61 (10)	
moment of inertia cm ⁴			$I_x = 1.0$ $I_y = 0.8$	
moment of resistance cm ³			$W_x = 1.0$ $W_y = 0.8$	
weight kg/m			$G = 0.58$	

heavy				
<p>core hole Ø6.2 for thread M8</p>				
Description	Profile 20×20, 2H, soft, P	Profile 20×20, 2H, cor., P		Profile 20×20, 3H, P
bar, 6 m	1.10.020020.21P.60	1.10.020020.22P.60		1.10.020020.33P.60
packing unit (number)	1.10.020020.21P.61 (10)	1.10.020020.22P.61 (10)		1.10.020020.33P.61 (10)
moment of inertia cm ⁴	$I_x = 0.6$ $I_y = 0.6$	$I_x = 1.0$ $I_y = 1.0$		$I_x = 0.9$ $I_y = 0.9$
moment of resistance cm ³	$W_x = 0.6$ $W_y = 0.6$	$W_x = 0.9$ $W_y = 0.9$		$W_x = 0.9$ $W_y = 0.9$
weight kg/m	$G = 0.65$	$G = 0.68$		$G = 0.65$

light				
Description	Profile 20×20, 4H, LP		Profile 20×40, 6H, LP	Profile 40×40, 8H, LP
bar, 6 m	1.10.020020.43LP.60		1.10.020040.64LP.60	1.10.040040.83LP.60
packing unit (number)	1.10.020020.43LP.61 (10)		1.10.020040.64LP.61 (10)	1.10.040040.83LP.61 (10)
moment of inertia cm ⁴	$I_x = 0.8$ $I_y = 0.8$		$I_x = 5.3$ $I_y = 1.4$	$I_x = 10.0$ $I_y = 10.0$
moment of resistance cm ³	$W_x = 0.8$ $W_y = 0.8$		$W_x = 2.6$ $W_y = 1.4$	$W_x = 5.0$ $W_y = 5.0$
weight kg/m	$G = 0.53$		$G = 0.9$	$G = 1.5$





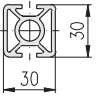
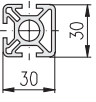
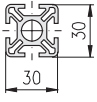
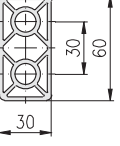
heavy				
Description	Profile 20×20, 4H, P	Profile 20×40, 4H, P	Profile 20×40, 6H, P	
bar, 6 m	1.10.020020.43P.60	1.10.020040.44P.60	1.10.020040.64P.60	
packing unit (number)	1.10.020020.43P.61 (10)	1.10.020040.44P.61 (10)	1.10.020040.64P.61 (10)	
moment of inertia cm ⁴	$I_x = 0.9$ $I_y = 0.9$	$I_x = 7.0$ $I_y = 2.0$	$I_x = 6.4$ $I_y = 1.7$	
moment of resistance cm ³	$W_x = 0.9$ $W_y = 0.9$	$W_x = 3.5$ $W_y = 2.0$	$W_x = 3.2$ $W_y = 1.7$	
weight kg/m	$G = 0.62$	$G = 1.3$	$G = 1.3$	

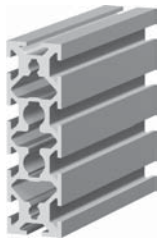


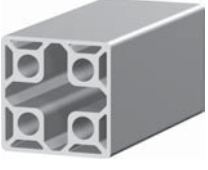
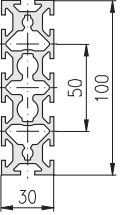
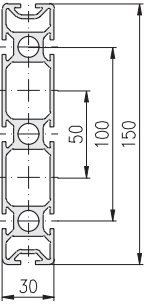
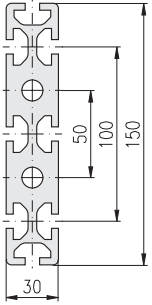
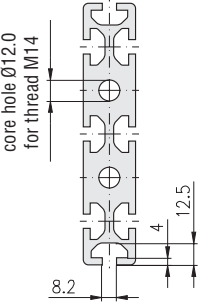
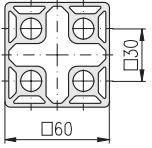
light				
				
				
Description	Profile 20×10, 1F, LP	Profile 20×30, 1F, LP	Profile 20×30, 2F, LP	
bar, 6 m	1.11.020010.14LP.60	1.11.020030.14LP.60	1.11.020030.24LP.60	
packing unit (number)	1.11.020010.14LP.61 (10)	1.11.020030.14LP.61 (10)	1.11.020030.24LP.61 (10)	
moment of inertia cm ⁴	$I_x = 0.1$ $I_y = 0.6$	$I_x = 2.2$ $I_y = 1.4$	$I_x = 2.2$ $I_y = 1.5$	
moment of resistance cm ³	$W_x = 0.2$ $W_y = 0.5$	$W_x = 1.5$ $W_y = 1.4$	$W_x = 1.5$ $W_y = 1.5$	
weight kg/m	$G = 0.35$	$G = 0.7$	$G = 0.74$	

heavy				
				
				
Description			Profile 20×30, 2F, P	
bar, 6 m			1.11.020030.24P.60	
packing unit (number)			1.11.020030.24P.61 (10)	
moment of inertia cm ⁴			$I_x = 2.6$ $I_y = 1.9$	
moment of resistance cm ³			$W_x = 1.7$ $W_y = 1.7$	
weight kg/m			$G = 1.0$	

heavy				
<p>core hole Ø12.0 for thread M14</p>				
Description	Profile 30×30, 2F, soft, P	Profile 30×30, 0F, P	Profile 30×30, 1F, P	Profile 30×30, 2F, cor., BP
bar, 6 m	1.11.030030.21P.60	1.11.030030.03P.60	1.11.030030.13P.60	1.11.030030.22BP.60
packing unit (number)	1.11.030030.21P.61 (10)	1.11.030030.03P.61 (10)	1.11.030030.13P.61 (10)	1.11.030030.22BP.61 (10)
moment of inertia cm ⁴	$I_x = 2.7$ $I_y = 2.7$	$I_x = 4.4$ $I_y = 4.4$	$I_x = 4.3$ $I_y = 4.0$	$I_x = 3.7$ $I_y = 3.7$
moment of resistance cm ³	$W_x = 1.6$ $W_y = 1.6$	$W_x = 2.3$ $W_y = 2.3$	$W_x = 2.9$ $W_y = 2.6$	$W_x = 2.4$ $W_y = 2.4$
weight kg/m	$G = 0.9$	$G = 1.3$	$G = 1.2$	$G = 1.1$

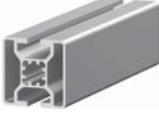
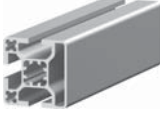
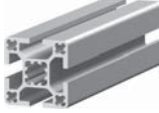

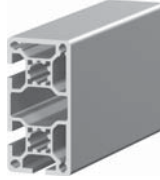
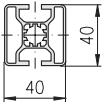
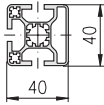
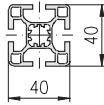
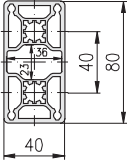
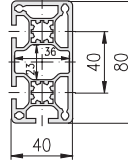
heavy				
<p>core hole Ø12.0 for thread M14</p>				
		<p>core hole Ø12.0 for thread M14</p>		
Description	Profile 30×100, 5E, 2F, P	Profile 30×100, 8F, P	Profile 30×100, 9F, P	
bar, 6 m	1.11.030100.74P.60	1.11.030100.84P.60	1.11.030100.94P.60	
packing unit (number)	1.11.030100.74P.61 (4)	1.11.030100.84P.61 (4)	1.11.030100.94P.61 (4)	
moment of inertia cm ⁴	$I_x = 108.9$ $I_y = 12.4$	$I_x = 115.0$ $I_y = 11.6$	$I_x = 130.6$ $I_y = 11.9$	
moment of resistance cm ³	$W_x = 21.7$ $W_y = 8.3$	$W_x = 22.9$ $W_y = 7.7$	$W_x = 25.9$ $W_y = 7.9$	
weight kg/m	$G = 3.5$	$G = 3.4$	$G = 3.6$	


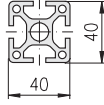
				
				
Profile 30×30, 2F, P	Profile 30×30, 3F, P	Profile 30×30, 4F, P		Profile 30×60, 0F, P
1.11.030030.23P.60	1.11.030030.33P.60	1.11.030030.43P.60		1.11.030060.04P.60
1.11.030030.23P.61 (10)	1.11.030030.33P.61 (10)	1.11.030030.43P.61 (10)		1.11.030060.04P.61 (6)
$I_x = 3.6$ $I_y = 3.9$ $W_x = 2.4$ $W_y = 2.6$ $G = 1.1$	$I_x = 3.5$ $I_y = 3.7$ $W_x = 2.4$ $W_y = 2.4$ $G = 1.1$	$I_x = 3.5$ $I_y = 3.5$ $W_x = 2.4$ $W_y = 2.4$ $G = 1.1$		$I_x = 29.0$ $I_y = 7.8$ $W_x = 9.6$ $W_y = 5.2$ $G = 2.2$

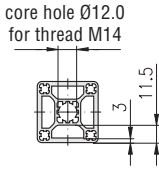
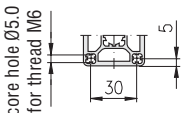

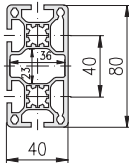
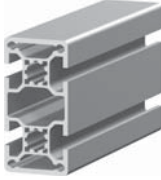
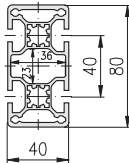
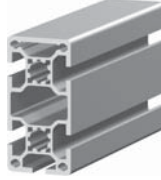
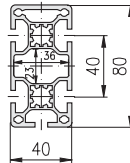
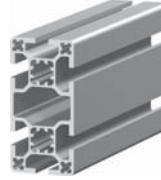
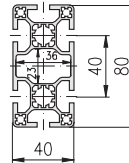
				
				
Profile 30×100, 10F, P	Profile 30×150, 8F, P	Profile 30×150, 8E, P		Profile 60×60, 0F, P
1.11.030100.104P.60	1.11.030150.85P.60	1.11.030150.84P.60		1.11.060060.03P.60
1.11.030100.104P.61 (4)	1.11.030150.85P.61 (2)	1.11.030150.84P.61 (2)		1.11.060060.03P.61 (6)
$I_x = 127.0$ $I_y = 11.9$ $W_x = 25.4$ $W_y = 7.9$ $G = 3.6$	$I_x = 340.0$ $I_y = 16.0$ $W_x = 45.0$ $W_y = 11.0$ $G = 4.1$	$I_x = 481.0$ $I_y = 25.1$ $W_x = 64.1$ $W_y = 16.7$ $G = 7.9$		$I_x = 58.2$ $I_y = 58.2$ $W_x = 15.5$ $W_y = 15.5$ $G = 4.0$

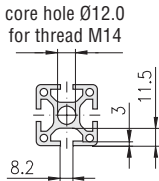
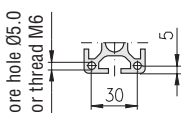
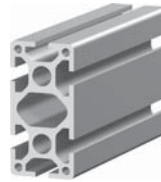
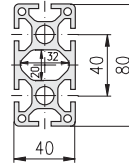
light				
Description	Profile 40×40, 2E, soft, LP	Profile 40×40, 0E, LP	Profile 40×40, 1E, LP	Profile 40×40, 2E, cor., LP
bar, 6 m	1.11.040040.21LP.60	1.11.040040.03LP.60	1.11.040040.13LP.60	1.11.040040.22LP.60
packing unit (number)	1.11.040040.21LP.61 (8)	1.11.040040.03LP.61 (8)	1.11.040040.13LP.61 (8)	1.11.040040.22LP.61 (8)
moment of inertia cm ⁴	$I_x = 6.4$ $I_y = 6.4$	$I_x = 12.0$ $I_y = 12.0$	$I_x = 8.5$ $I_y = 8.1$	$I_x = 8.0$ $I_y = 8.0$
moment of resistance cm ³	$W_x = 3.8$ $W_y = 3.8$	$W_x = 6.0$ $W_y = 6.0$	$W_x = 4.1$ $W_y = 4.0$	$W_x = 4.0$ $W_y = 4.0$
weight kg/m	G = 1.2	G = 1.8	G = 1.3	G = 1.3

heavy				
Description				
bar, 6 m				
packing unit (number)				
moment of inertia cm ⁴				
moment of resistance cm ³				
weight kg/m				

				
				
Profile 40x40, 2E, LP	Profile 40x40, 3E, LP	Profile 40x40, 4E, LP	Profile 40x80, 0E, LP	Profile 40x80, 3E, cor., LP
1.11.040040.23LP.60	1.11.040040.33LP.60	1.11.040040.43LP.60	1.11.040080.04LP.60	1.11.040080.32LP.60
1.11.040040.23LP.61 (8)	1.11.040040.33LP.61 (8)	1.11.040040.43LP.61 (8)	1.11.040080.04LP.61 (4)	1.11.040080.32LP.61 (4)
$I_x = 8.2$ $I_y = 7.5$ $W_x = 4.1$ $W_y = 3.8$ $G = 1.3$	$I_x = 8.3$ $I_y = 8.8$ $W_x = 4.1$ $W_y = 4.4$ $G = 1.4$	$I_x = 9.9$ $I_y = 9.9$ $W_x = 4.9$ $W_y = 4.9$ $G = 1.5$	$I_x = 79.0$ $I_y = 21.5$ $W_x = 19.7$ $W_y = 10.7$ $G = 3.1$	$I_x = 73.8$ $I_y = 20.5$ $W_x = 18.5$ $W_y = 10.2$ $G = 2.8$

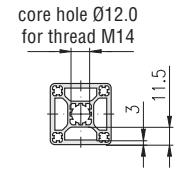
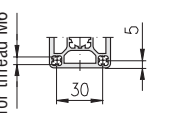
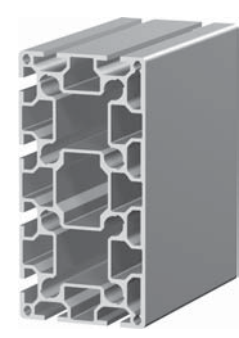
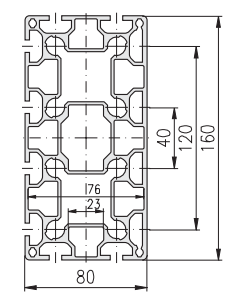
				
				
		Profile 40x40, 4E, P		
		1.11.040040.43P.60		
		1.11.040040.43P.61 (8)		
		$I_x = 12.0$ $I_y = 12.0$ $W_x = 6.0$ $W_y = 6.0$ $G = 2.0$		

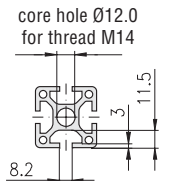
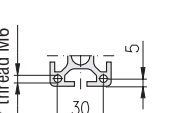
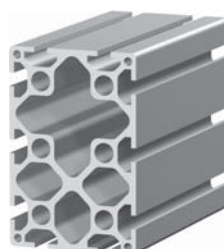
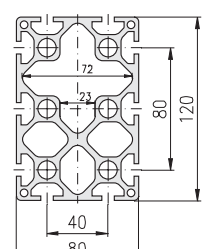
light				
 	 	 	 	 
Description	Profile 40x80, 4E, LP	Profile 40x80, 4E, LBP	Profile 40x80, 5E, LP	Profile 40x80, 6E, LP
bar, 6 m	1.11.040080.44LP.60	1.11.040080.44LBP.60	1.11.040080.54LP.60	1.11.040080.64LP.60
packing unit (number)	1.11.040080.44LP.61 (4)	1.11.040080.44LBP.61 (4)	1.11.040080.54LP.61 (4)	1.11.040080.64LP.61 (4)
moment of inertia cm ⁴	$I_x = 70.7$ $I_y = 20.0$	$I_x = 74.5$ $I_y = 18.3$	$I_x = 72.2$ $I_y = 18.1$	$I_x = 62.7$ $I_y = 17.7$
moment of resistance cm ³	$W_x = 17.7$ $W_y = 8.9$	$W_x = 18.6$ $W_y = 9.2$	$W_x = 18.0$ $W_y = 9.0$	$W_x = 15.6$ $W_y = 8.8$
weight kg/m	$G = 2.8$	$G = 2.8$	$G = 2.8$	$G = 2.5$

heavy				
 				 
Description				Profile 40x80, 6E, P
bar, 6 m				1.11.040080.64P.60
packing unit (number)				1.11.040080.64P.61 (4)
moment of inertia cm ⁴				$I_x = 82.0$ $I_y = 23.4$
moment of resistance cm ³				$W_x = 20.5$ $W_y = 11.7$
weight kg/m				$G = 3.8$

Profile 40x160, 6E, LP	Profile 80x80, 0E, LP	Profile 80x80, 4E, cor., LP	Profile 80x80, 6E, LP	Profile 80x80, 8E, LP
1.11.040160.64LP.60	1.11.080080.03LP.60	1.11.080080.42LP.60	1.11.080080.63LP.60	1.11.080080.83LP.60
1.11.040160.64LP.61 (2)	1.11.080080.03LP.61 (2)	1.11.080080.42LP.61 (2)	1.11.080080.63LP.61 (2)	1.11.080080.83LP.61 (2)
$I_x = 450.4$ $I_y = 36.3$ $W_x = 56.3$ $W_y = 18.1$ $G = 5.0$	$I_x = 135.5$ $I_y = 135.5$ $W_x = 33.5$ $W_y = 33.5$ $G = 4.7$	$I_x = 128.0$ $I_y = 128.0$ $W_x = 32.0$ $W_y = 32.0$ $G = 4.5$	$I_x = 121.3$ $I_y = 116.0$ $W_x = 30.3$ $W_y = 29.0$ $G = 4.2$	$I_x = 113.8$ $I_y = 114.0$ $W_x = 28.4$ $W_y = 28.4$ $G = 4.1$

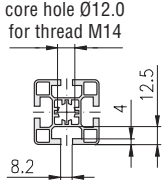
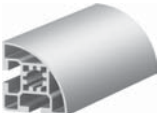
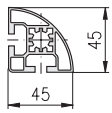

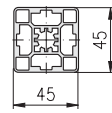
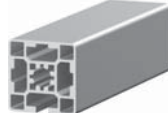
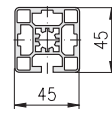
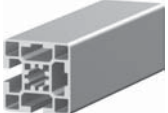
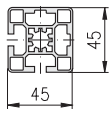
			Profile 80x80, 7E, P	Profile 80x80, 8E, P
			1.11.080080.79P.60	1.11.080080.83P.60
			1.11.080080.79P.61 (2)	1.11.080080.83P.61 (2)
			$I_x = 173.0$ $I_y = 160.0$ $W_x = 42.0$ $W_y = 44.4$ $G = 7.6$	$I_x = 166.0$ $I_y = 166.0$ $W_x = 41.4$ $W_y = 41.4$ $G = 5.9$

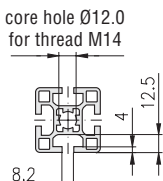
<p style="text-align: center;">light</p>  <p>core hole Ø12.0 for thread M14</p>  <p>core hole Ø5.0 for thread M6</p>	 			
<p>Description</p>	<p>Profile 80×160, 8E, LP</p>			
<p>bar, 6 m</p>	<p>1.11.080160.84LP.60</p>			
<p>packing unit (number)</p>	<p>1.11.080160.84LP.61 (2)</p>			
<p>moment of inertia cm⁴ moment of resistance cm³ weight kg/m</p>	<p>$I_x = 830.6$ $I_y = 241.5$ $W_x = 103.8$ $W_y = 60.4$ $G = 8.8$</p>			

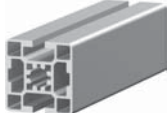
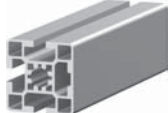
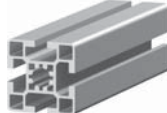
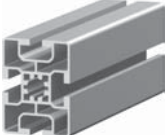
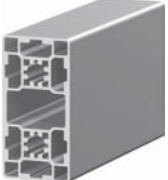
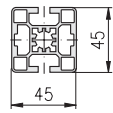
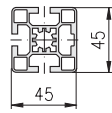
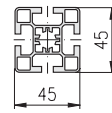
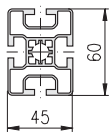
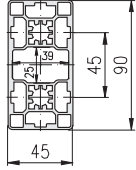
<p style="text-align: center;">heavy</p>  <p>core hole Ø12.0 for thread M14</p>  <p>core hole Ø5.0 for thread M6</p>	 			
<p>Description</p>	<p>Profile 80×120, 10E, P</p>			
<p>bar, 6 m</p>	<p>1.11.080120.104P.60</p>			
<p>packing unit (number)</p>	<p>1.11.080120.104P.61 (2)</p>			
<p>moment of inertia cm⁴ moment of resistance cm³ weight kg/m</p>	<p>$I_x = 449.9$ $I_y = 217.8$ $W_x = 72.6$ $W_y = 54.4$ $G = 8.6$</p>			

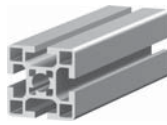
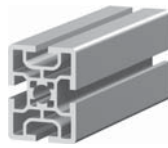
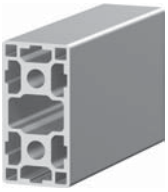
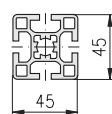
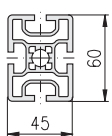
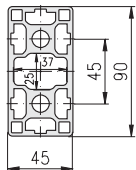
light			Connection possibilities ↗ 1.2E
<p>core hole Ø12.0 for thread M14</p>			
Description		Prf. 40, round 45°, 2E, LP	Prf. 40, round 90°, 2E, LP
bar, 6 m		1.11.040R45.20LP.60	1.11.040R90.20LP.60
packing unit (number)		1.11.040R45.20LP.61 (8)	1.11.040R90.20LP.61 (4)
moment of inertia cm ⁴		I _x = 14.5 I _y = 8.0	I _x = 89.0 I _y = 17.4
moment of resistance cm ³		W _x = 4.9 W _y = 3.7	W _x = 16.0 W _y = 6.8
weight kg/m		G = 1.6	G = 3.0

light				
<p>core hole Ø12.0 for thread M14</p>				
<p>core hole Ø5.0 for thread M6</p>				
Description	Profile 40×40, 2E, 45°, LP	Profile 80×80, 3E, 45°, LP	Profile 80×80, 7E, 45°, LP	
bar, 6 m	1.11.040040.28LP.60	1.11.080080.38LP.60	1.11.080080.78LP.60	
packing unit (number)	1.11.040040.28LP.61 (8)	1.11.080080.38LP.61 (2)	1.11.080080.78LP.61 (2)	
moment of inertia cm ⁴	I _x = 7.3 I _y = 7.3	I _x = 127.0 I _y = 83.7	I _x = 99.3 I _y = 99.3	
moment of resistance cm ³	W _x = 3.9 W _y = 3.9	W _x = 31.8 W _y = 20.9	W _x = 24.8 W _y = 24.8	
weight kg/m	G = 1.4	G = 4.3	G = 4.0	

light				
	 	 	 	 
Description	Profile 45×45, 2E, soft, LP	Profile 45×45, 0E, LP	Profile 45×45, 1E, LP	Profile 45×45, 2E, cor., LP
bar, 6 m	1.11.045045.21LP.60	1.11.045045.03LP.60	1.11.045045.13LP.60	1.11.045045.22LP.60
packing unit (number)	1.11.045045.21LP.61 (8)	1.11.045045.03LP.61 (8)	1.11.045045.13LP.61 (8)	1.11.045045.22LP.61 (8)
moment of inertia cm ⁴	$I_x = 11.4$ $I_y = 11.4$	$I_x = 15.5$ $I_y = 15.5$	$I_x = 14.7$ $I_y = 15.5$	$I_x = 14.7$ $I_y = 14.7$
moment of resistance cm ³	$W_x = 5.1$ $W_y = 5.1$	$W_x = 6.9$ $W_y = 6.9$	$W_x = 6.5$ $W_y = 6.8$	$W_x = 6.6$ $W_y = 6.6$
weight kg/m	$G = 1.6$	$G = 2.2$	$G = 2.1$	$G = 2.0$

heavy				
				
Description				
bar, 6 m				
packing unit (number)				
moment of inertia cm ⁴				
moment of resistance cm ³				
weight kg/m				

				
				
Profile 45x45, 2E, LP	Profile 45x45, 3E, LP	Profile 45x45, 4E, LP	Profile 45x60, 4E, LP	Profile 45x90, 0E, LP
1.11.045045.23LP.60	1.11.045045.33LP.60	1.11.045045.43LP.60	1.11.045060.44LP.60	1.11.045090.04LP.60
1.11.045045.23LP.61 (8)	1.11.045045.33LP.61 (8)	1.11.045045.43LP.61 (8)	1.11.045060.44LP.61 (6)	1.11.045090.04LP.61 (4)
$I_x = 14.0$ $I_y = 15.5$ $W_x = 6.2$ $W_y = 6.9$ $G = 2.0$	$I_x = 14.0$ $I_y = 14.7$ $W_x = 6.2$ $W_y = 6.5$ $G = 2.1$	$I_x = 13.5$ $I_y = 13.5$ $W_x = 6.0$ $W_y = 6.0$ $G = 1.9$	$I_x = 26.5$ $I_y = 16.0$ $W_x = 9.0$ $W_y = 7.2$ $G = 2.3$	$I_x = 107.5$ $I_y = 30.4$ $W_x = 23.9$ $W_y = 13.5$ $G = 3.6$

				
				
		Profile 45x45, 4E, P	Profile 45x60, 4E, P	Profile 45x90, 0E, P
		1.11.045045.43P.60	1.11.045060.44P.60	1.11.045090.04P.60
		1.11.045045.43P.61 (8)	1.11.045060.44P.61 (6)	1.11.045090.04P.61 (4)
		$I_x = 15.5$ $I_y = 15.5$ $W_x = 6.9$ $W_y = 6.9$ $G = 2.1$	$I_x = 38.0$ $I_y = 23.5$ $W_x = 13.0$ $W_y = 10.4$ $G = 3.0$	$I_x = 134.3$ $I_y = 36.3$ $W_x = 29.8$ $W_y = 16.2$ $G = 4.7$

light				
<p>core hole Ø12.0 for thread M14</p>	 	 		
Description	Profile 45×90, 6E, LP	Profile 90×90, 8E, LP		
bar, 6 m	1.11.045090.64LP.60	1.11.090090.83LP.60		
packing unit (number)	1.11.045090.64LP.61 (4)	1.11.090090.83LP.61 (2)		
moment of inertia cm ⁴	$I_x = 98.0$ $I_y = 27.5$	$I_x = 190.5$ $I_y = 190.5$		
moment of resistance cm ³	$W_x = 21.8$ $W_y = 12.2$	$W_x = 42.3$ $W_y = 42.3$		
weight kg/m	$G = 3.3$	$G = 5.6$		

heavy				
<p>core hole Ø12.0 for thread M14</p>	 	 		
Description	Profile 45×90, 6E, P	Profile 90×90, 8E, P		
bar, 6 m	1.11.045090.64P.60	1.11.090090.83P.60		
packing unit (number)	1.11.045090.64P.61 (4)	1.11.090090.83P.61 (2)		
moment of inertia cm ⁴	$I_x = 126.0$ $I_y = 34.0$	$I_x = 282.0$ $I_y = 282.0$		
moment of resistance cm ³	$W_x = 28.0$ $W_y = 15.0$	$W_x = 63.0$ $W_y = 63.0$		
weight kg/m	$G = 4.4$	$G = 9.5$		

light				

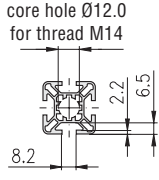
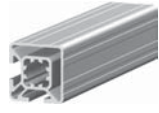
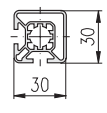
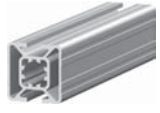
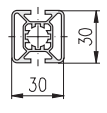
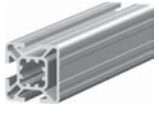
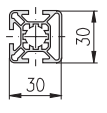
heavy		
Description	Profile 100×200, 12E, P	Profile 100×300, 16E, P
bar, 6 m	1.11.100200.124P.60	1.11.100300.164P.60
packing unit (number)	1.11.100200.124P.61 (2)	1.11.100300.164P.61 (1)
moment of inertia cm ⁴	I _x = 2,450 I _y = 760	I _x = 8,320 I _y = 1,170
moment of resistance cm ³	W _x = 250 W _y = 152	W _x = 555 W _y = 234
weight kg/m	G = 17.2	G = 25.6

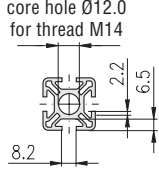

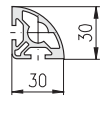
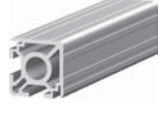
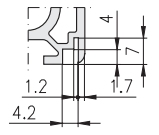
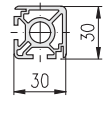
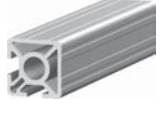
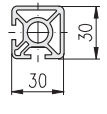
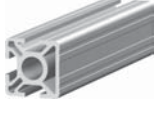
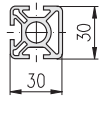
light				
Description	Profile 60×60, 2E, LP	Profile 60×60, 4E, LP		
bar, 6 m	1.11.060060.23LP.60	1.11.060060.43LP.60		
packing unit (number)	1.11.060060.23LP.61 (6)	1.11.060060.43LP.61 (6)		
moment of inertia cm ⁴	$I_x = 35.1$ $I_y = 37.7$	$I_x = 35.5$ $I_y = 35.5$		
moment of resistance cm ³	$W_x = 11.7$ $W_y = 12.5$	$W_x = 11.7$ $W_y = 11.7$		
weight kg/m	$G = 2.9$	$G = 2.7$		

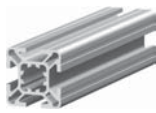
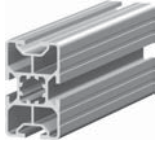
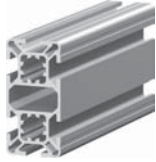
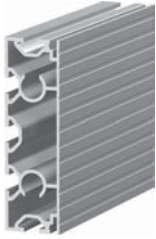
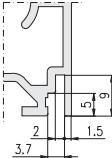
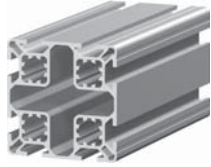
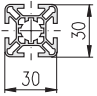
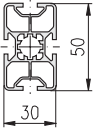
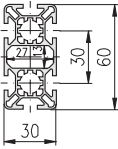
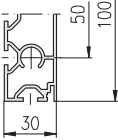
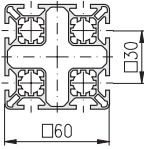
heavy				
Description	Profile 60×60, 2E, P	Profile 60×60, 4E, P		
bar, 6 m	1.11.060060.23P.60	1.11.060060.43P.60		
packing unit (number)	1.11.060060.23P.61 (6)	1.11.060060.43P.61 (6)		
moment of inertia cm ⁴	$I_x = 55.9$ $I_y = 58.5$	$I_x = 56.0$ $I_y = 56.0$		
moment of resistance cm ³	$W_x = 18.6$ $W_y = 19.5$	$W_x = 18.7$ $W_y = 18.7$		
weight kg/m	$G = 4.3$	$G = 4.2$		


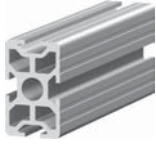
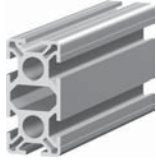
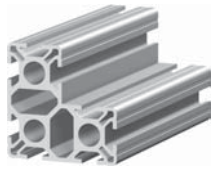
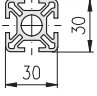
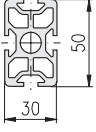
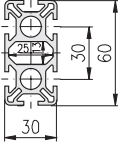
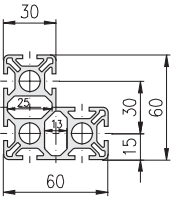
heavy				
Description	Profile 48, round, 1E, P	P. 48, round, 2E, corner, P	Profile 48, round, 2E, P	
bar, 6 m	1.11.048R00.10P.60	1.11.048R00.22P.60	1.11.048R00.20P.60	
packing unit (number)	1.11.048R00.10P.61 (6)	1.11.048R00.22P.61 (6)	1.11.048R00.20P.61 (6)	
moment of inertia cm ⁴	I _x = 12.5 I _y = 12.9	I _x = 12.5 I _y = 13.5	I _x = 12.0 I _y = 12.0	
moment of resistance cm ³	W _x = 4.9 W _y = 5.4	W _x = 5.1 W _y = 5.9	W _x = 5.0 W _y = 5.0	
weight kg/m	G = 1.8	G = 2.0	G = 2.0	

heavy				
Description	Prof. 30, hexagonal, 6F, P	Profile 30, octagonal, 8F, P	Prof. 40, hexagonal, 6E, P	Prof. 40, octagonal, 8E, P
bar, 6 m	1.11.0306kt.69P.60	1.11.0308kt.89P.60	1.11.0406kt.69P.60	1.11.0408kt.89P.60
packing unit (number)	1.11.0306kt.69P.61 (2)	1.11.0308kt.89P.61 (2)	1.11.0406kt.69P.61 (2)	1.11.0408kt.89P.61 (2)
moment of inertia cm ⁴	I _x = 32.0 I _y = 32.0	I _x = 84.0 I _y = 84.0	I _x = 83.0 I _y = 83.0	I _x = 233.0 I _y = 233.0
moment of resistance cm ³	W _x = 9.8 W _y = 9.8	W _x = 21.0 W _y = 21.0	W _x = 19.0 W _y = 21.0	W _x = 44.0 W _y = 44.0
weight kg/m	G = 2.8	G = 3.9	G = 4.4	G = 6.5

light					
		 	 	 	
Description		Profile 30×30, 2F, corner, L	Profile 30×30, 2F, L	Profile 30×30, 3F, L	
bar, 6 m		1.11.030030.22L.60	1.11.030030.23L.60	1.11.030030.33L.60	
packing unit (number)		1.11.030030.22L.61 (10)	1.11.030030.23L.61 (10)	1.11.030030.33L.61 (10)	
moment of inertia cm ⁴		$I_x = 3.2$ $I_y = 3.2$	$I_x = 3.2$ $I_y = 3.2$	$I_x = 3.3$ $I_y = 3.2$	
moment of resistance cm ³		$W_x = 2.1$ $W_y = 2.1$	$W_x = 2.2$ $W_y = 2.2$	$W_x = 2.2$ $W_y = 2.2$	
weight kg/m		G = 0.9	G = 0.9	G = 0.9	

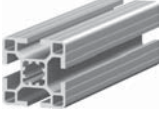
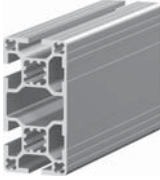
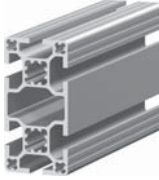
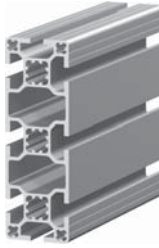
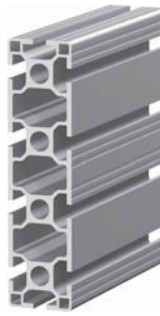
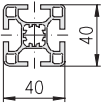
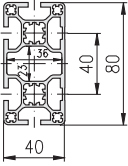
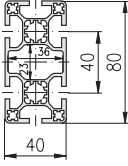
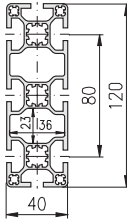
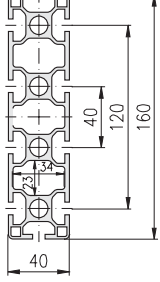
heavy					
		 	  	 	 
Description		Profile 30×30, 2F, soft	Profile 30×30, 2F, corner	Profile 30×30, 2F, corner, B	Profile 30×30, 3F
bar, 6 m		1.11.030030.21.60	1.11.030030.22.60	1.11.030030.22B.60	1.11.030030.33.60
packing unit (number)		1.11.030030.21.61 (10)	1.11.030030.22.61 (10)	1.11.030030.22B.61 (10)	1.11.030030.33.61 (10)
moment of inertia cm ⁴		$I_x = 2.7$ $I_y = 2.7$	$I_x = 3.7$ $I_y = 3.7$	$I_x = 3.7$ $I_y = 3.7$	$I_x = 3.5$ $I_y = 3.7$
moment of resistance cm ³		$W_x = 1.6$ $W_y = 1.6$	$W_x = 2.4$ $W_y = 2.4$	$W_x = 2.4$ $W_y = 2.4$	$W_x = 2.4$ $W_y = 2.4$
weight kg/m		G = 0.9	G = 1.1	G = 1.1	G = 1.1

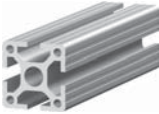
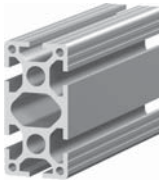
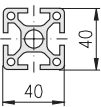
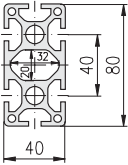
			 	
				
Profile 30×30, 4F, L	Profile 30×50, 4F, L	Profile 30×60, 6F, L	Profile 30×100, 5F, L	Profile 60×60, 8F, L
1.11.030030.43L.60	1.11.030050.44L.60	1.11.030060.64L.60	1.11.030100.54L.60	1.11.060060.83L.60
1.11.030030.43L.61 (10)	1.11.030050.44L.61 (6)	1.11.030060.64L.61 (6)	1.11.030100.54L.61 (4)	1.11.060060.83L.61 (8)
$I_x = 3.3$ $I_y = 3.3$ $W_x = 2.2$ $W_y = 2.2$ $G = 0.9$	$I_x = 11.0$ $I_y = 4.3$ $W_x = 4.8$ $W_y = 3.3$ $G = 1.3$	$I_x = 21.2$ $I_y = 5.7$ $W_x = 7.0$ $W_y = 3.8$ $G = 1.6$	$I_x = 83.2$ $I_y = 9.5$ $W_x = 16.6$ $W_y = 6.3$ $G = 2.2$	$I_x = 38.7$ $I_y = 38.7$ $W_x = 12.9$ $W_y = 12.9$ $G = 2.6$

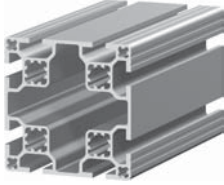
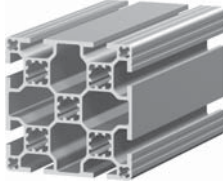
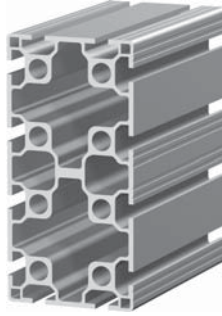
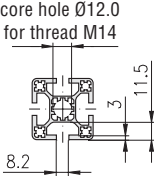
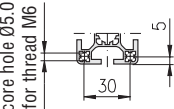
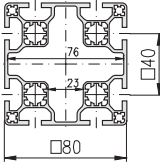
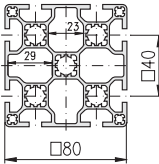
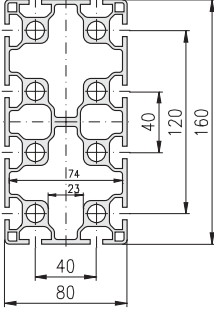
				
				
Profile 30×30, 4F	Profile 30×50, 4F	Profile 30×60, 6F		Profile 60×60, 8F, angle
1.11.030030.43.60	1.11.030050.44.60	1.11.030060.65.60		1.11.060060.87.60
1.11.030030.43.61 (10)	1.11.030050.44.61 (6)	1.11.030060.65.61 (6)		1.11.060060.87.61 (4)
$I_x = 3.5$ $I_y = 3.5$ $W_x = 2.4$ $W_y = 2.4$ $G = 1.1$	$I_x = 16.9$ $I_y = 6.6$ $W_x = 6.7$ $W_y = 4.4$ $G = 2.0$	$I_x = 32.0$ $I_y = 8.0$ $W_x = 10.9$ $W_y = 5.4$ $G = 2.1$		$I_x = 35.2$ $I_y = 35.2$ $W_x = 9.9$ $W_y = 9.9$ $G = 2.8$

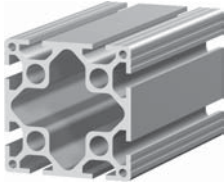
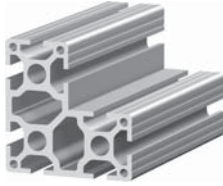
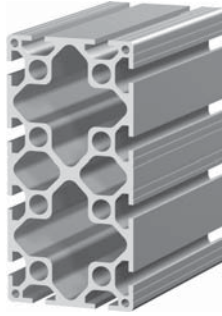
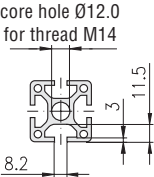
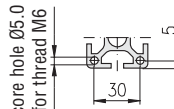
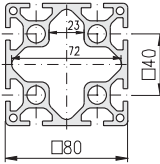
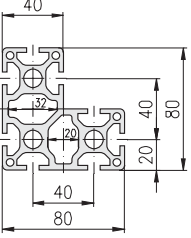
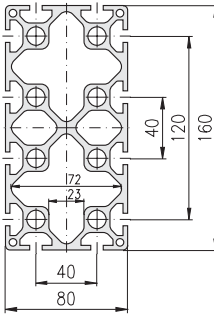
light					
Description	Profile 40×40, 2E, soft, L	Profile 40×40, 2E, corner, L	Profile 40×40, 2E, L	Profile 40×40, 3E, L	
bar, 6 m	1.11.040040.21L.60	1.11.040040.22L.60	1.11.040040.23L.60	1.11.040040.33L.60	
packing unit (number)	1.11.040040.21L.61 (8)	1.11.040040.22L.61 (8)	1.11.040040.23L.61 (8)	1.11.040040.33L.61 (8)	
moment of inertia cm ⁴	$I_x = 6.4$ $I_y = 6.4$	$I_x = 8.0$ $I_y = 8.0$	$I_x = 8.2$ $I_y = 7.5$	$I_x = 8.3$ $I_y = 8.8$	
moment of resistance cm ³	$W_x = 3.8$ $W_y = 3.8$	$W_x = 4.0$ $W_y = 4.0$	$W_x = 4.1$ $W_y = 3.8$	$W_x = 4.1$ $W_y = 4.4$	
weight kg/m	G = 1.2	G = 1.3	G = 1.3	G = 1.4	

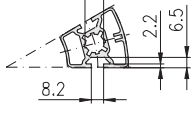

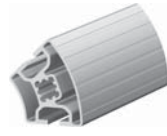
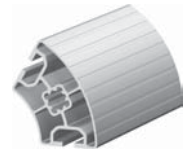
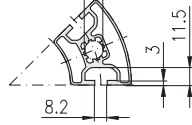
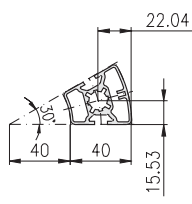
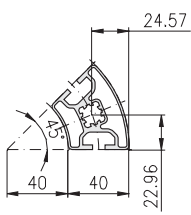
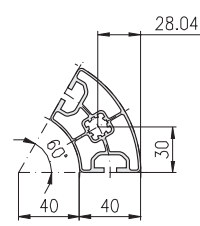
heavy				
Description		Profile 40×40, 2E, corner		Profile 40×40, 3E
bar, 6 m		1.11.040040.22.60		1.11.040040.33.60
packing unit (number)		1.11.040040.22.61 (8)		1.11.040040.33.61 (8)
moment of inertia cm ⁴		$I_x = 12.3$ $I_y = 12.3$		$I_x = 12.0$ $I_y = 12.3$
moment of resistance cm ³		$W_x = 6.1$ $W_y = 6.1$		$W_x = 6.0$ $W_y = 6.0$
weight kg/m		G = 2.0		G = 2.0

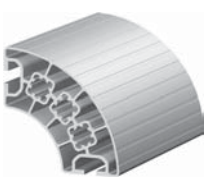
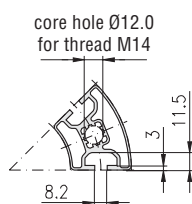
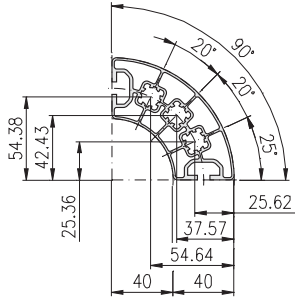
				
				
Profile 40x40, 4E, L	Profile 40x80, 4E, L	Profile 40x80, 6E, L	Profile 40x120, 8E, L	Profile 40x160, 10E, L
1.11.040040.43L.60	1.11.040080.44L.60	1.11.040080.64L.60	1.11.040120.84L.60	1.11.040160.104L.60
1.11.040040.43L.61 (8)	1.11.040080.44L.61 (4)	1.11.040080.64L.61 (4)	1.11.040120.84L.61 (2)	1.11.040160.104L.61 (2)
$I_x = 9.9$ $I_y = 9.9$ $W_x = 4.9$ $W_y = 4.9$ $G = 1.5$	$I_x = 63.2$ $I_y = 17.8$ $W_x = 15.7$ $W_y = 8.9$ $G = 2.6$	$I_x = 62.7$ $I_y = 17.0$ $W_x = 15.6$ $W_y = 8.5$ $G = 2.6$	$I_x = 194.0$ $I_y = 26.0$ $W_x = 33.0$ $W_y = 13.0$ $G = 3.7$	$I_x = 478.0$ $I_y = 36.6$ $W_x = 60.0$ $W_y = 18.3$ $G = 5.6$

				
				
Profile 40x40, 4E		Profile 40x80, 6E		
1.11.040040.43.60		1.11.040080.65.60		
1.11.040040.43.61 (8)		1.11.040080.65.61 (4)		
$I_x = 12.0$ $I_y = 12.0$ $W_x = 6.0$ $W_y = 6.0$ $G = 2.0$		$I_x = 82.0$ $I_y = 23.4$ $W_x = 20.5$ $W_y = 11.7$ $G = 3.8$		

light				
 				
Description	Profile 80×80, 8E, L	Profile 80×80, 8E, LB	Profile 80×160, 12E, L	
bar, 6 m	1.11.080080.83L.60	1.11.080080.83LB.60	1.11.080160.124L.60	
packing unit (number)	1.11.080080.83L.61 (2)	1.11.080080.83LB.61 (2)	1.11.080160.124L.61 (2)	
moment of inertia cm ⁴	$I_x = 111.0$ $I_y = 111.0$	$I_x = 115.0$ $I_y = 115.0$	$I_x = 801.0$ $I_y = 235.0$	
moment of resistance cm ³	$W_x = 28.0$ $W_y = 28.0$	$W_x = 29.0$ $W_y = 29.0$	$W_x = 100.0$ $W_y = 59.0$	
weight kg/m	G = 3.7	G = 4.5	G = 8.8	

heavy				
 				
Description	Profile 80×80, 8E	Profile 80×80, 8E, angle	Profile 80×160, 12E	
bar, 6 m	1.11.080080.83.60	1.11.080080.87.60	1.11.080160.124.60	
packing unit (number)	1.11.080080.83.61 (2)	1.11.080080.87.61 (2)	1.11.080160.124.61 (2)	
moment of inertia cm ⁴	$I_x = 166.0$ $I_y = 166.0$	$I_x = 120.0$ $I_y = 111.0$	$I_x = 958.0$ $I_y = 287.0$	
moment of resistance cm ³	$W_x = 41.4$ $W_y = 41.4$	$W_x = 23.8$ $W_y = 23.8$	$W_x = 119.6$ $W_y = 72.0$	
weight kg/m	G = 5.9	G = 6.3	G = 10.5	

light	F-Slot			Connection possibilities ↗ 1.2E
<p>F-Slot</p> <p>core hole Ø12.0 for thread M14</p> 				
<p>E3-Slot</p> <p>core hole Ø12.0 for thread M14</p> 				
Description	Profile 40, round 30°, 2F, L	Profile 40, round 45°, 2E, L	Profile 40, round 60°, 2E, L	
bar, 6 m	1.11.040R30.20L.60	1.11.040R45.20L.60	1.11.040R60.20L.60	
packing unit (number)	1.11.040R30.20L.61 (8)	1.11.040R45.20L.61 (8)	1.11.040R60.20L.61 (8)	
moment of inertia cm ⁴	I _x = 6.0 I _y = 4.8	I _x = 14.5 I _y = 8.0	I _x = 30.0 I _y = 10.5	
moment of resistance cm ³	W _x = 3.0 W _y = 2.4	W _x = 4.9 W _y = 3.7	W _x = 7.6 W _y = 4.6	
weight kg/m	G = 1.2	G = 1.6	G = 1.9	

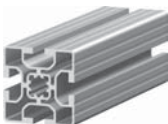
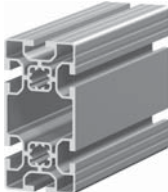
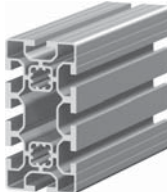
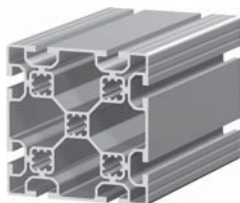
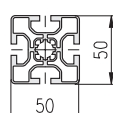
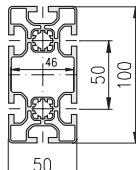
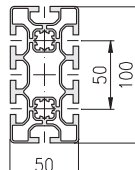
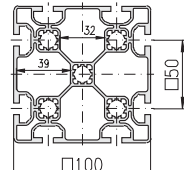
light		Connection possibilities ↗ 1.2E
		
<p>core hole Ø12.0 for thread M14</p> 		
Description	Profile 40, round 90°, 2E, L	
	1.11.040R90.20L.60	
	1.11.040R90.20L.61 (4)	
moment of inertia cm ⁴	I _x = 89.0 I _y = 17.4	
moment of resistance cm ³	W _x = 16.0 W _y = 6.8	
weight kg/m	G = 3.0	

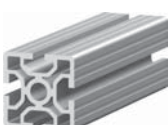
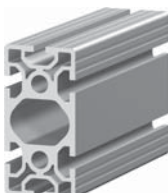
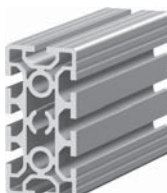
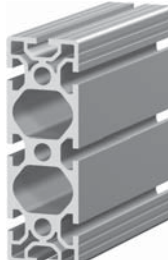
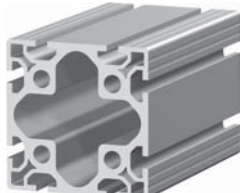
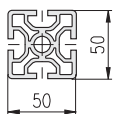
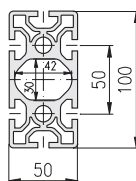
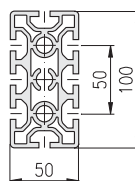
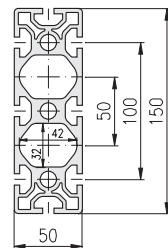
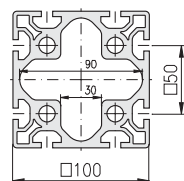
light					
<p>core hole Ø12.0 for thread M14</p>					
Description	Profile 45×45, 4E, L	Profile 45×60, 4E, L	Profile 45×90, 6E, L	Profile 90×90, 8E, L	
bar, 6 m	1.11.045045.43L.60	1.11.045060.44L.60	1.11.045090.64L.60	1.11.090090.83L.60	
packing unit (number)	1.11.045045.43L.61 (8)	1.11.045060.44L.61 (6)	1.11.045090.64L.61 (4)	1.11.090090.83L.61 (2)	
moment of inertia cm ⁴	$I_x = 13.5$ $I_y = 13.5$	$I_x = 26.5$ $I_y = 16.0$	$I_x = 98.0$ $I_y = 27.5$	$I_x = 183.0$ $I_y = 183.0$	
moment of resistance cm ³	$W_x = 6.0$ $W_y = 6.0$	$W_x = 9.0$ $W_y = 7.2$	$W_x = 21.8$ $W_y = 12.2$	$W_x = 40.7$ $W_y = 40.7$	
weight kg/m	G = 1.9	G = 2.3	G = 3.3	G = 5.3	

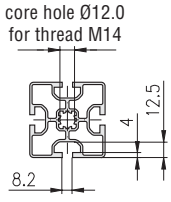
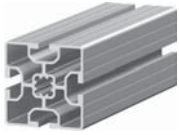
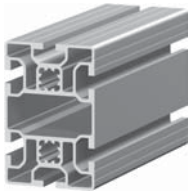
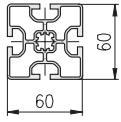
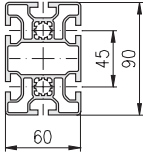
heavy					
<p>core hole Ø12.0 for thread M14</p>					
Description	Profile 45×45, 4E	Profile 45×60, 4E	Profile 45×90, 6E	Profile 90×90, 8E	
bar, 6 m	1.11.045045.43.60	1.11.045060.44.60	1.11.045090.64.60	1.11.090090.83.60	
packing unit (number)	1.11.045045.43.61 (8)	1.11.045060.44.61 (6)	1.11.045090.64.61 (4)	1.11.090090.83.61 (2)	
moment of inertia cm ⁴	$I_x = 16.8$ $I_y = 16.8$	$I_x = 38.8$ $I_y = 23.5$	$I_x = 126.0$ $I_y = 34.0$	$I_x = 282.0$ $I_y = 282.0$	
moment of resistance cm ³	$W_x = 7.4$ $W_y = 7.4$	$W_x = 13.0$ $W_y = 10.4$	$W_x = 28.0$ $W_y = 15.0$	$W_x = 63.0$ $W_y = 63.0$	
weight kg/m	G = 2.3	G = 3.0	G = 4.4	G = 9.5	

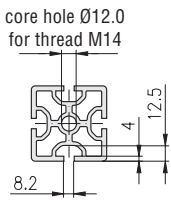
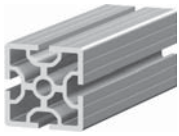
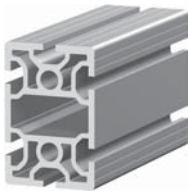
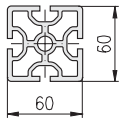
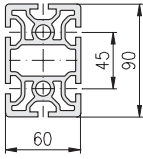
light				
Description		Profile 50×50, 2E, corner, L	Profile 50×50, 2E, L	Profile 50×50, 3E, L
bar, 6 m		1.11.050050.22L.60	1.11.050050.23L.60	1.11.050050.33L.60
packing unit (number)		1.11.050050.22L.61 (6)	1.11.050050.23L.61 (6)	1.11.050050.33L.61 (6)
moment of inertia cm ⁴		$I_x = 16.5$ $I_y = 16.5$	$I_x = 17.7$ $I_y = 13.6$	$I_x = 18.4$ $I_y = 16.0$
moment of resistance cm ³		$W_x = 6.7$ $W_y = 6.7$	$W_x = 7.0$ $W_y = 5.4$	$W_x = 7.3$ $W_y = 5.8$
weight kg/m		G = 1.7	G = 1.6	G = 1.9




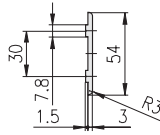
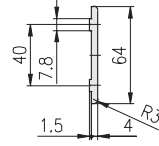
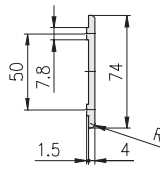
heavy				
Description		Profile 50×50, 2E, soft	Profile 50×50, 2E, corner	Profile 50×50, 3E
bar, 6 m		1.11.050050.21.60	1.11.050050.22.60	1.11.050050.33.60
packing unit (number)		1.11.050050.21.61 (6)	1.11.050050.22.61 (6)	1.11.050050.33.61 (6)
moment of inertia cm ⁴		$I_x = 18.8$ $I_y = 18.8$	$I_x = 28.2$ $I_y = 28.2$	$I_x = 27.3$ $I_y = 28.2$
moment of resistance cm ³		$W_x = 7.5$ $W_y = 7.5$	$W_x = 11.1$ $W_y = 11.1$	$W_x = 11.1$ $W_y = 11.1$
weight kg/m		G = 2.3	G = 3.2	G = 3.1

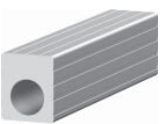
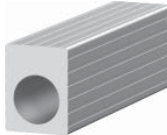
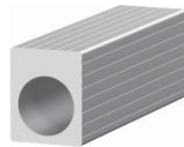
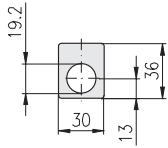
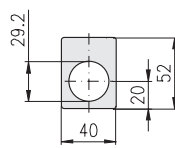
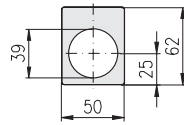
				
				
Profile 50×50, 4E, L	Profile 50×100, 6E, L	Profile 50×100, 8E, L		Profile 100×100, 8E, L
1.11.050050.43L.60	1.11.050100.64L.60	1.11.050100.84L.60		1.11.100100.83L.60
1.11.050050.43L.61 (6)	1.11.050100.64L.61 (3)	1.11.050100.84L.61 (3)		1.11.100100.83L.61 (2)
$I_x = 19.2$ $I_y = 19.2$ $W_x = 7.7$ $W_y = 7.7$ $G = 2.2$	$I_x = 138.0$ $I_y = 37.0$ $W_x = 27.5$ $W_y = 14.5$ $G = 3.5$	$I_x = 137.0$ $I_y = 40.0$ $W_x = 27.5$ $W_y = 16.0$ $G = 4.0$		$I_x = 284.0$ $I_y = 284.0$ $W_x = 50.8$ $W_y = 50.8$ $G = 6.2$

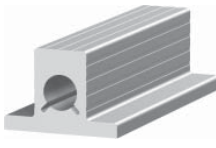
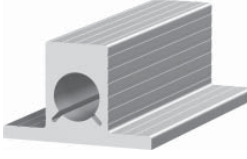
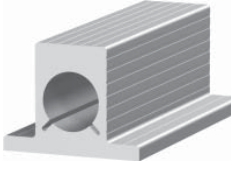
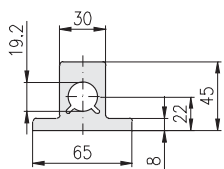
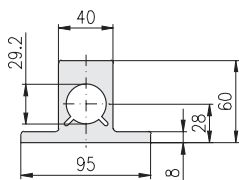
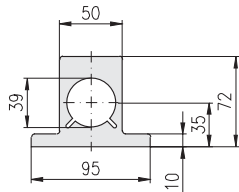
				
				
Profile 50×50, 4E	Profile 50×100, 6E	Profile 50×100, 8E	Profile 50×150, 8E	Profile 100×100, 8E
1.11.050050.43.60	1.11.050100.65.60	1.11.050100.84.60	1.11.050150.85.60	1.11.100100.83.60
1.11.050050.43.61 (6)	1.11.050100.65.61 (3)	1.11.050100.84.61 (3)	1.11.050150.85.61 (2)	1.11.100100.83.61 (2)
$I_x = 27.3$ $I_y = 27.3$ $W_x = 11.0$ $W_y = 11.0$ $G = 3.1$	$I_x = 202.0$ $I_y = 57.2$ $W_x = 40.4$ $W_y = 22.8$ $G = 5.9$	$I_x = 200.0$ $I_y = 53.3$ $W_x = 39.9$ $W_y = 21.3$ $G = 6.0$	$I_x = 628.0$ $I_y = 83.0$ $W_x = 83.0$ $W_y = 33.0$ $G = 8.1$	$I_x = 411.0$ $I_y = 411.0$ $W_x = 82.0$ $W_y = 82.0$ $G = 9.7$

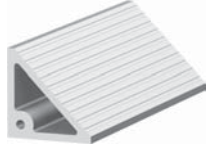
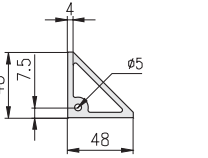
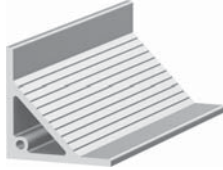
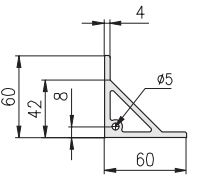
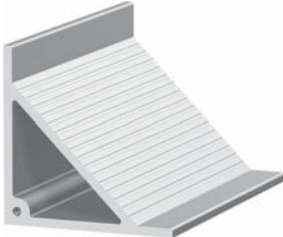
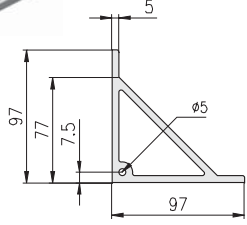
light				
				
				
Description	Profile 60×60, 4E, L	Profile 60×90, 6E, L		
bar, 6 m	1.11.060060.43L.60	1.11.060090.64L.60		
packing unit (number)	1.11.060060.43L.61 (6)	1.11.060090.64L.61 (3)		
moment of inertia cm ⁴	$I_x = 35.5$ $I_y = 35.5$	$I_x = 124.0$ $I_y = 54.0$		
moment of resistance cm ³	$W_x = 11.7$ $W_y = 11.7$	$W_x = 27.5$ $W_y = 18.0$		
weight kg/m	$G = 2.7$	$G = 4.0$		


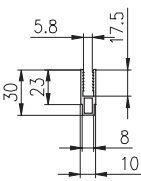

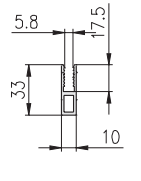

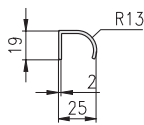
heavy				
				
				
Description	Profile 60×60, 4E	Profile 60×90, 6E		
bar, 6 m	1.11.060060.43.60	1.11.060090.64.60		
packing unit (number)	1.11.060060.43.61 (6)	1.11.060090.64.61 (3)		
moment of inertia cm ⁴	$I_x = 56.0$ $I_y = 56.0$	$I_x = 193.0$ $I_y = 83.0$		
moment of resistance cm ³	$W_x = 18.7$ $W_y = 18.7$	$W_x = 43.0$ $W_y = 27.5$		
weight kg/m	$G = 4.2$	$G = 6.0$		


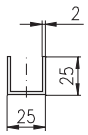
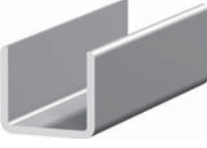
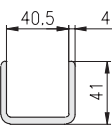
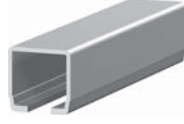
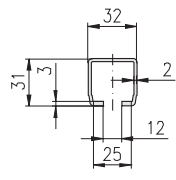
Profile pre-cut lids					
Technical data material: Al Mg Si 0.5 F25 tensile strength: 250 N/mm ² surface: neutral anodised					
					
	Description	Profile pre-cut lid 30	Profile pre-cut lid 40	Profile pre-cut lid 50	
	bar, 6 m	1.19.110130.60	1.19.110140.60	1.19.110150.60	
cut to length	1.19.110130-A00A00/...	1.19.110140-A00A00/...	1.19.110150-A00A00/...		
weight	kg/m	G = 0.49	G = 0.74	G = 0.85	


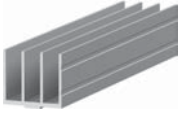
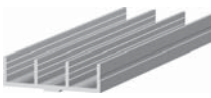
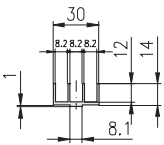
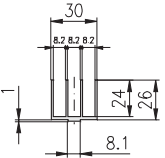
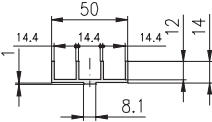
Hollow profiles					
Technical data material: Al Mg Si 0.5 F25 tensile strength: 250 N/mm ² surface: bare					
					
	Description	Hollow profile Ø20	Hollow profile Ø30	Hollow profile Ø40	
	bar, 6 m	1.19.12120.60	1.19.12130.60	1.19.12140.60	
cut to length	1.19.12120-A00A00/...	1.19.12130-F00F00/...	1.19.12140-L00L00/...		
weight	kg/m	G = 2.3	G = 4.1	G = 5.5	


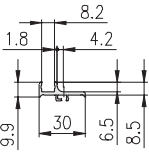
Base profiles					
Technical data material: Al Mg Si 0.5 F25 tensile strength: 250 N/mm ² surface: bare					
					
	Description	Base profile Ø20	Base profile Ø30	Base profile Ø40	
	bar, 6 m	1.19.13120.60	1.19.13130.60	1.19.13140.60	
cut to length	1.19.13120-F00F00/...	1.19.13130-L00L00/...	1.19.13140-L00L00/...		
weight	kg/m	G = 3.9	G = 6.2	G = 8.2	




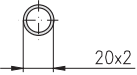
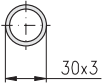
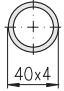
Angle profiles				
Technical data material: Al Mg Si 0.5 F25 tensile strength: 250 N/mm ² surface: bare	 	 	 	
	Description	Angle profile 48×48	Angle profile 60×60	Angle profile 100×100
	bar, 6 m	1.19.141048.60	1.19.141060.60	1.19.141100.60
	cut to length	1.19.141048-F00F00/...	1.19.141060-L00L00/...	1.19.141100-L00L00/...
weight	kg/m G = 1.9	G = 2.1	G = 5.5	





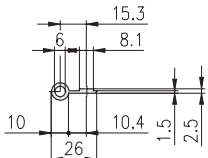
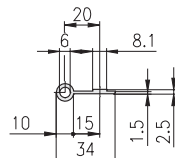
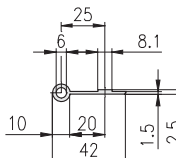
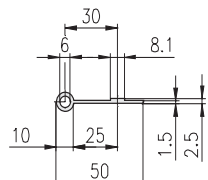
Wire net mounting profiles, Grab handle profile				
Technical data material: Al Mg Si 0.5 F25 tensile strength: 250 N/mm ² surface: neutral anodised	 	 	 	
	Description	Wire net mounting profile	Wire net mt. pr. 33×10	Grab handle profile
	bar, 6 m	1.19.14230.60	1.19.1423310.60	1.19.14319.60
	cut to length	1.19.14230-A00A00/...	1.19.1423310-A00A00/...	1.19.14319-A00A00/...
weight	kg/m G = 0.3	G = 0.4	G = 0.3	

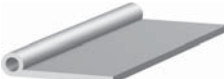
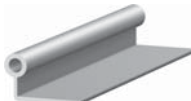
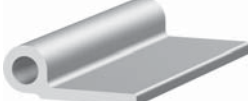
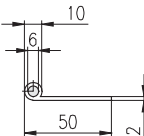
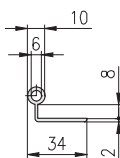
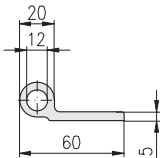
U-profiles, C-track				
Technical data material: Al Mg Si 0.5 F25 tensile strength: 250 N/mm ² surface: neutral anodised	 	 	 	
	Description	U-profile 25×25×2	U-profile 40	C-track
	bar, 6 m	1.19.14425.60	1.19.14440.60	1.19.14532.60
	cut to length	1.19.14425-A00A00/...	1.19.14440-A00A00/...	1.19.14532-A00A00/...
weight	kg/m G = 0.4	G = 1.35	G = 0.6	




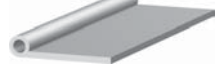
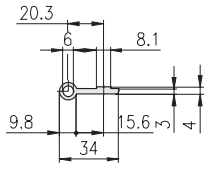
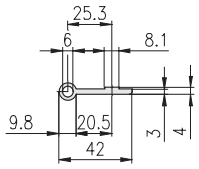
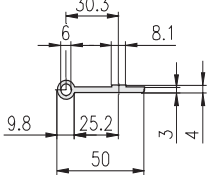
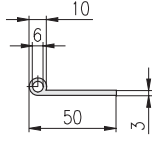
Sliding profiles					
  					
Technical data material: Al Mg Si 0.5 F25 tensile strength: 250 N/mm ² surface: neutral anodised					
Description	Sliding profile 30×14	Sliding profile 30×26	Sliding profile 50×14		
bar, 6 m	1.19.15130.60	1.19.15131.60	1.19.15150.60		
cut to length	1.19.15130-A00A00/...	1.19.15131-A00A00/...	1.19.15150-A00A00/...		
weight	kg/m	G = 0.4	G = 0.6	G = 0.6	

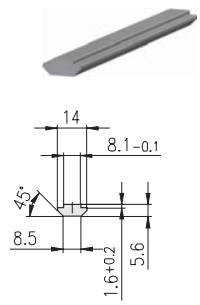
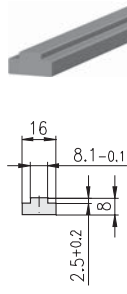
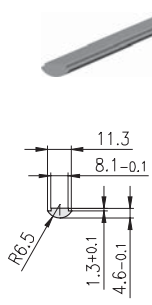
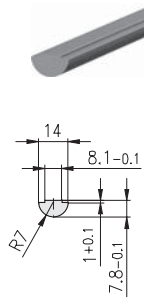
Panel framing profile					
					
Technical data material: Al Mg Si 0.5 F25 tensile strength: 250 N/mm ² surface: neutral anodised					
Description	Panel framing prof. 30×8.5				
bar, 6 m	1.19.15530.60				
cut to length	1.19.15530-A00A00/...				
weight	kg/m	G = 0.27			

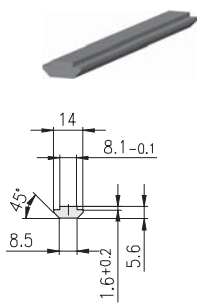
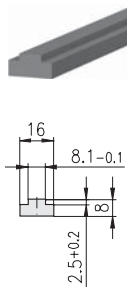
Tubes					
  					
Technical data material: Al Mg Si 0.5 F22 tensile strength: 220 N/mm ² surface: neutral anodised					
Description	Tube Ø20×2	Tube Ø30×3	Tube Ø40×4		
bar, 6 m	1.19.16120.60	1.19.16130.60	1.19.16140.60		
cut to length	1.19.16120-A00A00/...	1.19.16130-A00A00/...	1.19.16140-A00A00/...		
weight	kg/m	G = 0.3	G = 0.7	G = 1.3	

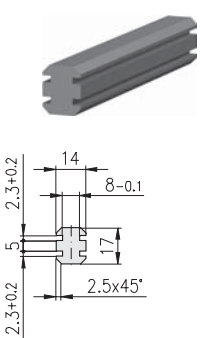
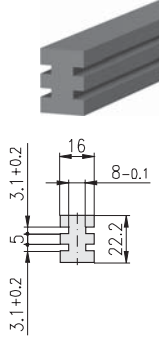
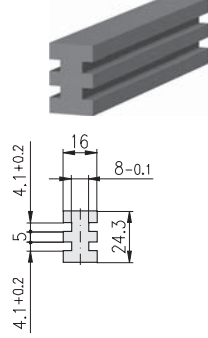
Hinge profiles 1.5 mm Technical data material: Al Mg Si 0.5 F25 tensile strength: 250 N/mm ² surface: neutral anodised					
					
	Description	Type A, PG 20 - 1.5	Type A, PG 30 - 1.5	Type A, PG 40 - 1.5	Type A, PG 50 - 1.5
	bar, 6 m	1.19.1702002.60	1.19.1703002.60	1.19.1704002.60	1.19.1705002.60
	cut to length	1.19.1702002-A00A00/...	1.19.1703002-A00A00/...	1.19.1704002-A00A00/...	1.19.1705002-A00A00/...
weight	kg/m	G = 0.5	G = 0.3	G = 0.3	G = 0.4

Hinge profiles 2.0 mm Technical data material: Al Mg Si 0.5 F25 tensile strength: 250 N/mm ² surface: neutral anodised			Hinge profile 5.0 mm		
					
	Description	Type B, 50 mm - 2.0	Type C, 30 mm - 2.0		Hinge profile Ø12
	bar, 6 m	1.19.1715002.60	1.19.1723002.60		1.19.174160.60
	cut to length	1.19.1715002-A00A00/...	1.19.1723002-A00A00/...		1.19.174160-A00A00/...
weight	kg/m	G = 0.4		G = 1.25	

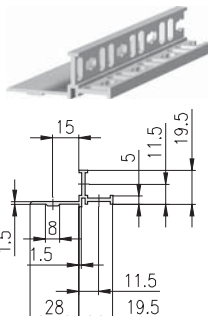
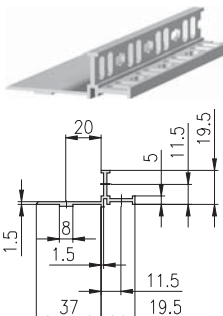
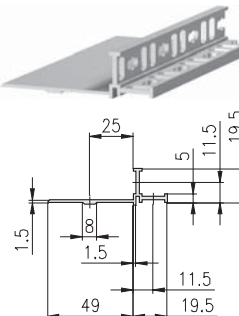
Hinge profiles 3.0 mm Technical data material: Al Mg Si 0.5 F25 tensile strength: 250 N/mm ² surface: neutral anodised					
					
	Description	Type A, PG 30 - 3.0	Type A, PG 40 - 3.0	Type A, PG 50 - 3.0	Type B, 50 mm - 3.0
	bar, 3 m	1.19.1703003.60	1.19.1704003.60	1.19.1705003.60	1.19.1715003.60
	cut to length	1.19.1703003-A00A00/...	1.19.1704003-A00A00/...	1.19.1705003-A00A00/...	1.19.1715003-A00A00/...
weight	kg/m	G = 0.4	G = 0.5	G = 0.6	G = 0.5

T-Slot profiles Steel					
Technical data material: surface:	steel C 45 K bare				
		Description	T-Slot profile, Steel, F	T-Slot profile, Steel E	T-Slot profile, Steel, for subsequent insertion F
bar, 3 m		1.19.1832F.30	1.19.1832E.30	1.19.1834F.30	1.19.1834E.30
cut to length		1.19.1832F-A00A00/...	1.19.1832E-A00A00/...	1.19.1834F-A00A00/...	1.19.1834E-A00A00/...
weight	kg/m	G = 0.48	G = 0.96	G = 0.24	G = 0.63

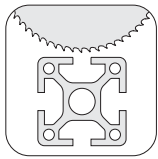
T-Slot profiles PVC					
Technical data material: surface:	murlubric black				
		Description	T-Slot profile, PVC, F	T-Slot profile, PVC, E	
bar, 2 m		1.19.1842F.20	1.19.1842E.20		
cut to length		1.19.1842F-A00A00/...	1.19.1842E-A00A00/...		
weight	kg/m	G = 0.07	G = 0.14		

Slide-slot profiles PVC					
Technical data material: surface:	murlubric black				
		Description	Slide-slot profile, PVC, F	Slide-slot profile, PVC, E3	Slide-slot profile, PVC, E4
bar, 2 m		1.19.1852F.20	1.19.1853E.20	1.19.1854E.20	
cut to length		1.19.1852F-A00A00/...	1.19.1853E-A00A00/...	1.19.1854E-A00A00/...	
weight	kg/m	G = 0.21	G = 0.35	G = 0.46	



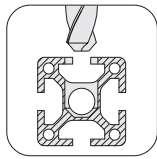
19" profiles Technical data material: Al Mg Si 0.5 F25 tensile strength: 250 N/mm ² surface: neutral anodised				
Description	19" profile, PG 30	19" profile, PG 40	19" profile, PG 50	
bar, 6 m	1.19.19030.60	1.19.19040.60	1.19.19050.60	
cut to length	1.19.19030-A00A00/...	1.19.19040-A00A00/...	1.19.19050-A00A00/...	
weight	kg/m G = 0.4	G = 0.45	G = 0.5	

Summary



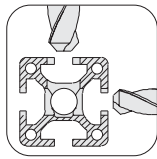
Saw cut

↔ 48



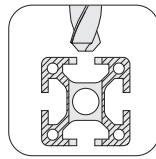
Cross bushing bores for connectors

↔ 49



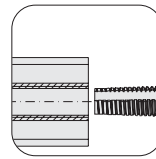
Bores for parallel-connector

↔ 49



Cross bore

↔ 49



Thread

↔ 49

Profile machinings are defined by the article-number of the profile.

For more complex machinings, additional order descriptions are needed.

Non-standard machinings will be completed as per drawings

Order description

Profile

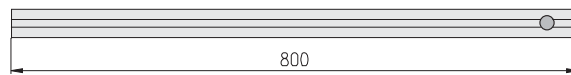
Order-No.: 1.□□.□□□□□□.□□□□ - □□□□□□ / □□□□

machining

left right profile side

- □ □ □ □ □ / □ □ □ □ saw cut
- □ □ □ □ □ / □ □ □ □ cross bushing bores, bores for parallel-connector, cross bore, thread
- □ □ □ □ □ / □ □ □ □ direction
- □ □ □ □ □ / □ □ □ □ length in mm

Order example



Article-No.

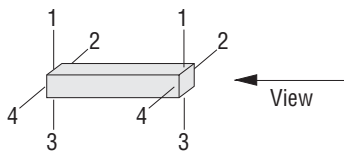
1.11.040040.43-A00AA4/800

Description

Profile 40x40, 4E-slots
Length: 800 mm
right side: 1 connector bore

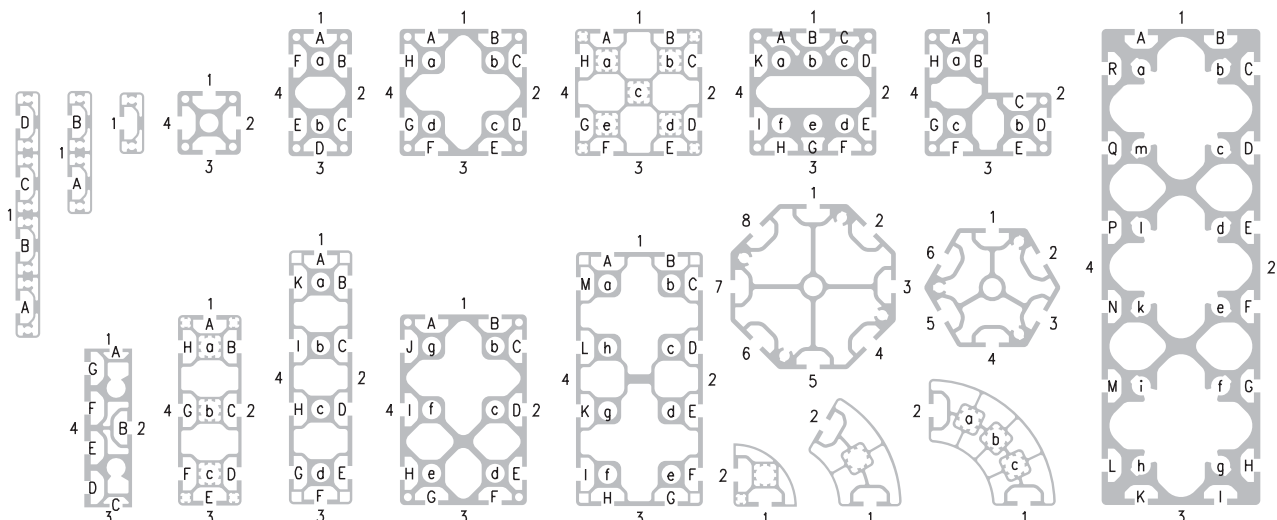
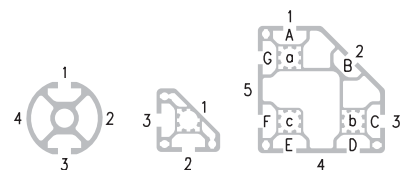
coding examples ↔ 1.1B

Direction and Position



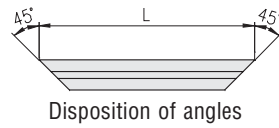
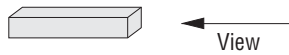
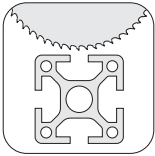
Description

Direction: 1 - 4
Position of slot: A - R
Position of thread: a - m



Saw cut

Saw cut tolerance: ± 0.1 mm



Cut is right view

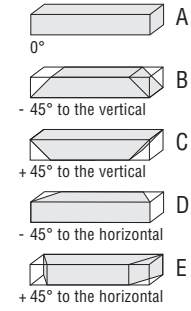
- For angle cuts specify the absolute length
- Angle cuts without specification = 45°

Special angle with following specifications

Special angle, left: °

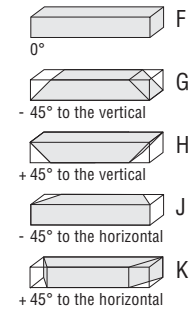
Special angle, right: °

Price group 1



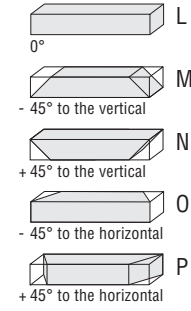
16	16x40	20	20x10	20x30
	1F 1E		1F LP 1F LP 2F LP	
20	20x20			
	2H soft	2H c.	2H 3H 4H	4H 6H 8H
30	30x30			
	2F soft	0F	1F 2F c.	2F c. B 2F 3F 4F
40	40x40			
	2E soft	0E	1E 2E c.	2E 3E 4E
45	45x45			
	2E soft	0E	1E 2E c.	2E 3E 4E
50	50x50			
	2E soft	2E c.	2E 3E 4E	S 48 round
				1E 2E c. 2E

Price group 2





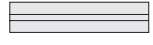


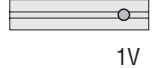
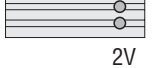
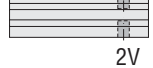
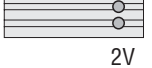
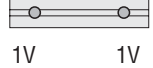
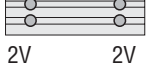
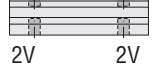
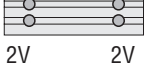
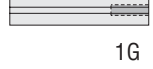
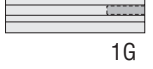
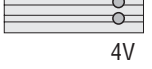
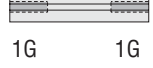
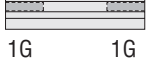
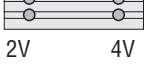
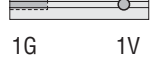
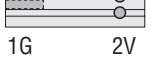
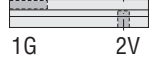
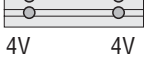

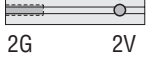
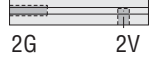
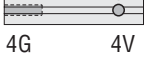

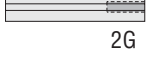





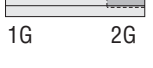





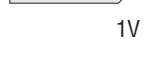















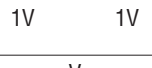





16	16x80	30	30x100			60x60		
	2E	5F	5E 2F 8F 9F 10F	0F	8F	8F angle		
40	40x80				40x120	40 r.60°		
	0E	3E c.	4E 4E B 5E 6E 8E	2E				
45	45x60	45x90	50	50x100	60	60x60	S	30 hexag.
	4E	0E	6E	6E 8E	2E 4E			6F









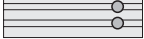

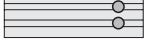

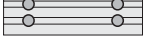
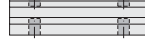
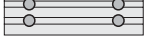
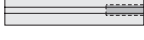





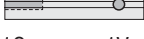




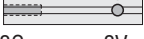
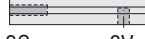
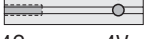
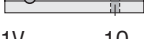



















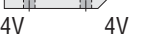












Price group 3



16	16x160	30	30x150	40	40x160	80x120	80x160	40 r.90°	
	4E	8F	8E	6E	10E	10E	8E	12E	
40	80x80							45	90x90
	0E	4E c.	6E 7E 8E	8E B	8E angle	3E 45°	7E 45°	8E	
50	50x150	100x100	100x200	100x300	60	60x90			
	8E	8E	12E	16E	6E				
						S	30 octag.	40 hexag.	40 octag.
							8F	6E	8E

Coding examples for price group 1			
			
 -A00A00	 -A00A00		 -A00A00
 -A00AA4 1V	 -A00AB4 2V	 -A00AB1 2V	 -A00AB4 2V
 -AA4AA4 1V 1V	 -AB4AB4 2V 2V	 -AB1AB1 2V 2V	 -AB4AB4 2V 2V
 -A00AL0 1G	 -A00AL0 1G		 -A00AD4 4V
 -AL0AL0 1G 1G	 -AL0AL0 1G 1G		 -AB4AD4 2V 4V
 -AL0AA4 1G 1V	 -AL0AB4 1G 2V	 -AL0AB1 1G 2V	 -AD4AD4 4V 4V
 -A00AQ1 1Q	 -AM0AB4 2G 2V	 -AM0AB1 2G 2V	 -AP0AD4 4G 4V
 -AA4AQ1 1V 1Q	 -A00AM0 2G		 -A00AP0 4G
 -AQ1AQ1 1Q 1Q	 -AM0AM0 2G 2G		 -AP0AP0 4G 4G
 -AL0AQ1 1G 1Q	 -AL0AM0 1G 2G		 -A00C00
 -A00C00	 -A00C00	top view  -A00E00	 -A00CD4 4V
 -A00CA4 1V	 -A00CB4 2V	 -A00EB1 2V	 -AD4CD4 4V 4V
 -AA4CA4 1V 1V	 -AB4CB4 2V 2V	 -AB1EB1 2V 2V	 -AD1CD1 4V 4V
 -AL0CA4 1G 1V	 -AL0CB4 1G 2V	 -AL0EB1 1G 2V	 -C00C00
 -C00C00	 -C00C00	 -E00E00	 -CD4CD4 4V 4V
 -CA4CA4 1V 1V	 -CB4CB4 2V 2V	 -EB1EB1 2V 2V	 -CD1CD1 4V 4V

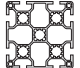
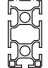
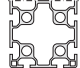
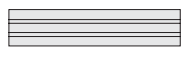
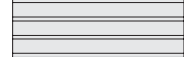
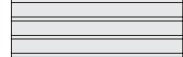
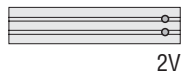
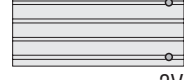
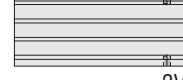

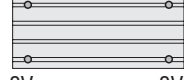
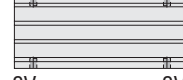
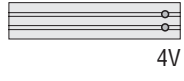
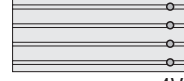
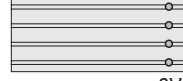




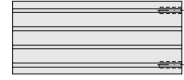
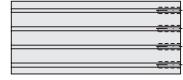
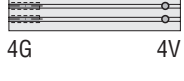
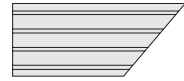
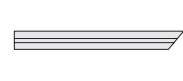
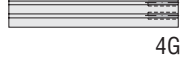
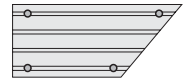
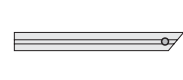

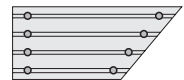


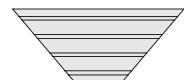


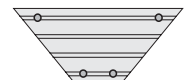


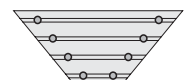
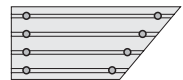

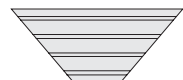
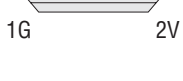
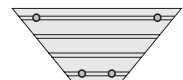

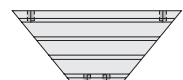
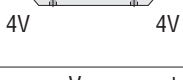
V = connector bore, G = thread, Q = cross bore

Coding examples for price group 2			
	 		
 -F00F00	 -F00F00		 -F00F00
 -F00FA4 1V	 -F00FB4 2V	 -F00FB1 2V	 -F00FB4 2V
 -FA4FA4 1V 1V	 -FB4FB4 2V 2V	 -FB1FB1 2V 2V	 -FB4FB4 2V 2V
 -F00FL0 1G	 -F00FL0 1G		 -F00FD4 4V
 -FL0FL0 1G 1G	 -FL0FL0 1G 1G		 -FB4FD4 2V 4V
 -FL0FA4 1G 1V	 -FL0FB4 1G 2V	 -FL0FB1 1G 2V	 -FD4FD4 4V 4V
 -F00FQ1 1Q	 -FM0FB4 2G 2V	 -FM0FB1 2G 2V	 -FP0FD4 4G 4V
 -FA4FQ1 1V 1Q	 -F00FM0 2G		 -F00FP0 4G
 -FQ1FQ1 1Q 1Q	 -FM0FM0 2G 2G		 -FP0FP0 4G 4G
 -FL0FQ1 1G 1Q	 -FLOFM0 1G 2G		 -F00H00
 -F00H00	 -F00H00	top view  -F00K00	 -F00HD4 4V
 -F00HA4 1V	 -F00HB4 2V	 -F00KB1 2V	 -FD4HD4 4V 4V
 -FA4HA4 1V 1V	 -FB4HB4 2V 2V	 -FB1KB1 2V 2V	 -FD1HD1 4V 4V
 -FL0HA4 1G 1V	 -FL0HB4 1G 2V	 -FL0KB1 1G 2V	 -H00H00
 -H00H00	 -H00H00	 -K00K00	 -HD4HD4 4V 4V
 -HA4HA4 1V 1V	 -HB4HB4 2V 2V	 -KB1KB1 2V 2V	 -HD1HD1 4V 4V

V = connector bore, G = thread, Q = cross bore

1

Coding examples for price group 3

		
 -L00L00	 -L00L00	 -L00L00
 -L00LB4 2V	 -L00LB4 2V	 -L00LB1 2V
 -LB4LB4 2V 2V	 -LB4LB4 2V 2V	 -LB1LB1 2V 2V
 -L00LD4 4V	 -L00LD4 4V	 -L00LH4 8V
 -LB4LD4 2V 4V	 -LD4LD4 4V 4V	 -LH4LH4 8V 8V
 -LD4LD4 4V 4V	 -L00LM0 2G	 -L00LU0 8G
 -LP0LD4 4G 4V	 -L00N00	 -L00P00
 -L00LP0 4G	 -LB4NB4 2V 2V	 -L00PB1
 -LP0LP0 4G 4G	 -LD4ND4 4V 4V	 -LB1PB1
 -L00N00	 -N00N00	 -P00P00
 -L00ND4 4V	 -NB4NB4 2V 2V	 -PB1PB1
 -LD4ND4 4V 4V	 -ND4ND4 4V 4V	 -LH4NH4 8V 8V
 -LD1ND1 4V 4V		 -N00N00
 -N00N00 1G 2V		 -L00ND4 4V 4V
 -ND4ND4 4V 4V		 -ND1ND1 4V 4V
 -ND1ND1 4V 4V		

Order examples for special design

Article-No..	Description
① 1.11.□□□□□□.□□□□ -L00LD1	Profile □□□×□□□.□□ Connector position, right: CFIM (additional description)
② 1.11.□□□□□□.□□□□ -LD4LD4	Profile □□□×□□□.□□ Connector position, left: CFIM (additional description) Connector position, right: CFIM
③ 1.11.□□□□□□.□□□□ -L00ND4	Profile □□□×□□□.□□ Connector position, right: CFIM (additional description)
④ 1.11.□□□□□□.□□□□ -ND4ND4	Profile □□□×□□□.□□ Connector position, left: CFIM (additional description) Connector position, right: CFIM

V = connector bore, G = thread, Q = cross bore

Extruded profile as per EN 12020
(fine)
(Replacement for DIN 17615)

Aluminium alloy Al Mg Si 0.5 F25
Material Nr. 3.3206.72 (low temp. annealed)

Functional length: 6,000 mm
Delivery length: 6,060 mm + 10 mm

Mechanical data

(Values given in the direction of the press flow)

Tensile strength Rm: min. 250 N/mm²
Elongation 0.2: min. 200 N/mm²
Stress point A₅: min. 10 %
Stress point A₁₀: min. 8 %
E-Module: ca. 70,000 N/mm²
Brinell hardness: ca. 75 HB 2.5/187.5
Co-efficient of elongation: 23.8 x 10⁻⁶/K

Surface as per DIN 17611:
E6/EV1 - dull finish and anodised colours
Coat thickness ca. 10 µm
Coat hardness 250-350 HV
Special colours upon request.
The surface area - subject to technical procedure - can show optical changes.

Profile tolerance

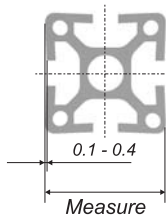
(Excerpt from DIN 17615, part 3)

Nominal dimensions:

The dimension deviation depends on the precision with which the tooling is manufactured, the tooling wear and the variation during the extrusion process. For one manufacturing setup the variation within one profile is 0.01 mm.

Profile tolerance		
Dim. range in mm		Tolerance in mm
from	to	
-	10	± 0.15
10	15	± 0.20
15	30	± 0.25
30	45	± 0.30
45	60	± 0.40
60	90	± 0.45
90	120	± 0.60
120	150	± 0.80
150	180	± 1.00
180	240	± 1.20
240	300	± 1.50

Flatness of profile surfaces

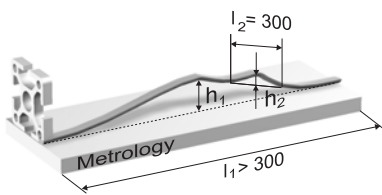


In order to optimize the connection stability, all profile surfaces are designed and manufactured with concave surfaces. This assures that the assembled profiles contact on the outer edges only (line of contact).

When tightening the connectors the slot flanks will be drawn to the mounting profile within the elastic range and will keep the connectors under tension.

Straightness tolerance

of the edge in longitudinal direction

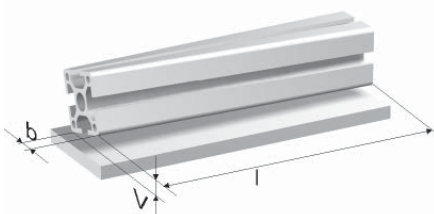


At a certain length l₁ the given tolerance h₁ is not to be exceeded.
For each incremental length of l₂ = 300 mm the deviation h₂ is not to exceed 0.3 mm.

Straightness tolerance		
Length l ₁ in m		Tolerance h ₁ in mm
from	to	
-	1	0.7
1	2	1.3
2	3	1.8
3	4	2.2
4	5	2.6
5	6	3.0

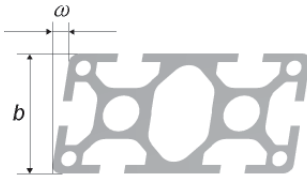
Flatness tolerance

(Twist tolerance)



Width b in mm		Flatness tolerance					
Dim. range		at length l in m					
from	to	to 1	1 to 2	2 to 3	3 to 4	4 to 5	5 to 6
-	25	1.0	1.5	1.5	2.0	2.0	2.0
25	50	1.0	1.2	1.5	1.8	2.0	2.0
50	75	1.0	1.2	1.2	1.5	2.0	2.0
75	100	1.0	1.2	1.5	2.0	2.2	2.5
100	125	1.0	1.5	1.8	2.2	2.5	3.0
125	150	1.2	1.5	1.8	2.2	2.5	3.0
150	200	1.5	1.8	2.2	2.6	3.0	3.5
200	300	1.8	2.5	3.0	3.5	4.0	4.5

Parallelism tolerance
(Angular tolerance)



The parallelism tolerance ω (angular tolerance) refers to unequal sides to the shorter side of the angle, i.e. it is measured from the longer side.

Parallelism tolerance		
Width b in mm from	to	max. size tolerance ω in mm
-	30	0.3
30	50	0.4
50	80	0.5
80	100	0.6
100	120	0.7
120	140	0.8
140	160	0.9
160	180	1.0
180	200	1.2
200	240	1.5

Bending strength

For the computation of deflection use formulas on this page.

For the computation of deflection by the profiles own weight, apply "Type of load" 3, 6 or 9.

- f = Deflection in mm
- F = Type of load in N
- l = Profile length in mm
- $J^{1)}$ = Moment of inertia in mm^4
- E = Module of elasticity in N/mm^2
- E_{AL} = $70,000 N/mm^2$

1) Comments

- Catalogue data in cm^4
(Note factor of conversion 10^4 !)
- The moments of inertia of a certain profile are listed on the respective profile page (e.g. 1.09, 1.10, 1.11) and in the tables 1.1D

Type of load		
1		$f = \frac{F \cdot l^3}{3E \cdot J}$
2		$f = \frac{F \cdot l^3 + F_1 \cdot l_1^2 \cdot l + F_2 \cdot l_2^2 \cdot l}{3E \cdot J}$
3		$f = \frac{F \cdot l^3}{8E \cdot J}$
4		$f = \frac{F \cdot l^3}{48E \cdot J}$
5		$f = \frac{F \cdot l^3}{\left(48 + \frac{29m}{l}\right) \cdot E \cdot J}$
6		$f = \frac{5F \cdot l^3}{384E \cdot J}$
7		$f = \frac{F \cdot a^2 \cdot b^2}{3E \cdot J \cdot l}$
8		$f = \frac{5F \cdot l^3}{192E \cdot J} \quad 2)$
9		$f = \frac{F \cdot l^3}{384E \cdot J}$

²⁾ approximate value

Approximate determination of deflection

To determine the approximation of deflection, use the diagram on this page.

Profile length l in mm

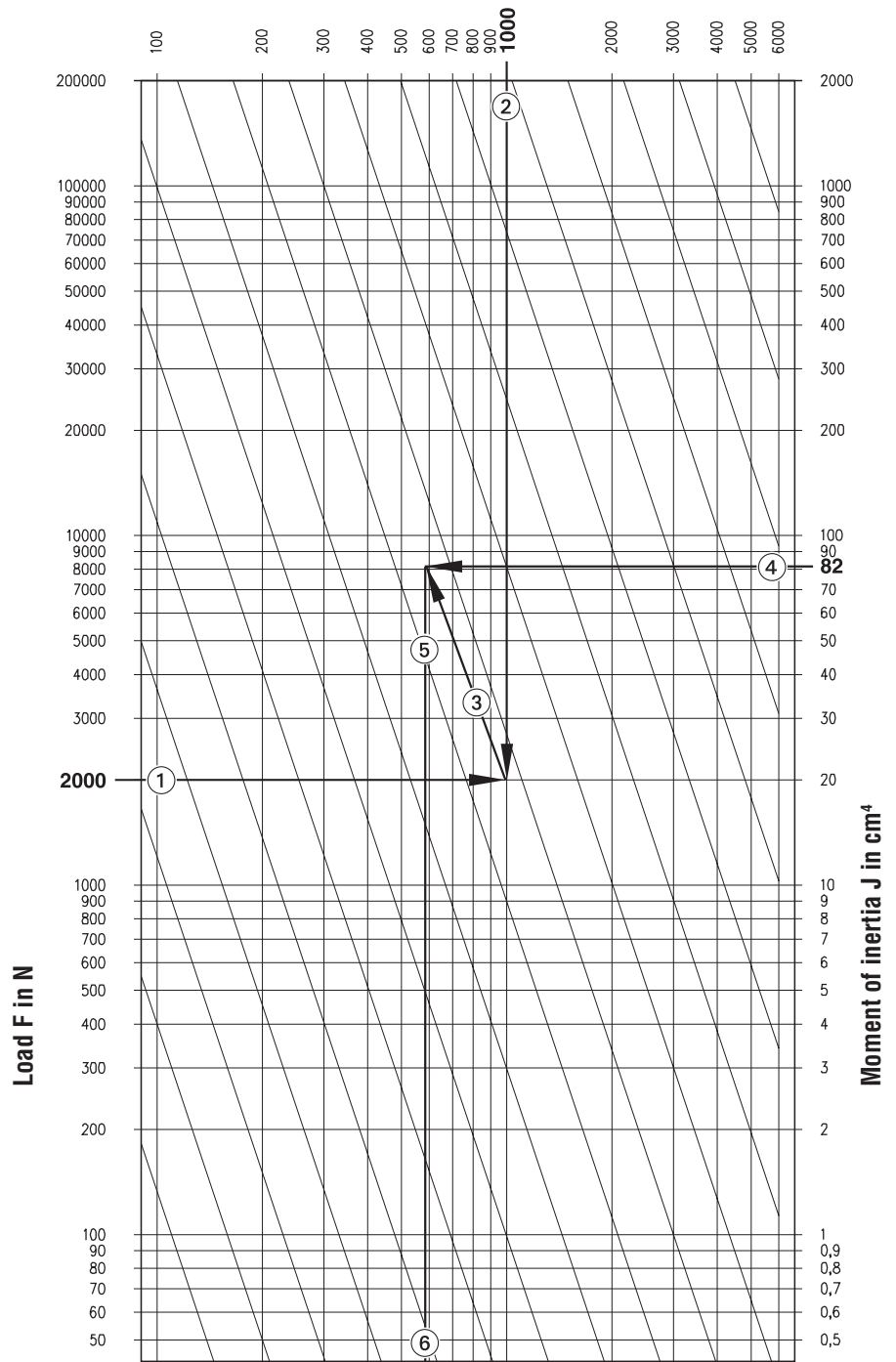
Determination of deflection

1. Type of load F in N
2. Profile length l in mm
3. Move cross point on the diagonal
4. Moment of inertia of the selected profile J in cm^4
5. Cross point with the diagonal to be vertically extended to the bottom
6. Deflection f for the specific "Type of load" in mm

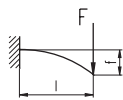
Example

- ① $F = 2,000$ N
- ② $l = 1,000$ mm
- ③ Move cross point on the diagonal
- ④ $J = 82.0$ cm^4 for profile 40x80, 6E
- ⑤ Cross point with the diagonal to be vertically extended to the bottom
- ⑥ Deflection for the specific "Type of load" in mm:

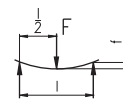
Type of load 1: $f = 9.5$ mm
 Type of load 4: $f = 0.6$ mm
 Type of load 8: $f = 0.05$ mm



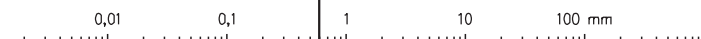
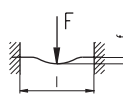
Type of load 1






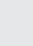







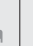


Type of load 4




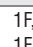










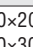
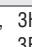
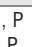



Type of load 8



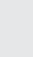
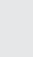
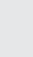
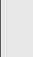



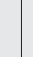

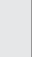
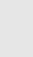
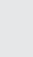
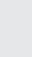
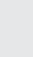




Deflection f in mm







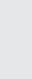
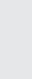
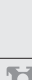







Design	PG slot															
16 F	16x40															
E	16x40	16x80	16x160													
20 H					20x20					20x20	20x20	20x20	20x20			
F				20x10									20x30	20x30		
30 F					30x30	30x30	30x30	30x30	30x30	30x30	30x30	30x30			30x50	30x60
E4																
40 E3					40x40	40x40	40x40		40x40	40x40	40x40	40x40				40x80
45 E4					45x45	45x45	45x45		45x45	45x45	45x45	45x60				45x90
50 E4					50x50				50x50	50x50	50x50					
60 E4										60x60		60x60			60x90	








Profile	Ix ¹⁾	Iy ¹⁾	Wx ²⁾	Wy ²⁾	G ³⁾	↳
 16x40, 1F, LP	4.4	0.8	2.2	0.8	0.87	12
1F, P	5.3	1.0	2.7	1.0	1.0	12
16x40, 1E, LP	4.3	0.8	2.2	0.8	0.75	12
1E, P	7.2	1.1	3.6	1.1	1.14	12
 16x80, 2E, LP	30.7	1.6	7.7	1.6	1.49	12
2E, P	48.3	2.2	12.0	2.2	2.11	12
 16x160, 4E, LP	238.3	3.3	29.8	3.3	3.0	12
 20x10, 1F, LP	0.1	0.6	0.2	0.5	0.35	15
 20x20, 2H, soft, P	0.6	0.6	0.6	0.6	0.65	13
30x30, 2F, soft, P	2.7	2.7	1.6	1.6	0.9	16
2F, soft	2.7	2.7	1.6	1.6	0.9	30
40x40, 2E, soft, LP	6.4	6.4	3.8	3.8	1.2	18
2E, soft, L	6.4	6.4	3.8	3.8	1.2	32
45x45, 2E, soft, LP	11.4	11.4	5.1	5.1	1.6	24
2E, soft	18.8	18.8	7.5	7.5	2.3	38
 30x30, 0F, P	4.4	4.4	2.3	2.3	1.3	16
40x40, 0E, LP	12.0	12.0	6.0	6.0	1.8	18
45x45, 0E, LP	15.5	15.5	6.9	6.9	2.2	24
 30x30, 1F, P	4.3	4.0	2.9	2.6	1.2	16
40x40, 1E, LP	8.5	8.1	4.1	4.0	1.3	18
45x45, 1E, LP	14.7	15.5	6.5	6.8	2.1	24
 30x30, 2F, cor.	3.7	3.7	2.4	2.4	1.1	30
 20x20, 2H, cor., P	1.0	1.0	0.9	0.9	0.68	13
30x30, 2F, cor., B, P	3.7	3.7	2.4	2.4	1.1	16
2F, cor., L	3.2	3.2	2.1	2.1	0.9	30
2F, cor., B	3.7	3.7	2.4	2.4	1.1	30
40x40, 2E, cor., LP	8.0	8.0	4.0	4.0	1.3	18
2E, cor., L	8.0	8.0	4.0	4.0	1.3	32
2E, cor.	12.3	12.3	6.1	6.1	2.0	32
45x45, 2E, cor., LP	14.7	14.7	6.6	6.6	2.0	24
2E, cor., L	16.5	16.5	6.7	6.7	1.7	38
2E, cor.	28.2	28.2	11.1	11.1	3.2	38
 20x20, 2H, LP	1.0	0.8	1.0	0.8	0.58	13
30x30, 2F, P	3.6	3.9	2.4	2.6	1.1	17
2F, L	3.2	3.2	2.2	2.2	0.9	30
40x40, 2E, LP	8.2	7.5	4.1	3.8	1.3	19
2E, L	8.2	7.5	4.1	3.8	1.3	32
45x45, 2E, LP	14.0	15.5	6.2	6.9	2.0	25
2E, L	17.7	13.6	7.0	5.4	1.6	38
60x60, 2E, LP	35.1	37.7	11.7	12.5	2.9	28
2E, P	55.9	58.5	18.6	19.5	4.3	28

Profile	Ix ¹⁾	Iy ¹⁾	Wx ²⁾	Wy ²⁾	G ³⁾	↳
 20x20, 3H, P	0.9	0.9	0.9	0.9	0.65	13
30x30, 3F, P	3.5	3.7	2.4	2.4	1.1	17
3F, L	3.3	3.2	2.2	2.2	0.9	30
3F	3.5	3.7	2.4	2.4	1.1	30
40x40, 3E, LP	8.3	8.8	4.1	4.4	1.4	19
3E, L	8.3	8.8	4.1	4.4	1.4	32
3E	12.0	12.3	6.0	6.0	2.0	32
45x45, 3E, LP	14.0	14.7	6.2	6.5	2.1	25
3E, L	18.4	16.0	7.3	5.8	1.9	38
3E	27.3	28.2	11.1	11.1	3.1	38
 20x20, 4H, LP	0.8	0.8	0.8	0.8	0.53	14
4H, P	0.9	0.9	0.9	0.9	0.62	14
30x30, 4F, P	3.5	3.5	2.4	2.4	1.1	17
4F, L	3.3	3.3	2.2	2.2	0.9	31
4F	3.5	3.5	2.4	2.4	1.1	31
40x40, 4E, LP	9.9	9.9	4.9	4.9	1.5	19
4E, P	12.0	12.0	6.0	6.0	2.0	19
4E, L	9.9	9.9	4.9	4.9	1.5	33
4E	12.0	12.0	6.0	6.0	2.0	33
45x45, 4E, LP	13.5	13.5	6.0	6.0	1.9	25
4E, P	15.5	15.5	6.9	6.9	2.1	25
4E, L	13.5	13.5	6.0	6.0	1.9	36
4E	16.8	16.8	7.4	7.4	2.3	36
50x50, 4E, L	19.2	19.2	7.7	7.7	2.2	39
4E	27.3	27.3	11.0	11.0	3.1	39
60x60, 4E, LP	35.5	35.5	11.7	11.7	2.7	28
4E, P	56.0	56.0	18.7	18.7	4.2	28
4E, L	35.5	35.5	11.7	11.7	2.7	40
4E	56.0	56.0	18.7	18.7	4.2	40
 45x60, 4E, LP	26.5	16.0	9.0	7.2	2.3	25
4E, P	38.0	23.5	13.0	10.4	3.0	25
4E, L	26.5	16.0	9.0	7.2	2.3	36
4E	38.8	23.5	13.0	10.4	3.0	36
 20x30, 1F, LP	2.2	1.4	1.5	1.4	0.7	15
 20x30, 2F, LP	2.2	1.5	1.5	1.5	0.74	15
2F, P	2.6	1.9	1.7	1.7	1.0	15
 60x90, 6E, L	124.0	54.0	27.5	18.0	4.0	40
6E	193.0	83.0	43.0	27.5	6.0	40
 30x50, 4F, L	11.0	4.3	4.8	3.3	1.3	31
4F	16.9	6.6	6.7	4.4	2.0	31
 30x60, 0F, P	29.0	7.8	9.6	5.2	2.2	17
40x80, 0E, LP	79.0	21.5	19.7	10.7	3.1	19
45x90, 0E, LP	107.5	30.4	23.9	13.5	3.6	25
0E, P	134.3	36.3	29.8	16.2	4.7	25

¹⁾ Ix, Iy = moment of inertia in cm⁴ ²⁾ Wx, Wy = moment of resistance in cm³ ³⁾ G = weight in kg/m
















Design	PG slot																			
16	F																			
	E																			
20	H		20x40				20x40													
	F																			
30	F						30x60			30x100		30x100	30x100	30x100				30x150		
	E4										30x100								30x150	
40	E3	40x80		40x80	40x80	40x80	40x80		40x120						40x160	40x160				
45	E4						45x90													
50	E4						50x100	50x100	50x150											
60	E4																			






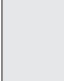




Profile	$I_x^{1)}$	$I_y^{1)}$	$W_x^{2)}$	$W_y^{2)}$	$G^{3)}$	β
 40x80, 3E, cor., LP	73.8	20.5	18.5	10.2	2.8	19
 20x40, 4H, P	7.0	2.0	3.5	2.0	1.3	14
 40x80, 4E, LP	70.7	20.0	17.7	8.9	2.8	20
	63.2	17.8	15.7	8.9	2.6	33
 40x80, 4E, LBP	74.5	18.3	18.6	9.2	2.8	20
 40x80, 5E, LP	72.2	18.1	18.0	9.0	2.8	20
 20x40, 6H, LP	5.3	1.4	2.6	1.4	0.9	14
	6.4	1.7	3.2	1.7	1.3	14
 30x60, 6F, L	21.2	5.7	7.0	3.8	1.6	31
	32.0	8.0	10.9	5.4	2.1	31
 40x80, 6E, LP	62.7	17.7	15.6	8.8	2.5	20
	82.0	23.4	20.5	11.7	3.8	20
 6E, L	62.7	17.0	15.6	8.5	2.6	33
	82.0	23.4	20.5	11.7	3.8	33
 45x90, 6E, LP	98.0	27.5	21.8	12.2	3.3	26
	126.0	34.0	28.0	15.0	4.4	26
 6E, L	98.0	27.5	21.8	12.2	3.3	36
	126.0	34.0	28.0	15.0	4.4	36
 50x100, 6E, L	138.0	37.0	27.5	14.5	3.5	39
	202.0	57.2	40.4	22.8	5.9	39
 50x100, 8E, L	137.0	40.0	27.5	16.0	4.0	39
	200.0	53.3	39.9	21.3	6.0	39
 40x120, 8E, L	194.0	26.0	33.0	13.0	3.7	33
	628.0	83.0	83.0	33.0	8.1	39
 30x100, 5F, L	83.2	9.5	16.6	6.3	2.2	31
 30x100, 5E, 2F, P	108.9	12.4	21.7	8.3	3.5	16





Profile	$I_x^{1)}$	$I_y^{1)}$	$W_x^{2)}$	$W_y^{2)}$	$G^{3)}$	β
 30x100, 8F, P	115.0	11.6	22.9	7.7	3.4	16
 30x100, 9F, P	130.6	11.9	25.9	7.9	3.6	16
 30x100, 10F, P	127.0	11.9	25.4	7.9	3.6	17
 40x160, 6E, LP	450.4	36.3	56.3	18.1	5.0	21
 40x160, 10E, L	478.0	36.6	60.0	18.3	5.6	33
 30x150, 8F, P	340.0	16.0	45.0	11.0	4.1	17
 30x150, 8E, P	481.0	25.1	64.1	16.7	7.9	17

¹⁾ I_x, I_y = moment of inertia in cm^4 ²⁾ W_x, W_y = moment of resistance in cm^3 ³⁾ G = weight in kg/m





















Design																
PG slot																
16	F															
	E															
20	H				40x40											
	F															
30	F	60x60			60x60		60x60									
	E4															
40	E3	80x80	80x80	80x80	80x80	80x80	80x80	80x120	80x160	80x160		40x40	80x80	80x80		
45	E4				90x90	90x90										
50	E4				100x100	100x100				100x200	100x300					
60	E4															

	Profile	$I_x^{1)}$	$I_y^{1)}$	$W_x^{2)}$	$W_y^{2)}$	$G^{3)}$	β
	60x60, 0F, P	58.2	58.2	15.5	15.5	4.0	17
	80x80, 0E, LP	135.0	135.0	33.5	33.5	4.7	21
	80x80, 4E, cor., LP	128.0	128.0	32.0	32.0	4.5	21
	80x80, 6E, LP	121.3	116.0	30.3	29.0	4.2	21
	80x80, 7E, P	173.0	160.0	42.0	44.0	7.6	21
	40x40, 8H, LP	10.0	10.0	5.0	5.0	1.5	14
	60x60, 8F, L	38.7	38.7	12.9	12.9	2.6	31
	80x80, 8E, LP	113.8	114.0	28.4	28.4	4.1	21
	8E, P	166.0	166.0	41.4	41.4	5.9	21
	8E, L	111.0	111.0	28.0	28.0	3.7	34
	8E	166.0	166.0	41.4	41.4	5.9	34
	90x90, 8E, LP	190.5	190.5	42.3	42.3	5.6	26
	8E, L	183.0	183.0	40.7	40.7	5.3	36
	100x100, 8E	411.0	411.0	82.0	82.0	9.7	39
		80x80, 8E, LB	115.0	115.0	29.0	29.0	4.5
90x90, 8E, P		282.0	282.0	63.0	63.0	9.5	26
8E		282.0	282.0	63.0	63.0	9.5	36
100x100, 8E, L		284.0	284.0	50.8	50.8	6.2	39
	60x60, 8F, angle	35.2	35.2	9.9	9.9	2.8	31
	80x80, 8E, angle	120.0	111.0	23.8	23.8	6.3	34
	80x120, 10E, P	449.9	217.8	72.6	54.4	8.6	22
	80x160, 8E, LP	830.6	241.5	103.8	60.4	8.8	22
	80x160, 12E, L	801.0	235.0	100.0	59.0	8.8	34
	12E	958.0	287.0	119.6	72.0	10.5	34
	100x200, 12E, P	2,450.0	760.0	250.0	152.0	17.2	27

	Profile	$I_x^{1)}$	$I_y^{1)}$	$W_x^{2)}$	$W_y^{2)}$	$G^{3)}$	β
	100x300, 16E, P	8,320.0	1,170.0	555.0	234.0	25.6	27
	40x40, 2E, 45°, LP	7.3	7.3	3.9	3.9	1.4	23
	80x80, 3E, 45°, LP	127.0	83.7	31.8	20.9	4.3	23
	80x80, 7E, 45°, LP	99.3	99.3	24.8	24.8	4.0	23

¹⁾ I_x, I_y = moment of inertia in cm^4 ²⁾ W_x, W_y = moment of resistance in cm^3 ³⁾ G = weight in kg/m

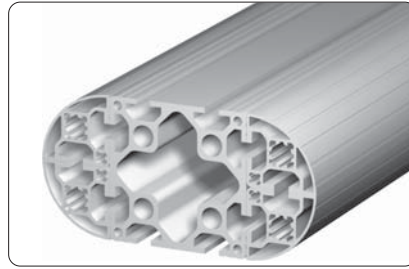
Design															
PG slot															
16	F														
	E														
20	H														
	F														
30	F							30 hexag.	30 octag.						
	E4														
40	E3	40x30°	40x45°	40x60°	40x90°			40 hexag.	40 octag.						
45	E4														
50	E4					48 round	48 round	48 round							
60	E4														

	Profile	Ix ¹⁾	Iy ¹⁾	Wx ²⁾	Wy ²⁾	G ³⁾	↳
	40, round 30°, 2F, L	6.0	4.8	3.0	2.4	1.2	35
	40, round 45°, 2E, LP	14.5	8.0	4.9	3.7	1.6	23
	2E, L	14.5	8.0	4.9	3.7	1.6	35
	40, round 60°, 2E, L	30.0	10.5	7.6	4.6	1.9	35
	40, round 90°, 2E, LP	89.0	17.4	16.0	6.8	3.0	23
	2E, L	89.0	17.4	16.0	6.8	3.0	35
	48, round, 1E, P	12.5	12.9	4.9	5.4	1.8	29
	48, round, 2E, cor., P	12.5	13.5	5.1	5.9	2.0	29
	48, round, 2E, P	12.0	12.0	5.0	5.0	2.0	29
	30, hexag., 6F, P	32.0	32.0	9.8	9.8	2.8	29
	40, hexag., 6E, P	83.0	83.0	19.0	21.0	4.4	29
	30, octag., 8F, P	84.0	84.0	21.0	21.0	3.9	29
	40, octag., 8E, P	233.0	233.0	44.0	44.0	6.5	29

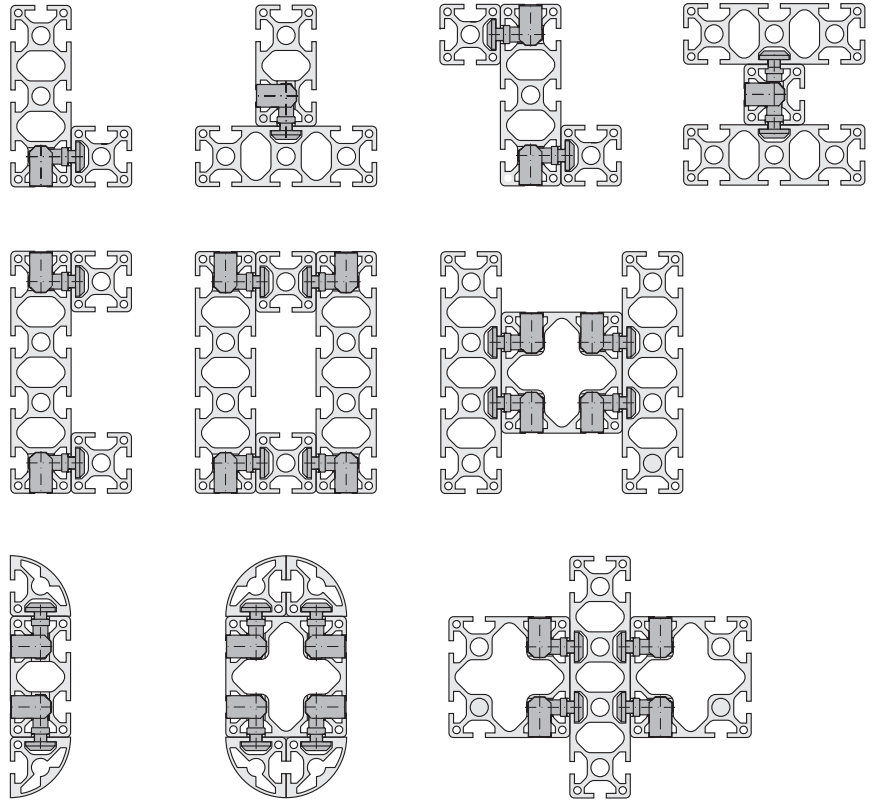
¹⁾ Ix, Iy = moment of inertia in cm⁴ ²⁾ Wx, Wy = moment of resistance in cm³ ³⁾ G = weight in kg/m



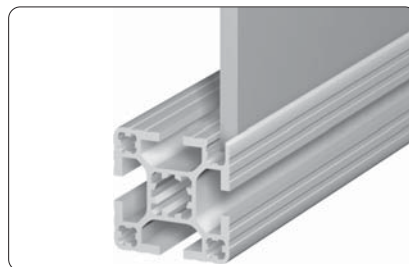
Profile combinations



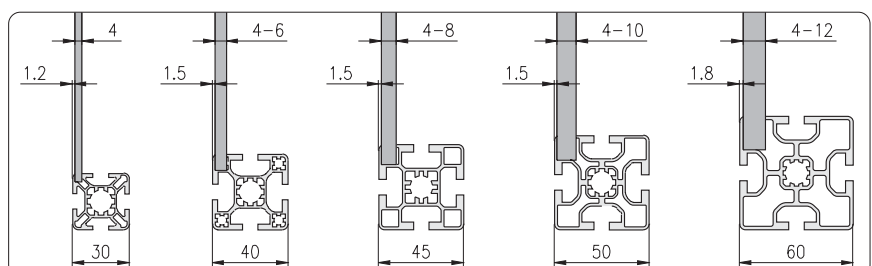
With the MayTec Connector System it is possible to make a multitude of form-matching and stable profile combinations.



Special slits

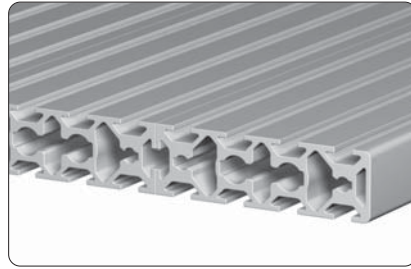


Panel elements can be set in the profile flush to the outer edge for form-matching design. The slits needed for that can be made in nearly all profiles.

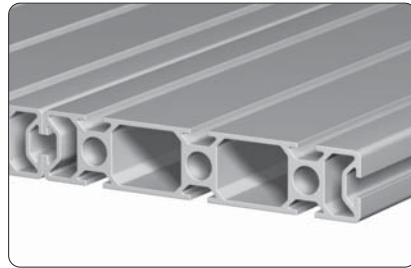


Slot plates

F-slot



F-slot, slot distance 25 mm

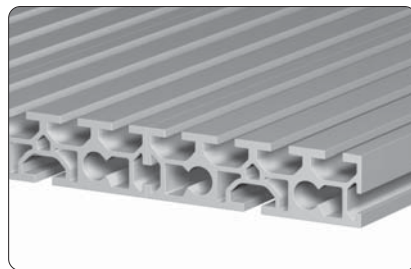


F-slot, slot distance 50 mm

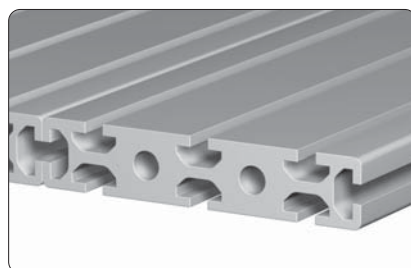
Application

Profiles to construct slot plates of any required size

E-slot

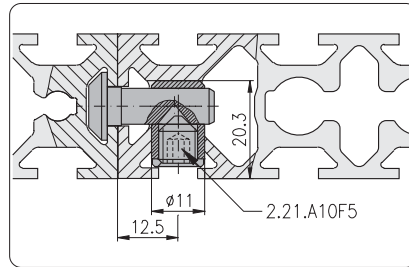
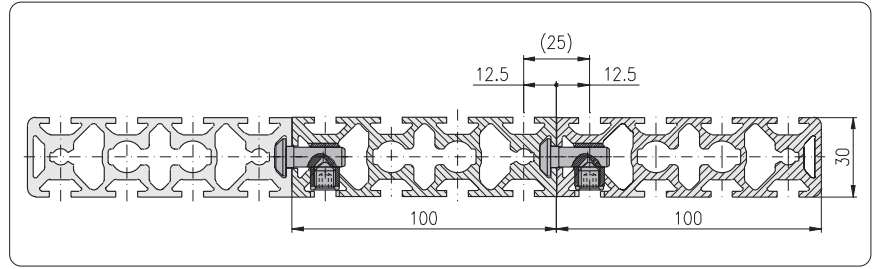


E-slot, slot distance 25 mm



E-slot, slot distance 50 mm

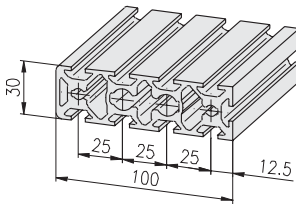
Slot plates F-slot
Slot distance 25 mm



Single parts
connector 2.21.10F5

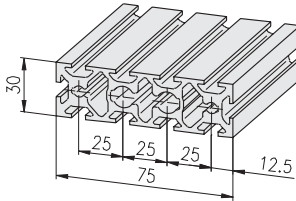
Drill dimensions

Profile 30×100, 9F, plain



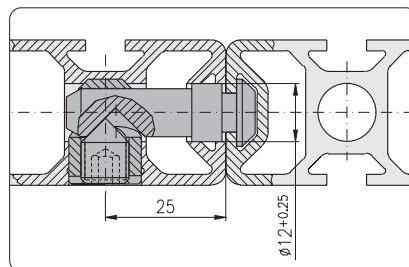
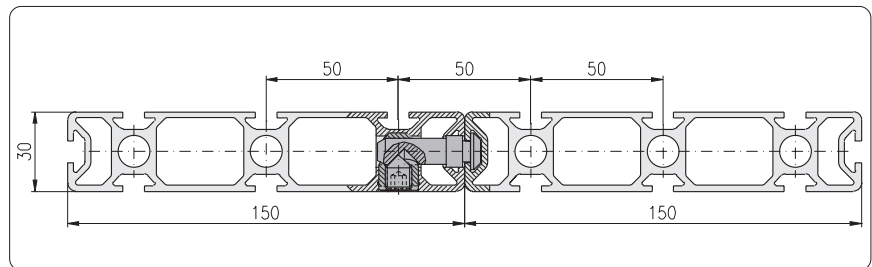
Description	Weight	Article-No.
Profile 30×100, 9F, plain	bar 6 m 3.6 kg/m	1.11.030100.94P.60

Profile 30×100, 10F, plain



Description	Weight	Article-No.
Profile 30×100, 10F, plain	bar 6 m 3.6 kg/m	1.11.030100.104P.60

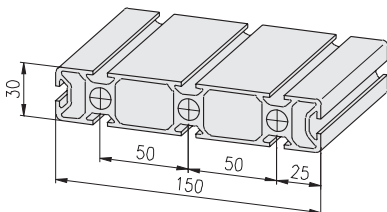
Slot plates F-slot
Slot distance 50 mm



Single parts
connector 1.21.3/5F5

Drill dimensions

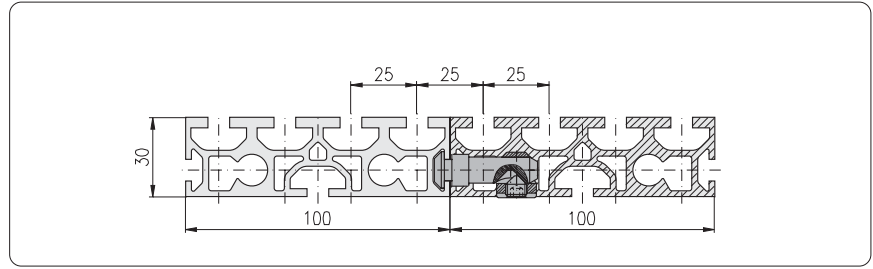
Profile 30×150, 8F, plain



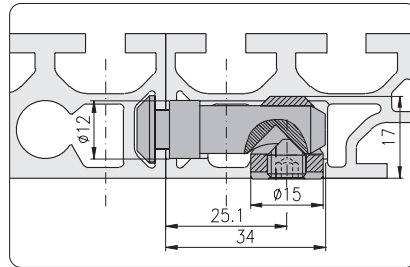
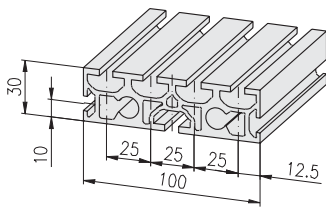
Description	Weight	Article-No.
Profile 30×150, 8F, plain	bar 6 m 4.1 kg/m	1.11.030150.85P.60

machining data ↗ Profile machining 1.1A

Slot plates E-slot
Slot distance 25 mm



Profile 30×100, 5E, 2F, plain

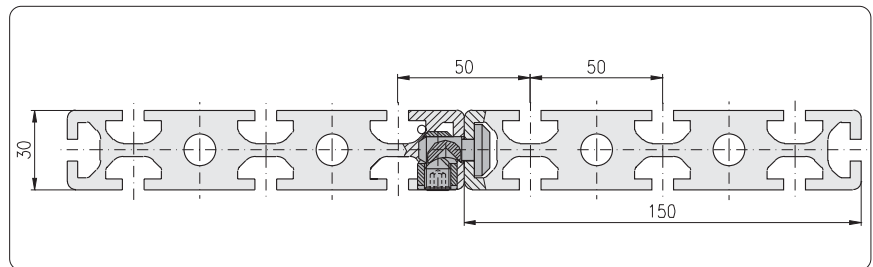


Drill dimensions

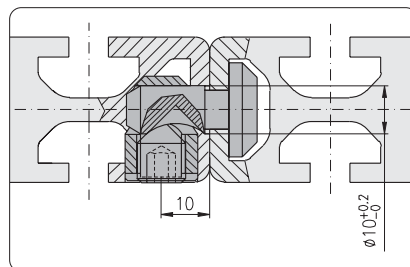
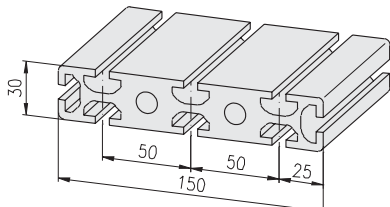
Single parts
connector 1.21.2/5F5

Description	Weight	Article-No.
Profile 30×100, 5E, 2F, plain	bar 6 m 3.5 kg/m	1.11.030100.74P.60

Slot plates E-slot
Slot distance 50 mm



Profile 30×150, 8E, plain



Drill dimensions

Single parts
connector 1.21.3/2E5

Description	Weight	Article-No.
Profile 30×150, 8E, plain	bar 6 m 7.9 kg/m	1.11.030150.84P.60

machining data ↗ Profile machining 1.1A

Hand rail

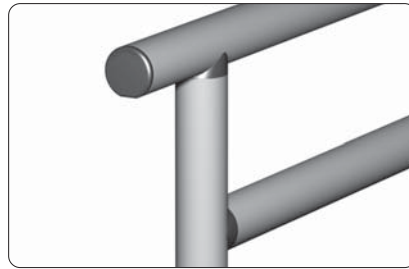


Application

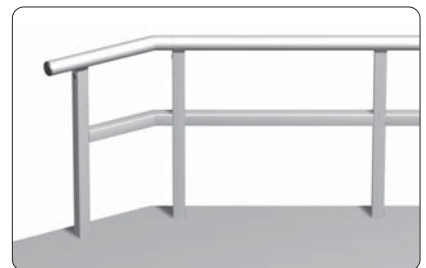
Hand rail for balustrades on stairs and platforms

Comments

Angled joints at any required angle



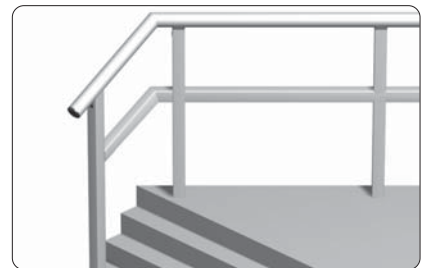
Hand rail straight



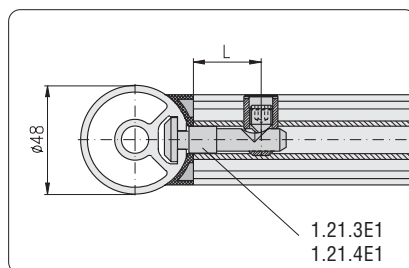
Hand rail angled



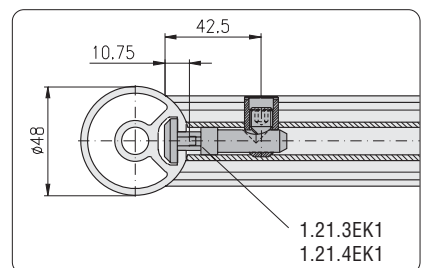
Hand rail tilted



Hand rail tilted and angled



Working dimensions for hand rail straight with radius compensation



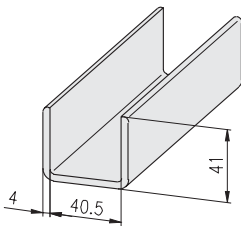
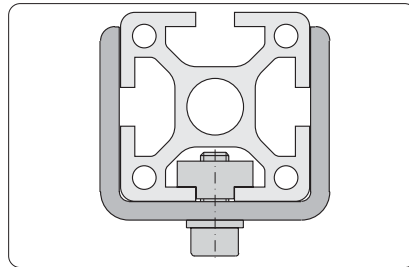
Working dimensions for hand rail angled

U-Profile 40



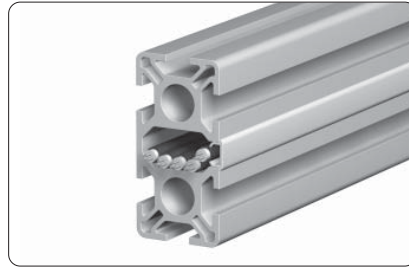
Application

For the construction of height adjustable frames on 40x40 and 40x80 profile bases



Description	Weight	Article-No.
U-Profile 40	bar 6 m 1.35 kg/m	1.19.14440.60

Profiles for cable guide



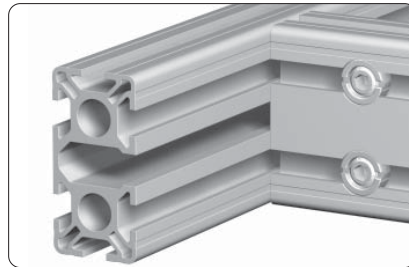
Application

For running cables or pneumatic hoses.
All chamber profiles can be delivered with open slots.

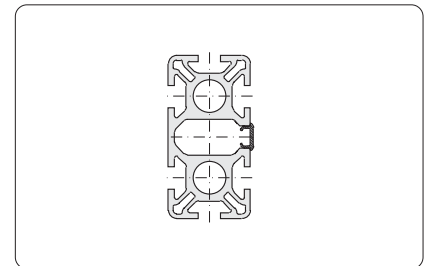
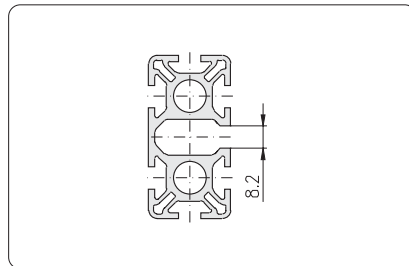
Cover is carried out by cover profiles:

Cover profile PVC 1.41.11□

Cover profile ALU 1.41.121



Application of cross braces to stabilize slotted profiles



- 16
- 20
- 30
- 40
- 45
- 50
- 60

Comments

Profiles for cable guide see list at profile pre-cut lid

Order details

Description

Profile □□□□□□ for cable guide, slotted 8 mm

Article-No.

1.12.□□□□□□.□□

Order example

Order request

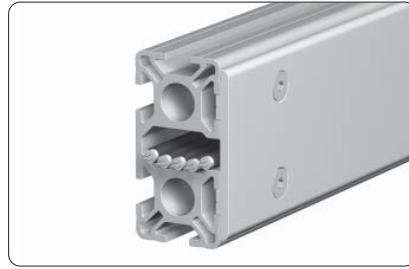
Profile 40×80 mm, 6 E-slots, 8 mm slotted for cable guide, length 4.5 m

Order

Profile 40×80, 6E for cable guide, slotted 8 mm

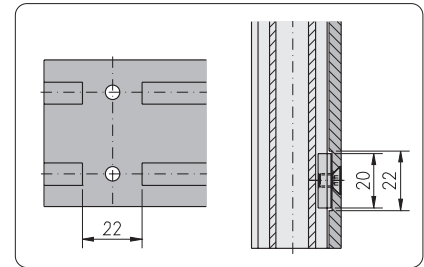
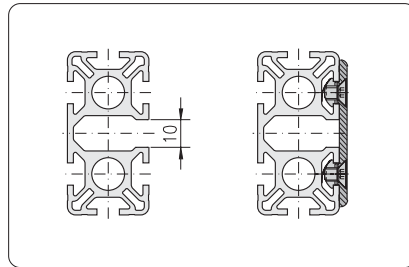
1.12.040080.65-F00F00/4500

Profiles for cable guide
Slot distance 30



Application

For running cables or pneumatic hoses. All chamber profiles can be delivered with open slots.



Milled section on the pre-cut lid for fastening with T-Nut in F-slot

Profiles for cable guide, slot distance 30			
Profile	heavy, P	light	heavy
30x60	0F P	6F L	6F
60x60	0F P	8F L	8F angle

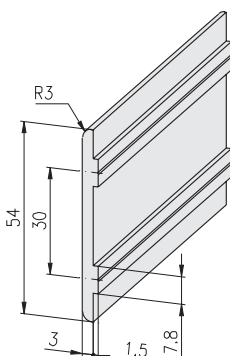
Order details

Description	Article-No.
Profile □□□□□□ for cable guide, slotted 10 mm	1.13.□□□□□□.□□

Order example

Order request	Order
Profile 30x60 mm, 6 F-slots, 10 mm slotted for cable guide, length 4.5 m	Profile 30x60, 6F for cable guide, slotted 10 mm
	1.13.030060.65-A00A00/4500

Profile pre-cut lid 30



Single parts

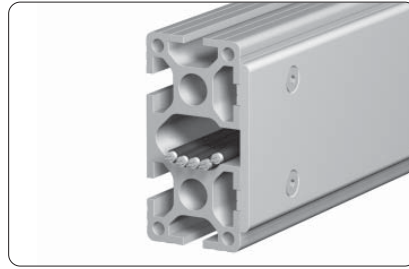
- countersunk screw DIN 7991, M5x8 0.63.7991508
- threaded plate F, M5 1.31.FM5
- T-Nut for subsequent insertion F, M5 1.324.FM5

Description	Weight	Article-No.
Profile pre-cut lid 30	0.49 kg/m	1.19.110130

machining data ↗ Profile machining 1.1A

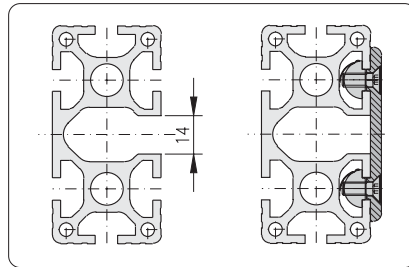


Profiles for cable guide
Slot distance 40



Application

For running cables or pneumatic hoses. All chamber profiles can be delivered with open slots.



Profiles for cable guide, slot distance 40				
Profile	light, plain	heavy, P	light	heavy
40x80	0E LP 3E c.LP 4E LP 4E LBP 5E LP 6E LP	6E P	4E L 6E L	6E
80x80	0E LP 4E c. LP 6E LP 8E LP 3E 45° LP 7E 45° LP	7E P 8E P	8E L 8E LB	8E 8E angle
	40x160 80x160	80x120	40x120 40x160 80x160	80x160
	6E LP 8E LP	10E P	8E L 10E L 12E L	12E

Order details

Description

Article-No.

Profile □□□□□□ for cable guide, slotted 14 mm

1.13.□□□□□□.□□

Order example

Order request

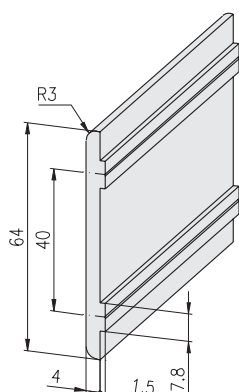
Profile 80x80 mm, 8 E-slots, 14 mm slotted for cable guide, length 4.5 m

Order

Profile 80x80, 8E for cable guide, slotted 14 mm

1.13.080080.83-L00L00/4500

Profile pre-cut lid 40



Single parts

- countersunk screw DIN 7991, M6x14 0.63.7991614
- threaded plate E, M6 1.31.EM6
- T-Nut for subsequent insertion E, M6 1.324.EM6

Description

Weight

Article-No.

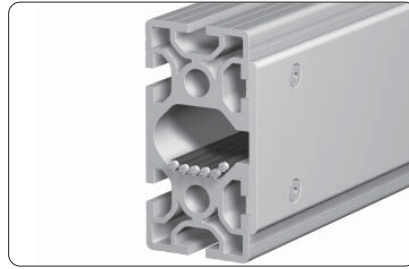
Profile pre-cut lid 40

0.74 kg/m

1.19.110140

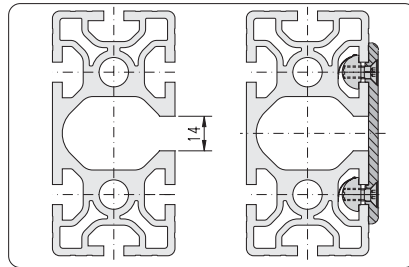
machining data ↗ Profile machining 1.1A

Profiles for cable guide
Slot distance 50



Application

For running cables or pneumatic hoses. All chamber profiles can be delivered with open slots.



Profiles for cable guide, slot distance 50					
heavy, plain				light	heavy
30x100	30x150	100x200	100x300	50x100	100x100
8F P	8F P	12E P	16E P	6E L	8E L
				50x100	50x150
				6E	8E
					100x100
					8E

Order details

Description

Profile □□□□□□ for cable guide, slotted 14 mm

Article-No.

1.13.□□□□□□.□□

Order example

Order request

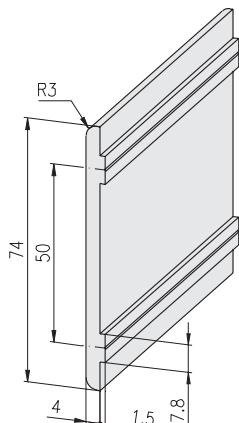
Profile 50x100 mm, 6 E-slots, 14 mm slotted for cable guide, length 4.5 m

Order

Profile 50x100, 6E for cable guide, slotted 14 mm

1.13.050100.65-F00F00/4500

Profile pre-cut lid 50



Single parts

F-slot

- countersunk screw DIN 7991, M5x8 0.63.7991508
- threaded plate F, M5 1.31.FM5
- T-Nut for subsequent insertion F, M5 1.324.FM5

E-slot

- countersunk screw DIN 7991, M6x14 0.63.7991614
- threaded plate E, M6 1.31.EM6
- T-Nut for subsequent insertion E, M6 1.324.EM6

Description

Profile pre-cut lid 50

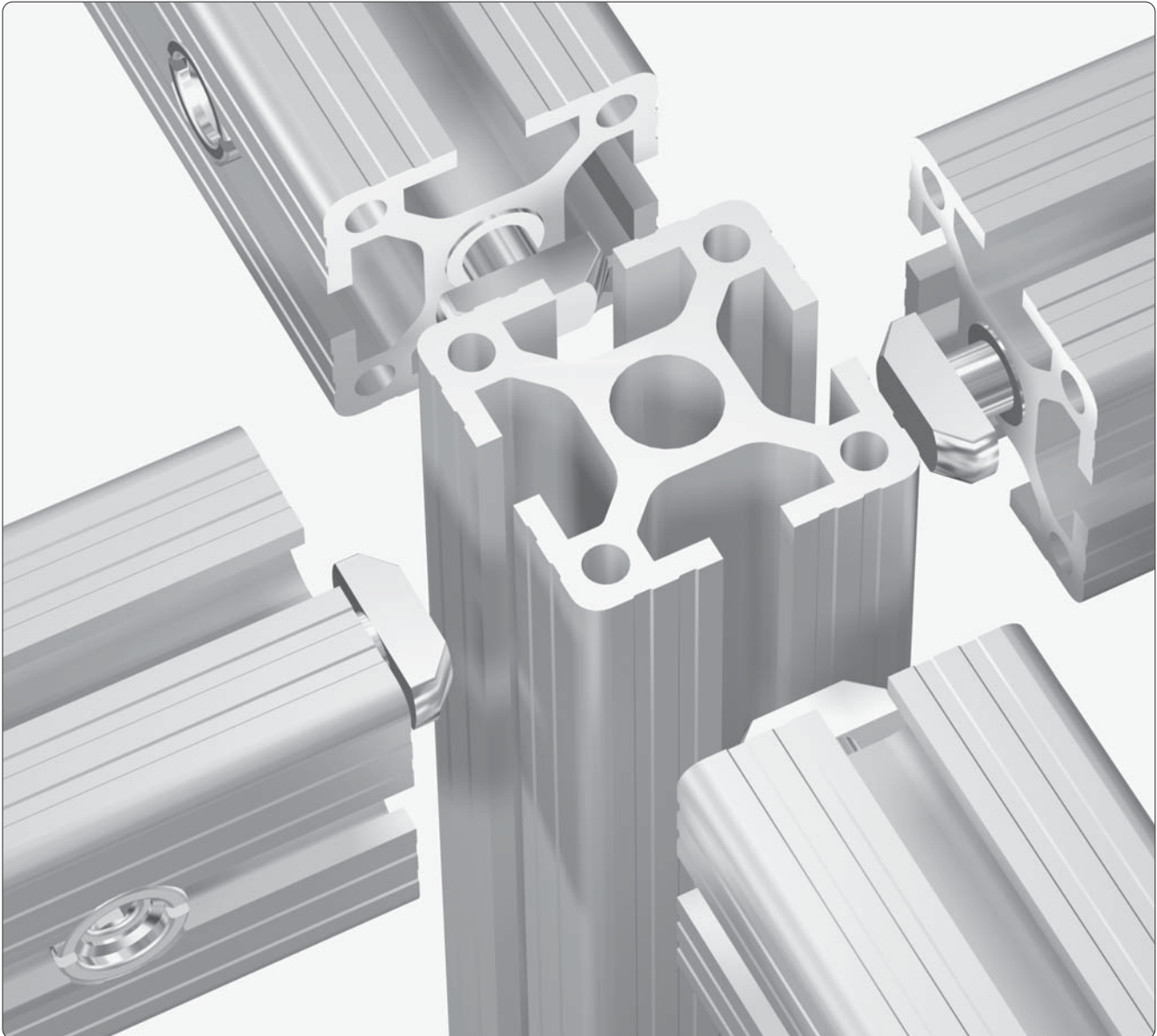
Weight

0.85 kg/m

Article-No.

1.19.110150

machining data ↗ Profile machining 1.1A



Simple

Reliable

Quick

Economical

Functional

The proven connection system!

The MayTec quick-connection system allows combination of all MayTec profiles in any way imaginable.

The connection allows:

- easy machining
- quick assembly
- innumerable assemblies and disassemblies

The connection system is:

- complete
- stable
- functional

MayTec universal-connector

The MayTec universal-connector allows:

- any desired position of profiles
- only one type for 0° and 90° position of cross bushing
- simple determination of the connector type
- minimisation of stock keeping

Labels: Setscrew, Cross bushing, Anchor, Spring

MayTec standard-connector

The MayTec standard-connector allows subsequent front-sided mounting or dismounting in any location.

Labels: Setscrew, Cross bushing, Anchor, Spring

MayTec screw-type connector

The MayTec screw-type connector allows connection to profiles by means of T-Nuts.

Labels: Setscrew, Cross bushing, T-Nut, Anchor

MayTec screw-type connector

The MayTec screw-type connector allows connection to threaded holes in plates.

Labels: Setscrew, Cross bushing, Anchor

MayTec ground-connector for potential equalisation

The MayTec ground-connector allows potential equalisation between two profiles. When the connector is tightened, the serration at the rear of the anchor head penetrates the anodised profile coating and thus provides an electrical contact.




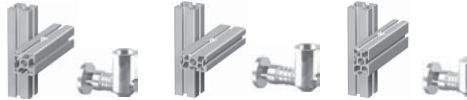

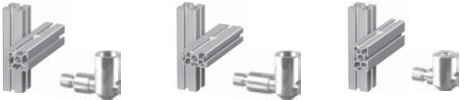
Labels: Anodised coating, contact



Deliverable types ↔ *Connectors 1.2A*


MayTec ST-Connector

The MayTec ST-Connector allows mounting of additional profiles into existing profile frames.

Labels: Socket head screw, Cross bushing, T-Nut

Connections via core hole			
Connectors with 1 cross bushing and 1 head		Connectors with 2 cross bushings	
Universal			
Standard			
90°			
Oblique	-hinge l + r	-bent anchor l	-bent anchor r
90°	-hinge	-bent anchor	
Oblique-cross	-hinge		
90°	-hinge		
Parallel	-square	-cross	-high
			
			
			

Connections via slot			
SE	Universal	Standard	Standard 90°
			
ST			

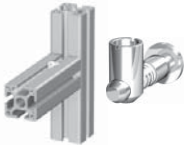
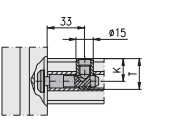
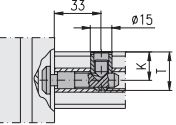
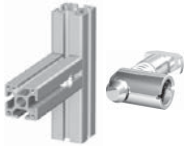

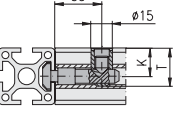
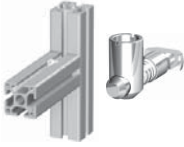

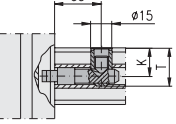

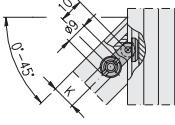
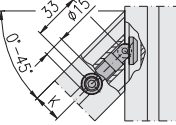
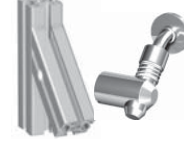

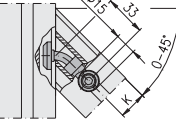


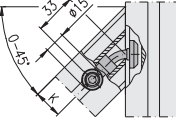

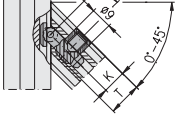
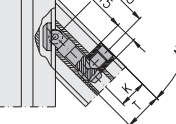


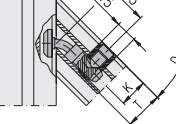
Connection elements		
Anti-twist device	F M6	E M6
subsequent insertion	F M6	E M6
Clamping lever		

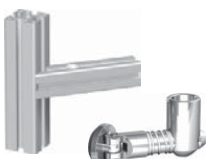
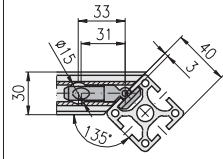

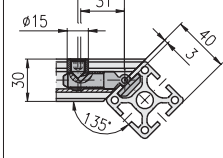
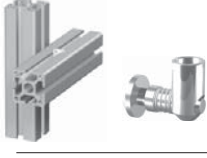
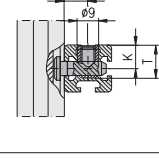
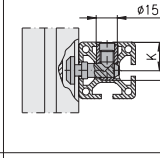
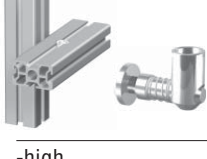
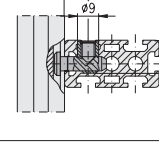
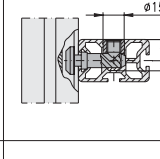
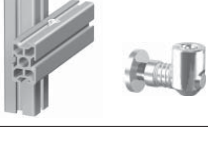
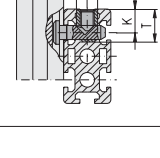
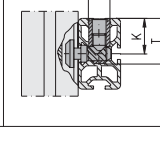
Connector selection		
Procedure		Example
① Connection	Selection of connector-variant	Standard
② Profile 1	Size of the profile in which the connector should be built into	30x30 mm
③ Core hole	Determination of the core hole \varnothing	$\varnothing 12$ mm
④ Profile 2	Determination of the connector-head according to slot-variant of the profile on which it will be joined	40x40 mm / E-slot
⑤ Connector	Determination of connector	1.21.3E1
⑥ Number of degrees	Bent anchor: determine the angle ($0^\circ - 45^\circ$)	

Connector types and materials		
Connector	Article-No.	Technical data
Standard	1.21.2E0	material: 9 S Mn Pb 28K strength: 460-710 N/mm ² surface: galvanised
Standard, ground	1.21.2E0 E	
Standard VA	1.21.2E0 V	material: stainless steel 1.4305 strength: 490-685 N/mm ² surface: pickled and passivated


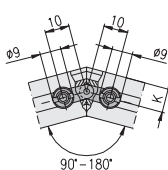
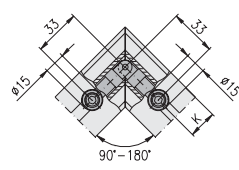
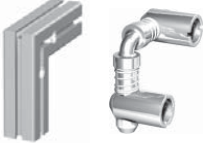
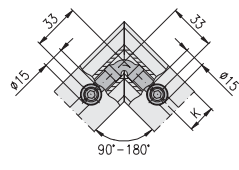
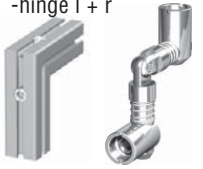
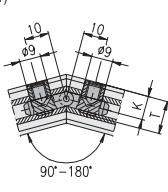
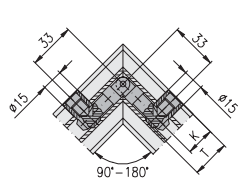
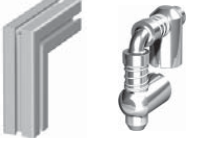
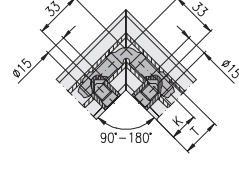

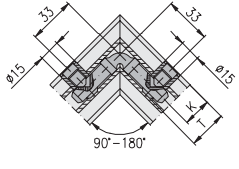

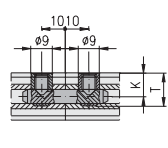
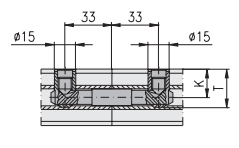

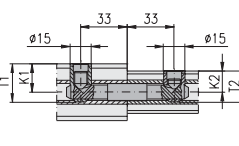


Special cases				
Profile	Mounting position	PG for connector selection	Mounting position	PG for connector selection
20x30 30x50		20 30		30 50
30x100		30		50

Connection / Connector		Finished dimension for profiles with core hole		PG	ch \varnothing	Article-No. for connector with									
		$\varnothing 6$	$\varnothing 12$			H-head		F-head		E-head		VA			
						steel standard	E	VA	steel standard	E	VA	steel standard	E	VA	
		20	6	1.20.2H0				V	1.20.2F0			1.20.2E0			
		20	12	1.21.2H0						E V			1.21.2E0	E	V
		30		1.21.3H0						E V			1.21.3E0	E	V
		40								E V			1.21.4E0	E	V
		45								E V			1.21.45E0	E	V
		50								E V			1.21.5E0	E	V
		20	6												
		20	12							E V			1.21.2E1	E	V
		30								E V			1.21.3E1	E	V
		40								E V			1.21.4E1	E	V
		45								E V			1.21.45E1	E	V
		50								E V			1.21.5E1	E	V
		20	6												
		20	12							E V			1.21.2E2	E	V
		30								E V			1.21.3E2	E	V
		40								E V			1.21.4E2	E	V
		45								E V			1.21.45E2	E	V
		50								E V			1.21.5E2	E	V
		20	6	1.20.2HK1					1.20.2FK1						
		20	12							V			1.21.2EK1		V
		30								V			1.21.3EK1		V
		40								V			1.21.4EK1		V
		45								V			1.21.45EK1		V
		50								V			1.21.5EK1		V
		20	6												
		20	12							E			1.21.2EB1L/□□	E	
		30								E			1.21.3EB1L/□□	E	
		40								E			1.21.4EB1L/□□	E	

Connection / Connector	Finished dimension for profiles with core hole		PG	ch Ø	Article-No. for connector with								
	Ø6	Ø12			H-head			F-head			E-head		
					steel standard	E	VA	steel standard	E	VA	steel standard	E	VA
			20	6	1.20.2H0		V	1.20.2F0			1.20.2E0		
			20	12	1.21.2H0			1.21.2F0	E	V	1.21.2E0	E	V
			30		1.21.3H0			1.21.3F0	E	V	1.21.3E0	E	V
			40					1.21.4F0	E	V	1.21.4E0	E	V
			45					1.21.45F0	E	V	1.21.45E0	E	V
			50					1.21.5F0	E	V	1.21.5E0	E	V
			60					1.21.6F0	E	V	1.21.6E0	E	V
			20	6									
			20	12				1.21.2F1	E	V	1.21.2E1	E	V
			30					1.21.3F1	E	V	1.21.3E1	E	V
			40					1.21.4F1	E	V	1.21.4E1	E	V
			45					1.21.45F1	E	V	1.21.45E1	E	V
			50					1.21.5F1	E	V	1.21.5E1	E	V
			60					1.21.6F1	E	V	1.21.6E1	E	V
			20	6									
			20	12				1.21.2F2	E	V	1.21.2E2	E	V
			30					1.21.3F2	E	V	1.21.3E2	E	V
			40					1.21.4F2	E	V	1.21.4E2	E	V
			45					1.21.45F2	E	V	1.21.45E2	E	V
			50					1.21.5F2	E	V	1.21.5E2	E	V
			60					1.21.6F2	E	V	1.21.6E2	E	V
			20	6	1.20.2HK1			1.20.2FK1					
			20	12				1.21.2FK1		V	1.21.2EK1		V
			30					1.21.3FK1		V	1.21.3EK1		V
			40					1.21.4FK1		V	1.21.4EK1		V
			45					1.21.45FK1		V	1.21.45EK1		V
			50					1.21.5FK1		V	1.21.5EK1		V
			60					1.21.6FK1		V	1.21.6EK1		V
			20	6									
			20	12				1.21.2FB1L/□□	E		1.21.2EB1L/□□	E	
			30					1.21.3FB1L/□□	E		1.21.3EB1L/□□	E	
			40					1.21.4FB1L/□□	E		1.21.4EB1L/□□	E	
			45					1.21.45FB1L/□□	E		1.21.45EB1L/□□	E	
			50					1.21.5FB1L/□□	E		1.21.5EB1L/□□	E	
			60					1.21.6FB1L/□□	E		1.21.6EB1L/□□	E	
			20	6									
			20	12				1.21.2FB1R/□□	E		1.21.2EB1R/□□	E	
			30					1.21.3FB1R/□□	E		1.21.3EB1R/□□	E	
			40					1.21.4FB1R/□□	E		1.21.4EB1R/□□	E	
			45					1.21.45FB1R/□□	E		1.21.45EB1R/□□	E	
			50					1.21.5FB1R/□□	E		1.21.5EB1R/□□	E	
			60					1.21.6FB1R/□□	E		1.21.6EB1R/□□	E	
			20	6	1.20.2HK2			1.20.2FK2					
			20	12				1.21.2FK2		V	1.21.2EK2		V
			30					1.21.3FK2		V	1.21.3EK2		V
			40					1.21.4FK2		V	1.21.4EK2		V
			45					1.21.45FK2		V	1.21.45EK2		V
			50					1.21.5FK2		V	1.21.5EK2		V
			60					1.21.6FK2		V	1.21.6EK2		V
			20	6									
			20	12				1.21.2FB2/□□	E		1.21.2EB2/□□	E	
			30					1.21.3FB2/□□	E		1.21.3EB2/□□	E	
			40					1.21.4FB2/□□	E		1.21.4EB2/□□	E	
			45					1.21.45FB2/□□	E		1.21.45EB2/□□	E	
			50					1.21.5FB2/□□	E		1.21.5EB2/□□	E	
			60					1.21.6FB2/□□	E		1.21.6EB2/□□	E	

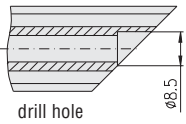
Connection / Connector	Finished dimension for profiles with core hole		PG	ch Ø	Article-No. for connector with									
	Ø6	Ø12			H-head		F-head		E-head					
					steel standard	E	VA	steel standard	E	VA	steel standard	E	VA	
Oblique-cross-hinge 			20	6										
			20	12				1.21.2FK3			1.21.2EK3			
			30					1.21.3FK3			1.21.3EK3			
			40					1.21.4FK3			1.21.4EK3			
			45					1.21.45FK3			1.21.45EK3			
			50					1.21.5FK3			1.21.5EK3			
90° 			20	6										
			20	12				1.21.2FK4			1.21.2EK4			
			30					1.21.3FK4			1.21.3EK4			
			40					1.21.4FK4			1.21.4EK4			
			45					1.21.45FK4			1.21.45EK4			
			50					1.21.5FK4			1.21.5EK4			
Parallel -square 			20	6	1.20.2H0		V	1.20.2F0		1.20.2E0				
			20	12										
			30							1.21.3F5		1.21.3E5		
			40							1.21.4F5		1.21.4E5		
			45							1.21.45F5		1.21.45E5		
			50							1.21.5F5		1.21.5E5		
-cross 			20	6	1.20.2H0		V	1.20.2F0		1.20.2E0				
			20	12										
			30							1.21.2/3F5		1.21.2/3E5		
			40							1.21.3/5F5		1.21.3/5E5		
			45											
			50											
-high 			20	6	1.20.2H0		V	1.20.2F0		1.20.2E0				
			20	12										
			30							1.21.3/2F5		1.21.3/2E5		
			40											
			45											
			50							1.21.5/3F5		1.21.5/3E5		
60														



Connection / Connector	Finished dimension for profiles with core hole		PG, Kx2	ch Ø	Article-No. for connector		
	Ø6	Ø12			steel standard	VA	
Miter -hinge l + r 	¹⁾ 		20	6	1.20.2G1		
			20	12	1.21.2G1	V	
			30		1.21.3G1	V	
			40		1.21.4G1	V	
			45		1.21.45G1	V	
			50		1.21.5G1	V	
-bent anchor l + r 			20	6			
			20	12	1.21.2GB1/□□		
			30		1.21.3GB1/□□		
			40		1.21.4GB1/□□		
			45		1.21.45GB1/□□		
			50		1.21.5GB1/□□		
Miter 90° -hinge l + r 	¹⁾ 		20	6	1.20.2G2		
			20	12	1.21.2G2	V	
			30		1.21.3G2	V	
			40		1.21.4G2	V	
			45		1.21.45G2	V	
			50		1.21.5G2	V	
-bent anchor l 			20	6			
			20	12	1.21.2GB2L/□□		
			30		1.21.3GB2L/□□		
			40		1.21.4GB2L/□□		
			45		1.21.45GB2L/□□		
			50		1.21.5GB2L/□□		
-bent anchor r 			20	6			
			20	12	1.21.2GB2R/□□		
			30		1.21.3GB2R/□□		
			40		1.21.4GB2R/□□		
			45		1.21.45GB2R/□□		
			50		1.21.5GB2R/□□		
Extension 			20	6	1.20.2V0	V	
			20	12	1.21.2V0		
			30		1.21.3V0		
			40		1.21.4V0		
			45		1.21.45V0		
			50		1.21.5V0		
				30/20	12	1.21.3/2V0	
				40/20	12	1.21.4/2V0	
				/30		1.21.4/3V0	
				45/20	12	1.21.45/2V0	
				/30		1.21.45/3V0	
				/40		1.21.45/4V0	
				50/20	12	1.21.5/2V0	
				/30		1.21.5/3V0	
				/40		1.21.5/4V0	
			60/20	12	1.21.6/2V0		
			/30		1.21.6/3V0		
			/40		1.21.6/4V0		
			/45		1.21.6/45V0		
			/50		1.21.6/5V0		

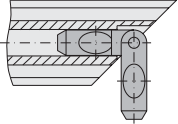
¹⁾ Machining of profiles with core hole Ø6 for miter

In order not to reduce the strength of the miter joint one profile end must be counterbored



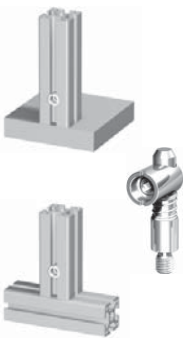
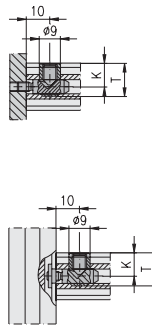
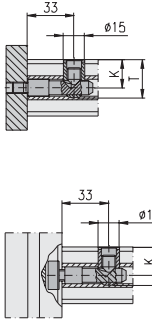
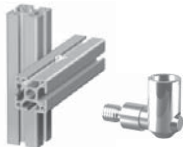
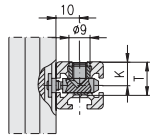
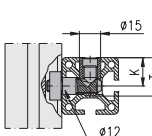
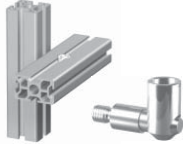
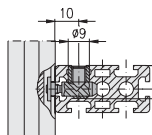
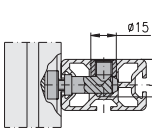
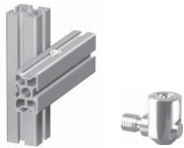
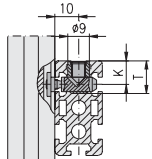
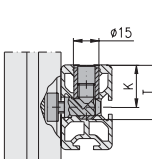
drill hole Ø8.5

The center portion of the anchor part is to be located in the counter-bored profile section



anchor mounted

Comments
Use drill for miter anchor Article-No.: 1.99.0310800
↳ tools 1.99

Connection / Connector	Finished dimension for profiles with core hole		PG	ch Ø	thread	Article-No. for connector	
	Ø6	Ø12				steel standard	VA
Screw-type 			20	6	M4×7	1.20.2S2M4/7	V
					M5×7	1.20.2S2M5/7	
					M6×7	1.20.2S2M6/7	
			20	12	M6×11	1.21.2S1M6/11	
						1.21.3S1M6/11	
						1.21.4S1M6/11	
						1.21.45S1M6/11	
						1.21.5S1M6/11	
						1.21.6S1M6/11	
			20	12	M8×11	1.21.2S1M8/11	V
						1.21.3S1M8/11	V
						1.21.4S1M8/11	V
						1.21.45S1M8/11	V
						1.21.5S1M8/11	V
						1.21.6S1M8/11	V
			20	12	M8×40	1.21.2S1M8/40	
1.21.3S1M8/40							
1.21.4S1M8/40							
1.21.45S1M8/40							
1.21.5S1M8/40							
1.21.6S1M8/40							
Screw-type-Parallel-square 			20	6	M4×7	1.20.2S2M4/7	V
					M5×7	1.20.2S2M5/7	
					M6×7	1.20.2S2M6/7	
			20	12	M8×11	1.21.2S5M8/11	
						1.21.3S5M8/11	
						1.21.4S5M8/11	
						1.21.45S5M8/11	
						1.21.5S5M8/11	
						1.21.6S5M8/11	
-cross 			20	6	M4×7	1.20.2S2M4/7	V
					M5×7	1.20.2S2M5/7	
					M6×7	1.20.2S2M6/7	
			20	12	M8×11	1.21.2/3S5M8/11	
						1.21.3/5S5M8/11	
-high 			20	6	M4×7	1.20.2S2M4/7	V
					M5×7	1.20.2S2M5/7	
					M6×7	1.20.2S2M6/7	
			20	12	M8×11	1.21.3/2S5M8/11	
						1.21.5/3S5M8/11	

Mounting instruction for screw connectors

1. Screw anchor in until it stops against the shoulder
2. Unscrew anchor until it lines-up with the cross bushing position (max. one turn)
3. Set up profile with cross bushing



E = ground-connector, VA = stainless steel 1.4305

Drill dimensions for connector cross bushings

Slot type	Cross bushing	PG/ Profile/ Slot	Core hole distance K	Hole depth, Cross bushing length T	Article-No.								
					steel	VA							
H-slots		20	10	14	1.20.B21	V							
F + E-slots		20	10	17	1.21.B20	V							
		30	15	22	1.21.B30	V							
		40	20	27	1.21.B40	V							
		45	22.5	29.5	1.21.B45	V							
		50	25	32	1.21.B50	V							
		60	30	37	1.21.B60	V							
E-slots		30x150	15	30	1.21.B31								
							special- SE-connector		16, E3	-	15	1.21.BE3	
									E4	-	16	1.21.BE4	
special- ST-connector		E	-	19	1.21.STBM6								

Mounting variants

Standard execution: Cross bushing, flush	Special execution: Cross bushing for the next smaller profile	
	<p>for the application of panels</p>	<p>for the application of cover profiles</p>

Connector components

As an alternative to the complete connector it is also possible to order the component parts. Because of the extensive combination possibilities, storage of the complete connectors will be reduced by 80%.





























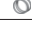
Connector components for profiles with
 core hole-Ø 6 mm → 79
 core hole-Ø 12 mm → 80-81

Connector for core hole-Ø 6 mm			Connector complete			Single parts						
			PG 20			Anchor		Piece				
			steel standard	E	VA	steel standard	E	VA				
		Universal	1.20.2H0		V	1.20.A2H0		V	1	1	1	
			1.20.2F0			1.20.A2F0			1	1	1	
			1.20.2E0			1.20.A2E0			1	1	1	
		Oblique -hinge l + r	1.20.2HK1			1.20.A2HK1			1	1	1	
			1.20.2FK1			1.20.A2FK1			1	1	1	
		90° -hinge	1.20.2HK2			1.20.A2HK2			1	1	1	
			1.20.2FK2			1.20.A2FK2			1	1	1	
		Parallel -square ¹⁾	1.20.2H0		V							
			1.20.2F0									
			1.20.2E0									
		-cross ¹⁾	1.20.2H0		V							
			1.20.2F0									
			1.20.2E0									
		-high ¹⁾	1.20.2H0		V							
			1.20.2F0									
			1.20.2E0									
		Miter -hinge l + r	1.20.2G1			1.20.A2G1			1	1	1	
		90° -hinge l + r	1.20.2G2			1.20.A2G2			1	1	1	
		Extension	1.20.2V0		V	1.20.A2V0		V	1	1	1	
		Screw-type	1.20.2S2M4/7		V	1.20.A2S2M4/7		V	1	1	1	
			1.20.2S2M5/7			1.20.A2S2M5/7			1	1	1	
			1.20.2S2M6/7			1.20.A2S2M6/7			1	1	1	
		-Parallel-square ²⁾	1.20.2S2M4/7		V							
			1.20.2S2M5/7									
			1.20.2S2M6/7									
		-Parallel-cross ²⁾	1.20.2S2M4/7		V							
			1.20.2S2M5/7									
			1.20.2S2M6/7									
		-Parallel-high ²⁾	1.20.2S2M4/7		V							
			1.20.2S2M5/7									
			1.20.2S2M6/7									
		Cross bushing	1.20.B21		V				Cross bushing			
		Setscrew	1.20.G0608		V				Setscrew			

E = ground-connector, VA = stainless steel 1.4305

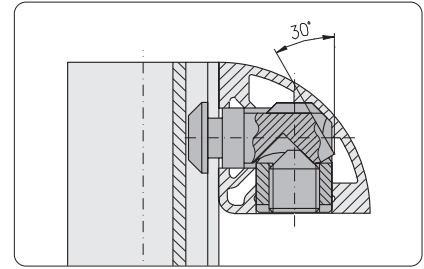
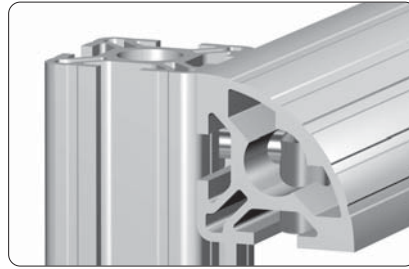
¹⁾ = Connector, universal

²⁾ = Connector, screw-type

Connector for core hole Ø12 mm			Connectors, complete										
			PG 20		PG 30		PG 40						
			steel standard	E	VA	steel standard	E	VA	steel standard	E	VA		
		Universal	1.21.2H0			1.21.3H0			1.21.4F0	E	V		
			1.21.2F0	E	V	1.21.3F0	E	V	1.21.4E0	E	V		
			1.21.2E0	E	V	1.21.3E0	E	V	1.21.4E0	E	V		
		Standard	1.21.2F1	E	V	1.21.3F1	E	V	1.21.4F1	E	V		
			1.21.2E1	E	V	1.21.3E1	E	V	1.21.4E1	E	V		
		90°	1.21.2F2	E	V	1.21.3F2	E	V	1.21.4F2	E	V		
			1.21.2E2	E	V	1.21.3E2	E	V	1.21.4E2	E	V		
		Oblique	-hinge l + r			1.21.3FK1		V	1.21.4FK1		V		V
						1.21.3EK1		V	1.21.4EK1		V		V
			-bent anchor l	1.21.2FB1L/□□	E		1.21.3FB1L/□□	E	1.21.4FB1L/□□	E			
				1.21.2EB1L/□□	E		1.21.3EB1L/□□	E	1.21.4EB1L/□□	E			
			-bent anchor r	1.21.2FB1R/□□	E		1.21.3FB1R/□□	E	1.21.4FB1R/□□	E			
				1.21.2EB1R/□□	E		1.21.3EB1R/□□	E	1.21.4EB1R/□□	E			
		90°	-hinge	1.21.2FK2		V	1.21.3FK2		V	1.21.4FK2		V	V
				1.21.2EK2		V	1.21.3EK2		V	1.21.4EK2		V	V
			-bent anchor	1.21.2FB2/□□	E		1.21.3FB2/□□	E	1.21.4FB2/□□	E			
				1.21.2EB2/□□	E		1.21.3EB2/□□	E	1.21.4EB2/□□	E			
		Oblique-cross	-hinge	1.21.2FK3			1.21.3FK3			1.21.4FK3			
				1.21.2EK3			1.21.3EK3			1.21.4EK3			
			-hinge 90°	1.21.2FK4			1.21.3FK4			1.21.4FK4			
				1.21.2EK4			1.21.3EK4			1.21.4EK4			
		Parallel	-square				1.21.3/2F5 ²⁾						
				1.21.2/3F5 ¹⁾			1.21.3/2E5 ²⁾						
				1.21.2/3E5 ¹⁾			1.21.3F5						
		-cross ¹⁾					1.21.3E5			1.21.4F5			
										1.21.4E5			
		-high ²⁾					1.21.3/5F5 ¹⁾						
							1.21.3/5E5 ¹⁾						
		Miter	-hinge l + r	1.21.2G1		V	1.21.3G1		V	1.21.4G1		V	V
			-bent anchor l + r	1.21.2GB1/□□			1.21.3GB1/□□			1.21.4GB1/□□			
		90°	-hinge l + r	1.21.2G2		V	1.21.3G2		V	1.21.4G2		V	V
			-bent anchor l	1.21.2GB2L/□□			1.21.3GB2L/□□			1.21.4GB2L/□□			
			-bent anchor r	1.21.2GB2R/□□			1.21.3GB2R/□□			1.21.4GB2R/□□			
		Extension		1.21.2V0			1.21.3V0			1.21.4V0			
							1.21.3/2V0			1.21.4/2V0			
										1.21.4/3V0			
		Screw-type		1.21.2S1M6/11			1.21.3S1M6/11			1.21.4S1M6/11			
				1.21.2S1M8/11		V	1.21.3S1M8/11		V	1.21.4S1M8/11		V	V
				1.21.2S1M8/40			1.21.3S1M8/40			1.21.4S1M8/40			
			-Parallel-square	1.21.2S5M8/11			1.21.3/2S5M8/11 ⁴⁾						
				1.21.2/3S5M8/11 ³⁾			1.21.3S5M8/11						
			-Parallel-cross ³⁾							1.21.4S5M8/11			
		-Parallel-high ⁴⁾					1.21.3/5S5M8/11 ³⁾						
		Cross bushing		1.21.B20		V	1.21.B30		V	1.21.B40		V	V
		Setscrew		1.21.G0810		V							
		Spring											
		Spring											

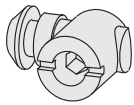
E = ground-connector, VA = stainless steel 1.4305

Parallel connector for profile 30×30, soft



Application

Special anchor for parallel connector for profile 30×30, 2 F-slots, soft

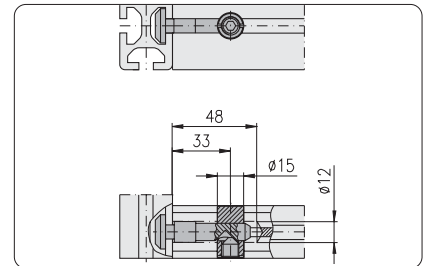


Description	Weight	Article-No.
Connector, parallel	40 g	1.21.31E5
Connector, parallel	33 g	1.21.31F5

Single parts

Description	Weight	Article-No.
Anchor	22 g	1.21.A31E5
Anchor	15 g	1.21.A31F5
Cross bushing	13 g	1.21.B30
Setscrew	4 g	1.21.G1012
Spring	1 g	1.21.F11806

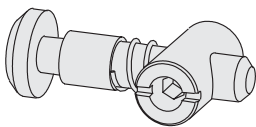
Universal connector for profile 30×150



Drill dimensions

Application

Universal connector for connection of two profiles 30×150

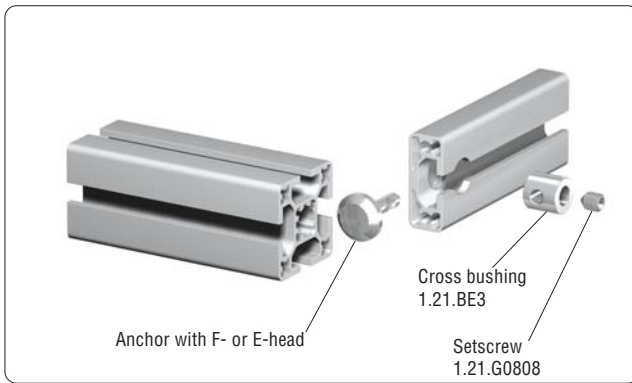


Description	Weight	Article-No.
Connector, universal	68 g	1.21.31E0

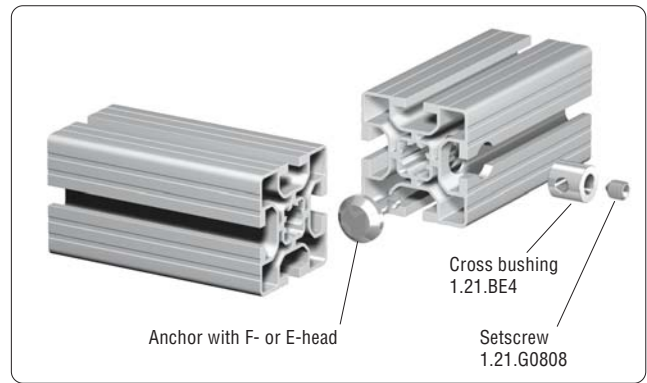
Single parts

Description	Weight	Article-No.
Anchor	40 g	1.21.A1E0
Cross bushing	23 g	1.21.B31
Setscrew	4 g	1.21.G1012
Spring	1 g	1.21.F11817

SE-Connector



for profiles with E3-slot, PG16, E



for profiles with E4-slot

Application

- for PG 16 E
- allows mounting of additional profiles into existing frames

Hole depth T	
mounting in	T
E3-slot	15 mm
E4-slot	16 mm

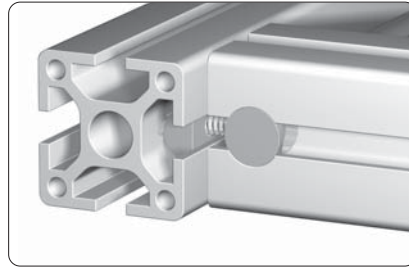
Drill distance L	
mounting on	L
F-slot	16 mm
E3-slot	15 mm
E4-slot	14 mm

Connection		Connection		Connector	Article-No. for SE-connector			
Profile PG16, E3-slot to F/E-slot		Profile with E4-slot to F/E-slot			mounting in E3-slot		mounting in E4-slot	
					steel standard	VA E	steel standard	VA E
Universal		Universal			1.21.SE3F0 1.21.SE3E0		1.21.SE4F0 1.21.SE4E0	
Standard		Standard			1.21.SE3F1 1.21.SE3E1		1.21.SE4F1 1.21.SE4E1	
90°		90°			1.21.SE3F2 1.21.SE3E2		1.21.SE4F2 1.21.SE4E2	

Connectors for E3/E4-slot			Connectors, complete				Single parts			
			mounting in E3-slot		mounting in E4-slot		Anchor			Piece
			steel standard	VA E	steel standard	VA E	steel standard	E	VA	
		Universal	1.21.SE3F0 1.21.SE3E0		1.21.SE4F0 1.21.SE4E0		1.21.A3F0 1.21.A3E0			1 1 1 1 1 1
		Standard	1.21.SE3F1 1.21.SE3E1		1.21.SE4F1 1.21.SE4E1		1.21.A3F1 1.21.A3E1			1 1 1 1 1 1
		90°	1.21.SE3F2 1.21.SE3E2		1.21.SE4F2 1.21.SE4E2		1.21.A3F2 1.21.A3E2			1 1 1 1 1 1
		Cross bushing	1.21.BE3		1.21.BE4					
		Setscrew	1.21.G0808							

E = ground-connector, VA = stainless steel 1.4305

ST-Connector

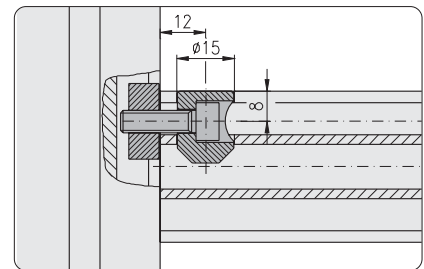
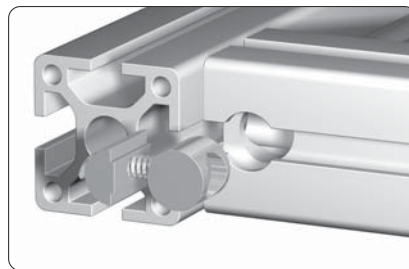


Application

ST-Connector for later insertion of profiles into closed frames

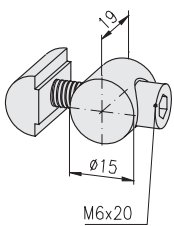


ST-Connection for profile 30x150



Technical data

material: steel
 surface: galvanised
 torque: max. 14 Nm
 tensile load: max. 5,000 N



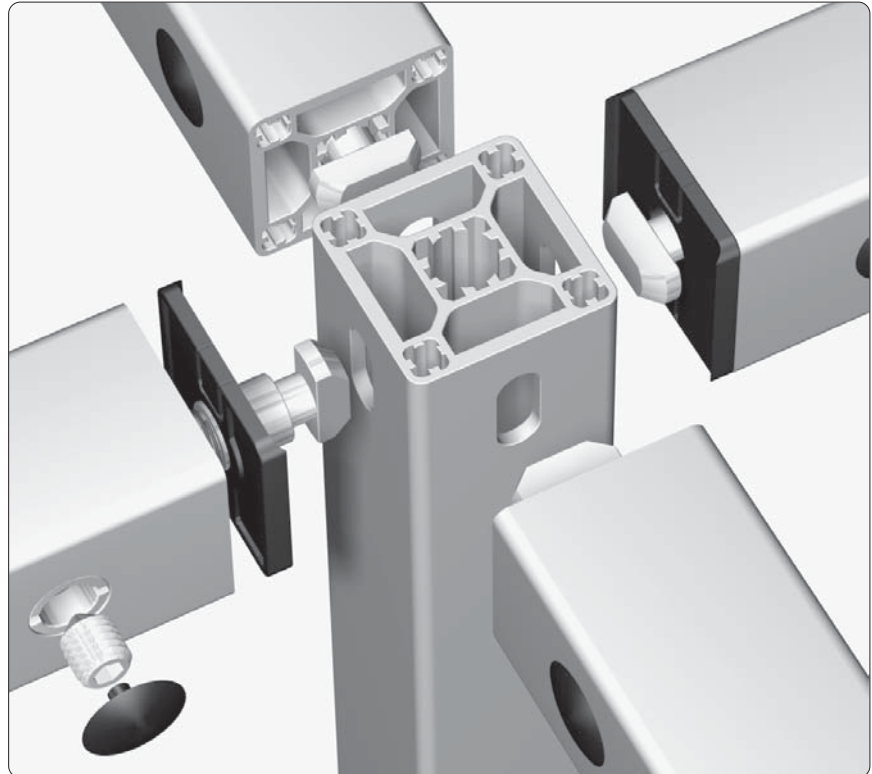
Connector complete

Description	G	Weight	Article-No.
ST-Connector	M6	32.0 g	1.21.STEM620

Single parts

Description	G	Weight	Article-No.
ST-Cross bushing	M6	16.7 g	1.21.STBM6
T-Nut for subsequent insertion into E-slots	M6	10.0 g	1.324.EM6
Cap head screw DIN 912	M6x20	5.3 g	1.21.S0620

Connection of 0-slot profiles



Comments
Connector ↗ 1.2A

Connector - drill dimensions

without radius covers

PG 30	PG 40
<p>Drill dimensions without radius covers</p>	<p>Drill dimensions without radius covers</p>
<p>with radius covers ↗ 1.43</p> <p>Drill dimensions with radius covers</p>	<p>Drill dimensions with radius covers</p>

Cover plug

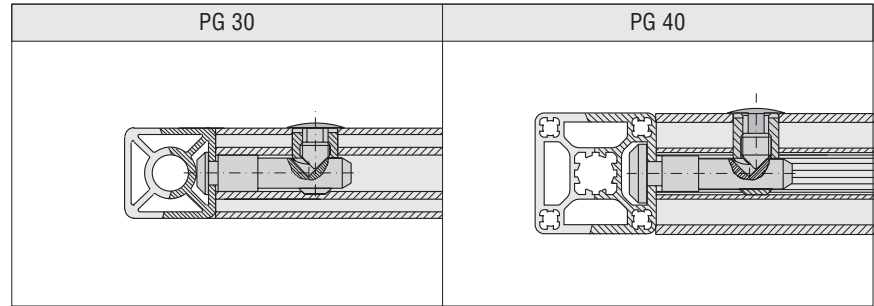
for connector cross bushings

↗ 1.42

PG 30	PG 40

2

Connection with standard connectors



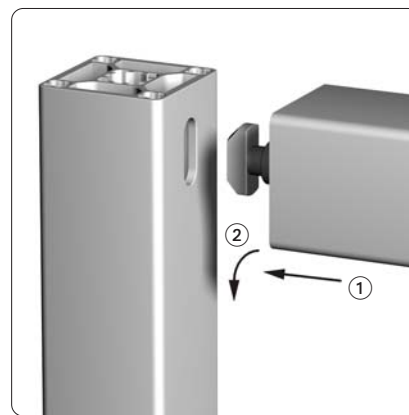
Single parts

Connector, standard 1.21.3F1 (V)
 Connector, standard 90° 1.21.3F2 (V)

Single parts

Connector, standard 1.21.4E1 (V)
 Connector, standard 90° 1.21.4E2 (V)

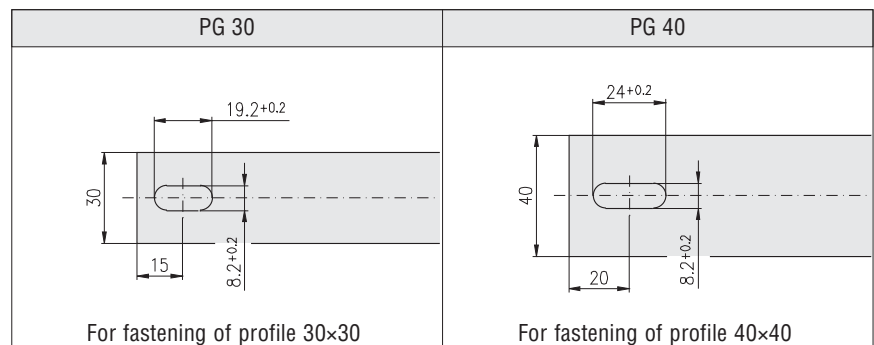
Mounting variation for profiles with 1 connector



Assembly

- ① insert connector
- ② turn profile

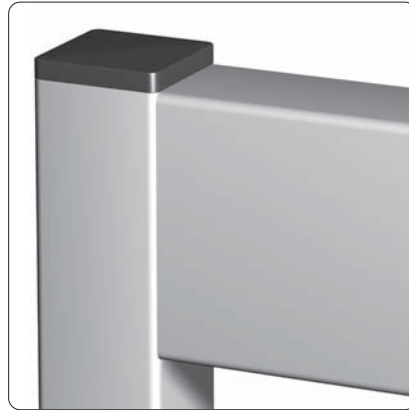
Production measurements



Mounting variation

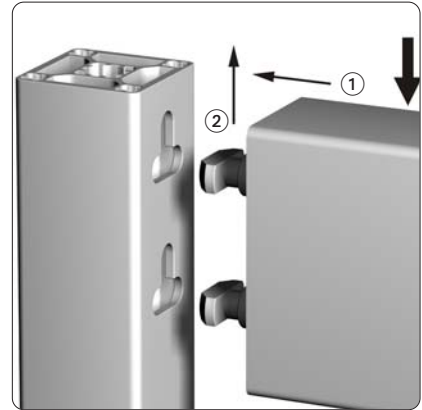
for profiles with 1 or more connectors, if the profile cannot be rotated

for high flexure load



Comments

Position of assembly: profiles flush on the top



Assembly

- ① insert connector
- ② push profile to the top

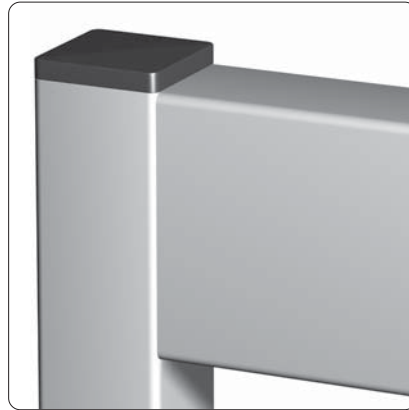
Production measurements

PG 30	PG 40	PG 45
<p>For fastening of profile 30x30</p>	<p>For fastening of profile 40x40</p>	<p>For fastening of profile 45x45</p>
<p>For fastening of profile 30x60</p>	<p>For fastening of profile 40x80</p>	<p>For fastening of profile 45x90</p>
<p>For fastening of profile 60x60</p>	<p>For fastening of profile 80x80</p>	<p>For fastening of profile 90x90</p>

Mounting variation

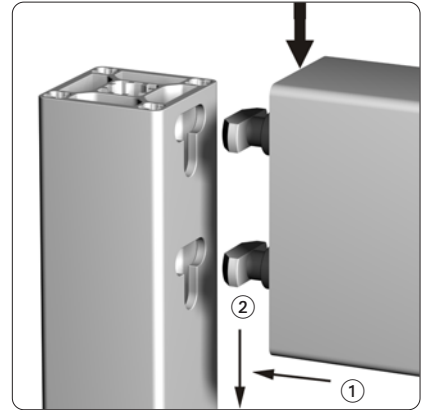
for profiles with 1 or more connectors, if the profile cannot be rotated

for high sliding load



Comments

Position of assembly: profiles flush on the top



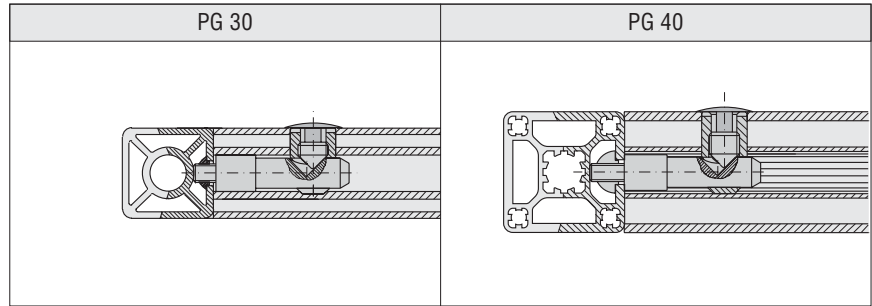
Assembly

- ① insert connector
- ② push profile to the bottom

Production measurements

PG 30	PG 40	PG 45
<p>For fastening of profile 30×30</p>	<p>For fastening of profile 40×40</p>	<p>For fastening of profile 45×45</p>
<p>For fastening of profile 30×60</p>	<p>For fastening of profile 40×80</p>	<p>For fastening of profile 45×90</p>
<p>For fastening of profile 60×60</p>	<p>For fastening of profile 80×80</p>	<p>For fastening of profile 90×90</p>

Connection with screw-type connector



Single parts

- Screw-type connector 1.21.3S1M8/11 (V)
- T-Nut 1.324.FM8 (V)

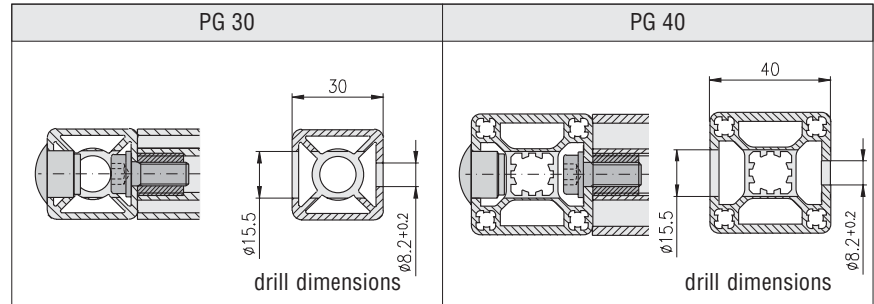
Single parts

- Screw-type connector 1.21.4S1M8/11 (V)
- T-Nut 1.324.EM8 (V)

Production measurements

PG 30	PG 40
<p>For fastening of profile 30×30</p>	<p>For fastening of profile 40×40</p>
<p>For fastening of profile 30×60</p>	<p>For fastening of profile 40×80</p>
<p>For fastening of profile 60×60</p>	<p>For fastening of profile 80×80</p>

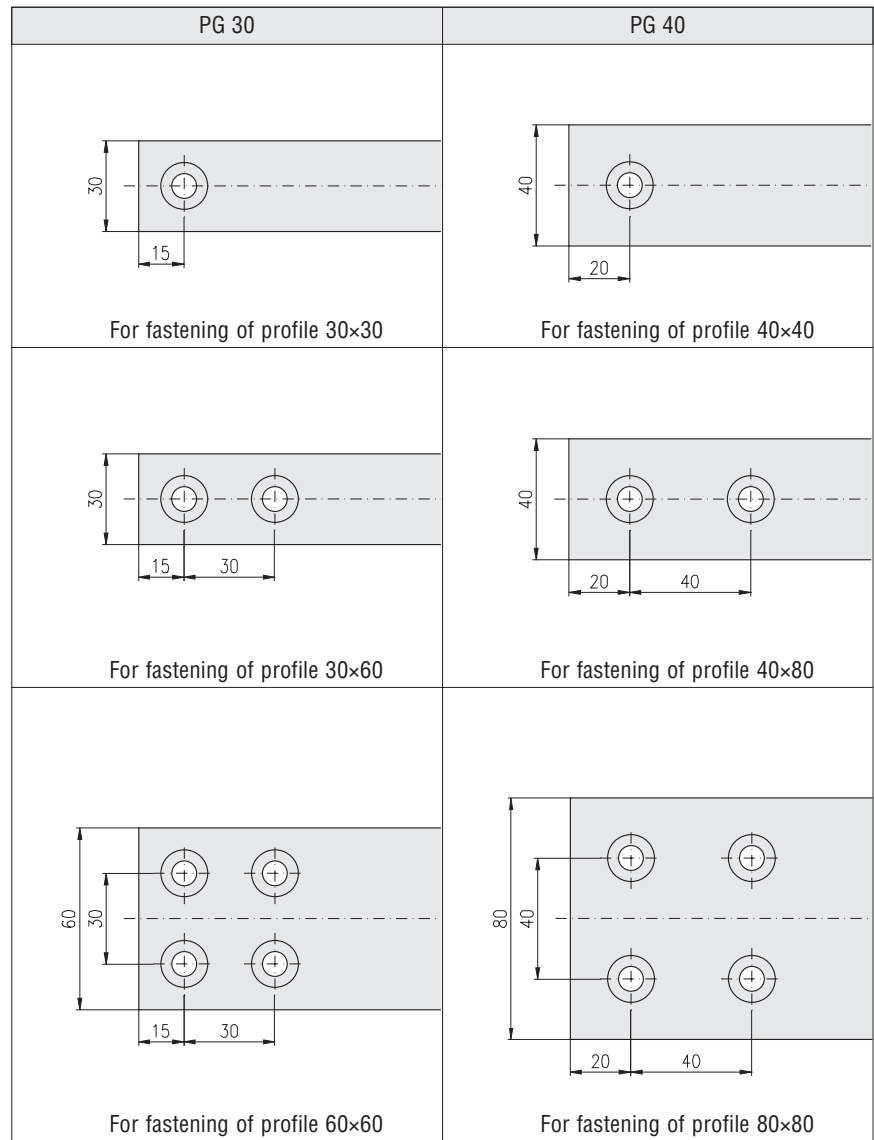
Connection with DIN-Screw



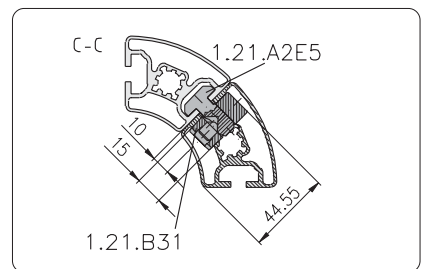
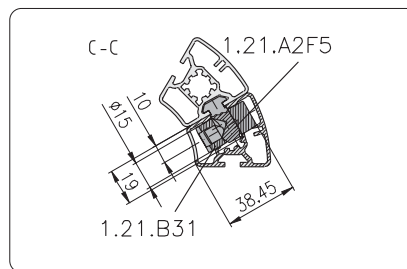
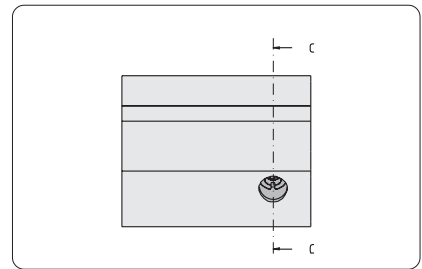
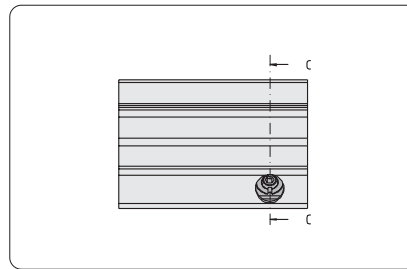
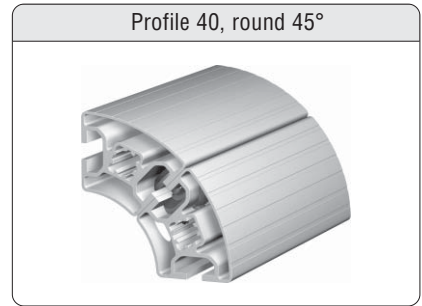
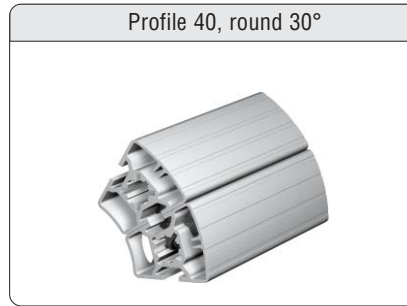
Single parts

- Threaded insert M14/M8 1.35.1140815
- Cap-screw DIN 6912, M8x20 0.63.6912820
- Washer, DIN 433 - 8.4 0.62.0433084

Production measurements



Connection of profiles 40, round



Drill dimensions

Drill dimensions

Single parts

- Anchor 1.21.A2F5
- Cross bushing 1.21.B31
- Setscrew 1.21.G1012

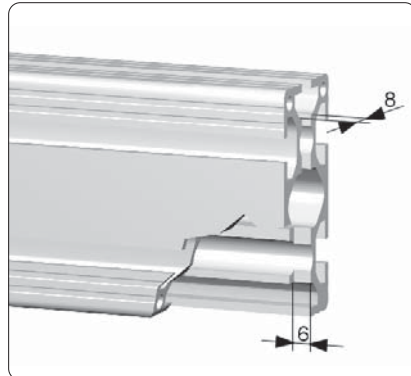
Single parts

- Anchor 1.21.A2E5
- Cross bushing 1.21.B31
- Setscrew 1.21.G1012

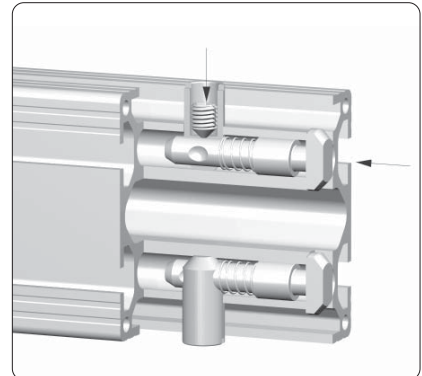
Subsequent mounting of profiles

Step by step instruction for subsequent mounting of profiles with two standard connections for all profile groups

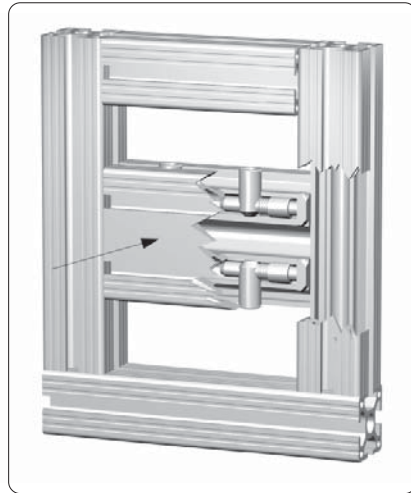
For the subsequent mounting of the profile:



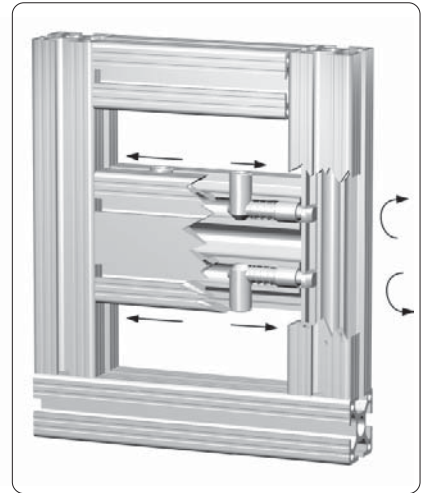
1. Mill on both ends a slot size of 6×8 mm.



2. Mount connector and fix anchor in front position with setscrew.



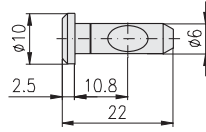
3. Mount profile.



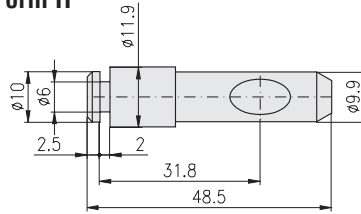
4. Loosen setscrew.
Due to the compressing spring the anchor is pushed into the slot.
Turn anchor by 90° with screw driver.
Fasten setscrew.

Connection of MayTec with other profile systems

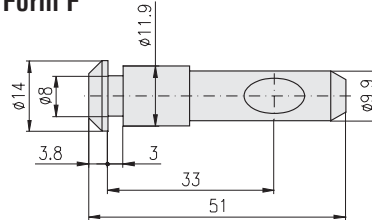
Form H



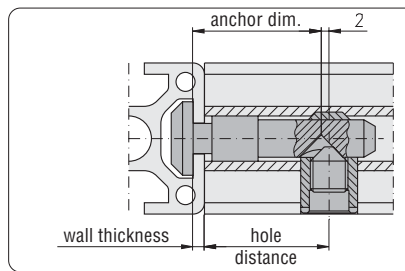
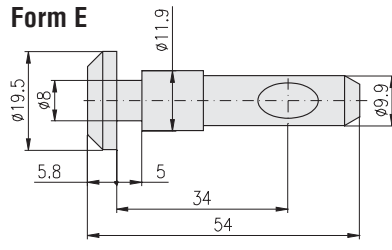
Form H



Form F



Form E



MayTec profiles can easily be combined with other profile systems. Two points have to be considered when combining with other profiles:

1. Anchor head-form and size

The MayTec system provides 3 anchor head sizes. If any of the sizes don't fit into the slots of other profile systems, the anchor head can be made to fit as required.

2. Hole distance

During the machining of the cross bore the hole distance has to match the wall thickness of the profile.

hole distance =
anchor dim. - wall thickness + 2 mm



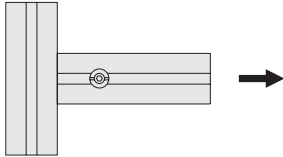
Torque tightening values for connector setscrew

PG	Slot	Setscrew special execution	Torque value	
			recommended	max.
20	H	M6×8	6.0 Nm	8.5 Nm
	F	M8×10	15.0 Nm	20.0 Nm
30	F	M10×12	25.0 Nm	30.0 Nm
40	E	M10×12	30.0 Nm	40.0 Nm
45	E	M10×12	30.0 Nm	40.0 Nm
50	E	M10×12	30.0 Nm	40.0 Nm
60	E	M10×12	30.0 Nm	40.0 Nm

Comments

The max. tightening values are only valid for the MayTec setscrew and can not be reached by the usual commercial quality standard.

Tension load

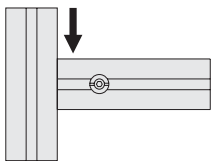


PG	Slot	max. Tensile strength			
		Connector		T-Nut	
		Standard	Universal		
20	H	-	1,500 N	M4	4,000 N
	F	5,000 N	6,000 N	M8	8,000 N
30	F	5,000 N	6,000 N	M8	8,000 N
40	E	10,000 N	12,000 N	M8	12,000 N
45	E	15,000 N	18,000 N	M8	20,000 N
50	E	15,000 N	18,000 N	M8	20,000 N
60	E	15,000 N	18,000 N	M8	20,000 N

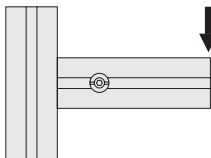
Comments

All values given have been tested with pre-tension of the connectors and maximum torque value and refer to the connection of two identical profiles.

Slide load

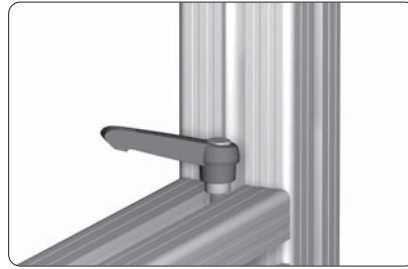


Flexure load



PG	Profile	Slot	max. Slide strength			max. Flexure strength
			Connector			
			Pcs.	Standard	E-connector	Standard
20	20×20	H	1	1,500 N	-	50 Nm
	20×40		2	3,000 N	-	150 Nm
	40×40		4	6,000 N	-	300 Nm
	20×30	F	1	5,000 N	7,500 N	65 Nm
30	30×30	F	1	5,000 N	7,500 N	100 Nm
	30×50		1	5,000 N	7,500 N	160 Nm
	30×60		2	10,000 N	15,000 N	300 Nm
	30×100, 5F		2	10,000 N	15,000 N	640 Nm
	30×100, 8F		3	15,000 N	22,500 N	960 Nm
	30×150, 8F		3	15,000 N	22,500 N	900 Nm
	60×60 angle		3	15,000 N	22,500 N	400 Nm
	60×60		4	20,000 N	30,000 N	600 Nm
	30×150	E	2	12,000 N	18,000 N	2,000 Nm
40	40×40	E	1	6,000 N	9,000 N	250 Nm
	40×80		2	12,000 N	18,000 N	750 Nm
	40×120		3	18,000 N	27,000 N	2,000 Nm
	40×160		4	24,000 N	36,000 N	3,750 Nm
	80×80 angle		3	18,000 N	27,000 N	1,000 Nm
	80×80, 8E		4	24,000 N	36,000 N	1,500 Nm
	80×120		6	36,000 N	54,000 N	2,250 Nm
	80×160		8	48,000 N	72,000 N	3,750 Nm
45	45×45	E	1	6,000 N	9,000 N	360 Nm
	45×60		1	6,000 N	9,000 N	530 Nm
	45×90		2	12,000 N	18,000 N	1,080 Nm
	90×90		4	24,000 N	36,000 N	2,160 Nm
50	50×50	E	1	6,000 N	9,000 N	400 Nm
	50×100, 6E		2	12,000 N	18,000 N	1,200 Nm
	50×100, 8E		3	18,000 N	27,000 N	2,000 Nm
	50×150		3	18,000 N	27,000 N	3,200 Nm
	100×100		4	24,000 N	36,000 N	2,400 Nm
	100×200		8	48,000 N	72,000 N	12,000 Nm
	100×300		12	72,000 N	108,000 N	19,000 Nm
60	60×60	E	1	6,000 N	9,000 N	480 Nm
	60×90		2	12,000 N	18,000 N	1,200 Nm

End fixing with clamping lever



Application

For frequent release of connections and for easy adjustment, the setscrew can be replaced with a clamping lever. The position of the lever can be changed.

End fixing with angle bracket



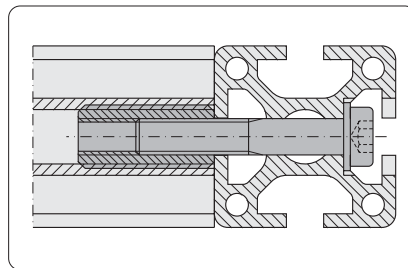
Application

To support connections of exposed profiles i.e. to torque or impact loading, the profiles can be reinforced with angle supports.

Cross connection with angle bracket



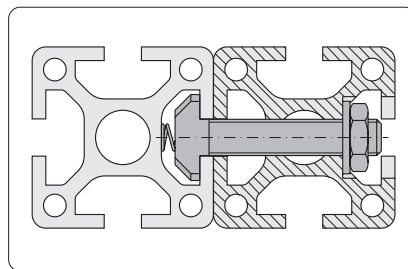
End fixing with socket head screw



Application

To combat high sliding forces or impact loading, the profiles can also be connected with screws.

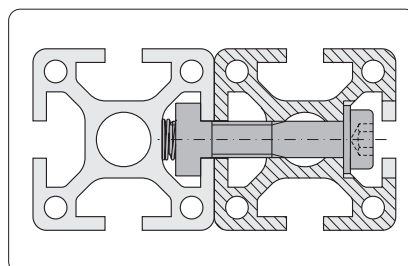
Fastening with T-Bolt and hexagon nut



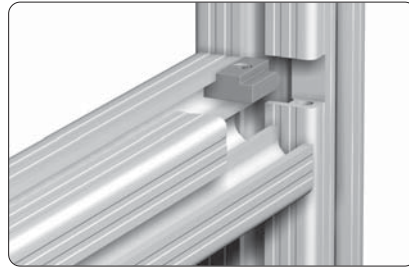
Application

Should additional profiles need to be mounted parallel on a finished frame, then this can be accomplished by parallel connectors, T-Bolts or by T-Nuts.

Connection with socket head screw and T-Nuts

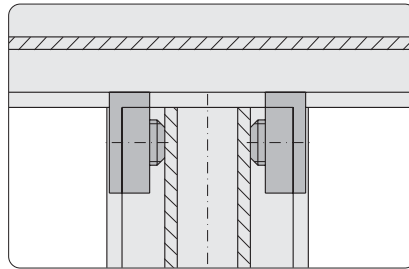


Anti-twist devices

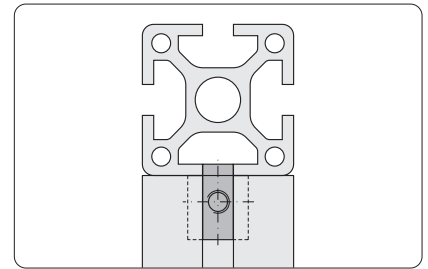


Application

In the case of high torque forces with connections of one connector only, twisting can be prevented by mounting 1 or 2 anti-twist devices.

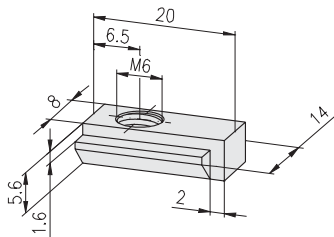


The nose of the anti-twist device fits into the basic profile.

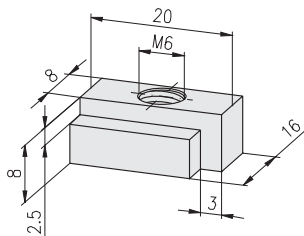


Technical data

material: steel
 surface: galvanised
 max. moment of torque: $M_{A,zul}$



Description	G	$M_{A,zul}$	Weight	Article-No.
Anti-twist device F	M6	10 Nm	7.3 g	1.29.321.FM6



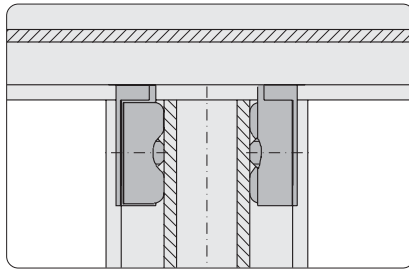
Description	G	$M_{A,zul}$	Weight	Article-No.
Anti-twist device E	M6	10 Nm	14 g	1.29.321.EM6

**Anti-twist devices
for subsequent insertion**

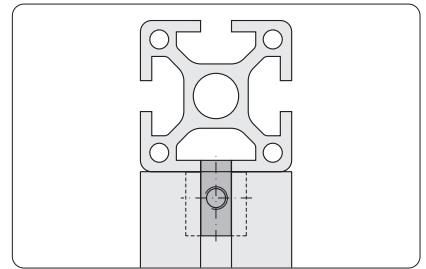


Application

In the case of high torque forces with connections of one connector only, twisting can be prevented by mounting 1 or 2 anti-twist devices.

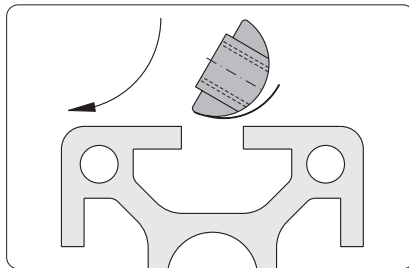


The nose of the anti-twist device fits into the basic profile.

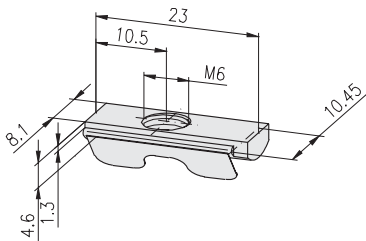


Technical data

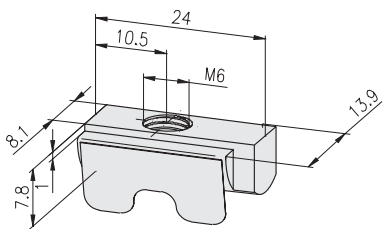
material: steel
 surface: galvanised
 max. moment of torque: $M_{A,zul}$



Insert front-sided and rotate

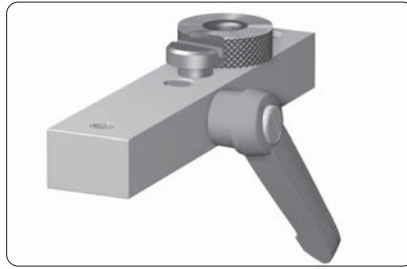


Description	G	$M_{A,zul}$	Weight	Article-No.
Anti-twist device F	M6 for subsequent insertion	10 Nm	7.3 g	1.29.324.FM6



Description	G	$M_{A,zul}$	Weight	Article-No.
Anti-twist device E	M6 for subsequent insertion	10 Nm	14 g	1.29.324.EM6

Clamping levers



Clamping lever for drill jigs

Application

Any MayTec connector can be equipped with a clamping lever. For frequent opening and closing

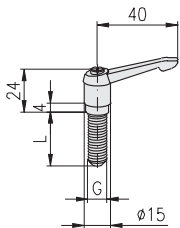


Clamping lever for connector

Technical data

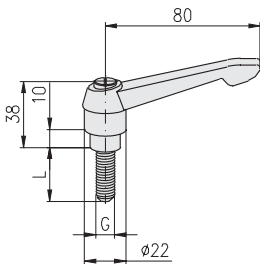
clamping handle: PA-glass-fiber reinf.
 clamping lever: with ratchet lever handle
 annular gear: die casted zinc steel
 thread: steel

Clamping levers 40 for connector



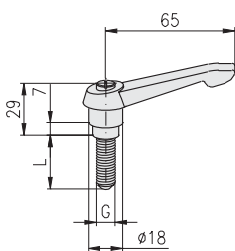
Description	G	L	Weight	Article-No.
Clamping lever 40 for connector	M6	20	17 g	1.29.500620
Clamping lever 40 for connector	M8	20	21 g	1.29.500820
Clamping lever 40 for connector	M10	20	24 g	1.29.501020
Clamping lever 40 for connector	M10	30	29 g	1.29.501030

Clamping levers 65 for connector













Description	G	L	Weight	Article-No.
Clamping lever 65 for connector	M6	20	36 g	1.29.650620
Clamping lever 65 for connector	M8	20	41 g	1.29.650820
Clamping lever 65 for connector	M10	20	44 g	1.29.651020
Clamping lever 65 for connector	M10	30	49 g	1.29.651030

Clamping levers 80 for connector







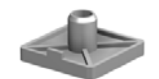



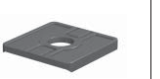
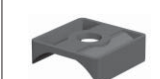






















Description	G	L	Weight	Article-No.
Clamping lever 80 for connector	M8	20	64 g	1.29.800820
Clamping lever 80 for connector	M10	20	65 g	1.29.801020
Clamping lever 80 for connector	M10	30	70 g	1.29.801030

1.3 Fastening elements

							
Threaded plates ↗ 102	Threaded plates for subs. insertion ↗ 103	T-Nuts ↗ 104	T-Nuts for subs. insertion ↗ 105	Spring-nuts front-sided insertion ↗ 106	T-slot nuts ↗ 107	Rhomboid T-slot nuts with self-locking ↗ 108	T-Bolts front-sided insertion ↗ 109
							
Threaded inserts ↗ 110-111	Press-fit threaded inserts ↗ 112						

1.4 Installation accessories

							
Cover profiles ↗ 113	Reducing profiles ↗ 114	Combination profiles ↗ 115	Combination profiles for sliding profiles ↗ 117	Guide profile for sliding profile ↗ 118	Framing profiles one piece ↗ 119	Sponge rubber round cords ↗ 120-121	Framing profiles ↗ 122
							
Rubber cover-profiles ↗ 123	Cover caps for profiles ↗ 124-125	Cover cap Ø48 for hand rail profile ↗ 125	Cover plugs for cross bushings ↗ 126	Cover plugs domed for cross bushings ↗ 127	Cover caps for tubes ↗ 128	Cover caps for screw bores ↗ 128	Radius covers ↗ 129-130
							
Radius compensations ↗ 131	Floor levelling screws ↗ 132	Levelling foot PA 20 ↗ 132	Hand adjustable feet ↗ 133	Levelling feet ↗ 134	Adjustable tilt-feet ↗ 135-139	Angular adjusting feet ↗ 140	Base foot ↗ 141
							
Base foot ↗ 141	Base angle ↗ 142	Stacking foot ↗ 142	Fixed castors ↗ 143	Swivel castors ↗ 144	Swivel castors lockable ↗ 144	Angle ↗ 145	Angle PA ↗ 146
							
Angles GD-Zn ↗ 147	Angles Alu ↗ 148	Swivel angles straight design ↗ 149	Swivel angles ↗ 149	Cross connection plates ↗ 150	Base plates ↗ 151	Mounting plates ↗ 152	Floor plate ↗ 152
							
Connection plates ↗ 153	Fastening plate for joint 30x100 ↗ 154	Eye-bolt ↗ 155	Corner pieces cubic ↗ 156-157	Corner pieces segment ↗ 156-157	Corner pieces segment, 2gang ↗ 156-157	Corner pieces sphere ↗ 156-157	

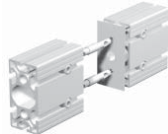
1.5 Pneumatic accessories



Pneumatic end plates
↗ 160-161



Pneumatic connection plates
↗ 162



Pneumatic extension sets
↗ 163



Pneumatic-90° connection sets
↗ 164-165



Pneumatic accessories
↗ 165

1.6 Additional accessories



Handles light PA
↗ 166



Handle light
↗ 167



Handle PA with mounting thread
↗ 167



Handles PA
↗ 168



Handle system round design
↗ 169



Handle system oval design
↗ 170



Grab handles made of profiles
↗ 171



Grab handle profile
↗ 171



Hinges
↗ 172-173



Lift-off hinges
↗ 174-177



Double hinge
↗ 179



Hinges
↗ 180-184



Alu hinges
↗ 185-186



Alu hinges, heavy
↗ 187-188



Joints
↗ 189-190



Joints with clamping lever
↗ 191-192



Mounting blocks screw-type
↗ 193



Mounting blocks for subs. insertion
↗ 194-196



Mounting clamp blocks for subs. ins.
↗ 197-200



Quick locks
↗ 201-202



Bullet catches
↗ 203



Bullet catch PA
↗ 204



Magnetic lock PA
↗ 205



Cylinder locks
↗ 206-207



Cylinder locks with security latch
↗ 208-209



Flap-lock countersunk
↗ 210



Cylinder locks flush
↗ 211-212



Mortise deadlocks
↗ 213-217



Bar locks
↗ 218-221



Latch lock
↗ 222



Rollers
↗ 223-224



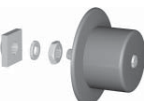
Twin track guide
↗ 224



Roller fastening sets
↗ 225-228



Mounting adaptor for roller
↗ 229



Edge roller
↗ 230



Alu-C-track for suspended doors
↗ 231



Runner for suspended doors
↗ 232



Stopper for suspended doors
↗ 232



Bottom guide for suspended doors
↗ 232



Frame guide for suspended doors
↗ 232



Rubber door stop for suspended doors
↗ 232



Sliding blocks
↗ 234



T-Nut sliding blocks
↗ 235



Distance washer
↗ 235



Slot rollers
↗ 236













Hanging bracket
↗ 237








Suspended glider
↗ 238

1.7 Electrical accessories

 Potential equalisation ↔ 239	 Ground connections ↔ 240	 Cable and hose clamp ↔ 241	 Block for cable binder ↔ 242	 Installation rings ↔ 243	 Mounting set for 19" profile ↔ 244	 Safety switches ↔ 245-246	 Safety interlocking-mountings ↔ 247-251
 Sensor brackets ↔ 252	 Electrical installation trunking ↔ 253-257						

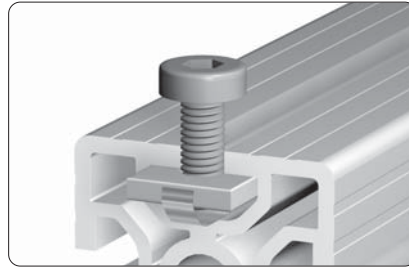
1.8 Panel elements

 Corner elements for wire net m. profile ↔ 258	 Corner element 33 for wire net m. prf. 33x10 ↔ 259	 Mounting sockets ↔ 260	 Panel elements ↔ 261-264	 Wire net, Alu ↔ 265
---	--	--	--	---

1.9 Tools

 Drill jigs ↔ 266, 268	 Drills ↔ 267, 269	 Milling cutters ↔ 267, 269	 Screw taps ↔ 270
---	---	--	--

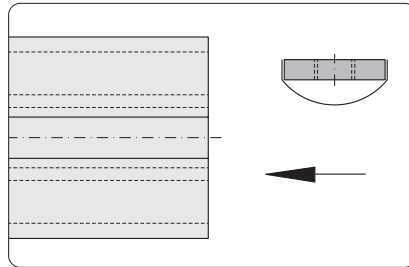
Threaded plates



Fixed into position with leaf spring

Application

Fastening element for screw-type connections

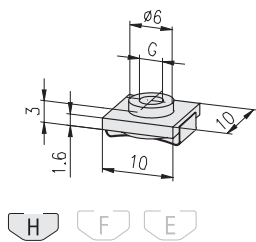


Assembly

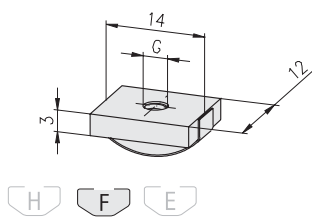
Insert from end

Technical data

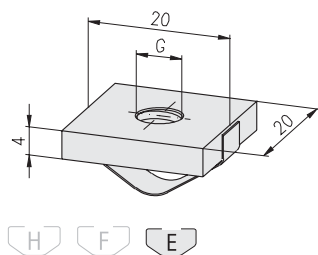
material: steel
 surface: galvanised
 max. moment of torque: $M_{A,zul}$



Description	G	$M_{A,zul}$	Weight	Article-No.
Threaded plate H	M3	1.3 Nm	1.5 g	1.31.HM3
Threaded plate H	M4	3.0 Nm	1.3 g	1.31.HM4
Threaded plate H	M5	3.0 Nm	1.2 g	1.31.HM5

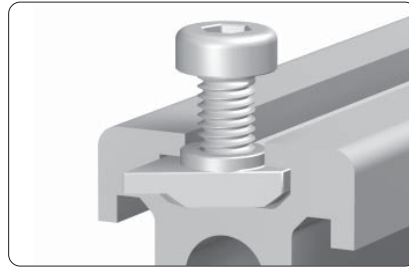


Description	G	$M_{A,zul}$	Weight	Article-No.
Threaded plate F	M3	1.3 Nm	3.9 g	1.31.FM3
Threaded plate F	M4	3.0 Nm	3.7 g	1.31.FM4
Threaded plate F	M5	5.0 Nm	3.6 g	1.31.FM5
Threaded plate F	M6	7.0 Nm	3.3 g	1.31.FM6

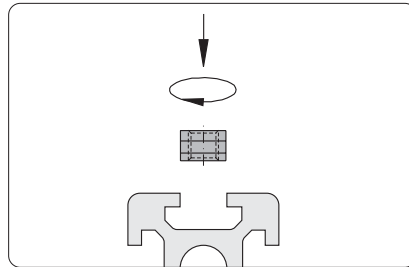


Description	G	$M_{A,zul}$	Weight	Article-No.
Threaded plate E	M3	1.3 Nm	12.0 g	1.31.EM3
Threaded plate E	M4	3.0 Nm	11.8 g	1.31.EM4
Threaded plate E	M5	5.0 Nm	11.6 g	1.31.EM5
Threaded plate E	M6	10.0 Nm	11.3 g	1.31.EM6
Threaded plate E	M8	15.0 Nm	11.0 g	1.31.EM8

**Threaded plates
for subsequent insertion**



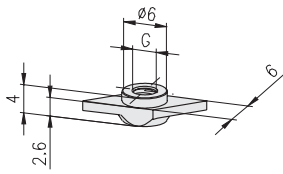
Application
Fastening element for screw-type connections



Assembly
Insert frontally and turn 60°

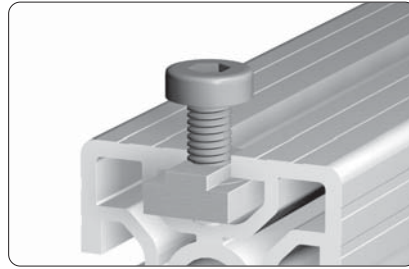
Technical data

material : steel
surface: galvanised



Description	G	Weight	Article-No.
Threaded plate for subsequent insertion H	M3	0.90 g	1.314.HM3
Threaded plate for subsequent insertion H	M4	0.85 g	1.314.HM4
Threaded plate for subsequent insertion H	M5	0.80 g	1.314.HM5

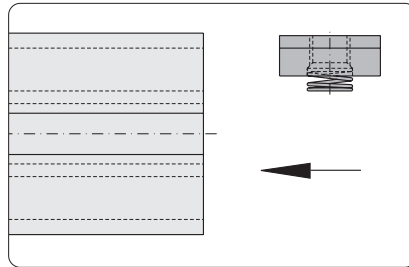
T-Nuts



Fixing with compressing spring

Application

Fastening element for screw-type connections



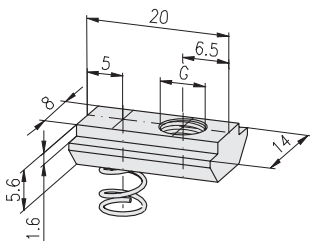
Insert from end

Assembly

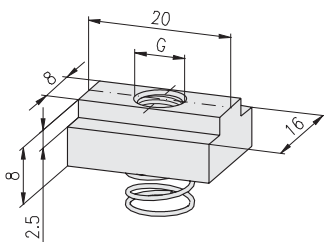
Insert from end

Technical data

material: steel
 surface: galvanised
 max. moment of torque: $M_{A,zul}$

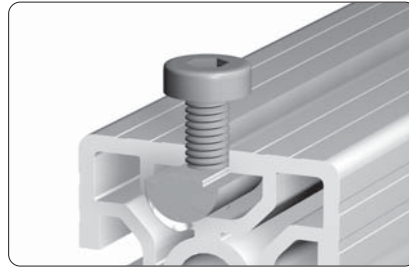


Description	G	$M_{A,zul}$	Weight	Article-No.
T-Nut F	M6	10 Nm	7.0 g	1.32.FM6
T-Nut F	M8	26 Nm	6.6 g	1.32.FM8



Description	G	$M_{A,zul}$	Weight	Article-No.
T-Nut E	M6	10 Nm	15 g	1.32.EM6
T-Nut E	M8	26 Nm	14 g	1.32.EM8

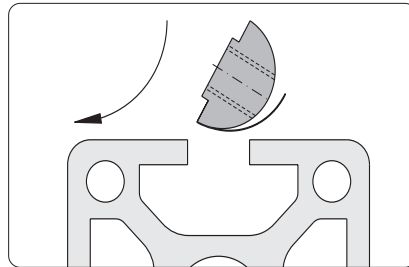
**T-Nuts
for subsequent insertion**



Fixing with leaf spring

Application

Fastening element for screw-type connections



Insert front-sided and rotate

Technical data

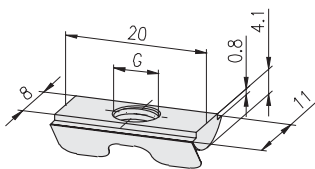
Design steel:

- material: steel
- surface: galvanised

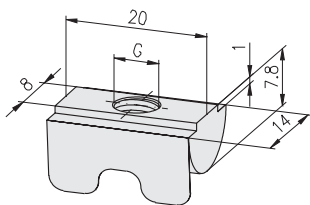
Design stainless:

- material: stainless steel 1.4305
- surface: pickled and passivated

max. moment of torque: $M_{A,zul}$

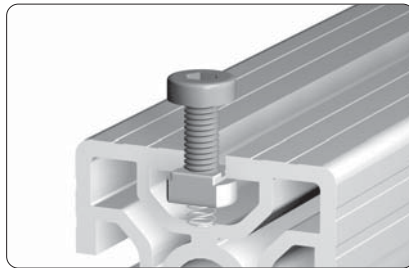


Description	G	Design	$M_{A,zul}$	Weight	Article-No.
T-Nut for subsequent insertion F	M3	steel	1.3 Nm	5.0 g	1.324.FM3
T-Nut for subsequent insertion F	M4	steel	3.0 Nm	4.9 g	1.324.FM4
T-Nut for subsequent insertion F	M5	steel	5.0 Nm	4.6 g	1.324.FM5
T-Nut for subsequent insertion F	M6	steel	10.0 Nm	4.3 g	1.324.FM6
T-Nut for subsequent insertion F	M8	steel	10.0 Nm	3.7 g	1.324.FM8
T-Nut for subsequent insertion F	M6	stainless	10.0 Nm	4.3 g	1.324.FM6V
T-Nut for subsequent insertion F	M8	stainless	10.0 Nm	3.7 g	1.324.FM8V



Description	G	Design	$M_{A,zul}$	Weight	Article-No.
T-Nut for subsequent insertion E	M3	steel	1.3 Nm	10.0 g	1.324.EM3
T-Nut for subsequent insertion E	M4	steel	3.0 Nm	10.0 g	1.324.EM4
T-Nut for subsequent insertion E	M5	steel	5.0 Nm	10.0 g	1.324.EM5
T-Nut for subsequent insertion E	M6	steel	10.0 Nm	10.0 g	1.324.EM6
T-Nut for subsequent insertion E	M8	steel	26.0 Nm	9.0 g	1.324.EM8
T-Nut for subsequent insertion E	M6	stainless	10.0 Nm	10.0 g	1.324.EM6V
T-Nut for subsequent insertion E	M8	stainless	26.0 Nm	9.0 g	1.324.EM8V

**Spring-nuts
front-sided insertion**

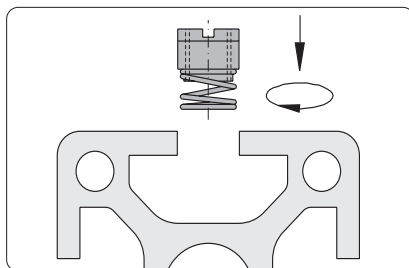


Fixing with compressing spring

Application

Fastening element for screw-type connections. Applicable for small loads such as:

- enclosures
- electric switches

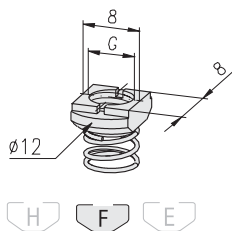


Assembly

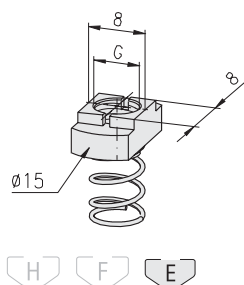
Insert front-sided and turn 90°

Technical data

material: steel
 surface: galvanised
 max. moment of torque: $M_{A,zul}$

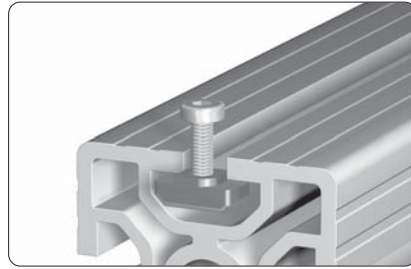


Description	G	$M_{A,zul}$	Weight	Article-No.
Spring-nut F	M3	1.3 Nm	1.6 g	1.33.FM3
Spring-nut F	M4	3.0 Nm	1.5 g	1.33.FM4
Spring-nut F	M5	5.0 Nm	1.3 g	1.33.FM5
Spring-nut F	M6	5.0 Nm	1.1 g	1.33.FM6

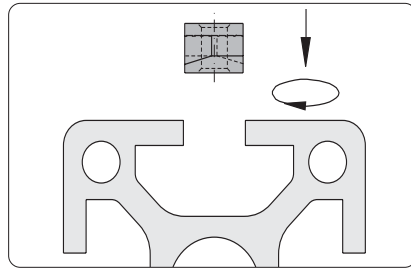


Description	G	$M_{A,zul}$	Weight	Article-No.
Spring-nut E	M3	1.3 Nm	3.9 g	1.33.EM3
Spring-nut E	M4	3.0 Nm	3.7 g	1.33.EM4
Spring-nut E	M5	5.0 Nm	3.4 g	1.33.EM5
Spring-nut E	M6	10.0 Nm	3.0 g	1.33.EM6

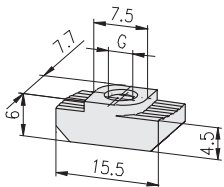
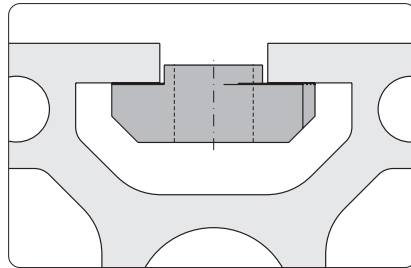
T-slot nut



Application
Fastening element for screw-type connections



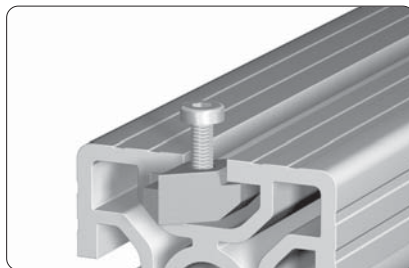
Assembly
Mount the T-slot nut onto the screw and insert into the slot. Rotate the screw with T-slot nut 90° inside and then fasten.



Technical data
material: GD-Zn

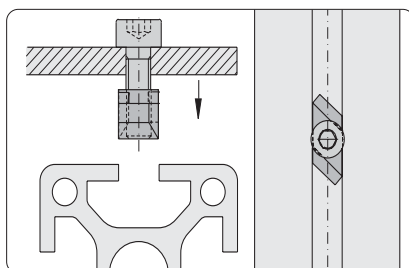
Description	G	Weight	Article-No.
T-slot nut E	M4	2.6 g	1.34.10EM4
T-slot nut E	M5	2.8 g	1.34.10EM5
T-slot nut E	M6	3.0 g	1.34.10EM6

Rhomboid T-slot nuts with self-locking



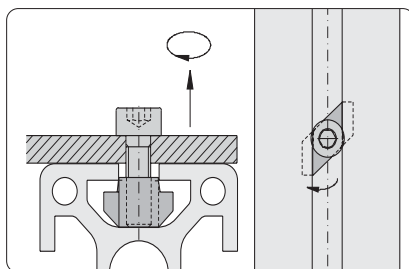
Application

For pre-assembly of threads in the profile slot.

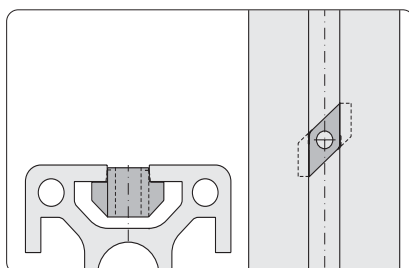


Assembly

Pre-assemble the rhomboid T-slot nut onto the screw, and insert into the slot.



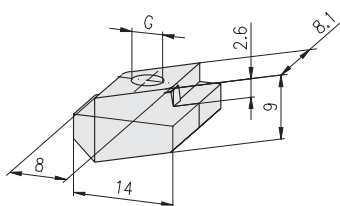
By tightening the screw, the rhomboid T-slot nut is turned 90° and jammed inside the slot with its conical flanks.



Even after loosening the screw, the rhomboid T-slot nut will remain wedged in place

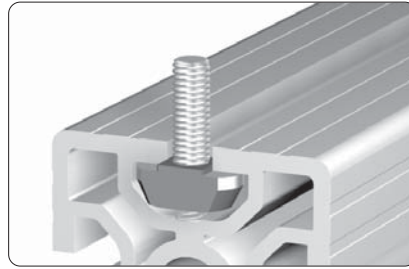
Technical data

material: GD-Zn
surface: galvanised



Description	G	Weight	Article-No.
Rhomboid T-slot nut E	M3	6.5 g	1.34.20EM3
Rhomboid T-slot nut E	M4	6.2 g	1.34.20EM4
Rhomboid T-slot nut E	M5	5.9 g	1.34.20EM5
Rhomboid T-slot nut E	M6	5.5 g	1.34.20EM6

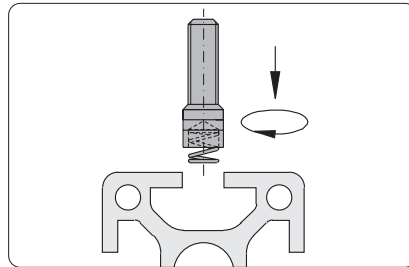
**T-Bolts
front-sided insertion**



Fixing with compressing spring

Application

Fastening element for screw-type connections

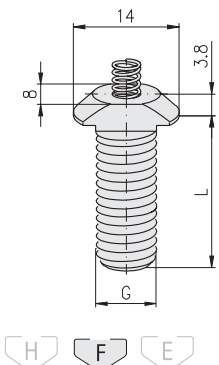


Assembly

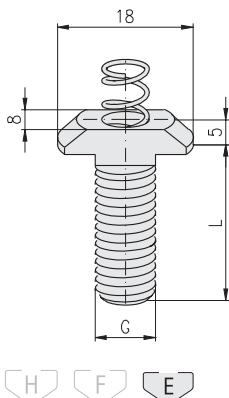
Insert front-sided and turn 90°

Technical data

material: steel
 surface: galvanised
 max. moment of torque: $M_{A,zul}$

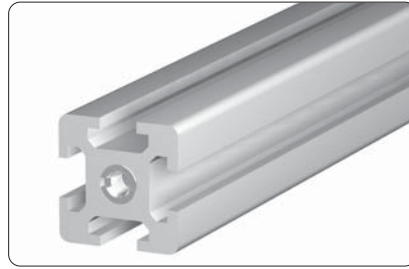


Description	G×L	$M_{A,zul}$	Weight	Article-No.
T-Bolt F	M6×20	6 Nm	6.0 g	1.34.FM62
T-Bolt F	M6×30	6 Nm	7.0 g	1.34.FM63
T-Bolt F	M8×20	18 Nm	8.0 g	1.34.FM82
T-Bolt F	M8×30	18 Nm	11.2 g	1.34.FM83



Description	G×L	$M_{A,zul}$	Weight	Article-No.
T-Bolt E	M6×20	6 Nm	9.0 g	1.34.EM62
T-Bolt E	M6×30	6 Nm	10.0 g	1.34.EM63
T-Bolt E	M8×20	18 Nm	12.0 g	1.34.EM82
T-Bolt E	M8×30	18 Nm	14.0 g	1.34.EM83
T-Bolt E	M8×40	18 Nm	18.0 g	1.34.EM84

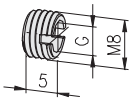
Threaded inserts



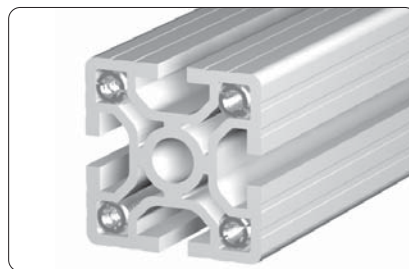
Application
For mounting on front end

Technical data
material: steel
surface: galvanised

Comments
for core hole Ø6



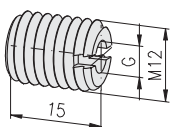
Description	G	Weight	Article-No.
Threaded insert	M8/M4	1.0 g	1.35.10804
Threaded insert	M8/M5	0.9 g	1.35.10805



Application
For mounting on front end

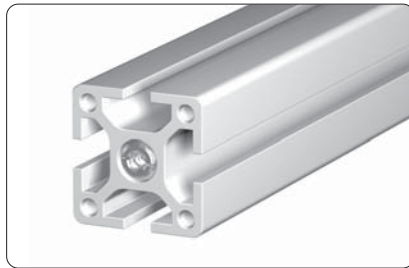
Technical data
material: steel
surface: galvanised

Comments
for outer chambers PG 50, heavy



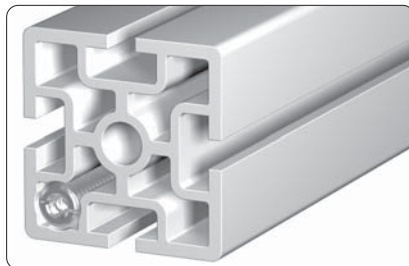
Description	G	Weight	Article-No.
Threaded insert	M12/M6	7.3 g	1.35.11206
Threaded insert	M12/M8	5.5 g	1.35.11208

Threaded inserts



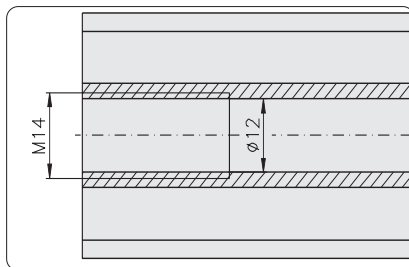
Application

For end mounting and fastening of any profile with core hole Ø12



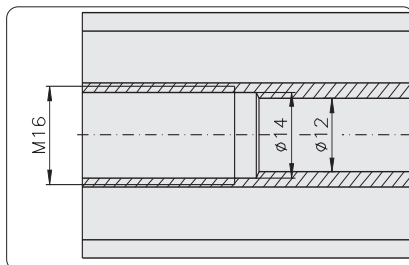
Application

For end mounting and fastening of profiles PG 60:
Profile 60x60, 2E
Profile 60x60, 4E



Assembly preparation for threaded insert M14/Mxx

- Tap M14 thread in core hole Ø12 mm

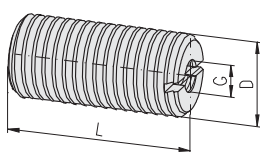


1) Assembly preparation for threaded insert M16/M12

- Drill Ø12 mm core hole to 14 mm
- Tap M16 thread in core hole Ø14 mm

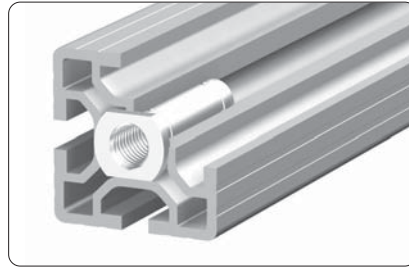
Technical data

material: steel
surface: galvanised



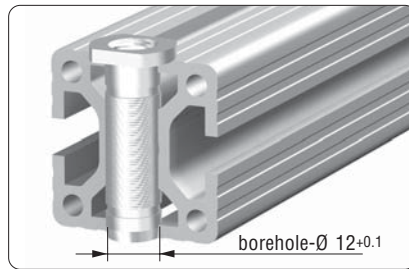
Description	D/G	L	Weight	Article-No.
Threaded insert	M14/M6	15	11 g	1.35.1140615
Threaded insert	M14/M6	30	22 g	1.35.1140630
Threaded insert	M14/M8	15	9 g	1.35.1140815
Threaded insert	M14/M8	30	18 g	1.35.1140830
Threaded insert	M14/M10	15	6 g	1.35.1141015
Threaded insert	M14/M10	30	12 g	1.35.1141030
¹⁾ Threaded insert	M16/M12	15	8 g	1.35.1161215
¹⁾ Threaded insert	M16/M12	30	16 g	1.35.1161230

Press-fit threaded inserts



Application

For end mounting and fastening of any profile with core hole 12 mm

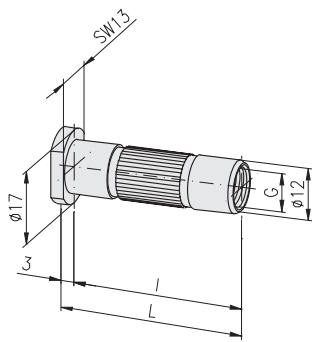


Application

For screw connections across the profile for cross section of 20 mm / 30 mm / 40 mm / 50 mm

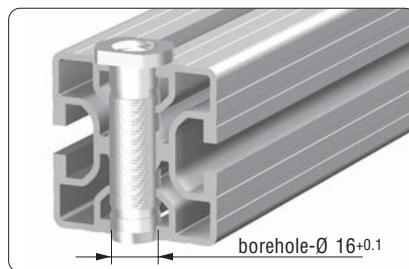
Technical data

material: steel
surface: galvanised



- 16
- 20
- 30
- 40
- 45
- 50
- 60

Description	G	L	I	Weight	Article-No.
Press-fit threaded insert	$\varnothing 12/M8$	22.5	19.5	15 g	1.35.608195
Press-fit threaded insert	$\varnothing 12/M8$	32.5	29.5	20 g	1.35.608295
Press-fit threaded insert	$\varnothing 12/M8$	42.5	39.5	26 g	1.35.608395
Press-fit threaded insert	$\varnothing 12/M8$	52.5	49.5	31 g	1.35.608495
Press-fit threaded insert	$\varnothing 12/M10$	22.5	19.5	11 g	1.35.610195
Press-fit threaded insert	$\varnothing 12/M10$	32.5	29.5	15 g	1.35.610295
Press-fit threaded insert	$\varnothing 12/M10$	42.5	39.5	18 g	1.35.610395
Press-fit threaded insert	$\varnothing 12/M10$	52.5	49.5	22 g	1.35.610495

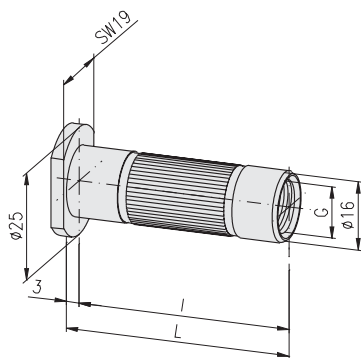


Application

For screw connections across the profile for cross section of 30 mm / 40 mm / 50 mm

Technical data

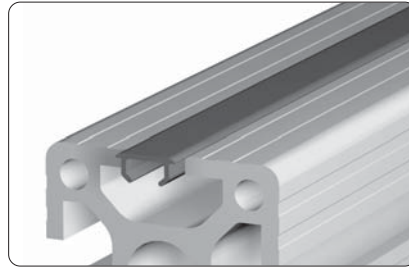
material: steel
surface: galvanised



- 16
- 20
- 30
- 40
- 45
- 50
- 60

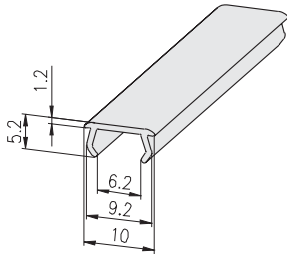
Description	G	L	I	Weight	Article-No.
Press-fit threaded insert	$\varnothing 16/M14$	32.5	29.5	25 g	1.35.614295
Press-fit threaded insert	$\varnothing 16/M14$	42.5	39.5	30 g	1.35.614395
Press-fit threaded insert	$\varnothing 16/M14$	52.5	49.5	35 g	1.35.614495

Cover profiles



Application

Cover profile with 1.2 mm jutout for the protection of the profile slots

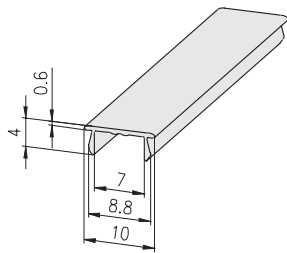


Technical data

- bar length: 2.5 m
- material: PVC rigid
- oil and water resistant
- anti-electrostatic
- lead- and cadmium free

Description

Description	Weight	Article-No.
Cover profile PVC, F/E, grey	85 g/bar	1.41.11.1
Cover profile PVC, F/E, black	85 g/bar	1.41.11.2
Cover profile PVC, F/E, yellow (similar to RAL 1023)	85 g/bar	1.41.11.7



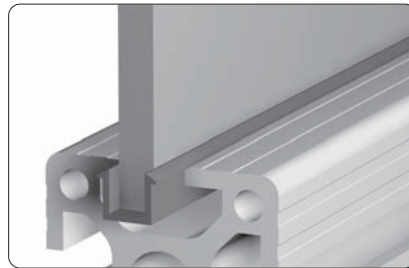
Technical data

- bar length: 2.5 m
- material: aluminium
- surface: neutral anodised

Description

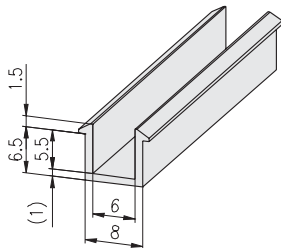
Description	Weight	Article-No.
Cover profile Alu, F/E	67.5 g/bar	1.41.121

Reducing profiles PVC



Application

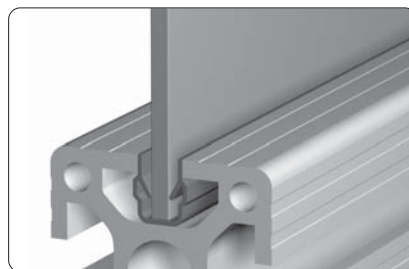
To reduce the slot size from 8 mm to 6 mm



Technical data

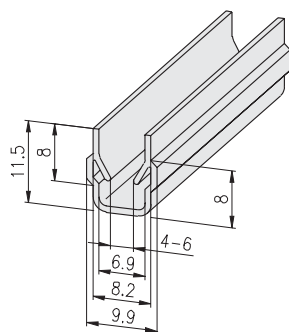
- bar length: 2.5 m
- material: PVC rigid
- oil and water resistant
- anti-electrostatic
- lead- and cadmium free

Description	Colour	Weight	Article-No.
Reducing profile PVC, F/E, 8/6	grey	85 g/bar	1.41.21.1
Reducing profile PVC, F/E, 8/6	black	85 g/bar	1.41.21.2



Application

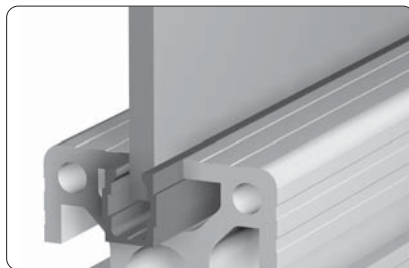
To reduce the slot size from 8 mm to 4 or 6 mm



Technical data

- bar length: 2.5 m
- material: PVC rigid
- oil and water resistant
- lead- and cadmium free

Description	Colour	Weight	Article-No.
Reducing profile PVC, E, 4-6	grey	85 g/bar	1.41.22.1
Reducing profile PVC, E, 4-6	black	85 g/bar	1.41.22.2

Combination profiles PVC


Use as reduction profile

Application

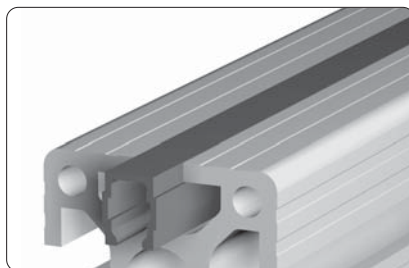
Combination profiles for use as reduction or cover profiles

Technical data

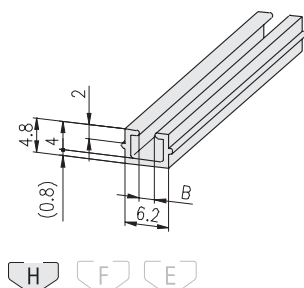
bar length: 2.5 m

material: PVC rigid

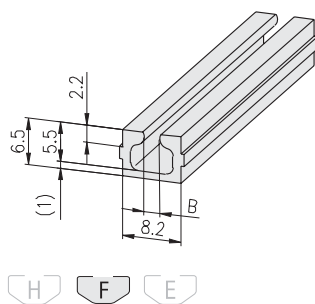
- oil and water resistant



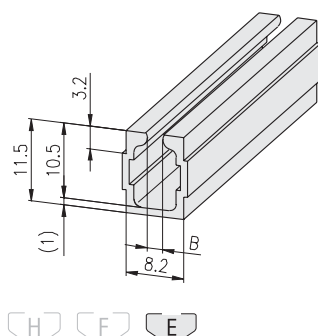
Use as slot-cover profile

Colours: grey
black
red
blue
green


Description	B	Colour	Weight	Article-No.
Combination profile PVC, H	2	grey	37.5 g/bar	1.41.H02.1
Combination profile PVC, H	2	black	37.5 g/bar	1.41.H02.2
Combination profile PVC, H	2	red	37.5 g/bar	1.41.H02.4
Combination profile PVC, H	2	blue	37.5 g/bar	1.41.H02.5
Combination profile PVC, H	2	green	37.5 g/bar	1.41.H02.6
Combination profile PVC, H	4	grey	35.0 g/bar	1.41.H04.1
Combination profile PVC, H	4	black	35.0 g/bar	1.41.H04.2

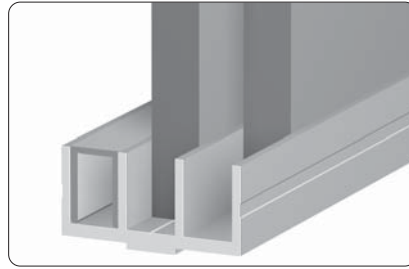


Description	B	Colour	Weight	Article-No.
Combination profile PVC, F	2	grey	102.5 g/bar	1.41.F02.1
Combination profile PVC, F	2	black	102.5 g/bar	1.41.F02.2
Combination profile PVC, F	4	grey	92.5 g/bar	1.41.F04.1
Combination profile PVC, F	4	black	92.5 g/bar	1.41.F04.2
Combination profile PVC, F	6	grey	85.0 g/bar	1.41.F06.1
Combination profile PVC, F	6	black	85.0 g/bar	1.41.F06.2
Combination profile PVC, F	6	red	85.0 g/bar	1.41.F06.4
Combination profile PVC, F	6	blue	85.0 g/bar	1.41.F06.5
Combination profile PVC, F	6	green	85.0 g/bar	1.41.F06.6

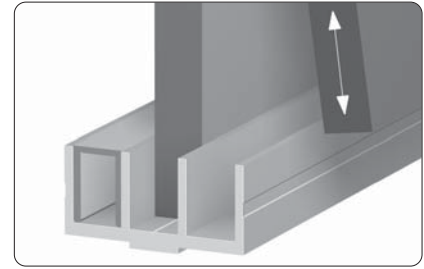


Description	B	Colour	Weight	Article-No.
Combination profile PVC, E	2	grey	102.5 g/bar	1.41.E02.1
Combination profile PVC, E	2	black	102.5 g/bar	1.41.E02.2
Combination profile PVC, E	4	grey	92.5 g/bar	1.41.E04.1
Combination profile PVC, E	4	black	92.5 g/bar	1.41.E04.2
Combination profile PVC, E	6	grey	85.0 g/bar	1.41.E06.1
Combination profile PVC, E	6	black	85.0 g/bar	1.41.E06.2
Combination profile PVC, E	6	red	85.0 g/bar	1.41.E06.4
Combination profile PVC, E	6	blue	85.0 g/bar	1.41.E06.5
Combination profile PVC, E	6	green	85.0 g/bar	1.41.E06.6

Sliding doors construction types



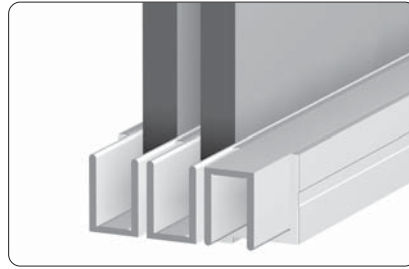
Fixed



Removable

Profile	Sliding profile 30 mm			Sliding profile 50 mm	
	Fixed	Removable		Fixed	Removable
Type of mounting	Fixed	Removable		Fixed	Removable
Profile above	30×14	30×26	30×26	50×14	50×14
Profile below	30×14	30×14	30×26	50×14	50×14
Panel element 6 mm					
	$H = A - 8$	$H = A - 19$ $H1 = A - 45$	$H = A - 31$ $H1 = A - 57$	$H = A - 9$	$H = A - 19$ $H1 = A - 45$
Panel element 8 mm					
	$H = A - 6$	$H = A - 18$ $H1 = A - 44$	$H = A - 30$ $H1 = A - 56$	$H = A - 9$	$H = A - 19$ $H1 = A - 45$
Panel element 1 - 14 mm					
	$H = A - 6$ $H1 = A - 58$	$H = A - 18$ $H1 = A - 70$	$H = A - 30$ $H1 = A - 82$	$H = A - 17$ $H1 = A - 69$	$H = A - 19$ $H1 = A - 71$

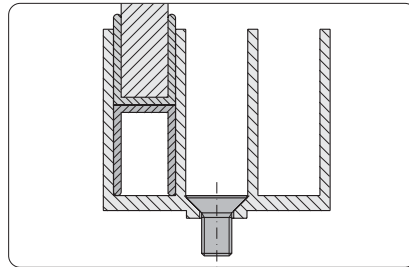
Combination profiles PVC



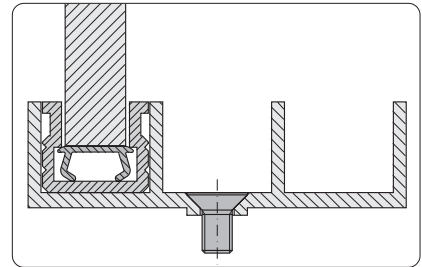
Application

Combination profiles for sliding profiles alternatively suitable as:

- reducing profile
- cover profile
- Inserted plate (only combination profile 1.41.330)



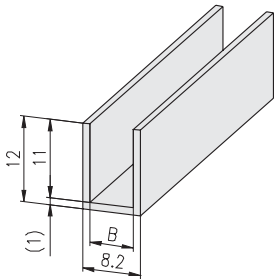
Inserted plate for sliding profile 30×26: combination profile 1.41.330



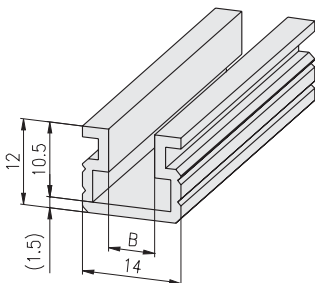
Inserted plate for sliding profile 50×14: for sliding profile 1.41.111/112

Technical data

bar length: 2.5 m
 material: PVC rigid
 oil and water resistant
 colour: grey

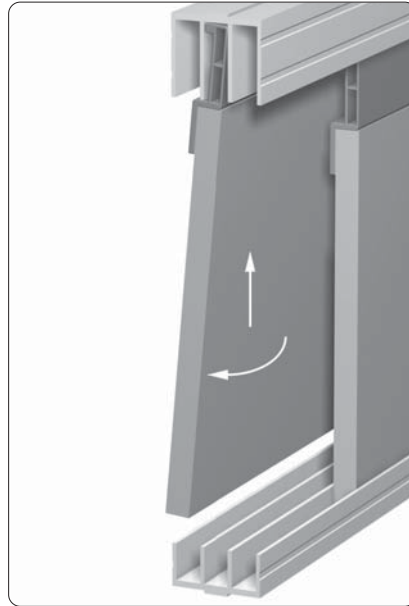


Description	B	Weight	Article-No.
Combination profile PVC for 30×14	6.2	115 g/bar	1.41.330



Description	B	Weight	Article-No.
Combination profile PVC for 50×14	6.5	222.5 g/bar	1.41.350
Combination profile PVC for 50×14	9.0	205.0 g/bar	1.41.351

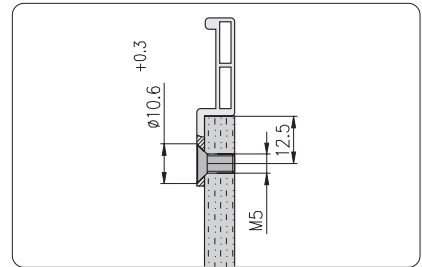
Guide profile PVC



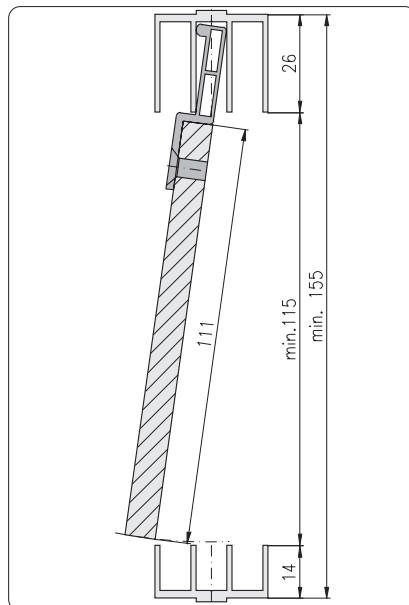
Application

The guide profile is necessary

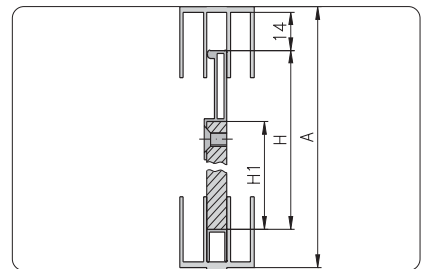
- For demountable sliding doors
- For the use of panel elements of each plate thickness from 1 mm to 14 mm



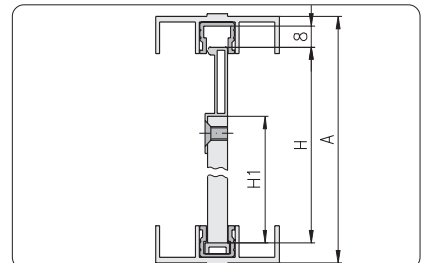
Drill dimensions



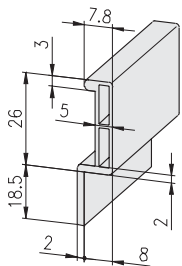
Minimum height for lifting of the panel elements



Use in sliding profile 30x26



Use in sliding profile 50x14 with combination profile



Technical data

bar length: 2.5 m
 material: PVC rigid
 oil and water resistant
 colour: grey

Description

Guide profile PVC for sliding profile

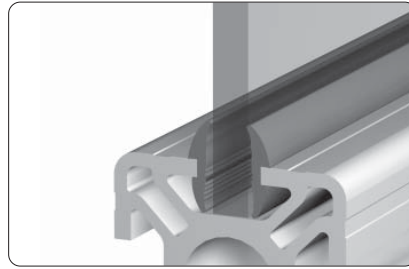
Weight

375 g/bar

Article-No.

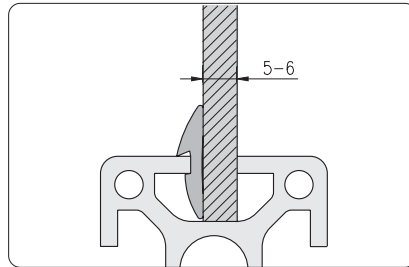
1.41.360

**Framing profiles
one piece**

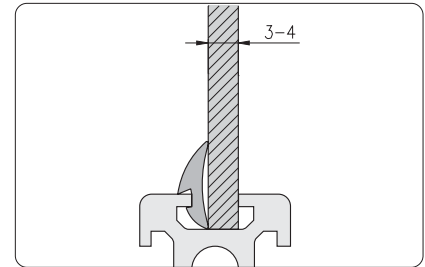


Application

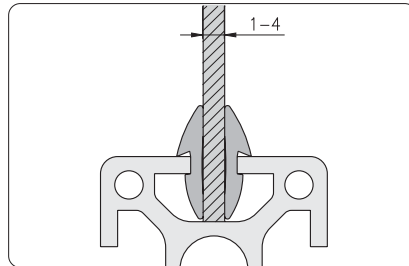
The one piece framing profile for mounting panels of different thickness. The elastic lips provide a good seal.



One sided application for profiles with F-slot and panels 5 - 6 mm thick



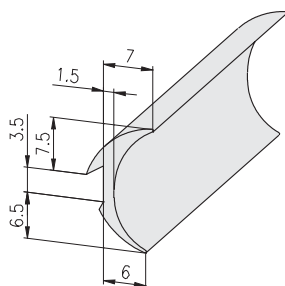
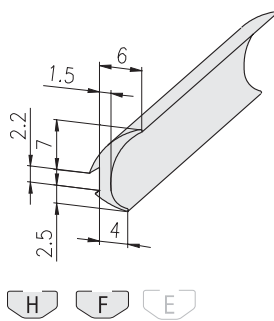
One sided application for profiles with H-slot and panels 3 - 4 mm thick



Two sided application for panels 1 - 4 mm thick

Technical data

- length of ring: 20 m
- material: NBR - 60 Shore A
 - compatible with acrylic glass
 - oil and water resistant



Description	Colour	Weight	Article-No.
Framing profile one piece F	grey ring	740 g/ring	1.41.5F0.1
Framing profile one piece F	grey cut to length	37 g/m	1.41.5F0.1-A00A00/...
Framing profile one piece F	black ring	740 g/ring	1.41.5F0.2
Framing profile one piece F	black cut to length	37 g/m	1.41.5F0.2-A00A00/...

/... = length in mm

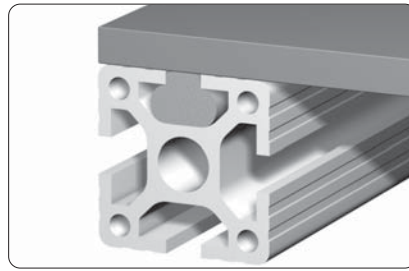


Description	Colour	Weight	Article-No.
Framing profile one piece E	grey ring	1,040 g/ring	1.41.5E0.1
Framing profile one piece E	grey cut to length	52 g/m	1.41.5E0.1-A00A00/...
Framing profile one piece E	black ring	1,040 g/ring	1.41.5E0.2
Framing profile one piece E	black cut to length	52 g/m	1.41.5E0.2-A00A00/...

/... = length in mm

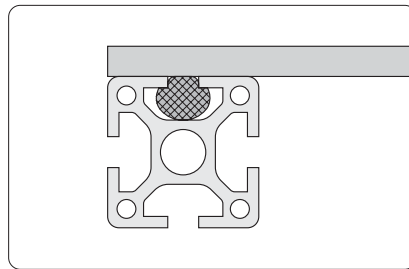


Sponge rubber round cords

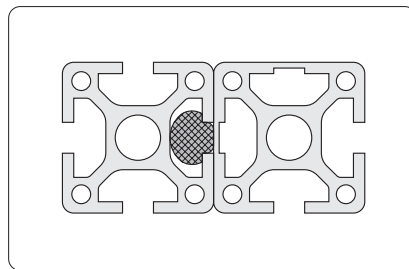


Application

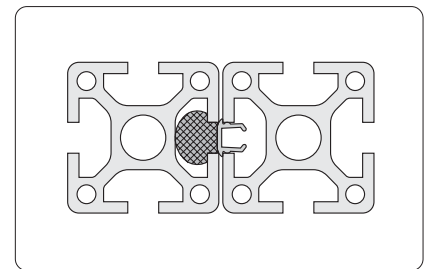
Sponge rubber round cords for sealing



Profile with panel element



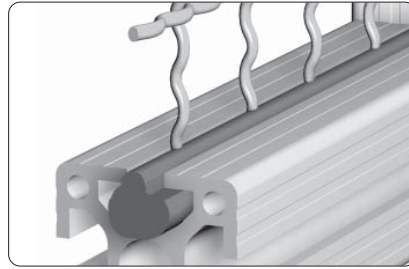
1 profile with slot
1 profile closed



2 profiles with slots
1 profile with slot-cover profile

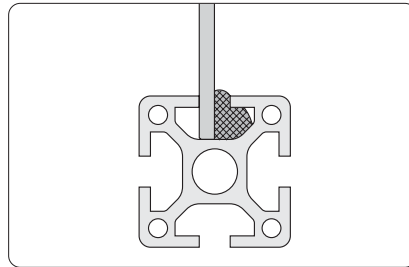
Sponge rubber round cord diameter-determination	
Profile slot	Sponge rubber diameter
H-slot	6 mm
F-slot	12 mm
E-slot	18 mm

Sponge rubber round cords

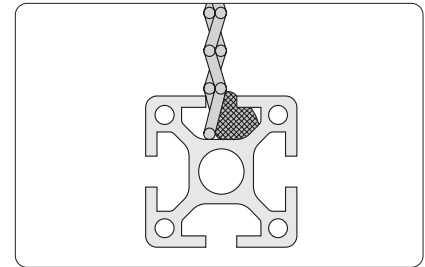


Application

For compensation of slot width on in-between sizes of cover panels.



Enclosures with panel materials

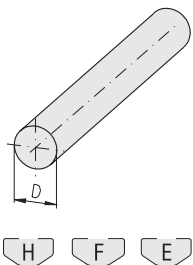


Enclosures with wire screens

Sponge rubber round cord diameter-determination		
Profile slot	Plate thickness	Sponge rubber diameter
H-slot	1 - 3 mm	6 mm
F-slot	1 - 2 mm	10 mm
	3 mm	8 mm
	4 - 5 mm	6 mm
E-slot	1 - 3 mm	10 mm
	3 - 4 mm	2×8 mm
	5 mm	2×6 mm

Technical data

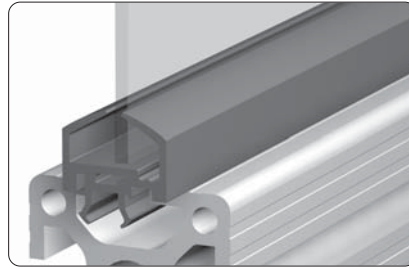
length of ring: 100 m
 material: EPDM
 colour: grey



Description	D	Weight	Article-No.
Sponge rubber round cords	Ø6 ring	1.1 kg/ring	1.41.606
Sponge rubber round cords	Ø6 cut to length	11 g/m	1.41.606-A00A00/...
Sponge rubber round cords	Ø8 ring	1.9 kg/ring	1.41.608
Sponge rubber round cords	Ø8 cut to length	19 g/m	1.41.608-A00A00/...
Sponge rubber round cords	Ø10 ring	3.2 kg/ring	1.41.610
Sponge rubber round cords	Ø10 cut to length	32 g/m	1.41.610-A00A00/...
Sponge rubber round cords	Ø12 ring	4.6 kg/ring	1.41.612
Sponge rubber round cords	Ø12 cut to length	46 g/m	1.41.612-A00A00/...
Sponge rubber round cords	Ø18 ring	10.0 kg/ring	1.41.618
Sponge rubber round cords	Ø18 cut to length	100 g/m	1.41.618-A00A00/...

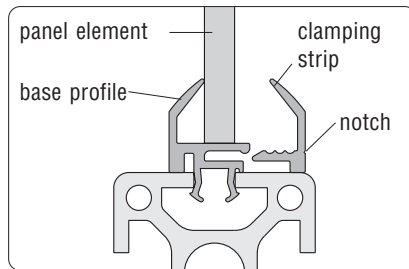
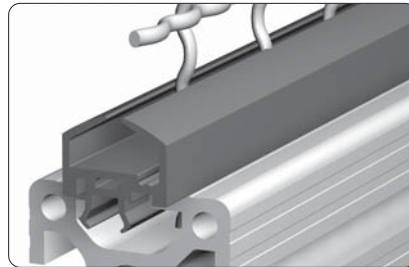
/... = length in mm

Framing profile



Application

The framing profile allows the installation of panels in closed frames. Suitable for panel elements from 1 to 10 mm thickness.

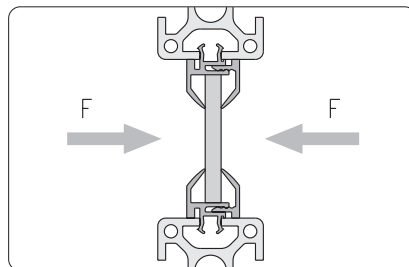


Assembly

1. Insert base profile in profile slot
2. Put panel element in position
3. Push clamping strip in position

Comments

The clamping strip is badged by a notch as a distinctive mark to the base profile.



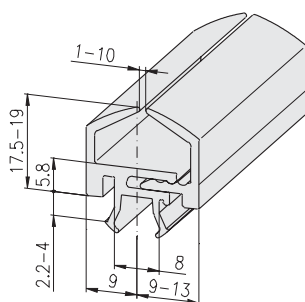
Maximum loading of framing profile:



$$F_{\max} = 200 \text{ N/m}$$

For maximum loading of element be aware of the stability of used framing profile.

Technical data

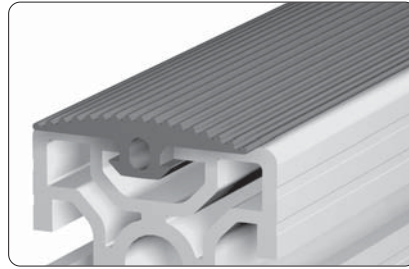
bar length: 6 m
 material: • base body: PVC rigid, 98° Shore A
 • lip: PVC soft, TPE 60° ± 5 Shore A, compatible with acrylic glass
 temperature range: -20°C to +80°C



Description	Colour		Weight	Article-No.
Framing profile F/E	grey	bar	1.1 kg/bar	1.41.710.1.60
 Framing profile F/E	grey	cut to length	181 g/m	1.41.710.1-A00A00/...
Framing profile F/E	black	bar	1.1 kg/bar	1.41.710.2.60
 Framing profile F/E	black	cut to length	181 g/m	1.41.710.2-A00A00/...

/... = length in mm

Rubber cover-profiles



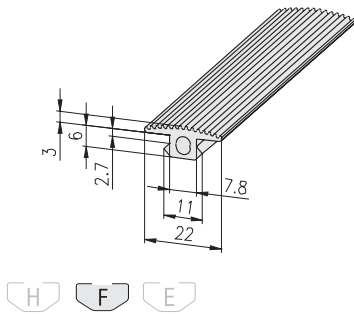
Application

Rubber cover-profiles for profile protection
Suitable for:

- door stop
- slide prevention on steps
- protection against damage
- handrails
- pads

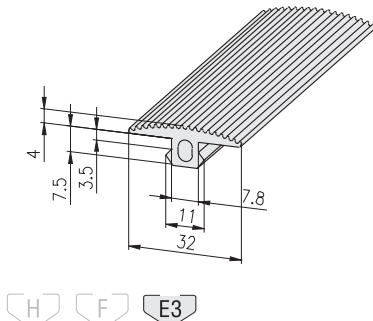
Technical data

length of ring: 20 m
material: NBR, hardness 80 Shore A
oil and water resistant
colour: black



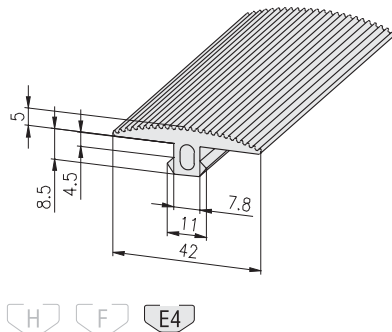
Description

Description	Weight	Article-No.
Rubber cover-profile F, black ring	2.4 kg/ring	1.41.8F30
Rubber cover-profile F, black cut to length	120 g/m	1.41.8F30-A00A00/... /... = length in mm



Description

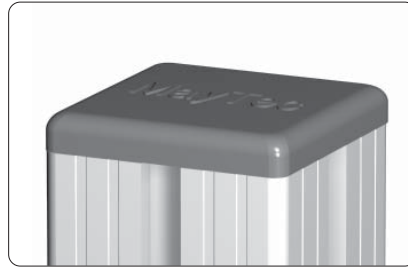
Description	Weight	Article-No.
Rubber cover-profile E3, black ring	4.4 kg/ring	1.41.8E40
Rubber cover-profile E3, black cut to length	220 g/m	1.41.8E40-A00A00/... /... = length in mm



Description

Description	Weight	Article-No.
Rubber cover-profile E4, black ring	6.4 kg/ring	1.41.8E50
Rubber cover-profile E4, black cut to length	320 g/m	1.41.8E50-A00A00/... /... = length in mm

Cover caps



Application

Cover caps prevent dirt from entering and avoid lacerations.

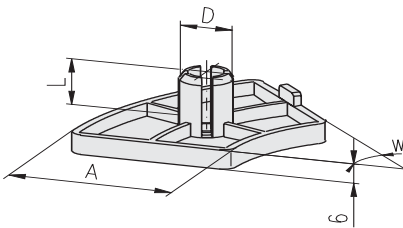
Comments

Before mounting debur core hole

Technical data

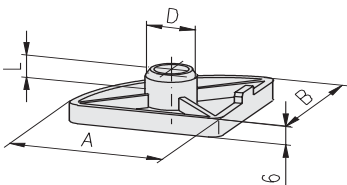
material: PA-GF

Round



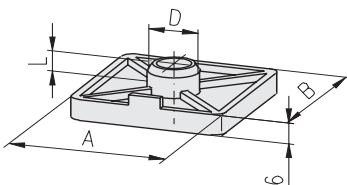
Description	A	W	L	D	Colour	Weight	Article-No.
Cover cap	40, round	30°	14	Ø12	black	6 g	1.42.2040R30.2
Cover cap	40, round	45°	14	Ø12	black	8 g	1.42.2040R45.2
Cover cap	40, round	60°	14	Ø12	black	12 g	1.42.2040R60.2
Cover cap	40, round	90°	14	Ø12	black	16 g	1.42.2040R90.2

Soft

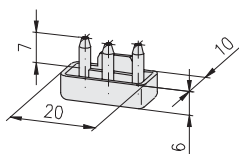


Description	A×B	L	D	Colour	Weight	Article-No.
Cover cap	20×20	7	Ø6	grey	3 g	1.42.10200.1
Cover cap	20×20	7	Ø6	black	3 g	1.42.10200.2
Cover cap	30×30	7	Ø12	grey	5 g	1.42.20300.1
Cover cap	30×30	7	Ø12	black	5 g	1.42.20300.2
Cover cap	40×40	7	Ø12	grey	8 g	1.42.20400.1
Cover cap	40×40	7	Ø12	black	8 g	1.42.20400.2
Cover cap	50×50	7	Ø12	grey	12 g	1.42.20500.1
Cover cap	50×50	7	Ø12	black	12 g	1.42.20500.2

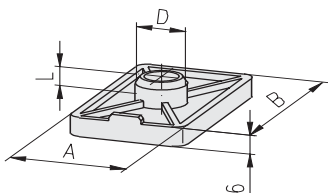
Cubic



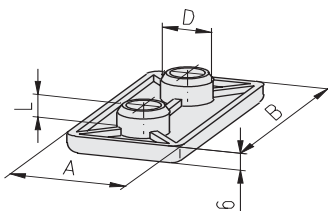
Description	A×B	L	D	Colour	Weight	Article-No.
Cover cap	20×20	7	Ø6	grey	3 g	1.42.10202.1
Cover cap	20×20	7	Ø6	black	3 g	1.42.10202.2
Cover cap	30×30	7	Ø12	grey	6 g	1.42.20303.1
Cover cap	30×30	14	Ø12	black	6 g	1.42.20303.2
Cover cap	40×40	14	Ø12	grey	10 g	1.42.20404.1
Cover cap	40×40	14	Ø12	black	10 g	1.42.20404.2
Cover cap	45×45	14	Ø12	black	12 g	1.42.2045045.2
Cover cap	50×50	7	Ø12	grey	15 g	1.42.20505.1
Cover cap	50×50	7	Ø12	black	15 g	1.42.20505.2
Cover cap	60×60	14	Ø12	black	18 g	1.42.2060060.2

Rectangle


Description	AxB	L	Colour	Weight	Article-No.
Cover cap	20x10	7	black	2 g	1.42.20201.2

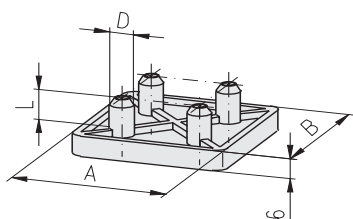


Description	AxB	L	D	Colour	Weight	Article-No.
Cover cap	20x30	7	Ø12	black	4 g	1.42.20203.2
Cover cap	30x50	7	Ø12	grey	8 g	1.42.20305.1
Cover cap	30x50	7	Ø12	black	8 g	1.42.20305.2

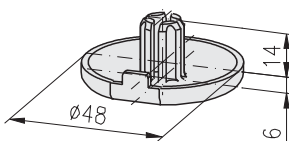


Description	AxB	L	D	Colour	Weight	Article-No.
Cover cap	20x40	7	Ø6	grey	6 g	1.42.10204.1
Cover cap	20x40	7	Ø6	black	6 g	1.42.10204.2
Cover cap	30x60	7	Ø12	grey	8 g	1.42.20306.1
Cover cap	30x60	7	Ø12	black	8 g	1.42.20306.2
Cover cap	30x100	7	Ø12	black	20 g	1.42.20310.2
¹⁾ Cover cap	30x150	7	Ø12	black	27 g	1.42.20315.2
Cover cap	40x80	7	Ø12	grey	18 g	1.42.20408.1
Cover cap	40x80	7	Ø12	black	18 g	1.42.20408.2
Cover cap	50x100	7	Ø12	grey	26 g	1.42.20510.1
Cover cap	50x100	7	Ø12	black	26 g	1.42.20510.2
Cover cap	50x150	7	Ø12	black	40 g	1.42.20515.2

¹⁾ only for E-Slot

Cubic


Description	AxB	L	D	Colour	Weight	Article-No.
Cover cap	40x40	7	Ø6	black	6 g	1.42.10404.2
Cover cap	80x80	7	Ø12	black	34 g	1.42.20808.2
Cover cap	100x100	7	Ø12	black	52 g	1.42.21010.2

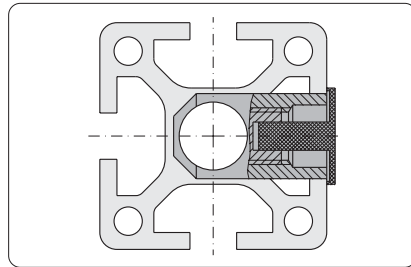
Cover cap Ø48
for hand rail profile

C **Technical data**
material: PA-GF

Description	Colour	Weight	Article-No.
Cover cap Ø48 for hand rail profile	grey	1.8 g	1.42.2048R00.1
Cover cap Ø48 for hand rail profile	black	1.8 g	1.42.2048R00.2

Cover plugs



Cover plug in combination with cover profile

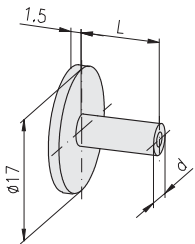


Application

The cover plug allows the closing of the connector cross bushing bore.

Technical data

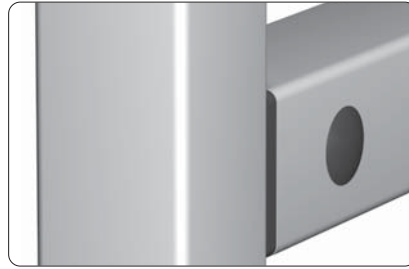
material: PE



Description	Colour	L	d	Weight	Article-No.
Cover plug 20	grey	3.5	Ø4.3	2 g	1.42.502.1
Cover plug 20	black	3.5	Ø4.3	2 g	1.42.502.2
Cover plug 30	grey	6.0	Ø5.3	3 g	1.42.503.1
Cover plug 30	black	6.0	Ø5.3	3 g	1.42.503.2
Cover plug 40	grey	11.0	Ø5.3	4 g	1.42.504.1
Cover plug 40	black	11.0	Ø5.3	4 g	1.42.504.2
Cover plug 50	grey	16.0	Ø5.3	5 g	1.42.505.1
Cover plug 50	black	16.0	Ø5.3	5 g	1.42.505.2

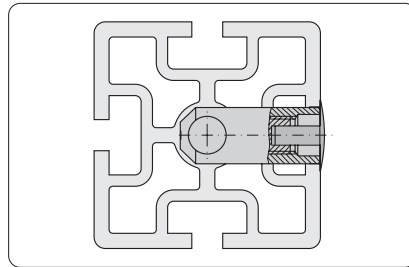
Cover plugs domed

C



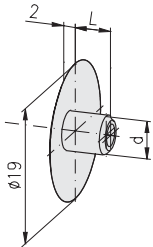
Application

The cover plug allows the closing of the connector cross bushing bore.



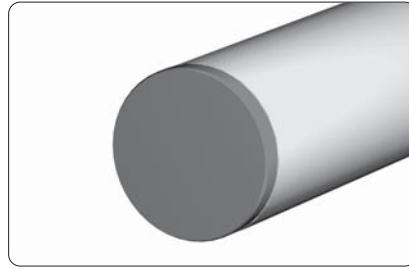
Technical data

material: PE



Description	Colour	L	d	Weight	Article-No.
Cover plug 20 domed	grey	3.5	Ø4.3	0.2 g	1.42.5120.1
Cover plug 20 domed	black	3.5	Ø4.3	0.2 g	1.42.5120.2
Cover plug 30 domed	grey	6.0	Ø5.3	0.3 g	1.42.5130.1
Cover plug 30 domed	black	6.0	Ø5.3	0.3 g	1.42.5130.2
Cover plug 40 domed	grey	11.0	Ø5.3	0.4 g	1.42.5140.1
Cover plug 40 domed	black	11.0	Ø5.3	0.4 g	1.42.5140.2
Cover plug 45 domed	grey	12.5	Ø5.3	0.4 g	1.42.5145.1
Cover plug 45 domed	black	12.5	Ø5.3	0.4 g	1.42.5145.2
Cover plug 50 domed	grey	15.0	Ø5.3	0.5 g	1.42.5150.1
Cover plug 50 domed	black	15.0	Ø5.3	0.5 g	1.42.5150.2
Cover plug 60 domed	grey	20.0	Ø5.3	0.7 g	1.42.5160.1
Cover plug 60 domed	black	20.0	Ø5.3	0.7 g	1.42.5160.2

Cover caps for tubes

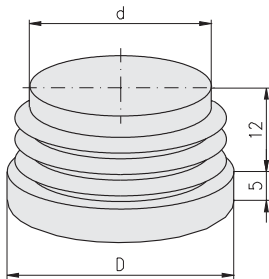


Application

The cover cap allows the closing of the aluminium tube (inner tube $\varnothing = d$)

Technical data

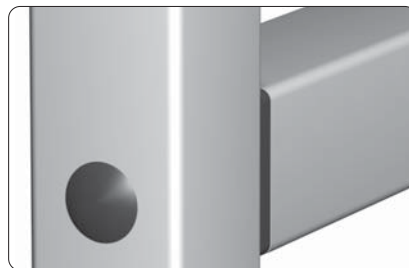
material: PE



Description	D	Colour	d	Weight	Article-No.
Tube cover cap	Ø20	grey	Ø16	1.8 g	1.42.6020.1
Tube cover cap	Ø20	black	Ø16	1.8 g	1.42.6020.2
Tube cover cap	Ø30	grey	Ø24	3.4 g	1.42.6030.1
Tube cover cap	Ø30	black	Ø24	3.4 g	1.42.6030.2
Tube cover cap	Ø40	grey	Ø32	5.3 g	1.42.6040.1
Tube cover cap	Ø40	black	Ø32	5.3 g	1.42.6040.2

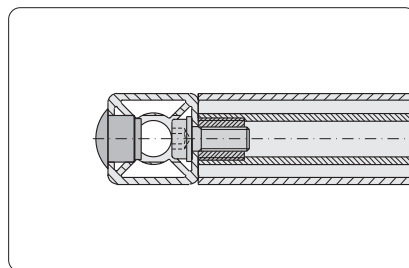
Cover caps for screw bores

C

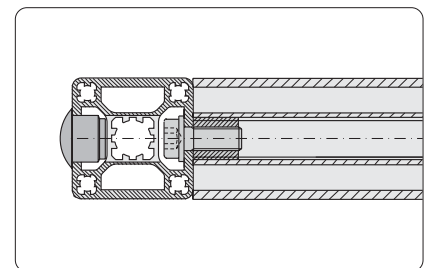


Application

The cover plug allows the closing of the screw bore.



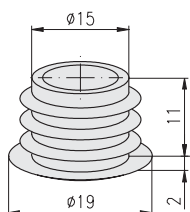
Profile 30



Profile 40

Technical data

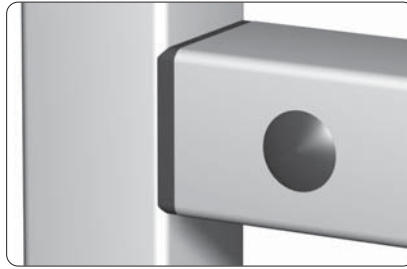
material: PE



Description	Colour	Weight	Article-No.
Cover plug	Ø15 grey	1.3 g	1.42.6114.1
Cover plug	Ø15 black	1.3 g	1.42.6114.2

Radius covers

C

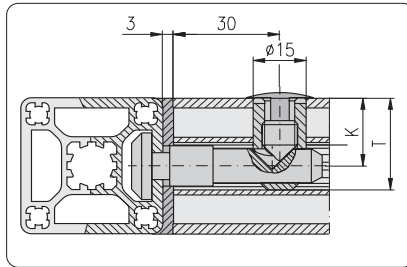


Application

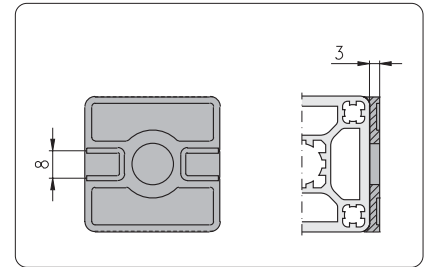
For covering the exterior profile radius

Technical data

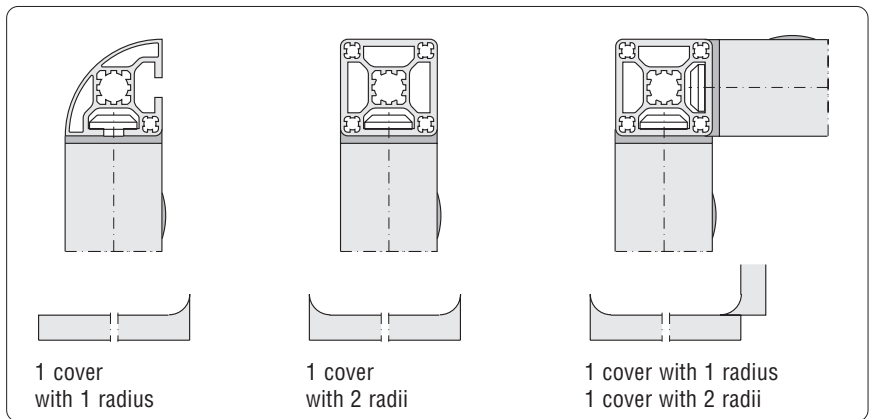
material: PE



Drill dimensions by use of radius covers (dimensions K, T → connector-cross bushings 1.2B)



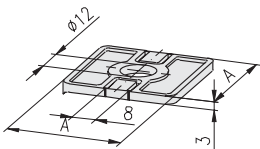
For mounting of panels the slots can be broken out



Mounting-Variations

Cubic

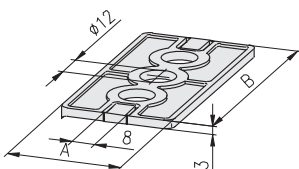
with one radius



Description	A	Colour	Weight	Article-No.
Radius cover 1R	30	grey	3.1 g	1.43.10030030.1
Radius cover 1R	30	black	3.1 g	1.43.10030030.2
Radius cover 1R	40	grey	6.1 g	1.43.10040040.1
Radius cover 1R	40	black	6.1 g	1.43.10040040.2

Rectangle

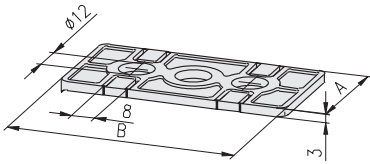
with one radius



Description	A	B	Colour	Weight	Article-No.
Radius cover 1R	30	60	grey	5.8 g	1.43.10030060.1
Radius cover 1R	30	60	black	5.8 g	1.43.10030060.2
Radius cover 1R	40	80	grey	11.8 g	1.43.10040080.1
Radius cover 1R	40	80	black	11.8 g	1.43.10040080.2

Rectangle 90°

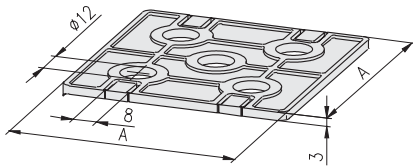
with one radius



Description	A	B	Colour	Weight	Article-No.
Radius cover 1R	30	60	grey	5.8 g	1.43.11030060.1
Radius cover 1R	30	60	black	5.8 g	1.43.11030060.2
Radius cover 1R	40	80	grey	11.8 g	1.43.11040080.1
Radius cover 1R	40	80	black	11.8 g	1.43.11040080.2

Cubic

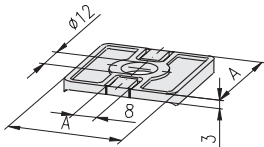
with one radius



Description	A	Colour	Weight	Article-No.
Radius cover 1R	60	grey	12.0 g	1.43.10060060.1
Radius cover 1R	60	black	12.0 g	1.43.10060060.2
Radius cover 1R	80	grey	24.0 g	1.43.10080080.1
Radius cover 1R	80	black	24.0 g	1.43.10080080.2

Cubic

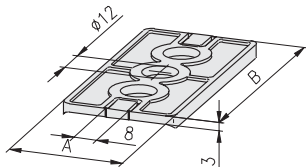
with two radii



Description	A	Colour	Weight	Article-No.
Radius cover 2R	30	grey	3.2 g	1.43.20030030.1
Radius cover 2R	30	black	3.2 g	1.43.20030030.2
Radius cover 2R	40	grey	6.3 g	1.43.20040040.1
Radius cover 2R	40	black	6.3 g	1.43.20040040.2

Rectangle

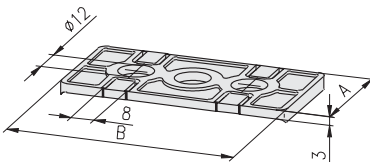
with two radii



Description	A	B	Colour	Weight	Article-No.
Radius cover 2R	30	60	grey	6.0 g	1.43.20030060.1
Radius cover 2R	30	60	black	6.0 g	1.43.20030060.2
Radius cover 2R	40	80	grey	12.0 g	1.43.20040080.1
Radius cover 2R	40	80	black	12.0 g	1.43.20040080.2

Rectangle 90°

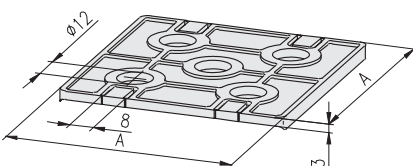
with two radii



Description	A	B	Colour	Weight	Article-No.
Radius cover 2R	30	60	grey	6.0 g	1.43.21030060.1
Radius cover 2R	30	60	black	6.0 g	1.43.21030060.2
Radius cover 2R	40	80	grey	12.0 g	1.43.21040080.1
Radius cover 2R	40	80	black	12.0 g	1.43.21040080.2

Cubic

with two radii



Description	A	Colour	Weight	Article-No.
Radius cover 2R	60	grey	12.0 g	1.43.20060060.1
Radius cover 2R	60	black	12.0 g	1.43.20060060.2
Radius cover 2R	80	grey	24.0 g	1.43.20080080.1
Radius cover 2R	80	black	24.0 g	1.43.20080080.2

Radius compensations

C

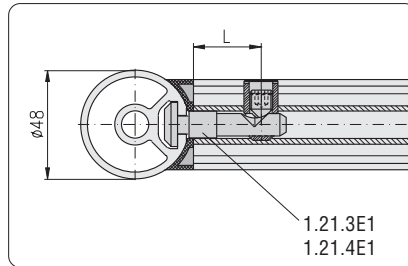
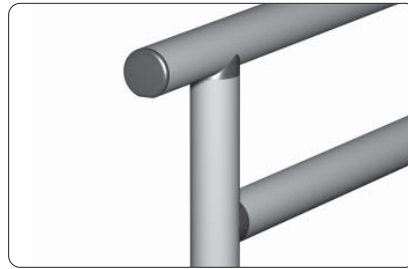


Application

Radius compensation for hand rails
 ↳ Profile applications 1.1E.03

Comments

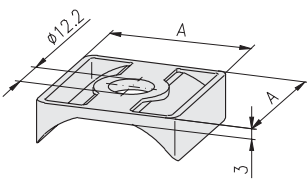
Angled joints at any required angle



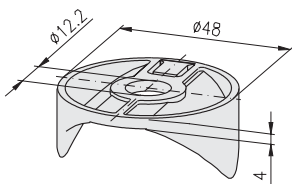
Working dimensions for hand rail straight with radius compensation

Technical data

material: PA-GF



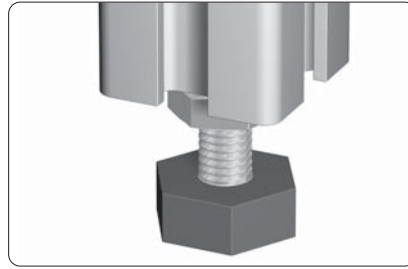
- 16
- 20
- 30
- 40
- 45
- 50
- 60



Description	A×A	Colour	Weight	Article-No.
Radius compensations	30×30	grey	4.0 g	1.43.71030030.1
Radius compensations	30×30	black	4.0 g	1.43.71030030.2
Radius compensations	40×40	grey	7.0 g	1.43.71040040.1
Radius compensations	40×40	black	7.0 g	1.43.71040040.2

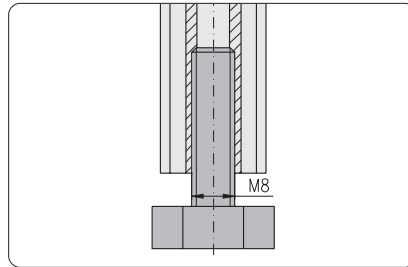
Description	Colour	Weight	Article-No.
Radius compensations Ø48	grey	4.0 g	1.43.71048000.1
Radius compensations Ø48	black	4.0 g	1.43.71048000.2

Levelling feet

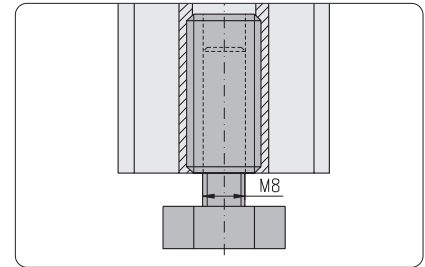


Assembly

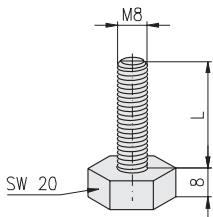
Fastening in core hole $\varnothing 6$ mm with thread M8



Fastening in core hole $\varnothing 6$ mm with thread M8



Fastening in core hole $\varnothing 12$ with threaded insert M14/M8



Technical data

- material:
- plate: PE-HD
 - screw: steel, galvanised
- max. static load: 2,500 N

Description

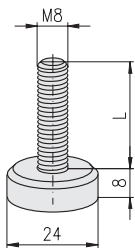
Floor levelling screw, $\varnothing 24$, M8x30

Weight

20 g

Article-No.

1.44.002003



Technical data

- material:
- plate: PE-HD
 - screw: steel, galvanised
- max. static load: 2,500 N

Description

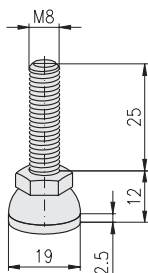
Floor levelling screw, $\varnothing 24$, M8x30

Weight

22 g

Article-No.

1.44.002403



Technical data

- material:
- foot plate: PA, black
 - threaded bolt: steel, galvanised
- max. static load: 500 N
with anti-slip-disc

Description

Levelling foot, PA, 20 M8x25

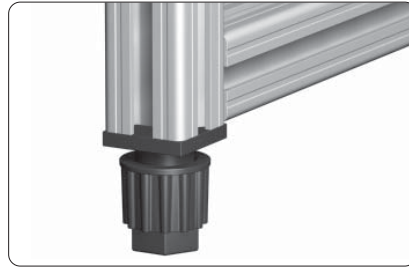
Weight

14 g

Article-No.

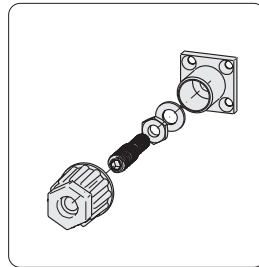
1.44.003020

Hand adjustable feet

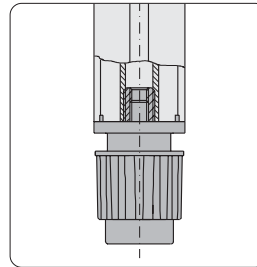


Application

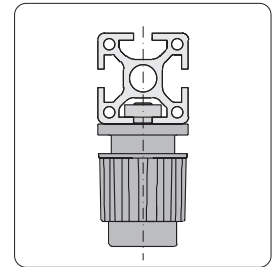
For manual levelling of benches, tables and light bases.



Height adjustable alternative by hand or with tool



Fastening in core hole

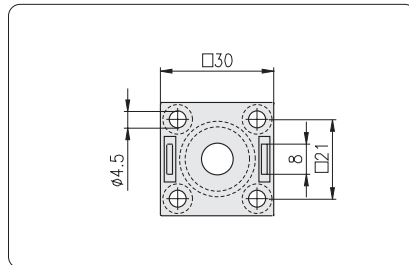
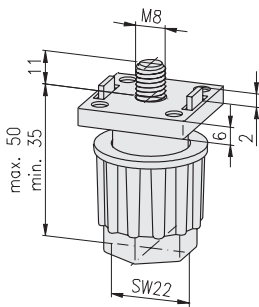


Fastening in slot

Technical data

material:

- capsule: PA, black
 - spindle, nut and washer: steel galvanised
- max. static load: 1,500 N



Description

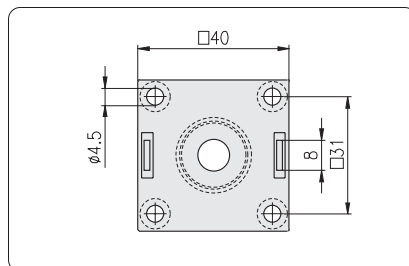
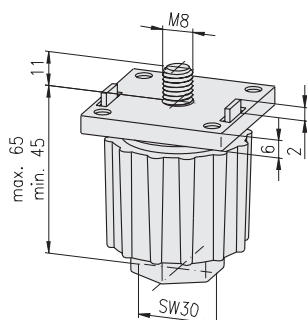
Hand adjustable foot 30

Weight

40 g

Article-No.

1.44.203008



Description

Hand adjustable foot 40

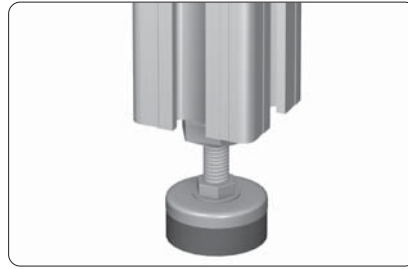
Weight

78 g

Article-No.

1.44.204008

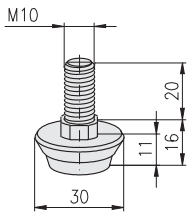
Levelling feet



Assembly

Fastening in core hole with threaded insert M14/M10

For profiles with core hole-Ø 12 mm



Technical data

material:

- foot plate: PA, black
 - cap: steel, galvanised
 - screw thread: steel, galvanised
- max. static load: 1,500 N

Description

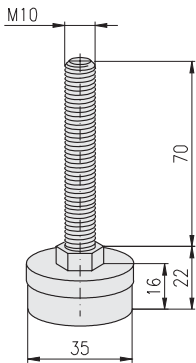
Levelling furniture foot, Ø30, M10×18

Weight

Article-No.

24 g

1.44.303002



Technical data

material:

- foot plate: PA, black
 - cap: steel, galvanised
 - screw thread: steel, galvanised
- max. static load: 1,500 N

Description

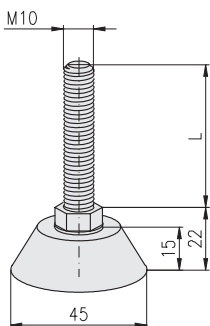
Levelling foot, Ø35, M10×70

Weight

Article-No.

70 g

1.44.303507



Technical data

material:

- foot plate: PA, black
 - screw thread: steel, galvanised
- max. static load: 1,500 N

Description

L

Weight

Article-No.

Levelling foot, Ø45, M10×50

60 g

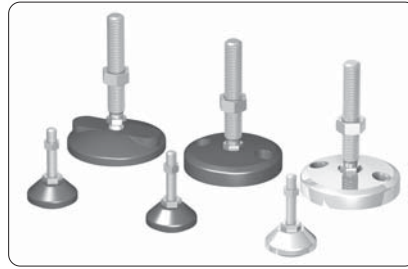
1.44.304505

Levelling foot, Ø45, M10×70

69 g

1.44.304507

Adjustable tilt-feet



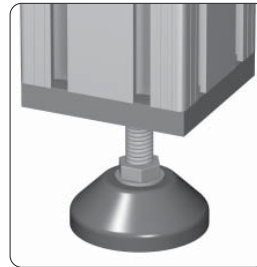
Application

Adjustable tilt-feet for gradual height adjustment of sub-assemblies such as:

- tables
- bases
- shelves
- stands



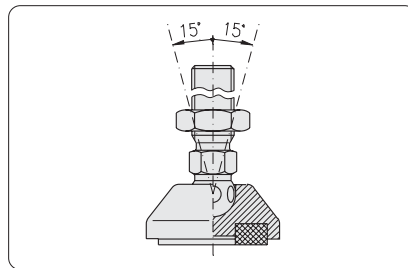
Fastening in core hole thread M14



Fastening with base plate, for profiles without centric core hole



Fastening by press-fit threaded insert across the profile

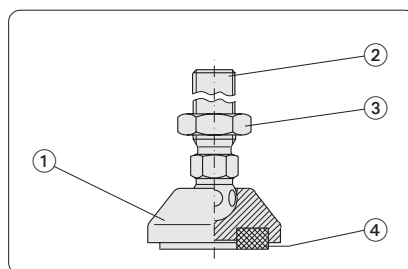


Levelling via ball and ball socket $\pm 15^\circ$

Comments

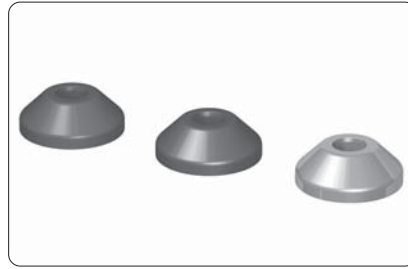
Infinitely variable adjustable tilt-feet for use either with:

- anti-slip disc
- cushion element



Adjustable tilt-feet - Single parts					
Pos.	Description	Material			
		PA	Steel	stainl. Steel 1.4305	NBR
	Adjustable tilt-foot-				
①	plate	•	•	•	
②	spindles		•	•	
③	nuts		•	•	
④	anti-slip disc cushion element				• •

Adjustable tilt-foot plates without mounting holes



Technical data

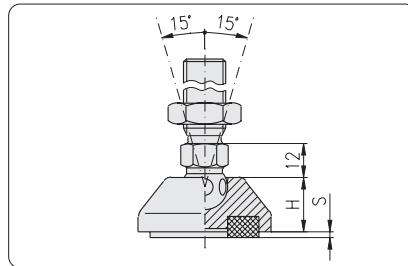
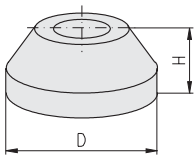
material:

PA: PA-GF, black

Steel: steel, black powder-coated

Stainless steel: stainless steel 1.4305

F = static load max. in kN



S = height of:

- anti-slip disc (S = 2 mm)
- cushion element (S = 10 mm)

Design without mounting holes

PA

Description	D	H	F	Weight	Article-No.
Adjustable tilt-foot plate PA, 30	Ø29	18	7 kN	8 g	1.44.411030
Adjustable tilt-foot plate PA, 40	Ø39	18	10 kN	13 g	1.44.411040
Adjustable tilt-foot plate PA, 45	Ø44	18	10 kN	15 g	1.44.411045
Adjustable tilt-foot plate PA, 50	Ø49	18	10 kN	16 g	1.44.411050
Adjustable tilt-foot plate PA, 60	Ø59	18	10 kN	20 g	1.44.411060

Steel

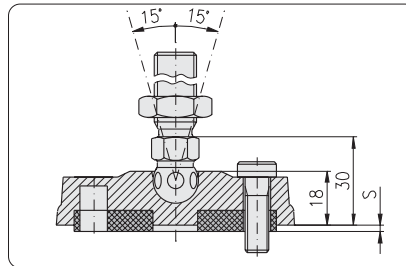
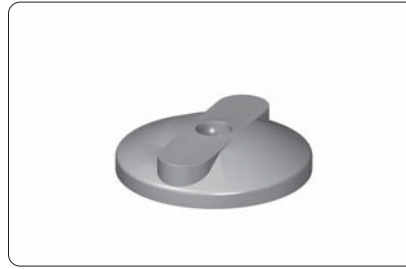
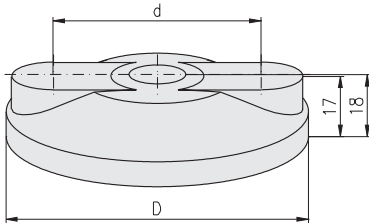
Adjustable tilt-foot plate steel, 30	Ø29	18	15 kN	52 g	1.44.431030
Adjustable tilt-foot plate steel, 40	Ø39	18	20 kN	99 g	1.44.431040
Adjustable tilt-foot plate steel, 45	Ø44	18	20 kN	115 g	1.44.431045
Adjustable tilt-foot plate steel, 50	Ø49	18	25 kN	140 g	1.44.431050
Adjustable tilt-foot plate steel, 60	Ø59	18	25 kN	190 g	1.44.431060
Adjustable tilt-foot plate steel, 80	Ø79	18	30 kN	460 g	1.44.431080
Adjustable tilt-foot plate steel, 100	Ø99	20	35 kN	760 g	1.44.431100
Adjustable tilt-foot plate steel, 120	Ø119	22	35 kN	1,150 g	1.44.431120

Stainless steel



Adjustable tilt-foot plate stainless, 30	Ø29	18	15 kN	60 g	1.44.431030V
Adjustable tilt-foot plate stainless, 40	Ø39	18	20 kN	97 g	1.44.431040V
Adjustable tilt-foot plate stainless, 45	Ø44	18	20 kN	112 g	1.44.431045V
Adjustable tilt-foot plate stainless, 50	Ø49	18	25 kN	120 g	1.44.431050V
Adjustable tilt-foot plate stainless, 60	Ø59	18	25 kN	216 g	1.44.431060V
Adjustable tilt-foot plate stainless, 80	Ø79	18	30 kN	345 g	1.44.431080V
Adjustable tilt-foot plate stainless, 100	Ø99	18	35 kN	640 g	1.44.431100V
Adjustable tilt-foot plate stainless, 120	Ø119	18	35 kN	817 g	1.44.431120V

Adjustable tilt-foot plates with mounting holes



Design with mounting holes

Technical data

material:
PA: PA-GF, black
F = static load max. in kN

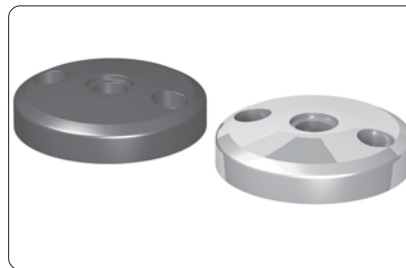
Comments

The holes for fastening screws are closed on the upper side and can be bored open if required.

S = height of:
• anti-slip disc (S = 2 mm)
• cushion element (S = 10 mm)

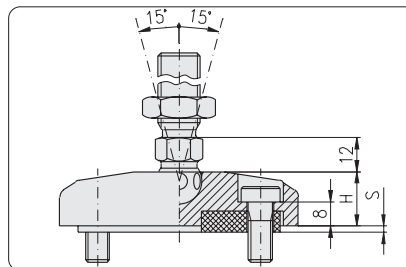
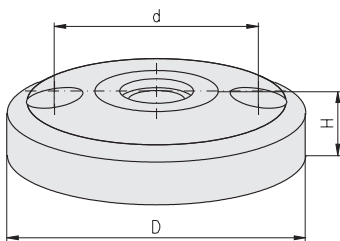
PA

Description	D	d	F	Weight	Article-No.
Adjustable tilt-foot plate PA, 80	Ø79	Ø54	10 kN	43 g	1.44.411080
Adjustable tilt-foot plate PA, 100	Ø99	Ø74	10 kN	65 g	1.44.411100
Adjustable tilt-foot plate PA, 120	Ø119	Ø94	10 kN	100 g	1.44.411120



Technical data

material:
PA: PA-GF, black
Steel: steel, black powder-coated
Stainless steel: stainless steel 1.4305
F = static load max. in kN



Design with mounting holes

Comments

Fixing drilling with counterbore DIN 74 - M8 for cap-screw DIN 6912-M8

S = height of:
• anti-slip disc (S = 2 mm)
• cushion element (S = 10 mm)

Steel

Description	D	H	d	F	Weight	Article-No.
Adjustable tilt-foot plate steel, 80	Ø79	18	Ø54	30 kN	430 g	1.44.432080
Adjustable tilt-foot plate steel, 100	Ø99	20	Ø74	35 kN	740 g	1.44.432100
Adjustable tilt-foot plate steel, 120	Ø119	22	Ø94	35 kN	1,130 g	1.44.432120

Stainless steel

C R

Adjustable tilt-foot plate stainl., 80	Ø79	18	Ø54	30 kN	345 g	1.44.432080V
Adjustable tilt-foot plate stainl., 100	Ø99	18	Ø74	35 kN	640 g	1.44.432100V
Adjustable tilt-foot plate stainl., 120	Ø119	18	Ø94	35 kN	817 g	1.44.432120V

Adjustable tilt-foot spindles



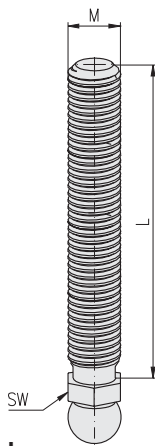
Technical data

material:

Steel: steel, galvanised

Stainless steel: stainless steel 1.4305,
pickled and passivated

Steel



Stainless steel



Description	G × L	SW	Weight	Article-No.
Adjustable tilt-foot spindle, steel	M8 × 40	14	17 g	1.44.4608040
Adjustable tilt-foot spindle, steel	M8 × 80	14	31 g	1.44.4608080
Adjustable tilt-foot spindle, steel	M10 × 45	14	37 g	1.44.4610045
Adjustable tilt-foot spindle, steel	M10 × 90	14	51 g	1.44.4610090
Adjustable tilt-foot spindle, steel	M12 × 66	14	56 g	1.44.4612066
Adjustable tilt-foot spindle, steel	M12 × 100	14	79 g	1.44.4612100
Adjustable tilt-foot spindle, steel	M14 × 66	14	87 g	1.44.4614066
Adjustable tilt-foot spindle, steel	M14 × 100	14	119 g	1.44.4614100
Adjustable tilt-foot spindle, steel	M14 × 150	14	166 g	1.44.4614150
Adjustable tilt-foot spindle, steel	M16 × 66	17	111 g	1.44.4616066
Adjustable tilt-foot spindle, steel	M16 × 100	17	155 g	1.44.4616100
Adjustable tilt-foot spindle, steel	M16 × 150	17	220 g	1.44.4616150
Adjustable tilt-foot spindle, steel	M20 × 100	21	237 g	1.44.4620100
Adjustable tilt-foot spindle, steel	M20 × 150	21	331 g	1.44.4620150
Adjustable tilt-foot spindle, stainless	M14 × 66	14	87 g	1.44.4614066V
Adjustable tilt-foot spindle, stainless	M14 × 88	14	104 g	1.44.4614088V
Adjustable tilt-foot spindle, stainless	M14 × 100	14	119 g	1.44.4614100V
Adjustable tilt-foot spindle, stainless	M14 × 125	14	138 g	1.44.4614125V
Adjustable tilt-foot spindle, stainless	M14 × 150	14	166 g	1.44.4614150V

Adjustable tilt-foot nuts



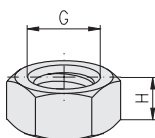
Technical data

material:

Steel: steel, galvanised

Stainless steel: stainless steel 1.4305,
pickled and passivated

Steel



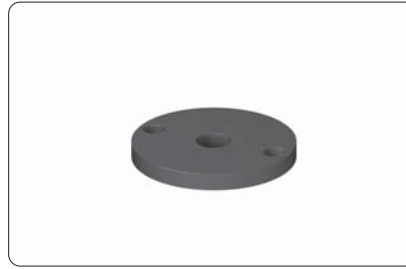
Stainless steel



Description	G	H	Weight	Article-No.
Adjustable tilt-foot nut	M8	5	5 g	1.44.46M08
Adjustable tilt-foot nut	M10	6	8 g	1.44.46M10
Adjustable tilt-foot nut	M12	7	10 g	1.44.46M12
Adjustable tilt-foot nut	M14	8	16 g	1.44.46M14
Adjustable tilt-foot nut	M16	8	17 g	1.44.46M16
Adjustable tilt-foot nut	M20	9	35 g	1.44.46M20
Adjustable tilt-foot nut, stainless	M14	8	16 g	1.44.46M14V

Adjustable tilt-foot anti-slip discs

C

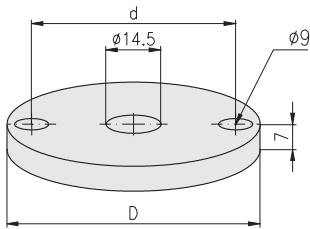
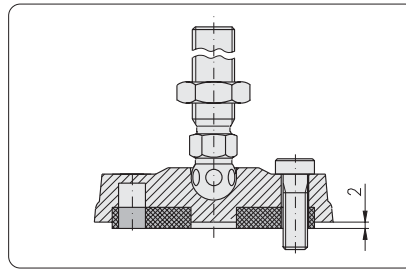


Application

Element for protection against dislocation and floor damage

Technical data

material: NBR, oil and water resistant
 colour: black
 hardness: 80 Shore A
 F = static load max. in KN

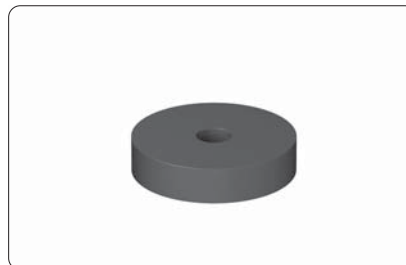


Description

Description	D	d	F	Weight	Article-No.
Adj. tilt-foot anti-slip disc for plate 30	Ø20	-	5 kN	2.0 g	1.44.471030
Adj. tilt-foot anti-slip disc for plate 40	Ø30	-	6 kN	4.0 g	1.44.471040
Adj. tilt-foot anti-slip disc for plate 45	Ø35	-	7 kN	5.5 g	1.44.471045
Adj. tilt-foot anti-slip disc for plate 50	Ø39	-	8 kN	7.5 g	1.44.471050
Adj. tilt-foot anti-slip disc for plate 60	Ø49	-	9 kN	12.0 g	1.44.471060
Adj. tilt-foot anti-slip disc for plate 80	Ø67	Ø54	10 kN	22.0 g	1.44.471080
Adj. tilt-foot anti-slip disc for plate 100	Ø87	Ø74	10 kN	36.0 g	1.44.471100
Adj. tilt-foot anti-slip disc for plate 120	Ø107	Ø94	10 kN	57.0 g	1.44.471120

Adjustable tilt-foot cushion elements

C

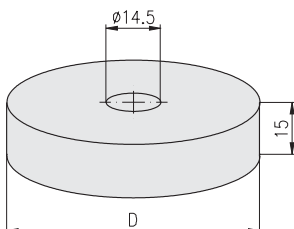
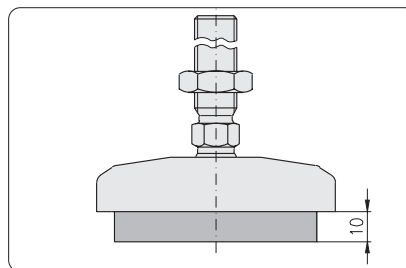


Application

Cushion elements

Technical data

material: NBR, oil and water resistant
 colour: black
 hardness: 70 Shore A
 F = static load max. in N



Description

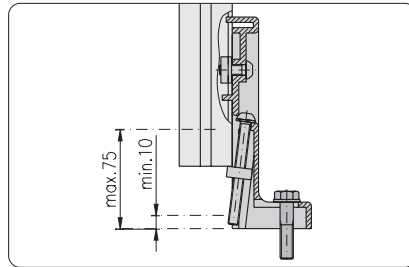
Description	D	F	Weight	Article-No.
Adj. tilt-foot cushion element for plate 30	Ø20	75 N	10 g	1.44.472030
Adj. tilt-foot cushion element for plate 40	Ø30	150 N	14 g	1.44.472040
Adj. tilt-foot cushion element for plate 45	Ø35	175 N	19 g	1.44.472045
Adj. tilt-foot cushion element for plate 50	Ø39	200 N	24 g	1.44.472050
Adj. tilt-foot cushion element for plate 60	Ø49	250 N	35 g	1.44.472060
Adj. tilt-foot cushion element for plate 80	Ø67	500 N	68 g	1.44.472080
Adj. tilt-foot cushion element for plate 100	Ø87	800 N	118 g	1.44.472100
Adj. tilt-foot cushion element for plate 120	Ø107	1,200 N	188 g	1.44.472120

Angular adjusting feet



Application

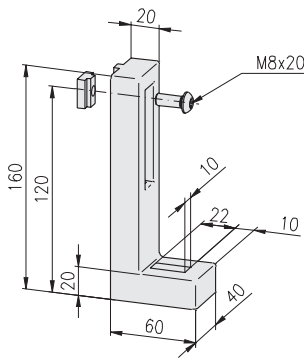
For fastening of frames to floor or wall



Technical data

material:

- base body: GD-Al, black
- nuts: steel galvanised
- screws: steel galvanised
- max. static load: 10,000 N



Delivery unit

- base body
- nut M8
- screw M8x20 - 10.9

Description

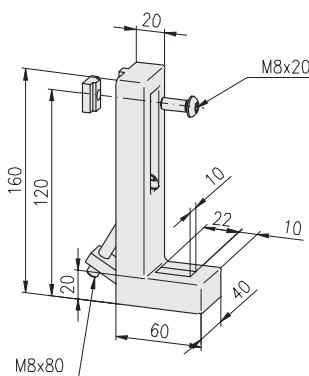
Angular adjusting foot without adjusting screw

Weight

Article-No.

236 g

1.44.716001



Delivery unit:

- base body
- nut M8
- screw M8x20 - 10.9
- screw M8x80 - 10.9
- square nut

Description

Angular adjusting foot with adjusting screw

Weight

Article-No.

264 g

1.44.716002

Base feet



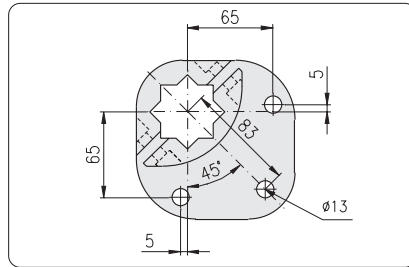
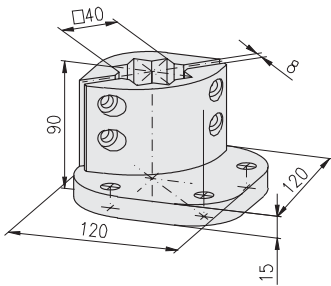
Application

Base feet for fastening profiles and frames to floor or wall.

Technical data

material: GD-Zn

Base foot for profile 40x40



Description

Base foot for profile 40x40

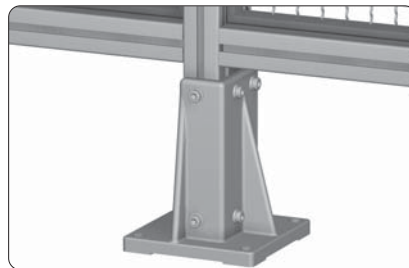
Weight

979 g

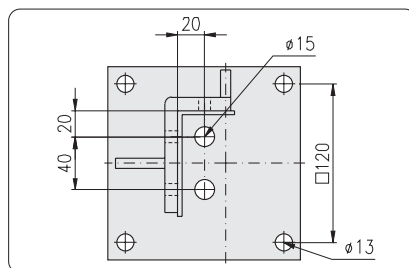
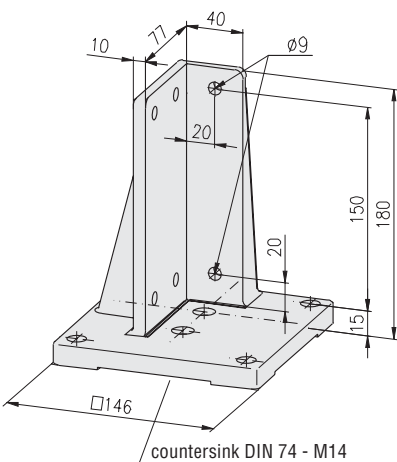
Article-No.

1.44.83040

Base foot for profile 40x80



Mounting for profile 40x80



Comments

Countersink DIN 74 - M14 for special screw M14x30
 ↳ 0.63.D06912.14x030S

Description

Base foot for profile 40x80

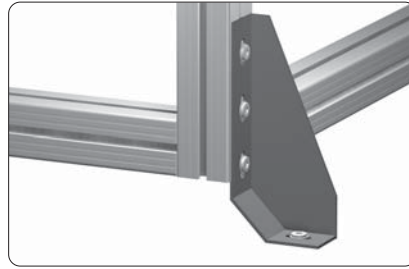
Weight

1,396 g

Article-No.

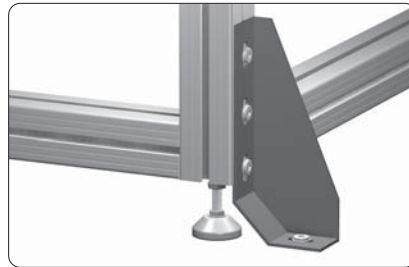
1.44.84040080R

Base angle



Application

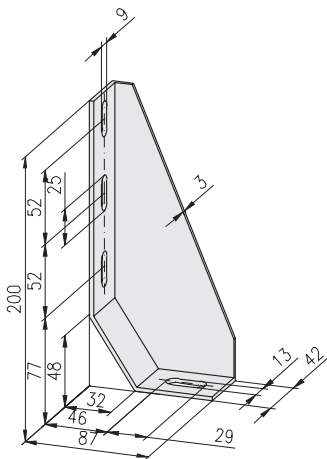
For fastening of frames to floor or wall



Suitable for use together with levelling feet with max. diameter 100 mm.

Technical data

material: sheet steel
surface: galvanised and black coated



Description

Base angle 200x87x42

Weight

413 g

Article-No.

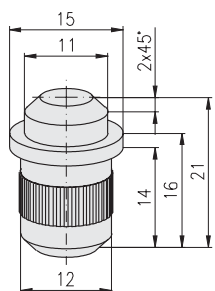
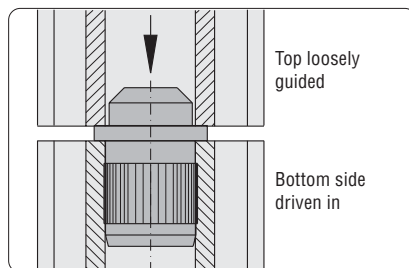
1.44.820001

Stacking foot



Application

Element to fix 2 profiles in core hole.



Technical data

material: steel
surface: galvanised

Description

Stacking foot

Weight

19 g

Article-No.

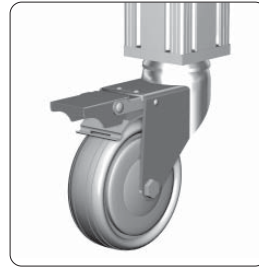
1.44.901221



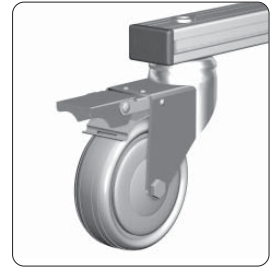
Castors



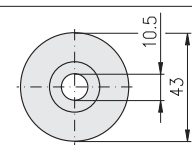
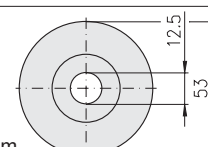
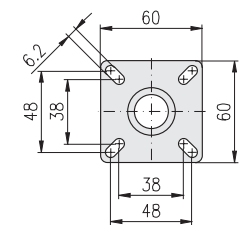
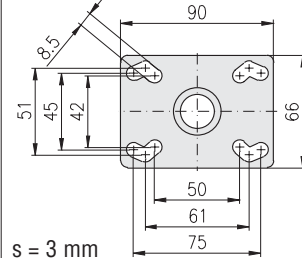
Fastening in core hole



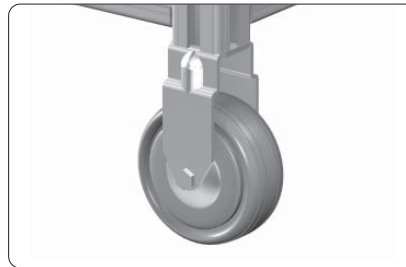
Fastening by press-fit threaded insert across the profile



Fastening through base plate for profile without centric core hole

Variations		
Castor-Ø	50 mm / 70 mm	100 mm / 125 mm
Bolt hole type	 s = 7 mm	 s = 10.5 mm
Fitting plate type	 s = 2 mm	 s = 3 mm

Fixed castors



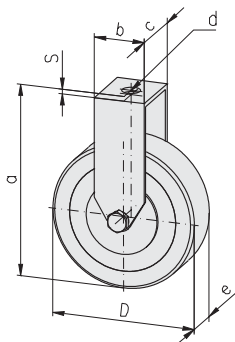
Technical data

material:

- capsule: sheet steel, galvanised
- wheels: solid rubber tyres, grey

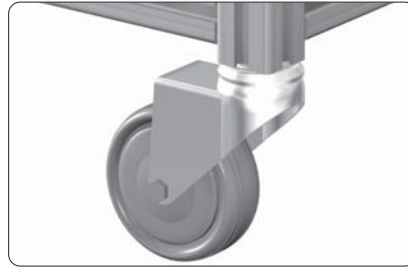
Ø75/100/125 incl. thread protection

max. static load: F_{max}



Description	D	Weight	Article-No.
Fixed castor with bolt hole	Ø50	130 g	1.45.11050
Fixed castor with bolt hole	Ø75	240 g	1.45.11075
Fixed castor with bolt hole	Ø100	500 g	1.45.11100
Fixed castor with bolt hole	Ø125	900 g	1.45.11125
Fixed castor with fitting plate	Ø50	190 g	1.45.12050
Fixed castor with fitting plate	Ø75	300 g	1.45.12075
Fixed castor with fitting plate	Ø100	610 g	1.45.12100
Fixed castor with fitting plate	Ø125	1,010 g	1.45.12125

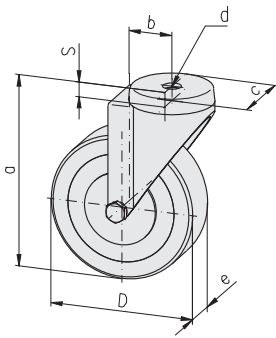
Design bolt hole							
D	a	b	c	d	e	s	F_{max}
Ø50	69	30	27	Ø10.5	18	2.0	400 N
Ø75	100	30	27	Ø10.5	25	2.0	550 N
Ø100	134	35	43	Ø12.5	32	2.5	800 N
Ø125	159	35	43	Ø12.5	32	2.5	1,000 N

Swivel castors

Technical data

material:

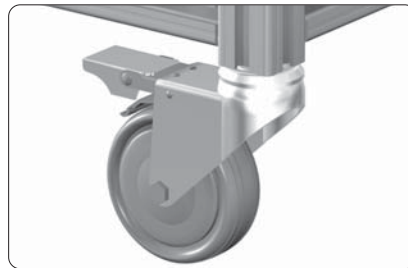
- capsule: sheet steel, galvanised
- wheels: solid rubber tyres, grey

Ø75/100/125 incl. thread protection

 max. static load: F_{max}


Description	D	Weight	Article-No.
Swivel castor with bolt hole	Ø50	180 g	1.45.21050
Swivel castor with bolt hole	Ø75	310 g	1.45.21075
Swivel castor with bolt hole	Ø100	680 g	1.45.21100
Swivel castor with bolt hole	Ø125	890 g	1.45.21125
Swivel castor with fitting plate	Ø50	230 g	1.45.22050
Swivel castor with fitting plate	Ø75	360 g	1.45.22075
Swivel castor with fitting plate	Ø100	780 g	1.45.22100
Swivel castor with fitting plate	Ø125	990 g	1.45.22125

Dimensions see table below

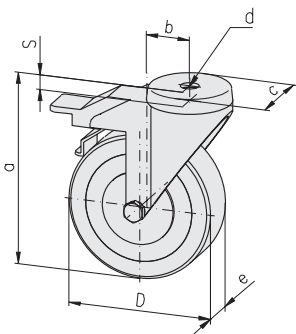
Swivel castors lockable

Technical data

material:

- capsule: sheet steel, galvanised
- wheels: solid rubber tyres, grey

 stop fix: - wheel break
 - swivel break

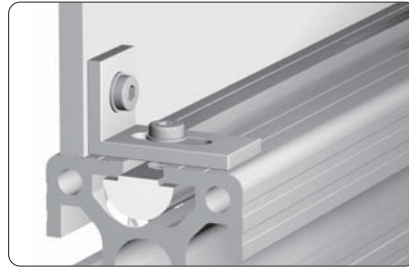
Ø75/100/125 incl. thread protection

 max. static load: F_{max}


Description	D	Weight	Article-No.
Swivel castor, lockable with bolt hole	Ø50	220 g	1.45.31050
Swivel castor, lockable with bolt hole	Ø75	450 g	1.45.31075
Swivel castor, lockable with bolt hole	Ø100	840 g	1.45.31100
Swivel castor, lockable with bolt hole	Ø125	990 g	1.45.31125
Swivel castor, lockable with fitting plate	Ø50	270 g	1.45.32050
Swivel castor, lockable with fitting plate	Ø75	500 g	1.45.32075
Swivel castor, lockable with fitting plate	Ø100	940 g	1.45.32100
Swivel castor, lockable with fitting plate	Ø125	1,090 g	1.45.32125

Design bolt hole							
D	a	b	c	d	e	s	F_{max}
Ø50	69	25	Ø39	Ø10.5	18	7.0	400 N
Ø75	100	30.5	Ø39	Ø10.5	25	7.0	550 N
Ø100	134	38	Ø57	Ø12.5	32	10.5	800 N
Ø125	159	43	Ø57	Ø12.5	32	10.5	1,000 N

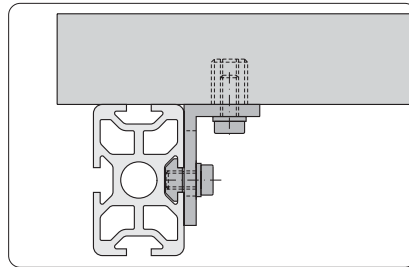
Angles 25x40



Fastening of panels

Application

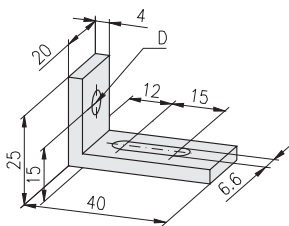
Angle bracket for the mounting of panels, table tops, switches and accessories



Fastening of table tops

Technical data

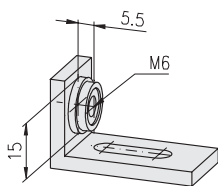
material: aluminium
 strength: F22
 surface: neutral anodised



Comments

Design with clearance hole drilling

Description	D	Weight	Article-No.
Angle 25x40	Ø6.6	11 g	1.46.110
Angle 25x40	Ø8.7	10 g	1.46.115

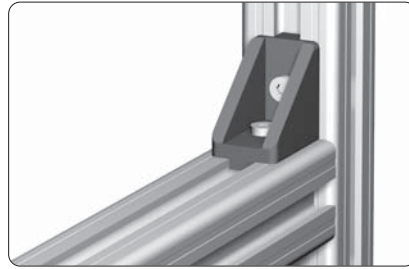


Comments

Design with nut M6 ± 0.5 mm floating in cage

Description	Weight	Article-No.
Angle 25x40, M6	15 g	1.46.120

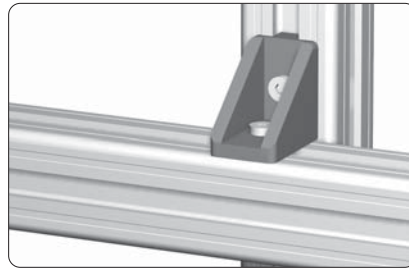
Angles PA



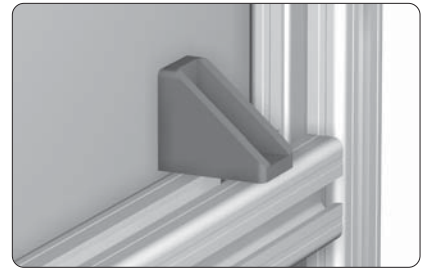
Support of free-standing profiles

Application

For supporting of profiles and mounting of cover panels



Support across the profile.
In this application the rotary lock must be removed from one side.

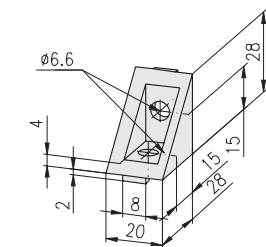


Mounting of cover panels.
In this application the rotary lock must be removed from both sides.

Technical data

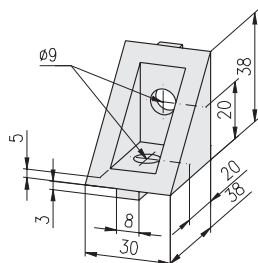
material: PA-GF

28×28



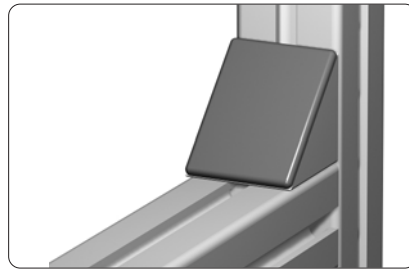
Description	Colour	Weight	Article-No.
Angle PA, 28×28	grey	6.4 g	1.46.20326.1
Angle PA, 28×28	black	6.4 g	1.46.20326.2

38×38



Description	Colour	Weight	Article-No.
Angle PA, 38×38	grey	18.9 g	1.46.20439.1
Angle PA, 38×38	black	18.9 g	1.46.20439.2

Angles GD-Zn



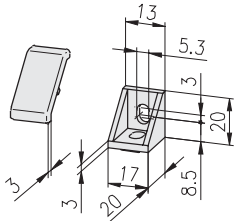
Application

For supporting profiles and mounting various machine components

Technical data

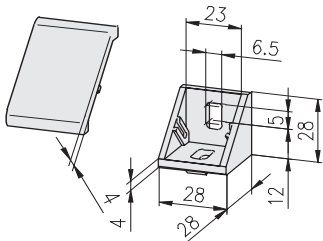
material: GD-Zn

20x20



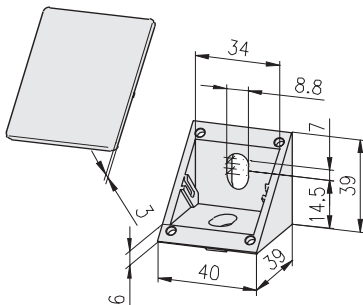
Description	Surface	Weight	Article-No.
Angle GD-Zn, 20x20	natural	13.7 g	1.46.205220.1
Angle GD-Zn, 20x20	powder-coated	13.7 g	1.46.205220.2
Cover cap for angle GD-Zn, 20x20		1.7 g	1.46.205220A

28x28



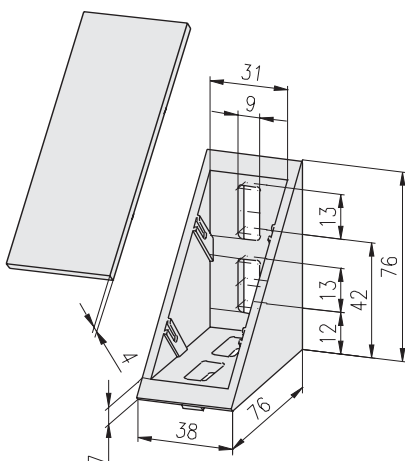
Description	Surface	Weight	Article-No.
Angle GD-Zn, 28x28	natural	41.0 g	1.46.205230.1
Angle GD-Zn, 28x28	powder-coated	41.0 g	1.46.205230.2
Cover cap for angle GD-Zn, 28x28		6.4 g	1.46.205230A

39x39



Description	Surface	Weight	Article-No.
Angle GD-Zn, 39x39	natural	87.0 g	1.46.205240.1
Angle GD-Zn, 39x39	powder-coated	87.0 g	1.46.205240.2
Cover cap for angle GD-Zn, 39x39		6.9 g	1.46.205240A

76x76



Description	Surface	Weight	Article-No.
Angle GD-Zn, 76x76	natural	269.0 g	1.46.205280.1
Angle GD-Zn, 76x76	powder-coated	269.0 g	1.46.205280.2
Cover cap for angle GD-Zn, 76x76		18.9 g	1.46.205280A

Angles Alu



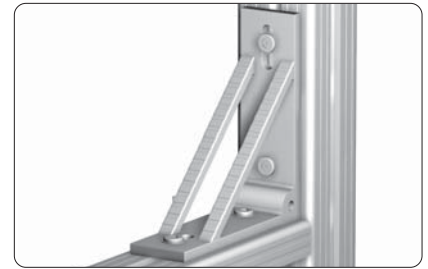
Mounting of cover panels

Application

For supporting of profiles and mounting of cover panels



Support across the profile

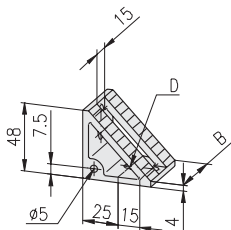


Support of free-standing profiles

Technical data

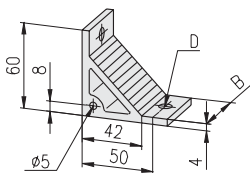
material: aluminium
 strength: F22
 surface: neutral anodised

48x48



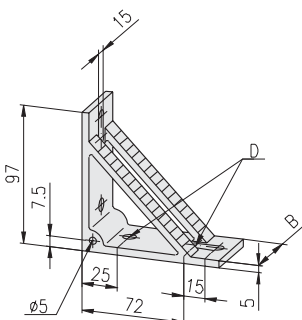
Description	D	B	Weight	Article-No.
Angle 48x48	Ø6.6	30	40 g	1.46.20536
Angle 48x48	Ø9.0	30	38 g	1.46.20539
Angle 48x48	Ø6.6	45	66 g	1.46.20546
Angle 48x48	Ø9.0	45	64 g	1.46.20549

60x60



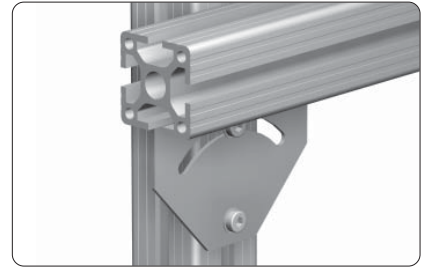
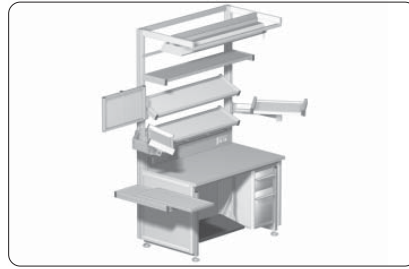
Description	D	B	Weight	Article-No.
Angle 60x60	Ø9.0	30	49 g	1.46.20639
Angle 60x60	Ø9.0	45	74 g	1.46.20649

100x100



Description	D	B	Weight	Article-No.
Angle 100x100	Ø6.6	30	95 g	1.46.21036
Angle 100x100	Ø9.0	30	93 g	1.46.21039
Angle 100x100	Ø6.6	45	155 g	1.46.21046
Angle 100x100	Ø9.0	45	153 g	1.46.21049

Swivel angles



Fastening from the side



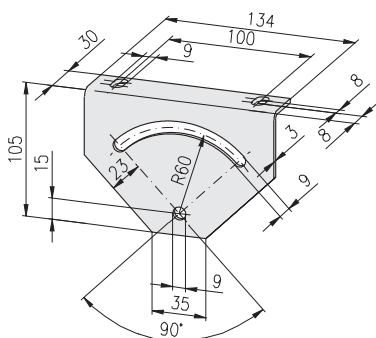
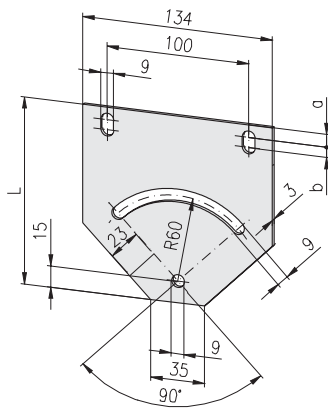
Fastening from below

Application

Infinitely variable adjusting of inclination with swivel angle

Technical data

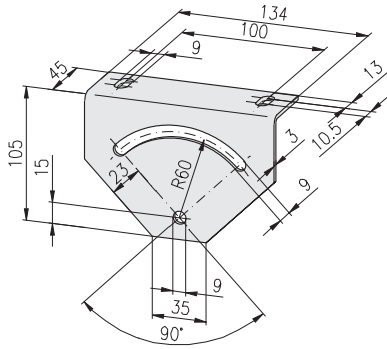
material: steel
surface: galvanised



- 16
- 20
- 30
- 40
- 45
- 50
- 60

Description	L	a	b	Weight	Article-No.
Swivel angle	129	8	8.0	320 g	1.46.3012900
Swivel angle	144	13	10.5	360 g	1.46.3014400

Description	Weight	Article-No.
Swivel angle 30	320 g	1.46.3110530



Description

Swivel angle 45

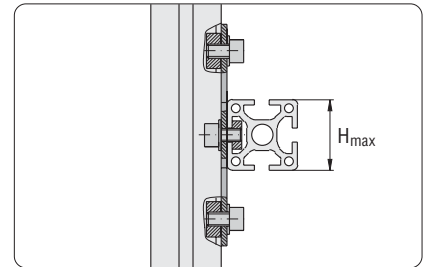
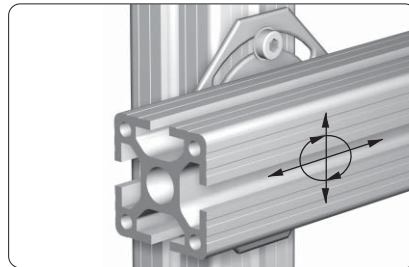
Weight

360 g

Article-No.

1.46.3110545

Cross connection plates

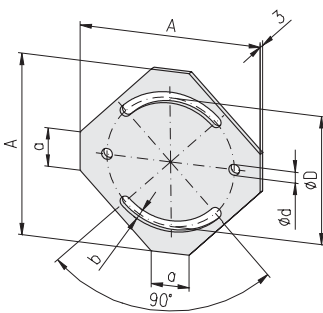


Application

The cross connection plate allows profile adjustment in 2 directions and at an angle of $\pm 45^\circ$

Technical data

material: steel
surface: galvanised



Description

Cross connection plate 65×65

H_{max}

20

Weight

60 g

Article-No.

1.47.1065

Cross connection plate 85×85

30

110 g

1.47.1085

Cross connection plate 95×95

30

140 g

1.47.1095

Cross connection plate 125×125

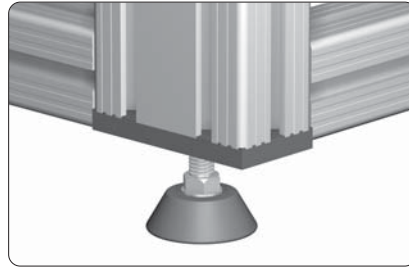
50

260 g

1.47.1125

Type	A	a	b	ØD	Ød
65×65	65	18	5.1	45	5.1
85×85	85	18	5.1	60	5.1
95×95	95	18	6.1	65	6.1
125×125	125	37	8.1	95	8.1

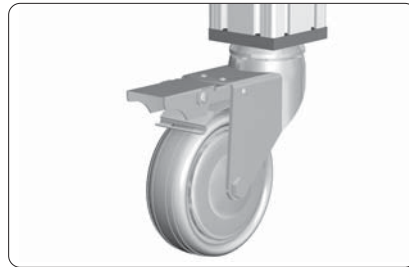
Base plates



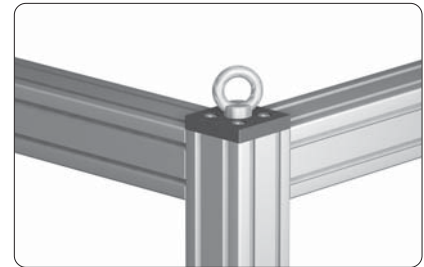
Fastening of levelling feet

Application

Base and transporting plate for profiles without centric core hole



Fastening of castors



Fastening of eye-bolts

Technical data

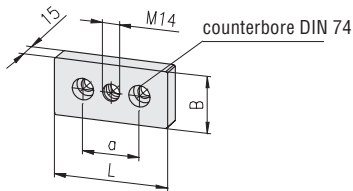
material: aluminium
 strength: F22
 surface: black powder-coated

Accessories

- threaded insert
- cap-screw DIN 912

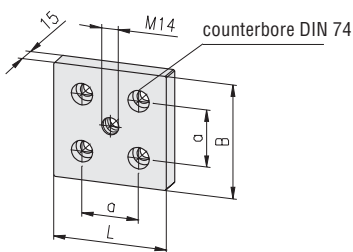
Comments

Counterbore DIN 74 for cap-screw DIN 912



- 16 20 30 40 45 50 60

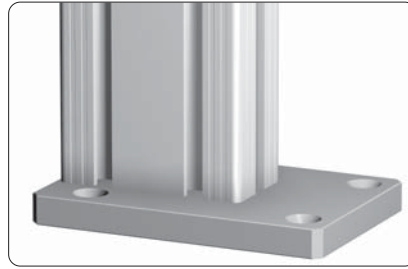
Description	B×L	DIN 74	a	Weight	Article-No.
Base plate	30×60	M14 - Km6	30	62 g	1.47.20306
Base plate	40×80	M14 - Km8	40	118 g	1.47.20408
Base plate	45×90	M14 - Km8	45	144 g	1.47.2045090
Base plate	50×100	M14 - Km8	50	188 g	1.47.20510
Base plate	60×90	M14 - Km8	45	204 g	1.47.2060090



- 16 20 30 40 45 50 60

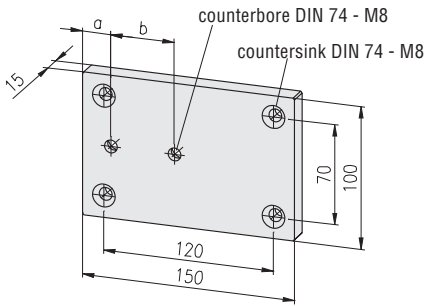
Description	B×L	DIN 74	a	Weight	Article-No.
Base plate	80×80	M14 - Km8	40	240 g	1.47.20808
Base plate	90×90	M14 - Km8	45	294 g	1.47.2090090
Base plate	100×100	M14 - Km8	50	365 g	1.47.21010

Mounting plates



Application

Mounting plate for fixing on walls, table tops and machine frames



Technical data

material: aluminium
strength: F22
surface: neutral anodised

Comments

Counterbore DIN 74 - M8 for cap-screw DIN 912 - M8
Countersink DIN 74 - M8 for countersunk screw DIN 7991 - M8

- 16
- 20
- 30
- 40
- 45
- 50
- 60

Description

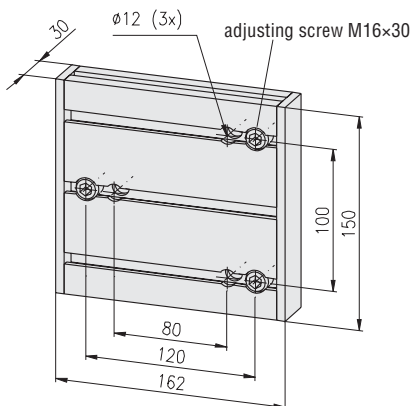
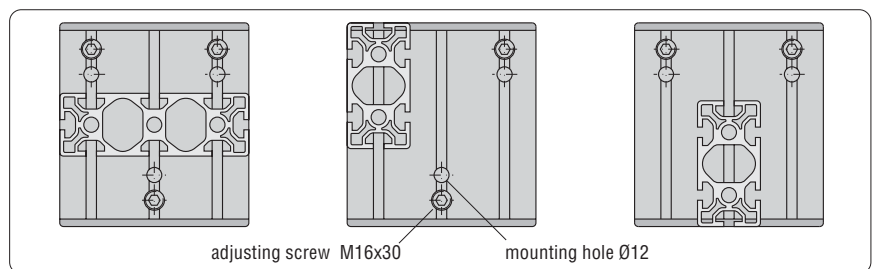
	a	b	Weight	Article-No.
Mounting plate for profile 30x60	15	30	450 g	1.47.30306
Mounting plate for profile 40x80	20	40	450 g	1.47.30408
Mounting plate for profile 50x100	25	50	450 g	1.47.30510

Floor plate



Application

For fastening and adjusting of vertical profiles to floor and wall



Fastening variants

Technical data

aluminium profile: anodised
cover caps: PA-GF black

Delivery unit:

- 1 profile 30x150x150
- 2 cover caps
- 3 set screws M16x30

- 16
- 20
- 30
- 40
- 45
- 50
- 60

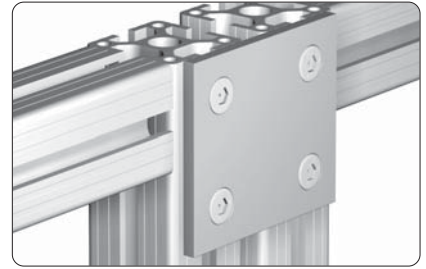
Description

	Weight	Article-No.
Floor plate 30x150x150	1,100 g	1.47.40315

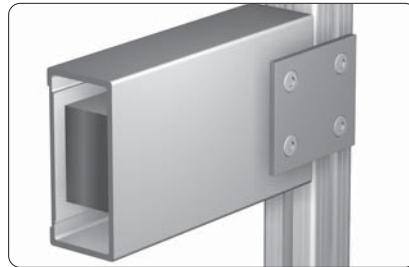
Connection plates



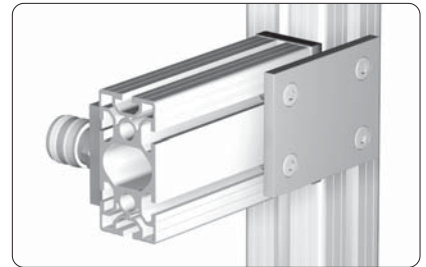
Flush connection of 2 profiles without gap



Connection of 2 profiles with gap



Fastening of the electrical trunking



Connection of the pneumatic air manifold

Application

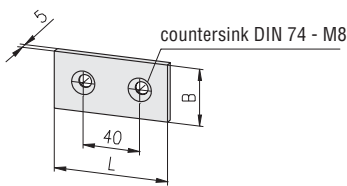
- for subsequent or additional connection of profiles
- for fastening of accessories

Technical data

material: aluminium
 strength: F22
 surface: neutral anodised

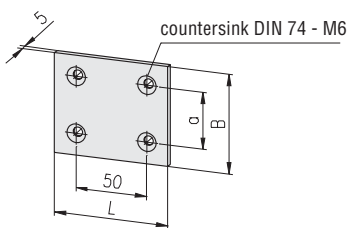
Comments

Countersink DIN 74 - M8 for countersunk screw DIN 7991 - M8



- 16 20 30 40 45 50 60

Description	B×L	Weight	Article-No.
Connection plate	40×80	38 g	1.47.50408



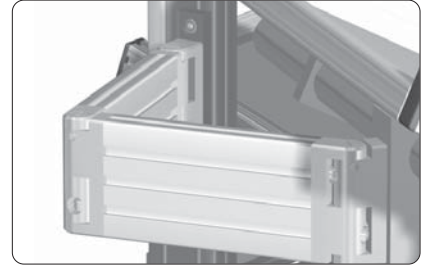
- 16 20 30 40 45 50 60

Comments

Countersink DIN 74 - M6 for countersunk screw DIN 7991 - M6

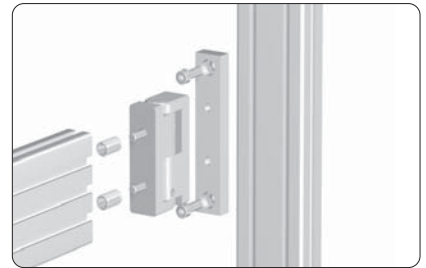
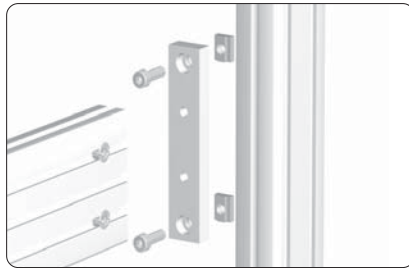
Description	B×L	a	Weight	Article-No.
Connection plate	50×80	30	50 g	1.47.50508
Connection plate	70×80	40	69 g	1.47.50708
Connection plate	75×80	45	76 g	1.47.50758
Connection plate	80×80	50	81 g	1.47.50808

**Fastening plate
30×150**



Fastening of profile 30×100

Fastening of profile 30×100 with joint 30×100



Application

Fastening plate to increase the carrying capacity of detached bracket or swivel arm

- for profile 30×100
- for joint 30×100

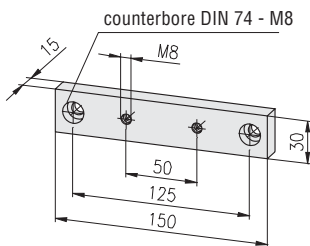
Technical data

material: aluminium
strength: F22
surface: neutral anodised

max. bend-load: $M_b = F \times L$	
vertical profiles	M_b
30×30	750 Nm
40×40	1,000 Nm
50×50	1,500 Nm

Comments

Counterbore DIN 74 - M8 for cap-screw DIN 6912 - M8



- 16 20 **30** 40 45 50 60

Description

Fastening plate 30×150

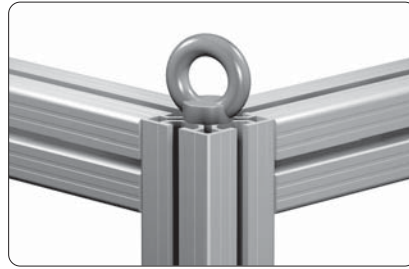
Weight

228 g

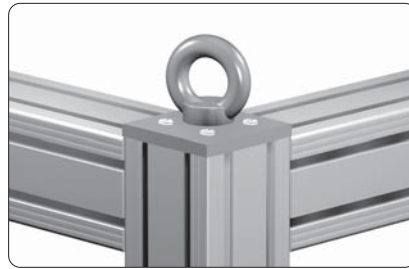
Article-No.

1.47.60315

Eye-bolt



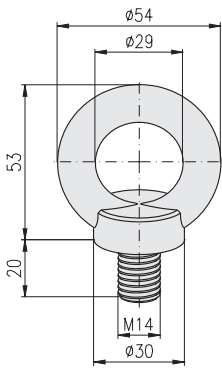
Mounting directly in the profile (core hole)



Mounting with base plates

Application

Eye-bolts for the transfer of frames and complete equipment



Technical data

material: C 15

max. load 1):

- for one eye-bolt 5,000 N
- for two eye-bolts total 7,000 N

1) The max. load given is valid only if the eye-bolt face is tightened firmly

Description

Eye-bolt M14

Weight

193 g

Article-No.

1.47.96314

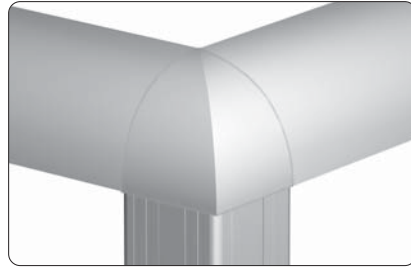
Corner pieces



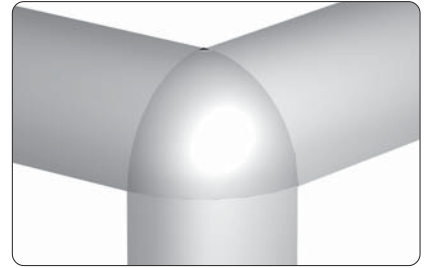
Corner pieces cubic:
Corner piece for the connection of 3 square profiles



Corner pieces segment:
Corner piece for the connection of 2 square profiles and 1 soft profile



Corner pieces segment, 2gang:
Corner piece for the connection of 2 soft profiles and 1 square profile



Corner pieces sphere:
Corner piece for the connection of 3 soft profiles

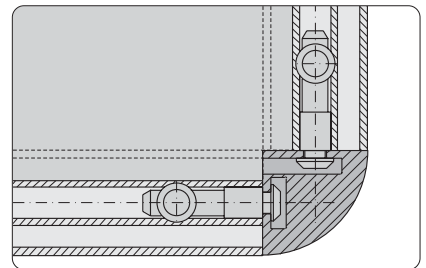
Technical data

- material: aluminium
 strength: F22
 surface:
- design anodised: neutral anodised
 - design black: black powder-coated

General

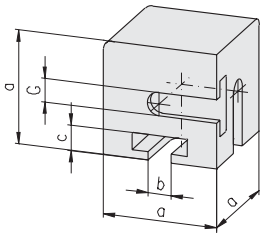
The attractive corner pieces are made of solid aluminium and guarantee the entire connection stability.

Connection with corner pieces



Connection of profiles with one corner piece using the standard connector

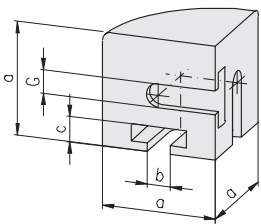
Corner pieces cubic



16 20 30 40 45 50 60

Description	a	b	c	G	Weight	Article-No.
Corner piece cubic 20, anodised		6.2	4.8	M6	17 g	1.48.221
Corner piece cubic 30, anodised		8.2	6.5	M8	59 g	1.48.331
Corner piece cubic 40, anodised		8.2	11.5	M8	135 g	1.48.441
Corner piece cubic 50, anodised		8.2	12.5	M8	292 g	1.48.551
Corner piece cubic 20, black		6.2	4.8	M6	17 g	1.48.221.2
Corner piece cubic 30, black		8.2	6.5	M8	59 g	1.48.331.2
Corner piece cubic 40, black		8.2	11.5	M8	135 g	1.48.441.2
Corner piece cubic 50, black		8.2	12.5	M8	292 g	1.48.551.2

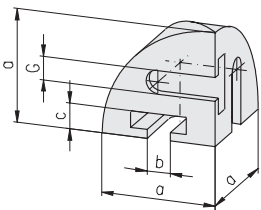
Corner pieces segment



16 20 30 40 45 50 60

Description	a	b	c	G	Weight	Article-No.
Corner piece segment 20, anodised		6.2	4.8	M6	12 g	1.48.222
Corner piece segment 30, anodised		8.2	6.5	M8	43 g	1.48.332
Corner piece segment 40, anodised		8.2	11.5	M8	100 g	1.48.442
Corner piece segment 50, anodised		8.2	12.5	M8	222 g	1.48.552
Corner piece segment 20, black		6.2	4.8	M6	12 g	1.48.222.2
Corner piece segment 30, black		8.2	6.5	M8	43 g	1.48.332.2
Corner piece segment 40, black		8.2	11.5	M8	100 g	1.48.442.2
Corner piece segment 50, black		8.2	12.5	M8	222 g	1.48.552.2

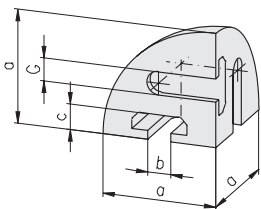
Corner pieces segment, 2gang



16 20 30 40 45 50 60

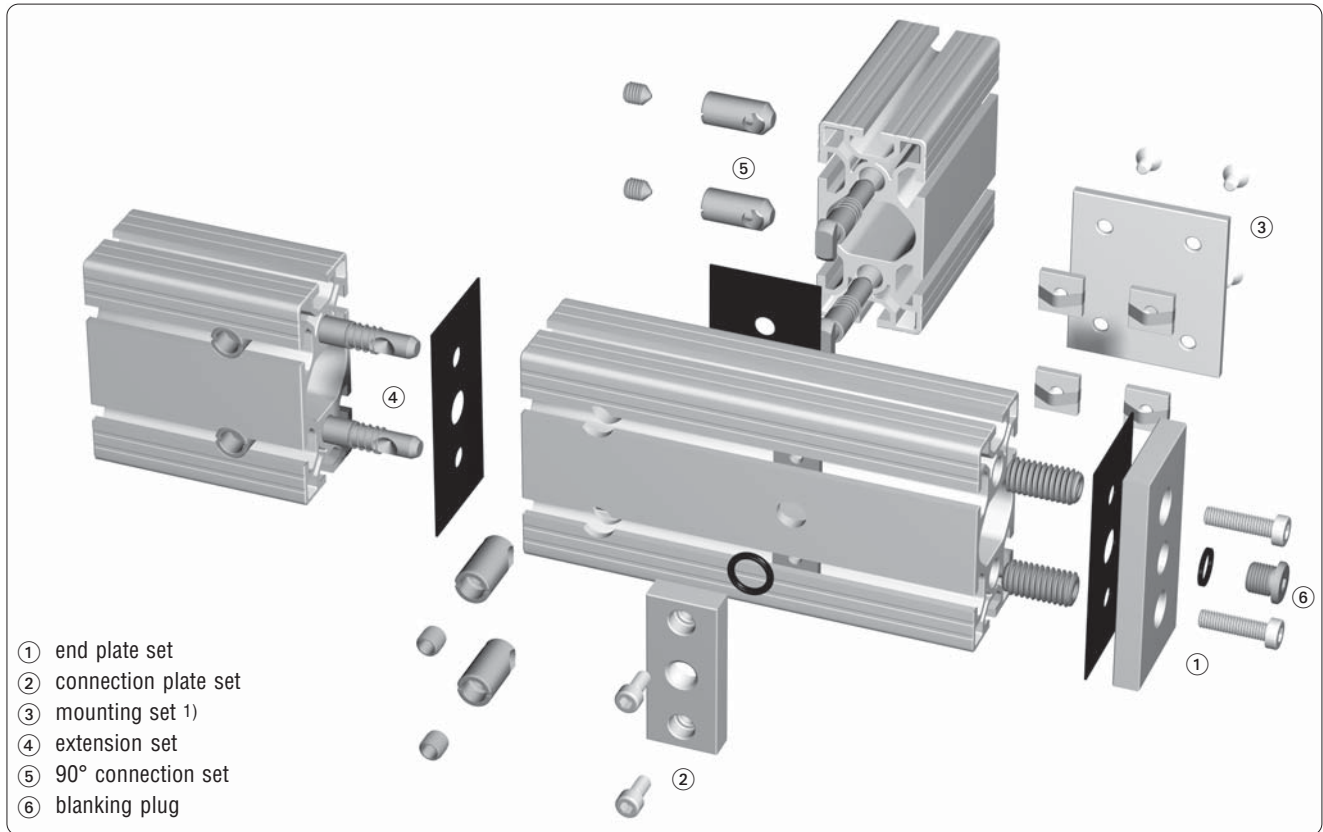
Description	a	b	c	G	Weight	Article-No.
Corner piece segment, 2gang 20, anodised		6.2	4.8	M6	7 g	1.48.223
Corner piece segment, 2gang 30, anodised		8.2	6.5	M8	24 g	1.48.333
Corner piece segment, 2gang 40, anodised		8.2	11.5	M8	57 g	1.48.443
Corner piece segment, 2gang 50, anodised		8.2	12.5	M8	135 g	1.48.553
Corner piece segment, 2gang 20, black		6.2	4.8	M6	7 g	1.48.223.2
Corner piece segment, 2gang 30, black		8.2	6.5	M8	24 g	1.48.333.2
Corner piece segment, 2gang 40, black		8.2	11.5	M8	57 g	1.48.443.2
Corner piece segment, 2gang 50, black		8.2	12.5	M8	135 g	1.48.553.2

Corner pieces sphere

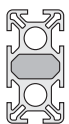
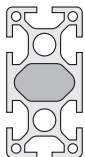
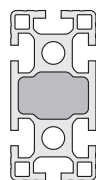
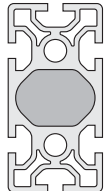
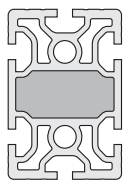
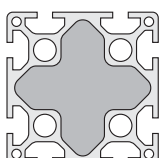
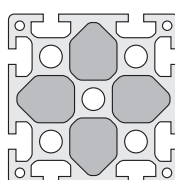
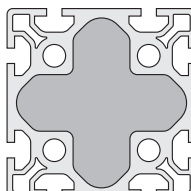
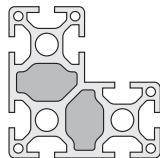
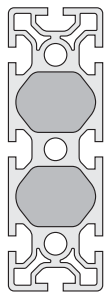


16 20 30 40 45 50 60

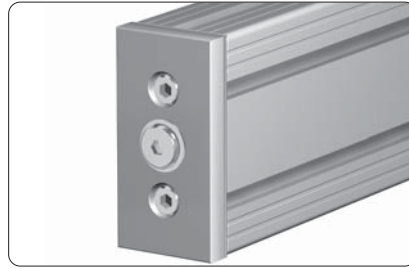
Description	a	b	c	G	Weight	Article-No.
Corner piece sphere 20, anodised		6.2	4.8	M6	7 g	1.48.228
Corner piece sphere 30, anodised		8.2	6.5	M8	24 g	1.48.338
Corner piece sphere 40, anodised		8.2	11.5	M8	57 g	1.48.448
Corner piece sphere 50, anodised		8.2	12.5	M8	135 g	1.48.558
Corner piece sphere 20, black		6.2	4.8	M6	7 g	1.48.228.2
Corner piece sphere 30, black		8.2	6.5	M8	24 g	1.48.338.2
Corner piece sphere 40, black		8.2	11.5	M8	57 g	1.48.448.2
Corner piece sphere 50, black		8.2	12.5	M8	135 g	1.48.558.2



1) for mounting set → connection plate 1.47.50...

Profiles for pneumatic applications				
PG 30	PG 40	PG 45	PG 50	PG 60
 Profile 30×60, 6F (pneumatic) cross-sectional area: 1) 299.8 mm ²	 Profile 40×80, 6E 1) 521.8 mm ²	 Profile 45×90, 6E 1) 816.2 mm ²	 Profile 50×100, 6E 1) 1,043.3 mm ²	 Profile 60×90, 6E 1) 1,203.0 mm ²
	 Profile 80×80, 8E 1) 2,454.1 mm ²	 Profile 90×90, 8E 1) 635.2 mm ² (4×)	 Profile 100×100, 8E 1) 4,080.4 mm ²	<p>Comments Any profile with closed interior chambers can also be used as pressure line. max. pressure: 10 bar</p>
	 Profile 80×80, 8E, angle 1) 505.7 mm ² (2×)		 Profile 50×150, 8E 1) 1,115.8 mm ² (2×)	

Pneumatic end plates



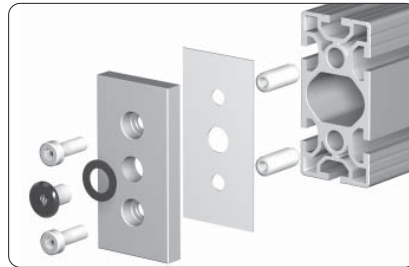
Application

- for the closing of profile ends
- vent disconnection thread

Comments

Blanking plug and reducing nipple

➔ *Pneumatic accessories 1.59*
Article-No. 1.59.010□□ and 1.59.020□□



Technical data

End plate

- material: aluminium
- strength: F22
- surface: black powder-coated

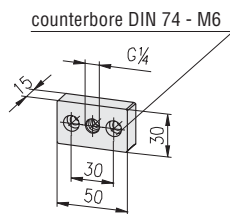
Seal

- material: NBR

Comments

Counterbore DIN 74 - M6 / M8
cap-screw DIN 912 - M6 / M8

30×60



Description

Pneumatic end plate set 30×60

Weight

110 g

Article-No.

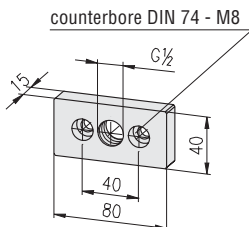
1.51.13060

Single parts

Pcs.

Pneumatic end plate 30×60	1	53 g	1.51.13061
Pneumatic seal 30×60	1	3 g	1.51.13062
Threaded insert M14/M6	2	22 g	1.35.1140615
Cap-screw DIN 912 - M6×16	2	5 g	0.63.912616

40×80



Description

Pneumatic end plate set 40×80

Weight

153 g

Article-No.

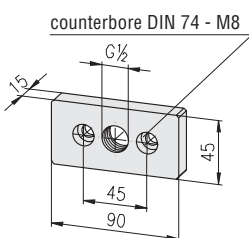
1.51.14080

Single parts

Pcs.

Pneumatic end plate 40×80	1	94 g	1.51.14081
Pneumatic seal 40×80	1	5 g	1.51.14082
Threaded insert M14/M8	2	18 g	1.35.1140815
Cap-screw DIN 912 - M8×16	2	9 g	0.63.912816

45×90



Description

Pneumatic end plate set 45×90

Weight

179 g

Article-No.

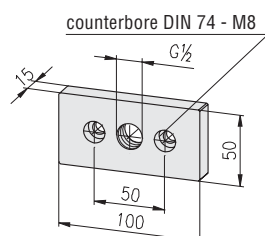
1.51.14590

Single parts

Pcs.

Pneumatic end plate 45×90	1	119 g	1.51.14591
Pneumatic seal 45×90	1	6 g	1.51.14592
Threaded insert M14/M8	2	18 g	1.35.1140815
Cap-screw DIN 912 - M8×16	2	9 g	0.63.912816

50×100



Description

Pneumatic end plate set 50×100

Weight

206 g

Article-No.

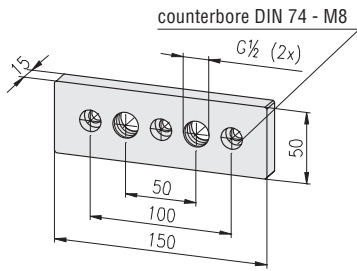
1.51.15100

Single parts

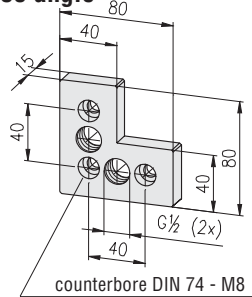
Pcs.

Pneumatic end plate 50×100	1	145 g	1.51.15101
Pneumatic seal 50×100	1	7 g	1.51.15102
Threaded insert M14/M8	2	18 g	1.35.1140815
Cap-screw DIN 912 - M8×16	2	9 g	0.63.912816

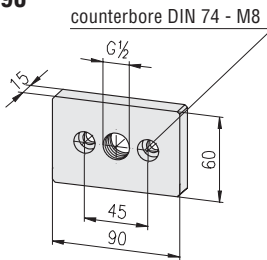
50x150



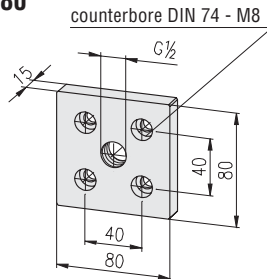
80x80 angle



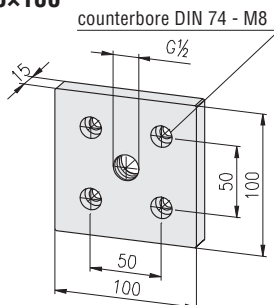
60x90



80x80



100x100



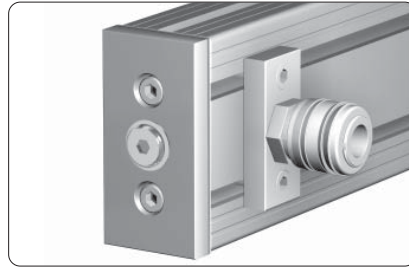
Description	Weight	Article-No.
Pneumatic end plate set 50x150	322 g	1.51.15150
Single parts		
Pneumatic end plate 50x150	1 231 g	1.51.15151
Pneumatic seal 50x150	1 10 g	1.51.15152
Threaded insert M14/M8	3 18 g	1.35.1140815
Cap-screw DIN 912 - M8x16	3 9 g	0.63.912816

Description	Weight	Article-No.
Pneumatic end plate set 80x80 W	271 g	1.51.18080W
Single parts		
Pneumatic end plate 80x80 W	1 182 g	1.51.18081W
Pneumatic seal 80x80 W	1 8 g	1.51.18082W
Threaded insert M14/M8	3 18 g	1.35.1140815
Cap-screw DIN 912 - M8x16	3 9 g	0.63.912816

Description	Weight	Article-No.
Pneumatic end plate set 60x90	217 g	1.51.16090
Single parts		
Pneumatic end plate 60x90	1 156 g	1.51.16091
Pneumatic seal 60x90	1 7 g	1.51.16092
Threaded insert M14/M8	2 18 g	1.35.1140815
Cap-screw DIN 912 - M8x16	2 9 g	0.63.912816

Description	Weight	Article-No.
Pneumatic end plate set 80x80	251 g	1.51.18080
Single parts		
Pneumatic end plate 80x80	1 136 g	1.51.18081
Pneumatic seal 80x80	1 7 g	1.51.18082
Threaded insert M14/M8	4 18 g	1.35.1140815
Cap-screw DIN 912 - M8x16	4 9 g	0.63.912816

Description	Weight	Article-No.
Pneumatic end plate set 100x100	416 g	1.51.20100
Single parts		
Pneumatic end plate 100x100	1 296 g	1.51.20101
Pneumatic seal 100x100	1 12 g	1.51.20102
Threaded insert M14/M8	4 18 g	1.35.1140815
Cap-screw DIN 912 - M8x16	4 9 g	0.63.912816

Pneumatic connection plates

Application

Pneumatic connection for inlet and exhaust of air pressure


Technical data
End plate

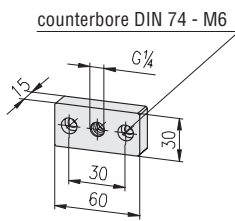
- material: aluminium
- strength: F22
- surface: black powder-coated

O-Ring

- material: NBR

Comments

Counterbore DIN 74 - M6 / M8 for cap-screw DIN 912 - M6 / M8

30×60

Description

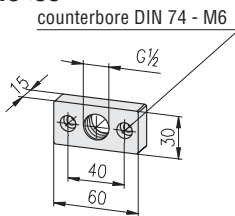
Pneumatic connection plate set 30×60

Weight
59.2 g

Article-No.
1.52.03061

Single parts

	Pcs.			
Pneumatic connection plate 30×60	1	40.0 g		1.52.03062
O-Ring 14×3	1	0.6 g		1.59.11403
T-Nut for subs. insertion F, M6	2	4.3 g		1.324.FM6
Cap-screw DIN 912 - M6×12	2	5.0 g		0.63.912612

40×80

Description

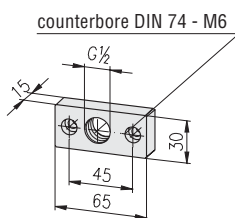
Pneumatic connection plate set 40×80

Weight
80.6 g

Article-No.
1.52.14081

Single parts

	Pcs.			
Pneumatic connection plate 40×80	1	50.0 g		1.52.14082
O-Ring 20×3	1	0.6 g		1.59.12003
T-Nut for subs. insertion E, M6	2	10.0 g		1.324.EM6
Cap-screw DIN 912 - M6×16	2	5.0 g		0.63.912616

45×90

Description

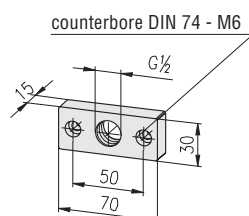
Pneumatic connection plate set 45×90

Weight
84.6 g

Article-No.
1.52.04591

Single parts

	Pcs.			
Pneumatic connection plate 45×90	1	5.0 g		1.52.04592
O-Ring 20×3	1	0.6 g		1.59.12003
T-Nut for subs. insertion E, M6	2	10.0 g		1.324.EM6
Cap-screw DIN 912 - M6×16	2	5.0 g		0.63.912616

50×100

Description

Pneumatic connection plate set 50×100

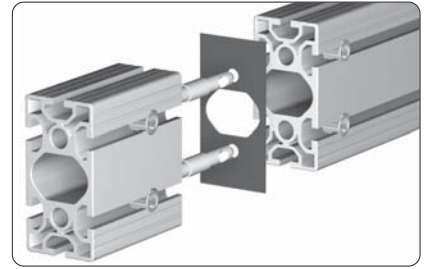
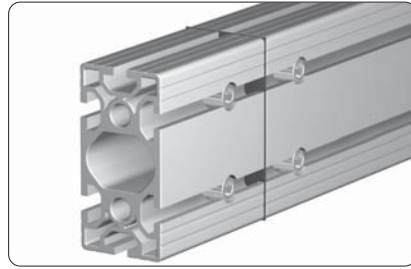
Weight
90.6 g

Article-No.
1.52.15101

Single parts

	Pcs.			
Pneumatic connection plate 50×100	1	60.0 g		1.52.15102
O-Ring 20×3	1	0.6 g		1.59.12003
T-Nut for subs. insertion E, M6	2	10.0 g		1.324.EM6
Cap-screw DIN 912 - M6×16	2	5.0 g		0.63.912616

Pneumatic extension sets



For the extension of air pressure profiles

for profile 30×60

Description	Pcs.	Weight	Article-No.
Pneumatic extension set 30×60		177 g	1.54.03061
Single parts			
Pneumatic seal 30×60	1	3 g	1.51.13062
Connector, profile extension	2	87 g	1.21.3V0

for profile 40×80

Pneumatic extension set 40×80		193 g	1.54.04081
Single parts			
Pneumatic seal 40×80	1	5 g	1.51.14082
Connector, profile extension	2	94 g	1.21.4V0

for profile 45×90

Pneumatic extension set 45×90		204 g	1.54.04591
Single parts			
Pneumatic seal 45×90	1	6 g	1.51.14592
Connector, profile extension	2	99 g	1.21.45V0

for profile 50×100

Pneumatic extension set 50×100		211 g	1.54.05101
Single parts			
Pneumatic seal 50×100	1	7 g	1.51.15102
Connector, profile extension	2	102 g	1.21.5V0

for profile 50×150

Pneumatic extension set 50×150		316 g	1.54.05151
Single parts			
Pneumatic seal 50×150	1	10 g	1.51.15152
Connector, profile extension	3	102 g	1.21.5V0

for profile 60×90

Pneumatic extension set 60×90		239 g	1.54.06091
Single parts			
Pneumatic seal 60×90	1	7 g	1.51.16092
Connector, profile extension	2	116 g	1.21.6V0

for profile 80×80 angle

Pneumatic extension set 80×80 W		289 g	1.54.08081W
Single parts			
Pneumatic seal 80×80 W	1	7 g	1.51.18082W
Connector, profile extension	3	94g	1.21.4V0

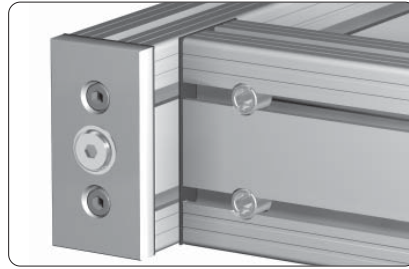
for profile 80×80

Pneumatic extension set 80×80		384 g	1.54.08081
Single parts			
Pneumatic seal 80×80	1	8 g	1.51.18082
Connector, profile extension	4	94 g	1.21.4V0

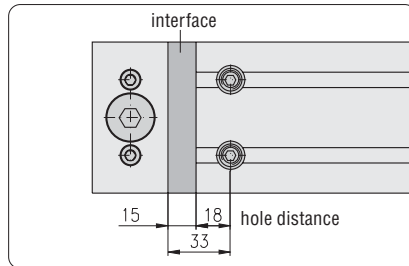
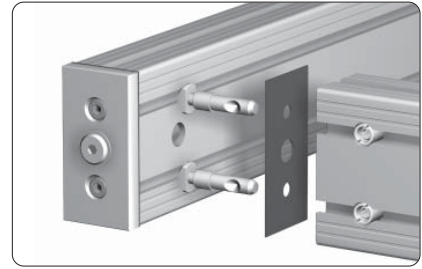
for profile 100×100

Pneumatic extension set 100×100		420 g	1.54.10101
Single parts			
Pneumatic seal 100×100	1	12 g	1.51.20102
Connector, profile extension	4	102 g	1.21.5V0

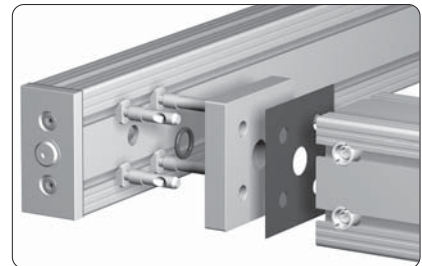
Pneumatic 90° connection sets



For 90° connections of air pressure-profiles



For the connection of profile 80×80, 100×100 a pneumatic connecting plate must be inserted to seal the chamber inside.



for profile 30×60

Description	Pcs.	Weight	Article-No.
Pneumatic 90° connection set 30×60		99 g	1.55.03061
Single parts			
Pneumatic seal 30×60	1	3 g	1.51.13062
Connector, standard 90°	2	48 g	1.21.3F2

for profile 40×80

Pneumatic 90° connection set 40×80		115 g	1.55.04081
Single parts			
Pneumatic seal 40×80	1	5 g	1.51.14082
Connector, standard 90°	2	55 g	1.21.4E2

for profile 45×90

Pneumatic 90° connection set 45×90		63 g	1.55.04591
Single parts			
Pneumatic seal 45×90	1	6 g	1.51.14592
Connector, standard 90°	2	57 g	1.21.45E2

for profile 50×100

Pneumatic 90° connection set 50×100		125 g	1.55.05101
Single parts			
Pneumatic seal 50×100	1	7 g	1.51.15102
Connector, standard 90°	2	59 g	1.21.5E2

for profile 50×150

Pneumatic 90° connection set 50×150		187 g	1.55.05151
Single parts			
Pneumatic seal 50×150	1	10 g	1.51.15152
Connector, standard 90°	3	59 g	1.21.5E2

for profile 60×90

Pneumatic 90° connection set 60×90		70 g	1.55.06091
Single parts			
Pneumatic seal 60×90	1	7 g	1.51.16092
Connector, standard 90°	2	63 g	1.21.6E2

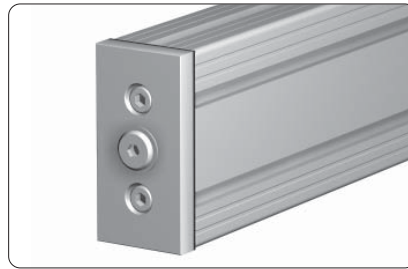
for profile 80×80

Pneumatic 90° connection set 80×80		446 g	1.55.08081
Single parts			
Pneumatic seal 80×80	1	8 g	1.51.18082
Connector, standard 90°	4	55 g	1.21.4E2
Pneumatic connecting plate	1	217 g	1.55.08084
O-Ring 20×3	1	0.6 g	1.59.12003

for profile 100×100

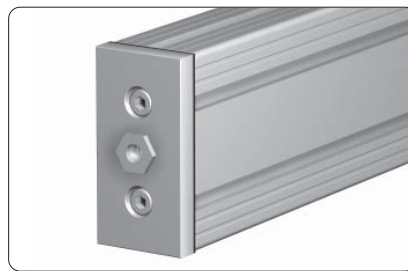
Pneumatic 90° connection set 100×100		618 g	1.55.10101
Single parts			
Pneumatic seal 100×100	1	12 g	1.51.20102
Connector, standard 90°	4	55 g	1.21.4E2
Pneumatic connecting plate	1	369 g	1.55.10104
O-Ring 20×3	1	0.6 g	1.59.12003

Pneumatic accessories



Application

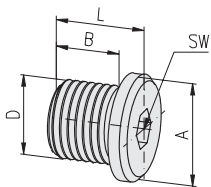
Blanking plug for the connection thread



Application

Reducing nipple to reduce the connection thread

Blanking plug

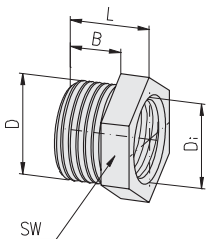


Technical data

material: steel
surface: galvanised

Description	D	A	B	L	SW	Weight	Article-No.
Blanking plug, B-1/4"		18	12	15	6	15 g	1.59.01030
Blanking plug, B-1/2"		26	14	18	10	43 g	1.59.01050

Reducing nipple

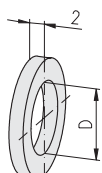


Technical data

material: brass

Description	Di	D	B	L	SW	Weight	Article-No.
Reducing nipple, 1/4" i - 3/8" a			9	14	19	14 g	1.59.02040
Reducing nipple, 3/8" i - 1/2" a			10	14	22	25 g	1.59.02050

Sealing ring



Technical data

material: PVC, rigid

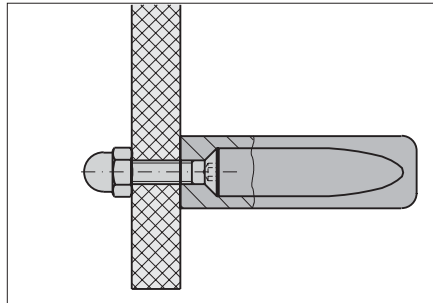
Description	D	Weight	Article-No.
Sealing ring Ø1/4"		1 g	1.59.03030
Sealing ring Ø3/8"		1 g	1.59.03040
Sealing ring Ø1/2"		2 g	1.59.03050

Handles light PA

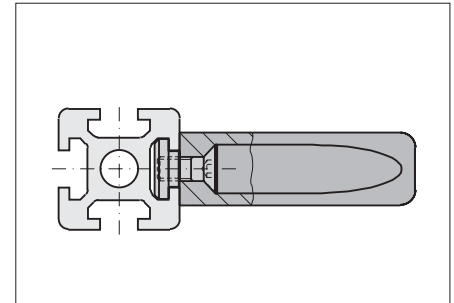


Application

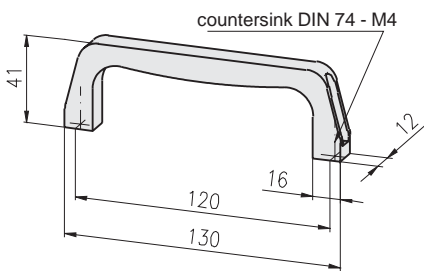
For doors and drawers of light material



Mounting on panel elements



Mounting on profiles

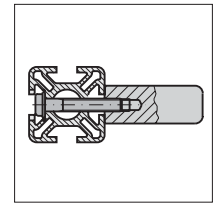
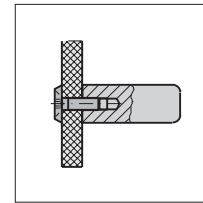


Technical data

material: PA

Description	Colour	Weight	Article-No.
Handle light PA	grey	30 g	1.61.20.1
Handle light PA	black	30 g	1.61.20.2

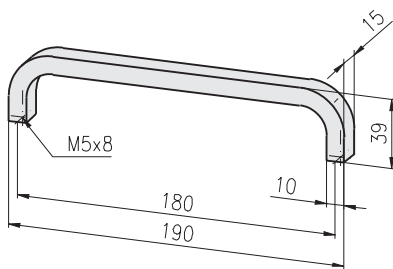
Handle light



Application
For doors and drawers of light material

Mounting on
panel elements

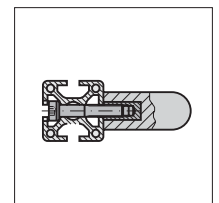
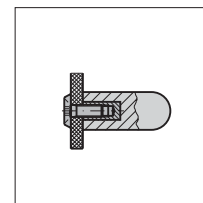
Mounting on
profiles



Technical data
material: aluminium
surface: neutral anodised

Description	Weight	Article-No.
Handle light	85 g	1.61.210

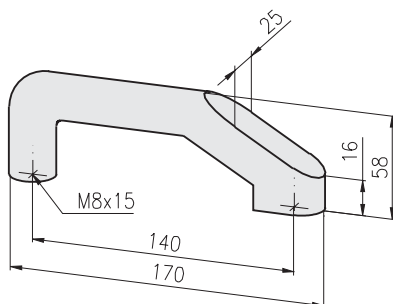
Handle PA



Application
Ergonomical designed handle

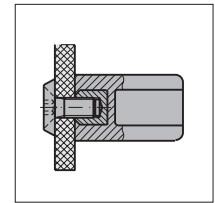
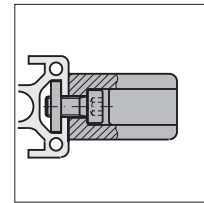
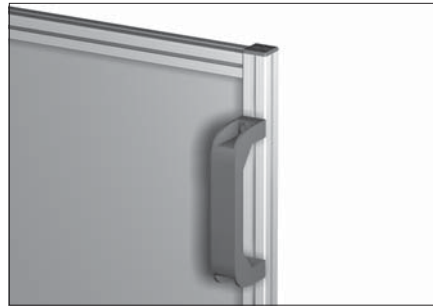
Mounting on
panel elements

Mounting on
profiles



Technical data
material: PA
surface: black

Description	Weight	Article-No.
Handle PA, with thread M8	166 g	1.61.230

Handles PA

Application

Handle with fixing possibilities from the front and the rear

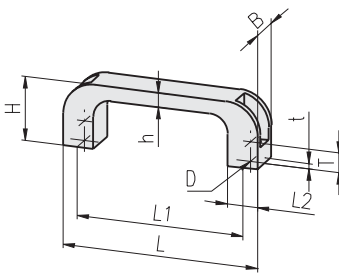
Handle with bore

Handle with thread

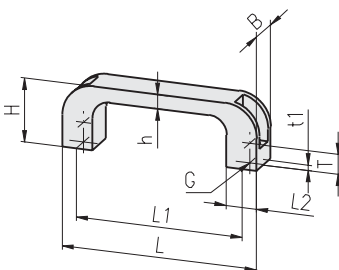
Technical data

material: PA
surface: black

L	L1	L2	H	h	T	t	t1	B
110	94	17	37	8	13	6	10	21
139	120	20	40	10	15	6	10	24
151	132	22	43	10	16	6	15	26
200	180	25	50	11	20	9	15	28
260	235	28	53	12	21	11	15	32

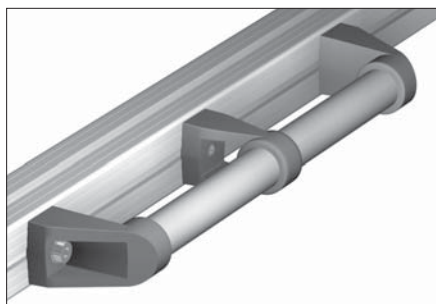
with bore


Description	D	L	Weight	Article-No.
Handle, PA with bore	Ø6.5	110	24 g	1.61.24110
Handle, PA with bore	Ø6.5	139	44 g	1.61.24139
Handle, PA with bore	Ø8.5	151	64 g	1.61.24151
Handle, PA with bore	Ø8.5	200	74 g	1.61.24200
Handle, PA with bore	Ø10.5	260	114 g	1.61.24260

with thread


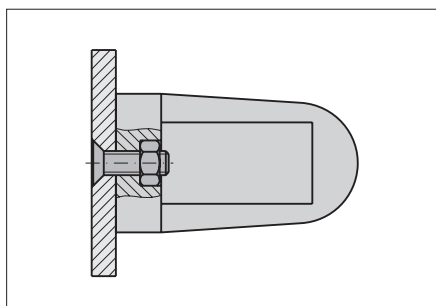
Description	G	L	Weight	Article-No.
Handle PA, with thread	M6	110	30 g	1.61.25110
Handle PA, with thread	M6	139	50 g	1.61.25139
Handle PA, with thread	M8	151	70 g	1.61.25151
Handle PA, with thread	M8	200	88 g	1.61.25200
Handle PA, with thread	M10	260	125 g	1.61.25260

Handle system round design

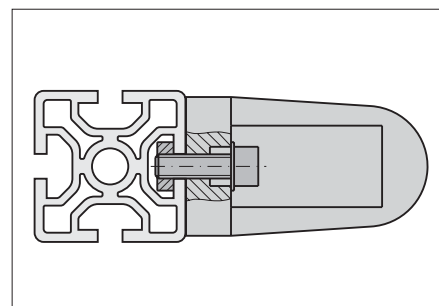


Application

Handle system for making handles of any length

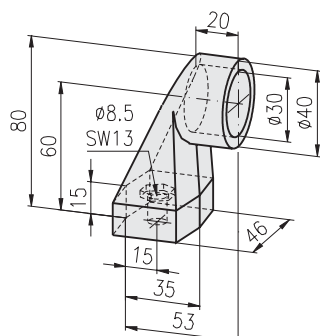


Mounting on panel elements



Mounting on profiles

Corner piece PA-GF



Technical data

material: PA-GF
colour: black

Description

Corner piece PA-GF

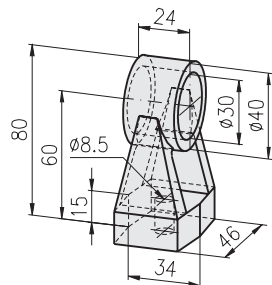
Weight

76 g

Article-No.

1.61.280

Centre piece PA-GF



Technical data

material: PA-GF
colour: black

Description

Centre piece PA-GF

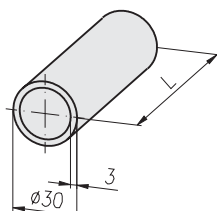
Weight

53 g

Article-No.

1.61.281

Tube Ø30x3



Technical data

material: aluminium
surface: neutral anodised
tube length: 6 m

Description

Tube Ø30x3

bar

Weight

4.2 kg

Article-No.

1.19.16130.60

Tube Ø30x3

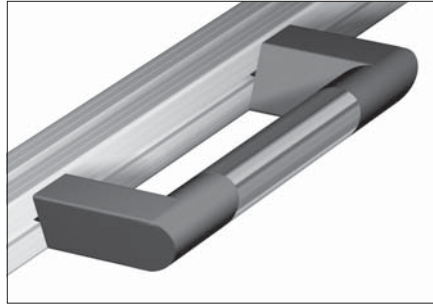
cut to length

0.7 kg/m

1.19.16130-A00A00/...

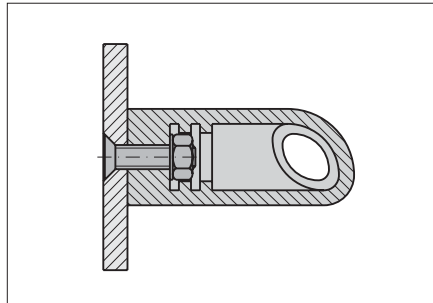
/... = length in mm

**Handle system
oval design**

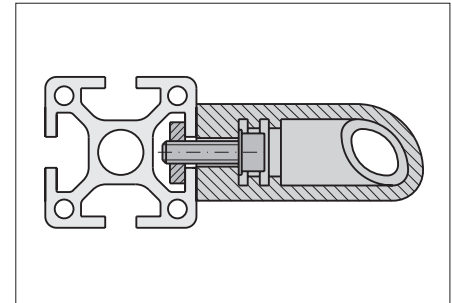


Application

Handle system for making handles of any length

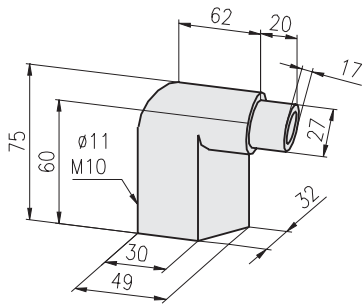


Mounting on panel elements



Mounting on profiles

Oval corner piece right

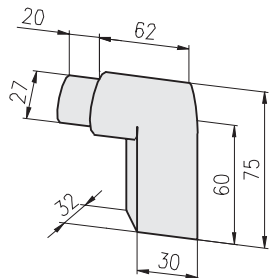


Technical data

material: PA-GF
colour: black

Description	Weight	Article-No.
Oval corner piece right	65 g	1.61.290

Oval corner piece left

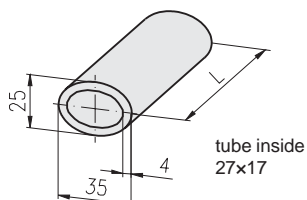


Technical data

material: PA-GF
colour: black

Description	Weight	Article-No.
Oval corner piece left	65 g	1.61.291

Oval tube 35x4



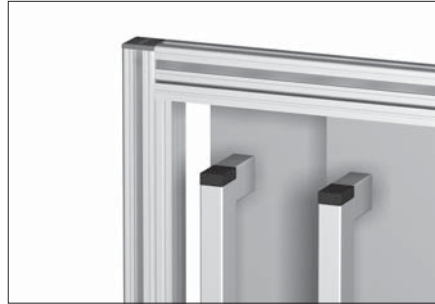
Technical data

material: aluminium
surface: neutral anodised
tube length: 3 m

Description	Weight	Article-No.
Oval tube 35x4 bar	5.0 kg	1.61.292.30
Oval tube 35x4 cut to length	0.83 kg/m	1.61.292-A00A00/....

/... = length in mm

Grab handles

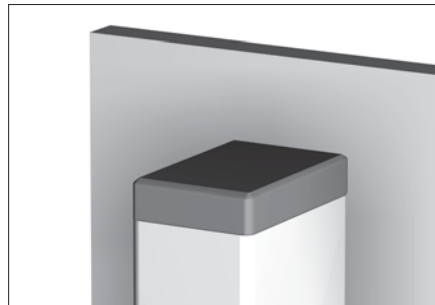


Application

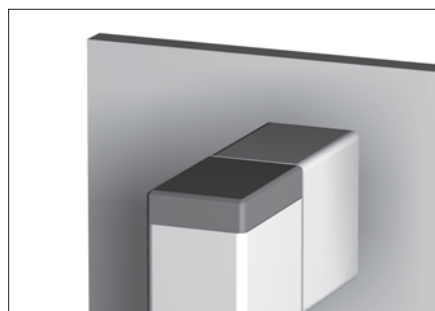
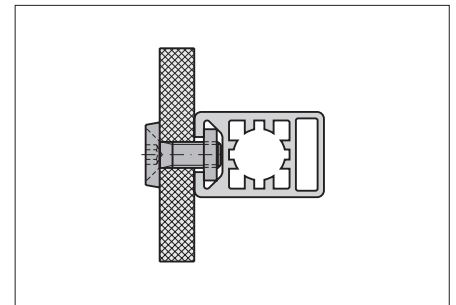
Alu grip handles for customer's assembly from standard profiles.

Comments

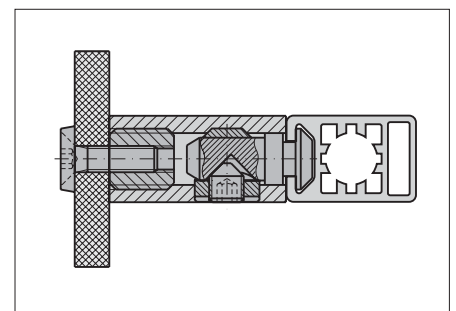
Grab handles increase the rigidity of panels without profile frames.



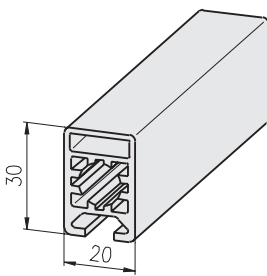
Fixing of the profile directly on the panel element



Fixing of the profile with a connecting piece on the panel element



Profile 20x30, 1F, LP



Description

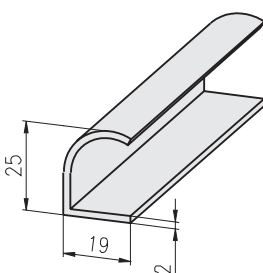
Profile 20x30, 1F, LP

Article-No.

cut to length - 1.11.020030.14LP-A00A00/...

/... = length in mm

Grab handle profile



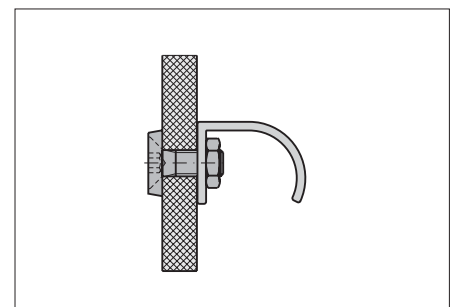
Description

Grab handle profile

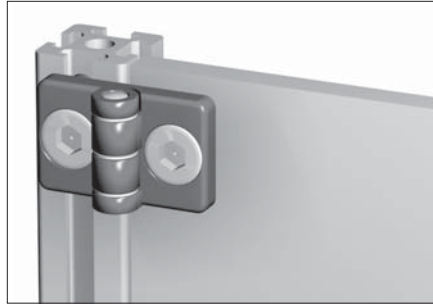
Article-No.

cut to length - 1.19.14319-A00A00/...

/... = length in mm

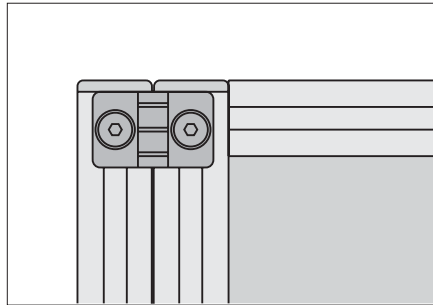


Hinges

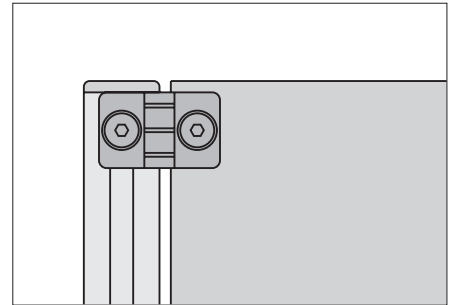


Application

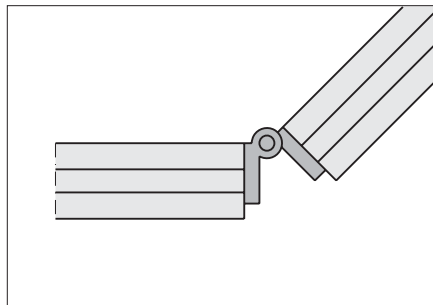
Hinge for doors and flaps of light material



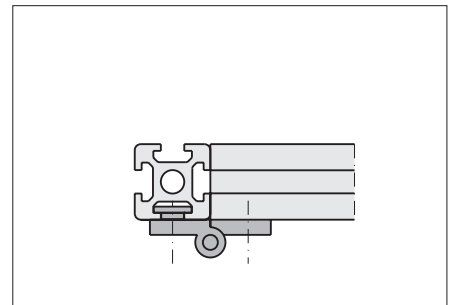
Doors with profile frames



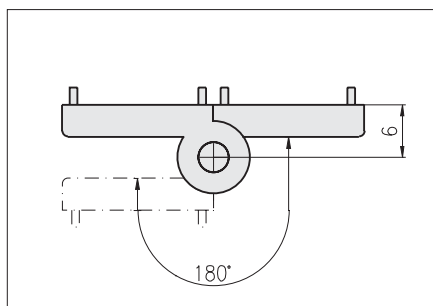
Doors made of panel elements without profile frames



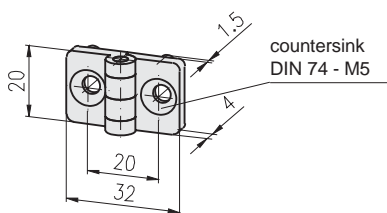
Face-sided connection of 2 profiles



Connection of 2 profiles in rectangular position



Swivel angle



Technical data

material: PA-GF
 colour: black
 max. static load: 50 N

Comments

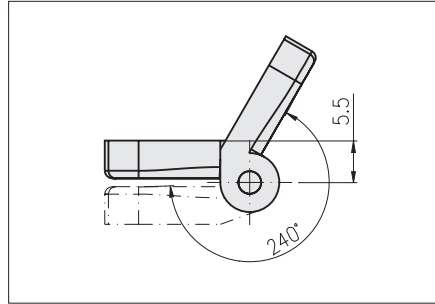
Countersink DIN 74 - M5 for countersunk screw DIN 7991 - M5



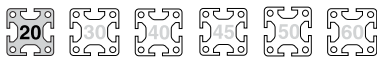
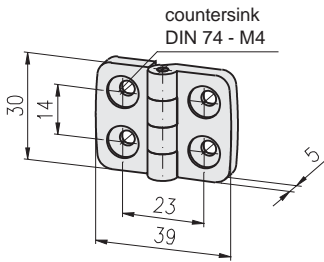
Description
Hinge 20x32

Weight	Article-No.
6 g	1.62.12032

Hinges



Swivel angle



Technical data

material: PA-GF
 colour: black
 max. static load: 100 N

Comments

Countersink DIN 74 - M4 for
 countersunk screw DIN 7991 - M4

Description

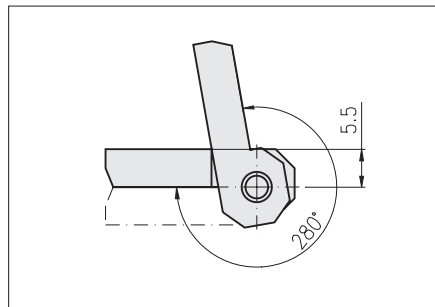
Hinge 30x39

Weight

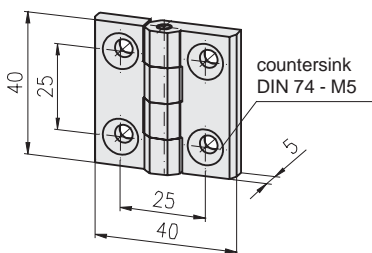
7.6 g

Article-No.

1.62.23039



Swivel angle



Technical data

material: GD-Zn
 surface: coated
 colour: black
 max. static load: 150 N

Comments

Countersink DIN 74 - M5 for
 countersunk screw DIN 7991 M5

Description

Hinge 40x40

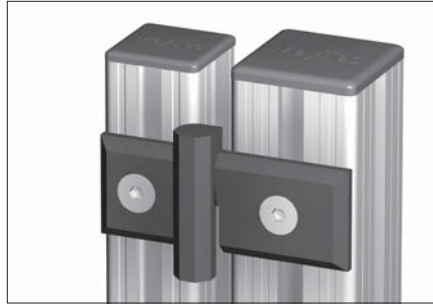
Weight

55 g

Article-No.

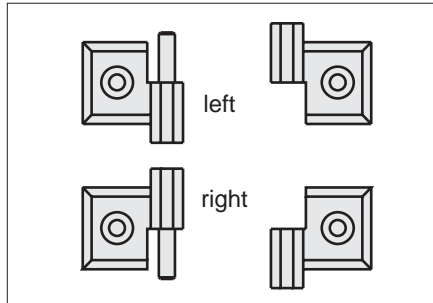
1.62.24040

Lift-off hinges

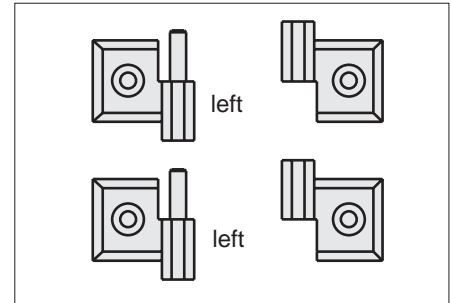


Application

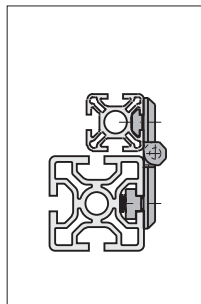
Enables the connection of different profile widths in parallel as well as in rectangular arrangement
 • unhingeable



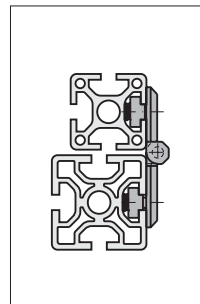
Non-liftable door with one right and one left sided hinge



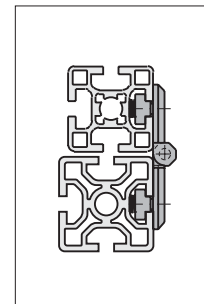
Liftable door with two similar hinges



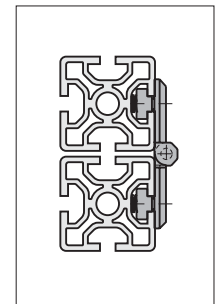
1 profile 30x30
1 profile 50x50



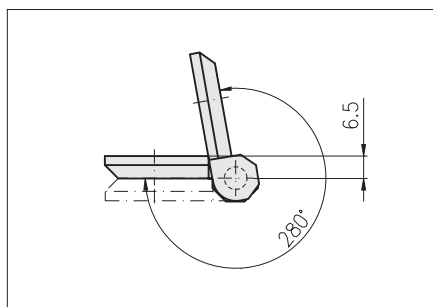
1 profile 40x40
1 profile 50x50



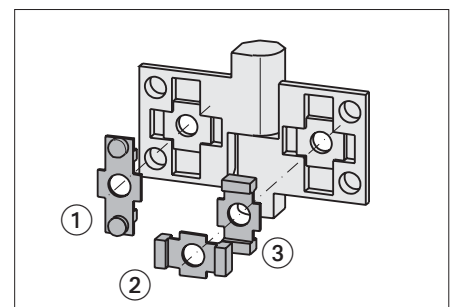
1 profile 45x45
1 profile 50x50



2 profiles 50x50



Swivel angle



Application of locking device:

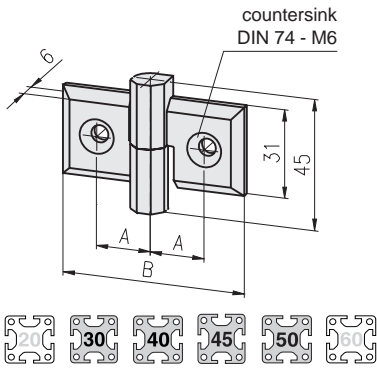
- ① for panel element
- ② for profile slot, horizontal
- ③ for profile slot, vertical

Technical data

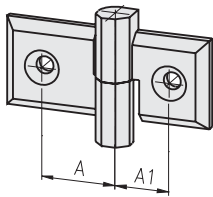
material: GD-Zn
 surface: black coated
 hinge bolt: stainless steel
 max. static load: 250 N

Comments

Countersink DIN 74 - M6 for
 countersunk screw DIN 7991 - M6



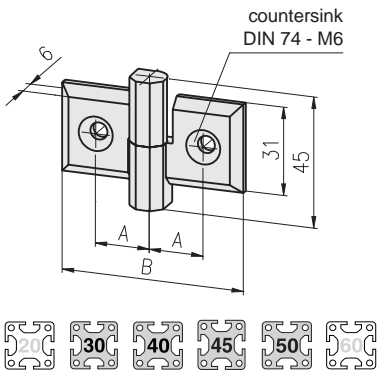
Description	A	B	Weight	Article-No.
Hinge 31,	A16.5 left	59	68 g	1.62.331.16/16L
Hinge 31,	A19 left	64	72 g	1.62.331.19/19L
Hinge 31,	A21.5 left	69	76 g	1.62.331.21/21L
Hinge 31,	A24 left	74	81 g	1.62.331.24/24L
Hinge 31,	A26.5 left	79	86 g	1.62.331.26/26L



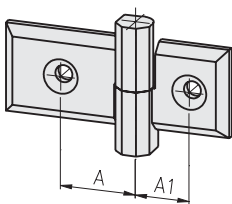
Combinations

Description	A ¹⁾	A1 ¹⁾	Article-No.
Hinge 31 x	□□/□□	left	1.62.331.□□/□□L

¹⁾Data without decimal places



Description	A	B	Weight	Article-No.
Hinge 31,	A16.5 right	59	68 g	1.62.331.16/16R
Hinge 31,	A19 right	64	72 g	1.62.331.19/19R
Hinge 31,	A21.5 right	69	76 g	1.62.331.21/21R
Hinge 31,	A24 right	74	81 g	1.62.331.24/24R
Hinge 31,	A26.5 right	79	86 g	1.62.331.26/26R



Combinations

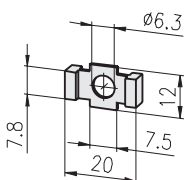
Description	A ¹⁾	A1 ¹⁾	Article-No.
Hinge 31 x	□□/□□	right	1.62.331.□□/□□R

¹⁾Data without decimal places

Technical data

material: GD-Zn
surface: rough

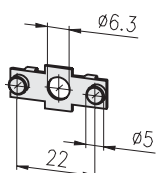
Description	Weight	Article-No.
Anti-twist device for slot 8 mm	4 g	1.62.331x1



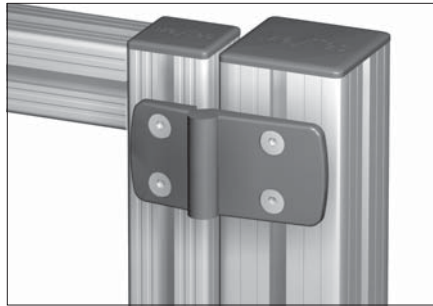
Technical data

material: GD-Zn
surface: rough

Description	Weight	Article-No.
Anti-twist device for panel element	4 g	1.62.331x2

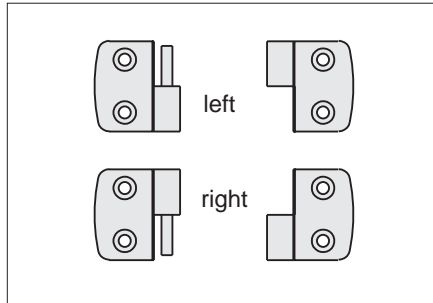


Lift-off hinges

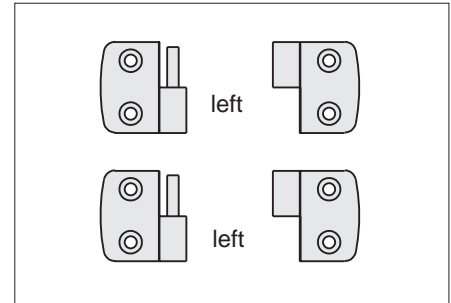


Application

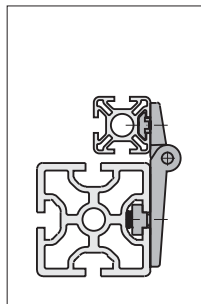
The hinges enable the connection of profiles with different widths.



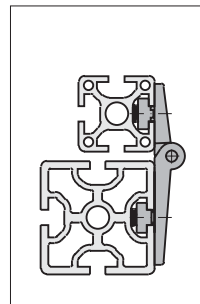
Non-liftable door with one right and one left sided hinge



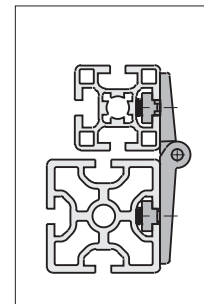
Liftable door with two similar hinges



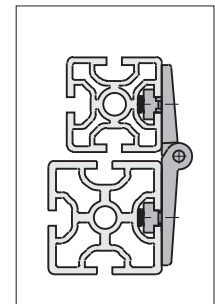
1 profile 30x30
1 profile 60x60



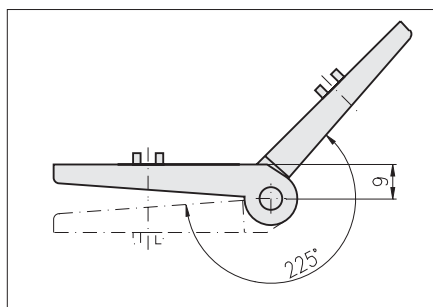
1 profile 40x40
1 profile 60x60



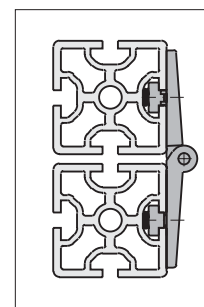
1 profile 45x45
1 profile 60x60



1 profile 50x50
1 profile 60x60



Swivel angle



2 profiles 60x60

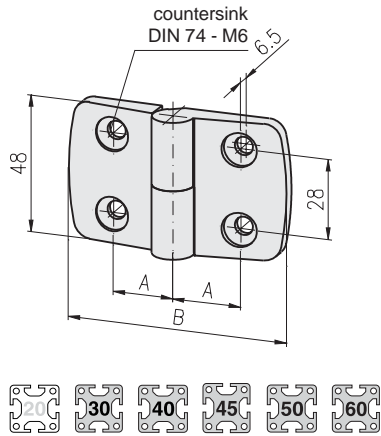
Technical data

material: PA-GF
 colour: black
 hinge bolt: stainless steel
 max. static load: 150 N

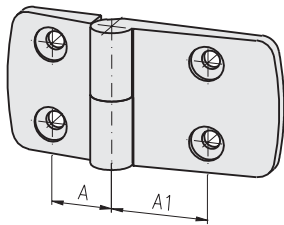
Comments

Countersink DIN 74 - M6 for
 countersunk screw DIN 7991 - M6

Lift-off hinges



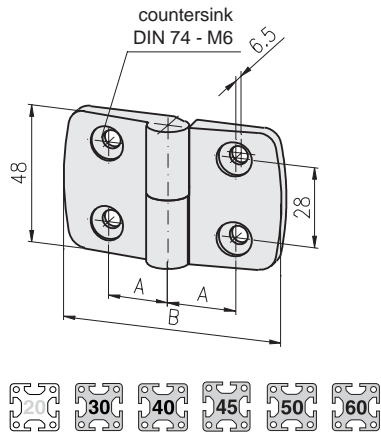
Description	A	B	Weight	Article-No.
Lift-off hinge 48 A17.5, left		59	8 g	1.62.348.17/17L
Lift-off hinge 48 A22.5, left		77	10 g	1.62.348.22/22L
Lift-off hinge 48 A25, left		87	15 g	1.62.348.25/25L
Lift-off hinge 48 A27.5, left		97	25 g	1.62.348.27/27L
Lift-off hinge 48 A32.5, left		115	35 g	1.62.348.32/32L



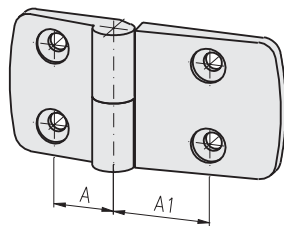
Combinations

Description	A ¹⁾	A1 ¹⁾	Article-No.
Lift-off hinge 48 x □□/□□ left			1.62.348.□□/□□L

¹⁾Data without decimal places



Description	A	B	Weight	Article-No.
Lift-off hinge 48 A17.5, right		59	8 g	1.62.348.17/17R
Lift-off hinge 48 A22.5, right		77	10 g	1.62.348.22/22R
Lift-off hinge 48 A25, right		87	15 g	1.62.348.25/25R
Lift-off hinge 48 A27.5, right		97	25 g	1.62.348.27/27R
Lift-off hinge 48 A32.5, right		115	35 g	1.62.348.32/32R

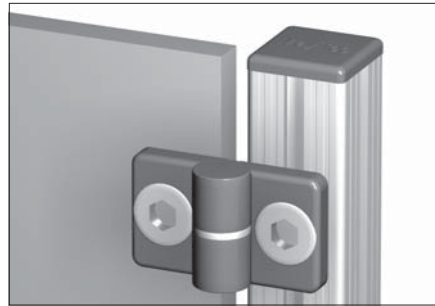


Combinations

Description	A ¹⁾	A1 ¹⁾	Article-No.
Lift-off hinge 48 x □□/□□ right			1.62.348.□□/□□R

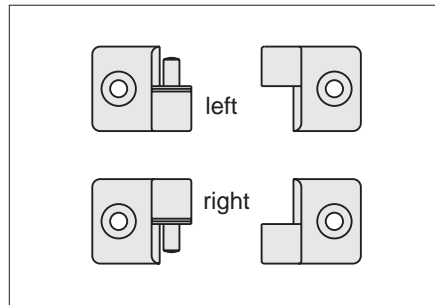
¹⁾Data without decimal places

Hinges

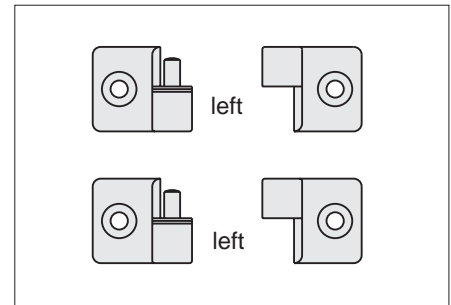


Application

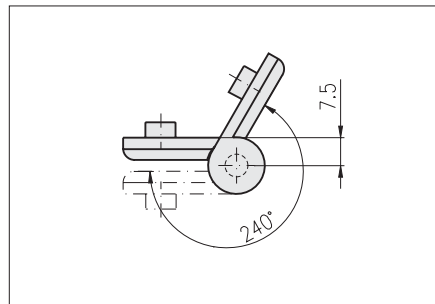
Hinge for doors and flaps of light material



Non-liftable door with one right and one left sided hinge



Liftable door with two similar hinges



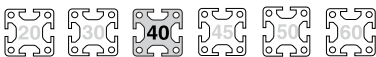
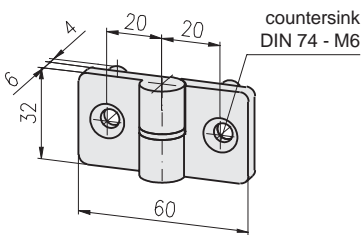
Swivel angle

Comments

Countersink DIN 74 - M6 for countersunk screw DIN 7991 - M6

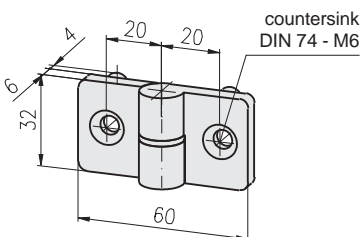
Technical data

material: PA-GF
 colour: black
 max. static load: 100 N



Description
Hinge 32x60 right

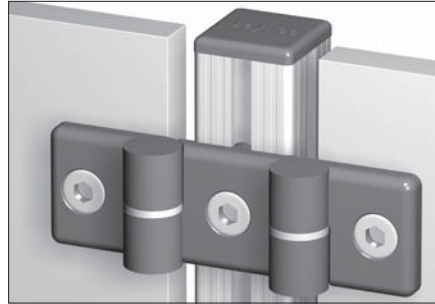
Weight 21 g
Article-No. 1.62.41R



Description
Hinge 32x60 left

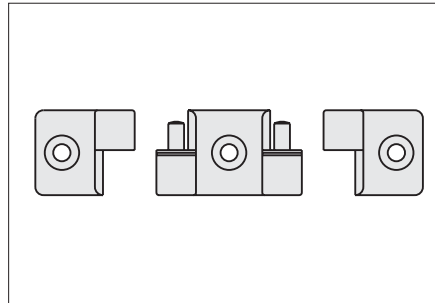
Weight 21 g
Article-No. 1.62.41L

Double hinge

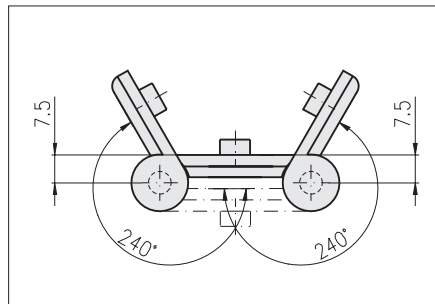


Application

Hinge for doors and flaps of light material.



Liftable doors



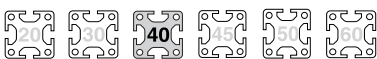
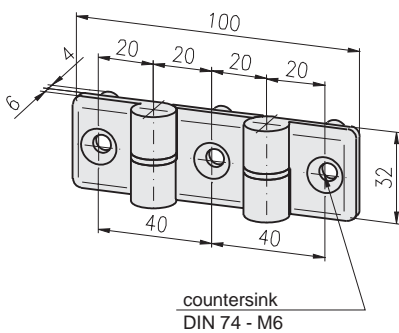
Swivel angle

Comments

Countersink DIN 74 - M6 for countersunk screw DIN 7991 - M6

Technical data

material: PA-GF
 colour: black
 max. static load: 100 N

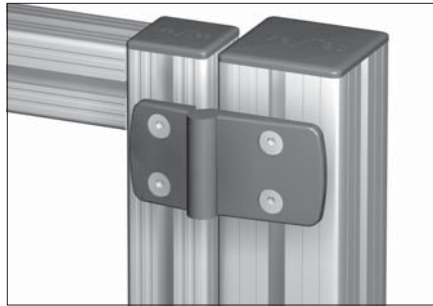


Description
 Double hinge

Weight
 40 g

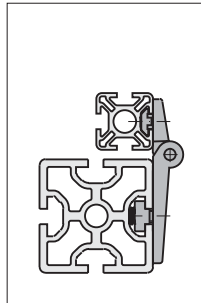
Article-No.
 1.62.420

Hinges

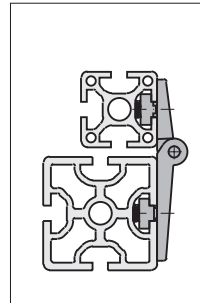


Application

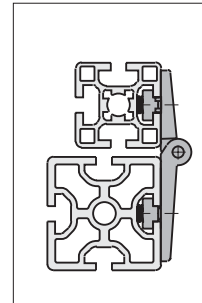
The hinges enable the connection of profiles with different widths.



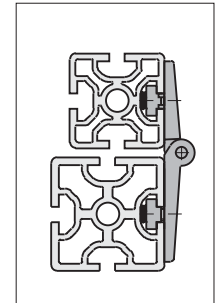
1 profile 30x30
1 profile 60x60



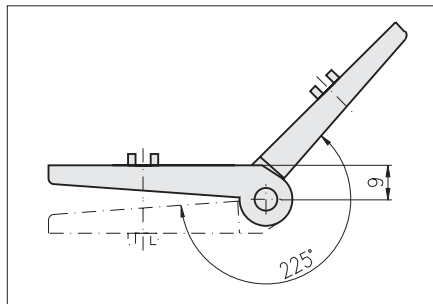
1 profile 40x40
1 profile 60x60



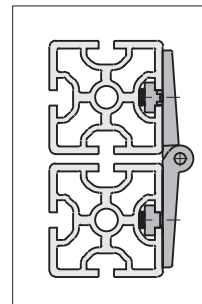
1 profile 45x45
1 profile 60x60



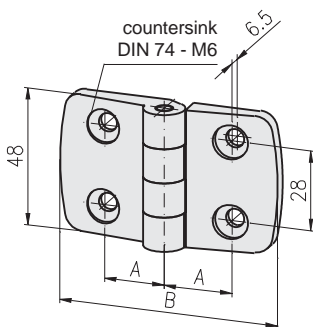
1 profile 50x50
1 profile 60x60



Swivel angle



2 profiles 60x60



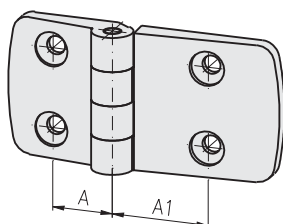
Technical data

material: PA-GF
colour: black
hinge bolt: stainless steel
max. static load: 200 N

Comments

Countersink DIN 74 - M6 for
countersunk screw DIN 7991 - M6

Description	A	B	Weight	Article-No.
Hinge 48 fixed A17.5		59	8 g	1.62.448.17/17
Hinge 48 fixed A22.5		77	10 g	1.62.448.22/22
Hinge 48 fixed A25.0		87	15 g	1.62.448.25/25
Hinge 48 fixed A27.5		97	25 g	1.62.448.27/27
Hinge 48 fixed A32.5		115	35 g	1.62.448.32/32

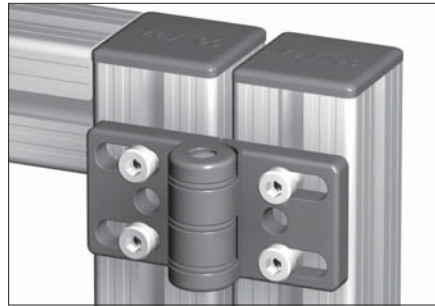


Combinations

Description	A ¹⁾	A1 ¹⁾	Article-No.
Hinge 48 x	□□	□□	1.62.448.□□/□□

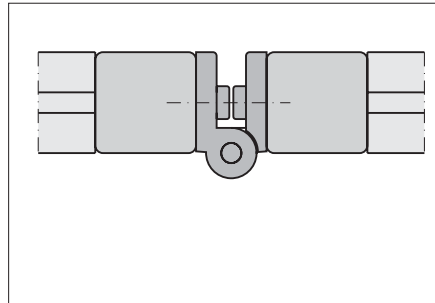
¹⁾Data without decimal places

Hinges

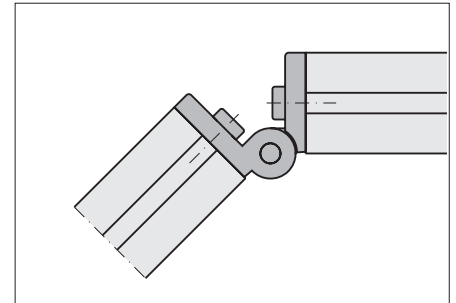


Application

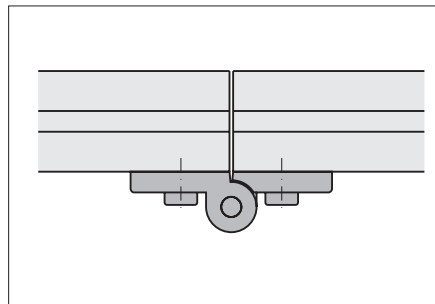
Hinge for higher loads such as doors with profile frames



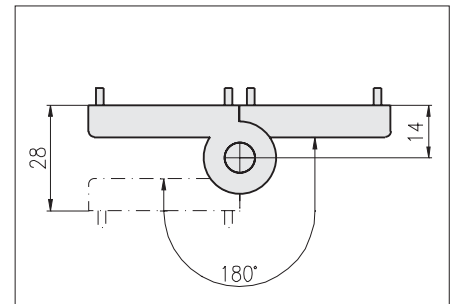
Connection of 2 vertical profiles.
All anti-twist safety devices removed.



Face-sided connection of 2 profiles.
With anti-twist safety device.



Connection of 2 horizontal profiles.
With anti-twist safety device.

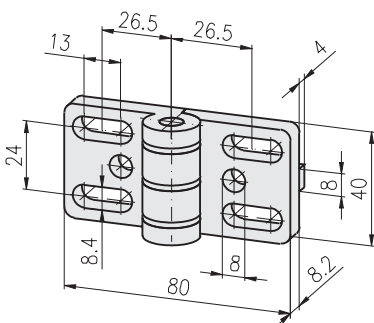


Swivel angle

Technical data

material: GD-Zn
surface: black coated
max. static load: 750 N

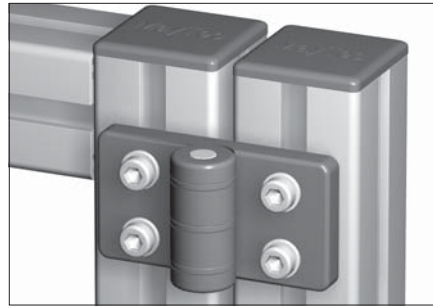
Hinge 40x80



Description
Hinge 40x80

Weight 180 g
Article-No. 1.62.520

Hinges

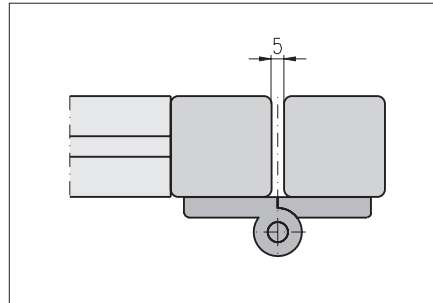


Application

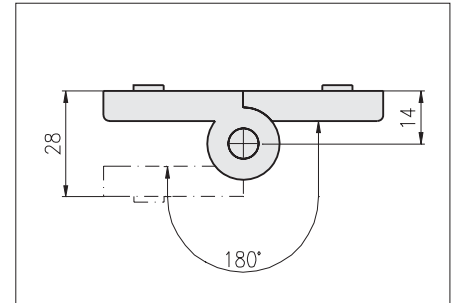
Hinge or higher loads such as doors with profile frames

Technical data

material: GD-Zn
 colour: black
 surface: powder-coated
 max. static load: 750 N

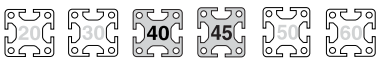
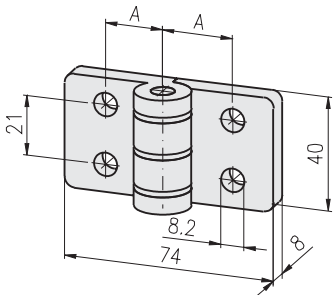


Connection of 2 vertical profiles



Swivel angle

Hinge 40x80



Fastening elements

PG 40: T-Nut for subs. insertion E, M8 1.324.EM8
 PG 45: T-Nut E, M8 1.32.EM8
 PG 40/45: Threaded plate E, M8 1.31.EM8

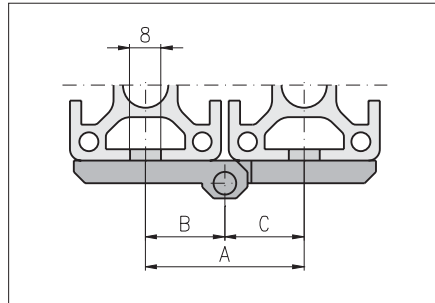
Description	A	Weight	Article-No.
Hinge 40x80 for PG 40	22.5	194 g	1.62.53045
Hinge 40x80 for PG 45	25.0	194 g	1.62.53050

Hinges

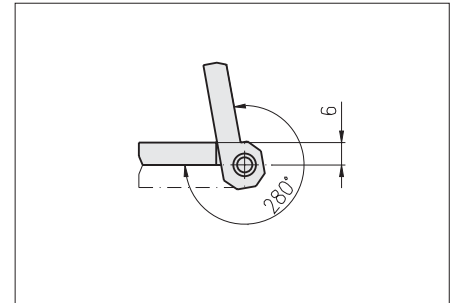


Application

Hinge with detachable fixing plug for different slot distances



Doors with profile frames



Swivel angle

Technical data

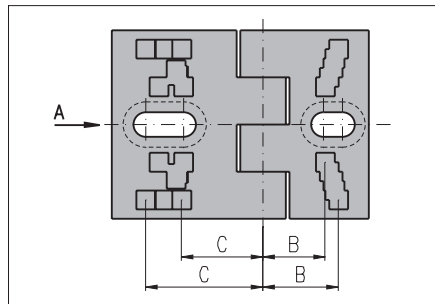
material: GD-Zn
 surface: coated
 colour: black
 max. static load: 250 N

Comments

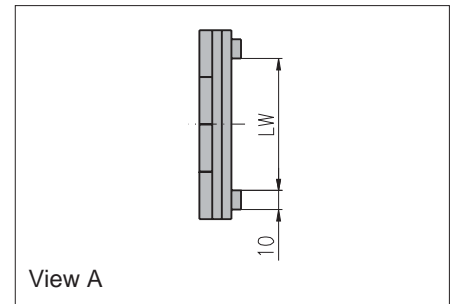
Countersink DIN 74 - M6 for countersunk screw DIN 7991 - M6

Delivery unit

Including 4 plugs for F- and E-slot



Distances for positioning plugs



View A

Possibilities of fastening

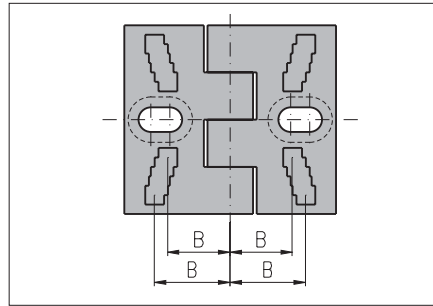
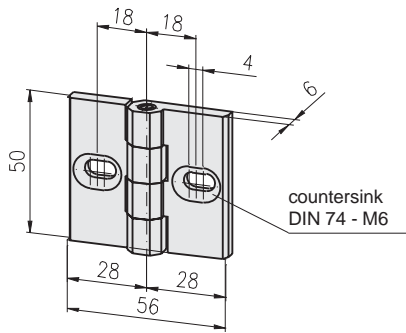
Legend

LW = width
 G = threaded plate 1.31.□□□
 T = T-Nut 1.324.□□□

short flange							
B	LW	slots					
		F		E3		E4	
		G	T	G	T	G	T
16.5	11	-	-	x	-	x	x
17.5	14.75	x	x	x	-	x	x
18.5	20.5	x	x	x	x	x	x
19	25.25	x	x	x	x	x	x
20	30	x	x	x	x	x	x

long flange							
C	LW	slots					
		F		E3		E4	
		G	T	G	T	G	T
21	11	-	-	x	-	x	x
21.5	30	x	x	x	x	x	x
23.5	19	x	x	x	-	x	x
26	30	x	x	x	x	x	x
27.5	11	-	-	x	-	x	x
31	30	x	x	x	x	x	x

Hinge 50x56



Rear view: plug assignment

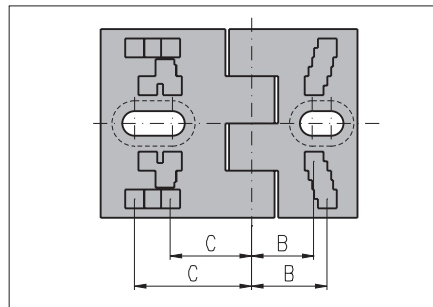
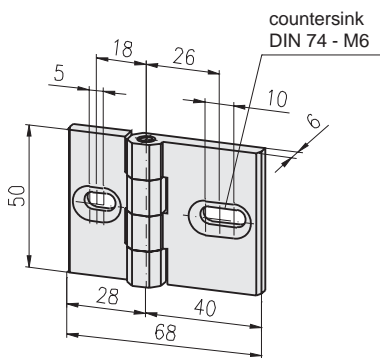
2 short flanges

B
16.5
17.5
18.5
19
20

Description
Hinge 50x56

Weight 112 g
Article-No. 1.62.65056

Hinge 50x68



Rear view: plug assignment

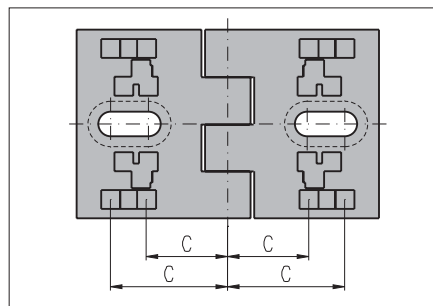
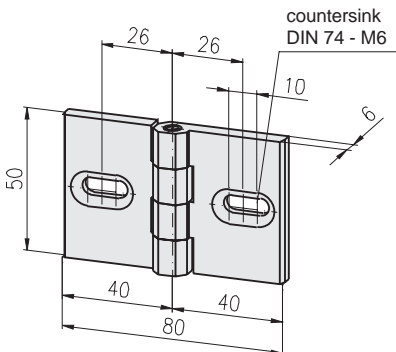
1 short flange, 1 long flange

B	C
16.5	21
17.5	21.5
18.5	23.5
19	26
20	27.5
	31

Description
Hinge 50x68

Weight 130 g
Article-No. 1.62.65068

Hinge 50x80



Rear view: plug assignment

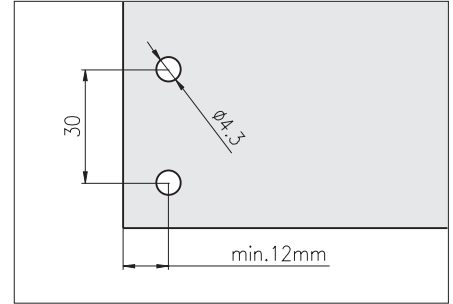
2 long flanges

C
21
21.5
23.5
26
27.5
31

Description
Hinge 50x80

Weight 130 g
Article-No. 1.62.65080

Alu hinges



Application

For doors of light material with or without profile frame. Each hinge element can be combined.

Distance of drill holes for panel elements of acrylic glass

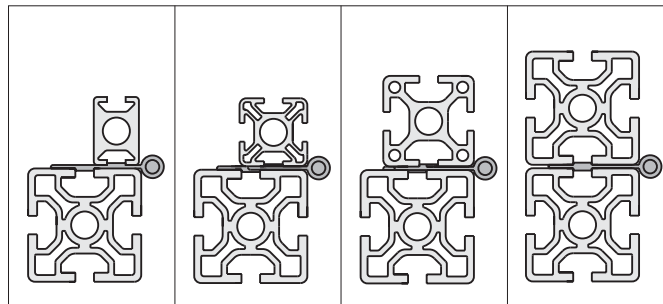
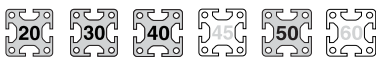
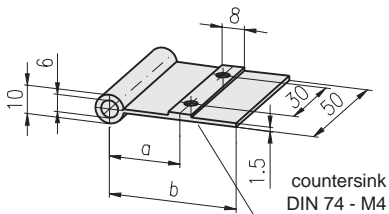
Technical data

material: aluminium Al Mg Si 0.5
 strength: F 25
 surface: neutral anodised
 max. static load: 100 N

Comments

Countersink DIN 74 - M4 for countersunk screw DIN 7991 - M4

Type A



1 profile 20x30 1 profile 30x30 1 profile 40x40 2 profiles 50x50
 1 profile 50x50 1 profile 50x50 1 profile 50x50

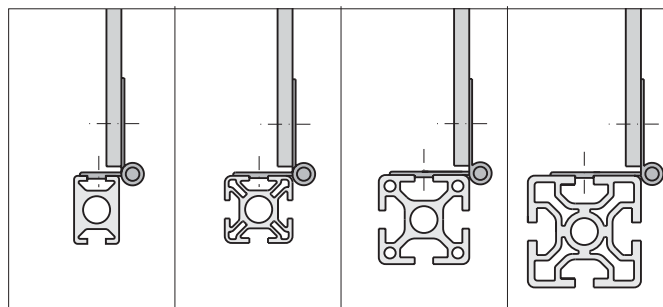
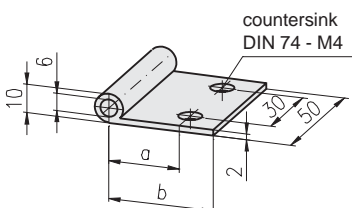
Connection:

- profile to profile
- leg built-in covered
- hinge elements:
Type A
Type A

Description

	a	b	Weight	Article-No.
Hinge element Type A, PG 20, F	15.3	21	10 g	1.62.7120
Hinge element Type A, PG 30	20.3	29	11 g	1.62.7130
Hinge element Type A, PG 40	25.3	37	13 g	1.62.7140
Hinge element Type A, PG 50	30.3	45	14 g	1.62.7150

Type B



profile 20x30 profile 30x30 profile 40x40 profile 50x50

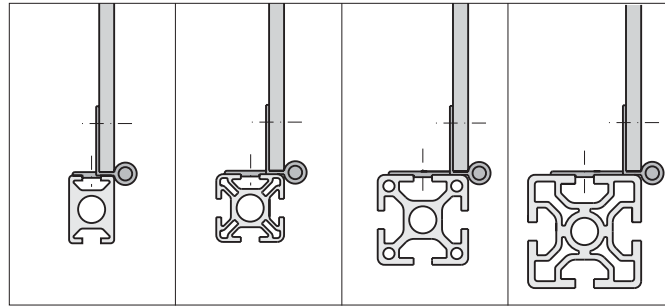
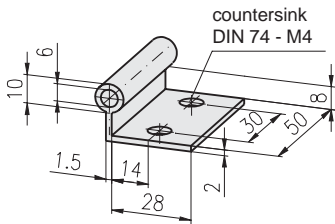
Connection:

- profile to panel element
- leg one side visible
- hinge elements:
Type A
Type B

Description

	a	b	Weight	Article-No.
Hinge element Type B, PG 20	15.3	21	11 g	1.62.7220
Hinge element Type B, PG 30	20.3	29	11 g	1.62.7230
Hinge element Type B, PG 40	25.3	37	13 g	1.62.7240
Hinge element Type B, PG 50	30.3	45	14 g	1.62.7250

Type C



profile 20x30 profile 30x30 profile 40x40 profile 50x50

Connection:

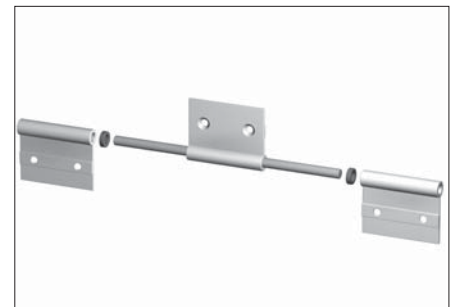
- profile to panel element
- leg built-in covered
- hinge elements:
Type A
Type C

Description	Weight	Article-No.
Hinge element Type C, 30 mm	15 g	1.62.7330

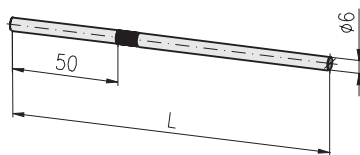
Press-fit pins for alu hinges



Press-fit pin for one sided installation



Press-fit pin for two sided installation

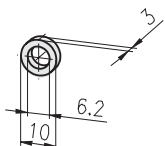


Technical data

material: steel
surface: galvanised

Description	L	Weight	Article-No.
Press-fit pin Ø6	100	29 g	1.62.7910
Press-fit pin Ø6	150	33 g	1.62.7915

Spacer

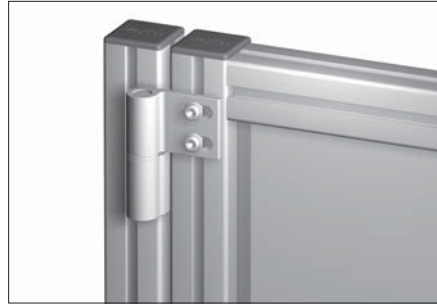


Technical data

material: PE
colour: black

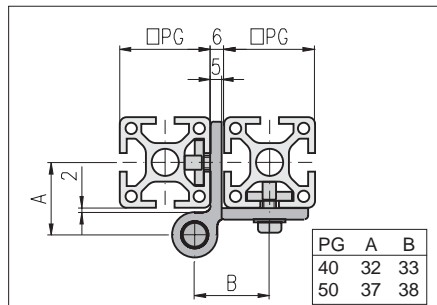
Description	Weight	Article-No.
Spacer	1 g	1.62.7810

Alu hinges, heavy

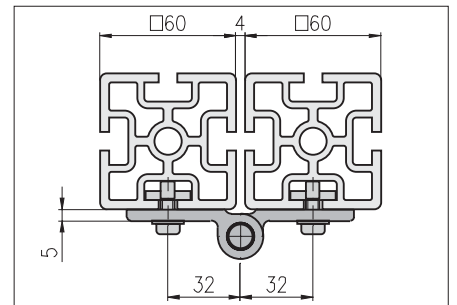


Application

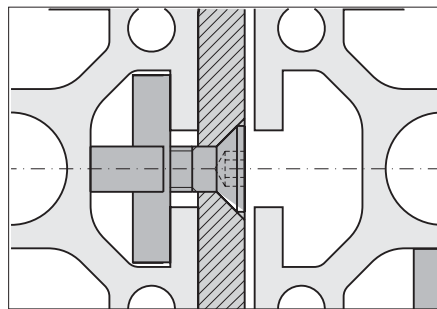
Hinge for higher loads such as doors with profile frames



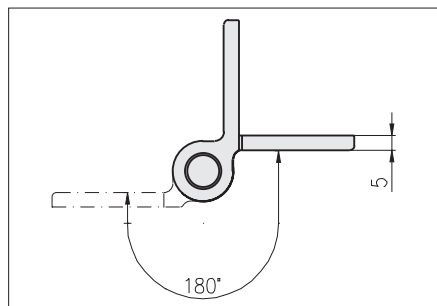
Application with profiles PG 40/50



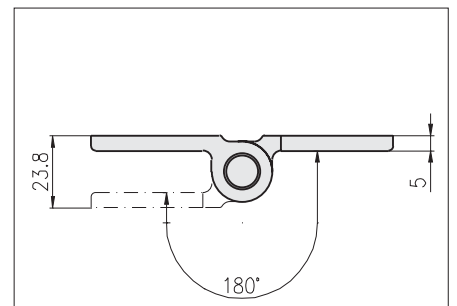
Application with profiles PG 60



Application with profiles PG 40/50



Swivel angle at application with profiles PG 40/50



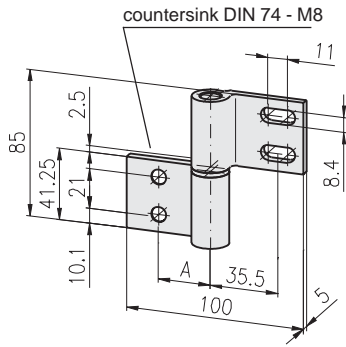
Swivel angle at application with profiles PG 60

Technical data

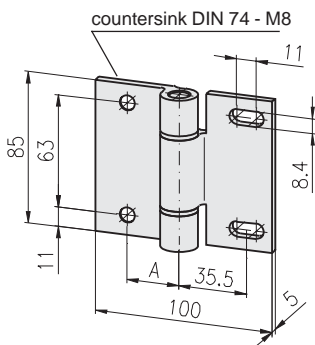
material: aluminium
 strength: F25
 surface: neutral anodised

Comments

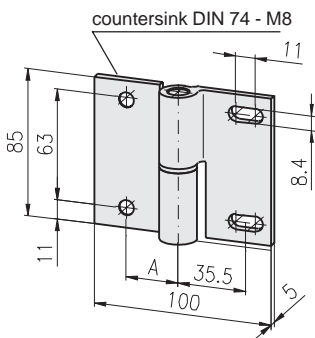
Countersink DIN 74 - M8 for countersunk screw DIN 7991 - M8



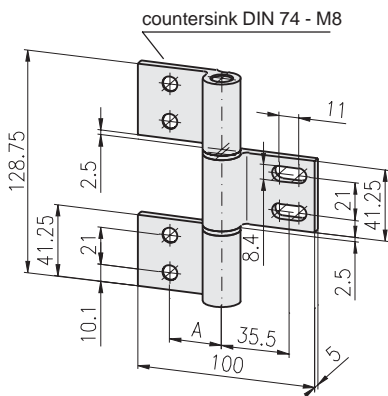
Description	A	Weight	Article-No.
Alu hinge, heavy, type 21, PG 40/60	32	159 g	1.62.842132085
Alu hinge, heavy, type 21, PG 50	37	159 g	1.62.842137085



Description	A	Weight	Article-No.
Alu hinge, heavy, type 22, PG 40/60	32	261 g	1.62.842232085
Alu hinge, heavy, type 22, PG 50	37	261 g	1.62.842237085

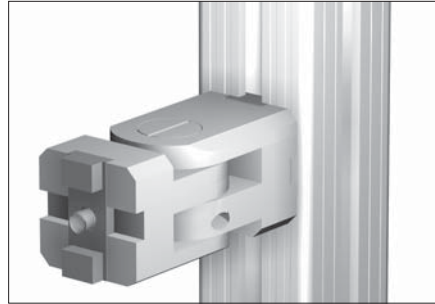


Description	A	Weight	Article-No.
Alu hinge, heavy, type 23, PG 40/60	32	258 g	1.62.842332085
Alu hinge, heavy, type 23, PG 50	37	258 g	1.62.842337085



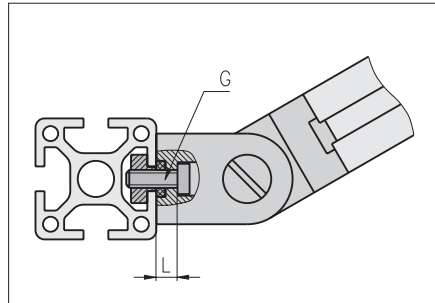
Description	A	Weight	Article-No.
Alu hinge, heavy, type 31, PG 40/60	32	245 g	1.62.843132128
Alu hinge, heavy, type 31, PG 50	37	245 g	1.62.843137128

Joints

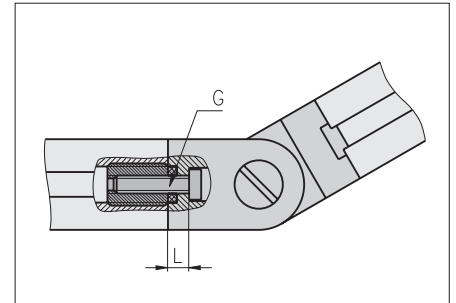


Application

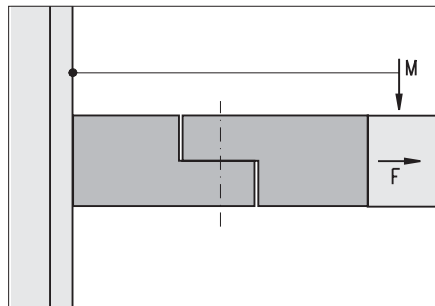
In order to enable infinitely variable adjusting and swivelling of profiles. The MayTec clamping system allows backlash free adjusting and clamping.



Mounting on profile side



Mounting on profile end



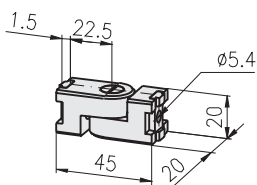
Technical data

material: steel
surface: galvanised

Comments

- Mounting with:
- cap-screw DIN 6912
 - washer DIN 433

20x20



$M_{max} = 10 \text{ Nm}$
 $F_{max} = 2,000 \text{ N}$

Description

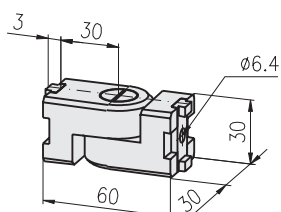
Joint 20x20

Anti-twist device for joint, H, L20

Anti-twist device for joint, F, L20

	G	L	Weight	Article-No.
Joint 20x20	M5	6.5	97 g	1.63.02021
Anti-twist device for joint, H, L20			8 g	1.63.02022
Anti-twist device for joint, F, L20			8 g	1.63.02023

30x30



$M_{max} = 30 \text{ Nm}$
 $F_{max} = 4,000 \text{ N}$

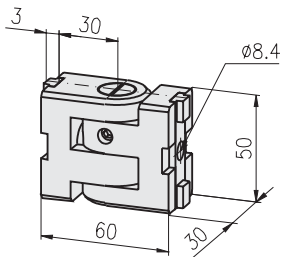
Description

Joint 30x30

Anti-twist device for joint, L30

	G	L	Weight	Article-No.
Joint 30x30	M6	7.5	315 g	1.63.03031
Anti-twist device for joint, L30			28 g	1.63.03032

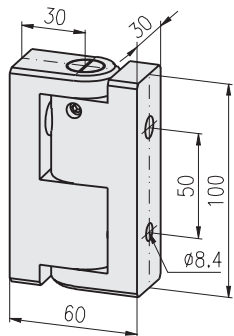
30x50



$M_{max} = 50 \text{ Nm}$
 $F_{max} = 4,000 \text{ N}$

Description	G	L	Weight	Article-No.
Joint 30x50	M8	7.5	533 g	1.63.03051
Anti-twist device for joint, L30			28 g	1.63.03032
Anti-twist device for joint, L50			33 g	1.63.03052

30x100



Comments

To increase the load capacity on hinge 30x100
 ➔ fastening plate 30x150, 1.47.60315

without fastening plate

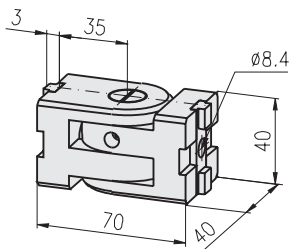
$M_{max} = 100 \text{ Nm}$
 $F_{max} = 8,000 \text{ N}$

with fastening plate

$M_{max} = 200 \text{ Nm}$
 $F_{max} = 8,000 \text{ N}$

Description	G	L	Weight	Article-No.
Joint 30x100	M8	7.5	1,098 g	1.63.03101

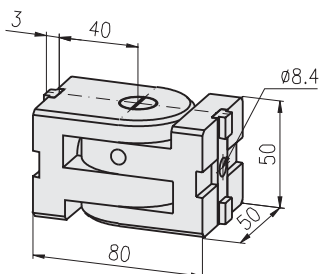
40x40



$M_{max} = 50 \text{ Nm}$
 $F_{max} = 6,000 \text{ N}$

Description	G	L	Weight	Article-No.
Joint 40x40	M8	7.5	674 g	1.63.04041
Anti-twist device for joint, L40			28 g	1.63.04042

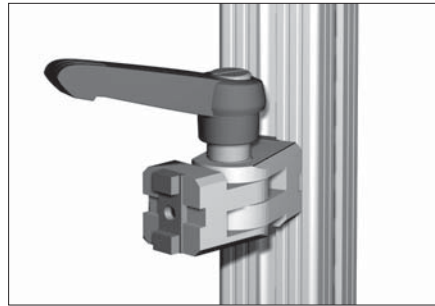
50x50



$M_{max} = 60 \text{ Nm}$
 $F_{max} = 10,000 \text{ N}$

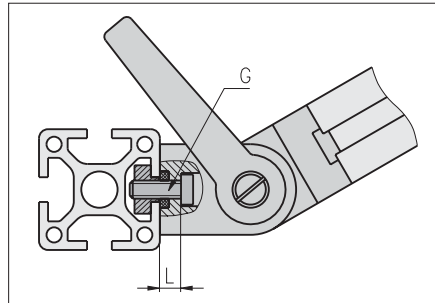
Description	G	L	Weight	Article-No.
Joint 50x50	M8	7.5	1,244 g	1.63.05051
Anti-twist device for joint, L50			33 g	1.63.03052

Joints with clamping lever

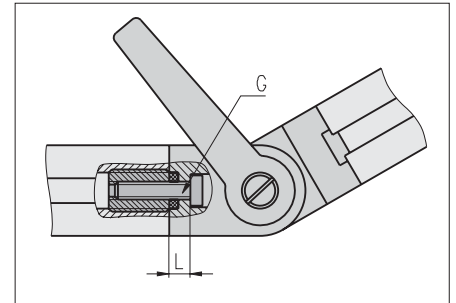


Application

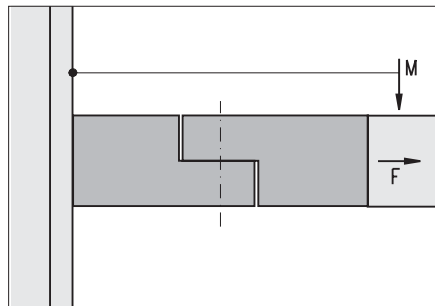
To enable infinitely variable adjusting and swivelling of profiles.
The joint can be locked with the adjustable clamping lever.



Mounting on profile side



Mounting on profile end



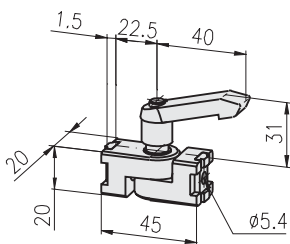
Technical data

material: steel
surface: galvanised

Comments

- Mounting with:
 - cap-screw DIN 6912
 - washer DIN 433

20x20 with clamping lever

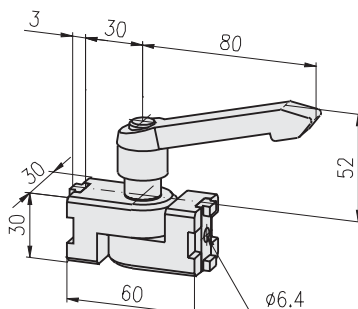


$M_{max} = 10 \text{ Nm}$
 $F_{max} = 2,000 \text{ N}$

Description

Description	G	L	Weight	Article-No.
Joint 20x20 with clamping lever	M5	6.5	114 g	1.63.12021
Anti-twist device for joint, H, L20			8 g	1.63.02022
Anti-twist device for joint, F, L20			8 g	1.63.02023

30x30 with clamping lever

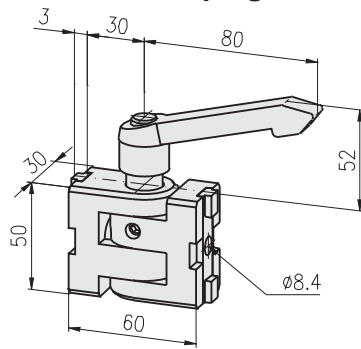


$M_{max} = 30 \text{ Nm}$
 $F_{max} = 4,000 \text{ N}$

Description

Description	G	L	Weight	Article-No.
Joint 30x30 with clamping lever	M6	7.5	380 g	1.63.13031
Anti-twist device for joint, L30			28 g	1.63.03032

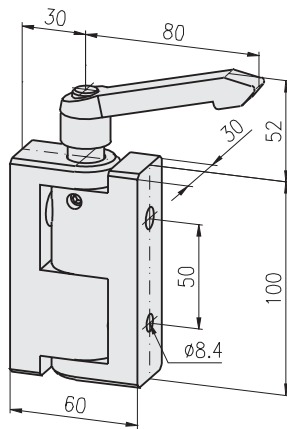
30x50 with clamping lever



$M_{max} = 50 \text{ Nm}$
 $F_{max} = 4,000 \text{ N}$

Description	G	L	Weight	Article-No.
Joint 30x50 with clamping lever	M8	7.5	600 g	1.63.13051
Anti-twist device for joint, L30			28 g	1.63.03032
Anti-twist device for joint, L50			33 g	1.63.03052

30x100 with clamping lever



Comments

For max. load 30x100
 ➤ fastening plate 30x150, 1.47.60315

without fastening plate

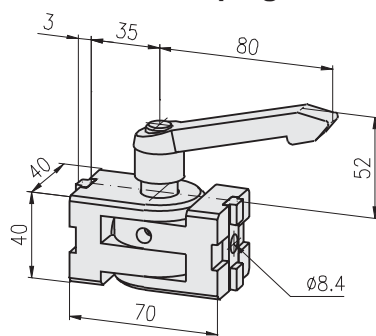
$M_{max} = 100 \text{ Nm}$
 $F_{max} = 8,000 \text{ N}$

with fastening plate

$M_{max} = 200 \text{ Nm}$
 $F_{max} = 8,000 \text{ N}$

Description	G	L	Weight	Article-No.
Joint 30x100 with clamping lever	M8	7.5	1,160 g	1.63.13101

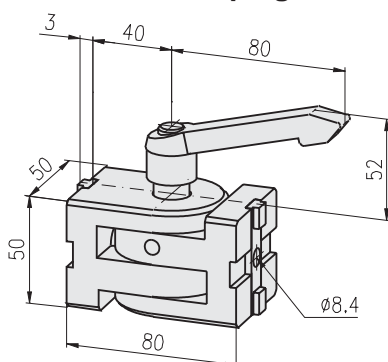
40x40 with clamping lever



$M_{max} = 50 \text{ Nm}$
 $F_{max} = 6,000 \text{ N}$

Description	G	L	Weight	Article-No.
Joint 40x40 with clamping lever	M8	7.5	739 g	1.63.14041
Anti-twist device for joint, L40			28 g	1.63.04042

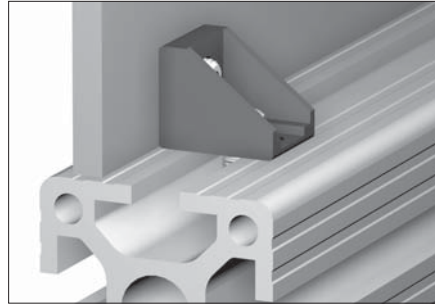
50x50 with clamping lever



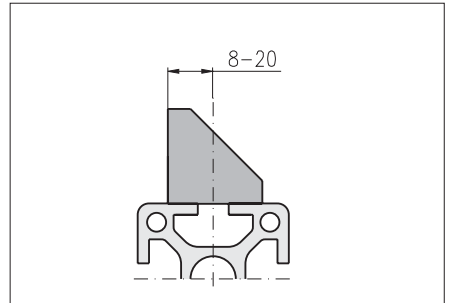
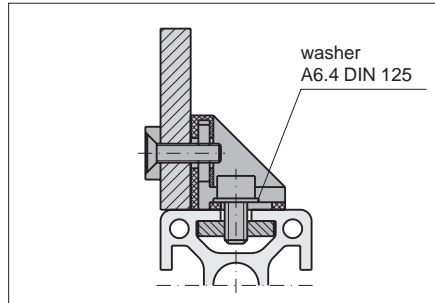
$M_{max} = 60 \text{ Nm}$
 $F_{max} = 10,000 \text{ N}$

Description	G	L	Weight	Article-No.
Joint 50x50 with clamping lever	M8	7.5	1,300 g	1.63.15051
Anti-twist device for joint, L50			33 g	1.63.03052

**Mounting blocks
screw-type**

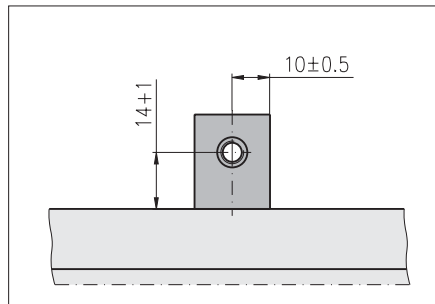


Application
For mounting of panels

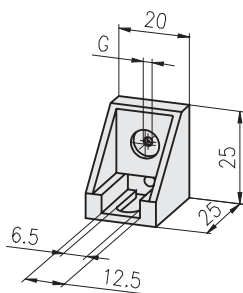


Mounting on the profile with threaded plate or T-Nut

Adjustable position



Comments
A 'floating' nut allows additional tolerance in the panel mounting holes.

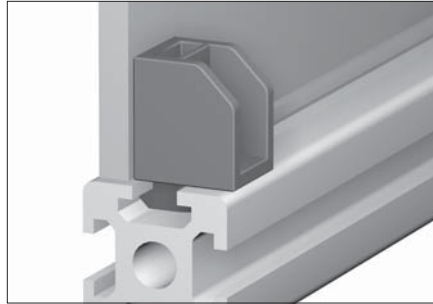


Technical data

Mounting block
material: PA-GF
colour: black
Threaded plates
material: steel
surface: galvanised

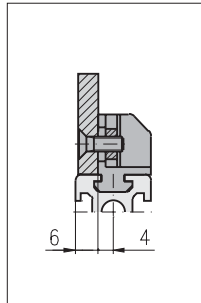
Description	G	Weight	Article-No.
Mounting block screw type	M3	9 g	1.64.10M3
Mounting block screw type	M4	9 g	1.64.10M4
Mounting block screw type	M5	9 g	1.64.10M5
Mounting block screw type	M6	9 g	1.64.10M6

**Mounting blocks
for subsequent insertion**

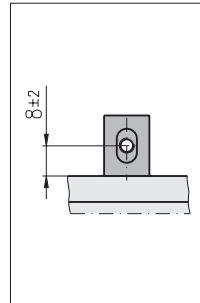


Application

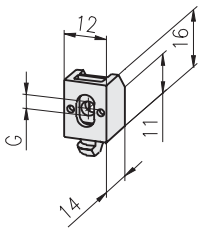
For the mounting of panels with subsequent insertion
Variable mounting position of panels with distance plate



H-slot, PG 20



Tolerance equalisation: 4 mm



Technical data

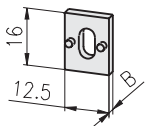
material: PA-GF
colour: black
square nut: steel , galvanised
max. static load: 100 N
rectangular to slot



Description	G	Weight	Article-No.
Mounting block H	M4	2.6 g	1.64.2H2M4

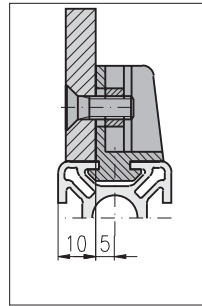
Technical data

material: PA-GF
colour: black

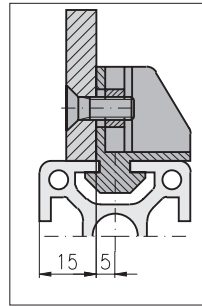


Description	B	Weight	Article-No.
Distance plate for mounting block H	1	0.2 g	1.64.xH01
Distance plate for mounting block H	2	0.4 g	1.64.xH02
Distance plate for mounting block H	3	0.6 g	1.64.xH03
Distance plate for mounting block H	4	0.8 g	1.64.xH04

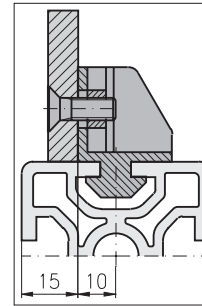
Mounting blocks for subsequent insertion



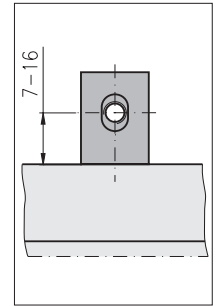
F-slot, PG 30



E3-slot, PG 40



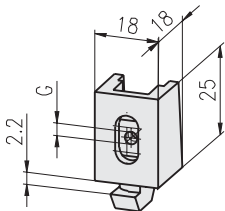
E4-slot, PG 50



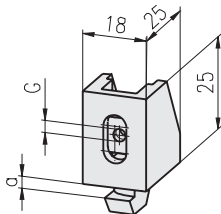
Tolerance equilateralisation 9 mm

Technical data

material: PA-GF
 colour: black
 square nut: steel, galvanised
 max. static load: 250 N
 rectangular to slot



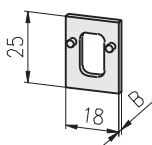
Description	G	Weight	Article-No.
Mounting block F	M4	9 g	1.64.2F2M4
Mounting block F	M5	9 g	1.64.2F2M5
Mounting block F	M6	9 g	1.64.2F2M6



Description	G	a	Weight	Article-No.
Mounting block E3	M4	3	10 g	1.64.2E3M4
Mounting block E3	M5	3	10 g	1.64.2E3M5
Mounting block E3	M6	3	10 g	1.64.2E3M6
Mounting block E4	M4	4	10 g	1.64.2E4M4
Mounting block E4	M5	4	10 g	1.64.2E4M5
Mounting block E4	M6	4	10 g	1.64.2E4M6

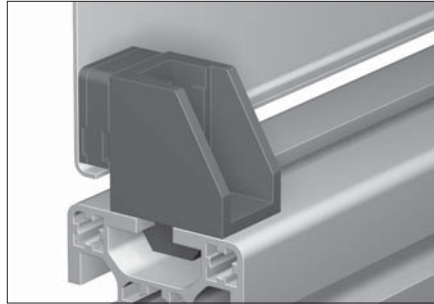
Technical data

material: PA-GF
 colour: black



Description	B	Weight	Article-No.
Distance plate for mounting block FE	2	0.5 g	1.64.2x02
Distance plate for mounting block FE	3	0.8 g	1.64.2x03
Distance plate for mounting block FE	5	1.3 g	1.64.2x05

**Distancing plate, thin
for mounting block FE**

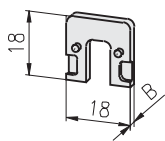
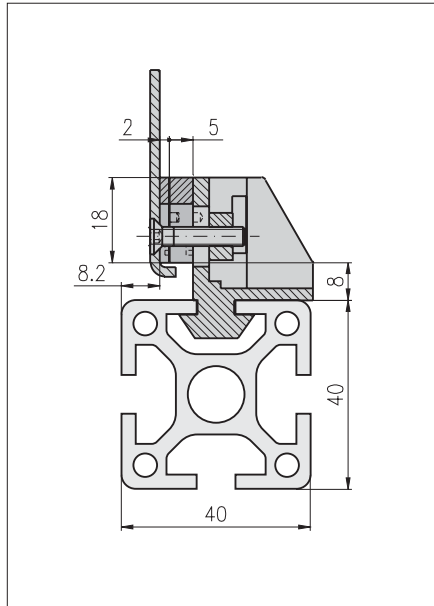


Application

For the mounting of folded panels

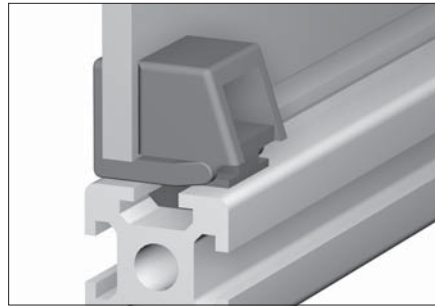
Technical data

material: PA-GF
colour: black



Description	B	Weight	Article-No.
Distancing plate, thin, for mounting block FE	2	0.3 g	1.64.2x102
Distancing plate, thin, for mounting block FE	3	0.6 g	1.64.2x103
Distancing plate, thin, for mounting block FE	5	0.9 g	1.64.2x105

Mounting clamp blocks for subsequent insertion

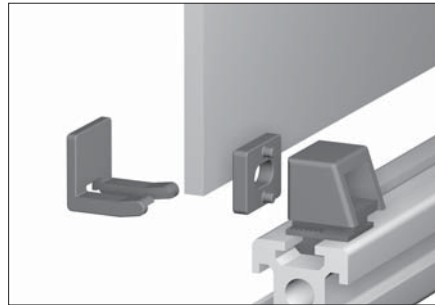


Application

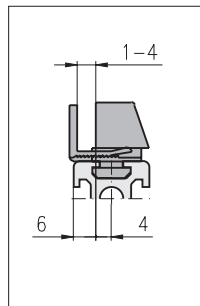
Mounting of panels with clamps, without drilling and screwing.

For subsequent insertion:

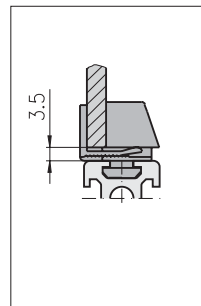
Variable mounting position of panels with distance plates



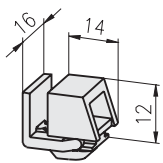
The distance plates are positioned and fastened by pins. It is possible to mount several distance plates in series.



H-slot, PG 20



Installation dimensions



Technical data

- material: PA-GF
- colour: black
- max. static load:
 - towards clamp block: 110 N
 - towards slider: 30 N

Description

Mounting clamp block H

Weight Article-No.

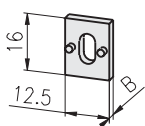
3.4 g 1.64.3H2

Technical data

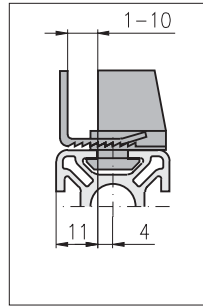
- material: PA-GF
- colour: black

Description

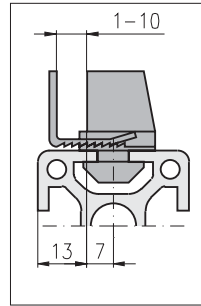
Description	B	Weight	Article-No.
Distance plate for mounting clamp block H	1	0.2 g	1.64.xH01
Distance plate for mounting clamp block H	2	0.4 g	1.64.xH02
Distance plate for mounting clamp block H	3	0.6 g	1.64.xH03
Distance plate for mounting clamp block H	4	0.8 g	1.64.xH04



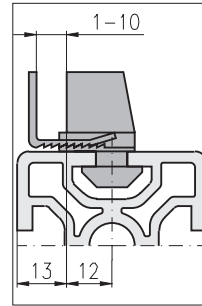
Mounting clamp blocks for subsequent insertion



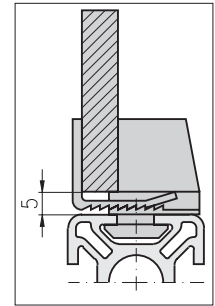
F-slot, PG 30



E3-slot, PG 40



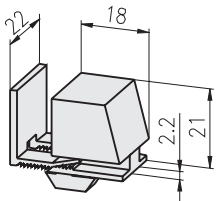
E4-slot, PG 50



Installation dimensions

Technical data

material: PA-GF
 colour: black
 max. static load:
 • towards clamp block: 250 N
 • towards slider: 50 N

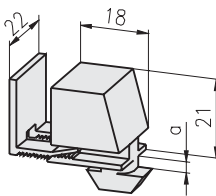


Description

Mounting clamp block F

Weight Article-No.

7.5 g 1.64.3F2



Description

Mounting clamp block E3

a Weight Article-No.

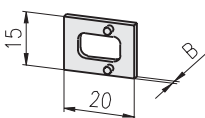
3 8 g 1.64.3E3

Mounting clamp block E4

4 8 g 1.64.3E4

Technical data

material: PA-GF
 colour: black



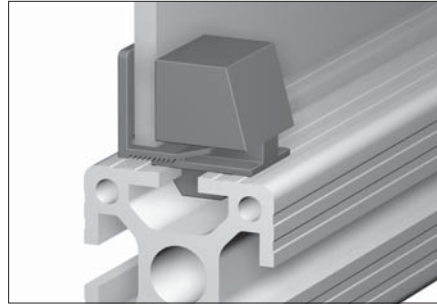
Description

Distance plate for mounting clamp block FE 2 0.6 g 1.64.3x02

Distance plate for mounting clamp block FE 3 0.9 g 1.64.3x03

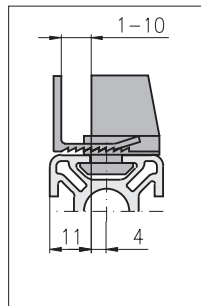
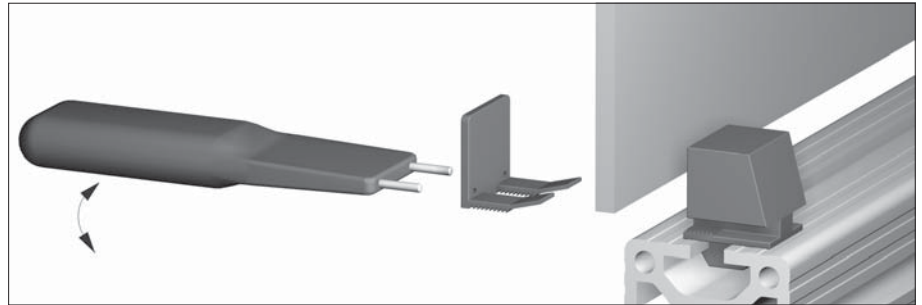
Distance plate for mounting clamp block FE 5 1.4 g 1.64.3x05

Mounting clamp blocks SL for subsequent insertion

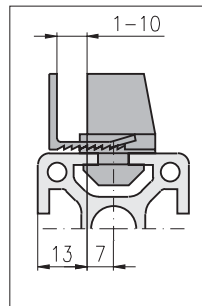


Application

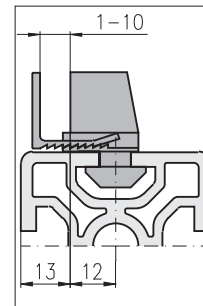
As mounting clamp block, however: For safety's sake it is only possible to be opened with special tools



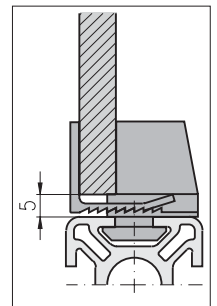
F-slot, PG 30



E3-slot, PG 40



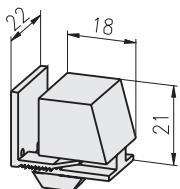
E4-slot, PG 50



Installation dimensions

Technical data

material: PA-GF
 colour: black
 max. static load:
 • towards clamp block: 250 N
 • towards slider: 50 N



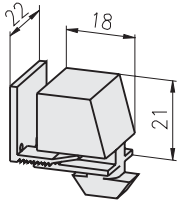
Description

Mounting clamp block F, SL

Weight Article-No.

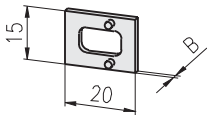
7.5 g 1.64.4F2

Mounting clamp blocks SL
for subsequent insertion



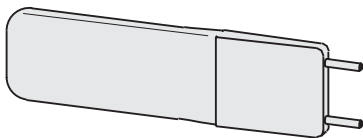
Description	Weight	Article-No.
Mounting clamp block E3, SL	8 g	1.64.4E3
Mounting clamp block E4, SL	8 g	1.64.4E4

Technical data
material: PA-GF
colour: black



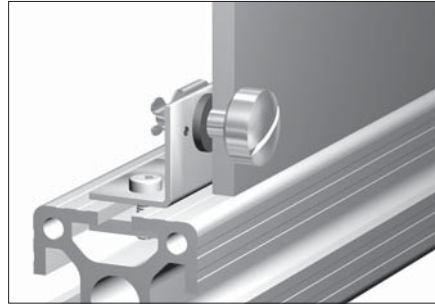
Description	B	Weight	Article-No.
Distance plate for mounting clamp block FE	2	0.6 g	1.64.3x02
Distance plate for mounting clamp block FE	3	0.9 g	1.64.3x03
Distance plate for mounting clamp block FE	5	1.4 g	1.64.3x05

Technical data
material: PA-GF
colour: red
Steel bolt: hardened



Description	Weight	Article-No.
Tool for mounting clamp block SL	23 g	1.64.4W

Quick locks

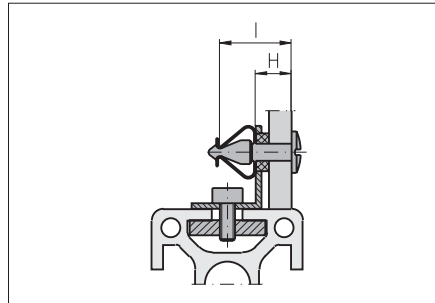


Application

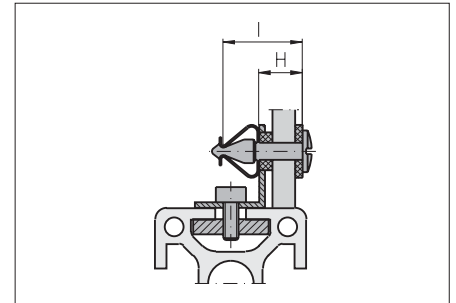
Mounting element for quick mounting and dismantling of covers

Comments

Open: by 1/4-turn
Close: by push in



Fastening without washer
 $H_{max} = S$ retaining ring + panel thickness

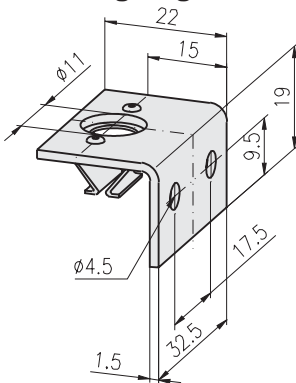


Fastening with washer
 $H_{max} = S$ retaining ring + panel thickness + S washer

Technical data (Assembly)

drilling dia.
in the covers: 7 mm
max. static load: 900 N
life time: ca. 10,000 operations

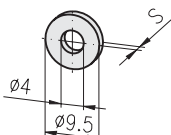
Mounting angle



Technical data

material: steel
surface: galvanised

Retaining rings

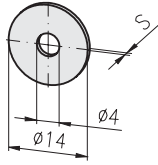


Technical data

material: neoprene
hardness: 55 Shore A
temperature range: - 50°C bis + 90°C

Description	S	Weight	Article-No.
Retaining ring 1.7		1.3 g	1.64.5217
Retaining ring 2.5		1.8 g	1.64.5225
Retaining ring 4.0		3.5 g	1.64.5240
Retaining ring 5.0		4.0 g	1.64.5250
Retaining ring 6.0		4.5 g	1.64.5260

Sealing washer

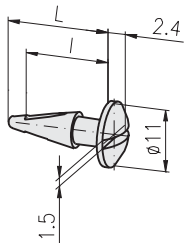


Technical data

material: neoprene
 hardness: 55 Shore A
 temperature range : - 50°C bis + 90°C

Description	S	Weight	Article-No.
Sealing washer	0.5	0.8 g	1.64.5305
Sealing washer	1.0	1.7 g	1.64.5310
Sealing washer	1.5	2.5 g	1.64.5315
Sealing washer	2.0	3.3 g	1.64.5320

Round head bolt



Technical data

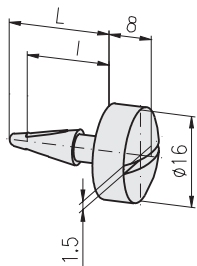
material: brass
 surface: nickel-plated

Comments

Mounting dimension "H" see mounting sketch

Description	H _{max}	L	I	Weight	Article-No.
Round head bolt	3.7	16.6	14.4	4.0 g	1.64.5416
Round head bolt	4.7	17.6	15.4	4.0 g	1.64.5417
Round head bolt	5.7	18.6	16.4	4.0 g	1.64.5418
Round head bolt	6.9	19.8	17.6	4.5 g	1.64.5419
Round head bolt	7.7	20.6	18.4	5.0 g	1.64.5420
Round head bolt	8.9	21.8	19.6	5.0 g	1.64.5421
Round head bolt	9.7	22.6	20.4	6.0 g	1.64.5422
Round head bolt	10.7	23.6	21.4	6.0 g	1.64.5423

Knurled head bolt



Technical data

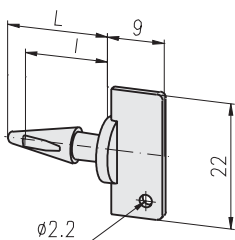
material: brass
 surface: nickel-plated

Comments

Mounting dimension "H" see mounting sketch

Description	H _{max}	L	I	Weight	Article-No.
Knurled head bolt	3.7	16.6	14.4	14.0 g	1.64.5516
Knurled head bolt	4.7	17.6	15.4	14.0 g	1.64.5517
Knurled head bolt	5.7	18.6	16.4	14.0 g	1.64.5518
Knurled head bolt	6.9	19.8	17.6	14.0 g	1.64.5519
Knurled head bolt	7.7	20.6	18.4	15.0 g	1.64.5520
Knurled head bolt	8.9	21.8	19.6	15.0 g	1.64.5521
Knurled head bolt	10.7	23.6	21.4	15.0 g	1.64.5523

Wing head bolt



Technical data

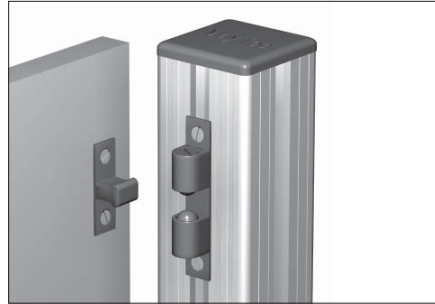
material: brass
 surface: nickel-plated

Comments

Mounting dimension "H" see mounting sketch

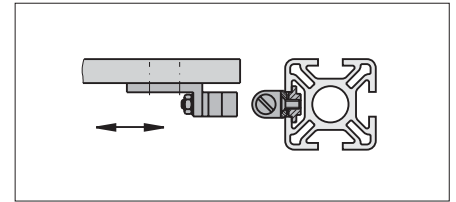
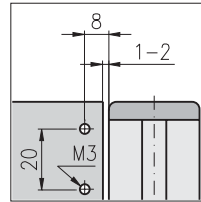
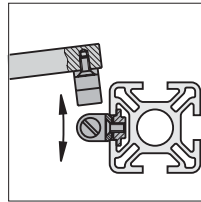
Description	H _{max}	L	I	Weight	Article-No.
Wing head bolt	3.7	16.6	14.4	5.8 g	1.64.5616
Wing head bolt	4.7	17.6	15.4	5.8 g	1.64.5617
Wing head bolt	5.7	18.6	16.4	5.8 g	1.64.5618
Wing head bolt	6.9	19.8	17.6	5.8 g	1.64.5619
Wing head bolt	7.7	20.6	18.4	6.3 g	1.64.5620
Wing head bolt	8.9	21.8	19.6	6.3 g	1.64.5621
Wing head bolt	9.7	22.6	20.4	6.3 g	1.64.5622
Wing head bolt	10.7	23.6	21.4	6.3 g	1.64.5623

Bullet catches



Application

Lock for swinging and sliding doors

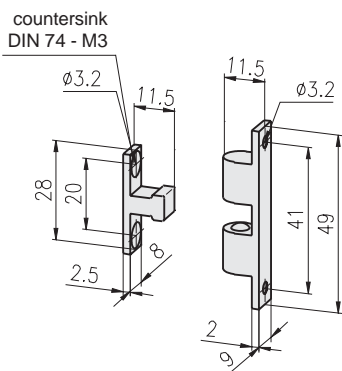


Technical data

material: brass
colour: natural

Comments

Countersink DIN 74 - M3 for countersunk screw DIN 7991 - M3



Description

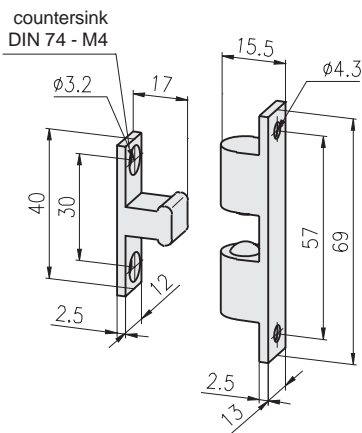
Bullet catch 9x50

Weight

25.0 g

Article-No.

1.65.1101



Comments

Countersink DIN 74 - M4 for countersunk screw DIN 7991 - M4

Description

Bullet catch 13x69

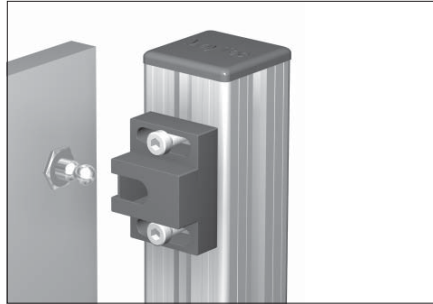
Weight

72.0 g

Article-No.

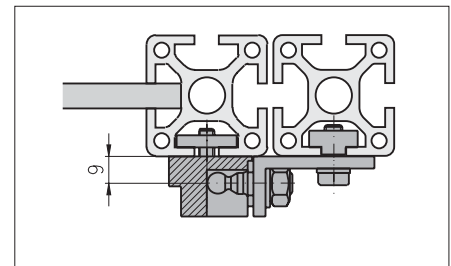
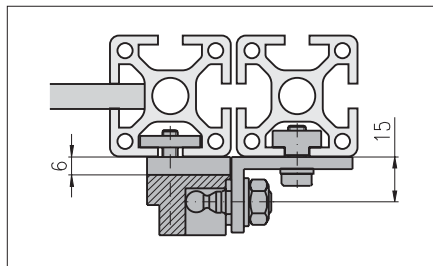
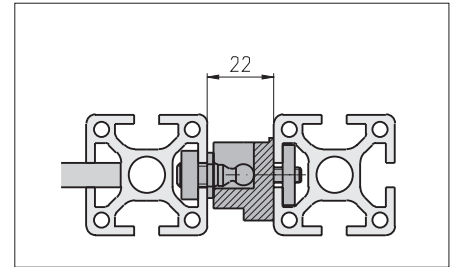
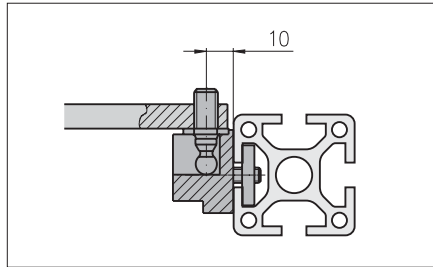
1.65.1102

Bullet catch PA



Application

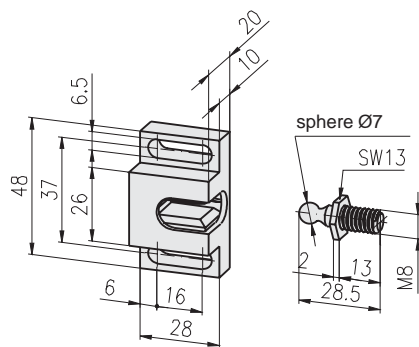
Lock for swinging and sliding doors



Fastening of the bolt with angle 25x40, Ø8.7 (Article-No. 1.46.115)

Fastening of the bolt with angle 20x42, M8 (Article-No. 1.65.1301)

Bullet catch PA



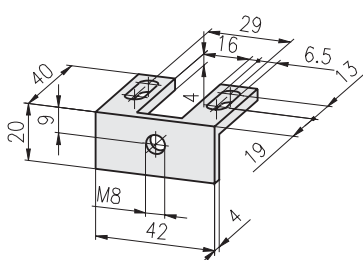
Technical data

capsule: PA-GF, black
bolt: steel, galvanised

Description
Bullet catch PA

Weight 23.0 g
Article-No. 1.65.1201

Angle



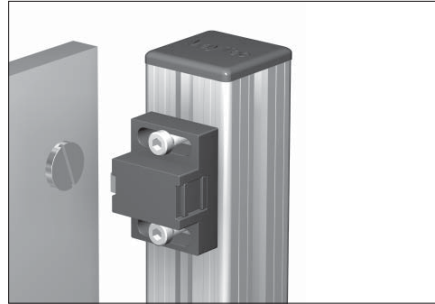
Technical data

material: aluminium
strength: F22
surface: natural anodised

Description
Angle 20x42, M8

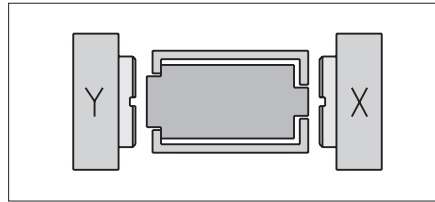
Weight 16.0 g
Article-No. 1.65.1301

Magnetic lock PA



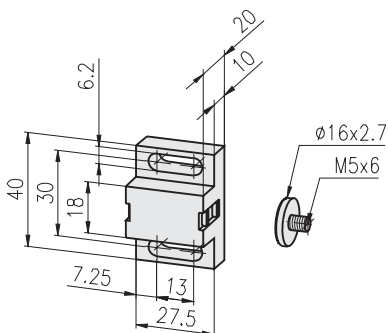
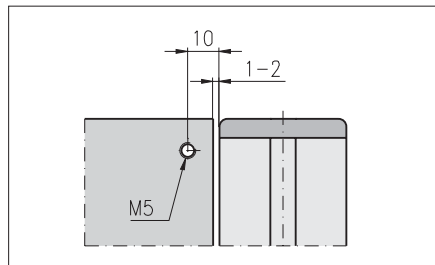
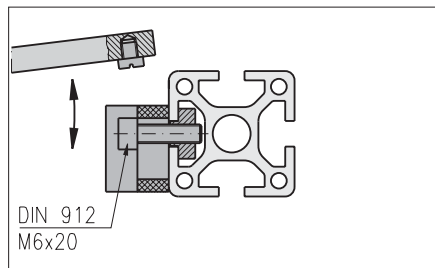
Application

Lock for swinging and sliding doors



Comments

Different force
y = large force
x = small force



Technical data

capsule: PA-GF, black
flat head screw: steel, galvanised

Description

Magnetic lock PA

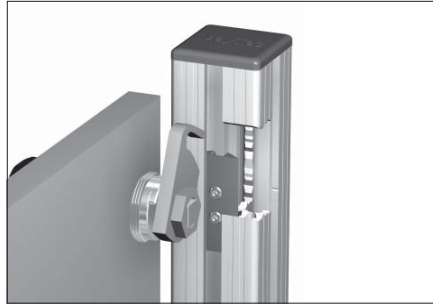
Weight

38.0 g

Article-No.

1.65.2101

Cylinder locks

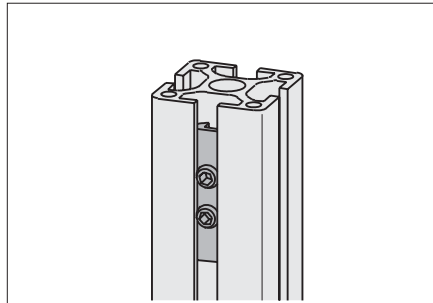


Application

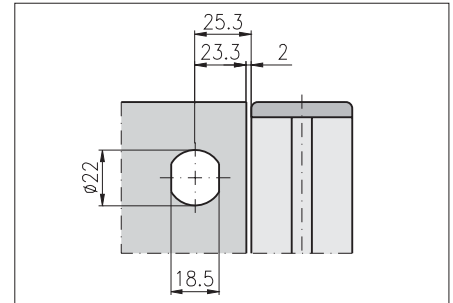
Locking system for swinging and sliding doors

Comments

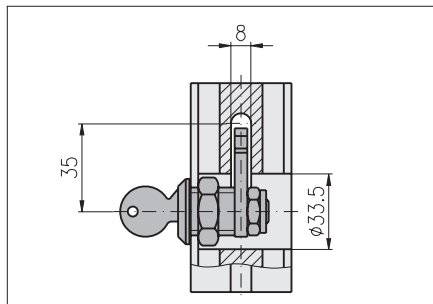
By turning the lock body the cylinder lock is insertable left or right



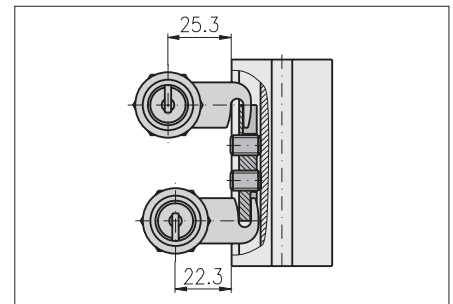
Insertion of the latch



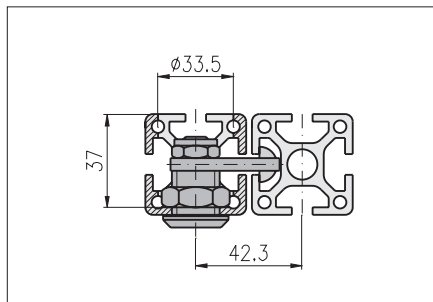
Fixing dimensions for the cylinder lock



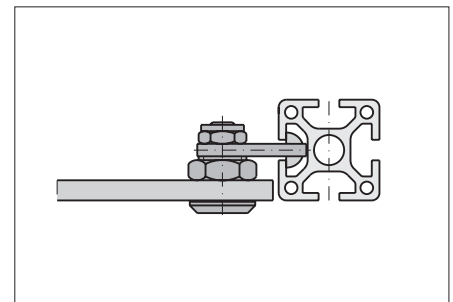
Fixing dimensions for the cylinder lock



Latch for two different bore spaces



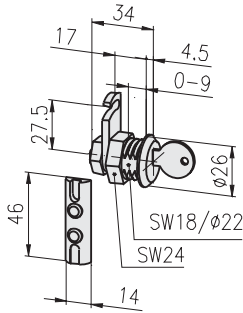
Swinging door with profile frame made of profile 40x40



Swinging door without profile frame

Cylinder locks
Technical data

capsule: GD Zn, galvanised
 tongue, nut, screw: steel, galvanised


Description

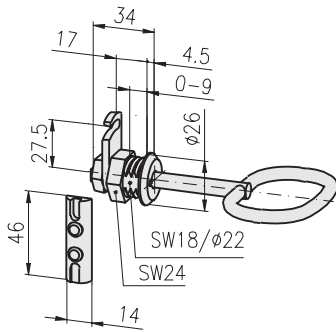
Cylinder lock with 2 keys

Weight

82.0 g

Article-No.

1.65.3101


Comments

Key with double beard Ø8 mm

Description

Cylinder lock with double beard insert

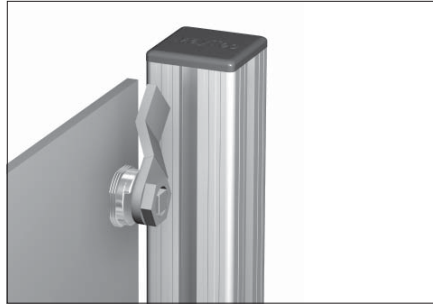
Weight

150.0 g

Article-No.

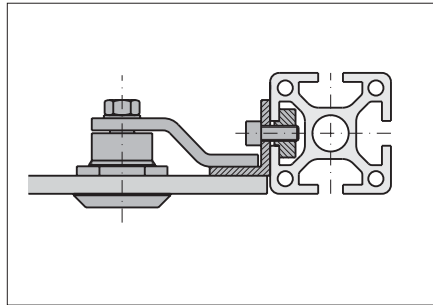
1.65.3102

**Cylinder locks
with security latch**

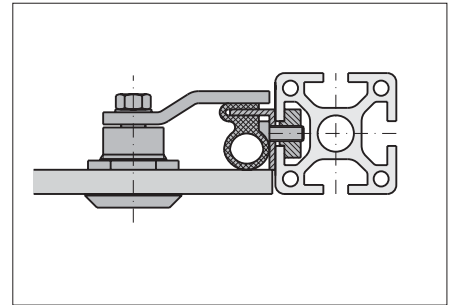


Application
Lock for swinging door

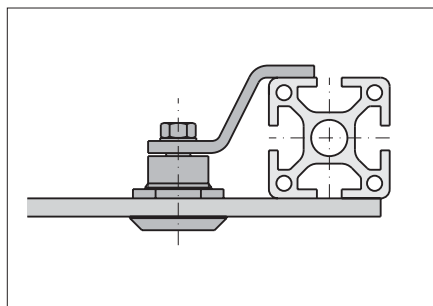
Comments
Security latch
Jolting- and vibrationless by integral lock



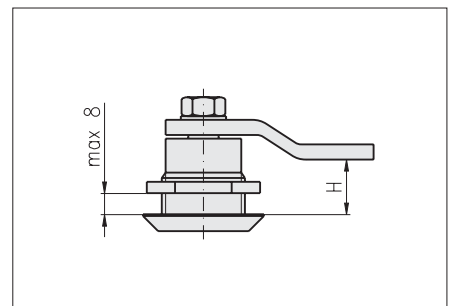
Installation variant with mounting angle



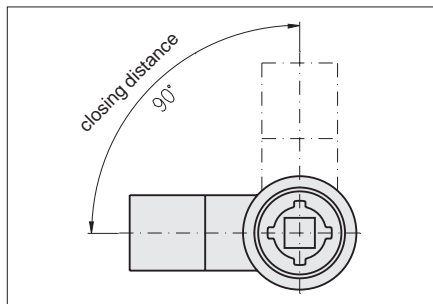
Installation variant with seal



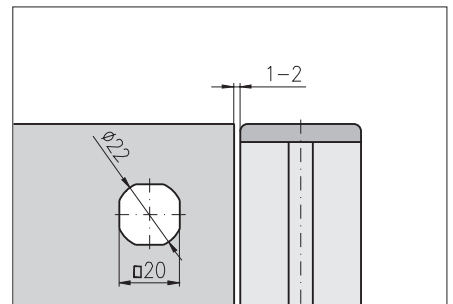
Installation variant



Security latch dimension



Closing distance

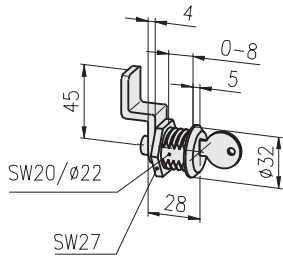


Drilling pattern

Cylinder locks

Technical data

capsule: GD Zn, galvanised
 tongue, nut, screw: steel, galvanised



Description

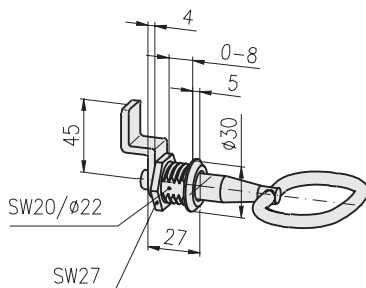
Cylinder lock with 2 keys,
 without security latch

Weight

66 g

Article-No.

1.65.3201



Comments

Socket wrench / square 8 mm

Description

Cylinder lock with 1 square key,
 without security latch

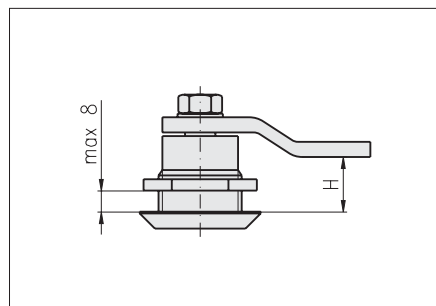
Weight

100 g

Article-No.

1.65.3202

Security latch



Security latch dimension H

Description

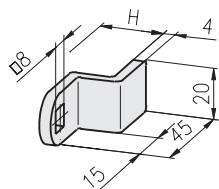
Security latch for cylinder lock

Weight

30 g

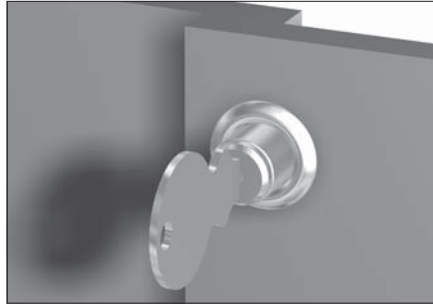
Article-No.

1.65.32...

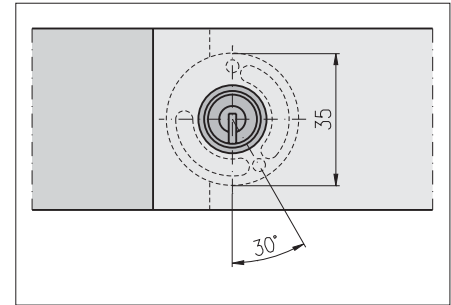
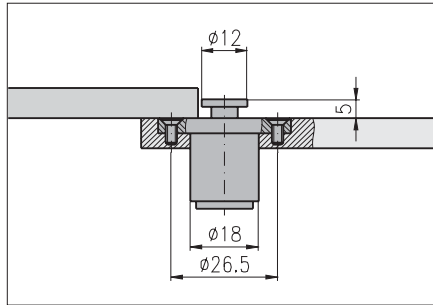


H	Article-No.	H	Article-No.	H	Article-No.
4	1.65.3204	22	1.65.3222	36	1.65.3236
6	1.65.3206	24	1.65.3224	38	1.65.3238
8	1.65.3208	25	1.65.3225	40	1.65.3240
10	1.65.3210	26	1.65.3226	42	1.65.3242
13	1.65.3213	28	1.65.3228	44	1.65.3244
14	1.65.3214	30	1.65.3230	45	1.65.3245
16	1.65.3216	32	1.65.3232	47	1.65.3247
18	1.65.3218	34	1.65.3234	50	1.65.3250
20	1.65.3220	35	1.65.3235		

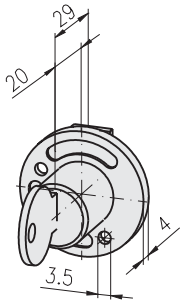
**Flap-lock countersunk
for sliding door**



Application
Lock for sliding door



The locking pin retracts when unlocked



Technical data

capsule: GD Zn, chrome-plated
tongue and nut: steel, galvanised

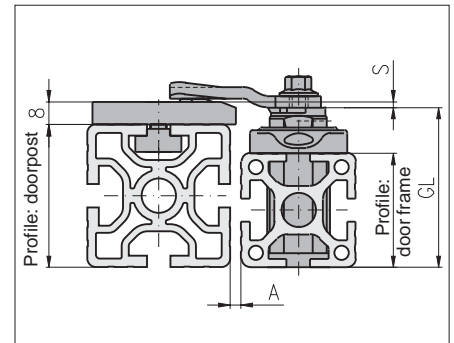
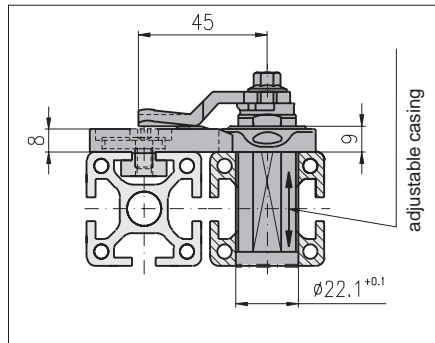
Description	Weight	Article-No.
Flap-lock countersunk, for sliding door	52 g	1.65.3301

Cylinder locks flush

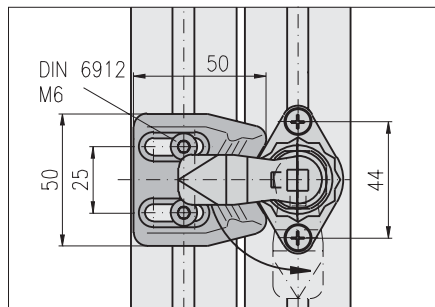


Application

Locking system for swinging doors



Outside: flush
(without jutout of lock parts)



Inside: with fixing plate

Profile		Latch		
Door-post	Door frame	GL	A	S
40	40	56	1.6	-8
	45	56	1.6	-2
50	45	66	1.8	-12
	50	66	2.0	-8
	60	66	2.0	-8
60	40	56	1.6	12
	45	66	1.8	2
	50	66	2.0	2
	60	76	3.0	-8

Technical data

locking: 90°

material:

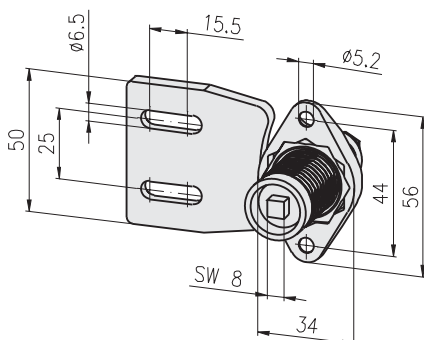
- capsule: GD Zn, chrome-plated
- fixing plate: steel, chrome-plated

Delivery unit

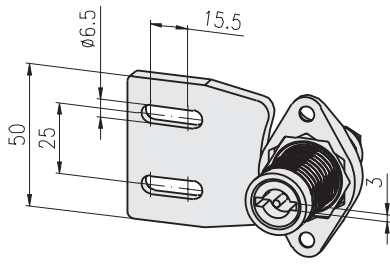
- cylinder lock with fixing plate

Separate order

- key
- security latch



Description	GL	Weight	Article-No.
Cylinder lock flush, square	56	194.0 g	1.65.34156
Cylinder lock flush, square	66	212.8 g	1.65.34166
Cylinder lock flush, square	76	231.6 g	1.65.34176



Delivery unit

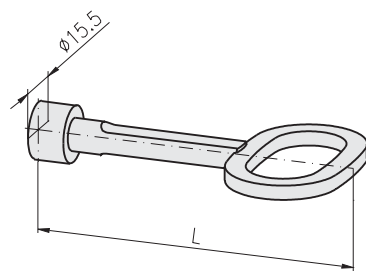
- cylinder lock with fixing plate

Separate order

- key
- security latch

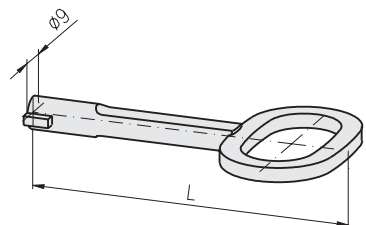
Description	GL	Weight	Article-No.
Cylinder lock flush, double beard	56	193.8 g	1.65.34356
Cylinder lock flush, double beard	66	204.1 g	1.65.34366
Cylinder lock flush, double beard	76	214.4 g	1.65.34376

Square keys



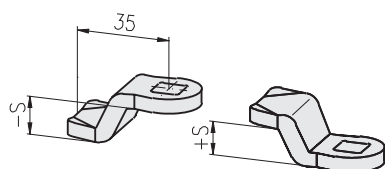
Description	L	Material	Weight	Article-No.
Square key 8, 40 mm		PA-GF	7.5 g	1.65.34540
Square key 8, 81 mm		GD Zn	41.6 g	1.65.34581

Double beard keys

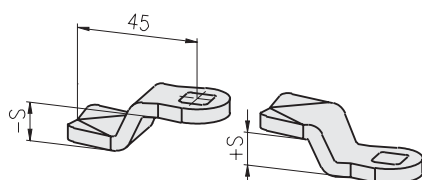


Description	L	Material	Weight	Article-No.
Double beard key 3, 40 mm		PA-GF	6.4 g	1.65.34740
Double beard key 3, 89 mm		GD Zn	35.8 g	1.65.34789

Security latches



Description	S	Weight	Article-No.
Security latch 35	2	20.4 g	1.65.3493502.1
Security latch 35	-2	20.1 g	1.65.3493502.2
Security latch 35	-8	22.5 g	1.65.3493508.2
Security latch 35	12	22.9 g	1.65.3493512.1
Security latch 35	-12	22.9 g	1.65.3493512.2



Description	S	Weight	Article-No.
Security latch 45	2	26.8 g	1.65.3494502.1
Security latch 45	-2	27.4 g	1.65.3494502.2
Security latch 45	-8	27.3 g	1.65.3494508.2
Security latch 45	12	30.3 g	1.65.3494512.1
Security latch 45	12	30.0 g	1.65.3494512.2

Mortise deadlocks



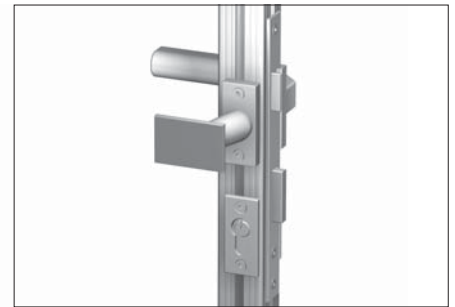
Door lock without lock insert and handles both sides



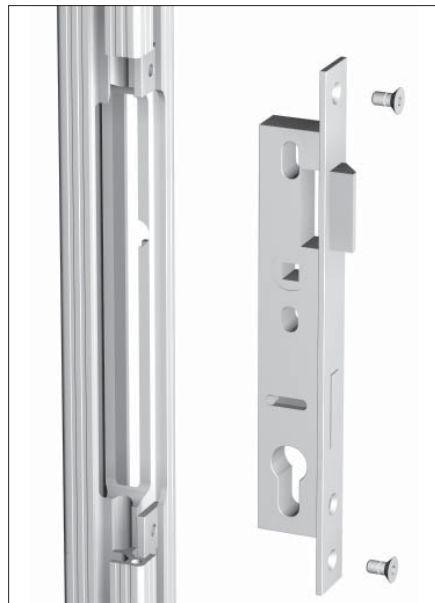
Door lock with cylinder lock and handles both sides

Application

Door lock for doors with profile frames made from profile 40x40 and 40x80

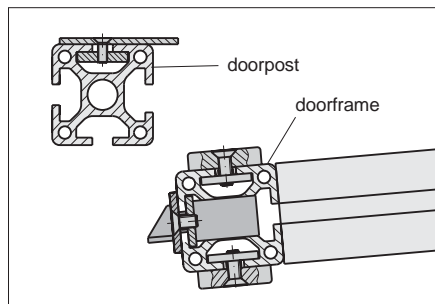


Door lock with lock insert, one handle and one fixed knob

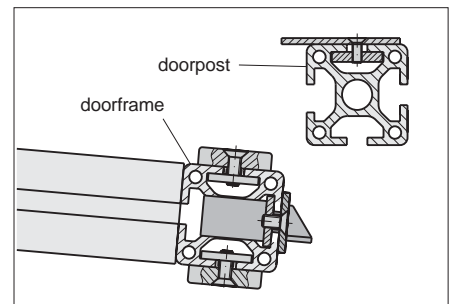


Technical data

mortise deadlock:	steel, galvanised
screws and threaded plates:	steel, galvanised
lock insert:	GD-Zn, galvanised
rosette:	LM, neutral anodised



Mounting position right



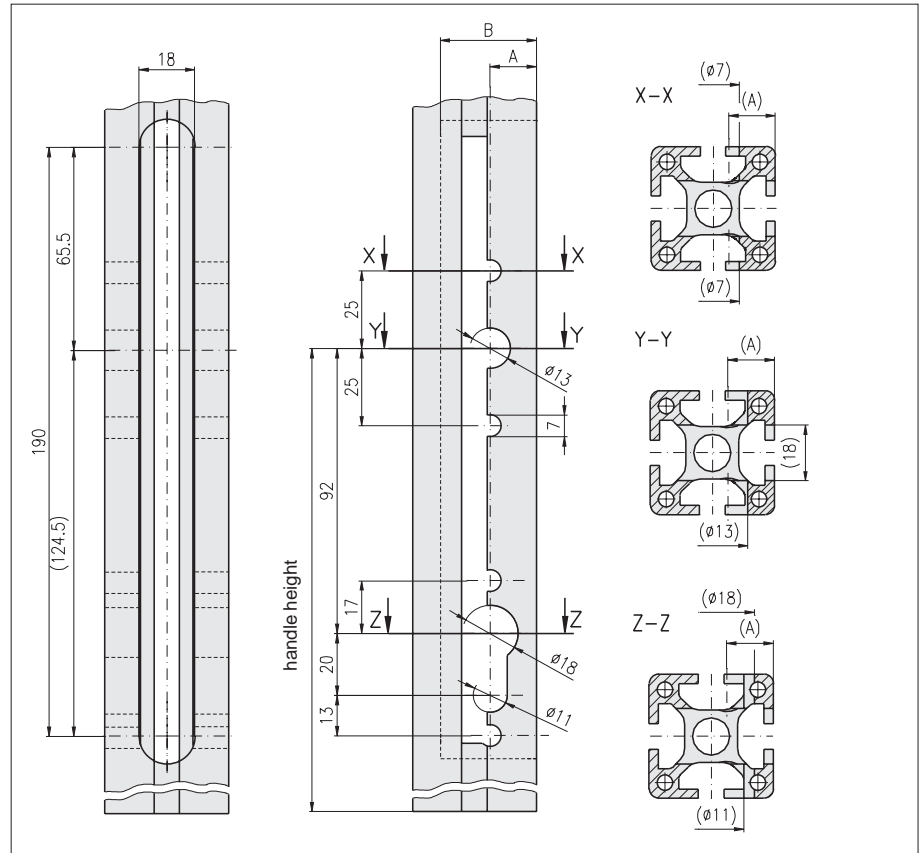
Mounting position left

Mortise deadlocks

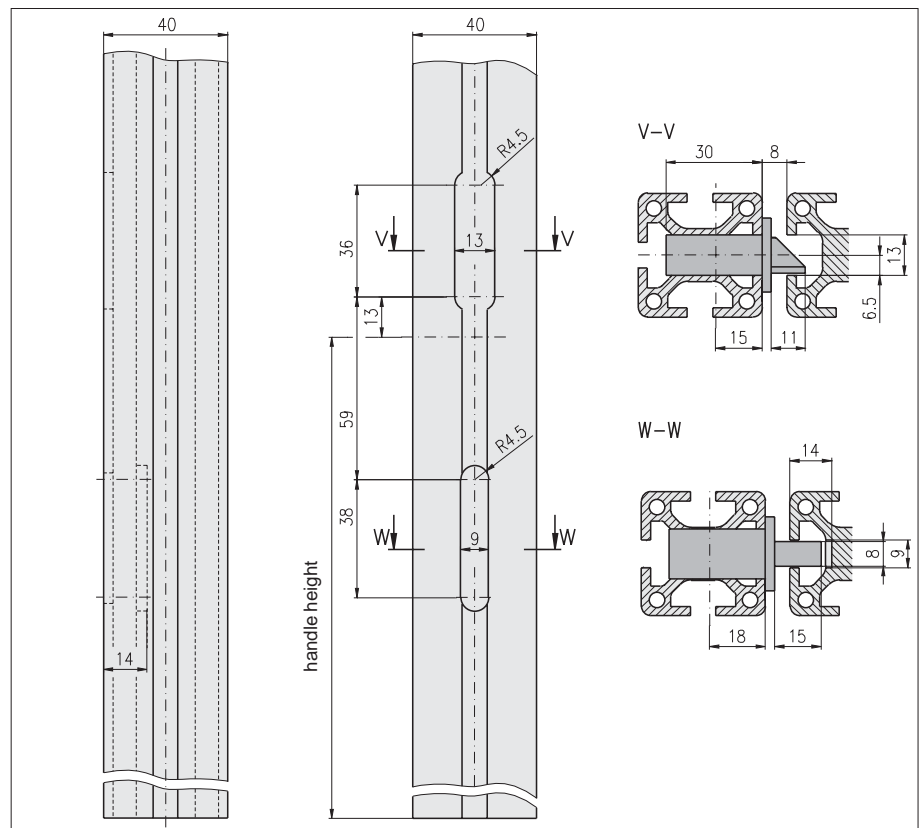
Comments

Mortise deadlocks without lock have no profile machining on cut W-W and Z-Z.

Profile machining
for door frame



Profile machining
for door post



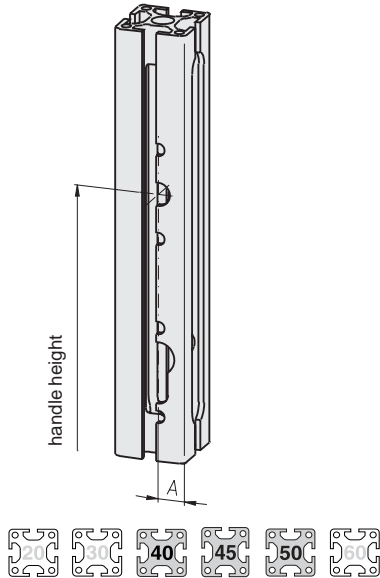
Mortise deadlocks

Comments

Drawing shows mounting position left
Mirror image mounting position right

Profile machining

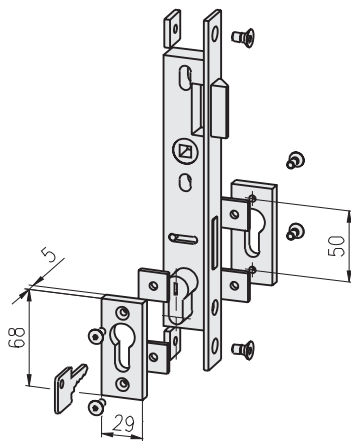
for mortise deadlock
with lock



Comments

Handle height = Drill distance from
profile end, must be
quoted when
ordering.

Description	A	B	Article-No.
Profile machining for door lock with lock			
Mounting position left, PG 40	15	30	1.65.4102L40
Mounting position right, PG 40	15	30	1.65.4102R40
Mounting position left, PG 45	17	32	1.65.4102L45
Mounting position right, PG 45	17	32	1.65.4102R45
Mounting position left, PG 50	21	36	1.65.4102L50
Mounting position right, PG 50	21	36	1.65.4102R50



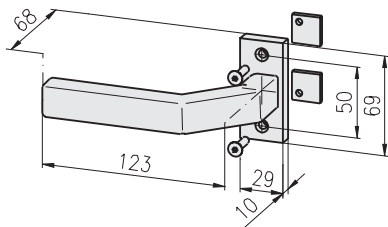
Dimensions ↗ 215, drawing „Mortise
deadlocks without
lock“

Description	Weight	Article-No.
Mortise deadlock set, with lock, left side, PG 40	705 g	1.65.4120L40
Mortise deadlock set, with lock, right side, PG 40	705 g	1.65.4120R40
Mortise deadlock set, with lock, left side, PG 45	731 g	1.65.4120L45
Mortise deadlock set, with lock, right side, PG 45	731 g	1.65.4120R45
Mortise deadlock set, with lock, left side, PG 50	766 g	1.65.4120L50
Mortise deadlock set, with lock, right side, PG 50	766 g	1.65.4120R50

Single parts

Description	Pcs.	Weight	Article-No.
Mortise deadlock, left side, PG 40	1	412 g	1.65.4211L40
Mortise deadlock, right side, PG 40	1	412 g	1.65.4211R40
Mortise deadlock, left side, PG 45	1	430 g	1.65.4211L45
Mortise deadlock, right side, PG 45	1	430 g	1.65.4211R45
Mortise deadlock, left side, PG 50	1	450 g	1.65.4211L50
Mortise deadlock, right side, PG 50	1	450 g	1.65.4211R50
Lock insert with 2 keys, PG 40	1	188 g	1.65.421240
Lock insert with 2 keys, PG 45	1	196 g	1.65.421245
Lock insert with 2 keys, PG 50	1	211 g	1.65.421250
Countersunk screw DIN 7991 - M6x12	2	3 g	0.63.7991612
Threaded plate E, M6	2	11 g	1.31.EM6
Rosette, set	1	25 g	1.65.4213
Countersunk screw DIN 7991 - M5x12	4	2 g	0.63.7991512
Threaded plate E, M5 - special	4	11 g	1.31.EM5S1

Door handle



Technical data

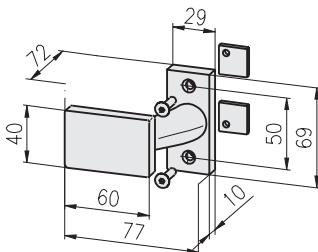
material: LM
surface: neutral anodised

Description	Weight	Article-No.
Door handle set	188 g	1.65.4220

Single parts

Description	Pcs.	Weight	Article-No.
Handle with rosette	1	160 g	1.65.4221
Countersunk screw DIN 7991 - M5x20	2	3 g	0.63.7991520
Threaded plate E, M5 - special	2	11 g	1.31.EM5S1

Door knob



Technical data

material: LM
surface: neutral anodised

Comments

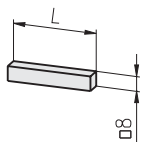
Door knob fixed

Description	Weight	Article-No.
Door knob set	200 g	1.65.4230

Single parts

Description	Pcs.	Weight	Article-No.
Door knob with rosette	1	172 g	1.65.4231
Countersunk screw DIN 7991 - M5x20	2	3 g	0.63.7991520
Threaded plate E, M5 - special	2	11 g	1.31.EM5S1

Push pins



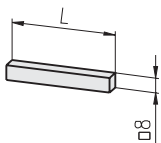
Technical data

material: steel
surface: galvanised

Comments

Stop pin for 1 door handle variant only

Description	L	Weight	Article-No.
Push pin for 1 door handle, PG 40	56	28 g	1.65.425140
Push pin for 1 door handle, PG 45	58.5	29 g	1.65.425145
Push pin for 1 door handle, PG 50	61	30 g	1.65.425150



Description	L	Weight	Article-No.
Push pin for 2 door handles, PG 40	94	54 g	1.65.425240
Push pin for 2 door handles, PG 45	99	57 g	1.65.425245
Push pin for 2 door handles, PG 50	104	59 g	1.65.425250

Bar locks



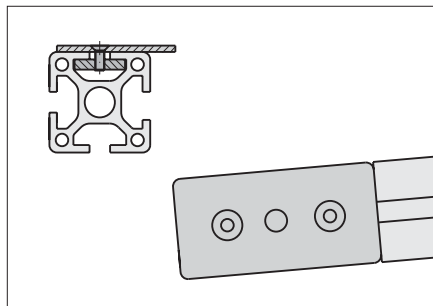
Bar lock with olive



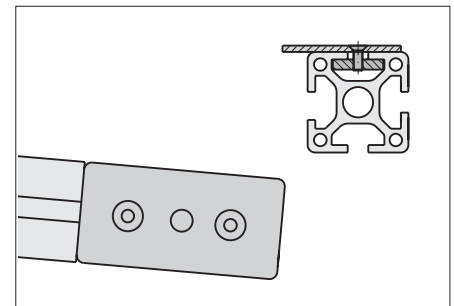
Bar lock with socket wrench

Application

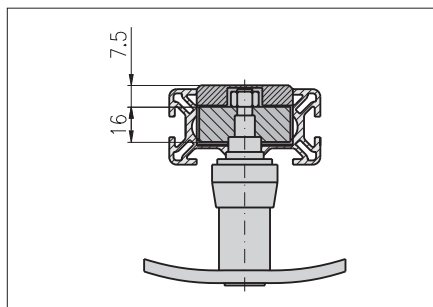
Lock for large doors made of profile 30x60 or 40x80, with pin arrest on top and bottom side.



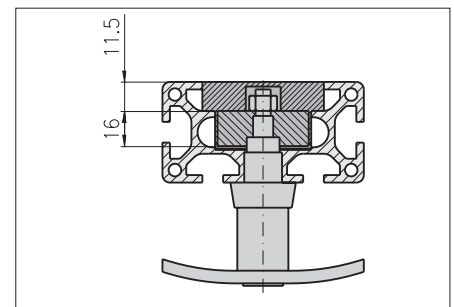
Mounting position right



Mounting position left

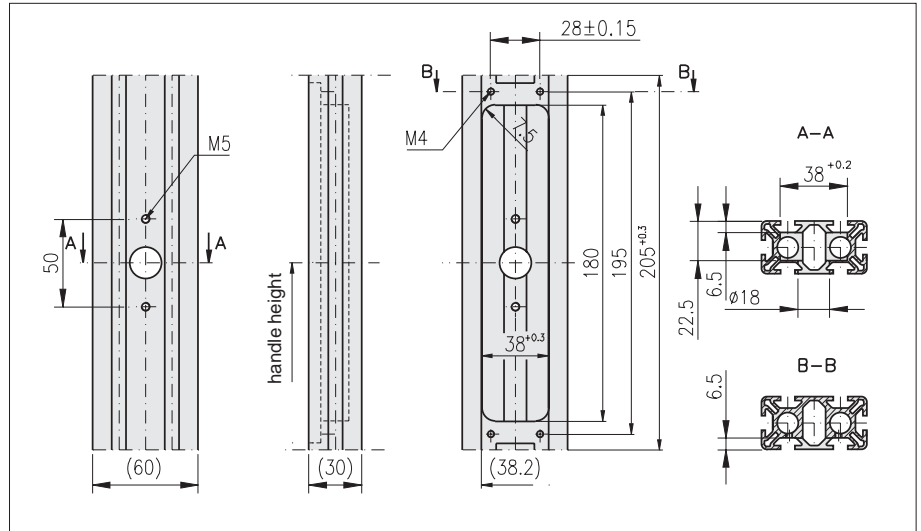
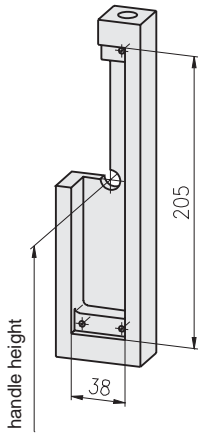


Mounting in profile 30x60



Mounting in profile 40x80

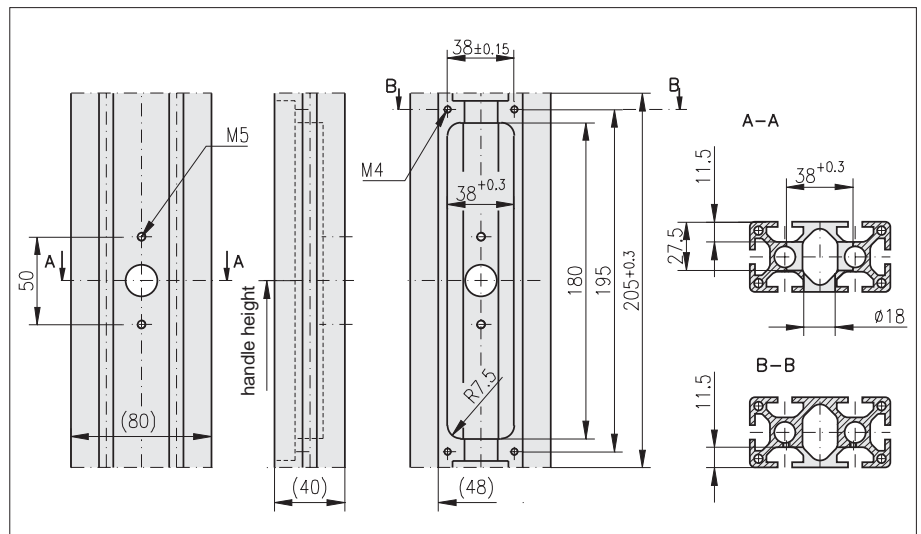
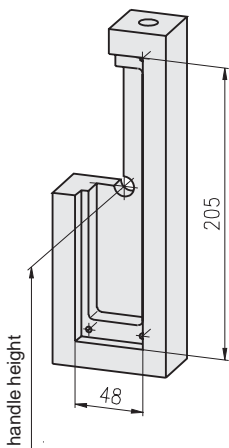
Profile machining 30x60
for bar lock



Description
Profile machining 30x60 for bar lock

Article-No.
1.65.5110

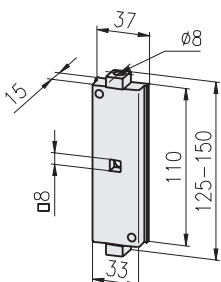
Profile machining 40x80
for bar lock



Description
Profile machining 40x80 for bar lock

Article-No.
1.65.5120

Bar locks



Technical data
material: steel
surface: galvanised

Description	Weight	Article-No.
Bar lock, left side	230 g	1.65.5210L
Bar lock, right side	230 g	1.65.5210R

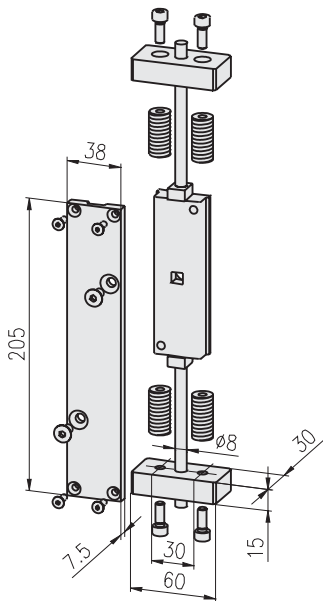
Bar locks

Technical data

cover plate: alu, neutral anodised
 face plate: alu, neutral anodised
 bar: alu, neutral anodised
 screws: steel, galvanised

Assembly accessories 30x60

for bar lock



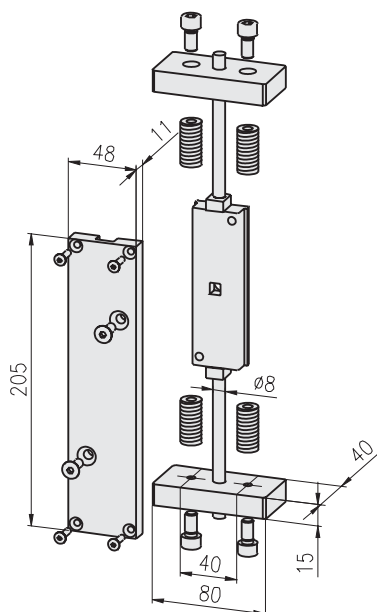
Description	Weight	Article-No.
Assembly accessories 30x60 for bar lock	590 g	1.65.5310

Single parts

Description	Pcs.	Weight	Article-No.
Cover plate 30x60	1	100 g	1.65.5311
Countersunk screw DIN 7991 - M4x12	4	1 g	0.63.7991412
Countersunk screw DIN 7991 - M6x12	2	3 g	0.63.7991612
Front plate 30x60	2	50 g	1.65.5312
Threaded insert M14/M6	4	22 g	1.35.1140615
Cap-screw DIN 912 - M6x16	4	5 g	0.63.912616
Bar, L1000	2	136 g	1.65.5313

Assembly accessories 40x80

for bar lock



Description	Weight	Article-No.
Assembly accessories 40x80 for bar lock	800 g	1.65.5320

Single parts

Description	Pcs.	Weight	Article-No.
Cover plate 40x80	1	225 g	1.65.5321
Countersunk screw DIN 7991 - M4x16	4	2 g	0.63.7991416
Countersunk screw DIN 7991 - M6x16	2	4 g	0.63.7991616
Front plate 40x80	2	90 g	1.65.5322
Threaded insert M14/M8	4	18 g	1.35.1140815
Cap-screw DIN 912 - M8x16	4	9 g	0.63.912816
Bar, L1000	2	136 g	1.65.5313

Olive installation set

for bar lock

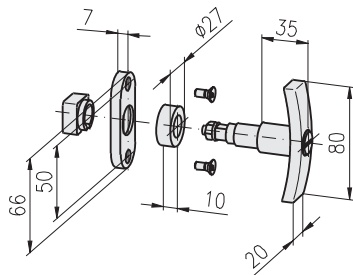
Technical data

material: GD-Zn, chrome-plated

Comments

Execution for profile 30x60 = with rosette

Execution for profile 40x80 = without rosette



Description	Weight	Article-No.
Olive installation set for bar lock without lock,		
for profile 30x60	134 g	1.65.5410
for profile 40x80	122 g	1.65.5420
Olive installation set for bar lock with lock,		
for profile 30x60	134 g	1.65.5510
for profile 40x80	120 g	1.65.5520

Single parts

Description	Pcs.	Weight	Article-No.
Olive without lock	1	122 g	1.65.5431
Olive with lock, incl. 2 keys	1	120 g	1.65.5531
Rosette	1	8 g	1.65.5432
Countersunk screw DIN 7991 - M5x12	2	2 g	0.63.7991512

Lock mounting set
Technical data

lock insert: GD-Zn, galvanised

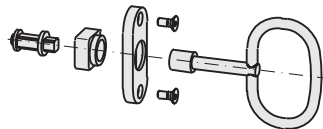
key: GD-Zn, galvanised

rosette: LM, neutral anodised

key catch: PVC, grey

with square key

for bar lock



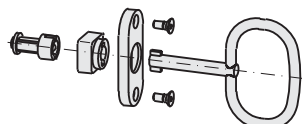
Description	Weight	Article-No.
Lock mounting set with square key		
for bar lock	73 g	1.65.5600

Single parts

Description	Pcs.	Weight	Article-No.
Lock insert	1	16 g	1.65.5601
Key catch	1	3 g	1.65.5602
Rosette	1	8 g	1.65.5432
Square key 8 mm	1	42 g	1.65.5604
Countersunk screw DIN 7991 - M5x12	2	2 g	0.63.7991512

with double beard key

for bar lock



Description	Weight	Article-No.
Lock mounting set with double beard key		
for bar lock	73 g	1.65.5700

Single parts

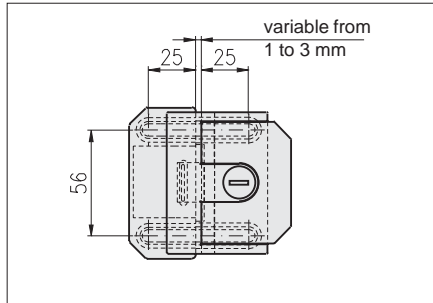
Description	Pcs.	Weight	Article-No.
Lock insert	1	16 g	1.65.5701
Key catch	1	3 g	1.65.5702
Rosette	1	8 g	1.65.5432
Double beard key Ø5	1	42 g	1.65.5704
Countersunk screw DIN 7991 - M5x12	2	2 g	0.63.7991512

Latch locks

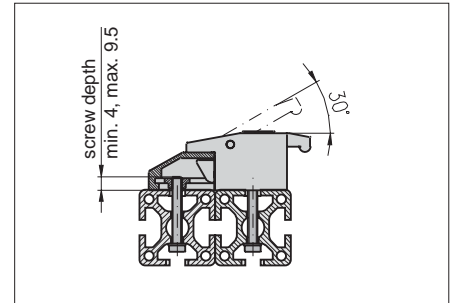


Application

Door lock with little jutout



Installation dimensions



Installation dimensions

Technical data

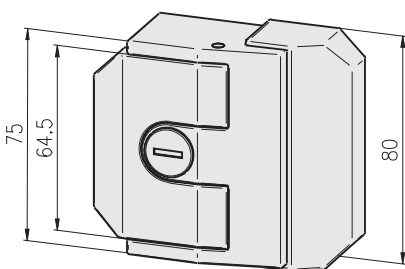
- material:
- capsule: GDZn black coated
 - trap: GDZn rough
 - nut: steel galvanised

Single parts

- cap-screw DIN 6913, M8x14
- washer DIN 433-8.4
- cover plug Ø14, 1.424014.□

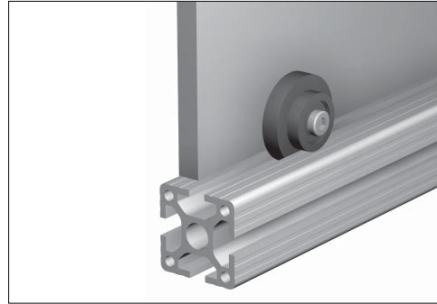
Delivery unit

- latch lock
- 4 nuts M6
- 2 keys (by variant with lock)



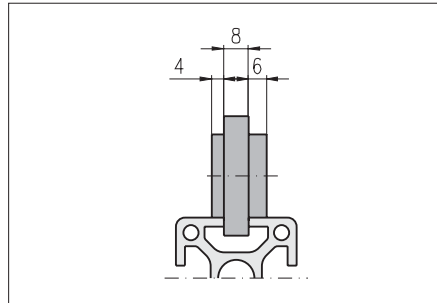
Description	Weight	Article-No.
Latch lock without lock	560 g	1.65.6010
Latch lock with lock, all keyed alike	560 g	1.65.6020
Latch lock with lock, key different	560 g	1.65.6030

Roller 39.5

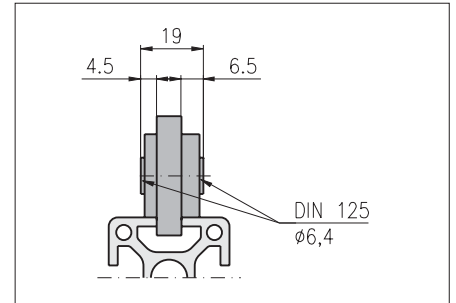


Application

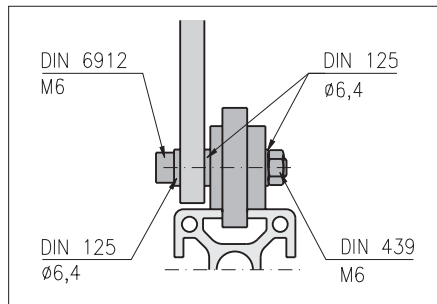
Roller for guiding in the 8 mm profile slot for sliding doors



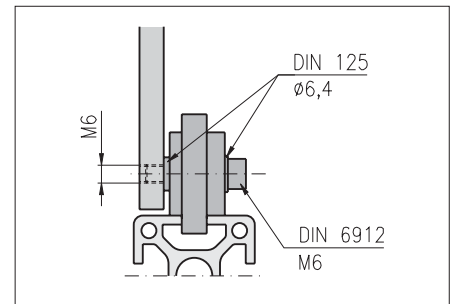
Asymmetric mount



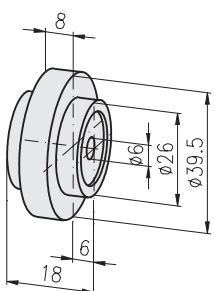
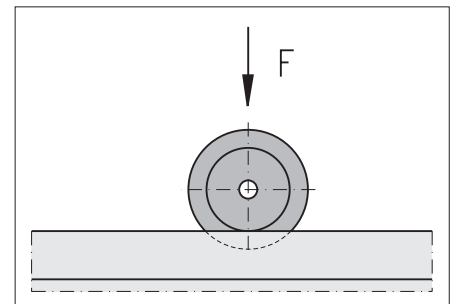
Mounting measure incl. washer DIN 125



Mounting with threaded pillar



Mounting with thread in panel element



Technical data

material: PA-GF
 colour: black
 max. static load: $F = 150 \text{ N}$

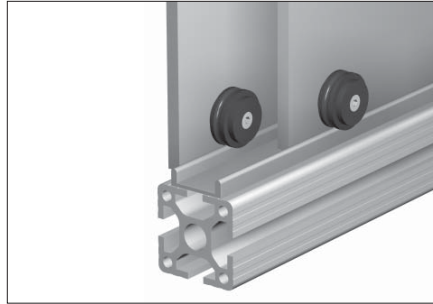
Comments

2 deep grooved ball bearings with 2 cover discs

Description
 Roller 39.5

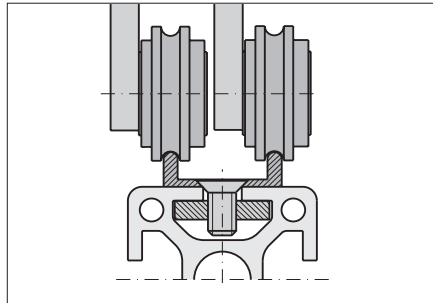
Weight 32 g
Article-No. 1.66.1395

Roller 29

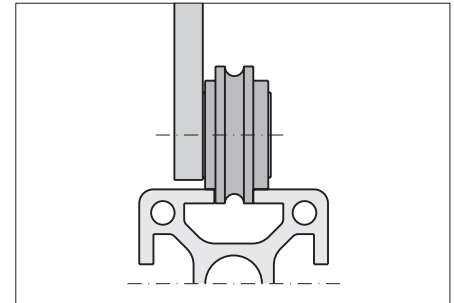


Application

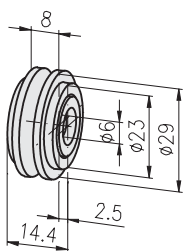
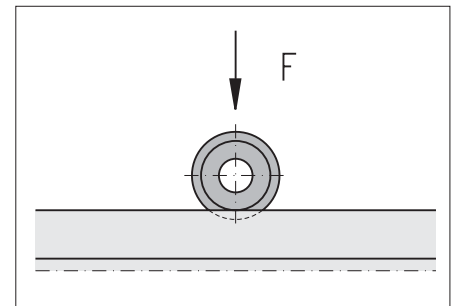
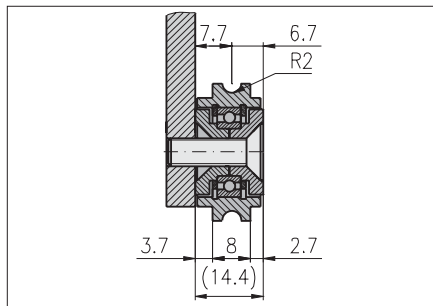
Roller for guiding in the 8 mm profile slot or in the twin track



Guiding in the twin track



Guiding in the profile slot



Technical data

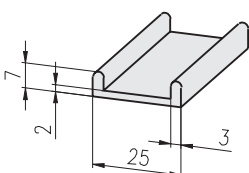
material: PA-GF
 colour: black
 max. static load: F = 150 N

Comments

1 deep grooved ball bearing with 2 sealing discs

Description	Weight	Article-No.
Roller 29	12 g	1.66.2290

Twin track guide



Technical data

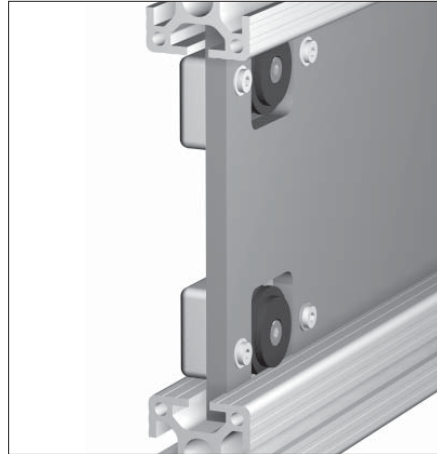
material: plastic
 colour: white

Comments

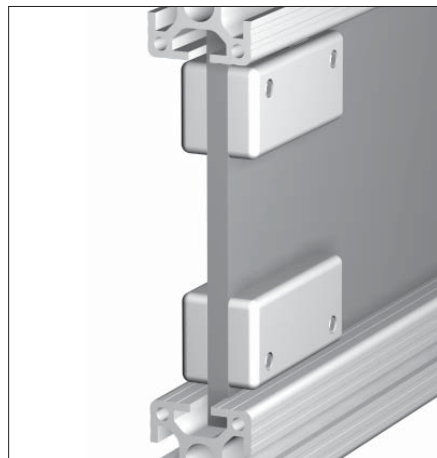
Fastening of the twin track guide with
 • threaded plate
 • countersunk screw

Description	Weight	Article-No.
Twin track guide, L2500	255 g	1.66.3100

Roller fastening sets type A



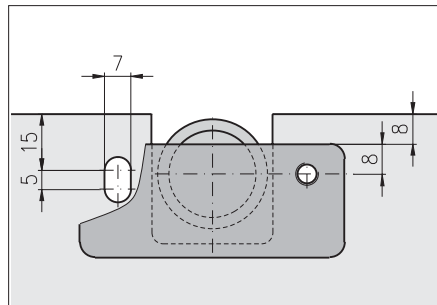
Roller fastening set type A, one-sided



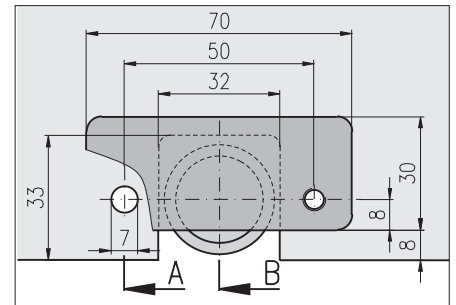
Roller fastening set type A, double-sided

Application

The roller fastening set allows the mounting of the roller into the panel element. Thus the panel element fits in the slot and fills the frame completely.



Mounting on top side

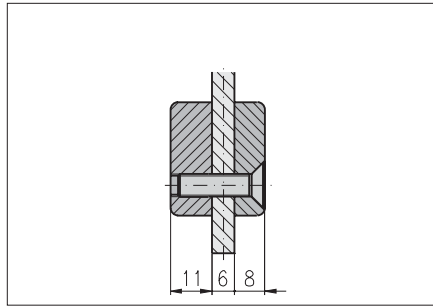


Mounting on bottom side

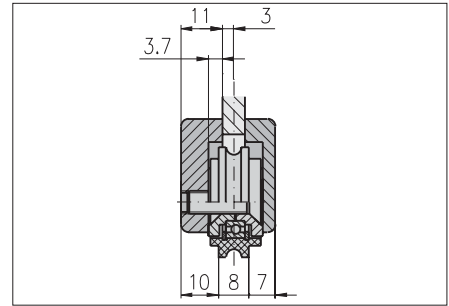
Comments

The elongated hole in the panel element allows the adjustment of the height tolerance.

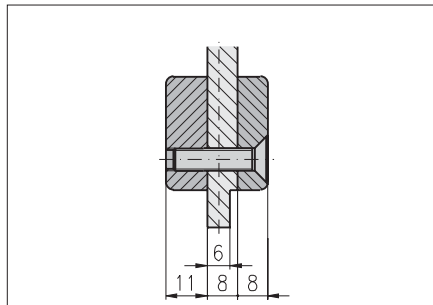
Roller fastening sets type A



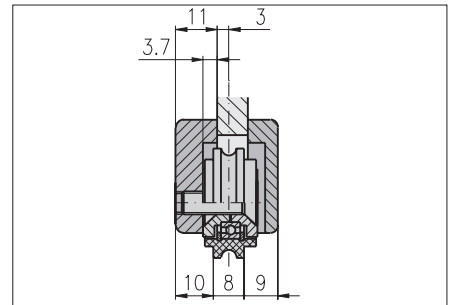
Panel element 6 mm
View A - A



Panel element 6 mm
View B - B



Panel element 8 mm
View A - A



Panel element 8 mm
View B - B

Technical data

base body
material: aluminium
surface: neutral anodised

one sided

Description	Weight	Article-No.
Roller fastening set type A, one sided, complete	55.5 g	1.66.5160

Single parts

Description	Pcs.	Weight	Article-No.
Roller bracket type A, left	1	21.0 g	1.66.5299
Roller 29	1	12.0 g	1.66.2290
Countersunk screw DIN 7991 - M6x20	1	4.5 g	0.63.7991620
Cap-screw DIN 6912 - M6x20	2	5.0 g	0.63.6912620
Washer DIN 6340 - 6.4	2	4.0 g	0.62.6340064



double sided

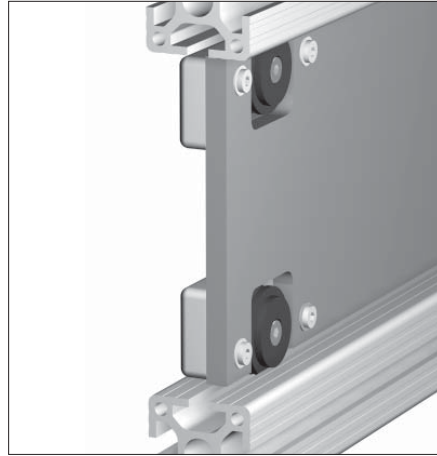
Description	Weight	Article-No.
Roller fastening set type A, double sided, complete	64.5 g	1.66.5260

Single parts

Description	Pcs.	Weight	Article-No.
Roller bracket type A, right	1	16.0 g	1.66.5298
Roller bracket type A, left	1	21.0 g	1.66.5299
Roller 29	1	12.0 g	1.66.2290
Countersunk screw DIN 7991 - M6x20	1	4.5 g	0.63.7991620
Countersunk screw DIN 7991 - M6x25	2	5.5 g	0.63.7991625



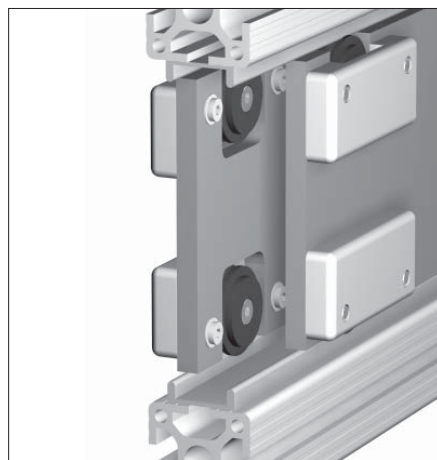
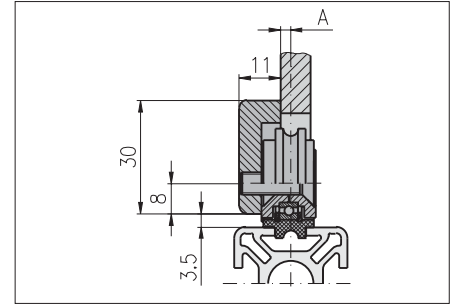
Roller fastening set type B



Guidance in profile slot

Application

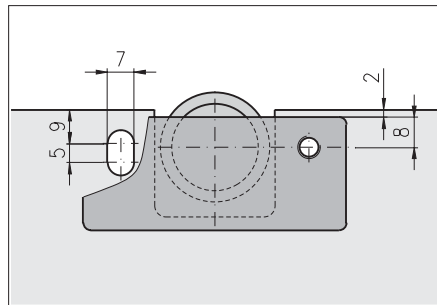
The roller fastening set allows the mounting of the roller into the panel element.



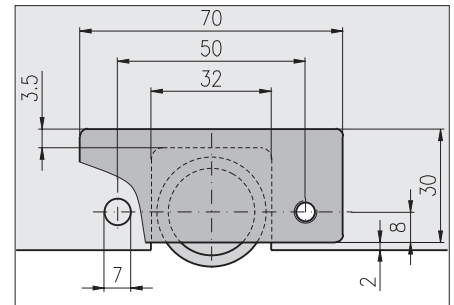
Guidance in twin track guide

Comments

Mounting position of roller optional
 A = 1.7 mm
 2.7 mm



Mounting on top side

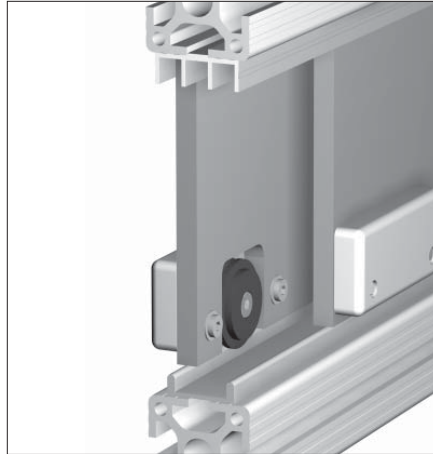


Mounting on bottom side

Comments

The elongated hole in the panel element allows to adjust the height tolerance and to unhinge the sliding door.

Roller fastening set type B

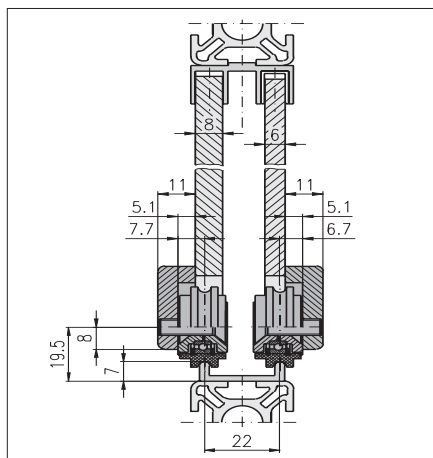


Application

Guidance of sliding door
 on top: sliding profile 30x14
 on bottom: twin track guide with profile

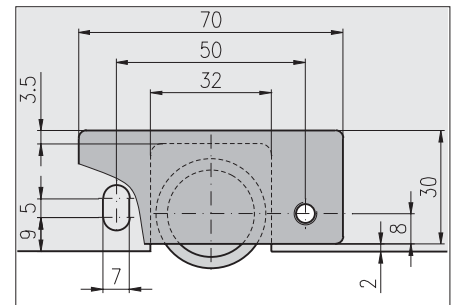
The slot in the panel element allows:

- adjustment of height tolerance
- removal of the sliding door



Mounting position of roller:

dimension 6.7 = panel element 6 mm
 dimension 7.7 = panel element 8 mm



Technical data

base body
 material: aluminium
 surface: neutral anodised

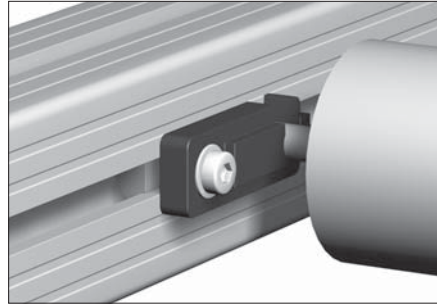
Description	Weight	Article-No.
Roller fastening set type B, complete	62 g	1.66.5360

Single parts

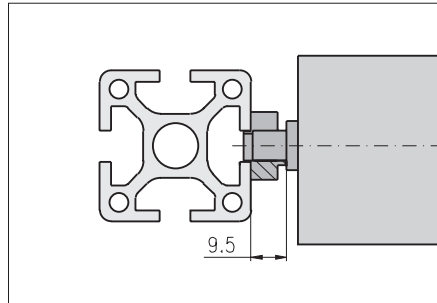
Description	Pcs.	Weight	Article-No.
Roller bracket type B	1	21.0 g	1.66.5399
Roller 29	1	12.0 g	1.66.2290
Countersunk screw DIN 7991 - M6x20	1	4.5 g	0.63.7991620
Cap-screw DIN 6912 - M6x20	2	5.0 g	0.63.6912620
Washer DIN 6340 - 6.4	2	4.0 g	0.62.6340064



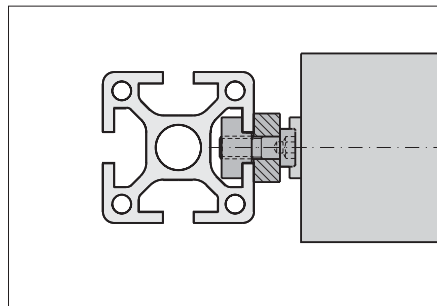
Mounting adaptor for roller



Application
For fastening of rollers

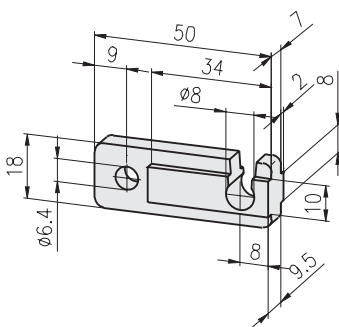


Comments
Simple mounting, enables installation without dismounting of frame



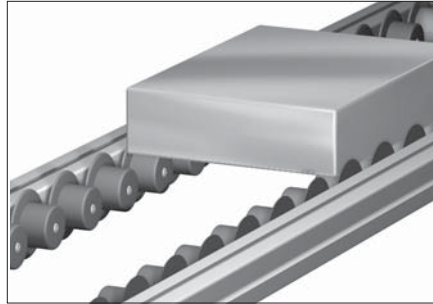
Technical data
material: PA, black

Mounting elements
cap-screw DIN 6912, M6



Description	Weight	Article-No.
Mounting adaptor for roller Ø8	9 g	1.66.70808

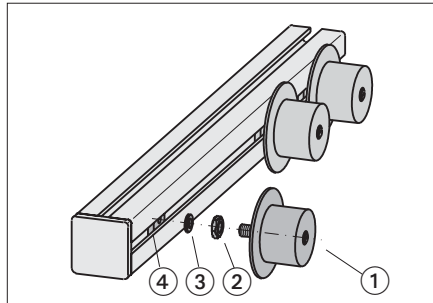
Edge roller



Application

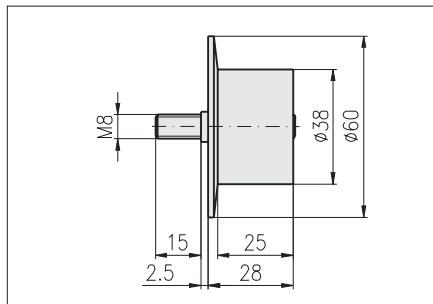
Roller conveyors for transporting boxes and containers

- low noise
- low friction operation due to double ball bearings
- simple assembly



Single parts

- ① edge roller
- ② hexagon nut
- ③ shim
- ④ threaded plate



Technical dat

material:

- roller: impact resistant plastic
- axle: galvanised

colour:

- roller: black

bearings:

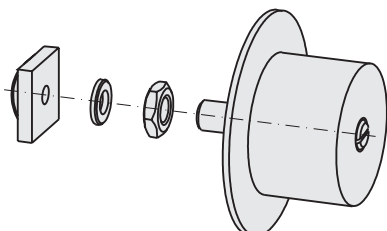
steel or rustfree ball bearings on galvanised steel bolt

loading capacity:

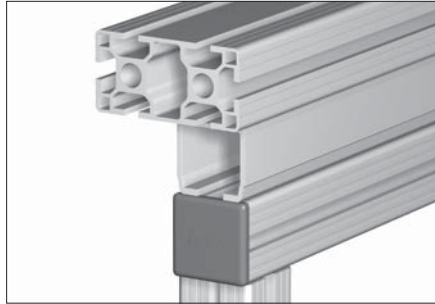
- static: 50 N
- dynamic: 100 N

Fastening elements:

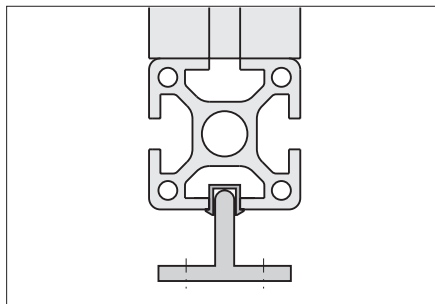
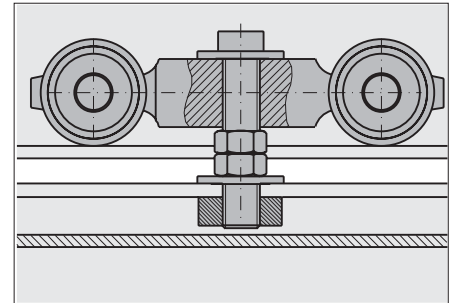
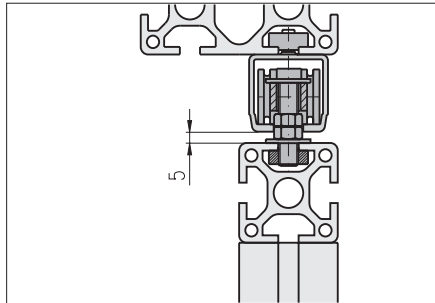
threaded plate E M8	1.31.EM8
hexagon nut DIN 934 - M8	0.61.108673.08
shim DIN 125 - 8.4	0.62.D00125.A8,4



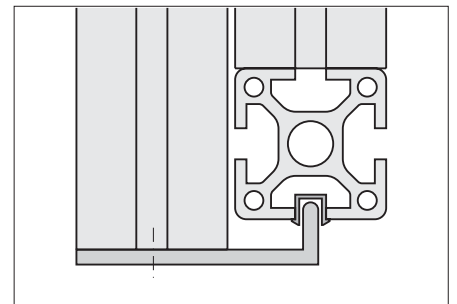
Description	Weight	Article-No.
Edge roller E	51.0 g	1.66.7523860

**Roller fitting
for suspended doors**

Application

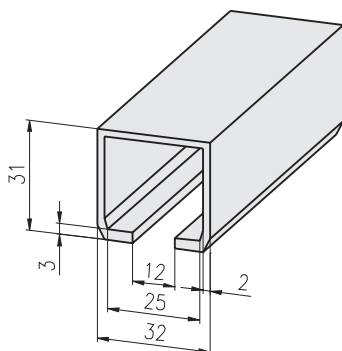
Sliding suspended doors made of profile frames for large openings and heavy doors.



Guidance for mounting on the floor



Guidance for mounting on the profile frame

**Alu C-track
for suspended doors**

Technical data

bar length: 6 m
material: aluminium
surface: neutral anodised

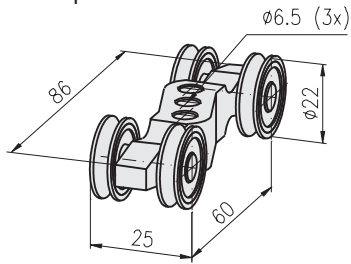
Description

Description	Weight	Article-No.
Alu C-track bar	3.6 kg	1.19.14532.60
Alu C-track cut to length	0.6 kg	1.19.14532-A00A00/...

/... = Length in mm

Runner

for suspended door



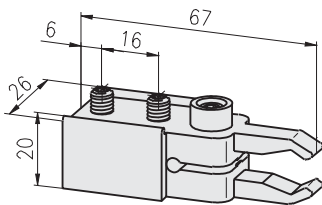
Technical data

material: steel
 surface: galvanised
 4 ball bearing rollers
 max. load capacity: 70 kg

Description	Weight	Article-No.
Runner for suspended door	91 g	1.66.8020

Stopper

for suspended door



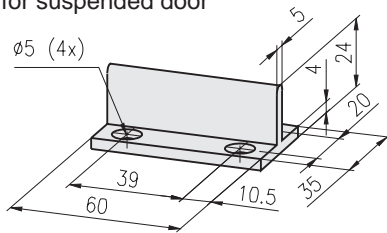
Technical data

material: plastic
 colour: grey

Description	Weight	Article-No.
Stopper for suspended door	21 g	1.66.8030

Bottom guide

for suspended door



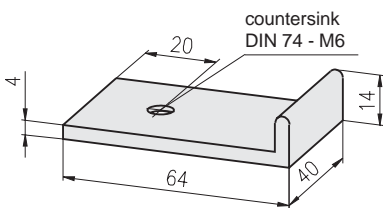
Technical data

material: plastic
 colour: grey

Description	Weight	Article-No.
Bottom guide for suspended door	9 g	1.66.8040

Frame guide

for suspended door



Technical data

material: aluminium
 surface: neutral anodised

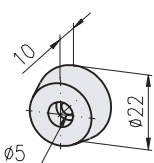
Comments

Countersink DIN 74 - M6 for
 countersunk screw DIN 7991 - M6

Description	Weight	Article-No.
Frame guide for suspended door	30 g	1.66.8050

Rubber door stop

for suspended door



Technical data

material: rubber
 colour: black

Description	Weight	Article-No.
Rubber door stop for suspended door	3 g	1.66.8060

Sliding blocks

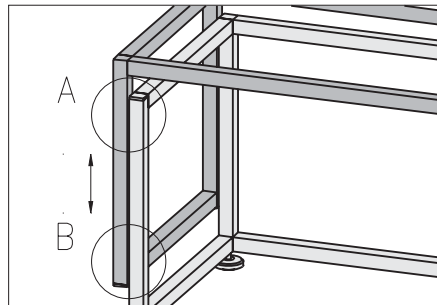


Application

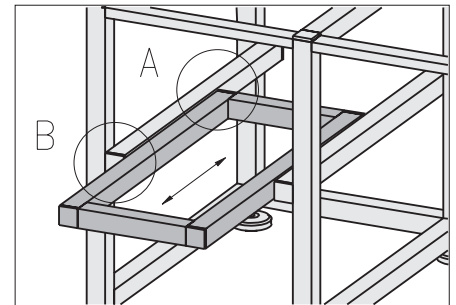
Sliding blocks to guide 2 profiles

Application samples:

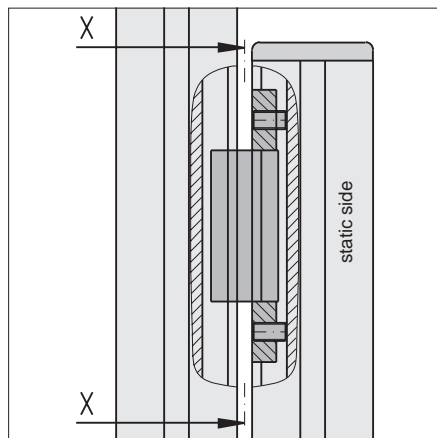
- lifting tables
- slidable elements



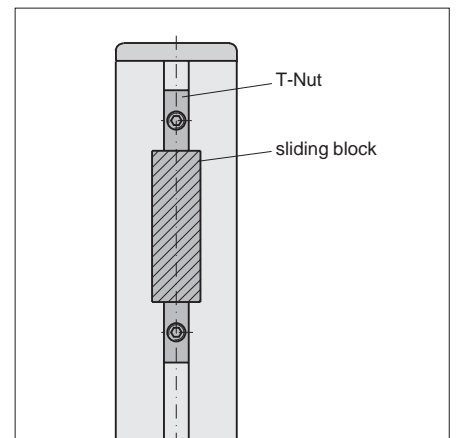
Guidance system for lifting table



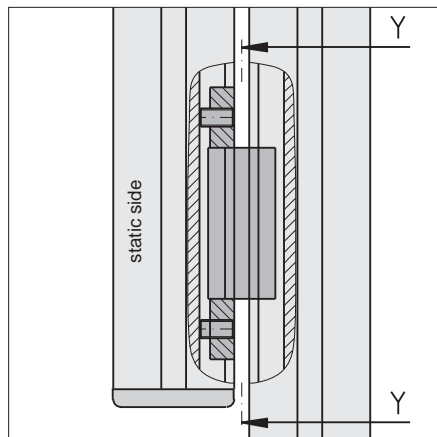
Guidance system for sliding elements



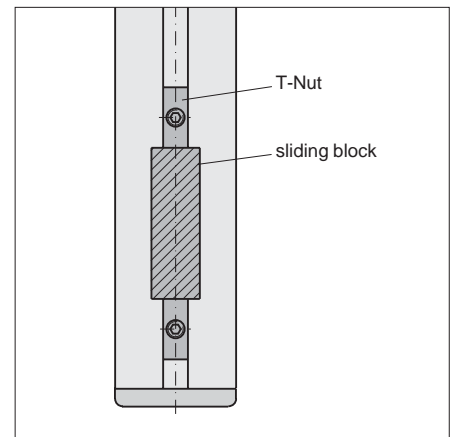
Detail „A“



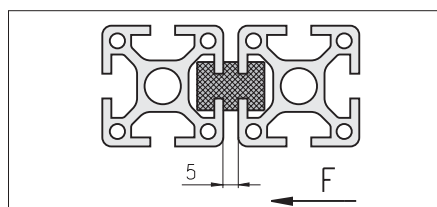
View „X“



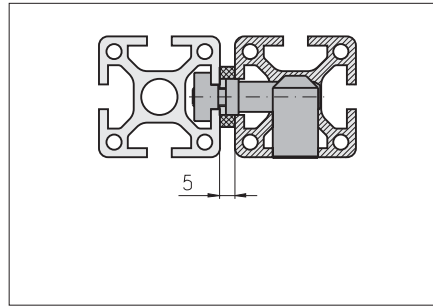
Detail „B“



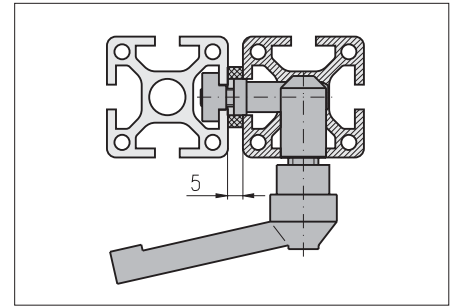
View „Y“



Clamping for guidance system



Clamping with setscrew



Clamping with clamping lever

Single parts for clamping

Description	Article-No.
T-Nut sliding block	1.67.□M8
Distance washer	1.67.2008
Clamping lever	1.29.801030

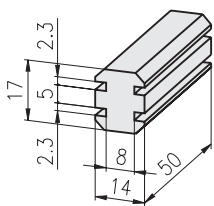
Connector

Description	for profile	Article-No.
Connector, screw-type, parallel, M8	30×30	1.21.3/4S5M8
Connector, screw-type, parallel, M8	40×40	1.21.4/5S5M8
Connector, screw-type, parallel, M8	45×45	1.21.45/55S5M8
Connector, screw-type, parallel, M8	50×50	1.21.5/6S5M8
Connector, screw-type, parallel, M8	60×60	1.21.61SM8

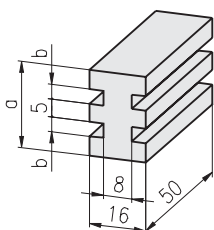
Sliding blocks

Technical data

material: Murlubric
 colour: black
 max. carrying capacity: $p = 20 \text{ N/mm}^2$
 at: • temperature 20°C
 • velocity 1 m/sec



Description	F	Weight	Article-No.
Sliding block F	1,500 N	11 g	1.67.F2F2

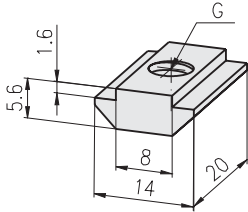


Description	a	b	F	Weight	Article-No.
Sliding block E3	22.2	3.1	2,000 N	18 g	1.67.E3E3
Sliding block E4	24.2	4.1	2,000 N	23 g	1.67.E4E4

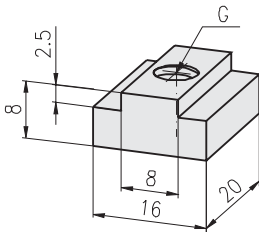
T-Nut sliding blocks

Technical data

material: murlubric
colour: black



Description	G	Weight	Article-No.
T-Nut sliding block F	M6	1.5 g	1.67.FM6
T-Nut sliding block F	M8	1.5 g	1.67.FM8

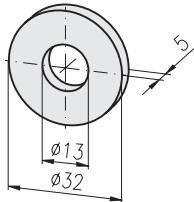


Description	G	Weight	Article-No.
T-Nut sliding block E	M6	3 g	1.67.EM6
T-Nut sliding block E	M8	3 g	1.67.EM8

Distance washer

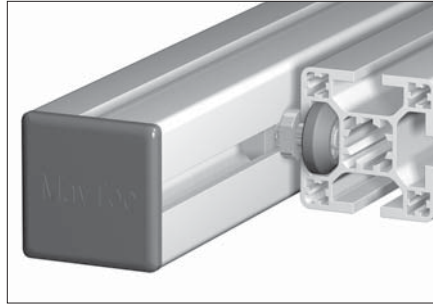
Technical data

material: PVC
colour: grey



Description	Weight	Article-No.
Distance washer	3 g	1.67.2008

Slot rollers

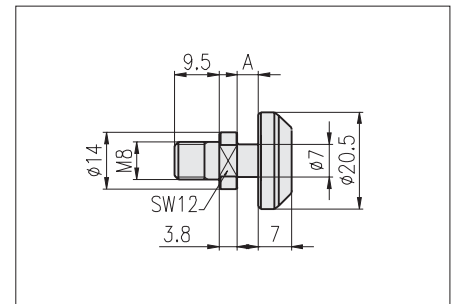
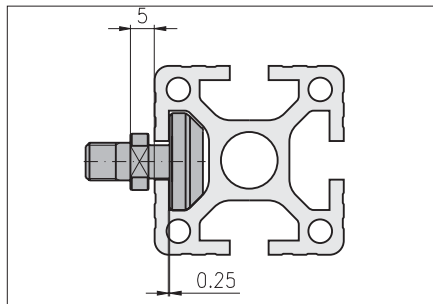
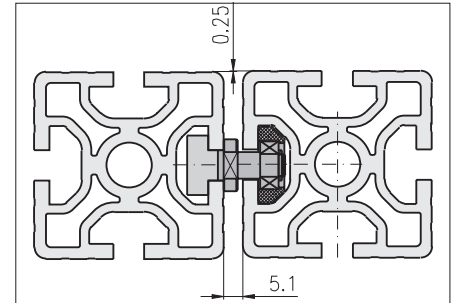
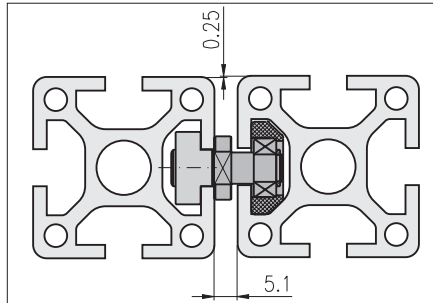


Application

For light running sliding doors

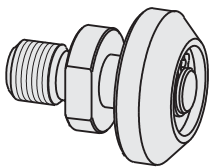
Technical data

material: PETP
 colour: black
 max. static load: 8 kg/roller

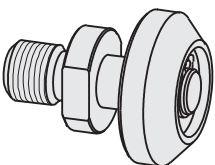


Fastening elements

T-Nut, E M8 1.32.EM8
 T-Nut for subs. insertion E, M8 1.324.EM8

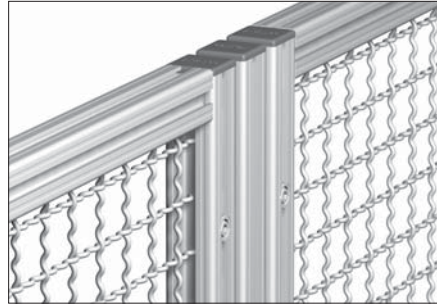


Description	A	Weight	Article-No.
Slot roller E3	4.45	24 g	1.67.42E3M8



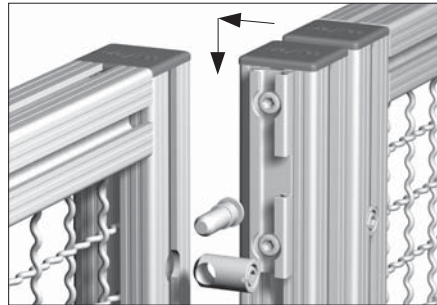
Description	A	Weight	Article-No.
Slot roller E4	5.45	24 g	1.67.42E4M8

Hanging bracket

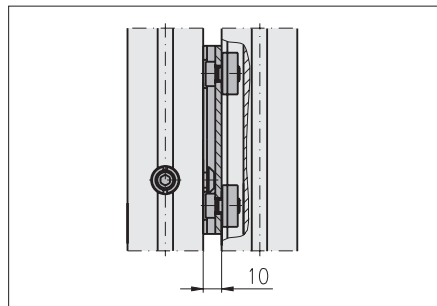


Application

Element for mounting unhingeable fence elements



The connector cross bushing can be fixed at the front or back side

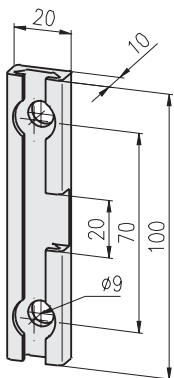


Technical data

material: aluminium
 strength: F25
 surface: neutral anodised

Comments

- Elements for mounting:
- cap-screw DIN 6912 M8
 - T-Nuts M8
 - parallel-connector with F-head



Description

Hanging bracket

Weight

16 g

Article-No.

1.68.201050

Suspended glider

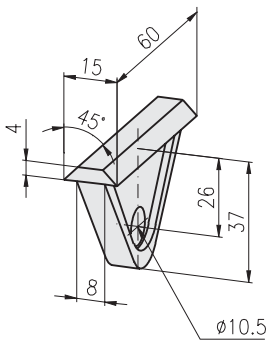


Application

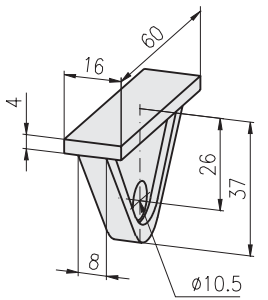
Element for tool suspension in MayTec-profile

Technical data

material: PA-GF
 colour: black
 max. static load: 300 N

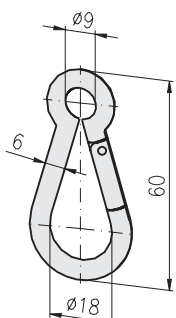


Description	Weight	Article-No.
Suspended glider F	10 g	1.69.F010



Description	Weight	Article-No.
Suspended glider E	10 g	1.69.E010

Carabine swivel



Technical data

material: steel
 surface: galvanised

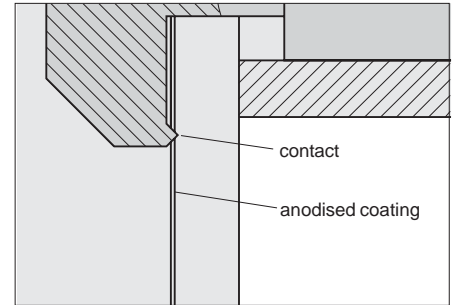
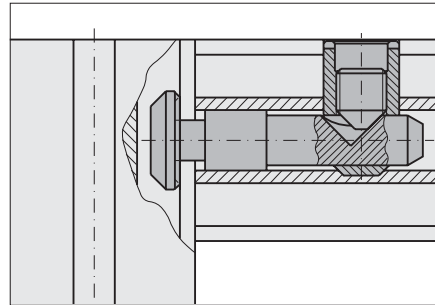
Description	Weight	Article-No.
Carabine swivel 60x6	27 g	1.69.1606

Potential equalisation



Application

Ground connections to establish the potential equalisation between two profiles.
The serration at the bottom of the socket head of the connector pushes through the anodised coating of the profiles and thus provides the electrical contact.

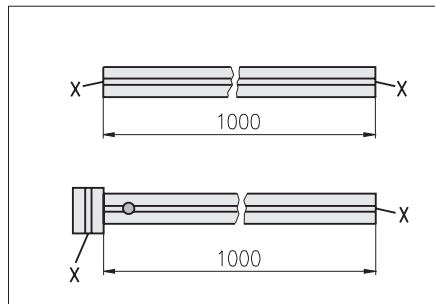


Comments

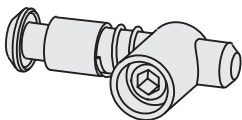
Suitable to equalize charge accumulations. Not suitable for higher currents.

Technical data

Low current measurements in accordance with DIN VDE 0413, Part 4 for the control of protective circuits, earthing circuits and potential equalisation methods through low resistance connections for protection against dangerous currents.

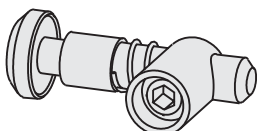


Resistance values with DC current of more than 200 mA	
with 1.0 m alu-profile	0.11Ω
with 1.0 m alu-profile and 1 standard connector	> 2MΩ
with 1.0 m alu-profile and 1 univ. grounding connector	0.11Ω



Description

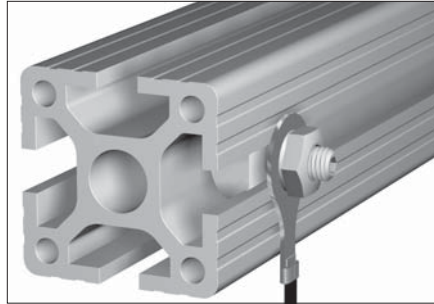
Description	Article-No.
Connector, universal, grounding, PG 20	1.21.2F0E
Connector, universal, grounding, PG 30	1.21.3F0E
Connector, universal, grounding, PG 40	1.21.4F0E
Connector, universal, grounding, PG 45	1.21.45F0E
Connector, universal, grounding, PG 50	1.21.5F0E
Connector, universal, grounding, PG 60	1.21.6F0E



Description

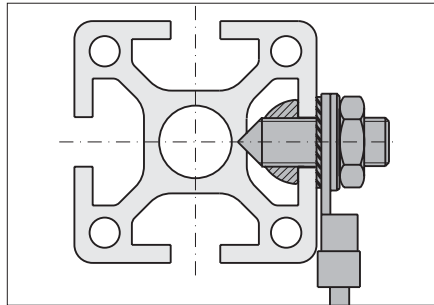
Description	Article-No.
Connector, universal, grounding, PG 20	1.21.2E0E
Connector, universal, grounding, PG 30	1.21.3E0E
Connector, universal, grounding, PG 40	1.21.4E0E
Connector, universal, grounding, PG 45	1.21.45E0E
Connector, universal, grounding, PG 50	1.21.5E0E
Connector, universal, grounding, PG 60	1.21.6E0E

Ground connections



Application

Couplings for grounding of anodised profiles



Comments

The grounding is caused by breaking the anodised layer at the bottom of the slot and at the profile's front side.

Description

Ground connection F, M6

Article-No.

1.70.10FM6



Single parts

T-Nut for subsequent insertion F, M6

Setscrew DIN 914 - M6x25 - V2A

Fan type lock washer DIN 6798 - A6.4 - V2A

Hexagon nut DIN 439 - M6 - Ms

Washer with chamfer DIN 125 - B6.4 - Ms

Description

Ground connection E, M8

Article-No.

1.70.10EM8



Single parts

T-Nut for subsequent insertion E, M8

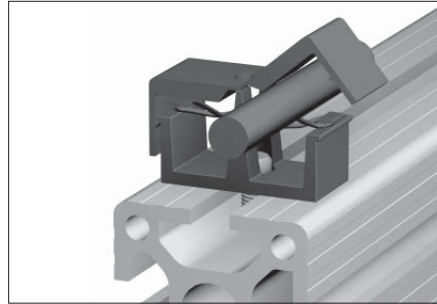
Setscrew DIN 914 - M8x25 - V2A

Fan type lock washer DIN 6798 - A8.4 - V2A

Hexagon nut DIN 439 - M8 - Ms

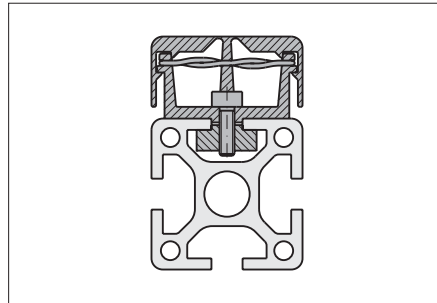
Washer with chamfer DIN 125 - B8.4 - Ms

Cable and hose clamp

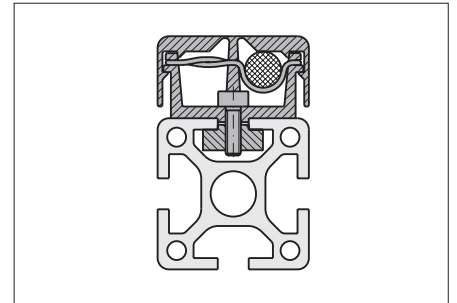


Application

Fixing element for cables and hoses up to Ø12 mm

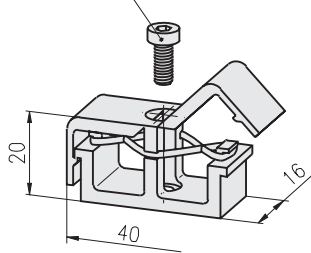


Mounting on profiles



$\varnothing_{max} = 12$ mm for cables and hoses

DIN 6912 M4x10



Technical data

material: PA
colour: black

Description

Cable and hose clamp

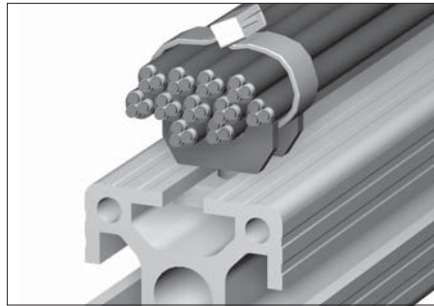
Weight

8 g

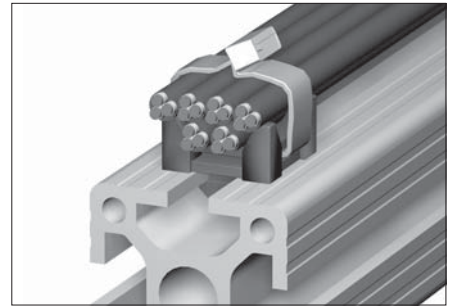
Article-No.

1.71.1010

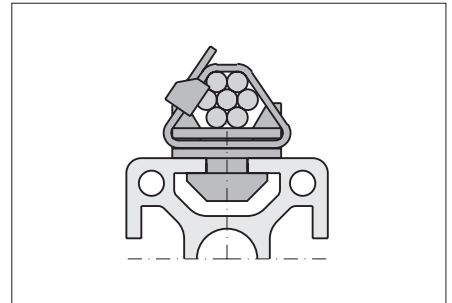
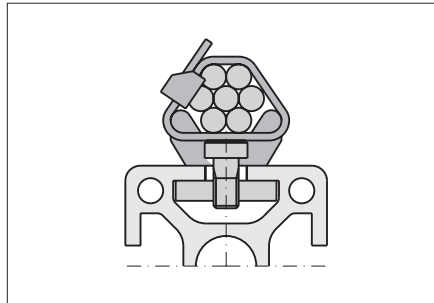
**Block for cable binder,
Cross-blocks
for cable binder
front-sided insertion,
Cable binder**



Block for cable binder



Cross-block for cable binder



front-sided insertion

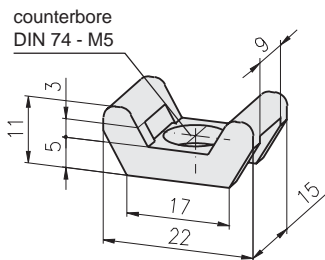
Technical data

material: PA
colour: black

Application

Element for fixing single cables and hoses or large quantities

Block for cable binder



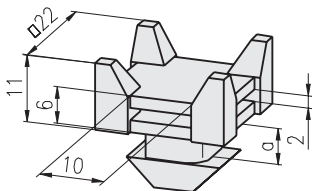
Comments

Counterbore DIN 74 - M5 for cap-screw DIN 6912 - M5

Description	Weight	Article-No.
Block for cable binder	1.6 g	1.71.2010

**Cross-blocks
for cable binder**

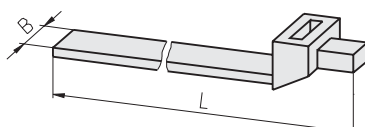
front-sided insertion



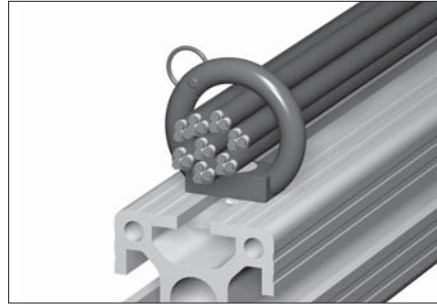
Description	a	Weight	Article-No.
Cross-block for cable binder F	2.2	4.0 g	1.71.2020F2
Cross-block for cable binder E3	3.0	4.0 g	1.71.2020E3
Cross-block for cable binder E4	4.0	4.0 g	1.71.2020E4

Cable binder

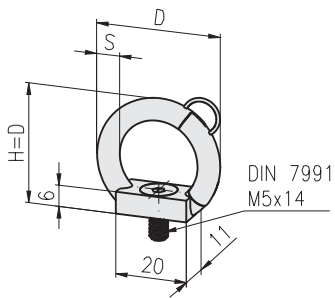
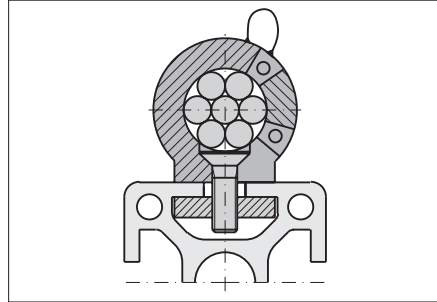
detachable



Description	BxL	Weight	Article-No.
Cable binder, detachable	4.8x145	0.7 g	1.71.2048145
Cable binder, detachable	9.0x140	1.9 g	1.71.2090140

Installation rings

Application

Element for fixing large quantities of cables and hoses.
The rings can be opened for insertion.


Technical data

material: PA-GF
colour: black

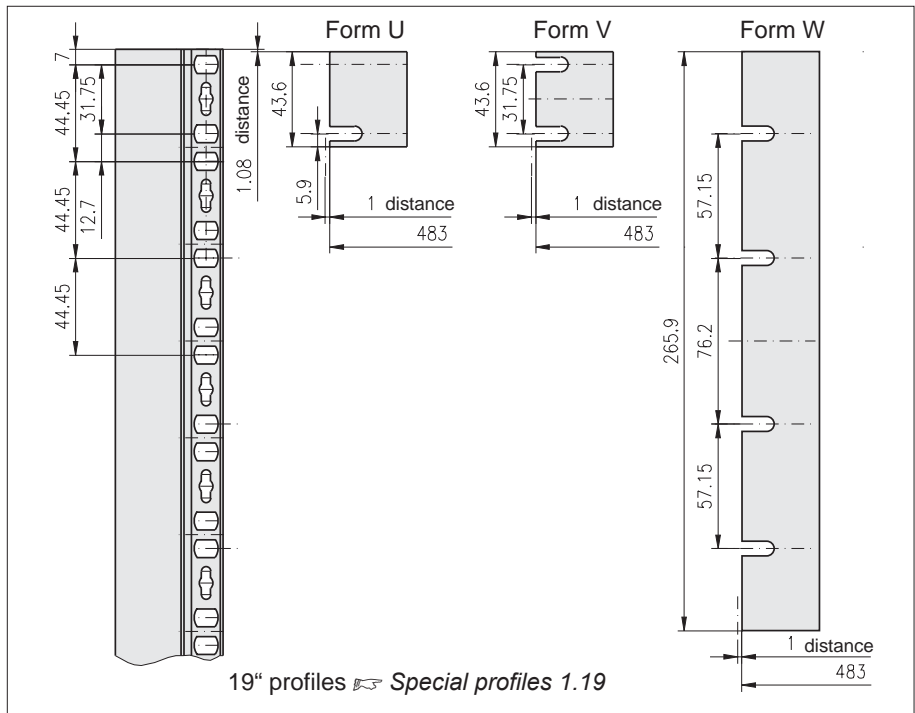
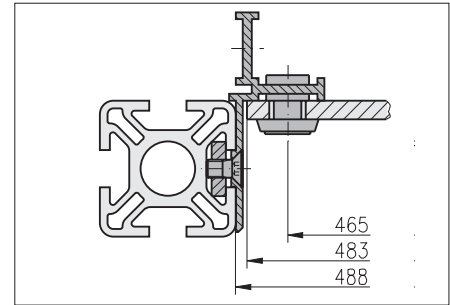
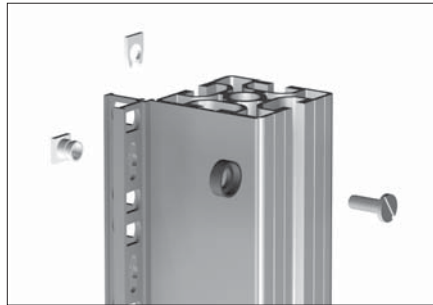
Description	D	s	Weight	Article-No.
Installation ring	Ø28.5	6.0	5 g	1.71.30285
Installation ring	Ø36.5	6.0	6 g	1.71.30365
Installation ring	Ø47.5	7.5	8 g	1.71.30475
Installation ring	Ø56.5	7.5	9 g	1.71.30565

Mounting set for 19" profile



Application

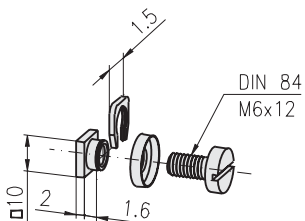
Fastening set for the assembly of 19" plug-in units and 19" profiles



Dimensions for front panels and housings according to DIN 41494

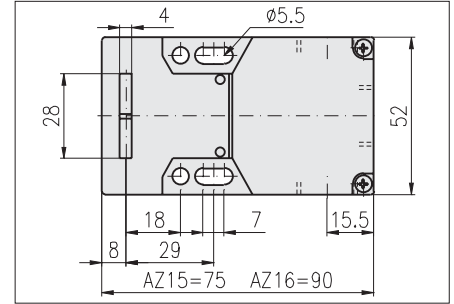
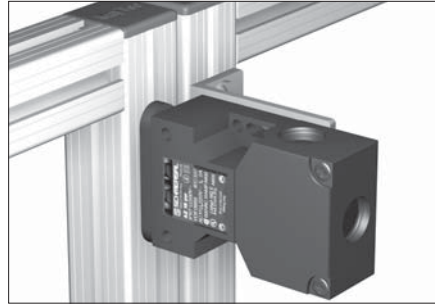
Technical data

- screw and nut: steel, galvanised
- plate and socket washer: PA, black
- delivery unit: PU with 10 mounting sets



Description	Weight	Article-No.
Mounting set for 19" profile	70 g	1.72.2010.10

Safety switches



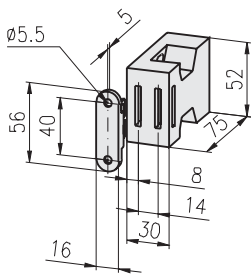
Application

Safety switch for the electrical interlocking of swinging or sliding doors

Comments

Smallest possible radius of operation of 150 mm

with 1 safety contact



Technical data

Schmersal: Type AZ 15 zvr
IP 67 230V 4A

Description

Safety switch with 1 safety contact

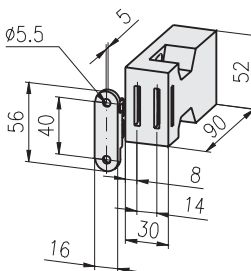
Weight

100 g

Article-No.

1.73.3010

with 1 safety contact and 1 alarm contact



Technical data

Schmersal: Type AZ 16 zvr
IP 67 230V 4A

Description

Safety switch with 1 safety contact and 1 alarm contact

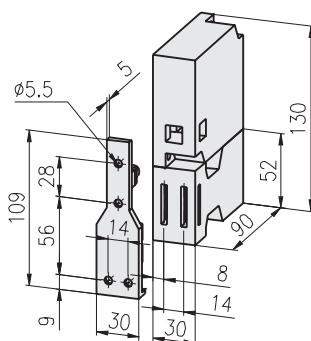
Weight

125 g

Article-No.

1.73.3020

with 1 closing and 1 positioning monitoring



Technical data

Schmersal: Type AZM 160-22yp
IP 65 250V AC 24V DC

Comments

Locking mechanism by spring
Releasing by solenoid
(closed-circuit system)

Description

Safety switch with 1 closing and 1 positioning monitoring

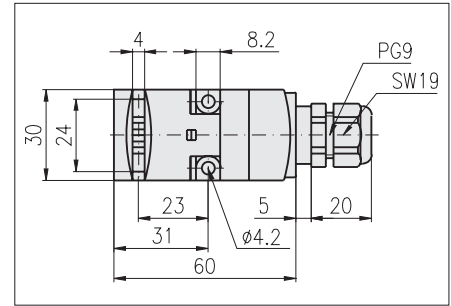
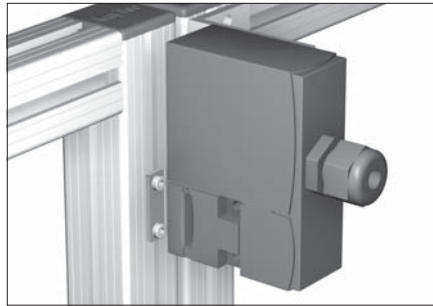
Weight

480 g

Article-No.

1.73.3030

**Safety switches
AZ 17**



Application

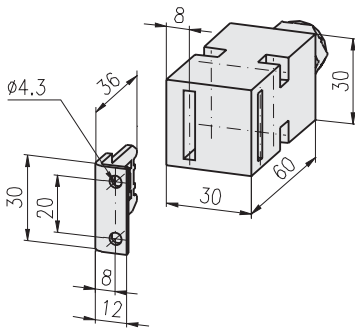
Safety switch for the electrical interlocking of swinging or sliding doors

Technical data

Schmersal: Type AZ 17
4A / 230 VAC IP 67

Comments

Especially suitable for cramped mounting spaces



Description

Safety switch AZ 17-11 zk
with 1 positive-break safety contact
1 no contact

Weight

90 g

Article-No.

1.73.3111

Safety switch AZ 17-02 zk

with 2 positive-break safety contacts

90 g

1.73.3112

**Guard locking device
AZM 170**

Technical data

Schmersal: Type AZM 170
4A / 230 VAC IP 65

Comments

Locking mechanism by spring
Releasing by solenoid
(closed-circuit system)

Description

Guard locking device AZM 170-11 zk
with 1 positive-break safety contact
1 no contact

Weight

300 g

Article-No.

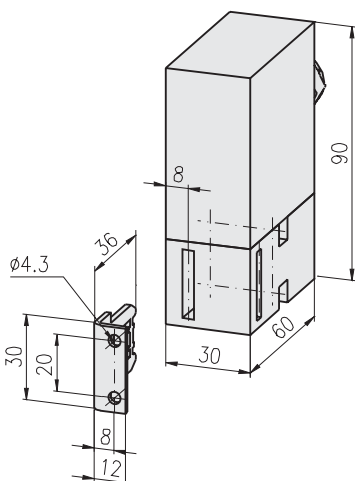
1.73.3121

Guard locking device AZM 170-02 zk

with 2 positive-break safety contacts

300 g

1.73.3122



Comments

Locking mechanism by solenoid
Releasing by spring
(working current principle)

Description

Guard locking device AZM 170-11 zka
with 1 positive-break safety contact
1 no contact

Weight

300 g

Article-No.

1.73.3131

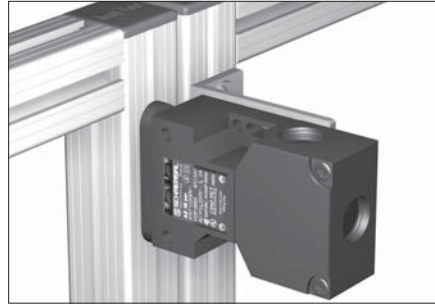
Guard locking device AZM 170-02 zka

with 2 positive-break safety contacts

300 g

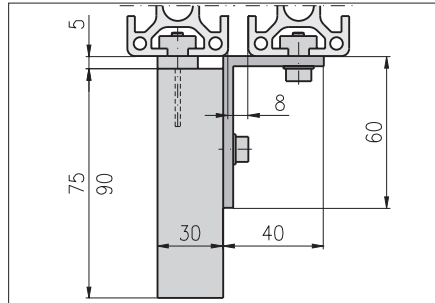
1.73.3132

**Safety interlocking-mountings
for swinging door**



Application

Mounting element for electrical interlocking switches



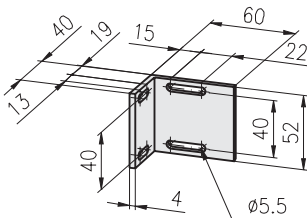
Comments

Assembly on
profile 30x30
profile 40x40
profile 40x80

Technical data

material: aluminium
surface: neutral anodised

for swinging door



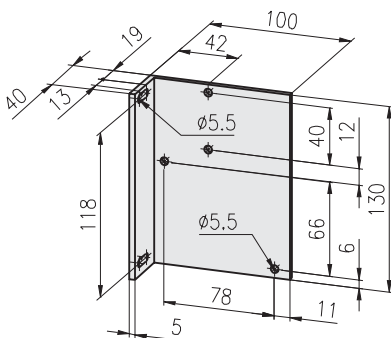
Description

**Safety interlocking-mounting
for swinging door**

Weight
46 g

Article-No.
1.73.4010

with lock for swinging door



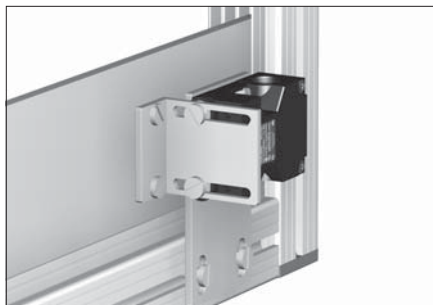
Description

**Safety interlocking-mounting
with lock for swinging door**

Weight
183 g

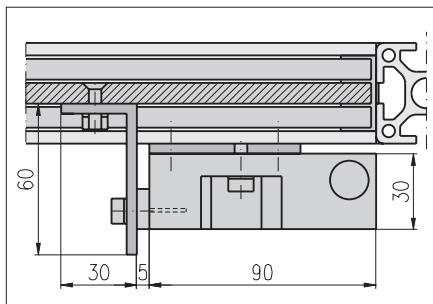
Article-No.
1.73.4020

Safety interlocking-mountings for sliding door



Application

Mounting element for the electrical interlocking of sliding doors



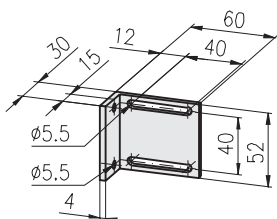
Comments

Assembly on
profile 30x30
profile 40x40
profile 40x80

Technical data

material: aluminium
surface: neutral anodised

Contact bracket-mounting for sliding door



Description

Contact bracket-mounting
for sliding door

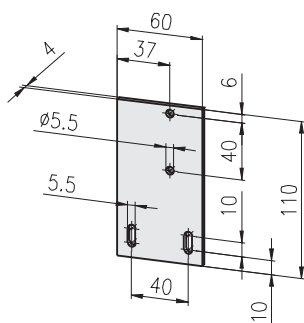
Weight

41 g

Article-No.

1.73.4030

Safety interlocking-mounting for sliding door



Description

Safety interlocking-mounting
for sliding door

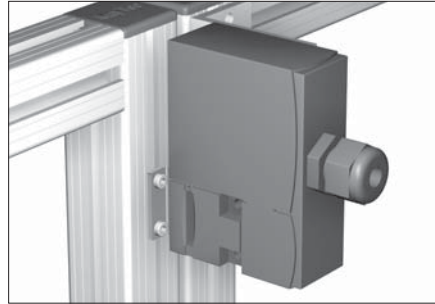
Weight

70 g

Article-No.

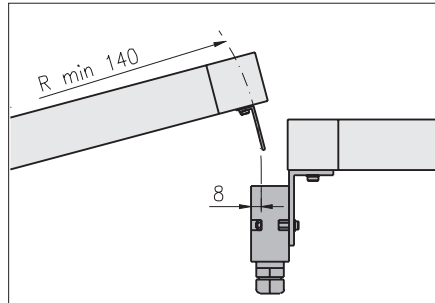
1.73.4040

Safety interlocking-mountings AZ 17 for swinging door

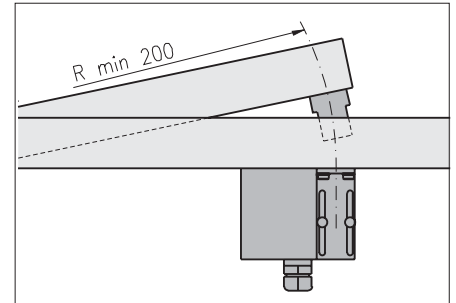


Application

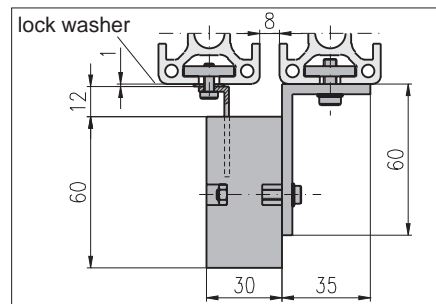
- Fastening elements for:
- safety switches AZ 17
 - safety closing AZM 170 at sliding doors



Activation key
Mounting vertical to swivel radius



Activation key
Mounting horizontal to swivel radius



Comments

Assembly on
profile 30x30
profile 40x40
profile 50x50

Technical data

material: aluminium
surface: neutral anodised

Delivery

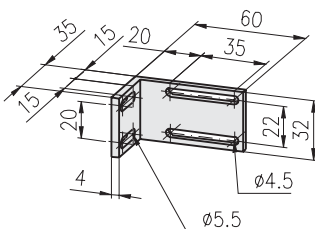
Incl. lock washers DIN 9021 Ø4.3 mm
for mounting activation key

Description

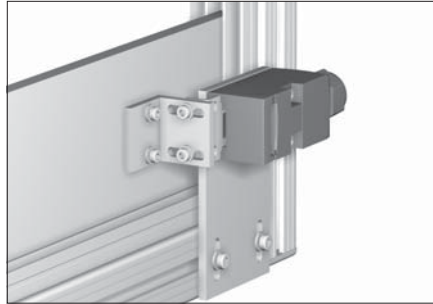
Safety interlocking-mounting AZ 17 for swinging door

Weight
26 g

Article-No.
1.73.4110



Safety interlocking-mountings AZ 17 for sliding door

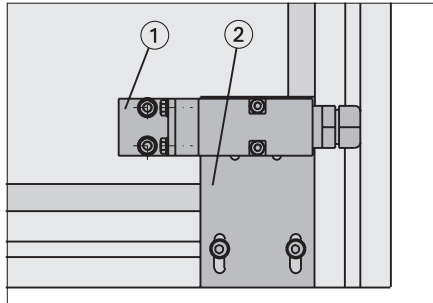


Application

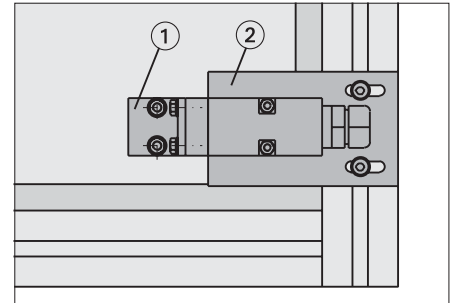
- Fastening elements for:
- safety switches AZ 17
 - safety closing AZM 170 at sliding doors

Mounting position:

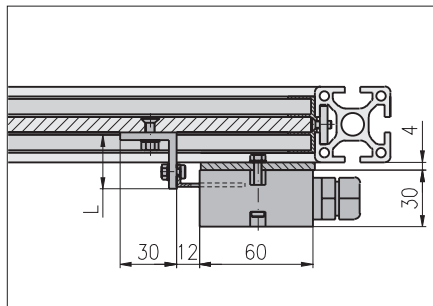
Safety switch parallel to sliding doors



Fastening plate horizontal



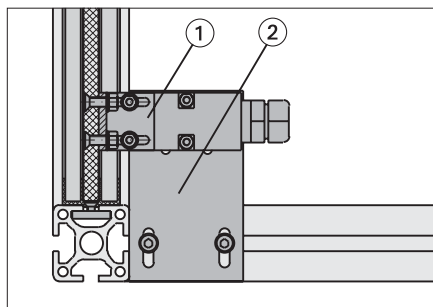
Fastening plate vertical



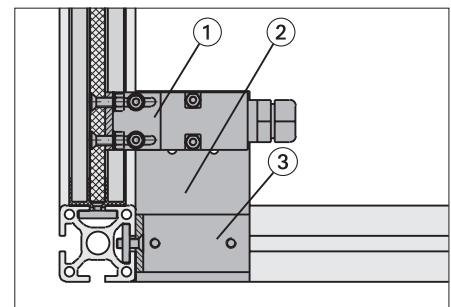
- ① Contact bracket-mounting AZ 17
- ② Safety interlocking-mounting AZ 17

Mounting position:

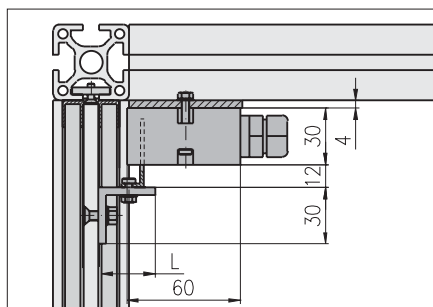
Safety switch across to sliding doors



Fixing at cross profile



Fixing at longitudinal profile



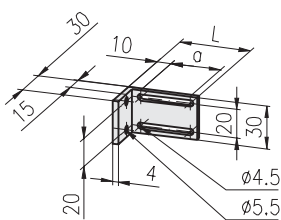
- ① Contact bracket-mounting AZ 17
- ② Safety interlocking-mounting AZ 17
- ③ Angle for safety interlocking-mounting AZ 17

Safety interlocking-mountings AZ 17 for sliding door

Technical data
 material: aluminium
 surface: neutral anodised

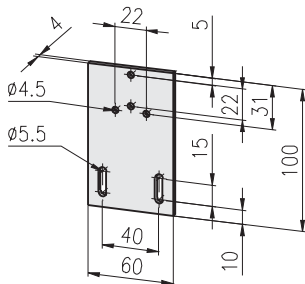
Comments
 Assembly on
 • profile 30x30
 • profile 40x40
 • profile 50x50

Contact bracket-mounting AZ 17 for sliding door



Description	a	Weight	Article-No.
Contact bracket-mounting AZ 17			
for sliding door, L 30	15	16 g	1.73.4123
L 40	25	19 g	1.73.4124
L 50	35	21 g	1.73.4125

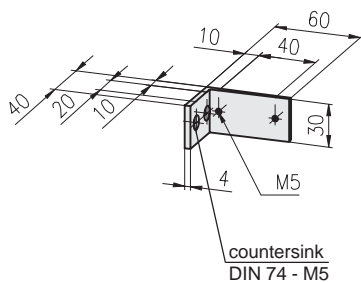
Safety interlocking-mountings AZ 17 for sliding door



Description	Weight	Article-No.
Safety interlocking-mounting AZ 17	62 g	1.73.4130
for sliding door		

Angle for safety interlocking-mountings AZ 17 for sliding door

Comments
 Countersink DIN 74 - M5 for countersunk screw DIN 7991 - M5



Description	Weight	Article-No.
Angle for safety interlocking-mounting AZ 17	30 g	1.73.4140
for sliding door		

Sensor brackets



Application

For fastening of sensors



Assembly

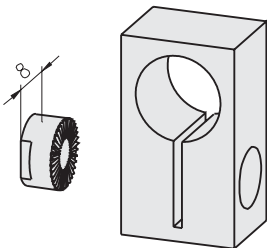
The toothed lock washer is fixed in profile slot and guarantees a reliable positioning.

Technical data

material: PA, black

Fastening elements

cap-screw DIN 6912, M6



Description	Weight	Article-No.
Sensor bracket 8 Ø6.5	5.5 g	1.73.80806
Sensor bracket 8 Ø8	5.4 g	1.73.80808
Sensor bracket 8 Ø12	4.6 g	1.73.80812

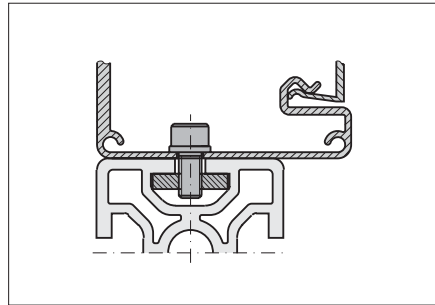
Electrical installation trunking



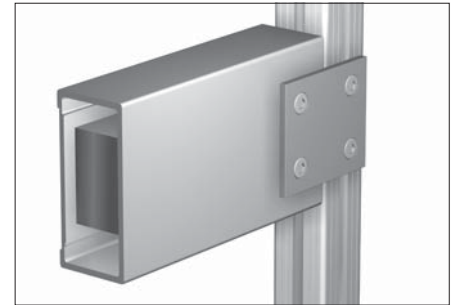
Application

To supply machines and work stations with:

- alternating current
- high-tension current
- air

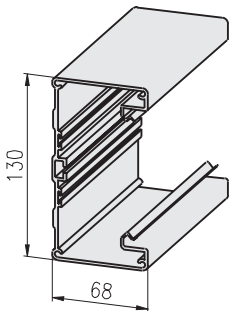


Mounting direct to profile



Mounting with connection plate

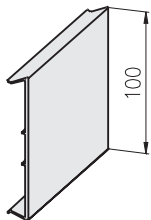
E-trunking Alu



Description	Weight	Article-No.
E-trunking Alu, bar 6 m	13 kg	1.74.1101.60
E-trunking Alu, cut to length	2.17 kg/m	1.74.1101-A00A00/...

/... = length in mm

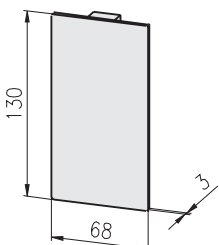
E-trunking pre-cut lid



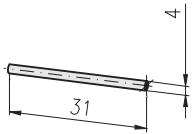
Description	Weight	Article-No.
E-trunking pre-cut lid Alu, bar 6 m	5 kg	1.74.1102.60
E-trunking pre-cut lid, cut to length	834 g/m	1.74.1102-A00A00/...
E-trunking pre-cut lid PVC, light grey, bar 2 m	760 g	1.74.1103.20
E-trunking pre-cut lid PVC, l. grey, cut to length	380 g/m	1.74.1103-A00A00/...

/... = length in mm

E-trunking end cap

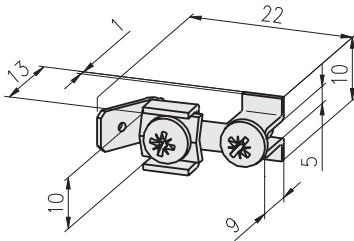


Description	Weight	Article-No.
E-trunking end cap Alu	230 g	1.74.1104

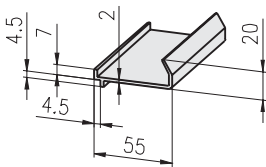
E-trunking coupling pin

Comments

Coupling pin for positioning and elongating the electrical trunking

Description	Weight	Article-No.
E-trunking coupling pin	3 g	1.74.1105

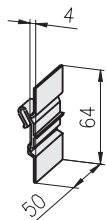
E-trunking earth terminal


Description	Weight	Article-No.
E-trunking earth terminal	6.8 g	1.74.1106

E-trunking partition


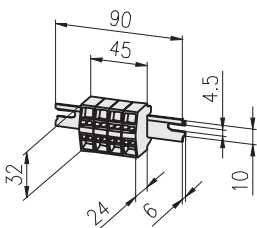
Description	Weight	Article-No.
E-trunking partition, bar 2 m	540 g	1.74.1107.20
E-trunking partition, cut to length	270 g/m	1.74.1107-A00A00/...

/... = length in mm

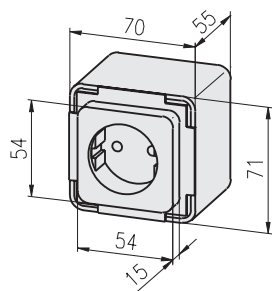
E-trunking clip

Comments

Clip to support partition

Description	Weight	Article-No.
E-trunking clip	7 g	1.74.1108

E-trunking terminal strip


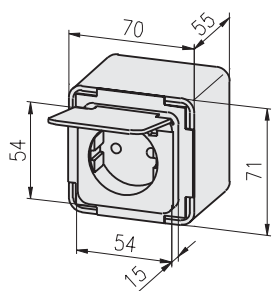
Description	Weight	Article-No.
E-trunking terminal strip, 4gang	43 g	1.74.11094
E-trunking terminal strip, 5gang	50 g	1.74.11095

Socket


Description	Weight	Article-No.
Socket	150 g	1.74.2201

Single parts

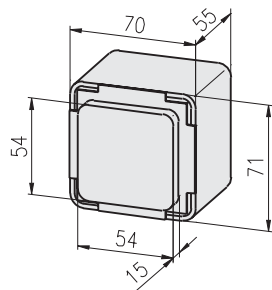
Socket insert	76 g	1.74.2201/01
Socket box, black	68 g	1.74.2xxx/01
Mains cable cleat	6 g	1.74.2xxx/02

Socket with hinged cover


Description	Weight	Article-No.
Socket with hinged cover	163 g	1.74.2202

Single parts

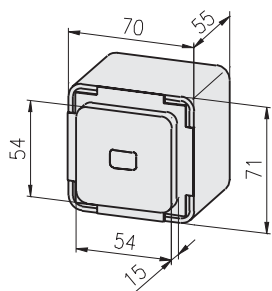
Socket with hinged cover	90 g	1.74.2202/01
Socket box, black	67 g	1.74.2xxx/01
Mains cable cleat	6 g	1.74.2xxx/02

Rocker switch


Description	Weight	Article-No.
Rocker switch	137 g	1.74.2301

Single parts

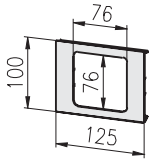
Rocker switch insert	46 g	1.74.2301/01
Rocker for switch	18 g	1.74.2301/02
Socket box, black	67 g	1.74.2xxx/01
Mains cable cleat	6 g	1.74.2xxx/02

Rocker control switch


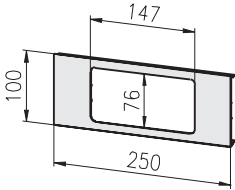
Description	Weight	Article-No.
Rocker control switch	154 g	1.74.2302

Single parts

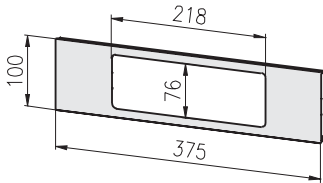
Rocker control switch insert	57 g	1.74.2302/01
Rocker for control switch	24 g	1.74.2302/02
Socket box, black	67 g	1.74.2xxx/01
Mains cable cleat	6 g	1.74.2xxx/02

Pre-cut lid, 1gang


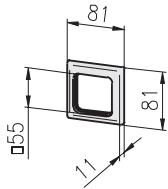
Description	Weight	Article-No.
Pre-cut lid, Alu, 1gang	82 g	1.74.3111
Pre-cut lid, PVC, 1gang, light grey	28 g	1.74.3121

Pre-cut lid, 2gang


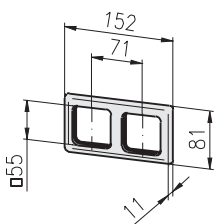
Description	Weight	Article-No.
Pre-cut lid, Alu, 2gang	83 g	1.74.3112
Pre-cut lid, PVC, 2gang, light grey	59 g	1.74.3122

Pre-cut lid, 3gang


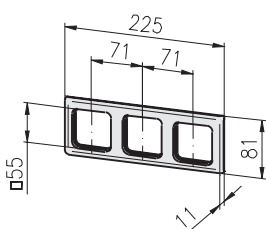
Description	Weight	Article-No.
Pre-cut lid, Alu, 3gang	113 g	1.74.3113
Pre-cut lid, PVC, 3gang, light grey	88 g	1.74.3123

Cover frame, 1gang


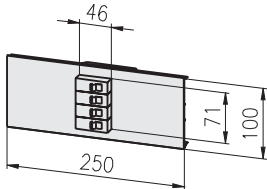
Description	Weight	Article-No.
Cover frame, 1gang	21 g	1.74.4111

Cover frame, 2gang


Description	Weight	Article-No.
Cover frame, 2gang	39 g	1.74.4112

Cover frame, 3gang


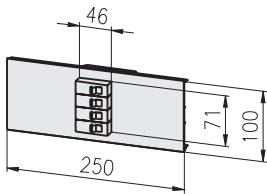
Description	Weight	Article-No.
Cover frame, 3gang	58 g	1.74.4113

**Miniature circuit breaker
10 A**


Description	Pcs.	Weight	Article-No.
Miniature circuit breaker, 10 A, 4gang	1	763 g	1.74.5110

Single parts

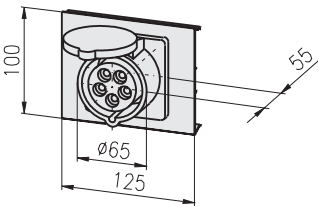
Miniature circuit breaker, flat, unipolar, 10 A	4	100 g	1.74.5110/01
Circuit breaker mounting box, 4gang	1	230 g	1.74.51xx/02
Pre-cut lid, Alu	1	133 g	1.74.51xx/03

**Miniature circuit breaker
16 A**


Description	Pcs.	Weight	Article-No.
Miniature circuit breaker, 16 A, 4gang	1	763 g	1.74.5116

Single parts

Miniature circuit breaker, flat, unipolar, 16 A	4	100 g	1.74.5116/01
Circuit breaker mounting box, 4gang	1	230 g	1.74.51xx/02
Pre-cut lid, Alu	1	133 g	1.74.51xx/03

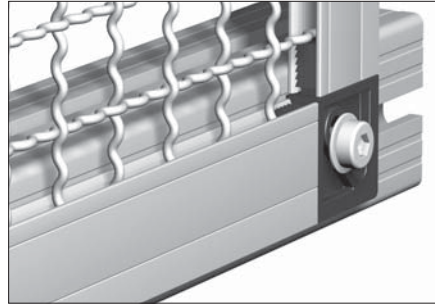
**CEE heavy-power socket
16 A**


Description	Pcs.	Weight	Article-No.
CEE heavy-power socket, 16 A	1	915 g	1.74.6116

Single parts

CEE heavy-power socket with lid, 16 A	1	645 g	1.74.6116/01
CEE socket box	1	225 g	1.74.61xx/02
CEE pre-cut lid, Alu	1	45 g	1.74.61xx/03

Corner element 33
for wire net mounting profile
33x10



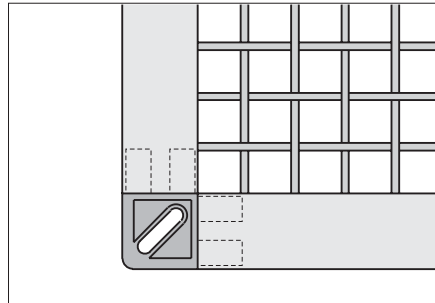
Outside mounting

Application

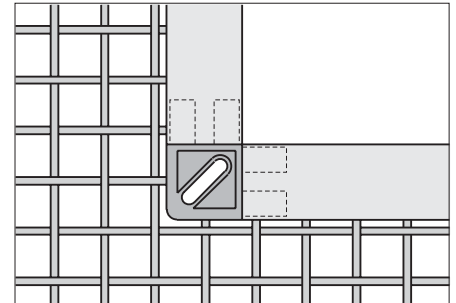
This profile allows simple and safe installation of wire nets

Comments

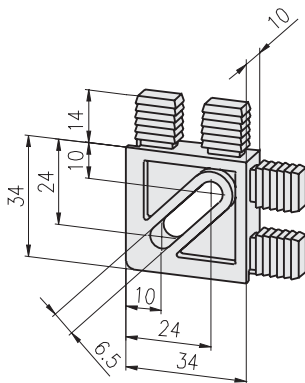
Wire net mounting profile 33x10 1.19



Outside corner



Inside corner



Technical data

material: PA - GF
colour: black

Description

Corner element 33

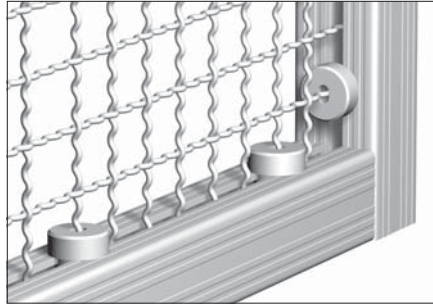
Weight

16 g

Article-No.

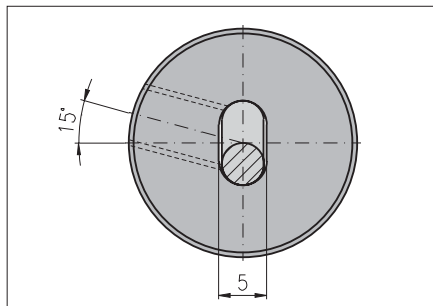
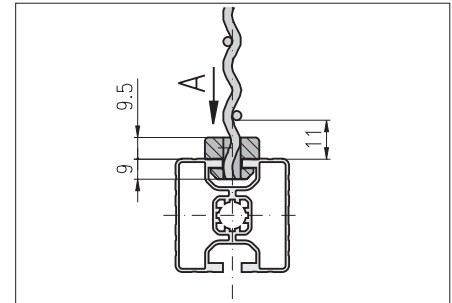
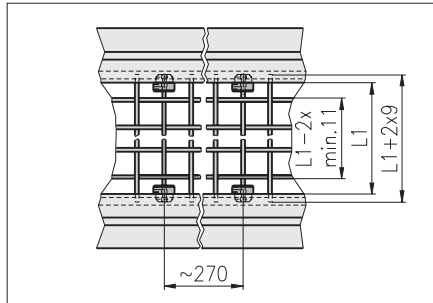
1.81.23310

Mounting sockets



Application

For stable and vibration free fastening of wire nets

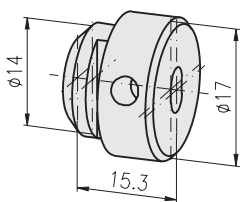


Assembly

- Plug terminal sockets at distance A on the wire net
- Push on profile
- Rotate mounting sockets with headless setscrew DIN 913 M6x10 at an angle of 15°

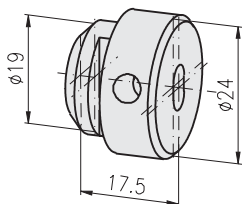
Technical data

material: aluminium
surface: neutral anodised



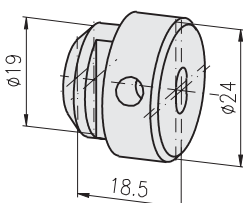
Description
Mounting socket, F

Weight 6 g
Article-No. 1.81.510F



Description
Mounting socket, E3

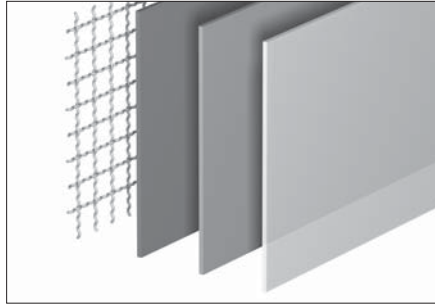
Weight 6 g
Article-No. 1.81.510E3



Description
Mounting socket, E4

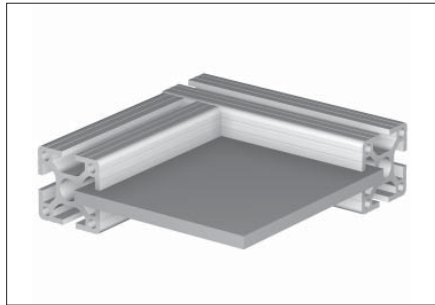
Weight 6 g
Article-No. 1.81.510E4

Panel elements

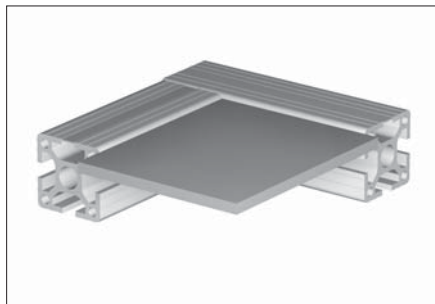
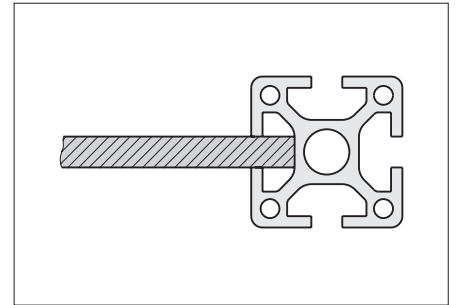


Application

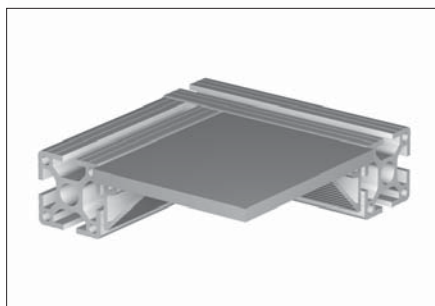
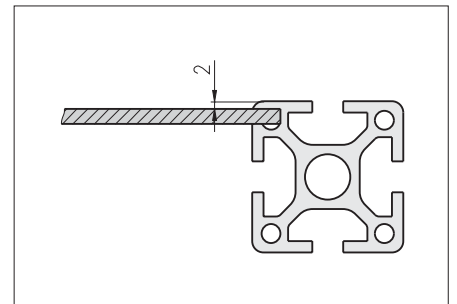
Panel elements to cover machine frames, work stations, partition walls.



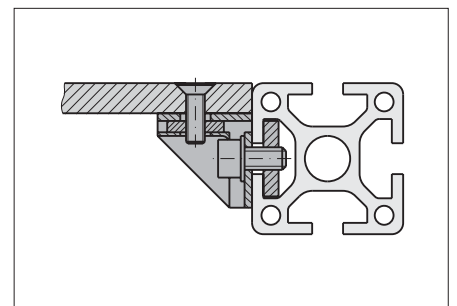
Panel element, fixing directly in the slot



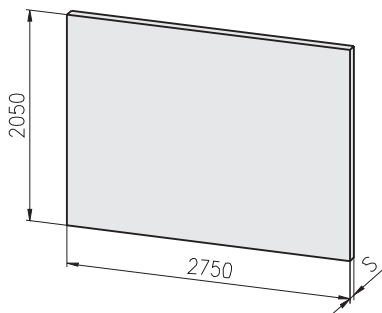
Panel elements close to the outer contour by subsequent slitting of the profiles



Panel elements close to the outer contour by fixing with angle



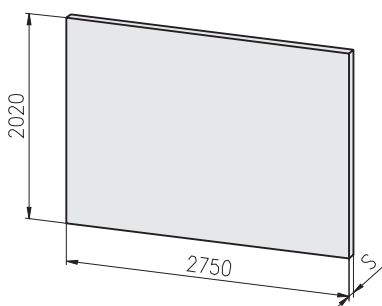
Chipboards both sides coated with melamine



Technical data	
surface:	both sides coated with melamine
structure:	pearl
RAL 1015:	light ivory
RAL 9002:	grey-white
formaldehydemission:	complies to safety standards §9 paragraph 3
light-fastness:	point 6 as per DIN 53799
temperature resistance:	- 25°C to 130°C
chemical resistance:	resistant against organic food, light acid contents and alkaline solution, gasoline, oil, tested as per DIN 53799
chipboard:	high frequency glued laminated chipboard
Technical values on DIN 68765 and 53799	
bulk density:	ca. 700 kg/m ³
thickness tolerance:	+0.5 -0.3 mm
weight:	S = 8 mm 5.6 kg/m ² S = 16 mm 11.2 kg/m ² S = 19 mm 13.3 kg/m ²
cut to length:	1.82.□□□-99/□□□□x□□□□ 1.82.□□□-99/□□□□x□□□□ type 1.82.□□□-99/□□□□x□□□□ lengthxwidth in mm

Description	S	RAL	Weight	Article-No.
Chipboard	8	1015	32 kg	1.82.081.00
Chipboard	8	9002	32 kg	1.82.083.00
Chipboard	16	9002	64 kg	1.82.163.00
Chipboard	19	1015	75 kg	1.82.191.00
Chipboard	19	9002	75 kg	1.82.193.00

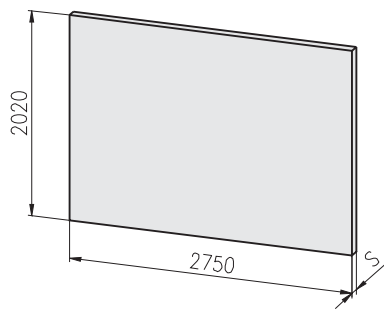
Solid plastic panels coated with melamine



Technical data	
surface:	both sides coated with melamine
structure:	pearl
RAL 1015:	light ivory
RAL 9002:	grey-white
solid plastic panel:	made of Phenolplastic high pressure plate (HPL) of laminated material with all generally known merits of this substance.
Technical values on DIN 19926 and 53799	
bulk density:	ca. 1,500 kg/m ³
thickness tolerance:	-0.6 mm
weight:	S = 4 mm 6 kg/m ² S = 8 mm 12 kg/m ²
cut to length:	1.83.□□□-99/□□□□x□□□□ 1.83.□□□-99/□□□□x□□□□ type 1.83.□□□-99/□□□□x□□□□ lengthxwidth in mm

Description	S	RAL	Weight	Article-No.
Solid plastic panel	4	1015	33 kg	1.83.041.00
Solid plastic panel	4	9002	33 kg	1.83.043.00
Solid plastic panel	8	1015	66 kg	1.83.081.00
Solid plastic panel	8	9002	66 kg	1.83.083.00

Magnetic panel 10 mm with melamine surface



Technical data	
magnetic panel:	with magnetised surface on both sides.
surface:	smooth-mat, both sides coated with melamine
RAL 1015:	light ivory
RAL 9002:	grey-white
thickness tolerance:	± 0.5 mm
weight:	11 kg/m ²
cut to length:	1.84.□□□-99/□□□□×□□□□ 1.84.□□□-99/□□□□×□□□□ type 1.84.□□□-99/□□□□×□□□□ length×width in mm

Application

- notice boards
- flip-charts
- function- and information boards
- display boards for tuition, schooling and communication

magnets:

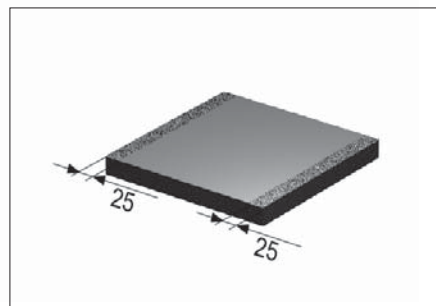
i.e. magnetoplan, discifix-block II
labelling with special felt crayons.

felt pen:

i.e. Planmaster Boardmarker TZ1, can be wiped off dry

Description	S	RAL	Weight	Article-No.
Magnetic panel	10	1015	30 kg	1.84.101.00
Magnetic panel	10	9002	30 kg	1.84.103.00

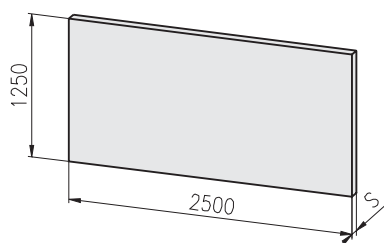
Alu-plastic composite panel



Comments

The anodised composite panels have contact strips of 25 mm width on the short sides.

Technical data	
alu-plastic composite panel:	PE with alu coating on both sides
surface:	neutral anodised, E6/EV1
temperature resistance:	- 50°C to 80°C
chemical resistance:	resistant against organic food, light acid contents and alkaline solutions, gasoline, oil
thickness tolerance:	-0.6 mm
weight:	S = 4 mm 5.5 kg/m ² S = 6 mm 7.3 kg/m ² S = 8 mm 9.1 kg/m ²
cut to length:	1.85.□□□-99/□□□□×□□□□ 1.85.□□□-99/□□□□×□□□□ type 1.85.□□□-99/□□□□×□□□□ length×width in mm

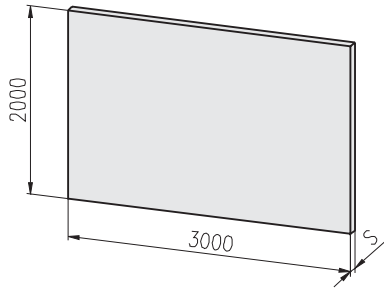


Description	S	Weight	Article-No.
Alu-plastic composite panel	4	17.2 kg	1.85.040.00
Alu-plastic composite panel	6	22.8 kg	1.85.060.00
Alu-plastic composite panel	8	28.5 kg	1.85.080.00

Acrylic

Application

Doors, panels and guards



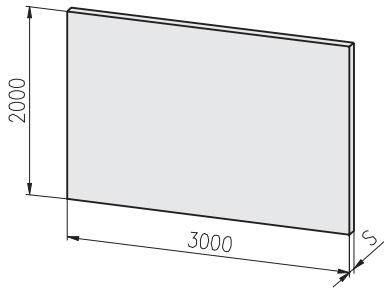
Technical data	
thickness tolerance:	± 5%
weight:	S = 4 mm 4.8 kg/m ² S = 6 mm 7.2 kg/m ² S = 8 mm 9.6 kg/m ²
cut to length:	1.86.□□□-99/□□□□x□□□□ 1.86.□□□-99/□□□□x□□□□ type 1.86.□□□-99/□□□□x□□□□ lengthxwidth in mm

Description	S	Colour	Weight	Article-No.
Acrylic	4	transparent	28.8 kg	1.86.041.00
Acrylic	4	"bronze 802"	28.8 kg	1.86.042.00
Acrylic	6	transparent	43.2 kg	1.86.061.00
Acrylic	6	"bronze 802"	43.2 kg	1.86.062.00
Acrylic	8	transparent	57.6 kg	1.86.081.00
Acrylic	8	"bronze 802"	57.6 kg	1.86.082.00

Polycarbonate (Makrolon)

Application

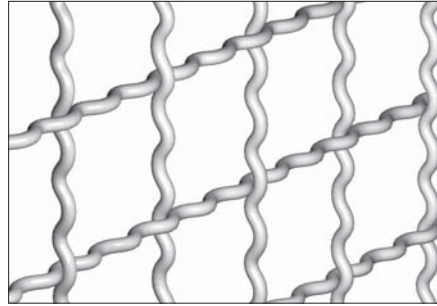
Doors, panels and guards with stringent security requirements as polycarbonate offers high impact resistance and strength against breakage



Technical data	
thickness tolerance:	+0.8 mm
weight:	S = 4 mm 4.8 kg/m ² S = 6 mm 7.2 kg/m ² S = 8 mm 9.6 kg/m ²
cut to length:	1.87.□□□-99/□□□□x□□□□ 1.87.□□□-99/□□□□x□□□□ type 1.87.□□□-99/□□□□x□□□□ lengthxwidth in mm

Description	S	Colour	Weight	Article-No.
Polycarbonate	4	transparent	28.8 kg	1.87.041.00
Polycarbonate	4	"bronze 885"	28.8 kg	1.87.042.00
Polycarbonate	6	transparent	43.2 kg	1.87.061.00
Polycarbonate	6	"bronze 885"	43.2 kg	1.87.062.00
Polycarbonate	8	transparent	57.6 kg	1.87.081.00
Polycarbonate	8	"bronze 885"	57.6 kg	1.87.082.00

Properties		Acrylic xt	Poly- carbonate
Mechanical properties	20°C		
maximum extent of flex	MN/m ²	107.90	68.70
break / shear point	%	5.50	> 110.00
compression	MN/m ²	117.70	78.50
elasticity	MN/m ²	3,188.00	2,256.00
marring resistance	J/m ²	29.40	392.40
impact resistance	kJ/m ²	19.60	no break
tensile strength	MN/m ²	73.60	68.70
Thermal properties			
temperature distortion according to 'Vicat'	°C	110	170
melting point	°C	168	170
temperature range under static load (max.)	°C	70	130
temperature range under static load (min.)	°C	-40	-100

Wire net, Alu

Application

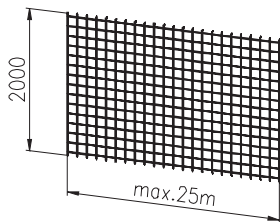
For protective coverings and partition walls

Technical data	
material:	Aluminium
surface:	blank
weight:	3×20×20 mm 1.85 kg/m ² 4×30×30 mm 2.25 kg/m ²
length of ring:	25 m
cut to length:	1.88.□□□-99/□□□□×□□□□ 1.88.□□□-99/□□□□×□□□□ type 1.88.□□□-99 □□□□×□□□□ length×width in mm

Comments

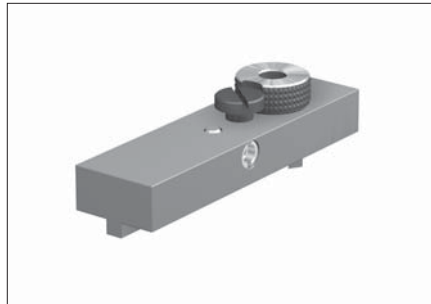
Mounting in the profile:

- with sponge rubber ↗ 1.41.6□□
- with wire net mounting profile ↗ 1.19.14230, 1.19.1423310
- with framing profile ↗ 1.41.5□□, 1.41.7102

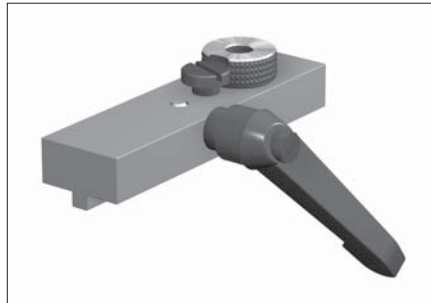


Description	Weight	Article-No.
Wire net, Alu 3×20×20	92.5 kg	1.88.322.00
Wire net, Alu 4×30×30	112.5 kg	1.88.433.00

Drill jig
for profiles with H-slots



Drill jig with setscrew



Drill jig with clamping lever

Application

Tools for precise machining of connection bore

- for drilling machine: - drill jig
- drill
- for milling machine: - milling cutter
- the drill jig is located and fastened in the profile slot
- suitable for any profile angle cut

Technical data

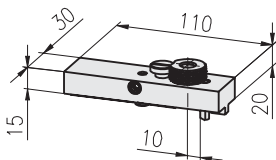
Base body:

- material: aluminium
- surface: neutral anodised

Drill bush:

- material: steel
- surface: hardened and polished

Drill jig
with setscrew



Drill jig complete

Description	Weight	Article-No.
Drill jig H with setscrew	189 g	1.99.01011

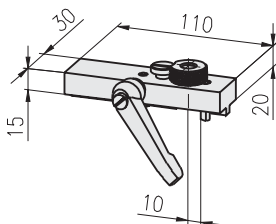
Single parts

Description	Weight	Article-No.
Base body	120 g	1.99.01012-01
Drill bush for cross bushing, Ø9.2	50 g	1.99.01012-03
Safety screw for drill bush, M6x4	6 g	1.99.01012-04
Stop pin	2 g	1.99.01012-05
Connector	11 g	1.20.3/2H5

Accessories

Drill bush for parallel-anchor, Ø6.2	43 g	1.99.01012-02
--------------------------------------	------	---------------

Drill jig
with clamping lever



Drill jig complete

Description	Weight	Article-No.
Drill jig H with clamping lever	235 g	1.99.01012

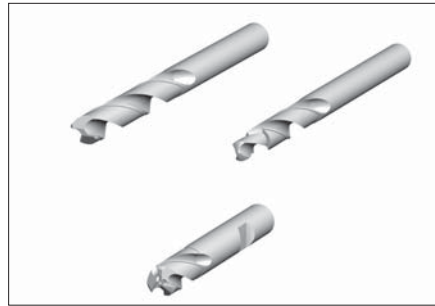
Single parts

Description	Weight	Article-No.
Base body	120 g	1.99.01012-01
Drill bush for cross bushing, Ø9.2	50 g	1.99.01012-03
Safety screw for drill bush, M6x4	6 g	1.99.01012-04
Stop pin	2 g	1.99.01012-05
Connector	11 g	1.20.3/2H5
Clamping lever 65, for connector, M6x20	36 g	1.29.650620

Accessories

Drill bush for parallel-anchor, Ø6.2	43 g	1.99.01012-02
--------------------------------------	------	---------------

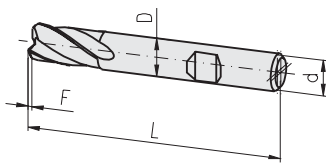
Tools
for profiles with H-slots



Drill, Milling cutter

Milling cutter

- for • parallel-anchor
- cross bushing



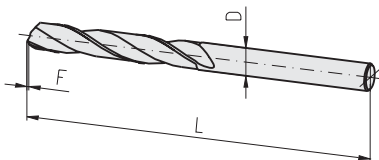
Technical data

material: HSS
3 cutting edges
cutting geometry for aluminium machining
off-centre cutting edges

Description	D	L	F	d	Weight	Article-No.
Milling cutter f. par.-anchor	Ø6.2	60	2.0×45°	10	13 g	1.99.0210645
Milling cutter f. cross bush.	Ø9.2	70	1.5×45°	10	34 g	1.99.0210945

Drill

- for • parallel-anchor
- cross bushing



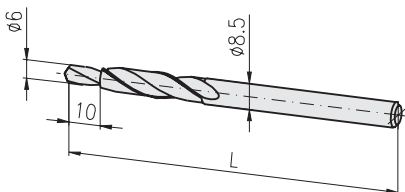
Technical data

material: HSS
2 cutting edges
cutting geometry for aluminium machining
off-centre cutting edges

Description	D	L	F	Weight	Article-No.
Drill for parallel-anchor	Ø6.2	100	2.0×45°	16 g	1.99.0310645
Drill for cross bushing	Ø9.2	120	1.5×45°	43 g	1.99.0310945

Drill

for miter anchor



Technical data

material: HSS
2 cutting edges
cutting geometry for aluminium machining

Application

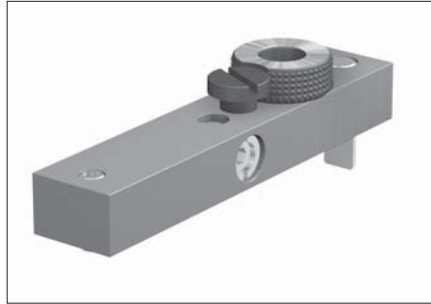
To drill core hole

Comments

Machining instruction ↗ 76

Description	D	L	Weight	Article-No.
Drill for miter anchor	Ø8.5	120	34 g	1.99.0310800

Drill jigs
for profiles with F- and E-slots

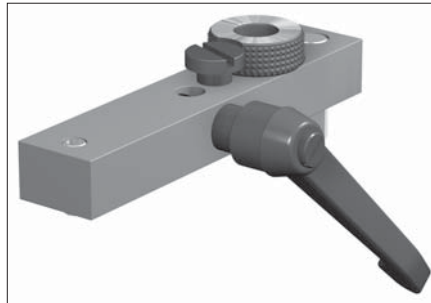


Drill jig with setscrew

Application

Tools for precise machining of connection bore

- for drilling machine: - drill jig
- drill
- for milling machine: - milling cutter
- the drill jig is located and fastened in the profile slot
- suitable for any profile angle cut



Drill jig with clamping lever

Technical data

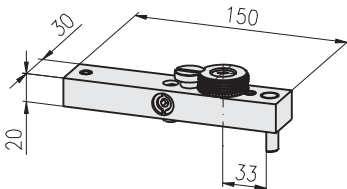
Base body:

- material: aluminium
- surface: neutral anodised

Drill bush:

- material: steel
- surface: hardened and polished

Drill jig
with setscrew



Drill jig complete

Description	Weight	Article-No.
Drill jig F/E with threaded pin	375 g	1.99.01111

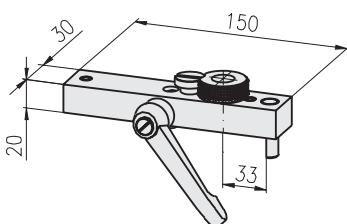
Single parts

Description	Weight	Article-No.
Base body	188 g	1.99.01112-01
Drill bush for cross bushing, Ø15.25	105 g	1.99.01112-03
Safety screw for drill bush, M8x5.5	11 g	1.99.01112-04
Stop pin	19 g	1.99.01112-05
Setscrew for stop pin	2 g	1.99.01112-06
Universal-connector	30 g	1.21.31/2F5
Anchor	20 g	1.21.A2E5

Accessories

Drill bush for parallel-anchor, Ø12.2	90 g	1.99.01112-02
---------------------------------------	------	---------------

Drill jig
with clamping lever



Drill jig complete

Description	Weight	Article-No.
Drill jig F/E with clamping lever	438 g	1.99.01112

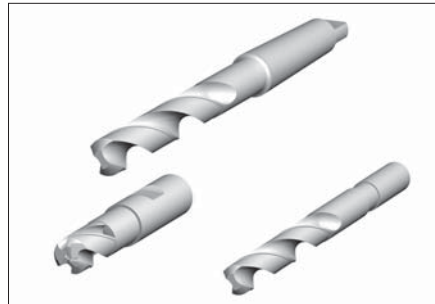
Single parts

Description	Weight	Article-No.
Base body	188 g	1.99.01112-01
Drill bush for cross bushing, Ø15.25	105 g	1.99.01112-03
Safety screw for drill bush, M8x5.5	11 g	1.99.01112-04
Stop pin	19 g	1.99.01112-05
Setscrew for stop pin	2 g	1.99.01112-06
Universal-connector	30 g	1.21.31/2F5
Anchor	20 g	1.21.A2E5
Clamping lever 80, for connector, M10x20	63 g	1.29.801020

Accessories

Drill bush for parallel-anchor, Ø12.2	90 g	1.99.01112-02
---------------------------------------	------	---------------

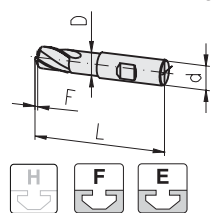
Tools for profiles with F- and E-slots



Drill, Milling cutter

Milling cutter

- parallel-anchor
- cross bushing



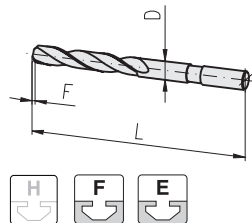
Technical data

material: HSS
3 cutting edges
cutting geometry for aluminium
machining
off-centre cutting edges

Description	D	L	F	d	Weight	Article-No.
Milling cutter f. par.-anchor	Ø12.2	80	2×45°	12	59 g	1.99.0211245
Milling cutter f. cross bush.	Ø15.2	90	4×45°	16	116 g	1.99.0211545

Drill

for parallel-anchor



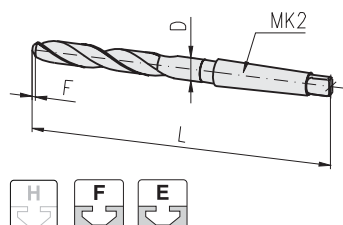
Technical data

material: HSS
2 cutting edges
cutting geometry for aluminium
machining
off-centre cutting edges

Description	D	L	F	Weight	Article-No.
Drill for parallel-anchor	Ø12.2	150	2×45°	93 g	1.99.0311245

Drill

for cross bushing



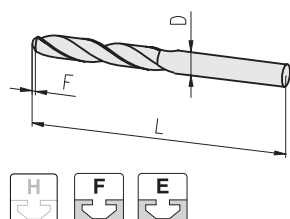
Technical data

material: HSS
2 cutting edges
cutting geometry for aluminium
machining
off-centre cutting edges

Description	D	L	F	Weight	Article-No.
Drill for cross bushing	Ø15.25	210	4×45°	224 g	1.99.0311545

Drill

for cross bushing

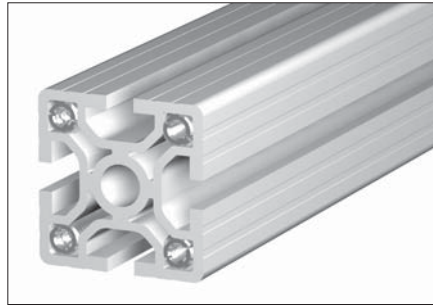


Technical data

material: HSS
2 cutting edges
cutting geometry for aluminium
machining
off-centre cutting edges

Description	D	L	F	Weight	Article-No.
Drill for cross bushing, cyl. shaft	Ø15.25	190	4×45°	197 g	1.99.0321545

**Screw tap
for aluminium machining**

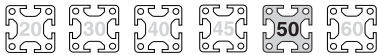
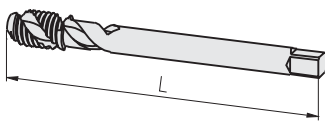


Application

Fastening thread in hollow chambers of profiles PG 50

Screw tap

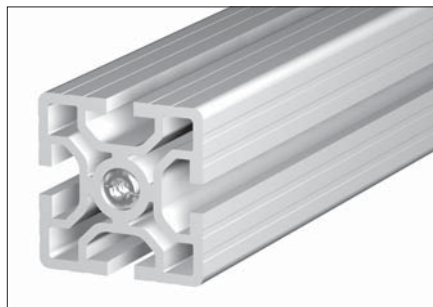
M12



Technical data

- material: HSS/E
 machine threading tap:
 • 45° right hand cutting, spiral fluted
 • enlarged chip flute
 • 2-pitch thread start
 • tolerance class: 6H

Description	G	L	Weight	Article-No.
Screw tap	M12	110	65 g	1.99.0412110

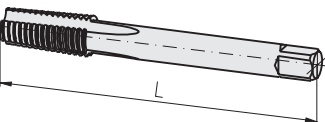


Application

Mounting threads in profile centre core hole Ø12 mm

Screw tap

M14



Technical data

- material: HSS/E
 machine threading tap:
 • straight fluted
 • 4-pitch thread start with special grounded start
 • tolerance class: 6H

Description	G	L	Weight	Article-No.
Screw tap	M14	110	75 g	1.99.0414110
Screw tap	M14	150	105 g	1.99.0414150



1



2



3

- 1 Display cabinet
- 2 Electronic notice board
- 3 Mobile cupboard
- 4 Glass display cabinet
- 5 Hydraulic inspection stand
- 6 Climatic inspection chamber



4



5



6

B



1

- 1 Assembly desk
- 2 Laboratory desk
- 3 Polishing station
- 4 Assembly desk
- 5 Assembly desk
- 6 Work-room desk



2



3



4



5



6

- 1 Office-table set
- 2 Office cabinet
- 3 Filing bookshelf
- 4 Office-tables
- 5 Computer desk



1



2



3



4

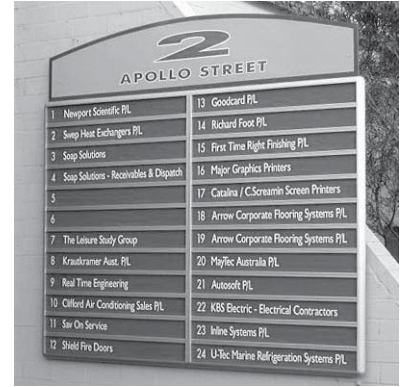


5

B



1



2

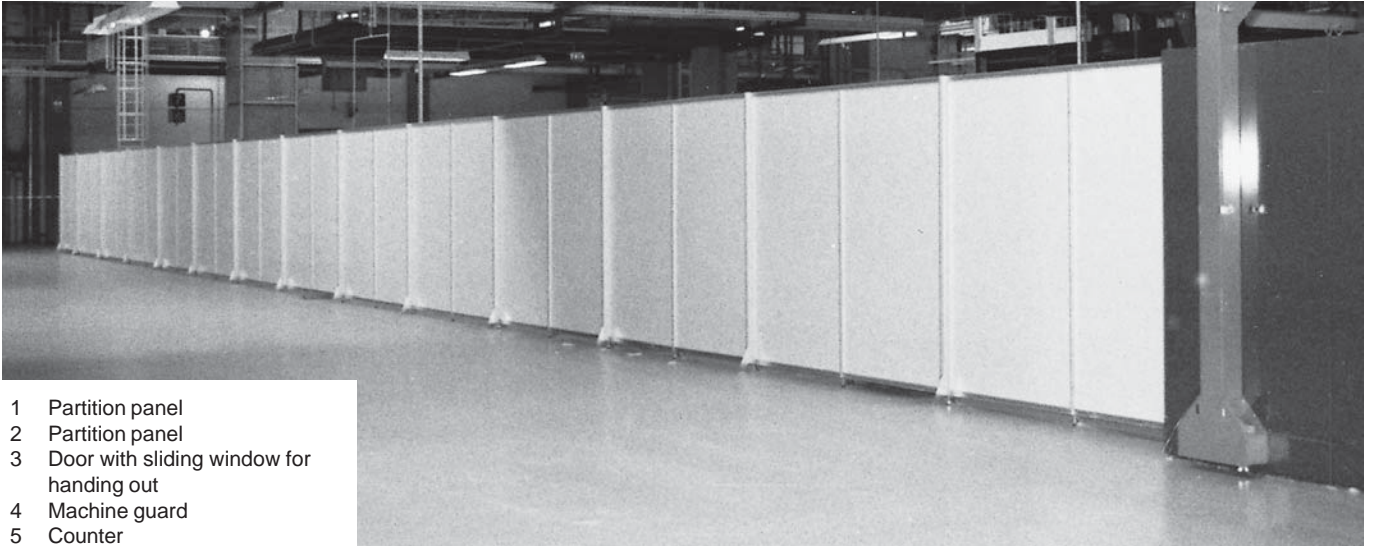
- 1 Plate with company names
- 2 Plate with company names
- 3 Name plate
- 4 Maker's name plate with indirect lighting

3



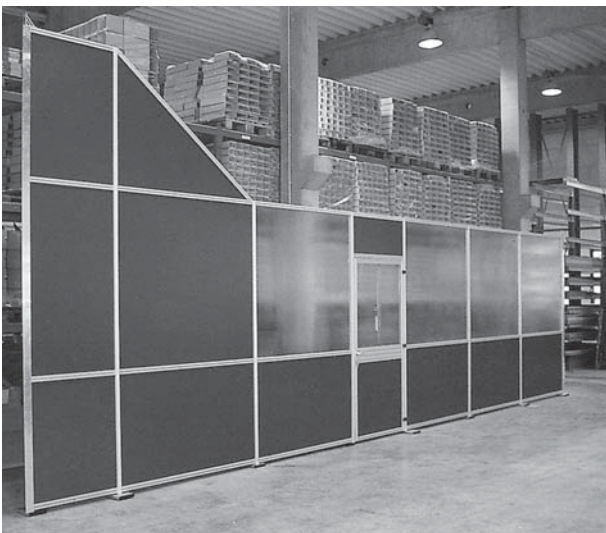
4





- 1 Partition panel
- 2 Partition panel
- 3 Door with sliding window for handing out
- 4 Machine guard
- 5 Counter

1



2



3



4



5

B

- 1 Cabinet-car
- 2 Store vehicle
- 3 Instruction desk
- 4 Store vehicle
- 5 Store vehicle



1



2



3

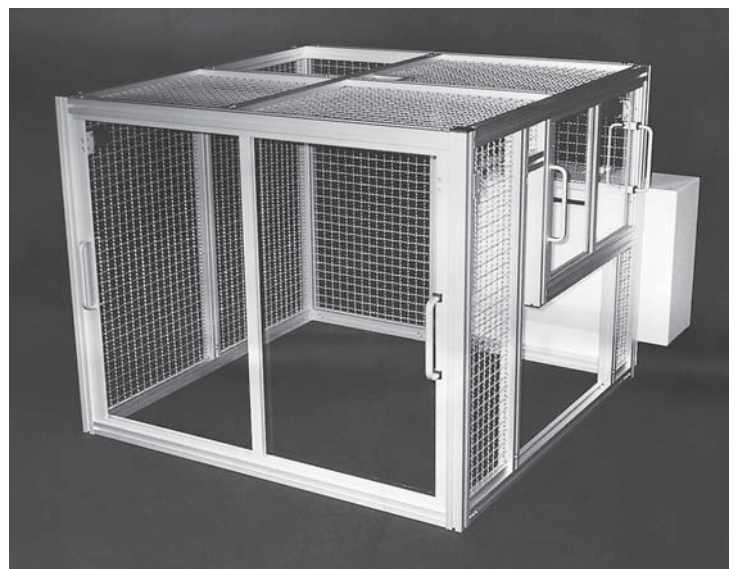
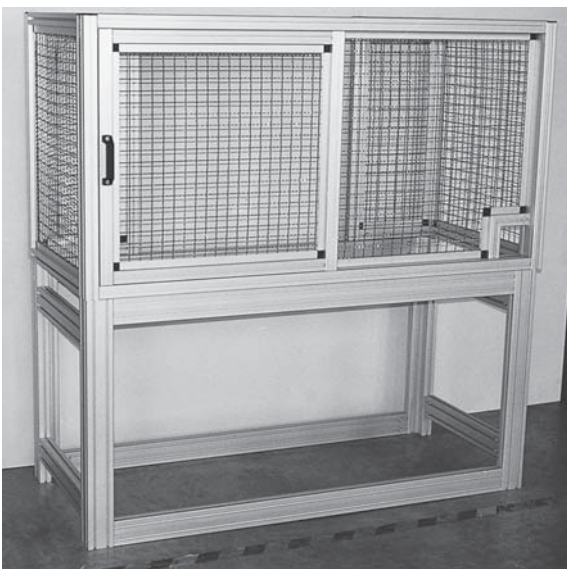
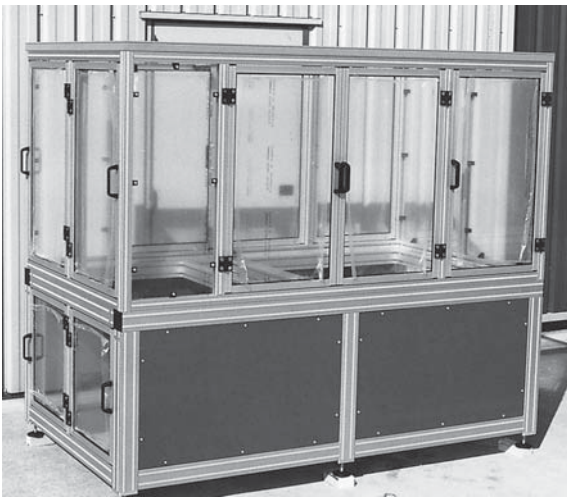
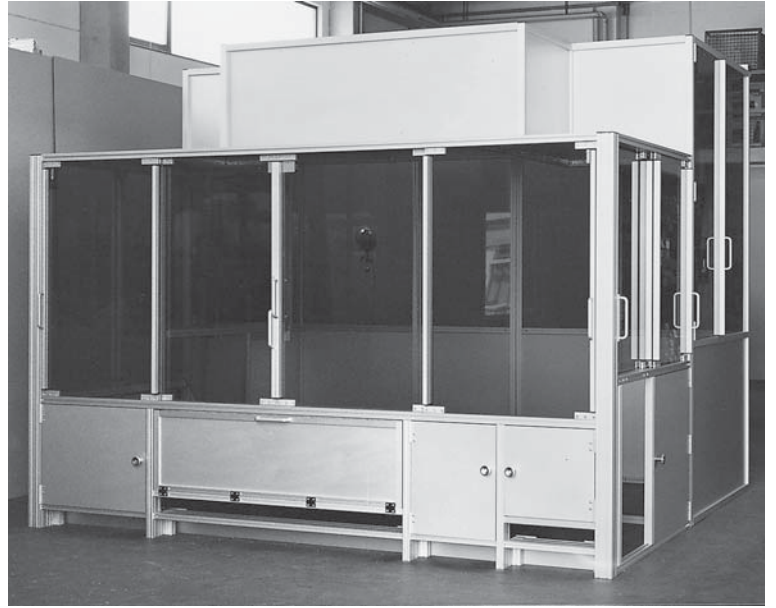


4

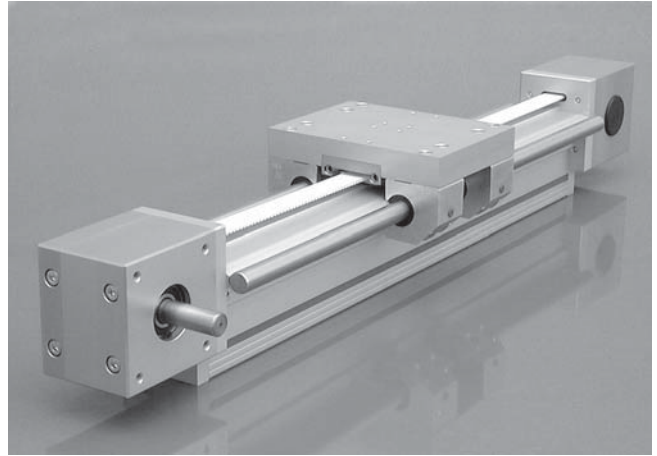


5

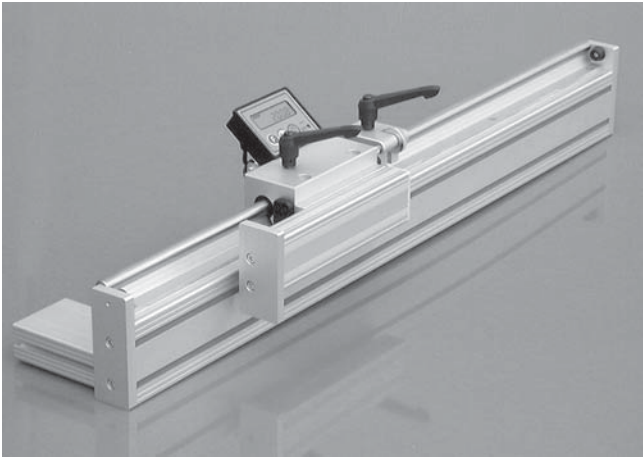
- 1 Machine frame
- 2 Machine frame
- 3 Machine casings
- 4 Machine guard
- 5 Machine guard



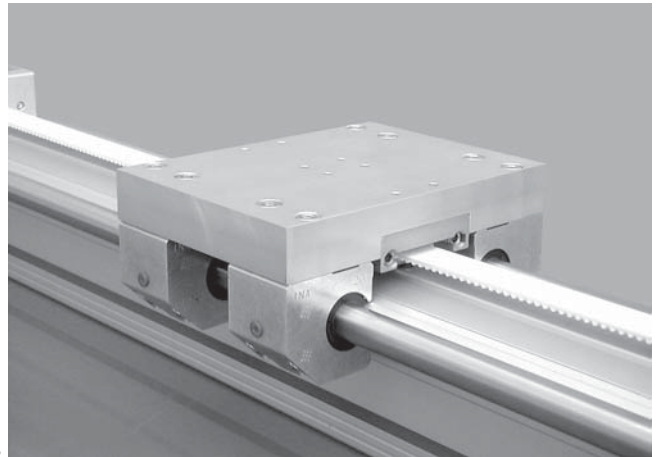
- 1 Linear unit
- 2 Measuring unit
- 3 Ball bearing guide
- 4 Synchronizing shaft
- 5 Wheel guide



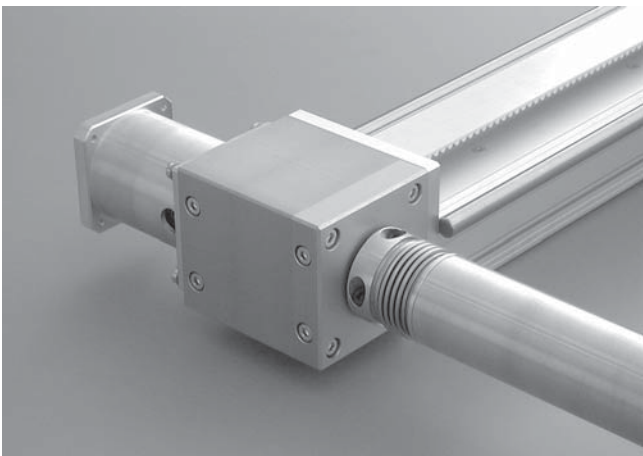
1



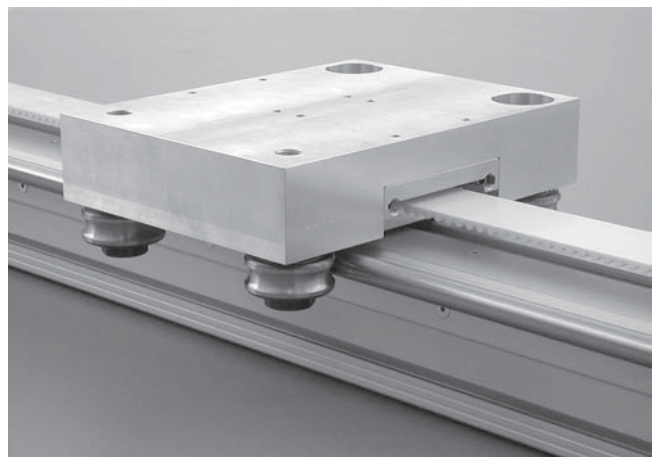
2



3

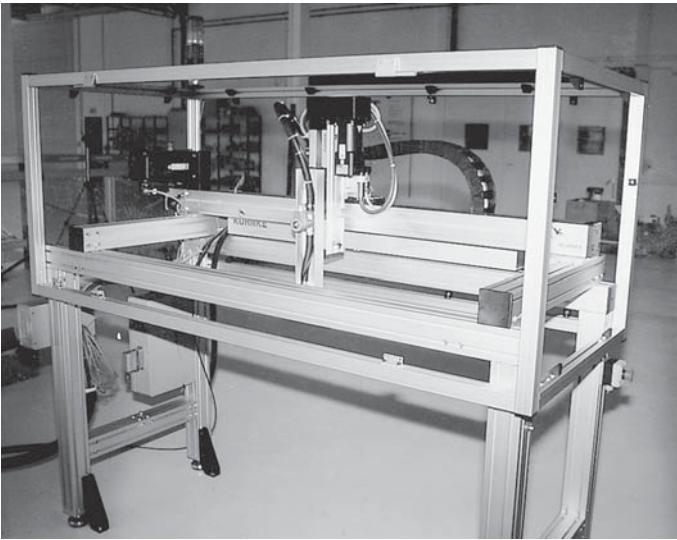


4

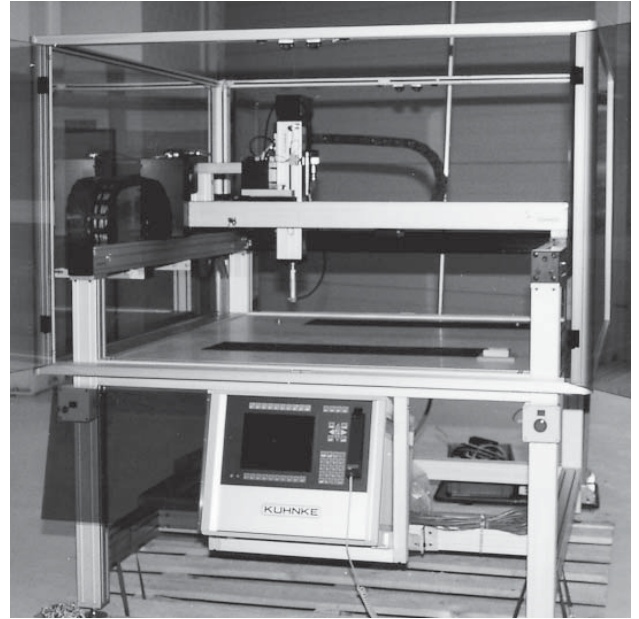


5

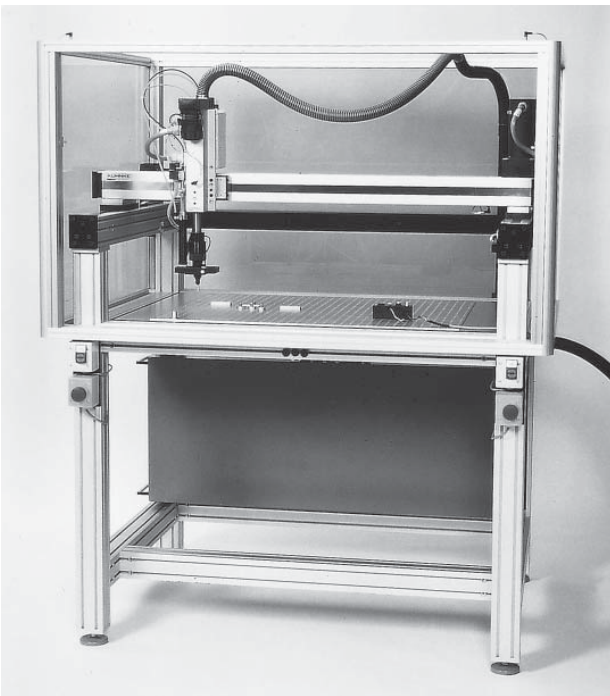
- 1 Packing and palleting-robots
- 2 Packing and palleting-robots
- 3 Test-robots
- 4 Linear unit; length: 12 m



1



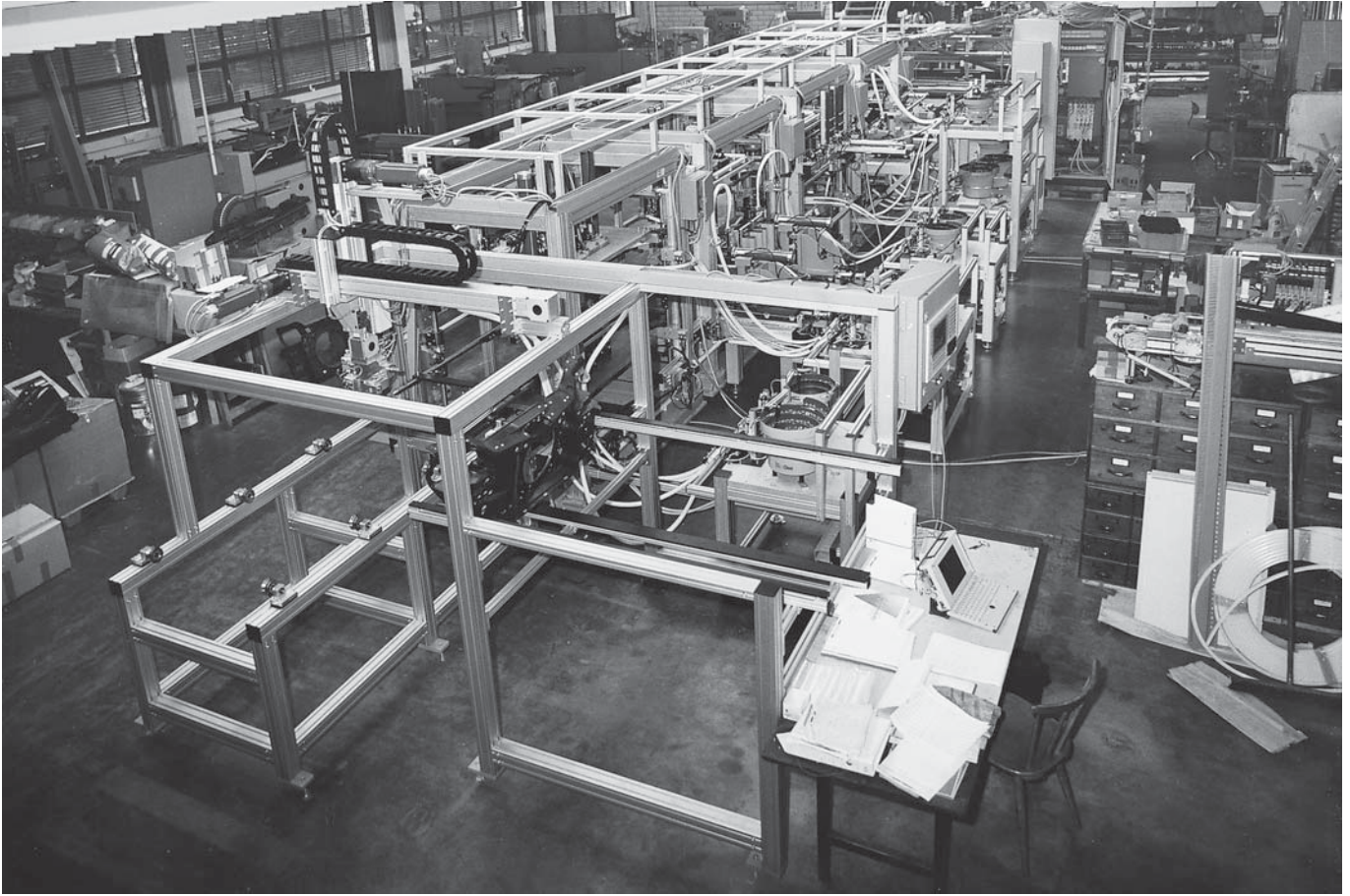
2



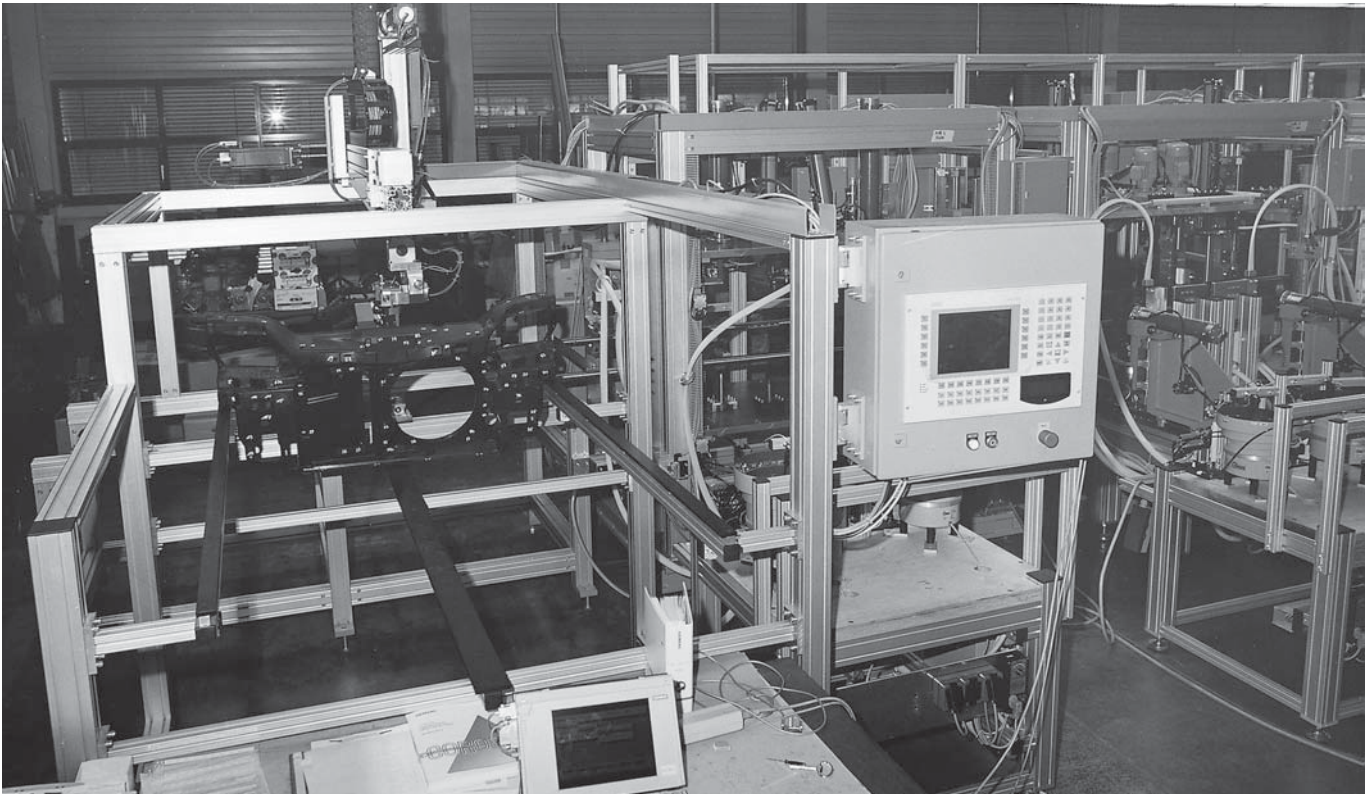
3

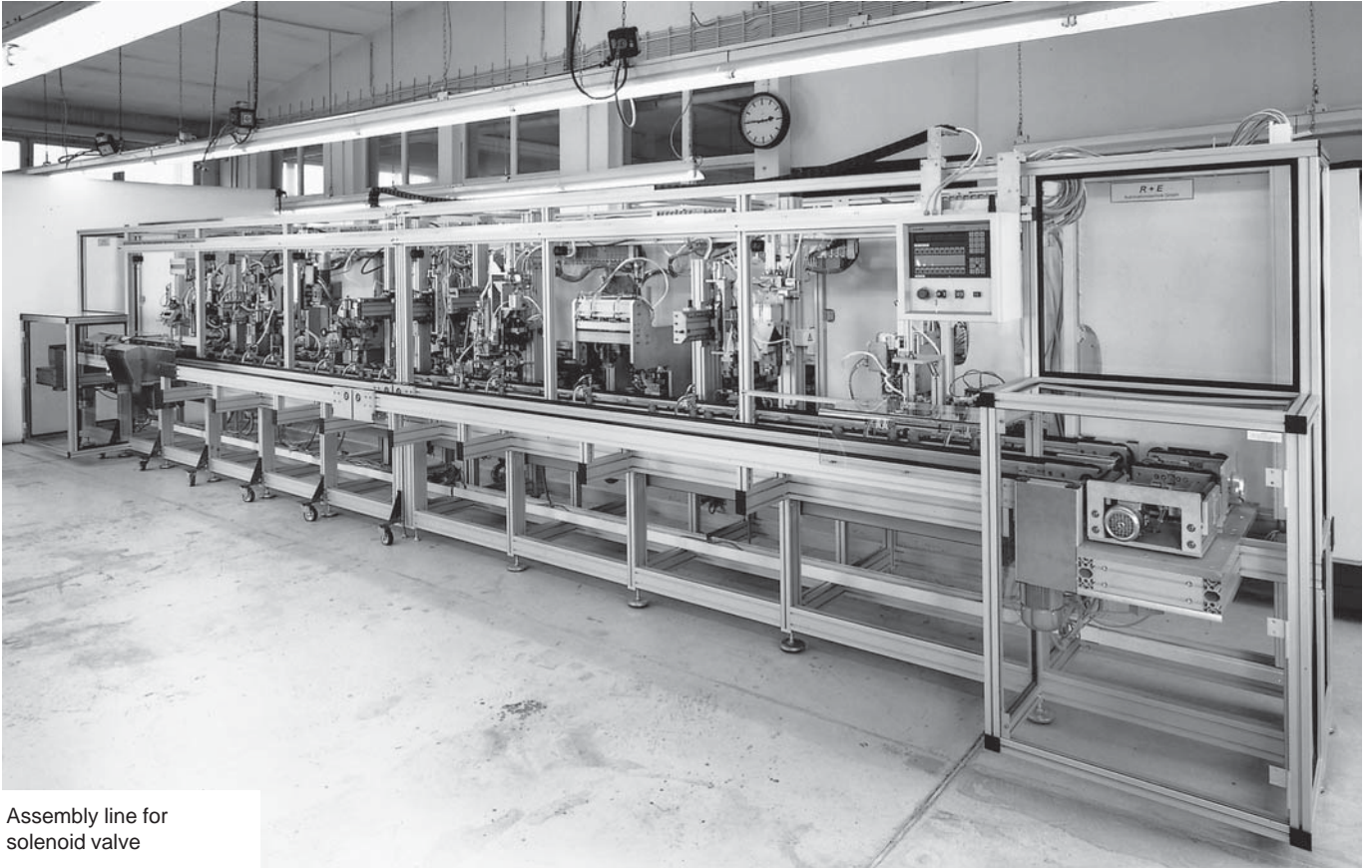


4



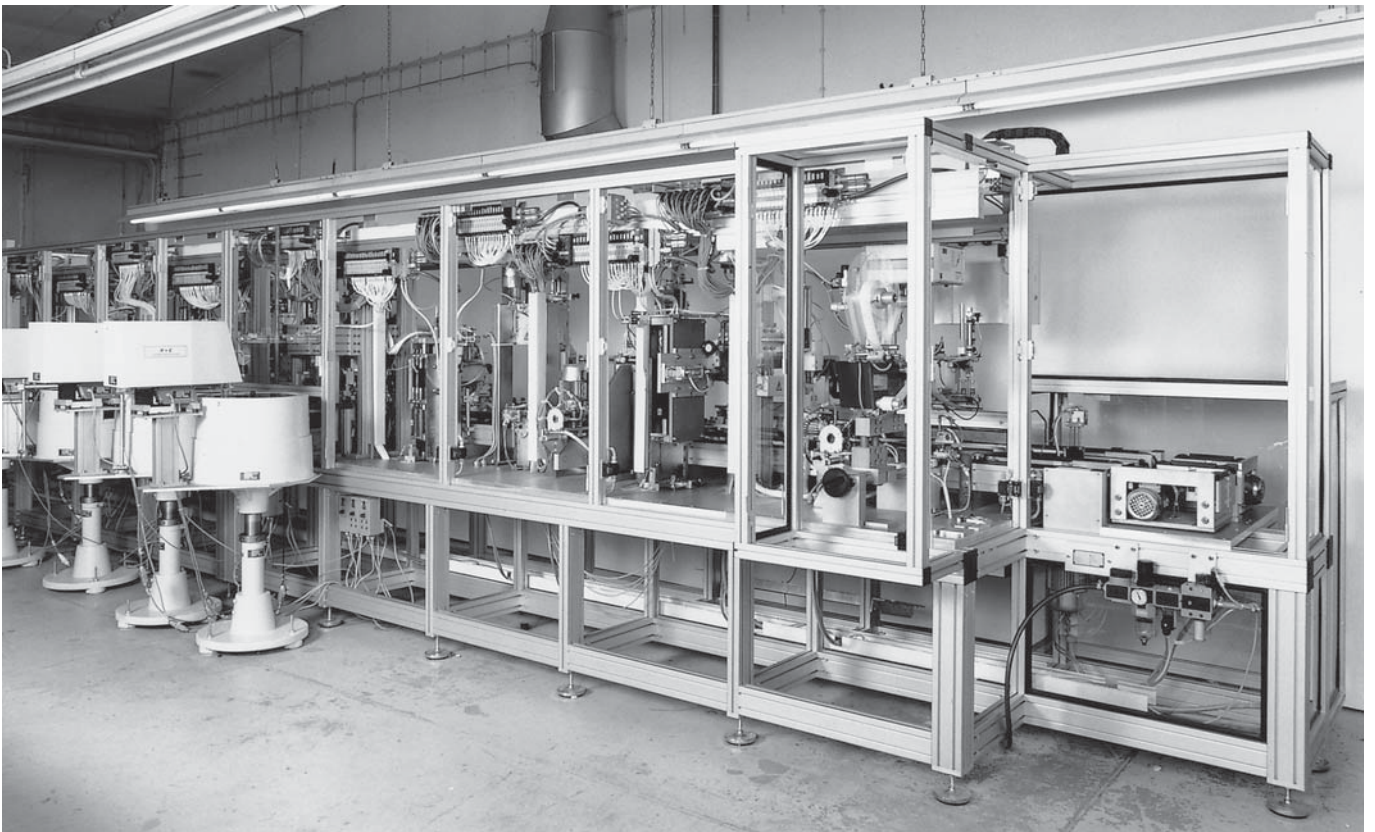
Automated assembly system for automotive radiator module

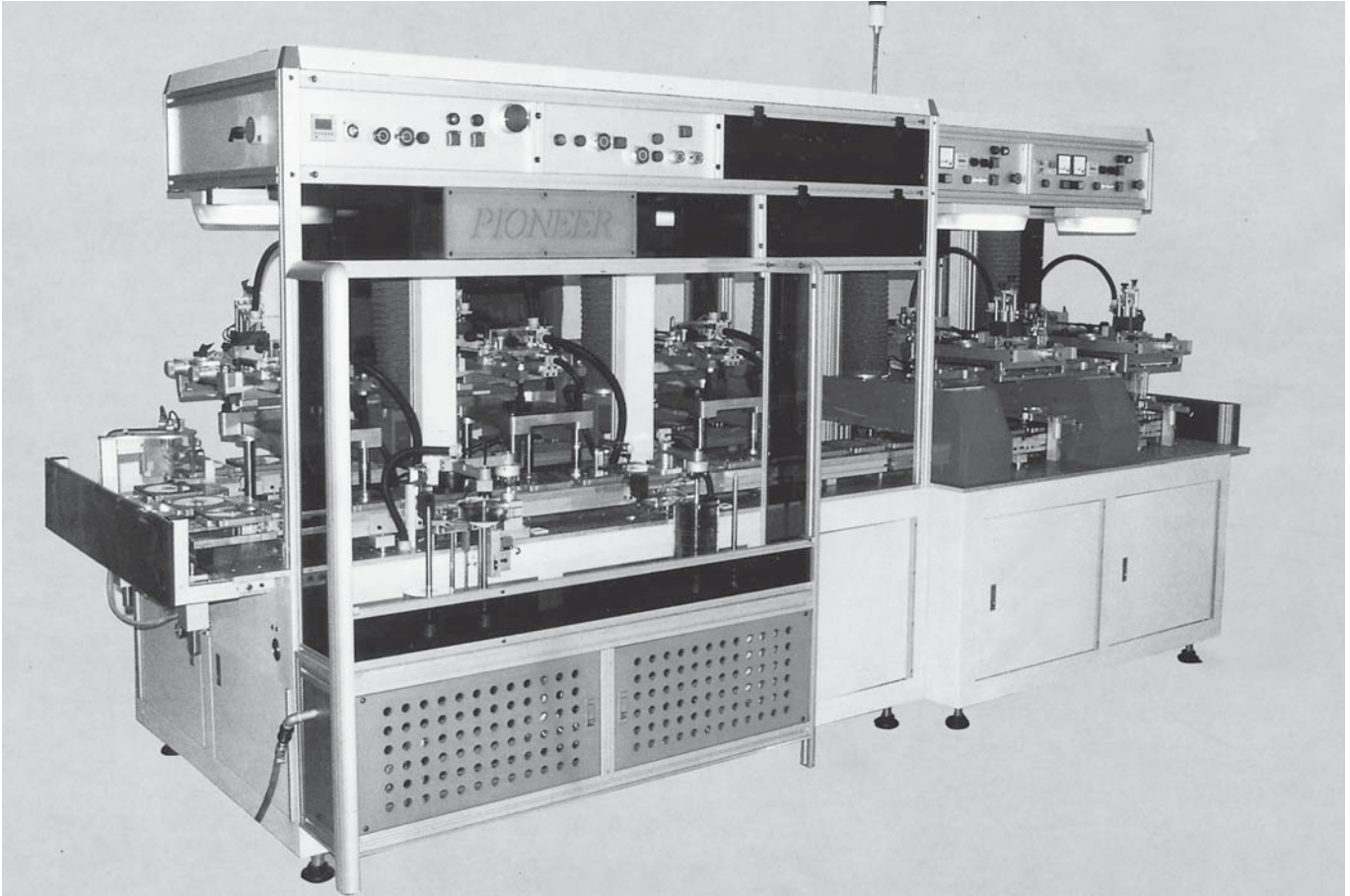




Assembly line for solenoid valve

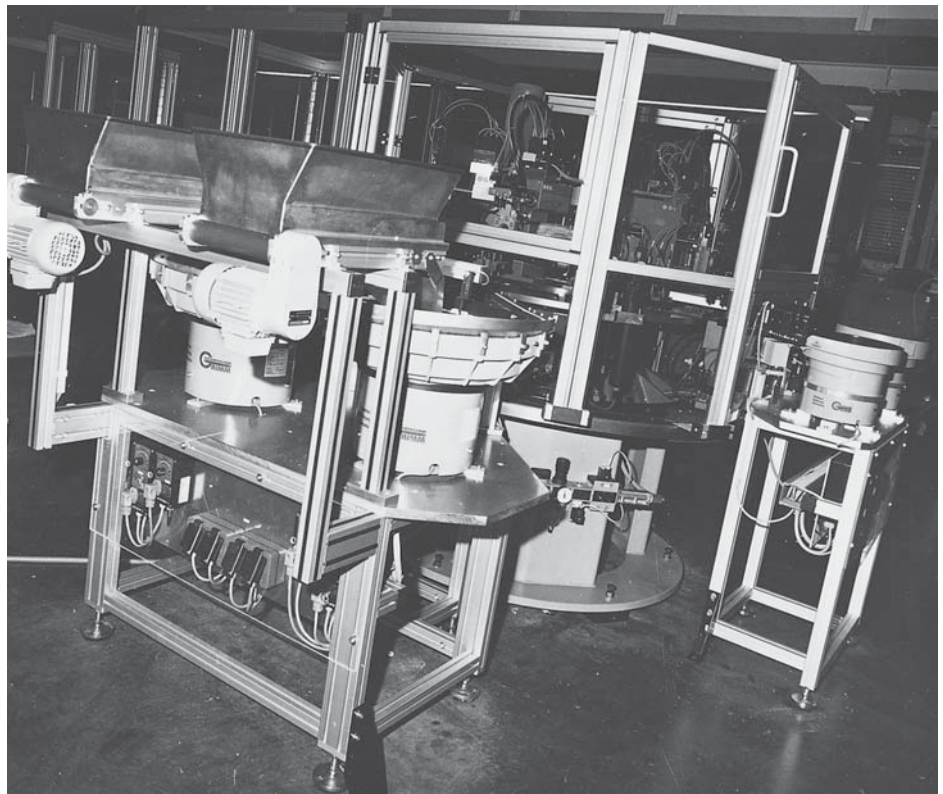
Assembly line for magnetic coils





Automatic screen printing machine

Assembly system
for drawer
extraction rolls

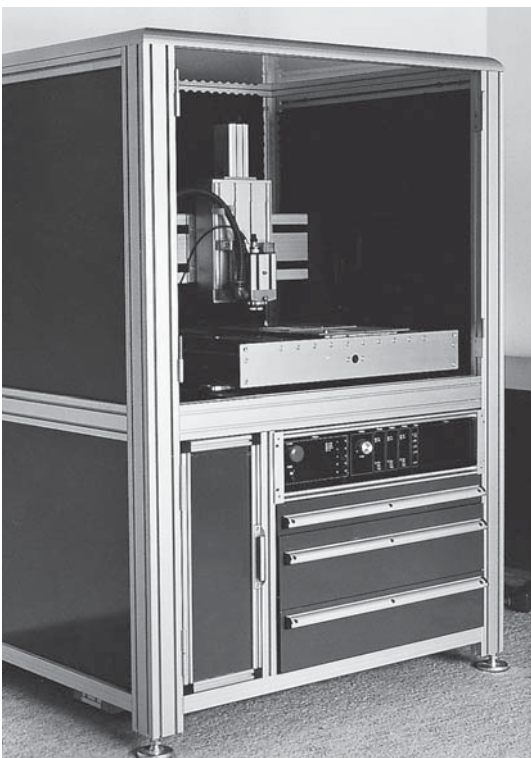




- 1 Assembly line
- 2 Printed circuit boards
Drilling machine
- 3 Double-column plane-
milling machine for
printed circuit boards

1

2



3



B

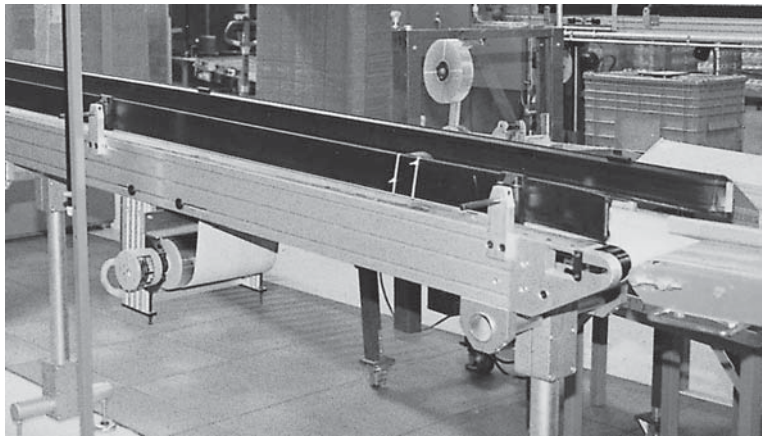
- 1 Conveyor belt with center drive
- 1 Conveyor belt with end drive
- 3 Conveyor belt
- 4 Quick adjustment buckle plant
- 5 Patten conveyor transfer system
- 6 Rotary station for pallet transfer system



1



2



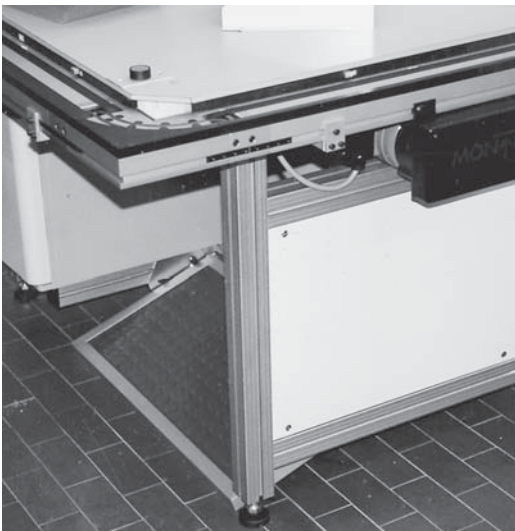
3



4



5



6

BEAT THE COMPETITION

Profit with Profile

The complex range of aluminium system profiles often prevents detailed critical comparisons.

The decision to purchase is therefore often made without detailed profit analysis.





Experienced designers and critical purchasers want to know the important details.

Which factors lead to the best technical and managerial decisions?

764 tests with 14 different systems prove what you need to know.
(www.maytec.de/competitioncomparison)

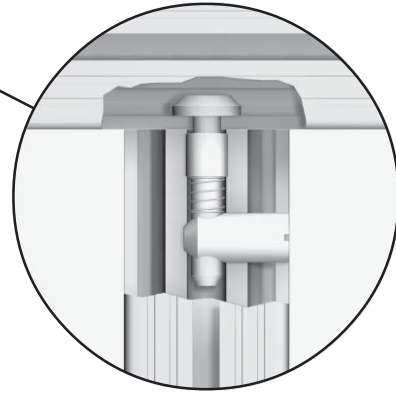
- ① How flexible can I design with the system?
- ② What equipment do I need to process the profile system?
Is "on-site" service available when required?
- ③ How fast and simple is the system to assemble and disassemble?

Professionals win with the MayTec-System in all 3 disciplines.

<p> Flexible Design:</p>	<ul style="list-style-type: none"> • with a Huge Range • with CAD & Online Library • with Universal Connector System 	<p>MayTec VARIETY: OVER 200 PROFILES</p>
<p> Economical Processing:</p>	<ul style="list-style-type: none"> • with Simple Handling • with Minimal Processing Times • with Common Components 	<p>MayTec LEADS IN ALL DISCIPLINES</p>
<p> Faster Assembly:</p>	<ul style="list-style-type: none"> • with Simple Assembly Steps • with Superior Stability • with Good Access 	<p>MayTec ASSEMBLY TIME: 5 SEC.</p>
<p> "On-Site" Service:</p>	<ul style="list-style-type: none"> • with Professional Advice • with Professional Processing • with Immediate Delivery 	<p>MayTec SERVICE: World Wide over 60 Distributors</p>



Stability S-Class



**MayTec
Universal-Connector**

18,000N
working load

Profit with Profile®

Metric and English Conversion Table

Linear Measure					
1 km	=	0.6214 mi	1 mi	=	1.61 km
1 m	=	0.0006214 mi	1 mi	=	1,610 m
1 m	=	3.28 ft	1 ft	=	0.305 m
1 cm	=	0.3937 in	1 in	=	2.54 cm
1 mm	=	0.03937 in	1 in	=	25.4 mm

Square Measure					
1 km ²	=	0.3861 mi ²	1 mi ²	=	2.59 km ²
1 m ²	=	10.76 ft ²	1 ft ²	=	0.093 m ²
1 cm ²	=	0.155 in ²	1 in ²	=	0.65 cm ²
1 mm ²	=	0.00155 in ²	1 in ²	=	845.2 mm ²

Weight Measure					
1 kg	=	2.2 lbs	1 lb	=	0.455 kg
1 kg	=	35.274 ozs	1 oz	=	0.028 kg

Force Measure					
1 Newton (N)	=	0.225 lbs	1 lb	=	4.448 N
1 daN	=	2.2 lbs	1 lb	=	0.455 daN
1 kg Force	=	9.8 Newton (N)	1 N	=	0.102 kg Force
1 Kilopound	=	9.5 Newton (N)	1 N	=	0.105 Kilopound
1 Pound/Inch	=	175.127 Newton/Meter	1 N/m	=	0.0057 Pound/Inch
1 Pound/Foot	=	14.59 Newton/Meter	1 N/m	=	0.0685 Pound/Foot

Pressure Measure					
1 Bar	=	14.5 P.S.I.	1 P.S.I.	=	0.690 Bar
1 kg/m ²	=	9.8 Newton/Meter ²	1 N/m ²	=	0.102 kg/m ²
1 kg/m ²	=	9.8 Pascal (Pa)	1 Pa	=	0.102 kg/m ²
1 Kilonewton/Meter	=	0.145 P.S.I.	1 P.S.I.	=	6.897 KN/m ²

Other					
1 in ³	=	16.3871 cm ³	1 cm ³	=	0.0610 in ³
1 in ⁴	=	41.623 cm ⁴	1 cm ⁴	=	0.0240 in ⁴
1 lb/ft	=	1.4882 kg/m	1 kg/m	=	0.67195 lb/ft
1 Nm	=	8.858 inch-pounds	1 inch-pound	=	0.113 Nm

Metric / U.S. Customary Unit Equivalents

Multiply: by: to get: Multiply: by: to get:

Linear				
miles	× 1.6093	= kilometers (km)	× 0.6214	= miles
yards	× 0.9144	= meters (m)	× 1.0936	= yards
feet	× 0.3048	= meters (m)	× 3.281	= feet
inches	× 2.54	= centimeters (cm)	× 0.3937	= inches
inches	× 25.4	= millimeters (mm)	× 0.03937	= inches

Area				
miles ²	× 2.59	= kilometers ² (km ²)	× 0.3861	= miles ²
yards ²	× 0.8361	= meters ² (m ²)	× 1.196	= yards ²
inches ²	× 6.452	= centimeters ² (cm ²)	× 0.155	= inches ²
acres ²	× 0.4047	= hectares ² (10 ⁴ m ²) or (ha)	× 2.471	= acres ²
feet ²	× 0.0929	= meters ² (m ²)	× 10.764	= feet ²

Mass				
ounces (av)	× 28.35	= grams (g)	× 0.03527	= ounces (av)
pounds (av)	× 0.4536	= kilograms (kg)	× 2.2046	= pounds (av)
tons (2000 lb)	× 907.18	= kilograms (kg)	× 0.001102	= tons (2000 lb)
tons (2000 lb)	× 0.90718	= metric tons (t)	× 1.1023	= tons (2000 lb)

Force				
ounces - f	× 0.278	= newtons (N)	× 3.597	= ounces - f
pounds - f	× 4.448	= newtons (N)	× 0.2248	= pounds - f
kilograms - f	× 9.807	= newtons (N)	× 0.10197	= kilograms - f

Thread	mm			inch		
	Outside dia	Core dia		Outside dia	Core dia	
metric		Bolt	Nut		Bolt	Nut
M4	4	3.141	3.242	0.15748	0.12362	0.12756
M5	5	4.019	4.134	0.19685	0.15827	0.16260
M6	6	4.773	4.917	0.23622	0.18779	0.19370
M8	8	6.466	6.647	0.31496	0.25472	0.26181
M10	10	8.160	8.376	0.39370	0.32126	0.32992
M12	12	9.853	10.106	0.47244	0.38779	0.39803
M14	14	11.546	11.835	0.55118	0.45827	0.46614
M16	16	13.546	13.835	0.62992	0.53346	0.54488

Thread	inch			mm		
	Outside dia	Core dia		Outside dia	Core dia	
UNF, NF / UNC, NC		Bolt	Nut		Bolt	Nut
8 - 32	0.16402	0.12571	0.13020	4.166	3.193	3.307
10 - 32	0.19000	0.15169	0.15618	4.826	3.853	3.967
1/4" - 20	0.25000	0.18870	0.19591	6.350	4.793	4.967
5/16" - 18	0.31252	0.24429	0.25240	7.938	6.205	6.411
3/8" - 16	0.37500	0.29831	0.30728	9.525	7.577	7.805
1/2" - 13	0.50000	0.40551	0.41669	12.700	10.300	10.584
9/16" - 12	0.56252	0.46031	0.47228	14.288	11.692	11.996
5/8" - 11	0.62500	0.51350	0.52661	15.875	13.043	13.376

Assembly areas

Automated assembly system for automotive	
radiator module	280
Assembly line	283
Assembly line for magnetic coils	281
Assembly line for solenoid valve	281
Assembly system for drawer extraction rolls	282

Cabinets

Filing bookshelf	273
Office cabinet	273

Cabins

Climatic inspection chamber	271
Machine frame	277

Carriers

Cabinet-car	276
Component supply stand	293
Store vehicle	276

Conveyor systems

Conveyor belt	284
Conveyor belt with center drive	284
Conveyor belt with end drive	284
Patten conveyor transfer system	284
Quick adjustment buckle plant	284
Rotary station for pallet transfer system	284

Desks

Assembly desk	272
Computer desk	273
Instruction desk	276
Laboratory desk	272
Office-tables	273
Polishing station	272
Work-room desk	272

Indicator panel

Electronic notice board	271
Maker's name plate with indirect lighting	274
Name plate	274
Plate with company names	274

Linear elements

Ball bearing guide	278
Linear unit	278
Linear unit, length 12 m	279
Measuring unit	278
Packing and palleting-robots	279
Synchronizing shaft	278
Test-robots	279
Wheel guide	278

Machine enclosures

Machine enclosures	275, 277
Machine guardings	275, 277

Machines

Automatic screen printing machine	282
Printed circuit boards drilling machine	283
Conveyor system with components storage	293
Double-column plane-milling machine for printed	
circuit boards	283

Hydraulic inspection stand	271
----------------------------------	-----

Partitions

Counter	275
Door with sliding window for handing out	275
Partition panel	275

Profile frames

Profile frame	293
---------------------	-----

Show cases

Display cabinet	271
Glass display cabinet	271
Mobile cupboard	271

19" profiles	46		
A			
Abbreviations	5		
Acrylic	264		
Additional accessories	166		
Adjustable tilt-foot	135		
anti-slip-discs	139		
cushion elements	139		
nuts	138		
plates	136		
spindles	138		
Alu C-track for suspended doors	231		
Alu hinges	185		
Alu hinges, heavy	187		
Alu-plastic composite panel	263		
Angle 25x40	145		
Angle Alu	148		
Angle GD-Zn	147		
Angle PA	146		
Angle profiles	42		
Angular adjusting feet	140		
Angular tolerance	54		
Anti-twist devices	96		
for subsequent insertion	97		
Application samples	271, 289		
Approximate determination of deflection	55		
B			
Bar locks	218		
Base angle	142		
Base feet	141		
Base plates	151		
Base profiles	41		
Beat the competition	285		
Bending strength	54		
Block for cable binder	242		
Bores for parallel-connector	49		
Bullet catches	203		
PA	204		
C			
Cable and hose clamp	241		
Cable binder	242		
Carabine swivel	238		
Castors	143		
Chipboards	262		
Clamping for guidance system	234		
Clamping levers	98		
Coding examples for price group 1-3	50-52		
Combination profiles PVC	117		
Connection	72		
elements	72, 95		
of 0-slot profiles	85		
of MayTec with other profile systems	93		
of profiles 40, round	91		
plates	153		
via core hole	72		
via slot	72		
with corner pieces	156		
with DIN-Screw	89		
with screw-type connector	89		
with standard connectors	86		
Connection possibilities	85		
for 0-slot profiles	85		
for profiles 40, round	91		
Other profile systems	93		
Special cases	92		
Connection System	70		
Connector	70		
Cross bushings	78		
Extension	76		
for core hole-Ø 12 mm	80		
for core hole-Ø 6 mm	79		
Miter 90°-bent anchor l	76		
Miter 90°-bent anchor r	76		
Miter 90°-hinge l + r	76		
Miter-hinge l + r	76		
Miter-bent anchor l + r	76		
Oblique 90°-bent anchor	74		
Oblique 90°-hinge	74		
Oblique-bent anchor l	74		
Oblique-bent anchor r	74		
Oblique-cross-hinge	75		
Oblique-cross-hinge 90°	75		
Oblique-hinge l + r	74		
Parallel-square	75		
Parallel-square-cross	75		
Parallel-square-high	75		
Screw-type	77		
Screw-type-Parallel-cross	77		
Screw-type-Parallel-high	77		
Screw-type-Parallel-square	77		
Standard	74		
Standard 90°	74		
types and materials	73		
Universal	74		
Connector components	79		
Connector selection	73		
Connectors	73		
Examples	71		
for E3/E4-slot	83		
Special cases	73, 82		
with 1 cross bushing and 1 head	72		
with 1 cross bushing and thread	72		
with 2 cross bushings	72		
Cross bushing	78		
Contact bracket-mounting	248		
Corner element 33	259		
Corner elements	258		
Corner pieces	156		
cubic	157		
segment	157		
segment, 2gang	157		
sphere	157		
Cover caps	124		
Cover cap Ø48	125		
Cover caps for screw bores	128		
Cover caps for tubes	128		
Cover plugs	126		
Cover plugs domed	127		
Cover profiles	113		
Cover profiles PVC	115		
Cross bore	49		
Cross bushing bore	49		
Cross connection plates	150		
Cross section of slots	6		
C-track	42		
Cylinder locks	206		
flush	211		
with security latch	208		

D			
Deflection	55		
Delivery length	53		
Distance washer	235		
Distancing plate, thin	196		
Double hinge	179		
Drill dimensions for connector cross bushings	78		
Drill jigs	266, 268		
for profiles with F- and E-slots	268		
for profiles with H-slots	266		
Drills	267, 269		
E			
E3-slot	6		
E4-slot	6		
Edge roller	230		
Electrical accessories	239		
Electrical installation trunking	253		
Extruded profile as per EN 12020	53		
Eye-bolt	155		
F			
Fastening elements	102		
Fastening plate 30×150	154		
Fixed castors	143		
Flap-lock countersunk	210		
Flatness of profile surfaces	53		
Flatness tolerance	53		
Floor plate	152		
Framing profile	119, 122		
F-slot	6		
Functional length	53		
G			
Grab handle profile	42		
Grab handles	171		
Ground connections	240		
Guard locking device AZM 170	246		
Guide profile PVC	118		
H			
Hand adjustable feet	133		
Hand rail	64		
Handle system	169		
oval design	170		
round design	169		
Handles	166		
light	167		
PA	167		
light PA	166, 168		
Hanging bracket	237		
Hinge profiles	44		
Hinges	172		
Hollow profiles	41		
H-slot	6		
I			
Index as per alphabet	290		
Installation accessories	113		
Installation rings	243		
J			
Joints	189		
Joints with clamping lever	191		
L			
Latch lock	222		
Levelling feet	132, 134		
Lift-off hinges	174		
M			
Machining of profiles with core hole-Ø6 for miter	76		
Magnetic lock PA	205		
Magnetic panel 10 mm	263		
Makrolon	264		
Mechanical data	53		
Metric / U.S. Customary Unit Equivalents	288		
Metric and English Conversion Table	287		
Milling cutters	267, 269		
Mortise deadlocks	213		
without lock	215		
Mounting adaptor for roller	229		
Mounting blocks for subsequent insertion	194		
Mounting blocks screw-type	193		
Mounting clamp blocks	197		
Mounting clamp blocks SL	199		
Mounting instruction for screw connectors	77		
Mounting plates	152		
Mounting set for 19" profile	244		
Mounting sockets	260		
N			
Numerical key for articles	7		
P			
Panel elements	258, 261		
Panel framing profile	43		
Parallel connector for profile 30×30, soft	82		
Parallelism tolerance	54		
Pneumatic 90° connection sets	164		
Pneumatic accessories	159, 165		
Pneumatic connection plates	162		
Pneumatic end plates	160		
Pneumatic extension sets	163		
Polycarbonate (Makrolon)	264		
Potential equalisation	239		
Press-fit pins for alu hinges	186		
Press-fit threaded inserts	112		
Profile applications	60		
Hand rail	64		
Profile combinations	60		
Profiles for cable guide	66		
Slot plates	61		
Special slits	60		
U-Profile 40	65		
Profile combinations	60		
Profile group	5		
16 mm, E-slot, P	12		
16 mm, F-slot, P	12		
20 mm, F-slot, P	15		
20 mm, H-slot, P	13		
30 mm, E4-slot, P	16		
30 mm, F-slot	30		
30 mm, F-slot, P	16		
40 mm, E3-slot	32		
40 mm, E3-slot, P	18		
45 mm, E4-slot	36		
45 mm, E4-slot, P	24		
50 mm, E4-slot	38		
50 mm, E4-slot, P	27		

60 mm, E4-slot	40
60 mm, E4-slot, P	28
Profile machining	47
Bores	49
Coding examples for price group 1-3	50-52
Coding examples for special design	52
Cross bore	49
Cross bushing bore	49
Direction and Position	47
Order description	47
Order example	47
Price group 1-3	48
Saw cut	48
Saw cut tolerance	48
Summary	47
Thread	49
Profile pre-cut lid	41, 67
Profile selection range	56
Profile tolerance	53
Profiles for pneumatic applications	159
Profiles for cable guide	66

Q

Quick locks	201
-------------------	-----

R

Radius compensations	131
Radius covers	129
Reducing profiles PVC	114
Register	1
Rhomboid T-slot nut	108
Roller 29	224
Roller 39.5	223
Roller fastening set	225
type A	225
type B	227
Roller fitting for suspended doors	231
Rubber cover-profiles	123

S

Safety interlocking-mountings AZ 17 for sliding door	250
Safety interlocking-mountings AZ 17 for swinging door	249
Safety interlocking-mountings for sliding door	248
Safety interlocking-mountings for swinging door	247
Safety interlocking-mountings with lock for swinging door	247
Safety switches	245
Safety switches AZ 17	246
Saw cut	48
Saw cut tolerance	48
Screw tap	270
SE-Connector	83
Security latch	209
Sensor brackets	252
Sliding doors	116
Sliding profiles	43
Sliding blocks	233, 234
Slot	5
Slot plates	61
E-slot	63
F-slot	62
Slot rollers	236
Slot system	6
Solid plastic panels	262
Spacer	186
Special profiles	41

Special profiles, P	29
Special characters	5
Special slits	60
Sponge rubber round cords	120
Spring-nuts	106
Stability S-Class	286
Stacking foot	142
ST-Connector	84
Straightness tolerance	53
Strength values for profile connections with MayTec-Connectors	94
Subsequent mounting of profiles	92
Summary	8
Accessories	99
Connectors	72
Profiles - plain	8
Profiles - with grooves	9
Special profiles	10
Suspended glider	238
Swivel angles	149
Swivel castors	144
Swivel castors lockable	144
Symbols	5

T

T-Bolts	109
Technical data	53
Technical Information	285
Beat the competition	285
Metric / U.S. Customary Unit Equivalents	288
Metric and English Conversion Table	287
Stability S-Class	286
Thread	49
Threaded inserts	110
Threaded plates	102
Threaded plates for subsequent insertion	103
T-Nut sliding blocks	235
T-Nuts	104
for subsequent insertion	105
Tools	267
for profiles with F- and E-slots	269
for profiles with H-slots	267
Torque tightening values for connector setscrew	94
T-slot nuts	107
T-Slot profiles PVC	45
T-Slot profiles Steel	45
Tubes	43
Twist tolerance	53
Type of load	54, 55

U

Universal connector for profile 30x150	82
U-Profile 40	65
U-Profiles	42

W

Wire net mounting profiles	42
Wire net, Alu	265

Imprint

Subject to technical modification.
 All rights reserved.
 Copying - also in parts - only allowed by written consent.
 © MayTec Aluminium Systemtechnik GmbH,
 Germany, 85221 Dachau, 2003



1

- 1 Profile frame
- 2 Conveyor system with components storage
- 3 Component supply stand



3



2

The key...

to success



30% - 600% more flexible design

20% - 50% more economical machining

60% - 340% quicker assembly

100% - 260% stronger connection

more than 60 service locations

Australia

MayTec Australia P/L
Unit 1, 8 Prosperity Parade
Warriewood, NSW 2102

country code: +61
phone (0) 2 / 9999 0890
fax (0) 2 / 9979 8703
e-mail: info@maytec.com.au
<http://www.maytec.com.au>

Germany

MayTec Aluminium
Systemtechnik GmbH
Kopernikusstraße 20
D - 85221 Dachau

country code: +49
phone (0) 8131 / 33 36 - 0
fax (0) 8131 / 33 36 - 119
e-mail: mail@maytec.de
<http://www.maytec.de>

USA

MayTec Inc.
1625 Dundee Ave., Unit E-F
Elgin, IL 60120

country code: +1
phone 847 - 429 - 0321
fax 847 - 429 - 0460
e-mail: mail@maytecinc.com
<http://www.maytecinc.com>