

Description

The LPM9 is a line voltage LED module styled to resemble an A19 lamp. It is available in 2700K and 3000K at 90 CRI. Compatible with select Halo Art Glass and Classic pendants.

Catalog #		Type
Project		
Comments		Date
Prepared by		

Specification Features

Heat Sink

- Aluminum die-cast heat sink provides exceptional thermal management to yield 70% lumen maintenance after 50,000 hours of operation.

LED Light Engine

- Chip on board LED provides a uniform source with high efficiency and no pixilation. Available in 90 CRI minimum, R9 greater than 50 and color accuracy within 3 SDCM provide color accuracy and uniformity.

Cord

- Field adjustable 5' long 18AWG clear-jacketed cord

Dimming

- TRIAC, ELV or Phasecut
 - Designed for continuous dimming capability to nominally 5% with many 120V Leading Edge (LE) and Trailing Edge (TE) Phase Control Dimmers. (Dimmers with low end trim adjustment offer greater assurance of achieving 5% level.)
 - Consult dimmer manufacturer for compatibility and conditions of use

Warranty

- Five year limited warranty, consult website for details.
www.cooperlighting.com

Compliance

- cCSAus listed / certified for use with Halo-Power-Trac, Lazer Track, or as canopy mount to industry standard junction boxes. EMI/RFI emissions per FCC 47CFR Part 18 consumer limits. Contains no mercury or lead and RoHS compliant. Photometric testing in accordance with IES LM-79-08. Lumen maintenance projections in accordance with IES LM-80-08 and TM-21-11.

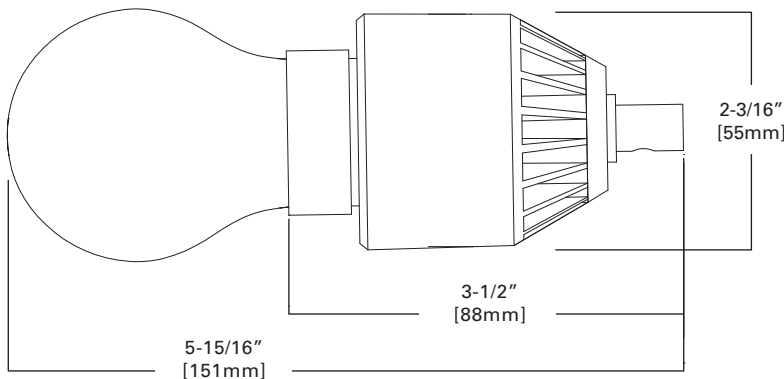


LPM9

**Line Voltage
LED Module
8.5W, 90CRI
2700K, 3000K**

**Power-Trac
Surface**

Dimensions



Ordering Information

Example: LILPM927AHAH

Track	LED Module	CCT	Module/Cord	Adapter/Canopy Finish
L1 - Halo Power-Trac HI - Surface Mount	LPM9 - LED module, 90 CRI, 8.5W	27 - 2700K 30 - 3000K	AH - Aluminum Haze	AH - Aluminum Haze P - White MB - Black

ENERGY DATA

LPM9 Series (Values at non-dimming line voltage)	
Max. Lumens (3000K)	560
Input Voltage	120 VAC
Input Frequency	60 Hz
Input Power	8.5W
Input Current	0.075A - 0.0875A
Power Factor	>0.95
THD	<15%
Minimum Starting Temp	-20°C (-4°F)