

Catalog #		Date		Prepared by	
Project		Type		Notes	

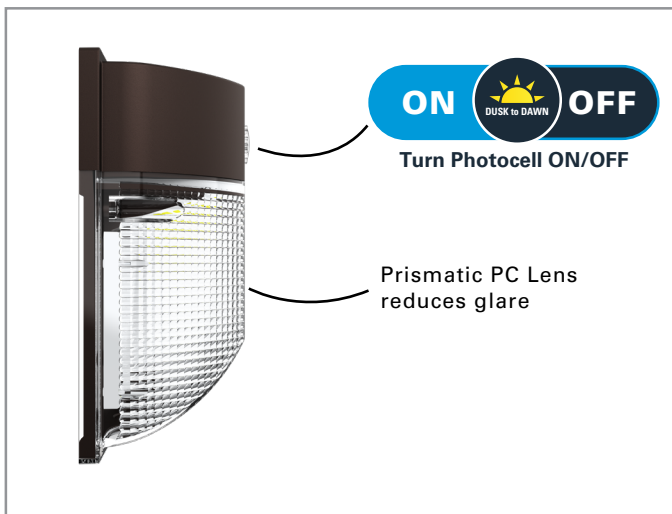
# HALO™

OUTDOOR LIGHTING



## MWP - MINI WALL PACK

WITH CCT SELECT & PHOTOCELL SELECT TECHNOLOGY



MINI LED WALL PACK | 15W & 30W | 120-277V INPUT |  
3CCT SELECT PHOTOCELL ON/OFF | BRONZE HOUSING |  
PRISMATIC LENS

The Halo Outdoor MWP LED Mini Wall Pack family has a small form factor that covers an existing footprint of Metal Halide and Fluorescent wall pack fixtures.

### TOP PRODUCT FEATURES

UP TO  
**4000 LUMENS**



- 3 Selectable light color temperatures (3000K, 4000K, & 5000K)
- Integrated Photocell for Dusk to Dawn operation than can be turned off by manual switch operation
- Constructed of rugged die cast aluminum housing in textured bronze finish
- 50,000 hours of rated life
- UV resistant prismatic PC lens
- Wet Location rated for outdoor use
- Universal power supply 120-277V, with 0-10V Dimmability down to 10%
- 5-year warranty

### PRODUCT CERTIFICATION



\*DLC listing will be completed within Q1-2023



#### INTERACTIVE MENU

- [Order Information](#) page.2
- [Product Specification](#) page.3
- [Product Warranty](#) page.3
- [Product Dimensions](#) page.3
- [Photometric Data](#) page.4

### TYPICAL APPLICATIONS



### COMMERCIAL APPLICATIONS

- Building Entrances
- Perimeter
- Warehouse
- Commercial Office
- Strip Mall
- General Security Lighting

### ORDER INFORMATION

Catalog Number	Description	Material no.	UPC	Case Qty	Case Dimensions (in.)			Weight (lbs)
					L	W	H	
MWP20FSUNVDBZ	MINI WP DCST 15W 2K LM 3CCT D2D UNV BZ	13605832	080083260805	4	12.6	9.1	10.31	10.91
MWP40FSUNVDBZ	MINI WP DCST 30W 4K LM 3CCT D2D UNV BZ	13605831	080083260782	4	12.6	9.1	10.31	10.89

### PRODUCT DIMENSIONS



### PRODUCT SPECIFICATIONS

#### Construction

- Durable die-cast aluminum housing suitable for wet locations
- Glare-free UV, & impact resistant PC prismatic lens
- Rust-resistant powder-coated bronze finish
- Suitable for wall mounting on recessed Junction boxes or surface mounted using conduit entry.

#### Integrated Controls

- Dusk to Dawn (Nighttime on / Daytime off) via Integrated photocell sensor that can be manually turned off with switch-activated control

#### Mounting

- Easily mounts to standard recessed junction boxes

- Contains (1) 1/2-inch NPT threaded knockout on the bottom of the fixture for surface wiring

#### Electrical

- 15W LED 2000 lumen & 20W LED 4000 lumen packages available
- 3 Selectable light color temperature settings – 3000K / 4000K / 5000K
- Maintenance -free LEDs with estimated 50,000 hours lifespan based on LM-80 results and TM-21 calculations.
- Rated for ambient operating temperature range from -40°F (-40°C) to 104°F (40°C)
- Electrical operating voltage 120-277V, 50/60Hz
- THD ≤ 20%; Power factor ≥ 90%
- CRI >70
- 0-10V Dimmable down to 10%

#### Compliance

- UL certified for USA and Canada for wet locations
- Contains no mercury or lead - RoHS compliant (RoHS 2.0)
- DLC 5.1 Standard Listed
- UL Wet location rated

#### Finish

- Rust-resistant textured bronze powder coat finish that provides superior resistance to weathering and corrosion

#### Warranty

- Five year limited warranty, consult website for details. [www.cooperlighting.com](http://www.cooperlighting.com)

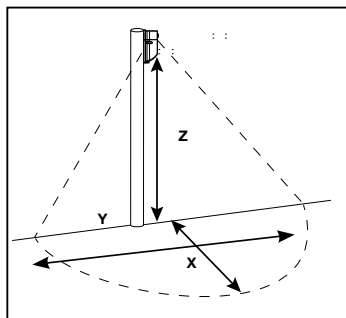
### PHOTOMETRIC DATA

Catalog Number	Power	CCT	Lumens	Efficacy	Voltage	Dimming	CRI	Lifespan	Photocell	Legacy Equivalent
MWP20FSUNVDBZ	15W	3000K	2006	130	120-277V	0-10V	>70	50,000 Hrs	Integrated button photocell. Can be manually turned off using dip switch behind the cap	70W MH
		4000K	2186	144						
		5000K	2212	142						
MWP40FSUNVDBZ	30W	3000K	3772	123						
		4000K	4239	141						
		5000K	4198	134						
									150W MH	

### ELECTRICAL DATA

Catalog Number	Power	120V	208V	240V	277V
MWP20FSUNVDBZ	15W	0.15A	0.09A	0.08A	0.07A
MWP40FSUNVDBZ	30W	0.3A	0.18A	0.15A	0.13A

### SUGGESTED MOUNTING HEIGHT



Minimum Footcandles (FC)		0.50 FC					
Mounting Height (Z)		8'		10'		15'	
Catalog Number	Lumens	X	Y	X	Y	X	Y
MWP20FSUNVDBZ	2186	19	27	20	30	22	32
MWP40FSUNVDBZ	4239	23	34	25	37	28	42

X = Forward Throw  
Y = Wall Spread  
Z = Mounting Heights

Notes:  
Forward throw X = 1/2 Y for wall-mount applications only  
See IES files for detailed photometry