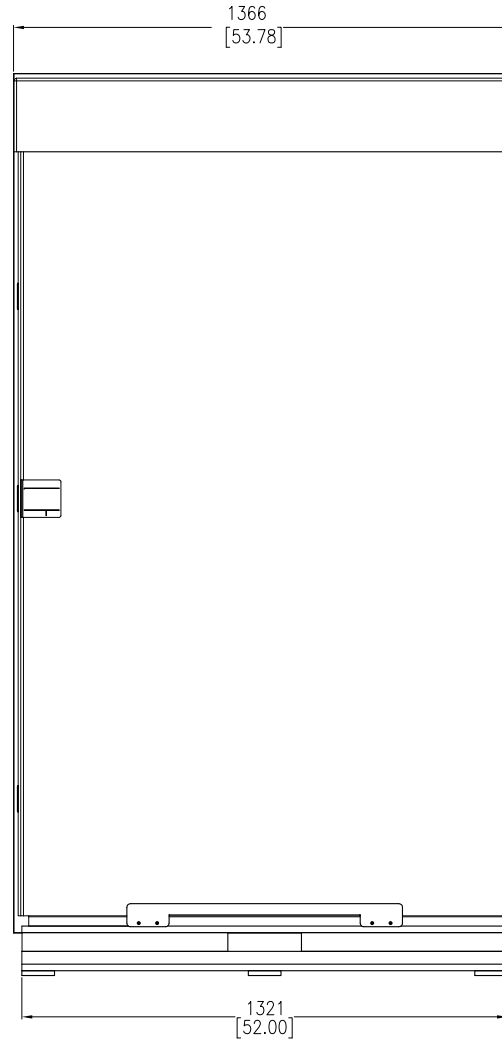
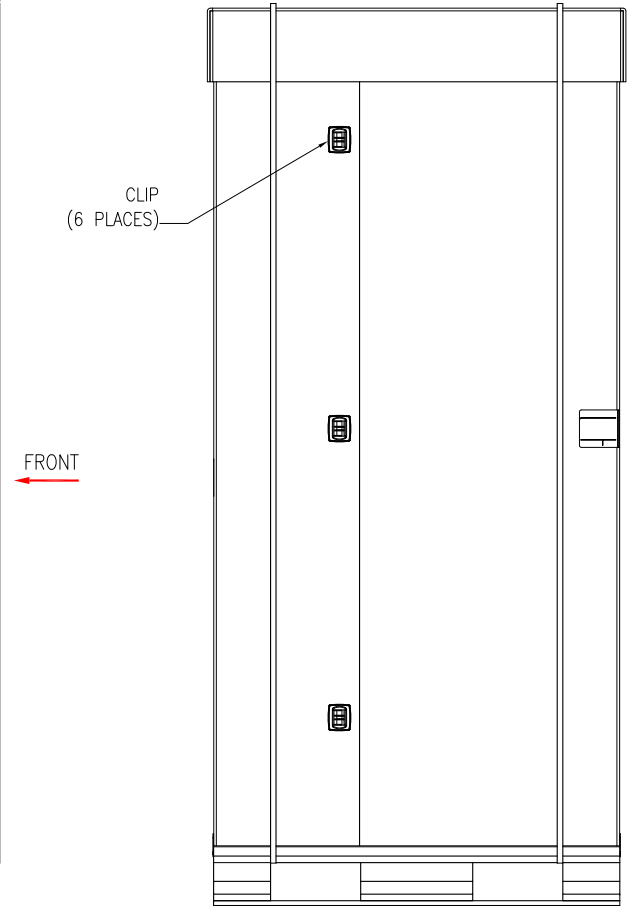


FRONT VIEW



LEFT SIDE VIEW



REAR VIEW

- NOTES:
1. INSTALLATION SHALL COMPLY WITH ALL APPLICABLE NATIONAL, STATE AND LOCAL ELECTRICAL REGULATIONS.
 2. REFER TO PRODUCT DOCUMENTATION FOR ADDITIONAL DETAILS PRIOR TO INSTALLATION AND SITE PREPARATION WORK.
 3. ALL DIMENSIONS ARE IN MILLIMETERS [INCHES].
 4. SHIPPING WEIGHT OF UNIT IS 272.61 Kg [601 LBS].

THIS DRAWING AND SPECIFICATIONS HEREIN ARE THE PROPERTY OF SCHNEIDER ELECTRIC AND SHALL NOT BE COPIED, REPRODUCED OR USED IN WHOLE OR IN PART, AS THE BASIS FOR THE MANUFACTURE OR SALE OF ITEMS WITHOUT WRITTEN PERMISSION FROM SCHNEIDER ELECTRIC. THIS DRAWING IS BASED UPON LATEST AVAILABLE INFORMATION AND IS SUBJECT TO CHANGE WITHOUT NOTICE.

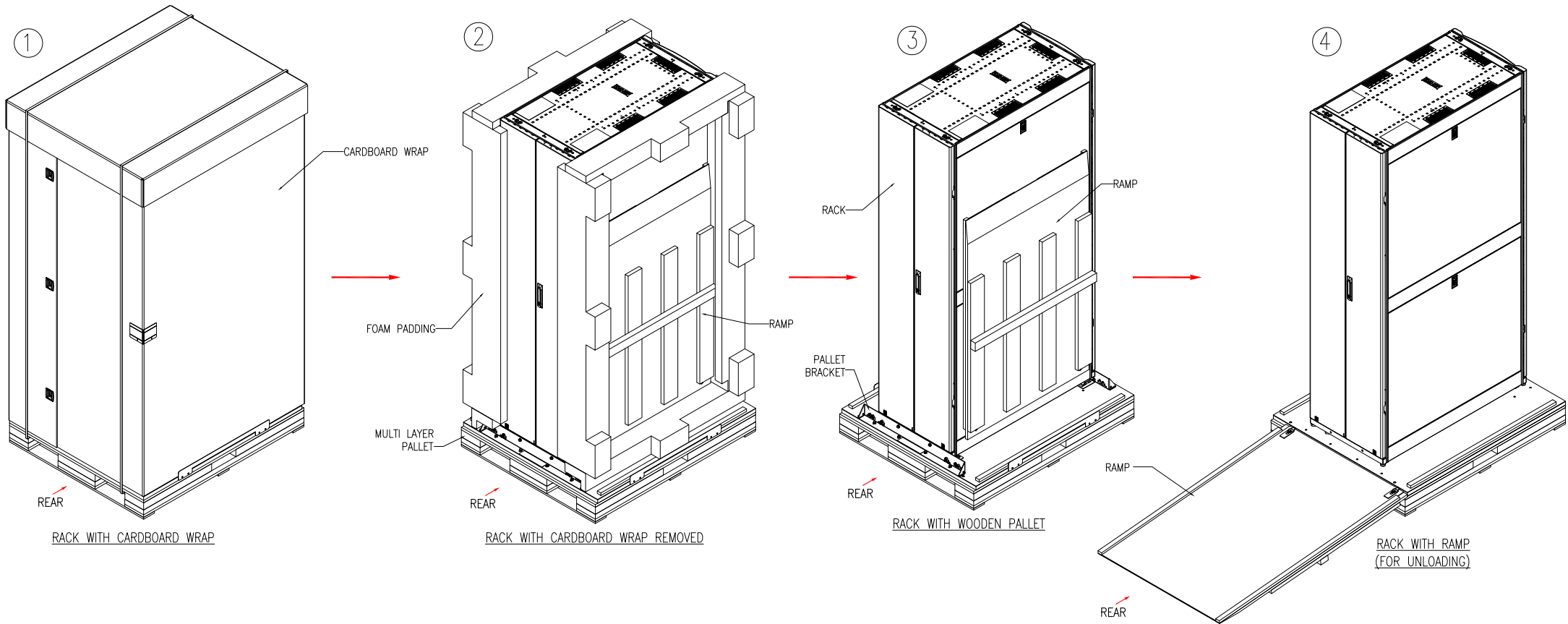


TITLE: NetShelter SX 48U
600mm WIDE X 1200mm DEEP
ENCLOSURE WITH SIDES-SHOCK PACKAGING
PACKING DETAILS

DWG NO:	AR3307SP	REV:	0
DRAWN BY:	JAYAPRAKASH	03-JULY-15	FIRST
ENGINEER:	D HUDSON/ R PHILLIPS	06-JUL-15	ANGLE
APPROVED BY:	GREG IVEY	06-JUL-15	PROJECTION

PROJECT: SUBMITTAL DRAWINGS SHEET 1 OF 6

UNPACKING AND UNLOADING STEPS



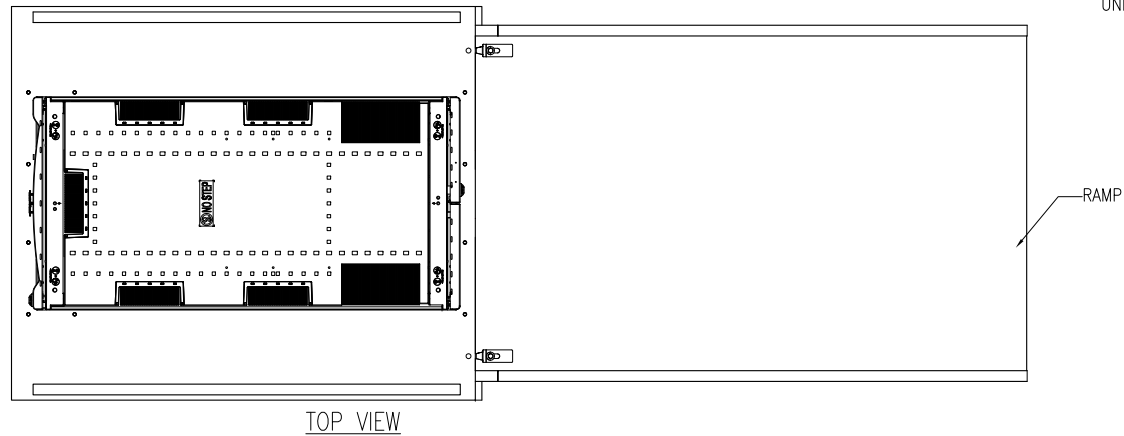
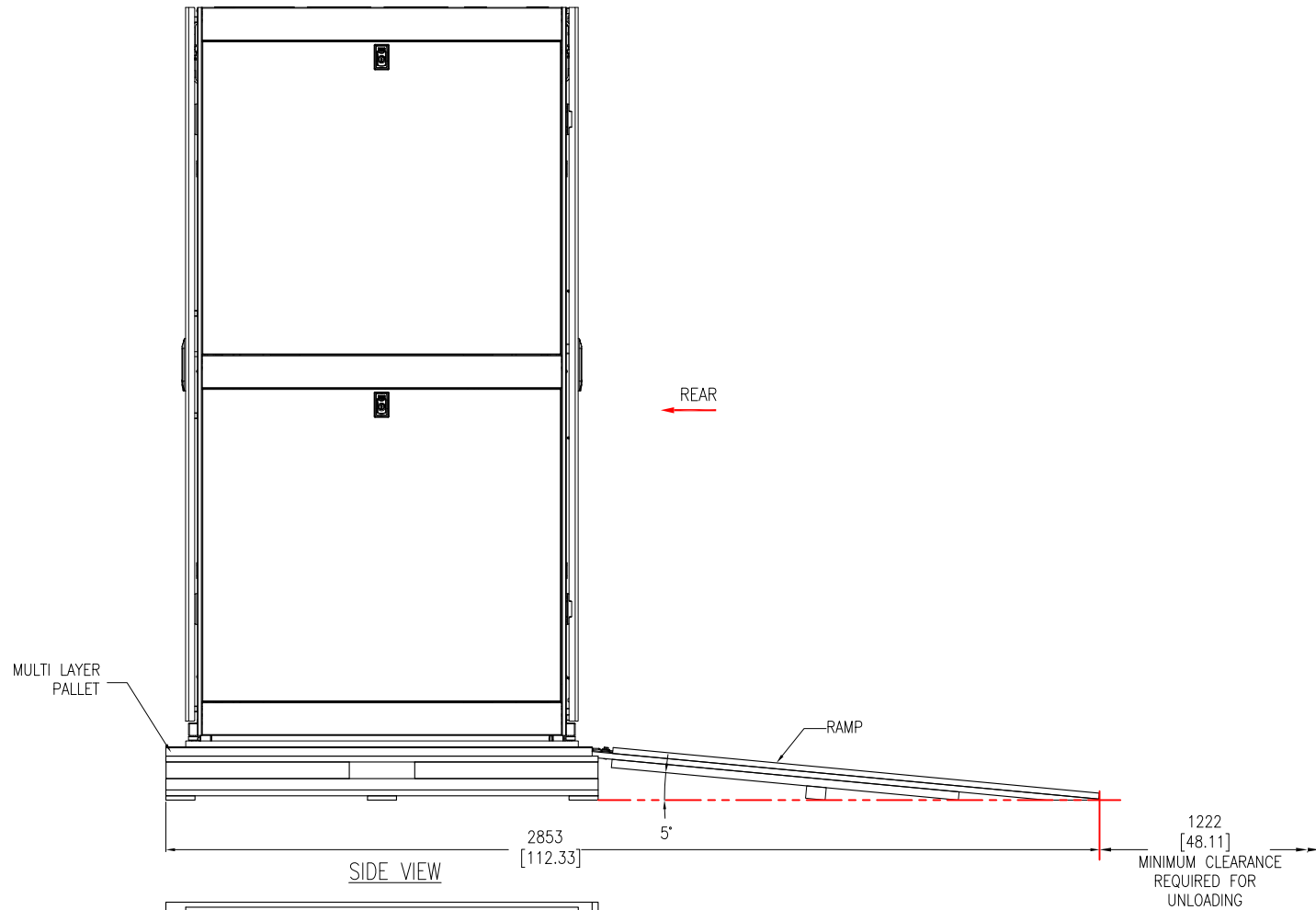
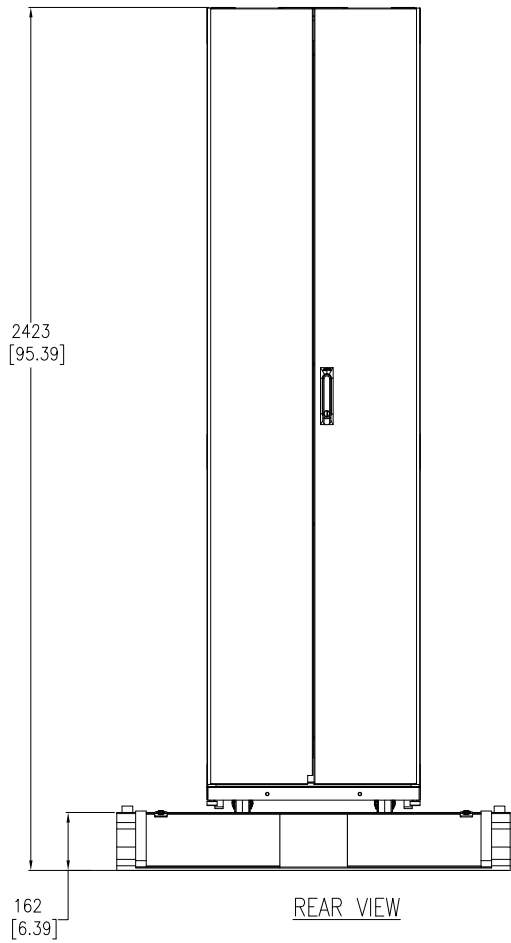
NOTES:
 1. INSTALLATION SHALL COMPLY WITH ALL APPLICABLE NATIONAL, STATE AND LOCAL ELECTRICAL REGULATIONS.
 2. REFER TO PRODUCT DOCUMENTATION FOR ADDITIONAL DETAILS PRIOR TO INSTALLATION AND SITE PREPARATION WORK.

THIS DRAWING AND SPECIFICATIONS HEREIN ARE THE PROPERTY OF SCHNEIDER ELECTRIC AND SHALL NOT BE COPIED, REPRODUCED OR USED IN WHOLE OR IN PART, AS THE BASIS FOR THE MANUFACTURE OR SALE OF ITEMS WITHOUT WRITTEN PERMISSION FROM SCHNEIDER ELECTRIC. THIS DRAWING IS BASED UPON LATEST AVAILABLE INFORMATION AND IS SUBJECT TO CHANGE WITHOUT NOTICE.



TITLE: NetShelter SX 48U
 600mm WIDE X 1200mm DEEP
 ENCLOSURE WITH SIDES-SHOCK PACKAGING
 ISOMETRIC VIEWS
 PROJECT: SUBMITTAL DRAWINGS SHEET 2 OF 6

DWG NO: AR3307SP REV. 1
 DRAWN BY: JAYAPRAKASH 03-JUL-17
 ENGINEER: JIE ZHU 03-JUL-17
 APPROVED BY: GREG IVEY 03-JUL-17
 FIRST ANGLE PROJECTION



- NOTES:**
1. INSTALLATION SHALL COMPLY WITH ALL APPLICABLE NATIONAL, STATE AND LOCAL ELECTRICAL REGULATIONS.
 2. REFER TO PRODUCT DOCUMENTATION FOR ADDITIONAL DETAILS PRIOR TO INSTALLATION AND SITE PREPARATION WORK.
 3. ALL DIMENSIONS ARE IN MILLIMETERS [INCHES].

THIS DRAWING AND SPECIFICATIONS HEREIN ARE THE PROPERTY OF SCHNEIDER ELECTRIC AND SHALL NOT BE COPIED, REPRODUCED OR USED IN WHOLE OR IN PART, AS THE BASIS FOR THE MANUFACTURE OR SALE OF ITEMS WITHOUT WRITTEN PERMISSION FROM SCHNEIDER ELECTRIC. THIS DRAWING IS BASED UPON LATEST AVAILABLE INFORMATION AND IS SUBJECT TO CHANGE WITHOUT NOTICE.



TITLE: NetShelter SX 48U
ENCLOSURE WITH SIDES-SHOCK PACKAGING
UNLOADING DETAILS

PROJECT: SUBMITTAL DRAWINGS SHEET 3 OF 6

DWG NO: AR3307SP

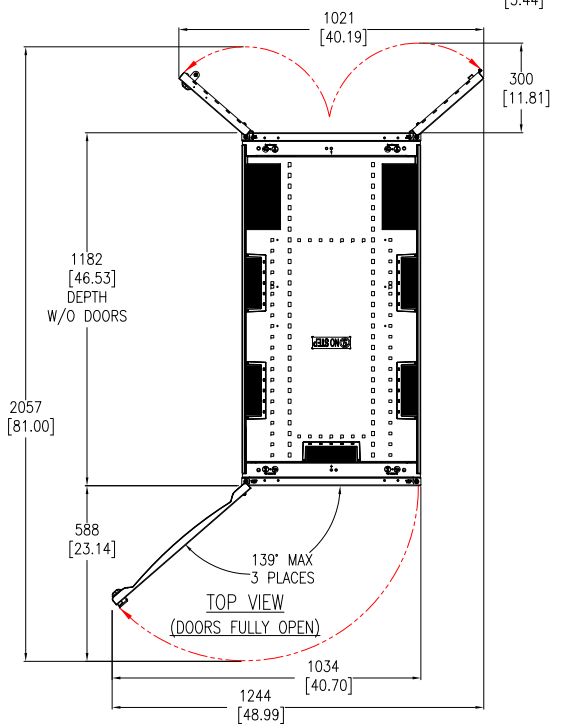
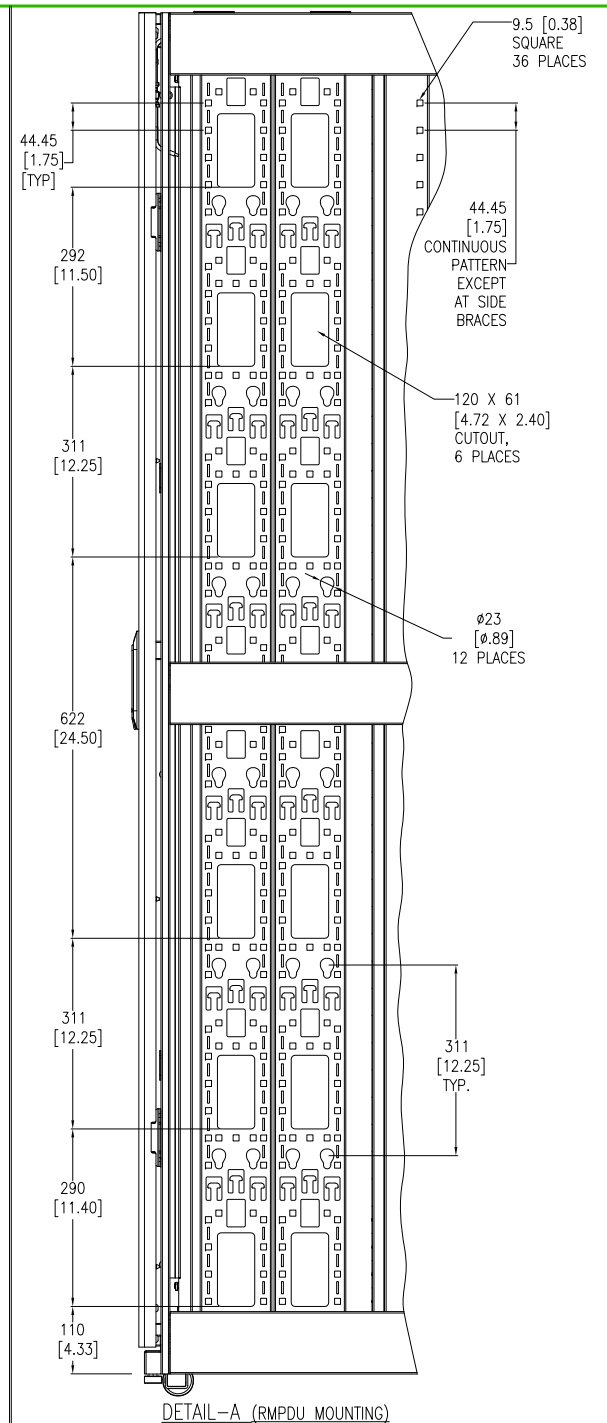
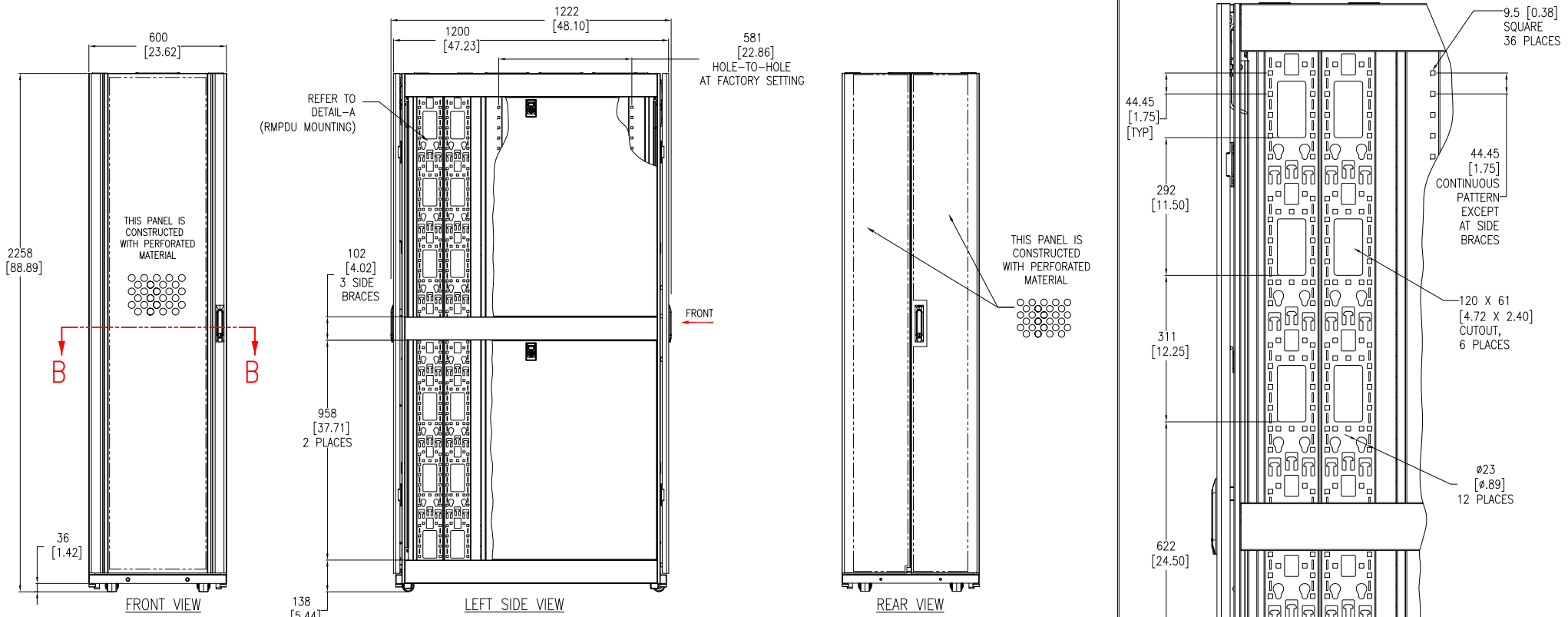
DRAWN BY: JAYAPRAKASH 03-JUL-17

ENGINEER: JIE ZHU 03-JUL-17

APPROVED BY: GREG IVEY 03-JUL-17

REV. 1

FIRST ANGLE PROJECTION

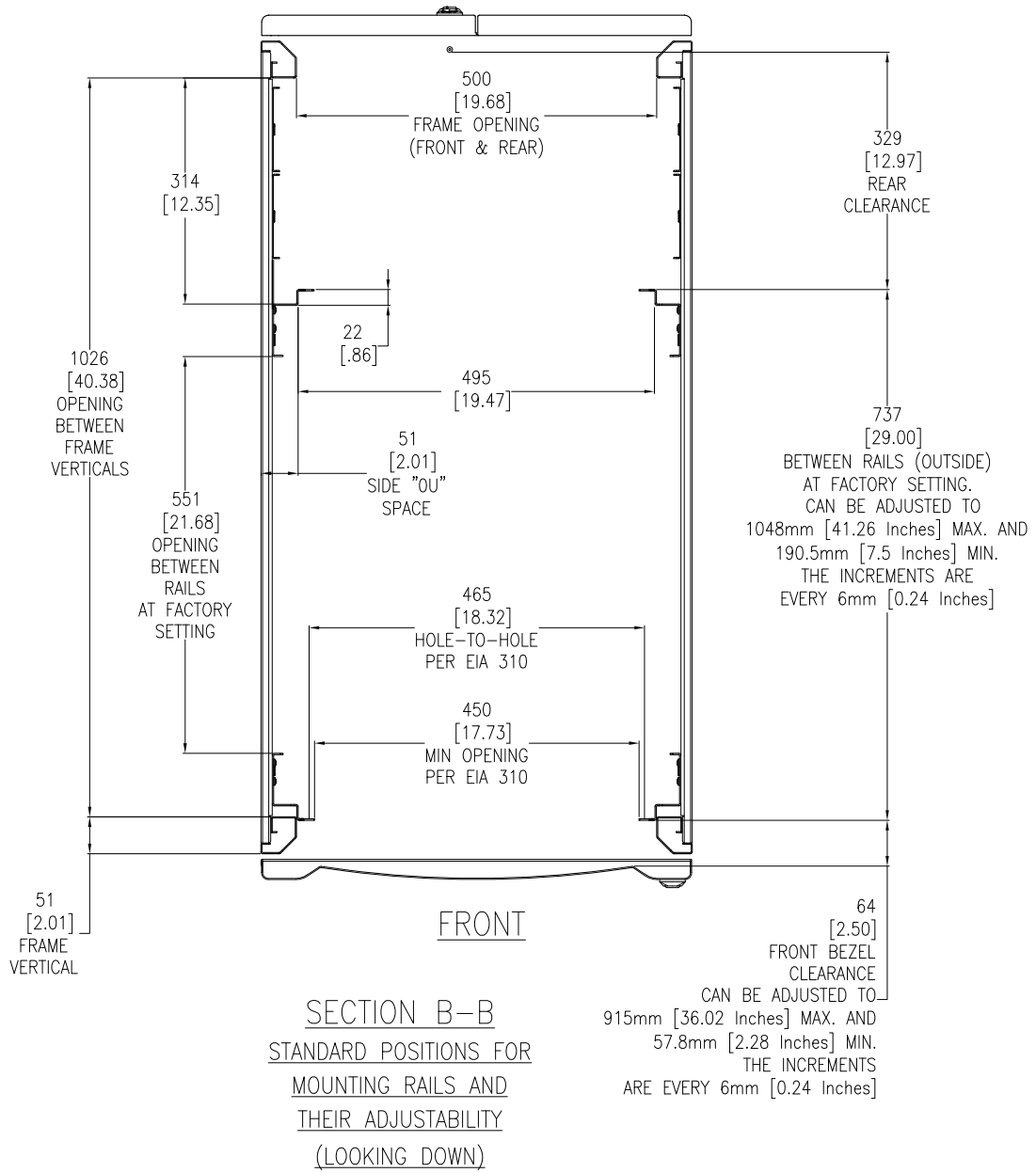
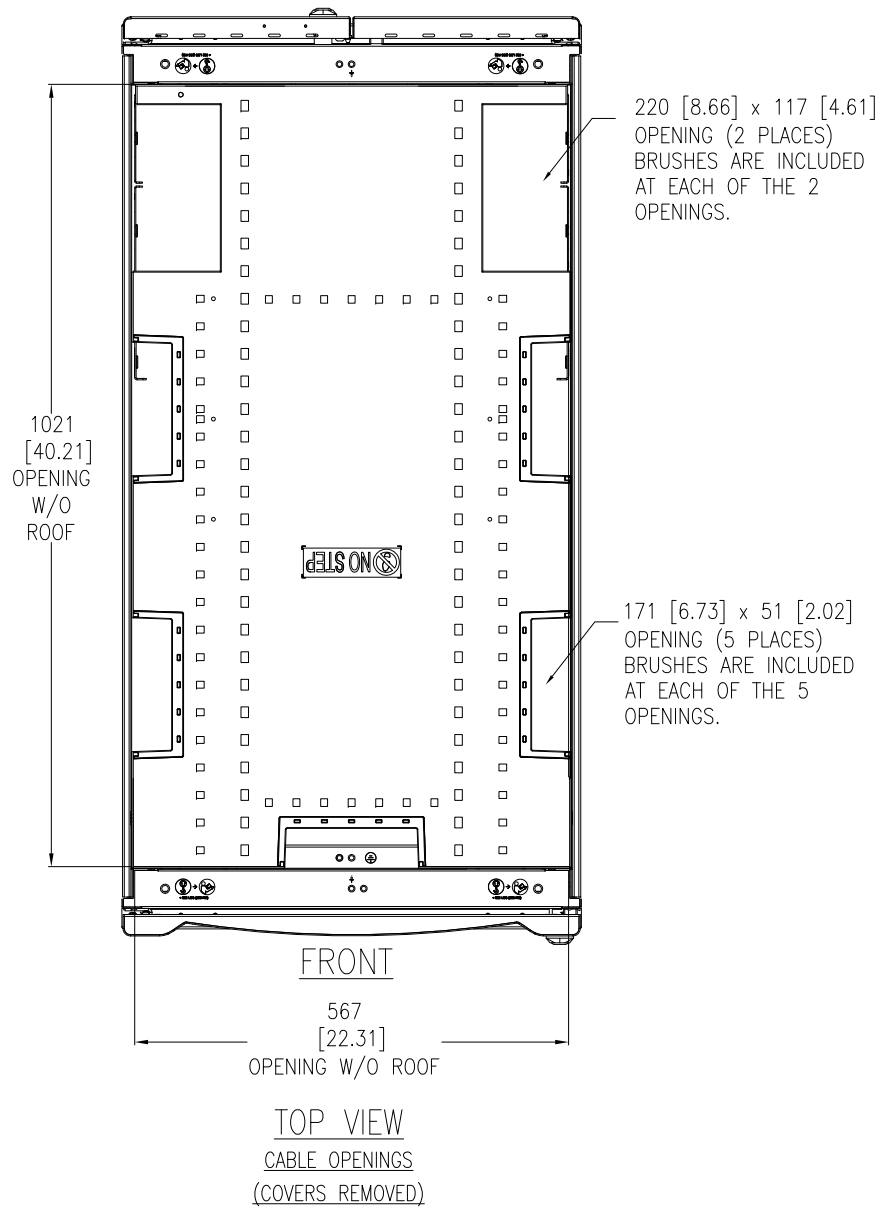


- NOTES:
1. INSTALLATION SHALL COMPLY WITH ALL APPLICABLE NATIONAL, STATE AND LOCAL ELECTRICAL REGULATIONS.
 2. REFER TO PRODUCT DOCUMENTATION FOR ADDITIONAL DETAILS PRIOR TO INSTALLATION AND SITE PREPARATION WORK.
 3. ALL DIMENSIONS ARE IN MILLIMETERS [INCHES].
 4. NET WEIGHT OF UNIT IS 149.55kg [329 lb].
 5. MAXIMUM INSTALLED EQUIPMENT WEIGHT IS 907kg [2000 lb].
 6. CABLE ENTRY IS TOP OR BOTTOM OF THE UNIT.
 7. FRONT AND REAR SERVICE ACCESS REQUIRED.
 8. AIR FLOW AND SERVICE REQUIREMENTS, AS WELL AS MINIMUM CLEARANCE TO FIRE SUPPRESSION SYSTEMS SHOULD BE CONSIDERED WHEN LOCATING THE ENCLOSURE.

THIS DRAWING AND SPECIFICATIONS HEREIN ARE THE PROPERTY OF SCHNEIDER ELECTRIC AND SHALL NOT BE COPIED, REPRODUCED OR USED IN WHOLE OR IN PART, AS THE BASIS FOR THE MANUFACTURE OR SALE OF ITEMS WITHOUT WRITTEN PERMISSION FROM SCHNEIDER ELECTRIC. THIS DRAWING IS BASED UPON LATEST AVAILABLE INFORMATION AND IS SUBJECT TO CHANGE WITHOUT NOTICE.



TITLE:	NetShelter SX 48U 600mm WIDE X 1200mm DEEP ENCLOSURE WITH SIDES-SHOCK PACKAGING GENERAL ARRANGEMENT	DWG NO:	AR3307SP	REV:	1
PROJECT:	SUBMITTAL DRAWINGS	SHEET:	4 OF 6	ENGINEER:	JIE ZHU 03-JUL-17
				APPROVED BY:	GREG IVEY 03-JUL-17
					FIRST ANGLE PROJECTION



- NOTES:
1. INSTALLATION SHALL COMPLY WITH ALL APPLICABLE NATIONAL, STATE AND LOCAL ELECTRICAL REGULATIONS.
 2. REFER TO PRODUCT DOCUMENTATION FOR ADDITIONAL DETAILS PRIOR TO INSTALLATION AND SITE PREPARATION WORK.
 3. ALL DIMENSIONS ARE IN MILLIMETERS [INCHES].

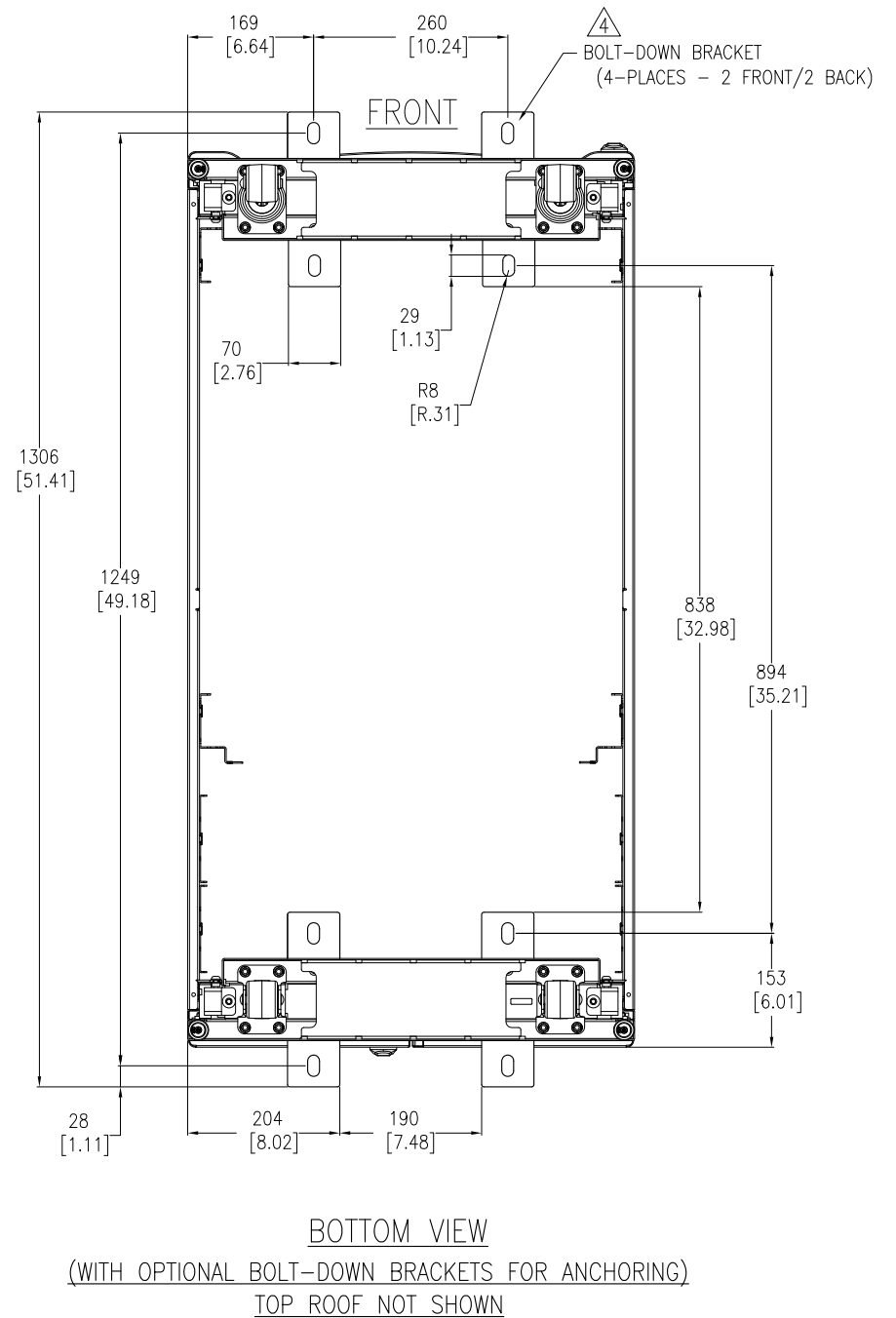
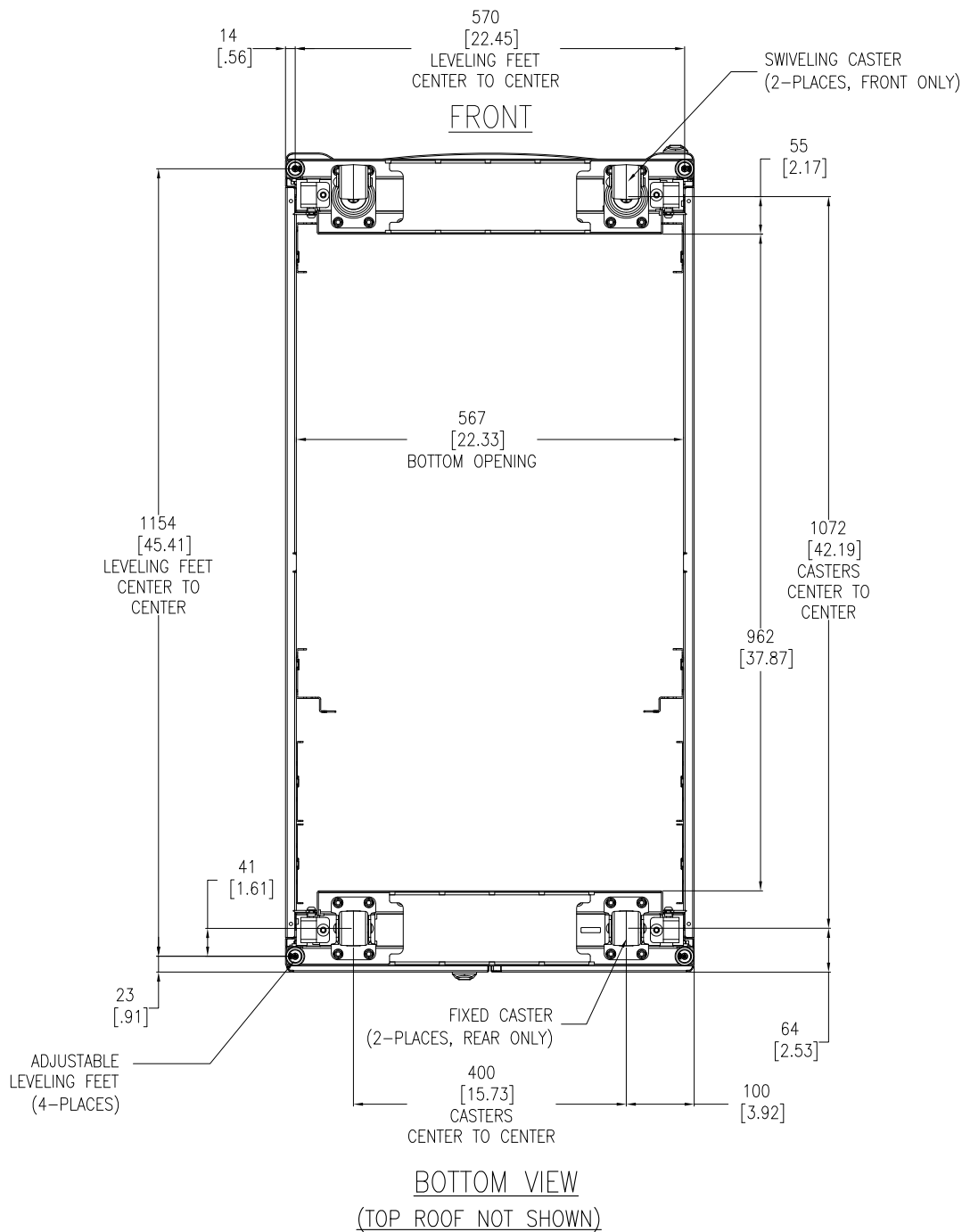
THIS DRAWING AND SPECIFICATIONS HEREIN ARE THE PROPERTY OF SCHNEIDER ELECTRIC AND SHALL NOT BE COPIED, REPRODUCED OR USED IN WHOLE OR IN PART, AS THE BASIS FOR THE MANUFACTURE OR SALE OF ITEMS WITHOUT WRITTEN PERMISSION FROM SCHNEIDER ELECTRIC. THIS DRAWING IS BASED UPON LATEST AVAILABLE INFORMATION AND IS SUBJECT TO CHANGE WITHOUT NOTICE.



TITLE: NetShelter SX 48U
600mm WIDE X 1200mm DEEP
ENCLOSURE WITH SIDES-SHOCK PACKAGING
TOP VIEW & SECTION VIEW

PROJECT: SUBMITTAL DRAWINGS SHEET 5 OF 6

DWG NO:	AR3307SP	REV:	1
DRAWN BY:	JAYAPRAKASH	DATE:	03-JUL-17
ENGINEER:	JIE ZHU	DATE:	03-JUL-17
APPROVED BY:	GREG MEY	DATE:	03-JUL-17
			FIRST ANGLE PROJECTION



- NOTES:
1. INSTALLATION SHALL COMPLY WITH ALL APPLICABLE NATIONAL, STATE AND LOCAL ELECTRICAL REGULATIONS.
 2. REFER TO PRODUCT DOCUMENTATION FOR ADDITIONAL DETAILS PRIOR TO INSTALLATION AND SITE PREPARATION WORK.
 3. ALL DIMENSIONS ARE IN MILLIMETERS [INCHES].
- △4. BOLT-DOWN KIT (SKU# AR7701) IS OPTIONAL AND HAS TO BE ORDERED SEPARATELY.

THIS DRAWING AND SPECIFICATIONS HEREIN ARE THE PROPERTY OF SCHNEIDER ELECTRIC AND SHALL NOT BE COPIED, REPRODUCED OR USED IN WHOLE OR IN PART, AS THE BASIS FOR THE MANUFACTURE OR SALE OF ITEMS WITHOUT WRITTEN PERMISSION FROM SCHNEIDER ELECTRIC. THIS DRAWING IS BASED UPON LATEST AVAILABLE INFORMATION AND IS SUBJECT TO CHANGE WITHOUT NOTICE.

Schneider Electric

TITLE:
NetShelter SX 48U
600mm WIDE X 1200mm DEEP
ENCLOSURE WITH SIDES-SHOCK PACKAGING
BOTTOM VIEWS

PROJECT: SUBMITTAL DRAWINGS SHEET 6 OF 6

DWG NO: **AR3307SP** REV. **0**

DRAWN BY: JAYAPRAKASH 03-JULY-15
ENGINEER: D HUDSON/ R PHILLIPS 06-JUL-15
APPROVED BY: GREG IVEY 06-JUL-15

FIRST ANGLE PROJECTION