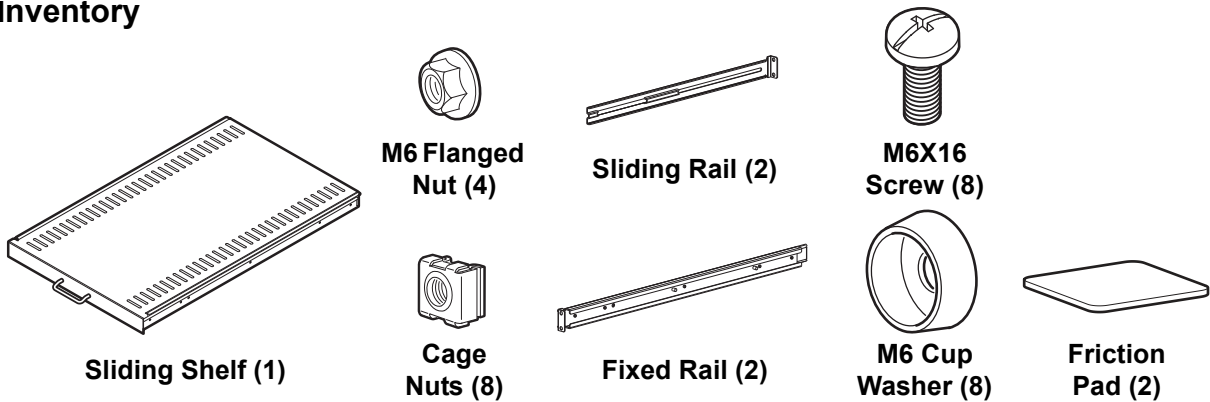


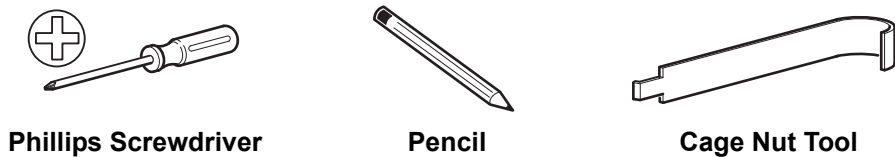
Sliding Shelf, 100 lb (45 kg) Rated for NetShelter™ Cabinets

AR8123, AR8123BLK

Inventory



Tools Required (not provided)

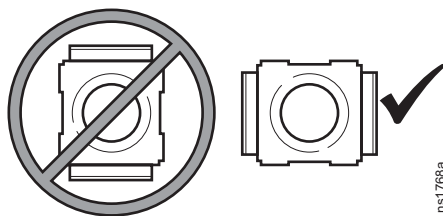


Preparation

Cage Nuts

NOTE: Read and follow the manufacturer's installation instructions for your rack-mount equipment.

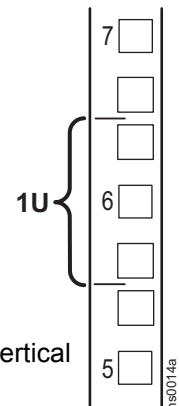
Locate the top and bottom U-space on the vertical mounting rails. Every third hole on the mounting rails is numbered to indicate the middle of a U-space.



NOTES:

Install cage nuts horizontally, with the ears engaging the sides of the square hole.

Install the cage nuts on the interior of the vertical mounting flange.

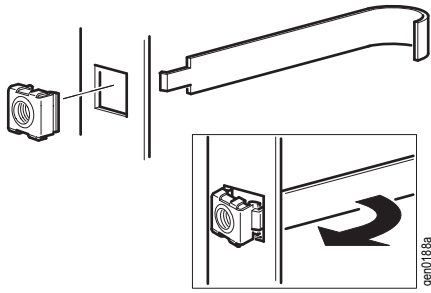


⚠ CAUTION

HAZARD OF FALLING EQUIPMENT

Do NOT install cage nuts vertically with the ears engaging the top and bottom of the square hole. This will result in insecure mounting for rack-mounted equipment.

Failure to follow these instructions can result in injury or equipment damage.



Installation:

From inside the enclosure, insert the cage nut into the square hole.

Hook one ear of the cage nut assembly through the far side of the hole.

Place the cage nut tool on the other side of the cage nut and pull to snap into position.

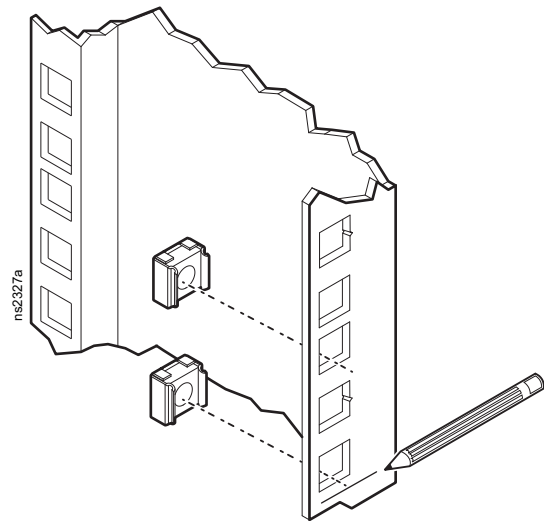
Removal:

Remove any attached screw.

Grasp the cage nut and squeeze the sides to release it from the square hole.

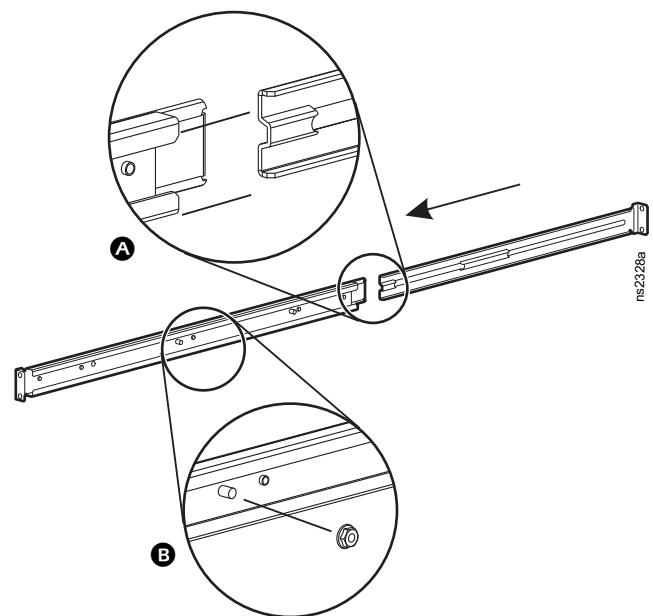
Installation

1. Choose the location for the Sliding Shelf on the vertical mounting rails of the enclosure.
2. Using a pencil, mark the bottom mounting hole of the chosen U-space on the front and rear vertical mounting rails.
3. Install a caged nut in the top and bottom mounting holes of the U-space chosen in Step 1. Repeat for each of the four vertical mounting rails.



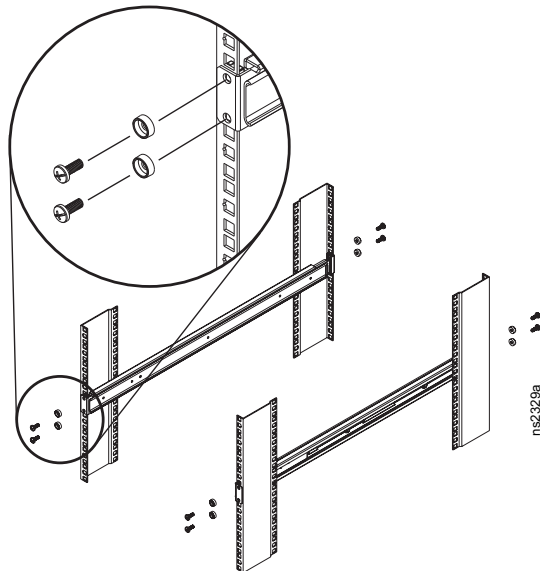
Assemble the Adjustable Rails

1. Slide movable rail into rail assembly (A).
2. Using the flanged nuts, fasten the rails loosely to allow them to slide (B).
3. Repeat for the other adjustable rail.



Align the Holes

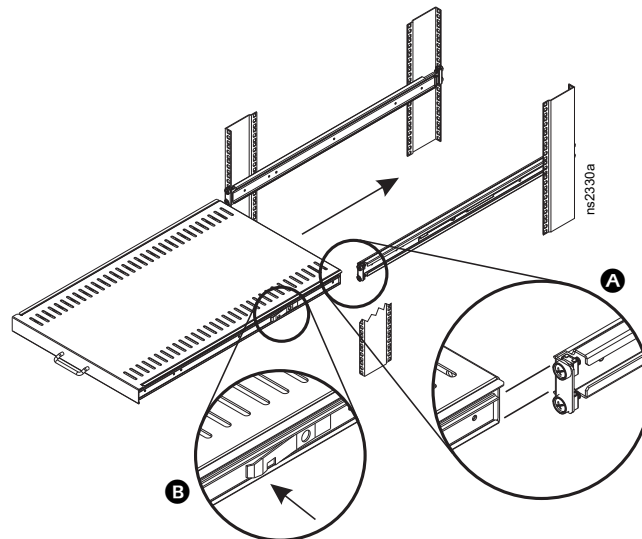
1. Align the holes at the end of each rail-slide assembly with the installed caged nuts.
2. Loosely fasten to the enclosure using the screws and cup washers provided.



NOTE: The length of the Sliding Shelf rails should adjust to match rack depth. Loosen the 3/8 in. nuts, if necessary, to adjust the length.

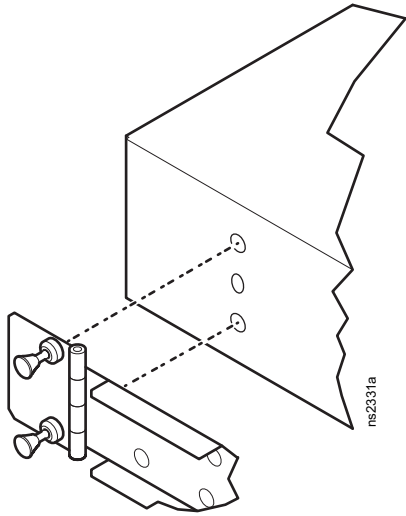
Install the Shelf Assembly

1. Fit the rear of the shelf slide into the front end of the slide on the mounted rail-slide assembly and slide forward until it stops with a click, or about 8 in. (A).
2. Push the release lever on each side of the rail assembly and push the shelf the rest of the way forward (B).



3. Tighten the 8 screws on the vertical mounting rack.
4. Tighten nuts on the adjustable rail.
5. Place the 4 friction pads on the shelf according to the footprint of the equipment you are installing on the shelf. Place the edges of the friction pads parallel to the edges of the shelf.
6. Carefully lower the equipment onto the friction pads.

Install Cable Management Arm AR8129 (optional)



1. Align the plungers on the Cable Management Arm with the holes on either side of the rear of the Sliding Shelf.
2. Using the screws installed at prior step “**Align the Holes,**” fasten the other end of the Cable Management Arm to the vertical mounting rail, according to the instructions supplied with AR8129.

NOTE: Install Cable Management Arm before placing any equipment onto the Sliding Shelf.