

Eaton RS Enclosure

Easy to configure power, cabling and airflow



Powering Business Worldwide

Eaton RS Enclosure

Whether you have a network closet, server room, or multi-tenant data center, the Eaton® RS Enclosure provides an easy-to-configure solution for IT equipment storage. RS features tool-less configuration, optimized mounting for power distribution, flexible cable management solutions and security provisions. For more information visit, Eaton.com/RS.

RS features

Power-optimized design

Today's increasing power densities require flexible ePDU rack power distribution mounting and cable management solutions.

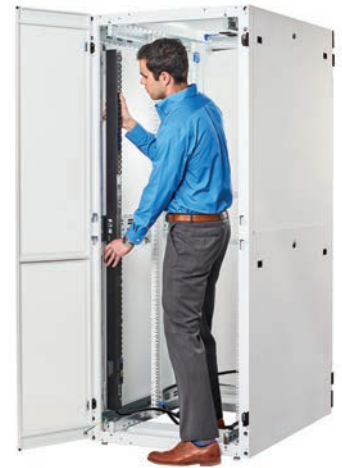
- Multiple ePDU mounting options and out-of-the-box installation for ePDUs
- Pathways for cable ingress and egress at the top and bottom of the enclosure to accommodate large connectors and cable loops
- Tool-less ePDU mounting brackets with integrated cable management



Tool-less configuration

To help reduce installation time, RS supports tool-less configuration of all key enclosure components.

- Mounting rails and PDU brackets
- Doors, top panels and side panels
- Cable management and airflow management accessories



Cable management

- Improved cable management helps maximize available enclosure space while improving airflow to prevent overheating
- Customizable mounting options that accommodate uninterruptible power systems (UPSs) and power distribution units (PDUs)

Physical security

- Enhanced physical security via a highly secure combination lock helps protect valuable IT resources from both internal and external threats
- Ideal for government and healthcare industries where security is a larger factor

Integrated power management solutions

Power management

Eaton provides the widest variety of power and power management capabilities through its basic, monitored and managed power distribution offering with solutions ranging from .5 kVA up to 15+ kVA.



Eaton.com/ePDUG3

UPS backup power solutions

Managing a UPS has never been easier with the 9PX UPS; even in virtualized environments.

- Premium backup power and scalable battery runtimes
- For servers, voice/data networks and storage systems

- Advanced LCD screen interface
- 9PX UPS ideal in both rack and stand-alone installations
- Robust power management software



Eaton.com/9PX

Energy efficient solutions for high-density equipment

Integrating key design elements

Energy efficient designs require attention to a wide range of enclosure elements including cable management, airflow, heat containment, power distribution and management and environment monitoring/management. RS and its complementary tool-less accessories address these needs.

- A Air dams** (see page 17)
Top panels with brushes and grommets provide airflow management while facilitating overhead cabling.
- B Blanking Panels** (see page 17)
Blanking panels are key to maintaining cold/hot aisle configurations and minimizing any recirculation of air.
- C ePDU** (see page 17)
Eaton's extensive offering of managed and monitored ePDUs – which mount to the PDU brackets – provide a wide range of sensor and communication options for managing an installation.
- D Side panels** (see page 14)
Optional side panels feature grommet holes with covers to manage airflow while providing side-to-side cabling.
- E Cable management** (see pages 15 and 16)
Cable management is critical for ensuring air intake/exhaust paths are clear to maximize equipment cooling.



A Air dams provide a barrier between hot and cold air, and manage cables.



D Side panel grommet holes with covers to help manage airflow.



B Blanking panels are available to seal open U spaces.



E Optional grommets for overhead cabling.



C Integrated power distribution mounting is built into the frame.



C Monitor and manage system energy with Eaton Smart ePDUs.

Preconfigured enclosures

1 RS server configuration

- Ideal for labs, network closets or basic server racks.
- PDU mounting, airflow and cable management options



See page 6
Eaton.com/RSserver

2 RS network configuration

- Ideal for applications with medium to high-density cabling
- Cable managers installed in the front and rear



See page 8
Eaton.com/RSnetwork

3 RS colocation configuration

- Ideal for data centers requiring flexibility and security
- Secure, flexible combination lock



See page 10
Eaton.com/RScolo

RS solution features

Available solutions

Size range

- Height: 42U, 45U, 48U, 52U
- Width: 600mm and 800mm
- Depth: 1000mm, 1100mm, 1200mm

Colors

- White steel with black trim
- Black steel with black trim

Safety & certifications

Loading

- Robust 3000 lbs. static loading; 2000 lbs. dynamic loading

Grounding

- Featured on all components
- Auto-bonding for ease of grounding on most components

Anchorage and leveling

- Anti-tip and seismic anchorage brackets available as options
- Easy to access levelers for ease of installation and pads to protect floors
- Anchor bracket kits easily install on front of frame
- Seismic anchorage analysis report available upon request

Compliance and certifications

- UL 2416 for data center applications (includes UL 60950)



Construction solutions

Frame

- Welded and bolted construction; highly symmetrical design
- 3000 lbs. static loading to handle a full load of servers or related IT equipment

Doors

- High-flow full door with maximum perforation area to help ensure no blockage in equipment mounting space
- High-flow split perforated doors
- One person easy on/easy off door installation with quick disconnect lanyards for grounding
- 180°+ opening
- Lift-off design (tool-less, one person handling)
- Swing handle with key lock is standard
- Optional locks available including HFID and combo lock

Rails

- Tool-less latching for easy alignment with location markings on crossmembers
- Markings on front and rear help make equipment mounting easy
- .375" square holes with mounting hardware

Side panels

- Tool-less easy on/off locking solid side panels
- Feature an easy lift off/drop on design
- Cable pass-thru version option available as an accessory

Top panel

- Cable ingress and support with standard top panel helps manage airflow and cable pass-thru
- Brush in rear for handling larger data bundles or power cords/receptacles
- Tool-less removal of top panel
- Modular, tool-less and configurable options

PDU mounting

- Tool-less brackets integrate cable management
- Brackets can mount up to two PDUs and also accommodate cable management elements, including Velcro® straps, to help manage cabling in PDU area
- For split PDUs or additional cable management, add additional bracket kits as needed
- 90 degree bracket option for mounting behind rails on 800mm wide versions

Airflow management

- Rails mate to top panel and bottom caster pontoon for hot aisle/cold aisle seal
- Top panel features grommets and brushes to manage heat
- Side air dams and blanking panels (optional air dams available)

1 RS server configuration

RS server configurations are the perfect solution for labs, network closets or basic server racks.

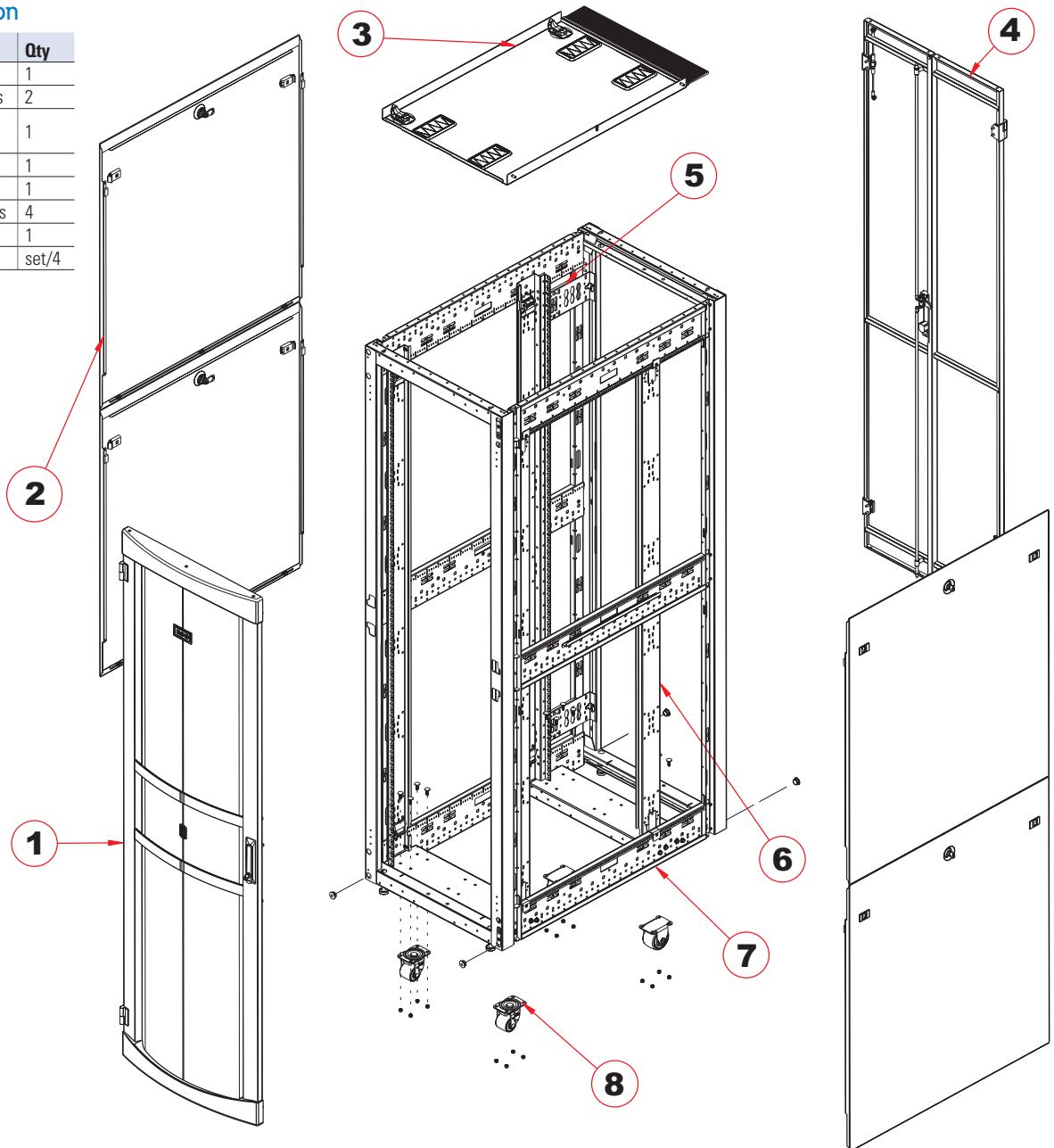
Server configurations are available in black or white in a wide range of sizes including heights of 42U, 45U, 48U and 52U, widths of 600mm and 800mm, and depths of 1000mm, 1100mm and 1200mm. To support different thermal requirements, servers are available with and without side panels.

Each configuration includes:

- Robust frame
- Square hole adjustable rails
- High-flow perforated front door
- High-flow split rear door
- Locking split side panels (where applicable)
- Networking top panel with cable pass-thru grommets and brush
- Casters and levelers
- PDU mounting brackets
- Grounding

RS server configuration

| Item | Description | Qty |
|------|---|-------|
| 1 | Full front door | 1 |
| 2 | Locking split side panels | 2 |
| 3 | Top panel with cable pass-thru grommets | 1 |
| 4 | Rear split door | 1 |
| 5 | Dual PDU bracket kit | 1 |
| 6 | Tool-less rackmount rails | 4 |
| 7 | Welded frame | 1 |
| 8 | Caster kit | set/4 |



How to order a RS server configuration

Server configuration part number matrix

Step 1 Select **server style** RSV = standard server or RSVNS = standard server - no sides

Step 2 Select **(U) height** 42, 45, 48, 52

Step 3 Select **width** 6 = 600mm or 8 = 800mm

Step 4 Select **depth** 0 = 1000mm or 1 = 1100mm 2 = 1200mm

Step 5 Select **color** W = white or B = black

Example: RSV4261B is a 42U high, 600mm wide, 1100mm deep, black standard enclosure with sides



Server configuration front



Server configuration back

RS server configuration most popular accessories*



Vertical air dam

| Air dams | Width | Height (U) | Color |
|---------------------|---------------|----------------|----------------------------|
| RSAIRD = RS air dam | 600 for 600mm | 42, 45, 48, 52 | N/A W = white B = black |
| | 800 for 800mm | | |

Example: RSAIRD80042B is an air dam that is 800mm wide, 42U high, black

| Side panels | Height (U)HH | Depth D | Color |
|--|----------------|------------|------------------------|
| RSSP = RS side panels - solid RSSPC = RS side panel cable pass-thru | 42, 45, 48, 52 | 0 = 1000mm | W = white B = black |
| | | 1 = 1100mm | |
| | | 2 = 1200mm | |

Example: RSSP420B: RS side panel solid, 42U high, 1000mm deep, black

| Vertical cable manager finger kit | Height (U) |
|---|----------------|
| RSCMF = Vertical cable manager finger kit | 42, 45, 48, 52 |

Example: RSCMF42U is a 42U high, vertical cable manager finger kit.

* For a full range of accessories, see pages 14 through 19.



Cable fingers

2

RS network configuration

RS network configurations are the perfect solution for applications with medium to high-density cabling requirements.

Each enclosure features vertical cable managers in the front and rear. The front features a medium-density vertical cable manager with fingers installed on the front rail. The 600mm wide enclosures feature the medium-density cable manager which is also installed in the rear. The 800mm wide enclosures features a high-density cable manager with two sets of fingers and a door installed.

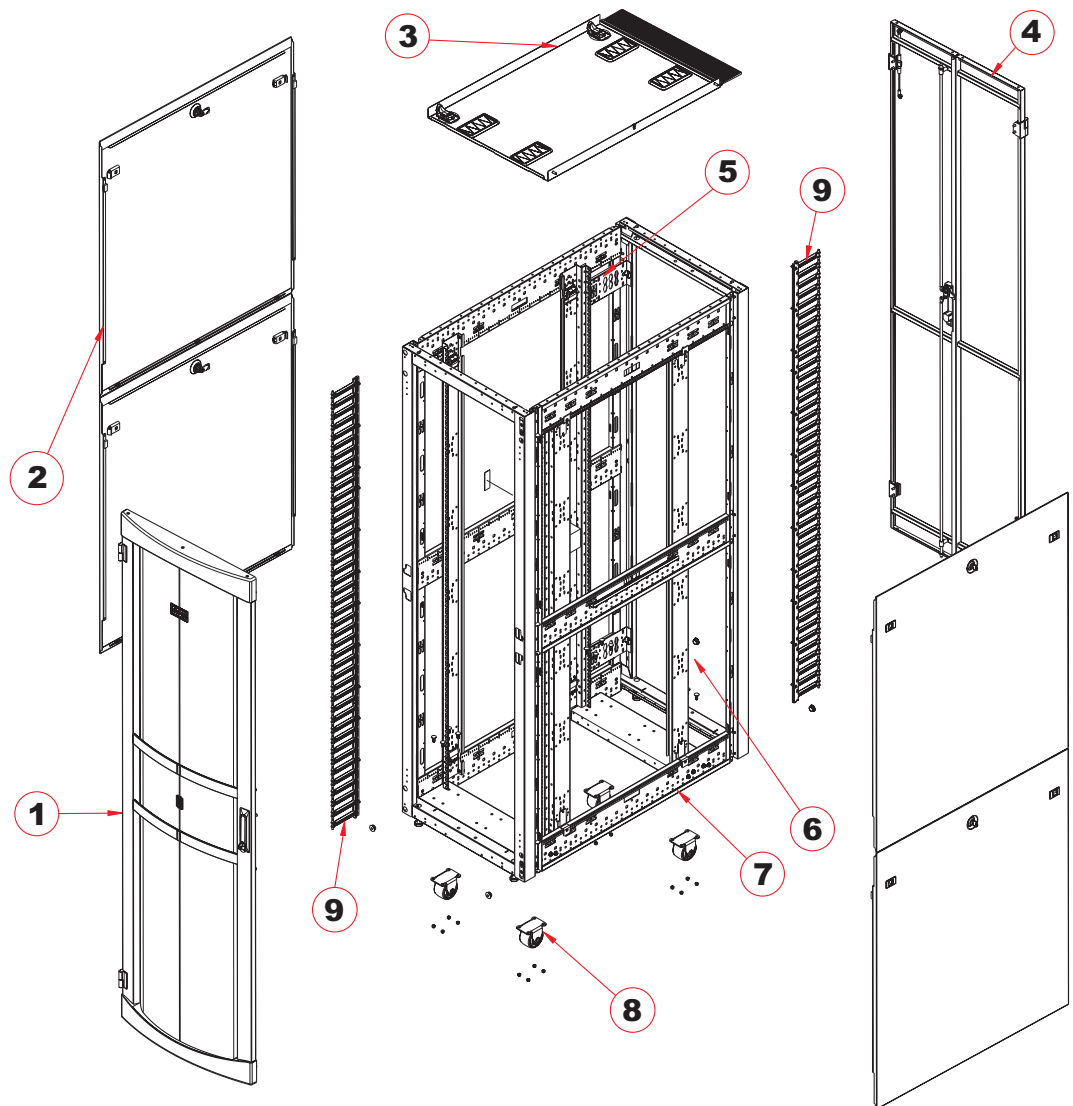
Preconfigured network configurations are available in a wide range of sizes including heights of 42U and 48U, widths of 600mm and 800mm and depths of 1100mm and 1200mm. Colors include black with black trim and white with black trim.

Each configuration includes:

- Robust frame
- Square hole adjustable rails
- High-flow perforated front door with swing handle lock
- High-flow split rear door with swing handle
- Locking split side panels
- Tool-less cable managers can be removed or adjusted
- Networking top panel with cable pass-thru grommets and brush
- Casters and levelers
- PDU mounting brackets
- Grounding
- Vertical cable managers in front and rear

RS network configuration

| Item | Description | Qty |
|------|---|-------|
| 1 | Full front door | 1 |
| 2 | Locking split side panels | 2 |
| 3 | Top panel with cable pass-thru grommets | 1 |
| 4 | Rear split door | 1 |
| 5 | Dual PDU bracket kit | 1 |
| 6 | Tool-less rackmount rails | 4 |
| 7 | Welded frame | 1 |
| 8 | Caster kit | set/4 |
| 9 | Front and rear cable managers | 2 |





Network configuration shown with side panels removed; optional Flextray™ included in addition to finger style vertical managers

RS network configuration ordering information

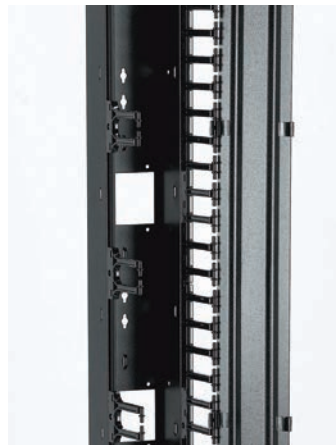
- Select __ = B (black) or W (white)

| Part number | Size | Color | Cable management |
|-------------|----------------------|--|--|
| RSN4261__ | 42U x 600mm x 1100mm | Black with black trim or white with black trim | 2 medium-duty vertical cable managers |
| RSN4281__ | 42U x 800mm x 1100mm | Black with black trim or white with black trim | 1 medium-duty vertical cable manager, 1 high-density cable manager |
| RSN4262__ | 42U x 600mm x 1200mm | Black with black trim or white with black trim | 2 medium-duty vertical cable managers |
| RSN4282__ | 42U x 800mm x 1200mm | Black with black trim or white with black trim | 1 medium-duty vertical cable manager, 1 high-density cable manager |
| RSN4861__ | 48U x 600mm x 1100mm | Black with black trim or white with black trim | 2 medium-duty vertical cable managers |
| RSN4881__ | 48U x 800mm x 1100mm | Black with black trim or white with black trim | 1 medium-duty vertical cable manager, 1 high-density cable manager |
| RSN4862__ | 48U x 600mm x 1200mm | Black with black trim or white with black trim | 2 medium-duty vertical cable managers |
| RSN4882__ | 48U x 800mm x 1200mm | Black with black trim or white with black trim | 1 medium-duty vertical cable manager, 1 high-density cable manager |

Example: RSN4261B is a 42U high, 600mm wide, 1100mm deep, black enclosure



Medium-duty vertical cable manager



High-density vertical cable manager

RS network configuration most popular accessories*

- Select __ = B (black) or W (white)

| Part number | Description |
|------------------------|---|
| Anchor brackets | |
| RSANC__ | Anchor brackets in black or white |
| Air dams | |
| RSAIRD60042 | Air dam kit for 42U, 600mm wide enclosure |
| RSAIRD60048 | Air dam kit for 48U, 600mm wide enclosure |
| RSAIRD80042__ | Air dam kit for 42U, 800mm wide enclosure – includes vertical blanking panels; black or white |
| RSAIRD80048__ | Air dam kit for 48U 800mm wide enclosure – includes vertical blanking panels; black or white |
| Bottom panel | |
| RSBPAIRD2__ | Bottom panel for 800mm wide enclosures for configurations with rails recessed more than 100mm; black or white |
| RSHPG63__ | Bottom panel for 600mm wide enclosures for configurations with rails recessed more than 100mm; black or white |
| Blanking panels | |
| ETN-PBP1U10 | Kit of 10 tool-less plastic blanking panels |

* For a full range of accessories, see pages 14 through 19.



Top panel with cable pass-thru grommets and brush



Grounding

3

RS colocation configuration

The RS colocation configuration is ideal for data centers that require additional flexibility and security.

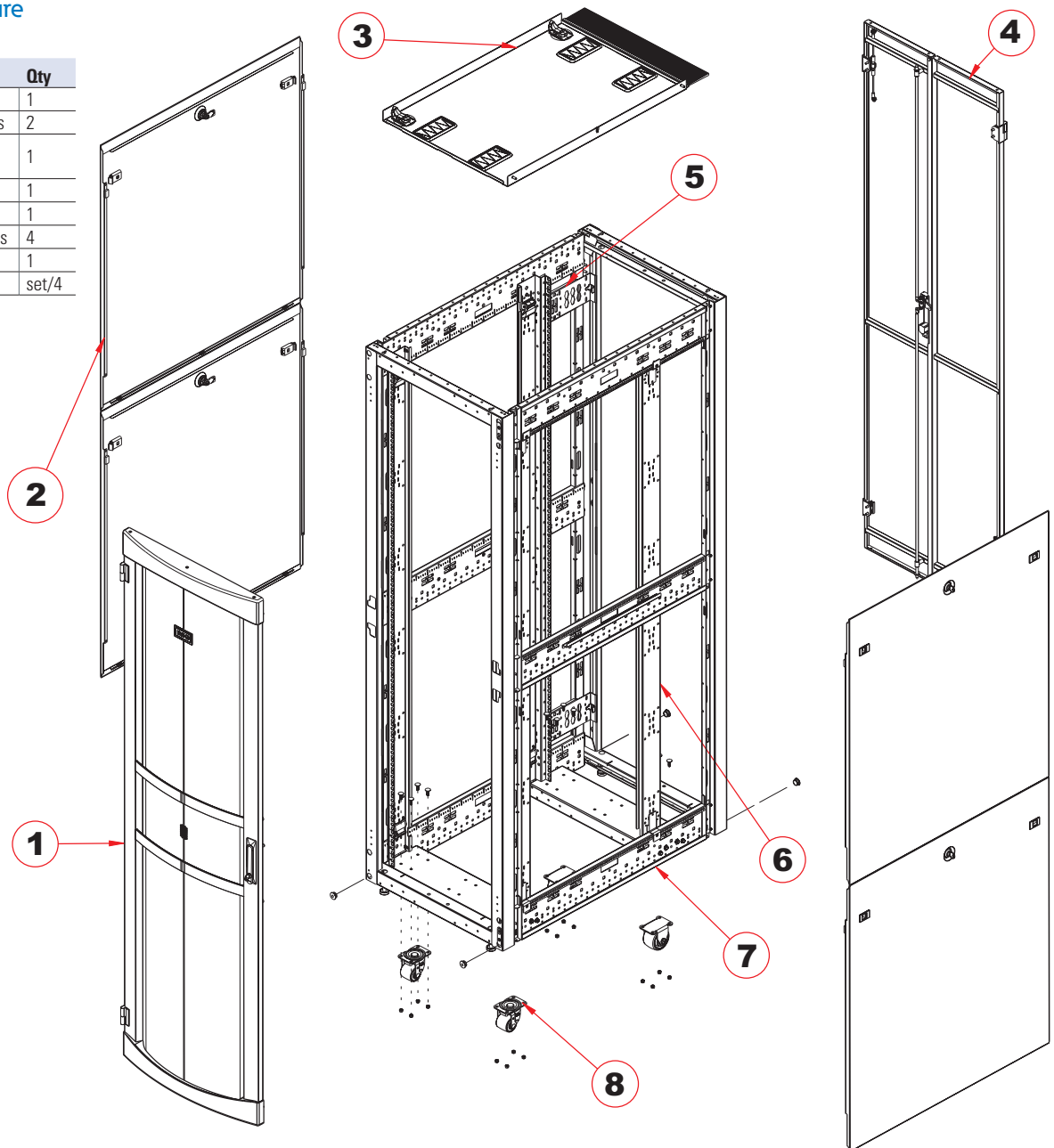
Colocation enclosures are available in a wide range of sizes including heights of 42U and 48U, widths of 600mm and 800mm and depths of 1100mm and 1200mm. Colors include black with black trim and white with black trim.

Each configuration includes:

- Robust frame
- High-flow perforated front door with combination swing handle lock; alternative HFID lock also available
- Square hole adjustable rails
- High-flow split rear door with combination swing handle
- Locking split side panels
- Networking top panel with cable pass-thru grommets and brush
- Casters and levelers
- PDU mounting brackets
- Grounding

RS colocation enclosure configuration

| Item | Description | Qty |
|------|---|-------|
| 1 | Full front door | 1 |
| 2 | Locking split side panels | 2 |
| 3 | Top panel with cable pass-thru grommets | 1 |
| 4 | Rear split door | 1 |
| 5 | Dual PDU bracket kit | 1 |
| 6 | Tool-less rackmount rails | 4 |
| 7 | Welded frame | 1 |
| 8 | Caster kit | set/4 |





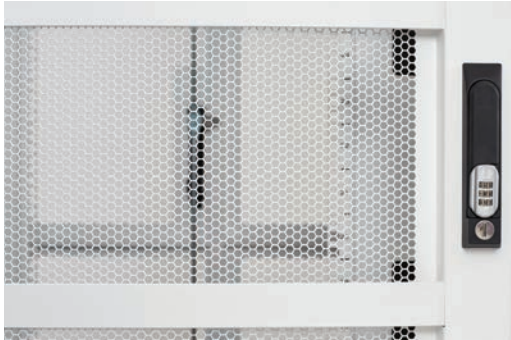
RS colocation configuration ordering information

- Select __ = B (black) or W (white)

| Part number | Size | Color |
|-------------|----------------------|--|
| RSC4261__ | 42U x 600mm x 1100mm | Black with black trim or white with black trim |
| RSC4281__ | 42U x 800mm x 1100mm | Black with black trim or white with black trim |
| RSC4262__ | 42U x 600mm x 1200mm | Black with black trim or white with black trim |
| RSC4282__ | 42U x 800mm x 1200mm | Black with black trim or white with black trim |
| RSC4861__ | 48U x 600mm x 1100mm | Black with black trim or white with black trim |
| RSC4881__ | 48U x 800mm x 1100mm | Black with black trim or white with black trim |
| RSC4862__ | 48U x 600mm x 1200mm | Black with black trim or white with black trim |
| RSC4882__ | 48U x 800mm x 1200mm | Black with black trim or white with black trim |

Example: RSC4261B is a 42U high, 600mm wide, 1100mm deep, black enclosure

RS comes in black with black trim or white with black trim



Combination lock



Flexible ePDU mounting options

RS colocation configuration most popular accessories*

- Select __ = B (black) or W (white)

| Part number | Description |
|------------------------|--|
| Anchor brackets | |
| RSANC__ | Anchor brackets in black or white |
| Air dams | |
| RSAIRD60042 | Air dam kit for 42U, 600mm wide enclosure |
| RSAIRD60048 | Air dam kit for 48U, 600mm wide enclosure |
| RSAIRD80042__ | Air dam kit for 42U, 800mm wide enclosure – includes vertical blanking panels; black or white |
| RSAIRD80048__ | Air dam kit for 48U 800mm wide enclosure – includes vertical blanking panels; black or white |
| Bottom panel | |
| RSBPAIRD2__ | Bottom panel for 800mm wide enclosures for configurations with rails recessed more than 100mm; |
| RSHPC63__ | Bottom panel for 600mm wide enclosures for configurations with rails recessed more than 100mm; |
| Blanking panels | |
| ETN-PBP1U10 | Kit of 10 tool-less plastic blanking panels |
| Cable managers | |
| RSCMF42U | 42U vertical cable manager finger kit; tool-less |
| RSCMF48U | 48U vertical cable manager finger kit; tool-less |
| RSVCMC42B | 42U high-density cable manager for 800mm wide enclosures; black |
| RSVCMC48B | 48U high-density cable manager for 800mm wide enclosures; black |

* For a full range of accessories, see pages 14 through 19.

RS configured-to-order (CTO) solutions

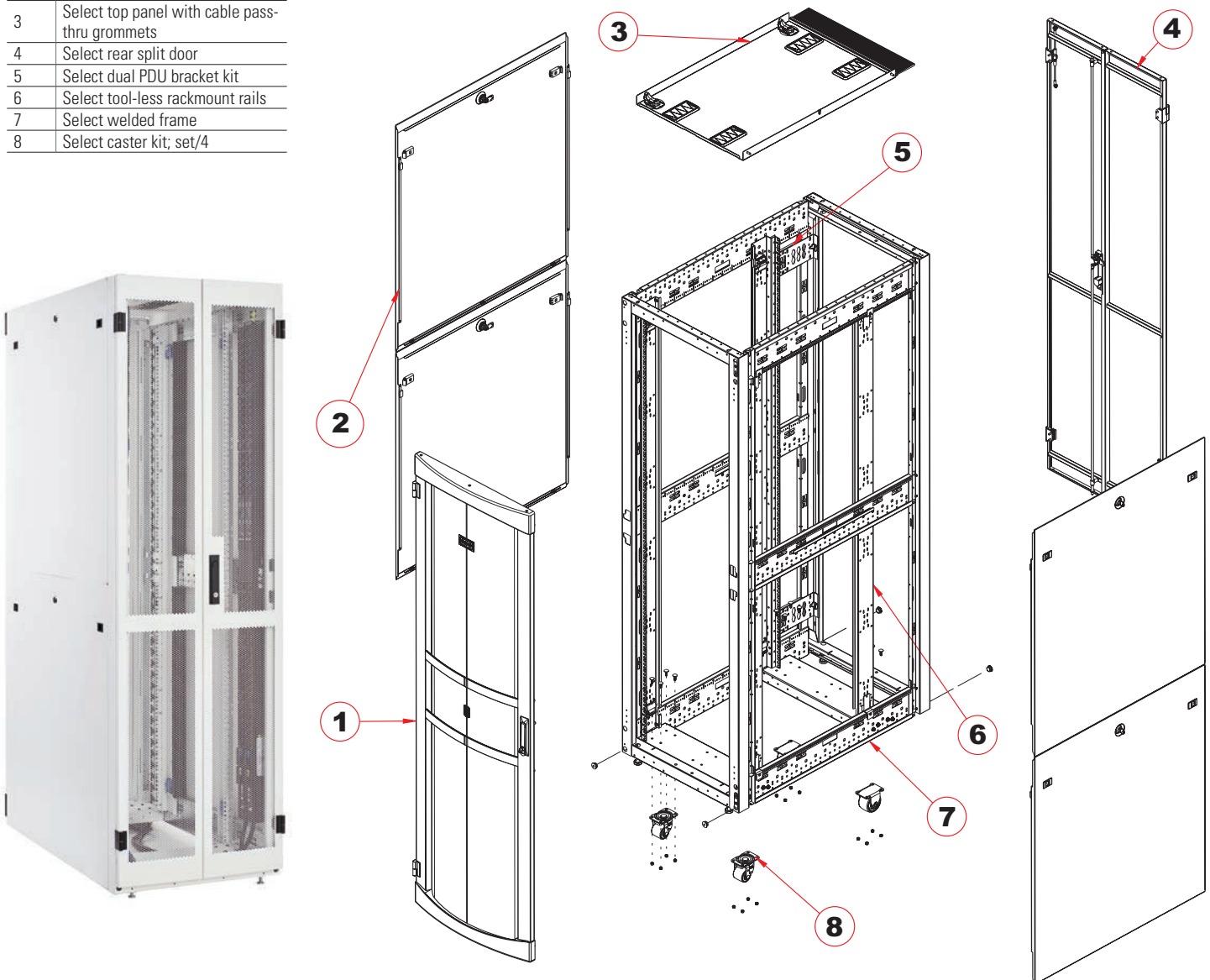
RS can be custom configured to meet your specific requirements with our configured-to-order program. Configure a four-post frame solution for a lab, a high security HFID enclosure for a colocation facility, and more. The options are limitless.

Overview

- Build the part number to configure the enclosure for your application
- Options include: side panels, top panels, doors, casters, door handles, rails and color
- Add-on features for installation include: air dams and heavy duty packaging

RS CTO configuration

| Item | Description |
|------|--|
| 1 | Select front door |
| 2 | Select locking split side panels |
| 3 | Select top panel with cable pass-thru grommets |
| 4 | Select rear split door |
| 5 | Select dual PDU bracket kit |
| 6 | Select tool-less rackmount rails |
| 7 | Select welded frame |
| 8 | Select caster kit; set/4 |



RS configured-to-order (CTO) solutions

To build a part number for a configured-to-order Eaton RS Enclosure, follow the steps below and refer to the exploded view on page 12 for additional reference.

| | | | |
|--------|-----------|--------------------------------------|---|
| Step 1 | R | RS Enclosure Platform | R = RS Enclosure |
| | 42 | Height (rack units) | 42, 45, 48, 52 |
| | 6 | Width | 6 = 600mm 8 = 800mm |
| | 1 | Depth | 0 = 1000mm 1 = 1100mm 2 = 1200mm |
| Step 2 | 2 | Rail type | 1 = EIA 19" square 2 = EIA 19" tapped 12-24" |
| Step 3 | X | Left side panel | S = Solid with lock C = Cable pass-thru with lock X = No side panel |
| | S | Right side panel | S = Solid with lock C = Cable pass-thru with lock X = No side panel |
| Step 4 | 1 | Front door | 1 = Perf left hand 2 = Perf right hand X = No door |
| | 3 | Rear door | 1 = Perf left 2 = Perf right 3 = Split perf 4 = Split solid X = No door |
| | S | Locks (same front & rear) | S = Swing C = Combo H = HFID |
| Step 5 | T | Top panel | S = Server (modular) T = One piece X = No top |
| Step 6 | B | Color | B = Black W = White |
| Step 7 | 1 | Casters | 1 = Standard casters X = No casters |

Example: R42612XS13STB1 is a 42U tall, 600mm wide, 1100mm deep enclosure with EIA 19" tapped hole rails, no left side panel, solid right side panel with locks, perforated front door (hinged left) and split perforated rear doors all with swing lock handles, a one piece top panel, black finish with casters.

RS accessories

Side panels

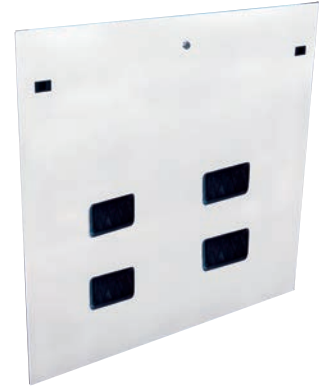
Side panels – solid

- Side panels feature simple unlock and lift-off design for ease of servicing. Each side panel includes top and bottom.
- Select __ = B (black) or W (white)



Side panels – cable pass-thru

- Side panels feature a simple unlock and lift-off design for ease of servicing.
- Grommet pathways for routing cable between adjacent enclosures.
- Select __ = B (black) or W (white)



Cable pass-thru locking split side panel

| Part number | Description |
|-------------|-------------|
| RSSPC420__ | 42U, 1000mm |
| RSSPC450__ | 45U, 1000mm |
| RSSPC480__ | 48U, 1000mm |
| RSSPC520__ | 52U, 1000mm |
| RSSPC421__ | 42U, 1100mm |
| RSSPC451__ | 45U, 1100mm |
| RSSPC481__ | 48U, 1100mm |
| RSSPC521__ | 52U, 1100mm |
| RSSPC422__ | 42U, 1200mm |
| RSSPC452__ | 45U, 1200mm |
| RSSPC482__ | 48U, 1200mm |
| RSSPC522__ | 52U, 1200mm |

Grommet kit

| Part number | Description |
|-------------|-------------------------------------|
| RSGROM4 | Replacement grommets (pkg. of four) |

Solid locking split side panel, black or white

| Part number | Description |
|-------------|--------------------|
| RSSP420__ | 42U, 1000mm, solid |
| RSSP450__ | 45U, 1000mm, solid |
| RSSP480__ | 48U, 1000mm, solid |
| RSSP520__ | 52U, 1000mm, solid |
| RSSP421__ | 42U, 1100mm, solid |
| RSSP451__ | 45U, 1100mm, solid |
| RSSP481__ | 48U, 1100mm, solid |
| RSSP521__ | 52U, 1100mm, solid |
| RSSP422__ | 42U, 1200mm, solid |
| RSSP452__ | 45U, 1200mm, solid |
| RSSP482__ | 48U, 1200mm, solid |
| RSSP522__ | 52U, 1200mm, solid |



Top panels

Top panels – solid

- Limitless number of top panel configurations can be created using the modular top panels shown at right.
- Easy to install without tools – simply pull back the latches and push the panel.
- Available in a range of sizes (with and without grommets for cable pass-thru).
- Brushes and waterfalls available to attach to end of panels for added cable pass-thru options.
- Select __ = B (black) or W (white)

Solid horizontal top panel, black or white

| Part number | Description |
|-------------|-------------------------------------|
| RSHPS61__ | 600mm x 100mm |
| RSHPS63__ | Horizontal top panel, 600mm x 300mm |
| RSHPS64__ | Horizontal top panel, 600mm x 400mm |
| RSHPS65__ | Horizontal top panel, 600mm x 500mm |

Grommet kit

| Part number | Description |
|-------------|-------------------------------------|
| RSGROM4 | Replacement grommets (pkg. of four) |



Top panels – cable pass-thru

- Select __ = B (black) or W (white)

Cable pass-thru horizontal top panel, black or white

| Part number | Description |
|-------------|---------------|
| RSHPC63__ | 600mm x 300mm |
| RSHPC64__ | 600mm x 400mm |
| RSHPC65__ | 600mm x 500mm |
| RSHPC67__ | 600mm x 700mm |
| RSHPC68__ | 600mm x 800mm |
| RSHPC69__ | 600mm x 900mm |



Top panel edge grip

An alternative to brushes, the heavy duty edge grip seal simply pushes on to edge of panel and can be used when panels are in staggered up/down configuration to help provide air seal.



| Part number | Description |
|-------------|-----------------|
| RSHPEDGE61 | 600mm, 180 edge |

Vertical cable management

2" vertical Flextray™ system

Robust wire basket; cost effective and flexible option for cable management.

- Cabling can be routed in/out of gates and at any point of basket
- Velcro® straps are available to secure the cabling in place
- Tool-less mounting brackets are included in each kit
- Black finish

2" Vertical Flextray™ with mounting hardware

| Part number | Description |
|--------------|--------------|
| RSCMBFT42U42 | 2" x 4", 42U |
| RSCMBFT45U42 | 2" x 4", 45U |
| RSCMBFT48U42 | 2" x 4", 48U |
| RSCMBFT52U42 | 2" x 4", 52U |
| RSCMBFT42U62 | 2" x 6", 42U |
| RSCMBFT45U62 | 2" x 6", 45U |
| RSCMBFT48U62 | 2" x 6", 48U |
| RSCMBFT52U62 | 2" x 6", 52U |



Vertical cable managers

For 600mm wide enclosures or low density requirements in 800mm widths, the robust cable manager finger sections can be installed from top to bottom, or in select locations.

- Kits include tool-less fasteners for easy installation
- For high density requirements, full cable managers with doors mount on tool-less brackets behind the rails
- Doors will help provide cable retention

Railmounted cable management fingers, with mounting hardware

| Part number | Description |
|-------------|-------------|
| RSCMF42U | 42U |
| RSCMF45U | 45U |
| RSCMF48U | 48U |
| RSCMF52U | 52U |
| RSCMF11U | 11U |



6" Vertical flat Flextray™ system with mounting hardware

| Part number | Description |
|-------------|-------------|
| RSCMFFT42U6 | 42U |
| RSCMFFT45U6 | 45U |
| RSCMFFT48U6 | 48U |
| RSCMFFT52U6 | 52U |



- Includes high and low density fingers to manage cables
- Dual hinged door to retain cables

High density vertical cable manager, with mounting brackets for 800mm enclosures

| Part number | Description |
|-------------|-------------|
| RSVCMC42B | 42U |
| RSVCMC45B | 45U |
| RSVCMC48B | 48U |
| RSVCMC52B | 52U |



RS accessories

Horizontal cable management.

For front-to-back cabling, the horizontal Flextray system is robust, yet provides a perfect low profile support to attach/route cabling from front to rear of the enclosure.

- Available in 800mm enclosures or flat for any width enclosure
- Tool-less mounting brackets included

Horizontal rackmount cable manager kit with cover

19" rackmount horizontal cable managers are the perfect solution for managing cabling along the front of the enclosure.

| Part number | Description |
|-------------|----------------------|
| SB87019S1FB | 19" – 482mm W x 1U H |
| SB87019S2FB | 19" – 482mm W x 2U H |
| SB87019S3FB | 19" – 482mm W x 3U H |



4" Horizontal Flextray™ system; black with mounting hardware

| Part number | Description |
|-------------|------------------|
| RSBFT42800 | 2" x 4" x 800mm |
| RSBFT42900 | 2" x 4" x 900mm |
| RSBFT421000 | 2" x 4" x 1000mm |



6" Horizontal flat Flextray™ system with mounting hardware

| Part number | Description |
|-------------|---------------|
| RSFFT6800 | 800mm; black |
| RSFFT6900 | 900mm; black |
| RSFFT61000 | 1000mm; black |



Cable management accessories

Split cable retention gate kit

Retention gates are designed to snap onto basket Flextray™ wire basket for cable management.

Split cable retention gate

| Part number | Description |
|-------------|------------------|
| RSCRG10 | 10 pc (5LH, 5RH) |

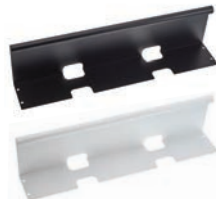


Overhead cable management trough

Use one or more cable troughs to provide separate cable pathways on top of enclosures.

- Select ___ = B (black) or W (white)

| Part number | Description |
|-------------|-------------------------------|
| RSCMOT6__ | 600mm, with mounting hardware |
| RSCMOT8__ | 800mm, with mounting hardware |



Top cable waterfalls

Waterfalls are designed to provide a radius for fiber cables. The waterfall attaches tool-less to the edge of a top panel.

- Select ___ = B (black) or W (white)

| Part number | Description |
|--------------|-------------------------------|
| RSCMTWF600__ | 600mm, with mounting hardware |



Air management brush kit

Cable management brush for tool-less attachment to edge of top panel.

| Part number | Description |
|-------------|---------------|
| RSHPBRS61 | 600mm x 100mm |



Spools and rings

For use with PDU brackets, the following spools and rings can be mounted to bracket for cable management.

| Part number | Description |
|----------------|----------------------|
| ETN-CMTUNR02 | Cable spool |
| ETN-CMDRNR031U | Kit of 4 cable rings |



VELCRO® buckle straps

- Velcro buckle straps allow for mechanical fastening of strap to multiple points in enclosure
- Velcro offers superior reusability versus tie wraps
- 50 straps per kit (standard Velcro straps) and 10 straps per kit (Velcro buckle straps)

| Part number | Length | Width | Qty |
|---------------|--------|-------|-----|
| ETN-CMVBCKL | 9" | .5" | 10 |
| ETN-CMVBCKL12 | 12" | .5" | 10 |
| ETN-BX45V8 | 8" | .5" | 50 |
| ETN-BX45V11 | 10" | .5" | 50 |



ePDU mounting brackets

PDU brackets install easily without tools in the enclosure providing mounting for up to two PDUs and supports for cable management. Velcro® straps, cable rings and spools can attach to the brackets. The standard and long brackets attach to the frame in a variety of locations. The 90-degree version is for use behind the rails on an 800mm wide enclosure.

PDU mounting brackets

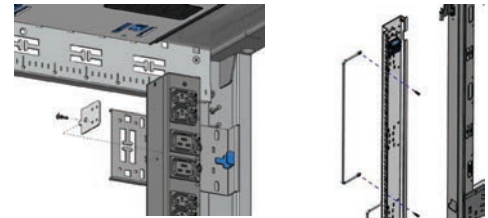
- Select __ = B (black) or W (white)

| Part Number | Description | H | W | D | Weight |
|-------------|---|-------|-----|-------|--------|
| RSPDUMTG__ | ePDU brackets with cable management | 5.12" | 9" | .714" | 4" |
| RSPDULMTG__ | ePDU extended brackets with cable management | 5.12" | 10" | .714" | 1" |
| RSPDU9MTG__ | ePDU brackets – 90-degree mounting behind rails | 4" | 4" | .5" | 4.2" |



PDU mounting kits

| Part number | Description |
|--------------|--|
| RSPDURTNKITB | Kit, ePDU retainer |
| RSCMPWR11 | Kit, bar, 11U, for managing IT equipment power cords |



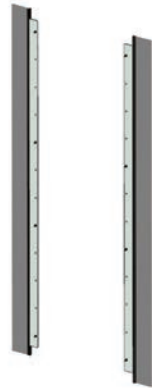
Airflow management

For applications where the hot/cold aisle seal is required, we offer brush strips or vertical blanking panel solutions for 800mm wide enclosures. Both feature tool-less installation. For 600mm wide enclosures, a simple to install air dam kit is available.

- Select __ = B (black) or W (white)

Vertical brush strip air dams for 800mm enclosures; black or white

| Part number | Description |
|---------------|---------------|
| RSAIRB80042__ | 42U enclosure |
| RSAIRB80045__ | 45U enclosure |
| RSAIRB80048__ | 48U enclosure |
| RSAIRB80052__ | 52U enclosure |



Plastic blanking panels

- Tapped/square holes
- Cost effective, tool-less, aesthetic solution for airflow management requirements.

| Part number | Height | Qty |
|--------------|--------|-----|
| ETN-PBP1U10 | 1U | 10 |
| ETN-PBP1U100 | 1U | 100 |
| ETN-PBP1U500 | 1U | 500 |
| ETN-PBP2U10 | 2U | 10 |
| ETN-PBP2U100 | 2U | 100 |
| ETN-PBP2U500 | 2U | 500 |
| ETN-PBP8U10 | 8U | 10 |
| ETN-PBP8U100 | 8U | 100 |
| ETN-PBP8U500 | 8U | 500 |



Vertical air dam kits with hardware and grommets; black or white

- Select __ = B (black) or W (white)

800mm kit

| Part number | Description |
|---------------|---------------|
| RSAIRD80042__ | 42U enclosure |
| RSAIRD80045__ | 45U enclosure |
| RSAIRD80048__ | 48U enclosure |
| RSAIRD80052__ | 52U enclosure |



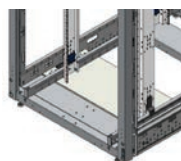
600mm kit

| Part number | Description |
|-------------|---------------|
| RSAIRD60042 | 42U enclosure |
| RSAIRD60045 | 45U enclosure |
| RSAIRD60048 | 48U enclosure |
| RSAIRD60052 | 52U enclosure |



Bottom panel air seal for 800mm

| Part number | Description |
|--------------|--------------|
| *RSBPAIRD2__ | With grommet |



Bottom panel for 600mm

| Part number | Description |
|-------------|----------------------|
| *RSHP63__ | With cable pass-thru |



* For use in configurations with rails recessed greater than 100mm.

RS accessories

Shelving

Standard and heavy-duty fixed and roll-out shelves for storing peripherals and non-rackmounted legacy equipment

| Part Number | Description | Height | Width | Depth | Weight Capacity | Mounting Range |
|-----------------|------------------------------|--------|-------|-------|-----------------|----------------|
| ETN-US192U1605 | Utility shelf | 2U | 17.2" | 16" | 50 lbs. | n/a |
| ETN-FS19201U20 | Standard-duty fixed shelf | 1U | 17.4" | 20" | 200 lbs. | 20" to 26" |
| ETN-FS19241U20 | Standard-duty fixed shelf | 1U | 17.4" | 24" | 200 lbs. | 24" to 29" |
| ETN-FS19281U20 | Standard-duty fixed shelf | 1U | 17.4" | 28" | 200 lbs. | 28" to 35" |
| ETN-RS19241U10 | Standard-duty roll-out shelf | 1U | 17.5" | 24" | 100 lbs. | 24" to 29" |
| ETN-RS19281U10 | Standard-duty roll-out shelf | 1U | 17.5" | 28" | 100 lbs. | 28" to 34" |
| ETN-FS19201U40 | Heavy-duty fixed shelf | 1U | 17.7" | 20" | 400 lbs. | 20" to 26" |
| ETN-FS19241U40 | Heavy-duty fixed shelf | 1U | 17.7" | 24" | 400 lbs. | 20" to 29" |
| ETN-FS19281U40 | Heavy-duty fixed shelf | 1U | 17.7" | 28" | 400 lbs. | 28" to 35" |
| ETN-RS19242U20 | Heavy-duty roll-out shelf | 1U | n/a | 24" | 200 lbs. | n/a |
| ETN-RS19282U20 | Heavy-duty roll-out shelf | 1U | n/a | 28" | 200 lbs. | n/a |
| ETN-CHASBKT2032 | Chassis Bracket 20-32" | n/a | n/a | n/a | n/a | n/a |



Hardware

Rackstuds™ tool-less mounting kit

| Part number | Description |
|--------------|-------------|
| RSSTUDKIT100 | Pkg. of 100 |



Baying kit

The baying kit includes a spare set of baying brackets (all enclosures come standard with a baying kit) and a black filler strip which can be used when mounting enclosures on 24" spacing to fill the gap between the racks

- Select __ = B (black) or W (white)



Caster kit

| Part number | Description |
|-------------|---|
| RSCSTRKIT | Set of four casters (two fixed, two swivel) |



| Part number | Description |
|-------------|--|
| RSBAYKIT__ | With hardware and filler, (filler strip not shown) |

Anchoring kit

Anchor brackets attach to the front and rear of the enclosure for anchoring to the data center floor.

- Select __ = B (black) or W (white)



Hinge kits

| Part number | Description |
|-------------|---------------------------------------|
| RSHINGEKITR | For changing to right side open doors |
| RSHINGEKITL | For changing to left side open doors |



| Part number | Description |
|-------------|-------------------------------|
| RSANC__ | Anchor brackets with hardware |

Anti-tip bracket

The anti-tip brackets are for use during installation of heavy equipment in the enclosure; particularly in the upper U mounting spaces.

- Select __ = B (black) or W (white)

| Part number | Description |
|-------------|------------------------------------|
| RSANT6__ | 600mm stabilizer kit with hardware |
| RSANT8__ | 800mm stabilizer kit with hardware |



Cage nuts & screws

| Part number | Description |
|----------------|-------------------|
| ETN-1032CAGE20 | 10-32 - kit of 20 |
| ETN-M6CAGE20 | M6 - kit of 20 |



RS accessories

Handles & locks

HFID lock

For HFID locks, a battery kit is required to activate the lock for opening prior to installation. For managing the locks, a software package by Dirak® is available

| Part number | Description |
|-------------|------------------------------|
| RSDDLH | HFID handle replacement kit |
| RSFIDBATT | HFID battery pack |
| RSFIDADMSW | Admin software for HFID lock |



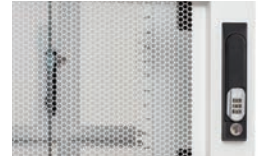
Swing handles

| Part number | Description |
|-------------|--|
| RSDDLH | Swing handle replacement kit (2 handles) |



Combo lock

| Part number | Description |
|-------------|---|
| RSDDLH | Combo lock handle replacement kit (2 handles) |



Miscellaneous accessories

Rail kits with square holes for 600mm enclosures

- Select __ = B (black) or W (white)

| Part number | Description |
|-------------|---------------------------|
| RSRSPSQ42__ | 42U rails, kit of 2 rails |
| RSRSPSQ45__ | 45U rails, kit of 2 rails |
| RSRSPSQ48__ | 48U rails, kit of 2 rails |
| RSRSPSQ52__ | 52U rails, kit of 2 rails |



Ramp

The optional ramp is used with the standard RS packaging to facilitate easy movement of the enclosure from the pallet.



Ramp

| Part number | Description |
|-------------|--|
| RSRMPSTD | Standard ramp (must be ordered with enclosures; not available for separate shipment) |

Rail kits with square holes for 800mm enclosures

- Select __ = B (black) or W (white)

| Part number | Description |
|--------------|---------------------------|
| RSRSPSQ842__ | 42U rails, kit of 2 rails |
| RSRSPSQ845__ | 45U rails, kit of 2 rails |
| RSRSPSQ848__ | 48U rails, kit of 2 rails |
| RSRSPSQ852__ | 52U rails, kit of 2 rails |

Grommet kit

Replacement grommet kit.

| Part number | Description |
|-------------|----------------------------------|
| RSGR0M4 | Kit of grommets, package of four |

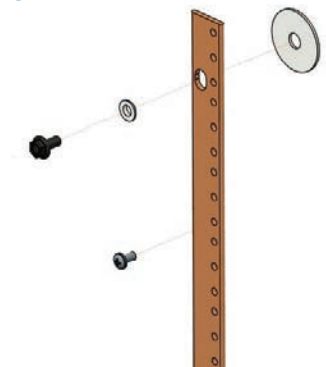


Hardware kit

| Part number | Description |
|-------------|--|
| RSRLKIT | Rail locking kit for securing rails during shipment when IT equipment is installed |

Buss bars with mounting hardware

| Part number | Description |
|-------------|-------------|
| RSBB42 | 42U |
| RSBB45 | 45U |
| RSBB48 | 48U |
| RSBB52 | 52U |



For more information, on Eaton's
RS Enclosure, please visit
www.eaton.com/RS

U.S. Customer Service Center is staffed Monday through Friday from 7 a.m. to 5 p.m. Central Standard Time.

Eaton
509 West Monroe Street
Highland, IL 62249
United States
800-851-7415
www.cooperblinc.com/contactus

Eaton
1000 Eaton Boulevard
Cleveland, OH 44122
United States
Eaton.com

© 2017 Eaton
All Rights Reserved
Printed in USA
Publication No. CA301001EN
January 2017 RSRE-17R

Eaton is a registered trademark.
All other trademarks are property
of their respective owners.

Follow us on social media to get the
latest product and support information.

